

BOATS & HARBORS®

www.boats-and-harbors.com

\$4.00

THIRD SEPTEMBER ISSUE 2017 VOLUME 60 NO. 14

Covering The East Coast, Gulf Coast,
West Coast & Inland Waterways

"THE" MARINE MARKETPLACE

PH: (931) 484-6100 • Email: gdonnelly@boats-and-harbors.com



ACCOMMODATION BARGE

Cash Price:
\$7.95MM (Reduced from \$15MM)



POOL



MOVIE THEATER



70' MARINA

MOTIVATED SELLER

MUST SELL!



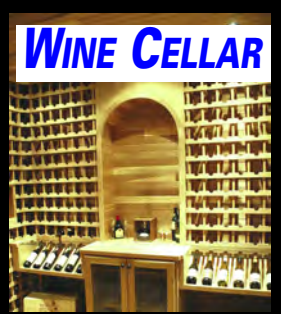
STAIR WELL



11,000LB HELIDECK



FULL RESTAURANT



WINE CELLAR

370' Long x 85' Wide x 55' Tall

Features: 38 Rooms, Up To 300 People • Pool • Movie Theater • Bar • Full Restaurant • Aquarium • 11,000 lb Helideck Boat Crane For Lifting 32' Boats • 70' Marina • 2 Water Makers • 4 CAT Generators • 14,000 sq ft Unused Space Ready For Casino Or More Accommodation Rooms • Perfect For Oil Rig Support, Fishing / Gaming Lodge, Private Island, Floating Hotel.

Ready For Immediate Delivery! • Contact Us At: 727-441-3474



Look Joey, 'You' re No Bozo! First of all, you cannot juggle the budget, Secondly, we cannot all fit in your 8' jon boat and Thirdly, your elephant smells are just not funny!

BOATS & HARBORS®
P. O. Drawer 647
Crossville, Tennessee 38557-0647 • USA



Contents of this publication either in whole or in part may not be reproduced without the express permission of the publisher.
Copyright © 2017 Donnelly Advertising & Publishing.



BOATS & HARBORS Is Published 3 Times Each Month and Each Issue Goes by Direct Mail and Internet to Thousands of Individual Boat Owners, Builders and Operators, Tug, Pushboat and Barge Owners and Builders, Boat Yards, Commercial Fishermen, Packers and Processors, Divers and Diving Companies, Docks, Dredgers, Exporters, Ferryman, Freighters, Harbor Personnel, Longshoremen, Marinas, Steamship Companies, Marine Contractors, Off-Shore and Inland Oil Exploration Firms, Pile Drivers, Marine Salvage Firms, Ship Yards, Terminals, Towing Companies, Marine Warehouses, Government Agencies & other Related Businesses in the U. S. Possessions, Canada, Mexico & most other Foreign Countries. Boats and Harbors Is Published in Crossville TN 38557.



Buying or Selling?

BOATS AND HARBORS Is The Most Economical & Fastest Way To Reach The Commercial Marine Market!

Talk About A Search Engine!!!

Try Boats And Harbors With Both Online and Print Editions



Let The "Yellow Sheet" Optimize Traffic To Your Website! Advertise Today!

View Boats and Harbors Online at:
www.boats-and-harbors.com

WATER COOLED EXHAUST MANIFOLDS
For 3-71, 4-71, & 6-71 Detroit Diesel



DD-1-6710

- 3-71 & 6V71.....\$225.00
- 4-71 & 8V71.....\$250.00
- 6-71 & 12V71.....\$325.00
- 4" NPT EXHAUST END PLATE.....\$40.00
- Water Cover Plate (Specify Pipe Size).....\$9.00



BARR MARINE BY EDM
100 Douglas Way, P.O. Box 190
Natural Bridge Station, VA 24579
Toll Free (866) 255-9265 Fax (540) 291-4185

2002 Zodiac Hurricane



LRI stabilized 2002 Zodiac Hurricane long range interceptor. Hull was replaced in 2007 by Zodiac, motors were replaced at the same time with Reman Cummins 315's approximately 1,000 hours. Pontoons are lightweight foam covered with Hypalon. The boat is unsinkable. I purchased the boat in 2016 and installed a \$33,000.00 Seakeeper 3 DC Gyro stabilizer, installed a sine wave inverter, four new golf cart batteries, 6,000 BTU marine AC and Heat. 2017 pulled out the motors and gears, did a valve adjustment and all new seals. Completely cleaned the engine compartment. Replaced all of the shift and throttle cables, installed a set of Kiekhaefer 31" trim tabs, installed Walker air filter silencers, Racor oil coalescers, serviced both Hamilton 274 jet drives with all new seals, new zincs. Replaced 24 V search light, installed new Furuno radar. Installed new suspension seats. Comes with Road King 18,000 GVW torsion axle trailer. You won't find a more stable boat for a boat this size! Great for a tow-boat or search and rescue boat. Cruises at 31 mph at 2,400 RPM.

Price Reduced To \$129,900 or will sell without Gyro for \$99,000
Call Bob For More Info (401) 864-2474

CLOSING DATES • FIRST OCTOBER ISSUE 2017

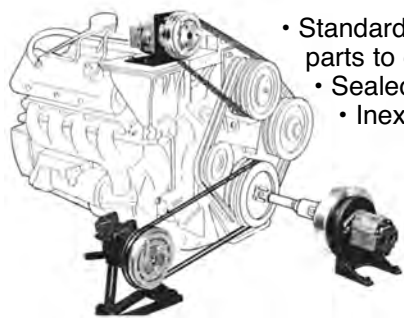
• To Be Mailed September 29th •

FOR DISPLAY September 26th **FOR CLASSIFIED** September 28th
(9:00 A.M. C.S.T) (10:00 A.M. C.S.T)

Specify PITTS Heavy Duty Electric Clutches & Mounts

Adaptable, Dependable... Easy to Install & Maintain
SHAFT OR V-BELT DRIVEN MARINE CLUTCHES

- 75 to 1500 lbs - ft • 12 or 24 VDC power supply • Compact
- Zinc plated-meets ASTM B-117 salt spray test
- SAE pump mount-several options available



- Standard drive shaft flange input requires fewer parts to connect to drive train
- Sealed bearings-no lubrication required
- Inexpensive

PITTS

The Clutch People
Distributed/Represented
in Canada and the East Coast by:

Coastal Hydraulics

28 Route 286, Seabrook, NH 03874
(603) 474-1914 • FAX (603) 474-1902

LIFETIME CUSTOM ALUMINUM BOATS



25' LANDING CRAFT

WORK BOAT 20', 24' - IN STOCK



DECK BARGE 24' HYDRAULIC CRANE 24' PATROL LANDING CRAFT - IN STOCK



30' LANDING CRAFT - IN STOCK

PILOTHOUSE 40'

~ Stock Workboats Available ~
Workboats and Landing Craft in Stock

LIFETIME BOATS, INC.

14104 Hwy 84, Jonesville, LA 71343

Phone (318) 339-4007

bodie@lifetymeboats.com

www.lifetymeboats.com



2008 57' Gilman Sport Fisherman, twin Detroit Diesel Series 60 engines (1400 hours), Twin Disc MG-5114-A Transmission, Electronic Controls DDEC IV, 25 kw Northern Lights generator, Full Electronics, MSD unit, 220 gal fresh water, Twin Helm Hydraulic Steering, windlass, Auto-Pilot, 4 blade props, 3" SS shafts, 2-AC/heat units, stereo radio, Flat screen TV, DVD Player. Very economical (45/50 gal/hr. @ 20 knots). Survey completed and available for review. (Valuation based on survey @ \$750,000) Will consider trade for express.

~~\$450,000.00~~ \$420,000.00

Call: 251-599-8383 or Email: purchasing@steinermarine.com



USCG Certified • 370 PASS • 3 Miles Off Shore • Partially Protected Waters

Huge luxurious salon and bar; 5 king staterooms with full heads, showers; KVH Satellite TV; State of the art galley; 3 Southbend conv. ovens, Jackson dishwasher, walk-in cooler, full laundry; Walk-in engine room and maint. shop; Can seat 370 for dinner; Enclosed party deck with full bar, 800 lb. ice maker; Deluxe pilot house w/full electronics, satellite navigations, auto pilot, radar, wing stations; Partially covered Sky Lounge has full bar; State-of-the-art security system; 2-375 Hp John Deere State-of-the-art electronic engines and ZF trans.; 2-99 kw electronic John Deere gens; 155 Hp bow thruster, bulbous bow, bilge keels; All keel cooled, 11 zone heat and air; 5 floor elevator; Hyd. spuds; 128' x 35' x 5'6" draft; 11 mph; under 100 gross ton; 17,000 sq. ft. deck; Amenities that Feadship, Christensen, Delta & Trinity don't include at a fraction of their cost.

Low maintenance! Call Captain Winston Knauss • 305-947-6868

St. Petersburg, FL • \$2,900,000 • That's just \$175 a S.F. deck area!
www.sirwinstonluxuryyacht.com www.winstonknaussmarine.com

Harbor / Coastal Tug For Sale



102 x 30 x 13 M.E. 16-645 Turbo Falk Gear, 4:1 ratio. 110 x 80 S.S. Prop. 6-71 Gen Sets. 2000 gal / minute. Fire monitor, full electronics, C.G. inspected, Boat in excellent shape.

Priced To Sell • Call (207) 780-8847

LOOKING AHEAD

AHEAD TANK™

WILL BE THE **LAST** SEWAGE TREATMENT SYSTEM YOU WILL EVER BUY

USCG Certified Type II Marine Sanitation Device

In Compliance with Title 33 CFR 159.015 for Inspected and Non Inspected Vessels

Also Accepted Worldwide in accordance with the NEW 2016 IMO Resolution MEPC.227 (64)



Model AT-12T

#1 in the #2 Business

NEXT GENERATION TECHNOLOGY

Sewage Treatment Systems, Products, Parts & Supplies



FOR MORE INFORMATION

Phone: 337-330-4407

Email: headflusher@aheadtank.com

VISIT US ONLINE:

www.aheadsanitationsystems.com

facebook.com/aheadsanitationsystems



DON'T LET MOTHER NATURE AFFECT YOUR BOTTOM LINE

Our custom-built fabric structures are designed to withstand the harshest conditions, while ensuring that your business needs are met. Everything from covering large refit projects to storing equipment and cargo is a cinch with a Big Top Fabric Structure.

The high clearance and open design of our shelters make them ideal for the marine industry.

- Boat Fabrication/Refit
- Paint & Blasting
- Warehouse
- Equipment Storage

BIGTOPSHELTERS.COM
1.800.277.8677

EQUIPMENT

- ✓ TUGS
- ✓ ABS UNRESTRICTED HOPPER BARGES

SERVICES

- ✓ MARINE TRANSPORTATION
- ✓ PROJECT CARGO
- ✓ SHIP ASSISTS
- ✓ ICE BREAKING
- ✓ SALVAGE

OPERATING ON THE GREAT LAKES AND INLAND RIVER SYSTEM



FOR MORE INFORMATION, CONTACT **SETH ANDRIE** AT
(231) 220-5530 OR **SETH@ASHTONTUGS.COM**
OR VISIT **ASHTONTUGS.COM**

Southern Marine Services Inc.

Email: southernmarineservicesinc@gmail.com

Website: www.Southernmarineservices.com

(321) 536-4855 / (321) 501-5200

SE HABLA ESPANOL WE WANT YOUR BUSINESS

FOR SALE 2 High Speed Pass Ferries Cats



All Alum. Construction Fjellstrand
1990 Cadillac Vessels • 132' x 32' x 6'
Loaded • Great for Island Service • 282 Pass
Speed 25-36 Kts. • Jets Zero Hrs.
on Engines • Totally Rebuilt DNV Classed
Have Crew Will Travel

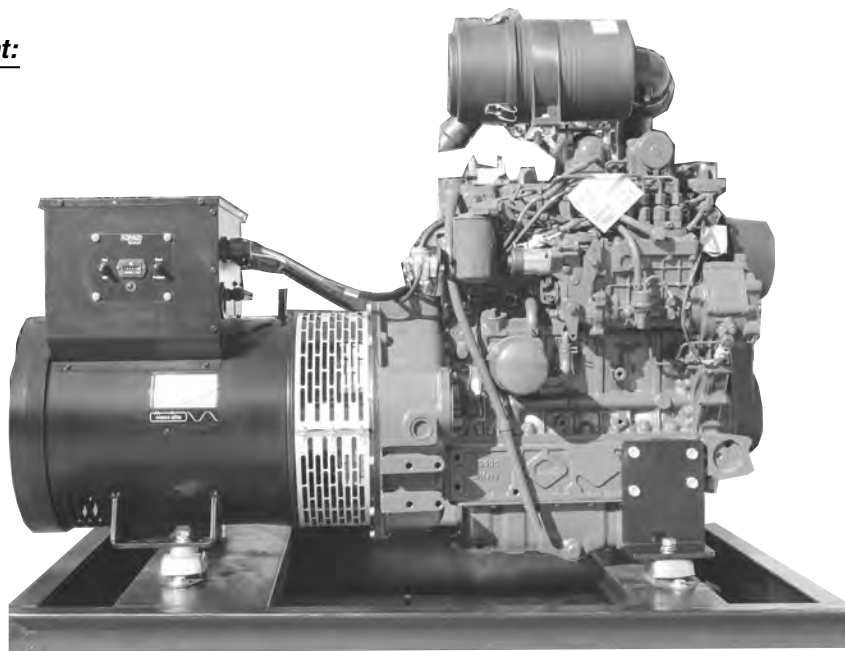
These Two Vessels Are The Best Deal on the Market
ONLY \$750,000.00 Each

Located USA East Coast
See Our Web Site

Kubota

1800 RPM Standard Equipment:

- Kubota Diesel Engine
- 12 Volt Electric Starter
- 12 Volt Battery Charging Alternator
- Automatic Engine Shutdown for Low Oil Pressure / High Coolant Temperature
- Fuel Filter
- Built in Fuel Transfer Pump
- Dry Air Cleaner
- Heavy Duty Steel Frame with Isolation Mounts
- High Ambient Radiator Cooling
- MeccAlte Industrial Generator
- Brushless Exciter
- Unit Mounted Solid State Voltage Regulator
- Ship-loose Muffler with Raincap
- Toggle Switch Start
- Engine Hour Meter
- 3 Year Kubota Engine Warranty
- EPA Tier 4I Compliant



KK4-50.0 kW

Optional Equipment:

- Sound / Weather Enclosures
- Auto Start / Stop
- ATS
- Fuel Tanks
- Block Heater
- Critical Silencers
- Gauge Panels
- RACOR Filters
- Circuit Breakers

KEEL COOLED MODELS

MODEL	PRICE	MODEL	PRICE
DRY EXHAUST MANIFOLD			
KK3-7.0KW	\$ 5,891	KK4-21.0KW	\$ 9,634
KK3-8.5KW	6,321	KK4-25.0KW	9,955
KK3-9.5KW	6,542	KK4-30.0KW	10,406
KK4-12.5KW	7,245	KK4-40.0KW	14,506
KK4-15.0KW	8,306	KK4-50.0KW	15,708
KK4-17.5KW	8,511	JD4-60.0KW	17,627

Southeastern Power Products is the Authorized KUBOTA Industrial Engine America Distributor for the State of Florida, Bahamas and the Caribbean.

Supplying *Genuine KUBOTA Parts* and *factory Remanufactured components.*

WE SHIP GENERATORS WORLDWIDE RADIATOR COOLED GENERATORS

Model	KW Rating	Net Price
SEP 7.0I	7.0 KW	6,285
SEP 8.5I	8.5 KW	6,631
SEP 9.5I	9.5 KW	6,925
SEP 12.5I	12.5 KW	7,686
SEP 15.0I	15.0 KW	8,474
SEP 17.5I	17.5 KW	8,973
SEP 21.0I	21.0 KW	9,755
SEP 25.0I	25.0 KW	10,353
SEP 30.0I	30.0 KW	10,983
SEP 40.0I	40.0 KW	12,579
SEP 50.0I	50.0 KW	13,934

LOWBOY

GL SERIES

GL7000 - USA \$4,600
GL11000 - USA \$5,800
GL14000 - USA \$8,950



COMPONENTS AVAILABLE

SOUTHEASTERN POWER PRODUCTS

2880 Hammondville Road,
Pompano Beach, FL 33069
Phone: (954) 979-5899
Fax: (954) 979-4349

www.southeasternpower.com

Prices and Specifications
Subject to Change



**Quality Custom Built Aluminum Workboats & Pleasure Craft
Located In Harvey, Louisiana Just South Of New Orleans.**



27' Harbor Patrol Vessel



75' Quick Response Fire Fighting Vessel



35' Collar Style Supply Vessel



38' In Shore Supply Vessel



30' Aluminum Supply Vessel



30' Collar Style Supply Vessel

Aluminum Never Looked So Good!

- We Also Offer A Variety Of Services Including:*
- Repairs
 - Conversions
 - Sandblasting & Painting
 - Aluminum & Steel Fabrication
 - Dockside Service Including A 65 Ton Crane
 - Experience With State & Local Government

Let Us Build A Boat For You!

Contact Darren or Chad at (504) 347-7898

Visit us on the web at WWW.ALUMAMARINE.COM. For further info, contact us by email at chad@alumamarine.com or darren@alumamarine.com

BAIER



Hatch Company, Inc.

THE STRONGEST HATCH TO EVER HIT THE DECK!



ROUNDS



OVALS



MULTI-BOLT MANHOLES



SQUARES

Hatches Available in Cast Aluminum & Cast Steel

TO ORDER

800 - 455 - 3917

Seattle, WA • Costa Mesa, CA
www.baiermarine.com

Marine Equipment For Sale

From Maine Coast Marine

Phone: 207.266.0178



Email: BJGrindle@gmail.com



Model Bow Tug

1000 Horsepower
Year: 1999 • Length: 44'
Beam: 15' • Draft: 6'

Twin Detroit Diesel Engines.
Twin Screw. 3 Ton Knuckle Boom Crane.
Tow Bit, Teaxs Bar. Accommodation,
200 Gallons Heated Fresh Water, Shower,
Galley, 950 Fuel Capacity. Ready For Work.
Fresh Exterior Paint
(In Progress, Photo Is Current).

ASKING \$175,000



2006 58' x 24' x 5' Deck Barge

With 35' Spuds

ASKING \$37,500

Pair Of Larc-LX

(Lighter, Amphibious Resupply,
Cargo) • Hulls #52 And #53

**FOR SALE TOGETHER
OR SEPARATELY \$50,000 EA**



96' x 32' x 6' Deck Barge • 65' Spuds, Internal Hydraulic Power, Fuel Storage, Office, Tool Room, And More.

ASKING \$150,000

FOR SALE SEPARATELY OR TOGETHER

1966 Link-Belt LS-1088 Crawler Crane, Completely Rebuilt 2 Years Ago, 3,000 Original Hours. Plumbed For Pile Driving.

ASKING \$35,000

Shallow Draft Tow Boat Pittsburgh, PA "Gracie S."

Best Reasonable Offer Accepted



An all-steel, all-welded shallow draft towboat of distinctive design. Originally designed and built by the U. S. Navy, she was called a "Causeway Section Powered." This towboat is quite a bit different from the average river towboat for several reasons. First, her scantlins are very heavy. Second, she is made up of six modular smaller hulls bolted together. While powered by conventional diesel engines, this towboat's thrust is provided by 360 degree rotational capability, high volume water jets. Her bow is raked and fitted with steel towknees for push towing. Her stern is shallow due to the hull design around the water jet. There are no crew's quarters or galley aboard. The pilothouse is a narrow vertical structure at the top of which is the operating station containing electronics, clutch and throttle (Morse cable) controls and engine monitoring gauges. There is a bilge level alarm and each module has its own automatic bilge bump. **Vessel Particulars:** Name: Gracie S., **Dimensions:** Length 39.17', Breadth 21.33', Depth 5.0'. **Displacement:** 50 S. tons (approximately). **Height of Eye:** 14'-6". **Main Engines:** Two Detroit Diesel 8V-71 diesels with turbochargers. **Gears:** Allison marine reduction gears. Starts by hydraulic accumulator. Engine exhausts are lagged. **Fuel Tank:** One stainless steel 640 gallon diesel fuel tank. **Hydraulics:** Stainless steel 55 gallon hydraulics tank. **Electrical System:** Four (4) 12 volt batteries powering lights and other electrical apparatus. **Combination Radar and GPS System Aboard.** **Fire Detection System:** Two 50 pound CO2 bottles connected to a fixed system. **Deck Fittings:** Kevels or Cleats arranged along each gunwale. **Horn -** Works (loud), All necessary Navigation Lights. Two VHF Marine radios. **Towing Arrangements:** Two manual winches on the foredeck. **Safety Items:** Handrailing around pilothouse. Safety chains and stanchions around perimeter of deck. All walking surfaces are coated with a slip proof surface. This boat has been professionally coated externally. Internally, her coating is as original, i.e. excellent. **River Trials:** On this day, the boat was operated on the Monongahela River. She was run through a full range of engine rpms, ahead and astern. Her steering was found to be superb and the boat was turned 360° in a tight circle. Remember, there are no propellers or rudders, only high volume water jets with 360° capability. Furthermore, at full throttle, she was made to steer hard to starboard and her heel angle was very small. Because she is modularized, she is a seaworthy craft. Access hatches on deck are similar to those used in submarines, i.e. gasketed grooves and lids secured with a bayonet mechanism. In the opinion of the undersigned, this towboat "Gracie S." is tight and sound; well and sufficiently powered and equipped. "Gracie S." is fit for her intended service and is a very good insurance risk Spare Engine and nozzle included (new).

\$230,000.00 Can be dismantled and easily shipped by truck

Contact: Jay A. Paroda - 724-930-7557 x224

MIDSHIP MARINE INC.

MIDSHIP MARINE

OUR QUALITY SAYS IT ALL!
WHEN IT COMES TO BUILDING ALUMINUM BOATS
WE HAVE NO LIMITATIONS

• Passenger Vessels • Crew Boats • Pilot Boats • Patrol Boats • Dive Boats • Water Taxis • Fishing Boats



210' x 32' HIGH SPEED CREWBOAT



95' OIL SPILL FRV



65' SAILING CAT - 120 PASS



42' CREWBOAT



97' EXCURSION VESSEL



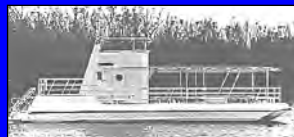
70' x 21' PASSENGER FERRY



90' CATAMARANS - 250 PASS



55' PASSENGER HEADBOAT - 49 PASS



55' SEMI SUB - 49 PASS



58' ALUMINUM VESSEL

MIDSHIP MARINE ALSO SPECIALIZES IN CONVERSIONS OF CREW BOATS INTO: DIVE VESSELS, CHARTER YACHTS, PASSENGER FERRIES, ETC. W/LOW PRICING & HIGH QUALITY. LET US DESIGN & QUOTE YOUR NEXT VESSEL.

MIDSHIP MARINE will quote on building any vessel to meet your specific needs. All work is done at our yard in Harvey.

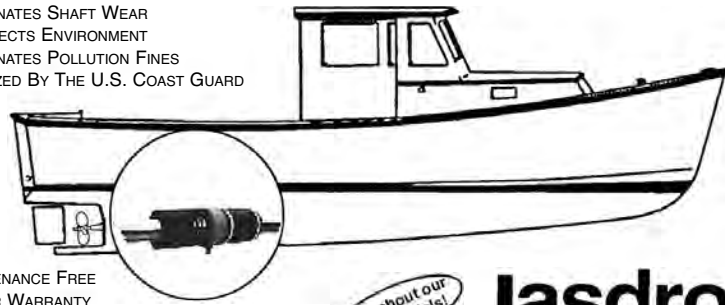
CONTACT MIKE or RANDY - PHONE (504) 341-4359 • FAX (504)-340-8997

Email: Midboats@aol.com • Website: www.MidshipMarine.net

MAILING ADDRESS: P.O. BOX 125, HARVEY, LOUISIANA 70059

- RATED "BEST" BY POWERBOAT REPORTS
- REPLACES STUFFING BOX
- DRIPLESS
- ELIMINATES SHAFT WEAR
- PROTECTS ENVIRONMENT
- ELIMINATES POLLUTION FINES
- UTILIZED BY THE U.S. COAST GUARD

The most advanced.
The most reliable.



- MAINTENANCE FREE
- 3 YEAR WARRANTY
- SINCE 1975
- METRIC AND CUSTOM SIZES AVAILABLE
- FROM 3/4" TO 8" SHAFT SIZES
- MADE IN USA
- 3 MODELS TO CHOOSE FROM
- COMPLETE LINE OF RUDDER SEALS
- PRICES STARTING AT \$95

Ask about our fall specials!

Lasdrop
SHAFT-SEAL

nautical 11x SPECIALTIES 1-800-940-SEAL

3615 Dove St., Port Huron, Michigan 48060 USA

Phone: 810.388-9718 • Fax: 810.388-9753

Visit Us Online At: lasdrop.com

COOPER CAPITAL
SPECIALTY SALVAGE, LLC

860-395-4745

info@cooperss.com

The complete salvage management company
Building relationships, not transactions

www.cooperss.com

Register to bid and receive information via email

56' x 14' Landing Craft



Twin John Deere Diesel Engines • Craft Has Been In Fresh Water Only • Lake Superior

All Other Questions Ask • (218) 428-1860

LEE FELTERMAN AND ASSOCIATES, LLC

Ph: (985) 397-2848 • Website: www.leefelتمان.com

MARINE EQUIPMENT FOR SALE

120' x 24' x 10' Aluminum Crew Boat



Main Engines: (4) Detroit 12V71 TI
Passengers: 50 • Speed: 20 Knots
CB# 355 • Asking Price: \$525,000

65' x 24' Living Quarters / Houseboat



30' x 16' Generator Barge
26 Beds, 6 Cabins • (2) Generators
New Steel Bottom

May 2017
HB# 242 Package
Price: \$225,000



115' x 24' Utility Vessel

Built: 1976 • Berths: 12
Main Engines: (2) Detroit 16V-92
Deck Space: 55' x 24'
Running Condition • UTB# 186
Asking Price: \$160,000

Aluminum V-Bottom Deck Boat

47' x 10' • Year Built: 2011
Main Engines: (2) 300HP
Yamaha 4-Stroke • CB# 242
Asking Price: \$120,000



Fast Rescue Craft

Norsafe 7.5m Magnum
Hamilton Jet Drive
Brand New, 0 Hours
Aluminum Cradle
Contact For More Information



Truckable Barges New and Used

Multiple In Stock
All Price Ranges
Bulk Heads • Spud Guides
Blasted & Painted
Pin Together, Etc
Very Reasonable Prices
Contact for more info.



UNDERWATER LIFT BAGS ENGINEERED FROM THE BOTTOM UP!

- OPEN BOTTOM AND ENCLOSED LIFT BAGS FROM 100 LBS TO 50 TONS
- CABLE AND PIPELINE FLOATS
- WATER LOAD TEST BAGS
- LIFE BOAT TEST DAVIT TEST KITS
- PIPE PLUGGERS - INFLATABLE PIPE STOPPERS
- INFLAT-A-TANK - LIQUID STORAGE BLADDERS
- FEND-AIR™ - INFLATABLE MARINE FENDERS
- RENTALS AVAILABLE

MADE IN USA • ALL MAJOR CREDIT CARDS ACCEPTED • IMCA COMPLIANT

P.O. Box 2030 • North Kingstown, Rhode Island 02852 USA

Phone: (401) 884-8801 • Toll Free: (800) 466-6962 • Fax: (401) 884-8868

Website: www.SUBSALVE.com • E-mail: Richard@Subsalve.com

TO REDUCE, RECOVER
AND SAVE ON
ELECTRICITY COSTS,
JUST CALL LEAH.



Leah, the Hialeah Meter Maid



Remanufactured meters with everything
you need to install on existing
power box or pedestal* now only **\$37.99**

- Meter (Single Phase) with 2 Year Guarantee
- New Nipple
- New Meter Socket
- New Mounting Hub
- New Sealing Ring
- Security Seal

*We have power boxes and pedestals should you need them as well.

120/208V meters also available

HIALEAH METER

Meters you can believe in since 1954.

www.hialeahmeter.com • 800-654-0821 • 800-521-9925

Opdyke Inc.
 Specialized Trucks & Equipment Sales
 3123 Bethlehem Pike, Hatfield P.A. 19440
 Sales@Opdykes.com
 DESDE MEXICO: 001-215-721-4445
866-204-2545

www.Trucks123.com

100+ SPECIALIZED TRUCKS IN STOCK!

20 TANDEM KNUCKLEBOOM TRUCKS IN STOCK!! \$34K-\$100K

9169,500 0891
12 TON
 61,863 ml.

2010 KENWORTH T400; CUMMINS ISL 330 6 CYL (330 HP); ALLISON 6 SP AUTO; AIR RIDE; A/C; 60K GVW. 2007 PM 27026S-LC KNUCKLEBOOM; 12 TON; RADIO REMOTES; 24'6" STEEL FLATBED. UNMOUNTED KNUCKLEBOOMS

20+ US6D \$9,500 & UP

HIAB • PALFINGER • EFFER • FASSI • ETC.

7600 MILES 30 TON 1,000 HOURS

8914 \$149,500

2009 STERLING LT8500; CUMMINS ISM-300 6 CYL (300HP); ALLISON 6 SPAUTO; A/C; 60K GVW. NATIONAL CRANE 1300H; 30 TON; 164' HOOK HEIGHT; 22' STEEL FLATBED.

10+ FUEL TRUCKS IN STOCK!

BROKERS WANTED
 we pay competitive commissions on sales!

1985 MANITOWOC 4100-W SERIES II CONTAINER HANDLING CRANE

Serial #41809
 Year Model 1985
 80' Boom With
 33' Stationary Tower
 Elevated Cab
 Cummins
 NTA-855-C400
 Diesel, Container
 Lifting Attachment Inc.
 Exc. Undercarriage
 Work Ready.
 Can Be Barge Loaded
 Located In The West
 Palm Beach, FL Area
**SPECIAL PRICE:
 AS IS
 West Palm Bch, FL
 \$250,000**
 "Subject To Prior Sale"

Harold Howell Const. Equip. Co.
 Ph: (561) 744-5091 • Fax (561) 743-0915
www.haroldhowell.com • hh@haroldhowell.com

Southern Marine Services Inc.
 Email: southernmarineservicesinc@gmail.com
 Website: www.Southernmarineservices.com
 (321) 536-4855 / (321) 613-0458

SE HABLA ESPANOL WE WANT YOUR BUSINESS


100' CREW DIVE SALVAGE ISLAND CARGO BOAT

Triple Screw • Twin Gen 30kw
 Can Carry 100 Pass and Deck Cargo
 Reconditioned Engines • Good Hull
 Licensed Gulf
Will Deliver to Your Dock
Bargain Boat at Only \$175,000

EMD ENGINES & PARTS SUPPLIERS NEW • USED REBUILT

CUSTOMER SATISFACTION FOR OVER 30 YEARS
Power Systems International, Inc.
 PO Box 297 • Clarendon, AR 72029
Phone (870) 747-3393 • Fax (870) 747-5352
 Mike Steeland, Willie Reinhardt or Kevin Steeland

FOR SALE
1994 - 85' ALUMINUM YANK



150 Passenger. Complete overhaul in 2013 by Yank Marine. 3X John Deere 650 HP 2.5:1 ZF gears, 1,700 hrs since new. 2 Kubota 33 KW generators. Excellent condition.
SERIOUS INQUIRIES ONLY
Call Dan (718) 877-5815

Central Boat Rentals, Inc.
 Morgan City, LA

Ocean Towing: 2000 HP Push Boat
 10K & 30K BBL Double Skin Oil Barges

(985) 384-8200 www.centralboat.com

"Fishers make the most powerful and ruggedly constructed underwater metal detectors you can own"

Jack Fisher, Founder

Diver Mag 1
 Diver Held Mag \$9,495

Rated #1 by U.S. Homeland Security

Pulse 8X Underwater Metal Detector
 Only \$2,395

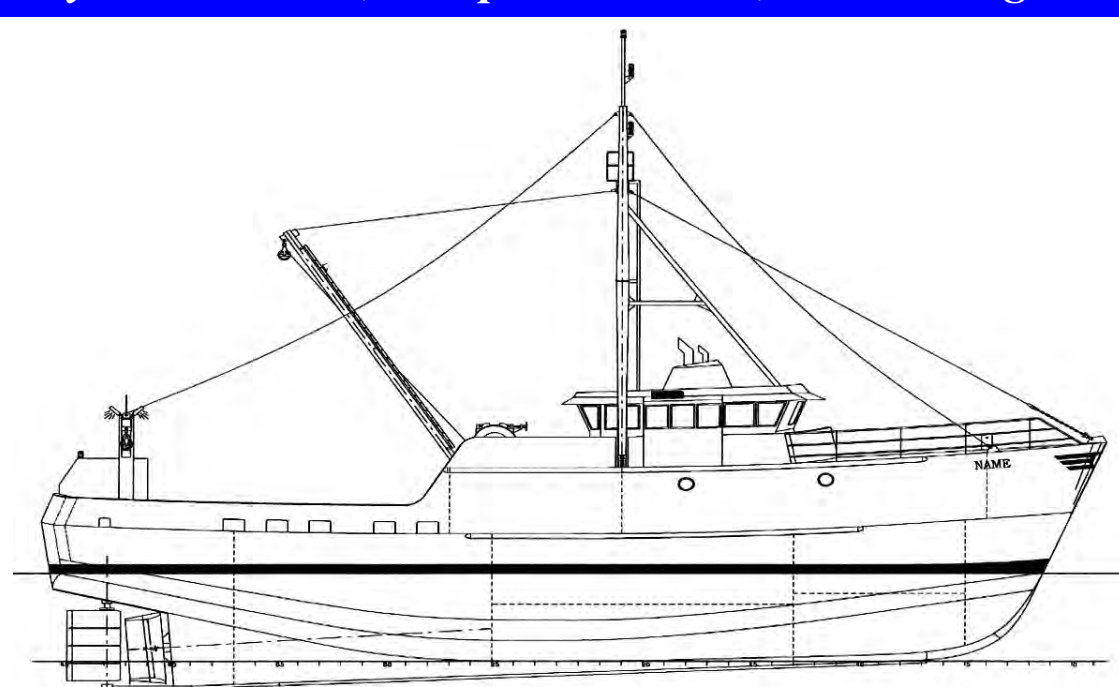
JW FISHERS

Call for a free catalog or visit our website: www.jwfishers.com

1953 County St., E. Taunton, MA 02718 USA • (800)822-4744 (508)822-7330 • FAX: (508)880-8949 • email: info@jwfishers.com • www.jwfishers.com

MC-1 Mini Camera \$2,095	Sub Bottom Profiler \$18,995	Proton 4 Marine Magnetometer \$12,995	Side Scans From \$20,995	ROVs From \$20,995	PT-1 Pipe Tracker \$3,995
------------------------------------	--	---	------------------------------------	------------------------------	-------------------------------------

STEINER CONSTRUCTION COMPANY, INC
Bubba Steiner, Owner
 8690 Hemley Street - P. O. Box 609 - Bayou La Batre, AL 36509
Quality Construction, Competitive Prices, Outstanding Service



95' Commercial Fishing Vessel Being Built On Speculation.
 Being Built As A **NON-CLASSED** Vessel (Pre-Dates July 2013 Requirements)
 Single Screw, 1000 HP
 TIER III Cummins or Mitsubishi Engine

Steiner Construction has NEW TIER 3
Caterpillar, Cummins and Mitsubishi Engines Available
Engines Can Be Installed In Push Boats, Fishing & Research Vessels
Engines Available for New Construction or Re-power
Engines Can Be Certified ABS
400MT Travel Lift for Repair / Conversion / New Construction
251-824-2320 • www.steinermarine.com • steinermarine@yahoo.com

TheGPSStore.com

Automotive ■ Outdoor ■ Marine Electronics

Toll Free 1-800-477-2611 • Check Out Our Weekly Web Specials

SPECIAL PURCHASE

Garmin GPSMAP 1040xs Chartplotter / Sounder

NEW LOWER PRICE!

- High Sensitivity GPS GLONASS Receiver.
- 10.4" High Resolution Color Screen.
- Preloaded US BlueChart G2 and US LakeVu Mapping.
- Built in CHIRP and DownVu Sonar.
- Garmin Helm, Mobile Planning, and SiriusXM Compatible.
- Available with and without Transducer.



GPSMAP 1040xs with Transducer
#GA01184

\$1149⁰⁰

GPSMAP 1040xs without Transducer
#GA0118401

\$1029⁰⁰



Furuno 1815 Color 36nm Radar



Furuno 1815
#FU1815 **\$1995⁰⁰**

Furuno's 1815 Radar includes an 8.4" Color Display and a 4kw Dome with 36nm range. Low power consumption features include Target Tracking, True Trail Mode and True View mode.



Furuno GP39 GPS/WAAS Navigator

Furuno GP39 GPS
#FUGP39 **\$395⁰⁰**

Furuno's GP39 GPS features a 12 Channel receiver with integrated SBAS (WASS/EGNOS/MSAS) technology and a 4.2" LCD Color Display. Mark up to 3,000 track points, 10,000 waypoints and 100 routes (each with up to 30 waypoints). The GP39 can also display Loran TD Position Format.



Sitex Trawl Plot 12SD

Sitex Trawl Plot 12SD
#SITPLOT12 **\$2099⁰⁰**

The Sitex Trawl Plot 12SD is a work horse, commercial chartplotter built with a 12.1" XVGA display with 800 x 600 pixel count. The Trawl Plot offers easy operation, unlimited storage, and GPS WAAS positioning that can expand into an all in one GPS Chart/Fishfinder, radar when optional sensors are added.



McMurdo SmartFind S20 SRS AIS



McMurdo SmartFind S20 SRS AIS
#MC98001002A **\$199⁹⁵**



The McMurdo Smartfind S20 Man Overboard Device offers manual or automatic activation when fitted to a compatible lifejacket and inflated. The S20 will send your position and Automatic Identification System (AIS) information to AIS equipped vessels within range in the event of a man overboard situation. Minimum 24 Hour Transmission and LED Flashing Light.

Standard Horizon HX400 VHF



Standard Horizon HX400
#STHX400 **\$164⁹⁵**

Submersible 5 Watt VHF radio with 40 programmable land mobile channels. User selectable 5 or 1 Watt power and noise cancelling microphone. Also available in an Intrinsically Safe model.



Standard Horizon HX400IS
#STHX400IS **\$249⁹⁵**



Standard Horizon CMP460
Intrinsically safe Speaker Mic
#STXCMP460 **\$52⁹⁵**

Icom IC-M506 VHF Radio

Icom IC-M506
Black Case
#IC50601
\$329⁹⁵

Icom IC-M506 AIS
Black Case
#IC50621
\$509⁹⁵



**PLUS \$100
MAIL-IN REBATE
until 9/30**

A large dot matrix display, built-in DSC, clear audio and Command Mic IV second station compatibility. The M506 is also available with an integrated AIS receiver and NMEA 0183/2000 Protocols.

Your Best Source for Discount Marine Electronics!



Call for our
Latest Catalog!

Or check out
TheGPSStore.com
to see our complete
selection of marine
electronics from all the
major manufacturers.



TheGPSStore.com
Automotive ■ Outdoor ■ Marine Electronics

The GPS Store, Inc.
6899 Beach Drive
Ocean Isle Beach, NC 28469

Same Day Shipping!
Order by 4 PM Eastern

Friendly Customer Service
1-800-477-2611



1979 Lydia 62' Excursion Boat



Twin 300hp Isuzu diesels, 10KW Maspower genset, bar. Certified 116 passengers Lakes, Bays and Sounds. USCG topsides and drydock exams done July 2017. COI good through July 2021. 29GRT

Price \$115,000.00
Call for more info: (941) 204-3474

Marine Travelift 1994 35BFM Boat Hoist



70,000 lb. capacity, John Deere diesel engine, 2 speed hoists, 19' inside height, 18' inside width. Takedown, loading and setup available. Located in New England.

Call Jack @ (781) 347-1201
Or Email: sales@walterco.com

MARINE CONSTRUCTION EQUIPMENT

CRANE BARGES - DECK BARGES
MATERIAL BARGES - FOR LEASE



SUNFLOWER ENTERPRISES

5 Jones Street, Dubuque, IA 52001
Office: (563) 583-0556 • Fax: (563) 556-2293
sunflower-enterprises.com

Landing Craft Available for Charter

(2) LCM-8 - 74' x 21' x 4'
Capacity 50 Tons

(1) LCM-6, 56' x 14' x 3.5'
Capacity 25 Tons

All Equipped w/ Hydraulic Cranes
DAVE ALLAN • (207) 882-5400

BOATS FOR SALE

Leah Michelle



57' x 18' x 6 1/2'
350 HP
4 1/2 to 1 Gear
20 KW Generator
Recently Dry Docked

Risky Business



57' x 18' x 6 1/2'
871 GM 5 to 1 Gear
271 GM Generator
Perfect For:
Live Aboard or Skimmer Boat
Recently Drydocked
All New Cabin Interior

\$160,000 EA. • (985) 860-2007

TOUGH Kubota PARTS LARGE INVENTORY SAME DAY SHIPPING

KUBOTA Reman
STARTERS / ALTERNATORS / TURBO'S

LIST OF SPECIFICATIONS
Kubota Diesel Engine
1800 RPM Generator Single or 3 Phase
Brushless Exciter
Automatic Voltage Regulator
High Temp and Low oil shutdown system
Air Cleaner
Belt Guard
Hour Meter
Key Switch
Stable Flex Neoprene Vibration Isolators
Fuel Filter
Mechanical Fuel Transfer Pump

OPTIONAL EQUIPMENT ACCESSORIES
Weather Proof Enclosures
Drip Pan For Skid
Fuel Tanks
Circuit Breakers
110/220 Outlets
Fuel Water Separators
Deluxe Gauge Panels
Extended Deluxe Gauge Panels to 50 ft.

Kubota

AUTHORIZED DISTRIBUTOR (800) 925-4966
ENGINES / GENERATORS / PARTS

GL SERIES LOWBOY II


GL7000-USA	\$4,650.00
GL11000-USA	\$5,750.00
GL14000-USA	\$8,950.00



Marine and Industrial Generators

MODEL	KW	PRICE
KG8KWKC-ECS	8	\$5,920.00
KG10KWKC-ECS	10	\$6,130.00
KG12KWKC-ECS	12	\$6,800.00
KG15KWKC-ECS	15	\$7,810.00
KG17KWKC-ECS	17	\$8,050.00
KG20KWKC-ECS	20	\$9,075.00
KG25KWKC-ECS	25	\$9,355.00
KG30KWKC-ECS	30	\$9,810.00
KG40KWKC-ECS	40	\$12,715.00
KG50KWKC-ECS	50	\$13,860.00

TIER 4 GENERATORS AVAILABLE



Pressure Washer
3K to 10K Cold Water
3K to 5K Hot Water



Trash Pumps 3 to 6 Inch



HPU Units

GULF ENGINE.COM **GULF & TEK.COM** **CAVI & TEK.COM** **HYDRA & COMP.COM** **RE & RENT.COM**

2306 Engineers Road, Belle Chasse, LA 70037
Office: (504) 393-1701 * Fax: (504) 393-1627 * Toll Free: (800) 925-4966

**65' 1974 Gulf Craft
Aluminum Head Boat**



Twin 1271 naturals, 100 passenger, 20 mile. Boat easily converted to 100 miles. 20KW generator. Engines tired. Price \$100,000 under recent bank survey.
**\$395,000 • All inquires (E-mail only)
office@flyingfishfleet.com**



**100' (149) Passenger Triple Screw
Aluminum Tour Boat / Ferry**

1971 Camcraft conversion. 3412 Caterpillar powered with two 30 KW 3-71 Gensets. Currently working in Hawaii but will deliver to West Coast. May partial finance to approved party. \$275K. This is our vessel and will give courtesy to brokers. New 5 year COI for USCG haul inspection and dry dock 2-1-17.
**Email: mauicaptaindave@yahoo.com
For Details**



70' Fiberglass Party Boat

90 Passenger Certified. Dry Dock 2018
(3) Detroit Diesel Motors 615 HP
**\$220,000 OBO
Contact Danny (786) 897-4458**



**65' Mississippi Like River Boat - 78' Overall, Incl. Stern Paddle. USCG Lic. For 150 + 10 Crew. Full Electronics, USCG Insp. Both Decks Heat & A/C. 2 - 671 GM Diesels. 2-371 - 50 KW GM Gens @ 1200 RPM. Brielle, NJ.
\$450,000 • (732) 245-1592**

USED & REBUILT DIESEL ENGINES

Eugene & David Evans of Evans Boats, Inc.

Engines Available Include:

**3208 210HP Rebuilt • 3208 320HP Rebuilt • 375 Rebuilt
375 Takeout Runs Great • 453 Detroits • 353 Detroits
Volvo Sterndrive Package Takeout**

**CALL FOR PRICING AND AVAILABILITY... GROWING INVENTORY!
CALL EUGENE EVANS @ (443) 783-0529**



Call Us Today!

314-388-9968

800-381-9968

www.humcomarine.com

1074 Kenran Industrial Blvd.
St. Louis, MO

*Free Gift**

WINCHES

SEARCHLIGHTS

DECK FITTINGS

- Large Fully Stocked Warehouse
- Quality Workboat Equipment Since 1966
- Experienced Sales Team
- Excellent Customer Service

**New customers mention this ad for your FREE gift and catalog with purchase. Limit 1 per customer. While supplies last!*



www.vesselfinders.com



68' Trawler - Dry Docked



Truckable Tug, 4 Units



96' Oceangoing Tug - Call

Tugboats - Barges - Fishing & Passenger Boats - Equipment

Barcos Comerciales - Barcos de Pesca - Equipo Marino

Hablamos Español



Rebuilt KTA 19 / 3 units

Call **Larry Abel**. If we don't have it, we'll find it for you. Please visit our website:

www.vesselfinders.com

Waterways Equipment Brokers, LLC

386-937-2615 / 828-516-2227

larry@vesselfinders.com



STERLING EQUIPMENT

TUGBOATS FOR SALE

Tug "Jay Michael"

68' x 24' x 7'

MODEL BOW TUG FOR SALE



98 Gross Tons • Official Number: 630308
Built 1980 - Gibson, LA • 2 CAT 3508 - (2200 HP)
Twin Disc MG 540 Reverse Reduction Gear
(2) John Deere 4045TFM75 • 65KW Generators
Towing Winch • Smatco Winch • DPS44 • Cable Size: 1 1/8"
36,700 Gal. Fuel Capacity • Location: New York
\$500,000.00

Tug "Lynx"

73.5' x 25' x 9'

MODEL BOW TUG FOR SALE



119 Gross Tons • Official Number: 507788
Built 1967 - Tacoma, WA • *Rebuilt - 1990
(2) CAT D398 Engines - (1800 HP) • CAT 3192 reduction gear
(2) John Deere 4045TFM75 - 65KW Generators
24,000 Gallon Fuel Capacity • Quarters for 5 crew • Location: Quincy, MA
\$400,000.00

Financing Available For Qualified Buyers • Lease Purchase Options Also Available



Whether you have been working on the water for years or starting your first job, Sterling can provide the equipment and the expertise to get your project off the ground.

**For More Information, Visit:
www.SterlingEquipment.com
or call (888) MR-BARGE or (617) 984-0022 x117**

MASTER MECHANIC MARINE™

A Certified Power Business

www.mastermechanicmarine.com

For ALL of your Hydraulic Systems & Components Needs!

Thousands of items in stock!

TO ORDER CALL: 800-877-8350 ISSUE # BHQ117

OR EMAIL: mmmsales@certifiedpower.com

We specialize in Custom built Gas, Diesel and Electric Hydraulic Power Packs with Reservoirs, Filters, etc. We'll help you design it, then quote you a price!

MASTER DESIGNED GAS & DIESEL POWER UNITS

GAS MODELS

ITEM #	HP	GPM	PRICE
BH-K5.5H-10	5.5HP	11 GPM @ 800PSI	CALL FOR PRICE
BH-K9.5H-20	9.5HP	8 GPM @ 2000PSI	CALL FOR PRICE
BH-K14H-20	14HP	10 GPM @ 2000PSI	CALL FOR PRICE
BH-K19H-20	19HP	15 GPM @ 2000PSI	CALL FOR PRICE
BH-K25H-30	25HP	20 GPM @ 2000PSI	CALL FOR PRICE
BH-K37H-40	37HP	30 GPM @ 2000PSI	CALL FOR PRICE



DIESEL MODELS AIR-COOLED

ITEM #	HP	GPM	PRICE
BH-KD350-10	6.1HP	11GPM @ 800PSI (2-STAGE PUMP)	CALL FOR PRICE
BH-KD440-20	9.1HP	7GPM @ 2000PSI	CALL FOR PRICE
BH-KD6252-20	22.1HP	17GPM @ 2000PSI	CALL FOR PRICE



• IF A HIGHER HP IS REQUIRED PLEASE CALL FOR PRICING! • STAND ALONE POWER UNITS AVAILABLE! •

MARINE CLUTCH PUMP KITS (SINGLE & DOUBLE PUMPS)

Drive off truck or equipment engines. Drive-shaft or belt driven options.

Clutch pump kits come with: Bi-Rotational Pump, Clutch, Switch and Mounting Bracket.

ITEM #	MAX PRESSURE	GPM@1200	GPM@2000	GPM@3000	PRICE
BH119	3000	9.6	16	24.1	\$429.00
BH119X	3000	12.8	21.5	32.2	\$429.00
BH119XX	3000	17	26	43.4	\$589.00
BH119XXX	3000	23	34.8	N/A	CALL FOR PRICE



Just added drive-shaft driven clutch pump assembly:

ITEM #	MAX PRESSURE	GPM@1200	GPM@2000	GPM@3000	PRICE
BH200	3000	30	51	77	\$2,699.00



STAINLESS STEEL BOOM WINCHES, PLANETARY WINCHES & ANCHOR HOISTS

Planetary winches can hold up to 300 ft. of 1/2" cable.

Boom winches hold up to 230 ft. 5/16" cable.

ITEM #	MAX CONT. FLOW	LINE PULL	MAX LINE SPEED	PRICE
BHPSVH-10000	15.9 GPM	10,000 LBS	46 FPM	\$1,200.00
BHPSVH-15000	15.9 GPM	15,000 LBS	30 FPM	\$1,575.00
BHPSVH-18000	15.9 GPM	18,000 LBS	23 FPM	\$1,826.00
BHPSVH-20000	15.9 GPM	20,000 LBS	7.1 FPM	\$4,850.00



ITEM #	DESC.	RPM @ RATED FLOW	LINE PULL	PRICE
BH1008	ANCHOR HOIST	300RPM @ 12GPM	900 LBS	\$795.00



DESC. (12GPM @ 2000 PSI: 4700 LBS LINE PULL EMPTY SPOOL)	PRICE
S.S. BOOM WINCH W/BRAKE	\$1,999.00
PAINTED STEEL BOOM WINCH W/BRAKE	\$1,699.00

(custom brake motor available)

1, 2, 3 SPOOL MONO-BLOCK VALVES AND STACK VALVES UP TO 1-10 SECTIONS PER STACK

Perfect for operating winches, cylinders, reels, pot haulers and much more.

- 2 GPM - 75 GPM
- 1500 PSI - 5000 PSI
- Stainless Steel



DESCRIPTION	PRICE
Spring Return Control Valve	\$85.50
1, 2, 3 Spool Control Valves	\$118.50
4-Spool Valve	\$779.50

HYDRAULIC ACCESSORIES

- S.S. Gauges
- Relief Valves
- Return Filters
- S.S. Check Valves
- Cushion Valves
- Handle Kits
- Seal Kits
- Hose & Fittings
- Bushings
- Hydraulic Oil
- S.S. Ball Valves
- Brass Ball Valves
- Reservoirs
- Love Joy Coupling

STAINLESS STEEL GRESEN & BRAND HYDRAULICS ROTARY SPOOL VALVES

- Great for Pot Haulers
- 1500psi - 3000psi
- Up to 45gpm
- Stainless Steel
- Built-in Flow Control
- Built-in Relief Valve

ITEM #	DESC.	PRICE
BH449	GRESEN ROTARY SPOOL	\$499.00
BH449-SS	GRESEN ROTARY SPOOL	\$755.00
BH1072-SS	BRAND ROTARY SPOOL	\$379.50
BH755-SS	S.S. BRAND ROTARY SPOOL	\$226.50

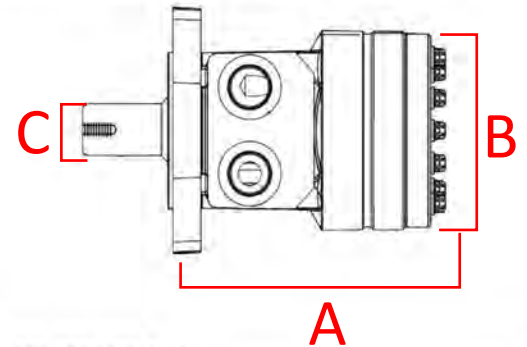


LOW SPEED, HIGH TORQUE HYDRAULIC MOTORS

Master Mechanic Marine provides you with today's leading manufactured hydraulic motors. **NO TAG? NO PROBLEM!**

Our hydraulic specialists can get you a replacement motor with little dimensional data from your motor. (Imports are available).

- 1000 PSI - 3000 PSI
- 2 GPM - 70 GPM
- 2,000 in/lbs - 16,000 in/lbs
- All Straight Key Shafts and Splined Shafts Available
- 2-Bolt, 4-Bolt, 6-Bolt, Wheel Mounts



PRICES STARTING AT\$239.00

VANE PUMPS & DOUBLE PUMPS

GRESEN TC24, TB12, V10, V20, 25VQ & VTM42

- 500 PSI - 3000 PSI
- 3 GPM - 55 GPM
- Up to 3,000 RPM
- Straight Key Shafts
- Splined Shafts

ITEM #	PRICE
V10	\$233.23
V20	\$250.79
VTM42	\$325.99
TB12	\$429.78
TC24	\$489.50



POT HAULERS - 8", 10", 12", 14", 17"

- Completely Stainless Steel Options
- Top-Performing Hydraulic Motors
- Higher Speed or Higher Torque Options
- Line Speeds from 275-350 ft/min.
- Line Pulls from 310-1750 lbs.



PRICES STARTING AT.....\$699.00

MONTHLY SPECIAL DRIVE-SHAFT ASSEMBLY



- DRIVE PUMPS
- ELECTRIC CLUTCHES
- U-JOINTS INCLUDED
- COMPANION FLANGES
- SLIP YOKES

ITEM #	PRICE
BH-1310	\$325.00
BH-1410	\$375.00
BH-1550	\$425.00

STAINLESS STEEL STEERING UNITS

Master Mechanic Marine provides top of the line steering units. We can calculate your requirements and size the ram for you as well.

(Stainless Steel Helm Sold Separately)

ITEM #	PRICE
Class II	\$779.00
Class III	\$879.00
Class IV	\$979.00



TIE-ROD AND WELDED HYDRAULIC CYLINDERS

ALL bores and strokes available! A few applications: • A-Frames
Top leading manufactureres • Steering • Log Splitters
and imports available.

BORE & STROKE	TYPE	PRICE
2 X 8	TIE-ROD CYLINDER	\$69.38
2.5 X 8	TIE-ROD CYLINDER	\$82.41
3 X 8	TIE-ROD CYLINDER	\$83.99





JOHNSON DIESEL SERVICE

Dealer for Cummins, Detroit, & Volvo Marine & Industrial Engines, Power Units and Generator sets. New, exchanges and used engines. We carry exchange and new Twin Disc and ZF Marine transmission and all parts necessary for overhaul's.

Phone (228) 392-1311 Fax (228) 392-0096

Email: johnsondiesel@cableone.net • Website: JohnsonDiesel.com

J & B BOAT RENTAL LLC

Has Crew Boats, Work Boats, Tug Boats and Living Quarters for Hire.

J & B MANUFACTURING

J & B Manufacturing Builds Work Boats and Crew Boats to Your Specifications

We also have Coast Guard Plans to choose from, tell us what you want and we can build it Below are a few vessels built by J & B Manufacturing.

You can contact us @ (985) 594-5831 or Visit our website: www.jbboatrentals.com



VESSELS FOR SALE

150' Aluminum Welded Crew Boat



- 150' Aluminum Crew Boat with 5 Cummins K19, Very Clean, New COI
- 65' Aluminum Crew with Cummins Diesel Engines, Clean & Fast, New COI
- (4) 50 Aluminum Crew Boats with Cummins Diesel Engines, Clean & Fast, All New COI
- 68' 3 Level Steel Push Boat, with Cummins Diesel Engines, New COI
- (10) Aluminum Deck Boats from 20' - 47'

CLOSING DATES • FIRST OCTOBER ISSUE 2017

• To Be Mailed September 29th •

FOR DISPLAY September 26th (9:00 A.M. C.S.T) FOR CLASSIFIED September 28th (10:00 A.M. C.S.T)

ISLAND WIDE MARINE INSURANCE

Superior Service Since 1977

CUSTOMIZED POLICIES

Designed Specifically For:

- Passenger Vessels**
- Sightseeing - Dinner Cruise**
- Headboats - 6 Packs - Ferry**
- Dolphin - Whale Watch**

FEATURING:

- ★ **Basic & Enhanced Policies**
- ★ **Competitive Pricing**
- ★ **Easy Payment Terms**
- ★ **Discounts For Seasonal Operations**



Marine Insurance is Our ONLY Business

1-800-635-6097

RENTALS & SALES

Hydraulic Winches & Power Units For Sale & For Rent

Diesel Mechanical Winches For Sale & For Rent

RASMUSSEN EQUIPMENT COMPANY
 Seattle, WA Belle Chasse, LA
 Tel: 206-762-3700 Tel: 504-392-0442
 Info@rasmussenco.com *New, Used, & Reconditoned Sales ~ Rentals* www.rasmussenco.com

Anchors, For Rent & For Sale.

Surplus Equipment For Sale

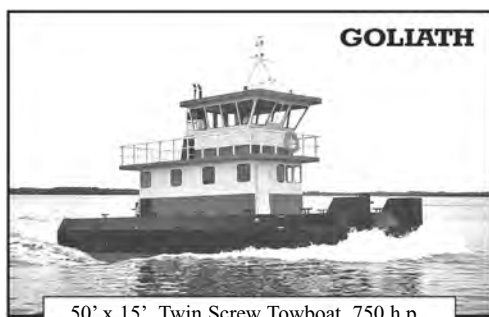
5' x 7' x 5' Surplus Used Steel Tanks Located: Seattle, WA

Seattle, WA & Anderson, CA

Diesel Mechanical Winches, Hydraulic Winches, Hydraulic Power Units, Air Winches

Please call, or email for a quote.
 Seattle: 206-762-3700 Belle Chasse: 504-392-0442
 info@rasmussenco.com ~ www.rasmussenco.com

Portable Barges, Anchors, Chain, Wire Rope, Rigging Hardware, Deck Sheaves, Fairleads, Buoys, Blocks, etc.



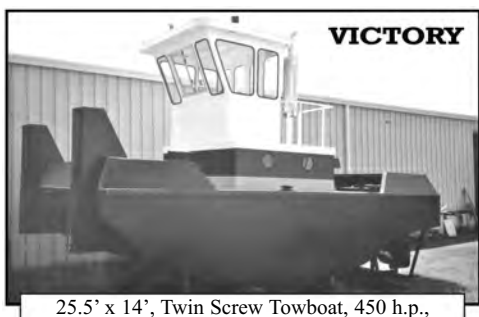
GOLIATH

50' x 15', Twin Screw Towboat, 750 h.p.,
5:1 Gears, 46" Props, 20 K.W. Gen.



TRIUMPH

25.5' x 14', Twin Screw Towboat, 450 h.p.,
with Deckhouse, 3.5' Draft.



VICTORY

25.5' x 14', Twin Screw Towboat, 450 h.p.,
3.5' Draft.

AMERICA'S PREMIER TRUCKABLE BOAT BUILDER

IS OFFERING SUPERIOR BOATS AT PRICES LOWER THAN YOU'VE SEEN IN YEARS



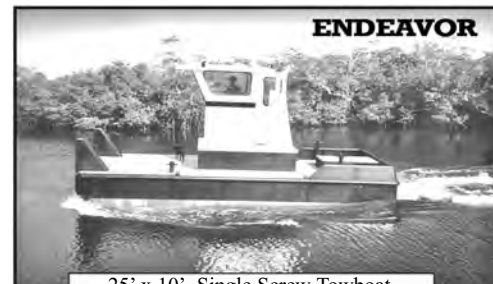
FULLY EQUIPPED

**THIS BOAT AND OTHER MODELS ARE
IN STOCK FOR DELIVERY TODAY!**



CONQUEST

25.5' x 12', Single Screw Towboat,
225 h.p., Flanking Rudders.



ENDEAVOR

25' x 10', Single Screw Towboat,
225 h.p., Flanking Rudders.

**Just Turn the Key.
Everything is Included.**

- Towing Bitt and Four Cleats
- Running Lights
- Lockable Pilot House and Engine Room
- Non-skid Deck
- Engine Room and Pilot House Lights
- Opening Front Window in Pilot House
- Coolant Tanks with Level Indicators
- Large-Capacity Fuel Tank
- Full Instrumentation
- 1200 G.P.M Bilge Pump



**BORN
TOUGH.**



PROGRESSIVE INDUSTRIAL, INC.
PALMETTO, FL

(941) 723-0201

PUSHBOATS-BARGES.COM

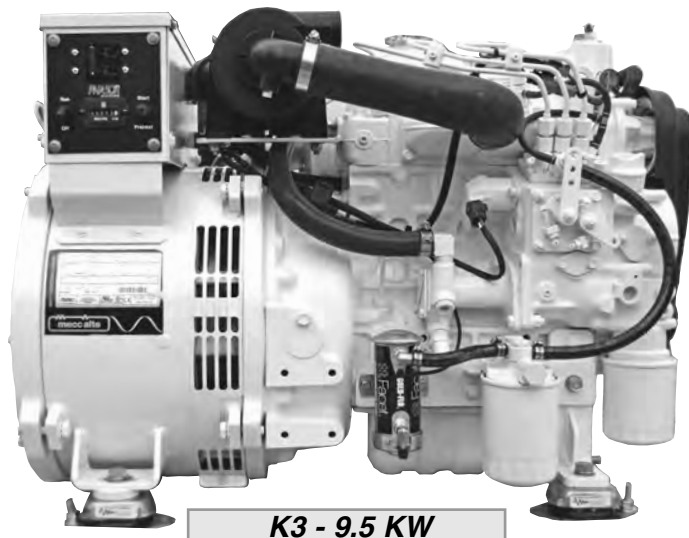
Sectional Barges
8' x 20' to 15' x 60' per section pin together
to form as large a platform as needed.

**Fast Delivery!
Call Now for a Quote!**

PHASOR MARINE

Powered By Kubota

Phasor Marine, has begun delivering EPA Tier IV compliant marine generators. These machines are not utilizing EPA flex credit engines as are other marine generator manufacturers, which is illegal. The Kubota diesel engines utilized by **Phasor** are either Tier IV Final or EPA Tier IV Marine Certified up to and including the K4-30.0 kw model. All standard machines continue to utilize the Kubota or John Deere diesel engines coupled to the electrical ends. These engines approved for use with Bio-Diesel B5. New for the 2014 model year are two Ignition Protection Certified models rated at 4.5 kw and 7.0 kw operating at 1800 rpm. These machines are certified for use in gasoline powered boats. All **Phasor's** continue to offer a 5 year limited warranty.



K3 - 9.5 KW

Kubota
**WE SHIP GENERATORS
WORLDWIDE**

Standard Equipment: 1800 RPM Sets

- Kubota or John Deere Diesel Engine
- Single Bearing Generator
With Epoxy Coated Stator Windings
- ± 1% Solid-State Voltage Regulation
- Low 1,800 RPM Operating Speed
- Four Point Isolation Mounts
- Automatic Low Oil Pressure and High Water Temperature Safety Shutdown Systems
- Fresh Water Heat Exchanger Cooling
- Water Cooled Manifold and
Stainless Steel Exhaust Elbow
- Direct Driven raw Water Pump
- Spin On Fuel Filter
- Electric Fuel Transfer Pump
- Toggle Switch Start with Preheat, Start, Run, & Stop Positions
- Awl-Craft 2000 Urethane Finish
- Oil Drain Valve
- Zinc Anode in Heat Exchanger
- Air Intake Silencer
- Spin On Oil Filter
- 5 Year Limited Warranty

BOATS & HARBORS SPECIALS

MODEL	PRICE	MODEL	PRICE
K2 - 4.5 IPC	\$ 7,518.00	K4 - 12.5 KW	\$11,829.00
K3 - 7.0 IPC	9,011.00	K4 - 15.0 KW	12,458.00
K3 - 6.5 KWC	8,436.00	K4 - 17.5 KW	13,572.00
K3 - 7.0 KW	8,642.00	K4 - 21.0 KW	14,685.00
K3 - 8.0 KWC	9,161.00	K4 - 30.0 KW	20,160.00
K3 - 8.5 KW	8,998.00	K4 - 34.0 KW	22,234.00
K3 - 9.5 KW	9,986.00	J4 - 65.0 KW	32,367.00
K3 - 10.0 KWC	10,679.00	J4 - 80.0 KW	40,688.00
K4 - 12.0 KWC	11,954.00	J4 - 99.0 KW	41,187.00

**SOUTHEASTERN
POWER PRODUCTS**

2880 Hammondville Road,
Pompano Beach, FL 33069
Phone: (954) 979-5899
Fax: (954) 979-4349

www.phasormarine.com

Prices and Specifications
Subject to Change

www.Sightseerboats.com

Quality and Affordability

All Boats Built To USCG Partially Protected Criteria
Eco-Tour, City Tour, Party Cruise, Water Taxi's Boats

30', 35', 40', 45' & 50' Lengths x 10, 12, 13 & 14 Ft. Widths



All Aluminum Construction Means Lower Operational Costs & Requires Smaller HP Motors.
Up to 49 Passenger • Multiple Route COI's Available

Fiberglassed Deck

Shallow Running Hulls

Now Taking Orders With 10 -16 Week Delivery



40' • 42 Passenger 35' • 36 Passenger

"V" Bottomed Catamaran Hulls

FACTORY DIRECT SERVICE & PRICING

BUILT TO MEET YOUR SPECIFIC APPLICATION & SITUATION

Full Turnkey Boats Starting Under \$100K

Call to Discuss Your Project & For Free Quotation

727.856.6900

BUYING OR SELLING?

New & pre-owned vessels, Pinnacle Marine Corporation can help.



Facilities Barge



Mystere 88 Passenger Yacht



Argosy IV 1,900 Passenger Paddlewheeler



Lil Diamond III 149 Passenger Catamaran

PINNACLE
MARINE CORPORATION

We are the only brokerage service specializing in the passenger vessel industry. We also provide assistance locating financing, vessel transportation, securing insurance, marketing and business consulting, and auction services.

608-788-3210 • email: info@pinnaclemarine.com • www.pinnaclemarine.com

JEMISON MARINE SHIPYARD

New Constructions,
Repairs And Conversions

(NEW) BOATS FOR SALE

251-824-7878 • 251-824-4575 (Fax)

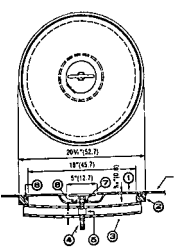
9315 Little River Rd • PO Box 645

Bayou La Batre, Alabama 36509

Contact: **Tim Jemison**

website: www.jemisonmarine.com

NEW FLUSH HATCHES



PIECE NUMBER	NAME	MATERIAL
1	COVER ASSEMBLY	MILD STEEL
2	DECK RING	MILD STEEL
3	STRONG BACK	MILD STEEL
4	TEE HANDLE	STAINLESS STEEL
5	NUT	BRASS
6	GASKET	NEOPRENE
7	WASHER	BRASS
8	WASHER	NEOPRENE

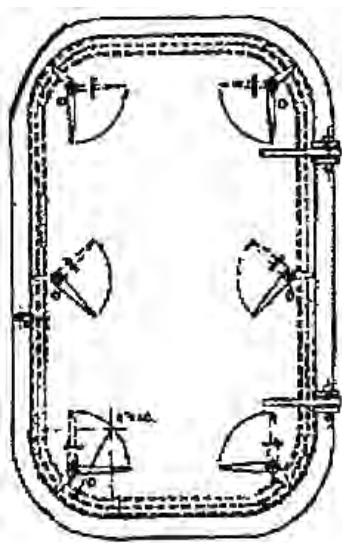
PRICE ON REQUEST

NEW 18" & 24" HATCH COVERS



Flush mounting watertight hatch with machined steel mounting ring. T-handle is recessed and hand tightens against a strongback across mounting ring: 18" 90lbs. - 24" 120lbs.

6-Dog Watertight ABS Steel Doors



1/4" Panel
5/16" Frame
Righthand & Lefthand
Clear Opening Sizes:
26 x 60
30 x 60
30 x 66
30 x 72

Available in either Manual or Quick-Acting Operation (4-Dog doors also available) Other sizes available by special order.



NEW 15" x 23" TANK TOP COVERS

3/8" COVER & 3/4" DECK RING
Complete with Neoprene Gasket w/Brass Washers & S.S. Nuts 20 Bolts - Wt. 95 lbs.

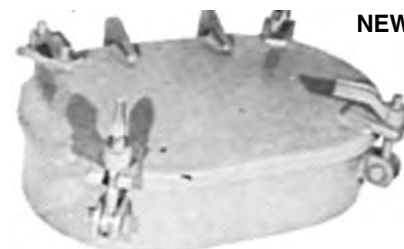


24"- 36"- 48" KEVEL CHOCKS



NEW 7" RADIUS PANAMA CHOCKS

(Meet Panama regulations)
14" x 10" CLEAR OPENING
With extended legs for welding to deck.
14" Wide on base - 28" Length - 27-1/4" High
In Stock Immediate • Delivery

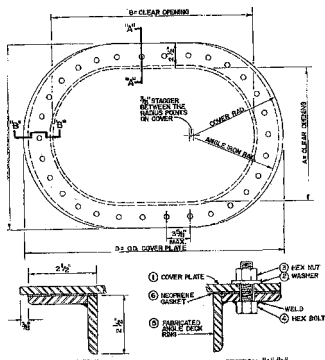


4-DOG GENERAL PURPOSE
15" x 23" x 5" HATCH

ALSO AVAILABLE

Open and Closed Chocks
Single and Double Bitts
All types of Marine Equipment

FACTORY NEW - SIZE 15x23 RAISED BOLTED PLATE MAN HOLE OR TANK TOP COVER



1/2" Thick-Cover 3/8" Thick Coaming 2-1/2" High Overall dims. of cover 20" x 28-3/4" Overlap for lifting No handles necessary

POLI MARITIME

(formerly of Maritime Power Corporation) 79 West 33rd Street, Bayonne, New Jersey 07002

PHONE: (201) 243-6387 • (201) 858-2675 • Fax: (888)491-4731 • Email: claire@polimaritime.com



Manitowoc 4600 S-V
With Ringer Attachment | Used
Harrison, OH



American 8450
For sale | Harrison, OH

**Parts
Service
Fabrication**



Link Belt LS-518
For sale | Used | Harrison, OH

GET IT NOW!

WHILE THEY LAST!



Manitowoc 4100W S-II Crawler and X-Tender
For sale | Used | Gulf Coast, USA



The Powerful Solutions People!

TOLL-FREE 866.883.7221 | WORLD-WIDE 513.202.8901
bhsales@fmmafco.com | www.fmmafco.com



Manitowoc 4100 S-II
3 Available | Used | Gibson, LA



Manitowoc 4100 S-II
5 Available | Parts machines | Harrison, OH

X-TENDER

AVAILABLE NOW



Manitowoc 390E
3 drum | Other configurations
available | Refurbished
For sale or rent | Harrison, OH

**Parts
Service
Fabrication**



American 5680
For sale | Harrison, OH



Link Belt LS-418A
For sale | Used | Harrison, OH

FMM151

CONSOLIDATED SHIP REPAIR & MARINE FABRICATION, LLC

PORT ARTHUR, TEXAS

FULL SERVICE REPAIR YARD

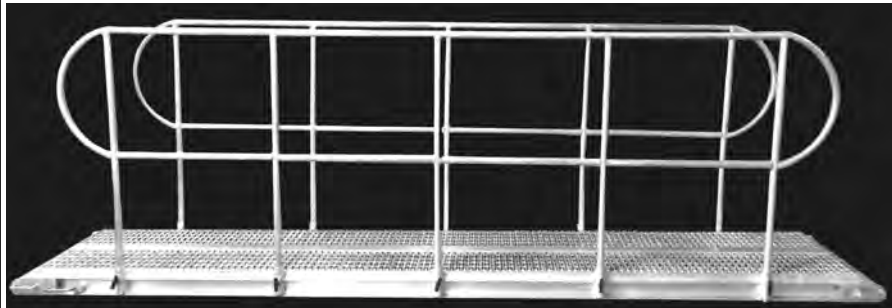
We Are Located Just 200-ft Off The Ship Channel And Offer:

- Deep Water Access • 24 Hour Service • USCG & ABS Certified Welders
- Vessel & Barge Fleeting
- Certified Crane Operators And Crane Service 24/7
- Heavy Crane Service
- 3,200' of Dock Space
- 7,000' of Water Front Access
- 50,000 Sq-Ft Fabrication Shop



**CONTACT US TODAY
FOR MORE INFORMATION
BY PHONE AT
(281) 740-1340
OR BY
EMAIL AT sales@csrtx.com**

Standard 12' Aluminum Gangways
\$2200.00 • 12' x 30"



Grip Strut Grating • Removable Handrails
Handles and Retractable Wheels for easy one man use
Contact for more information and pics:
bwyble@sup-us.com / 409-985-2448
Sabine Universal Products, Port Arthur, TX



DON'T BUILD A FERRY.
BUILD A LEGEND.

www.gladding-hearn.com

INCINOLET® electric incinerating toilets

PROBLEM SOLVED!

Need a toilet in "no discharge" zones?

For boat or dock, home or cabin –
 INCINOLET, your best solution!

SIMPLE to install, maintain.
 120 or 240 volts

US Coast Guard Certified

ULTRA CLEAN: waste
 reduced to sterile ash.
 As little as a cupful weekly.
 Dump in garbage.

TOP QUALITY: stainless steel,
 platinum odor control, quality
 controls assure long life.



1-800-527-5551
www.incinolet.com

RESEARCH PRODUCTS/Blankenship • 2639 Andjon • Dallas, TX 75220

Acadian
Marine Transmission



Allison Marine Gear Specialist

217 Burgess Dr., Broussard, LA 70518

Ph (337) 837-3636 • Fax (337) 837-3633

www.acadianmarinetransmission.com

Marine Transmissions & Parts,
Hydraulic Pumps & Parts,
Flywheel Assembly & Parts, Service

- Repair/Exchange/Outright – Allison M & MH Transmissions
- M, MH, Twin & Quad Units
- Repair/Parts – Twin Disc & ZF Transmissions
- Repair/Exchange - New Hydreco Pump & Eaton Pumps

I
NLAND
BOAT WORKS

VISIT OUR
SHIPYARD
ORANGE, TEXAS

CALL (409) 988-0005
for SPECS OR QUOTE
www.inlandboats.com
Email:
inlandboatworks@gmail.com

The ORIGINAL
Truckable Boat Builders

CUSTOM BUILT PUSHBOATS AND
DECK BARGES YOUR DESIGN OR OURS

STANDARD MODELS • CONTINUOUS PRODUCTION OVER 45 YEARS BUILDING BOATS & BARGES



MODEL 2516
 25'9" x 16'0" x 5'6"
 650-750 H.P. Twin Engine



MODEL 2510
 25'9" x 10'0" x 4'0"
 200 H.P. Single Engine



MODEL 2512
 25'9" x 12'0" x 4'6"
 400 H.P. Twin Engine



MODEL 2514
 25'9" x 14'0" x 4'6"
 600 H.P. Twin Engine



DECK BARGES
 120'0" x 30' 0" x 7'0"
 Double or Single Rake



MODEL 2520
 25'9" x 20'0" x 6'0"
 750 H.P. Twin Engine



NEW MODEL
MODEL 2523 with Quarters
 25'9" x 23'0" x 6'8"
 1125 H.P. Triple Engine



MODEL 2520 with Quarters
 25'9" x 20'0" x 6'0"
 750 H.P. Twin Engine

NEW ENGINES WITH FACTORY WARRANTY
JOHN DEERE & CUMMINS TIER III COMPLIANT
EXTENDED WARRANTY AVAILABLE

NEW TWIN DISC TRANSMISSIONS
AQUAMET 17 PROPELLER SHAFTS
NEW BRONZE 4-BLADE PROPS
HEAVY DUTY QUALITY CONSTRUCTION

Questions to ask before ordering your sectional barge:

1. Will my barge be designed by experienced engineers?
2. Will my barge be built to my exact requirements?
3. Will my complete satisfaction be guaranteed?

If it's important that the answer to these questions is "YES", then contact us at:

RPS Barge Co.

Built to your requirements.
Built to last. Guaranteed.

877-826-2617 502-747-5540

www.rpsbarge.com
bill@rpsbarge.com



For Sale - Ready To Work



2000 8" Nessie Dredge Model N8DX \$110,000



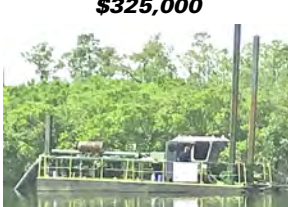
1993 10" DSC Shark Dredge with Caterpillar 3406B \$325,000



10" Booster Pump with Caterpillar 3406A \$85,000



2005 5012 12" IMS Dredge With Star Drive \$260,000



2009 12" Pittbull Swinging Ladder Dredge C15 Caterpillar Engine \$500,000

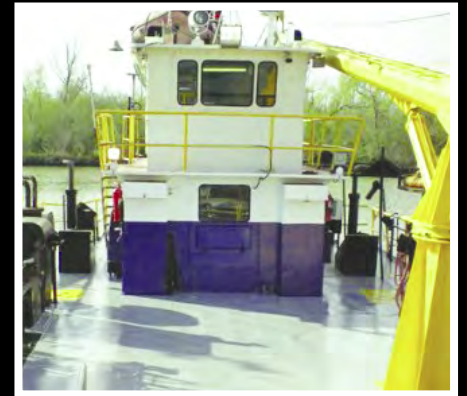


We Also Have Available 8", 10", and 12" Pipeline Price on Request

Please Contact Danielle May (904) 742-7562 dmay@brancediversified.com

LIFT BOATS FOR SALE NINE (9)

Two - 50' Two - 70' Two - 90'
One - 65' One - 75' One - 105'



Call Tommy @ (985) 856-2514

BRAND NEW 2017 42'

Adventure Rib Available For Winter Lease



Fresh Out Of The Builders Yard
1050 HP Speed Thrill Ride Vessel
Great For Dolphin Watch / Tour Boat / Snorkel Trips
Truck-Able To Southern Locations
Number Of Other Vessels Available For Winter Lease
From 50' 30 Passenger Up To
110' 300 Passenger Vessels

For Further Information Call Joe:
508-776-8435 / 508-776-6578
Email: joseph@meganet.net

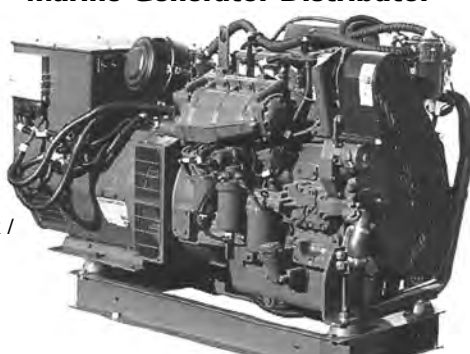


NORTHERN LIGHTS MARINE GENERATORS

Standard Equipment

- 4.5L Tier 3 Diesel Engine
- Marathon or Stamford 1800 RPM Generator 3 Phase
- 12VDC Marine Grade Starting & Charging System
- Crankcase Breather Filter System
- Dry Element Air Filter
- Keel Cooled or Heat Exchanger Cooling with Raw Water Pump
- Water Cooled Manifold / Expansion Tank / Turbocharger
- Belt Guard • Steel Base Frame
- Start Stop Switches / J-Box
- Murphy Powerview Display Panel with Safety Shutdowns
- Dry Exhaust Elbow 4" CAT Flange

Power Products is an Authorized Northern Lights Marine Generator Distributor



65KW - \$24,480.00 99KW - \$29,723.00
N/L M65C13.2S N/L M99C13.2S



3225 Greenup Ave., Ashland, KY 41105
Phone: 606/329-2418 • Fax: 606/324-7424
Email: mwilliams@powerproductsky.com
www.powerproductsky.com

MARINE FLOTATION FOAM

SABO & ASSOCIATES
YOUR EXPERT MARINE FLOTATION TEAM

We Have 2 Lb+ Closed Cell FLOTATION FOAM For Sale In 55 Gal. Drum Sets Or Larger

This Foam Is UL, ICC & Federally Approved!!

We DO NOT Sell or Use Any Foam That Does Not Have These Minimum Qualifications!

CALL FOR PRICING

We Install The Closed Cell Flotation Foam In Barges • Platforms • Ships • Docks Seawalls • Storm Water Runoff Lifting Concrete and Insulation

To Mention A Few Of The Uses

CALL FOR INSTALLED PRICING

We Have Over 30 YEARS In The Industry!

We Are FEDERALLY APPROVED Contractors

We Are Recognized As Technical Experts

ALL PROJECTS Reviewed By Engineers!!



We Are FULLY INSURED With General Liability Workers Compensation and Disability Insurance

For More Information: Call (518) 796-0080

<http://www.marinefoamexperts.com>



1-800-960-0068 CALL TODAY!
 1212 St. Charles St., Houma, Louisiana 70360
 www.mlengine.com sales@mlengine.com

Gas Inboard / Mud boat Power train
 Up to 44 Horsepower!
 Electronic Fuel Injection
 ZF Transmission
 Air Cooled



KOHLER engines 

Marine Diesel Generators
 6kW up to 200kW
 Keel Cooled
 Heat Exchanger Cooled



ISUZU DIESEL
JOHN DEERE
YANMAR

Gas and Diesel Pumps
 2" - 48" Pumps
 Skid Mounted
 Trailer Mounted
 Dry Prime
 Wet Prime




YANMAR
KOHLER **CORNELL**
Lo-Lift **GR**
 SINCE 1955 **GOODMAN-HOPKINS PUMPS**

Packaged Generators
 6kW up to 800kW
 Sound Enclosures
 Fuel Tanks
 Trailer Mounted
 Panels and Accessories



YANMAR
KOHLER **MAGNUM**
ISUZU **kwjet** **GILLETTE**
 DIESEL POWER GENERATORS

Replacement Engines
 Tier 2 Mechanical In Stock!
 Tier 3 & Tier 4 Available



ISUZU DIESEL **JOHN DEERE**
YANMAR **KOHLER**

Pressure Washers



KOHLER
YANMAR
 Heavy Duty Diesel and Electric

Generator Alternator Ends



MARATHON ELECTRIC **STAMFORD** **meccalte**

Custom Power Units
 6hp up to 400hp
 Diesel
 Natural Gas
 Gasoline
 Propane
 Accessories



ISUZU **JOHN DEERE** **GM**
YANMAR **KOHLER**

PRICE MATCH GUARANTEE
 We will match or beat any competitors price!




FOR RENT

FLEXIFLOAT JACK-UP BARGE
 - Truckable, Maximum 100 Ton Crane
TUGS
HIGH SPEED CREW BOAT
CRANES
OTHER MISC. EQUIPMENT

Andrie Inc.

Contact Stan Andrie At: (231) 332-9227 Or sandrie@andrie.com
www.andrietg.com

Is Your Advertising Program Blooming? or Being Dug Up by The Dogs?



This Ad Can Be Working For You In No Time!!
 Call or Email Now and Let Us Help Your Advertising Results Grow!!
 Call 931.484.6100 or
 Email: gdonnelly@boats-and-harbors.com

WEEKS 2220
 NEW YORK NY

FULL SERVICE PROJECT CARGO RATES A SPECIALTY

CHARTER BARGES AVAILABLE ON EAST & GULF COASTS. OCEAN & INLAND DECK BARGES, HOPPER BARGES, SPUD BARGES, MATERIAL AND CARFLOATS, ABS 340 78 x 19; 260 x 72 x 16; 222 x 60 x 14 & 180 x 54 x 14 DECK BARGES AVAILABLE ON EAST & GULF COASTS. TUGS TO 4000 HP AVAILABLE. FLOATING LIFT CRANES TO 500 TON. FLOATING DUTY CYCLE CRANES TO 30 CY BUCKETS. FULL SERVICE YARDS ON EAST AND GULF COASTS FOR MOBE SERVICES. CALL FOR COMPETITIVE BARE-BOAT CHARTER, MARINE TRANSPORTATION, HEAVY LIFT AND STEVEDORE RATES.



WEEKS 2901 ABS CLASS 180 x 54 x 14 DECK BARGE BUILT 2015 FEATURES A 3500#/SQ FT DECK RATING



Weeks Marine, Inc.

CONTACT: Jim Greco
 JAMES L. GRECO
 E-MAIL: JLGRECO@WEEKSMARINE.COM
 PHONE: 908-272-4010 EXT: 2010
 WEBSITE: WWW.WEEKSMARINE.COM



4600 Series 4 Crawler Lift Crane w/ Series 3 Ringer Attachment



CREW BOAT STEVE L

ABS BARGES FOR CHARTER

Weeks 184	150 x 40 x 8 ABS deck barge
Weeks 185	150 x 40 x 8 ABS deck barge
Weeks 186	150 x 40 x 8 ABS deck barge
Weeks 188	150 x 40 x 8 ABS deck barge
Weeks 176	140 x 40 x 12 ABS deck barge
Weeks 177	140 x 40 x 12 ABS deck barge
Weeks 178	140 x 40 x 12 ABS deck barge
Weeks 179	140 x 40 x 12 ABS deck barge
Weeks 290	180 x 54 x 14 ABS deck barge
Weeks 291	180 x 54 x 14 ABS deck barge
Weeks 292	180 x 54 x 14 ABS deck barge
Weeks 293	180 x 54 x 14 ABS deck barge
Weeks 294	180 x 54 x 14 ABS deck barge
Weeks 295	180 x 54 x 14 ABS deck barge
Weeks 298	180 x 54 x 14 ABS deck barge
Weeks 2220	222 x 60 x 14 ABS deck barge
Weeks 2221	222 x 60 x 14 ABS deck barge
Weeks 2222	222 x 60 x 14 ABS deck / spuds
Weeks 2223	222 x 60 x 14 ABS deck / spuds
Weeks 2600	260 x 72 x 16 ABS deck barge
Weeks 2901	180 x 54 x 14 ABS deck barge
Weeks 2902	180 x 54 x 14 ABS deck barge

CREW BOAT FOR SALE

Steve L 41' Aluminum Crew Boat \$75K

CRANE FOR SALE

Manitowoc 4600 Ringer 750T \$POR

WINCH FOR SALE

Clyde Frame 6 (3) Drum, Good Shape, No Power \$75K

Buckets, Cranes, Hammers, Winches and Other Heavy Equipment Also Available.
 See Website www.weeksmarine.com

Boats & Harbors

CLASSIFIEDSExperience
The Selling Power of The
Yellow Sheet!Place Your Ad (931) 484-8708 or Email: Tlewis@boats-and-harbors.com • Fax: (931) 456-2337 • Submit Online: www.boats-and-harbors.com**★ BOATS FOR SALE**

125' EX-COAST GUARD Cutter Morris. 1927/2010 - \$2 million overhaul. Low hour KTA's & gens, new wiring, piping, decks, hull plating, electronics & more. Rio Vista, CA. Reduced to: \$190K. (916) 715-0563 See: www.libertymaritime.org

1953 65 FT by 22 FT Beam, Blount Built T-boat, Emita II dinner / tour boat. Licensed 150 passengers. Rebuilt 1993, operated in fresh water since 1975. Currently operating on NYS Canal System. COI expires spring 2022, drydock inspection expires spring 2021. Detroit 8-V71 300 HP rebuilt spring 2017. (1) Yanmar / Kohler 20 KW. (1) Yanmar / Kohler 16 KW. Includes safety and service equipment. \$190,000. Call (315) 685-8500. For photos, visit: midlakesnav.com/erie-canal

1970 / 62' ALUMINUM CREW BOAT, re-powered, \$225,000.00. (361) 758-7487 www.sealevelmarine.net/m-v-maverick2.html

1981 SWIFTSHIP 91x19.6' Crew / OSV Triple V12711T, 2,600 fuel cap. Located Galveston, TX. \$249K OBO. Call Richard (713) 705-0037.

1984 WILLARD 50 FT NAVY Utility Boat, 671 Detroit Diesel engine, Serial: 50UB847. Engine shows 48 hours and has been started and checks out good. Asking \$20,000 OBO. (270) 535-2886 ebogle4@gmail.com

1987 FERRY / PASSENGER. 100'x45', double ended, current COI 22 cars + 100 passenger, located in Chicago, excellent shape, ready to go. Call (773) 447-6721 Email: captainrickdawson@gmail.com

1988 PETERSON BOAT WORKS. 24' aluminum harbor boat. Volvo diesel AD41P-A 200 HP. Volvo duo prop outdrive. Sandblasted & epoxy painted. Boat is fully reconditioned. \$45,000 OBO. Call (860) 395-3574.

1999, USA FLAG, 220' Supply Boat, big deck, EMD power, bow thruster, now available for purchase. ABS load line. Good operating boat. Call: (281) 635-7151 E-mail: marineone1st@yahoo.com

2001 CARMAN 50 Walkaround (Seaflex) Ex-Headboat (Currently out of COI), twin Volvo 485 hp, 3,500 hrs. Updated Garmin electronics. Onan 12.5 kw genset. Asking \$299,900. (516) 606-1282

YOUR AD LOOKS GOOD IN PRINT! Whether it is Boats For Sale, Engines For Sale, Gears For Sale or a Wanted Ad your advertising can be more effective by placing your vessels and equipment with us! Call Now: 931-484-6100 or Email: tlewis@boats-and-harbors.com

30' SISU, Complete Refit. New deck, tanks, with very low hr. 315 Yanmar. \$46,500. (631) 325-8932

33 FT. FIBERGLASS WORKBOAT. Twin 3.3 liter Cummins, less than 1000 hrs on engines. Never seen salt water. \$18,000 OBO. (716) 269-9313

36' STRONGEST FIBERGLASS BOAT Ever Built with heavy duty protection for the 4 blade wheel and rudder, 455 hp twin turbo Detroit, 2 to 1 Twin Disc 514C, tow system, seats 10 in cabin, windshield folds down flat, navigate any low bridge, use for salvage, dredging, etc. Powerful, fast! Sacrifice \$39,500 OBO. (850) 814-2763; (850) 819-4572

39' KEY WEST #1 Grouper Snapper Boat, with GOM permit, V-671, ZF gear, all safety up to date, \$60,000. Phone (813) 546-7553

40' CREW BOAT, Passenger Certified. \$99,000. A/C, twin 671's. Currently working. Call Larry (386) 937-2615 / (828) 516-2227 Email: larry@vesselfinders.com www.vesselfinders.com

45 FT x 14 x 5, McCOY BAYMASTER, 450 HP Cummins, rigged for crab dredging and oystering. \$75,000. Call (856) 305-3257.

45' HATTERAS SPORTS FISHING 1969, 41 years of updates and maintenance. Great condition, runs great. Many above and under water modifications. She is loaded with many extras. This boat is nearly bullet proof. Must be seen to appreciate. \$69K. (561) 747-7733

45FT. LONGLINE GROUPEER BOAT, Greek built, glassed over top to bottom, 671 total rebuild, 500 hrs, 10 thousand pd fish hold, Gulf of Mexico longline endorsement and reef permit, turn key, presently fishing, owner retiring. Also have extra spool for sale, 10 mile sea gear, \$200 thousand OBO for boat and permits. For more info, Email: robknap2000@yahoo

48 PASSENGER TOUR BOAT, in operation now, twin outboards for sale. Palm Beach. (561) 723-2028

55'x16' STEEL DOUBLE RIG Freezer Trawler with brine tank, full electronics. Federal shrimp permit included. \$110K. (985) 226-2467

58' PRICE/DEADRISE 1960 671/MH20 COI 42, needs repair, asking \$36,000. New electronic and raft. For more info, Email: hoppincaddy@gmail.com

65'x22' 2014 SKIPPERLINER Passenger Vessel Sub Chapter T, USCG inspected and certified for 120 passengers. Two 305 HP Cummins engines, Konrad outdrives, generator is a Cummins, Onan 32 kilowatts. Dinner cruise vessel with open main cabin, open wet bar area forward open seating in main salon. Galley aft with a pass through to the main salon. Enclosed half bath to port and a handicap accessible bath to Stbd. Open upper deck with steel framework for canvas cover over forward end of the deck including Eisenglass for protection against inclement weather. Wet bar on upper deck. Excellent condition. For details Email: skipperlinervesselinfo@gmail.com

37' BAYLINER, Grouper Snapper Boat, GOM permit, Furuno electronics, up to date safety, 4-71, \$45,000. Phone: (813) 546-7553

34' UNIFLITE GEOLOGICAL Survey Boat, 3208T Caterpillar diesel engine, 255 HP, 9 beam. \$18,000 OBO. Eddie Bogle (270) 535-2886 ebogle4@gmail.com

BARCOS PESQUEROS, Remolcadores, Barcazas. Toda clase de equipo. Somos hispanos y hablamos español. Llámenos para ayudarlos. Call Larry (386) 937-2615 / (828) 516-2227 Correo: larry@vesselfinders.com Web: www.vesselfinders.com

95' EX-NAVY, PTF-26, LIBERTY. Vietnam War near-coastal gun boat. Aluminum hull. "The Last American PT Boat." Rio Vista, CA. Operational and fueled. Reduced to \$160K. (916) 715-0563 See: www.libertymaritime.org

38' HATTERAS & EQUIPMENT. Key Largo, FL. Asking \$29K OBO. Captain Tony (305) 619-5221

CHESAPEAKE BAY BUILT Classic 110 Passenger Vessel. 65 LOA, 60 ton, two 6-71 Detroit, current COI. Business and / or boat for sale, ready to cruise this season. (240) 463-1510 www.WestRiverCruises.com

CLASSIC WOOD Passenger Vessel. New COI for 169. Original stability letter for 224. Excellent condition ready to work. 65 ft. Biloxi Lugger design. Expertly rebuilt in 1985. 1-3/4 inch mahogany with stainless fasteners. Twin 8-71s. 10 kW Kubota. Appraised at \$350K. Will consider trades. (228) 326-1668

CUSTOM-BUILT WOOD 36' DEADRISE. 100-yr old design. 2009. Perkins diesel. \$15,000 OBO. Galesville, MD. (410) 353-9363 or jetye@aol.com

SPOUSE SAYS THE BOAT MUST GO? Sell it through Boats & Harbors today! (931) 484-6100 or place your ad online at www.boats-and-harbors.com

SEA BREEZE. Alum. Crewboat, Built 1978, 45 x 15 x 5.6'. Cert. for 44 pax, ON 602377. Twin 8V71's, 700 Hp, 13 KW Kohler Gen. \$250,000.00. Location: New York. Call office for additional information: 1-888-MR-BARGE, (617) 984-0022 Mark@Sterlingequipment.com

MISS KATHIE. 40' 8" x 13' 5" x 4' 1", EX CG Boat, HP: 680, year built: '78, GT: 15 GRT, Cummins 909's rblt. 2013, eng. gen.: (2) 24V alts. on eng. \$225,000.00. Location: Staten Island, NY. Call office for additional information: 1-888-MR-BARGE, (617) 984-0022 Mark@Sterlingequipment.com

FOR SALE: COMMERCIAL Tugs, Barges, dredges, work boats, passenger vessels, ferries, landing craft, air boats, hovercraft, anchors, propellers, winches, ship parts from Great Lakes freighters, marine diesel engines & transmissions, generators, marine antiques. Listings welcome. Scruton Marine Services (519) 583-1636, Fax (519) 583-2189 www.scrutonmarine.com

GOOD STEEL BOATS Made for Work, Self-Bailing Assist, Utility and Bridge Construction Boats. (508) 264-6863 www.americanworkboat.com

34' PREMIUM PARASAIL / DIVE Boat with Trailer, 12 ft beam, good shape, 2 rebuilt 300 HP 6B Cummins diesel engines, has room for toilet under steering console. Refurbishing, 90% done. Asking \$60,000 OBO. (270) 535-2886 ebogle4@gmail.com

CLEAN OUT YOUR STORAGE TODAY! Sell it in Boats & Harbors! Call us today at (931) 484-6100 or place your ad online at www.boats-and-harbors.com

TRASH SKIMMER BOAT: \$50,000. Manufacturer: Aquarius 4BT Cummins. 60'x12' stainless steel construction. Wayne: (410) 972-8187

WORK BOATS For Sale. 18, 23, 27, 32 and 55 feet, aluminum, diesel powered, all in good working order. Palm Beach. (561) 723-2028

★ BOAT AND BUSINESS FOR SALE

WELL ESTABLISHED Charter Business For Sale. 1969 custom Thompson 48 ft. Classic, last one highly respected boat builder Gene Thompson built. Last one of 20. Just renewed COI for 5 years. USCG approved for 15 passengers. Federal permits for reef and pelagic. Website and social media is 5 Star for this business. All booking agents use the boat. Great reputation and nostalgia. Owner will stay on for one year to help make a successful transition. Email for photos & price. MsAegina@gmail.com

★ BOATS FOR SALE OR LEASE

62' STAPLETON SPORTFISHER, USCG cert 49+2, twin 8V92 diesel engines powering 32" wheels, fresh bottom paint and USCG hull exam. Needs deck paint and salon finished to operate, 27.5 Kubota generator goes with it. Located Ft Walton Beach, Florida 32548. Asking \$350K, all offers considered, health forces sale. (619) 770-3292 diveconnections@gmail.com

82' HUCKINS MOTORYACHT, Twin 12V 72's Northern Lights 30 KW generator. Coastal cruiser been all over the world, sleeps 20 in 5 staterooms, 4 heads, set of extra props, Bauer air compressor, 9 stateroom AC units, twin hot water tanks, washer / dryer. Vintage kitchen and galley, 600 gallon per day water maker, 24 volt windless 600' anchor chain and 600' anchor line. Very stable yacht, asking \$650K, all offers considered. Joint venture capability. Photos available. (619) 770-3292 diveconnections@gmail.com

★ BARGE DONATIONS WANTED

501 C 3 ARTIFICIAL REEF CO. Looking for barges, metal boats, etc. Rather than take up dock space, donate it and get a write off. Call (772) 708-8881.

★ BOATS FOR LEASE

CREWBOATS / SAFETY Boats For Lease. Truckable aluminum crewboats 22' - 44', 6-15 pax, up to 40 knts., available bareboat or w/ crew. Can deliver anywhere. Contact Kevin @ (410) 977-0028 Email: smithequipment@verizon.net

★ SAILBOAT HULLS FOR SALE

36' STEEL SAILBOAT HULL. George Sutton design. Professionally built, never launched. 2 cylinder diesel installed, interior finished, fully equipped, no rig. Asking \$35,000. (207) 443-8408 Pictures and details at: www.pandpcanvas.com

CARGO / TRADE SCHOONER Under Construction as T-boat, steel, 48 GRT, 61' LOA. <1 year to complete. \$225K OBO. Seller exiting. For info, call Matt (252) 626-1699.

★ BOAT DELIVERIES

ECHO YACHT DELIVERY World Wide. We will move your vessel anywhere in the U.S. or the world at reasonable cost. Commercial vessel, yachts, power or sail. For reliable estimates, call (321) 514-5046 or go to our "Quick Quote" web page at: echoyachtdelivery.com

EXPERIENCED PROFESSIONAL, World-wide, licensed masters and crews. Bayfront Marine, Inc. Mel or Diane Longo. (904) 824-8970 www.bayfrontmarineinc.com

★ PERMITS FOR SALE

GULF OF MEXICO Directed Shark Permit, \$10,000. (727) 492-4907

CAN LOCATE ANY PERMIT, Commercial or Charter. 28, 33, 48 Passenger charter permits available now. (361) 356-1172 permits@greatsageinc.com

IFQ ALLOCATIONS. Have Red Grouper Allocations For Lease, 100,000 lbs., \$10,000 for lot. Gag grouper, 20,000 lbs., at \$1.50/lb., in 2,000 lb. lots. Call (727) 492-4907.

TEXAS, INSIDE 3 NAUTICAL Miles shrimp permit, \$12,500. Federal Moratorium permit, \$12,500. (409) 434-3145

★ REEL MOTORS FOR SALE

PETERSON MACHINE BANDIT MOTORS. Guaranteed low speed, brand new, \$425.00 each plus ship. Extremely well marinized & professionally built. Mark (850) 287-2705.

★ PERMITS WANTED

FULL PERMIT SERVICES: Buy, Sell, Renew, Transfer, Broker your federal fisheries permits. File no fish reports, vessel documentation, VMS activation. Expired permit solutions. (361) 356-1172

ECONOMY GETTING YOU DOWN? Sell that unused marine item through Boats & Harbors. Call us today (931) 484-6100 or place ad online www.boats-and-harbors.com

I BUY AND SELL South Atlantic Snapper / Grouper, Gulf Reef Comm. & Charter, King Mac, others. Dave (904) 708-0893, (904) 262-2869

★ PUSHBOATS FOR SALE

26'x10' PUSH BOAT For Sale, \$125,000 or best offer! Many new parts, upper and lower controls, Detroit power plant (very low hours). (724) 765-0645 ggorski@clearwaterconstruction.com

3,000 HP PUSHBOAT. MV Gladys Ford, reduced price \$1.59 million. Ms. Amy, 1,350 HP, all aluminum pushboat, \$595,000. Sean (850) 686-3420; Chris (850) 255-5266 www.mbbrokerage.net

THIS BOAT Is In Excellent Condition, we just installed top steering station. (2) Suzuki 2013 (4) stroke engines, can push 50' barge no problem and fast, can do 35 plus mph by itself. Boat is 25' by 10' by 2.5 deep. Only serious persons please. And is in water for a test run. Asking \$55,000. (609) 410-9195

TRUCKABLE TUGS, Four Available. Model bows, oceangoing & more. Call Larry (386) 937-2615 / (828) 516-2227 Email: larry@vesselfinders.com www.vesselfinders.com

★ TUGBOATS FOR SALE

1953 EX ARMY ST Tugboat, 45' Long 12.5' Beam. 8V71 Detroit Diesel, Allison gear. Lots of new steel plate. No generator. \$38,000. Located: Chesapeake Yachts, 1700 Shipyard Rd., Chesapeake, VA. (757) 288-5074

JAY MICHAEL. 68 x 24 x 7', 98 GRT, Built 1980, ON 630308, Twin Cat 3508's, 2200 hp, 2 x 40 KW gensets, 37,000 gal. fuel, Smatco single drum winch, complete electronics. \$POR. Location: Staten Island, NY. Call office for additional information: 1-888-MR-BARGE, (617) 984-0022 Mark@Sterlingequipment.com

45 FT. ARMY ST Upper Pilot House, 855 T Cummins, 4:1 TD gear, 20 KW Northern Lights gen. \$50,000.00 (843) 729-4264

CONTINUED ON PAGE 26



Scarano 65' x 14' Water Ferry Launch



Scarano 80' x 16' Motor Launch



**115' PV Adirondac
350 Passenger Capacity**



Adirondack 65 LOD

SCARANO BOATBUILDING, INC.

Port of Albany, Albany NY 12202

Custom Design Construction

518-463-3401 • FAX 463-3403 • www.scaranoboat.com



Smithwick & Mariners Insurance, Inc

Specializing in Inspected Passenger Vessels, Marinas, Boatyards, Boat Dealers,
Mobile Marine Repairers & Various Commercial Marine Businesses
as well as Yachts & Private Pleasure Boats

- ✓ Commercial Fishing, P&I, Lobsterboats
- ✓ Pollution Coverages
- ✓ NHCFA: Fishboat Program (New Hampshire)
- ✓ Charter Vessels
- ✓ Loss Free Credit/Loss of Income
- ✓ Payment Term Options

Call to customize a program for your needs:

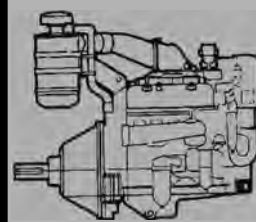
603-394-7008

www.blackadarmarine.com

M/V Valcour For Sale



Length: 190' Overall, 177' Waterline • Power: Twin 425 HP CAT D-353 • Gross Tons R446, Net Tons R87 • Fresh Water Boat • Galvanized Hull • COI - Lakes, Bays, and Sounds • Lifesaving (4) 50 Man IBA's • Co2 Fixed Fire Extinguishing • Very Clean Solid Vessel • Accepting Reasonable Offers • heathers@ferries.com



INDUSTRIAL DIESEL, INC.

8705 HARMON • FORT WORTH, TX 76177 • Ph: 817-232-1071 • FAX: 817-232-0354 • WATS: 800-323-3659

WORLD WEB WEBSITE • <http://www.industrialdiesel.net> • EMAIL: sales@industrialdiesel.net

SEE OUR COMPLETE INVENTORY ON THE WORLD WIDE WEB

**NO C.O.D'S PLEASE
WE ACCEPT VISA AND MASTERCARD
Se Habla Español**

POWER UNITS



Caterpillar C4.4 Power Unit
Tier III, 100 HP RTO - Call For Pricing



Perkins 1104 Tier IV Power Unit
100-117 HP RTO, Low Hours
Call For Pricing



Caterpillar 3126 Tier II Power Unit
200 HP RTO, Low Hours - \$7,500



3054C Caterpillar Power Unit
160 HP, Low Hours
\$6,000

INVENTORY & COMPONENTS!



KT38 Cummins Engine
950-1200 HP, Rebuilt
\$65,000

Rebuilt Detroit Diesel Marine Engines

Keel Cooled	Exch Price US	Outright Price US
3-71	\$ 7,000	\$ 10,500
4-71	\$ 8,200	\$ 11,700
6-71	\$ 10,000	\$ 13,500
8V71	\$ 12,200	\$ 16,000
8V92 N	\$ 14,000	\$ 19,700
12V71 N	\$ 20,500	\$ 28,550
16V92 N	\$ 36,000	\$ 46,000

Exchange Price Includes New Air Silencer. Outright Price Includes Exhaust Manifold, Flywheel, Tank Silencers.

Heat Exchanger	Exch Price US	Outright Price US
3-71	\$ 9,500	\$ 12,500
4-71	\$ 10,000	\$ 14,000
6-71	\$ 11,500	\$ 15,000
8V71	\$ 14,500	\$ 18,500
8V92 N	\$ 16,500	\$ 24,500
12V71 N	\$ 22,500	\$ 32,000
16V92 N	\$ 38,000	\$ 47,500

Exchange Price Includes New Air Silencer. Outright Price Includes Exhaust Manifold, Flywheel, Tank W/P, Pipes For Raw W/P, Air Silencers.

Rebuilt Cummins Diesel Engines

	Exchange	Outright
KT19 / 1150 / 450	\$ 28,000	\$ 38,000
KTA19 / 1150 / 525	\$ 32,000	\$ 42,000
QSK19	\$ 47,500	\$ 60,000
KTA38 High Profile	\$ 75,000	\$ 95,000
KTA38 Low Profile	\$ 102,000	\$ 137,000
KTA50 High Profile	\$ 90,000	\$ 125,000
KTA50 Low Profile	\$ 105,000	\$ 145,000
QSK50 Engine	\$ 185,000	Includes Swing

Prices are for standard industrial engines. Prices subject to change for non-standard engines.

CALL NOW!!

Inquire about our used DDA parts Inventory & Components

CUMMINS

KT 19/1150	BLOCK NEW STYLE 12 BOLT FRONT.....	\$ 5,000
KT 19/1150	BLOCK NEW STYLE 11 BOLT FRONT.....	\$ 4,500
KT 19/1150	CRANKSHAFT NEW STYLE STD/STD.....	\$ 4,500
KV 50/3067	CRANKSHAFT NEW STYLE STD/STD.....	\$ 10,000
VT 28/1710	CRANKSHAFT NEW STYLE STD/STD.....	\$ 5,000
KV 38/2300	CRANKSHAFT NEW STYLE STD/STD.....	\$ 8,000
QSK 19	CRANKSHAFT NEW STYLE STD/STD.....	\$ 5,000
KV 38/2300	BLOCK NEW STYLE VALLEY COOLED STD.....	\$ 8,500
QSK 19	FRONT COVER NEW STYLE NEW TAKE OFF.....	\$ 500
QSK 19	AFTER COOLER ASSY. NEW STYLE NEW TAKE OFF.....	\$ 3,000
QSK 19	OIL PANS NEW STYLE NEW TAKE OFF.....	\$ 350

NEW MARINE PARTS

NT 855	WET EXHAUST MANIFOLD NEW.....	\$ 950
NT 855	MARINE THERMOSTAT HOUSING NEW.....	\$ 350
NT 855	MARINE FLYWHEEL SAE #1 NEW.....	\$ 750
NT 855	MARINE BELL HOUSING NEW.....	\$ 1,000
KT 19/1150	WET EXHAUST MANIFOLD NEW.....	\$ 1,100
KT 19/1150	3003657 CONNECTOR NEW.....	\$ 105
KT 19/1150	3004718 CONNECTOR NEW.....	\$ 115
KT 19/1150	3003662 TUBE NEW.....	\$ 80
KT 19/1150	3004716 TUBE NEW.....	\$ 85

REBUILT BLOWERS

3-53, 4-53, 6V53, 4-71, 3-71, 2-71, 6-71, 12V71, 6V92T & 8V92T
EXCHANGED - \$600.00 • OUTRIGHT - \$800.00 - \$1,000.00

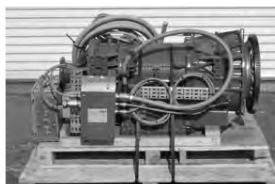
NEW SURPLUS • NEW SURPLUS



SPM 3000 HP Pump
BAS3000, G0214-10000
3000BHP, 12 Stroke, 7.68 Gear
Ration, MFG 2/2014,
*No Fluid End - \$295,000



FMCWT2450 Pump 4.5 FLUID END
WT2450, Part# P540619,
2400HP, Speed 1950, Gear
Ration: 6:39:1 - \$110,000



OFS 4700 Transmission
SN# 6610392590, 600HP,
Pyroban Equipment,
Cert# PYROBAN06ATEX0121X
\$40,000



Pacemaker Pumps 700BHP
BS# 322656, 141111PTL7/576
Fluid End BSPAR# 322690
SN: F0914-25960, MFG 2014
\$105,000



Cummins QSK19 800HP
800HP @2100RPM, Marine
Application ABS Certified,
4 Available - \$50,000 Ea.



SPM QWS 1000 Pump
SN# F0613-21599, 60514-10175
1000BHP, 4.61 Gear Ration
MFG 12/2012
2 Available, 1 Left and 1 Right
\$105,000



QSB 6.7 Cummins Power Unit
260HP, SN# 46941797, CPL 8611
260HP @2200RPM, MFG 2008
\$20,000

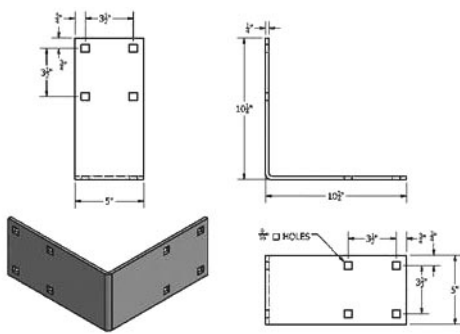


Cummins QXS15 Power Unit
Tier IV Compliant, CPL 3350,
600HP @2100, MFG 4/2012
7 Available - \$55,000

**NEW SURPLUS
NEW SURPLUS
CALL NOW!!**

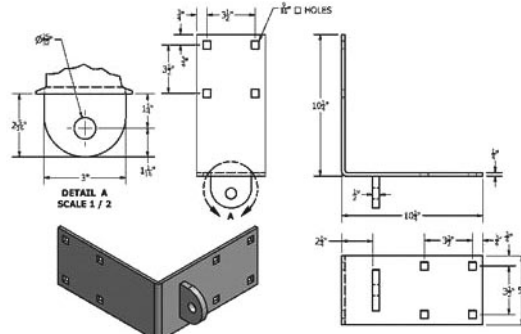
WOOD DOCK HARDWARE

MADE WITH 1/4" HIGH STRENGTH STEEL THEN HOT DIPPED GALVANIZED

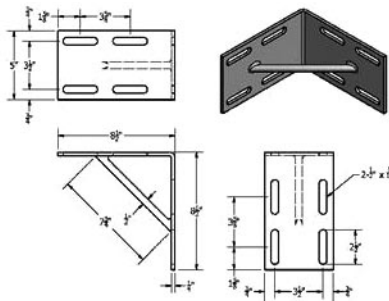


Outside Corner End (H-OCE) is used at the ends of fingers, ends of dock or for swim platforms.

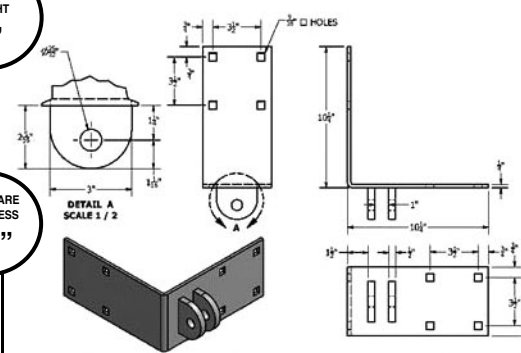
H-OCE Ship#7 \$12.98



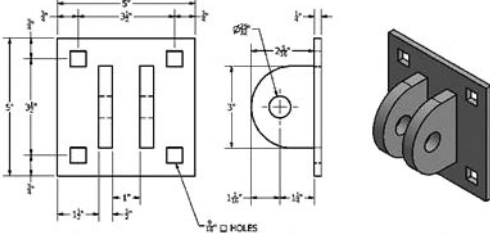
Outside Corner Male (H-OCM) has one 1/2" tab and a hole for a 3/4" bolt or B-PIN. Would be used with an Outside Corner Female (H-OCF) or with a Single "T" Female (H-SF). **H-OCM Ship#8 \$18.71**



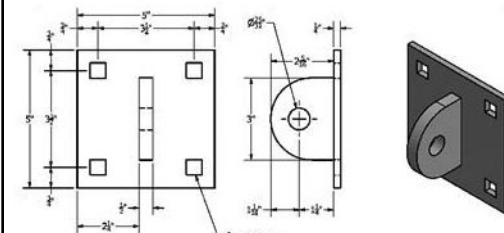
Inside Corner (H-IC) has slots and can be used with 1-1/2" - 3" thick wood. The inside corner sandwiches the wood between the opposite outside corner, keeping bolts from burying themselves in the wood. A corner gusset gives the unit a lot of strength and helps from racking the dock. **H-IC Ship#7 \$13.95**



Outside Corner Female (H-OCF) has two 1/2" tabs and a hole for a 3/4" bolt or B-PIN. Would be used with an Outside Corner Male (H-OCM) or with a Single "T" Male (H-SM). **H-OCF Ship#9 \$22.23**



Single "T" Female (H-SF) has two 1/2" tabs and is used with an Outside Corner Male (H-OCM) or a Single "T" Male (H-SM). Both male and female singles can be bolted to the side of a dock to make finger attachments. They can also be bolted to seawalls to make ramps. **H-SF Ship#4 \$13.04**



Single "T" Male (H-SM) has one 1/2" tab and is used with an Outside Corner Female (H-OCF) or Single "T" Female (H-SF). **H-SM Ship#3 \$9.22**

HARDWARE HEIGHT
5"

HARDWARE THICKNESS
1/4"

WOOD DOCK HARDWARE



MERCO MARINE

Merco Marine is a manufacturer of boat dock building components and accessories. We were established in 1979. Everything we manufacture is made in the United States, with US Steel, and US workers.

The products shown here are only a small portion of the over 2000 items that we manufacture and keep in inventory for boat dock building and marinas.

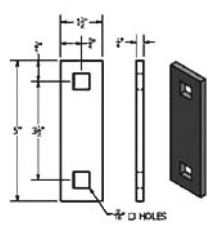
For a complete list of our products check us out on the web at www.mercoboatdocks.com or give us a call at 304-737-3006. You can also request a free copy of our 65 page catalog.

Merco Marine can provide simple parts and pieces for your small pond or lake dock to build on site, or we can build entire marinas from start to finish.

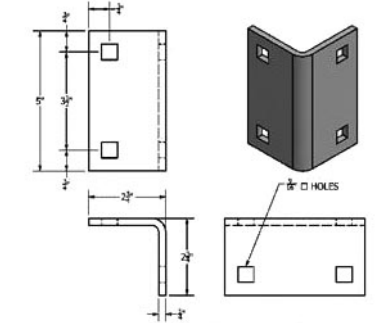
WOOD DOCK HARDWARE WWW.MERCOMARINE.COM 1-304-737-3006

WOOD DOCK HARDWARE

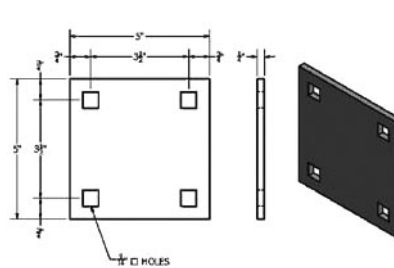
MADE WITH 1/4" HIGH STRENGTH STEEL THEN HOT DIPPED GALVANIZED



Washer Plates (H-W) are used mostly with Angles (H-A) and Cleat Angles (H-CA). The square hole in the plate keeps the carriage bolts from turning when the bolts are tightened. **H-W Ship#1 \$1.24**

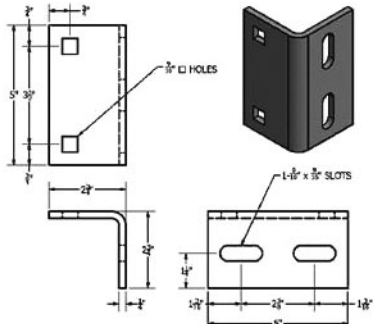


Angles (H-A) used to hold all cross stringers to side stringers using a Washer Plate (H-W). The wood is sandwiched between the steel and creates a solid corner. **H-A Ship#2 \$3.45**



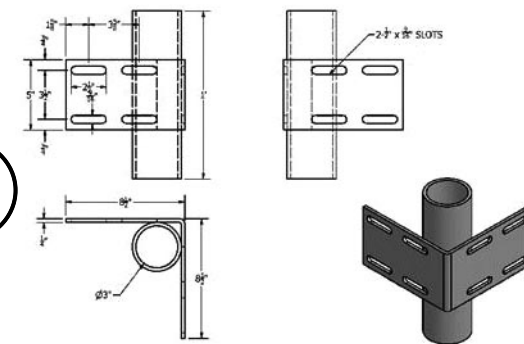
Backup Plates (H-B) are used with Single "T" Males (H-SM) and Single "T" Females (H-SF) for additional strength and to keep bolts from pulling through the wood. **H-B Ship#2 \$3.30**

WOOD DOCK HARDWARE

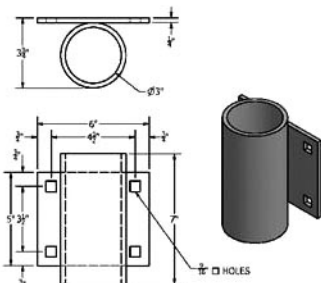


Cleat Angles (H-CA) have slots for various sizes of cleats. The cleat angle is bolted to the side stringer using a Washer Plate (H-W). The cleat is then bolted through the deck into the cleat angle. This keeps the cleat from pulling out of the deck. **H-CA Ship#2 \$4.88**

HARDWARE THICKNESS
1/4"

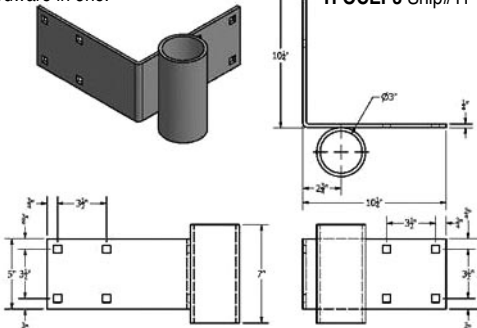


Inside Corners/3" I.D. Pipe Holder (H-IC3) has a 3" I.D. pipe holder welded in place. It can be used to replace a regular inside corner. It will accommodate a 2" I.D. pipe. **H-IC3 Ship#13 \$26.31**



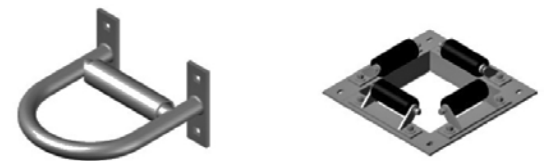
3" Pipe Holder (P-3) can bolt to the side stringer and uses 2" standard pipe to anchor docks in place. **P-3 Ship# 6 \$16.41**

3" Pipe Holder (H-OCEP3) outside corner end with a pipe holder welded to the end. 3" opening for 2" pipe. Save money by getting 2 pieces of hardware in one. **H-OCEP3 Ship#11 \$23.19**



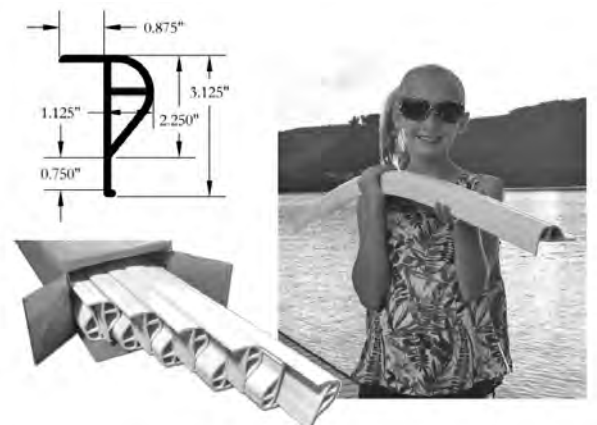
We also stock

PILE GUIDES



DOCK EDGING

Our **DE-40W** 40' Dock Edging (Shown above) comes 40' per box in easy to install 4' sections (10 per box) and includes 180 stainless ring shank nails.



DE-40W White 40' Length 31 Lbs.

FLOAT DRUMS

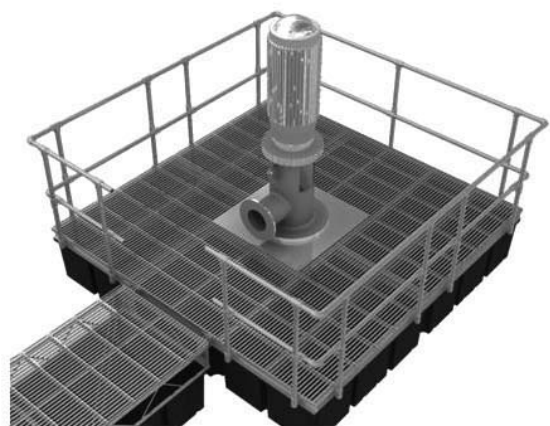
CLEATS



We also stock

SQUARE INTERNAL PILE GUIDES

For replacement roller assembly or parts see page 17.



PUMP PLATFORMS



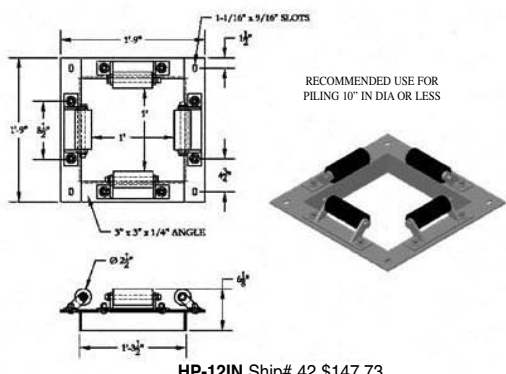
PILE CAPS



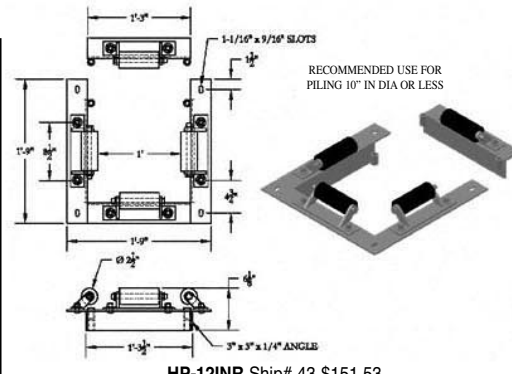
CORNER BUMPERS

View our complete product line on our website...

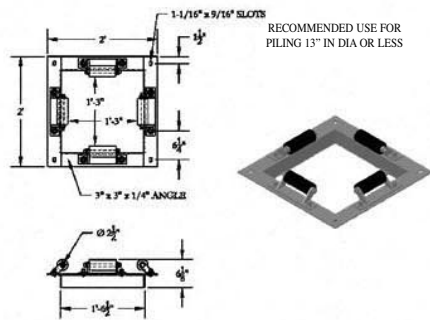
WWW.MERCOMARINE.COM 1-304-737-3006



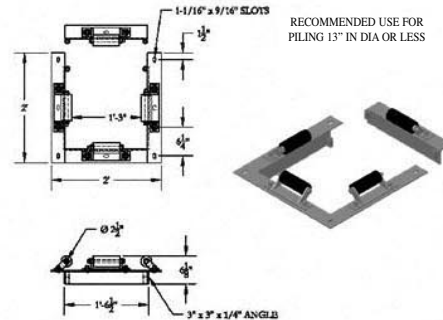
HP-12IN Ship# 42 \$147.73



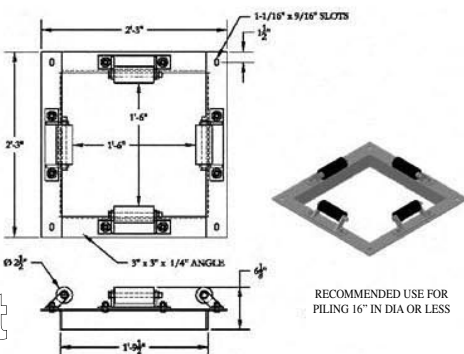
HP-12INR Ship# 43 \$151.53



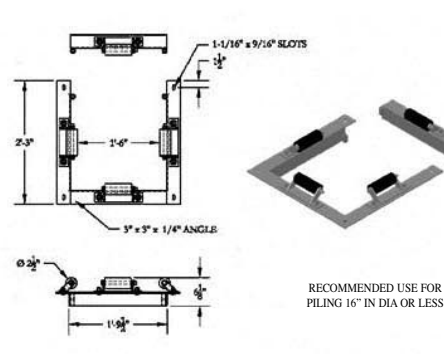
HP-15IN Ship# 53 \$162.37



HP-15INR Ship# 54 \$167.11

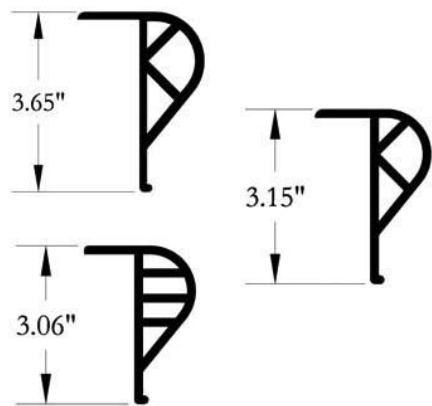


HP-18IN Ship# 58 \$170.98

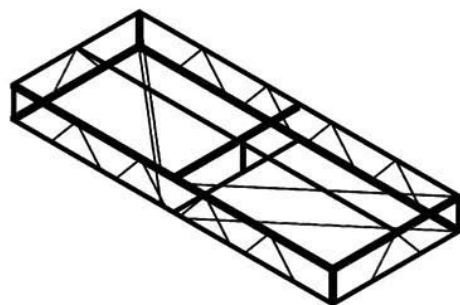


HP-18INR Ship# 59 \$175.26

PILE GUIDES



RUBRAIL



TRUSS FRAMES



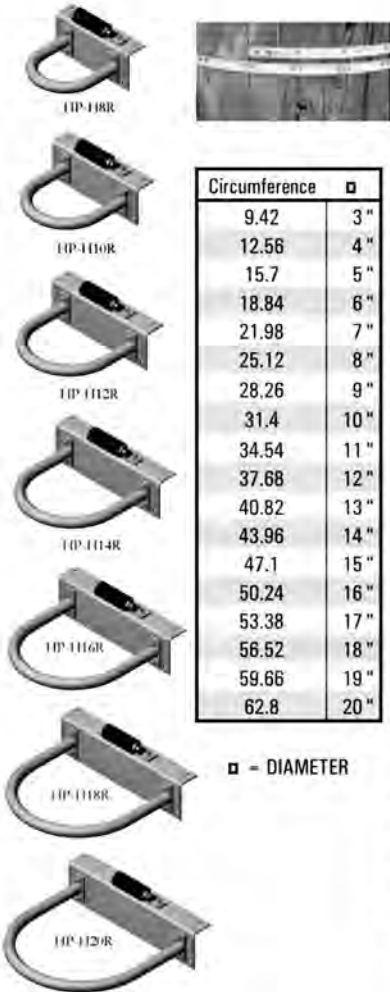
MERCO MARINE

HOOP PILE HOLDERS

Our convertible Hoop Pile Holders have 3 basic pieces, a deck plate, a hoop and a roller assembly. This allows you to have a hoop pile holder the way you want it, whether it be a permanent hoop, a removable hoop or a hoop with a roller. You can use the roller assembly on the deck plate or bolt it directly to the dock. All parts are hot dipped galvanized. Add a UHMW Roller to any assembly as shown at the bottom of page 19. All assemblies include a deck plate, hoop, roller assembly, and 6 carriage bolts. Fasteners required to bolt to your dock sold separately on page 28.

Assembly Number	Assembled Weight	□	L	L2	W	BH	BM	Hoop Number	Hoop Weight	Deck Plate Number	Deck Plate Weight
HP-H8R	25 lbs	8"	8 3/4"	10"	15 3/4"	9-3/4"	13 3/4"	HP-H8	8 lbs	HP-DP8	12 lbs
HP-H10R	28 lbs	10"	10 1/8"	11 3/8"	18 1/2"	12-1/2"	16 1/2"	HP-H10	8 lbs	HP-DP10	14 lbs
HP-H12R	30 lbs	12"	11 1/2"	12 3/4"	20 1/2"	14-1/2"	18 1/2"	HP-H12	10 lbs	HP-DP12	15 lbs
HP-H14R	32 lbs	14"	13 1/2"	14 3/4"	22 1/2"	16-1/2"	20 1/2"	HP-H14	10 lbs	HP-DP14	16 lbs
HP-H16R	35 lbs	16"	15 3/4"	17"	24"	18-1/2"	22"	HP-H16	12 lbs	HP-DP16	18 lbs
HP-H18R	37 lbs	18"	17 1/4"	18 1/2"	26"	20-1/2"	24"	HP-H18	13 lbs	HP-DP18	19 lbs
HP-H20R	38 lbs	20"	19 5/8"	20 7/8"	27 1/4"	21-7/8"	25 1/4"	HP-H20	13 lbs	HP-DP20	20 lbs

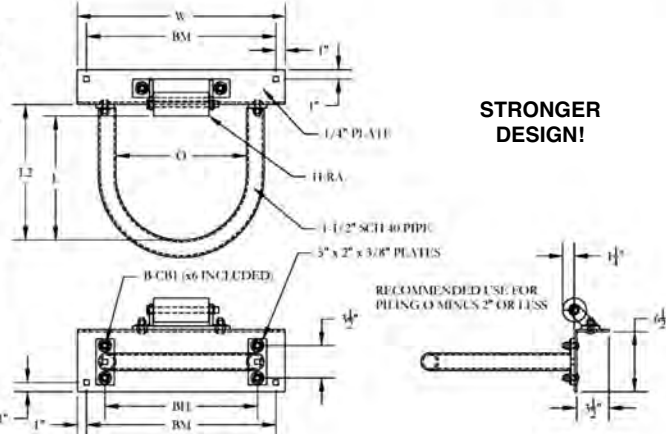
NOTES: ALL DIMENSIONS NOMINAL. DIAMETER TOLERANCE IS +/- 1/4". □ = DIAMETER



1-1/2" HOOP PILE HOLDERS

Circumference	□
9.42	3"
12.56	4"
15.7	5"
18.84	6"
21.98	7"
25.12	8"
28.26	9"
31.4	10"
34.54	11"
37.68	12"
40.82	13"
43.96	14"
47.1	15"
50.24	16"
53.38	17"
56.52	18"
59.66	19"
62.8	20"

□ - DIAMETER



STRONGER DESIGN!

Our mounting plates are 5" x 2" x 3/8" which are welded to the hoop and are used to mount the hoop to the deck plate. Our mounting plates are 33% thicker and 25% wider than most other hoop mounting plates on the market.

An easy way to determine the diameter of your existing pipe or piling is to measure the circumference and divide by 3.14. We've done the math for you with our Circumference chart to the left.

Part Number	Assembled Price	Hoop Number	Hoop Price	Deck Plate Number	Deck Plate Price
HP-H8R	\$94.88	HP-H8	\$35.93	HP-DP8	\$33.28
HP-H10R	\$99.53	HP-H10	\$38.55	HP-DP10	\$35.31
HP-H12R	\$106.43	HP-H12	\$43.42	HP-DP12	\$37.34
HP-H14R	\$111.31	HP-H14	\$47.34	HP-DP14	\$38.30
HP-H16R	\$119.62	HP-H16	\$51.91	HP-DP16	\$42.04
HP-H18R	\$125.87	HP-H18	\$56.26	HP-DP18	\$43.94
HP-H20R	\$132.16	HP-H20	\$60.61	HP-DP20	\$45.88



Manufacturer of Marine Air Conditioning Systems, Chillers, Water and Air Cooled Package Units, Refrigeration, Explosion Proof



6,000 to 40,000 BTU



16k to 320k BTU Air Cooled Heavy Duty, Explosion Proof



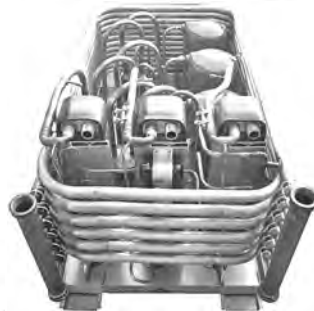
Air Conditioning Condenser Unit / Ref. Unit up to 50 HP



60,000 to 360,000 BTU Self Contained



Chiller 60,000-180,000 BTU



Triple Compressor up to 500,000 BTU

- Custom Engineering On Site
- Fast Delivery
- We ship world wide
- Water Cooled Self Contained Units for boats from 24 feet to Cargo Vessels
- Specialist to the Military, Shipbuilders
- Air-Cooled Marine Package AC for Pilot Houses
- Oil Rigs
- Marine Load Bank

**On Site Manufacturing since 1993
Contact Us Now Toll Free 1 866 227 7773**

Phone: 772 220 0038 Fax: 772 220 0260

Email us at: obr@oceanbreezeac.com

Visit us online at: <http://www.oceanbreezeac.com>

Quorum Marine and Electronics Inc.

D / B / A Ocean Breeze 3920 SE Commerce Avenue
Stuart, Florida 34997

BARGE FOR SALE

**Deck Barge 300 x 90 x 20 • 10 Metric Ton Per sqm Deck Load Capacity
Port of Philadelphia • Ballast Tanks**

For More Information Call Rick Greenberg at 609-705-3013



Photo: Chris Miller/csmphotos.com

Be a part of the largest and longest running commercial fishing and commercial marine tradeshow on the West Coast. Source new products, catch up with old friends, and stay up-to-date on the latest industry news.

Register before the show & admission is FREE*

with this promotion code: **BOATS**

pacificmarineexpo.com

*Registration discount applies for qualified registrants only, through Nov. 15, 2017. Day of show price: \$30. Non-exhibiting suppliers fee: \$50

Produced by: **diversified**

Presented by: **National Fisherman WORKBOAT**



pacific marine expo

Seattle, WA

NOV 16 - 18, 2017

CenturyLink Field Event Center

JUST ADD WATER.

Kubota

Tier 4 Final Kubota Powered Industrial Diesel Generators

1800 RPM Standard Equipment:

- Kubota Tier 4 Final Diesel Engine
- Epoxy-coated, brushless 1800 rpm generator
- 12VDC starting and charging system
- Murphy starting and monitoring system
- DOC-only aftertreatment
- Fuel filtration system
- Fuel priming system with transfer pump
- High ambient charge air cooling system
- Heavy-duty steel frame
- Vibration isolators
- Dry-type air cleaner
- Industrial muffler – S/L
- Solid state AVR

Southeastern Power Products is the Authorized KUBOTA Industrial Engine Distributor for the state of Florida, the Bahamas and the Caribbean.

Supplying genuine Kubota parts and factory remanufactured components.



Optional Equipment:

- Enclosures
- Fuel tanks
- Auto start/stop
- Transfer switches
- Circuit breakers
- Critical silencers
- Battery, rack, cables

20 kW – \$14,480
Kubota D1803BGCR

30 kW – \$15,730
Kubota V2403BGCR

SOUTHEASTERN POWER PRODUCTS

2880 Hammondville Road Pompano Beach, FL 33069
Phone: (954) 979-5899
Fax: (954) 979-4349

www.southeasternpower.com

CLOSING DATES • FIRST OCTOBER ISSUE 2017

• To Be Mailed September 29th •

FOR DISPLAY September 26th (9:00 A.M. C.S.T)
FOR CLASSIFIED September 28th (10:00 A.M. C.S.T)

BOATS FOR SALE

FROM THE MARINE DIVISION OF CAT FINANCIAL

Check out the list at
www.cat.com/boats4sale

Financing is available worldwide for all types of commercial applications, including fishing vessels.

We provide terms, competitive rates and repayment plans as unique as each of our customers.

For additional information or to obtain an application:
e-mail: CatBoats4Sale@cat.com
phone: 615-341-8258
fax: 615-341-8588



Caterpillar Financial Services Corporation
2120 West End Avenue | Nashville, Tennessee 37203

AHOY PROPELLERS

QUALITY & PERFORMANCE THROUGH FLUID INNOVATION

2614 OAK DRIVE, HARVEY, LA 70058
504-367-5710
AHOYPROPELLERS.COM



BRONZE - NIBRAL - STAINLESS
SIZES 24 INCH AND UP



Phone: 504-367-5710
Fax: 504-367-5733

Vessels, Barges, & Cranes For Sale



32' x 40' x 4' Sectional Spud Barge and Crane.



20' x 8' x 4' Truck-Able Push Boat, (1) GM 471, Flanking Rudder, Keel Cooled.



Dry Dock 220' x 70' x 6', Capacity 2800 Tons, Reported to be in excellent working condition.



New Shugart Compatible Sectional Barges. Call today for a quote, and lead time.

(30) Crewboats 22' to 150'	Starting at \$18,000
(110) Inland and Ocean Deck Barges 30' to 400'	Starting at \$15,000
(31) Spud Barges 40' to 250'	Starting at \$22,000
(45) Inland & Ocean Hopper Barges 175' to 600'	Starting at \$45,000
(7) Landing Crafts 40' to 250'	Starting at \$22,000
(6) Travel Lifts 25 ton & Up	Starting at \$25,000
(29) Utility / Supply Vessels	Starting at \$95,000
(65) Pushboats 200hp & Up	Starting at \$25,000
(70) Model Bow Tugboats 200hp & Up	Starting at \$65,000

New & Used Truckable Pushboats & Sectional Barges Used Cranes and Draglines

OVER 600 ITEMS LISTED ON OUR WEBSITE

WWW.TMT-LLC.COM

65' CREW BOAT • BREAUX BAY CRAFT




1982, All Current USCG Certifications, Galley, Head, Shower And Bunks, 30 Passengers, Exceptional Condition! (2) V12-71 Detroit, 20 KW Gen., Ready To Work, Needs Nothing.
3 To Choose From - \$350,000 (631) 331-5336

Now Taking Bids - Owner Retiring 1/1/18
2005 96' 121 Passenger Skipperliner



Take over SBA bank loans approx. \$894,000.00
 Best offer over loans gets it. Very well maintained.
 Details at <http://skipperlinerindustries.com>

40' x 14' Sea Mule Work Barge



Twin Chrysler Royal Marine M8 engines. 11500'b hydraulic Prentice 3 section crane. Stedt hydraulic clam bucket crane. JD 9300 backhoe unit. 21" Spuds with electric winch. Hughes Tools 500 lb. hydraulic hammer. Located in Chicago, IL.
\$40,000 • Contact: (708) 363-2714

For Sale



C180 Liftboat with Side Tanks
 Contact: (609) 675-8611 For Details

For Sale \$180,000
60' A-1 Fiberglass Hull (100 mile)



New COI 8/17, stb 118, inland cert 103. 2-892 Nats. Fully equipped, new Garmin Radar, 271, 14KW Gen. Upper deck seats 22. Family owned. Freeport, L.I.
www.dolphinfishingfleet.com
 Email: tgrec07@optonline.net
 Capt Retiring. Tony: (516) 382-5777 Days

2005 Norpower 25' Seismic Workboat




Has 6BT5.9M Cummins Diesel Eng., Original purchase price at \$350K+ Asking \$150,000 OBO
 Low Hours, Exc. Mechanical Cond.
(208) 664-8215

MARINA EQUIPMENT FOR SALE (305) 882-7000 gwork@wejohnson-fl.com

2004 75 Ton Marine Travelift



with Remote in exc. cond. Late model 75 BFM11 metric ton cap., (165,000 lbs) w/lots of extras. (2) speed hoist, (2) speed drive, remote control. John Deere dsl engine 4045TF w/low hrs.
PRICE REDUCED!

2007 Marine Travelift 300 Ton



Model 300C metric capacity. Great condition. Inside clear W: 32'8". Inside clear H: 40'. John Deere diesel engine, 2 speed. Hoist and drive, remote control.
Available Now!

CONTRACT EXPIRED



FOR SALE BY OWNER

Water Taxi/Tour Boats • Electric

Can be twin gas outboards
40' x 12' x 2'6"
 Great for Eco Tours, Sunset Cruises, Shuttles
 Convertible to Glass Bottom




\$170,000 EACH OR \$300,000 FOR PAIR
 Will consider joint venture, or long term lease. Located in MD.
954-471-7538 • bobbekoff@gmail.com
www.bobbekoffconsulting.com

73' Sabre Catamaran Passenger Ferry 1999/2017




This boat has undergone a complete refit from top to bottom. New Reman MTU 16V2000 with brand new gears and generator, new shafts and wheels, new electronics, new A/C, new windows and interior, the list is extensive.
Asking \$1,350,000.00
Call Charlie • (772) 260-1021
 This Boat Cannot be Registered in the US




140' x 40' x 7' Crane Barge With LS318
100' x 30' x 5' Spud Barge with 80T Grove Truck Crane
(2) Conex Buildings with Tools and Quarters
650HP Truckable Tug
Call Tommy @ 504-450-8332


For Sale




Tug American Challenger: 111' x 30' x 15.5', 3,000 BHP, 60.75 Ton Bollard Pull
 ABS Hull & Machinery, A-1 Towing All Oceans; Located PNW. \$2.0M



Crane Barge AMC-160: 160' x 51' x 13', 4500 Manitowoc Rated 100 Tons
 Max Boom Ht 167'; Located Hawaii. \$1.5M



Tug American Patriot: 121' x 34' x 18.8', 4100 BHP, 63 Ton Bollard Pull,
 ABS Hull & Machinery, A-1 Towing All Oceans, Located GOM. \$1.5M



(3) Hypertech 5000: Multi-place Hyperbaric Medical Chambers
 \$150K ea/ Best Offer

(2) Caterpillar D399TA Marine Engines, 1125 HP @ 1200 rpm. Standard Rotation. Best Offer.

Contact: American Marine Corporation
 James Bobbitt (562) 233-9468 or Robert Shahnazarian (310) 345-5252

For Sale Only
 Located in Baltimore, MD



140' x 70' x 12' Army YD Barge
 w/100 Ton Whirley • \$1.1 Million USD

FOR SALE / LEASE

Truckable • Tug Boats \$75k-\$275k
 Crewboats - \$35k-\$275k
 Landing Craft - \$65k-\$285k
 Skimmer Boats - \$49k-\$150k
 RIB - \$25k-\$60k
 All w/- w/o Power

Heavy Equipment • Trucks • Trailers
 Race/ Pleasure Boats

Please Contact: Kevin 410-977-0028
smithequipment@verizon.net
 More equipment available at www.crewboatstogo.com



1990 Lydia 75' x 21'. Repowered 2016. Twin John Deere 6135 650 HP with new Twin Disc gears under warranty. Current USCG certified to 144 passengers. (2) 21 KW generators. AC/Heat, full electronics running daily. **REDUCED \$535,000.00**



1973 Sewart Seacraft 85' x 20'. All aluminum. Current USCG certified 180. Two decks, (3) 1271TI. (2) 20 KW Onan generators. Running daily. **REDUCED \$395,000.00 OBO**



1973 A1 Marine Fiberglass 65' x 19' Party Fishing Boat. Twin 892TI 550 HP, Twin Disc gears, Norpro 21 KW generator. Out of USCG certification. Was certified for 111 passengers. **REDUCED \$124,000.00 OBO**

62' 1986 All Fiberglass A1 (100 Mile)



Twin 892TI. Port Engine Rebuilt 01/2017, Twin Disc 514C trans, 20kw 271 + 9.5kw Nothern Lights. Large deck house & upper deck. Boat is fully equipped, (1) owner retiring. Stb Ltr 120. **Capt Pete (516) 223-1158 • \$220K**

Call (609) 602-9048 For Details

Info and Photos at BACKHARBORBOATS.COM

2005 Stardust • 80' Long



2003 Zodiac

(2) Diesel Cummins Engines, Westerbeke Generator, Bow/Stern Hydraulic Thrusters, 4 Bedrooms - Living Room - 3 Bathrooms - Full Kitchen - Dining Room - Lots of Storage, Includes 85' Slip located at Harbor Point Yacht Club (private marina) in West Alton, MO.

Can send more photos upon request.

Asking \$350,000.00 - Negotiable

Serious Inquires Only - Contact Bryant at 314-574-0957 or nharvath@yahoo.com

Available for Monthly or Yearly Lease

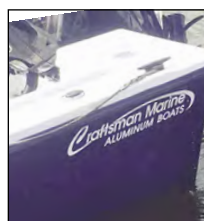


Manitowoc 4100W Series II Heavy Lift Crane Barge • Price: \$1,200,000.00

1992, 230 Ton Crawler Manitowoc 4100W Series II sitting on a 155' x 54' x 10' Steel Barge. Barge also equipped with Generator, Welding Machine, Air Compressor, Sewage Treatment System, Office Building and Equipment Shed. Crane has 200' of boom and a 60' jib. **Contact: Troy Lombardo - 1414 River Road, Berwick, LA 70342 • Of: (985) 384-8770 • Cell: (985) 637-8775**

Craftsman Marine ALUMINUM BOATS

WE BUILD BOATS FOR PLEASURE, DOCK BUILDERS, POLICE & FIRE DEPT, PARKS DEPT AND CREW BOATS



We Fabricate Fuel Tanks, T-Tops, Bow Rails, Radar Mounts and Arches



179 Frowein Road • East Moriches, NY 11940

P: 631.400.9118 E: Craftsmanmarinealumin@gmail.com

Like us on Facebook • Follow us on Instagram

600 Ton Manitowoc 4600 S3/S2 Ringer



Your Trusted Resource for Heavy Marine Equipment

24 Hour Response | Portsmouth, VA



200 Ton Manitowoc 4000W Ringer



85 Ton Derrick

350 Ton Heavy Lift Derrick "Samson"



Truckable Push Tug "Teddi C"

Visit our website: www.crofton.com | Sales and Rentals: Mike Frohnafel mikef@crofton.com | Office: 757-397-1131

Heavy Lift Capacity up to 600 Tons | Hydraulic | Conventional | Barge Mounted

Tug Rental: Truckables | Up to 1100 HP | Single & Twin Screw Engines

Barge Rental: Sectional, Spud, & Deck Barges | 20' -185' Lengths | 10' - 55' Widths | 4' - 12' Heights

Boats & Harbors**CLASSIFIEDS**Experience
The Selling Power of The
Yellow Sheet!Place Your Ad (931) 484-8708 or Email: Tlewis@boats-and-harbors.com • Fax: (931) 456-2337 • Submit Online: www.boats-and-harbors.com**★ TUGBOATS FOR SALE**

'LEONA B' Model Bow 1972, Twin V12 149 DT. 1,450 hp, 30 kW & 40 kW. Towing machine, 63x24x10, GT99. Great Lakes. (414) 588-7784

LYNX. MODEL BOW Tug, 73.5 x 25 x 9', 119 GRT, off. #: 507788. Blt. 1967, rblt. '90, Martinolich Shipblld., Tacoma WA. Twin screw open wheel. Cat D398 main engs. rated at 915 hp ea. Cat 3192 reduction gear at 5.31:1. Gens: 2 Cat D320, 50 KW ea.. Towing winch: Almond Johnson 320SS, 1450' of 1-1/2" wire. Bow winch: Foss conversion, 200' of 1-1/8" shipwire. Fuel: 10 Tanks, 24,000 gal. Water: 3 tanks, 3,000 gal. Quarters for 5 crew. Comp. elects inc. SSB, AIS, Furuno FR 811 Radar. \$POR. Location in NY Harbor. Call office for additional information:
1-888-MR-BARGE, (617) 984-0022
Mark@Sterlingequipment.com

MODEL BOW TUG, 42'Lx14'Wx7'D, Heavy Riveted Steel Hull, recently bottom coated, single screw GM 8V71 diesel, 350 HP. Price \$25,000. (410) 507-5553

SHALLOW LUGGER 50x17, 471 (2) Gen, galley, head, two bunks, full electronics, \$35K OBO.
BandLTowingInc@yahoo.com

WANTED: Your advertisement here! Now is the time to let Boats and Harbors expose your business to a National and International readership! Increase your sales with a classified ad. Call Now: 931-484-6100 or Email: tlewis@boats-and-harbors.com

★ BARGES FOR SALE

(2) 195'x35'x10' HEAVY BUILT Deck / Stone Barges, \$125K OBO. Located in Paducah. Call (270) 832-2712.

(3) SINGLE SKIN BARGES 120x30x7, 125x35x6, 139x35x7. Can convert to deck barges. Sean (850) 686-3420; Chris (850) 255-5266
www.mbbrokerage.net

110' x 34' 1943 STEEL Ex-Navy. Very Good Overall, two-story, electronics repair. Always clean, in & out. \$249,500. Seattle. (206) 225-3360
Details: www.PacificMarine.org
E-mail: david@pacificmarine.org

86x30, 2 RAKES, 8 Compartments, \$30,000.00. (843) 729-4264

BARGES FOR SALE: Deck Barges: 120' x 30', 125' x 35', 139' x 35', 240' x 72'. Spud Barges: 140' x 39', 192' x 42', 185' x 44'. Tank Barges: 195' x 35' 10KBBL, 297' x 54' 30KBBL. Pushboats: 3KHP, 2KHP, 1350HP, 2150HP, 1100HP, 800HP, 500HP. Tugs: 3KHP, 3500HP, 1800HP, 1200HP, 900HP, 800HP, 600HP, 400HP. Contact: Sean 850-686-3420 or Chris (850) 255-5266
www.mbbrokerage.net

POSTED CONCRETE BARGE 45'x45'x12, Harvey, LA. Great for inland production facility or marsh hunting / fishing camp. \$25,000. Contact Brian (504) 427-0235.

SECTIONAL BARGES Built. Any Truckable Size. Portable pushboats. Madison Boat and Barge, Madison Indiana, (812) 265-6255.
www.madisonboatandbarge.com

SMALL STEEL BARGES: (1) 32 x 16 x 7 @ \$25,000.00; (1) 48 x 17 x 8 @ \$55,000.00; (1) 52 x 20 x 8 @ \$55,000.00. Located: S.E. Massachusetts
Email: Lynchmarine@comcast.net

SPUD BARGE 140x80x15' Ex-Navy Barge. Located in Staten Island, NY. Call Bobby D at Sterling Equipment (617) 984-0022 for further details. Barge is ballasted with concrete counterweight and is suitable for a large crane.

X-ABS DECK BARGE, 240x72x15. \$950K. Sean (850) 686-3420; Chris (850) 255-5266
www.mbbrokerage.net

★ BARGES FOR CHARTER

NEW 10K & 30K Double-Skin Rank Barges. Central Boat Rentals, Inc. (985) 384-8200
www.centralboat.com

SPUD, CRANE, HOPPER, Material, Car-floats, Sectionals, Oceangoing and Inland. Services include floating crane, Brooklyn NY loading berth, transportation and project cargoes, marine construction support, etc. Equipment located throughout the east coast. Call or email us for a free quote: Hughes Marine Firms. (800) 357-7744 or info@hughesmarine.com
www.hughesmarine.com

★ BARGE FOR SALE OR CHARTER

FOR SALE BY OWNER: Deck Barges, Spud Barges, Material Barges, Hopper Barges; 60' x 26' to 300' x 100'. ABS and inland barges. East Coast, Gulf Coast, upper rivers. (800) 227-4348

SECTIONAL BARGES, Deck Barges, Dump Scows, Hopper Barges and Spud Barges. From 10' x 20' to 85' x 140'. Located on East Coast & NY Canal System. J-Way Leasing (440) 934-1020

★ BARGES FOR RENT

68'x28'x4' BARGE FOR RENT, consisting of (4) sections, each 34'x14'. (4) 12" spud wells, (2) 42' spuds. Available on or about 11/1/17. Northeast location. \$8K/month. Contact Dave Allan: boathouse@gwi.net

NEW YORK METRO AREA 30'x90' Flat Deck Barges For Rent; spuds optional. Mobe / Demobe of contracting equipment on / off barges. Topside repairs: Welding, painting, sandblasting, etc. Used marine / industrial equipment for sale in our salvage yard, must visit! Heavy lift salvage recovery and removal. Contact: (516) 527-4951
Visit us online: GladskyMarine.com

SECTIONAL BARGES RENTAL Located in Florida, 40x10x5 & 60x11x4. Contact (305) 965-8852
Email: barge@bargerent.com

SECTIONAL BARGES. Located in Southern Calif. and can ship anywhere. Best prices. Contact (619) 533-7932
grant@pacifictugboats.com

★ BARGES FOR SALE OR LEASE

30,000 BBL DOUBLE SKIN Tank Barge For Sale or Lease. Less than 4 years old, asking \$2.65M. Call (985) 384-8200

FOR SALE / LEASE: 140x40x9 ABS Barge with Covers. Deck tanks 2 (54x27x6). Central Boat Rentals (985) 384-8200

CLEAN OUT YOUR STORAGE TODAY! Sell it in Boats & Harbors! Call us today at (931) 484-6100 or place your ad online at www.boats-and-harbors.com

★ BARGES FOR LEASE

BARGES SIZED from 8'x18' to 45'x120'. Also "Shugart" sectional barges & small tugs. Smith Brothers, Inc. Galesville, Maryland 20765. (410) 867-1818.

CLASSED & UNCLASSIFIED Flatdeck, Crane and Spud Barges from 24' x 12' x 4' to 160' x 54' x 8'. Norfolk Barge Co., Norfolk, Virginia. (757) 545-2414 ext 245

★ AMPHIBIOUS EXCAVATORS WANTED/FOR SALE

WANTED, Available Marsh Buggies/Amphibious Excavators. We want to know about owners & users of these units. We will pay finders / fee rewards. Percy Ransome (888) 988-5747, (856) 797-6999.
www.longreachhighreach.com
percy.res@gmail.com

★ DREDGES FOR SALE

AAMCO DREDGE 12" CAT 3412 & 3306, diesel powered, 50' ladder, in excellent condition. Also rebuilt 12" booster available + 4000' SDR17, job ready. Call for details (215) 624-2221.

DREDGES FOR SALE, Rent, Lease, Purchase. New, used, rebuilt. We can build to meet your needs or we can sell you one you can rebuild. From the smallest to the largest, call us first! We will save you money! If you need to sell a dredge, call us, we are also buyers. Western Dredge & Supply Co. (936) 273-3228
www.westernredge.com

WE SELL USED / Refurbished Dredges! Dredge Central, LLC is your best source for used cutter-suction dredges. Our team has more experience refurbishing and rebuilding used dredges than anyone else in the industry. We have dredges ranging in size from 8" to 14" or 16" in our inventory right now, with more on the way. And call us first for good used pumps, boosters, push boats and dredge parts of all kinds. We're buying dredges, too! Call Don King, James Morris, Larry Fleeman, Bobby Prince, or Rick King. Dredge Central, LLC - Goodlettsville, TN. (615) 859-3733
www.DredgeCentral.com

★ DREDGES FOR RENT

10" DREDGE FOR LEASE. 28' Digging Depth. Contact: (207) 233-9268

★ DREDGE EQUIPMENT FOR SALE

DREDGE EQUIPMENT - Booster Pump For Sale or Lease 12" x 10" Cat 3406. 4,000' 12" SDR 17, 6,000' SDR 10", 12" ball joints. Call (440) 934-1020

McELROY ROLLING FUSION Machine 4-12 (for Fusion dredge pipes), year 2000, price \$17,500. (305) 965-8852
Email: barge@bargerent.com

USED 12" HDPE SDR 17 Pipe, Approx. 9,000 LF. Used 8" HDPE SDR 17 pipe, approx. 2,000 LF. Call for pricing. (207) 233-9268

★ DREDGE EQUIPMENT SALE OR LEASE

FOR LEASE OR SALE. 1980 KORI Marsh Buggy - GM Power. (440) 934-1020

★ DREDGING EQUIPMENT FOR RENT

FOR RENT 6" VMI Dredge with Pipeline. (440) 934-1020

★ DREDGE PIPE FOR SALE

USED 10" HDPE SDR 17 Pipe Available, 7,000 LF, in Florida, price \$6.00 LF. (305) 965-8852
Email: barge@bargerent.com

★ DREDGE EQUIPMENT WANTED

WANTED 12,000' of SDR17 x 14" or 12" Pipe, anchors 150-750 lbs. Danforth type, in good condition. Call (215) 624-2221

★ ENGINES FOR SALE

(1) RTO 12V71 TI, runs strong, (1) 12V71 TI, complete for parts, \$8,000.00 pair. Long Island. Call (631) 872-2445.

(2) 12V-71 RTO. (2) 3-71 30 KW Gen Sets RTO. \$8,900 for all. Ask for Tony. Ph: (225) 938-5224

(2) 3116TA CAT 300 HP Rebuilt. (2) 3208TA 355 HP with gears. Call Mike Cobb @ Key Power (888) 463-0099.
kps1@msn.com

(2) 450 HP, 7.8 L FORD Diesels marinized by Merlin. Overhauled with 40 hours. Run great. \$10,000.00 / both. Texas. (979) 417-8594

(2) CAT 3406E with approximately 8,800 hrs. Included: 350 ZF gears, Air Dog fuel preparation systems, bridge electronic gauges, (2) 1 yr. old sets of risers, (2) sets of propellers, and (2) 2 and a half inch shafts. (609) 377-4540

(2) CUMMINS M555 215 HP marine diesels, fresh water cooled, running take outs and (2) extras for parts. Total of 4. \$3,000.00. Todd Sherman (714) 325-8181

WANTED: Your advertisement here! Now is the time to let Boats and Harbors expose your business to a National and International readership! Increase your sales with a classified ad. Call Now: 931-484-6100 or Email: tlewis@boats-and-harbors.com

(2) MAN LE409, 1550 HP, 1 RTO, 1 Blown, no gears, \$20,000 pair. (772) 475-8900

(2) REBUILT MARINIZED C-15/C-18 Engines, stainless manifolds and coolers, currently set up as twin turbo @ 1000 hp, can be detuned to 600 hp, \$25K per engine. Please call Chris (757) 286-5143.

(1) DETROIT 6V-92TAB, Running Take-Out, bobtail, \$6,500.00. (2) Detroit 6V-53 cores, \$3,200.00 pair. (2) Detroit 8V92T1, with Allison gears, 1.5 running take outs, \$29,500.00 pair. (2) Detroit 6-71 N, take outs, \$4,000.00 pair. (2) Detroit 16V 92TA for parts. (2) Cummins 6BTA 330 HP bobtail, rebuilt, \$17,500.00 each. Cummins 903 parts. (2) MAN 1300 HP, running take outs with Twin Disc MG5145 gears 1.75:1, \$65,000.00 pair. Florida Marine Tech (561) 844-7007

16V-71TT DETROIT DIESEL Engine, 590 running hours since new. 3516 Cat. diesel engine serial #252 01100. Arrang #7C1301, 437 running hours since new. Ex standby generator engines, good pricing. Call Doug for pictures or more information. (902) 883-1611, (902) 456-0546 or
Email: info@coresworldwide.com

CATERPILLAR REBUILT Marine Engines: All models: 3116's, 3126's, 3208's, 3196's 3412's OEM parts and warranty. (781) 837-5424
twindiscgears@aol.com

CUMMINS NEW MARINE Long Blocks. Cummins new 6BT5.9 Marine Diamond series long block 280-370 HP in-line pump. CPL's 1975, through 8457. Cummins new 6BT5.9 marine long block 250-300 HP Nippondenso pump. CPL's 953, through 1928. (901) 833-1347

A PICTURE IS WORTH a thousand words! Run a display ad today! (931) 484-6100 or You can place your ad at
www.boats-and-harbors.com

CUMMINS PAIR QSB5.9M, 305 @ 2,600, bob tail, keel cooled, very low hour take outs, \$18,900 each or \$36,000 for pair. Cummins trades considered. Call Dan (708) 702-0080.

CUMMINS 6BTA 5.9M, 210 @ 2,600, exchange only, Cummins new parts warranty, \$11,900. Call Dan (708) 702-0080.

DETROIT DIESEL 8V92 DDEC Engines with Twin Disc DD511A transmissions. 1993 build year from pleasure yacht. 4,300 hours. Both running well, one with liner seal leaking. All controls, interface, and cabling included. \$10,000. Ready to ship from California. Call Tom Powell (951) 454-4218.

EMD 16-645 MARINE'S Roots Blown 12-645E2 Marine. Good condition. Also: FALK-Reintjes reduction gears. Buddy Garrett (662) 347-4869
buddyinc1@yahoo.com

KEY POWER SYSTEMS DDC/MTU, CAT, Cummins. Surplus new, used, rebuilt. Many models avail. Your source for all your engine needs. Many So. Fla. yacht repower removals. ZF Twin Disc & Allison gears avail. Contact Mike Cobb TL Free (888) 463-0099.
E-mail: kps1@msn.com
keypowersystems.net

Pair 3406 DITA 402 HP & Rebuilt 3208TA 435 HP. Call (781) 837-5424.
twindiscgears@aol.com

REBUILT DETROIT DIESEL Engines - 4-71's, 6-71's, 8-71's, 8V92's, 12V71's. Marine, industrial or automotive. Power units. Also Allison or Twin Disc marine gears. A complete line of Cummins parts and engines. We are authorized Detroit and Cummins "Dealers". For more information contact Johnson's Diesel Service, Inc., at (228) 392-1311 or 12262 Parker Creek Road, Biloxi, MS 39532. Fax number (228) 392-0096. Special discounts for large quantity orders. We have a full inventory of rebuilt engines ready for delivery.

REPOWER WITH CUMMINS B5.9 & C8.3, over 200 built, have references. Call (619) 816-0806 or (541) 787-5477.

RUNNING 3606 CAT For Sale. Complete, still in vessel. Able to do sea trial before pulling M/E out. Reintjes 5:1 gear box, and Markey tow winch also available off of the vessel. Will sell components individually, package deal, or the entire running tugboat. (650) 580-0342

TWO (2) CATERPILLAR C32 Marine Engines. 1,800 HP, heat exchanger cooled, throttle position sensor, Ring Power warranty, \$106,500 each. Call Ring Power: Lyndon Schultz (904) 494-1278 or Victor Flores (904) 494-7311.

CONTINUED ON PAGE 28

Modular Plastic pontoons

The Best Idea Since the Indian Canoe

36 and 24-inch Diameter Sizes



The Alley Cat "Pilot House"
Triple Tube 24" DIA

NEW 36" DIA MODULES

Bow Module (36")



Middle Module (36")



Stern Module (36")

Wilson pontoons are used for pontoon boats, houseboats, barges, bridges, work boats, party boats, pumping stations—they're perfect for any application that uses pontoons. Features include:

- Molded from sturdy, medium density polyethylene (MDPE)
- **Heavy-duty:** modules have 1/4" - 3/8" thick walls and are filled with closed cell polyurethane foam for greater structural stability—Wilson pontoons will withstand greater impact than aluminum pontoons
- **Modular:** separate bow, middle, and stern modules allow for configurations of the most popular application sizes
- Rectangular collar has threaded stainless 3/8" molded inserts for quick attachment
- **Maintenance free:** no bottom painting is needed—just pressure-wash to clean
- UV protected



2869 Charlevoix St.
The Villages, FL 32163
419-675-0002
toll free: 877-456-2531
email: info@wilsonpontoons.com

www.plasticpontoon.com

HIGH SPEED CATAMARAN FOR CHARTER



New 150 Passenger
Ava Pearl
Trim Tab Ride
Control System

Gladding-Hearn "INCAT" high-speed ferry is available for Charter with crew beginning September 2015 through May 2016.

AVA PEARL - 150 Passengers, two levels, 2 restrooms, 5 Flat Screen TV's, full AC or heated climate controlled Business-Class interior and features the latest MDI Trim Tab Ride-Control System. This ferry is powered by (2) MTU 12V4000 M53 engines and (2) ZF Propellers. Service speed is 29.5 kts. fully loaded with luggage - top speed 30 kts.

If you are looking for a reliable fast ferry that has a proven track record to supplement your fleet or start up a new service call Rhode Island Fast Ferry. We also offer various fast ferry Consulting Services as well.

Charles A. Donadio 401.255.9118 or email charlie@vineyardfastferry.com

CLOSING DATES • FIRST OCTOBER ISSUE 2017

FOR DISPLAY

September 26th, 2017
9:00 A.M. C.S.T

To Be Mailed

September 29th, 2017

FOR CLASSIFIED

September 28th, 2017
10:00 A.M. C.S.T

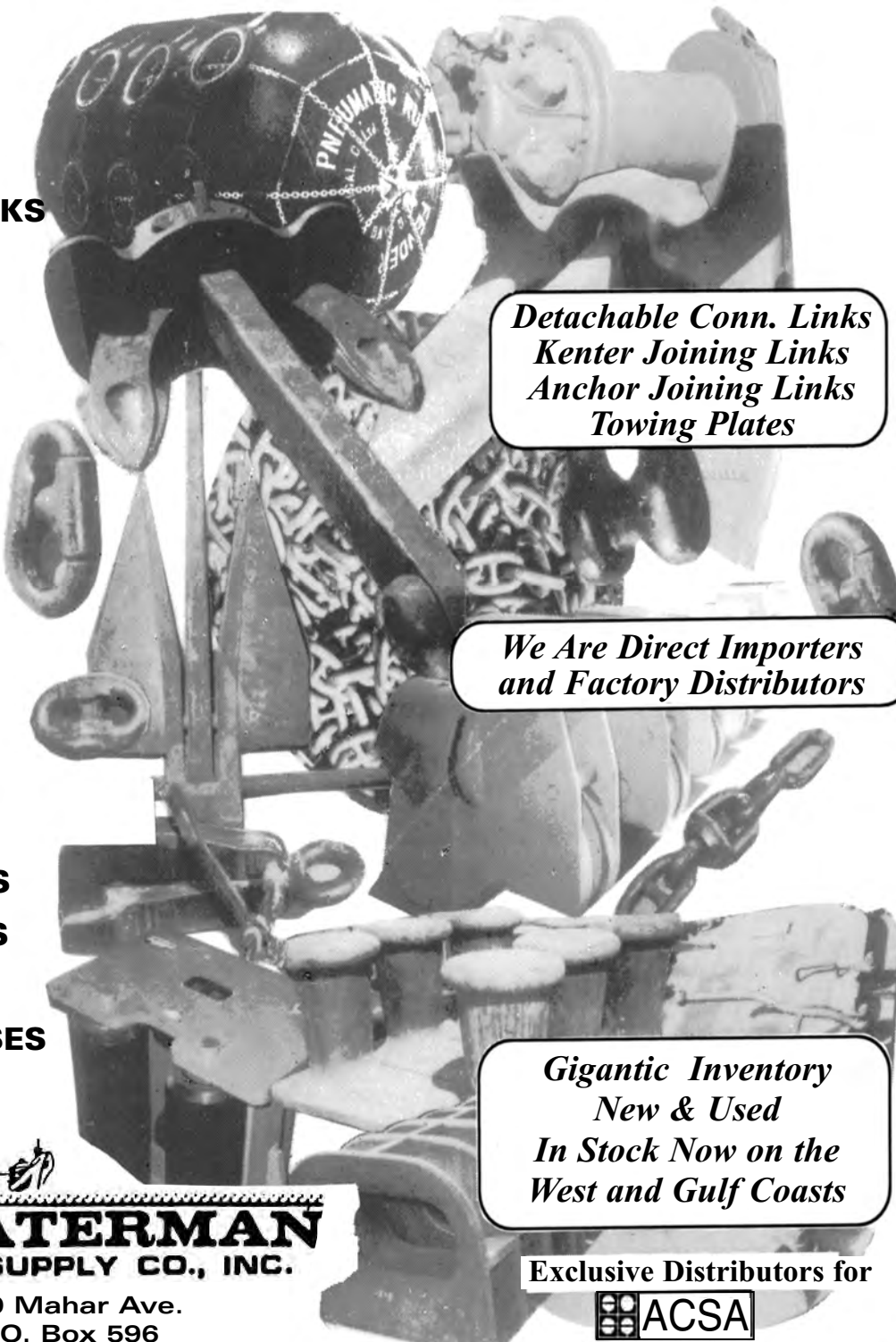
SERVING THE MARINE AND OIL INDUSTRY FOR OVER 50 YEARS

ANCHORS
CHAIN
CONN. LINKS

FENDERS
CHOCKS
BITTS

KEVELS
DOORS
HATCHES

FAIRLEADS
CAPSTANS
WINCHES
WINDLASSES



Detachable Conn. Links
Kenter Joining Links
Anchor Joining Links
Towing Plates

We Are Direct Importers
and Factory Distributors

Gigantic Inventory
New & Used
In Stock Now on the
West and Gulf Coasts

Exclusive Distributors for



Products

Anchors • Chain • Hardware • Fittings

www.watermansupply.com

Call Toll-Free
(800) 322-3131

STEEL PIPE

NEW & USED STEEL PIPE

FOR: Piling, Spuds, Dredging,
Ballards, Floats, Casing, Etc.

CURRENT SPECIALS

- 30,000' 8-5/8" O.D. x .188"/.500" wall pipe
- 15,000' 10-3/4" O.D. x .250"/.500" wall pipe
- 20,000' 11-3/4" O.D. x .534" wall pipe
- 40,000' 12-3/4" O.D. x .250"/.750" wall pipe
- 10,000' 16" O.D. x .250"/.500" wall pipe
- 15,000' 24" O.D. x .312"/.750" wall pipe
- 30,000' 36" O.D. x .375"/.750" wall pipe

Plus many more sizes!

Call Anytime on 2"-46" Dia pipe

DELIVERY ANYWHERE IN:

US/CANADA/MEXICO/CARIBBEAN

CRESTWOOD TUBULARS, INC

Phone: (314) 842-8604

Fax: (314) 842-9064

Toll Free (US) 800-238-7473

Email: info@crestwoodtubulars.com

www.crestwoodtubulars.com

"EQUIPMENT DETAILS ARE ON WEBSITE"

www.triplecmarine.com



1, 2 & 3 Drum Friction Winches,
2 Ea. Clyde Frame 8 Double Drum,
American 55B, 70B, 90B, 120B.



2 Ea., 38" Westec Power Blocks
\$30,000 Ea.

TRIPLE "C" MARINE

PO Box 885

Morgan City, LA 70381-0885

Phone: 985-384-9517

www.triplecmarine.com

Boats & Harbors

Maximize Your Profit - Minimize Your Cost!!
CLASSIFIEDSExperience
The Selling Power of The
Yellow Sheet!Place Your Ad (931) 484-8708 or Email: Tlewis@boats-and-harbors.com • Fax: (931) 456-2337 • Submit Online: www.boats-and-harbors.com

★ ENGINES FOR SALE

TWO RUNNING TAKEOUTS Volvo TAMD 72A's and 2 cores for parts and heads, liners / pistons bearings for rebuild of one of the engines. \$6,000. (305) 360-1360

VOLVO TAMD71A. Approximately 6,000 hours, bobtail, clean, 380 hp, running take out, available mid October, currently still in boat. \$6,000.00 firm, cash only. (508) 472-0388

VOLVO TAMD71B Parts Engine Best Offer. Call for details. (631) 603-5091

★ ENGINES WANTED

ALWAYS BUYING Caterpillar, Cummins and Detroit Diesel Engines Any Condition. Matt / Randy (307) 885-4724.

DET., CAT., CUMM., Always Buying Complete Engines or Good Cores. Large export demand. Call Mike Cobb @ Key Power Sys. (888) 463-0099 or Fax (954) 927-6621. kpsi1@msn.com

DETROIT 8V71 Running Takeout, Wanted for youth training vessel, East Coast. Tax deductible donation or reasonable price. Leave message: (917) 636-3664. Email: SeaScoutShip243@aol.com

WANTED: ALL CAT Engines and Gen Sets, especially marine 3408 & 3412 and industrial & gen set, 3406, 3408, 3412, 3512 and 3516. Also, natural gas Cat & Waukesha. We pay top \$. Kris Davenport phone (602) 333-5619 or fax (602) 333-5618.

★ ENGINE PARTS FOR SALE

CUMMINS DIESEL Parts - Used, Rebuilt, New VT8370M, V8300M, V903M, V555M. Phone: (954) 321-6863

NEW AND USED Detroit Diesel Engine Parts, S53, 71, 92 and S60, heads, blower, blocks, cylinder kits, injectors, manifolds, raw water pumps, fresh water pumps, fuel pumps, intake silencers and much more. Leid Diesel Service, 2952 West Carson City Road, Sheridan MI. 48884, (616) 754-5871, Fax (616) 754-8359, Email: timothy@leidiesel.net

TURBOCHARGERS!!! One Year Warranty. Cat, Cummins, Yanmar, Perkins, Det. Diesel, Volvo, MTU, ABB, MAN, EMD. Int. Sales & Service. KKK, Rajay. (305) 743-2920 ramturbo@bellsouth.net

BOATS & HARBORS The Market Place For The Marine Industry Since 1958.

DIESEL ENGINE PARTS, Alco 539, 244, 251, Fairbanks, Cleveland, G.E., many others. Vintage 1940's, 1950's, 1960's, etc... Striegel Supply Inc. (425) 423-9100 ssiwa@frontier.com

TWO CAT 3208 NA ENGINES. Suffered water ingestion through exhaust. Will be removed from boat in November / December time frame. Local buyer can access engines for parts now. Best offer. (360) 951-3296

★ GEARS FOR SALE

REBUILT TWIN DISC MG502-540's. All models and ratios. MG 527, 5.17:1's. Used parts & gears. (781) 837-5424 Email: twindiscgears@aol.com

(2) ALLISON, 4.5 to 1, low low hours, priced to sell. (920) 712-4794

(2) PAIR ZF Marine Gear Transmissions BW 755. (1) pair running take outs, properly stored. (1) pair running take outs, improperly stored. Priced to move, located in NC and can arrange shipping to lower 48. Contact (252) 659-0259 or (252) 622-2476.

CAPITOL MARINE GEARS and Parts, HY22000, 4HE10200, 4HE12400. All models. (954) 321-6863

2 V DRIVE DD-5112AC, Ratio 1.52:1 Twin Disc, never used. Frank at (727) 742-4041

2 TWIN DISC 511C, good working order, 2.5:1, \$9,000 pair. (1) Twin Disc 514C, 2.5:1, \$4,000. (631) 872-2445

(2) ZF 550A, 1.75, #1 Housing \$9,500.00 Each. (1) ZF BW165, rebuilt with warranty, 1.5 #1 housing, trolling valve, \$5,900.00 OBO. (1) ZF BW165 take out 1.5, #1 housing, \$4,600.00. (2) ZF BW 195A, 1.75 T.V., #1 housing, \$9,500.00. (2) ZF BW 195, 1.5, #1 housing, \$6,500.00 each. (2) Twin Disc MGNV 232 E, 1.5 #1 housing, trolling valves, \$5,900.00 each. (1) Twin Disc MG-506, 2:1, #3 housing, \$2,500.00. (2) Twin Disc MG 509-1, 2.0 #2 housing, \$4,750.00 each. (1) Twin Disc MGX 6599A, 2.48 #1 housing, \$16,000.00. (1) Twin Disc 5111A, 2.1, #2 housing rebuilt, \$6,500.00. (2) Twin Disc MG 5111, 1.74:1, #2 housing, trolling valves, \$9,500.00 pair. (2) Twin Disc MG 510A, #2 housing, 1.5, \$8,000.00 pair. (1) Allison M20L, \$2,500.00. (1) Borg Warner Velvet Drive, rebuilt 1:1, \$1,200.00. (1) Capitol 25,000, 2:1, \$7,500.00. (1) Capitol 24,000, 2:1, \$6,500.00. (2) Capitol 10,200, 1:5, \$2,500.00. Florida Marine Tech (561) 844-7007

TWIN DISC GEARS: New, Surplus, Rebuilt. OEM warranty, all models, dealer pricing. (781) 837-5424
Email: twindiscgears@aol.com

HAVE MARINE PARTS YOU NEED to sell? Let Boats & Harbors help you! (931) 484-6100 or place your ad online at www.boats-and-harbors.com

CALL FOR BEST PRICING on ZF, Twin Disc, Allison, and Capitol marine gears, new, used, or rebuilt. Contact: Mike Cobb @ Key Power Systems (888) 463-0099, Fax (954) 927-6621 kpsi1@msn.com

MG507 3:1 & MG506 2:1's. Twin Disc MG514C & MG507-1 any ratios. Call (781) 837-5424. twindiscgears@aol.com

ONE PAIR ZF GEARS IRM 350 AL, 1.285 to 1, fit SAE #1 bell housing, like new, around 200 hrs. Ser #93-09752 and #93-09753, excellent condition. \$10,800 OBO. Chris @ 1-(860) 460-0767 or chm@terrafirmus.com

RMISERVICES.COM (504) 347-4361 New Orleans, LA. Twin Disc: all torque converters CF 10,000 Series; gears (MG509, 512, 514, 520, 521, 527, 540) all ratio, exchange or outright! Free tear down with itemized rebuild quote, don't be fooled by half rebuilders.

PAIR ZF BW165A, taken off MTU 12V183 TE93, which were removed from 80' Lazara. \$12K for the pair. (410) 251-6637

Q-SPEED OUTDRIVES - Shafts, Props and Composite Housing. Made in New Zealand, photos upon request. \$15K OBO. Buyer to pay the shipping. (907) 738-7289

TWIN DISC Direct Replacement Gears: MG 509, MG514, MG516, MG5170 MG5135, MG5222 & others at half the cost. C & B pad LPTO drives. Trolling valves. Full factory warranty. Call (781) 837-5424 or Email: twindiscgears@aol.com

TRANSMISSIONS. I Have 2 Running Take-Outs. ZF 280A, 2.5:1, port and starboard, \$1,800.00 each OBO. Also have 1 brand new in box ZF 280A, 2.5:1, \$4,900.00 OBO. All with damper plates & oil coolers. Call Don, Ocean City, MD. (386) 931-8368 or Email: captton@pobox.com

TWIN DISC (1) MG514C 5.16:1 #1 housing; (1) Tonanco 3:1 729S - just like MG509 3:1; (1) top mount power take off for MG514. Other gears upon request. We can overhaul your gear in our shop. (409) 682-5118; (409) 256-6066 Twin_clutch@yahoo.com

VELVET DRIVE By Borg-Warner, Hurth, Capitol, Paragon, Twin Disc, Newage, Walter, Crusader V-drives, BPM, PCM & ZF, large inventory of new & rebuilt units. Complete repair facility with factory trained technicians! Transmission Marine, Inc. (800) 462-8848 ext. 427 Visit: www.marinegears.com

ZF 220 GEAR, 3.00 ratio, rebuilt, \$3,900. ZF 220 gear 3.00 ratio, rebuildable core unit \$1,500. Call Dan (708) 702-0080.

TWIN DISC & ZF, New or Rebuilt, All Models, OEM warranty. Torsional couplings and coolers. (781) 837-5424
Email: twindiscgears@aol.com

ZF 310 MARINE GEAR, 2:1 gear ratio with a #2 housing. Freshly rebuilt and painted. Located in Gloucester, MA. Asking for \$6,000 or best offer. (978) 740-3720

★ GEAR PARTS FOR SALE

ALLGIRE FOR SALE. Parts and Service On Allgire Boat Drive Units. Call for pricing. (337) 334-5117 or E-mail: marvinsengine@bellsouth.net

LARGE INVENTORY of New, Used, Obsolete & Rebuilt Transmission Parts & Related Accessories. Stocking: dampers, couplings, oil coolers, heat exchangers, suredrives, & Globe impellers, mounts & drivesavers. Up to 50% off on used items. Transmission Marine, Inc. (800) 462-8848 ext. 435 Visit: www.marinegears.com

TWIN DISC PARTS, Transmissions, PTO's, torsional couplings, coolers. (781) 837-5424 Email: twindiscgears@aol.com

★ GENERATORS FOR SALE

NEW REPLACEMENT MARATHON Generator Ends In Stock, all sizes. Call Ring Power Cat: Lyndon Shultz (904) 494-1278, Victor Flores (904) 494-7311

(1) ONAN 6500 RV Gas Unit, 2,800 Hours, \$1,600.00. (1) Onan MDKBF 27.5, 24 volt, \$9,800.00. (2) Onan MDKBR 21.5, 24 volt, \$9,300.00 each. (1) Kilo Pak 27 KW, \$6,500.00. (1) Kilo Pak 27 KW, running takeouts, \$6,900.00. Florida Marine Tech (561) 844-7007

LOW HOUR QUALITY Pre-Owned CAT Diesel Generator Sets and Other. Call Ring Power Cat: Lyndon Shultz (904) 494-1278, Victor Flores (904) 494-7311

80KW GENERAC Generator Set, 277/480VAC, 156 hours, automatic transfer switch, 5.0L diesel, 105 gallon fuel tank, sound deadening enclosure, fully serviced, load tested. \$8,500. (360) 459-1395

ONE (1) PRE-OWNED CATERPILLAR 29 kW, C2.2 Marine Genset, 240V phase 1, elec governor, heat exchanger cooled, \$6,500. Call Ring Power: Lyndon Schultz (904) 494-1278 or Victor Flores (904) 494-7311.

BOAT GENERATOR REBUILDERS. Sale, Service and Repair. (844) GEN-KING. All brands available. Nationwide delivery. 3-100 KW. Load bank tested with warranty.

ONE (1) NEW CATERPILLAR 275 kW SR4B Prime Power Marine Generator, \$15,800. Call Ring Power: Lyndon Schultz (904) 494-1278 or Victor Flores (904) 494-7311.

CUMMINS 4B3.9M 30 KW, 110/220 volts, 3 phase gen set, used set, runs good, \$3,900. Call Dan (708) 702-0080.

TWO (2) NEW CATERPILLAR 113 kW SR4B Prime Power Marine Generator, \$24,500 each. Call Ring Power: Lyndon Schultz (904) 494-1278 or Victor Flores (904) 494-7311.

RUST AND OBSOLESCENCE Steal Away the value of equipment. Sell or trade that which is no longer needed. Advertise it now with us.

LARGEST STOCK DETROIT 2-71 Generators and Parts in the Whole World. Emerson & Matkin "The Deuce" 1-(800) 387-4972 (208) 234-4436
www.deucepower.com

REBUILT DELCO GENERATOR 40 KW, 3 phase, 60 Hz marine generator. No Engine, just generator. For pricing & additional information, call (504) 416-2864.

(2) CATERPILLAR SR4B Prime Power Marine Generators. Single bearing, 12 lead, 386 frame, arrgt. 4424741, housing SAE 1. Ring Power warranty. Call Ring Power, contact Lyndon Schultz (904) 494-1278 / Victor Flores (904) 494-7311.

TWO (2) CUMMINS / ONAN 175 KW Generator ends, good runners, 480V, 3PH, Model# DGFB-5756355. Price: \$1,500.00 each OBO. Call Mike Williams (606) 329-2418 or Email: mwilliams@powerproductsky.com

★ PROPELLERS FOR SALE

(1) LH 36 x 36 x 3 MICHIGAN HY-TORQUE propeller. Light use as a spare, \$2,600.00. (508) 748-1036

NEW PROPELLERS For Sale. Speed, high thrust, trawler, ship, Kaplan, and other styles. Bronze, Nibral & Stainless. 24" to 190" dia. Lowest prices guaranteed! Contact Ahoy Marine at (504) 367-5710 or
Visit: www.ahoymarine.com

POWERFUL RESULTS: Increase your sales with a classified ad. Boats and Harbors can give your business the kick in the right direction it has been needing. Call Now: 931-484-6100 or Email: tlewis@boats-and-harbors.com

32x32x2.5, 3 BLADE PROPELLER. R/hand. Excellent. Ready to go. (732) 892-7283

BEST BRONZE PROPELLERS. Sick Of Pitted & Pink Props after one season? Ours hold the pitch longer & recondition more times than brand name props you have been buying & reconditioning every year for the few years they last. (781) 837-5424 or Email at: twindiscgears@aol.com

NEW AND USED Propellers For Sale. Large inventory available in BRZ, Nibral, and stainless steel. New nozzles also available. Call Texas Wheel Works, Inc. (800) 238-9402 or Fax: (409) 984-5690

NEW AND USED Propellers. Call for Availability and Pricing. Best prices and service. Various sizes, styles & metals. Used and reconditioned. Johnny's Propeller Shop. (985) 384-6940

OVER 1000 USED Propellers. See Listings w/ Photos at www.fjprop.com. Largest inventory of new propellers. Frank & Jimmie's Propeller 1-(800) 228-6077

PROPELLERS AND NOZZLES, Various Conditions and Metals 18" to 180". Best buys. Spirit Marine (337) 839-2468
Email: ken@spiritmarine.org

★ PROPELLERS WANTED

PROPELLERS WANTED 20" and Up, Any Condition or Metals. (337) 839-2468 or Email: ken@spiritmarine.org

PROPELLERS WANTED: 26" and Up. Any Material. Please call Texas Wheel Works, Inc. (800) 238-9402 or Fax: (409) 984-5690

WE BUY PROPELLERS. Any Material or Condition. 20" and up. Johnny's Propeller Shop. (985) 384-6940

★ PROPELLER SHAFTING FOR SALE

ABSOLUTE BEST PRICING: Aquamet HS Shafting & Dynatorc Props. (781) 837-5424 twindiscgears@aol.com

BOAT SHAFTING 3/4" to 29" Diameter, various lengths and metals. (337) 839-2468

BOAT SHAFTING, Up to 6", Bar Stock or Machined as Required, will ship worldwide. Lauderdale Propeller, deep discounts. (800) 329-7767

SHAFTING, ALL SIZES, Bar Stock or Machined. Best pricing. Frank & Jimmie's Propeller 1-(800) 228-6077

★ PUMPS FOR SALE

CAVIDYNE PRESSURE WASHER, 22 HP Kohler, electric start, diesel, Udor GK series, 3,500 PSI pump. (805) 701-0538 m.mcdole@offshoreconstructioninc.com

★ DIVING EQUIPMENT FOR SALE

HULL SCRUBBERS & Dive Compressors. We manufacture, you save. Armada Systems. USA. Phone (850) 912-8962, Fax (850) 912-8965
Email: armadahull@aol.com
Website: armadahull.com

CONTINUED ON PAGE 30

INTRODUCING THE NO-STACK, NO-SLACK SIDEWINDER



- Tapered drum design eliminates multi-layer spooling causing crushing and inconsistent wire tensioning
- Patented and Patent Pending
- Galvanized with plated shafts

nabrico-marine.com
615.442.1300

NABRICO



MARINE EXHAUST SYSTEMS OF ALABAMA INC.

P.O. Box 698
757 Nichols Ave
Fairhope, AL 36533
1-251-928-1234 Phone & Fax
Mesamarine@Earthlink.net
http://www.mesamarine.com

Water Cooled Manifolds, Heat Exchangers, and Collector Risers For Caterpillar, Cummins, Detroit, Perkins, Waukesha, Hercules, Mack, Isuzu, John Deere, Kubota, Daewoo, Isotta Fraschini, Guascor, Superior, Ford, Palmer, International, Fairbanks Morse, Lister, Wisconsin, and More. Custom Fabrication, Mufflers, Marinization, and Duplication of Obsolete Parts Available Upon Request. CALL, E-MAIL, OR WRITE TODAY



CAT D398



PERKINS 6.354



SUPERIOR 8G825



DETROIT 12V149N




DETROIT 16V71/92N



CUSTOM RISERS




CUMMINS 6BT




McDermott Light & Signal


Our LED Floodlights provide durability with a low amperage draw that maintains the lifespan of your alternator. Avoid Damaging your charging system by replacing your high power consumption halogen with our green, low-energy consumption LED lights.




30 Watt




10 Watt



50 Watt




100 Watt




140 Watt


*Most models available in Spot or Flood type




BARGE LIGHTS




TUGBOAT NAVIGATION LIGHTS




DREDGE LIGHTS



BUOYS





SOLAR ANCHOR LIGHTS





McDermott Light & Signal

718.456.3606 - www.mcdermottlight.com
fishing@mcdermottlight.com






Hydraulic Thruster Manufacturer

Self-propel your barges & sectional Floats



Featuring
VOLVO PENTA

Available Now Refurbished / Used Thrusters
See Website For Details

1-386-734-0020

www.hydraulicmarinesystems.com

RO / RO Ramp Barge For Sale



82' x 100'
Pontoon
Bridge
57' L x 26' W
Asking
\$800,000

(904) 745-1603 • Email: cstugs@aol.com

FOR SALE

127 x 28 Dinner Cruise/Party Boat



Current USCG Certified For 150 + 16 Crew. Built 1978 Palatka, Florida, Steel Hull and Aluminum Super Structure. 3 GM V 12 T1. 2 Northern Lights Gen Sets 40 KW Each. Both decks have heat and A/C. Currently operating in NY Harbor. Well maintained. Turn Key Operation. Hull inspection good for 2 years. 5 years new inspection & yearly done.

\$665,000.00

Contact: Metin @ (347) 556-9424 • amberjack@live.com

Boats & Harbors

CLASSIFIEDS

*Experience
The Selling Power of The
Yellow Sheet!*

Place Your Ad (931) 484-8708 or Email: Tlewis@boats-and-harbors.com • Fax: (931) 456-2337 • Submit Online: www.boats-and-harbors.com

★ BOAT HANDLING EQUIPMENT FOR SALE

1981 ACME MARINE Travel Lift For Sale. In great operating condition currently in use at Dana Point Shipyard. 300 cubic inch, 6 cylinder, gasoline Ford engine. Inside clear height is 26'. Inside clear width is 25.9' with a 76.5" removable center beam. Without center beam, inside clear width is 19.5'. Lifting capacity is 50GT. Asking \$50,000 OBO. Lift will be available on February 10th. For additional information, please call Steve Morris at (949) 542-3368 or call our office at (949) 661-1313 and ask for Steve.

35BFM MARINE TRAVELIFT, 1994. 70,000 lb. capacity. J.D. Diesel Engine, 19' ICH, 18' ICW. Also included is new wire rope, spare tire and wheel, and other parts totaling over \$8K. Good condition, priced to sell at \$72,000 firm. Take down and set-up service available. Available now. Call (781) 347-1201 or

Email: sales@walterco.com
See pics at: www.walterco.com

WANTED: Your advertisement here! Now is the time to let Boats and Harbors expose your business to a National and International readership! Increase your sales with a classified ad. Call Now: 931-484-6100 or Email: tlewis@boats-and-harbors.com

HOSTAR - HYDRAULIC TRAILERS - New and Used, road / yard. Boat stands, dollies. (800) 783-9303, (508) 295-2900, Fax (508) 295-2922
www.hostarmarine.com

HYDRAULIC BOAT YARD TRAILER. Haul up to 60 ft. 25 ton. Galvanized steel heavy construction. 6 pad. Tow bar hitch. Never in water. \$35,000. Located in MA. (508) 280-3866

MARINASANDTRANSPORT.COM New & Pre-Owned. Hydraulic trailers, sling lifts, transport trailers. Buy or sell boatyard equipment. (508) 758-9409
boattransport@comcast.net

MARINE TRAVEL LIFT For Sale. 15 ton 1978. LPG Ford engine. Excellent condition, new paint job just completed, straps and cables replaced last year, price includes breakdown and loading. Call (805) 889-8487 or
mike@xlliftsinc.com

MARINE TRAVELIFT For Sale. 1990 70 BFM with Ford 300 C.I. gas engine \$100,000. Well maintained with 18'-8" ICW. For additional details, call (251) 987-1696 or Email: charlesj@gulftel.com

USED MARINE TRAVELIFT Boat Hoists For Sale. Call (781) 347-1201 or go to www.walterco.com for listings.

★ BOAT HANDLING EQUIPMENT WANTED

TRAVEL HOIST WANTED: 15 to 100 Ton Needed. Any brand. Call Mike Mazzeo. (609) 263-6900
mikemazzeo@gantrytrading.com

WANTED: 100 TON TRAVEL LIFT, In Good Condition. East coast preferred. Dave Allan. (207) 841-7257

★ MARINE CONTRACTORS EQUIPMENT

SKAGIT WINCH, 245 CAT Long Reach, Yokohama Fender, Sectional Barge, Submarine Cable. (207) 767-1200
turnersllc@gwi.net

★ PILING FOR SALE

STEEL PIPE For Piling, Spuds, Dredging, Etc. See our display ad in this issue. (800) 238-7473.
www.crestwoodtubulars.com

★ PILE DRIVING EQUIPMENT FOR SALE

180M LINK BELT Diesel With Leads And Manual, \$4,500.00, can load and ship. (713) 898-0655
howard@houstonvalve.com

★ AIRCRAFT TIRES FOR SALE

USED FOR FENDERS or Bumpers. All sizes of aircraft and special service tires for marine uses. Tire Traders Inc. Cell phone: (516) 526-6363. Fax: (516) 897-7426.
Email: tiremw@aol.com

★ ROPE FOR SALE

2,050 PHILLYSTRAN POLYESTER Marine Winch Line or general use rope, 1.82" diameter, 175,000 lb break strength. Price: \$14,000. Call Michael (334) 799-4149

★ CRANES FOR SALE

1972 LINK-BELT 108B Crawler Crane, 100' lattice boom, 45 ton, in operating condition, recently inspected, \$35,000. (410) 507-5553

1977 AMERICAN 599C Crawler Crane, 100' lattice boom, 40 ton, in operating condition, recently inspected, \$20,000. (410) 507-5553

1980 KOEHRING 665 Crawler Crane, 90' lattice boom and dragline fairlead, 65 ton capacity, in operating condition, recently inspected, \$25,000. (410) 507-5553

MANITOWOC 3900 CRANE, works great, Chicago, \$7,500. (920) 712-4794

MARINE PEDESTAL CRANES For Sale. Nautilus mod-3084, 50' boom, \$7,500.00. Coastal Hydraulics 2-section boom, 40' model CTL-18-2, electric power pack, \$12,500.00. These units are perfect hose handlers for fuel barges, etc. For photos or info call 1(514) 386-7507 or Email: sergeharrison2@gmail.com

★ HOIST/WINCHES FOR SALE

AMERICAN 120-B 2-Drum Deck Winch \$10,500.00. 1(514) 386-7507
sergeharrison2@gmail.com

CAPSTAN 21" DIAMETER, Anchor / Deck Winch. 440 v., new never installed government surplus. Acquisition cost to military \$441,000. For sale \$150,000 USD. Other winches available. Contact: Fred (206) 465-7981
tridentllc@me.com
www.tridentllc.net

HYDRAULIC DANISH WINCHES, working with line set. Alfred (401) 829-1673

YOUR AD LOOKS GOOD IN PRINT! Whether it is Boats For Sale, Engines For Sale, Gears For Sale or a Wanted Ad your advertising can be more effective by placing your vessels and equipment with us! Call Now: 931-484-6100 or Email: tlewis@boats-and-harbors.com

NEW 40 TON NABRICO TYPE Barge Connection Winches \$3,500.00 ea. Gerard 1(985) 702-9500

★ HOIST/WINCHES WANTED

5 Ton HYDRAULIC A-FRAME to install on deck of workboat. Call (251) 510-1039 or Email: tysonbinc@yahoo.com

★ HELP WANTED

200T AND UP Captains with Master of Tow Wanted. San Diego and Long Beach, CA. Pacific Tugboat Service. Ask for Bob. (619) 533-7932

MATES, DECKHANDS, CAPTAINS, and Servers Needed for Dinner Cruise Boat in Ft. Lauderdale, Fla. Call (954) 448-1044

★ INSTRUCTION

BECOME A PROFESSIONAL Marine Surveyor, commercial and recreational courses. Navtech US surveyors nationwide home study guide. Survey forms, check lists, USCG NVCS, accreditation. USCG approved for fishing vessels. Advertise your boating business with us on the web! Toll-free: 1-(800) 245-4425.

CAPTAIN'S LICENSE PREP GUIDE For 6 Passenger and 100 Ton Master's Licenses. 2017 Edition. Actual exam questions, answers, Flashcards, Rules of the Road, Chart Lessons. Guaranteed! Still \$37.50. Best nationwide prices on Rules CD, DVDs. Other DVDs and CDs available. Renewal test assistance. National Captain's Institute, Box 11834-H, St. Petersburg, FL 33733. Order online at
www.Captains.com
or Toll Free at 1-(800) 345-6901. Immediate Shipment!

★ MISCELLANEOUS FOR SALE

2 VERINALIFT DUAL Stage Mufflers. 12 inch exhaust, new, never used. \$1,200.00 each. (757) 287-4153

SIGNS/ART, Mirror Finish Stainless, Satin or Polished. Make your boat, home or business stand out! Your design or mine. Call Dave (619) 889-8774 txt/msg.

USED GM ENGINES For Sale. Used 671's, 8V71's, V12's, V16's, and used pumps & generators. Large or small starting @ \$2,000. For pictures and specs & more marine misc. equipment, call (956) 943-2648 or visit our
website: www.marineservice.us

VIBRATION SOUND DAMPENING TILES 12"x12"x1/8", perfect for hulls 1/4" thick or less. Reduces vibration and noise from rotating equipment. (1) pallet, 2,400 tiles available, \$1 each. (360) 459-1395

POWERFUL RESULTS: Increase your sales with a classified ad. Boats and Harbors can give your business the kick in the right direction it has been needing. Call Now: 931-484-6100 or Email: tlewis@boats-and-harbors.com

★ MISCELLANEOUS WANTED

WANTED: 20 Foot CONEX CONTAINER, converted as office space or berthing space. Call (251) 510-1039;
Email: tysonbinc@yahoo.com

★ BUSINESSES FOR SALE

MARINE CONTRACTOR / Dock Builder Equipment For Sale, complete & turn key, barges, boats cranes, pumps, excavator, trailers, truck, tools and all ancillary equipment. (631) 271-1337

MARINE CONTRACTOR / Dock Builder in booming SC coastal market. Highly successful 27+ year operation. Extensive equipment, including 3 barges and cranes. Current client contracts in hand. 3 months waiting list for new projects and growing! Owner ready to retire but will negotiate transition contract. No Brokers! For more information, Email: info@marinedockcontractor.com

SANDY HOOK, NJ - Successful established seasonal sailing excursion charter and sailing school for sale w/ vessels. Established 2003. Includes 22' Seaward monohull and custom Maine Cat 30. Brand new, hurricane hardened, upscale marina. Contact Captain Tracey (732) 546-4103.

TOUR BOAT BUSINESS, SW Florida, river cruises, new COI 30 plus 2.
Email: aboatingbusinessforsale@gmail.com

TOWBOAT BUSINESS For Sale. Owner of a very successful towing & salvage company in South Florida who wants to retire. Selling entire company; vessels, oil spill equipment, and boat trailers for sale. Protected area. No brokers need to call. Call (772) 465-0709

★ BUSINESSES WANTED

SEEKING BOAT & BUSINESS from NC or South to FL: speedboat, dolphin watch, sightseeing/cruise, ferry, etc. Ideas?
aand214@aol.com

★ BUSINESS OPPORTUNITIES

ORIENTAL, NC Harbor (1) Acre Unrestricted Commercial Boatyard, marine business property, nice house, rental cottage, dockage, steel dredge barge w/ pile driver on deep channel, 500 boats in water in walking distance. We have No "Sea Tow" or Rack & Stack. \$550,000. Travelift and one additional acre w/ house available. Capt. Ron Diamond (518) 294-6181

★ MARINAS FOR SALE

HUDSON RIVER BOATYARD MARINA: 350' frontage, docks, new seawall, fuel, service shop, 20 ton lift, hydraulic trailer, forklifts, crane, now operating. Catskill, NY. \$850K. (518) 821-1546

MARINA & CAMPGROUND For Sale. 20 acre Marina Campground in Maryland. Full to capacity, campground, 80 percent Marina. Call (301) 370-9874.

OPPORTUNITY KNOCKS: Advertising your vessels or equipment in Boats and Harbors will put your business ahead of the game! With Both Print and Online Editions Boats and Harbors can place your classified ad in front of thousands of loyal buyers. Call Now 931-484-6100 or Email: tlewis@boats-and-harbors.com

YOU CAN FAX YOUR CLASSIFIED AD BY USING YOUR MAJOR CREDIT CARD

Please publish the following ad under the _____ For Sale

Wanted/Heading in _____ Issues;

(Please print or type copy in space below and sign copy)



Card # _____ Exp. _____

Signature _____ Date _____

Name (Please Print) _____

Name of Company _____

Address _____

City _____ State _____ Zip _____

Phone Number () _____

FAX: (931) 456-2337

Rates: 88 cents per word, minimum 20 words for \$17.60 (charge covers two consecutive issues), \$1.32 per word, minimum 20 words for \$26.40 (covers three consecutive issues), \$1.76 per word, minimum 20 words for \$35.20 (covers four consecutive issues). Each additional consecutive issue .44 cents per word. For "Blind Ads" (B&H Box # Replies) add \$4.00 for 2 issues or \$6.00 for 3 issues. Include in count words in name, address, phone numbers & count each initial or number as a separate word unless considered good style to group, as P.O., H.P., 16-278A, etc., but if more than seven characters count as two words.
Bold Type: \$1.20 per word 20 word minimum for \$24.00 (charge covers two consecutive issues) \$1.80 per word 20 word minimum for \$36.00 (covers three consecutive issues) \$2.40 per word 20 word minimum for \$48.00 (covers four consecutive issues), etc.

100 Ton Flexifloat Jackup Barge

This 2012 year Flexifloat Jack-Up Barge is Available For Lease or Sale
 Being of modular construction (12 flexifloat sections & 4 rakes) this ABS loadline barge is fully truck transportable and easily assembled at the work site using Flexifloats' patented pin system. Will handle up to 100-ton capacity crane. Located at 5615 W. Marginal Way SW, Seattle, WA 98106

80' x 50' x 7' - Crane Capacity: 100 Ton • Sale Price : \$1,200,000.00

Contact: Norton Lazarus - OEM Capital - Telephone (212) 983-9500
 nwl@oemcapitalcorp.com

Notice of Public Auction of Vessel



In re: Coastal Marine Management, LLC d/b/a Boston Harbor Shipyard and Marina v. M/V SEA HUNTER, (O.N. 598425), her engines, tackle, apparel, appurtenances, etc., in rem, et al., Civil Action No. 1-16-cv-11616-NMG, notice is hereby given that the M/V SEA HUNTER, (O.N. 598425), her engines, tackle, apparel, appurtenances, etc., will be sold at public auction pursuant to the Amended Order for the Interlocutory Sale of the Defendant Vessel by the United States District Court of Massachusetts.

The sale will be conducted at **Boston Harbor Shipyard and Marina**
 256 Marginal Street, East Boston, MA 02128 on
October 4, 2017 at 1:00 PM

The sale is subject to a confirmation hearing after the sale at the United States District Court of Massachusetts at Boston. The Vessel will be sold free and clear of all liens and encumbrances in its current "as is, where is" condition, without any representation and warranty, express or implied, as to its merchantability or fitness, except as to title. The successful high bidder will be required to deposit \$30,000.00 in certified check payable to the United States Marshal for the District of Massachusetts at the time of the sale. Said deposit will be non-refundable in the event that the successful bidder fails to tender the balance of the purchase price on the date of the Court's confirmation of sale.

Interested persons are encouraged to contact:

Samuel P. Blatchley, Esq. at Holbrook & Murphy at 617-428-1151 or
 sblatchley@holbrookmurphy.com if they would like to inspect the Vessel or if they require any further information.

www.YachtSalvage.com



45' Mares 1990
 (Private Liquidation)
 YS170275



54' Hatteras 1992
 (Private Liquidation)
 YS170249



38' Beneteau 1990
 (Donation)
 YS170257



23' Mastercraft 2017
 (Insurance Salvage)
 YS170265



33' Cranchi 2003
 (Brokerage)
 YS170261



29' Tiara 2003
 (Insurance Salvage)
 YS170254

Hundreds Of Boats For Sale

For More Information Please Call One Of Our Offices
 Warwick, RI (401) 732-6300 • Charleston, SC (843) 789-0357
 Mendon, MA (508) 478-0200 • St. George, SC (843) 563-9199

ISLAND WIDE MARINE INSURANCE
 Superior Service Since 1977

CUSTOMIZED POLICIES
 Designed Specifically For:
Passenger Vessels
Sightseeing - Dinner Cruise
Headboats - 6 Packs - Ferry
Dolphin - Whale Watch

FEATURING:

- ★ **Basic & Enhanced Policies**
- ★ **Competitive Pricing**
- ★ **Easy Payment Terms**
- ★ **Discounts For Seasonal Operations**



Marine Insurance is Our ONLY Business
1-800-635-6097



2001 Zodiac LRI
 Great Shape - 2 Ea. Available



2001 Sea Ark
 Yanmar Diesel, Excellent Cond. • \$89,000 OBO



2005 36 Sea Ark Patrol Fire Boat
 Excellent Condition • Reduced Price



25' SafeBoat Defender
 Great Shape, NO POWER
 Reduced Price • 11 Available



1997 23' Sea Ark Little Giant
 Diesel Powered, Fresh Paint, Just Serviced
 Call For Pricing



2001 21' Sea Ark
 Twin Four Stroke Outboards
 2 Ea. to Choose From • Call For Pricing



41 UTB 41446 "Detroit"
 Freshwater Boat, Nicest Original 41 Around.
 Price Reduced on all 41's, 6 Ea. to Choose From



50' UTB Utility Boat
 3 Ea. to Choose From • Price Reduced

ALL VESSELS ARE IN STOCK AND AVAILABLE FOR IMMEDIATE PURCHASE

For More Information On All These Boats Please Call:
Mike (850) 221-5138 Or
 Visit Our Website: www.kclmsales.com

Deck (Party Barge)



144' x 32'. Wired for generator and shore-power. Two bathrooms, ramp, galley and retractable spuds.

\$150,000.00
(270) 860-5826


600 HP Work Boat For Sale



Built by Inland Marine, Year 1997, Two Detroit 8V71 Engines Rebuilt 2016, Hull and Keel Cooler Rebuilt 2016, Two 10 Ton Winches, Two Propellers 36", Two 10' Push Knees.

\$175,000 USD Negotiable • (786) 991-6875
www.imtglobalsolutions.com

Notice of Public Auction of Vessel



In re: Coastal Marine Management, LLC d/b/a Boston Harbor Shipyard and Marina v. M/V SEA HUNTER, (O.N. 598425), her engines, tackle, apparel, appurtenances, etc., in rem, et al., Civil Action No. 1-16-cv-11616-NMG, notice is hereby given that the M/V SEA HUNTER, (O.N. 598425), her engines, tackle, apparel, appurtenances, etc., will be sold at public auction pursuant to the Amended Order for the Interlocutory Sale of the Defendant Vessel by the United States District Court of Massachusetts.

**The sale will be conducted at Boston Harbor Shipyard and Marina
256 Marginal Street, East Boston, MA 02128 on
October 4, 2017 at 1:00 PM**

The sale is subject to a confirmation hearing after the sale at the United States District Court of Massachusetts at Boston. The Vessel will be sold free and clear of all liens and encumbrances in its current "as is, where is" condition, without any representation and warranty, express or implied, as to its merchantability or fitness, except as to title. The successful high bidder will be required to deposit \$30,000.00 in certified check payable to the United States Marshal for the District of Massachusetts at the time of the sale. Said deposit will be non-refundable in the event that the successful bidder fails to tender the balance of the purchase price on the date of the Court's confirmation of sale.

**Interested persons are encouraged to contact:
Samuel P. Blatchley, Esq. at Holbrook & Murphy at 617-428-1151 or
sblatchley@holbrookmurphy.com if they would like to inspect the Vessel or
if they require any further information.**

www.WaterTaxiMarine.Com Ph: 513-557-6936

WATER TAXI MARINE

Fiberglass Catamarans with C.O.I. 35 to 49 PAX



C.O.I. 49 PAX with OB power from \$139,000.00

INCLUDES: Two 90 Hp Merc 4 str. * 60 Gal Fuel Tank * Stability Test * Bench Seats for 49 PAX * Helm & Captain's Chair * Railings * Gates * Bilge Pump.
*** Additional Cost for Hydraulic Steering, Restroom, Rigging Canvas, Canopy Frame *** Price FOB Cincinnati, Ohio

WaterTaxiMarine@Gmail.Com

WaterTaxiMarine.Com 513-557-6936

RATES, ETC.

DISPLAY ADVERTISING (3 ISSUES)

RATES:
Based on the column inch which is 1" deep and 2 1/4" (14 picas) wide

SIZE	RATE	SIZE	RATE	SIZE	RATE	SIZE	RATE
1"	\$ 73.00	12"	\$552.00	27"	\$1161.00	48"	\$1728.00
2"	\$118.00	13"	\$585.00	28"	\$1204.00	52"	\$1820.00
3"	\$174.00	14"	\$630.00	30"	\$1260.00	56"	\$1960.00
4"	\$232.00	15"	\$675.00	32"	\$1344.00	60"	\$2040.00
5"	\$290.00	16"	\$688.00	33"	\$1353.00		
6"	\$348.00	18"	\$774.00	36"	\$1404.00	Double Page	\$4224.00
7"	\$406.00	20"	\$860.00	39"	\$1521.00	Center Spread	\$4608.00
8"	\$432.00	21"	\$903.00	40"	\$1560.00	Cover Page	\$2144.00
9"	\$450.00	22"	\$946.00	42"	\$1596.00	12" Cover Page	\$1296.00
10"	\$480.00	24"	\$1032.00	44"	\$1628.00		
11"	\$506.00	26"	\$1118.00	45"	\$1665.00		

Full Page \$2,176.00 1/2 Page \$1,344.00
1/3 Page \$903.00 1/4 Page \$688.00

CLASSIFIED ADVERTISING

Rates for classified advertising: 88 cents per word, minimum 20 words for \$17.60 (charge covers two consecutive issues), \$1.32 per word, minimum 20 words for \$26.40 (covers three consecutive issues), \$1.76 per word, minimum 20 words for \$35.20 (covers four consecutive issues). Each additional consecutive issue .44 cents per word. For "Blind Ads" (B&H Box # Replies) add \$4.00 for 2 issues or \$6.00 for 3 issues. Include in count words in name, address, phone numbers & count each initial or number as a separate word unless considered good style to group, as P.O., H.P., 16-278A, etc., but if more than seven characters count as two words.

Bold Type: \$1.20 per word 20 word minimum for \$24.00 (charge covers two consecutive issues) \$1.80 per word 20 word minimum for \$36.00 (covers three consecutive issues) \$2.40 per word 20 word minimum for \$48.00 (covers four consecutive issues), etc.

• TERMS: Payment With Order
* CLOSING DATES: 8th, 18th, 28th, 10:00AM C.S.T. (Unless Otherwise Published)

We Reserve The Right To Reject Any or All Advertising.

ADDRESSES - (MAILING) Boats & Harbors, P.O. Drawer 647, Crossville, TN 38557
Physical Delivery Address: Boats & Harbors. 175 4th St. Crossville, TN 38555-4302
Phone: (931) 484-6100 • (931) 484-8708 • Fax: (931) 456-2337
Email: dhale@boats-and-harbors.com
www.boats-and-harbors.com

MECHANICAL REQUIREMENTS FOR DISPLAY ADVERTISING

1. Printing process: Web offset.
2. Binding method: Saddle stitched.
3. Trim size 10-1/4" wide by 17" deep
4. 4 column page format.
5. Width of single column: 2-1/4" (14 picas)
Width of two columns: 4-3/4" (28-1/2 picas)
Width of three columns: 7-1/4" (43 picas)
Width of four columns: 9-3/4" (58-1/2 picas)
6. Depth of column: 16-1/4"
7. Minimum size space unit; one column in. (2-1/4"W x 1"D)
8. All display ads must be full inches (no fractions).
9. Ad must be as many inches in depth as it is columns wide.
10. Publisher accepts: Negatives (right reading emulsion side down); repro proofs; camera-ready art; copy to be set in type. For best results, we recommend the submissions of quality white proofs rather than negatives. (Mail repro proofs flat or in mailing tube).
11. Black and white halftones: 80 to 100 line screen.
12. For best quality, submit clear sharp photos.
13. Page number or position on page not guaranteed.
14. Contract advertisers are entitled to one complete change of copy every three issues. When change of copy is not received by closing date, copy run in previous issue will be inserted.
15. The publisher assumes no liability if for any reason it becomes necessary to omit any advertisement.
16. No cancellations or changes in orders will be accepted after closing dates.

SUBSCRIPTION ORDER FORM

* Standard Mail - (One Year - 36 Issues - 3 Per Month)..... **\$39.95**
 * Standard Mail - (Two Years - 24 Issues - 1 per month)..... **\$35.90**
 * Standard Mail - (One Year - 12 Issues - 1 per month)..... **\$17.95**

***USA & POSSESSIONS ONLY**

* First Class Mail - (One Year - 36 Issues - 3 Per Month)..... **\$81.95**
 * First Class Mail - (Six Months - 18 Issues - 3 Per Month)..... **\$41.95**
 * First Class Mail - (One Year - 12 Issues - 1 Per Month)..... **\$31.95**

Remittance Enclosed \$ _____
 Foreign (Send For Rates)

Name.....
 Business Name.....
 P.O. Box or Street Address.....
 City..... State..... Zip Code.....
 Type of boat or business.....
 Ph. No. ()..... Fax No.....

PH: (931) 484-6100 BOATS & HARBORS P.O. Drawer 647
FAX: (931) 456-2337 Crossville, TN 38557
Email: gdonnelly@boats-and-harbors.com • www.boats-and-harbors.com

For Sale: Quarters Barge "Miss Jeannie"



Call Tommy @ (985) 856-2514

CENTURY ROPE CO. SINCE 1976

TWISTED NYLON ROPE
MED. LAY - PREMIUM GRADE WHITE
100% USA - 600' REELS

1/2" @ \$158.00	1" @ \$651.00
5/8" @ \$269.00	1-1/4" @ \$899.00
3/4" @ \$389.00	1-1/2" @ \$1,315.00
7/8" @ \$589.00	2" @ \$1,989.00

MONTHLY SPECIALS: AUGUST/SEPTEMBER 2017
1-1/4" x 90ft. Stud Link Chain, A.B.S. GR-2 @ \$1,185/Ea. PC
50 Ton Deck D-Ring w/Strap @ \$19.00/Set
8920 S.W. 129th St., Miami, FL 33176-5810
Tel: 305-238-1640 • Fax: 305-232-4372
Email: mmmainc2012@gmail.com • MC/Visa No Checks

Southern Marine Services Inc.

Email: southernmarineservicesinc@gmail.com
Website: www.Southernmarineservices.com
(321) 536-4855 / (321) 613-0458
SE HABLA ESPANOL WE WANT YOUR BUSINESS

CARGO SHIP 180' x 34' x 12'

Built 1990 Japan
Engine Excellent Condition
1200 Ton Can Carry 45 Containers
35 Ton Crane • Large Cargo Hold
Located West Coast USA
Bargain Boat at Only \$145,000

SAMS
Society of Accredited Marine Surveyors®
An International Organization of Professional Marine Surveyors
Use SAMS® Surveyors in your area
www.marinesurvey.org
1-800-344-9077

CARIBBEAN & VIRGIN ISLANDS

Vessels & Equipment to Transport Goods, Fuel & Water
Cargo, Passenger Vessels, Barges, Generators, Cranes

www.vesselfinders.com
larry@vesselfinders.com - Hablamos Español
Larry Abel: (386) 937-2615 / (828) 516-2227



Brand New Vertical Deck Mounted Capstans
2 Units Available

Complete with reversing starter and foot control. 18" diameter head for maximum 2 3/4" diameter rope. 20,000 lbs initial line pull and 10,000 lbs running pull. Electric release break and fully lubricated sealed bearings. Removable motor guard. More information and drawing on request. Available for immediate shipment.

WATERMAN SUPPLY CO., INC.
Marine & Industrial Equipment
P.O. Box 596 • 910 Mahar Avenue
Wilmington, CA 90748
Phone (310) 522-9698 • Fax (310) 522-1043
E-mail: sales@watermansupply.com
Website: www.watermansupply.com



For Sale SunCruz VII Casino Vessel

Name Reserved: Yes, Ex-Name Diamond Royale, Andrew Fletcher. Manufacture: Offshore Shipbuilding, Inc. Model Year: 1985, MFG. Year: 1985, Boat Type: Casino Vessel, Boat Is: Used, Length Overall: 184', Beam: 40', Weight (Displ): Gross tons ITC: 1,314 REG: 99/NT, ITC: 413 REG: 67, Hull Material: Welded steel, Hull Configuration: Traverse, Speed (knots) Cruise@ RPM 10 Speed (knots) Max@RPM 10 Fuel Tank (Gal / Mtr) 7,500 total gal. Certification & Class: K Class, Boat just had \$327,000 worth of work done by the Detyens Shipyard. At time of work the boat was seized by the U.S Marshal's Office for taxes. The boat is sail-able per U.S Coast Guard. The keel & hull below water line have been repaired. The decks & pilot house need some blasting & painting. The boat has around 175-180 Slot machines, 20 Black Jack tables, 4 Roulette wheels, 2 Craps tables & 2 Texas holdem tables. There are three bars on board. The ship has set for the last eight months so it needs to be cleaned out. The main propulsion is (2) 3812 CAT motors which are working, Generators are 3408 CAT motors (3). This vessel has very good Reef Possibilities.

Can be viewed any time with appointment in the Port of Charleston, SC, USA
Price: \$295,000.00
For More Information Call: Mike Bruce (864) 270-4945

SCRATCH & DENT SALE

High Tensile Galvaluma Steel
100% U.S. Made No Drilling Required

Military Spec. Quonsets SAVE \$\$\$\$

20 x 30	40 x 60	55 x 120
25 x 40	45 x 72	60 x 150
30 x 50	51 x 96	70 x 200

Archway Steel Buildings
1-800-344-2724
Fax (412) 771-4191

KOHLER Commercial Marine Generators
Open - Frame and Keel Cooled Units

MODEL	COST
9EKOZD	\$8,250.00
11EKOZD	\$8,785.00
13EKOZD	\$9,990.00
15EKOZD	\$11,100.00
20EKOD	\$12,800.00
23EKOD	\$13,725.00

24 Hour Emergency Service!!
Monmouth Marine Engines, Inc.
536 Union Lane • Brielle, NJ 08730
Phone: (732) 988-0245 • Fax: (732) 988-0246

PILOT HOUSES

- Custom Built
- No Minimum Qty
- Carbon
- Stainless
- Aluminum

Est. 1992
Lake Superior Cabs, Inc.
800-328-1823
www.lakesuperiorcabs.com

ATLANTIC YACHT & SHIP INC.

SHIPS FOR SALE

33.5M High-Speed Cutter Patrol
2012 CAT engines / 22 knot cruise

65M Landing Craft Cargo 2007 RINA
809t Capacity - 15 days at 8 knots

Atlantic Yacht & Ship has a variety of commercial ships to choose from. This ad depicts a small selection of vessels available. Contact us for any commercial vessel including patrol vessels, double ended ferries, fast ferries, and landing crafts, tankers, ANYTHING. We have ships available in every age from old to brand new, and a broad range of prices to suite your requirements.

Doug Hoogs +1-954-643-6386 doug@ayssales.com
 Brent de Sellier +1-954-662-6241 brent@ayssales.com

METAL SHARK
METALSHARKBOATS.COM

36' Courageous

38' Defiant

75' Endurance

337.364.0777 • sales@metalsarkboats.com

MERTON'S

FIBERGLASS AND MARINE SUPPLY

- Complete hand lay-up fiberglass supplies for light & heavy fiberglass or wood boat repair & construction.
- Polyester, Epoxy, Vinylester Marine Grade Resins.
- Marine Topside Enamels & Antifouling Bottom Paint.
- Silicon Bronze & Stainless Steel Fasteners

Quality Brand Name Products
Competitive Pricing
All items in stock for Immediate shipment

Online catalog
www.mertons.com
Call 800-333-0314
P.O. Box 399
East Longmeadow, MA 01028

Supplying Quality Products To Boat Owners.
Hull Finishers & Boatyards for over 20 years


800-333-0314



Scruton Marine Services

Peggy or Mike Scruton
MARINE BROKERS
49 John Street
Port Dover Ontario,
NOA 1N7

Website:
www.scrutonmarine.com
Email:
sms@scrutonmarine.com
Ph: (519) 583-1636
Fax: (519) 583-2189



1999 Cape Island Novi Cruiser
32' L x 12' W. Fiberglass, 4.8 depth, 4 blade prop, repowered '09 Cummins 6BTA, 292 hours, hydraulic steering, inverter, auto pilot, depth meter, fish finder, Honda generator, rooftop AC, enclosed head, galley, 4 bunks.

Price \$45,000.00
Call Mark (910) 520-5298

Central Boat Rentals, Inc.

Morgan City, LA

Ocean Barges: 180 x 54 x 12 260 x 72 x 16

Tank Barges: 10K & 30K bbl Double Skin

Ocean Towing **Barge Fleeting**

Shipyard Services

(985) 384-8200 centralboat.com

Right AND Left-Handed SPLIT Douglas East Coast Specials



With air brakes and Hrydrostar 5 hydraulic motors.
Drum capacity 285 fathoms of 1" wire (per winch).

Perfect Condition • BEST OFFER!
Please Contact: John Fernandez (321) 223-7200

WWW.BOATWINDOWS.BIZ

B & J Aluminum Windows Inc
1-800-621-1381
sillycajun@aol.com
Made In USA

44th Annual East Coast Commercial Fishermen's and Aquaculture Trade Exposition

- Aquaculture and Commercial Fishing Seminars
- Charterboat and Sportsfishermen Gear & Equipment
- Workboats • Inshore/Offshore Equipment
- Preregistration Discount for Industry Association Members

January 12-14, 2018
Ocean City Convention Center
Ocean City, MD

For More Information on the Show Visit:
www.marylandwatermen.com



For Sale



12 x 10 Swinging Ladder Dredge DMC Model
3408 Caterpillar Power
Approx. 3000 LF of HDPE 12in Plastic Pipe
500 Gal. Fuel Barge
Lowe Dredge Tender Skiff
Parts Trailer & Pipeline Floats
Floating Discharge Rubber

Package Price: \$250,000 Firm
Any additional information upon request • Please Call 954-568-0007

WANTED! Scrap Boats, Barges, and Structures









West Bank of New Orleans • (504) 458-1222

COMMERCIAL MARINE SUPPORT SALVAGE, DIVING & CONSTRUCTION

Cranes, Barges, Tugs, Ferry & Dredging Services • Crew, Tow, Film, Spill Security & Safety Boats.
Sales & Equipment Rentals • Meet The Fleet At www.CustomMarine1.com

Capt. Dwayne Reith • 646-235-9546 Tel. • 914-930-8907 Fax. • 710 Washington St., Peekskill, NY 10511

 95' Warping Tug, Twin Detroit Diesel 8 Cyl. Engines, Winch Power Assisted Drum Allison MH30L Transmissions, 360 Degree Water Jet Propulsion. Asking \$99k W/O Winch	 2004 46' Dauntless Sea Ark, Twin Diesel Cummins (QSM-11) Engines. 580 HP @ 2300 RPM. Transmission is ZF Marine (ZF 325-1A). Fuel Capacity 500 Gallons (200 FWD Saddle Tank, 300 AFT Saddle Tank). 25 Knot Cruise.....\$295K	 2 - LCM-8, 1987, Freshwater Only, 700 Hrs., 80 Ton Capacity. \$329,000	 1985 American 9220, 125 Ton, 100' Boom, Cummins, 4 1/2 Yard Clamp Bucket. On Bulkhead In NY Barge Accessible For Pickup. - \$149,000	 2004 Nautica Rib, 42'. Cost \$500K New. A/C, Genset, 440 Yanmar w/Jets. - \$119,000
--	--	--	---	--

 1991 Thomas, 28' Pilothouse, Inboard Cummins, 6 Cylinder 6BTA 250 HP, Keel Cooled, 1,200 Hours. All Aluminum. - \$34,000	 2003 23' Rescue Boat, BH-HR7 Steyr 236 Diesel, 30 Hrs. \$50,000	 2000 32' Aluminum Breaux Brothers Work Boat, Mercruiser 454 FWC, Bravo 2, Fast Fuel Efficient. - \$44,000
 3- 1- 25' Steel Push/Work Boat, 1993, Twin 453, Both Diesels & Trans. Rebuilt Last Season, 24" 4 Blade Props. - \$64,000	 24' Henley Aluminum Work Boat, 4 Cyl Gas Volvo I/O, Just Rebuilt. - \$19,000	 1999 Metal Craft King Fisher 22', 150 HP Volvo I/O Penta Diesel, Trailer Included. - \$49,000
 Shugart (4) 40' x 12' x 5'3, 25 Ton Capacity Ea. 2- 20" Spud Wells, 2- 40-80' Spuds Avail. - For Lease	 2003 Sea Ark 28' Enforcer, Aluminum, Twin Yanmar 200 HP, Genset. - \$78,000	 Flat Deck Bin Wall Barge 130' x 38' x 11' x 1/2" Sides Mostly Freshwater. - \$120,000

FOR LEASE:

(2) 2007 25' x 12 TRUCKABLE PUSH BOATS - (1) FOR SALE - \$159K FIRM

15' Eye Level, Twin Screw John Deere's, Flanking Rudders, Used Only In Fresh Water, Excellent Condition, Very Low Hours.



FOR LEASE OR SALE (2) 2015 Marine Inland Truckable Push Tugs • \$275K

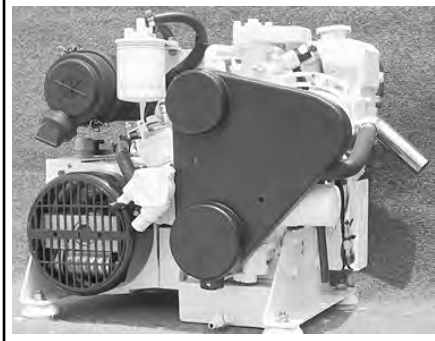
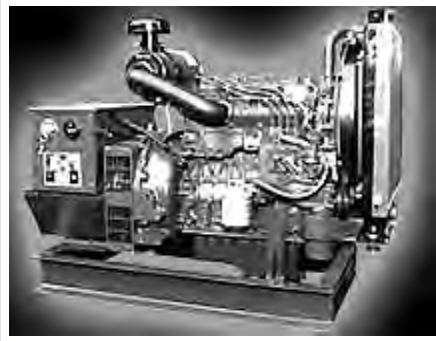
2 - 300 H.P. John Deere 6068 turbo tier 3 diesels 700 hrs. Flanking rudders with 21' eye level upper station and 15' from house 10 kW Genset. Fire pump, diesel mounted on deck 2- 10 ton winches 3/4 cable.

2 - 36" x 24" x 2.5" work horse props. 9' Push knees. Very Low Hours





DIESEL GENERATORS



Kybo

1800 RPM Generators

	Heat Exchange Cooled	Keel Cooled	Radiator Cooled Remote Radiator Only	
1cyl	3.5kw \$ 5,775.00	\$ n/a	\$ 4,525.00	Prices include ISO mounts, switch start with hour meter, other accessories and options available.
2cyl	5.5kw 6,975.00	5,400.00	5,575.00	
3cyl	7.0kw 8,642.00	6,050.00	6,465.00	
3cyl	8.5kw 8,998.00	6,250.00	6,575.00	
3cyl	9.5kw 9,986.00	6,475.00	6,935.00	
4cyl	12.5kw 11,829.00	7,200.00	7,600.00	
4cyl	15kw 12,458.00	8,200.00	8,525.00	
4cyl	17.5kw 13,572.00	8,600.00	9,125.00	
4cyl	21kw 14,685.00	9,450.00	9,675.00	
4cyl	25kw n/a	10,100.00	10,450.00	
4cyl	30kw 20,160.00	10,500.00	11,120.00	
4cyl	40kw n/a	14,475.00	12,500.00	
4cyl	50kw n/a	15,600.00	13,950.00	

1732 St. Johns Bluff Road, Jacksonville, FL 32246
www.nextgenerationpower.com

904-642-8555

Marine Equipment Rentals

S-70 Flexi Floats & Accessories



Spud Barges
Jack Up Barges
Truckable Twin Screw Pushboats
Truckable Dinnys
Harbor Masters
Manitowoc Crawler Cranes
Construction Equipment For Sale



Chris Jarvais
207 679 2359
cjarvais@cianbro.com

CIANBRO

CLOSING DATES • FIRST OCTOBER ISSUE 2017

• To Be Mailed September 29th •

FOR DISPLAY September 26th (9:00 A.M. C.S.T) FOR CLASSIFIED September 28th (10:00 A.M. C.S.T)

“MARINE INDUSTRY SALES AND CHARTERS”

DAMCO MARINE MANAGEMENT, INC.

MORGAN CITY • NEW ORLEANS

PHONE (985) 384-2614 • FAX (985) 384-3741

BRITT CELL: (985) 714-0974 • DON CELL: (985) 397-1941

BOATS

Crew Boats • Lugger Boats
Tug Boats • Push Boats
Supply Boats
Utility Boats • Lift Boats

BARGES

Deck Barges • Hopper Barges
Living Quarters Barges
Spud Barges • Tank Barges
Crane Barges

CRANES

American Cranes
Lima Cranes • Terex Cranes
Manitowoc Cranes
Linkbelt Cranes

NEW CONST.

DRYDOCKS

MISC. EQUIP.

WE ARE LOOKING FOR NEW LISTINGS IF ANYONE IS LOOKING TO SELL.
PLEASE CONTACT US ON INFO ABOUT HOW TO LIST WITH US.



OUR INVENTORY IS GROWING DAILY,
PRICES ARE STARTING TO DROP, AND IT'S A BUYERS' MARKET.

COME VISIT OUR WEBSITE AND SEE WHAT'S NEW.



DAMCO MARINE MANAGEMENT, INC., with over 30 years in the marine brokerage & consulting business, offers quality marine equip., including new & used Boats, Barges, Cranes, & Dry Docks, & many other miscellaneous equip. available under U.S. or foreign flags. We have financing options available, we will arrange for NAMS Surveys and Valuations, we can help you ship, transport domestically or internationally, help with refueling, redocumenting, transferring ownership, we also have charter and bareboat options. We will facilitate the purchase/sale transaction from start to finish.

••• IF IT FLOATS WE CAN HELP YOU BUY OR SELL IT •••

• Call For Details And Additional Pictures •

E-mail: britt@damcomarine.com • don@damcomarine.com • www.DAMCOMARINE.com



WORLD LEADER IN ALUMINUM LANDING CRAFT



MUNSON & YAMAHA

A Winning Combination



WWW.MUNSONBOATS.COM

(360)707-2752 | jesse@munsonboats.com | 15806 Preston Place, Burlington, WA 98233



PINE HILL EQUIPMENT



655 Pine Hill Rd. - Westport, MA 02790 • E-mail: sales@pinehillequipment.com
"Pictures of all equipment can be emailed upon request. Dimension sheets also available"

Winch Inventory

NEW PULLMASTERS IN STOCK

- (1) PL1-12-227-1 • (2) PL2-12-228-1-B
- (3) PL5-12-210-1 • (4) PL5-12-210-2 • (2) H12-3-97-1

Our Winch Inventory is constantly changing! Please give us a call about any of your hydraulic winch needs.

M12-6-97-6 PullMaster Winch - PHE Rebuilt

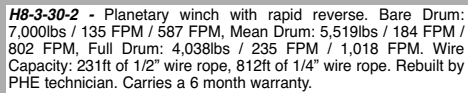


Planetary winch with equal speed forward and reverse. Bare Drum = 9,756 LBS / 129 FPM, Mean Drum = 8,003 LBS / 165 FPM, Full Drum = 6,250 LBS / 201 FPM. Wire Capacity: 365 ft of 1/2" wire rope or 1510 ft of 1/4" wire rope. Rebuilt by PHE technician. Carries a 90 day warranty.

H10-3-97-7 PullMaster Winch PHE Rebuilt



(Old model number. Current equivalent model H12) Planetary winch with rapid reverse. Bare Drum 12,101 LBS / 104 FPM / 449 FPM. Mean Drum 9,186 LBS / 152 FPM / 660 FPM. Full Drum 6,250 LBS / 201 FPM / 871 FPM. Wire Capacity: 636ft of 1/2" wire rope, 2,237ft of 1/4" wire rope. Rebuilt by PHE technician. Carries a 6 month warranty.



H8-3-30-2 - Planetary winch with rapid reverse. Bare Drum: 7,000lbs / 135 FPM / 587 FPM, Mean Drum: 5,519lbs / 184 FPM / 802 FPM, Full Drum: 4,038lbs / 235 FPM / 1,018 FPM. Wire Capacity: 231ft of 1/2" wire rope, 812ft of 1/4" wire rope. Rebuilt by PHE technician. Carries a 6 month warranty.

(2) USED ROTZLER WINCHES

10,000 Bare drum line pull winches. Equal speed. 2000 PSI @ 65 GPM. Black powder coated with stainless steel fasteners. Condition: Like brand new & warranted by PHE for 6 months.

MR-525 Hydrostar Radial Piston Motor RECONDITIONED



(1) Reconditioned Unit - Spline shaft is 85%, motor is clean inside. Supplied blasted and in zinc primer. Motor was entirely disassembled, inspected & resealed w/shaft saver on shaft. Motor has four bolt flange connections, not typical 6 bolt flange style. Heavy Duty, High torque, Low speed. 523.9 Cubic Inch, Max Continuous Speed: 80 RPM, Max Continuous Output: 220 HP, Max Continuous Pressure: 3000 PSI, Max Continuous Output torque: 19520 FT/LBS, Dry Wgt: 1698lbs, Call for price. See website for pictures & spec sheet.



(1) ZF IRM 320 PL-1 REVERSE GEAR 1-12:1, SAE No. 1 Bell Housing, serial no. 320-672, new never used cond. Call for price.

Marine Cranes | Launch and Recovery | Boats | Spare Parts

Pine Hill Equipment is proud to offer marine products by:

PALFINGER & PALFINGER NED-DECK

CRANES - Off-shore, ship-mounted & dock mounted cranes • Knuckle boom, telescopic boom, and stiff boom configurations • Cranes from 2.5 mt to 400 mt • Heavy Lift cranes to 3000 mt • Certified for ABS, DNV & others.

LAUNCH AND RECOVERY - Davits for rescue boats and life rafts • Manual, hydraulic and electric operation • A-frame, swing arm, telescopic arm, outrigger & dual point types. Automatic release safety hooks.

BOATS - Life rafts & fully enclosed life boats • Rescue & fast rescue craft. As well as Navy & USCG specified vessels • Daughter craft, workboats, push/pull boats • Rigid hulled inflatable boats

PARTS - Spare parts for all things Palfinger Marine and Palfinger NedDeck Many in stock. Fast reliable ordering service.

PACKAGES - Power units, winches, radio remote controls, anti-2-block systems, scales & weight systems, platforms, seats, cabs & crane skids. Spare parts, pipes & hoses. After sales & service.



NEW MARINE CRANES IN STOCK

PALFINGER MARINE MODELS IN STOCK

- PK4501MC - 4.2 MT/29,500 FT-LBS
- PK8501MA&C - 8.2 MT/59,984 FT-LBS
- PK11001MD - 10.7 MT/77,416 FT-LBS

See <http://pinehillequipment.com/marine-cranes/>
For Full Spec Sheets & Availability • Used & Reconditioned Cranes Also Available • Please Call For pricing.

MR 375 HYDROSTAR RADIAL PISTON MOTOR - CURRENTLY BEING REBUILT

Once reconditioned this unit will be - Spline shaft 85%, motor clean inside. Supplied blasted and in zinc primer. Motor will be entirely disassembled, inspected and resealed with shaft saver on shaft. Motor has six bolt flange connections. Single Speed, Heavy Duty, High torque, Low speed., 374.2 Cubic Inch, Max Continuous Speed: 90 RPM, Max Continuous Output: 165 HP, Max Continuous Pressure: 3000 PSI, Max Continuous Output torque: 13,750 FT/LBS, Dry Weight: 1444 LBS - Price upon request.

NEW Kawasaki "STAFFA" Radial Piston Motor



Brand New - Take Off Hydraulic Radial Piston Motor. Heavy Duty, High Torque, Low Speed. Model: HMHDB200/T/FM4 /30/PL130, Serial: 01A10151-188 Cubic Inch, Max Continuous Speed: 175 RPM, Max Continuous Output: 174 HP, Max Cont. Pressure: 3625 PSI. Full specs & price upon request.

Custom Hydraulic Power Units! Rent or Own!

Any HP, wireless control capabilities, any GPM, any size!
They are fully customizable and marine tested and proven.
 Below are the pictures of our standard 80HP!



Available quickly. Standard diesel HPU's up to 173 HP. Built to spec. Buy or rent. We can deliver to your jobsite. Call for availability.

DIESEL POWER UNITS FOR RENT

Almond Johnson LST Anchor Winch

It makes a strong towing winch. Carries 1500 ft of 1 1/2 wire rope and has 60,000 lb. bare drum line pull. The winch has been converted to hydraulic and air operated brake/clutch. The winch appears to never have been used. Hydraulics are new, installed by Pine Hill Equipment. Includes level wind.



Call ex 215 for pricing

WIRELESS RADIO REMOTE CONTROLS



Wirelessly control all of your hydraulic equipment. Don't be stuck behind a console! Safely run your equipment with the ability to be in a better line of sight. Push button stop features allow you to remotely shut down equipment in case of machinery failure or other emergency. Remotely control your cranes, winches, deck equipment, power units and motor starters, etc. We can safely and remotely control just about anything. Call with your specifications.



200 TON SHACKLE LIKE NEW • \$1,250

DESIGN & CONSTRUCTION OF HYDRAULICALLY POWERED WINCHES AND LINE/MATERIAL HANDLING MACHINERY FOR ALL APPLICATIONS

Often Times It Is More Cost Effective To Replace Old Mechanically Driven Winch Systems With **NEW Hydraulic Winches and Power Units!**

WE ARE DISTRIBUTORS OF



PLANETARY WINCHES AND PLANEMATIC PLANETARY DRIVES FROM 1,000 LBS. TO 75,000 LBS. LINE PULL

CALL OR FAX US FOR A QUOTE ON YOUR NEXT WINCH REQUIREMENT!

Website: www.PineHillEquipment.com

PHONE (508) 636-5971 x212
FAX: (508) 636-9067



POWER FORWARD

Produced by **diversified** Presented by **WORKBOAT**

SAVE \$50!

Register before the show using promo code: **BOATS** and receive **FREE*** admission to the exhibit hall and keynotes, plus discounts on the conference program.

workboatshow.com

*Non-Exhibiting Suppliers Fee - \$75 Pre-show and Onsite.

The International WorkBoat Show is a trade-only conference and expo for commercial vessel owners, operators, and builders as well as the vendors and suppliers that serve them. It's your annual chance to network, shop, connect and learn among the best in the business. Don't miss out on this maritime industry tradition.



NOV. 29 - DEC. 1, 2017
NEW ORLEANS

Morial Convention Center
 Halls B, C, D, E & F

To exhibit contact: Chris Dimmerling, cdimmerling@divcom.com

HYDRO-SLAVE

★ SAME DAY SERVICE ★

QUALITY MARINE HYDRAULIC EQUIPMENT

STANDARD BOOM WINCH



SPECIFICATIONS

PULL - EMPTY SPOOL - 24 CID MOTOR
12 GPM @ 1500 PSI - 3580 LBS
12 GPM @ 2000 PSI - 4730 LBS
PULL - FULL SPOOL - 24 CID MOTOR
12 GPM @ 1500 PSI - 1375 LBS
12 GPM @ 2000 PSI - 1813 LBS

BRAKE BOOM WINCH

WIRE CAPACITY

5/16" WIRE - 321 FEET • 3/8" WIRE - 223 FEET
1/2" WIRE - 125 FEET



Available in Both Powder Coated Steel and Stainless Steel

BUY THE BEST - BUY THE ORIGINAL BUY HYDRO-SLAVE

HYDRAULIC PUMP WITH ELECTRIC CLUTCH

2 Bolt B Auxiliary Drive Assembly

2 BOLT B 13 TOOTH MOUNTING FLANGE

- Precision Machined Aluminum 2 Bolt B Mounting Flange
- Precision Machined Steel Pump-Clutch Mounting Bracket
- 250 Ft. Lb. 2 Bolt B 13 Tooth Clutch
- 25VQC High Performance Vane Pump 2 Bolt B 13 Tooth Spline 21 GPM @ 3000 PSI, 1200 RPM
- Dimensions: 13" Long, 8-1/2" Wide



THIS ASSEMBLY IS SUITABLE FOR INSTALLATION ON ANY 2 BOLT B 13 TOOTH DRIVE ADAPTER SUCH AS A TWIN DISC OR ZF TRANSMISSION

WORLD'S LARGEST POT HAULER MFG. FOR OVER 40 YEARS

For more information call: 1-800-747-7550 or visit us on the internet: www.marine-hydraulic-engineering.com

MARINE HYDRAULIC ENGINEERING CO., INC.

17 Gordon Drive Rockland Maine 04841 Fax: 207-594-9721
Email: marinhyd@midcoast.com

YOUR BUSINESS ANCHOR

Buying or Selling a Passenger Vessel or Business?



Fort Warren 150 Passenger Charter Yacht



Mark Twain 149 Passenger Sternwheel



Kingston Express 147 Passenger Ferry



Catfish Bend 1,389 Passenger Paddlewheeler

PINNACLE MARINE CORPORATION

We are the only brokerage service specializing in the passenger vessel industry. We also provide assistance locating financing, vessel transportation, securing insurance, marketing and business consulting, and auction services.

608-788-3210 • email: info@pinnaclemarine.com • www.pinnaclemarine.com

BEAT THIS



Beat This Against Your Barge
Tough Self-Bailing Steel Workboats
Good Steel Boats Made For Work!
www.AMERICANWORKBOAT.com
(508) 264-6863

BUY SELL RENT

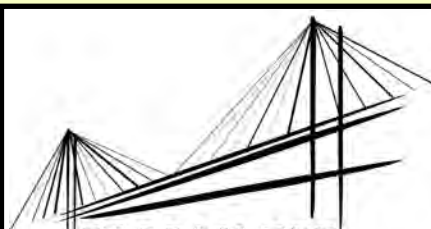
CLAMSHELL BUCKETS HOISTS & WINCHES PILE DRIVING EQUIPMENT



GREG DUNN

(724) 228-5560
FAX (724) 228-8776
www.needist.com

400 Country Club Road
P.O. Box 358
Meadow Lands, PA 15347-0358



TAPPAN ZEE CONSTRUCTORS, LLC

Marine and Construction
Equipment for Sale
Tarrytown, NY

www.tappanzeesales.com

CREWBOATS FOR SALE

- 23' Lobell 2380 (1996) \$40,000
- 26' MonArk (1978) \$35,000
- 36' 3612-V Dauntless (2005) \$140,000
- 36' 3612-V Dauntless (2005) \$160,000

VISIT WEBSITE FOR DETAILS

Looking for Marine parts?

Save time and money!

We will find marine parts from around the world including engines, generators, & oil platform cranes.

OVER 25 YEARS
EXPERIENCE



MyMarineTracker.com
Marine Purchasing Services

1-866-717-2053
or 608-783-2766



CALL FOR PRICING

Johnson Stevens
(843) 889-2254 Office
j.stevens@stevens-towing.com

For over 100 years, Stevens Towing has conducted business in marine towing, barge charter, and marine repair. Located 25 miles south of Charleston, SC, (mile marker 490 ICW) the shipyard is equipped with 2 Marine Railways, a 150-ton Marine Travel Lift, as well as 500' of dock space for topside marine repairs.

Equipment For Charter

Deck Barges

- (3) 120 x 30 x 7
- (2) 120 x 33 x 10
- (1) 150 x 55 x 8
- (1) 162 x 52 x 10
- (1) 175 x 39 x 9
- (1) 260 x 50 x 10.5
- (1) 250 x 54 x 13 ABS

US FLAG JONES ACT SHIP "M/V Coastal Venture" For Charter

Length Overall: 247' • Draft: 11'
Speed At Sea Loaded: 12 KTS • GT: 497
Capacities: Hold 1 Cubic Capacity 8,640 FT+, Hold 2 Cubic Capacity 30,800 FT+, Hold 3 Cubic Capacity 45,760 FT+.
Capable of carrying a wide variety of cargo from Break Bulk to Containers as well as Hazardous Goods Class 1-9



Equipment For Sale

Hopper Barge

- (1) 260 x 52.5 x 12

Crane Barge

- (1) 199 x 52 x 14 w/ 28 ton Crane at 90' Intercon Hydraulic Crane w/Cat Engines



Cranes

We have two 500 ton barge mounted cranes that are strategically placed in Savannah, GA and Charleston, SC. These cranes have the ability to move via the Intercoastal Waterway or Offshore to any job. We also have a barge mtd Clyde 32 which is a rotating 140 ton crane at 45ft.

Savannah Giant

Crane Capacity: 500 Tons
Barge Dimensions: 180' x 80' x 10'

Ocean Ranger

Crane Capacity: 500 Tons
Barge Dimensions: ABS 200' x 72' x 14'

Stevens 1401

Crane Capacity: 140 Tons
Barge Dimensions: 142' x 58' with spuds

Stevens Towing Shipyard

Railways

We Have Two Large Marine Railways With A Weight Capacity Up To 1650 ST And Dimension Up To 300' Long x 80' Wide.

Travel Lift

Weight Capacity: 150 ST • Length Unlimited x 37' Wide

STEVENS TOWING - A RESPECTED NAME IN THE MARITIME INDUSTRY FOR OVER 100 YEARS.

FOR SALE M/V HORIZON'S EDGE



MOTIVATED SELLER
\$2,950,000.00

Length: 161.3' (registered) - LOA: 186'
Year Built: 2000

For more information visit

www.horizonsedgeboston.com or contact
Owner's attorney David S. Smith at 978-744-8918

Successful TN Marina
 Price: \$2,000,000 • Great Cash Flow



Please Contact: **George Ash**
 Marina Investment and Marketing Adviser
ash1@simplymarinas.com
 352-262-5784 • www.simplymarinas.com

25' CREW BOAT



Rebuilt 6V53, Totally Redone Push Knees.
\$20,000.00
 (206) 465-7981 • (985) 258-3266
 Email: tridentllc@me.com
www.tridentllc.net

For Sale: 2003 Zodiac H920 Fireboat



Powered by Twin Yanmar 440 Diesel engines and Twin Disc water jets. 200 gallon fuel capacity. Features include generator, 1750 GPM fire pump, roof-mounted deck gun, 30 gallon foam tank, air conditioning and heat, remote ACR searchlights, Whelen hailer, Raytheon electronics package, and numerous other extras.
For more information contact Dean at (561) 909-9788

1971 Chris Craft Roamer 58



Aluminum hull. Freshwater only. Kept under cover. Complete mechanical & exterior including new motors (1,550 HP), generator, Raytheon radar & GPS, flybridge with hydraulic arch, & full Imron repaint. 3 Full staterooms w/ ensuite bath. Large salon and full galley. Over \$850K invested. Independently surveyed 6/2017 - \$2.2M Replacement value, \$440K fair market value. Credit available up to 20 yrs. MAKE OFFER.
For More Details
Please Call (513) 295-8801
info@clearstonemidwest.com

1984 - 38' Monark Crew Boat



Twin 671 225 HP ea., Twin Disc 507 2:1 gears 27 x 26 SS wheels, ready to customize for your mission.
\$49,900.00 • Call (302) 462-5205
 or captdroney@aol.com

119' Navy Landing Craft



\$700K + In Recent Upgrades. 200T Cargo Capacity. Excellent Condition. Very Shallow Draft - 3'9", Freshwater Docked, Fresh Rebuilds, Electronics.
Location - US Gulf • \$900K
(228) 918-6090
gulfstreamcorp.com

The River Rose is For Sale



Built in 1984. Up & running business on the Hudson River. Come see us in action, season ends Oct. 31st. 97' x 26', 4' draft, an authentic stern wheeler. Capacity 175, 2 bars, 1 is bar lounge. Very profitable operation.
Contact: John Panzella
(845) 562-1067
riverrosecruises@gmail.com
riverrosecruises.com

FOR SALE OR LEASE PURCHASE
 OWNER FINANCING AVAILABLE



M/V "Henrietta III" 165 x 34 x 7 Steel hull, 518 pass. USCG certified, current COI, Twin Cummins 855's, Twin 290 kw gen. Seats 475 plus for inside dining. Vessel is in excellent condition. Located Troy, NY in fresh water. Turn key ready to go. \$900,000.00
Lease/Purchase \$12,000/Mo.
(518) 470-5208 • (518) 270-1901
captainjp.com

Southern Marine Services Inc.
 Email: southernmarineservicesinc@gmail.com
 Website: www.southernmarineservices.com
 (321) 536-4855 / (321) 501-5200
SE HABLA ESPANOL WE WANT YOUR BUSINESS

SPORT FISH BOAT FOR SALE



36' Fiberglass Hatteras, Twin Cat 3126 Main Engines like new, less than 200 hrs. Sleeps 6, Tuna tower, A bargain price. 22-27 kts.
Located FLA • Only \$29,500
Don't Miss The Boat!

For Sale or Charter
 2010 • 2,600 hrs
 Since New,
 25.9' x 16'
 Complete Redo
 After Last Off
 Charter
 (251) 599-5906




BRAZORIA COUNTY SEALED BID
 Closes Monday, September 25, 2017 at 11:00 a.m.



2007 27' Sea Ark VC
 Commander Patrol Boat - Includes (2) Outboard Motors and (1) 27' EZ Loader Triple Axle Galvanized Trailer
 For More Information Call (979) 864-1825 or
 Email: natashas@brazoria-county.com
www.brazoriacountytx.gov/departments/purchasing

Empire Foam Solutions



Manufacturing Cost Effective, Polyurethane Foam for Flotation and Insulation in the Marine Industry (MIL-P-21929C Compliant).

Uses:

- Greatly extend the life of otherwise ready to retire barges, boats, docks, and more...
- Save tens of thousands of dollars over replacement or repair costs.
- Insulate spaces requiring efficient temperature control (i.e. living quarters, storage to prevent freezing or storage for cooling/freezing).

Installation:

- Our installers will come to you.
- We also offer do-it-yourself training and sell the necessary equipment for your business to install.

518-587-0285
www.bargerepair.com

QUARTERS BARGE FOR SALE



11 State Rooms Sleeps 34
Rebuilt 2012 • 3 Bathrooms • 5 Showers
Dining Room Seats 16
Commercial Grade Kitchen





Please Contact Dawn Services LLC • (504) 362-8994

Dames Point Workboats, Jacksonville, FL
(904) 757-0407 • www.damespointworkboats.com



20' x 8' Beam **Pushboat For Sale** -1989 ECS Pushboat. 371 Detroit, Twin Disc gear. Top of pilot house unbolts for easy transport. More pictures available on website or request. **\$42,500**



Aluminum Pushboat For Sale - Aluminum Ex-Army Bridge Boat, 353 Detroit with fresh rebuilds. 3:1 gears. Alum. tri-axle trailer included to easily pull with 3/4 ton pick-up. Boat was shortened to 25' 3". **\$31,500**

110' x 34' 1943 STEEL • EX-NAVY REPAIR BARGE



All steel construction Appears to be in Very Good or better condition throughout! CLEAN: Used for Electronics repair. 96' two-story house w/ 7' 2" ceiling height. 7' open deck at each end. Approx. 3,250 sq. ft. on each of two decks & below main deck which has refrigerated storage & water integral tank approx. 2500 gal. Fully plumbed w/heads & showers on 2 decks, 500 cu. ft. holding tank. Fully

MODERNIZED electrical w/480/240/110 shore power & transformers. Fire suppression sys., Fiber optic wired thruout, vapor proof DOANE lighting. No propulsion or gen set. All interior walls on upper decks removed, totally open space ready for your EASY reconfiguration. Perfect conv. to camp, quarters barge, shops, display, retail, floating residence, etc. Loc. in fresh water at Seattle, WA.

\$249,500.00

ALL Details • Photos: www.PacificMarine.org
Email: david@pacificmarine.org • (206) 225-3360

Two Certified Landing Crafts For Sale



76 x 22.5 Landing Craft. Over 500k spent in refurbished and extensively modified in 2010, including new Tier 2 John Deere 6125 engines w/ low hrs. & Twin Disc gears, 20kw and 40kw gen sets, 12T RO Stinger crane w/ 60' boom, widened 22 x 56 cargo area, galley/accommodations, full electronics, stern anchor winch, two stern mooring winches and lots more. Legal to haul freight for hire. Feb 2017 100k drydocking incl complete blast/paint, new gate, new wheelhouse main deck, much more" **Reduced \$100,000 to \$585,000**



76 x 22.5 Aluminum Coast Guard certified Landing Craft. Refurbished and extensively modified in 2003 including Twin Detroit Series 60 engines. (2) 30kw gen sets, 10T crane w/ 60' boom, galley/accommodations, full electronics, stern anchor winch, and lots more" **Reduced \$100,000 to \$585,000**

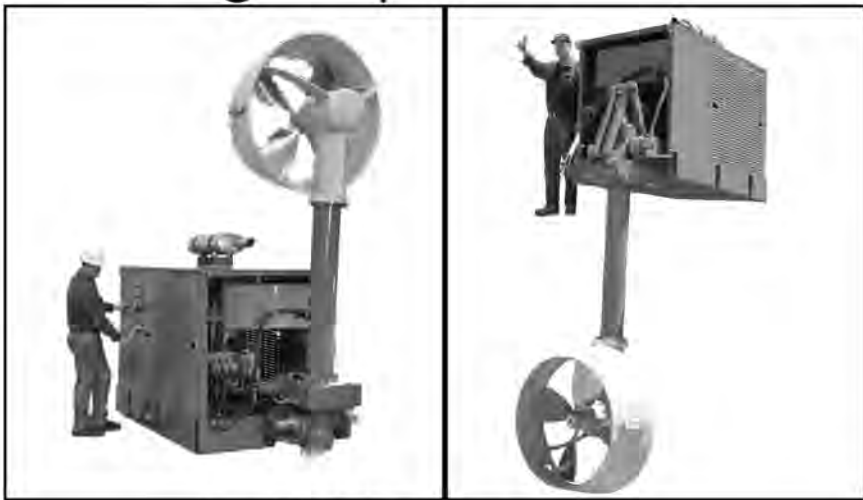
To Duplicate Modification/Conversion Work done on these vessels would run several hundred thousand dollars.

619-533-7932 • Located West Coast • Delivery Available

"Special Delivery Price on freighter to FL or Bahamas - \$75k, (About 1/2 the normal rate)"
 grant@pacifictugboats.com



Barge Propulsion Units

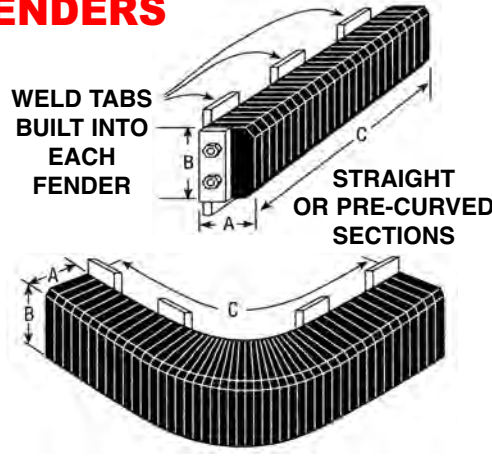


Available for rental

For over 30 years, Thrustmaster of Texas has been building outboard propulsion units for propulsion and maneuvering of barges used in brown water for marine construction projects. Powered by a Cummins QSB6.7 diesel engine, the Thrustmaster barge propulsion unit is a completely self-contained, hydraulic unit that can quickly be installed on the deck of any barge to provide pinpoint maneuverability and propulsion. Thrustmaster outboard drives freely azimuth through 360 degrees of steering range making them extremely responsive and ideal for tight quarter maneuvering and positioning applications. The units are extremely robust and equipped with a hydraulic power tilt system capable of elevating the outboard drive assembly through an arc of 180 degrees to allow instant access for clearing ropes or logs fouling the propeller. Thrustmaster units are ideal for your construction project and available for immediate shipment.

Contact: Bert Ault - International Sales Manager Phone: 713-937-6295
 bert@thrustmastertexas.com Mobile: 713-249-2375
 www.Thrustmaster.net

WELD-ON D-GUARD FENDERS



SIMPLY POSITION AND WELD - NO FAB REQUIRED

1 1/4" RODS PART NO.	DIMENSIONS		
	A	B	C
SR114D 0606	6"	6"	12"
SR114D 0609	6"	9"	
SR114D 0707	7"	7"	
SR114D 0808	8"	8"	to
SR114D 0810	8"	10"	
SR114D 0909	9"	9"	240"
SR114D 1010	10"	10"	

3/4" RODS PART NO.	DIMENSIONS		
	A	B	C
SR114D 0404	4"	4"	12"
SR114D 0405	4"	5"	
SR114D 0406	4"	6"	
SR114D 0408	4"	8"	to
SR114D 0410	4"	10"	
SR114D 4510	4.5"	10"	240"
SR114D 4512	4.5"	12"	
SR114D 0606	6"	6"	
SR114D 0610	6"	10"	
SR114D 0612	6"	12"	

16901 Wood-Red Rd.
 Woodinville, WA 98072
1-800-426-3917
 Fax: 425-488-2424
 sales@schuylerrubber.com
 www.schuylerrubber.com



1036 Vicky Lane
 Broussard, LA 70518
1-866-347-9445
 Fax: 337-321-4276
 sales@schuylermaritime.com
 www.schuylermaritime.com



5 MILLION LBS. IN STOCK
RENT - SELL - LEASE - TRADE

Anchors, Chain, Buoys, Yokohamas,
 Sea Cushions, Wire Rope and Fittings,
 Deck and Dock Hardware, Oil Boom,
 Towing and Salvage Equipment

NEW
USED
A.B.S.



Anchor Marine & Industrial Supply, Inc.

P.O. Box 58645 **1-800-233-8014** (713) 644-1183
 Houston, TX 77258 24 Hour Service Fax: (713) 644-1185

WEBSITE: www.anchormarinehouston.com
 email: sales@anchormarinehouston.com

Flagship Marine - Keep It Simple Stupid - the KISS principal has guided us since 1995!



NO EXPENSIVE, PROPRIETARY PRINTED CIRCUIT BOARDS!
A CHILD CAN FOLLOW OUR SCHEMATICS!



CHILLERS • SELF - CONTAINED AIR COOLED - EXPLOSION PROOF EXTREME DUTY FOR UP TO 105°F SEAWATER!

OVER-THE-COUNTER COMPONENTS SLOWLY EVOLVED DESIGN AND COMPONENT SELECTION OVER MANY YEARS OF EXPERIENCE.



Air Cooled Rooftop Units By RVP Coleman 13,500 BTUs With Heat, Install Kit And Ceiling Assembly For Only **\$929.95**



Made With Pride In The USA!

International Distributor Fernstrum Keel Coolers & Sen-Dure Heat Exchangers

Phone: 772-283-1609
 Fax: 772-283-4611
 Watts: 800-316-6426
Flagship Marine, Inc.
 2427 SE Dixie Hwy.
 Stuart, FL 34996
flagshipmarine.com
sales@flagshipmarine.com



Custom Aluminum Construction



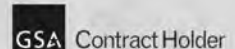
Derecktor - Built for the future.

Now Featuring Hybrid Propulsion Designs

Clean, efficient, reliable power for those operators looking for quieter vessels, and who are concerned about the marine environment.

Call Micah Tucker at (914) 698-5020
 or visit www.derecktor.com

DERECKTOR
 NEW YORK + FLORIDA + MAINE SINCE 1947.



Southern Marine Services Inc.
 Email: southernmarineservicesinc@gmail.com
 Website: www.Southernmarineservices.com
 (321) 536-4855 / (321) 613-0458
SE HABLA ESPAÑOL WE WANT YOUR BUSINESS

118' UTILITY ISLAND CARGO BOAT FOR SALE



Twin 1692, GM Main Engines, Twin 471 40 KW Gen., Radar, GPS, Radios, Full Galley Sleeps 15. This Vessel All Around Work, Dive, Salvage, Cargo. Fuel 70 Gal. Tanks. Just Out of Shipyard.
A Bargain Only \$125,000

Godwin HL-160M Pump



2009. C-15 Cat, 500 hours on engine. 2 hours runtime on pump section since certified rebuild.
\$95,000
 Scott Bridge • (334) 748-0537 AL

BYRNE Rentals and Sales, LLC.
 Marine & Construction Supplies
 24 HR Phone (985) 702-9500
 Toll Free 1 (800) 99-BYRNE
 Trusted Over 30 years





SPECIAL!! NEW 40 TON DECK WINCHES - \$3,500.00 Ea.
YOKOHAMA BOAT FENDERS - All Sizes




NEW AND USED ANCHORS **NEW AND USED ANCHOR CHAIN**

P C Industries
www.powerlinecomponents.com
Specializing in Detroit Diesel 2 Cycle Engines

Complete Line of Remanufactured Subassemblies
 Blowers, Con Rods, Cylinder Heads, Injectors,
 Fuel Pumps, Oil Pumps, Water Pumps and More!



Large Inventory of New Parts
 Pistons, Cylinder Liners, Ring Sets, Gasket Sets, Bearings

KTI North West Distributor
 Kocsis Hydraulic Starting Systems

New Water Cooled Exhaust Manifolds & Accessories
 for Caterpillar, Cummins & Detroit Diesel Engines




P C Industries, LLC
 1088 N. Washington, P.O. Box 490
 Afton, Wyoming 83110 USA
 Phone # (307) 885-4724
 Fax # (307) 885-3215
 Toll Free # (877) 885-4724
 Remanufactured & Dynamometer Tested Detroit Diesel Engines

BUILT TO ORDER CUSTOMIZED WINCHES AND PEDESTAL CRANES



SEAHORSE 4 DRUM DIESEL POWERED WINCH MODEL WDW-100

100,000 Lbs. S.L.P. 1 St Layer
 Holds 3,000 Ft. of 1-1/8" Cable
READY TO GO



Snatch Blocks	Swivels	Pulling Blocks	Marine Fittings
Yokohama Fenders	Headache Balls	Capstans	Air Tuggers
Shackles	Marine Fairleads	Windlasses	Winches
Buckets	Tow Plates	Buoys	Anchors
Deck Blocks	Generators	Crane Blocks	Ship's Chain

www.BYRNERENTALS.com SALES@BYRNERENTALS.com

DREDGE TENDER ("MARY AMANDA")



14' x 37.5'
 Twin 671 with
 Twin Disc Reduction Gears
 (2) Radio Systems & Radar
 Air Compressor
 Air Starters
 Electric Over Hyd. Steering



800' OF 14" STEEL DREDGE PIPE WITH BALLJOINTS AND PONTOON TANKS




Email Justin Tassin For Pricing
Justin@mdi-dredging.com

Introducing static grounding reels made of stainless steel.

Ideal around fuels, combustibles and salt environments.

Why risk a discharge of static electricity sparking an explosion? These 20-50' stainless steel static grounding reels eliminate the danger. They outlast powder-coated steel reels in tough environments, and their clip jaws open a full 1-1/16" for easy attaching to structural assemblies or bars. With long-life springs and easy auto-retract, they're the safer solution for docks, watercraft fueling, barge loading/unloading and other marine applications.



AMETEK
 HUNTER SPRING PRODUCTS

© 2017 by AMETEK Inc. All rights reserved. www.ametekhunterspring.com



CS Marine Constructors Inc.

CS MARINE CONSTRUCTORS, INC.
425 15TH Street Vallejo, CA 94592
WWW.CSMARINE.COM

Rental/Services: Mark@csmarine.com
Sales: Terry@csmarine.com
(707) 562-4100

Barges for Charter

Hopper Barge (3000 Ton)
Jackup Barge, Portable
Spud Barges
Deck Barges



Services

Dockside Mobilization
Floating Crane Service

Equipment for Rent

Anchors Ramps, Fenders
Buoys Concrete Buckets
Fairleads Bardex Jacking System

For Sale - Good running
2900 Manitowoc Truck Crane,
outriggers bad,
makes good pedestal
mount @ \$15K



For Sale - 18 Ton Drott Hyd.
Crane.....\$10K



For Sale
UHMW - 3" thick black,
white and yellow. Some
new, some used.
\$1.00/lb ?

1959 J-3759 US Army Picket Boat
Documented, 45', 12' Beam, 5.7" draft, last used as lighthouse service, steel, all fresh water, rebuilt twin 6/71 GM, radar, broad array of safety equipment, compressor, Recent 2016 survey, 300 gal fuel, no generator, no head.
Reduced Make Offer • Winter Storage Paid (989) 738-6555 • lou@unitedshortline.com

25' NAVY PERSONNEL/WORKBOAT
671 Detroit V Drive - \$12,500
(208) 664-8215

Ray Reeves, Owner
PO Box 4015, Houma, LA 70361
Office: 985-876-4242
Cell: 985-637-0722
rayreeves@bellsouth.net

Reeves Boat Company Has The Following Inland Crew Boats For Sale

<p>Capt David - Built by: Breaux's Bay Craft (Aluminum) Year: 1982 - Length: 41' - Breadth: 14' - Depth: 6' Engines: 2- 671 Detroit, 1- 8KW Northern Lights Generator</p>	<p>Miss Sybil - Built by: Breaux's Bay Craft (Aluminum) Year: 1982 - Length: 41' - Breadth: 14' - Depth: 6' Engines: 2- 671 Detroit, 1- 8KW Northern Lights Generator</p>	<p>Miss Eunice - Built by: Breaux's Bay Craft (Aluminum) Year: 1982 - Length: 43' - Breadth: 14' - Depth: 6' Engines: 2- 671 Detroit, 1- 8KW Northern Lights Generator</p>
<p>M/V: Kerrie - Built by: Breaux's Bay Craft (Aluminum) Year: 1977 - Length: 45' - Breadth: 14' - Depth: 6' Engines 2- 892 Detroit, 1- 10KW Northern Lights Generator</p>	<p>Ted - Built by: Breaux's Bay Craft (Aluminum) Year: 1976 - Length: 40' - Breadth: 14' - Depth: 6' Engines: 2- 671 Detroit, 1- 8KW Northern Lights Generator</p>	<p>Paul Ray II - Built by: Breaux's Bay Craft (Aluminum) Year: 1981 - Length: 43' - Breadth: 14' - Depth: 6' Engines: 2- 671 Detroit, 1- 8KW Northern Lights Generator</p>

Please call for any additional information and price.

Scully's Customized Boats



MDL 2072VWB, T-Top



MDL 2284VWB, T-Top



MDL 2284DVWB, Cabin, AC5



MDL 2484VWB, T-Top



MDL 2484VWB, Cabin, Survey



MDL 2684DVWB, Cabin

Scully's Constructs Up To 100 Foot Vessels USCG Certified



MDL 2884DVWB, Cabin



MDL 2896BS, T-Top



MDL 3410BV, Cabin



MDL 4012BV, Cabin, AC



MDL 4518 Crane Barge



MDL 2684LC, T-Top

Boats Are Available IN STOCK Up To 40 Feet Long • Mercury, Honda, and Yamaha Packages Also Available Offers: Jet Drives, Diesel Applications, Shaft Logs Applications

Phone: 1-866-238-8353 • Fax: 1-985-384-5146 • 1015 Stephenville Road • Morgan City, LA 70380

Email: info@scullyboats.com • www.scullyboats.com

Available On GSA Contract

**A & D SHIPYARD
BROOKLYN NY
718-404-4285 (HAUL)**

**7
1
8
4
0
4
H
A
U
L**



*Brooklyn's
First
120 Ton Lift
Servicing
Your Complete
Shipyards Needs
Hauling
Painting
Welding
Shaft & Prop Work
50 Years of Experience*



OIL PADS
Only \$19.95 Per Bale
Five Stocking Locations
We Have The Best Prices On
Oil Absorbents, Booms, Pads
and Socks.
800-9-BUYNET
www.buyingnetwork.com


**MARINE PILOT HOUSE
CHAIRS**



Adjustable
Swivel Seat
Aluminum
Inland and
Offshore
Bases
\$780.00
F.O.B.
Port Arthur, TX

Texas Wheel Works, Inc
PO Box 1276 • Port Arthur, TX 77641-1276
PHONE: (800) 238-9402
FAX: (409) 984-5690

**Portable Pushboats
For Charter**



**430/330 HP Twin Screw
25' x 12' x 5', 3.5' Draft
J-Way Leasing & Marine, LLC
(440) 934-1020**

**60' x 16' x 4'
Pilot/Crew/Launch**



Breaux 1991, Twin Cat 3406B Turbo w/Twin Disc MG 5114A. 24kW Genset, cold A/C, 800 gal fuel, 18 knot cruise. Reduced to \$179,000 Tampa, FL.

**50' x 15' x 6'
Pilot/Crew/Launch**






Completely rebuilt 12V-71 TA 530 HP 22 Knots, New props, shafts, rebuilt clutches on ZF gears. New paint bottom & topsides, Furuno electronics. Excellent condition, Try \$189,000, New Orleans, LA.

**For More Info & Pics
(251) 610-3111 or
Email: oceanicservicesllc@gmail.com**

Northeast Industrial & Marine Equipment Supplies

661 Route 9 Cape May, NJ 08204
1-800-884-3152 609-884-3152 609-884-3510
Fax: 609-884-3170, Check Us Out @www.northeastindustrialnj.com

**EQUIPMENT SUPPLIES FOR ALL PHASES OF THE FISHING,
DREDGING, MARINE CONSTRUCTION, AND TRANSPORTATION
INDUSTRIES**

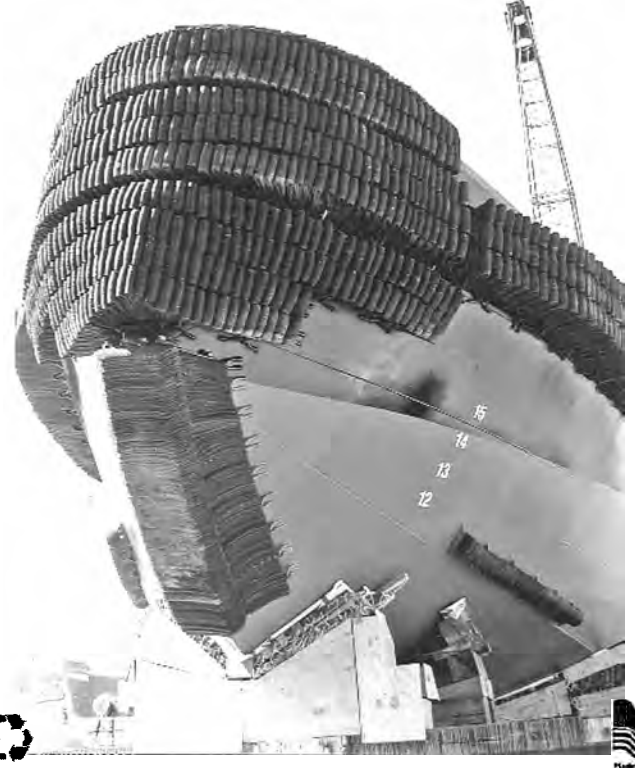





- Pullmaster, Superwinch, Lantec, Kinematic
- Custom Built Power Units
- Winches - Planetary, Worm Gear
- Control Valves 4 GPM - 400 GPM
- Hydraulic Pumps - Gear, Piston
- Hydraulic Motors - Staffa, KYB, Char-lynn
- Free Fall Winches - 5,000 lb. to 75,000 lb.
- Wintech Winches - Electric, Air, Hand Cranked
- Transmissions - ZF, Twin Disc

**John Deere / Yanmar
Industrial Engines**

- Custom Winch Systems 1,000 to 300,000 Line Pulls
- Custom Built Winches - 1,000 lb. to 200,000 lb. Line Pull & Diesel HPU Units
- Electric HPU Units
- Spud Handling Systems & Barge Anchoring Systems
- Used Equipment Refurbishing
- Equipment Rentals - Winches, Power Units
- Custom Built Barges

National & International Services
Hydraulic, Welding, Machine Shop Service
Email us @ neindustrial@hotmail.com or contact@northeastindustrialnj.com

**VIKING
ENHANCED
SOFTLOOP FENDER**

*When Push Comes to Shove
Have a Viking on Your Side*

- The softest, most forgiving ship assist fender on market
- Designed for greater energy absorption and gripping ability
- Ideal for tractor tugs, bow, stern and side fenders
- Side hip fenders for tug and barge units
- Pier cell fenders

Quality Recycled Materials
a division of Viking Marine Products, Inc.
977 New Durham Rd, Edison, NJ 08817
Tel: +1 732-826-4552 • Fax: +1 732-826-5533
Complete Brochure at: www.vikingfender.com

CLOSING DATES • FIRST OCTOBER ISSUE 2017



FOR DISPLAY September 26th, 2017 9:00 A.M. C.S.T	To Be Mailed September 29th, 2017	FOR CLASSIFIED September 28th, 2017 10:00 A.M. C.S.T
---	---	---



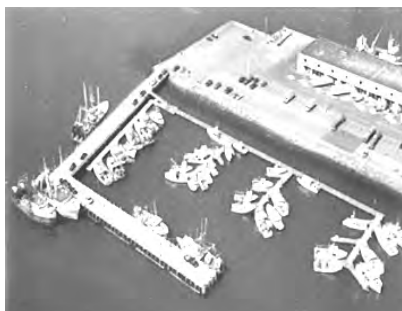
**FLOATING DOCKS, GANGWAYS, SEAWALLS
RAVENS MARINE, INC.**



3295 ORANGE AVENUE
KISSIMMEE, FL 34744
PH: 407-935-9799
TOLL FREE: 800-676-3023
FAX: 407-935-9436
www.ravensmarine.com
ravens@ravensmarine.com

AT RAVENS MARINE, QUALITY IS #1



**FROM THE BACKYARD
DOCK TO THE FULL
SCALE MARINA, WE
MANUFACTURE THE
COMPLETE
"PICTURE"**





HL130M DRI-PRIME PUMP



6X6 JET PUMP



ANVIL 25T GRAPPLE



ICE 416 VIBRO HAMMER



ATLAS 20T GRAPPLE



3 Each Allis Chalmers 475 KW GENSETS



D200 PILE HAMMER



DIVE EQUIPMENT AVAILABLE FOR LEASE



- COMPRESSORS
- CHAMBERS
- COMM'S
- COMPLETE PACKAGES

PRECON MARINE, INC.

CONTACT: MACON HODGES, (757) 439-9963
MHODGES@PRECONMARINE.COM
FOR ADDITIONAL EQUIPMENT CHECK OUT:
PRECONMARINE.COM/EQUIPMENT
ALL EQUIPMENT—FOR SALE OR LEASE

MANITOWOC 4600 SERIES III

COMPLETE RESTORATION

- CUMMINS RE-POWER
- 240 TON CAP.
- 160' BOOM
- RINGER READY

CRANES AVAILABLE FOR RENT/LEASE/PURCHASE:

- MANITOWOC 4100 SERIES II - 230 TON CRAWLER
- 2015 LINKBELT 348 HYLAB - 300 TON LATTICE CRAWLER
- 2016 LINKBELT ATC 32210- 210 TON HYD. TRUCK CRANE
- 2014 LINKBELT HTC 86100- 100 TON HYD. TRUCK CRANE
- 2014 GROVE TMS 700E- 60 TON HYD. TRUCK CRANE
- 2010 STERLING- 30 TON HYD. BOOM TRUCK
- 1999 STERLING- 20 TON HYD. BOOM TRUCK
- 1992 FORD L-8000 "SNOOPER" BRIDGE INSP. TRUCK

ALL CRANES HAVE CURRENT INSPECTIONS AND READY TO WORK. OPERATORS AVAILABLE ALSO.

64' X 32' X 7' LIFT BOAT
8-71 DETROITS
70' CRANE

THRU-DECK DRILL WELL

SUPER JUMBO'S - 260' X 52.5' X 12'

THE TAMPA
2014 TRUCKABLE TUG

ROBISHAW S-50 FLEXI FLOATS

ECB SECTIONAL BARGES
41'x10'x5'

120x30 Material Barges
Lease or Purchase

WATERFRONT AVAILABLE FOR LEASE

ELIZABETH RIVER- CHESAPEAKE, VA.
FLEET YOUR BARGES OR STEVEDORE

350 FT
 500 FT

YARD ACCESS & STORAGE ALSO AVAIL.

BARGES/TRUCKABLE TUGS BUILT TO SUIT!!

CONTACT: ALLEN CUTLER, (757) 754-0767
ACUTLER@INLANDMARINEVA.COM
ALL EQUIPMENT—FOR SALE OR LEASE UPON AVAILABILITY

BARGES FOR RENT



Barges 4 Rent

Sectional Barges • Located In Florida
40 x 10 x 5 & 60 x 11 x 4

Contact: (305) 965-8852
Email: barge@bargerent.com



46' 1988 Trojan Int'l 14 Meter Conv.
Twin 750 hp wet turbo diesels 900 orig. hrs., 12.5 Onan 1600 hrs., 16' 3" beam 2 SR 2 head layout

Health Forces Sale
Make All Offers
(813) 641-8886
valbelle@tampabay.rr.com

119' x 34' Army LCU Landing Craft




180 Ton Deck Capacity w/ 5' Draft
Hauled 2015 New Shafts/Props
\$795,000 w/ Partial Trade for LCM-8 California Delta
(415) 686-0907 • John

12' x 30' x 32" Light Duty Work Barge Work Platform



20' Spuds with Winches Like New Condition
\$17,500.00
Call Eric at (651) 208-1426

50' EX-NAVY DIVE BOAT Asking \$35,000



Twin 671N (Approx. 1,000 Hours)
30 KW 3 Phase Generator

Contact: **Ryan or Doug**
(757) 898-5060
Will Email Pictures Upon Request



Boat 25'6" x 8'7"
Draft 40" • Prop 35" 3 Blade
Eye Level Inside Of Wheelhouse
8'6" On Top Wheelhouse 14'6"
671 Detroit 2 to 1 Reduction

Asking Price: **\$32,600**
Call Petsy Lane • (912) 858-3764



20 Years PACIFIC BOAT BROKERS.COM
1997 - 2017

BUYING OR SELLING?
What Are You Doing With Your Boat?

List your vessel with us today...for free

Our website is viewed by thousands daily. Buying? We have hundreds of vessels to choose from.


75' PASSENGER BOAT

3 - 60 Series MTV Engines / Hamilton Water Jets
Available for sale \$485,000 or possible lease to qualified operator.
Stability letter 149 / COI 75 passengers
Built 2003, 2 - 22 kw Generators, Double Electronics in Wheel House
Inflatable IBA Raft, Cruise 20 Knots, Top Speed 26 Knots
Call Joe: **508-776-8435** or **508-776-6578**
Email: joseph@meganet.net

THIS MONTH'S FEATURE

RAINFOREST ISLANDER
75' x 20' x 5' • Built 1991 • Location: Alaska
Engines: 2 x John Deere 425 HP Diesel
Cruising Speed: 12 Knots • Water Tank: 150 Gals.
Fuel Tanks: 2, Alum. 1,200 Gals.
GPS • VHF • Radar • Sounder • Autopilot • Compass

\$1,175,000 (USD) • Stock #WA5068



Head Office Toll Free: 1-877-448-0010
Email: sales@pacificboatbrokers.com
WWW.PACIFICBOATBROKERS.COM

PASSENGER VESSEL
ASKING \$3,450,000
FOR SALE, LEASE OR JOINT VENTURE
OWNER WILL CONSIDER FINANCING

The M/V Deacon is an 120' x 43' all aluminum vessel designed to transport 250 passengers at 30 knots. The swath design provides dramatically better ride in high seas than a mono-hull or a catamaran vessel.




How does the swath compare to a conventional vessel? Watch our online video.

www.mvdeacon.com

Possible Uses:

- Crew Boat • Yacht • Dinner Cruises
- Whale Watching • Research Vessel • Casino
- Military • Passenger Ferry • Seismic Vessel
- Live Aboard Dive Vessel • Dive Support Vessel


For more information contact: Daniel Haines at **985-631-2628** or daniel@hainescompanies.com




Caterpillar D3512T, 1200 HP @ 1200 RPM, Only 690 Hours Since Rebuilt.....**\$174,000**
Also Marine w/ Water Manifolds + Heat Ex.



Caterpillar D3508T, 1000 HP @ 1800 RPM, Reman Dynoed, Zero Hours.....**\$99,000**
Also w/ Generator 900KW + Radiator.....**Call**




Cummins KTA38 Industrial, 1350 HP @ 1800 RPM Reman Zero Hours.....**\$88,000**
Low Profile.....**\$98,000**



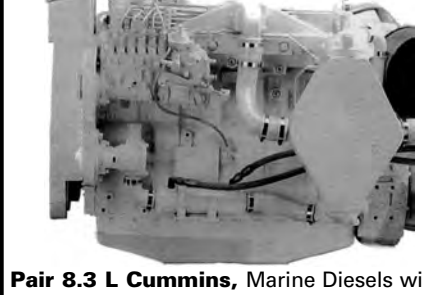
Detroit 16V149DDEC Marine, 2200 HP @ 1900 RPM Reman Zero Hours.....**\$89,900**
Detroit 12V149DDEC Mar, @ 1900 RPM.....**\$66,000**



Caterpillar D398T Marine, 850 HP @ 1200 RPM w/Cat Gear 5:1. Selling as is for core diesel.....**\$14,900**



Detroit 8V71TI, 500 HP @ 2100 RPM 43 & 65 Hrs.....**\$17,775**
Twin Disc MG514, 2:1 43 & 65 Hrs.....**\$6,900 EACH**



Pair 8.3 L Cummins, Marine Diesels with Bosch injection pump and more modern turbo charger type 450 HP Reman STD.....**\$19,855 EACH**



Caterpillar D3516, 2800 HP.....**\$122,000**
With 1750 KW Generator.....**\$139,000**
Marine Propulsion.....**\$149,000**

GENERAL PROPULSION, LLC
General Propulsion, Inc & General Propulsion, LLC Have Been In The Diesel Engine Business For 52 Years
Phone: 956-445-3415
E-mail: nortondieselsandships@gmail.com

New Price - 48' Chesapeake Bay Deadrise



1970 48' x 14' x 3', New Detroit 671, Hull just re-glassed & painted, Dual Steering. Crab/Lobster/Shrimp, has new 671, new glass over. Lying Oriental, NC. See article on "sister ship" in Soundings June 2016 Page 82. Price \$39,000. Capt. Ron (518) 294-6181

EVANS BOATS, INC.

www.evansboats.com 1-800-545-2592 443-783-0529 • evansboats@hotmail.com

Call For Details & More Information On All Options And Boats Available!



INSURANCE SOLUTIONS

NOT EXCUSES...

- Tugs & Barges
- Charter Boats
- Marine Contractors
- Marinas
- Workers Comp.
- Equipment
- General Liability
- Fishing Vessels
- Live Aboards
- Diving Contractors
- ROVs
- Jones Act
- USL&H
- Bonds

Paul Lynch & Associates, Inc. Insurance Consultants & Agents

701 N. Federal Highway, Suite #401, Stuart, FL 34994
Telephone (772) 232-9371 Facsimile (772) 232-9375
info@insuremarine.com www.insuremarine.com

(3) EA. 55' Derektor Ex-USCG Workboats



All three boats are a matched set and are in good operational condition. Surveys Available.
For more information please contact Mike Majewski 850-221-5138 or majewski4@bellsouth.net • For photos please go to www.kclmsales.com

100% Stainless Steel Construction

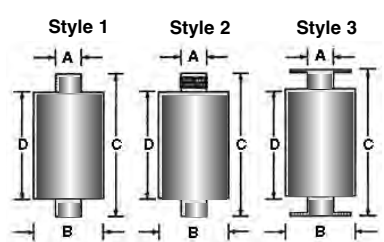
This Muffler can go to HELL and take the HEAT!!!

www.the-flex.com

Exhaust System Silencers

PART #	A	B	C	D	PRICE
AIM-03	3.500"	6.625"	15"	9"	\$360
AIM-04	4.500"	8.625"	18"	12"	\$385
AIM-05	5.563"	10.750"	21"	15"	\$415
AIM-06	6.625"	12.75"	24"	18"	\$580
AIM-08	8.625"	16.00"	30"	24"	\$715
AIM-14	4.500"	8.625"	22"	16"	\$470
AIM-15	5.563"	10.750"	26"	20"	\$550
AIM-16	6.625"	12.75"	30"	24"	\$745
AIM-18	8.625"	16.00"	38"	32"	\$965
AIM-24	4.500"	8.625"	46"	40"	\$910
AIM-25	5.563"	10.750"	56"	50"	\$1,210
AIM-26	6.625"	12.75"	66"	60"	\$1,450
AIM-28	8.625"	16.00"	86"	80"	\$2,250

Call for price of Style 3



CUSTOM FABRICATION AVAILABLE.

All items can be purchased online.

NOTE: Above is styles 1 & 2 only!

Carbon Steel Beveled Pipe Stainless Flexible Exhaust



PART #	HOSE I.D.	A	B	C	D	PRICE
WW-150	1.5"	6.000"	.145"	3.000"	1.900"	\$40
WW-2	2.0"	-	.154"	-	2.375"	45
WW-250	2.5"	-	.203"	-	2.875"	55
WW-3	3.0"	-	.216"	-	3.500"	75
WW-4	4.0"	-	.237"	-	4.500"	90
WW-5	5.0"	-	.258"	-	5.563"	100
WW-6	6.0"	-	.280"	-	6.625"	115
WW-8	8.0"	-	.322"	-	8.625"	150

Carbon Steel Flanged Pipe Stainless Flexible Exhaust



PART #	HOSE I.D.	A	B	C	D	PRICE
FF-150	1.5"	10.52"	.875"	12.000"	1.950"	\$70
FF-2	2.0"	10.00"	1.000"	-	2.440"	85
FF-250	2.5"	9.750"	1.125"	-	2.940"	115
FF-3	3.0"	9.625"	1.1875"	-	3.570"	135
FF-4	4.0"	9.375"	1.3125"	-	4.570"	200
FF-5	5.0"	9.250"	1.4375"	-	5.660"	240
FF-6	6.0"	8.875"	1.5625"	-	6.720"	265
FF-8	8.0"	8.500"	1.750"	-	8.720"	350

Thermal Insulation Blanket Kits

PART #	PRICE
TIB-3-4	\$45
TIB-5	\$60
TIB-6	\$70

• Crafted from high-purity alumina-silica ceramic fiber blanket and woven fiberglass impregnated with silicone resins. Blanket is firmly stitched with Kevlar thread and is reusable.

• Resists damage, absorbs sound, suitable for operating temperatures up to 1000° F.

• Thermal and physical properties are restored after drying if water, steam or oil wets TIB-kit.

• Built to wrap circumferences in multiples of 6" (6", 12", 18"+) or spiral wrap around long lengths. (Custom widths available)

Fire resistance - meets requirements for combustibility as specified by U.S. Coast Guard 164.009



We Stand by our work.

AIM

APPLGATE INDUSTRIAL MATERIALS INC.
P. O. Box 428, Baton Rouge, LA 70821-0428
1-225-336-4116 • fax 1-225-336-4317
1-800-843-3539 • www.the-flex.com
E-mail: info@The-flex.com

AIM has set the standard for reliability, durability & service for over 25 years. Run silent, run deep.

Most items are shipped within 24 hours. We offer shipping by Fed-Ex, Emery, US Postal Service, Motor Freight, Greyhound Package Express, or Will Call. Easy payment options including: Visa, Mastercard, American Express, Discover, C.O.D. or 30 day invoicing with approved credit.

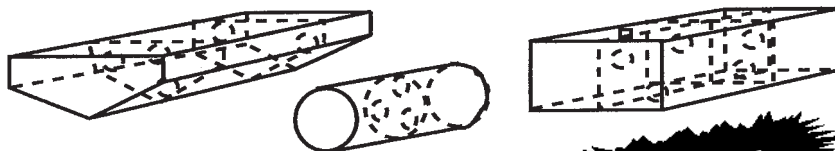
MARINE FUEL TANKS

www.speedytanks.com

ANY SIZE - ANY SHAPE

ALUMINUM TANKS FOR GAS OR DIESEL

TESTED & BUILT TO U.S.C.G. SPEC.



UPS DAILY

5 DAY TURNAROUND

ATLANTIC COASTAL WELDING INC.

[800] 434-TANK (8265)

OR FAX A DRAWING 1-732-269-7992

Ron Cooper

Catamarans

THE MONEY MAKERS

WE BUILD ONE OF THE MOST FUEL EFFICIENT PASSENGER VESSELS IN THE WORLD



63' x 24' Catamaran, base price \$399,000 plus power, stability test for 200

The perfect vessels for:

- Day/Snorkel Trips
- Sightseeing
- Booze Cruises
- Cruise Ship Tenders
- Over 130 Built



All New 47' x 15.5' Catamaran • USCG Stability test for up to 70 passengers • Introductory base price \$139,000 plus power • Economical and very stable • Glass bottom available • Set up for beach loading • Fast delivery

Call Ron Cooper (727) 804-6389 www.coopermarine.com

Type I Offshore Life Vest

KENT

USCG Approved with reflective tape, light loop and whistle attachment.



\$32⁹⁹

Adult Universal PFD-1A
Order# 748930

Foul Weather Gear

HUGE SELECTION IN STOCK!

GRUNDENS

Search# GRD-




HAMILTON MARINE

40th Anniversary

1977  2017

800-639-2715
hamiltonmarine.com

KENT In-Sight Offshore Automatic/Manual Inflatable PFD

USCG APPROVED Type V with Type II Performance

Heavy-duty 420 denier nylon shell. Neoprene comfort collar. SOLAS grade reflective tape. In-Sight window shows armed status. Full 35 lbs buoyancy.

LIMITED QUANTITIES!

\$99⁹⁹

Reg 149.99 **SAVE \$50**



Color Order#
Orange 752862
Red 761645

GME ACCUSat™ EPIRBs

406 MHz. 6 Year Non-Haz Mat battery, 6 Year warranty. Stainless steel antenna. USCG/GMDSS Approved.

6 Year Battery!

Cat II Manual
Order# 731676
\$349⁹⁹

Cat I Auto
Order# 731678
\$469⁹⁹



FIGID High Performance LED Lights

Patented specter and hybrid optics allow combinations of flood and spot lighting for multiple marine lighting needs. High purity aluminum housing. Superior light with ultra low power consumption.

Search# RIL-

Starting At \$113⁹⁹



KENT Premium Adult Universal Survival Suit

High visibility yellow inflatable head pillow, face mask, mitts and ankle adjustments. Removable head pillow. Articulated arms for easier donning. Includes buddy line and whistle.

USCG APPROVED

KNT-1540-AU
Order# 753274 **\$249⁹⁹**



IMPERIAL Adult Universal Cold Water Immersion Suit

Three fingered mitt. Wide legs for easy donning. Includes whistle and storage bag.

USCG APPROVED


\$259⁹⁹

RVS-1409A
Order# 743829



Oil Absorbent Sheets


Each sheet absorbs 13 to 25 times its weight in oil, fuel and other hydrocarbons. Great for engine work, winterization and cleaning spills. Also for waxing and polishing.



Size	Weight	Order#	Each	Bale	#Bale
15" x 19" x 3/16"	Single	123472	0.59	89.99	200
15" x 19" x 1/4"	Medium	123422	0.79	59.99	100
15" x 19" x 1/4"	Double	145762	0.89	71.99	100

General Purpose Pump

Designed for use as a washdown pump and/or to circulate water to your livewell tank(s). Heavy duty construction. 1-1/2" (38mm) inlet and 1-1/2" (38mm) discharge outlet. Mount below waterline. Does not deliver high pressure, nor is it self priming. Provides lots of water, but at low pressure. 3800 gallons per hour.



Best Seller!

RUL-017A
Order# 129020 **\$216⁹⁹**

Rule 12 Bilge Pump

1-1/8" outlet, 24 volt. 2000 gallons per hour.



\$134⁹⁹

RUL-012
Order# 129016

Rule 14A Bilge Pump

1-1/2" outlet, 12 volt. 3700 gallons per hour.



\$199⁹⁹

RUL-014A
Order# 129017

Water Puppy Pumps

For bilge pump applications. Not for continuous use as bait tanks or livewell. 5/8" ports, 12 volt.



JABSCO
a xylem brand

Part#	GPM	Use	Order#	SELL
JAB-18660-0121	5.7	Light Duty	146332	157.99
JAB-18670-0123	7.8	Commercial	146338	269.99

PAR-Max 4 Water Pressure System Pump

Smooth flow, with dry running capability, snap fit port fittings, made of corrosion resistant materials. 4.3 gpm, 40 psi. Meets USCG 183.410 and ISO 8846 Marine (ignition protection). 12 volt.



JABSCO
a xylem brand

\$187⁹⁹

JAB-31620-0092
Order# 152082

"Y" Waste Valve with Rotating Ports

Ports can be rotated through 360° without disassembly so discharge plumbing can be routed away in parallel, at 90°, in opposite directions, or either up or down. 1-1/2" ports with 1" inlet adapter included.



JABSCO
a xylem brand

\$59⁹⁹

JAB-45490-1000
Order# 151432

1" Bronze Ball Bearing Pump

Corrosion resistant bronze pump, ideal for engine cooling. Self-priming, operates in either direction at variable speeds. Also used for washdown, circulation, and many general purpose and dockside applications. Neoprene impeller with removable end cover for easy service. 25.5 GPM. 5/8" shaft.



JABSCO
a xylem brand

JAB-00777-9001
Order# 120101 **\$364⁹⁹**

Electromagnetic Clutch and Pump Units

All the high quality features of the manual units with a compact, reliable electromagnetic clutch. All bronze, ball-bearing construction for heavy duty marine service. Self-priming and operates in either direction over a wide speed range.

2-A Groove Clutch

Part#	Size	Volt	Order#	SELL
JAB-11860-0005	1"	12	120224	679.99
JAB-11870-0005	1-1/4"	12	120226	1179.99
JAB-18330-0000	2"	12	120264	1199.99

1-B Groove Clutch

Part#	Size	Volt	Order#	SELL
JAB-11860-0045	1"	12	120225	689.99
JAB-11870-0045	1-1/4"	12	138750	889.99



JABSCO
a xylem brand

FISHING • SAFETY • HARDWARE

PORTLAND ROCKLAND SEARSPORT SOUTHWEST HARBOR JONESPORT

Typographical errors are unintentional and subject to correction.



HAMILTON MARINE

40th Anniversary

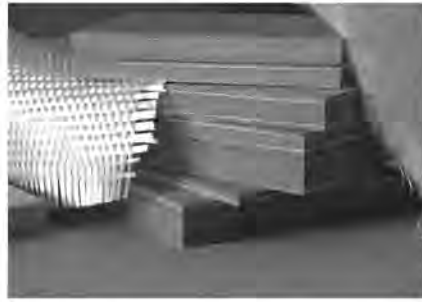
1977 2017

800-639-2715
hamiltonmarine.com

Coosa Composite Panels

Use in place of plywood!

High density, polyurethane foam, reinforced with layers of fiberglass strands throughout. Lightweight, non-rotting.



SEARCH# CSA-

Extren® Fiberglass Structural Shapes & Plates

GET THE WOOD OUT!



Corrosion and UV resistant, lightweight, high-strength, low maintenance!



SEARCH# SGW-

Noise Control

Reinforced metallized polyester film facing with adhesive backing. 32" x 54" sheets.



1" Thick Sound Absorber

HMQ-SA3254M1
Order# 154807

\$81⁹⁹

Sound Barrier Composite Shown

1" Thick Sound Barrier Composite

HMQ-SBC3254M1
Order# 154810

\$99⁹⁹

BOMAR Cast Aluminum Commercial Hatches

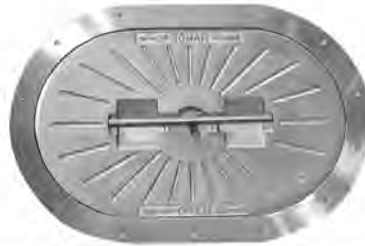
Flush, watertight, 4-dog system, opens from the outside only.

15" x 24"

\$529⁹⁹

SAVE \$70

Reg 599.99
BOM-C41524-0
Order# 104612



24" x 24"

\$899⁹⁹

SAVE \$100

Reg 999.99
BOM-C42424
Order# 104619



Anchor Inspection Hatches

Anodized Aluminum with Stainless Steel Flange

Many Sizes Available!

Search HM-H



Cast Aluminum Commercial Hatches

Fast acting, flush, watertight. Easily installed in any deck style.

15" x 24"

\$599⁹⁹

SAVE \$120

Reg 719.99
FMN-2433-0002
Order# 754527



24" x 24"

\$1099⁹⁹

SAVE \$230

Reg 1329.99
FMN-2424-0002
Order# 754529



Commercial Bumper

Black. Up to 60 ft lengths.

2-1/8" Base Width, 2" High, 7/16" Wall Thickness

DAM-DB-50 **\$789 FT**
Order# 107117

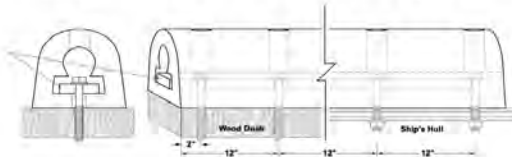
3-1/8" Base Width, 2-7/8" High, 11/16" Wall Thickness

DAM-DB-75 **\$1579 FT**
Order# 107128

Insert Strips and Molded Corners Available



Strip inserts here. Sold in lengths up to 10'



Fan Nose Bumper

Black. Up to 60 ft lengths.



2-1/2"W x 3" OD, 5/8" Wall Thickness

DAM-DB-503 **\$1679 FT**
Order# 148198

3-3/4"W x 4-1/2" OD, 3/4" Wall Thickness

DAM-DB-504 **\$2369 FT**
Order# 147124

SPECIAL! BEST DEALS ON ROPE!

3-Strand Nylon

High-tenacity white nylon multifilament fiber. Four-stage construction produces a torque-balanced rope with medium lay. Meets or exceeds Cordage Institute, US and Canadian Military standards.



600 ft Spools

Size	Order#	Tensile Strength	Ft Price per Reel	600' Reel
3/8"	118628	3700 lbs	0.16	96.99
7/16"	118630	5000 lbs	0.22	129.46
1/2"	118631	6400 lbs	0.29	171.04
5/8"	118632	10400 lbs	0.45	270.65
3/4"	118633	14200 lbs	0.64	385.35
7/8"	118634	17280 lbs	0.88	533.26
1"	118635	25000 lbs	1.10	658.41
1-1/8"	118636	33000 lbs	1.32	789.45
1-1/4"	118637	37500 lbs	1.61	964.60
1-1/2"	118639	53000 lbs	2.29	1374.46

Polypropylene

General purpose, monofilament fiber, balanced construction, medium lay, good strength, moderate stretch, lightweight and buoyant. Good UV resistance. Yellow.



600 ft Spools

Size	Order#	Tensile Strength	Ft Price per Reel	600' Reel
3/8"	118671	2700 lbs	0.09	51.58
7/16"	118673	3300 lbs	0.12	69.97
1/2"	118675	4200 lbs	0.16	93.18
5/8"	118677	6200 lbs	0.24	141.57
3/4"	118678	8500 lbs	0.34	206.05
7/8"	118680	11500 lbs	0.47	280.00
1"	118681	14000 lbs	0.56	335.88
-	-	-	-	-
1-1/4"	118683	21000 lbs	0.86	516.82
1-1/2"	118684	29700 lbs	1.23	735.04

Poly Plus Rope

High-tenacity polyester with polypropylene core, medium lay, good strength/low stretch, good abrasion resistance, excellent UV resistance. White with orange tracers.



600 ft Spools

Size	Order#	Tensile Strength	Ft Price per Reel	600' Reel
3/8"	118655	3200 lbs	0.14	83.36
7/16"	118656	3900 lbs	0.18	109.09
1/2"	118657	5400 lbs	0.23	138.32
5/8"	118658	7200 lbs	0.36	213.04
3/4"	118659	9800 lbs	0.50	302.31
7/8"	118660	13500 lbs	0.69	416.68
1"	118661	17000 lbs	0.82	490.98
1-1/8"	118662	21000 lbs	1.00	601.78
1-1/4"	118663	25000 lbs	1.24	745.03
1-1/2"	118664	41000 lbs	1.75	1047.02

COMMERCIAL SUPPLIES

PORTLAND ROCKLAND SEARSPORT SOUTHWEST HARBOR JONESPORT

Typographical errors are unintentional and subject to correction.

Ever Get Bad Fuel?
Get The Fuel Purifier
 Removes Water & Dirt
 Bubba Proof • Filter-less Filter
 SkimOil Inc. (314) 579-9755 For All Engines

TWIN DISC
 Marine Gears, Torque-Converters - ALL
 Supplier & Rebuilder "Since 1982"
www.RMIservices.com
 (504) 347-4361

Ever Get Bad Fuel?
Get The Fuel Purifier
Simply Removes
Bulk Free Water
Heavy Particulates
 How About Just Cleaner Fuel?
FILTERLESS FILTER - BUBBA PROOF
 EZ to install and use - sizes for ALL diesel engines
 SkimOil Inc. (314) 579-9755 - www.thefuelpurifier.com

Oily Bilge Filters
 Sizes for all boats
 Simple Inline Filter
 Works With Any Pump
 Overboard oil prevention system
 1/10 the size and cost of oil water separator
www.TheBilgeFilter.com - (314) 579-9755

Check Out Our Classified Ads
 Starting on Page 18

MARINE SANITATION DEVICE
Economy Type II MSD
 USCG Approved 4/12/16/32 man sizes Fits anywhere
 Modular Design compact/low profile In STOCK Now!!
Economy Type II MSD Got Poop?
 EZ Install & EZ Ops
"The Poop Plant"
www.thetankMSD.com • Skimoil Inc. (314) 579-9755

NO DISCHARGE ZONE?
 Got Bilge water? No problem!
BilgeVAP eliminates your water!
ZERO LIQUID DISCHARGE
Bubba Proof
 No moving parts Electric / 4-12 GPH
 SkimOil Inc. Call (314) 579-9755
 BilgeVAP evaporates your water away
www.NoDischargeZone.com

Automatic Pot Line Coilers
FREE SHIPPING
The Extra Deckhand®
 Hydraulic Line Coilers
 The patented 40# wonder that's Made in Alaska to be Alaskan Tough
WWW.EXTRADECKHAND.COM
 E.D. Industries LLC - 10006 Crazyhorse Drive
 Juneau, Alaska 99801
 Tel./Fax - (907) 789-9164

Offshore Oil Rigs & Marina WINDSOCKS
FACTORY DIRECT
 IN STOCK AND READY FOR IMMEDIATE SHIPMENT
AIRPORT WINDSOCK CORPORATION
 1-800-579-5135 952-890-9214
www.airportwindssocks.com

FIBERGLASS SUPPLIES
 Epoxy, Vinylester, Polyester Gelcoats, Barrier Coats
 FG Laminate Angle & Panels
 Carbon Fiber, Kevlar
 Fairing & Bonding Compounds
 Marine Plywood, Core & More!
DURATEC Divinycell H
 The High Performance Core
CARBON CORE
 HONEYCOMB CORE
 Technical Assistance 800-231-6537
www.lbifiberglass.com
LBI

Serving Both Coasts Of The United States And The Gulf Of Mexico

 Vessels Built Over 70 Years Of Fabrication Include: Double Hull Tank Barges, Hydraulic Dump Scows, Deck Cargo Barges, ATB Barges, Ro-Ro Barges And Many Custom Vessels.
GUNDERSON MARINE
 A GREENBRIER COMPANY
 Call Chuck Garman At Gunderson Marine (800) 253-4350
 Call Chris Cole At Our Gulf Coast Office (504) 722-3526
 4350 NW Front Avenue, Portland, Oregon 97210

FOR SALE OR RENT

Army Bridge Boats
 27' x 8' Twin Diesel GM 353, 3-1 Trans, 25 x 19 Prop.
 For Location & Price (916) 539-8199 or osmsinc@gmail.com
 Trailers May Be Available Separate

COMMERCIAL ALUMINUM JETBOATS
SMOKY MOUNTAIN JETBOATS
 12 passenger COI - PARTIALLY PROTECTED
 25 passenger COI - LIMITED COASTWISE
smokymountainjetboats.com
 1828 488 0522 - 1888 900 9091



NYS MARINE HIGHWAY TRANSPORTATION CO., LLC
WWW.NYSMARINEHIGHWAY.COM
SHIP BY CANAL

FABRICATED PRODUCTS **DREDGES, DEAD SHIPS & CONTRACTORS EQUIPMENT** **PROJECT CARGO**

WE CAN TOW YOUR EQUIPMENT BETWEEN THE EAST COAST & GREAT LAKES VIA THE NYS CANAL SYSTEM
QUOTES ROB (518) 365-3305 rob@nysmarinehighway.com

Commercial-Duty Walker AIRSEPS®


The NEW Standard for Diesel Breathing Systems Used in Today's Workboats.
Fleet Supply Warehouse, Inc.
 205 Venture Blvd., Houma, LA 70360
 Tel: 985.868.0430 Fax: 985.868.0436
 Your Louisiana Headquarters for Walker Air Filters and New CCE Replacement Elements.
AIRSEP
 Walker Engineering
www.walkerairsep.com

Marine Grade • Commercial Duty LED Lighting Fixtures
 GREEN GENERATION LEADING EDGE TECHNOLOGY

LED FLOODLIGHTS
 Low Maintenance and Low Power Consumption. Up to 90% less power when compared to Halogen Lights. Low Operating Temperature and Vibration and Shock Resistant Design. Marine Grade 316 Stainless Steel Hardware and Bracket. Water Resistant IP 67 Rating. UL/CE and SAA Compliant. 2 Year Limited Warranty. Available from 10Watt up to 400Watt. 100 to 130 Lumen per Watt Light Output. AC & DC Versions Available.

NEW DHR LED Navigation Lights
 SAFETY FIRST IN ALL WEATHER CONDITIONS

40 SERIES **60 SERIES** **80 SERIES**
 USCG Approved Certified to 72 COLREGS
 The Only LED Navigation Lights Completely User Serviceable

OCEANUS – LED MARINE UTILITY LIGHT
 Designed to replace fluorescent light fixtures. Low power consumption, minimal maintenance. 3900K natural white light color is used to achieve the best CRI. Dual Color version, white and red, for night time illumination. The light can be surface or flush mounted. Available in 85vac-265vac or 10-30vdc.

E-LED LIGHTING Inc.
 PHONE: (561) 845-7460, FAX: (561) 214-4928
info@E-LEDLighting.com, www.E-LEDLighting.com