

BOATS & HARBORS®

www.boats-and-harbors.com

\$4.00

SECOND NOVEMBER ISSUE 2017 VOLUME 60 NO. 19

Covering The East Coast, Gulf Coast, West Coast And
All Inland Waterways



PH: (931) 484-6100 • FAX: (931) 456-2337 • Email: gdonnelly@boats-and-harbors.com



RENTALS & SALES



Hydraulic Winches & Power Units
For Sale & For Rent



Diesel Mechanical Winches
For Sale & For Rent

Seattle, WA
Tel: 206-762-3700
Info@rasmussenco.com

RASMUSSEN EQUIPMENT COMPANY

New, Used, & Reconditioned Sales ~ Rentals

Belle Chasse, LA
Tel: 504-392-0442
www.rasmussenco.com



New & Used Anchors
For Rent & For Sale



5' x 7' x 5' Surplus Used Steel Tanks
Located: Seattle, WA

Large Inventory of Poseidon & Flexifloat
barges For Rent & For Sale: Seattle, WA;
Belle Chasse, LA; & Anderson, CA



(5) each Used 6x12 Yokohama Fenders
\$2850.00 each; Located: Seattle, WA

Diesel Mechanical Winches,
Hydraulic Winches, Hydraulic
Power Units, Air Winches

Please call, or email for a quote.
Seattle: 206-762-3700 Belle Chasse: 504-392-0442
info@rasmussenco.com ~ www.rasmussenco.com

Portable Barges, Anchors, Chain,
Wire Rope, Rigging Hardware, Deck
Sheaves, Fairleads, Buoys, Blocks, etc.



Man, I Have To Hurry and Get My Newest
Boats and Harbors!! Cmon! Outta The Way
Grandma, Or I Will Turn This Into The
Battle of The Bay!!!



Contents of this publication either in whole or in part may not be
reproduced without the express permission of the publisher.
Copyright © 2017 Donnelly Advertising & Publishing.



BOATS & HARBORS is Published 3 Times Each Month and Each Issue Goes by Direct Mail and Internet to Thousands of Individual Boat Owners, Builders and Operators, Tug, Pushboat and Barge Owners and Builders, Boat Yards, Commercial Fishermen, Packers and Processors, Divers and Diving Companies, Docks, Dredgers, Exporters, Ferryman, Freighters, Harbor Personnel, Longshoremen, Marinas, Steamship Companies, Marine Contractors, Off-Shore and Inland Oil Exploration Firms, Pile Drivers, Marine Salvage Firms, Ship Yards, Terminals, Towing Companies, Marine Warehouses, Government Agencies & other Related Businesses in the U. S. Possessions, Canada, Mexico & most other Foreign Countries. Boats and Harbors is Published in Crossville TN 38557.

BOATS & HARBORS®
P. O. Drawer 647
Crossville, Tennessee 38557-0647 • USA



SOMERSET, Mass – The Massachusetts Bay Transportation Authority (MBTA) has received the first of two new 150-passenger, high-speed catamarans from Gladding-Hearn Shipbuilding, Duclos Corporation. Funded by a grant from the Federal Transit Administration (FTA), the vessels will operate year-round commuter service in Boston Harbor, in addition to two high-speed ferries built by the Somerset, Mass., shipyard in 1997. Designed by Incat Crowther, the all-aluminum ferry is 90 feet LOA, 28.8 feet abeam, and draws approximately four feet loaded. The vessel is powered by twin Caterpillar C-32, 12-cylinder, EPA-rated Tier 3 diesel engines, each delivering 1450 Bhp at 2100 rpm. The engines turn a pair of Hamilton HM 571 water-jets through ZF 3050 gearboxes. The ferry's top speed is 29 knots with a fully-loaded deadweight of more than 19 tonnes, said shipyard officials. For more information contact: Peter Duclos, (508) 676-8596, peter@gladding-hearn.com

www.FRANTZMARINE.com

2017 Workboat Edition - OSV's - Tugs Crewboats - Pushboats - Derrick Barges

OSV / Utility & Crewboats

PUSHBOATS



1,000 BHP - 60' x 23'

Built 1989, Twin CAT 3408's, MG 518 (6.5:1) Flanking Rudders, Fleeting Deck, Elect. Winches RCP, Completely Rebuilt RCP Cert.



1,200 BHP - 60' x 24'

Blit. 80's, Rebuilt Repower 2011, Twin Cummins KT 19M3's, MG 518 (6.5:1), Fleet Deck, Elec. Winches RCP, Completely Rebuilt RCP Cert.



**1,350 BHP
Miss Laurie
65' x 24'**

Twin QSK Cummins (Tier II); MG 5170 (6:1), Flanking Rudders, Fleeting Deck, Elect. Winches



**1,800 BHP
Warren
65' x 26'**

Twin CAT C-32's (Tier II), MG 5222 (6:1), Flanking Rudders, Fleeting Deck, Elect Winches



320' x 60' x 28 Built 1995, 222' x 50' clear deck; U.S. flag. Class: ABS +A1 +DP2.

280' L x 60' B x 24' D x 19' loaded draft. Built in 2004, US Flag, Class 1, +AMS, +DPS-2. Sub Ch. L & I. 203' x 50' clear deck.

272' L x 56' B x 18' D x 6' light draft x 15' loaded draft. Built in 1998, Class: ABS +A1, +AMS, DPS-2.

AHTS: 262' L x 58' B x 23' depth x 19' loaded draft. Built in 1998, Class: ABS +A1, Towing Vessel, AH (E) + AMS, DPS-2, SOLAS, US Flag.

260 L x 56 B x 18D x 6.60' light draft x 15.20' loaded draft. Built in 1997, Class: ABS +A1, +AMS, (E); USCG Sub Ch. L. US Flag.

260 L x 56' B x 18D x 6.60' light draft x 15.20' loaded draft. Built in 1996, Class: ABS +A1, +AMS, (E); USCG Sub Ch. L. US Flag.

260' L x 56 B x 21' D x 6.60' light draft x 18.00' loaded draft. Built in 2002, Class: ABS +A1, +AMS; USCG Sub Ch. L. US Flag.

260' L x 56' B x 21' D x 6.60' light draft x 18.00' loaded draft. Built in 2001, U.S. Flag. Class: ABS +A1, +AMS; USCG Sub Ch. L.

260' L x 56' B x 19' D x 16.14' loaded draft. Built in 1997, U.S. flag. Class: ABS +A1, +AMS, DPS-2. SOLAS.

240' L x 56' B x 21' D x 6' light draft x 18' loaded draft. Blt 1999, U.S. flag. Class: ABS +A1, +AMS; USCG Sub Ch. L, DP2.

240' L x 56' B x 21' D x 17' loaded draft. Built in 1998, U.S. flag. Class: ABS +A1 AMS Towing.

AHTS: 240' L x 52' B x 18' D x 15' loaded draft. Built in 1986, U.S. flag. Class: ABS +A1 AMS Towing.

250' L x 56' B x 19' D x 16' loaded draft. Built in 2007, U.S. flag. Class: ABS +A1, +AMS, +DPS-2 Unrestricted Service.

AHTS: 225' L x 52' B x 22' D. Built in 1997, U.S. flag. Class: ABS + A1.

220' L x 46' B x 16' D x 9' light draft x 13' loaded draft. Built in 1999, U.S. flag. Class: ABS Loadline. USCG SubCh "I" & "L". No SOLAS.

220' L x 46' B x 16' D x 9' light draft x 13' loaded draft. Built in 2000, U.S. flag. Class: ABS Loadline. USCG SubCh "I" & "L". No SOLAS.

220' L x 46' B x 16' D x 9' light draft x 13' loaded draft. Built in 1998, U.S. flag. Class: ABS Loadline. USCG SubCh "I" & "L". No SOLAS.

220' L x 48' B x 16' D x 6' light draft x 13' loaded draft. Built in 1995, U.S. flag. Class: ABS + A1 Oceans + AMS (E), DPS-1.

220.0' L x 56' B x 18' D x 16' loaded draft. Built in 1998, U.S. flag. Class: ABS + A1 +AMS, DPS-2, SOLAS, U.S. Domestic Service.

220' L x 40' B x 14' D x 11' loaded draft. Built in 1989, U.S. flag. Class: ABS +A1 AMS (exp. Dec 6, 2019. Next DD due Dec. 23, 2017).

AHTS: 220' L x 42' B x 14' D x 13' loaded draft. Built in 1982, U.S. flag. GRT: 490. Class: ABS loadline exp. 18 April 2017. Laid up. USCG Subch. I.

205' L x 46' B x 17' D x 9' light draft x 14' loaded draft. Built in 1999, U.S. flag. Class: ABS +A1 U.S. Domestic Service + AMS, DPS-1. USCG Sub Ch. L, OSV.

205' L x 46' B x 17' D x 9' light draft x 14' loaded draft. Built in 1998, U.S. flag. Class: ABS + A1, U.S. Domestic Service + AMS, DPS-1.

190' L x 54' B x 16' D x 13' loaded draft. Built in 1998, U.S. flag. Class: ABS +A1 +AMS, DPS-1, Loadline, SOLAS, SIP, USCG Sub. Ch. "L".

199' L x 44' B x 19' D x 16' loaded draft. Built in 1999, Rebuilt: 2014. U.S. flag. Class: ABS + A1, OSV, + AMS, DPS-1, Unrestricted.

150' L x 36' B x 12' D x 12' loaded draft. Built in 2007, U.S. flag. Class: ABS Loadline only.

150' L x 26' B x 10' D. Built in 1981 U.S. flag. For sale without US Registry. U.S. Gulf Coast.

150' L x 26' B x 10' D. Built in 1981, U.S. flag. For sale without US Registry. U.S. Gulf Coast.

145' L x 34' B x 9' D x 9' loaded draft. Built in 1982, U.S. flag. U.S. Gulf Coast.

Utility Boat: 120' L x 26' B x 8' D. U.S. flag. GRT: 99. 55'x18' clear deck. FO: 30,000g. FW: 40,000g. Main Engines: 2 x GM. Quarters: 16 in 3 rooms. U.S. Gulf.

Utility Boat: 115' L x 26' B x 8' D x 8' loaded draft. Built in 1980 U.S. flag. GRT: 93. Class: USCG Sub T, OSV. Deck Cargo: 68LT on 55' x 22' clear deck. Last drydocked March 2014. Idle. Owner did a major rebuild at drydock and has invoices over US \$700K (owner will produce all invoices upon request). Owner is inviting serious interest. U.S. Gulf Coast.

Supply Boat: 110' L x 28' B x 4' D x 7' light draft x 9' loaded draft. Built in 1980. U.S. flag. Deck Cargo: 142LT on 50' x 20' clear deck. Quarters: 20 berths (4 crew, 16 pax). Utility vessel for sale. U.S. Gulf Coast.

Utility Boat: 110' L x 26' B x 7' D. Built in 1981, U.S. flag. Class: USCG Cert. "T" 40 persons. ABS loadline exp. Deck Cargo: 67T on 48'x22' clear deck. U.S. Gulf

Utility Boat: 110' L x 28' B x 8' loaded draft. Built in 1982, U.S. Flag. Deck Cargo: 60LT on 62' x 22' clear deck. U.S. Gulf Coast.



**1,000 BHP
Hayden - 60' x 22'**

Twin CAT 3408's, MG518 (6.5:1) Flk. Rudders, Fleet Deck, Elect., Winches, MMBumpers. **SUPER BARGAIN!**



**2,600 BHP
Capt. Vince - 78' x 30'**

Blit. 1982, Rebuilt 2015 Dravo, Twin CAT 3512's, MG 5600 (7:1), 78' x 68", RCP Cert. & SubM 2,600 Profile



**1,800 BHP - J.C. Spider
72' x 28'**

Built 1982, Rebuilt 2013, ex ABS Full Class, Twin GM16V149's, 540 (6:1)



**1,200 BHP
R. Cindy
60' x 22'**

Blt. 1982, Rebuilt 2010, Twin Cummins KT19 M3's, MG 520 (6:1), Fleet Deck, (4) Flanking Rudders

CARIBBEAN TUGS



2,200 BHP



2,200 BHP



1,700 BHP

TUGS



**800 HP - Vivian
60' x 22'**

6' Draft, Blt 1975, Twin Screw GM 12V71's, MG 514 (5.16:1), Steel In Subchapter M Condition



**Model Bow Luger
Resolution - 60' x 24'**

(2) CAT 3406's, MG 516 (5:1), Totally Reconditioned, 5'-6" Shallow Draft, Cummins Gensets, 17,000 Fuel, 17,000 Water, Subchapter M Ready



**2,600 BHP
Lucinda Smith 90' x 28'**

Twin Cummins QSK 38M's Tier II, With ZF 4610W, 5.63:1, Korts, Upper House, ABS International Loadline Valid



**4,000 BHP - William
115' x 32'**

Twin EMD 16-645 E6's, Reintjes, Korts, ABS Full Class Hull and Machinery Valid, Intercon Double Drum Winch, Rent Ready



**5,750 BHP - Costal 303
128' x 35'**

Twin Alco 16-251 E's, Built Main, Upper House With Elevator, ABS Laidup Status.



3,400 BHP 95' x 32'

Built 2010, ABS Full Class, Hull & Machinery Mint Condition (3,200 Built 2010)



210' x 48', Blt. 1999, Twin CAT's, 190k Fuel, 120k Water, Bulk, Liq., DP, Solas.



DB350

All Oceans; heavy lift derrick crane barge; 250' x 78'; upgraded 4 point RB-97 mooring system; quarters for 64 people; Manitowoc 3900; (3) 224 kw gen sets..... (Priced To Sell)

DENNIS FRANTZ FRANTZ MARINE CORPORATION, INC.

CELLULAR (504) 430-7117

Email: Dennis@Frantzmarine.com

Email: Tugmaninmandeville@charter.net

(ALL SPECIFICATIONS AS PER OWNER AND NOT GUARANTEED BY BROKER)

LIFETIME CUSTOM ALUMINUM BOATS



25' LANDING CRAFT

WORK BOAT 20', 24' - IN STOCK



DECK BARGE 24' HYDRAULIC CRANE 24' PATROL LANDING CRAFT - IN STOCK



30' LANDING CRAFT - IN STOCK

PILOTHOUSE 40'

~ Stock Workboats Available ~
Workboats and Landing Craft in Stock

LIFETIME BOATS, INC.

14104 Hwy 84, Jonesville, LA 71343

Phone (318) 339-4007

bodie@lifetymeboats.com

www.lifetymeboats.com

BigTOP FABRIC STRUCTURES



DON'T LET MOTHER NATURE AFFECT YOUR BOTTOM LINE

Our custom-built fabric structures are designed to withstand the harshest conditions, while ensuring that your business needs are met. Everything from covering large refit projects to storing equipment and cargo is a cinch with a Big Top Fabric Structure.

The high clearance and open design of our shelters make them ideal for the marine industry.

- Boat Fabrication/Refit
- Paint & Blasting
- Warehouse
- Equipment Storage

BIGTOPSHELTERS.COM
1.800.277.8677

LOOKING AHEAD

AHEAD TANK™

WILL BE THE **LAST** SEWAGE TREATMENT SYSTEM YOU WILL EVER BUY

USCG Certified Type II Marine Sanitation Device

In Compliance with Title 33 CFR 159.015 for Inspected and Non Inspected Vessels

Also Accepted Worldwide in accordance with the NEW 2016 IMO Resolution MEPC.227 (64)



Model AT-12T

#1 in the #2 Business

NEXT GENERATION TECHNOLOGY

Sewage Treatment Systems, Products, Parts & Supplies



FOR MORE INFORMATION

Phone: 337-330-4407

Email: headflusher@aheadtank.com

VISIT US ONLINE:

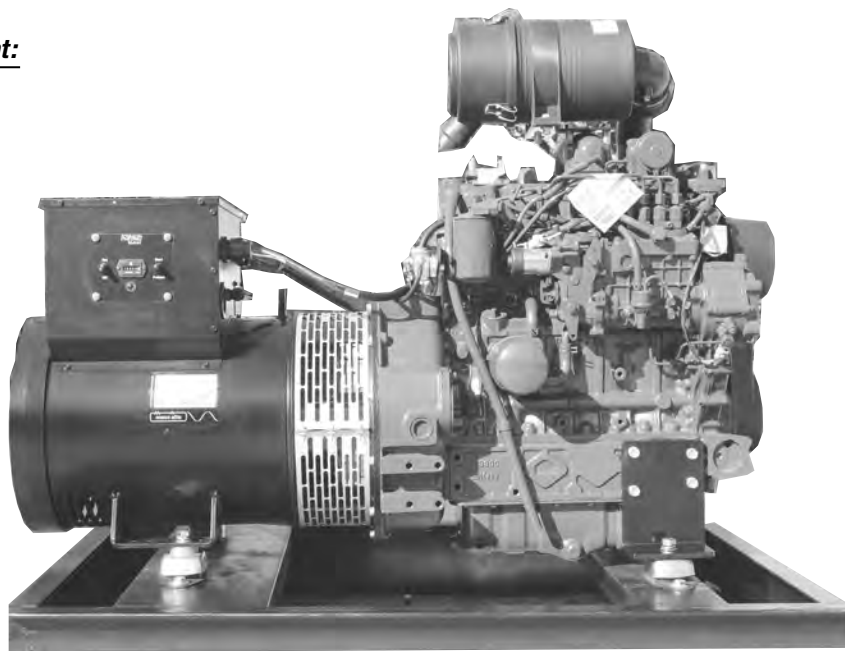
www.aheadsanitationsystems.com

facebook.com/aheadsanitationsystems

Kubota

1800 RPM Standard Equipment:

- Kubota Diesel Engine
- 12 Volt Electric Starter
- 12 Volt Battery Charging Alternator
- Automatic Engine Shutdown for Low Oil Pressure / High Coolant Temperature
- Fuel Filter
- Built in Fuel Transfer Pump
- Dry Air Cleaner
- Heavy Duty Steel Frame with Isolation Mounts
- High Ambient Radiator Cooling
- MeccAlte Industrial Generator
- Brushless Exciter
- Unit Mounted Solid State Voltage Regulator
- Ship-loose Muffler with Raincap
- Toggle Switch Start
- Engine Hour Meter
- 3 Year Kubota Engine Warranty
- EPA Tier 4i Compliant



KK4-50.0 kW

Optional Equipment:

- Sound / Weather Enclosures
- Auto Start / Stop
- ATS
- Fuel Tanks
- Block Heater
- Critical Silencers
- Gauge Panels
- RACOR Filters
- Circuit Breakers

KEEL COOLED MODELS

MODEL	PRICE	MODEL	PRICE
DRY EXHAUST MANIFOLD			
KK3-7.0KW	\$ 5,891	KK4-21.0KW	\$ 9,634
KK3-8.5KW	6,321	KK4-25.0KW	9,955
KK3-9.5KW	6,542	KK4-30.0KW	10,406
KK4-12.5KW	7,245	KK4-40.0KW	14,506
KK4-15.0KW	8,306	KK4-50.0KW	15,708
KK4-17.5KW	8,511	JD4-60.0KW	17,627

Southeastern Power Products is the Authorized KUBOTA Industrial Engine America Distributor for the State of Florida, Bahamas and the Caribbean.

Supplying Genuine KUBOTA Parts and factory Remanufactured components.

WE SHIP GENERATORS WORLDWIDE
RADIATOR COOLED GENERATORS

Model	KW Rating	Net Price
SEP 7.0I	7.0 KW	6,285
SEP 8.5I	8.5 KW	6,631
SEP 9.5I	9.5 KW	6,925
SEP 12.5I	12.5 KW	7,686
SEP 15.0I	15.0 KW	8,474
SEP 17.5I	17.5 KW	8,973
SEP 21.0I	21.0 KW	9,755
SEP 25.0I	25.0 KW	10,353
SEP 30.0I	30.0 KW	10,983
SEP 40.0I	40.0 KW	12,579
SEP 50.0I	50.0 KW	13,934

LOWBOY

GL SERIES

GL7000 - USA \$4,600
GL11000 - USA \$5,800
GL14000 - USA \$8,950




COMPONENTS AVAILABLE

SOUTHEASTERN POWER PRODUCTS

2880 Hammondville Road,
Pompano Beach, FL 33069
Phone: (954) 979-5899
Fax: (954) 979-4349


www.southeasternpower.com

Prices and Specifications
Subject to Change




ALUMA MARINE
& Fabrication, LLC


Quality Custom Built Aluminum Workboats & Pleasure Craft
Located In Harvey, Louisiana Just South Of New Orleans.




27' Harbor Patrol Vessel




75' Quick Response Fire Fighting Vessel




35' Collar Style Supply Vessel



38' In Shore Supply Vessel



30' Aluminum Supply Vessel



30' Collar Style Supply Vessel

Aluminum Never Looked So Good!

We Also Offer A Variety Of Services Including:

- Repairs
- Conversions
- Sandblasting & Painting
- Aluminum & Steel Fabrication
- Dockside Service Including A 65 Ton Crane
- Experience With State & Local Government

Let Us Build A Boat For You!
Contact Darren or Chad at (504) 347-7898
Visit us on the web at WWW.ALUMAMARINE.COM. For further info, contact us by email at chad@alumamarine.com or darren@alumamarine.com



BAIER
Hatch Company, Inc.

THE STRONGEST HATCH TO EVER HIT THE DECK!



ROUNDS



OVALS



MULTI-BOLT MANHOLES



SQUARES

Hatches Available in Cast Aluminum & Cast Steel

TO ORDER

800 - 455 - 3917

Seattle, WA • Costa Mesa, CA
www.baiermarine.com



PINE HILL EQUIPMENT



655 Pine Hill Rd. - Westport, MA 02790 • E-mail: sales@pinehillequipment.com
"Pictures of all equipment can be emailed upon request. Dimension sheets also available"




Winch Inventory

NEW PULLMASTERS IN STOCK

(1) PL1-12-227-1 • (2) PL2-12-228-1-B
(3) PL5-12-210-1 • (4) PL5-12-210-2 • (2) H12-3-97-1

Our Winch Inventory is constantly changing! Please give us a call about any of your hydraulic winch needs.

M12-6-97-6 PullMaster Winch - PHE Rebuilt



Planetary winch with equal speed forward and reverse. Bare Drum = 9,756 LBS / 129 FPM, Mean Drum = 8,003 LBS / 165 FPM, Full Drum = 6,250 LBS / 201 FPM. Wire Capacity: 365 ft of 1/2" wire rope or 1510 ft of 1/4" wire rope. Rebuilt by PHE technician. Carries a 90 day warranty.

H10-3-97-7 PullMaster Winch PHE Rebuilt



(Old model number. Current equivalent model H12) Planetary winch with rapid reverse. Bare Drum 12,101 LBS / 104 FPM / 449 FPM. Mean Drum 9,186 LBS / 152 FPM / 660 FPM. Full Drum 6,250 LBS / 201 FPM / 871 FPM. Wire Capacity: 636ft of 1/2" wire rope, 2,237ft of 1/4" wire rope. Rebuilt by PHE technician. Carries a 6 month warranty.

H8-3-30-2 - Planetary winch with rapid reverse. Bare Drum: 7,000lbs / 135 FPM / 587 FPM, Mean Drum: 5,519lbs / 184 FPM / 802 FPM, Full Drum: 4,038lbs / 235 FPM / 1,018 FPM. Wire Capacity: 231ft of 1/2" wire rope, 812ft of 1/4" wire rope. Rebuilt by PHE technician. Carries a 6 month warranty.

(2) USED ROTZLER WINCHES

10,000 Bare drum line pull winches. Equal speed. 2000 PSI @ 65 GPM. Black powder coated with stainless steel fasteners. Condition: Like brand new & warranted by PHE for 6 months.

MR-525 Hydrostar Radial Piston Motor RECONDITIONED



(1) Reconditioned Unit - Spline shaft is 85%, motor is clean inside. Supplied blasted and in zinc primer. Motor was entirely disassembled, inspected & resealed w/shaft saver on shaft. Motor has four bolt flange connections, not typical 6 bolt flange style. Heavy Duty, High torque, Low speed. 523.9 Cubic Inch, Max Continuous Speed: 80 RPM, Max Continuous Output: 220 HP, Max Continuous Pressure: 3000 PSI, Max Continuous Output torque: 19520 FT/LBS, Dry Wgt: 1698lbs, Call for price. See website for pictures & spec sheet.

(1) ZF IRM 320 PL-1 REVERSE GEAR



1-12:1, SAE No. 1 Bell Housing, serial no. 320-672, new never used cond. Call for price.

Marine Cranes | Launch and Recovery | Boats | Spare Parts

Pine Hill Equipment is proud to offer marine products by:

PALFINGER & PALFINGER NED-DECK

CRANES - Off-shore, ship-mounted & dock mounted cranes • Knuckle boom, telescopic boom, and stiff boom configurations • Cranes from 2.5 mt to 400 mt • Heavy Lift cranes to 3000 mt • Certified for ABS, DNV & others.

LAUNCH AND RECOVERY - Davits for rescue boats and life rafts • Manual, hydraulic and electric operation • A-frame, swing arm, telescopic arm, outrigger & dual point types. Automatic release safety hooks.

BOATS - Life rafts & fully enclosed life boats • Rescue & fast rescue craft. As well as Navy & USCG specified vessels • Daughter craft, workboats, push/pull boats • Rigid hulled inflatable boats

PARTS - Spare parts for all things Palfinger Marine and Palfinger NedDeck Many in stock. Fast reliable ordering service.

PACKAGES - Power units, winches, radio remote controls, anti-2-block systems, scales & weight systems, platforms, seats, cabs & crane skids. Spare parts, pipes & hoses. After sales & service.







NEW MARINE CRANES IN STOCK

PALFINGER MARINE MODELS IN STOCK

PK4501MC - 4.2 MT/29,500 FT-LBS
PK8501MA&C - 8.2 MT/59,984 FT-LBS
PK11001MD - 10.7 MT/77,416 FT-LBS

See <http://pinehillequipment.com/marine-cranes/>
For Full Spec Sheets & Availability • Used & Reconditioned Cranes Also Available • Please Call For pricing.

MR 375 HYDROSTAR RADIAL PISTON MOTOR - CURRENTLY BEING REBUILT

Once reconditioned this unit will be - Spline shaft 85%, motor clean inside. Supplied blasted and in zinc primer. Motor will be entirely disassembled, inspected and resealed with shaft saver on shaft. Motor has six bolt flange connections. Single Speed, Heavy Duty, High torque, Low speed., 374.2 Cubic Inch, Max Continuous Speed: 90 RPM, Max Continuous Output: 165 HP, Max Continuous Pressure: 3000 PSI, Max Continuous Output torque: 13,750 FT/LBS, Dry Weight: 1444 LBS - Price upon request.

NEW Kawasaki "STAFFA" Radial Piston Motor



Brand New - Take Off Hydraulic Radial Piston Motor. Heavy Duty, High Torque, Low Speed. Model: HMHDB200/T/FM4 /30/PL130, Serial: 01A10151-188 Cubic Inch, Max Continuous Speed: 175 RPM, Max Continuous Output: 174 HP, Max Cont. Pressure: 3625 PSI. Full specs & price upon request.

Custom Hydraulic Power Units! Rent or Own!

Any HP, wireless control capabilities, any GPM, any size!
They are fully customizable and marine tested and proven.
Below are the pictures of our standard 80HP!



Available quickly. Standard diesel HPU's up to 173 HP. Built to spec. Buy or rent. We can deliver to your jobsite. Call for availability.

Almond Johnson LST Anchor Winch

It makes a strong towing winch. Carries 1500 ft of 1 1/2 wire rope and has 60,000 lb. bare drum line pull. The winch has been converted to hydraulic and air operated brake/clutch. The winch appears to never have been used. Hydraulics are new, installed by Pine Hill Equipment. Includes level wind.



Call ex 215 for pricing

WIRELESS RADIO REMOTE CONTROLS



Wirelessly control all of your hydraulic equipment. Don't be stuck behind a console! Safely run your equipment with the ability to be in a better line of sight. Push button stop features allow you to remotely shut down equipment in case of machinery failure or other emergency. Remotely control your cranes, winches, deck equipment, power units and motor starters, etc. We can safely and remotely control just about anything. Call with your specifications.

200 TON SHACKLE LIKE NEW • \$1,250



DESIGN & CONSTRUCTION OF HYDRAULICALLY POWERED WINCHES AND LINE/MATERIAL HANDLING MACHINERY FOR ALL APPLICATIONS

Often Times It Is More Cost Effective To Replace Old Mechanically Driven Winch Systems With NEW Hydraulic Winches and Power Units!

WE ARE DISTRIBUTORS OF



PLANETARY WINCHES AND PLANEMATIC PLANETARY DRIVES FROM 1,000 LBS. TO 75,000 LBS. LINE PULL

CALL OR FAX US FOR A QUOTE ON YOUR NEXT WINCH REQUIREMENT!

Website: www.PineHillEquipment.com

PHONE (508) 636-5971 x212
FAX: (508) 636-9067

MIDSHIP MARINE INC.

MIDSHIP MARINE

OUR QUALITY SAYS IT ALL!
WHEN IT COMES TO BUILDING ALUMINUM BOATS
WE HAVE NO LIMITATIONS

• Passenger Vessels • Crew Boats • Pilot Boats • Patrol Boats • Dive Boats • Water Taxis • Fishing Boats



210' x 32' HIGH SPEED CREWBOAT



95' OIL SPILL FRV



65' SAILING CAT - 120 PASS



42' CREWBOAT



97' EXCURSION VESSEL



70' x 21' PASSENGER FERRY



90' CATAMARANS - 250 PASS



55' PASSENGER HEADBOAT - 49 PASS



55' SEMI SUB - 49 PASS



58' ALUMINUM VESSEL

MIDSHIP MARINE ALSO SPECIALIZES IN CONVERSIONS OF CREW BOATS INTO: DIVE VESSELS, CHARTER YACHTS, PASSENGER FERRIES, ETC. W/LOW PRICING & HIGH QUALITY. LET US DESIGN & QUOTE YOUR NEXT VESSEL.

MIDSHIP MARINE will quote on building any vessel to meet your specific needs. All work is done at our yard in Harvey.

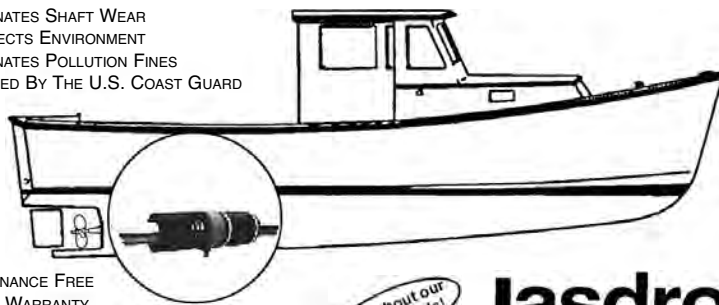
CONTACT MIKE or RANDY - PHONE (504) 341-4359 • FAX (504)-340-8997

Email: Midboats@aol.com • Website: www.MidshipMarine.net

MAILING ADDRESS: P.O. BOX 125, HARVEY, LOUISIANA 70059

- RATED "BEST" BY POWERBOAT REPORTS
- REPLACES STUFFING BOX
- DRIPLESS
- ELIMINATES SHAFT WEAR
- PROTECTS ENVIRONMENT
- ELIMINATES POLLUTION FINES
- UTILIZED BY THE U.S. COAST GUARD

The most advanced.
The most reliable.



- MAINTENANCE FREE
- 3 YEAR WARRANTY
- SINCE 1975
- METRIC AND CUSTOM SIZES AVAILABLE
- FROM 3/4" TO 8" SHAFT SIZES
- MADE IN USA
- 3 MODELS TO CHOOSE FROM
- COMPLETE LINE OF RUDDER SEALS
- PRICES STARTING AT \$95

Ask about our fall specials!

Lasdrop
SHAFT-SEAL

nautical 11x 1-800-940-SEAL

3615 Dove St., Port Huron, Michigan 48060 USA

Phone: 810.388-9718 • Fax: 810.388-9753

Visit Us Online At: lasdrop.com

COOPER CAPITAL

SPECIALTY SALVAGE, LLC

860-395-4745
info@cooperss.com

The complete salvage management company
Building relationships, not transactions

www.cooperss.com

Register to bid and receive information via email

20 Years PACIFIC BOAT BROKERS.COM

BUYING OR SELLING?

What Are You Doing With Your Boat?

List your vessel with us today...for free

Our website is viewed by thousands daily. Buying? We have hundreds of vessels to choose from.

THIS MONTH'S FEATURE

R.J. CALEB • 53' x 18' x 9'6"

Built 1979 • Location: Central Vancouver Island, BC

Engine: CAT 3306 TA 280 HP Diesel

Cruising Speed: 7 Knots • Full Speed: 10 Knots

Fuel Tanks: (5) Steel 600 Gal. • GPS • Radar • VHF

Reduced to \$125,000 (CAD)

Stock #SS4948

Head Office Toll Free: 1-877-448-0010

Email: sales@pacificboatbrokers.com



WWW.PACIFICBOATBROKERS.COM

LEE FELTERMAN AND ASSOCIATES, LLC

Ph: (985) 397-2848 • Website: www.leefelتمان.com

MARINE EQUIPMENT FOR SALE

120' x 24' x 10' Aluminum Crew Boat



Main Engines: (4) Detroit 12V71 TI
Passengers: 50 • Speed: 20 Knots
CB# 355 • Asking Price: \$525,000

65' x 24' Living Quarters / Houseboat



30' x 16' Generator Barge
26 Beds, 6 Cabins • (2) Generators
New Steel Bottom

May 2017
HB# 242 Package
Price: \$225,000



115' x 24' Utility Vessel

Built: 1976 • Berths: 12
Main Engines: (2) Detroit 16V-92
Deck Space: 55' x 24'
Running Condition • UTB# 186
Asking Price: \$160,000

Aluminum V-Bottom Deck Boat

47' x 10' • Year Built: 2011
Main Engines: (2) 300HP
Yamaha 4-Stroke • CB# 242
Asking Price: \$120,000



Fast Rescue Craft

Norsafe 7.5m Magnum
Hamilton Jet Drive
Brand New, 0 Hours
Aluminum Cradle
Contact For More Information

Truckable Barges New and Used

Multiple In Stock
All Price Ranges
Bulk Heads • Spud Guides
Blasted & Painted
Pin Together, Etc
Very Reasonable Prices
Contact for more info.



JACKSONVILLE MARINE CENTER

We Are A Full Service Marine Center And Ship Builder
Storage / Dockage / Repairs Available

Why Choose Us:

- Quality Workmanship • Over 30 Years Experience • U.S. Ship Builder
- Certified ABS, USCG • Accessible to East Coast • Close to Jacksonville International Airport
- 15 Miles From Intracoastal Waterway

DECK BARGE SALE / LEASE



2016, 150 x 60 x 8, 9,000 sq. Ft. Deck, 3200 PSF Uniform Dry Load.

\$1.25 Million USD

2017 TRUCKABLE TUG Heavy Duty or Built To Class Sale / Lease



25' 10" x 13' 6", 2 Cummins 6.7L 305 HP Ea., 2 Twin Disc Gears 3:1 Ratio, 8' Push Knee, 400 Gal. Fuel Capacity, up to 17' Height of Eye, Electronics, Deck Winch Cables, 34" x 19" Props. SALE / LEASE

\$298,000 USD

40' x 12' x 3.5' BARGE



\$31,500

54' PUSH TUG



\$355,000.00 • Great Condition Available For Purchase/Lease

JACKSONVILLE WATERFRONT FACILITY



20' - 40' CONTAINER SPREADER FOR SALE - \$7,000.00



Drydocking & Repairs

We service local and international customers!

For info. on sales, new builds or repairs please call 386-972-3413

1901 Hill Street, Jacksonville, FL 32202

Opdyke Inc. Sales@Opdykes.com
 Specialized Trucks & Equipment Sales
 3123 Bethlehem Pike, Hatfield P.A. 19440
 DESDE MEXICO: 001-215-721-4449
866-204-2545

www.Trucks123.com

100+ SPECIALIZED TRUCKS IN STOCK!
20 TANDEM KNUCKLEBOOM TRUCKS IN STOCK!! \$34K-\$100K

1999,500 8906
13 TON
 242,392 mi.

2005 MACK CV713; A1-400 6 CYL (400 HP); FULLER 8LL; A/C; 73,280 GVW. 2004 HIAB 300-4 KNUCKLEBOOM; 13 TON; RADIO REMOTES; 22'6" STEEL FLATBED.
UNMOUNTED KNUCKLEBOOMS

20+ USED \$9,500 & up


HIAB • PALFINGER • EFFER • FASSI • ETC.

164,500 8803
22 TON
 112,401 mi.

1996 MACK RD688S; E-7400 (400 HP); FULLER 8SP; A/C; 73,280 GVW. MANITEX CRANE MODEL 2284; 22 TON; 94' HOOK HT; 20'6" WOOD FLATBED.

10+ FUEL TRUCKS IN STOCK!
BROKERS WANTED
 we pay competitive commissions on sales!

FOR SALE
1994 - 85' ALUMINUM YANK



150 Passenger. Complete overhaul in 2013 by Yank Marine. 3X John Deere 650 HP 2.5:1 ZF gears, 1,700 hrs since new. 2 Kubota 33 KW generators. Excellent condition.
 SERIOUS INQUIRIES ONLY
Call Dan (718) 877-5815

For Sale: 2003 Zodiac H920 Fireboat




Powered by Twin Yanmar 440 Diesel engines and Twin Disc water jets. 200 gallon fuel capacity. Features include generator, 1750 GPM fire pump, roof-mounted deck gun, 30 gallon foam tank, air conditioning and heat, remote ACR searchlights, Whelen hailer, Raytheon electronics package, and numerous other extras.
For more information contact Dean at (561) 909-9788

FOR SALE



Twin Screw 3,300 HP
Model Bow Coastal Tug / Ship Docking
 Exc. Cond. - **Price Negotiable**
 East Coast • Call (443) 324-6457

Empire Foam Solutions



Manufacturing Cost Effective, Polyurethane Foam for Flotation and Insulation in the Marine Industry (MIL-P-21929C Compliant).

Uses:

- Greatly extend the life of otherwise ready to retire barges, boats, docks, and more...
- Save tens of thousands of dollars over replacement or repair costs.
- Insulate spaces requiring efficient temperature control (i.e. living quarters, storage to prevent freezing or storage for cooling/freezing).

Installation:

- Our installers will come to you.
- We also offer do-it-yourself training and sell the necessary equipment for your business to install.

518-852-2812
www.bargerepair.com

"See under the ocean floor with Fishers Sub Bottom Profiler"

-Jack Fisher, Founder

Sub Bottom Profiler

Fishers Sub Bottom Profiler is used to identify the thickness of the different strata layers below the ocean floor. It will also show any density disturbance within a strata layer thus indicating "hidden objects" beneath the surface. Fishers' Sub Bottom Profiler is boat towable or pole mountable for shallow water use.

Only \$18,995

JW FISHERS

Towed or Pole Mount

Call for a free catalog or visit our web site: www.jwfishers.com

DDW-1 Depressor Wing \$1,395	CT-1 Cable Tracker with Signal Injector \$15,995	Pulse 8X Hand Held Metal Detector \$2,395	Side Scans From \$20,995	ROVs From \$20,995	SCAN-650 Scanning sonar \$6,995
--	--	---	---	-------------------------------------	---

1953 County St., E. Taunton, MA 02718 USA • (800)822-4744 (508)822-7330 • FAX: (508)880-8949 • email: info@jwfishers.com • www.jwfishers.com

STEINER CONSTRUCTION COMPANY, INC
Bubba Steiner, Owner
 8690 Hemley Street - P. O. Box 609 - Bayou La Batre, AL 36509
Quality Construction, Competitive Prices, Outstanding Service



95' Commercial Fishing Vessel Being Built On Speculation.
 Being Built As A **NON-CLASSED** Vessel (Pre-Dates July 2013 Requirements)
 Single Screw, 1000 HP
 TIER III Cummins or Mitsubishi Engine

Steiner Construction has NEW TIER 3
Caterpillar, Cummins and Mitsubishi Engines Available
Engines Can Be Installed In Push Boats, Fishing & Research Vessels
Engines Available for New Construction or Re-power
Engines Can Be Certified ABS
400MT Travel Lift for Repair / Conversion / New Construction
 251-824-2320 • www.steinermarine.com • steinermarine@yahoo.com

TheGPSStore.com

Automotive ■ Outdoor ■ Marine Electronics

Toll Free 1-800-477-2611 • Check Out Our Weekly Web Specials



Furuno 1815 Color 36nm Radar

Furuno 1815
#FU1815 **\$1995⁰⁰**

Furuno's 1815 Radar includes an 8.4" Color Display and a 4kw Dome with 36nm range. Low power consumption features include Target Tracking, True Trail Mode and True View mode.





Furuno GP39 GPS/WAAS Navigator

Furuno GP39 GPS
#FUGP39 **\$395⁰⁰**

Furuno's GP39 GPS features a 12 Channel receiver with integrated SBAS (WASS/EGNOS/MSAS) technology and a 4.2" LCD Color Display. Mark up to 3,000 track points, 10,000 waypoints and 100 routes (each with up to 30 waypoints). The GP39 can also display Loran TD Position Format.



SPECIAL PURCHASE




GPSMAP 820xs Chartplotter / Sounder

- Built in sonar with DownVu Transom Mount Transducer included.
- Bluechart G2 Coastal US Chart and Worldwide BaseMap included.
- Dual SD Card Slots for added mapping.
- NMEA 0183 and NMEA 2000 Marine network connectivity.
- Compatible with GCV10 for 500 feet left to right SideVu Scanning.
- 8" Keyed Display for easy operation.

Includes Transducer & G2 Chart!

GPSMAP 820xs with Transducer and Chart #GA01180S **\$679⁹⁵**



Sitex Trawl Plot 12SD

Sitex Trawl Plot 12SD
#SITPLOT12 **\$2099⁰⁰**

The Sitex Trawl Plot 12SD is a work horse, commercial chartplotter built with a 12.1" X VGA display with 800 x 600 pixel count. The Trawl Plot offers easy operation, unlimited storage, and GPS WAAS positioning that can expand into an all in one GPS Chart/Fishfinder, radar when optional sensors are added.




McMurdo SmartFind S20 SRS AIS

McMurdo SmartFind S20 SRS AIS
#MC98001002A **\$199⁹⁵**





The McMurdo Smartfind S20 Man Overboard Device offers manual or automatic activation when fitted to a compatible lifejacket and inflated. The S20 will send your position and Automatic Identification System (AIS) information to AIS equipped vessels within range in the event of a man overboard situation. Minimum 24 Hour Transmission and LED Flashing Light.




Standard Horizon HX400is VHF

The HX400is is an Intrinsically Safe, Submersible 5 Watt VHF radio with 40 programmable land mobile channels. User selectable 5 or 1 Watt power and noise cancelling microphone. The 2400mAh Lithium-Ion battery provides about 17 hours of talk.

Standard Horizon HX400is
#STHX400IS **\$249⁹⁵**



Standard Horizon CMP460 Intrinsically safe Speaker Mic
#STXCMP460 **\$52⁹⁵**



Icom IC-M506 VHF Radio

Icom IC-M506 Black Case
#IC50601 **\$329⁹⁵**

Icom IC-M506 AIS Black Case
#IC50621 **\$509⁹⁵**




A large dot matrix display, built-in DSC, clear audio and Command Mic IV second station compatibility. The M506 is also available with an integrated AIS receiver and NMEA 0183/2000 Protocols.

Your Best Source for Discount Marine Electronics!



Call for our Latest Catalog!
Or check out **TheGPSStore.com** to see our complete selection of marine electronics from all the major manufacturers.



TheGPSStore.com
Automotive ■ Outdoor ■ Marine Electronics

The GPS Store, Inc.
6899 Beach Drive
Ocean Isle Beach, NC 28469

Same Day Shipping!
Order by 4 PM Eastern

Friendly Customer Service
1-800-477-2611



TRUCKABLE TUGS FOR LEASE

330 - 660 HP • UNDER 26' • NO CG LICENSE REQUIRED



5 Jones Street, Dubuque, IA 52001
Office: (563) 583-0556 • Fax: (563) 556-2293
sunflower-enterprises.com



Southern Marine Services Inc.
 Email: southernmarineservicesinc@gmail.com
 Website: www.Southernmarineservices.com
 (321) 536-4855 / (321) 501-5200

SE HABLA ESPANOL WE WANT YOUR BUSINESS

FOR SALE
2 High Speed Pass Ferries Cats

All Alum. Construction Fjellstrand
 1990 Cadillac Vessels • 132' x 32' x 6'
 Loaded • Great for Island Service • 282 Pass
 Speed 25-36 Kts. • Jets Zero Hrs.
 on Engines • Totaly Rebuilt DNV Classed
 Have Crew Will Travel

These Two Vessels Are The Best Deal on the Market
ONLY \$750,000.00 Each
 Located USA East Coast
 See Our Web Site

EQUIPMENT

- ✓ TUGS
- ✓ ABS UNRESTRICTED HOPPER BARGES

SERVICES

- ✓ MARINE TRANSPORTATION
- ✓ PROJECT CARGO
- ✓ SHIP ASSISTS
- ✓ ICE BREAKING
- ✓ SALVAGE

OPERATING ON THE GREAT LAKES AND INLAND RIVER SYSTEM

FOR MORE INFORMATION, CONTACT **SETH ANDRIE** AT
(231) 220-5530 OR SETH@ASHTONTUGS.COM
 OR VISIT ASHTONTUGS.COM

TOUGH Kubota PARTS

LARGE INVENTORY SAME DAY SHIPPING

KUBOTA Reman

STARTERS / ALTERNATORS / TURBO'S

Kubota

AUTHORIZED DISTRIBUTOR (800) 925-4966

ENGINES / GENERATORS / PARTS

LIST OF SPECIFICATIONS

Kubota Diesel Engine
1800 RPM Generator Single or 3 Phase
Brushless Exciter
Automatic Voltage Regulator
High Temp and Low oil shutdown system
Air Cleaner
Belt Guard
Hour Meter
Key Switch
Stable Flex Neoprene Vibration Isolators
Fuel Filter
Mechanical Fuel Transfer Pump

OPTIONAL EQUIPMENT ACCESSORIES

Weather Proof Enclosures
Drip Pan For Skid
Fuel Tanks
Circuit Breakers
110/220 Outlets
Fuel Water Separators
Deluxe Gauge Panels
Extended Deluxe Gauge Panels to 50 ft.

Marine and Industrial Generators

KEEL COOLED MODELS		
MODEL	KW	PRICE
KG8KWKC-ECS	8	\$5,920.00
KG10KWKC-ECS	10	\$6,130.00
KG12KWKC-ECS	12	\$6,800.00
KG15KWKC-ECS	15	\$7,810.00
KG17KWKC-ECS	17	\$8,050.00
KG20KWKC-ECS	20	\$9,075.00
KG25KWKC-ECS	25	\$9,355.00
KG30KWKC-ECS	30	\$9,810.00
KG40KWKC-ECS	40	\$12,715.00
KG50KWKC-ECS	50	\$13,860.00

TIER 4 GENERATORS AVAILABLE

GL SERIES LOWBOY II

GL7000-USA	\$4,650.00
GL11000-USA	\$5,750.00
GL14000-USA	\$8,950.00

Pressure Washer
3K to 10K Cold Water
3K to 5K Hot Water

Trash Pumps 3 to 6 Inch

HPU Units

2306 Engineers Road, Belle Chasse, LA 70037
 Office: (504) 393-1701 * Fax: (504) 393-1627 * Toll Free: (800) 925-4966

CRANE / SPUD BARGE • 100' x 38' x 7'



**13 Compartment • Double Rake • 4 Spud Pockets
Shallow Water Spuds (34') • Deep Water Spuds (74')**

(6) 10' x 40' x 7' Shugart Barges • (3) 10' x 20' x 7' Shugarts
9/32" Steel Plate to Cover Approx. 95% of Top Surface Area
1953 Year Model Push Boat - 45' Length x 15'6" Beam x 5'1" Depth • Twin Cummins 700 HP
1990 Push Boat MV - 35' Length x 14' Beam x 4' Depth • Twin Cummins 700 HP
1971 Koehring 665 Spanner - 100' Angle Boom - Block & Ball
Tagline, Fairlead, Air Conditioner / Heater
6,000 Lb. Pile Hammer with Leads • Spade Nose Bucket with Teeth
Spade Nose Bucket Smooth Lip • 5 Tine Grapple

**Conatser and Associates, Inc. (865) 984-0843
Mike Conatser • Email: maconatser@aol.com**

TUGBOAT FOR SALE



45' Model Bow - 871 Detroit 318 hp. Single screw. Kubota generator. Three A/C units. Two heads and shower. Live and/or work aboard. USCG inspected. Recent survey. Extensive steel repair. Boston. Excellent condition. Will deliver for expenses. **\$99,000.00**
(617) 694-3121 or david@nehsbarges.com

Jet Boat For Sale



USCG certified 25 passenger. (2) Yanmar 8LV. (2) Hamilton jet drive. Under 400 hours. Comes with trailer.

\$225,000 OBO
Contact Billy (361) 443-4687

Harbor / Coastal Tug For Sale



102 x 30 x 13 M.E. 16-645 Turbo Falk Gear, 4:1 ratio. 110 x 80 S.S. Prop. 6-71 Gen Sets. 2000 gal / minute. Fire monitor, full electronics, C.G. inspected, Boat in excellent shape.

Priced To Sell • Call (207) 780-8847

Tug Sonny And ABS Barge For Charter

Specializing in Yacht Towing Florida, Bahamas, Caribbean



USCG Inspected for Passengers, Commercial Towing, Cargo, Fuel Transfer, and Passengers. No-Discharge.



**Dredge
Yacht Towing
Dive Support
Commercial Towing
Salvage**

Office: (305) 358-1486 • Cell: (305) 360-1491

4000 HP TUGBOAT US Flag Coastwise Endorsement



Fresh 5 year ABS International Loadline.

111' x 30' x 15'6" (12' Draft with full load of fuel).

Main Engines: (2) EMD Model 16-645 Roots Blown

Generators: (2) Detroit Diesel 6-71/75Kw • GT 193 • NT 131

58 Ton Bollard Pull • Fuel Capacity: 63,175 Gal. • Accommodations: 9 Men

Tow Winch Smatco 55DADT 170 2" x 1800' Diesel Hydraulic Drive

PRICE: \$750,000.00

Contact: (305) 820-9225 • lohunt@gimrock.com



Call Us Today!

314-388-9968

800-381-9968

www.humcomarine.com

1074 Kenran Industrial Blvd.
St. Louis, MO

WINCHES

SEARCHLIGHTS

DECK FITTINGS

Free Gift*



- Large Fully Stocked Warehouse
- Quality Workboat Equipment Since 1966
- Experienced Sales Team
- Excellent Customer Service

*New customers mention this ad for your FREE gift and catalog with purchase. Limit 1 per customer. While supplies last!



VECLOADER® 616 DOUBLE DUMP

Performance Proven Vacuum Solutions™

The VecLoader® 616 Double Dump offers 2,400 CFM & 28" Hg vacuum for greater job flexibility when conveying longer distances or handling dense material. The VecLoader® self-pulsing baghouse represents a 40-year legacy of proven safety and performance! All VecLoaders® are easily maintained and simple to use without complicated set-up. Call us today at 1-800-832-4010 or email us at inquiry@vector-vacuums.com to learn more!



The Original Since 1976

Vector Technologies Ltd.

8301 W Parkland Court | Milwaukee WI, USA 53223

Toll Free: (800) 832-4010 | Main: (414) 247-7100 | Fax: (414) 354-4314

web site: www.vector-vacuums.com

Email: inquiry@vector-vacuums.com

*2 year warranty applies to the engine and the blower; 1 year structural excluding wear parts

**Continuous
Duty**

**170HP
John Deere**

**2,400 CFM/
28" Hg**

54" Baghouse

**100 Gal
Fuel Tank**

**Heavy Duty
Trailer**

Four Point Lift

**2 Year
Warranty***

**33% More
Efficient**

**PROUDLY MADE
IN THE**

USA

MASTER MECHANIC MARINE™

A Certified Power Business

www.mastermechanicmarine.com

For ALL of your Hydraulic Systems & Components Needs!

Thousands of items in stock!

TO ORDER CALL: 800-877-8350 ISSUE # BHQ117

OR EMAIL: mmmsales@certifiedpower.com

We specialize in Custom built Gas, Diesel and Electric Hydraulic Power Packs with Reservoirs, Filters, etc. We'll help you design it, then quote you a price!

MASTER DESIGNED GAS & DIESEL POWER UNITS

GAS MODELS

ITEM #	HP	GPM	PRICE
BH-K5.5H-10	5.5HP	11 GPM @ 800PSI	CALL FOR PRICE
BH-K9.5H-20	9.5HP	8 GPM @ 2000PSI	CALL FOR PRICE
BH-K14H-20	14HP	10 GPM @ 2000PSI	CALL FOR PRICE
BH-K19H-20	19HP	15 GPM @ 2000PSI	CALL FOR PRICE
BH-K25H-30	25HP	20 GPM @ 2000PSI	CALL FOR PRICE
BH-K37H-40	37HP	30 GPM @ 2000PSI	CALL FOR PRICE



DIESEL MODELS AIR-COOLED

ITEM #	HP	GPM	PRICE
BH-KD350-10	6.1HP	11GPM @ 800PSI (2-STAGE PUMP)	CALL FOR PRICE
BH-KD440-20	9.1HP	7GPM @ 2000PSI	CALL FOR PRICE
BH-KD6252-20	22.1HP	17GPM @ 2000PSI	CALL FOR PRICE

• IF A HIGHER HP IS REQUIRED PLEASE CALL FOR PRICING! • STAND ALONE POWER UNITS AVAILABLE! •

MARINE CLUTCH PUMP KITS (SINGLE & DOUBLE PUMPS)

Drive off truck or equipment engines. Drive-shaft or belt driven options.

Clutch pump kits come with: Bi-Rotational Pump, Clutch, Switch and Mounting Bracket.

ITEM #	MAX PRESSURE	GPM@1200	GPM@2000	GPM@3000	PRICE
BH119	3000	9.6	16	24.1	\$429.00
BH119X	3000	12.8	21.5	32.2	\$429.00
BH119XX	3000	17	26	43.4	\$589.00
BH119XXX	3000	23	34.8	N/A	CALL FOR PRICE



Just added drive-shaft driven clutch pump assembly:

ITEM #	MAX PRESSURE	GPM@1200	GPM@2000	GPM@3000	PRICE
BH200	3000	30	51	77	\$2,699.00

STAINLESS STEEL BOOM WINCHES, PLANETARY WINCHES & ANCHOR HOISTS

Planetary winches can hold up to 300 ft. of 1/2" cable.

Boom winches hold up to 230 ft. 5/16" cable.

ITEM #	MAX CONT. FLOW	LINE PULL	MAX LINE SPEED	PRICE
BHPSVH-10000	15.9 GPM	10,000 LBS	46 FPM	\$1,200.00
BHPSVH-15000	15.9 GPM	15,000 LBS	30 FPM	\$1,575.00
BHPSVH-18000	15.9 GPM	18,000 LBS	23 FPM	\$1,826.00
BHPSVH-20000	15.9 GPM	20,000 LBS	7.1 FPM	\$4,850.00



ITEM #	DESC.	RPM @ RATED FLOW	LINE PULL	PRICE
BH1008	ANCHOR HOIST	300RPM @ 12GPM	900 LBS	\$795.00

DESC. (12GPM @ 2000 PSI: 4700 LBS LINE PULL EMPTY SPOOL)	PRICE
S.S. BOOM WINCH W/BRAKE	\$1,999.00
PAINTED STEEL BOOM WINCH W/BRAKE	\$1,699.00

(custom brake motor available)

1, 2, 3 SPOOL MONO-BLOCK VALVES AND STACK VALVES UP TO 1-10 SECTIONS PER STACK

Perfect for operating winches, cylinders, reels, pot haulers and much more.

- 2 GPM - 75 GPM
- 1500 PSI - 5000 PSI
- Stainless Steel



DESCRIPTION	PRICE
Spring Return Control Valve	\$85.50
1, 2, 3 Spool Control Valves	\$118.50
4-Spool Valve	\$779.50

HYDRAULIC ACCESSORIES

- S.S. Gauges
- Relief Valves
- Return Filters
- S.S. Check Valves
- Cushion Valves
- Handle Kits
- Seal Kits
- Hose & Fittings
- Bushings
- Hydraulic Oil
- S.S. Ball Valves
- Brass Ball Valves
- Reservoirs
- Love Joy Coupling

STAINLESS STEEL GRESEN & BRAND HYDRAULICS ROTARY SPOOL VALVES

- Great for Pot Haulers
- 1500psi - 3000psi
- Up to 45gpm
- Stainless Steel
- Built-in Flow Control
- Built-in Relief Valve

ITEM #	DESC.	PRICE
BH449	GRESEN ROTARY SPOOL	\$499.00
BH449-SS	GRESEN ROTARY SPOOL	\$755.00
BH1072-SS	BRAND ROTARY SPOOL	\$379.50
BH755-SS	S.S. BRAND ROTARY SPOOL	\$226.50

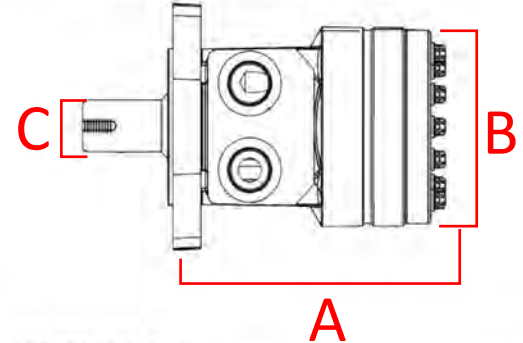


LOW SPEED, HIGH TORQUE HYDRAULIC MOTORS

Master Mechanic Marine provides you with today's leading manufactured hydraulic motors. **NO TAG? NO PROBLEM!**

Our hydraulic specialists can get you a replacement motor with little dimensional data from your motor. (Imports are available).

- 1000 PSI - 3000 PSI
- 2 GPM - 70 GPM
- 2,000 in/lbs - 16,000 in/lbs
- All Straight Key Shafts and Splined Shafts Available
- 2-Bolt, 4-Bolt, 6-Bolt, Wheel Mounts



PRICES STARTING AT\$239.00

VANE PUMPS & DOUBLE PUMPS

GRESEN TC24, TB12, V10, V20, 25VQ & VTM42

- 500 PSI - 3000 PSI
- 3 GPM - 55 GPM
- Up to 3,000 RPM
- Straight Key Shafts
- Splined Shafts

ITEM #	PRICE
V10	\$233.23
V20	\$250.79
VTM42	\$325.99
TB12	\$429.78
TC24	\$489.50



POT HAULERS - 8", 10", 12", 14", 17"

- Completely Stainless Steel Options
- Top-Performing Hydraulic Motors
- Higher Speed or Higher Torque Options
- Line Speeds from 275-350 ft/min.
- Line Pulls from 310-1750 lbs.



PRICES STARTING AT.....\$699.00

MONTHLY SPECIAL DRIVE-SHAFT ASSEMBLY



- DRIVE PUMPS
- ELECTRIC CLUTCHES
- U-JOINTS INCLUDED
- COMPANION FLANGES
- SLIP YOKES

ITEM #	PRICE
BH-1310	\$325.00
BH-1410	\$375.00
BH-1550	\$425.00

STAINLESS STEEL STEERING UNITS

Master Mechanic Marine provides top of the line steering units. We can calculate your requirements and size the ram for you as well.

(Stainless Steel Helm Sold Separately)

ITEM #	PRICE
Class II	\$779.00
Class III	\$879.00
Class IV	\$979.00



TIE-ROD AND WELDED HYDRAULIC CYLINDERS

ALL bores and strokes available! A few applications: • A-Frames
Top leading manufactureres • Steering • Log Splitters
and imports available.

BORE & STROKE	TYPE	PRICE
2 X 8	TIE-ROD CYLINDER	\$69.38
2.5 X 8	TIE-ROD CYLINDER	\$82.41
3 X 8	TIE-ROD CYLINDER	\$83.99





JOHNSON DIESEL SERVICE

Dealer for Cummins, Detroit, & Volvo Marine & Industrial Engines, Power Units and Generator sets. New, exchanges and used engines. We carry exchange and new Twin Disc and ZF Marine transmission and all parts necessary for overhaul's.

Phone (228) 392-1311 Fax (228) 392-0096

Email: johnsondiesel@cableone.net • Website: JohnsonDiesel.com

J & B BOAT RENTAL LLC

Has Crew Boats, Work Boats, Tug Boats and Living Quarters for Hire.

J & B MANUFACTURING

J & B Manufacturing Builds Work Boats and Crew Boats to Your Specifications

We also have Coast Guard Plans to choose from, tell us what you want and we can build it Below are a few vessels built by J & B Manufacturing.

You can contact us @ (985) 594-5831 or Visit our website: www.jbboatrentals.com



VESSELS FOR SALE

150' Aluminum Welded Crew Boat



- 150' Aluminum Crew Boat with 5 Cummins K19, Very Clean, New COI
- 65' Aluminum Crew with Cummins Diesel Engines, Clean & Fast, New COI
- (4) 50 Aluminum Crew Boats with Cummins Diesel Engines, Clean & Fast, All New COI
- 68' 3 Level Steel Push Boat, with Cummins Diesel Engines, New COI
- (10) Aluminum Deck Boats from 20' - 47'



BYRNE Rentals and Sales, LLC.

Marine & Construction Supplies
24 HR Phone (985) 702-9500
Toll Free 1 (800) 99-BYRNE
Trusted Over 30 years



SPECIAL!! NEW 40 TON DECK WINCHES - \$3,500.00 Ea.



YOKOHAMA BOAT FENDERS - All Sizes

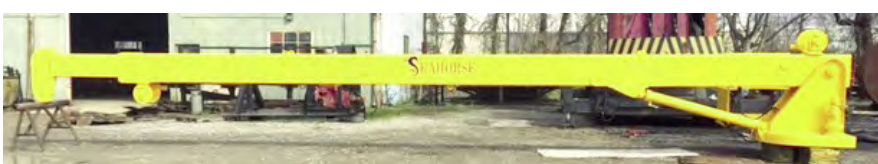


NEW AND USED ANCHORS



NEW AND USED ANCHOR CHAIN

BUILT TO ORDER CUSTOMIZED WINCHES AND PEDESTAL CRANES



SEAHORSE

4 DRUM DIESEL POWERED WINCH MODEL WDW-100

100,000 Lbs. S.L.P. 1 St Layer Holds 3,000 Ft. of 1-1/8" Cable
READY TO GO



- | | | | |
|------------------|------------------|----------------|-----------------|
| Snatch Blocks | Swivels | Pulling Blocks | Marine Fittings |
| Yokohama Fenders | Headache Balls | Capstans | Air Tuggers |
| Shackles | Marine Fairleads | Windlasses | Winches |
| Buckets | Tow Plates | Buoys | Anchors |
| Deck Blocks | Generators | Crane Blocks | Ship's Chain |

www.BYRNERENTALS.com

SALES@BYRNERENTALS.com

ISLAND WIDE MARINE INSURANCE

Superior Service Since 1977

CUSTOMIZED POLICIES

Designed Specifically For:

- Passenger Vessels**
- Sightseeing - Dinner Cruise**
- Headboats - 6 Packs - Ferry**
- Dolphin - Whale Watch**

FEATURING:

- ★ **Basic & Enhanced Policies**
- ★ **Competitive Pricing**
- ★ **Easy Payment Terms**
- ★ **Discounts For Seasonal Operations**

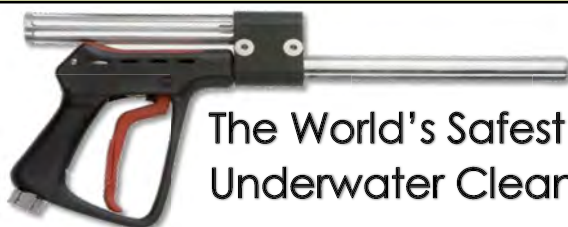


Marine Insurance is Our ONLY Business
1-800-635-6097

CLOSING DATES • THIRD NOVEMBER ISSUE 2017

• To Be Mailed November 17th •

FOR DISPLAY November 14th (9:00 A.M. C.S.T) **FOR CLASSIFIED** November 16th (10:00 A.M. C.S.T)



The World's Safest Underwater Cleaning System

Welcome to the Next Level In Underwater Cleaning Efficiency... CaviBlaster!



BEST SELLER

APPROVED

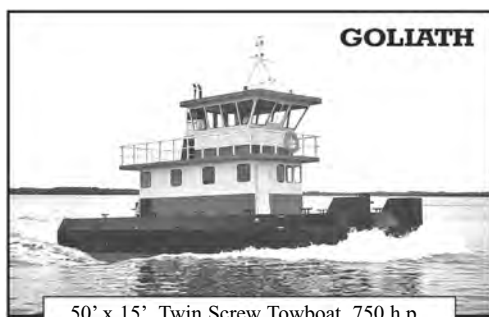
- ✓ Easy to Set Up and Use
- ✓ Gas, Diesel or Electric
- ✓ Cleans all Surfaces
- ✓ Fresh or Sea water
- ✓ Compact, easy to Transport

CaviBlaster-1228-G for Rent or Sale

For more information please email sales@cavidyne.com Or Call us at (352)275-5319, Sarasota, FL 34234

visit www.cavidyne.com to see more products





GOLIATH

50' x 15', Twin Screw Towboat, 750 h.p., 5:1 Gears, 46" Props, 20 K.W. Gen.



TRIUMPH

25.5' x 14', Twin Screw Towboat, 450 h.p., with Deckhouse, 3.5' Draft.



VICTORY

25.5' x 14', Twin Screw Towboat, 450 h.p., 3.5' Draft.

AMERICA'S PREMIER TRUCKABLE BOAT BUILDER

IS OFFERING SUPERIOR BOATS AT PRICES LOWER THAN YOU'VE SEEN IN YEARS



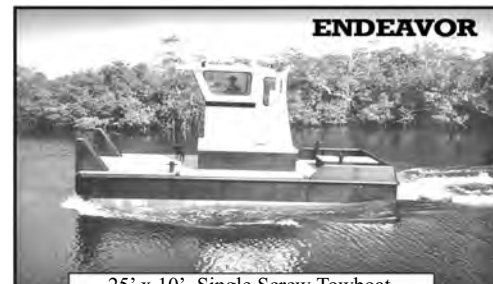
FULLY EQUIPPED

THIS BOAT AND OTHER MODELS ARE IN STOCK FOR DELIVERY TODAY!



CONQUEST

25.5' x 12', Single Screw Towboat, 225 h.p., Flanking Rudders.



ENDEAVOR

25' x 10', Single Screw Towboat, 225 h.p., Flanking Rudders.

Just Turn the Key. Everything is Included.

- Towing Bitt and Four Cleats
- Running Lights
- Lockable Pilot House and Engine Room
- Non-skid Deck
- Engine Room and Pilot House Lights
- Opening Front Window in Pilot House
- Coolant Tanks with Level Indicators
- Large-Capacity Fuel Tank
- Full Instrumentation
- 1200 G.P.M Bilge Pump



BORN TOUGH



PROGRESSIVE INDUSTRIAL, INC.
PALMETTO, FL

(941) 723-0201

PUSHBOATS-BARGES.COM

Sectional Barges
8' x 20' to 15' x 60' per section pin together to form as large a platform as needed.

Fast Delivery!
Call Now for a Quote!

PHASOR MARINE

Powered By Kubota

Phasor Marine, has begun delivering EPA Tier IV compliant marine generators. These machines are not utilizing EPA flex credit engines as are other marine generator manufacturers, which is illegal. The Kubota diesel engines utilized by **Phasor** are either Tier IV Final or EPA Tier IV Marine Certified up to and including the K4-30.0 kw model. All standard machines continue to utilize the Kubota or John Deere diesel engines coupled to the electrical ends. These engines approved for use with Bio-Diesel B5. New for the 2014 model year are two Ignition Protection Certified models rated at 4.5 kw and 7.0 kw operating at 1800 rpm. These machines are certified for use in gasoline powered boats. All **Phasor's** continue to offer a 5 year limited warranty.



K3 - 9.5 KW

Kubota
WE SHIP GENERATORS WORLDWIDE

Standard Equipment: 1800 RPM Sets

- Kubota or John Deere Diesel Engine
- Single Bearing Generator With Epoxy Coated Stator Windings
- ± 1% Solid-State Voltage Regulation
- Low 1,800 RPM Operating Speed
- Four Point Isolation Mounts
- Automatic Low Oil Pressure and High Water Temperature Safety Shutdown Systems
- Fresh Water Heat Exchanger Cooling
- Water Cooled Manifold and Stainless Steel Exhaust Elbow
- Direct Driven raw Water Pump
- Spin On Fuel Filter
- Electric Fuel Transfer Pump
- Toggle Switch Start with Preheat, Start, Run, & Stop Positions
- Awl-Craft 2000 Urethane Finish
- Oil Drain Valve
- Zinc Anode in Heat Exchanger
- Air Intake Silencer
- Spin On Oil Filter
- 5 Year Limited Warranty

BOATS & HARBORS SPECIALS

MODEL	PRICE	MODEL	PRICE
K2 - 4.5 IPC	\$ 7,518.00	K4 - 12.5 KW	\$11,829.00
K3 - 7.0 IPC	9,011.00	K4 - 15.0 KW	12,458.00
K3 - 6.5 KWC	8,436.00	K4 - 17.5 KW	13,572.00
K3 - 7.0 KW	8,642.00	K4 - 21.0 KW	14,685.00
K3 - 8.0 KWC	9,161.00	K4 - 30.0 KW	20,160.00
K3 - 8.5 KW	8,998.00	K4 - 34.0 KW	22,234.00
K3 - 9.5 KW	9,986.00	J4 - 65.0 KW	32,367.00
K3 - 10.0 KWC	10,679.00	J4 - 80.0 KW	40,688.00
K4 - 12.0 KWC	11,954.00	J4 - 99.0 KW	41,187.00

SOUTHEASTERN POWER PRODUCTS

2880 Hammondville Road,
Pompano Beach, FL 33069
Phone: (954) 979-5899
Fax: (954) 979-4349

www.phasormarine.com

Prices and Specifications Subject to Change

www.Sightseerboats.com

Quality and Affordability

All Boats Built To USCG Partially Protected Criteria
Eco-Tour, City Tour, Party Cruise, Water Taxi's Boats

30', 35', 40', 45' & 50' Lengths x 10, 12, 13 & 14 Ft. Widths



All Aluminum Construction Means Lower Operational Costs & Requires Smaller HP Motors.
Up to 49 Passenger • Multiple Route COI's Available

Fiberglassed Deck

Shallow Running Hulls

Now Taking Orders With 10 -16 Week Delivery



40' • 42 Passenger 35' • 36 Passenger

"V" Bottomed Catamaran Hulls

FACTORY DIRECT SERVICE & PRICING

BUILT TO MEET YOUR SPECIFIC APPLICATION & SITUATION

Full Turnkey Boats Starting Under \$100K

Call to Discuss Your Project & For Free Quotation

727.856.6900

BUYING OR SELLING?

New & pre-owned vessels, Pinnacle Marine Corporation can help.



Facilities Barge



Mystere 88 Passenger Yacht



Argosy IV 1,900 Passenger Paddlewheeler



Lil Diamond III 149 Passenger Catamaran

PINNACLE MARINE CORPORATION

We are the only brokerage service specializing in the passenger vessel industry. We also provide assistance locating financing, vessel transportation, securing insurance, marketing and business consulting, and auction services.

608-788-3210 • email: info@pinnaclemarine.com • www.pinnaclemarine.com

JEMISON MARINE SHIPYARD

New Constructions,
Repairs And Conversions

(NEW) BOATS FOR SALE

251-824-7878 • 251-824-4575 (Fax)

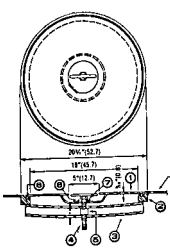
9315 Little River Rd • PO Box 645

Bayou La Batre, Alabama 36509

Contact: **Tim Jemison**

website: www.jemisonmarine.com

NEW FLUSH HATCHES



PIECE NUMBER	NAME	MATERIAL
1	COVER ASSEMBLY	MILD STEEL
2	DECK RING	MILD STEEL
3	STRONG BACK	MILD STEEL
4	TEE HANDLE	STAINLESS STEEL
5	NUT	BRASS
6	GASKET	NEOPRENE
7	WASHER	BRASS
8	WASHER	NEOPRENE

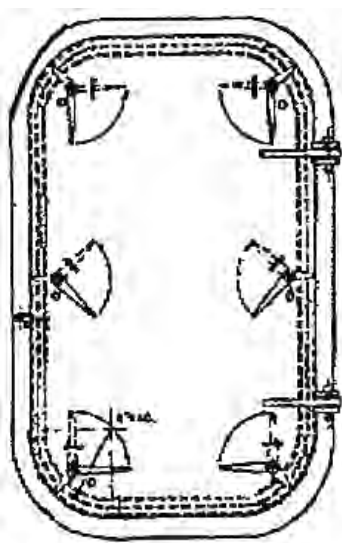
PRICE ON REQUEST

NEW 18" & 24" HATCH COVERS



Flush mounting watertight hatch with machined steel mounting ring. T-handle is recessed and hand tightens against a strongback across mounting ring: 18" 90lbs. - 24" 120lbs.

6-Dog Watertight ABS Steel Doors



1/4" Panel
5/16" Frame

Righthand & Lefthand
Clear Opening Sizes:

26 x 60

30 x 60

30 x 66

30 x 72

Available in either
Manual or Quick-Acting
Operation

(4-Dog doors also
available)

Other sizes available
by special order.



NEW 15" x 23" TANK TOP COVERS

3/8" COVER & 3/4" DECK RING

Complete with Neoprene Gasket w/Brass Washers & S.S. Nuts 20 Bolts - Wt. 95 lbs.



24"- 36"- 48" KEVEL CHOCKS

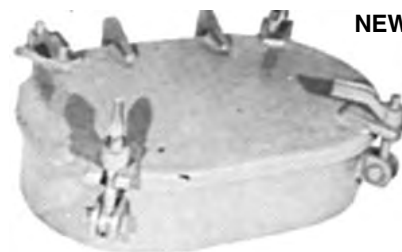


NEW 7" RADIUS PANAMA CHOCKS

(Meet Panama regulations)
14" x 10" CLEAR OPENING

With extended legs for welding to deck.

14" Wide on base - 28" Length - 27-1/4" High
In Stock Immediate • Delivery

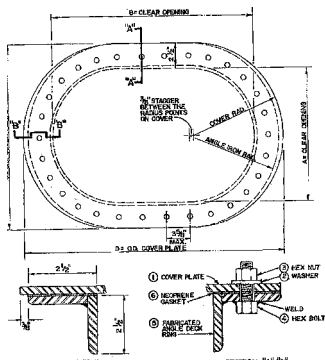


4-DOG GENERAL PURPOSE
15" x 23" x 5" HATCH

ALSO AVAILABLE

Open and Closed
Chocks
Single and Double
Bits
All types of
Marine Equipment

FACTORY NEW - SIZE 15x23 RAISED BOLTED PLATE MAN HOLE OR TANK TOP COVER



1/2" Thick-Cover
3/8" Thick Coaming
2-1/2" High
Overall dims. of cover
20" x 28-3/4"
Overlap for lifting
No handles necessary

POLI MARITIME

(formerly of Maritime Power Corporation) 79 West 33rd Street, Bayonne, New Jersey 07002

PHONE: (201) 243-6387 • (201) 858-2675 • Fax: (888)491-4731 • Email: claire@polimaritime.com



AMERICAN 9260
SN GS19206 | 1978 | 120 TON



The Powerful Solutions People!

TOLL-FREE 866.883.7221 | WORLD-WIDE 513.202.8901
bhsales@fmmafco.com | www.fmmafco.com



AMERICAN 7250
SN GS13150 | 1968 | 60 TON

PARTS MACHINES

AMERICAN

- American 5299 SN 7919AO2050
- American 5650 SN GS14121
- American 5650 SN GS17729
- American 7250 SN GS13150
- American 9260 SN GS19206
- American 9720 SN GS17416

GALION Galion 150P

GROVE Grove RT700B SN 71726



MANITOWOC 4100 S-II
SN 41242 | 1974 | 230 TON

MANITOWOC

- Manitowoc SC135 SN 395092
- Manitowoc 3900B SN 391070
- Manitowoc 3900W SN 395077
- Manitowoc 4000W SN 40155
- Manitowoc 4000W SN 40220
- Manitowoc 4000W SN 40345
- Manitowoc 4000W SN 40682
- Manitowoc 4100W SN 41242
- Manitowoc 4100W SN 41258
- Manitowoc 4100W SN 41657
- Manitowoc 4100W SN 41677
- Manitowoc 4600 SN 460049



MANITOWOC 4000W VICON
SN 40345 | 1970 | 175 TON

LINK-BELT

- Link-Belt LS108 SN B3RH80104
- Link-Belt HC138 SN 19G7579
- Link-Belt LS518 SN 4EW426
- Link-Belt LS518 SN 4EW441

P&H

- P&H 670TC SN 41176
- P&H 670WLC SN 30847
- P&H 670WLC SN 36694
- P&H 790TC SN 36611



LINK-BELT LS-518
SN 4EW426 | 1973 | 150 TON

FMM158

CONSOLIDATED SHIP REPAIR & MARINE FABRICATION, LLC

PORT ARTHUR, TEXAS

FULL SERVICE REPAIR YARD

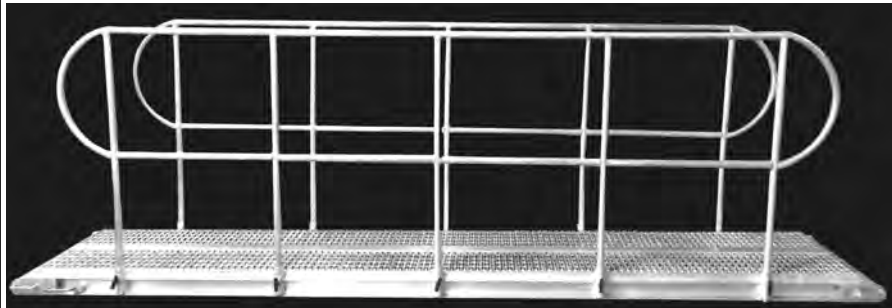
We Are Located Just 200-ft Off The Ship Channel And Offer:

- Deep Water Access • 24 Hour Service • USCG & ABS Certified Welders
- Vessel & Barge Fleeting
- Certified Crane Operators And Crane Service 24/7
- Heavy Crane Service
- 3,200' of Dock Space
- 7,000' of Water Front Access
- 50,000 Sq-Ft Fabrication Shop



CONTACT US TODAY
FOR MORE INFORMATION
BY PHONE AT
(281) 740-1340
OR BY
EMAIL AT sales@csrtx.com

Standard 12' Aluminum Gangways
\$2200.00 • 12' x 30"



Grip Strut Grating • Removable Handrails
Handles and Retractable Wheels for easy one man use
 Contact for more information and pics:
bwyble@sup-us.com / 409-985-2448
 Sabine Universal Products, Port Arthur, TX



**DON'T BUILD A FERRY.
 BUILD A LEGEND.**

www.gladding-hearn.com

INCINOLET® electric incinerating toilets

PROBLEM SOLVED!

Need a toilet in "no discharge" zones?

For boat or dock, home or cabin –
 INCINOLET, your best solution!

SIMPLE to install, maintain.
 120 or 240 volts

US Coast Guard Certified

ULTRA CLEAN: waste
 reduced to sterile ash.
 As little as a cupful weekly.
 Dump in garbage.

TOP QUALITY: stainless steel,
 platinum odor control, quality
 controls assure long life.



1-800-527-5551
www.incinolet.com

RESEARCH PRODUCTS/Blankenship • 2639 Andjon • Dallas, TX 75220

Acadian Marine Transmission 
 Allison Marine Gear Specialist
 217 Burgess Dr., Broussard, LA 70518
 Ph (337) 837-3636 • Fax (337) 837-3633
www.acadianmarinetransmission.com

**Marine Transmissions & Parts,
 Hydraulic Pumps & Parts,
 Flywheel Assembly & Parts, Service**

- Repair/Exchange/Outright – Allison M & MH Transmissions
- M, MH, Twin & Quad Units
- Repair/Parts – Twin Disc & ZF Transmissions
- Repair/Exchange - New Hydreco Pump & Eaton Pumps



**VISIT OUR SHIPYARD
 ORANGE, TEXAS**
 CALL (409) 988-0005
 for SPECS OR QUOTE
www.inlandboats.com
 Email:
inlandboatworks@gmail.com

**The ORIGINAL
 Truckable Boat Builders**
**CUSTOM BUILT PUSHBOATS AND
 DECK BARGES YOUR DESIGN OR OURS**

STANDARD MODELS • CONTINUOUS PRODUCTION OVER 45 YEARS BUILDING BOATS & BARGES



MODEL 2516
 25'9" x 16'0" x 5'6"
 650-750 H.P. Twin Engine



MODEL 2510
 25'9" x 10'0" x 4'0"
 200 H.P. Single Engine



MODEL 2512
 25'9" x 12'0" x 4'6"
 400 H.P. Twin Engine



MODEL 2514
 25'9" x 14'0" x 4'6"
 600 H.P. Twin Engine



DECK BARGES
 120'0" x 30' 0" x 7'0"
 Double or Single Rake



MODEL 2520
 25'9" x 20'0" x 6'0"
 750 H.P. Twin Engine



NEW MODEL
MODEL 2523 with Quarters
 25'9" x 23'0" x 6'8"
 1125 H.P. Triple Engine



MODEL 2520 with Quarters
 25'9" x 20'0" x 6'0"
 750 H.P. Twin Engine

NEW ENGINES WITH FACTORY WARRANTY
JOHN DEERE & CUMMINS TIER III COMPLIANT
EXTENDED WARRANTY AVAILABLE

NEW TWIN DISC TRANSMISSIONS
AQUAMET 17 PROPELLER SHAFTS
NEW BRONZE 4-BLADE PROPS
HEAVY DUTY QUALITY CONSTRUCTION

Questions to ask before ordering your sectional barge:

1. Will my barge be designed by experienced engineers?
2. Will my barge be built to my exact requirements?
3. Will my complete satisfaction be guaranteed?

If it's important that the answer to these questions is "YES", then contact us at:

RPS Barge Co.

Built to your requirements.
Built to last. Guaranteed.

877-826-2617 502-747-5540

www.rpsbarge.com

bill@rpsbarge.com



Craftsman Marine ALUMINUM BOATS

WE BUILD BOATS FOR PLEASURE, DOCK BUILDERS, POLICE & FIRE DEPT, PARKS DEPT AND CREW BOATS

We Fabricate Fuel Tanks, T-Tops, Bow Rails, Radar Mounts and Arches



179 Frowein Road • East Moriches, NY 11940

P: 631.400.9118 E: Craftsmanmarinealumin@gmail.com

Like us on Facebook • Follow us on Instagram



150 Ton Marine Travelift 3 Units For Sale

(506) 726-7161 • Roger - rogerl@mdeltd.com



Lady Shippagan 126' x 28' and D399 CAT Mains

NEUVILLE BOAT WORKS, INC.

BUILDERS OF ALUMINUM BOATS IN BUSINESS SINCE 1969



180' Jet Powered USCG T, ABS Classed A-1 HSC AMS DPS-2



170' Crew Supply USCG T/L ABS Classed A-1 HSC AMS DPS-1

Slots Currently Available neuvilleboatworks@gmail.com



167' WATERJET POWERED USCG T/L ABS CLASS A-1 HSC



47' CREWBOAT (30 PASS.)



50' PILOT BOAT

TOP QUALITY CUSTOMIZED BOATS TO MEET YOUR NEEDS
Passenger Boats • Pilot Boats • Party Boats
Patrol Boats • FSV's

PH: (337) 229-6507 CONTACT: KERRY OR ERROL
www.neuvilleboatworks.com • New Iberia, LA



ACT NOW

DSC Wolverine 10-Inch Dredge Immediately Available From Stock

Contact: DSC at (985) 479-1355 (Main Office) or Email: dredge@dscdredge.com
(New Build Price Increase Effective January 2018)



Heavy Duty Crane Barge For Sale \$350,000

- ◆ 101' L x 96' W x 18' D
- ◆ 4 Main Tanks / 2 Wing Tanks
- ◆ (2) Spuds 74' L x 48" Diam w/winch
- ◆ (1) Machinery House with Generator
- ◆ Hydraulic Motor and Air Compressor
- ◆ Deck Strength 3,000 Lbs. Sq. Ft.
- ◆ Located: Green Cove Springs, FL

Smith Maritime
Ocean Towing & Salvage Services
904-483-6188 phone
Bob@SmithMaritime.us



1-800-960-0068 CALL TODAY!
 1212 St. Charles St., Houma, Louisiana 70360
 www.mlengine.com sales@mlengine.com

Gas Inboard / Mud boat Power train
 Up to 44 Horsepower!
 Electronic Fuel Injection
 ZF Transmission
 Air Cooled



KOHLER engines **ZF**

Marine Diesel Generators
 6kW up to 200kW
 Keel Cooled
 Heat Exchanger Cooled



ISUZU DIESEL
JOHN DEERE
YANMAR

Gas and Diesel Pumps
 2" - 48" Pumps
 Skid Mounted
 Trailer Mounted
 Dry Prime
 Wet Prime




YANMAR
KOHLER
CORNELL
Lo-Lift
GR
 SINCE 1955

Packaged Generators
 6kW up to 800kW
 Sound Enclosures
 Fuel Tanks
 Trailer Mounted
 Panels and Accessories



YANMAR
KOHLER
kwjet
GILLETTE
 GENERATORS

Replacement Engines
 Tier 2 Mechanical In Stock!
 Tier 3 & Tier 4 Available



ISUZU DIESEL
JOHN DEERE
YANMAR **KOHLER**

Pressure Washers



KOHLER
YANMAR
 Heavy Duty Diesel and Electric

Generator Alternator Ends



MARATHON ELECTRIC
STAMFORD
meccalte

Custom Power Units
 6hp up to 400hp
 Diesel
 Natural Gas
 Gasoline
 Propane
 Accessories



ISUZU DIESEL
KOHLER
GM
YANMAR **KOHLER**

PRICE MATCH GUARANTEE
 We will match or beat any competitors price!



ISUZU DIESEL
YANMAR
KOHLER
GM
JOHN DEERE
CORNELL
ZF
Lo-Lift
GR
MARATHON ELECTRIC
PUMPS
kwjet
GILLETTE
GENERATORS
meccalte



FOR RENT

FLEXIFLOAT JACK-UP BARGE
 - Truckable, Maximum 100 Ton Crane
TUGS
HIGH SPEED CREW BOAT
CRANES
OTHER MISC. EQUIPMENT

Andrie Inc.

Contact Stan Andrie At: (231) 332-9227 Or srandrie@andrie.com
www.andrietg.com



2002 50' EVANS
 Twin 3196 Cats 660 HP each. Twin Disc, 1,500 hrs since rebuild. 10.5 Westerbeke Generator, Northstar Loran, Ray Marine radar, 2 VHF, autopilot, large salon.
 6 bunks
 600 gallon fuel tank
 Well maintained

\$239,900 OBO
 Call Rick (609) 425-0391
missandreasportfishing.com

WEEKS 2220
 NEW YORK, NY

FULL SERVICE PROJECT CARGO RATES A SPECIALTY

CHARTER BARGES AVAILABLE ON EAST & GULF COASTS. OCEAN & INLAND DECK BARGES, HOPPER BARGES, SPUD BARGES, MATERIAL AND CARFLOATS, ABS 340 78 x 19; 260 x 72 x 16; 222 x 60 x 14 & 180 x 54 x 14 DECK BARGES AVAILABLE ON EAST & GULF COASTS. TUGS TO 4000 HP AVAILABLE. FLOATING LIFT CRANES TO 500 TON. FLOATING DUTY CYCLE CRANES TO 30 CY BUCKETS. FULL SERVICE YARDS ON EAST AND GULF COASTS FOR MOBE SERVICES. CALL FOR COMPETITIVE BARE-BOAT CHARTER, MARINE TRANSPORTATION, HEAVY LIFT AND STEVEDORE RATES.



WEEKS 2901 ABS CLASS 180 x 54 x 14 DECK BARGE BUILT 2015 FEATURES A 3500#/SQ FT DECK RATING



Weeks Marine, Inc.

CONTACT: Jim Greco
 JAMES L. GRECO
 E-MAIL: JLGRECO@WEEKSMARINE.COM
 PHONE: 908-272-4010 EXT: 2010
 WEBSITE: WWW.WEEKSMARINE.COM



4600 Series 4 Crawler Lift Crane w/ Series 3 Ringer Attachment



ABS BARGES FOR CHARTER

Weeks 184	150 x 40 x 8 ABS deck barge
Weeks 185	150 x 40 x 8 ABS deck barge
Weeks 186	150 x 40 x 8 ABS deck barge
Weeks 188	150 x 40 x 8 ABS deck barge
Weeks 176	140 x 40 x 12 ABS deck barge
Weeks 177	140 x 40 x 12 ABS deck barge
Weeks 178	140 x 40 x 12 ABS deck barge
Weeks 179	140 x 40 x 12 ABS deck barge
Weeks 290	180 x 54 x 14 ABS deck barge
Weeks 291	180 x 54 x 14 ABS deck barge
Weeks 292	180 x 54 x 14 ABS deck barge
Weeks 293	180 x 54 x 14 ABS deck barge
Weeks 294	180 x 54 x 14 ABS deck barge
Weeks 295	180 x 54 x 14 ABS deck barge
Weeks 298	180 x 54 x 14 ABS deck barge
Weeks 2220	222 x 60 x 14 ABS deck barge
Weeks 2221	222 x 60 x 14 ABS deck barge
Weeks 2222	222 x 60 x 14 ABS deck / spuds
Weeks 2223	222 x 60 x 14 ABS deck / spuds
Weeks 2600	260 x 72 x 16 ABS deck barge
Weeks 2901	180 x 54 x 14 ABS deck barge
Weeks 2902	180 x 54 x 14 ABS deck barge

CREW BOAT FOR SALE

Steve L 41' Aluminum Crew Boat \$75K

CRANE FOR SALE

Manitowoc 4600 Ringer 750T \$POR

WINCH FOR SALE

Clyde Frame 6 (3) Drum, Good Shape, No Power \$75K

Buckets, Cranes, Hammers, Winches and Other Heavy Equipment Also Available.
 See Website www.weeksmarine.com

WATER COOLED EXHAUST MANIFOLDS
For 3-71, 4-71, & 6-71 Detroit Diesel



DD-1-6710

3-71 & 6V71.....	\$225.00
4-71 & 8V71.....	\$250.00
6-71 & 12V71.....	\$325.00
4" NPT EXHAUST END PLATE.....	\$40.00
Water Cover Plate (Specify Pipe Size).....	\$9.00



BARR MARINE BY EDM
100 Douglas Way, P.O. Box 190
Natural Bridge Station, VA 24579
Toll Free (866) 255-9265 Fax (540) 291-4185

DBB Liveboard Business For Sale



Vessel: 170' (LOA) x 30' (Beam) x 17' (Draft) 1 x Mek 4 cyl. double compound steam, 2,400 HP main. Accommodation 20 pax in 10 ensuited cabins. Boilers burning waste oil for low operational cost. For sale "As Is Where Is." Sale Below Asset Value. Business and assets included. Fwd bookings included.
Asking \$750,000.00 USD • Contact: John Cell: +61 4 0796 3156 or Neil, Cell: +61 4 0725 2565
John@dbbcruiseandferry.com • neil@dbbcruiseandferry.com



Ray Reeves, Owner
PO Box 4015, Houma, LA 70361
Office: 985-876-4242
Cell: 985-637-0722
rayreeves@bellsouth.net

Reeves Boat Company Has The Following Inland Crew Boats For Sale



Capt David - Built by: Breaux's Bay Craft (Aluminum)
Year: 1982 - Length: 41' - Breadth: 14' - Depth: 6'
Engines: 2- 671 Detroit, 1- 8KW Northern Lights Generator

Miss Sybil - Built by: Breaux's Bay Craft (Aluminum)
Year: 1982 - Length: 41' - Breadth: 14' - Depth: 6'
Engines: 2- 671 Detroit, 1- 8KW Northern Lights Generator

Miss Eunice - Built by: Breaux's Bay Craft (Aluminum)
Year: 1982 - Length: 43' - Breadth: 14' - Depth: 6'
Engines: 2- 671 Detroit, 1- 8KW Northern Lights Generator

M/V: Kerrie - Built by: Breaux's Bay Craft (Aluminum)
Year: 1977 - Length: 45' - Breadth: 14' - Depth: 6'
Engines 2- 892 Detroit, 1- 10KW Northern Lights Generator

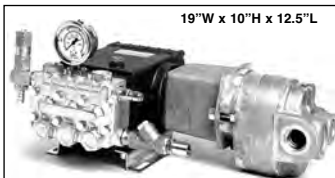
Ted - Built by: Breaux's Bay Craft (Aluminum)
Year: 1976 - Length: 40' - Breadth: 14' - Depth: 6'
Engines: 2- 671 Detroit, 1- 8KW Northern Lights Generator

Paul Ray II - Built by: Breaux's Bay Craft (Aluminum)
Year: 1981 - Length: 43' - Breadth: 14' - Depth: 6'
Engines: 2- 671 Detroit, 1- 8KW Northern Lights Generator

Please call for any additional information and price.

The Pressure Is On Board!

Clean traps catch more • Our pressure washers are proven.



Hydraulic Pressure Washer



Belt-driven Pressure Washer w/ Electric Clutch

Coastal Hydraulics Pressure Washers
Hydraulic Operated or Belt Driven with Electric Clutch
• Triplex Plunger Pump • Forged Brass Head
• Ceramic Plungers • For use with fresh or salt water
• Hydraulic Requirements 12 GPM @ 1,500 PSI
• Pressure Washer Output 4.5 GPM @ 3,000 PSI

Basic System Includes:

- (1) Hydraulic operated plunger pump
- (1) SS Pressure Gauge
- (1) Pressure Relief Valve
- (1) Bronze & SS water inlet strainer (Cleanable)
- (1) 24" Wand with Dirt Killer Turbo Nozzle
- (1) 50' High Pressure Hose
- (2) Brass Quick Disconnects
- (1) Hydraulic Flow Regulator (Hydraulic only)
- (1) Check Valve (Hydraulic only) Electric Clutch (Belt Driven only)



Coastal Hydraulics, Inc.
28 Route 286 • Seabrook, NH • 03874
(603) 474-1914 Fax (603) 474-1902
Please visit our shopping cart website at: www.coastalhyd.com

CLOSING DATES • THIRD NOVEMBER ISSUE 2017

• To Be Mailed November 17th •

FOR DISPLAY November 14th (9:00 A.M. C.S.T) **FOR CLASSIFIED** November 16th (10:00 A.M. C.S.T)



Photo: Chris Miller/csmphotos.com

Be a part of the largest and longest running commercial fishing and commercial marine tradeshow on the West Coast. Source new products, catch up with old friends, and stay up-to-date on the latest industry news.

Register before the show & admission is FREE*

with this promotion code: **BOATS**

pacificmarineexpo.com

*Registration discount applies for qualified registrants only, through Nov. 15, 2017. Day of show price: \$30. Non-exhibiting suppliers fee: \$50

Produced by: **diversified**

Presented by: **National Fisherman WORKBOAT**



pacific marine expo

Seattle, WA
NOV 16 - 18, 2017

CenturyLink Field Event Center

JUST ADD WATER.



Scarano 65' x 14' Water Ferry Launch



Scarano 80' x 16' Motor Launch



**115' PV Adirondack
350 Passenger Capacity**



Adirondack 65 LOD

SCARANO BOATBUILDING, INC.

Port of Albany, Albany NY 12202

Custom Design Construction

518-463-3401 • FAX 463-3403 • www.scaranoboat.com



Smithwick & Mariners Insurance, Inc

Specializing in Inspected Passenger Vessels, Marinas, Boatyards, Boat Dealers,
Mobile Marine Repairers & Various Commercial Marine Businesses
as well as Yachts & Private Pleasure Boats

- ✓ Commercial Fishing, P&I, Lobsterboats
- ✓ Pollution Coverages
- ✓ NHCFA: Fishboat Program (New Hampshire)
- ✓ Charter Vessels
- ✓ Loss Free Credit/Loss of Income
- ✓ Payment Term Options

Call to customize a program for your needs:

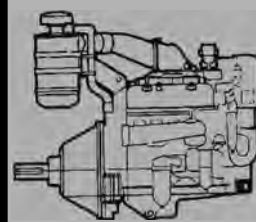
603-394-7008

www.blackadarmarine.com

M/V Valcour For Sale



Length: 190' Overall, 177' Waterline • Power: Twin 425 HP CAT D-353 • Gross Tons R446, Net Tons R87 • Fresh Water Boat • Galvanized Hull • COI - Lakes, Bays, and Sounds • Lifesaving (4) 50 Man IBA's • Co2 Fixed Fire Extinguishing • Very Clean Solid Vessel • Accepting Reasonable Offers • heathers@ferries.com



INDUSTRIAL DIESEL, INC.

8705 HARMON • FORT WORTH, TX 76177 • Ph: 817-232-1071 • FAX: 817-232-0354 • WATS: 800-323-3659

WORLD WEB WEBSITE • <http://www.industrialdiesel.net> • EMAIL: sales@industrialdiesel.net
SEE OUR COMPLETE INVENTORY ON THE WORLD WIDE WEB

**NO C.O.D'S PLEASE
WE ACCEPT VISA AND MASTERCARD
Se Habla Español**

POWER UNITS



Caterpillar C4.4 Power Unit
Tier III, 100 HP RTO - Call For Pricing



Perkins 1104 Tier IV Power Unit
100-117 HP RTO, Low Hours
Call For Pricing



Caterpillar 3126 Tier II Power Unit
200 HP RTO, Low Hours - \$7,500



3054C Caterpillar Power Unit
160 HP, Low Hours
\$6,000

INVENTORY & COMPONENTS!



KT38 Cummins Engine
950-1200 HP, Rebuilt
\$65,000

Rebuilt Detroit Diesel Marine Engines

Keel Cooled	Exch Price US	Outright Price US
3-71	\$ 7,000	\$ 10,500
4-71	\$ 8,200	\$ 11,700
6-71	\$ 10,000	\$ 13,500
8V71	\$ 12,200	\$ 16,000
8V92 N	\$ 14,000	\$ 19,700
12V71 N	\$ 20,500	\$ 28,550
16V92 N	\$ 36,000	\$ 46,000

Exchange Price Includes New Air Silencer.
Outright Price Includes Exhaust Manifold, Flywheel, Tank Silencers.

Heat Exchanger	Exch Price US	Outright Price US
3-71	\$ 9,500	\$ 12,500
4-71	\$ 10,000	\$ 14,000
6-71	\$ 11,500	\$ 15,000
8V71	\$ 14,500	\$ 18,500
8V92 N	\$ 16,500	\$ 24,500
12V71 N	\$ 22,500	\$ 32,000
16V92 N	\$ 38,000	\$ 47,500

Exchange Price Includes New Air Silencer.
Outright Price Includes Exhaust Manifold, Flywheel, Tank W/P, Pipes For Raw W/P, Air Silencers.

Rebuilt Cummins Diesel Engines

	Exchange	Outright
KT19 / 1150 / 450	\$ 28,000	\$ 38,000
KTA19 / 1150 / 525	\$ 32,000	\$ 42,000
QSK19	\$ 47,500	\$ 60,000
KTA38 High Profile	\$ 75,000	\$ 95,000
KTA38 Low Profile	\$ 102,000	\$ 137,000
KTA50 High Profile	\$ 90,000	\$ 125,000
KTA50 Low Profile	\$ 105,000	\$ 145,000
QSK50 Engine	\$ 185,000	Includes Swing

Prices are for standard industrial engines.
Prices subject to change for non-standard engines.

CALL NOW!!

Inquire about our used DDA parts Inventory & Components

CUMMINS

KT 19/1150	BLOCK NEW STYLE 12 BOLT FRONT.....	\$ 5,000
KT 19/1150	BLOCK NEW STYLE 11 BOLT FRONT.....	\$ 4,500
KT 19/1150	CRANKSHAFT NEW STYLE STD/STD.....	\$ 4,500
KV 50/3067	CRANKSHAFT NEW STYLE STD/STD.....	\$ 10,000
VT 28/1710	CRANKSHAFT NEW STYLE STD/STD.....	\$ 5,000
KV 38/2300	CRANKSHAFT NEW STYLE STD/STD.....	\$ 8,000
QSK 19	CRANKSHAFT NEW STYLE STD/STD.....	\$ 5,000
KV 38/2300	BLOCK NEW STYLE VALLEY COOLED STD.....	\$ 8,500
QSK 19	FRONT COVER NEW STYLE NEW TAKE OFF.....	\$ 500
QSK 19	AFTER COOLER ASSY. NEW STYLE NEW TAKE OFF.....	\$ 3,000
QSK 19	OIL PANS NEW STYLE NEW TAKE OFF.....	\$ 350

NEW MARINE PARTS

NT 855	WET EXHAUST MANIFOLD NEW.....	\$ 950
NT 855	MARINE THERMOSTAT HOUSING NEW.....	\$ 350
NT 855	MARINE FLYWHEEL SAE #1 NEW.....	\$ 750
NT 855	MARINE BELL HOUSING NEW.....	\$ 1,000
KT 19/1150	WET EXHAUST MANIFOLD NEW.....	\$ 1,100
KT 19/1150	3003657 CONNECTOR NEW.....	\$ 105
KT 19/1150	3004718 CONNECTOR NEW.....	\$ 115
KT 19/1150	3003662 TUBE NEW.....	\$ 80
KT 19/1150	3004716 TUBE NEW.....	\$ 85

REBUILT BLOWERS

3-53, 4-53, 6V53, 4-71, 3-71, 2-71, 6-71, 12V71, 6V92T & 8V92T
EXCHANGED - \$600.00 • OUTRIGHT - \$800.00 - \$1,000.00

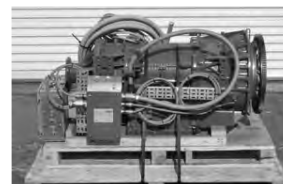
NEW SURPLUS • NEW SURPLUS



SPM 3000 HP Pump
BAS3000, G0214-10000
3000BHP, 12 Stroke, 7.68 Gear
Ration, MFG 2/2014,
*No Fluid End - \$295,000



FMCWT2450 Pump 4.5 FLUID END
WT2450, Part# P540619,
2400HP, Speed 1950, Gear
Ration: 6:39:1 - \$110,000



OFS 4700 Transmission
SN# 6610392590, 600HP,
Pyroban Equipment,
Cert# PYROBAN06ATEX0121X
\$40,000



Pacemaker Pumps 700BHP
BS# 322656, 141111PTL7/576
Fluid End BSPAR# 322690
SN: F0914-25960, MFG 2014
\$105,000



Cummins QSK19 800HP
800HP @2100RPM, Marine
Application ABS Certified,
4 Available - \$50,000 Ea.



SPM QWS 1000 Pump
SN# F0613-21599, 60514-10175
1000BHP, 4.61 Gear Ration
MFG 12/2012
2 Available, 1 Left and 1 Right
\$105,000



QSB 6.7 Cummins Power Unit
260HP, SN# 46941797, CPL 8611
260HP @2200RPM, MFG 2008
\$20,000



Cummins QXS15 Power Unit
Tier IV Compliant, CPL 3350,
600HP @2100, MFG 4/2012
7 Available - \$55,000

**NEW SURPLUS
NEW SURPLUS
CALL NOW!!**



Manufacturer of Marine Air Conditioning Systems, Chillers, Water and Air Cooled Package Units, Refrigeration, Explosion Proof



6,000 to 40,000 BTU



16k to 320k BTU Air Cooled Heavy Duty, Explosion Proof



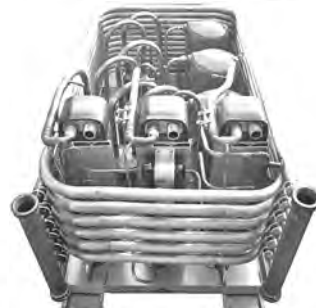
Air Conditioning Condenser Unit / Ref. Unit up to 50 HP



60,000 to 360,000 BTU Self Contained



Chiller 60,000-180,000 BTU



Triple Compressor up to 500,000 BTU

- Custom Engineering On Site
- Fast Delivery
- We ship world wide
- Water Cooled Self Contained Units for boats from 24 feet to Cargo Vessels
- Specialist to the Military, Shipbuilders
- Air-Cooled Marine Package AC for Pilot Houses
- Oil Rigs
- Marine Load Bank

On Site Manufacturing since 1993
Contact Us Now Toll Free 1 866 227 7773

Phone: 772 220 0038 Fax: 772 220 0260

Email us at: obr@oceanbreezeac.com

Visit us online at: <http://www.oceanbreezeac.com>

Quorum Marine and Electronics Inc.

D / B / A Ocean Breeze 3920 SE Commerce Avenue
 Stuart, Florida 34997

2002 Zodiac Hurricane



LRI stabilized 2002 Zodiac Hurricane long range interceptor. Hull was replaced in 2007 by Zodiac, motors were replaced at the same time with Reman Cummins 315's approximately 1,000 hours. Pontoons are lightweight foam covered with Hypalon. The boat is unsinkable. I purchased the boat in 2016 and installed a \$33,000.00 Seakeeper 3 DC Gyro stabilizer, installed a sine wave inverter, four new golf cart batteries, 6,000 BTU marine AC and Heat. 2017 pulled out the motors and gears, did a valve adjustment and all new seals. Completely cleaned the engine compartment. Replaced all of the shift and throttle cables, installed a set of Kiekhaefer 31" trim tabs, installed Walker air filter silencers, Racor oil coalescers, serviced both Hamilton 274 jet drives with all new seals, new zincs. Replaced 24 V search light, installed new Furuno radar. Installed new suspension seats. Comes with Road King 18,000 GVW torsion axle trailer. You won't find a more stable boat for a boat this size! Great for a tow-boat or search and rescue boat. Cruises at 31 mph at 2,400 RPM.

Price Reduced To \$129,900 or will sell without Gyro for \$99,000
Call Bob For More Info (401) 864-2474



140' x 40' x 7' Crane Barge With LS318
100' x 30' x 5' Spud Barge with 80T Grove Truck Crane
(2) Conex Buildings with Tools and Quarters
650HP Truckable Tug
Call Tommy @ 504-450-8332



Produced by **diversified** Presented by **WORKBOAT**

SAVE \$50!

Register before the show using promo code: **BOATS** and receive **FREE*** admission to the exhibit hall and keynotes, plus discounts on the conference program.

workboatshow.com

*Non-Exhibiting Suppliers Fee - \$75 Pre-show and Onsite.

The International WorkBoat Show is a trade-only conference and expo for commercial vessel owners, operators, and builders as well as the vendors and suppliers that serve them. It's your annual chance to network, shop, connect and learn among the best in the business. Don't miss out on this maritime industry tradition.



NOV. 29 - DEC. 1, 2017
NEW ORLEANS

Morial Convention Center
 Halls B, C, D, E & F

To exhibit contact: Chris Dimmerling, cdimmerling@divcom.com

Kubota

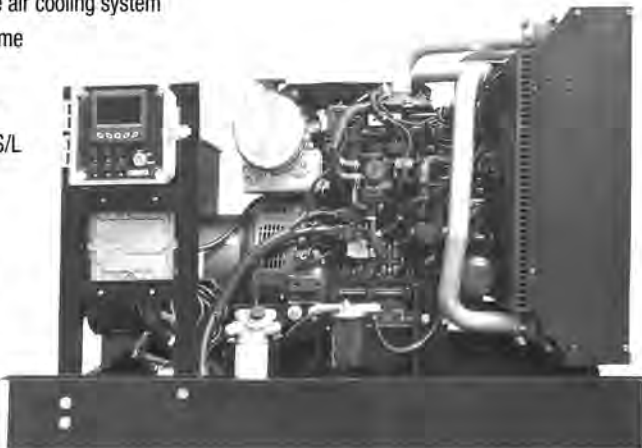
Tier 4 Final Kubota Powered Industrial Diesel Generators

1800 RPM Standard Equipment:

- Kubota Tier 4 Final Diesel Engine
- Epoxy-coated, brushless 1800 rpm generator
- 12VDC starting and charging system
- Murphy starting and monitoring system
- DOC-only aftertreatment
- Fuel filtration system
- Fuel priming system with transfer pump
- High ambient charge air cooling system
- Heavy-duty steel frame
- Vibration isolators
- Dry-type air cleaner
- Industrial muffler - S/L
- Solid state AVR

Southeastern Power Products is the Authorized KUBOTA Industrial Engine Distributor for the state of Florida, the Bahamas and the Caribbean.

Supplying genuine Kubota parts and factory remanufactured components.



Optional Equipment:

- Enclosures
- Fuel tanks
- Auto start/stop
- Transfer switches
- Circuit breakers
- Critical silencers
- Battery, rack, cables

20 kW - \$14,480
Kubota D1803BGCR

30 kW - \$15,730
Kubota V2403BGCR

SOUTHEASTERN POWER PRODUCTS

2880 Hammondville Road Pompano Beach, FL 33069
Phone: (954) 979-5899
Fax: (954) 979-4349

www.southeasternpower.com

2008 40' Heavy Hitter H&H



Fish, Dive, Passenger Vessel. This H&H is in fine cond. It was a USCG Certified Vessel for 30 pass. + 2 Crew, with a 100 mile ticket. It can be re-certified. The owners have had a change to their plans, presenting this terrific opportunity to a smart buyer. Single Cummins QSM11-ZF Gear, 4,000 Hours. 7KW genset, five Freeman hatches.

\$288,000 • Vessel Lying Just North of Jacksonville, FL U.S.A.

COMMERCIAL BOAT - SHIP SALES & CONSULTING

Fax & Phone (904) 373-5161
Cell (954) 789-1307



Mike Grysko
RIO MARINE, INC.

94 Ancilla Ct.
Ponte Verda Beach, Florida, U.S.A. 32082

EMAIL: RIOMARINE@COMCAST.NET

FOR SALE 127 x 28 Dinner Cruise/Party Boat



Current USCG Certified For 150 + 16 Crew. Built 1978 Palatka, Florida, Steel Hull and Aluminum Super Structure. 3 GM V 12 T1. 2 Northern Lights Gen Sets 40 KW Each.

Both decks have heat and A/C. Currently operating in NY Harbor. Well maintained. Turn Key Operation. Hull inspection good for 2 years. 5 years new inspection & yearly done.

\$665,000.00

Contact: Metin @ (347) 556-9424 • amberjack@live.com

CLOSING DATES • THIRD NOVEMBER ISSUE 2017

• To Be Mailed November 17th •

FOR DISPLAY November 14th FOR CLASSIFIED November 16th
(9:00 A.M. C.S.T) (10:00 A.M. C.S.T)

AHOY PROPELLERS

QUALITY & PERFORMANCE THROUGH FLUID INNOVATION

2614 OAK DRIVE, HARVEY, LA 70058

504-367-5710

AHOYPROPELLERS.COM



TORKING

EXPERIENCE THE POWER OF TORQUE



BRONZE - NIBRAL - STAINLESS
SIZES 24 INCH AND UP



Phone: 504-367-5710

Fax: 504-367-5733

Vessels, Barges, & Cranes For Sale



32' x 40' x 4' Sectional Spud Barge and Crane.



20' x 8' x 4' Truck-Able Push Boat, (1) GM 471, Flanking Rudder, Keel Cooled.



Dry Dock 220' x 70' x 6', Capacity 2800 Tons, Reported to be in excellent working condition.



New Shugart Compatible Sectional Barges. Call today for a quote, and lead time.

(30) Crewboats 22' to 150'	Starting at \$18,000
(110) Inland and Ocean Deck Barges 30' to 400'	Starting at \$15,000
(31) Spud Barges 40' to 250'	Starting at \$22,000
(45) Inland & Ocean Hopper Barges 175' to 600'	Starting at \$45,000
(7) Landing Crafts 40' to 250'	Starting at \$22,000
(6) Travel Lifts 25 ton & Up	Starting at \$25,000
(29) Utility / Supply Vessels	Starting at \$95,000
(65) Pushboats 200hp & Up	Starting at \$25,000
(70) Model Bow Tugboats 200hp & Up	Starting at \$65,000

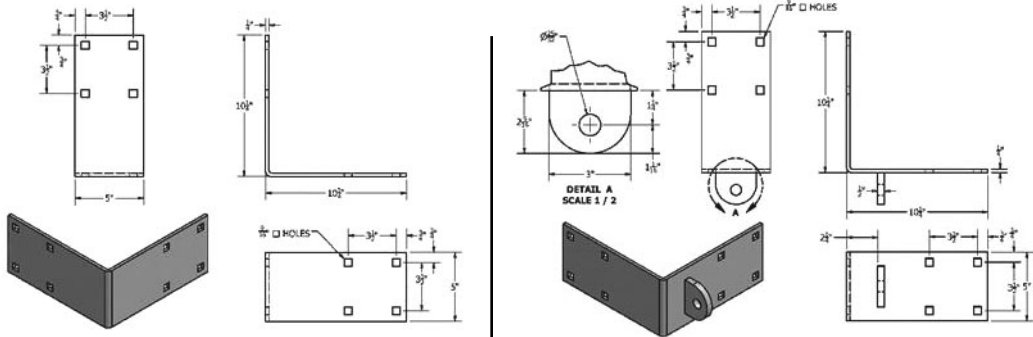
**New & Used Truckable Pushboats & Sectional Barges
Used Cranes and Draglines**

OVER 600 ITEMS LISTED ON OUR WEBSITE

WWW.TMT-LLC.COM

WOOD DOCK HARDWARE

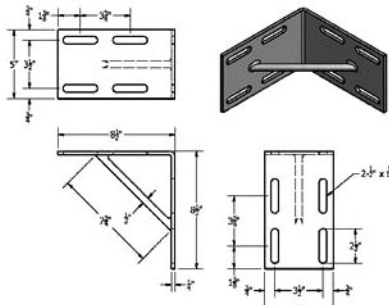
MADE WITH 1/4" HIGH STRENGTH STEEL THEN HOT DIPPED GALVANIZED



Outside Corner End (H-OCE) is used at the ends of fingers, ends of dock or for swim platforms.

H-OCE Ship#7 \$12.98

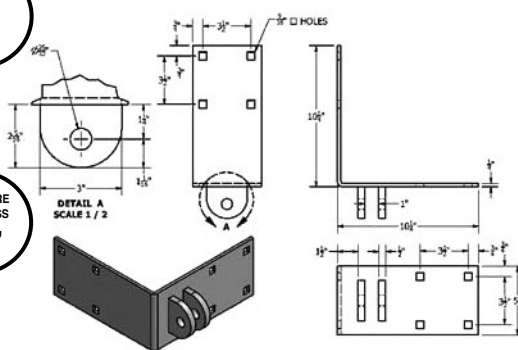
Outside Corner Male (H-OCM) has one 1/2" tab and a hole for a 3/4" bolt or B-PIN. Would be used with an Outside Corner Female (H-OCF) or with a Single "T" Female (H-SF). **H-OCM Ship#8 \$18.71**



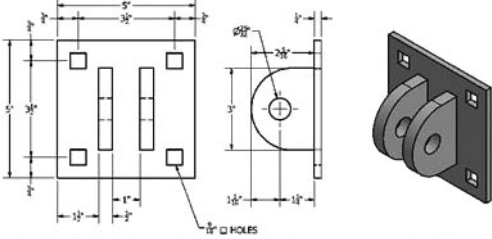
Inside Corner (H-IC) has slots and can be used with 1-1/2" - 3" thick wood. The inside corner sandwiches the wood between the opposite outside corner, keeping bolts from burying themselves in the wood. A corner gusset gives the unit a lot of strength and helps from racking the dock. **H-IC Ship#7 \$13.95**

HARDWARE HEIGHT
5"

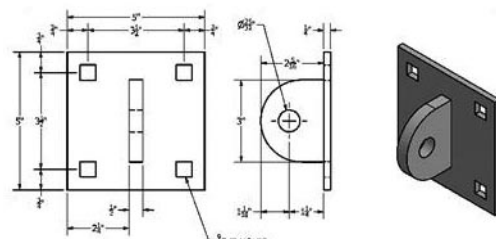
HARDWARE THICKNESS
1/4"



Outside Corner Female (H-OCF) has two 1/2" tabs and a hole for a 3/4" bolt or B-PIN. Would be used with an Outside Corner Male (H-OCM) or with a Single "T" Male (H-SM). **H-OCF Ship#9 \$22.23**



Single "T" Female (H-SF) has two 1/2" tabs and is used with an Outside Corner Male (H-OCM) or a Single "T" Male (H-SM). Both male and female singles can be bolted to the side of a dock to make finger attachments. They can also be bolted to seawalls to make ramps. **H-SF Ship#4 \$13.04**



Single "T" Male (H-SM) has one 1/2" tab and is used with an Outside Corner Female (H-OCF) or Single "T" Female (H-SF). **H-SM Ship#3 \$9.22**

WOOD DOCK HARDWARE



MERCO MARINE

Merco Marine is a manufacturer of boat dock building components and accessories. We were established in 1979. Everything we manufacture is made in the United States, with US Steel, and US workers.

The products shown here are only a small portion of the over 2000 items that we manufacture and keep in inventory for boat dock building and marinas.

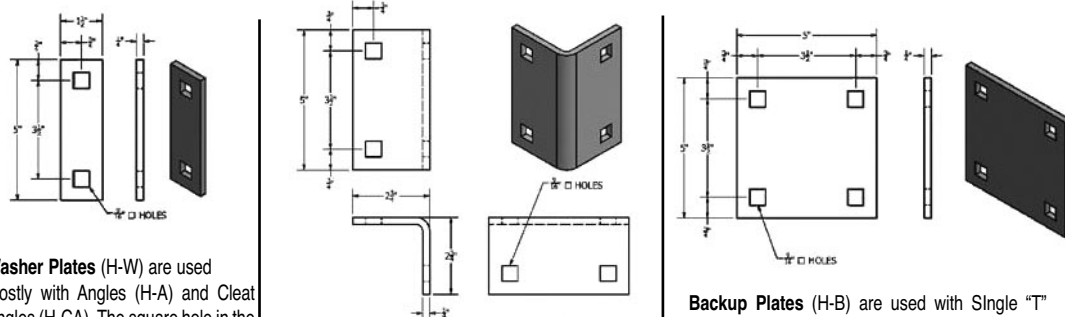
For a complete list of our products check us out on the web at www.mercoboatdocks.com or give us a call at 304-737-3006. You can also request a free copy of our 65 page catalog.

Merco Marine can provide simple parts and pieces for your small pond or lake dock to build on site, or we can build entire marinas from start to finish.

WOOD DOCK HARDWARE WWW.MERCOMARINE.COM 1-304-737-3006

WOOD DOCK HARDWARE

MADE WITH 1/4" HIGH STRENGTH STEEL THEN HOT DIPPED GALVANIZED

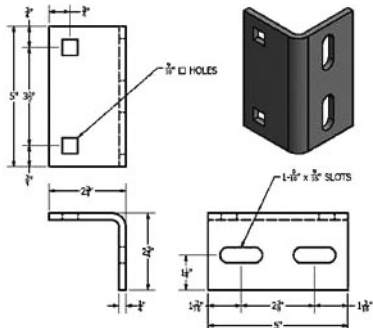


Washer Plates (H-W) are used mostly with Angles (H-A) and Cleat Angles (H-CA). The square hole in the plate keeps the carriage bolts from turning when the bolts are tightened. **H-W Ship#1 \$1.24**

Angles (H-A) used to hold all cross stringers to side stringers using a Washer Plate (H-W). The wood is sandwiched between the steel and creates a solid corner. **H-A Ship#2 \$3.45**

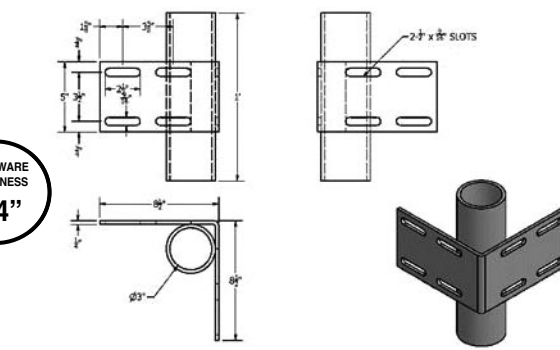
Backup Plates (H-B) are used with Single "T" Males (H-SM) and Single "T" Females (H-SF) for additional strength and to keep bolts from pulling through the wood. **H-B Ship#2 \$3.30**

WOOD DOCK HARDWARE

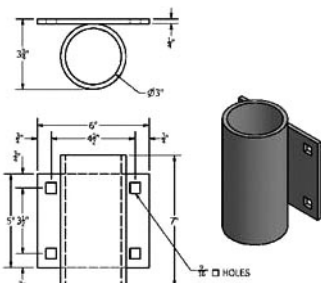


Cleat Angles (H-CA) have slots for various sizes of cleats. The cleat angle is bolted to the side stringer using a Washer Plate (H-W). The cleat is then bolted through the deck into the cleat angle. This keeps the cleat from pulling out of the deck. **H-CA Ship#2 \$4.88**

HARDWARE THICKNESS
1/4"

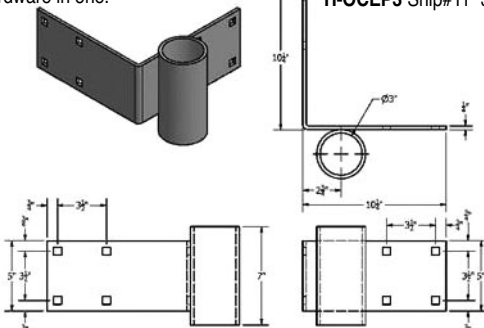


Inside Corners/3" I.D. Pipe Holder (H-IC3) has a 3" I.D. pipe holder welded in place. It can be used to replace a regular inside corner. It will accommodate a 2" I.D. pipe. **H-IC3 Ship#13 \$26.31**



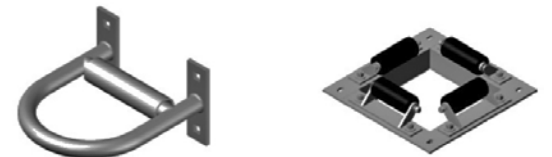
3" Pipe Holder (P-3) can bolt to the side stringer and uses 2" standard pipe to anchor docks in place. **P-3 Ship# 6 \$16.41**

3" Pipe Holder (H-OCEP3) outside corner end with a pipe holder welded to the end. 3" opening for 2" pipe. Save money by getting 2 pieces of hardware in one. **H-OCEP3 Ship#11 \$23.19**



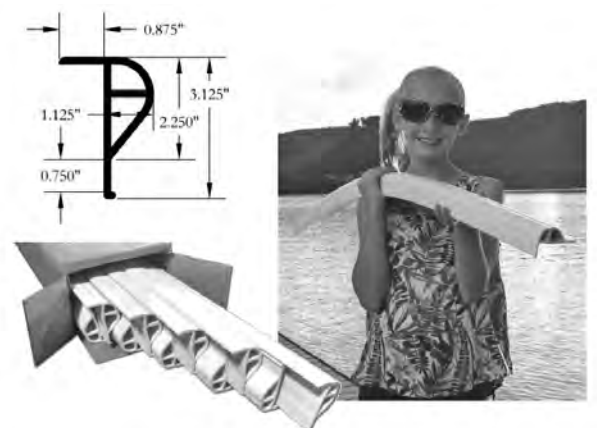
We also stock

PILE GUIDES



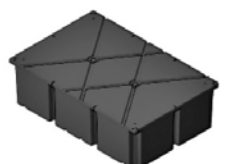
DOCK EDGING

Our **DE-40W** 40' Dock Edging (Shown above) comes 40' per box in easy to install 4' sections (10 per box) and includes 180 stainless ring shank nails.



DE-40W White 40' Length 31 Lbs. \$89.95

FLOAT DRUMS



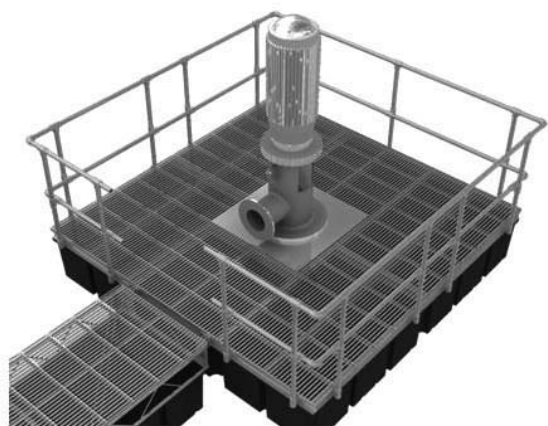
CLEATS



We also stock

SQUARE INTERNAL PILE GUIDES

For replacement roller assembly or parts see page 17.



PUMP PLATFORMS



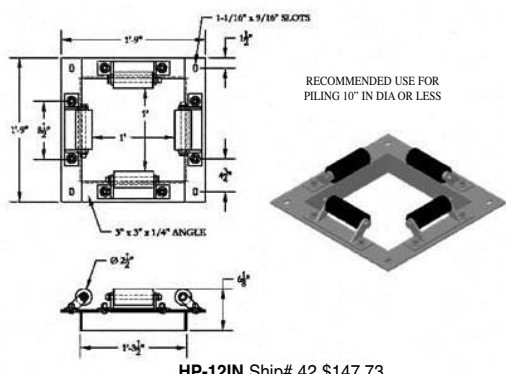
PILE CAPS



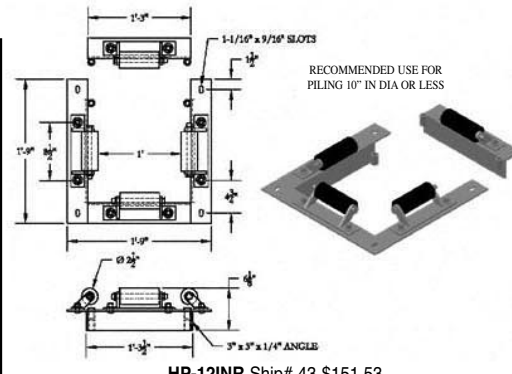
CORNER BUMPERS

View our complete product line on our website...

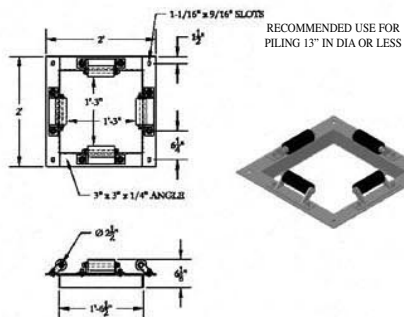
WWW.MERCOMARINE.COM 1-304-737-3006



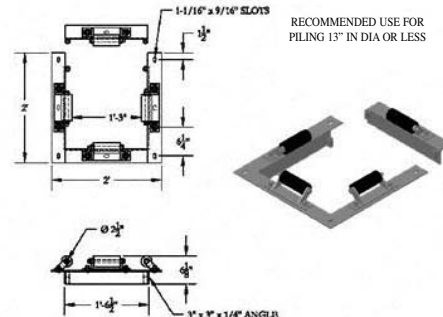
HP-12IN Ship# 42 \$147.73



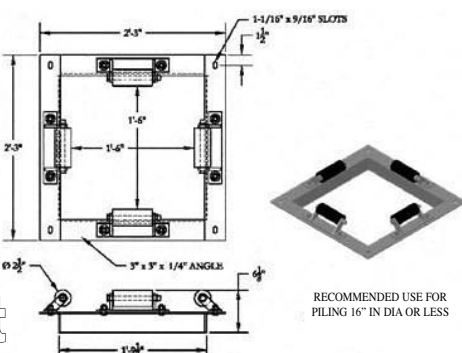
HP-12INR Ship# 43 \$151.53



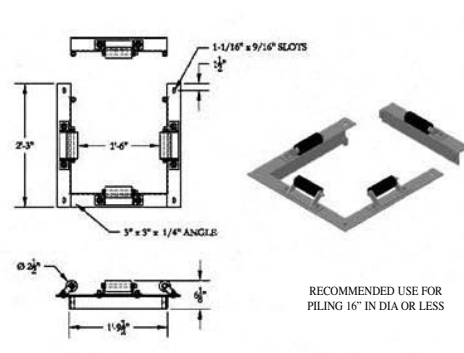
HP-15IN Ship# 53 \$162.37



HP-15INR Ship# 54 \$167.11

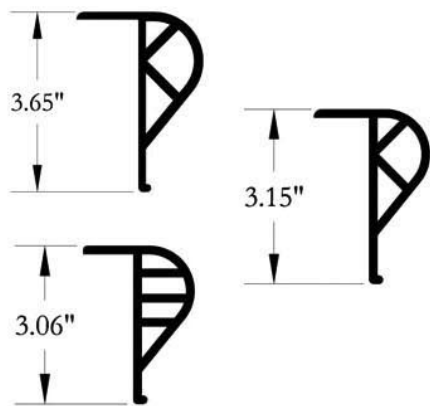


HP-18IN Ship# 58 \$170.98

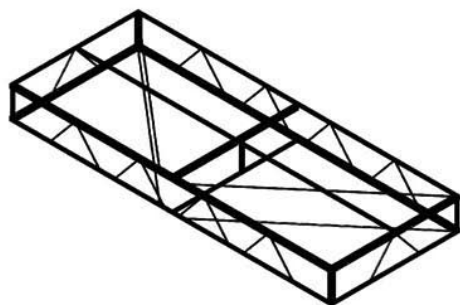


HP-18INR Ship# 59 \$175.26

PILE GUIDES



RUBRAIL



TRUSS FRAMES



MERCO MARINE

HOOP PILE HOLDERS

Our convertible Hoop Pile Holders have 3 basic pieces, a deck plate, a hoop and a roller assembly. This allows you to have a hoop pile holder the way you want it, whether it be a permanent hoop, a removable hoop or a hoop with a roller. You can use the roller assembly on the deck plate or bolt it directly to the dock. All parts are hot dipped galvanized. Add a UHMW Roller to any assembly as shown at the bottom of page 19. All assemblies include a deck plate, hoop, roller assembly, and 6 carriage bolts. Fasteners required to bolt to your dock sold separately on page 28.

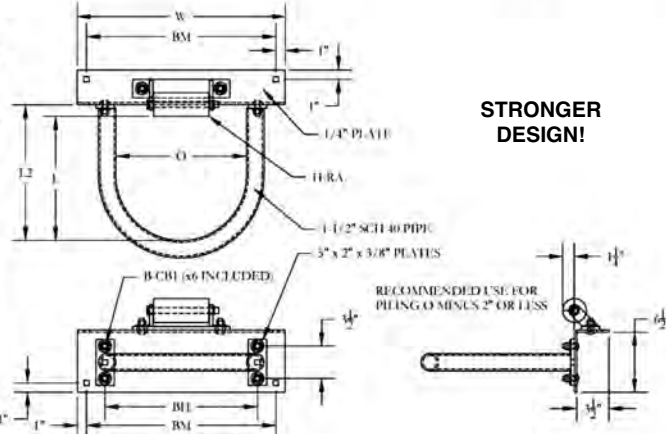
Assembly Number	Assembled Weight	□	L	L2	W	BH	BM	Hoop Number	Hoop Weight	Deck Plate Number	Deck Plate Weight
HP-H8R	25 lbs	8"	8 3/4"	10"	15 3/4"	9-3/4"	13 3/4"	HP-H8	8 lbs	HP-DP8	12 lbs
HP-H10R	28 lbs	10"	10 1/8"	11 3/8"	18 1/2"	12-1/2"	16 1/2"	HP-H10	8 lbs	HP-DP10	14 lbs
HP-H12R	30 lbs	12"	11 1/2"	12 3/4"	20 1/2"	14-1/2"	18 1/2"	HP-H12	10 lbs	HP-DP12	15 lbs
HP-H14R	32 lbs	14"	13 1/2"	14 3/4"	22 1/2"	16-1/2"	20 1/2"	HP-H14	10 lbs	HP-DP14	16 lbs
HP-H16R	35 lbs	16"	15 3/4"	17"	24"	18-1/2"	22"	HP-H16	12 lbs	HP-DP16	18 lbs
HP-H18R	37 lbs	18"	17 1/4"	18 1/2"	26"	20-1/2"	24"	HP-H18	13 lbs	HP-DP18	19 lbs
HP-H20R	38 lbs	20"	19 5/8"	20 7/8"	27 1/4"	21-7/8"	25 1/4"	HP-H20	13 lbs	HP-DP20	20 lbs

NOTES: ALL DIMENSIONS NOMINAL. DIAMETER TOLERANCE IS +/- 1/4". □ = DIAMETER

1-1/2" HOOP PILE HOLDERS

Circumference	□
9.42	3"
12.56	4"
15.7	5"
18.84	6"
21.98	7"
25.12	8"
28.26	9"
31.4	10"
34.54	11"
37.68	12"
40.82	13"
43.96	14"
47.1	15"
50.24	16"
53.38	17"
56.52	18"
59.66	19"
62.8	20"

□ - DIAMETER



STRONGER DESIGN!

Our mounting plates are 5" x 2" x 3/8" which are welded to the hoop and are used to mount the hoop to the deck plate. Our mounting plates are 33% thicker and 25% wider than most other hoop mounting plates on the market.

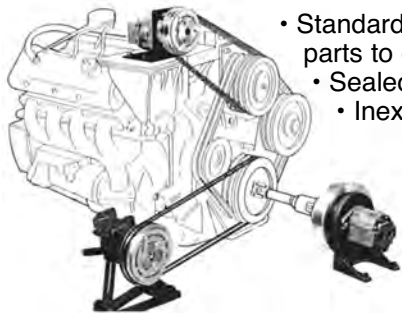
An easy way to determine the diameter of your existing pipe or piling is to measure the circumference and divide by 3.14. We've done the math for you with our Circumference chart to the left.

Part Number	Assembled Price	Hoop Number	Hoop Price	Deck Plate Number	Deck Plate Price
HP-H8R	\$94.88	HP-H8	\$35.93	HP-DP8	\$33.28
HP-H10R	\$99.53	HP-H10	\$38.55	HP-DP10	\$35.31
HP-H12R	\$106.43	HP-H12	\$43.42	HP-DP12	\$37.34
HP-H14R	\$111.31	HP-H14	\$47.34	HP-DP14	\$38.30
HP-H16R	\$119.62	HP-H16	\$51.91	HP-DP16	\$42.04
HP-H18R	\$125.87	HP-H18	\$56.26	HP-DP18	\$43.94
HP-H20R	\$132.16	HP-H20	\$60.61	HP-DP20	\$45.88

Specify PITTS Heavy Duty Electric Clutches & Mounts

Adaptable, Dependable... Easy to Install & Maintain
SHAFT OR V-BELT DRIVEN MARINE CLUTCHES

- 75 to 1500 lbs - ft • 12 or 24 VDC power supply • Compact
- Zinc plated-meets ASTM B-117 salt spray test
- SAE pump mount-several options available



- Standard drive shaft flange input requires fewer parts to connect to drive train
- Sealed bearings-no lubrication required
- Inexpensive

PITTS

The Clutch People
Distributed/Represented
in Canada and the East Coast by:

Coastal Hydraulics

28 Route 286, Seabrook, NH 03874
(603) 474-1914 • FAX (603) 474-1902



Donations Make a Difference:

- Annual gifts
- Planned giving
- Memorials
- Tributes to honor a birthday, anniversary or other special event
- Employer matching gifts

The Passenger Vessel Foundation, Inc is a 501(c)(3) nonprofit corporation. The Foundation was begun to ensure that the passenger vessel industry continues its dedication to furthering education and development of safety resources.

For More Information and to Donate Online
Please Visit: pvfoundation.com/donate/

Supporting the passenger vessel industry through education and safety resources.

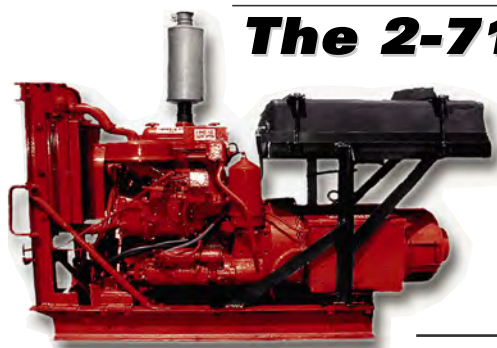


PASSENGER VESSEL FOUNDATION
Passenger Vessel Safety and Education.

Contact Us At:
Email: info@pvfoundation.com • *Website:* pvfoundation.com

PURE POWER

EMERSON & MATKIN
2-71 DETROIT GENERATORS "THE DEUCE"



The 2-71 Authority

We Specialize in 2-71 Gen Sets
Industrial and Marine
Largest Stock of 2-71 Parts
in the World

RECONDITIONED UNITS	
20 KW.....	\$7,495.00
DEEP REBUILD UNITS	
20 KW.....	\$8,495.00

We Are the OEM

Immediate Availability • Warranty • Choose Options / Find Specs at:

www.deucepower.com

950 South Main St., Pocatello, ID 83204
P.O. BOX 4885 Pocatello, ID 83205
Ph: 208.234.4436 / Fax: 208.234.4724

CALL TODAY
1.800.387.4972



MARINA DOCK AGE & THE DOCKS EXPO

DECEMBER 5-7
AT THE MUSIC CITY CENTER IN NASHVILLE

DISCOVER THE DOCKS EXPO EDUCATION!

- Education from the very best, covering a wide range of topics affecting today's Marina Industry

- Obtain Continuing Education Units (CEU's) at no additional cost, from the University of Wisconsin-Madison



PRESENTED BY



the **docks** expo
www.DOCKSEXPO.COM



**THE RIGHT CHOICE WHEN YOU NEED TO
POWER UP**



**DF-656-40
ELECTRIC WINCH**

Heaviest winch in its class

nabrico-marine.com
615.442.1300

NABRICO



MARINE EXHAUST SYSTEMS
OF ALABAMA INC.

P. O. Box 698
757 Nichols Ave
Fairhope, AL 36533
1-251-928-1234 Phone:Fax
Mesamarine@Earthlink.net
http://www.mesamarine.com

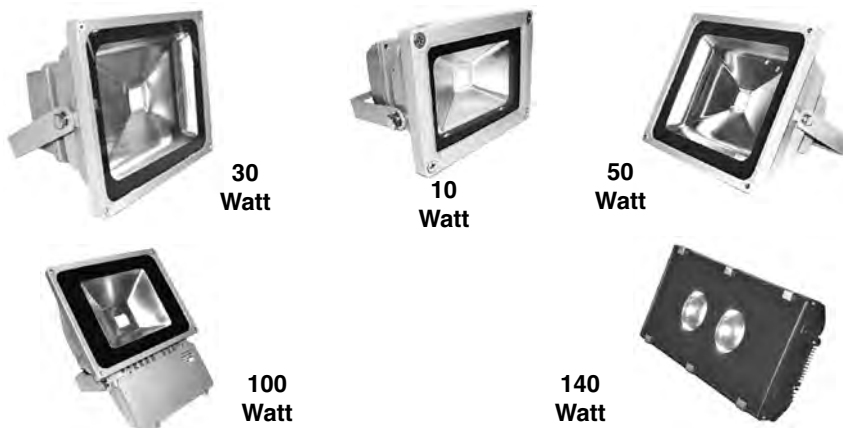
EXHAUST PARTS FOR CATERPILLAR 3054, 3056

3208, 3304, 3306, 3406, 3408, 3412, D333, D337, D342, G342, D343, D348, 353, 379, 398, 399, D1300 **CUMMINS** 4B, 6BT, 6CT, 470M, 504M, 555M, 370M, 903M, L-10, 743, 855, 855 A/M, KT1150, **ONAN** V549, 7.5L 460 **DETROIT** 12V71/92, 16V71/92, 12V149N, 12V149T, 16V149N, 16V149T **ISUZU** 3KC1, 3KR1, 4BD1, 6BD1, QD145 **PERKINS** 104-19, 4.108, 4.236, 6.354N, 6.354T, 8.54, 510 **ISOTTA FRASCHINI** 1308 **SUPERIOR** 8G825 **GUASCOR** SF180, SF240 **MACK** E7, E9 **KUBOTA** D1105B, V2203 **WAUKESHA** 1197/WAK6, 145/F817, L1616, 140/F554, 6NKR/1905 **DAEWOO** DC 24 **HERCULES** GTA48, D3000, LDT465 **KOMATSU** SA6170 and MANY MANY MORE. We can also duplicate and pattern your old or obsolete parts for individual purchases, bulk quantities or OEM. Please call, fax, write, or e-mail any and all inquiries regarding water cooled manifolds, hoses, mufflers, heat exchangers, collectors, wet ells, risers, transom ports, and everything in between.

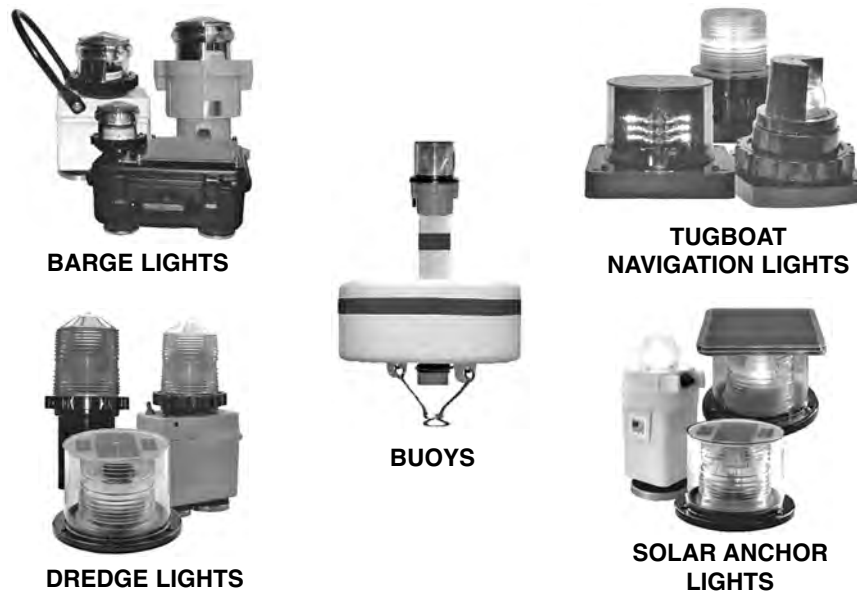


McDermott Light & Signal

Our LED Floodlights provide durability with a low amperage draw that maintains the lifespan of your alternator. Avoid Damaging your charging system by replacing your high power consumption halogen with our green, low-energy consumption LED lights.



*Most models available in Spot or Flood type



McDermott Light & Signal
718.456.3606 - www.mcdermottlight.com
fishing@mcdermottlight.com



Hydraulic Thruster Manufacturer



Self-propel your barges
& sectional Floats



Featuring
**VOLVO
PENTA**

Available Now Refurbished / Used Thrusters
See Website For Details

1-386-734-0020

www.hydraulicmarinesystems.com

www.YachtSalvage.com



52' Shannon 2017
(Brokerage)
YS170149



47' Fountain 1997
(Private Liquidation)
YS170101



41' Beneteau 1999
(Donation)
YS170286



23' Trophy 2007
(Brokerage)
YS170344



40' Formula 2008
(Private Liquidation)
YS170162



45' Carver 2000
(Donation)
YS170211

Hundreds Of Boats For Sale

For More Information Please Call One Of Our Offices
Warwick, RI (401) 732-6300 · Charleston, SC (843) 789-0357
Mendon, MA (508) 478-0200 · St. George, SC (843) 563-9199

62' 1986 All Fiberglass A1 (100 Mile)



Twin 892TI. Port Engine Rebuilt 01/2017, Twin Disc 514C trans, 20kw 271 + 9.5kw Nothern Lights. Large deck house & upper deck. Boat is fully equipped, (1) owner retiring. Stb Ltr 120.
Capt Pete (516) 223-1158 • \$220K

(2) 2012 Self Contained Outdrive Propulsion Units



300 HP Each
2000 Hrs
\$90K Each

(985) 637-1049
 keithk@shallowwaterequipment.com

KOHLER Commercial Marine Generators
 Open - Frame and Keel Cooled Units

MODEL	COST
9EKOZD	\$8,250.00
11EKOZD	\$8,785.00
13EKOZD	\$9,990.00
15EKOZD	\$11,100.00
20EKOD	\$12,800.00
23EKOD	\$13,725.00

24 Hour Emergency Service!!
 Monmouth Marine Engines, Inc.
 536 Union Lane • Brielle, NJ 08730
 Phone: (732) 988-0245 • Fax: (732) 988-0246



SAMS
 Society of Accredited Marine Surveyors®


Society of Accredited Marine Surveyors®
 An International Organization of Professional Marine Surveyors

Use SAMS® Surveyors in your area
 www.marinesurveyor.org
 1-800-344-9077

ADVERTISE "IT" WITH US!

Our Display Advertising Charge covers insertion in **three consecutive issues!**

1953 65' Blount Built T-boat



22' beam, dinner / tours. Licensed 150 pass. Rebuilt 1993. Operating on NYS Canal System since 1975. COI expires spring 2022. Drydock inspection expires spring 2021. Detroit 8-V71 300 hp rebuilt spring 2017. (1) Yanmar / Kohler 20kw. (1) Yanmar / Kohler 16kw. Includes safety and serving equipment.
\$190,000 • (315) 685-8500 or sarah@midlakesnav.com

50 x 14 Push



Cargo steel hull twin 671 with 400 hr, cargo area 12 x 22. Very good condition, located in MS.
\$50K OBO • (228) 617-8699



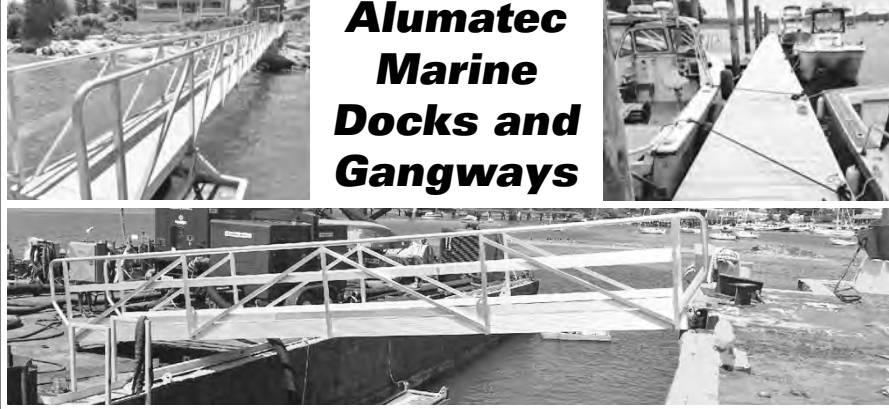
2009 • 20' Scully's Workboat
 225 Yamaha Four Stroke, Radar, Garmin GPS, Galv. Tandem Trailer.
 Great Condition • Ready to go to Work
\$27,500.00 • (504) 906-0197

New Price - 48' Chesapeake Bay Deadrise



1970 48' x 14' x 3', New Detroit 671, Hull just re-glassed & painted, Dual Steering. Crab/Lobster/Shrimp, has new 671, new glass over. Lying Oriental, NC. See article on "sister ship" in Soundings June 2016 Page 82. Price \$35,000. Capt. Ron (518) 294-6181


Alumatec Marine Docks and Gangways



Custom design and fabrication of commercial and residential dock systems, gangways, beach-access stairs, piers, walkways. We also have commercial grade dock float tubs in all sizes. We deliver from Plymouth Massachusetts throughout North East & Ship Nationwide.

(508) 746-7774


Classic Rhodes 64 Ketch Restoration Project



Huge investment in new and professionally re-plated steel hull, deck, cabin house, floors, water and fuel tanks. This 1956 yacht is one of a few dozen beautiful Rhodes and S&S mid-ship cockpit motorsailers. In Southern California.

Priced Right, Call For More Information (949) 645-9412

600 HP TWIN SCREW TUG BOAT



Built 1958 by Blount Boats. 60' x 17.5' x 8'. Main engines: (2) Detroit 6-110s. Serviced every 50 hours. Great oil pressure. Very fuel efficient. Recent oil lube change and upgrades. Excellent creek and shifting tug, multiple control station, burn 25 gph total approximate. Transmission: (2) Allison 5-1. Micro commander shifters. Garmin GPS. Radar. Firefighting equipment. Boat Command monitor system. Generators: (2) 12.5 Kw Yanmar. Fuel capacity: (1) 1,000 gal day tank, (1) 3,000 gal tank. Full electronics: Radar, VHF's, AIS. Located Northeast USA. Price: \$160,000
 (516) 944-7154 • eleanors@scobbo.com

FERRY FOR LEASE OR CHARTER



Dream Speed - Extremely comfortable mono hull 71ft SOLAS vessel that accommodates 149 Passengers plus crew. Two levels seats 98 in leather chairs with full AC and Flat Screens, and 54 on Sundeck. 2 Rest Rooms. Cruising at 28 knots fully loaded with luggage. US Coast Guard inspected and certified. If you are looking for a reliable ferry to supplement your fleet or start up a new service call:

Ocean Dreams Water Taxi - 340-998-6720

Marine Travelift For Sale

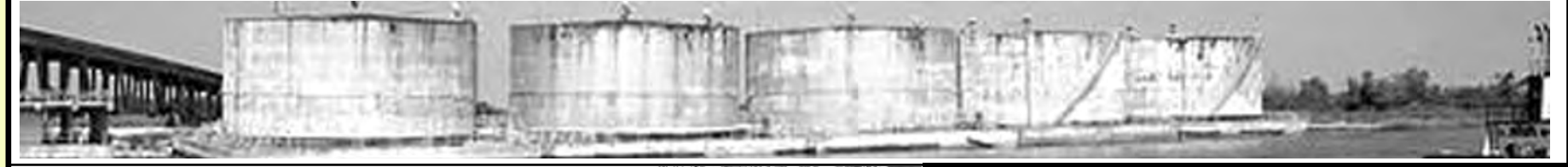


2001 35BFMII Boat Hoist
 77,000 lb. capacity. BFMII is latest series from MTI. 17" inside width, 18" inside height. Cummins Diesel, 2- speed hoists. Available December. Located in Maine

Call Jack @ (781) 347-1201 Or Email: sales@walterco.com

5 - 20,000 BBL LIQUID STORAGE TANKS

Mounted On Concrete Barges - 65' x 75' x 12'
 Tanks Need Upgrades, But Very Usable, Barges Excellent Condition • Loc.: Lake Charles, LA Intercoastal Waterway
\$600,000.00 Each
 Tanks Can Be Purchased Or Leased And Stay On Intercoastal Waterway For Use As Needed Have 500' Slip And Can Be Enlarged



1 TWO STORY CONCRETE BARGE
36' x 62' x 12'



Call (337) 540-1485 or (800) 256-8832 - Phillip Or Email: UTEC1@earthlink.net

OFFSHORE FIRE RESCUE 1 • 12,000 GPM FOR SALE

A RAPID RESPONSE 27+ KNOTS FIRE RESCUE VESSEL



Main Characteristics
 Length Overall 33.5 m (110.00 ft)
 Beam 6.7 m (22.0 ft)
 Draft 1.9 m (6.50 ft)
 Displacement 126 tons
 Speed 27+ knots

Capacities
 Fuel Oil 5.7 m3 (1,500 gal)
 Foam 3.8 m3 (1,000 gal)
 Fresh Water 0.4 m3 (100 gal)

Registration
 Type Firefighting Craft
 Designer Guido Perla & Associates, Inc.
 Owner Vogel Equipment LLC
 Builder Halter Moss Point Marine

Vogel Equipment LLC announces the sale of the Offshore Fire Rescue 1 vessel. Builder Halter Moss Point Marine, Inc., Escatawpa, Miss., a member of the Trinity Marine Group. The vessel is equipped with four water monitors or nozzles with a collective capacity of up to 12,000 gallons per minute of water and foam. One of the fire monitors is located atop a telescoping tower which can rise 50 feet above the water to allow placement of a stream on the deck of a large ship in ballast. The vessel was designed by Guido Perla & Associates, Inc., Seattle. Propulsion and pumping power is provided by two Detroit Diesel 16V92TA engines developing 1,100 horsepower at 2,100 rpm. The Generators are 2 x Detroit 353 Generator @ 180 KW. They drive fixed-pitch propellers through two Twin Disc marine transmissions. 2 x 6,000-gpm fire pump is driven off of each propulsion engine through a front mounted pump with Fawick air clutch. Fire suppressant foam is supplied from stainless steel tanks located below decks. The vessel's four fire monitors include one 5,000-gpm remote operated unit mounted on the foredeck, two 2,500-gpm manually operated water monitors on the bridge deck aft, and one 2,000-gpm remote operated foam/water monitor on top of the pilothouse. Starting, operating, and stopping of the propulsion, electrical, and firefighting systems is automated for control from the wheelhouse, and the vessel and all systems can be operated by a crew of two. This great vessel from Hawaii was made for rapid intervention response is a very special made vessel with towing capacity capabilities. Vessel formally known as Moku Ahi.

\$985,000 / OBO, with an Additional \$300,000 Spare Parts Package, All Offers Considered. Additionally, If Someone Identifies a Buyer to Us and We Complete the Sale with that Party, that Person is Entitled to a 20% Commission of the Gross Sale.

**Contact: Marc Vogel, Director, Vogel Equipment LLC • marc@voegequipment.com
 Office: (415) 576-9007 • Cell: (415) 828-2848 • Web: www.VogelEquipment.com**

73' Sabre Catamaran Passenger Ferry 1999/2017



This boat has undergone a complete refit from top to bottom. New Reman MTU 16V2000 with brand new gears and generator, new shafts and wheels, new electronics, new A/C, new windows and interior, the list is extensive.

Asking \$1,350,000.00
Call Charlie • (772) 260-1021
 This Boat Cannot be Registered in the US

NEW LOWER PRICE!

★★★★★★★★★★★★★★★★

**St. MARYS
 GEORGIA,
 NORTH RIVER**
**1.67 Acres with
 425 ft. Waterfront
 1422 sq. ft. Block
 Building
 City Water and
 Sewer Available**

John P Stack, Lic Real Estate Broker
 (904) 556-4491 FL Broker 3077723
 GA Broker 231678
 GA Sole Proprietor 75441

Buying or Selling?

**BOATS AND HARBORS Is The Most Economical &
 Fastest Way To Reach The Commercial Marine Market!**

**Let The "Yellow Sheet"
 Optimize Traffic To Your Website!
 Advertise Today!**

**View Boats and Harbors Online at:
www.boats-and-harbors.com**



Anchor
 MARINE & INDUSTRIAL SUPPLY, INC.
 HOUSTON, TX

**REQUEST ONE OF
 OUR NEW CATALOGS**
SALES@ANCHORMARINEHOUSTON.COM



AUTHORIZED YOKOHAMA FENDER DISTRIBUTOR

- NEW, USED AND RENTAL OPTIONS AVAILABLE
- NEW HARNESS INSTALLATION OR HARNESS REPAIR WITH QUICK TURNAROUND
- FOAM AND PNEUMATIC FENDERS AVAILABLE

LARGEST INVENTORY IN THE USA

IN STOCK & READY TO SHIP
WORLDWIDE

24/7

NEW & USED

- Anchors
- Chains
- Fittings
- Towing
- Hardware
- Wire Rope
- Cordage
- Blocks
- Dock
- Fenders
- Buoys
- Spill Boom



(800) 233-8014 • ANCHORMARINEHOUSTON.COM



NORTHERN LIGHTS MARINE GENERATORS

Standard Equipment

- 4.5L Tier 3 Diesel Engine
- Marathon or Stamford 1800 RPM Generator 3 Phase
- 12VDC Marine Grade Starting & Charging System
- Crankcase Breather Filter System
- Dry Element Air Filter
- Keel Cooled or Heat Exchanger Cooling with Raw Water Pump
- Water Cooled Manifold / Expansion Tank / Turbocharger
- Belt Guard • Steel Base Frame
- Start Stop Switches / J-Box
- Murphy Powerview Display Panel with Safety Shutdowns
- Dry Exhaust Elbow 4" CAT Flange

Power Products is an Authorized Northern Lights Marine Generator Distributor



65KW - \$24,480.00 N/L M65C13.2S **99KW - \$29,723.00 N/L M99C13.2S**

3225 Greenup Ave., Ashland, KY 41105
 Phone: 606/329-2418 • Fax: 606/324-7424
 Email: mwilliams@powerproductsky.com
 www.http://powerproductsky.com

MARINA EQUIPMENT FOR SALE

1987 70 Ton Marine Travelift
 140,000 lb. Cap.
 ICW: 23 ft. • ICH: 22 ft.
 Spreader Beams Inc.
 2 Avail. Units:
 1 Gas, 1 Diesel



2010 25 Ton Kleeco SP25H
 50,000 lb. Capacity
 Overall Height: 21 ft.
 Inside Clear Width: 19.5 ft.
 Kubota Diesel Engine,
 Includes Power Sling
 Adjustment & Remote
 Control Low Hours



2004 75 BFM11 Marine Travelift
 165,000 Lb. Capacity
 ICW: 22 ft.
 ICH: 26 ft.
 John Deere Diesel
 4045TF
 Wireless Remote
 Control
 2 Speed Hoist &
 2 Speed Drive



2006 Wiggins W230M2
 23,000 lb. Cap.
 38 ft. Positive Lift
 12' Negative Lift
 20 ft. Forks
 Diesel Engine



(305) 882-7000
 gwork@wejohnson-fl.com • www.wej-fl.com


Mako Breathing Air Compressor



4 stage Mako high-pressure compressor driven by 2-cylinder Lister-Petter Diesel. Four air storage cylinders, multiple fill stations, CO2 scrubber, descriptive instrument console and control panel, other extras, all mounted on 2-wheel trailer. Only 667 hrs. Runs great. Replacement cost over \$60K.
\$16,400 OBO • (207) 263-6561

50' EX-NAVY DIVE BOAT

Asking \$35,000



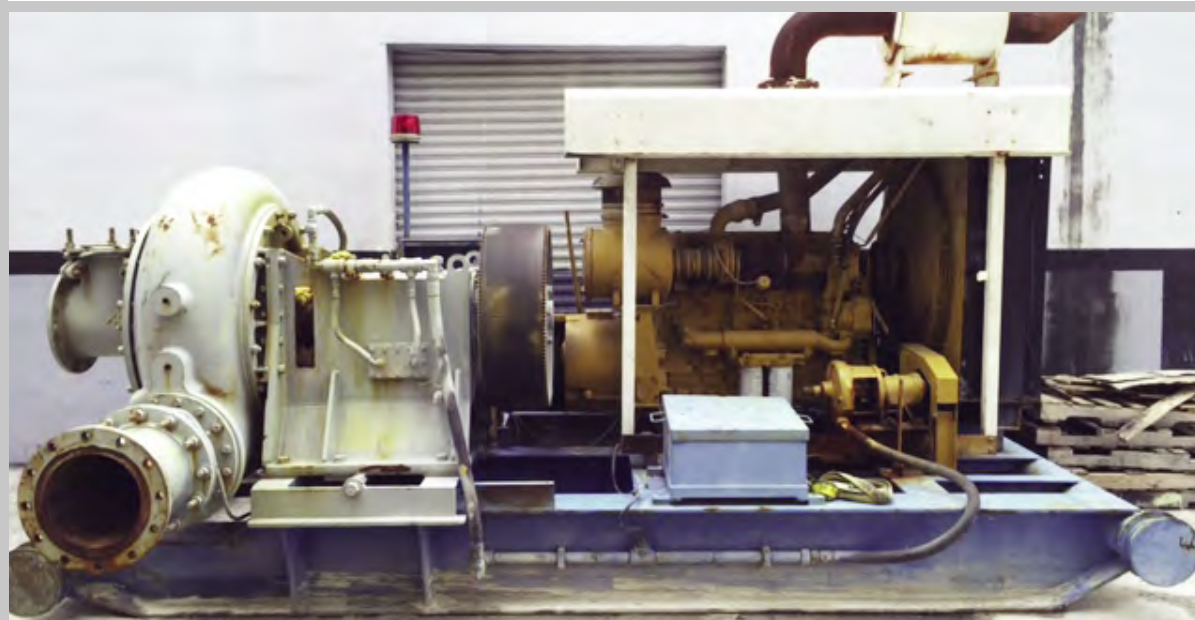
Twin 671N (Approx. 1,000 Hours)
 30 KW 3 Phase Generator
Contact: Ryan or Doug (757) 898-5060
Will Email Pictures Upon Request

CLOSING DATES • THIRD NOVEMBER ISSUE 2017

• To Be Mailed November 17th •

FOR DISPLAY November 14th (9:00 A.M. C.S.T) **FOR CLASSIFIED** November 16th (10:00 A.M. C.S.T)

14" ELICOTT BOOSTER PUMP



3,000 Hours With Caterpillar C18

\$120,000.00 Accepting Best Offers

Call: (305) 206 9090 or Email: Ahernan124@icloud.com Carl@09-tech.com

ACCOMMODATION BARGE

Cash Price: Steal It At \$5.95M!!!



POOL



MOVIE THEATER



70' MARINA

MOTIVATED SELLER **MUST SELL!**





STAIR WELL



11,000LB HELIDECK



FULL RESTAURANT



WINE CELLAR

370' Long x 85' Wide x 55' Tall

Features: 38 Rooms, Up To 300 People • Pool • Movie Theater • Bar • Full Restaurant • Aquarium • 11,000 lb Helideck Boat Crane For Lifting 32' Boats • 70' Marina • 2 Water Makers • 4 CAT Generators • 14,000 sq ft Unused Space Ready For Casino Or More Accommodation Rooms • Perfect For Oil Rig Support, Fishing / Gaming Lodge, Private Island, Floating Hotel.

Ready For Immediate Delivery! • Contact Us At: 727-441-3474

CLOSE OUT specials

WHILE SUPPLIES LAST • FOB SHIPPING WAREHOUSE
SUBJECT TO PRIOR SALES

DECK HARDWARE

12" OPEN CHOCK \$525.00

310261 (06242-301A)

14" CLOSED CHOCK \$885.00

310312 (06241-301A) Clear Opening: 9.38" x 18.75"

12" x 18" MOORING EYE \$370.00

310358 (08371-301A)

12" x 18" PANAMA CHOCK \$655.00

310415 (08372-301A) 12" x 18" Panama Chock

8" DOUBLE BITT WITH HORN \$200.00

310252 (04200-301A)

8" BUTTON CHOCK \$40.00

309766 (DF129)



877-366-2366

ASK FOR COMMERCIAL SALES
NEW ORLEANS, LA



UNDERWATER LIFT BAGS ENGINEERED FROM THE BOTTOM UP!

- OPEN BOTTOM AND ENCLOSED LIFT BAGS FROM 100 LBS TO 50 TONS
- CABLE AND PIPELINE FLOATS
- WATER LOAD TEST BAGS
- LIFE BOAT TEST DAVIT TEST KITS
- PIPE PLUGGERS - INFLATABLE PIPE STOPPERS
- INFLAT-A-TANK - LIQUID STORAGE BLADDERS
- FEND-AIR™ - INFLATABLE MARINE FENDERS
- RENTALS AVAILABLE

• MADE IN USA • ALL MAJOR CREDIT CARDS ACCEPTED • IMCA COMPLIANT

P.O. Box 2030 • North Kingstown, Rhode Island 02852 USA

Phone: (401) 884-8801 • Toll Free: (800) 466-6962 • Fax: (401) 884-8868

Website: www.SUBSALVE.com • E-mail: Richard@Subsalve.com

**TO REDUCE, RECOVER
AND SAVE ON
ELECTRICITY COSTS,
JUST CALL LEAH.**



Leah, the Hialeah Meter Maid



Remanufactured meters with everything you need to install on existing power box or pedestal* now only **\$37.99**

- Meter (Single Phase) with 2 Year Guarantee
- New Meter Socket
- New Sealing Ring
- New Nipple
- New Mounting Hub
- Security Seal

120/208V meters also available

*We have power boxes and pedestals should you need them as well.

HIALEAH METER

Meters you can believe in since 1954.

www.hialeahmeter.com • 800-654-0821 • 800-521-9925

FOR SALE

**Used Travel Lifts
70 BFM**



Travel Lift 70 BFM

Year: 2000
Capacity: 154,000 LB.
Engine: John Deere Diesel
Inside Clear Width: 20'
Inside Clear Height: 26'
Wheel Base: Standard
Tires: Good
Available: Now!

- * Newly reconditioned
- * 3 ft. extra height



Travel Lift 70 BFM

Year: 1991
Capacity: 140,000 LB.
Engine: John Deere Diesel
Inside Clear Width: 27'
Inside Clear Height: 22'
Wheel Base: Standard
Tires: Good
Available: Now!

- * Good, strong running machine
- * Extra wide machine

Visit us at WorkBoat
Booth #2860



International
Boatlift
Exchange

James Alfieri (813)653-4390 ibe@tampabay.rr.com

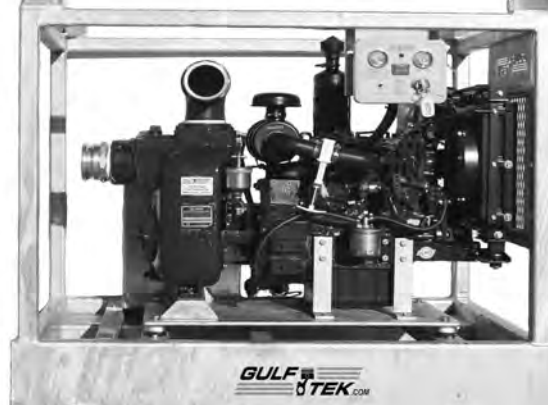
www.ibeglobal.com

© International Boatlift Exchange, Inc.

Kubota

POWERED

DIESEL PUMP SETS



DPS4x4TGR Offshore Ready



DPS2x2/3x3CAMT Heavy Duty



DPE3x3CIPT Economy

2" / 3" / 4" / 6"
Dewatering Centrifugal
Dewatering Trash
End Suction Centrifugal Jetting / Pressure Pumps
Fire Fighting Pumps
Light Duty Models
Heavy Duty Models
Offshore Models



2306 Engineers Road, Belle Chasse, LA 70037

Office: (504) 393-1701 * Fax: (504) 393-1627 * Toll Free: (800) 925-4966

Landing Craft

Available for Charter

(2) LCM-8 - 74' x 21' x 4'
Capacity 50 Tons

(1) LCM-6, 56' x 14' x 3.5'
Capacity 25 Tons

All Equipped w/ Hydraulic Cranes
DAVE ALLAN • (207) 882-5400

CENTURY ROPE CO. SINCE 1976

TWISTED NYLON ROPE
MED. LAY - PREMIUM GRADE WHITE
100% USA - 600' REELS

1/2" @ \$158.00	1" @ \$651.00
5/8" @ \$269.00	1-1/4" @ \$899.00
3/4" @ \$389.00	1-1/2" @ \$1,315.00
7/8" @ \$589.00	2" @ \$1,989.00

MONTHLY SPECIALS: AUGUST/SEPTEMBER 2017
1-1/4" x 90Ft. Stud Link Chain, A.B.S. GR-2 @ \$1,185/Ea. PC
50 Ton Deck D-Ring w/Strap @ \$19.00/Set

8920 S.W. 129th St., Miami, FL 33176-5810
Tel: 305-238-1640 • Fax: 305-232-4372
Email: mmmainc2012@gmail.com • MC/Visa No Checks

2005 Norpower

25' Seismic Workboat



Has 6BT5.9M Cummins Diesel Eng.,
Original purchase price at \$350K+
Asking \$150,000 OBO
Low Hours, Exc. Mechanical Cond.
(208) 664-8215

FOR SALE OR LEASE PURCHASE

OWNER FINANCING AVAILABLE



M/V "Henrietta III" 165 x 34 x 7 Steel hull,
518 pass. USCG certified, current COI,
Twin Cummins 855's, Twin 290 kw gen.
Seats 475 plus for inside dining. Vessel is
in excellent condition. Located Troy, NY in
fresh water. Exterior newly painted. Turn
key ready to go. \$900,000.00

Lease/Purchase \$12,000/Mo.
(518) 470-5208 • (518) 270-1901
captainjp.com

SCRATCH & DENT SALE

High Tensile Galvaluma Steel



100% U.S. Made No Drilling Required

Military Spec. Quonsets
SAVE \$\$\$\$

20 x 30	40 x 60	55 x 120
25 x 40	45 x 72	60 x 150
30 x 50	51 x 96	70 x 200

Archway Steel Buildings
1-800-344-2724
Fax (412) 771-4191

PILOT HOUSES



- Custom Built
- No Minimum Qty
- Carbon
- Stainless
- Aluminum

Est. 1992
Lake Superior Cabs, Inc.
800-328-1823
www.lakesuperiorcabs.com



CAILLOU ISLAND TOWING CO., INC.

TUGS - DECK BARGES - SHALE BARGES - SPUD BARGES - KEYWAY BARGES
RIG MOVES, RIG SERVICE, DREDGE SUPPORT, CONSTRUCTION PROJECTS,
HEAVY HAUL, FLEET SERVICE, ALL OF YOUR WATERWAY TOWING NEEDS

CALL FOR COMPETITIVE QUOTE FOR YOUR MARINE PROJECTS
985-876-1731

1211 BAYOU LACARPE ROAD HOUMA, LA 70363
WWW.CAILLOUISLANDTOWING.COM

MARINE EQUIPMENT FOR SALE
3-120' x 30' DECK BARGES / 2- 120' x 30' Shale Barges / 1- 135' x 35' Power Spud Barge
1-10,000 BBL Double Skin Tank Barge / 1-600HP Model Bow Tug

GEO SHIPYARD, INC

Same Quality Construction for 40 Years!

OPEN for Business

Let Us Quote Your Next Vessel!



Geo Shipyard has been a builder of commercial aluminum boats since 1979! We can custom design and build an aluminum boat to meet your requirements and specifications. At Geo Shipyard we take pride in our reputation for quality in the vessels we build. We offer complete naval architectural services with detail design capabilities and we design to your needs and requirements. We build quality catamaran and mono-hull vessels, including:

Passenger Tours / Excursions Vessels • Commercial Fishing Vessels • Crew / Supply Boats
Seismic Line / Cable • Patrol Boats • Seismic Source • Pilot Boats • Survey Boats

337-367-1541 • E-Mail: randy@geoshipyard.com
www.geoshipyard.com

PASSENGER VESSEL

ASKING \$3,450,000

FOR SALE, LEASE OR JOINT VENTURE
OWNER WILL CONSIDER FINANCING

The M/V Deacon is an 120' x 43' all aluminum vessel designed to transport 250 passengers at 30 knots. The swath design provides dramatically better ride in high seas than a mono-hull or a catamaran vessel.



How does the swath compare to a conventional vessel? Watch our online video.

www.mvdeacon.com


Possible Uses:

- Crew Boat • Yacht • Dinner Cruises
- Whale Watching • Research Vessel • Casino
- Military • Passenger Ferry • Seismic Vessel
- Live Aboard Dive Vessel • Dive Support Vessel

For more information contact: Daniel Haines at 985-631-2628 or daniel@hainescompanies.com

SAVE A LIFE


Man-Overboard Alarm in Seconds



Emerald Marine PRODUCTS™

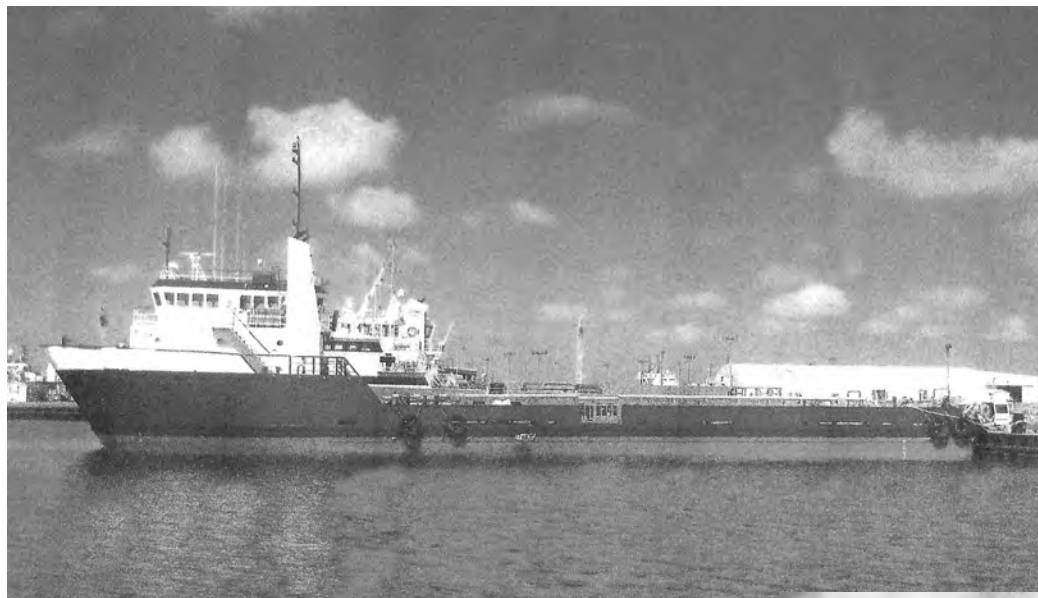
- WATER-ACTIVATED TRANSMITTER IMMEDIATELY ALERTS VESSEL
- FASTER ALERT, EASIER TO USE THAN AIS PRODUCTS
- AFFORDABLE PROTECTION OFFERING PEACE OF MIND TO YOUR CREW
- MANUFACTURER OF THE ALERT2, ALERTING MOB SITUATIONS FOR 20 YEARS

INTERNATIONAL WORKBOAT SHOW
Come see us at Byrne Rice & Turner BOOTH 1521



1.800.426.4201
WWW.EMERALDMARINEPRODUCTS.COM

VESSELS FOR SALE



2002 OSV

Certified: I & L, USCG Inspection: Yes, ABS Loadline: Yes
 DP System: DP-1, Length: 185', Beam: 46'
 Clear Deck: 120' x 39'
 Deck Cargo: 850 Long Tons, Main Engines: Caterpillar
 Bow Thruster: (1) Schottel
 Fuel Capacity: 58,540 / 119,440 Gals
 Liquid Mud: 60,900 Gals, Dry Bulk Capacity: 3,300 Cu. Ft.
 Potable Water: 15,000 Gals, Fire Monitor: 4" Elkhart
 Anchor: (2) 1,500 Lbs, Certified To Carry: 40
 Berth: 17, Two (2) 99 Kw: Cat 3304
 Radars: (2) Furuno, Radios: (3) VHF (1) SSB / ICOM
 Fathometer: (Yes) Furuno, GPS: (2) Interfaced CP Plotter
 Beier: Model IVCS4000 DP-1
 Complete C.G. & ABS dry docking May 2017

2007 MINI SUPPLY

USCG Inspected: Yes, ABS Loadline: Yes, ABS: ADP11...DP1
 Length: 150', Beam: 36', Depth: 12', Clear Deck: 90' x 30'
 Deck Cargo: 335 Long Tons, Main Engines: Caterpillar
 Speed: 12 Knots, Bow Thruster: 300 HP
 Fuel Capacity: 43,000 / 95,920 Gals, Liquid Mud: 1,260 BBLs
 Potable Water: 10,000 Gals, Fire Monitor: 4" Elkhart,
 Certified To Carry: 20, Berth: 20, Two (2) 150 KW: Cat C-9
 Radars: (2) Furuno, Radios: (3) VHF (1) SSB / ICOM
 Fathometer: Yes, GPS: (2)
 Navtec: Yes, Plotter: Yes



Please Call (337) 319-8123
If Interested Or Need More Information

Scully's Customized Boats



MDL 2072VWB, T-Top



MDL 2284VWB, T-Top



MDL 2284DVWB, Cabin, AC5



MDL 2484VWB, T-Top



MDL 2484VWB, Cabin, Survey



MDL 2684DVWB, Cabin

Scully's Constructs Up To 100 Foot Vessels USCG Certified



MDL 2884DVWB, Cabin



MDL 2896BS, T-Top



MDL 3410BV, Cabin



MDL 4012BV, Cabin, AC



MDL 4518 Crane Barge



MDL 2684LC, T-Top

Boats Are Available IN STOCK Up To 40 Feet Long • Mercury, Honda, and Yamaha Packages Also Available
Offers: Jet Drives, Diesel Applications, Shaft Logs Applications
Phone: 1-866-238-8353 • Fax: 1-985-384-5146 • 1015 Stephenville Road • Morgan City, LA 70380
Email: info@scullyboats.com • www.scullyboats.com
 Available On GSA Contract



80' x 21' x 6.5' Extra Heavy Built Steel Vessel, NO RUST Lots of Stainless, 3,000 Gal. Fuel, 1,200 Drinking Water, Excellent Liveboard.
Must See to Appreciate!
\$250,000 • (727) 373-8022



BARGE For SALE
Phoenix Barge - 130'x40'x6' concrete deck spud barge. Raked on 1 end. Heavy duty 30" x 1" spuds. 2015 drydock and survey.
Located in Long Island Sound • \$100,000
(516) 944-7154 • eleanors@scobbo.com

119' x 34' Army LCU Landing Craft



180 Ton Deck Capacity w/ 5' Draft Hauled 2015 New Shafts/Props \$795,000 w/ Partial Trade for LCM-8 California Delta
(415) 686-0907 • John



HEAVY DUTY WORK SPACE CANOPY
Paint or Fix Your Boat Car Equip.!
20' W x 30' L x 12' H - \$1,250
20' W x 40' L x 6.5' H - \$1,200
40' W x 40' L x 15' H - \$2,700
(305) 965-8852
storageandcanopy.com

WANTED! Scrap Boats, Barges, and Structures



West Bank of New Orleans • (504) 458-1222

Brand New Vertical Deck Mounted Capstans
2 Units Available



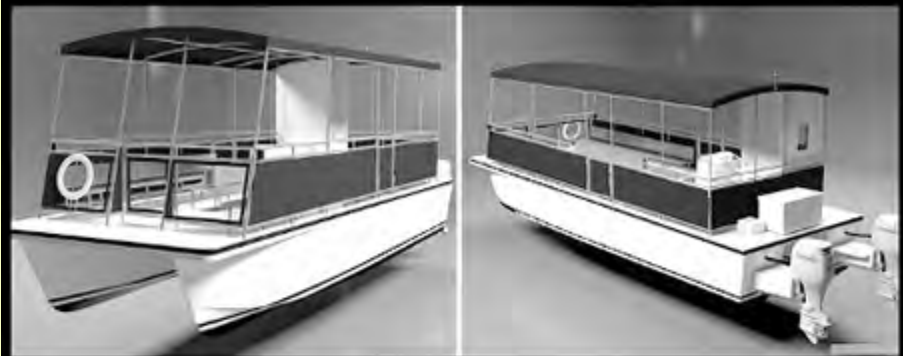
Complete with reversing starter and foot control. 18" diameter head for maximum 2 3/4" diameter rope. 20,000 lbs initial line pull and 10,000 lbs running pull. Electric release break and fully lubricated sealed bearings. Removable motor guard. More information and drawing on request. Available for immediate shipment.



P.O. Box 596 • 910 Mahar Avenue
Wilmington, CA 90748
Phone (310) 522-9698 • Fax (310) 522-1043
E-mail: sales@watermansupply.com
Website: www.watermansupply.com

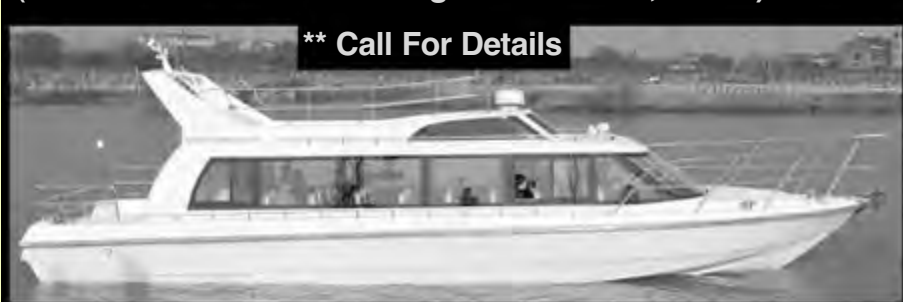
www.WaterTaxiMarine.Com Ph: 513-557-6936

WATER TAXI MARINE



(Above)
33' x 11' 35 Passenger Water Taxi with Twin 90 HP. O.B.
From \$139,000.00 ** Call For Details
38' x 12' 49 Passenger with Twin 150 HP. O.B.
From \$189,000.00 ** Call For Details
Blank Catamaran Open Hulls From \$75,000.00
** Call For Details

(Below)
NON C.O.I. High Speed Enclosed 40 Passenger Water Taxi
From \$259,000.00 Includes Restroom, Twin 250 HP. O.B., Gen.; A/C, Global Shipping To Most Cargo Ports.
(C.O.I. Enclosed 40 Passenger From \$350,000.00)
**** Call For Details**



WaterTaxiMarine@Gmail.Com

WaterTaxiMarine.Com 513-557-6936

FRASER MARINE PRODUCTS

MANUFACTURING QUALITY ALUMINUM & BRONZE HARDWARE TO THE BOAT BUILDING INDUSTRY SINCE 1965

WWW.FRASERBRONZE.COM
5625-48th Dr. NE Unit D Marysville, WA 98270
Toll Free: 877-264-1064 Made In USA

FORGOT TO CHANGE YOUR B & H MAILING ADDRESS? IF SO



CALL: 931-484-6100
OR EMAIL: boatsandharbors@citlink.net

Modular Plastic pontoons

The Best Idea Since the Indian Canoe

36 and 24-inch Diameter Sizes



The Alley Cat "Pilot House"
Triple Tube 24" DIA

NEW 36" DIA MODULES

Bow Module (36")



Middle Module (36")



Stern Module (36")



Wilson pontoons are used for pontoon boats, houseboats, barges, bridges, work boats, party boats, pumping stations—they're perfect for any application that uses pontoons. Features include:

- Molded from sturdy, medium density polyethylene (MDPE)
- **Heavy-duty:** modules have 1/4" - 3/8" thick walls and are filled with closed cell polyurethane foam for greater structural stability—Wilson pontoons will withstand greater impact than aluminum pontoons
- **Modular:** separate bow, middle, and stern modules allow for configurations of the most popular application sizes
- Rectangular collar has threaded stainless 3/8" molded inserts for quick attachment
- **Maintenance free:** no bottom painting is needed—just pressure-wash to clean
- UV protected



2869 Charlevoix St.
The Villages, FL 32163
419-675-0002
toll free: 877-456-2531
email: info@wilsonpontoons.com

www.plasticpontoon.com

HIGH SPEED CATAMARANS FOR CHARTER



New 150 Passenger
Ava Pearl
Trim Tab Ride
Control System

These two state-of-the-art Gladding-Hearn "INCAT" ferries are available for Charter with Crew beginning September 2017 through May 2018 and September 2018 through May 2019.

AVA PEARL - for Charter, 150 Passengers, two levels, 2 restrooms, 5 Flat Screen TV's, Business-class interiors, the latest MDI Trim Tab Ride-Control System. Powered by (2) MTU 12V4000 M53 engines and (2) ZF Propellers. Top Speed 30 knots.

MILLENNIUM - for Charter or For Sale, 400 Passengers, three levels, two bars, 3 restrooms, powered by (4) KTA-38 Cummins engines & (4) MJP Waterjets. Top Speed 34 knots. Both have AC/Heated interiors and have a COI to operate up to 20 miles offshore.

If you are looking for a reliable fast ferry that has a proven track record to supplement your fleet or start up a new service call Rhode Island Fast Ferry. We also offer various fast ferry Consulting Services as well. www.RhodeIslandFastFerry.com



400 Passenger Millennium

Charles A. Donadio 401.255.9118 or email charlie@vineyardfastferry.com

CLOSING DATES • THIRD NOVEMBER ISSUE 2017

FOR DISPLAY

November 14th, 2017
9:00 A.M. C.S.T

To Be Mailed

November 17th, 2017

FOR CLASSIFIED

November 16th, 2017
10:00 A.M. C.S.T

SERVING THE MARINE AND OIL INDUSTRY FOR OVER 50 YEARS

ANCHORS
CHAIN
CONN. LINKS

FENDERS
CHOCKS
BITTS

KEVELS
DOORS
HATCHES

FAIRLEADS
CAPSTANS
WINCHES
WINDLASSES



Detachable Conn. Links
Kenter Joining Links
Anchor Joining Links
Towing Plates

We Are Direct Importers
and Factory Distributors

Gigantic Inventory
New & Used
In Stock Now on the
West and Gulf Coasts

Exclusive Distributors for



Products

Anchors • Chain • Hardware • Fittings

www.watermansupply.com

Call Toll-Free
(800) 322-3131

STEEL PIPE

NEW & USED STEEL PIPE

FOR: Piling, Spuds, Dredging,
Ballards, Floats, Casing, Etc.

CURRENT SPECIALS

- 30,000' 8-5/8" O.D. x .188"/.500" wall pipe
- 15,000' 10-3/4" O.D. x .250"/.500" wall pipe
- 20,000' 11-3/4" O.D. x .534" wall pipe
- 40,000' 12-3/4" O.D. x .250"/.750" wall pipe
- 10,000' 16" O.D. x .250"/.500" wall pipe
- 15,000' 24" O.D. x .312"/.750" wall pipe
- 30,000' 36" O.D. x .375"/.750" wall pipe

Plus many more sizes!

Call Anytime on 2"-46" Dia pipe

DELIVERY ANYWHERE IN:

US/CANADA/MEXICO/CARIBBEAN

CRESTWOOD TUBULARS, INC

Phone: (314) 842-8604

Fax: (314) 842-9064

Toll Free (US) 800-238-7473

Email: info@crestwoodtubulars.com
www.crestwoodtubulars.com

"EQUIPMENT DETAILS ARE ON WEBSITE"

www.triplecmarine.com



1, 2 & 3 Drum Friction Winches,
2 Ea. Clyde Frame & Double Drum,
American 55B, 70B, 90B, 120B.



2 Ea., 38" Westec Power Blocks
\$30,000 Ea.

TRIPLE "C" MARINE

PO Box 885

Morgan City, LA 70381-0885


Phone: 985-384-9517
www.triplecmarine.com

PUSH BOAT FOR SALE



25'9" x 22' x 6.5', 900 hp, 20 kw generator, 25' eye level, full bath & kitchen, bunk room sleeps 4 and separate captain's quarters, good solid work boat or will build to customer specs.
Can email us at bigrtowing@aol.com

Sectional Barges



(5) 40' x 10' x 5'. Less than 1 year old. Nashville, TN. \$25,900 Each.
Contact: Emmanuel (305) 989-9200

105' LOA Breaux Crewboat



Built 1977, 3 Detroit 12/71T1. 2 Detroit 30kw gen sets. All certificates current. Ready to work. New Topside and Bottom Side Cert.
Price Reduced \$285,000
Contact Russell @ (956) 433-1133

44' Custom Sportfish



USCG COI 18, twin 3208 Caterpillars (recently rebuilt), new fuel tanks, VHF, single side band radio, Northstar GPS/fish finder, Raytheon fish finder, radar, many more improvements.
Boat: \$25,000.00 OBO
Call for more info (609) 408-3564

For Sale \$180,000
60' A-1 Fiberglass Hull (100 mile)



New COI 8/17, stb 118, inland cert 103. 2-892 Nats. Fully equipped, new Garmin Radar, 271, 14KW Gen. Upper deck seats 22. Family owned. Freeport, L.I.
www.dolphinfishingfleet.com
Email: tgreco7@optonline.net
Capt Retiring. Tony: (516) 382-5777 Days

Campins Custom Boats
campinscustomboats.co



Available at Any Stage of Completion!
(239) 784-5451

110' x 26' Steel Vessel



16V149 Detroit Diesel, Two 50 KW generators. Vessel completely re-wired in 2008. Can be used for Tender Vessel, Long-Lining, Cargo or Freight. Am able to accommodate some modification for purchaser.
\$249,000 • (804) 761-0673

1985 • 50' LANDING CRAFT



Twin 671's • New Epoxy • New Electronics Batteries • Pumps • Reconditioned Props Currently In Water • Available End Of Nov.
\$120,000 • (207) 271-0298

MOTOR SURF VESSEL



26' 1996 OTEC - 4BTE 3.9M Cummins 130 HP. Engine rebuilt 2009 with 920 hrs., Canopy with curtains, seat cushions, trailer, all like new. Overhead electronic box with GPS, PA, radio, VHF.
A Steal At \$29,900 or BO
Call Bill (978) 273-2060

65' CREW BOAT • BREAUX BAY CRAFT



1982, All Current USCG Certifications, Galley, Head, Shower And Bunks, 30 Passengers, Exceptional Condition! (2) V12-71 Detroit, 20 KW Gen., Ready To Work, Needs Nothing.
3 To Choose From - \$350,000
(631) 331-5336

Central Boat Rentals, Inc.
Morgan City, LA

Ocean Towing: 2000 HP Push Boat
10K & 30K BBL Double Skin Oil Barges

(985) 384-8200 www.centralboat.com

For Sale



Package Price: \$250,000 Firm
Any additional information upon request • Please Call 954-568-0007

12 x 10 Swinging Ladder Dredge DMC Model
3408 Caterpillar Power
Approx. 3000 LF of HDPE 12in Plastic Pipe
500 Gal. Fuel Barge
Lowe Dredge Tender Skiff
Parts Trailer & Pipeline Floats
Floating Discharge Rubber

Vessels For Sale



Seafare 40' Navy Launch
Current COI 45 pass, Current drydock, Oct '16, Re-powered 671 Detroit - \$150,000

Privateer 32' Willard Navy Launch
Current COI 35 passengers, current dry dock Dec '16, Cummins B-210 - \$135,000

Boats Located West Palm Beach FL (561) 339-2504

BOATS & HARBORS

Phone: (931) 484-6100 • (931) 484-8708 • Email: tewis@boats-and-harbors.com

CLASSIFIED ADVERTISING RATES
Rates: 88 cents per word, minimum 20 words for \$17.60 (charge covers two consecutive issues), \$1.32 per word, minimum 20 words for \$26.40 (covers three consecutive issues), \$1.76 per word, minimum 20 words for \$35.20 (covers four consecutive issues). Each additional consecutive issue .44 cents per word. For "Blind Ads" (B&H Box # Replies) add \$4.00 for 2 issues or \$6.00 for 3 issues. Include in count words in name, address, phone numbers & count each initial or number as a separate word unless considered good style to group, as P.O., H.P., 16-278A, etc., but if more than seven characters count as two words.
Bold Type: \$1.20 per word 20 word minimum for \$24.00 (charge covers two consecutive issues) \$1.80 per word 20 word minimum for \$36.00 (covers three consecutive issues) \$2.40 per word 20 word minimum for \$48.00 (covers four consecutive issues), etc.

Classified advertising, set in 8 - point, easy to read type.

CLASSIFIED TERMS
Cash with order, except to municipal, county, state or federal institutions, 5 percent discount on individual orders amounting to \$160.00 or more. No agency commission.

CLOSING DATES FOR CLASSIFIED
8th, 18th, 28th, 10:00AM C.S.T. • Publication Approximately One Day Later.
(Unless otherwise published)

"The Market Place for the Marine Industry"
Since 1958
Be The First To Reach Your Prospects

**Buy
Sell
Trade
Rent
Lease
•
Get
The
Results
You
Want**



Use a WANTED Ad For That Hard To Find Item!!!

CLASSIFIED ADVERTISING SECTION

JUST A SAMPLE
OF THE MANY CLASSIFIED HEADINGS AVAILABLE

ADMIRALTY ATTORNEYS
AIR COMPRESSORS FOR SALE
AIR CONDITIONING EQUIPMENT
AIRBOATS FOR SALE
AIRCRAFT TIRES FOR SALE
AMPHIBIOUS EXCAVATORS WANTED
AMPHIBIOUS VEHICLES
ANCHORS WANTED
ANCHORS/CHAINS FOR SALE
AQUACULTURE EQUIPMENT
AUCTIONS
BARGE FOR SALE OR CHARTER
BARGES AND CRANES FOR SALE
BARGES FOR SALE
BARGES WANTED
BEARINGS FOR SALE
BIDS WANTED
BOAT BUILDER
BOAT DELIVERIES
BOAT HANDLING EQUIPMENT FOR SALE
BOAT HULLS FOR SALE
BOAT MOLDS FOR SALE
BOAT PLANS
BOAT SLIPS FOR SALE
BOAT TRAILERS FOR SALE
BOATS FOR LEASE OR CHARTER
BOATS FOR SALE
BOATS WANTED
BOATYARDS FOR SALE
BOATYARDS WANTED
BOW THRUSTERS FOR SALE
BUOYS FOR SALE
BUSINESS OPPORTUNITIES
BUSINESSES FOR SALE
BUSINESSES WANTED
CRANE EQUIPMENT FOR SALE
CRANES FOR SALE
CRANES FOR SALE OR LEASE
CUSTOM NOZZLES FOR SALE
DIESEL FUEL COMPONENTS
DIVING EQUIPMENT FOR SALE
DOORS/HATCHES FOR SALE
DREDGES FOR SALE
DRYDOCKS FOR SALE
ENGINES FOR SALE
ENGINES WANTED
ENGINE PARTS FOR SALE
FERRYBOATS FOR SALE
FISHING EQUIPMENT FOR SALE
FLOATING DOCKS FOR SALE
FORKLIFTS FOR SALE
GEAR PARTS FOR SALE

GEARS FOR SALE
GEARS WANTED
GENERATORS FOR SALE
GENERATORS WANTED
HELP WANTED
HOIST/WINCHES FOR SALE
INSTRUCTION
INVITATION FOR BIDS
LIFESAVING EQUIPMENT FOR SALE
MARINAS FOR SALE
MARINE CONTRACTORS EQUIPMENT
MARINE RAILWAYS
MISCELLANEOUS FOR SALE
MISCELLANEOUS WANTED
NAUTICAL ANTIQUES FOR SALE
OUTDRIVES FOR SALE
PERMITS FOR LEASE
PERMITS FOR SALE
PERMITS WANTED
PILE DRIVER FOR SALE
PILE DRIVING EQUIP FOR SALE
PILE DRIVING EQUIP WANTED
PILING FOR SALE
PILING WANTED
POSITIONS WANTED
POWER UNITS FOR SALE
PROPELLER SHAFTING FOR SALE
PROPELLERS FOR SALE
PROPULSION UNITS FOR SALE
PUMPS FOR SALE
PUSHBOATS FOR SALE
REAL ESTATE FOR SALE
REFRIGERATION EQUIP FOR SALE
REQUEST FOR PROPOSALS
ROPE FOR SALE
SAILBOATS FOR SALE
SALVAGE EQUIPMENT FOR SALE
SANITATION SYSTEMS FOR SALE
SCHOONERS FOR SALE
SEMI SUBMERSIBLES FOR SALE
SERVICES OFFERED
SHIPS FOR SALE
SHIPYARDS
SUBMARINES FOR SALE
TANKERS FOR SALE
TOWBOATS FOR SALE
TRAILERS FOR SALE
TUGBOATS FOR SALE
V-DRIVES FOR SALE
WATERFRONT PROPERTY
WIRE ROPE FOR SALE
YACHTS FOR SALE

www.DAMCOMARINE.com

"MARINE INDUSTRY SALES AND CHARTERS"

DAMCO MARINE MANAGEMENT, INC.

MORGAN CITY • NEW ORLEANS

PHONE (985) 384-2614

BRITT CELL: (985) 714-0974 • DON CELL: (985) 397-1941

BOATS	BARGES	CRANES
Crew Boats • Lugger Boats Tug Boats • Push Boats Supply Boats Utility Boats • Lift Boats	Deck Barges • Hopper Barges Living Quarters Barges Spud Barges • Tank Barges Crane Barges	American Cranes Lima Cranes • Terex Cranes Manitowoc Cranes Linkbelt Cranes
NEW CONST.	DRYDOCKS	MISC. EQUIP.

WE ARE LOOKING FOR NEW LISTINGS IF ANYONE IS LOOKING TO SELL. PLEASE CONTACT US FOR INFO ABOUT HOW TO LIST WITH US.

SHALLOW DRAFT TUGS

(3) Inland


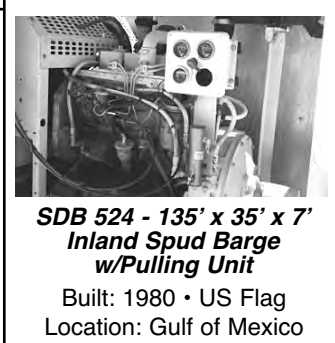
Shallow Draft Day Boats

Type: Shallow Draft Inland Model Bow & Square Bow Day/Shift Boats, Horsepower: 300 HP, Hull Type: Steel, Flag: US, Main Engines: Detroit 8V71, Location: Gulf of Mexico-Louisiana. Call for pricing details.



Type: Inland Model Bow Tug Boat • Horsepower: 800 HP, Dimensions (LxWxD): 50.2'x16.4'x8.2', Year Built: 1954 • Hull Type: Steel, Flag: US, Main Engines: (2) Cummins NTA 855 remanned, Gears: Tonaco Hydraulic Marine Reverse Reduction 5:1, Props: 5 blade stainless steel, Water Capacity: 1550 USG, Fuel Capacity: 4000 USG, Nav Equip: Full, Loc.: Gulf of Mexico. Call for additional details.



 <p>KEYWAY SPUD BARGES 130' x 30' x 7' Inland Keyway Spud Barge Built: 1980 Hydraulic Pulling Unit Location: New Orleans 10' x 20' Keyway (2) 40' 20" x 20" Spuds Reinforced The Keyway Side</p>	 <p>INLAND SPUD BARGE w/PULLING UNIT</p>
--	--

 <p>POWER SPUD BARGE 120' x 30' x 7' - Power Spud Barge Includes: Winch and Spuds</p>	 <p>SDB 524 - 135' x 35' x 7' Inland Spud Barge w/Pulling Unit Built: 1980 • US Flag Location: Gulf of Mexico</p>
--	---

275 TON TEREX CRANE
W/ 200' Boom • 2900 Hrs



CRANE BARGES

 <p>140' x 40' x 8' Inland Crane Barge - with 80 Ton Terex Crane, Built: '07</p>	 <p>130' x 40' x 7.5 Spud Barge w/Pulling Unit & 80T Terex w/120' Boom</p>
--	--

DAMCO MARINE MANAGEMENT, INC., with over 30 years in the marine brokerage & consulting business, offers quality marine equip., including new & used Boats, Barges, Cranes, & Dry Docks, & many other miscellaneous equip. available under U.S. or foreign flags. We have financing options available, we will arrange for NAMS Surveys and Valuations, we can help you ship, transport domestically or internationally, help with reflaging, redocumenting, transferring ownership, we also have charter and bareboat options. We will facilitate the purchase/sale transaction from start to finish.

••• IF IT FLOATS WE CAN HELP YOU BUY OR SELL IT •••

• Call For Details And Additional Pictures •

E-mail: britt@damcomarine.com • don@damcomarine.com

ISLAND WIDE MARINE INSURANCE

Superior Service Since 1977

CUSTOMIZED POLICIES

Designed Specifically For:

- Passenger Vessels**
- Sightseeing - Dinner Cruise**
- Headboats - 6 Packs - Ferry**
- Dolphin - Whale Watch**

FEATURING:

- ★ **Basic & Enhanced Policies**
- ★ **Competitive Pricing**
- ★ **Easy Payment Terms**
- ★ **Discounts For Seasonal Operations**



Marine Insurance is Our ONLY Business
1-800-635-6097

 <p>2001 Zodiac LRI Great Shape - 2 Ea. Available</p>	 <p>2001 Sea Ark Yanmar Diesel, Excellent Cond. • \$89,000 OBO</p>
 <p>2005 36 Sea Ark Patrol Fire Boat Excellent Condition • Reduced Price</p>	 <p>25' SafeBoat Defender Great Shape, NO POWER Reduced Price • 11 Available</p>
 <p>1997 23' Sea Ark Little Giant Diesel Powered, Fresh Paint, Just Serviced Call For Pricing</p>	 <p>2001 21' Sea Ark Twin Four Stroke Outboards 2 Ea. to Choose From • Call For Pricing</p>
 <p>41 UTB 41446 "Detroit" Freshwater Boat, Nicest Original 41 Around. Price Reduced on all 41's, 6 Ea. to Choose From</p>	 <p>50' UTB Utility Boat 3 Ea. to Choose From • Price Reduced</p>

ALL VESSELS ARE IN STOCK AND AVAILABLE FOR IMMEDIATE PURCHASE

For More Information On All These Boats Please Call:

Mike (850) 221-5138 Or


Visit Our Website: www.kclmsales.com

40' Corinthian Catamaran



USCG Certified 45 Pax, Twin 250 Yamaha Engines, New Fuel Tanks, New Stability Letter.
\$130,000 • Call 239-565-0932

600 HP Work Boat For Sale



Built by Inland Marine, Year 1997, Two Detroit 8V71 Engines Rebuilt 2016, Hull and Keel Cooler Rebuilt 2016, Two 10 Ton Winches, Two Propellers 36", Two 10' Push Knees.
\$175,000 USD Negotiable • (786) 991-6875
www.imtglobalsolutions.com

TRUCKABLE WORK BOATS AND BARGES



WE PUT WHAT WE BUILD TO THE TEST WE KNOW WHAT WORKS

EAGLE HOLLOW MARINE
(812) 599-4629

Deck (Party Barge)



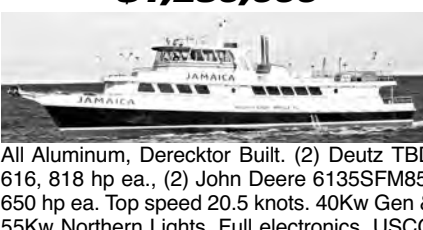
144' x 32'. Wired for generator and shore-power. Two bathrooms, ramp, galley and retractable spuds.
\$150,000.00 (270) 860-5826

53' Ex-Hatteras



Commercial Fishing Hull, Twin 6-92. TTI Nets Available.
\$50,000 • (727) 373-8022

110' x 29' ALUMINUM \$1,250,000




All Aluminum, Derecktor Built. (2) Deutz TBD 616, 818 hp ea., (2) John Deere 6135SFM85, 650 hp ea. Top speed 20.5 knots. 40Kw Gen & 55Kw Northern Lights. Full electronics, USCG inspected. Presently fishing Brielle, NJ, Lic. 150 passengers, 100 miles.
Day: (732) 245-1592

CLOSING DATES • THIRD NOVEMBER ISSUE 2017

• To Be Mailed November 17th •

FOR DISPLAY November 14th (9:00 A.M. C.S.T) **FOR CLASSIFIED** November 16th (10:00 A.M. C.S.T)

75' PASSENGER BOAT



3 - 60 Series MTV Engines / Hamilton Water Jets
Available for sale \$485,000 or possible lease to qualified operator.
Stability letter 149 / COI 75 passengers
Built 2003, 2 - 22 kw Generators, Double Electronics in Wheel House
Inflatable IBA Raft, Cruise 20 Knots, Top Speed 26 Knots
Call Joe: 508-776-8435 or 508-776-6578
Email: joseph@meganet.net

Advertise With Boats and Harbors For The Boat Shows!

International Workboat Show - Closing date for Ad Materials: November 14th 2017
 Show Dates: Nov. 29th, 30th, Dec. 1st - Come see us at Booth 1700

The Dock Expo - Closing date for Ad Materials: November 22nd 2017
 Show Dates: December 5th thru 7th - Visit us at Booth 311

Maryland Waterman's Show - Closing date for Ad Materials: January 3rd 2018
 Show Dates: January 12th, 13th, and 14th 2018 - Come see us!

Passenger Vessel Association - Closing date for Ad Materials: January 15th 2018
 Show Dates: January 28th, 29th, & 30th 2018 - Come see us!

Underwater Intervention - Closing date for Ad Materials: January 24th 2018
 Show Dates: February 6th, 7th, & 8th - Come see us at booth 742

Maine Boat Builders Show - Closing date for Ad Materials: March 14th 2018
 Show Dates: March 23rd, 24th, & 25th 2018 - Come see us!

RATES, ETC.

CLASSIFIED ADVERTISING

Rates for classified advertising: 88 cents per word, minimum 20 words for \$17.60 (charge covers two consecutive issues), \$1.32 per word, minimum 20 words for \$26.40 (covers three consecutive issues), \$1.76 per word, minimum 20 words for \$35.20 (covers four consecutive issues). Each additional consecutive issue .44 cents per word. For "Blind Ads" (B&H Box # Replies) add \$4.00 for 2 issues or \$6.00 for 3 issues. Include in count words in name, address, phone numbers & count each initial or number as a separate word unless considered good style to group, as P.O., H.P., 16-278A, etc., but if more than seven characters count as two words. **Bold Type:** \$1.20 per word 20 word minimum for \$24.00 (charge covers two consecutive issues) \$1.80 per word 20 word minimum for \$36.00 (covers three consecutive issues) \$2.40 per word 20 word minimum for \$48.00 (covers four consecutive issues), etc.

Terms: Payment With Order • Closing Dates: 7th, 17th, 27th, 10:00AM C.S.T. (Unless Otherwise Published)
 We Reserve The Right To Reject Any or All Advertising. Email: tlewis

DISPLAY ADVERTISING (3 ISSUES / ONE MONTH)

DISPLAY RATES Are Based on the column inch which is 1" deep and 2 1/4" (14 picas) wide

Ad prices below are quoted for Black and White Only. Please call for Color Rates.

SIZE	RATE	SIZE	RATE	SIZE	RATE	Full Page
1"	\$ 73.00	15"	\$675.00	39"	\$1521.00	\$2176.00
2"	\$118.00	16"	\$688.00	40"	\$1560.00	Half Page \$1344.00
3"	\$174.00	18"	\$774.00	42"	\$1596.00	1/3 Page \$903.00
4"	\$232.00	20"	\$860.00	44"	\$1628.00	1/4 Page \$688.00
5"	\$290.00	21"	\$903.00	45"	\$1665.00	
6"	\$348.00	22"	\$946.00	48"	\$1728.00	Double Page \$4224.00
7"	\$406.00	24"	\$1032.00	52"	\$1820.00	Center Spread \$4608.00
8"	\$432.00	26"	\$1118.00	56"	\$1960.00	Cover Page \$2144.00
9"	\$450.00	27"	\$1161.00	60"	\$2040.00	
10"	\$480.00	28"	\$1204.00			
11"	\$506.00	30"	\$1260.00			
12"	\$552.00	32"	\$1344.00			
13"	\$585.00	33"	\$1353.00			
14"	\$630.00	36"	\$1404.00			

For Color Rates Please Call
Closing Dates For Display:
4th, 14th, 24th unless otherwise published

ADDRESSES - (MAILING) Boats & Harbors, P.O. Drawer 647, Crossville, TN 38557
 Physical Delivery Address: Boats & Harbors, 175 4th St. Crossville, TN 38555-4302
 Phone: (931) 484-6100 • (931) 484-8708 • Fax: (931) 456-2337
 Email: dhale@boats-and-harbors.com • www.boats-and-harbors.com

MECHANICAL REQUIREMENTS FOR DISPLAY ADVERTISING

1. Printing process: Web offset.
2. Binding method: Saddle stitched.
3. Trim size 10-1/4" wide by 17" deep
4. 4 column page format.
5. Width of single column: 2-1/4" (14 picas)
 Width of two columns: 4-3/4" (28-1/2 picas)
 Width of three columns: 7-1/4" (43 picas)
 Width of four columns: 9-3/4" (58-1/2 picas)
6. Depth of column: 16-1/4"
7. Minimum size space unit; one column in. (2-1/4"W x 1"D)
8. All display ads must be full inches (no fractions).
9. Ad must be as many inches in depth as it is columns wide.
10. Publisher accepts: Negatives (right reading emulsion side down); repro proofs; camera-ready art; copy to be set in type. For best results, we recommend the submissions of quality white proofs rather than negatives. (Mail repro proofs flat or in mailing tube).
11. Black and white halftones: 80 to 100 line screen.
12. For best quality, submit clear sharp photos.
13. Page number or position on page not guaranteed.
14. Contract advertisers are entitled to one complete change of copy every three issues. When change of copy is not received by closing date, copy run in previous issue will be inserted.
15. The publisher assumes no liability if for any reason it becomes necessary to omit any advertisement.
16. No cancellations or changes in orders will be accepted after closing dates.

SUBSCRIPTION ORDER FORM

You May Submit Your Subscription Request Online At:
www.boats-and-harbors.com

* Standard Mail - (One Year - 36 Issues - 3 Per Month)..... **\$39.95**

* Standard Mail - (Two Years - 24 Issues - 1 per month)..... **\$35.90**

* Standard Mail - (One Year - 12 Issues - 1 per month)..... **\$17.95**

***USA & POSSESSIONS ONLY**

* First Class Mail - (One Year - 36 Issues - 3 Per Month)..... **\$81.95**

* First Class Mail - (Six Months - 18 Issues - 3 Per Month)..... **\$41.95**

* First Class Mail - (One Year - 12 Issues - 1 Per Month)..... **\$31.95**

Remittance Enclosed \$ _____

Foreign (Send For Rates) or go to www.boats-and-harbors.com

Name.....

Business Name.....

P.O Box or Street Address.....

City..... State..... Zip Code.....

Type of boat or business.....

Ph. No. ()..... Fax No.....

PH: (931) 484-6100 BOATS & HARBORS P.O. Drawer 647
FAX: (931) 456-2337 Crossville, TN 38557
Email: dhale@boats-and-harbors.com • www.boats-and-harbors.com

Introducing static grounding reels made of stainless steel.

Ideal around fuels, combustibles and salt environments.

Why risk a discharge of static electricity sparking an explosion? These 20-50' stainless steel static grounding reels eliminate the danger. They outlast powder-coated steel reels in tough environments, and their clip jaws open a full 1-1/16" for easy attaching to structural assemblies or bars. With long-life springs and easy auto-retract, they're the safer solution for docks, watercraft fueling, barge loading/unloading and other marine applications.



AMETEK
HUNTER SPRING PRODUCTS

© 2017 by AMETEK Inc. All rights reserved.

www.ametekhunterspring.com

Southern Marine Services Inc.
 Email: southernmarineservicesinc@gmail.com
 Website: www.Southernmarineservices.com
 (321) 536-4855 / (321) 613-0458
SE HABLA ESPANOL WE WANT YOUR BUSINESS
100' CREW DIVE SALVAGE ISLAND CARGO BOAT

 Triple Screw • Twin Gen 30kw
 Can Carry 100 Pass and Deck Cargo
 Reconditioned Engines • Good Hull
 Licensed Gulf
Will Deliver to Your Dock
Bargain Boat at Only \$175,000

Heartland Barge
MARINE BROKERS
618-281-4503
www.HL-Barge.com

90' Model Bow Coastal Tug

 2400 hp, 12 cyl. EMD 645 E-7 turbo single screw. 3-1 Falk Gear. (2) 4-71 75KW gen sets, fully equipped. East Coast U.S.
Price Negotiable (443) 324-6457

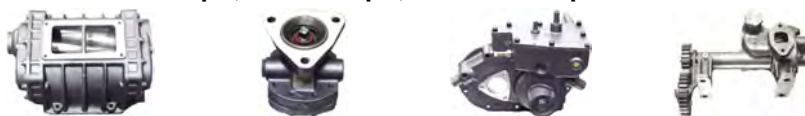


PC Industries

www.powerlinecomponents.com

Specializing in Detroit Diesel 2 Cycle Engines

Complete Line of Remanufactured Subassemblies
 Blowers, Con Rods, Cylinder Heads, Injectors,
 Fuel Pumps, Oil Pumps, Water Pumps and More!



Large Inventory of New Parts

Pistons, Cylinder Liners, Ring Sets, Gasket Sets, Bearings



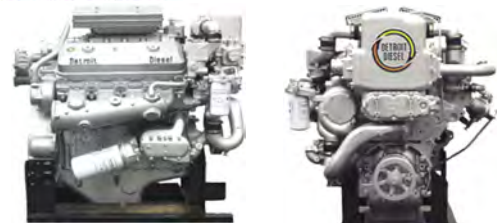
North West Distributor
 Kocsis Hydraulic Starting Systems

New Water Cooled Exhaust Manifolds & Accessories
 for Caterpillar, Cummins & Detroit Diesel Engines



PC Industries, LLC
 1088 N. Washington, P.O. Box 490
 Afton, Wyoming 83110 USA
 Phone # (307) 885-4724
 Fax # (307) 885-3215
 Toll Free # (877) 885-4724

Remanufactured & Dynamometer
 Tested Detroit Diesel Engines



ATLANTIC

YACHT & SHIP INC.

SHIPS FOR SALE



33.5M High-Speed Cutter Patrol
 2012 CAT engines / 22 knot cruise



65M Landing Craft Cargo 2007 RINA
 809t Capacity - 15 days at 8 knots

Atlantic Yacht & Ship has a variety of commercial ships to choose from. This ad depicts a small selection of vessels available. Contact us for any commercial vessel including patrol vessels, double ended ferries, fast ferries, and landing crafts, tankers, ANYTHING. We have ships available in every age from old to brand new, and a broad range of prices to suite your requirements.



Doug Hoogs
 +1-954-643-6386
doug@ayssales.com



Brent de Sellier
 +1-954-662-6241
brent@ayssales.com



METAL SHARK

METALSHARKBOATS.COM



36' Courageous



38' Defiant



75' Endurance

337.364.0777 • sales@metalsarkboats.com

MERTON'S

FIBERGLASS AND MARINE SUPPLY

- Complete hand lay-up fiberglass supplies for light & heavy fiberglass or wood boat repair & construction.
- Polyester, Epoxy, Vinylester Marine Grade Resins.
- Marine Topside Enamels & Antifouling Bottom Paint.
- Silicon Bronze & Stainless Steel Fasteners

Quality Brand Name Products
Competitive Pricing
All items in stock for Immediate shipment

Online catalog
www.mertons.com
Call 800-333-0314
P.O. Box 399
East Longmeadow, MA 01028

Supplying Quality Products To Boat Owners.
Hull Finishers & Boatyards for over 20 years

800-333-0314



Scruton Marine Services

Peggy or Mike Scruton
MARINE BROKERS
49 John Street
Port Dover Ontario,
NOA 1N7

Website:
www.scrutonmarine.com
Email:
sms@scrutonmarine.com
Ph: (519) 583-1636
Fax: (519) 583-2189

"SCRUTONIZE YOUR INVENTORY"

25' NAVY PERSONNEL/WORKBOAT



671 Detroit V Drive - \$12,500
(208) 664-8215

47' Neville Crew Boat



COI until 2020 for 22 pass. 2 crew. Twin Cummins 8.3 L Diamond series. 450 HP. ZF 280 A gears. 9 KW Onan. Turn Key. \$190,000
Call (252) 728-9611 • asmith7@ecrr.com



1999 Cape Island Novi Cruiser

32' L x 12' W. Fiberglass, 4.8 depth, 4 blade prop, repowered '09 Cummins 6BTA, 292 hours, hydraulic steering, inverter, auto pilot, depth meter, fish finder, Honda generator, rooftop AC, enclosed head, galley, 4 bunks.

Price \$45,000.00
Call Mark (910) 520-5298

For Sale



Outta Line 38' Hatteras Convertible 430 Reman 6 CTA Cummins, Phasor 9.5 KW Generator, Lee Outriggers, Location: Destin, FL.
\$85,000 Firm
Contact Steve Hall (850) 240-9900

60' x 16' x 4' Pilot/Crew/Launch



Breux 1991, Twin Cat 3406B Turbo w/Twin Disc MG 5114A. 24kW Genset, cold A/C, 800 gal fuel, 18 knot cruise. Reduced to \$179,000 Tampa, FL.
For More Info & Pics (251) 610-3111 or
Email: oceanicservicesllc@gmail.com

www.BoatWindows.biz

B & J Aluminum Windows Inc
1-800-621-1381
sillycajun@aol.com
Made In USA

Central Boat Rentals, Inc.

Morgan City, LA

Ocean Barges: 180 x 54 x 12 260 x 72 x 16
Tank Barges: 10K & 30K bbl Double Skin
Ocean Towing Barge Fleeting
Shipyard Services

(985) 384-8200 centralboat.com

BARGE FOR SALE

Deck Barge 300 x 90 x 20 • 10 Metric Ton Per sqm Deck Load Capacity
Port of Philadelphia • Ballast Tanks

For More Information Call Rick Greenberg at 609-705-3013






COMMERCIAL MARINE SUPPORT SALVAGE, DIVING & CONSTRUCTION


Cranes, Barges, Tugs, Ferry & Dredging Services • Crew, Tow, Film, Spill Security & Safety Boats.
Sales & Equipment Rentals • Meet The Fleet At www.CustomMarine1.com

Capt. Dwayne Reith • 646-235-9546 Tel. • 914-930-8907 Fax. • 710 Washington St., Peekskill, NY 10511







95' Warping Tug, Twin Detroit Diesel 8 Cyl. Engines, Winch Power Assisted Drum Allison MH30L Transmissions, 360 Degree Water Jet Propulsion. Asking \$99k W/O Winch



2004 46' Dauntless Sea Ark, Twin Diesel Cummins (QSM-11) Engines. 580 HP @ 2300 RPM. Transmission is ZF Marine (ZF 325-1A). Fuel Capacity 500 Gallons (200 FWD Saddle Tank, 300 AFT Saddle Tank). 25 Knot Cruise.....\$295K



2 - LCM-8, 1987, Freshwater Only, 700 Hrs., 80 Ton Capacity. \$329,000



1985 American 9220, 125 Ton, 100' Boom, Cummins, 4 1/2 Yard Clamp Bucket. On Bulkhead In NY Barge Accessible For Pickup. - \$149,000



2004 Nautica Rib, 42'. Cost \$500K New. A/C, Genset, 440 Yanmar w/Jets. - \$119,000



1991 Thomas, 28' Pilothouse, Inboard Cummins, 6 Cylinder 6BTA 250 HP, Keel Cooled, 1,200 Hours. All Aluminum. - \$34,000



2003 23' Rescue Boat, BH-HR7 Steyr 236 Diesel, 30 Hrs. \$50,000



2000 32' Aluminum Breux Brothers Work Boat, Mercruiser 454 FWC, Bravo 2, Fast Fuel Efficient. - \$44,000



3- 1- 25' Steel Push/Work Boat, 1993, Twin 453, Both Diesels & Trans. Rebuilt Last Season, 24" 4 Blade Props. - \$64,000



24' Henley Aluminum Work Boat, 4 Cyl Gas Volvo I/O, Just Rebuilt. - \$19,000



1999 Metal Craft King Fisher 22', 150 HP Volvo I/O Penta Diesel, Trailer Included. - \$49,000



Shugart (4) 40' x 12' x 5'3, 25 Ton Capacity Ea. 2- 20" Spud Wells, 2- 40-80' Spuds Avail. - For Lease



2003 Sea Ark 28' Enforcer, Aluminum, Twin Yanmar 200 HP, Genset. - \$78,000



Flat Deck Bin Wall Barge 130' x 38' x 11' x 1/2" Sides Mostly Freshwater. - \$120,000

FOR LEASE:

(2) 2007 25' x 12 TRUCKABLE PUSH BOATS - (1) FOR SALE - \$159K FIRM

15' Eye Level, Twin Screw John Deere's, Flanking Rudders, Used Only In Fresh Water, Excellent Condition, Very Low Hours.



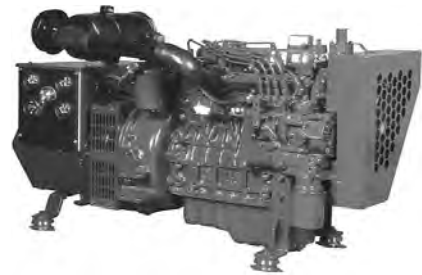
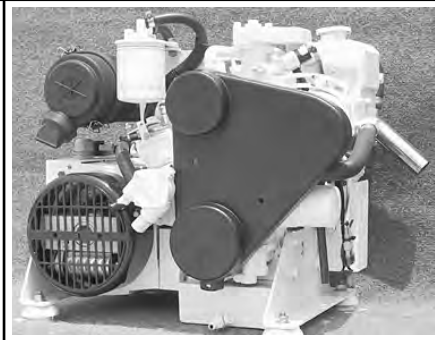
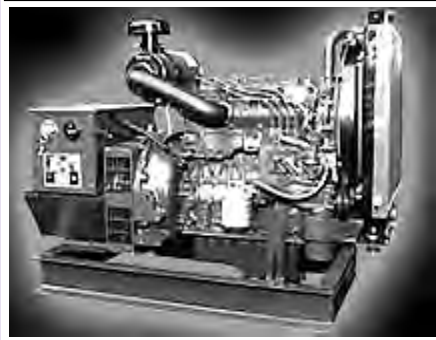
FOR LEASE OR SALE (2) 2015 Marine Inland Truckable Push Tugs • \$275K

25'11" x 14'

2 - 300 H.P. John Deere 6068 turbo tier 3 diesels 700 hrs. Flanking rudders with 21' eye level upper station and 15' from house 10 kW Genset. Fire pump, diesel mounted on deck 2- 10 ton winches 3/4 cable. 2 - 36" x 24" x 2.5" work horse props. 9' Push knees. Very Low Hours



DIESEL GENERATORS



Kybo

1800 RPM Generators

	Heat Exchange Cooled	Keel Cooled	Radiator Cooled Remote Radiator Only	
1cyl	3.5kw \$ 5,775.00	\$ n/a	\$ 4,525.00	Prices include ISO mounts, switch start with hour meter, other accessories and options available.
2cyl	5.5kw 6,975.00	5,400.00	5,575.00	
3cyl	7.0kw 8,642.00	6,050.00	6,465.00	
3cyl	8.5kw 8,998.00	6,250.00	6,575.00	
3cyl	9.5kw 9,986.00	6,475.00	6,935.00	
4cyl	12.5kw 11,829.00	7,200.00	7,600.00	
4cyl	15kw 12,458.00	8,200.00	8,525.00	
4cyl	17.5kw 13,572.00	8,600.00	9,125.00	
4cyl	21kw 14,685.00	9,450.00	9,675.00	
4cyl	25kw n/a	10,100.00	10,450.00	
4cyl	30kw 20,160.00	10,500.00	11,120.00	
4cyl	40kw n/a	14,475.00	12,500.00	
4cyl	50kw n/a	15,600.00	13,950.00	

1732 St. Johns Bluff Road, Jacksonville, FL 32246
www.nextgenerationpower.com

904-642-8555

Marine Equipment Rentals

S-70 Flexi Floats & Accessories



Spud Barges
Jack Up Barges
Truckable Twin Screw Pushboats
Truckable Dinnys
Harbor Masters
Manitowoc Crawler Cranes
Construction Equipment For Sale



Chris Jarvais
207 679 2359
cjarvais@cianbro.com

CIANBRO

MARINE FLOTATION FOAM

SABO & ASSOCIATES
YOUR EXPERT MARINE FLOTATION TEAM

We Have 2 Lb+ Closed Cell FLOTATION FOAM For Sale In 55 Gal. Drum Sets Or Larger

This Foam Is UL, ICC & Federally Approved!!

We DO NOT Sell or Use Any Foam That Does Not Have These Minimum Qualifications!

CALL FOR PRICING

We Install The Closed Cell Flotation Foam In Barges • Platforms • Ships • Docks Seawalls • Storm Water Runoff Lifting Concrete and Insulation

To Mention A Few Of The Uses

CALL FOR INSTALLED PRICING

We Have Over 30 YEARS In The Industry!

We Are FEDERALLY APPROVED Contractors

We Are Recognized As Technical Experts

ALL PROJECTS Reviewed By Engineers!!



We Are FULLY INSURED With General Liability Workers Compensation and Disability Insurance

For More Information:
Call (518) 796-0080

<http://www.marinefoamexperts.com>



WORLD LEADER IN ALUMINUM LANDING CRAFT



MUNSON & YAMAHA

A Winning Combination

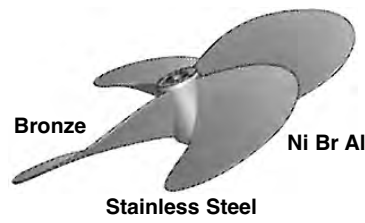


WWW.MUNSONBOATS.COM

(360)707-2752 | jesse@munsonboats.com | 15806 Preston Place, Burlington, WA 98233

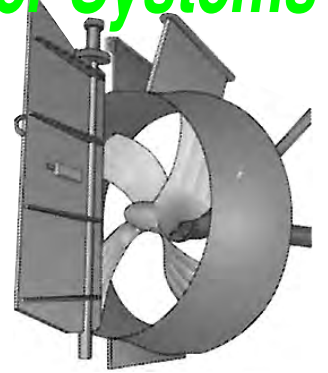


Propellers, Nozzles, Triple and Flap Rudder Systems



Hydrodynamic design with specially skewed propeller produces **LESS DRAG, LESS VIBRATION, and LONGER LIFE** for your nozzle!

New Rice Flap Rudder System. Decreases turning radius by 70% when compared to conventional rudders. A minimum of 5% reduction in fuel consumption. Reduced traveling time even with large loads. Typically pays for itself in two years



Rice Thrust Nozzles also available
8 to 13% more bollard pull
8-10% more free running speed • 8-12% fuel savings
Custom designs available



- brass
- aluminum
- stainless steel
- fixed or opening
- bolt-in or weld-in
- with / without cover
- with / without screen
- 10 to 18 inch diameters

Why not call?

PORTLIGHTS

FREEMAN QUICK-ACTING HATCHES



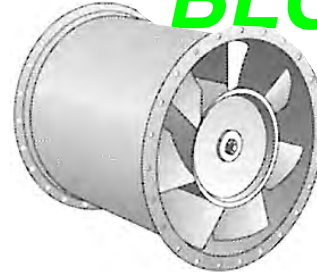
- 31 standard size covers
- custom hatches available
- flush - raised
- oval - round - square
- liftout - hinged - concealed hinge



CUSTOM OPTIONS

ring type ... mechanism type ... handle style ... hinges ... escape handles...
gaskets ... finishes ... composite installations

BLOWERS



MARINE TUBEAXIAL FANS MAN & PRODUCT COOLERS

- diameters from 12" to 60" (or more)
- housing gauges from .105" to .25"
- flow rates from 2380 to 224,506 cfm
- static pressure performance up to 4"

Tell us the performance you need from your next blower purchase and let us pleasantly surprise you ...first with the price and then with the quality.

Is it time

to replace your old
BUMPERS ?



FENDERING

available in almost any shape or size

SEWAGE TREATMENT

TYPE II MARINE SANITATION DEVICES

IMPROVED USCG & IMO UNITS AVAILABLE

- low maintenance
- outstanding size / performance ratio
- modular design creates flexible installation options
- non-corrosive materials
- reduced operating costs
- significant weight savings

Models range in capacity from
Up To 11,160 gallons per day.

MARINE DOORS

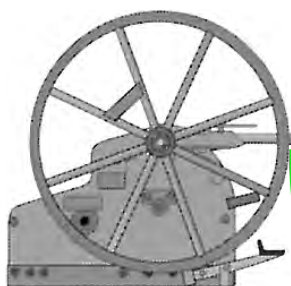
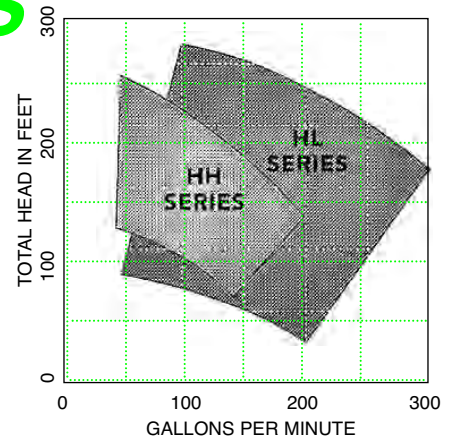
- watertight
- weathertight
- gas/fume tight
- joiner
- quick-acting
- individually-dogged
- radius or mitred corners
- insulated - hollow - solid
- single , french, or dutch panel
- steel - aluminum - stainless steel



NEW!

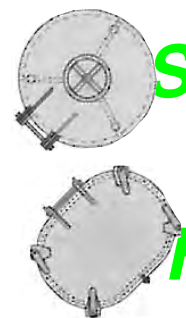
PUMPS

Imagine
at 60 PSI
getting 300 GPM from a
high head self-priming pump!
Available in 3-20 horsepower.
GREAT FOR FIRE & BILGE!



NABRICO WINCHES

- Manual
- Electric
- Hydra-Electric
- Barge moving



SCUTTLES DOORS HATCHES

in stock & custom • standard & ABS construction
individually dogged • quick-acting

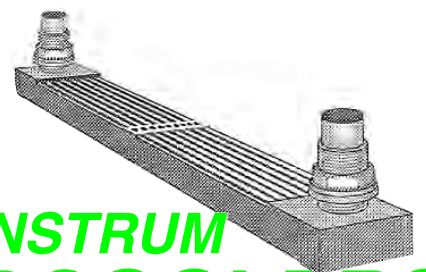
NOW
INSPECTING
AND
SERVICING
INFLATABLE
LIFE RAFTS



It's just a call...



FERNSTRUM GRIDCOOLERS



CALL FOR OUR NEW CATALOG
"WE SHIP WORLDWIDE!"

"WE SHIP WORLDWIDE!"

- | | | | | | | | | |
|----------------|----------|---------------------|------------------|------------------|-----------------|--------------------|---------------|-----------------|
| HULL: | Blocks | ENGINE ROOM | PLUMBING: | | | | | |
| Anchors | Chocks | Air Compressors | Sewage Treatment | | | | | Ladders |
| Bumpers | Doors | Battery Boxes | Type-I MSD's | GALLEY: | Refrigerators | SAFETY: | Lights | Life Preservers |
| Gridcoolers | Gangways | Blowers | Type II MSD's | Air Conditioners | Sinks | Distress Signals | Searchlights | Life Rafts |
| Hull Anodes | Hatches | Separators | Strainers | Faucets | Freezers | Dock Boxes | COATINGS | Lights |
| Propellers | Kevels | PUMPS: | Skimmers | Freezers | Oil-free Fryers | EPiRBS | new Ceramics | Lights |
| Nozzles | Manholes | Custom Packages | Toilets | Ovens | Watermakers | Fire Extinguishers | new Epoxys | Life Rafts |
| Shaft Bearings | Scuppers | Call us with your | Valves | Ranges | Water Purifiers | Fire Nozzles | fire coatings | Life Rafts |
| DECK: | Scuttles | performance needs | Watermakers | | | Immersion Suits | insulators | Life Rafts |
| Bits | Winches | & we'll provide it! | | | | Controls | Super Therm | Life Rafts |

1-800-725-3787 • (504) 525-7137 • Fax: 504/525-6303
www.brtmarine.com

HYDRO-SLAVE

★ SAME DAY SERVICE ★

QUALITY MARINE HYDRAULIC EQUIPMENT

STANDARD BOOM WINCH



SPECIFICATIONS

- PULL - EMPTY SPOOL - 24 CID MOTOR
12 GPM @ 1500 PSI - 3580 LBS
12 GPM @ 2000 PSI - 4730 LBS
- PULL - FULL SPOOL - 24 CID MOTOR
12 GPM @ 1500 PSI - 1375 LBS
12 GPM @ 2000 PSI - 1813 LBS

BRAKE BOOM WINCH

WIRE CAPACITY

- 5/16" WIRE - 321 FEET • 3/8" WIRE - 223 FEET
1/2" WIRE - 125 FEET



Available in Both Powder Coated Steel and Stainless Steel

BUY THE BEST - BUY THE ORIGINAL BUY HYDRO-SLAVE

HYDRAULIC PUMP WITH ELECTRIC CLUTCH

2 Bolt B Auxilliary Drive Assembly

2 BOLT B 13 TOOTH MOUNTING FLANGE

- Precision Machined Aluminum 2 Bolt B Mounting Flange
- Precision Machined Steel Pump-Clutch Mounting Bracket
- 250 Ft. Lb. 2 Bolt B 13 Tooth Clutch
- 25VQC High Performance Vane Pump 2 Bolt B 13 Tooth Spline 21 GPM @ 3000 PSI, 1200 RPM
- Dimensions: 13" Long, 8-1/2" Wide



THIS ASSEMBLY IS SUITABLE FOR INSTALLATION ON ANY 2 BOLT B 13 TOOTH DRIVE ADAPTER SUCH AS A TWIN DISC OR ZF TRANSMISSION

WORLD'S LARGEST POT HAULER MFG. FOR OVER 40 YEARS

For more information call: 1-800-747-7550 or visit us on the internet: www.marine-hydraulic-engineering.com

MARINE HYDRAULIC ENGINEERING CO., INC.

17 Gordon Drive Rockland Maine 04841 Fax: 207-594-9721
Email: marinhyd@midcoast.com

YOUR BUSINESS ANCHOR

Buying or Selling a Passenger Vessel or Business?



Fort Warren 150 Passenger Charter Yacht



Mark Twain 149 Passenger Sternwheel



Kingston Express 147 Passenger Ferry



Catfish Bend 1,389 Passenger Paddlewheeler

PINNACLE MARINE CORPORATION

We are the only brokerage service specializing in the passenger vessel industry. We also provide assistance locating financing, vessel transportation, securing insurance, marketing and business consulting, and auction services.

608-788-3210 • email: info@pinnaclemarine.com • www.pinnaclemarine.com

GOOD STEEL BOATS



Made For Work
Self-Bailing Assist
Utility & Bridge Construction Boats
www.AMERICANWORKBOAT.com
(508) 264-6863

BUY SELL RENT

CLAMSHELL BUCKETS HOISTS & WINCHES PILE DRIVING EQUIPMENT



GREG DUNN
(724) 228-5560
FAX (724) 228-8776
www.needist.com

400 Country Club Road
P.O. Box 358
Meadow Lands, PA 15347-0358

TAPPAN ZEE
CONSTRUCTORS, LLC
Marine and Construction
Equipment for Sale
Tarrytown, NY
www.tappanzeesales.com

CREWBOATS FOR SALE

- 23' Lobell 2380 (1996) \$40,000
- 26' MonArk (1978) \$35,000
- 36' 3612-V Dauntless (2005) \$140,000
- 36' 3612-V Dauntless (2005) \$160,000

VISIT WEBSITE FOR DETAILS

Looking for Marine parts?

Save time and money!
We will find marine parts from around the world including engines, generators, & oil platform cranes.

OVER 25 YEARS EXPERIENCE

MyMarineTracker.com
Marine Purchasing Services

1-866-717-2053
or 608-783-2766

CALL FOR PRICING

Johnson Stevens
(843) 889-2254 Office
j.stevens@stevens-towing.com

For over 100 years, Stevens Towing has conducted business in marine towing, barge charter, and marine repair. Located 25 miles south of Charleston, SC, (mile marker 490 ICW) the shipyard is equipped with 2 Marine Railways, a 150-ton Marine Travel Lift, as well as 500' of dock space for topside marine repairs.

Equipment For Charter

Deck Barges

- (3) 120 x 30 x 7
- (2) 120 x 33 x 10
- (1) 150 x 55 x 8
- (1) 162 x 52 x 10
- (1) 175 x 39 x 9
- (1) 260 x 50 x 10.5
- (1) 250 x 54 x 13 ABS

Equipment For Sale

Hopper Barge

(1) 260 x 52.5 x 12

Crane Barge

(1) 199 x 52 x 14 w/ 28 ton Crane at 90' Intercon Hydraulic Crane w/Cat Engines

Cranes

We have two 500 ton barge mounted cranes that are strategically placed in Savannah, GA and Charleston, SC. These cranes have the ability to move via the Intercoastal Waterway or Offshore to any job. We also have a barge mtd Clyde 32 which is a rotating 140 ton crane at 45ft.

Savannah Giant

Crane Capacity: 500 Tons
Barge Dimensions: 180' x 80' x 10'

Ocean Ranger

Crane Capacity: 500 Tons
Barge Dimensions: ABS 200' x 72' x 14'

Stevens 1401

Crane Capacity: 140 Tons
Barge Dimensions: 142' x 58' with spuds

US FLAG JONES ACT SHIP

"M/V Coastal Venture"

For Charter

Length Overall: 247' • Draft: 11'
Speed At Sea Loaded: 12 KTS • GT: 497
Capacities: Hold 1 Cubic Capacity 8,640 FT+, Hold 2 Cubic Capacity 30,800 FT+, Hold 3 Cubic Capacity 45,760 FT+.
Capable of carrying a wide variety of cargo from Break Bulk to Containers as well as Hazardous Goods Class 1-9

Stevens Towing Shipyard

Railways

We Have Two Large Marine Railways With A Weight Capacity Up To 1650 ST And Dimension Up To 300' Long x 80' Wide.

Travel Lift

Weight Capacity: 150 ST • Length Unlimited x 37' Wide

STEVENS TOWING - A RESPECTED NAME IN THE MARITIME INDUSTRY FOR OVER 100 YEARS.

MAINE BOATBUILDERS' SHOW

March 23, 24, 25, 2018
512 Warren Avenue • Portland, ME 04103
Hours: 10-6 Friday & Saturday, 10-4 Sunday

A gathering of the finest fiberglass and wooden custom boat builders on the East Coast. Also exhibiting numerous manufacturers of boating equipment. Sailboats, powerboats, canoes, kayaks, and rowing boats with the builders there to discuss and sell their work.

Produced by:
Portland Yacht Services
207-774-1067

New Location
512 Warren Ave
Portland Sports Complex

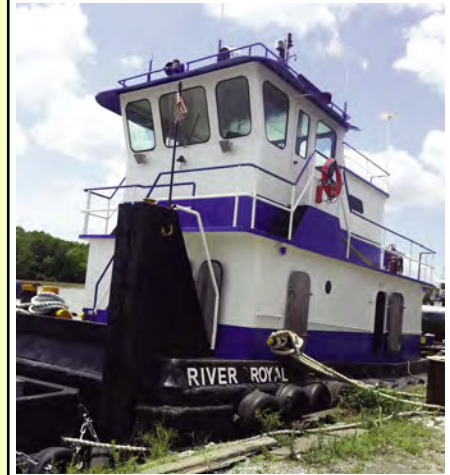
For More Updated Information Go To:
www.portlandyacht.com

Successful TN Marina
Price: \$2,000,000 • Great Cash Flow



Please Contact: George Ash
Marina Investment and Marketing Adviser
ash1@simplymarinas.com
352-262-5784 • www.simplymarinas.com

FOR SALE
900 HP (1981)
Twin Screw Push Boat



\$525,000.00

(2) 3406 Cat Diesel Engines and (2) 30 KW Kubota Generators, new electronics in wheelhouse, complete interior remodel, 2 new bow winches, washer and dryer, all new appliances in galley, has brass wheels mounted, and a spare set of SS wheels ready to go, 2 spare shafts ready to go, 1 spare rudder ready to go. Super clean, powerful, shallow draft tug. Located Morgan City, LA.

Call Mike @ (337) 315-9871 or Email: ROYALMARINE53@aol.com

NEXT CLOSING DATES

THIRD NOVEMBER ISSUE 2017
• To Be Mailed November 17th •
FOR DISPLAY
November 14th • (9:00 A.M. C.S.T)
FOR CLASSIFIED
November 16th • (10:00 A.M. C.S.T)



CS Marine Constructors Inc.

CS MARINE CONSTRUCTORS, INC. Rental/Services: Mark@csmarine.com
425 15TH Street Vallejo, CA 94592 Sales: Terry@csmarine.com
WWW.CSMARINE.COM (707) 562-4100

Barges for Charter
Hopper Barge (3000 Ton)
Jackup Barge, Portable
Spud Barges
Deck Barges



Services
Dockside Mobilization
Floating Crane Service

Equipment for Rent
Anchors Ramps, Fenders
Buoys Concrete Buckets
Fairleads Bardex Jacking System

For Sale - Good running
2900 Manitowoc Truck Crane,
outriggers bad,
makes good pedestal
mount @ \$15K



For Sale - 18 Ton Drott Hyd.
Crane.....\$10K



For Sale
UHMW – 3” thick black,
white and yellow. Some
new, some used.
\$1.00/lb ?

'98 800 HP MAN DIESEL



Needs worked on for parts
With or without gear
\$18,000 B/O • (508) 990-2065



For Sale
SunCruz VII
Casino Vessel

Name Reserved: Yes, Ex-Name Diamond Royale, Andrew Fletcher. Manufacture: Offshore Shipbuilding, Inc. Model Year: 1985. MFG. Year: 1985, Boat Type: Casino Vessel, Boat Is: Used, Length Overall: 184', Beam: 40', Weight (Displ): Gross tons ITC: 1,314 REG: 99/NT, ITC: 413 REG: 67, Hull Material: Welded steel, Hull Configuration: Traverse, Speed (knots) Cruise@ RPM 10 Speed (knots) Max@RPM 10 Fuel Tank (Gal / Mtr) 7,500 total gal. Certification & Class: K Class, Boat just had \$327,000 worth of work done by the Delyens Shipyard. At time of work the boat was seized by the U.S Marshal's Office for taxes. The boat is sail-able per U.S Coast Guard. The keel & hull below water line have been repaired. The decks & pilot house need some blasting & painting. The boat has around 175-180 Slot machines, 20 Black Jack tables, 4 Roulette wheels, 2 Craps tables & 2 Texas holdem tables. There are three bars on board. The ship has set for the last eight months so it needs to be cleaned out. The main propulsion is (2) 3812 CAT motors which are working, Generators are 3408 CAT motors (3). This vessel has very good Reef Possibilities.

Can be viewed any time with appointment
in the Port of Charleston, SC, USA
Price: \$295,000.00
For More Information Call: Mike Bruce
(864) 270-4945

Check Out Our
Classified Ads
Starting on Page 26

UI 2018

UNDERWATER INTERVENTION




February 6-8, 2018 | New Orleans, LA

The world's premier event for Commercial Diving Contractors, Remotely Operated Vehicles, Manned Submersibles, and all other aspects of the Underwater Operations Industry!

Check the newly revamped website for registration information and details for both attendees and exhibitors!

UnderwaterIntervention.com

ATTEND

UNDERWATER INTERVENTION 2018

Join your peers at THE industry event of the year.

- Network with leaders in the underwater industry from around the world.
- Stay up-to-date on that latest industry information, strategies and technologies through numerous education track sessions and a massive exhibit hall.
- See the latest and greatest products and services for the underwater industry.

You don't want to miss this!

Registration information is on our website at www.underwaterintervention.com.

EXHIBIT

AT UNDERWATER INTERVENTION 2018

Showcase your products and services to top decision-makers in the underwater industry!

Exhibit space is quickly running out, so don't delay!

Contact Your UI Show Management Team at (703) 259-6118 or ui@naylor.com, or visit www.underwaterintervention.com for more information.

Dames Point Workboats, Jacksonville, FL
(904) 757-0407 • www.damespointworkboats.com



Aluminum Pushboat For Sale

Aluminum Ex-Army Bridge Boat, 353 Detroit with fresh rebuilds. 3:1 gears. Aluminum tri-axle trailer included to easily pull with 3/4 ton pick-up. Boat was shortened to 25' 3".
\$31,500.00

110' x 34' 1943 STEEL • EX-NAVY REPAIR BARGE



All steel construction Appears to be in Very Good or better condition throughout! CLEAN: Used for Electronics repair. 96' two-story house w/ 7' 2" ceiling height. 7' open deck at each end. Approx. 3,250 sq. ft. on each of two decks & below main deck which has refrigerated storage & water integral tank approx. 2500 gal. Fully plumbed w/heads & showers on 2 decks, 500 cu. ft. holding tank. Fully

MODERNIZED electrical w/480/240/110 shore power & transformers. Fire suppression sys., Fiber optic wired thruout, vapor proof DOANE lighting. No propulsion or gen set. All interior walls on upper decks removed, totally open space ready for your EASY reconfiguration. Perfect conv. to camp, quarters barge, shops, display, retail, floating residence, etc. Loc. in fresh water at Seattle, WA.

\$249,500.00

ALL Details • Photos: www.PacificMarine.org
Email: david@pacificmarine.org • (206) 225-3360

Two Certified Landing Crafts For Sale



76 x 22.5 Landing Craft. Over 500k spent in refurbished and extensively modified in 2010, including new Tier 2 John Deere 6125 engines w/ low hrs. & Twin Disc gears, 20kw and 40kw gen sets, 12T RO Stinger crane w/ 60' boom, widened 22 x 56 cargo area, galley/accommodations, full electronics, stern anchor winch, two stern mooring winches and lots more. Legal to haul freight for hire. Feb 2017 100k drydocking incl complete blast/paint, new gate, new wheelhouse main deck, much more!
Reduced \$100,000 to \$485,000

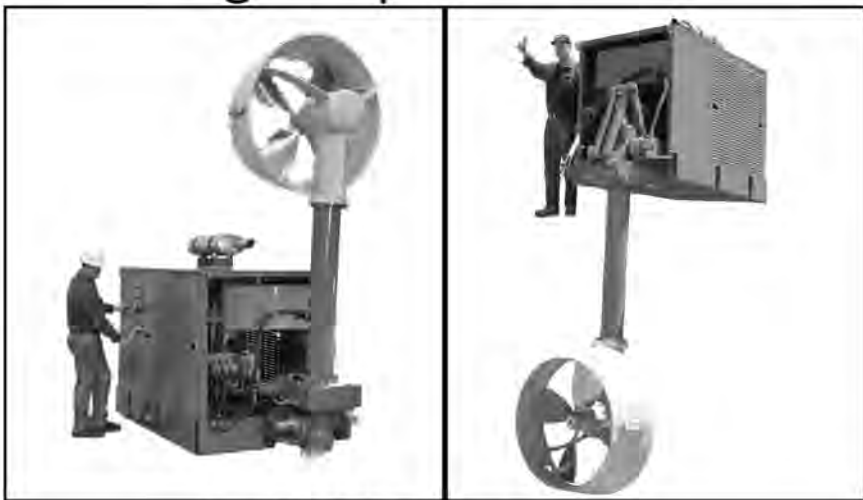


76 x 22.5 Aluminum Coast Guard certified Landing Craft. Refurbished and extensively modified in 2003 including Twin Detroit Series 60 engines. (2) 30kw gen sets, 10T crane w/ 60' boom, galley/accommodations, full electronics, stern anchor winch, and lots more!
Reduced \$100,000 to \$485,000

To Duplicate Modification/Conversion Work done on these vessels would run several hundred thousand dollars.
619-533-7932 • Located West Coast • Delivery Available
 "Special Delivery Price on freighter to FL or Bahamas - \$75k, (About 1/2 the normal rate)"
 grant@pacifictugboats.com



Barge Propulsion Units

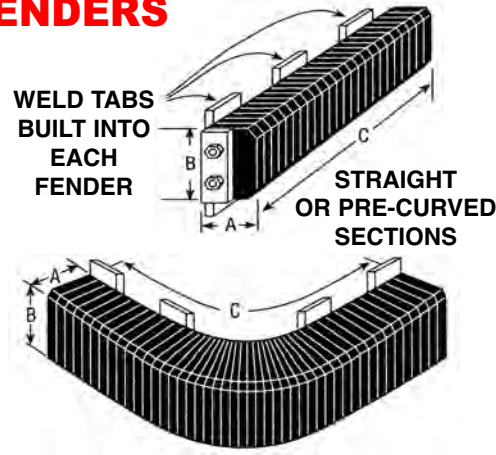


Available for rental

For over 30 years, Thrustmaster of Texas has been building outboard propulsion units for propulsion and maneuvering of barges used in brown water for marine construction projects. Powered by a Cummins QSB6.7 diesel engine, the Thrustmaster barge propulsion unit is a completely self-contained, hydraulic unit that can quickly be installed on the deck of any barge to provide pinpoint maneuverability and propulsion. Thrustmaster outboard drives freely azimuth through 360 degrees of steering range making them extremely responsive and ideal for tight quarter maneuvering and positioning applications. The units are extremely robust and equipped with a hydraulic power tilt system capable of elevating the outboard drive assembly through an arc of 180 degrees to allow instant access for clearing ropes or logs fouling the propeller. Thrustmaster units are ideal for your construction project and available for immediate shipment.

Contact: Bert Ault - International Sales Manager Phone: 713-937-6295
 bert@thrustmastertexas.com Mobile: 713-249-2375
 www.Thrustmaster.net

WELD-ON D-GUARD FENDERS



SIMPLY POSITION AND WELD - NO FAB REQUIRED

1 1/4" RODS			
PART NO.	A	B	C
SR114D 0606	6"	6"	12"
SR114D 0609	6"	9"	
SR114D 0707	7"	7"	
SR114D 0808	8"	8"	to
SR114D 0810	8"	10"	
SR114D 0909	9"	9"	240"
SR114D 1010	10"	10"	

3/4" RODS			
PART NO.	A	B	C
SR114D 0404	4"	4"	12"
SR114D 0405	4"	5"	
SR114D 0406	4"	6"	
SR114D 0408	4"	8"	to
SR114D 0410	4"	10"	
SR114D 4510	4.5"	10"	240"
SR114D 4512	4.5"	12"	
SR114D 0606	6"	6"	
SR114D 0610	6"	10"	
SR114D 0612	6"	12"	

16901 Wood-Red Rd.
 Woodinville, WA 98072
1-800-426-3917
 Fax: 425-488-2424
 sales@schuylerrubber.com
 www.schuylerrubber.com



1036 Vicky Lane
 Broussard, LA 70518
1-866-347-9445
 Fax: 337-321-4276
 sales@schuylermaritime.com
 www.schuylermaritime.com



5 MILLION LBS. IN STOCK
RENT - SELL - LEASE - TRADE

Anchors, Chain, Buoys, Yokohamas, Sea Cushions, Wire Rope and Fittings, Deck and Dock Hardware, Oil Boom, Towing and Salvage Equipment

NEW USED A.B.S.



Anchor Marine & Industrial Supply, Inc.

P.O. Box 58645 Houston, TX 77258
1-800-233-8014 (713) 644-1183
 24 Hour Service Fax: (713) 644-1185

WEBSITE: www.anchormarinehouston.com
email: sales@anchormarinehouston.com

Flagship Marine - Keep It Simple Stupid - the KISS principal has guided us since 1995!



NO EXPENSIVE, PROPRIETARY PRINTED CIRCUIT BOARDS! A CHILD CAN FOLLOW OUR SCHEMATICS!



CHILLERS • SELF - CONTAINED AIR COOLED - EXPLOSION PROOF EXTREME DUTY FOR UP TO 105°F SEAWATER!

OVER-THE-COUNTER COMPONENTS SLOWLY EVOLVED DESIGN AND COMPONENT SELECTION OVER MANY YEARS OF EXPERIENCE.



Air Cooled Rooftop Units By RVP Coleman 13,500 BTUs With Heat, Install Kit And Ceiling Assembly For Only \$929.95



Made With Pride In The USA!
 International Distributor Fernstrum Keel Coolers & Sen-Dure Heat Exchangers

Phone: 772-283-1609
 Fax: 772-283-4611
 Watts: 800-316-6426
Flagship Marine, Inc.
 2427 SE Dixie Hwy.
 Stuart, FL 34996
 flagshipmarine.com
 sales@flagshipmarine.com



Custom Aluminum Construction



Derecktor - Built for the future.

Now Featuring Hybrid Propulsion Designs

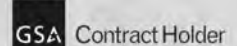
Clean, efficient, reliable power for those operators looking for quieter vessels, and who are concerned about the marine environment.

Call Micah Tucker at (914) 698-5020 or visit www.derecktor.com

DERECKTOR

NEW YORK + FLORIDA + MAINE

SINCE 1947.



Ex. Torpedo Retriever



Length 130 feet, Twin Cat 35-12, Twin generator sets, Cat 3304 paralleling, 2 Cranes, all electronics, single radar, GPS, etc., Bow Thruster 3304 controlled from wheel house, Mains less than 1000 hrs. since O.H., Twin power packs for steering, Power pack for deck machinery and cranes, Full air, 12 bunks, and stainless steel galley. Runs very well, up to 18 knots.

SERIOUS INQUIRIES AND OFFERS ONLY • Call: 808-864-1181

DREDGE TENDER ("MARY AMANDA")



14' x 37.5'
 Twin 671 with
 Twin Disc Reduction Gears
 (2) Radio Systems & Radar
 Air Compressor
 Air Starters
 Electric Over Hyd. Steering



For Sale - \$200,000

98' x 16.4' x 7.1' Research / Supply Vessel



Vessel is Located in Bayou La Batre, AL and Ready For Inspection


For More Information, Please Contact Russell or Marco:

(251) 824-4143
 MARCO@STEINERSHIPYARD.COM • RUSSELL@STEINERSHIPYARD.COM
 www.steinershipyard.com

800' OF 14" STEEL DREDGE PIPE WITH BALLJOINTS AND PONTOON TANKS



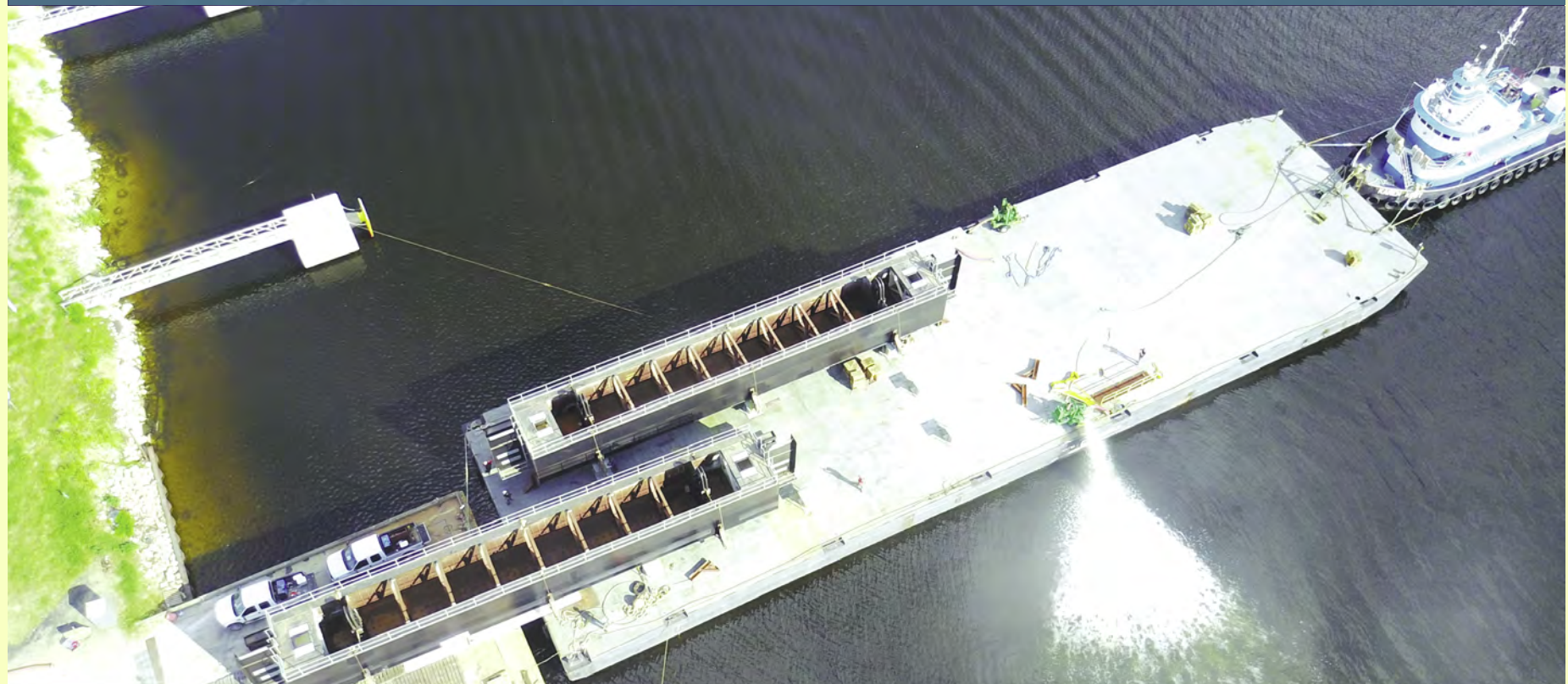

Email Justin Tassin For Pricing
Justin@mdi-dredging.com



FLORIDA BARGE CORP

Turnkey solutions for all your Marine Transportation Needs

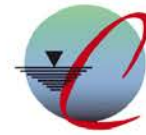
904.338.7160
www.FloridaBargeCorp.com



All Inclusive Project Cargo Worldwide Towing ABS Barges From 180x54 to 400x100 East Coast, Gulf Coast, Caribbean, Central/South America Immediate Availability for US to Caribbean



600 Ton Manitowoc 4600 S3/S2 Ringer



CROFTON
INDUSTRIES

Your Trusted Resource for
Heavy Marine Equipment

24 Hour Response | Portsmouth, VA



200 Ton Manitowoc 4000W Ringer



85 Ton Derrick

350 Ton Heavy Lift Derrick "Samson"



Truckable Push Tug "Teddi C"

Visit our website: www.crofton.com | Sales and Rentals: Mike Frohnapfel mikef@crofton.com | Office: 757-397-1131

Heavy Lift Capacity up to 600 Tons | Hydraulic | Conventional | Barge Mounted

Tug Rental: Truckables | Up to 1100 HP | Single & Twin Screw Engines

Barge Rental: Sectional, Spud, & Deck Barges | 20' -185' Lengths | 10' - 55' Widths | 4' - 12' Heights

For Sale - Buoyance Tank Assemblies



Heavy Lift Salvage Buoys System

Installation and removal
of marine structures
can be done without
lifting capability.
Safe principle of operation.
High total
floating capacity.
Operates using
simple utilities (not part of sale)
can be rented or bought.
Patented technology.
Flexible transit by tow
on barge or by ship.
Unique technology and
equipment, the 4 BTA's
are the only existing.

AKASTOR

Please refer to: <http://mship.no/offshore-installation-decommission-salvage/359-bta.html>
+47 908 92 500 - Email: post@mship.no

**A & D SHIPYARD
BROOKLYN NY
718-404-4285 (HAUL)**

**Z
1
8
4
0
4
H
A
U
L**



*Brooklyn's
First
120 Ton Lift
Servicing
Your Complete
Shipyards Needs
Hauling
Painting
Welding
Shaft & Prop Work
50 Years of Experience*



OIL PADS

Only \$19.95 Per Bale

Five Stocking Locations

We Have The Best Prices On
Oil Absorbents, Booms, Pads
and Socks.

800-9-BUYNET

www.buyingnetwork.com

**MARINE PILOT HOUSE
CHAIRS**

Adjustable
Swivel Seat
Aluminum
Inland and
Offshore
Bases

\$780.00

F.O.B.

Port Arthur, TX



Texas Wheel Works, Inc

PO Box 1276 • Port Arthur, TX 77641-1276

PHONE: (800) 238-9402

FAX: (409) 984-5690

**Portable Pushboats
For Charter**



**430/330 HP Twin Screw
25' x 12' x 5', 3.5' Draft**

**J-Way Leasing & Marine, LLC
(440) 934-1020**

**EMD ENGINES
& PARTS
SUPPLIERS
NEW • USED
REBUILT**



**CUSTOMER SATISFACTION
FOR OVER 30 YEARS
Power Systems
International, Inc.**

PO Box 297 • Clarendon, AR 72029

Phone (870) 747-3393 • Fax (870) 747-5352

Mike Steeland, Willie Reinhardt or
Kevin Steeland

Northeast Industrial & Marine Equipment Supplies

661 Route 9 Cape May, NJ 08204

1-800-884-3152 609-884-3152 609-884-3510

Fax: 609-884-3170, Check Us Out @www.northeastindustrialnj.com

**EQUIPMENT SUPPLIES FOR ALL PHASES OF THE FISHING,
DREDGING, MARINE CONSTRUCTION, AND TRANSPORTATION
INDUSTRIES**



- Pullmaster, Superwinch, Lantec, Kinematic
- Custom Built Power Units
- Winches - Planetary, Worm Gear
- Control Valves 4 GPM - 400 GPM
- Hydraulic Pumps - Gear, Piston
- Hydraulic Motors - Staffa, KYB, Char-lynn
- Free Fall Winches - 5,000 lb. to 75,000 lb.
- Wintech Winches - Electric, Air, Hand Cranked
- Transmissions - ZF, Twin Disc

**John Deere / Yanmar
Industrial Engines**

- Custom Winch Systems 1,000 to 300,000 Line Pulls
- Custom Built Winches - 1,000 lb. to 200,000 lb. Line Pull & Diesel HPU Units
 - Electric HPU Units
- Spud Handling Systems & Barge Anchoring Systems
- Used Equipment Refurbishing
- Equipment Rentals - Winches, Power Units

- Custom Built Barges

National & International Services

Hydraulic, Welding, Machine Shop Service

Email us @ neindustrial@hotmail.com or contact@northeastindustrialnj.com



**VIKING
ENHANCED
SOFTLOOP FENDER**

*When Push Comes to Shove
Have a Viking on Your Side*

- The softest, most forgiving ship assist fender on market
- Designed for greater energy absorption and gripping ability
- Ideal for tractor tugs, bow, stern and side fenders
- Side hip fenders for tug and barge units
- Pier cell fenders



a division of Viking Marine Products, Inc.

977 New Durham Rd, Edison, NJ 08817

Tel: +1 732-826-4552 • Fax: +1 732-826-5533

Complete Brochure at: www.vikingfender.com

CLOSING DATES • THIRD NOVEMBER ISSUE 2017

FOR DISPLAY

November 14th, 2017
9:00 A.M. C.S.T

To Be Mailed

November 17th, 2017

FOR CLASSIFIED

November 16th, 2017
10:00 A.M. C.S.T



**FLOATING DOCKS, GANGWAYS, SEAWALLS
RAVENS MARINE, INC.**



3295 ORANGE AVENUE
KISSIMMEE, FL 34744
PH: 407-935-9799
TOLL FREE: 800-676-3023
FAX: 407-935-9436
www.ravensmarine.com
ravens@ravensmarine.com



AT RAVENS MARINE, QUALITY IS #1



**FROM THE BACKYARD
DOCK TO THE FULL
SCALE MARINA, WE
MANUFACTURE THE
COMPLETE
"PICTURE"**





HL130M DRI-PRIME PUMP



6X6 JET PUMP



ANVIL 25T GRAPPLE



ICE 416 VIBRO HAMMER



ATLAS 20T GRAPPLE



3 Each Allis Chalmers 475 KW GENSETS



D200 PILE HAMMER



DIVE EQUIPMENT AVAILABLE FOR LEASE



- COMPRESSORS
- CHAMBERS
- COMM'S
- COMPLETE PACKAGES

PRECON MARINE, INC.

CONTACT: MACON HODGES, (757) 439-9963
MHODGES@PRECONMARINE.COM
FOR ADDITIONAL EQUIPMENT CHECK OUT:
PRECONMARINE.COM/EQUIPMENT
ALL EQUIPMENT—FOR SALE OR LEASE

MANITOWOC 4600 SERIES III

COMPLETE RESTORATION

- CUMMINS RE-POWER
- 240 TON CAP.
- 160' BOOM
- RINGER READY

CRANES AVAILABLE FOR RENT/LEASE/PURCHASE:

- MANITOWOC 4100 SERIES II - 230 TON CRAWLER
- 2015 LINKBELT 348 HYLAB - 300 TON LATTICE CRAWLER
- 2016 LINKBELT ATC 32210- 210 TON HYD. TRUCK CRANE
- 2014 LINKBELT HTC 86100- 100 TON HYD. TRUCK CRANE
- 2014 GROVE TMS 700E- 60 TON HYD. TRUCK CRANE
- 2010 STERLING- 30 TON HYD. BOOM TRUCK
- 1999 STERLING- 20 TON HYD. BOOM TRUCK
- 1992 FORD L-8000 "SNOOPER" BRIDGE INSP. TRUCK

ALL CRANES HAVE CURRENT INSPECTIONS AND READY TO WORK. OPERATORS AVAILABLE ALSO.

64' X 32' X 7' LIFT BOAT
8-71 DETROITS
70' CRANE

THRU-DECK DRILL WELL



SUPER JUMBO'S - 260' X 52.5' X 12'



THE TAMPA 2014 TRUCKABLE TUG



ROBISHAW S-50 FLEXI FLOATS



ECB SECTIONAL BARGES 41'x10'x5'



120x30 Material Barges Lease or Purchase

WATERFRONT AVAILABLE FOR LEASE

ELIZABETH RIVER- CHESAPEAKE, VA.
 FLEET YOUR BARGES OR STEVEDORE

350 FT

500 FT

YARD ACCESS & STORAGE ALSO AVAIL.

BARGES/TRUCKABLE TUGS BUILT TO SUIT!!

CONTACT: ALLEN CUTLER, (757) 754-0767
ACUTLER@INLANDMARINEVA.COM
ALL EQUIPMENT—FOR SALE OR LEASE UPON AVAILABILITY

BARGES FOR RENT



Barges 4 Rent

Sectional Barges • Located In Florida
40 x 10 x 5 & 60 x 11 x 4

Contact: (305) 965-8852
Email: barge@bargerent.com



46' 1988 Trojan Int'l 14 Meter Conv.
Twin 750 hp wet turbo diesels 900 orig. hrs., 12.5 Onan 1600 hrs., 16' 3" beam 2 SR 2 head layout

**Health Forces Sale
Make All Offers
(813) 641-8886
valbelle@tampabay.rr.com**

((((VIBRATION ?)))
GET SOUND DAMPENING TILES
Made To Military Specs



(360) 459-1395

12" x 12" x 1/8" • PERFECT FOR HULLS 1/4" Thick Or Less
REDUCES VIBRATION & NOISE From Rotating Equipment!!
80 Tiles per Case • 30 Cases Available • \$160.00 per Case



2002 Linkbelt 2800 Marsh Excavator Presco
One Load, 6400 Hrs., A/C, Heat, 50' Reach, Excellent Condition.

\$169,900.00 • N.J. • (215) 624-2221



100' (149) Passenger Triple Screw Aluminum Tour Boat / Ferry
1971 Camcraft conversion. 3412 Caterpillar powered with two 30 KW 3-71 Gensets. Currently working in Hawaii but will deliver to West Coast. May partial finance to approved party. \$275K. This is our vessel and will give courtesy to brokers. New 5 year COI for USCG haul inspection and dry dock 2-1-17.

**Email: maucaptaindave@yahoo.com
For Details**

FOR SALE
M/V HORIZON'S EDGE



MOTIVATED SELLER
\$2,950,000.00

Length: 161.3' (registered) - LOA: 186'
Year Built: 2000

For more information visit
www.horizonsedgeboston.com or contact
Owner's attorney David S. Smith at 978-744-8918



1984 - 38' Monark Crew Boat
Twin 671 225 HP ea., Twin Disc 507 2:1 gears 27 x 26 SS wheels, ready to customize for your mission.

**\$39,900.00 • Call (302) 462-5205
or captdroney@aol.com**

119' Navy Landing Craft



\$700K + In Recent Upgrades.
200T Cargo Capacity. Excellent Condition.
Very Shallow Draft - 3'9", Freshwater Docked,
Fresh Rebuilds, Electronics.

**Location - US Gulf • \$900K
(228) 918-6090
gulfstreamcorp.com**



65' Mississippi Like River Boat - 78' Overall, Includ. Stern Paddle. USCG Lic. For 150 + 10 Crew. Full Electronics, USCG Insp. Both Decks Heat & A/C. 2 - 671 GM Diesels. 2-371 - 50 KW GM Gens @ 1200 RPM. Brielle, NJ.

\$450,000 • (732) 245-1592

3 Foam Filled Marine Guard Sling Type Netless Fenders



Approximately 5' x 8'
Whittier, Alaska
Call R.C. @ (907) 244-1996
rsc_dock@yahoo.com



39' x 19' Triple Engine Push Boat Marine. T8V71 and S8V92, flanking rudders, recent haul & prop job. Props are 42" outside, main prop is 51". Needs updated electronics. Will need some repairs. Nothing major. Boat is located in Northern California. \$65,000.00.

800.722.6789 US or 925.634.8744 Int.

NEXT CLOSING DATES

THIRD NOVEMBER ISSUE 2017
• To Be Mailed November 17th •
FOR DISPLAY
November 14th • (9:00 A.M. C.S.T)
FOR CLASSIFIED
November 16th • (10:00 A.M. C.S.T)

COMMERCIAL MARINE EXPO



2018 | Providence, RI

October. 17 & 18, 2018



Norwalk Seaport Association
A 501(c)(3) Nonprofit
Seeking donation of staff work boat.
Owns & operates Sheffield Island Lighthouse & Ferry Service in the Norwalk, CT harbor.

**22' - 28'
With Trailer**

(203) 838-9444 • info@seaport.org

REGISTER TO ATTEND FOR FREE & ENTER TO WIN \$100 AMAZON GIFT CARD!
Monthly Prize Drawings start October 2017
USE CODE BHNV17

BRAND NEW 2017 42'
Adventure Rib Available For Winter Lease - 34 Pass.



Fresh Out Of The Builders Yard
1050 HP Speed Thrill Ride Vessel
Great For Dolphin Watch / Tour Boat / Snorkel Trips
Truck-Able To Southern Locations

Number Of Other Vessels Available For Winter Lease
From 50' 30 Passenger Up To
110' 300 Passenger Vessels

For Further Information Call Joe:
508-776-8435 / 508-776-6578
Email: joseph@meganet.net



Register at CommercialMarineExpo.com



BOOK YOUR EXHIBIT SPACE TODAY!

USED & REBUILT DIESEL ENGINES

Eugene & David Evans of Evans Boats, Inc.

Engines Available Include:

3208 210HP Rebuilt • 3208 320HP Rebuilt • 375 Rebuilt
375 Takeout Runs Great • 453 Detroit • 353 Detroit
Volvo Sterndrive Package Takeout

CALL FOR PRICING AND AVAILABILITY... GROWING INVENTORY!
CALL EUGENE EVANS @ (443) 783-0529

Available for Monthly or Yearly Lease



Manitowoc 4100W Series II Heavy Lift Crane Barge • Price: \$1,200,000.00

1992, 230 Ton Crawler Manitowoc 4100W Series II sitting on a 155' x 54' x 10' Steel Barge. Barge also equipped with Generator, Welding Machine, Air Compressor, Sewage Treatment System, Office Building and Equipment Shed. Crane has 200' of boom and a 60' jib.
Contact: Troy Lombardo - 1414 River Road, Berwick, LA 70342 • Of: (985) 384-8770 • Cell: (985) 637-8775



1995 Party Boat 56'

Twin Deutz 600 HP. 2,800 hours. Stability letter for 101. Previously certified near coastal out 100 miles.
Price \$150,000 OBO. Must sell, located in Saint Augustine FL.
Contact: (904) 460-3198 • captainlukethatcher@gmail.com

100% Stainless Steel Construction

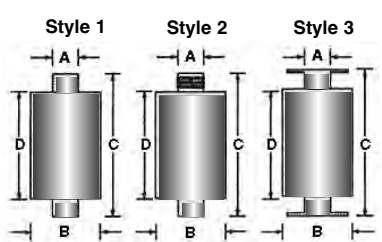
This Muffler can go to HELL and take the HEAT!!!

www.the-flex.com

Exhaust System Silencers Style 1-2

PART #	A	B	C	D	PRICE
AIM-03	3.500"	6.625"	15"	9"	\$360
AIM-04	4.500"	8.625"	18"	12"	\$385
AIM-05	5.563"	10.750"	21"	15"	\$415
AIM-06	6.625"	12.75"	24"	18"	\$580
AIM-08	8.625"	16.00"	30"	24"	\$715
AIM-14	4.500"	8.625"	22"	16"	\$470
AIM-15	5.563"	10.750"	26"	20"	\$550
AIM-16	6.625"	12.75"	30"	24"	\$745
AIM-18	8.625"	16.00"	38"	32"	\$965
AIM-24	4.500"	8.625"	46"	40"	\$910
AIM-25	5.563"	10.750"	56"	50"	\$1,210
AIM-26	6.625"	12.75"	66"	60"	\$1,450
AIM-28	8.625"	16.00"	86"	80"	\$2,250

Call for price of Style 3



CUSTOM FABRICATION AVAILABLE.

All items can be purchased online.

NOTE: Above is styles 1 & 2 only!



Carbon Steel Beveled Pipe Stainless Flexible Exhaust

PART #	HOSE I.D.	A	B	C	D	PRICE
WW-150	1.5"	6.000"	.145"	3.000"	1.900"	\$40
WW-2	2.0"	-	.154"	-	2.375"	45
WW-250	2.5"	-	.203"	-	2.875"	55
WW-3	3.0"	-	.216"	-	3.500"	75
WW-4	4.0"	-	.237"	-	4.500"	90
WW-5	5.0"	-	.258"	-	5.563"	100
WW-6	6.0"	-	.280"	-	6.625"	115
WW-8	8.0"	-	.322"	-	8.625"	150



Carbon Steel Flanged Pipe Stainless Flexible Exhaust

PART #	HOSE I.D.	A	B	C	D	PRICE
FF-150	1.5"	10.52"	.875"	12.000"	1.950"	\$70
FF-2	2.0"	10.00"	1.000"	-	2.440"	85
FF-250	2.5"	9.750"	1.125"	-	2.940"	115
FF-3	3.0"	9.625"	1.1875"	-	3.570"	135
FF-4	4.0"	9.375"	1.3125"	-	4.570"	200
FF-5	5.0"	9.250"	1.4375"	-	5.660"	240
FF-6	6.0"	8.875"	1.5625"	-	6.720"	265
FF-8	8.0"	8.500"	1.750"	-	8.720"	350

Thermal Insulation Blanket Kits

PART #	PRICE
TIB-3-4	3" & 4" Exhaust Connector 1" Thick & 18" Long x Circum. \$45
TIB-5	5" Exhaust Connector 1" Thick & 18" Long x Circum. \$60
TIB-6	6" Exhaust Connector 1" Thick & 18" Long x Circum. \$70

• Crafted from high-purity alumina-silica ceramic fiber blanket and woven fiberglass impregnated with silicone resins. Blanket is firmly stitched with Kevlar thread and is reusable.

• Resists damage, absorbs sound, suitable for operating temperatures up to 1000° F.

• Thermal and physical properties are restored after drying if water, steam or oil wets TIB-kit.

• Built to wrap circumferences in multiples of 6" (6", 12", 18"+) or spiral wrap around long lengths. (Custom widths available)

Fire resistance - meets requirements for combustibility as specified by U.S. Coast Guard 164.009



We Stand by our work.

AIM

APPLIGATE INDUSTRIAL MATERIALS INC.
P. O. Box 428, Baton Rouge, LA 70821-0428
1-225-336-4116 • fax 1-225-336-4317
1-800-843-3539 • www.the-flex.com
E-mail: info@The-flex.com

AIM has set the standard for reliability, durability & service for over 25 years.
Run silent, run deep.

Most items are shipped within 24 hours. We offer shipping by Fed-Ex, Emery, US Postal Service, Motor Freight, Greyhound Package Express, or Will Call. Easy payment options including: Visa, Mastercard, American Express, Discover, C.O.D. or 30 day invoicing with approved credit.

1-800-THE FLEX

INSURANCE SOLUTIONS

NOT EXCUSES...

- Tugs & Barges
- Charter Boats
- Marine Contractors
- Marinas
- Workers Comp.
- Equipment
- General Liability
- Fishing Vessels
- Live Aboards
- Diving Contractors
- ROVs
- Jones Act
- USL&H
- Bonds

Paul Lynch & Associates, Inc.
Insurance Consultants & Agents

701 N. Federal Highway, Suite #401, Stuart, FL 34994
Telephone (772) 232-9371 Facsimile (772) 232-9375
info@insuremarine.com www.insuremarine.com

(3) EA. 55' Derektor Ex-USCG Workboats



All three boats are a matched set and are in good operational condition. Surveys Available.
For more information please contact Mike Majewski 850-221-5138 or majewski4@bellsouth.net • For photos please go to www.kclmsales.com

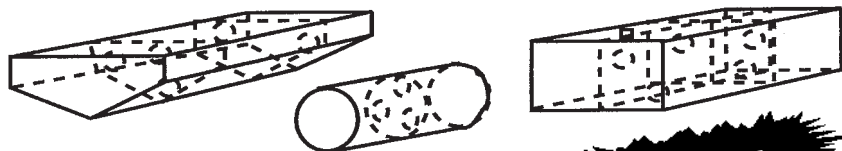
MARINE FUEL TANKS

www.speedytanks.com

ANY SIZE - ANY SHAPE

ALUMINUM TANKS FOR GAS OR DIESEL

TESTED & BUILT TO U.S.C.G. SPEC.



UPS DAILY

5 DAY TURNAROUND

ATLANTIC COASTAL WELDING INC.

[800] 434-TANK (8265)

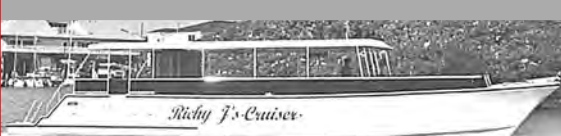
OR FAX A DRAWING 1-732-269-7992

Ron Cooper

Catamarans

THE MONEY MAKERS

✓ WE BUILD ONE OF THE MOST FUEL EFFICIENT PASSENGER VESSELS IN THE WORLD



63' x 24' Catamaran, base price \$399,000 plus power, stability test for 200

The perfect vessels for:
• Day/Snorkel Trips
• Sightseeing
• Booze Cruises
• Cruise Ship Tenders
• Over 130 Built



All New 47' x 15.5' Catamaran • USCG Stability test for up to 70 passengers
• Introductory base price \$139,000 plus power • Economical and very stable
• Glass bottom available • Set up for beach loading • Fast delivery

Call Ron Cooper (727) 804-6389 www.coopermarine.com

Coosa Composite Panels

Use in place of plywood!

High density, polyurethane foam, reinforced with layers of fiberglass strands throughout. Lightweight, non-rotting.

SEARCH# CSA-



Extren® Fiberglass Structural Shapes & Plates

STRONGWELL GET THE WOOD OUT!

Corrosion and UV resistant, lightweight, high-strength, low maintenance!

SEARCH# SGW-




HAMILTON MARINE

40th Anniversary

1977  2017

800-639-2715
hamiltonmarine.com

FREEMAN MARINE EQUIPMENT, INC. Cast Aluminum Commercial Hatches

Fast acting, flush, watertight. Easily installed in any deck style.

15" x 24"

\$599⁹⁹

SAVE \$120



Reg 719.99
FMN-2433-0002
Order# 754527

24" x 24"

\$1099⁹⁹

SAVE \$230



Reg 1329.99
FMN-2424-0002
Order# 754529

Anchor Inspection Hatches

Anodized Aluminum with Stainless Steel Flange

Many Sizes Available!

Search HM-H



BOMAR Cast Aluminum Commercial Hatches

Flush, watertight, 4-dog system, opens from the outside only.

15" x 24"

\$529⁹⁹

SAVE \$70



Reg 599.99
BOM-C41524-0
Order# 104612

24" x 24"

\$899⁹⁹

SAVE \$100



Reg 999.99
BOM-C42424
Order# 104619

BOMAR Tread Plate Access Hatch

High quality 5-bar marine grade, anodized aluminum tread plate with 12-gauge 316 stainless steel frames. Wrench sold separately.

Search# BOM-S4

FROM **\$523⁹⁹**




Commercial Bumper

Black. Up to 60 ft lengths.

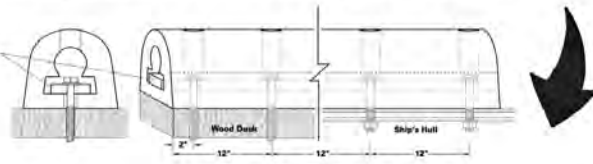
2-1/8" Base Width, 2" High, 7/16" Wall Thickness
DAM-DB-50 **\$789 FT**
Order# 107117

3-1/8" Base Width, 2-7/8" High, 11/16" Wall Thickness
DAM-DB-75 **\$1579 FT**
Order# 107128

Insert Strips and Molded Corners Available



Strip inserts here. Sold in lengths up to 10'



Fan Nose Bumper

Black. Up to 60 ft lengths.

2-1/2"W x 3" OD, 5/8" Wall Thickness
DAM-DB-503 **\$1679 FT**
Order# 148198


3-3/4"W x 4-1/2" OD, 3/4" Wall Thickness
DAM-DB-504 **\$2369 FT**
Order# 147124



SPECIAL! BEST DEALS ON ROPE!

3-Strand Nylon

High-tenacity white nylon multifilament fiber. Four-stage construction produces a torque-balanced rope with medium lay. Meets or exceeds Cordage Institute, US and Canadian Military standards.




600 ft Spools

Size	Order#	Tensile Strength	Ft Price per Reel	600' Reel
3/8"	118628	3700 lbs	0.16	96.99
7/16"	118630	5000 lbs	0.22	129.46
1/2"	118631	6400 lbs	0.29	171.04
5/8"	118632	10400 lbs	0.45	270.65
3/4"	118633	14200 lbs	0.64	385.35
7/8"	118634	17280 lbs	0.88	533.26
1"	118635	25000 lbs	1.10	658.41
1-1/8"	118636	33000 lbs	1.32	789.45
1-1/4"	118637	37500 lbs	1.61	964.60
1-1/2"	118639	53000 lbs	2.29	1374.46

Polypropylene

General purpose, monofilament fiber, balanced construction, medium lay, good strength, moderate stretch, lightweight and buoyant. Good UV resistance. Yellow.




600 ft Spools

Size	Order#	Tensile Strength	Ft Price per Reel	600' Reel
3/8"	118671	2700 lbs	0.09	51.58
7/16"	118673	3300 lbs	0.12	69.97
1/2"	118675	4200 lbs	0.16	93.18
5/8"	118677	6200 lbs	0.24	141.57
3/4"	118678	8500 lbs	0.34	206.05
7/8"	118680	11500 lbs	0.47	280.00
1"	118681	14000 lbs	0.56	335.88
-	-	-	-	-
1-1/4"	118683	21000 lbs	0.86	516.82
1-1/2"	118684	29700 lbs	1.23	735.04

Poly Plus Rope

High-tenacity polyester with polypropylene core, medium lay, good strength/low stretch, good abrasion resistance, excellent UV resistance. White with orange tracers.



600 ft Spools

Size	Order#	Tensile Strength	Ft Price per Reel	600' Reel
3/8"	118655	3200 lbs	0.14	83.36
7/16"	118656	3900 lbs	0.18	109.09
1/2"	118657	5400 lbs	0.23	138.32
5/8"	118658	7200 lbs	0.36	213.04
3/4"	118659	9800 lbs	0.50	302.31
7/8"	118660	13500 lbs	0.69	416.68
1"	118661	17000 lbs	0.82	490.98
1-1/8"	118662	21000 lbs	1.00	601.78
1-1/4"	118663	25000 lbs	1.24	745.03
1-1/2"	118664	41000 lbs	1.75	1047.02



HAMILTON MARINE

40th Anniversary

1977  2017

800-639-2715
hamiltonmarine.com

KENT

Premium Adult Universal Survival Suit

High visibility yellow inflatable head pillow, face mask, mitts and ankle adjustments. Removable head pillow. Articulated arms for easier donning. Includes buddy line and whistle.

USCG APPROVED

\$249⁹⁹

KNT-1540-AU
Order# 753274



IMPERIAL

Adult Universal Cold Water Immersion Suit

Three fingered mitt. Wide legs for easy donning. Includes whistle and storage bag.

USCG APPROVED

\$259⁹⁹

RVS-1409A
Order# 743829



GME ACCUSat™ EPIRBs

406 MHz. 6 Year Non-Haz Mat battery, 6 Year warranty. Featuring a stainless steel antenna. USCG/GMDSS Approved.

6 Year Battery!

Cat II Manual
Order# 731676

\$349⁹⁹

Cat I Auto
Order# 731678

\$469⁹⁹



JIM-BUOY Life Rings

USCG APPROVED

Solid, closed cell soft plastic throughout, soft and resilient.

24" Dia Orange with Reflective Tape
Order# 105283

\$81⁹⁹

30" Dia Orange with Reflective Tape
Order# 105288

\$107⁹⁹



KENT In-Sight Offshore Automatic/Manual Inflatable PFD

Extra Buoyant! Full 35 lbs Buoyancy!

USCG Approved Type V with Type II Performance. Heavy-duty 420 denier nylon shell. Neoprene comfort collar. SOLAS grade reflective tape. In-Sight window shows armed status.

LIMITED QUANTITIES!

\$99⁹⁹

SAVE \$50

Reg 149.99

Color Order#
Orange 752862
Red 761645



Chinook BadAxe Boots

13" high. Oil and slip resistant sole. Adjustable nylon snow cuff. Insulating wool felt liner. Rated to -40°F. Sizes 4-15. Waterproof.

Soft Toe Green
Search# CNK-3500

\$49⁹⁹ pair

Steel Toe Black
Search# CNK-3550

\$54⁹⁹ pair



GRUNDENS Foul Weather Gear

HUGE SELECTION
IN STOCK!

Search# GRD-



GRUNDENS Grundies Base Layer Long Underwear

Made from a super comfy and high performing merino wool, polyester hollow core, spandex blend, guaranteed to keep you warm and toasty under Grundens rain gear. Dark Slate. S-3XL.

Shirt or Pants

\$44⁹⁹

Search# GRD-GB



Traditional Steering Wheels

The classic look in a handsome and rugged wheel. 3/4" tapered bore.



Description	Order#	SELL
16" Bronze	156329	159.99
18" Bronze	156330	169.99
16" Stainless Steel	739009	159.99
18" Stainless Steel	740740	169.99

Electric Rope Cutting Guns

100 Watts

\$29⁹⁹

PUR-15463
Order# 127675

120 Watts

\$39⁹⁹

PUR-15463HD
Order# 735613



3/8" Superhaul Sink Pot Warp

While Supplies Last!

\$250^{LB}

SAVE!

Reg 2.99
HMP-SUPHAUL-12
Order# 118575



Oil Absorbent Sheets

Each sheet 15" x 19" absorbs 13 to 25 times its weight in oil, fuel and other hydrocarbons. Great for engine work, winterization and cleaning spills. Also for waxing and polishing.



Thickness	Weight	Order#	Each	Bale	#Bale
3/16"	Single	123472	0.59	89.99	200
1/4"	Medium	123422	0.79	59.99	100
1/4"	Double	145762	0.89	71.99	100

FREE HEAT from your engine's closed cooling system!

MARINE HEAT Flush mount or ducted. 28,000 to 40,000 BTUs. Search# MH-



RIGID

High Performance LED Lights

Provides superior light with ultra low power consumption. 316 stainless steel mounting hardware. High purity aluminum housings. Search# RIL-

FROM \$113⁹⁹



PAGER

Hydraulic Pumps

Lightweight, chemically resistant pumps for general service on fresh, salt and waste water. Molded of tough, glass reinforced, non corrosive polyester. Pumps include a built-in check valve and feature easy servicing. A self-cleaning double volute keeps pump free of settled solids.

2" NPT. Maximum head pressure 70'. 110 GPM.

PAP-SE2EBLHYC **\$599⁹⁹**
Order# 739257

2" NPT, 160 GPM.
PAP-SE2FBHYC **\$599⁹⁹**
Order# 746865

3" NPT, 280 GPM.
PAP-SE3LBLHYC **\$689⁹⁹**
Order# 743652

Plug Kit for S-Series Pumps
PAP-58-0211 Order# 740972 SELL 9.59



Electric Pump

2" NPT, 2 hp. Maximum head pressure 70'. 110 GPM.

\$886⁹⁹

PAP-SE2EBC2.0C
Order# 739258



Twin-S Controls



Highly polished, corrosion-resistant chrome plated brass. Includes 33c cable connectors.

\$233⁹⁹

TEL-CH5200P
Order# 735916



FISHING • SAFETY • HARDWARE

PORTLAND ROCKLAND SEARSPORT SOUTHWEST HARBOR JONESPORT

Typographical errors are unintentional and subject to correction.

Ever Get Bad Fuel?
Get The Fuel Purifier
 Removes Water & Dirt
 Bubba Proof • Filter-less Filter
 SkimOil Inc. (314) 579-9755 For All Engines

TWIN DISC
 Marine Gears, Torque-Converters - ALL
 Supplier & Rebuilder "Since 1982"
www.RMIservices.com
 (504) 347-4361

Ever Get Bad Fuel?
Get The Fuel Purifier
Simply Removes
Bulk Free Water
Heavy Particulates
 How About Just Cleaner Fuel?
FILTERLESS FILTER - BUBBA PROOF
 EZ to install and use - sizes for ALL diesel engines
 SkimOil Inc. (314) 579-9755 - www.thefuelpurifier.com

Oily Bilge Filters
 Sizes for all boats
 Simple Inline Filter
 Works With Any Pump
 Overboard oil prevention system
 1/10 the size and cost of oil water separator
www.TheBilgeFilter.com - (314) 579-9755

Check Out Our
Classified Ads
 Starting on Page 26

MARINE SANITATION DEVICE
Economy Type II MSD
 USCG Approved 4/12/16/32 man sizes Fits anywhere
 Modular Design compact/low profile In STOCK Now!!
Economy Type II MSD Got Poop?
 EZ Install & EZ Ops
"The Poop Plant"
www.thetankMSD.com • Skimoil Inc. (314) 579-9755

NO DISCHARGE ZONE?
 Got Bilge water? No problem!
BilgeVAP eliminates your water!
ZERO LIQUID DISCHARGE
Bubba Proof
 No moving parts Electric / 4-12 GPH
 SkimOil Inc. Call (314) 579-9755
 BilgeVAP evaporates your water away
www.NoDischargeZone.com

Automatic Pot Line Coilers
FREE SHIPPING
The Extra Deckhand®
 Hydraulic Line Coilers
 The patented 40# wonder that's Made in Alaska to be Alaskan Tough
WWW.EXTRADECKHAND.COM
 E.D. Industries LLC - 10006 Crazyhorse Drive
 Juneau, Alaska 99801
 Tel./Fax - (907) 789-9164

Offshore Oil Rigs & Marina WINDSOCKS
FACTORY DIRECT
 IN STOCK AND READY FOR IMMEDIATE SHIPMENT
AIRPORT WINDSOCK CORPORATION
 1-800-579-5135 952-890-9214
www.airportwindsocks.com

FIBERGLASS SUPPLIES
 Epoxy, Vinylester, Polyester Gelcoats, Barrier Coats
 FG Laminate Angle & Panels Carbon Fiber, Kevlar
 Fairing & Bonding Compounds Marine Plywood, Core & More!
DURATEC **Divinycell H**
 The High Performance Core
CARBON CORE
 HONEYCOMB CORE
 Technical Assistance 800-231-6537
lbiadmin@lbicorp.com
office@lbicorp.com
www.lbifiberglass.com
LBI

Serving Both Coasts Of The United States And The Gulf Of Mexico

 Vessels Built Over 70 Years Of Fabrication Include: Double Hull Tank Barges, Hydraulic Dump Scows, Deck Cargo Barges, ATB Barges, Ro-Ro Barges And Many Custom Vessels.
GUNDERSON MARINE
 Call Chuck Garman At Gunderson Marine (800) 253-4350
 A GREENBRIER COMPANY 4350 NW Front Avenue, Portland, Oregon 97210
 Call Chris Cole At Our Gulf Coast Office (504) 722-3526

FOR SALE OR RENT

Army Bridge Boats
 27' x 8' Twin Diesel GM 353, 3-1 Trans, 25 x 19 Prop.
 For Location & Price (916) 539-8199 or osmsinc@gmail.com
 Trailers May Be Available Separate

COMMERCIAL ALUMINUM JETBOATS
SMOKY MOUNTAIN JETBOATS
 12 passenger COI - PARTIALLY PROTECTED
 25 passenger COI - LIMITED COASTWISE
smokymountainjetboats.com
 1828 488 0522 - 1888 900 9091



NYS MARINE HIGHWAY TRANSPORTATION CO., LLC
WWW.NYSMARINEHIGHWAY.COM
SHIP BY CANAL
 **FABRICATED PRODUCTS**
 **DREDGES, DEAD SHIPS & CONTRACTORS EQUIPMENT**
 **PROJECT CARGO**
WE CAN TOW YOUR EQUIPMENT BETWEEN THE EAST COAST & GREAT LAKES VIA THE NYS CANAL SYSTEM
QUOTES ROB (518) 365-3305 rob@nysmarinehighway.com

Commercial-Duty Walker AIRSEPS®


The NEW Standard for Diesel Breathing Systems Used in Today's Workboats.
Fleet Supply Warehouse, Inc.
 205 Venture Blvd., Houma, LA 70360
 Tel: 985.868.0430 Fax: 985.868.0436
 Your Louisiana Headquarters for Walker Air Filters and New CCE Replacement Elements.

AIRSEP
 Walker Engineering
www.walkerairsep.com

Marine Grade • Commercial Duty LED Lighting Fixtures
 GREEN GENERATION LEADING EDGE TECHNOLOGY

LED FLOODLIGHTS
 Low Maintenance and Low Power Consumption. Up to 90% less power when compared to Halogen Lights. Low Operating Temperature and Vibration and Shock Resistant Design. Marine Grade 316 Stainless Steel Hardware and Bracket. Water Resistant IP 67 Rating. UL/CE and SAA Compliant. 2 Year Limited Warranty. Available from 10Watt up to 400Watt. 100 to 130 Lumen per Watt Light Output. AC & DC Versions Available.

NEW DHR LED Navigation Lights
 SAFETY FIRST IN ALL WEATHER CONDITIONS

 40 SERIES 60 SERIES 80 SERIES
 USCG Approved Certified to 72 COLREGS
 The Only LED Navigation Lights Completely User Serviceable

OCEANUS – LED MARINE UTILITY LIGHT
 Designed to replace fluorescent light fixtures. Low power consumption, minimal maintenance. 3900K natural white light color is used to achieve the best CRI. Dual Color version, white and red, for night time illumination. The light can be surface or flush mounted. Available in 85vac-265vac or 10-30vdc.

E-LED LIGHTING Inc.
 PHONE: (561) 845-7460, FAX: (561) 214-4928
info@E-LEDLighting.com, www.E-LEDLighting.com