

BOATS & HARBORS®

FIRST FEBRUARY ISSUE 2018 VOLUME 60 NO. 27
Covering The East Coast, Gulf Coast, West Coast & Inland Waterways



\$4.00



www.boats-and-harbors.com

PH: (931) 484-6100 • FAX: (931) 456-2337 • Email: gdonnelly@boats-and-harbors.com • "The" Marine Marketplace

ACCOMMODATION BARGE

Cash Price:
Steal It At \$5.95M!!!



POOL



MOVIE THEATER



70' MARINA

MOTIVATED SELLER

MUST SELL!



STAIR WELL



11,000LB HELIDECK



FULL RESTAURANT

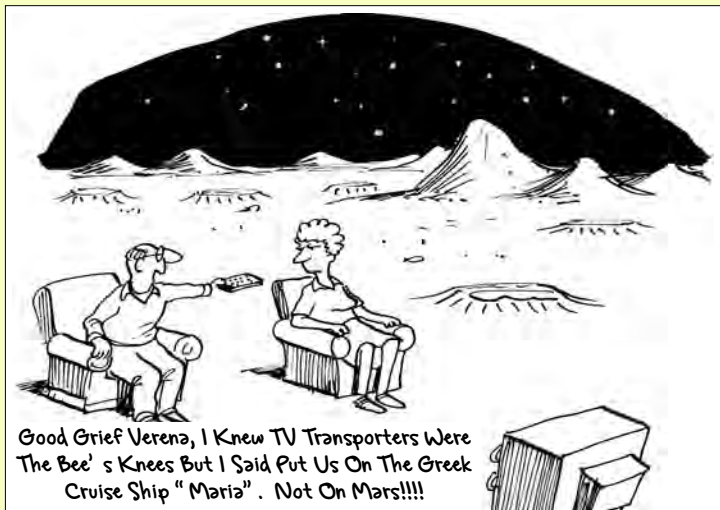


WINE CELLAR

370' Long x 85' Wide x 55' Tall

Features: 38 Rooms, Up To 300 People • Pool • Movie Theater • Bar • Full Restaurant • Aquarium • 11,000 lb Helideck Boat Crane For Lifting 32' Boats • 70' Marina • 2 Water Makers • 4 CAT Generators • 14,000 sq ft Unused Space Ready For Casino Or More Accommodation Rooms • Perfect For Oil Rig Support, Fishing / Gaming Lodge, Private Island, Floating Hotel.

Ready For Immediate Delivery! • Contact Us At: 727-441-3474



Good Grief Verano, I Knew TV Transporters Were The Bee' s Knees But I Said Put Us On The Greek Cruise Ship "Mæria". Not On Mars!!!!



Contents of this publication either in whole or in part may not be reproduced without the express permission of the publisher.
 Copyright © 2018 Donnelly Advertising & Publishing.



BOATS & HARBORS is Published 3 Times Each Month and Each Issue Goes by Direct Mail and Internet to Thousands of Individual Boat Owners, Builders and Operators, Tug, Pushboat and Barge Owners and Builders, Boat Yards, Commercial Fishermen, Packers and Processors, Divers and Diving Companies, Docks, Dredgers, Exporters, Ferryman, Freighters, Harbor Personnel, Longshoremen, Marinas, Steamship Companies, Marine Contractors, Off-Shore and Inland Oil Exploration Firms, Pile Drivers, Marine Salvage Firms, Ship Yards, Terminals, Towing Companies, Marine Warehouses, Government Agencies & other Related Businesses in the U. S. Possessions, Canada, Mexico & most other Foreign Countries. Boats and Harbors Is Published in Crossville TN 38557.

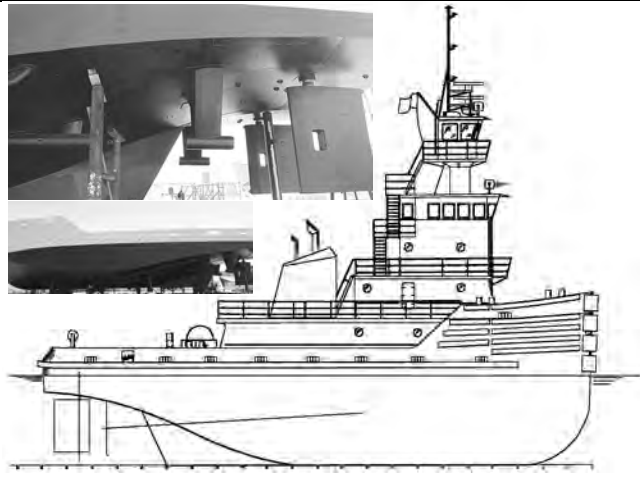
BOATS & HARBORS®
 P. O. Drawer 647
 Crossville, Tennessee 38557-0647 • USA



Metal Shark has delivered its latest new law enforcement patrol boat to the Puerto Rico Police Department (PRPD). The new 35-foot Defiant welded aluminum pilothouse patrol vessel, built at Metal Shark's Jeanerette, Louisiana production facility, joins the fleet of 36-foot Metal Shark Fearless-class high performance center console patrol boats delivered to the PRPD a year ago. The PRPD's newest Metal Shark features a fully-enclosed, climate-controlled pilothouse for all weather operation, outfitted with Shockwave shock-mitigating seating for a crew of four. Triple Mercury 300HP Verado four-stroke outboards push the vessel to speeds in excess of 45 knots while offering nimble handling and a smooth dry ride. A Wing urethane-sheathed, closed-cell-foam collar affords maximum impact protection during docking, boarding, or other alongside maneuvers, while port and starboard dive reliefs facilitate water access. The Metal Shark vessels are operated by the PRPD's Fuerzas Unidas de Rapida Accion (FURA), which is an agency within the PRPD operating specialized divisions relating to and coordinating with U.S. federal law enforcement agencies including the Federal Bureau of Investigation, the U.S. Marshals Service, and the Department of Homeland Security. For more info contact: Carl Wegener Sales (251) 610-3111, cwegener@metalsarkboats.com, www.metalsarkboats.com

www.FRANTZMARINE.com

2018 NEW YEAR VESSELS FOR SALE EXCLUSIVELY IN MY HANDS!!



5,000 BHP - 2108 NEW CONSTRUCTION
110' x 38' x 19'



US Flag 4-Point DSV, 180' ABS Fully Classed
Exclusively in My Hands

ABS Class Certificate +A1, AMS valid thru June 30 2021, USCG Certificate of Inspection valid thru May 30, 2010.

OSV / Utility & Crewboats



320' x 60' x 28 Built 1995, 222' x 50' clear deck; U.S. Flag. Class: ABS +A1 +DP2.

280' L x 60' B x 24' D x 19' loaded draft. Built in 2004, US Flag, Class 1, +AMS, +DPS-2. Sub Ch. L & I. 203' x 50' clear deck.

272' L x 56' B x 18' D x 6' light draft x 15' loaded draft. Built in 1998, Class: ABS +A1, +AMS, DPS-2.

AHTS: 262' L x 58' B x 23' depth x 19' loaded draft. Built in 1998, Class: ABS + A1, Towing Vessel, AH (E) + AMS, DPS-2, SOLAS, US Flag.

260 L x 56 B x 18D x 6.60' light draft x 15.20' loaded draft. Built in 1997, Class: ABS +A1, +AMS, (E); USCG Sub Ch. L. US Flag.

260 L x 56' B x 18D x 6.60' light draft x 15.20' loaded draft. Built in 1996, Class: ABS +A1, +AMS, (E); USCG Sub Ch. L. US Flag.

260' L x 56' B x 21' D x 6.60' light draft x 18.00' loaded draft. Built in 2002, Class: ABS +A1, +AMS; USCG Sub Ch. L. US Flag.

260' L x 56' B x 21' D x 6.60' light draft x 18.00' loaded draft. Built in 2001, U.S. Flag. Class: ABS +A1, +AMS; USCG Sub Ch. L.

260' L x 56' B x 19' D x 16.14' loaded draft. Built in 1997, U.S. Flag. Class: ABS +A1, +AMS, DPS-2. SOLAS.

240' L x 56' B x 21' D x 6' light draft x 18' loaded draft. Blt 1999, U.S. Flag. Class: ABS +A1, +AMS; USCG Sub Ch. L. DP2.

240' L x 56' B x 21' D x 17' loaded draft. Built in 1998, **AHTS:** 240' L x 52' B x 18' D x 15' loaded draft. Built in 1986, U.S. Flag. Class: ABS + A1 AMS Towing.

250' L x 56' B x 19' D x 16' loaded draft. Built in 2007, U.S. Flag. Class: ABS +A1, +AMS, +DPS-2 Unrestricted Service.

AHTS: 225' L x 52' B x 22' D. Built in 1997, U.S. Flag. Class: ABS + A1.

220' L x 46' B x 16' D x 9' light draft x 13' loaded draft. Built in 1999, U.S. flag. Class: ABS Loadline. USCG SubCh "I" & "L". No SOLAS.

220' L x 46' B x 16' D x 9' light draft x 13' loaded draft. Built in 2000, U.S. flag. Class: ABS Loadline. USCG SubCh "I" & "L". No SOLAS.

220' L x 46' B x 16' D x 9' light draft x 13' loaded draft. Built in 1998, U.S. flag. Class: ABS Loadline. USCG SubCh "I" & "L". No SOLAS.

220' L x 48' B x 16' D x 6' light draft x 13' loaded draft. Built in 1995, U.S. Flag. Class: ABS + A1 Oceans + AMS (E), DPS-1.

220.0' L x 56' B x 18' D x 16' loaded draft. Built in 1998, U.S. Flag. Class: ABS + A1 +AMS, DPS-2, SOLAS, U.S. Domestic Service.

220' L x 40' B x 14' D x 11' loaded draft. Built in 1989, U.S. Flag. Class: ABS +A1 AMS (exp. Dec 6, 2019. Next DD due Dec. 23, 2017).

AHTS: 220' L x 42' B x 14' D x 13' loaded draft. Built in 1982, U.S. Flag. GRT: 490. Class: ABS loadline exp. 18 April 2017. Laid up. USCG Subch. I.

205' L x 46' B x 17' D x 9' light draft x 14' loaded draft. Built in 1999, U.S. flag. Class: ABS + A1 U.S. Domestic Service + AMS, DPS-1. USCG Sub Ch. L, OSV.

205' L x 46' B x 17' D x 9' light draft x 14' loaded draft. Built in 1998, U.S. Flag. Class: ABS + A1, U.S. Domestic Service + AMS, DPS-1.

190' L x 54' B x 16' D x 13' loaded draft. Built in 1998, U.S. flag. Class: ABS +A1 +AMS, DPS-1, Loadline, SOLAS, SIP, USCG Sub. Ch. "L".

199' L x 44' B x 19' D x 16' loaded draft. Built in 1999, Rebuilt: 2014. U.S. Flag. Class: ABS + A1, OSV, + AMS, DPS-1, Unrestricted.

150' L x 36' B x 12' D x 12' loaded draft. Built in 2007, U.S. Flag. Class: ABS Loadline only.

150' L x 26' B x 10' D. Built in 1981, U.S. Flag. For sale without US Registry. U.S. Gulf Coast.

145' L x 34' B x 9' D x 9' loaded draft. Built in 1982, U.S. Flag. U.S. Gulf Coast.

Utility Boat: 120' L x 26' B x 8' D. U.S. flag. GRT: 99. 55'x18' clear deck. FO: 30,000g. FW: 40,000g. Main Engines: 2 x GM. Quarters: 16 in 3 rooms. U.S. Gulf.

Utility Boat: 115' L x 26' B x 6.8' D x 8' loaded draft. Built in 1980 U.S. flag. GRT: 93. Class: USCG Sub T, OSV. Deck Cargo: 68LT on 55' x 22' clear deck. Last drydocked March 2014. Idle. Owner did a major rebuild at drydock and has invoices over US \$700K (owner will produce all invoices upon request). Owner is inviting serious interest. U.S. Gulf Coast.

Supply Boat: 110' L x 28' B x 4' D x 7' light draft x 9' loaded draft. Built in 1980. U.S. flag. Deck Cargo: 142LT on 50' x 20' clear deck. Quarters: 20 berths (4 crew, 16 pax). Utility vessel for sale. U.S. Gulf Coast.

Utility Boat: 110' L x 26' B x 7' D. Built in 1981, U.S. flag. Class: USCG Cert. "T" 40 persons. ABS loadline exp. Deck Cargo: 67T on 48'x22' clear deck. U.S. Gulf

Utility Boat: 110' L x 28' B x 8' loaded draft. Built in 1982, U.S. Flag. Deck Cargo: 60LT on 62' x 22' clear deck. U.S. Gulf Coast.

CARIBBEAN TUGS



2,200 BHP



2,200 BHP



1,700 BHP

TUGS



800 HP - Vivian
60' x 22'

6' Draft, Blt 1975, Twin Screw GM 12V71's, MG 514 (5.16:1), Steel In Subchapter M Condition



2,600 BHP Lucinda Smith 90' x 28'

Twin Cummins QSK 38M's Tier II With ZF 4610W, 5.63:1, Korts Upper House, ABS International Loadline Valid



4,000 BHP - William
115' x 32'

Twin EMD 16-645 E6's, Reintjes, Korts, ABS Full Class Hull and Machinery Valid, Intercon Double Drum Winch, Rent Ready



5,750 BHP - Costal 303
128' x 35'

Twin Alco 16-251 E's, Built Main, Upper House With Elevator, ABS Laidup Status.

PUSHBOATS



1,350 BHP Miss Laurie
65' x 24'

Twin QSK Cummins (Tier II); MG 5170 (6:1), Flanking Rudders, Fleeting Deck, Elect. Winches



1,800 BHP Warren
65' x 26'

Twin CAT C-32's (Tier II), MG 5222 (6:1), Flanking Rudders, Fleeting Deck, Elect Winches



1,000 BHP Hayden - 60' x 22'

Twin CAT 3408's, MG518 (6.5:1) Flk. Rudders, Fleet Deck, Elect., Winches, MMBumpers.

SUPER BARGAIN!



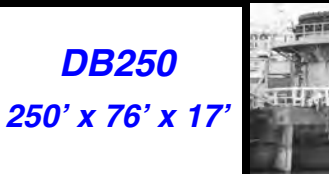
2,600 BHP Capt. Vince - 78' x 30'

Blt. 1982, Rebuilt 2015 Dravo, Twin CAT 3512's, MG 5600 (7:1), 78' x 68", RCP Cert. & SubM 2,600 Profile



DB350

All Oceans; heavy lift derrick crane barge; 250' x 78'; upgraded 4 point RB-97 mooring system; quarters for 64 people; Manitowoc 3900; (3) 224 kw gen sets. (Priced To Sell)



DB250
250' x 76' x 17'

L/B Mighty Chief

196' x 76' x 11.5', Min. Draft 6' USCG COI, ABS +A1 Barge Classed, Fuel: 49,920 gal, Water: 109,824 gal., Ballast 65,208 gal., Generators: (3) 350 KW, (1) 125 KW, Deck Crane: Manitowoc 3900



DENNIS FRANTZ FRANTZ MARINE CORPORATION, INC.

CELLULAR (504) 430-7117

Email: Dennis@Frantzmarine.com

Email: Tugmaninmandeville@charter.net

(ALL SPECIFICATIONS AS PER OWNER AND NOT GUARANTEED BY BROKER)

LIFETIME CUSTOM ALUMINUM BOATS



25' LANDING CRAFT

WORK BOAT 20', 24' - IN STOCK



DECK BARGE 24' HYDRAULIC CRANE 24' PATROL LANDING CRAFT - IN STOCK



30' LANDING CRAFT - IN STOCK

PILOTHOUSE 40'

~ Stock Workboats Available ~
Workboats and Landing Craft in Stock

LIFETIME BOATS, INC.

14104 Hwy 84, Jonesville, LA 71343

Phone (318) 339-4007

bodie@lifetymeboats.com

www.lifetymeboats.com

BigTOP FABRIC STRUCTURES



DON'T LET MOTHER NATURE AFFECT YOUR BOTTOM LINE

Our custom-built fabric structures are designed to withstand the harshest conditions, while ensuring that your business needs are met. Everything from covering large refit projects to storing equipment and cargo is a cinch with a Big Top Fabric Structure.

The high clearance and open design of our shelters make them ideal for the marine industry.

- Boat Fabrication/Refit
- Paint & Blasting
- Warehouse
- Equipment Storage

BIGTOPSHELTERS.COM
1.800.277.8677

LOOKING AHEAD

AHEAD TANK™

WILL BE THE **LAST** SEWAGE TREATMENT SYSTEM YOU WILL EVER BUY

USCG Certified Type II Marine Sanitation Device
In Compliance with Title 33 CFR 159.015 for Inspected and Non Inspected Vessels

Also Accepted Worldwide in accordance with the NEW 2016 IMO Resolution MEPC.227 (64)



Model AT-12T

#1 in the #2 Business

NEXT GENERATION TECHNOLOGY

Sewage Treatment Systems, Products, Parts & Supplies

AHEAD Sanitation Systems

FOR MORE INFORMATION

Phone: 337-330-4407

Email: headflusher@aheadtank.com

VISIT US ONLINE:

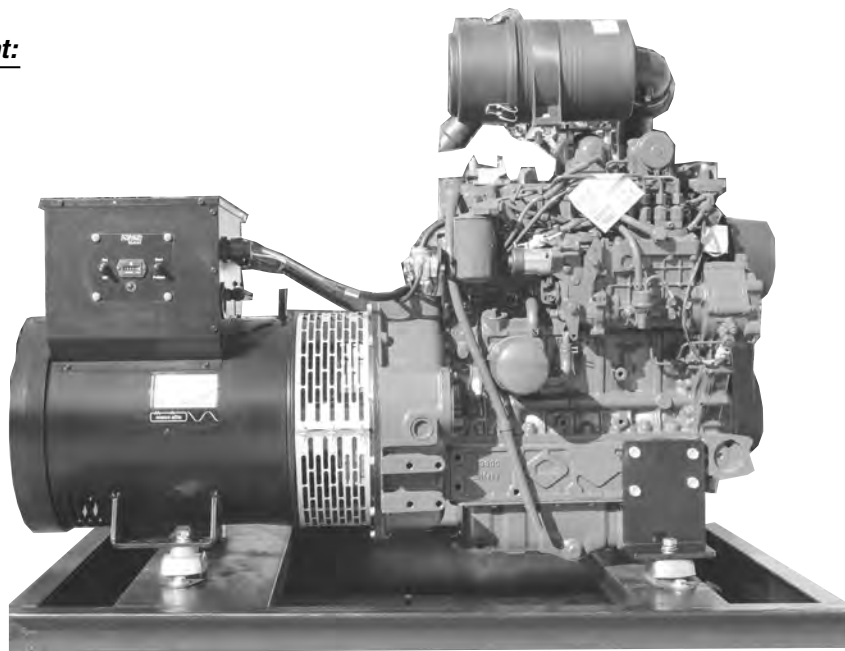
www.aheadsanitationsystems.com

facebook.com/aheadsanitationsystems

Kubota

1800 RPM Standard Equipment:

- Kubota Diesel Engine
- 12 Volt Electric Starter
- 12 Volt Battery Charging Alternator
- Automatic Engine Shutdown for Low Oil Pressure / High Coolant Temperature
- Fuel Filter
- Built in Fuel Transfer Pump
- Dry Air Cleaner
- Heavy Duty Steel Frame with Isolation Mounts
- High Ambient Radiator Cooling
- MeccAlte Industrial Generator
- Brushless Exciter
- Unit Mounted Solid State Voltage Regulator
- Ship-loose Muffler with Raincap
- Toggle Switch Start
- Engine Hour Meter
- 3 Year Kubota Engine Warranty
- EPA Tier 4i Compliant



KK4-50.0 kW

Optional Equipment:

- Sound / Weather Enclosures
- Auto Start / Stop
- ATS
- Fuel Tanks
- Block Heater
- Critical Silencers
- Gauge Panels
- RACOR Filters
- Circuit Breakers

KEEL COOLED MODELS

| MODEL | PRICE | MODEL | PRICE |
|----------------------|----------|------------|----------|
| DRY EXHAUST MANIFOLD | | | |
| KK3-7.0KW | \$ 5,891 | KK4-21.0KW | \$ 9,634 |
| KK3-8.5KW | 6,321 | KK4-25.0KW | 9,955 |
| KK3-9.5KW | 6,542 | KK4-30.0KW | 10,406 |
| KK4-12.5KW | 7,245 | KK4-40.0KW | 14,506 |
| KK4-15.0KW | 8,306 | KK4-50.0KW | 15,708 |
| KK4-17.5KW | 8,511 | JD4-60.0KW | 17,627 |

Southeastern Power Products is the Authorized KUBOTA Industrial Engine America Distributor for the State of Florida, Bahamas and the Caribbean.

Supplying Genuine KUBOTA Parts and factory Remanufactured components.

WE SHIP GENERATORS WORLDWIDE
RADIATOR COOLED GENERATORS

| Model | KW Rating | Net Price |
|-----------|-----------|-----------|
| SEP 7.0I | 7.0 KW | 6,285 |
| SEP 8.5I | 8.5 KW | 6,631 |
| SEP 9.5I | 9.5 KW | 6,925 |
| SEP 12.5I | 12.5 KW | 7,686 |
| SEP 15.0I | 15.0 KW | 8,474 |
| SEP 17.5I | 17.5 KW | 8,973 |
| SEP 21.0I | 21.0 KW | 9,755 |
| SEP 25.0I | 25.0 KW | 10,353 |
| SEP 30.0I | 30.0 KW | 10,983 |
| SEP 40.0I | 40.0 KW | 12,579 |
| SEP 50.0I | 50.0 KW | 13,934 |

LOWBOY

GL SERIES

GL7000 - USA \$4,600
GL11000 - USA \$5,800
GL14000 - USA \$8,950




COMPONENTS AVAILABLE

SOUTHEASTERN POWER PRODUCTS

2880 Hammondville Road,
Pompano Beach, FL 33069
Phone: (954) 979-5899
Fax: (954) 979-4349


www.southeasternpower.com

Prices and Specifications Subject to Change




ALUMA MARINE
& Fabrication, LLC


Quality Custom Built Aluminum Workboats & Pleasure Craft
Located In Harvey, Louisiana Just South Of New Orleans.




27' Harbor Patrol Vessel




75' Quick Response Fire Fighting Vessel




35' Collar Style Supply Vessel



38' In Shore Supply Vessel



30' Aluminum Supply Vessel



30' Collar Style Supply Vessel

Aluminum Never Looked So Good!

We Also Offer A Variety Of Services Including:

- Repairs
- Conversions
- Sandblasting & Painting
- Aluminum & Steel Fabrication
- Dockside Service Including A 65 Ton Crane
- Experience With State & Local Government

Let Us Build A Boat For You!
Contact Darren or Chad at (504) 347-7898
Visit us on the web at WWW.ALUMAMARINE.COM. For further info, contact us by email at chad@alumamarine.com or darren@alumamarine.com



BAIER
Hatch Company, Inc.

THE STRONGEST HATCH TO EVER HIT THE DECK!



ROUNDS



OVALS



MULTI-BOLT MANHOLES



SQUARES

Hatches Available in Cast Aluminum & Cast Steel

TO ORDER

800 - 455 - 3917

Seattle, WA • Costa Mesa, CA
www.baiermarine.com




PINE HILL EQUIPMENT




655 Pine Hill Rd. - Westport, MA 02790 • E-mail: sales@pinehillequipment.com
"Pictures of all equipment can be emailed upon request. Dimension sheets also available"

NEW AND USED PULLMASTERS IN STOCK

See pinehillequipment.com or call for inventory

Used Double Drum Marco Winch



Used take off with control valves. Foot acuated band brakes. Holds Approx. 1,800 feet of 3/4" wire on each drum. Call for price

Available For Immediate Dispatch:

- (1) M12-3-97-1 - For Sale or Rent
- (1) H25-3-86-2 - For Sale or Rent
- (2) H25-3-86-3 - For Rent Only
- (1) H50-3-207-2 - For Rent Only

Almond Johnson LST Anchor Winch

It makes a strong towing winch. Carries 1500 ft of 1 1/2 wire rope and has 60,000 lb. bare drum line pull. The winch has been converted to hydraulic and air operated brake/clutch. The winch appears to never have been used. Hydraulics are new, installed by Pine Hill Equipment. Includes level wind.



Call ex 215 for pricing

(1) ZF IRM 320 PL-1 REVERSE GEAR
1-12:1, SAE No. 1 Bell Housing, serial no. 320-672, new never used cond. Call for price.

200 TON SHACKLE LIKE NEW • \$1,250

Marine Cranes | Spare Parts

Pine Hill Equipment is proud to offer marine products by:



CRANES - Off-shore, ship-mounted & dock mounted cranes • Knuckle boom, telescopic boom, and stiff boom configurations • Cranes from 2.5 mt to 400 mt • Heavy Lift cranes to 3000 mt • Certified for ABS, DNV & others.

PARTS - Spare parts for all things Palfinger Marine and Palfinger NedDeck Many in stock. Fast reliable ordering service.

PACKAGES - Power units, winches, radio remote controls, anti-2-block systems, scales & weight systems, platforms, seats, cabs & crane skids. Spare parts, pipes & hoses. After sales & service.










NEW MARINE CRANES IN STOCK

PALFINGER MARINE MODELS IN STOCK
PK4501MC - 4.2 MT/29,500 FT-LBS

(1) 1996 Used HIAB 080 SeaCrane



Will pick 2300 LBS at a full stick of 23' & 4800 LBS @ 11' 400 degree rotation
Includes used Gearmatic winch
As-Is Where Is

NEW Kawasaki "STAFFA" Radial Piston Motor



Brand New - Take Off Hydraulic Radial Piston Motor. Heavy Duty, High Torque, Low Speed. Model: HMHDB200/T/FM4 /30/PL130, Serial: 01A10151 • 188 Cubic Inch, Max Continuous Speed: 175 RPM, Max Continuous Output: 174 HP, Max Cont. Pressure: 3625 PSI. Full specs & price upon request.

Custom Hydraulic Power Units! Rent or Own!

Any HP, wireless control capabilities, any GPM, any size! They are fully customizable and marine tested and proven. Below are the pictures of our standard 80HP!

DIESEL POWER UNITS FOR SALE OR RENT



Available quickly. Standard diesel HPUs up to 173 HP. Built to spec. Buy or rent. We can deliver to your jobsite. Call for availability.

Available For Immediate Dispatch:

- (2) 99 HP John Deer Units - For Sale or Rent
- (2) 85 HP Kubota Units - For Rent Only

WIRELESS RADIO REMOTE CONTROLS



Wirelessly control all of your hydraulic equipment. Don't be stuck behind a console! Safely run your equipment with the ability to be in a better line of sight. Push button stop features allow you to remotely shut down equipment in case of machinery failure or other emergency. Remotely control your cranes, winches, deck equipment, power units and motor starters, etc. We can safely and remotely control just about anything. Call with your specifications.

MR 375 HYDROSTAR RADIAL PISTON MOTOR CURRENTLY BEING REBUILT

Once reconditioned this unit will be - Spline shaft 85%, motor clean inside. Supplied blasted and in zinc primer. Motor will be entirely disassembled, inspected & resealed with shaft saver on shaft. Motor has six bolt flange connections. Single Speed, Heavy Duty, High torque, Low speed., 374.2 Cubic Inch, Max Continuous Speed: 90 RPM, Max Continuous Output: 165 HP, Max Continuous Pressure: 3000 PSI, Max Continuous Output torque: 13,750 FT/LBS, Dry Weight: 1444 LBS. **POR**

WE ARE DISTRIBUTORS OF



PLANETARY WINCHES AND PLANEMATIC PLANETARY DRIVES
FROM 1,000 LBS. TO 75,000 LBS. LINE PULL

CALL OR FAX US FOR A QUOTE ON YOUR NEXT WINCH REQUIREMENT!

Website: www.PineHillEquipment.com

PHONE (508) 636-5971 x212
FAX: (508) 636-9067

DESIGN & CONSTRUCTION OF HYDRAULICALLY POWERED WINCHES AND LINE/MATERIAL HANDLING MACHINERY FOR ALL APPLICATIONS

Often Times It Is More Cost Effective To Replace Old Mechanically Driven Winch Systems With NEW Hydraulic Winches and Power Units!

MIDSHIP MARINE INC.

MIDSHIP MARINE

OUR QUALITY SAYS IT ALL!
WHEN IT COMES TO BUILDING ALUMINUM BOATS
WE HAVE NO LIMITATIONS

• Passenger Vessels • Crew Boats • Pilot Boats • Patrol Boats • Dive Boats • Water Taxis • Fishing Boats



210' x 32' HIGH SPEED CREWBOAT



95' OIL SPILL FRV



65' SAILING CAT - 120 PASS



42' CREWBOAT



97' EXCURSION VESSEL



70' x 21' PASSENGER FERRY



90' CATAMARANS - 250 PASS



55' PASSENGER HEADBOAT - 49 PASS



55' SEMI SUB - 49 PASS



58' ALUMINUM VESSEL

MIDSHIP MARINE ALSO SPECIALIZES IN CONVERSIONS OF CREW BOATS INTO: DIVE VESSELS, CHARTER YACHTS, PASSENGER FERRIES, ETC. W/LOW PRICING & HIGH QUALITY. LET US DESIGN & QUOTE YOUR NEXT VESSEL.

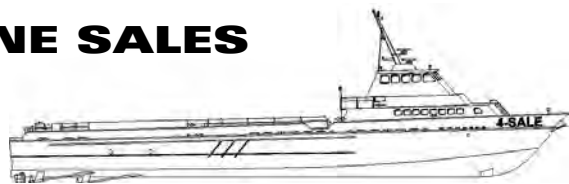
MIDSHIP MARINE will quote on building any vessel to meet your specific needs. All work is done at our yard in Harvey.

CONTACT MIKE or RANDY - PHONE (504) 341-4359 • FAX (504)-340-8997

Email: Midboats@aol.com • Website: www.MidshipMarine.net

MAILING ADDRESS: P.O. BOX 125, HARVEY, LOUISIANA 70059

LEE FELTERMAN & ASSOCIATES MARINE SALES



www.leefelتمان.com
lee@leefelتمان.com

Patterson, Louisiana 70392 USA
Office: (985) 399-7222

MARINE EQUIPMENT FOR SALE

OWNER - BROKER - BUY - SELL - REPAIR • EXPERT SERVICES • MARINE SURVEYING



OFFSHORE SUPPLY BOATS



CREWBOATS



PUSHBOATS & TUGBOATS



LIFT BOATS



UTILITY BOATS



YACHTS & HOUSEBOATS



DIVE BOATS



BARGES

FISHING BOATS, PROPS, SHAFTS, AND MUCH MORE..
For Specs And Prices See Our Website:
www.leefelتمان.com
"Over 35 Years in the Marine Industry"

COOPER CAPITAL SPECIALTY SALVAGE, LLC

860-395-4745

info@cooperss.com

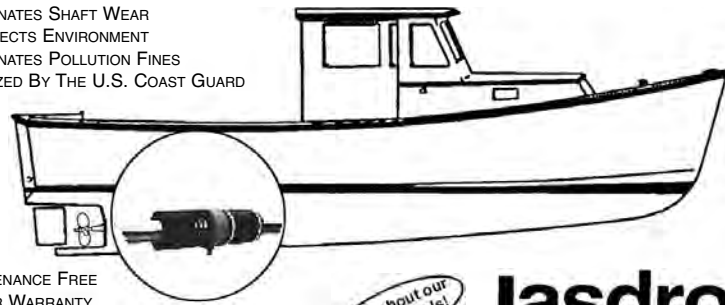
The complete salvage management company
Building relationships, not transactions

www.cooperss.com

Register to bid and receive information via email

- RATED "BEST" BY POWERBOAT REPORTS
- REPLACES STUFFING BOX
- DRIPLESS
- ELIMINATES SHAFT WEAR
- PROTECTS ENVIRONMENT
- ELIMINATES POLLUTION FINES
- UTILIZED BY THE U.S. COAST GUARD

The most advanced.
The most reliable.



- MAINTENANCE FREE
- 3 YEAR WARRANTY
- SINCE 1975
- METRIC AND CUSTOM SIZES AVAILABLE
- FROM 3/4" TO 8" SHAFT SIZES
- MADE IN USA
- 3 MODELS TO CHOOSE FROM
- COMPLETE LINE OF RUDDER SEALS
- PRICES STARTING AT \$95

Ask about our
fall specials!

Lasdrop
SHAFT-SEAL

nautical 11x

1-800-940-SEAL

3615 Dove St., Port Huron, Michigan 48060 USA

Phone: 810.388-9718 • Fax: 810.388-9753

Visit Us Online At: lasdrop.com

PACIFIC BOAT BROKERS.com

BUYING OR SELLING?

What Are You Doing With Your Boat?



List your vessel with
us today...for free

Our website is viewed
by thousands daily.
Buying? We have hundreds
of vessels to choose from.

THIS MONTH'S FEATURE

ICEBERG BAY

Iceberg Bay is a fully operational 161.8' x 48.1' steel barge with ice production and delivery facilities, an aluminum fish buying station and accommodations for 12. Fully self contained with water, fuel, and machinery to output up to 53 tons of ice in 24 hours.

Stock #F3508 • Reduced To \$1,800,000 (USD)

Head Office Toll Free: 1-877-448-0010
Email: sales@pacificboatbrokers.com



WWW.PACIFICBOATBROKERS.COM

JACKSONVILLE MARINE CENTER

WE ARE A FULL SERVICE MARINE CENTER AND SHIP BUILDER

Storage / Dockage / Repairs Available

Why Choose Us:

- Quality Workmanship • Over 30 Years Experience • U.S. Ship Builder
- Certified ABS, USCG • Accessible to East Coast • Close to Jacksonville International Airport
- 15 Miles From Intracoastal Waterway

DECK BARGE SALE / LEASE



2016, 150 x 60 x 8, 9,000 sq. Ft. Deck, 3200 PSF Uniform Dry Load.

\$1.25 Million USD

2017 TRUCKABLE TUG Heavy Duty or Built To Class Sale / Lease



25' 10" x 13' 6", 2 Cummins 6.7L 305 HP Ea., 2 Twin Disc Gears 3:1 Ratio, 8' Push Knee, 400 Gal. Fuel Capacity, up to 17' Height of Eye, Electronics, Deck Winch Cables, 34" x 19" Props. SALE / LEASE

\$298,000 USD

40' x 12' x 3.5' BARGE



\$31,500

54' PUSH TUG



\$355,000.00 • Great Condition Available For Purchase/Lease

JACKSONVILLE WATERFRONT FACILITY



with Optional Warehouse Space Available

20' - 40' CONTAINER SPREADER FOR SALE - \$7,000.00



Drydocking & Repairs

We service local and international customers!

For info. on sales, new builds or repairs please call 386-972-3413
1901 Hill Street, Jacksonville, FL 32202

Opdyke Inc.
Specialized Trucks & Equipment Sales
3123 Bethlehem Pike, Hatfield P.A. 19440
Sales@Opdykes.com
DESDE MEXICO: 001-215-721-4445
866-204-2545

www.Trucks123.com

100+ SPECIALIZED TRUCKS IN STOCK!

20 TANDEM KNUCKLEBOOM TRUCKS IN STOCK!! \$34K-\$100K

16 TON
8899
82' SIDE REACH
192,615 mi.

2003 KENWORTH T800 TRACTOR; CAT C-126 CYL (395 HP); FULLER 8LL; A/C; 58,740 GVW. 2002 PALFINGER PK50002 KNUCKLEBOOM; 16 TON; RADIO REMOTES.

UNMOUNTED KNUCKLEBOOMS
19,500 & up


HIAB • PALFINGER • EFFER • FASSI • ETC.

23.5 TON
8930
82,647 mi.

1999 INTERNATIONAL 2574; 530E 6 CYL (300 HP); SPICER 10 SP; A/C; 59K GVW. TEREX TC4792 CRANE; 23.5 TON; 128' TOTAL HOOK HT; 21' WOOD FLATBED. FOR EXPORT - HAS DENT ON CRANE. WILL NOT PASS CRANE CERTIFICATION.

10+ FUEL TRUCKS IN STOCK!

BROKERS WANTED
we pay competitive commissions on sales!



Island Hopper 30'x12', Excellent, stable 6 pack sport fishing and crabbing boat, built by Island Hopper of Florida in 2005 and powered by a 440 horse Yanmar Diesel with trolling valve. Extensive equipment list including live bait well and jet bow thruster. Price reduced to \$89,000
Call 360 738 8099 For Details



Empire Foam Solutions



Manufacturing Cost Effective, Polyurethane Foam for Flotation and Insulation in the Marine Industry (MIL-P-21929C Compliant).


Uses:

- Greatly extend the life of otherwise ready to retire barges, boats, docks, and more...
- Save tens of thousands of dollars over replacement or repair costs.
- Insulate spaces requiring efficient temperature control (i.e. living quarters, storage to prevent freezing or storage for cooling/freezing).

Installation:

- Our installers will come to you.
- We also offer do-it-yourself training and sell the necessary equipment for your business to install.

518-852-2812
www.bargerepair.com



60' Wood Headboat
CG Cert. 73 pass lbs, (2) 671's, large cabin, top deck, freshly painted, turn key.
\$32,500 • (718) 775-4576

British Fleet Tender



78' x 21' x 10'. Built 1973 by Richard Dunston. 330 HP Mirreles Blackstone Diesel. Hydraulic thruster, Hiab deck crane and windlass. Partial conversion. US Flag. Lying Chesapeake Bay.
Asking \$225,000.00
More Info at www.mvlandoverly.com or Call Mark (231) 881-7287

FOR SALE



46' x 16' x 8' MODEL BOW TUG
Built 1974 by Gladding Hearn Shipbuilding
12V71 Detroit - 365 HP
Twin Disc MG514 4.50:1 51" Wheel
4,500 Gallon Fuel Capacity
(508) 776-9759

Portable Housing For 20



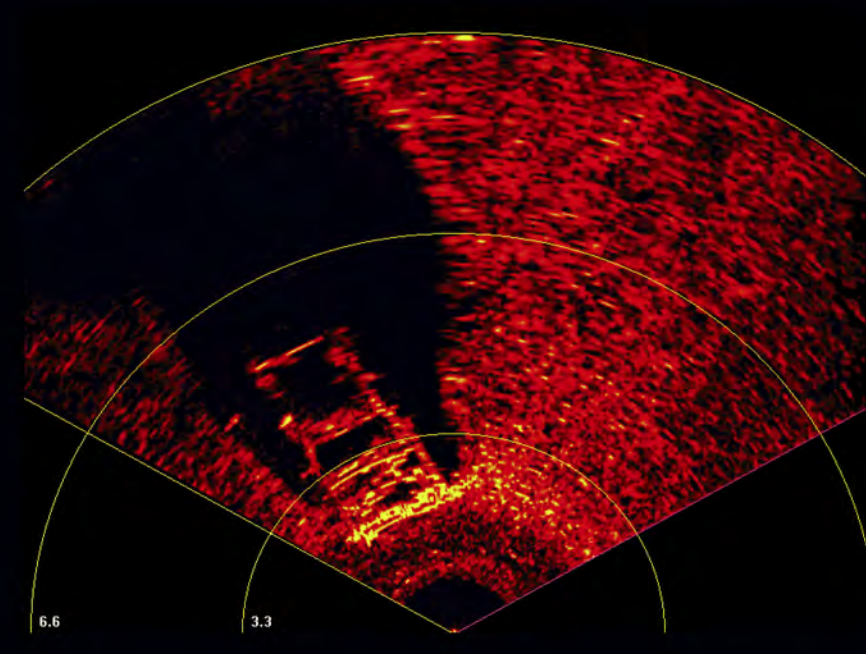
Generator, water maker, sewage plant, totally self contained other options for up to 100 people.
\$105,000
(206) 465-7981
(985) 258-3266
tridentllc@me.com • www.tridentllc.net

For Sale: 2003 Zodiac H920 Fireboat



Powered by Twin Yanmar 440 Diesel engines and Twin Disc water jets. 200 gallon fuel capacity. Features include generator, 1750 GPM fire pump, roof-mounted deck gun, 30 gallon foam tank, air conditioning and heat, remote ACR searchlights, Whelen hailer, Raytheon electronics package, and numerous other extras.
For more information contact Dean at (561) 909-9788

JW FISHERS In the darkness...comes clarity
with a JW Fishers SCAN-650 Sector Scan Sonar



- Target sizing capability
- Depth range of 1,000' (300m)
- High resolution imagery
- Sweep 360 degrees
- ROV, pole or tripod mountable
- User friendly software
- Fast imaging
- Commercial grade

JW Fishers Mfg., Inc.
1953 County Street
East Taunton MA 02718 USA
(800) 822-4744 or (508) 822-7330
Email: info@jwfishers.com
www.jwfishers.com

f YouTube in p

CLOSING DATES • SECOND FEBRUARY ISSUE 2018

| | | |
|---|---|---|
| For Display February 6th, 2018 9:00 A.M. C.S.T | To Be Mailed February 9th, 2018 | For Classified February 8th, 2018 10:00 A.M. C.S.T |
|---|---|---|

INVESTMENT OPPORTUNITY
Looking For Serious Investors - DYE'S DRY DOCK
Dry Dock of the Future - Here Now

90 Ton Dry Dock

We build all sizes - 40 T up
All shallow draft
Pictures do not show
drapping nor water proof decks




FEATURES

- Environmentally Pure
- No Air Pollution
- No Water Pollution
- Portable
- Ships by Standard Trucks
- Indestructible
- Heavily Coated Steel
- Shallow Draft
- Unsinkable
- Simple to Operate
- Enclosed Work Area
- Work 24 Hours a Day in all Weather
- Simple Fabrication
- Inexpensive
- DEQ Approved
- US Patented

This Patent is For Sale

The **PATENTED DYE DRY DOCK** design is a brand new invention for marine repairs that utilizes a modular floating system. This original concept for boat repair has features that have never been built anywhere in the world. It is a totally new concept utilizing "off the shelf" parts and machinery. **Bottom line:** This exciting dry dock system reduces building costs by over 50 percent, saves time, is inexpensive to operate and meets all DEQ regulations.

Never been offered to the marketplace - Owner of this patent is interested in selling patent rights under a franchise agreement with people or person who wants to form a marketing company using existing patents, presently United States, European, Norwegian patents.

This dry dock is pure - no water or air pollution - totally enclosed work area, work in all weather, day or night. It literally solves all E.P.A. and DEQ problems. Can be shipped on conventional trucks, installed on any waterway, portable, never rusts inside or outside. This dry dock has no negative features. This dry dock can be built to dry dock any size boat using this patented system - no limitation. **Get in on this one time opportunity.** Take advantage of it. We have researched the potential market - we have customers standing by. We will teach your personnel in marketing and shipping. We have full working prints and specifications. Pictures are nice but can't show our creative, innovative weight offsetting system. Call me, you will be amazed - never used in any other dry dock system. This product will change the world of boat repair. This dry dock can be installed on any waterway on the planet.

Call Ken Dye: (503) 709-5552 • email: KathyBrown27@gmail.com
Web Site: www.Dyesdrydock.com

TheGPSStore.com

Automotive ■ Outdoor ■ Marine Electronics

Toll Free 1-800-477-2611 • Check Out Our Weekly Web Specials

Furuno FCV-588 Dual Frequency Fishfinder



Furuno FCV-588
#FU588 **\$1195⁰⁰**

Features RezBoost Technology on a bright, 8.4" color display. A 600/1kW Sonar, RezBoost improves resolution and enhances target separation when paired with a narrowband transducer.

Transducer Sold Separately



Furuno NavNet TZtouch2 Network FURUNO® 12" Combo Chartplotter Fishfinder - Refurbished

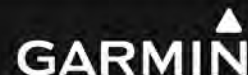


Furuno 12" TZtouch2
#FUTZTL12FR **\$2449⁰⁰**

Bright 12" touchscreen display with built-in 56 Channel GPS Receiver and 600w/1kW Dual Frequency RezBoost Fishfinder with Bottom Discrimination and Accu-Fish.

Two-Year Warranty.

Garmin GPSMAP 1242xsv Chartplotter / Sounder



- Sensitive 10Hz GPS/GLONASS Receiver.
- Preloaded BlueChart g2 Charts and LakeVu HD.
- Compatible with g2 Vision HD Charts + LakeVu HD Ultra.
- Dual MicroSD Card Slots.
- WiFi and Bluetooth Wireless Connectivity to compatible Tablet or Smartphone.
- 5000 Waypoints / 100 Routes.
- Built-in Garmin CHIRP sonar, CHIRP ClearVü and CHIRP SideVü scanning sonar and Panoptix™ support.
- QuickDraw Contours.

GPSMAP 1242xsv
without Transducer
#GA0174103
\$2199⁹⁹

GPSMAP 1242xsv
with All-in-One Transducer
#GA0174111
\$2499⁹⁹



NEW LOWER PRICE!

Si-Tex T-760 Radar



Si-Tex T-760 Radar
#SIT760 **\$1459⁰⁰**

Small in Size - Powerful in features. 7" Color LCD Touchscreen, 4kW, 24NM, 18" Radome. Built-in MARPA & AIS tracking. Simple and intuitive interface.



McMurdo SmartFind Plus G5 Cat II EPIRB



McMurdo SmartFind Plus G5 Cat II EPIRB
#MC82800001A2 **\$419⁹⁵** 

The McMurdo Smartfind Plus G5 Category 2 EPIRB is a Manual Bracket Emergency Position Indicating Radio Beacon that can send a signal to Search and Rescue with your location with accuracy of less than 62 meters. The G5 offers a Bright, flashing LED light, 6 Year Battery Storage Life and Minimum 48hr continuous operation.

Standard Horizon HX870 VHF with GPS



Standard Horizon HX870
#STHX870 **\$209⁹⁵**

**PLUS \$40
MAIL-IN REBATE
until 7/31/18**

Floating Handheld VHF Radio with 6 Watts of Transmit power, a built in 66 Channel WAAS GPS receiver with DSC Calling and Water Activated SOS Light.



Icom IC-M506 VHF Radio

Icom IC-M506
Black Case
#IC50601
\$329⁹⁵

Icom IC-M506 AIS
Black Case
#IC50621
\$499⁹⁵



A large dot matrix display, built-in DSC, clear audio and Command Mic IV second station compatibility. The M506 is also available with an integrated AIS receiver and NMEA 0183/2000 Protocols.



**PLUS \$50
MAIL-IN REBATE
until 2/28**

Your Best Source for Discount Marine Electronics!



Call for our Latest Catalog!
Or check out **TheGPSStore.com** to see our complete selection of marine electronics from all the major manufacturers.


TheGPSStore.com
Automotive ■ Outdoor ■ Marine Electronics
The GPS Store, Inc.
6899 Beach Drive
Ocean Isle Beach, NC 28469

Same Day Shipping!
Order by 4 PM Eastern
Friendly Customer Service
1-800-477-2611
   

SECTIONAL BARGES & TUGS FOR LEASE



5 Jones Street, Dubuque, IA 52001
 Office: (563) 583-0556 • Fax: (563) 556-2293
sunflower-enterprises.com



BARGE DIMENSIONS:

- 30' x 10' x 3'
14,000 Lbs: Truck Three Per Load
- 40' x 8' x 4'
20,000 Lbs: Truck Two Per Load
- 41' x 10' x 5'
27,000 Lbs: Truck One Per Load
- 41' x 10' x 7'
35,000 Lbs: Truck One Per Load



330-660 HP

65' CREW BOAT • BREAUX BAY CRAFT



1982, All Current USCG Certifications, Galley, Head, Shower And Bunks, 30 Passengers, Exceptional Condition! (2) V12-71 Detroit, 20 KW Gen., Ready To Work, Needs Nothing.
3 To Choose From - \$350,000 (631) 331-5336

SMOKY MOUNTAIN JET BOAT



2014 Jet Boat with (2) Yanmar Engines. 891 hours with Hamilton 241 Jets. Coast Guard Certified for 25 Persons. New seat covers, new paint, 1,000 Hr maintenance just completed. Ready to go to work for someone right now! Call Dean (251) 233-3690 for more info.

EQUIPMENT

- ✓ TUGS
- ✓ ABS UNRESTRICTED HOPPER BARGES

SERVICES

- ✓ MARINE TRANSPORTATION
- ✓ PROJECT CARGO
- ✓ SHIP ASSISTS
- ✓ ICE BREAKING
- ✓ SALVAGE

OPERATING ON THE GREAT LAKES AND INLAND RIVER SYSTEM

FOR MORE INFORMATION, CONTACT **SETH ANDRIE AT (231) 220-5530** OR SETH@ASHTONTUGS.COM OR VISIT ASHTONTUGS.COM

TOUGH Kubota PARTS LARGE INVENTORY SAME DAY SHIPPING

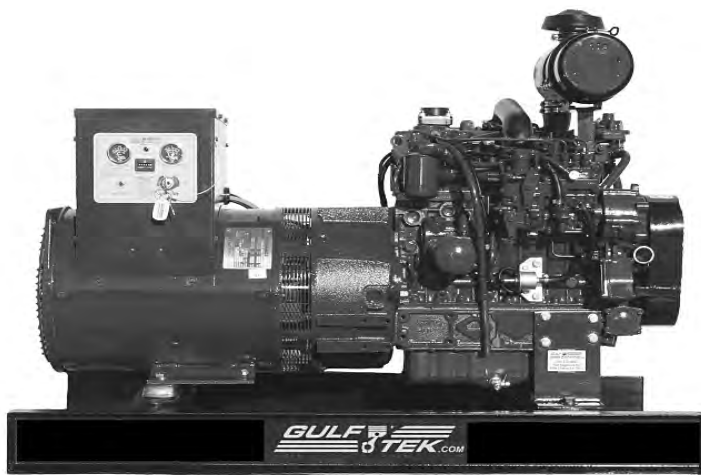
KUBOTA Reman STARTERS / ALTERNATORS / TURBO'S

| LIST OF SPECIFICATIONS |
|--|
| Kubota Diesel Engine |
| 1800 RPM Generator Single or 3 Phase |
| Brushless Exciter |
| Automatic Voltage Regulator |
| High Temp and Low oil shutdown system |
| Air Cleaner |
| Belt Guard |
| Hour Meter |
| Key Switch |
| Stable Flex Neoprene Vibration Isolators |
| Fuel Filter |
| Mechanical Fuel Transfer Pump |

| OPTIONAL EQUIPMENT ACCESSORIES |
|--|
| Weather Proof Enclosures |
| Drip Pan For Skid |
| Fuel Tanks |
| Circuit Breakers |
| 110/220 Outlets |
| Fuel Water Separators |
| Deluxe Gauge Panels |
| Extended Deluxe Gauge Panels to 50 ft. |

Kubota

AUTHORIZED DISTRIBUTOR (800) 925-4966
ENGINES / GENERATORS / PARTS



Marine and Industrial Generators

| GL SERIES LOWBOY II | |
|---------------------|------------|
| GL7000-USA | \$4,650.00 |
| GL11000-USA | \$5,750.00 |



Pressure Washer 3K to 10K Cold Water 3K to 5K Hot Water



Trash Pumps 3 to 6 Inch



HPU Units

| KEEL COOLED MODELS | | |
|--------------------|----|-------------|
| MODEL | KW | PRICE |
| KG8KWKC-ECS | 8 | \$5,920.00 |
| KG10KWKC-ECS | 10 | \$6,130.00 |
| KG12KWKC-ECS | 12 | \$6,800.00 |
| KG15KWKC-ECS | 15 | \$7,810.00 |
| KG17KWKC-ECS | 17 | \$8,050.00 |
| KG21KWKC-ECS | 21 | \$9,075.00 |
| KG25KWKC-ECS | 25 | \$9,355.00 |
| KG30KWKC-ECS | 30 | \$9,810.00 |
| KG40KWKC-ECS | 40 | \$12,715.00 |
| KG50KWKC-ECS | 50 | \$13,860.00 |

TIER 4 GENERATORS AVAILABLE

CRANE / SPUD BARGE • 100' x 38' x 7'



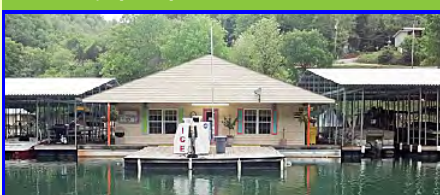
**13 Compartment • Double Rake • 4 Spud Pockets
Shallow Water Spuds (34') • Deep Water Spuds (74')**

(6) 10' x 40' x 7' Shugart Barges • (3) 10' x 20' x 7' Shugarts
9/32" Steel Plate to Cover Approx. 95% of Top Surface Area
1953 Year Model Push Boat - 45' Length x 15'6" Beam x 5'1" Depth • Twin Cummins 700 HP
1990 Push Boat MV - 35' Length x 14' Beam x 4' Depth • Twin Cummins 700 HP
1971 Koehring 665 Spanner - 100' Angle Boom - Block & Ball
Tagline, Fairlead, Air Conditioner / Heater
6,000 Lb. Pile Hammer with Leads • Spade Nose Bucket with Teeth
Spade Nose Bucket Smooth Lip • 5 Tine Grapple

**Conatser and Associates, Inc. (865) 984-0843
Mike Conatser • Email: maconatser@aol.com**

Successful TN Marina

Price: \$2,000,000 • Great Cash Flow



Please Contact: George Ash
Marina Investment and Marketing Adviser
ash1@simplymarinas.com
352-262-5784 • www.simplymarinas.com

110' x 29' ALUMINUM \$1,250,000



All Aluminum, Derektor Built. (2) Deutz TBD
616, 818 hp ea., (2) John Deere 6135SFM85,
650 hp ea. Top speed 20.5 knots. 40Kw Gen &
55Kw Northern Lights. Full electronics, USCG
inspected. Presently fishing Brielle, NJ, Lic.
150 passengers, 100 miles.

Day: (732) 245-1592

Jet Boat For Sale



USCG certified 25 passenger. (2) Yanmar
8LV. (2) Hamilton jet drive. Under 400
hours. Comes with trailer.

\$225,000 OBO

Contact Billy (361) 443-4687

SCRATCH & DENT SALE



High Tensile Galvaluma Steel
100% U.S. Made No Drilling Required

**Military Spec. Quonsets
SAVE \$\$\$\$**

| | | |
|---------|---------|----------|
| 20 x 30 | 40 x 60 | 55 x 120 |
| 25 x 40 | 45 x 72 | 60 x 150 |
| 30 x 50 | 51 x 96 | 70 x 200 |

Archway Steel Buildings

1-800-344-2724

Fax (412) 771-4191



USCG Certified • 370 PASS • 3 Miles Off Shore • Partially Protected Waters
Huge luxurious salon and bar; 5 king staterooms with full heads, showers; KVH Satellite TV; State of the art galley; 3 Southbend conv. ovens, Jackson dishwasher, walk-in cooler, full laundry; Walk-in engine room and maint. shop; Can seat 370 for dinner; Enclosed party deck with full bar, 800 lb. ice maker; Deluxe pilot house w/full electronics, satellite navigations, auto pilot, radar, wing stations; Partially covered Sky Lounge has full bar; State-of-the-art security system; 2-375 Hp John Deere State-of-the-art electronic engines and ZF trans.; 2-99 kw electronic John Deere gens; 155 Hp bow thruster, bulbous bow, bilge keels; All keel cooled, 11 zone heat and air; 5 floor elevator; Hyd. spuds; 128' x 35' x 5'6" draft; 11 mph; under 100 gross ton; 17,000 sq. ft. deck; Amenities that Feadship, Christensen, Delta & Trinity don't include at a fraction of their cost.

Low maintenance! Call Captain Winston Knauss • 305-947-6868

St. Petersburg, FL • \$2,900,000 • That's just \$175 a S.F. deck area!

www.sirwinstonluxuryyacht.com

www.winstonknaussmarine.com

(4) DETROIT DIESEL 8V71 NATURAL



Engines in great shape, no smoke 55N injectors, keel cool R.T.O., Tonanco TM828S 1.96:1 transmissions. 7,000 hours, easy run at 1,500 RPMs or less. Gauge clusters with 60 foot wiring harness. Battery cables. Morse single lever controls with throttle / clutch cables 50 feet. Walker Air Seps. Remote oil change pump pan valve fitting. Ready to bolt up and run.

www.breauxbrotherpassengervessel.com
ryan@blueheronfishing.com

FLORIDA LEASE OR SALE



USCG 44 Passenger
Truckable 40' & Captain
In search of business location
Florida preferred.

Diesel, fiberglass, clean, economical.

(419) 656-4693

NEXT CLOSING DATES

Second February Issue 2018

• Mailed February 9th, 2018 •

For Display - Feb. 6th, 2018 • (9:00 A.M. C.S.T)

For Classified - Feb. 8th, 2018 • (10:00 A.M. C.S.T)

Scully's Customized Boats



MDL 2072VWB, T-Top



MDL 2284VWB, T-Top



MDL 2284DVWB, Cabin, AC5



MDL 2484VWB, T-Top



MDL 2484VWB, Cabin, Survey



MDL 2684DVWB, Cabin

Scully's Constructs Up To 100 Foot Vessels USCG Certified



MDL 2884DVWB, Cabin



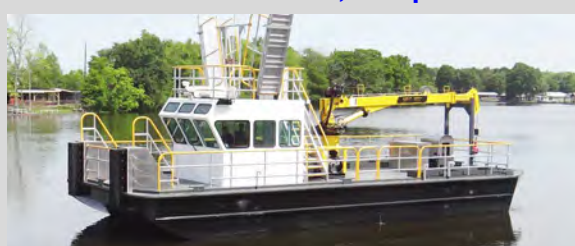
MDL 2896BS, T-Top



MDL 3410BV, Cabin



MDL 4012BV, Cabin, AC



MDL 4518 Crane Barge



MDL 2684LC, T-Top

Boats Are Available IN STOCK Up To 40 Feet Long • Mercury, Honda, and Yamaha Packages Also Available
Offers: Jet Drives, Diesel Applications, Shaft Logs Applications

Phone: 1-866-238-8353 • Fax: 1-985-384-5146 • 1015 Stephenville Road • Morgan City, LA 70380

Email: info@scullyboats.com • www.scullyboats.com

Available On GSA Contract

MASTER MECHANIC MARINE™

A Certified Power Business

www.mastermechanicmarine.com

For ALL of your Hydraulic Systems & Components Needs

Thousands of Items in Stock

Se habla español!

TO ORDER CALL: 800-877-8350 ISSUE # BHQ118

OR EMAIL: mmmsales@certifiedpower.com

MASTER DESIGNED GAS & DIESEL POWER UNITS

ALL UNITS IN-STOCK! SHIPS WITHIN 24-48 HOURS!

Power units include: roll cage, engine, pump adapter, love-joy couplings, pump, relief valve, reservoir, return filter, pressure gauge, hose, fittings and battery cage. Optional oil cooler and directional control valves mounted to structure are available upon request. Power units come assembled and ready to work upon arrival.

Custom Power Units are also Available!

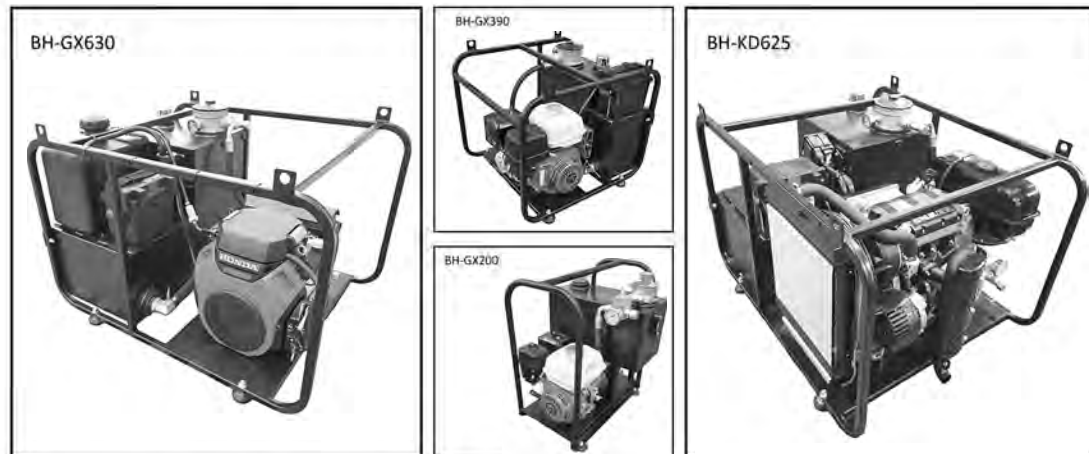
GAS MODELS

| ITEM # | HP | GPM |
|----------|-------|------------------|
| BH-GX200 | 5.5HP | 11 GPM @ 800PSI |
| BH-GX390 | 13HP | 10 GPM @ 1500PSI |
| BH-GX630 | 20HP | 15 GPM @ 1500PSI |

DIESEL MODELS

| ITEM # | HP | GPM |
|----------|--------|-----------------|
| BH-KD625 | 22.1HP | 20GPM @ 1500PSI |

• IF A HIGHER HP IS REQUIRED PLEASE CALL FOR PRICING!
• STAND ALONE POWER UNITS ARE AVAILABLE! •



MARINE CLUTCH PUMP KITS

Drive off truck or equipment engines. Drive-shaft or belt driven options.

Clutch pump kits come with: Bi-Rotational Pump, Clutch, Switch and Mounting Bracket.

| ITEM # | MAX PRESSURE | GPM@1200 | GPM@2000 | GPM@3000 | PRICE |
|----------|--------------|----------|----------|----------|----------|
| BH119 | 3000 | 9.6 | 16 | 24.1 | \$429.00 |
| BH119X | 3000 | 12.8 | 21.5 | 32.2 | \$429.00 |
| BH119XX | 3000 | 17 | 26 | 43.4 | \$589.00 |
| BH119XXX | 3000 | 23 | 34.8 | N/A | \$729.00 |



STAINLESS STEEL BOOM WINCHES, PLANETARY WINCHES & ANCHOR HOISTS

Planetary winches can hold up to 300 ft. of 1/2" cable.

Boom winches hold up to 230 ft. 5/16" cable.

| ITEM # | MAX CONT. FLOW | LINE PULL | MAX LINE SPEED | PRICE |
|--------------|----------------|------------|----------------|------------|
| BHPSVH-10000 | 15.9 GPM | 10,000 LBS | 46 FPM | \$1,200.00 |
| BHPSVH-15000 | 15.9 GPM | 15,000 LBS | 30 FPM | \$1,575.00 |
| BHPSVH-18000 | 15.9 GPM | 18,000 LBS | 23 FPM | \$1,826.00 |



| ITEM # | DESC. | RPM @ RATED FLOW | LINE PULL | PRICE |
|--------|--------------|------------------|-----------|----------|
| BH1008 | ANCHOR HOIST | 300RPM @ 12GPM | 900 LBS | \$795.00 |

HYDRAULIC VALVES

Perfect for operating winches, cylinders, reels, pot haulers and more.

Gresen SPW4 Rotary Spool



SS Rotary Spool Valve



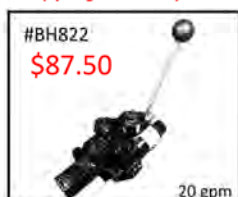
SS Rotary Spool Valve



Hydraulic Control Valve



Hydraulic Control Valve (Spring to Neutral)



Hydraulic Control Valve (Power Beyond)



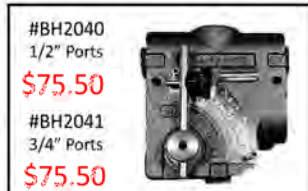
2-Spool Hydraulic Control Valve (Power Beyond)



3-Spool Hydraulic Control Valve (Power Beyond)



Flow Control Valve



Gresen Selector Valve



Cushion Valve

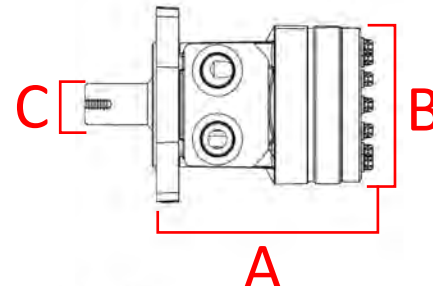


LOW SPEED, HIGH TORQUE HYDRAULIC MOTORS

Master Mechanic Marine provides you with today's leading manufactured hydraulic motors. **NO TAG? NO PROBLEM!**

Our hydraulic specialists can get you a replacement motor with little dimensional data from your motor. (Imports are available).

PRICES STARTING AT\$239.00



VANE PUMPS

GRESEN TC24, TB12, V10, V20, 25VQ & VTM42

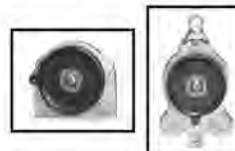
- 500 PSI - 3000 PSI
- 3 GPM - 55 GPM
- Up to 3,000 RPM
- Straight Key Shafts
- Splined Shafts

| ITEM # | PRICE |
|--------|----------|
| V10 | \$233.23 |
| V20 | \$250.79 |
| VTM42 | \$325.99 |
| TB12 | \$429.78 |
| TC24 | \$489.50 |



POT HAULERS - 8", 10", 12", 14", 17"

- Completely Stainless Steel Options
- Top-Performing Hydraulic Motors
- Higher Speed or Higher Torque Options
- Line Speeds from 275-350 ft/min.
- Line Pulls from 310-1750 lbs.



PRICES STARTING AT.....\$699.00

HYDRAULIC HOSE AND FITTINGS

All lengths, sizes, hose ends and adapters available.

| LENGTH | SIZE | HOSE ENDS | PRICE |
|--------|------|------------------|----------|
| 15' | 1/2" | Male Pipe Swivel | \$61.42 |
| 20' | 1/2" | Male Pipe Swivel | \$73.92 |
| 30' | 1/2" | Male Pipe Swivel | \$101.52 |
| 50' | 1/2" | Male Pipe Swivel | \$153.92 |
| 15' | 3/4" | Male Pipe Swivel | \$96.74 |
| 20' | 3/4" | Male Pipe Swivel | \$116.24 |
| 30' | 3/4" | Male Pipe Swivel | \$155.24 |
| 50' | 3/4" | Male Pipe Swivel | \$233.24 |
| 15' | 1" | Male Pipe Swivel | \$149.74 |
| 20' | 1" | Male Pipe Swivel | \$179.84 |
| 30' | 1" | Male Pipe Swivel | \$240.04 |
| 50' | 1" | Male Pipe Swivel | \$360.44 |

Hydraulic Cylinder Special

Types of Cylinders: Tie-Rod and Welded • ALL sizes available!
Application Examples: Steering, A-Frames, Log Splitters



| BORE | STROKE | PRICE |
|------|--------|-------|
| 2 | 8 | \$72 |
| 2 | 10 | \$80 |
| 2 | 12 | \$92 |
| 2.5 | 8 | \$79 |
| 2.5 | 10 | \$89 |
| 2.5 | 12 | \$103 |

| BORE | STROKE | PRICE |
|------|--------|-------|
| 3 | 8 | \$100 |
| 3 | 10 | \$115 |
| 3 | 12 | \$120 |
| 4 | 8 | \$130 |
| 4 | 10 | \$143 |
| 4 | 12 | \$158 |
| 5 | 8 | \$220 |
| 5 | 10 | \$245 |



JOHNSON DIESEL SERVICE

Dealer for Cummins, Detroit, & Volvo Marine & Industrial Engines, Power Units and Generator sets. New, exchanges and used engines. We carry exchange and new Twin Disc and ZF Marine transmission and all parts necessary for overhaul's.

Phone (228) 392-1311 Fax (228) 392-0096

Email: johnsondiesel@cableone.net • Website: JohnsonDiesel.com

J & B BOAT RENTAL LLC

Has Crew Boats, Work Boats, Tug Boats and Living Quarters for Hire.

J & B MANUFACTURING

J & B Manufacturing Builds Work Boats and Crew Boats to Your Specifications

We also have Coast Guard Plans to choose from, tell us what you want and we can build it Below are a few vessels built by J & B Manufacturing.

You can contact us @ (985) 594-5831 or Visit our website: www.jbboatrentals.com



VESSELS FOR SALE

150' Aluminum Welded Crew Boat



- 150' Aluminum Crew Boat with 5 Cummins K19, Very Clean, New COI
- 65' Aluminum Crew with Cummins Diesel Engines, Clean & Fast, New COI
- (4) 50 Aluminum Crew Boats with Cummins Diesel Engines, Clean & Fast, All New COI
- 68' 3 Level Steel Push Boat, with Cummins Diesel Engines, New COI
- (10) Aluminum Deck Boats from 20' - 47'

PASSENGER VESSEL

ASKING \$3,450,000

FOR SALE, LEASE OR JOINT VENTURE OWNER WILL CONSIDER FINANCING

The M/V Deacon is an 120' x 43' all aluminum vessel designed to transport 250 passengers at 30 knots. The swath design provides dramatically better ride in high seas than a mono-hull or a catamaran vessel.

How does the swath compare to a conventional vessel? Watch our online video.



www.mvdeacon.com

Possible Uses:

- Crew Boat • Yacht • Dinner Cruises
- Whale Watching • Research Vessel • Casino
- Military • Passenger Ferry • Seismic Vessel
- Live Aboard Dive Vessel • Dive Support Vessel

For more information contact: Daniel Haines at 985-631-2628 or danielhaines@zoho.com

ISLAND WIDE MARINE INSURANCE

Superior Service Since 1977

CUSTOMIZED POLICIES

Designed Specifically For:

- Passenger Vessels**
- Sightseeing - Dinner Cruise**
- Headboats - 6 Packs - Ferry**
- Dolphin - Whale Watch**

FEATURING:

- ★ **Basic & Enhanced Policies**
- ★ **Competitive Pricing**
- ★ **Easy Payment Terms**
- ★ **Discounts For Seasonal Operations**



Marine Insurance is Our ONLY Business

1-800-635-6097

110' x 34' 1943 STEEL • EX-NAVY REPAIR BARGE



All steel construction Appears to be in Very Good or better condition throughout! CLEAN: Used for Electronics repair. 96' two-story house w/ 7' 2" ceiling height. 7' open deck at each end. Approx. 3,250 sq. ft. on each of two decks & below main deck which has refrigerated storage & water integral tank approx. 2500 gal. Fully plumbed w/heads & showers on 2 decks, 500 cu. ft. holding tank. Fully

MODERNIZED electrical w/480/240/110 shore power & transformers. Fire suppression sys., Fiber optic wired thruout, vapor proof DOANE lighting. No propulsion or gen set. All interior walls on upper decks removed, totally open space ready for your EASY reconfiguration. Perfect conv. to camp, quarters barge, shops, display, retail, floating residence, etc. Loc. in fresh water at Seattle, WA.

\$249,500.00

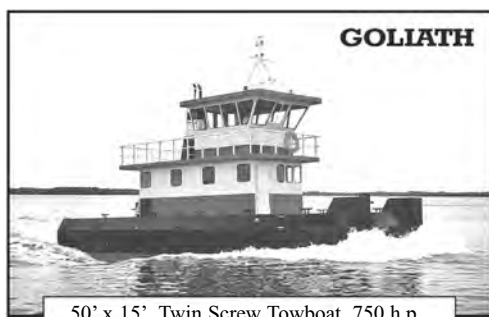
ALL Details • Photos: www.PacificMarine.org Email: david@pacificmarine.org • (206) 225-3360

PROCK MARINE COMPANY

Specializing In Residential & Custom Docks, Commercial Work, and Shore Stabilization, Mainly Along the Coast of Maine Barge Rental Also Available



Rockland, Maine
207-594-9565
www.prockmarinecompany.com



GOLIATH
50' x 15', Twin Screw Towboat, 750 h.p.,
5:1 Gears, 46" Props, 20 K.W. Gen.



TRIUMPH
25.5' x 14', Twin Screw Towboat, 450 h.p.,
with Deckhouse, 3.5' Draft.



VICTORY
25.5' x 14', Twin Screw Towboat, 450 h.p.,
3.5' Draft.

AMERICA'S PREMIER TRUCKABLE BOAT BUILDER

IS OFFERING SUPERIOR BOATS AT PRICES LOWER THAN YOU'VE SEEN IN YEARS

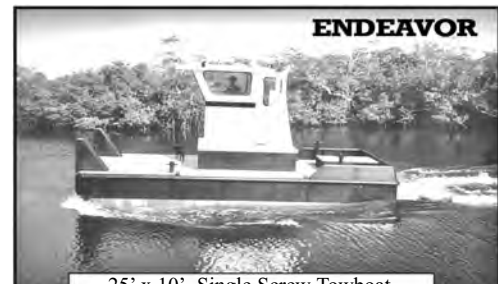


FULLY EQUIPPED

THIS BOAT AND OTHER MODELS ARE
IN STOCK FOR DELIVERY TODAY!



CONQUEST
25.5' x 12', Single Screw Towboat,
225 h.p., Flanking Rudders.



ENDEAVOR
25' x 10', Single Screw Towboat,
225 h.p., Flanking Rudders.

Just Turn the Key.
Everything is Included.

- Towing Bitt and Four Cleats
- Running Lights
- Lockable Pilot House and Engine Room
- Non-skid Deck
- Engine Room and Pilot House Lights
- Opening Front Window in Pilot House
- Coolant Tanks with Level Indicators
- Large-Capacity Fuel Tank
- Full Instrumentation
- 1200 G.P.M Bilge Pump



**BORN
TOUGH.**



PROGRESSIVE INDUSTRIAL, INC.
PALMETTO, FL

(941) 723-0201

PUSHBOATS-BARGES.COM

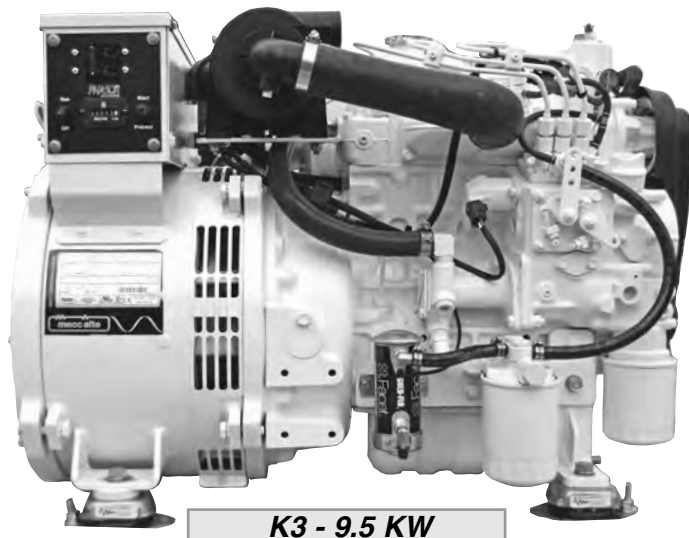
Sectional Barges
8' x 20' to 15' x 60' per section pin together
to form as large a platform as needed.

Fast Delivery!
Call Now for a Quote!

PHASOR MARINE

Powered By Kubota

Phasor Marine, has begun delivering EPA Tier IV compliant marine generators. These machines are not utilizing EPA flex credit engines as are other marine generator manufacturers, which is illegal. The Kubota diesel engines utilized by **Phasor** are either Tier IV Final or EPA Tier IV Marine Certified up to and including the K4-30.0 kw model. All standard machines continue to utilize the Kubota or John Deere diesel engines coupled to the electrical ends. These engines approved for use with Bio-Diesel B5. New for the 2014 model year are two Ignition Protection Certified models rated at 4.5 kw and 7.0 kw operating at 1800 rpm. These machines are certified for use in gasoline powered boats. All **Phasor's** continue to offer a 5 year limited warranty.



K3 - 9.5 KW

Kubota
WE SHIP GENERATORS
WORLDWIDE

Standard Equipment: 1800 RPM Sets

- Kubota or John Deere Diesel Engine
- Single Bearing Generator
With Epoxy Coated Stator Windings
- ± 1% Solid-State Voltage Regulation
- Low 1,800 RPM Operating Speed
- Four Point Isolation Mounts
- Automatic Low Oil Pressure and High Water Temperature Safety Shutdown Systems
- Fresh Water Heat Exchanger Cooling
- Water Cooled Manifold and
Stainless Steel Exhaust Elbow
- Direct Driven raw Water Pump
- Spin On Fuel Filter
- Electric Fuel Transfer Pump
- Toggle Switch Start with Preheat, Start, Run, & Stop Positions
- Awl-Craft 2000 Urethane Finish
- Oil Drain Valve
- Zinc Anode in Heat Exchanger
- Air Intake Silencer
- Spin On Oil Filter
- 5 Year Limited Warranty

BOATS & HARBORS SPECIALS

| MODEL | PRICE | MODEL | PRICE |
|---------------|-------------|--------------|-------------|
| K2 - 4.5 IPC | \$ 7,518.00 | K4 - 12.5 KW | \$11,829.00 |
| K3 - 7.0 IPC | 9,011.00 | K4 - 15.0 KW | 12,458.00 |
| K3 - 6.5 KWC | 8,436.00 | K4 - 17.5 KW | 13,572.00 |
| K3 - 7.0 KW | 8,642.00 | K4 - 21.0 KW | 14,685.00 |
| K3 - 8.0 KWC | 9,161.00 | K4 - 30.0 KW | 20,160.00 |
| K3 - 8.5 KW | 8,998.00 | K4 - 34.0 KW | 22,234.00 |
| K3 - 9.5 KW | 9,986.00 | J4 - 65.0 KW | 32,367.00 |
| K3 - 10.0 KWC | 10,679.00 | J4 - 80.0 KW | 40,688.00 |
| K4 - 12.0 KWC | 11,954.00 | J4 - 99.0 KW | 41,187.00 |

**SOUTHEASTERN
POWER PRODUCTS**

2880 Hammondville Road,
Pompano Beach, FL 33069
Phone: (954) 979-5899
Fax: (954) 979-4349

www.phasormarine.com

Prices and Specifications
Subject to Change

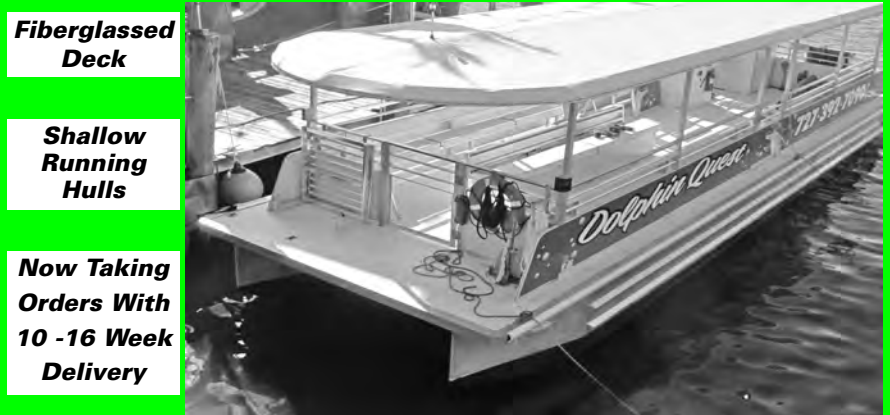
www.Sightseerboats.com

Quality and Affordability

All Boats Built To USCG Partially Protected Criteria
Eco-Tour, City Tour, Party Cruise, Water Taxi's Boats
30', 35', 40', 45' & 50' Lengths x 10, 12, 13 & 14 Ft. Widths



All Aluminum Construction Means Lower Operational Costs & Requires Smaller HP Motors.
Up to 49 Passenger • Multiple Route COI's Available



Fiberglassed Deck

Shallow Running Hulls

Now Taking Orders With 10 -16 Week Delivery



40' • 42 Passenger 35' • 36 Passenger

"V" Bottomed Catamaran Hulls
FACTORY DIRECT SERVICE & PRICING
BUILT TO MEET YOUR SPECIFIC APPLICATION & SITUATION
Full Turnkey Boats Starting Under \$100K
Call to Discuss Your Project & For Free Quotation

727.856.6900

BUYING OR SELLING?

New & pre-owned vessels, Pinnacle Marine Corporation can help.



Majestic Princess 131 Passenger Yacht



Mystere 88 Passenger Yacht



Black-Eyed Susan 149 Pass. Sternwheeler



Lil Diamond III 149 Passenger Catamaran

PINNACLE MARINE CORPORATION

We are the only brokerage service specializing in the passenger vessel industry. We also provide assistance locating financing, vessel transportation, securing insurance, marketing and business consulting, and auction services.

608-788-3210 • email: info@pinnaclemarine.com • www.pinnaclemarine.com

JEMISON MARINE SHIPYARD

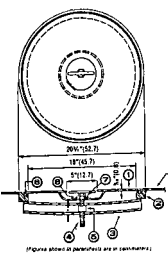
New Constructions,
Repairs And Conversions

(NEW) BOATS FOR SALE

251-824-7878 • 251-824-4575 (Fax)
9315 Little River Rd • PO Box 645
Bayou La Batre, Alabama 36509

Contact: **Tim Jemison**
website: www.jemisonmarine.com

NEW FLUSH HATCHES



| PIECE NUMBER | NAME | MATERIAL |
|--------------|----------------|-----------------|
| 1 | COVER ASSEMBLY | MILD STEEL |
| 2 | DECK RING | MILD STEEL |
| 3 | STRONG BACK | MILD STEEL |
| 4 | TEE HANDLE | STAINLESS STEEL |
| 5 | NUT | BRASS |
| 6 | GASKET | NEOPRENE |
| 7 | WASHER | BRASS |
| 8 | WASHER | NEOPRENE |

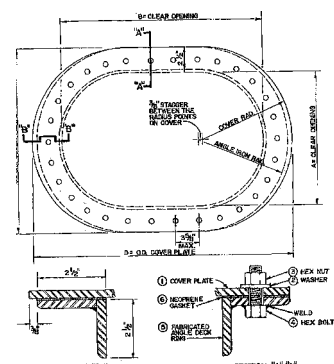
PRICE ON REQUEST

NEW 18" & 24" HATCH COVERS



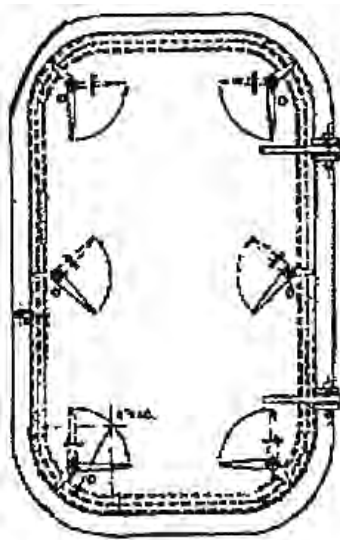
Flush mounting watertight hatch with machined steel mounting ring. T-handle is recessed and hand tightens against a strongback across mounting ring: 18" 90lbs. - 24" 120lbs.

FACTORY NEW - SIZE 15x23 RAISED BOLTED PLATE MAN HOLE OR TANK TOP COVER



1/2" Thick-Cover 3/8" Thick Coaming 2-1/2" High Overall dims. of cover 20" x 28-3/4" Overlap for lifting No handles necessary

6-Dog Watertight ABS Steel Doors



1/4" Panel
5/16" Frame
Righthand & Lefthand
Clear Opening Sizes:
26 x 60
30 x 60
30 x 66
30 x 72
Available in either Manual or Quick-Acting Operation (4-Dog doors also available) Other sizes available by special order.



NEW 15" x 23" TANK TOP COVERS

3/8" COVER & 3/4" DECK RING
Complete with Neoprene Gasket w/Brass Washers & S.S. Nuts 20 Bolts - Wt. 95 lbs.

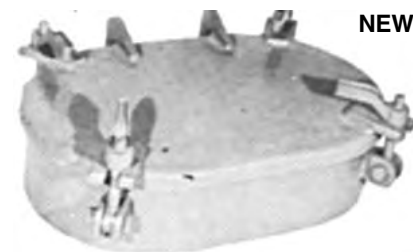


24"- 36"- 48" KEVEL CHOCKS



NEW 7" RADIUS PANAMA CHOCKS

(Meet Panama regulations)
14" x 10" CLEAR OPENING
With extended legs for welding to deck.
14" Wide on base - 28" Length - 27-1/4" High
In Stock Immediate • Delivery



4-DOG GENERAL PURPOSE 15" x 23" x 5" HATCH

ALSO AVAILABLE

Open and Closed Chocks
Single and Double Bitts
All types of Marine Equipment

POLI MARITIME

(formerly of Maritime Power Corporation) 79 West 33rd Street, Bayonne, New Jersey 07002
PHONE: (201) 243-6387 • (201) 858-2675 • Fax: (888)491-4731 • Email: claire@polimaritime.com



Turnbuckles

Qty 24 | Crosby 2.5 in x 24 in Eye & Jaw | \$750 ea
Qty 12 | Crosby 2 in x 24 in Jaw & Jaw | \$475 ea
Qty 18 | Crosby 2 in x 24 in Eye & Eye | \$500 ea
Qty 24 | Crosby 1 in x 24 in Eye & Eye | \$100 ea



Steamboat Ratchets

Qty 6 | 20 ton | 42 in Barrel | \$600 ea
Qty 4 | 20 ton | 30 in Barrel | \$500 ea
Qty 14 | 20 ton | 24 in Barrel | \$500 ea
Qty 14 | 20 ton | 18 in Barrel | \$450 ea



Heavy Duty Marine Deck Mount Fairleads

Qty 5 | Appleton Marine SF-38-2.25
2.25 in Rope Groove | Very Good Condition
Harrison, OH, USA | \$18,750 ea

AVAILABLE NOW



Manitowoc 4100W S-II Crawler and X-Tender
For sale | Used | Gulf Coast, USA



The Powerful Solutions People!

TOLL-FREE 866.883.7221 | WORLD-WIDE 513.202.8901
bhsales@fmmafco.com | www.fmmafco.com



Manitowoc 4100 S-II Crawler and X-Tender
For sale | Used | Gulf Coast, USA

X-TENDER



Clyde Frame 6 27262
2,150 ft of 7/8 in rope
36,000 lbs SLP
For Sale | Used



Clyde Frame 6 26862
2,150 ft of 7/8 in rope
36,000 lbs SLP
For Sale | Used

Winches



Skagit G160 MAF2581
2,640 ft of 1-1/2 in wire rope
165,000 lbs SLP
For Sale | Used

FMM169

Razorhead Aluminum Boats

7108 Daspit Road, New Iberia, La. 70563
www.razorheadboats.com

(337) 229-0067 or (337) 230-6821
Jory Neuville, Owner



41' x 11' Catamaran currently in stock

Call for more details

119' x 34' Army LCU Landing Craft



180 Ton Deck Capacity w/ 5' Draft
Hauled 2015 New Shafts/Props
\$795,000 w/ Partial Trade for LCM-8
California Delta
(415) 686-0907 • John

Acadian
Allison Marine Gear Specialist
Marine Transmission & Electrical
217 Burgess Dr., Broussard, LA 70518
PH: (337) 837-3636
Fax: (337) 837-3633
www.acadianmarinetransmission.com

Repair / Exchange / Outright
Allison M & MH Transmissions
M, MH, Twin & Quad Units
Repair / Parts
Twin Disc & ZF Transmissions
Repair / Exchange
New Hydreco Pump & Eaton Pumps



"They build a good product."

"The camaraderie of the yard workers at Gladding-Hearn makes you feel that you're part of the team, not just an outsider. They include you in decisions, and when you ask a question, you get an answer; there's no hidden agenda. They build a good product."

Frederic "Skip" Scudder, President
Hyannis Harbor Tours, Dba Hy-Line Cruises

Gladding-Hearn all-aluminum construction, Incat Crowther design, LOA 154', beam 35', draft 8', 493 passengers, top speed 34+ knots. It takes experience to integrate custom details and guaranteed performance, backed by dependable customer service. All at a price you can afford.

If you are looking to build a new boat or upgrade an old one, we can offer complete design and construction, from port security vessels and pilot boats to high-speed ferries. To learn more call Peter Duclos at 508 676-8596 or visit: www.gladding-hearn.com.

GLADDING-HEARN
SHIPBUILDING
Duclos Corporation



INCINOLET® electric incinerating toilets

PROBLEM SOLVED!

Need a toilet in "no discharge" zones?

For boat or dock, home or cabin – INCINOLET, your best solution!

SIMPLE to install, maintain.
120 or 240 volts

US Coast Guard Certified

ULTRA CLEAN: waste reduced to sterile ash. As little as a cupful weekly. Dump in garbage.

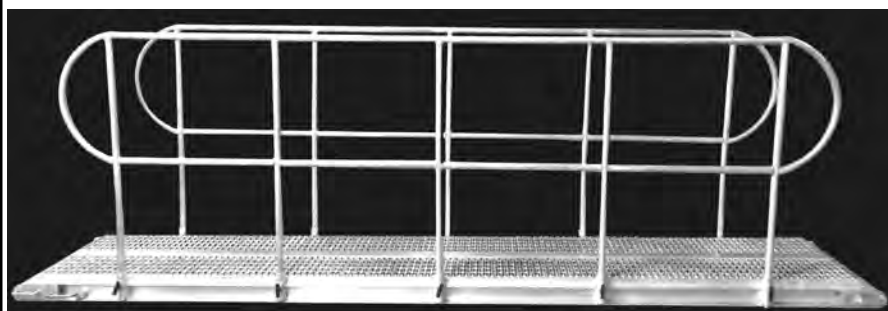
TOP QUALITY: stainless steel, platinum odor control, quality controls assure long life.



1-800-527-5551
www.incinolet.com

RESEARCH PRODUCTS/Blankenship • 2639 Andjon • Dallas, TX 75220

Standard 12' Aluminum Gangways
\$2200.00 • 12' x 30"



Grip Strut Grating • Removable Handrails
Handles and Retractable Wheels for easy one man use
Contact for more information and pics:
bwyble@sup-us.com / 409-985-2448
Sabine Universal Products, Port Arthur, TX



VISIT OUR SHIPYARD
ORANGE, TEXAS
CALL (409) 988-0005
for SPECS OR QUOTE
www.inlandboats.com
Email:
inlandboatworks@gmail.com

The ORIGINAL
Truckable Boat Builders

CUSTOM BUILT PUSHBOATS AND
DECK BARGES YOUR DESIGN OR OURS

STANDARD MODELS • CONTINUOUS PRODUCTION OVER 45 YEARS BUILDING BOATS & BARGES



MODEL 2516
25'9" x 16'0" x 5'6"
650-750 H.P. Twin Engine



MODEL 2510
25'9" x 10'0" x 4'0"
200 H.P. Single Engine



MODEL 2512
25'9" x 12'0" x 4'6"
400 H.P. Twin Engine



MODEL 2514
25'9" x 14'0" x 4'6"
600 H.P. Twin Engine



DECK BARGES
120'0" x 30' 0" x 7'0"
Double or Single Rake



MODEL 2520
25'9" x 20'0" x 6'0"
750 H.P. Twin Engine



NEW MODEL
MODEL 2523 with Quarters
25'9" x 23'0" x 6'8"
1125 H.P. Triple Engine



MODEL 2520 with Quarters
25'9" x 20'0" x 6'0"
750 H.P. Twin Engine

NEW ENGINES WITH FACTORY WARRANTY
JOHN DEERE & CUMMINS TIER III COMPLIANT
EXTENDED WARRANTY AVAILABLE

NEW TWIN DISC TRANSMISSIONS
AQUAMET 17 PROPELLER SHAFTS
NEW BRONZE 4-BLADE PROPS
HEAVY DUTY QUALITY CONSTRUCTION

Questions to ask before ordering your sectional barge:

1. Will my barge be designed by experienced engineers?
2. Will my barge be built to my exact requirements?
3. Will my complete satisfaction be guaranteed?

If it's important that the answer to these questions is "YES", then contact us at:

RPS Barge Co.

Built to your requirements.
Built to last. Guaranteed.

877-826-2617 502-747-5540

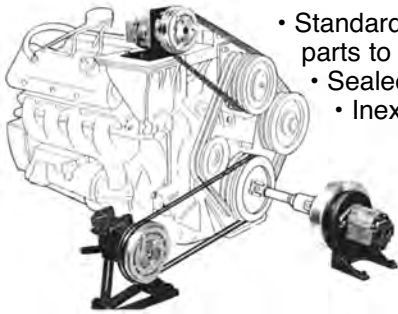
www.rpsbarge.com
bill@rpsbarge.com



Specify PITTS Heavy Duty Electric Clutches & Mounts

Adaptable, Dependable... Easy to Install & Maintain
SHAFT OR V-BELT DRIVEN MARINE CLUTCHES

- 75 to 1500 lbs - ft • 12 or 24 VDC power supply • Compact
- Zinc plated-meets ASTM B-117 salt spray test
- SAE pump mount-several options available



- Standard drive shaft flange input requires fewer parts to connect to drive train
- Sealed bearings-no lubrication required
- Inexpensive

PITTS

The Clutch People
Distributed/Represented
in Canada and the East Coast by:

Coastal Hydraulics

28 Route 286, Seabrook, NH 03874
(603) 474-1914 • FAX (603) 474-1902



140' x 40' x 7' Crane Barge With LS318
100' x 30' x 5' Spud Barge with 80T Grove Truck Crane
(2) Conex Buildings with Tools and Quarters
650HP Truckable Tug
Call Tommy @ 504-450-8332



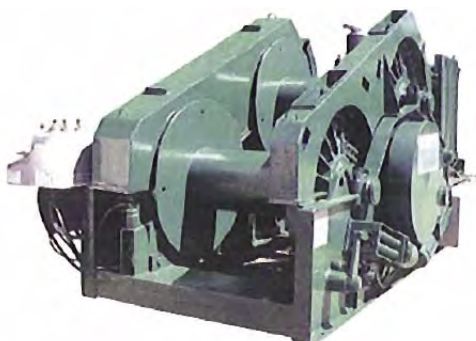
CONSOLIDATED
SHIP REPAIR & MARINE FABRICATION

SALES@CSRTX.COM
(281) 740-1340

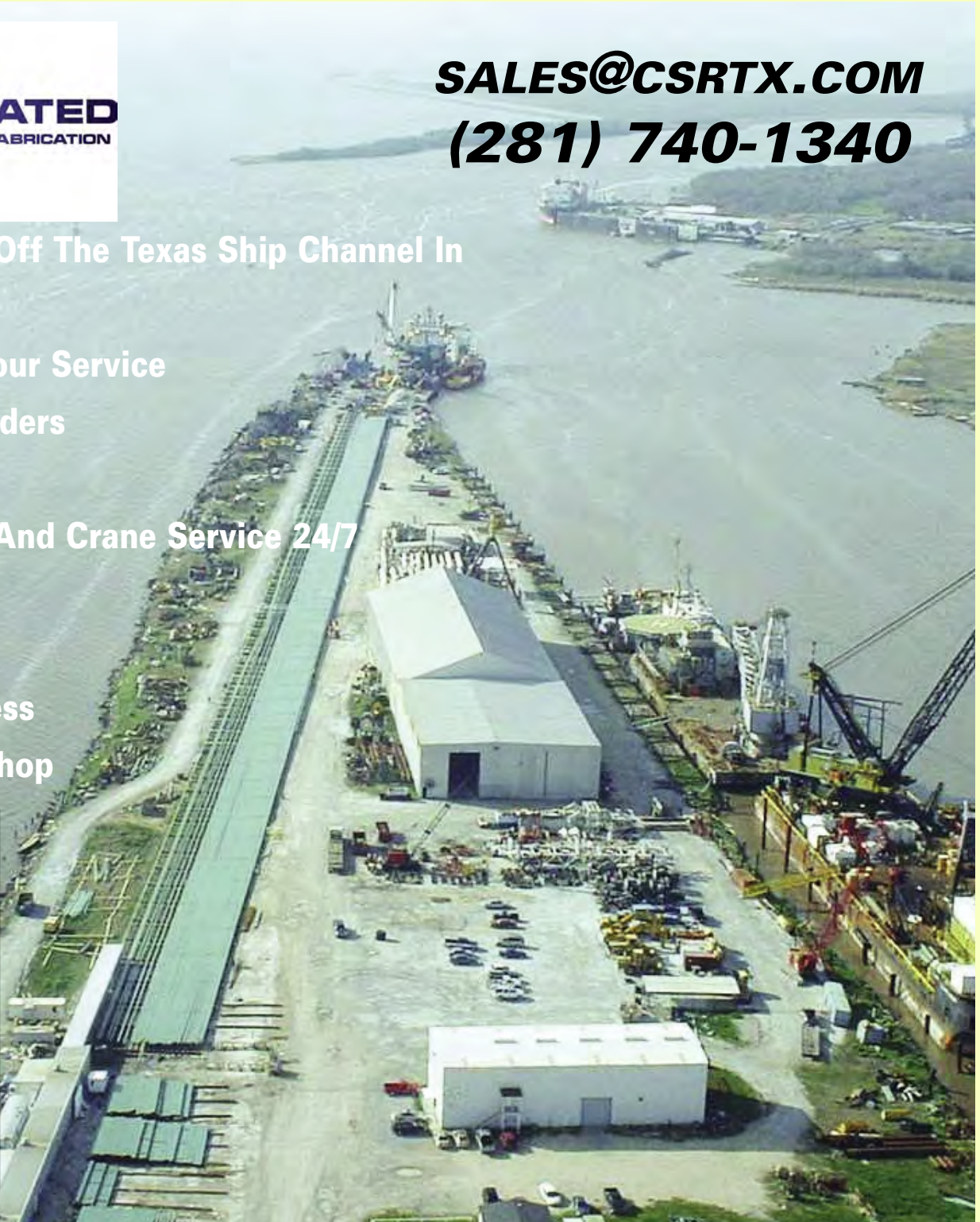
We Are Located Just 200-ft Off The Texas Ship Channel In
Port Arthur TX And Offer:

- Deep Water Access • 24 Hour Service
- USCG & ABS Certified Welders
- Vessel & Barge Fleeting
- Certified Crane Operators And Crane Service 24/7
- Heavy Crane Service
- 3,200' of Dock Space
- 7,000' of Water Front Access
- 50,000 Sq-Ft Fabrication Shop

Winches For Sale:



(2) Skagit RB-90 Winches





1-800-960-0068 CALL TODAY!
 1212 St. Charles St., Houma, Louisiana 70360
 www.mlengine.com sales@mlengine.com

Gas Inboard / Mud boat Power train
 Up to 44 Horsepower!
 Electronic Fuel Injection
 ZF Transmission
 Air Cooled




KOHLER engines **ZF**

Marine Diesel Generators
 6kW up to 200kW
 Keel Cooled
 Heat Exchanger Cooled



ISUZU DIESEL
JOHN DEERE
YANMAR

Gas and Diesel Pumps
 2" - 48" Pumps
 Skid Mounted
 Trailer Mounted
 Dry Prime
 Wet Prime



YANMAR
KOHLER
CORNELL
Lo-Lift
GR
 SINCE 1955

Packaged Generators
 6kW up to 800kW
 Sound Enclosures
 Fuel Tanks
 Trailer Mounted
 Panels and Accessories



YANMAR
KOHLER
ISUZU
kwjet
GILLETTE GENERATORS

Replacement Engines
 Tier 2 Mechanical In Stock!
 Tier 3 & Tier 4 Available



ISUZU DIESEL
JOHN DEERE
YANMAR **KOHLER**

Pressure Washers



KOHLER
YANMAR
 Heavy Duty Diesel and Electric

Generator Alternator Ends



MARATHON ELECTRIC
STAMFORD
meccalte

Custom Power Units
 6hp up to 400hp
 Diesel
 Natural Gas
 Gasoline
 Propane
 Accessories



ISUZU
YANMAR **KOHLER**

PRICE MATCH GUARANTEE
 We will match or beat any competitors price!



ISUZU DIESEL
YANMAR
KOHLER
GM
JOHN DEERE
CORNELL
ZF
gator pump, inc.
AGNUM
STAMFORD
GR
MARATHON ELECTRIC
Lo-Lift
kwjet
GILLETTE GENERATORS
meccalte



FOR RENT

FLEXIFLOAT JACK-UP BARGE
 - Truckable, Maximum 100 Ton Crane
TUGS
HIGH SPEED CREW BOAT
CRANES
OTHER MISC. EQUIPMENT

Andrie Inc.

Contact Stan Andrie At: (231) 332-9227 Or srandrie@andrie.com
www.andrietg.com

Is Your Advertising Program Blooming? or Being Dug Up by The Dogs?



This Ad Can Be Working For You In No Time!!
 Call or Email Now and Let Us Help Your Advertising Results Grow!!
 Call 931.484.6100 or
 Email: gdonnelly@boats-and-harbors.com

WEEKS MARINE

W18
 110 X 34 X 11'
 Deck Barge

Location: Hawaii
 Asking: \$110,000



W68
 105 X 70 X 12'
 Deck Barge

Location: Hawaii
 Asking: \$150,000



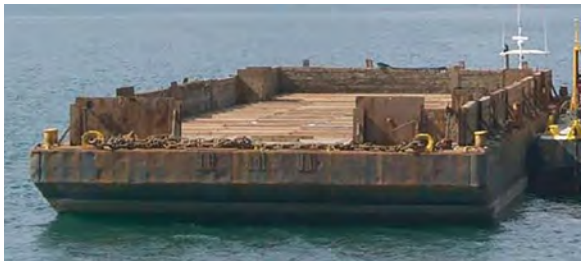
W33
 120 X 30 X 7'
 Deck Barge

Location: Hawaii
 Asking: \$95,000



W190
 190 X 54 X 11'
 Deck Barge

Location: Hawaii
 Asking: \$75,000



W40
 106 X 26 X 8'
 Deck Barge

Location: Hawaii
 Asking: \$85,000



W538
 160 X 50 X 12'
 Floating Crane

Location: Hawaii
 Asking: \$1.25 M



Please visit our website to view more equipment for sale.

Boats & Harbors

CLASSIFIEDS

Experience
The Selling Power of The
Yellow Sheet!Place Your Ad (931) 484-8708 or Email: Tlewis@boats-and-harbors.com • Fax: (931) 456-2337 • Submit Online: www.boats-and-harbors.com

★ BOATS FOR SALE

50'x15' CUSTOM BUILT Fiberglass Tri-toon workboat, 1.5' draft (operates in 2' of water), (2) 20' L spuds, (2) 12,000 lb. 12 volt (Ramsey) winches, (1) IMT 2.5 knuckle boom crane (2,800 lb. max), (2) 70 hp. Suzuki outboards (480 hrs.), hydraulic steering, radar, GPS, VHS, head, storage closet, cuddly cabin. Was used for commercial diving. Asking \$60,000. Seadrift, TX. (361) 920-0585

180x52 CENTER ISLAND CAR FERRY, built 1956. 2x 12V149's with 10K hours. Located Florida. \$100K. Call: (386) 937-4902

1984 WILLARD 50 FT NAVY Utility Boat, 671 Detroit Diesel engine, Serial: 50UB847. Engine shows 48 hours and has been started and checks out good. Asking \$20,000 OBO. (270) 535-2886
ebogle4@gmail.com

30 FT ISLAND HOPPER. Built in '87. Has a new 300 HP John Deere under 400 hours. \$45,000 OBO. Text, call or email for pics. Specify island hopper. (609) 675-0384 or lobsterboy17@icloud.com

POWERFUL RESULTS: Increase your sales with a classified ad. Boats and Harbors can give your business the kick in the right direction it has been needing. Call Now: 931-484-6100 or
Email: tlewis@boats-and-harbors.com

32' LUHRS GILLNETTER 1974, twin Yanmar diesels 4LHDTE 9,000 hrs. All electronics and safety gear. Turnkey, \$15,000. Freeport, NY. (516) 705-6148

35' BERTRAM SPORT FISHERMAN loaded with double electronics. Both 3208 Cats have had extensive maintenance. Rebuilt salt & fresh water pumps, clutch pump, alternators, starters, new bronze turbo exhausts, fuel lines, hoses, clamps, new cast iron oil pans. Engines run excellent. Illness forces sale. \$25,000. Capt. John, home (401) 738-7674; cell (401) 451-5654

35FT FG LOW CAT HR, needs cabin cosm. Very good shape otherwise. Reduced from \$35K to \$27K. (843) 385-2301

36' LCVP 1965 FG 671. \$2,000. (415) 601-7858

37' FIBERGLASS FISHING BOAT, Detroit 471N, all safety up to date, Furuno electronics. \$27,000. Call (813) 361-4403

38' CHRIS CRAFT Commander, 1972 Sedan, fiberglass. Twin 454's. Fully equipped & operational. Lake Superior, Michigan, boat \$25,000.
nomadbrh@chartermi.net

45' HATTERAS SPORTS FISHING 1969, 41 years of updates and maintenance. Great condition, runs great. Many above and under water modifications. She is loaded with many extras. This boat is nearly bullet proof. Must be seen to appreciate. \$69K. (561) 747-7733

48 PASSENGER TOUR BOAT, in operation now, twin outboards for sale. Palm Beach. (561) 723-2028

50 EVANS Inspected Vessel Plus All Commercial Gear. Net reel and a wide variety of nets. Great condition. Low hours. Recent survey on file. \$500K. Call (252) 453-9500.

50' FIBERGLASS N.E. DRAGGER, new 671 Detroit Diesel w/ 2:1 trans., new wiring Pitts electric P.T.O. w/ hydraulic split winches, w/ (2) deck winches, full electronics. Hauled Nov. and full paint. Call for more photos. Bob (516) 982-6090.

55'x16' STEEL DOUBLE RIG Freezer Trawler with brine tank, new Simrad electronics with Autopilot. Federal shrimp permit included. \$110K. (985) 226-2467

65'x22' 2014 SKIPPERLINER Passenger Vessel Sub Chapter T, USCG inspected and certified for 120 passengers. Two 305 HP Cummins engines, Konrad outrives, generator is a Cummins, Onan 32 kilowatts. Dinner cruise vessel with open main cabin, open wet bar area forward open seating in main salon. Galley aft with a pass through to the main salon. Enclosed half bath to port and a handicap accessible bath to Stbd. Open upper deck with steel framework for canvas cover over forward end of the deck including Eisenglass for protection against inclement weather. Wet bar on upper deck. Excellent condition. For details
Email: skipperlinervesselinfo@gmail.com

26'x8' CUSTOM BUILT fiberglass catamaran (Bayliner hull) alum. cuddly cabin, hydraulic steering, jack plate, (1) 200 hp. Evinrude e-tec. outboard, 40 gal. alum. fuel tank, custom built alum. trailer, radar, GPS, VHS. Asking \$35,000. Seadrift, TX. (361) 920-0585

34' UNIFLITE GEOLOGICAL Survey Boat, 3208T Caterpillar diesel engine, 255 HP, 9 beam. \$18,000 OBO. Eddie Bogle (270) 535-2886
ebogle4@gmail.com

CHESAPEAKE BAY BUILT Classic 110 Passenger Vessel. 65 LOA, 60 ton, two 6-71 Detroit, current COI. Business and / or boat for sale, ready to cruise this season. (240) 463-1510
www.WestRiverCruises.com

BREAUX CREWBOATS - Three 65 ft, built in 1970's, twin 12-71 GM engines, M-514 Twin Disc gears well maintained, USCG certified. One 65 ft Swiftship. Two 42 ft Lafco crewboats. Texas. (361) 438-9742
www.coastalcrewboats.com

BOSTON WHALER, Commercial, foam collared 21', Mercury Optimax 225, <200 hrs on powerhead, aluminum double axle trailer. Located Long Island, NY.
BERTRAMP1@aol.com

CLASSIC WOOD Passenger Vessel. New COI for 169. Original stability letter for 224. Excellent condition ready to work. 65 ft. Biloxi Lugger design. Expertly rebuilt in 1985. 1-3/4 inch mahogany with stainless fasteners. Twin 8-71s. 10 kW Kubota. Appraised at \$350K. Will consider trades. (228) 326-1668

(1) CUSTOM BUILT TRI-TOON workboat (Wilson plastic pontoons), (1) 90 hp. Suzuki outboard (280 hrs.), hydraulic steering, alum. deck, handrails, T-top and trailer. A-frame for lifting. Asking \$25,000. Seadrift, TX. (361) 920-0585

FOR SALE: COMMERCIAL Tugs, Barges, dredges, work boats, passenger vessels, ferries, landing craft, air boats, hovercraft, anchors, propellers, winches, ship parts from Great Lakes freighters, marine diesel engines & transmissions, generators, marine antiques. Listings welcome. Scruton Marine Services (519) 583-1636, Fax (519) 583-2189
www.scrutonmarine.com

GOOD STEEL BOATS Made for Work, Self-Bailing Assist, Utility and Bridge Construction Boats. (508) 264-6863
www.americanworkboat.com

34' PREMIUM PARASAIL / DIVE Boat with Trailer, 12 ft beam, good shape, 2 rebuilt 300 HP 6B Cummins diesel engines, has room for toilet under steering console. Refurbishing, 90% done. Asking \$60,000 OBO. (270) 535-2886
ebogle4@gmail.com

NEW 2017 25'6" TRUCKABLE TUGBOAT, 650 HP, John Deere powered genset, hydraulic deck winches, fuel transfer, GPS/NAV. (206) 999-1503
dustins@pacificpile.com

ACTION REQUIRED: If you wish to sell your vessel or equipment all you have to do is go to our website and place your ad. It's simple, it's easy and it's effective!
www.boats-and-harbors.com

OLD PORT 26' passenger launch, 19 pp + captain only. (561) 628-3830

PARTYBOATS: 56' DMR, 66' overall, current COI 100 passengers, (2) 892TT, (2) gensets, \$225,000. 42' Aluminum Sportfish style, 50' overall, current COI 39 passengers, 46 w/ added equipment, DD892T, fishes 18 in the cockpit, 20 forward, \$125,000. Edward (609) 377-6641

★ BOAT AND BUSINESS FOR SALE

1989 34' KEYWEST #1 / Neptune - Term lease my SG1 & KM1 permits. Great boat, versatile. 3,300 hrs. 3208 Natural. Complete turnkey with permit leases under \$45K. Mark (904) 219-5976.

COSTA RICA Charter Fishing & Business. Excellent opportunity, owner retiring. 27' sport fish / tower / Cummins diesel, includes tours & real estate business. Fishing Flamingo 18 years. (506) 8368-1252
captom@casitaocasis.com

SANDY HOOK, NJ - Successful established seasonal sailing excursion charter and sailing school for sale w/ vessels. Established 2003. Includes 22' Seaward monohull and custom Maine Cat 30. Brand new, hurricane hardened, upscale marina. Contact Captain Tracey (732) 546-4103.

★ SAILBOATS FOR SALE

STEEL HULL SAILBOAT 34' Saugeen Witch Colvin design. Needs topside cosmetic work and paint. Solid decks, diesel power. Sale due to health issues. Located in North Eastern NC at Mackey's Marina. Contact Martin at (561) 401-5223
mackeysmusic@gmail.com

★ FISHING EQUIPMENT FOR SALE

COMMERCIAL FISHING GEAR: Shrimp & fish nets, turtle excluder, doors, deck winches, cable, towing blocks, have one tower with outriggers. Call Capt. Ron Diamond in Oriental, NC. (518) 294-6181

★ BOATS FOR LEASE

1988 48' OCEAN YACHT, 671TIB, \$60,000. PH: (443) 553-4249

CREWBOATS / SAFETY Boats For Lease. Truckable aluminum crewboats 22' - 44', 6-15 pax, up to 40 knts., available bareboat or w/ crew. Can deliver anywhere. Contact Kevin @ (410) 977-0028
Email: smithequipment@verizon.net

★ BOAT SLIPS FOR RENT

ATLANTIC CITY. Two for party / charter or commercial vessels, 25' wide, up to 70', electric and water accessible. Off street parking. Willing to sell. Edward (609) 377-6641

YOU CAN NOW VIEW Our Digital Edition Of Boats & Harbors On Line At
www.boats-and-harbors.com

PARTY BOAT SLIP 70-80', looking for owner / operated party boat to handle existing fishing traffic in Ocean City, NJ. For May-October season. At an established marina. Email for inquiries:
ocfishingcenter@gmail.com

★ VESSELS FOR CHARTER

VESSELS AVAILABLE FOR CHARTER. Spud, crane, deck, hopper, ABS, dumpscow, flexifloat barges. Eastern seaboard. Crane barge service available New York and Boston Harbor. Marine project mobilization. Call (888) MRBARGE
www.sterlingequipment.com

★ BUMPERS FOR SALE

NEW PRODUCT Distributor Opportunity! Inflatable Boat & Dock Bumpers, (404) 401-1154, Multiple Sizes.
cal@bigbumpercompany.com
www.bigbumpercompany.com

★ SAILBOAT HULLS FOR SALE

CARGO / TRADE SCHOONER Under Construction as T-boat, steel, 48 GRT, 61' LOA. <1 year to complete. \$225K OBO. Seller exiting. For info, call Matt (252) 626-1699.

★ PERMITS FOR SALE

CAN LOCATE ANY PERMIT, Commercial or Charter. 28, 33, 48 Passenger charter permits available now. (361) 356-1172
permits@greatsageinc.com

★ PERMITS WANTED

FULL PERMIT SERVICES: Buy, Sell, Renew, Transfer, Broker your federal fisheries permits. File no fish reports, vessel documentation, VMS activation. Expired permit solutions. (361) 356-1172

I BUY AND SELL South Atlantic Snapper / Grouper, Gulf Reef Comm. & Charter, King Mac, others. Dave (904) 708-0893, (904) 262-2869

★ TUGBOATS FOR SALE

'LEONA B' Model Bow 1972, Twin V12 149 DT. 1,450 hp, 30 kW & 40 kW. Towing machine, 63x24x10, GT99. Great Lakes. (414) 588-7784

85' HARBOR TUG For Sale, Pensacola, FL. (2) Caterpillar D-398's. 2,000 HP with one new. Over \$100K spent. (813) 404-9867
traver@worldwideyachts.net

110' TUG MUST SELL! 3,000 HP. Currently working. Current survey is over 1 million dollars! Pensacola, FL. (813) 404-9867
traver@worldwideyachts.net

★ FLOATS FOR SALE

DEEP WATER CABLE FLOATS. Large quantity of cable floats rated to 1,000 meters with 54 pounds of lift each. Mixture of used and unused. Also have nine unused floats rated to 2,500 meters with 1,450 pounds of lift each. For additional information, please call (561) 358-0725 or
Email: wpb11920@yahoo.com

★ BARGES FOR SALE

110'x34' 1943 STEEL Ex-Navy. Very Good Overall, two-story, electronics repair. Always clean, in & out. \$249,500. Seattle. (206) 225-3360
Details: www.PacificMarine.org
E-mail: david@pacificmarine.org

MATERIAL DECK BARGE 110x35 with spud holes, bottom good, deck needs works, usable as is. \$50,000. Located Boston. (781) 925-2404, (617) 908-1006

MOTORIZED BARGE 65 ft by 25 ft. Twin 871's. 20 KW generator. Comes with oyster planting and harvesting equipment. \$60K OBO. Call (804) 758-5640 or
Email: saracook2002@hotmail.com

SECTIONAL BARGES Built. Any Truckable Size. Portable pushboats. Madison Boat and Barge, Madison Indiana, (812) 265-6255.
www.madisonboatandbarge.com

SMALL STEEL BARGES: (1) 32 x 16 x 7 @ \$25,000.00; (1) 48 x 17 x 8 @ \$55,000.00; (1) 52 x 20 x 8 @ \$55,000.00. Located: S.E. Massachusetts
Email: Lynchmarine@comcast.net

TRUCKABLE BARGE 10'x30', 8'x20' well, air tight sides, new bottom, great for small jobs. Sacramento area. (530) 391-3010

★ BARGES FOR CHARTER

NEW 10K & 30K Double-Skin Rank Barges. Central Boat Rentals, Inc. (985) 384-8200
www.centralboat.com

SPUD, CRANE, HOPPER, Material, Car-floats, Sectionals, Oceangoing and Inland. Services include floating crane, Brooklyn NY loading berth, transportation and project cargoes, marine construction support, etc. Equipment located throughout the east coast. Call or email us for a free quote: Hughes Marine Firms. (800) 357-7744 or
info@hughesmarine.com
www.hughesmarine.com

★ BARGE FOR SALE OR CHARTER

FOR SALE BY OWNER: Deck Barges, Spud Barges, Material Barges, Hopper Barges; 60'x26' to 300'x100'. ABS and inland barges. East Coast, Gulf Coast, upper rivers. (800) 227-4348

NEED HELP PLACING A DISPLAY AD? Call us today! 1-931-484-6100 Or go online to www.boats-and-harbors.com

SECTIONAL BARGES, Deck Barges, Dump Scows, Hopper Barges and Spud Barges From 10'x20' to 85'x140'. Located on East Coast & NY Canal System. J-Way Leasing (440) 934-1020

★ BARGES FOR RENT

SECTIONAL BARGES RENTAL Located in Florida, 40x10x5 & 60x11x4. Contact (305) 965-8852
Email: barge@bargerent.com

SECTIONAL BARGES. Located in Southern California and can ship anywhere. Best prices. Contact (619) 533-7932
grant@pacifictugboats.com

★ BARGES FOR SALE OR RENT

DOCK BARGES: 2 (236x54x12) Sale/Rent. \$150,000 each. (985) 384-8200

CONTINUED ON PAGE 22

GOOD STEEL BOATS



Made For Work
Self-Bailing Assist
Utility & Bridge Construction Boats
www.AMERICANWORKBOAT.com
(508) 264-6863

CENTURY ROPE CO. SINCE 1976

TWISTED NYLON ROPE
MED. LAY - PREMIUM GRADE WHITE
100% USA - 600' REELS

| | |
|-----------------|---------------------|
| 1/2" @ \$158.00 | 1" @ \$651.00 |
| 5/8" @ \$269.00 | 1-1/4" @ \$899.00 |
| 3/4" @ \$389.00 | 1-1/2" @ \$1,315.00 |
| 7/8" @ \$589.00 | 2" @ \$1,989.00 |

MONTHLY SPECIALS: Feb./March 2018
1-1/4" x 90Ft. Stud Link Chain, A.B.S. GR-2 @ \$1,355/Ea. PC
50 Ton Deck D-Ring w/Strap @ \$18.55/Set
8920 S.W. 129th St., Miami, FL 33176-5810
Tel: 305-238-1640 • Fax: 305-232-4372
Email: mmainc2012@gmail.com • MC/Visa No Checks



Smithwick & Mariners Insurance, Inc

Specializing in Inspected Passenger Vessels, Marinas, Boatyards, Boat Dealers,
Mobile Marine Repairers & Various Commercial Marine Businesses
as well as Yachts & Private Pleasure Boats

- ✓ Commercial Fishing, P&I, Lobsterboats
- ✓ Pollution Coverages
- ✓ NHCFA: Fishboat Program (New Hampshire)
- ✓ Charter Vessels
- ✓ Loss Free Credit/Loss of Income
- ✓ Payment Term Options

Call to customize a program for your needs:

603-394-7008

www.blackadarmarine.com

Buy • Sell • Trade • Rent • Lease

Place An Ad In

Boats And Harbors Today!!

931.484.6100

Dames Point Workboats, Jacksonville, FL

(904) 757-0407 • www.damespointworkboats.com



Truckable Hopper Barge For Sale

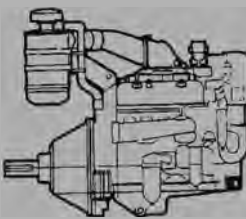
50' x 14' x 6' Hopper Barge. Can hold 50 c.y. and is ready to work!
More pictures available on "For Sale" page of website.

\$36,000.00

New Price - 48' Chesapeake Bay Deadrise



1970 48' x 14' x 3', New Detroit 671, Hull just re-glassed & painted, Dual Steering, Crab/Lobster/Shrimp, has new 671, new glass over. Lying Oriental, NC. See article on "sister ship" in Soundings June 2016 Page 82. Price \$35,000. Capt. Ron (518) 294-6181



INDUSTRIAL DIESEL, INC.

8705 HARMON • FORT WORTH, TX 76177 • Ph: 817-232-1071 • FAX: 817-232-0354 • WATS: 800-323-3659

WORLD WEB WEBSITE • http://www.industrialdiesel.net • EMAIL: sales@industrialdiesel.net
SEE OUR COMPLETE INVENTORY ON THE WORLD WIDE WEB

NO C.O.D'S PLEASE
WE ACCEPT VISA AND MASTERCARD
Se Habla Español

POWER UNITS



Caterpillar C4.4 Power Unit
Tier III, 100 HP RTO - Call For Pricing



Perkins 1104 Tier IV Power Unit
100-117 HP RTO, Low Hours
Call For Pricing



Caterpillar 3126 Tier II Power Unit
200 HP RTO, Low Hours - \$7,500



3054C Caterpillar Power Unit
160 HP, Low Hours
\$6,000

INVENTORY & COMPONENTS!



KT38 Cummins Engine
950-1200 HP, Rebuilt
\$65,000

Rebuilt Detroit Diesel Marine Engines

| Keel Cooled | Exch Price US | Outright Price US |
|-------------|---------------|-------------------|
| 3-71 | \$ 7,000 | \$ 10,500 |
| 4-71 | \$ 8,200 | \$ 11,700 |
| 6-71 | \$ 10,000 | \$ 13,500 |
| 8V71 | \$ 12,200 | \$ 16,000 |
| 8V92 N | \$ 14,000 | \$ 19,700 |
| 12V71 N | \$ 20,500 | \$ 28,550 |
| 16V92 N | \$ 36,000 | \$ 46,000 |

Exchange Price Includes New Air Silencer, Outright Price Includes Exhaust Manifold, Flywheel, Tank Silencers.

| Heat Exchanger | Exch Price US | Outright Price US |
|----------------|---------------|-------------------|
| 3-71 | \$ 9,500 | \$ 12,500 |
| 4-71 | \$ 10,000 | \$ 14,000 |
| 6-71 | \$ 11,500 | \$ 15,000 |
| 8V71 | \$ 14,500 | \$ 18,500 |
| 8V92 N | \$ 16,500 | \$ 24,500 |
| 12V71 N | \$ 22,500 | \$ 32,000 |
| 16V92 N | \$ 38,000 | \$ 47,500 |

Exchange Price Includes New Air Silencer, Outright Price Includes Exhaust Manifold, Flywheel, Tank W/P, Pipes For Raw W/P, Air Silencers.

Rebuilt Cummins Diesel Engines

| | Exchange | Outright |
|--------------------|------------|----------------|
| KT19 / 1150 / 450 | \$ 28,000 | \$ 38,000 |
| KTA19 / 1150 / 525 | \$ 32,000 | \$ 42,000 |
| QSK19 | \$ 47,500 | \$ 60,000 |
| KTA38 High Profile | \$ 75,000 | \$ 95,000 |
| KTA38 Low Profile | \$ 102,000 | \$ 137,000 |
| KTA50 High Profile | \$ 90,000 | \$ 125,000 |
| KTA50 Low Profile | \$ 105,000 | \$ 145,000 |
| QSK50 Engine | \$ 185,000 | Includes Swing |

Prices are for standard industrial engines. Prices subject to change for non-standard engines.

CALL NOW!!

Inquire about our used DDA parts Inventory & Components

CUMMINS

| | | |
|------------|--|-----------|
| KT 19/1150 | BLOCK NEW STYLE 12 BOLT FRONT..... | \$ 5,000 |
| KT 19/1150 | BLOCK NEW STYLE 11 BOLT FRONT..... | \$ 4,500 |
| KT 19/1150 | CRANKSHAFT NEW STYLE STD/STD..... | \$ 4,500 |
| KV 50/3067 | CRANKSHAFT NEW STYLE STD/STD..... | \$ 10,000 |
| VT 28/1710 | CRANKSHAFT NEW STYLE STD/STD..... | \$ 5,000 |
| KV 38/2300 | CRANKSHAFT NEW STYLE STD/STD..... | \$ 8,000 |
| QSK 19 | CRANKSHAFT NEW STYLE STD/STD..... | \$ 5,000 |
| KV 38/2300 | BLOCK NEW STYLE VALLEY COOLED STD..... | \$ 8,500 |
| QSK 19 | FRONT COVER NEW STYLE NEW TAKE OFF..... | \$ 500 |
| QSK 19 | AFTER COOLER ASSY. NEW STYLE NEW TAKE OFF..... | \$ 3,000 |
| QSK 19 | OIL PANS NEW STYLE NEW TAKE OFF..... | \$ 350 |

NEW MARINE PARTS

| | | |
|------------|------------------------------------|----------|
| NT 855 | WET EXHAUST MANIFOLD NEW..... | \$ 950 |
| NT 855 | MARINE THERMOSTAT HOUSING NEW..... | \$ 350 |
| NT 855 | MARINE FLYWHEEL SAE #1 NEW..... | \$ 750 |
| NT 855 | MARINE BELL HOUSING NEW..... | \$ 1,000 |
| KT 19/1150 | WET EXHAUST MANIFOLD NEW..... | \$ 1,100 |
| KT 19/1150 | 3003657 CONNECTOR NEW..... | \$ 105 |
| KT 19/1150 | 3004718 CONNECTOR NEW..... | \$ 115 |
| KT 19/1150 | 3003662 TUBE NEW..... | \$ 80 |
| KT 19/1150 | 3004716 TUBE NEW..... | \$ 85 |

REBUILT BLOWERS

3-53, 4-53, 6V53, 4-71, 3-71, 2-71, 6-71, 12V71, 6V92T & 8V92T
EXCHANGED - \$600.00 • OUTRIGHT - \$800.00 - \$1,000.00

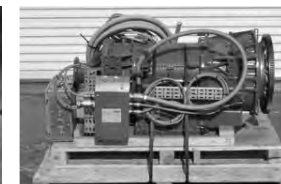
NEW SURPLUS • NEW SURPLUS



SPM 3000 HP Pump
BAS3000, G0214-10000
3000BHP, 12 Stroke, 7.68 Gear
Ration, MFG 2/2014,
*No Fluid End - \$295,000



FMCWT2450 Pump 4.5
FLUID END
WT2450, Part# P540619,
2400HP, Speed 1950, Gear
Ration: 6:39:1 - \$110,000



OFS 4700 Transmission
SN# 6610392590, 600HP,
Pyroban Equipment,
Cert# PYROBAN06ATEX0121X
\$40,000



Pacemaker Pumps 700BHP
BS# 322656, 141111PTL7/576
Fluid End BSPAR# 322690
SN: F0914-25960, MFG 2014
\$105,000



Cummins QSK19 800HP
800HP @2100RPM, Marine
Application ABS Certified,
4 Available - \$50,000 Ea.



SPM QWS 1000 Pump
SN# F0613-21599, 60514-10175
1000BHP, 4.61 Gear Ration
MFG 12/2012
2 Available, 1 Left and 1 Right
\$105,000



QSB 6.7 Cummins Power Unit
260HP, SN# 46941797, CPL 8611
260HP @2200RPM, MFG 2008
\$20,000

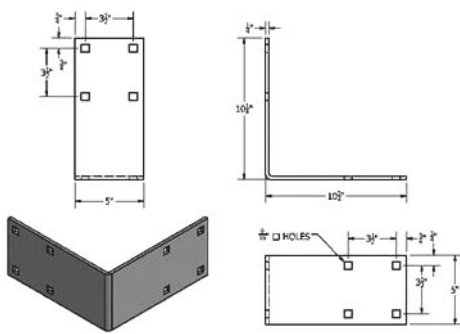


Cummins QSX15 Power Unit
Tier IV Compliant, CPL 3350,
600HP @2100, MFG 4/2012
7 Available - \$55,000

**NEW SURPLUS
NEW SURPLUS
CALL NOW!!**

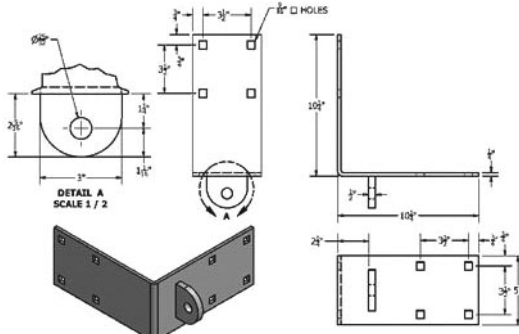
WOOD DOCK HARDWARE

MADE WITH 1/4" HIGH STRENGTH STEEL THEN HOT DIPPED GALVANIZED

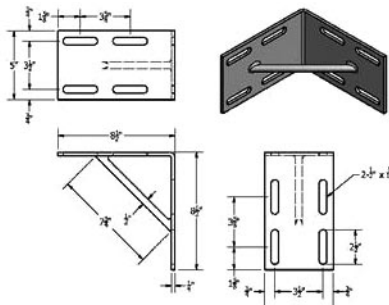


Outside Corner End (H-OCE) is used at the ends of fingers, ends of dock or for swim platforms.

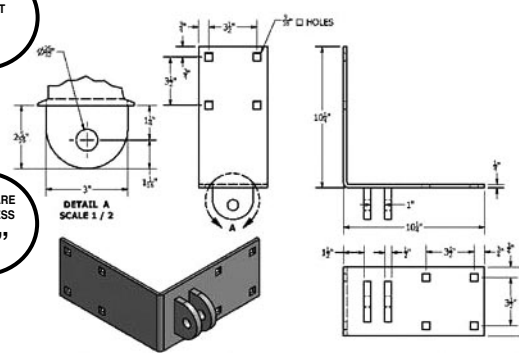
H-OCE Ship#7 \$12.98



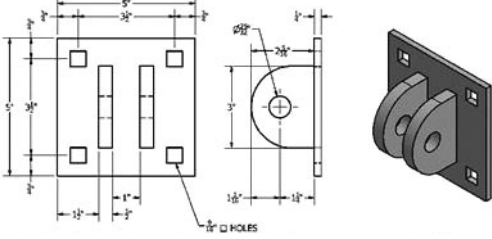
Outside Corner Male (H-OCM) has one 1/2" tab and a hole for a 3/4" bolt or B-PIN. Would be used with an Outside Corner Female (H-OCF) or with a Single "T" Female (H-SF). **H-OCM Ship#8 \$18.71**



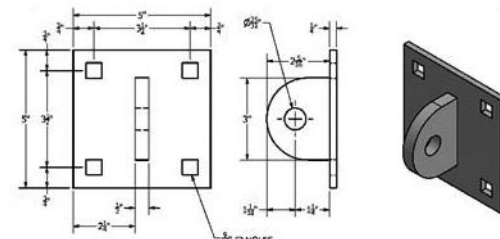
Inside Corner (H-IC) has slots and can be used with 1-1/2" - 3" thick wood. The inside corner sandwiches the wood between the opposite outside corner, keeping bolts from burying themselves in the wood. A corner gusset gives the unit a lot of strength and helps from racking the dock. **H-IC Ship#7 \$13.95**



Outside Corner Female (H-OCF) has two 1/2" tabs and a hole for a 3/4" bolt or B-PIN. Would be used with an Outside Corner Male (H-OCM) or with a Single "T" Male (H-SM). **H-OCF Ship#9 \$22.23**



Single "T" Female (H-SF) has two 1/2" tabs and is used with an Outside Corner Male (H-OCM) or a Single "T" Male (H-SM). Both male and female singles can be bolted to the side of a dock to make finger attachments. They can also be bolted to seawalls to make ramps. **H-SF Ship#4 \$13.04**



Single "T" Male (H-SM) has one 1/2" tab and is used with an Outside Corner Female (H-OCF) or Single "T" Female (H-SF). **H-SM Ship#3 \$9.22**

HARDWARE HEIGHT
5"

HARDWARE THICKNESS
1/4"

WOOD DOCK HARDWARE



MERCO MARINE

Merco Marine is a manufacturer of boat dock building components and accessories. We were established in 1979. Everything we manufacture is made in the United States, with US Steel, and US workers.

The products shown here are only a small portion of the over 2000 items that we manufacture and keep in inventory for boat dock building and marinas.

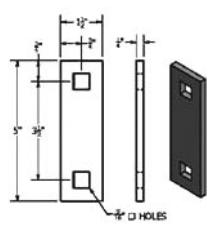
For a complete list of our products check us out on the web at www.mercoboatdocks.com or give us a call at 304-737-3006. You can also request a free copy of our 65 page catalog.

Merco Marine can provide simple parts and pieces for your small pond or lake dock to build on site, or we can build entire marinas from start to finish.

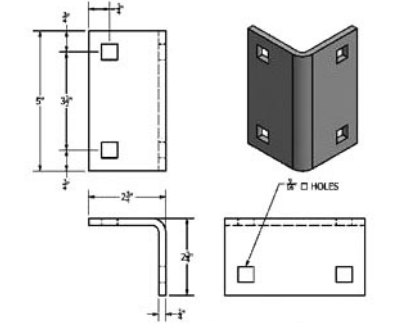
WOOD DOCK HARDWARE WWW.MERCOMARINE.COM 1-304-737-3006

WOOD DOCK HARDWARE

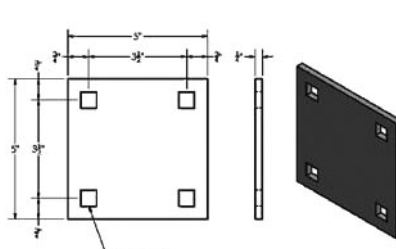
MADE WITH 1/4" HIGH STRENGTH STEEL THEN HOT DIPPED GALVANIZED



Washer Plates (H-W) are used mostly with Angles (H-A) and Cleat Angles (H-CA). The square hole in the plate keeps the carriage bolts from turning when the bolts are tightened. **H-W Ship#1 \$1.24**

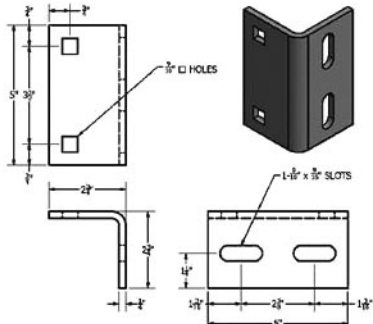


Angles (H-A) used to hold all cross stringers to side stringers using a Washer Plate (H-W). The wood is sandwiched between the steel and creates a solid corner. **H-A Ship#2 \$3.45**



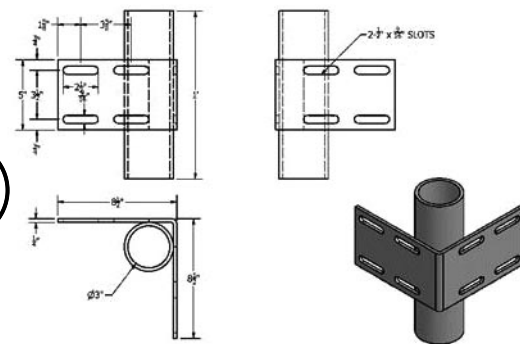
Backup Plates (H-B) are used with Single "T" Males (H-SM) and Single "T" Females (H-SF) for additional strength and to keep bolts from pulling through the wood. **H-B Ship#2 \$3.30**

WOOD DOCK HARDWARE

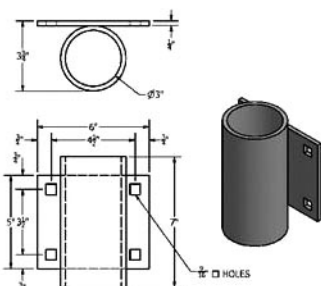


Cleat Angles (H-CA) have slots for various sizes of cleats. The cleat angle is bolted to the side stringer using a Washer Plate (H-W). The cleat is then bolted through the deck into the cleat angle. This keeps the cleat from pulling out of the deck. **H-CA Ship#2 \$4.88**

HARDWARE THICKNESS
1/4"

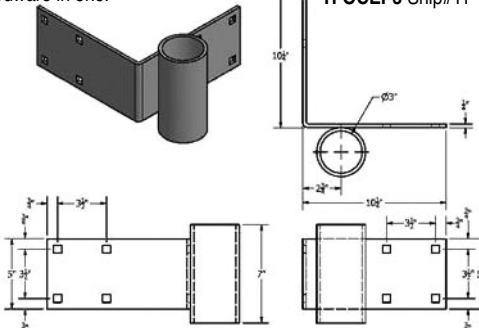


Inside Corners/3" I.D. Pipe Holder (H-IC3) has a 3" I.D. pipe holder welded in place. It can be used to replace a regular inside corner. It will accommodate a 2" I.D. pipe. **H-IC3 Ship#13 \$26.31**



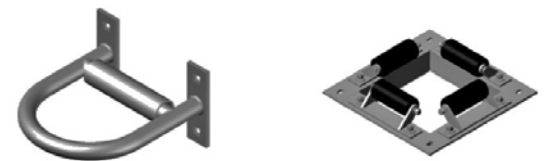
3" Pipe Holder (P-3) can bolt to the side stringer and uses 2" standard pipe to anchor docks in place. **P-3 Ship# 6 \$16.41**

3" Pipe Holder (H-OCEP3) outside corner end with a pipe holder welded to the end. 3" opening for 2" pipe. Save money by getting 2 pieces of hardware in one. **H-OCEP3 Ship#11 \$23.19**



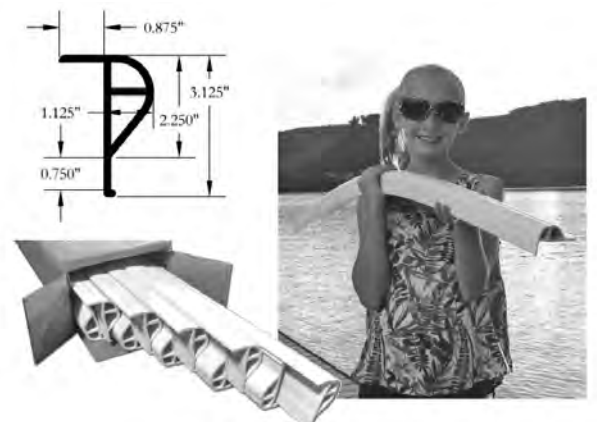
We also stock

PILE GUIDES



DOCK EDGING

Our **DE-40W** 40' Dock Edging (Shown above) comes 40' per box in easy to install 4' sections (10 per box) and includes 180 stainless ring shank nails.



DE-40W White 40' Length 31 Lbs. \$89.95

FLOAT DRUMS

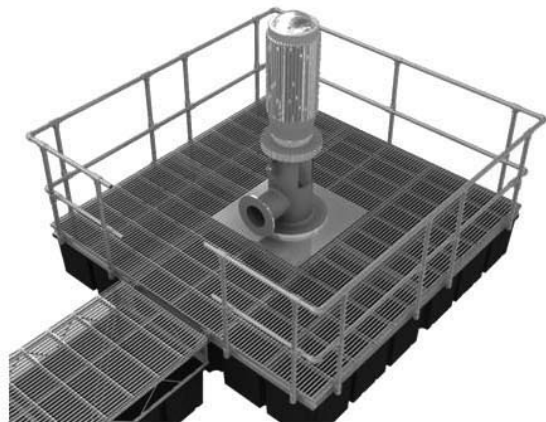
CLEATS



We also stock

SQUARE INTERNAL PILE GUIDES

For replacement roller assembly or parts see page 17.



PUMP PLATFORMS



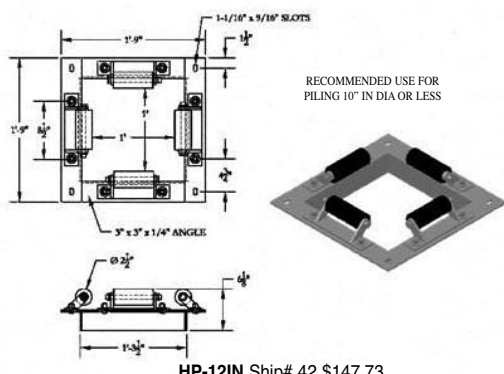
PILE CAPS



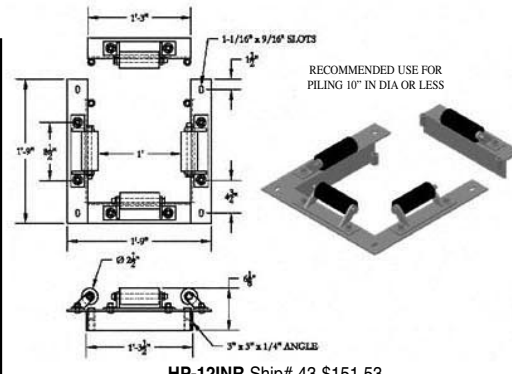
CORNER BUMPERS

View our complete product line on our website...

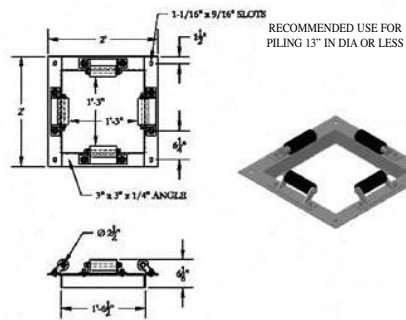
WWW.MERCOMARINE.COM 1-304-737-3006



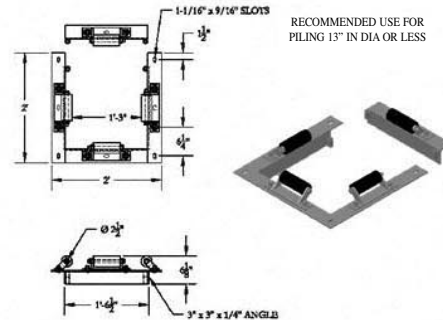
HP-12IN Ship# 42 \$147.73



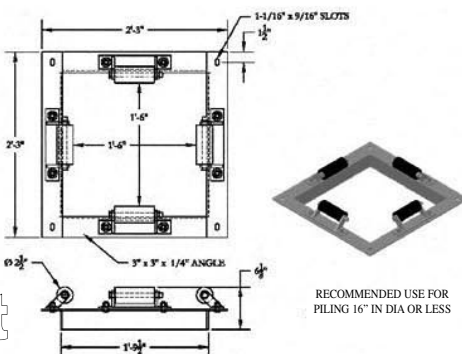
HP-12INR Ship# 43 \$151.53



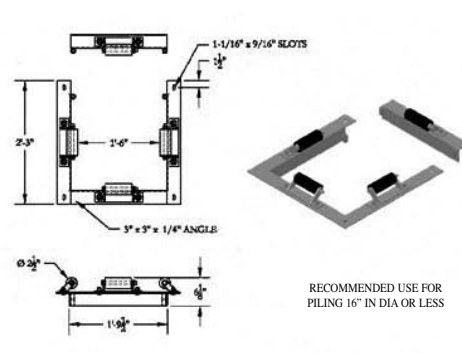
HP-15IN Ship# 53 \$162.37



HP-15INR Ship# 54 \$167.11

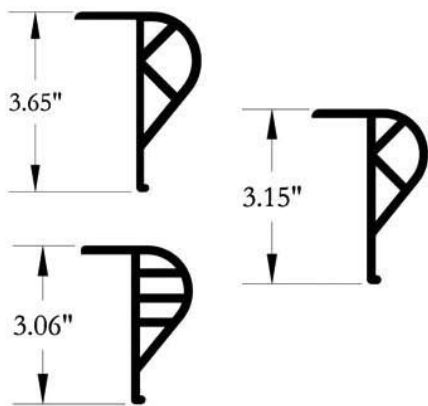


HP-18IN Ship# 58 \$170.98

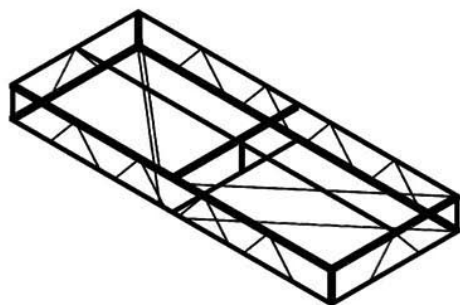


HP-18INR Ship# 59 \$175.26

PILE GUIDES



RUBRAIL



TRUSS FRAMES



HOOP PILE HOLDERS

Our convertible Hoop Pile Holders have 3 basic pieces, a deck plate, a hoop and a roller assembly. This allows you to have a hoop pile holder the way you want it, whether it be a permanent hoop, a removable hoop or a hoop with a roller. You can use the roller assembly on the deck plate or bolt it directly to the dock. All parts are hot dipped galvanized. Add a UHMW Roller to any assembly as shown at the bottom of page 19. All assemblies include a deck plate, hoop, roller assembly, and 6 carriage bolts. Fasteners required to bolt to your dock sold separately on page 28.

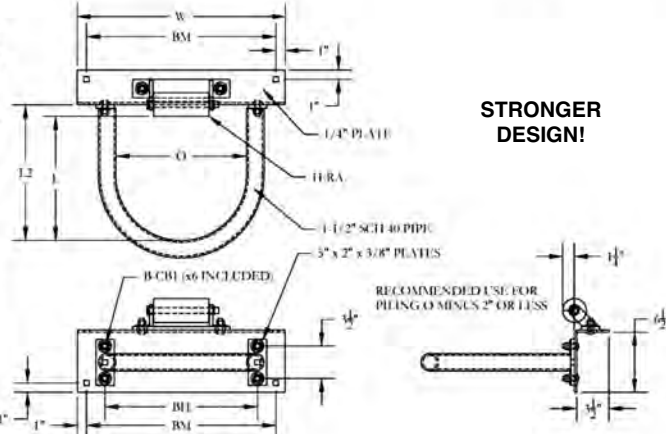
| Assembly Number | Assembled Weight | Ø | L | L2 | W | BH | BM | Hoop Number | Hoop Weight | Deck Plate Number | Deck Plate Weight |
|-----------------|------------------|-----|---------|---------|---------|---------|---------|-------------|-------------|-------------------|-------------------|
| HP-H8R | 25 lbs | 8" | 8 3/4" | 10" | 15 3/4" | 9-3/4" | 13 3/4" | HP-H8 | 8 lbs | HP-DP8 | 12 lbs |
| HP-H10R | 28 lbs | 10" | 10 1/8" | 11 3/8" | 18 1/2" | 12-1/2" | 16 1/2" | HP-H10 | 8 lbs | HP-DP10 | 14 lbs |
| HP-H12R | 30 lbs | 12" | 11 1/2" | 12 3/4" | 20 1/2" | 14-1/2" | 18 1/2" | HP-H12 | 10 lbs | HP-DP12 | 15 lbs |
| HP-H14R | 32 lbs | 14" | 13 1/2" | 14 3/4" | 22 1/2" | 16-1/2" | 20 1/2" | HP-H14 | 10 lbs | HP-DP14 | 16 lbs |
| HP-H16R | 35 lbs | 16" | 15 3/4" | 17" | 24" | 18-1/2" | 22" | HP-H16 | 12 lbs | HP-DP16 | 18 lbs |
| HP-H18R | 37 lbs | 18" | 17 1/4" | 18 1/2" | 26" | 20-1/2" | 24" | HP-H18 | 13 lbs | HP-DP18 | 19 lbs |
| HP-H20R | 38 lbs | 20" | 19 5/8" | 20 7/8" | 27 1/4" | 21-7/8" | 25 1/4" | HP-H20 | 13 lbs | HP-DP20 | 20 lbs |

NOTES: ALL DIMENSIONS NOMINAL. DIAMETER TOLERANCE IS +/- 1/4". Ø = DIAMETER

1-1/2" HOOP PILE HOLDERS

| Circumference | Ø |
|---------------|-----|
| 9.42 | 3" |
| 12.56 | 4" |
| 15.7 | 5" |
| 18.84 | 6" |
| 21.98 | 7" |
| 25.12 | 8" |
| 28.26 | 9" |
| 31.4 | 10" |
| 34.54 | 11" |
| 37.68 | 12" |
| 40.82 | 13" |
| 43.96 | 14" |
| 47.1 | 15" |
| 50.24 | 16" |
| 53.38 | 17" |
| 56.52 | 18" |
| 59.66 | 19" |
| 62.8 | 20" |

Ø - DIAMETER



STRONGER DESIGN!

Our mounting plates are 5" x 2" x 3/8" which are welded to the hoop and are used to mount the hoop to the deck plate. Our mounting plates are 33% thicker and 25% wider than most other hoop mounting plates on the market.

An easy way to determine the diameter of your existing pipe or piling is to measure the circumference and divide by 3.14. We've done the math for you with our Circumference chart to the left.

| Part Number | Assembled Price | Hoop Number | Hoop Price | Deck Plate Number | Deck Plate Price |
|-------------|-----------------|-------------|------------|-------------------|------------------|
| HP-H8R | \$94.88 | HP-H8 | \$35.93 | HP-DP8 | \$33.28 |
| HP-H10R | \$99.53 | HP-H10 | \$38.55 | HP-DP10 | \$35.31 |
| HP-H12R | \$106.43 | HP-H12 | \$43.42 | HP-DP12 | \$37.34 |
| HP-H14R | \$111.31 | HP-H14 | \$47.34 | HP-DP14 | \$38.30 |
| HP-H16R | \$119.62 | HP-H16 | \$51.91 | HP-DP16 | \$42.04 |
| HP-H18R | \$125.87 | HP-H18 | \$56.26 | HP-DP18 | \$43.94 |
| HP-H20R | \$132.16 | HP-H20 | \$60.61 | HP-DP20 | \$45.88 |

Boats & Harbors

Maximize Your Profit - Minimize Your Cost!!
CLASSIFIEDSExperience
The Selling Power of The
Yellow Sheet!Place Your Ad (931) 484-8708 or Email: Tlewis@boats-and-harbors.com • Fax: (931) 456-2337 • Submit Online: www.boats-and-harbors.com**★ BARGES FOR SALE OR LEASE**

30,000 BBL DOUBLE SKIN Tank Barge For Sale or Lease. Less than 4 years old, asking \$2.65M. Call (985) 384-8200

FOR SALE / LEASE: 140x40x9 ABS Barge with Covers. Deck tanks 2 (54x27x6). Central Boat Rentals (985) 384-8200

★ BARGES FOR LEASE

BARGES SIZED from 8'x18' to 45'x120'. Also "Shugart" sectional barges & small tugs. Smith Brothers, Inc. Galesville, Maryland 20765. (410) 867-1818.

CLASSIFIED & UNCLASSIFIED Flatdeck, Crane and Spud Barges from 24'x12'x4' to 160'x54'x8'. Norfolk Barge Co., Norfolk, Virginia. (757) 545-2414 ext 245

★ AMPHIBIOUS EXCAVATORS WANTED/FOR SALE

WANTED, Available Marsh Buggies/Amphibious Excavators. We want to know about owners & users of these units. We will pay finders / fee rewards. Percy Ransome (888) 988-5747, (856) 797-6999.
www.longreachhighreach.com
percy.res@gmail.com

POWERFUL RESULTS: Increase your sales with a classified ad. Boats and Harbors can give your business the kick in the right direction it has been needing. Call Now: 931-484-6100 or
[Email: tlewis@boats-and-harbors.com](mailto:tlewis@boats-and-harbors.com)

WANTED, Available Marsh Buggies/Amphibious Excavators. We want to know about owners & users of these units. We will pay finders / fee rewards. Percy Ransome (888) 988-5747, (856) 797-6999.
www.longreachhighreach.com
percy.res@gmail.com

★ DREDGES FOR SALE

DREDGES FOR SALE, Rent, Lease, Purchase. New, used, rebuilt. We can build to meet your needs or we can sell you one you can rebuild. From the smallest to the largest, call us first! We will save you money! If you need to sell a dredge, call us, we are also buyers. Western Dredge & Supply Co. (936) 273-3228
www.westerndredge.com

NEW AND USED Dredges, Boosters and Dewatering Wheels available. Custom Dredge Works Inc. is a professional Dredge Manufacturer, based in Topeka, Kansas. We provide OEM equipment and services for the dredging industry. We are experienced in Cutterhead, Chain Ladder & Straight Suction, including underwater pumps and long ladders for deep digging. We provide diesel, electric and natural gas equipment. Our service tech's and knowledgeable staff can help diagnose issues over the phone and on-site. Our inventory of dredge specific parts is unrivaled. Call or email Jessica for information @ (785) 380-4140 or
jess@customdredgeworks.com

★ DREDGES FOR RENT

10" DREDGE FOR LEASE. 28' Digging Depth. Contact: (207) 233-9268

DSC 2000 Model Basket Cutter style. 10-inch suction, 8-inch discharge. Located in Houston, Texas. Pipe, workboat also available. Call Eddie at (512) 773-4324.

★ DREDGE FOR SALE OR RENT

REMANUFACTURED UNITS with Warranty. Ready to ship 8"-16" cutter suction dredges and swinging ladder dredges. Workboats, dredge tenders, anchor barges, and traveling spud barges custom built to your specifications. Used and new replacement parts for dredge pumps, cutter heads to complete cutter drive assemblies, hydraulic systems, winches, power units, and service water pumps. Sell your surplus equipment through our online market site
www.dredgeandpitrader.com
Visit us at
www.DredgeCentral.com
or Call +1 (615) 859-3733
Dredge Central, LLC
Goodlettsville, Tennessee USA

★ DREDGE EQUIPMENT FOR SALE

14" PONTOON LINE For Sale. 750' total, 100' length each. 22' float tank. 8 sets of Ball & Bells. 1 spreader w/ ball joint. Call Gary (504) 236-3999 for info.

AAMCO DREDGE 14x12 CAT Power 3412 & 3306, 50' ladder, in excellent condition. 12x10 Detroit 1271 booster, 35x10 Detroit Tender, 12,000' SDR 17x12" pipe, anchors & miscellaneous items. Available January 2018. Call (215) 624-2221.

DREDGE EQUIPMENT - Booster Pump For Sale or Lease 12"x10" Cat 3406. 4,000' 12" SDR 17, 6,000' SDR 10", 12" ball joints. Call (440) 934-1020

McELROY ROLLING FUSION Machine 4-12 (for Fusion dredge pipes), year 2000, price \$15,500. (305) 965-8852
[Email: barge@bargerent.com](mailto:barge@bargerent.com)

ECONOMY GETTING YOU DOWN? Sell that unused marine item through Boats & Harbors. Call us today (931) 484-6100 or place ad online
www.boats-and-harbors.com

USED 12" HDPE SDR 17 Pipe, Approx. 9,000 LF. Used 8" HDPE SDR 17 pipe, approx. 2,000 LF. Call for pricing. (207) 233-9268

★ DREDGE EQUIPMENT SALE OR LEASE

FOR LEASE OR SALE. 1980 KORI Marsh Buggie - GM Power. (440) 934-1020

★ DREDGING EQUIPMENT FOR RENT

FOR RENT 6" VMI Dredge with Pipeline. (440) 934-1020

★ DREDGE PIPE FOR SALE

USED 10" HDPE SDR 17 Pipe Available, 7,000 LF, in Central Florida, price \$6.50 LF. (305) 965-8852
[Email: barge@bargerent.com](mailto:barge@bargerent.com)

★ ENGINES FOR SALE

(1) 3126 CAT, 420 HP, RTO. (1) 8V92 Detroit RTO, 760 HP w/ 260 hours. (1) 6V53 Detroit RTO, 400 HP, good oil PSI, no smoke, looks / runs great. Dutch Enterprises Inc. (407) 492-1057
www.dutchenterprisesonline.com

CUMMINS: (1) 6CTA marine, 300 HP @ 2,200 RPM, very low hours. (2) KTA 19 marine, 525 HP @ 1,800 RPM, good running RTO's. (2) KTA 38 generator engines, 700 hours from new, can be converted for marine use. (978) 767-3489

(1) DETROIT 6V-92TAB, Running Take-Out, bobtail, \$6,500.00. (2) Detroit 6V-53 cores, \$3,200.00 pair. (2) Detroit 8V92TI, with Allison gears, 1.5 running take outs, \$29,500.00 pair. (2) Detroit 6-71 N, take outs, \$4,000.00 pair. (2) Detroit 16V 92TA for parts. (2) Cummins 6BTA 330 HP bobtail, rebuilt, \$17,500.00 each. Cummins 903 parts. (2) MAN 1300 HP, running take outs with Twin Disc MG5145 gears 1.75:1, \$65,000.00 pair. Florida Marine Tech (561) 844-7007

(2) 2002 MAN D2842-LE409, V-12, 1,550 HP, 1 RTO, 1 blown, no gears, \$12,000 pair. (772) 475-8900

(2) 3116TA CAT 300 HP Rebuilt. (2) 3208TA 355 HP with gears. Call Mike Cobb @ Key Power (888) 463-0099.
kpsi1@msn.com

(2) CATERPILLARS C-32 Engines, 1,550 HP, RTO, 1,000 hours. \$85,000 pair.
blueyetex@gmail.com

(2) DAEWOO V180TI Diesel Marine Engines for sale. 820 HP, 1,480 hours, ZF 350A gears, freshly painted and runs great. All mechanical. \$40,000 each OBO. Contact Bayliss Boatworks (252) 473-9797.

(2) DETROIT 1271 Natural, RTO w/ Allison MH20 gears. \$10,000 pair. (772) 475-8900

(2) GM DETRIT DIESEL engines for sale, 12V71TI, 650 HP, + (4) marine gears Twin Disc MG 514C, 2:1. Info and quote:
giudici.claudia@gmail.com

(2) RTO CAT 3208T with TD 507.1, 1:1, 320 HP. (2) CAT style TD 506, 1:2, \$7,000. (2) RTO Volvo Penta 7.2 with ZF IRM301, 1:1, \$6,000. (801) 725-7704

CAT D398 B PC, only 1460 hrs, from new set up as gen set drive, was removed from hospital engine, only \$15,000. Call Maurice (609) 265-1818.

671 DETROIT, 475 HP, running take out with 1,700 hrs and Capitol gears, have two, \$5,500. Call Ed @ Edward's Marine & Sons (410) 213-7986.

CATERPILLAR REBUILT Marine Engines: All models: 3116's, 3126's, 3208's, 3196's 3412's OEM parts and warranty. (781) 837-5424
twindiscgears@aol.com

CAT 3208 MARINE, 375 HP, with 506 Twin Disc, 1 1/2 to 1, good condition, \$7,500. Also have 507 2 to 1 gear. (321) 536-4893

CATERPILLAR 3116 TA Marine Diesels, running takeouts. I have a pair of 3116's with around 2,000 hours that were recently taken out of a boat and run great. I would sell with or without gears of your choice. Asking \$22,500 for the pair. Call or text (954) 290-6783.

CATERPILLAR 3406 DITA, 540 HP, low hour takeout. (781) 837-5424.
twindiscgears@aol.com

CUMMINS M11 670 HP, 1,500 hours new exhaust manifold, and other parts completely gone through. Also 1 running take out, 6,000 hours. \$24,000 & \$10,000. (805) 207-8664

CUMMINS NEW MARINE Long Blocks. Cummins new 6BT5.9 Marine Diamond series long block 280-370 HP in-line pump. CPL's 1975, through 8457. Cummins new 6BT5.9 marine long block 250-300 HP Nippondenso pump. CPL's 953, through 1928. (901) 833-1347

DETROIT DIESEL. (1) 4/71 FWC RTO with transmission. (1) 4/71 Gray Marine - FWC Rebl, low hours, Bob Tail. Call or text Pat for pictures or additional information (631) 786-2412.

DEUTZ MWM TBD-616 V16 Pair Available, low hours SMOH by MSHS, 1,287 HP @ 2,100, 'A' Rating, fresh-water. Must sell, great price. (608) 783-2766
doug@mymarinetracker.com

(2) 5.9 CUMMINS, 210 HP, reman, 0 hours. (1) 3208T, 375 HP, reman, 0 hours. Dutch Enterprises Inc. (407) 492-1057
www.dutchenterprisesonline.com

KEY POWER SYSTEMS DDC/MTU, CAT, Cummins. Surplus new, used, rebuilt. Many models avail. Your source for all your engine needs. Many So. Fla. yacht repower removals. ZF Twin Disc & Allison gears avail. Contact Mike Cobb TL Free (888) 463-0099.
[E-mail: kpsi1@msn.com](mailto:kpsi1@msn.com)
keypowersystems.net

PAIR DETROIT 6V92 twin turbo heat exchanger cooled. 2 to 1 Allison gears, serial # 6VF054466-049989. Running take outs. \$6,000 each or \$10,000 for pair. Call Bob (516) 982-6090.

OPPORTUNITY KNOCKS: Advertising your vessels or equipment in Boats and Harbors will put your business ahead of the game! With Both Print and Online Editions Boats and Harbors can place your classified ad in front of thousands of loyal buyers. Call Now 931-484-6100 or
[Email: tlewis@boats-and-harbors.com](mailto:tlewis@boats-and-harbors.com)

ONE (1) CATERPILLAR C32 Marine Engines. 1,800 HP, heat exchanger cooled, throttle position sensor, Ring Power warranty, \$93,500 each. Call Ring Power: Lyndon Schultz (904) 494-1278 or Victor Flores (904) 494-7311.

PAIR OF 1995 DETROIT Diesel DDEC 550 HP marine engines. 550 HP. Includes all accessories, throttles, gauges, manuals. Motors have 3,700 hours. Were majored last summer and have less than 200 hours SMOH. Palletize and ready to go. Will deliver within 100 miles of Boston. \$29K for pair.
Larkinmove@aol.com

PAIR OF 6V92 TIB Twin Turbo, w/ TD 5081 2-1 gears from recent repower, both running with no issues, one 300 hours other 1,600 hours. \$11,000.00 each. \$20,000.00 pair. (732) 492-8340

PAIR OF 8V96 BIVENS built engines with Twin Disc MG5114, 1.74:1, \$25,000 for the pair. Galveston, Texas. Ask for Robbie if you have any questions. (409) 740-4000

PAIR OF CUMMINS 555M, 215 HP. Running take outs connected to a pair of Twin Disc 502's 2:1 gear ratio. Asking \$4,000. Todd (714) 325-8181

PAIR OF LOW HOUR Running Takeouts from 44 ft Striker; Detroit 671 turbo 435 HP with Twin Disc MG507A transmissions, engines run good, no smoke, but will need new oil pans. Ted (832) 419-7378
stexconst@gmail.com

PAIR VOLVO TAMD 72A running takeouts along with pair of cores and parts to rebuild one motor. \$6,000. (305) 360-1360

REBUILT DETROIT DIESEL Engines - 4-71's, 6-71's, 8-71's, 8V92's, 12V71's. Marine, industrial or automotive. Power units. Also Allison or Twin Disc marine gears. A complete line of Cummins parts and engines. We are authorized Detroit and Cummins "Dealers". For more information contact Johnson's Diesel Service, Inc., at (228) 392-1311 or 12262 Parker Creek Road, Biloxi, MS 39532. Fax number (228) 392-0096. Special discounts for large quantity orders. We have a full inventory of rebuilt engines ready for delivery.

WANTED: Your advertisement here! Now is the time to let Boats and Harbors expose your business to a National and International readership! Increase your sales with a classified ad. Call Now: 931-484-6100 or
[Email: tlewis@boats-and-harbors.com](mailto:tlewis@boats-and-harbors.com)

REPOWER WITH CUMMINS B5.9 & C8.3, over 200 built, have references. Call (619) 816-0806 or (541) 787-5477.

TWIN 6-71 DETROITS on common 3-1 Allison gear. Two sets available (running takeouts.) \$7,500 per set. Dave Allan (207) 841-7257

VOLVO PENTA TAMD-40B pair of motors and gears for sale. 1,600 hours on pull out. Running when removed. \$5,000. You pick up. Annapolis, MD.
sru@comcast.net

★ ENGINES WANTED

ALWAYS BUYING Caterpillar, Cummins and Detroit Diesel Engines Any Condition. Matt / Randy (307) 885-4724.

DETROIT, CAT, CUMMINS, Always Buying Complete Engines or Good Cores. Large export demand. Call Mike Cobb @ Key Power Sys. (888) 463-0099 or Fax (954) 927-6621.
kpsi1@msn.com

WANTED: ALL CAT Engines and Gen Sets, especially marine 3408 & 3412 and industrial & gen set, 3406, 3408, 3412, 3512 and 3516. Also, natural gas Cat & Waukesha. We pay top \$. Kris Davenport phone (602) 333-5619 or fax (602) 333-5618.

★ ENGINE PARTS FOR SALE

(1) NEVER USED Heat Exchanger for Volvo TAMD63L or P, whole unit, \$1,500. Also used intercooler and housing, great shape, complete unit. (631) 291-0414

(4) BARRY MARINE Engine Mounts. Brand new. Barry Mount vibration isolator fits Cummins QSM11 engines, part # 3965883, \$800.
Larkinmove@aol.com

CUMMINS DIESEL PARTS - Used, Rebuilt, New VT8370M, V8300M, V903M, V555M. Phone: (954) 321-6863

ENGINE BLOCKS, 12.7, V1271, 671, 871, 892, 555, w/ F pump. Dutch Enterprises Inc. (407) 492-1057
www.dutchenterprisesonline.com

FOR VOLVO TAMD 72A, 6 cylinder kits, bearings, 2 heads and gaskets for rebuilding one engine. \$4,000. (305) 360-1360

DIESEL ENGINE PARTS, Alco 539, 244, 251, Fairbanks, Cleveland, G.E., many others. Vintage 1940's, 1950's, 1960's, etc... Striegel Supply Inc. (425) 423-9100
ssiwa@frontier.com

NEW AND USED Detroit Diesel Engine Parts, S53, 71, 92 and S60, heads, blower, blocks, cylinder kits, injectors, manifolds, raw water pumps, fresh water pumps, fuel pumps, intake silencers and much more. Leid Diesel Service, 2952 West Carson City Road, Sheridan MI. 48884, (616) 754-5871, Fax (616) 754-8359,
[Email: timothy@leiddiesel.net](mailto:timothy@leiddiesel.net)

CONTINUED ON PAGE 26



MARINE EXHAUST SYSTEMS
OF ALABAMA INC.

P. O. Box 698
757 Nichols Ave
Fairhope, AL 36533
1-251-928-1234 Phone:Fax
Mesamarine@Earthlink.net
http://www.mesamarine.com

EXHAUST PARTS FOR CATERPILLAR 3054, 3056

3208, 3304, 3306, 3406, 3408, 3412, D333, D337, D342, G342, D343, D348, 353, 379, 398, 399, D1300 **CUMMINS** 4B, 6BT, 6CT, 470M, 504M, 555M, 370M, 903M, L-10, 743, 855, 855 A/M, KT1150, **ONAN** V549, 7.5L 460 **DETROIT** 12V71/92, 16V71/92, 12V149N, 12V149T, 16V149N, 16V149T **ISUZU** 3KC1, 3KR1, 4BD1, 6BD1, QD145 **PERKINS** 104-19, 4.108, 4.236, 6.354N, 6.354T, 8.54, 510 **ISOTTA FRASCHINI** 1308 **SUPERIOR** 8G825 **GUASCOR** SF180, SF240 **MACK** E7, E9 **KUBOTA** D1105B, V2203 **WAUKESHA** 1197/WAK6, 145/F817, L1616, 140/F554, 6NKR/1905 **DAEWOO** DC 24 **HERCULES** GTA48, D3000, LDT465 **KOMATSU** SA6170 and MANY MANY MORE. We can also duplicate and pattern your old or obsolete parts for individual purchases, bulk quantities or OEM. Please call, fax, write, or e-mail any and all inquiries regarding water cooled manifolds, hoses, mufflers, heat exchangers, collectors, wet ells, risers, transom ports, and everything in between.

HIGH SPEED CATAMARANS FOR CHARTER

New 150 Passenger Ava Pearl
Trim Tab Ride Control System

These two state-of-the-art Gladding-Hearn "INCAT" ferries are available for Charter with Crew beginning September 2017 through May 2018 and September 2018 through May 2019.

AVA PEARL - for Charter, 150 Passengers, two levels, 2 restrooms, 5 Flat Screen TV's, Business-class interiors, the latest MDI Trim Tab Ride-Control System. Powered by (2) MTU 12V4000 M53 engines and (2) ZF Propellers. Top Speed 30 knots.

MILLENNIUM - for Charter or For Sale, 400 Passengers, three levels, two bars, 3 restrooms, powered by (4) KTA-38 Cummins engines & (4) MJP Waterjets. Top Speed 34 knots. Both have AC/Heated interiors and have a COI to operate up to 20 miles offshore.

If you are looking for a reliable fast ferry that has a proven track record to supplement your fleet or start up a new service call Rhode Island Fast Ferry. We also offer various fast ferry Consulting Services as well. www.RhodeIslandFastFerry.com

400 Passenger Millennium

Charles A. Donadio 401.255.9118 or email charlie@vineyardfastferry.com

CLOSING DATES • SECOND FEBRUARY ISSUE 2018

For Display
February 6th, 2018
9:00 A.M. C.S.T

To Be Mailed
February 9th, 2018

For Classified
February 8th, 2018
10:00 A.M. C.S.T

SERVING THE MARINE AND OIL INDUSTRY FOR OVER 50 YEARS

ANCHORS
CHAIN
CONN. LINKS

FENDERS
CHOCKS
BITTS

KEVELS
DOORS
HATCHES

FAIRLEADS
CAPSTANS
WINCHES
WINDLASSES



*Detachable Conn. Links
Kenter Joining Links
Anchor Joining Links
Towing Plates*

*We Are Direct Importers
and Factory Distributors*

*Gigantic Inventory
New & Used
In Stock Now on the
West and Gulf Coasts*

Exclusive Distributors for



Products

• Anchors • Chain • Hardware • Fittings

www.watermansupply.com

Call Toll-Free
(800) 322-3131



910 Mahar Ave.
P.O. Box 596

Wilmington, CA 90748

800-322-3131 • (310) 522-9698

Fax: (310) 522-1043

PILOT HOUSES



- Custom Built
- No Minimum Qty
- Carbon
- Stainless
- Aluminum

Est. 1992
Lake Superior Cabs, Inc.
800-328-1823
www.lakesuperiorcabs.com

Campins Custom Boats
campinscustomboats.co

Available at
Any Stage of
Completion!



(239) 784-5451

**"EQUIPMENT
DETAILS ARE ON
WEBSITE"**

www.triplecmarine.com



1, 2 & 3 Drum Friction Winches,
2 Ea. Clyde Frame 8 Double Drum,
American 55B, 70B, 90B, 120B.



2 Ea., 38" Westec Power Blocks
\$30,000 Ea.

TRIPLE "C" MARINE

PO Box 885

Morgan City, LA 70381-0885

Phone: 985-384-9517
www.triplecmarine.com

TRUCKABLE BARGES FOR SALE



New Construction Available with 2 - 3 Week Turnaround

New 30' x 10' x 3' Painted \$25,900.00 (IN STOCK)

New 40' x 12' x 4' Painted \$35,000.00 (IN STOCK)

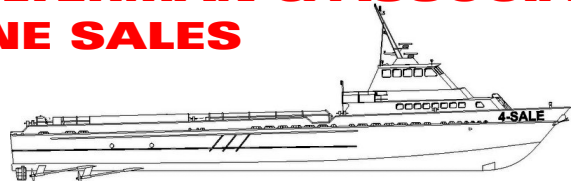
New (2) - 30' x 10' x 3' Pin Together \$45,500.00

Used (2) - 48' x 12' x 4' Pin Together \$55,000.00

Used 30' x 8' x 3' w/ 150hp outboard \$34,000.00

Spuds Bulkheads Pin Together Outboards Blasting & Painting and much more...

LEE FELTERMAN & ASSOCIATES MARINE SALES



For More Info, Call 985-397-2848 or visit website: www.leefelتمان.com

CLOSE OUT specials

WHILE SUPPLIES LAST • FOB SHIPPING WAREHOUSE SUBJECT TO PRIOR SALES

ROLLER BUTTONS

| | |
|----------------------|------------|
| 309540 (09400-101A) | \$335.00 |
| 16 Ton SWL, 150 mm | |
| 309542 (UMC-200C) | \$420.00 |
| 29.5 Ton SWL, 200 mm | |
| 309544 (UMC-250C) | \$575.00 |
| 36 Ton SWL, 250 mm | |
| 309546 (09400-101D) | \$740.00 |
| 42 Ton SWL, 300 mm | |
| 309548 (09400-101E) | \$1,095.00 |
| 61 Ton SWL, 350 mm | |
| 309550 (UMC-400C) | \$1,530.00 |
| 78 Ton SWL, 400 mm | |
| 309552 (UMC-450C) | \$2,065.00 |
| 96 Ton SWL, 450 mm | |
| 309554 (UMC-500C) | \$2,535.00 |
| 138 Ton SWL, 500 mm | |



CLOSING DATES • SECOND FEBRUARY ISSUE 2018

• To Be Mailed February 9th, 2018 •

For Display February 6th, 2018 (9:00 A.M. C.S.T) For Classified February 8th, 2018 (10:00 A.M. C.S.T)



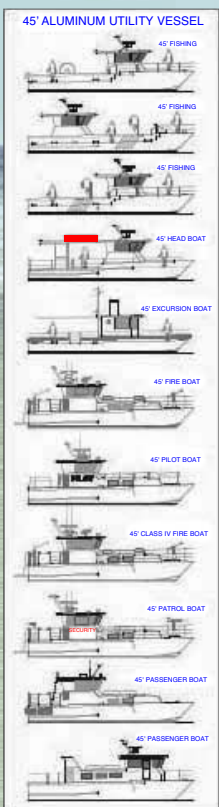
877-366-2366

ASK FOR COMMERCIAL SALES NEW ORLEANS, LA



45' ALUMINUM COMMERCIAL VESSELS

SEA FORCE IX



6 AVAILABLE NOW

Originally constructed as a crew/supply vessels, these aluminum commercial crafts were built to U.S. Coast Guard specs and are available for purchase. They are customizable with 2 vessels capable of being ready for delivery in 45 days.

Sea Force IX, Inc. has extensive experience in large power vessel design and construction. Competitive pricing, certified welders and heavy lifting capability, we will build to your design or ours.

- 2 Boats Available in 45 days
- 28 Person Capacity
- Fully Customizable
- Twin Engine
- Dive/Fire Boat
- Sub Chapter T Certified

SPECIFICATIONS:

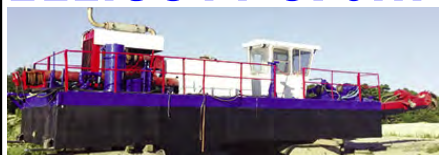
LOA: 45'-4" - Over Rails
 BEAM: 14' - 6" Over Rails
 Draft: 5'-0"
 Fuel: 300 Gals
 Speed: 2X 300HP = 21K
 2X 410HP = 24K

Contact
Chris Mackenzie or Todd Albrecht
 For More Information.



1227 North U.S. Highway 41 | Palmetto, Florida 34221 | (941) 721-9009

ELLICOTT 370HP



Needs New Pump, Motor Has 2,000 Hours, Gear Box, Service Water Pump, Has a 20' Dredging Depth, Newly Painted
Priced to Sell - \$140,000
Cape Mining • (609) 374-2995 - NJ

SCRAP NINJA!



WE PUSH 'EM WE SUCK 'EM AND WE SHUCK 'EM
EPA Compliant
ALL SCRAP METALS
New Orleans LA
(504) 458-1222

BUY NOW!



New Surplus Cat 3412 Marine Gensets / Qty (7)
590kW 440V @ 1800 RPM
Email or call for pricing

Cat 3412 Marine Propulsion Engines "60M prefix" / Qty (6)
720 hp @ 1800 RPM
Completely rebuild by Cat Dealer
Email or call for pricing and pictures

2013 Cat X0200-2, Stk # P140373A, 1611 Hrs, Load Tested, CARB Permitted
\$114,000 USD (CA)
Email or call for pricing and pictures



MARK REZA
858.376.6840 | mreza@hawthornecat.com
 Units located in San Diego, CA. Email for a complete inventory.
www.hawthornecat.com

Xtaero Aluminum Boats Semi-Custom 22', 24', 28' and Larger



(Call) Stout Construction, Large Following In Alaska. Hull hydrodynamically developed patrol, support, sport fish, offshore capable. Located in Tacoma, WA.

Visit
www.XtaeroBoats.com
Call (907) 342-2141

Brand New Vertical Deck Mounted Capstans
2 Units Available



Complete with reversing starter and foot control. 18" diameter head for maximum 2 3/4" diameter rope. 20,000 lbs initial line pull and 10,000 lbs running pull. Electric release break and fully lubricated sealed bearings. Removable motor guard. More information and drawing on request. Available for immediate shipment.



P.O. Box 596 • 910 Mahar Avenue
Wilmington, CA 90748
Phone (310) 522-9698 • Fax (310) 522-1043
E-mail: sales@watermansupply.com
Website: www.watermansupply.com

107 Passenger Tour and Entertain!



Large Capacity • Low Op Costs • 65' Skipperliner
Excellent Condition • Twin Low Hr. Cat 3116's, HVAC, Lavs
4 Yrs Until Next Drydock • Capt +1 (<65p) Capt +2 (>65p)

Must Sell Quickly
\$410K • In PA

(917) 842-8910 • cruise Philly@gmail.com

RENTALS & SALES



Hydraulic Winches & Power Units For Sale & For Rent



Diesel Mechanical Winches For Sale & For Rent

Seattle, WA
Tel: 206-762-3700
Info@rasmussenco.com

RASMUSSEN EQUIPMENT COMPANY
New, Used, & Reconditioned Sales ~ Rentals

Belle Chasse, LA
Tel: 504-392-0442
www.rasmussenco.com



New & Used Anchors
For Rent & For Sale

5' x 7' x 5' Surplus Used Steel Tanks
Located: Seattle, WA



Large Inventory of Poseidon & Flexifloat Barges For Rent & For Sale: Seattle, WA; Belle Chasse, LA; & Anderson, CA



Used 6x12 Foam filled Fenders
\$2500.00 each; As Is, Seattle, WA

Diesel Mechanical Winches, Hydraulic Winches, Hydraulic Power Units, Air Winches

Please call, or email for a quote.
Seattle: 206-762-3700 Belle Chasse: 504-392-0442
info@rasmussenco.com ~ www.rasmussenco.com

Portable Barges, Anchors, Chain, Wire Rope, Rigging Hardware, Deck Sheaves, Fairleads, Buoys, Blocks, etc.

Boats & Harbors**CLASSIFIEDS****Maximize Your Profit - Minimize Your Cost!!***Experience
The Selling Power of The
Yellow Sheet!***Place Your Ad (931) 484-8708 or Email: Tlewis@boats-and-harbors.com • Fax: (931) 456-2337 • Submit Online: www.boats-and-harbors.com****★ ENGINE PARTS
FOR SALE**

TURBOCHARGERS!!! One Year Warranty. Cat, Cummins, Yanmar, Perkins, Det. Diesel, Volvo, MTU, ABB, MAN, EMD. Int. Sales & Service. KKK, Rajay. (305) 743-2920
ramturbo@bellsouth.net

**★ PROPULSION UNITS
FOR SALE**

STERN THRUSTERS, (2) NAIAD, model 16, running take offs, approximately 2,000 hours. Ask for info. (281) 620-1300
neniday@aol.com

**★ AIR COMPRESSORS
FOR SALE**

INGERSOLL RAND T30. High pressure reciprocating 3 stage compressor with a 15 HP motor. Model #15 T 2X 230/460V. No tank. Low hours. Circa 2007. I have 3 of them. \$1,500 each or all 3 for \$4,000.
Larkinmove@aol.com

★ GEARS FOR SALE

REBUILT TWIN DISC MG502-540's. All models and ratios. MG 527, 5.17:1's. Used parts & gears. (781) 837-5424
Email: twindiscgears@aol.com

(2) V-DRIVE DD-5112AC, Ratio 1.52:1 Twin Disc, never used. Frank at (727) 742-4041

(2) ZF 2050A, Ratio 2:1, 1,000 hours, trolling valves. \$28,000 pair. (772) 475-8900

(2) ZF 3050A Transmissions For Sale. Asking \$7,500 each or \$12,500 for the pair. Model # ZF 3050A. Ratio 1:1.759. Good RTO's. Approximately 2,900 hours. Came from CAT C32 ACERT's @ 1,925 HP. Reason for sale: changed out for 2:1 ratio. Electronic shift. SAE 0 Bell housing. Contact Bayliss Boatworks (252) 473-9797.

(2) ZF 550A, 1.75, #1 Housing \$9,500.00 Each. (1) ZF BW165, rebuilt with warranty, 1.5 #1 housing, trolling valve, \$5,900.00 OBO. (1) ZF BW165 take out 1.5, #1 housing, \$4,600.00. (2) ZF BW 195A, 1.75 T.V., #1 housing, \$9,500.00. (2) ZF BW 195, 1.5, #1 housing, \$6,500.00 each. (2) Twin Disc MGNV 232 E, 1.5 #1 housing, trolling valves, \$5,900.00 each. (1) Twin Disc MG-506, 2:1, #3 housing, \$2,500.00. (2) Twin Disc MG 509-1, 2.0 #2 housing, \$4,750.00 each. (1) Twin Disc MGX 6599A, 2.48 #1 housing, \$16,000.00. (1) Twin Disc 5111A, 2.1, #2 housing rebuilt, \$6,500.00. (2) Twin Disc MG 5111, 1.74:1, #2 housing, trolling valves, \$9,500.00 pair. (2) Twin Disc MG 510A, #2 housing, 1.5, \$8,000.00 pair. (1) Allison M20L, \$2,500.00. (1) Borg Warner Velvet Drive, rebuilt 1:1, \$1,200.00. (1) Capitol 25,000, 2:1, \$7,500.00. (1) Capitol 24,000, 2:1, \$6,500.00. (2) Capitol 10,200, 1:5, \$2,500.00. Florida Marine Tech (561) 844-7007

507 TWIN DISC 1.5:1, off a CAT factory rebuilt, \$5,000.00. 506 Twin Disc 1.97:1, left hand off CAT factory rebuilt, \$2,500.00. Allison 1.5:1, right hand off 8V71, around 3,000 hrs, fly wheel, clutch plate, pump first, \$800.00. David Hagan (904) 262-2869 or (904) 708-0893.

RUST AND OBSOLESCENCE Steal Away the value of equipment. Sell or trade that which is no longer needed. Advertise it now with us.

TWIN DISC GEARS: New, Surplus, Rebuilt. OEM warranty, all models, dealer pricing. (781) 837-5424
Email: twindiscgears@aol.com

630 HURTH MARINE Transmission For Sale. 1.5 ratio. New! \$900.00 (810) 748-7568
rossandmarsha@oceanexpress.com

BORG WARNER 72C, 1.5 to 1 reduction marine transmission. NEW! \$1,000.00 (810) 748-7568
rossandmarsha@oceanexpress.com

CALL FOR BEST PRICING on ZF, Twin Disc, Allison, and Capitol marine gears, new, used, or rebuilt. Contact: Mike Cobb @ Key Power Systems (888) 463-0099, Fax (954) 927-6621
kps1@msn.com

CAPITOL MARINE GEARS and Parts, HY22000, 4HE10200, 4HE12400. All models. (954) 321-6863

MG507 3:1 & MG506 2:1's. Twin Disc MG514C & MG507-1 any ratios. Call (781) 837-5424.
twindiscgears@aol.com

EXCELLENT PAIR OF HALEY RH2835 mechanical gears w/ F-R air-clutches & drums. 4.25:1, rated 2,300 hp @ 900 rpm, EMD or other engines. Sacrifice, must sell. (608) 783-2766
doug@mymarinetracker.com

GEAR 514 TWIN DISC, 2:1. Call Mike (361) 220-1765

NEW ZF 325-1A Marine Transmission. 7° Down angle, direct mount. 0 hours, 2.037:1 ratio, #bell housing. Live PTO. \$13,000. Call (978) 265-5999.

RMISERVICES.COM (504) 347-4361 New Orleans, LA. Twin Disc: all torque converters CF 10,000 Series; gears (MG509, 512, 514, 520, 521, 527, 540) all ratio, exchange or outright! Free tear down with itemized rebuild quote, don't be fooled by half rebuilders.

PAIR OF ZF IRM301A.2, 2.901, serial #s 19804699 & 19804700. \$1,700 each or \$3,200 for pair OBO. (256) 762-9499

TWIN DISC Direct Replacement Gears: MG 509, MG514, MG516, MG5170 MG5135, MG5222 & others at half the cost. C & B pad LPTO drives. Trolling valves. Full factory warranty. Call (781) 837-5424 or
Email: twindiscgears@aol.com

TRANSMISSIONS FOR SALE: ZF 350, 4 working take-outs, 2.38:1 ratio with low hours, 8" flange. Reduced to \$3,200 each. Call Grant (619) 840-2487 or Tom (619) 994-0997
tom@pacifictugboats.com

TWIN DISC 514C, (2) For Sale, been rebuilt, \$5,000 each or will trade for 506's or 509's, 2:1 or 3:1. (361) 557-8143

ADVERTISING WITH US is easy as 1, 2, 3. Give us a call! (931) 484-6100 or see us on the web at
www.boats-and-harbors.com
to place display or classified ad.

VELVET DRIVE By Borg-Warner, Hurth, Capitol, Paragon, Twin Disc, Newage, Walter, Crusader V-drives, BPM, PCM & ZF, large inventory of new & rebuilt units. Complete repair facility with factory trained technicians! Transmission Marine, Inc. (800) 462-8848 ext. 427
Visit: www.marinegears.com

TWIN DISC & ZF, New or Rebuilt, All Models, OEM warranty. Torsional couplings and coolers. (781) 837-5424
Email: twindiscgears@aol.com

ZF280-1 NEW IN BOX, \$5,500.00 OBO. Call (386) 931-8368
captdon@pobox.com

★ GEAR PARTS FOR SALE

ALLGIRE FOR SALE. Parts and Service On Allgire boat drive Units. Call for pricing. (337) 334-5117 or
E-mail: marvinsengine@bellsouth.net

LARGE INVENTORY of New, Used, Obsolete & Rebuilt Transmission Parts & Related Accessories. Stocking: dampers, couplings, oil coolers, heat exchangers, suerdrives, & Globe impellers, mounts & drivesavers. Up to 50% off on used items. Transmission Marine, Inc. (800) 462-8848 ext. 435
Visit: www.marinegears.com

TWIN DISC PARTS, Transmissions, PTO's, torsional couplings, coolers. (781) 837-5424
Email: twindiscgears@aol.com

**★ GENERATORS
FOR SALE**

NEW REPLACEMENT MARATHON Generator Ends In Stock, all sizes. Call Ring Power Cat: Lyndon Shultz (904) 494-1278, Victor Flores (904) 494-7311

(1) ONAN 6500 RV Gas Unit, 2,800 Hours, \$1,600.00. (1) Onan MDKBF 27.5, 24 volt, \$9,800.00. (2) Onan MDKBR 21.5, 24 volt, \$9,300.00 each. (1) Kilo Pak 27 KW, \$6,500.00. (1) Kilo Pak 27 KW, running takeouts, \$6,900.00. Florida Marine Tech (561) 844-7007

LOW HOUR QUALITY Pre-Owned CAT Diesel Generator Sets and Other. Call Ring Power Cat: Lyndon Shultz (904) 494-1278, Victor Flores (904) 494-7311

ONE (1) PRE-OWNED CATERPILLAR 29 kW, C2.2 Marine Genset, 240V phase 1, elec governor, heat exchanger cooled, \$6,500. Call Ring Power: Lyndon Schultz (904) 494-1278 or Victor Flores (904) 494-7311.

BOAT GENERATOR REBUILDERS. Sales, Service and Repair. (844) GEN-KING. All brands available. Nationwide delivery. 3-100 KW. Load bank tested with warranty.

ONE (1) NEW CATERPILLAR 275 kW SR4B Prime Power Marine Generator, \$15,800. Call Ring Power: Lyndon Schultz (904) 494-1278 or Victor Flores (904) 494-7311.

YOU MAY HAVE THE MARINE item someone is looking for! List it in Boats & Harbors today! Call (931) 484-6100 or place your ad online at
www.boats-and-harbors.com

LARGEST STOCK DETROIT 2-71 Generators and Parts in the Whole World. Emerson & Matkin "The Deuce" 1-(800) 387-4972 (208) 234-4436
www.deucepower.com

LISTER TR2 13 kW GENERATOR SET, Marathon Gen end 120/240 volt., good running condition, low hours, full service records since new. \$4,500 OBO. (774) 992-0059

(2) CATERPILLAR SR4B Prime Power Marine Generators. Single bearing, 12 lead, 386 frame, arrgt. 4424741, housing SAE 1. Ring Power warranty. Call Ring Power, contact Lyndon Schultz (904) 494-1278 / Victor Flores (904) 494-7311.

TWO (2) NEW CATERPILLAR 113 kW SR4B Prime Power Marine Generator, \$24,500 each. Call Ring Power: Lyndon Schultz (904) 494-1278 or Victor Flores (904) 494-7311.

★ PROPELLERS FOR SALE

(1) LH 36x36x3 MICHIGAN HY-TORQUE propeller. Light use as a spare, \$2,600.00. (508) 748-1036

26x32 ACME FOUR BLADE, used, 30 hours, have two, \$5,500. Call Ed @ Edward's Marine & Sons (410) 213-7986.

BEST BRONZE PROPELLERS. Sick Of Pitted & Pink Props after one season? Ours hold the pitch longer & recondition more times than brand name props you have been buying & reconditioning every year for the few years they last. (781) 837-5424 or
Email at: twindiscgears@aol.com

MARINE PROPELLERS Used & Reconditioned. Aluminum / Bronze / Nibral / SS. From 12" - 60". 2, 3, 4, 5 blades. Sausalito, Calif. (415) 601-7858

NEW AND USED Propellers For Sale. Large inventory available in BRZ, Nibral, and stainless steel. New nozzles also available. Call Texas Wheel Works, Inc. (800) 238-9402 or Fax: (409) 984-5690

NEW PROPELLERS For Sale. Speed, high thrust, trawler, ship, Kaplan, and other styles. Bronze, Nibral & Stainless. 24" to 190" dia. Lowest prices guaranteed! Contact Ahoy Marine at (504) 367-5710 or
Visit: www.ahoymarine.com

NEW PROPELLERS For Sale. Rolla Nibral 2.25, 3.25 & 3.5 bore, matched pairs. Michigan Wheel 2.25 & 3.25 bore. (305) 608-2277

NEW AND USED Propellers. Call for Availability and Pricing. Best prices and service. Various sizes, styles & metals. Used and reconditioned. Johnny's Propeller Shop. (985) 384-6940

PROPELLERS AND NOZZLES, Various Conditions and Metals 18" to 180". Best buys. Spirit Marine (337) 839-2468
Email: ken@spiritmarine.org

PAIR NIBRAL PROPS 26x27, 3 blade, 2" shaft, fit 46' Sea Ray EC 1985-89 vintage with 6V92s. \$2,500 for the pair. (703) 619-0101

SET MATCHED MICHIGAN Ni-Bral Wheels. Set recently turned by H&H, 29x33, 2 1/2". \$3,500 sold as set only. Free delivery within 100 miles of Boston or will palletize and ship to you by your freight company.
Larkinmove@aol.com

★ PROPELLERS WANTED

PROPELLERS WANTED 20" and Up, Any Condition or Metals. (337) 839-2468 or
Email: ken@spiritmarine.org

PROPELLERS WANTED: 26" and Up. Any Material. Please call Texas Wheel Works, Inc. (800) 238-9402 or Fax: (409) 984-5690

WE BUY PROPELLERS. Any Material or Condition. 20" and up. Johnny's Propeller Shop. (985) 384-6940

**★ PROPELLER SHAFTING
FOR SALE**

ABSOLUTE BEST PRICING: Aquamet HS Shafting & Dynatorc Props. (781) 837-5424
twindiscgears@aol.com

BOAT SHAFTING 3/4" to 29" Diameter, various lengths and metals. (337) 839-2468

BOAT SHAFTING, Up to 6", Bar Stock or Machined as Required, will ship worldwide. Lauderdale Propeller, deep discounts. (800) 329-7767

**★ DIVING EQUIPMENT
FOR SALE**

JOINT VENTURE Underwater Certification for a Scuba College. Veteran's approved for sell. Air compressors. Underwater spearguns / powerheads. (229) 200-4777
califanoadvanced@aol.com

HULL SCRUBBERS & Dive Compressors. We manufacture, you save. Armada Systems. USA. Phone (850) 912-8962, Fax (850) 912-8965

Email: armadahull@aol.com
Website: armadahull.com

**★ BOAT HANDLING
EQUIPMENT FOR SALE**

1981 ACME MARINE Travel Lift For Sale. In great operating condition currently in use at Dana Point Shipyard. 300 cubic inch, 6 cylinder, gasoline Ford engine. Inside clear height is 26'. Inside clear width is 25.9' with a 76.5" removable center beam. Without center beam, inside clear width is 19.5'. Lifting capacity is 50GT. Asking \$50,000 OBO. Lift will be available on February 10th. For additional information, please call Steve Morris at (949) 542-3368 or call our office at (949) 661-1313 and ask for Steve.

35 BFM BOAT HOIST 2,000. 35 ton capacity 77,000 lbs. 17'1" inside width, 18' inside height. Ford engine, front & rear powered slings. Located in Maine. Call Jack (781) 347-1201
or sales@walterco.com
Pics at www.walterco.com

MARINE TRAVELIFT FOR SALE. 35 BFM Boat Hoist 1988, 35 ton capacity 70,000 lbs., 17' inside width, 18' inside height, Ford engine, front & rear powered slings, located in Massachusetts. Call Jack (781) 347-1201.
Pics at: www.walterco.com
or sales@walterco.com

ADVERTISING WITH US is easy as 1, 2, 3. Give us a call! (931) 484-6100 or see us on the web at
www.boats-and-harbors.com
to place display or classified ad.

GOOD CONDITION, 490.8 hours. Re-manufactured 6.354 Perkins engine installed (from Taylor). Recent paint. Six new tires, 4 new rims, all replaced within the past year. New mast cylinder. New lift chain. New fork coverings. Up-to-date service. Currently used only in boatyard, not in rack storage, for service only. (954) 567-2628

HOSTAR - HYDRAULIC TRAILERS - New and Used, road / yard. Boat stands, dollies. (800) 783-9303, (508) 295-2900, Fax (508) 295-2922
www.hostarmarine.com

MARINE TRAVELIFT For Sale. 1990 70 BFM with Ford 300 C.I. gas engine \$100,000. Well maintained with 18'-8" ICW. For additional details, call (251) 987-1696 or
Email: charlesj@gulfel.com

CONTINUED ON PAGE 30

Kubota

Tier 4 Final Kubota Powered Industrial Diesel Generators

1800 RPM Standard Equipment:

- Kubota Tier 4 Final Diesel Engine
- Epoxy-coated, brushless 1800 rpm generator
- 12VDC starting and charging system
- Murphy starting and monitoring system
- DOC-only aftertreatment
- Fuel filtration system
- Fuel priming system with transfer pump
- High ambient charge air cooling system
- Heavy-duty steel frame
- Vibration isolators
- Dry-type air cleaner
- Industrial muffler – S/L
- Solid state AVR

Southeastern Power Products is the Authorized KUBOTA Industrial Engine Distributor for the state of Florida, the Bahamas and the Caribbean.

Supplying genuine Kubota parts and factory remanufactured components.



20 kW – \$14,480
Kubota D1803BGCR

30 kW – \$15,730
Kubota V2403BGCR

Optional Equipment:

- Enclosures
- Fuel tanks
- Auto start/stop
- Transfer switches
- Circuit breakers
- Critical silencers
- Battery, rack, cables

SOUTHEASTERN POWER PRODUCTS

2880 Hammondville Road Pompano Beach, FL 33069
Phone: (954) 979-5899
Fax: (954) 979-4349

www.southeasternpower.com

1953 65' Blount Built T-boat



22' beam, dinner / tours. Licensed 150 pass. Rebuilt 1993. Operating on NYS Canal System since 1975. COI expires spring 2022. Drydock inspection expires spring 2021. Detroit 8-V71 300 hp rebuilt spring 2017. (1) Yanmar / Kohler 20kw. (1) Yanmar / Kohler 16kw. Includes safety and serving equipment.

\$190,000 • (315) 685-8500 or sarah@midlakesnav.com



SAMS®
Society of Accredited Marine Surveyors®

Society of Accredited Marine Surveyors®
An International Organization of Professional Marine Surveyors

Use SAMS® Surveyors in your area

www.marinesurvey.org
1-800-344-9077

Central Boat Rentals, Inc.

Morgan City, LA

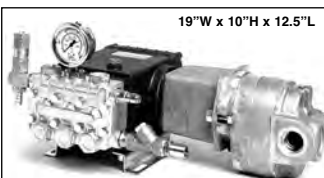
Ocean 2000 HP Push Boat
Towing: 10K & 30K BBL Double Skin Oil Barges

(985) 384-8200

www.centralboat.com

The Pressure Is On Board!

Clean traps catch more • Our pressure washers are proven.



Hydraulic Pressure Washer



Belt-driven Pressure Washer w/ Electric Clutch

Coastal Hydraulics Pressure Washers

Hydraulic Operated or Belt Driven with Electric Clutch

- Triplex Plunger Pump • Forged Brass Head
- Ceramic Plungers • For use with fresh or salt water
- Hydraulic Requirements 12 GPM @ 1,500 PSI
- Pressure Washer Output 4.5 GPM @ 3,000 PSI

Basic System Includes:

- (1) Hydraulic operated plunger pump
- (1) SS Pressure Gauge
- (1) Pressure Relief Valve
- (1) Bronze & SS water inlet strainer (Cleanable)
- (1) 24" Wand with Dirt Killer Turbo Nozzle
- (1) 50' High Pressure Hose
- (2) Brass Quick Disconnects
- (1) Hydraulic Flow Regulator (Hydraulic only)
- (1) Check Valve (Hydraulic only) Electric Clutch (Belt Driven only)



Coastal Hydraulics, Inc.

28 Route 286 • Seabrook, NH • 03874
(603) 474-1914 Fax (603) 474-1902

Please visit our shopping cart website at: www.coastalhyd.com

CLOSING DATES • FIRST FEBRUARY ISSUE 2018

• To Be Mailed January 29th, 2018 •

For Display January 24th, 2018 For Classified January 26th, 2018

(9:00 A.M. C.S.T)

(10:00 A.M. C.S.T)



AHOY PROPELLERS
QUALITY & PERFORMANCE THROUGH FLUID INNOVATION

2614 OAK DRIVE, HARVEY, LA 70058

504-367-5710

AHOYPROPELLERS.COM



EXPERIENCE THE POWER OF TORQUE

BRONZE - NIBRAL - STAINLESS
SIZES 24 INCH AND UP



Phone: 504-367-5710

Fax: 504-367-5733

Vessels, Barges, & Cranes For Sale



32' x 40' x 4' Sectional Spud Barge and Crane.



20' x 8' x 4' Truck-Able Push Boat, (1) GM 471, Flanking Rudder, Keel Cooled.



Dry Dock 220' x 70' x 6', Capacity 2800 Tons, Reported to be in excellent working condition.



New Shugart Compatible Sectional Barges. Call today for a quote, and lead time.

| | |
|--|----------------------|
| (30) Crewboats 22' to 150' | Starting at \$18,000 |
| (110) Inland and Ocean Deck Barges 30' to 400' | Starting at \$15,000 |
| (31) Spud Barges 40' to 250' | Starting at \$22,000 |
| (45) Inland & Ocean Hopper Barges 175' to 600' | Starting at \$45,000 |
| (7) Landing Crafts 40' to 250' | Starting at \$22,000 |
| (6) Travel Lifts 25 ton & Up | Starting at \$25,000 |
| (29) Utility / Supply Vessels | Starting at \$95,000 |
| (65) Pushboats 200hp & Up | Starting at \$25,000 |
| (70) Model Bow Tugboats 200hp & Up | Starting at \$65,000 |

**New & Used Truckable Pushboats & Sectional Barges
Used Cranes and Draglines**

OVER 600 ITEMS LISTED ON OUR WEBSITE

WWW.TMT-LLC.COM



Manufacturer of Marine Air Conditioning Systems, Chillers, Water and Air Cooled Package Units, Refrigeration, Explosion Proof



6,000 to 40,000 BTU



16k to 320k BTU Air Cooled Heavy Duty, Explosion Proof



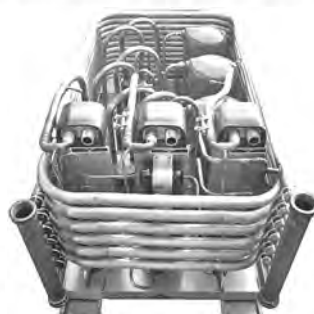
Air Conditioning Condensor Unit / Ref. Unit up to 50 HP



60,000 to 360,000 BTU Self Contained



Chiller 60,000-180,000 BTU



Triple Compressor up to 500,000 BTU

- Custom Engineering On Site
- Fast Delivery
- We ship world wide
- Water Cooled Self Contained Units for boats from 24 feet to Cargo Vessels
- Specialist to the Military, Shipbuilders
- Air-Cooled Marine Package AC for Pilot Houses
- Oil Rigs
- Marine Load Bank

**On Site Manufacturing since 1993
Contact Us Now Toll Free 1 866 227 7773**

Phone: 772 220 0038 Fax: 772 220 0260

Email us at: obr@oceanbreezeac.com

Visit us online at: <http://www.oceanbreezeac.com>

Quorum Marine and Electronics Inc.

D / B / A Ocean Breeze 3920 SE Commerce Avenue
Stuart, Florida 34997

FOR SALE OR CHARTER

Coming Off Charter Feb. 2018

(6) 2017 · 45 x 11.5 x 5
SECTIONAL SPUD BARGES

(1) 2010 · 25.9 x 16 x 5
TRUCKABLE TUG

Equipment In Great Condition

251-599-5906



70' Fiberglass Party Boat

90 Passenger Certified. Dry Dock 2018

(3) Detroit Diesel Motors 615 HP

\$215,000 OBO

Contact Danny (786) 897-4458

Available for Monthly or Yearly Lease



Manitowoc 4100W Series II Heavy Lift Crane Barge • Price: \$1,200,000.00

1992, 230 Ton Crawler Manitowoc 4100W Series II sitting on a 155' x 54' x 10' Steel Barge. Barge also equipped with Generator, Welding Machine, Air Compressor, Sewage Treatment System, Office Building and Equipment Shed. Crane has 200' of boom and a 60' jib.

Contact: Troy Lombardo - 1414 River Road, Berwick, LA 70342 • Of: (985) 384-8770 • Cell: (985) 637-8775



**The Perfect Live Aboard
1986 Searay 41'
Sedan Bridge**

"Forget About It"

\$75,000

Twin 3208

Caterpillar 375hp

Call Mike at

(954) 610-3790

Is Your Advertising Program Blooming? or Being Dug Up by The Dogs?

*This Ad Can Be Working For You In No Time!!
Call or Email Now and Let Us Help Your Advertising Results Grow!!
Call 931.484.6100 or
Email: gdonnelly@boats-and-harbors.com*

**FOR SALE
BLOUNT PASSENGER VESSEL**

PRICE REDUCTION to: \$2.7 million



Built: 1994
LOA: 177.3 ft.
Beam: 40 ft. (Extreme Beam)
Draft: 06.3 ft.
Gross tons: 99GRT
Net tons: 67NRT
Class Society: U.S. Coast Guard Certification

DWT: 340t
Air Draft: 57 ft. max
Main Eng: MAN - Total HP 1142
Fuel Burn: 55 gal. hr. 2 engs. 1 gen.
Pax Cap: 76
Total Persons: 93
Lying: Eastern Seaboard, USA
Flag: U.S.A.

FOR MORE INFORMATION CONTACT

1-800-556-7450

or email operations@blountadventure.com

COMMERCIAL MARINE EXPO

2018 | Providence, RI



October. 17 & 18, 2018

**REGISTER TO ATTEND FOR FREE
& ENTER TO WIN
\$100 AMAZON GIFT CARD!
Monthly Prize Drawings start October 2017
USE CODE BHN17**

Register at CommercialMarineExpo.com



BOOK YOUR EXHIBIT SPACE TODAY!



OIL PADS

Only \$19.95 Per Bale

Five Stocking Locations

We Have The Best Prices On Oil Absorbents, Booms, Pads and Socks.

800-9-BUYNET

www.buyingnetwork.com



COI 37 PASSENGER DINNER BOAT

1988, 64 x 14 Tri Hull, Great Condition, 4 Cylinder Turbo 2 - Volvo Engines. 1 Kohler Generator, Full Galley And Bar, Chairs And Tables.

\$125,000.00

Gordy - (612) 802-2072

NEXT CLOSING DATES

Second February Issue 2018

• Mailed February 9th, 2018 •

For Display - Feb. 6th, 2018 • (9:00 A.M. C.S.T)

For Classified - Feb. 8th, 2018 • (10:00 A.M. C.S.T)

Two Certified Landing Crafts For Sale



76 x 22.5 Landing Craft. Over 500k spent in refurbished and extensively modified in 2010, including new Tier 2 John Deere 6125 engines w/ low hrs. & Twin Disc gears, 20kw and 40kw gen sets, 12T RO Stinger crane w/ 60' boom, widened 22 x 56 cargo area, galley/accommodations, full electronics, stern anchor winch, two stern mooring winches and lots more. Legal to haul freight for hire. Feb 2017 100k drydocking incl complete blast/paint, new gate, new wheelhouse main deck, much more" **Reduced \$100,000 to \$485,000**



76 x 22.5 Aluminum Coast Guard certified Landing Craft. Refurbished and extensively modified in 2003 including Twin Detroit Series 60 engines. (2) 30kw gen sets, 10T crane w/ 60' boom, galley/accommodations, full electronics, stern anchor winch, and lots more..... **Reduced \$100,000 to \$485,000**

To Duplicate Modification/Conversion Work

done on these vessels would run several hundred thousand dollars.

619-533-7932 • Located West Coast • Delivery Available

"Special Delivery Price on freighter to FL or Bahamas - \$75k, (About 1/2 the normal rate)"

grant@pacifictugboats.com

TO REDUCE, RECOVER AND SAVE ON ELECTRICITY COSTS, JUST CALL LEAH.



Leah, the Hialeah Meter Maid

Remanufactured meters with everything you need to install on existing power box or pedestal* now only **\$37.99**

- Meter (Single Phase) with 2 Year Guarantee
- New Meter Socket
- New Sealing Ring
- New Nipple
- New Mounting Hub
- Security Seal

*We have power boxes and pedestals should you need them as well.

120/208V meters also available

HIALEAH METER
Meters you can believe in since 1954.

www.hialeahmeter.com • 800-654-0821 • 800-521-9925

Modular Plastic Pontoons

The Best Idea Since the Indian Canoe

36 and 24-inch Diameter Sizes



Wilson pontoons are used for pontoon boats, houseboats, barges, work boats, party boats, pumping stations—they're perfect for any application that uses pontoons.

- Molded from sturdy, medium density polyethylene (MDPE)
- **Heavy-Duty:** filled with closed cell polyurethane foam
- **Modular:** separate bow, middle, and stern modules allow for configurations of the most popular application sizes
- **Maintenance Free:** bottom painting recommended if left in saltwater full time. Otherwise, just pressure wash to clean.
- UV protected



2869 Charlevoix St.
The Villages, FL 32163-2019
phone: 419-675-0002 • toll free: 877-456-2531
email: info@wilsonpontoons.com

Pontoons, Inc.

www.plasticpontoon.com



McDermott Light & Signal

Our LED Floodlights provide durability with a low amperage draw that maintains the lifespan of your alternator. Avoid Damaging your charging system by replacing your high power consumption halogen with our green, low-energy consumption LED lights.



30 Watt



10 Watt



50 Watt



100 Watt



140 Watt

*Most models available in Spot or Flood type



BARGE LIGHTS



TUGBOAT NAVIGATION LIGHTS



DREDGE LIGHTS



BUOYS



SOLAR ANCHOR LIGHTS



McDermott Light & Signal

718.456.3606 - www.mcdermottlight.com

fishing@mcdermottlight.com



www.YachtSalvage.com



52' Shannon 2017
(Brokerage)
YS170149



47' Fountain 1997
(Private Liquidation)
YS170101



41' Beneteau 1999
(Donation)
YS170286



23' Trophy 2007
(Brokerage)
YS170344



40' Formula 2008
(Private Liquidation)
YS170162



45' Carver 2000
(Donation)
YS170211

Hundreds Of Boats For Sale

For More Information Please Call One Of Our Offices
Warwick, RI (401) 732-6300 • Charleston, SC (843) 789-0357
Mendon, MA (508) 478-0200 • St. George, SC (843) 563-9199

BOATS & HARBORS - Experience the Power of the Yellow Sheet!
CLASSIFIEDS
 Place Your Ad (931) 484-6100 • Email: Tlewis@boats-and-harbors.com

★ **BOAT HANDLING EQUIPMENT FOR SALE**

MARINE TRAVELIFT FOR SALE. 69 AMO Boat Hoist 1982, 69 ton capacity, 138,000 lbs., 24' inside width, 22' inside height., Ford engine, spreaders, located in Rhode Island. Call Jack (781) 347-1201.

Pics at: www.walterco.com or sales@walterco.com

MARINE TRAVELIFT FOR SALE. 35 BFM Boat Hoist 1997, 35 ton capacity 77,000 lbs., 19'1" inside width, 19' inside height, Ford engine, front & rear powered slings, located in Massachusetts. Call Jack (781) 347-1201.

Pics at: www.walterco.com or sales@walterco.com

USED MARINE TRAVELIFT Boat Hoists For Sale. Call (781) 347-1201 or go to www.walterco.com for listings.

★ **BOAT HANDLING EQUIPMENT WANTED**

TRAVEL HOIST WANTED: 15 to 100 Ton Needed. Any brand. Call Mike Mazzeo. (609) 263-6900 mikemazzeo@gantrytrading.com

WANTED: 100 TON TRAVEL LIFT, In Good Condition. East coast preferred. Dave Allan. (207) 841-7257

★ **MARINE EQUIPMENT FOR SALE**

(2) DETROIT DIESEL 671. (2) Fuel oil deep well pumps, 16 ft. (2) Angle drives for deep well pumps.

(1) Hydraulic anchor winch. (2) Oil barge anchors. (2) Hand winches. (2) Diesel generators, 26 Kw @ 1,800 RPM's. Pictures are available upon request. BNG-NY@hotmail.com

★ **PILING FOR SALE**

STEEL PIPE For Piling, Spuds, Dredging, Etc. See our display ad in this issue. (800) 238-7473. www.crestwoodtubulars.com

★ **AIRCRAFT TIRES FOR SALE**

USED FOR FENDERS or Bumpers. All sizes of aircraft and special service tires for marine uses. Tire Traders Inc. Cell phone: (516) 526-6363. Fax: (516) 897-7426. [Email: tiremw@aol.com](mailto:tiremw@aol.com)

★ **ROPE FOR SALE**

2,050 PHILLYSTRAN POLYESTER Marine Winch Line or general use rope, 1.82" diameter, 175,000 lb break strength. Price: \$14,000. Call Michael (334) 799-4149

★ **HOIST/WINCHES FOR SALE**

INGERSOLL RAND FA7T-42 Air Tuggers, fully functional units, c/w drum dogs, auto brakes, fleeting sheaves, etc., units stow 4,700' of 3/4" cable. \$12,500.00 each FOB. 1(514) 386-7507

★ **HELP WANTED**

200T AND UP CAPTAINS with Master of Tow Wanted. San Diego and Long Beach, CA. Pacific Tugboat Service. Ask for Bob. (619) 533-7932

DECKHANDS, Party Fishing Boat fleet, Myrtle Beach, SC. area. Nice boats, good pay, plenty of work. Call Capt. Larry (910) 367-6417.

PLACE YOUR CLASSIFIED TODAY! Call us at (931) 484-6100 or place order online www.boats-and-harbors.com

LOOKING FOR A CAPTAIN with a 50 ton near coastal license or better to run a 50' Delta charter fishing boat. Newport Tradewinds. Newport, OR. 97365 Ask for Rob. Cell (541) 270-6292 [Email: rwaddell409@hotmail.com](mailto:rwaddell409@hotmail.com)

MATES, DECKHANDS, CAPTAINS, and Servers Needed for Dinner Cruise Boat in Ft. Lauderdale, Fla. Call (954) 448-1044

★ **INSTRUCTION**

BECOME A PROFESSIONAL Marine Surveyor, commercial and recreational courses. Navtech US surveyors nationwide home study guide. Survey forms, check lists, USCG NVCS, accreditation. USCG approved for fishing vessels. Advertise your boating business with us on the web! Toll-free: 1-(800) 245-4425.

CAPTAIN'S LICENSE PREP GUIDE For 6 Passenger and 100 Ton Master's Licenses. 2018 Edition. Actual exam questions, answers, Flashcards, Rules of the Road, Chart Lessons. Guaranteed! Still \$37.50. Best nationwide prices on Rules CD, DVD's. Other DVD's and CD's available. Renewal test assistance. National Captain's Institute, Box 11834-H, St. Petersburg, FL 33733. Order online at www.Captains.com or Toll Free at 1-(800) 345-6901. Immediate Shipment!

★ **MISCELLANEOUS FOR SALE**

(3) 7 Ton TITANIUM CHILLERS in good working condition. \$2,000 each. Contact Frank LoPreste (619) 226-8030 or (619) 857-7990.

(2) VERINALIFT DUAL Stage Mufflers. 12 inch exhaust, new, never used. \$1,200.00 each. (757) 287-4153

BRONZE BOWSPRIT For Sale. Taken off of a Hinckley B40 sailboat. \$650. Call: (207) 439-9582 or [Email: tsilber@kpyy.net](mailto:tsilber@kpyy.net)

CLEAN OUT YOUR STORAGE TODAY! Sell it in Boats & Harbors! Call us today at (931) 484-6100 or place your ad online at www.boats-and-harbors.com

USED GM ENGINES For Sale. Used 671's, 8V71's, V12's, V16's, and used pumps & generators. Large or small starting @ \$2,000. For pictures and specs & more marine misc. equipment, call (956) 943-2648 or visit our website: www.marineservice.us

★ **NAUTICAL JEWELRY FOR SALE**

FISHHOOK PENDANT NECKLACES on 18" black cord. Free shipping after check clears. Send order and check for \$20 each to Virginia Koetzner, PO Box 260, Bellport, NY 11713. (631) 475-5479.

★ **BUSINESSES FOR SALE**

FLORIDA BLUE CRAB restricted species license for sale. Comes with boat, hauler and some traps. \$25,000 or best reasonable offer. Call Dave (508) 527-2562.

MARINE CONTRACTOR / Dock Builder in booming SC coastal market. Highly successful 27+ year operation. Extensive equipment, including 3 barges and cranes. Current client contracts in hand. 3 months waiting list for new projects and growing! Owner ready to retire but will negotiate transition contract. No Brokers! For more information, [Email: info@marinedockcontractor.com](mailto:info@marinedockcontractor.com)

TOWBOAT BUSINESS For Sale. Owner of very successful South Florida towing & salvage company wants to retire. Selling entire company; vessels, oil spill equipment, and boat trailers for sale. Protected area. No brokers need to call. Call (772) 465-0709.

★ **SHIPYARDS**

BURTON SHIPYARD FOR SALE, Bridge City, Texas. 30 acres. Dry dock. Equipment included. Stephen Wilson, Marine International LLC (281) 635-7151 marineone1st@yahoo.com

Advertise With Boats and Harbors For The Boat Shows!

Underwater Intervention

Closing date for Ad Materials:

January 24th 2018

Show Dates:

February 6th, 7th, & 8th

Come see us at booth 742

REMOVE
 paint, rust, scale
 & barnacles
 from steel ships



800.823.4670
www.swirloff.com

When It Comes To Searching For An Engine, Boat Or Any Marine Item, Do You Feel Like Your Head Is In The Sand?



Search www.Boats-and-Harbors.com!
 We Have The Marine Industry Covered!
 Boats, Engines, Cranes, Dredges and More!
 Print Edition Available Upon Request!
 Email us at: gdonnelly@boats-and-harbors.com

Marine Travelifts For Sale



1988 35BFMII - 70,000 lb. Capacity, 17' Inside Clear Width, 18' Inside Clear Height, Ford Gas Engine, Front & Rear Powered Slings.
 Location - Fall River MA



1997 35BFMII - 77,000 lb. Capacity, 19' Inside Clear Width, 20' Inside Clear Height, Ford Gas Engine, Front Powered Sling.
 Location - Marion MA



1998 35BFMII - 77,000 lb. Capacity, 18' Inside Clear Width, 18' Inside Clear Height, Ford Gas Engine, Front Powered Sling.
 Location - Long Island, NY



2000 35BFMII - 77,000 lb. Capacity, 17' Inside Clear Width, 18' Inside Clear Height, Ford Gas Engine, Front & Rear Powered Sling.
 Location - Vinalhaven ME



1982 69AMO - 138,000 lb. Capacity, 24' Inside Clear Width, 22' Inside Clear Height, Ford Gas Engine, Front & Rear Powered Sling Spreaders.
 Location - Rhode Island

Call **Martin Walter Company** Sales Direct at **781-347-1201** or Email sales@walterco.com
 For more information, and to see more pics at www.walterco.com

Peninsula Diesel
 7501 Sandholdt Road • Moss Landing, CA 95039
 Phone: (831) 633-1345 • Fax: (831) 633-1344
 Email: haipdiesel@yahoo.com • www.Peninsula-Diesel.com



Cummins QSK RTO 660HP at 1,800 RPM
 Cummins QSK 19 RTO
 Cummins KTA19 Rebuilt
 Cummins KT 1150 1,638 Hours 450HP
 Cummins VT 1710 581 Hours 635HP
 Cummins VT 1710 1,200 Hours 700HP
 Cummins 6CTA 0 Hours 450HP
 Cummins 6CTA 10,200 Hours 450HP
 Cummins 6CTA 2,000 Hours 300HP
 Cummins 6BTA RTO 370HP
 Cummins 6BTA Needs Rebuilt 330HP
 Cummins 6BTA 0 Hours 315HP
 Cummins 6QSB RTO 425HP
 Cummins 6QSB RTO 380HP

Yanmar 4LHA 190HP
 Yanmar 6LP STP 315HP

Perkins 4108

Detroit Diesel 12V92TA
 Detroit Diesel 12V71NA
 Detroit Diesel 8V71NA
 Detroit Diesel 16V149
 Detroit Diesel 12V149
 Detroit Diesel 6.71

Twin Disc MG520 6:1
 Twin Disc MG514C 2.5:1
 Twin Disc MG512 2:1
 Twin Disc MG509 3:1
 Twin Disc MG509 2:1
 Twin Disc MG509 1.5:1
 Twin Disc MG5090 1.75:1
 Twin Disc MG507-1 1.5:1
 Twin Disc MG518 Parts
 Twin Disc MG5061 3:1

Cummins KT 1150 300KW Marine Genset
 Cummins VT 1710 350KW Marine Genset
 Northern Lights 65KW Marine Genset

Caterpillar 3412 DITA Good Condition 720HP
 Caterpillar 3412 DITA 503HP
 Caterpillar 3412 DITA Block
 Caterpillar 3406E Good Condition 475HP
 Caterpillar 3406B Good Condition 362HP
 Caterpillar 3306 DITA Good Condition 235HP at 2,000 RPM
 Caterpillar 3208TA 375HP
 Caterpillar 3208T 300HP

"MARINE INDUSTRY SALES AND CHARTERS"

DAMCO MARINE MANAGEMENT, INC.

MORGAN CITY + NEW ORLEANS

PHONE (985) 384-2614 + FAX (985) 384-3741

BRITT CELL: (985) 714-0974 + DON CELL: (985) 397-1941



BOATS

Crew Boats • Lugger Boats
Tug Boats • Push Boats
Supply Boats
Utility Boats • Lift Boats

BARGES

Deck Barges • Hopper Barges
Living Quarters Barges
Spud Barges • Tank Barges
Crane Barges

CRANES

American Cranes
Lima Cranes • Terex Cranes
Manitowoc Cranes
Linkbelt Cranes

NEW CONST.

DRYDOCKS

MISC. EQUIP.

WE ARE LOOKING FOR NEW LISTINGS IF ANYONE IS LOOKING TO SELL.
PLEASE CONTACT US ON INFO ABOUT HOW TO LIST WITH US.



OUR INVENTORY IS GROWING DAILY,
PRICES ARE STARTING TO DROP, AND IT'S A BUYERS' MARKET.

COME VISIT OUR WEBSITE AND SEE WHAT'S NEW.



DAMCO MARINE MANAGEMENT, INC., with over 30 years in the marine brokerage & consulting business, offers quality marine equip., including new & used Boats, Barges, Cranes, & Dry Docks, & many other miscellaneous equip. available under U.S. or foreign flags. We have financing options available, we will arrange for NAMS Surveys and Valuations, we can help you ship, transport domestically or internationally, help with refueling, redocumenting, transferring ownership, we also have charter and bareboat options. We will facilitate the purchase/sale transaction from start to finish.

••• IF IT FLOATS WE CAN HELP YOU BUY OR SELL IT •••

• Call For Details And Additional Pictures •

E-mail: britt@damcomarine.com • don@damcomarine.com • www.DAMCOMARINE.com

CLOSING DATES • SECOND FEBRUARY ISSUE 2018

• To Be Mailed February 9th, 2018 •

For Display February 6th, 2018 For Classified February 8th, 2018
(9:00 A.M. C.S.T) (10:00 A.M. C.S.T)



Hydraulic Thruster Manufacturer



Self-propel your barges & sectional Floats



Featuring

VOLVO PENTA®

Available Now Refurbished / Used Thrusters

See Website For Details

1-386-734-0020

www.hydraulicmarinesystems.com

ISLAND WIDE MARINE INSURANCE

Superior Service Since 1977

CUSTOMIZED POLICIES

Designed Specifically For:

**Passenger Vessels
Sightseeing - Dinner Cruise
Headboats - 6 Packs - Ferry
Dolphin - Whale Watch**

FEATURING:

- ★ **Basic & Enhanced Policies**
- ★ **Competitive Pricing**
- ★ **Easy Payment Terms**
- ★ **Discounts For Seasonal Operations**



Marine Insurance is Our ONLY Business
1-800-635-6097



2001 Zodiac LRI
Great Shape - 2 Ea. Available



2001 Sea Ark
Yanmar Diesel, Excellent Cond. • \$89,000 OBO



2005 36 Sea Ark Patrol Fire Boat
Excellent Condition • Reduced Price



25' SafeBoat Defender
Great Shape, NO POWER
Reduced Price • 11 Available



1997 23' Sea Ark Little Giant
Diesel Powered, Fresh Paint, Just Serviced
Call For Pricing



2001 21' Sea Ark
Twin Four Stroke Outboards
2 Ea. to Choose From • Call For Pricing



41 UTB 41446 "Detroit"
Freshwater Boat, Nicest Original 41 Around.
Price Reduced on all 41's, 6 Ea. to Choose From



50' UTB Utility Boat
3 Ea. to Choose From • Price Reduced

ALL VESSELS ARE IN STOCK AND AVAILABLE FOR IMMEDIATE PURCHASE

For More Information On All These Boats Please Call:

Mike (850) 221-5138 Or

Visit Our Website: www.kclmsales.com



Celebrating 30 Years

CAILLOU ISLAND TOWING CO., INC.

**TUGS - DECK BARGES - SHALE BARGES - SPUD BARGES - KEYWAY BARGES
RIG MOVES, RIG SERVICE, DREDGE SUPPORT, CONSTRUCTION PROJECTS,
HEAVY HAUL, FLEET SERVICE, ALL OF YOUR WATERWAY TOWING NEEDS**

CALL FOR COMPETITIVE QUOTE FOR YOUR MARINE PROJECTS

985-876-1731

1211 BAYOU LACARPE ROAD HOUMA, LA 70363
WWW.CAILLOUISLANDTOWING.COM

MARINE EQUIPMENT FOR SALE

3-120' x 30' DECK BARGES / 2- 120' x 30' Shale Barges / 1- 135' x 35' Power Spud Barge
1-10,000 BBL Double Skin Tank Barge / 3- Deck Luger Tugs



MV Joan Cenac
900hp Deck Luger Tug
2006
66' x 24' x 7'
2 - QSM11 Cummins
2 - 4B Cummins 35KW
2 - Twin Disc
MGX5114DC Ratio 5:1
10,800 Fuel / 24,000
Potable Water / 100 Lube
Loran, Auto Pilot, VHF,
GPS, AIS



MV Labelle
900hp Deck Luger Tug
1998
54' x 24' x 8'
2 - NTA855 Cummins
2 - 4B Cummins 35KW
2 - Twin Disc
MG5114DC Ratio 4.5:1
10,000 Fuel / 16,000
Potable Water / 100 Lube
Loran, Auto Pilot, VHF,
GPS, AIS



MV Annette Cenac
1,200hp Deck Luger Tug
2004
60' x 24' x 8'
2 - KTA19 Cummins
2 - 4B Cummins 35KW
2 - Twin Disc TD516
Ratio 5:1
10,000 Fuel / 15,000
Potable Water / 300 Lube
Loran, Auto Pilot, VHF,
GPS, AIS

**For Further Information and Pricing
Contact Billy (985) 665-0631**

CLOSING DATES • SECOND FEBRUARY ISSUE 2018

• To Be Mailed February 9th, 2018 •

For Display February 6th, 2018 (9:00 A.M. C.S.T)
For Classified February 8th, 2018 (10:00 A.M. C.S.T)



The World's Safest Underwater Cleaning System

Welcome to the Next Level In Underwater Cleaning Efficiency... CaviBlaster!



- ✓ Easy to Set Up and Use
- ✓ Gas, Diesel or Electric
- ✓ Cleans all Surfaces
- ✓ Fresh or Sea water
- ✓ Compact, easy to Transport



CaviBlaster-1228-G for Rent or Sale

For more information please email sales@cavidyne.com
Or Call us at (352)275-5319, Sarasota, FL 34234
visit www.cavidyne.com to see more products



"WHEN YOU NEED TO GET THINGS MOVING!"

VALUE FOR YOUR ADVERTISING DOLLAR?



OUR BUSINESS IS TO GET YOUR ADVERTISING PROGRAM RUNNING IN THE RIGHT DIRECTION!

CALL, FAX, WRITE OR E-MAIL:
BOATS & HARBORS

P.O. DRAWER 647 - CROSSVILLE, TN 38557

PHONE: (931) 484-6100 • FAX: (931) 456-2337 • gdonnelly@boats-and-harbors.com



Turnkey solutions for all your Marine Transportation Needs

904.338.7160

www.FloridaBargeCorp.com



All Inclusive Project Cargo Worldwide Towing

ABS Barges From 180x54 to 400x100

East Coast, Gulf Coast, Caribbean, Central/South America

Immediate Availability for US to Caribbean





METAL SHARK
METALSHARKBOATS.COM



36' Courageous



38' Defiant



75' Endurance

337.364.0777 • sales@metalsarkboats.com

**FRASER
MARINE
PRODUCTS**



**MANUFACTURING QUALITY
ALUMINUM & BRONZE HARDWARE
TO THE BOAT BUILDING INDUSTRY
SINCE 1965**



WWW.FRASERBRONZE.COM

5625-48th Dr. NE Unit D Marysville, WA 98270
Toll Free: 877-264-1064 Made In USA

**Heartland Barge
MARINE BROKERS
618-281-4503
www.HL-Barge.com**

STEEL PIPE

NEW & USED STEEL PIPE

FOR: Piling, Spuds, Dredging,
Ballards, Floats, Casing, Etc.

CURRENT SPECIALS

- 30,000' 8-5/8" O.D. x .188"/.500" wall pipe
- 15,000' 10-3/4" O.D. x .250"/.500" wall pipe
- 20,000' 11-3/4" O.D. x .534" wall pipe
- 40,000' 12-3/4" O.D. x .250"/.750" wall pipe
- 10,000' 16" O.D. x .250"/.500" wall pipe
- 15,000' 24" O.D. x .312"/.750" wall pipe
- 30,000' 36" O.D. x .375"/.750" wall pipe

Plus many more sizes!

Call Anytime on 2"-46" Dia pipe

DELIVERY ANYWHERE IN:

US/CANADA/MEXICO/CARIBBEAN

CRESTWOOD TUBULARS, INC

Phone: (314) 842-8604

Fax: (314) 842-9064

Toll Free (US) 800-238-7473

Email: info@crestwoodtubulars.com

www.crestwoodtubulars.com



**UNDERWATER LIFT BAGS
ENGINEERED FROM THE BOTTOM UP!**

- OPEN BOTTOM AND ENCLOSED LIFT BAGS FROM 100 LBS TO 50 TONS
- CABLE AND PIPELINE FLOATS
- WATER LOAD TEST BAGS
- LIFE BOAT TEST DAVIT TEST KITS
- PIPE PLUGGERS - INFLATABLE PIPE STOPPERS
- INFLAT-A-TANK - LIQUID STORAGE BLADDERS
- FEND-AIR™ - INFLATABLE MARINE FENDERS
- RENTALS AVAILABLE

• MADE IN USA • ALL MAJOR CREDIT CARDS ACCEPTED • IMCA COMPLIANT

P.O. Box 2030 • North Kingstown, Rhode Island 02852 USA

Phone: (401) 884-8801 • Toll Free: (800) 466-6962 • Fax: (401) 884-8868

Website: www.SUBSALVE.com

E-mail: Richard@Subsalve.com

FOR SALE

**Used Travel Lifts
70 BFM**



Travel Lift 70 BFM

Year: 2000
Capacity: 154,000 LB.
Engine: John Deere Diesel
Inside Clear Width: 20'
Inside Clear Height: 26'
Wheel Base: Standard
Tires: Good
Available: Now!

- * Newly reconditioned
- * 3 ft. extra height



Travel Lift 70 BFM

Year: 1991
Capacity: 140,000 LB.
Engine: John Deere Diesel
Inside Clear Width: 27'
Inside Clear Height: 22'
Wheel Base: Standard
Tires: Good
Available: Now!

- * Good, strong running machine
- * Extra wide machine



International
Boatlift
Exchange

James Alfieri (813)653-4390 ibe@tampabay.rr.com

www.ibeglobal.com

© International Boatlift Exchange, Inc.

**5 MILLION LBS. IN STOCK
RENT - SELL - LEASE - TRADE**

Anchors, Chain, Buoys, Yokohamas,
Sea Cushions, Wire Rope and Fittings,
Deck and Dock Hardware, Oil Boom,
Towing and Salvage Equipment

NEW

USED

A.B.S.



**Anchor Marine
& Industrial Supply, Inc.**

P.O. Box 58645
Houston, TX 77258

1-800-233-8014

(713) 644-1183

24 Hour Service

Fax: (713) 644-1185

WEBSITE: www.anchormarinehouston.com
email: sales@anchormarinehouston.com

For Sale - \$200,000

98' x 16.4' x 7.1' Research / Supply Vessel



**Vessel is Located in Bayou La Batre, AL
and Ready For Inspection**

For More Information, Please Contact Russell or Marco:

(251) 824-4143

MARCO@STEINERSHIPYARD.COM • RUSSELL@STEINERSHIPYARD.COM

www.steinershipyard.com

MERTON'S

FIBERGLASS AND MARINE SUPPLY

- Complete hand lay-up fiberglass supplies for light & heavy fiberglass or wood boat repair & construction.
- Polyester, Epoxy, Vinylester Marine Grade Resins.
- Marine Topside Enamels & Antifouling Bottom Paint.
- Silicon Bronze & Stainless Steel Fasteners

Quality Brand Name Products

Competitive Pricing
All items in stock for
Immediate shipment

Online catalog

www.mertons.com

Call 800-333-0314

P.O. Box 399

East Longmeadow, MA 01028

Supplying Quality Products
To Boat Owners.

Hull Finishers & Boatyards for over 20 years

800-333-0314

60' x 16' x 4' Pilot/Crew/Launch



Breaux 1991, Twin Cat 3406B Turbo w/Twin Disc MG 5114A. 24kW Genset, cold A/C. 800 gal fuel, 18 knot cruise. Reduced to \$179,000 Tampa, FL.

For More Info & Pics
(251) 610-3111 or

Email: oceanicservicesllc@gmail.com

Anchors
Barges
Compressors
Cranes
Crew Boats
Dredges
Engines/Gears
Ferry Boats
Fishing Vessels
Generators
Landing Craft
Passenger Vessels
Propellers
Ship Parts
Tugboats
Winches
Work Boats
Yachts/
Pleasure Craft
"SCRUTONIZE YOUR INVENTORY"



Scruton Marine Services

Peggy or Mike Scruton
MARINE BROKERS

49 John Street
Port Dover Ontario,
NOA 1N7

Website:

www.scrutonmarine.com

Email:

sms@scrutonmarine.com

Ph: (519) 583-1636

Fax: (519) 583-2189

1981 SWIFTSHIP



91 x 19.6' Crew / OSV Triple V1271T, 2,600 fuel cap. Located Galveston, TX. \$209K OBO. Call Richard:

(713) 705-0037

Landing Craft

Available for Charter

(2) LCM-8 - 74' x 21' x 4'
Capacity 50 Tons

(1) LCM-6, 56' x 14' x 3.5'
Capacity 25 Tons

All Equipped w/ Hydraulic Cranes
DAVE ALLAN • (207) 882-5400

FOR SALE M/V HORIZON'S EDGE



MOTIVATED SELLER
\$2,950,000.00

Length: 161.3' (registered) - LOA: 186'
Year Built: 2000

For more information visit

www.horizonsedgeboston.com or contact
Owner's attorney David S. Smith at 978-744-8918

WHEN CAN YOU HAVE YOUR YACHT BE YOUR BUSINESS, HOME, AND TOY? 80' CHRIS CRAFT ROAMER



COAST GUARD CERTIFIED
US\$595,000.00 OBO Loc. Boston MA

This yacht holds a COI for up to 65 passengers +3 crew 20 miles from shore. This beautiful classic aluminum Chris-Craft Roamer (the largest yacht built by Chris-Craft) (75' stretched to 80') has a large spacious flybridge with allowed capacity of 65 passengers. This vessel is laid out with a forward crew berth with a centerline head & shower, a single captains bunk to port & double crew bunks to starboard. Aft of crews quarters is a watertight bulkhead. Aft of the watertight bulkhead are (2) guest quarters w/queen size beds. Each guest quarters has its own shower & head. Aft of the guest quarters is another watertight bulkhead with entry to machinery spaces. In the machinery spaces are (2) 1271 Detroit, one with a power take off for bow thruster and (2) 20 Kw Onans. The master stateroom fills the stern area fitted with a queen size bed & setting area. The master stateroom also has its own head & shower. Main deck house is laid out with a newly refitted pilot house followed by a full modern galley and large grand salon with upgraded sound & video equipment. Aft main house is a fully enclosed flybridge with a spacious sundeck. In 2016 the entire hull was professionally painted with Awlgrip & new carpet throughout. In 2015 new Bimini & Isinglass for top deck & enclosure. In 2006 over \$600,000 was spent to certify this yacht. Many upgrades & improvements have been made to the yacht to keep it one of the most outstanding in the industry. Some Owner Financing.

Contact: Terry Kirkman • 617-304-2390

To View More Photos Go To: motoryachtsecretlove.com

WWW.BOATWINDOWS.BIZ

B & J Aluminum Windows Inc

1-800-621-1381

sillycajun@aol.com

Made In USA

Central Boat Rentals, Inc.

Morgan City, LA

Ocean Barges: 180 x 54 x 12 260 x 72 x 16

Tank Barges: 10K & 30K bbl Double Skin

Ocean Towing Barge Fleeting

Shipyard Services

(985) 384-8200

centralboat.com



COMMERCIAL MARINE SUPPORT SALVAGE, DIVING & CONSTRUCTION

Cranes, Barges, Tugs, Ferry & Dredging Services • Crew, Tow, Film, Spill Security & Safety Boats.

Sales & Equipment Rentals • Meet The Fleet At www.CustomMarine1.com

Capt. Dwayne Reith • 646-235-9546 Tel. • 914-930-8907 Fax. • 710 Washington St., Peekskill, NY 10511



95' Warping Tug,
Twin Detroit Diesel 8 Cyl. Engines,
Winch Power Assisted Drum
Allison MH30L Transmissions,
360 Degree Water Jet Propulsion.
Asking \$99k W/O Winch



2004 46' Dauntless Sea Ark, Twin Diesel
Cummins (QSM-11) Engines. 580 HP
@ 2300 RPM. Transmission is ZF Marine
(ZF 325-1A). Fuel Capacity 500 Gallons
(200 FWD Saddle Tank, 300 AFT Saddle
Tank). 25 Knot Cruise.....\$295K



2 - LCM-8, 1987, Freshwater Only,
700 Hrs., 80 Ton Capacity.
\$329,000



1985 American 9220, 125 Ton,
100' Boom, Cummins, 4 1/2 Yard Clam
Bucket. On Bulkhead In NY Barge
Accessible For Pickup. - \$149,000



2004 Nautica Rib, 42'.
Cost \$500K New. A/C, Genset,
440 Yanmar w/Jets. -
\$119,000



1991 Thomas, 28' Pilothouse,
Inboard Cummins, 6 Cylinder 6BTA
250 HP, Keel Cooled, 1,200 Hours.
All Aluminum. - \$34,000



2003 23' Rescue Boat, BH-HR7
Steyr 236 Diesel, 30 Hrs.
\$50,000



2000 32' Aluminum Breaux Brothers
Work Boat, Mercruiser 454 FWC,
Bravo 2, Fast Fuel Efficient. -
\$44,000



3- 1- 25' Steel Push/Work Boat,
1993, Twin 453, Both Diesels &
Trans. Rebuilt Last Season,
24" 4 Blade Props. - \$64,000



24' Henley Aluminum Work Boat,
4 Cyl Gas Volvo I/O,
Just Rebuilt. - \$19,000



1999 Metal Craft King Fisher 22',
150 HP Volvo I/O Penta Diesel,
Trailer Included. - \$49,000



Shugart (4) 40' x 12' x 5'3, 25 Ton
Capacity Ea. 2- 20' Spud Wells,
2- 40-80' Spuds Avail. - For Lease



2003 Sea Ark 28' Enforcer,
Aluminum, Twin Yanmar 200 HP,
Genset. - \$78,000



Flat Deck Bin Wall Barge
130' x 38' x 11' x 1/2" Sides
Mostly Freshwater. - \$120,000

FOR LEASE:

(2) 2007 25' x 12

TRUCKABLE PUSH BOATS -
(1) FOR SALE - \$159K FIRM

15' Eye Level, Twin Screw John Deere's,
Flanking Rudders, Used Only In Fresh Water,
Excellent Condition, Very Low Hours.



FOR LEASE OR SALE

25'11" x 14'

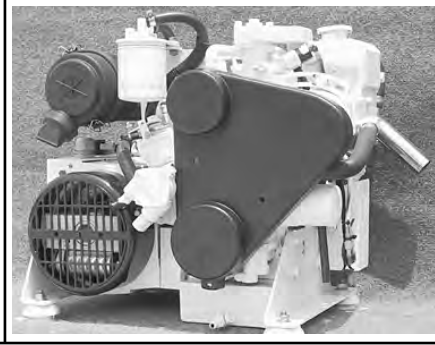
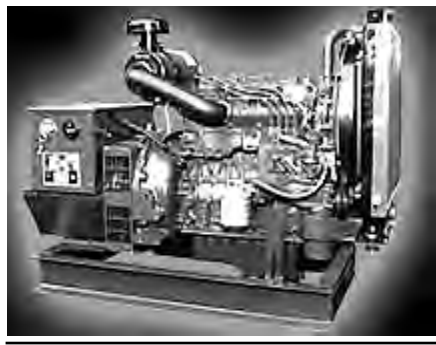
(2) 2015 Marine
Inland Truckable
Push Tugs • \$275K



2 - 300 H.P. John Deere 6068 turbo tier 3
diesels 700 hrs. Flanking rudders with 21'
eye level upper station and 15' from house
10 kW Genset. Fire pump, diesel mounted
on deck 2- 10 ton winches 3/4 cable.
2 - 36" x 24" x 2.5" work horse props.
9' Push knees. Very Low Hours



DIESEL GENERATORS



Kybo

1800 RPM Generators

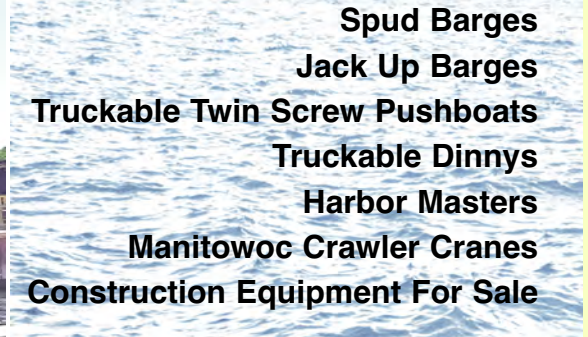
| | Heat Exchange Cooled | Keel Cooled | Radiator Cooled Remote Radiator Only | |
|------|----------------------|-------------|--------------------------------------|---|
| 1cyl | 3.5kw \$ 5,775.00 | \$ n/a | \$ 4,525.00 | Prices include ISO mounts, switch start with hour meter, other accessories and options available. |
| 2cyl | 5.5kw 6,975.00 | 5,400.00 | 5,575.00 | |
| 3cyl | 7.0kw 8,642.00 | 6,050.00 | 6,465.00 | |
| 3cyl | 8.5kw 8,998.00 | 6,250.00 | 6,575.00 | |
| 3cyl | 9.5kw 9,986.00 | 6,475.00 | 6,935.00 | |
| 4cyl | 12.5kw 11,829.00 | 7,200.00 | 7,600.00 | |
| 4cyl | 15kw 12,458.00 | 8,200.00 | 8,525.00 | |
| 4cyl | 17.5kw 13,572.00 | 8,600.00 | 9,125.00 | |
| 4cyl | 21kw 14,685.00 | 9,450.00 | 9,675.00 | |
| 4cyl | 25kw n/a | 10,100.00 | 10,450.00 | |
| 4cyl | 30kw 20,160.00 | 10,500.00 | 11,120.00 | |
| 4cyl | 40kw n/a | 14,475.00 | 12,500.00 | |
| 4cyl | 50kw n/a | 15,600.00 | 13,950.00 | |

1732 St. Johns Bluff Road, Jacksonville, FL 32246
www.nextgenerationpower.com

904-642-8555

Marine Equipment Rentals

S-70 Flexi Floats & Accessories



Spud Barges
 Jack Up Barges
 Truckable Twin Screw Pushboats
 Truckable Dinnys
 Harbor Masters
 Manitowoc Crawler Cranes
 Construction Equipment For Sale



Chris Jarvais
207 679 2359
cjarvais@cianbro.com

CIANBRO



VECLOADER®

616 DOUBLE DUMP

Performance Proven Vacuum Solutions™
 The VecLoader® 616 Double Dump offers 2,400 CFM & 28" Hg vacuum for greater job flexibility when conveying longer distances or handling dense material. The VecLoader® self-pulsing baghouse represents a 40-year legacy of proven safety and performance! All VecLoaders® are easily maintained and simple to use without complicated set-up. Call us today at 1-800-832-4010 or email us at inquiry@vector-vacuums.com to learn more!



The Original Since 1976
 Vector Technologies Ltd.

8301 W Parkland Court | Milwaukee WI, USA 53223
 Toll Free: (800) 832-4010 | Main: (414) 247-7100 | Fax: (414) 354-4314
 web site: www.vector-vacuums.com
 Email: inquiry@vector-vacuums.com

*2 year warranty applies to the engine and the blower, 1 year structural excluding wear parts

Continuous Duty

170HP John Deere

2,400 CFM/ 28" Hg

54" Baghouse

100 Gal Fuel Tank

Heavy Duty Trailer

Four Point Lift

2 Year Warranty*

33% More Efficient

PROUDLY MADE IN THE

USA



WORLD LEADER IN ALUMINUM LANDING CRAFT



MUNSON & YAMAHA
 A Winning Combination



WWW.MUNSONBOATS.COM

(360)707-2752 | jesse@munsonboats.com | 15806 Preston Place, Burlington, WA 98233

BARGES FOR RENT



Barges 4 Rent

Sectional Barges • Located In Florida
40 x 10 x 5 & 60 x 11 x 4

Contact: (305) 965-8852
Email: barge@bargerent.com



46' 1988 Trojan Int'l 14 Meter Conv.
Twin 750 hp wet turbo diesels 900 orig. hrs., 12.5 Onan 1600 hrs., 16' 3" beam 2 SR 2 head layout

Health Forces Sale
Make All Offers
(813) 641-8886
valbelle@tampabay.rr.com



100' (149) Passenger Triple Screw Aluminum Tour Boat / Ferry

1971 Camcraft conversion. 3412 Caterpillar powered with two 30 KW 3-71 Gensets. Currently working in Hawaii but will deliver to West Coast. May partial finance to approved party. \$225K. This is our vessel and will give courtesy to brokers. New 5 year COI for USCG haul inspection and dry dock 2-1-17.
Email: maucaptaindave@yahoo.com
For Details

119' Navy Landing Craft



\$700K + In Recent Upgrades.
200T Cargo Capacity. Excellent Condition.
Very Shallow Draft - 3'9", Freshwater Docked,
Fresh Rebuilds, Electronics.

Location - US Gulf • \$900K
(228) 918-6090
gulfstreamcorp.com

36' Fiberglass Custom Built Sport Fishing, Commercial, & Dive Boat

Transom 11'3" and 14' beam. Twin 260 diamond series Cummins, 5,200 hours. New Awlgrip paint, hydraulics, shore power, battery charger, full electronics, and autopilot. Two insulated fish boxes below deck, 4,000 & 1,000 lbs., head, and sleeps 2, top speed 30 knots.

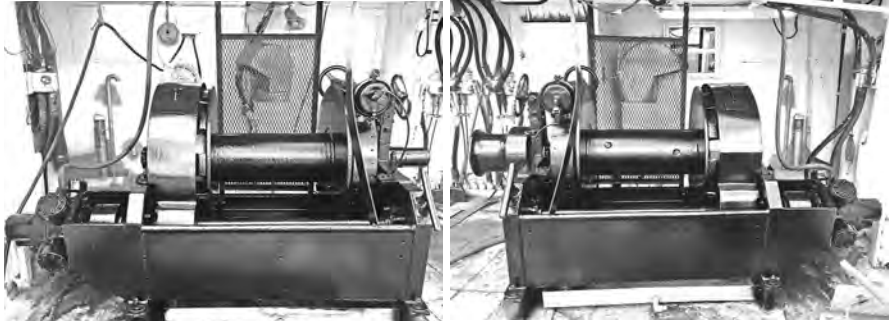
Located in NC

For More Pics and Info
Call (252) 423-0451
or email Tillett6@gmail.com



\$98,900

Right AND Left-Handed SPLIT Douglas East Coast Specials



With air brakes and Hydrostar 5 hydraulic motors.
Drum capacity 285 fathoms of 1" wire (per winch).
Perfect Condition • BEST OFFER!



BURNHAM
Associates, Inc.
WATERWAY IMPROVEMENTS

Tug & Barge Service Coastal Towing

Servicing East Coast
Inland and Offshore Tugs / ASD Pushboats
350 - 2,400HP

Equipment For Sale / Rent • Barges For Rent

Contact: info@burnhammarine.com
(978) 745-1788 • burnhammarine.com

Generators For Sale



Turbo Charged 471 GM 125KW
1800 RPM with Hydraulic Shutdown
1500 Hours

Naturally Aspirated 471 GM 60KW
1800 RPM Gen Set
1850 Hours • Hydraulic Shutdown

Please Contact: **John Fernandez (321) 223-7200**

www.WaterTaxiMarine.Com Ph: 513-557-6936

WATER TAXI MARINE



(Above)

33' x 11' 35 Passenger Water Taxi with Twin 90 HP. O.B.
From \$139,000.00 ** Call For Details

38' x 12' 49 Passenger with Twin 150 HP. O.B.
From \$189,000.00 ** Call For Details

Blank Catamaran Open Hulls From \$75,000.00
** Call For Details

(Below)

NON C.O.I. High Speed Enclosed 40 Passenger Water Taxi
From \$259,000.00 Includes Restroom, Twin 250 HP. O.B., Gen.; A/C, Global Shipping To Most Cargo Ports.
(C.O.I. Enclosed 40 Passenger From \$350,000.00)



** Call For Details

WaterTaxiMarine@Gmail.Com

WaterTaxiMarine.Com 513-557-6936



DONATE **WELL DONE**

HELPING HANDS

SOUCH GREEN


Donations Make a Difference:

- Annual gifts
- Planned giving
- Memorials
- Tributes to honor a birthday, anniversary or other special event
- Employer matching gifts

The Passenger Vessel Foundation, Inc is a 501(c)(3) nonprofit corporation. The Foundation was begun to ensure that the passenger vessel industry continues its dedication to furthering education and development of safety resources.

For More Information and to Donate Online
Please Visit: pvfoundation.com/donate/

Supporting the passenger vessel industry through education and safety resources.



PASSENGER VESSEL FOUNDATION
Passenger Vessel Safety and Education.

Contact Us At:
Email: info@pvfoundation.com • Website: pvfoundation.com

HYDRO-SLAVE

★ SAME DAY SERVICE ★

QUALITY MARINE HYDRAULIC EQUIPMENT

STANDARD BOOM WINCH



SPECIFICATIONS

PULL - EMPTY SPOOL - 24 CID MOTOR
 12 GPM @ 1500 PSI - 3580 LBS
 12 GPM @ 2000 PSI - 4730 LBS
 PULL - FULL SPOOL - 24 CID MOTOR
 12 GPM @ 1500 PSI - 1375 LBS
 12 GPM @ 2000 PSI - 1813 LBS

BRAKE BOOM WINCH

WIRE CAPACITY

5/16" WIRE - 321 FEET • 3/8" WIRE - 223 FEET
 1/2" WIRE - 125 FEET



Available in Both Powder Coated Steel and Stainless Steel

BUY THE BEST - BUY THE ORIGINAL BUY HYDRO-SLAVE

HYDRAULIC PUMP WITH ELECTRIC CLUTCH

2 Bolt B Auxiliary Drive Assembly

2 BOLT B 13 TOOTH MOUNTING FLANGE

- Precision Machined Aluminum 2 Bolt B Mounting Flange
- Precision Machined Steel Pump-Clutch Mounting Bracket
- 250 Ft. Lb. 2 Bolt B 13 Tooth Clutch
- 25VQC High Performance Vane Pump 2 Bolt B 13 Tooth Spline 21 GPM @ 3000 PSI, 1200 RPM
- Dimensions: 13" Long, 8-1/2" Wide



THIS ASSEMBLY IS SUITABLE FOR INSTALLATION ON ANY 2 BOLT B 13 TOOTH DRIVE ADAPTER SUCH AS A TWIN DISC OR ZF TRANSMISSION

WORLD'S LARGEST POT HAULER MFG. FOR OVER 40 YEARS

For more information call: 1-800-747-7550 or visit us on the internet: www.marine-hydraulic-engineering.com

MARINE HYDRAULIC ENGINEERING CO., INC.

17 Gordon Drive Rockland Maine 04841 Fax: 207-594-9721
 Email: marinhyd@midcoast.com

YOUR BUSINESS ANCHOR

Buying or Selling a Passenger Vessel or Business?



Fort Warren 150 Passenger Charter Yacht



Mark Twain 149 Passenger Sternwheel



Kingston Express 147 Passenger Ferry



Catfish Bend 1,389 Passenger Paddlewheeler

PINNACLE MARINE CORPORATION

We are the only brokerage service specializing in the passenger vessel industry. We also provide assistance locating financing, vessel transportation, securing insurance, marketing and business consulting, and auction services.

608-788-3210 • email: info@pinnaclemarine.com • www.pinnaclemarine.com

GOOD STEEL BOATS



Made For Work
 Self-Bailing Assist
 Utility & Bridge Construction Boats
www.AMERICANWORKBOAT.com
 (508) 264-6863

BUY SELL RENT

CLAMSHELL BUCKETS HOISTS & WINCHES PILE DRIVING EQUIPMENT



GREG DUNN
 (724) 228-5560
 FAX (724) 228-8776
www.needist.com

400 Country Club Road
 P.O. Box 358
 Meadow Lands, PA 15347-0358

Looking for Marine parts?

Save time and money!

We will find marine parts from around the world including engines, generators, & oil platform cranes.

OVER 25 YEARS EXPERIENCE



MyMarineTracker.com
 Marine Purchasing Services

1-866-717-2053
 or 608-783-2766

47' Neuville Crew Boat



COI until 2020 for 22 pass. 2 crew. Twin Cummins 8.3 L Diamond series. 450 HP. ZF 280 A gears. 9 KW Onan. Turn Key. \$190,000
 Call (252) 728-9611 • asmith7@ec.rr.com

50' Crew / Dive / Ferry Vessel



Vessel Sea Eagle is available for sale or lease. Located New York / New Jersey area. New COI and Dry Dock 12/17. COI for 44 passengers. This is a great dive/crew/ferry boat. Only serious inquiries.
 (848) 565-0519



CALL FOR PRICING

Johnson Stevens
 (843) 889-2254 Office
j.stevens@stevens-towing.com

For over 100 years, Stevens Towing has conducted business in marine towing, barge charter, and marine repair. Located 25 miles south of Charleston, SC, (mile marker 490 ICW) the shipyard is equipped with 2 Marine Railways, a 150-ton Marine Travel Lift, as well as 500' of dock space for topside marine repairs.

Equipment For Charter

Deck Barges

- (3) 120 x 30 x 7
- (2) 120 x 33 x 10
- (1) 150 x 55 x 8
- (1) 162 x 52 x 10
- (1) 175 x 39 x 9
- (1) 260 x 50 x 10.5
- (1) 250 x 54 x 13 ABS

US FLAG JONES ACT SHIP "M/V Coastal Venture" For Charter

Length Overall: 247' • Draft: 11'
 Speed At Sea Loaded: 12 KTS • GT: 497
 Capacities: Hold 1 Cubic Capacity 8,640 FT+, Hold 2 Cubic Capacity 30,800 FT+, Hold 3 Cubic Capacity 45,760 FT+.
 Capable of carrying a wide variety of cargo from Break Bulk to Containers as well as Hazardous Goods Class 1-9



Equipment For Sale

Hopper Barge

- (1) 260 x 52.5 x 12

Crane Barge

- (1) 199 x 52 x 14 w/ 28 ton Crane at 90' Intercon Hydraulic Crane w/Cat Engines



Cranes

We have two 500 ton barge mounted cranes that are strategically placed in Savannah, GA and Charleston, SC. These cranes have the ability to move via the Intercoastal Waterway or Offshore to any job. We also have a barge mtd Clyde 32 which is a rotating 140 ton crane at 45ft.

Savannah Giant

Crane Capacity: 500 Tons
 Barge Dimensions: 180' x 80' x 10'

Ocean Ranger

Crane Capacity: 500 Tons
 Barge Dimensions: ABS 200' x 72' x 14'

Stevens 1401

Crane Capacity: 140 Tons
 Barge Dimensions: 142' x 58' with spuds

Stevens Towing Shipyard

Railways

We Have Two Large Marine Railways With A Weight Capacity Up To 1650 ST And Dimension Up To 300' Long x 80' Wide.

Travel Lift

Weight Capacity: 150 ST • Length Unlimited x 37' Wide

STEVENS TOWING - A RESPECTED NAME IN THE MARITIME INDUSTRY FOR OVER 100 YEARS.

MAINE BOATBUILDERS' SHOW

March 23, 24, 25, 2018

512 Warren Avenue • Portland, ME 04103

Hours: 10-6 Friday & Saturday, 10-4 Sunday

A gathering of the finest fiberglass and wooden custom boat builders on the East Coast. Also exhibiting numerous manufacturers of boating equipment. Sailboats, powerboats, canoes, kayaks, and rowing boats with the builders there to discuss and sell their work.

Produced by:
 Portland Yacht Services
 207-774-1067



New Location
 512 Warren Ave
 Portland Sports Complex

For More Updated Information Go To:

www.portlandyacht.com

**Turnkey Charter Boat
For Sale Established 1971**



Busy South Florida Marina. Gross is \$125K+ a year. Family owned and operated. Hatteras 41', V-6 Detroit Diesels, Onan genset, Pompanette chair, Rupp riggers, Furuno color sounder, 1 year old A/C.

**Asking \$100K
Capt. Brad (561) 732-1980**

**50' EX-NAVY DIVE BOAT
Asking \$35,000**



Twin 671N (Approx. 1,000 Hours)
30 KW 3 Phase Generator

**Contact: Ryan or Doug
(757) 898-5060
Will Email Pictures
Upon Request**

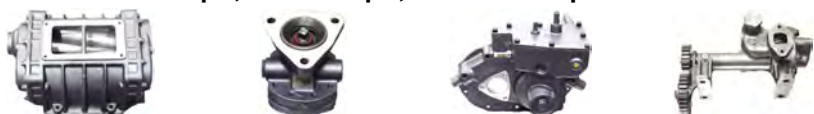


PC Industries

www.powerlinecomponents.com

Specializing in Detroit Diesel 2 Cycle Engines

Complete Line of Remanufactured Subassemblies
Blowers, Con Rods, Cylinder Heads, Injectors,
Fuel Pumps, Oil Pumps, Water Pumps and More!



Large Inventory of New Parts

Pistons, Cylinder Liners, Ring Sets, Gasket Sets, Bearings



North West Distributor
Kocsis Hydraulic Starting Systems

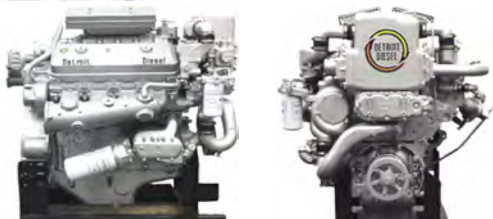
**New Water Cooled Exhaust Manifolds & Accessories
for Caterpillar, Cummins & Detroit Diesel Engines**



PC Industries, LLC

1088 N. Washington, P.O. Box 490
Afton, Wyoming 83110 USA
Phone # (307) 885-4724
Fax # (307) 885-3215
Toll Free # (877) 885-4724

*Remanufactured & Dynamometer
Tested Detroit Diesel Engines*



SHIPS FOR SALE



**33.5M High-Speed Cutter Patrol
2012 CAT engines / 22 knot cruise**



**65M Landing Craft Cargo 2007 RINA
809t Capacity - 15 days at 8 knots**

Atlantic Yacht & Ship has a variety of commercial ships to choose from. This ad depicts a small selection of vessels available. Contact us for any commercial vessel including patrol vessels, double ended ferries, fast ferries, and landing crafts, tankers, ANYTHING. We have ships available in every age from old to brand new, and a broad range of prices to suite your requirements.



Doug Hoogs
+1-954-643-6386
doug@ayssales.com



Brent de Sellier
+1-954-662-6241
brent@ayssales.com

**UI 2018
UNDERWATER
INTERVENTION**



February 6-8, 2018 | New Orleans, LA

The world's premier event for Commercial Diving Contractors, Remotely Operated Vehicles, Manned Submersibles, and all other aspects of the Underwater Operations Industry!

Check the newly revamped website for registration information and details for both attendees and exhibitors!

UnderwaterIntervention.com



**ATTEND
UNDERWATER INTERVENTION 2018**

Join your peers at THE industry event of the year.

- Network with leaders in the underwater industry from around the world.
- Stay up-to-date on that latest industry information, strategies and technologies through numerous education track sessions and a massive exhibit hall.
- See the latest and greatest products and services for the underwater industry.

You don't want to miss this!

Registration information is on our website at www.underwaterintervention.com.

**EXHIBIT
AT UNDERWATER INTERVENTION 2018**

Showcase your products and services to top decision-makers in the underwater industry!

Exhibit space is quickly running out, so don't delay!

Contact Your UI Show Management Team at (703) 259-6118 or ui@naylor.com, or visit www.underwaterintervention.com for more information.

(3) EA. 55' Derecktor Ex-USCG Workboats



All three boats are a matched set and are in good operational condition. Surveys Available. For more information please contact Mike Majewski 850-221-5138 or majewski4@bellsouth.net • For photos please go to www.kclmsales.com

USED & REBUILT DIESEL ENGINES

Eugene & David Evans of Evans Boats, Inc.

Engines Available Include:

3208 210HP Rebuilt • 3208 320HP Rebuilt • 375 Rebuilt
375 Takeout Runs Great • 453 Detroit's • 353 Detroit's
Volvo Sterndrive Package Takeout

CALL FOR PRICING AND AVAILABILITY... GROWING INVENTORY!

CALL EUGENE EVANS @ (443) 783-0529

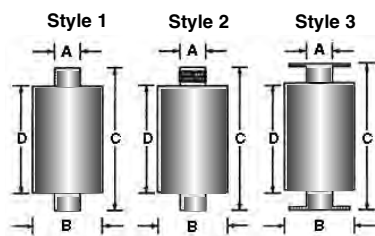
100% Stainless Steel Construction

This Muffler can go to HELL and take the HEAT!!!

Exhaust System Silencers Style 1-2

| PART # | A | B | C | D | PRICE |
|--------|--------|--------|-----|-----|---------|
| AIM-03 | 3.5" | 6.625" | 15" | 9" | \$400 |
| AIM-04 | 4.5" | 8.625" | 18" | 12" | \$450 |
| AIM-05 | 5.563" | 10.75" | 21" | 15" | \$500 |
| AIM-06 | 6.625" | 12.75" | 24" | 18" | \$600 |
| AIM-08 | 8.625" | 16.00" | 30" | 24" | \$785 |
| AIM-14 | 4.5" | 8.625" | 22" | 16" | \$575 |
| AIM-15 | 5.563" | 10.75" | 26" | 20" | \$675 |
| AIM-16 | 6.625" | 12.75" | 30" | 24" | \$900 |
| AIM-18 | 8.625" | 16.00" | 38" | 32" | \$1,150 |
| AIM-24 | 4.5" | 8.625" | 46" | 40" | \$1,000 |
| AIM-25 | 5.563" | 10.75" | 56" | 50" | \$1,350 |
| AIM-26 | 6.625" | 12.75" | 66" | 60" | \$1,750 |
| AIM-28 | 8.625" | 16.00" | 86" | 80" | \$2,500 |
| AIM-34 | 4.5" | 8.625" | 46" | 40" | \$1,295 |
| AIM-35 | 5.563" | 10.75" | 56" | 50" | \$1,710 |
| AIM-36 | 6.625" | 16.00" | 66" | 60" | \$3,345 |
| AIM-38 | 8.625" | 20.00" | 86" | 80" | \$5,500 |

Call for price of Style 3



CUSTOM FABRICATION AVAILABLE

www.the-flex.com

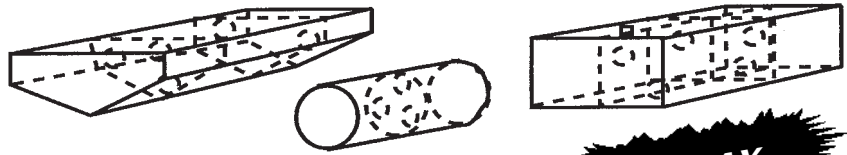
MARINE FUEL TANKS

www.speedytanks.com

ANY SIZE - ANY SHAPE

ALUMINUM TANKS FOR GAS OR DIESEL

TESTED & BUILT TO U.S.C.G. SPEC.



5 DAY TURNAROUND



UPS DAILY

ATLANTIC COASTAL WELDING INC.

[800] 434-TANK (8265)

OR FAX A DRAWING 1-732-269-7992

Carbon Steel Flanged Pipe Stainless Flexible Exhaust



| Part # | HOSE I.D. | Flange Outside Dia. | Flange Inside Dia. | Number of Bolt Holes | Bolt Hole Dia. | Bolt Circle | Price |
|--------|-----------|---------------------|--------------------|----------------------|----------------|-------------|-------|
| FF-1 | 1.0" | 4 1/4" | 1.36" | 4 | 5/8" | 3 1/8" | \$60 |
| FF-125 | 1.25" | 4 5/8" | 1.70" | 4 | 5/8" | 3 1/2" | \$65 |
| FF-150 | 1.5" | 5" | 1.95" | 4 | 5/8" | 3 7/8" | \$75 |
| FF-2 | 2.0" | 6" | 2.44" | 4 | 3/4" | 4 3/4" | \$100 |
| FF-250 | 2.5" | 7" | 2.94" | 4 | 3/4" | 5 1/2" | \$130 |
| FF-3 | 3.0" | 7 1/2" | 3.57" | 4 | 3/4" | 6" | \$150 |
| FF-4 | 4.0" | 9" | 4.60" | 8 | 3/4" | 7 1/2" | \$240 |
| FF-4L | 4.0" | 9" | 4.60" | 8 | 3/4" | 7 1/2" | \$295 |
| FF-5 | 5.0" | 10" | 5.66" | 8 | 7/8" | 8 1/2" | \$295 |
| FF-5L | 5.0" | 10" | 5.66" | 8 | 7/8" | 8 1/2" | \$350 |
| FF-6 | 6.0" | 11" | 6.72" | 8 | 7/8" | 9 1/2" | \$300 |
| FF-6L | 6.0" | 11" | 6.72" | 8 | 7/8" | 9 1/2" | \$375 |
| FF-8 | 8.0" | 13 1/2" | 8.72" | 8 | 7/8" | 11 3/4" | \$380 |
| FF-8L | 8.0" | 13 1/2" | 8.72" | 8 | 7/8" | 11 3/4" | \$470 |
| FF-10 | 10.0" | 16" | 10.88" | 12 | 1" | 14 1/4" | \$500 |
| FF-10L | 10.0" | 16" | 10.88" | 12 | 1" | 14 1/4" | \$615 |
| FF-12 | 12.0" | 19" | 12.88" | 12 | 1" | 17" | \$540 |
| FF-12L | 12.0" | 19" | 12.88" | 12 | 1" | 17" | \$685 |

Carbon Steel Beveled Pipe Stainless Flexible Exhaust



| PRODUCT # | HOSE I.D. | PIPE O.D. | PRICE |
|-----------|-----------|-----------|-------|
| WW-1 | 1.0" | 1.315" | \$40 |
| WW-125 | 1.25" | 1.660" | \$45 |
| WW-150 | 1.5" | 1.900" | \$50 |
| WW-2 | 2.0" | 2.375" | \$55 |
| WW-250 | 2.5" | 2.875" | \$70 |
| WW-3 | 3.0" | 3.500" | \$90 |
| WW-4 | 4.0" | 4.500" | \$120 |
| WW-4L | 4.0" | 4.500" | \$160 |
| WW-5 | 5.0" | 5.563" | \$130 |
| WW-5L | 5.0" | 5.563" | \$190 |
| WW-6 | 6.0" | 6.625" | \$140 |
| WW-6L | 6.0" | 6.625" | \$210 |
| WW-8 | 8.0" | 8.625" | \$200 |
| WW-8L | 8.0" | 8.625" | \$300 |
| WW-10 | 10.0" | 10.750" | \$310 |
| WW-10L | 10.0" | 10.750" | \$440 |
| WW-12 | 12.0" | 12.750" | \$450 |
| WW-12L | 12.0" | 12.750" | \$600 |

{ L SERIES IS RECOMMENDED FOR ENGINES WITH TURBO }

GASKETS

(FULL FACE, 1/16" THICK UP TO 6", 1/8" THICK ABOVE)

| PART # | PRICE |
|------------|----------|
| 1" | \$12.00 |
| 2" | \$18.00 |
| 3" | \$22.00 |
| 4" | \$26.00 |
| 4" CAT | \$24.00 |
| 5" | \$29.00 |
| 5" CAT | \$26.00 |
| 5" CUMMINS | \$26.00 |
| 6" | \$35.00 |
| 6" CAT | \$34.00 |
| 8" | \$40.00 |
| 8" CAT | \$38.00 |
| 10" | \$85.00 |
| 10" CAT | \$85.00 |
| 12" | \$99.00 |
| 12" CAT | \$96.00 |
| 14" | \$112.00 |
| 16" | \$148.00 |
| 18" | \$165.00 |

MUFFLER WRAP

| PART # | PRICE |
|-----------|---------|
| TIBAIM-03 | \$120 |
| TIBAIM-04 | \$155 |
| TIBAIM-05 | \$230 |
| TIBAIM-06 | \$265 |
| TIBAIM-08 | \$420 |
| TIBAIM-14 | \$185 |
| TIBAIM-15 | \$285 |
| TIBAIM-16 | \$345 |
| TIBAIM-18 | \$550 |
| TIBAIM-24 | \$275 |
| TIBAIM-25 | \$550 |
| TIBAIM-26 | \$695 |
| TIBAIM-28 | \$1,105 |
| TIBAIM-34 | \$475 |
| TIBAIM-35 | \$640 |
| TIBAIM-36 | \$995 |
| TIBAIM-38 | \$1,505 |

THERMAL INSULATION BLANKET

| PART # | PRICE |
|--------|-------|
| TIB-3 | \$80 |
| TIB-4 | \$80 |
| TIB-5 | \$90 |
| TIB-6 | \$105 |
| TIB-8 | \$120 |

BULK THERMAL INSULATION BLANKET 18" WIDE X RUNNING FOOT *\$55.00 PER FT.*****



We Stand by our work!

AIM

APPLIGATE INDUSTRIAL MATERIALS INC.

P. O. Box 428, Baton Rouge, LA 70821-0428

1-225-336-4116 • fax 1-225-336-4317

1-800-843-3539 • www.the-flex.com

E-mail: info@The-flex.com

1-800-THE FLEX

AIM has set the standard for reliability, durability & service for over 35 years! Run silent, Run deep.

Most items are shipped within 24 hours. We offer shipping by Fed-Ex, US Postal Service, Motor Freight, Greyhound Package Express or Will Call. Easy payment options including: Visa, Mastercard, American Express, Discover, C.O.D. or 30 day invoicing with approved credit.

Alumatec Marine Docks and Gangways

Custom design and fabrication of commercial and residential dock systems, gangways, beach-access stairs, piers, walkways. We also have commercial grade dock float tubs in all sizes. We deliver from Plymouth Massachusetts throughout North East & Ship Nationwide.

(508) 746-7774

Ron Cooper Catamarans

THE MONEY MAKERS

WE BUILD ONE OF THE MOST FUEL EFFICIENT PASSENGER VESSELS IN THE WORLD

63' x 24' Catamaran, base price \$399,000 plus power, stability test for 200

The perfect vessels for:

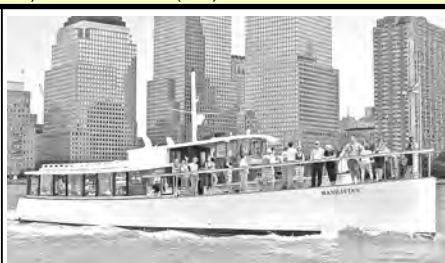
- Day/Snorkel Trips
- Sightseeing
- Booze Cruises
- Cruise Ship Tenders
- Over 130 Built

All New 47' x 15.5' Catamaran • USCG Stability test for up to 70 passengers • Introductory base price \$139,000 plus power • Economical and very stable • Glass bottom available • Set up for beach loading • Fast delivery

Call Ron Cooper (727) 804-6389 www.coopermarine.com



Scarano 65' x 14' Water Ferry Launch



Scarano 80' x 16' Motor Launch



115' PV Adirondack
350 Passenger Capacity



Adirondack 65 LOD

SCARANO BOATBUILDING, INC.

Port of Albany, Albany NY 12202

Custom Design Construction

518-463-3401 • FAX 463-3403 • www.scaranoboot.com

MARINE CONTRACTORS

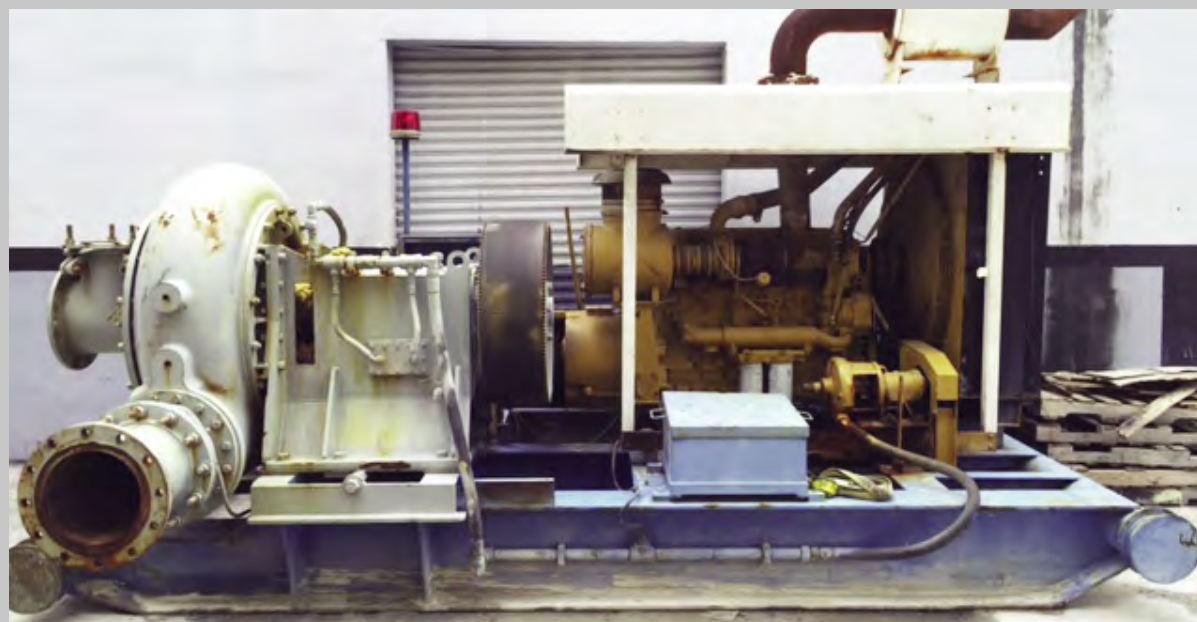
All-In-One Package Policies Available NOW!

- Tugs & Barges
- Charter Boats
- Marine Contractors
- Marinas
- Workers Comp.
- Equipment
- General Liability
- Fishing Vessels
- Live Aboards
- Diving Contractors
- ROVs
- Jones Act
- USL&H
- Bonds

Ryen Marine Insurance Group, Inc.
Insurance Consultants & Agents

221 South Ocean Dr., Ste C, Ft. Pierce, FL 34949
Telephone (772) 242-1045 Fax: (772) 882-9856
info@insuremarine.com www.insuremarine.com

14" ELICOTT BOOSTER PUMP



**3,000 Hours
With
Caterpillar C18**

**\$100,000.00
Accepting Best Offers**

**Call:
(305) 206 9090
or Email:
Ahernan124@icloud.com
Carl@09-tech.com**

600 Ton Manitowoc 4600 S3/S2 Ringer



Your Trusted Resource for
Heavy Marine Equipment

24 Hour Response | Portsmouth, VA



200 Ton Manitowoc 4000W Ringer

350 Ton Heavy Lift Derrick "Samson"



85 Ton Derrick



Truckable Push Tug "Teddi C"




Visit our website: www.crofton.com | Sales and Rentals: Mike Frohnapfel mikef@crofton.com | Office: 757-397-1131

Heavy Lift Capacity up to 600 Tons | Hydraulic | Conventional | Barge Mounted

Tug Rental: Truckables | Up to 1100 HP | Single & Twin Screw Engines

Barge Rental: Sectional, Spud, & Deck Barges | 20' -185' Lengths | 10' - 55' Widths | 4' - 12' Heights

Deck (Party Barge)



144' x 32'. Wired for generator and shore-power. Two bathrooms, ramp, galley and retractable spuds.

\$150,000.00
(270) 860-5932

A & D SHIPYARD BROOKLYN NY 718-404-4285 (HAUL)

7
1
8
4
0
4

H
A
U
L



*Brooklyn's
First
120 Ton Lift
Servicing
Your Complete
Shipyards Needs*

*Hauling
Painting
Welding
Shaft & Prop Work*

50 Years of Experience


MARINE PILOT HOUSE CHAIRS

Adjustable
Swivel Seat
Aluminum
Inland and
Offshore
Bases
\$780.00
F.O.B.
Port Arthur, TX



Texas Wheel Works, Inc
PO Box 1276 • Port Arthur, TX 77641-1276
PHONE: (800) 238-9402
FAX: (409) 984-5690

Portable Pushboats For Charter




**430/330 HP Twin Screw
25' x 12' x 5', 3.5' Draft**
J-Way Leasing & Marine, LLC
(440) 934-1020

MARINA EQUIPMENT FOR SALE


1987 70 Ton Marine Travelift

140,000 lb. Capacity
ICW: 23 ft.
ICH: 22 ft.
Spreader Beams Inc.
2 Available Units:
1 Gas
1 Diesel




2006 Wiggins W230M2

23,000 lb. Cap.
38 ft. Positive Lift
12' Negative Lift
20 ft. Forks
Diesel Engine



2004 75 BFM11 Marine Travelift

165,000 Lb. Capacity
ICW: 22 ft
ICH: 26 ft.
John Deere Diesel 4045TF
Wireless Remote Control
2 Speed Hoist & 2 Speed Drive



(305) 882-7000
gwork@wejohnson-fl.com • www.wej-fl.com

Northeast Industrial & Marine Equipment Supplies

661 Route 9 Cape May, NJ 08204
1-800-884-3152 609-884-3152 609-884-3510
Fax: 609-884-3170, Check Us Out @www.northeastindustrialnj.com

EQUIPMENT SUPPLIES FOR ALL PHASES OF THE FISHING, DREDGING, MARINE CONSTRUCTION, AND TRANSPORTATION INDUSTRIES




- Custom Winch Systems 1,000 to 300,000 Line Pulls
- Custom Built Winches - 1,000 lb. to 200,000 lb. Line Pull & Diesel HPU Units
- Electric HPU Units
- Spud Handling Systems & Barge Anchoring Systems
- Used Equipment Refurbishing
- Equipment Rentals - Winches, Power Units

- Pullmaster, Superwinch, Lantec, Kinematic
- Custom Built Power Units
- Winches - Planetary, Worm Gear
- Control Valves 4 GPM - 400 GPM
- Hydraulic Pumps - Gear, Piston
- Hydraulic Motors - Staffa, KYB, Char-lynn
- Free Fall Winches - 5,000 lb. to 75,000 lb.
- Wintech Winches - Electric, Air, Hand Cranked
- Transmissions - ZF, Twin Disc

**John Deere / Yanmar
Industrial Engines**

• Custom Built Barges

National & International Services
Hydraulic, Welding, Machine Shop Service
Email us @ neindustrial@hotmail.com or contact@northeastindustrialnj.com




VIKING ENHANCED SOFTLOOP FENDER

*When Push Comes to Shove
Have a Viking on Your Side*

- The softest, most forgiving ship assist fender on market
- Designed for greater energy absorption and gripping ability
- Ideal for tractor tugs, bow, stern and side fenders
- Side hip fenders for tug and barge units
- Pier cell fenders




Quality Recycled Materials

a division of Viking Marine Products, Inc.

977 New Durham Rd, Edison, NJ 08817
Tel: +1 732-826-4552 • Fax: +1 732-826-5533
Complete Brochure at: www.vikingfender.com


CLOSING DATES • SECOND FEBRUARY ISSUE 2018


| | | |
|---|---|---|
| For Display February 6th, 2018 9:00 A.M. C.S.T | To Be Mailed February 9th, 2018 | For Classified February 8th, 2018 10:00 A.M. C.S.T |
|---|---|---|




FLOATING DOCKS, GANGWAYS, SEAWALLS

RAVENS MARINE, INC.







**3295 ORANGE AVENUE
KISSIMMEE, FL 34744**
PH: 407-935-9799
TOLL FREE: 800-676-3023
FAX: 407-935-9436
www.ravensmarine.com
ravens@ravensmarine.com



AT RAVENS MARINE, QUALITY IS #1



**FROM THE BACKYARD
DOCK TO THE FULL
SCALE MARINA, WE
MANUFACTURE THE
COMPLETE
"PICTURE"**





HL130M DRI-PRIME PUMP



6X6 JET PUMP



ANVIL 25T GRAPPLE



ICE 416 VIBRO HAMMER



ATLAS 20T GRAPPLE



**3 Each Allis Chalmers
475 KW GENSETS**



**D200 PILE
HAMMER**



**DIVE EQUIPMENT
AVAILABLE FOR
LEASE**

- COMPRESSORS
- CHAMBERS
- COMM'S
- COMPLETE PACKAGES



PRECON MARINE, INC.

CONTACT: MACON HODGES, (757) 439-9963
MHODGES@PRECONMARINE.COM
FOR ADDITIONAL EQUIPMENT CHECK OUT:
PRECONMARINE.COM/EQUIPMENT
ALL EQUIPMENT—FOR SALE OR LEASE

MANITOWOC 4600 SERIES III

COMPLETE RESTORATION

- CUMMINS RE-POWER
- 240 TON CAP.
- 160' BOOM
- RINGER READY

CRANES AVAILABLE FOR RENT/LEASE/PURCHASE:

- MANITOWOC 4100 SERIES II - 230 TON CRAWLER
- 2015 LINKBELT 348 HYLAB - 300 TON LATTICE CRAWLER
- 2016 LINKBELT ATC 32210- 210 TON HYD. TRUCK CRANE
- 2014 LINKBELT HTC 86100- 100 TON HYD. TRUCK CRANE
- 2014 GROVE TMS 700E- 60 TON HYD. TRUCK CRANE
- 2010 STERLING- 30 TON HYD. BOOM TRUCK
- 1999 STERLING- 20 TON HYD. BOOM TRUCK
- 1992 FORD L-8000 "SNOOPER" BRIDGE INSP. TRUCK

ALL CRANES HAVE CURRENT INSPECTIONS AND READY TO WORK. OPERATORS AVAILABLE ALSO.

64' X 32' X 7' LIFT BOAT
8-71 DETROITS
70' CRANE

THRU-DECK DRILL WELL



SUPER JUMBO'S - 260' X 52.5' X 12'



**THE TAMPA
2014 TRUCKABLE TUG**



**ROBISHAW S-50 FLEXI
FLOATS**



**ECB SECTIONAL BARGES
41'x10'x5'**



**120x30 Material Barges
Lease or Purchase**

WATERFRONT AVAILABLE FOR LEASE

ELIZABETH RIVER- CHESAPEAKE, VA.
FLEET YOUR BARGES OR STEVEDORE

350 FT

500 FT

YARD ACCESS & STORAGE ALSO AVAIL.

BARGES/TRUCKABLE TUGS BUILT TO SUIT!!

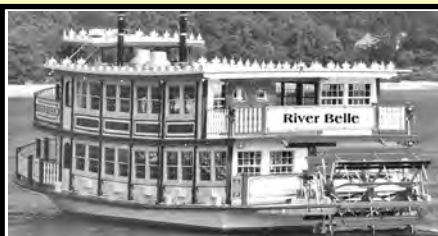
CONTACT: ALLEN CUTLER, (757) 754-0767
ACUTLER@INLANDMARINEVA.COM
ALL EQUIPMENT—FOR SALE OR LEASE UPON AVAILABILITY

KOHLER**Commercial Marine Generators
Open - Frame and Keel Cooled Units**

| MODEL | COST |
|---------|-------------|
| 9EKOZD | \$8,250.00 |
| 11EKOZD | \$8,785.00 |
| 13EKOZD | \$9,990.00 |
| 15EKOZD | \$11,100.00 |
| 20EKOD | \$12,800.00 |
| 23EKOD | \$13,725.00 |

24 Hour Emergency Service!!

Monmouth Marine Engines, Inc.
536 Union Lane • Brielle, NJ 08730
Phone: (732) 988-0245 • Fax: (732) 988-0246



65' Mississippi Like River Boat - 78' Overall, Includ. Stern Paddle. USCG Lic. For 150 + 10 Crew. Full Electronics, USCG Insp. Both Decks Heat & A/C. 2 - 671 GM Diesels. 2-371 - 50 KW GM Gens @ 1200 RPM. Brielle, NJ.

\$450,000 • (732) 245-1592**60' Harkers Island
Party Head Boat**

Built by Vance Gillikin
Considered the BEST
Head Boats Made

NEW COI 69+2 20 Mile
with Recent Survey
Twin 671's 10KW Genset
Full Electronics and Auto Pilot
Awl-Grip Paint
New Boat Coming Must Sell

**\$145K OBO
(516) 297-9296****M/V Valcour For Sale**

Length: 190' Overall, 177' Waterline • Power: Twin 425 HP CAT D-353 • Gross Tons R446, Net Tons R87 • Fresh Water Boat • Galvanized Hull • COI - Lakes, Bays, and Sounds • Lifesaving (4) 50 Man IBA's • Co2 Fixed Fire Extinguishing • Very Clean Solid Vessel • Accepting Reasonable Offers • heathers@ferries.com

***** REQUEST FOR PROPOSAL *****

The Beaver Island Transportation Authority (BITA) owner of the Ferry M/V Emerald Isle is requesting proposals/qualifications for design and modifications to the vessel.

To request a copy of the RFP contact:

Mary Cook, Executive Director
Beaver Island Transportation Authority
PO Box 426
Beaver Island, Michigan 49782
231-448-3049
bitrans@tds.net

A copy of the RFP is also listed on the operator's,
Beaver Island Boat Co (BIBCO), Website.
<http://www.bibco.com/bitanaengineerrfp/>

Proposals will be accepted by US Mail, other similar carrier or hand delivered. Proposals must be received by February 28, 2018 at 12 noon EST.

BITA reserves the right to reject any and all bids.

FOR SALE**127 x 28 Dinner Cruise/Party Boat**

Current USCG Certified For 150 + 16 Crew. Built 1978 Palatka, Florida. Steel Hull and Aluminum Super Structure. 3 GM V 12 T1. 2 Northern Lights Gen Sets 40 KW Each. Both decks have heat and A/C. Currently operating in NY Harbor. Well maintained. Turn Key Operation. Hull inspection good for 2 years. 5 years new inspection & yearly done.

\$665,000.00**Contact: Metin @ (347) 556-9424 • amberjack@live.com****VESSELS FOR SALE****2002 OSV**

Certified: I & L, USCG Inspection: Yes, ABS Loadline: Yes
DP System: DP-1, Length: 185', Beam: 46'

Clear Deck: 120' x 39'

Deck Cargo: 850 Long Tons, Main Engines: Caterpillar

Bow Thruster: (1) Schottel

Fuel Capacity: 58,540 / 119,440 Gals

Liquid Mud/Fuel: 1,450 Barrels

Dry Bulk Capacity: 3,300 Cu. Ft.

Potable Water: 15,000 Gals, Fire Monitor: 4" Elkhart

Anchor: (2) 1,500 Lbs, Certified To Carry: 40

Berth: 17, Two (2) 99 Kw: Cat 3304

Radars: (2) Furuno, Radios: (3) VHF (1) SSB / ICOM

Fathometer: (Yes) Furuno, GPS: (2) Interfaced CP Plotter

Beier: Model IVCS4000 DP-1

Complete C.G. & ABS Dry Docking May 2017

2007 MINI SUPPLY

USCG Inspected: I & L, ABS Loadline, ABS: ADP11...DP1

Length: 150', Beam: 36', Depth: 12', Clear Deck: 90' x 30'

Deck Cargo: 335 Long Tons, Main Engines: Caterpillar

Speed: 12 Knots, Bow Thruster: 300 HP

Fuel Capacity: 43,000 / 95,920 Gals, Liquid Mud: 1,260 BBLs

Potable Water: 10,000 Gals, Fire Monitor: 4" Elkhart,

Certified To Carry: 20, Berth: 20, Two (2) 150 KW: Cat C-9

Radars: (2) Furuno, Radios: (3) VHF (1) SSB / ICOM

Fathometer: Yes, GPS: (2)

Navtec: Yes, Plotter: Yes

Can Be Classed

**Please Call (337) 319-8123****If Interested Or Need More Information**

WATER COOLED EXHAUST MANIFOLDS

For 3-71, 4-71, & 6-71 Detroit Diesel



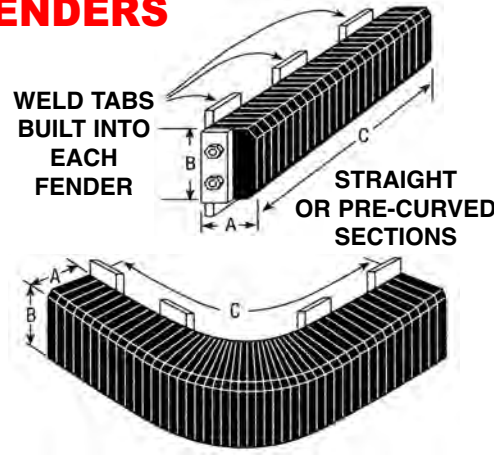
DD-1-6710

- 3-71 & 6V71.....\$225.00
- 4-71 & 8V71.....\$250.00
- 6-71 & 12V71.....\$325.00
- 4" NPT EXHAUST END PLATE.....\$40.00
- Water Cover Plate (Specify Pipe Size).....\$9.00



BARR MARINE BY EDM
 100 Douglas Way, P.O. Box 190
 Natural Bridge Station, VA 24579
 Toll Free (866) 255-9265 Fax (540) 291-4185

WELD-ON D-GUARD FENDERS



SIMPLY POSITION AND WELD - NO FAB REQUIRED

| 1 1/4" RODS | | DIMENSIONS | | |
|-------------|-----|------------|------|----|
| PART NO. | A | B | C | |
| SR114D 0606 | 6" | 6" | 12" | to |
| SR114D 0609 | 6" | 9" | | |
| SR114D 0707 | 7" | 7" | | |
| SR114D 0808 | 8" | 8" | 240" | |
| SR114D 0810 | 8" | 10" | | |
| SR114D 0909 | 9" | 9" | | |
| SR114D 1010 | 10" | 10" | | |

| 3/4" RODS | | DIMENSIONS | | |
|-------------|------|------------|------|----|
| PART NO. | A | B | C | |
| SR114D 0404 | 4" | 4" | 12" | to |
| SR114D 0405 | 4" | 5" | | |
| SR114D 0406 | 4" | 6" | | |
| SR114D 0408 | 4" | 8" | 240" | |
| SR114D 0410 | 4" | 10" | | |
| SR114D 4510 | 4.5" | 10" | | |
| SR114D 4512 | 4.5" | 12" | | |
| SR114D 0606 | 6" | 6" | | |
| SR114D 0610 | 6" | 10" | | |
| SR114D 0612 | 6" | 12" | | |

16901 Wood-Red Rd.
 Woodinville, WA 98072
1-800-426-3917
 Fax: 425-488-2424
 sales@schuylerubber.com
 www.schuylerubber.com



1036 Vicky Lane
 Broussard, LA 70518
1-866-347-9445
 Fax: 337-321-4276
 sales@schuylermaritime.com
 www.schuylermaritime.com



Custom Aluminum Construction



Derecktor - Built for the future.

Now Featuring Hybrid Propulsion Designs

Clean, efficient, reliable power for those operators looking for quieter vessels, and who are concerned about the marine environment.

Call Micah Tucker at (914) 698-5020
 or visit www.derecktor.com

DERECKTOR

NEW YORK + FLORIDA + MAINE

SINCE 1947.



Flagship Marine - Keep It Simple Stupid - the KISS principal has guided us since 1995!



NO EXPENSIVE, PROPRIETARY PRINTED CIRCUIT BOARDS!
A CHILD CAN FOLLOW OUR SCHEMATICS!



CHILLERS • SELF - CONTAINED AIR COOLED - EXPLOSION PROOF EXTREME DUTY FOR UP TO 105°F SEAWATER!

OVER-THE-COUNTER COMPONENTS SLOWLY EVOLVED DESIGN AND COMPONENT SELECTION OVER MANY YEARS OF EXPERIENCE.



Air Cooled Rooftop Units By RVP Coleman 13,500 BTUs With Heat, Install Kit And Ceiling Assembly For Only \$929.95



Made With Pride In The USA!

International Distributor Fernstrum Keel Coolers & Sen-Dure Heat Exchangers

Phone: 772-283-1609
 Fax: 772-283-4611
 Watts: 800-316-6426
Flagship Marine, Inc.
 2427 SE Dixie Hwy.
 Stuart, FL 34996
flagshipmarine.com
sales@flagshipmarine.com



BYRNE Rentals and Sales, LLC.

Marine & Construction Supplies
 24 HR Phone (985) 702-9500
 Toll Free 1 (800) 99-BYRNE
 Trusted Over 30 years



SMATCO 66 DOUBLE DRUM WINCH



YOKOHAMA BOAT FENDERS - All Sizes



NEW AND USED ANCHORS



NEW AND USES ANCHOR CHAIN

BUILT TO ORDER CUSTOMIZED WINCHES AND PEDESTAL CRANES



SEAHORSE 4 DRUM DIESEL POWERED WINCH MODEL WDW-100

100,000 Lbs. S.L.P. 1 St Layer Holds 3,000 Ft. of 1-1/8" Cable
READY TO GO



- | | | | |
|------------------|------------------|----------------|-----------------|
| Snatch Blocks | Swivels | Pulling Blocks | Marine Fittings |
| Yokohama Fenders | Headache Balls | Capstans | Air Tuggers |
| Shackles | Marine Fairleads | Windlasses | Winches |
| Buckets | Tow Plates | Buoys | Anchors |
| Deck Blocks | Generators | Crane Blocks | Ship's Chain |

www.BYRNERENTALS.com

SALES@BYRNERENTALS.com



Barge Propulsion Units



Available for rental

For over 30 years, Thrustmaster of Texas has been building outboard propulsion units for propulsion and maneuvering of barges used in brown water for marine construction projects. Powered by a Cummins QSB6.7 diesel engine, the Thrustmaster barge propulsion unit is a completely self-contained, hydraulic unit that can quickly be installed on the deck of any barge to provide pinpoint maneuverability and propulsion. Thrustmaster outboard drives freely azimuth through 360 degrees of steering range making them extremely responsive and ideal for tight quarter maneuvering and positioning applications. The units are extremely robust and equipped with a hydraulic power tilt system capable of elevating the outboard drive assembly through an arc of 180 degrees to allow instant access for clearing ropes or logs fouling the propeller. Thrustmaster units are ideal for your construction project and available for immediate shipment.

Contact: Bert Ault - International Sales Manager
bert@thrustmastertexas.com

Phone: 713-937-6295
 Mobile: 713-249-2375

www.Thrustmaster.net

Coosa Composite Panels

Use in place of plywood!

High density, polyurethane foam, reinforced with layers of fiberglass strands throughout. Lightweight, non-rotting.

SEARCH# CSA-



Extren® Fiberglass Structural Shapes & Plates

STRONGWELL GET THE WOOD OUT!

Corrosion and UV resistant, lightweight, high-strength, low maintenance!

SEARCH# SGW-



HAMILTON MARINE

800-639-2715
hamiltonmarine.com

FREEMAN MARINE EQUIPMENT, INC. Cast Aluminum Commercial Hatches

Fast acting, flush, watertight. Easily installed in any deck style.

15" x 24"

\$649⁹⁹

SAVE \$170



Reg 819.99
FMN-2433-0002
Order# 754527

24" x 24"

\$1149⁹⁹

SAVE \$250



Reg 1399.99
FMN-2424-0002
Order# 754529

Anchor Inspection Hatches

Anodized Aluminum with Stainless Steel Flange

Many Sizes Available!

Search HM-H

FROM \$319⁹⁹



BOMAR Cast Aluminum Commercial Hatches

Flush, watertight, 4-dog system, opens from the outside only.

15" x 24"

\$529⁹⁹

SAVE \$70



Reg 599.99
BOM-C41524-0
Order# 104612

24" x 24"

\$899⁹⁹

SAVE \$100



Reg 999.99
BOM-C42424
Order# 104619

BOMAR Tread Plate Access Hatch

High quality 5-bar marine grade, anodized aluminum tread plate with 12-gauge 316 stainless steel frames. Wrench sold separately.

Search# BOM-S4

FROM \$523⁹⁹




Commercial Bumper

Black. Up to 60 ft lengths.

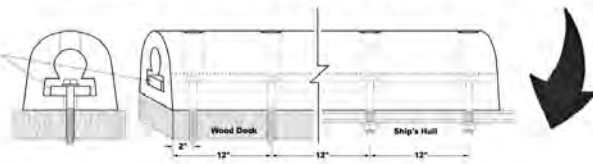
2-1/8" Base Width, 2" High, 7/16" Wall Thickness
DAM-DB-50 **\$789 FT**
Order# 107117

3-1/8" Base Width, 2-7/8" High, 11/16" Wall Thickness
DAM-DB-75 **\$1579 FT**
Order# 107128

Insert Strips and Molded Corners Available



Strip inserts here. Sold in lengths up to 10'



Fan Nose Bumper

Black. Up to 60 ft lengths.

2-1/2"W x 3" OD, 5/8" Wall Thickness
DAM-DB-503 **\$1679 FT**
Order# 148198

3-3/4"W x 4-1/2" OD, 3/4" Wall Thickness
DAM-DB-504 **\$2369 FT**
Order# 147124



SPECIAL! BEST DEALS ON ROPE!

3-Strand Nylon

High-tenacity white nylon multifilament fiber. Four-stage construction produces a torque-balanced rope with medium lay. Meets or exceeds Cordage Institute, US and Canadian Military standards.

600 ft Spools

| Size | Order# | Tensile Strength | Ft Price per Reel | 600' Reel |
|--------|--------|------------------|-------------------|-----------|
| 3/8" | 118628 | 3700 lbs | 0.16 | 96.99 |
| 7/16" | 118630 | 5000 lbs | 0.22 | 129.46 |
| 1/2" | 118631 | 6400 lbs | 0.29 | 171.04 |
| 5/8" | 118632 | 10400 lbs | 0.45 | 270.65 |
| 3/4" | 118633 | 14200 lbs | 0.64 | 385.35 |
| 7/8" | 118634 | 17280 lbs | 0.88 | 533.26 |
| 1" | 118635 | 25000 lbs | 1.10 | 658.41 |
| 1-1/8" | 118636 | 33000 lbs | 1.32 | 789.45 |
| 1-1/4" | 118637 | 37500 lbs | 1.61 | 964.60 |
| 1-1/2" | 118639 | 53000 lbs | 2.29 | 1374.46 |

Polypropylene

General purpose, monofilament fiber, balanced construction, medium lay, good strength, moderate stretch, lightweight and buoyant. Good UV resistance. Yellow.

600 ft Spools

| Size | Order# | Tensile Strength | Ft Price per Reel | 600' Reel |
|--------|--------|------------------|-------------------|-----------|
| 3/8" | 118671 | 2700 lbs | 0.09 | 51.58 |
| 7/16" | 118673 | 3300 lbs | 0.12 | 69.97 |
| 1/2" | 118675 | 4200 lbs | 0.16 | 93.18 |
| 5/8" | 118677 | 6200 lbs | 0.24 | 141.57 |
| 3/4" | 118678 | 8500 lbs | 0.34 | 206.05 |
| 7/8" | 118680 | 11500 lbs | 0.47 | 280.00 |
| 1" | 118681 | 14000 lbs | 0.56 | 335.88 |
| - | - | - | - | - |
| 1-1/4" | 118683 | 21000 lbs | 0.86 | 516.82 |
| 1-1/2" | 118684 | 29700 lbs | 1.23 | 735.04 |

Poly Plus Rope

High-tenacity polyester with polypropylene core, medium lay, good strength/low stretch, good abrasion resistance, excellent UV resistance. White with orange tracers.

600 ft Spools

| Size | Order# | Tensile Strength | Ft Price per Reel | 600' Reel |
|--------|--------|------------------|-------------------|-----------|
| 3/8" | 118655 | 3200 lbs | 0.14 | 83.36 |
| 7/16" | 118656 | 3900 lbs | 0.18 | 109.09 |
| 1/2" | 118657 | 5400 lbs | 0.23 | 138.32 |
| 5/8" | 118658 | 7200 lbs | 0.36 | 213.04 |
| 3/4" | 118659 | 9800 lbs | 0.50 | 302.31 |
| 7/8" | 118660 | 13500 lbs | 0.69 | 416.68 |
| 1" | 118661 | 17000 lbs | 0.82 | 490.98 |
| 1-1/8" | 118662 | 21000 lbs | 1.00 | 601.78 |
| 1-1/4" | 118663 | 25000 lbs | 1.24 | 745.03 |
| 1-1/2" | 118664 | 41000 lbs | 1.75 | 1047.02 |

HM MAINE HAMILTON MARINE

800-639-2715
hamiltonmarine.com

KENT Premium Adult Universal Survival Suit

High visibility yellow inflatable head pillow, face mask, mitts and ankle adjustments. Removable head pillow. Articulated arms for easier donning. Includes buddy line and whistle.

USCG APPROVED
\$249⁹⁹

KNT-1540-AU
Order# 753274



IMPERIAL Adult Universal Cold Water Immersion Suit

Three fingered mitt. Wide legs for easy donning. Includes whistle and storage bag.

USCG APPROVED
\$259⁹⁹

RVS-1409A
Order# 743829



KENT Type I Offshore Life Vest

USCG Approved with reflective tape, light loop and whistle attachment.

\$32⁹⁹

Adult Universal
PFD-1A
Order# 748930



GME ACCUSat™ EPIRBs

406 MHz. 6 Year Non-Haz Mat battery, 6 Year warranty. Featuring a stainless steel antenna. USCG/GMDSS Approved.

Cat II Manual
Order# 731676
\$349⁹⁹

Cat I Auto
Order# 731678
\$469⁹⁹



6 Year
Battery!

RIGID High Performance LED Lights

Patented specter and hybrid optics allow for multiple combinations of flood and spot lighting. High purity aluminum housing. Superior light with ultra low power consumption.

Search# RIL-

Starting At
\$113⁹⁹



carhartt Watch Cap

100% acrylic, stretchable knit cap. One size fits all. Black, Blaze Orange, Brown, Dark Green or Navy.

\$9⁹⁹ ea

Color Order#
Black 744966
Brown 744967
Dark Green 744968
Navy 744969
Blaze Orange 749740



GRUNDÉNS Foul Weather Gear HUGE SELECTION IN STOCK!

Search#
GRD-



GRUNDÉNS Grundies Base Layer Long Underwear

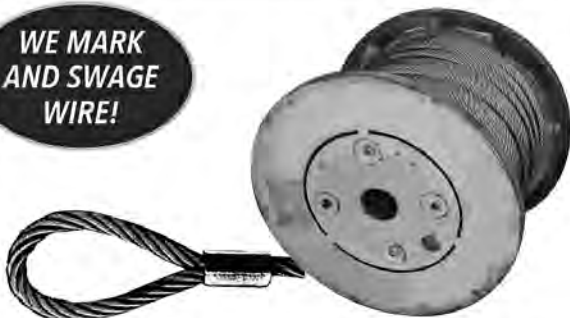
Made from a super comfy and high performing merino wool, polyester hollow core, spandex blend, guaranteed to keep you warm and toasty under Grundéns rain gear. Dark Slate. S-3XL.

Shirt or Pants
\$44⁹⁹

Search# GRD-GB



WE MARK
AND SWAGE
WIRE!



Galvanized or Stainless Steel wire, from 1/4" to 1" diameter. We hand and machine (commercial) swage wire and mark wire for fishermen the old fashioned way.

Electric Rope Cutting Guns

100 Watts
\$29⁹⁹

PUR-15463
Order# 127675

Heavy Duty
120 Watts
\$39⁹⁹

PUR-15463HD
Order# 735613



Exhaust Wrap

Manufactured from fiberglass
Contains no asbestos
Sold in 100' rolls

Best
Seller!



| Part# | Size | Order# | SELL |
|--------|------------|--------|-------|
| HM-EW2 | 2" x 1/16" | 117646 | 23.39 |
| HM-EW3 | 3" x 1/16" | 117648 | 34.49 |
| HM-EW4 | 4" x 1/16" | 117649 | 45.49 |

Noise Reduction Sheets

Engine room noise control. Reinforced metallized polyester film facing with adhesive backing. 32" x 54" sheets.



1" Thick Sound Absorber
HMQ-SA3254M1 **\$81⁹⁹**
Order# 154807

1" Thick Sound Barrier Composite
HMQ-SBC3254M1 **\$99⁹⁹**
Order# 154810

FREE HEAT from your engine's closed cooling system!

MARINE HEAT

Flush mount or ducted models. Available in 28,000 to 40,000 BTUs.



Search# MH-

1" Bronze Ball Bearing Pump

Corrosion-resistant bronze pump, ideal for engine cooling. Self-priming, operates in either direction at variable speeds. Also used for washdown, circulation, and many general purpose and dockside applications. Neoprene impeller with removable end cover for easy service. 25.5 GPM. 5/8" shaft.

JABSCO

a xylem brand
\$364⁹⁹

JAB-00777-9001
Order# 120101



MOELLER Permanent Fuel Tanks

- Manufactured in Moeller plants in the USA
- Seamless construction, leak proof and corrosion resistant
- Corrosion-free polymer, a perfect solution for ethanol-blended fuels
- Rotationally molded Polyethylene for maximum strength and reliability
- Tanks complete with full adapters, vents and fuel level senders
- Tanks to 150 gallons available

FROM
\$192⁹⁹ Search#
MOE-

These tanks are for gasoline or diesel. For use with diesel, use return kit.
Order# 743130 SELL 50.99



RACOR. Turbine Fuel Filters

Double diesel filter, 120 GPH. 3/4" x 16 Port. Takes 2010 series element. Get the water out and the dirt. Unique, three-stage filtration system cleans fuel efficiently and reliably. Includes see-through bowls providing visual warning of fuel contamination.

\$899⁹⁹

RAC-75500MAX2
Order# 127826



Racor has the only Marine UL Listed and USCG accepted fuel filter/water separators with a see-through bowl.



Get a "WiseASH" attitude!
 #RM-97 incinerator for burning Non-Haz oily wastes, oil filters, boxes, sorbents/rags, waste oil etc.
Burns Clean & Smoke Free!
 "The SuperCharged Burn Barrel!"
 SkimOil Inc. www.wiseash.com
 (314) 579-9755 • fax (314) 558-9253

TWIN DISC
 Marine Gears, Torque-Converters - ALL
 Supplier & Rebuilder "Since 1982"
www.RMIservices.com
 (504) 347-4361

Ever Get Bad Fuel?
 Get The Fuel Purifier
Simply Removes
Bulk Free Water
Heavy Particulates
 How About Just Cleaner Fuel?
FILTERLESS FILTER - BUBBA PROOF
 EZ to install and use - sizes for ALL diesel engines
 SkimOil Inc. (314) 579-9755 - www.thefuelpurifier.com

Oily Bilge Filters
 Sizes for all boats
 Simple Inline Filter
 Works With Any Pump
 Overboard oil prevention system
 1/10 the size and cost of oil water separator
www.TheBilgeFilter.com - (314) 579-9755

Check Out Our Classified Ads
 Starting on Page 18

MARINE SANITATION DEVICE
Economy Type II MSD
 USCG Approved 4/12/16/32 man sizes Fits anywhere
 Modular Design compact/low profile In STOCK Now!!
Economy Type II MSD Got Poop?
 EZ Install & EZ Ops
"The Poop Plant"
www.thetankMSD.com • SkimOil Inc. (314) 579-9755

NO DISCHARGE ZONE?
 Got Bilge water? No problem!
BilgeVAP eliminates your water!
ZERO LIQUID DISCHARGE
Bubba Proof
 No moving parts Electric / 4-12 GPH
 SkimOil Inc. Call (314) 579-9755
 BilgeVAP evaporates your water away
www.NoDischargeZone.com

Automatic Pot Line Coilers
FREE SHIPPING
The Extra Deckhand®
 Hydraulic Line Coilers
 The patented 40# wonder that's Made in Alaska to be Alaskan Tough
WWW.EXTRADECKHAND.COM
 E.D. Industries LLC - 10006 Crazyhorse Drive
 Juneau, Alaska 99801
 Tel./Fax - (907) 789-9164

Offshore Oil Rigs & Marina WINDSOCKS
FACTORY DIRECT
 IN STOCK AND READY FOR IMMEDIATE SHIPMENT
AIRPORT WINDSOCK CORPORATION
 1-800-579-5135 952-890-9214
www.airportwindssocks.com

FIBERGLASS SUPPLIES
 Epoxy, Vinylester, Polyester Gelcoats, Barrier Coats
 FG Laminate Angle & Panels Carbon Fiber, Kevlar
 Fairing & Bonding Compounds Marine Plywood, Core & More!
DURATEC **Divinycell H**
 The High Performance Core
CARBON CORE
 HONEYCOMB CORE
 Technical Assistance
 800-231-6537
 lbiadmin@lbicorp.com
 office@lbicorp.com
www.lbifiberglass.com
LBI

Serving Both Coasts Of The United States And The Gulf Of Mexico

 Vessels Built Over 70 Years Of Fabrication Include: Double Hull Tank Barges, Hydraulic Dump Scows, Deck Cargo Barges, ATB Barges, Ro-Ro Barges And Many Custom Vessels.
GUNDERSON MARINE
 A GREENBRIER COMPANY
 Call Chuck Garman At Gunderson Marine (800) 253-4350
 4350 NW Front Avenue, Portland, Oregon 97210
 Call Chris Cole At Our Gulf Coast Office (504) 722-3526

FOR SALE OR RENT

Army Bridge Boats
 27' x 8' Twin Diesel GM 353, 3-1 Trans, 25 x 19 Prop.
 For Location & Price (916) 539-8199 or osmsinc@gmail.com
 Trailers May Be Available Separate

COMMERCIAL ALUMINUM JETBOATS
SMOKY MOUNTAIN JETBOATS
 12 passenger COI - PARTIALLY PROTECTED
 25 passenger COI - LIMITED COASTWISE
smokymountainjetboats.com
 1828 488 0522 - 1888 900 9091



NYS MARINE HIGHWAY TRANSPORTATION CO., LLC
WWW.NYSMARINEHIGHWAY.COM
SHIP BY CANAL





FABRICATED PRODUCTS DREDGES, DEAD SHIPS & CONTRACTORS EQUIPMENT PROJECT CARGO

WE CAN TOW YOUR EQUIPMENT BETWEEN THE EAST COAST & GREAT LAKES VIA THE NYS CANAL SYSTEM
QUOTES ROB (518) 365-3305 rob@nysmarinehighway.com

Commercial-Duty Walker AIRSEPS®


The NEW Standard for Diesel Breathing Systems Used in Today's Workboats.
Fleet Supply Warehouse, Inc.
 205 Venture Blvd., Houma, LA 70360
 Tel: 985.868.0430 Fax: 985.868.0436
 Your Louisiana Headquarters for Walker Air Filters and New CCE Replacement Elements.
AIRSEP
 Walker Engineering
www.walkerairsep.com

Marine Grade • Commercial Duty LED Lighting Fixtures
 GREEN GENERATION LEADING EDGE TECHNOLOGY



LED FLOODLIGHTS
 Low Maintenance and Low Power Consumption. Up to 90% less power when compared to Halogen Lights. Low Operating Temperature and Vibration and Shock Resistant Design. Marine Grade 316 Stainless Steel Hardware and Bracket. Water Resistant IP 67 Rating. UL/CE and SAA Compliant. 2 Year Limited Warranty. Available from 10Watt up to 400Watt. 100 to 130 Lumen per Watt Light Output. AC & DC Versions Available.

NEW DHR LED Navigation Lights
 SAFETY FIRST IN ALL WEATHER CONDITIONS



40 SERIES 60 SERIES 80 SERIES
 USCG Approved Certified to 72 COLREGS
 The Only LED Navigation Lights Completely User Serviceable

OCEANUS – LED MARINE UTILITY LIGHT
 Designed to replace fluorescent light fixtures. Low power consumption, minimal maintenance. 3900K natural white light color is used to achieve the best CRI. Dual Color version, white and red, for night time illumination. The light can be surface or flush mounted. Available in 85vac-265vac or 10-30vdc.



E-LED LIGHTING Inc.
 PHONE: (561) 845-7460, FAX: (561) 214-4928
info@E-LEDLighting.com, www.E-LEDLighting.com