

# 2001 CR-V Online Reference Owner's Manual

Use these links (and links throughout this manual) to navigate through this reference.  
For a printed owner's manual, click on authorized manuals or go to [www.helminc.com](http://www.helminc.com).

## Contents

---

### Owner's Identification Form

|   |            |
|---|------------|
| <b>Introduction</b> .....   | <b>i</b>   |
| <b>A Few Words About Safety</b> .....   | <b>ii</b>  |
| <b>Important Handling Information</b> .....   | <b>iii</b> |
| <b>Your Vehicle at a Glance</b> .....   | <b>2</b>   |
| <b>Driver and Passenger Safety</b> .....  | <b>5</b>   |
| Proper use and care of your vehicle's seat belts, and Supplemental Restraint System.                      |            |
| <b>Instruments and Controls</b> .....   | <b>51</b>  |
| Instrument panel indicator and gauge, and how to use dashboard and steering column controls.              |            |
| <b>Comfort and Convenience Features</b> .....   | <b>97</b>  |
| How to operate the climate control system, the audio system, and other convenience features.              |            |
| <b>Before Driving</b> .....   | <b>151</b> |
| What gasoline to use, how to break-in your new vehicle, and how to load luggage and other cargo.          |            |
| <b>Driving</b> .....  | <b>163</b> |
| The proper way to start the engine, shift the transmission, and park, plus towing a trailer.              |            |
| <b>Maintenance</b> .....  | <b>197</b> |
| The Maintenance Schedule shows you when you need to take your vehicle to the dealer.                      |            |
| <b>Appearance Care</b> .....  | <b>255</b> |
| Tips on cleaning and protecting your vehicle. Things to look for if your vehicle ever needs body repairs. |            |
| <b>Taking Care of the Unexpected</b> .....  | <b>265</b> |
| This section covers several problems motorists sometimes experience, and how to handle them.              |            |
| <b>Technical Information</b> .....  | <b>291</b> |
| ID numbers, dimensions, capacities, and technical information.  |            |
| <b>Warranty and Customer Relations (U.S. and Canada)</b> .....  | <b>305</b> |
| A summary of the warranties covering your new Acura, and how to contact us.                               |            |
| <b>Authorized Manuals (U.S. only)</b> .....   | <b>311</b> |
| How to order manuals and other technical literature.  |            |
| <b>Index</b> .....  | <b>I</b>   |
| <b>Service Information Summary</b>  |            |
| A summary of information you need when you pull up to the fuel pump.                                      |            |

## Owner's Identification

---

OWNER \_\_\_\_\_  
\_\_\_\_\_

ADDRESS \_\_\_\_\_

STREET

\_\_\_\_\_

CITY

STATE/PROVINCE

ZIP CODE /  
POSTAL CODE

V. I. N. \_\_\_\_\_

DELIVERY DATE \_\_\_\_\_

(Date sold to original retail purchaser)

DEALER NAME \_\_\_\_\_ DEALER NO. \_\_\_\_\_

ADDRESS \_\_\_\_\_

STREET

\_\_\_\_\_

CITY

STATE/PROVINCE

ZIP CODE/  
POSTAL CODE

OWNERS SIGNATURE \_\_\_\_\_

DEALER'S SIGNATURE \_\_\_\_\_

This Owner's Manual should be considered a permanent part of the car, and should remain with the car when it is sold.

The information and specifications included in this publication were in effect at the time of approval for printing. Honda Motor Co., Ltd. reserves the right, however, to discontinue or change specifications or design at any time without notice and with out incurring any obligation whatsoever.

Congratulations! Your selection of a 2001 Honda CR-V was a wise investment. It will give you years of driving pleasure.

One of the best ways to enhance the enjoyment of your new Honda is to read this manual. In it, you will learn how to operate its driving controls and convenience items. Afterwards, keep this owner's manual in your vehicle so you can refer to it at any time.

Several warranties protect your new Honda. Read the warranty booklet thoroughly so you understand the coverages and are aware of your rights and responsibilities.

Maintaining your vehicle according to the schedules given in this manual helps to keep your driving trouble-free while it preserves your investment. When your vehicle needs maintenance, keep in mind that your Honda dealer's staff is specially trained in servicing the many systems unique to your Honda. Your Honda dealer is dedicated to your satisfaction and will be pleased to answer any questions and concerns.

### California Proposition 65 Warning

**WARNING:** This product contains or emits chemicals known to the State of California to cause cancer and birth defects or other reproductive harm.

As you read this manual, you will find information that is preceded by a **NOTICE** symbol. This information is intended to help you avoid damage to your Honda, other property, or the environment.

## A Few Words About Safety


---

Your safety, and the safety of others, is very important. And operating this vehicle safely is an important responsibility.

To help you make informed decisions about safety, we have provided operating procedures and other information on labels and in this manual. This information alerts you to potential hazards that could hurt you or others.

Of course, it is not practical or possible to warn you about all the hazards associated with operating or maintaining your vehicle. You must use your own good judgement.

You will find this important safety information in a variety of forms, including:

- **Safety Labels** — on the vehicle.
- **Safety Messages** — preceded by a safety alert symbol  and one of three signal words: **DANGER**, **WARNING**, or **CAUTION**.

These signal words mean:



You **WILL** be **KILLED** or **SERIOUSLY HURT** if you don't follow instructions.



You **CAN** be **KILLED** or **SERIOUSLY HURT** if you don't follow instructions.



You **CAN** be **HURT** if you don't follow instructions.

- **Safety Headings** — such as Important Safety Reminders or Important Safety Precautions
- **Safety Section** — such as Driver and Passenger Safety.
- **Instructions** — how to use this vehicle correctly and safely.

This entire book is filled with important safety information — please read it carefully.

## Important Handling Information

---

Your CR-V has higher ground clearance than a passenger vehicle designed for use only on pavement. Higher ground clearance has many advantages for off-highway driving. It allows you to travel over bumps, obstacles, and rough terrain. It also provides good visibility so you can anticipate problems earlier.

These advantages come at some cost. Because your vehicle is taller and rides higher off the ground, it has a high center of gravity. This means your vehicle can tip or roll over if you make abrupt turns. Utility vehicles have a significantly higher rollover rate than other types of vehicles. In a rollover crash, an unbelted person is significantly more likely to die than a person wearing a seat belt. As a reminder, make sure you and your passengers always wear seat belts.

For information on how to reduce the risk of rollover, read "Driving Guidelines" on page 164 of this manual and the *Off-Highway Guidelines* section on page 191. Failure to operate this vehicle correctly may result in loss of control or an accident.

# Your Vehicle at a Glance

---

**POWER WINDOW  
SWITCHES  
(P.84)**

**MIRROR CONTROLS  
(P.86)**

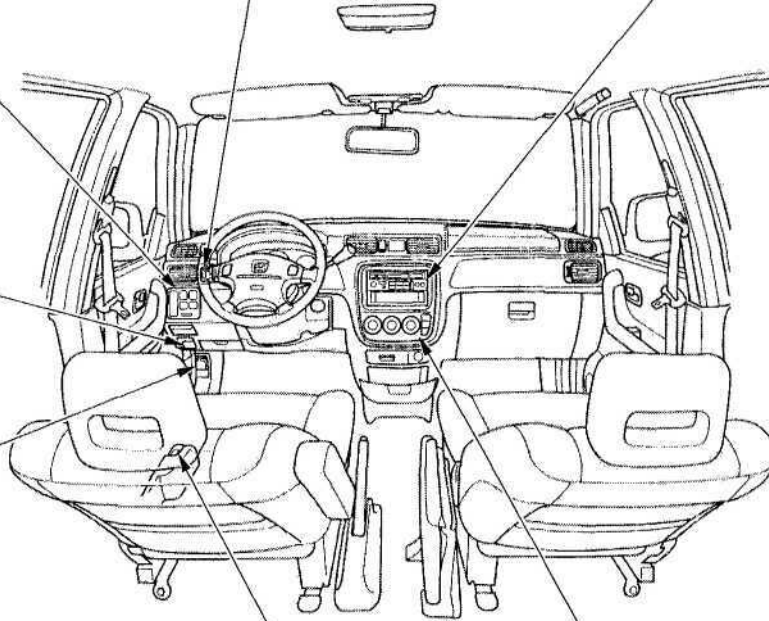
**AUDIO SYSTEM  
(P.106)**

**TAILGATE RELEASE  
(P.75)**

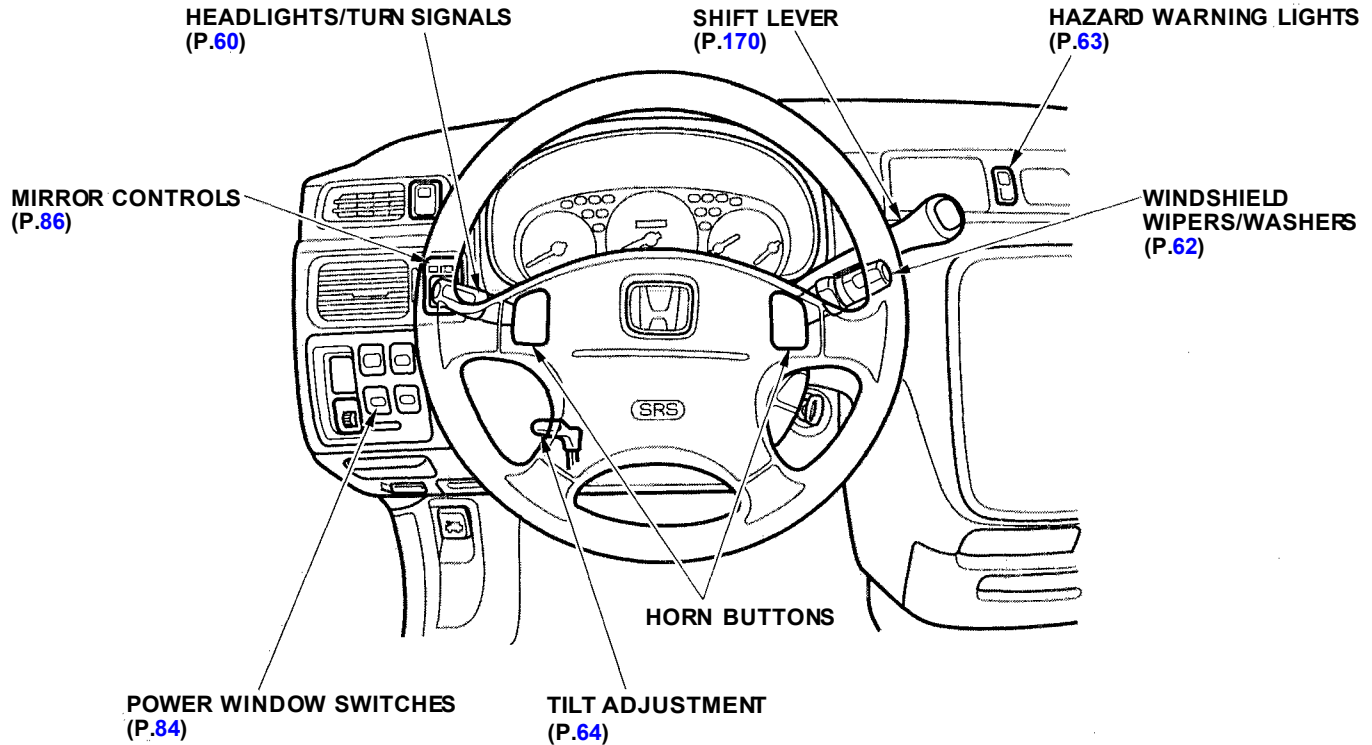
**HOOD RELEASE  
HANDLE  
(P.154)**

**FUEL FILL DOOR RELEASE  
(P.153)**

**HEATING/COOLING CONTROL  
(P.98)**



# Your Vehicle at a Glance







This section gives you important information about how to protect yourself and your passengers. It shows you how to use seat belts properly. It explains your Supplemental Restraint System. And it tells you how to properly restrain infants and children in your vehicle.

- Important Safety Precautions ..... 6
- Your Vehicle's Safety Features..... 7
  - Seat Belts.....8
  - Airbags.....9
  - Seats & Seat-Backs..... 10

- Head Restraints..... 10
- Door Locks..... 10
- Pre-Drive Safety Checklist..... 11
- Protecting Adults..... 12
  - 1. Close and Lock the Doors..... 12
  - 2. Adjust the Front Seats..... 12
  - 3. Adjust the Seat-Backs..... 13
  - 4. Adjust the Head Restraints... 14
  - 5. Fasten and Position the Seat Belts.....15
  - 6. Adjust the Steering Wheel.... 18
  - 7. Maintain a Proper Sitting Position..... 18
- Advice for Pregnant Women..... 19
- Additional Safety Precautions... 19
- Protecting Children..... 21
  - All Children Must Be Restrained..... 21
  - Children Should Sit in the Back Seat.....22
  - The Passenger's Airbag Poses Serious Risks to Children..... 22
- If You Must Drive with Several Children..... 24
- If a Child Requires Close Attention.....24

- Additional Safety Precautions.... 24
- General Guidelines for Using
  - Child Seats.....25
  - Protecting Infants..... 29
  - Protecting Small Children..... 33
  - Protecting Larger Children..... 37
  - Using Child Seats with Tethers.....40
- Additional Information About Your Seat Belts.....42
  - Seat Belt System Components.. 42
  - Lap/Shoulder Belt..... 42
  - Lap Belt.....43
  - Seat Belt Maintenance..... 43
- Additional Information About Your Airbags.....45
  - SRS Components.....45
  - How Your Airbags Work..... 45
  - How the Automatic Seat Belt Tensioners Work..... 47
  - How the SRS Indicator Light Works.....47
  - SRS Service.....48
  - Additional Safety Precautions... 48
  - Carbon Monoxide Hazard..... 49
  - Safety Labels..... 50

# Important Safety Precautions

---

You'll find many safety recommendations throughout this section, and throughout this manual. The recommendations on this page are the ones we consider to be the most important.

## **Always Wear Your Seat Belt**

A seat belt is your best protection in all types of collisions. Airbags supplement seat belts, but airbags are designed to inflate only in a moderate to severe frontal collision. So even though your vehicle is equipped with airbags, make sure you and your passengers always wear your seat belts, and wear them properly. (See page [15](#).)

## **Restrain All Children**

Children are safest when they are properly restrained in the back seat, not the front seat. A child who is too small for a seat belt must be properly restrained in a child safety seat. (See page [21](#).)

## **Be Aware of Airbag Hazards**

While airbags can save lives, they can cause serious or fatal injuries to occupants who sit too close to them, or are not properly restrained. Infants, young children, and short adults are at the greatest risk. Be sure to follow all instructions and warnings in this manual. (See page [7](#).)

## **Don't Drink and Drive**

Alcohol and driving don't mix. Even one drink can reduce your ability to respond to changing conditions, and your reaction time gets worse with every additional drink. So don't drink and drive, and don't let your friends drink and drive, either.

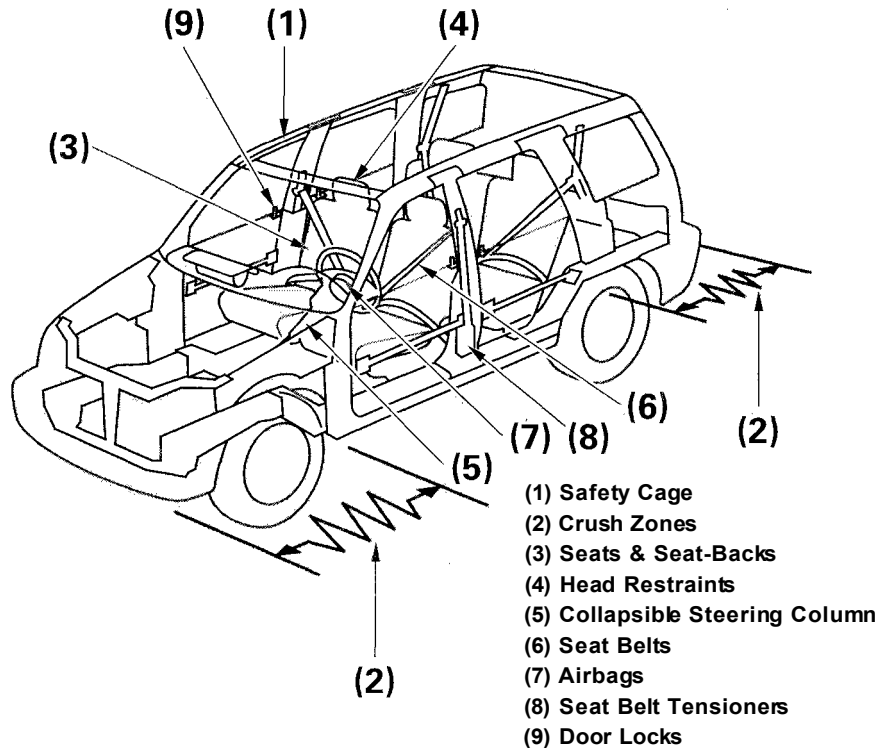
## **Control Your Speed**

Excessive speed is a major factor in crash injuries and deaths. Generally, the higher the speed the greater the risk, but serious accidents can also occur at lower speeds. Never drive faster than is safe for current conditions, regardless of the maximum speed posted.

## **Keep Your Vehicle in Safe Condition**

Having a tire blowout or a mechanical failure can be extremely hazardous. To reduce the possibility of such problems, check your tire pressures and condition frequently, and perform all regularly scheduled maintenance. (See page [200](#).)

## Your Vehicle's Safety Features



Your vehicle is equipped with many features that work together to protect you and your passengers during a crash.

Some safety features do not require any action on your part. These include a strong steel framework that forms a safety cage around the passenger compartment, front and rear crush zones that are designed to crumple and absorb energy during a crash; a collapsible steering column; and seat belt tensioners that automatically tighten the front seat belts in the event of a crash.

These safety features are designed to reduce the severity of injuries in a crash. However, you and your passengers can't take full advantage of these safety features unless you remain sitting in a proper position and ***always wear your seat belts properly***. In fact, some safety features can contribute to injuries if they are not used properly.

# Your Vehicle's Safety Features

## Seat Belts

For your safety, and the safety of your passengers, your vehicle is equipped with seat belts in all seating positions.



Your seat belt system also includes a light on the instrument panel to remind you and your passengers to fasten your seat belts.

### **Why Wear Seat Belts**

Seat belts are the single most effective safety device for adults and larger children. (Infants and smaller children must be properly restrained in child seats.)

Not wearing a seat belt properly increases the chance of serious injury or death in a crash, even though your vehicle has airbags.

In addition, most states and all Canadian provinces require you to

wear seat belts.

### **⚠ WARNING**

Not wearing a seat belt properly increases the chance of serious injury or death in a crash, even if you have airbags.

Be sure you and your passengers always wear seat belts and wear them properly.

When properly worn, seat belts:

- Keep you connected to the vehicle so you can take advantage of the vehicle's built-in safety features.
- Help protect you in almost every type of crash, including side and rear impacts and rollovers. In a rollover crash, an unbelted person is more likely to die than a person wearing a seat belt. Your airbag

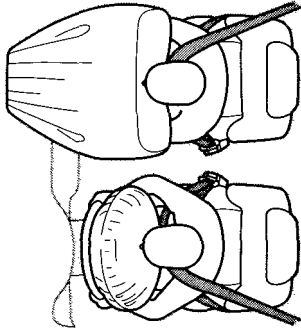
can only be helpful in a moderate to severe frontal collision.

- Help keep you from being thrown against the inside of the vehicle and against other occupants.
- Keep you from being thrown out of the vehicle.
- Help keep you in a good position should the airbags ever deploy. A good position reduces the risk of injury from an inflating airbag, and allows you to get the best advantage from the airbag.

Of course, seat belts cannot completely protect you in every crash. But in most cases, seat belts can reduce your risk of serious injury.

**What you should do:** Always wear your seat belt, and make sure you wear it properly.

## Airbags



Your vehicle has a Supplemental Restraint System (SRS) with frontal airbags to help protect the driver and a front seat passenger.

**SRS** This system also includes an indicator light on the instrument panel to alert you to a possible problem with the system.

The most important things you need to know about your airbags are:

- **Airbags do not replace seat belts.** The seat belts are the occupants' primary protection in all types of collisions. The airbags supplement the seat belts by providing extra protection for the head and chest of each front seat occupant in a moderate to severe frontal collision.
- **Airbags offer no protection in side impacts, rear impacts, rollovers, or minor collisions.** Airbags are designed to deploy only during a moderate to severe frontal collision.
- **Airbags can pose serious hazards.** To do their job, airbags must inflate with tremendous force and speed. So while airbags save lives, they can cause serious injuries to adults and larger children who are

not wearing seat belts, are not wearing them properly, are sitting too close to the airbag, or are not sitting in a proper position. Infants and small children are at an even greater risk of injury or death.

**What you should do:** Always wear your seat belt properly, and sit upright and as far back as possible from the steering wheel or dashboard.

# Your Vehicle's Safety Features

---

## **Seats & Seat-Backs**

Your vehicle's seats are designed to keep you in a comfortable, upright position so you can take full advantage of the protection offered by seat belts and the energy absorbing materials in the seats.

How you adjust your seats and seat-backs can also affect your safety. For example, sitting too close to the steering wheel or dashboard increases the risk of you or your passenger being injured by striking the inside of the vehicle, or by an inflating airbag.

Reclining a seat-back too far reduces the seat belt's effectiveness and increases the chance that the seat's occupant will slide under the seat belt in a crash and be seriously injured.

***What you should do:*** Move the front seats as far back as possible, and keep adjustable seat-backs in an upright position whenever the vehicle is moving.

## **Head Restraints**

Head restraints can help protect you from whiplash and other injuries. For maximum protection, the back of your head should rest against the center of the head restraint.

## **Door Locks**

Keeping your doors locked reduces the chance of being thrown out of the vehicle during a crash. It also helps prevent occupants from accidentally opening a door and falling out, and outsiders from unexpectedly opening your doors.

### Pre-Drive Safety Checklist

To make sure you and your passengers get the maximum protection from your vehicle's safety features, check the following each time before you drive away:

- All adults, and children who have outgrown child safety seats, are wearing their seat belts and wearing them properly (see page 15).
- Any infant or small child is properly restrained in a child seat in the back seat (see page 21).
- Front seat occupants are sitting upright and as far back as possible from the steering wheel and dashboard (see page 12).
- Seat-backs are upright (see page 13).

- Head restraints are properly adjusted (see page 14).
- All doors and the tailgate are closed and locked (see page 12).
- All cargo is properly stored or secured (see page 160).

The rest of this section gives more detailed information about how you can maximize your safety.

Remember, however, that no safety system can prevent all injuries or deaths that can occur in severe crashes, even when seat belts are properly worn and the airbags deploy.

# Protecting Adults

## Introduction

The following pages provide instructions on how to properly protect the driver and other adult occupants.

These instructions also apply to children who have outgrown child seats and are large enough to wear lap/shoulder belts. (See page 37 for important additional guidelines on how to properly protect larger children.)

### 1. Close and Lock the Doors

After everyone has entered the vehicle, be sure the doors and tailgate are closed and locked.



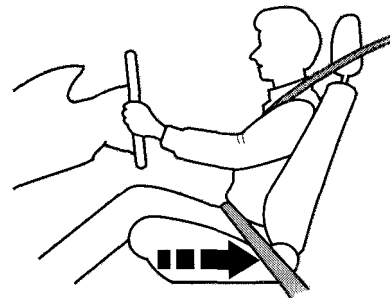
Your vehicle has a tailgate open indicator light on the instrument panel to indicate when the tailgate is not tightly closed.

For safety, locking the doors reduces the chance that a passenger, especially a child, will open a door while the vehicle is moving and accidentally fall out. It also reduces the chance of someone being thrown out of the vehicle during a crash.

For security, locked doors can prevent an outsider from unexpectedly opening a door when you come to a stop.

See page 70 for how to lock the doors.

### 2. Adjust the Front Seats



Any driver who sits too close to the steering wheel is at risk of being seriously injured or killed by striking the steering wheel, or from being struck by an inflating airbag during a crash.



To reduce the chance of injury, wear your seat belt properly, sit upright with your back against the seat, and move the seat as far back as possible from the steering wheel while still maintaining full control of the vehicle. Also make sure your front seat passenger moves the seat as far to the rear as possible.

### **⚠ WARNING**

Sitting too close to an airbag can result in serious injury or death if the airbags inflate.

Always sit as far back from the airbags as possible.

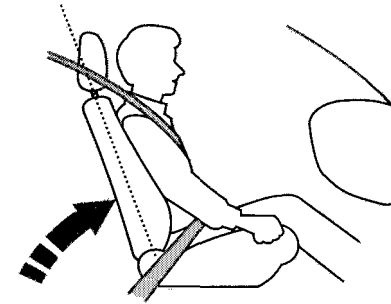
Most shorter drivers can get far enough away from the steering wheel and still reach the pedals. However, if you are concerned about sitting too close, we recommend that you investigate whether some type of adaptive equipment may help.

Once your seat is adjusted correctly, rock it back and forth to make sure the seat is locked in position.

See page [77](#) for how to adjust the front seats.

### **3.Adjust the Seat-Backs**

Adjust the driver's seat-back to a comfortable, upright position, leaving ample space between your chest and the airbag cover in the center of the steering wheel. If you sit too close to the steering wheel, you could be injured if the airbag inflates.



A front passenger should also adjust the seat-back to an upright position, but as far from the dashboard as possible. A passenger who sits too close to the dashboard could be injured if the airbag inflates.

*CONTINUED*

## Protecting Adults

Reclining a seat-back so that the shoulder part of the belt no longer rests against the occupant's chest reduces the protective capability of the belt. It also increases the chance of sliding under the belt in a crash and being seriously injured. The farther a seat-back is reclined, the greater the risk of injury.

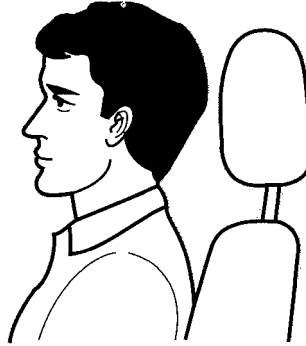
### **WARNING**

Reclining the seat-back too far can result in serious injury or death in a crash.

Adjust the seat-back to an upright position and sit well back in the seat.

See page [78](#) for how to adjust seat-backs.

### 4. Adjust the Head Restraints



Before driving, make sure everyone with an adjustable head restraint has properly positioned the head restraint. The restraint should be positioned so the back of the occupant's head rests against the center of the restraint. A taller person should adjust the restraint as high as possible.

### **WARNING**

Improperly positioning head restraints reduces their effectiveness and you can be seriously injured in a crash.

Make sure head restraints are in place and positioned properly before driving.

Properly adjusted head restraints will help protect occupants from whiplash and other crash injuries.

See page [79](#) for how to adjust the head restraints.

### 5. Fasten and Position the Seat Belts

#### *Using a Lap/Shoulder Belt*

Insert the latch plate into the buckle, then tug on the belt to make sure the belt is securely latched. Also check that the belt is not twisted, because a twisted belt can cause serious injuries in a crash.



Position the lap part of the belt as low as possible across your hips, then pull up on the shoulder part of the belt so the lap part fits snugly. This lets your strong pelvic bones take the force of a crash and reduces the chance of internal injuries.

If necessary, pull up on the belt again to remove any slack from the shoulder part, then check that the belt rests across the center of your chest and over your shoulder. This spreads the forces of a crash over the strongest bones in your upper body.

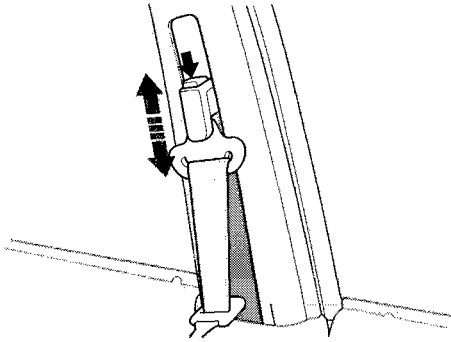
#### **WARNING**

Improperly positioning the seat belts can cause serious injury or death in a crash.

Make sure all seat belts are properly positioned before driving.

CONTINUED

## Protecting Adults

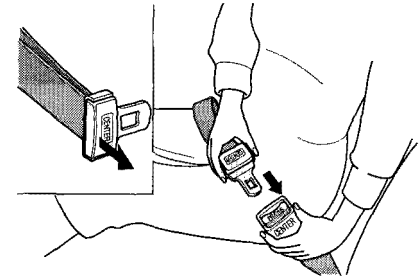


If the seat belt touches or crosses your neck, or if it crosses your arm instead of your shoulder, you need to adjust the seat belt anchor height.

To adjust the height of a front seat belt anchor, press the release button and slide the anchor up or down as needed (it has four positions).

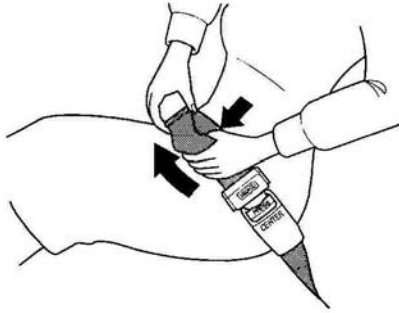
***Never place the shoulder portion of a lap/shoulder belt under your arm or behind your back.*** This could cause very serious injuries in a crash.

### ***Using the Lap Belt***



Insert the latch plate into the buckle marked CENTER.

If the belt is too short, hold the latch plate at a right angle and pull on the plate to extend the belt. Then insert the latch plate into the buckle, and tug on the belt to make sure the belt is securely latched.



Position the belt as low as possible across your hips. This lets your strong pelvic bones take the force of a crash and reduces the chance of internal injuries.

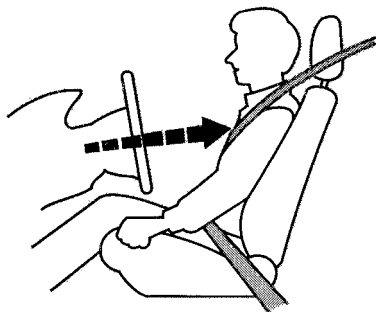
Pull on the loose end of the belt for a snug but comfortable fit.

***If a Seat Belt Doesn't Work Properly***  
If a seat belt does not seem to work as it should, it may not protect the occupant in a crash. ***No one should sit in a seat with an inoperative seat belt.*** Anyone using a seat belt that is not working properly can be seriously injured or killed. Have your Honda dealer check the belt as soon as possible.

See page [42](#) for additional information about your seat belt system and how to take care of your belts.

## Protecting Adults

### 6. Adjust the Steering Wheel



Adjust the steering wheel, if needed, so that the wheel points toward your chest, not toward your face.

Pointing the steering wheel toward your chest provides optimal protection from the airbag.

See page [64](#) for how to adjust the steering wheel.

### 7. Maintain a Proper Sitting Position

After all occupants have adjusted their seats and put on seat belts, it is very important that they continue to sit upright, well back in their seats, with their feet on the floor, until the vehicle is parked and the engine is off.

Sitting improperly can increase the chance of injury during a crash. For example, if an occupant slouches, lies down, turns sideways, sits forward, leans forward or sideways, or puts one or both feet up, the chance of injury during a crash is greatly increased.

In addition, an occupant who is out of position in the front seat can be seriously or fatally injured by striking interior parts of the vehicle, or by being struck by an inflating airbag.

### **WARNING**

Sitting improperly or out of position can result in serious injury or death in a crash.

Always sit upright, well back in the seat, with your feet on the floor.

Remember, to get the best protection from your vehicle's airbags and other safety features, you must sit properly and wear your seat belt properly.

### Advice for Pregnant Women



Because protecting the mother is the best way to protect her unborn child, a pregnant woman should always wear a seat belt whenever she drives or rides in a vehicle.

We recommend that pregnant women use a lap/shoulder belt whenever possible. Remember to keep the lap portion of the belt as low as possible across your hips.

Pregnant women should also sit upright and as far back as possible from the steering wheel or dashboard. This will reduce the risk of injuries to both the mother and her unborn child that can be caused by a crash or an inflating airbag.

Each time you have a check-up, ask your doctor if it's okay for you to drive.

### Additional Safety Precautions

- ***Never let passengers ride in the cargo area or on top of a folded-down back seat.*** All passengers must sit in locked, upright seats and be properly restrained by seat belts.
- ***Passengers should not stand up or change seats while the vehicle is moving.*** A passenger who is not wearing a seat belt during a crash or emergency stop can be thrown against the inside of the vehicle,

against other occupants, or out of the vehicle.

- ***Two people should never use the same seat belt.*** If they do, they could be very seriously injured in a crash.
- ***Do not put any accessories on seat belts.*** Devices intended to improve occupant comfort or reposition the shoulder part of a seat belt can severely compromise the protective capability of the seat belt and increase the chance of serious injury in a crash.

CONTINUED

## Protecting Adults

---

- ***Do not place hard or sharp objects between yourself and an airbag.***

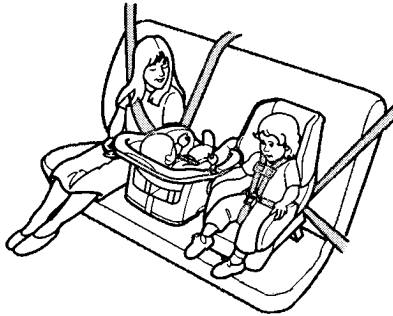
Carrying hard or sharp objects on your lap, or driving with a pipe or other sharp object in your mouth, can result in injuries if your airbags inflate.

- ***Do not attach or place objects on the front airbag covers.*** Any object attached to or placed on the covers marked "SRS AIRBAG" in the center of the steering wheel and on top of the dashboard could interfere with the proper operation of the airbags. Or, if the airbags inflate, the objects could be propelled inside the car and hurt someone.

- ***Keep your hands and arms away from the airbag covers.*** If your hands or arms are close to the airbag covers in the center of the steering wheel and on top of the dashboard, they could be injured if

the airbags inflate.





Children depend on adults to protect them. However, despite their best intentions, many parents and other adults may not know how to *properly* protect young passengers.

So if you have children, or if you ever need to drive with a grandchild or other children in your vehicle, be sure to read this section.

### **⚠ WARNING**

Children who are unrestrained or improperly restrained can be seriously injured or killed in a crash.

Any child too small for a seat belt should be properly restrained in a child seat. A larger child should be properly restrained with a seat belt.

**All Children Must Be Restrained**  
Each year, many children are injured or killed in vehicle crashes because they are either unrestrained or not properly restrained. In fact, vehicle accidents are the number one cause of death of children ages 12 and under.

To reduce the number of child deaths and injuries, every state and Canadian province requires that infants and children be restrained whenever they ride in a vehicle.

***Any child who is too small to wear a seat belt should be properly restrained in a child seat.*** (See page [25](#).)

***A larger child should always be restrained with a seat belt.*** (See page [37](#).)

# Protecting Children

---

## Children Should Sit in the Back Seat

According to accident statistics, children of all ages and sizes are safer when they are restrained in the back seat, not the front seat. The National Highway Traffic Safety Administration and Transport Canada recommend that all children ages 12 and under be properly restrained in the back seat.

In the back seat, children are less likely to be injured by striking hard interior parts during a collision or hard braking. Also, children cannot be injured by an inflating airbag when they ride in the back.

## The Passenger's Airbag Poses Serious Risks to Children

Airbags have been designed to help protect adults in a moderate to severe frontal collision. To do this, the passenger's airbag is quite large, and it inflates with tremendous speed.

### *Infants*

***Never put a rear-facing child seat in the front seat of a vehicle equipped with a passenger's airbag.*** If the airbag inflates, it can hit the back of the child seat with enough force to kill or very seriously injure an infant.

### *Small Children*

***Placing a forward-facing child seat in the front seat of a vehicle equipped with a passenger's airbag can be hazardous.*** If the vehicle seat is too far forward, or the child's head is thrown forward during a collision, an inflating airbag can strike the child with enough force to kill or very seriously injure a small child.

### *Larger Children*

***Children who have outgrown child seats are also at risk of being injured or killed by an inflating passenger's airbag.*** Whenever possible, larger children should sit in the back seat, properly restrained with a seat belt. (See page 37 for important information about protecting larger children.)

## U.S. Models

To remind you of the passenger's airbag hazards, and that children must be properly restrained in a back seat, your vehicle has warning labels on the dashboard and on the driver's and front passenger's visors. Please read and follow the instructions on these labels.

|  |   |
|--|---|
| <b>⚠ WARNING</b>   |   |
|  | DEATH or SERIOUS INJURY can occur <ul style="list-style-type: none"><li>• Children 12 and under can be killed by the air bag</li><li>• The BACK SEAT is the SAFEST place for children</li><li>• NEVER put a rear-facing child seat in the front</li><li>• Sit as far back as possible from the air bag</li><li>• ALWAYS use SEAT BELTS and CHILD RESTRAINTS</li></ul> |

|   |
|---|
| <b>⚠ WARNING</b>  |
| <b>Children Can Be KILLED or INJURED<br/>by Passenger Air Bag</b>   |
| The back seat is the safest place for children 12 and under.<br>Make sure all children use seat belts or child seats. |

## Canadian Models

To remind you of the airbag hazards, your vehicle has warning labels on the driver's and front passenger's visors. Please read and follow the instructions on these labels.

|  |  |
|--|--|
| <b>CAUTION</b><br>TO AVOID SERIOUS INJURY: <ul style="list-style-type: none"><li>• FOR MAXIMUM SAFETY PROTECTION IN ALL TYPES OF CRASHES, YOU MUST ALWAYS WEAR YOUR SAFETY BELT.</li><li>• DO NOT INSTALL REARWARD-FACING CHILD SEATS IN ANY FRONT PASSENGER SEAT POSITION.</li><li>• DO NOT SIT OR LEAN UNNECESSARILY CLOSE TO THE AIRBAG.</li><li>• DO NOT PLACE ANY OBJECTS OVER THE AIR BAG OR BETWEEN THE AIR BAG AND YOURSELF.</li><li>• SEE THE OWNER'S MANUAL FOR FURTHER INFORMATION AND EXPLANATIONS</li></ul> | <b>PRÉCAUTIONS</b><br>POUR ÉVITER DES BLESSURES GRAVES: <ul style="list-style-type: none"><li>• POUR PROFITER D'UNE PROTECTION MAXIMALE LORS D'UNE COLLISION BOUCLEZ TOUJOURS VOTRE CEINTURE DE SÉCURITÉ</li><li>• N'INSTALLEZ JAMAIS UN SIÈGE POUR ENFANTS FAISANT FACE À L'ARRIÈRE SUR LE SIÈGE DU PASSAGER AVANT.</li><li>• NE VOUS APPUYEZ PAS ET NE VOUS ASSEYEZ PAS PRES DU COUSSIN GONFLABLE</li><li>• NE DEPOSEZ AUCUN OBJET SUR LE COUSSIN GONFLABLE OU ENTRE LE COUSSIN GONFLABLE ET VOUS.</li><li>• LISEZ LE GUIDE UTILISATEUR POUR DE PLUS AMPLES RENSEIGNEMENTS</li></ul> |
|--|--|

## Protecting Children

---

### If You Must Drive with Several Children

Your vehicle has three seating positions in the back seat where children can be properly restrained.

If you ever have to carry more than three children in your vehicle:

- Place the largest child in the front seat, provided the child is large enough to wear a seat belt properly (see page 37).
- Move the vehicle seat as far to the rear as possible (see page 12).
- Have the child sit upright and well back in the seat (see page 18).
- Make sure the seat belt is properly positioned and secured (see page 15).

### If a Child Requires Close Attention

Many parents say they prefer to put an infant or small child in the front passenger seat so they can watch the child, or because the child requires attention.

Placing a child in the front seat exposes the child to hazards from the airbag, and paying close attention to a child distracts the driver from the important task of driving, placing both of you at risk.

If a child requires physical attention or frequent visual contact, we strongly recommend that another adult ride with the child in the back seat. The back seat is far safer for a child than the front.

### Additional Safety Precautions

- **Use childproof door locks to prevent children from opening the doors.** Using this feature will prevent children from opening the doors and accidentally falling out (see page 75).
- **Use the main power window switch to prevent children from opening the rear windows.** Using this feature will prevent children from playing with the windows, which could expose them to hazards or distract the driver (see page 84).

- ***Do not leave children alone in your vehicle.*** Leaving children without adult supervision is illegal in most states and Canadian provinces, and can be very hazardous. For example, infants and small children left in a vehicle on a hot day can die from heatstroke. And children left alone with the key in the ignition can accidentally set the vehicle in motion, possibly injuring themselves or others.

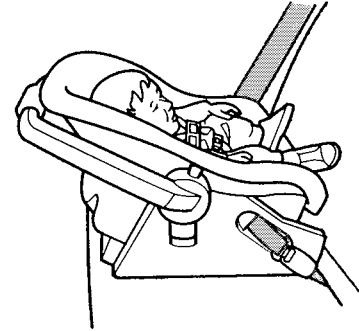
## **General Guidelines for Using Child Seats**

The following pages give general guidelines for selecting and installing child seats for infants and small children.

### ***Selecting a Child Seat***

To provide proper protection, a child seat should meet three requirements

- 1. The child seat should meet safety standards.*** The child seat should meet Federal Motor Vehicle Safety Standard 213 (FMVSS 213) or Canadian Motor Vehicle Safety Standard 213 (CMVSS 213). Look for the manufacturer's statement of compliance on the box and seat.
- 2. The child seat should be of the proper type and size to fit the child.***



***Infants:*** Children up to about one year old should be restrained in a rear-facing, reclining child seat. Only a rear-facing seat provides the proper support to protect an infant's head, neck, and back. See page [29](#) for additional information on protecting infants.

CONTINUED

## Protecting Children

---



**Small Children:** A child who is too large for a rear-facing child seat, and who can sit up without support, should be restrained in a forward-facing child seat. See page 33 for additional information on protecting small children.

### ***3. The child seat should fit the vehicle seating position (or positions) where it will be used.***

Due to variations in the design of child seats, vehicle seats, and seat belts, all child seats will not fit all vehicle seating positions.

However, Honda is confident that one or more child seat models can fit and be properly installed in all recommended seating positions in your vehicle.

Before purchasing a child seat, we recommend that parents test the child seat in the specific vehicle seating position (or positions) where they intend to use the seat. If a previously purchased child seat does not fit, you may need to buy a different one that will fit.

## **Placing a Child Seat**

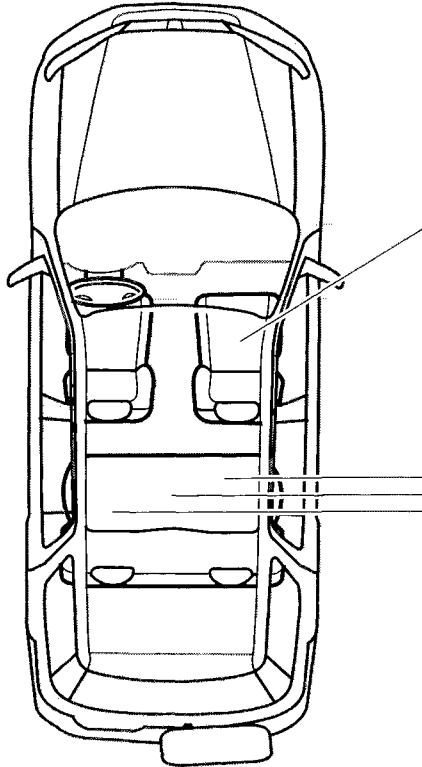
This page briefly summarizes Honda's recommendations on where to place rear-facing and forward-facing child seats in your vehicle.

### **Airbags Pose Serious Risks to Children**

The passenger's airbag inflates with enough force to kill or seriously injure an infant in a rear-facing child seat.

A small child in a forward-facing child seat is also at risk. If the vehicle seat is too far forward, or the child's head is thrown forward during a collision, an inflating airbag can kill or seriously injure the child.

If a small child must ride in the front, follow the instructions provided in this section.



## **Front Passenger's Seat**

**Infants:** Never in the front seat, due to the passenger's airbag hazard.

**Small children:** Not recommended, due to the passenger's airbag hazard. If a small child must ride in front, move the vehicle seat to the rear-most position and secure a front-facing child seat with the seat belt (see page 34).

## **Back Seat**

**Infants:** Recommended positions. Secure a rear-facing child seat with the seat belt (see page 30).

**Small children:** Recommended positions. Secure a front-facing child seat with the seat belt (see page 34).

CONTINUED

# Protecting Children

---

## ***Installing a Child Seat***

After selecting a proper child seat, and a good position to install the seat, there are three main steps in installing the seat:

- 1. *Secure the child seat to the vehicle with a seat belt.*** All child seats must be secured to the vehicle with the lap belt or the lap part of a lap/shoulder belt. A child whose seat is not properly secured to the vehicle can be endangered in a crash. See pages [30](#) and [32](#) for instructions on how to secure child seats in this vehicle.
- 2. *Make sure the child seat is firmly secured.*** After installing a child seat, push and pull the seat forward and from side to side to verify that it is secure.

To provide security during normal driving maneuvers as well as during a collision, we recommend that parents secure a child seat as firmly as possible.

However, a child seat does not need to be "rock solid." In some vehicles or seating positions, it may be difficult to install a child seat so that it does not move at all. Some side-to-side or back-and-forth movement can be expected and should not reduce the child seat's effectiveness.

If the child seat is not secure, try installing it in a different seating position, or use a different style of child seat that can be firmly secured in the desired seating position.

- 3. *Secure the child in the child seat.***

Make sure the child is properly strapped in the child seat according to the child seat maker's instructions. A child who is not properly secured in a child seat can be thrown out of the seat in a crash and be seriously injured.

## ***Storing a Child Seat***

When you are not using a child seat, either remove it and store it in a safe place, or make sure it is properly secured. An unsecured child seat can be thrown around the vehicle during a crash or sudden stop and injure someone.



### Protecting Infants



#### **Child Seat Type**

Only a rear-facing child seat provides proper support for a baby's head, neck, and back. Infants up to about one year of age must be restrained in a rear-facing child seat.

Two types of seats may be used: a seat designed exclusively for infants, or a convertible seat used in the rear-facing, reclining mode.

### **⚠ WARNING**

Placing a rear-facing child seat in the front seat can result in serious injury or death if the airbags inflate.

Always place a rear-facing child seat in the back seat, not the front.

We recommend that an infant be restrained in a rear-facing child seat until the infant reaches the seat maker's weight or height limit and is able to sit up without support.

#### **Rear-Facing Child Seat Placement**

In this vehicle, a rear-facing child seat can be placed in any seating position in the back, but not in the front seat.

#### **Never put a rear-facing child seat in the front seat.**

If the passenger's airbag inflates, it can hit the back of the child seat with enough force to kill or seriously injure an infant. If an infant must be closely watched, we recommend that another adult sit in the back seat with the baby.

#### **Do not put a rear-facing child seat in a forward-facing position.**

If placed facing forward, an infant could be very seriously injured during a frontal collision.

CONTINUED

## Protecting Children

---

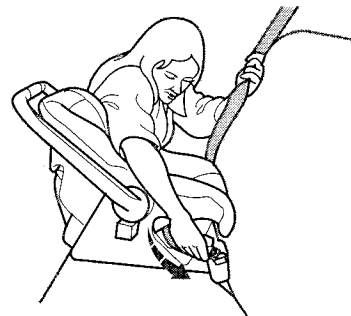
### ***Installing a Rear-Facing Child Seat with a Lap/Shoulder Belt***

The lap/shoulder belts in the outer back seats have a locking mechanism that must be activated to secure a child seat.

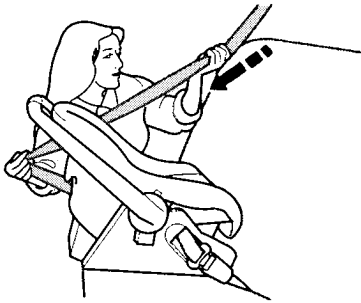
The following pages provide instructions and tips on how to secure a rear-facing child seat with this type of seat belt.

See page [32](#) for how to secure a rear-facing child seat in the center back seat with the lap belt.

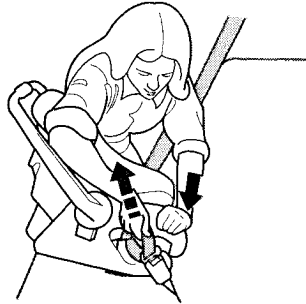
For tips on installing a rear-facing child seat with either type of seat belt, see page [32](#).



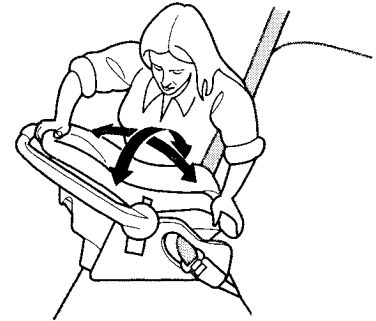
1. With the child seat in the desired back seating position, route the belt through the child seat according to the seat maker's instructions, then insert the latch plate into the buckle.



2. To activate the lockable retractor, slowly pull the shoulder part of the belt all the way out until it stops, then let the belt feed back into the retractor (you might hear a clicking noise as the belt retracts).
3. After the belt has retracted, tug on it. If the belt is locked, you will not be able to pull it out. If you can pull the belt out, it is not locked and you will need to repeat these steps.



4. After confirming that the belt is locked, grab the shoulder part of the belt near the buckle and pull up to remove any slack from the lap part of the belt. Remember, if the lap part of the belt is not tight, the child seat will not be secure. To remove slack, it may help to put weight on the child seat, or push on the back of the seat, while pulling up on the belt.



5. Push and pull the child seat forward and from side to side to verify that it is secure enough to stay upright during normal driving maneuvers. If the child seat is not secure, unlatch the belt, allow it to retract fully, then repeat these steps.

To deactivate the locking mechanism and remove a child seat, unlatch the buckle, unroute the seat belt, and let the belt fully retract.

*CONTINUED*

## Protecting Children

### *Installing a Rear-Facing Child Seat with the Lap Belt*



To install a rear-facing child seat in the center back seat with the lap belt, follow instruction number 1 on page 30 for routing and latching the seat belt. Then pull hard on the loose end of the belt to remove any slack (it may help to put weight on the child seat while pulling on the belt). Finally, follow instruction number 5 on page 31 to verify that the child seat is secure.

### *Rear-Facing Child Seat Installation Tips*



For proper protection, an infant must ride in a reclined, or semi-reclined position. To determine the proper reclining angle, check with the baby's doctor or follow the seat maker's recommendations

To achieve the desired reclining angle, it may help to put a rolled up towel under the toe of the child seat, as shown.

When properly installed, a rear-facing child seat may prevent the driver or a front-seat passenger from moving the seat as far back as recommended (see page 12). Or it may prevent them from locking the seat-back in the desired upright position (see page 13).

In either case, we recommend that you place the child seat directly behind the front passenger seat, move the front seat as far forward as needed, and leave it unoccupied. Or you may wish to get a smaller child seat that allows you to safely carry a front passenger.

### **Additional Precautions for Infants**

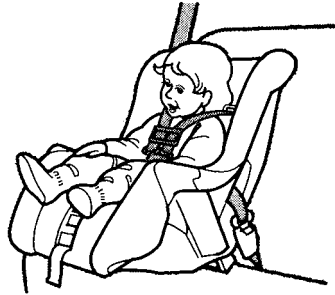
- **Never hold an infant on your lap.**

If you are not wearing a seat belt in a crash, you could be thrown forward into the dashboard and crush the infant.

If you are wearing a seat belt, the infant can be torn from your arms during a crash. For example, if your vehicle crashes into a parked vehicle at 30 mph (48 km/h), a 20-lb (9 kg) infant will become a 600-lb (275 kg) force, and you will not be able to hold on.

- **Never put a seat belt over yourself and an infant.** During a crash, the belt could press deep into the infant and cause very serious injuries.

### **Protecting Small Children**



#### **Child Seat Type**

A child who can sit up without support, and who fits within the child seat maker's weight and height limits, should be restrained in a forward-facing upright child seat.

Of the different seats available, we recommend those that have a five-point harness system as shown.

We also recommend that a small child stay in the child seat as long as possible, until the child reaches the weight or height limit for the seat.

#### **Child Seat Placement**

In this vehicle, the best place to install a forward-facing child seat is in one of the seating positions in the back seat.

**Placing a forward-facing child seat in the front seat of a vehicle equipped with a passenger's airbag can be hazardous.** If the vehicle seat is too far forward, or the child's head is thrown forward during a collision, an inflating passenger's airbag can strike the child with enough force to cause very serious or fatal injuries. If a small child must be closely watched, we recommend that another adult sit in the back seat with the child.

CONTINUED

## Protecting Children

### **⚠ WARNING**

Improperly placing a forward-facing child seat in the front seat can result in serious injury or death if the airbags inflate.

If you must place a forward-facing child seat in front, move the vehicle seat as far back as possible and properly restrain the child.

If it is necessary to put a forward-facing child seat in the front, move the vehicle seat as far to the rear as possible, be sure the child seat is firmly secured to the vehicle, and that the child is properly strapped in the seat.

### ***Installing a Child Seat with a Lap/Shoulder Belt***

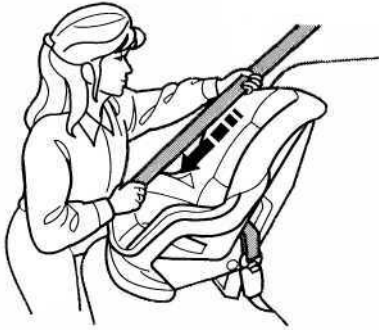
The lap/shoulder belts in the outer back and front passenger seating positions have a locking mechanism that must be activated to secure a child seat.

The following pages provide instructions on how to secure a forward-facing child seat with this type of seat belt.

See page [36](#) for how to secure a forward-facing child seat in the center back seat with the lap belt.



1. With the child seat in the desired seating position, route the belt through the child seat according to the seat maker's instructions, then insert the latch plate into the buckle.



2. To activate the lockable retractor, slowly pull the shoulder part of the belt all the way out until it stops, then let the belt feed back into the retractor (you might hear a clicking noise as the belt retracts).
3. After the belt has retracted, tug on it. If the belt is locked, you will not be able to pull it out. If you can pull the belt out, it is not locked and you will need to repeat these steps.



4. After confirming that the belt is locked, grab the shoulder part of the belt near the buckle and pull up to remove any slack from the lap part of the belt. Remember, if the lap part of the belt is not tight, the child seat will not be secure. It may help to put weight on the child seat, or push on the back of the seat, while pulling up on the belt.



5. Push and pull the child seat forward and from side to side to verify that it is secure enough to stay upright during normal driving maneuvers. If the child seat is not secure, unlatch the belt, allow it to retract fully, then repeat these steps.

*CONTINUED*

## Protecting Children

---

To deactivate the locking mechanism in order to remove a child seat, unlatch the buckle, unrout the seat belt, and let the belt fully retract.

### *Installing a Child Seat with the Lap Belt*



To install a forward-facing child seat in the center back seat with the lap belt, follow instruction number 1 on page 34 for routing and latching the seat belt. Then pull hard on the loose end of the belt to remove any slack; it may help to put weight on the child seat while pulling on the belt. Finally, follow instruction number 5 on page 35 to verify that the child seat is secure.

### *Additional Precautions for Small Children*

- **Never hold a small child on your lap.** If you are not wearing a seat belt in a crash, you could be thrown forward into the dashboard and crush the child.

If you are wearing a seat belt, the child can be torn from your arms during a crash. For example, if your vehicle crashes into a parked vehicle at 30 mph (48 km/h), a 30-lb (14 kg) child will become a 900-lb (410 kg) force, and you will not be able to hold on.

- **Never put a seat belt over yourself and a child.** During a crash, the belt could press deep into the child and cause very serious injuries.




### Protecting Larger Children

When a child reaches the recommended weight or height limit for a forward-facing child seat, the child should sit in one of the outer back seats and wear a lap/shoulder belt. A lap/shoulder belt provides better protection than a lap belt.

If a child is too short for the shoulder part of the belt to properly fit, we recommend that the child use a booster seat until the child is tall enough to use the seat belt without a booster.

The following pages give instructions on how to check proper seat belt fit, what kind of booster seat to use if one is needed, and important precautions for a child who must sit in the front seat.

** WARNING**

Allowing a larger child to sit improperly in the front seat can result in injury or death if the airbags inflate.

If a larger child must sit in front, make sure the child moves the seat as far back as possible and wears the seat belt properly.

### Checking Seat Belt Fit

To determine if a lap/shoulder belt properly fits a child, have the child put on the seat belt. Follow the instructions on page 15 . Then check how the belt fits.

CONTINUED

## Protecting Children

---



If the shoulder part of the belt rests over the child's collarbone and against the center of the chest, as shown, the child is large enough to wear the seat belt.

However, if the belt touches or crosses the child's neck, the child needs to use a booster seat.

**Do not let a child wear a seat belt across the neck.** This could result in serious neck injuries during a crash.

**Do not let a child put the shoulder part of a seat belt behind the back or under the arm.** This could cause very serious injuries during a crash. It also increases the chance that the child will slide under the belt in a crash and be injured.

**Do not put any accessories on a seat belt.** Devices intended to improve occupant comfort or reposition the shoulder part of a seat belt, severely compromise the protective capability of the seat belt and increase the chance of serious injury in a crash.

**Two children should never use the same seat belt.** If they do, they could be very seriously injured in a crash.

### Using a Booster Seat



If a child needs a booster seat, we recommend choosing a style that allows the child to use the lap/shoulder belt directly, without a shield, as shown.

Whichever style you select, follow the booster seat maker's instructions.

A child may continue using a booster seat until the tops of the ears are even with the top of the seat-back. A child of this height should be tall enough to use the lap/shoulder belt without a booster.

### ***When Can a Larger Child Sit in Front***

The National Highway Traffic Safety Administration and Transport Canada recommend that all children ages 12 and under be properly restrained in a back seat.

The back seat is the safest place for a child of any age or size.

In addition, the passenger's airbag poses serious risks to children. If the seat is too far forward, or the child's head is thrown forward during a collision, or the child is unrestrained or out of position, an inflating airbag can kill or seriously injure the child.

Of course, children vary widely. And while age may be one indicator of when a child can safely ride in the front, there are other important factors you should consider.

### ***Physical Size***

Physically, a child must be large enough for the lap/shoulder belt to properly fit over the hips, chest, and shoulder (see pages 15 and 37). If the seat belt does not fit properly, the child should not sit in the front.

### ***Maturity***

To safely ride in front, a child must be able to follow the rules, including sitting properly and wearing the seat belt properly throughout a ride.

*CONTINUED*

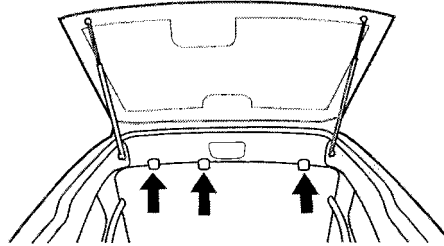
# Protecting Children

---

If you decide that a child can safely ride up front, be sure to:

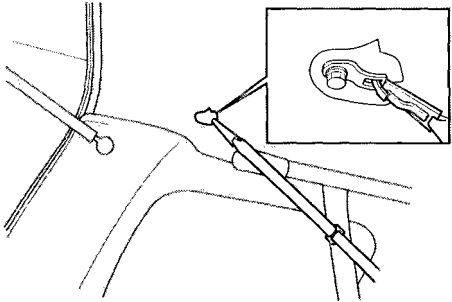
- Carefully read the owner's manual and make sure you understand all seat belt instructions and all safety information.
- Move the vehicle seat to the rear-most position.
- Have the child sit up straight, back against the seat, and feet on or near the floor.
- Check that the child's seat belt is properly positioned and secured.
- Supervise the child. Even mature children sometimes need to be reminded to fasten the seat belts or sit properly.

## Using Child Seats with Tethers



Your Honda has three attachment points for securing a tether-style child seat to the vehicle.

Since a tether can provide additional security, we recommend using a tether whenever one is required or available.



Attach the tether strap hook to the tether anchorage point and tighten the strap according to the child seat maker's instructions.

## Additional Information About Your Seat Belts

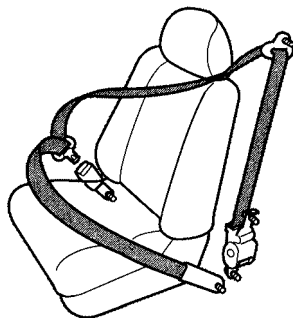
### Seat Belt System Components

Your seat belt system includes lap/shoulder belts in the front seats and the outer back seats, and a lap belt in the center back seat.



The seat belt system also includes a light on the instrument panel to remind you and your passengers to fasten your belts. If the driver's seat belt is not fastened before the ignition is turned ON (II), the light will come on and a beeper will also sound. The beeper will stop after a few seconds, but the light will stay on until the driver's seat belt is fastened.

### Lap/Shoulder Belt



This seat belt has a single belt that goes over your shoulder, across your chest and across your hips.

To fasten the belt, insert the latch plate into the buckle, then tug on the belt to make sure the buckle is latched.

To unlock the belt, push the red PRESS button on the buckle.

Guide the belt across your body to the door pillar. After exiting the vehicle, be sure the belt is out of the

way and will not get closed in the door.

All lap/shoulder belts have an emergency locking retractor. In normal driving, the retractor lets you move freely in your seat while it keeps some tension on the belt. During a collision or sudden stop, the retractor automatically locks the belt to help restrain your body.

All the lap/shoulder belts except the driver's have an additional locking mechanism that must be activated to secure a child seat. (See pages 30 and 34 for instructions on how to secure child seats with this type of seat belt.)

If the shoulder part of the belt is pulled all the way out, the locking mechanism will activate. The belt will retract, but it will not allow the passenger to move freely.

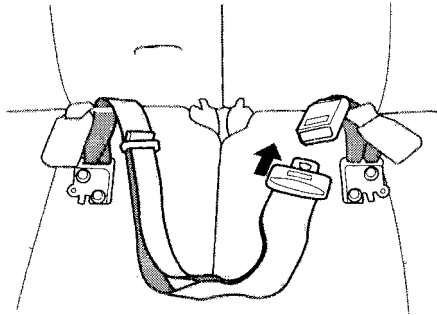
## Additional Information About Your Seat Belts

To deactivate the locking mechanism, unlatch the buckle and let the seat belt fully retract. To refasten the belt, pull it out only as far as needed.

See page 15 for instructions on how to wear the lap/shoulder belt properly.

### Lap Belt

The lap belt has one manually-adjusted belt that fits across the hips.



To fasten the belt, insert the latch plate into the buckle marked CENTER, then tug on the belt to make sure the buckle is latched.

To unlock the belt, push the red PRESS button.

See page 16 for how to lengthen the lap belt, and how to properly position the belt.

### Seat Belt Maintenance

For safety, you should check the condition of your seat belts regularly.

Pull each belt out fully and look for frays, cuts, burns, and wear. Check that the latches work smoothly and that the lap/shoulder belts retract easily. Any belt not in good condition or not working properly will not provide good protection and should be replaced as soon as possible.

### U.S. Models

Honda provides a lifetime warranty on seat belts. Honda will repair or replace any seat belt component that fails to function properly during normal use. Please see your *Honda Warranty Information* booklet for details.

CONTINUED

## Additional Information About Your Seat Belts

---

### **WARNING**

Not checking or maintaining seat belts can result in serious injury or death if the seat belts do not work properly when needed.

Check your seat belts regularly and have any problem corrected as soon as possible.

If a seat belt is worn during a crash, you should have your dealer inspect the belt, and replace it if necessary. A belt that has been worn during a crash may not provide the same level of protection in a subsequent crash. The dealer should also inspect the anchors for damage and replace them if needed.

For information on how to clean your seat belts, see page [261](#).



## Additional Information About Your Airbags

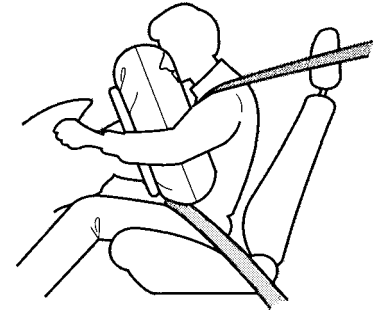
### SRS Components

Your Supplemental Restraint System (SRS) includes:

- Two front airbags. The driver's airbag is stored in the center of the steering wheel; the front passenger's airbag is stored in the dashboard. Both are marked "SRS AIRBAG."
- Automatic seat belt tensioners (see page 47).
- Sensors that can detect a moderate to severe frontal collision.
- A sophisticated electronic system that continually monitors information about the sensors, the control unit, the airbag activators, and driver and passenger seat belt use when the ignition is ON (II).

- An indicator light on the instrument panel that alerts you to a possible problem with the system (see page 47).
- Emergency backup power in case your vehicle's electrical system is disconnected in a crash.

### How Your Airbags Work



If you ever have a moderate to severe frontal collision, the sensors will detect rapid deceleration and signal the control unit to instantly inflate the airbags and activate the automatic seat belt tensioners.

*CONTINUED*

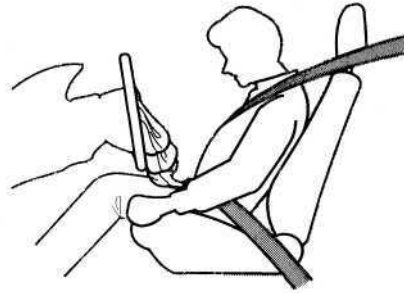
## Additional Information About Your Airbags

---

During a crash, your seat belt helps restrain your lower body and torso, while the tensioner tightens and locks the seat belt to help keep you in place. Your airbag provides a cushion to help restrain and protect your head and chest.

Since both airbags use the same sensors, both airbags normally inflate at the same time. However, it is possible for only one airbag to inflate.

This can occur when the severity of a collision is at the margin, or threshold, that determines whether or not the airbags will deploy. In such cases, the seat belt will provide sufficient protection, and the supplemental protection offered by the airbag would be minimal.



After inflating, the airbags immediately deflate, so they won't interfere with the driver's visibility, or the ability to steer or operate other controls.

The total time for inflation and deflation is approximately one-tenth of a second, so fast that most occupants are not aware that the airbags deployed until they see them lying in their laps.

After a crash, you may see what looks like smoke. This is actually powder from the airbag's surface. Although the powder is not harmful, people with respiratory problems may experience some temporary discomfort. If this occurs, get out of the car as soon as it is safe to do so.

### *U.S. Owners*

For additional information on how your airbags work, see the booklet titled *SRS: What You Need to Know About Airbags* that came with your owner's manual.

### *Canadian Owners*

For additional information on how your airbags work, ask your dealer for a copy of the booklet titled *SRS: What You Need to Know About Airbags*.

## Additional Information About Your Airbags

### How the Automatic Seat Belt Tensioners Work



Your Honda has automatic seat belt tensioners for added protection during a moderate to severe frontal collision.

If your airbags inflate, the tensioners immediately tighten the front seat belts to help hold the occupants in place. The belts will remain tight until you unbuckle them in the normal way.

### How the SRS Indicator Light Works

**SRS**

The purpose of the SRS light is to alert you to a potential problem with your Supplemental Restraint System.

When you turn the ignition ON (II), this indicator will light briefly then go out. This tells you that the system is working properly.

If the light comes on at any other time, or does not come on at all, you should have the system checked by your dealer. For example:

- If the SRS indicator light does not come on after you turn the ignition ON (II).
- If the light stays on after the engine starts.

- If the light comes on or flashes on and off while you drive.

If you see any of these indications, your airbags and seat belt tensioners may not deploy when you need them. See your Honda dealer as soon as possible.

### **⚠ WARNING**

Ignoring the SRS indicator light can result in serious injury or death if the airbags do not inflate when needed.

Have your vehicle checked by a dealer as soon as possible if the SRS light alerts you to a potential problem.

## Additional Information About Your Airbags

---

### SRS Service

Your Supplemental Restraint System is virtually maintenance-free, and there are no parts you can safely service. However, you must have your vehicle serviced if:

- **Your airbags ever inflate.** The airbags, seat belt tensioners, and control unit must be replaced. Do not try to remove or replace the airbags yourself. This must be done by a Honda dealer or a knowledgeable body shop.
- **The SRS indicator light alerts you to a problem.** Take your vehicle to an authorized Honda dealer as soon as possible. If you ignore this indication, the airbags might not inflate when you need them.

### Additional Safety Precautions

- Do not attempt to deactivate your airbags. Together, airbags, seat belt tensioners and seat belts provide the best protection in a moderate to severe frontal collision.
- Do not tamper with SRS components or wiring for any reason. Tampering could cause the airbags to deploy, possibly causing very serious injury.

See page [159](#) for further information and precautions relating to your SRS.

Your vehicle's exhaust contains carbon monoxide gas. You should have no problem with carbon monoxide entering the vehicle in normal driving if you maintain your vehicle properly.

Have the exhaust system inspected for leaks whenever:

- The vehicle is raised for an oil change.
- You notice a change in the sound of the exhaust.
- The vehicle was in an accident that may have damaged the underside.

### **WARNING**


Carbon monoxide gas is toxic. Breathing it can cause unconsciousness and even kill you.

Avoid any enclosed areas or activities that expose you to carbon monoxide.

High levels of carbon monoxide can collect rapidly in enclosed areas, such as a garage. Do not run the engine with the garage door closed. Even with the door open, run the engine only long enough to move the vehicle out of the garage.

With the tailgate open, air flow can pull exhaust gas into your vehicle's interior and create a hazardous condition. If you must drive with the tailgate open, open all the windows and set the heating and cooling system as shown below.

If you must sit in your parked vehicle, even in an unconfined area, with the engine running, adjust the heating and cooling system as follows:

1. Select the Fresh Air mode.
2. Select the  mode.
3. Turn the fan on high speed.
4. Set the temperature control to a comfortable setting.

# Safety Labels

These labels are in the locations shown. They warn you of potential hazards that could cause serious injury. Read these labels carefully.

If a label comes off or becomes hard to read, contact your Honda dealer for a replacement

## HOOD

*U.S. models*

**▲ WARNING**

The airbag inflator is explosive and, if accidentally deployed, can seriously hurt you.  
Follow Service Manual Instructions carefully.

*Canadian models*

**▲ WARNING**

The airbag inflator is explosive and, if accidentally deployed, can seriously hurt you.  
Follow Service Manual instructions carefully.

**▲ ATTENTION**

Le gonfleur SRS est explosible, et s'il se déploie accidentellement, il risque de provoquer des blessures graves ou de tuer. Suivre attentivement les instructions du manuel d'entretien.

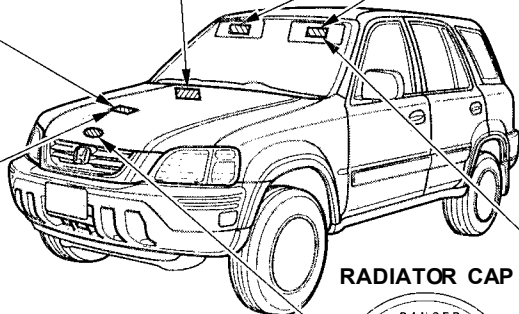
## DASHBOARD

*U.S. models only*

**▲ WARNING**

**Children Can Be KILLED or INJURED by Passenger Air Bag**

The back seat is the safest place for children 12 and under.  
Make sure all children use seat belts or child seats.



## RADIATOR CAP

**▲ DANGER**  
**WARNING**  
**危険**

NEVER OPEN WHEN HOT.  
Hot coolant will scald you.  
N'ouvrez pas quand chaud.  
Nicht bei heissem Motor öffnen.  
危険な液体がこぼれる。  
高温の冷却液がこぼれる。

1.1

## SUN VISOR

*U.S. models*

**▲ WARNING**

**DEATH or SERIOUS INJURY** can occur

- Children 12 and under can be killed by the air bag
- The **BACK SEAT** is the **SAFEST** place for children
- **NEVER** put a rear-facing child seat in the front
- Sit as far back as possible from the air bag
- **ALWAYS** use **SEAT BELTS** and **CHILD RESTRAINTS**

*Canadian models*

**CAUTION**  
TO AVOID SERIOUS INJURY:  
• FOR MAXIMUM SAFETY PROTECTION IN ALL TYPES OF CRASHES, YOU MUST ALWAYS WEAR YOUR SAFETY BELT.  
• DO NOT INSTALL REARWARD FACING CHILD SEAT IN YOUR FRONT PASSENGER SEAT POSITION.  
• DO NOT USE CHILD SEAT IN SEAT WITH AIR BAG.  
• DO NOT PLACE ANY OBJECTS OUTSIDE THE AIR BAG CONTROL ZONE.  
• SEE THE OWNER'S MANUAL FOR LIMITS OF OPERATION AND INSTALLATION.

**PRECAUTIONS:**  
POUR EVITER DES BLESSURES GRAVES  
• POUR PROTÉGER VOTRE PROTECTION MAXIMALE, PORTER TOUJOURS VOTRE CEINTURE DE SÉCURITÉ.  
• N'INSTALLEZ JAMAIS UN SIÈGE ENFANT À L'AVANT DU VÉHICULE.  
• N'UTILISEZ PAS UN SIÈGE ENFANT À L'ARRIÈRE SUR UN SIÈGE À AIR BAG.  
• N'UTILISEZ PAS UN SIÈGE ENFANT À L'ARRIÈRE SUR UN SIÈGE À AIR BAG.  
• N'UTILISEZ PAS UN SIÈGE ENFANT À L'ARRIÈRE SUR UN SIÈGE À AIR BAG.  
• N'UTILISEZ PAS UN SIÈGE ENFANT À L'ARRIÈRE SUR UN SIÈGE À AIR BAG.  
• N'UTILISEZ PAS UN SIÈGE ENFANT À L'ARRIÈRE SUR UN SIÈGE À AIR BAG.

## SUN VISOR

*U.S. models*

**▲ WARNING: HIGHER ROLLOVER RISK**

Avoid Abrupt Maneuvers and Excessive Speed.  
Always Buckle Up.  
See Owner's Manual For Further Information.

This section gives information about the controls and displays that contribute to the daily operation of your Honda. All the essential controls are within easy reach.

|  |    |
|--|----|
| Control Locations.....                   | 52 |
| Indicator Lights.....                    | 53 |
| Gauges.....                              | 56 |
| Speedometer.....                         | 56 |
| Tachometer.....                          | 56 |
| Odometer.....                            | 56 |
| Trip Meter.....                          | 56 |
| Fuel Gauge.....                          | 57 |
| Temperature Gauge.....                   | 57 |
| Maintenance Required<br>Indicator.....   | 58 |
| Controls Near the Steering<br>Wheel..... | 59 |
| Headlights.....                          | 60 |

|   |    |
|---|----|
| Daytime Running Lights.....             | 60 |
| Instrument Panel Brightness....         | 61 |
| Turn Signals.....                       | 61 |
| Windshield Wipers.....                  | 62 |
| Windshield Washers.....                 | 62 |
| Rear Window Wiper and<br>Washer.....    | 63 |
| Hazard Warning.....                     | 63 |
| Rear Window Defogger.....               | 63 |
| Steering Wheel Adjustment.....          | 64 |
| Steering Wheel Controls .....           | 66 |
| Cruise Control.....                     | 66 |
| Keys and Locks.....                     | 69 |
| Keys.....                               | 69 |
| Ignition Switch.....                    | 69 |
| Door Locks.....                         | 70 |
| Power Door Locks.....                   | 71 |
| Remote Transmitter.....                 | 72 |
| Childproof Door Locks.....              | 75 |
| Tailgate.....                           | 75 |
| Glove Box.....                          | 77 |
| Seats.....                              | 77 |
| Front Seat Adjustments.....             | 77 |
| Driver's Seat Height<br>Adjustment..... | 78 |
| Head Restraints.....                    | 79 |

|   |    |
|---|----|
| Rear Seat-back Adjustment.....                  | 80 |
| Rear Seat Armrest.....                          | 80 |
| Reclining the Front and<br>Rear Seat-backs..... | 81 |
| Folding Rear Seat.....                          | 82 |
| Power Windows.....                              | 84 |
| Mirrors.....                                    | 85 |
| Adjusting the Power Mirrors....                 | 86 |
| Parking Brake.....                              | 86 |
| Digital Clock.....                              | 87 |
| Center Table.....                               | 87 |
| Beverage Holder.....                            | 88 |
| Built-in Table.....                             | 89 |
| Center Pocket.....                              | 91 |
| Storage Box.....                                | 91 |
| Cargo Floor Pockets.....                        | 92 |
| Accessory Power Socket.....                     | 92 |
| Tailgate Pocket.....                            | 93 |
| Cargo Hooks.....                                | 93 |
| Ashtrays.....                                   | 94 |
| Interior Lights.....                            | 94 |
| Ceiling Light.....                              | 94 |
| Spotlights.....                                 | 95 |
| Cargo Area Light.....                           | 95 |
| Ignition Switch Light.....                      | 95 |

# ControlLocations

---

**POWER WINDOW  
SWITCHES  
(P.84)**

**MIRROR CONTROLS  
(P.86)**

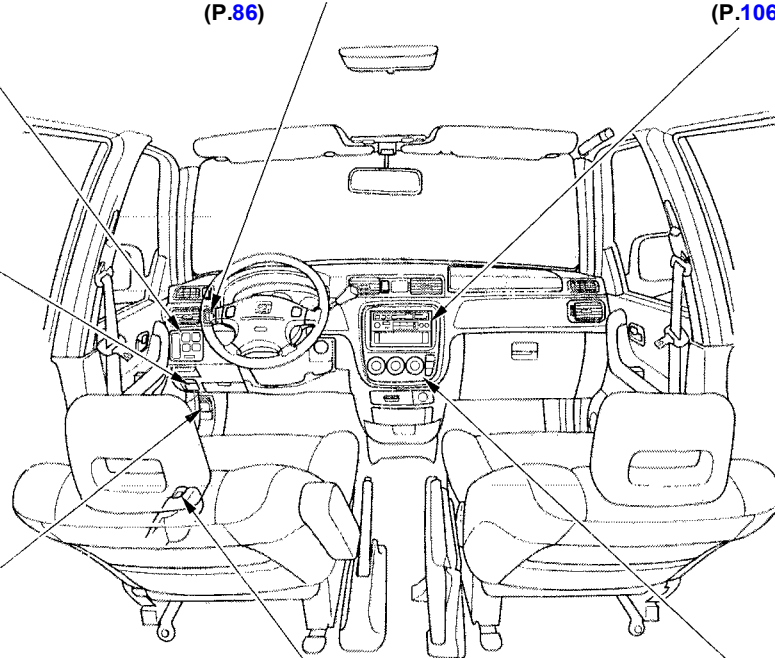
**AUDIO SYSTEM  
(P.106)**

**TAILGATE  
RELEASE  
(P.75)**

**HOOD RELEASE  
HANDLE  
(P.154)**

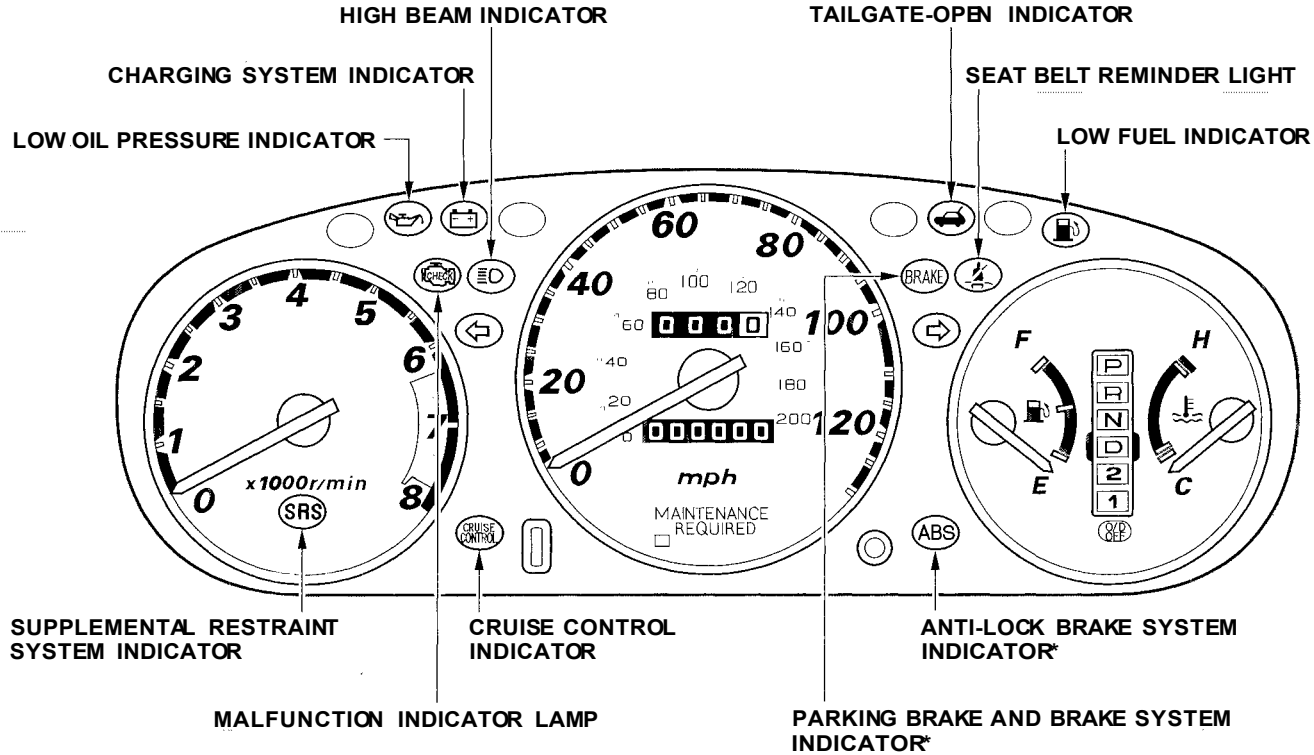
**FUEL FILL DOOR RELEASE  
(P.153)**

**HEATING/COOLING CONTROL  
(P.98)**





# Indicator Lights



# Indicator Lights

The instrument panel has many indicators to give you important information about your vehicle.

\* The U.S. instrument panel is shown. Differences for the Canadian models are noted in the text.



## Low Oil Pressure Indicator

The engine can be severely damaged if this light flashes or stays on when the engine is running. For complete information, see page [281](#).



## Charging System Indicator

If this light comes on when the engine is running, the battery is not being charged. For complete information, see page [282](#).



## Malfunction Indicator Lamp

See page [283](#).



U.S. Canada



## Parking Brake and Brake System Indicator

This light has two functions:

1. This indicator comes on when you turn the ignition switch ON (II). It is a reminder to check the parking brake. Driving with the parking brake not fully released can damage the brakes and tires.
2. If the indicator remains lit after you have fully released the parking brake while the engine is running, or if it comes on while driving, it can indicate a problem in the brake system. For complete information, see page [284](#).



## Supplemental Restraint System Indicator

This indicator lights when you turn the ignition switch ON (II). If it comes on at any other time, it indicates a problem in the supplemental restraint system. For complete information, see page [47](#).



## Seat Belt Reminder Light

This indicator lights when you turn the ignition switch ON (II). It is a reminder to you and your passengers to protect yourselves by fastening the seat belts. A beeper also sounds if you have not fastened your seat belt.

If you do not fasten your seat belt, the beeper will stop after a few seconds but the light stays on until you do. Both the light and the beeper stay off if you fasten your seat belt before turning on the ignition.

U.S. Canada **Anti-lock Brake System (ABS) Indicator**



Only on models equipped with ABS (see page 177)

This light normally comes on when you turn the ignition switch ON (II) and goes off after the engine starts. If it comes on at any other time, there is a problem in the ABS. If this happens, take the vehicle to your dealer to have it checked. With the light on, your vehicle still has normal braking ability but no anti-lock.



### Low Fuel Indicator

This light comes on as a reminder that you must refuel soon.



### High Beam Indicator

This light comes on with the high beam headlights. See page 60 for information on the headlight controls.

On Canadian models, this indicator comes on with reduced brightness when the Daytime Running Lights (DRL) are on (see page 60).



### Cruise Control Indicator

This lights when you set the cruise control. See page 66 for information on operating the cruise control.



### Tailgate-open Indicator

This light comes on if the tailgate is not closed tightly.

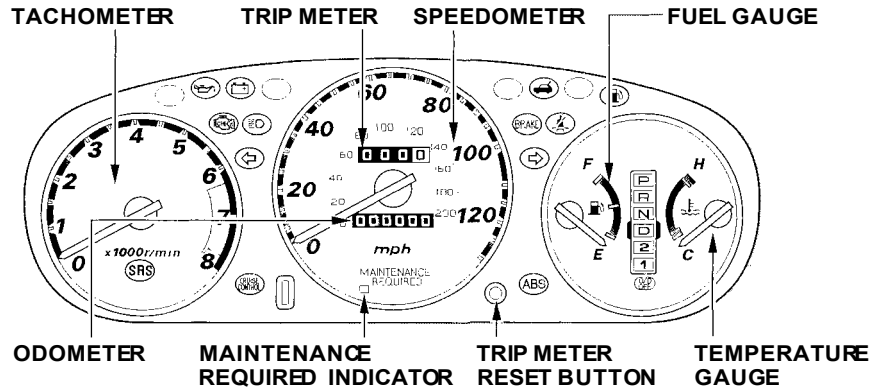


### Turn Signal and Hazard Warning Indicators

The left or right turn signal light blinks when you signal a lane change or turn. If the light does not blink or blinks rapidly, it usually means one of the turn signal bulbs is burned out (see page 247 ). Replace the bulb as soon as possible, since other drivers cannot see that you are signalling.

When you turn on the Hazard Warning switch, both turn signal lights blink. All turn signals on the outside of the vehicle should flash.

# Gauges



## Speedometer

### *U.S. Models*

This shows your speed in miles per hour (mph). The smaller inner numbers are the speed in kilometers per hour (km/h).

### *Canadian Models*

This shows your speed in kilometers per hour (km/h). The smaller inner numbers are the speed in miles per hour (mph).

## Tachometer

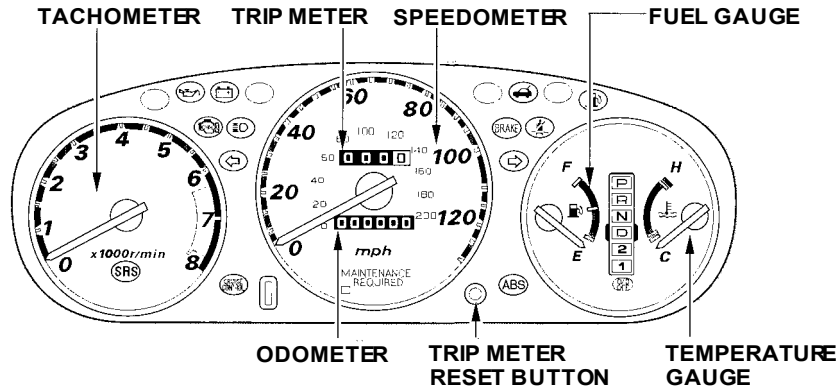
The tachometer shows the engine speed in revolutions per minute (rpm). To protect the engine from damage, never drive with the tachometer needle in the red zone.

## Odometer

The odometer shows the total distance your vehicle has been driven. It measures miles in U.S. models and kilometers in Canadian models. It is illegal under U.S. federal law and Canadian provincial regulations to disconnect, reset, or alter the odometer with the intent to change the number of miles or kilometers indicated.

## Trip Meter

This meter shows the number of miles (U.S.) or kilometers (Canada) driven since you last reset it. To reset it, push the trip meter reset button.



## Fuel Gauge

This shows how much fuel you have. It is most accurate when the vehicle is on level ground. It may show slightly more or less than the actual amount when you are driving on curvy or hilly roads.

The gauge stays at the same fuel level reading after you turn off the ignition. When you add fuel, the gauge slowly changes to the new reading after you turn the ignition switch back ON (II).

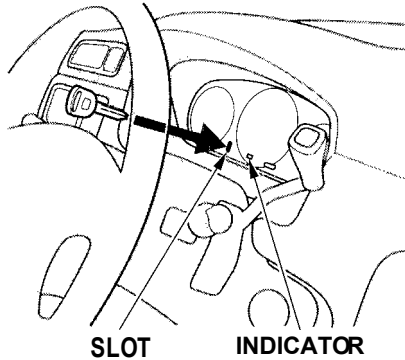
## Temperature Gauge

This shows the temperature of the engine's coolant. During normal operation, the pointer should rise from the bottom white mark to about the middle of the gauge. In severe driving conditions, such as very hot weather or a long period of uphill driving, the pointer may rise to the upper white zone. If it reaches the red (Hot) mark, pull safely to the side of the road. Turn to page [279](#) for instructions and precautions on checking the engine's cooling system.

# Gauges

---

## Maintenance Required Indicator



This indicator reminds you that it is nearing 7,500 miles (12,000 km) since the last scheduled maintenance. Refer to the Maintenance Schedules for Normal and Severe Driving Conditions on pages [202](#) — [206](#).

When the distance driven since the last scheduled maintenance nears 7,500 miles (12,000 km), the indicator will turn yellow. If you exceed 7,500 miles (12,000 km), the indicator will turn red.

Your dealer will reset the indicator when he performs the scheduled maintenance. If someone else performs the maintenance, reset the indicator by inserting your key in the slot beside the indicator.

## Controls Near the Steering Wheel

The two levers on the steering column contain controls for driving features you use most often. The left lever controls the turn signals, headlights, and high beams. The right lever controls the windshield washers and wipers.

The hazard warning lights switch is on the dashboard between the center air vents.

The controls near the left air vent are for the power windows and power mirrors.

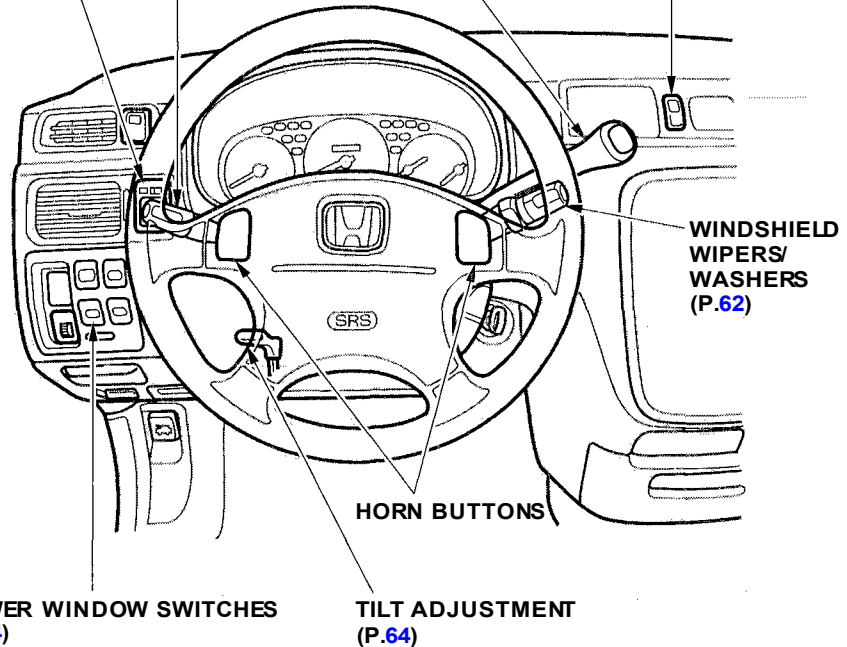
The tilt adjustment lever on the underside of the steering column allows you to tilt the steering wheel.

**HEADLIGHTS/TURN SIGNALS**  
(P.60)

**MIRROR CONTROLS**  
(P.86)

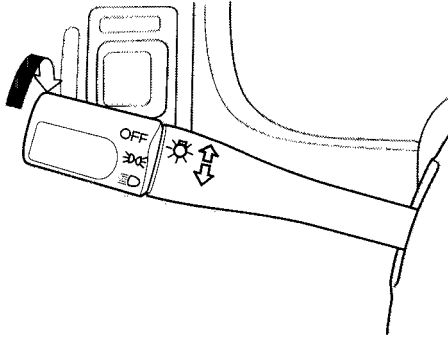
**SHIFT LEVER**  
(P.170)

**HAZARD WARNING LIGHTS**  
(P.63)



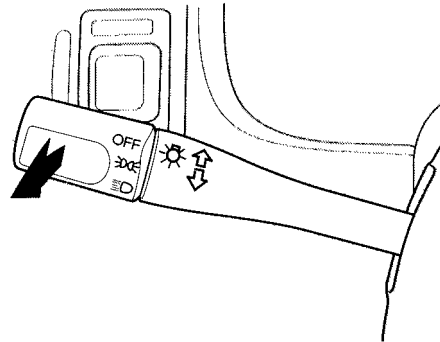
## Controls Near the Steering Wheel

### Headlights



The rotating switch on the left lever controls the lights. Turning this switch to the " 0 " position turns on the parking lights, taillights, instrument panel lights, side-marker lights, and rear license plate lights. Turning the switch to the " ☀ " position turns on the headlights.

If you leave the lights on with the ignition switch in ACCESSORY (I) or LOCK (0), you will hear a reminder beeper when you open the driver's door.



To change between low beams and high beams, pull the turn signal lever until you hear a click, then let go. The blue high beam indicator will light (see page 55).

To flash the high beams, pull the turn signal lever back lightly, then release it. The high beams will come on and go off.

The high beams will stay on for as long as you hold the lever back, no matter what position the headlight switch is in.

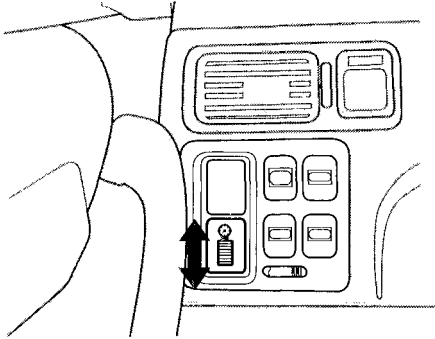
### Daytime Running Lights (Canadian Models)

With the headlight switch off, the high beam headlights come on with reduced brightness when you turn the ignition switch to ON (II) and release the parking brake. They remain on until you turn the ignition off, even if you set the parking brake.

The headlights revert to normal operation when you turn them on with the switch.

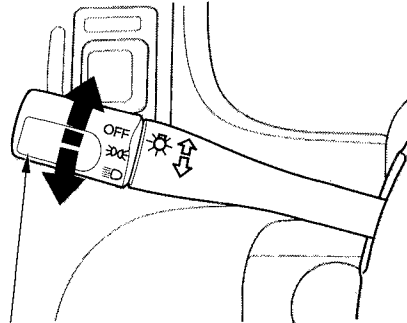


### Instrument Panel Brightness



The dial on the dashboard to the left of the instrument panel is used to adjust the brightness of the instrument panel lights. Turn the dial to adjust the brightness.

### Turn Signals



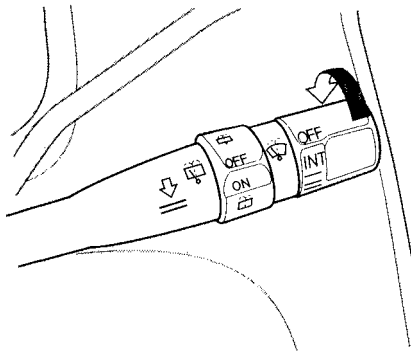
**TURN SIGNAL LEVER**

Signal a turn or lane change with this lever. Push down on the lever to signal a left turn, and up to signal a right turn. If you push it up or down all the way, the turn signal continues to blink even when you release the lever. It shuts off automatically as you complete the turn.

To signal a lane change, push lightly on the turn signal lever in the proper direction and hold it. The lever will return to the center position as soon as you release it.

## Controls Near the Steering Wheel

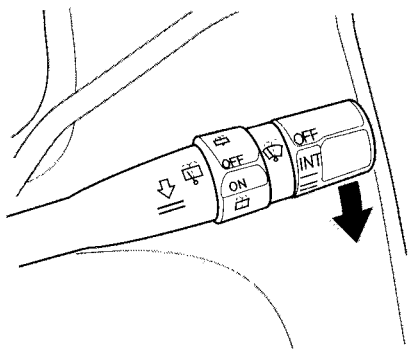
### Windshield Wipers



The right lever controls the windshield wipers and washers. The rotary switch at the end of the lever has three positions:

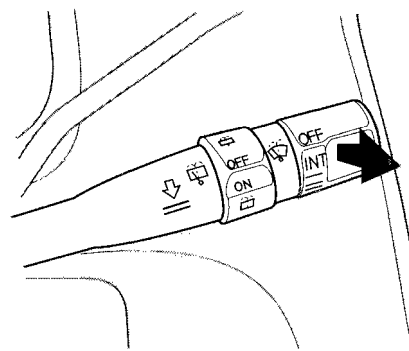
- INT: intermittent
- : low speed
- == : high speed

In intermittent, the wipers operate every few seconds. In low speed and high speed, the wipers run continuously.



To operate the wipers in mist mode, push the control lever down. The wipers run at high speed until you release the lever. This gives you a quick way to clear the windshield.

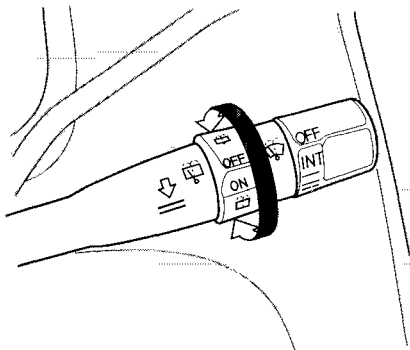
### Windshield Washers



To clean the windshield, pull back on the wiper control lever. The washers spray until you release the lever.

The wipers run at low speed while you're pulling the lever, then complete one more sweep of the windshield after you release it.

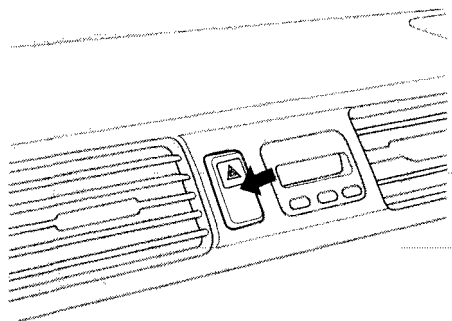
### Rear Window Wiper and Washer



The rear window wiper switch is located next to the windshield wiper switch.

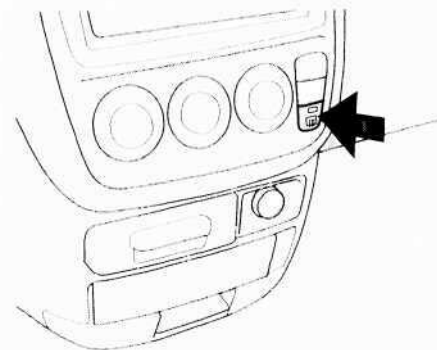
To activate the rear windshield wiper, turn the switch "ON". The wiper operates intermittently. If you wish to use the wiper and washer, turn and hold the switch one position up from "ON". To use the washer only, turn and hold the switch one position down from "OFF".

### Hazard Warning



Push the red button between the center air vents to turn on the hazard warning lights (four-way flashers). This causes all four outside turn signals and both indicators in the instrument panel to flash. Use the hazard warning lights if you need to park in a dangerous area near heavy traffic, or if your vehicle is disabled.

### Rear Window Defogger



The rear window defogger will clear fog, frost, and thin ice from the window. Push the defogger button to turn it on and off. The light in the button lights to show the defogger is on. If you do not turn it off, the defogger will shut itself off after about 25 minutes. It also shuts off when you turn off the ignition. You have to turn it on again when you restart the vehicle.

*CONTINUED*

## Controls Near the Steering Wheel

---

Make sure the rear window is clear and you have good visibility before starting to drive.

The defogger wires on the inside of the rear window can be accidentally damaged. When cleaning the glass, always wipe side to side.

### Steering Wheel Adjustment

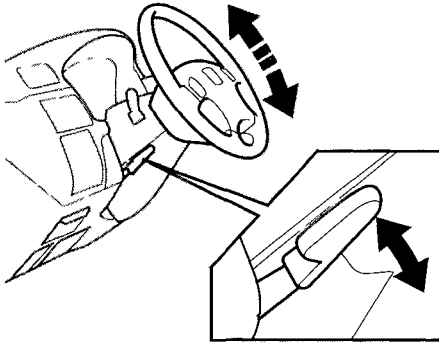
See page 18 for important safety information about how to properly position the steering wheel.

Make any steering wheel adjustment before you start driving.

### **WARNING**

Adjusting the steering wheel position while driving may cause you to lose control of the vehicle and be seriously injured in a crash.

Adjust the steering wheel only when the vehicle is stopped.



To adjust the steering wheel upward or downward:

1. Push the lever under the steering column all the way down.
2. Move the steering wheel to the desired position, making sure the wheel points toward your chest, not toward your face. Make sure you can see the instrument panel gauges and the indicator lights.
3. Push the lever up to lock the steering wheel in that position.
4. Make sure you have securely locked the steering wheel in place by trying to move it up and down.

# Steering Wheel Controls

## Cruise Control

Cruise control allows you to maintain a set speed above 25 mph (40 km/h) without keeping your foot on the accelerator pedal. It should be used for cruising on straight, open highways. It is not recommended for conditions such as city driving, winding roads, slippery roads, heavy rain, or bad weather. You should have full control of the vehicle under those conditions.

### **WARNING**

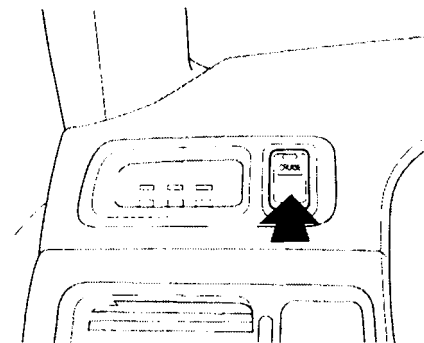
Improper use of the cruise control can lead to a crash.

Use the cruise control only when traveling on open highways in good weather.

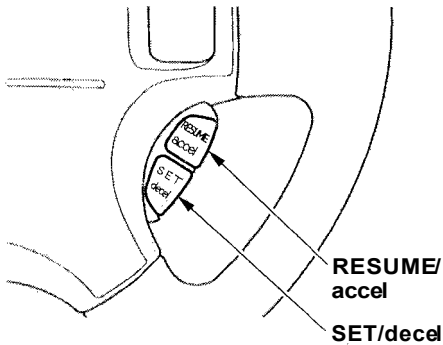
### **NOTICE**

*The cruise control, as it operates, moves the accelerator pedal. You can damage your vehicle's accelerator mechanism by resting your foot under the pedal and blocking the movement.*

## Using the Cruise Control



1. Push in the Cruise Control Master Switch to the left of the steering column. The indicator in the switch will light.
2. Accelerate to the desired cruising speed above 25 mph (40 km/h).



3. Press and release the SET/decel button on the steering wheel. The CRUISE CONTROL light on the instrument panel comes on to show the system is now activated.

The cruise control may not hold the set speed when you are going up and down hills. If your speed increases going down a hill, use the brakes to slow down to the desired speed. This will cancel the

cruise control. To resume the set speed, press the RESUME/accel button. The CRUISE CONTROL light on the instrument panel comes on.

When climbing a steep hill, the automatic transmission may downshift to hold the set speed.

### ***Changing the Set Speed***

You can increase the set cruising speed in any of these ways:

- Press and hold the RESUME/accel button. The car will accelerate. When you reach the desired cruising speed, release the button.
- Push on the accelerator pedal. Accelerate to the desired cruising speed and press the SET/decel button.
- To increase your speed in very small amounts, tap the RESUME/

accel button repeatedly. Each time you do this, your vehicle will speed up about 1 mph (1.6 km/h).

You can decrease the set cruising speed in any of these ways:

- Press and hold the SET/decel button. The vehicle will decelerate. Release the button when you reach the desired speed.
- To slow down in very small amounts, tap the SET/decel button repeatedly. Each time you do this, your vehicle will slow down about 1 mph (1.6 km/h).
- Tap the brake pedal lightly with your foot. The CRUISE CONTROL light on the instrument panel will go out. When the vehicle slows to the desired speed, press the SET/decel button. The vehicle will then maintain the desired speed. *CONTINUED*

## Steering Wheel Controls

---

Even with the cruise control turned on, you can still use the accelerator pedal to speed up for passing. After completing the pass, take your foot off the accelerator pedal. The vehicle will return to the set cruising speed.

Resting your foot on the brake pedal will cause the cruise control to cancel.

### ***Cancelling the Cruise Control***

You can cancel the cruise control in any of these ways:

- Tap the brake pedal.
- Press the SET/decel and RE-SUME/accel buttons at the same time.
- Press the Cruise Control Master Switch.

When you tap the brake or clutch pedal, or press the SET and RE-SUME buttons at the same time, the CRUISE CONTROL light on the instrument panel will go out and the vehicle will begin to slow down. You can use the accelerator pedal in the normal way.

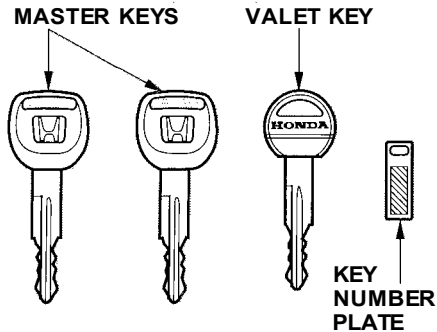
The system remembers the previously-set cruising speed. To return to that speed, accelerate to above 25 mph (40 km/h) and press

the RESUME/accel button until the CRUISE CONTROL light comes on. The vehicle will accelerate to the same cruising speed as before.

Pressing the Cruise Control Master Switch turns the system completely off and erases the previous cruising speed from memory. To use the system again, refer to ***Using the Cruise Control.***



## Keys



Your vehicle comes with two master keys and a valet key.

The master key fits all the locks on your vehicle:

- Ignition
- Doors
- Glove box
- Tailgate

The valet key works only in the ignition and the door locks. You can keep the glove box locked when you leave your vehicle and valet key at a parking facility.

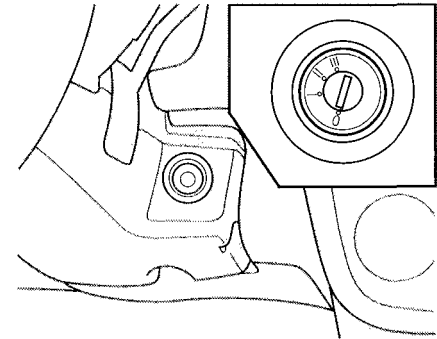
You should have received a key number plate with your set of keys. You will need this key number if you ever have to get a lost key replaced. Keep the plate stored in a safe place.

When replacing keys, use only Honda-approved key blanks.

### **Remote Transmitter**

Some models also come with two remote transmitters; see page 72 for an explanation of their operation.

## Ignition Switch



The ignition switch is on the right side of the steering column. It has four positions:

- LOCK (0)
- ACCESSORY (I)
- ON (II)
- START (III)

CONTINUED

## Keys and Locks

**LOCK (0)** — You can insert or remove the key only in this position. To switch from ACCESSORY to LOCK, you must push the key in slightly as you turn it. If your vehicle has an automatic transmission, it must also be in Park. The anti-theft lock will lock the steering column when you remove the key. If the front wheels are turned, the anti-theft lock may sometimes make it difficult to turn the key from LOCK to ACCESSORY. Firmly turn the steering wheel to the left or to the right as you turn the key.

### **WARNING**

Removing the key from the ignition switch while driving locks the steering. This can cause you to lose control.

Remove the key from the ignition switch only when parked.

**ACCESSORY (I)** — In this position, you can operate the audio system and the accessory power socket.

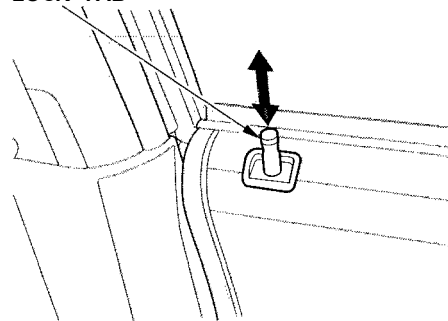
**ON (II)** — This is the normal key position when driving. All features and accessories on the vehicle are usable. Several of the lights on the instrument panel come on as a test when you turn the ignition switch from ACCESSORY to ON.

**START (III)** — Use this position only to start the engine. The switch returns to ON (II) when you let go of the key.

You will hear a reminder beeper if you leave the key in the ignition switch in the LOCK (0) or ACCESSORY (I) position and open the driver's door. Remove the key to turn off the beeper.

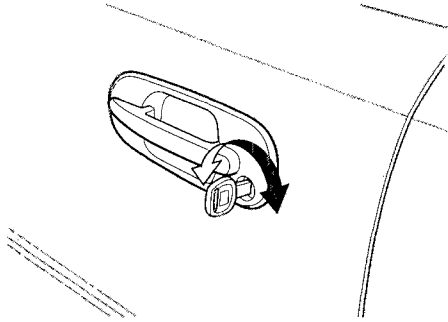
## Door Locks

LOCK TAB



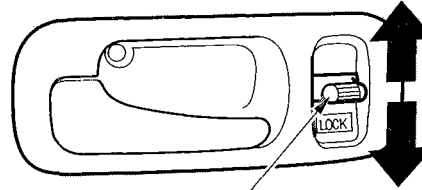
Each door has a lock tab on the top. Push the tab down to lock the door and pull it up to unlock.

To lock any passenger's door when getting out of the vehicle, push the lock tab down and close the door. To lock the driver's door, pull the outside door handle and push the lock tab down. Release the handle, then close the door.



The front doors can be locked and unlocked from the outside with the key.

### Power Door Locks



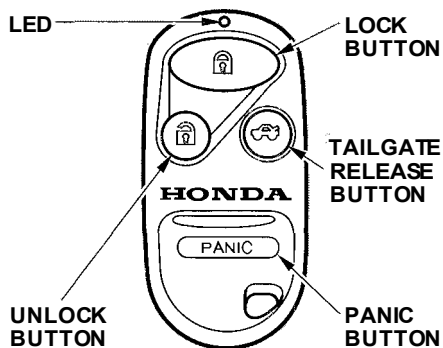
#### MASTER DOOR LOCK SWITCH

The master door lock switch allows control of all door locks from the driver's door. Push the switch down to lock all doors, and up to unlock them.

All doors lock when you push down the lock tab on the driver's door, or lock the driver's door from the outside with the key. Only the driver's door unlocks when you use the key or lock tab. To unlock the passengers' doors, use the master door lock switch or the lock tab on each door.

## Keys and Locks

### Remote Transmitter



*On EX and SE models*

You can lock and unlock your vehicle with the remote transmitter. When you push the LOCK button, all doors lock.

When you push the UNLOCK button once, only the driver's door unlocks. The remaining doors unlock when you push the button a second time.

The ceiling light (if the ceiling light switch is in the center position) will come on when you press the UNLOCK button. If you do not open any of the doors, the light will go out in about 30 seconds and the doors will automatically relock. If you relock the doors with the remote transmitter before 30 seconds have elapsed, the light will go off immediately.

You cannot lock or unlock the doors with the remote transmitter if any door is not fully closed or the key is in the ignition switch.

To open the tailgate, push and hold the TAILGATE RELEASE button for approximately one second.

### *Horn Operation*

The horn will sound when you push the LOCK button twice within five seconds after first push.

### **Panic Mode**

Panic mode allows you to remotely activate your vehicle's security system to attract attention. When activated, the horn will sound for about 30 seconds. To activate panic mode, press and hold the PANIC button for about one second.

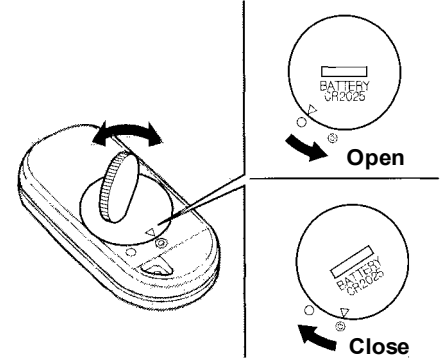
To cancel Panic mode before 30 seconds, press any button on the remote transmitter. You can also turn the ignition switch to ON (II).

Panic mode will not activate if the key is in the ignition switch.

### **Replacing the Battery**

When the remote transmitter's battery begins to get weak, it may take several pushes on the button to lock or unlock the doors, and the LED will get dim. Replace the battery as soon as possible.

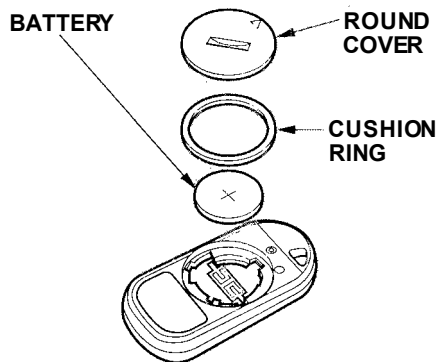
Battery type: CR2025





To replace the battery, remove the round cover on the back of the transmitter by turning it counterclockwise with a coin.

CONTINUED

## Keys and Locks



Remove the old battery and note the polarity. Make sure the polarity of the new battery is the same (+ side facing up), then insert it in the transmitter.

Reinstall the cushion ring. Align the  mark on the cover with the  mark on the transmitter, then set the cover in place and turn it clockwise.

### **Transmitter Care**

Avoid severe shock to the transmitter, such as dropping or throwing it. Also, protect it from extreme hot or cold temperatures

Clean the transmitter case with a soft cloth. Do not use strong cleaners or solvents that could harm the case. Immersing the transmitter in any liquid will harm the transmitter and cause it to not function properly.

If you lose a transmitter, you will need to have the replacement programmed to your vehicle's system by your Honda dealer. Any other transmitters you have will also need to be reprogrammed

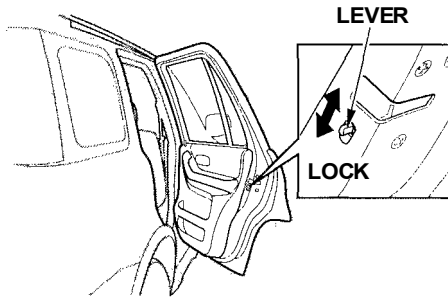
*As required by the FCC:*

*This device complies with Part 15 of the FCC rules. Operation is subject to the following two conditions: (1) This device may not cause harmful interference, and (2) this device must accept any interference received, including interference that may cause undesired operation.*

*Changes or modifications not expressly approved by the party responsible for compliance could void the user's authority to operate the equipment.*

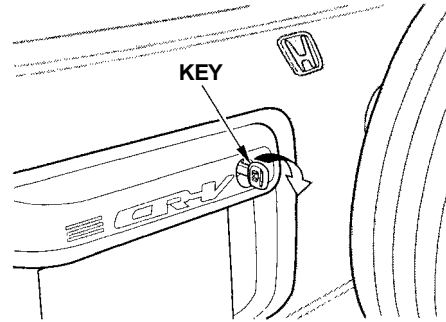
*This device complies with Industry Canada Standard RSS-210. Operation is subject to the following two conditions: (1) this device may not cause interference, and (2) this device must accept any interference that may cause undesired operation of the device.*

## Childproof Door Locks

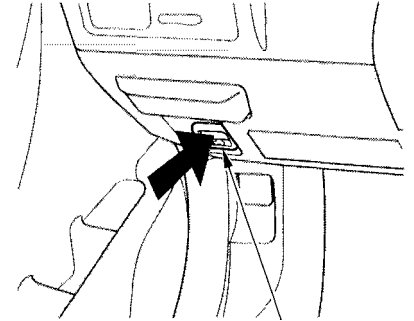


The childproof door locks are designed to prevent children seated in the rear from accidentally opening the rear doors. Each rear door has a lock lever near the edge. With the lever in the LOCK position, the door cannot be opened from the inside regardless of the position of the lock tab. To open the door, pull the lock tab up and use the outside door handle.

## Tailgate



1. You can open the tailgate in two ways:
  - Use the ignition key to open the tailgate lock.

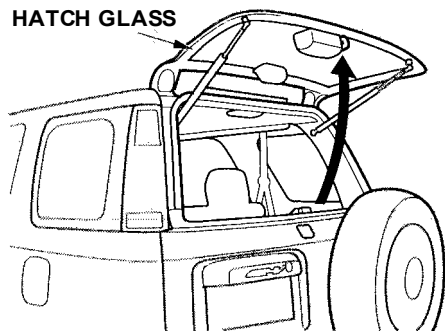


**TAILGATE UNLOCK BUTTON**

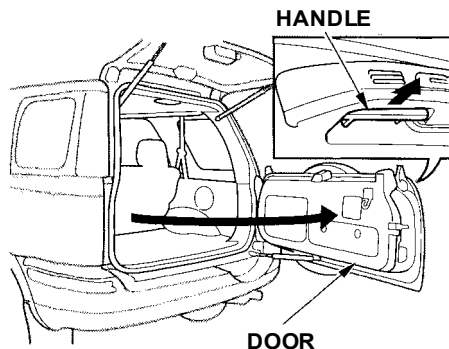
- Push the tailgate unlock button on the dashboard under the left air vent.

*CONTINUED*

## Keys and Locks



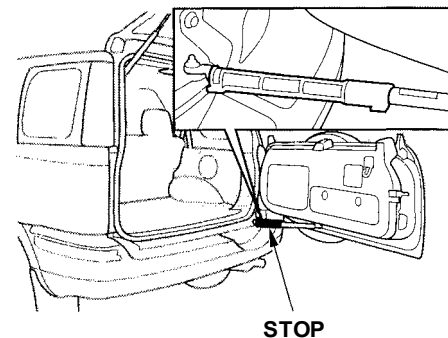
2. The hatch glass will pop up slightly.
3. Lift up the hatch glass fully.



4. Pull the handle on the door and pull the door open.

To close the tailgate, always close the lower door first. Then, lower the hatch glass and press on it until it latches.

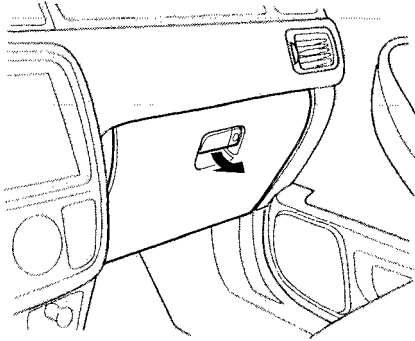
Make sure the door and the hatch glass are locked securely before driving.



To keep the tailgate door open on an incline, use the stop in the tool kit. The tool kit is in the right cargo floor pocket. Put the stop on the support strut as shown.



### Glove Box



Open the glove box by pulling the bottom of the handle. Close it with a firm push. Lock or unlock the glove box with the master key.

### **WARNING**

An open glove box can cause serious injury to your passenger in a crash, even if the passenger is wearing the seat belt.

Always keep the glove box closed while driving.

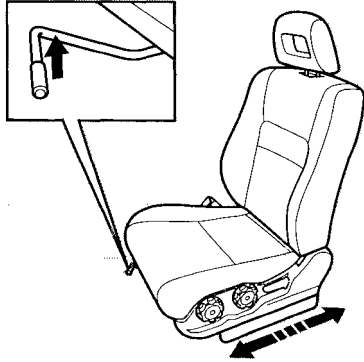
### Front Seat Adjustments

See pages 12 — 14 for important safety information and warnings about how to properly position seats and seat-backs.

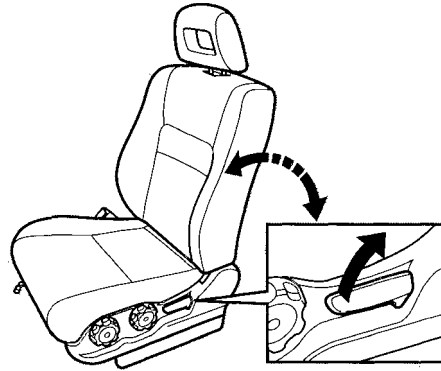
Make all seat adjustments before you start driving.

CONTINUED

## Seats

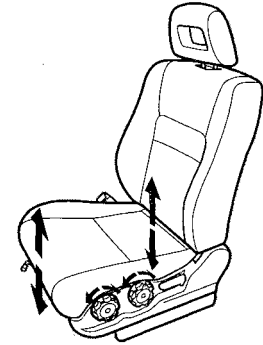


To adjust the seat forward and backward, pull up on the lever under the seat cushion's front edge. Move the seat to the desired position and release the lever. Try to move the seat to make sure it is locked in position.



To change the angle of the seat-back, pull up on the lever on the outside of the seat bottom. Move the seat-back to the desired position and release the lever. Let the seat-back latch in the new position.

### Driver's Seat Height Adjustment



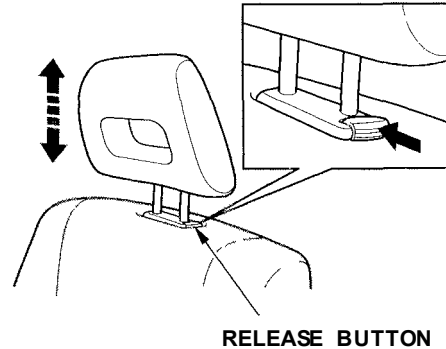
The height of your driver's seat is adjustable. Turn the front dial on the outside of the seat cushion to raise the front of the seat bottom and turn the rear dial to raise the rear.

Make all seat adjustments before you start driving.

## Head Restraints

See page 14 for important safety information and a warning about how to properly position the head restraints.

The head restraints help protect you and your passengers from whiplash and other injuries. They are most effective when you adjust them so the back of the occupant's head rests against the center of the restraint. A taller person should adjust the restraint as high as possible.



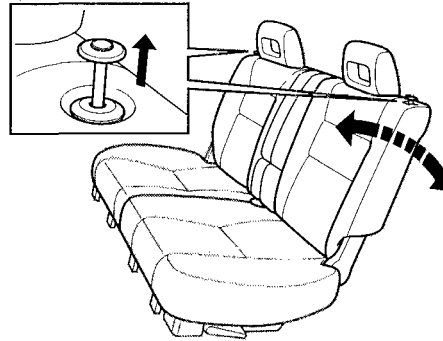
The head restraints adjust for height. You need both hands to adjust the restraint. Do not attempt to adjust it while driving. To raise it, pull upward. To lower the restraint, push the release button sideways and push the restraint down.

To remove a head restraint for cleaning or repair, pull it up as far as it will go. Push the release button and pull the restraint out of the seat-back.

# Seats

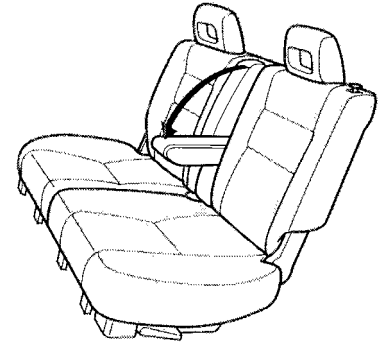
## Rear Seat-back Adjustment

See pages 12 — 14 for important safety information and warnings about how to properly position seats and seat-backs.



The angle of the rear seat-backs can be adjusted separately. To change the angle of the seat-back, pull up on the knob on the top of the seat-back. Move the seat-back to the desired position, then release the knob. Make sure the seat-back latches in the new position.

## Rear Seat Armrest



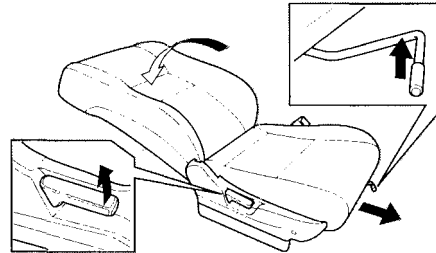
The rear seat armrests are located at the center of the rear seat. Pivot them down to use them.

## Reclining the Front and Rear Seat-backs



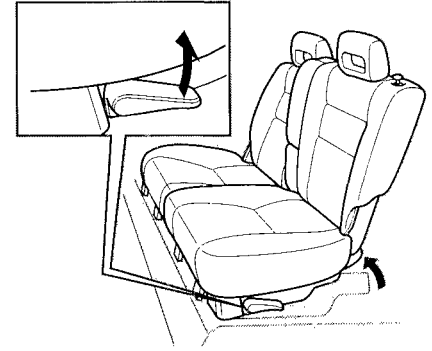
You can recline the seat-backs on the front and rear seats to make a large cushioned area. To do this:

1. Remove the front seat head restraint and put it in the pocket of the seat-back



2. Lift the slide lever and slide the front seat forward as far as it will go. Pull up the seat-back angle adjustment lever, then pivot the seat-back backward. Release the lever when the seat-back is even with the cushion on the rear seat.

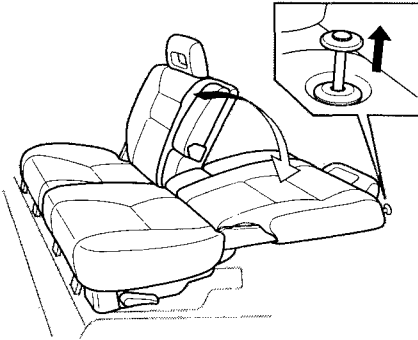
*EX and SE models*



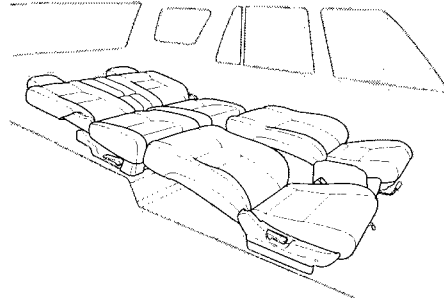
3. Pull up the lever on the side of the rear seat. Lift the rear edge of the seat bottom until the seat latches.

*CONTINUED*

## Seats

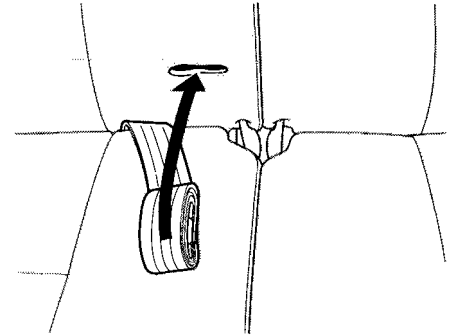


4. Pull up on the knob on top of the seat-back and pivot the rear seat-back backward. Release the knob when the seat-back is reclined as far as it will go.



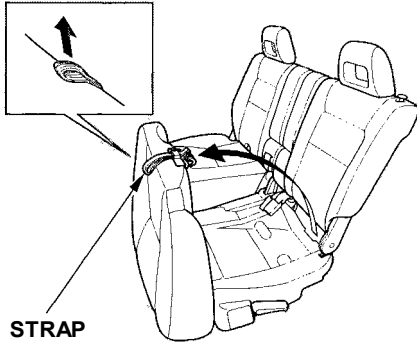
Reverse this procedure to return the seats to their upright positions. Make sure you install the head restraints, and that the seats are locked securely in place before driving.

### Folding Rear Seat

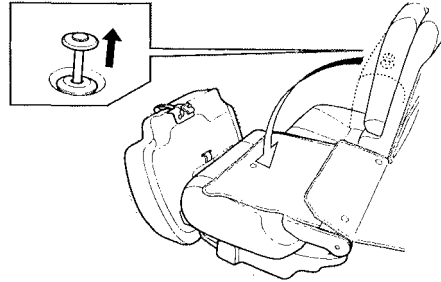


The left and right halves of the rear seat can be folded up separately to create more cargo space.

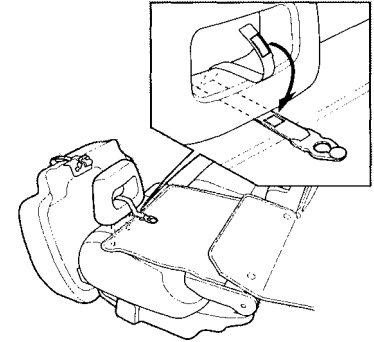
1. Store the latch plate for the center lap belt by rolling up the belt and pushing it into the seat pocket.



2. Pull the strap to release the seat bottom. Pivot the seat bottom forward.



3. Remove the head restraint and pull up on the knob on the top of the seat-back. Pivot the seat-back forward.



Put the head restraint behind the seat bottom as shown. Pass the fastening strap through the hole of the head restraint and fasten it with the velcro strap.

Reverse this procedure to return the seat to the upright position. Make sure that the seat is locked securely before driving.

*CONTINUED*

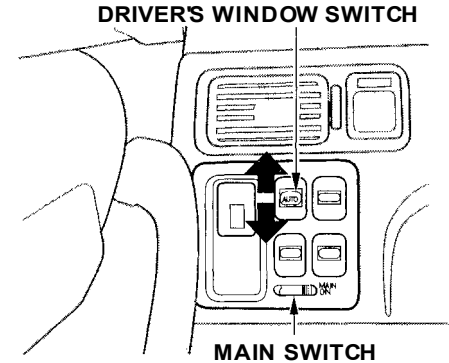
## Seats, Power Windows

Make sure any items stored in the cargo area are secured. Loose items can fly forward and cause injury if you have to brake hard.

### Power Windows

Your vehicle's windows are electrically-powered. Turn the ignition switch to ON (II) to raise or lower any window.

Each door has a switch that controls its window. To open the window, push the switch down and hold it. Release the switch when you want the window to stop. Close the window by pushing the switch up and holding it.



There is a master power window control panel on the dashboard. To open any of the passengers' windows, push down on the appropriate switch and hold it down until the window reaches the desired position. To close the window, push up on the window switch. Release the switch when the window gets to the position you want.



### **⚠ WARNING**

Closing a power window on someone's hands or fingers can cause serious injury.

Make sure your passengers are away from the windows before closing them.

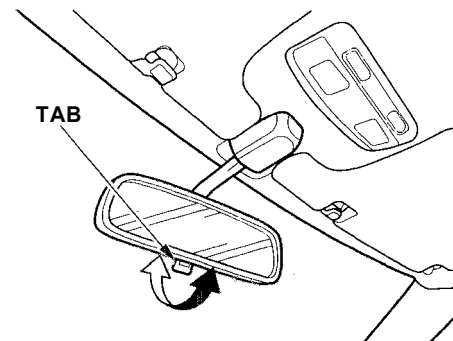
The master control panel also contains these extra features:

**AUTO** — To open the driver's window fully, push the window switch firmly down and release it. The window automatically goes all the way down. To stop the window from going all the way down, push the window switch up briefly. To open the driver's window only partially, push the window switch down lightly and hold it. The window will stop as soon as you release the switch.

The AUTO function only works to lower the driver's window. To raise the window, you must push the window switch up and hold it until the window reaches the desired position.

The MAIN switch controls power to the passengers' windows. With this switch off, the passengers' windows cannot be raised or lowered. The MAIN switch does not affect the driver's window. Keep the MAIN switch off when you have children in the vehicle so they do not injure themselves by operating the windows unintentionally.

### **Mirrors**



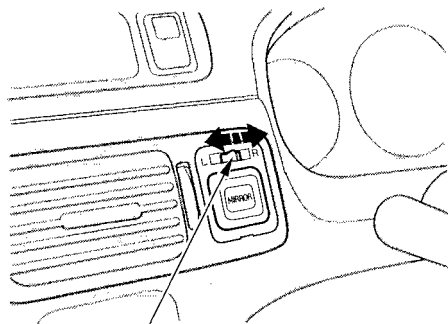
Keep the inside and outside mirrors clean and adjusted for best visibility. Be sure to adjust the mirrors before you start driving.

The inside mirror has day and night positions. The night position reduces glare from headlights behind you. Flip the tab on the bottom edge of the mirror to select the day or night position.

*CONTINUED*

# Mirrors, Parking Brake

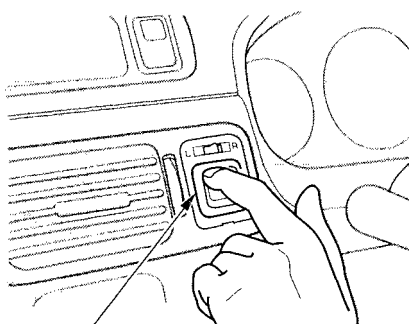
## Adjusting the Power Mirrors



**SELECTOR SWITCH**

Adjust the outside mirrors with the adjustment switch on the left side of the dashboard:

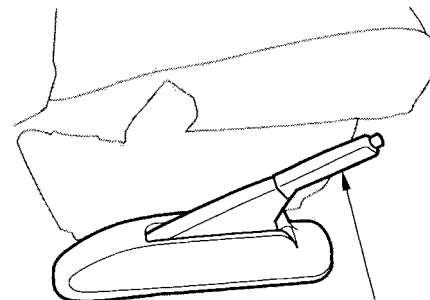
1. Turn the ignition switch ON (II).
2. Move the selector switch to L (driver's side) or R (passenger's side).



**ADJUSTMENT SWITCH**

3. Push the appropriate edge of the adjustment switch to move the mirror right, left, up, or down.
4. When you finish, move the selector switch to the center (off) position. This turns off the adjustment switch so you can't move a mirror out of position by accidentally bumping the switch.

## Parking Brake



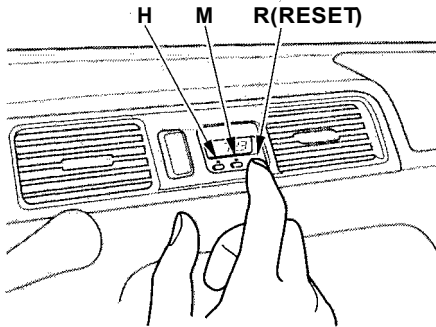
**PARKING BRAKE LEVER**

To apply the parking brake, pull the lever up fully. To release it, pull up slightly, push the button, and lower the lever. The parking brake light on the instrument panel should go out when the parking brake is fully released (see page 54).

### **NOTICE**

*Driving the vehicle with the parking brake applied can damage the rear brakes and axles.*

### Digital Clock



The digital clock displays the time with the ignition switch ON (II). To set the clock:

1. Turn the ignition switch ON (II) to display the time.
2. Press and hold the H button until the hour advances to the desired time.

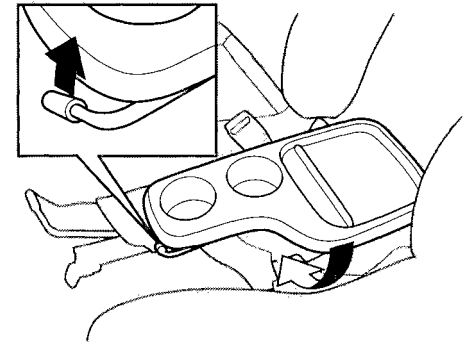
3. Press and hold the M button until the numbers advance to the desired time.

You can use the RESET button to quickly set the time to the nearest hour. If the displayed time is before the half hour, pressing the RESET button sets the clock back to the previous hour. If the displayed time is after the half hour, pressing the RESET button sets the clock forward to the beginning of the next hour.

For example:

- 1:06 would RESET to 1:00.
- 1:52 would RESET to 2:00.

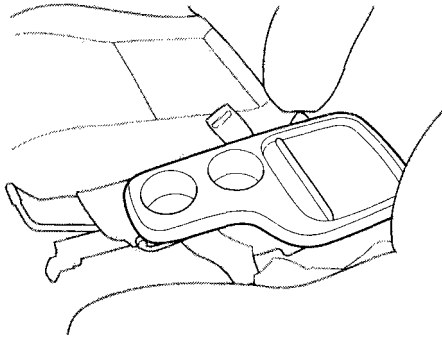
### Center Table



To use the center table, pull up the outside edge of the table until it latches. To store it, pull the lever and lower the table.

*CONTINUED*

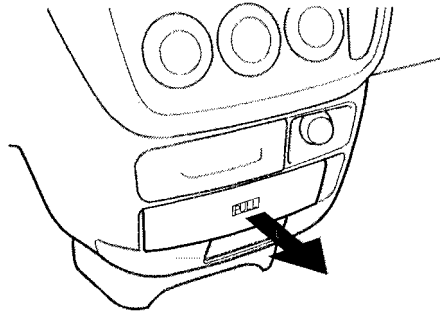
## Center Table, Beverage Holder



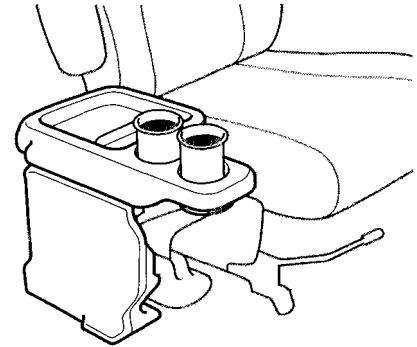
Sitting on or getting under the table, or putting heavy objects on the table, may damage or deform it.

Do not put any items on the table while driving. They may fall down or fly around when you go around corners or brake hard.

### Beverage Holder

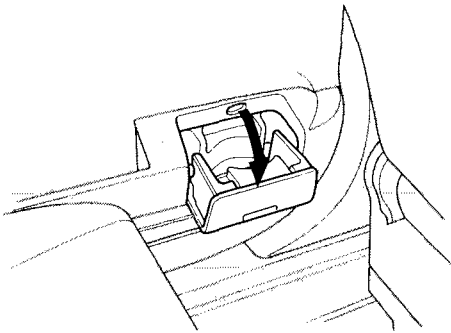


*Automatic Transmission model only*  
To use the beverage holder, pull on the front. Push the holder all the way in to close it.

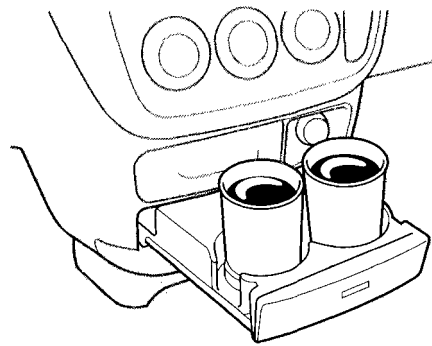


The center table also has a beverage holder.

## Beverage Holder, Built-in Table



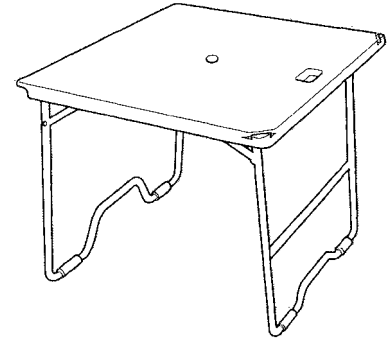
There is another beverage holder on each rear door for the rear seat passengers. Pivot it down to use it.



Be careful when you are using the beverage holder. A spilled liquid that is very hot can scald you or your passengers. Liquid can also spill from the rear seat beverage holders when you close the rear doors.

Spilled liquids can also damage the upholstery, carpeting, and electrical components in the interior.

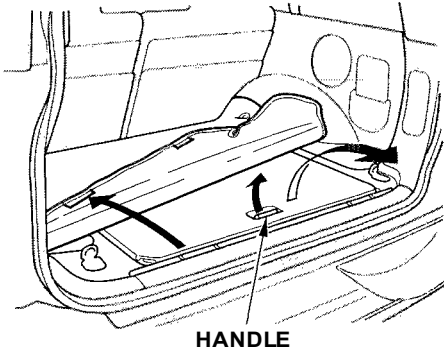
### Built-in Table



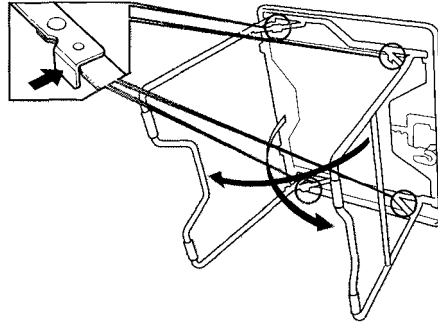
The cargo area floor can be taken out and used as a table.

*CONTINUED*

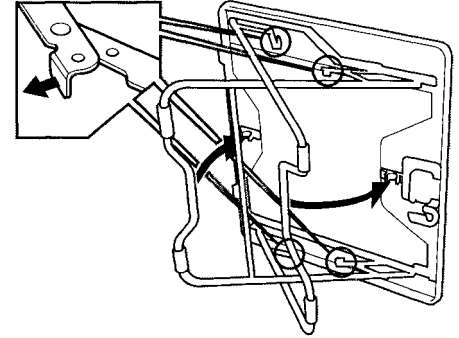
## Built-in Table



To remove the table, pull up the carpet. Lift and pull on the handle to slide the table out.

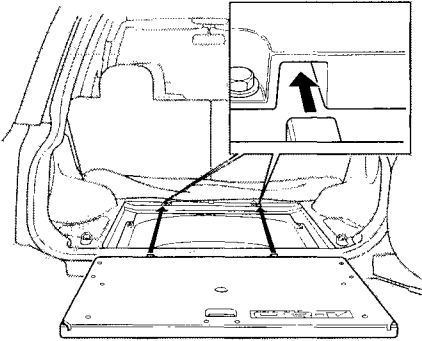


Unfold the legs. Lock them in place by pushing on the middle of the locking arms. Make sure all four are locked.



To fold the legs, pull on the middle of each locking arm.

## Built-in Table, Center Pocket, Storage Box

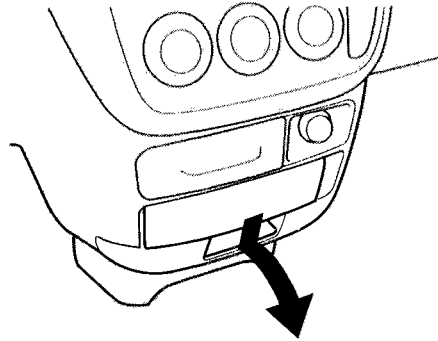


Put the projections on the table into the holes in the cargo area floor.

### Using the Built-in Table

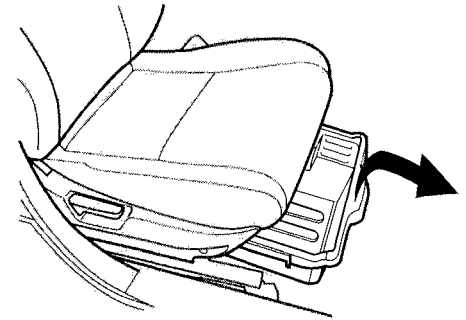
- Be sure to lock the legs of the table.
- Do not stand on the table.
- Do not put a weight of over 44 lbs (20 kg) on the table.
- Hot items such as pots, pans, or kettles should not be placed directly on the table.

### Center Pocket



*Automatic Transmission model only*  
Open the center pocket by pushing the handle down. Close it with a firm push.

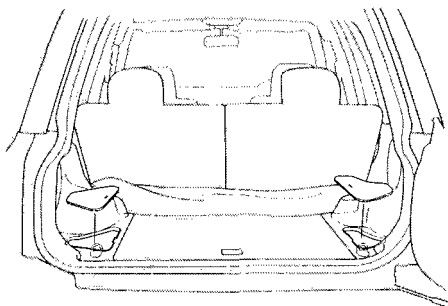
### Storage Box



A storage box is located under the front passenger's seat. To use it, pull upward slightly on the front center edge of the box to disengage the locking tabs then pull forward to slide the box out.

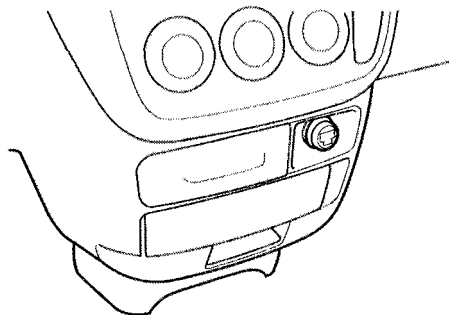
## Cargo Floor Pockets, Accessory Power Socket

### Cargo Floor Pockets

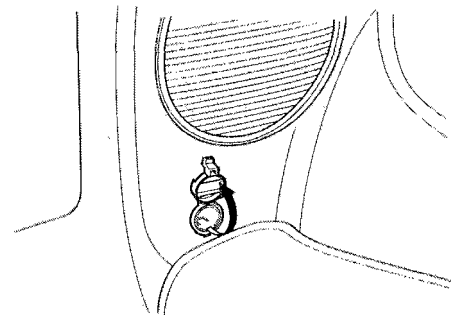


You can store small items in the pockets located on both sides of the cargo area.

### Accessory Power Socket



There are two accessory power sockets: one in the dashboard by the front ashtray and the other on the left side of the cargo area.

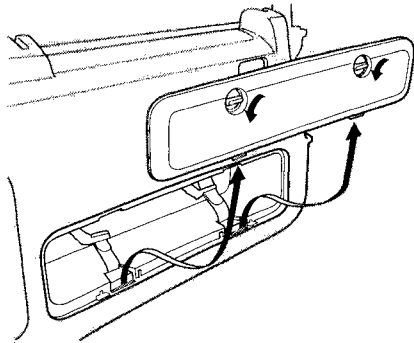


To use the accessory power socket, pull down on the cover. The ignition switch must be in ACCESSORY (I) or ON (II).

These sockets are intended to supply power for 12 volt DC accessories that are rated 120 watts or less (10 amps).

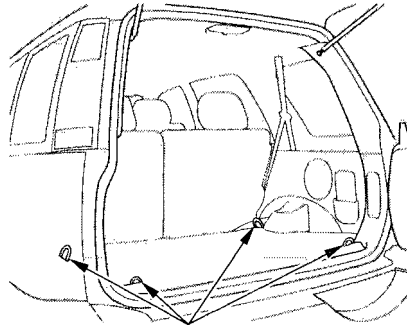


### Tailgate Pocket



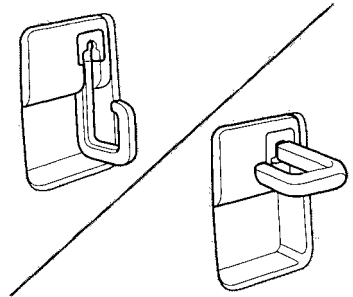
To use the tailgate pocket, turn the knobs and remove the lid. Items stored in this pocket can be secured by the belts inside the pocket.

### Cargo Hooks



**HOOKS**

The hooks on the floor of the cargo area enable you to tie down items stored in the back. Make sure all stored items are secured before driving.

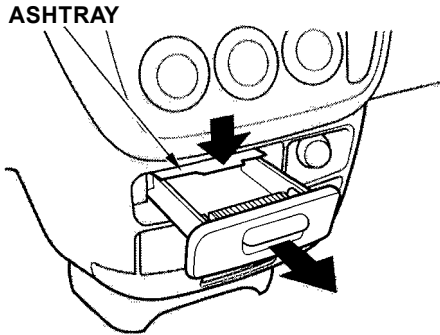


The hook on the tailgate door pivots, allowing items to be stored in different ways. Make sure any items put on this hook weigh less than 6.5 lbs (3 kg), or you could damage the hook.

Do not open or close the tailgate door with cargo on this hook.

## Ashtray, Interior Lights

### Ashtray

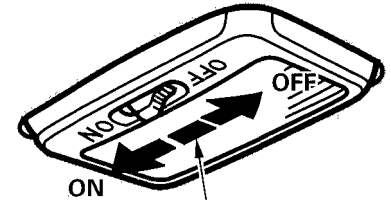


Open the front ashtray by pulling on the bottom edge. Push it in to close it. To remove the ashtray for emptying, push down on the metal plate inside, then pull the ashtray out completely.

### NOTICE

*Use the ashtray only for cigarettes, cigars, and other smoking materials. To prevent a possible fire and damage to your vehicle, don't put paper or other things that can burn in the ashtray.*

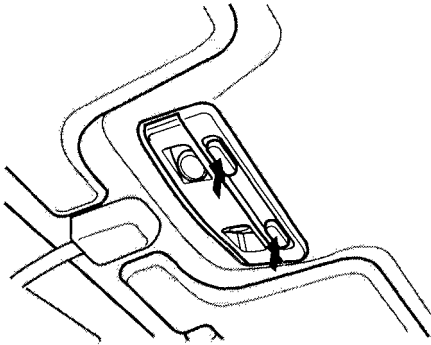
### Ceiling Light



**DOOR ACTIVATED**

The ceiling light has a three-position switch. In the OFF position, the light does not come on. In the center position, the ceiling light comes on when you open any door. In the ON position, the ceiling light stays on continuously.

## Spotlights

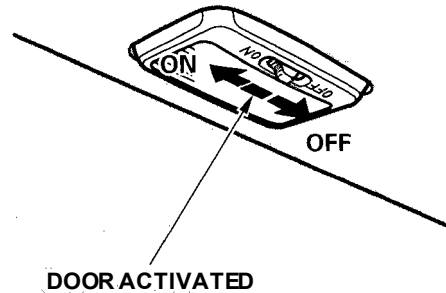


Turn on the spotlight by pushing the button next to each light. Push the button again to turn it off. You can use the spotlights at all times.

### *On EX and SE models*

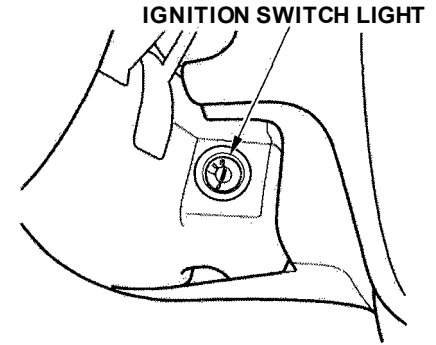
The ceiling light (with the switch in the center position) also comes on when you unlock the door with the remote transmitter (see page [72](#)).

## Cargo Area Light



The cargo area light has a three-position switch. In the OFF position, the light does not come on. In the center position, the light comes on when you open the tailgate. In the ON position, the light stays on continuously.

## Ignition Switch Light



The ignition switch light comes on when you open the driver's door, and stays on several seconds after you close the door.



## Comfort and Convenience Features

The heating and air conditioning systems in your Honda provide a comfortable driving environment in all weather conditions.

The standard audio system has many features. This section describes those features and how to use them. (If you selected an optional audio system, refer to the operating instructions that came with it.)

|                              |     |                                 |     |
|------------------------------|-----|---------------------------------|-----|
| Heating and Cooling.....     | 98  | Operating the CD Changer.....   | 129 |
| What Each Control Does.....  | 98  | Protecting Compact Discs.....   | 130 |
| How to Use the System.....   | 100 | CD Player Error Indications.... | 131 |
| To Turn Everything Off.....  | 105 | CD Changer Error                |     |
| Audio System.....            | 106 | Indications.....                | 132 |
| Audio System                 |     | Operating the Cassette          |     |
| AM/FM/Cassette Stereo        |     | Player.....                     | 133 |
| Audio System (LX Model)....  | 107 | Tape Search Functions.....      | 134 |
| Operating the Radio.....     | 108 | Caring for the Cassette         |     |
| Adjusting the Sound.....     | 111 | Player.....                     | 136 |
| Audio System Lighting.....   | 112 | Theft Protection.....           | 137 |
| Operating the Cassette       |     | Audio System                    |     |
| Player.....                  | 112 | AM/FM/Cassette/CD stereo        |     |
| Operating the Optional CD    |     | Audio System (SE Model)....     | 138 |
| Player/Changer.....          | 115 | Operating the Radio.....        | 139 |
| CD Changer Error             |     | Adjusting the Sound.....        | 143 |
| Indications.....             | 118 | Operating the CD Player.....    | 144 |
| Audio System                 |     | CD Player Error Indications.... | 146 |
| AM/FM/CD Audio System        |     | CD Changer Error                |     |
| (EX Model).....              | 119 | Indications.....                | 147 |
| Operating the Radio.....     | 120 | Operating the Cassette          |     |
| Adjusting the Sound.....     | 124 | Player.....                     | 148 |
| Audio System Lighting.....   | 125 | Tape Search Functions.....      | 149 |
| Radio Frequencies.....       | 125 |                                 |     |
| Radio Reception.....         | 125 |                                 |     |
| Operating the CD Player..... | 127 |                                 |     |

## Heating and Cooling

Proper use of the Heating and Cooling system can make the interior dry and comfortable, and keep the windows clear for best visibility.

### What Each Control Does

#### Fan Control Dial

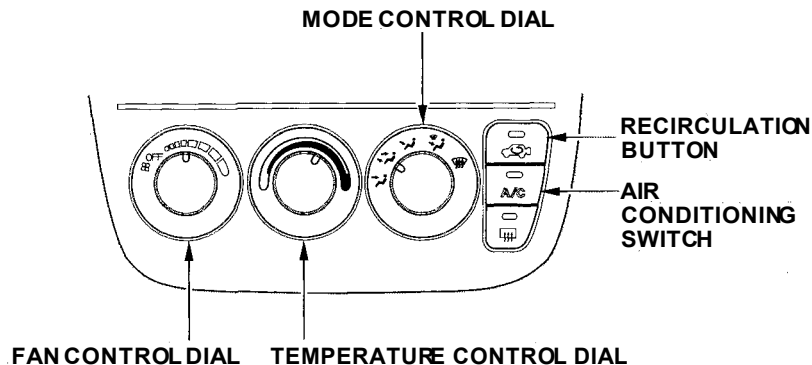
Turning this dial clockwise increases the fan's speed, which increases air flow.

#### Temperature Control Dial

Turning this dial clockwise increases the temperature of the air flow.

#### Air Conditioning (A/C) Button

This button turns the air conditioning ON and OFF. The indicator in the button lights when the A/C is on.





#### Recirculation Button


This button controls the source of the air going into the system. When the indicator in this button is lit, air from the vehicle's interior is sent through the system again (Recirculation mode). When the indicator is off, air is brought in from outside the vehicle (Fresh Air mode).


### Mode Control Dial


Use the MODE control dial to select the vents the air flows from.


 Air flows from the center and corner vents in the dashboard.

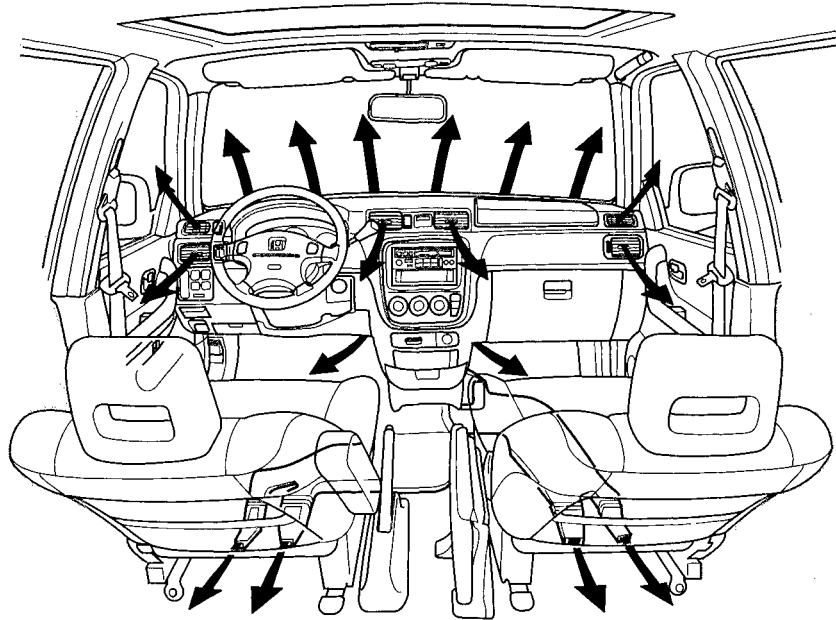
 Air flow is divided between the vents in the dashboard and the floor vents.

 Air flows from the floor vents.

 Air flow is divided between the floor vents and the defroster vents at the base of the windshield.

 Air flows from the defroster vents at the base of the windshield.

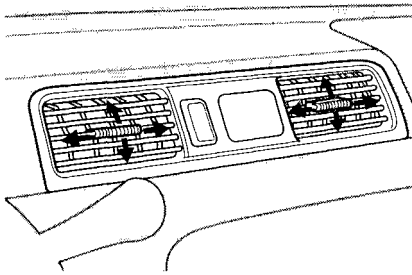
When you select  , the system automatically switches to Fresh Air mode and turns on the A/C.



# Heating and Cooling

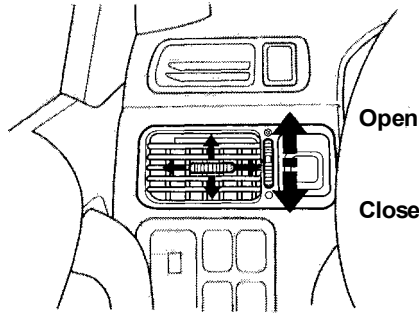
## Vent Controls

### CENTER VENT



You can adjust the direction of the air coming from the dashboard vents by moving the tab in the center of each vent up-and-down and side-to-side.

### SIDE VENT



The vents in the corners of the dashboard can be opened and closed with the dials next to them.

## How to Use the System

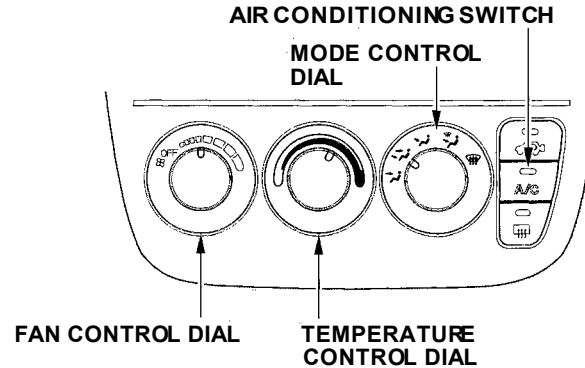
This section covers how to set up the system controls for ventilation, heating, cooling, dehumidifying, and defrosting.

The engine must be running for the heater and air conditioning to generate hot and cold air. The heater uses engine coolant to warm the air. If the engine is cold, it will be several minutes before you feel warm air coming from the system. The air conditioning does not rely on engine temperature.




It is best to leave the system in Fresh Air mode under almost all conditions. Keeping the system in Recirculation mode, particularly with the A/C off, can cause the windows to fog up. Switch to Recirculation mode when you are driving through smoky or dusty conditions, then switch back to Fresh Air mode when the condition clears.

The outside air intakes for the heating and cooling system are at the base of the windshield. Keep these clear of leaves and other debris.



### ***Ventilation***


The flow-through ventilation system draws in outside air, circulates it through the interior, then exhausts it through vents near the rear window.

1. Turn the temperature control dial all the way to the left. Make sure the A/C is off.
2. Select  and Fresh Air mode.
3. Set the fan to the desired speed.


CONTINUED

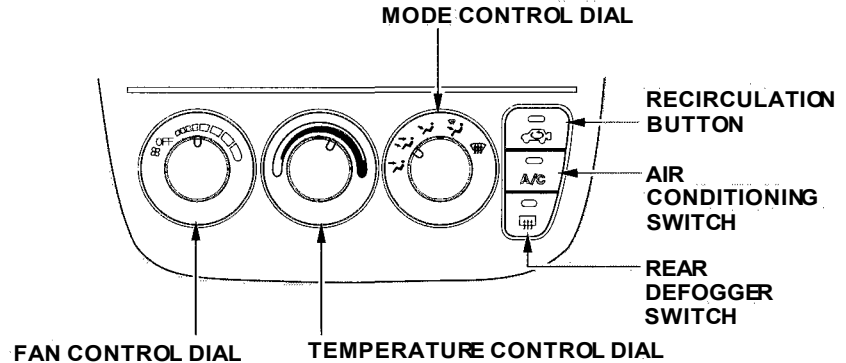
# Heating and Cooling

## To Cool with A/C

1. Turn on the A/C by pressing the button. The light in the button comes on when a fan speed is selected.
2. Make sure the temperature control dial is all the way to the left.
3. Select .
4. If the outside air is humid, select Recirculation mode. If the outside air is dry, select Fresh Air mode. Set the fan to the desired speed.

If the interior is very warm from being parked in the sun, you can cool it down more rapidly by setting up the controls this way:

1. Start the engine.
2. Turn on the A/C by pressing the button. Make sure the temperature control dial is all the way to the left.
3. Set the fan to maximum speed.
4. Open the windows partially. Select  and Fresh Air mode.




When the interior has cooled down to a more comfortable temperature, close the windows and set the controls as described for normal cooling.

Air conditioning places an extra load on the engine. Watch the engine coolant temperature gauge (see page 57) when driving in stop-and-go traffic or climbing a long, steep hill. If it moves near the red zone, turn off the A/C until the gauge reads normally.


### **To Heat**

To warm the interior:

1. Start the engine.
2. Select  and Fresh Air mode.
3. Set the fan to the desired speed.
4. Adjust the warmth of the air with the temperature control dial.

### **To Heat and Dehumidify with Air Conditioning**




Air conditioning, as it cools, removes moisture from the air. When used in combination with the heater, it makes the interior warm and dry.

1. Switch the fan on.
2. Turn on the air conditioning.
3. Select  and Fresh Air mode.
4. Adjust the temperature control dial so the mixture of heated and cooled air feels comfortable.

This setting is suitable for all driving conditions whenever the outside temperature is above 32° F (0°C).

### **To Defog and Defrost**



To remove fog from the inside of the windows:

1. Switch the fan on.
2. Select  .  
When you select  , the system automatically switches to Fresh Air mode and turns on the A/C.
3. Adjust the temperature control dial so the air flow from the defroster vents feels warm.
4. Turn on the rear window defogger to help clear the rear window.  
When you switch to another mode from  , the A/C stays on. Press the A/C button to turn it off.

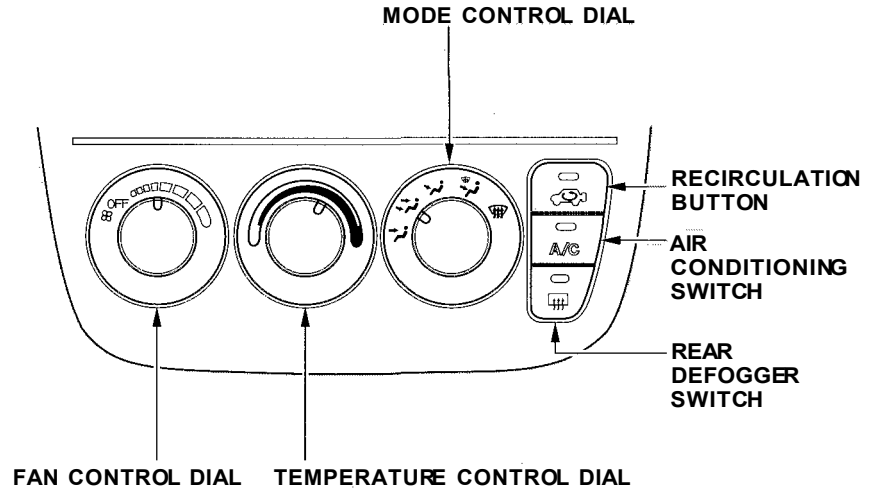
*CONTINUED*

## Heating and Cooling

To remove exterior frost or ice from the windshield and side windows after the vehicle has been sitting out in cold weather.

1. Start the engine.
2. Select  .  
When you select  , the system automatically switches to Fresh Air mode and turns on the A/C.
3. Switch the fan and temperature controls to maximum.

To rapidly remove exterior frost or ice from the windshield (on very cold days), first select the Recirculation mode. Once the windshield is clear, select the Fresh Air mode to avoid fogging the windows.



These settings direct all the air flow to the defroster vents at the base of the windshield and the side window defroster vents. The air flow will get warmer and clear the windows faster as the engine warms up. You can close the side vents with the dial beside each vent. This will send more warm air to the windshield defroster vents.

For safety, make sure you have a clear view through all the windows before driving away.

### **To Turn Everything Off**

To shut off the system temporarily, turn the fan speed and temperature control dials all the way to the left.

You should shut the system completely off only for the first few minutes of driving in cold weather, until the engine coolant warms up enough to operate the heater. Keep the fan on at all other times so stale air does not build up in the interior.

# Audio System

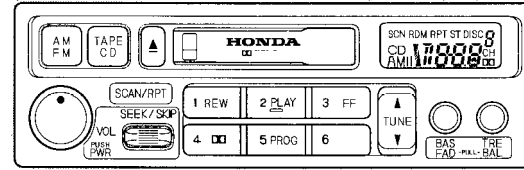
Your vehicle should have one of the audio systems described in this section. Read the appropriate pages in this section for operation of the audio systems installed in your vehicle.

- pages 107 to 118 for LX Model
- pages 119 to 134 for EX Model
- pages 138 to 150 for SE Model

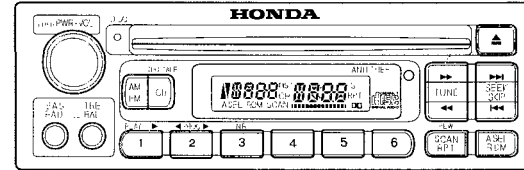
Also, read page 114 or 136 for how to take care of your cassette player.

If your vehicle has a different audio system from these two types, read the radio manufacturer's manual that came with your vehicle for its operation.

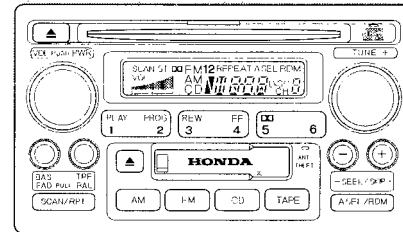
## LX Model



## EX Model



## SE Model




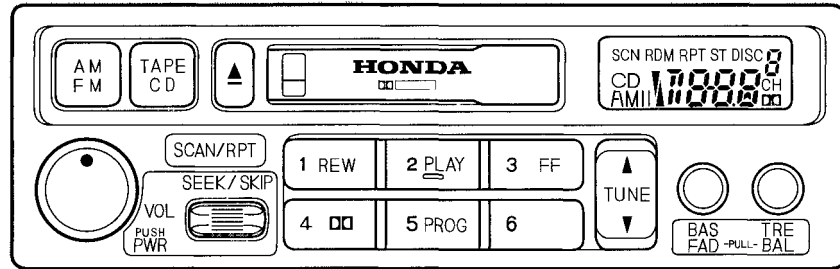
## AM/FM/Cassette Stereo Audio System

*On LX model*

Your Honda's audio system provides clear reception on both AM and FM bands, while the preset buttons allow you to easily select your favorite stations.

The cassette system features Dolby B\* noise reduction, automatic sensing of chromium-dioxide (CrO<sub>2</sub>) tape, and autoreverse for continuous play.

\* Dolby noise reduction manufactured under license from Dolby Laboratories Licensing Corporation. "DOLBY" and the double-D symbol  are trademarks of Dolby Laboratories Licensing Corporation.



## Audio System

---

### Operating the Radio

The ignition switch must be in ACCESSORY (I) or ON (II) to operate the audio system. Turn the system on by pushing the PWR/VOL knob.

Adjust the volume by turning the PWR/VOL knob.

The band and frequency that the radio was last tuned to is displayed. To change bands, press the AM/FM button. On the FM band, ST will be displayed if the station is broadcasting in stereo. Stereo reproduction on AM is not available.

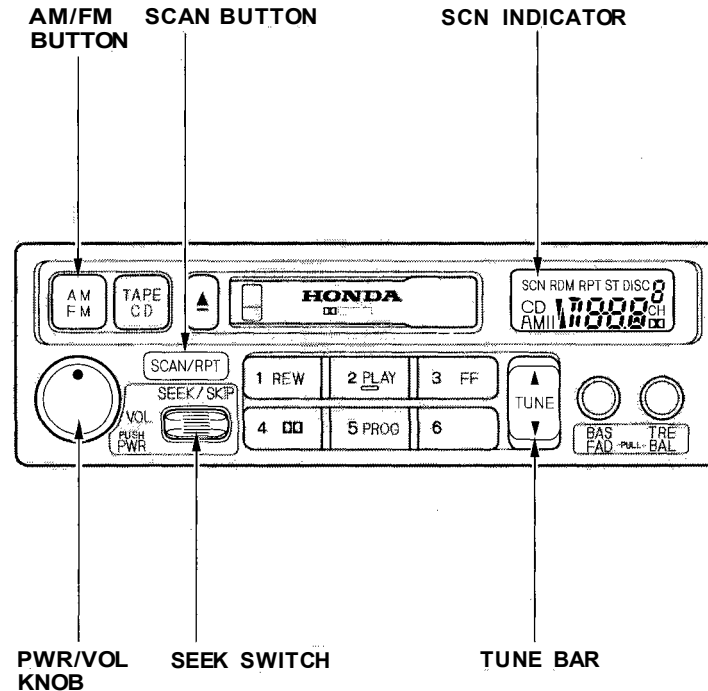
You can use any of four methods to find radio stations on the selected band: TUNE, SEEK, SCAN or the Preset buttons.

**TUNE** — Use the TUNE bar to tune the radio to a desired frequency. Press the upper part ( ▲ ) to tune to a higher frequency, or the lower part ( ▼ ) to tune to a lower frequency. The frequency numbers will start to change rapidly. Release the bar when the display reaches the desired frequency. To change the frequency in small increments, press and release the TUNE bar quickly.

**SEEK** — The SEEK function searches the band for a station with a strong signal. To activate it, push the SEEK switch up or down, then release it. Depending on which way you push the switch, the system scans upward or downward from the current frequency. It stops when it finds a station with a strong signal.



**SCAN** — The SCAN function samples all the stations with strong signals on the selected band. To activate it, press the SCAN button, then release it. When the system is in the SCAN mode, SCN shows in the display. The system will scan up the band for a station with a strong signal. When it finds one, it will stop and play that station for approximately five seconds. If you do nothing, the system will then scan for the next strong station and play that for five seconds. When it plays a station that you want to continue listening to, press the SCAN button again.



CONTINUED

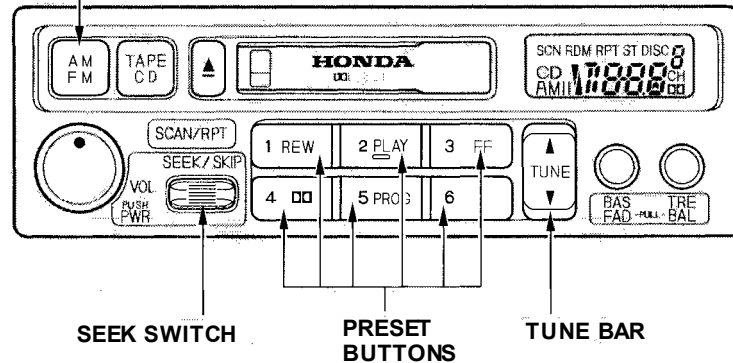
# Audio System

**Preset** — You can store the frequencies of your favorite radio stations in the six preset buttons. Each button will store one frequency on the AM band, and two frequencies on the FM band.

To store a frequency:

1. Select the desired band, AM or FM. FM1 and FM2 let you store two frequencies with each Preset button.
2. Use the TUNE or SEEK function to tune the radio to a desired station.
3. Pick the Preset button you want for that station. Press the button and hold it until you hear a beep.
4. Repeat steps 1 to 3 to store a total of six stations on AM and twelve on FM.

AM/FM BUTTON



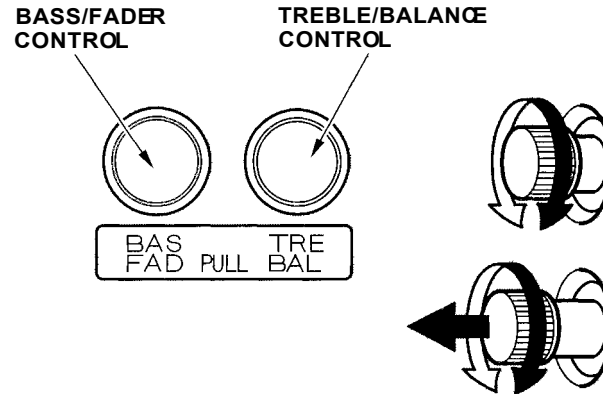
Once a station's frequency is stored, simply press and release the proper Preset button to tune to it. The preset frequencies will be lost if your vehicle's battery goes dead, is disconnected, or the radio fuse is removed.

## Adjusting the Sound

**Balance/Fader** — These two controls adjust the strength of the sound coming from each speaker. The Balance control adjusts the side-to-side strength, while the Fader control adjusts the front-to-back strength.

To adjust the fader, push on the BASS/FADER control knob to get it to pop out. Pull it out slightly farther, and adjust the front-to-back sound to your liking. Push the knob back in when you are done so you cannot change the setting by accidentally bumping it.

To adjust the balance, push on the TREBLE/BALANCE control knob to get it to pop out. Pull it out slightly farther, and adjust the side-to-side sound to your liking. Push the knob back in when you are done so you cannot change the setting by accidentally bumping it.



**Treble/Bass** — Use these controls to adjust the tone to your liking.

To adjust the Treble level, push on the TREBLE/BALANCE control knob to get it to pop out. Without pulling it out farther, turn the knob to adjust the treble level. Push the knob back in when you are done so you cannot change the setting by accidentally bumping it.

To adjust the Bass level, push on the BASS/FADER control knob to get it to pop out. Without pulling it out farther, turn the knob to adjust the bass level. Push the knob back in when you are done so you cannot change the setting by accidentally bumping it.

## Radio Frequencies and Reception

For information, See page [125](#).

## Audio System

---


### Audio System Lighting

You can use the instrument panel brightness control knob to adjust the illumination of the audio system (see page 61). The audio system illuminates when the parking lights are on, even if the radio is turned off.

### Operating the Cassette Player

Turn the audio system ON. Make sure the tape opening on the cassette is facing to the right, then insert the cassette most of the way into the slot. The system will pull it in the rest of the way, and begin to play.

The tape direction indicator will light to show you which side of the cassette is playing. The ▲ indicates the side you inserted facing upward is now playing. If you want to play the other side, press the PROG button.

Dolby B noise reduction turns on when you insert a cassette. If the tape was not recorded with Dolby B noise reduction, turn it off by pressing the  button.

When the system reaches the end of the tape, it will automatically reverse direction and play the other side. If you want to remove the cassette from the drive, press the EJECT button.

### Tape Search Functions

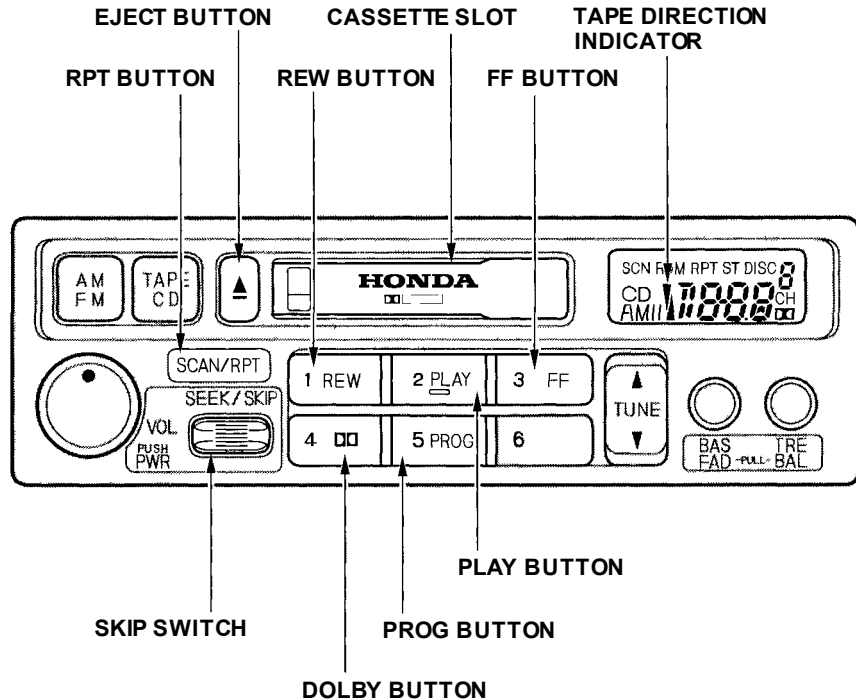
With a cassette playing, you can use the FF, REW, SKIP, or REPEAT function to find a desired program.

**FF/REW** — Fast Forward and Rewind move the tape rapidly. To rewind the tape, push the REW button. You will see REW in the display. To fast forward the tape, push the FF button. You will see FF displayed. Press the PLAY button to take the system out of rewind or fast forward.

If the system reaches the end of the tape while in fast forward or rewind, it automatically stops that function, reverses direction, and begins to play.

**SKIP** — The Skip Function allows you to find the beginning of a song or passage. To find the beginning of the song or passage currently playing, push the SKIP switch down. You will see REW flashing in the display as the tape rewinds. To find the beginning of the next song, push the SKIP switch up. You will see FF flashing in the display as the tape fast forwards. When the system finds the beginning of a song or passage, it goes back to PLAY mode.

**REPEAT** — The Repeat function continuously replays the current song or passage. Press the RPT button to activate it; you will see RPT displayed as a reminder. When the system reaches the end of the song or passage currently playing, it will automatically go into rewind. When it senses the beginning of the same song or passage, the system returns to PLAY mode. It will continue to repeat this same program until you deactivate REPEAT by pressing the button again.



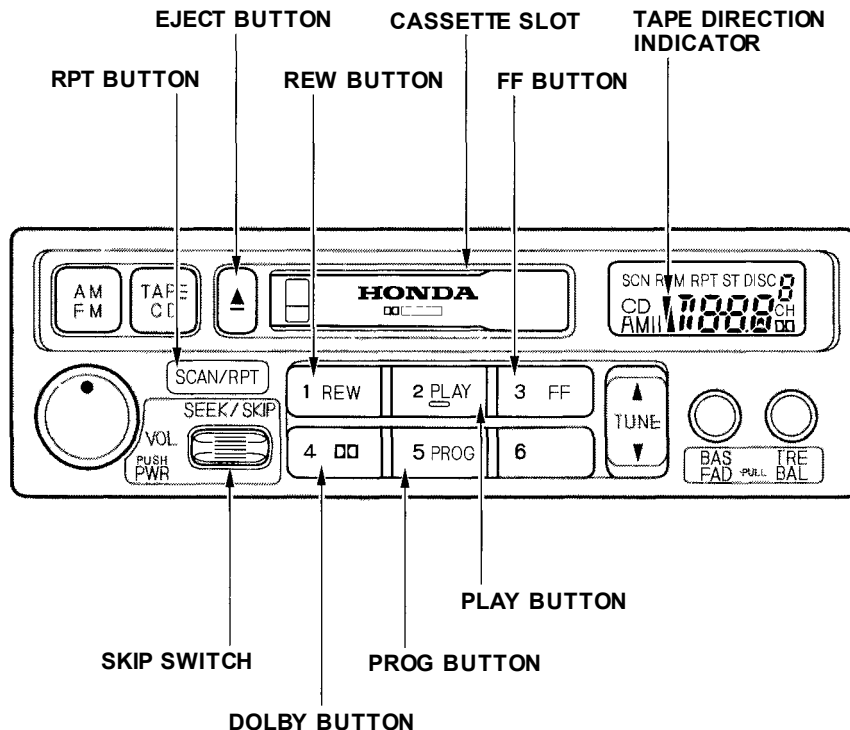
CONTINUED

## Audio System

The SKIP and REPEAT functions use silent periods on the tape to find the end of a song or passage. These features may not work to your satisfaction if there is almost no gap between selections, a high noise level between selections, or a silent period in the middle of a selection.

### Caring for Cassettes

Damaged cassettes can jam inside the drive or cause other problems. See page 136 for information on cassette care and protection.

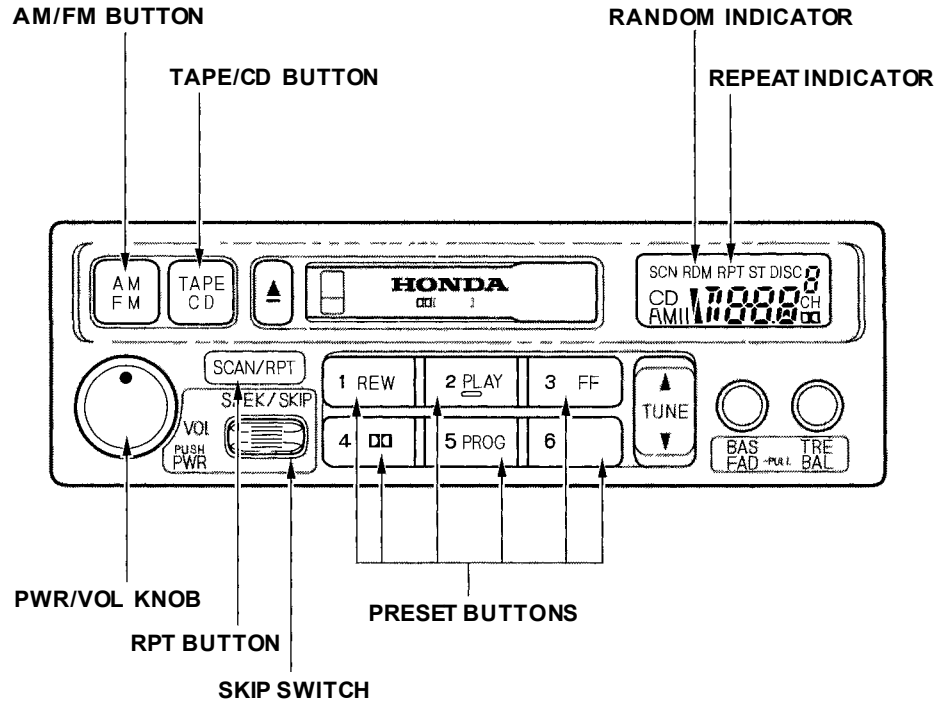


## Operating the Optional CD Player/Changer

A Compact Disc changer is available from your dealer. It holds up to six discs, providing several hours of continuous entertainment. You operate the CD changer with the same controls used for the radio and cassette player.

Your dealer also has an accessory in-dash single CD player available that is operated by the radio controls. To operate this unit, use the instructions (except for those relating to multiple discs) in this section.

Using the instructions that came with the changer, load the desired CDs in the magazine, and load the magazine in the changer. Play only standard round discs. Odd-shaped CDs may jam in the drive or cause other problems.



CONTINUED

## Audio System

---

To operate the CD changer or player, the ignition must be in ACCESSORY (I) or ON (II) and the audio system must be on.

Press the CD button until "CD" appears in the display. The system will start to play the first track of the first disc in the magazine. Play only standard round discs.

When that disc ends, the next disc in the magazine is loaded and played. After the last disc finishes, the system returns to disc 1.

To select a different disc, press the appropriate preset button (1 — 6). If you select an empty slot in the magazine, the changer will, after finding that slot empty, try to load the CD in the next slot. This continues until it finds a CD to load and play.

You can use the SKIP switch to select tracks within a disc. If you push and release the SKIP switch, the system will move to the beginning of a track. Push the switch up to move to the beginning of the next track, and push the switch down to move to the beginning of the current track.

If you push and hold the SKIP switch, you will hear a beep and the system will continue to move across tracks. Release the switch when you think it has reached the desired place on the disc.

**REPEAT** — When you activate the Repeat feature by pressing the RPT button, the system continuously replays the current track. You will see RPT in the display as a reminder. Press the RPT button again to turn it off.

**RANDOM PLAY** — This feature, when activated, plays the tracks on a CD in random order, rather than in the order they are recorded on the CD. To activate Random Play, press and hold the RPT button until you see RDM in the display. The system will then select and play tracks randomly on the current disc. When all tracks on that disc have been played, the next disc is loaded and played randomly. This continues until you deactivate Random Play by pressing RPT again.



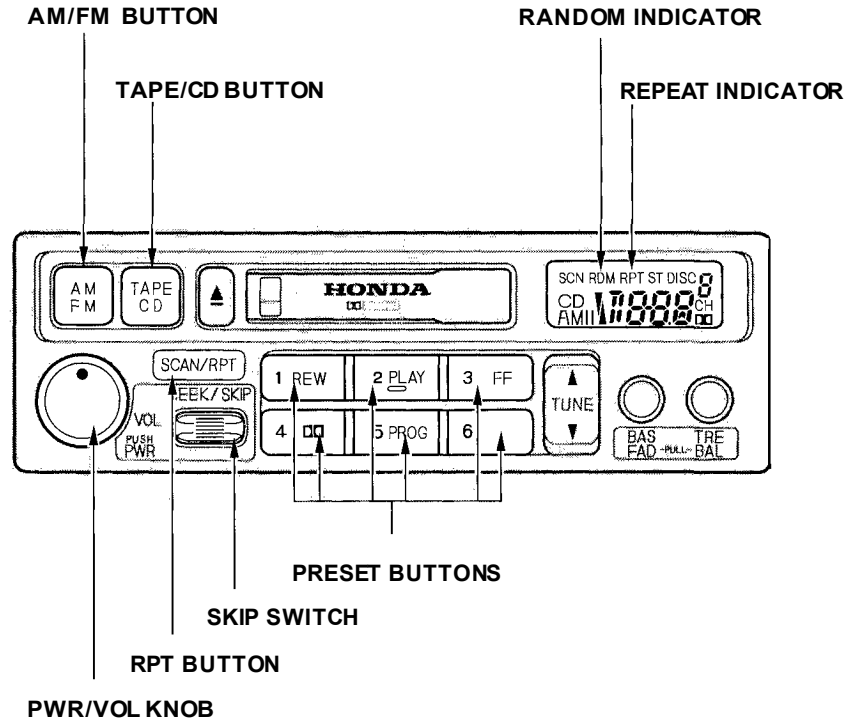
If the system is in Repeat mode, you must turn it off by pressing RPT before you can select Random Play. Then press the button again until you see RDM displayed.

To take the system out of CD mode, press the AM/FM button or insert a cassette in the player. If a tape is already in the cassette player, press the TAPE button. When you return to CD mode, play will continue at the same disc and track.

If you turn the system off while a CD is playing, either with the PWR/VOL knob or the ignition switch, play will continue at the same disc and track when you turn it back on.

## Protecting Compact Discs

For information on how to handle and protect compact discs, see page [130](#).



## Audio System

### CD Changer Error Indications

If you see an error indication in the display while operating the CD changer, find the cause in the chart to the right. If you cannot clear the error indication, take the vehicle to your Honda dealer.

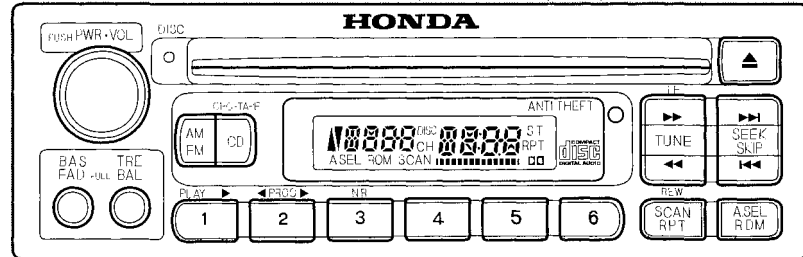
| Indication | Cause   | Solution  |
|------------|---|---|
| E01        | Disc-changer malfunction.                     | If the code disappears within a few seconds, unit is OK.<br>Press the magazine eject button and pull out the magazine, check for error indication. Insert the magazine again. If the code does not disappear or the magazine cannot be pulled out, consult your Honda dealer. |
|            | CD magazine ejection impossible.              | Press the magazine eject button. If the magazine does not eject, consult your Honda dealer.   |
| E02        | Disc is in changer mechanism.                 | Press the magazine eject button, and insert an empty magazine.  |
| --H        | High temperature.                             | Will disappear when the temperature returns to normal.  |
| EEE        | Misconnection or disconnection of CD changer. | See your Honda dealer.  |
| ---        | No CD magazine in the CD changer.             | Insert CD magazine.   |
| 000        | No CD in magazine.                            | Insert a CD in the magazine.  |

## AM/FM/CD Audio System

*On EX model*

Your Honda's audio system provides clear reception on both AM and FM bands, while the preset buttons allow you to easily select your favorite stations.

The anti-theft feature will disable the system if it is disconnected from the vehicle's battery. To get the system working again, you must enter a code number (see page [137](#)).



## Audio System



---



### Operating the Radio

The ignition switch must be in ACCESSORY (I) or ON (II) to operate the audio system. Turn the system on by pushing the PWR/VOL knob. Adjust the volume by turning the same knob.

The band and frequency that the radio was last tuned to is displayed. To change bands, press the AM/FM button. On the FM band, ST will be displayed if the station is broadcasting in stereo. Stereo reproduction on AM is not available.

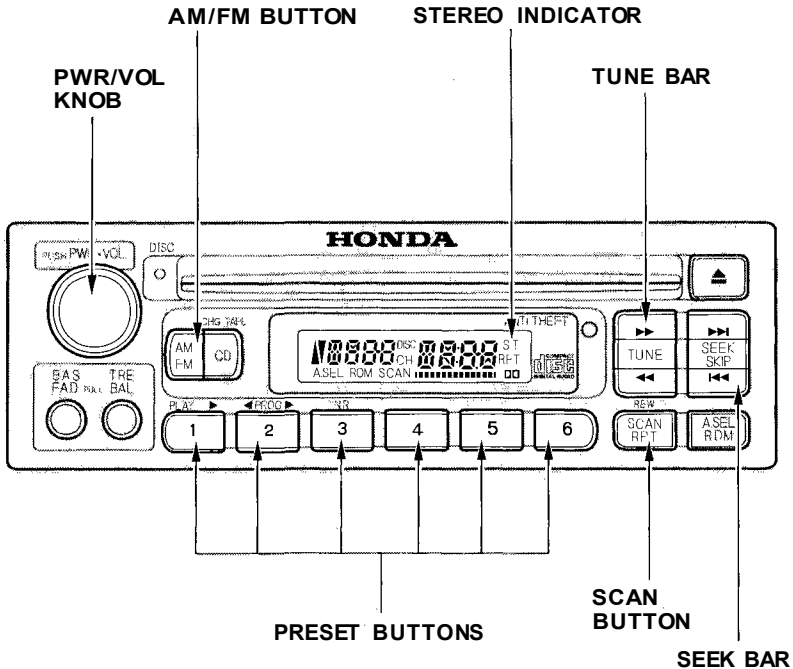
You can use any of four methods to find radio stations on the selected band: TUNE, SEEK, SCAN or the Preset buttons.

**TUNE** — Use the TUNE bar to tune the radio to a desired frequency. Press the  side of the bar to tune to a higher frequency, and the  side to tune to a lower frequency. The frequency numbers will start to change rapidly. Release the bar when the display reaches the desired frequency. To change the frequency in small increments, press and release the TUNE bar quickly.

**SEEK** — The SEEK function searches the band for a station with a strong signal. To activate it, press the SEEK bar on either the  or  side, then release it. Depending on which side you press, the system scans upward or downward from the current frequency. It stops when it finds a station with a strong signal.

**SCAN** — The SCAN function samples all the stations with strong signals on the selected band. To activate it, press the SCAN button, then release it. When the system is in the SCAN mode, SCAN shows in the display. The system will scan up the band for a station with a strong signal. When it finds one, it will stop and play that station for approximately five seconds. If you do nothing, the system will then scan for the next strong station and play that for five seconds. When it plays a station that you want to continue listening to, press the SCAN button again.

**Preset** — You can store the frequencies of your favorite radio stations in the six preset buttons. Each button will store one frequency on the AM band, and two frequencies on the FM band.



CONTINUED

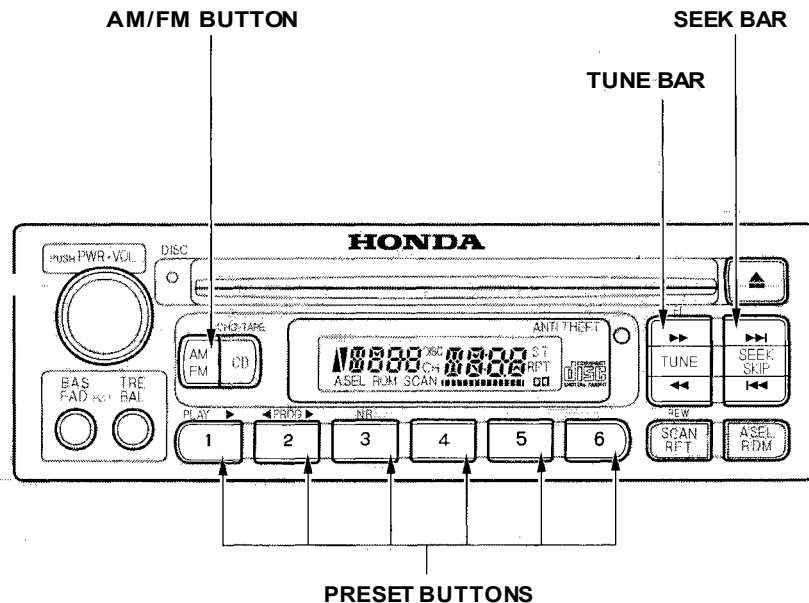
# Audio System

To store a frequency:

1. Select the desired band, AM or FM. FM1 and FM2 let you store two frequencies with each Preset button.
2. Use the TUNE or SEEK function to tune the radio to a desired station.
3. Pick the Preset button you want for that station. Press the button and hold it until you hear a beep.
4. Repeat steps 1 to 3 to store a total of six stations on AM and twelve on FM.

Once a station's frequency is stored, simply press and release the proper Preset button to tune to it.

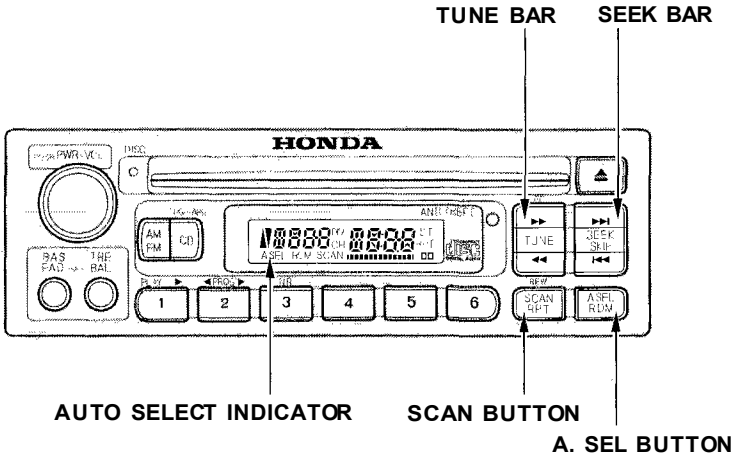
The preset frequencies will be lost if your vehicle's battery goes dead, is disconnected, or the radio fuse is removed.



**AUTO SELECT** — If you are traveling far from home and can no longer receive the stations you preset, you can use the Auto Select feature to find stations in the local area.

To activate Auto Select, press the A. SEL button. A. SEL will flash in the display, and the system will go into scan mode for several seconds. It automatically scans both bands, looking for stations with strong signals. It stores the frequencies of six AM stations and twelve FM stations in the preset buttons. You can then use the preset buttons to select those stations.

If you are in a remote area, Auto Select may not find six strong AM stations or twelve strong FM stations. If this happens, you will see a "0" displayed when you press any preset button that does not have a station stored.



If you do not like the stations Auto Select has stored, you can store other frequencies in the preset buttons. Use the TUNE, SEEK, or SCAN function to find the desired frequencies, then store them in the selected preset buttons as described previously.

Auto Select does not erase the frequencies that you preset previously. When you return home, turn off Auto Select by pressing the A. SEL button. The preset buttons will then select the frequencies you originally set.

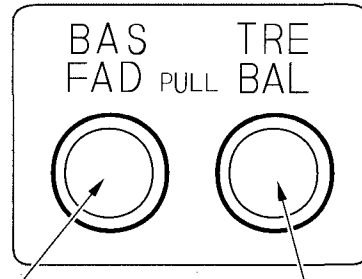
# Audio System

## Adjusting the Sound

**Balance/Fader** — These two controls adjust the strength of the sound coming from each speaker. The Balance control adjusts the side-to-side strength, while the Fader control adjusts the front-to-back strength.

To adjust the fader, push on the BASS/FADER control knob to get it to pop out. Pull it out slightly farther, and adjust the front-to-back sound to your liking. Push the knob back in when you are done so you cannot change the setting by accidentally bumping it.

To adjust the balance, push on the TREBLE/BALANCE control knob to get it to pop out. Pull it out slightly farther, and adjust the side-to-side sound to your liking. Push the knob back in when you are done so you cannot change the setting by accidentally bumping it.



**BASS/FADER  
CONTROL**

**TREBLE/BALANCE  
CONTROL**

**Treble/Bass** — Use these controls to adjust the tone to your liking.

To adjust the Treble level, push on the TREBLE/BALANCE control knob to get it to pop out. Without pulling it out farther, turn the knob to adjust the treble level. Push the knob back in when you are done so you cannot change the setting by accidentally bumping it.

To adjust the Bass level, push on the BASS/FADER control knob to get it to pop out. Without pulling it out farther, turn the knob to adjust the bass level. Push the knob back in when you are done so you cannot change the setting by accidentally bumping it.



## Audio System Lighting

You can use the instrument panel brightness control knob to adjust the illumination of the audio system (see page 61). The audio system illuminates when the parking lights are on, even if the radio is turned off.

## Radio Frequencies

Your Honda's radio can receive the complete AM and FM bands. Those bands cover these frequencies:

AM band:

530 to 1,710 kilohertz

FM band:

87.7 to 107.9 megahertz

Radio stations on the AM band are assigned frequencies at least ten kilohertz apart (530, 540, 550). Stations on the FM band are assigned frequencies at least 0.2 megahertz apart (87.9, 88.1, 88.3).

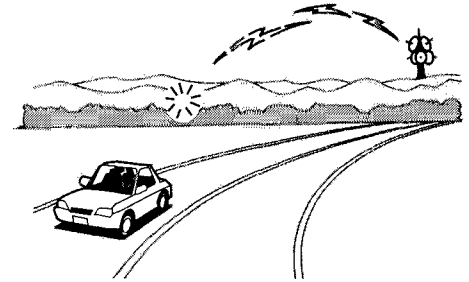
Stations must use these exact frequencies. It is fairly common for stations to round-off the frequency in their advertising, so your radio could display a frequency of 100.9 even though the announcer may identify the station as "FM101."

## Radio Reception

How well your Honda's radio receives stations is dependent on many factors, such as the distance from the station's transmitter, nearby large objects, and atmospheric conditions.

A radio station's signal gets weaker as you get farther away from its transmitter. If you are listening to an AM station, you will notice the sound volume becoming weaker, and the station drifting in and out. If you are listening to an FM station, you will see the stereo indicator flickering off and on as the signal weakens. Eventually, the stereo indicator will

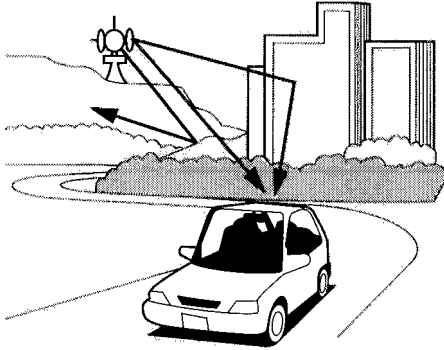
go off and the sound will fade completely as you get out of range of the station's signal.



Driving very near the transmitter of a station that is broadcasting on a frequency close to the frequency of the station you are listening to can also affect your radio's reception. You may temporarily hear both stations, or hear only the station you are close to.

*CONTINUED*

## Audio System



Radio signals, especially on the FM band, are deflected by large objects such as buildings and hills. Your radio then receives both the direct signal from the station's transmitter, and the deflected signal. This causes the sound to distort or flutter. This is a main cause of poor radio reception in city driving.



Radio reception can be affected by atmospheric conditions such as thunderstorms, high humidity, and even sunspots. You may be able to receive a distant radio station one day and not receive it the next day because of a change in conditions.

Electrical interference from passing vehicles and stationary sources can cause temporary reception problems.

*As required by the FCC:  
Changes or modifications not expressly  
approved by the party responsible for  
compliance could void the user's  
authority to operate the equipment.*

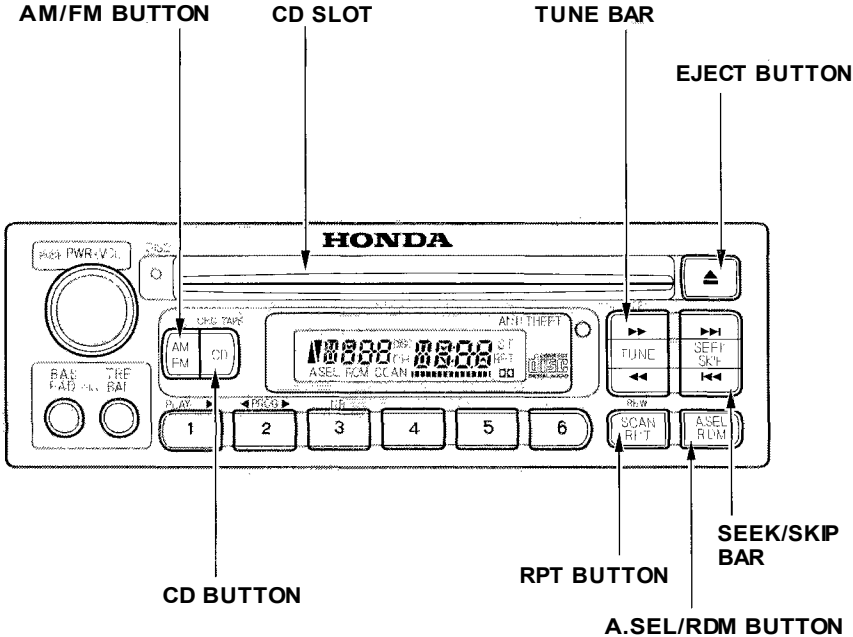
**Operating the CD Player**

You operate the CD player with the same controls used for the radio.

With the ignition switch in ACCESSORY (I) or ON (II), insert the disc into the CD slot. Push the disc in halfway, the drive will pull it in the rest of the way and begin to play. The number of the track that is playing is shown in the display.

You can also play 3-inch (8-cm) discs without using an adapter ring. In all cases, play only standard round discs. Odd-shaped CDs may jam in the drive or cause other problems.

When the system reaches the end of the disc, it will return to the beginning and play that disc again.



CONTINUED

## Audio System

---



You can switch to the radio while a CD is playing by pressing the A M/ FM button. Press the CD button to return to playing the CD. The CD will begin playing where it left off.



If you turn the system off while a CD is playing, either with the PWR/VOL knob or by turning off the ignition, the disc will stay in the drive. When you turn the system back on, the CD will begin playing where it left off.

Press the eject button to remove the disc from the drive.

If you eject the disc, but do not remove it from the slot, the system will automatically reload the disc after 15 seconds and put the CD player in pause mode. To begin playing the disc, press the CD button.

You can use the TUNE and SEEK/ SKIP bars while a disc is playing to select passages and change tracks.

To move rapidly within a track, press and hold the TUNE bar. Press the  side to move forward. You will see CUE in the display. Press the  side to move backward. You will see REW displayed. Release the bar when the system reaches the point you want.

Each time you press and release the  side of the SEEK/SKIP bar, the system skips forward to the beginning of the next track. Press the  side to skip backward to the beginning of the current track. Press it again to skip to the beginning of the previous track.

**REPEAT** — To activate the Repeat feature, press and release the RPT button. You will see RPT in the display. The system continuously replays the current track. Press the RPT button again to turn it off.

**RANDOM PLAY** — This feature, when activated, plays the tracks on the CD in random order, rather than in the order they are recorded on the CD. To activate Random Play, press and release the A. SEL/RDM button. You will see RDM in the display. The system will then select and play tracks randomly. This continues until you deactivate Random Play by pressing A. SEL/RDM again.

If the system is in Repeat mode, you must turn it off by pressing the RPT button before selecting Random Play.

### Operating the CD Changer (Optional)

A Compact Disc changer is available for your vehicle. It holds up to six discs, providing several hours of continuous entertainment. You operate this CD changer with the same controls used for the in-dash CD player.

Load the desired CDs in the magazine and load the magazine in the changer according to the instructions that came with the unit. Play only standard round discs. Odd-shaped CDs may jam in the drive or cause other problems.

To select the CD changer, press the CD button. The disc and track numbers will be displayed.

To select a different disc, press the appropriate preset button (1 — 6). If you select an empty slot in the magazine, the changer will, after finding that slot empty, try to load the CD in the next slot. This continues until it finds a CD to load and play.

If you load a CD in the in-dash player while the changer is playing a CD, the system will stop the changer and begin playing the in-dash CD. To select the changer again, press the CD button. Play will begin where it left off. Use the CD button to switch between the player and the changer.

If you eject the in-dash CD while it is playing, the system will automatically switch to the CD changer and begin play where it left off. If there are no CDs in the changer, the display will flash. You will have to select another mode (AM or FM) with the button.

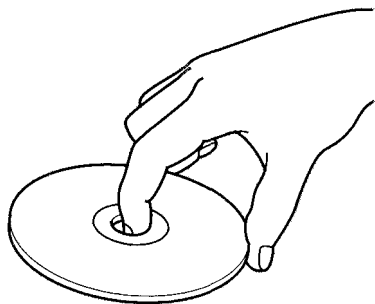
When you switch back to CD mode, the system selects the same unit (in-dash or changer) that was playing when you switched out of CD mode.

To use the SKIP, REPEAT, and RANDOM functions, refer to the in-dash player operating instructions.

# Audio System

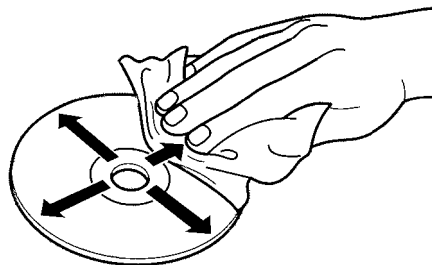
---

## Protecting Compact Discs

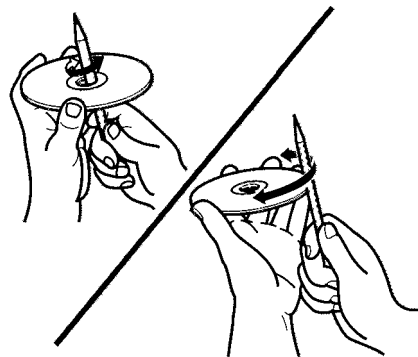


Handle a CD by its edges; never touch either surface. Contamination from fingerprints, liquids, felt-tip pens, and labels can cause the CD to not play properly, or possibly jam in the drive.

When a CD is not being played, store it in its case to protect it from dust and other contamination. To prevent warpage, keep CDs out of direct sunlight and extreme heat.



To clean a disc, use a clean soft cloth. Wipe across the disc from the center to the outside edge.



A new CD may be rough on the inner and outer edges. The small plastic pieces causing this roughness can flake off and fall on the recording surface of the disc, causing skipping or other problems. Remove these pieces by rubbing the inner and outer edges with the side of a pencil or pen.

Never try to insert foreign objects in the CD player or the magazine.

## CD Player Error Indications

If you see an error indication in the display while operating the CD player, find the cause in the chart to the right. If you cannot clear the error indication, take the vehicle to your Honda dealer.

| Indication | Cause                            | Solution   |
|------------|----------------------------------|--|
| CD E-00    | System Error<br>FOCUS Error      | Press the EJECT button and pull out the disc.<br>Check if the disc is inserted correctly in CD player.<br>Make sure the disc is not scratched or damaged.  |
| CD E-01    | Mechanical Error                 | Press the EJECT button and pull out the disc.<br>Check the disc for damage or deformation.<br>If the CD cannot be pulled out or the error indication does not disappear after the disc is ejected, see your Honda dealer.<br>Do not try to force the disc out of the player. |
| CD E-02    | Communication Error<br>LSI Error | Consult your Honda dealer.   |

## Audio System

### CD Changer Error Indications

If you see an error indication in the display while operating the CD changer, find the cause in the chart to the right. If you cannot clear the error indication, take the vehicle to your Honda dealer.


| Indication | Cause                             | Solution  |
|------------|-----------------------------------|---|
| CD 0 E-00  | System Error<br>FOCUS Error       | Press the magazine eject button and pull out the magazine, check for error indication. Insert the magazine again. If the code does not disappear or the magazine cannot be pulled out, consult your Honda dealer. |
| CD 0 E-01  | Mechanical Error                  | Press the magazine eject button and pull out the magazine, check for error indication. Insert the magazine again. If the code does not disappear or the magazine cannot be pulled out, consult your Honda dealer. |
| CD 0 E-02  | Communication Error<br>LSI Error  | See your Honda dealer.  |
| CD 0 ---H  | High temperature.                 | Will disappear when the temperature returns to normal.  |
| CD 0 ----- | No CD magazine in the CD changer. | Insert CD magazine.   |
|            | No CD in the CD magazine.         | Insert CD.  |

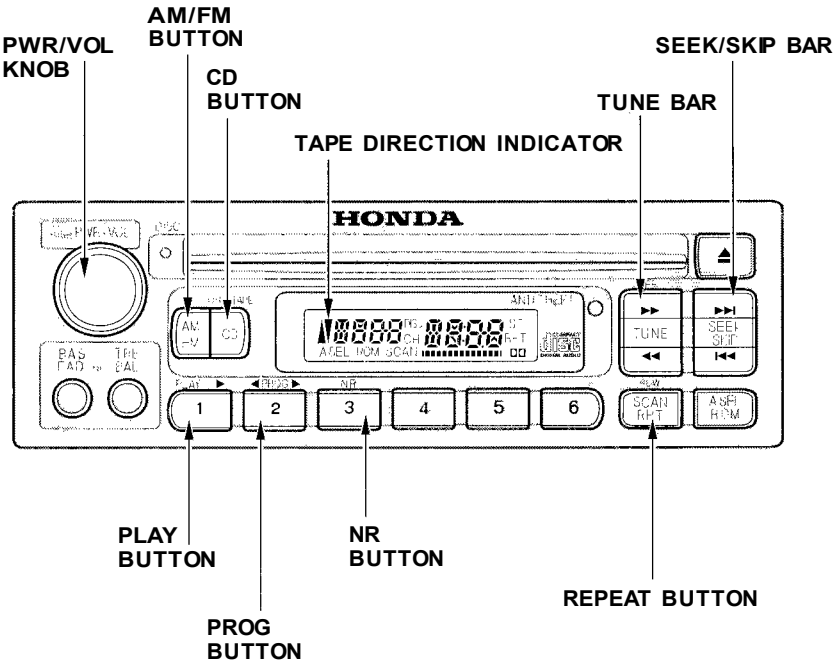


**Operating the Cassette Player (Optional)**

The cassette system features Dolby B\* noise reduction, automatic sensing of chromium-dioxide (CrO<sub>2</sub>) tape, and autoreverse for continuous play.

Make sure the tape opening on the cassette is facing to the right, then insert the cassette most of the way into the slot. The system will pull it in the rest of the way, and begin to play.

\* Dolby noise reduction manufactured under license from Dolby Laboratories Licensing Corporation. "DOLBY" and the double-D symbol  are trademarks of Dolby Laboratories Licensing Corporation.



CONTINUED

## Audio System

---

The tape direction indicator will light to show you which side of the cassette is playing. The ▲ indicates the side you inserted facing upward is now playing. If you want to play the other side, press the PROG button.

Dolby noise reduction turns on when you insert a cassette. If the tape was not recorded with Dolby noise reduction, turn it off by pressing the NR button.

Dolby remains off until you turn it on by pressing the button again.

When the system reaches the end of the tape, it will automatically reverse direction and play the other side. If you want to remove the cassette from the drive, press the EJECT button on the cassette player.

If you turn the system off while a tape is playing, either with the PWR/VOL knob or by turning off the ignition, the cassette will remain in the drive. When you turn the system back on, the cassette player will be in pause mode. To begin playing, press the PLAY button.

To switch to the radio or CD player while a tape is playing, press the AM/FM, or CD button. To change back to the cassette player, push the CD button.

### Tape Search Functions

With a cassette playing, you can use the FF, REW, SKIP, or REPEAT function to find a desired program.

**FF/REW** — Fast Forward and Rewind move the tape rapidly. Press and release the ►► side of the TUNE bar to fast forward the tape, or the ◀◀ side to rewind. You will see FF or REW flashing in the display. To stop fast forward or rewind, press either side of the TUNE bar or the PLAY button. If the system reaches the end of the tape while in fast forward or rewind, it automatically stops that function, reverses direction, and begins to play.

**SKIP** — The Skip function allows you to find the beginning of a song or passage. To activate SKIP, press the SEEK/SKIP bar. Press the **▶▶** side to advance to the beginning of the next song or passage, or the **◀◀** side to return to the beginning of the current song or passage. FF or REW will flash in the display as the tape moves. When the system reaches the beginning of the next song or passage (FF), or the beginning of the current one (REW), it goes back to PLAY mode.

**REPEAT** — The Repeat function continuously replays the current song or passage. Press the RPT button to activate it; you will see RPT displayed as a reminder. When the system reaches the end of the song or passage currently playing, it will automatically go into rewind. When it senses the beginning of the same song or passage, the system returns to PLAY mode. It will continue to repeat this same program until you deactivate REPEAT by pressing the button again.

The SKIP and REPEAT functions use silent periods on the tape to find the end of a song or passage. These features may not work to your satisfaction if there is almost no gap between selections, a high noise level between selections, or a silent period in the middle of a selection.

## Audio System

---

### Caring for the Cassette Player

The cassette player picks up dirt and oxides from the tape. This contamination builds up over time and causes the sound quality to degrade. To prevent this, you should clean the player after every 30 hours of use. Your dealer has a cleaning kit available.

If you do not clean the cassette player regularly, it may eventually become impossible to remove the contamination with a normal cleaning kit.

Use 100-minute or shorter cassettes. Cassettes longer than that use thinner tape that may break or jam the drive.

Look at the cassette before you insert it. If the tape is loose, tighten it by turning a hub with a pencil or your finger.

If the label is peeling off, remove it from the cassette or it could cause the cassette to jam in the player. Never try to insert a warped or damaged cassette in the player.

When they are not in use, store cassettes in their cases to protect them from dust and moisture. Never place cassettes where they will be exposed to direct sunlight, high heat, or high humidity. If a cassette is exposed to extreme heat or cold, let it reach a moderate temperature before inserting it in the player.

Never try to insert foreign objects into the cassette player.

If you see the error indication “*TAPER*” (LX model)/“*TAPE Err*” (EX model) on the display, press the EJECT button and remove the cassette from the unit. Make sure the tape is not damaged. If the cassette will not eject or the error indication stays on after the cassette ejects, take the vehicle to your Honda dealer.

#### *On LX model*

If a problem develops in the connection between the cassette player and the radio, you will see “*TERR*” in the display. Take the vehicle to your Honda dealer.

### Theft Protection

*On EX and SE models*

Your vehicle's audio system will disable itself if it is disconnected from electrical power for any reason. To make it work again, the user must enter a specific five-digit code in the Preset buttons. Because there are hundreds of number combinations possible from five digits, making the system work without knowing the exact code is nearly impossible.

You should have received a card that lists your audio system's code number and serial number. It is best to store this card in a safe place at home. In addition, you should write the audio system's serial number in this Owner's Manual. If you should happen to lose the card, you must obtain the code number from your Honda dealer. To do this, you will need the system's serial number.

If your vehicle's battery is disconnected or goes dead, or the radio fuse is removed, the audio system will disable itself. If this happens, you will see “ [0000] ” in the frequency display the next time you turn on the system. Use the Preset buttons to enter the five-digit code. If it is entered correctly, the radio will start playing.

If you make a mistake entering the code, do not start over or try to correct your mistake. Complete the five-digit sequence, then enter the correct code. You have ten tries to enter the correct code. If you are unsuccessful in ten attempts, you must then leave the system on for one hour before trying again.

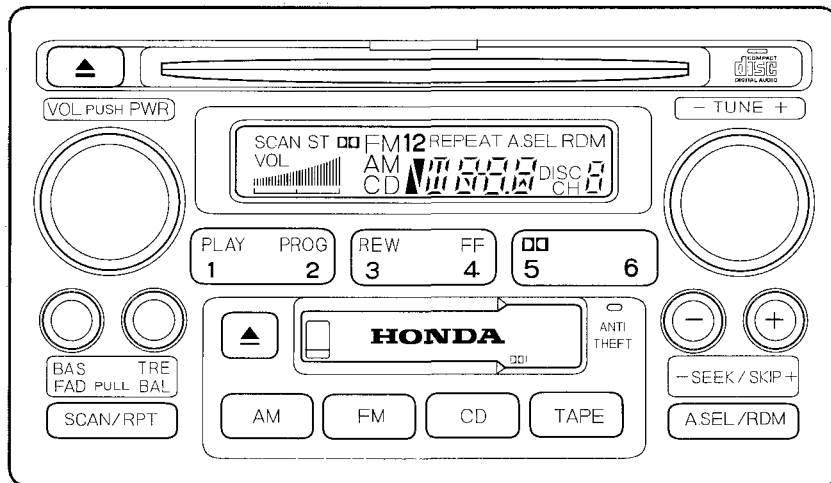
You will have to store your favorite stations in the Preset buttons after the system begins working. Your original settings were lost when power was disconnected.

# Audio System

## AM/FM/Cassette/CD Stereo Audio System

*On SE model*

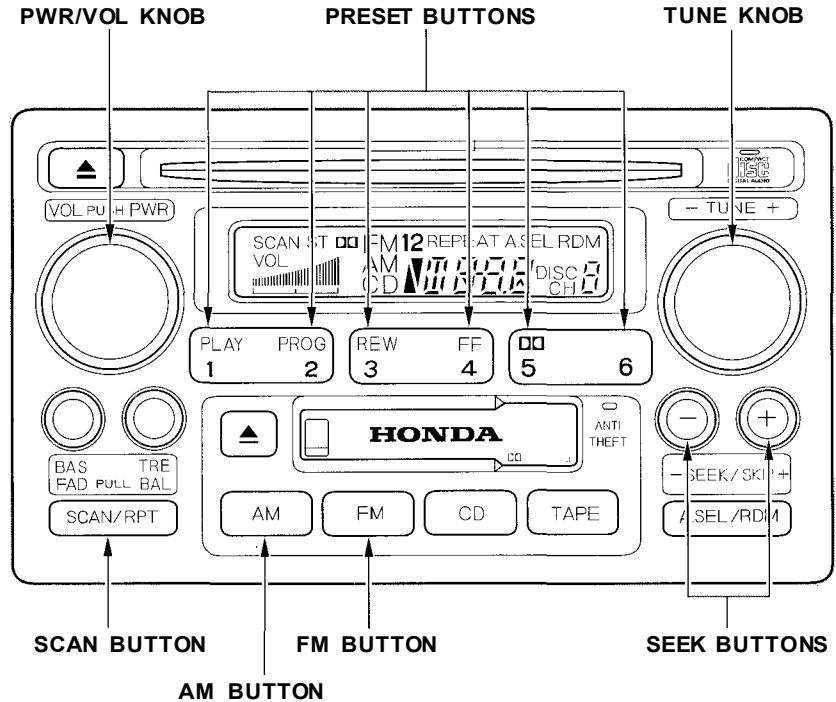
Your Honda's audio system provides clear reception on both AM and FM bands, while the preset buttons allow you to easily select your favorite stations.



## Operating the Radio

The ignition switch must be in ACCESSORY (I) or ON (II) to operate the audio system. Turn the system on by pushing the PWR/VOL knob. Adjust the volume by turning the same knob.

The band and frequency that the radio was last tuned to is displayed. To change bands, press the AM or FM button. On the FM band, ST will be displayed if the station is broadcasting in stereo. Stereo reproduction on AM is not available.



CONTINUED

## Audio System

---

You can use any of four methods to find radio stations on the selected band: TUNE, SEEK, SCAN or the Preset buttons.

**TUNE** — Use the TUNE knob to tune the radio to a desired frequency. Turn the knob clockwise to tune to a higher frequency, or counterclockwise to tune to a lower frequency.

**SEEK** — The SEEK function searches the band for a station with a strong signal. To activate it, press either SEEK button (⊖ or ⊕), then release it. Depending on which SEEK button you press, the system scans upward or downward from the current frequency. It stops when it finds a station with a strong signal.

**SCAN** — The SCAN function samples all the stations with strong signals on the selected band. To activate it, press the SCAN button, then release it. The system will scan up the band for a station with a strong signal. When it finds one, it will stop and play that station for approximately five seconds. If you do nothing, the system will then scan for the next strong station and play that for five seconds. When it plays a station that you want to continue listening to, press the SCAN button again.

**Preset** — You can store the frequencies of your favorite radio stations in the six preset buttons. Each button will store one frequency on the AM band, and two frequencies on the FM band.

To store a frequency:

1. Select the desired band, AM or FM. FM1 and FM2 let you store two frequencies with each Preset button.
2. Use the TUNE or SEEK function to tune the radio to a desired station.
3. Pick the Preset button you want for that station. Press the button and hold it until you hear a beep.
4. Repeat steps 1 to 3 to store a total of six stations on AM and twelve on FM.

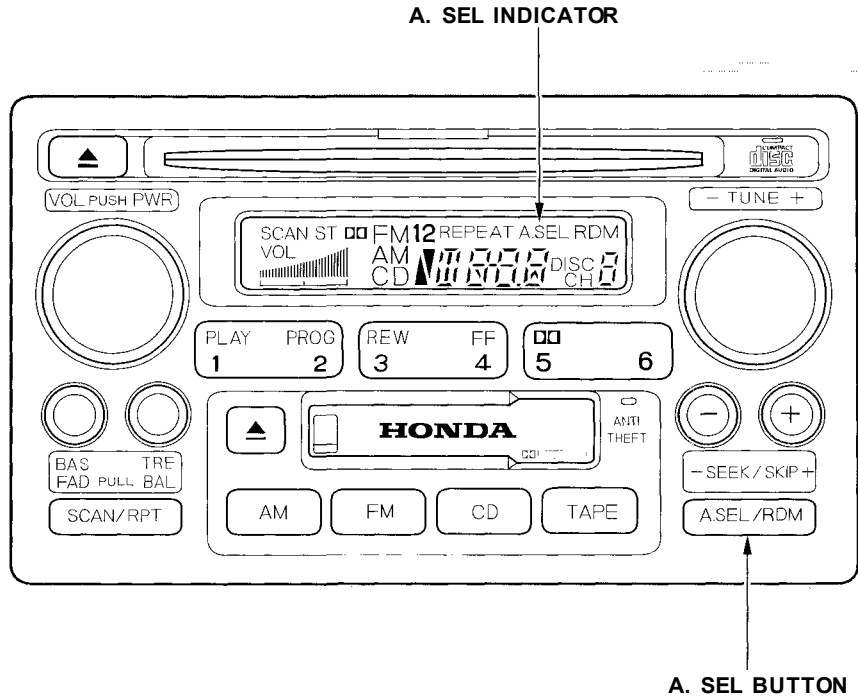
Once a station's frequency is stored, simply press and release the proper preset button to tune to it. The preset frequencies will be lost if your vehicle's battery goes dead, is disconnected, or the radio fuse is removed.



**AUTO SELECT** — If you are traveling far from home and can no longer receive the stations you preset, you can use the Auto Select feature to find stations in the local area.

To activate Auto Select, press the A. SEL button. A. SEL will flash in the display, and the system will go into scan mode for several seconds. It automatically scans both bands, looking for stations with strong signals. It stores the frequencies of six AM stations and twelve FM stations in the preset buttons. You can then use the preset buttons to select those stations.

If you are in a remote area, Auto Select may not find six strong AM stations or twelve strong FM stations. If this happens, you will see a "0" displayed when you press any preset button that does not have a station stored.



CONTINUED

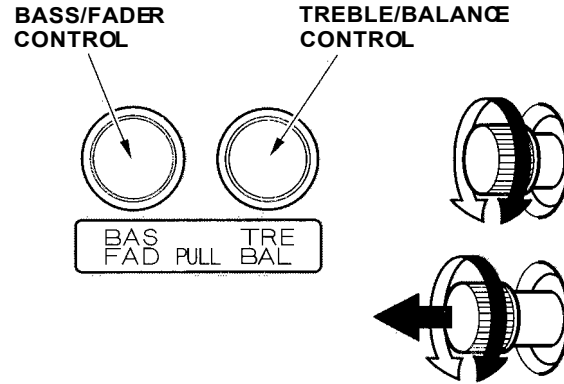


## Adjusting the Sound

**Balance/Fader** — These two controls adjust the strength of the sound coming from each speaker. The Balance control adjusts the side-to-side strength, while the Fader control adjusts the front-to-back strength.

To adjust the fader, push on the BASS/FADER control knob to get it to pop out. Pull it out slightly farther, and adjust the front-to-back sound to your liking. Push the knob back in when you are done so you cannot change the setting by accidentally bumping it.

To adjust the balance, push on the TREBLE/BALANCE control knob to get it to pop out. Pull it out slightly farther, and adjust the side-to-side sound to your liking. Push the knob back in when you are done so you cannot change the setting by accidentally bumping it.



**Treble/Bass** — Use these controls to adjust the tone to your liking.

To adjust the Treble level, push on the TREBLE/BALANCE control knob to get it to pop out. Without pulling it out farther, turn the knob to adjust the treble level. Push the knob back in when you are done so you cannot change the setting by accidentally bumping it.

To adjust the Bass level, push on the BASS/FADER control knob to get it to pop out. Without pulling it out farther, turn the knob to adjust the bass level. Push the knob back in when you are done so you cannot change the setting by accidentally bumping it.

## Audio System

### Operating the CD Player

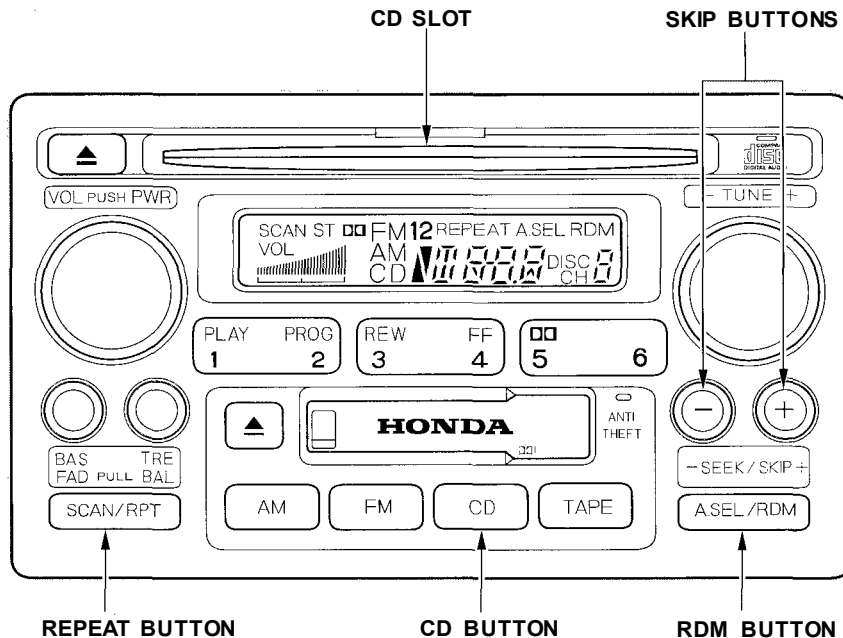
You operate the CD player with the same controls used for the radio.

With the system on, insert the disc into the CD slot. Push the disc in halfway, the drive will pull it in the rest of the way and begin to play. The number of the track that is playing is shown in the display.

You can also play 3-inch (8-cm) discs without using an adapter ring. In all cases, play only standard round discs. Odd-shaped CDs may jam in the drive or cause other problems.

When the system reaches the end of the disc, it will return to the beginning and play that disc again.

You can switch to the radio while a CD is playing by pressing the AM or FM button. Press the CD button to return to playing the CD. The CD will begin playing where it left off.



CONTINUED

If you turn the system off while a CD is playing, either with the PWR/VOL knob or by turning off the ignition, the disc will stay in the drive. When you turn the system back on, the CD will begin playing where it left off.

Press the eject button to remove the disc from the drive.

If you eject the disc, but do not remove it from the slot, the system will automatically reload the disc after 15 seconds and put the CD player in pause mode. To begin playing the disc, press the CD button.

You can use the SKIP buttons while a disc is playing to select passages and change tracks.

To move rapidly within a track, press and hold an appropriate SKIP button. Press the ⊕ button to move forward, or the ⊖ button to move backward. Release the button when the system reaches the point you want.

Each time you press the ⊕ button and release it, the system skips forward to the beginning of the next track. Press and release the ⊖ button to skip backward to the beginning of the current track. Press and release it again to skip to the beginning of the previous track.

**REPEAT** — To activate the Repeat feature, press and release the Repeat button. You will see REPEAT in the display. The system continuously replays the current track. Press the Repeat button again to turn it off.

**RANDOM PLAY** — This feature, when activated, plays the tracks on the CD in random order, rather than in the order they are recorded on the CD. To activate Random Play, press the RDM button. You will see RDM in the display. The system will then select and play tracks randomly. This continues until you deactivate Random Play by pressing the RDM button again.

## Audio System

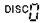
### CD Player Error Indications

If you see an error indication in the display while operating the CD player, find the cause in the chart to the right. If you cannot clear the error indication, take the vehicle to your Honda dealer.

| Indication | Cause  | Solution   |
|------------|--|--|
| CD PE0     | FOCUS/CLV Error<br>Data Read Error<br>Search Error | Press the EJECT button and pull out the disc.<br>Check if the disc is inserted correctly in the CD player.<br>Make sure the disc is not scratched or damaged.  |
| CD PE1     | Mechanical Error                                   | Press the EJECT button and pull out the disc.<br>Check the disc for damage or deformation.<br>If the CD cannot be pulled out or the error indication does not disappear after the disc is ejected, see your Honda dealer.<br>Do not try to force the disc out of the player. |
| CD PE2     | Control Error<br>LSI Error                         | Consult your Honda dealer.   |

## CD Changer Error Indications

If you see an error indication in the display while operating the CD changer, find the cause in the chart to the right. If you cannot clear the error indication, take the vehicle to your Honda dealer.


| Indication   | Cause   | Solution  |
|--|---|---|
| CD E01   | Disc-changer malfunction.                     | Consult your Honda dealer.  |
| CD E02   | Disc is in changer mechanism.                 | Press the magazine eject button, and insert an empty magazine.  |
| CD E03<br>CD E04<br>CD E05   | Disc-changer malfunction.                     | If the code disappears within a few seconds, unit is OK. If it does not, consult your Honda dealer.   |
| CD E06   | Disc-changer malfunction.                     | Press the magazine eject button and pull out the magazine, check for error indication. Insert the magazine again. If the magazine can not be pulled out, consult your Honda dealer. |
| CD E07   | CD magazine ejection impossible.              | Press the magazine eject button. If the magazine does not eject, consult your Honda dealer.   |
| CD ---H  | High temperature.                             | Will disappear when the temperature returns to normal.  |
| CD EEE   | Misconnection or disconnection of CD changer. | See your Honda dealer.  |
| CD ---   | No CD magazine in the CD changer.             | Insert CD magazine.   |
| CD  | No CD in magazine.                            | Insert CD in magazine.  |

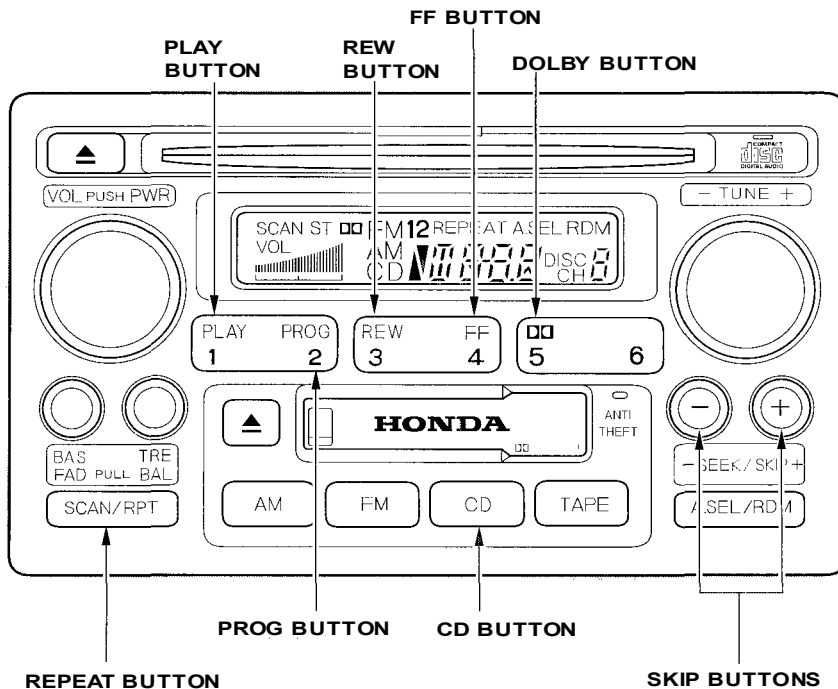
# Audio System

## Operating the Cassette Player

The cassette system features Dolby B\* noise reduction, automatic sensing of chromium-dioxide (CrO<sub>2</sub>) tape, and autoreverse for continuous play.

Make sure the tape opening on the cassette is facing to the right, then insert the cassette most of the way into the slot. The system will pull it in the rest of the way, and begin to play.

\* Dolby noise reduction manufactured under license from Dolby Laboratories Licensing Corporation. "DOLBY" and the double-D symbol  are trademarks of Dolby Laboratories Licensing Corporation.



CONTINUED



The tape direction indicator will light to show you which side of the cassette is playing. The ▲ indicates the side you inserted facing upward is now playing. If you want to play the other side, press the PROG button.

Dolby noise reduction turns on when you insert a cassette. If the tape was not recorded with Dolby noise reduction, turn it off by pressing the NR button.

When the system reaches the end of the tape, it will automatically reverse direction and play the other side. If you want to remove the cassette from the drive, press the EJECT button.

If you turn the system off while a tape is playing, either with the PWR/VOL knob or by turning off the ignition, the cassette will remain in the drive. When you turn the system back on, the tape will begin playing where it left off.

To switch to the radio or CD player while a tape is playing, press the AM, FM or CD button. To change back to the cassette player, push the TAPE button.

## Tape Search Functions

With a cassette playing, you can use the FF, REW, SKIP, or REPEAT function to find a desired program.

**FF/REW** — Fast Forward and Rewind move the tape rapidly. To rewind the tape, push the REW button. You will see REW in the display. To fast forward the tape, push the FF button. You will see FF displayed. Press the PLAY button to take the system out of rewind or fast forward. If the system reaches the end of the tape while in fast forward or rewind, it automatically stops that function, reverses direction, and begins to play.

*CONTINUED*

## Audio System

---

**SKIP** — The SKIP function allows you to find the beginning of a song or passage. To skip to the beginning of a song or passage currently playing, push the  $\ominus$  button. You will see REW flashing in the display as the tape rewinds. To skip to the beginning of the next song, push the  $\oplus$  button. You will see FF flashing in the display as the tape fast forwards. When the system finds the beginning of a song or passage, it goes back to PLAY.

**REPEAT** — The Repeat function continuously replays the current song or passage. Press the REPEAT button to activate it; you will see REPEAT displayed as a reminder. When the system reaches the end of the song or passage currently playing, it will automatically go into rewind. When it senses the beginning of the same song or passage, the system returns to PLAY mode. It will continue to repeat this same program until you deactivate REPEAT by pressing the button again.

The SKIP and REPEAT functions use silent periods on the tape to find the end of a song or passage. These features may not work to your satisfaction if there is almost no gap between selections, a high noise level between selections, or a silent period in the middle of a selection.

Before you begin driving your Honda, you should know what gasoline to use, and how to check the levels of important fluids. You also need to know how to properly store luggage or packages. The information in this section will help you. If you plan to add any accessories to your vehicle, please read the information in this section first.

- Break-in Period..... 152
- Gasoline..... 152
- Service Station Procedures ..... 153
  - Filling the Fuel Tank..... 153
  - Opening the Hood..... 154
  - Oil Check..... 155
  - Engine Coolant Check..... 156
- Fuel Economy..... 157
  - Vehicle Condition..... 157
  - Driving Habits..... 157
- Accessories and Modifications... 158
- Carrying Cargo..... 160

## Break-in Period, Gasoline

---

### Break-in Period

Help assure your vehicle's future reliability and performance by paying extra attention to how you drive during the first 600 miles (1,000 km). During this period:

- Avoid full-throttle starts and rapid acceleration
- Avoid hard braking. New brakes need to be broken-in by moderate use for the first 200 miles (300 km).

Do not change the oil until the recommended time or mileage interval shown in the maintenance schedule.

You should follow these same recommendations with an overhauled or exchanged engine, or when the brakes are relined.

### Gasoline

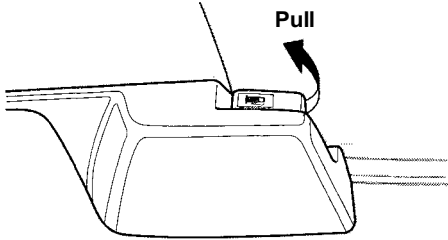
Your Honda is designed to operate on unleaded gasoline with a pump octane number of 86 or higher. Use of a lower octane gasoline can cause a persistent, heavy metallic rapping noise in the engine that can lead to mechanical damage.

We recommend gasolines containing detergent additives that help prevent fuel system and engine deposits.

Using gasoline containing lead will damage your vehicle's emissions controls. This contributes to air pollution.

In Canada, some gasolines contain an octane-enhancing additive called MMT. If you use such gasolines, your emission control system performance may deteriorate and the Malfunction Indicator Lamp on your instrument panel may turn on. If this happens, contact your authorized Honda dealer for service.

### Filling the Fuel Tank

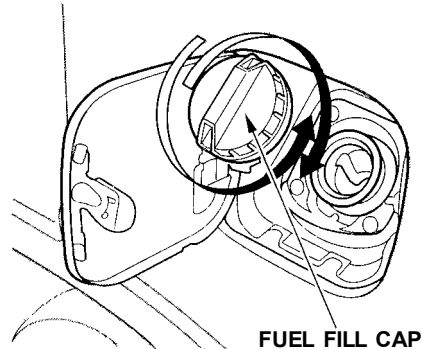


1. Because the fuel fill cap is on the driver's side of the vehicle, park with that side closest to the service station pumps.
2. Open the fuel fill door by pulling on the handle at the outside of the driver's seat.

### **⚠ WARNING**

Gasoline is highly flammable and explosive. You can be burned or seriously injured when handling fuel.

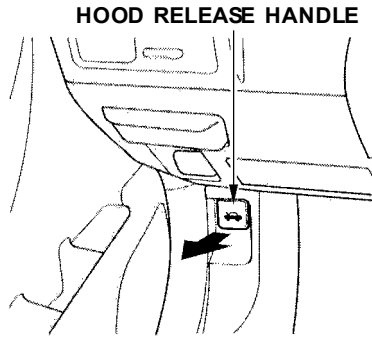
- Stop the engine and keep heat, sparks, and flame away.
- Handle fuel only outdoors.
- Wipe up spills immediately.



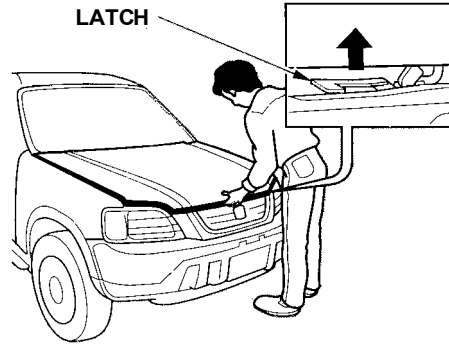
3. Remove the fuel fill cap slowly. You may hear a hissing sound as pressure inside the tank escapes.
4. Stop filling the tank after the fuel nozzle automatically clicks off. Do not try to "top off" the tank, leave some room for the fuel to expand with temperature changes.
5. Screw the fuel fill cap back on, tighten it until it clicks several times. If you do not properly tighten the cap, the Malfunction Indicator Lamp may come on (see page 283).
6. Push the fuel fill door closed until it latches.

## Service Station Procedures

### Opening the Hood

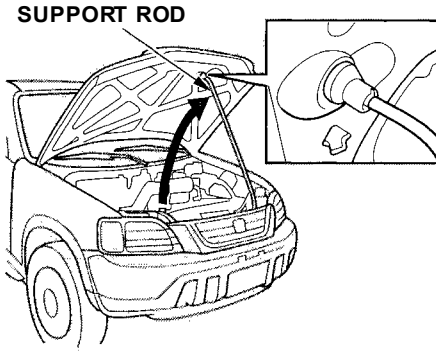


1. Shift to Park or Neutral and set the parking brake. Pull the hood release handle located under the lower left corner of the dashboard. The hood will pop up slightly.



2. Standing in front of the vehicle, put your fingers under the front edge of the hood to the right of center. Slide your hand to the left until you feel the hood latch handle. Push this handle up until it releases the hood. Lift the hood.

If you can open the hood without lifting the hood latch handle, or the hood latch handle moves stiffly or does not spring back as before, the mechanism should be cleaned and lubricated (see page [227](#)).

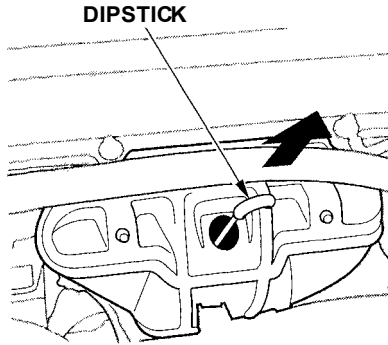


3. Pull the support rod out of its clip and insert the end into the hole on the front of the hood around the center.

To close the hood, lift it up slightly to remove the support rod from the hole. Put the support rod back into its holding clip. Lower the hood to about a foot (30 cm) above the fender, then let it drop.

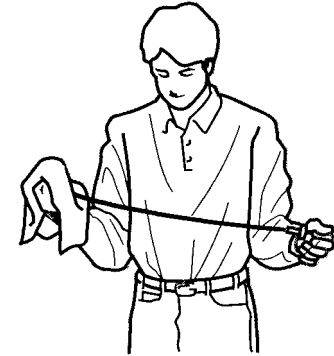
After closing the hood, make sure it is securely latched.

### Oil Check



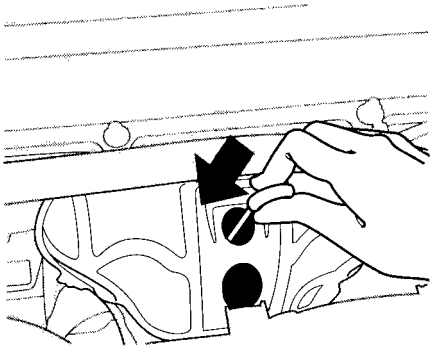
Check the engine oil level every time you fill the vehicle with fuel. Wait a few minutes after turning the engine off before you check the oil.

1. Remove the dipstick (orange handle).

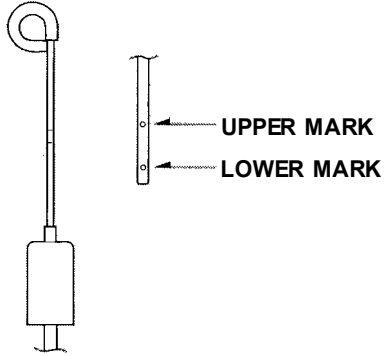


2. Wipe the dipstick with a clean cloth or paper towel.

*CONTINUED*



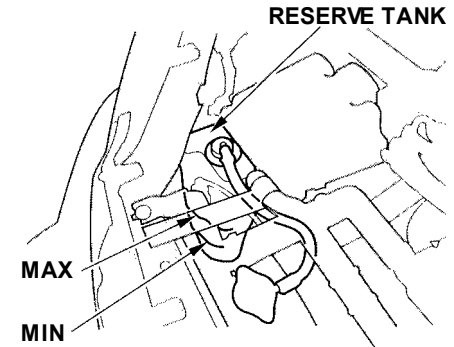
3. Insert it all the way back in its tube.



4. Remove the dipstick again and check the level. It should be between the upper and lower marks.

If it is near or below the lower mark, see **Adding Oil** on page 211.

### *Engine Coolant Check*



Look at the coolant level in the radiator reserve tank. Make sure it is between the MAX and MIN lines. If it is below the MIN line, see **Adding Engine Coolant** on page 215 for information on adding the proper coolant.

Refer to **Owner Maintenance Checks** on page 209 for information on checking other items in your Honda.



The condition of your vehicle and your driving habits are the two most important things that affect the fuel mileage you get.

### Vehicle Condition

Always maintain your vehicle according to the maintenance schedule. This will keep it in top operating condition.

An important part of that maintenance is the **Owner Maintenance Checks** (see page 209). For example, an underinflated tire causes more "rolling resistance," which uses fuel. It also wears out faster, so check the tire pressure at least monthly.

In winter, the build-up of snow on your vehicle's underside adds weight and rolling resistance. Frequent cleaning helps your fuel mileage and reduces the chance of corrosion.

### Driving Habits

You can improve fuel economy by driving moderately. Rapid acceleration, abrupt cornering, and hard braking use more fuel.

Always drive in the highest gear that allows the engine to run and accelerate smoothly.

Depending on traffic conditions, try to maintain a constant speed. Every time you slow down and speed up, your vehicle uses extra fuel. Use the cruise control, when appropriate, to increase fuel economy.

A cold engine uses more fuel than a warm engine. It is not necessary to "warm-up" a cold engine by letting it idle for a long time. You can drive away in about a minute, no matter how cold it is outside. The engine will warm up faster, and you get better fuel economy. To cut down on the number of "cold starts," try to combine several short trips into one.

The air conditioning puts an extra load on the engine which makes it use more fuel. Turn off the A/C to cut down on air conditioning use. Use the flow-through ventilation when the outside air temperature is moderate.

## Accessories and Modifications

Modifying your vehicle, or installing some non-Honda accessories, can make your vehicle unsafe. Before you make any modifications or add any accessories, be sure to read the following information.

### Accessories

Your dealer has genuine Honda accessories that allow you to personalize your vehicle. These accessories have been designed and approved for your vehicle, and are covered by warranty.

Non-Honda accessories are usually designed for universal applications. Although aftermarket accessories may fit on your vehicle, they may not meet factory specifications, and could adversely affect your vehicle's handling and stability. (See "Modifications" on page 159 for additional information.)

### **WARNING**

Improper accessories or modifications can affect your vehicle's handling, stability and performance, and cause a crash in which you can be hurt or killed.

Follow all instructions in this owner's manual regarding accessories and modifications.

When properly installed, cellular phones, alarms, two-way radios, and low-powered audio systems should not interfere with your vehicle's computer-controlled systems, such as the SRS and anti-lock brake system.

However, if electronic accessories are improperly installed, or exceed your vehicle's electrical system capacity, they can interfere with the

operation of your vehicle, or even cause the airbags to deploy.

Before installing any accessory:

- Make sure the accessory does not obscure any lights, or interfere with proper vehicle operation or performance.
- Be sure electronic accessories do not overload electrical circuits (see page 284).
- Have the installer contact your Honda dealer for assistance before installing any electronic accessory.

If possible, have your dealer inspect the final installation.

### Modifications

Do not remove any original equipment or modify your vehicle in any way that would alter its design or operation. This could make your vehicle unsafe and illegal to drive.

For example, do not make any modifications that would change the ride height of your vehicle, or install wheels and tires with a different overall diameter.

Such modifications can adversely affect handling, and interfere with the operation of the vehicle's anti-lock brakes and other systems.

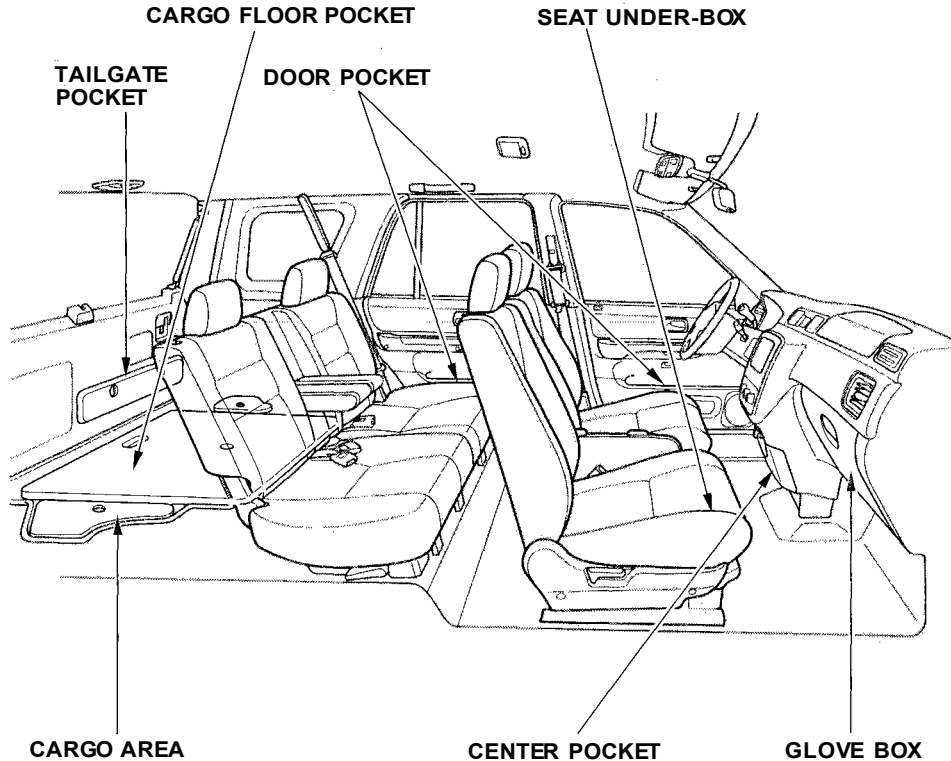
In addition, any modifications that decrease ground clearance increase the chance of undercarriage parts striking a curb, speed bump, or other raised object, which could cause your airbags to deploy.

Do not modify your steering wheel or any other part of your Supplemental Restraint System. Modifications could make the system ineffective.

### Additional Safety Precaution

***Do not attach or place objects on the airbag covers.*** Any object attached to or placed on the covers marked "SRS AIRBAG," in the center of the steering wheel and on top of the dashboard, could interfere with the proper operation of the airbags. Or, if the airbags inflate, the objects could be propelled inside the vehicle and hurt someone.

## Carrying Cargo



Your vehicle has several convenient storage areas so you can stow cargo safely.

The glove box, and the pockets in the front doors and seat-backs, are designed for small, lightweight items. The cargo area is intended for larger, heavier items. In addition, the back seat can be folded down to allow you to carry more cargo or longer items.

However, carrying too much cargo, or improperly storing it, can affect your vehicle's handling, stability and operation and make it unsafe. Before carrying any type of cargo, be sure to read the following pages.

### Load Limit

The maximum load for your vehicle is 850 lbs (395 kg).

This figure includes the total weight of all occupants, cargo, accessories, and the tongue weight if you are towing a trailer.

To figure out how much cargo you can carry:

- Add up the weight of all occupants
- If you are towing a trailer, add the tongue weight to the number above.
- Subtract the total from 850 lbs (395kg).

The final number is the total weight of cargo you can carry.

### **WARNING**

Overloading or improper loading can affect handling and stability and cause a crash in which you can be hurt or killed.

Follow all load limits and other loading guidelines in this manual.

### Carrying Items in the Passenger Compartment

- Store or secure all items that could be thrown around and hurt someone during a crash.
- Be sure items placed on the floor behind the front seats cannot roll under the seats and interfere with the driver's ability to operate the pedals, or with the proper operation of the seats.
- Keep the glove box closed while driving. If the lid is open, a passenger could injure their knees during a crash or sudden stop.

# Carrying Cargo

---

## Carrying Cargo in the Cargo Area or on a Roof Rack

- Distribute cargo evenly on the floor of the cargo area, placing the heaviest items on the bottom and as far forward as possible. Tie down items that could be thrown about the vehicle during a crash or sudden stop.
- If you carry large items that prevent you from closing the tailgate, exhaust gas can enter the passenger area. To avoid the possibility of **carbon monoxide poisoning**, follow the instructions on page [49](#).
- If you can carry any items on a roof rack, be sure the total weight of the rack and the items does not exceed the maximum allowable weight. Please contact your Honda dealer for further information.

This section gives you tips on starting the engine under various conditions, and how to operate the 5-speed manual and automatic transmissions. It also includes important information on parking your vehicle, the braking system, and facts you need if you are planning to tow a trailer or drive off-highway.

|                                  |     |                             |     |
|----------------------------------|-----|-----------------------------|-----|
| Driving Guidelines.....          | 164 | Off-Highway Guidelines..... | 191 |
| Preparing to Drive.....          | 165 | General Information.....    | 191 |
| Starting the Engine.....         | 166 | Important Safety            |     |
| Starting in Cold Weather         |     | Precautions.....            | 192 |
| at High Altitude .....           | 167 | Driving Tips.....           | 193 |
| 5-speed Manual Transmission....  | 168 |                             |     |
| Recommended Shift Points.....    | 169 |                             |     |
| Engine Speed Limiter.....        | 169 |                             |     |
| Automatic Transmission.....      | 170 |                             |     |
| Shift Lever Position Indicator.. | 170 |                             |     |
| Shift Lever Positions.....       | 170 |                             |     |
| Engine Speed Limiter .....       | 173 |                             |     |
| Shift Lock Release.....          | 174 |                             |     |
| Parking.....                     | 175 |                             |     |
| The Braking System.....          | 176 |                             |     |
| Brake Wear Indicators.....       | 176 |                             |     |
| Brake System Design.....         | 177 |                             |     |
| Anti-lock Brakes.....            | 177 |                             |     |
| Important Safety                 |     |                             |     |
| Reminders.....                   | 178 |                             |     |
| ABS Indicator.....               | 179 |                             |     |
| Driving in Bad Weather.....      | 180 |                             |     |
| Towing a Trailer.....            | 182 |                             |     |
| Towing Your Vehicle Behind a     |     |                             |     |
| Motorhome.....                   | 189 |                             |     |

## Driving Guidelines

---

Your CR-V has higher ground clearance than a passenger vehicle designed only for use on pavement. Higher ground clearance has many advantages for off-highway driving. It allows you to travel over bumps and unpaved roads. It also provides good visibility so you can anticipate problems earlier.

These advantages come at some cost. Because your vehicle is taller and rides higher off the ground, it has a high center of gravity. This means that your vehicle can tip or roll over if you make abrupt turns. Utility vehicles have a significantly higher rollover rate than other types of vehicles.

To prevent the risk of rollover or loss of control:

- Take corners at slower speeds than you would with a passenger vehicle.

- Avoid sharp turns and abrupt maneuvers whenever possible.
- Do not modify your vehicle in any way that would raise the center of gravity.
- Do not carry heavy cargo on the roof.

### *Four-wheel Drive Models*

Your CR-V is equipped with a unique four-wheel drive (4WD) system. Normally, power is delivered only to the front wheels. When the system senses a loss of front-wheel traction, it automatically transfers some power to the rear wheels. This gives you better traction and mobility.

While this system can provide increased traction on slippery surfaces, you still need to exercise the same care when accelerating, steering, and braking that you would in a two-wheel drive vehicle.

*See page 191 for additional guidelines for driving off-highway.*



You should do the following checks and adjustments every day before you drive your vehicle.

1. Make sure all windows, mirrors, and outside lights are clean and unobstructed. Remove frost, snow, or ice.
2. Check that the hood and tailgate are fully closed.
3. Visually check the tires. If a tire looks low, use a gauge to check its pressure.
4. Check that any items you may be carrying with you inside are stored properly or fastened down securely.
5. Check the adjustment of the seat (see page [77](#)).
6. Check the adjustment of the inside and outside mirrors (see page [85](#)).
7. Check the adjustment of the steering wheel (see page [64](#)).
8. Make sure the doors are securely closed and locked.
9. Fasten your seat belt. Check that your passengers have fastened their seat belts (see page [15](#)).
10. Turn the ignition switch ON (II). Check the indicator lights in the instrument panel.
11. Start the engine (see page [166](#)).
12. Check the gauges and indicator lights in the instrument panel (see page [53](#)).

## Starting the Engine

---

1. Apply the parking brake.
2. In cold weather, turn off all electrical accessories to reduce the drain on the battery.
3. *Manual Transmission:*  
Push the clutch pedal down all the way. START (III) does not function unless the clutch pedal is depressed.  
  
*Automatic Transmission:*  
Make sure the shift lever is in Park. Press on the brake pedal.
4. Without touching the accelerator pedal, turn the ignition key to the START (III) position. If the engine does not start right away, do not hold the key in START (III) for more than 15 seconds at a time. Pause for at least 10 seconds before trying again.
5. If the engine does not start within 15 seconds, or starts but stalls right away, repeat step 4 with the accelerator pedal pressed half-way down. If the engine starts, release pressure on the accelerator pedal so the engine does not race.
6. If the engine still does not start, press the accelerator pedal all the way down and hold it there while starting in order to clear flooding. As before, keep the ignition key in the START (III) position for no more than 15 seconds. Return to step 5 if the engine does not start. If it starts, lift your foot off the accelerator pedal so the engine does not race.

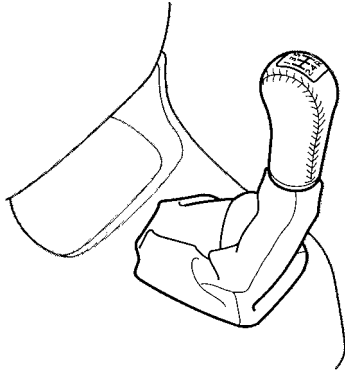
### **Starting in Cold Weather at High Altitude (Above 8,000 feet/ 2,400 meters)**

An engine is harder to start in cold weather. The thinner air found at high altitude above 8,000 feet (2,400 meters) adds to the problem.

Use the following procedure:

1. Turn off all electrical accessories to reduce the drain on the battery.
2. Push the accelerator pedal half-way to the floor and hold it there while starting the engine. Do not hold the ignition key in START (III) for more than 15 seconds. When the engine starts, release the accelerator pedal gradually as the engine speeds up and smooths out.
3. If the engine fails to start in step 2, push the accelerator pedal to the floor and hold it there while you try to start the engine for no more than 15 seconds. If the engine does not start, return to step 2.

## 5-speed Manual Transmission



The manual transmission is synchronized in all forward gears for smooth operation. It has a lockout so you cannot shift directly from Fifth to Reverse. When shifting up or down, make sure you push the clutch pedal down all the way, shift to the next gear, and let the pedal up gradually. When you are not shifting, do not rest your foot on the clutch pedal. This can cause your clutch to wear out faster.

Come to a full stop before you shift into Reverse. You can damage the transmission by trying to shift into Reverse with the vehicle moving. Push down the clutch pedal, and pause for a few seconds before shifting into Reverse, or shift into one of the forward gears for a moment. This stops the gears so they won't "grind."

When slowing down, you can get extra braking from the engine by shifting to a lower gear. This extra braking can help you maintain a safe speed and prevent your brakes from overheating while going down a steep hill. Before downshifting, make sure engine speed will not go into the tachometer's red zone in the lower gear.

### **WARNING**

Rapid slowing or speeding-up can cause loss of control on slippery surfaces. If you crash, you can be injured.

Use extra care when driving on slippery surfaces.

### Recommended Shift Points

Drive in the highest gear that lets the engine run and accelerate smoothly. This will give you the best fuel economy and effective emissions control. The following shift points are recommended

| Shift up   | Normal acceleration |
|------------|---------------------|
| 1st to 2nd | 15 mph (24 km/h)    |
| 2nd to 3rd | 25 mph (40 km/h)    |
| 3rd to 4th | 40 mph (64 km/h)    |
| 4th to 5th | 48 mph (77 km/h)    |

### Engine Speed Limiter

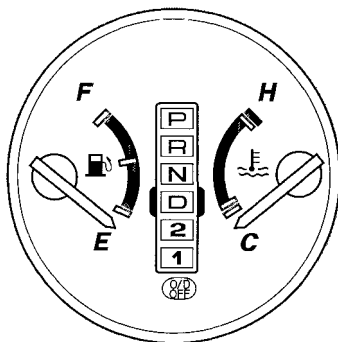
If you exceed the maximum speed for the gear you are in, the engine speed will enter into the tachometer's red zone. If this occurs, you may feel the engine cut in and out. This is caused by a limiter in the engine's computer controls. The engine will run normally when you reduce the RPM below the red zone.

Before downshifting, make sure the engine will not go into the tachometer's red zone.

## Automatic Transmission

Your Honda's transmission has four forward speeds, and is electronically controlled for smoother shifting. It also has a "lock-up" torque converter for better fuel economy. You may feel what seems like another shift when the converter locks.

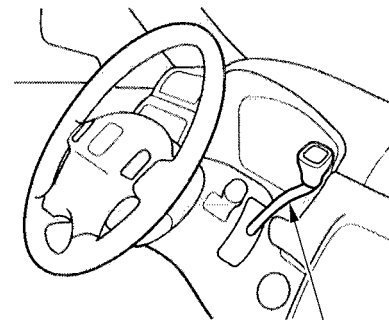
### Shift Lever Position Indicator



This indicator on the instrument panel shows which position the shift lever is in.

The "D" indicator comes on for a few seconds when you turn the ignition switch ON (II). If it flashes while driving (in any shift position), it indicates a possible problem in the transmission. Avoid rapid acceleration and have the transmission checked by an authorized Honda dealer as soon as possible.

### Shift Lever Positions

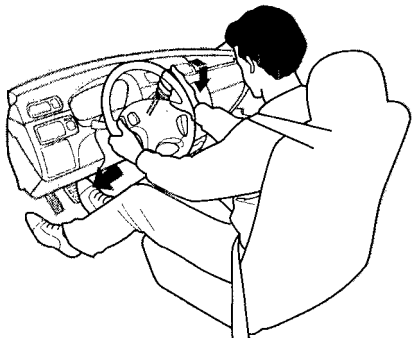


**SHIFT LEVER**

The shift lever has six positions. It must be in Park or Neutral to start the engine. When you are stopped in D, 2, 1, N or R, press firmly on the brake pedal, and keep your foot off the accelerator pedal.

# Automatic Transmission

| To shift from:                                 | Do this:  |
|--|---|
| P to R   | Press the brake pedal and pull the shift lever towards you. |
| R to P<br>N to R<br>D to 2<br>2 to 1           | Pull the shift lever towards you.                           |
| 1 to 2<br>2 to D<br>D to N<br>N to D<br>R to N | Move the lever.   |



**Park (P)** — This position mechanically locks the transmission. Use Park whenever you are turning off or starting the engine. To shift out of Park, you must press on the brake pedal and have your foot off the accelerator pedal. Pull the shift lever towards you, then move it out of Park.

If you have done all of the above and still cannot move the lever out of Park, see Shift Lock Release on page 162.

You must also pull the shift lever towards you to shift into Park. To avoid transmission damage, come to a complete stop before shifting into Park. The shift lever must be in Park before you can remove the key from the ignition switch.

CONTINUED

## Automatic Transmission

---

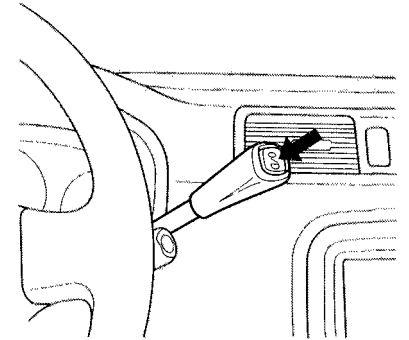
**Reverse (R)** — To shift to Reverse from Park, see the explanation under Park. To shift to Reverse from Neutral, come to a complete stop and then shift. Pull the shift lever towards you before shifting into Reverse from Neutral.

**Neutral (N)** — Use Neutral if you need to restart a stalled engine, or if it is necessary to stop briefly with the engine idling. Shift to Park position if you need to leave the vehicle for any reason. Press on the brake pedal when you are moving the shift lever from Neutral to another gear.

**Drive (D)** — Use this position for your normal driving. The transmission automatically selects a suitable gear for your speed and acceleration. You may notice the transmission shifting up at higher speeds when the engine is cold. This helps the engine warm up faster.

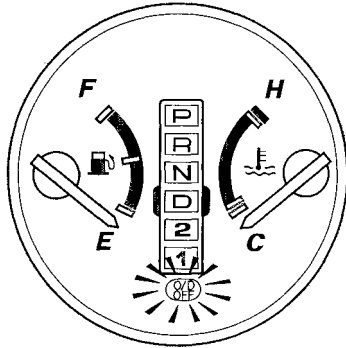
For faster acceleration, you can get the transmission to automatically downshift by pushing the accelerator pedal to the floor. The transmission will shift down one or two gears, depending on your speed.

### **Over-Drive (O/D) Mode**



The Over-Drive (O/D) is on whenever you turn the ignition ON (II). You can turn it off by pressing the O/D switch on the edge of the shift lever. The O/D OFF indicator on the instrument panel next to the shift lever position indicator will come on.





When the Over-Drive is off the transmission selects only the first three gears, but not the fourth. Turn the O/D off to provide engine braking when going down a steep hill. You can also avoid the transmission from cycling between third and fourth gears in stop-and-go driving.

**Second (2)** — To shift to Second, pull the shift lever towards you, then shift to the lower gear. This position locks the transmission in second gear. It does not downshift to first gear when you come to a stop. Second gives you more power when climbing, and increased engine braking when going down steep hills. Use second gear when starting out on a slippery surface or in deep snow. It will help reduce wheelspin.

**First (1)** — To shift from Second to First, pull the shift lever towards you, then shift to the lower gear. With the lever in this position, the transmission locks in First gear. By upshifting and downshifting through 1, 2, D, you can operate this transmission much like a manual transmission without a clutch pedal.

### Engine Speed Limiter

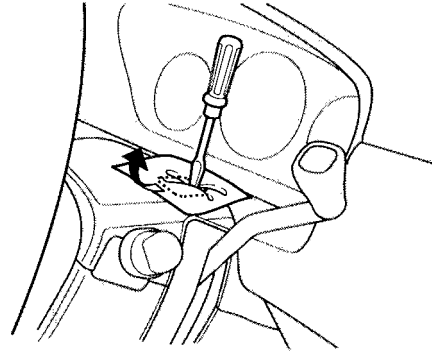
If you exceed the maximum speed for the gear you are in, the engine speed will enter into the tachometer's red zone. If this occurs, you may feel the engine cut in and out. This is caused by a limiter in the engine's computer controls. The engine will run normally when you reduce the RPM below the red zone.

## Automatic Transmission

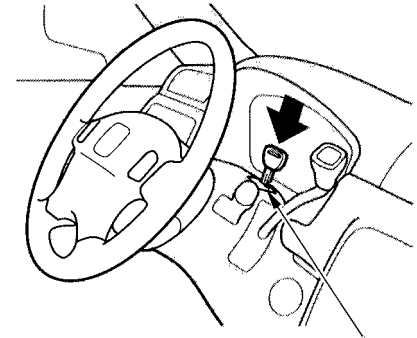
### Shift Lock Release

This allows you to move the shift lever out of Park if the normal method of pushing on the brake pedal and pulling the shift lever does not work.

1. Set the Parking brake.
2. Remove the key from the ignition switch.
3. Place a cloth on the edge of the shift lock release slot cover on the steering column. Remove the cover by carefully prying on the edge with a small flat-tipped screwdriver (not included in the tool kit).



4. Insert the key in the Shift Lock Release slot on the steering column.
5. Push down on the key while you pull the shift lever towards you and move it out of Park to Neutral.



SHIFT LOCK RELEASE SLOT

6. Remove the key from the Shift Lock Release slot, then reinstall the cover. Depress the brake pedal and restart the engine.

If you need to use the Shift Lock Release, it means your vehicle is developing a problem. Have the vehicle checked by your Honda dealer.

Always use the parking brake when you park your vehicle. The indicator on the instrument panel shows that the parking brake is not fully released; it does not indicate that the parking brake is firmly set. Make sure the parking brake is set firmly or your vehicle may roll if it is parked on an incline.

If your vehicle has an automatic transmission, set the parking brake before you put the transmission in Park. This keeps the vehicle from moving and putting pressure on the parking mechanism in the transmission — making it easier to move the shift lever out of Park when you want to drive away.

If the vehicle is facing uphill, turn the front wheels away from the curb. If you have a manual transmission, put it in first gear.

If the vehicle is facing downhill, turn the front wheels toward the curb. If you have a manual transmission, put it in reverse gear.

Make sure the parking brake is fully released before driving away. Driving with the parking brake partially set can overheat or damage the rear brakes.

### Parking Tips

- Make sure the windows are closed.
- Turn off the lights.
- Place any packages, valuables, etc., in the cargo area or take them with you.
- Lock the doors.
- Never park over dry leaves, tall grass, or other flammable materials. The three way catalytic converter gets very hot, and could cause these materials to catch on fire.

## The Braking System

---

Your Honda is equipped with front disc brakes. The brakes on the rear wheels are drum. The braking system is power-assisted to reduce the effort needed on the brake pedal.

Put your foot on the brake pedal only when you intend to brake. Resting your foot on the pedal keeps the brakes applied lightly, causing them to build up heat. Heat build-up can reduce how well your brakes work. It also keeps your brake lights on all the time, confusing drivers behind you.

Constant application of the brakes when going down a long hill builds up heat and reduces their effectiveness. Use the engine to assist the brakes by downshifting to a lower gear and taking your foot off the accelerator pedal.

Check your brakes after driving through deep water. Apply the brakes moderately to see if they feel normal. If not, apply them gently and frequently until they do. Since a longer distance is needed to stop with wet brakes, be extra cautious and alert in your driving.

### **Brake Wear Indicators**

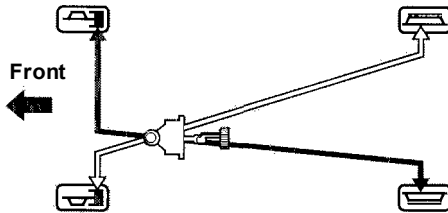
The front disc brakes on all vehicles have audible brake wear indicators.

When the brake pads need replacing, you will hear a distinctive metallic "screeching" sound when you apply the brakes. If you do not have the brake pads replaced, they will begin screeching all the time.

Your brakes may sometimes squeal or squeak when you apply them lightly. Do not confuse this with the brake wear indicators. They make a very audible "screeching."

## Brake System Design

The hydraulic system that operates the brakes has two separate circuits. Each circuit works diagonally across the vehicle (the left-front brake is connected with the right-rear brake, etc.). If one circuit should develop a problem, you will still have braking at two wheels.



## Anti-lock Brakes

*U.S. EX, Canadian LX and EX models,  
and SE models*

ABS helps to prevent the wheels from locking up and skidding during hard braking, allowing you to retain steering control.

When the front tires skid, you lose steering control; the vehicle continues straight ahead even though you turn the steering wheel. The ABS helps to prevent lock-up and helps you retain steering control by pumping the brakes rapidly, much faster than a person can do it.

CONTINUED

# The Braking System

---

**You should never pump the brake pedal**, this defeats the purpose of the ABS. Let the ABS work for you by always keeping firm, steady pressure on the brake pedal as you steer away from the hazard. This is sometimes referred to as "*stomp and steer.*"

You will feel a pulsation in the brake pedal when the ABS activates, and you may hear some noise. This is normal, it is the ABS rapidly pumping the brakes.

Activation varies with the amount of traction your tires have. On dry pavement, you will need to press on the brake pedal very hard before you activate the ABS. However, you may feel the ABS activate immediately if you are trying to stop on snow or ice.

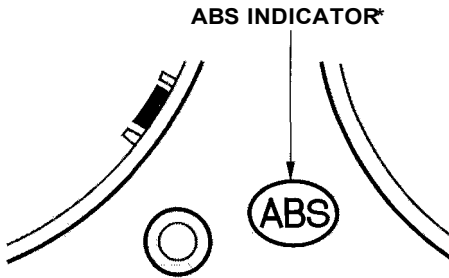
**Important Safety Reminders**  
**ABS does not reduce the time or distance it takes to stop the vehicle**, it only helps with steering control during braking. You should always maintain a safe following distance from other vehicles.

**ABS will not prevent a skid that results from changing direction abruptly**, such as trying to take a corner too fast or making a sudden lane change. Always drive at a safe, prudent speed for the road and weather conditions.

**ABS cannot prevent a loss of stability.** Always steer moderately when you are braking hard. Severe or sharp steering wheel movement can still cause your vehicle to veer into oncoming traffic or off the road.

**A vehicle with ABS may require a longer distance to stop** on loose or uneven surfaces, such as gravel or snow, than a vehicle without anti-lock. Slow down and allow a greater distance between vehicles under those conditions.

## ABS Indicator

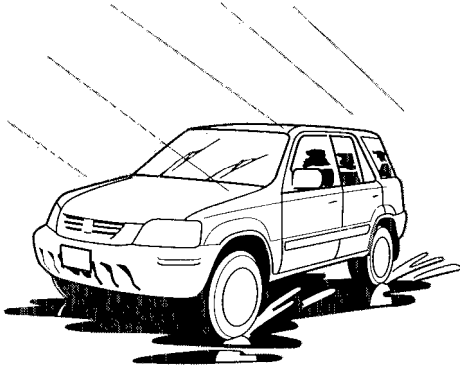


\*U.S. indicator shown

The ABS is self-checking. If anything goes wrong, the ABS indicator on the instrument panel comes on (see page 55). This means the anti-lock function of the braking system has shut down. The brakes still work like a conventional system without anti-lock, providing normal stopping ability. You should have the dealer inspect your car as soon as possible.

## Driving in Bad Weather

---



Rain, fog, and snow conditions require a different driving technique because of reduced traction and visibility. Keep your vehicle well-maintained and exercise greater caution when you need to drive in bad weather. The cruise control should not be used in these conditions.

**Driving Technique** — Always drive slower than you would in dry weather. It takes your vehicle longer to react, even in conditions that may seem just barely damp. Apply smooth, even pressure to all the controls. Abrupt steering wheel movements or sudden, hard application of the brakes can cause loss of control in wet weather. Be extra cautious for the first few miles (kilometers) of driving while you adjust to the change in driving conditions. This is especially true in snow. A person can forget some snow-driving techniques during the summer months. Practice is needed to relearn those skills.

Exercise extra caution when driving in rain after a long dry spell. After months of dry weather, the first rains bring oil to the surface of the roadway, making it slippery.

**Visibility** — Being able to see clearly in all directions and being visible to other drivers are important in all weather conditions. This is more difficult in bad weather. To be seen more clearly during daylight hours, turn on your headlights.

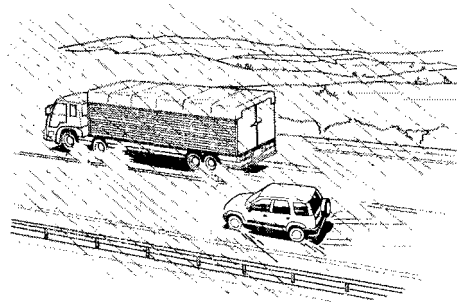
Inspect your windshield wipers and washers frequently. Keep the windshield washer reservoir full of the proper fluid. Have the windshield wiper blades replaced if they start to streak the windshield or leave parts unwiped. Use the defrosters and air conditioning to keep the windows from fogging up on the inside (see page [103](#)).



**Traction** — Check your tires frequently for wear and proper pressure. Both are important in preventing "hydroplaning" (loss of traction on a wet surface). In the winter, mount snow tires on all four wheels for the best handling.

Watch road conditions carefully, they can change from moment to moment. Wet leaves can be as slippery as ice. "Clear" roads can have patches of ice. Driving conditions can be very hazardous when the outside temperature is near freezing. The road surface can become covered with areas of water puddles mixed with areas of ice, so your traction can change without warning.

Be careful when downshifting. If traction is low, you can lock up the drive wheels for a moment and cause a skid.

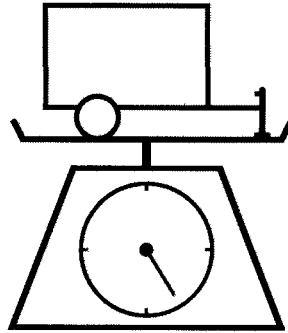


Be very cautious when passing, or being passed by other vehicles. The spray from large vehicles reduces your visibility, and the wind buffeting can cause you to lose control.

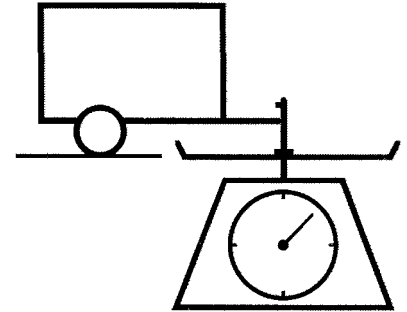
## Towing a Trailer

Your Honda has been designed primarily to carry passengers and their cargo. You can use it to tow a trailer if you carefully observe the load limits, use the proper equipment and follow the guidelines in this section.

### Load Limits



- **Total Trailer Weight:** The total weight of the trailer and everything loaded in it must not exceed 1,000lbs (450kg). Towing a load that is too heavy can seriously affect your vehicle's handling and performance. It can also damage the engine and drivetrain.



- **Tongue Load:** The weight that the tongue of a fully-loaded trailer puts on the hitch should be approximately 10 percent of the trailer weight. Too little tongue load can make the trailer unstable and cause it to sway. Too much tongue load reduces front-tire traction and steering control.

To achieve a proper tongue load, start by loading 60 percent of the load toward the front of the trailer and 40 percent toward the rear, then re-adjust the load as needed.

- **Gross Vehicle Weight Rating (GVWR):**

The total weight of the vehicle, all occupants, all cargo, *and* the tongue load must not exceed:  
4,165 lbs (1,900 kg)

- **Gross Axle Weight Rating (GAWR):**

The total weight of the vehicle, all occupants, all cargo, and the tongue load must not exceed:

2,030 lbs (930 kg)  
on the front axle

2,155 lbs (990 kg)  
on the rear axle

 **WARNING**

Exceeding load limits or improperly loading your vehicle and trailer can cause a crash in which you can be seriously injured or killed.

Check the loading of your vehicle and trailer carefully before starting to drive.

## Towing a Trailer

---

### **Checking Loads**

The best way to confirm that vehicle and trailer weights are within limits is to have them checked at a public scale.

Using a suitable scale or a special tongue load gauge, check the tongue load the first time you set up a towing combination (a fully-loaded vehicle and trailer), then recheck the tongue load whenever the conditions change.

### **Towing Equipment and Accessories**

Towing can require a variety of equipment, depending on the size of your trailer, how it will be used, and how much load you are towing.

Discuss your needs with your trailer sales or rental agency, and follow the guidelines in the rest of this section. Also make sure that all equipment is properly installed and that it meets federal, state, province, and local regulations.

### **Hitches**

Any hitch used on your vehicle must be properly bolted to the underbody.

### **Safety Chains**

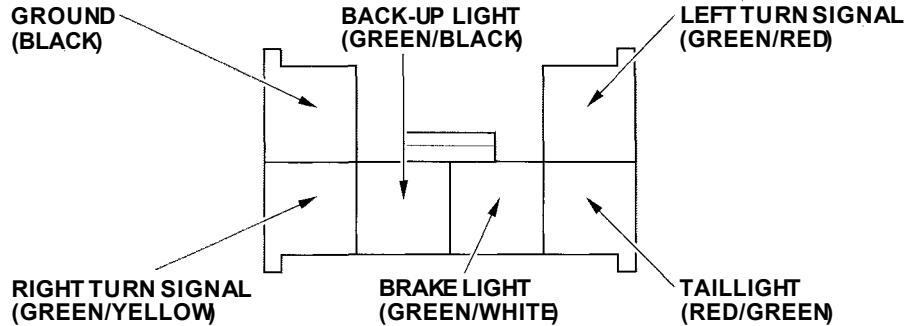
Always use safety chains. Make sure they are secured to both the trailer and hitch, and that they cross under the tongue so they can catch the trailer if it becomes unhitched. Leave enough slack to allow the trailer to turn corners easily, but do not let the chains drag on the ground.

## Trailer Brakes

Honda recommends that any trailer having a total weight of 1,000 lbs (450 kg) or more be equipped with its own electric or surge-type brakes.

If you choose electric brakes, be sure they are electronically actuated. Do not attempt to tap into your vehicle's hydraulic system. No matter how successful it may seem, any attempt to attach trailer brakes to your vehicle's hydraulic system will lower braking effectiveness and create a potential hazard.

## Trailer Lights



Your vehicle has a trailer lighting connector located behind the left side panel in the cargo area. Refer to the drawing above for the wiring color code and purpose of each pin.

If you use a converter, you can get the connector and pins that mate with the connector in your vehicle from your Honda dealer.

Since lighting and wiring vary in trailer type and brand, you should also have a qualified mechanic install a suitable connector between the vehicle and the trailer.

## Towing a Trailer

---

### ***Additional Trailer Equipment***

Many states and Canadian provinces require special outside mirrors when towing a trailer. Even if they don't, you should install special mirrors if you cannot clearly see behind you, or if the trailer creates a blind spot.

Ask your trailer sales or rental agency if any other items are recommended or required for your towing situation.

### **Pre-Tow Checklist**

When preparing to tow, and before driving away, be sure to check the following:

- The vehicle has been properly serviced, and the tires, brakes, suspension, and cooling system are in good operating condition.
  - All weights and loads are within limits (see pages [182](#) and [183](#)).
  - The hitch, safety chains, and any other attachments are secure.
  - All items on and in the trailer are properly secured and cannot shift while you drive.
  - The lights and brakes on your vehicle and the trailer are working properly.
- Your vehicle tires and spare are properly inflated (see page [235](#)), and the trailer tires and spare are inflated as recommended by the trailer maker.

### **Driving Safely With a Trailer**

The added weight, length, and height of a trailer will affect your vehicle's handling and performance, so driving with a trailer requires some special driving skills and techniques.

For your safety and the safety of others, take time to practice driving maneuvers before heading for the open road, and follow the guidelines discussed below.

### **Towing Speeds and Gears**

Drive slower than normal in all driving situations, and obey posted speed limits for vehicles with trailers. If you have an automatic transmission, use the Over-Drive (O/D) mode when towing a trailer on level roads. Turn off the Over-Drive (O/D) mode when towing a trailer in hilly terrain (see page 152). (See "**Driving on Hills**" in the next column for additional gear

information.)

### **Making Turns and Braking**

Make turns more slowly and wider than normal. The trailer tracks a smaller arc than your vehicle, and it can hit or run over something the vehicle misses. Allow more time and distance for braking. Do not brake or turn suddenly as this could cause the trailer to jackknife or turn over.

### **Driving on Hills**

When climbing hills, closely watch your temperature gauge. If it nears the red mark, turn the air conditioning off, reduce speed and, if necessary, pull to the side of the road to let the engine cool.

If the automatic transmission shifts frequently between 3rd and 4th gears while going up a hill, turn off the Over-Drive (O/D) mode (see page 172).

If you must stop when facing uphill, use the foot brake or parking brake. Do not try to hold the vehicle in place by pressing on the accelerator, as this can cause the automatic transmission to overheat.

When driving down hills, reduce your speed and shift down to 2nd gear. Do not "ride" the brakes, and remember it will take longer to slow down and stop when towing a trailer.

CONTINUED

## Towing a Trailer

---

### ***Handling Crosswinds and Buffeting***

Crosswinds and air turbulence caused by passing trucks can disrupt your steering and cause trailer swaying. When being passed by a large vehicle, keep a constant speed and steer straight ahead. Do not try to make quick steering or braking corrections.

### ***Backing Up***

Always drive slowly and have someone guide you when backing up. Grip the *bottom* of the steering wheel; then turn the wheel to the left to get the trailer to move to the left, and turn the wheel right to move the trailer to the right.

### ***Parking***

Follow all normal precautions when parking, including firmly setting the parking brake and putting the transmission in Park (automatic) or in 1st or Reverse (manual). Also, place wheel chocks at each of the trailer's tires.



## Towing Your Vehicle Behind a Motorhome

---

Your CR-V can be towed behind a motorhome at legal highway speeds up to 65 mph (100 km/h). To avoid damage to the 4WD system it must be "flat towed" with all four wheels on the ground.

When purchasing a tow bar, make sure you select a reputable manufacturer and installer. Follow the manufacturer's attachment instructions carefully.

After attaching the tow bar to your motorhome, do the following to prepare your CR-V for "flat towing":

### **5-speed Manual Transmission**

- When preparing to tow your CR-V, make sure the transmission is filled to the correct level (see page [222](#)). Do not overfill.
- Release the parking brake.
- Shift the transmission to Neutral.
- Leave the key in the ignition switch and the ignition switch in ACCESSORY (I) so the steering wheel does not lock. Make sure the radio and any items plugged into the accessory power sockets are turned off so you do not run down the battery.

### **Automatic Transmission**

When preparing to tow your CR-V, make sure the transmission is full of fluid. Maintaining the correct level is very important. Do not overfill. Do the following *everyday immediately before you begin towing*. Follow the procedure exactly. Otherwise, severe automatic transmission damage will occur.

CONTINUED

## Towing Your Vehicle Behind a Motorhome

---

- Start the engine.
- Press on the brake pedal. Shift the lever through all the positions (P, R, N, D, 2, 1)
- Shift to D, then to N. Let the engine run for three minutes, then turn off the engine.
- Release the parking brake.
- Leave the ignition switch in ACCESSORY (I) so the steering wheel does not lock. Make sure the radio and any items plugged into the accessory power sockets are turned off so you do not run down the battery.

### **Extended Towing**

If you tow more than 8 hours in one day, repeat the above procedure at least every 8 hours, (when you stop for fuel, etc.)

### **NOTICE**

*The steering system can be damaged if the steering wheel is locked. Leave the ignition switch in Accessory (I), and make sure the steering wheel turns freely before you begin towing.*

### **NOTICE**

*Failure to follow the above instructions exactly will result in severe automatic transmission damage. If you cannot shift the transmission or start the engine, your vehicle must be transported on a flat-bed truck or trailer.*

### **NOTICE**

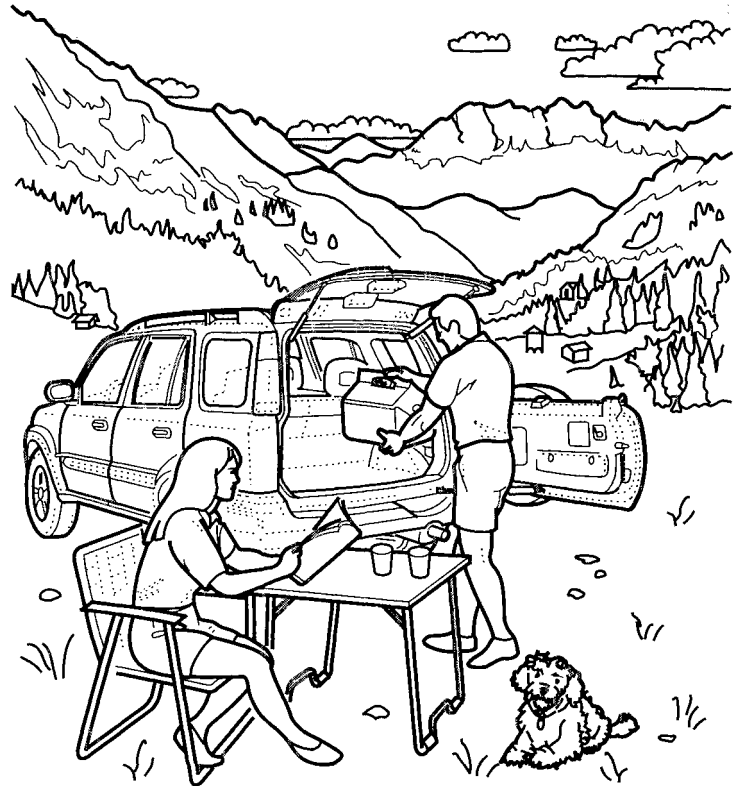
*Severe automatic transmission damage will occur if the vehicle is shifted from reverse to neutral and then towed with the drive wheels on the ground.*

If you tow a CR-V with an automatic transmission, the transmission fluid must be changed every two years or 30,000 miles (50,000 km), whichever comes first.

### General Information

Your CR-V has been designed primarily for use on pavement. But its higher ground clearance allows you to occasionally travel on unpaved roads, to campgrounds, picnic sites, and similar locations. It is not designed for trailblazing, mountain climbing, or other challenging off-road activities.

If you decide to drive on unpaved roads, you will find that it requires somewhat different driving skills. Your CR-V will also handle somewhat differently than it does on pavement. So be sure to read this owner's manual, pay special attention to the precautions and tips in this section, and get acquainted with your vehicle before you leave the pavement.



## Off-Highway Guidelines

---

### Important Safety Precautions

Remember that your CR-V has higher ground clearance and a higher center of gravity than passenger vehicles designed for use only on pavement. This means your vehicle can more easily tip or roll over if you make abrupt turns or drive on slopes.

Utility vehicles have a significantly higher rollover rate than other types of vehicles. To avoid loss of control or rollover, be sure to follow all recommendations and precautions on page [164](#) and in this section.

Seat belts are just as important off-road as on paved roads. Wherever you drive, make sure you and your passengers always wear seat belts. If children or infants are along for the ride, see that they are properly secured. In a rollover crash, an unbelted person is more likely to die than a person wearing a seat belt.

### **WARNING**

Improperly operating this vehicle on or off-pavement can cause an accident or rollover in which you and your passengers could be seriously injured or killed.

- Follow all instructions and guidelines in the owner's manual.
- Keep your speed low and don't drive faster than conditions permit.

On many unpaved roads, you won't find lane markers, traffic signals, or signs to warn you of possible trouble ahead. It's up to you to continually assess the situation and drive within limits.

The route presents limits (some roads are too steep and bumpy for example). You have limits (in driving skills and comfort). And your vehicle also has limits (traction, stability, and power, for instance).

Driving off-highway can be hazardous if you fail to recognize limits and take proper precautions. For example, you can have an accident or rollover during maneuvers such as turning, driving on hills, or over large obstacles.

Be sure to store cargo properly, and do not exceed your CR-V's cargo or trailer load limits (see pages [161](#) and [182](#)).

### **Driving Tips**

The following pages contain practical tips on basic off-highway operation.

#### ***Check Out Your Vehicle***

Driving off-highway can be hard on a vehicle. Before you leave the pavement, be sure all scheduled maintenance and service has been done, and that you have inspected your vehicle. Pay special attention to the condition of the tires, and use a gauge to check the tire pressures.

After you return to the pavement, carefully inspect your vehicle to make sure there is no damage that could make driving it unsafe. Check the tires for damage and for proper pressure.

#### ***Controlling Speed***

Off-highway, the general rule is to keep your speed low. Of course, you'll need enough speed to keep moving forward. But at higher speeds, you have less time to assess conditions and make good decisions. There's also a greater chance of sliding if you brake or turn too quickly on wet soil, gravel, or ice. In any situation, never go faster than conditions allow.

#### ***Accelerating and Braking***

For better traction on all surfaces, accelerate slowly and gradually build up speed. If you try to start too fast on wet soil, mud, snow, or ice, you might not have enough traction to get underway. You may even dig yourself into a hole.

Generally, the best off-pavement braking technique is to gently depress the brake pedal, then increase pressure as more braking is needed. Avoid hard braking. Keep in mind that you will usually need more time and distance to brake to a stop on unpaved surfaces.

Test your brakes from time to time to make sure they are operating properly. This will also give you a feel for how much traction you have on a given surface.

*CONTINUED*

## Off-Highway Guidelines

---

### **Turning**

Off-highway, the basic turning technique is to drive at low speed and gradually adjust the amount of steering to suit the surface.

You should have no problem making sharp turns at low speed on level ground. But never make an abrupt turn at higher speeds, on or off pavement. With a higher center of gravity, your vehicle can more easily tip or roll over.

### **Driving on Slopes**

Before driving up or down a hill, stop and assess the situation. If you can't clearly see all road conditions (good traction, no bumps, holes or other obstacles, a safe way out, etc.) walk the slope before you drive on it. If you have any doubt about whether you can safely drive on the slope, *don't do it*. Find another route.

If you are driving up a hill and find that you cannot continue (because of the steepness, a large obstacle, etc.), *do not try to turn around*. Your vehicle could roll over. Slowly back down the hill, following the same route you took up the hill.

### **Avoiding Obstacles**

Bumps, holes, rocks, and other obstacles can be hazardous. Debris in the road can damage your suspension or other components. Even small rocks can cut your tires.

More important, because your vehicle has a high center of gravity, driving over a large obstacle, or allowing a wheel to drop into a deep hole, can cause your vehicle to tip or roll over.

Drive slow enough to observe obstacles ahead and maneuver around them. If you can't avoid a serious obstacle, turn around and look for a better route.



### **If You Encounter Water**

Avoid driving through deep water. If you encounter water in your route (a small stream or large puddle, for example), evaluate it carefully before going ahead. Make sure it is shallow, flowing slowly, and has firm ground underneath. If you are not sure of the depth or the ground, turn around and find another route.

Driving through deep water can also damage your vehicle. The water can get into the transmission and differential, diluting the lubricant and causing an eventual failure. It can also wash the grease out of the wheel bearings.

### **If You Get Stuck**

Avoid driving on soft sand, deep mud, or other surfaces where you could get stuck. If you do happen to get stuck because of inclement weather

or other conditions, choose a safe and appropriate course of action.

You should never use a jack to try getting unstuck. A jack only works on firm, level ground. Also, your vehicle could easily slip off the jack and hurt you or someone else.

### **4-Wheel Drive Vehicles**

If you spin the wheels excessively trying to get unstuck, you may overheat the components of the 4-wheel drive system. If this happens, the 4-wheel drive system shuts off and only the front wheels receive power. If this happens, stop and allow everything to cool down. The 4-wheel drive system will work again after its temperature drops.

If you slip the clutch for a long time while trying to get unstuck, you may overheat and damage it.





This section explains why it is important to keep your vehicle well maintained and to follow basic maintenance safety precautions.

This section also includes Maintenance Schedules for normal driving and severe driving conditions, a Maintenance Record, and instructions for simple maintenance tasks you may want to take care of yourself.

If you have the skills and tools to perform more complex maintenance tasks on your Honda, you may want to purchase the Service Manual. See page 309 for information on how to obtain a copy, or see your Honda dealer.

- Maintenance Safety..... 198
- Important Safety Precautions.. 199
- Maintenance Schedule..... 200

- Required Maintenance Record... 207
- Owner Maintenance Checks..... 209
- Fluid Locations..... 210
- Engine Oil..... 211
  - Adding Oil..... 211
  - Recommended Oil..... 211
  - Synthetic Oil..... 212
  - Additives..... 212
  - Changing the Oil and Filter..... 213
- Cooling System..... 215
  - Adding Engine Coolant..... 215
  - Replacing Engine Coolant..... 217
- Windshield Washers..... 220
- Transmission Fluid..... 221
  - Automatic Transmission..... 221
  - 5-speed Manual Transmission..... 222
- Rear Differential Fluid..... 223
- Brake and Clutch Fluid..... 224
  - Brake System..... 224
  - Clutch System..... 225
- Power Steering..... 225
- Air Cleaner Element..... 226
- Hood Latch..... 227
- Spark Plugs..... 227
  - Replacement..... 227

- Specifications..... 228
- Battery..... 229
- Wiper Blades..... 231
- Air Conditioning System..... 233
- Air Conditioning Filter..... 234
- Drive Belts..... 234
- Timing Belt..... 235
- Tires..... 235
  - Inflation..... 235
  - Recommended Tire Pressures for Normal Driving..... 236
  - Inspection..... 237
  - Maintenance..... 237
  - Tire Rotation..... 238
  - Replacing Tires and Wheels .... 239
  - Wheels and Tires..... 240
  - Winter Driving..... 240
    - Snow Tires..... 240
    - Tire Chains..... 241
- Lights..... 242
  - Headlight Aiming..... 244
  - Replacing Bulbs..... 246
- Storing Your Vehicle..... 253

## Maintenance Safety

---

Regularly maintaining your vehicle is the best way to protect your investment. Proper maintenance is essential to your safety and the safety of your passengers. It will also reward you with more economical, trouble-free driving and help reduce air pollution.

### **WARNING**

Improperly maintaining this vehicle or failing to correct a problem before driving can cause a crash in which you can be seriously hurt or killed.

Always follow the inspection and maintenance recommendations and schedules in this owner's manual.

This section includes instructions for simple maintenance tasks, such as checking and adding oil. Any service items not detailed in this section should be performed by a Honda technician or other qualified mechanic.

Some of the most important safety precautions are given here. However, we cannot warn you of every conceivable hazard that can arise in performing maintenance. Only you can decide whether or not you should perform a given task.

### **WARNING**

Failure to properly follow maintenance instructions and precautions can cause you to be seriously hurt or killed.

Always follow the procedures and precautions in this owner's manual.

### Important Safety Precautions

Before you begin any maintenance, make sure your vehicle is parked on level ground and that the parking brake is set. Also, be sure the engine is off. This will help to eliminate several potential hazards:

- **Carbon monoxide poisoning from engine exhaust.** Be sure there is adequate ventilation whenever you operate the engine.
- **Burns from hot parts.** Let the engine and exhaust system cool before touching any parts.
- **Injury from moving parts.** Do not run the engine unless instructed to do so.

Read the instructions before you begin, and make sure you have the tools and skills required.

To reduce the possibility of fire or explosion, be careful when working around gasoline or batteries. Use a commercially available degreaser or parts cleaner, not gasoline, to clean parts. Keep cigarettes, sparks, and flames away from the battery and all fuel-related parts.

You should wear eye protection and protective clothing when working near the battery or when using compressed air.

## Maintenance Schedule

---

The Maintenance Schedule specifies how often you should have your vehicle serviced and what things need attention. It is essential that you have your vehicle serviced as scheduled to retain its high level of safety, dependability, and emissions control performance.

The services and time or distance intervals shown in the maintenance schedule assume you will use your vehicle as normal transportation for passengers and their possessions. You should also follow these recommendations:

- Avoid exceeding your vehicle's load limit. This puts excess stress on the engine, brakes, and many other parts of your vehicle. The load limit is shown on the label on the driver's doorjamb.
- Operate your vehicle on reasonable roads within the legal speed limit.
- Drive your vehicle regularly over a distance of several miles (kilometers).
- Always use unleaded gasoline with the proper octane rating (see page [152](#)).

### **Which Schedule to Follow:**

Service your vehicle according to the time and mileage periods on one of the Maintenance Schedules on the following pages. Select the schedule for "Severe Conditions" if most of your driving is done under one or more of the conditions listed on that page. Otherwise, follow the schedule for "Normal Conditions."

Your authorized Honda dealer knows your vehicle best and can provide competent, efficient service. However, service at a dealer is not mandatory to keep your warranties in effect. Maintenance may be done by any qualified service facility or person who is skilled in this type of automotive service. Keep all the receipts as proof of completion, and have the person who does the work fill out the Maintenance Record. Check your warranty booklet for more information.

We recommend the use of genuine Honda parts and fluids whenever you have maintenance done. These are manufactured to the same high-quality standards as the original components, so you can be confident of their performance and durability.

U.S. Vehicles:

**Maintenance, replacement or repair of emissions control devices and systems may be done by any automotive repair establishment or individual using parts that are "certified" to EPA standards.**

According to state and federal regulations, failure to perform maintenance on the items marked with # will not void your emissions warranties. However, Honda recommends that all maintenance services be performed at the recommended time or mileage period to ensure long-term reliability.

| Service at the indicated distance or time — whichever comes first.           | miles x 1,000   | 15 | 30 | 45 | 60 | 75  | 90  | 105 | 120              |
|--|---|----|----|----|----|-----|-----|-----|------------------|
|  | km x 1,000  | 24 | 48 | 72 | 96 | 120 | 144 | 168 | 192              |
|  | months  | 12 | 24 | 36 | 48 | 60  | 72  | 84  | 96               |
| Replace engine oil   | Every 7,500 miles (12,000 km) or 12 months  |    |    |    |    |     |     |     |                  |
| Replace engine oil filter  |   | •  | •  | •  | •  | •   | •   | •   | •                |
| Check engine oil and coolant   | Check oil and coolant at each fuel stop   |    |    |    |    |     |     |     |                  |
| Replace air cleaner element  |   |    | •  |    | •  |     | •   |     | •                |
| Inspect valve clearance  | Adjust only if noisy  |    |    |    |    |     |     |     |                  |
| Replace spark plugs  |   |    | •  |    | •  |     | •   |     | •                |
| Replace timing belt <sup>†</sup> , and inspect water pump                    |   |    |    |    |    |     |     | •   | •                |
| Inspect and adjust drive belts   |   |    | •  |    | •  |     | •   |     | •                |
| Inspect idle speed <sup>‡</sup>  |   |    |    |    |    |     |     | •   |                  |
| Replace engine coolant   | At 120,000 miles (192,000 km) or 120 months, then every 60,000 miles (96,000 km) or 60 months |    |    |    |    |     |     |     |                  |
| Replace transmission fluid   | MT  |    |    |    |    |     |     |     | • <sup>†</sup>   |
|  | AT  |    |    |    |    |     |     |     | • <sup>†,‡</sup> |
| Replace rear differential fluid  |   |    |    |    |    |     | •   |     |                  |
| Inspect front and rear brakes  |   | •  | •  | •  | •  | •   | •   | •   | •                |
| Replace brake fluid  | Every 36 months (independent of mileage)  |    |    |    |    |     |     |     |                  |
| Check parking brake adjustment   |   | •  | •  | •  | •  | •   | •   | •   | •                |
| Replace air conditioning filter  |   |    | •  |    | •  |     | •   |     | •                |
| Rotate tires<br>(Check tire inflation and condition at least once per month) | Rotate tires every 7,500 miles (12,000 km)  |    |    |    |    |     |     |     |                  |
| <b>Visually inspect the following items:</b>                                 |   |    |    |    |    |     |     |     |                  |
| Tie rod ends, steering gear box, and boots                                   |   |    |    |    |    |     |     |     |                  |
| Suspension components  |   |    |    |    |    |     |     |     |                  |
| Driveshaft boots   |   |    |    |    |    |     |     |     |                  |
| Brake hoses and lines (including ABS)  | •   | •  | •  | •  | •  | •   | •   | •   | •                |
| All fluid levels and condition of fluids                                     |   |    |    |    |    |     |     |     |                  |
| Cooling system hoses and connections   |   |    |    |    |    |     |     |     |                  |
| Exhaust system <sup>‡</sup>  |   |    |    |    |    |     |     |     |                  |
| Fuel lines and connections <sup>‡</sup>                                      |   |    |    |    |    |     |     |     |                  |

### U.S. Owners

Follow the Normal Conditions Maintenance Schedule if the severe driving conditions specified in the Severe Conditions Maintenance Schedule do not apply.

NOTE: If you only OCCASIONALLY drive under a "severe" condition, you should follow the Normal Conditions Maintenance Schedule.

### Canadian Owners

Follow the Maintenance Schedule for Severe Conditions

- # : See information on maintenance and emissions warranty, last column, page 201.
- \* 1 : See timing belt on page 231 to determine need for replacement
- \* 2 : Replace every 120,000 miles (192,000 km) or 72 months
- \* 3 : Replace at 120,000 miles (192,000km) or 72 months, then every 90,000 miles (144,000 km) or 60 months

service at the indicated distance or time, whichever comes first. Do the items in **A, B, C** as required for each distance/time interval. Follow this schedule if the severe driving conditions described in the Severe Conditions Schedule on the next page do not apply.

**Canadian owners:** Follow the schedule for Severe Conditions.

|   |   |
|---|---|
| 7,500 mi/12,000 km/-  | Do items in A.  |
| 15,000 mi/24,000 km/1 yr  | Do items in A, B.   |
| 22,500 mi/36,000 km/-   | Do items in A.  |
| 30,000 mi/48,000 km/2 yrs   | Do items in A, B, C.  |
| 37,500 mi/60,000 km/-   | Do items in A.  |
| 45,000 mi/72,000 km/3 yrs   | <input type="checkbox"/> Replace brake fluid.<br>Do items in A, B, D  |
| 52,500 mi/84,000 km/-   | Do items in A.  |
| 60,000 mi/96,000 km/4 yrs   | Do items in A, B, C.  |
| 67,500 mi/108,000 km/-  | Do items in A.  |
| 75,000 mi/120,000 km/5 yrs  | Do items in A, B.   |
| 82,500 mi/132,000 km/-  | Do items in A.  |
| 90,000 mi/144,000 km/6 yrs  | <input type="checkbox"/> Replace rear differential fluid. <input type="checkbox"/> Replace brake fluid. Do items in A, B, C, D  |
| 97,500 mi/156,000 km/-  | Do items in A.  |
| 105,000 mi/168,000 km/7 yrs   | <input type="checkbox"/> Replace timing belt <sup>*1</sup> , inspect water pump.<br><input type="checkbox"/> Check idle speed <sup>‡</sup> .<br><input type="checkbox"/> Inspect valve clearance. Do items in A, B. |
| 112,500 mi/180,000 km/-   | Do items in A.  |
| 120,000 mi/192,000 km/8 yrs   | Do items in A, B, C. <input type="checkbox"/> Replace transmission fluid : (MT <sup>*2</sup> , AT <sup>*3</sup> )   |
| At 120,000 mi/192,000 km/10 years, thereafter every 60,000 mi/100,000 km or 60 months | <input type="checkbox"/> Replace engine coolant   |

|          |  |
|----------|--|
| <b>A</b> | <input type="checkbox"/> Replace engine oil.<br><input type="checkbox"/> Rotate tires (follow pattern on page 238 ).   |
| <b>B</b> | <input type="checkbox"/> Replace engine oil filter.<br><input type="checkbox"/> Inspect front and rear brakes.<br><input type="checkbox"/> Check parking brake adjustment.<br><input type="checkbox"/> Inspect tie rod ends, steering gearbox and boots.<br><input type="checkbox"/> Inspect suspension components.<br><input type="checkbox"/> Inspect driveshaft boots.<br><input type="checkbox"/> Inspect brake hoses and lines (including ABS).<br><input type="checkbox"/> Check all fluid levels, condition of fluids, and check for leaks.<br><input type="checkbox"/> Inspect cooling system hoses and connections.<br><input type="checkbox"/> Inspect exhaust system <sup>‡</sup> .<br><input type="checkbox"/> Inspect fuel lines and connections <sup>‡</sup> . |
| <b>C</b> | <input type="checkbox"/> Replace air cleaner element.<br><input type="checkbox"/> Replace spark plugs.<br><input type="checkbox"/> Inspect and adjust drive belts.<br><input type="checkbox"/> Replace air conditioning filter.<br><input type="checkbox"/> Replace brake fluid every 3 years (independent of mileage).  |
| <b>D</b> | <input type="checkbox"/> Replace brake fluid every 3 years (independent of mileage).   |

# : See information on maintenance and emissions warranty, last column, page 201.

- \* 1: See timing belt on page 235 to determine need for replacement
- \* 2: Replacement every 120,000 miles (192,000 km) or 72 months.
- \* 3: Replace at 120,000 miles (192,000km) or 72 months, then every 90,000 miles (144,000 km) or 60 months.
- \* : Check oil and coolant at each fuel stop.
- \* : Adjust valve clearance: cold engine, only if noisy.

| Service at the indicated distance or time — whichever comes first.        | miles x 1,000   | 15 | 30 | 45 | 60             | 75  | 90  | 105 | 120 |
|---|---|----|----|----|----------------|-----|-----|-----|-----|
|   | km x 1,000  | 24 | 48 | 72 | 96             | 120 | 144 | 168 | 192 |
|   | months  | 12 | 24 | 36 | 48             | 60  | 72  | 84  | 96  |
| Replace engine oil and oil filter   | Every 3,750 miles (6,000 km) or 6 months  |    |    |    |                |     |     |     |     |
| Check engine oil and coolant  | Check oil and coolant at each fuel stop   |    |    |    |                |     |     |     |     |
| Replace air cleaner element   |   | •  | •  | •  | •              | •   | •   | •   | •   |
| Inspect valve clearance   | Adjust only if noisy  |    |    |    |                |     |     |     |     |
| Replace spark plugs   |   | •  |    | •  |                |     | •   |     | •   |
| Replace timing belt* <sup>1</sup> and inspect water pump                  |   |    |    |    |                |     |     | •   |     |
| Inspect and adjust drive belts  |   | •  |    | •  |                | •   |     | •   |     |
| Inspect idle speed <sup>2</sup>   |   |    |    |    |                |     |     | •   |     |
| Replace engine coolant  | At 120,000 miles (192,000 km) or 120 months, then every 60,000 miles (96,000 km) or 60 months |    |    |    |                |     |     |     |     |
| Replace transmission fluid  | MT  |    |    |    | • <sup>3</sup> |     |     |     | •   |
|   | AT  |    |    |    | • <sup>4</sup> |     | •   |     | •   |
| Replace rear differential fluid   |   |    |    | •  |                |     |     |     | •   |
| Inspect front and rear brakes   | Every 7,500 miles (12,000 km) or 6 months   |    |    |    |                |     |     |     |     |
| Replace brake fluid   | Every 36 months (independent of mileage)  |    |    |    |                |     |     |     |     |
| Check parking brake adjustment  | •   | •  | •  | •  | •              | •   | •   | •   | •   |
| Replace air conditioning filter* <sup>2</sup>                             |   | •  |    | •  |                | •   |     | •   | •   |
| Clean antenna mast  | •   | •  | •  | •  | •              | •   | •   | •   | •   |
| Lubricate all door hinges, locks and latches, including the hood          | •   | •  | •  | •  | •              | •   | •   | •   | •   |
| Rotate tires (Check tire inflation and condition at least once per month) | Rotate tires every 7,500 miles (12,000 km)  |    |    |    |                |     |     |     |     |
| <b>Visually inspect the following items:</b>                              |   |    |    |    |                |     |     |     |     |
| Tie rod ends, steering gear box, and boots                                | Every 7,500 miles (12,000 km) or 6 months   |    |    |    |                |     |     |     |     |
| Suspension components, Driveshaft boots                                   |   |    |    |    |                |     |     |     |     |
| Brake hoses and lines (including ABS)                                     |   |    |    |    |                |     |     |     |     |
| All fluid levels and condition of fluids                                  |   |    |    |    |                |     |     |     |     |
| Cooling system hoses and connections                                      | •   | •  | •  | •  | •              | •   | •   | •   | •   |
| Exhaust system <sup>2</sup> /Fuel lines and connections <sup>2</sup>      |   |    |    |    |                |     |     |     |     |
| Lights and controls/Vehicle underbody                                     |   |    |    |    |                |     |     |     |     |

# : See information on maintenance and emissions warranty, last column, page 201 .

\* 1 : Refer to page 235 for replacement information under special driving conditions.

\* 2 : Refer to page 234 for replacement information under special driving conditions.

\* 3 : Replace every 60,000 miles (96,000 km) or 36 months.

\* 4 : Replace at 60,000 miles (96,000 km) or 36 months, then every 30,000 miles (48,000 km) or 24 months.

### U.S. Owners

Follow the Severe Conditions Maintenance Schedule if you drive your vehicle **MAINLY** under one or more of the following conditions:

- Driving less than 5 miles (8 km) per trip or, in freezing temperatures, driving less than 10 miles (16 km) per trip
- Driving in extremely hot [over 90° F (32° C)] condition
- Extensive idling or long periods of stop-and-go driving
- Trailer towing, driving with a roof rack, or driving in mountainous conditions.
- Driving on muddy, dusty, or de-iced roads.

### Canadian Owners

Follow the Maintenance Schedule for Severe Conditions



Use this schedule if your vehicle is MAINLY driven in any of the following Severe Conditions; otherwise use the Normal Schedule. Service at the indicated distance or time, whichever comes first. Do the items in **A, B, C, D** as required for each distance/time.

**severe Conditions:**

- Driving less than 5 miles (8 km) per trip or, in freezing temperatures, driving less than 10 miles (16 km) per trip.
- Driving in extremely hot (over 90°F/32°C) conditions.
- Extensive idling or long periods of stop-and-go driving.
- Trailer towing, driving with a roof rack, or driving in mountainous conditions.
- Driving on muddy, dusty, or de-iced roads.

|                            |                         |
|----------------------------|-------------------------|
| 3,750 mi/6,000 km/6 mos    | Do items in A.          |
| 7,500 mi/12,000 km/-       | Do items in A, B.       |
| 11,250 mi/18,000 km/-      | Do items in A.          |
| 15,000 mi/24,000 km/1 yrs  | Do items in A, B, C.    |
| 18,750 mi/30,000 km/-      | Do items in A.          |
| 22,500 mi/36,000 km/1½ yrs | Do items in A, B.       |
| 26,250 mi/42,000 km/-      | Do items in A.          |
| 30,000 mi/48,000 km/2 yrs  | Do items in A, B, C, D. |
| 33,750 mi/54,000 km/-      | Do items in A.          |
| 37,500 mi/60,000 km/2½ yrs | Do items in A, B.       |
| 41,250 mi/66,000 km/-      | Do items in A.          |
| 45,000 mi/72,000 km/3 yrs  | Do items in A, B, C, E. |
| 48,750 mi/78,000 km/-      | Do items in A.          |
| 52,500 mi/84,000 km/3½ yrs | Do items in A, B.       |

|   |   |
|---|---|
| <b>A</b>  | <input type="checkbox"/> Replace engine oil and filter.                                     |
| <b>B</b>  | <input type="checkbox"/> Inspect front and rear brakes.                                     |
|   | <input type="checkbox"/> Rotate tires (follow pattern on page 238).                         |
|   | <input type="checkbox"/> Inspect tie rod ends, steering gearbox and boots.                  |
|   | <input type="checkbox"/> Inspect suspension components.                                     |
|   | <input type="checkbox"/> Inspect driveshaft boots.  |
| <b>C</b>  | <input type="checkbox"/> Replace air cleaner element.                                       |
|   | <input type="checkbox"/> Check parking brake adjustment.                                    |
|   | <input type="checkbox"/> Clean antenna mast.  |
|   | <input type="checkbox"/> Lubricate all door hinges, locks, and latches, including the hood. |
|   | <input type="checkbox"/> Inspect brake hoses and lines (including ABS).                     |
|   | <input type="checkbox"/> Check all fluid levels, condition of fluids, and check for leaks.  |
|   | <input type="checkbox"/> Inspect cooling system hoses and connections.                      |
|   | <input type="checkbox"/> *Inspect exhaust system.   |
|   | <input type="checkbox"/> †Inspect fuel lines and connections.                               |
|   | <input type="checkbox"/> Check all lights.  |
|   | <input type="checkbox"/> Inspect the underbody.   |
| <input type="checkbox"/> Replace air conditioning filter if the vehicle is driven in urban areas with a high concentration of soot. |   |

|  |  |
|--|--|
| 56,250 mi/90,000 km/-  | Do items in A.   |
| 60,000 mi/96,000 km/4 yrs  | <input type="checkbox"/> Replace rear differential fluid.<br>Do items in A, B, C, D.   |
| 63,750 mi/102,000 km/-   | Do items in A.   |
| 67,500 mi/108,000 km/4½ yrs  | Do items in A, B.  |
| 71,250 mi/114,000 km/-   | Do items in A.   |
| 75,000 mi/120,000 km/5 yrs   | Do items in A, B, C.   |
| 78,750 mi/126,000 km/-   | Do items in A.   |
| 82,500 mi/132,000 km/5½ yrs  | Do items in A, B.  |
| 86,250 mi/138,000 km/-   | Do items in A.   |
| 90,000 mi/144,000 km/6 yrs   | <input type="checkbox"/> Replace brake fluid. Do items in A, B, C, D.  |
| 93,750 mi/150,000 km/-   | Do items in A.   |
| 97,500 mi/156,000 km/6½ yrs  | Do items in A, B.  |
| 101,250 mi/162,000 km/-  | Do items in A.   |
| 105,000 mi/168,000 km/7 yrs  | <input type="checkbox"/> Replace timing belt <sup>*,*1</sup> , inspect water pump.<br><input type="checkbox"/> Inspect valve clearance.<br><input type="checkbox"/> Check idle speed <sup>†</sup> . Do items in A, B, C. |
| 108,750 mi/174,000 km/-  | Do items in A.   |
| 112,500 mi/180,000 km/7½ yrs   | Do items in A, B.  |
| 116,250 mi/186,000 km/-  | Do items in A.   |
| 120,000 mi/192,000 km/8 yrs  | <input type="checkbox"/> Replace rear differential fluid.<br>Do items in A, B, C.  |
| At 120,000 mi/192,000 km/120 months, thereafter every 60,000 mi/96,000 km/60 months    | <input type="checkbox"/> Replace engine coolant  |
| Every 60,000 mi/96,000 km/48 months  | <input type="checkbox"/> Replace manual transmission fluid   |
| At 60,000 miles/96,000 km or 48 months, thereafter every 30,000 mi/48,000 km/24 months | <input type="checkbox"/> Replace automatic transmission fluid  |

- |          |  |
|----------|--|
| <b>D</b> | <input type="checkbox"/> Replace spark plugs.<br><input type="checkbox"/> Inspect and adjust drive belts.<br><input type="checkbox"/> Replace air conditioning filter. <sup>*2</sup> |
| <b>E</b> | <input type="checkbox"/> Replace brake fluid every 3 years (independent of mileage).   |

- # : See information on maintenance and emissions warranty, last column, page 201.
- \* 1 : See timing belt on page 235 to determine need for replacement
- \* 2 : See Air Conditioning Filter on page 234 for replacement information under special driving conditions.
- \* : Check oil and coolant at each fuel stop.
- \* : Check and adjust valve clearance, cold engine, only if noisy.

## Required Maintenance Record (for Normal and Severe Schedules)

You or the servicing dealer can record all completed maintenance here, whether you follow the schedule for normal conditions (page 202 ) or severe conditions (page 204). Keep the receipts for all work done on your vehicle.

|  |                           |       |
|--|---------------------------|-------|
| <b>3,750 mi</b><br>6,000 km                    | Signature or dealer stamp | mi/km |
|  |                           | Date  |
| <b>7,500 mi</b><br>12,000 km<br>(or 6 mo)      |                           | mi/km |
|  |                           | Date  |
| <b>11,250 mi</b><br>18,000 km                  |                           | mi/km |
|  |                           | Date  |
| <b>15,000 mi</b><br>24,000 km<br>(or 1 year)   |                           | mi/km |
|  |                           | Date  |
| <b>18,750 mi</b><br>30,000 km                  |                           | mi/km |
|  |                           | Date  |
| <b>22,500 mi</b><br>36,000 km<br>(or 1½ years) |                           | mi/km |
|  |                           | Date  |
| <b>26,250 mi</b><br>42,000 km                  |                           | mi/km |
|  |                           | Date  |
| <b>30,000 mi</b><br>48,000 km<br>(or 2 years)  |                           | mi/km |
|  |                           | Date  |

|  |                           |       |
|--|---------------------------|-------|
| <b>33,750 mi</b><br>54,000 km                  | Signature or dealer stamp | mi/km |
|  |                           | Date  |
| <b>37,500 mi</b><br>60,000 km<br>(or 2½ years) |                           | mi/km |
|  |                           | Date  |
| <b>41,250 mi</b><br>66,000 km                  |                           | mi/km |
|  |                           | Date  |
| <b>45,000 mi</b><br>72,000 km<br>(or 3 years)  |                           | mi/km |
|  |                           | Date  |
| <b>48,750 mi</b><br>78,000 km                  |                           | mi/km |
|  |                           | Date  |
| <b>52,500 mi</b><br>84,000 km<br>(or 3½ years) |                           | mi/km |
|  |                           | Date  |
| <b>56,250 mi</b><br>90,000 km                  |                           | mi/km |
|  |                           | Date  |
| <b>60,000 mi</b><br>96,000 km<br>(or 4 years)  |                           | mi/km |
|  |                           | Date  |

## Required Maintenance Record (for Normal and Severe Schedules)

|   |                           |       |
|---|---------------------------|-------|
| <b>63,750 mi</b><br>102,000 km                  | Signature or dealer stamp | mi/km |
|   |                           | Date  |
| <b>67,500 mi</b><br>108,000 km<br>(or 4½ years) |                           | mi/km |
|   |                           | Date  |
| <b>71,250 mi</b><br>114,000 km                  |                           | mi/km |
|   |                           | Date  |
| <b>75,000 mi</b><br>120,000 km<br>(or 5 years)  |                           | mi/km |
|   |                           | Date  |
| <b>78,750 mi</b><br>126,000 km                  |                           | mi/km |
|   |                           | Date  |
| <b>82,500 mi</b><br>132,000 km<br>(or 5½ years) |                           | mi/km |
|   |                           | Date  |
| <b>86,250 mi</b><br>138,000 km                  |                           | mi/km |
|   |                           | Date  |
| <b>90,000 mi</b><br>144,000 km<br>(or 6 years)  |                           | mi/km |
|   |                           | Date  |

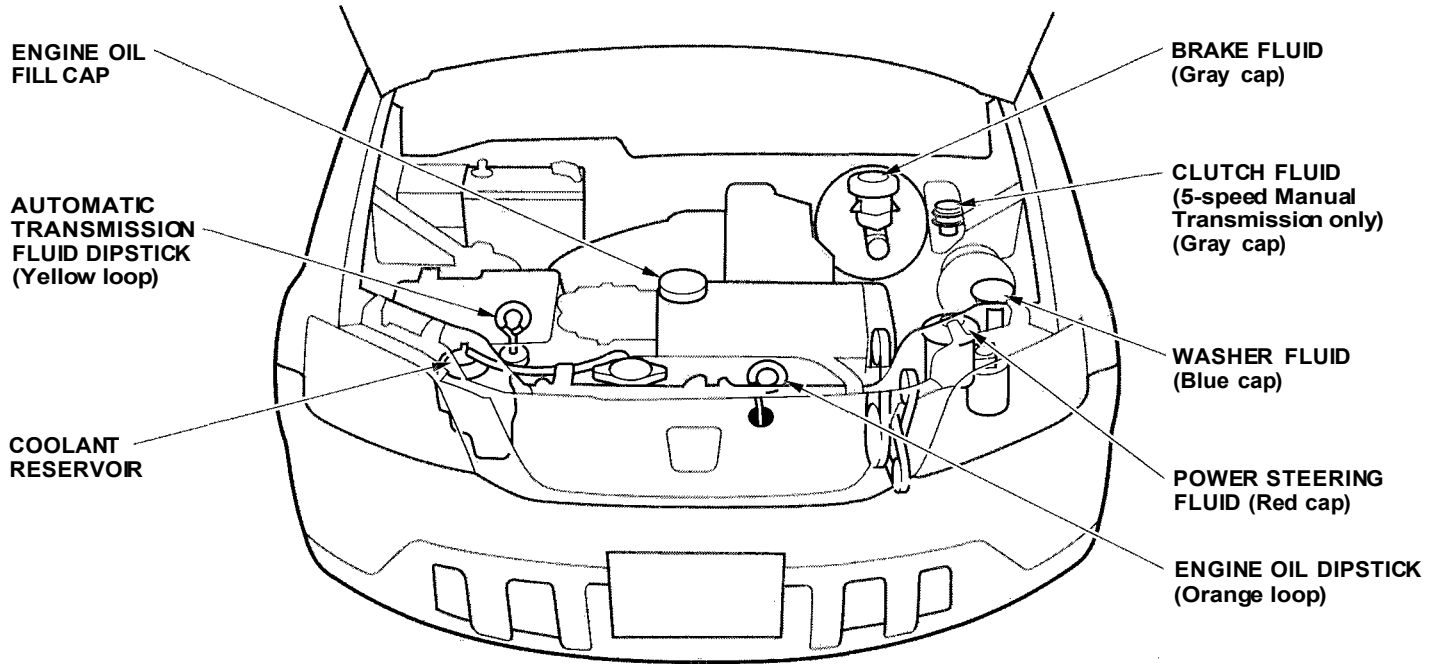
|  |                           |       |
|--|---------------------------|-------|
| <b>93,750 mi</b><br>150,000 km                   | Signature or dealer stamp | mi/km |
|  |                           | Date  |
| <b>97,500 mi</b><br>156,000 km<br>(or 6½ years)  |                           | mi/km |
|  |                           | Date  |
| <b>101,250 mi</b><br>162,000 km                  |                           | mi/km |
|  |                           | Date  |
| <b>105,000 mi</b><br>168,000 km<br>(or 7 years)  |                           | mi/km |
|  |                           | Date  |
| <b>108,750 mi</b><br>174,000 km                  |                           | mi/km |
|  |                           | Date  |
| <b>112,500 mi</b><br>180,000 km<br>(or 7½ years) |                           | mi/km |
|  |                           | Date  |
| <b>116,250 mi</b><br>186,000 km                  |                           | mi/km |
|  |                           | Date  |
| <b>120,000 mi</b><br>192,000 km<br>(or 8 years)  |                           | mi/km |
|  |                           | Date  |

You should check the following items at the specified intervals. If you are unsure of how to perform any check, turn to the page given.

- Engine oil level — Check every time you fill the fuel tank. See page [155](#).
- Engine coolant level — Check the radiator reserve tank every time you fill the fuel tank. See page [156](#).
- Windshield washer fluid — Check the level in the reservoir monthly. If weather conditions cause you to use the washers frequently, check the reservoir each time you stop for fuel. See page [220](#).
- Automatic transmission — Check the fluid level monthly. See page [221](#).
- Brakes and clutch — Check the fluid level monthly. See page [224](#).
- Tires — Check the tire pressure monthly. Examine the tread for wear and foreign objects. See page [235](#).
- Lights — Check the operation of the headlights, parking lights, taillights, high-mount brake light, turn signals, brake lights, and license plate lights monthly. See page [242](#).

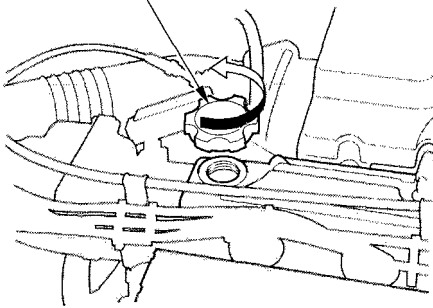
# Fluid Locations

---



## Adding Oil

ENGINE OIL FILL CAP



To add oil, unscrew and remove the engine oil fill cap on top of the valve cover. Pour in the oil, and install the engine oil fill cap. Tighten it securely. Wait a few minutes and recheck the oil level. Do not fill above the upper mark; you could damage the engine.

## Recommended Oil

Oil is major contributor to your engine's performance and longevity. Always use a premium-grade detergent oil displaying the API Certification Seal. This seal indicates the oil is energy conserving, and that it meets the American Petroleum Institute's latest requirements. It is highly recommended that you use Honda Motor Oil in your vehicle for as long as you own it.

Make sure the API Certification Seal says "For Gasoline Engines."



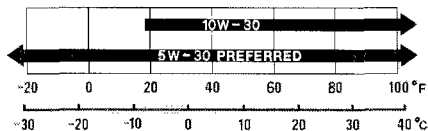
API CERTIFICATION MARK

*CONTINUED*

## Engine Oil

---

The numbers on the container's label tell you the oil's viscosity or weight. Select the oil for your car according to this chart.



### Ambient Temperature

An oil with a viscosity of 5W-30 is preferred for improved fuel economy and year-round protection in your Honda. You may use a 10W-30 oil if the temperature in your area never goes below 20°F (−7°C).

### Synthetic Oil

You may use a synthetic motor oil if it meets the same requirements given for a conventional motor oil: it displays the API Certification Seal, and it is the proper weight as shown on the chart. When using synthetic oil, you must follow the oil and filter change intervals given in the maintenance schedule.

### Additives

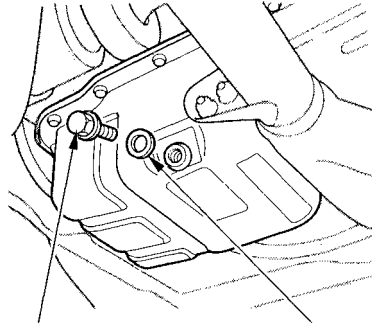
Your Honda does not require any oil additives. Additives may adversely affect your engine's or transmission's performance and durability.



## Changing the Oil and Filter

Always change the oil and filter according to the time and distance (miles/kilometers) recommendations in the maintenance schedule. The oil and filter collect contaminants that can damage your engine if they are not removed regularly.

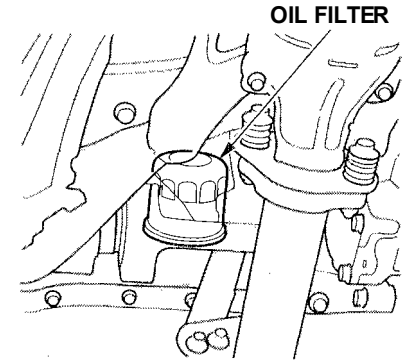
Changing the oil and filter requires special tools and access from underneath the vehicle. The vehicle should be raised on a service station-type hydraulic lift for this service. Unless you have the knowledge and proper equipment, you should have this maintenance done by a skilled mechanic.



OIL DRAIN BOLT

WASHER

1. Run the engine until it reaches normal operating temperature, then shut it off.
2. Open the hood and remove the engine oil fill cap. Remove the oil drain bolt and washer from the bottom of the engine. Drain the oil into an appropriate container.



3. Remove the oil filter and let the remaining oil drain. A special wrench (available from your Honda dealer) is required to remove the filter.
4. Install a new oil filter according to instructions that come with it.

CONTINUED

## Engine Oil

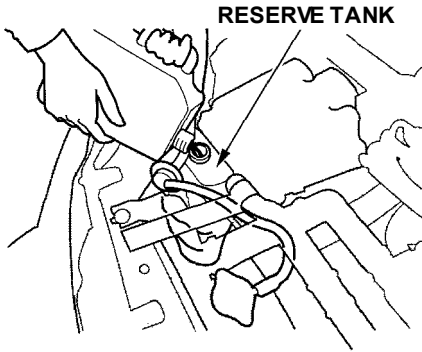
---

5. Put a new washer on the drain bolt, then reinstall the drain bolt. Tighten it to:  
33 lbf.ft (44 N.m, 4.5 kgf.m)
6. Refill the engine with the recommended oil.  
Engine oil change capacity (including filter):  
4.0 US qt (3.8l , 3.3 Imp qt)
7. Replace the engine oil fill cap. Start the engine. The oil pressure indicator light should go out within five seconds. If it does not, turn off the engine and reinspect your work.
8. Let the engine run for several minutes and check the drain bolt and oil filter for leaks.
9. Turn off the engine, let it sit for several minutes, then check the oil level. If necessary, add oil to bring the level to the upper mark on the dipstick.

### NOTICE

*Improper disposal of engine oil can be harmful to the environment. If you change your own oil, please dispose of the used oil properly. Put it in a sealed container and take it to a recycling center. Do not discard it in a trash bin or dump it on the ground.*

### Adding Engine Coolant



If the coolant level in the reserve tank is at or below the MIN line, add coolant to bring it up to the MAX line. Inspect the cooling system for leaks. This coolant should always be a mixture of 50 percent antifreeze and 50 percent water. Never add straight antifreeze or plain water.

Always use Honda All Season Antifreeze/Coolant Type 2. This coolant is pre-mixed with 50 percent antifreeze and 50 percent water. It does not require any additional mixing. If it is not available, you may use another major-brand non-silicate coolant as a temporary replacement. Make sure it is a high-quality coolant recommended for aluminum engines. However, continued use of any non-Honda coolant can result in corrosion, causing the cooling system to malfunction or fail. Have the cooling system flushed and refilled with Honda antifreeze/coolant as soon as possible.

If the reserve tank is completely empty, you should also check the coolant level in the radiator.

#### **WARNING**

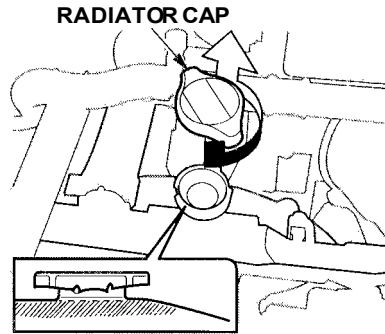
Removing the radiator cap while the engine is hot can cause the coolant to spray out, seriously scalding you.

Always let the engine and radiator cool down before removing the radiator cap.

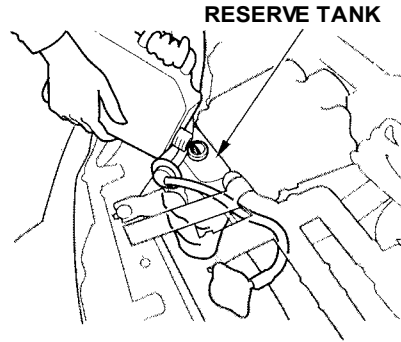
1. Make sure the engine and radiator are cool.

*CONTINUED*

## Cooling System



2. Turn the radiator cap counter-clockwise, without pressing down on it, until it stops. This relieves any pressure remaining in the cooling system.
3. Remove the radiator cap by pushing down and turning counterclockwise



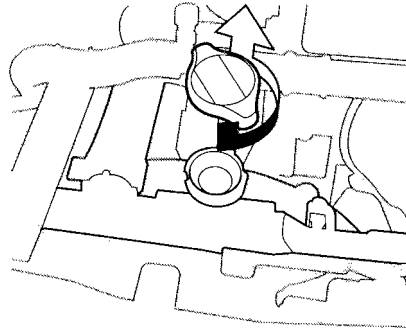
4. The coolant level should be up to the base of the filler neck. Add coolant if it is low.
5. Put the radiator cap back on. Tighten it fully.
6. Pour coolant into the reserve tank. Fill it to halfway between the MAX and MIN marks. Put the cap back on the reserve tank.

Do not add any rust inhibitors or other additives to your vehicle's cooling system. They may not be compatible with the coolant or engine components.

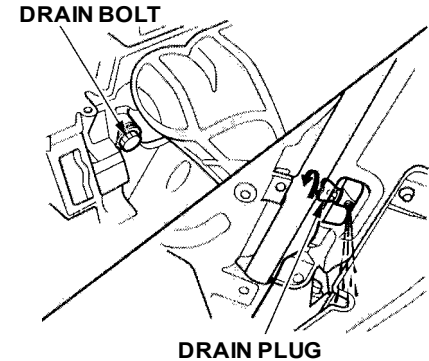
### Replacing Engine Coolant

The cooling system should be completely drained and refilled with new coolant according to the time and distance recommendations in the maintenance schedule. Only use Honda All Season Antifreeze/Coolant Type 2.

Draining the coolant requires access to the underside of the vehicle. Unless you have the tools and knowledge, you should have this maintenance done by a skilled mechanic.



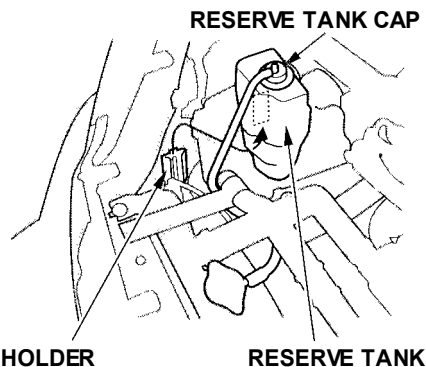
1. Turn the ignition ON (II). Turn the heater temperature control dial fully clockwise. Turn the ignition off.
2. Open the hood. Make sure the engine and radiator are cool to the touch.
3. Remove the radiator cap.



4. Loosen the drain plug on the bottom of the radiator. The coolant will drain through the splash guard. Remove the drain bolt and washer from the engine block.

CONTINUED

## Cooling System



5. Remove the reserve tank from its holder by pulling it straight up. Drain the coolant, then put the tank back in its holder.

6. When the coolant stops draining, tighten the drain plug at the bottom of the radiator. Apply non-hardening sealant to the drain bolt threads, put a new washer on the drain bolt, and reinstall the bolt in the engine block. Tighten it securely. Tightening torque:  
61 lbf.ft (83 N-m, 8.5 kgf.tn)

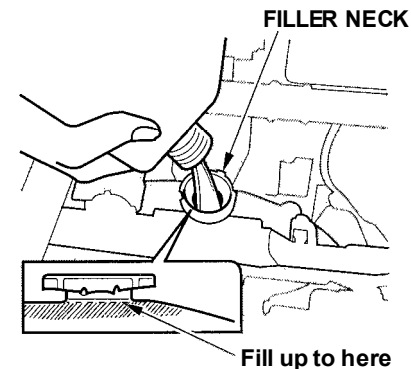
7. Mix the recommended antifreeze with an equal amount of purified or distilled water in a clean container. The cooling system capacity is:

*Automatic Transmission:*

1.03 US gal (3.9 l, 0.86 Imp gal)

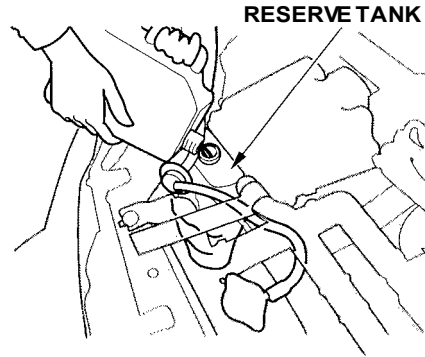
*Manual Transmission:*

1.06 US gal (4.0 l, 0.88 Imp gal)



8. Pour coolant into the radiator up to the base of the filler neck.

9. Start the engine and let it run for about 30 seconds. Then turn off the engine.
10. Check the level in the radiator, add coolant if needed.

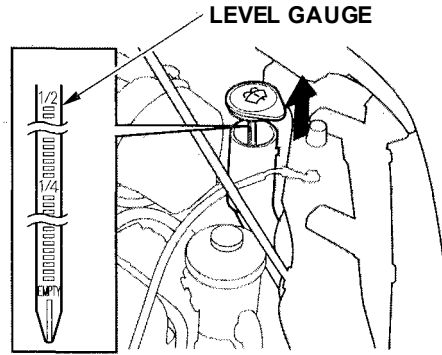


11. Fill the reserve tank to the MAX mark. Install the reserve tank cap.
12. Install the radiator cap, and tighten it to the first stop.
13. Start the engine and let it run until the radiator fan comes on two times. Then stop the engine.

14. Remove the radiator cap.
15. Pour coolant into the radiator up to the base of the filler neck and into the reserve tank up to the MAX mark.
16. Start the engine and hold it at 1,500 rpm until the radiator fan comes on. Turn off the engine. Check the coolant level in the radiator and add coolant if needed.
17. Install the radiator cap, and tighten it fully.
18. If necessary, fill the reserve tank to the MAX mark. Install the reserve tank cap.

## Windshield Washers

Check the level in the windshield washer reservoir at least monthly during normal usage. In bad weather, when you use the washers often, check the level every time you stop for fuel.



The windshield washer reservoir is located behind the driver's side headlight. Check the reservoir's fluid level by removing the cap and looking at the level gauge attached to the cap.

Fill the reservoir with a good-quality windshield washer fluid. This increases the cleaning capability and prevents freezing in cold weather.

### NOTICE

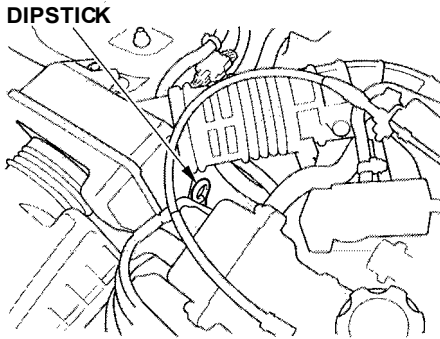
*Do not use engine antifreeze or a vinegar/water solution in the windshield washer reservoir.*

*Antifreeze can damage your vehicle's paint, while a vinegar/water solution can damage the windshield washer pump.*

*Use only commercially-available windshield washer fluid.*

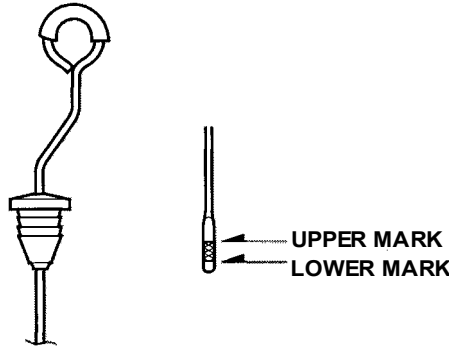


## Automatic Transmission



Check the fluid level with the engine at normal operating temperature.

1. Park the vehicle on level ground. Shut off the engine.
2. Remove the dipstick (yellow loop) from the transmission and wipe it with a clean cloth.



3. Insert the dipstick all the way into the transmission.
4. Remove the dipstick and check the fluid level. It should be between the upper and lower marks.

5. If the level is below the lower mark, add fluid into the filler hole to bring it to the upper mark. Always use Honda ATF-Z1 (Automatic Transmission Fluid). If it is not available, you may use a DEXRON® III automatic transmission fluid as a temporary replacement. However, continued use can affect shift quality. Have the transmission flushed and refilled with Honda ATF-Z1 as soon as it is convenient.

To thoroughly flush the transmission, the technician should drain and refill it with Honda ATF-Z1 (Automatic Transmission Fluid), then drive the vehicle a short distance. Do this three times. Then drain and refill the transmission a final time.

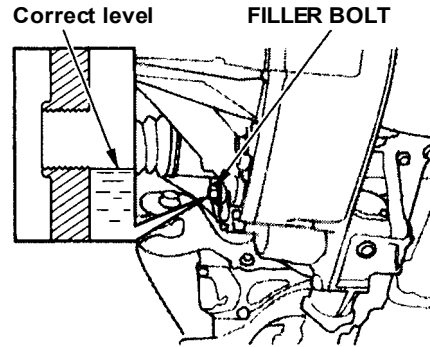
*CONTINUED*

## Transmission Fluid

6. Insert the dipstick all the way back into the transmission securely as shown in the illustration.

The transmission should be drained and refilled with new fluid according to the time and distance recommendations in the maintenance schedule.

### 5-speed Manual Transmission

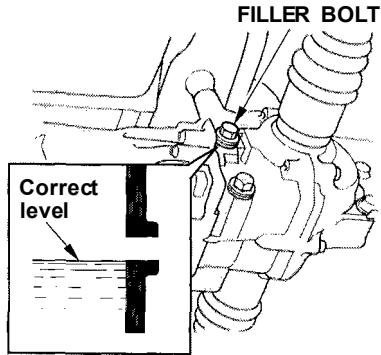


Check the fluid level with the transmission at normal operating temperature and the vehicle sitting on level ground. Remove the transmission filler bolt and carefully feel inside the bolt hole with your finger. The fluid level should be up to the edge of the bolt hole. If it is not, add Honda Manual Transmission Fluid (MTF) until it starts to run out of the hole. Reinstall the filler bolt and tighten it securely.

If Honda MTF is not available, you may use an API service SG, SH or SJ grade motor oil with a viscosity of SAE 10W-30 or 10W-40 as a temporary replacement. An SG grade is preferred, but an SH or SJ grade may be used if SG is not available. However, motor oil does not contain the proper additives and continued use can cause stiffer shifting. Replace as soon as it is convenient.

The transmission should be drained and refilled with new fluid according to the time and distance recommendations in the maintenance schedule.

(4WD models only)



Check the fluid level with the rear differential at normal operating temperature and the vehicle sitting on level ground. Remove the differential fluid filler bolt and washer and carefully feel inside the bolt hole with your finger. The fluid level should be up to the edge of the bolt hole. If it is not, slowly add Honda Dual Pump Fluid until it starts to run out of the hole. Reinstall the filler bolt and tighten it securely.

If the Dual Pump Fluid is not available, you may use Honda Premium Formula Automatic Transmission Fluid (ATF) or a quality DEXRON® III ATF as a temporary replacement. However, continued use can cause noise, vibration and performance problems. Have the differential drained and refilled with Honda Dual Pump Fluid as soon as it is convenient.

The rear differential should be drained and refilled with new fluid according to the time and distance recommendations in the maintenance schedule.

## Brake and Clutch Fluid

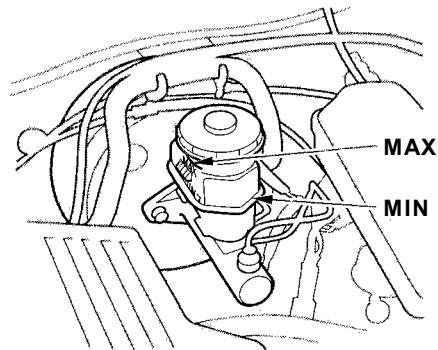
Check the fluid level in the reservoirs monthly. There are up to two reservoirs, depending on the model. They are:

- Brake fluid reservoir (all models)
- Clutch fluid reservoir (manual transmission only)

The brake fluid should be replaced according to the time and distance recommendations in the maintenance schedule.

Always use Honda Heavy Duty Brake Fluid DOT 3. If it is not available, you should use only DOT 3 or DOT 4 fluid, from a sealed container, as a temporary replacement. However, the use of any non-Honda brake fluid can cause corrosion and decrease the life of the system. Have the brake system flushed and refilled with Honda Heavy Duty Brake Fluid DOT 3 as soon as possible. Brake fluid marked DOT 5 is not compatible with your vehicle's braking system and can cause extensive damage.

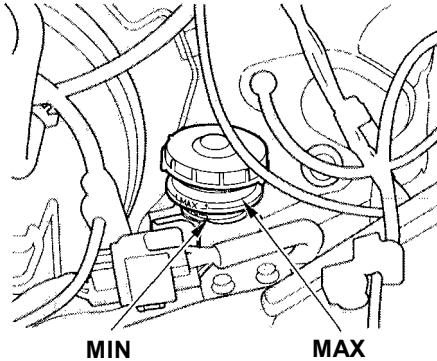
### Brake System



The fluid level should be between the MIN and MAX marks on the side of the reservoir. If the level is at or below the MIN mark, your brake system needs attention. Have the brake system inspected for leaks or worn brake pads.

## Brake and Clutch Fluid, Power Steering

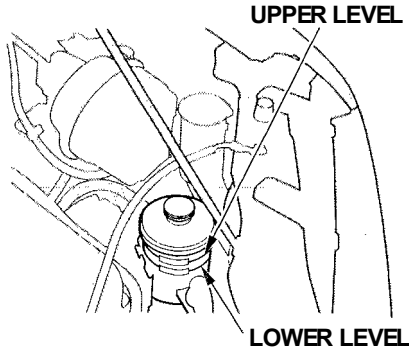
### Clutch System



The fluid should be between the MIN and MAX marks on the side of the reservoir. If it is not, add brake fluid to bring it up to that level. Use the same fluid specified for the brake system.

Low fluid level can indicate a leak in the clutch system. Have this system inspected as soon as possible.

### Power Steering



Check the level when the engine is cold. Look at the side of the reservoir. The fluid should be between the UPPER LEVEL and LOWER LEVEL. If it is below the LOWER LEVEL, add power steering fluid to the UPPER LEVEL.

Always use Honda Power Steering Fluid. If it is not available, you may use another power steering fluid as an emergency replacement. However, continued use can cause increased wear and poor steering in cold weather. Have the power steering system flushed and refilled with Honda PSF as soon as possible.

A low power steering fluid level can indicate a leak in the system. Check the fluid level frequently and have the system inspected as soon as possible.

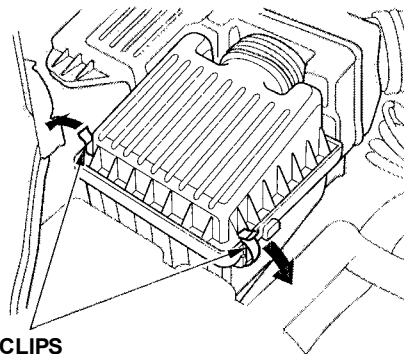
#### NOTICE

*Turning the steering wheel to full left or right lock and holding it there can damage the power steering pump.*

## Air Cleaner Element

The air cleaner element should be replaced according to the time and distance recommendations in the maintenance schedule.

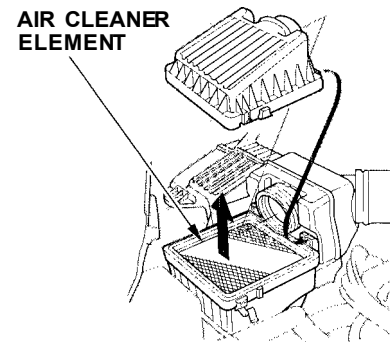
### Replacement



The air cleaner element is inside the air cleaner housing on the right side of the engine compartment

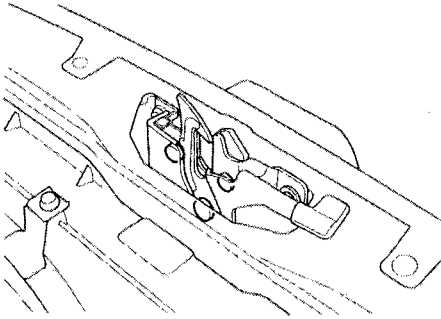
To replace it:

1. Unsnap the two clips and remove the air cleaner housing cover.



2. Remove the old air cleaner element  
Carefully clean the inside of the air cleaner housing with a damp rag.
3. Place the new air cleaner element in the air cleaner housing.
4. Align the tabs and reinstall the air cleaner housing cover, snap the two clips back into place.

## Hood Latch

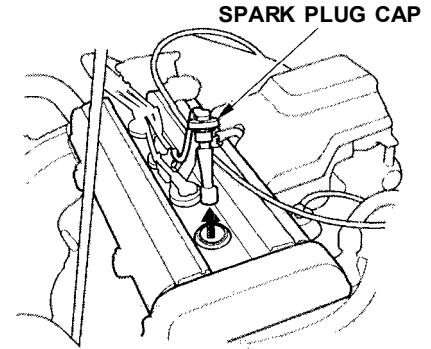


Clean the hood latch assembly with a mild cleaner, then lubricate it with a multipurpose grease. Lubricate all the moving parts, including the pivot. Follow the time and distance recommendations in the Maintenance Schedule. If you are not sure how to clean and grease the latch, contact your Honda dealer.

## Spark Plugs

The spark plugs in your vehicle should be replaced according to the time and distance recommendations in the maintenance schedule.

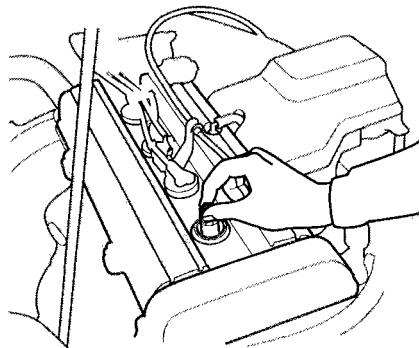
## Replacement



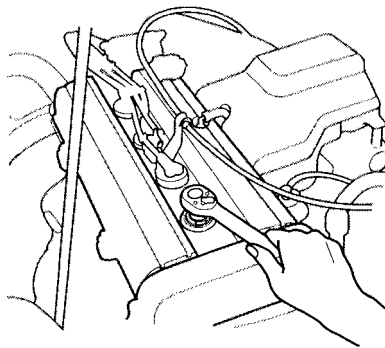
1. Clean up any dirt and oil around the spark plug caps.
2. Remove the spark plug cap by pulling it straight out.
3. Remove the spark plug with a five-eighths inch (16 mm) spark plug socket.

*CONTINUED*

## Spark Plugs



4. Put the new spark plug into the socket; then screw it into the hole. Screw it in by hand so you do not crosstread it.



5. Torque the spark plug. (If you do not have a torque wrench, tighten the spark plug two-thirds of a turn after it contacts the cylinder head.)  
Tightening torque:  
13 lbf.ft (18 N·m, 1.8 kgf.m)

### NOTICE

*Tighten The spark plugs carefully. A spark plug that is too loose can overheat and damage the engine. Overtightening can cause damage to the threads in the cylinder head.*

6. Install the spark plug cap.
7. Repeat this procedure for the other three spark plugs.

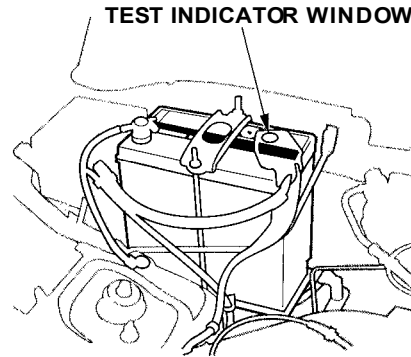
### Specifications

NGK: **ZFR6F-11**  
DENSO: **KJ20CR-L11**

Spark Plug Gap:  
0.04 in (1.1 mm  $\begin{smallmatrix} 0 \\ 0.1\text{mm} \end{smallmatrix}$ )



Check the condition of your vehicle's battery monthly. You should check the color of the test indicator window, and for corrosion on the terminals.



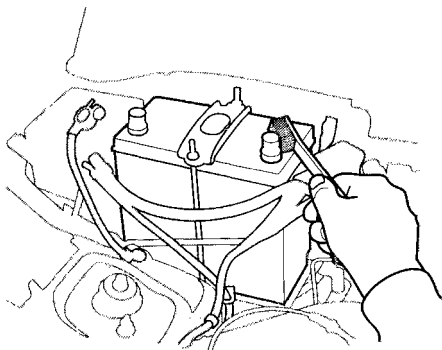
Check the battery condition by looking at the test indicator window on the battery. The label on the battery explains the test indicator's colors.

Check the battery terminals for corrosion (a white or yellowish powder). To remove it, cover the terminals with a solution of baking soda and water. It will bubble up and turn brown. When this stops, wash it off with plain water. Dry off the battery with a cloth or paper towel. Coat the terminals with grease to help prevent future corrosion.

**WARNING:** Battery posts, terminals and related accessories contain lead and lead compounds. **Wash hands after handling.**

*CONTINUED*

## Battery



If the terminals are severely corroded, clean them with baking soda and water. Then use a wrench to loosen and remove the cables from the terminals. Always disconnect the negative (—) cable first and reconnect it last. Clean the battery terminals with a terminal cleaning tool or wire brush. Reconnect and tighten the cables, then coat the terminals with grease.

If you need to connect the battery to a charger, disconnect both cables to prevent damage to the vehicle's electrical system.

### **⚠ WARNING**

The battery gives off explosive hydrogen gas during normal operation.

A spark or flame can cause the battery to explode with enough force to kill or seriously hurt you.

Wear protective clothing and a face shield, or have a skilled mechanic do the battery maintenance.

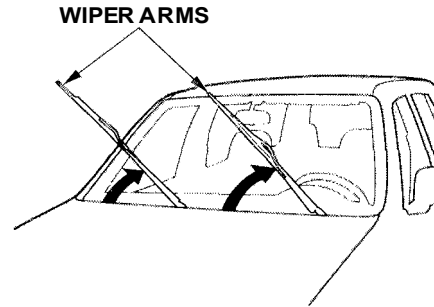
### *On EX and SE models*

If your vehicle's battery is disconnected or goes dead, the audio system will disable itself. The next time you turn on the radio you will see " Code " in the frequency display. Use the Preset buttons to enter the five-digit code (see page [137](#)).

### **NOTICE**

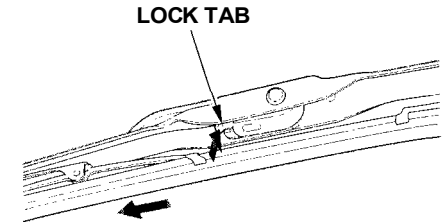
*Charging the battery with the cables connected can seriously damage your vehicle's electronic controls. Detach the battery cables before connecting the battery to a charger.*

Check the condition of the wiper blades at least every six months. Look for signs of cracking in the rubber, or areas that are getting hard. Replace the blades if you find these signs, or they leave streaks and unwiped areas when used.



To replace the blade:

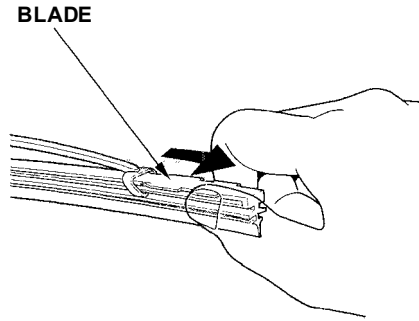
1. Raise the wiper arm off the windshield.



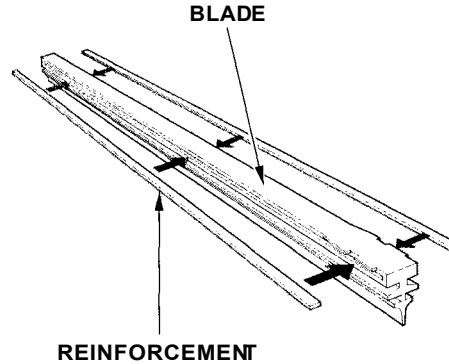
2. Disconnect the blade assembly from the wiper arm by pushing in the lock tab. Hold it in while you push the blade assembly toward the base of the arm.

*CONTINUED*

## Wiper Blades



3. Remove the blade from its holder by grasping the tabbed end of the blade. Pull firmly until the tabs come out of the holder.



4. Examine the new wiper blades. If they have no plastic or metal reinforcement along the back edge, remove the metal reinforcement strips from the old wiper blade and install them in the slots along the edge of the new blade.

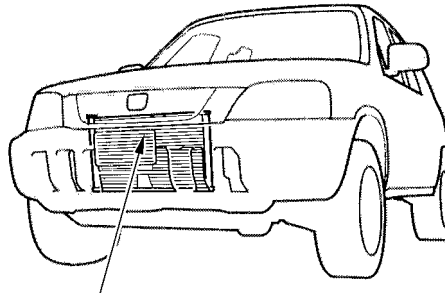
5. Slide the new wiper blade into the holder until the tabs lock.
6. Slide the wiper blade assembly onto the wiper arm. Make sure it locks in place.
7. Lower the wiper arm down against the windshield.

Your vehicle's air conditioning is a sealed system. Any major maintenance, such as recharging, should be done by a qualified mechanic. You can do a couple of things to make sure the air conditioning works efficiently.

Periodically check the engine's radiator and air conditioning condenser for leaves, insects, and dirt stuck to the front surface. These block the air flow and reduce cooling efficiency. Use a light spray from a hose or a soft brush to remove them.

### NOTICE

*The condenser and radiator fins bend easily. Only use a low-pressure spray or soft-bristle brush to clean them.*



**AIR CONDITIONING CONDENSER**

Run the air conditioning at least once a week during the cold weather months. Run it for at least ten minutes while you are driving at a steady speed with the engine at normal operating temperature. This circulates the lubricating oil contained in the refrigerant.

If the air conditioning does not get as cold as before, have your dealer check the system. Recharge the system with Refrigerant HFC-134a (R-134a). (See Specifications on page 295.)

### NOTICE

*Whenever you have the air conditioning system serviced, make sure the service facility uses a refrigerant recycling system. This system captures the refrigerant for reuse. Releasing refrigerant into the atmosphere can damage the environment.*

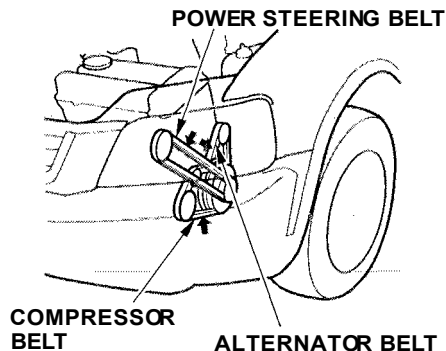
## Air Conditioning Filter, Drive Belts

### Air Conditioning Filter

The air conditioning filter removes pollen and dust that is brought in from the outside through the heating and cooling system.

This filter should be replaced every 30,000 miles (48,000 km) under normal conditions. It should be replaced every 15,000 miles (24,000 km) if you drive primarily in urban areas that have high concentrations of soot in the air from industry and diesel-powered vehicles. Replace it more often if air flow from the heating and cooling system becomes less than usual. Have the air conditioning filter replaced by your Honda dealer.

### Drive Belts



Check the condition of the three drive belts. Examine the edges of each belt for cracks or fraying. Check the tension of each belt by pushing on it with your thumb midway between the pulleys.

The belts should have the following "play" or deflection.

Alternator belt:

0.33—0.45 in (8.5—11.5 mm)

Compressor belt:

0.30—0.41 in (7.5—10.5 mm)

Power steering belt:

0.43—0.57 in (11.0—14.5 mm)

If you see signs of wear or looseness, have your dealer adjust or replace the belts.

### Timing Belt

The timing belt should normally be replaced at the intervals shown in the maintenance schedule.

Replace the belt at 60,000 miles (U.S.) or 100,000 km (Canada) if you regularly drive your vehicle in one or more of these conditions:

- In very high temperatures (over 110°F, 43°C)
- In very low temperatures (under -20°F, -29°C).

### Tires

To safely operate your vehicle, your tires must be the proper type and size, in good condition with adequate tread, and correctly inflated. The following pages give more detailed information on how and when to check air pressure, how to inspect your tires for damage and wear, and what to do when your tires need to be replaced.

#### **WARNING**

Using tires that are excessively worn or improperly inflated can cause a crash in which you can be seriously hurt or killed.

Follow all instructions in this owner's manual regarding tire inflation and maintenance.

### Inflation

Keeping the tires properly inflated provides the best combination of handling, tread life and riding comfort. Underinflated tires wear unevenly, adversely affect handling and fuel economy, and are more likely to fail from being overheated. Overinflated tires can make your vehicle ride more harshly, are more prone to damage from road hazards, and wear unevenly.

We recommend that you visually check your tires every day. If you think a tire might be low, check it immediately with a tire gauge.

*CONTINUED*

# Tires

Use a gauge to measure the air pressure at least once a month. Even tires that are in good condition may lose one to two psi (10 to 20 kPa, 0.1 to 0.2 kgf/cm<sup>2</sup>) per month. Remember to check the spare tire at the same time you check all the other tires.

Check the pressure in the tires when they are cold. This means the vehicle has been parked for at least three hours. If you have to drive the vehicle before checking the tire pressure, the tires can still be considered "cold" if you drive less than 1 mile (1.6km).

If you check the pressure when the tires are hot (the vehicle has been driven several miles), you will see readings 4 to 6 psi (30 to 40 kPa, 0.3 to 0.4 kgf/cm<sup>2</sup>) higher than the cold reading. This is normal. Do not let air out to match the specified cold pressure. The tire will be underinflated.

You should get your own tire pressure gauge and use it whenever you check your tire pressures. This will make it easier for you to tell if a pressure loss is due to a tire problem and not due to a variation between gauges.

## ***Recommended Tire Pressures for Normal Driving***

The following chart shows the recommended cold tire pressures for most normal driving conditions and speeds. Tire pressures for high speed driving are the same as for normal driving.

| Tire Size     | Cold Tire Pressure for Normal Driving                      |
|---------------|--|
| 205/70R15 95S | Front/Rear:<br>26 psi (180 kPa , 1.8 kgf/cm <sup>2</sup> ) |

These pressures are also given on the tire information label on the driver's doorjamb.

Tubeless tires have some ability to self-seal if they are punctured. However, because leakage is often very slow, you should look closely for punctures if a tire starts losing pressure.



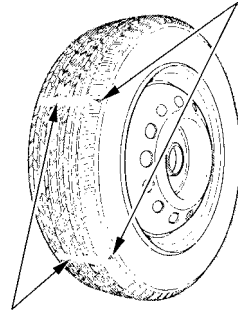
## Inspection

Every time you check inflation, you should also examine the tires for damage, foreign objects, and wear.

You should look for:

- Bumps or bulges in the tread or side of the tire. Replace the tire if you find either of these conditions.
- Cuts, splits, or cracks in the side of the tire. Replace the tire if you can see fabric or cord.
- Excessive tread wear.

## INDICATOR LOCATION MARKS



## TREAD WEAR INDICATORS

Your vehicle's tires have wear indicators molded into the tread. When the tread wears down to that point, you will see a 1/2 inch (12.7 mm) wide band running across the tread. This shows there is less than 1/16 inch (1.6 mm) of tread left on the tire. A tire that is this worn gives very little traction on wet roads. You should replace the tire if you can see the tread wear indicator in three or more places around the tire.

## Maintenance

In addition to proper inflation, correct wheel alignment helps to decrease tire wear. If you find a tire is worn unevenly, have your dealer check the wheel alignment.

The tires were properly balanced by the factory. They may need to be rebalanced at some time before they are worn out. Have your dealer check the tires if you feel a consistent vibration while driving. A tire should always be rebalanced if it is removed from the wheel for repair.

*CONTINUED*

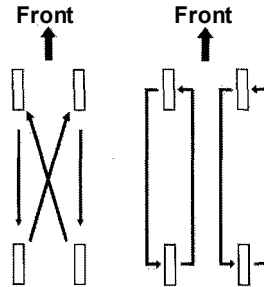
# Tires

Make sure the installer balances the wheels when you have new tires installed. This increases riding comfort and tire life. Your vehicle's original tires were dynamic or "spin" balanced at the factory. For best results, have the installer perform a dynamic balance.

## NOTICE

*(Only on vehicles equipped with aluminum wheels)  
Improper wheel weights can damage your vehicle's aluminum wheels. Use only genuine Honda wheel weights for balancing.*

## Tire Rotation



**(For Non-directional Tires and Wheels)**    **(For Directional Tires and Wheels)**

To help increase tire life and distribute wear more evenly, you should have the tires rotated every 7,500 miles (12,000 km). Move the tires to the positions shown in the chart each time they are rotated.

When shopping for replacement tires, you may find that some tires are "directional." This means they are designed to rotate only in one direction. If you use directional tires, they should be rotated only front-to-back.

## Replacing Tires and Wheels

The tires that came with your vehicle were selected to match the performance capabilities of the vehicle while providing the best combination of handling, ride comfort, and long life. You should replace them with radial tires of the same size, load range, speed rating, and maximum cold tire pressure rating (as shown on the tire's sidewall). Mixing radial and bias-ply tires on your vehicle can reduce its braking ability, traction, and steering accuracy.

### **WARNING**

Installing improper tires on your vehicle can affect handling and stability. This can cause a crash in which you can be seriously hurt or killed.

Always use the size and type of tires recommended in this owner's manual.

It is best to replace all four tires at the same time. If that is not possible or necessary, then replace the two front tires or the two rear tires as a pair. Replacing just one tire can seriously affect your vehicle's handling.

The ABS works by comparing the speed of the wheels. When replacing tires, use the same size originally supplied with the vehicle. Tire size and construction can affect wheel speed and may cause the system to work inconsistently.

If you ever need to replace a wheel, make sure the wheel's specifications match those of the original wheel that came on your vehicle. Replacement wheels are available at your Honda dealer.

# Tires

---

## Wheels and Tires

Wheels:  
**15 x 6J J**

Tires:  
**205/70R1595S**

See page [296](#) for information about DOT Tire Quality Grading.

## Winter Driving

Tires that are marked "M + S" or "All Season" on the sidewall have an all-weather tread design. They should be suitable for most winter driving conditions. Tires without these markings are designed for optimum traction in dry conditions. They may not provide adequate performance in winter driving. For the best performance in snowy or icy conditions, you should install snow tires or tire chains. They may be required by local laws under certain conditions.

## *Snow Tires*

If you mount snow tires on your Honda, make sure they are radial tires of the same size and load range as the original tires. Mount snow tires on all four wheels to balance your vehicle's handling in all weather conditions. Keep in mind the traction provided by snow tires on dry roads may not be as high as your vehicle's original equipment tires. You should drive cautiously even when the roads are clear. Check with the tire dealer for maximum speed recommendations.

## ***Tire Chains***

Mount snow chains on your vehicle when warranted by driving conditions or required by local laws.

Use only SAE class "S" chains. Only certain brands of chains will fit your CR-V without coming in contact with the body or causing mechanical damage. Before buying any types of chains, you should consult with your Honda dealer about the designs and brands that will work on your CR-V. Also, make sure you purchase the correct size for your tires.

Install the chains only on the front tires. Mounting any type of chains on the rear tires will damage the body and suspension. When installing the chains, follow the manufacturer's instructions and mount them as tightly as you can. Drive slowly when they are installed. If you hear them coming in contact with the body, stop and investigate them. Make sure the chains are installed tightly, and that they are not contacting the brake lines or suspension. Remove the chains as soon as you begin driving on cleared roads.

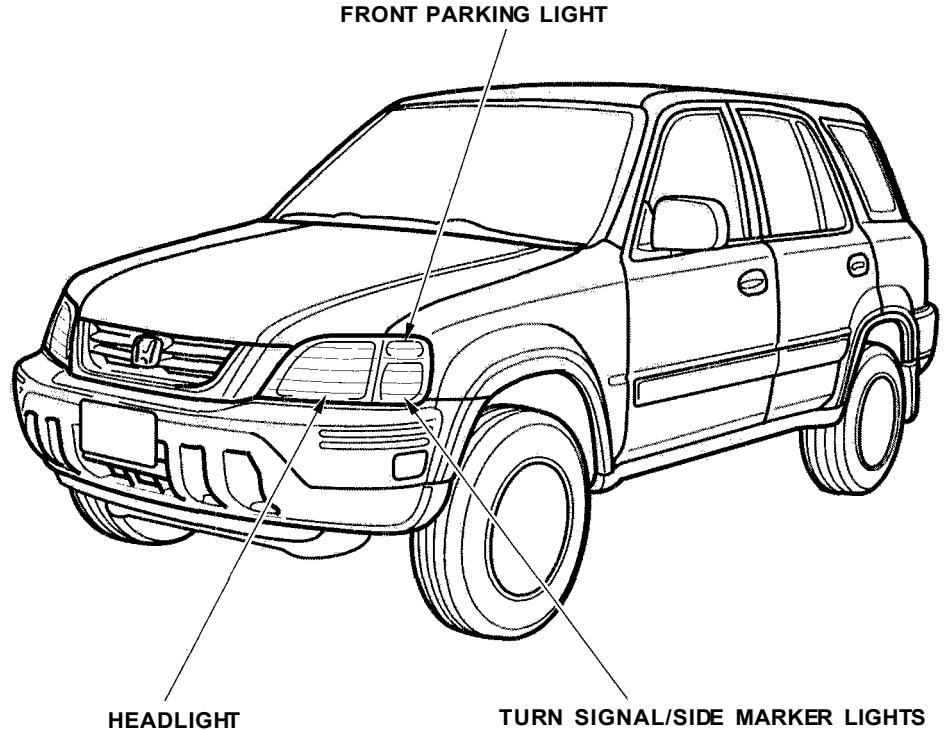
## **NOTICE**

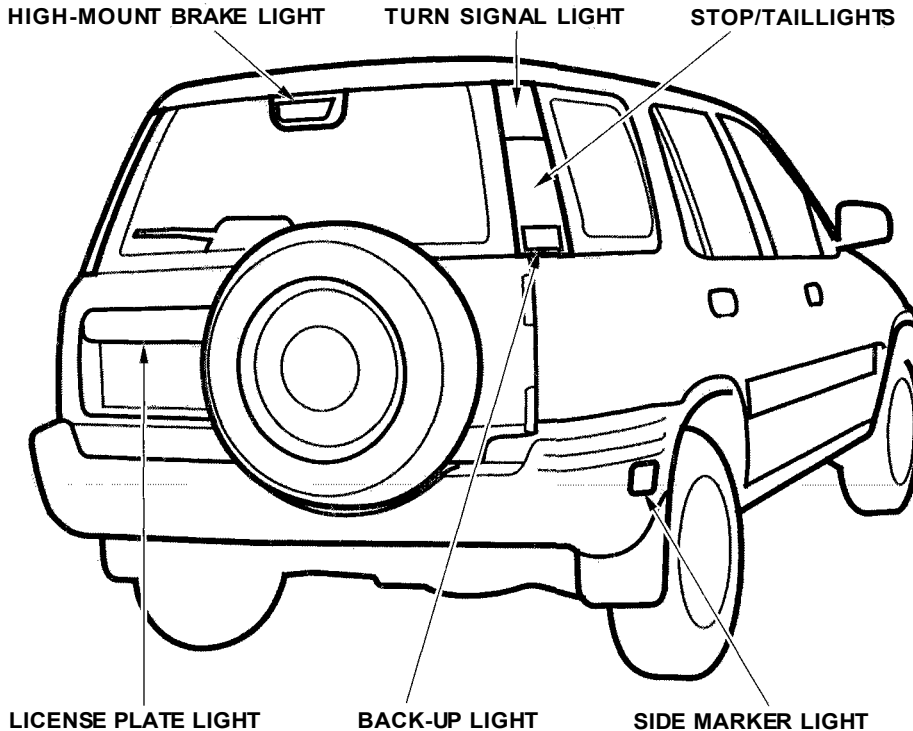
*Chains that are the wrong size or design, or are improperly installed, can damage your vehicle's brake lines, suspension, body, and wheels. Stop driving if they are hitting any part of the vehicle.*

## Lights

---

Check the operation of your vehicle's exterior lights at least once a month. A burned out bulb can create an unsafe condition by reducing your vehicle's visibility and the ability to signal your intentions to other drivers.





Check the following:

- Headlights (low and high beam)
- Parking lights
- Taillights
- Brake lights
- High-mount brake light
- Turn signals
- Back-up lights
- Hazard light function
- License plate light
- Side marker lights
- Daytime running lights  
(Canadian models)

If you find any bulbs are burned out, replace them as soon as possible. Refer to the chart on page [295](#) to determine what type of replacement bulb is needed.

# Lights

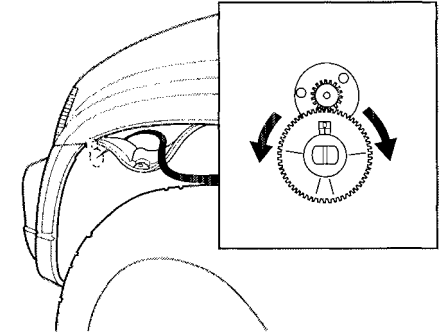
## Headlight Aiming

The headlights were properly aimed when your vehicle was new. If you regularly carry heavy items in the cargo area or pull a trailer, readjustment may be required. Adjustment of the headlights should be performed by a Honda technician or other qualified mechanic.

To check these settings:

1. Make sure the fuel tank is full.  
Park the vehicle on level ground.
2. The driver or someone who weighs the same should be sitting in the driver's seat for all checks and adjustments.  
Load your vehicle with the items you normally carry.

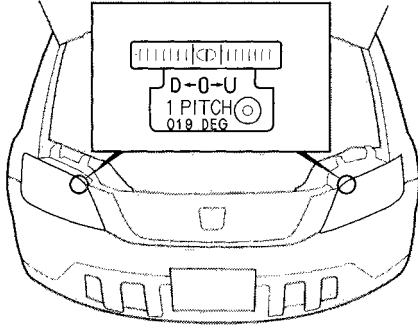
## HORIZONTAL ANGLE GAUGE



3. Open the hood.
4. Pull the inner fender off (see page [247](#)).
5. Check the horizontal angle gauge. The line on the adjustment screw indicator should line up with the "0" mark on the gauge.

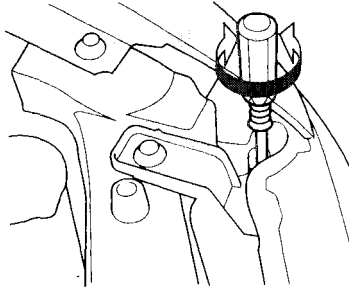


## VERTICAL ANGLE GAUGE



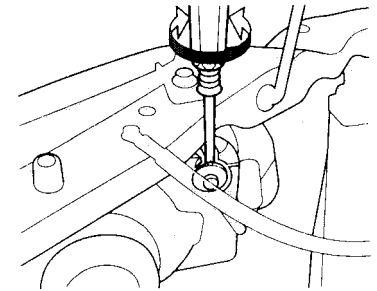
6. Check the vertical angle gauge. The bubble should be centered underneath the longest scribe mark on the gauge.

## HORIZONTAL ADJUSTMENT



7. If either indicator is not aligned with its "0" mark as described, an adjustment can be made using a Phillips-head screwdriver to realign it with the "0" mark. Please refer to the illustrations.

## VERTICAL ADJUSTMENT



8. If you cannot get an indicator to align, have your Honda dealer inspect the vehicle for body damage or suspension problems.

# Lights

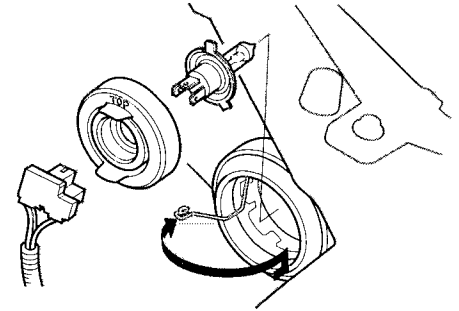
---

## Replacing a Headlight Bulb

Your vehicle has halogen headlight bulbs, one on each side. When replacing a bulb, handle it by its steel base and protect the glass from contact with your skin or hard objects. If you touch the glass, clean it with denatured alcohol and a clean cloth.

### NOTICE

*Halogen headlight bulbs get very hot when lit. Oil, perspiration, or a scratch on the glass can cause the bulb to overheat and shatter.*

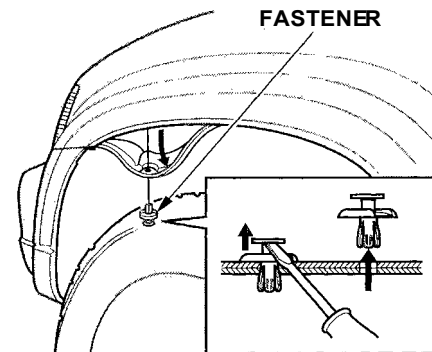


1. Open the hood.
2. Remove the electrical connector from the bulb by squeezing the connector on both sides to unlock the tab. Pull the connector straight off.
3. Remove the rubber weather seal by pulling on the tab.

4. Unclip the end of the hold-down wire from its slot. Pivot it out of the way and remove the bulb.
5. Insert the new bulb into the hole, making sure the tabs are in their slots. Pivot the hold-down wire back in place and clip the end into the slot.
6. Install the rubber seal over the back of the headlight assembly. Make sure it is right side up; it is marked "TOP."
7. Push the electrical connector onto the new bulb. Turn on the headlights to test the new bulb.

## Replacing the Front Side Marker/ Turn Signal and Parking Light Bulb

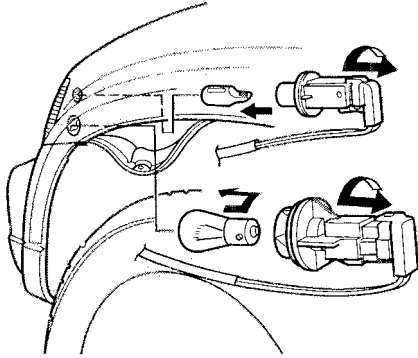
1. If you are changing the bulb on the driver's side, start the engine, turn the steering wheel all the way to the right, and turn off the engine. If you are changing the bulb on the passenger's side, turn the steering wheel to the left.



2. Use a flat-tip screwdriver to remove the fastener from the inner fender.

CONTINUED

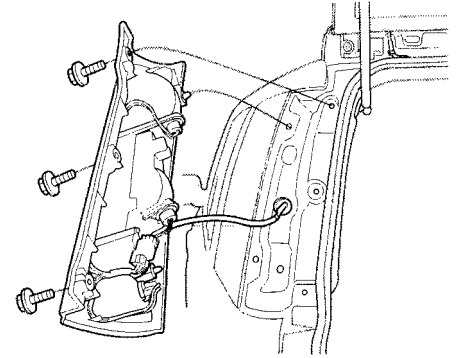
# Lights



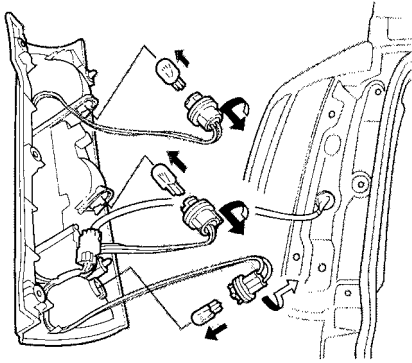
3. Pull the inner fender cover back.
4. Remove the socket from the headlight assembly by turning it one-quarter turn counterclockwise
5. To remove the turn signal/side marker bulb, push it in slightly and turn it counterclockwise. To remove the parking light bulb, pull it straight out of its socket.

6. Install the new bulb into the socket.
7. Insert the socket back into the headlight assembly. Turn it clockwise to lock it in place.
8. Test the lights to make sure the new bulb is working.
9. Put the inner fender cover in place. Install the fastener and push on the center until it locks (the center is flush with the head).

## Replacing Rear Bulbs



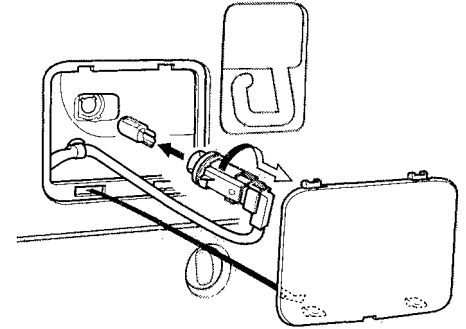
1. Open the tailgate. Remove the three screws and remove the rear light assembly from the rear pillar.
2. Determine which of the three bulbs is burned out: stop/taillight, turn signal light or back-up light.



3. Remove the socket by turning it one-quarter turn counterclockwise
4. Remove the bulb from the socket by pulling it straight out.
5. Install the new bulb in the socket
6. Reinstall the socket. Turn it clockwise until it locks.

7. Test the lights to make sure the new bulb is working.
8. Reinstall the rear light assembly into the rear pillar. Reinstall the three screws and tighten them securely.

## Replacing a Rear License Plate Bulb



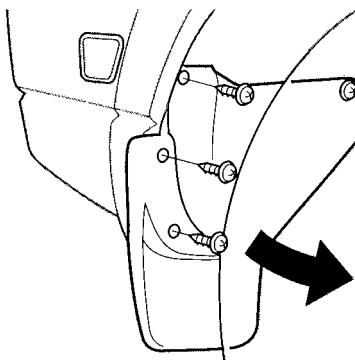
1. Remove the cover by carefully prying on the edge of the cover in the middle with a small flat-tip screwdriver.
2. Remove the socket from the light assembly by turning it one-quarter turn counterclockwise

CONTINUED

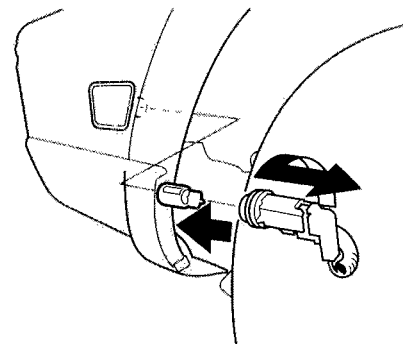
## Lights

3. Pull the bulb straight out of its socket. Push the new bulb in until it bottoms in the socket.
4. Turn on the parking lights and check that the new bulb is working.
5. Reinstall the socket. Snap the cover back in place.

### Replacing a Rear Side Marker Light Bulb



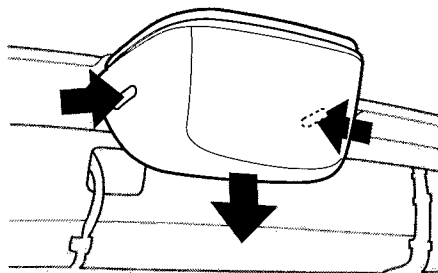
1. The rear side marker light assembly is behind the rear wheel. You can reach the light assembly from the rear wheel housing.
2. Remove the outer three screws holding the mudguard and pivot the mudguard out of the way.



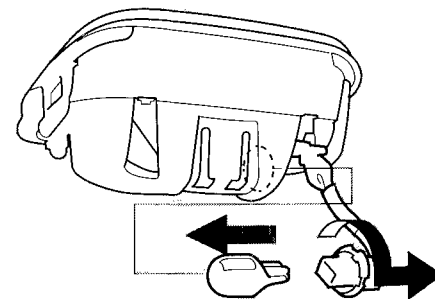
3. Remove the socket from the rear side marker assembly by turning it one-quarter turn counterclockwise.
4. Pull the bulb straight out of its socket.

5. Install the new bulb in the socket.
6. Insert the socket back into the rear side marker light assembly. Turn it clockwise to lock it in place.
7. Test the lights to make sure the new bulb is working.
8. Put the mudguard back in place and secure it with the three screws.

## Replacing a High-mount Brake Light Bulb



1. Remove the light assembly cover by pushing the tabs on both sides and pulling the cover down.
2. Remove the socket from the light assembly by turning it one-quarter turn counterclockwise
3. Pull the bulb straight out of its socket. Push the new bulb straight into the socket until it bottoms.



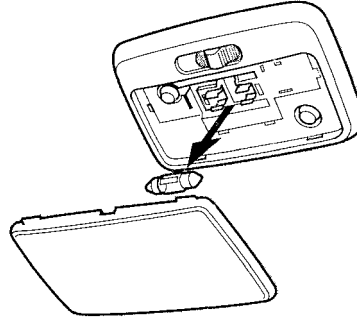
4. Test the lights to make sure the new bulb is working.
5. Put the socket back into the light assembly and turn it clockwise to lock it in place.
6. Put the cover back onto the light assembly. Push it up until it locks in place.

# Lights

## Replacing Ceiling/Cargo Area Lights and Spotlight Bulbs

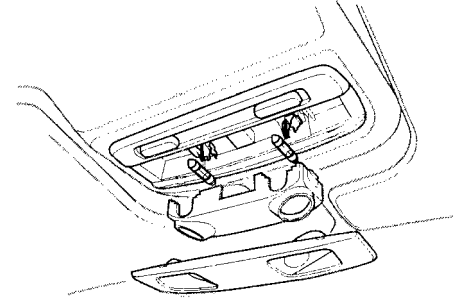
The ceiling light, cargo area light and spotlight come apart the same way. They do not all use the same bulb.

### CEILING/CARGO AREA LIGHT



1. Remove the lens by carefully prying on the edge of the lens with a fingernail file or a small flat-tip screwdriver. Do not pry on the edge of the housing around the lens.

### SPOTLIGHT



2. Remove the bulb by pulling it straight out of its metal tabs.
3. Push the new bulb into the metal tabs. Snap the lens back in place.



If you need to park your vehicle for an extended period (more than one month), there are several things you should do to prepare it for storage. Proper preparation helps prevent deterioration and makes it easier to get your vehicle back on the road. If possible, store your vehicle indoors.

- Fill the fuel tank.
- Change the engine oil and filter (see page [213](#) ).
- Wash and dry the exterior completely.
- Clean the interior. Make sure the carpeting, floor mats, etc. are completely dry.
- Leave the parking brake off. Put the transmission in Reverse (5-speed manual) or Park (automatic).

- Block the rear wheels.
- If the vehicle is to be stored for a longer period, it should be supported on jackstands so the tires are off the ground.
- Leave one window open slightly (if the vehicle is being stored indoors).
- Disconnect the battery.
- Support the front and rear wiper blade arms with a folded towel or rag so they do not touch the windshield.
- To minimize sticking, apply a silicone spray lubricant to all door and tailgate seals. Also, apply a vehicle body wax to the painted surfaces that mate with the door and tailgate seals.

- Cover the vehicle with a "breathable" cover, one made from a porous material such as cotton. Nonporous materials, such as plastic sheeting, trap moisture, which can damage the paint.
- If possible, run the engine for a while periodically (preferably once a month).

If you store your vehicle for 12 months or longer, have your Honda dealer perform the inspections called for in the 24 months/30,000 miles (48,000 km) maintenance schedule (Normal Conditions) as soon as you take it out of storage (see page [202](#) ). The replacements called for in the maintenance schedule are not needed unless the vehicle has actually reached that time or mileage.



Regular cleaning and polishing of your Honda helps to keep it "new" looking. This section gives you hints on how to clean your vehicle and preserve its appearance: the paint, brightwork, wheels and interior. Also included are several things you can do to help prevent corrosion.

|                           |     |
|---------------------------|-----|
| Exterior Care.....        | 256 |
| Washing.....              | 256 |
| Waxing.....               | 257 |
| Aluminum Wheels.....      | 257 |
| Paint Touch-up.....       | 258 |
| Interior Care.....        | 259 |
| Carpeting.....            | 259 |
| Floor Mats.....           | 259 |
| Fabric.....               | 260 |
| Vinyl.....                | 260 |
| Seat Belts.....           | 261 |
| Windows.....              | 261 |
| Air Fresheners.....       | 261 |
| Corrosion Protection..... | 262 |
| Body Repairs.....         | 263 |

## Exterior Care

---

### Washing

Frequent washing helps preserve your vehicle's beauty. Dirt and grit can scratch the paint, while tree sap and bird droppings can permanently ruin the finish.

Wash your vehicle in a shady area, not in direct sunlight. If the vehicle is parked in the sun, move it into the shade and let the exterior cool down before you start.

Only use the solvents and cleaners recommended in this Owner's Manual.

#### NOTICE

*Chemical solvents and strong cleaners can damage the paint, metal, and plastic on your vehicle.*

- Rinse the vehicle thoroughly with cool water to remove loose dirt.
- Fill a bucket with cool water. Mix in a mild detergent, such as dishwashing liquid or a product made especially for car washing.
- Wash the vehicle using the water and detergent solution and a soft-bristle brush, sponge, or soft cloth. Start at the top and work your way down. Rinse frequently.
- Check the body for road tar, tree sap, etc. Remove these stains with tar remover or turpentine. Rinse it off immediately so it does not harm the finish. Remember to re-wax these areas, even if the rest of the vehicle does not need waxing.
- When you have washed and rinsed the whole exterior, dry it with a chamois or soft towel. Letting it air-dry will cause dulling and water spots.

As you dry the vehicle, inspect it for chips and scratches that could allow corrosion to start. Repair them with touch-up paint (see page [258](#) ).

### Waxing

Always wash and dry the whole vehicle before waxing it. You should wax your vehicle, including the metal trim, whenever water sits on the surface in large patches. It should form into beads or droplets after waxing.

You should use a quality liquid or paste wax. Apply it according to the instructions on the container. In general, there are two types of products:

**Waxes** — A wax coats the finish and protects it from damage by exposure to sunlight, air pollution, etc. You should use a wax on your Honda when it is new.

**Polishes** — Polishes and cleaner/waxes can restore the shine to paint that has oxidized and lost some of its shine. They normally contain mild abrasives and solvents that remove the top layer of the finish. You should use a polish on your Honda if the finish does not have its original shine after using a wax.

Cleaning tar, insects, etc. with removers also takes off the wax. Remember to re-wax those areas, even if the rest of the vehicle does not need waxing.

### Aluminum Wheels

*On some models*

Clean your Honda's aluminum alloy wheels as you do the rest of the exterior. Wash them with the same solution, and rinse them thoroughly.

The wheels have a protective clear-coat that keeps the aluminum from corroding and tarnishing. Using harsh chemicals, including some commercial wheel cleaners, or stiff brushes can damage this clear-coat. Only use a mild detergent and soft brush or sponge to clean the wheels.

## Exterior Care

---

### **Paint Touch-up**

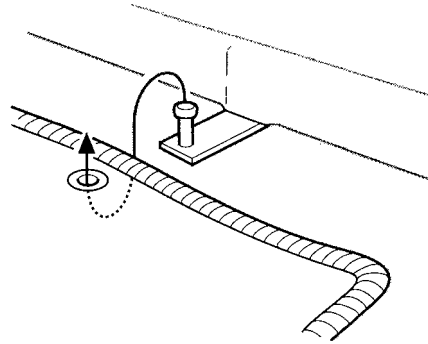
Your dealer has touch-up paint to match your vehicle's color. The color code is printed on a sticker on the driver's doorjamb. Take this code to your dealer so you are sure to get the correct color.

Inspect your vehicle frequently for chips or scratches in the paint. Repair them right away to prevent corrosion of the metal underneath. Use the touch-up paint only on small chips and scratches. More extensive paint damage should be repaired by a professional.

### Carpeting

Vacuum the carpeting frequently to remove dirt. Ground-in dirt will make the carpet wear out faster. Periodically shampoo the carpet to keep it looking new. Use one of the foam-type carpet cleaners on the market. Follow the instructions that come with the cleaner, applying it with a sponge or soft brush. Keep the carpeting as dry as possible by not adding water to the foam.

### Floor Mats



#### *On EX and SE models*

The Genuine Honda driver's floor mat that came with your vehicle was designed to be hooked over the floor mat anchor. This keeps the floor mat from sliding forward and possibly interfering with the pedals.

If you remove the floor mat, make sure to re-anchor it when you put it back in your vehicle.

If you replace it, use a genuine Honda floor mat that is designed to be used with the floor mat anchor in your car.

If you use a non-Honda floor mat in the driver's footwell, make sure it fits properly and that it can be used with the floor mat anchor.

Do not put additional floor mats on top of the anchored mat, otherwise the additional mats may slide forward and interfere with the pedals.

## Interior Care

---

### **Fabric**

Vacuum dirt and dust out of the material frequently. For general cleaning, use a solution of mild soap and lukewarm water, letting it air dry. To clean off stubborn spots, use a commercially-available fabric cleaner. Test it on a hidden area of the fabric first, to make sure it does not bleach or stain the fabric. Follow the instructions that come with the cleaner.

### **Vinyl**

Remove dirt and dust with a vacuum cleaner. Wipe the vinyl with a soft cloth dampened in a solution of mild soap and water. Use the same solution with a soft-bristle brush on more difficult spots. You can also use commercially-available spray or foam-type vinyl cleaners.

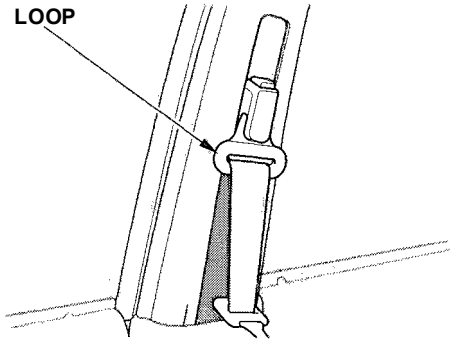
### **Leather**

*SE model*

Vacuum dirt and dust from the leather frequently. Pay particular attention to the pleats and seams. Clean the leather with a soft cloth dampened with clear water, then buff it with a clean, dry cloth. If further cleaning is needed, use a soap specifically for leather, such as saddle soap. Apply this soap with a damp, soft cloth. Wipe down and buff as described above.



## Seat Belts



If your seat belts get dirty, you can use a soft brush with a mixture of mild soap and warm water to clean them. Do not use bleach, dye, or cleaning solvents. They can weaken the belt material. Let the belts air-dry before you use the vehicle.

Dirt build-up in the loops of the seat belt anchors can cause the belts to retract slowly. Wipe the insides of the loops with a clean cloth dampened in mild soap and warm water or isopropyl alcohol.

## Windows

Clean the windows, inside and out, with a commercially-available glass cleaner. You can also use a mixture of one part white vinegar to ten parts water. This will remove the haze that builds up on the inside of the windows. Use a soft cloth or paper towels to clean all glass and clear plastic surfaces.

## NOTICE

*The rear window defogger wires are bonded to the inside of the glass. Wiping vigorously up-and-down can dislodge and break the defogger wires. When cleaning the rear window, use gentle pressure and wipe side-to-side.*

## Air Fresheners

If you want to use an air freshener/deodorizer in the interior of your vehicle, it is best to use a solid type. Some liquid air fresheners contain chemicals that may cause parts of the interior trim and fabric to crack or discolor.

If you use a liquid air freshener, make sure you fasten it securely so it does not spill as you drive.

## Corrosion Protection

---

Two factors normally contribute to causing corrosion in your vehicle:

1. Moisture trapped in body cavities. Dirt and road salt that collects in hollows on the underside of the vehicle stays damp, promoting corrosion in that area.
2. Removal of paint and protective coatings from the exterior and underside of the vehicle.

Many corrosion-preventive measures are built into your Honda. You can help keep your vehicle from corroding by performing some simple periodic maintenance:

- Repair chips and scratches in the paint as soon as you discover them.
  - Inspect and clean out the drain holes in the bottom of the doors and body.
  - Check the floor coverings for dampness. Carpeting and floor mats may remain damp for a long time, especially in winter. This dampness can eventually cause the floor panels to corrode.
- Use a high-pressure spray to clean the underside of your vehicle. This is especially important in areas that use road salt in winter. It is also a good idea in humid climates and areas subject to salt air. Vehicles equipped with ABS have a sensor and wiring at each wheel. Be careful not to damage them.
  - Have the corrosion-preventive coatings on the underside of your vehicle inspected and repaired periodically.

Body repairs can affect your vehicle's resistance to corrosion. If your vehicle needs repairs after a collision, pay close attention to the parts used in the repair and the quality of the work.

Make sure the repair facility uses genuine Honda replacement body parts. Some companies make sheet metal pieces that seem to duplicate the original Honda body parts, but are actually inferior in fit, finish, and corrosion resistance. Once installed, they do not give the same high-quality appearance.

When reporting your collision to the insurance company, tell them you want genuine Honda parts used in the repair. Although most insurers recognize the quality of original parts, some may try to specify that the repairs be done with other available parts. You should investigate this before any repairs have begun.

Take your vehicle to your authorized Honda dealer for inspection after the repairs are completed. Your dealer can make sure that quality materials were used, and that corrosion-preventive coatings were applied to all repaired and replaced parts.



This section covers the more-common problems that motorists experience with their vehicles. It gives you information about how to safely evaluate the problem and what to do to correct it. If the problem has stranded you on the side of the road, you may be able to get going again. If not, you will also find instructions on getting your vehicle towed.

|  |     |
|--|-----|
| Changing a Flat Tire .....   | 266 |
| If Your Engine Won't Start.....                                      | 275 |
| Nothing Happens or the Starter<br>Motor Operates Very<br>Slowly..... | 275 |
| The Starter Operates<br>Normally.....                                | 276 |
| Jump Starting.....   | 277 |
| If Your Engine Overheats.....  | 279 |
| Low Oil Pressure Indicator .....                                     | 281 |
| Charging System Indicator.....                                       | 282 |
| Malfunction Indicator Lamp .....                                     | 283 |
| Brake System Indicator.....  | 284 |
| Fuses.....   | 285 |
| Checking and Replacing.....  | 286 |
| Emergency Towing.....  | 290 |

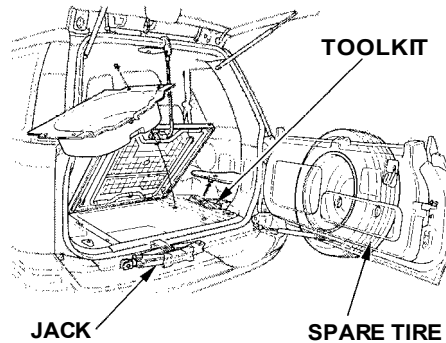
# Changing a Flat Tire

If you have a flat tire while driving, stop in a safe place to change it. Stopping in traffic or on the shoulder of a busy road is dangerous. Drive slowly along the shoulder until you get to an exit or an area to stop that is far away from the traffic lanes.

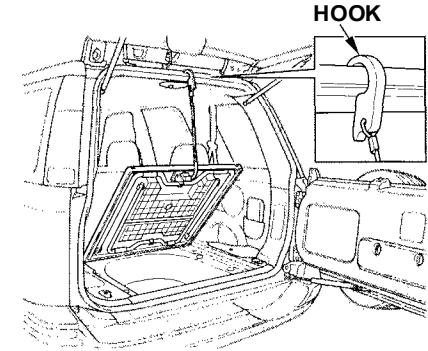
## **⚠ WARNING**

The vehicle can easily roll off the jack, seriously injuring anyone underneath.

Follow the directions for changing a tire exactly, and never get under the vehicle when it is supported only by the jack.

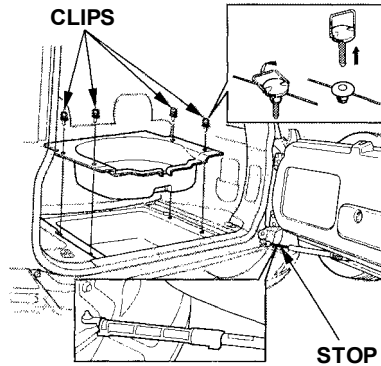


1. Park the vehicle on firm, level and non-slippery ground away from traffic. Put the transmission in Park (automatic) or Reverse (manual). Apply the parking brake.
2. Turn on the hazard warning lights and turn the ignition switch to LOCK (0). Have all the passengers get out of the vehicle while you change the tire.



3. Pull up the cargo area carpet and open the cargo area floor. To keep the cargo area floor out of the way, attach the hook to the tailgate sill as shown.
4. The tool kit is in the right cargo floor pocket. Open the cover and take out the tool kit.

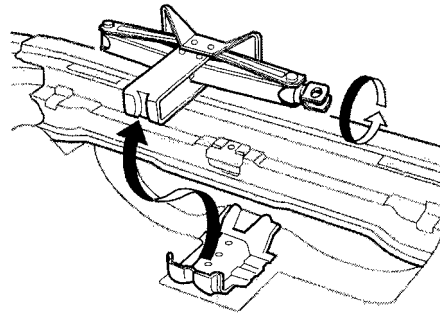
## Changing a Flat Tire



5. The jack is under the cargo storage bin. Remove each of the four clips holding the bin by pulling straight up on the ring. Remove the bin.

To keep the tailgate door open on an incline, use the stop in the tool kit.

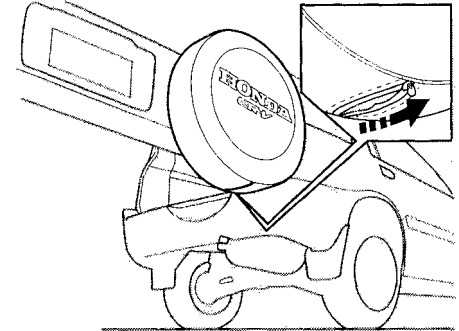
The tool kit is in the right cargo floor pocket. Put the stop on the support strut as shown.



6. Turn the jack's end bracket counterclockwise to loosen it, then remove the jack by lifting it straight up.

### *Soft type spare tire cover*

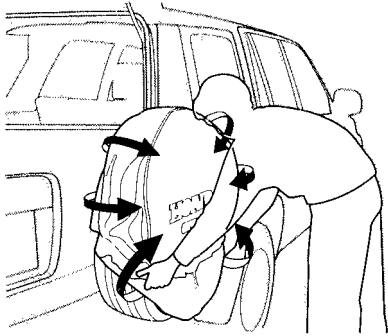
LX and EX models



7. Zip the cover open.

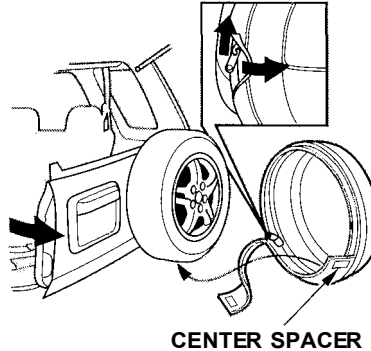
CONTINUED

## Changing a Flat Tire

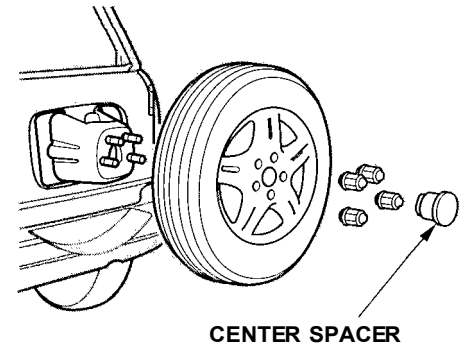


8. Pull out the cover's two lower flaps. Don't pull the top of the cover, or you will tear it.
9. Pull the upper flaps out by gradually working your hands up the sides of the cover.
10. Remove the cover.

### *Hard type spare tire cover On SE model*

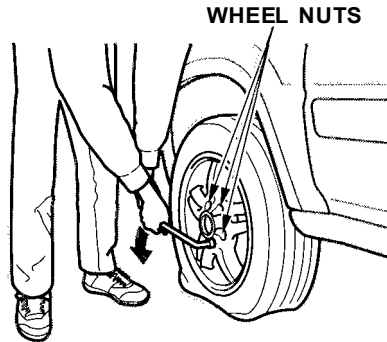


11. Unfasten the magic tape on the left side.
12. Unzip the cover around the upper edge of the cover.
13. Pull out the upper edge of the cover gradually.

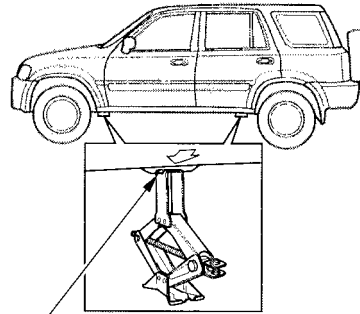


14. Peel off the spare tire cover from the back of the spare tire and remove the cover. Do not forcibly pull off the cover or you may damage it.
15. Pull off the center spacer. Using the wheel wrench, remove the three wheel nuts. Remove the spare tire from the holder.

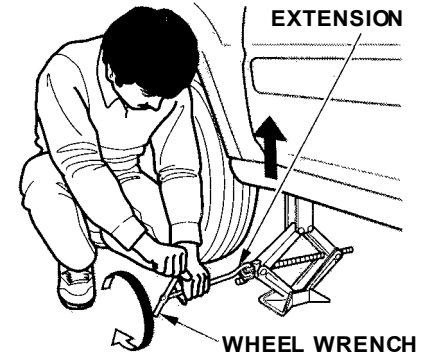




16. Loosen the five wheel nuts  $1/2$  turn with the wheel wrench.



17. Locate the jacking point nearest the tire you need to change. It is pointed to by an arrow molded into the underside of the body. Place the jack under the jacking point. Turn the end bracket clockwise until the top of the jack contacts the jacking point. Make sure the jacking point tab is resting in the jack notch.



18. Use the extension and wheel wrench as shown to raise the vehicle until the flat tire is off the ground.

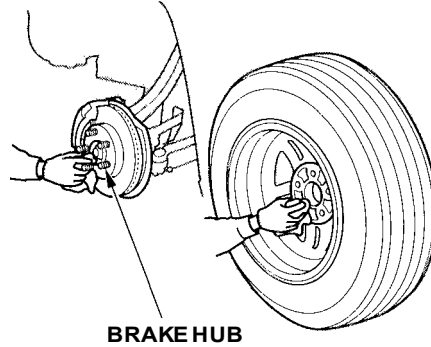
*CONTINUED*

## Changing a Flat Tire

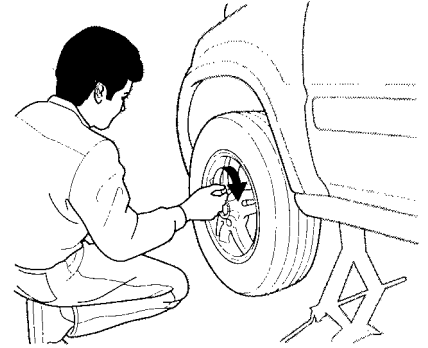
---



19. Remove the wheel nuts and flat tire. Temporarily place the flat tire on the ground with the outside surface of the wheel facing up. You could scratch the wheel if you put it face down.



20. Before mounting the spare tire, wipe any dirt off the mounting surface of the wheel and hub with a clean cloth. Wipe the hub carefully, it may be hot from driving.

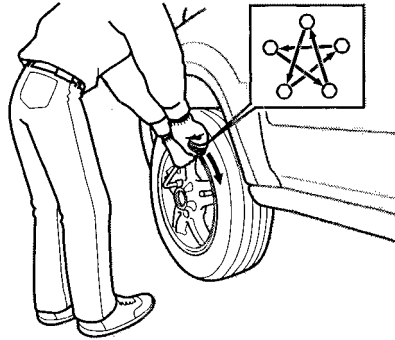


21. Put on the spare tire. Put the wheel nuts back on finger-tight, then tighten them in a crisscross pattern with the wheel wrench until the wheel is firmly against the hub. Do not try to tighten them fully.

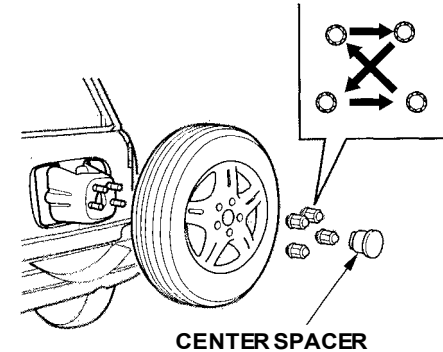
## Changing a Flat Tire



22. Lower the vehicle to the ground and remove the jack.



23. Tighten the wheel nuts securely in the same crisscross pattern. Have the wheel nut torque checked at the nearest automotive service facility.  
Tighten the wheel nuts to:  
80 lbf.ft(108N-m, 11 kgf.m)



24. Put the flat tire on the spare tire holder. Put the wheel nuts on finger-tight, then tighten them with the wheel wrench. Put the center spacer in the center of the wheel.
25. Store the jack in its holder. Turn the jack's end bracket to lock it in place. Store the tool kit.

*CONTINUED*

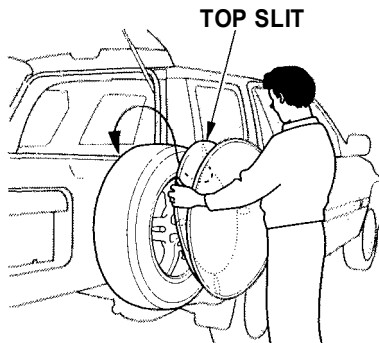
## Changing a Flat Tire

### **WARNING**

Loose items can fly around the interior in a crash and could seriously injure the occupants.

Store the wheel, jack and tools securely before driving.

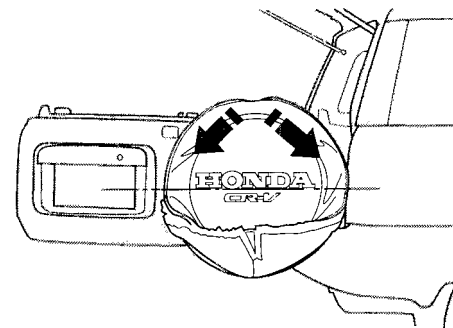
### **Soft type spare tire cover** *LX and EX models*



26. Hold the cover at the 10 o'clock and 2 o'clock positions, then place the top of it over the spare tire, making sure the top slit on the back of the cover is vertical.

### **NOTICE**

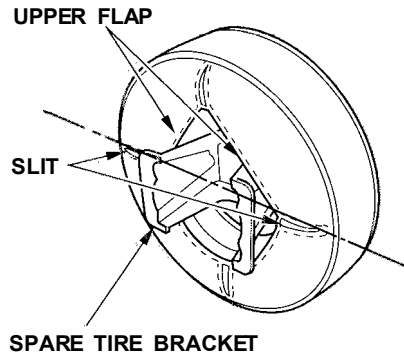
*Make sure the cover is at room temperature before you install it. If it's too cold, it won't fit easily over the tire.*



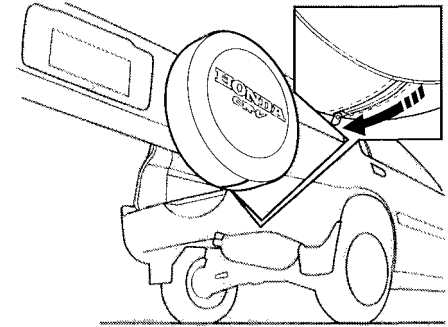
27. Step back to check the alignment of the logo. If needed, move the cover left or right until the logo is straight.



28. Unhook the cargo area floor and lower it. Replace the cargo area carpet.



29. Pull the bottom of the cover over the tire, and make sure the two slits on the lower flaps of the cover are horizontal and the two upper flaps touch the spare tire bracket.
30. If needed, readjust the cover to smooth out any wrinkles.

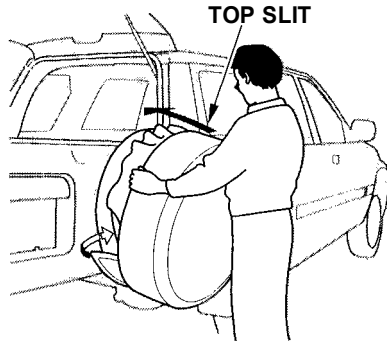


31. Zip the cover closed.

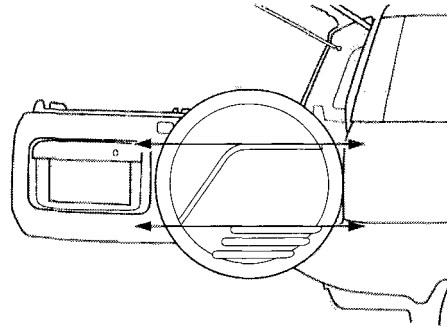
CONTINUED

# Changing a Flat Tire

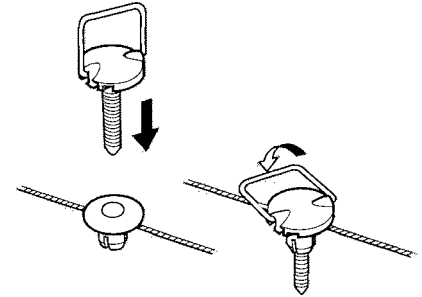
## *Hard type spare tire cover* *On SE model*



32. Hold the cover, then place the bottom of it over the spare tire.



33. Make sure the cover is horizontal. If needed, move the cover left or right until the cover is horizontal.
34. Zip the cover closed and fasten the magic tape.



35. Replace the cargo storage bin. Secure it with the four clips. Push each clip down securely, and pivot the ring down flat.
36. Unhook the cargo area floor and lower it. Replace the cargo area carpet.

Diagnosing why your engine won't start falls into two areas, depending on what you hear when you turn the key to START (III):

- You hear nothing, or almost nothing. The engine's starter motor does not operate at all, or operates very slowly.
- You can hear the starter motor operating normally, or the starter motor sounds like it is spinning faster than normal, but the engine does not start up and run.

### **Nothing Happens or the Starter Motor Operates Very Slowly**

When you turn the ignition switch to START (III), you do not hear the normal noise of the engine trying to start. You may hear a clicking sound or series of clicks, or nothing at all.

Check these things:

- Check the transmission interlock. If you have a manual transmission, the clutch pedal must be pushed all the way to the floor or the starter will not operate. With an automatic transmission, it must be in Park or Neutral.

- Turn the ignition switch to ON (II). Turn on the headlights and check their brightness. If the headlights are very dim or don't light at all, the battery is discharged. See **Jump Starting** on page [277](#).
- Turn the ignition switch to START (III). If the headlights do not dim, check the condition of the fuses. If the fuses are OK, there is probably something wrong with the electrical circuit for the ignition switch or starter motor. You will need a qualified technician to determine the problem. (See **Emergency Towing** on page [290](#).)

*CONTINUED*

## If Your Engine Won't Start

---

If the headlights dim noticeably or go out when you try to start the engine, either the battery is discharged or the connections are corroded. Check the condition of the battery and terminal connections (see page [229](#)). You can then try jump starting the vehicle from a booster battery (see page [277](#)).

### The Starter Operates Normally

In this case, the starter motor's speed sounds normal, or even faster than normal, when you turn the ignition switch to START (III), but the engine does not run.

- Are you using the proper starting procedure? Refer to **Starting the Engine** on page [166](#).
- Do you have fuel? Turn the ignition switch to ON (II) for a minute and watch the fuel gauge. The low fuel level warning light may not be working, so you were not reminded to fill the tank.

- There may be an electrical problem, such as no power to the fuel pump. Check all the fuses (see page [286](#)).

If you find nothing wrong, you will need a qualified technician to find the problem. See **Emergency Towing** on page [290](#).



If your vehicle's battery has run down, you may be able to start the engine by using a booster battery. Although this seems like a simple procedure, you should take several precautions.

## **WARNING**

A battery can explode if you do not follow the correct procedure, seriously injuring anyone nearby.

Keep all sparks, open flames, and smoking materials away from the battery.

You cannot start a Honda with an automatic transmission by pushing or pulling it.

To jump start your vehicle, follow these directions closely:

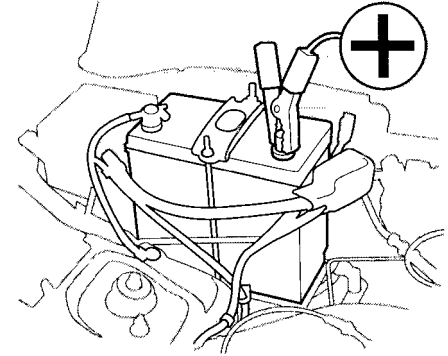
1. Open the hood and check the physical condition of the battery (see page 229). In very cold weather, check the condition of the electrolyte. If it seems slushy or like ice, do not try jump starting until it thaws.

## **NOTICE**

*If a battery sits in extreme cold, the electrolyte inside can freeze. Attempting to jump start with a frozen battery can cause it to rupture.*

2. Turn off all the electrical accessories: heater, A/C, stereo system, lights, etc.

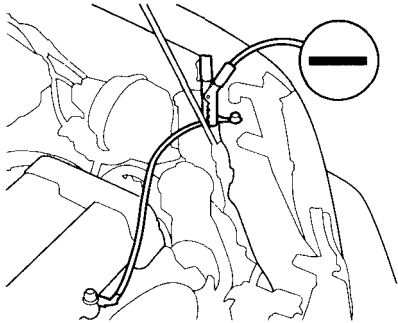
Put the transmission in Neutral or Park and set the parking brake.



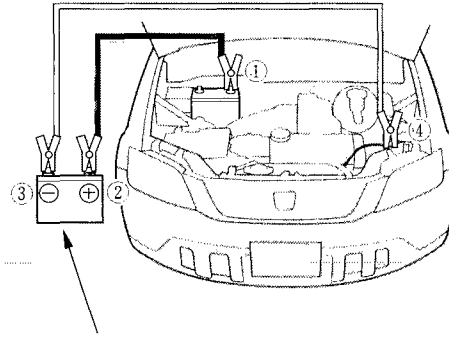
3. Connected one jumper cable to the positive (+) terminal on your Honda's battery. Connect the other end to the positive (+) terminal on the booster battery.

CONTINUED

## Jump Starting



4. Connect the second jumper cable to the negative ( — ) terminal on the booster battery. Connect the other end to the ground wire on the right side of the engine as shown. Do not connect this jumper cable to any other part of the engine.
5. If the booster battery is in another vehicle, have an assistant start that vehicle and run it at a fast idle.



**BOOSTER BATTERY**

6. Start your vehicle. If the starter motor still operates slowly, check the jumper cable connections to make sure they have good metal-to-metal contact.
7. Once your vehicle is running, disconnect the negative cable from your vehicle, then from the booster battery. Disconnect the positive cable from your vehicle, then the booster battery.

Keep the ends of the jumper cables away from each other and any metal on the car until all are disconnected. Otherwise, you may cause an electrical short.

## If Your Engine Overheats

The pointer of your vehicle's temperature gauge should stay in the midrange under most conditions. It may go higher if you are driving up a long steep hill on a very hot day. If it climbs to the red mark, you should determine the reason.

### NOTICE

*Driving with the temperature gauge pointer at the red mark can cause serious damage to your engine.*

Your vehicle can overheat for several reasons, such as lack of coolant or a mechanical problem. The only indication may be the temperature gauge climbing to or above the red mark. Or you may see steam or spray coming from under the hood. In either case, you should take immediate action.

### **WARNING**

Steam and spray from an overheated engine can seriously scald you.

Do not open the hood if steam is coming out.

1. Safely pull to the side of the road. Put the transmission in Neutral or Park and set the parking brake. Turn off the heating and cooling system and all other accessories. Turn on the hazard warning indicators.
2. If you see steam and/or spray coming from under the hood, turn off the engine.
3. If you do not see steam or spray, leave the engine running and watch the temperature gauge. If the high heat is due to overloading (climbing a long, steep hill on a hot day with the A/C running, for example), the engine should start to cool down almost immediately. If it does, wait until the temperature gauge comes down to the midpoint then continue driving.
4. If the temperature gauge stays at the red mark, turn off the engine.
5. Wait until you see no more signs of steam or spray, then open the hood.

CONTINUED

## If Your Engine Overheats

---

6. Look for any obvious coolant leaks, such as a split radiator hose. Everything is still extremely hot, so use caution. If you find a leak, it must be repaired before you continue driving (see **Emergency Towing** on page 290).
7. If you don't find an obvious leak, check the coolant level in the radiator reserve tank (see page 144). If the level is below the MIN mark, add coolant to halfway between the MIN and MAX marks.
8. If there was no coolant in the reserve tank, you may also have to add coolant to the radiator. Let the engine cool down until the pointer reaches the middle of the temperature gauge, or lower, before checking the radiator.

### **WARNING**

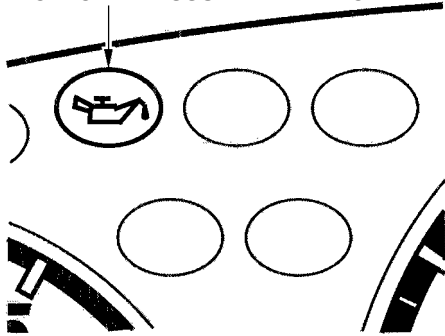
Removing the radiator cap while the engine is hot can cause the coolant to spray out, seriously scalding you.

Always let the engine and radiator cool down before removing the radiator cap.

9. Using gloves or a large heavy cloth, turn the radiator cap counterclockwise, without pushing down, to the first stop. This releases any remaining pressure in the cooling system. After the pressure releases, push down on the cap and turn it until it comes off.

10. Start the engine and set the temperature control dial to maximum. Add coolant to the radiator up to the base of the filler neck. If you do not have the proper coolant mixture available, you can add plain water. Remember to have the cooling system drained and refilled with the proper mixture as soon as you can.
11. Put the radiator cap back on tightly. Run the engine and watch the temperature gauge. If it goes back to the red mark, the engine needs repair. (See **Emergency Towing** on page 290.)
12. If the temperature stays normal, check the coolant level in the radiator reserve tank. If it has gone down, add coolant to the MAX mark. Put the cap back on tightly.

### LOW OIL PRESSURE INDICATOR



This indicator should light when the ignition switch is ON (II), and go out after the engine starts. It should never come on when the engine is running. If it starts flashing, it indicates that the oil pressure dropped very low for a moment, then recovered. If the indicator stays on with the engine running, it shows that the engine has lost oil pressure and serious engine damage is possible. In either case, you should take immediate action.

### NOTICE

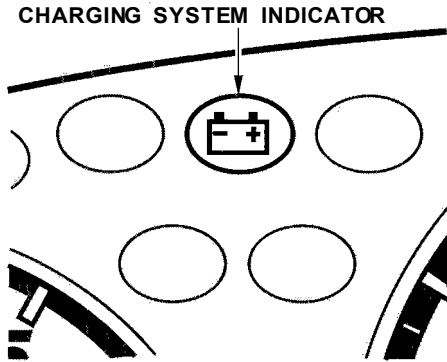
*Running the engine with low oil pressure can cause serious mechanical damage almost immediately. Turn off the engine as soon as you can safely get the vehicle stopped.*

1. Safely pull off the road and shut off the engine. Turn on the hazard warning indicators.
2. Let the vehicle sit for a minute. Open the hood and check the oil level (see page 155). Although oil level and oil pressure are not directly connected, an engine that is very low on oil can lose pressure during cornering and other driving maneuvers.

3. If necessary, add oil to bring the level back to the full mark on the dipstick (see page 211).
4. Start the engine and watch the oil pressure indicator. If the light does not go out within ten seconds, turn off the engine. There is a mechanical problem that needs to be repaired before you can continue driving. (See **Emergency Towing** on page 290.)

## Charging System Indicator

---

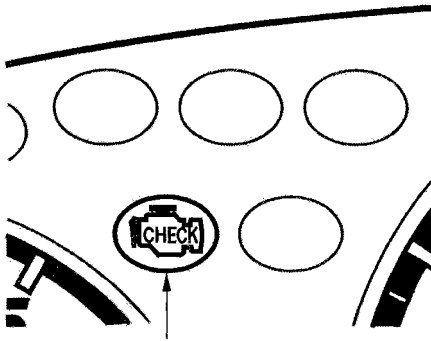


This indicator should come on when the ignition switch is ON (II), and go out after the engine starts. If it comes on brightly when the engine is running, it indicates that the charging system has stopped charging the battery.

Immediately turn off all electrical accessories: radio, heater, A/C, rear defogger, cruise control, etc. Try not to use other electrically-operated controls such as the power windows. Keep the engine running and take extra care not to stall it. Starting the engine will discharge the battery rapidly.

By eliminating as much of the electrical load as possible, you can drive several miles (kilometers) before the battery is too discharged to keep the engine running. Drive to a service station or garage where you can get technical assistance.

## Malfunction Indicator Lamp



**MALFUNCTION INDICATOR LAMP**

This indicator comes on for a few seconds when you turn the ignition switch ON (II). If it comes on at any other time, it indicates one of the engine's emissions control systems may have a problem. Even though you may feel no difference in your vehicle's performance, it can reduce your fuel economy and cause your vehicle to put out excessive emissions. Continued operation may cause serious damage.

If you have recently refueled your vehicle, the cause of this indicator coming on could be a loose or missing fuel fill cap. Check the cap and tighten it until it clicks several times. Replace the fuel fill cap if it is missing. Tightening the cap will not make the indicator turn off immediately, it takes three driving trips.

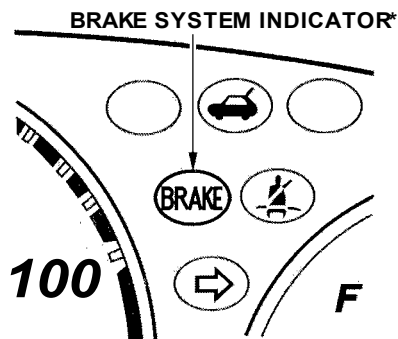
If the indicator remains on past three driving trips, or the fuel cap was not loose or missing, have the vehicle checked by the dealer as soon as possible. Drive moderately until the dealer has inspected the problem. Avoid full-throttle acceleration and driving at high speed.

You should also have the dealer inspect your vehicle if this indicator comes on repeatedly, even though it may turn off as you continue driving.

### NOTICE

*If you keep driving with the malfunction indicator lamp on, you can damage your vehicle's emissions controls and engine. Those repairs may not be covered by your vehicle's warranties.*

## Brake System Indicator



\*U.S. indicator shown

The Brake System Indicator normally comes on when you turn the ignition switch ON (II). It is a reminder to check the parking brake. It comes on and stays lit if you do not fully release the parking brake.

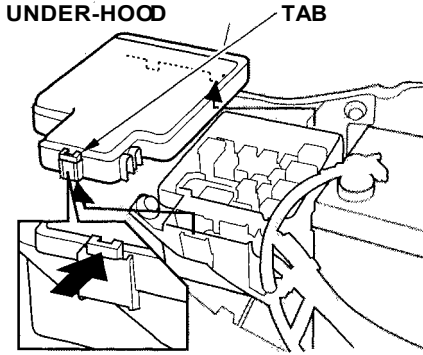
If it comes on at any other time, it indicates a problem with the vehicle's brake system. In most cases, the problem is a low fluid level in the brake fluid reservoir. Press lightly on the brake pedal to see if it feels normal. If it does, check the brake fluid level the next time you stop at a service station (see page 210). If the fluid level is low, take the vehicle to your dealer and have the brake system inspected for leaks or worn brake pads.

However, if the brake pedal does not feel normal, you should take immediate action. Because of the brake system's dual-circuit design, a problem in one part of the system will still give you braking at two wheels. You will feel the brake pedal go down much farther before the vehicle begins to slow down, and you will have to press harder on the pedal. The distance needed to stop will be much longer.

Slow down by shifting to a lower gear, and pull to the side of the road when it is safe. Because of the longer distance needed to stop, it is hazardous to drive the vehicle. You should have it towed, and repaired as soon as possible. (See **Emergency Towing** on page 290.)

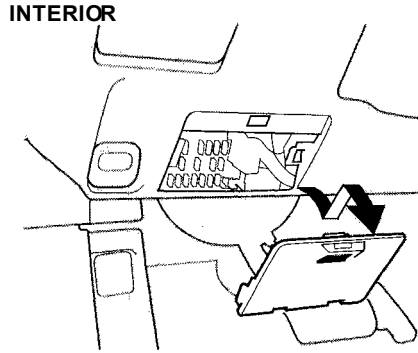
If you must drive the vehicle a short distance in this condition, drive slowly and cautiously.



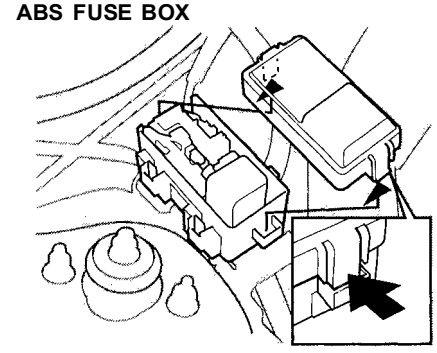


All the electrical circuits in your vehicle have fuses to protect them from a short circuit or overload. These fuses are located in two or three fuse boxes.

The under-hood fuse box is located in the engine compartment. To open it, push the tab as shown.



The interior fuse box is underneath the dashboard on the driver's side. Remove the fuse box lid by swinging the lid down and pulling it straight out of its hinges.



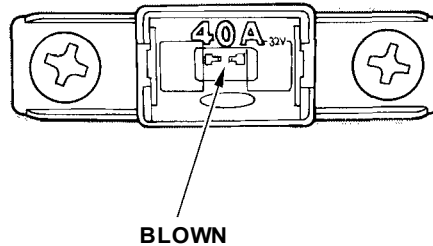
Vehicles equipped with ABS have a third fuse box for the ABS. It is in the engine compartment on the passenger's side.

# Fuses

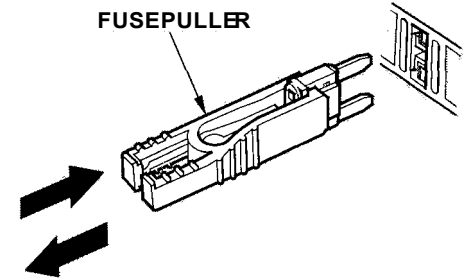
## Checking and Replacing Fuses

If something electrical in your vehicle stops working, the first thing you should check for is a blown fuse. Determine from the chart on pages [271](#) and [272](#), or the diagram on the fuse box lid, which fuse or fuses control that component. Check those fuses first, but check all the fuses before deciding that a blown fuse is not the cause. Replace any blown fuses and check the component's operation.

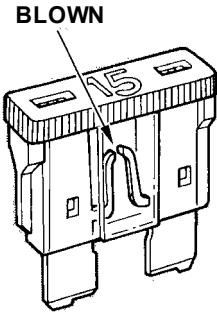
1. Turn the ignition switch to LOCK (0). Make sure the headlights and all other accessories are off.
2. Remove the cover from the fuse box.



3. Check each of the large fuses in the under-hood fuse box by looking through the top at the wire inside. Removing these fuses requires a Phillips-head screwdriver.



4. Check the smaller fuses in the under-hood fuse box and all the fuses in the interior fuse box by pulling out each fuse with the fuse puller provided in the door of the interior fuse box.



5. Look for a burned wire inside the fuse. If it is burned, replace it with one of the spare fuses of the same rating or lower.

If you cannot drive the vehicle without fixing the problem, and you do not have a spare fuse, take a fuse of the same rating or a lower rating from one of the other circuits. Make sure you can do without that circuit temporarily (such as the accessory power socket or radio).

If you replace the blown fuse with a spare fuse that has a lower rating, it might blow out again. This does not indicate anything wrong. Replace the fuse with one of the correct rating as soon as you can.

## NOTICE

*Replacing a fuse with one that has a higher rating greatly increases the chances of damaging the electrical system. If you do not have a replacement fuse with the proper rating for the circuit, install one with a lower rating.*

6. If the replacement fuse of the same rating blows in a short time, there is probably a serious electrical problem in your vehicle. Leave the blown fuse in that circuit and have your vehicle checked by a qualified mechanic.

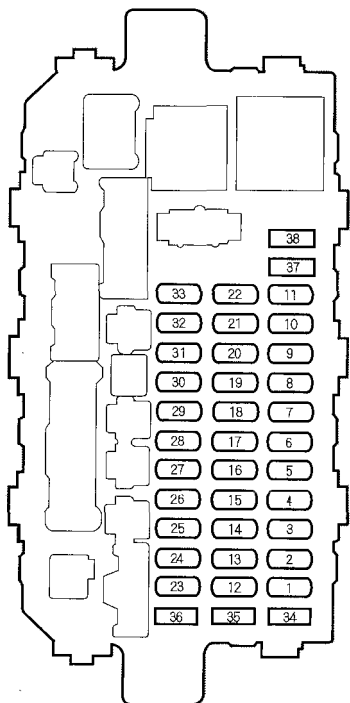
### *On EX and SE models*

If the radio fuse is removed, the audio system will disable itself. The next time you turn on the radio you will see "Code" in the frequency display. Use the Preset buttons to enter the five-digit code (see page 137).

CONTINUED

# Fuses

## INTERIOR FUSE BOX

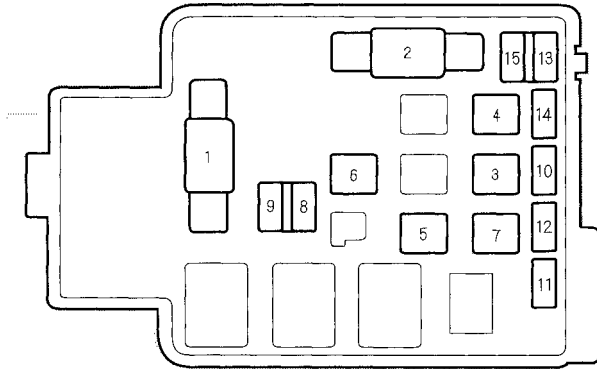


| No. | Amps. | Circuits Protected           |
|-----|-------|------------------------------|
| 1   | —     | Not used                     |
| 2   | —     | Not used                     |
| 3   | 10 A  | Rear Wiper, Washer           |
| 4   | 10 A  | Right Headlight High Beam    |
| 5   | 10 A  | Left Headlight High Beam     |
| 6   | 10 A  | Rear Accessory Power Socket  |
| 7   | 20 A  | Power Window Rear Left       |
| 8   | 20 A  | Power Window Rear Right      |
| 9   | 15 A  | IGN Coil                     |
| 10  | 20 A  | Power Window Front Assistant |
| 11  | 20 A  | Power Window Front Driver    |
| 12  | 7.5 A | Turn Lights                  |
| 13  | 15 A  | Fuel Pump (SRS Unit)         |
| 14  | 7.5 A | Cruise Control               |
| 15  | 7.5 A | ACG (IG), SP Sensor          |
| 16  | 7.5 A | ABS                          |
| 17  | 7.5 A | Heater A/C Relay             |
| 18  | 7.5 A | Running Light Relay*         |
| 19  | 7.5 A | Back-up Light                |
| 20  | 7.5 A | Running Light*               |

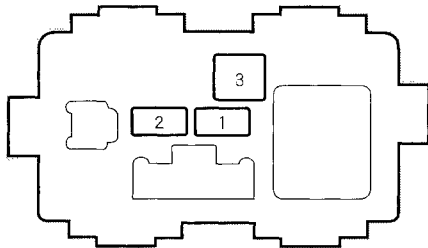
| No. | Amps. | Circuits Protected           |
|-----|-------|------------------------------|
| 21  | 10 A  | Right Headlight Low Beam     |
| 22  | 10 A  | Left Headlight Low Beam      |
| 23  | 10 A  | SRS                          |
| 24  | 7.5 A | Power Window Relay           |
| 25  | 7.5 A | Meter                        |
| 26  | 20 A  | Front Wiper, Front Washer    |
| 27  | 10 A  | Front Accessory Power Socket |
| 28  | 10 A  | Radio                        |
| 29  | —     | Not used                     |
| 30  | 7.5 A | Meter Light                  |
| 31  | 7.5 A | Starter Signal               |
| 32  | 7.5 A | License Light, Taillight     |
| 33  | 7.5 A | Inter Lock Unit              |
| 34  | 7.5 A | Spare Fuse                   |
| 35  | 10 A  | Spare Fuse                   |
| 36  | 15 A  | Spare Fuse                   |
| 37  | 20 A  | Spare Fuse                   |
| 38  | —     | Not used                     |

\* : Canadian model

## UNDER-HOOD FUSE BOX



## ABS FUSE BOX (For some types)



| No. | Amps. | Circuits Protected         |
|-----|-------|----------------------------|
| 1   | 100 A | Main Fuse Battery          |
| 2   | 40 A  | Main Fuse Ignition Starter |
| 3   | 20 A  | Rear Defogger              |
| 4   | 40 A  | Power Window               |
| 5   | 40 A  | Option                     |
| 6   | 30 A  | Headlight                  |
| 7   | 40 A  | Heater Motor               |
| 8   | 10 A  | Hazard                     |
| 9   | 15 A  | Horn, Stop Light           |
| 10  | 20 A  | Door Lock Unit             |
| 11  | 20 A  | Cooling Fan                |
| 12  | 20 A  | Condenser Fan              |
| 13  | 15 A  | FI E/M (ECM/PCM)           |
| 14  | 7.5 A | Back-up (Radio)            |
| 15  | 7.5 A | Interior Light             |

| No. | Amps. | Circuits Protected |
|-----|-------|--------------------|
| 1   | 7.5 A | Motor Check        |
| 2   | 20 A  | ABS + B            |
| 3   | 40 A  | ABS Pump Motor     |

## Emergency Towing

---

If your vehicle needs to be towed, call a professional towing service or, if you belong to one, an organization that provides roadside assistance. Never tow your vehicle behind another vehicle with just a rope or chain. It is very dangerous.

There are three popular types of professional towing equipment

**Flat-bed Equipment**— The operator loads your vehicle on the back of a truck. **This is the only way to transport your vehicle.** Any other method of towing will damage the drive system. When you contact the towing agency, inform them that a flat-bed is required.

### NOTICE

*Towing a 4WD CR-V with only two tires on the ground will damage parts of the 4WD system. It should be transported on a flat-bed truck or trailer.*

**Wheel Lift Equipment**— The tow truck uses two pivoting arms that go under the tires (front or rear) and lift them off the ground. The other two tires remain on the ground. **Never tow your vehicle with wheel lift equipment**

**Sling-type Equipment**— The tow truck uses metal cables with hooks on the ends. These hooks go around parts of the frame or suspension and cables lift that end of the vehicle off the ground. Your vehicle's suspension and body can be seriously damaged. **This method of towing your CR-V is unacceptable**

Refer to **Towing Your Vehicle Behind a Motorhome** on page [189](#) for non-emergency towing information.

The diagrams in this section give you the dimensions and capacities of your Honda, and the locations of the identification numbers. It also includes information you should know about your vehicle's tires and emissions control systems.

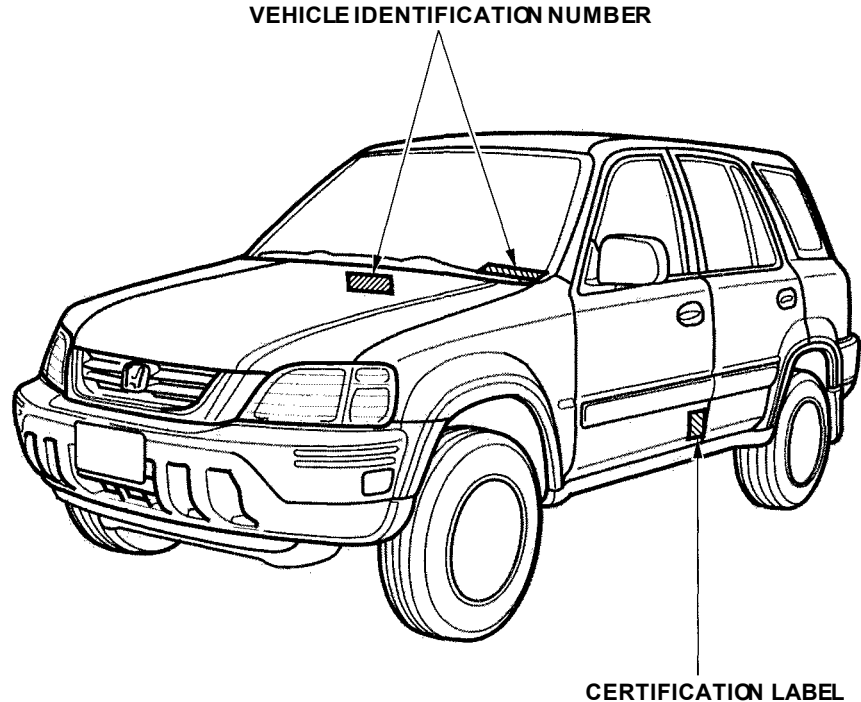
|                                   |     |  |     |
|-----------------------------------|-----|--|-----|
| Identification Numbers.....       | 292 | Emissions Controls.....                          | 300 |
| Specifications.....               | 294 | The Clean Air Act.....                           | 300 |
| DOT Tire Quality Grading.....     | 296 | Crankcase Emissions Control System.....          | 300 |
| Uniform Tire Quality Grading..... | 296 | Evaporative Emissions Control System.....        | 300 |
| DOT Quality Grades.....           | 296 | Exhaust Emissions Controls... PGM-FI System..... | 301 |
| Treadwear.....                    | 296 | Ignition Timing Control System.....              | 301 |
| Traction.....                     | 296 | Three Way Catalytic Converter.....               | 301 |
| Temperature.....                  | 297 | Replacement Parts.....                           | 301 |
| Oxygenated Fuels.....             | 298 | Three Way Catalytic Converter..                  | 302 |
| Driving in Foreign Countries..... | 299 | State Emissions Testing.....                     | 303 |

## Identification Numbers

---

Your vehicle has several identifying numbers located in various places.

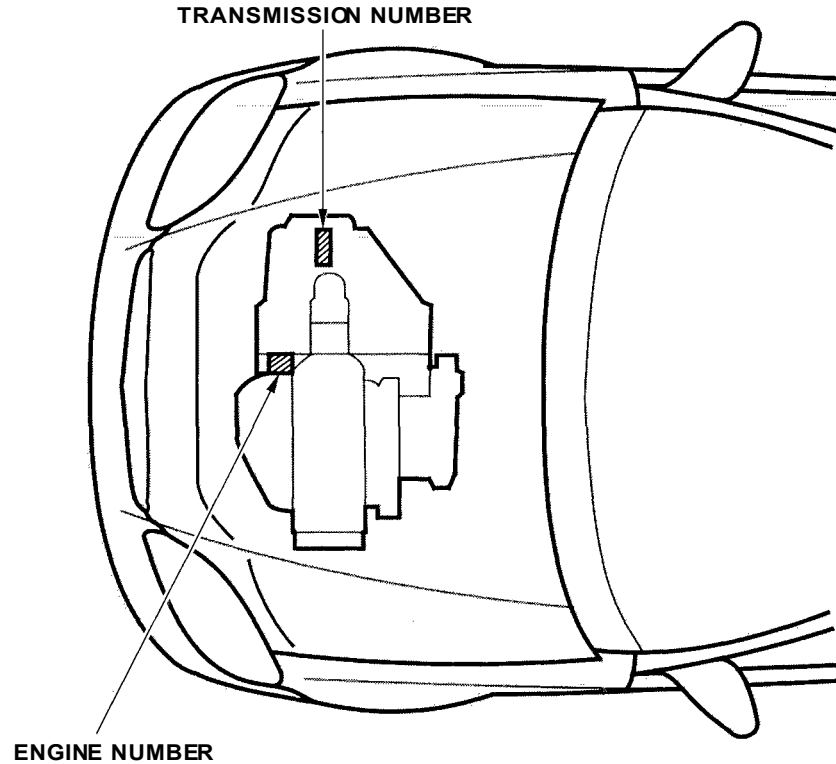
The Vehicle Identification Number (VIN) is the 17-digit number your Honda dealer uses to register your vehicle for warranty purposes. It is also necessary for licensing and insuring your vehicle. The easiest place to find the VIN is on a plate fastened to the top of the dashboard. You can see it by looking through the windshield on the driver's side. It is also on the Certification label attached to the driver's doorjamb, and is stamped on the engine compartment bulkhead. The VIN is also provided in bar code on the Certification label.





The Engine Number is stamped into the engine block.

The Transmission Number is on a label on top of the transmission.



# Specifications

## Dimensions

|           |                          |
|-----------|--------------------------|
| Length    | 177.6 in (4,510 mm)      |
| Width     | 68.9 in (1,750 mm)       |
| Height    | 63.3 in (1,608 mm)       |
| Wheelbase | 103.2 in (2,622 mm)      |
| Track     | Front 60.4 in (1,533 mm) |
|           | Rear 60.4 in (1,534 mm)  |

## Weights

|                             |  |
|-----------------------------|--|
| Gross vehicle weight rating | See the certification label attached to the driver's doorjamb. |
|-----------------------------|--|

## Engine

|                   |   |
|-------------------|---|
| Type              | Water cooled 4-stroke DOHC 4-cylinder gasoline engine         |
| Bore x Stroke     | 3.31 x 3.50 in (84.0 x 89.0 mm)                               |
| Displacement      | 120 cu-in (1,973 cm <sup>3</sup> )                            |
| Compression ratio | 9.6 : 1   |
| Spark plugs       | See spark plug maintenance section page <a href="#">228</a> . |

## Capacities

|            |   |
|------------|---|
| Fuel tank  | Approx.<br>15.3 US gal (58 ℓ , 12.8 Imp gal)    |
| Engine oil | Change* <sup>2</sup>                            |
|            | Including filter 4.0 US qt (3.8 ℓ , 3.3 Imp qt) |
|            | Without filter 3.7 US qt (3.5 ℓ , 3.1 Imp qt)   |
|            | Total 4.9 US qt (4.6 ℓ , 4.0 Imp qt)            |

|                              |                        |                                    |
|------------------------------|------------------------|------------------------------------|
| Engine coolant               | Automatic Transmission |                                    |
|                              | Change* <sup>1</sup>   | 1.03 US gal (3.9 ℓ , 0.86 Imp gal) |
|                              | Total                  | 1.56 US gal (5.9 ℓ , 1.30 Imp gal) |
|                              | Manual Transmission    |                                    |
| Automatic transmission fluid | Change* <sup>1</sup>   | 1.06 US gal (4.0 ℓ , 0.88 Imp gal) |
|                              | Total                  | 1.59 US gal (6.0 ℓ , 1.32 Imp gal) |
|                              | 4WD                    | 3.1 US qt (2.9 ℓ , 2.6 Imp qt)     |
|                              | 2WD                    | 2.9 US qt (2.7 ℓ , 2.4 Imp qt)     |
| Manual transmission fluid    | Total                  | 7.2 US qt (6.8 ℓ , 6.0 Imp qt)     |
|                              | 4WD                    | 6.2 US qt (5.9 ℓ , 5.2 Imp qt)     |
|                              | Change                 | 1.8 US qt (1.7 ℓ , 1.5 Imp qt)     |
|                              | Total                  | 2.2 US qt (2.1 ℓ , 1.8 Imp qt)     |
| Rear differential fluid      | Change                 | 1.1 US qt (1.0 ℓ , 0.9 Imp qt)     |
|                              | Total                  | 1.3 US qt (1.2 ℓ , 1.1 Imp qt)     |
| Windshield washer reservoir  | U.S. Cars              | 2.6 US qt (2.5 ℓ , 2.2 Imp qt)     |
|                              | Canada Cars            | 4.8 US qt (4.5 ℓ , 4.0 Imp qt)     |

\*1 : Including the coolant in the reserve tank and that remaining in the engine.

Reserve tank capacity:  
0.16 US gal (0.6 l, 0.13 Imp gal)

\*2 : Excluding the oil remaining in the engine.

### Air Conditioning

|                  |                              |
|------------------|------------------------------|
| Refrigerant type | HFC-134a (R-134a)            |
| Charge quantity  | 22.9 – 24.7 oz (650 – 700 g) |
| Lubricant type   | SP-10                        |

### Lights

|                                      |                |
|--------------------------------------|----------------|
| Headlights                           | 12 V – 60/55 W |
| Front turn signal/side marker lights | 12 V – 27/8 W  |
| Parking lights                       | 12 V – 3 CP    |
| Rear turn signal lights              | 12 V – 21 W    |
| Stop/Taillights                      | 12 V – 21/5 W  |
| Back-up lights                       | 12 V – 18 W    |
| License plate lights                 | 12 V – 8 W     |
| Ceiling light                        | 12 V – 8 W     |
| Spotlights                           | 12 V – 5 W     |
| Tailgate Lights                      | 12 V – 8 W     |
| Rear side marker lights              | 12 V – 3 CP    |
| High-mount brake light               | 12 V – 21 W    |

### Battery

|          |                   |
|----------|-------------------|
| Capacity | 12 V – 52 AH/5 HR |
|----------|-------------------|

### Fuses

|            |   |
|------------|---|
| Interior   | See page <a href="#">287</a> or the fuse label attached to the inside of the fuse box door under the dashboard. |
| Under-hood | See page <a href="#">288</a> or the fuse box cover.   |

### Alignment

|        |       |                  |
|--------|-------|------------------|
| Toe-in | Front | 0.0 in (0 mm)    |
|        | Rear  | 0.08 in (2.0 mm) |
| Camber | Front | 0°               |
|        | Rear  | – 1°             |
| Caster | Front | 2°10'            |

### Tires

|          |            |  |
|----------|------------|--|
| Size     | Front/Rear | 205/70R15 95S                              |
| Pressure | Front      | 26 psi (180 kPa, 1.8 kgf/cm <sup>2</sup> ) |
|          | Rear       | 26 psi (180 kPa, 1.8 kgf/cm <sup>2</sup> ) |

## DOT Tire Quality Grading (U.S. Vehicles)

---

The tires on your vehicle meet all U.S. Federal Safety Requirements. All tires are also graded for treadwear, traction, and temperature performance according to Department of Transportation (DOT) standards. The following explains these gradings.

### Uniform Tire Quality Grading

Quality grades can be found where applicable on the tire sidewall between the tread shoulder and the maximum section width. For example:

**Treadwear 200**  
**Traction AA**  
**Temperature A**

All passenger car tires must conform to Federal Safety Requirements in addition to these grades.

### Treadwear

The treadwear grade is a comparative rating based on the wear rate of the tire when tested under controlled conditions on a specified government test course. For example, a tire graded 150 would wear one and one-half (1 1/2) times as well on the government course as a tire graded 100. The relative performance of tires depends upon the actual conditions of their use, however, and may depart significantly from the norm due to variations in driving habits, service practices and differences in road characteristics and climate.

### Traction — AA, A, B, C

The traction grades, from highest to lowest, are AA, A, B, and C. Those grades represent the tire's ability to stop on wet pavement as measured under controlled conditions on specified government test surfaces of asphalt and concrete. A tire marked C may have poor traction performance.

Warning: The traction grade assigned to this tire is based on straight-ahead braking traction tests, and does not include acceleration, cornering, hydroplaning, or peak traction characteristics.

### **Temperature — A, B, C**

The temperature grades are A (the highest), B, and C, representing the tire's resistance to the generation of heat and its ability to dissipate heat when tested under controlled conditions on a specified indoor laboratory test wheel. Sustained high temperature can cause the material of the tire to degenerate and reduce tire life, and excessive temperature can lead to sudden tire failure. The grade C corresponds to a level of performance which all passenger car tires must meet under the Federal Motor Vehicle Safety Standard No. 109. Grades B and A represent higher levels of performance on the laboratory test wheel than the minimum required by law.

Warning: The temperature grade for this tire is established for a tire that is properly inflated and not overloaded. Excessive speed, underinflation, or excessive loading, either separately or in combination, can cause heat buildup and possible tire failure.

## Oxygenated Fuels

---

Some conventional gasolines are being blended with alcohol or an ether compound. These gasolines are collectively referred to as oxygenated fuels. To meet clean air standards, some areas of the United States and Canada use oxygenated fuels to help reduce emissions.

If you use an oxygenated fuel, be sure it is unleaded and meets the minimum octane rating requirement.

Before using an oxygenated fuel, try to confirm the fuel's contents. Some states/provinces require this information to be posted on the pump.

The following are the U.S. EPA and Canadian CGSB approved percentages of oxygenates:

**ETHANOL** (ethyl or grain alcohol)  
You may use gasoline containing up to 10 percent ethanol by volume. Gasoline containing ethanol may be marketed under the name "Gasohol."

**MTBE** (Methyl Tertiary Butyl Ether)  
You may use gasoline containing up to 15 percent MTBE by volume.

**METHANOL** (methyl or wood alcohol)  
Your vehicle was not designed to use fuel that contains methanol. Methanol can corrode metal parts in the fuel system, and also damage plastic and rubber components. This damage would not be covered by your warranties.

If you notice any undesirable operating symptoms, try another service station or switch to another brand of gasoline.

Fuel system damage or performance problems resulting from the use of an oxygenated fuel containing more than the percentages of oxygenates given above are not covered under warranty.

If you are planning to take your Honda outside the U.S. or Canada, contact the tourist bureaus in the areas you will be traveling in to find out about the availability of unleaded gasoline with the proper octane rating.

If unleaded gasoline is not available, be aware that using leaded gasoline in your Honda will affect performance and fuel mileage, and damage its emissions controls. It will no longer comply with U.S. and Canadian emissions regulations, and will be illegal to operate in North America. To bring your vehicle back into compliance will require the replacement of several components, such as the oxygen sensors and the three way catalytic converter. These replacements are not covered under warranty.

## Emissions Controls

---

The burning of gasoline in your vehicle's engine produces several by-products. Some of these are carbon monoxide (CO), oxides of nitrogen (NOx) and hydrocarbons (HC). Gasoline evaporating from the tank also produces hydrocarbons. Controlling the production of NOx, CO, and HC is important to the environment. Under certain conditions of sunlight and climate, NOx and HC react to form photochemical "smog." Carbon monoxide does not contribute to smog creation, but it is a poisonous gas.

### **The Clean Air Act**

The United States Clean Air Act\* sets standards for automobile emissions. It also requires that automobile manufacturers explain to owners how their emissions controls work and what to do to maintain them. This section summarizes how the emissions controls work. Scheduled maintenance is on page [188](#).

\* In Canada, Honda vehicles comply with the Canadian Motor Vehicle Safety Standards (CMVSS) for Emissions valid at the time they are manufactured.

### **Crankcase Emissions Control System**

Your vehicle has a Positive Crankcase Ventilation System. This keeps gasses that build up in the engine's crankcase from going into the atmosphere. The Positive Crankcase Ventilation valve routes them from the crankcase back to the intake manifold. They are then drawn into the engine and burned.

### **Evaporative Emissions Control System**

As gasoline evaporates in the fuel tank, an evaporative emissions control canister filled with charcoal adsorbs the vapor. It is stored in this canister while the engine is off. After the engine is started and warmed up, the vapor is drawn into the engine and burned during driving.



### **Exhaust Emissions Controls**

The exhaust emissions controls include three systems: PGM-FI, Ignition Timing Control and Three Way Catalytic Converter. These three systems work together to control the engine's combustion and minimize the amount of HC, CO, and NOx that comes out the tailpipe. The exhaust emissions control systems are separate from the crankcase and evaporative emissions control systems.

### ***PGM-FI System***

The PGM-FI System uses sequential multiport fuel injection. It has three subsystems Air Intake, Engine Control, and Fuel Control. The Engine Control Module (ECM) or the Powertrain Control Module (PCM) uses various sensors to determine how much air is going into the engine. It then controls how much fuel to inject under all operating conditions.

### ***Ignition Timing Control System***

This system constantly adjusts the ignition timing, reducing the amount of HC, CO and NOx produced.

### ***Three Way Catalytic Converter***

The three way catalytic converter is in the exhaust system. Through chemical reactions, it converts HC, CO, and NOx in the engine's exhaust to carbon dioxide (CO<sub>2</sub>), dinitrogen (N<sub>2</sub>), and water vapor.

### **Replacement Parts**

The emissions control systems are designed and certified to work together in reducing emissions to levels that comply with the Clean Air Act. To make sure the emissions remain low, you should use only new genuine Honda replacement parts or their equivalent for repairs. Using lower quality parts may increase the emissions from your vehicle.

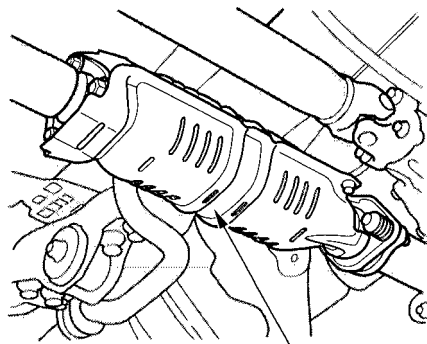
The emissions control systems are covered by warranties separate from the rest of your vehicle. Read your warranty manual for more information.

## Three Way Catalytic Converter

---

The three way catalytic converter contains precious metals that serve as catalysts, promoting chemical reactions to convert the exhaust gasses without affecting the metals. The catalytic converter is referred to as a three-way catalyst, since it acts on HC, CO, and NOx. A replacement unit must be an original Honda part or its equivalent

The three way catalytic converter must operate at a high temperature for the chemical reactions to take place. It can set on fire any combustible materials that come near it. Park your vehicle away from high grass, dry leaves, or other flammables.



**THREE WAY CATALYTIC CONVERTER**

A defective three way catalytic converter contributes to air pollution, and can impair your engine's performance. Follow these guidelines to protect your vehicle's three way catalytic converter.

- Keep the engine tuned-up.
- Have your vehicle diagnosed and repaired if it is misfiring, back-firing, stalling, or otherwise not running properly.
- Always use unleaded gasoline. Even a small amount of leaded gasoline can contaminate the catalyst metals, making the three way catalytic converter ineffective.

### Testing of Readiness Codes

If you take your vehicle for a state emissions test shortly after the battery has been disconnected or gone dead, it may not complete the test. This is because of certain "readiness codes" that must be set in the on-board diagnostics for the emissions systems. These codes are erased when the battery is disconnected, and set again only after several days of driving under a variety of conditions.

If the testing facility determines that the readiness codes are not set, you will be requested to return at a later date to complete the test. If you must get the vehicle re-tested within the next two or three days, you can condition the vehicle for re-testing by doing the following.

- Make sure the gas tank is nearly, but not completely, full (around 3/4).
- Make sure the vehicle has been parked with the engine off for 8 hours or more.
- Make sure the ambient temperature is between 20° and 95°F.

- Without touching the accelerator pedal, start the engine and let it idle for 20 seconds.
- Keep the vehicle in Park (automatic transmission) or Neutral (manual transmission). Increase the engine speed to 2,000 rpm and hold it there until the temperature gauge rises to at least 1/4 of the scale (approximately 3 minutes).

*CONTINUED*

## State Emissions Testing

---

- Select a nearby lightly traveled major highway where you can maintain a speed of 50 to 60 mph (80 to 97 km/h) for at least 20 minutes. Drive on the highway in D<sub>4</sub> (A/T) or 5th (M/T). Do not use the cruise control. When traffic allows, drive for 90 seconds without moving the accelerator pedal. (Vehicle speed may vary slightly; this is okay.) If you cannot do this for a continuous 90 seconds because of traffic conditions, drive for at least 30 seconds, then repeat it two more times (for a total of 90 seconds).

- Then drive in city/suburban traffic for at least 10 minutes. When traffic conditions allow, let the vehicle coast for several seconds without using the accelerator pedal or the brake pedal.

If the testing facility determines the readiness codes are still not set, see your Honda dealer.

## Warranty and Customer Relations

---

|                             |     |
|-----------------------------|-----|
| Customer Relations          |     |
| Information.....            | 306 |
| U.S. Zone Office Map.....   | 307 |
| Canada Zone Office Map..... | 308 |
| Warranty Coverages.....     | 309 |
| Reporting Safety Defects    |     |
| (U.S. Vehicles).....        | 310 |
| Authorized Manuals.....     | 311 |

## Customer Relations Information

---

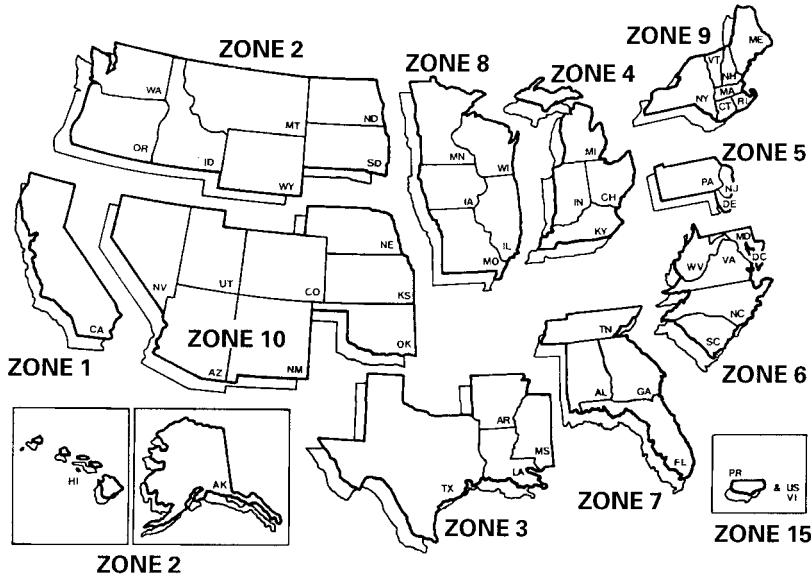
Honda dealership personnel are trained professionals. They should be able to answer all your questions. If you encounter a problem that your dealership does not solve to your satisfaction, please discuss it with the dealership's management. The Service Manager or General Manager can help. Almost all problems are solved in this way.

If you are dissatisfied with the decision made by the dealership's management, contact your Honda Customer Relations Zone Office. Refer to the U.S. and Canadian Zone Office maps on the following pages.

When you call or write, please give us this information:

- Vehicle Identification Number (see page [292](#))
- Name and address of the dealer who services your vehicle
- Date of purchase
- Mileage on your vehicle
- Your name, address, and telephone number
- A detailed description of the problem
- Name of the dealer who sold the vehicle to you

# U.S. Zone Office Map



The addresses and telephone numbers are subject to change. If you cannot reach your Zone office, ask your Honda dealer for the current information.

## 1 Western Zone

P.O. Box 2260  
700 Van Ness Avenue  
Torrance, California  
90501-1490  
(310)781-4566

## 2 Northwestern Zone

P.O. Box 20186  
12439 N.E. Airport Way  
Portland, Oregon 97230  
(503) 256-0943  
(also includes Alaska and Hawaii)

## 3 South Central Zone

4529 Royal Lane  
Irving, Texas 75063  
(972) 929-5481

## 4 Central Zone

101 South Stanfield Road  
Troy, Ohio 45373  
(937) 332-6250

## 5 Northeastern Zone

115 Gaither Drive  
Mt. Laurel, New Jersey 08054  
(856) 235-5533  
Includes: NYC Metro area and  
Fairfield County, CT area

## 6 Mid-Atlantic Zone

902 Wind River Ln., Suite 200  
Gaithersburg, Maryland 20878  
(301)990-2020

## 7 Southeastern Zone

P.O. Box 1606  
1500 Morrison Parkway  
Alpharetta, Georgia 30009-1606  
(770) 442-2045

## 8 North Central Zone

601 Campus Drive, Suite A-9  
Arlington Heights, Illinois 60004  
(847) 870-5600

## 9 New England Zone

555 Old County Road  
Windsor Locks, Connecticut 06096  
(860)623-3310  
See Zone 5 for: NYC Metro area and  
Fairfield County, CT area

## 10 West Central Zone

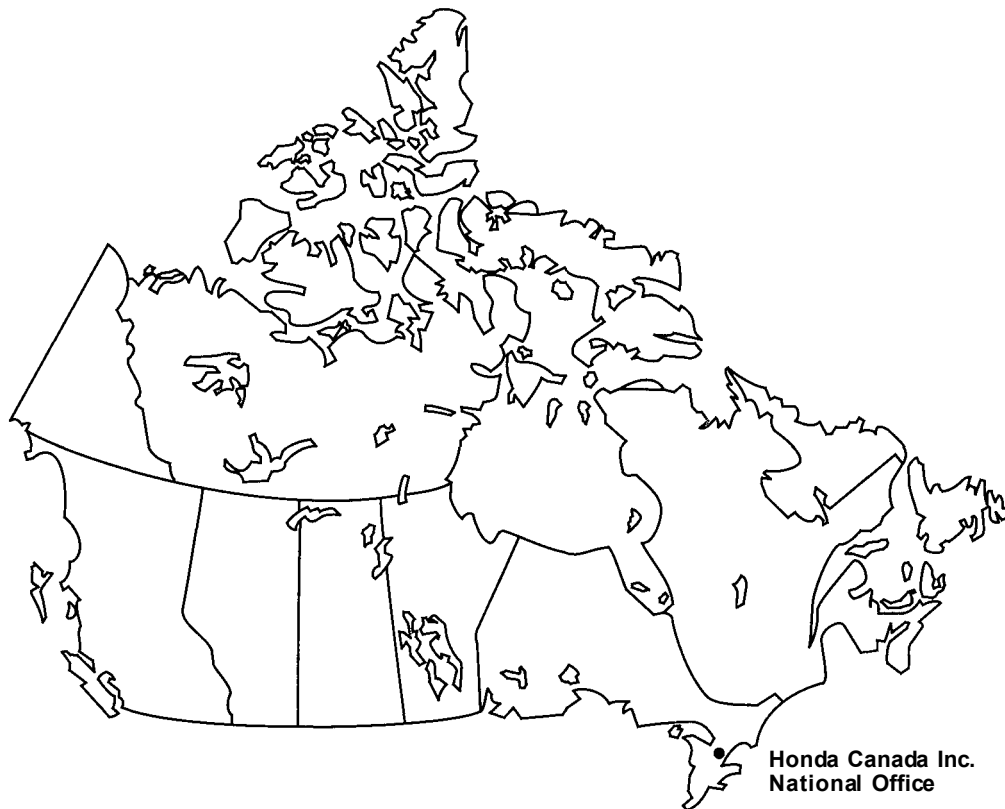
1600 South Abilene Street, Suite D  
Aurora, Colorado 80012  
(303) 696-3935

## 15 Puerto Rico and U.S. V.I.

Bella International  
P.O. Box 190816  
San Juan, PR 00919-0816  
(787)250-4318

## Canada Zone Office Map

---



### **CUSTOMER RELATIONS RELATIONS AVEC LA CLIENTELE**

Honda Canada Inc.  
715 Milner Avenue  
Toronto, ON  
M1B2K8

Tel: 1-888-9-HONDA9

Fax: Toll-free 1-877-939-0909  
Toronto (416)287-4776



### **U.S. Owners**

Your new Honda is covered by these warranties:

***New Vehicle Limited Warranty*** — covers your new vehicle, except for the battery, emissions control systems and accessories, against defects in materials and workmanship.

### ***Emissions Control Systems Defects Warranty and Emissions***

***Performance Warranty*** — these two warranties cover your vehicle's emissions control systems. Time, mileage, and coverage are conditional. Please read the warranty manual for exact information.

***Original Equipment Battery Limited Warranty*** — this warranty gives up to 100 percent credit toward a replacement battery.

***Seat Belt Limited Warranty*** — a seat belt that fails to function properly is covered for the useful life of the vehicle.

***Rust Perforation Limited Warranty*** — all exterior body panels are covered for rust-through from the inside for the specified time period with no mileage limit.

***Accessory Limited Warranty*** — Genuine Honda Accessories are covered under this warranty. Time and mileage limits depend on the type of accessory and other factors. Please read your warranty manual for details.

***Replacement Parts Limited Warranty*** — covers all genuine Honda replacement parts against defects in materials and workmanship.

***Replacement Battery Limited Warranty*** — provides prorated coverage for a replacement battery purchased from a Honda dealer.

***Replacement Muffler Lifetime Limited Warranty*** — provides coverage for as long as the purchaser of the muffler owns the vehicle.

Restrictions and exclusions apply to all these warranties. Please read the 2000 Honda Warranty Information booklet that came with your car for precise information on warranty coverages. Your Honda's original tires are covered by their manufacturer. Tire warranty information is in a separate booklet.

### **Canadian Owners**

Please refer to the 2001 Warranty Manual that came with your vehicle.

## Reporting Safety Defects (U.S. Vehicles)

---

If you believe that your vehicle has a defect which could cause a crash or could cause injury or death, you should immediately inform the National Highway Traffic Safety Administration (NHTSA) in addition to notifying American Honda Motor Co., Inc.

If NHTSA receives similar complaints, it may open an investigation, and if it finds that a safety defect exists in a group of vehicles, it may order a recall and remedy campaign. However, NHTSA cannot become involved in individual problems between you, your dealer, or American Honda Motor Co., Inc.

To contact NHTSA, you may either call the Auto Safety Hotline toll-free at 1-800-424-9393 (or 366-0123 in Washington D.C. area) or write to: NHTSA, U.S. Department of Transportation, Washington, D.C., 20590. You can also obtain other information about motor vehicle safety from the Hotline.

## Purchasing Factory Authorized Manuals (U.S. only)

The following publications covering the operation and servicing of your vehicle can be obtained from Helm Incorporated, either by filling out the attached form or, for credit card holders, calling the toll-free phone number on the form. For manuals prior to the year shown below, contact Helm Incorporated, P.O. Box 07280, Detroit, Michigan 48207, or call 1-800-782-4356

| Publication Form Number   | Form Description   | Price Each* |
|---|--|-------------|
| 61S1004   | 1997 – 2001 Honda CR-V Service Manual                          | \$66.00     |
| 61S1004EL   | 1997 – 2001 Honda CR-V Electrical Troubleshooting Manual       | \$46.00     |
| 61S1030   | 1997 – 2001 Honda CR-V Body Repair Manual                      | \$40.00     |
| 31S10640  | 2001 Honda CR-V Owner's Manual                                 | \$30.00     |
| HON-R   | Order Form for Previous Years- Indicate Year and Model Desired | FREE        |
| * Prices are subject to change without notice and without incurring obligation. |  |             |

Valid only for sales within the U.S. Canadian owners should contact their authorized Honda dealer.

|  |
|--|
| <b>ORDER TOLL FREE: 1-800-782-4356</b><br>(NOTE: For Credit Card Holder Orders Only)<br>Monday-Friday 8:00 A.M. – 6:00 P.M. EST<br><b>MINIMUM CREDIT CARD PURCHASE \$10.00</b> |
|--|

**OR**

By completing this form you can order the materials desired. You can pay by check or money order, or charge to your credit card. Mail to Helm Incorporated at the address shown on the back of the order form.

| 2001 HON  | PUBLICATION NUMBER | VEHICLE MODEL |      | Qty | Price Each*                      | Total Price |
|---|--------------------|---------------|------|-----|----------------------------------|-------------|
|   |                    | Name          | Year |     |                                  |             |
|   |                    |               |      |     |                                  |             |
|   |                    |               |      |     |                                  |             |
|   |                    |               |      |     |                                  |             |
|   |                    |               |      |     |                                  |             |
| * Prices are subject to change without notice and without incurring obligation.<br><br>Orders are mailed within 10 days. Please allow adequate time for delivery. |                    |               |      |     | TOTAL MATERIAL                   |             |
|   |                    |               |      |     | Mich. Purchases Add 6% Sales Tax |             |
|   |                    |               |      |     | HANDLING CHARGE                  | \$6.00      |
|   |                    |               |      |     | GRAND TOTAL                      |             |

# Authorized Manuals

|                                |  |                        |
|--------------------------------|--|------------------------|
| S<br>H<br>I<br>P<br><br>T<br>O | NOTE: Dealers and Companies please provide dealer or company name, and also the name of the person to whose attention the shipment should be sent. For purchases outside U.S.A. please write to the address shown below for a quotation. |                        |
|                                | Customer Name _____  | Attention _____        |
|                                | Street Address No P.O. Box Number _____  | Apartment Number _____ |
|                                | City _____   | State & Zip Code _____ |
|                                | Daytime Telephone Number (     ) _____   |                        |

|                                      |  |  |  |  |  |
|--------------------------------------|--|--|--|--|--|
| P<br>A<br>Y<br>M<br>E<br>N<br>T      | <input type="checkbox"/> Check or money order enclosed payable to Helm Inc -- U.S. funds only.<br>Do not send cash   |  |  |  |  |
|                                      | <input type="checkbox"/> Master Card <input type="checkbox"/> VISA <input type="checkbox"/> Check here if your billing address is different from the shipping address shown above.         |  |  |  |  |
|                                      | Account Number _____     Expiration: Mo. Yr. _____   |  |  |  |  |
|                                      | <table border="1" style="width: 100%; height: 20px;"><tr><td style="width: 25%;"></td><td style="width: 25%;"></td><td style="width: 25%;"></td><td style="width: 25%;"></td></tr></table> |  |  |  |  |
|                                      |  |  |  |  |  |
| _____<br>CUSTOMER SIGNATURE     DATE |  |  |  |  |  |

## Service Manual:

This manual covers maintenance and recommended procedures for repair to engine and chassis components. It is written for the Journeyman mechanic, but is simple enough for most mechanically-inclined owners to understand.

## Electrical Troubleshooting Manual:

This manual complements the Service Manual by providing in-depth troubleshooting information for each electrical circuit in your vehicle.

## Body Repair Manual:

This manual describes the procedures involved in the replacement of damaged body parts.

These Publications cannot be returned for credit without receiving advance authorization within 14 days of delivery. On returns, a restocking fee may be applied against the original order.

**HELM** P.O. BOX 07280 · DETROIT, MICHIGAN 48207 · 1-800-782-4356

**A**

Accessories and Modifications... 158  
    Accessories..... 158  
    Additional Safety Precautions.. 159  
    Modifications..... 159  
ACCESSORY (Ignition Key  
    Position)..... 70  
Accessory Power Socket..... 92  
Additives, Engine Oil..... 212  
Airbag (SRS)..... 9  
Air Cleaner Element..... 226  
Air Conditioning..... 98  
    Maintenance..... 233  
    Usage..... 98  
Air Conditioning Filter..... 234  
Air Outlets (Vents)..... 100  
Air Pressure, Tires..... 235  
    Normal Driving..... 236  
Alcohol in Gasoline..... 298  
Antifreeze..... 215  
Anti-lock Brakes (ABS)  
    Indicator Light..... 55, 179  
    Operation..... 177  
Anti-theft Steering Column  
    Lock..... 69

Appearance Care..... 225  
Ashtrays..... 94  
Audio System..... 106  
Automatic Speed Control..... 66  
Automatic Transmission..... 170  
    Capacity, Fluid..... 294  
    Checking Fluid Level..... 221  
    Shifting..... 170  
    Shift Lever Position Indicator.. 170  
    Shift Lever Positions..... 170  
    Shift Lock Release..... 174

**B**

Battery  
    Charging System  
        Indicator..... 54, 281  
    Jump Starting..... 277  
    Maintenance..... 229  
    Specifications..... 294  
Before Driving..... 151  
Belts, Seat..... 8  
Beverage Holder..... 88  
Body Repair..... 263  
Brakes  
    Anti-lock System (ABS)..... 177

Break-in, New Linings ..... 152  
Fluid..... 224  
Bulb Replacement..... 247  
Parking..... 86  
System Indicator..... 54, 284  
Wear Indicators..... 176  
Braking System..... 176  
Break-in, New Car..... 152  
Brightness Control, Instruments.. 61  
Brights, Headlights..... 60  
Built-in Table..... 89  
Bulb Replacement  
    Back-up Lights..... 248  
    Brake Lights..... 248  
    Cargo Area Light..... 252  
    Ceiling Light..... 252  
    Front Parking Lights..... 247  
    Front Side Marker Lights..... 247  
    Headlights..... 246  
    High-mount Brake Light..... 251  
    Interior Light..... 252  
    License Plate Lights..... 249  
    Rear Side Marker Lights..... 248  
    Specifications..... 295

*CONTINUED*

# Index

---

Bulb Replacement  
Spotlight.....252  
Turn Signal Lights.....247  
Bulbs, Halogen.....246

## C

Capacities Chart.....294  
Carbon Monoxide Hazard.....49  
Cargo Area Light.....95  
Cargo Floor Pockets.....92  
Cargo Hooks.....93  
Carrying Cargo.....160  
Cassette Player  
Care.....136  
Operation.....112, 133, 148  
CAUTION, Explanation of ..... ii  
CD Changer.....115, 129  
CD Player.....115, 127, 144  
Center Pocket.....91  
Center Table.....87  
Certification Label.....292  
Chains.....241  
Change Oil.....213  
How to.....213  
When to.....202

Changing a Flat Tire .....266  
Changing Engine Coolant.....217  
Charging System Indicator ....54, 282  
Checklist, Before Driving.....151  
Childproof Door Locks.....75  
Child Safety.....21  
Child Seats.....21  
Tether Anchorage Points.....40  
Cleaner, Air.....226  
Cleaning  
Aluminum Wheels.....257  
Carpeting.....259  
Exterior.....256  
Fabric.....260  
Interior.....259  
Seat Belts.....261  
Vinyl.....260  
Windows.....260  
Clock, Setting the .....87  
Clutch Fluid.....224  
CO in the Exhaust.....300  
Cold Weather, Starting in.....167  
Consumer Information\*.....306  
Controls, Instruments and.....51  
Coolant  
Adding.....215

Checking.....156  
Proper Solution.....215  
Replacing.....217  
Temperature Gauge.....57  
Corrosion Protection.....262  
Crankcase Emission Control  
System.....300  
Cruise Control Operation.....66  
Customer Relations Office.....306

## D

DANGER, Explanation of.....ii  
Dashboard.....52  
Daytime Running Lights.....60  
Defects, Reporting Safety.....310  
Defog and Defrost.....103  
Defogger, Rear Window.....63  
Defrosting the Windows.....103  
Dimensions.....294  
Dimming the Headlights .....60  
Dipstick  
Automatic Transmission.....221  
Engine Oil.....155  
Directional Signals.....61  
Disc Brake Wear Indicators.....176

Disposal of Used Oil..... 214  
Doors  
    Locking and Unlocking..... 70  
    Power Door Locks..... 71  
DOT Tire Quality Grading..... 296  
Downshifting, 5-speed Manual  
    Transmission..... 168  
Drive Belts..... 234  
Driving..... 163  
    Economy..... 157  
    In Bad Weather..... 180  
    In Foreign Countries..... 299  
Driving Guidelines..... 164

**E**

Economy, Fuel..... 157  
Emergencies on the Road..... 265  
    Battery, Jump Starting..... 276  
    Brake System Indicator..... 284  
    Changing a Flat Tire..... 266  
    Charging System Indicator..... 282  
    Checking the Fuses..... 286  
    Low Oil Pressure Indicator..... 281  
    Malfunction Indicator Lamp.... 283  
    Overheated Engine..... 279

Emergency Brake..... 86  
Emergency Flashers..... 63  
Emergency Towing..... 290  
Emission Controls..... 300  
Engine  
    Coolant Temperature Gauge .... 57  
    Malfunction Indicator  
        Lamp..... 54, 282  
    Oil Pressure Indicator..... 54, 281  
    Oil, What Kind to Use..... 211  
    Overheating..... 279  
    Specifications..... 294  
    Starting..... 166  
Ethand in Gasoline ..... 298  
Evaporative Emission Controls... 300  
Exhaust Fumes..... 49  
Expectant Mothers, Use of Seat  
    Belts by..... 19  
Exterior, Cleaning the..... 256

**F**

Fabric, Cleaning..... 260  
Fan, Interior..... 98  
Features, Comfort and  
    Convenience..... 97

Filling the Fuel Tank..... 157  
Filters  
    Air..... 226  
    Air Conditioning..... 234  
    Oil..... 213  
5-speed Manual Transmission  
    Checking Fluid Level..... 222  
    Shifting the..... 169  
Flashers, Hazard Warning..... 63  
Flat Tire, Changing a..... 213  
Fluids  
    Automatic Transmission..... 221  
    Brake..... 224  
    Clutch..... 224  
    Manual Transmission..... 222  
    Power Steering..... 225  
    Rear Differential..... 223  
    Windshield Washer..... 220  
FM Stereo Radio  
    Reception..... 125  
Folding Rear Seat..... 82  
Foreign Countries, Driving in..... 299  
Four-way Flashers..... 63

*CONTINUED*

# Index

---

|                          |     |
|--------------------------|-----|
| Fuel.....                | 152 |
| Fill Door and Cap.....   | 153 |
| Gauge.....               | 57  |
| Octane Requirement.....  | 152 |
| Oxygenated.....          | 298 |
| Reserve Indicator.....   | 55  |
| Tank, Filling the.....   | 153 |
| Fuses, Checking the..... | 285 |

## G

|                                 |     |
|---------------------------------|-----|
| Gas Mileage, Improving.....     | 157 |
| Gasohol.....                    | 298 |
| Gasoline.....                   | 152 |
| Fuel Reserve Indicator.....     | 55  |
| Gauge.....                      | 57  |
| Octane Requirement.....         | 152 |
| Tank, Filling the.....          | 153 |
| Gas Station Procedures.....     | 153 |
| Gauges                          |     |
| Engine Coolant Temperature .... | 57  |
| Fuel.....                       | 57  |
| Speedometer.....                | 56  |
| Tachometer.....                 | 56  |
| Gearshift Lever Positions       |     |
| Automatic Transmission.....     | 170 |

|                     |     |
|---------------------|-----|
| 5-speed Manual      |     |
| Transmission.....   | 169 |
| Glass Cleaning..... | 261 |
| Glove Box.....      | 77  |

## H

|                                 |     |
|---------------------------------|-----|
| Halogen Headlight Bulbs.....    | 246 |
| Hazard Warning Flashers.....    | 63  |
| Headlights                      |     |
| Aiming.....                     | 244 |
| Daytime Running Lights.....     | 60  |
| High Beam Indicator.....        | 55  |
| Reminder Beeper.....            | 60  |
| Replacing Halogen Bulbs .....   | 246 |
| Turning on.....                 | 60  |
| Head Restraints.....            | 79  |
| Heating and Cooling.....        | 98  |
| High Altitude, Starting at..... | 167 |
| High-Low Beam Switch .....      | 60  |
| High-mount Brake Light.....     | 237 |
| Hood Latch.....                 | 227 |
| Hood, Opening the .....         | 154 |
| Horn.....                       | 59  |
| Hydraulic Clutch.....           | 224 |
| Hydroplaning.....               | 180 |

## I

|                                    |     |
|------------------------------------|-----|
| Identification Number, Vehicle.... | 292 |
| Ignition                           |     |
| Keys.....                          | 69  |
| Switch.....                        | 69  |
| Timing Control System.....         | 285 |
| Important Safety Precautions ..... | 6   |
| Indicator Lights, Instrument       |     |
| Panel.....                         | 53  |
| Infant Restraint.....              | 29  |
| Infant Seats.....                  | 29  |
| Tether Anchorage Point.....        | 40  |
| Inflation, Proper Tire .....       | 235 |
| Normal Driving.....                | 236 |
| Inside Mirror.....                 | 85  |
| Inspection, Tire.....              | 237 |
| Instrument Panel.....              | 53  |
| Instrument Panel Brightness.....   | 61  |
| Interior Cleaning.....             | 259 |
| Interior Light.....                | 94  |
| Introduction.....                  | i   |

## J

|                             |     |
|-----------------------------|-----|
| Jacking up the Vehicle..... | 269 |
|-----------------------------|-----|



Jack, Tire.....266  
Jump Starting.....277

**K**

Keys.....69

**L**

Label, Certification.....292  
Lane Change, Signaling.....61  
Lap Belt.....43  
Lap/Shoulder Belts.....42  
Lights  
  Bulb Replacement.....246  
  Indicator.....53  
  Parking.....60  
  Turn Signal.....61  
LOCK (Ignition Key Position).....70  
Locks  
  Anti-theft Steering Column.....70  
  Fuel Fill Door.....153  
  Glove Box.....77  
  Power Door.....71  
  Tailgate.....75  
Low Coolant Level.....156

Low Fuel Indicator .....57  
Low Oil Pressure Indicator....54, 281  
Lubricant Specifications Chart...294

**M**

Maintenance.....197  
  Owner Maintenance Checks...209  
  Record.....207-208  
  Required Indicator.....58  
  Safety.....198  
  Schedule.....202-206  
Malfunction Indicator Lamp..54, 281  
Manual Transmission.....168  
Manual Transmission Fluid .....222  
Meters, Gauges.....56  
Methanol in Gasoline.....282  
Mirrors, Adjusting.....86

**N**

Neutral Gear Position.....172  
New Vehicle Break-in .....152  
Normal Shift Speeds.....169  
NOTICE, Explanation of.....ii  
Numbers, Identification.....292

**O**

Octane Requirement, Gasoline...152  
Odometer.....56  
Odometer, Trip.....56  
Off-Highway Guidelines.....191  
Oil  
  Change, How to .....213  
  Change, When to.....202  
  Checking Engine.....155  
  Pressure Indicator.....54, 281  
  Selecting Proper Viscosity  
    Chart.....212  
ON (Ignition Key Position).....70  
Opening the Tailgate.....75  
Operation in Foreign Countries..299  
Outside Mirrors.....86  
Over-Drive.....173  
Overheating Engine.....279

**P**

Paint Touch-up.....258  
Panel Brightness Control.....61

*CONTINUED*

# Index

|  |     |
|--|-----|
| Park Gear Position.....                | 171 |
| Parking.....                           | 175 |
| Parking Brake.....                     | 86  |
| Parking Lights.....                    | 60  |
| Parking Over Things that Burn...       | 175 |
| PGM-FI System.....                     | 304 |
| Polishing and Waxing.....              | 257 |
| Pre-Drive Safety Checklist.....        | 11  |
| Pregnancy, Using Seat Belts.....       | 19  |
| Protecting Adults.....                 | 12  |
| Additional Safety Precautions...       | 19  |
| Advice for Pregnant Women.....         | 19  |
| Protecting Children.....               | 21  |
| Protecting Infants.....                | 29  |
| Protecting Larger Children.....        | 37  |
| Protecting Small Children.....         | 33  |
| Using Child Seats with<br>Tethers..... | 40  |

## R

|                                  |     |
|----------------------------------|-----|
| Radiator Overheating.....        | 279 |
| Radio/Cassette Sound System .... | 106 |
| Rear Differential Fluid.....     | 223 |
| Rear Lights, Bulb Replacement..  | 248 |
| Rear Seat, Folding.....          | 82  |

|  |     |
|--|-----|
| Rear View Mirror.....                      | 85  |
| Rear Window Defogger.....                  | 63  |
| Rear Window Wiper and Washer..             | 63  |
| Reclining the Seat Backs.....              | 81  |
| Recommended Shift Speeds .....             | 169 |
| Reminder Lights.....                       | 53  |
| Remote Transmitter.....                    | 72  |
| Replacement Information                    |     |
| Air Cleaner Element.....                   | 226 |
| Air Conditioning Filter.....               | 234 |
| Coolant.....                               | 217 |
| Engine Oil and Filter.....                 | 213 |
| Fuses.....                                 | 285 |
| Light Bulbs.....                           | 246 |
| Schedule.....                              | 202 |
| Spark Plugs.....                           | 227 |
| Timing Belt.....                           | 235 |
| Tires.....                                 | 239 |
| Wiper Blades.....                          | 231 |
| Replacing Seat Belts After a<br>Crash..... | 43  |
| Reserve Tank, Engine Coolant...            | 156 |
| Restraint, Child.....                      | 21  |
| Reverse Gear Position.....                 | 172 |
| Rotation, Tire.....                        | 238 |

## S

|  |        |
|--|--------|
| Safety Belts.....                      | 8      |
| Safety Defects, Reporting* .....       | 310    |
| Safety Checklist, Pre-Drive.....       | 11     |
| Safety Features.....                   | 7      |
| Airbags.....                           | 8      |
| Door Locks.....                        | 10     |
| Head Restraints.....                   | 10     |
| Seat Belts.....                        | 8      |
| Seats & Seat-Backs.....                | 10     |
| Safety Labels, Location of.....        | 50     |
| Safety Messages.....                   | ii     |
| Seat Belts.....                        | 8      |
| Additional Information.....            | 42     |
| Advice for Pregnant Women.....         | 19     |
| Automatic Seat Belt<br>Tensioners..... | 47     |
| Child Seat Anchor Plate.....           | 40     |
| Cleaning.....                          | 261    |
| Frayed or Torn.....                    | 43     |
| Lap/Shoulder Belt.....                 | 42     |
| Maintenance.....                       | 43     |
| Reminder Light and<br>Beeper.....      | 42, 54 |
| Replacement.....                       | 43     |

System Components..... 42  
Use During Pregnancy..... 19  
Wearing a Lap/Shoulder Belt... 15  
Wearing the Lap Belt..... 16  
Seats, Adjusting the..... 77  
Serial Number..... 292  
Service Intervals..... 202  
Service Manual\* ..... 311  
Service Station Procedures ..... 153  
Setting the Clock..... 87  
Shifting  
    The 5-speed Manual  
        Transmission..... 169  
Shift Lever Position Indicator..... 170  
Shift Lock Release..... 174  
Side Marker Lights, Bulb  
    Replacement..... 247  
Signaling Turns..... 61  
Snow Tires..... 240  
Solvent-type Cleaners..... 259  
Sound System..... 106  
Spark Plugs, Replacing..... 227  
Specifications Charts..... 294  
Speed Control..... 66  
Speedometer..... 56

SRS, Additional Information..... 45  
    Additional Safety Precautions... 48  
    How the Automatic Seat Belt  
        Tensioners Work..... 47  
    How the SRS Indicator Light  
        Works..... 47  
    How Your Airbags Work..... 45  
    SRS Components..... 45  
    SRS Service..... 48  
SRS Indicator..... 47, 54  
START (Ignition Key Position).... 70  
Starting the Engine..... 166  
    In Cold Weather at High  
        Altitude..... 167  
    With a Dead Battery..... 277  
Steam Coming from Engine..... 279  
Steering Wheel  
    Adjustment..... 64  
    Anti-theft Column Lock..... 70  
Stereo Sound System..... 106  
Storage Box..... 91  
Storing Your Vehicle..... 253  
Supplemental Restraint System..... 9  
    Service Precautions..... 48  
    Servicing..... 48  
    SRS Indicator..... 47

System Components..... 45  
Tensioners, Seat Belts..... 47  
Synthetic Oil..... 212

**T**

Tachometer..... 56  
Tailgate  
    Opening the..... 75  
    Open Indicator..... 55  
Taillights, Changing Bulbs in..... 248  
Taking Care of the Unexpected .. 265  
Tape Player ..... 112, 133  
Technical Descriptions  
    Emission Control Systems..... 284  
    Three Way Catalytic  
        Converter..... 286  
Temperature Gauge..... 57  
Tensioners, Seat Belts ..... 47  
Tether Attachment Points..... 40  
Three Way Catalytic Converter.. 304  
Time, Setting the..... 87  
Timing Belt..... 235  
Tire Chains..... 241

*CONTINUED*

# Index

---

|                                       |     |
|---------------------------------------|-----|
| Tire, How to Change a Flat.....       | 266 |
| Tires.....                            | 235 |
| Air Pressure.....                     | 235 |
| Checking Wear.....                    | 237 |
| DOT Tire Quality Grading.....         | 296 |
| Inflation.....                        | 235 |
| Inspection.....                       | 237 |
| Maintenance.....                      | 237 |
| Replacing.....                        | 239 |
| Rotating.....                         | 238 |
| Snow.....                             | 240 |
| Specifications.....                   | 279 |
| Technical Information.....            | 291 |
| Emission Controls.....                | 300 |
| Identification Numbers.....           | 292 |
| Specifications.....                   | 294 |
| Three Way Catalytic<br>Converter..... | 302 |
| Tools, Tire Changing.....             | 266 |
| Torn Seat Belts.....                  | 43  |
| Towing                                |     |
| A Trailer.....                        | 182 |
| Behind a Motorhome.....               | 189 |
| Emergency.....                        | 290 |

|   |          |
|---|----------|
| Transmission                            |          |
| Checking Fluid Level,<br>Automatic..... | 221      |
| Checking Fluid Level,<br>Manual.....    | 222      |
| Fluid Selection.....                    | 221, 222 |
| Identification Number.....              | 292      |
| Shifting the Automatic.....             | 170      |
| Shifting the Manual.....                | 169      |
| Treadwear.....                          | 237      |
| Trip Meter.....                         | 56       |
| Turn Signals.....                       | 61       |

## U

|  |     |
|--|-----|
| Underside, Cleaning.....               | 262 |
| Unexpected, Taking Care<br>of the..... | 265 |
| Uniform Tire Quality Grading....       | 296 |
| Unleaded Gasoline.....                 | 152 |
| Upholstery Cleaning.....               | 259 |
| Used Oil, How to Dispose of.....       | 214 |

## V

|                            |     |
|----------------------------|-----|
| Vehicle Capacity Load..... | 161 |
|----------------------------|-----|

|                                   |     |
|-----------------------------------|-----|
| Vehicle Dimensions.....           | 294 |
| Vehicle Identification Number.... | 292 |
| Vehicle Storage.....              | 253 |
| Ventilation.....                  | 101 |
| VIN.....                          | 292 |
| Vinyl Cleaning.....               | 260 |
| Viscosity, Oil.....               | 212 |

## W

|                                  |     |
|----------------------------------|-----|
| WARNING, Explanation of.....     | ii  |
| Warning Labels, Location of..... | 50  |
| Warranty Coverages*.....         | 307 |
| Washer, Windshield               |     |
| Checking the Fluid Level.....    | 220 |
| Operation.....                   | 62  |
| Washing.....                     | 256 |
| Waxing and Polishing.....        | 257 |
| Wheels                           |     |
| Adjusting the Steering.....      | 64  |
| Alignment and Balance.....       | 237 |
| Wrench.....                      | 268 |
| Windows                          |     |
| Cleaning.....                    | 261 |
| Operating the Power.....         | 84  |
| Rear, Defogger.....              | 63  |

Windshield  
  Cleaning.....62  
  Defroster.....103  
  Washers.....220  
Wipers, Windshield  
  Changing Blades..... 231  
  Operation..... 62  
Worn Tires..... 237  
Wrecker, Emergency Towing..... 290

\* : U.S. and Canada only

## Service Information Summary

---

### **Gasoline:**

Unleaded gasoline, pump octane number of 86 or higher.

### **Fuel Tank Capacity:**

15.3 US gal (58 l, 12.8 Imp gal)

### **Recommended Engine Oil:**

API Service SJ "Energy Conserving" oil, SAE 5W-30 viscosity (see page [211](#) ).

Oil change capacity (including filter):

4.0 US qt (3.8 l, 3.3 Imp qt)

### **Automatic Transmission Fluid:**

Honda ATF-Z1 (Automatic Transmission Fluid) preferred, or a DEXRON® III ATF as a temporary replacement (see page [221](#) ).

### **5-speed Manual Transmission Fluid:**

Honda Manual Transmission Fluid preferred, or an API service SG, SH or SJ, SAE 10W-30 or 10W-40 motor oil as a temporary replacement (see page [222](#) ).

Capacity (including differential):  
1.8 US qt (1.7 l, 1.5 Imp qt)

### **Rear Differential Fluid:**

Honda Dual Pump Fluid preferred, or a DEXRON® III ATF as a temporary replacement (see page [223](#) ).

Capacity:

1.1 US qt (1.0 l, 0.9 Imp qt)

### **Power Steering Fluid:**

Honda Power Steering Fluid preferred, or another brand of power steering fluid as a temporary replacement. Do not use ATF (see page [225](#) ).

### **Brake Fluid:**

Honda Heavy Duty Brake Fluid DOT 3 preferred, or a DOT 3 or DOT 4 brake fluid as a temporary replacement (see page [224](#) ).

### **Tire Pressure (measured cold):**

Front/Rear:

26 psi (180 kPa, 1.8 kgf/cm<sup>2</sup>)