



ECHO™ SERIES



Price & Specification Guide

SUPERSEDES ALL PRIOR VERSIONS
MARCH 2020



TABLE OF CONTENTS

Index by Description	A-C
Characteristics	1
Door Styles	2-13
Finish Availability	14-16
Premium Color Palette	16
12-Step Finishing Process	17
Humidification/Cabinet Care and Cleaning	17
Construction Features	18
Modification/Upgrade Compatibility Chart	19
Construction Upgrades	20
Drawer Front Upgrades	21
Non Smart Stop Options	22
Custom Modifications	23-31
Specialty Doors	32-33
Decorative Glass Inserts	34-35
Cabinet Dimensions	36-44
Policies & Installer Notes	45
Design Checklist	46
NKBA Guidelines	47-48
Storage Solutions Reference Chart	49
Wall Cabinets	50-109
Base Cabinets	110-145
Universal Access Cabinets	146-149
Tall Cabinets	150-177
Office & Furniture Cabinets	178-187
Vanity Cabinets	188-205
Fillers	206-208
Panels & Skins	208-213
Moulding	214-217
Valances	218
Embellishments	218-221
Lighting	221
Shelves	222-223
Decorative Hardware	224-228
Accessories	229-231
Roll Tray Kits	232
Guide Kits and Parts	232-233
Stain, Paint, & Touch-up Tools	233
Hinges	233
Parts	234
Stack Moulding Kits	235-237
Painted Hardwood Finish Agreement	238
Index by Code	239

Description	Code	Page Number
All-plywood Construction	APW	20
Angled Corner Sinks	ACS	122
Angled Fluted/Plain Fillers	BLVDF	207
Arched Valance	AV	218
Art Corbel 9"	CORBELART9	221
Arts & Crafts Bracket	JBRACKETART	221
Asymmetrical Base Easy Reach	BER	130
Asymmetrical Easy Reach Wall Corners	ER	88
Asymmetrical Solid-wood Super Lazy Susan	SLSW	130
Asymmetrical Super Susans	SLS	132
Authentic Ends	AUTHL, AUTHR	23
Baseboard Moulding	BBM	216
Base Box Column w/Overlay	BBCPO	140
Base Built-in Microwave Cabinet w/Drawer	BBMWD	142
Base Cabinets	B	110
Base Cabinets Four Drawer	4DB	136
Base Cabinets Four Drawer w/Wood Tiered Cutlery Divider Drawer	4DB..WTCD	136
Base Cabinets Three Drawer	3DB	134
Base Cabinets Three Drawer w/Deep Drawer	3DBDD	136
Base Cabinets Three Drawer w/Wood Tiered Cutlery Divider Drawer	3DB..WTCD	134
Base Cabinets Two Drawer	2DB	132
Base Cabinets Two Drawer w/Drop-in Range	2DB..DR	134
Base Cabinets Two Drawer w/Roll Tray	2DB..RT	134
Base Cabinets w/Full Height Doors	B..FH	112
Base Corner Cabinets	BC	128
Base Corner Peninsula	BCP	144
Base Corner Peninsula, Full Height Door	BCP..FH	144
Base Drawer Cabinets	DB	132-136
Base Drop-in Range Cabinet	B..DR	140
Base Easy Reach	BER	130
Base End Cabinet	BEC	132
Base Full Height w/Tray Divider	TD..FH	118
Base Lazy Susan Corner w/Center Hinge Door	BLS	128
Base Microwave Cabinets w/Deep Drawer	BMWD..DD	142
Base Microwave Cabinets w/Drawer	BMWD	142
Base Ovens	BO	142
Base Pantry Pull-outs	BPP	138
Base Pots & Pans Pull-out	BPPP	116
Base Transition Cabinets	BTC	132
Base Utensil Pantry Pull-out	BUPP	138
Base Utensil Pantry Pull-out w/Knife Block	BUPPKB	140
Base Wastebasket	BWB	136
Base Wastebasket Full Height	BWB..FH	138
Base Wine Cubby	BWC	138
Baseboard Moulding	BBM	216
Baseboard - Shaker	BBMSH	216
Bases w/Roll-out Tray Divider	B..TDRO	116
Bases w/Roll Trays	B..RT	114
Bases w/Tray Dividers	TD	116
Bases w/Wood Tiered Cutlery Divider Drawer	B..WTCD	112
Bases w/Wood Tiered Cutlery Divider Drawer and Roll Trays	B..RTWTCD	116
Battery Strip Light	BATTLTI	221
Bookcases Tall	T..BC	182
Bookcases Wall	W..BC	178-180
Box Column Fillers (Wall, Base, Tall)	BCF	207
Cabinet Box Only	CBO	25
Cabinet Case Only	CCO	25
Cabinet False Panel	CFP	25
Cabinet Front Only	CFNTO	31
Cabinet Panel Edge Moulding	CPE	215
Cabinet w/No Door, w/Drawer	CND	25
CabMat™	CABMAT	229
CabMat™	CMAT	27
CabMat™ Vanity	CABMATV	229
Canopy Square Wood Hood	WHCS	104

Description	Code	Page Number
Cap Moulding	CAPM	217
Classic Square Wood Hood	WHS	102
Classic Tall Crown Moulding	CLTCROWN	214
Classic Wood Hood Chimney	WHC	102
Cooking Utensil Divider	CUDD	229
Corner Door Cabinets	CD	96
Countertop Edge Moulding (Traditional)	TCM	215
Country Sink Bases	CNTYSB	124
Country Sink Bases w/CabMat™	CNTYSB..CM	124
Cove Crown Moulding	COVECROWN	214
Craftsman Foot	JCRAFTFOOT	220
Cross Grain Veneer Back Skin 1/4" Panels	BP..CRSGR	209
Cut-for-glass Doors	CG	32
Cutlery Dividers	CIW, WTCD	230
Decorative Door Panel Kits, Base End	BEDSD	212
Decorative Door Panel Kits, Tall End	TED	212
Decorative Door Panel Kits, Wall End	WED	212
Decorative Split Turning End	SPRINGEND	220
Decorative Split Turning Spool	SPTRINGSPOOL	220
Desk Door Drawer Bases	DDO	184
Desk Double File Drawer Bases	DDFD	184
Desk File Drawer Bases	DFD	184
Desk Three Drawer Base	3DB	184
Diagonal Base Cabinet w/Full Height Door	DAB..FS	128
Diagonal Base Cabinet w/Full Height Door & Super Lazy Susan	DAB..SLS	130
Diagonal Wall Cabinets	DW	82
Diagonal Wall Cabinets w/Plywood Lazy Susan	DW..S	86
Drawer Front Flat 5-piece	DF5PC	21
Drawer Front Slab	DFSLB	21
Drawer Guide Back Sockets	BKSOCKET	232
Drawer Guide Kits	DGK	232
Ductless Conversion Kit	CONVERSION	108
Easy Reach Wall Corner Cabinets	ER	88
End Panel Skins/Base	BEPS	208
End Panel Skins/Tall	TEPS	209
End Panel Skins/Wall	WEPS	208
End Panels/Base	BEP	210
End Panels/Lazy Susan	BLSBEP	210
End Panels/Tall	TEP	210
End Panels, Wall	WEP	210
English Bar Column	ENGBARCOLUMN	218
English Island Column	ENGISLCOLUMN	218
Estate Leg, Small	JESTATELEGS	218
Exterior Shelf	ES	222
False Panel Clips	FALSEPNLCLIP50, PFALSEPNLCLIP50	233
Fillers	F	206
Finished Back Skins	BP	209
Finished Ends	FB	23
Flat Scribe Moulding	SM	215
Floating Shelves	FS	222
Flush Toekick	.FTK	28
Fluted/Beaded Fillers	FBF	207
Full Depth Shelf	FD	27
Full Depth Shelving	SK	222
Furniture Drawer Window Bench	FDWB	186
Furniture Drawers	FD	186
Furniture Finished Plywood End Panels	FPFB	23
Furniture Valance	FV	218
Glass Shelf Kits	JGSK	223
Hardware — Decorative Knobs and Pulls	KNOB, PULL	224-228
Heat Shields	ANGLHEATSHIELD, ANGLHSHIELDSS, STRTHEATSHIELD, STRTHSHIELDSS	230
Hinge Angle Restriction Clip	HNGRESCLIP	233
Hinge Shim	HINGESHIM	233

Description	Code	Page Number
Hinges	HINGE	233
Increased Depth	ID	26
Insert Crown	INSCROWN	214
Inside Corner Moulding	ICM	217
Installed Roll Tray	RT	27
Interior Skin	BP4896LAM	209
Island Leg	ISLEG	219
Island Leg Tapered	ISLEGTPRD	219
Large Corbel	LGCORBEL	221
Large Shaker Crown Moulding	LSHAKER	214
Large Square Foot	LGSQFOOT	220
Large Straight Angle Crown Moulding	LSACROWN	214
Library Moulding	LBRM	216
Light Baffle Moulding	LB	217
Light Rail Moulding	LRM	217
Lille Foot	LIFOOT	220
Linen Closet	LC	200
Linen Closet w/Removable Hamper	LCRH	202
Matching Interior Plywood	MIP	24
Medicine Cabinets (Single)	MC	204
Medium Straight Angle Crown Moulding	MSACROWN	214
Metro Bar Column	METBARCOLUMN	219
Metro Island Column	METISLCOLUMN	219
Mirror Frame Moulding	WMF	216
Miscellaneous Parts	BRKOFFSCREW, BUMPERPADS, INSTALLSCR, INSTALLSCREWS, MC16HDW/WCATCH, PDM, RETCLIP.BAG, SHELFPEGS, SHELFPEGSCTR, TVHDW/WCATCH	234
Mission Corbel 6"	CORBELMIS6	221
Mission Corbel 9"	CORBELMIS9	221
Mission Leg	DLEMISSION	219
Mission Rosette	ROSETTEMIS	218
Mullion Doors	MD	33
Non Soft-close Door Hinges	NSCH	22
Non Soft-close Guides & Furniture Board Drawers and Roll Trays	NSCFB	22
Ogee Edge Moulding	OGEEM	216
Old World Corbel 5"	CORBELOWD5	221
Outside Corner 135° Moulding	OC135	217
Outside Corner Moulding	OCM	217
Oven Cabinets Double	OCD	170
Oven Cabinets Double w/Deep Drawer	OCD..DD	172
Oven Cabinets Single	OSB	166
Oven Installation Kit	OCINSTALLKIT	230
Oven Microwave Cabinets	OMC	174
Oven Microwave Cabinets w/Deep Drawer	OMC..DD	176
Oven Microwave Combo Cabinet	OCS	168
Overlay Fillers	OL	206
Panels w/Filler Attached	BEPF, TEP	211
Pegged Dish Organizer	PDO, PDOPOSTS	230
Peninsula	P	31
Plywood Ends	PLE	20
PURE&SIMPLE™ Cabinet Care Kit	CABLEANKIT	233
Quarter Round Moulding	QRM	217
Raised Panel Arched Valance	JRPV	218
Recessed Island Toekick	RECTKALL	30
Recessed Toekick on Back	RECTKBK	30
Recessed Toekick on Side	RECTKL, RECTKR	30
Reduced Depth	RD	26
Removable Vanity Wall Sink	RVWS	148
Roll Tray Kits	RT, RT..SC	232
Roll Tray Plug In Bracket	RTBK, RTBKSXSC	233
Scroll Corbel 9"	CORBELSCR9	221

Description	Code	Page Number
Shaker Crown Moulding	SHKRCRM	214
Shiplap Tapered Wood Hood	JWSHIPT	102
Shiplap Wood Hood Chimney	JWSHIPC	104
Shoe Moulding—Convex Inside Corner	SHM	217
Simple Tapered Wood Hood	WHSMT	104
Simple Wood Hood Chimney	WHSMT	104
Single Bead Edge Moulding	SBE	216
Single Door Medicine Cabinet	MC	204
Sink Base Corner	SBC	126
Sink Base SuperCabinet™ w/Tilt-out Trays	SB..STS	120
Sink Base SuperCabinet™ w/Tilt-out Trays and CabMat™	SB..STSCM	122
Sink Base w/CabMat™	SB..CM	118
Sink Base w/Tilt-out Trays and CabMat™	SB..STCM	120
Sink Bases	SB	118-120
Sink Bases w/Tilt-out Trays	SB..ST	120
Small Cove Crown Moulding	SMCOVECROWN	214
Small Light Rail Moulding	SMLR	217
Small Scribe Moulding	SSM8	216
Snack Bar Support, 11 1/4"	SBS	221
Soffit Filler Moulding	SFM	215
Soffit Trim Moulding	TSTM	216
Solid-wood Crown Moulding	SWCRM	215
Solid-wood Large Crown Moulding	SWLCRM	215
Solid-wood Super Lazy Susan	SLSW	132
Solid-wood Tall Crown Moulding	SWTCRM	215
Solid-wood Victorian Crown Moulding	SWVCRM	215
Spice Rack Pull-down	SPD	231
Spool Decorative Leg	SPLEG	220
Square Flat Panel Wood Hood	WHSFP	102
Square Island Leg	JSQISLLEG	219
Stack Moulding Kits	STKMLD	235-237
Stacked Diagonal Wall Cabinets	STDW	86
Stacked Wall Cabinets	STW	72
Stain & Paint	QUARTCOLOR, SSC	233
Starter Moulding	STR8	215
Starter Moulding, Shaker	STRS	215
Straight Angle Crown Moulding	SACROWN	214
Straight Batten Wood Hood	WHSBATTEN	106
Straight Valance	VV	218
Super Susans	SLS	130
SuperCabinet™, 30"	BSC30PR, BSC30RP	114
SuperCabinet™, 36"	BSC36PRP	114
Tablet Holder	TABLETHLDR	231
Tall Crown Moulding	MTCROWN	214
Tapered Leg	TAPLG	220
Tapered Wood Hood Blower	TWHBLOWER	108
Tapered Wood Hoods	TWH	106
Three Drawer Bases	3DB	134
Tilt-out Trays, Plastic	TOT	231
Toeboards	TB	216
Toekick Cap	TKC	217
Toekick Tulip Foot	TKTLFOOT	220
Touch Latch	TOUHLATCH	234
Touch-up Tools	TUK, MTUK, GLAZEPEN	233
Tray Divider Kit	.CTDK	231
Tray Divider Roll-out Kit	TDRO	231
Triple Bead Edge Moulding	TBEM	216
Triple Bead Pilaster Moulding	TBP	216
Tri-View Medicine Cabinet	TV	204
Tulip Foot	TLFOOT	220
Under Counter Drawers	UCD	186, 200
Universal Access Base Cabinet	B	146
Universal Access Base Microwave Cabinets w/Deep Drawer	BMWD....DD	148
Universal Access Sink Base	SB	146
Universal Access Super Lazy Susan	SLS	146
Universal Access Three Drawer Base Cabinet	3DB	148

Description	Code	Page Number
Utility Cabinets	U	150-158
Utility Cabinets w/Roll Trays	U..RT	160-163
Utility Organizer Cabinets	UOC	164
Valley Forge Moulding	VFR	217
Vanity Desk Legs	VDL	211
Vanity Door Drawer Bases	VB	190
Vanity Drawer Bases	VDB	192
Vanity Four Drawer Bases	4VDB	192
Vanity Mirror	VM	204
Vanity Pull-out	VP	194
Vanity Sink Bases w/False Panel	VSB	188-190
Vanity Sink Drawer Bases	2VSD	194
Vanity Sink Drawer Bases w/False Panel	VSD	196
Vanity Sink Drawer Bases w/Six Drawers & False PanelVSD..FP	198
Vanity Sink Three Drawer Bases	VSSD	198
Vanity Utility Cabinets	VU	202
Vanity Wall Cabinets	W	202
Vanity Wall Mirror Cabinets	VWM	202
Vanity Wall Sink	VWS	148
Vanity Wall Towel Bar	VWTB	202
Void ToekickVTK	29
Wall Appliance Garage	WAGD	96
Wall Box Column Pull-outs w/Overlay	WBCPO	96
Wall Corner Cabinets	WC	80-82
Wall Double Door Cabinets	W	50-70
Wall End Cabinets	WEC	90
Wall Message Center	WMC	100
Wall Built-in Microwave Cabinet	WBMW	94
Wall Microwave Cabinets	MW	92
Wall Microwave Double Door Cabinets	MW	92
Wall Organizers	WO	100
Wall Quarter Round End Shelves	WQRES	90
Wall Refrigerator Cabinets	W	52-64
Wall Single Door Cabinets	W	50-68
Wall Spice Pull-out	WSP	98
Wall Three Drawer Cabinets	W3D	78
Wall Top Hinge Single Door CabinetsWTH	50-58
Wall Wine Cubbies	W	100
Wall Wine Racks	WNR	98
Window Casing — TraditionalWCT	217
Wine Glass Holders	WGH	231
Wine Storage Cabinet	WSC	98
Wood Hood Blower, 390 CFM	BLOWER	108
Wood Hood Blower, 500 CFM	BLOWER	108
Wood V-grooved Beaded Skin 1/4" Panels	BP..VG	209

CHARACTERISTICS OF LAMINATE

The surfaces of doors, drawer fronts, and overlay fillers feature laminate materials with an integrated top coat that provides superior beauty, durability, and performance while meeting or exceeding all of the KCMA performance standards. The core panel material is made of MDF to ensure a consistent and stable product.

Grain characteristics will vary across laminated parts to mimic natural wood grain patterns.

A heat shield is required to separate all laminate products from heat producing units to be in compliance with cabinet warranty.

CHARACTERISTICS OF PURESTYLE™ LAMINATE

PureStyle™ is an innovative laminate that is applied to a wood or engineered wood substrate. Characteristics include crisp styling, consistent coloration, and abrasion-resistant durability.

These doors offer the durability of a laminate and the beauty of paint and finished wood while bringing peace of mind to those who care about creating a better environment –both inside and outside of their homes.

PureStyle™ doors can be distinguished from painted cabinets by their picture perfect distribution of satin smooth color on a sleek surface with optimum durability. Trim items will feature a matching painted finish except where noted in product specifications.

A heat shield is required to separate all laminate products from heat producing units to be in compliance with cabinet warranty.

CHARACTERISTICS OF WOOD TYPES

No matter which species you choose for your new kitchen or bath cabinetry, please keep in mind that no two pieces of wood are exactly the same. Stains are likely to exaggerate the difference between open and closed grains and other markings in wood. Grain variation and color change should be expected. As hardwood ages, it will darken when exposed to different types of light. Color differences or changes in wood can also be caused by exposure to harsh chemicals, extreme heat or moisture. Additionally, wood species exhibit other defining characteristics, such as mineral deposits/streaks, knots, sap runs, pin holes and wormholes. These markings make the wood unique and contribute to its enduring beauty.

In keeping with our practice of continuous product improvement, Kemper Echo Cabinetry may adjust specifications in design and materials as conditions require. Some components may utilize differing materials to ensure a high-quality product in all applications.

Cherry - Cherry features a uniform grain pattern that may reveal pin knots, curled graining and occasional black mineral streaks. With predominantly red undertones, expect color variation from creamy white to deep brown, especially in natural and lighter finishes. Cherry darkens with age and the darkening process is enhanced by exposure to natural light.

Maple - Maple is a tight-grained, uniform hardwood that may include fine brown lines, wavy or curled markings, bird pecks and mineral streaks. It is predominately white to creamy-white in color with occasional reddish-brown tones.

Oak - Oak is an open-grained hardwood that may contain knots, wormholes and highly varying grain patterns, adding to the unique characteristics of the wood. Oak's coloration ranges from white to pink and reddish tones. Streaks of green, yellow and even black may appear due to mineral deposits.

Painted Hardwood finishes combine hardwoods and engineered materials including solid-wood, engineered materials — such as medium density fiberboard (MDF) and high density fiberboard (HDF) — and similar composite materials providing a smoother surface for painting and superior stability, consistency, and durability.

Stained Hardwoods -The term "Hardwood" represents a variety of consistent and close-grained wood species. These hardwoods are selected for their ability to evenly accept stain when manufacturing cabinetry products.

KEMPER®








ECHO™ SERIES

Door Style Reference Number Chart

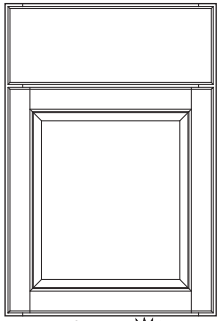
Your Kemper Echo price guide contains charts with prices for each cabinetry product, arranged according to a numerical code. Use the chart below to determine the price code for your preferred cabinetry style.

2

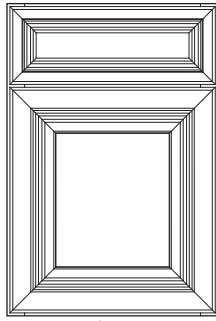
DOOR STYLES

	Cherry	Maple	Oak	Stained Hardwood	Laminate	Painted Hardwood	PureStyle™
Antrim	6	4	2	2		4	3
Brisbane 	16	13	8			13	
Eksten	20	18				18	
Granbury 	4	3	1			3	
Hanley	10	8				8	
Hopkins 	13	9	5			9	
Kleyborn 	11	8				8	
Larsen 	14	12				12	11
Leyton 	18	16				16	14
Marimac	10	8		4		8	7
Moriarty	11	8	5			8	
Newcomb 	12	9				9	8
Stinson	16	14				14	
Trillian					4		
Warren	19	17				17	15
Willowby	11	8	5	4		8	

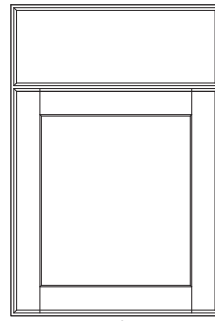
FULL OVERLAY DOOR STYLES



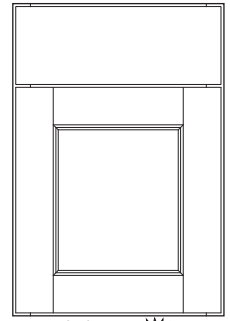
Brisbane **NEW**
(page 6)



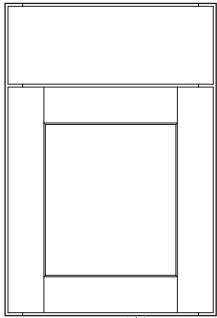
Eksten
(page 7)



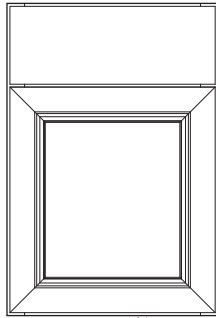
Hanley
(page 8)



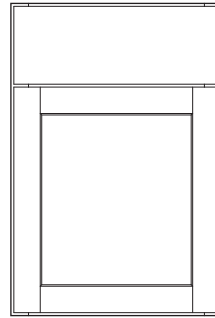
Kleyborn **NEW**
(page 9)



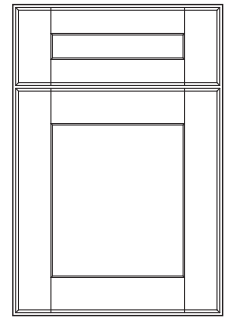
Larsen **NEW**
(page 9)



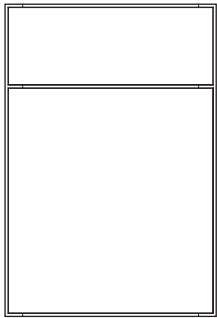
Leyton **NEW**
(page 10)



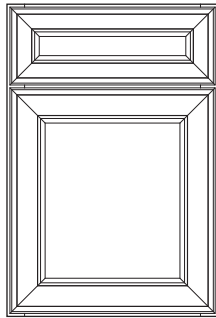
Marimac
(page 10)



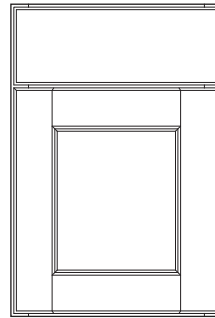
Stinson
(page 12)



Trillian
(page 12)



Warren
(page 13)

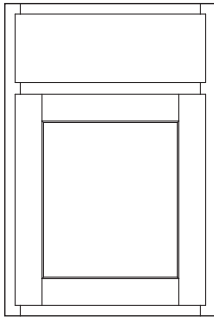


Willowby
(page 13)

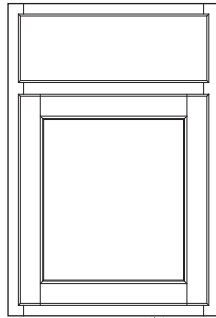
PARTIAL OVERLAY DOOR STYLES

4

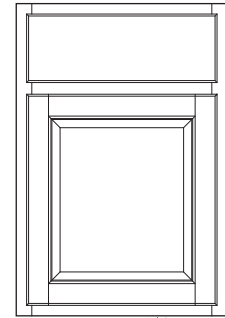
DOOR STYLES



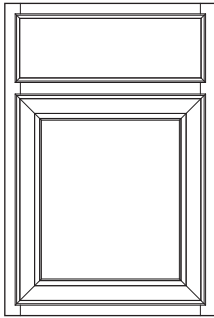
Antrim
(page 6)



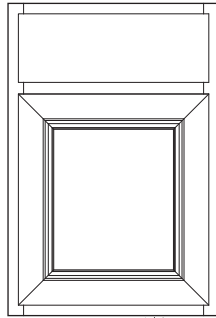
Granbury **NEW**
(page 7)



Hopkins **NEW**
(page 8)

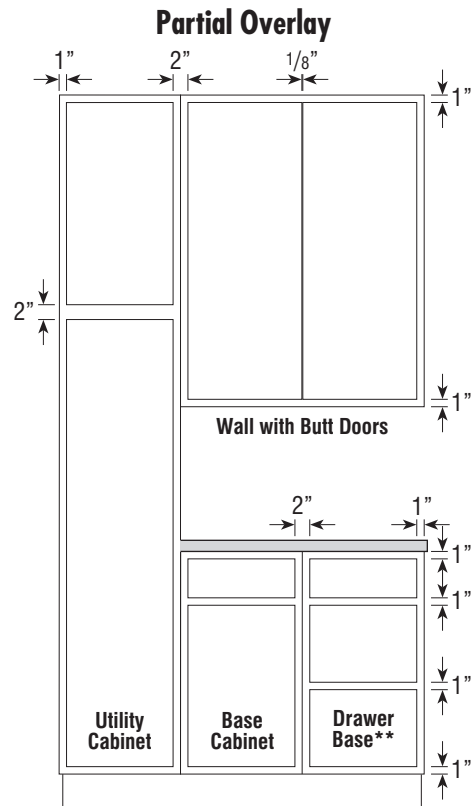
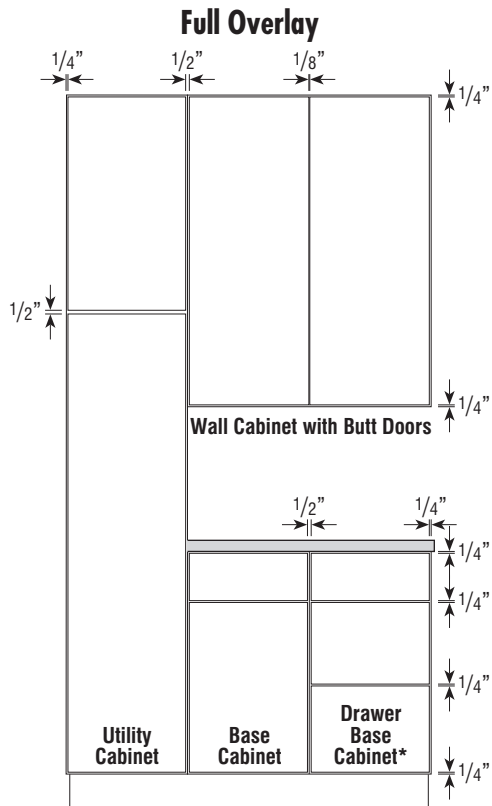


Moriarty
(page 11)



Newcomb **NEW**
(page 11)

FULL AND PARTIAL OVERLAY SPECIFICATIONS



*34 1/2" high application shown. On 32" high Full Overlay three drawer applications (drawer bases and sink bases with drawers), the reveal above the bottom drawer front is 1/2".

**On Partial Overlay 2DB__ (Two Drawer Bases), reveal above the bottom drawer front is 2".

- One double door center stile cabinet has the same reveal as two single door cabinets.

DOOR STYLE SPECIFICATIONS

Cherry

- When Cherry door styles are ordered, it is recommended to apply a finished end option or a veneer end panel for exposed ends due to the natural aging of Cherry.

All Door Styles

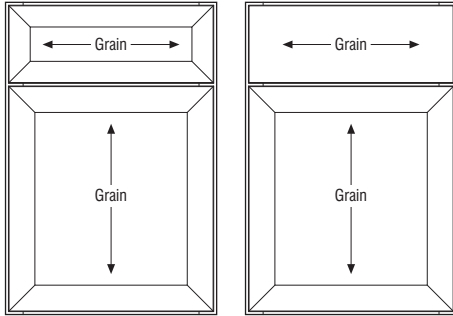
- All doors and drawer fronts are 3/4" thick unless otherwise noted.

Door and Drawer Front Side Profiles

- Veneer and MDF components are shown with gray shading on side profiles. Solid-wood components do not have shading.

Wood Grain

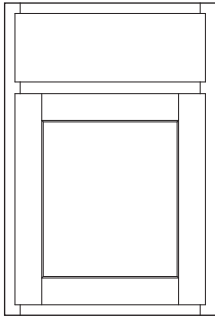
- See reference images for wood grain direction on all door styles.



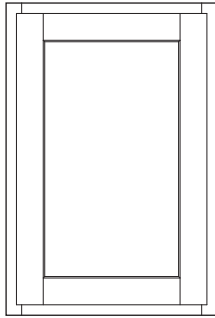
DOOR STYLES

Antrim

	Cherry	Maple	Oak	Stained Hardwood	Laminate	Painted Hardwood	PureStyle™
Price Point	6	4	2	2	—	4	3



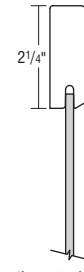
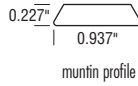
Base



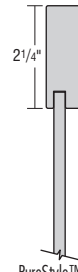
Wall

Decorative Door Options

CG	MD
•	•



Cherry, Maple, Oak, Hardwood & Painted door profile



PureStyle™ door profile



Cherry, Maple, Oak, Hardwood & Painted drawer front profile



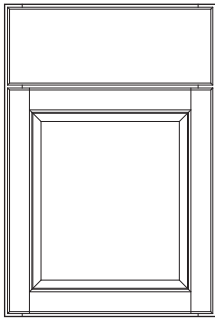
PureStyle™ drawer front profile

- Flat Center Panel
- 3/4" Thick Door Frame
- Partial Overlay
- Slab Drawer Front

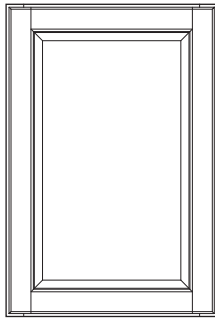
- A heat shield is required to separate Antrim doors, drawer fronts, overlay fillers, and all laminate products from heat producing units to be in compliance with cabinet warranty.

Brisbane

	Cherry	Maple	Oak	Stained Hardwood	Laminate	Painted Hardwood	PureStyle™
Price Point	16	13	8	—	—	13	—



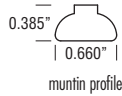
Base



Wall

Decorative Door Options

CG	MD
•	•



door profile



3/4" | drawer front profile

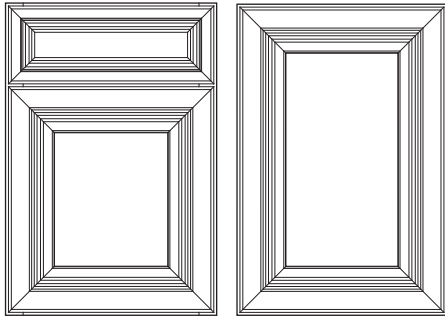
- Raised Center Panel
- 3/4" Thick Door Frame
- Full Overlay

- Profiled Slab Drawer Front

DOOR STYLES

Eksten

	Cherry	Maple	Oak	Stained Hardwood	Laminate	Painted Hardwood	PureStyle™
Price Point	20	18	—	—	—	18	—

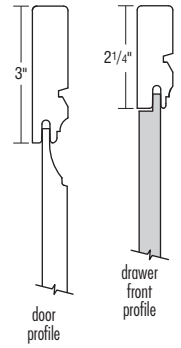


Base

Wall

Decorative Door Options

CG	MD
•	

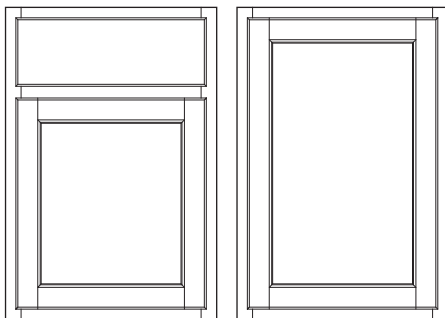


- Raised Center Panel
- 3/4" Thick Door Frame
- Full Overlay, Miter

- 5-piece Miter Drawer Front on all except UCD and W3D (top drawer) will feature a slab drawer front.
- Cabinets with narrow doors may utilize flat center panels, see cabinet specification notes for more details.
- See page 21 for 5-piece drawer front dimensions when specifying decorative hardware.

Granbury NEW

	Cherry	Maple	Oak	Stained Hardwood	Laminate	Painted Hardwood	PureStyle™
Price Point	4	3	1	—	—	3	—

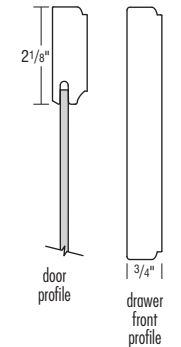
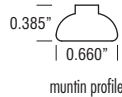


Base

Wall

Decorative Door Options

CG	MD
•	•

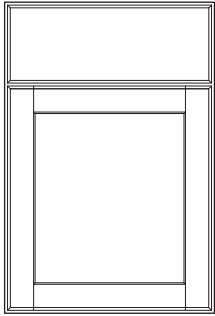


- Flat Center Panel
- 3/4" Thick Door Frame
- Partial Overlay
- Profiled Slab Drawer Front

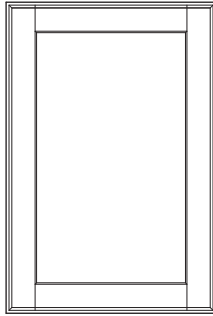
DOOR STYLES

Hanley

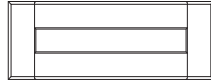
	Cherry	Maple	Oak	Stained Hardwood	Laminate	Painted Hardwood	PureStyle™
Price Point	10	8	—	—	—	8	—



Base



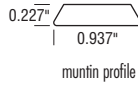
Wall



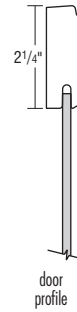
Optional Drawer Front:
Flat 5-piece (DFF5PC)

Decorative Door Options

CG	MD
•	•



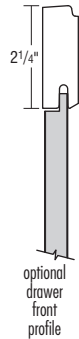
muntin profile



door profile



3/4" |
drawer front profile



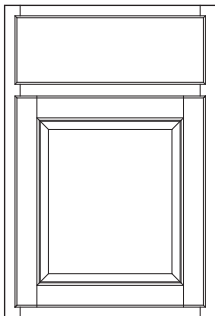
2 1/4" |
optional drawer front profile

- Flat Center Panel
- 3/4" Thick Door Frame
- Full Overlay

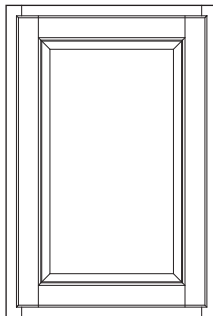
- Profiled Slab Drawer Front
- Reverse Bevel Profile, Decorative Hardware Not Required
- See page 21 for 5-piece drawer front dimensions when specifying decorative hardware.

Hopkins

	Cherry	Maple	Oak	Stained Hardwood	Laminate	Painted Hardwood	PureStyle™
Price Point	13	9	5	—	—	9	—



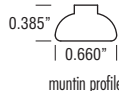
Base



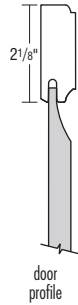
Wall

Decorative Door Options

CG	MD
•	•



muntin profile



2 1/8" |
door profile



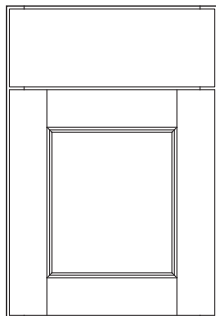
3/4" |
drawer front profile

- Raised Center Panel
- 3/4" Thick Door Frame
- Partial Overlay
- Profiled Slab Drawer Front

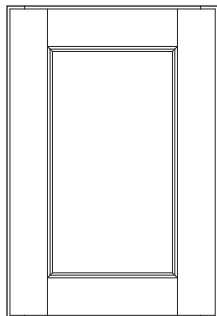
DOOR STYLES

Kleyborn NEW

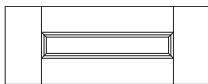
	Cherry	Maple	Oak	Stained Hardwood	Laminate	Painted Hardwood	PureStyle™
Price Point	11	8	—	—	—	8	—



Square Base



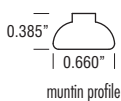
Square Wall



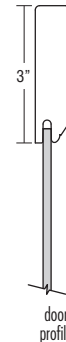
Optional Drawer Front:
Flat 5-Piece (DFF5PC)

**Decorative
Door Options**

CG	MD
•	•



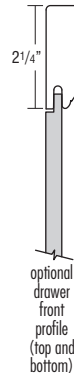
muntin profile



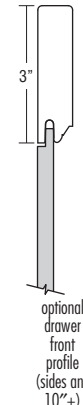
door profile



drawer front profile



optional drawer front profile (top and bottom)



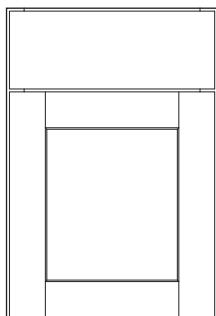
optional drawer front profile (sides and 10"+)

- Flat Center Panel
- 3/4" Thick Door Frame
- Full Overlay
- Slab Drawer Front

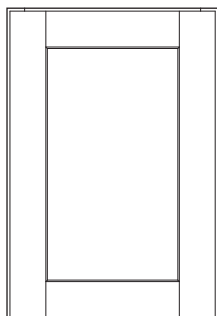
- See page 21 for 5-piece drawer front dimensions when specifying decorative hardware.

Larsen NEW

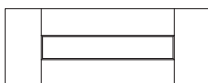
	Cherry	Maple	Oak	Stained Hardwood	Laminate	Painted Hardwood	PureStyle™
Price Point	14	12	—	—	—	12	11



Base



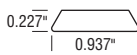
Wall



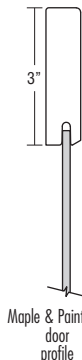
Optional Drawer Front:
Flat 5-piece (DFF5PC)

**Decorative
Door Options**

CG	MD
•	•



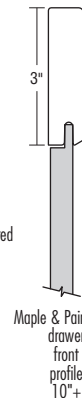
muntin profile



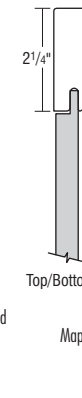
Maple & Painted door profile



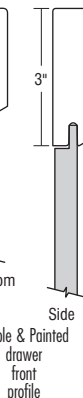
Maple & Painted drawer front profile



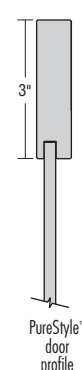
Maple & Painted drawer front profile 10"+



Maple & Painted drawer front profile Top/Bottom



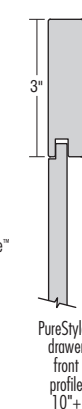
Maple & Painted drawer front profile Side



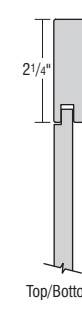
PureStyle™ door profile



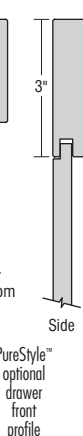
PureStyle™ drawer front profile



PureStyle™ drawer front profile 10"+



PureStyle™ drawer front profile Top/Bottom



PureStyle™ optional drawer front profile

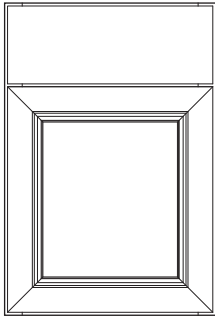
- Flat Center Panel
- 3/4" Thick Door Frame
- Full Overlay

- See page 21 for 5-piece drawer front dimensions when specifying decorative hardware.
- A heat shield is required to separate Larsen doors, drawer fronts, overlay fillers, and all laminate products from heat producing units to be in compliance with cabinet warranty.

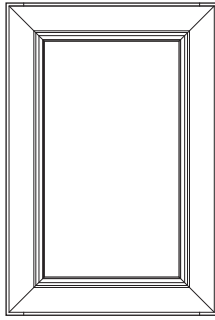
DOOR STYLES

Leyton 

	Cherry	Maple	Oak	Stained Hardwood	Laminate	Painted Hardwood	PureStyle™
Price Point	18	16	—	—	—	16	14



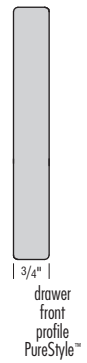
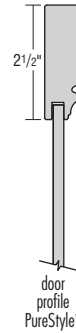
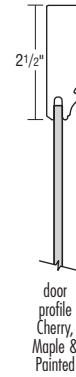
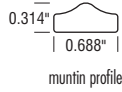
Square Base



Square Wall

Decorative Door Options

CG	MD
•	•

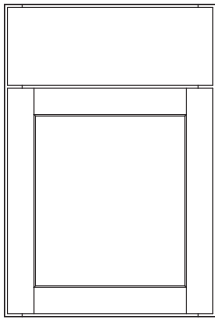


- Flat Center Panel
- 3/4" Thick Door Frame
- Full Overlay
- Slab Drawer Front

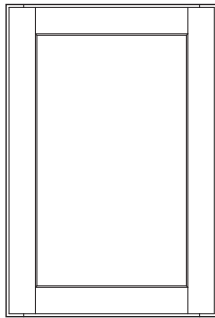
- A heat shield is required to separate Leyton doors, drawer fronts, overlay fillers, and all laminate products from heat producing units to be in compliance with cabinet warranty.

Marimac

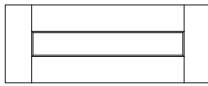
	Cherry	Maple	Oak	Stained Hardwood	Laminate	Painted Hardwood	PureStyle™
Price Point	10	8	—	4	—	8	7



Base



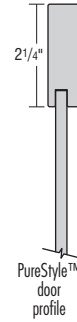
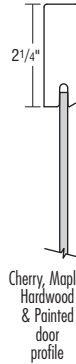
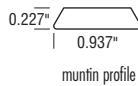
Wall



Optional Drawer Front:
Flat 5-piece (DFF5PC)

Decorative Door Options

CG	MD
•	•



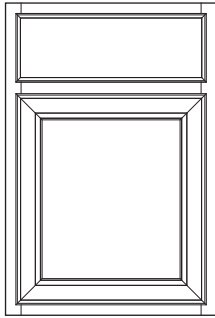
- Flat Center Panel
- 3/4" Thick Door Frame
- Full Overlay
- Slab Drawer Front

- See page 21 for 5-piece drawer front dimensions when specifying decorative hardware.
- A heat shield is required to separate Marimac doors, drawer fronts, overlay fillers, and all laminate products from heat producing units to be in compliance with cabinet warranty.

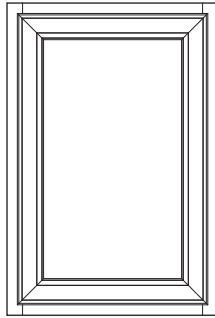
DOOR STYLES

Moriarty

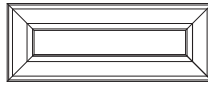
	Cherry	Maple	Oak	Stained Hardwood	Laminate	Painted Hardwood	PureStyle™
Price Point	11	8	5	—	—	8	—



Base



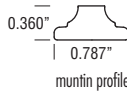
Wall



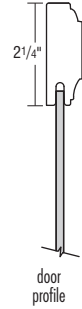
Optional Drawer Front:
Flat 5-piece (DFF5PC)

Decorative Door Options

CG	MD
•	•



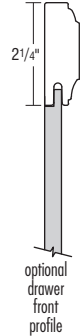
muntin profile



door profile



drawer front profile



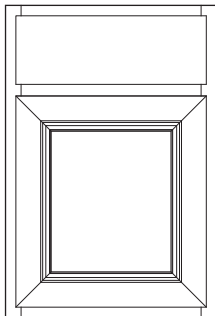
optional drawer front profile

- Flat Center Panel
- 3/4" Thick Door Frame
- Partial Overlay, Miter

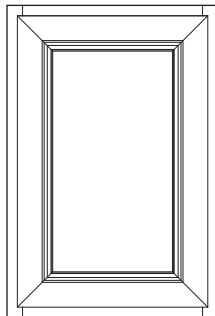
- Profiled Slab Drawer Front
- 5-piece Miter Drawer Front on all except UCD and W3D (top drawer) will feature a slab drawer front.
- See page 21 for 5-piece drawer front dimensions when specifying decorative hardware.

Newcomb

	Cherry	Maple	Oak	Stained Hardwood	Laminate	Painted Hardwood	PureStyle™
Price Point	12	9	—	—	—	9	8



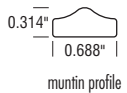
Square Base



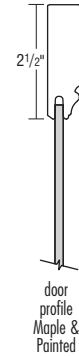
Square Wall

Decorative Door Options

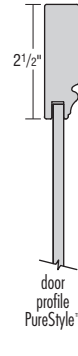
CG	MD
•	•



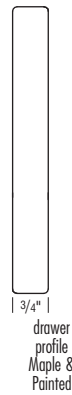
muntin profile



door profile
Maple & Painted



door profile
PureStyle™



drawer front profile
Maple & Painted



drawer front profile
PureStyle™

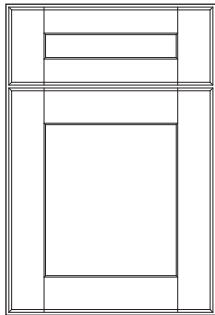
- Flat Center Panel
- 3/4" Thick Door Frame
- Partial Overlay
- Profiled Slab Drawer Front

- A heat shield is required to separate Newcomb doors, drawer fronts, overlay fillers, and all laminate products from heat producing units to be in compliance with cabinet warranty.

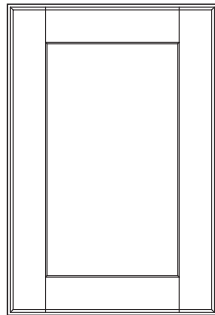
DOOR STYLES

Stinson

	Cherry	Maple	Oak	Stained Hardwood	Laminate	Painted Hardwood	PureStyle™
Price Point	16	14	—	—	—	14	—



Base



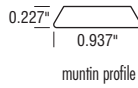
Wall



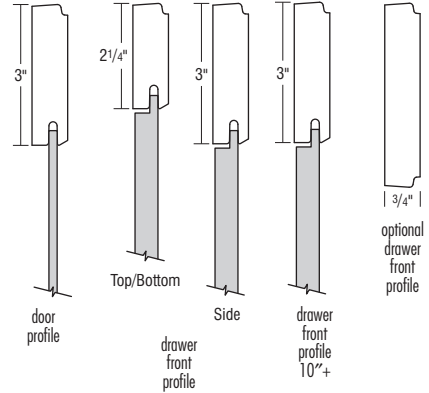
Optional Drawer Front:
Slab (DFS)

Decorative Door Options

CG	MD
•	•



muntin profile

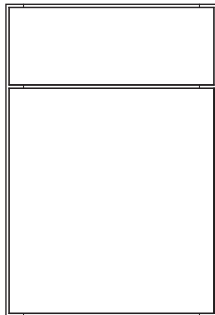


- Flat Center Panel
- 3/4" Thick Door Frame
- Full Overlay

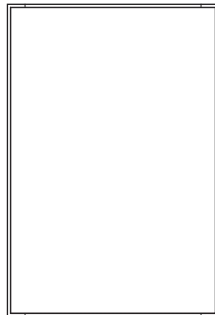
- 5-piece Drawer Front on all except UCD and W3D (top drawer) will feature a slab drawer front.
- Reverse Bevel Profile, Decorative Hardware Not Required
- See page 21 for 5-piece drawer front dimensions when specifying decorative hardware.

Trillian

	Cherry	Maple	Oak	Stained Hardwood	Laminate	Painted Hardwood	PureStyle™
Price Point	—	—	—	—	4	—	—



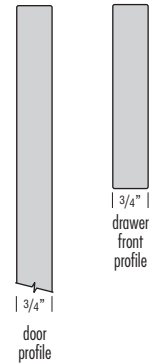
Base



Wall

Decorative Door Options

CG	MD

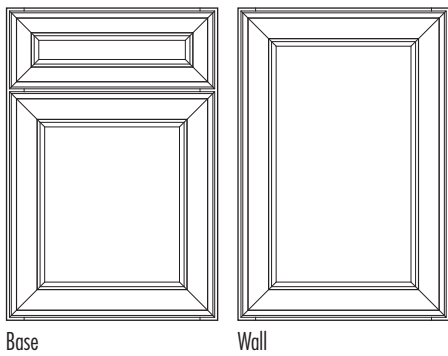


- Slab Door and Drawer Front with Matching Edgebanding
- Full Overlay

- Backs of Doors, Drawer Fronts, and Overlays feature matching laminate
- A heat shield is required to separate Trillian doors, drawer fronts, overlay fillers, and all laminate products from heat producing units to be in compliance with cabinet warranty.

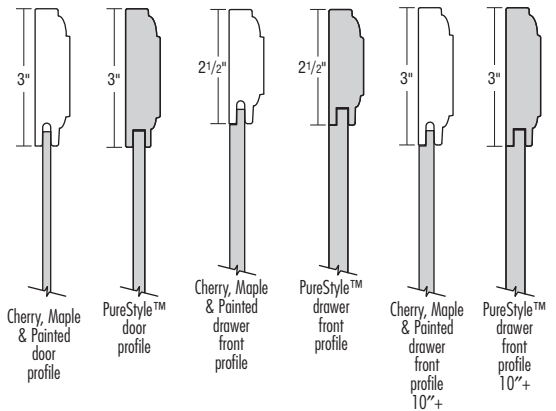
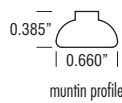
DOOR STYLES

Warren	Cherry	Maple	Oak	Stained Hardwood	Laminate	Painted Hardwood	PureStyle™
	Price Point	19	17	—	—	—	17



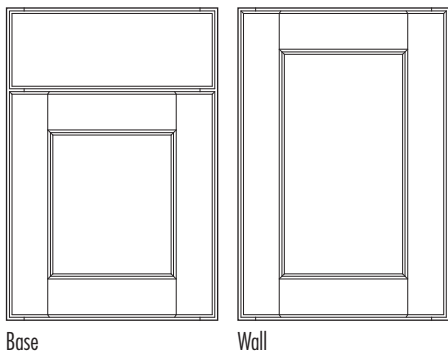
Decorative Door Options

CG	MD
•	•



- Flat Center Panel
- Full Overlay, Miter
- 5-piece Miter Drawer Front on all except UCD and W3D (top drawer) will feature a slab drawer front.
- See page 21 for 5-piece drawer front dimensions when specifying decorative hardware.

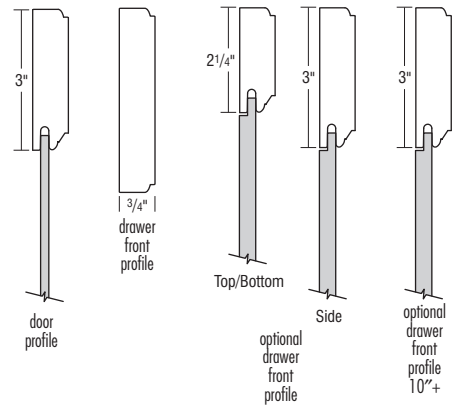
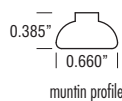
Willowby	Cherry	Maple	Oak	Stained Hardwood	Laminate	Painted Hardwood	PureStyle™
	Price Point	11	8	5	4	—	8



Optional Drawer Front:
Flat 5-piece (DFF5PC)

Decorative Door Options

CG	MD
•	•



- Flat Center Panel
- 3/4" Thick Door Frame
- Full Overlay
- Profiled Slab Drawer Front
- See page 21 for 5-piece drawer front dimensions when specifying decorative hardware.

FINISH AVAILABILITY

		CHERRY														MAPLE																				
		Matching Laminate Ends	Upcharge	Antrim	Brisbane	Eksten	Granbury	Hanley	Hopkins	Kleyborn	Larsen	Leyton	Marimac	Moriarty	Newcomb	Stinson	Warren	Willowby	Antrim	Brisbane	Eksten	Granbury	Hanley	Hopkins	Kleyborn	Larsen	Leyton	Marimac	Moriarty	Newcomb	Stinson	Warren	Willowby			
Stains	Buckskin	✓		✓	✓	✓	✓	✓	✓	✓	✓	✓	✓	✓	✓	✓	✓	✓	✓	✓	✓	✓	✓	✓	✓	✓	✓	✓	✓	✓	✓	✓	✓			
	Cattail	✓		✓	✓	✓	✓	✓	✓	✓	✓	✓	✓	✓	✓	✓	✓	✓	✓	✓	✓	✓	✓	✓	✓	✓	✓	✓	✓	✓	✓	✓	✓			
	Chocolate	✓		✓	✓	✓	✓	✓	✓	✓	✓	✓	✓	✓	✓	✓	✓	✓	✓	✓	✓	✓	✓	✓	✓	✓	✓	✓	✓	✓	✓	✓	✓			
	Colt ^{NEW}	✓		✓	✓	✓	✓	✓	✓	✓	✓	✓	✓	✓	✓	✓	✓	✓	✓	✓	✓	✓	✓	✓	✓	✓	✓	✓	✓	✓	✓	✓	✓			
	Henna	✓		✓	✓	✓	✓	✓	✓	✓	✓	✓	✓	✓	✓	✓	✓	✓	✓	✓	✓	✓	✓	✓	✓	✓	✓	✓	✓	✓	✓	✓	✓			
	Morel	✓		✓	✓	✓	✓	✓	✓	✓	✓	✓	✓	✓	✓	✓	✓	✓	✓	✓	✓	✓	✓	✓	✓	✓	✓	✓	✓	✓	✓	✓	✓	✓		
	Natural	✓																	✓	✓	✓	✓	✓	✓	✓	✓	✓	✓	✓	✓	✓	✓	✓	✓		
	Sahara	✓		✓	✓	✓	✓	✓	✓	✓	✓	✓	✓	✓	✓	✓	✓	✓	✓	✓	✓	✓	✓	✓	✓	✓	✓	✓	✓	✓	✓	✓	✓	✓	✓	
	Thatch	✓		✓	✓	✓	✓	✓	✓	✓	✓	✓	✓	✓	✓	✓	✓	✓	✓	✓	✓	✓	✓	✓	✓	✓	✓	✓	✓	✓	✓	✓	✓	✓	✓	
	Tundra	✓		✓	✓	✓	✓	✓	✓	✓	✓	✓	✓	✓	✓	✓	✓	✓	✓	✓	✓	✓	✓	✓	✓	✓	✓	✓	✓	✓	✓	✓	✓	✓	✓	
	Unfinished*	✓	-5%	✓	✓	✓	✓	✓	✓	✓	✓	✓	✓	✓	✓	✓	✓	✓	✓	✓	✓	✓	✓	✓	✓	✓	✓	✓	✓	✓	✓	✓	✓	✓	✓	
Panned Glazes on Stains	Buckskin w/Barn Wood	✓	10%	✓	✓		✓	✓	✓	✓	✓	✓	✓	✓	✓	✓	✓	✓	✓	✓	✓	✓	✓	✓	✓	✓	✓	✓	✓	✓	✓	✓	✓	✓		
	Buckskin w/Brown Sugar	✓	10%	✓	✓		✓	✓	✓	✓	✓	✓	✓	✓	✓	✓	✓	✓	✓	✓	✓	✓	✓	✓	✓	✓	✓	✓	✓	✓	✓	✓	✓	✓	✓	
	Cattail w/Barn Wood	✓	10%	✓	✓		✓	✓	✓	✓	✓	✓	✓	✓	✓	✓	✓	✓	✓	✓	✓	✓	✓	✓	✓	✓	✓	✓	✓	✓	✓	✓	✓	✓	✓	
	Cattail w/Brown Sugar	✓	10%	✓	✓		✓	✓	✓	✓	✓	✓	✓	✓	✓	✓	✓	✓	✓	✓	✓	✓	✓	✓	✓	✓	✓	✓	✓	✓	✓	✓	✓	✓	✓	
	Chocolate w/Barn Wood	✓	10%	✓	✓		✓	✓	✓	✓	✓	✓	✓	✓	✓	✓	✓	✓	✓	✓	✓	✓	✓	✓	✓	✓	✓	✓	✓	✓	✓	✓	✓	✓	✓	
	Chocolate w/Brown Sugar	✓	10%	✓	✓		✓	✓	✓	✓	✓	✓	✓	✓	✓	✓	✓	✓	✓	✓	✓	✓	✓	✓	✓	✓	✓	✓	✓	✓	✓	✓	✓	✓	✓	
	Colt w/Barn Wood ^{NEW}	✓	10%	✓	✓		✓	✓	✓	✓	✓	✓	✓	✓	✓	✓	✓	✓	✓	✓	✓	✓	✓	✓	✓	✓	✓	✓	✓	✓	✓	✓	✓	✓	✓	
	Colt w/Brown Sugar ^{NEW}	✓	10%	✓	✓		✓	✓	✓	✓	✓	✓	✓	✓	✓	✓	✓	✓	✓	✓	✓	✓	✓	✓	✓	✓	✓	✓	✓	✓	✓	✓	✓	✓	✓	✓
	Henna w/Barn Wood	✓	10%	✓	✓		✓	✓	✓	✓	✓	✓	✓	✓	✓	✓	✓	✓	✓	✓	✓	✓	✓	✓	✓	✓	✓	✓	✓	✓	✓	✓	✓	✓	✓	✓
	Henna w/Brown Sugar	✓	10%	✓	✓		✓	✓	✓	✓	✓	✓	✓	✓	✓	✓	✓	✓	✓	✓	✓	✓	✓	✓	✓	✓	✓	✓	✓	✓	✓	✓	✓	✓	✓	✓
	Morel w/Barn Wood	✓	10%	✓	✓		✓	✓	✓	✓	✓	✓	✓	✓	✓	✓	✓	✓	✓	✓	✓	✓	✓	✓	✓	✓	✓	✓	✓	✓	✓	✓	✓	✓	✓	✓
	Morel w/Brown Sugar	✓	10%	✓	✓		✓	✓	✓	✓	✓	✓	✓	✓	✓	✓	✓	✓	✓	✓	✓	✓	✓	✓	✓	✓	✓	✓	✓	✓	✓	✓	✓	✓	✓	✓
	Natural w/Barn Wood	✓	10%																✓	✓	✓	✓	✓	✓	✓	✓	✓	✓	✓	✓	✓	✓	✓	✓	✓	✓
	Natural w/Brown Sugar	✓	10%																✓	✓	✓	✓	✓	✓	✓	✓	✓	✓	✓	✓	✓	✓	✓	✓	✓	✓
	Sahara w/Barn Wood	✓	10%	✓	✓		✓	✓	✓	✓	✓	✓	✓	✓	✓	✓	✓	✓	✓	✓	✓	✓	✓	✓	✓	✓	✓	✓	✓	✓	✓	✓	✓	✓	✓	✓
	Sahara w/Brown Sugar	✓	10%	✓	✓		✓	✓	✓	✓	✓	✓	✓	✓	✓	✓	✓	✓	✓	✓	✓	✓	✓	✓	✓	✓	✓	✓	✓	✓	✓	✓	✓	✓	✓	✓
Thatch w/Barn Wood	✓	10%	✓	✓		✓	✓	✓	✓	✓	✓	✓	✓	✓	✓	✓	✓	✓	✓	✓	✓	✓	✓	✓	✓	✓	✓	✓	✓	✓	✓	✓	✓	✓	✓	
Thatch w/Brown Sugar	✓	10%	✓	✓		✓	✓	✓	✓	✓	✓	✓	✓	✓	✓	✓	✓	✓	✓	✓	✓	✓	✓	✓	✓	✓	✓	✓	✓	✓	✓	✓	✓	✓	✓	
Tundra w/Barn Wood	✓	10%	✓	✓		✓	✓	✓	✓	✓	✓	✓	✓	✓	✓	✓	✓	✓	✓	✓	✓	✓	✓	✓	✓	✓	✓	✓	✓	✓	✓	✓	✓	✓	✓	
Tundra w/Brown Sugar	✓	10%	✓	✓		✓	✓	✓	✓	✓	✓	✓	✓	✓	✓	✓	✓	✓	✓	✓	✓	✓	✓	✓	✓	✓	✓	✓	✓	✓	✓	✓	✓	✓	✓	

*Requires APW or PLE upgrade. Discount of 5% applied to all applicable products. When cabinets are finished by an outside source, finish is not covered under warranty. Interiors of cabinets will be natural Maple laminate. For finishable interiors, MIP must be specified.

Cherry laminate components are intentionally slightly darker than cabinet facings at the time of manufacturing to compensate for the expected darkening of doors, drawer fronts, etc., as they are exposed to natural sunlight.

FINISH AVAILABILITY

		OAK							STAINED HARDWOOD			
		Matching Laminate Ends	Upcharge	Antrim	Brisbane	Granbury	Hopkins	Moriarty	Willowby	Antrim	Marimac	Willowby
Stains	Buckskin	✓		✓	✓	✓	✓	✓	✓			
	Cattail	✓		✓	✓	✓	✓	✓	✓			
	Chocolate	✓		✓	✓	✓	✓	✓	✓			
	Colt ^{NEW}	✓		✓	✓	✓	✓	✓	✓			
	Morel	✓		✓	✓	✓	✓	✓	✓	✓	✓	✓
	Natural	✓		✓	✓	✓	✓	✓	✓			
	Sahara	✓		✓	✓	✓	✓	✓	✓	✓	✓	✓
	Thatch	✓		✓	✓	✓	✓	✓	✓	✓	✓	✓
	Tundra	✓		✓	✓	✓	✓	✓	✓			
	Unfinished*	✓	-5%	✓	✓	✓	✓	✓	✓			

*Requires APW or PLE upgrade. Discount of 5% applied to all applicable products. When cabinets are finished by an outside source, finish is not covered under warranty. Interiors of cabinets will be natural Maple laminate. For finishable interiors, MIP must be specified.

FINISH AVAILABILITY

		PAINTED HARDWOOD																
		Matching Laminate Ends	Upcharge	Antrim	Brisbane	Eksten	Granbury	Hanley	Hopkins	Kleyborn	Larsen	Leyton	Marimac	Moriarty	Newcomb	Stinson	Warren	Willowby
Paints	Black			✓	✓	✓	✓	✓	✓	✓	✓	✓	✓	✓	✓	✓	✓	✓
	Cloud	✓		✓	✓	✓	✓	✓	✓	✓	✓	✓	✓	✓	✓	✓	✓	✓
	Coconut	✓		✓	✓	✓	✓	✓	✓	✓	✓	✓	✓	✓	✓	✓	✓	✓
	Egret	✓		✓	✓	✓	✓	✓	✓	✓	✓	✓	✓	✓	✓	✓	✓	✓
	Icy Avalanche	✓		✓	✓	✓	✓	✓	✓	✓	✓	✓	✓	✓	✓	✓	✓	✓
	Limestone	✓		✓	✓	✓	✓	✓	✓	✓	✓	✓	✓	✓	✓	✓	✓	✓
	Maritime	✓		✓	✓	✓	✓	✓	✓	✓	✓	✓	✓	✓	✓	✓	✓	✓
	Moonstone	✓		✓	✓	✓	✓	✓	✓	✓	✓	✓	✓	✓	✓	✓	✓	✓
	White	✓		✓	✓	✓	✓	✓	✓	✓	✓	✓	✓	✓	✓	✓	✓	✓
	Pened Glazes on Paints	Cloud w/Barn Wood	✓	10%	✓	✓		✓	✓	✓	✓	✓	✓	✓	✓	✓	✓	✓
Cloud w/Brown Sugar		✓	10%	✓	✓		✓	✓	✓	✓	✓	✓	✓	✓	✓	✓	✓	✓
Coconut w/Barn Wood		✓	10%	✓	✓		✓	✓	✓	✓	✓	✓	✓	✓	✓	✓	✓	✓
Coconut w/Brown Sugar		✓	10%	✓	✓		✓	✓	✓	✓	✓	✓	✓	✓	✓	✓	✓	✓
Egret w/Barn Wood		✓	10%	✓	✓		✓	✓	✓	✓	✓	✓	✓	✓	✓	✓	✓	✓
Egret w/Brown Sugar		✓	10%	✓	✓		✓	✓	✓	✓	✓	✓	✓	✓	✓	✓	✓	✓
Icy Avalanche w/Barn Wood		✓	10%	✓	✓		✓	✓	✓	✓	✓	✓	✓	✓	✓	✓	✓	✓
Icy Avalanche w/Brown Sugar		✓	10%	✓	✓		✓	✓	✓	✓	✓	✓	✓	✓	✓	✓	✓	✓
Limestone w/Barn Wood		✓	10%	✓	✓		✓	✓	✓	✓	✓	✓	✓	✓	✓	✓	✓	✓
Limestone w/Brown Sugar		✓	10%	✓	✓		✓	✓	✓	✓	✓	✓	✓	✓	✓	✓	✓	✓
Moonstone w/Barn Wood		✓	10%	✓	✓		✓	✓	✓	✓	✓	✓	✓	✓	✓	✓	✓	✓
Moonstone w/Brown Sugar		✓	10%	✓	✓		✓	✓	✓	✓	✓	✓	✓	✓	✓	✓	✓	✓
White w/Barn Wood		✓	10%	✓	✓		✓	✓	✓	✓	✓	✓	✓	✓	✓	✓	✓	✓
White w/Brown Sugar		✓	10%	✓	✓		✓	✓	✓	✓	✓	✓	✓	✓	✓	✓	✓	✓

Painted Hardwood finishes combine hardwoods and engineered materials including solid-wood, engineered materials — such as medium density fiberboard (MDF) and high density fiberboard (HDF) — and similar composite materials providing a smoother surface for painting and superior stability, consistency, and durability.

☞ Signed finish agreement required, see pages 238.

FINISH AVAILABILITY

				LAMINATE		PURESTYLE™ LAMINATE					
		Matching Laminate Ends	Upcharge	Trillian	Antrim	Larsen	Leyton	Marimac	Newcomb	Warren	
Laminate Finishes	Ashen Strata*	✓		✓							
	Cloud	✓		✓	✓	✓	✓	✓	✓	✓	
	Coconut	✓		✓	✓	✓	✓	✓	✓	✓	
	Egret	✓		✓	✓	✓	✓	✓	✓	✓	
	Icy Avalanche	✓		✓	✓	✓	✓	✓	✓	✓	
	Kona*	✓		✓							
	Limestone	✓		✓	✓	✓	✓	✓	✓	✓	
	Maritime	✓		✓	✓	✓	✓	✓	✓	✓	
	Moonstone	✓		✓	✓	✓	✓	✓	✓	✓	
	White	✓		✓	✓	✓	✓	✓	✓	✓	

*Doors and Drawer Fronts will have horizontal grain pattern. Doors, drawer fronts, and overlay fillers will be in Ashen Strata and Kona. All other cabinet components and trim items will be in the selected cabinet box color.

CABINET COLOR AVAILABILITY	DOOR COLOR AVAILABILITY	
	Ashen Strata	Kona
Black		✓
Chocolate*		✓
Limestone	✓	
Moonstone	✓	
Thatch*		✓
White	✓	

*Chocolate and Thatch box colors available in Maple.

PREMIUM COLOR PALETTE

	OPTION NAME	DESCRIPTION/LIMITATIONS	MATCHING LAMINATE ENDS [▲]	UPCHARGE ^{**}
Paints	Black	True black.	N/A	N/A
	Cloud	Medium gray.	✓	N/A
	Coconut	Creamy off white.	✓	N/A
	Egret	Light taupe with gray/green undertones.	✓	N/A
	Icy Avalanche	Cool white with gray undertones.	✓	N/A
	Limestone	Light gray.	✓	N/A
	Maritime	Dark navy with gray/green undertones.	✓	N/A
	Moonstone	Cool dark gray.	✓	N/A
	White	Bright, pure white.	✓	N/A
Panned Glazes	Barn Wood	A soft gray glaze that provides a subtle, pale shadow to light finishes and a highlight to darker finishes.	✓	Cabinet list + 10%
	Brown Sugar	A dark spicy brown glaze that helps define any profile with high contrast.	✓	Cabinet list + 10%

[▲]In Standard construction, cabinets will have matching laminate ends. Where not available, ends will be Natural Maple laminate and a finished end treatment would be needed for an exposed end.

^{**}Cabinet list includes cabinet price plus any modifications except APW and PLE.

KEMPER ECHO CABINETS' 12-STEP FINISHING PROCESS

- 1. Wood Selection** – The selection of the finest woods is the essential first step of the 12-step finishing process.
- 2. Sanded to Perfection** – Our sanding utilizes a fine grit paper, both with and against the wood grain. This process is completed on a vacuum table, allowing for a wood surface that is free of dust particles.
- 3. Achieving Natural Wood Tone** – Toner is applied to selected finishes, enhancing the naturalistic wood appearance.
- 4. Stain Application** – A hand-sprayed deep saturating stain is evenly applied to all surfaces for even coverage on all profiles. On multi-step stains and glaze finishes, some non-facing surfaces (such as backs of doors, backs of panels, and matching veneer interiors) may not receive all steps noted. The resulting finish will be complementary and similar in color and have the same catalyzed top coat and cure, but may not result in the same color depth as facing surfaces.
- 5. Removal of Excess Stain** – The wood is hand-wiped to remove excess stain, emphasizing the cabinet's natural wood grain.
- 6. Catalyzed Sealer** – A tough, clear, catalyzed sealer is hand-sprayed on to protect the grain from moisture.
- 7. Drying Process** – For added durability, the sealed wood is oven cured to lock in the beauty of wood.
- 8. Hand-Sanded** – To achieve an ultra-smooth finish, we hand-sand the material one last time.
- 9. Dust Removal** – The resulting loose dust particles are removed from the surface of the wood.
- 10. Catalyzed Top Coat** – A premium quality catalyzed top coat is applied to protect the wood from environmental elements.
- 11. Final Top Coat Cure** – The top coat is cured for a strong, beautiful finish.
- 12. Final Inspection** – This last inspection is very thorough, ensuring quality and beauty. Our gift to you is that every cabinet is crafted with care.

CHARACTERISTICS OF GLAZING/PAINT

Characteristics of Glazing

A professional glaze can add another layer of beauty to your cabinets. The glazing is applied by hand, adding depth dimension and an understated sheen that's guaranteed to endure.

What to expect from glazed cabinetry...

- You should expect the result to yield a subtle to dramatic look based on the complexity of a cabinet door's design, as glazing may collect in the corners and grooves.
- Printed materials and online, electronic presentations can only do so much. It's important to both see and touch actual finished samples to ensure your satisfaction.

Characteristics of Paint

Paint may develop hairline cracks in the finish, most notable around the joints. This is a result of natural expansion and contraction of the genuine hardwoods used in the manufacturing of this product. Hairline cracks are not considered a defect in the cabinetry or finish.

HUMIDIFICATION/CABINET CARE AND CLEANING

Humidification

<https://www.masterbrand.com/humidification>

Cabinet Care and Cleaning

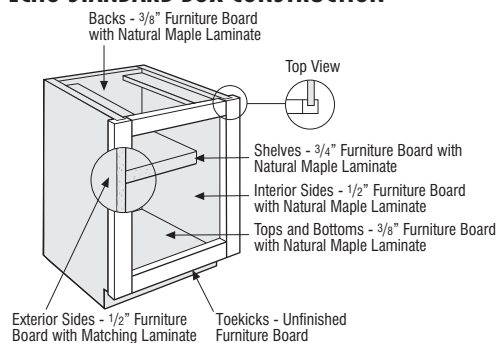
<https://www.masterbrand.com/care-and-cleaning>

CONSTRUCTION FEATURES

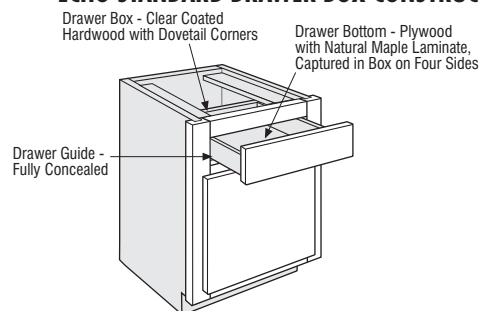
	ECHO STANDARD (KCH)	PLYWOOD ENDS (PLE)*	ALL-PLYWOOD CONSTRUCTION (APW)*
Doors & Drawer Fronts	See "Door Styles" pages 6-13 for door and drawer front configuration and construction details.		
Face Frames	3/4" solid hardwood.		
I-beam Braces	3/8" furniture board dadoed into face frame, end panels and back panels.		3/8" plywood dadoed into face frame, end panels and back panels.
Cabinet Sides	1/2" furniture board with Natural Maple laminate interiors. Exteriors are laminate that match the color of the face frame with the exception of Black.	1/2" unfinished veneer plywood with Natural Maple interiors.	1/2" unfinished veneer plywood with Natural Maple interiors.
Cabinet Tops & Bottoms (Wall & Tall)	3/8" furniture board with natural Maple laminate interior and exterior surfaces.		3/8" plywood with natural Maple laminate interior and exterior surfaces.
Cabinet Bottoms (Base & Vanity)	3/8" furniture board with natural Maple laminate interior surface.		3/8" plywood with natural Maple laminate interior surface.
Cabinet Backs	3/8" furniture board with natural Maple laminate interior. Base cabinets have 3mm system holes for easy drawer and roll tray installation.	3/8" plywood with natural Maple laminate interior. Base cabinets have 3mm system holes for easy drawer and roll tray installation.	
Adjustable Shelves	3/4" furniture board with natural Maple laminate to match interiors. Shelves are adjustable in wall and base cabinets unless otherwise noted.	3/4" plywood laminated to match interiors. Shelves are adjustable in wall and base cabinets unless otherwise noted.	
Finish	Multi-step finishing process where the finished components are sanded, stained, and sealed before a catalyzed top coat is applied.		
Hinges	Smart Stop™ fully concealed, integrated cup hinge with self-closing feature; 6-way adjustable. Hinge features deactivation option. Some cabinets utilize a 170° or 107° 4-way adjustable hinge. See page 233 for details. NSCH mod: Fully concealed cup hinge; 6-way adjustable and self-closing.		
Drawers	Standard: Double fully concealed, ball bearing, self-aligning, full extension guide with Smart Stop self-closing mechanism and fast clip removal system. Smart Stop engages when the drawer is approximately 2" from closing, applying resistance to the self-closing mechanism. Four-sided clear coated, solid hardwood drawer box with dovetailed construction. All guides have a 75 lb. weight capacity. NSCFB mod: 1/2" natural Maple laminated furniture board. Drawer bottom is 3/8" natural Maple furniture board. Features side-mounted, epoxy coated guides. All guides have a 75 lb. weight capacity.		
Roll Trays	Standard: Double fully concealed, ball bearing, self-aligning, full extension guide with Smart Stop self-closing mechanism and fast clip removal system. Smart Stop engages when the drawer is approximately 2" from closing, applying resistance to the self-closing mechanism. Four-sided clear coated, solid hardwood drawer box with dovetailed construction. All guides have a 75 lb. weight capacity. NSCFB mod: 1/2" natural Maple laminated furniture board. Roll tray bottom is 3/8" natural Maple furniture board. Features side-mounted, epoxy coated guides. All guides have a 75 lb. weight capacity.		
Toekick	Unfinished furniture board toekick to allow application of finished toeboard materials. A variety of laminate and wood toeboard skins and baseboard mouldings available in 8' lengths; see ACCESSORIES section.	3/8" Unfinished plywood toekick to allow application of finished toeboard materials. Toeboard skins and baseboard mouldings available in 8' lengths; see ACCESSORIES section.	
Warranty	Kemper® Echo™ Series has a Limited Lifetime Warranty. For terms and conditions, please visit: https://www.kempercabinets.com/warranty .		
Interior Cabinet Components	A few interior components are manufactured from laminated furniture board because they provide for the most durable, aesthetic application.		

*All-plywood components meet ANSI/HPVA HP-1 standards and may contain MDF or particleboard.





ECHO STANDARD BOX CONSTRUCTION



ECHO STANDARD DRAWER BOX CONSTRUCTION



MODIFICATION/UPGRADE COMPATIBILITY CHART

MODIFICATION/UPGRADE		APW	PLE	DF5PC	DFSLB	NSCH	NSCFB	AUTHL	AUTHR	FB	FPEB	MIP	CBO	CCO	CFP	CND	ID	RD	CMAT	FD	RT	ADTK	FTK	FTKAV	FTKFV	RECTKALL	RECTKBK	RECTKL	RECTKR	VTK	CFNTO	CFRMO	P	CG	MD
Construction Upgrades (page 20)	APW - All-plywood Construction	✓		✓	✓	✓	✓	✓	✓	✓	✓		✓	✓	✓	✓	✓	✓	✓	✓	✓	✓	✓	✓	✓	✓	✓	✓	✓	✓		✓	✓	✓	
	PLE - Plywood Ends		✓	✓	✓	✓				✓			✓	✓	✓	✓	✓	✓	✓	✓	✓	✓	✓	✓	✓	✓	✓	✓	✓	✓		✓	✓	✓	
Drawer Front Upgrades (page 21)	DF5PC - Drawer Front Flat 5-piece	✓	✓			✓	✓	✓	✓	✓	✓	✓			✓	✓	✓	✓	✓	✓	✓	✓	✓	✓	✓	✓	✓	✓	✓	✓		✓	✓	✓	
	DFSLB - Drawer Front Slab	✓	✓			✓	✓	✓	✓	✓	✓	✓			✓	✓	✓	✓	✓	✓	✓	✓	✓	✓	✓	✓	✓	✓	✓	✓	✓		✓	✓	✓
Non Smart Stop Options (page 22)	NSCH - Non Soft-close Door Hinges	✓	✓	✓	✓		✓	✓	✓	✓	✓	✓			✓	✓	✓	✓	✓	✓	✓	✓	✓	✓	✓	✓	✓	✓	✓	✓		✓	✓	✓	
	NSCFB - Non Soft-close Guides & Furniture Board Drawers and Roll Trays	✓	✓	✓	✓	✓		✓	✓	✓	✓	✓	✓	✓		✓	✓	✓	✓	✓	✓	✓	✓	✓	✓	✓	✓	✓	✓	✓		✓			
End Panel Modifications (page 23)	AUTHL - Authentic End Left	✓		✓	✓	✓	✓					✓	✓	✓	✓	✓	✓	✓	✓	✓	✓	✓	✓	✓	✓	✓	✓	✓	✓		✓	✓	✓		
	AUTHR - Authentic End Right	✓		✓	✓	✓	✓					✓	✓	✓	✓	✓	✓	✓	✓	✓	✓	✓	✓	✓	✓	✓	✓	✓	✓		✓	✓	✓		
	FB - Finished Ends	✓	✓	✓	✓	✓	✓						✓	✓	✓	✓	✓	✓	✓	✓	✓	✓	✓	✓	✓	✓	✓	✓	✓	✓		✓	✓	✓	
	FPEB - Furniture Finished Plywood End Panels	✓		✓	✓	✓	✓						✓	✓	✓	✓	✓	✓	✓	✓	✓	✓	✓	✓	✓	✓	✓	✓	✓	✓		✓	✓	✓	
Finish Modification (page 24)	MIP - Matching Interior Plywood			✓	✓	✓	✓	✓	✓	✓	✓			✓	✓	✓	✓	✓	✓	✓	✓	✓	✓	✓	✓	✓	✓	✓	✓		✓	✓	✓		
Box Modifications (pages 25-26)	CBO - Cabinet Box Only	✓	✓				✓	✓	✓	✓	✓	✓						✓	✓	✓	✓	✓	✓	✓	✓	✓	✓	✓	✓		✓				
	CCO - Cabinet Case Only	✓	✓					✓	✓	✓	✓	✓							✓	✓	✓	✓	✓	✓	✓	✓	✓	✓	✓		✓				
	CFP - Cabinet False Panel	✓	✓	✓	✓	✓	✓	✓	✓	✓	✓	✓								✓	✓	✓	✓	✓	✓	✓	✓	✓	✓	✓		✓	✓	✓	
	CND - Cabinet with No Door, with Drawer	✓	✓	✓	✓		✓	✓	✓	✓	✓	✓								✓	✓	✓	✓	✓	✓	✓	✓	✓	✓	✓		✓			
	ID - Increased Depth	✓	✓	✓	✓	✓	✓	✓	✓	✓	✓	✓								✓	✓	✓	✓	✓	✓	✓	✓	✓	✓	✓		✓		✓	
	RD - Reduced Depth	✓	✓	✓	✓	✓	✓	✓	✓	✓	✓	✓	✓	✓	✓	✓	✓	✓	✓		✓	✓	✓	✓	✓	✓	✓	✓	✓	✓		✓		✓	
Installed Interior Modifications (page 27)	CMAT - CabMat™	✓	✓	✓	✓	✓	✓	✓	✓	✓	✓	✓	✓						✓	✓	✓	✓	✓	✓	✓	✓	✓	✓	✓		✓				
	FD - Full Depth Shelf	✓	✓	✓	✓	✓	✓	✓	✓	✓	✓	✓								✓	✓	✓	✓	✓	✓	✓	✓	✓	✓		✓				
	RT - Installed Roll Tray	✓	✓	✓	✓	✓	✓	✓	✓	✓	✓	✓	✓	✓	✓	✓	✓	✓	✓		✓	✓	✓	✓	✓	✓	✓	✓	✓		✓				
Toekick Modifications (pages 28-30)	ADTK - Add Toekick 	✓	✓	✓	✓	✓	✓	✓	✓	✓	✓	✓	✓	✓	✓	✓	✓	✓	✓	✓	✓	✓	✓	✓	✓	✓	✓	✓	✓		✓	✓	✓		
	FTK - Flush Toekick	✓	✓	✓	✓	✓	✓	✓	✓	✓	✓	✓	✓	✓	✓	✓	✓	✓	✓	✓	✓	✓	✓	✓	✓	✓	✓	✓	✓		✓	✓	✓		
	FTKAV - Flush Toekick Arch 	✓	✓	✓	✓	✓	✓	✓	✓	✓	✓	✓	✓	✓	✓	✓	✓	✓	✓	✓	✓	✓	✓	✓	✓	✓	✓	✓	✓		✓	✓	✓		
	FTKFV - Flush Toekick Furniture 	✓	✓	✓	✓	✓	✓	✓	✓	✓	✓	✓	✓	✓	✓	✓	✓	✓	✓	✓	✓	✓	✓	✓	✓	✓	✓	✓	✓		✓	✓	✓		
	RECTKALL - Recessed Island Toekick	✓	✓	✓	✓	✓	✓	✓	✓	✓	✓	✓	✓	✓	✓	✓	✓	✓	✓	✓	✓	✓	✓	✓	✓	✓	✓	✓	✓						
	RECTKBK - Recessed Toekick Back	✓	✓	✓	✓	✓	✓	✓	✓	✓	✓	✓	✓	✓	✓	✓	✓	✓	✓	✓	✓	✓	✓	✓	✓	✓	✓	✓	✓						
	RECTKL - Recessed Toekick Left	✓	✓	✓	✓	✓	✓	✓	✓	✓	✓	✓	✓	✓	✓	✓	✓	✓	✓	✓	✓	✓	✓	✓	✓	✓	✓	✓	✓		✓				
	RECTKR - Recessed Toekick Right	✓	✓	✓	✓	✓	✓	✓	✓	✓	✓	✓	✓	✓	✓	✓	✓	✓	✓	✓	✓	✓	✓	✓	✓	✓	✓	✓	✓		✓				
VTK - Void Toekick	✓	✓	✓	✓	✓	✓	✓	✓	✓	✓	✓	✓	✓	✓	✓	✓	✓	✓	✓	✓	✓	✓	✓	✓	✓	✓	✓	✓		✓					
Configuration Modifications (page 31-32)	CFNTO - Cabinet Front Only			✓	✓	✓																	✓	✓	✓						✓	✓			
	CFRMO - Cabinet Frame Only 																						✓	✓	✓							✓			
	P - Peninsula	✓	✓	✓	✓	✓	✓	✓	✓	✓	✓	✓	✓	✓	✓	✓	✓	✓	✓	✓	✓	✓	✓	✓	✓	✓	✓	✓	✓				✓	✓	
Specialty Doors (pages 33-34)	CG - Cut-for-glass	✓	✓	✓	✓	✓	✓	✓	✓	✓	✓	✓			✓	✓	✓	✓	✓	✓	✓	✓	✓	✓	✓	✓	✓	✓	✓		✓	✓			
	MD - Mullion Door	✓	✓	✓	✓	✓	✓	✓	✓	✓	✓	✓	✓	✓	✓	✓	✓	✓	✓	✓	✓	✓	✓	✓	✓	✓	✓	✓	✓		✓	✓			

Orders for cabinets with non-compatible modifications will not be processed. Please contact customer service for more details.

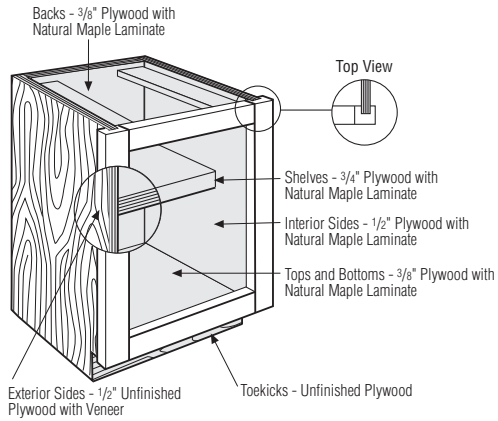
✓Represents compatible modification(s) and upgrade(s).

CONSTRUCTION UPGRADES

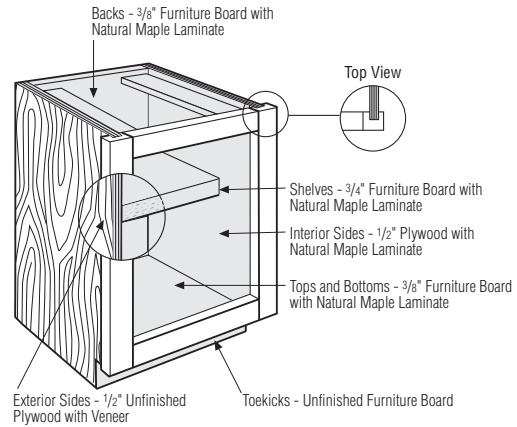
See page 19 for modification compatibility. Each modification will be priced accordingly.

OPTION NAME	APPLICABLE CABINET GROUP	DESCRIPTION/LIMITATIONS	PRICING
All-plywood Construction (APW)*	Most cabinets with sides	Replaces standard cabinet construction with plywood for 1/2" ends, 3/8" top, bottom, back, and 3/4" shelves. Exterior of the cabinet ends are unfinished.	Cabinet list + 10%
	Shelf kits	Replaces standard shelf construction with 3/4" laminated plywood shelves.	Shelves: List + 10%
Plywood Ends (PLE)*	Most cabinets with sides	Replaces standard cabinet ends with unfinished 1/2" plywood exterior ends.	Cabinet list + 5%

ALL-PLYWOOD CONSTRUCTION (APW)*



PLYWOOD ENDS (PLE)*



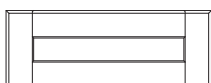
*All-plywood components meet ANSI/HPVA HP-1 standards and may contain MDF or particleboard.

DRAWER FRONT UPGRADES

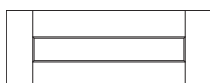
See page 19 for modification compatibility. Each modification will be priced accordingly.

OPTION NAME	APPLICABLE CABINET GROUP	DESCRIPTION/LIMITATIONS	PRICING
Drawer Front Flat 5-piece (DFF5PC)	Base, tall, and vanity cabinets on Hanley, Kleyborn, Larsen, Marimac, Moriarty, and Willowby	Replaces the standard drawer front with a 5-piece drawer front (see images with applicable door styles). Must upgrade all drawer fronts on a cabinet where applicable. Premium finish upcharges will apply where applicable. See below for 5-piece drawer front dimensions when specifying decorative hardware.	\$102 list per drawer
Drawer Front Slab (DFS LB)	Base, tall, and vanity cabinets on Stinson	Replaces standard drawer front with slab drawer front. Must upgrade all drawer fronts on cabinet where applicable. Premium finish upcharges will apply where applicable.	No Upcharge

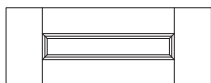
DRAWER FRONT FLAT 5-PIECE (DFF5PC)



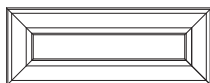
Hanley



Marimac



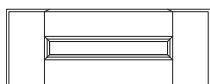
Kleyborn



Moriarty



Larsen



Willowby

DRAWER FRONT SLAB (DFS LB)



Stinson

5-PIECE DRAWER FRONT DIMENSIONS CHART

5-PIECE DRAWER FRONTS	DRAWER FRONT WIDTH	DRAWER FRONT HEIGHT	PANEL FLAT WIDTH	PANEL FLAT HEIGHT
Eksten	8 1/2"	6 1/4"	4"	1 3/4"
Hanley	8 1/2"	6 1/4"	4"	1 3/4"
Kleyborn	8 1/2"	6 1/4"	2 1/2"	1 3/4"
Larsen	8 1/2"	6 1/4"	2 1/2"	1 3/4"
Marimac	8 1/2"	6 1/4"	4"	1 3/4"
Moriarty	7"	5 1/2"	2 1/2"	1"
Stinson	8 1/2"	6 1/4"	2 1/2"	1 3/4"
Warren	8 1/2"	6 1/4"	3 1/2"	1 1/4"
Willowby	8 1/2"	6 1/4"	2 1/2"	1 3/4"

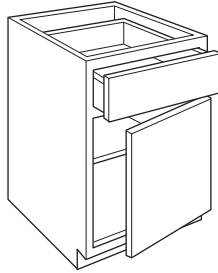
Drawer front sizes are representative of a 9" wide base cabinet.

NON SMART STOP OPTIONS

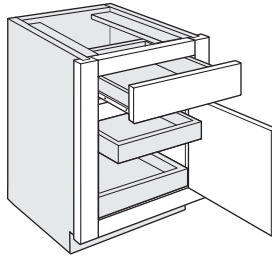
See page 19 for modification compatibility. Each modification will be priced accordingly.

OPTION NAME	APPLICABLE CABINET GROUP	DESCRIPTION/LIMITATIONS	PRICING
Non Soft-close Door Hinges (NSCH)	Most cabinets with doors	Replaces Smart Stop hinges with fully concealed cup hinge; 6-way adjustable and self-closing.	Deduct \$4 list per door
Non Soft-close Guides & Furniture Board Drawers and Roll Trays (NSCFB)	Most cabinets with drawers and/or roll trays	Replaces drawers and roll trays with 1/2" natural Maple laminated furniture board. Drawer bottom is 3/8" natural Maple furniture board. Replaces Smart Stop guides with side-mounted, epoxy coated guides. All guides have a 75 lb. weight capacity.	Deduct \$32 list per drawer or roll tray

NON SOFT-CLOSE DOOR HINGES (NSCH)



NON SOFT-CLOSE GUIDES & FURNITURE BOARD DRAWERS AND ROLL TRAYS (NSCFB)



Drawer Box / Roll Tray
1/2" Furniture Board with Natural Maple Laminate

Drawer / Roll Tray Bottom
3/8" Furniture Board with Natural Maple Laminate

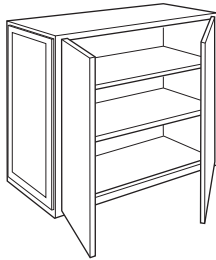
Drawer Guide
Side-mounted

END PANEL MODIFICATIONS

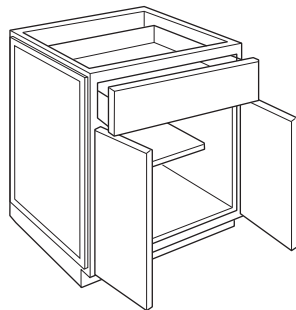
See page 19 for modification compatibility. Each modification will be priced accordingly.

OPTION NAME	APPLICABLE CABINET GROUP	DESCRIPTION/LIMITATIONS	PRICING
Authentic Ends (AUTHL) (AUTHR)	Most wall, base, tall, and vanity cabinets	Modifies cabinet end panel(s) with applied decorative door(s) onto FPEB upgraded end panel(s). Includes FPEB modification — If AUTHL or AUTHR upgrades are specified, the opposite end panel is also FPEB. Available on most cabinets with depths of 12", 15", 18", 21", and 24". 12" and 15" high wall cabinets will have double door configuration on 21" and 24" deep applications. For tall cabinets, non-miter doors have two panels on the bottom door. Office base cabinets (29" high) will have double door configuration when specified on 24" deep cabinets.	Wall: \$374 list per side Base & Vanity: \$530 list per side Tall: \$1,265 list per side
Finished Ends (FB)	Cabinets with APW or PLE modification; both ends will be finished	Creates a matching finished 1/2" veneer plywood exterior.	Wall: \$74 list Base: \$121 list Tall: \$307 list
Furniture Finished Plywood End Panels (FPEB)*	Most wall, base, tall, office, and vanity cabinets	Replaces standard cabinet ends with 3/4" finished veneer end panels to achieve a Furniture End appearance. Both exterior sides are finished. Matching interior (MIP) is available.	Wall: \$165 list Base & Vanity: \$229 list Tall: \$395 list

AUTHENTIC ENDS (AUTHL/AUTHR)

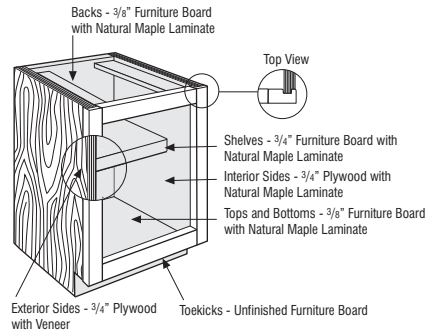


Wall cabinets



Base and Vanity cabinets

FURNITURE FINISHED PLYWOOD END PANELS CONSTRUCTION UPGRADE (FPEB)*




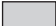

*All-plywood components meet ANSI/HPVA HP-1 standards and may contain MDF or particleboard.

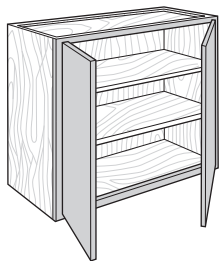
FINISH MODIFICATION

See page 19 for modification compatibility. Each modification will be priced accordingly.

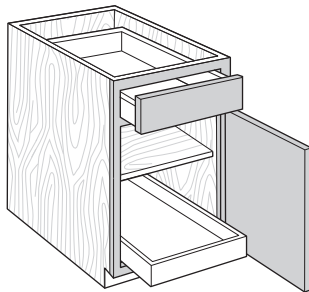
OPTION NAME	APPLICABLE CABINET GROUP	DESCRIPTION/LIMITATIONS	PRICING
Matching Interior Plywood (MIP)*	Most cabinets	<p>Modifies the cabinet interior and end panel exterior to matching finished veneer plywood. Cabinet top and bottom exterior on wall and tall cabinets is also matching finished veneer plywood. Construction features veneered plywood with full depth shelves of veneer on a plywood core.</p> <p>Not available on open cabinets with standard matching interior.</p> <p>When a decorative door option is chosen in 20/20, Matching Interior Plywood (MIP) is a preselected option. If MIP is not desired, it can be deselected by choosing NOTMIP.</p>	<p>Wall: \$193 list Base: \$346 list Tall: \$637 list Shelves: List + 25%</p>

MATCHING INTERIOR PLYWOOD (MIP)*

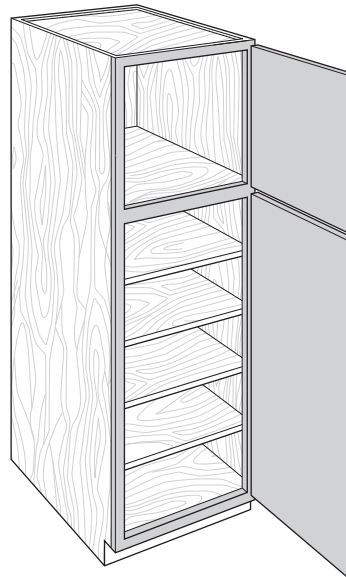
-  matching finished veneer
-  standard matching finished component
-  standard non-matching finished component



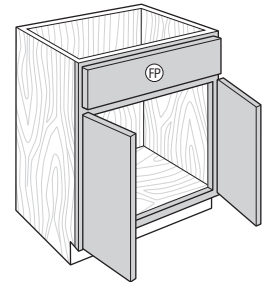
Wall cabinets



Base cabinets



Tall cabinets



Vanity cabinets

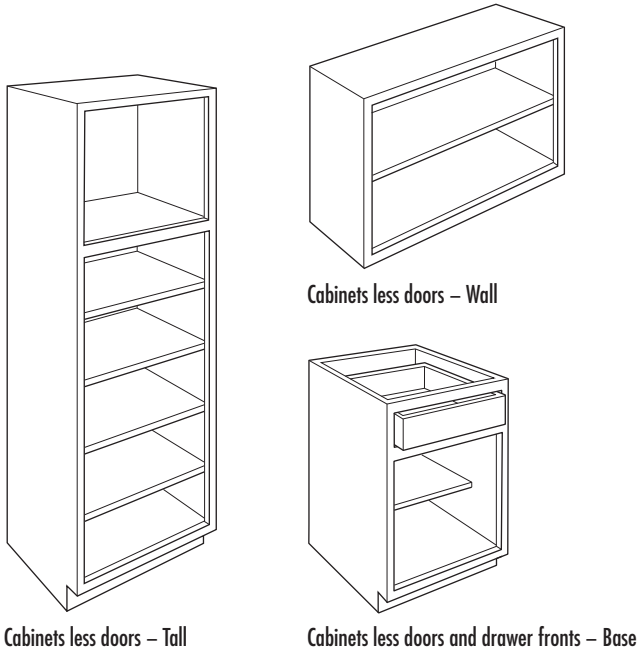
*All-plywood components meet ANSI/HPVA HP-1 standards and may contain MDF or particleboard.

BOX MODIFICATIONS

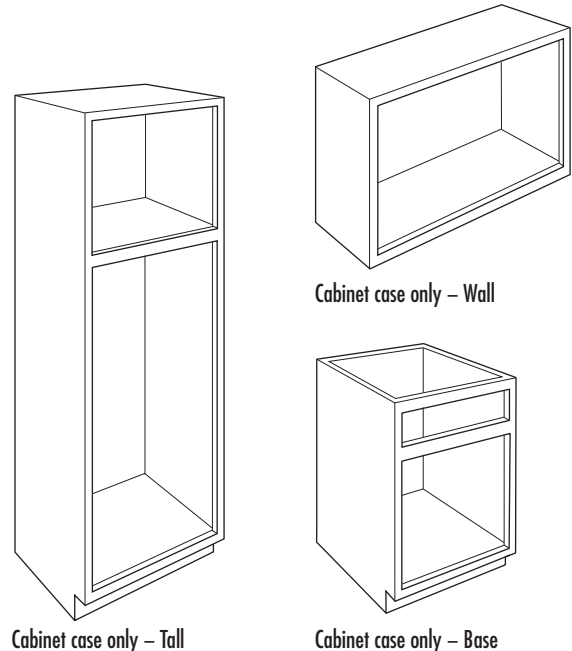
See page 19 for modification compatibility. Each modification will be priced accordingly.

OPTION NAME	APPLICABLE CABINET GROUP	DESCRIPTION/LIMITATIONS	PRICING
Cabinet Box Only (CBO)	Most wall, base, tall, and vanity cabinets	Removes doors, drawer fronts, and any accessory items attached to a door or drawer front. Drawer box and any interior components attached to the cabinet box will be included. Frames will not be drilled for hinges.	Cabinets without drawers: 85% of cabinet list Cabinets with drawers: 90% of cabinet list
Cabinet Case Only (CCO)	Most wall, base, tall, and vanity cabinets	Removes doors, drawer fronts, drawers, and interior components. Frames will not be drilled for hinges, but cabinets will have standard drilling for shelves and guides.	85% of cabinet list
Cabinet False Panel (CFP)	Most base and vanity cabinets with a top drawer	Replaces top drawer with false panel. Not available with deep drawers.	No Upcharge
Cabinet with No Door, with Drawer (CND)	Most wall, base, tall, and vanity cabinets with door(s) and drawer(s)	Removes door(s). Complete drawer(s) with drawer front(s) and interior components remain in cabinet. Frames will not be drilled for hinges.	90% of cabinet list

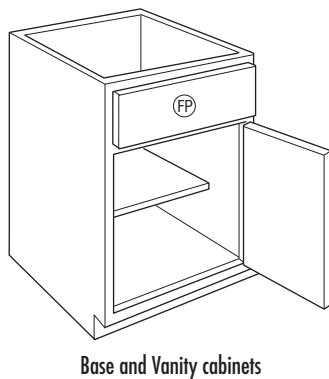
CABINET BOX ONLY (CBO)



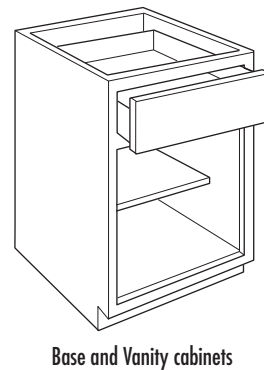
CABINET CASE ONLY (CCO)



CABINET FALSE PANEL (CFP)



CABINET WITH NO DOOR, WITH DRAWER (CND)



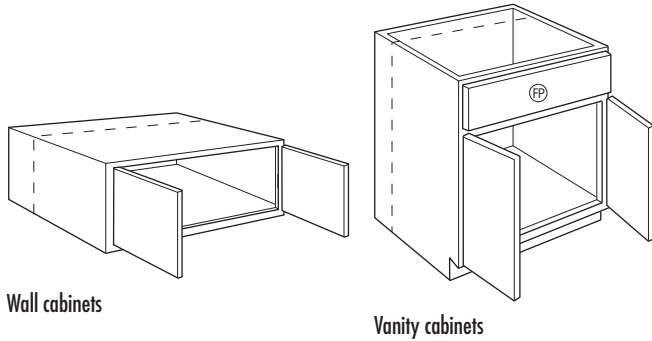
BOX MODIFICATIONS (cont'd)

See page 19 for modification compatibility. Each modification will be priced accordingly.

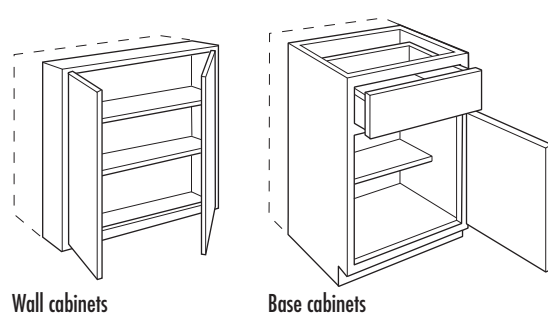
OPTION NAME	APPLICABLE CABINET GROUP	DESCRIPTION/LIMITATIONS	PRICING
Increased Depth (ID)	Most wall, tall, and vanity cabinets with a frame	Increases the depth of wall and vanity cabinets in 3" increments to a maximum depth of 24". Increased depth wall cabinets should be either floor mounted or stacked to maintain stability. Shelf depths are increased on cabinets with increased depth. Not available on wall peninsula cabinets.	Wall: \$284 list Tall: \$392 list Vanity: \$342 list
	End panels	Increases the depth in 3" increments to a maximum depth of 30".	List + 40%
	Box column fillers	Increases the depth in 3" increments to a maximum depth of 27".	List + 40%
Reduced Depth (RD)	Most base, tall, and vanity cabinets with drawers or roll trays	Reduces the depth in 3" increments to a minimum of 18". Any specified shelving is included and is always full depth. The dimension is specified as the distance from the front of the face frame to the back of the cabinet.	Wall: \$284 list Base: \$342 list Tall: \$392 list Vanity: \$342 list (RD18 no charge)
	Most base, tall, and vanity cabinets without drawers or roll trays	Reduces the depth in 3" increments to a minimum depth of 12". Any specified shelving is included and is always full depth. The dimension is specified as the distance from the front of the face frame to the back of the cabinet.	
	Most wall cabinets	Reduces the depth in 3" increments to a minimum depth of 6". Any specified shelving is included and is always full depth. The dimension is specified as the distance from the front of the face frame to the back of the cabinet.	
	End panels, shelves, and box column fillers	Reduces the depth in 3" increments to a minimum depth of 6".	
	Roll tray kits	Reduces the depth in 3" increments to fit a minimum cabinet depth of 18".	List + 30%

Cabinet Depth	Drawer Box and Roll Tray Exterior Depth			Clearance Behind Drawer Box or Roll Tray and Back Panel		
	Standard Guides	NSCFB Guides	Heavy Duty Side-mount Guides (DDFD)	Standard Guides	NSCFB Guides	Heavy Duty Side-mount Guides (DDFD)
24"	21"	21"	21"	2 3/4"	2 3/4"	2 3/4"
21"	18"	18", 15" for roll trays	18"	2 3/4"	2 3/4"	2 3/4"
18"	15"	15"	N/A	2 3/4"	2 3/4"	N/A

INCREASED DEPTH (ID)




REDUCED DEPTH (RD)

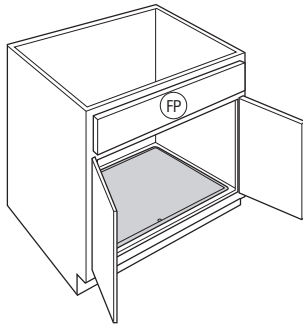


INSTALLED INTERIOR MODIFICATIONS

See page 19 for modification compatibility. Each modification will be priced accordingly.

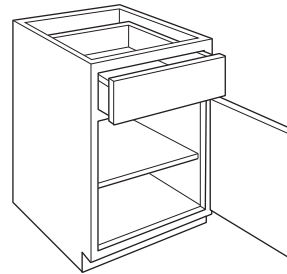
OPTION NAME	APPLICABLE CABINET GROUP	DESCRIPTION/LIMITATIONS	PRICING
CabMat™ (CMAT1)	Most base and vanity cabinets	Installs removable CabMat™, size is determined by face frame opening width and cabinet depth. Not available with Reduced Depth modification. When ordered with Increased Depth modification, CabMat™ size does not change. Vanity cabinets with face frame openings of 24" and 30" will utilize CabMat™ sized for 21" and 27" openings. See page 229 for CabMat™ product descriptions.	CMAT1: Cabinet list + \$276
Full Depth Shelf (FD)	Base cabinets with standard half depth shelves	Replaces standard shelf with full depth shelf.	\$64 list per cabinet
Installed Roll Tray (RT)	Select base, tall, office, and vanity cabinets	Installs specified number of roll trays (1-5). Example, for two roll trays, specify 2RT. When 1RT is specified on a base cabinet, the roll tray is installed in the lowest position and one half-depth adjustable shelf is included. On utility cabinets for the lower section, 1RT includes three shelves, 2RT includes two shelves, and 3RT includes 1 shelf. No shelves for lower section are included with 4RT or 5RT. See page 38 for RT positions.	1RT: Cabinet list + \$219 2RT: Cabinet list + \$440 3RT: Cabinet list + \$659 4RT: Cabinet list + \$879 5RT: Cabinet list + \$1,098
Installed Roll Tray Both (RTB) 	Select base and vanity cabinets with center stile	On cabinets with center stile, installs a roll tray on both sides of the cabinet. 1RTB - 2 roll trays 2RTB - 4 roll trays 3RTB - 6 roll trays 4RTB - 8 roll trays	1RTB: Cabinet list + \$438 2RTB: Cabinet list + \$880 3RTB: Cabinet list + \$1318 4RTB: Cabinet list + \$1758

CABMAT™ (CMAT1)

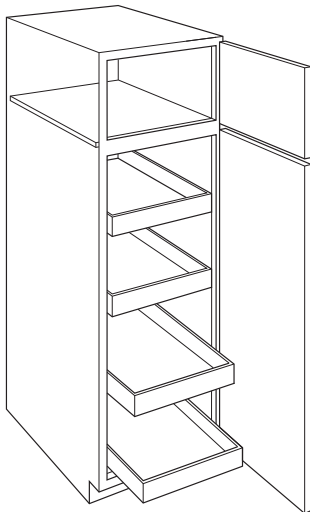


Base cabinets (CMAT1)

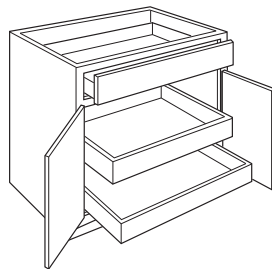
FULL DEPTH SHELF (FD)



INSTALLED ROLL TRAY (RT)

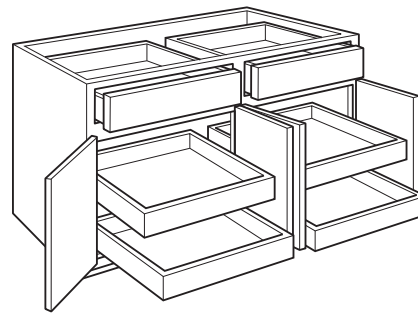


Tall cabinets



Base, Office, and Vanity cabinets


INSTALLED ROLL TRAY BOTH (RTB)



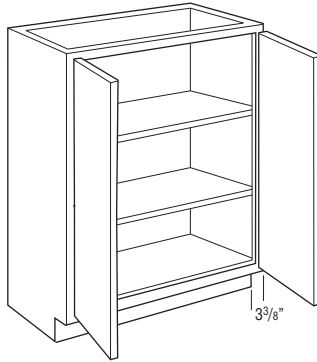
Base and Vanity cabinets with center stile

TOEKICK MODIFICATIONS

See page 19 for modification compatibility. Each modification will be priced accordingly.

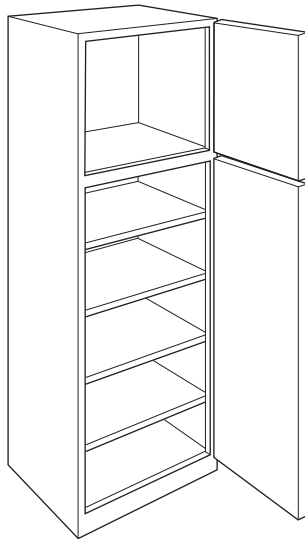
OPTION NAME	APPLICABLE CABINET GROUP	DESCRIPTION/LIMITATIONS	PRICING
Add Toekick (ADDTK) 	Most wall cabinets	Creates a 4 1/2" toekick on the front of cabinet. Cabinet top changes to use I-Beam construction when ADDTK is selected. ADDTK with reduced depth is available on cabinets 9" deep or larger. Peninsula cabinets are available with ADDTK 15" deep and larger. Available with compatible toekick modifications. See the Modification/Upgrade Compatibility Chart on page 19 for details.	\$140 list
Flush Toekick (FTK)	Most base, tall, vanity cabinets, and wall cabinets with ADDTK	Extends the face frame to the floor eliminating the toe space. Not available on 93" or 96" tall cabinets due to separate pedestal base toekick. When FTK is ordered with the Peninsula modification, both sides will receive a flush toekick.	\$128 list

ADD TOEKICK (ADDTK)

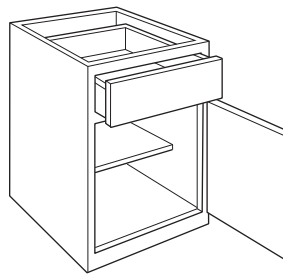


Wall cabinets

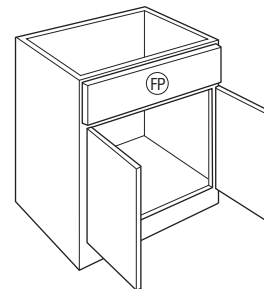
FLUSH TOEKICK (FTK)



Tall cabinets





Base cabinets



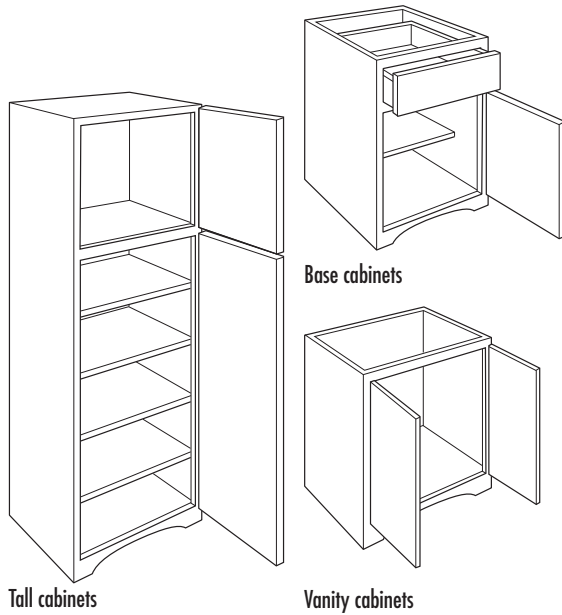
Vanity cabinets

TOEKICK MODIFICATIONS (cont'd)

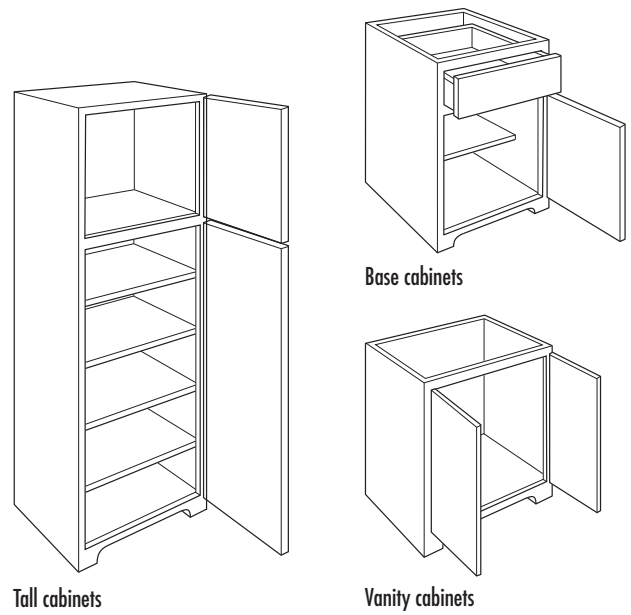
See page 19 for modification compatibility. Each modification will be priced accordingly.

OPTION NAME	APPLICABLE CABINET GROUP	DESCRIPTION/LIMITATIONS	PRICING
Flush Toekick Arch (FTKAV) 	Most base, tall, and vanity cabinets, and wall cabinets with ADDTK	Creates an arch flush toe space. Valance replaces standard toekick creating a full open area beneath cabinet floor. When FTKAV is ordered with the Peninsula modification, both sides will receive an arch flush toekick. Not available on 93" or 96" tall cabinets due to separate pedestal base toekick. Available on 15", 18", 21", and 24" deep cabinets.	\$160 list
Flush Toekick Furniture (FTKFV) 	Most base, tall, and vanity cabinets, and wall cabinets with ADDTK	Creates a furniture flush toe space. Valance replaces standard toekick creating a full open area beneath cabinet floor. When FTKFV is ordered with the Peninsula modification, both sides will receive a furniture flush toekick. Not available on 93" or 96" tall cabinets due to separate pedestal base toekick. Available on 15", 18", 21", and 24" deep cabinets.	\$160 list
Void Toekick (VTK)	Most base, tall, and vanity cabinets	Removes the toekick. Only available when the cabinet has a standard toekick (not available when flush toekick is standard or when cabinet has a separate pedestal base).	\$93 list

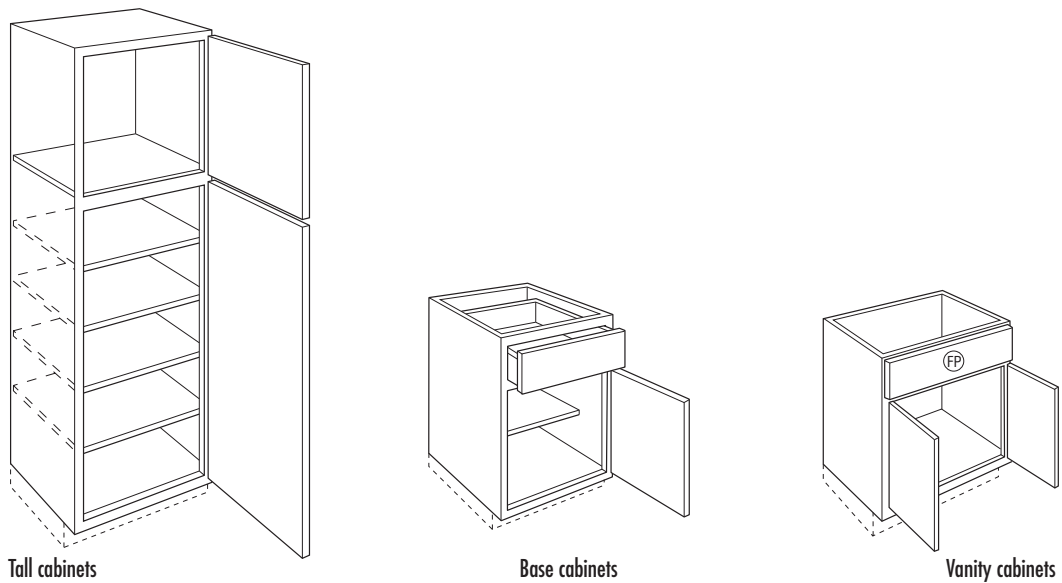
FLUSH TOEKICK ARCH (FTKAV)



FLUSH TOEKICK FURNITURE (FTKFV)



VOID TOEKICK (VTK)

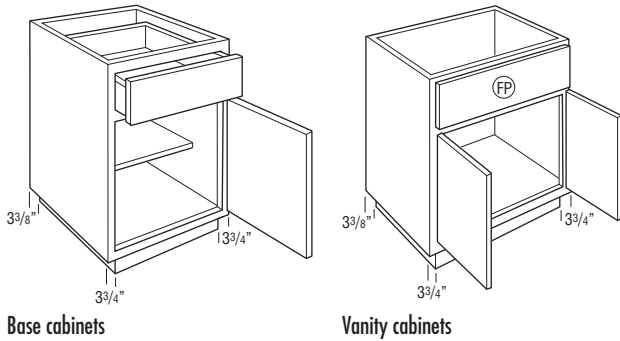


TOEKICK MODIFICATIONS (cont'd)

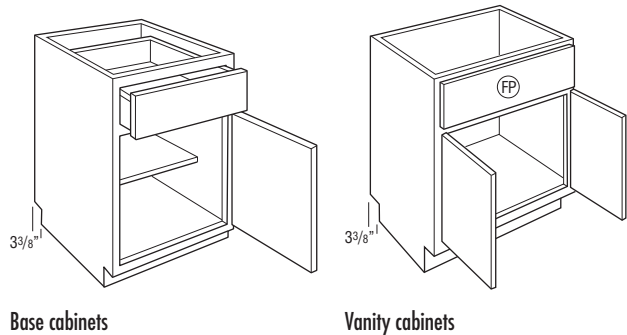
See page 19 for modification compatibility. Each modification will be priced accordingly.

OPTION NAME	APPLICABLE CABINET GROUP	DESCRIPTION/LIMITATIONS	PRICING
Recessed Island Toekick (RECTKALL)	Base cabinets 27" - 48" wide and 24" deep	Creates a recessed toekick on the right, left, and back of cabinet. The entire toekick area will have non-matching material and requires any exposed toekick area to be covered.	\$372 list
Recessed Toekick on Back or Side (RECTKBK) (RECTKL) (RECTKR)	Most base, vanity cabinets, and wall cabinets with ADDTK	<p>Creates a recessed toekick on the back (RECTKBK), left (RECTKL), or right (RECTKR). When either the RECTKR or RECTKL are used, FTK is NOT available. The entire toekick will have non-matching material and requires any exposed toekick area to be covered. On RECTKL and RECTKR, the back will have a 3/8" recessed offset and non-specified side will have a 3/8" recessed offset to allow for application of toeboard material.</p> <p>93" and 96" tall cabinets have RECTKL or RECTKR standard on loose pedestal. For recess toekick applications of both left and right, order RECTKL.R. On 9" wide cabinets, only one side can be recessed.</p> <p>RECTKBK only available on cabinets at least 15" deep.</p>	\$124 list per side

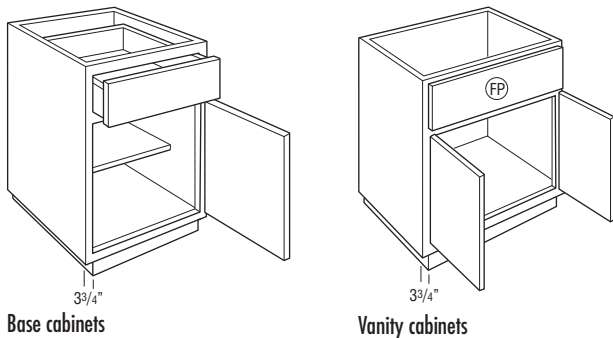
RECESSED ISLAND TOEKICK (RECTKALL)



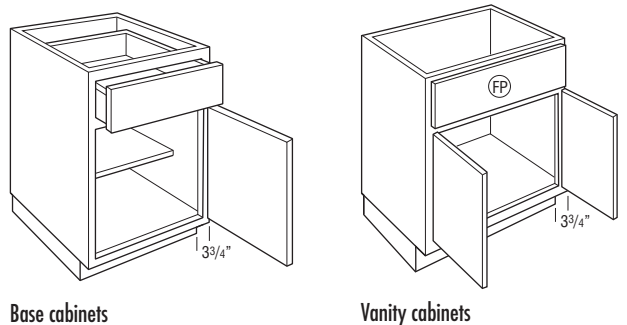
CABINET BACK RECESSED TOEKICK (RECTKBK)



CABINET LEFT RECESSED TOEKICK (RECTKL)




CABINET RIGHT RECESSED TOEKICK (RECTKR)

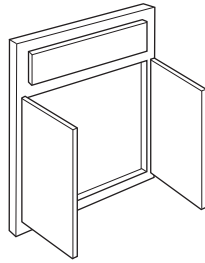


CONFIGURATION MODIFICATIONS

See page 19 for modification compatibility. Each modification will be priced accordingly.

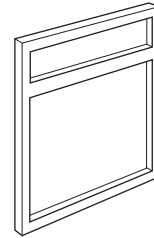
OPTION NAME	APPLICABLE CABINET GROUP	DESCRIPTION/LIMITATIONS	PRICING
Cabinet Front Only (CFNTO)	Most cabinets with a face frame	Creates a door and/or drawer front assembled with a frame. Doors are attached with the specified hinges and drawer fronts are cleated.	80% of cabinet list
Cabinet Frame Only (CFRMO) 	Most cabinets with a face frame	Creates a cabinet frame only. No box, doors, or drawer fronts are included.	25% of cabinet list
Peninsula (P)	Most wall and base cabinets	Creates a 12 1/4" deep wall peninsula cabinet or 24 1/4" deep base peninsula cabinet. Not available on tall cabinets (oven, utility, and pantry), multi-drawer base cabinets, or increased depth wall cabinets. Any adjustable shelves are upgraded to full depth. Cabinets with drawers or roll trays can only be reduced in 3" increments. Single door cabinets are hinged on the same cabinet end, for example a W1230L will feature a Left hinge on the front side and a Right hinge on the peninsula side.	Cabinet list + 60%

CABINET FRONT ONLY (CFNTO)



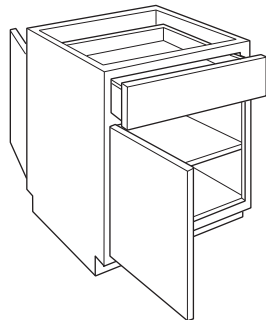
Cabinet front only – Wall, Base, and Tall

CABINET FRAME ONLY (CFRMO)

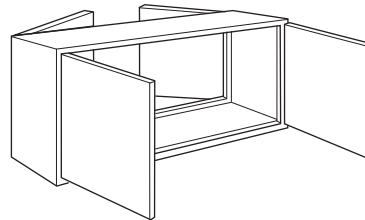


Cabinet frame only – Wall, Base, and Tall

PENINSULA (P)



Base cabinets



Wall cabinets

CUT-FOR-GLASS DOORS (CG)

Glass not included in price, but can be ordered separately. See below for details.

Cut-for-glass Door To Fit:	PRICE
	List per Door
30" High or Shorter Wall Cabinet	97
33" High Wall Cabinet	97
36" High Wall Cabinet	97
39" High Wall Cabinet	97
42" High Wall Cabinet	97

To price Cut-for-glass Doors attached to a cabinet, add the Door Only list price per door to the wall cabinet price (MIP modification upcharge will be applied to the cabinet price if matching interior is desired).

- Not available on bifold doors.
- Specify Door Style and Finish when ordering Cut-for-glass Doors.
- CG.TOP and CG.BTM are specified on cabinets with upper and lower doors to designate which doors should be Cut-for-glass. See Door Options grid for SKU availability.
- Custom door sizes not available.
- Glass available for order separately (see pages 34-35).
- When a decorative door option is chosen in 20/20, Matching Interior Plywood (MIP) is a preselected option. If MIP is not desired, it can be deselected by choosing NOTMIP.

STANDARD WALL CABINET AVAILABILITY*

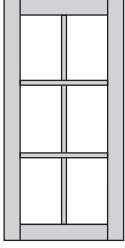
Cabinet Width	Cabinet Height										
	12"	15"	18"	21"	24"	27"	30"	33"	36"	39"	42"
W9							✓	✓	✓	✓	✓
W12		✓	✓	✓	✓	✓	✓	✓	✓	✓	✓
W15	✓	✓	✓	✓	✓	✓	✓	✓	✓	✓	✓
W18	✓	✓	✓	✓	✓	✓	✓	✓	✓	✓	✓
W21		✓	✓	✓	✓	✓	✓	✓	✓	✓	✓
W24	✓	✓	✓	✓	✓	✓	✓	✓	✓	✓	✓
W24 (butt)			✓	✓	✓	✓	✓	✓	✓	✓	✓
W27 (butt)			✓	✓	✓	✓	✓	✓	✓	✓	✓
W30 (butt)	✓	✓	✓	✓	✓	✓	✓	✓	✓	✓	✓
W33 (butt)	✓	✓	✓	✓	✓	✓	✓	✓	✓	✓	✓
W36 (butt)	✓	✓	✓	✓	✓	✓	✓	✓	✓	✓	✓
W39 (CS)	✓	✓	✓	✓	✓	✓	✓	✓	✓	✓	✓
W42 (CS)		✓	✓	✓	✓	✓	✓	✓	✓	✓	✓
W45 (CS)			✓	✓	✓	✓	✓	✓	✓	✓	✓
W48 (CS)			✓	✓	✓	✓	✓	✓	✓	✓	✓
DW	✓	✓	✓		✓	✓	✓	✓	✓	✓	✓

*For Specialty Wall Cabinet Availability, please see modification grid.

- For Cut-for-glass Door availability, please see modification grid in Wall section.

MULLION DOORS (MD)

Glass not included in price, but can be ordered separately. See below for details.



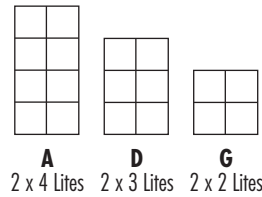
- Compatible glass styles are Antique, Clear, Frost, Reeded, and Seeded glass.
- Specify Door Style and Finish when ordering Mullion Doors.
- MD.TOP and MD.BTM are specified on cabinets with upper and lower doors to designate which doors should be Mullion Doors. See Door Options grid for SKU availability.
- Custom door sizes not available.
- Shelves will not align with mullions.
- When a decorative door option is chosen in 20/20, Matching Interior Plywood (MIP) is a preselected option. If MIP is not desired, it can be deselected by choosing NOTMIP.

Mullion Door To Fit:	PRICE
	List per Door
18" High Wall Cabinet	391
24" High Wall Cabinet	391
30" High Wall Cabinet	391
33" High Wall Cabinet	423
36" High Wall Cabinet	423
39" High Wall Cabinet	423
42" High Wall Cabinet	423

To price Mullion Doors attached to a cabinet, add the Door Only list price per door to the wall cabinet price (MIP modification upcharge will be applied to the cabinet price if matching interior is desired).

MULLION LITES GRID

Cabinet Width	Cabinet Height						
	18"	24"	30"	33"	36"	39"	42"
W15	G		D	D	D	A	A
W18	G		D	D	D	A	A
W21			D	D	D	A	A
W24			D	D	D	A	A
W24 (butt)			D	D	D	A	A
W27 (butt)			D	D	D	A	A
W30 (butt)	G	G	D	D	D	A	A
W33 (butt)			D	D	D	A	A
W36 (butt)	G	G	D	D	D	A	A
W42 (CS)			D	D	D	A	A
W45 (CS)			D	D	D	A	A
W48 (CS)			D	D	D	A	A
DW30			D				
DW33				D			
DW36					D		
DW39						A	
DW42							A



TEXTURED GLASS PANELS



Antique



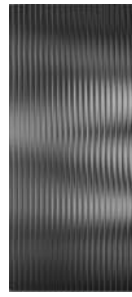
Bevel



Clear



Frost



Reeded



Seeded

- Cut-for-glass and mullion doors must be ordered separately. See pages 32-33.
- For glass shelf kits, see page 223.
- All glass is fully tempered or has a safety lamination.
- When textured glass is ordered for use in wall top hinge cabinets (WTH), glass design will be turned horizontally and may not match desired pattern.
- Door frame may reduce amount of glass shown.

AVAILABILITY

Cabinet Width	Cabinet Height											
	12"	15"	18"	21"	24"	27"	30"	33"	36"	39"	42"	
W12		✓	✓	✓	✓	✓	✓	✓	✓	✓	✓	✓
W15	✓	✓	✓	✓	✓	✓	✓	✓	✓	✓	✓	✓
W18	✓	✓	✓	✓	✓	✓	✓	✓	✓	✓	✓	✓
W21		✓	✓	✓	✓	✓	✓	✓	✓	✓	✓	✓
W24	✓	✓	✓	✓	✓	✓	✓	✓	✓	✓	✓	✓
W24 (butt)			✓	✓	✓	✓	✓	✓	✓	✓	✓	✓
W27 (butt)			✓	✓	✓	✓	✓	✓	✓	✓	✓	✓
W30 (butt)	✓	✓	✓	✓	✓	✓	✓	✓	✓	✓	✓	✓
W33 (butt)	✓	✓	✓	✓	✓	✓	✓	✓	✓	✓	✓	✓
W36 (butt)	✓	✓	✓	✓	✓	✓	✓	✓	✓	✓	✓	✓
W39 (CS)	✓	✓	✓	✓	✓	✓	✓	✓	✓	✓	✓	✓
W42 (CS)		✓	✓	✓	✓	✓	✓	✓	✓	✓	✓	✓
W45 (CS)			✓	✓	✓	✓	✓	✓	✓	✓	✓	✓
W48 (CS)			✓	✓	✓	✓	✓	✓	✓	✓	✓	✓
DW	✓	✓	✓		✓	✓	✓	✓	✓	✓	✓	✓

TEXTURED GLASS PANELS PRICING

TEXTURED GLASS PANELS

STYLE	PANEL THICKNESS	HEIGHT		
		12" – 18" TALL	21" – 30" TALL	33" – 42" TALL
Antique	1/8"	220	245	269
Bevel	1/4"	220	245	269
Clear	1/8"	186	206	226
Frost	5/32"	220	245	269
Reeded	5/32"	186	206	226
Seeded	9/32"	346	385	423

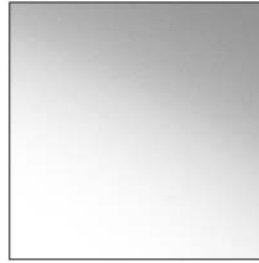
TEXTURED GLASS PANELS

Antique



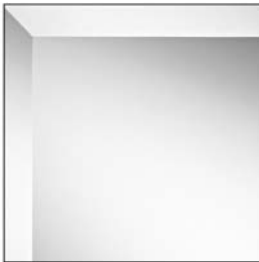
- Glass type: Antique
- Panel thickness: 1/8"

Frost



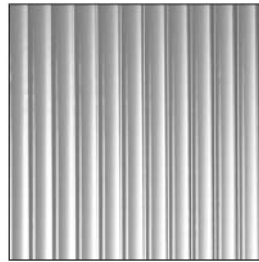
- Glass type: Frost
- Panel thickness: 5/32"

Bevel



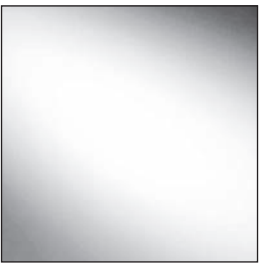
- Glass type: Clear
- Panel thickness: 1/4"
- Not available with Mullion Doors.

Reeded



- Glass type: Reeded
- Panel thickness: 5/32"

Clear



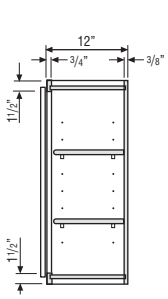
- Glass type: Clear
- Panel thickness: 1/8"

Seeded

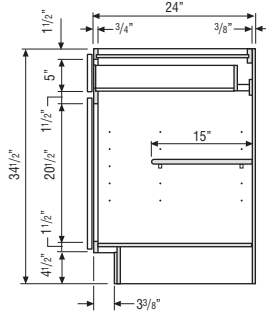


- Glass type: Seeded
- Panel thickness: 9/32"

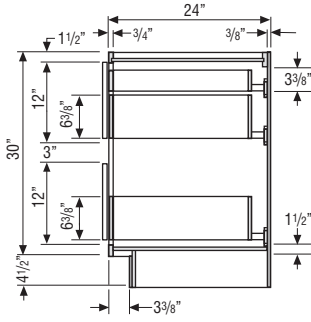
CABINET DIMENSIONS



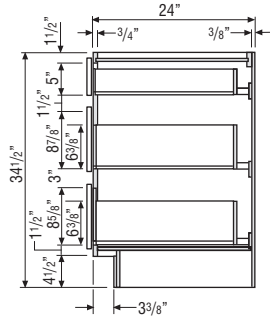
WALL CABINET



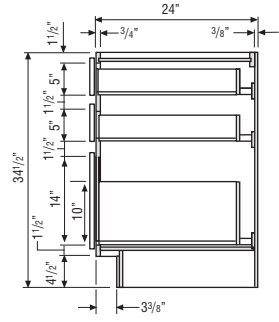
BASE CABINET



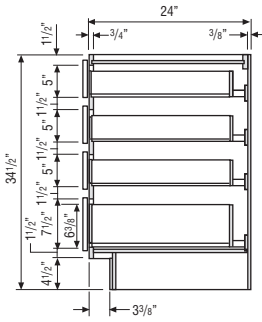
**TWO-DRAWER
BASE CABINET
with ROLL TRAY**



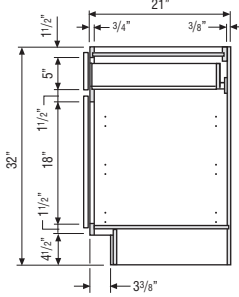
**THREE-DRAWER
BASE CABINET**



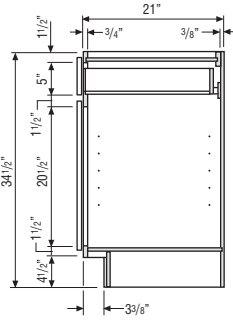
**THREE-DRAWER
BASE CABINET
with DEEP DRAWER**



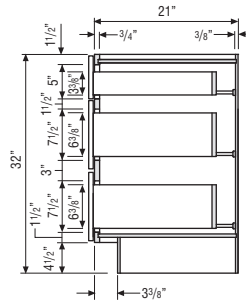
**FOUR-DRAWER
BASE CABINET**



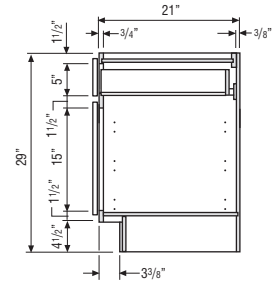
**32" HIGH
VANITY CABINET**



**34 1/2" HIGH
VANITY CABINET**

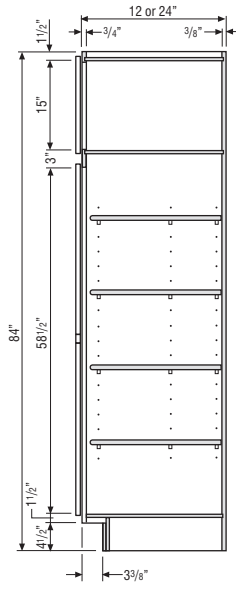


**32" HIGH
VANITY DRAWER
BASE CABINET**

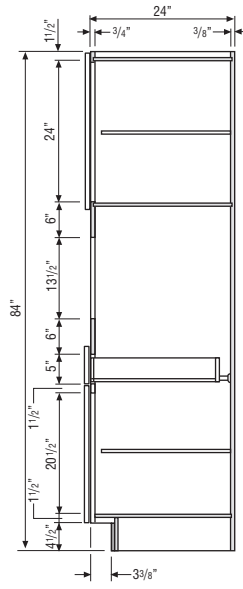


DESK BASE CABINET

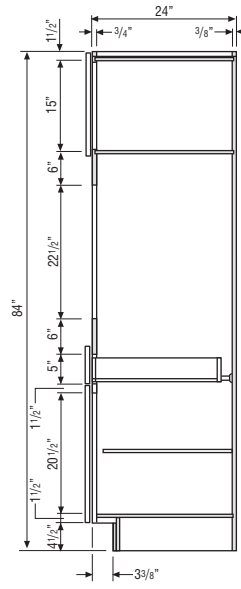
CABINET DIMENSIONS



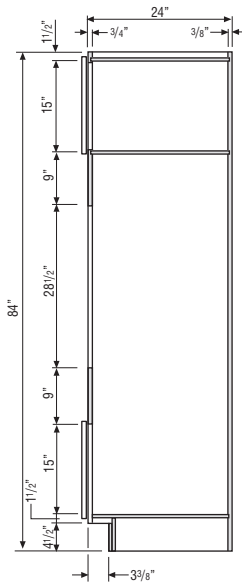
UTILITY CABINET



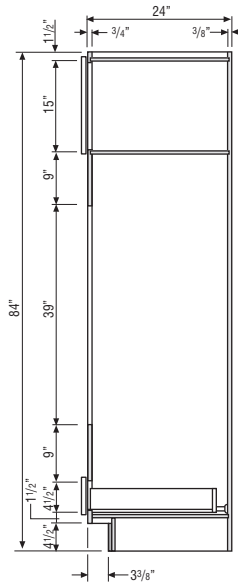
**TALL BUILT-IN
MICROWAVE CABINET**



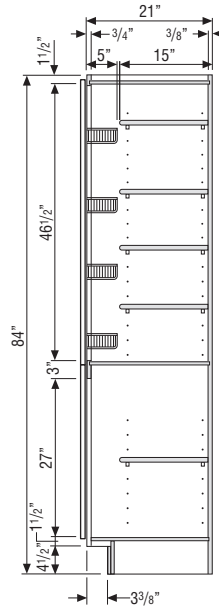
SINGLE OVEN CABINET



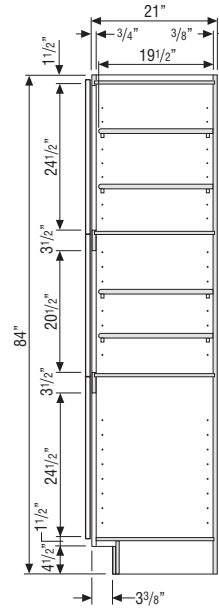
**OVEN MICROWAVE
COMBO CABINET**



DOUBLE OVEN CABINET



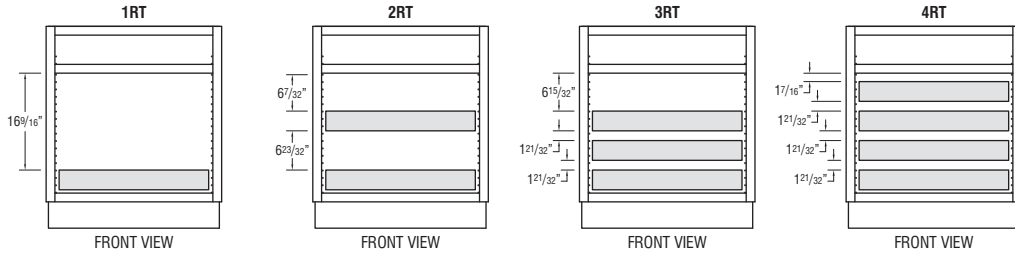
LC/LCRH CABINET



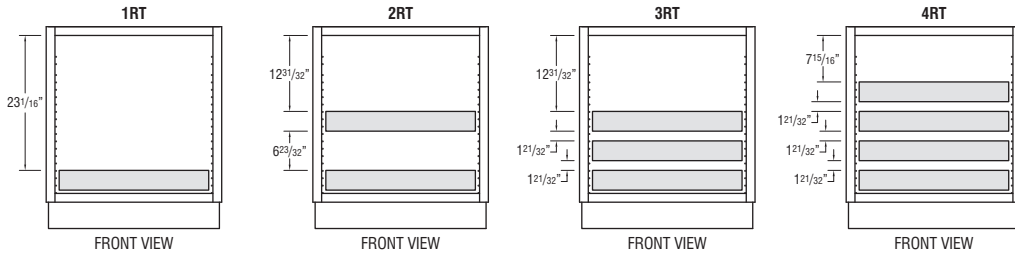
**VANITY UTILITY
CABINET**

CABINET DIMENSIONS

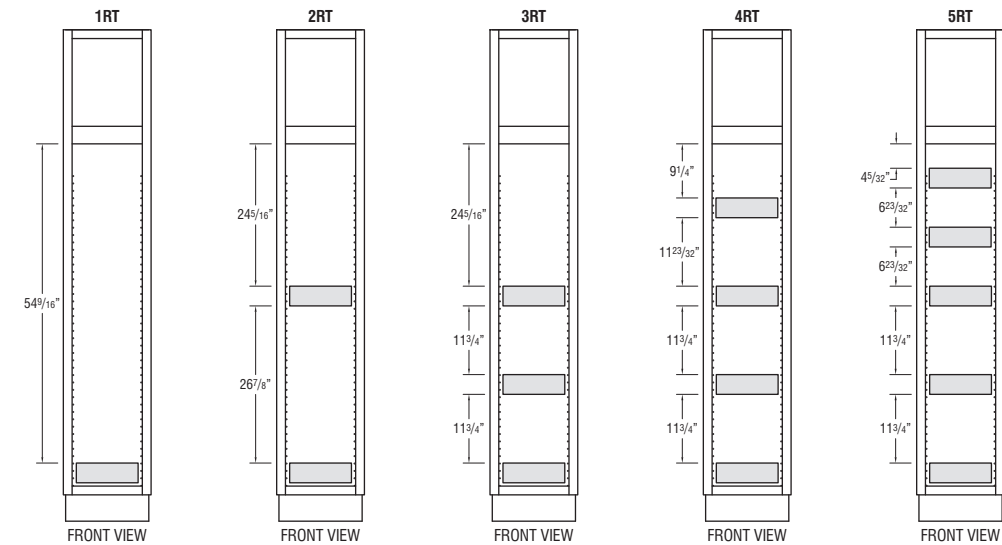
ROLL TRAY POSITIONS



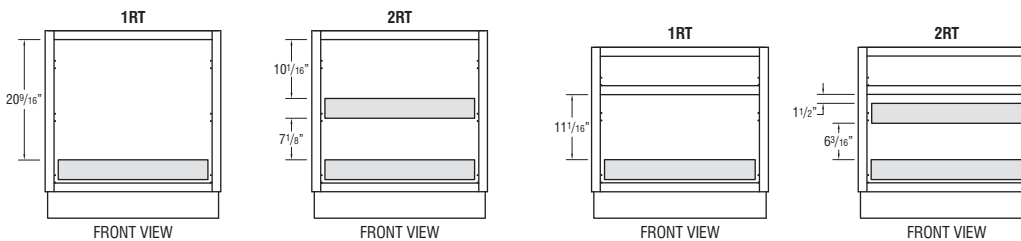
BASE CABINETS AND 34 1/2" HIGH VANITY CABINETS



FULL HEIGHT BASE CABINETS



UTILITY CABINETS



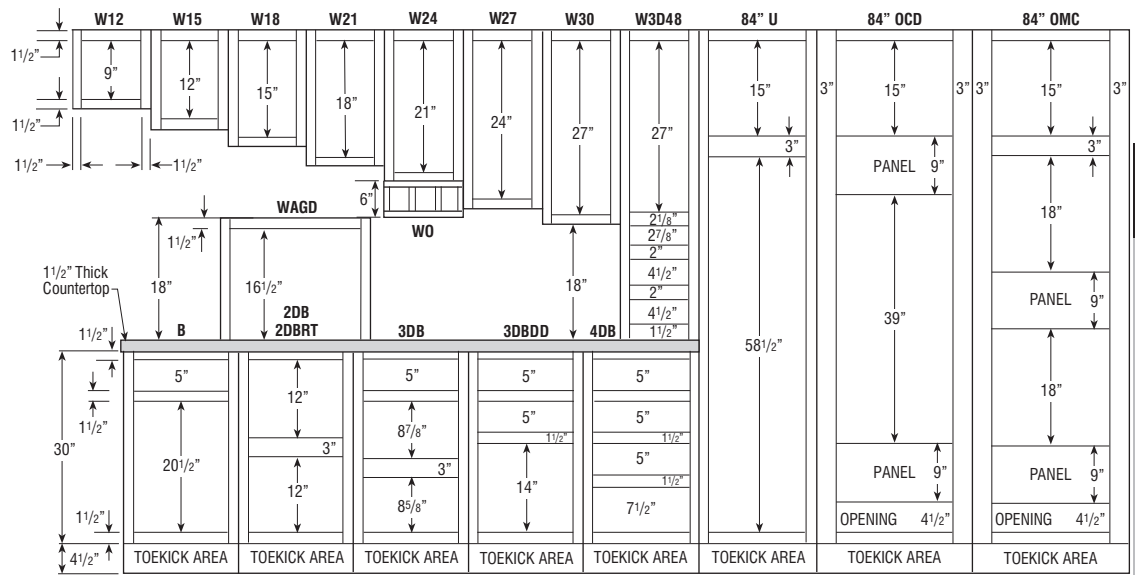
32" HIGH VANITY CABINETS

DESK DOOR DRAWER BASE CABINETS

CABINET DIMENSIONS

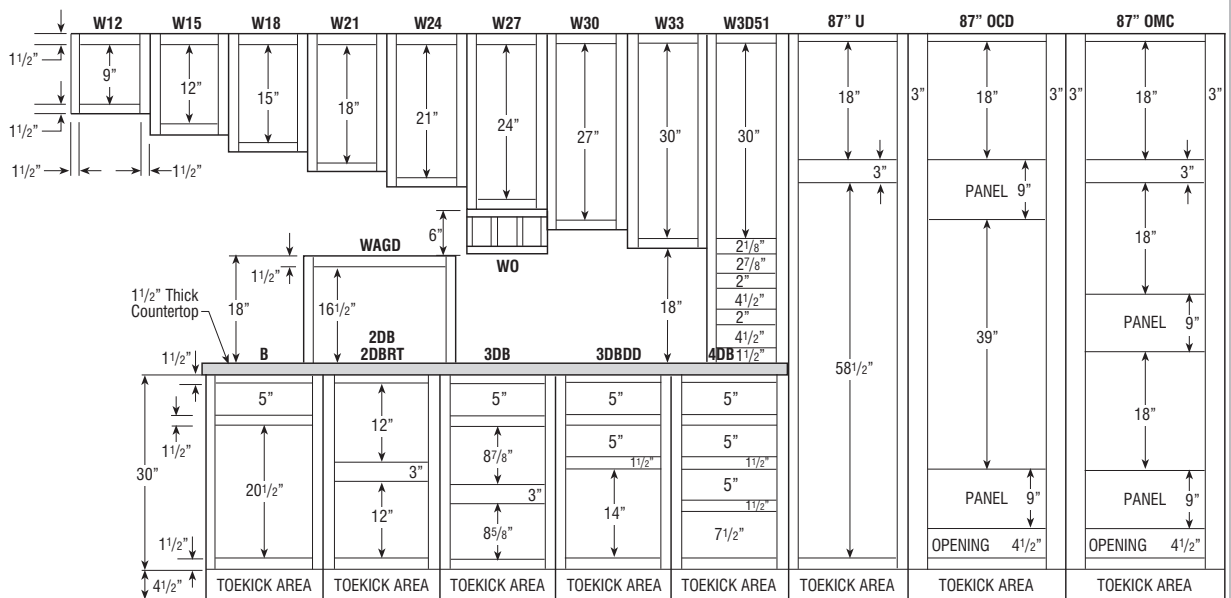
84" HIGH APPLICATION

Number after Wall Cabinet Represents Height of Cabinet



87" HIGH APPLICATION

Number after Wall Cabinet Represents Height of Cabinet



- 1 1/2" Top and Bottom Rails - Wall and Base Cabinets.
- 1 1/2" Vertical Stiles.
- 3" Center Vertical Rails on Wall and Base Cabinets to Divide Double Door Cabinets on 39" Wide and Over.

Full Overlay Door Styles:

- 1/4" Reveal Around Doors (1/4" of Face Frame Shows).
- Frame Opening + 2 1/2" = Door Size for Base/Wall Cabinets.
- 4 1/2" or 5" High Drawer Opening = 6 1/4" Drawer Front.
- 7 1/2" High Drawer Opening = 10" Drawer Front.
- 8 5/8" and 8 7/8" Drawer Opening = 11 3/8" Drawer Front.
- 12" High Drawer Opening = 14 1/2" Drawer Front.
- 14" High Drawer Opening = 16 1/2" Drawer Front.

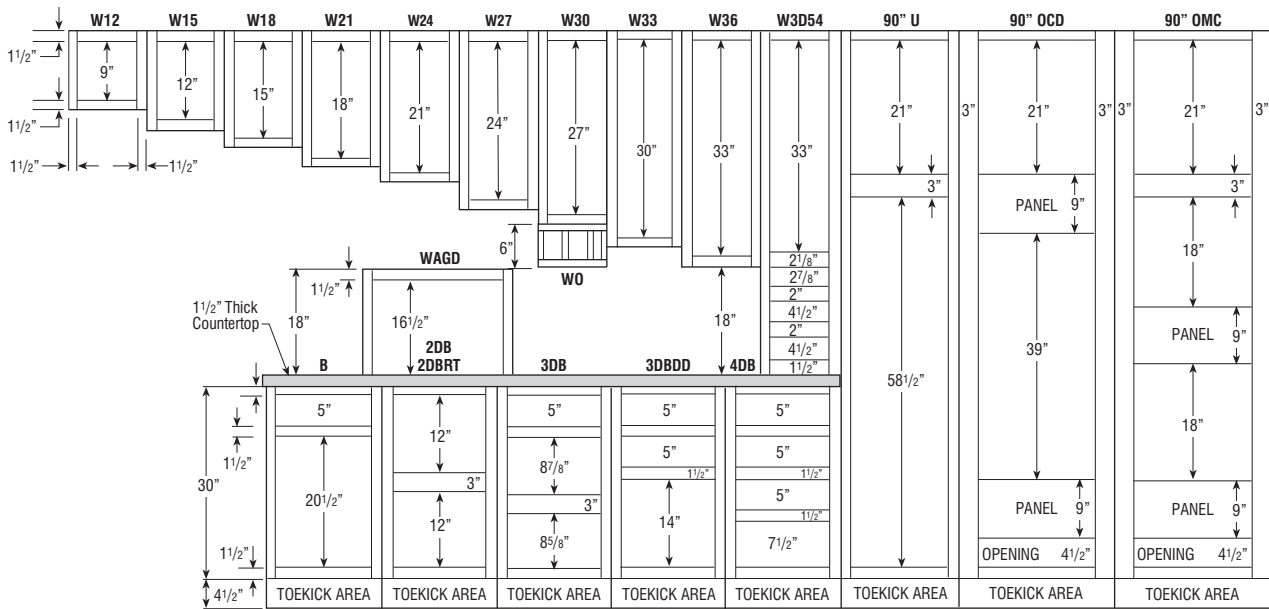
1/2" Overlay Door Styles:

- 1" Reveal Around Doors (1" of Face Frame Shows).
- Frame Opening + 1" = Door Size for Base/Wall Cabinets.
- 4 1/2" or 5" High Drawer Opening = 5 1/2" Drawer Front.
- 7 1/2" High Drawer Opening = 8 1/2" Drawer Front.
- 8 5/8" Drawer Opening = 9 7/8" Drawer Front.
- 8 7/8" Drawer Opening = 10 5/8" Drawer Front.
- 12" High Drawer Opening = 13" Drawer Front.
- 14" High Drawer Opening = 15" Drawer Front.

CABINET DIMENSIONS

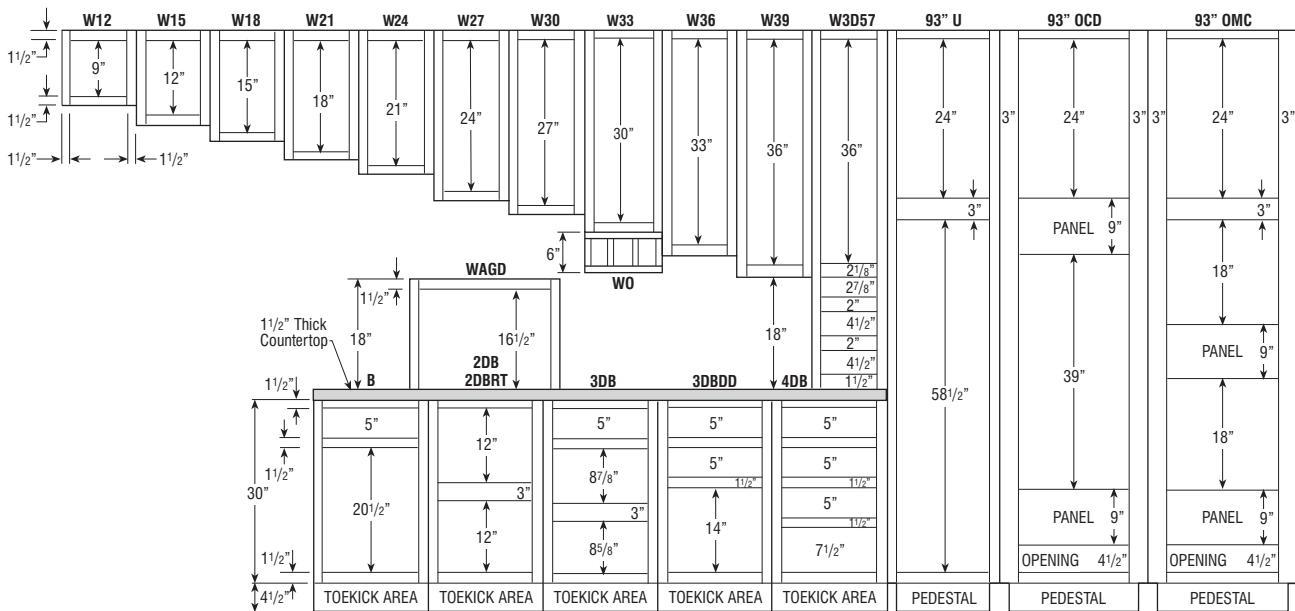
90" HIGH APPLICATION

Number after Wall Cabinet Represents Height of Cabinet



93" HIGH APPLICATION

Number after Wall Cabinet Represents Height of Cabinet



- 1 1/2" Top and Bottom Rails - Wall and Base Cabinets.
- 1 1/2" Vertical Stiles.
- 3" Center Vertical Rails on Wall and Base Cabinets to Divide Double Door Cabinets on 39" Wide and Over.

Full Overlay Door Styles:

- 1/4" Reveal Around Doors (1/4" of Face Frame Shows).
- Frame Opening + 2 1/2" = Door Size for Base/Wall Cabinets.
- 4 1/2" or 5" High Drawer Opening = 6 1/4" Drawer Front.
- 7 1/2" High Drawer Opening = 10" Drawer Front.
- 8 5/8" and 8 7/8" Drawer Opening = 11 3/8" Drawer Front.
- 12" High Drawer Opening = 14 1/2" Drawer Front.
- 14" High Drawer Opening = 16 1/2" Drawer Front.

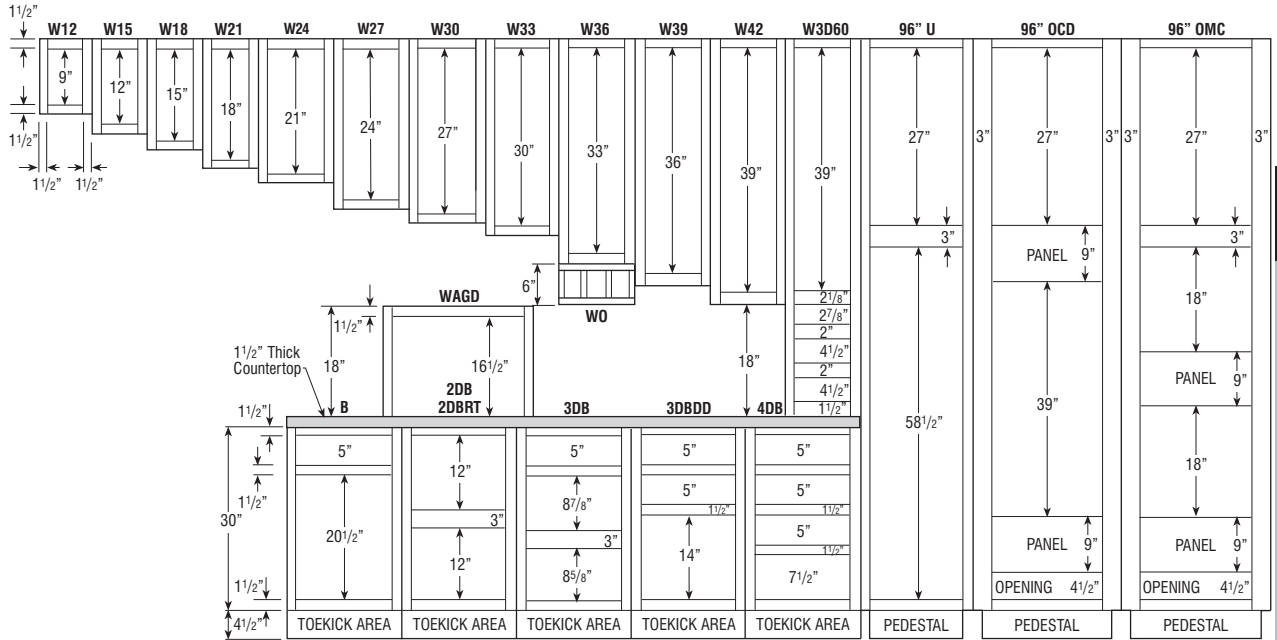
1/2" Overlay Door Styles:

- 1" Reveal Around Doors (1" of Face Frame Shows).
- Frame Opening + 1" = Door Size for Base/Wall Cabinets.
- 4 1/2" or 5" High Drawer Opening = 5 1/2" Drawer Front.
- 7 1/2" High Drawer Opening = 8 1/2" Drawer Front.
- 8 5/8" Drawer Opening = 9 7/8" Drawer Front.
- 8 7/8" Drawer Opening = 10 5/8" Drawer Front.
- 12" High Drawer Opening = 13" Drawer Front.
- 14" High Drawer Opening = 15" Drawer Front.

CABINET DIMENSIONS

96" HIGH APPLICATION

Number after Wall Cabinet Represents Height of Cabinet



- 1 1/2" Top and Bottom Rails - Wall and Base Cabinets.
- 1 1/2" Vertical Stiles.
- 3" Center Vertical Rails on Wall and Base Cabinets to Divide Double Door Cabinets on 39" Wide and Over.

Full Overlay Door Styles:

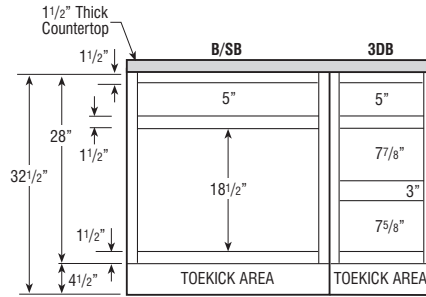
- 1/4" Reveal Around Doors (1/4" of Face Frame Shows).
- Frame Opening + 2 1/2" = Door Size for Base/Wall Cabinets.
- 4 1/2" or 5" High Drawer Opening = 6 1/4" Drawer Front.
- 7 1/2" High Drawer Opening = 10" Drawer Front.
- 8 5/8" and 8 7/8" Drawer Opening = 11 3/8" Drawer Front.
- 12" High Drawer Opening = 14 1/2" Drawer Front.
- 14" High Drawer Opening = 16 1/2" Drawer Front.

1/2" Overlay Door Styles:

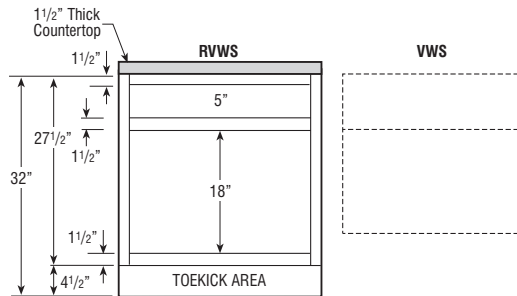
- 1" Reveal Around Doors (1" of Face Frame Shows).
- Frame Opening + 1" = Door Size for Base/Wall Cabinets.
- 4 1/2" or 5" High Drawer Opening = 5 1/2" Drawer Front.
- 7 1/2" High Drawer Opening = 8 1/2" Drawer Front.
- 8 5/8" Drawer Opening = 9 7/8" Drawer Front.
- 8 7/8" Drawer Opening = 10 5/8" Drawer Front.
- 12" High Drawer Opening = 13" Drawer Front.
- 14" High Drawer Opening = 15" Drawer Front.

CABINET DIMENSIONS

32 1/2" HIGH UNIVERSAL ACCESS CABINETS, 24" DEEP



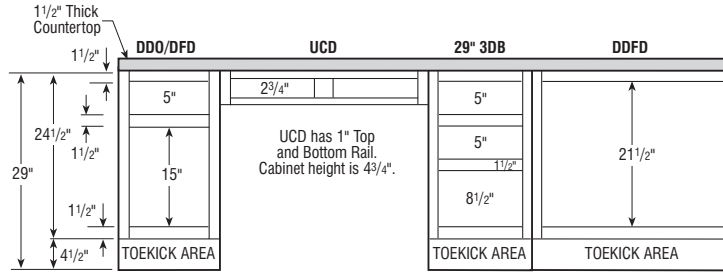
32" HIGH UNIVERSAL ACCESS CABINETS, 21" DEEP



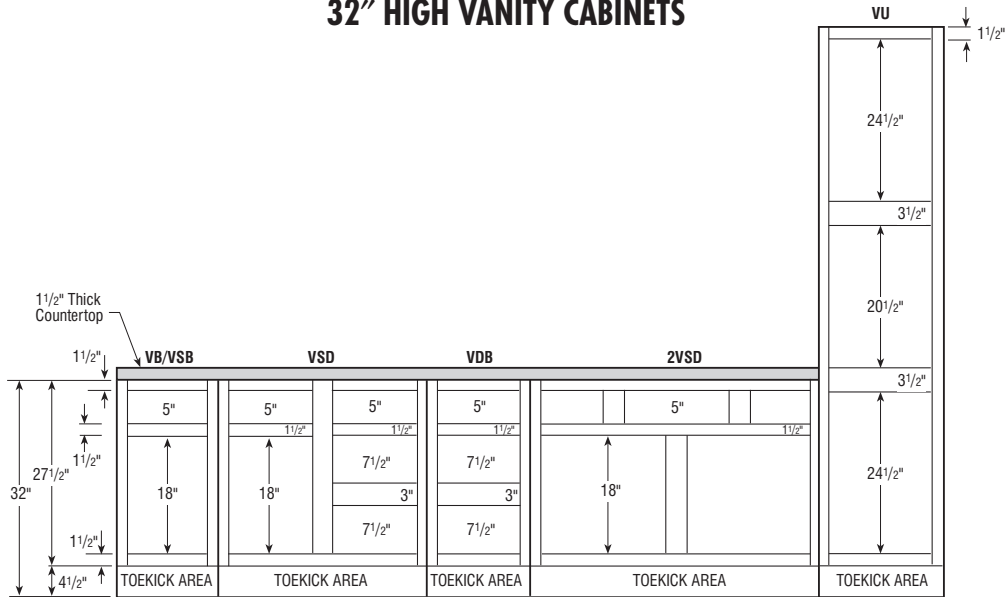
RVWS must be ordered with Vanity Wall Sink (VWS.23). not designed to be a stand-alone unit. See page 148 for more details.

CABINET DIMENSIONS

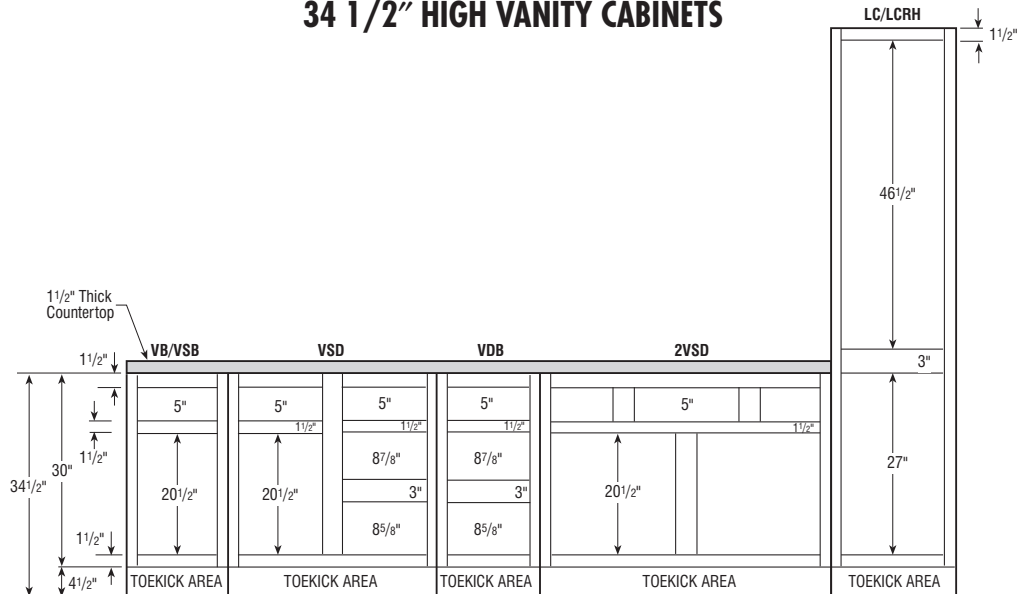
29" HIGH DESK CABINETS



32" HIGH VANITY CABINETS



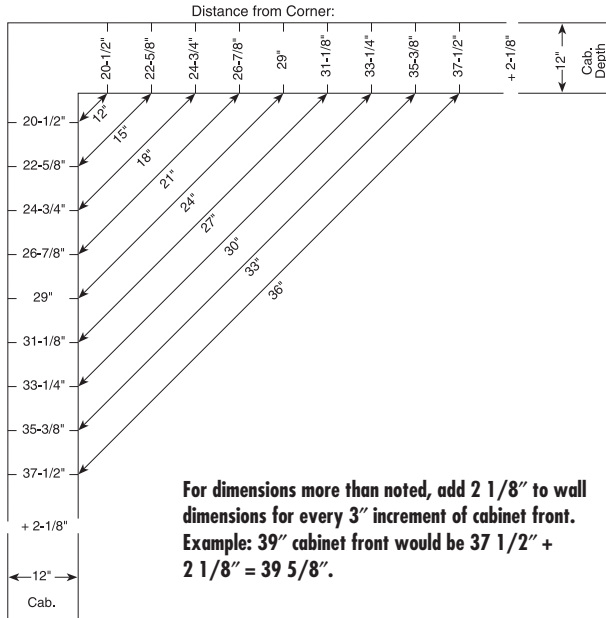
34 1/2" HIGH VANITY CABINETS



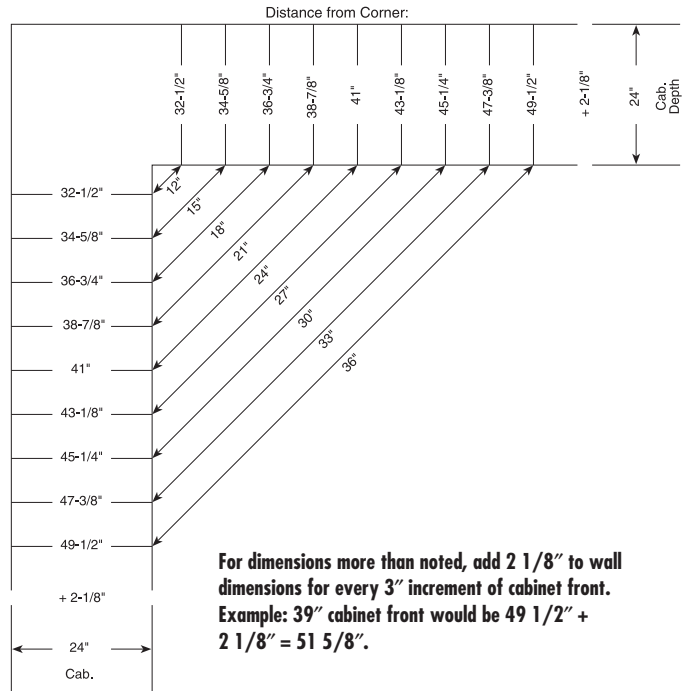
CABINET DIMENSIONS

DIMENSIONS FOR CORNER INSTALLATIONS (45° DIAGONAL)

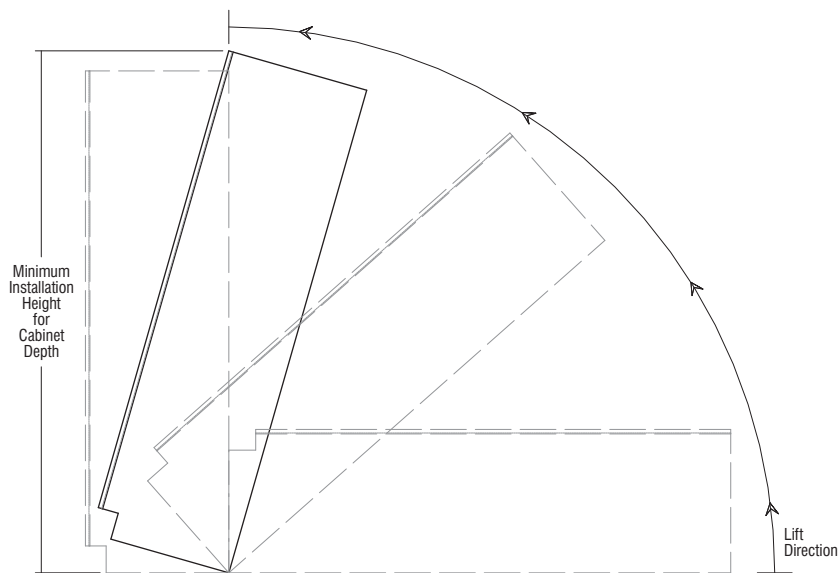
12" DEEP CABINETS



24" DEEP CABINETS



INSTALLATION HEIGHT REQUIREMENTS



Height of ceiling needs to be considered for installation of tall cabinets. Cabinet height below includes toekick area:

Cabinet Height	Minimum Installation Height for Cabinet Depth				
	12"	15"	18"	21"	24"
84"	84 7/8"	85 11/32"	85 15/16"	86 19/32"	87 3/8"
87"	87 27/32"	88 5/16"	88 27/32"	89 1/2"	90 1/4"
90"	90 13/16"	91 1/4"	91 13/16"	92 7/16"	93 5/32"
93"*	89 5/16"	89 25/32"	90 5/16"	90 31/32"	91 23/32"
96"*	92 5/16"	92 3/4"	93 9/32"	93 29/32"	94 5/8"

*Separate pedestal base included with cabinet to be installed after cabinet is in an upright position.

CABINET INSTALLATION INSTRUCTIONS

<https://www.masterbrand.com/installation>

DISCONTINUED PRODUCT POLICY

60 days minimum notice to reps and customers announcing the discontinuation of a product line.

Product will no longer be available for order after the discontinuation date. Only warranty orders will be considered. Even with warranty orders we will have the option to replace customer's defective product with the same discontinued product they originally purchased, or replace all doors originally ordered with a current product that is similar in appearance.

EXPRESS RESPONSE™ POLICY

Kemper Echo's Express Response program is designed to expedite orders when customers need product faster than normal lead times to correct problems with an existing order. Below is an overview of the program and what you can expect from Kemper Echo's commitment to superior service.

GUIDELINES


- Order must be associated with a previous order number.
- All orders received by 12 NOON E.T. Monday-Friday will be automatically scheduled for Express Response that same day. Orders received after the cutoff time will be processed on the next business day.
- Lead time calculation is based on receipt of a clean order on a credit-worthy account. Clean orders are orders in which all information is provided and accurate.
- There is no additional up-charge for Express Response.
- There are no cancellations or returns once order is received.
- Due to the special nature of Special Orders and Appliance Panels, they are excluded from the Express Response program and will be processed as a standard lead time order.
- Express Response is available within the continental United States. Should Alaska, Hawaii or international shipments be required, customer service representatives are ready to assist by providing shipping information and determining lead times.

LEAD TIMES

12 WORKING DAYS OR LESS FROM ORDER TO DELIVERY (channel partner or home delivery agent):

- Items shipped via LTL (via SuperPAC™) or truckload.
- Includes all catalog items except those that can be expedited through the 5-day program listed below.

5 WORKING DAYS FROM ORDER TO DELIVERY

- Qualified items are designated in the Pricing/Specification Guide with an icon 
- Items will ship via parcel ground.
 - Lead time calculation allows for 2 days parcel ground shipping time. Some geographic areas may require additional shipping time.
- For orders containing both 12 day and 5 day items, the longer lead time applies.

KEMPER ECHO CABINETRY'S DESIGN CHECKLIST

CONSTRUCTION OPTIONS

Consider exposed end options:

- Modify exposed cabinet ends to FPEB.
- Apply 1/4" skin to hide 1/4" reveal. This will allow the ends to age uniformly with the rest of the kitchen and will make it flush.
- Apply decorative door kit (BEDSD, WED, TED). This kit includes 1/4" skin, decorative doors, and screws for field installation.

WOOD AND FINISH CHARACTERISTICS

Review specific details with the customer:

- Mineral Streaks, Birdseye Dots, Grain Variations.
- Color Variations/Darkening.
- Finish Variations (Glazes are "consistently inconsistent"), hairline cracks may develop at frame joints on painted frame.
- Underside of cabinets are natural maple laminate. Use light rail or cabinet panel edge and skin to hide, especially when designing with peninsula wall cabinets.

STORAGE SOLUTIONS

Review storage and usage needs with Customer. See page 49 for complete chart.

- Cooking Solutions:
 - Wall Spice Rack Cabinet
- Storage Solutions:
 - SuperCabinet™
 - Pegged Dish Organizer
 - Wall Message Center
- Clean-up Center:
 - Base Wastebasket

CLEARANCES

- Add fillers between end cabinets and walls on full overlay door styles.
- Allow space between door/window trim and end cabinets for countertop and top moulding overhang.
- Include refrigerator door hinges in overall refrigerator height when placing cabinets above it.

Maintain a minimum clearance of 3" by pulling blind corners as follows:

- Full Overlay: 1 1/4", Standard Overlay 1/2". (More is needed in certain situations such as when adjacent to an appliance or when using oversized pulls or knobs.)
- Allow sufficient clearance (3") on each side of accessory cabinets (such as roll-out trays, etc). Doors on these cabinets must open fully for accessories to be functional.
- Ensure the height between the cooktop and range hood is 24" to meet NKBA guidelines.

Qualify customer carefully on upper cabinet/microwave advantages/disadvantages as follows:

- Minimum of 18" from cooktop to upper cabinet/above the range microwave which allows for easy access to either, but less room over back burner.
- Minimum of 21" from cooktop to upper cabinet/microwave which allows for access to large pots on back burner of cooktop, but longer reach to microwave.

FILLERS

- Place fillers toward end of run where least conspicuous if needed.
- Attach overlay fillers on top of the base, wall, or tall fillers when using full overlay door styles to maintain a consistent reveal. Don't forget to include blind corner fillers.
- Add a filler at least 6" wide to accommodate a decorative onlay when the filler is used as valance.

VARYING HEIGHTS AND DEPTHS

- Also increase the depth of a wall cabinet run when you increase the height (so moulding on adjacent cabinet will kill into the side of the taller cabinet).
- Skin the sides of tall cabinets to 1) hide the seam between the toekick pedestal and the cabinet, 2) keep adjacent base and wall cabinets out from reveal of tall cabinet.
- Add increased depth (27"-36") on tall end panels for a built-in look for deep refrigerators.
- Account for the additional support needed for wall cabinets with a depth of 18" or greater. This can be achieved by installing a soffit or end panels.

MATCHING INTERIOR CABINETS/GLASS OPTIONS

- Verify cut-for-glass or mullion door option is available on desired cabinet size. (See pages 32-33 for available cut-for-glass/mullion door sizes.)
- Verify glass insert option is available for desired cut-for-glass door size chosen.
- Verify matching interior option has been selected for all open or glass cabinets.
- Use light rail and skin to hide color variation between bottom of cabinets with and without matching interior.
- Verify mullion door lite grid matches customer expectations.

MOULDINGS

- Verify correct amount of crown moulding has been ordered.
- Order toekick caps.
- Order extra scribe.

ISLANDS AND PENINSULAS

- Consider standard height bars are 34 1/2" tall and require 19" knee space. Raised bars are 42" tall.
- Consider base peninsula cabinets (P) are 24 1/4" deep and require 12" of knee space. Use back panels/doors to flush non-P cabinets with P cabinets.
- Use outside corner moulding if a skin is exposed on the back of the island.

APPLIANCES

- Note for all consumers, appliances are not included with any cabinetry product.
- Do not place dishwashers next to diagonal front cabinet (interference) or next to a range (no countertop support).
- Verify refrigerator door has enough clearance to open beyond 90 degrees so refrigerator drawers can be utilized. Refer to appliance manufacturer's specs.
- Add TF696FH, as it may be required to frame around built-in microwave ovens and other built-in items. Refer to appliance manufacturer's specs.
- Order appliance panels.

SPECIAL CONSIDERATIONS

- Consider V-groove skins and/or decorative doors on exposed cabinet sides in glazed kitchen.

MISCELLANEOUS

- Order full size touch-up kit (mini touch-up kit included with standard sink base).

kitchen planning guidelines

DOOR/ENTRY

- Door opening should be at least 32" wide, requiring a minimum 2' 10" wide door.

DOOR INTERFERENCE

- Entry door should not interfere with safe appliance operation or appliance doors.

DISTANCE BETWEEN WORK CENTERS

- With three work centers, the total distance traveled should not be more than 26' with no single leg of the triangle less than 4' or more than 9'.
- With more than three work centers, each additional travel distance to another work center should be no less than 4' or more than 9'. Each leg is measured from the center-front of the appliance/sink. No work triangle leg should intersect an island/peninsula by more than 12".

SEPARATING WORK CENTERS

- A tall obstacle should not separate two primary work centers. A properly recessed tall corner unit is acceptable.

WORK TRIANGLE TRAFFIC

- Major traffic patterns should not cross through the basic work triangle.

WORK AISLE

- The work aisle should be at least 42" for one cook and at least 48" for multiple cooks.

WALKWAY

- The walkway width should be at least 36".

TRAFFIC CLEARANCE AT SEATING

- Allow 32" of clearance from the table to wall/obstacle if no traffic passes behind a seated diner. If traffic passes behind the diner, allow at least 36" to edge past or 44" to walk past.

SEATING CLEARANCE

- 30" high tables/counters should allow a 24" wide by 18" deep space for each seated diner and at least 18" knee space.
- 36" high counters should allow a 24" wide by 15" deep space for each seated diner and at least 15" kneespace.
- 42" high counters should allow a 24" wide by 12" deep space for each seated diner and at least 12" kneespace.

CLEAN-UP/PREP SINK PLACEMENT

- With only one sink, locate it adjacent to or across from the cooking surface and refrigerator.

CLEAN-UP/PREP SINK LANDING AREA

- Include at least a 24" wide landing space on one side of the sink and 18" on the other.
- If all the countertop at the sink is not the same height, plan a 24" landing space on one side of the sink and 3" of countertop frontage on the other, both at the same height of the sink.

PREPARATION/WORK AREA

- Include a section of countertop at least 36" wide x 24" deep next to the sink for a work area.

DISHWASHER PLACEMENT

- Nearest edge of dishwasher should be within 36" of nearest edge of sink. Provide at least 21" of standing space between the edge of the dishwasher and countertop frontage/appliances/cabinets which are placed at a right angle to the dishwasher.

WASTE RECEPTACLES

- Include at least 2 waste receptacles, one near the sink and the other nearby for recycling.

AUXILIARY SINK

- Provide at least 3" of countertop frontage on one side of the auxiliary sink and 18" on the other side, both at the same height as the sink.

REFRIGERATOR LANDING AREA

- Include at least 15" of landing area on the handle side of the refrigerator, 15" on either side of a side-by-side refrigerator, 15" of landing space which is no more than 48" across from the front of the refrigerator, and 15" above or adjacent to any under-counter style refrigerator.

COOKING SURFACE LANDING AREA

- Include a minimum of 12" of landing area on one side of the cooking surface and 15" on the other.
- If cooking surface is at a different countertop height than the rest of the kitchen, then the 12" and 15" landing areas must be the same height as the cooking surface.
- For safety reasons, in an island or peninsula situation, the countertop should extend a minimum of 9" behind the cooking surface if the counter height is the same height as the cooking surface.

COOKING SURFACE CLEARANCE

- Allow 24" between the cooking surface and a protected noncombustible surface above it.
- At least 30" of clearance is required between the cooking surface and an unprotected/combustible surface above it.
- If a microwave/hood combination is used, then the manufacturer's specifications should be followed.

COOKING SURFACE VENTILATION

- A correctly sized, ducted ventilation system is recommended for all cooking surface appliances. The recommended minimum is 150 CFM.
- Code requires that the manufacturer's specifications be followed. Minimum exhaust rate for a ducted hood is 100 CFM and must be ducted to the outside.
- Make-up air may need to be provided. Refer to local codes.

COOKING SURFACE SAFETY

- Do not locate cooking surface under an operable window.
- Window treatments above cooking surface should not use flammable materials.
- Place a fire extinguisher near the kitchen exit away from cooking equipment.

MICROWAVE OVEN PLACEMENT

- The ideal location for the bottom of the microwave is 3" below the principle user's shoulder, but no more than 54" above the floor.

MICROWAVE LANDING AREA

- Provide at least 15" above, below, or adjacent to the handle side of a microwave oven.

OVEN LANDING AREA

- Include at least 15" next to or above the oven.
- A 15" landing area that is not more than 48" away is also acceptable as long as the oven does not open into a walkway.

COMBINING LANDING AREAS

- If two landing areas are adjacent to one another, determine a new minimum for the two by taking the longer of the two and adding 12".

continued

kitchen planning guidelines (continued)

COUNTERTOP SPACE

- A total of 158" of countertop frontage, 24" deep, with at least 15" clearance above is needed to accommodate all landing, preparation, work, and storage areas.

COUNTERTOP EDGES

- Clipped or round corners, rather than sharp edges, are recommended on all counters.

STORAGE

- The recommended total shelf/drawer frontage for a small kitchen (less than 150 square feet) is 1400", for a medium kitchen (151 to 350 square feet) is 1700", and for a large kitchen (greater than 350 square feet) is 2000".

Sizes:	S	M	L
Wall	300"	360"	360"
Base	520"	615"	660"
Drawer	360"	400"	525"
Pantry	180"	230"	310"
Misc.	40"	95"	145"

- The totals for wall, base, drawer, and pantry shelf/drawer frontage can be adjusted upward or downward as long as the recommended total stays the same.

STORAGE AT CLEAN-UP/PREP SINK

- The recommended total for a small kitchen is 400", a medium kitchen is 480", a large kitchen is 560", and should be located within 72" of the centerline of the main clean-up/prep sink.

CORNER CABINET STORAGE

- At least one corner cabinet should include a functional storage device.

ELECTRICAL RECEPTACLES

- GFCI (Ground-Fault-Circuit-Interrupter) protection is required on all receptacles servicing countertop surfaces within the kitchen.

LIGHTING

- Every work surface should be well illuminated. At least one wall switch-controlled light must be placed at the entrance.
- Window/skylight area, equal to at least 8% of the total square footage of the kitchen, or a total living space which includes a kitchen, is required.

bathroom planning guidelines

DOOR/ENTRY

- Doorway opening should be at least 32", requiring a minimum 2' 10" wide door.

DOOR INTERFERENCE

- The door area should include clear floor space for maneuvering which varies according to the type of door and the direction of the approach.

CEILING HEIGHT

- Bathroom floor to ceiling minimum height is 80". A shower or tub with a shower head shall have a minimum floor to ceiling height of 80" above a minimum area 30" x 30" at the shower head.

CLEAR SPACE

- Plan a clear space of 30" from the front edge of all fixtures to any opposite bath fixture, wall, or obstacle.
- A minimum space of at least 21" is required in front of a lavatory, toilet, bidet, and tub, with a 24" minimum space in front of a shower entry.

SINGLE LAVATORY PLACEMENT

- The distance from the centerline of the lavatory to the sidewall/tall obstacle should be at least 20".
- The minimum distance required is 15". The minimum distance required between a wall and the edge of a lavatory is 4".

DOUBLE LAVATORY PLACEMENT

- The distance between the centerlines of two lavatories should be at least 36".
- The minimum distance required is 30".
- The minimum distance required between the edges of two lavatories is 4".

LAVATORY/VANITY HEIGHT

- The height for a lavatory varies from 32" to 43" to fit the user.

COUNTERTOP EDGES

- Clipped or round corners, rather than sharp edges, are recommended on all counters.

SHOWER SIZE

- The interior shower size should be at least 36" x 36". The minimum interior shower size required is 30" x 30".

STORAGE

- Provide adequate, accessible storage for toiletries, bath linens, grooming and general bathroom supplies.
- Storage of frequently used items should be 15" to 48" above floor.

ELECTRICAL RECEPTACLES

- All GFCI receptacles should be located at electrical appliance points of use.

Load bearing floors and shelves meet KCMA standards of 15 lbs. per square foot. Warranty does not cover overloading beyond this point.

To view a complete and updated list of the NKBA Guidelines, visit <https://nkba.org/info/guidelines>

© Copyright 2007 National Kitchen & Bath Association

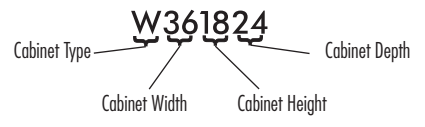
STORAGE SOLUTIONS REFERENCE CHART

Wall Cabinets	Description	3"	6"	9"	12"	15"	18"	21"	24"	27"	30"	33"	36"	39"	42"	45"	48"	Page
WBCPO__OL	Wall Box Column Pull-outs (Overlay)	•	•															96
WMC12__L or R	Wall Message Center	•																100
WSC1818__	Wine Storage Cabinet						•											98
WSP____	Wall Spice Pull-outs			•	•													98
Base Cabinets																		
2DB__RT	Two Drawer Bases w/Roll Tray								•		•		•					134
3DB__WTCD	Three Drawer Bases w/Wood Tiered Cutlery Divider Drawer						•	•	•									134
3DBDD__	Three Drawer Bases w/Deep Drawer								•		•							136
4DB__WTCD	Four Drawer Bases w/Wood Tiered Cutlery Divider Drawer						•	•	•	•								136
B__RTWTCD L or R, B24RTWTCD	Bases w/Wood Tiered Cutlery Divider Drawer and Roll Tray						•	•	•	•								116
B__TDRO L or R	Bases w/Roll-out Tray Divider				•	•												116
B__WTCD L or R, B24WTCD	Bases w/Wood Tiered Cutlery Divider Drawer						•	•	•	•								112
BBCPO_OL	Base Box Column Pull-outs (Overlay)	•	•															140
BPP__	Base Pantry Pull-outs			•	•													138
BPPP24	Base Pats & Pans Pull-out								•									116
BSC_____	SuperCabinet™										•		•					114
BUPP__	Base Utensil Pantry Pull-out			•	•													138
BUPPKB__	Base Utensil Pantry Pull-out w/Knife Block				•	•												140
BWB__	Base Wastebasket						•	•	•									136
BWB__FH	Base Wastebasket Full Height						•	•	•									138
CNTYSB__CM	Country Sink Base w/CabMat™										•	•	•					124
SB__CM	Sink Base CabMat™										•	•	•					118
SB__STCM	Sink Base w/Tilt-out Trays and CabMat™										•	•	•					120
SB36STS	Sink Base SuperCabinet™ w/Tilt-out Trays												•					120
SB36STSCM	Sink Base SuperCabinet™ w/Tilt-out Trays and CabMat™												•					122
Tall Cabinets																		
UOC24__6	Utility Organizer Cabinets		•															164
Vanity Cabinets																		
LC188421 L or R	Linen Closet						•											200
LCRH188421 L or R	Linen Closet w/Removable Hamper						•											202
VP93421	Vanity Pull-out			•														194
Modifications																		
CMAT1	CabMat™										•	•	•					27

• Available widths

WALL CABINET NOMENCLATURE

All Wall Cabinets are 12" deep unless otherwise noted.



MODIFICATIONS GRID KEY

- Available
- STD Standard on these cabinets
- storage Storage Solutions Organization Cabinet
- 5 DAY 5 Day Express Response Item

CUSTOM MODIFICATIONS

Mod.	Description	Mod.	Description
ADDTK*	Add Toekick	FB	Finished Ends
AUTHL	Authentic End - Left	FPEB	Furniture Finished Plywood
AUTHR	Authentic End - Right		End Panels
CBO	Cabinet Box Only	ID	Increased Depth
CCO	Cabinet Case Only	MIP	Matching Interior Plywood
CFNTO	Cabinet Front Only	P	Peninsula
CFRMO	Cabinet Frame Only	RD	Reduced Depth
CND	Cabinet with No Door, with Drawer		

CONSTRUCTION UPGRADES

Mod.	Description
APW	All-plywood Construction
PLE	Plywood Ends

DECORATIVE DOOR OPTIONS

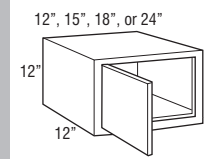
Mod.	Description
CG, CG.BTM, CG.TOP	Cut-for-glass Doors
MD, MD.BTM, MD.TOP	Mullion Doors

NON SMART STOP OPTIONS

Mod.	Description
NSCH	Non Soft-close Door Hinges

*ADDTK available with compatible toekick modifications.

WALL SINGLE DOOR, 12" HIGH

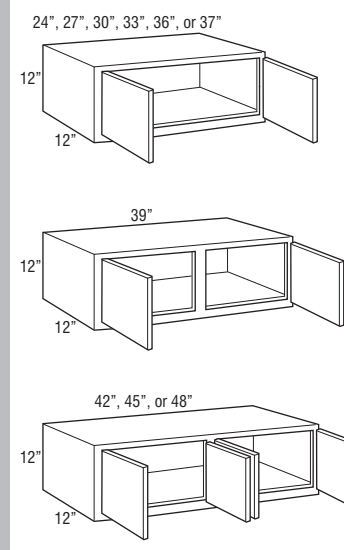


Model	1	2	3	4	5	6	7
W1212L or R	235	246	272	287	301	303	309
W1512L or R	250	263	288	305	320	320	327
W1812L or R	265	279	306	324	340	341	348
W2412 L or R	296	311	343	361	379	380	388



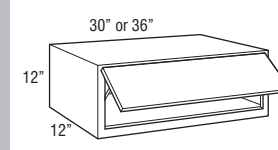
• ADDTK not available on W2412 L or R.

WALL DOUBLE DOOR, 12" HIGH



W2412	299	314	346	365	383	384	392
W2712	318	336	368	389	405	409	418
W3012	304	319	355	371	390	390	399
W3312	318	336	370	389	407	409	418
W3612	338	354	392	412	428	432	442
W3712	347	363	404	423	440	444	454
W3912	354	371	410	431	452	453	463
W4212	370	389	428	452	475	476	486
W4512	386	406	449	474	494	498	508
W4812	475	499	550	581	607	609	622

WALL TOP HINGE SINGLE DOOR, 12" HIGH



WTH3012	382	399	444	463	487	487	498
WTH3612	422	443	489	515	538	540	552

- Utilizes doors from 30" and 36" high wall cabinets. Grain on center panels will run horizontally and door rail configuration on non-miter doors will be unique from adjacent cabinet doors.
- Cabinet may utilize one or two lift mechanisms depending on door size and weight. Door lift mechanism tension can be field adjusted.
- Depth can be reduced to a minimum of 9".
- Lift mechanisms and mounting brackets will be visible if used with transparent textured glass.
- Lift mechanism not available for order for field installation, only available factory installed.

Model	8	9	10	11	12	13	14	15	16	17	18	19	20
W1212L or R	327	343	357	371	393	399	417	421	435	444	465	481	505
W1512L or R	348	364	380	394	417	425	442	447	461	474	498	511	538
W1812L or R	369	387	402	420	443	452	467	473	490	501	528	543	571
W2412L or R	413	431	449	469	495	505	522	528	548	559	589	608	638

Custom Modifications	ADDTK	AUTHL AUTHR	CBO	CCO	CFNTO	CFRMO	CND	FB	FPEB	ID	MIP	P	RD
	•	•		•	•	•		•	•	•	•	•	•

Construction Upgrades	APW	PLE	Decorative Door Options	CG	CG.BTM	CG.TOP	MD	MD.BTM	MD.TOP	Non Smart Stop Options	NSCH
	•	•		•							•

W2412	417	435	454	474	500	510	527	533	554	565	595	614	644
W2712	443	462	481	500	530	540	561	567	589	598	630	649	683
W3012	424	446	462	481	509	520	539	545	564	576	607	623	657
W3312	445	465	484	503	532	542	563	569	591	602	635	653	687
W3612	469	491	511	530	562	572	595	602	624	638	671	689	726
W3712	482	503	524	544	576	588	610	618	640	656	690	707	745
W3912	491	515	535	557	589	598	622	630	654	668	702	723	759
W4212	516	540	562	585	619	629	655	663	687	702	738	757	798
W4512	538	563	585	609	645	657	683	691	716	729	768	790	833
W4812	660	693	721	749	792	807	837	847	879	898	945	970	1020

Custom Modifications	ADDTK	AUTHL AUTHR	CBO	CCO	CFNTO	CFRMO	CND	FB	FPEB	ID	MIP	P	RD
	•	•		•	•	•		•	•	•	•	•	•

Construction Upgrades	APW	PLE	Decorative Door Options	CG	CG.BTM	CG.TOP	MD	MD.BTM	MD.TOP	Non Smart Stop Options	NSCH
	•	•		•							•

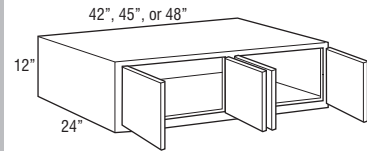
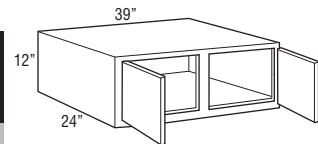
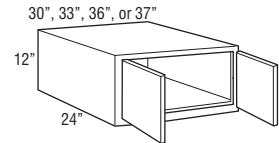
WTH3012	531	557	580	602	637	651	674	682	705	721	758	779	822
WTH3612	587	616	638	663	703	715	744	753	781	797	838	863	908

Custom Modifications	ADDTK	AUTHL AUTHR	CBO	CCO	CFNTO	CFRMO	CND	FB	FPEB	ID	MIP	P	RD
		•		•		•		•	•	•			•

Construction Upgrades	APW	PLE	Decorative Door Options	CG	CG.BTM	CG.TOP	MD	MD.BTM	MD.TOP	Non Smart Stop Options	NSCH
	•	•		•							•

KEMPER® ECHO™ SERIES

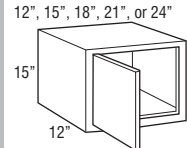
WALL REFRIGERATOR DOUBLE DOOR, 12" HIGH, 24" DEEP



Model	1	2	3	4	5	6	7
W301224	347	365	402	425	446	447	457
W331224	384	403	447	469	490	491	502
W361224	401	422	465	490	515	515	526
W371224	410	431	476	500	527	528	539
W391224	419	440	484	512	535	537	549
W421224	442	462	514	538	562	565	578
W451224	480	503	557	587	615	617	630
W481224	588	618	680	720	754	755	771

- 24" deep cabinets must be fully supported by screws installed in a structural member in the ceiling or soffit, and into adjacent cabinets.
- Load limit is 15 lbs. per square foot of load bearing surface.

WALL SINGLE DOOR, 15" HIGH

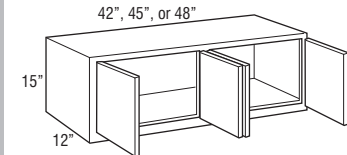
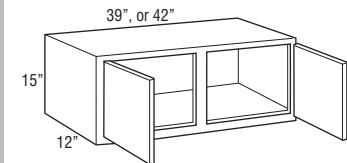
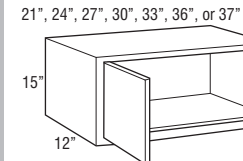


W1215L or R	256	269	296	312	326	327	334
W1515L or R	272	285	316	331	346	347	355
W1815L or R	288	304	336	353	368	370	378
W2115 L or R	296	311	343	360	378	379	387
W2415 L or R	304	319	354	372	389	391	399



- ADDTK not available on W2115 L or R and W2415 L or R.

WALL DOUBLE DOOR, 15" HIGH



W2115	299	314	346	364	382	383	391
W2415	307	322	358	376	393	395	403
W2715	318	336	368	389	405	409	418
W3015	327	343	380	399	419	420	429
W3315	344	363	400	422	442	443	453
W3615	363	383	421	445	461	466	476
W3715	374	392	431	457	471	479	489
W3915	380	398	442	463	484	487	498
W4215CS	378	398	438	464	485	487	498
W4215	398	419	461	488	511	513	524
W4515	418	439	483	511	532	536	548
W4815	511	536	593	624	653	655	669



- W4215CS has two doors. W4215 has four doors.
- ADDTK not available on W4215CS.

Model	8	9	10	11	12	13	14	15	16	17	18	19	20
W301224	485	507	527	550	582	592	615	622	644	658	694	711	749
W331224	535	561	583	607	641	652	677	685	711	725	764	785	827
W361224	559	587	610	635	672	685	710	718	745	759	800	823	866
W371224	572	599	624	649	687	701	727	735	763	776	818	841	885

W391224	582	610	632	657	696	710	737	745	775	788	832	853	900
----------------	-----	-----	-----	-----	-----	-----	-----	-----	-----	-----	-----	-----	-----

W421224	615	643	668	694	735	749	778	787	816	833	876	901	947
W451224	667	699	727	756	800	814	846	856	888	904	952	980	1032
W481224	818	857	893	930	984	1001	1040	1052	1091	1113	1172	1202	1265

Custom Modifications	ADDTK	AUTHL AUTHR	CBO	CCO	CFNTO	CFRMO	CND	FB	FPEB	ID	MIP	P	RD
	•	•		•	•	•		•	•		•		•

Construction Upgrades	APW	PLE	Decorative Door Options	CG	CG.BTM	CG.TOP	MD	MD.BTM	MD.TOP	Non Smart Stop Options	NSCH
	•	•		•							•

W1215L or R	355	371	387	402	426	434	451	456	475	481	507	523	551
W1515L or R	379	396	413	428	453	461	480	485	503	513	540	556	585
W1815L or R	400	421	435	453	481	490	510	516	535	544	572	589	619
W2115L or R	412	430	446	464	492	504	521	527	548	556	586	603	635
W2415L or R	423	445	461	480	509	519	539	545	565	575	606	623	655

Custom Modifications	ADDTK	AUTHL AUTHR	CBO	CCO	CFNTO	CFRMO	CND	FB	FPEB	ID	MIP	P	RD
	•	•		•	•	•		•	•		•		•

Construction Upgrades	APW	PLE	Decorative Door Options	CG	CG.BTM	CG.TOP	MD	MD.BTM	MD.TOP	Non Smart Stop Options	NSCH
	•	•		•							•

W2115	416	434	451	469	497	509	526	532	554	562	592	609	641
W2415	427	449	466	485	514	524	544	550	571	581	612	629	662
W2715	443	462	481	500	530	540	561	567	589	598	630	649	683
W3015	455	478	497	516	547	557	579	585	607	618	650	670	704
W3315	481	504	522	542	574	587	608	615	639	652	686	704	741
W3615	505	529	551	571	605	617	641	648	672	684	721	740	779
W3715	519	542	565	586	621	631	658	665	689	700	738	759	799

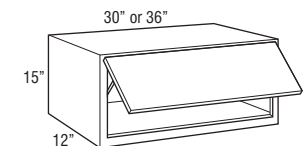
W3915	529	556	576	598	634	647	671	679	703	720	756	778	818
W4215CS	528	554	576	598	633	643	670	677	703	717	754	773	814

W4215	556	583	606	629	666	677	705	713	740	755	794	814	857
W4515	581	607	631	657	695	706	735	743	772	785	827	851	895
W4815	711	745	775	806	854	868	905	915	948	966	1016	1043	1097

Custom Modifications	ADDTK	AUTHL AUTHR	CBO	CCO	CFNTO	CFRMO	CND	FB	FPEB	ID	MIP	P	RD
	•	•		•	•	•		•	•		•		•

Construction Upgrades	APW	PLE	Decorative Door Options	CG	CG.BTM	CG.TOP	MD	MD.BTM	MD.TOP	Non Smart Stop Options	NSCH
	•	•		•							•

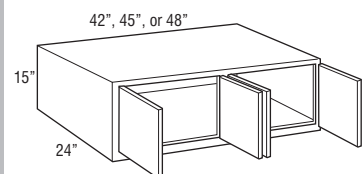
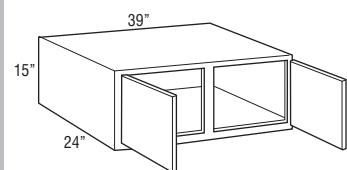
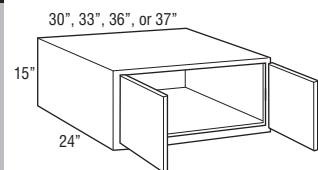
WALL TOP HINGE SINGLE DOOR, 15" HIGH



Model	1	2	3	4	5	6	7
WTH3015	410	429	476	500	523	525	536
WTH3615	454	478	526	556	579	583	595

- Utilizes doors from 30" and 36" high wall cabinets. Grain on center panels will run horizontally and door rail configuration on non-miter doors will be unique from adjacent cabinet doors.
- Cabinet may utilize one or two lift mechanisms depending on door size and weight. Door lift mechanism tension can be field adjusted.
- Depth can be reduced to a minimum of 9".
- Lift mechanisms and mounting brackets will be visible if used with transparent textured glass.
- Lift mechanism not available for order for field installation, only available factory installed.

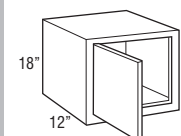
WALL REFRIGERATOR DOUBLE DOOR, 15" HIGH, 24" DEEP



W301524	374	393	433	455	478	479	489
W331524	393	413	455	480	501	503	514
W361524	414	434	481	505	529	531	543
W371524	424	445	493	520	543	545	557
W391524	433	455	503	528	554	555	567
W421524	469	491	545	579	602	606	619
W451524	490	515	569	602	626	632	645
W481524	602	632	700	737	771	775	791

- 24" deep cabinets must be fully supported by screws installed in a structural member in the ceiling or soffit, and into adjacent cabinets.
- Load limit is 15 lbs. per square foot of load bearing surface.

WALL SINGLE DOOR, 18" HIGH



W1218L or R	245	258	286	301	315	315	322
W1518L or R	260	273	303	318	334	336	343
W1818L or R	277	290	320	338	354	354	362
W2118L or R	292	307	342	359	375	376	385
W2418 L or R	294	310	344	363	379	382	390

- MD not available on W1218 L or R, W2118 L or R, and W2418 L or R.

Model	8	9	10	11	12	13	14	15	16	17	18	19	20
WTH3015	569	596	620	645	683	696	723	731	758	772	812	836	880
WTH3615	631	662	687	714	756	771	801	810	839	854	902	928	974

Custom Modifications	ADDTK	AUTHL AUTHR	CBO	CCO	CFNTD	CFRMO	CND	FB	FPEB	ID	MIP	P	RD
	•			•		•		•	•	•	•		•

Construction Upgrades	APW	PLE	Decorative Door Options						Non Smart Stop Options	
	•	•	CG	CG.BTM	CG.TOP	MD	MD.BTM	MD.TOP	NSCH	•
			•							

W301524	519	545	565	589	623	635	659	666	694	704	741	764	804
W331524	547	573	595	619	656	669	695	703	728	744	782	806	848
W361524	576	603	626	652	691	702	731	739	767	782	824	845	889
W371524	591	619	641	668	708	719	749	758	787	802	844	865	910
W391524	602	631	657	684	724	735	766	775	804	818	863	885	933
W421524	655	687	714	743	787	801	833	842	874	890	937	963	1013
W451524	684	716	745	775	820	834	868	878	910	929	975	1006	1058
W481524	838	880	913	952	1008	1024	1067	1079	1119	1140	1200	1231	1296

Custom Modifications	ADDTK	AUTHL AUTHR	CBO	CCO	CFNTD	CFRMO	CND	FB	FPEB	ID	MIP	P	RD
	•	•		•	•	•		•	•		•		•

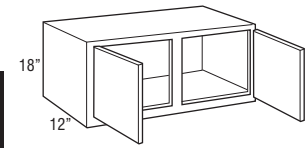
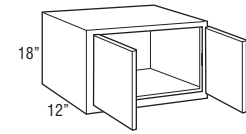
Construction Upgrades	APW	PLE	Decorative Door Options						Non Smart Stop Options	
	•	•	CG	CG.BTM	CG.TOP	MD	MD.BTM	MD.TOP	NSCH	•
			•							

W1218L or R	343	359	372	387	409	419	433	438	455	463	488	501	528
W1518L or R	363	383	395	412	435	445	460	465	483	491	518	531	559
W1818L or R	384	402	419	434	459	467	486	491	511	519	546	563	593
W2118L or R	410	428	445	461	488	499	517	523	542	554	583	598	630
W2418 L or R	414	432	449	466	494	503	523	529	547	559	589	606	638

Custom Modifications	ADDTK	AUTHL AUTHR	CBO	CCO	CFNTD	CFRMO	CND	FB	FPEB	ID	MIP	P	RD
	•	•		•	•	•		•	•	•	•		•

Construction Upgrades	APW	PLE	Decorative Door Options						Non Smart Stop Options	
	•	•	CG	CG.BTM	CG.TOP	MD	MD.BTM	MD.TOP	NSCH	•
			•			•				

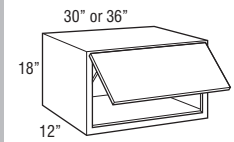
WALL DOUBLE DOOR, 18" HIGH



Model	1	2	3	4	5	6	7
W2418	326	343	379	398	418	419	428
W2718	338	354	390	411	428	431	440
W3018	355	372	410	431	452	453	463
W3318	369	387	426	450	470	474	484
W3618	386	406	450	474	496	498	509
W3718	395	416	461	485	509	511	522
W3918	407	427	474	497	520	522	533
W4218	427	450	498	523	545	550	562
W4518	447	469	519	544	569	571	584
W4818CS	520	548	610	643	674	677	692

• MD available only on W3018 and W3618.

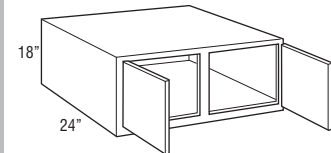
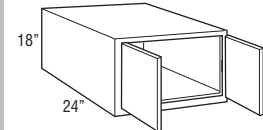
WALL TOP HINGE SINGLE DOOR, 18" HIGH



Model	1	2	3	4	5	6	7
WTH3018	444	465	512	540	565	567	580
WTH3618	483	507	562	591	619	620	634

- Utilizes doors from 30" and 36" high wall cabinets. Grain on center panels will run horizontally and door rail configuration on non-miter doors will be unique from adjacent cabinet doors.
- Door stay tension can be field adjusted.
- Cabinet may utilize one or two lift mechanisms depending on door size and weight. Door lift mechanism tension can be field adjusted.
- Depth can be reduced to a minimum of 9".
- Lift mechanisms and mounting brackets will be visible if used with transparent textured glass.
- Lift mechanism not available for order for field installation, only available factory installed.

WALL REFRIGERATOR DOUBLE DOOR, 18" HIGH, 24" DEEP



W301824	401	422	466	491	515	516	528
W331824	420	441	487	514	538	539	551
W361824	443	463	514	539	563	566	579
W371824	455	476	527	552	576	580	593
W391824	461	485	538	565	594	594	608
W421824	487	512	564	595	622	624	638
W451824	566	595	658	694	724	728	744
W481824CS	631	665	737	776	813	816	834

- 24" deep cabinets must be fully supported by screws installed in a structural member in the ceiling or soffit, and into adjacent cabinets.
- Load limit is 15 lbs. per square foot of load bearing surface.

Model	8	9	10	11	12	13	14	15	16	17	18	19	20
W2418	453	477	496	515	545	554	576	583	604	617	649	668	702
W2718	466	490	510	529	560	570	593	600	622	637	670	688	725
W3018	491	515	535	557	589	598	623	631	655	669	703	723	759
W3318	512	538	558	581	615	624	651	658	683	695	731	754	793
W3618	540	565	587	610	646	658	684	692	719	732	771	791	834
W3718	555	579	601	625	662	676	700	708	737	750	792	809	853
W3918	566	593	618	642	680	693	720	728	755	768	809	834	877
W4218	595	623	649	675	714	726	755	764	792	809	851	875	919
W4518	621	651	676	703	744	758	788	797	827	841	885	912	962
W4818CS	735	773	803	836	887	905	940	951	989	1010	1064	1091	1150

Custom Modifications	ADDTK	AUTHL AUTHR	CBO	CCO	CFNTD	CFRMO	CND	FB	FPEB	ID	MIP	P	RD
	•	•		•	•	•		•	•	•	•	•	•

Construction Upgrades	APW	PLE	Decorative Door Options	CG	CG.BTM	CG.TOP	MD	MD.BTM	MD.TOP	Non Smart Stop Options	NSCH
	•	•		•			•				•

WTH3018	616	643	670	696	737	750	779	788	818	835	879	904	950
WTH3618	675	707	733	761	806	824	854	864	898	913	964	988	1041

Custom Modifications	ADDTK	AUTHL AUTHR	CBO	CCO	CFNTD	CFRMO	CND	FB	FPEB	ID	MIP	P	RD
		•		•		•		•	•	•			•

Construction Upgrades	APW	PLE	Decorative Door Options	CG	CG.BTM	CG.TOP	MD	MD.BTM	MD.TOP	Non Smart Stop Options	NSCH
	•	•		•							•

W301824	561	587	610	635	672	685	711	719	747	759	800	823	866
W331824	584	614	637	660	700	712	741	750	779	794	836	858	905
W361824	615	644	669	696	737	750	780	789	818	834	878	903	950
W371824	630	660	686	713	755	770	800	809	838	854	900	925	972

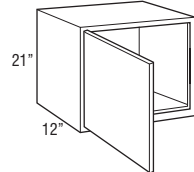
W391824	647	677	703	732	776	787	822	831	863	876	921	950	1000
W421824	677	712	739	770	815	830	863	872	905	919	969	998	1050
W451824	790	826	858	893	946	963	1001	1012	1049	1069	1126	1158	1221
W481824CS	887	933	969	1010	1070	1089	1132	1146	1192	1215	1281	1317	1387

Custom Modifications	ADDTK	AUTHL AUTHR	CBO	CCO	CFNTD	CFRMO	CND	FB	FPEB	ID	MIP	P	RD
	•	•		•	•	•		•	•		•		•

Construction Upgrades	APW	PLE	Decorative Door Options	CG	CG.BTM	CG.TOP	MD	MD.BTM	MD.TOP	Non Smart Stop Options	NSCH
	•	•		•							•

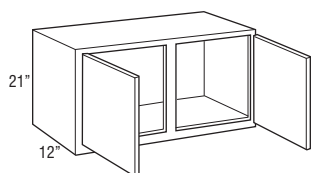
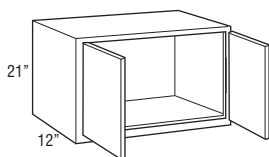
WALL SINGLE DOOR, 21" HIGH

12", 15", 18", 21", or 24"



Model	1	2	3	4	5	6	7
W1221L or R	265	278	307	326	339	343	350
W1521L or R	272	285	315	331	348	349	357
W1821L or R	291	306	340	358	374	375	384
W2121L or R	317	333	369	389	407	409	418
W2421 L or R	345	363	400	422	443	444	454

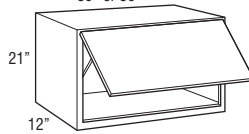
WALL DOUBLE DOOR, 21" HIGH



W2421	382	399	443	461	485	485	496
W2721	386	406	449	470	494	495	506
W3021	390	410	453	476	499	500	511
W3321	407	427	474	499	522	524	535
W3621	426	448	496	522	545	547	559
W3721	436	459	508	534	557	559	571
W3921	450	474	524	550	576	576	589
W4221	474	498	547	580	606	608	621
W4521	490	515	569	603	627	635	648
W4821CS	579	609	676	714	750	753	769

WALL TOP HINGE SINGLE DOOR, 21" HIGH

30" or 36"



WTH3021	565	594	657	689	723	725	740
WTH3621	619	650	719	756	792	795	812

- Utilizes doors from 30" and 36" high wall cabinets. Grain on center panels will run horizontally and door rail configuration on non-miter doors will be unique from adjacent cabinet doors.
- Lid stay hinge will be installed on the left side of the cabinet.
- Cabinet may utilize one or two lift mechanisms depending on door size and weight. Door lift mechanism tension can be field adjusted.
- Depth can be reduced to a minimum of 9".
- Lift mechanisms and mounting brackets will be visible if used with transparent textured glass.
- Lift mechanism not available for order for field installation, only available factory installed.

Model	8	9	10	11	12	13	14	15	16	17	18	19	20
W1221L or R	369	387	401	420	443	451	467	473	493	501	529	542	570
W1521L or R	379	396	413	427	453	461	481	486	504	514	540	556	585
W1821L or R	409	425	444	460	488	499	517	523	542	555	583	597	629
W2121L or R	443	463	483	501	531	540	562	569	590	602	635	650	684
W2421 L or R	481	503	524	544	575	587	608	615	640	651	685	704	741

Custom Modifications	ADDTK	AUTHL AUTHR	CBO	CCO	CFNTO	CFRMO	CND	FB	FPEB	ID	MIP	P	RD
	•	•		•	•	•		•	•	•	•	•	•

Construction Upgrades	APW	PLE	Decorative Door Options	CG	CG.BTM	CG.TOP	MD	MD.BTM	MD.TOP	Non Smart Stop Options	NSCH
	•	•		•							•

W2421	529	555	574	598	634	645	672	680	704	719	755	778	818
W2721	537	562	585	609	644	657	680	688	715	729	767	790	833
W3021	542	568	591	616	651	663	688	696	723	736	775	798	839
W3321	566	593	618	642	681	695	721	729	756	770	810	834	877
W3621	593	622	648	674	714	724	755	764	791	807	849	874	918
W3721	606	637	663	690	730	741	771	780	808	826	869	895	939

W3921	626	657	683	710	752	766	797	806	836	852	897	919	969
W4221	658	689	719	747	790	806	836	846	878	894	940	967	1017
W4521	685	719	747	776	823	837	872	882	913	931	979	1008	1061
W4821CS	816	856	892	929	985	1006	1044	1056	1097	1117	1177	1213	1278

Custom Modifications	ADDTK	AUTHL AUTHR	CBO	CCO	CFNTO	CFRMO	CND	FB	FPEB	ID	MIP	P	RD
	•	•		•	•	•		•	•	•	•	•	•

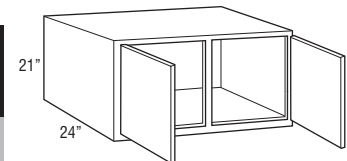
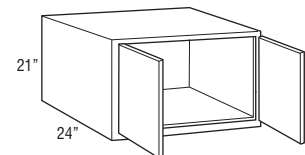
Construction Upgrades	APW	PLE	Decorative Door Options	CG	CG.BTM	CG.TOP	MD	MD.BTM	MD.TOP	Non Smart Stop Options	NSCH
	•	•		•							•

WTH3021	785	825	856	892	943	962	997	1009	1047	1069	1124	1156	1218
WTH3621	860	903	939	978	1034	1049	1093	1106	1147	1171	1230	1266	1332

Custom Modifications	ADDTK	AUTHL AUTHR	CBO	CCO	CFNTO	CFRMO	CND	FB	FPEB	ID	MIP	P	RD
		•		•		•		•	•	•			•

Construction Upgrades	APW	PLE	Decorative Door Options	CG	CG.BTM	CG.TOP	MD	MD.BTM	MD.TOP	Non Smart Stop Options	NSCH
	•	•		•							•

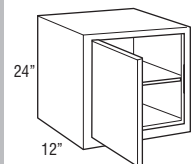
WALL REFRIGERATOR DOUBLE DOOR, 21" HIGH, 24" DEEP



Model	1	2	3	4	5	6	7
W302124	446	467	516	540	568	568	581
W332124	462	486	539	568	594	597	610
W362124	486	511	563	594	621	623	637
W372124	498	523	576	606	635	637	651
W392124	514	539	597	625	657	657	672
W422124	539	566	624	659	689	694	708
W452124	559	589	649	687	716	722	737
W482124CS	661	696	774	817	856	859	879

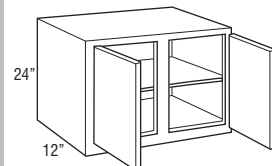
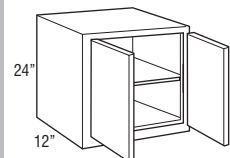
- 24" deep cabinets must be fully supported by screws installed in a structural member in the ceiling or soffit, and into adjacent cabinets.
- Load limit is 15 lbs. per square foot of load bearing surface.

WALL SINGLE DOOR, 24" HIGH



W1224L or R	272	285	317	337	348	353	360
W1524L or R	282	294	324	343	359	360	368
W1824L or R	302	316	349	369	385	387	396
W2124L or R	327	343	382	400	420	421	430
W2424 L or R	356	373	414	434	455	457	467

WALL DOUBLE DOOR, 24" HIGH



W2424	392	412	455	478	500	501	512
W2724	402	422	466	491	516	516	528
W3024	422	444	490	517	540	543	555
W3324	443	463	514	539	563	566	579
W3624	463	487	540	568	595	597	610
W3724	475	499	554	583	610	613	626
W3924	487	512	566	596	622	625	639
W4224	515	540	596	626	655	658	672
W4524	537	563	621	654	685	687	702
W4824CS	631	665	737	777	813	817	835

- MD available only on W3024 and W3624.

Model	8	9	10	11	12	13	14	15	16	17	18	19	20
W302124	618	648	674	701	742	756	784	793	824	837	881	909	956
W332124	647	676	703	732	776	791	822	831	863	878	924	950	1000
W362124	676	710	738	768	812	826	858	868	903	917	967	993	1046
W372124	691	728	756	787	830	845	876	886	923	937	988	1016	1069
W392124	714	749	778	809	857	873	908	918	952	971	1022	1047	1103
W422124	750	785	818	852	902	918	954	964	1002	1017	1071	1104	1162
W452124	781	818	851	884	937	954	992	1003	1042	1061	1116	1148	1207
W482124CS	935	980	1020	1064	1128	1149	1195	1208	1255	1277	1345	1387	1462

Custom Modifications	ADDTK	AUTHL AUTHR	CBO	CCO	CFNT0	CFRMO	CND	FB	FPEB	ID	MIP	P	RD
	•	•	•	•	•	•	•	•	•	•	•	•	•

Construction Upgrades	APW	PLE	Decorative Door Options						Non Smart Stop Options	
	•	•	CG	CG.BTM	CG.TOP	MD	MD.BTM	MD.TOP	NSCH	•
	•	•	•						•	

W1224L or R	382	399	416	431	456	463	483	489	509	518	545	559	589
W1524L or R	390	410	424	443	469	477	496	501	520	529	557	572	603
W1824L or R	421	441	457	476	503	515	532	538	559	571	600	617	649
W2124L or R	455	480	498	518	548	557	580	587	608	620	653	671	705
W2424 L or R	496	519	540	561	593	604	626	634	658	672	706	726	765

Custom Modifications	ADDTK	AUTHL AUTHR	CBO	CCO	CFNT0	CFRMO	CND	FB	FPEB	ID	MIP	P	RD
	•	•	•	•	•	•	•	•	•	•	•	•	•

Construction Upgrades	APW	PLE	Decorative Door Options						Non Smart Stop Options	
	•	•	CG	CG.BTM	CG.TOP	MD	MD.BTM	MD.TOP	NSCH	•
	•	•	•						•	

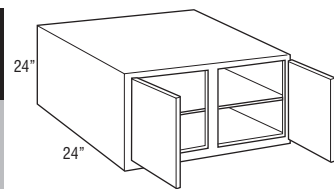
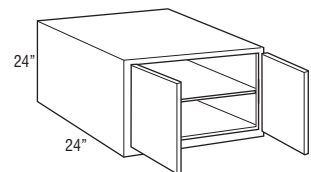
W2424	545	571	593	618	655	667	693	701	726	740	779	803	844
W2724	562	588	612	637	674	686	713	721	749	761	803	825	868
W3024	588	618	641	668	707	719	748	756	783	799	840	865	910
W3324	617	644	670	696	737	750	781	790	819	834	878	904	952
W3624	648	677	704	733	777	790	823	832	864	879	928	952	1001
W3724	663	695	722	752	796	809	843	853	886	902	952	976	1025

W3924	678	713	740	771	816	832	864	873	906	920	970	1000	1050
W4224	714	749	778	809	857	873	907	917	952	969	1019	1048	1104
W4524	744	780	811	844	893	909	945	956	991	1010	1064	1094	1151
W4824CS	887	933	970	1010	1069	1090	1131	1145	1189	1214	1279	1319	1389

Custom Modifications	ADDTK	AUTHL AUTHR	CBO	CCO	CFNT0	CFRMO	CND	FB	FPEB	ID	MIP	P	RD
	•	•	•	•	•	•	•	•	•	•	•	•	•

Construction Upgrades	APW	PLE	Decorative Door Options						Non Smart Stop Options	
	•	•	CG	CG.BTM	CG.TOP	MD	MD.BTM	MD.TOP	NSCH	•
	•	•	•			•			•	

WALL REFRIGERATOR DOUBLE DOOR, 24" HIGH, 24" DEEP

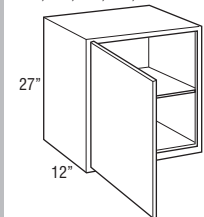


Model	1	2	3	4	5	6	7
W302424	460	483	533	559	588	589	602
W332424	481	505	559	589	618	618	632
W362424	530	557	618	649	677	680	695
W372424	555	582	647	678	707	712	728
W392424	557	584	647	679	711	714	730
W422424	585	616	678	714	747	752	768
W452424	610	641	707	747	781	783	800
W482424CS	724	760	843	889	931	935	956

- 24" deep cabinets must be fully supported by screws installed in a structural member in the ceiling or soffit, and into adjacent cabinets.
- Shelf is 21" deep on W392424, W422424, W452424, and W482424CS to allow for the shelf to be removed from the cabinet.
- Load limit is 15 lbs. per square foot of load bearing surface.

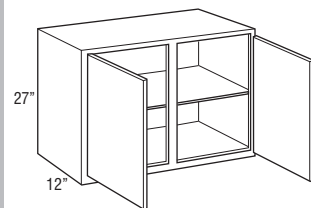
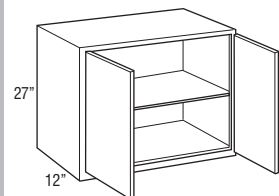
WALL SINGLE DOOR, 27" HIGH

12", 15", 18", 21", or 24"



W1227L or R	282	294	327	346	359	364	371
W1527L or R	302	316	349	368	386	386	395
W1827L or R	324	341	375	394	416	417	426
W2127L or R	354	371	411	432	451	454	464
W2427 L or R	389	409	450	476	496	500	510

WALL DOUBLE DOOR, 27" HIGH



W2427	422	444	489	517	540	543	555
W2727	434	457	504	531	557	558	570
W3027	447	469	519	544	569	571	584
W3327	465	488	540	569	596	598	612
W3627	490	515	569	600	626	631	644
W3727	502	528	584	617	641	648	661
W3927	516	542	598	629	658	660	675
W4227	540	568	627	660	694	695	710
W4527	562	591	654	687	720	722	738
W4827CS	668	702	778	822	858	864	883

Model	8	9	10	11	12	13	14	15	16	17	18	19	20
W302424	641	671	696	725	768	781	813	823	853	871	915	940	991
W332424	671	703	731	759	803	818	850	860	892	910	958	984	1037
W362424	738	774	805	836	885	903	936	947	983	1005	1057	1086	1143
W372424	773	809	842	875	926	945	979	991	1029	1052	1108	1137	1195
W392424	775	813	844	878	930	946	985	996	1034	1051	1108	1139	1199
W422424	814	853	887	921	977	993	1035	1046	1086	1105	1163	1197	1259
W452424	849	890	923	962	1018	1036	1076	1088	1129	1150	1210	1246	1312
W482424CS	1016	1068	1109	1154	1223	1246	1296	1311	1361	1388	1462	1505	1586

Custom Modifications	ADDTK	AUTHL AUTHR	CBO	CCO	CFNTO	CFRMO	CND	FB	FPEB	ID	MIP	P	RD
	•	•	•	•	•	•	•	•	•	•	•	•	•

Construction Upgrades	APW	PLE	Decorative Door Options	CG	CG.BTM	CG.TOP	MD	MD.BTM	MD.TOP	Non Smart Stop Options	NSCH
	•	•		•							•

W1227L or R	392	413	426	446	471	480	498	504	524	533	562	576	607
W1527L or R	421	442	458	477	504	514	532	538	559	570	600	618	650
W1827L or R	451	474	491	512	541	552	571	578	600	614	644	659	696
W2127L or R	491	516	535	557	590	600	624	631	655	668	702	723	759
W2427 L or R	540	565	588	612	648	658	685	693	720	733	772	793	834

Custom Modifications	ADDTK	AUTHL AUTHR	CBO	CCO	CFNTO	CFRMO	CND	FB	FPEB	ID	MIP	P	RD
	•	•	•	•	•	•	•	•	•	•	•	•	•

Construction Upgrades	APW	PLE	Decorative Door Options	CG	CG.BTM	CG.TOP	MD	MD.BTM	MD.TOP	Non Smart Stop Options	NSCH
	•	•		•							•

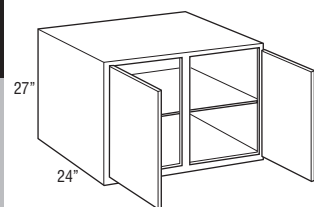
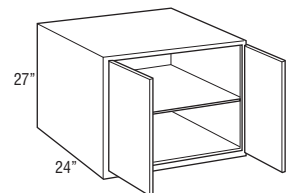
W2427	588	617	640	665	704	716	745	754	781	798	839	863	907
W2727	606	636	657	684	725	740	768	777	806	822	864	889	936
W3027	621	652	676	703	744	758	788	797	827	841	885	912	962
W3327	651	678	707	736	779	792	824	833	865	880	929	954	1006
W3627	683	716	743	773	819	835	868	878	910	929	975	1006	1058
W3727	699	735	762	792	840	858	890	900	932	952	999	1031	1085

W3927	719	753	780	811	859	876	910	920	955	974	1025	1052	1109
W4227	754	791	819	853	903	920	956	967	1006	1024	1077	1109	1167
W4527	783	822	853	887	939	956	994	1006	1044	1065	1121	1153	1213
W4827CS	938	986	1023	1068	1132	1151	1199	1213	1259	1284	1353	1393	1468

Custom Modifications	ADDTK	AUTHL AUTHR	CBO	CCO	CFNTO	CFRMO	CND	FB	FPEB	ID	MIP	P	RD
	•	•	•	•	•	•	•	•	•	•	•	•	•

Construction Upgrades	APW	PLE	Decorative Door Options	CG	CG.BTM	CG.TOP	MD	MD.BTM	MD.TOP	Non Smart Stop Options	NSCH
	•	•		•							•

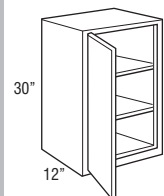
WALL REFRIGERATOR DOUBLE DOOR, 27" HIGH, 24" DEEP



Model	1	2	3	4	5	6	7
W302724	544	571	632	665	696	697	712
W332724	568	597	659	696	726	730	746
W362724	598	629	696	731	766	767	784
W372724	615	645	715	748	787	788	805
W392724	627	659	729	770	805	808	826
W422724	659	694	768	807	844	848	866
W452724	686	721	798	838	877	880	900
W482724CS	755	794	878	922	965	969	990

• 24" deep cabinets must be fully supported by screws installed in a structural member in the ceiling or soffit, and into adjacent cabinets.
 • Load limit is 15 lbs. per square foot of load bearing surface.

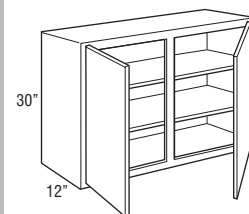
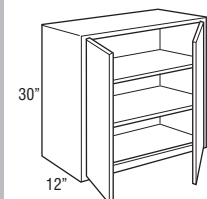
WALL SINGLE DOOR, 30" HIGH



W930L or R	273	286	317	334	348	349	357
W1230L or R	289	304	338	357	370	374	381
W1530L or R	311	326	362	380	397	398	407
W1830L or R	334	349	386	407	426	427	436
W2130L or R	364	383	422	447	463	469	479
W2430 L or R	395	416	459	483	504	507	518

• MD not available on W930 L or R and W1230 L or R.

WALL DOUBLE DOOR, 30" HIGH



W2430	435	458	504	532	557	559	571
W2730	449	471	520	547	573	574	587
W3030	469	491	545	573	600	602	615
W3330	490	515	569	600	626	631	644
W3630	516	542	597	629	658	660	675
W3930	542	569	627	663	695	696	711
W4230	569	598	660	697	728	732	748
W4530	619	650	720	756	794	795	813
W4830CS	701	737	819	864	908	909	930

• MD not available on W3930.

Model	8	9	10	11	12	13	14	15	16	17	18	19	20
W302724	757	796	825	857	908	928	962	973	1010	1027	1080	1115	1174
W332724	794	830	864	898	951	967	1006	1017	1052	1073	1129	1163	1226
W362724	834	875	909	945	1001	1018	1060	1072	1111	1131	1192	1226	1289
W372724	854	899	932	969	1027	1045	1088	1100	1141	1161	1224	1257	1322
W392724	877	918	955	993	1052	1071	1114	1126	1167	1188	1251	1287	1356
W422724	918	965	1001	1041	1102	1123	1167	1181	1226	1250	1317	1352	1423
W452724	956	1002	1042	1083	1147	1167	1215	1229	1276	1299	1366	1406	1481
W482724CS	1052	1102	1147	1191	1262	1285	1337	1352	1403	1429	1503	1547	1629

Custom Modifications	ADDTK	AUTHL AUTHR	CBO	CCO	CFNTQ	CFRMO	CND	FB	FPEB	ID	MIP	P	RD
	•	•	•	•	•	•		•	•		•		•

Construction Upgrades	APW	PLE	Decorative Door Options	CG	CG.BTM	CG.TOP	MD	MD.BTM	MD.TOP
	•	•		•					

Non Smart Stop Options	NSCH
	•

W930L or R	380	398	416	431	455	461	481	487	505	515	542	559	589
W1230L or R	403	424	442	459	486	494	514	520	540	552	580	594	625
W1530L or R	432	454	473	490	519	529	550	556	576	589	619	638	671
W1830L or R	463	487	507	527	558	568	590	597	619	631	665	679	716
W2130L or R	507	531	553	573	608	619	644	651	676	687	724	745	783
W2430 L or R	551	579	597	621	658	671	696	704	731	745	784	808	850

Custom Modifications	ADDTK	AUTHL AUTHR	CBO	CCO	CFNTQ	CFRMO	CND	FB	FPEB	ID	MIP	P	RD
	•	•	•	•	•	•		•	•	•	•	•	•

Construction Upgrades	APW	PLE	Decorative Door Options	CG	CG.BTM	CG.TOP	MD	MD.BTM	MD.TOP
	•	•		•			•		

Non Smart Stop Options	NSCH
	•

W2430	606	636	658	685	726	739	768	777	806	823	866	888	935
W2730	623	654	677	705	747	764	792	801	832	846	890	916	965
W3030	654	684	712	740	783	798	829	839	870	888	935	962	1011
W3330	683	716	743	773	819	835	868	878	910	929	975	1006	1058
W3630	719	753	780	811	859	876	910	920	955	973	1024	1052	1109

W3930	755	793	823	854	905	923	959	970	1008	1025	1078	1111	1169
W4230	794	834	865	900	953	970	1009	1020	1059	1077	1134	1167	1228
W4530	864	906	940	979	1036	1053	1096	1109	1150	1173	1234	1268	1334
W4830CS	990	1040	1079	1124	1192	1215	1263	1278	1327	1353	1426	1466	1544

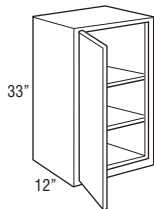
Custom Modifications	ADDTK	AUTHL AUTHR	CBO	CCO	CFNTQ	CFRMO	CND	FB	FPEB	ID	MIP	P	RD
	•	•	•	•	•	•		•	•	•	•	•	•

Construction Upgrades	APW	PLE	Decorative Door Options	CG	CG.BTM	CG.TOP	MD	MD.BTM	MD.TOP
	•	•		•			•		

Non Smart Stop Options	NSCH
	•

WALL SINGLE DOOR, 33" HIGH

9", 12", 15", 18", 21", or 24"



Model	1	2	3	4	5	6	7
W933L or R	304	319	353	371	387	388	397
W1233L or R	324	340	376	395	413	415	424
W1533L or R	347	363	403	422	442	443	453
W1833L or R	372	389	431	455	476	477	487
W2133L or R	406	424	469	495	517	520	531
W2433 L or R	440	461	512	536	560	562	575

• MD not available on W933 L or R and W1233 L or R.

Model	8	9	10	11	12	13	14	15	16	17	18	19	20
W933L or R	422	443	461	479	508	516	538	544	564	574	603	622	655
W1233L or R	449	474	492	512	542	551	573	579	601	612	643	662	696
W1533L or R	481	503	525	545	577	588	610	617	640	655	688	707	745
W1833L or R	517	543	564	586	621	632	657	665	689	703	738	760	800
W2133L or R	564	592	615	638	676	689	716	724	753	765	805	830	872
W2433 L or R	612	641	664	692	733	747	776	785	814	830	873	897	945

Custom Modifications	ADDTK	AUTHL AUTHR	CBO	CCO	CFNTO	CFRMO	CND	FB	FPEB	ID	MIP	P	RD
	•	•	•	•	•	•	•	•	•	•	•	•	•

Construction Upgrades	APW	PLE	Decorative Door Options	CG	CG.BTM	CG.TOP	MD	MD.BTM	MD.TOP	Non Smart Stop Options	NSCH
	•	•		•			•				•

W2433	682	714	739	770	816	832	865	875	909	924	973	1000	1051
W2733	703	737	766	797	844	859	893	903	938	954	1006	1035	1088
W3033	736	774	802	834	884	902	936	947	983	1003	1053	1085	1142
W3333	771	808	839	873	925	941	979	990	1029	1045	1099	1133	1193
W3633	811	851	883	918	973	990	1030	1042	1080	1101	1159	1191	1253

W3933	876	919	953	992	1050	1069	1111	1124	1166	1190	1252	1286	1355
W4233	920	965	1004	1043	1104	1124	1169	1182	1227	1251	1317	1353	1424
W4533	1003	1050	1090	1134	1202	1224	1273	1287	1336	1361	1432	1471	1549
W4833CS	1152	1208	1257	1308	1388	1412	1471	1488	1544	1574	1658	1706	1796

Custom Modifications	ADDTK	AUTHL AUTHR	CBO	CCO	CFNTO	CFRMO	CND	FB	FPEB	ID	MIP	P	RD
	•	•	•	•	•	•	•	•	•	•	•	•	•

Construction Upgrades	APW	PLE	Decorative Door Options	CG	CG.BTM	CG.TOP	MD	MD.BTM	MD.TOP	Non Smart Stop Options	NSCH
	•	•		•			•				•

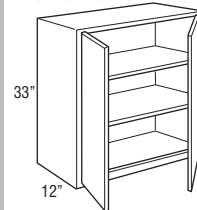
W936L or R	432	454	473	490	520	529	552	558	579	589	619	638	671
W1236L or R	461	485	504	525	556	564	588	594	618	626	659	678	714
W1536L or R	494	517	538	559	591	602	625	633	657	671	705	725	764
W1836L or R	530	557	579	600	636	648	674	682	706	721	757	780	822
W2136L or R	579	606	630	655	694	706	734	742	771	784	826	850	894
W2436 L or R	626	657	680	709	752	766	797	806	836	851	895	919	969

Custom Modifications	ADDTK	AUTHL AUTHR	CBO	CCO	CFNTO	CFRMO	CND	FB	FPEB	ID	MIP	P	RD
	•	•	•	•	•	•	•	•	•	•	•	•	•

Construction Upgrades	APW	PLE	Decorative Door Options	CG	CG.BTM	CG.TOP	MD	MD.BTM	MD.TOP	Non Smart Stop Options	NSCH
	•	•		•			•				•

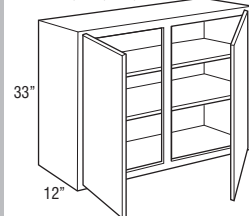
WALL DOUBLE DOOR, 33" HIGH

24", 27", 30", 33", or 36"



W2433
W2733
W3033
W3333
W3633

39", 42", 45", or 48"

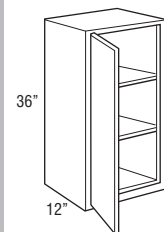


W3933
W4233
W4533
W4833CS

W2433	488	514	568	598	625	627	641
W2733	505	531	588	618	647	649	663
W3033	529	556	615	647	677	678	693
W3333	554	581	641	677	706	711	726
W3633	582	612	677	710	744	745	762
W3933	628	660	731	767	805	806	824
W4233	661	696	767	809	846	849	867
W4533	720	756	835	879	920	923	944
W4833CS	820	863	955	1008	1055	1059	1083

• MD not available on W3933.

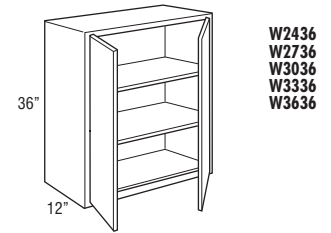
WALL SINGLE DOOR, 36" HIGH



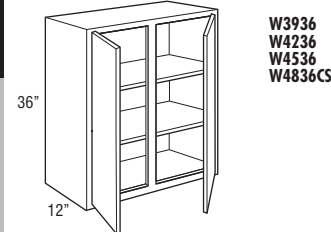
W936L or R	311	326	362	380	397	398	407
W1236L or R	333	348	385	405	423	424	434
W1536L or R	356	373	413	432	453	454	464
W1836L or R	382	399	443	466	487	489	500
W2136L or R	416	435	481	507	530	532	544
W2436 L or R	450	474	524	550	574	576	589

• MD not available on W936 L or R and W1236 L or R.

WALL DOUBLE DOOR, 36" HIGH



W2436
W2736
W3036
W3336
W3636

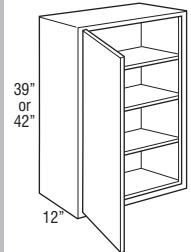


W3936
W4236
W4536
W4836CS

Model	1	2	3	4	5	6	7
W2436	501	527	584	615	642	644	658
W2736	520	546	604	635	665	667	682
W3036	544	571	632	665	697	697	712
W3336	569	598	660	696	727	731	747
W3636	598	629	696	731	766	767	784
W3936	650	683	756	794	833	834	853
W4236	685	720	794	836	875	878	897
W4536	745	782	864	910	952	955	976
W4836CS	851	894	990	1044	1092	1097	1121

• MD not available on W3936.

WALL SINGLE DOOR, 39" or 42" HIGH



W939L or R	329	345	384	402	422	422	432
W1239L or R	354	371	411	429	450	452	462
W1539L or R	377	396	438	460	481	483	494
W1839L or R	403	423	469	494	517	519	530
W2139L or R	442	462	512	539	563	566	579
W2439 L or R	479	502	556	583	610	614	628
W942L or R	348	367	405	426	447	448	458
W1242L or R	372	391	433	455	477	479	489
W1542L or R	397	418	461	486	510	511	522
W1842L or R	426	448	496	522	545	547	559
W2142L or R	465	488	540	569	596	598	612
W2442 L or R	505	531	587	618	644	648	662

• MD not available on W939 L or R, W1239 L or R, W942 L or R, and W1242 L or R.

Model	8	9	10	11	12	13	14	15	16	17	18	19	20
W2436	700	734	760	792	839	853	889	899	934	950	1000	1028	1081
W2736	724	758	788	819	867	882	918	928	965	982	1034	1064	1119
W3036	757	796	825	857	909	928	964	975	1011	1031	1083	1115	1174
W3336	793	832	864	898	952	968	1008	1019	1058	1074	1130	1166	1227
W3636	834	875	909	945	1001	1018	1060	1072	1111	1131	1192	1226	1289
W3936	907	952	987	1027	1087	1105	1149	1162	1207	1231	1296	1330	1401
W4236	952	997	1038	1078	1142	1163	1210	1224	1269	1294	1362	1400	1473
W4536	1037	1087	1128	1174	1244	1265	1318	1333	1383	1407	1481	1522	1603
W4836CS	1192	1250	1301	1355	1437	1462	1523	1541	1599	1630	1717	1766	1859

Custom Modifications	ADDTK	AUTHL AUTHR	CBO	CCO	CFNTO	CFRMO	CND	FB	FPEB	ID	MIP	P	RD
	•	•	•	•	•	•	•	•	•	•	•	•	•

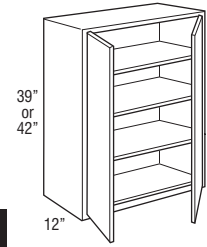
Construction Upgrades	APW	PLE	Decorative Door Options	CG	CG.BTM	CG.TOP	MD	MD.BTM	MD.TOP	Non Smart Stop Options	NSCH
	•	•		•			•				•

W939L or R	460	481	500	522	552	562	584	591	615	624	657	676	711
W1239L or R	490	515	535	557	589	598	623	630	655	667	701	721	757
W1539L or R	524	551	570	593	628	640	665	673	699	711	749	770	810
W1839L or R	562	590	615	638	675	686	714	722	749	764	804	827	871
W2139L or R	616	643	670	696	737	750	779	788	817	834	877	903	950
W2439 L or R	667	699	725	754	798	813	845	855	887	904	950	978	1031
W942L or R	486	510	529	552	584	594	618	625	648	660	696	714	753
W1242L or R	519	543	565	589	623	635	659	666	694	703	740	760	801
W1542L or R	554	582	603	626	664	676	703	711	738	752	791	813	856
W1842L or R	593	622	648	674	714	724	755	764	791	807	849	874	918
W2142L or R	651	678	707	736	779	792	824	833	865	880	929	954	1006
W2442 L or R	703	738	767	798	845	860	894	904	938	954	1006	1035	1089

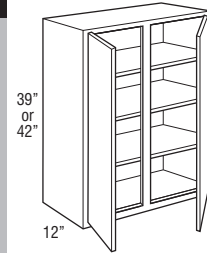
Custom Modifications	ADDTK	AUTHL AUTHR	CBO	CCO	CFNTO	CFRMO	CND	FB	FPEB	ID	MIP	P	RD
	•	•	•	•	•	•	•	•	•	•	•	•	•

Construction Upgrades	APW	PLE	Decorative Door Options	CG	CG.BTM	CG.TOP	MD	MD.BTM	MD.TOP	Non Smart Stop Options	NSCH
	•	•		•			•				•

**WALL DOUBLE DOOR,
39" or 42" HIGH**



W2439 W2442
W2739 W2742
W3039 W3042
W3339 W3342
W3639 W3642



W3939 W3942
W4239 W4242
W4539 W4542
W4839CS W4842CS

Model	1	2	3	4	5	6	7
W2439	537	563	623	655	685	688	703
W2739	556	583	647	677	711	712	728
W3039	583	614	676	711	745	747	763
W3339	609	640	706	744	777	781	798
W3639	641	673	744	781	817	822	840
W2442	569	598	662	697	728	732	748
W2742	591	620	687	723	756	758	775
W3042	620	651	720	757	792	796	813
W3342	648	679	752	792	827	832	850
W3642	680	715	791	834	870	875	894
W3939	693	727	805	845	884	888	908
W4239	728	764	844	889	931	934	954
W4539	793	832	917	967	1011	1015	1037
W4839CS	906	952	1052	1111	1163	1167	1193
W3942	734	771	851	895	937	940	960
W4242	771	809	894	941	983	989	1010
W4542	837	880	972	1022	1070	1073	1097
W4842CS	959	1010	1118	1177	1232	1236	1264

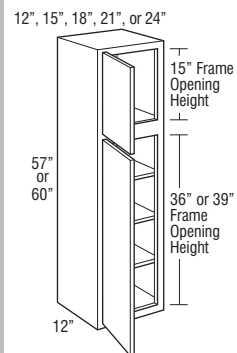
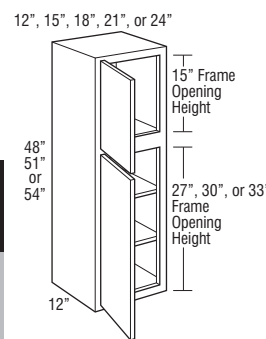
• MD not available on W3939 and W3942.

Model	8	9	10	11	12	13	14	15	16	17	18	19	20
W2439	748	782	813	845	895	912	948	959	996	1013	1068	1097	1155
W2739	774	811	843	877	929	944	983	994	1033	1049	1105	1136	1197
W3039	811	850	882	917	973	989	1031	1042	1079	1101	1158	1192	1255
W3339	848	888	921	960	1016	1036	1075	1087	1128	1148	1209	1246	1311
W3639	892	935	971	1010	1069	1090	1131	1144	1188	1210	1274	1309	1379
W2442	794	833	865	900	953	969	1009	1020	1059	1075	1131	1166	1227
W2742	824	864	898	934	989	1007	1046	1058	1098	1118	1177	1208	1272
W3042	864	905	939	978	1035	1051	1095	1108	1148	1172	1232	1267	1334
W3342	902	946	982	1020	1081	1101	1145	1158	1201	1223	1287	1326	1396
W3642	950	994	1034	1073	1137	1158	1205	1219	1265	1288	1357	1395	1467
W3939	964	1010	1048	1091	1156	1176	1224	1238	1285	1307	1376	1414	1490
W4239	1012	1062	1102	1147	1215	1235	1286	1300	1350	1373	1445	1488	1566
W4539	1101	1153	1199	1247	1322	1345	1400	1416	1467	1495	1573	1619	1704
W4839CS	1268	1331	1384	1441	1528	1556	1620	1638	1700	1732	1824	1878	1978
W3942	1019	1069	1109	1154	1223	1246	1296	1311	1361	1385	1459	1498	1578
W4242	1071	1124	1167	1213	1285	1306	1361	1376	1428	1454	1529	1575	1658
W4542	1166	1223	1269	1322	1400	1423	1481	1497	1553	1581	1664	1714	1802
W4842CS	1345	1411	1467	1528	1620	1647	1716	1735	1801	1834	1932	1989	2093

Custom Modifications	ADDTK	AUTHL AUTHR	CBO	CCO	CFNTO	CFRMO	CND	FB	FPEB	ID	MIP	P	RD
	•	•	•	•	•	•	•	•	•	•	•	•	•

Construction Upgrades	APW	PLE	Decorative Door Options	CG	CG.BTM	CG.TOP	MD	MD.BTM	MD.TOP	Non Smart Stop Options	NSCH
	•	•		•			•				•

STACKED WALL CABINETS
SINGLE DOOR, 48", 51", 54",
57", or
60" HIGH



Model	1	2	3	4	5	6	7
STW1248L or R	668	703	780	823	856	861	879
STW1548L or R	714	749	831	873	914	918	938
STW1848L or R	764	799	883	931	975	976	998
STW2148L or R	820	863	955	1008	1048	1056	1080
STW2448 L or R	861	908	1004	1058	1104	1111	1135
STW1251L or R	711	748	828	870	910	913	933
STW1551L or R	759	795	883	925	970	974	995
STW1851L or R	811	849	939	991	1038	1039	1061
STW2151L or R	873	914	1014	1068	1115	1120	1145
STW2451 L or R	918	964	1070	1124	1174	1180	1206
STW1254L or R	723	758	839	883	923	924	945
STW1554L or R	770	808	895	938	984	988	1009
STW1854L or R	824	861	954	1005	1051	1054	1078
STW2154L or R	885	928	1029	1083	1131	1135	1161
STW2454 L or R	930	980	1085	1141	1191	1198	1224
STW1257L or R	749	786	871	913	956	959	980
STW1557L or R	796	836	926	973	1019	1024	1046
STW1857L or R	850	891	986	1040	1089	1091	1115
STW2157L or R	918	961	1068	1123	1173	1178	1205
STW2457 L or R	966	1015	1125	1183	1236	1245	1273
STW1260L or R	771	811	899	945	990	993	1014
STW1560L or R	821	864	955	1005	1055	1059	1081
STW1860L or R	879	923	1020	1075	1124	1126	1151
STW2160L or R	946	994	1103	1160	1214	1218	1246
STW2460 L or R	999	1051	1164	1226	1279	1288	1315

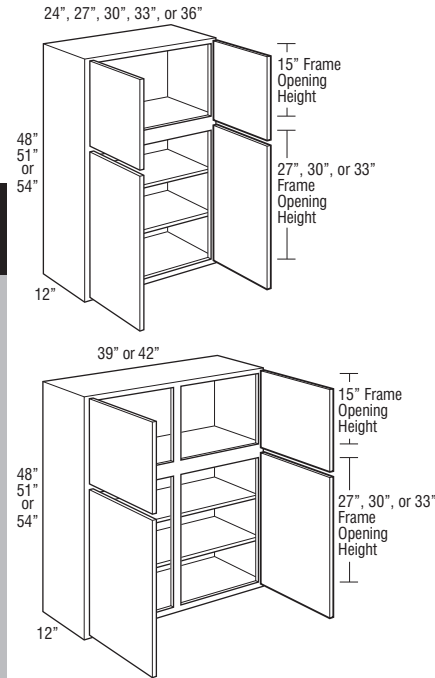
• MD.BTM, MD.TOP not available on STW12__L or R, STW21__L or R, and STW24__L or R.

Model	8	9	10	11	12	13	14	15	16	17	18	19	20
STW1248L or R	933	979	1018	1058	1119	1141	1184	1198	1244	1269	1335	1369	1441
STW1548L or R	994	1046	1085	1128	1193	1218	1263	1276	1324	1350	1421	1461	1538
STW1848L or R	1059	1111	1158	1201	1271	1294	1345	1360	1413	1438	1514	1553	1636
STW2148L or R	1146	1199	1248	1293	1370	1398	1451	1468	1523	1551	1634	1679	1766
STW2448 L or R	1206	1264	1308	1359	1440	1468	1524	1541	1598	1630	1716	1768	1860
STW1251L or R	990	1041	1080	1124	1189	1213	1258	1271	1320	1344	1414	1454	1530
STW1551L or R	1055	1108	1150	1196	1265	1291	1338	1353	1404	1433	1508	1548	1630
STW1851L or R	1126	1181	1229	1275	1350	1374	1429	1445	1500	1528	1605	1654	1741
STW2151L or R	1218	1275	1325	1374	1455	1485	1541	1559	1619	1649	1735	1785	1878
STW2451 L or R	1283	1341	1391	1448	1534	1563	1624	1643	1701	1736	1828	1879	1979
STW1254L or R	1005	1055	1095	1140	1206	1229	1276	1290	1341	1361	1434	1474	1553
STW1554L or R	1071	1125	1166	1214	1283	1309	1356	1373	1425	1453	1529	1570	1654
STW1854L or R	1143	1199	1248	1293	1369	1394	1450	1466	1521	1550	1629	1679	1769
STW2154L or R	1236	1293	1344	1395	1478	1506	1564	1581	1641	1673	1761	1810	1905
STW2454 L or R	1300	1361	1411	1469	1558	1586	1650	1669	1729	1763	1855	1906	2009
STW1257L or R	1041	1093	1134	1180	1248	1271	1320	1335	1388	1413	1486	1528	1606
STW1557L or R	1109	1168	1206	1256	1329	1356	1406	1423	1478	1503	1584	1626	1711
STW1857L or R	1183	1240	1293	1340	1418	1441	1500	1516	1575	1604	1688	1738	1830
STW2157L or R	1283	1339	1394	1446	1531	1561	1620	1639	1699	1735	1825	1876	1975
STW2457 L or R	1351	1414	1468	1525	1615	1645	1710	1730	1793	1829	1924	1980	2086
STW1260L or R	1078	1128	1171	1220	1290	1318	1365	1380	1436	1458	1535	1576	1661
STW1560L or R	1146	1206	1248	1298	1374	1401	1454	1470	1526	1554	1636	1680	1769
STW1860L or R	1221	1280	1334	1385	1466	1489	1551	1569	1628	1658	1744	1796	1889
STW2160L or R	1326	1383	1440	1496	1584	1614	1676	1695	1759	1793	1890	1940	2045
STW2460 L or R	1396	1463	1520	1580	1674	1704	1771	1791	1856	1891	1994	2051	2159

Custom Modifications	ADDTK	AUTHL AUTHR	CBO	CCO	CFNTO	CFRMO	CND	FB	FPEB	ID	MIP	P	RD
	•	•	•	•	•	•	•	•	•	•	•	•	•

Construction Upgrades	APW	PLE	Decorative Door Options	CG	CG.BTM	CG.TOP	MD	MD.BTM	MD.TOP	Non Smart Stop Options	NSCH
	•	•			•	•		•	•		•

STACKED WALL CABINETS
DOUBLE DOOR, 48", 51", 54",
57", or 60" HIGH



Model	1	2	3	4	5	6	7
STW2448	951	1001	1104	1163	1219	1223	1249
STW2748	984	1031	1138	1198	1251	1256	1284
STW3048	1030	1079	1194	1255	1315	1319	1348
STW3348	1074	1128	1244	1313	1370	1381	1410
STW3648	1128	1185	1309	1379	1443	1448	1480
STW2451	1018	1071	1184	1245	1304	1308	1336
STW2751	1054	1106	1223	1286	1344	1350	1379
STW3051	1105	1160	1281	1348	1411	1414	1445
STW3351	1154	1210	1334	1409	1470	1481	1513
STW3651	1210	1273	1409	1480	1550	1554	1589
STW2454	1034	1088	1204	1266	1325	1329	1358
STW2754	1073	1125	1243	1308	1366	1373	1403
STW3054	1124	1179	1303	1370	1436	1438	1469
STW3354	1173	1231	1358	1433	1496	1506	1539
STW3654	1230	1294	1433	1506	1578	1581	1616
STW3948	1186	1245	1376	1450	1519	1523	1555
STW4248	1245	1310	1448	1525	1591	1603	1638
STW3951	1294	1359	1506	1580	1656	1660	1696
STW4251	1360	1433	1581	1665	1739	1749	1786
STW3954	1321	1388	1538	1614	1691	1695	1733
STW4254	1390	1463	1615	1699	1775	1785	1824

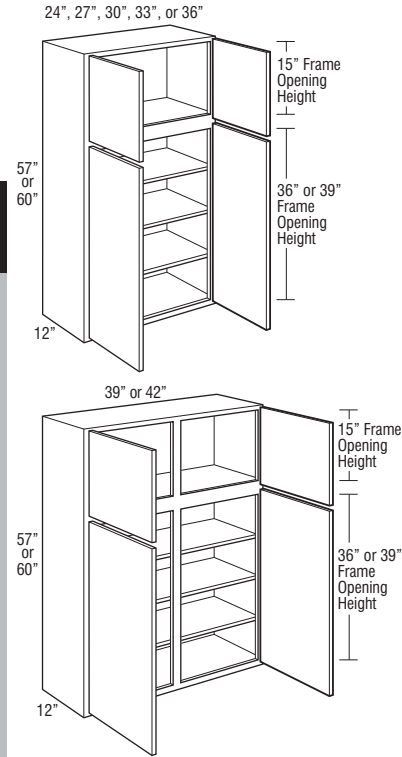
- P not available on STW3948, STW4248, STW3951, STW4251, STW3954, and STW4254.
- MD.BTM and MD.TOP only available on STW3048, STW3648, STW3051, STW3651, STW3054, and STW3654.

Model	8	9	10	11	12	13	14	15	16	17	18	19	20
STW2448	1324	1391	1443	1500	1589	1616	1680	1700	1763	1800	1894	1945	2046
STW2748	1361	1430	1484	1543	1634	1668	1731	1751	1818	1854	1950	2005	2113
STW3048	1431	1499	1559	1621	1715	1745	1815	1838	1906	1946	2048	2106	2213
STW3348	1494	1568	1626	1693	1793	1824	1899	1920	1991	2030	2133	2200	2314
STW3648	1574	1648	1709	1776	1881	1918	1993	2015	2093	2131	2244	2304	2429
STW2451	1419	1489	1544	1606	1701	1733	1801	1823	1891	1926	2028	2085	2191
STW2751	1461	1534	1595	1658	1755	1786	1858	1879	1950	1989	2095	2154	2266
STW3051	1534	1611	1671	1739	1841	1875	1949	1973	2048	2090	2195	2260	2376
STW3351	1604	1683	1746	1818	1925	1956	2038	2060	2140	2175	2288	2359	2483
STW3651	1689	1770	1838	1910	2024	2060	2143	2168	2249	2291	2413	2478	2609
STW2454	1441	1514	1570	1634	1730	1759	1831	1853	1923	1959	2061	2120	2229
STW2754	1488	1560	1623	1685	1784	1815	1889	1910	1984	2024	2130	2190	2305
STW3054	1560	1639	1700	1768	1873	1908	1984	2008	2083	2125	2233	2298	2416
STW3354	1631	1713	1778	1849	1959	1990	2074	2096	2176	2211	2326	2400	2525
STW3654	1718	1800	1870	1944	2059	2095	2180	2205	2288	2329	2454	2521	2654
STW3948	1651	1733	1801	1870	1981	2020	2099	2123	2204	2241	2359	2431	2558
STW4248	1736	1821	1893	1969	2084	2120	2205	2230	2314	2358	2481	2553	2684
STW3951	1803	1890	1964	2043	2163	2203	2289	2315	2401	2448	2576	2650	2790
STW4251	1894	1985	2066	2148	2273	2313	2405	2433	2524	2575	2710	2785	2929
STW3954	1841	1931	2006	2086	2209	2248	2336	2363	2453	2499	2631	2705	2848
STW4254	1934	2025	2109	2191	2320	2361	2456	2485	2576	2629	2766	2844	2990

Custom Modifications	ADDTK	AUTHL AUTHR	CBO	CCO	CFNTO	CFRMO	CND	FB	FPEB	ID	MIP	P	RD
	•	•	•	•	•	•		•	•	•	•	•	•

Construction Upgrades	APW	PLE	Decorative Door Options	CG	CG.BTM	CG.TOP	MD	MD.BTM	MD.TOP	Non Smart Stop Options	NSCH
	•	•			•	•		•	•		•

STACKED WALL CABINETS
DOUBLE DOOR, 48", 51", 54",
57", or 60" HIGH (cont'd)



Model	1	2	3	4	5	6	7
STW2457	1079	1133	1253	1316	1379	1384	1414
STW2757	1118	1171	1296	1360	1424	1429	1460
STW3057	1173	1233	1358	1428	1496	1500	1533
STW3357	1223	1284	1415	1493	1559	1569	1603
STW3657	1284	1349	1493	1569	1641	1650	1686
STW2460	1119	1176	1301	1369	1433	1439	1470
STW2760	1161	1218	1346	1418	1480	1486	1519
STW3060	1219	1279	1413	1485	1555	1561	1595
STW3360	1271	1333	1473	1553	1621	1633	1668
STW3660	1333	1401	1551	1635	1708	1716	1754
STW3957	1375	1443	1599	1678	1755	1763	1801
STW4257	1444	1518	1678	1765	1845	1855	1895
STW3960	1426	1498	1656	1740	1821	1828	1866
STW4260	1498	1574	1740	1830	1910	1924	1965

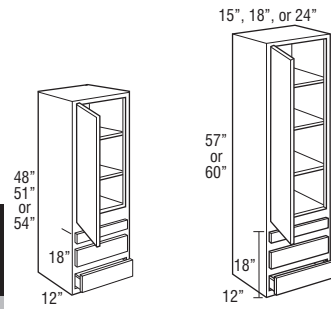
- P not available on STW3957, STW4257, STW3960, and STW4260.
- MD.BTM and MD.TOP only available on SSTW3057, STW3657, STW3060, and STW3660.

Model	8	9	10	11	12	13	14	15	16	17	18	19	20
STW2457	1501	1574	1636	1700	1800	1833	1905	1928	2000	2038	2146	2206	2321
STW2757	1550	1626	1691	1758	1861	1893	1970	1993	2069	2108	2219	2280	2403
STW3057	1628	1706	1771	1843	1953	1984	2068	2091	2168	2213	2326	2394	2518
STW3357	1700	1783	1849	1926	2039	2075	2158	2181	2264	2304	2425	2500	2630
STW3657	1790	1875	1948	2025	2144	2185	2269	2295	2384	2428	2556	2625	2766
STW2460	1559	1638	1701	1769	1873	1904	1981	2004	2079	2115	2225	2293	2411
STW2760	1613	1693	1760	1829	1936	1971	2049	2073	2150	2194	2309	2370	2496
STW3060	1694	1775	1843	1919	2030	2061	2148	2174	2254	2301	2419	2488	2616
STW3360	1768	1855	1925	2001	2120	2156	2245	2270	2355	2398	2523	2600	2736
STW3660	1863	1949	2026	2104	2229	2270	2361	2389	2480	2525	2660	2733	2876
STW3957	1913	2004	2083	2166	2295	2336	2430	2458	2550	2594	2731	2810	2959
STW4257	2009	2106	2189	2278	2411	2451	2551	2580	2678	2728	2870	2954	3106
STW3960	1981	2078	2159	2245	2379	2424	2520	2549	2645	2691	2835	2915	3069
STW4260	2083	2184	2270	2360	2499	2540	2645	2675	2775	2829	2975	3063	3221

Custom Modifications	ADDTK	AUTHL AUTHR	CBO	CCO	CFWTO	CFRMO	CND	FB	FPEB	ID	MIP	P	RD
	•	•	•	•	•	•	•	•	•	•	•	•	•

Construction Upgrades	APW	PLE	Decorative Door Options	CG	CG.BTM	CG.TOP	MD	MD.BTM	MD.TOP	Non Smart Stop Options	NSCH
	•	•			•	•		•	•		•

WALL THREE DRAWER SINGLE DOOR, 48", 51", 54", 57", or 60" HIGH

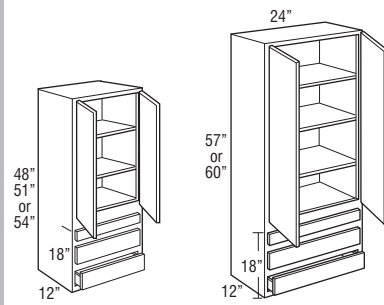


- W3D1548 L or R
W3D1848 L or R
W3D2448 L or R
- W3D1557 L or R
W3D1857 L or R
W3D2457 L or R
- W3D1554 L or R
W3D1854 L or R
W3D2454 L or R
- W3D1560 L or R
W3D1860 L or R
W3D2460 L or R

Model	1	2	3	4	5	6	7
W3D1548L or R	986	1036	1064	1090	1121	1146	1147
W3D1848L or R	1022	1074	1104	1130	1167	1188	1190
W3D2448 L or R	1117	1173	1216	1251	1286	1314	1318
W3D1551L or R	1039	1091	1128	1156	1188	1214	1216
W3D1851L or R	1082	1136	1172	1207	1243	1266	1269
W3D2451 L or R	1185	1244	1297	1333	1373	1401	1407
W3D1554L or R	1052	1106	1144	1173	1205	1230	1233
W3D1854L or R	1096	1151	1189	1226	1261	1286	1289
W3D2454 L or R	1201	1261	1318	1354	1395	1422	1428
W3D1557L or R	1088	1143	1181	1214	1250	1274	1278
W3D1857L or R	1130	1188	1230	1266	1305	1330	1335
W3D2457 L or R	1244	1305	1365	1406	1451	1476	1484
W3D1560L or R	1121	1177	1221	1256	1293	1319	1323
W3D1860L or R	1167	1226	1271	1307	1352	1374	1380
W3D2460 L or R	1287	1353	1413	1460	1503	1531	1540

- Includes one shallow depth drawer and two standard drawers with undermount Smart Stop guides.
- Top drawer will be slab drawer front for all 5-piece drawer applications. Warren PureStyle™ slab drawer front will be painted hardwood.
- Drawer front to face frame reveal is justified to the top to be consistent with both full and partial overlay. Bottom reveal is 7/8" for full overlay and 1" for partial overlay.

WALL THREE DRAWER DOUBLE DOOR, 48", 51", 54", 57", or 60" HIGH



- W3D2448
W3D2451
W3D2454
- W3D2457
W3D2460

W3D2448	1180	1239	1286	1326	1366	1391	1397
W3D2451	1263	1325	1385	1426	1474	1497	1506
W3D2454	1284	1347	1409	1452	1501	1523	1533
W3D2457	1334	1402	1469	1517	1568	1594	1604
W3D2460	1387	1457	1530	1581	1634	1661	1673

- Includes one shallow depth drawer and two standard drawers with undermount Smart Stop guides.
- Top drawer will be slab drawer front for all 5-piece drawer applications. Warren PureStyle™ slab drawer front will be painted hardwood.
- Drawer front to face frame reveal is justified to the top to be consistent with both full and partial overlay. Bottom reveal is 7/8" for full overlay and 1" for partial overlay.

Model	8	9	10	11	12	13	14	15	16	17	18	19	20
W3D1548L or R	1148	1180	1207	1257	1293	1321	1331	1342	1398	1400	1463	1466	1532
W3D1848L or R	1197	1230	1261	1311	1352	1382	1395	1406	1463	1464	1533	1536	1606
W3D2448 L or R	1328	1369	1403	1460	1509	1540	1560	1573	1638	1638	1720	1724	1811
W3D1551L or R	1223	1258	1287	1340	1383	1411	1429	1441	1500	1501	1572	1576	1648
W3D1851L or R	1279	1317	1349	1403	1450	1479	1500	1513	1574	1578	1650	1654	1736
W3D2451 L or R	1424	1469	1506	1567	1624	1657	1683	1697	1767	1771	1857	1861	1961
W3D1554L or R	1242	1278	1307	1361	1406	1434	1454	1466	1525	1530	1599	1603	1677
W3D1854L or R	1299	1338	1371	1426	1475	1503	1526	1539	1601	1605	1679	1679	1768
W3D2454 L or R	1447	1495	1532	1595	1654	1686	1715	1729	1798	1802	1892	1896	1998
W3D1557L or R	1288	1327	1360	1414	1462	1491	1513	1526	1586	1591	1665	1670	1750
W3D1857L or R	1348	1390	1426	1482	1533	1563	1587	1600	1666	1669	1749	1751	1845
W3D2457 L or R	1506	1558	1599	1663	1725	1760	1791	1806	1879	1883	1977	1985	2089
W3D1560L or R	1333	1375	1410	1467	1518	1547	1571	1584	1649	1652	1732	1735	1824
W3D1860L or R	1397	1441	1480	1539	1593	1622	1650	1664	1732	1735	1820	1823	1919
W3D2460 L or R	1566	1619	1665	1733	1797	1831	1865	1881	1958	1963	2060	2072	2181

Custom Modifications	ADDTK	AUTHL AUTHR	CBO	CCO	CFNTO	CFRMO	CND	FB	FPEB	ID	MIP	P	RD
		•	•	•		•	•	•	•	•	•		

Construction Upgrades	APW	PLE	Decorative Door Options						Non Smart Stop Options		NSCH
	•	•	CG	CG.BTM	CG.TOP	MD	MD.BTM	MD.TOP		•	
			•			•					

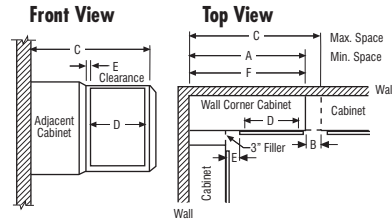
W3D2448	1416	1461	1496	1557	1612	1647	1670	1684	1753	1754	1847	1848	1946
W3D2451	1531	1581	1625	1688	1752	1787	1819	1834	1911	1912	2012	2020	2127
W3D2454	1560	1612	1657	1721	1787	1822	1856	1872	1950	1951	2053	2063	2171
W3D2457	1634	1689	1738	1807	1877	1912	1951	1967	2049	2050	2158	2169	2283
W3D2460	1708	1766	1817	1890	1964	2002	2042	2059	2143	2147	2263	2275	2396

Custom Modifications	ADDTK	AUTHL AUTHR	CBO	CCO	CFNTO	CFRMO	CND	FB	FPEB	ID	MIP	P	RD
		•	•	•		•	•	•	•	•	•		

Construction Upgrades	APW	PLE	Decorative Door Options						Non Smart Stop Options		NSCH
	•	•	CG	CG.BTM	CG.TOP	MD	MD.BTM	MD.TOP		•	
			•			•					

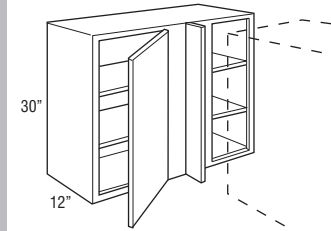
Wall Corner Cabinets

- Wall corner cabinets may be installed flush to the wall (left) or pulled 3" away from wall (right) to accommodate odd dimensions in a kitchen design. In either case, the adjoining run of 12" wall cabinets plus a 3" filler will butt against the solid-wood panel.
- When a cabinet is "pulled" it will use proportionally more wall space, for example, a 30" wide WC pulled 2" will use 32" of space.
- The L or R in the cabinet's nomenclature indicates the location of cabinet void.
- Blind side of wall corner cabinets cannot be installed next to a range hood or microwave shelf unit due to door interference.



NOTE: All outside stiles are 1 1/2" wide

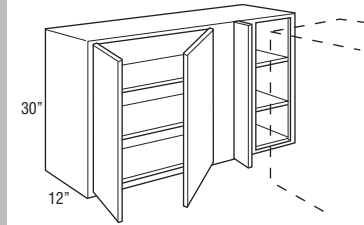
WALL CORNER SINGLE DOOR, 30" HIGH



Model	1	2	3	4	5	6	7
WC2430L or R	370	389	429	452	475	476	486
WC2730L or R	395	416	457	481	504	504	516
WC3030L or R	422	444	490	517	540	543	555
WC3330L or R	455	479	527	555	581	582	595
WC3630L or R	488	513	568	598	624	627	641

- Includes one 3" filler, shipped unattached.
- L or R indicates void. R (right) void shown.

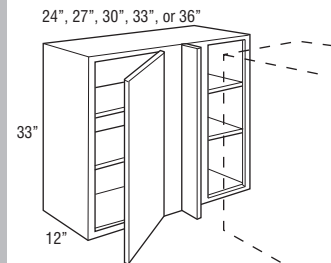
WALL CORNER DOUBLE DOOR, 30" HIGH



WC4230L or R	576	604	670	705	736	740	756
WC4830L or R	677	712	787	832	867	873	891

- Includes one 3" filler, shipped unattached.
- L or R indicates void. R (right) void shown.

WALL CORNER SINGLE DOOR, 33" HIGH



WC2433L or R	415	436	482	509	531	532	544
WC2733L or R	443	465	513	540	565	566	579
WC3033L or R	474	497	549	578	604	606	620
WC3333L or R	512	537	593	623	654	655	670
WC3633L or R	548	575	637	669	700	703	718

- Includes one 3" filler, shipped unattached.
- L or R indicates void. R (right) void shown.

Model	A Min. Space	B Max. Pull*	C Max. Space	D Cabinet Opening	E* Full Overlay At Min. At Max.		E Partial Overlay At Min. At Max.		F Actual Cabinet
WC24..	24"	5"	29"	7 1/2"	1 3/4"	6 3/4"	2 1/2"	7 1/2"	24"
WC27..	27"	4 1/2"	31 1/2"	9"	3 1/4"	7 3/4"	4"	8 1/2"	27"
WC30..	30"	5"	35"	13 1/2"	1 3/4"	6 3/4"	2 1/2"	7 1/2"	30"
WC33..	33"	4 1/2"	37 1/2"	15"	3 1/4"	7 3/4"	4"	8 1/2"	33"
WC36..	36"	5"	41"	19 1/2"	1 3/4"	6 3/4"	2 1/2"	7 1/2"	36"
WC42..	42"	4 1/2"	46 1/2"	24"	3 1/4"	7 3/4"	4"	8 1/2"	42"
WC48..	48"	4 1/2"	52 1/2"	30"	3 1/4"	7 3/4"	4"	8 1/2"	48"

*Minimum/maximum space between inside edge of door and face of filler/adjoining cabinet. If cabinet is pulled to maximum stated dimension, filler will need to be cleated for proper attachment.

Model	8	9	10	11	12	13	14	15	16	17	18	19	20
WC2430L or R	516	542	562	585	620	630	657	664	689	702	738	758	799
WC2730L or R	551	576	597	621	658	671	696	704	731	745	784	808	850
WC3030L or R	588	618	641	668	707	719	748	756	783	799	840	865	910
WC3330L or R	632	663	688	715	758	772	804	813	843	856	903	930	978
WC3630L or R	680	714	741	772	818	834	866	876	908	928	974	1001	1051

Custom Modifications	ADDTK	AUTHL AUTHR	CBO	CCO	CFNTO	CFRMO	CND	FB	FPEB	ID	MIP	P	RD
	•	•	•	•	•	•		•	•	•	•		•

Construction Upgrades	APW	PLE	Decorative Door Options						Non Smart Stop Options	
	•	•	CG	CG.BTM	CG.TOP	MD	MD.BTM	MD.TOP	NSCH	•

WC4230L or R	803	840	874	909	962	981	1018	1030	1069	1090	1148	1178	1241
WC4830L or R	944	989	1028	1070	1133	1154	1200	1214	1259	1284	1352	1387	1462

Custom Modifications	ADDTK	AUTHL AUTHR	CBO	CCO	CFNTO	CFRMO	CND	FB	FPEB	ID	MIP	P	RD
	•	•	•	•	•	•		•	•	•	•		•

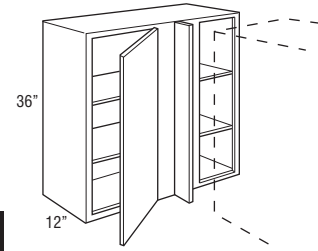
Construction Upgrades	APW	PLE	Decorative Door Options						Non Smart Stop Options	
	•	•	CG	CG.BTM	CG.TOP	MD	MD.BTM	MD.TOP	NSCH	•

WC2433L or R	578	606	631	657	695	705	735	744	770	787	827	851	895
WC2733L or R	616	644	669	696	737	752	781	790	818	834	879	905	952
WC3033L or R	659	691	718	747	790	805	835	845	878	894	940	968	1017
WC3333L or R	712	744	775	804	853	868	904	914	947	964	1014	1043	1097
WC3633L or R	763	798	831	864	916	932	970	981	1016	1037	1089	1120	1179

Custom Modifications	ADDTK	AUTHL AUTHR	CBO	CCO	CFNTO	CFRMO	CND	FB	FPEB	ID	MIP	P	RD
	•	•	•	•	•	•		•	•	•	•		•

Construction Upgrades	APW	PLE	Decorative Door Options						Non Smart Stop Options	
	•	•	CG	CG.BTM	CG.TOP	MD	MD.BTM	MD.TOP	NSCH	•

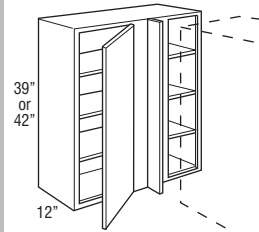
**WALL CORNER SINGLE DOOR,
36" HIGH**



Model	1	2	3	4	5	6	7
WC2436L or R	426	448	496	522	545	547	559
WC2736L or R	455	479	526	555	580	582	595
WC3036L or R	486	511	563	593	620	622	636
WC3336L or R	525	552	609	640	671	672	687
WC3636L or R	562	591	654	687	720	722	738

- Includes one 3" filler, shipped unattached.
- L or R indicates void. R (right) void shown.

**WALL CORNER SINGLE DOOR,
39" or 42" HIGH**

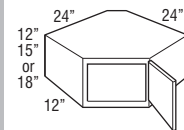


WC2439L or R	455	479	527	556	582	583	596
WC2739L or R	485	510	561	591	618	620	634
WC3039L or R	517	543	600	632	662	665	680
WC3339L or R	559	587	649	680	714	715	731
WC3639L or R	598	629	697	733	767	770	787

WC2442L or R	483	507	559	590	618	619	633
WC2742L or R	514	539	595	626	655	658	672
WC3042L or R	547	574	638	672	703	705	720
WC3342L or R	593	622	688	724	758	759	776
WC3642L or R	637	669	739	777	813	814	832

- Includes one 3" filler, shipped unattached.
- L or R indicates void. R (right) void shown.

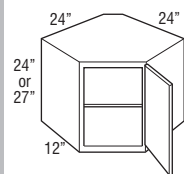
DIAGONAL WALL, 12", 15", or 18" HIGH, 24" x 24"



DW122424L or R	448	475	533	564	594	596	611
DW152424L or R	458	485	543	574	604	606	621
DW182424L or R	467	494	553	584	614	616	631

- Cabinets require 24" x 24" of corner wall space.
- Full overlay styles use the same width doors as partial overlay styles (14 1/2" wide) with a partial overlay hinge (38NPOHINGE) to allow for proper door clearance with adjacent cabinets.

DIAGONAL WALL, 24" or 27" HIGH, 24" x 24"



DW242424L or R	487	514	572	603	633	635	650
DW272424L or R	507	533	592	623	653	655	670

- Cabinets require 24" x 24" of corner wall space.
- Adjustable shelf cannot be removed/retrofitted.
- Full overlay styles use the same width doors as partial overlay styles (14 1/2" wide) with a partial overlay hinge (38NPOHINGE) to allow for proper door clearance with adjacent cabinets.

Model	8	9	10	11	12	13	14	15	16	17	18	19	20
WC2436L or R	593	622	648	674	714	724	755	764	791	807	849	874	918
WC2736L or R	631	662	687	714	757	772	803	812	841	856	903	930	978
WC3036L or R	677	709	737	767	811	827	857	867	902	917	966	992	1045
WC3336L or R	732	765	796	827	877	892	929	939	972	991	1043	1071	1128
WC3636L or R	783	819	853	887	939	956	994	1005	1044	1064	1119	1150	1210

Custom Modifications	ADDTK	AUTHL AUTHR	CBO	CCO	CFNTD	CFRMO	CND	FB	FPEB	ID	MIP	P	RD
	•	•	•	•	•	•		•	•	•	•		•

Construction Upgrades	APW	PLE	Decorative Door Options	CG	CG.BTM	CG.TOP	MD	MD.BTM	MD.TOP
	•	•							

Non Smart Stop Options	NSCH
	•

WC2439L or R	632	663	692	719	760	772	804	813	843	860	905	931	979
WC2739L or R	673	705	733	760	805	822	853	863	897	912	962	988	1041
WC3039L or R	722	755	784	816	863	880	913	924	960	979	1031	1060	1115
WC3339L or R	778	814	848	881	933	950	987	999	1037	1058	1113	1143	1202
WC3639L or R	835	875	910	946	1002	1018	1061	1072	1113	1131	1193	1226	1291

WC2442L or R	672	704	733	761	805	818	852	862	895	912	960	985	1038
WC2742L or R	713	748	777	808	856	872	907	917	952	969	1019	1047	1103
WC3042L or R	765	801	834	866	917	934	970	981	1018	1039	1093	1124	1182
WC3342L or R	825	866	900	935	990	1009	1047	1059	1099	1122	1180	1211	1276
WC3642L or R	885	931	966	1006	1064	1080	1125	1138	1180	1202	1265	1301	1369

Custom Modifications	ADDTK	AUTHL AUTHR	CBO	CCO	CFNTD	CFRMO	CND	FB	FPEB	ID	MIP	P	RD
	•	•	•	•	•	•		•	•	•	•		•

Construction Upgrades	APW	PLE	Decorative Door Options	CG	CG.BTM	CG.TOP	MD	MD.BTM	MD.TOP
	•	•							

Non Smart Stop Options	NSCH
	•

DW122424L or R	655	690	720	752	801	814	852	862	897	914	967	996	1052
DW152424L or R	665	700	730	762	811	824	862	872	907	924	977	1006	1062
DW182424L or R	674	709	739	771	820	834	872	882	916	934	986	1015	1072

Custom Modifications	ADDTK	AUTHL AUTHR	CBO	CCO	CFNTD	CFRMO	CND	FB	FPEB	ID	MIP	P	RD
		•		•	•	•		•	•		•		

Construction Upgrades	APW	PLE	Decorative Door Options	CG	CG.BTM	CG.TOP	MD	MD.BTM	MD.TOP
	•	•		•					

Non Smart Stop Options	NSCH
	•

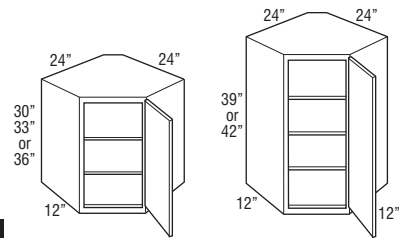
DW242424L or R	694	729	759	791	840	853	892	902	936	953	1006	1035	1091
DW272424L or R	713	748	778	810	859	873	911	921	955	973	1025	1054	1111

Custom Modifications	ADDTK	AUTHL AUTHR	CBO	CCO	CFNTD	CFRMO	CND	FB	FPEB	ID	MIP	P	RD
		•		•	•	•		•	•		•		

Construction Upgrades	APW	PLE	Decorative Door Options	CG	CG.BTM	CG.TOP	MD	MD.BTM	MD.TOP
	•	•		•					

Non Smart Stop Options	NSCH
	•

DIAGONAL WALL, 30", 33", 36", 39", or 42" HIGH, 24" x 24"



DW302424 L or R
DW332424 L or R
DW362424 L or R

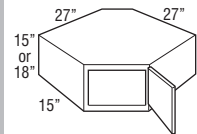
DW392424 L or R
DW422424 L or R

Model	1	2	3	4	5	6	7
DW302424L or R	526	553	612	642	672	674	689
DW332424L or R	591	620	685	720	754	757	773
DW362424L or R	606	637	703	739	774	777	794

DW392424L or R	645	677	749	788	824	828	846
DW422424L or R	685	720	794	836	874	878	897

- Cabinets require 24" x 24" of corner wall space.
- Full overlay styles use the same width doors as partial overlay styles (14 1/2" wide) with a partial overlay hinge (38NPOHINGE) to allow for proper door clearance with adjacent cabinets.

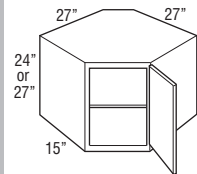
DIAGONAL WALL, 15" or 18" HIGH, 27" x 27"



DW152727L or R	498	527	590	624	657	659	675
DW182727L or R	508	537	601	635	667	670	686

- Cabinets require 27" x 27" of corner wall space.
- Full overlay styles use the same width doors as partial overlay styles (14 1/2" wide) with a partial overlay hinge (38NPOHINGE) to allow for proper door clearance with adjacent cabinets.

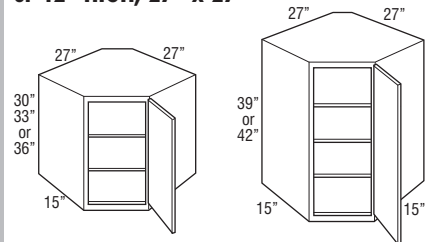
DIAGONAL WALL, 24" or 27" HIGH, 27" x 27"



DW242727L or R	529	559	622	655	688	690	707
DW272727L or R	551	579	643	677	710	712	728

- Cabinets require 27" x 27" of corner wall space.
- Adjustable shelf cannot be removed/retrofitted.
- Full overlay styles use the same width doors as partial overlay styles (14 1/2" wide) with a partial overlay hinge (38NPOHINGE) to allow for proper door clearance with adjacent cabinets.

DIAGONAL WALL, 30", 33", 36", 39", or 42" HIGH, 27" x 27"



DW302727 L or R
DW332727 L or R
DW362727 L or R

DW392727 L or R
DW422727 L or R

DW302727L or R	572	600	665	699	731	734	750
DW332727L or R	640	674	744	783	818	823	841
DW362727L or R	658	693	764	805	840	845	863

DW392727L or R	702	737	813	856	895	900	919
DW422727L or R	744	781	864	909	950	954	975

- Cabinets require 27" x 27" of corner wall space.
- Full overlay styles use the same width doors as partial overlay styles (14 1/2" wide) with a partial overlay hinge (38NPOHINGE) to allow for proper door clearance with adjacent cabinets.

Model	8	9	10	11	12	13	14	15	16	17	18	19	20
DW302424L or R	733	768	798	830	879	893	931	941	975	992	1045	1074	1130
DW332424L or R	820	860	893	930	984	1001	1041	1053	1092	1112	1171	1203	1266
DW362424L or R	843	883	916	953	1010	1028	1069	1081	1122	1143	1202	1235	1301

DW392424L or R	898	940	978	1016	1077	1096	1140	1153	1195	1219	1282	1319	1387
DW422424L or R	952	997	1038	1078	1142	1163	1209	1223	1268	1293	1361	1399	1471

Custom Modifications	ADDTK	AUTHL AUTHR	CBO	CCO	CFNTO	CFRMO	CND	FB	FPEB	ID	MIP	P	RD

Construction Upgrades	APW	PLE	Decorative Door Options	CG	CG.BTM	CG.TOP	MD	MD.BTM	MD.TOP	Non Smart Stop Options	NSCH

DW152727L or R	723	761	793	828	882	896	937	948	986	1004	1062	1093	1154
DW182727L or R	733	771	803	838	891	907	948	959	996	1015	1072	1103	1165

Custom Modifications	ADDTK	AUTHL AUTHR	CBO	CCO	CFNTO	CFRMO	CND	FB	FPEB	ID	MIP	P	RD

Construction Upgrades	APW	PLE	Decorative Door Options	CG	CG.BTM	CG.TOP	MD	MD.BTM	MD.TOP	Non Smart Stop Options	NSCH

DW242727L or R	754	792	825	860	913	927	970	980	1017	1036	1093	1125	1186
DW272727L or R	775	813	846	880	934	949	990	1001	1038	1058	1114	1146	1208

Custom Modifications	ADDTK	AUTHL AUTHR	CBO	CCO	CFNTO	CFRMO	CND	FB	FPEB	ID	MIP	P	RD

Construction Upgrades	APW	PLE	Decorative Door Options	CG	CG.BTM	CG.TOP	MD	MD.BTM	MD.TOP	Non Smart Stop Options	NSCH

DW302727L or R	798	834	867	903	956	972	1011	1022	1062	1079	1138	1171	1231
DW332727L or R	893	936	971	1010	1069	1088	1130	1143	1188	1209	1272	1311	1379
DW362727L or R	915	962	996	1037	1098	1117	1161	1174	1220	1242	1306	1346	1417

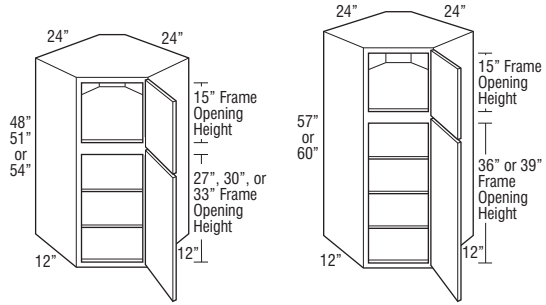
DW392727L or R	975	1023	1063	1105	1169	1191	1236	1250	1300	1324	1395	1434	1508
DW422727L or R	1037	1087	1128	1174	1242	1265	1313	1328	1379	1405	1480	1520	1599

Custom Modifications	ADDTK	AUTHL AUTHR	CBO	CCO	CFNTO	CFRMO	CND	FB	FPEB	ID	MIP	P	RD

Construction Upgrades	APW	PLE	Decorative Door Options	CG	CG.BTM	CG.TOP	MD	MD.BTM	MD.TOP	Non Smart Stop Options	NSCH

KEMPER® ECHO™ SERIES

NEW STACKED DIAGONAL WALL, 48", 51", 54", 57", or 60" HIGH, 24" x 24"



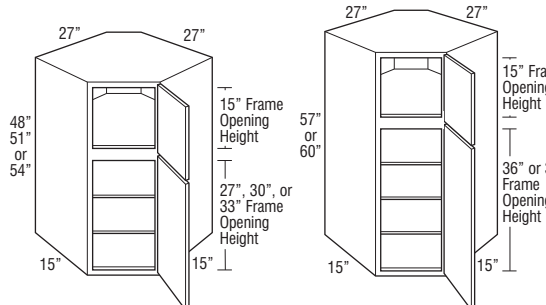
STDW482424 L or R
STDW512424 L or R
STDW542424 L or R

STDW572424 L or R
STDW602424 L or R

Model	1	2	3	4	5	6	7
STDW482424L or R	1241	1309	1456	1533	1608	1613	1650
STDW512424L or R	1323	1393	1548	1630	1710	1716	1755
STDW542424L or R	1341	1414	1570	1654	1735	1741	1781
STDW572424L or R	1390	1464	1628	1715	1798	1805	1846
STDW602424L or R	1440	1518	1684	1775	1860	1868	1910

- Cabinet requires 24" x 24" of corner wall space.
- Full overlay styles use the same width doors as partial overlay styles (14 1/2" wide) with a partial overlay hinge (38NPOHINGE) to allow for proper door clearance with adjacent cabinets.

NEW STACKED DIAGONAL WALL, 48", 51", 54", 57", or 60" HIGH, 27" x 27"



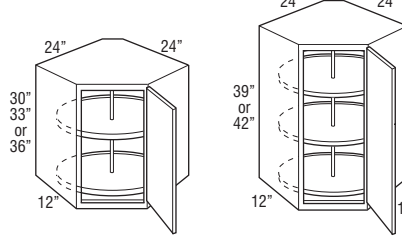
STDW482727 L or R
STDW512727 L or R
STDW542727 L or R

STDW572727 L or R
STDW602727 L or R

STDW482727L or R	1350	1421	1583	1668	1748	1755	1795
STDW512727L or R	1435	1514	1681	1773	1856	1866	1909
STDW542727L or R	1458	1538	1706	1800	1884	1894	1936
STDW572727L or R	1513	1593	1768	1864	1953	1963	2006
STDW602727L or R	1565	1648	1831	1930	2021	2030	2076

- Cabinet requires 27" x 27" of corner wall space.
- Full overlay styles use the same width doors as partial overlay styles (14 1/2" wide) with a partial overlay hinge (38NPOHINGE) to allow for proper door clearance with adjacent cabinets.

DIAGONAL WALL with PLYWOOD LAZY SUSAN, 30", 33", 36", 39", or 42" HIGH, 24" x 24"



DW302424S L or R
DW332424S L or R
DW362424S L or R

DW392424S L or R
DW422424S L or R

DW302424SL or R	1032	1058	1117	1148	1177	1179	1205
DW332424SL or R	1096	1126	1191	1226	1259	1263	1291
DW362424SL or R	1112	1142	1209	1245	1279	1283	1311
DW392424SL or R	1219	1251	1323	1362	1398	1402	1433
DW422424SL or R	1259	1295	1368	1411	1449	1452	1484

- Cabinets require 24" x 24" of corner wall space.
- Plywood shelves are 18" in overall diameter with a 17" interior diameter.
- Full overlay styles use the same width doors as partial overlay styles (14 1/2" wide) with a partial overlay hinge (38NPOHINGE) to allow for proper door clearance with adjacent cabinets.

Model	8	9	10	11	12	13	14	15	16	17	18	19	20
STDW482424L or R	1759	1846	1921	2001	2124	2159	2254	2279	2364	2408	2539	2611	2753
STDW512424L or R	1868	1961	2040	2126	2255	2294	2391	2419	2510	2558	2696	2773	2923
STDW542424L or R	1896	1990	2069	2155	2288	2328	2426	2454	2548	2596	2735	2813	2966
STDW572424L or R	1965	2061	2146	2234	2371	2413	2515	2544	2639	2691	2835	2918	3074
STDW602424L or R	2033	2133	2221	2311	2453	2496	2601	2631	2730	2784	2934	3018	3179

Custom Modifications	ADDTK	AUTHL AUTHR	CBO	CCO	CFNTO	CFRMO	CND	FB	FPEB	ID	MIP	P	RD
	•	•	•	•	•	•	•	•	•	•	•	•	•

Construction Upgrades	APW	PLE	Decorative Door Options	CG	CG.BTM	CG.TOP	MD	MD.BTM	MD.TOP	Non Smart Stop Options	NSCH
	•	•		•	•	•	•	•	•		•

STDW482727L or R	1914	2006	2088	2176	2309	2349	2449	2476	2573	2618	2763	2843	2995
STDW512727L or R	2033	2134	2218	2310	2450	2494	2598	2628	2730	2780	2930	3018	3180
STDW542727L or R	2060	2166	2249	2344	2486	2530	2636	2666	2770	2821	2973	3061	3228
STDW572727L or R	2135	2243	2333	2429	2575	2623	2730	2761	2870	2924	3084	3171	3341
STDW602727L or R	2213	2323	2414	2515	2666	2715	2826	2859	2969	3025	3190	3279	3455

Custom Modifications	ADDTK	AUTHL AUTHR	CBO	CCO	CFNTO	CFRMO	CND	FB	FPEB	ID	MIP	P	RD
	•	•	•	•	•	•	•	•	•	•	•	•	•

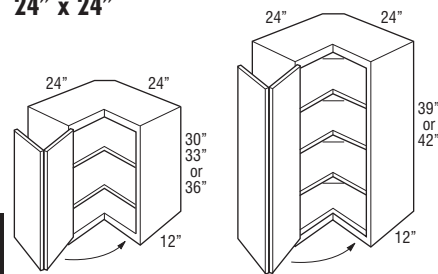
Construction Upgrades	APW	PLE	Decorative Door Options	CG	CG.BTM	CG.TOP	MD	MD.BTM	MD.TOP	Non Smart Stop Options	NSCH
	•	•		•	•	•	•	•	•		•

DW302424SL or R	1238	1273	1304	1335	1388	1399	1436	1452	1481	1498	1550	1580	1636
DW332424SL or R	1326	1366	1399	1435	1492	1507	1547	1564	1598	1618	1677	1708	1772
DW362424SL or R	1349	1389	1422	1459	1517	1533	1574	1591	1627	1648	1707	1741	1806
DW392424SL or R	1472	1514	1552	1590	1654	1670	1714	1733	1769	1793	1856	1893	1962
DW422424SL or R	1527	1571	1612	1652	1718	1737	1784	1804	1843	1867	1935	1973	2045

Custom Modifications	ADDTK	AUTHL AUTHR	CBO	CCO	CFNTO	CFRMO	CND	FB	FPEB	ID	MIP	P	RD
	•	•	•	•	•	•	•	•	•	•	•	•	•

Construction Upgrades	APW	PLE	Decorative Door Options	CG	CG.BTM	CG.TOP	MD	MD.BTM	MD.TOP	Non Smart Stop Options	NSCH
	•	•		•	•	•	•	•	•		•

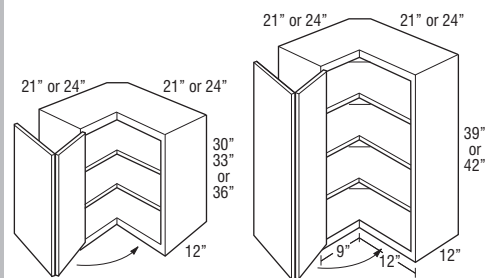
EASY REACH WALL CORNER, 30", 33", 36", 39", or 42" HIGH, 24" x 24"



Model	1	2	3	4	5	6	7
ER30L or R	624	655	725	766	799	805	822
ER33L or R	700	735	814	856	895	898	918
ER36L or R	720	755	836	878	918	921	942
ER39L or R	767	806	890	936	980	984	1006
ER42L or R	813	853	944	993	1040	1044	1066

- Requires 24" x 24" of corner wall space.
- Due to the center hinge on Easy Reach doors, door options are not available.
- Decorative hardware screws must be countersunk to prevent scratching of adjacent cabinets and face frame of ER.

ASYMMETRICAL EASY REACH WALL CORNER, 30", 33", 36", 39", or 42" HIGH



ER302124L or R	624	655	725	766	799	805	822
ER302421L or R	624	655	725	766	799	805	822
ER332124L or R	700	735	814	856	895	898	918
ER332421L or R	700	735	814	856	895	898	918
ER362124L or R	720	755	836	878	918	921	942
ER362421L or R	720	755	836	878	918	921	942
ER392124L or R	767	806	890	936	980	984	1006
ER392421L or R	767	806	890	936	980	984	1006
ER422124L or R	813	853	944	993	1040	1044	1066
ER422421L or R	813	853	944	993	1040	1044	1066

- Hinged door opens to 170°.
- Adjustable shelves.
- Legs at the front frames are 9" on 21" leg and 12" on 24" leg.
- Nomenclature for asymmetrical cabinets reads as follows:
 First set of numbers = height
 Second set of numbers = left side
 Third set of numbers = right side
- Decorative hardware screws must be countersunk to prevent scratching of adjacent cabinets and face frame of ER.
- ER__2124L shown.

Model	8	9	10	11	12	13	14	15	16	17	18	19	20
ER30L or R	871	912	947	985	1044	1064	1105	1117	1159	1181	1244	1279	1346
ER33L or R	974	1022	1062	1104	1169	1191	1238	1252	1298	1324	1393	1431	1507
ER36L or R	1001	1050	1091	1132	1200	1223	1271	1285	1333	1359	1430	1469	1547
ER39L or R	1068	1119	1162	1207	1279	1302	1355	1370	1422	1448	1525	1567	1649
ER42L or R	1130	1187	1232	1282	1358	1383	1437	1453	1507	1537	1617	1662	1749

Custom Modifications	ADDTK	AUTHL AUTHR	CBO	CCO	CFNTO	CFRMO	CND	FB	FPEB	ID	MIP	P	RD
		•		•				•	•		•		

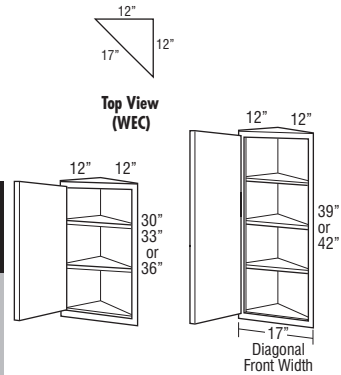
Construction Upgrades	APW	PLE	Decorative Door Options	CG	CG.BTM	CG.TOP	MD	MD.BTM	MD.TOP	Non Smart Stop Options	NSCH
	•	•									

ER302124L or R	871	912	947	985	1044	1064	1105	1117	1159	1181	1244	1279	1346
ER302421L or R	871	912	947	985	1044	1064	1105	1117	1159	1181	1244	1279	1346
ER332124L or R	974	1022	1062	1104	1169	1191	1238	1252	1298	1324	1393	1431	1507
ER332421L or R	974	1022	1062	1104	1169	1191	1238	1252	1298	1324	1393	1431	1507
ER362124L or R	1001	1050	1091	1132	1200	1223	1271	1285	1333	1359	1430	1469	1547
ER362421L or R	1001	1050	1091	1132	1200	1223	1271	1285	1333	1359	1430	1469	1547
ER392124L or R	1068	1119	1162	1207	1279	1302	1355	1370	1422	1448	1525	1567	1649
ER392421L or R	1068	1119	1162	1207	1279	1302	1355	1370	1422	1448	1525	1567	1649
ER422124L or R	1130	1187	1232	1282	1358	1383	1437	1453	1507	1537	1617	1662	1749
ER422421L or R	1130	1187	1232	1282	1358	1383	1437	1453	1507	1537	1617	1662	1749

Custom Modifications	ADDTK	AUTHL AUTHR	CBO	CCO	CFNTO	CFRMO	CND	FB	FPEB	ID	MIP	P	RD
		•	•	•				•	•		•		

Construction Upgrades	APW	PLE	Decorative Door Options	CG	CG.BTM	CG.TOP	MD	MD.BTM	MD.TOP	Non Smart Stop Options	NSCH
	•	•									•

WALL END CABINET SINGLE DOOR, 30", 33", 36", 39", or 42" HIGH, 12" x 12"



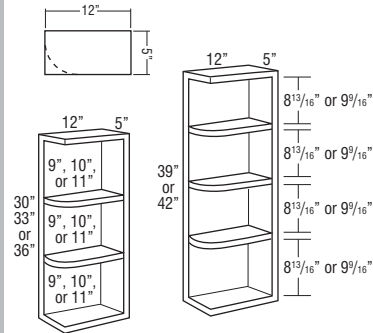
Model	1	2	3	4	5	6	7
WEC1230L or R	481	504	558	588	617	618	631
WEC1233L or R	539	565	626	658	689	692	707
WEC1236L or R	554	581	642	676	706	710	726
WEC1239L or R	589	618	683	720	753	755	771
WEC1242L or R*	622	653	724	761	798	800	818

- Width at wall: 12" x 12".
- Cabinet features two unfinished back panels. Must be installed with one back panel adjacent to a cabinet of equal height with the other back panel attached to the wall.

*When ordered with MD, shelves will not align with mullions.

WALL QUARTER ROUND END SHELF, 30", 33", 36", 39", or 42" HIGH

Square Top and Bottom Panels



WQRES630STSB	302	302	302	302	302	302	302
WQRES633STSB	339	339	339	339	339	339	339
WQRES636STSB	347	347	347	347	347	347	347
WQRES639STSB	377	377	377	377	377	377	377
WQRES642STSB	405	405	405	405	405	405	405

- Units are reversible.
- Veneer on 3/4" furniture board core with matching interior.

Model	8	9	10	11	12	13	14	15	16	17	18	19	20
WEC1230L or R	669	702	728	757	802	816	849	859	890	908	955	982	1034
WEC1233L or R	750	787	815	850	900	915	952	963	998	1018	1071	1101	1158
WEC1236L or R	771	808	838	873	925	940	979	990	1025	1046	1101	1129	1189
WEC1239L or R	819	858	893	930	984	1001	1041	1053	1092	1113	1172	1203	1265
WEC1242L or R	870	910	946	984	1042	1061	1103	1115	1157	1178	1241	1274	1341

Custom Modifications	ADDTK	AUTHL AUTHR	CBO	CCO	CFNTD	CFRMO	CND	FB	FPEB	ID	MIP	P	RD
			•	•	•	•					•		

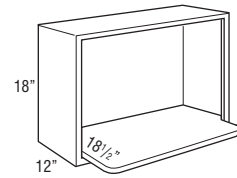
Construction Upgrades	APW	PLE	Decorative Door Options	CG	CG.BTM	CG.TOP	MD	MD.BTM	MD.TOP
	•			•			•		

Non Smart Stop Options	NSCH
	•

WQRES630STSB	302	302	302	302	302	302	302	302	302	302	302	302	302
WQRES633STSB	339	339	339	339	339	339	339	339	339	339	339	339	339
WQRES636STSB	347	347	347	347	347	347	347	347	347	347	347	347	347
WQRES639STSB	377	377	377	377	377	377	377	377	377	377	377	377	377
WQRES642STSB	405	405	405	405	405	405	405	405	405	405	405	405	405

MODIFICATIONS		
No modifications available for these products.		
Construction Upgrades	APW	PLE
	•	

**WALL MICROWAVE CABINET,
18" HIGH**



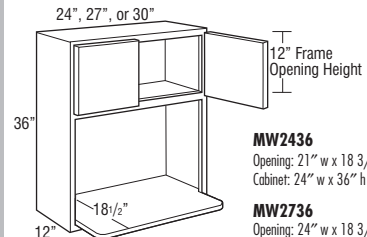
MW2718
Opening: 24" w x 14 1/4" h
Cabinet: 27" w x 18" h

MW3018
Opening: 27" w x 14 1/4" h
Cabinet: 30" w x 18" h

Model	1	2	3	4	5	6	7
MW2718	494	494	494	494	494	494	494
MW3018	520	520	520	520	520	520	520

- Includes one 3/4" shelf with six mounting screws. Shelf is veneer plywood. Microwave shelf extends beyond the front of the cabinet by 6 1/2", for a total shelf depth of 18 1/2".
- Microwave cabinet must be attached to wall stud and adjacent cabinets on both sides for support.
- Matching Interior Plywood (MIP) standard.

**WALL MICROWAVE DOUBLE DOOR
CABINET, 36" HIGH**



MW2436
Opening: 21" w x 18 3/4" h
Cabinet: 24" w x 36" h

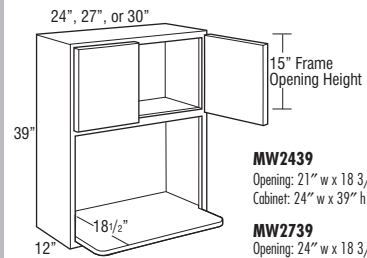
MW2736
Opening: 24" w x 18 3/4" h
Cabinet: 27" w x 36" h

MW3036
Opening: 27" w x 18 3/4" h
Cabinet: 30" w x 36" h

Model	1145	1162	1199	1218	1234	1236	1244
MW2436	1145	1162	1199	1218	1234	1236	1244
MW2736	1255	1274	1314	1335	1354	1356	1365
MW3036	1535	1558	1607	1633	1656	1658	1669

- Includes one 3/4" shelf with six mounting screws. Shelf is veneer plywood. Microwave shelf extends beyond the front of the cabinet by 6 1/2", for a total shelf depth of 18 1/2".
- Microwave cabinet must be attached to wall stud.
- When ID is ordered, shelf will not be included with cabinet.
- Matching Interior Plywood (MIP) standard.

**WALL MICROWAVE DOUBLE DOOR
CABINET, 39" HIGH**



MW2439
Opening: 21" w x 18 3/4" h
Cabinet: 24" w x 39" h

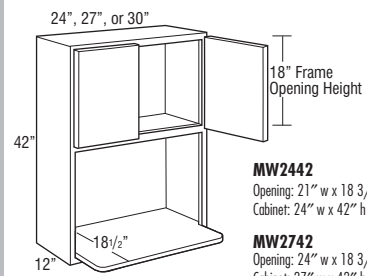
MW2739
Opening: 24" w x 18 3/4" h
Cabinet: 27" w x 39" h

MW3039
Opening: 27" w x 18 3/4" h
Cabinet: 30" w x 39" h

Model	1255	1274	1314	1335	1354	1356	1365
MW2439	1255	1274	1314	1335	1354	1356	1365
MW2739	1365	1386	1430	1453	1473	1475	1485
MW3039	1642	1667	1720	1747	1772	1774	1786

- Includes one 3/4" shelf with six mounting screws. Shelf is veneer plywood. Microwave shelf extends beyond the front of the cabinet by 6 1/2", for a total shelf depth of 18 1/2".
- Microwave cabinet must be attached to wall stud.
- When ID is ordered, shelf will not be included with cabinet.
- Matching Interior Plywood (MIP) standard.

**WALL MICROWAVE DOUBLE DOOR
CABINET, 42" HIGH**



MW2442
Opening: 21" w x 18 3/4" h
Cabinet: 24" w x 42" h

MW2742
Opening: 24" w x 18 3/4" h
Cabinet: 27" w x 42" h

MW3042
Opening: 27" w x 18 3/4" h
Cabinet: 30" w x 42" h

Model	1365	1386	1430	1453	1473	1475	1485
MW2442	1365	1386	1430	1453	1473	1475	1485
MW2742	1476	1499	1546	1570	1592	1594	1605
MW3042	1750	1776	1833	1862	1888	1890	1902

- Includes one 3/4" shelf with six mounting screws. Shelf is veneer plywood. Microwave shelf extends beyond the front of the cabinet by 6 1/2", for a total shelf depth of 18 1/2".
- Microwave cabinet must be attached to wall stud.
- When ID is ordered, shelf will not be included with cabinet.
- Matching Interior Plywood (MIP) standard.

Model	8	9	10	11	12	13	14	15	16	17	18	19	20
MW2718	494	494	494	494	494	494	494	494	494	494	494	494	494
MW3018	520	520	520	520	520	520	520	520	520	520	520	520	520

Custom Modifications	ADDTK	AUTHL AUTHR	CBO	CCO	CFNTD	CFRMO	CND	FB	FPEB	ID	MIP	P	RD
			•			•		STD	•		STD		

Construction Upgrades	APW	PLE	Decorative Door Options	CG	CG.BTM	CG.TOP	MD	MD.BTM	MD.TOP	Non Smart Stop Options	NSCH
	STD										

MW2436	1267	1286	1302	1317	1339	1347	1363	1368	1384	1392	1414	1426	1448
MW2736	1390	1410	1427	1444	1469	1478	1496	1501	1518	1527	1551	1563	1588
MW3036	1699	1725	1745	1766	1797	1807	1829	1835	1856	1867	1896	1913	1943

Custom Modifications	ADDTK	AUTHL AUTHR	CBO	CCO	CFNTD	CFRMO	CND	FB	FPEB	ID	MIP	P	RD
			•	•	•	•		STD	•	•	STD		

Construction Upgrades	APW	PLE	Decorative Door Options	CG	CG.BTM	CG.TOP	MD	MD.BTM	MD.TOP	Non Smart Stop Options	NSCH
	STD			•							•

MW2439	1390	1410	1427	1444	1469	1478	1496	1501	1518	1527	1551	1563	1588
MW2739	1513	1535	1553	1572	1599	1608	1627	1633	1652	1661	1687	1701	1728
MW3039	1819	1846	1868	1890	1923	1934	1957	1964	1987	1998	2030	2047	2079

Custom Modifications	ADDTK	AUTHL AUTHR	CBO	CCO	CFNTD	CFRMO	CND	FB	FPEB	ID	MIP	P	RD
			•	•	•	•		STD	•	•	STD		

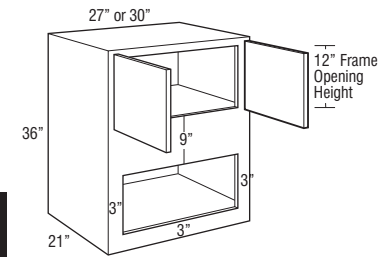
Construction Upgrades	APW	PLE	Decorative Door Options	CG	CG.BTM	CG.TOP	MD	MD.BTM	MD.TOP	Non Smart Stop Options	NSCH
	STD			•							•

MW2442	1513	1535	1553	1572	1599	1608	1627	1633	1652	1661	1687	1701	1728
MW2742	1635	1658	1678	1698	1728	1738	1759	1765	1785	1795	1824	1839	1868
MW3042	1938	1967	1990	2014	2049	2061	2086	2093	2117	2129	2163	2181	2215

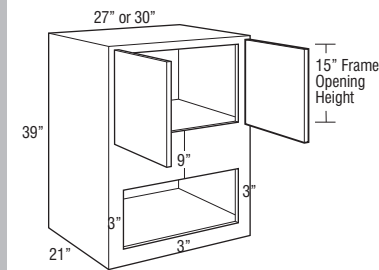
Custom Modifications	ADDTK	AUTHL AUTHR	CBO	CCO	CFNTD	CFRMO	CND	FB	FPEB	ID	MIP	P	RD
			•	•	•	•		STD	•	•	STD		

Construction Upgrades	APW	PLE	Decorative Door Options	CG	CG.BTM	CG.TOP	MD	MD.BTM	MD.TOP	Non Smart Stop Options	NSCH
	STD			•							•

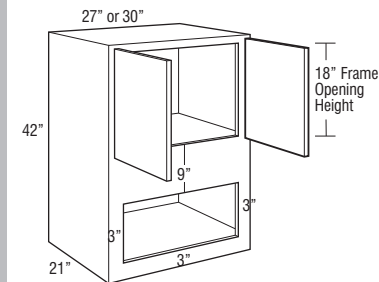
WALL BUILT-IN MICROWAVE DOUBLE DOOR CABINET, 36", 39", or 42" HIGH, 21" DEEP



WBMW273621
WBMW303621



WBMW273921
WBMW303921

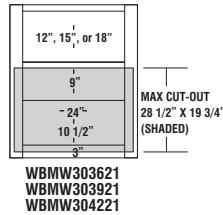
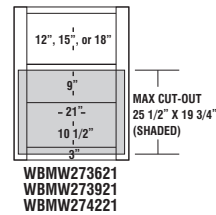


WBMW274221
WBMW304221

Model	Factory Opening	Maximum Cut-out
2736	21W x 10 1/2H	25 1/2W x 19 3/4H
2739	21W x 10 1/2H	25 1/2W x 19 3/4H
2742	21W x 10 1/2H	25 1/2W x 19 3/4H
3036	24W x 10 1/2H	28 1/2W x 19 3/4H
3039	24W x 10 1/2H	28 1/2W x 19 3/4H
3042	24W x 10 1/2H	28 1/2W x 19 3/4H

Model	1	2	3	4	5	6	7
WBMW273621	672	698	756	785	814	817	832
WBMW303621	696	724	783	814	849	849	864
WBMW273921	706	734	798	830	863	864	880
WBMW303921	734	764	828	863	897	898	915
WBMW274221	741	772	838	874	908	910	926
WBMW304221	772	803	871	909	943	947	964

- Microwave cabinet must be attached to wall stud and adjacent cabinets on both sides for support.
- When placed at a different height than adjacent cabinet, skins or FPEB option should be applied to taller cabinets in the run for correct reveal on each side.
- When CG is specified, face frame will be visible through door if used with a translucent glass design.

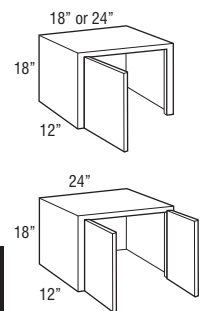


Model	8	9	10	11	12	13	14	15	16	17	18	19	20
WBMW273621	875	910	939	971	1019	1035	1070	1080	1117	1131	1184	1215	1269
WBMW303621	909	947	975	1010	1062	1077	1116	1127	1162	1181	1234	1265	1325
WBMW273921	927	963	993	1028	1079	1095	1132	1143	1183	1201	1257	1287	1348
WBMW303921	963	1001	1035	1069	1124	1142	1181	1193	1231	1252	1311	1344	1406
WBMW274221	974	1015	1049	1087	1141	1156	1198	1209	1250	1268	1328	1360	1424
WBMW304221	1015	1057	1091	1128	1186	1204	1247	1259	1300	1323	1384	1419	1487

Custom Modifications	ADDTK	AUTHL AUTHR	CBO	CCO	CFNTO	CFRMO	CND	FB	FPEB	ID	MIP	P	RD
		•		•		•		•	•	•			•

Construction Upgrades	APW	PLE	Decorative Door Options	CG	CG.BTM	CG.TOP	MD	MD.BTM	MD.TOP	Non Smart Stop Options	NSCH
	•	•		•							•

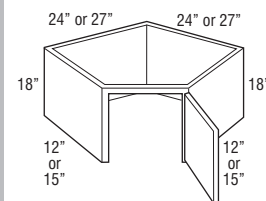
WALL APPLIANCE GARAGE, 18" HIGH



Model	1	2	3	4	5	6	7
WAGD18L or R	284	301	335	353	369	372	380
WAGD24 L or R	294	310	344	363	379	382	390
WAGD24	326	343	379	398	418	419	428

- Cabinet does not have a bottom (floor).
- Bottom edge is not trimmable.
- Standard cabinet interior, order MIP for matching interior.
- Cabinet is designed to fit beneath standard wall cabinets.
- Countertop back splash must end to set cabinet against wall.

CORNER DOOR, 18" HIGH

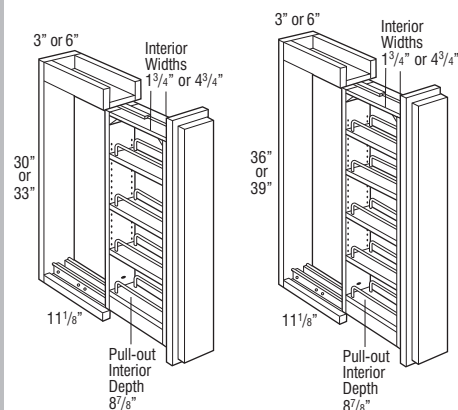


Model	1	2	3	4	5	6	7
CD2424L or R	421	442	488	515	538	540	552
CD2727L or R	458	481	532	559	585	587	600

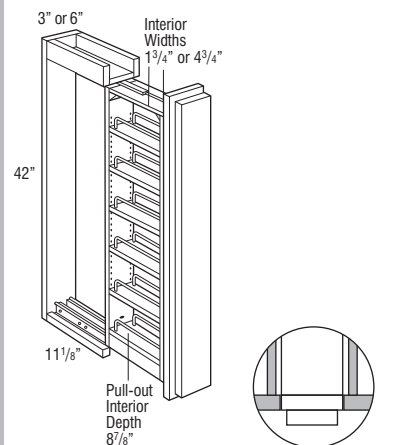
- CD2424 L or R requires 24" x 24" corner wall space.
- CD2727 L or R requires 27" x 27" corner wall space.
- Cabinet is designed to fit beneath Diagonal Wall Cabinets.
- Inside is maple laminate, and finished exterior.
- Does not have floor or top.
- Full overlay styles use the same width doors as partial overlay styles (14 1/2" wide) with a partial overlay hinge (38NPOHINGE) to allow for proper door clearance with adjacent cabinets.

WALL BOX COLUMN PULL-OUT with OVERLAY

storage SOLUTIONS



WBCPO_300L
WBCPO_330L



WBCPO_420L



WBCPO3300L	752	752	752	752	752	752	752
WBCPO6300L	950	950	950	950	950	950	950
WBCPO3330L	790	790	790	790	790	790	790
WBCPO6330L	988	988	988	988	988	988	988
WBCPO3360L	828	828	828	828	828	828	828
WBCPO6360L	1026	1026	1026	1026	1026	1026	1026
WBCPO3390L	866	866	866	866	866	866	866
WBCPO6390L	1064	1064	1064	1064	1064	1064	1064
WBCPO3420L	904	904	904	904	904	904	904
WBCPO6420L	1102	1102	1102	1102	1102	1102	1102

- Recommend installation between two cabinets. Can be installed on the end of a run or adjacent to an appliance with a 3/4" thick end panel.
- Includes profiled full overlay filler, but unattached.
- Warren PureStyle™ overlays will be painted hardwood.
- All styles feature a natural finish full extension wood pull-out with adjustable shelves and chrome rail sides.
- In order to allow proper clearance for opening and closing, allow an additional 1/8" space between adjacent cabinet face frames. The 3" wide pull-outs require 3 1/8" space and the 6" wide pull-outs require 6 1/8" space. Spacers are included with the pull-outs to allow for proper installation.
- Not compatible with face mount moulding.

Model	8	9	10	11	12	13	14	15	16	17	18	19	20
WAGD18L or R	404	422	440	457	485	494	514	520	537	549	579	597	628
WAGD24 L or R	414	432	449	466	494	503	523	529	547	559	589	606	638
WAGD24	453	477	496	515	545	554	576	583	604	617	649	668	702

Custom Modifications	ADDTK	AUTHL AUTHR	CBO	CCO	CFNTO	CFRMO	CND	FB	FPEB	ID	MIP	P	RD
		•		•	•	•		•	•	•	•		•

Construction Upgrades	APW	PLE	Decorative Door Options						Non Smart Stop Options	
	•	•	CG	CG.BTM	CG.TOP	MD	MD.BTM	MD.TOP	NSCH	•

CD2424L or R	585	616	639	663	703	714	744	753	781	796	837	862	907
CD2727L or R	639	668	694	721	764	778	809	818	849	864	909	936	985

Custom Modifications	ADDTK	AUTHL AUTHR	CBO	CCO	CFNTO	CFRMO	CND	FB	FPEB	ID	MIP	P	RD
		•		•	•	•		•	•	•	•		

Construction Upgrades	APW	PLE	Decorative Door Options						Non Smart Stop Options	
	•	•	CG	CG.BTM	CG.TOP	MD	MD.BTM	MD.TOP	NSCH	•

WBCPO3300L	752	752	752	752	752	752	752	752	752	752	752	752	752
WBCPO6300L	950	950	950	950	950	950	950	950	950	950	950	950	950

WBCPO3330L	790	790	790	790	790	790	790	790	790	790	790	790	790
WBCPO6330L	988	988	988	988	988	988	988	988	988	988	988	988	988

WBCPO3360L	828	828	828	828	828	828	828	828	828	828	828	828	828
WBCPO6360L	1026	1026	1026	1026	1026	1026	1026	1026	1026	1026	1026	1026	1026

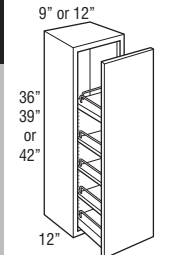
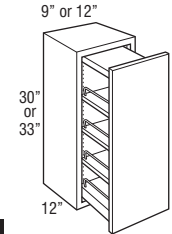
WBCPO3390L	866	866	866	866	866	866	866	866	866	866	866	866	866
WBCPO6390L	1064	1064	1064	1064	1064	1064	1064	1064	1064	1064	1064	1064	1064

WBCPO3420L	904	904	904	904	904	904	904	904	904	904	904	904	904
WBCPO6420L	1102	1102	1102	1102	1102	1102	1102	1102	1102	1102	1102	1102	1102

MODIFICATIONS

No modifications available for these products.

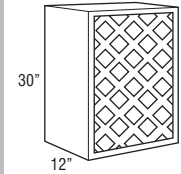
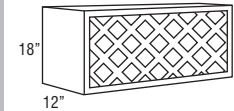
WALL SPICE PULL-OUT, 30", 33", 36", 39", or 42" HIGH storage SOLUTIONS



Model	1	2	3	4	5	6	7
WSP930	741	754	785	802	816	817	825
WSP1230	785	800	834	853	866	870	877
WSP933	772	787	821	839	855	856	865
WSP1233	820	836	872	891	909	911	920
WSP936	779	794	830	848	865	866	875
WSP1236	829	844	881	901	919	920	930
WSP939	797	813	852	870	890	890	900
WSP1239	850	867	907	925	946	948	958
WSP942	816	835	873	894	915	916	926
WSP1242	868	887	929	951	973	975	985

- 30" high units include a natural finish, full extension wood pull-out with three adjustable shelves, one fixed shelf, and chrome finish rail sides.
- Wood plugs for top of 30" high pull-out included for field installation.
- 36" to 42" high units include a natural finish, full extension wood pull-out with three adjustable shelves, two fixed shelves, and chrome finish rail sides.
- Wire for top rail on 36" to 42" high pull-out included separately for field installation.
- For full access from both sides of unit, do not install against a wall or next to deeper appliances and cabinets.
- Pull-out does not have Smart Stop feature.

WALL WINE RACK, 18" or 30" HIGH

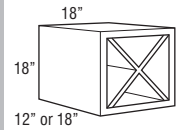


WNR3018	669	669	669	669	669	669	669
WNR3618	719	719	719	719	719	719	719
WNR1830	669	669	669	669	669	669	669

- Solid-wood lattice work.
- Matching Interior Plywood (MIP) standard.
- Wine bottle opening 4" x 4".

SKU	# of Bottles
WNR3018	11
WNR3618	13
WNR1830	11

WINE STORAGE CABINET, 18" HIGH storage SOLUTIONS



WSC181812	677	677	677	677	677	677	677
WSC181818	713	713	713	713	713	713	713

- Holds 18 standard 3 1/8" diameter wine bottles.
- WSC181818 must be installed between two cabinets, between a cabinet and a wall, or mounted to a horizontal surface.
- "X" shelf configuration cannot be removed.
- Reduced depth not recommended for safe wine bottle storage.
- Matching Interior Plywood (MIP) standard.

Model	8	9	10	11	12	13	14	15	16	17	18	19	20
WSP930	848	866	884	899	923	929	949	955	973	983	1010	1027	1057
WSP1230	899	920	938	955	982	990	1010	1016	1036	1048	1076	1090	1121
WSP933	890	911	929	947	976	984	1006	1012	1032	1042	1071	1090	1123
WSP1233	945	970	988	1008	1038	1047	1069	1075	1097	1108	1139	1158	1192
WSP936	900	922	941	958	988	997	1020	1026	1047	1057	1087	1106	1139
WSP1236	957	981	1000	1021	1052	1060	1084	1090	1114	1122	1155	1174	1210
WSP939	928	949	968	990	1020	1030	1052	1059	1083	1092	1125	1144	1179
WSP1239	986	1011	1031	1053	1085	1094	1119	1126	1151	1163	1197	1217	1253
WSP942	954	978	997	1020	1052	1062	1086	1093	1116	1128	1164	1182	1221
WSP1242	1015	1039	1061	1085	1119	1131	1155	1162	1190	1199	1236	1256	1297

Custom Modifications	ADDTK	AUTHL AUTHR	CBO	CCO	CFNTO	CFRMO	CND	FB	FPEB	ID	MIP	P	RD
	•	•	•	•	•	•	•	•	•				

Construction Upgrades	APW	PLE	Decorative Door Options	CG	CG.BTM	CG.TOP	MD	MD.BTM	MD.TOP	Non Smart Stop Options	NSCH
	•	•									

WNR3018	669	669	669	669	669	669	669	669	669	669	669	669	669
WNR3618	719	719	719	719	719	719	719	719	719	719	719	719	719
WNR1830	669	669	669	669	669	669	669	669	669	669	669	669	669

Custom Modifications	ADDTK	AUTHL AUTHR	CBO	CCO	CFNTO	CFRMO	CND	FB	FPEB	ID	MIP	P	RD
	•		STD			•		STD	•		STD		

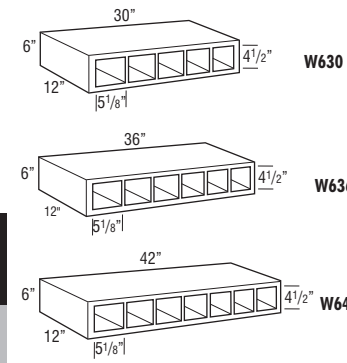
Construction Upgrades	APW	PLE	Decorative Door Options	CG	CG.BTM	CG.TOP	MD	MD.BTM	MD.TOP	Non Smart Stop Options	NSCH
	STD										

WSC181812	677	677	677	677	677	677	677	677	677	677	677	677	677
WSC181818	713	713	713	713	713	713	713	713	713	713	713	713	713

Custom Modifications	ADDTK	AUTHL AUTHR	CBO	CCO	CFNTO	CFRMO	CND	FB	FPEB	ID	MIP	P	RD
								STD	•		STD		•

Construction Upgrades	APW	PLE	Decorative Door Options	CG	CG.BTM	CG.TOP	MD	MD.BTM	MD.TOP	Non Smart Stop Options	NSCH
	STD										

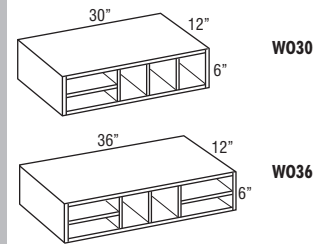
WALL WINE CUBBY, 30", 36", or 42" WIDE, 6" HIGH



Model	1	2	3	4	5	6	7
W630 (5 openings)	365	365	365	365	365	365	365
W636 (6 openings)	401	401	401	401	401	401	401
W642 (7 openings)	444	444	444	444	444	444	444

- Veneer on 3/4" furniture board core.
- Matching Interior Plywood (MIP) standard.
- Frameless construction.

WALL ORGANIZER, 30" or 36" WIDE, 6" HIGH

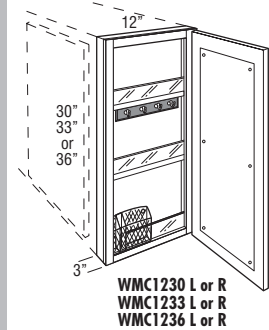


Model	1	2	3	4	5	6	7
W030	713	713	713	713	713	713	713
W036	767	767	767	767	767	767	767

- Veneer on a 3/4" furniture board core.
- Frameless construction.
- Matching Interior Plywood (MIP) standard.

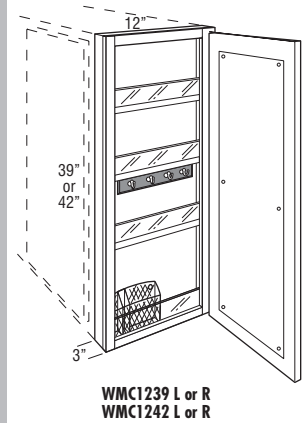
WALL MESSAGE CENTER, 30", 33", 36", 39", or 42" HIGH, 3" DEEP

storage SOLUTIONS



WMC1230L or R	803	818	852	871	884	888	895
WMC1233L or R	838	854	890	909	927	929	938
WMC1236L or R	847	862	899	919	937	938	948
WMC1239L or R	868	885	925	943	964	966	976
WMC1242L or R	886	905	947	969	991	993	1003

- Includes magnetic whiteboard on back of door, key hooks, pencil holder, and fixed plexi-glass fronted shelves.
- WMC1230, WMC1233, and WMC1236 have 2 fixed shelves. WMC1239 and WMC1242 have 3 fixed shelves.
- Not recommended for use next to a Peninsula cabinet due to the additional 1/4" cabinet depth.
- Door will open 90° without decorative hardware.
- Cabinet should be hinged on wall side.
- For proper installation, adjacent cabinet must have FPEB or 1/4" skin applied.
- Embellishments or overlay fillers can be used on side of cabinet to add a decorative touch.



Model	8	9	10	11	12	13	14	15	16	17	18	19	20
W630 (5 openings)	365	365	365	365	365	365	365	365	365	365	365	365	365
W636 (6 openings)	401	401	401	401	401	401	401	401	401	401	401	401	401
W642 (7 openings)	444	444	444	444	444	444	444	444	444	444	444	444	444

Custom Modifications	ADDTK	AUTHL AUTHR	CBO	CCO	CFNTO	CFRMO	CND	FB	FPEB	ID	MIP	P	RD
								STD			STD		

Construction Upgrades	APW	PLE	Decorative Door Options	CG	CG.BTM	CG.TOP	MD	MD.BTM	MD.TOP	Non Smart Stop Options	NSCH

W030	713	713	713	713	713	713	713	713	713	713	713	713	713
W036	767	767	767	767	767	767	767	767	767	767	767	767	767

Custom Modifications	ADDTK	AUTHL AUTHR	CBO	CCO	CFNTO	CFRMO	CND	FB	FPEB	ID	MIP	P	RD
								STD			STD		

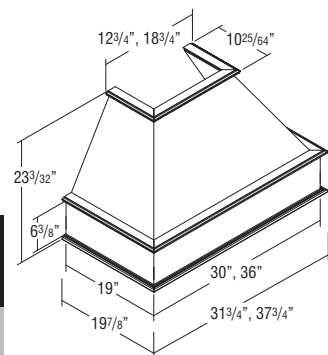
Construction Upgrades	APW	PLE	Decorative Door Options	CG	CG.BTM	CG.TOP	MD	MD.BTM	MD.TOP	Non Smart Stop Options	NSCH

WMC1230L or R	917	938	956	973	1000	1008	1028	1034	1054	1066	1094	1108	1139
WMC1233L or R	963	988	1006	1026	1056	1065	1087	1093	1115	1126	1157	1176	1210
WMC1236L or R	975	999	1018	1039	1070	1078	1102	1108	1132	1140	1173	1192	1228
WMC1239L or R	1004	1029	1049	1071	1103	1112	1137	1144	1169	1181	1215	1235	1271
WMC1242L or R	1033	1057	1079	1103	1137	1149	1173	1180	1208	1217	1254	1274	1315

Custom Modifications	ADDTK	AUTHL AUTHR	CBO	CCO	CFNTO	CFRMO	CND	FB	FPEB	ID	MIP	P	RD
								STD	STD		•		

Construction Upgrades	APW	PLE	Decorative Door Options	CG	CG.BTM	CG.TOP	MD	MD.BTM	MD.TOP	Non Smart Stop Options	NSCH
	•										•

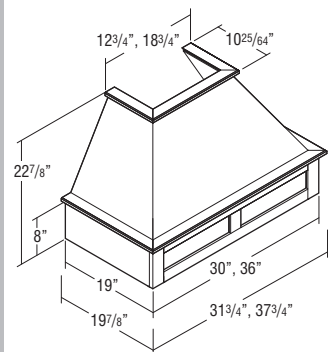
CLASSIC SQUARE WOOD HOOD, 30" or 36" WIDE, 22 7/8" HIGH



Model	1	2	3	4	5	6	7
WHS30	3623	3623	3623	3623	3623	3623	3623
WHS36	3654	3654	3654	3654	3654	3654	3654

- Freestanding unit (must be properly secured to wall and cannot be attached to adjacent cabinets).
- Exhaust system not included. Compatible with all Kemper Echo blowers.
- Chimney available (WHC...). See below.
- Check your local building code for installation heights above the range.
- Silver metallic liner included. Assembly required.
- Installation instructions and hardware included.
- Liner opening size: 10 1/4" deep by 19 1/2" wide.

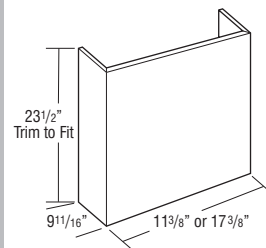
NEW SQUARE FLAT PANEL WOOD HOOD, 30" or 36" WIDE



WHSFP30	3623	3623	3623	3623	3623	3623	3623
WHSFP36	3654	3654	3654	3654	3654	3654	3654

- Freestanding unit (must be properly secured to wall and cannot be attached to adjacent cabinets).
- Exhaust system not included. Compatible with all Kemper blowers.
- Chimney available (WHC...). See below.
- Check local building code and appliance installation specifications for clearance requirements and installation heights above the range.
- Silver metallic liner included. Assembly required.
- Installation instructions and hardware included.
- Liner opening size: 10 1/4" deep by 19 1/2" wide.

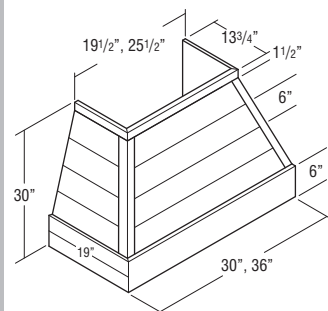
CLASSIC WOOD HOOD CHIMNEY, 23 1/2" HIGH



WHC30	658	658	658	658	658	658	658
WHC36	688	688	688	688	688	688	688

- 3/4" thick plywood.
- Trimmable.
- If trimmed, moulding is recommended to conceal any cut marks.
- Optional accessory for Wood Hood Square (WHS) and Square Flat Panel Wood Hood (WHSFP).
- WHC30 is not compatible with CONVERSION.

NEW SHIPLAP TAPERED WOOD HOOD, 30" or 36" WIDE



JWHSIPT30	N/A	3560	3560	3560	N/A	3560	3560
JWHSIPT36	N/A	3975	3975	3975	N/A	3975	3975

- Freestanding unit (must be properly secured to wall and cannot be attached to adjacent cabinets).
- Constructed of 3/4" thick grooved plywood creating a shiplap appearance.
- Exhaust system not included. Compatible with all Kemper blowers.
- Compatible with Shiplap Chimney (JWHSIPCH_...), which can be trimmed. See page 104.
- Check local building code and appliance installation specifications for clearance requirements and installation heights above the range.
- Silver metallic liner included. Assembly required.
- Installation instructions and hardware included.
- Liner opening size: 10 1/4" deep by 19 1/2" wide.
- Not available in Oak, Maple will be used for PureStyle™.

Model	8	9	10	11	12	13	14	15	16	17	18	19	20
WHS30	3623	3623	3623	3623	3623	3623	3623	3623	3623	3623	3623	3623	3623
WHS36	3654	3654	3654	3654	3654	3654	3654	3654	3654	3654	3654	3654	3654

MODIFICATIONS
No modifications available for these products.

WHSFP30	3623	3623	3623	3623	3623	3623	3623	3623	3623	3623	3623	3623	3623
WHSFP36	3654	3654	3654	3654	3654	3654	3654	3654	3654	3654	3654	3654	3654

MODIFICATIONS
No modifications available for these products.

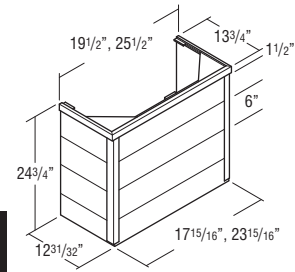
WHC30	658	658	658	658	658	658	658	658	658	658	658	658	658
WHC36	688	688	688	688	688	688	688	688	688	688	688	688	688

MODIFICATIONS
No modifications available for these products.

JWHSIPT30	3560	3560	3560	3560	3560	3560	3560	3560	3560	3560	3560	3560	3560
JWHSIPT36	3975	3975	3975	3975	3975	3975	3975	3975	3975	3975	3975	3975	3975

MODIFICATIONS
No modifications available for these products.

SHIPLAP WOOD HOOD CHIMNEY, 24 3/4" HIGH

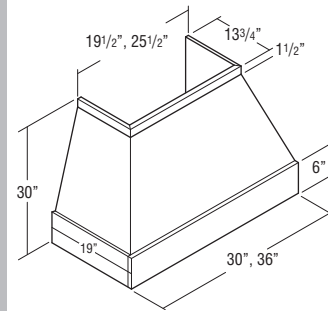


WHCA30
WHCA36

Model	1	2	3	4	5	6	7
JWHSHPCH30	N/A	1046	1046	1046	N/A	1046	1046
JWHSHPCH36	N/A	1046	1046	1046	N/A	1046	1046

- Constructed of 3/4" thick grooved plywood creating a shiplap appearance.
- Trimable. If trimmed, moulding is recommended to conceal any cut marks.
- Optional accessory for Wood Hood Shiplap Tapered (JWHSHPCHT_) for an installed height of 54".
- Not available in Oak, Maple will be used for PureStyle™.

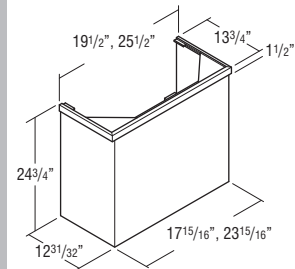
SIMPLE TAPERED WOOD HOOD, 30" or 36" WIDE



WHSMT30	3560	3560	3560	3560	3560	3560	3560
WHSMT36	3975	3975	3975	3975	3975	3975	3975

- Freestanding unit (must be properly secured to wall and cannot be attached to adjacent cabinets).
- Exhaust system not included. Compatible with all Kemper blowers.
- Compatible with Simple Wood Hood Chimney (WHSMC_), which can be trimmed. See below.
- Check local building code and appliance installation specifications for clearance requirements and installation heights above the range.
- Silver metallic liner included. Assembly required.
- Installation instructions and hardware included.
- Liner opening size: 10 1/4" deep by 19 1/2" wide.

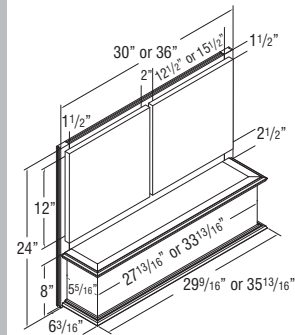
SIMPLE WOOD HOOD CHIMNEY, 24 3/4" HIGH



WHSMC30	1046	1046	1046	1046	1046	1046	1046
WHSMC36	1046	1046	1046	1046	1046	1046	1046

- Trimable. If trimmed, moulding is recommended to conceal any cut marks.
- Optional accessory for Simple Tapered Wood Hoods (WHSMT_) for an installed height of 54".

CANOPY SQUARE WOOD HOOD, 30" or 36" WIDE



WHCS30	2038	2054	2090	2109	2129	2130	2139
WHCS36	2210	2229	2267	2292	2308	2313	2323

- Install Wood Hoods between adjacent cabinets.
- Exhaust system not included. Compatible with all Kemper Echo blowers.
- Check your local building code for installation heights above the range.
- Square silver metallic liner included. Assembly required.
- Installation instructions and hardware included.
- Liner opening size: 10 1/4" deep by 19 1/2" wide.

Model	8	9	10	11	12	13	14	15	16	17	18	19	20
JWHSHPCH30	1046	1046	1046	1046	1046	1046	1046	1046	1046	1046	1046	1046	1046
JWHSHPCH36	1046	1046	1046	1046	1046	1046	1046	1046	1046	1046	1046	1046	1046

MODIFICATIONS

No modifications available for these products.

WHSMT30	3560	3560	3560	3560	3560	3560	3560	3560	3560	3560	3560	3560	3560
WHSMT36	3975	3975	3975	3975	3975	3975	3975	3975	3975	3975	3975	3975	3975

MODIFICATIONS

No modifications available for these products.

WHSMC30	1046	1046	1046	1046	1046	1046	1046	1046	1046	1046	1046	1046	1046
WHSMC36	1046	1046	1046	1046	1046	1046	1046	1046	1046	1046	1046	1046	1046

MODIFICATIONS

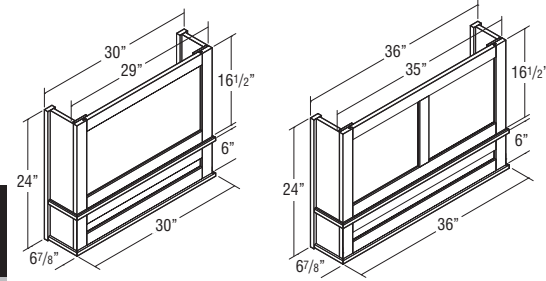
No modifications available for these products.

WHCS30	2166	2188	2207	2227	2258	2267	2290	2296	2318	2328	2361	2381	2415
WHCS36	2352	2376	2398	2418	2452	2463	2488	2495	2519	2531	2568	2587	2626

MODIFICATIONS

No modifications available for these products.

STRAIGHT BATTEN WOOD HOOD, 30" or 36" WIDE, 24" HIGH



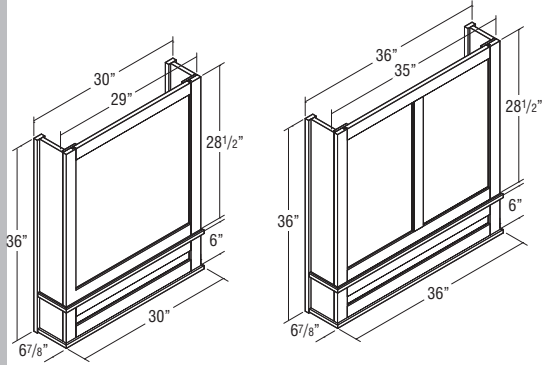
Model	1	2	3	4	5	6	7
WHSBATTEN3024	2625	2625	2625	2625	2625	2625	2625
WHSBATTEN3624	2888	2888	2888	2888	2888	2888	2888

- Install between adjacent cabinets.
- Exhaust system not included. Compatible with all Kemper blowers.
- Check local building code and appliance installation specifications for clearance requirements and installation heights above the range.
- Silver metallic liner included. Assembly required.
- Installation instructions and hardware included.
- Liner opening size: 10 1/4" deep by 19 1/2" wide.
- End rails, side stiles, and center stiles are 2 1/4" wide with a shaker profile.
- Grain runs vertical on center panels in upper section and horizontal on center panel in lower section.

Model	8	9	10	11	12	13	14	15	16	17	18	19	20
WHSBATTEN3024	2625	2625	2625	2625	2625	2625	2625	2625	2625	2625	2625	2625	2625
WHSBATTEN3624	2888	2888	2888	2888	2888	2888	2888	2888	2888	2888	2888	2888	2888

MODIFICATIONS
No modifications available for these products.

STRAIGHT BATTEN WOOD HOOD, 30" or 36" WIDE, 36" HIGH



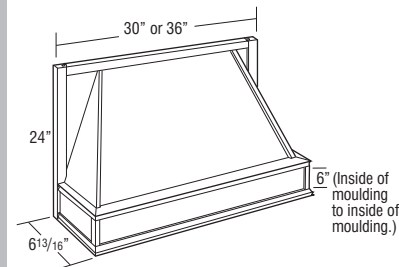
WHSBATTEN3036	3231	3231	3231	3231	3231	3231	3231
WHSBATTEN3636	3618	3618	3618	3618	3618	3618	3618

- Install between adjacent cabinets.
- Exhaust system not included. Compatible with all Kemper blowers.
- Check local building code and appliance installation specifications for clearance requirements and installation heights above the range.
- Silver metallic liner included. Assembly required.
- Installation instructions and hardware included.
- Liner opening size: 10 1/4" deep by 19 1/2" wide.
- End rails, side stiles, and center stiles are 2 1/4" wide with a shaker profile.
- Grain runs vertical on center panels in upper section and horizontal on center panel in lower section.

WHSBATTEN3036	3231	3231	3231	3231	3231	3231	3231	3231	3231	3231	3231	3231	3231
WHSBATTEN3636	3618	3618	3618	3618	3618	3618	3618	3618	3618	3618	3618	3618	3618

MODIFICATIONS
No modifications available for these products.

TAPERED WOOD HOOD, 30" or 36" WIDE, 24" HIGH



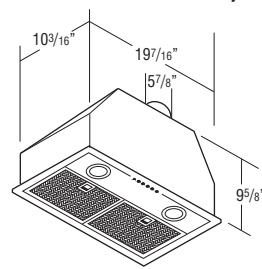
TWH30	1203	1203	1203	1203	1203	1203	1203
TWH36FW	1293	1293	1293	1293	1293	1293	1293

- Install Wood Hood between adjacent cabinets.
- Exhaust system not included. Compatible with all Kemper Echo blowers.
- Check your local building code for installation heights above the range.
- Tapered design.
- Liner opening size: 10 1/4" deep x 19 1/2" wide.
- Silver metallic liner included, not available for order separately.

TWH30	1203	1203	1203	1203	1203	1203	1203	1203	1203	1203	1203	1203	1203
TWH36FW	1293	1293	1293	1293	1293	1293	1293	1293	1293	1293	1293	1293	1293

MODIFICATIONS
No modifications available for these products.

WOOD HOOD BLOWER, 500 CFM



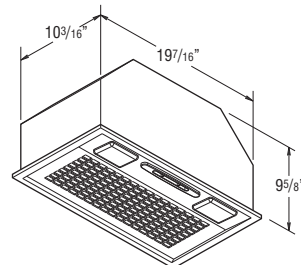
Model	1	2	3	4	5	6	7
BLOWER500	4324	4324	4324	4324	4324	4324	4324

- 500 CFM.
- Two 20 watt (12 volt, G4 base) halogen lamps included.
- Installation instructions, warranty, and repair information included.
- Silver metallic finish.
- Three speed push button control.
- Includes two removable dishwasher safe grease filters.
- Compatible with all Wood Hoods.
- Designed for use in applications up to 60,000 BTUs.

Model	8	9	10	11	12	13	14	15	16	17	18	19	20
BLOWER500	4324	4324	4324	4324	4324	4324	4324	4324	4324	4324	4324	4324	4324

MODIFICATIONS
No modifications available for these products.

WOOD HOOD BLOWER, 390 CFM



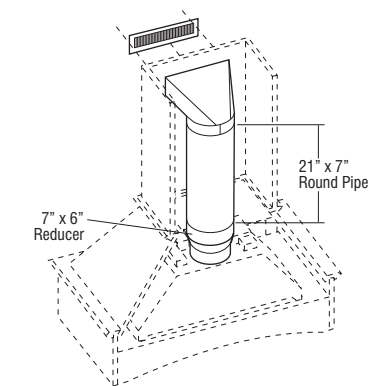
Model	1242	1242	1242	1242	1242	1242	1242
TWHBLOWER390	1242	1242	1242	1242	1242	1242	1242

- Range Hood Component Package has 3-speed centrifugal fan and lighted filter control.
- 6" diameter vent.
- 1 year warranty.
- Sound rating is 6 sones.
- Uses 3.2 amps.
- Two 40 watt candelabra lights required, but not included.
- Compatible with all Wood Hoods.
- Silver metallic exterior finish.
- Includes removable dishwasher safe grease filter.

Model	1242	1242	1242	1242	1242	1242	1242	1242	1242	1242	1242	1242	1242
TWHBLOWER390	1242	1242	1242	1242	1242	1242	1242	1242	1242	1242	1242	1242	1242

MODIFICATIONS
No modifications available for these products.

WOOD HOOD DUCTLESS CONVERSION KIT AND FILTER KITS



Model	272	272	272	272	272	272	272
CONVERSION	272	272	272	272	272	272	272
FILTER250/390	44	44	44	44	44	44	44
FILTER500	264	264	264	264	264	264	264

- Must order charcoal filter with CONVERSION kit for proper filtration to replace metal mesh filters included with blower unit.
- FILTER250/390 for use with TWHBLOWER390. Order FILTER500 for use with BLOWER500.
- CONVERSION includes: (1) 21" x 7" round pipe, (1) adjustable collar, (1) white metal soffit grille (11 3/8" x 3 5/8"), (1) adjustable boot, (1) 7" x 6" reducer, and installation instructions.
- CONVERSION is not compatible with WHC30.

Model	272	272	272	272	272	272	272	272	272	272	272	272	272
CONVERSION	272	272	272	272	272	272	272	272	272	272	272	272	272
FILTER250/390	44	44	44	44	44	44	44	44	44	44	44	44	44
FILTER500	264	264	264	264	264	264	264	264	264	264	264	264	264

MODIFICATIONS
No modifications available for these products.

KEMPER®

ECHO™ SERIES

BASE CABINET NOMENCLATURE

All Base Cabinets are 34 1/2" high and 24" deep unless otherwise noted.

B24

Cabinet Type Cabinet Width

- Heat Shields available for field installation. See page 230.

TOEKICKS

Base Cabinets are shipped with an unfinished toekick. Finished toekicks in matching wood veneer or laminate must be ordered separately and field installed.

CUSTOM MODIFICATIONS

Mod.	Description	Mod.	Description
AUTHL	Authentic End - Left	FTK	Flush Toekick
AUTHR	Authentic End - Right	FTKAV	Flush Toekick Arch
CBO	Cabinet Box Only	FTKFV	Flush Toekick Furniture
CCO	Cabinet Case Only	MIP	Matching Interior Plywood
CFNTO	Cabinet Front Only	P	Peninsula
CFP	Cabinet False Panel	RD	Reduced Depth
CFRMO	Cabinet Frame Only	RECTKALL	Recessed Island Toekick
CMAT	CabMat™	RECTKBK	Recessed Toekick Back
CND	Cabinet with No Door, with Drawer	RECTKL	Recessed Toekick Left
FB	Finished Ends	RECTKR	Recessed Toekick Right
FD	Full Depth Shelf	RT	Installed Roll Tray
FPEB	Furniture Finished Plywood End Panels	VTK	Void Toekick

CONSTRUCTION UPGRADES

Mod.	Description
APW	All-plywood Construction
PLE	Plywood Ends

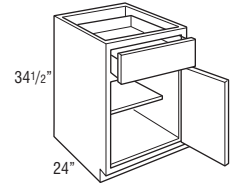
NON SMART STOP OPTIONS

Mod.	Description
NSCFB	Non Soft-close Guides & Furniture Board Drawers and Roll Trays
NSCH	Non Soft-close Door Hinges

MODIFICATIONS GRID KEY

- Available
- STD Standard on these cabinets
- storage Storage Solutions Organization Cabinet
- 5 DAY 5 Day Express Response Item

BASE SINGLE DOOR

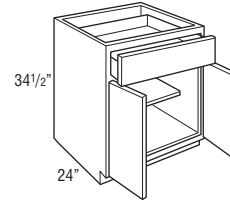


B12 L or R
B15 L or R
B18 L or R
B21 L or R
B24 L or R

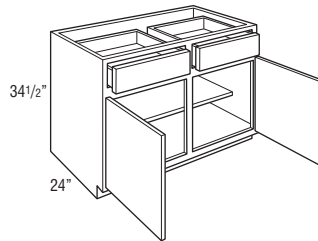
Model	1	2	3	4	5	6	7
B12L or R	393	413	457	481	503	504	515
B15L or R	422	444	490	517	540	543	555
B18L or R	450	474	520	547	574	574	587
B21L or R	481	504	557	587	615	617	630
B24 L or R	514	539	595	624	654	655	669

- Adjustable 15" deep shelves.
- RECTKALL not available.

BASE DOUBLE DOOR



B24
B27
B30
B33
B36



B39
B42
B45
B48CS

B24	595	624	692	726	759	761	778
B27	621	652	723	760	794	799	816
B30	647	677	750	788	825	828	847
B33	677	711	784	827	865	868	887
B36	706	741	822	864	905	907	927
B39	741	779	863	906	948	952	973
B42	777	814	902	947	991	993	1015
B45	810	851	943	991	1037	1041	1063
B48CS	819	863	955	1009	1053	1060	1083

- Adjustable 15" deep shelves.
- RECTKALL not available on B24.

Model	8	9	10	11	12	13	14	15	16	17	18	19	20
B12L or R	547	579	597	621	658	670	696	704	729	744	782	806	848
B15L or R	588	617	641	668	707	715	748	756	783	799	840	865	910
B18L or R	625	657	678	706	750	764	796	805	835	851	895	918	968
B21L or R	668	700	727	756	800	814	846	856	888	907	954	981	1033
B24 L or R	710	747	775	806	854	867	905	915	948	967	1017	1045	1099

Custom Modifications	AUTHL AUTHR	CBO	CCO	CFNTO	CFP	CFRMO	CMAT	CND	FB	FD	FPEB	FTK	FTKAV FTKFV	MIP	P	RD	RECTKALL RECTKBK	RECTKL RECTKR	RT	VTK
	•	•	•	•	•	•	•	•	•	•	•	•	•	•	•	•	•	•	•	•

Construction Upgrades	APW	PLE	Non Smart Stop Options	NSCFB	NSCH
	•	•		•	•

B24	826	867	902	937	992	1010	1050	1062	1103	1124	1182	1214	1278
B27	866	907	944	982	1039	1058	1099	1112	1153	1176	1236	1271	1338
B30	900	941	980	1017	1078	1098	1143	1156	1199	1221	1285	1321	1389
B33	941	987	1027	1069	1131	1150	1197	1210	1257	1279	1346	1384	1457
B36	985	1034	1072	1116	1182	1201	1251	1265	1312	1335	1406	1445	1522
B39	1034	1081	1125	1171	1239	1261	1311	1326	1376	1402	1475	1516	1596
B42	1079	1130	1177	1224	1296	1319	1371	1386	1439	1465	1543	1584	1667
B45	1128	1183	1229	1278	1355	1379	1435	1451	1504	1531	1612	1658	1745
B48CS	1151	1208	1258	1307	1386	1410	1469	1486	1543	1573	1658	1705	1795

Custom Modifications	AUTHL AUTHR	CBO	CCO	CFNTO	CFP	CFRMO	CMAT	CND	FB	FD	FPEB	FTK	FTKAV FTKFV	MIP	P	RD	RECTKALL RECTKBK	RECTKL RECTKR	RT	VTK
	•	•	•	•	•	•	•	•	•	•	•	•	•	•	•	•	•	•	•	•

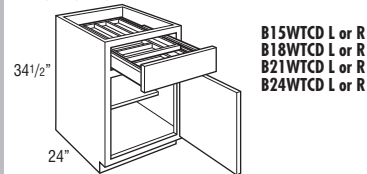
Construction Upgrades	APW	PLE	Non Smart Stop Options	NSCFB	NSCH
	•	•		•	•

KEMPER[®] ECHO[™] SERIES

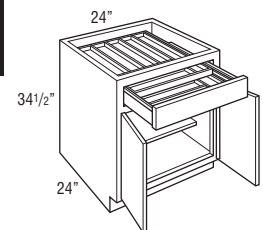
BASE with WOOD TIERED CUTLERY DIVIDER DRAWER

storage SOLUTIONS

15", 18", 21", or 24"



B15WTCDL or R
B18WTCDL or R
B21WTCDL or R
B24WTCDL or R



B24WTCDD

Model	1	2	3	4	5	6	7
B15WTCDL or R	887	909	955	982	1005	1008	1020
B18WTCDL or R	933	957	1003	1030	1057	1057	1070
B21WTCDL or R	982	1005	1058	1088	1116	1118	1131
B24WTCDL or R	1034	1059	1115	1144	1174	1175	1189
<hr/>							
B24WTCDD	1115	1144	1212	1246	1279	1281	1298

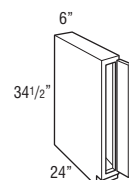
- Adjustable 15" deep shelf.
- Includes tiered wood cutlery divider drawer.
- Exterior WTCDD drawer box height is 3 3/4", interior height of top tier is 1 5/8", and interior height of bottom tier is 1 3/8".
- Wood Tiered Cutlery Divider Drawer is also available as an accessory. See page 230.
- RECTKALL not available.

Model	8	9	10	11	12	13	14	15	16	17	18	19	20
B15WTCDL or R	1053	1082	1106	1133	1172	1180	1213	1221	1248	1264	1305	1330	1375
B18WTCDL or R	1108	1140	1161	1189	1233	1247	1279	1288	1318	1334	1378	1401	1451
B21WTCDL or R	1169	1201	1228	1257	1301	1315	1347	1357	1389	1408	1455	1482	1534
B24WTCDL or R	1230	1267	1295	1326	1374	1387	1425	1435	1468	1487	1537	1565	1619
<hr/>													
B24WTCDD	1346	1387	1422	1457	1512	1530	1570	1582	1623	1644	1702	1734	1798

Custom Modifications	AUTHL AUTHR	CBO	CCO	CFNTO	CFP	CFRMO	CMAT	CND	FB	FD	FPEB	FTK	FTKAV FTKFV	MIP	P	RD	RECTKALL RECTKKBK	RECTKL RECTKR	RT	VTK
	•	•	•	•	•	•	•	•	•	•	•	•	•	•	•	•	•	•	•	•

Construction Upgrades	APW	PLE	Non Smart Stop Options	NSCFB	NSCH
	•	•		•	•

FULL HEIGHT BASE SINGLE DOOR, 6" WIDE



B6FHL or R	342	359	395	416	434	435	446
------------	-----	-----	-----	-----	-----	-----	-----

- Frame opening is 3" wide.
- Cabinet has a full top panel.
- Utilizes a 5 1/2" wide overlay filler as a hinged door for full and partial overlay styles.

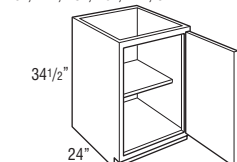
B6FHL or R	476	497	515	535	567	579	600	607	630	643	677	696	732
------------	-----	-----	-----	-----	-----	-----	-----	-----	-----	-----	-----	-----	-----

Custom Modifications	AUTHL AUTHR	CBO	CCO	CFNTO	CFP	CFRMO	CMAT	CND	FB	FD	FPEB	FTK	FTKAV FTKFV	MIP	P	RD	RECTKALL RECTKKBK	RECTKL RECTKR	RT	VTK
	•	•	•	•	•	•	•	•	•	•	•	•	•	•	•	•	•	•	•	•

Construction Upgrades	APW	PLE	Non Smart Stop Options	NSCFB	NSCH
	•	•		•	•

FULL HEIGHT BASE SINGLE DOOR

9", 12", 15", 18", 21", or 24"



B9FHL or R
B12FHL or R
B15FHL or R
B18FHL or R
B21FHL or R
B24FHL or R

B9FHL or R	342	359	395	416	434	435	446
B12FHL or R	359	376	418	438	457	459	470
B15FHL or R	385	405	447	470	493	493	504
B18FHL or R	409	428	475	500	524	525	537
B21FHL or R	435	458	505	533	557	559	571
B24FHL or R	463	487	538	568	591	597	610

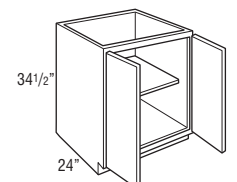
- Adjustable 15" deep shelf.
- RECTKALL not available.
- P, RECTKKBK, and RT not available on B9FHL or R.
- FTKAV and FTKFV not available on B9FHL or R and B12FHL or R.

B9FHL or R	476	497	515	535	567	579	600	607	630	643	677	696	732
B12FHL or R	500	522	542	563	598	610	635	642	665	676	711	732	771
B15FHL or R	537	562	584	608	642	653	678	686	713	727	766	788	830
B18FHL or R	570	596	620	645	684	696	724	732	759	774	814	836	880
B21FHL or R	607	638	662	688	729	741	772	781	809	825	868	893	939
B24FHL or R	647	677	704	733	776	785	822	831	863	877	923	952	1001

Custom Modifications	AUTHL AUTHR	CBO	CCO	CFNTO	CFP	CFRMO	CMAT	CND	FB	FD	FPEB	FTK	FTKAV FTKFV	MIP	P	RD	RECTKALL RECTKKBK	RECTKL RECTKR	RT	VTK
	•	•	•	•	•	•	•	•	•	•	•	•	•	•	•	•	•	•	•	•

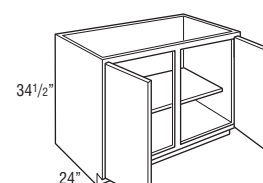
Construction Upgrades	APW	PLE	Non Smart Stop Options	NSCFB	NSCH
	•	•		•	•

FULL HEIGHT BASE DOUBLE DOOR



B24FH
B27FH
B30FH
B33FH
B36FH

B24FH	562	591	653	687	719	722	737
B27FH	595	624	692	726	759	761	778
B30FH	606	637	703	739	775	777	793
B33FH	618	648	714	753	785	790	807
B36FH	644	676	749	787	824	827	845



B39FH
B42FH
B45FH
B48FHCS

B39FH	676	710	783	826	864	867	886
B42FH	705	740	818	863	903	906	926
B45FH	805	845	933	983	1029	1032	1055
B48FHCS	878	923	1020	1077	1128	1131	1157

- Adjustable 15" deep shelf.
- RECTKALL not available on B24FH and B48FHCS.

B24FH	781	818	852	885	937	954	992	1003	1042	1062	1117	1148	1208
B27FH	826	867	902	937	992	1010	1050	1062	1103	1123	1181	1214	1278
B30FH	841	883	917	954	1010	1028	1069	1081	1123	1144	1203	1236	1302
B33FH	856	900	934	971	1028	1046	1088	1101	1143	1165	1226	1260	1326
B36FH	898	940	975	1014	1075	1095	1140	1153	1197	1219	1282	1319	1387

B39FH	940	985	1023	1065	1127	1148	1192	1206	1251	1276	1343	1379	1453
B42FH	982	1032	1070	1114	1179	1199	1247	1261	1307	1333	1403	1442	1519
B45FH	1120	1176	1221	1269	1344	1367	1422	1438	1493	1521	1600	1645	1733
B48FHCS	1231	1293	1344	1399	1483	1508	1571	1589	1651	1682	1771	1821	1919

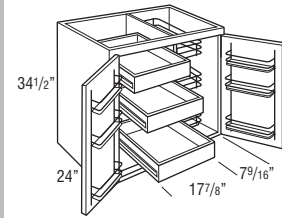
Custom Modifications	AUTHL AUTHR	CBO	CCO	CFNTO	CFP	CFRMO	CMAT	CND	FB	FD	FPEB	FTK	FTKAV FTKFV	MIP	P	RD	RECTKALL RECTKKBK	RECTKL RECTKR	RT	VTK
	•	•	•	•	•	•	•	•	•	•	•	•	•	•	•	•	•	•	•	•

Construction Upgrades	APW	PLE	Non Smart Stop Options	NSCFB	NSCH
	•	•		•	•

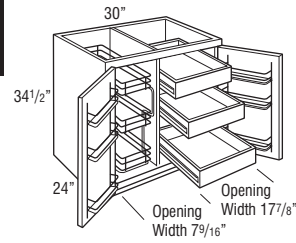
KEMPER ECHO™ SERIES

30" SUPERCABINET™

storage SOLUTIONS



BSC30RP



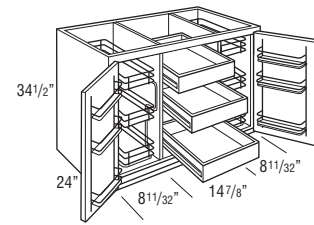
BSC30PR

Model	1	2	3	4	5	6	7
BSC30RP	1441	1471	1538	1574	1610	1612	1628
BSC30PR	1441	1471	1538	1574	1610	1612	1628

- Nomenclature represents left to right order of interior components.
Example: BSC30PR = Base SuperCabinet™ 30" Pull-out Roll-out.
- Roll trays are Full Extension side-mounted with a solid hardwood dovetail box.
- Cabinets utilize 170° hinge. For sufficient pull-out clearance, 12" of adjacent space is required for door to open 170° when installed near a wall or corner.
- Both doors have chrome and wood three-tiered 3 1/4" deep racks.
- Door rack width is 9 3/8".
- Door rack depth is 3".
- Integrated soft-close hinge not included. Premium door mechanism installed.

36" SUPERCABINET™

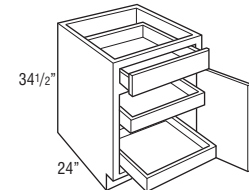
storage SOLUTIONS



Model	1939	1971	2044	2082	2119	2122	2140
BSC36PRP	1939	1971	2044	2082	2119	2122	2140

- Roll trays are Full Extension side-mounted with a solid hardwood dovetail box.
- Cabinets utilize 170° hinge. For sufficient pull-out clearance, 12" of adjacent space is required for door to open 170° when installed near a wall or corner.
- Both doors have chrome and wood three-tiered 12 3/8" wide by 3 1/4" deep racks.
- Door rack depth is 3".
- Integrated soft-close hinge not included. Premium door mechanism installed.

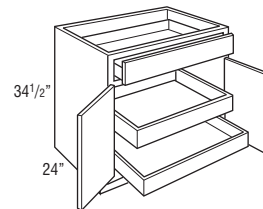
BASE SINGLE DOOR with ROLL TRAYS



B15RTL or R	673	695	741	768	791	794	806
B18RTL or R	701	725	771	798	825	825	838
B21RTL or R	732	755	808	838	866	868	881
B24RT L or R	765	790	846	875	905	906	920

- 2 roll trays standard.
- Cabinets may accommodate up to 4 roll trays, which may be purchased separately for field installation. See page 232.
- RECTKALL not available.

BASE DOUBLE DOOR with ROLL TRAYS



B24RT	846	875	943	977	1010	1012	1029
B27RT	872	903	974	1011	1045	1050	1067
B30RT	898	928	1001	1039	1076	1079	1098
B33RT	928	962	1035	1078	1116	1119	1138
B36RT	957	992	1073	1115	1156	1158	1178

- 2 roll trays standard.
- Top of drawer box is 2" from top of cabinet to accommodate installation of a cooktop.
- Cabinet has butt doors, no center stile.
- Cabinet may accommodate up to 4 roll trays, which may be purchased separately for field installation. See page 232.
- RECTKALL not available on B24RT.

Model	8	9	10	11	12	13	14	15	16	17	18	19	20
BSC30RP	1676	1717	1752	1789	1845	1862	1904	1916	1957	1978	2037	2070	2136
BSC30PR	1676	1717	1752	1789	1845	1862	1904	1916	1957	1978	2037	2070	2136

Custom Modifications	AUTHL AUTHR	CBO	CCO	CFNTO	CFP	CFRMO	CMAT	CND	FB	FD	FPEB	FTK	FTKAV FTKFV	MIP	P	RD	RECTKALL RECTKBK	RECTKL RECTKR	RT	VTK
	•	•	•			•			•			•	•	•			•	•		•

Construction Upgrades	APW	PLE	Non Smart Stop Options	NSCFB	NSCH
	•	•			

BSC36PRP	2193	2235	2270	2309	2370	2390	2435	2448	2492	2514	2577	2614	2682
-----------------	------	------	------	------	------	------	------	------	------	------	------	------	------

Custom Modifications	AUTHL AUTHR	CBO	CCO	CFNTO	CFP	CFRMO	CMAT	CND	FB	FD	FPEB	FTK	FTKAV FTKFV	MIP	P	RD	RECTKALL RECTKBK	RECTKL RECTKR	RT	VTK
	•	•	•			•			•			•	•	•			•	•		•

Construction Upgrades	APW	PLE	Non Smart Stop Options	NSCFB	NSCH
	•	•			

B15RTL or R	839	868	892	919	958	966	999	1007	1034	1050	1091	1116	1161
B18RTL or R	876	908	929	957	1001	1015	1047	1056	1086	1102	1146	1169	1219
B21RTL or R	919	951	978	1007	1051	1065	1097	1107	1139	1158	1205	1232	1284
B24RT L or R	961	998	1026	1057	1105	1118	1156	1166	1199	1218	1268	1296	1350

Custom Modifications	AUTHL AUTHR	CBO	CCO	CFNTO	CFP	CFRMO	CMAT	CND	FB	FD	FPEB	FTK	FTKAV FTKFV	MIP	P	RD	RECTKALL RECTKBK	RECTKL RECTKR	RT	VTK
	•	•	•	•	•	•		•	•		•	•	•	•			•	•		•

Construction Upgrades	APW	PLE	Non Smart Stop Options	NSCFB	NSCH
	•	•		•	•

B24RT	1077	1118	1153	1188	1243	1261	1301	1313	1354	1375	1433	1465	1529
B27RT	1117	1158	1195	1233	1290	1309	1350	1363	1404	1427	1487	1522	1589
B30RT	1151	1192	1231	1268	1329	1349	1394	1407	1450	1472	1536	1572	1640
B33RT	1192	1238	1278	1320	1382	1401	1448	1461	1508	1530	1597	1635	1708
B36RT	1236	1285	1323	1367	1433	1452	1502	1516	1563	1586	1657	1696	1773

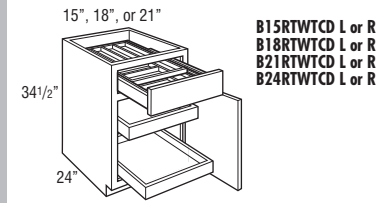
Custom Modifications	AUTHL AUTHR	CBO	CCO	CFNTO	CFP	CFRMO	CMAT	CND	FB	FD	FPEB	FTK	FTKAV FTKFV	MIP	P	RD	RECTKALL RECTKBK	RECTKL RECTKR	RT	VTK
	•	•	•	•	•	•		•	•		•	•	•	•			•	•		•

Construction Upgrades	APW	PLE	Non Smart Stop Options	NSCFB	NSCH
	•	•		•	•

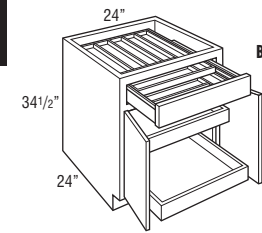
KEMPER® ECHO™ SERIES

BASE with WOOD TIERED CUTLERY DIVIDER DRAWER and ROLL TRAYS

storage SOLUTIONS



B15RTWTCD L or R
B18RTWTCD L or R
B21RTWTCD L or R
B24RTWTCD L or R



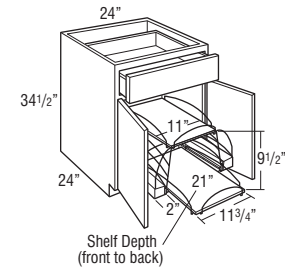
B24RTWTCD

Model	1	2	3	4	5	6	7
B15RTWTCDL or R	1139	1161	1206	1233	1256	1260	1271
B18RTWTCDL or R	1184	1208	1254	1281	1308	1308	1321
B21RTWTCDL or R	1233	1256	1309	1339	1367	1369	1382
B24RTWTCD L or R	1285	1310	1366	1395	1425	1426	1440
B24RTWTCD							
	1366	1395	1463	1497	1530	1532	1549

- 2 roll trays standard.
- Cabinets may accommodate up to 4 roll trays, which may be purchased separately for field installation. See page 232.
- Includes Wood Tiered Cutlery Divider Drawer.
- Exterior WTCD drawer box height is 3 3/4", interior height of top tier is 1 5/8", and interior height of bottom tier is 1 3/8".
- Wood Tiered Cutlery Divider Drawer is also available as an accessory. See page 230.
- RECTKALL not available.

BASE POTS & PANS PULL-OUT

storage SOLUTIONS

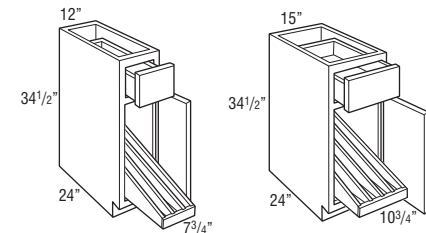


BPPP24	1199	1228	1296	1330	1363	1365	1382
--------	------	------	------	------	------	------	------

- Full Extension slide-out shelves pull out independently.
- RECTKALL not available.

BASE with ROLL-OUT TRAY DIVIDER

storage SOLUTIONS



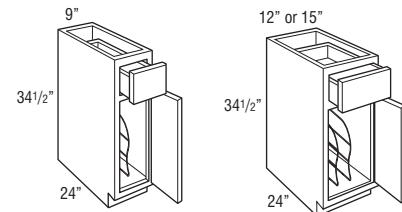
B12TDRO L or R

B15TDRO L or R

B12TDROL or R	753	773	817	841	863	864	875
B15TDROL or R	814	836	882	909	932	935	947

- Tray divider utilizes Smart Stop undermount guides and bumpers for door protection.
- Dividers are removable.
- 12" - 3 compartments.
- 15" - 4 compartments.
- RECTKALL not available.
- FTKAV and FTKFV not available on B12TDRO L or R.

BASE with TRAY DIVIDER



TD9 L or R

TD12 L or R
TD15 L or R

TD9L or R	428	446	485	506	527	528	538
TD12L or R	467	487	531	555	577	578	589
TD15L or R	496	518	564	591	614	617	629

- Tray Divider is chrome.
- Tray Divider is also available as an accessory for field installation. See page 231.
- RECTKALL not available.
- RECTKBK not available on TD9 L or R.
- FTKAV and FTKFV not available on TD9 L or R and TD12 L or R.

Model	8	9	10	11	12	13	14	15	16	17	18	19	20
B15RTWTCDL or R	1304	1333	1358	1384	1423	1431	1464	1472	1499	1515	1556	1581	1626
B18RTWTCDL or R	1359	1391	1413	1440	1484	1498	1531	1539	1570	1585	1630	1652	1702
B21RTWTCDL or R	1420	1453	1479	1509	1552	1567	1598	1608	1640	1659	1707	1733	1786
B24RTWTCD L or R	1481	1518	1547	1577	1625	1638	1676	1686	1719	1738	1788	1816	1870
B24RTWTCD													
	1597	1638	1673	1708	1763	1782	1821	1833	1874	1895	1953	1985	2049

Custom Modifications	AUTHL	AUTHR	CBO	CCO	CFNTO	CFP	CFRMO	CMAT	CND	FB	FD	FPEB	FTK	FTKAV	FTKFV	MIP	P	RD	RECTKALL	RECTKBK	RECTKL	RECTKR	RT	VTK
	•	•	•	•	•	•	•	•	•	•	•	•	•	•	•	•	•	•	•	•	•	•	•	•

Construction Upgrades	APW	PLE	Non Smart Stop Options	NSCFB	NSCH
	•	•		•	•

BPPP24	1430	1471	1506	1541	1596	1615	1654	1666	1707	1728	1786	1818	1882
--------	------	------	------	------	------	------	------	------	------	------	------	------	------

Custom Modifications	AUTHL	AUTHR	CBO	CCO	CFNTO	CFP	CFRMO	CMAT	CND	FB	FD	FPEB	FTK	FTKAV	FTKFV	MIP	P	RD	RECTKALL	RECTKBK	RECTKL	RECTKR	RT	VTK
	•	•	•	•	•	•	•	•	•	•	•	•	•	•	•	•	•	•	•	•	•	•	•	•

Construction Upgrades	APW	PLE	Non Smart Stop Options	NSCFB	NSCH
	•	•		•	•

B12TDROL or R	907	939	957	981	1018	1030	1056	1064	1089	1104	1142	1166	1208
B15TDROL or R	980	1009	1033	1060	1099	1107	1140	1148	1175	1191	1232	1257	1302

Custom Modifications	AUTHL	AUTHR	CBO	CCO	CFNTO	CFP	CFRMO	CMAT	CND	FB	FD	FPEB	FTK	FTKAV	FTKFV	MIP	P	RD	RECTKALL	RECTKBK	RECTKL	RECTKR	RT	VTK
	•	•	•	•	•	•	•	•	•	•	•	•	•	•	•	•	•	•	•	•	•	•	•	•

Construction Upgrades	APW	PLE	Non Smart Stop Options	NSCFB	NSCH
	•	•		•	•

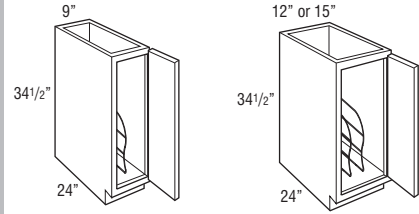
TD9L or R	566	595	611	633	666	677	700	708	730	744	778	799	837
TD12L or R	621	653	671	695	732	744	770	778	803	818	856	880	922
TD15L or R	662	691	715	742	781	789	822	830	857	873	914	939	984

Custom Modifications	AUTHL	AUTHR	CBO	CCO	CFNTO	CFP	CFRMO	CMAT	CND	FB	FD	FPEB	FTK	FTKAV	FTKFV	MIP	P	RD	RECTKALL	RECTKBK	RECTKL	RECTKR	RT	VTK
	•	•	•	•	•	•	•	•	•	•	•	•	•	•	•	•	•	•	•	•	•	•	•	•

Construction Upgrades	APW	PLE	Non Smart Stop Options	NSCFB	NSCH
	•	•		•	•

KEMPER® ECHO™ SERIES

BASE FULL HEIGHT with TRAY DIVIDER

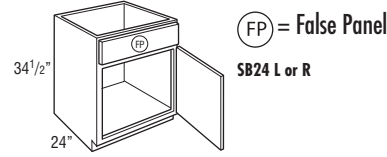


TD9FH L or R
TD12FH L or R
TD15FH L or R

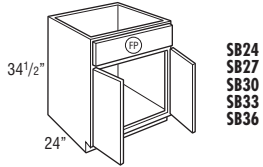
Model	1	2	3	4	5	6	7
TD9FHL or R	416	433	469	490	508	509	520
TD12FHL or R	433	450	492	512	531	533	544
TD15FHL or R	459	479	521	544	567	567	578

- Tray Divider is chrome.
- Tray Divider is also available as an accessory for field installation. See page 231.
- RECTKALL not available.
- RECTKBK not available on TD9FH L or R.
- FTKAV and FTKFV not available on TD9FH L or R and TD12FH L or R.

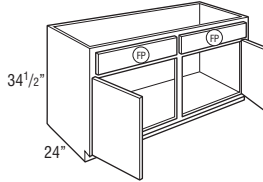
SINK BASE



(FP) = False Panel
SB24 L or R



SB24
SB27
SB30
SB33
SB36



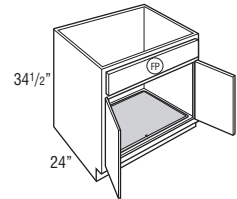
SB39
SB42
SB45
SB48CS

SB24 L or R	450	474	524	550	574	576	589
SB24	517	543	600	629	658	660	675
SB27	538	565	624	657	687	689	704
SB30	557	584	647	680	711	715	730
SB33	579	607	670	704	738	739	756
SB36	600	631	697	735	768	773	789
SB39	632	665	734	773	808	811	829
SB42	659	694	767	808	845	849	867
SB45	695	729	805	849	887	892	911
SB48CS	818	862	955	1009	1053	1060	1083

- Mini Touch-up Kit (MTUK) included. MTUK includes small touch-up marker and small fill stick.
- CMAT not available on SB24 L or R, SB24, SB27, SB39, SB42, SB45, and SB48CS.
- RECTKALL not available on SB24 L or R and SB24.

SINK BASE with CABMAT™

storage SOLUTIONS



SB30CM	827	854	917	950	981	985	1000
SB33CM	861	889	952	986	1020	1021	1038
SB36CM	891	922	988	1026	1059	1064	1080

- Mini Touch-up Kit (MTUK) included. MTUK includes small touch-up marker and small fill stick.
- CabMat™ is designed to capture spills and is removable for cleaning.

Model	Liquid Capacity		Cabinet Size	
	Gallons	Liters	Width	Depth
SB30CM	2.0	7.6	30"	24"
SB33CM	2.4	9.0	33"	24"
SB36CM	2.7	10.2	36"	24"

Model	8	9	10	11	12	13	14	15	16	17	18	19	20
TD9FHL or R	550	571	589	609	641	653	674	681	704	717	751	770	806
TD12FHL or R	574	596	616	637	672	684	709	716	739	750	785	806	845
TD15FHL or R	611	636	658	682	716	727	752	760	787	801	840	862	904

Custom Modifications	AUTHL AUTHR	CBO	CCO	CFNTO	CFP	CFRMO	CMAT	CND	FB	FD	FPEB	FTK	FTKAV FTKFV	MIP	P	RD	RECTKALL RECTKBK	RECTKL RECTKR	RT	VTK
	•	•	•	•	•	•			•			•	•	•			•	•		•

Construction Upgrades	APW	PLE	Non Smart Stop Options	NSCFB	NSCH
	•	•			•

SB24 L or R	625	657	680	709	751	765	796	805	835	851	895	918	968
SB24	720	753	781	813	861	876	911	921	956	975	1027	1052	1109
SB27	749	784	814	849	898	912	950	961	997	1016	1070	1099	1157
SB30	775	813	844	878	930	946	985	996	1034	1051	1108	1140	1200
SB33	805	843	875	910	963	982	1019	1031	1070	1091	1148	1179	1242
SB36	836	877	910	946	1003	1020	1063	1075	1116	1136	1197	1228	1293
SB39	880	923	958	996	1056	1074	1118	1131	1173	1197	1259	1293	1361
SB42	918	964	1001	1041	1102	1122	1167	1180	1226	1247	1313	1350	1422
SB45	966	1011	1050	1094	1159	1178	1227	1240	1287	1309	1379	1419	1494
SB48CS	1150	1207	1255	1305	1385	1408	1468	1485	1542	1572	1657	1703	1795

Custom Modifications	AUTHL AUTHR	CBO	CCO	CFNTO	CFP	CFRMO	CMAT	CND	FB	FD	FPEB	FTK	FTKAV FTKFV	MIP	P	RD	RECTKALL RECTKBK	RECTKL RECTKR	RT	VTK
	•		•	•	STD	•	•	•			•	•	•	•			•	•		•

Construction Upgrades	APW	PLE	Non Smart Stop Options	NSCFB	NSCH
	•	•			•

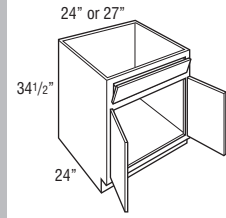
SB30CM	1045	1083	1114	1148	1200	1216	1255	1266	1304	1321	1378	1410	1470
SB33CM	1087	1125	1157	1192	1245	1264	1301	1313	1352	1373	1430	1461	1524
SB36CM	1127	1168	1201	1237	1294	1311	1354	1366	1407	1427	1488	1519	1584

Custom Modifications	AUTHL AUTHR	CBO	CCO	CFNTO	CFP	CFRMO	CMAT	CND	FB	FD	FPEB	FTK	FTKAV FTKFV	MIP	P	RD	RECTKALL RECTKBK	RECTKL RECTKR	RT	VTK
	•	•	•		STD	•	STD	•	•		•	•	•	•			•	•		•

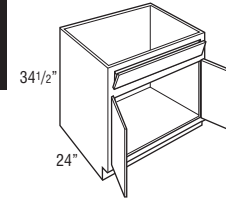
Construction Upgrades	APW	PLE	Non Smart Stop Options	NSCFB	NSCH
	•	•			•

KEMPER ECHO™ SERIES

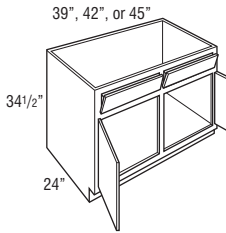
SINK BASE with TILT-OUT TRAYS



SB24ST
SB27ST



SB30ST
SB33ST
SB36ST



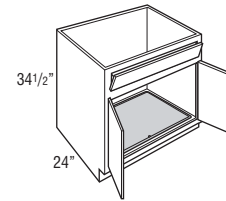
SB39ST
SB42ST
SB45ST

Model	1	2	3	4	5	6	7
SB24ST	591	622	682	713	746	750	764
SB27ST	600	632	692	723	756	760	774
SB30ST	610	641	701	733	766	770	784
SB33ST	630	662	723	757	791	796	811
SB36ST	659	694	757	792	827	832	847
SB39ST	694	728	792	833	866	874	890
SB42ST	741	779	851	888	928	932	948
SB45ST	761	799	871	908	947	952	968

- Tilt-out trays are stain resistant, moisture resistant plastic to allow storage of sponges and other cleaning materials.
- Mini Touch-up Kit (MTUK) included. MTUK includes small touch-up marker and small fill stick.
- Includes two tilt-out trays on 30"-48" wide.
- Tilt-out trays are also available as an accessory for field installation. See page 231.
- CMAI only available on 30", 33", and 36" wide.
- RECTKALL not available on SB24ST.

SINK BASE with TILT-OUT TRAYS and CABMAT™

storage SOLUTIONS



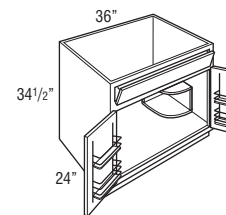
SB30STCM	880	911	971	1003	1036	1040	1054
SB33STCM	912	944	1005	1039	1073	1078	1093
SB36STCM	950	985	1048	1083	1118	1123	1138

- Mini Touch-up Kit (MTUK) included. MTUK includes small touch-up marker and small fill stick.
- CabMat™ is designed to capture spills and is removable for cleaning.
- Tilt-out trays are stain resistant, moisture resistant plastic to allow storage of sponges and other cleaning materials.
- Includes two tilt-out trays.
- Tilt-out trays are also available as an accessory for field installation. See page 231.

Model	Liquid Capacity		Cabinet Size	
	Gallons	Liters	Width	Depth
SB30STCM	2.0	7.6	30"	24"
SB33STCM	2.4	9.0	33"	24"
SB36STCM	2.7	10.2	36"	24"

SINK BASE SUPERCABINET™ with TILT-OUT TRAYS

storage SOLUTIONS



SB36STS	1031	1066	1129	1164	1199	1204	1219
---------	------	------	------	------	------	------	------

- Quarter Round Reversible Shelf for left or right applications will be constructed from 3/4" thick laminated furniture board. (Shelf shipped secure, can be positioned in left or right corner.)
- Mini Touch-up Kit (MTUK) included. MTUK includes small touch-up marker and small fill stick.
- Both doors will have a chrome and wood two-tiered rack.
- Racks on doors are 14 3/8" wide.
- Racks on doors are 3 1/4" deep.
- Includes two tilt-out trays.
- Tilt-out trays are stain resistant, moisture resistant plastic to allow storage of sponges and other cleaning materials.
- Tilt-out trays are also available as an accessory for field installation. See page 231.
- All load bearing surfaces meet KCMA standards of 15 lbs. per square foot.

Model	8	9	10	11	12	13	14	15	16	17	18	19	20
SB24ST	805	844	875	912	962	980	1015	1027	1067	1089	1148	1168	1231
SB27ST	814	853	885	922	972	990	1025	1037	1076	1099	1158	1179	1242
SB30ST	825	864	895	932	982	1000	1035	1047	1086	1109	1167	1188	1251
SB33ST	853	890	923	962	1014	1032	1068	1081	1121	1146	1205	1226	1291
SB36ST	892	934	967	1007	1062	1077	1119	1132	1175	1199	1261	1285	1352
SB39ST	935	978	1013	1052	1111	1128	1172	1186	1229	1257	1323	1345	1416
SB42ST	996	1041	1076	1121	1182	1201	1246	1260	1305	1330	1401	1425	1500
SB45ST	1015	1060	1095	1141	1202	1221	1265	1279	1325	1350	1421	1444	1519

Custom Modifications	AUTHL AUTHR	CBO	CCO	CFNTO	CFP	CFRMO	CMAI	CND	FB	FD	FPEB	FTK	FTKAV FTKRV	MIP	P	RD	RECTKALL RECTKKB	RECTKL RECTKR	RT	VTK
	•		•			•	•	•			•	•	•	•		•	•	•		•

Construction Upgrades	APW	PLE	Non Smart Stop Options	NSCFB	NSCH
	•	•			•

SB30STCM	1095	1134	1165	1202	1252	1270	1305	1317	1356	1379	1437	1458	1521
SB33STCM	1135	1172	1205	1244	1296	1314	1350	1363	1403	1428	1487	1508	1573
SB36STCM	1183	1225	1258	1298	1353	1368	1410	1423	1466	1490	1552	1576	1643

Custom Modifications	AUTHL AUTHR	CBO	CCO	CFNTO	CFP	CFRMO	CMAI	CND	FB	FD	FPEB	FTK	FTKAV FTKRV	MIP	P	RD	RECTKALL RECTKKB	RECTKL RECTKR	RT	VTK
	•	•	•			•	STD	•	•		•	•	•	•		•	•	•		•

Construction Upgrades	APW	PLE	Non Smart Stop Options	NSCFB	NSCH
	•	•			•

SB36STS	1264	1306	1339	1379	1434	1449	1491	1504	1547	1571	1633	1657	1724
---------	------	------	------	------	------	------	------	------	------	------	------	------	------

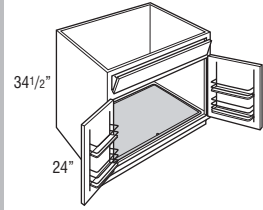
Custom Modifications	AUTHL AUTHR	CBO	CCO	CFNTO	CFP	CFRMO	CMAI	CND	FB	FD	FPEB	FTK	FTKAV FTKRV	MIP	P	RD	RECTKALL RECTKKB	RECTKL RECTKR	RT	VTK
	•		•			•		•	•		•	•	•	•		•	•	•		•

Construction Upgrades	APW	PLE	Non Smart Stop Options	NSCFB	NSCH
	•	•			•

KEMPER ECHO™ SERIES

SINK BASE SUPERCABINET™ with TILT-OUT TRAYS and CABMAT™

storage SOLUTIONS

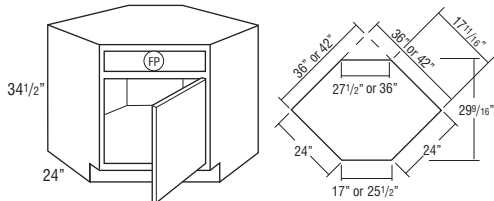


Model	1	2	3	4	5	6	7
SB36STSCM	1322	1357	1420	1455	1490	1495	1510

- Mini Touch-up Kit (MTUK) included. MTUK includes small touch-up marker and small fill stick.
- CabMat™ is designed to capture spills and is removable for cleaning.
- Both doors will have a chrome and wood two-tiered rack.
- Racks on doors are 14 3/8" wide.
- Racks on doors are 3 1/4" deep.
- Includes two tilt-out trays.
- Tilt-out trays are stain resistant, moisture resistant plastic to allow storage of sponges and other cleaning materials.
- Tilt-out trays are also available as an accessory for field installation. See page 231.
- All load bearing surfaces meet KCMA standards of 15 lbs. per square foot.

Model	Liquid Capacity		Cabinet Size	
	Gallons	Liters	Width	Depth
SB36STSCM	2.7	10.2	36"	24"

ANGLED CORNER SINK BASE



FP = False Panel

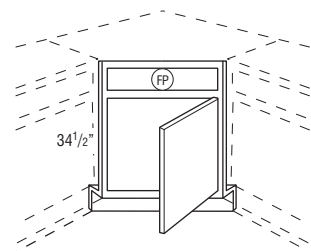
Max. Sink Widths if cut-out is 4" back from face of front frame

Model	396	417	460	484	505	509	520
ACS36L or R							
ACS42†	435	458	505	533	558	559	571

- Edges beveled at 45°.
 - Mini Touch-up Kit (MTUK) included. MTUK includes small touch-up marker and small fill stick.
 - For sufficient dishwasher door clearance and loading/unloading space, a 15" wide base cabinet is recommended for use between a corner sink base and dishwasher.
 - On ACS36, full overlay styles use the same width doors as partial overlay styles (14 1/2" wide) with a partial overlay hinge (38NPOHINGE) to allow for proper door clearance with adjacent cabinets.
- †ACS42 has butt doors.

Wall Width	Frame	Maximum Sink Width	Maximum Sink Depth
36" x 36"	17"	25 3/4"	27 11/32"
42" x 42"	25 1/2"	34 1/4"	27 11/32"

ANGLED CORNER SINK FRONT without SINK FLOOR



FP = False Panel

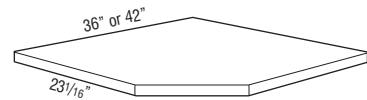
Max. Sink Widths if cut-out is 4" back from face of front frame

Model	360	377	419	443	460	463	473
ACSF36L or R							
ACSF42†	396	417	460	484	505	509	520

- Edges beveled at 45°.
 - Angled corner sink front bottom required for field installation. Order separately. See next item.
 - Toekick and toekick retainer shipped unattached from the face frame.
 - On ACSF36, full overlay styles use the same width doors as partial overlay styles (14 1/2" wide) with a partial overlay hinge (38NPOHINGE) to allow for proper door clearance with adjacent cabinets.
- †ACSF42 has butt doors.

Wall Width	Frame	Maximum Sink Width	Maximum Sink Depth
36" x 36"	17"	25 3/4"	27 11/32"
42" x 42"	25 1/2"	34 1/4"	27 11/32"

ANGLED CORNER SINK FRONT BOTTOM



Model	141	141	141	141	141	141	141
ACSF36							
ACSF42	141	141	141	141	141	141	141

- Designed for use with Angled Corner Sink Front.
- 3/8" thick.

Model	8	9	10	11	12	13	14	15	16	17	18	19	20
SB36STSCM	1555	1597	1630	1670	1725	1740	1782	1795	1838	1862	1924	1948	2015

Custom Modifications	AUTHL AUTHR	CBO	CCO	CFNTO	CFP	CFRMO	CMAT	CND	FB	FD	FPEB	FTK	FTKAV	FTKEV	MIP	P	RD	RECTKALL	RECTKBK	RECTKL	RECTKR	RT	VTK
	•	•	•			•	STD	•	•		•	•	•	•				•	•			•	

Construction Upgrades	APW	PLE	Non Smart Stop Options	NSCFB	NSCH
	•	•			•

Model	553	579	600	624	661	674	700	708	735	748	787	810	853
ACS36L or R													
ACS42	607	638	662	688	729	741	772	781	809	825	868	893	939

Custom Modifications	AUTHL AUTHR	CBO	CCO	CFNTO	CFP	CFRMO	CMAT	CND	FB	FD	FPEB	FTK	FTKAV	FTKEV	MIP	P	RD	RECTKALL	RECTKBK	RECTKL	RECTKR	RT	VTK
	•		•	•	STD	•		•	•		•											•	

Construction Upgrades	APW	PLE	Non Smart Stop Options	NSCFB	NSCH
	•	•			•

Model	501	526	546	568	603	615	639	646	670	679	716	737	776
ACSF36L or R													
ACSF42	553	579	600	624	661	674	700	708	735	748	787	810	853

Custom Modifications	AUTHL AUTHR	CBO	CCO	CFNTO	CFP	CFRMO	CMAT	CND	FB	FD	FPEB	FTK	FTKAV	FTKEV	MIP	P	RD	RECTKALL	RECTKBK	RECTKL	RECTKR	RT	VTK
				STD	STD	•		•															

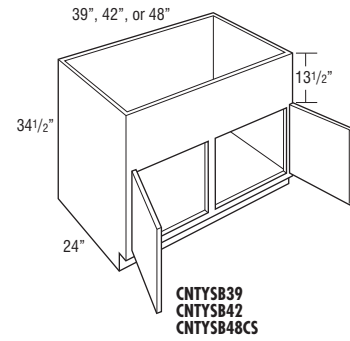
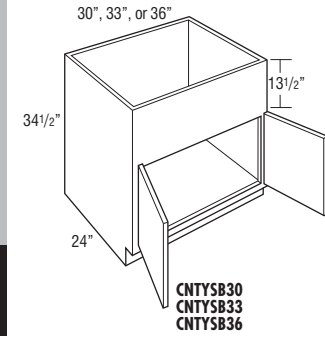
Construction Upgrades	APW	PLE	Non Smart Stop Options	NSCFB	NSCH
					•

Model	141	141	141	141	141	141	141	141	141	141	141	141	141
ACSF36													
ACSF42	141	141	141	141	141	141	141	141	141	141	141	141	141

MODIFICATIONS		
No modifications available for these products.		
Construction Upgrades	APW	PLE
	•	

KEMPER® ECHO™ SERIES

COUNTRY SINK BASE

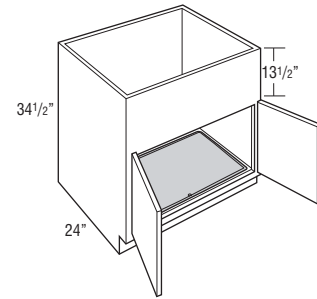


Model	1	2	3	4	5	6	7
CNTYSB30	724	759	841	884	928	930	950
CNTYSB33	752	788	870	916	960	963	984
CNTYSB36	781	822	906	954	998	1001	1023
CNTYSB39	823	863	952	1007	1049	1057	1080
CNTYSB42	858	902	997	1050	1099	1103	1127
CNTYSB48CS	1073	1128	1250	1319	1379	1385	1415

- 13 1/2" panel can be trimmed up to 12".
- Mini Touch-up Kit (MTUK) included. MTUK includes small touch-up marker and small fill stick.
- For apron front sinks requiring a cut-out height of 6 1/2" or less, see Base Drop-in Range Cabinets on page 140.
- Refer to manufacturer's recommendations for additional support required for apron front sinks.
- CMAT not available on CNTYSB39, CNTYSB42, and CNTYSB48CS.

COUNTRY SINK BASE with CABMAT™

storage SOLUTIONS



CNTYSB30CM	994	1029	1111	1154	1198	1200	1220
CNTYSB33CM	1034	1070	1152	1198	1242	1245	1266
CNTYSB36CM	1072	1113	1197	1245	1289	1292	1314

- Mini Touch-up Kit (MTUK) included. MTUK includes small touch-up marker and small fill stick.
- CabMat™ is designed to capture spills and is removable for cleaning.
- 13 1/2" panel can be trimmed to 12".
- For apron front sinks requiring a cut-out height of 6 1/2" or less, see Base Drop-in Range Cabinets on page 140.
- Refer to manufacturer's recommendations for additional support required for apron front sinks.

Model	Liquid Capacity		Cabinet Size	
	Gallons	Liters	Width	Depth
CNTYSB30CM	2.0	7.6	30"	24"
CNTYSB33CM	2.4	9.0	33"	24"
CNTYSB36CM	2.7	10.2	36"	24"

Model	8	9	10	11	12	13	14	15	16	17	18	19	20
CNTYSB30	1009	1058	1097	1143	1210	1231	1280	1295	1344	1370	1441	1481	1560
CNTYSB33	1045	1096	1136	1181	1252	1277	1327	1342	1391	1417	1492	1533	1614
CNTYSB36	1088	1140	1183	1231	1305	1327	1382	1397	1448	1475	1553	1597	1681
CNTYSB39	1145	1202	1246	1295	1373	1398	1454	1470	1525	1553	1635	1682	1771
CNTYSB42	1195	1252	1301	1354	1435	1459	1519	1536	1595	1622	1709	1756	1849
CNTYSB48CS	1502	1575	1638	1706	1809	1839	1918	1940	2014	2052	2161	2222	2340

Custom Modifications	AUTHL AUTHR	CBO	CCO	CFNTO	CFP	CFRMO	CMAT	CND	FB	FD	FPEB	FTK	FTKAV FTKFV	MIP	P	RD	RECTKALL RECTKBK	RECTKL RECTKR	RT	VTK
	•		•	•		•	•		•		•	•	•	•		•	•	•		•

Construction Upgrades	APW	PLE	Non Smart Stop Options	NSCFB	NSCH
	•	•			•

CNTYSB30CM	1279	1328	1367	1413	1480	1501	1550	1565	1614	1640	1711	1751	1830
CNTYSB33CM	1327	1378	1418	1463	1534	1559	1609	1624	1673	1699	1774	1815	1896
CNTYSB36CM	1379	1431	1474	1522	1596	1618	1673	1688	1739	1766	1844	1888	1972

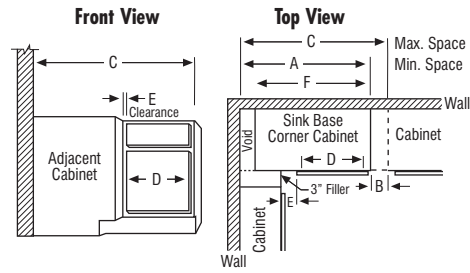
Custom Modifications	AUTHL AUTHR	CBO	CCO	CFNTO	CFP	CFRMO	CMAT	CND	FB	FD	FPEB	FTK	FTKAV FTKFV	MIP	P	RD	RECTKALL RECTKBK	RECTKL RECTKR	RT	VTK
	•	•	•			•	STD		•		•	•	•	•			•	•		•

Construction Upgrades	APW	PLE	Non Smart Stop Options	NSCFB	NSCH
	•	•			•

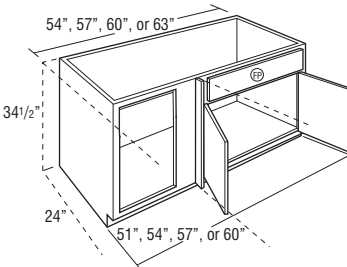
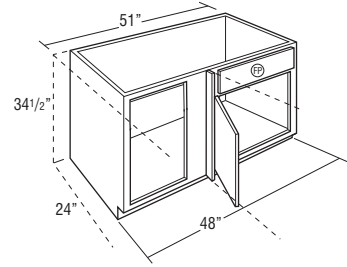
KEMPER® ECHO™ SERIES

Sink Base Corner Cabinets

- SBCs use the wall space the nomenclature implies.
- Remember to use 3" filler on adjoining cabinets.
- The adjoining run of cabinets will cover the void.
- The L or R in the cabinet nomenclature indicates the location of the void to ensure clearance; it is not recommended to place SBC cabinets next to 27" deep appliances.



SINK BASE CORNER



Model	1	2	3	4	5	6	7
SBC51L or R	842	874	943	980	1014	1018	1035
SBC54L or R	953	989	1067	1109	1147	1151	1171
SBC57L or R	960	996	1075	1118	1156	1160	1180
SBC60L or R	968	1004	1083	1126	1165	1169	1189
SBC63L or R	976	1012	1092	1135	1174	1178	1199

- Not recommended for use next to an appliance deeper than standard cabinet depth.
- Includes one 3" filler, shipped unattached.
- L or R indicates void. L (left) void shown.
- Face Frame and Door on End modification not available on the void side of the cabinet.
- On void side, do not install next to an appliance deeper than standard cabinet depth due to clearance needed for the door and drawer.
- Mini Touch-up Kit (MTUK) included. MTUK includes small touch-up marker and small fill stick.

	Sink Base Frame Opening Width	Sink Base Cabinet Equivalent Width	# of Doors	Full Overlay Door Style		Partial Overlay Door Size	
				Width	Height	Width	Height
SBC51	21"	24"	1	23 1/2"	23"	22"	21 1/2"
SBC54	24"	27"	2	13 3/16"	23"	12 7/16"	21 1/2"
SBC57	27"	30"	2	14 11/16"	23"	13 15/16"	21 1/2"
SBC60	30"	33"	2	16 3/16"	23"	15 7/16"	21 1/2"
SBC63	33"	36"	2	17 11/16"	23"	16 15/16"	21 1/2"

Model	A Min. Space	B Max. Pull*	C Max. Space	D Cabinet Opening	E* Full Overlay**		E* Partial Overlay		F Actual Cabinet
					At Min.	At Max.	At Min.	At Max.	
SBC51	51"	4 1/2"	55 1/2"	21"	3 1/4"	7 3/4"	4"	8 1/2"	48"
SBC54	54"	4 1/2"	58 1/2"	24"	3 1/4"	7 3/4"	4"	8 1/2"	51"
SBC57	57"	4 1/2"	61 1/2"	27"	3 1/4"	7 3/4"	4"	8 1/2"	54"
SBC60	60"	4 1/2"	64 1/2"	30"	3 1/4"	7 3/4"	4"	8 1/2"	57"
SBC63	63"	4 1/2"	67 1/2"	33"	3 1/4"	7 3/4"	4"	8 1/2"	60"

*Minimum/maximum space between inside edge of door and face of filler/adjoining cabinet. If cabinet is pulled to maximum stated dimension, filler will need to be cleated for proper attachment.
 **Full overlay styles must be pulled on additional 1 1/2" to ensure proper drawer/pull clearance. 1 1/2" pull is not included in minimum and maximum list.

Model	8	9	10	11	12	13	14	15	16	17	18	19	20
SBC51L or R	1083	1123	1156	1191	1243	1260	1297	1308	1346	1366	1420	1449	1506
SBC54L or R	1225	1270	1307	1347	1406	1425	1467	1479	1523	1545	1606	1639	1704
SBC57L or R	1235	1280	1317	1357	1417	1436	1479	1491	1535	1557	1619	1652	1717
SBC60L or R	1245	1290	1328	1368	1428	1447	1490	1503	1547	1569	1631	1665	1731
SBC63L or R	1254	1300	1338	1379	1439	1459	1502	1514	1559	1582	1644	1678	1744

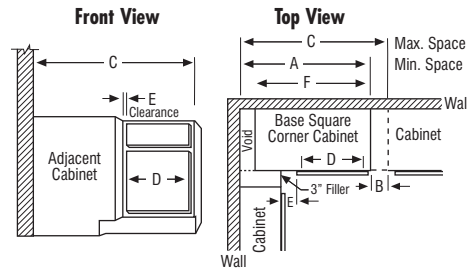
Custom Modifications	AUTHL AUTHR	CBO	CCO	CFNTO	CFP	CFRMO	CMAT	CND	FB	FD	FPPE	FTK	FTKAV FTKRV	MIP	P	RD	RECTKALL RECTKBK	RECTKL RECTKR	RT	VTK
	•		•	•	STD	•		•	•			•	•	•		•	•	•		•

Construction Upgrades	APW	PLE	Non Smart Stop Options	NSCFB	NSCH
	•	•			•

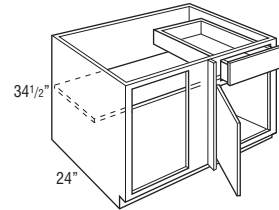
KEMPER® ECHO™ SERIES

Base Corner Cabinets

- BCs use the wall space the nomenclature implies.
- Remember to use 3" filler on adjoining cabinets.
- The adjoining run of cabinets will cover the void.
- The L or R in the cabinet nomenclature indicates the location of the void to ensure clearance; it is not recommended to place BC cabinets next to 27" deep appliances.



BASE CORNER

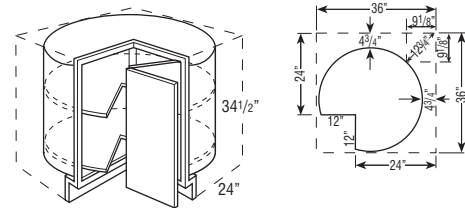


- BC36 - 27" wide
- BC39 - 30" wide
- BC42 - 39" wide
- BC45 - 42" wide
- BC48 - 45" wide

Model	1	2	3	4	5	6	7
BC36L or R	525	545	588	612	633	635	646
BC39L or R	564	585	632	657	680	682	693
BC42L or R	606	629	679	706	731	733	745
BC45L or R	645	670	723	752	777	780	793
BC48L or R	686	712	768	798	826	829	843

- Includes one 3" filler, shipped unattached.
- L or R indicates void. L (left) void shown.
- Adjustable 15" deep shelves.
- On void side, do not install next to an appliance deeper than standard cabinet depth due to clearance needed for the door and drawer.

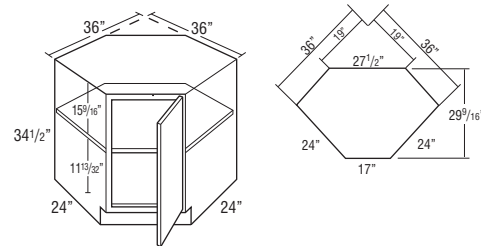
BASE LAZY SUSAN CORNER with FULL HEIGHT DOOR and LAZY SUSAN (With Center Hinge Door)



Model	857	901	993	1047	1095	1099	1123
-------	-----	-----	-----	------	------	------	------

- BLS36 L or R wall width is 36" x 36".
- Cabinet is drum-shaped; adjoining cabinets create sides.
- BLS white plastic shelves are 28" diameter with a chrome pole.
- See Panels & Skins section for BLSBEPLAM if used at end of cabinet run.
- If ordered with APW, construction and price will not change.
- Drum diameter is 31 1/8" and composed of 1/8" thick hardboard.
- Decorative hardware screws must be countersunk to prevent scratching of adjacent cabinets and face frame of BLS.
- Not recommended for use next to an appliance deeper than standard cabinet depth.

DIAGONAL BASE with FULL HEIGHT DOOR



Model	529	556	616	647	676	677	692
-------	-----	-----	-----	-----	-----	-----	-----

- One fixed 1/2" thick shelf.
- Full overlay styles use the same width doors as partial overlay styles (14 1/2" wide) with a partial overlay hinge (38NPOHINGE) to allow for proper door clearance with adjacent cabinets.

Model	A		B		C		D		E*		F		Face Frame Opening Width	Full Overlay Door Width	Partial Overlay Door Width
	Min. Space	Max. Pull*	Max. Space	Cabinet Opening	At Min.	At Max.	At Min.	At Max.	Actual Cabinet						
BC36	36"	6"	42"	7 1/2"	1 3/4"	7 3/4"	2 1/2"	8 1/2"	27"	7 1/2"	10"	8 1/2"			
BC39	39"	4 1/2"	43 1/2"	9"	3 1/4"	7 3/4"	4"	8 1/2"	30"	9"	11 1/2"	10"			
BC42	42"	6"	48"	13 1/2"	1 3/4"	7 3/4"	2 1/2"	8 1/2"	39"	13 1/2"	16"	14 1/2"			
BC45	45"	4 1/2"	49 1/2"	15"	3 1/4"	7 3/4"	4"	8 1/2"	42"	15"	17 1/2"	16"			
BC48	48"	3"	51"	16 1/2"	4 1/4"	7 3/4"	5 1/2"	8 1/2"	45"	16 1/2"	19"	17 1/2"			

*Minimum/maximum space between inside edge of door and face of filler/adjoining cabinet. If cabinet is pulled to maximum stated dimension, filler will need to be deleted for proper attachment.
 **Full overlay styles must be pulled on additional 1 1/2" to ensure proper drawer/pull clearance. 1 1/2" pull is not included in minimum and maximum list.

Model	8	9	10	11	12	13	14	15	16	17	18	19	20
BC36L or R	676	700	720	742	775	786	810	817	840	852	885	904	939
BC39L or R	726	753	775	798	833	844	870	877	902	915	952	971	1010
BC42L or R	780	809	832	857	895	908	934	942	970	983	1022	1044	1085
BC45L or R	830	860	886	912	953	966	995	1004	1032	1047	1088	1111	1155
BC48L or R	882	914	941	970	1012	1026	1056	1065	1096	1112	1156	1180	1226

Custom Modifications	AUTHL	AUTHR	CBO	CCO	CFNTO	CFP	CFRMO	CMAT	CND	FB	FD	FPEB	FTK	FTKAV	FTKEV	MIP	P	RD	RECTKALL	RECTKBK	RECTKL	RECTKR	RT	VTK
	•	•	•	•	•	•	•	•	•	•	•	•	•	•	•	•	•	•	•	•	•	•	•	•

Construction Upgrades	APW	PLE	Non Smart Stop Options		NSCFB	NSCH
	•	•			•	•

Model	1194	1250	1299	1352	1432	1456	1516	1533	1591	1619	1705	1751	1845
-------	------	------	------	------	------	------	------	------	------	------	------	------	------

Custom Modifications	AUTHL	AUTHR	CBO	CCO	CFNTO	CFP	CFRMO	CMAT	CND	FB	FD	FPEB	FTK	FTKAV	FTKEV	MIP	P	RD	RECTKALL	RECTKBK	RECTKL	RECTKR	RT	VTK
	•	•	•	•	•	•	•	•	•	•	•	•	•	•	•	•	•	•	•	•	•	•	•	•

Construction Upgrades	APW	PLE	Non Smart Stop Options		NSCFB	NSCH
	•	•			•	•

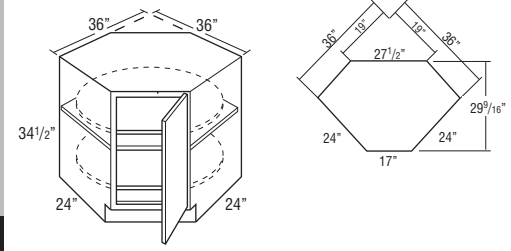
Model	737	773	803	834	883	901	935	945	982	998	1050	1080	1139
-------	-----	-----	-----	-----	-----	-----	-----	-----	-----	-----	------	------	------

Custom Modifications	AUTHL	AUTHR	CBO	CCO	CFNTO	CFP	CFRMO	CMAT	CND	FB	FD	FPEB	FTK	FTKAV	FTKEV	MIP	P	RD	RECTKALL	RECTKBK	RECTKL	RECTKR	RT	VTK
	•	•	•	•	•	•	•	•	•	•	•	•	•	•	•	•	•	•	•	•	•	•	•	•

Construction Upgrades	APW	PLE	Non Smart Stop Options		NSCFB	NSCH
	•	•			•	•

KEMPER® ECHO™ SERIES

DIAGONAL BASE with FULL HEIGHT DOOR & SUPER LAZY SUSAN



Due to fixed shelf mounting, shelves cannot be retrofitted.

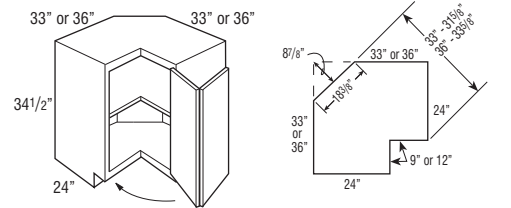
Model table for DAB36SLSL or R with columns 1-7 and corresponding model numbers: 1304, 1331, 1391, 1422, 1451, 1452, 1467.

- Features two 28" diameter D-shaped plywood revolving shelves. Lower shelf is mounted to floor. Upper shelf is mounted to fixed shelf. Fixed shelf is 1/2" thick laminated furniture board.
• Full overlay styles use the same width doors as partial overlay styles (14 1/2" wide) with a partial overlay hinge (38NPOHINGE) to allow for proper door clearance with adjacent cabinets.

Model table for DAB36SLSL or R with columns 8-20 and corresponding model numbers: 1512, 1548, 1578, 1609, 1658, 1676, 1710, 1720, 1757, 1773, 1825, 1855, 1914.

Custom Modifications and Construction Upgrades table for DAB36SLSL or R with columns for AUTHL, CBO, CCO, CFNTO, CFP, CFRMO, CMAT, CND, FB, FD, FPFB, FTK, FTKAV, FTKFV, MIP, P, RD, RECTKALL, RECTKBK, RECTKL, RECTKR, RT, VTK.

BASE EASY REACH



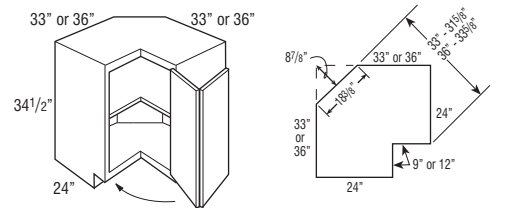
Model table for BER33L or R and BER36L or R with columns for model numbers: 660, 695, 768, 809, 846, 850, 868.

- BER33 L or R wall width is 33" x 33". BER36 L or R wall width is 36" x 36".
• Decorative hardware screws must be countersunk to prevent scratching of adjacent cabinets and face frame of BER.
• Fixed shelf is 1/2" thick laminated furniture board.
• Not recommended for use next to an appliance deeper than standard cabinet depth.

Model table for BER33L or R and BER36L or R with columns for model numbers: 920, 966, 1002, 1042, 1104, 1125, 1169, 1182, 1227, 1250, 1317, 1353, 1424.

Custom Modifications and Construction Upgrades table for BER33L or R and BER36L or R.

ASYMMETRICAL BASE EASY REACH



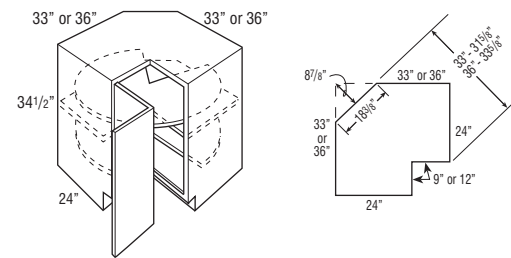
Model table for BER3336L or R and BER3633L or R with columns for model numbers: 660, 695, 768, 809, 846, 850, 868.

- BER3336 L or R wall width is 33" x 36".
• BER3633 L or R wall width is 36" x 33".
• Legs at the front frames are 9" on 33" and 12" on 36" leg.
• Nomenclature for asymmetrical cabinets reads as follows: First set of numbers = left side of cabinet dimensions. Second set of numbers = right side of cabinet dimensions.
• Decorative hardware screws must be countersunk to prevent scratching of adjacent cabinets and face frame of BER.
• Fixed shelf is 1/2" thick laminated furniture board.
• Eksten doors on 33" side utilize flat center panels.
• Not recommended for use next to an appliance deeper than standard cabinet depth.

Model table for BER3336L or R and BER3633L or R with columns for model numbers: 920, 966, 1002, 1042, 1104, 1125, 1169, 1182, 1227, 1250, 1317, 1353, 1424.

Custom Modifications and Construction Upgrades table for BER3336L or R and BER3633L or R.

SUPER LAZY SUSAN



Due to fixed shelf mounting, shelves cannot be retrofitted.

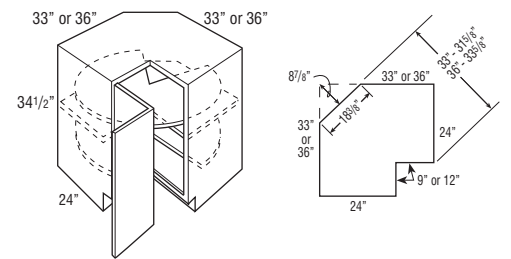
Model table for SLS33L or R and SLS36L or R with columns for model numbers: 1738, 1772, 1846, 1886, 1924, 1927, 1945.

- SLS33 L or R wall width is 33" x 33".
• SLS36 L or R wall width is 36" x 36".
• SLS33 - Susans are 28" diameter.
• SLS36 - Susans are 32" diameter.
• Features two plywood revolving shelves. Lower shelf is mounted to floor. Upper shelf is mounted to fixed shelf. Fixed shelf is 1/2" thick laminated furniture board.
• Decorative hardware screws must be countersunk to prevent scratching adjacent cabinets and face frame of SLS.
• Eksten doors on SLS33 utilize flat center panels.
• Not recommended for use next to an appliance deeper than standard cabinet depth.

Model table for SLS33L or R and SLS36L or R with columns for model numbers: 1998, 2042, 2080, 2119, 2181, 2203, 2246, 2259, 2305, 2327, 2394, 2430, 2501.

Custom Modifications and Construction Upgrades table for SLS33L or R and SLS36L or R.

SOLID-WOOD SUPER LAZY SUSAN



Due to fixed shelf mounting, shelves cannot be retrofitted.

Model table for SLSW33L or R and SLSW36L or R with columns for model numbers: 2173, 2283, 2307, 2360, 2405, 2477, 2483.

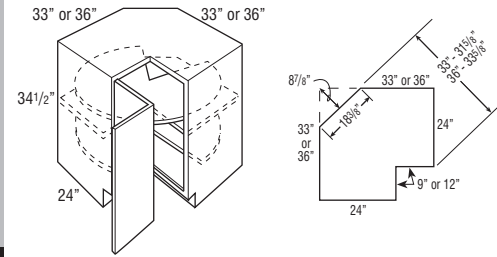
- SLSW33 L or R wall width is 33" x 33".
• SLSW36 L or R wall width is 36" x 36".
• SLSW33 L or R - Susans are 28" diameter.
• SLSW36 L or R - Susans are 32" diameter.
• Features two hardwood revolving shelves. Lower shelf is mounted to floor. Upper shelf is mounted to fixed shelf. Fixed shelf is 1/2" thick laminated furniture board.
• Decorative hardware screws must be countersunk to prevent scratching adjacent cabinets and face frame of SLS.
• Not recommended for use next to an appliance deeper than standard cabinet depth.

Model table for SLSW33L or R and SLSW36L or R with columns for model numbers: 2500, 2556, 2599, 2651, 2729, 2755, 2810, 2826, 2881, 2910, 2992, 3039, 3128.

Custom Modifications and Construction Upgrades table for SLSW33L or R and SLSW36L or R.

KEMPER ECHO™ SERIES

ASYMMETRICAL SUPER LAZY SUSAN

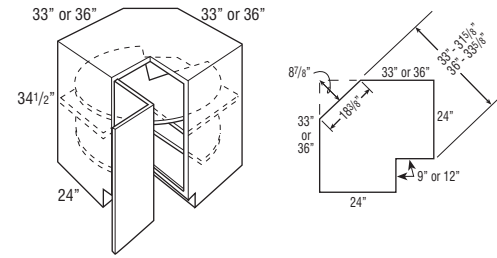


Due to fixed shelf mounting, shelves cannot be retrofitted.

Model	1	2	3	4	5	6	7
SLS3336L or R	1738	1772	1846	1886	1924	1927	1945
SLS3633L or R	1738	1772	1846	1886	1924	1927	1945

- SLS3336 L or R wall width is 33" x 36".
- SLS3633 L or R wall width is 36" x 33".
- All Asymmetrical Super Susan shelves are 28" diameter.
- Features two plywood revolving shelves. Lower shelf is mounted to floor. Upper shelf is mounted to fixed shelf. Fixed shelf is 1/2" thick laminated furniture board.
- Nomenclature for asymmetrical cabinets reads as follows:
First set of numbers = left side of cabinet dimensions.
Second set of numbers = right side of cabinet dimensions.
- Decorative hardware screws must be countersunk to prevent scratching adjacent cabinets and face frame of SLS.
- Eksten doors on 33" side utilize flat center panels.
- Not recommended for use next to an appliance deeper than standard cabinet depth.

ASYMMETRICAL SOLID-WOOD SUPER LAZY SUSAN

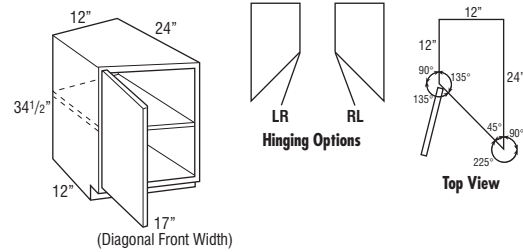


Due to fixed shelf mounting, shelves cannot be retrofitted.

Model	2173	2283	2307	2360	2405	2477	2483
SLSW3336L or R	2173	2283	2307	2360	2405	2477	2483
SLSW3633L or R	2173	2283	2307	2360	2405	2477	2483

- SLSW3336 L or R wall width is 33" x 36".
- SLSW3633 L or R wall widths is 36" x 33".
- All Asymmetrical Super Susan shelves are 28" diameter.
- Features two hardwood revolving shelves. Lower shelf is mounted to floor. Upper shelf is mounted to fixed shelf. Fixed shelf is 1/2" thick laminated furniture board.
- Nomenclature for asymmetrical cabinets reads as follows:
First set of numbers = left side of cabinet dimensions.
Second set of numbers = right side of cabinet dimensions.
- Decorative hardware screws must be countersunk to prevent scratching adjacent cabinets and face frame of SLS.
- Not recommended for use next to an appliance deeper than standard cabinet depth.

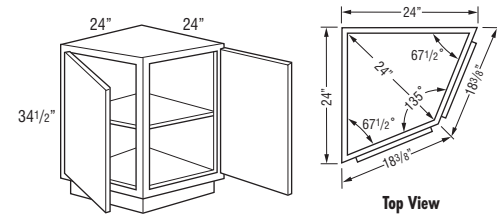
BASE TRANSITION CABINET



Model	433	455	503	531	554	558	570
BTC12RL	433	455	503	531	554	558	570
BTC12LR	433	455	503	531	554	558	570

- One adjustable shelf.
- Cabinets constructed with top.
- Door hinged on shallow depth side.
- Reduced Depth to 18" available.
- Full overlay styles use the same width doors as partial overlay styles (14 1/2" wide) with a partial overlay hinge (38NPOHINGE) to allow for proper door clearance with adjacent cabinets.

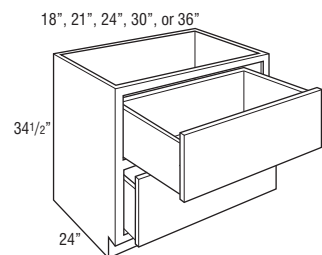
BASE END CABINET



Model	675	709	782	822	860	862	885
BEC24	675	709	782	822	860	862	885

- Wall width is 24" x 24".
- 24" W x 24" D x 34 1/2" H.
- 24" from outside corner point to frame face.
- Cabinets constructed with top.
- One adjustable shelf.
- Cabinet may be installed against either end of a run.

TWO DRAWER BASE



Model	1009	1033	1089	1117	1143	1146	1158
2DB18	1009	1033	1089	1117	1143	1146	1158
2DB21	1027	1052	1108	1138	1164	1167	1180
2DB24	1008	1032	1088	1116	1142	1145	1157
2DB30	1557	1595	1679	1724	1764	1768	1787
2DB36	1605	1645	1733	1778	1819	1823	1843

- Exterior drawer box height is 10".
- RECTKALL not available on 2DB18, 2DB21, and 2DB24.

Model	8	9	10	11	12	13	14	15	16	17	18	19	20
SLS3336L or R	1998	2042	2080	2119	2181	2203	2246	2259	2305	2327	2394	2430	2501
SLS3633L or R	1998	2042	2080	2119	2181	2203	2246	2259	2305	2327	2394	2430	2501

Custom Modifications	AUTHL AUTHR	CBO	CCO	CFNTO	CFP	CFRMO	CMAT	CND	FB	FD	FPEB	FTK	FTKAV FTKEV	MIP	P	RD	RECTKALL RECTKBK	RECTKL RECTKR	RT	VTK	
		•	•						•		•										•

Construction Upgrades	APW	PLE	Non Smart Stop Options	NSCFB	NSCH
	•	•			

Model	2500	2556	2599	2651	2729	2755	2810	2826	2881	2910	2992	3039	3128
SLSW3336L or R	2500	2556	2599	2651	2729	2755	2810	2826	2881	2910	2992	3039	3128
SLSW3633L or R	2500	2556	2599	2651	2729	2755	2810	2826	2881	2910	2992	3039	3128

Custom Modifications	AUTHL AUTHR	CBO	CCO	CFNTO	CFP	CFRMO	CMAT	CND	FB	FD	FPEB	FTK	FTKAV FTKEV	MIP	P	RD	RECTKALL RECTKBK	RECTKL RECTKR	RT	VTK	
		•	•						•		•										•

Construction Upgrades	APW	PLE	Non Smart Stop Options	NSCFB	NSCH
	•	•			

Model	603	632	657	684	724	737	766	775	804	819	864	887	934
BTC12RL	603	632	657	684	724	737	766	775	804	819	864	887	934
BTC12LR	603	632	657	684	724	737	766	775	804	819	864	887	934

Custom Modifications	AUTHL AUTHR	CBO	CCO	CFNTO	CFP	CFRMO	CMAT	CND	FB	FD	FPEB	FTK	FTKAV FTKEV	MIP	P	RD	RECTKALL RECTKBK	RECTKL RECTKR	RT	VTK	
		•	•	•	•	•	•		•		•	•		•				•			•

Construction Upgrades	APW	PLE	Non Smart Stop Options	NSCFB	NSCH
	•	•			•

Model	937	982	1020	1063	1129	1146	1189	1195	1248	1272	1339	1376	1451
BEC24	937	982	1020	1063	1129	1146	1189	1195	1248	1272	1339	1376	1451

Custom Modifications	AUTHL AUTHR	CBO	CCO	CFNTO	CFP	CFRMO	CMAT	CND	FB	FD	FPEB	FTK	FTKAV FTKEV	MIP	P	RD	RECTKALL RECTKBK	RECTKL RECTKR	RT	VTK	
		•	•									•		•							•

Construction Upgrades	APW	PLE	Non Smart Stop Options	NSCFB	NSCH
	•				•

Model	1194	1224	1247	1273	1310	1322	1348	1356	1383	1395	1432	1452	1490
2DB18	1194	1224	1247	1273	1310	1322	1348	1356	1383	1395	1432	1452	1490
2DB21	1216	1246	1270	1296	1334	1346	1373	1381	1407	1421	1459	1479	1518
2DB24	1193	1223	1246	1271	1308	1321	1347	1355	1381	1394	1430	1451	1489
2DB30	1843	1888	1925	1964	2021	2040	2081	2093	2133	2153	2209	2241	2300
2DB36	1901	1948	1986	2026	2085	2104	2147	2159	2200	2221	2279	2311	2372

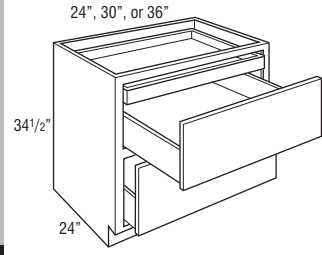
Custom Modifications	AUTHL AUTHR	CBO	CCO	CFNTO	CFP	CFRMO	CMAT	CND	FB	FD	FPEB	FTK	FTKAV FTKEV	MIP	P	RD	RECTKALL RECTKBK	RECTKL RECTKR	RT	VTK	
		•	•				•		•		•	•						•			•

Construction Upgrades	APW	PLE	Non Smart Stop Options	NSCFB	NSCH
	•	•			

KEMPER ECHO™ SERIES

TWO DRAWER BASE with ROLL TRAY

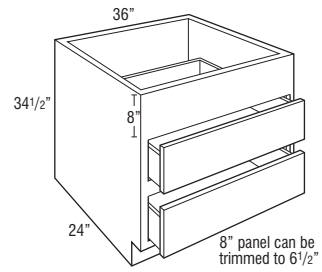
storage SOLUTIONS



Model	1	2	3	4	5	6	7
2DB24RT	1087	1114	1173	1204	1231	1234	1248
2DB30RT	1648	1689	1779	1826	1868	1873	1893
2DB36RT	1690	1733	1824	1873	1915	1920	1941

- Includes a roll tray inside top drawer.
- Exterior height for bottom drawer box is 6 3/8".
- RECTKALL not available on 2DB24RT.

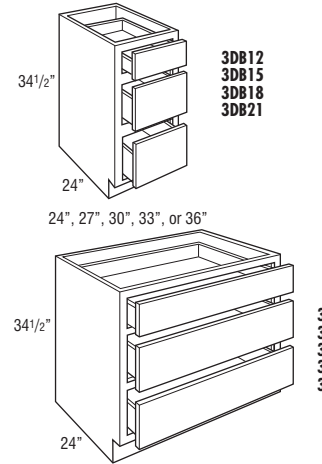
TWO DRAWER BASE, DROP-IN RANGE



Model	1902	1950	2053	2108	2156	2161	2185
2DB36DR							

- Exterior height of drawer boxes is 6 3/8".

THREE DRAWER BASE

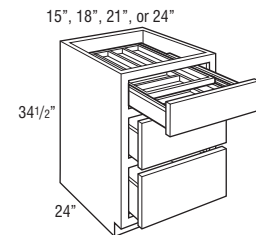


3DB12	578	595	632	653	670	672	681
3DB15	620	638	679	701	720	722	732
3DB18	666	686	730	753	774	775	785
3DB21	713	735	781	806	828	831	842
3DB24	761	784	834	860	884	886	898
3DB27	990	1017	1076	1108	1136	1139	1153
3DB30	1226	1261	1334	1373	1407	1411	1428
3DB33	1265	1301	1376	1417	1452	1456	1473
3DB36	1305	1341	1419	1461	1498	1501	1519

- Exterior height of bottom 2 drawer boxes is 6 3/8".
- NSCFB not available on 3DB30, 3DB33, and 3DB36.
- RECTKALL not available on 3DB12, 3DB15, 3DB18, 3DB21, and 3DB24.

THREE DRAWER BASE with WOOD TIERED CUTLERY DIVIDER DRAWER

storage SOLUTIONS



3DB15WTC	1085	1103	1144	1166	1185	1187	1197
3DB18WTC	1149	1169	1213	1236	1257	1258	1268
3DB21WTC	1214	1236	1282	1307	1329	1332	1343
3DB24WTC	1281	1304	1354	1380	1404	1406	1418

- Includes Wood Tiered Cutlery Divider Drawer in top drawer.
- Exterior height for lower drawer boxes is 6 3/8".
- Exterior WTC drawer box height is 3 3/4", interior height of top tier is 1 5/8", and interior height of bottom tier is 1 3/8".
- Wood Tiered Cutlery Divider Drawer is also available as an accessory. See page 230.
- RECTKALL not available.

Model	8	9	10	11	12	13	14	15	16	17	18	19	20
2DB24RT	1287	1319	1344	1371	1411	1424	1453	1461	1489	1503	1543	1564	1606
2DB30RT	1952	2000	2039	2080	2141	2161	2204	2217	2259	2281	2341	2373	2436
2DB36RT	2002	2050	2090	2133	2195	2216	2260	2273	2317	2339	2400	2434	2498

Custom Modifications	AUTHL AUTHR	CBO	CCO	CFNTO	CFP	CFRMO	CMAT	CND	FB	FD	FPEB	FTK	FTKAV FTKFV	MIP	P	RD	RECTKALL RECTKBK	RECTKL RECTKR	RT	VTK
	•	•	•	•	•	•	•	•	•	•	•	•	•	•	•	•	•	•	•	•

Construction Upgrades	APW	PLE	Non Smart Stop Options	NSCFB	NSCH
	•	•		•	•

2DB36DR	2253	2308	2353	2401	2471	2494	2544	2558	2607	2632	2701	2739	2812
----------------	------	------	------	------	------	------	------	------	------	------	------	------	------

Custom Modifications	AUTHL AUTHR	CBO	CCO	CFNTO	CFP	CFRMO	CMAT	CND	FB	FD	FPEB	FTK	FTKAV FTKFV	MIP	P	RD	RECTKALL RECTKBK	RECTKL RECTKR	RT	VTK
	•	•	•	•	•	•	•	•	•	•	•	•	•	•	•	•	•	•	•	•

Construction Upgrades	APW	PLE	Non Smart Stop Options	NSCFB	NSCH
	•	•		•	•

3DB12	706	727	744	762	789	797	817	823	841	851	878	893	921
3DB15	759	781	799	819	848	857	878	884	904	914	943	959	990
3DB18	815	839	859	880	911	921	943	949	971	982	1013	1030	1063
3DB21	873	898	919	942	975	986	1010	1017	1040	1051	1085	1103	1138
3DB24	932	959	981	1005	1040	1052	1077	1084	1109	1122	1158	1177	1214
3DB27	1192	1224	1250	1278	1319	1333	1362	1371	1400	1414	1455	1478	1520
3DB30	1477	1517	1549	1583	1634	1651	1688	1698	1734	1752	1803	1831	1883
3DB33	1524	1565	1599	1635	1687	1704	1741	1752	1790	1808	1860	1889	1944
3DB36	1571	1614	1648	1685	1739	1756	1795	1806	1845	1864	1918	1948	2004

Custom Modifications	AUTHL AUTHR	CBO	CCO	CFNTO	CFP	CFRMO	CMAT	CND	FB	FD	FPEB	FTK	FTKAV FTKFV	MIP	P	RD	RECTKALL RECTKBK	RECTKL RECTKR	RT	VTK
	•	•	•	•	•	•	•	•	•	•	•	•	•	•	•	•	•	•	•	•

Construction Upgrades	APW	PLE	Non Smart Stop Options	NSCFB	NSCH
	•	•		•	•

3DB15WTC	1224	1246	1264	1284	1313	1322	1343	1349	1369	1379	1408	1424	1455
3DB18WTC	1298	1322	1342	1363	1394	1404	1426	1432	1454	1465	1496	1513	1546
3DB21WTC	1374	1399	1420	1443	1476	1487	1511	1518	1541	1552	1586	1604	1639
3DB24WTC	1452	1479	1501	1525	1560	1572	1597	1604	1629	1642	1678	1697	1734

Custom Modifications	AUTHL AUTHR	CBO	CCO	CFNTO	CFP	CFRMO	CMAT	CND	FB	FD	FPEB	FTK	FTKAV FTKFV	MIP	P	RD	RECTKALL RECTKBK	RECTKL RECTKR	RT	VTK
	•	•	•	•	•	•	•	•	•	•	•	•	•	•	•	•	•	•	•	•

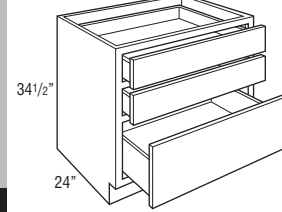
Construction Upgrades	APW	PLE	Non Smart Stop Options	NSCFB	NSCH
	•	•		•	•

KEMPER ECHO™ SERIES

THREE DRAWER BASE with DEEP DRAWER

storage SOLUTIONS

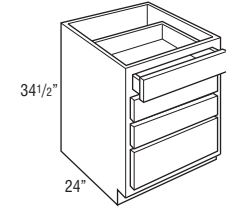
24", 30", 33", or 36"



Model	1	2	3	4	5	6	7
3DBDD24	1148	1176	1238	1271	1301	1304	1318
3DBDD30	1387	1422	1497	1537	1572	1576	1593
3DBDD33	1588	1628	1715	1760	1800	1804	1824
3DBDD36	1735	1777	1872	1921	1966	1970	1991

- Exterior height of bottom drawer box is 10".
- RECTKALL not available on 3DBDD24.

FOUR DRAWER BASE



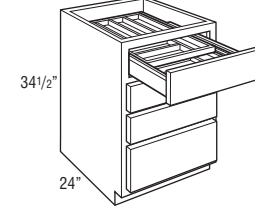
4DB12	615	633	673	695	714	716	725
4DB15	663	683	727	750	771	773	783
4DB18	712	734	780	805	827	830	841
4DB21	760	783	833	859	883	885	897
4DB24	814	839	893	921	947	949	961

- RECTKALL not available.
- FTKAV and FTKEV not available on 4DB12.

FOUR DRAWER BASE with WOOD TIERED CUTLERY DIVIDER DRAWER

storage SOLUTIONS

15", 18", 21", or 24"

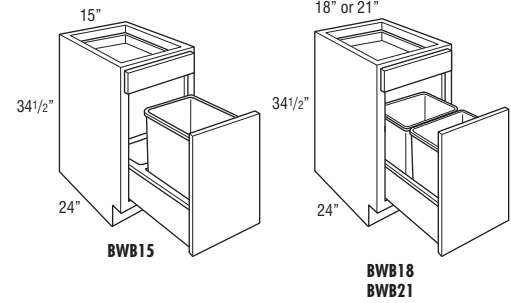


4DB15WTC	1128	1148	1192	1215	1236	1238	1248
4DB18WTC	1195	1217	1263	1288	1310	1313	1324
4DB21WTC	1261	1284	1334	1360	1384	1386	1398
4DB24WTC	1334	1359	1413	1441	1467	1469	1481

- Includes Wood Tiered Cutlery Divider Drawer in top drawer.
- Exterior WTC drawer box height is 3 3/4", interior height of top tier is 1 5/8", and interior height of bottom tier is 1 3/8".
- Wood Tiered Cutlery Divider Drawer is also available as an accessory. See page 230.
- RECTKALL not available.

BASE WASTEBASKET

storage SOLUTIONS



BWB15	888	910	955	982	1006	1009	1020
BWB18	981	1005	1050	1078	1106	1106	1119
BWB21	1068	1091	1144	1174	1201	1203	1216

- Pull-out features undermount Smart Stop guides.
- BWB15 includes one 35 quart gray wastebasket and a trash bag storage area.
- BWB18 and BWB21 include two 35 quart gray wastebaskets.
- RECTKALL not available.

Model	8	9	10	11	12	13	14	15	16	17	18	19	20
3DBDD24	1359	1392	1420	1448	1490	1504	1534	1543	1573	1587	1629	1652	1696
3DBDD30	1642	1683	1716	1751	1801	1818	1854	1865	1901	1919	1970	1997	2050
3DBDD33	1881	1927	1965	2005	2063	2083	2124	2136	2177	2198	2256	2287	2347
3DBDD36	2053	2104	2145	2188	2252	2273	2319	2332	2377	2400	2462	2497	2562

Custom Modifications	AUTHL AUTHR	CBO	CCO	CFNTO	CFP	CFRMO	CMAT	CND	FB	FD	FPEB	FTK	FTKAV FTKEV	MIP	P	RD	RECTKALL RECTKBK	RECTKL RECTKR	RT	VTK
	•	•	•		•	•			•		•	•	•				•	•		•

Construction Upgrades	APW	PLE	Non Smart Stop Options	NSCFB	NSCH
	•	•			

4DB12	752	774	793	812	840	849	870	876	895	906	934	951	980
4DB15	812	835	855	876	907	917	939	945	967	978	1009	1026	1058
4DB18	872	897	918	941	974	985	1008	1015	1038	1050	1083	1102	1136
4DB21	931	957	980	1004	1039	1050	1076	1083	1108	1121	1156	1175	1212
4DB24	997	1027	1050	1076	1114	1127	1153	1161	1188	1202	1240	1260	1300

Custom Modifications	AUTHL AUTHR	CBO	CCO	CFNTO	CFP	CFRMO	CMAT	CND	FB	FD	FPEB	FTK	FTKAV FTKEV	MIP	P	RD	RECTKALL RECTKBK	RECTKL RECTKR	RT	VTK
	•	•	•	•	•	•			•		•	•	•				•	•		•

Construction Upgrades	APW	PLE	Non Smart Stop Options	NSCFB	NSCH
	•	•		•	

4DB15WTC	1277	1300	1320	1341	1372	1382	1404	1410	1432	1443	1474	1491	1523
4DB18WTC	1355	1380	1401	1424	1457	1468	1491	1498	1521	1533	1566	1585	1619
4DB21WTC	1432	1458	1481	1505	1540	1551	1577	1584	1609	1622	1657	1676	1713
4DB24WTC	1517	1547	1570	1596	1634	1647	1673	1681	1708	1722	1760	1780	1820

Custom Modifications	AUTHL AUTHR	CBO	CCO	CFNTO	CFP	CFRMO	CMAT	CND	FB	FD	FPEB	FTK	FTKAV FTKEV	MIP	P	RD	RECTKALL RECTKBK	RECTKL RECTKR	RT	VTK
	•	•	•	•	•	•			•		•	•	•				•	•		•

Construction Upgrades	APW	PLE	Non Smart Stop Options	NSCFB	NSCH
	•	•			

BWB15	1053	1082	1108	1133	1173	1181	1214	1222	1249	1265	1305	1330	1375
BWB18	1156	1187	1210	1237	1281	1295	1327	1336	1366	1383	1426	1449	1499
BWB21	1255	1287	1314	1343	1387	1402	1433	1443	1475	1494	1541	1568	1619

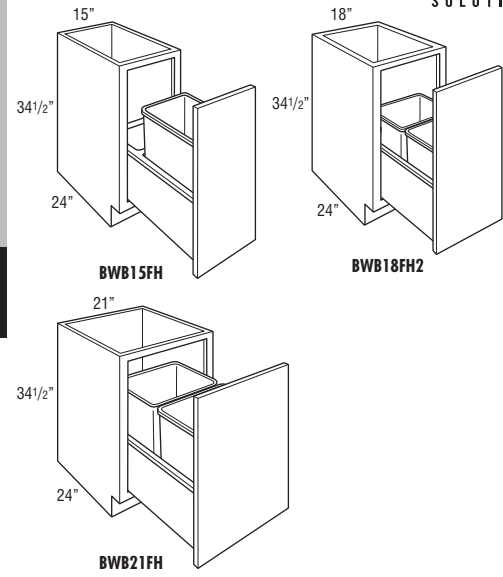
Custom Modifications	AUTHL AUTHR	CBO	CCO	CFNTO	CFP	CFRMO	CMAT	CND	FB	FD	FPEB	FTK	FTKAV FTKEV	MIP	P	RD	RECTKALL RECTKBK	RECTKL RECTKR	RT	VTK
	•	•	•		•	•			•		•	•	•				•	•		•

Construction Upgrades	APW	PLE	Non Smart Stop Options	NSCFB	NSCH
	•	•		•	

KEMPER® ECHO™ SERIES

BASE WASTEBASKET FULL HEIGHT

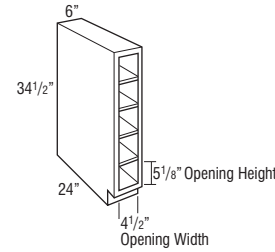
storage SOLUTIONS



Model	1	2	3	4	5	6	7
BWB15FH	839	859	901	924	947	947	958
BWB18FH2	899	918	965	990	1014	1015	1027
BWB21FH	964	986	1034	1061	1085	1088	1100

- Pull-out features undermount Smart Stop guides.
- BWB15FH includes one 50 quart gray wastebasket and a trash bag storage area.
- BWB18FH2 includes two 35 quart gray wastebaskets.
- BWB21FH includes two 50 quart gray wastebaskets.
- RECTKALL not available.

BASE WINE CUBBY, 24" DEEP

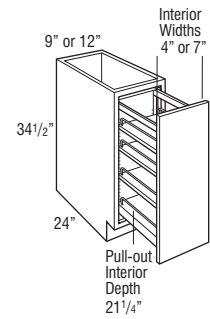


BWC6	834	834	834	834	834	834	834
------	-----	-----	-----	-----	-----	-----	-----

- Vertical application only.
- Matching Interior Plywood (MIP) standard.
- Frameless drilled and doweled construction.
- Veneer on 3/4" furniture board core.
- Reduced Depth only available in 3" increments down to 12".

BASE PANTRY PULL-OUT

storage SOLUTIONS

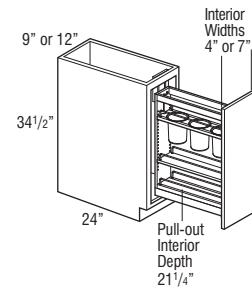


BPP9	1040	1080	1171	1222	1265	1271	1294
BPP12	1115	1158	1256	1311	1361	1365	1390

- All styles feature a natural finish Smart Stop wood pull-out with adjustable shelves and chrome rail sides. The adjustable rear wall of the pull-out prevents items from falling behind the unit.
- RECTKALL not available.
- RECTKBBK not available on BPP9.

BASE UTENSIL PANTRY PULL-OUT

storage SOLUTIONS



BUPP9	1403	1443	1535	1585	1630	1636	1658
BUPP12	1479	1522	1619	1675	1724	1730	1755

- All styles feature a natural finish Smart Stop wood pull-out with two adjustable shelves (including canister shelf) and one fixed shelf with chrome rail sides. Top adjustable shelf features three stainless steel canisters for utensils. The adjustable rear wall of the pull-out prevents items from falling behind the unit.
- BUPP9 canisters are 5.85" tall and have an inside diameter of 4.3".
- BUPP12 canisters are 6.7" tall and have an inside diameter of 5".
- RECTKALL not available.
- RECTKBBK not available on BUPP9.

Model	8	9	10	11	12	13	14	15	16	17	18	19	20
BWB15FH	991	1016	1038	1062	1096	1107	1132	1140	1167	1181	1220	1242	1284
BWB18FH2	1060	1086	1110	1136	1174	1186	1214	1222	1249	1264	1304	1326	1370
BWB21FH	1136	1166	1190	1216	1257	1269	1300	1309	1337	1353	1396	1422	1467

Custom Modifications	AUTHL	AUTHR	CBO	CCO	CFNTO	CFP	CFRMO	CMAT	CND	FB	FD	FPEB	FTK	FTKAV	FTKFV	MIP	P	RD	RECTKALL	RECTKBBK	RECTKL	RECTKR	RT	VTK
	•	•	•							•		•	•						•	•			•	

Construction Upgrades	APW	PLE	Non Smart Stop Options	NSCFB	NSCH
	•	•			

BWC6	834	834	834	834	834	834	834	834	834	834	834	834	834
------	-----	-----	-----	-----	-----	-----	-----	-----	-----	-----	-----	-----	-----

Custom Modifications	AUTHL	AUTHR	CBO	CCO	CFNTO	CFP	CFRMO	CMAT	CND	FB	FD	FPEB	FTK	FTKAV	FTKFV	MIP	P	RD	RECTKALL	RECTKBBK	RECTKL	RECTKR	RT	VTK
										STD						STD			•					•

Construction Upgrades	APW	PLE	Non Smart Stop Options	NSCFB	NSCH

BPP9	1359	1418	1462	1513	1589	1612	1668	1684	1740	1768	1849	1895	1983
BPP12	1462	1523	1575	1630	1711	1739	1797	1815	1876	1909	1998	2043	2140

Custom Modifications	AUTHL	AUTHR	CBO	CCO	CFNTO	CFP	CFRMO	CMAT	CND	FB	FD	FPEB	FTK	FTKAV	FTKFV	MIP	P	RD	RECTKALL	RECTKBBK	RECTKL	RECTKR	RT	VTK
	•	•	•				•			•		•	•						•	•			•	

Construction Upgrades	APW	PLE	Non Smart Stop Options	NSCFB	NSCH
	•	•			

BUPP9	1722	1781	1826	1877	1952	1976	2031	2047	2104	2131	2212	2260	2346
BUPP12	1826	1887	1938	1993	2075	2103	2162	2180	2240	2272	2363	2407	2504

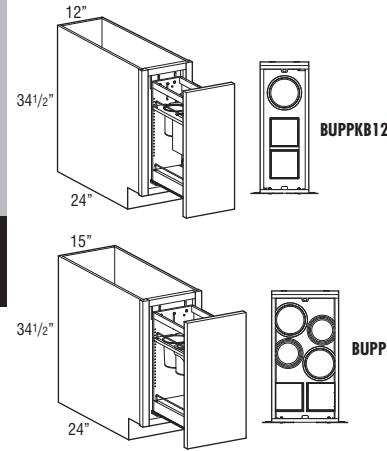
Custom Modifications	AUTHL	AUTHR	CBO	CCO	CFNTO	CFP	CFRMO	CMAT	CND	FB	FD	FPEB	FTK	FTKAV	FTKFV	MIP	P	RD	RECTKALL	RECTKBBK	RECTKL	RECTKR	RT	VTK
	•	•	•				•			•		•	•						•	•			•	

Construction Upgrades	APW	PLE	Non Smart Stop Options	NSCFB	NSCH
	•	•			

KEMPER ECHO™ SERIES

BASE UTENSIL PANTRY PULL-OUT with KNIFE BLOCK

storage SOLUTIONS

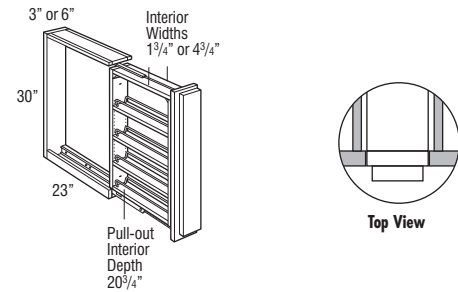


Model	1	2	3	4	5	6	7
BUppKB12	2133	2176	2274	2329	2379	2383	2408
BUppKB15	2505	2548	2646	2701	2751	2755	2780

- Full extension, Smart Stop wood pull-out with natural finish and one fixed shelf.
- BUppKB12 features an adjustable shelf with two knife blocks, one stainless steel canister and one fixed shelf with chrome rails. Canister is 6.7" tall and has an inside diameter of 5".
- BUppKB15 features an adjustable shelf with two knife blocks, four stainless steel canisters and one fixed shelf with chrome rails. Two canisters are 5.85" tall and have an inside diameter of 4.3", and the other two are 6.7" tall with an inside diameter of 5".
- Knife block features movable flex rods that adjust to hold a multitude of knives.
- Includes adjustable rear wall for extra strength and stability.
- Adjustable shelf is easily reversible for placement of knife blocks in the front or rear.
- RECTKALL not available.
- FTKAV and FTKFV not available on BUppKB12.

BASE BOX COLUMN PULL-OUT with OVERLAY

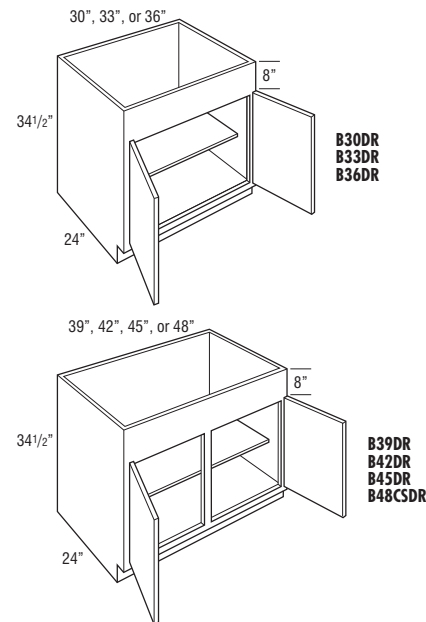
storage SOLUTIONS



BBCPO30L	1169	1169	1169	1169	1169	1169	1169
BBCPO60L	1371	1371	1371	1371	1371	1371	1371

- Recommend installation between two cabinets. Can be installed on the end of a run or adjacent to an appliance with a 3/4" thick end panel.
- Install unit before removing shipping brace and attaching filler.
- Includes profiled full overlay filler, but unattached.
- Warren PureStyle™ overlays will be painted hardwood.
- Decorative hardware required on base units.
- Modifications not available.
- Toekick not included; must be built up in the field.
- All styles feature a natural finish Smart Stop wood pull-out with adjustable shelves and chrome rail sides.
- In order to allow proper clearance for opening and closing, allow an additional 1/8" space between adjacent cabinet face frames. The 3" wide pull-outs require 3 1/8" space and the 6" wide pull-outs require 6 1/8" space. Spacers are included with the pull-outs to allow for proper installation.

BASE DROP-IN RANGE CABINET



B30DR	724	759	841	884	928	930	950
B33DR	752	788	870	916	960	963	984
B36DR	781	822	906	954	998	1001	1023

B39DR	823	863	952	1007	1049	1057	1080
B42DR	858	902	997	1050	1099	1103	1127
B45DR	902	946	1045	1103	1153	1157	1182
B48CSDR	1073	1128	1250	1319	1379	1385	1415

- 8" panel can be trimmed up to 6 1/2".
- Adjustable 15" deep shelf.
- Can also be used with apron front sinks, refer to manufacturer's dimension requirements.

Model	8	9	10	11	12	13	14	15	16	17	18	19	20
BUppKB12	2480	2541	2593	2648	2729	2757	2815	2833	2894	2927	3016	3061	3158
BUppKB15	2852	2913	2965	3020	3101	3129	3187	3205	3266	3299	3388	3433	3530

Custom Modifications	AUTHL AUTHR	CBO	CCO	CFNTO	CFP	CFRMO	CMAT	CND	FB	FD	FPEB	FTK	FTKAV FTKFV	MIP	P	RD	RECTKALL RECTKBK	RECTKL RECTKR	RT	VTK
	•	•	•			•			•			•	•				•	•		•

Construction Upgrades	APW	PLE	Non Smart Stop Options	NSCFB	NSCH
	•	•			

BBCPO30L	1169	1169	1169	1169	1169	1169	1169	1169	1169	1169	1169	1169	1169
BBCPO60L	1371	1371	1371	1371	1371	1371	1371	1371	1371	1371	1371	1371	1371

MODIFICATIONS
No modifications available for these products.

B30DR	1009	1058	1097	1143	1210	1231	1280	1295	1344	1370	1441	1481	1560
B33DR	1045	1096	1136	1181	1252	1277	1327	1342	1391	1417	1492	1533	1614
B36DR	1088	1140	1183	1231	1305	1327	1382	1397	1448	1475	1553	1597	1681

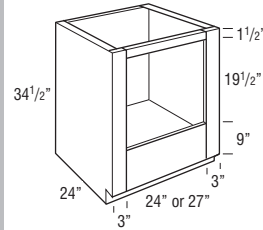
B39DR	1145	1202	1246	1295	1373	1398	1454	1470	1525	1553	1635	1682	1771
B42DR	1195	1252	1301	1354	1435	1459	1519	1536	1595	1622	1709	1756	1849
B45DR	1256	1314	1366	1422	1507	1531	1597	1614	1676	1702	1793	1846	1943
B48CSDR	1502	1575	1638	1706	1809	1839	1918	1940	2014	2052	2161	2222	2340

Custom Modifications	AUTHL AUTHR	CBO	CCO	CFNTO	CFP	CFRMO	CMAT	CND	FB	FD	FPEB	FTK	FTKAV FTKFV	MIP	P	RD	RECTKALL RECTKBK	RECTKL RECTKR	RT	VTK
	•	•	•	•		•			•	•	•	•	•	•			•	•	•	•

Construction Upgrades	APW	PLE	Non Smart Stop Options	NSCFB	NSCH
	•	•			•

KEMPER® ECHO™ SERIES

BASE OVEN CABINET



Model	Opening Width	Maximum Width	Opening Height	Maximum Height*
BO30	24"	28 1/2"	19 1/2"	27 1/2"
BO33	27"	31 1/2"	19 1/2"	27 1/2"

*Top frame cross rail can be removed during field installation if cabinet is properly installed between two adjacent cabinets, increasing the maximum height to 28 1/4".

Model	1	2	3	4	5	6	7
BO30	825	825	825	825	825	825	825
BO33	857	857	857	857	857	857	857

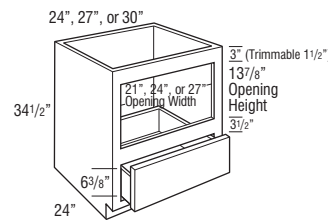
- Oven cabinet has laminated interior.
- May not hold cooktop and slide-in oven combination. Refer to cooktop and slide-in oven manufacturer specifications.
- Oven cabinet includes OCINSTALLKIT.
- OCINSTALLKIT weight limit is 400 lbs. per pair.

Model	8	9	10	11	12	13	14	15	16	17	18	19	20
BO30	825	825	825	825	825	825	825	825	825	825	825	825	825
BO33	857	857	857	857	857	857	857	857	857	857	857	857	857

Custom Modifications	AUTHL AUTHR	CBO	CCO	CFNTO	CFP	CFRMO	CMAT	CND	FB	FD	FPEB	FTK	FTKAV FTKRV	MIP	P	RD	RECTKALL RECTKBK	RECTKL RECTKR	RT	VTK	
	•					•			•		•	•	•				•	•			•

Construction Upgrades	APW	PLE	Non Smart Stop Options	NSCFB	NSCH
	•	•			

BASE BUILT-IN MICROWAVE CABINET with DRAWER



Model	Opening Width	Maximum Width	Opening Height	Maximum Height
BBMWD24	21"	22 1/2"	13 7/8"	16 7/8"
BBMWD27	24"	25 1/2"	13 7/8"	16 7/8"
BBMWD30	27"	28 1/2"	13 7/8"	16 7/8"

Model	853	895	984	1033	1079	1083	1106
BBMWD24	853	895	984	1033	1079	1083	1106
BBMWD27	864	905	993	1043	1089	1092	1115
BBMWD30	873	914	1004	1052	1098	1103	1125

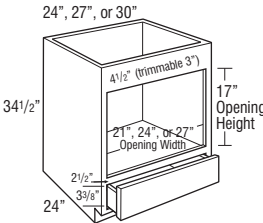
- Standard interior.
- For built-in appliance support, OCINSTALLKIT is included in 24" deep cabinets (see page 230 for details), but will not be included when depth is modified.
- OCINSTALLKIT weight limit is 400 lbs. per pair.
- The usable cabinet face height between top of drawer front and top of cabinet is 19 1/8" for partial overlay and 19 3/4" for full overlay. Be sure to verify overall appliance height, gap requirements, and cut-out dimensions with cabinet specifications.
- RECTKALL not available on BBMWD24.

Model	1171	1226	1273	1324	1399	1423	1477	1507	1547	1660	1660	1710	1785
BBMWD24	1171	1226	1273	1324	1399	1423	1477	1507	1547	1660	1660	1710	1785
BBMWD27	1181	1236	1284	1333	1408	1433	1487	1517	1558	1670	1670	1720	1795
BBMWD30	1190	1246	1293	1343	1418	1442	1497	1527	1567	1679	1679	1731	1806

Custom Modifications	AUTHL AUTHR	CBO	CCO	CFNTO	CFP	CFRMO	CMAT	CND	FB	FD	FPEB	FTK	FTKAV FTKRV	MIP	P	RD	RECTKALL RECTKBK	RECTKL RECTKR	RT	VTK	
	•	•	•			•			•		•	•	•				•	•			•

Construction Upgrades	APW	PLE	Non Smart Stop Options	NSCFB	NSCH
	•	•			

BASE MICROWAVE CABINET with DRAWER



Model	Opening Width	Maximum Width	Opening Height	Maximum Height
BMWD24	21"	22 1/2"	17"	20"
BMWD27	24"	25 1/2"	17"	20"
BMWD30	27"	28 1/2"	17"	20"

Model	749	785	870	915	956	962	983
BMWD24	749	785	870	915	956	962	983
BMWD27	783	824	910	958	1001	1008	1029
BMWD30	814	856	945	993	1040	1044	1066

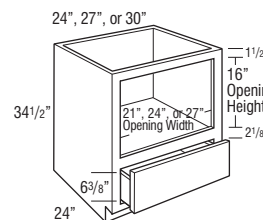
- Reinforced plywood floor.
- The usable cabinet face height between top of drawer front and top of cabinet is 23 1/2" for partial overlay and full overlay. Be sure to verify overall appliance height, gap requirements, and cut-out dimensions with cabinet specifications.
- Matching Interior Plywood (MIP) standard.
- RECTKALL not available on BMWD24.

Model	1042	1092	1134	1180	1251	1271	1325	1352	1389	1490	1490	1535	1601
BMWD24	1042	1092	1134	1180	1251	1271	1325	1352	1389	1490	1490	1535	1601
BMWD27	1091	1144	1189	1236	1309	1332	1385	1414	1454	1559	1559	1605	1675
BMWD30	1131	1187	1234	1285	1360	1384	1438	1468	1508	1620	1620	1670	1743

Custom Modifications	AUTHL AUTHR	CBO	CCO	CFNTO	CFP	CFRMO	CMAT	CND	FB	FD	FPEB	FTK	FTKAV FTKRV	MIP	P	RD	RECTKALL RECTKBK	RECTKL RECTKR	RT	VTK	
	•	•	•	•		•			STD		•	•	•	STD			•	•			•

Construction Upgrades	APW	PLE	Non Smart Stop Options	NSCFB	NSCH
	STD			•	

BASE MICROWAVE CABINET with DEEP DRAWER



Model	Opening Width	Maximum Width	Opening Height	Maximum Height
BMWD24DD	21"	22 1/2"	16"	16"
BMWD27DD	24"	25 1/2"	16"	16"
BMWD30DD	27"	28 1/2"	16"	16"

Model	749	785	870	915	956	962	983
BMWD24DD	749	785	870	915	956	962	983
BMWD27DD	783	824	910	958	1001	1008	1029
BMWD30DD	873	914	1004	1052	1098	1103	1125

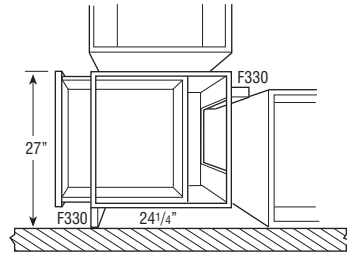
- Reinforced plywood floor.
- The usable cabinet face height between top of drawer front and top of cabinet is 19 1/8" for partial overlay and 18 3/8" for full overlay. Be sure to verify overall appliance height, gap requirements, and cut-out dimensions with cabinet specifications.
- Matching Interior Plywood (MIP) standard.
- RECTKALL not available on BMWD24DD.

Model	1042	1092	1134	1180	1251	1271	1325	1352	1389	1490	1490	1535	1601
BMWD24DD	1042	1092	1134	1180	1251	1271	1325	1352	1389	1490	1490	1535	1601
BMWD27DD	1091	1144	1189	1236	1309	1332	1385	1414	1454	1559	1559	1605	1675
BMWD30DD	1190	1246	1293	1343	1418	1442	1497	1527	1567	1679	1679	1731	1806

Custom Modifications	AUTHL AUTHR	CBO	CCO	CFNTO	CFP	CFRMO	CMAT	CND	FB	FD	FPEB	FTK	FTKAV FTKRV	MIP	P	RD	RECTKALL RECTKBK	RECTKL RECTKR	RT	VTK	
	•	•	•	•		•			STD		•	•	•	STD			•	•			•

Construction Upgrades	APW	PLE	Non Smart Stop Options	NSCFB	NSCH
	STD				

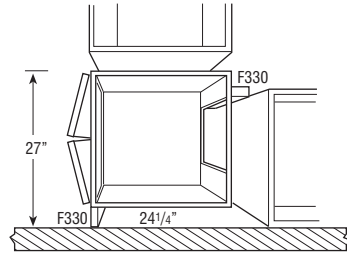
BASE CORNER PENINSULA



Model	1	2	3	4	5	6	7
BCP24	685	720	794	836	874	878	897

- Cabinet width is 24".
- Adjustable full depth shelf.
- Includes two 3" fillers, shipped unattached. Fillers are required for drawer and door opening clearance of adjacent cabinets.
- Unfinished toe kick on front (B24) and back (BCP) of cabinet.
- Will not accept roll trays.
- Peninsula base cabinets are 1/4" deeper to allow back paneling application on adjacent cabinets in a run with standard 24" deep cabinets.
- RECTKALL not available.

BASE CORNER PENINSULA with FULL HEIGHT DOOR



Model	1012	1063	1176	1236	1292	1299	1326
BCP24FH							

- Cabinet width is 24".
- Adjustable full depth shelf.
- Includes two 3" fillers, shipped unattached. Fillers are required for drawer and door opening clearance of adjacent cabinets.
- Unfinished toe kick on front (B24) and back (BCP) of cabinet.
- Will not accept roll trays.
- Peninsula base cabinets are 1/4" deeper to allow back paneling application on adjacent cabinets in a run with standard 24" deep cabinets.
- RECTKALL not available.

Model	8	9	10	11	12	13	14	15	16	17	18	19	20
BCP24	952	997	1038	1078	1142	1163	1209	1223	1268	1293	1361	1399	1471

Custom Modifications	AUTHL AUTHR	CBO	CCO	CFNTO	CFP	CFRMO	CMAT	CND	FB	FD	FPEB	FTK	FTKAV FTKFV	MIP	P	RD	RECTKALL RECTKBK	RECTKL RECTKR	RT	VTK
	•	•	•		•	•		•	•		•	•	•		STD	•	STD	•		•

Construction Upgrades	APW	PLE	Non Smart Stop Options	NSCFB	NSCH
	•	•		•	•

Model	1406	1475	1533	1596	1689	1718	1787	1807	1875	1911	2011	2066	2174
BCP24FH													

Custom Modifications	AUTHL AUTHR	CBO	CCO	CFNTO	CFP	CFRMO	CMAT	CND	FB	FD	FPEB	FTK	FTKAV FTKFV	MIP	P	RD	RECTKALL RECTKBK	RECTKL RECTKR	RT	VTK
	•	•	•		•	•		•	•		•	•	•		STD	•	STD	•		•

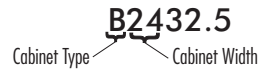
Construction Upgrades	APW	PLE	Non Smart Stop Options	NSCFB	NSCH
	•	•			•

KEMPER®

ECHO™ SERIES

UNIVERSAL ACCESS NOMENCLATURE

All Universal Access Cabinets are 32 1/2" high unless otherwise noted.



TOEKICKS

Base Cabinets are shipped with an unfinished toekick. Finished toekicks in matching wood veneer or laminate must be ordered separately and field installed.

CUSTOM MODIFICATIONS

Mod.	Description	Mod.	Description
CBO	Cabinet Box Only	FB	Finished Ends
CCO	Cabinet Case Only	FD	Full Depth Shelf
CFNTO	Cabinet Front Only	FPEB	Furniture Finished Plywood
CFP	Cabinet False Panel		End Panels
CFRMO	Cabinet Frame Only	MIP	Matching Interior Plywood
CMAT	CabMat™	RD	Reduced Depth
CND	Cabinet with No Door, with Drawer	RT	Installed Roll Tray
		VTK	Void Toekick

CONSTRUCTION UPGRADES

Mod.	Description
APW	All-plywood Construction
PLE	Plywood Ends

NON SMART STOP OPTIONS

Mod.	Description
NSCFB	Non Soft-close Guides & Furniture Board Drawers and Roll Trays
NSCH	Non Soft-close Door Hinges

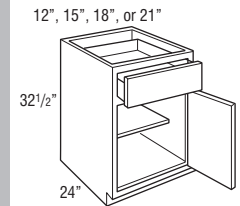
MODIFICATIONS GRID KEY

- Available
- STD Standard on these cabinets
- storage SOLUTIONS Storage Solutions Organization Cabinet
- 5 DAY 5 Day Express Response Item

146

UNIVERSAL ACCESS CABINETS

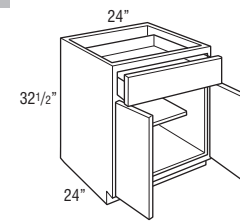
NEW UNIVERSAL ACCESS BASE, SINGLE DOOR



Model	1	2	3	4	5	6	7
B1232.5L or R	452	475	526	553	578	580	592
B1532.5L or R	485	511	564	595	621	624	638
B1832.5L or R	518	545	598	629	660	660	675
B2132.5L or R	553	580	641	675	707	710	725

- Adjustable 15" deep shelf.

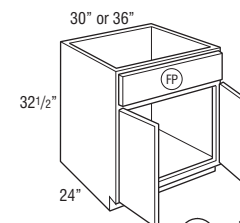
NEW UNIVERSAL ACCESS BASE, DOUBLE DOOR



Model	8	9	10	11	12	13	14	15	16	17	18	19	20
B2432.5	684	718	796	835	873	875	895						

- Adjustable 15" deep shelf.

NEW UNIVERSAL ACCESS SINK BASE

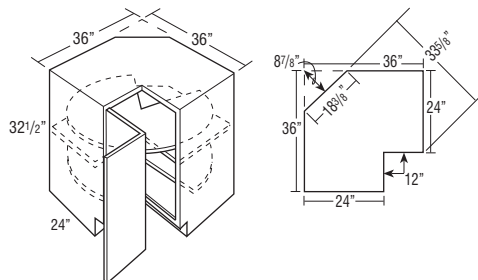


Model	8	9	10	11	12	13	14	15	16	17	18	19	20
SB3032.5	641	672	744	782	818	822	840						
SB3632.5	690	726	802	845	883	889	907						

- Mini Touch-up Kit (MTUK) included. MTUK includes small touch-up marker and small fill stick.

FP = False Panel

NEW UNIVERSAL ACCESS SUPER LAZY SUSAN



Due to fixed shelf mounting, shelves cannot be retrofitted.

Model	1999	2038	2123	2169	2213	2216	2237
SLS3632.5L or R							

- SLS3632.5 L or R wall width is 36" x 36".
- Features two plywood revolving shelves with a 1" plywood lip. Lower shelf is mounted to floor. Upper shelf is mounted to fixed shelf. Fixed shelf is 1/2" thick laminated furniture board.
- Decorative hardware screws must be countersunk to prevent scratching adjacent cabinets and face frame of SLS.
- Integrated soft-close hinge not included.

147

UNIVERSAL ACCESS CABINETS

Model	8	9	10	11	12	13	14	15	16	17	18	19	20
B1232.5L or R	629	666	687	714	757	771	800	810	838	856	899	927	975
B1532.5L or R	676	710	737	768	813	822	860	869	900	919	966	995	1047
B1832.5L or R	719	756	780	812	863	879	915	926	960	979	1029	1056	1113
B2132.5L or R	768	805	836	869	920	936	973	984	1021	1043	1097	1128	1188

Custom Modifications	CBO	CCO	CFNTO	CFP	CFRMO	CMAT	CND	FB	FD	FPEB	MIP	RD	RT	VTK
	•	•	•	•	•		•	•	•	•	•	•	•	•

Construction Upgrades	APW	PLE	Non Smart Stop Options	NSCFB	NSCH
	•	•		•	•

Model	8	9	10	11	12	13	14	15	16	17	18	19	20
B2432.5	950	997	1037	1078	1141	1162	1208	1221	1268	1293	1359	1396	1470

Custom Modifications	CBO	CCO	CFNTO	CFP	CFRMO	CMAT	CND	FB	FD	FPEB	MIP	RD	RT	VTK
	•	•	•	•	•		•	•	•	•	•	•	•	•

Construction Upgrades	APW	PLE	Non Smart Stop Options	NSCFB	NSCH
	•	•		•	•

Model	8	9	10	11	12	13	14	15	16	17	18	19	20
SB3032.5	891	935	971	1010	1070	1088	1133	1145	1189	1209	1274	1311	1380
SB3632.5	961	1009	1047	1088	1153	1173	1222	1236	1283	1306	1377	1412	1487

Custom Modifications	CBO	CCO	CFNTO	CFP	CFRMO	CMAT	CND	FB	FD	FPEB	MIP	RD	RT	VTK
	•	•	•		•	•	•			•	•	•		•

Construction Upgrades	APW	PLE	Non Smart Stop Options	NSCFB	NSCH
	•	•			•

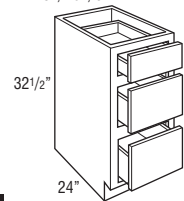
Model	2298	2348	2392	2437	2508	2533	2583	2598	2651	2676	2753	2795	2876
SLS3632.5L or R													

Custom Modifications	CBO	CCO	CFNTO	CFP	CFRMO	CMAT	CND	FB	FD	FPEB	MIP	RD	RT	VTK
	•	•						•		•				•

Construction Upgrades	APW	PLE	Non Smart Stop Options	NSCFB	NSCH
	•	•			•

NEW UNIVERSAL ACCESS THREE DRAWER BASE

15", 18", or 24"



Model	1	2	3	4	5	6	7
3DB1532.5	713	734	781	806	828	830	842
3DB1832.5	766	789	840	866	890	891	903
3DB2432.5	875	902	959	989	1017	1019	1033

- 1 shallow and 2 deep drawers.

Model	8	9	10	11	12	13	14	15	16	17	18	19	20
3DB1532.5	873	898	919	942	975	986	1010	1017	1040	1051	1084	1103	1139
3DB1832.5	937	965	988	1012	1048	1059	1084	1091	1117	1129	1165	1185	1222
3DB2432.5	1072	1103	1128	1156	1196	1210	1239	1247	1275	1290	1332	1354	1396

Custom Modifications	CBO	CCO	CFNTO	CFP	CFRMO	CMAT	CND	FB	FD	FPEB	MIP	RD	RT	VTK
	•	•		•	•			•		•		•		•

Construction Upgrades	APW	PLE	Non Smart Stop Options	NSCFB	NSCH
	•	•		•	

BMWD3032.5DD	1369	1433	1487	1544	1631	1658	1722	1756	1802	1931	1931	1991	2077
--------------	------	------	------	------	------	------	------	------	------	------	------	------	------

Custom Modifications	CBO	CCO	CFNTO	CFP	CFRMO	CMAT	CND	FB	FD	FPEB	MIP	RD	RT	VTK
	•	•			•			STD		•	STD	•		•

Construction Upgrades	APW	PLE	Non Smart Stop Options	NSCFB	NSCH
	STD			•	

VWS2723	668	668	668	668	668	668	668	668	668	668	668	668	668
VWS3023	678	678	678	678	678	678	678	678	678	678	678	678	678
VWS3323	690	690	690	690	690	690	690	690	690	690	690	690	690

Custom Modifications	CBO	CCO	CFNTO	CFP	CFRMO	CMAT	CND	FB	FD	FPEB	MIP	RD	RT	VTK
										STD	STD			

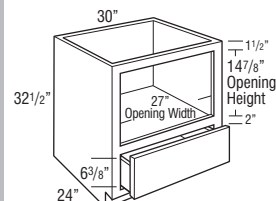
Construction Upgrades	APW	PLE	Non Smart Stop Options	NSCFB	NSCH
	STD				

RVWS3032	896	941	979	1015	1075	1096	1139	1152	1193	1218	1282	1318	1390
RVWS3332	914	958	993	1034	1095	1114	1158	1172	1217	1242	1306	1342	1411
RVWS3632	935	980	1018	1061	1123	1140	1188	1200	1246	1268	1336	1374	1446

Custom Modifications	CBO	CCO	CFNTO	CFP	CFRMO	CMAT	CND	FB	FD	FPEB	MIP	RD	RT	VTK
		•	•		•					STD	•			

Construction Upgrades	APW	PLE	Non Smart Stop Options	NSCFB	NSCH
	STD				•

NEW UNIVERSAL ACCESS BASE MICROWAVE with DEEP DRAWER

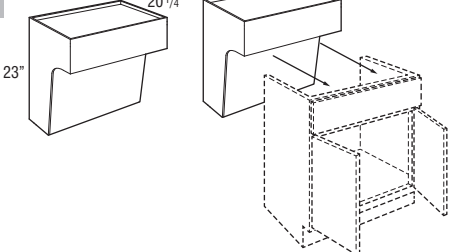


BMWD3032.5DD	1004	1051	1155	1210	1263	1268	1294
--------------	------	------	------	------	------	------	------

- 1 deep drawer below microwave.
- Matching Interior Plywood (MIP) standard.

NEW VANITY WALL SINK

27", 30", or 33"

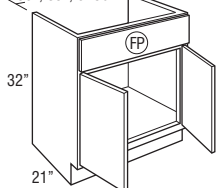


VWS2723	668	668	668	668	668	668	668
VWS3023	678	678	678	678	678	678	678
VWS3323	690	690	690	690	690	690	690

- Matching Interior Plywood (MIP) standard.
- Recommended installation height of 32" high with 9" of clearance below.
- Front panel is attached with clips for easy removal for access to plumbing.
- Finished veneer plywood exterior and interior.
- For proper installation, cabinet must be secured on each side through both the top and bottom of the back panel into wall studs. Installation instructions and required 3 1/2" installation screws included, standard 2 1/2" installation screws are not sufficient in this application.
- Features a full cabinet top that can be routed for sink installation.
- Approximate weight limit is 400 lbs. per cabinet (includes weight of the cabinet, countertop and contents). Proper installation is required and additional bracing may be required.
- Includes connector clips to mount the sink base to the Removable Vanity Sink Base (RVWS..32). RVWS..32 not included, see below.

NEW REMOVABLE VANITY SINK BASE, 21" DEEP

30", 33", or 36"



RVWS3032	645	676	749	789	826	829	846
RVWS3332	657	690	759	801	837	842	861
RVWS3632	673	706	778	821	859	861	880

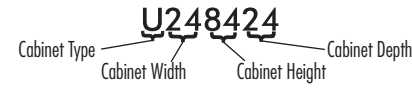
- Must be ordered with Vanity Wall Sink (VWS..23), not designed to be a stand-alone unit.
 - RVWS3032 is compatible with VWS2723
 - RVWS3332 is compatible with VWS3023
 - RVWS3632 is compatible with VWS3323
- Cabinet is able to be removed for handicap accessible use.
- Includes connector clips to mount the sink base to the Vanity Wall Sink (VWS..23).
- Available with AUTHL and AUTHR modifications.

KEMPER®

ECHO™ SERIES

TALL CABINET NOMENCLATURE

Cabinet nomenclature with AH represents upper sections with doors that align with 24" or 27" high cabinets.



CUSTOM MODIFICATIONS

Mod.	Description	Mod.	Description
AUHL	Authentic End - Left	FPEB	Furniture Finished Plywood End Panels
AUHR	Authentic End - Right	FTK	Flush Toekick
CBO	Cabinet Box Only	FTKAV	Flush Toekick Arch
CCO	Cabinet Case Only	FTKRV	Flush Toekick Furniture
CFNT	Cabinet Front Only	MIP	Matching Interior Plywood
CFRMO	Cabinet Frame Only	RD	Reduced Depth
CND	Cabinet with No Door, with Drawer	RECTKL	Recessed Toekick Left
FB	Finished Ends	RECTKR	Recessed Toekick Right
FD	Full Depth Shelf	RT	Installed Roll Tray
		VTK	Void Toekick

CONSTRUCTION UPGRADES

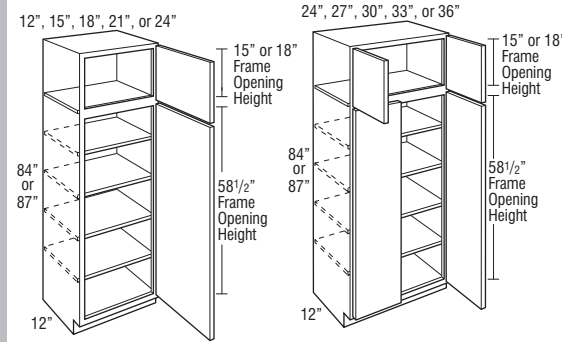
Mod.	Description
APW	All-plywood Construction
PLE	Plywood Ends

NON SMART STOP OPTIONS	
Mod.	Description
NSCFB	Non Soft-close Guides & Furniture Board Drawers and Roll Trays
NSCH	Non Soft-close Door Hinges

MODIFICATIONS GRID KEY

- Available
- STD Standard on these cabinets
- storage Storage Solutions Organization Cabinet SOLUTIONS

UTILITY, 84", 87", 90", 93", or 96" TALL, 12" DEEP



- | | | | |
|----------------|----------------|---------|---------|
| U128412 L or R | U128712 L or R | U248412 | U248712 |
| U158412 L or R | U158712 L or R | U278412 | U278712 |
| U188412 L or R | U188712 L or R | U308412 | U308712 |
| U218412 L or R | U218712 L or R | U338412 | U338712 |
| U248412 L or R | U248712 L or R | U368412 | U368712 |

Model	1	2	3	4	5	6	7
U128412 L or R	837	879	952	994	1036	1045	1062
U158412 L or R	871	913	991	1037	1077	1089	1106
U188412 L or R	877	920	997	1042	1083	1093	1111
U218412 L or R	994	1045	1131	1187	1232	1246	1266
U248412 L or R	1113	1167	1268	1328	1383	1396	1419
U248412	1187	1247	1356	1418	1475	1490	1515
U278412	1226	1286	1398	1462	1522	1536	1562
U308412	1262	1326	1439	1506	1569	1581	1608
U338412	1348	1414	1537	1609	1677	1689	1718
U368412	1433	1503	1635	1712	1783	1796	1827

- Four full depth adjustable shelves are included but shipped separately.
- Utility cabinets with depths of 12" or less must be installed to wall studs or onto the end of another tall cabinet.
- Tall mitered door styles and PureStyle™ door styles will feature one center panel, other styles will feature two center panels.

U128712 L or R	860	903	978	1024	1065	1074	1092
U158712 L or R	896	939	1020	1067	1110	1119	1138
U188712 L or R	989	1039	1127	1179	1228	1237	1259
U218712 L or R	1065	1119	1216	1272	1325	1336	1359
U248712 L or R	1143	1198	1304	1365	1423	1433	1458
U248712	1221	1281	1393	1458	1518	1531	1557
U278712	1259	1323	1438	1503	1567	1579	1606
U308712	1297	1363	1480	1548	1614	1627	1655
U338712	1386	1456	1581	1655	1725	1738	1768
U368712	1474	1547	1682	1760	1835	1850	1882

- Four full depth adjustable shelves are included but shipped separately.
- Utility cabinets with depths of 12" or less must be installed to wall studs or onto the end of another tall cabinet.
- Tall mitered door styles and PureStyle™ door styles will feature one center panel, other styles will feature two center panels.
- FTKAV and FTKRV not available on W128412 L or R and W128712 L or R.

Model	8	9	10	11	12	13	14	15	16	17	18	19	20
U128412 L or R	1113	1159	1200	1247	1313	1339	1383	1397	1451	1469	1547	1579	1662
U158412 L or R	1157	1208	1250	1300	1368	1395	1440	1455	1512	1531	1612	1645	1732
U188412 L or R	1163	1213	1256	1305	1373	1401	1445	1460	1518	1537	1617	1651	1738
U218412 L or R	1325	1383	1432	1489	1567	1597	1649	1666	1730	1754	1847	1884	1983
U248412 L or R	1486	1549	1605	1669	1758	1791	1852	1871	1945	1970	2072	2117	2229
U248412	1586	1656	1716	1783	1878	1913	1978	1999	2076	2104	2213	2264	2382
U278412	1638	1709	1771	1841	1938	1974	2040	2061	2141	2169	2285	2336	2458
U308412	1687	1760	1824	1896	1998	2033	2104	2126	2207	2237	2355	2407	2535
U338412	1802	1881	1950	2027	2134	2172	2247	2271	2360	2391	2519	2574	2709
U368412	1918	2003	2074	2157	2272	2312	2392	2417	2510	2546	2681	2737	2884

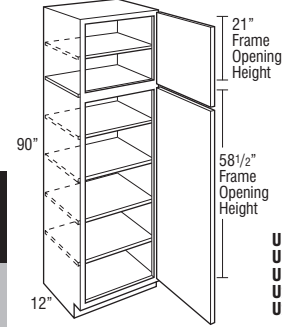
U128712 L or R	1143	1193	1234	1285	1352	1376	1422	1437	1492	1514	1594	1625	1710
U158712 L or R	1191	1244	1286	1338	1408	1433	1481	1497	1556	1576	1658	1694	1782
U188712 L or R	1321	1376	1425	1482	1561	1590	1643	1661	1724	1750	1841	1880	1979
U218712 L or R	1425	1488	1540	1601	1686	1717	1775	1794	1861	1889	1990	2030	2136
U248712 L or R	1529	1595	1653	1719	1811	1843	1907	1927	2000	2028	2133	2180	2295
U248712	1634	1705	1765	1836	1934	1969	2036	2058	2136	2168	2281	2331	2454
U278712	1685	1758	1822	1894	1995	2032	2101	2123	2205	2235	2353	2406	2532
U308712	1736	1813	1878	1954	2057	2094	2166	2189	2273	2305	2425	2480	2611
U338712	1856	1937	2006	2088	2198	2238	2314	2338	2431	2463	2593	2651	2790
U368712	1975	2062	2133	2221	2340	2383	2464	2490	2586	2621	2760	2821	2970

Custom Modifications	AUHL	AUHR	CBO	CCO	CFNT	CFRMO	CND	FB	FD	FPEB	FTK	FTKAV	FTKRV	MIP	RD	RECTKL	RECTKR	RT	VTK
	•	•	•	•	•			•		•	•	•	•	•		•			•

Construction Upgrades	APW	PLE	Non Smart Stop Options		NSCFB	NSCH
	•	•				•

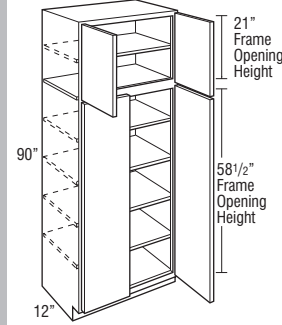
UTILITY, 84", 87", 90", 93", or 96" TALL, 12" DEEP (cont'd)

12", 15", 18", 21", or 24"



U129012AH L or R
U159012AH L or R
U189012AH L or R
U219012AH L or R
U249012AH L or R

24", 27", 30", 33", or 36"



U249012AH
U279012AH
U309012AH
U339012AH
U369012AH

Model	1	2	3	4	5	6	7
U129012AH L or R	866	909	985	1032	1072	1081	1099
U159012AH L or R	902	946	1027	1073	1118	1127	1146
U189012AH L or R	1017	1069	1159	1213	1265	1273	1295
U219012AH L or R	1083	1138	1236	1294	1349	1359	1383
U249012AH L or R	1149	1207	1313	1374	1433	1442	1467
U249012AH	1228	1289	1403	1467	1529	1541	1568
U279012AH	1267	1331	1447	1514	1578	1590	1617
U309012AH	1305	1372	1491	1560	1625	1638	1667
U339012AH	1396	1465	1594	1667	1737	1750	1781
U369012AH	1483	1559	1694	1774	1848	1862	1895

- AH represents upper section alignment with doors on 24" or 27" high cabinets.
- Five full depth adjustable shelves are included but shipped separately.
- Utility cabinets with depths of 12" or less must be installed to wall studs or onto the end of another tall cabinet.
- Tall mitered door styles and PureStyle™ door styles will feature one center panel, other styles will feature two center panels.
- FTKAV and FTKFV not available on U129012AH L or R.

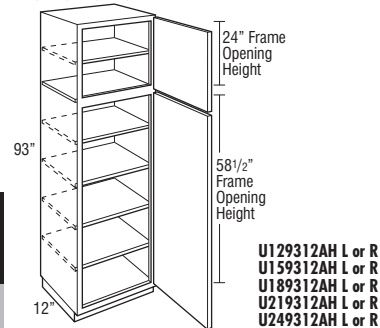
Model	8	9	10	11	12	13	14	15	16	17	18	19	20
U129012AH L or R	1150	1202	1244	1294	1361	1386	1432	1447	1502	1525	1605	1636	1721
U159012AH L or R	1200	1252	1295	1348	1418	1442	1492	1507	1566	1586	1670	1706	1795
U189012AH L or R	1360	1418	1467	1527	1608	1637	1692	1710	1776	1803	1896	1936	2038
U219012AH L or R	1451	1514	1567	1630	1716	1747	1807	1826	1894	1923	2025	2066	2174
U249012AH L or R	1540	1606	1665	1733	1824	1855	1920	1940	2014	2042	2149	2196	2311
U249012AH	1645	1717	1777	1850	1948	1983	2051	2073	2151	2183	2298	2347	2472
U279012AH	1697	1772	1835	1909	2010	2048	2116	2138	2221	2251	2371	2423	2551
U309012AH	1749	1825	1892	1969	2072	2109	2181	2204	2290	2321	2443	2499	2629
U339012AH	1871	1952	2021	2103	2214	2255	2331	2356	2448	2481	2612	2670	2810
U369012AH	1989	2076	2148	2236	2356	2401	2482	2508	2605	2640	2780	2841	2992

Custom Modifications	AUTHL AUTHR	CBO	CCO	CFNTO	CFRMO	CND	FB	FD	FPEB	FTK	FTKAV FTKFV	MIP	RD	RECTKL RECTKR	RT	VTK
	•	•	•	•	•		•		•	•	•	•		•		•

Construction Upgrades	APW	PLE	Non Smart Stop Options	NSCFB	NSCH
	•	•			•

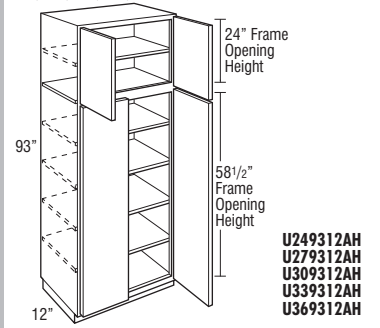
UTILITY, 84", 87", 90", 93", or 96" TALL, 12" DEEP (cont'd)

12", 15", 18", 21", or 24"



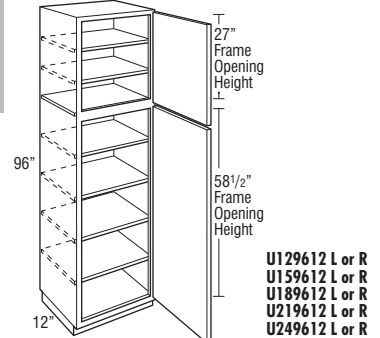
U129312AH L or R
U159312AH L or R
U189312AH L or R
U219312AH L or R
U249312AH L or R

24", 27", 30", 33", or 36"



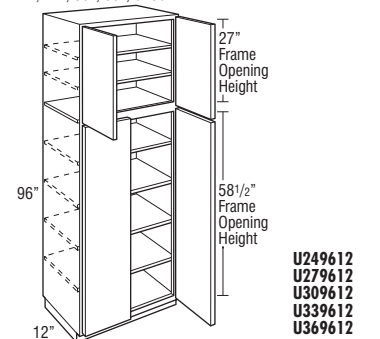
U249312AH
U279312AH
U309312AH
U339312AH
U369312AH

12", 15", 18", 21", or 24"



U129612 L or R
U159612 L or R
U189612 L or R
U219612 L or R
U249612 L or R

24", 27", 30", 33", or 36"



U249612
U279612
U309612
U339612
U369612

Model	1	2	3	4	5	6	7
U129312AH L or R	895	940	1018	1067	1109	1120	1139
U159312AH L or R	932	979	1062	1109	1156	1166	1186
U189312AH L or R	1050	1103	1201	1258	1307	1321	1343
U219312AH L or R	1122	1178	1282	1340	1398	1407	1431
U249312AH L or R	1192	1251	1361	1425	1483	1496	1522
U249312AH	1272	1335	1453	1520	1584	1597	1625
U279312AH	1313	1379	1500	1569	1636	1648	1677
U309312AH	1354	1422	1545	1617	1686	1699	1729
U339312AH	1442	1516	1650	1727	1800	1815	1846
U369312AH	1533	1610	1754	1838	1914	1930	1963

- AH represents upper section alignment with doors on 24" or 27" high cabinets.
- Separate pedestal base included but shipped separately on 93" tall.
- Five full depth adjustable shelves are included but shipped separately.
- Utility cabinets with depths of 12" or less must be installed to wall studs or onto the end of another tall cabinet.
- Tall mitered door styles and PureStyle™ door styles will feature one center panel, other styles will feature two center panels.

U129612 L or R	895	940	1018	1067	1109	1120	1139
U159612 L or R	932	979	1062	1109	1156	1166	1186
U189612 L or R	1050	1103	1201	1258	1307	1321	1343
U219612 L or R	1122	1178	1282	1340	1398	1407	1431
U249612 L or R	1192	1251	1361	1425	1483	1496	1522
U249612	1272	1335	1453	1520	1584	1597	1625
U279612	1313	1379	1500	1569	1636	1648	1677
U309612	1354	1422	1545	1617	1686	1699	1729
U339612	1442	1516	1650	1727	1800	1815	1846
U369612	1533	1610	1754	1838	1914	1930	1963

- Separate pedestal base included but shipped separately on 96" tall.
- Six full depth adjustable shelves are included but shipped separately.
- Utility cabinets with depths of 12" or less must be installed to wall studs or onto the end of another tall cabinet.
- Tall mitered door styles and PureStyle™ door styles will feature one center panel, other styles will feature two center panels.

Model	8	9	10	11	12	13	14	15	16	17	18	19	20
U129312AH L or R	1193	1244	1288	1339	1409	1435	1483	1499	1558	1579	1662	1696	1786
U159312AH L or R	1242	1295	1343	1397	1469	1496	1545	1561	1622	1643	1730	1768	1860
U189312AH L or R	1407	1469	1521	1582	1667	1697	1756	1774	1845	1868	1968	2010	2115
U219312AH L or R	1501	1569	1623	1688	1779	1813	1874	1894	1968	1996	2102	2144	2258
U249312AH L or R	1597	1666	1725	1795	1890	1925	1990	2011	2089	2119	2231	2278	2400
U249312AH	1706	1780	1845	1918	2021	2057	2129	2151	2232	2266	2384	2438	2564
U279312AH	1760	1838	1903	1980	2085	2123	2196	2219	2304	2337	2460	2516	2648
U309312AH	1815	1893	1961	2040	2150	2189	2265	2288	2375	2408	2536	2592	2729
U339312AH	1936	2023	2095	2179	2296	2338	2418	2444	2539	2574	2710	2771	2916
U369312AH	2060	2149	2229	2317	2442	2486	2573	2600	2701	2737	2884	2948	3104

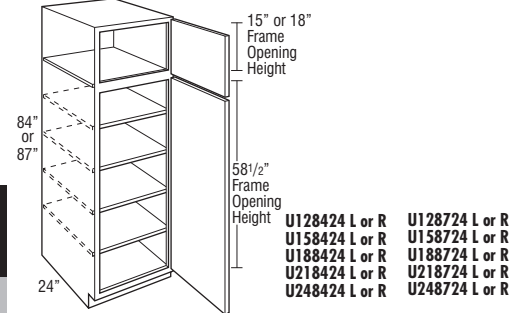
U129612 L or R	1193	1244	1288	1339	1409	1435	1483	1499	1558	1579	1662	1696	1786
U159612 L or R	1242	1295	1343	1397	1469	1496	1545	1561	1622	1643	1730	1768	1860
U189612 L or R	1407	1469	1521	1582	1667	1697	1756	1774	1845	1868	1968	2010	2115
U219612 L or R	1501	1569	1623	1688	1779	1813	1874	1894	1968	1996	2102	2144	2258
U249612 L or R	1597	1666	1725	1795	1890	1925	1990	2011	2089	2119	2231	2278	2400
U249612	1706	1780	1845	1918	2021	2057	2129	2151	2232	2266	2384	2438	2564
U279612	1760	1838	1903	1980	2085	2123	2196	2219	2304	2337	2460	2516	2648
U309612	1815	1893	1961	2040	2150	2189	2265	2288	2375	2408	2536	2592	2729
U339612	1936	2023	2095	2179	2296	2338	2418	2444	2539	2574	2710	2771	2916
U369612	2060	2149	2229	2317	2442	2486	2573	2600	2701	2737	2884	2948	3104

Custom Modifications	AUTHL AUTHR	CBO	CCO	CFNTO	CFRMO	CND	FB	FD	FPEB	FTK	FTKAV FTKEV	MIP	RD	RECTKL RECTKR	RT	VTK
	•	•	•	•	•		•		•			•				

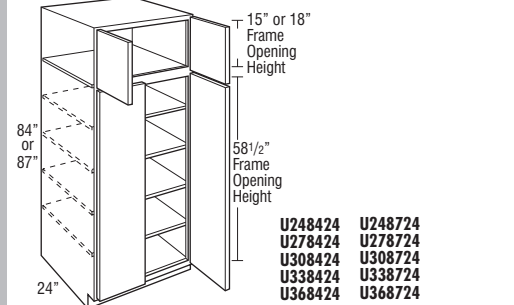
Construction Upgrades	APW	PLE	Non Smart Stop Options	NSCFB	NSCH
	•	•			•

UTILITY, 84", 87", 90", 93", or 96" TALL, 24" DEEP

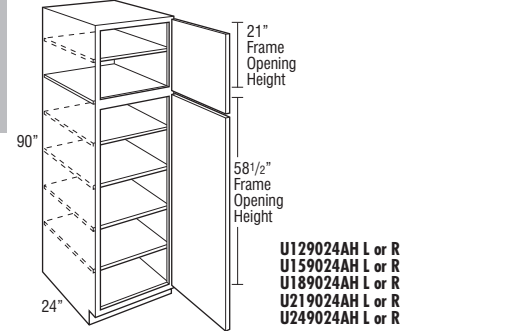
12", 15", 18", 21", or 24"



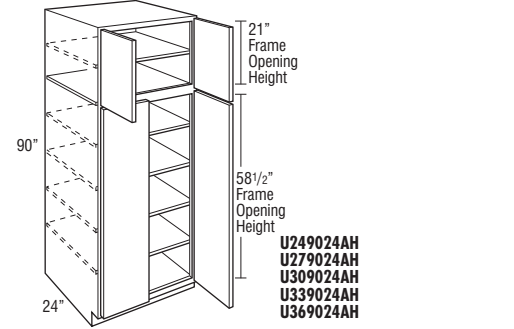
24", 27", 30", 33", or 36"



12", 15", 18", 21", or 24"



24", 27", 30", 33", or 36"



Model	1	2	3	4	5	6	7
U128424 L or R	1043	1095	1178	1226	1272	1287	1305
U158424 L or R	1088	1143	1226	1277	1326	1340	1358
U188424 L or R	1215	1276	1373	1432	1489	1502	1524
U218424 L or R	1289	1355	1461	1520	1582	1597	1620
U248424 L or R	1363	1433	1544	1610	1676	1690	1715
U248424	1451	1522	1643	1715	1782	1800	1827
U278424	1494	1568	1693	1767	1836	1854	1882
U308424	1536	1612	1743	1818	1890	1909	1938
U338424	1636	1717	1855	1935	2014	2033	2064
U368424	1736	1821	1969	2055	2139	2159	2192

- Four full depth adjustable shelves are included but shipped separately.
- Depth can be reduced to a minimum of 15".
- Tall mitered door styles and PureStyle™ door styles will feature one center panel, other styles will feature two center panels.

U128724 L or R	1069	1122	1207	1257	1305	1321	1340
U158724 L or R	1114	1169	1258	1309	1360	1374	1394
U188724 L or R	1248	1309	1410	1473	1530	1546	1568
U218724 L or R	1324	1391	1499	1564	1626	1642	1666
U248724 L or R	1401	1470	1587	1654	1720	1736	1762
U248724	1490	1563	1688	1761	1834	1850	1878
U278724	1534	1610	1738	1815	1889	1907	1936
U308724	1577	1656	1790	1867	1944	1961	1991
U338724	1678	1761	1907	1989	2070	2089	2121
U368724	1780	1868	2022	2109	2196	2215	2250

- Four full depth adjustable shelves are included but shipped separately.
- Depth can be reduced to a minimum of 15".
- Tall mitered door styles and PureStyle™ door styles will feature one center panel, other styles will feature two center panels.

U129024AH L or R	1075	1128	1213	1265	1313	1328	1347
U159024AH L or R	1121	1177	1265	1318	1367	1383	1403
U189024AH L or R	1256	1319	1420	1482	1540	1558	1580
U219024AH L or R	1332	1400	1508	1575	1637	1654	1678
U249024AH L or R	1409	1480	1599	1665	1733	1748	1774
U249024AH	1500	1574	1699	1774	1847	1862	1890
U279024AH	1543	1620	1750	1827	1902	1919	1948
U309024AH	1587	1667	1802	1880	1957	1975	2005
U339024AH	1689	1774	1919	2002	2085	2103	2135
U369024AH	1791	1880	2034	2123	2210	2230	2265

- AH represents upper section alignment with doors on 24" or 27" high cabinets.
- Five full depth adjustable shelves are included but shipped separately.
- Depth can be reduced to a minimum of 15".
- Tall mitered door styles and PureStyle™ door styles will feature one center panel, other styles will feature two center panels.
- FTKAV and FTKFV not available on U128424 L or R, U128724 L or R, and U129024AH L or R.

Model	8	9	10	11	12	13	14	15	16	17	18	19	20
U128424 L or R	1356	1410	1457	1515	1589	1620	1667	1684	1749	1768	1860	1891	1990
U158424 L or R	1410	1468	1518	1579	1656	1687	1736	1753	1822	1842	1937	1971	2074
U188424 L or R	1587	1653	1710	1776	1865	1901	1958	1978	2055	2079	2187	2226	2343
U218424 L or R	1688	1756	1819	1892	1986	2023	2085	2106	2188	2212	2328	2370	2495
U248424 L or R	1789	1862	1926	2004	2105	2143	2210	2232	2319	2344	2469	2514	2648
U248424	1906	1986	2053	2135	2243	2284	2356	2380	2472	2501	2632	2682	2823
U278424	1963	2048	2115	2200	2312	2354	2429	2453	2548	2578	2714	2765	2912
U308424	2022	2107	2177	2266	2381	2424	2501	2526	2624	2655	2794	2850	2999
U338424	2155	2246	2324	2416	2539	2586	2668	2695	2800	2834	2982	3041	3202
U368424	2287	2386	2468	2565	2697	2747	2835	2864	2975	3012	3171	3232	3402

U128724 L or R	1393	1448	1498	1558	1633	1666	1712	1729	1797	1816	1913	1945	2048
U158724 L or R	1451	1509	1560	1621	1701	1735	1785	1803	1874	1893	1992	2027	2132
U188724 L or R	1633	1701	1756	1827	1919	1956	2016	2036	2116	2139	2251	2291	2411
U218724 L or R	1736	1809	1870	1945	2043	2080	2146	2167	2252	2277	2397	2440	2569
U248724 L or R	1838	1915	1981	2061	2165	2204	2274	2297	2385	2412	2541	2586	2723
U248724	1959	2042	2110	2196	2307	2349	2423	2448	2544	2573	2709	2761	2905
U278724	2018	2104	2175	2263	2379	2423	2500	2525	2622	2654	2793	2846	2997
U308724	2076	2167	2241	2330	2449	2493	2573	2599	2700	2734	2875	2933	3087
U338724	2214	2308	2388	2483	2611	2659	2745	2773	2880	2916	3070	3129	3293
U368724	2352	2451	2538	2639	2774	2825	2915	2945	3061	3099	3262	3324	3500

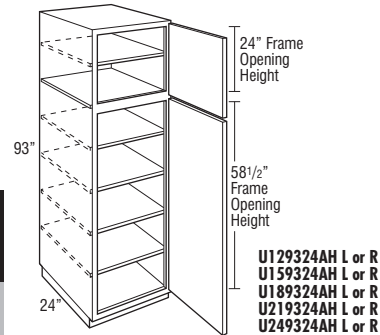
U129024AH L or R	1402	1459	1507	1568	1644	1677	1723	1740	1810	1828	1925	1958	2062
U159024AH L or R	1461	1519	1570	1633	1713	1746	1796	1814	1886	1907	2006	2040	2147
U189024AH L or R	1643	1713	1769	1840	1933	1970	2031	2051	2131	2155	2268	2307	2429
U219024AH L or R	1748	1821	1882	1957	2057	2093	2162	2183	2268	2293	2413	2457	2587
U249024AH L or R	1851	1929	1994	2074	2179	2220	2290	2313	2403	2429	2558	2605	2741
U249024AH	1972	2056	2126	2211	2323	2366	2441	2466	2561	2591	2728	2781	2926
U279024AH	2031	2118	2191	2278	2395	2440	2517	2543	2641	2674	2813	2867	3018
U309024AH	2090	2181	2257	2345	2465	2511	2591	2618	2719	2754	2896	2953	3109
U339024AH	2229	2325	2405	2501	2629	2678	2763	2792	2900	2937	3092	3151	3317
U369024AH	2368	2468	2555	2656	2793	2844	2936	2966	3082	3120	3285	3347	3524

Custom Modifications	AUTHL AUTHR	CBO	CCO	CFNTO	CFRMO	CND	FB	FD	FPEB	FTK	FTKAV FTKFV	MIP	RD	RECTKL RECTKR	RT	VTK
	•	•	•	•	•		•		•	•	•	•	•	•	•	•

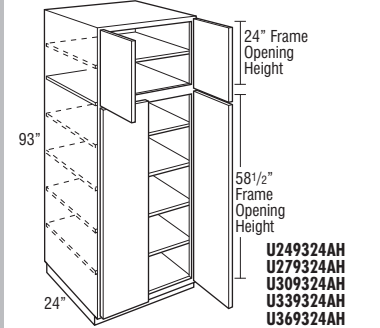
Construction Upgrades	APW	PLE	Non Smart Stop Options	NSCFB	NSCH
	•	•			•

UTILITY, 84", 87", 90", 93", or 96" TALL, 24" DEEP (cont'd)

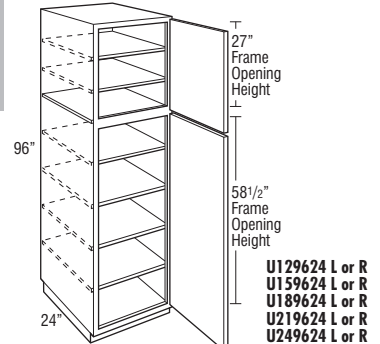
12", 15", 18", 21", or 24"



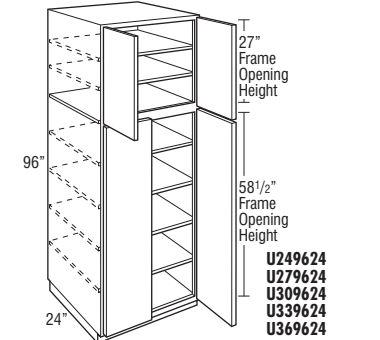
24", 27", 30", 33", or 36"



12", 15", 18", 21", or 24"



24", 27", 30", 33", or 36"



Model	1	2	3	4	5	6	7
U129324AH L or R	1108	1165	1252	1305	1359	1370	1390
U159324AH L or R	1155	1214	1304	1359	1416	1427	1448
U189324AH L or R	1296	1361	1467	1531	1593	1608	1632
U219324AH L or R	1375	1443	1560	1627	1692	1709	1735
U249324AH L or R	1455	1527	1651	1721	1792	1808	1836
U249324AH	1548	1627	1757	1835	1909	1927	1957
U279324AH	1596	1676	1811	1891	1968	1985	2016
U309324AH	1641	1723	1862	1946	2025	2042	2074
U339324AH	1747	1835	1985	2070	2157	2175	2210
U369324AH	1853	1946	2107	2198	2287	2308	2345

- AH represents upper section alignment with doors on 24" or 27" high cabinets.
- Separate pedestal base included but shipped separately on 93" tall.
- Five full depth adjustable shelves are included but shipped separately.
- Depth can be reduced to a minimum of 15".
- Tall mitered door styles and PureStyle™ door styles will feature one center panel, other styles will feature two center panels.

U129624 L or R	1108	1165	1252	1305	1359	1370	1390
U159624 L or R	1155	1214	1304	1359	1416	1427	1448
U189624 L or R	1296	1361	1467	1531	1593	1608	1632
U219624 L or R	1375	1443	1560	1627	1692	1709	1735
U249624 L or R	1455	1527	1651	1721	1792	1808	1836
U249624	1548	1627	1757	1835	1909	1927	1957
U279624	1596	1676	1811	1891	1968	1985	2016
U309624	1641	1723	1862	1946	2025	2042	2074
U339624	1747	1835	1985	2070	2157	2175	2210
U369624	1853	1946	2107	2198	2287	2308	2345

- Separate pedestal base included but shipped separately on 96" tall.
- Six full depth adjustable shelves are included but shipped separately.
- Depth can be reduced to a minimum of 15".
- Tall mitered door styles and PureStyle™ door styles will feature one center panel, other styles will feature two center panels.

Model	8	9	10	11	12	13	14	15	16	17	18	19	20
U129324AH L or R	1447	1507	1558	1620	1700	1735	1784	1802	1874	1893	1991	2030	2136
U159324AH L or R	1508	1570	1622	1687	1770	1806	1857	1876	1951	1972	2076	2112	2225
U189324AH L or R	1700	1773	1833	1908	2003	2037	2102	2123	2205	2231	2347	2391	2518
U219324AH L or R	1810	1886	1950	2028	2131	2169	2239	2261	2347	2375	2501	2546	2681
U249324AH L or R	1917	1998	2065	2147	2257	2300	2372	2396	2489	2518	2651	2701	2843
U249324AH	2042	2130	2201	2291	2407	2452	2529	2555	2654	2686	2827	2884	3037
U279324AH	2106	2194	2269	2361	2481	2526	2607	2634	2736	2771	2916	2972	3130
U309324AH	2167	2259	2337	2430	2554	2601	2684	2712	2817	2855	3005	3064	3225
U339324AH	2310	2408	2491	2590	2724	2776	2864	2894	3005	3045	3206	3267	3440
U369324AH	2453	2558	2644	2752	2894	2948	3044	3075	3191	3234	3404	3471	3656

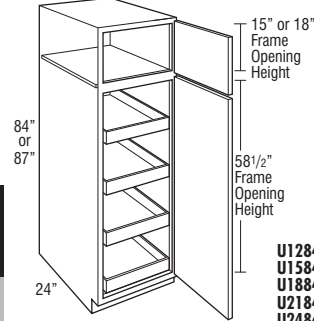
U129624 L or R	1447	1507	1558	1620	1700	1735	1784	1802	1874	1893	1991	2030	2136
U159624 L or R	1508	1570	1622	1687	1770	1806	1857	1876	1951	1972	2076	2112	2225
U189624 L or R	1700	1773	1833	1908	2003	2037	2102	2123	2205	2231	2347	2391	2518
U219624 L or R	1810	1886	1950	2028	2131	2169	2239	2261	2347	2375	2501	2546	2681
U249624 L or R	1917	1998	2065	2147	2257	2300	2372	2396	2489	2518	2651	2701	2843
U249624	2042	2130	2201	2291	2407	2452	2529	2555	2654	2686	2827	2884	3037
U279624	2106	2194	2269	2361	2481	2526	2607	2634	2736	2771	2916	2972	3130
U309624	2167	2259	2337	2430	2554	2601	2684	2712	2817	2855	3005	3064	3225
U339624	2310	2408	2491	2590	2724	2776	2864	2894	3005	3045	3206	3267	3440
U369624	2453	2558	2644	2752	2894	2948	3044	3075	3191	3234	3404	3471	3656

Custom Modifications	AUTHL AUTHR	CBO	CCO	CFNTO	CFRMO	CND	FB	FD	FPEB	FTK	FTKAV FTKEV	MIP	RD	RECTKL RECTKR	RT	VTK
	•	•	•	•	•		•		•			•	•		•	

Construction Upgrades	APW	PLE	Non Smart Stop Options	NSCFB	NSCH
	•	•			•

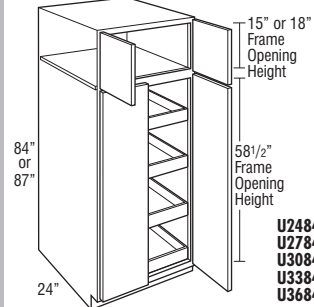
UTILITY with ROLL TRAYS, 84", 87", 90", 93", or 96" TALL, 24" DEEP

12", 15", 18", 21", or 24"



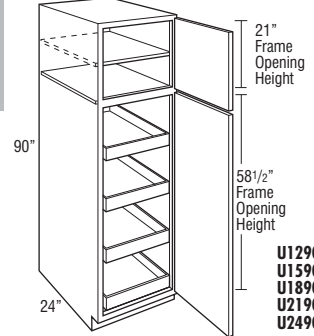
U128424RT L or R U128724RT L or R
U158424RT L or R U158724RT L or R
U188424RT L or R U188724RT L or R
U218424RT L or R U218724RT L or R
U248424RT L or R U248724RT L or R

24", 27", 30", 33", or 36"



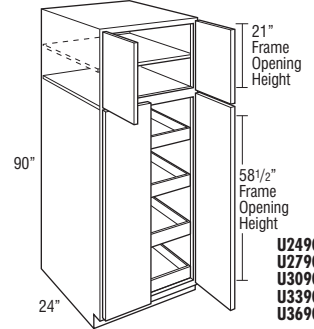
U248424RT U248724RT
U278424RT U278724RT
U308424RT U308724RT
U338424RT U338724RT
U368424RT U368724RT

12", 15", 18", 21", or 24"



U129024RTAH L or R
U159024RTAH L or R
U189024RTAH L or R
U219024RTAH L or R
U249024RTAH L or R

24", 27", 30", 33", or 36"



U249024RTAH
U279024RTAH
U309024RTAH
U339024RTAH
U369024RTAH

Model	1	2	3	4	5	6	7
U128424RT L or R	1553	1605	1688	1736	1782	1797	1815
U158424RT L or R	1598	1653	1736	1787	1836	1850	1868
U188424RT L or R	1725	1786	1883	1942	1999	2012	2034
U218424RT L or R	1799	1865	1971	2030	2092	2107	2130
U248424RT L or R	1873	1943	2054	2120	2186	2200	2225
U248424RT	1961	2032	2153	2225	2292	2310	2337
U278424RT	2004	2078	2203	2277	2346	2364	2392
U308424RT	2046	2122	2253	2328	2400	2419	2448
U338424RT	2146	2227	2365	2445	2524	2543	2574
U368424RT	2246	2331	2479	2565	2649	2669	2702

- Four roll trays are included; installed in cabinet.
- Depth can be reduced to a minimum of 18".
- Tall mitered door styles and PureStyle™ door styles will feature one center panel, other styles will feature two center panels.

U128724RT L or R	1579	1632	1717	1767	1815	1831	1850
U158724RT L or R	1624	1679	1768	1819	1870	1884	1904
U188724RT L or R	1758	1819	1920	1983	2040	2056	2078
U218724RT L or R	1834	1901	2009	2074	2136	2152	2176
U248724RT L or R	1911	1980	2097	2164	2230	2246	2272
U248724RT	2000	2073	2198	2271	2344	2360	2388
U278724RT	2044	2120	2248	2325	2399	2417	2446
U308724RT	2087	2166	2300	2377	2454	2471	2501
U338724RT	2188	2271	2417	2499	2580	2599	2631
U368724RT	2290	2378	2532	2619	2706	2725	2760

- Four roll trays are included; installed in cabinet.
- Depth can be reduced to a minimum of 18".
- Tall mitered door styles and PureStyle™ door styles will feature one center panel, other styles will feature two center panels.

U129024RTAH L or R	1585	1638	1723	1775	1823	1838	1857
U159024RTAH L or R	1631	1687	1775	1828	1877	1893	1913
U189024RTAH L or R	1766	1829	1930	1992	2050	2068	2090
U219024RTAH L or R	1842	1910	2018	2085	2147	2164	2188
U249024RTAH L or R	1919	1990	2109	2175	2243	2258	2284
U249024RTAH	2010	2084	2209	2284	2357	2372	2400
U279024RTAH	2053	2130	2260	2337	2412	2429	2458
U309024RTAH	2097	2177	2312	2390	2467	2485	2515
U339024RTAH	2199	2284	2429	2512	2595	2613	2645
U369024RTAH	2301	2390	2544	2633	2720	2740	2775

- AH represents upper section alignment with doors on 24" or 27" high cabinets.
- Four roll trays are included; installed in cabinet.
- Depth can be reduced to a minimum of 18".
- Tall mitered door styles and PureStyle™ door styles will feature one center panel, other styles will feature two center panels.
- FTKAV and FTKFV not available on U128424RT L or R, U128724RT L or R, and U129024RTAH L or R.

Model	8	9	10	11	12	13	14	15	16	17	18	19	20
U128424RT L or R	1866	1920	1967	2025	2099	2130	2177	2194	2259	2278	2370	2401	2500
U158424RT L or R	1920	1978	2028	2089	2166	2197	2246	2263	2332	2352	2447	2481	2584
U188424RT L or R	2097	2163	2220	2286	2375	2411	2468	2488	2565	2589	2697	2736	2853
U218424RT L or R	2198	2266	2329	2402	2496	2533	2595	2616	2698	2722	2838	2880	3005
U248424RT L or R	2299	2372	2436	2514	2615	2653	2720	2742	2829	2854	2979	3024	3158
U248424RT	2416	2496	2563	2645	2753	2794	2866	2890	2982	3011	3142	3192	3333
U278424RT	2473	2558	2625	2710	2822	2864	2939	2963	3058	3088	3224	3275	3422
U308424RT	2532	2617	2687	2776	2891	2934	3011	3036	3134	3165	3304	3360	3509
U338424RT	2665	2756	2834	2926	3049	3096	3178	3205	3310	3344	3492	3551	3712
U368424RT	2797	2896	2978	3075	3207	3257	3345	3374	3485	3522	3681	3742	3912

U128724RT L or R	1903	1958	2008	2068	2143	2176	2222	2239	2307	2326	2423	2455	2558
U158724RT L or R	1961	2019	2070	2131	2211	2245	2295	2313	2384	2403	2502	2537	2642
U188724RT L or R	2143	2211	2266	2337	2429	2466	2526	2546	2626	2649	2761	2801	2921
U218724RT L or R	2246	2319	2380	2455	2553	2590	2656	2677	2762	2787	2907	2950	3079
U248724RT L or R	2348	2425	2491	2571	2675	2714	2784	2807	2895	2922	3051	3096	3233
U248724RT	2469	2552	2620	2706	2817	2859	2933	2958	3054	3083	3219	3271	3415
U278724RT	2528	2614	2685	2773	2889	2933	3010	3035	3132	3164	3303	3356	3507
U308724RT	2586	2677	2751	2840	2959	3003	3083	3109	3210	3244	3385	3443	3597
U338724RT	2724	2818	2898	2993	3121	3169	3255	3283	3390	3426	3580	3639	3803
U368724RT	2862	2961	3048	3149	3284	3335	3425	3455	3571	3609	3772	3834	4010

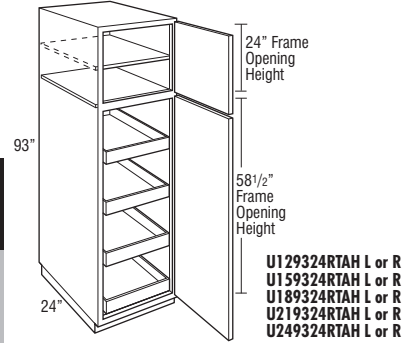
U129024RTAH L or R	1912	1969	2017	2078	2154	2187	2233	2250	2320	2338	2435	2468	2572
U159024RTAH L or R	1971	2029	2080	2143	2223	2256	2306	2324	2396	2417	2516	2550	2657
U189024RTAH L or R	2153	2223	2279	2350	2443	2480	2541	2561	2641	2665	2778	2817	2939
U219024RTAH L or R	2258	2331	2392	2467	2567	2603	2672	2693	2778	2803	2923	2967	3097
U249024RTAH L or R	2361	2439	2504	2584	2689	2730	2800	2823	2913	2939	3068	3115	3251
U249024RTAH	2482	2566	2636	2721	2833	2876	2951	2976	3071	3101	3238	3291	3436
U279024RTAH	2541	2628	2701	2788	2905	2950	3027	3053	3151	3184	3323	3377	3528
U309024RTAH	2600	2691	2767	2855	2975	3021	3101	3128	3229	3264	3406	3463	3619
U339024RTAH	2739	2835	2915	3011	3139	3188	3273	3302	3410	3447	3602	3661	3827
U369024RTAH	2878	2978	3065	3166	3303	3354	3446	3476	3592	3630	3795	3857	4034

Custom Modifications	AUTHL AUTHR	CBO	CCO	CFNTO	CFRMO	CND	FB	FD	FPEB	FTK	FTKAV FTKFV	MIP	RD	RECTKL RECTKR	RT	VTK
	•	•	•	•	•		•		•	•	•	•	•	•		•

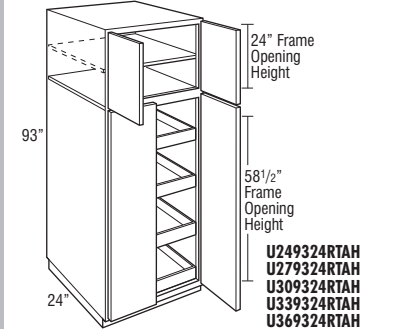
Construction Upgrades	APW	PLE	Non Smart Stop Options	NSCFB	NSCH
	•	•		•	•

UTILITY with ROLL TRAYS, 84", 87", 90", 93", or 96" TALL, 24" DEEP (cont'd)

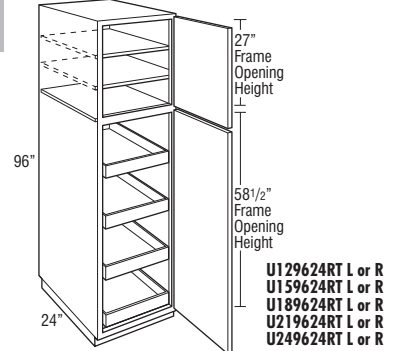
12", 15", 18", 21", or 24"



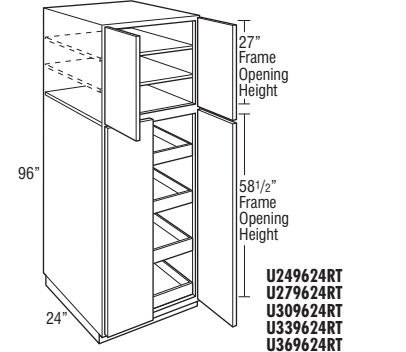
24", 27", 30", 33", or 36"



12", 15", 18", 21", or 24"



24", 27", 30", 33", or 36"



Model	1	2	3	4	5	6	7
U129324RTAH L or R	1618	1675	1762	1815	1869	1880	1900
U159324RTAH L or R	1665	1724	1814	1869	1926	1937	1958
U189324RTAH L or R	1806	1871	1977	2041	2103	2118	2142
U219324RTAH L or R	1885	1953	2070	2137	2202	2219	2245
U249324RTAH L or R	1965	2037	2161	2231	2302	2318	2346
U249324RTAH	2058	2137	2267	2345	2419	2437	2467
U279324RTAH	2106	2186	2321	2401	2478	2495	2526
U309324RTAH	2151	2233	2372	2456	2535	2552	2584
U339324RTAH	2257	2345	2495	2580	2667	2685	2720
U369324RTAH	2363	2456	2617	2708	2797	2818	2855

- AH represents upper section alignment with doors on 24" or 27" high cabinets.
- Separate pedestal base included but shipped separately on 93" tall.
- Four roll trays are included; installed in cabinet.
- Depth can be reduced to a minimum of 18".
- Tall mitered door styles and PureStyle™ door styles will feature one center panel, other styles will feature two center panels.

Model	1	2	3	4	5	6	7
U129624RT L or R	1618	1675	1762	1815	1869	1880	1900
U159624RT L or R	1665	1724	1814	1869	1926	1937	1958
U189624RT L or R	1806	1871	1977	2041	2103	2118	2142
U219624RT L or R	1885	1953	2070	2137	2202	2219	2245
U249624RT L or R	1965	2037	2161	2231	2302	2318	2346
U249624RT	2058	2137	2267	2345	2419	2437	2467
U279624RT	2106	2186	2321	2401	2478	2495	2526
U309624RT	2151	2233	2372	2456	2535	2552	2584
U339624RT	2257	2345	2495	2580	2667	2685	2720
U369624RT	2363	2456	2617	2708	2797	2818	2855

- Separate pedestal base included but shipped separately on 96" tall.
- Four roll trays are included; installed in cabinet.
- Depth can be reduced to a minimum of 18".
- Tall mitered door styles and PureStyle™ door styles will feature one center panel, other styles will feature two center panels.

Model	8	9	10	11	12	13	14	15	16	17	18	19	20
U129324RTAH L or R	1957	2017	2068	2130	2210	2245	2294	2312	2384	2403	2501	2540	2646
U159324RTAH L or R	2018	2080	2132	2197	2280	2316	2367	2386	2461	2482	2586	2622	2735
U189324RTAH L or R	2210	2283	2343	2418	2513	2547	2612	2633	2715	2741	2857	2901	3028
U219324RTAH L or R	2320	2396	2460	2538	2641	2679	2749	2771	2857	2885	3011	3056	3191
U249324RTAH L or R	2427	2508	2575	2657	2767	2810	2882	2906	2999	3028	3161	3211	3353
U249324RTAH	2552	2640	2711	2801	2917	2962	3039	3065	3164	3196	3337	3394	3547
U279324RTAH	2616	2704	2779	2871	2991	3036	3117	3144	3246	3281	3426	3482	3640
U309324RTAH	2677	2769	2847	2940	3064	3111	3194	3222	3327	3365	3515	3574	3735
U339324RTAH	2820	2918	3001	3100	3234	3286	3374	3404	3515	3555	3716	3777	3950
U369324RTAH	2963	3068	3154	3262	3404	3458	3554	3585	3701	3744	3914	3981	4166

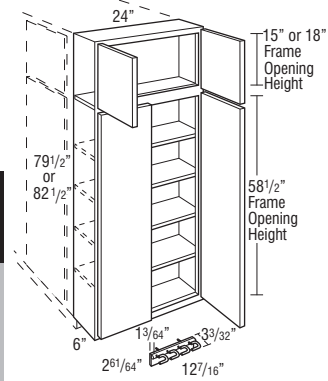
U129624RT L or R	1957	2017	2068	2130	2210	2245	2294	2312	2384	2403	2501	2540	2646
U159624RT L or R	2018	2080	2132	2197	2280	2316	2367	2386	2461	2482	2586	2622	2735
U189624RT L or R	2210	2283	2343	2418	2513	2547	2612	2633	2715	2741	2857	2901	3028
U219624RT L or R	2320	2396	2460	2538	2641	2679	2749	2771	2857	2885	3011	3056	3191
U249624RT L or R	2427	2508	2575	2657	2767	2810	2882	2906	2999	3028	3161	3211	3353
U249624RT	2552	2640	2711	2801	2917	2962	3039	3065	3164	3196	3337	3394	3547
U279624RT	2616	2704	2779	2871	2991	3036	3117	3144	3246	3281	3426	3482	3640
U309624RT	2677	2769	2847	2940	3064	3111	3194	3222	3327	3365	3515	3574	3735
U339624RT	2820	2918	3001	3100	3234	3286	3374	3404	3515	3555	3716	3777	3950
U369624RT	2963	3068	3154	3262	3404	3458	3554	3585	3701	3744	3914	3981	4166

Custom Modifications	AUTHL AUTHR	CBO	CCO	CFNTO	CFRMO	CND	FB	FD	FPEB	FTK	FTKAV FTKEV	MIP	RD	RECTKL RECTKR	RT	VTK
	•	•	•	•	•		•		•			•	•			

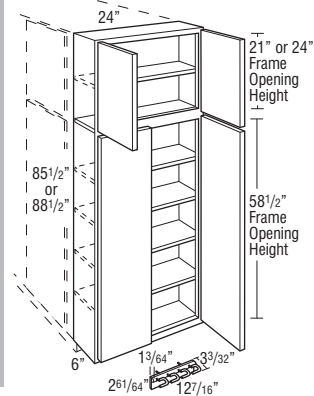
Construction Upgrades	APW	PLE	Non Smart Stop Options	NSCFB	NSCH
	•	•		•	•

UTILITY ORGANIZER CABINET, 84", 87", 90", 93", or 96" TALL, 6" DEEP, 24" WIDE

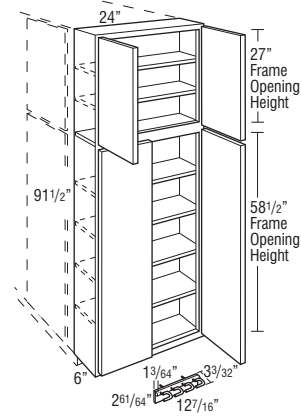
storage SOLUTIONS



UOC24846
UOC24876



UOC24906AH
UOC24936AH



UOC24966

Model	1	2	3	4	5	6	7
UOC24846	1187	1247	1356	1418	1475	1490	1515
UOC24876	1221	1281	1393	1458	1518	1531	1557

- Includes four adjustable shelves shipped separate (not installed).
- 3/4" thick veneered plywood flush ends.
- Designed to be installed onto an adjacent 24" deep Tall cabinet or 24" wide Tall End Panel.
- For proper installation, adjacent cabinet must have FPEB or 1/4" skin applied.
- 6" overlay fillers can be used on the side to add a decorative touch.
- Utility cabinets with depths of 12" or less must be installed to wall studs or onto the end of another tall cabinet.
- Does not include toeboard or pedestal.
- Tall mitered door styles and PureStyle™ door styles will feature one center panel, other styles will feature two center panels.

UOC24906AH	1228	1289	1403	1467	1529	1541	1568
UOC24936AH	1272	1335	1453	1520	1584	1597	1625

- AH represents upper section alignment with doors on 24" or 27" high cabinets.
- Includes five adjustable shelves shipped separate (not installed).
- 3/4" thick veneered plywood flush ends.
- Designed to be installed onto an adjacent 24" deep Tall cabinet or 24" wide Tall End Panel.
- For proper installation, adjacent cabinet must have FPEB or 1/4" skin applied.
- 6" overlay fillers can be used on the side to add a decorative touch.
- Utility cabinets with depths of 12" or less must be installed to wall studs or onto the end of another tall cabinet.
- Does not include toeboard or pedestal.
- Tall mitered door styles and PureStyle™ door styles will feature one center panel, other styles will feature two center panels.

UOC24966	1272	1335	1453	1520	1584	1597	1625
-----------------	------	------	------	------	------	------	------

- Includes six adjustable shelves shipped separate (not installed).
- 3/4" thick veneered plywood flush ends.
- Designed to be installed onto an adjacent 24" deep Tall cabinet or 24" wide Tall End Panel.
- For proper installation, adjacent cabinet must have FPEB or 1/4" skin applied.
- 6" overlay fillers can be used on the side to add a decorative touch.
- Utility cabinets with depths of 12" or less must be installed to wall studs or onto the end of another tall cabinet.
- Does not include toeboard or pedestal.
- Tall mitered door styles and PureStyle™ door styles will feature one center panel, other styles will feature two center panels.

Model	8	9	10	11	12	13	14	15	16	17	18	19	20
UOC24846	1586	1656	1716	1783	1878	1913	1978	1999	2076	2104	2213	2264	2382
UOC24876	1634	1705	1765	1836	1934	1969	2036	2058	2136	2168	2281	2331	2454

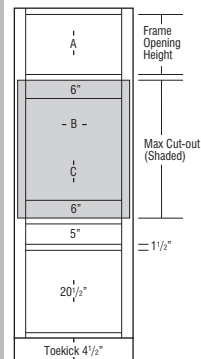
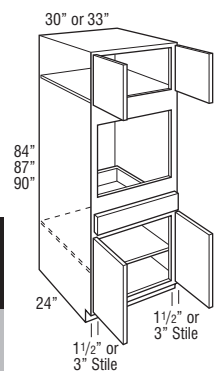
UOC24906AH	1645	1717	1777	1850	1948	1983	2051	2073	2151	2183	2298	2347	2472
UOC24936AH	1706	1780	1845	1918	2021	2057	2129	2151	2232	2266	2384	2438	2564

UOC24966	1706	1780	1845	1918	2021	2057	2129	2151	2232	2266	2384	2438	2564
-----------------	------	------	------	------	------	------	------	------	------	------	------	------	------

Custom Modifications	AUTHL AUTHR	CBO	CCO	CFNTO	CFRMO	CND	FB	FD	FPEB	FTK	FTKAV FTKFV	MIP	RD	RECTKL RECTKR	RT	VTK
		•	•	•	•				STD			•				

Construction Upgrades	APW	PLE	Non Smart Stop Options	NSCFB	NSCH
	•				•

NEW SINGLE OVEN CABINET, 84", 87", or 90" TALL, 24" DEEP



Model	1	2	3	4	5	6	7
OSB308424	1318	1384	1528	1609	1683	1691	1727
OSB338424	1408	1478	1637	1723	1802	1806	1846
OSB308724	1410	1480	1637	1722	1801	1806	1846
OSB338724	1503	1580	1742	1835	1921	1925	1968
OSB309024	1432	1503	1663	1750	1829	1836	1877
OSB339024	1527	1605	1770	1862	1951	1955	1999

- Uses face mount hinges, doors and drawer fronts have a consistent width reveal for full overlay (1/4") and partial overlay (1").
- Oven cavity is standard interior.
- Base section will utilize a full depth shelf.
- Upper section on 90" tall has one full depth adjustable shelf.
- All top and bottom cross rails are 1 1/2" wide.
- All cabinets have 3" stiles on frame.
- Be sure to confirm a heat shield is built into your appliance by the manufacturer or install the heat shield included with your appliance. Heat shields are sold separately as an accessory.
- Depth can be reduced to a minimum of 18".
- Shelf support for oven not included; for built-in appliance support brackets, use OCINSTALLKIT (included in 24" deep cabinets). OCINSTALLKIT weight limit is 400 lbs. per pair.
- Oven cabinets feature an open back in cut-out area designed to improve field appliance installation.

	A Frame Opening Height	B Cut-out Width		C Cut-out Height		Door Height (Upper Section)	
		Min.	Max.	Min.	Max.	Partial Overlay	Full Overlay
OSB308424	15"	24"	28 1/2"	22 1/2"	31 1/2"	16"	17 1/2"
OSB338424	15"	27"	31 1/2"	22 1/2"	31 1/2"	16"	17 1/2"
OSB308724	18"	24"	28 1/2"	22 1/2"	31 1/2"	19"	20 1/2"
OSB338724	18"	27"	31 1/2"	22 1/2"	31 1/2"	19"	20 1/2"
OSB309024	21"	24"	28 1/2"	22 1/2"	31 1/2"	22"	23 1/2"
OSB339024	21"	27"	31 1/2"	22 1/2"	31 1/2"	22"	23 1/2"

Maximum cut-out dimension will allow 1/4" reveal for doors and drawer fronts on full overlay and 1" for partial overlay for trim kit face clearance.

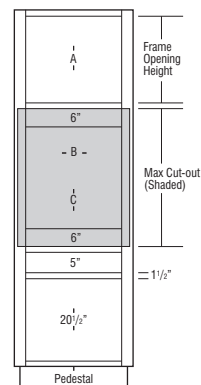
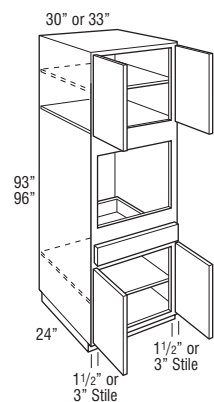
OSB309324	1547	1624	1795	1889	1975	1982	2025
OSB339324	1643	1726	1909	2008	2101	2109	2155
OSB309624	1547	1624	1795	1889	1975	1982	2025
OSB339624	1643	1726	1909	2008	2101	2109	2155

- Uses face mount hinges, doors and drawer fronts have a consistent width reveal for full overlay (1/4") and partial overlay (1").
- Oven cavity is standard interior.
- Base section will utilize a full depth shelf.
- Includes adjustable shelves in upper section:
 - 93" tall - one shelf
 - 96" tall - two shelves
- Separate pedestal base included but shipped separately on 93" and 96" tall.
- All top and bottom cross rails are 1 1/2" wide.
- All cabinets have 3" stiles on frame.
- Be sure to confirm a heat shield is built into your appliance by the manufacturer or install the heat shield included with your appliance. Heat shields are sold separately as an accessory.
- Depth can be reduced to a minimum of 18".
- Shelf support for oven not included; for built-in appliance support brackets, use OCINSTALLKIT (included in 24" deep cabinets). OCINSTALLKIT weight limit is 400 lbs. per pair.
- Oven cabinets feature an open back in cut-out area designed to improve field appliance installation.

	A Frame Opening Height	B Cut-out Width		C Cut-out Height		Door Height (Upper Section)	
		Min.	Max.	Min.	Max.	Partial Overlay	Full Overlay
OSB309324	24"	24"	28 1/2"	22 1/2"	31 1/2"	25"	26 1/2"
OSB339324	24"	27"	31 1/2"	22 1/2"	31 1/2"	25"	26 1/2"
OSB309624	27"	24"	28 1/2"	22 1/2"	31 1/2"	28"	29 1/2"
OSB339624	27"	27"	31 1/2"	22 1/2"	31 1/2"	28"	29 1/2"

Maximum cut-out dimension will allow 1/4" reveal for doors and drawer fronts on full overlay and 1" for partial overlay for trim kit face clearance.

NEW SINGLE OVEN CABINET, 93" or 96" TALL, 24" DEEP



Model	8	9	10	11	12	13	14	15	16	17	18	19	20
OSB308424	1834	1922	1998	2077	2200	2237	2329	2355	2443	2490	2620	2694	2836
OSB338424	1961	2057	2137	2223	2355	2393	2493	2521	2615	2665	2805	2882	3034
OSB308724	1961	2058	2138	2222	2353	2395	2490	2519	2613	2662	2803	2881	3032
OSB338724	2092	2192	2278	2371	2510	2554	2657	2686	2787	2839	2989	3075	3235
OSB309024	1994	2091	2173	2258	2391	2433	2530	2559	2655	2705	2848	2928	3079
OSB339024	2125	2228	2314	2407	2549	2596	2697	2728	2830	2883	3035	3121	3287

Custom Modifications	AUTHL AUTHR	CBO	CCO	CFNT0	CFRMO	CND	FB	FD	FPEB	FTK	FTKAV FTKRV	MIP	RD	RECTKL RECTKR	RT	VTK
	•	•	•	•	•	•	•	•	•	•	•	•	•	•	•	•

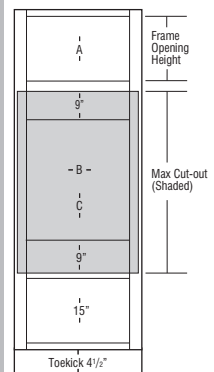
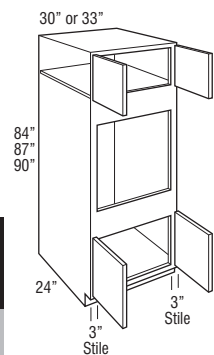
Construction Upgrades	APW	PLE	Non Smart Stop Options	NSCFB	NSCH
	•	•		•	•

OSB309324	2151	2256	2344	2437	2581	2627	2732	2763	2868	2923	3076	3163	3330
OSB339324	2289	2397	2492	2591	2743	2791	2904	2937	3046	3104	3269	3357	3535
OSB309624	2151	2256	2344	2437	2581	2627	2732	2763	2868	2923	3076	3163	3330
OSB339624	2289	2397	2492	2591	2743	2791	2904	2937	3046	3104	3269	3357	3535

Custom Modifications	AUTHL AUTHR	CBO	CCO	CFNT0	CFRMO	CND	FB	FD	FPEB	FTK	FTKAV FTKRV	MIP	RD	RECTKL RECTKR	RT	VTK
	•	•	•	•	•	•	•	•	•	•	•	•	•	•	•	•

Construction Upgrades	APW	PLE	Non Smart Stop Options	NSCFB	NSCH
	•	•		•	•

OVEN MICROWAVE COMBO CABINET, 84", 87", or 90" TALL, 24" DEEP



Model	1	2	3	4	5	6	7
OCS308424	1220	1282	1417	1491	1559	1566	1600
OCS338424	1361	1429	1580	1662	1739	1745	1783
OCS308724	1332	1400	1547	1628	1703	1709	1746
OCS338724	1487	1561	1725	1814	1897	1905	1947
OCS309024AH	1361	1429	1580	1662	1739	1745	1783
OCS339024AH	1518	1595	1761	1852	1937	1945	1987

- AH represents upper section alignment with doors on 24" or 27" high cabinets.
- Upper section on 90" tall has one full depth adjustable shelf.
- Oven cavity is standard interior.
- Full overlay styles feature concealed face mount hinges.
- All top and bottom cross rails are 1 1/2" wide.
- All cabinets have 3" stiles on frame.
- Be sure to confirm a heat shield is built into your appliance by the manufacturer or install the heat shield included with your appliance.
- Support shelf for oven not included; for built-in appliance support brackets, use OCINSTALLKIT (included in 24" deep cabinets).
- OCINSTALLKIT weight limit is 400 lbs. per pair.
- Depth can be reduced to a minimum of 18".
- Oven cabinets feature an open back in cut-out area designed to improve field appliance installation.
- CBO not available on 84" and 87" tall.

	A Frame Opening Height	B Cut-out Width		C Cut-out Height		Door Height (Upper Section)	
		Min.	Max.	Min.	Max.	Partial Overlay	Full Overlay
OCS308424	15"	24"	28 1/2"	28 1/2"	43 1/2"	16"	17 1/2"
OCS338424	15"	27"	31 1/2"	28 1/2"	43 1/2"	16"	17 1/2"
OCS308724	18"	24"	28 1/2"	28 1/2"	43 1/2"	19"	20 1/2"
OCS338724	18"	27"	31 1/2"	28 1/2"	43 1/2"	19"	20 1/2"
OCS309024AH	21"	24"	28 1/2"	28 1/2"	43 1/2"	22"	23 1/2"
OCS339024AH	21"	27"	31 1/2"	28 1/2"	43 1/2"	22"	23 1/2"

Maximum cut-out dimension will allow 1/4" reveal for doors and drawer fronts on full overlay and 1" for partial overlay for trim kit face clearance.

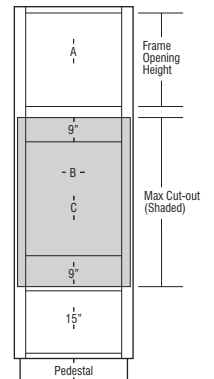
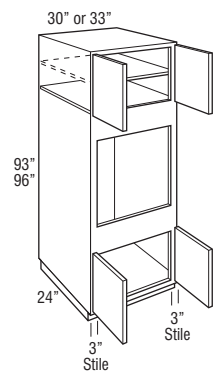
OCS309324AH	1518	1595	1761	1852	1937	1945	1987
OCS339324AH	1690	1775	1962	2067	2163	2170	2217
OCS309624	1518	1595	1761	1852	1937	1945	1987
OCS339624	1690	1775	1962	2067	2163	2170	2217

- AH represents upper section alignment with doors on 24" or 27" high cabinets.
- Includes adjustable shelves in upper section:
93" tall - one shelf
96" tall - two shelves
- Oven cavity is standard interior.
- Full overlay styles feature concealed face mount hinges.
- All top and bottom cross rails are 1 1/2" wide.
- All cabinets have 3" stiles on frame.
- Be sure to confirm a heat shield is built into your appliance by the manufacturer or install the heat shield included with your appliance.
- Separate pedestal base included but shipped separately on 93" and 96" tall.
- Support shelf for oven not included; for built-in appliance support brackets, use OCINSTALLKIT (included in 24" deep cabinets).
- OCINSTALLKIT weight limit is 400 lbs. per pair.
- Depth can be reduced to a minimum of 18".
- Oven cabinets feature an open back in cut-out area designed to improve field appliance installation.

	A Frame Opening Height	B Cut-out Width		C Cut-out Height		Door Height (Upper Section)	
		Min.	Max.	Min.	Max.	Partial Overlay	Full Overlay
OCS309324AH	24"	24"	28 1/2"	28 1/2"	43 1/2"	25"	26 1/2"
OCS339324AH	24"	27"	31 1/2"	28 1/2"	43 1/2"	25"	26 1/2"
OCS309624	27"	24"	28 1/2"	28 1/2"	43 1/2"	28"	29 1/2"
OCS339624	27"	27"	31 1/2"	28 1/2"	43 1/2"	28"	29 1/2"

Maximum cut-out dimension will allow 1/4" reveal for doors and drawer fronts on full overlay and 1" for partial overlay for trim kit face clearance.

OVEN MICROWAVE COMBO CABINET, 93" or 96" TALL, 24" DEEP



Model	8	9	10	11	12	13	14	15	16	17	18	19	20
OCS308424	1697	1780	1850	1923	2037	2074	2157	2181	2264	2304	2425	2494	2625
OCS338424	1893	1985	2060	2143	2270	2311	2403	2430	2523	2569	2703	2781	2926
OCS308724	1854	1944	2018	2099	2223	2265	2354	2381	2472	2516	2648	2723	2866
OCS338724	2068	2168	2250	2341	2479	2524	2624	2654	2756	2805	2953	3035	3195
OCS309024AH	1893	1985	2060	2143	2270	2311	2403	2430	2523	2569	2703	2781	2926
OCS339024AH	2110	2214	2299	2390	2532	2578	2680	2710	2814	2864	3015	3099	3263

Custom Modifications	AUTHL AUTHR	CBO	CCO	CFNT0	CFRMO	CND	FB	FD	FPEB	FTK	FTKAV FTKRV	MIP	RD	RECTKL RECTKR	RT	VTK
	•	•	•	•	•		•		•	•	•	•	•	•		•

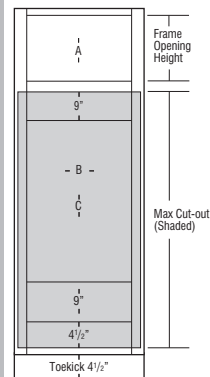
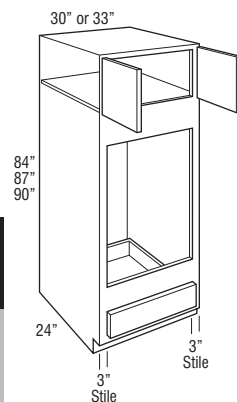
Construction Upgrades	APW	PLE	Non Smart Stop Options	NSCFB	NSCH
	•	•			•

OCS309324AH	2110	2214	2299	2390	2532	2578	2680	2710	2814	2864	3015	3099	3263
OCS339324AH	2354	2468	2563	2666	2824	2875	2990	3024	3136	3195	3365	3459	3639
OCS309624	2110	2214	2299	2390	2532	2578	2680	2710	2814	2864	3015	3099	3263
OCS339624	2354	2468	2563	2666	2824	2875	2990	3024	3136	3195	3365	3459	3639

Custom Modifications	AUTHL AUTHR	CBO	CCO	CFNT0	CFRMO	CND	FB	FD	FPEB	FTK	FTKAV FTKRV	MIP	RD	RECTKL RECTKR	RT	VTK
	•	•	•	•	•		•		•	•	•	•	•	•		

Construction Upgrades	APW	PLE	Non Smart Stop Options	NSCFB	NSCH
	•	•			•

DOUBLE OVEN CABINET, 84", 87", or 90" TALL, 24" DEEP



Model	1	2	3	4	5	6	7
OCD308424	1142	1198	1324	1395	1459	1464	1496
OCD338424	1220	1282	1417	1491	1560	1566	1600
OCD308724	1220	1281	1416	1491	1559	1565	1599
OCD338724	1302	1366	1508	1588	1663	1669	1706
OCD309024AH	1239	1301	1439	1515	1583	1591	1625
OCD339024AH	1323	1388	1532	1613	1689	1694	1732

- AH represents upper section alignment with doors on 24" or 27" high cabinets.
- Upper section on 90" tall has one full depth adjustable shelf.
- Oven cavity is standard interior.
- Full overlay styles feature concealed face mount hinges.
- For built-in double oven applications, remove drawer as needed.
- All top and bottom cross rails are 1 1/2" wide.
- All cabinets have 3" stiles on frame.
- Be sure to confirm a heat shield is built into your appliance by the manufacturer or install the heat shield included with your appliance.
- Support shelf for oven not included; for built-in appliance support brackets, use OCINSTALLKIT (included in 24" deep cabinets).
- OCINSTALLKIT weight limit is 400 lbs. per pair.
- Depth can be reduced to a minimum of 18".
- Oven cabinets feature an open back in cut-out area designed to improve field appliance installation.

	A Frame Opening Height	B Cut-out Width		C Cut-out Height		Door Height (Upper Section)	
		Min.	Max.	Min.	Max.	Partial Overlay	Full Overlay
OCD308424	15"	24"	28 1/2"	39"	60"	16"	17 1/2"
OCD338424	15"	27"	31 1/2"	39"	60"	16"	17 1/2"
OCD308724	18"	24"	28 1/2"	39"	60"	19"	20 1/2"
OCD338724	18"	27"	31 1/2"	39"	60"	19"	20 1/2"
OCD309024AH	21"	24"	28 1/2"	39"	60"	22"	23 1/2"
OCD339024AH	21"	27"	31 1/2"	39"	60"	22"	23 1/2"

Maximum cut-out dimension will allow 1/4" reveal for doors and drawer fronts on full overlay and 1" for partial overlay for trim kit face clearance.

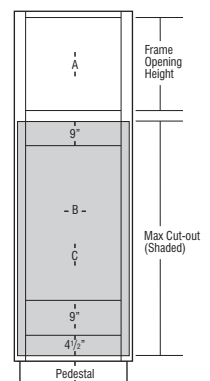
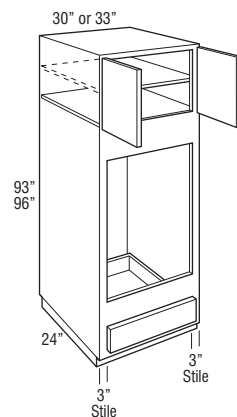
OCD309324AH	1339	1406	1554	1635	1711	1716	1754
OCD339324AH	1423	1494	1651	1739	1819	1825	1865
OCD309624	1339	1406	1554	1635	1711	1716	1754
OCD339624	1423	1494	1651	1739	1819	1825	1865

- AH represents upper section alignment with doors on 24" or 27" high cabinets.
- Includes adjustable shelves in upper section:
93" tall - one shelf
96" tall - two shelves
- Oven cavity is standard interior.
- Full overlay styles feature concealed face mount hinges.
- For built-in double oven applications, remove drawer as needed.
- All top and bottom cross rails are 1 1/2" wide.
- All toe kick areas are 4 1/2" high.
- All cabinets have 3" stiles on frame.
- Be sure to confirm a heat shield is built into your appliance by the manufacturer or install the heat shield included with your appliance.
- Separate pedestal base included but shipped separately on 93" and 96" tall.
- Support shelf for oven not included; for built-in appliance support brackets, use OCINSTALLKIT (included in 24" deep cabinets).
- OCINSTALLKIT weight limit is 400 lbs. per pair.
- Depth can be reduced to a minimum of 18".
- Oven cabinets feature an open back in cut-out area designed to improve field appliance installation.

	A Frame Opening Height	B Cut-out Width		C Cut-out Height		Door Height (Upper Section)	
		Min.	Max.	Min.	Max.	Partial Overlay	Full Overlay
OCD309324AH	24"	24"	28 1/2"	39"	60"	25"	26 1/2"
OCD339324AH	24"	27"	31 1/2"	39"	60"	25"	26 1/2"
OCD309624	27"	24"	28 1/2"	39"	60"	28"	29 1/2"
OCD339624	27"	27"	31 1/2"	39"	60"	28"	29 1/2"

Maximum cut-out dimension will allow 1/4" reveal for doors and drawer fronts on full overlay and 1" for partial overlay for trim kit face clearance.

DOUBLE OVEN CABINET, 93" or 96" TALL, 24" DEEP



Model	8	9	10	11	12	13	14	15	16	17	18	19	20
OCD308424	1587	1664	1728	1797	1904	1937	2016	2039	2115	2156	2269	2333	2455
OCD338424	1697	1780	1850	1923	2038	2074	2158	2182	2265	2305	2427	2495	2626
OCD308724	1698	1780	1850	1923	2036	2072	2155	2180	2263	2305	2426	2494	2625
OCD338724	1812	1897	1972	2051	2173	2211	2300	2326	2413	2458	2587	2661	2800
OCD309024AH	1725	1810	1880	1954	2069	2107	2190	2215	2300	2343	2466	2535	2667
OCD339024AH	1840	1927	2003	2084	2206	2246	2335	2361	2450	2496	2627	2702	2844

Custom Modifications	AUTHL AUTHR	CBO	CCO	CFNT0	CFRMO	CND	FB	FD	FPEB	FTK	FTKAV FTKRV	MIP	RD	RECTKL RECTKR	RT	VTK
	•	•	•		•	•	•		•	•	•	•	•	•		•

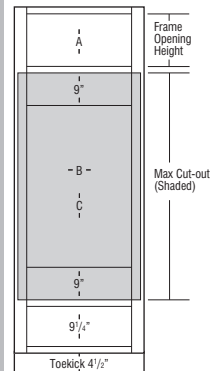
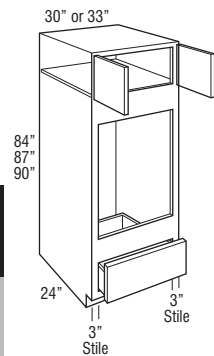
Construction Upgrades	APW	PLE	Non Smart Stop Options	NSCFB	NSCH
	•	•		•	•

OCD309324AH	1862	1952	2030	2109	2234	2274	2366	2393	2483	2531	2664	2737	2883
OCD339324AH	1981	2077	2157	2243	2375	2416	2513	2542	2639	2689	2831	2909	3061
OCD309624	1862	1952	2030	2109	2234	2274	2366	2393	2483	2531	2664	2737	2883
OCD339624	1981	2077	2157	2243	2375	2416	2513	2542	2639	2689	2831	2909	3061

Custom Modifications	AUTHL AUTHR	CBO	CCO	CFNT0	CFRMO	CND	FB	FD	FPEB	FTK	FTKAV FTKRV	MIP	RD	RECTKL RECTKR	RT	VTK
	•	•	•		•	•	•		•	•	•	•	•	•		

Construction Upgrades	APW	PLE	Non Smart Stop Options	NSCFB	NSCH
	•	•		•	•

DOUBLE OVEN CABINET, DEEP DRAWER, 84", 87", or 90" TALL, 24" DEEP



Model	1	2	3	4	5	6	7
OCD308424DD	1574	1631	1756	1827	1891	1896	1928
OCD338424DD	1761	1823	1958	2032	2101	2108	2142
OCD308724DD	1652	1713	1848	1923	1991	1997	2031
OCD338724DD	1844	1909	2050	2130	2205	2210	2247
OCD309024DD	1672	1734	1872	1948	2016	2023	2058
OCD339024DD	1864	1930	2073	2155	2231	2236	2274

- Full overlay styles feature concealed face mount hinges.
- All top and bottom cross rails are 1 1/2" wide.
- All cabinets have 3" stiles on frame.
- Be sure to confirm a heat shield is built into your appliance by the manufacturer or install the heat shield included with your appliance. Heat shields are sold separately as an accessory.
- Depth can be reduced to a minimum of 18".
- For built-in appliance support, OCINSTALLKIT is included in 24" deep oven cabinets (see page 230 for details). Oven install kit will not be included when depth is modified.
- OCINSTALLKIT weight limit is 400 lbs. per pair.
- Oven cabinets feature an open back in cut-out area designed to improve field appliance installation.

	A Frame Opening Height	B Cut-out Width		C Cut-out Height		Door Height (Upper Section)	
		Min.	Max.	Min.	Max.	Partial Overlay	Full Overlay
OCD308424DD	12"	24"	28 1/2"	37 1/4"	52 1/4"	13"	14 1/2"
OCD338424DD	12"	27"	31 1/2"	37 1/4"	52 1/4"	13"	14 1/2"
OCD308724DD	15"	24"	28 1/2"	37 1/4"	52 1/4"	16"	17 1/2"
OCD338724DD	15"	27"	31 1/2"	37 1/4"	52 1/4"	16"	17 1/2"
OCD309024DD	18"	24"	28 1/2"	37 1/4"	52 1/4"	19"	20 1/2"
OCD339024DD	18"	27"	31 1/2"	37 1/4"	52 1/4"	19"	20 1/2"

Maximum cut-out dimension will allow 1/4" reveal for doors and drawer fronts on full overlay and 1" for partial overlay for trim kit face clearance.

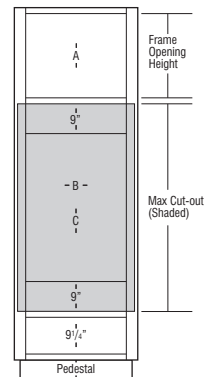
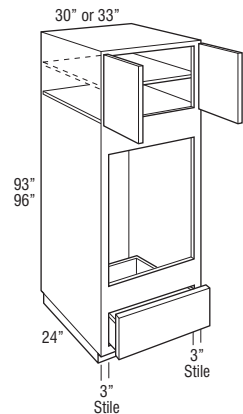
OCD309324DDAH	1772	1839	1987	2067	2143	2148	2186
OCD339324DDAH	1965	2035	2193	2281	2362	2367	2407
OCD309624DDAH	1772	1839	1987	2067	2143	2148	2186
OCD339624DDAH	1965	2035	2193	2281	2362	2367	2407

- AH represents upper section alignment with doors on 24" or 27" high cabinets.
- Full overlay styles feature concealed face mount hinges.
- All top and bottom cross rails are 1 1/2" wide.
- All cabinets have 3" stiles on frame.
- Be sure to confirm a heat shield is built into your appliance by the manufacturer or install the heat shield included with your appliance. Heat shields are sold separately as an accessory.
- Separate pedestal base included but shipped separately on 93" and 96" tall. Pedestal is designed to create a Recessed Left or Right Toekick application during field installation, or can be centered. Pedestal must be covered with toeboard material.
- One full depth adjustable shelf included, but packaged separately.
- Depth can be reduced to a minimum of 18".
- For built-in appliance support, OCINSTALLKIT is included in 24" deep oven cabinets (see page 230 for details). Oven install kit will not be included when depth is modified.
- OCINSTALLKIT weight limit is 400 lbs. per pair.
- Oven cabinets feature an open back in cut-out area designed to improve field appliance installation.

	A Frame Opening Height	B Cut-out Width		C Cut-out Height		Door Height (Upper Section)	
		Min.	Max.	Min.	Max.	Partial Overlay	Full Overlay
OCD309324DDAH	21"	24"	28 1/2"	37 1/4"	52 1/4"	22"	23 1/2"
OCD339324DDAH	21"	27"	31 1/2"	37 1/4"	52 1/4"	22"	23 1/2"
OCD309624DDAH	24"	24"	28 1/2"	37 1/4"	52 1/4"	25"	26 1/2"
OCD339624DDAH	24"	27"	31 1/2"	37 1/4"	52 1/4"	25"	26 1/2"

Maximum cut-out dimension will allow 1/4" reveal for doors and drawer fronts on full overlay and 1" for partial overlay for trim kit face clearance.

DOUBLE OVEN CABINET, DEEP DRAWER, 93" or 96" TALL, 24" DEEP



Model	8	9	10	11	12	13	14	15	16	17	18	19	20
OCD308424DD	2020	2096	2161	2230	2336	2370	2448	2471	2547	2588	2701	2765	2888
OCD338424DD	2239	2322	2391	2465	2579	2617	2699	2723	2806	2848	2970	3037	3168
OCD308724DD	2130	2212	2282	2355	2468	2505	2587	2612	2695	2737	2859	2927	3058
OCD338724DD	2353	2440	2515	2593	2714	2754	2841	2867	2955	3000	3129	3204	3343
OCD309024DD	2158	2242	2312	2386	2501	2540	2622	2647	2732	2775	2898	2967	3100
OCD339024DD	2382	2469	2545	2625	2747	2788	2876	2903	2992	3038	3169	3245	3386

Custom Modifications	AUTHL AUTHR	CBO	CCO	CFNTO	CFRMO	CND	FB	FD	FPEB	FTK	FTKAV FTKFV	MIP	RD	RECTKL RECTKR	RT	VTK
	•	•	•		•	•	•		•	•	•	•	•	•		•

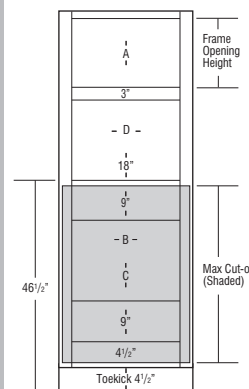
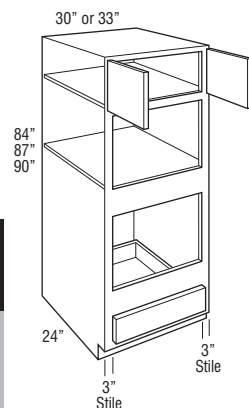
Construction Upgrades	APW	PLE	Non Smart Stop Options	NSCFB	NSCH
	•	•			•

OCD309324DDAH	2295	2384	2462	2542	2667	2706	2798	2825	2915	2964	3097	3169	3315
OCD339324DDAH	2522	2619	2698	2785	2916	2958	3054	3083	3180	3230	3373	3451	3602
OCD309624DDAH	2295	2384	2462	2542	2667	2706	2798	2825	2915	2964	3097	3169	3315
OCD339624DDAH	2522	2619	2698	2785	2916	2958	3054	3083	3180	3230	3373	3451	3602

Custom Modifications	AUTHL AUTHR	CBO	CCO	CFNTO	CFRMO	CND	FB	FD	FPEB	FTK	FTKAV FTKFV	MIP	RD	RECTKL RECTKR	RT	VTK
	•	•	•		•	•	•		•		•	•	•	•		

Construction Upgrades	APW	PLE	Non Smart Stop Options	NSCFB	NSCH
	•	•			•

OVEN MICROWAVE CABINET, 84", 87", or 90" TALL, 24" DEEP



Model	1	2	3	4	5	6	7
OMC308424	1198	1258	1389	1463	1530	1537	1570
OMC338424	1280	1344	1488	1566	1638	1642	1678
OMC308724	1282	1345	1488	1565	1637	1642	1678
OMC338724	1366	1436	1584	1668	1746	1750	1789
OMC309024AH	1302	1366	1512	1591	1663	1669	1706
OMC339024AH	1388	1459	1609	1693	1774	1777	1817

- AH represents upper section alignment with doors on 24" or 27" high cabinets.
- Upper section on 90" tall has one full depth adjustable shelf.
- Designed for use with separate built-in microwave above, built-in oven below. For built-in double ovens, see pages 170-172.
- Full overlay styles feature concealed face mount hinges.
- All top and bottom cross rails are 1 1/2" wide.
- All toekick areas are 4 1/2" high.
- All cabinets have 3" stiles on frame.
- Be sure to confirm a heat shield is built into your appliance by the manufacturer or install the heat shield included with your appliance. Heat shields are sold separately as an accessory.
- Support shelf for oven included; for built-in appliance support brackets, use OCINSTALLKIT (included in 24" deep oven cabinets).
- OCINSTALLKIT weight limit is 400 lbs. per pair.
- Depth can be reduced to a minimum of 18".

	A Frame Opening Height	B Cut-out Width		C Cut-out Height		D Frame Opening Width	Door Height (Upper Section)	
		Min.	Max.	Min.	Max.		Partial Overlay	Full Overlay
OMC308424	15"	24"	28 1/2"	18"	39"	24"	16"	17 1/2"
OMC338424	15"	27"	31 1/2"	18"	39"	27"	16"	17 1/2"
OMC308724	18"	24"	28 1/2"	18"	39"	24"	19"	20 1/2"
OMC338724	18"	27"	31 1/2"	18"	39"	27"	19"	20 1/2"
OMC309024AH	21"	24"	28 1/2"	18"	39"	24"	22"	23 1/2"
OMC339024AH	21"	27"	31 1/2"	18"	39"	27"	22"	23 1/2"

Maximum cut-out dimension will allow 1/4" reveal for doors and drawer fronts on full overlay and 1" for partial overlay for trim kit face clearance.

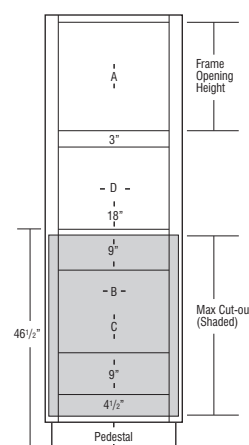
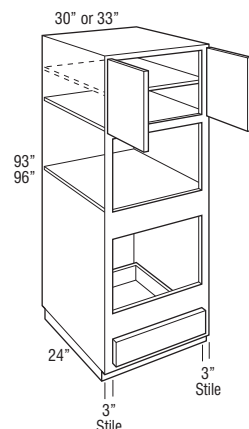
OMC309324AH	1406	1476	1632	1717	1795	1802	1841
OMC339324AH	1494	1569	1735	1825	1910	1917	1959
OMC309624	1406	1476	1632	1717	1795	1802	1841
OMC339624	1494	1569	1735	1825	1910	1917	1959

- AH represents upper section alignment with doors on 24" or 27" high cabinets.
- Includes adjustable shelves in upper section:
93" tall - one shelf
96" tall - two shelves
- Designed for use with separate built-in microwave above, built-in oven below. For built-in double ovens, see pages 170-172.
- Full overlay styles feature concealed face mount hinges.
- All top and bottom cross rails are 1 1/2" wide.
- All toekick areas are 4 1/2" high.
- All cabinets have 3" stiles on frame.
- Be sure to confirm a heat shield is built into your appliance by the manufacturer or install the heat shield included with your appliance. Heat shields are sold separately as an accessory.
- Separate pedestal base included but shipped separately on 93" and 96" tall. Pedestals are the same width as the cabinet box except when specified with FPFB, in which the pedestal will be 1/4" recessed when centered.
- Support shelf for oven included; for built-in appliance support brackets, use OCINSTALLKIT (included in 24" deep oven cabinets).
- OCINSTALLKIT weight limit is 400 lbs. per pair.
- Depth can be reduced to a minimum of 18".

	A Frame Opening Height	B Cut-out Width		C Cut-out Height		D Frame Opening Width	Door Height (Upper Section)	
		Min.	Max.	Min.	Max.		Partial Overlay	Full Overlay
OMC309324AH	24"	24"	28 1/2"	18"	39"	24"	25"	26 1/2"
OMC339324AH	24"	27"	31 1/2"	18"	39"	27"	25"	26 1/2"
OMC309624	27"	24"	28 1/2"	18"	39"	24"	28"	29 1/2"
OMC339624	27"	27"	31 1/2"	18"	39"	27"	28"	29 1/2"

Maximum cut-out dimension will allow 1/4" reveal for doors and drawer fronts on full overlay and 1" for partial overlay for trim kit face clearance.

OVEN MICROWAVE CABINET, 93" or 96" TALL, 24" DEEP



Model	8	9	10	11	12	13	14	15	16	17	18	19	20
OMC308424	1667	1747	1816	1888	2000	2034	2117	2141	2221	2264	2382	2449	2578
OMC338424	1783	1870	1943	2021	2141	2175	2266	2292	2377	2423	2550	2620	2758
OMC308724	1783	1871	1944	2020	2139	2177	2264	2290	2375	2420	2548	2619	2756
OMC338724	1902	1993	2071	2155	2282	2322	2415	2442	2534	2581	2717	2795	2941
OMC309024AH	1813	1901	1975	2053	2174	2212	2300	2326	2414	2459	2589	2662	2799
OMC339024AH	1932	2025	2104	2188	2317	2360	2452	2480	2573	2621	2759	2837	2988

Custom Modifications	AUTHL AUTHR	CBO	CCO	CFNT0	CFRMO	CND	FB	FD	FPEB	FTK	FTKAV FTKRV	MIP	RD	RECTKL RECTKR	RT	VTK
	•	•	•		•	•	•		•	•	•	•	•	•		•

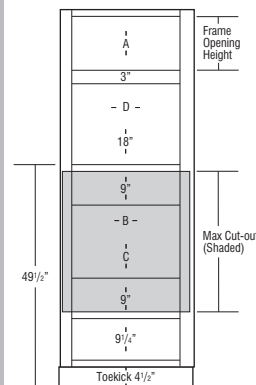
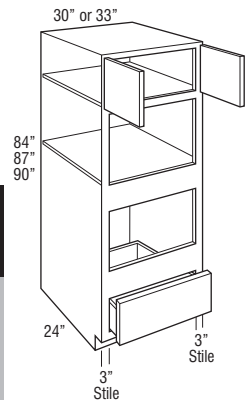
Construction Upgrades	APW	PLE	Non Smart Stop Options	NSCFB	NSCH
	•	•		•	•

OMC309324AH	1955	2051	2131	2215	2346	2388	2484	2512	2607	2657	2796	2875	3027
OMC339324AH	2081	2179	2265	2355	2494	2537	2640	2670	2769	2822	2972	3052	3214
OMC309624	1955	2051	2131	2215	2346	2388	2484	2512	2607	2657	2796	2875	3027
OMC339624	2081	2179	2265	2355	2494	2537	2640	2670	2769	2822	2972	3052	3214

Custom Modifications	AUTHL AUTHR	CBO	CCO	CFNT0	CFRMO	CND	FB	FD	FPEB	FTK	FTKAV FTKRV	MIP	RD	RECTKL RECTKR	RT	VTK
	•	•	•		•	•	•		•		•	•	•	•		

Construction Upgrades	APW	PLE	Non Smart Stop Options	NSCFB	NSCH
	•	•		•	•

OVEN MICROWAVE CABINET, DEEP DRAWER, 84", 87", or 90" TALL, 24" DEEP



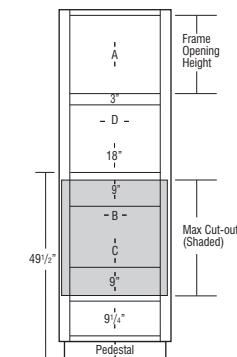
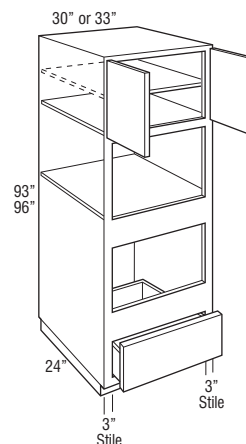
Model	1	2	3	4	5	6	7
OMC308424DD	1631	1690	1821	1895	1962	1969	2002
OMC338424DD	1821	1886	2030	2108	2179	2185	2221
OMC308724DD	1714	1777	1920	1997	2069	2074	2110
OMC338724DD	1909	1978	2127	2209	2287	2292	2331
OMC309024DD	1735	1798	1945	2023	2095	2101	2138
OMC339024DD	1930	2000	2151	2235	2315	2319	2359

- Designed for use with separate built-in microwave above, built-in oven below. For built-in double ovens, see pages 170-172.
- Full overlay styles feature concealed face mount hinges.
- All top and bottom cross rails are 1 1/2" wide.
- All toekick areas are 4 1/2" high.
- All cabinets have 3" stiles on frame.
- Be sure to confirm a heat shield is built into your appliance by the manufacturer or install the heat shield included with your appliance. Heat shields are sold separately as an accessory.
- Depth can be reduced to a minimum of 18".
- For built-in appliance support, OCINSTALLKIT is included in 24" deep oven cabinets (see page 230 for details). Oven install kit will not be included when depth is modified.
- OCINSTALLKIT weight limit is 400 lbs. per pair.

	A Frame Opening Height	B Cut-out Width		C Cut-out Height		D Frame Opening Width	Door Height (Upper Section)	
		Min.	Max.	Min.	Max.		Partial Overlay	Full Overlay
OMC308424DD	12"	24"	28 1/2"	16 1/4"	31 1/4"	24"	13"	14 1/2"
OMC338424DD	12"	27"	31 1/2"	16 1/4"	31 1/4"	27"	13"	14 1/2"
OMC308724DD	15"	24"	28 1/2"	16 1/4"	31 1/4"	24"	16"	17 1/2"
OMC338724DD	15"	27"	31 1/2"	16 1/4"	31 1/4"	27"	16"	17 1/2"
OMC309024DD	18"	24"	28 1/2"	16 1/4"	31 1/4"	24"	19"	20 1/2"
OMC339024DD	18"	27"	31 1/2"	16 1/4"	31 1/4"	27"	19"	20 1/2"

Maximum cut-out dimension will allow 1/4" reveal for doors and drawer fronts on full overlay and 1" for partial overlay for trim kit face clearance.

OVEN MICROWAVE CABINET, DEEP DRAWER, 93" or 96" TALL, 24" DEEP



OMC309324DDAH	1839	1909	2064	2149	2227	2234	2273
OMC339324DDAH	2035	2110	2276	2367	2451	2459	2501
OMC309624DDAH	1839	1909	2064	2149	2227	2234	2273
OMC339624DDAH	2035	2110	2276	2367	2451	2459	2501

- AH represents upper section alignment with doors on 24" or 27" high cabinets.
- Designed for use with separate built-in microwave above, built-in oven below. For built-in double ovens, see pages 170-172.
- Full overlay styles feature concealed face mount hinges.
- All top and bottom cross rails are 1 1/2" wide.
- All toekick areas are 4 1/2" high.
- All cabinets have 3" stiles on frame.
- Be sure to confirm a heat shield is built into your appliance by the manufacturer or install the heat shield included with your appliance. Heat shields are sold separately as an accessory.
- Separate pedestal base included but shipped separately on 93" and 96" tall. Pedestal is designed to create a Recessed Left or Right Toekick application during field installation, or can be centered. Pedestal must be covered with toeboard material.
- One full depth adjustable shelf included, but packaged separately.
- Depth can be reduced to a minimum of 18".
- For built-in appliance support, OCINSTALLKIT is included in 24" deep oven cabinets (see page 230 for details). Oven install kit will not be included when depth is modified.
- OCINSTALLKIT weight limit is 400 lbs. per pair.

	A Frame Opening Height	B Cut-out Width		C Cut-out Height		D Frame Opening Width	Door Height (Upper Section)	
		Min.	Max.	Min.	Max.		Partial Overlay	Full Overlay
OMC309324DDAH	21"	24"	28 1/2"	16 1/4"	31 1/4"	24"	22"	23 1/2"
OMC339324DDAH	21"	27"	31 1/2"	16 1/4"	31 1/4"	27"	22"	23 1/2"
OMC309624DDAH	24"	24"	28 1/2"	16 1/4"	31 1/4"	24"	25"	26 1/2"
OMC339624DDAH	24"	27"	31 1/2"	16 1/4"	31 1/4"	27"	25"	26 1/2"

Maximum cut-out dimension will allow 1/4" reveal for doors and drawer fronts on full overlay and 1" for partial overlay for trim kit face clearance.

Model	8	9	10	11	12	13	14	15	16	17	18	19	20
OMC308424DD	2099	2179	2248	2320	2432	2467	2549	2573	2653	2696	2815	2881	3010
OMC338424DD	2325	2411	2484	2562	2682	2717	2807	2833	2919	2965	3092	3163	3300
OMC308724DD	2215	2303	2376	2452	2571	2610	2696	2722	2807	2853	2980	3051	3188
OMC338724DD	2444	2536	2614	2697	2824	2864	2957	2984	3075	3123	3259	3337	3483
OMC309024DD	2245	2334	2407	2485	2606	2645	2732	2758	2846	2892	3021	3095	3232
OMC339024DD	2474	2566	2646	2730	2859	2901	2994	3022	3114	3164	3302	3380	3529

Custom Modifications	AUTHL AUTHR	CBO	CCO	CFNTO	CFRMO	CND	FB	FD	FPEB	FTK	FTKAV FTKFV	MIP	RD	RECTKL RECTKR	RT	VTK
	•	•	•		•	•	•		•	•	•	•	•	•		•

Construction Upgrades	APW	PLE	Non Smart Stop Options	NSCFB	NSCH
	•	•			•

OMC309324DDAH	2387	2483	2563	2648	2779	2821	2916	2944	3039	3089	3228	3308	3459
OMC339324DDAH	2622	2721	2806	2897	3036	3078	3182	3212	3311	3364	3515	3595	3757
OMC309624DDAH	2387	2483	2563	2648	2779	2821	2916	2944	3039	3089	3228	3308	3459
OMC339624DDAH	2622	2721	2806	2897	3036	3078	3182	3212	3311	3364	3515	3595	3757

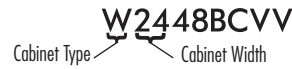
Custom Modifications	AUTHL AUTHR	CBO	CCO	CFNTO	CFRMO	CND	FB	FD	FPEB	FTK	FTKAV FTKFV	MIP	RD	RECTKL RECTKR	RT	VTK
	•	•	•		•	•	•		•		•	•	•	•		

Construction Upgrades	APW	PLE	Non Smart Stop Options	NSCFB	NSCH
	•	•			•

KEMPER®

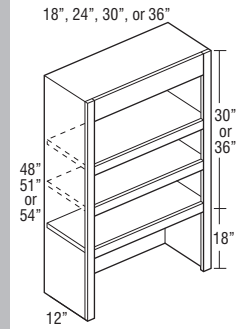
ECHO™ SERIES

OFFICE & FURNITURE CABINET NOMENCLATURE



NOTE:
All office base cabinets are predrilled for full depth shelves or roll trays.

WALL BOOKCASE with STRAIGHT VALANCE, 48", 51", or 54" HIGH 12" DEEP



Model	1	2	3	4	5	6	7
W1848BCVV	637	637	637	637	637	637	637
W2448BCVV	773	773	773	773	773	773	773
W3048BCVV	851	851	851	851	851	851	851
W3648BCVV	906	906	906	906	906	906	906
W1851BCVV	677	677	677	677	677	677	677
W2451BCVV	823	823	823	823	823	823	823
W3051BCVV	905	905	905	905	905	905	905
W3651BCVV	964	964	964	964	964	964	964
W1854BCVV	687	687	687	687	687	687	687
W2454BCVV	835	835	835	835	835	835	835
W3054BCVV	918	918	918	918	918	918	918
W3654BCVV	978	978	978	978	978	978	978

- 48", 51", and 54" have two adjustable shelves and one fixed shelf.
- Ends, tops, bottoms, and backs are veneer plywood.
- Matching Interior Plywood (MIP) standard.
- Face frame has a profiled inside edge.
- Depth can be reduced to a minimum of 9".

CUSTOM MODIFICATIONS

Mod.	Description	Mod.	Description
ADDTK	Add Toekick	FTK	Flush Toekick
AUTHL	Authentic End - Left	FTKAV	Flush Toekick Arch
AUTHR	Authentic End - Right	FTKFV	Flush Toekick Furniture
CBO	Cabinet Box Only	ID	Increased Depth
CCO	Cabinet Case Only	MIP	Matching Interior Plywood
CFNTO	Cabinet Front Only	RD	Reduced Depth
CFP	Cabinet False Panel	RECTKBK	Recessed Toekick Back
CFRMO	Cabinet Frame Only	RECTKL	Recessed Toekick Left
CND	Cabinet with No Door, with Drawer	RECTKR	Recessed Toekick Right
FB	Finished Ends	RT	Installed Roll Tray
FPEB	Furniture Finished Plywood End Panels	VTK	Void Toekick

CONSTRUCTION UPGRADES

Mod.	Description
APW	All-plywood Construction
PLE	Plywood Ends

NON SMART STOP OPTIONS	
Mod.	Description
NSCFB	Non Soft-close Guides & Furniture Board Drawers and Roll Trays
NSCH	Non Soft-close Door Hinges

MODIFICATIONS GRID KEY

- Available
- STD Standard on these cabinets

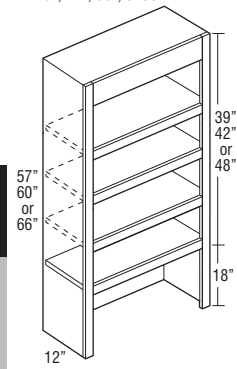
Model	8	9	10	11	12	13	14	15	16	17	18	19	20
W1848BCVV	637	637	637	637	637	637	637	637	637	637	637	637	637
W2448BCVV	773	773	773	773	773	773	773	773	773	773	773	773	773
W3048BCVV	851	851	851	851	851	851	851	851	851	851	851	851	851
W3648BCVV	906	906	906	906	906	906	906	906	906	906	906	906	906
W1851BCVV	677	677	677	677	677	677	677	677	677	677	677	677	677
W2451BCVV	823	823	823	823	823	823	823	823	823	823	823	823	823
W3051BCVV	905	905	905	905	905	905	905	905	905	905	905	905	905
W3651BCVV	964	964	964	964	964	964	964	964	964	964	964	964	964
W1854BCVV	687	687	687	687	687	687	687	687	687	687	687	687	687
W2454BCVV	835	835	835	835	835	835	835	835	835	835	835	835	835
W3054BCVV	918	918	918	918	918	918	918	918	918	918	918	918	918
W3654BCVV	978	978	978	978	978	978	978	978	978	978	978	978	978

Custom Modifications	ADDTK	AUTHL AUTHR	CBO	CCO	CFNTO	CFP	CFRMO	CND	FB	FPEB	FTK	FTKAV FTKFV	ID	MIP	RD	RECTKBK	RECTKL RECTKR	RT	VTK
		•	STD				•			•			•	STD	•				

Construction Upgrades	APW	PLE	Non Smart Stop Options	NSCFB	NSCH
	STD				

WALL BOOKCASE with STRAIGHT VALANCE, 57", 60", or 66" HIGH, 12" DEEP

18", 24", 30", or 36"



Model	1	2	3	4	5	6	7
W1857BCVV	764	764	764	764	764	764	764
W2457BCVV	929	929	929	929	929	929	929
W3057BCVV	1019	1019	1019	1019	1019	1019	1019
W3657BCVV	1086	1086	1086	1086	1086	1086	1086
W1860BCVV	764	764	764	764	764	764	764
W2460BCVV	929	929	929	929	929	929	929
W3060BCVV	1019	1019	1019	1019	1019	1019	1019
W3660BCVV	1086	1086	1086	1086	1086	1086	1086
W1866BCVV	839	839	839	839	839	839	839
W2466BCVV	1019	1019	1019	1019	1019	1019	1019
W3066BCVV	1123	1123	1123	1123	1123	1123	1123
W3666BCVV	1193	1193	1193	1193	1193	1193	1193

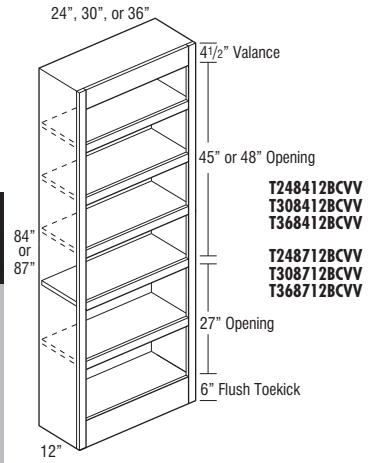
- 57", 60", and 66" have three adjustable shelves and one fixed shelf.
- Ends, tops, bottoms, and backs are veneer plywood.
- Matching Interior Plywood (MIP) standard.
- Face frame has a profiled inside edge.
- Depth can be reduced to a minimum of 9".
- AUTHL and AUTHR not available on 66" high.

Model	8	9	10	11	12	13	14	15	16	17	18	19	20
W1857BCVV	764	764	764	764	764	764	764	764	764	764	764	764	764
W2457BCVV	929	929	929	929	929	929	929	929	929	929	929	929	929
W3057BCVV	1019	1019	1019	1019	1019	1019	1019	1019	1019	1019	1019	1019	1019
W3657BCVV	1086	1086	1086	1086	1086	1086	1086	1086	1086	1086	1086	1086	1086
W1860BCVV	764	764	764	764	764	764	764	764	764	764	764	764	764
W2460BCVV	929	929	929	929	929	929	929	929	929	929	929	929	929
W3060BCVV	1019	1019	1019	1019	1019	1019	1019	1019	1019	1019	1019	1019	1019
W3660BCVV	1086	1086	1086	1086	1086	1086	1086	1086	1086	1086	1086	1086	1086
W1866BCVV	839	839	839	839	839	839	839	839	839	839	839	839	839
W2466BCVV	1019	1019	1019	1019	1019	1019	1019	1019	1019	1019	1019	1019	1019
W3066BCVV	1123	1123	1123	1123	1123	1123	1123	1123	1123	1123	1123	1123	1123
W3666BCVV	1193	1193	1193	1193	1193	1193	1193	1193	1193	1193	1193	1193	1193

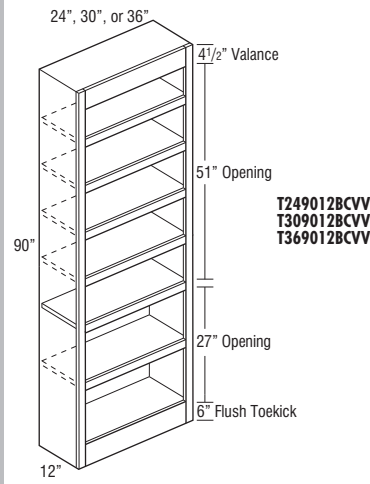
Custom Modifications	ADDTK	AUTHL AUTHR	CBO	CCO	CFNTO	CFP	CFRMO	CND	FB	FPEB	FTK	FTKAV FTKFV	ID	MIP	RD	RECTKBK	RECTKL RECTKR	RT	VTK
		•	STD				•			•			•	STD	•				

Construction Upgrades	APW	PLE	Non Smart Stop Options	NSCFB	NSCH
	STD				

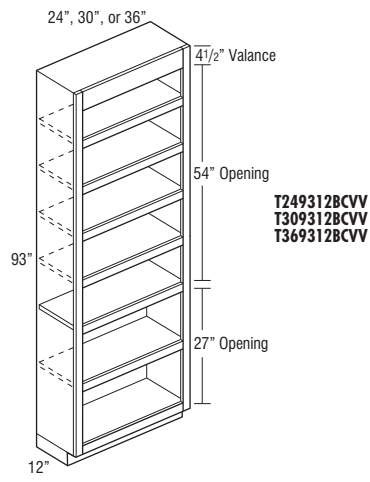
TALL BOOKCASE with STRAIGHT VALANCE, 84", 87", 90", 93", or 96" HIGH, 12" DEEP



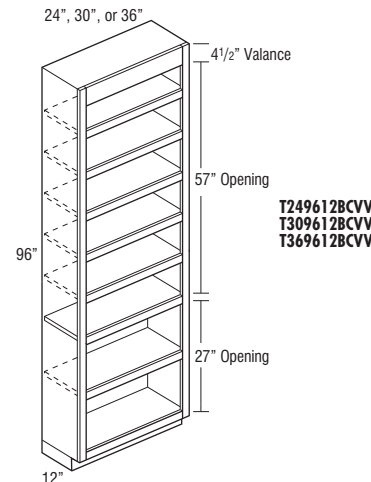
T248412BCVV
T308412BCVV
T368412BCVV
T248712BCVV
T308712BCVV
T368712BCVV



T249012BCVV
T309012BCVV
T369012BCVV



T249312BCVV
T309312BCVV
T369312BCVV



T249612BCVV
T309612BCVV
T369612BCVV

Model	1	2	3	4	5	6	7
T248412BCVV	1516	1516	1516	1516	1516	1516	1516
T308412BCVV	1683	1683	1683	1683	1683	1683	1683
T368412BCVV	1792	1792	1792	1792	1792	1792	1792
T248712BCVV	1552	1552	1552	1552	1552	1552	1552
T308712BCVV	1724	1724	1724	1724	1724	1724	1724
T368712BCVV	1834	1834	1834	1834	1834	1834	1834

- Four adjustable shelves and one fixed shelf.
- Ends, tops, bottoms, and backs are veneer plywood.
- Matching Interior Plywood (MIP) standard.
- Face frame has a profiled inside edge.
- Depth can be reduced to a minimum of 9".

T249012BCVV	1561	1561	1561	1561	1561	1561	1561
T309012BCVV	1735	1735	1735	1735	1735	1735	1735
T369012BCVV	1845	1845	1845	1845	1845	1845	1845

- Five adjustable shelves and one fixed shelf.
- Ends, tops, bottoms, and backs are veneer plywood.
- Matching Interior Plywood (MIP) standard.
- Face frame has a profiled inside edge.
- Depth can be reduced to a minimum of 9".

T249312BCVV	1608	1608	1608	1608	1608	1608	1608
T309312BCVV	1784	1784	1784	1784	1784	1784	1784
T369312BCVV	1901	1901	1901	1901	1901	1901	1901

- Five adjustable shelves and one fixed shelf.
- Ends, tops, bottoms, and backs are veneer plywood.
- Separate pedestal base included but shipped separately on 93" Tall.
- Matching Interior Plywood (MIP) standard.
- Face frame has a profiled inside edge.
- Depth can be reduced to a minimum of 9".

T249612BCVV	1608	1608	1608	1608	1608	1608	1608
T309612BCVV	1784	1784	1784	1784	1784	1784	1784
T369612BCVV	1901	1901	1901	1901	1901	1901	1901

- Six adjustable shelves and one fixed shelf.
- Ends, tops, bottoms, and backs are veneer plywood.
- Separate pedestal base included but shipped separately on 96" Tall.
- Matching Interior Plywood (MIP) standard.
- Face frame has a profiled inside edge.
- Depth can be reduced to a minimum of 9".
- FTK, FTKAV, and FTKFV not available on 93" and 96" high.

Model	8	9	10	11	12	13	14	15	16	17	18	19	20
T248412BCVV	1516	1516	1516	1516	1516	1516	1516	1516	1516	1516	1516	1516	1516
T308412BCVV	1683	1683	1683	1683	1683	1683	1683	1683	1683	1683	1683	1683	1683
T368412BCVV	1792	1792	1792	1792	1792	1792	1792	1792	1792	1792	1792	1792	1792
T248712BCVV	1552	1552	1552	1552	1552	1552	1552	1552	1552	1552	1552	1552	1552
T308712BCVV	1724	1724	1724	1724	1724	1724	1724	1724	1724	1724	1724	1724	1724
T368712BCVV	1834	1834	1834	1834	1834	1834	1834	1834	1834	1834	1834	1834	1834

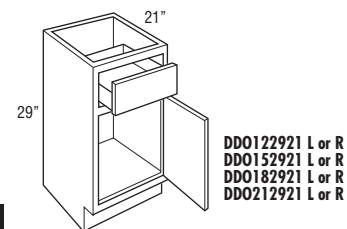
T249012BCVV	1561	1561	1561	1561	1561	1561	1561	1561	1561	1561	1561	1561	1561
T309012BCVV	1735	1735	1735	1735	1735	1735	1735	1735	1735	1735	1735	1735	1735
T369012BCVV	1845	1845	1845	1845	1845	1845	1845	1845	1845	1845	1845	1845	1845

T249312BCVV	1608	1608	1608	1608	1608	1608	1608	1608	1608	1608	1608	1608	1608
T309312BCVV	1784	1784	1784	1784	1784	1784	1784	1784	1784	1784	1784	1784	1784
T369312BCVV	1901	1901	1901	1901	1901	1901	1901	1901	1901	1901	1901	1901	1901

T249612BCVV	1608	1608	1608	1608	1608	1608	1608	1608	1608	1608	1608	1608	1608
T309612BCVV	1784	1784	1784	1784	1784	1784	1784	1784	1784	1784	1784	1784	1784
T369612BCVV	1901	1901	1901	1901	1901	1901	1901	1901	1901	1901	1901	1901	1901

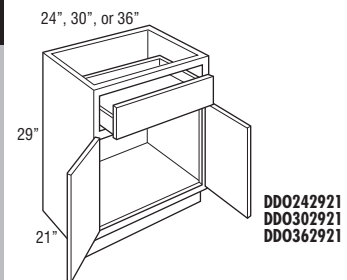
Custom Modifications	ADDTK	AUTHL	AUTHR	CBO	CCO	CFNTO	CFP	CFRMO	CND	FB	FPEB	FTK	FTKAV	FTKFV	ID	MIP	RD	RECTKBK	RECTKL	RECTKR	RT	VTK
				STD				•			•	STD	•	•	STD	•						
Construction Upgrades	APW	PLE	Non Smart Stop Options		NSCFB	NSCH																
	STD																					

**DESK DOOR DRAWER BASE,
29" HIGH, 21" DEEP**

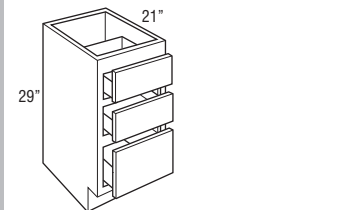


Model	1	2	3	4	5	6	7
DDO122921L or R	397	418	461	486	509	511	522
DDO152921L or R	422	444	490	517	540	543	555
DDO182921L or R	450	474	522	550	574	576	589
DDO212921L or R	481	504	557	587	615	617	630
DDO242921	529	556	615	645	675	677	692
DDO302921	620	651	719	755	790	793	811
DDO362921	779	818	903	948	991	994	1016

FTKAV and FTKFV not available on DDO122921 L or R.



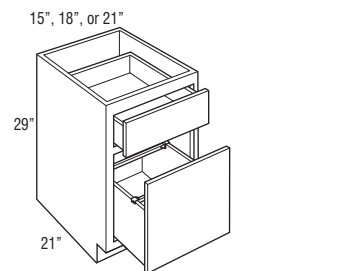
**DESK THREE DRAWER BASE,
29" HIGH, 21" DEEP**



3DB122921	520	535	569	587	603	605	613
3DB152921	559	577	613	633	650	652	660
3DB182921	602	620	660	681	700	702	711
3DB212921	643	663	705	728	748	750	760
3DB242921	687	707	753	776	797	799	810

• FTKAV and FTKFV not available on 3DB122921 and 3DB242921.

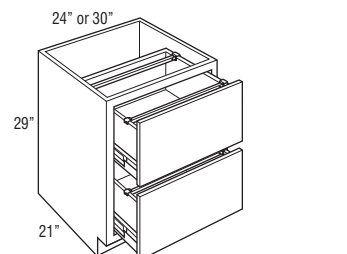
**DESK FILE DRAWER BASE, 29" HIGH,
21" DEEP**



DFD152921	711	747	804	837	868	879	892
DFD182921	745	782	841	878	912	921	934
DFD212921	787	827	889	932	966	978	992

- Door is attached to file drawer.
- Includes Filing System Hardware Kit, which accommodates letter and legal filing.
- Exterior height of file drawer is 10".

**DESK DOUBLE FILE DRAWER BASE,
29" HIGH, 21" DEEP**



DDFD242921	921	968	1042	1089	1128	1145	1161
DDFD302921	1015	1067	1147	1197	1243	1257	1275

- Includes Filing System Hardware Kit, which accommodates letter and legal filing.
- Bottom drawer utilizes 125 lb. full extension progressive side-mount guide, does not feature soft-close guide.
- Bottom of drawer is not designed to support any weight.
- Furniture board braces are utilized for drawer guide supports on end panels.
- Exterior height of drawer box is 9 1/2".

Model	8	9	10	11	12	13	14	15	16	17	18	19	20
DDO122921L or R	554	580	602	625	662	674	701	709	736	750	790	811	853
DDO152921L or R	588	617	641	668	707	716	748	756	783	799	840	865	910
DDO182921L or R	625	657	680	709	751	765	796	805	835	851	895	918	968
DDO212921L or R	668	700	727	756	800	814	846	856	888	907	954	981	1033
DDO242921	735	771	800	833	881	898	932	942	979	996	1048	1077	1134
DDO302921	862	903	937	974	1032	1050	1093	1115	1147	1230	1230	1267	1323
DDO362921	1080	1132	1177	1224	1296	1322	1372	1400	1440	1545	1545	1593	1662

Custom Modifications	ADDTK	AUTHL AUTHR	CBO	CCO	CFNTO	CFP	CFRMO	CND	FB	FPEB	FTK	FTKAV FTKFV	ID	MIP	RD	RECTKBK	RECTKL RECTKR	RT	VTK
			•	•	•	•	•	•	•	•	•	•	•	•	•	•	•	•	•

Construction Upgrades	APW	PLE	Non Smart Stop Options	NSCFB	NSCH
	•	•		•	•

3DB122921	636	655	670	686	710	718	736	741	757	766	790	803	829
3DB152921	685	705	721	739	765	774	792	797	815	825	851	865	893
3DB182921	737	759	777	795	823	833	853	859	878	889	916	932	961
3DB212921	788	811	830	850	880	890	912	918	938	950	979	995	1027
3DB242921	840	865	886	907	939	950	972	979	1001	1012	1045	1062	1095

Custom Modifications	ADDTK	AUTHL AUTHR	CBO	CCO	CFNTO	CFP	CFRMO	CND	FB	FPEB	FTK	FTKAV FTKFV	ID	MIP	RD	RECTKBK	RECTKL RECTKR	RT	VTK
			•	•	•	•	•	•	•	•	•	•	•	•	•	•	•	•	•

Construction Upgrades	APW	PLE	Non Smart Stop Options	NSCFB	NSCH
	•	•		•	

DFD152921	928	964	996	1037	1088	1105	1142	1163	1198	1272	1272	1312	1369
DFD182921	973	1013	1047	1090	1144	1165	1200	1223	1260	1340	1340	1382	1442
DFD212921	1033	1073	1113	1156	1213	1235	1273	1298	1337	1425	1425	1468	1533

Custom Modifications	ADDTK	AUTHL AUTHR	CBO	CCO	CFNTO	CFP	CFRMO	CND	FB	FPEB	FTK	FTKAV FTKFV	ID	MIP	RD	RECTKBK	RECTKL RECTKR	RT	VTK
			•	•	•	•	•	•	•	•	•	•	•	•	•	•	•	•	•

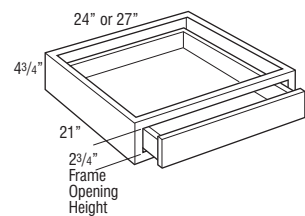
Construction Upgrades	APW	PLE	Non Smart Stop Options	NSCFB	NSCH
	•	•			

DDFD242921	1207	1257	1301	1354	1420	1445	1490	1519	1563	1666	1666	1717	1792
DDFD302921	1328	1383	1432	1489	1562	1593	1638	1670	1719	1831	1831	1887	1969

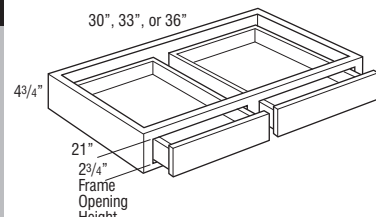
Custom Modifications	ADDTK	AUTHL AUTHR	CBO	CCO	CFNTO	CFP	CFRMO	CND	FB	FPEB	FTK	FTKAV FTKFV	ID	MIP	RD	RECTKBK	RECTKL RECTKR	RT	VTK
			•	•	•	•	•	•	•	•	•	•	•	•	•	•	•	•	•

Construction Upgrades	APW	PLE	Non Smart Stop Options	NSCFB	NSCH
	•	•			

UNDER COUNTER DRAWER, 4 3/4" HIGH, 21" DEEP



UCD2421
UCD2721

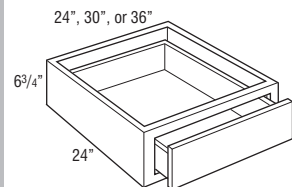


UCD3021
UCD3321
UCD3621

Model	1	2	3	4	5	6	7
UCD2421	342	350	368	378	387	388	392
UCD2721	358	367	386	397	405	406	411
UCD3021	376	385	405	416	425	426	431
UCD3321	397	407	428	440	450	451	456
UCD3621	418	428	451	462	474	475	480

- Cabinet is 4 3/4" high. Drawer box within cabinet is 2" high (outside dimension).
- Not trimmable.
- Drawer front is 3/4" slab front.
- Warren PureStyle™ slab drawer front will be painted hardwood.
- The frame to end panel offset is 3/4", which is designed to accommodate the vanity desk leg.
- End panels will feature non-matching laminate exterior.

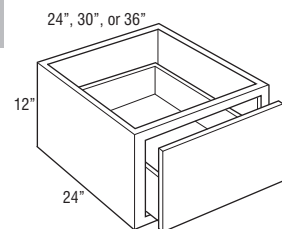
FURNITURE DRAWER, 6 3/4" HIGH, 24" DEEP



Model	1	2	3	4	5	6	7
FD2406.7524	383	393	414	424	435	436	441
FD3006.7524	579	591	619	634	647	649	655
FD3606.7524	612	625	655	671	684	686	693

- On partial overlay styles, drawer front to face frame is justified to the top to be consistent with current partial overlay reveal. Bottom reveal is 1/4".

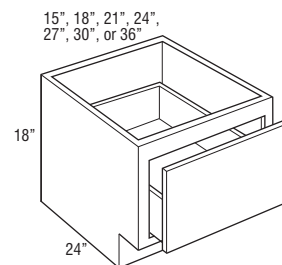
FURNITURE DRAWER, 12" HIGH, 24" DEEP



Model	1	2	3	4	5	6	7
FD241224	503	515	540	553	564	565	571
FD301224	690	705	738	756	772	774	781
FD361224	727	743	778	797	814	815	823

- Drawer front to face frame reveal is justified to the bottom to be consistent with both full overlay and partial overlay. Top reveal is 1 1/8" for partial overlay and 3/8" for full overlay.
- Exterior height of drawer box is 6 3/8".

FURNITURE DRAWER WINDOW BENCH, 18" HIGH, 24" DEEP



Model	1	2	3	4	5	6	7
FDWB151824	670	682	707	720	732	733	739
FDWB181824	679	692	717	731	742	744	750
FDWB211824	691	702	729	742	755	755	761
FDWB241824	700	713	739	753	765	766	772
FDWB271824	720	733	759	774	786	788	794
FDWB301824	893	909	942	960	975	977	984
FDWB361824	957	974	1010	1030	1046	1048	1056

- Drawer front to face frame reveal is justified to the bottom to be consistent with both full overlay and partial overlay. Partial overlay top reveal is 2 5/8" and bottom reveal is 1". Full overlay top reveal is 1 7/8" and bottom reveal is 1/4".
- Exterior height of drawer box is 6 3/8".

Model	8	9	10	11	12	13	14	15	16	17	18	19	20
UCD2421	404	414	422	431	444	447	457	459	468	472	484	492	504
UCD2721	424	434	442	452	465	469	479	482	491	496	508	516	529
UCD3021	444	456	464	474	488	492	502	505	515	520	534	540	555
UCD3321	470	481	491	501	515	520	530	533	543	549	563	571	586
UCD3621	495	507	517	527	543	547	559	562	573	578	593	601	618

Custom Modifications	ADDTK	AUTHL AUTHR	CBO	CCO	CFNTD	CFP	CFRMO	CND	FB	FPEB	FTK	FTKAV FTKFV	ID	MIP	RD	RECTKBK	RECTKL RECTKR	RT	VTK
			•	•	•		•					•			•				

Construction Upgrades	APW	PLE	Non Smart Stop Options	NSCFB	NSCH
	•	•		•	

Model	1	2	3	4	5	6	7
FD2406.7524	454	465	474	484	498	502	513
FD3006.7524	674	688	700	713	732	737	751
FD3606.7524	712	728	740	754	774	780	795

Custom Modifications	ADDTK	AUTHL AUTHR	CBO	CCO	CFNTD	CFP	CFRMO	CND	FB	FPEB	FTK	FTKAV FTKFV	ID	MIP	RD	RECTKBK	RECTKL RECTKR	RT	VTK
			•	•			•		•	•					•				

Construction Upgrades	APW	PLE	Non Smart Stop Options	NSCFB	NSCH
	STD				

Model	1	2	3	4	5	6	7
FD241224	587	599	610	621	638	643	655
FD301224	803	821	835	851	873	880	896
FD361224	847	865	880	896	919	928	944

Custom Modifications	ADDTK	AUTHL AUTHR	CBO	CCO	CFNTD	CFP	CFRMO	CND	FB	FPEB	FTK	FTKAV FTKFV	ID	MIP	RD	RECTKBK	RECTKL RECTKR	RT	VTK
	•		•	•			•		•	•					•				

Construction Upgrades	APW	PLE	Non Smart Stop Options	NSCFB	NSCH
	STD				

Model	1	2	3	4	5	6	7
FDWB151824	755	768	778	789	805	811	822
FDWB181824	766	779	790	800	817	822	834
FDWB211824	777	792	802	814	830	835	847
FDWB241824	789	802	814	825	842	847	859
FDWB271824	811	825	836	848	865	871	883
FDWB301824	1006	1023	1037	1051	1072	1080	1095
FDWB361824	1079	1097	1112	1128	1151	1159	1175

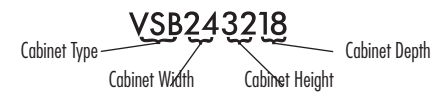
Custom Modifications	ADDTK	AUTHL AUTHR	CBO	CCO	CFNTD	CFP	CFRMO	CND	FB	FPEB	FTK	FTKAV FTKFV	ID	MIP	RD	RECTKBK	RECTKL RECTKR	RT	VTK
			•	•	•		•		•	•	•	•			•	•	•		•

Construction Upgrades	APW	PLE	Non Smart Stop Options	NSCFB	NSCH
	STD				

KEMPER®

ECHO™ SERIES

VANITY CABINET NOMENCLATURE



NOTE:
Distance between back of drawer box and back interior of cabinet is 2 3/4".

All vanity cabinets are predrilled for full depth shelves or roll trays.

TOEKICKS

Vanity Cabinets are shipped with an unfinished toekick. Finished toekicks in matching wood veneer or laminate must be ordered separately and field installed.

CUSTOM MODIFICATIONS

Mod.	Description	Mod.	Description
AUTHL	Authentic End - Left	FTK	Flush Toekick
AUTHR	Authentic End - Right	FTKAV	Flush Toekick Arch
CBO	Cabinet Box Only	FTKRV	Flush Toekick Furniture
CCO	Cabinet Case Only	ID	Increased Depth
CFNTO	Cabinet Front Only	MIP	Matching Interior Plywood
CFP	Cabinet False Panel	RD	Reduced Depth
CFRMO	Cabinet Frame Only	RECTKBK	Recessed Toekick Back
CMAT	CabMat™	RECTKL	Recessed Toekick Left
CND	Cabinet with No Door, with Drawer	RECTKR	Recessed Toekick Right
FB	Finished Ends	RT	Installed Roll Tray
FPEB	Furniture Finished Plywood End Panels	VTK	Void Toekick

CONSTRUCTION UPGRADES

Mod.	Description
APW	All-plywood Construction
PLE	Plywood Ends

NON SMART STOP OPTIONS

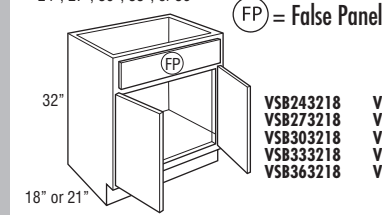
Mod.	Description
NSCFB	Non Soft-close Guides & Furniture Board Drawers and Roll Trays
NSCH	Non Soft-close Door Hinges

MODIFICATIONS GRID KEY

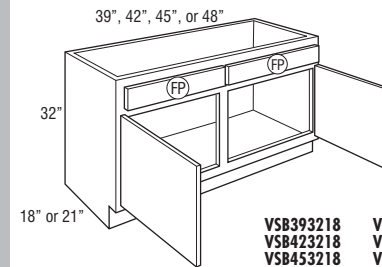
- Available
- STD Standard on these cabinets
- storage Storage Solutions Organization Cabinet SOLUTIONS

VANITY SINK BASE with FALSE PANEL, 32" HIGH, 18" or 21" DEEP

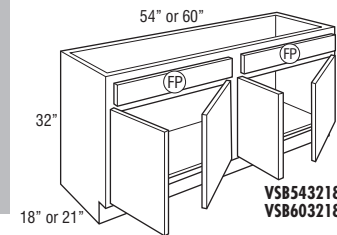
24", 27", 30", 33", or 36"



- FP = False Panel
- VSB243218
 - VSB273218
 - VSB303218
 - VSB333218
 - VSB363218



- VSB393218
- VSB423218
- VSB453218
- VSB483218CS
- VSB393221
- VSB423221
- VSB453221
- VSB483221CS



- VSB543218
- VSB603218
- VSB543221
- VSB603221

Model	1	2	3	4	5	6	7
VSB243218	465	488	540	569	596	598	611
VSB273218	479	502	557	585	612	616	629
VSB303218	496	520	576	607	635	638	651
VSB333218	517	543	598	631	659	663	678
VSB363218	538	565	622	657	687	689	704
VSB243221	465	488	540	569	596	598	611
VSB273221	479	502	557	585	612	616	629
VSB303221	496	520	576	607	635	638	651
VSB333221	517	543	598	631	659	663	678
VSB363221	538	565	622	657	687	689	704
VSB393218	560	590	650	685	716	719	734
VSB423218	583	614	677	712	744	748	764
VSB453218	615	644	710	748	781	784	801
VSB483218CS	668	702	778	822	858	864	883
VSB393221	560	590	650	685	716	719	734
VSB423221	583	614	677	712	744	748	764
VSB453221	615	644	710	748	781	784	801
VSB483221CS	668	702	778	822	858	864	883
VSB543218	764	802	885	933	972	979	1040
VSB603218	840	882	974	1026	1069	1077	1144
VSB543221	764	802	885	933	972	979	1040
VSB603221	840	882	974	1026	1069	1077	1144

- CMAT not available on VSB393221, VSB423221, VSB453221, VSB483221CS, VSB543221, VSB603221, and 18" deep vanities.
- ID not available on VSB483218CS and VSB483221CS.

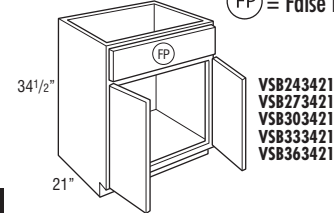
Model	8	9	10	11	12	13	14	15	16	17	18	19	20
VSB243218	647	678	706	735	778	791	824	833	865	880	929	952	1002
VSB273218	667	699	727	756	799	813	844	854	885	905	952	980	1032
VSB303218	689	724	753	781	827	843	876	886	918	937	986	1014	1069
VSB333218	720	754	782	814	862	877	912	923	958	978	1028	1057	1111
VSB363218	748	784	814	849	898	912	950	960	997	1014	1069	1099	1157
VSB243221	647	678	706	735	778	791	824	833	865	880	929	952	1002
VSB273221	667	699	727	756	799	813	844	854	885	905	952	980	1032
VSB303221	689	724	753	781	827	843	876	886	918	937	986	1014	1069
VSB333221	720	754	782	814	862	877	912	923	958	978	1028	1057	1111
VSB363221	748	784	814	849	898	912	950	960	997	1014	1069	1099	1157
VSB393218	779	817	849	884	936	952	991	1002	1039	1057	1113	1146	1207
VSB423218	811	850	883	918	974	991	1032	1043	1080	1101	1158	1191	1254
VSB453218	851	893	929	965	1021	1041	1080	1092	1136	1155	1216	1251	1318
VSB483218CS	939	986	1024	1069	1133	1151	1200	1214	1260	1284	1353	1392	1467
VSB393221	779	817	849	884	936	952	991	1002	1039	1057	1113	1146	1207
VSB423221	811	850	883	918	974	991	1032	1043	1080	1101	1158	1191	1254
VSB453221	851	893	929	965	1021	1041	1080	1092	1136	1155	1216	1251	1318
VSB483221CS	939	986	1024	1069	1133	1151	1200	1214	1260	1284	1353	1392	1467
VSB543218	1062	1114	1156	1204	1256	1296	1349	1362	1415	1440	1517	1561	1643
VSB603218	1168	1225	1272	1324	1382	1426	1484	1498	1557	1584	1669	1717	1807
VSB543221	1062	1114	1156	1204	1256	1296	1349	1362	1415	1440	1517	1561	1643
VSB603221	1168	1225	1272	1324	1382	1426	1484	1498	1557	1584	1669	1717	1807

Custom Modifications	AUTHL	AUTHR	CBO	CCO	CFNTO	CFP	CFRMO	CMAT	CND	FB	FPEB	FTK	FTKAV	FTKRV	ID	MIP	RD	RECTKBK	RECTKL	RECTKR	RT	VTK
	•			•	•	STD	•	•	•	•	•	•	•	•	•	•	•	•	•	•	•	•

Construction Upgrades	APW	PLE	Non Smart Stop Options	NSCFB	NSCH
	•	•		•	•

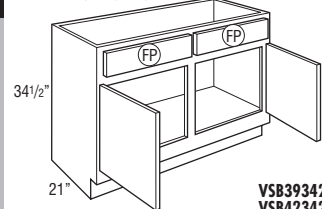
VANITY SINK BASE with FALSE PANEL, 34 1/2" HIGH, 21" DEEP

24", 27", 30", 33", or 36" FP = False Panel



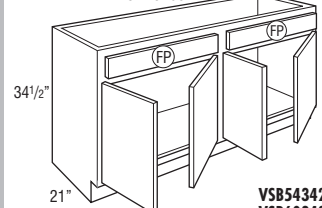
VS243421
VS273421
VS303421
VS333421
VS363421

39", 42", 45", or 48"



VS393421
VS423421
VS453421
VS483421CS

54" or 60"

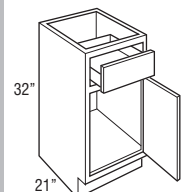


VS543421
VS603421

Model	1	2	3	4	5	6	7
VS243421	535	561	620	652	683	685	699
VS273421	538	565	624	657	687	689	704
VS303421	557	584	647	680	711	715	730
VS333421	579	607	670	704	738	739	756
VS363421	600	631	697	735	768	773	789
VS393421	630	662	733	772	807	811	828
VS423421	659	694	767	808	845	849	867
VS453421	695	729	805	849	887	892	911
VS483421CS	752	789	875	921	966	969	991
VS543421	856	898	991	1045	1089	1096	1165
VS603421	941	988	1091	1149	1197	1206	1281

- CMAT not available on VS393421, VS423421, VS453421, VS483421CS, VS543421, and VS603421.
- ID not available on VS483421CS.

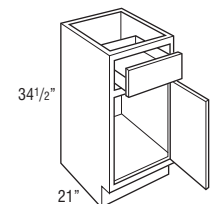
VANITY BASE, SINGLE DOOR with DRAWER, 32" HIGH, 21" DEEP



VB123221L or R	398	419	461	489	511	514	525
VB153221L or R	428	451	499	526	547	553	564
VB183221L or R	457	480	530	559	584	587	600
VB213221L or R	487	512	564	595	621	624	638
VB243221 L or R	519	545	602	635	663	667	681

- FTKAV and FTKFV not available on VB123221 L or R.

VANITY BASE, SINGLE DOOR with DRAWER, 34 1/2" HIGH, 21" DEEP



VB123421L or R	423	445	493	518	540	544	556
VB153421L or R	455	479	529	558	583	585	598
VB183421L or R	484	509	562	592	619	621	635
VB213421L or R	517	543	598	631	659	663	678
VB243421 L or R	551	579	639	673	703	706	721

- FTKAV and FTKFV not available on VB123421 L or R.

Model	8	9	10	11	12	13	14	15	16	17	18	19	20
VS243421	741	779	810	843	892	908	943	954	989	1010	1063	1092	1149
VS273421	749	784	814	849	898	912	950	961	997	1016	1070	1099	1157
VS303421	775	813	844	878	930	946	985	996	1034	1051	1108	1140	1200
VS333421	805	843	875	910	963	982	1019	1031	1070	1091	1148	1179	1242
VS363421	836	877	910	946	1003	1020	1063	1075	1116	1136	1197	1228	1293

VS393421	877	920	955	993	1053	1071	1116	1128	1172	1191	1255	1289	1358
VS423421	918	964	1001	1041	1102	1122	1167	1180	1226	1247	1313	1350	1422
VS453421	966	1011	1050	1094	1159	1178	1227	1240	1287	1309	1379	1419	1494
VS483421CS	1053	1106	1151	1199	1271	1293	1347	1362	1414	1440	1518	1561	1646

VS543421	1189	1248	1295	1348	1407	1452	1511	1525	1585	1613	1699	1748	1840
VS603421	1308	1372	1425	1483	1548	1597	1662	1678	1744	1774	1869	1923	2024

Custom Modifications	AUTHL AUTHR	CBO	CCO	CFNTO	CFP	CFRMO	CMAT	CND	FB	FPEB	FTK	FTKAV FTKFV	ID	MIP	RD	RECTKBK	RECTKL RECTKR	RT	VTK
			•	•	STD	•	•	•		•	•	•	•	•	•	•	•	•	•

Construction Upgrades	APW	PLE	Non Smart Stop Options	NSCFB	NSCH
	•	•		•	•

VB123221L or R	557	584	606	629	666	679	705	713	740	755	796	814	858
VB153221L or R	597	626	652	677	717	732	759	768	798	813	856	879	928
VB183221L or R	638	668	694	721	764	778	809	818	849	865	910	935	984
VB213221L or R	677	710	739	770	815	829	863	872	905	919	969	994	1047
VB243221 L or R	723	756	787	818	865	881	915	926	962	981	1033	1062	1117

Custom Modifications	AUTHL AUTHR	CBO	CCO	CFNTO	CFP	CFRMO	CMAT	CND	FB	FPEB	FTK	FTKAV FTKFV	ID	MIP	RD	RECTKBK	RECTKL RECTKR	RT	VTK
	•	•	•	•	•	•		•	•	•	•	•	•	•	•	•	•	•	•

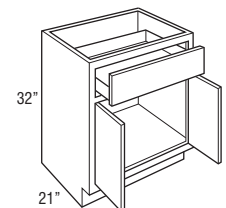
Construction Upgrades	APW	PLE	Non Smart Stop Options	NSCFB	NSCH
	•	•		•	•

VB123421L or R	590	618	643	670	709	721	750	758	785	801	843	867	912
VB153421L or R	635	663	689	716	760	776	806	815	845	862	907	933	982
VB183421L or R	674	707	735	765	809	825	856	866	901	916	965	991	1043
VB213421L or R	720	754	782	814	862	877	912	923	958	978	1028	1057	1111
VB243421 L or R	765	804	834	867	918	935	971	982	1019	1039	1093	1124	1182

Custom Modifications	AUTHL AUTHR	CBO	CCO	CFNTO	CFP	CFRMO	CMAT	CND	FB	FPEB	FTK	FTKAV FTKFV	ID	MIP	RD	RECTKBK	RECTKL RECTKR	RT	VTK
	•	•	•	•	•	•		•	•	•	•	•	•	•	•	•	•	•	•

Construction Upgrades	APW	PLE	Non Smart Stop Options	NSCFB	NSCH
	•	•		•	•

VANITY BASE, DOUBLE DOOR with DRAWER, 32" HIGH, 21" DEEP



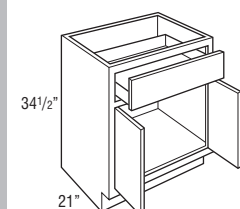
Model	1	2	3	4	5	6	7
VB243221	544	571	630	668	697	700	715

Model	8	9	10	11	12	13	14	15	16	17	18	19	20
VB243221	757	796	826	858	909	929	963	974	1010	1028	1081	1115	1174

Custom Modifications	AUTHL AUTHR	CBO	CCO	CFNT0	CFP	CFRMO	CMAT	CND	FB	FPEB	FTK	FTKAV FTKFV	ID	MIP	RD	RECTKBK	RECTKL RECTKR	RT	VTK
	•	•	•	•	•	•		•	•	•	•	•		•	•	•	•	•	•

Construction Upgrades	APW	PLE	Non Smart Stop Options		NSCFB	NSCH
	•	•			•	•

VANITY BASE, DOUBLE DOOR with DRAWER, 34 1/2" HIGH, 21" DEEP



Model	1	2	3	4	5	6	7
VB243421	579	607	671	705	738	740	756

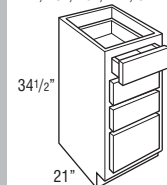
Model	8	9	10	11	12	13	14	15	16	17	18	19	20
VB243421	804	843	876	911	964	982	1019	1031	1070	1091	1148	1180	1243

Custom Modifications	AUTHL AUTHR	CBO	CCO	CFNT0	CFP	CFRMO	CMAT	CND	FB	FPEB	FTK	FTKAV FTKFV	ID	MIP	RD	RECTKBK	RECTKL RECTKR	RT	VTK
	•	•	•	•	•	•		•	•	•	•	•		•	•	•	•	•	•

Construction Upgrades	APW	PLE	Non Smart Stop Options		NSCFB	NSCH
	•	•			•	•

VANITY FOUR DRAWER BASE, 34 1/2" HIGH, 21" DEEP

12", 15", 18", 21", or 24"



Model	1	2	3	4	5	6	7
4VDB123421	604	622	662	684	703	705	714
4VDB153421	652	672	716	739	760	762	772
4VDB183421	701	723	769	794	816	819	830
4VDB213421	749	772	822	848	872	874	886
4VDB243421	803	828	882	910	936	938	950

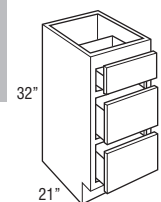
• FTKAV and FTKFV not available on 4VDB123421.

Model	8	9	10	11	12	13	14	15	16	17	18	19	20
4VDB123421	741	763	782	801	829	838	859	865	884	895	923	940	969
4VDB153421	801	824	844	865	896	906	928	934	956	967	998	1015	1047
4VDB183421	861	886	907	930	963	974	997	1004	1027	1039	1072	1091	1125
4VDB213421	920	946	969	993	1028	1039	1065	1072	1097	1110	1145	1164	1201
4VDB243421	986	1016	1039	1065	1103	1116	1142	1150	1177	1191	1229	1249	1289

Custom Modifications	AUTHL AUTHR	CBO	CCO	CFNT0	CFP	CFRMO	CMAT	CND	FB	FPEB	FTK	FTKAV FTKFV	ID	MIP	RD	RECTKBK	RECTKL RECTKR	RT	VTK
	•	•	•	•	•	•			•	•	•	•			•	•			•

Construction Upgrades	APW	PLE	Non Smart Stop Options		NSCFB	NSCH
	•	•				

VANITY DRAWER BASE, 32" HIGH, 21" DEEP



Model	1	2	3	4	5	6	7
VDB123221	520	535	569	587	603	605	613
VDB153221	559	577	613	633	650	652	660
VDB183221	602	620	660	681	700	702	711
VDB213221	643	663	705	728	748	750	760
VDB243221	687	707	753	776	797	799	810

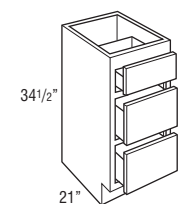
• FTKAV and FTKFV not available on VDB123221.

Model	8	9	10	11	12	13	14	15	16	17	18	19	20
VDB123221	636	655	670	686	710	718	736	741	757	766	790	803	829
VDB153221	685	705	721	739	765	774	792	797	815	825	851	865	893
VDB183221	737	759	777	795	823	833	853	859	878	889	916	932	961
VDB213221	788	811	830	850	880	890	912	918	938	950	979	995	1027
VDB243221	840	865	886	907	939	950	972	979	1001	1012	1045	1062	1095

Custom Modifications	AUTHL AUTHR	CBO	CCO	CFNT0	CFP	CFRMO	CMAT	CND	FB	FPEB	FTK	FTKAV FTKFV	ID	MIP	RD	RECTKBK	RECTKL RECTKR	RT	VTK
	•	•	•	•	•	•			•	•	•	•			•	•			•

Construction Upgrades	APW	PLE	Non Smart Stop Options		NSCFB	NSCH
	•	•			•	

VANITY DRAWER BASE, 34 1/2" HIGH, 21" DEEP



Model	1	2	3	4	5	6	7
VDB123421	568	585	622	642	660	662	671
VDB153421	613	631	671	692	711	714	723
VDB183421	656	675	718	741	761	763	773
VDB213421	703	724	771	795	817	819	830
VDB243421	753	775	824	851	873	876	888

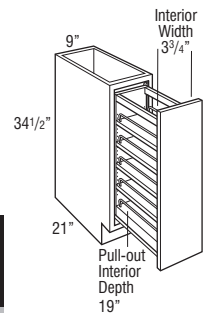
• FTKAV and FTKFV not available on VDB123421.

Model	8	9	10	11	12	13	14	15	16	17	18	19	20
VDB123421	696	716	733	751	777	786	804	810	829	838	865	879	907
VDB153421	750	772	790	809	837	847	867	873	893	903	932	947	977
VDB183421	802	826	845	866	896	906	928	934	955	967	997	1013	1046
VDB213421	861	886	907	929	961	972	995	1002	1026	1037	1069	1088	1122
VDB243421	921	948	970	993	1028	1040	1065	1072	1097	1109	1145	1164	1200

Custom Modifications	AUTHL AUTHR	CBO	CCO	CFNT0	CFP	CFRMO	CMAT	CND	FB	FPEB	FTK	FTKAV FTKFV	ID	MIP	RD	RECTKBK	RECTKL RECTKR	RT	VTK
	•	•	•	•	•	•			•	•	•	•			•	•			•

Construction Upgrades	APW	PLE	Non Smart Stop Options		NSCFB	NSCH
	•	•			•	

**VANITY PULL-OUT,
34 1/2" HIGH, 21" DEEP**

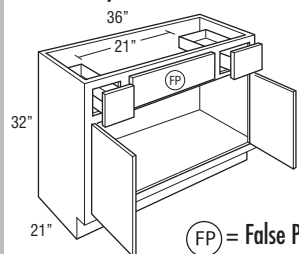


storage
SOLUTIONS

Model	1	2	3	4	5	6	7
VP93421	1040	1080	1171	1222	1265	1271	1294

- Natural Finish with Smart Stop wood pull-out with adjustable shelves and chrome rail sides.
- Pull-out is 19 9/16" deep.

**VANITY SINK DRAWER BASE,
32" HIGH, 21" DEEP**

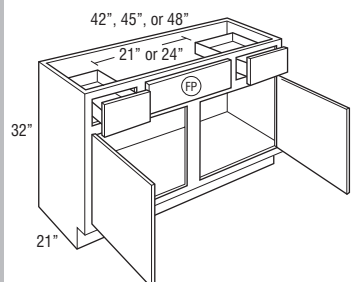


2VSD363221

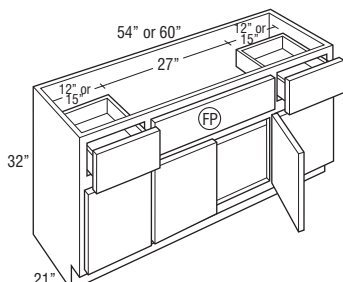
FP = False Panel

2VSD363221	686	721	794	837	876	879	898
2VSD423221	787	827	915	964	1009	1012	1034
2VSD453221	818	860	952	1002	1049	1051	1074
2VSD483221CS	825	867	960	1012	1061	1064	1088
2VSD543221FP	915	962	1063	1118	1169	1174	1200
NEW 2VSD603221FP	969	1017	1125	1183	1239	1243	1271

- 2VSD42 and 2VSD48 cabinets have 21" space between drawers.
- 2VSD45 cabinets have 24" space between drawers.
- CMAT not available on 2VSD423221, 2VSD453221, and 2VSD483221CS.
- ID not available on 2VSD483221CS.
- RT not available on 2VSD543221FP and 2VSD603221FP.

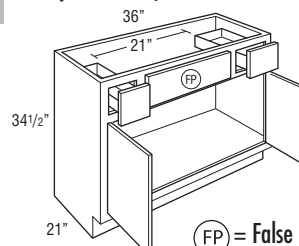


2VSD423221
2VSD453221
2VSD483221CS



2VSD543221FP
2VSD603221FP

**VANITY SINK DRAWER BASE,
34 1/2" HIGH, 21" DEEP**

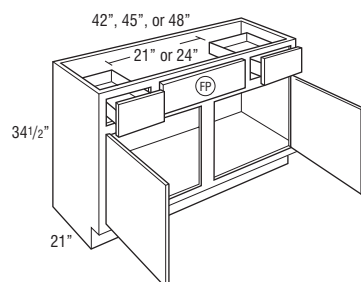


2VSD363421

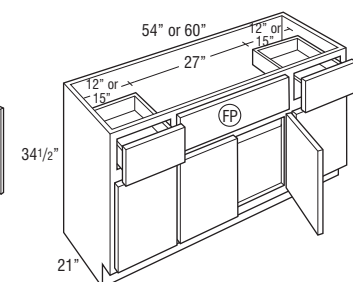
FP = False Panel

2VSD363421	768	807	890	939	982	987	1008
2VSD423421	882	928	1024	1077	1127	1130	1155
2VSD453421	917	963	1065	1122	1173	1178	1204
2VSD483421CS	927	971	1079	1140	1192	1197	1223
2VSD543421FP	1024	1076	1189	1252	1307	1315	1344
NEW 2VSD603421FP	1086	1139	1261	1327	1387	1392	1423

- 2VSD42 and 2VSD48 cabinets have 21" space between drawers.
- 2VSD45 cabinets have 24" space between drawers.
- CMAT not available on 2VSD423421, 2VSD453421, and 2VSD483421CS.
- ID not available on 2VSD483421CS.
- RT not available on 2VSD543421FP and 2VSD603421FP.



2VSD423421
2VSD453421
2VSD483421CS



2VSD543421FP
2VSD603421FP

Model	8	9	10	11	12	13	14	15	16	17	18	19	20
VP93421	1359	1418	1462	1513	1589	1612	1668	1684	1740	1768	1849	1895	1983

Custom Modifications	AUTHL AUTHR	CBO	CCO	CFNTD	CFP	CFRMO	CMAT	CND	FB	FPEB	FTK	FTKAV FTKFV	ID	MIP	RD	RECTKBK	RECTKL RECTKR	RT	VTK
	•	•	•	•	•	•	•	•	•	•	•	•	•	•	•	•	•	•	•

Construction Upgrades	APW	PLE	Non Smart Stop Options	NSCFB	NSCH
	•	•		•	•

2VSD363221	954	1001	1038	1078	1144	1165	1213	1227	1272	1296	1363	1403	1477
2VSD423221	1097	1149	1195	1243	1316	1339	1392	1408	1462	1489	1567	1610	1694
2VSD453221	1142	1195	1243	1291	1367	1393	1447	1464	1521	1549	1630	1675	1761
2VSD483221CS	1158	1214	1263	1314	1393	1420	1476	1493	1552	1582	1666	1713	1803
2VSD543221FP	1274	1334	1386	1441	1526	1556	1615	1633	1694	1727	1819	1871	1970
2VSD603221FP	1352	1416	1469	1529	1619	1648	1714	1733	1797	1831	1929	1982	2087

Custom Modifications	AUTHL AUTHR	CBO	CCO	CFNTD	CFP	CFRMO	CMAT	CND	FB	FPEB	FTK	FTKAV FTKFV	ID	MIP	RD	RECTKBK	RECTKL RECTKR	RT	VTK
	•	•	•	•	•	•	•	•	•	•	•	•	•	•	•	•	•	•	•

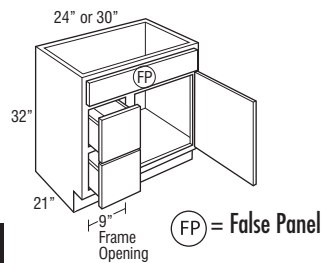
Construction Upgrades	APW	PLE	Non Smart Stop Options	NSCFB	NSCH
	•	•		•	•

2VSD363421	1070	1123	1165	1210	1283	1305	1359	1374	1426	1453	1528	1571	1654
2VSD423421	1229	1288	1339	1392	1474	1501	1560	1578	1637	1669	1756	1804	1900
2VSD453421	1279	1339	1391	1446	1532	1561	1622	1641	1702	1735	1825	1876	1976
2VSD483421CS	1300	1363	1416	1474	1564	1594	1658	1677	1741	1773	1867	1922	2025
2VSD543421FP	1427	1496	1553	1615	1712	1742	1813	1833	1902	1935	2037	2094	2205
2VSD603421FP	1513	1584	1648	1714	1815	1845	1920	1942	2014	2053	2162	2220	2337

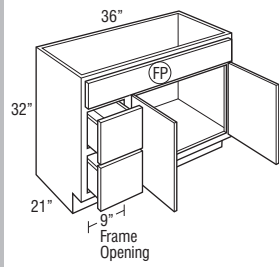
Custom Modifications	AUTHL AUTHR	CBO	CCO	CFNTD	CFP	CFRMO	CMAT	CND	FB	FPEB	FTK	FTKAV FTKFV	ID	MIP	RD	RECTKBK	RECTKL RECTKR	RT	VTK
	•	•	•	•	•	•	•	•	•	•	•	•	•	•	•	•	•	•	•

Construction Upgrades	APW	PLE	Non Smart Stop Options	NSCFB	NSCH
	•	•		•	•

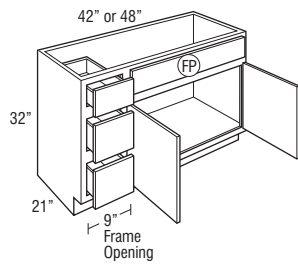
VANITY SINK DRAWER BASE with FALSE PANELS, 32" HIGH, 21" DEEP



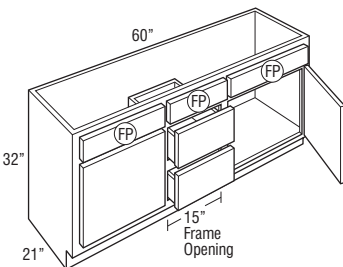
VSD243221FP DL or DR
VSD303221FP DL or DR



VSD363221FP DL or DR



VSD423221FP DL or DR
VSD483221FP DL or DR

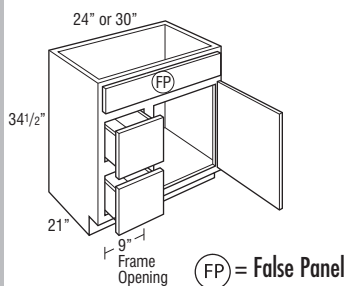


VSD603221FP

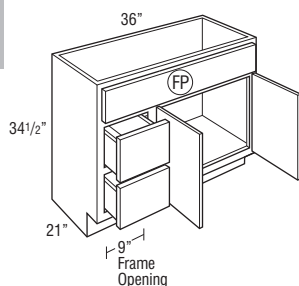
Model	1	2	3	4	5	6	7
VSD243221FPDL or DR	673	698	754	784	811	814	827
VSD303221FPDL or DR	728	755	815	848	876	879	893
VSD363221FPDL or DR	797	827	893	929	960	964	980
VSD423221FPDL or DR	883	916	990	1029	1064	1068	1085
VSD483221FPDL or DR	922	957	1033	1074	1111	1115	1133
VSD603221FP	1010	1048	1130	1175	1216	1220	1240

- DL or DR indicates drawer location (DL shown).
- CFP is standard on VSD243221FP DL or DR, VSD303221FP DL or DR, VSD363221FP DL or DR, and VSD603221FP. CFP is available on VSD423221FP DL or DR and VSD483221FP DL or DR.
- CMAT not available on VSD243221FP DL or DR, VSD303221FP DL or DR, and VSD603221FP.
- CND not available on VSD423221FP DL or DR, VSD483221FP DL or DR, and VSD603221FP.

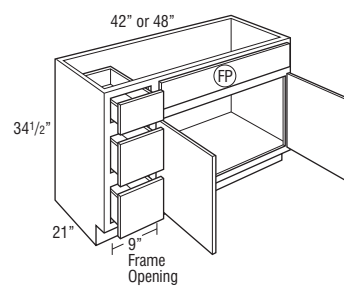
VANITY SINK DRAWER BASE with FALSE PANEL, 34 1/2" HIGH, 21" DEEP



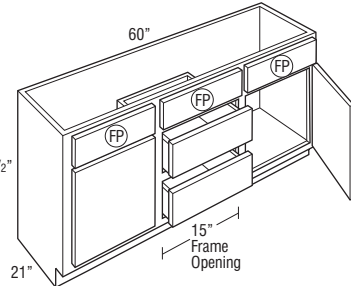
VSD243421FP DL or DR
VSD303421FP DL or DR



VSD363421FP DL or DR



VSD423421FP DL or DR
VSD483421FP DL or DR



VSD603421FP

Model	1	2	3	4	5	6	7
VSD243421FPDL or DR	753	780	842	876	906	910	925
VSD303421FPDL or DR	814	844	912	948	980	984	1000
VSD363421FPDL or DR	892	925	998	1038	1073	1077	1095
VSD423421FPDL or DR	989	1026	1108	1151	1191	1195	1215
VSD483421FPDL or DR	1034	1072	1158	1204	1246	1249	1270
VSD603421FP	1132	1175	1268	1319	1364	1369	1392

- DL or DR indicates drawer location (DL shown).
- CFP is standard on VSD243421FP DL or DR, VSD303421FP DL or DR, VSD363421FP DL or DR, and VSD603421FP. CFP is available on VSD423421FP DL or DR and VSD483421FP DL or DR.
- CMAT not available on VSD243421FP DL or DR, VSD303421FP DL or DR, and VSD603421FP.
- CND not available on VSD423421FP DL or DR, VSD483421FP DL or DR, and VSD603421FP.

Model	8	9	10	11	12	13	14	15	16	17	18	19	20
VSD243221FPDL or DR	865	897	923	952	993	1007	1037	1046	1076	1091	1134	1158	1204
VSD303221FPDL or DR	935	971	998	1029	1074	1089	1122	1132	1164	1180	1226	1252	1302
VSD363221FPDL or DR	1025	1063	1094	1127	1176	1192	1228	1239	1274	1293	1344	1372	1426
VSD423221FPDL or DR	1136	1177	1212	1248	1303	1322	1361	1373	1412	1432	1488	1520	1579
VSD483221FPDL or DR	1186	1229	1265	1304	1362	1380	1422	1434	1475	1496	1555	1587	1650
VSD603221FP	1298	1345	1385	1427	1490	1510	1556	1569	1614	1637	1701	1737	1806

Custom Modifications	AUTHL AUTHR	CBO	CCO	CFNTO	CFP	CFRMO	CMAT	CND	FB	FPEB	FTK	FTKAV	FTKFV	ID	MIP	RD	RECTKBK	RECTKL	RECTKR	RT	VTK
	•	•	•	•	•	•	•	•	•	•	•	•	•	•	•	•	•	•	•	•	•

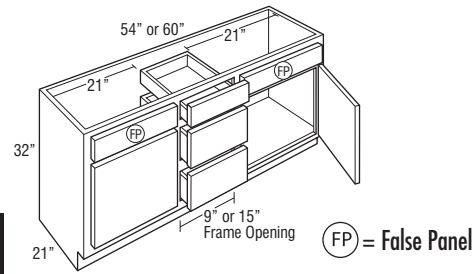
Construction Upgrades	APW	PLE	Non Smart Stop Options	NSCFB	NSCH
	•	•		•	•

Model	1	2	3	4	5	6	7	8	9	10	11	12	13	14	15	16	17	18	19	20
VSD243421FPDL or DR	967	1003	1032	1064	1110	1126	1159	1169	1203	1220	1267	1294	1345							
VSD303421FPDL or DR	1047	1085	1117	1150	1201	1218	1254	1265	1301	1320	1371	1401	1456							
VSD363421FPDL or DR	1146	1187	1223	1260	1315	1333	1373	1385	1424	1445	1501	1534	1594							
VSD423421FPDL or DR	1271	1318	1357	1398	1459	1480	1524	1537	1581	1603	1667	1701	1769							
VSD483421FPDL or DR	1329	1378	1419	1462	1526	1547	1593	1607	1653	1677	1742	1779	1850							
VSD603421FP	1457	1510	1554	1601	1671	1695	1745	1760	1811	1836	1909	1949	2026							

Custom Modifications	AUTHL AUTHR	CBO	CCO	CFNTO	CFP	CFRMO	CMAT	CND	FB	FPEB	FTK	FTKAV	FTKFV	ID	MIP	RD	RECTKBK	RECTKL	RECTKR	RT	VTK
	•	•	•	•	•	•	•	•	•	•	•	•	•	•	•	•	•	•	•	•	•

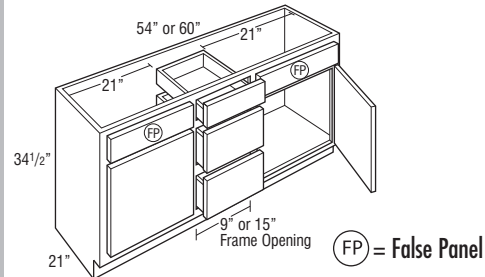
Construction Upgrades	APW	PLE	Non Smart Stop Options	NSCFB	NSCH
	•	•		•	•

VANITY SINK THREE DRAWER BASE, 32" HIGH, 21" DEEP



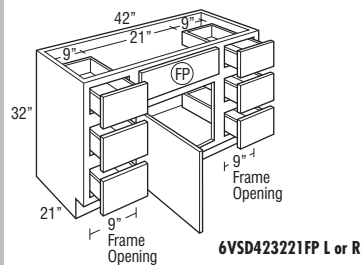
Model	1	2	3	4	5	6	7
VS3D543221	1252	1299	1403	1458	1508	1514	1539
VS3D603221	1252	1299	1403	1458	1508	1514	1539

VANITY SINK THREE DRAWER BASE, 34 1/2" HIGH, 21" DEEP



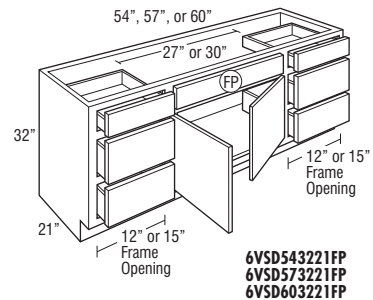
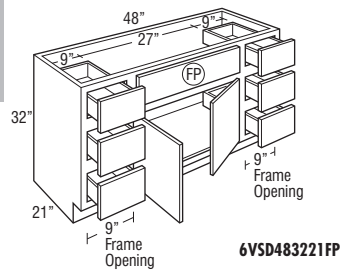
VS3D543421	1403	1456	1572	1635	1691	1697	1725
VS3D603421	1403	1456	1572	1635	1691	1697	1725

VANITY SINK DRAWER BASE with SIX DRAWERS & FALSE PANEL, 32" HIGH, 21" DEEP



Model	1	2	3	4	5	6	7
6VSD423221FPL or R	1121	1163	1255	1305	1350	1355	1377
6VSD483221FP	1121	1163	1255	1305	1350	1355	1377
6VSD543221FP	1222	1267	1368	1423	1472	1477	1501
6VSD573221FP	1283	1330	1436	1494	1546	1551	1576
6VSD603221FP	1332	1383	1492	1551	1605	1610	1636

- 6VSD423221FP L or R drawer stack is 9" wide.
- 6VSD483221FP drawer stack is 12" wide.
- 6VSD543221FP drawer stack is 15" wide.
- 6VSD573221FP drawer stack is 15" wide and sink clearance opening is 30" wide.
- 6VSD603221FP drawer stack is 18" wide.
- CMAT not available on 6VSD423221FP.



Model	8	9	10	11	12	13	14	15	16	17	18	19	20
VS3D543221	1610	1669	1717	1770	1848	1874	1930	1947	2002	2031	2110	2154	2240
VS3D603221	1610	1669	1717	1770	1848	1874	1930	1947	2002	2031	2110	2154	2240

Custom Modifications	AUTHL	AUTHR	CBO	CCO	CFNTO	CFP	CFRMO	CMAT	CND	FB	FPEB	FTK	FTKAV	FTKEV	ID	MIP	RD	RECTKBK	RECTKL	RECTKR	RT	VTK
	•	•	•	•	•	•	•	•	•	•	•	•	•	•	•	•	•	•	•	•	•	•

Construction Upgrades	APW	PLE	Non Smart Stop Options		NSCFB	NSCH
	•	•			•	•

VS3D543421	1805	1871	1926	1984	2071	2100	2163	2182	2244	2276	2365	2415	2511
VS3D603421	1805	1871	1926	1984	2071	2100	2163	2182	2244	2276	2365	2415	2511

Custom Modifications	AUTHL	AUTHR	CBO	CCO	CFNTO	CFP	CFRMO	CMAT	CND	FB	FPEB	FTK	FTKAV	FTKEV	ID	MIP	RD	RECTKBK	RECTKL	RECTKR	RT	VTK
	•	•	•	•	•	•	•	•	•	•	•	•	•	•	•	•	•	•	•	•	•	•

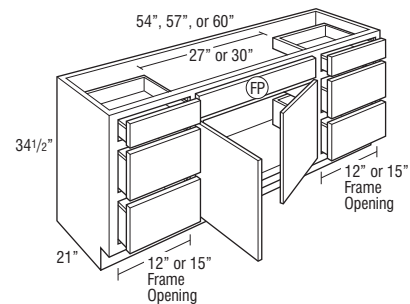
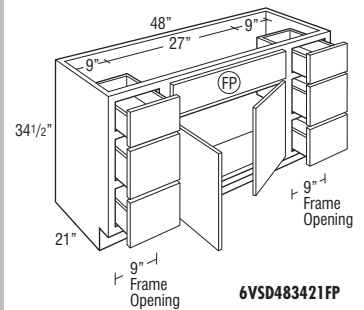
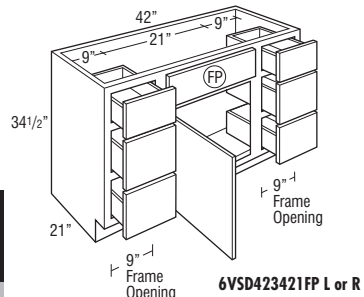
Construction Upgrades	APW	PLE	Non Smart Stop Options		NSCFB	NSCH
	•	•			•	•

6VSD423221FPL or R	1442	1494	1538	1584	1654	1677	1727	1742	1792	1817	1890	1929	2005
6VSD483221FP	1442	1494	1538	1584	1654	1677	1727	1742	1792	1817	1890	1929	2005
6VSD543221FP	1571	1628	1676	1727	1803	1828	1882	1899	1953	1981	2060	2102	2185
6VSD573221FP	1650	1709	1760	1813	1893	1919	1976	1994	2051	2080	2163	2207	2294
6VSD603221FP	1713	1775	1828	1883	1966	1993	2053	2071	2129	2160	2246	2292	2383

Custom Modifications	AUTHL	AUTHR	CBO	CCO	CFNTO	CFP	CFRMO	CMAT	CND	FB	FPEB	FTK	FTKAV	FTKEV	ID	MIP	RD	RECTKBK	RECTKL	RECTKR	RT	VTK
	•	•	•	•	•	•	•	•	•	•	•	•	•	•	•	•	•	•	•	•	•	•

Construction Upgrades	APW	PLE	Non Smart Stop Options		NSCFB	NSCH
	•	•			•	•

VANITY SINK DRAWER BASE with SIX DRAWERS & FALSE PANEL, 34 1/2" HIGH, 21" DEEP

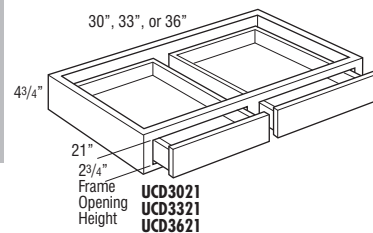
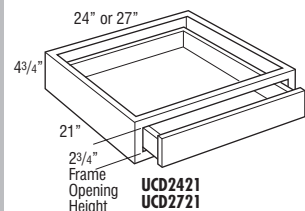


Model	1	2	3	4	5	6	7
6VSD423421FPL or R	1255	1302	1405	1462	1512	1517	1542
6VSD483421FP	1255	1302	1405	1462	1512	1517	1542
6VSD543421FP	1369	1419	1532	1594	1649	1654	1681
6VSD573421FP	1437	1490	1608	1673	1732	1737	1765
6VSD603421FP	1494	1550	1673	1739	1799	1805	1835

- 6VSD423421FPL or R drawer stack is 9" wide.
- 6VSD483421FP drawer stack is 12" wide.
- 6VSD543421FP drawer stack is 15" wide.
- 6VSD573421FP drawer stack is 15" wide and sink clearance opening is 30" wide.
- 6VSD603421FP drawer stack is 18" wide.
- CMAT not available on 6VSD423421FP.

**6VSD543421FP
6VSD573421FP
6VSD603421FP**

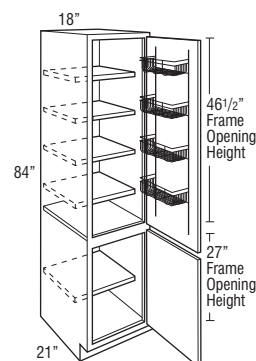
UNDER COUNTER DRAWER, 4 3/4" HIGH, 21" DEEP



UCD2421	342	350	368	378	387	388	392
UCD2721	358	367	386	397	405	406	411
UCD3021	376	385	405	416	425	426	431
UCD3321	397	407	428	440	450	451	456
UCD3621	418	428	451	462	474	475	480

- Cabinet is 4 3/4" high. Drawer box within cabinet is 2" high (outside dimension).
- Not trimmable.
- Drawer front is 3/4" slab front.
- Warren PureStyle™ slab drawer front will be painted hardwood.
- The frame to end panel offset is 3/4", which is designed to accommodate the vanity desk leg.
- End panels will feature non-matching laminate exterior.

LINEN CLOSET



storage SOLUTIONS

LC188421L or R	1489	1549	1647	1706	1763	1776	1798
-----------------------	------	------	------	------	------	------	------

- Upper section features a 5" deep chrome door rack.
- 15" deep adjustable shelves indicated by light dotted lines are included; packaged separately.
- Designed to be used with 34 1/2" high vanities. Bottom door aligns with top of door/drawer front.

Model	8	9	10	11	12	13	14	15	16	17	18	19	20
6VSD423421FPL or R	1614	1673	1722	1775	1852	1877	1933	1950	2007	2035	2115	2160	2245
6VSD483421FP	1614	1673	1722	1775	1852	1877	1933	1950	2007	2035	2115	2160	2245
6VSD543421FP	1760	1823	1877	1934	2019	2047	2108	2127	2187	2219	2307	2354	2447
6VSD573421FP	1848	1914	1971	2031	2120	2149	2213	2233	2297	2330	2423	2472	2569
6VSD603421FP	1920	1991	2050	2111	2204	2234	2302	2322	2388	2422	2518	2570	2672

Custom Modifications	AUTHL AUTHR	CBO	CCO	CFNT0	CFP	CFRMO	CMAT	CND	FB	FPEB	FTK	FTKAV FTKEV	ID	MIP	RD	RECTKBK	RECTKL RECTKR	RT	VTK
	•	•	•	•	•	•	•	•	•	•	•	•	•	•	•	•	•	•	•

Construction Upgrades	APW	PLE	Non Smart Stop Options	NSCFB	NSCH
	•	•		•	•

UCD2421	404	414	422	431	444	447	457	459	468	472	484	492	504
UCD2721	424	434	442	452	465	469	479	482	491	496	508	516	529
UCD3021	444	456	464	474	488	492	502	505	515	520	534	540	555
UCD3321	470	481	491	501	515	520	530	533	543	549	563	571	586
UCD3621	495	507	517	527	543	547	559	562	573	578	593	601	618

Custom Modifications	AUTHL AUTHR	CBO	CCO	CFNT0	CFP	CFRMO	CMAT	CND	FB	FPEB	FTK	FTKAV FTKEV	ID	MIP	RD	RECTKBK	RECTKL RECTKR	RT	VTK
		•	•	•		•							•		•				

Construction Upgrades	APW	PLE	Non Smart Stop Options	NSCFB	NSCH
	•	•		•	

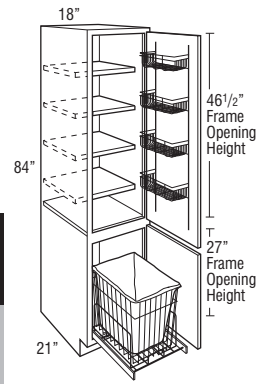
LC188421L or R	1861	1928	1984	2051	2140	2175	2233	2253	2329	2352	2461	2501	2617
-----------------------	------	------	------	------	------	------	------	------	------	------	------	------	------

Custom Modifications	AUTHL AUTHR	CBO	CCO	CFNT0	CFP	CFRMO	CMAT	CND	FB	FPEB	FTK	FTKAV FTKEV	ID	MIP	RD	RECTKBK	RECTKL RECTKR	RT	VTK
		•	•	•		•			•	•	•	•		•			•	•	•

Construction Upgrades	APW	PLE	Non Smart Stop Options	NSCFB	NSCH
	•	•			•

LINEN CLOSET with REMOVABLE HAMPER

storage SOLUTIONS



Model	1	2	3	4	5	6	7
LCRH188421 L or R	1821	1882	1980	2038	2095	2109	2131

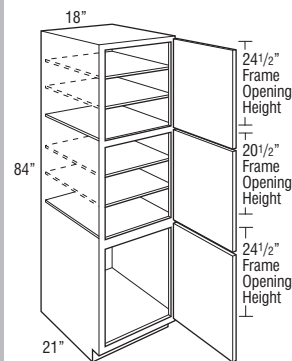
- Hamper size is 19 3/8" high x 14 3/4" wide x 18" deep.
- Upper section features a 5" deep chrome door rack.
- 15" deep adjustable shelves indicated by light dotted lines are included; packaged separately.
- Includes full extension removable chrome pull-out hamper with removable cloth liner.
- Designed to be used with 34 1/2" high vanities. Bottom door aligns with top of door/drawer front.

Model	8	9	10	11	12	13	14	15	16	17	18	19	20
LCRH188421L or R	2194	2261	2316	2383	2471	2508	2564	2584	2661	2685	2794	2833	2949

Custom Modifications	AUTHL AUTHR	CBO	CCO	CFNTD	CFP	CFRMO	CMAT	CND	FB	FPEB	FTK	FTKAV FTKFV	ID	MIP	RD	RECTKBK	RECTKL RECTKR	RT	VTK
		•	•	•		•			•	•	•	•		•			•		•

Construction Upgrades	APW	PLE	Non Smart Stop Options	NSCFB	NSCH
	•	•			•

VANITY UTILITY, 84" TALL, 21" DEEP



Model	865	908	1005	1057	1104	1108	1132
VU188421L or R							

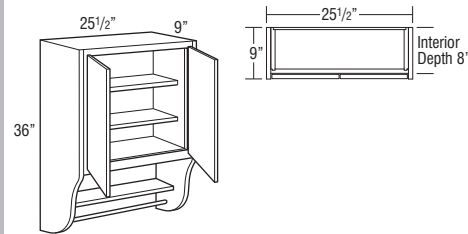
- Lower door section is drilled to accept adjustable shelf.
- Shelves indicated by light dotted lines are included; packaged separately.
- Shelves indicated by solid lines are fixed.
- Designed to be used with 32" tall vanities. Linen Closet (LC/LCRH) cabinets or kitchen utilities should be used for 34 1/2" vanity applications.

Model	1203	1261	1309	1362	1443	1467	1527	1544	1603	1632	1717	1766	1857
VU188421L or R													

Custom Modifications	AUTHL AUTHR	CBO	CCO	CFNTD	CFP	CFRMO	CMAT	CND	FB	FPEB	FTK	FTKAV FTKFV	ID	MIP	RD	RECTKBK	RECTKL RECTKR	RT	VTK
		•	•	•		•			•	•	•	•	•	•	•		•	•	•

Construction Upgrades	APW	PLE	Non Smart Stop Options	NSCFB	NSCH
	•	•			•

VANITY WALL TOWEL BAR



Model	701	721	764	787	809	811	822
VWTB24							

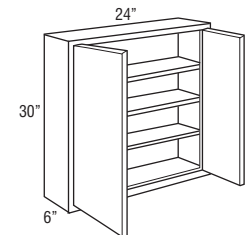
- Includes 2 adjustable interior shelves, 1 fixed shelf, and towel rack underneath.
- Cabinet has butt doors, no center stile.
- Cabinet features factory applied 3/4" matching veneer over furniture board core end panels. Total cabinet width is 25 1/2".
- Interior cabinet case has plywood end panels.
- When ordered in APW, back, top, bottom and adjustable shelves are plywood.

Model	854	880	902	927	964	976	1002	1010	1035	1050	1089	1112	1153
VWTB24													

Custom Modifications	AUTHL AUTHR	CBO	CCO	CFNTD	CFP	CFRMO	CMAT	CND	FB	FPEB	FTK	FTKAV FTKFV	ID	MIP	RD	RECTKBK	RECTKL RECTKR	RT	VTK
		•	•			•			STD					•					

Construction Upgrades	APW	PLE	Non Smart Stop Options	NSCFB	NSCH
	•	STD			•

VANITY WALL, 30" HIGH, 6" DEEP



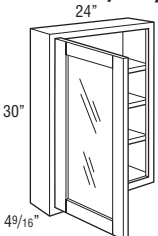
Model	424	446	494	522	544	547	559
W24306							

Model	592	621	647	673	712	723	753	762	788	806	848	872	916
W24306													

Custom Modifications	AUTHL AUTHR	CBO	CCO	CFNTD	CFP	CFRMO	CMAT	CND	FB	FPEB	FTK	FTKAV FTKFV	ID	MIP	RD	RECTKBK	RECTKL RECTKR	RT	VTK
		•	•	•		•			•	•				•					

Construction Upgrades	APW	PLE	Non Smart Stop Options	NSCFB	NSCH
	•	•			•

VANITY WALL MIRROR CABINET, 30" HIGH, 4 9/16" DEEP



Model	736	757	800	825	846	849	860
VWM2430L or R							

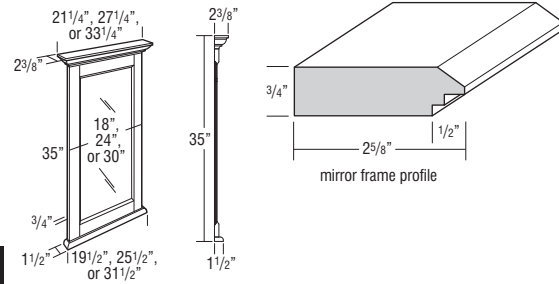
- Standard with CG doors and installed mirror glass.
- Unit intended to be surface mounted. Features standard 1/4" face frame reveal on ends.
- Adjustable shelves.
- Not available in Trillion.

Model	893	920	938	963	1000	1012	1038	1046	1072	1087	1126	1149	1191
VWM2430L or R													

Custom Modifications	AUTHL AUTHR	CBO	CCO	CFNTD	CFP	CFRMO	CMAT	CND	FB	FPEB	FTK	FTKAV FTKFV	ID	MIP	RD	RECTKBK	RECTKL RECTKR	RT	VTK
		•	•	•		•			•	•				•					

Construction Upgrades	APW	PLE	Non Smart Stop Options	NSCFB	NSCH
	•	•			•

VANITY MIRROR

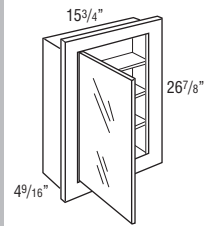


Model	1	2	3	4	5	6	7
VM2135	N/A	771	771	771	N/A	771	771
VM2735	N/A	838	838	838	N/A	838	838
VM3335	N/A	912	912	912	N/A	912	912

- Moulding included on vanity mirrors is not a standard moulding. SWLCRM8 is similar.
- Mirror glass is beveled.
- Includes two installed metal hanging hooks on back.

Model	Overall Dimensions Width	Mirror Visible Dimensions Height	Width	Height
VM2135	21 1/4"	35"	12 15/16"	26 15/16"
VM2735	27 1/4"	35"	18 15/16"	26 15/16"
VM3335	33 1/4"	35"	24 15/16"	26 15/16"

SINGLE DOOR MEDICINE CABINET

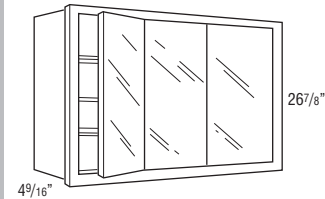


Model	1	2	3	4	5	6	7
MC16	750	750	750	750	750	750	750

- Unit can be surface mounted or recessed.
- Door of cabinet is glass mirror, 12 5/8" wide x 23 1/2" high.
- Matching cabinet doors not available.
- Cabinet has wood frame.
- Natural Maple laminate interior.
- Face frame has a profiled inside and outside edge.

Model	Cabinet Dimensions			Cut-out Dimensions		
	Width	Height	Depth	Width	Height	Depth
MC16	15 3/4"	26 7/8"	4 9/16"	14 7/16"	25 5/8"	4"

TRI-VIEW MEDICINE CABINET



TV30	1125	1125	1125	1125	1125	1125	1125
TV36	1223	1223	1223	1223	1223	1223	1223
TV48	1535	1535	1535	1535	1535	1535	1535

- Cabinet has wood frame.
- Door of cabinet is glass mirror.
- Unit can be surface mounted or recessed.
- Natural Maple laminate interior.
- Face frame has a profiled inside and outside edge.

Model	Cabinet Dimensions			Cut-out Dimensions		
	Width	Height	Depth	Width	Height	Depth
TV30	30"	26 7/8"	4 9/16"	28 11/16"	25 5/8"	4"
TV36	36"	26 7/8"	4 9/16"	34 11/16"	25 5/8"	4"
TV48	48"	26 7/8"	4 9/16"	46 11/16"	25 5/8"	4"

Model	8	9	10	11	12	13	14	15	16	17	18	19	20
VM2135	771	771	771	771	771	771	771	771	771	771	771	771	771
VM2735	838	838	838	838	838	838	838	838	838	838	838	838	838
VM3335	912	912	912	912	912	912	912	912	912	912	912	912	912

MODIFICATIONS

No modifications available for these products.

Species Availability

Cherry	Maple	Oak	Stained Hardwood	Laminate	Painted Hardwood	PureStyle™
•	•		•	Maple	•	Maple

Model	1	2	3	4	5	6	7	8	9	10	11	12	13	14	15	16	17	18	19	20
MC16	750	750	750	750	750	750	750	750	750	750	750	750	750	750	750	750	750	750	750	750

Custom Modifications	AUTHL	AUTHR	CBO	CCO	CFNTO	CFP	CFRMO	CMAT	CND	FB	FPEB	FTK	FTKAV	FTKFV	ID	MIP	RD	RECTKBK	RECTKLR	RECTKL	RECTKR	RT	VTK
			•	•			•			STD						•							

Construction Upgrades	APW	PLE	Non Smart Stop Options	NSCFB	NSCH
	STD				

TV30	1125	1125	1125	1125	1125	1125	1125	1125	1125	1125	1125	1125	1125	1125	1125	1125	1125	1125	1125	1125
TV36	1223	1223	1223	1223	1223	1223	1223	1223	1223	1223	1223	1223	1223	1223	1223	1223	1223	1223	1223	1223
TV48	1535	1535	1535	1535	1535	1535	1535	1535	1535	1535	1535	1535	1535	1535	1535	1535	1535	1535	1535	

Custom Modifications	AUTHL	AUTHR	CBO	CCO	CFNTO	CFP	CFRMO	CMAT	CND	FB	FPEB	FTK	FTKAV	FTKFV	ID	MIP	RD	RECTKBK	RECTKLR	RECTKL	RECTKR	RT	VTK
			•	•			•			STD						•							

Construction Upgrades	APW	PLE	Non Smart Stop Options	NSCFB	NSCH
	STD				

SPECIES AVAILABILITY

Species Availability charts list the availability of each product code by species and any substitutions that are made. Exceptions within a section are noted below the species availability chart.

For panels with doors and/or fillers attached, species availability is shown for the panel and filler only.

For Species Availability, look for this chart throughout.

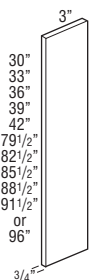
Species Availability

Cherry	Maple	Oak	Stained Hardwood	Laminate	Painted Hardwood	PureStyle™
•	•	•	•	Maple	•	Maple

DESCRIPTION MODEL PRICE

FILLERS

3" WIDE FILLERS



F3



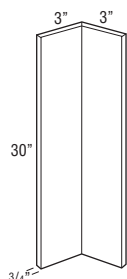
F330	54
F333	60
F336	61
F339	64
F342	67
TF384	114
TF387	134
TF390	139
TF393	158
TF396	172
TF396FH	214

- 3/4" thick.
- Finished on front and all edges (backs are not finished).

Species Availability

Cherry	Maple	Oak	Stained Hardwood	Laminate	Painted Hardwood	PureStyle™
•	•	•	•	Maple	•	Maple

3" WIDE CORNER FILLER



CF3



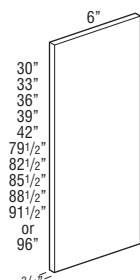
CF330	97
--------------	----

- 3/4" thick.
- Finished on front and all edges (backs are not finished).

Species Availability

Cherry	Maple	Oak	Stained Hardwood	Laminate	Painted Hardwood	PureStyle™
•	•	•	•	Maple	•	Maple

6" WIDE FILLERS



F6



F630	83
F633	99
F636	103
F639	111
F642	123
TF684	199
TF687	236
TF690	245
TF693	269
TF696	292
TF696FH	367

- 3/4" thick.
- Finished on front and all edges (backs are not finished).

Species Availability

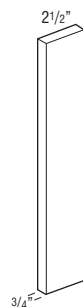
Cherry	Maple	Oak	Stained Hardwood	Laminate	Painted Hardwood	PureStyle™
•	•	•	•	Maple	•	Maple

DESCRIPTION

MODEL

PRICE

OVERLAY FILLER, 2 1/2" WIDE



Model	Partial Overlay Height	Full Overlay Height
OL312	10"	11 1/2"
OL315	13"	14 1/2"
OL318	16"	17 1/2"
OL321	19"	20 1/2"
OL324	22"	23 1/2"
OL327	25"	26 1/2"
OL330	28"	29 1/2"
OL333	31"	32 1/2"
OL336	34"	35 1/2"
OL339	37"	38 1/2"
OL342	40"	41 1/2"
OL384	77 1/2"	79"
OL387	80 1/2"	82"
OL390	83 1/2"	85"
OL393	86 1/2"	88"
OL396	89 1/2"	91"

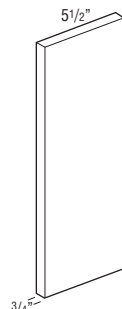
OL312	50
OL315	51
OL318	53
OL321	56
OL324	57
OL327	59
OL330	67
OL333	76
OL336	78
OL339	82
OL342	84
OL384	139
OL387	152
OL390	156
OL393	166
OL396	175

- 2 1/2" wide overlay fillers can be applied to Wall Message Centers to create custom finished look.
- Finished on front and all edges (backs are not finished).
- Warren PureStyle™ overlays will be painted hardwood.

Species Availability

Cherry	Maple	Oak	Stained Hardwood	Laminate	Painted Hardwood	PureStyle™
•	•	•	•	•	•	•

OVERLAY FILLER, 5 1/2" WIDE



Model	Partial Overlay Height	Full Overlay Height
OL630	28"	29 1/2"
OL633	31"	32 1/2"
OL636	34"	35 1/2"
OL639	37"	38 1/2"
OL642	40"	41 1/2"
OL684	77 1/2"	79"
OL687	80 1/2"	82"
OL690	83 1/2"	85"
OL693	86 1/2"	88"
OL696	89 1/2"	91"

OL630	96
OL633	119
OL636	126
OL639	133
OL642	139
OL684	233
OL687	264
OL690	271
OL693	280
OL696	287

- Finished on front and all edges (backs are not finished).
- Warren PureStyle™ overlays will be painted hardwood.

Species Availability

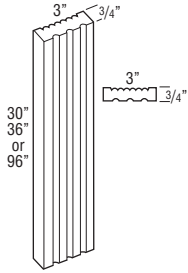
Cherry	Maple	Oak	Stained Hardwood	Laminate	Painted Hardwood	PureStyle™
•	•	•	•	•	•	•

DESCRIPTION MODEL PRICE

FLUTED/BEADED 3" WIDE REVERSIBLE FILLERS



FBF330 3" x 30"	142
FBF336 3" x 36"	156
TBF396 3" x 96"	284



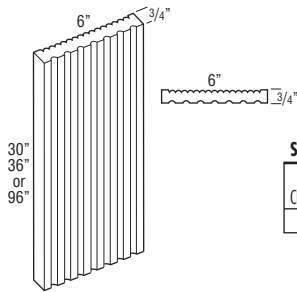
Species Availability

Cherry	Maple	Oak	Stained Hardwood	Laminate	Painted Hardwood	PureStyle™
•	•	•	•	Maple	•	Maple

FLUTED/BEADED 6" WIDE REVERSIBLE FILLERS



FBF630 6" x 30"	160
FBF636 6" x 36"	173
TBF696 6" x 96"	315



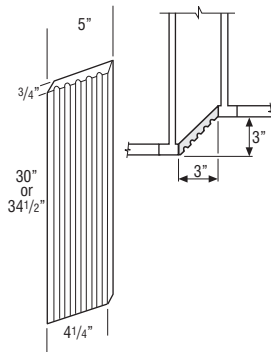
Species Availability

Cherry	Maple	Oak	Stained Hardwood	Laminate	Painted Hardwood	PureStyle™
•	•	•	•	Maple	•	Maple

ANGLED FLUTED/PLAIN 3" WIDE REVERSIBLE FILLERS



BLVDF30 3" x 30"	180
BLVDF34.5 3" x 34 1/2"	263

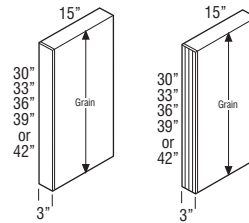


Species Availability

Cherry	Maple	Oak	Stained Hardwood	Laminate	Painted Hardwood	PureStyle™
•	•	•	•	Maple	•	Maple

DESCRIPTION MODEL PRICE

BOX COLUMN FILLERS, WALL, 3" WIDE, 15" DEEP



Plain (BCFP)

Fluted (BCFF)

W330BCFP	447
W333BCFP	475
W336BCFP	481
W339BCFP	500
W342BCFP	519

W330BCFF	519
W333BCFF	546
W336BCFF	553
W339BCFF	570
W342BCFF	588

- Reversible, may be used on either left or right end.
- Front and both sides finished.
- Enclosed top and bottom (not finished).
- 1/2" plywood construction.
- Finished veneer on end panel exterior.
- Not intended for use horizontally as shelving. Use Floating Shelves on page 222.

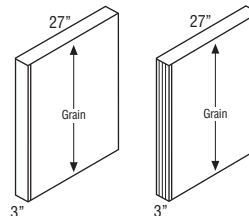
Custom Modifications

ID	RD
•	•

Species Availability

Cherry	Maple	Oak	Stained Hardwood	Laminate	Painted Hardwood	PureStyle™
•	•	•	•	Maple	•	Maple

BOX COLUMN FILLERS, BASE, 3" WIDE, 27" DEEP



Plain (BCFP)

Fluted (BCFF)

B334.527BCFP	814
---------------------	-----

B334.527BCFF	898
---------------------	-----

- Reversible, may be used on either left or right end.
- Front and both sides finished.
- Enclosed top and bottom (not finished).
- 1/2" plywood construction.
- Finished veneer on end panel exterior.
- Not intended for use horizontally as shelving. Use Floating Shelves on page 222.

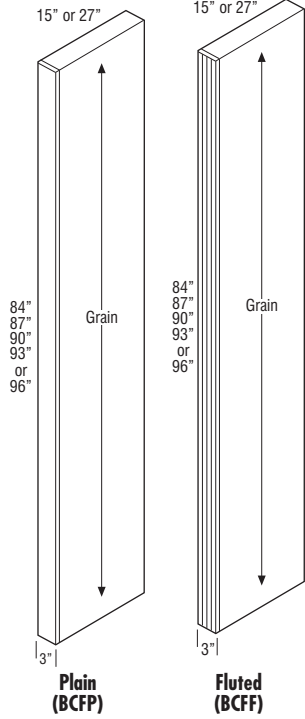
Custom Modifications

ID	RD
	•

Species Availability

Cherry	Maple	Oak	Stained Hardwood	Laminate	Painted Hardwood	PureStyle™
•	•	•	•	Maple	•	Maple

DESCRIPTION	MODEL	PRICE
BOX COLUMN FILLERS, TALL, 3" WIDE, 15" or 27" DEEP	T38415BCFP (15" Deep)	1049
	T38715BCFP (15" Deep)	1061
	T39015BCFP (15" Deep)	1064
	T39315BCFP (15" Deep)	1086
	T39615BCFP (15" Deep)	1086
	T38427BCFP (27" Deep)	1609
	T38727BCFP (27" Deep)	1630
	T39027BCFP (27" Deep)	1635
	T39327BCFP (27" Deep)	1652
	T39627BCFP (27" Deep)	1652
	T38415BCFF (15" Deep)	1140
	T38715BCFF (15" Deep)	1162
T39015BCFF (15" Deep)	1167	
T39315BCFF (15" Deep)	1193	
T39615BCFF (15" Deep)	1193	
T38427BCFF (27" Deep)	1691	
T38727BCFF (27" Deep)	1718	
T39027BCFF (27" Deep)	1725	
T39327BCFF (27" Deep)	1762	
T39627BCFF (27" Deep)	1762	



- Reversible, may be used on either left or right end.
- Front and both sides finished.
- Enclosed top and bottom (not finished).
- 1/2" plywood construction.
- Finished veneer on end panel exterior.
- Not intended for use horizontally as shelving. Use Floating Shelves on page 222.

Custom Modifications

ID	RD
•*	•

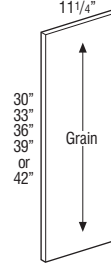
*ID not available on 27" deep.

Species Availability

Cherry	Maple	Oak	Stained Hardwood	Laminate	Painted Hardwood	PureStyle™
•	•	•	•	Maple	•	Maple

PANELS & SKINS

END PANEL SKINS, WALL



MODEL	PRICE
1/4" Finished	
WEPS30WD	87
WEPS33WD	97
WEPS36WD	107
WEPS39WD	118
WEPS42WD	126
1/4" Laminate	
WEPS30LAM14 ♦	44
WEPS33LAM14 ♦	53
WEPS36LAM14 ♦	55
WEPS39LAM14 ♦	62
WEPS42LAM14 ♦	67

- Stains: 1/4" thick veneered furniture board.
- Paints: 1/4" thick veneered or solid furniture board.
- 1/4" thick laminated furniture board.
- Not compatible with Furniture Ends (FPEB).

Custom Modifications

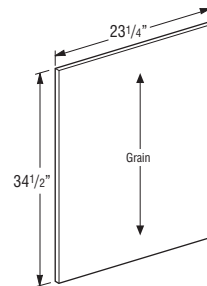
ID	RD
•	•

Species Availability

Cherry	Maple	Oak	Stained Hardwood	Laminate	Painted Hardwood	PureStyle™
•	•	•	•	Maple	•	Maple

♦ Only available in White laminate.

END PANEL SKINS, BASE



MODEL	PRICE
1/4" Finished	
BEPS34.5WD	135
1/4" Laminate	
BEPS34.5LAM14 ♦	82

- Stains: 1/4" thick veneered furniture board.
- Paints: 1/4" thick veneered or solid furniture board.
- 1/4" thick laminated furniture board.

Custom Modifications

ID	RD
•	•

Species Availability

Cherry	Maple	Oak	Stained Hardwood	Laminate	Painted Hardwood	PureStyle™
•	•	•	•	Maple	•	Maple

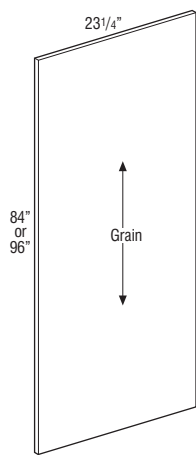
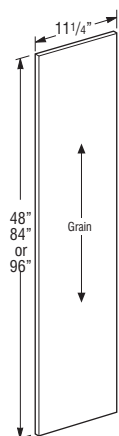
♦ Only available in White laminate.

DESCRIPTION

MODEL

PRICE

END PANEL SKINS, TALL



1/4" Finished	
TEPS1248WD	173
TEPS1284WD†	252
TEPS1296WD†	252
1/4" Laminate	
TEPS1248LAM14 ♦	105
TEPS1284LAM14† ♦	136
TEPS1296LAM14† ♦	136
1/4" Finished	
TEPS84WD†	296
TEPS96WD†	384
1/4" Laminate	
TEPS84LAM14† ♦	204
TEPS96LAM14† ♦	254

- Stains: 1/4" thick veneered furniture board.
 - Paints: 1/4" thick veneered or solid furniture board.
 - 1/4" thick laminated furniture board.
- †5 day Express Response not available on items greater than 48".

Custom Modifications

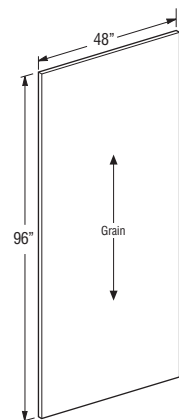
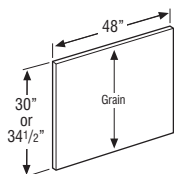
ID	RD
•	•

Species Availability

Cherry	Maple	Oak	Stained Hardwood	Laminate	Painted Hardwood	PureStyle™
•	•	•	•	Maple	•	Maple

♦ Only available in White laminate.

FINISHED BACK SKINS



1/4" Finished	
BP4830WD	206
BP4834.5WD	237
1/4" Laminate	
BP4830LAM14 ♦	98
BP4834.5LAM14 ♦	108

1/4" Finished	
BP4896WD†	500
1/4" Laminate	
BP4896LAM14† ♦	241

- BP__WD in Stains is 1/4" thick veneered furniture board.
 - BP__WD in Paints is 1/4" thick veneered or solid furniture board.
 - BP__LAM14 is 1/4" thick laminated furniture board.
- †5 day Express Response not available on items greater than 48".

Custom Modifications

ID	RD

Species Availability

Cherry	Maple	Oak	Stained Hardwood	Laminate	Painted Hardwood	PureStyle™
•	•	•	•	Maple	•	Maple

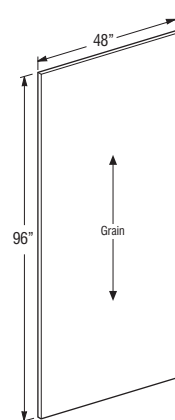
♦ Only available in White laminate.

DESCRIPTION

MODEL

PRICE

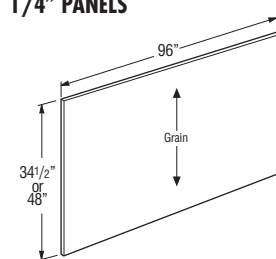
NEW INTERIOR SKIN



1/4" Natural Maple Laminate	
BP4896LAM	234

- 1/4" thick furniture board with Natural Maple laminate to match standard cabinet interior.

CROSS GRAIN VENEER BACK SKIN	BP9634.5CRSGR	650
1/4" PANELS	BP9648CRSGR	650



- BP96___.CRSGR is a 1/4" thick veneered panel with an MDF core.

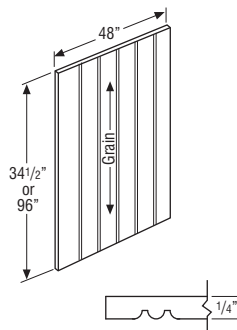
Custom Modifications

ID	RD

Species Availability

Cherry	Maple	Oak	Stained Hardwood	Laminate	Painted Hardwood	PureStyle™
•	•	•	•	Maple	•	Maple

**WOOD V-GROOVED
BEADED SKIN
1/4" PANELS**



BP4834.5VG	391
BP4896VG†	895

- BP48__VG is a 1/4" thick veneered panel with an MDF core.
 - V-groove on 3" centers.
 - When used as a skin, not compatible with Furniture Ends (FPEB).
- †5 day Express Response not available on items greater than 48".

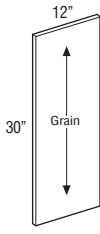

Custom Modifications

ID	RD

Species Availability

Cherry	Maple	Oak	Stained Hardwood	Laminate	Painted Hardwood	PureStyle™
•	•	•	•	Maple	•	Maple

DESCRIPTION **MODEL** **PRICE**

END PANELS, WALL   **3/4" Finished**

WEP1230WD	137
3/4" Laminate	
WEP1230LAM* ♦	93

- WEP1230WD in Stains: 3/4" thick veneered furniture board.
- WEP1230WD in Paints: 3/4" thick veneered or solid furniture board.
- WEP1230LAM is 3/4" thick laminated furniture board.
- Panels are finished on two sides and front edge.
- *Trillian edgebanding will match door edgebanding selection.

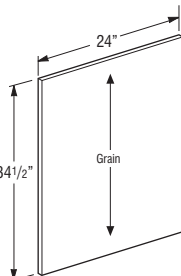
Custom Modifications

ID	RD
•	•

Species Availability

Cherry	Maple	Oak	Stained Hardwood	Laminate	Painted Hardwood	PureStyle™
•	•	•	•	Maple	•	Maple

♦ Only available in White laminate.

END PANELS, BASE 

3/4" Finished

BEPWD	220
3/4" Laminate	
BEPLAM* ♦	149

- BEPWD in Stains: 3/4" thick veneered furniture board.
- BEPWD in Paints: 3/4" thick veneered or solid furniture board.
- BEPLAM is 3/4" thick laminated furniture board.
- Panels are finished on two sides and front edge.
- *Trillian edgebanding will match door edgebanding selection.

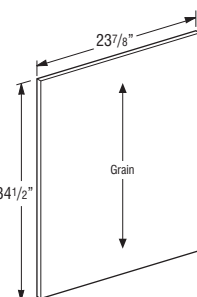

Custom Modifications

ID	RD
•	•

Species Availability

Cherry	Maple	Oak	Stained Hardwood	Laminate	Painted Hardwood	PureStyle™
•	•	•	•	Maple	•	Maple

♦ Only available in White laminate.

END PANELS, LAZY SUSAN  

1/2" Laminate

BLSBEPLAM ♦	153
--------------------	------------

- 1/2" thick laminated furniture board.
- Panels are finished on one side and front edge.

Custom Modifications

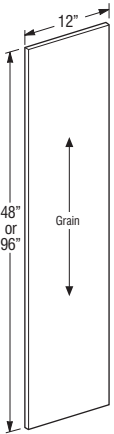

ID	RD
•	•

Species Availability

Cherry	Maple	Oak	Stained Hardwood	Laminate	Painted Hardwood	PureStyle™
•	•	•	•	Maple	•	Maple

♦ Not available in Black.

DESCRIPTION **MODEL** **PRICE**

END PANELS, TALL   **3/4" Finished**

TEP1248WD	246
TEP1296WD†	346
3/4" Laminate	
TEP1248LAM* ♦	135
TEP1296LAM†* ♦	194

3/4" Finished

TEP2484WD†	481
TEP2487WD†	561
TEP2490WD†	582
TEP2493WD†	676
TEP2496WD†	676

3/4" Laminate

TEP2484LAM†* ♦	265
TEP2487LAM†* ♦	310
TEP2490LAM†* ♦	322
TEP2493LAM†* ♦	379
TEP2496LAM†* ♦	379

3/4" Finished

TEP8487909396WD†	841
TEP8487909396LAM†* ♦	481

- TEP__WD in Stains: 3/4" thick veneered furniture board.
- TEP__WD in Paints: 3/4" thick veneered or solid furniture board.
- TEP__LAM is 3/4" thick laminated furniture board.
- Panels are finished on two sides and front edge.
- †5 day Express Response not available on items greater than 48".
- *Trillian edgebanding will match door edgebanding selection.

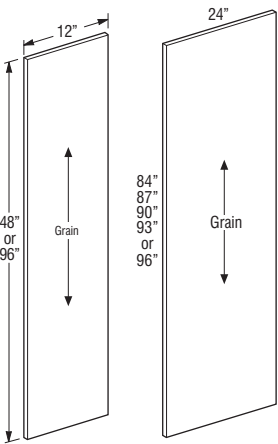
Custom Modifications

ID	RD
•	•

Species Availability

Cherry	Maple	Oak	Stained Hardwood	Laminate	Painted Hardwood	PureStyle™
•	•	•	•	Maple	•	Maple

♦ Only available in White laminate.

END PANELS, TALL 

3/4" Finished

TEP8487909396WD†	841
TEP8487909396LAM†* ♦	481

- TEP__WD in Stains: 3/4" thick veneered furniture board.
- TEP__WD in Paints: 3/4" thick veneered or solid furniture board.
- TEP__LAM is 3/4" thick laminated furniture board.
- Panels are finished on two sides and front edge.
- †5 day Express Response not available on items greater than 48".
- *Trillian edgebanding will match door edgebanding selection.

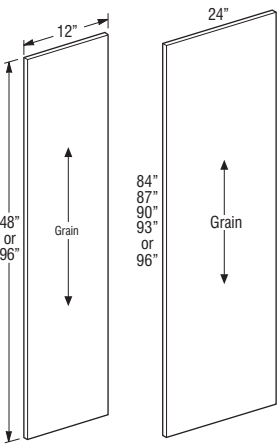
Custom Modifications

ID	RD
•	•

Species Availability

Cherry	Maple	Oak	Stained Hardwood	Laminate	Painted Hardwood	PureStyle™
•	•	•	•	Maple	•	Maple

♦ Only available in White laminate.

END PANELS, TALL 

3/4" Finished

TEP8487909396WD†	841
TEP8487909396LAM†* ♦	481

- TEP__WD in Stains: 3/4" thick veneered furniture board.
- TEP__WD in Paints: 3/4" thick veneered or solid furniture board.
- TEP__LAM is 3/4" thick laminated furniture board.
- Panels are finished on two sides and front edge.
- †5 day Express Response not available on items greater than 48".
- *Trillian edgebanding will match door edgebanding selection.

Custom Modifications

ID	RD
•	•

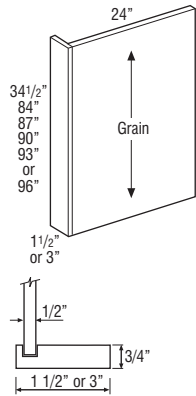
Species Availability

Cherry	Maple	Oak	Stained Hardwood	Laminate	Painted Hardwood	PureStyle™
•	•	•	•	Maple	•	Maple

♦ Only available in White laminate.

DESCRIPTION MODEL PRICE

BASE and TALL PANELS with FILLER ATTACHED



1/2" Finished		
BEPF1.5WD		278
BEPF3WD		304
1/2" Laminate		
BEPF1.5LAM ♦		216
BEPF3LAM ♦		242
1/2" Finished		
TEP2484F1.5WD †		569
TEP2484F3WD †		630
TEP2487F1.5WD †		660
TEP2487F3WD †		734
TEP2490F1.5WD †		683
TEP2490F3WD †		760
TEP2493F1.5WD †		797
TEP2493F3WD †		884
TEP2496F1.5WD †		797
TEP2496F3WD †		884
1/2" Laminate		
TEP2484F1.5LAM † ♦		367
TEP2484F3LAM † ♦		409
TEP2487F1.5LAM † ♦		430
TEP2487F3LAM † ♦		480
TEP2490F1.5LAM † ♦		446
TEP2490F3LAM † ♦		497
TEP2493F1.5LAM † ♦		525
TEP2493F3LAM † ♦		585
TEP2496F1.5LAM † ♦		525
TEP2496F3LAM † ♦		585

- BEPF_ _WD and TEP_ _F_ _WD in Stains: 1/2" thick veneered furniture board.
 - BEPF_ _WD and TEP_ _F_ _WD in Paints: 1/2" thick veneered or solid furniture board.
 - BEPF_ _LAM and TEP_ _F_ _LAM is 1/2" thick laminated furniture board.
 - All panels have Natural Maple laminate interior
- †5 day Express Response not available on items greater than 48".

Custom Modifications

ID	RD
•	•

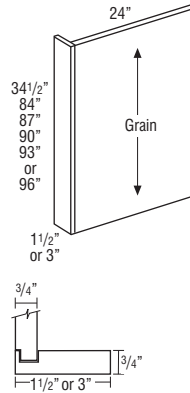
Species Availability

Cherry	Maple	Oak	Stained Hardwood	Laminate Maple	Painted Hardwood	PureStyle™ Maple
•	•	•	•	•	•	•

♦ Not available in Black.

DESCRIPTION MODEL PRICE

BASE and TALL PANELS with FILLER ATTACHED and FURNITURE ENDS



BEPF1.5FPE		328
BEPF3FPE		359
TEP2484F1.5FPE †		674
TEP2484F3FPE †		745
TEP2487F1.5FPE †		780
TEP2487F3FPE †		868
TEP2490F1.5FPE †		807
TEP2490F3FPE †		898
TEP2493F1.5FPE †		941
TEP2493F3FPE †		1044
TEP2496F1.5FPE †		941
TEP2496F3FPE †		1044

- 3/4" thick veneered plywood.
- †5 day Express Response not available on items greater than 48".

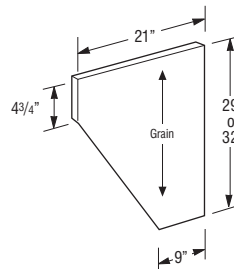
Custom Modifications

ID	RD
•	

Species Availability

Cherry	Maple	Oak	Stained Hardwood	Laminate Maple	Painted Hardwood	PureStyle™ Maple
•	•	•	•	•	•	•

VANITY DESK LEGS



VDL2129WD		213
VDL2132WD		216

- All panels are finished 2 sides and front edge.
- VDL_ _WD in Stains: 3/4" thick veneered furniture board.
- VDL_ _WD in Paints: 3/4" thick veneered or solid furniture board.

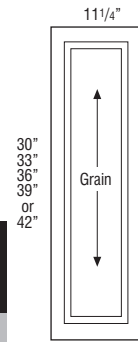
Custom Modifications

ID	RD

Species Availability

Cherry	Maple	Oak	Stained Hardwood	Laminate Maple	Painted Hardwood	PureStyle™ Maple
•	•	•	•	•	•	•

DECORATIVE DOOR PANEL KITS, WALL END



Model	1	2	3	4	5	6	7
WED1230	233	245	269	286	296	302	308
WED1233	258	272	300	316	330	333	340
WED1236	265	279	307	324	340	341	348
WED1239	283	296	327	345	360	363	371
WED1242	296	312	346	365	382	384	392

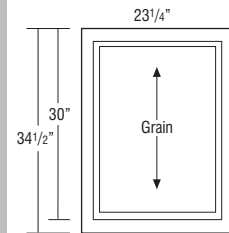
- Door panel kits include Wall End Panel Skin and doors with attachment screws for field installation.
- Custom door sizes not available.

Model	8	9	10	11	12	13	14	15	16	17	18	19	20
WED1230	324	340	353	365	388	395	413	418	432	441	461	477	500
WED1233	360	378	392	409	433	441	458	463	481	489	515	529	558
WED1236	369	387	402	420	444	451	469	474	493	501	528	543	571
WED1239	393	412	427	446	472	480	499	504	524	532	561	576	607
WED1242	417	433	452	470	498	507	527	533	554	563	593	609	641

Custom Modifications

ID	RD
	•

DECORATIVE DOOR PANEL KITS, BASE END



BEDSD	372	391	428	454	474	478	488

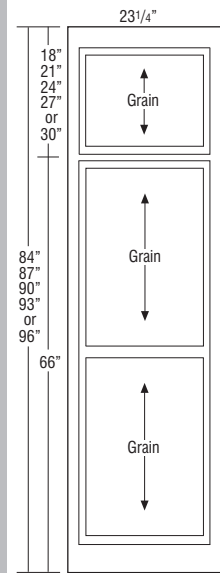
- Door panel kits include Base End Panel Skin and doors with attachment screws for field installation.
- Custom door sizes not available.

BEDSD	517	542	563	587	621	638	657	664	689	702	738	759	800

Custom Modifications

ID	RD

DECORATIVE DOOR PANEL KITS, TALL END



TED2484SD	889	934	1015	1063	1105	1116	1135
TED2487SD	913	959	1043	1092	1138	1148	1167
TED2490SDAH	919	966	1050	1101	1147	1155	1175
TED2493SDAH	952	998	1089	1139	1187	1195	1216
TED2496SD	952	998	1089	1139	1187	1195	1216

- AH represents upper section alignment with doors on 24" or 27" high cabinets.
- Door panel kits include Tall End Panel Skin and doors with attachment screws for field installation.
- Custom door sizes not available.

TED2484SD	1188	1239	1285	1335	1406	1433	1481	1497	1554	1576	1658	1693	1782
TED2487SD	1223	1277	1323	1376	1449	1475	1525	1541	1600	1622	1708	1744	1836
TED2490SDAH	1231	1286	1332	1386	1459	1486	1536	1552	1612	1635	1720	1756	1850
TED2493SDAH	1277	1332	1382	1436	1513	1540	1594	1610	1670	1694	1784	1824	1920
TED2496SD	1277	1332	1382	1436	1513	1540	1594	1610	1670	1694	1784	1824	1920

Custom Modifications

ID	RD

TED2484SD
TED2487SD
TED2490SDAH
TED2493SDAH
TED2496SD

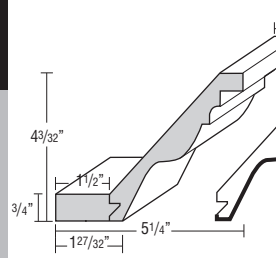
MOULDING SPECIFICATIONS

Mouldings specified as 8' nominal length have a usable length range of 93" up to 99". Be sure to order the correct amount of moulding length to work around required cuts with minimal butt joints.

Finished edges indicated by bold lines on side view drawings.
Glazed edges indicated by arrows on side view drawings.

DESCRIPTION	MODEL	PRICE
CROWN MOULDING		

CLASSIC TALL CROWN  **CLTCROWN8** 364

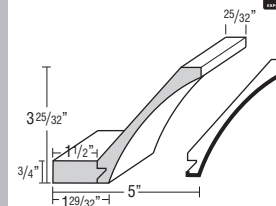


- One 8' section.
- Cleat shipped unattached can be used for top mount or face frame applications.**

Species Availability

Cherry	Maple	Oak	Stained Hardwood	Laminate	Painted Hardwood	PureStyle™
•	•	•	•	Maple	•	Maple

COVE CROWN  **COVECROWN8** 364

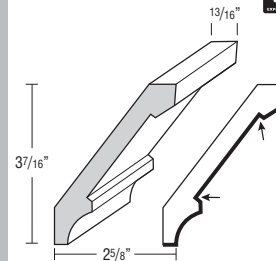


- One 8' section.
- Cleat shipped unattached can be used for top mount or face frame applications.**

Species Availability

Cherry	Maple	Oak	Stained Hardwood	Laminate	Painted Hardwood	PureStyle™
•	•	•	•	Maple	•	Maple

INSERT CROWN  **INSCROWN8** 408



- One 8' section.
- Designed for use with all 2 1/4" insert mouldings.

Species Availability

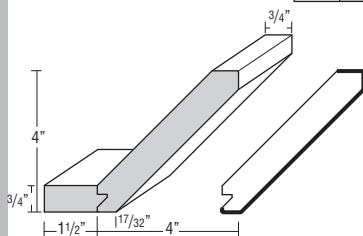
Cherry	Maple	Oak	Stained Hardwood	Laminate	Painted Hardwood	PureStyle™
•	•	•	•	Maple	•	Maple

LARGE STRAIGHT ANGLE CROWN  **LSACROWN8** 284

- One 8' section.
- Cleat shipped unattached can be used for top mount or face frame applications.**

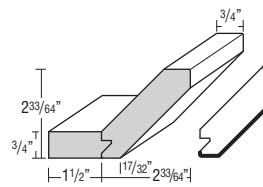
Species Availability

Cherry	Maple	Oak	Stained Hardwood	Laminate	Painted Hardwood	PureStyle™
•	•	•	•	Maple	•	Maple



DESCRIPTION	MODEL	PRICE
-------------	-------	-------

MEDIUM STRAIGHT ANGLE CROWN  **MSACROWN8** 256

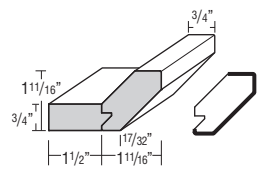


- One 8' section.
- Cleat shipped unattached can be used for top mount or face frame applications.**

Species Availability

Cherry	Maple	Oak	Stained Hardwood	Laminate	Painted Hardwood	PureStyle™
•	•	•	•	Maple	•	Maple

STRAIGHT ANGLE CROWN  **SACROWN8** 240



- One 8' section.
- Cleat shipped unattached can be used for top mount or face frame applications.**

Species Availability

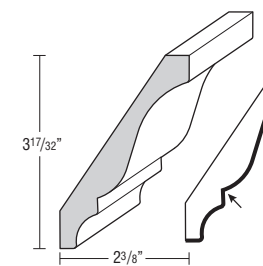
Cherry	Maple	Oak	Stained Hardwood	Laminate	Painted Hardwood	PureStyle™
•	•	•	•	Maple	•	Maple

TALL CROWN  **MTCROWN8** 256

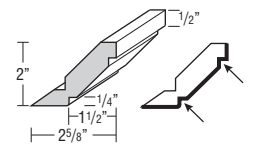
- One 8' section.

Species Availability

Cherry	Maple	Oak	Stained Hardwood	Laminate	Painted Hardwood	PureStyle™
•	•	•	•	Maple	•	Maple



SHAKER CROWN  **SHKRCRM8** 186



- Top mount moulding.
- One 8' section.

Species Availability

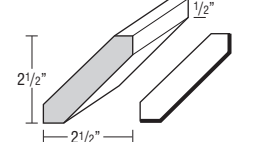
Cherry	Maple	Oak	Stained Hardwood	Laminate	Painted Hardwood	PureStyle™
•	•	•	•	Maple	•	Maple

LARGE SHAKER CROWN  **LSHAKER8** 187

- One 8' section.

Species Availability

Cherry	Maple	Oak	Stained Hardwood	Laminate	Painted Hardwood	PureStyle™
•	•	•	•	Maple	•	Maple

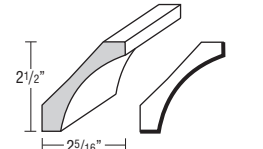


SMALL COVE CROWN MOULDING  **SMCOVECROWN8** 278

- One 8' section.

Species Availability

Cherry	Maple	Oak	Stained Hardwood	Laminate	Painted Hardwood	PureStyle™
•	•	•	•	Maple	•	Maple



DESCRIPTION MODEL PRICE

SOLID-WOOD CROWN



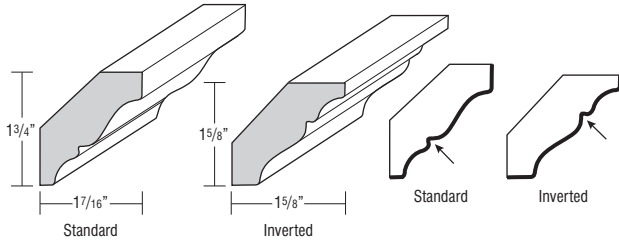
SWCRM8

140

- Face mounts on Partial Overlay doors. May be face mounted on Full Overlay if used with a cleat.
- One 8' section.
- Moulding can be used as standard or inverted.

Species Availability

Cherry	Maple	Oak	Stained Hardwood	Laminate Maple	Painted Hardwood	PureStyle™ Maple
•	•	•	•	•	•	•



SOLID-WOOD LARGE CROWN



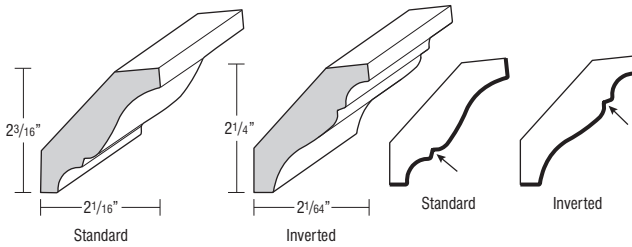
SWLCRM8

238

- Face mounts on Partial Overlay doors. May be face mounted on Full Overlay if used with a cleat.
- One 8' section.
- Moulding can be used as standard or inverted.

Species Availability

Cherry	Maple	Oak	Stained Hardwood	Laminate Maple	Painted Hardwood	PureStyle™ Maple
•	•	•	•	•	•	•



SOLID-WOOD TALL CROWN



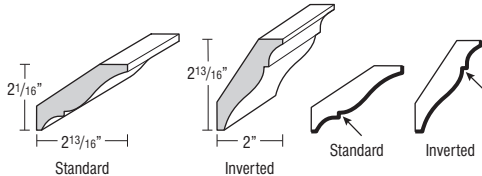
SWTCRM8

256

- Face mounts on Partial Overlay doors. May be face mounted on Full Overlay if used with a cleat.
- One 8' section.
- Moulding can be used as standard or inverted.

Species Availability

Cherry	Maple	Oak	Stained Hardwood	Laminate Maple	Painted Hardwood	PureStyle™ Maple
•	•	•	•	•	•	•



SOLID-WOOD VICTORIAN CROWN



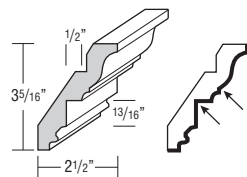
SWVCRM8

266

- Face mounts on Partial Overlay doors. May be face mounted on Full Overlay if used with a cleat.
- Designed for dentil, egg & dart, or rope moulding application.
- One 8' section.

Species Availability

Cherry	Maple	Oak	Stained Hardwood	Laminate Maple	Painted Hardwood	PureStyle™ Maple
•	•	•	•	•	•	•



DESCRIPTION MODEL PRICE

STARTER MOULDING

SOFFIT FILLER MOULDING



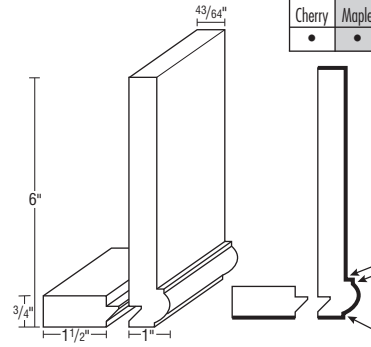
SFM8

428

- One 8' section.
- Includes an unattached cleat.

Species Availability

Cherry	Maple	Oak	Stained Hardwood	Laminate Maple	Painted Hardwood	PureStyle™ Maple
•	•	•	•	•	•	•



STARTER MOULDING



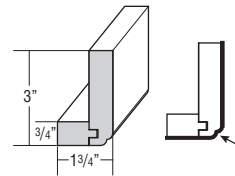
STR8

384

- One 8' section.
- Attached cleat for top-mount application.

Species Availability

Cherry	Maple	Oak	Stained Hardwood	Laminate Maple	Painted Hardwood	PureStyle™ Maple
•	•	•	•	•	•	•



STARTER MOULDING, SHAKER



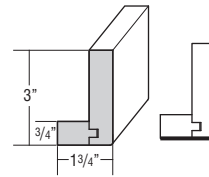
STRS8

384

- One 8' section.
- Attached cleat for top-mount application.

Species Availability

Cherry	Maple	Oak	Stained Hardwood	Laminate Maple	Painted Hardwood	PureStyle™ Maple
•	•	•	•	•	•	•



ACCENT MOULDING

CABINET PANEL EDGE



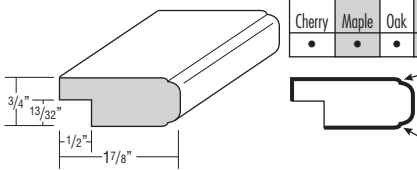
CPE8

170

- One 8' section.

Species Availability

Cherry	Maple	Oak	Stained Hardwood	Laminate Maple	Painted Hardwood	PureStyle™ Maple
•	•	•	•	•	•	•



TRADITIONAL COUNTERTOP EDGE



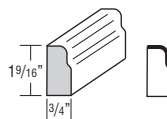
TCM8

89

- One 8' section.

Species Availability

Cherry	Maple	Oak	Stained Hardwood	Laminate Maple	Painted Hardwood	PureStyle™ Maple
•	•	•	•	•	•	•



FLAT SCRIBE



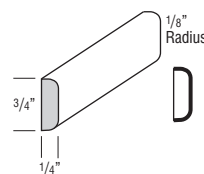
SM8

56

- One 8' section.

Species Availability

Cherry	Maple	Oak	Stained Hardwood	Laminate Maple	Painted Hardwood	PureStyle™ Maple
•	•	•	•	•	•	•



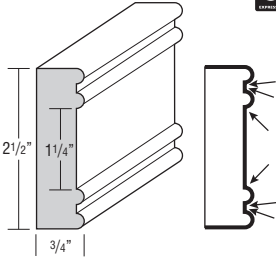
DESCRIPTION MODEL PRICE

LIBRARY MOULDING



LBRM

248



- One 8' section.

Species Availability

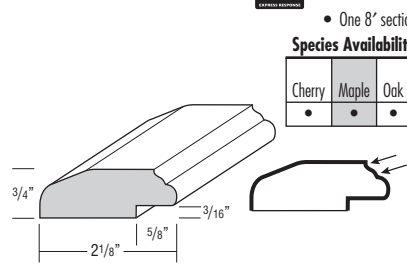
Cherry	Maple	Oak	Stained Hardwood	Laminate	Painted Hardwood	PureStyle™
•	•	•	•	Maple	•	Maple

MIRROR FRAME



WMF8

130



- One 8' section.

Species Availability

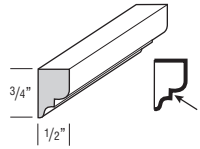
Cherry	Maple	Oak	Stained Hardwood	Laminate	Painted Hardwood	PureStyle™
•	•	•	•	Maple	•	Maple

OGEE EDGE



OGEEEM

110



- One 8' section.

Species Availability

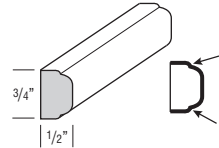
Cherry	Maple	Oak	Stained Hardwood	Laminate	Painted Hardwood	PureStyle™
•	•	•	•	Maple	•	Maple

SINGLE BEAD EDGE



SBE8

101



- One 8' section.

Species Availability

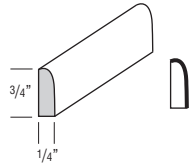
Cherry	Maple	Oak	Stained Hardwood	Laminate	Painted Hardwood	PureStyle™
•	•	•	•	Maple	•	Maple

SMALL SCRIBE



SSM8

42



- One 8' section.

Species Availability

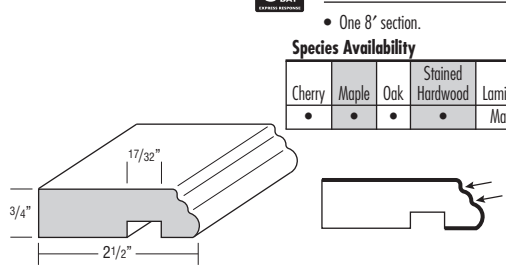
Cherry	Maple	Oak	Stained Hardwood	Laminate	Painted Hardwood	PureStyle™
•	•	•	•	Maple	•	Maple

SOFFIT TRIM MOULDING



TSTM8

167



- One 8' section.

Species Availability

Cherry	Maple	Oak	Stained Hardwood	Laminate	Painted Hardwood	PureStyle™
•	•	•	•	Maple	•	Maple

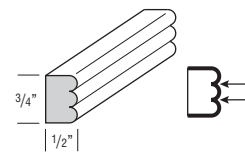
DESCRIPTION MODEL PRICE

TRIPLE BEAD EDGE



TBEM

116



- One 8' section.

Species Availability

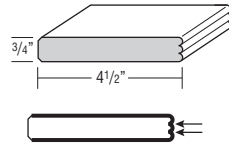
Cherry	Maple	Oak	Stained Hardwood	Laminate	Painted Hardwood	PureStyle™
•	•	•	•	Maple	•	Maple

TRIPLE BEAD PILASTER



TBP8

298



- Finished beaded front and two 4 1/2" sides.
- Can be used vertically between cabinets for an inset look.
- One 8' section.

Species Availability

Cherry	Maple	Oak	Stained Hardwood	Laminate	Painted Hardwood	PureStyle™
•	•	•	•	Maple	•	Maple

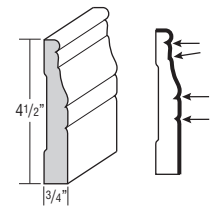
TOE MOULDING

BASEBOARD



BBM8

249



- One 8' section.
- BBM8 can be used in place of standard toekick to provide a surface for glaze hang-up on premium finishes.

Species Availability

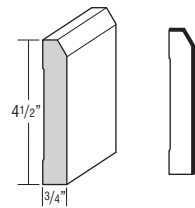
Cherry	Maple	Oak	Stained Hardwood	Laminate	Painted Hardwood	PureStyle™
•	•	•	•	Maple	•	Maple

BASEBOARD - SHAKER



BBMSH8

249



- One 8' section.

Species Availability

Cherry	Maple	Oak	Stained Hardwood	Laminate	Painted Hardwood	PureStyle™
•	•	•	•	Maple	•	Maple

TOEBOARDS

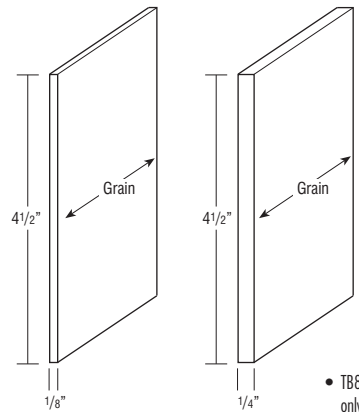


TB8LAM18

38

TB8WD14

42



- TB8LAM18 is 1/8" laminated furniture board (White only).
- TB8WD14 in Stains: 1/4" thick veneered furniture board.
- TB8WD14 in Paints: 1/4" thick veneered or solid furniture board.
- One 8' section.

Species Availability

Cherry	Maple	Oak	Stained Hardwood	Laminate	Painted Hardwood	PureStyle™
•	•	•	•	Maple	•	Maple

DESCRIPTION MODEL PRICE

TOEKICK CAP



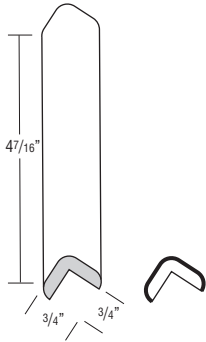
TKC

29

- All finishes available.
- Sold in pairs.

Species Availability

Cherry	Maple	Oak	Stained Hardwood	Laminate	Painted Hardwood	PureStyle™
•	•	•	•	Maple	•	Maple



WINDOW CASING

WINDOW CASING - TRADITIONAL



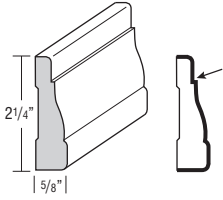
WCT8

180

- One 8' section.

Species Availability

Cherry	Maple	Oak	Stained Hardwood	Laminate	Painted Hardwood	PureStyle™
•	•	•	•	Maple	•	Maple



LIGHT RAILS

CAP MOULDING



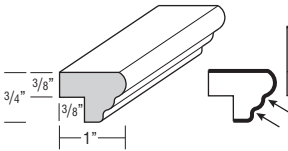
CAPM

131

- One 8' section.

Species Availability

Cherry	Maple	Oak	Stained Hardwood	Laminate	Painted Hardwood	PureStyle™
•	•	•	•	Maple	•	Maple



LIGHT BAFFLE



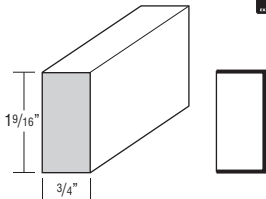
LB2

111

- One 8' section.

Species Availability

Cherry	Maple	Oak	Stained Hardwood	Laminate	Painted Hardwood	PureStyle™
•	•	•	•	Maple	•	Maple



SMALL LIGHT RAIL MOULDING



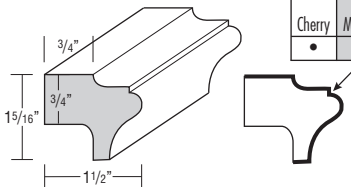
SMLR

412

- One 8' section.

Species Availability

Cherry	Maple	Oak	Stained Hardwood	Laminate	Painted Hardwood	PureStyle™
•	•	•	•	Maple	•	Maple



DESCRIPTION MODEL PRICE

LIGHT RAIL MOULDING



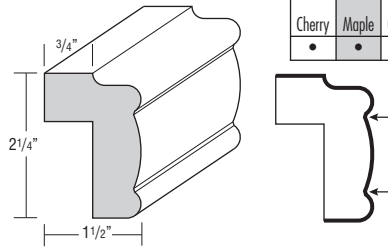
LRM

470

- One 8' section.

Species Availability

Cherry	Maple	Oak	Stained Hardwood	Laminate	Painted Hardwood	PureStyle™
•	•	•	•	Maple	•	Maple



VALLEY FORGE



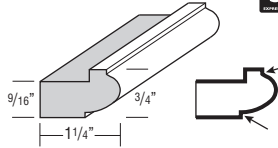
VFR8

108

- Must be shimmed at shaded area if used with full overlay styles.
- One 8' section.

Species Availability

Cherry	Maple	Oak	Stained Hardwood	Laminate	Painted Hardwood	PureStyle™
•	•	•	•	Maple	•	Maple



CORNER MOULDINGS

INSIDE CORNER



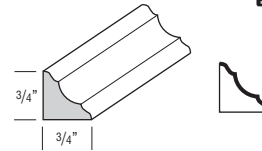
ICM8

78

- One 8' section.

Species Availability

Cherry	Maple	Oak	Stained Hardwood	Laminate	Painted Hardwood	PureStyle™
•	•	•	•	Maple	•	Maple



OUTSIDE CORNER



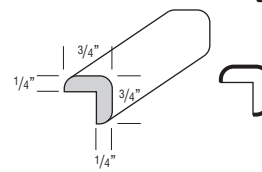
OCM8

72

- One 8' section.

Species Availability

Cherry	Maple	Oak	Stained Hardwood	Laminate	Painted Hardwood	PureStyle™
•	•	•	•	Maple	•	Maple



OUTSIDE CORNER 135°



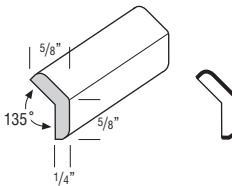
OC135

110

- One 8' section.

Species Availability

Cherry	Maple	Oak	Stained Hardwood	Laminate	Painted Hardwood	PureStyle™
•	•	•	•	Maple	•	Maple



QUARTER ROUND MOULDING



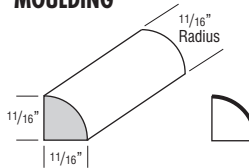
QRM

70

- One 8' section.

Species Availability

Cherry	Maple	Oak	Stained Hardwood	Laminate	Painted Hardwood	PureStyle™
•	•	•	•	Maple	•	Maple



SHOE - CONVEX INSIDE CORNER



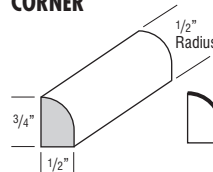
SHM8

65

- One 8' section.

Species Availability

Cherry	Maple	Oak	Stained Hardwood	Laminate	Painted Hardwood	PureStyle™
•	•	•	•	Maple	•	Maple

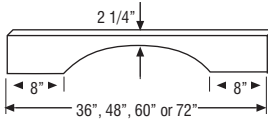


DESCRIPTION MODEL PRICE
VALANCES

ARCHED VALANCE



AV36	116
AV48	139
AV60	160
AV72	194



- Side shoulders are 8" wide (6" trimmable each end).
- Bottom edge has 3/16" radius.
- 3/4" thick.

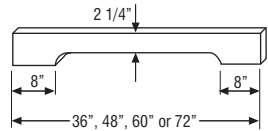
Species Availability

Cherry	Maple	Oak	Stained Hardwood	Laminate	Painted Hardwood	PureStyle™
•	•	•	•	Maple	•	Maple

FURNITURE VALANCE



FV36	107
FV48	128
FV60	145
FV72	175



- Side shoulders are 8" wide (6" trimmable each end).
- Bottom edge has 3/16" radius profile on face.
- 3/4" thick.

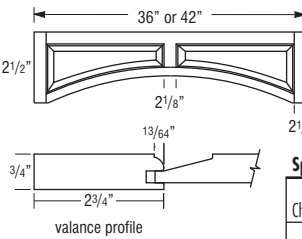
Species Availability

Cherry	Maple	Oak	Stained Hardwood	Laminate	Painted Hardwood	PureStyle™
•	•	•	•	Maple	•	Maple

RAISED PANEL ARCH VALANCE



JRPV36	1106
JRPV42	1161



- Trimmable up to 1 3/4" per side.
- Center height 8".
- Raised panel profile is unique to this item and does not match any door style.
- Ends are pocket drilled for installation to adjacent cabinet frames.

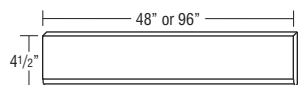
Species Availability

Cherry	Maple	Oak	Stained Hardwood	Laminate	Painted Hardwood	PureStyle™
•	•	•	•	Maple	•	Maple

STRAIGHT VALANCE



VV48	115
VV96	230



- Trimmable.
- Profiled bottom edge.
- 3/4" thick.

Species Availability

Cherry	Maple	Oak	Stained Hardwood	Laminate	Painted Hardwood	PureStyle™
•	•	•	•	Maple	•	Maple

DECORATIVE ORNAMENTS

MISSION ROSETTE

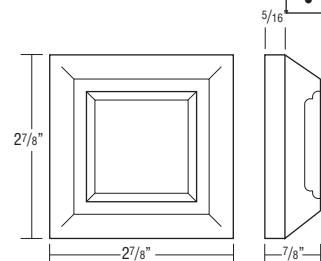


ROSETTEMIS	292
-------------------	-----

- Apply with small brod.

Species Availability

Cherry	Maple	Oak	Stained Hardwood	Laminate	Painted Hardwood	PureStyle™
•	•	•	•	Maple	•	Maple



DESCRIPTION MODEL PRICE
DECORATIVE SUPPORTS

ENGLISH BAR COLUMN, 42 1/4" HIGH

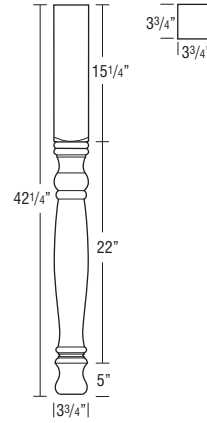


ENGBARCOLUMN	1153
---------------------	------

- Trimmable.

Species Availability

Cherry	Maple	Oak	Stained Hardwood	Laminate	Painted Hardwood	PureStyle™
•	•	•	•	Maple	•	Maple



ENGLISH ISLAND COLUMN, 5" WIDE, 35 1/4" HIGH

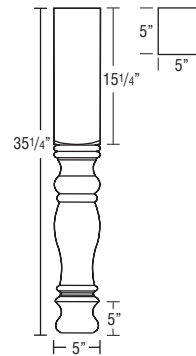


ENGLISHCOLUMN	1296
----------------------	------

- Trimmable.

Species Availability

Cherry	Maple	Oak	Stained Hardwood	Laminate	Painted Hardwood	PureStyle™
•	•	•	•	Maple	•	Maple



ESTATE LEG, SMALL 2 3/4" WIDE, 35 1/4" HIGH

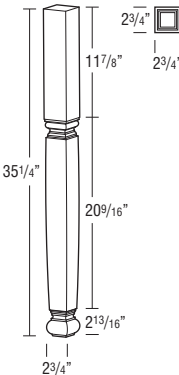


JESTATELEGS	722
--------------------	-----

- Trimmable.

Species Availability

Cherry	Maple	Oak	Stained Hardwood	Laminate	Painted Hardwood	PureStyle™
•	•	•	•	Maple	•	Maple



DESCRIPTION MODEL PRICE

**ISLAND LEG, 2-SIDED,
35 1/4" HIGH**



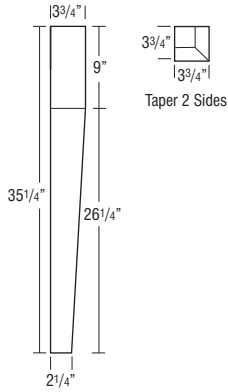
2SISLEG

797

- Trimmable.

Species Availability

Cherry	Maple	Oak	Stained Hardwood	Laminate Maple	Painted Hardwood	PureStyle™ Maple
•	•	•	•		•	



**ISLAND LEG, 4-SIDED,
35 1/4" HIGH**



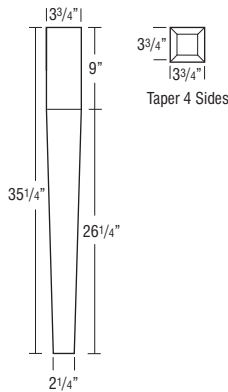
4SISLEG

1058

- Trimmable.

Species Availability

Cherry	Maple	Oak	Stained Hardwood	Laminate Maple	Painted Hardwood	PureStyle™ Maple
•	•	•	•		•	



**METRO BAR COLUMN,
42 1/4" HIGH**



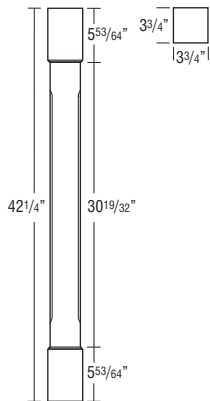
METBARCOLUMN

1143

- Trimmable.

Species Availability

Cherry	Maple	Oak	Stained Hardwood	Laminate Maple	Painted Hardwood	PureStyle™ Maple
•	•	•	•		•	



DESCRIPTION MODEL PRICE

**METRO ISLAND COLUMN,
34 5/8" HIGH**



METISLCOLUMN

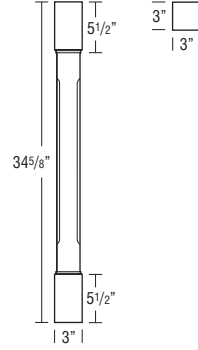
1045

- Trimmable.

- Leg is designed with three pieces joined together.

Species Availability

Cherry	Maple	Oak	Stained Hardwood	Laminate Maple	Painted Hardwood	PureStyle™ Maple
•	•	•	•		•	



**MISSION LEG,
34 1/2" HIGH**



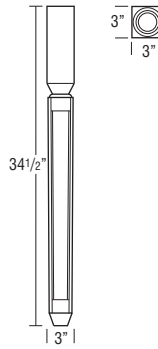
DLEMISSION

798

- Trimmable.

Species Availability

Cherry	Maple	Oak	Stained Hardwood	Laminate Maple	Painted Hardwood	PureStyle™ Maple
•	•	•	•		•	



**SQUARE ISLAND
LEG, 3" x 3",
35 1/4" HIGH**



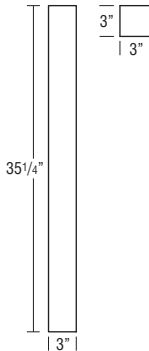
JSQISLEG3

522

- Trimmable.

Species Availability

Cherry	Maple	Oak	Stained Hardwood	Laminate Maple	Painted Hardwood	PureStyle™ Maple
•	•	•	•		•	



**ISLAND LEG TAPERED,
35 1/4" HIGH**



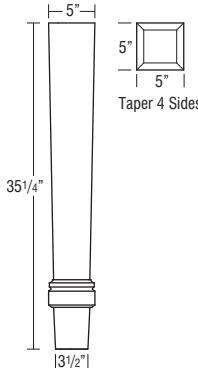
ISLEGTPRD

677

- Trimmable.

Species Availability

Cherry	Maple	Oak	Stained Hardwood	Laminate Maple	Painted Hardwood	PureStyle™ Maple
	•		•		•	



DESCRIPTION MODEL PRICE

**SPOOL LEG,
34 1/2" HIGH**



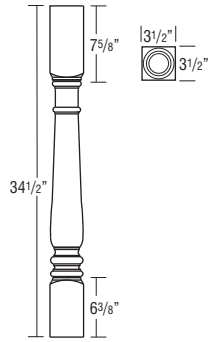
SPLEG

938

- Trimable.

Species Availability

Cherry	Maple	Oak	Stained Hardwood	Laminate	Painted Hardwood	PureStyle™
•	•	•	•	Maple	•	Maple



**CRAFTSMAN FOOT,
4 1/2" HIGH**



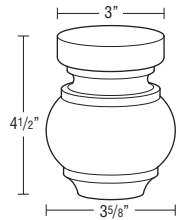
JCRAFTFOOT

175

- Trimable.

Species Availability

Cherry	Maple	Oak	Stained Hardwood	Laminate	Painted Hardwood	PureStyle™
•	•	•	•	Maple	•	Maple



**LARGE SQUARE FOOT,
5" HIGH**



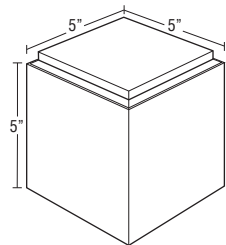
LGSQFOOT

412

- Trimable.

Species Availability

Cherry	Maple	Oak	Stained Hardwood	Laminate	Painted Hardwood	PureStyle™
•	•	•	•	Maple	•	Maple



LILLE FOOT, 4 1/2" HIGH



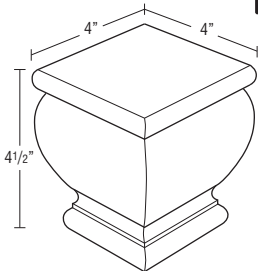
LIFOOT

392

- Recommended for applications without toekicks.

Species Availability

Cherry	Maple	Oak	Stained Hardwood	Laminate	Painted Hardwood	PureStyle™
•	•	•	•	Maple	•	Maple



DESCRIPTION MODEL PRICE

TAPERED LEG, 6" HIGH



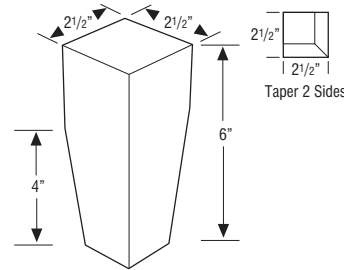
TAPLGL

248

- Trimable.
- Tapered on two sides.

Species Availability

Cherry	Maple	Oak	Stained Hardwood	Laminate	Painted Hardwood	PureStyle™
•	•	•	•	Maple	•	Maple



**TOEKICK TULIP FOOT,
4 5/8" HIGH**



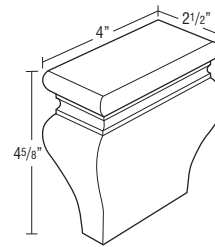
TKTLFOOT

467

- Trimable.

Species Availability

Cherry	Maple	Oak	Stained Hardwood	Laminate	Painted Hardwood	PureStyle™
•	•	•	•	Maple	•	Maple



TULIP FOOT, 4 5/8" HIGH



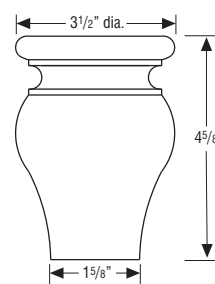
TLFOOT

434

- Trimable.

Species Availability

Cherry	Maple	Oak	Stained Hardwood	Laminate	Painted Hardwood	PureStyle™
•	•	•	•	Maple	•	Maple



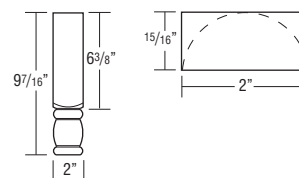
**2" DECORATIVE SPLIT
TURNINGS**



SPRINGEND (Sold in Pairs)

69

- Ends sold separately from split turnings.



SPRINGEND



SPRINGSPPOOL30 (Half Round)

83

SPRINGSPPOOL96 (Half Round)

152

- Ends sold separately from split turnings.

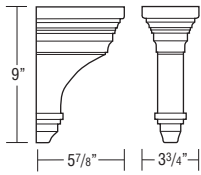
Species Availability

Cherry	Maple	Oak	Stained Hardwood	Laminate	Painted Hardwood	PureStyle™
•	•	•	•	Maple	•	Maple

SPRINGSPPOOL_

DESCRIPTION MODEL PRICE
DECORATIVE CORBELS & SHELF SUPPORTS

9" ART CORBEL



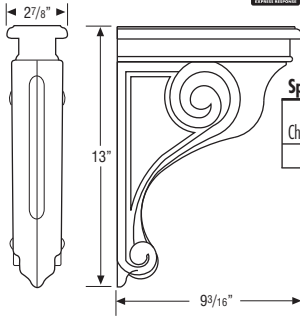
CORBELART9 581

- Not intended for cabinet or freestanding countertop support. For substantial weight support, use a floor mounted support such as a Decorative Leg.

Species Availability

Cherry	Maple	Oak	Stained Hardwood	Laminate	Painted Hardwood	PureStyle™
•	•	•	•	Maple	•	Maple

13" LARGE CORBEL



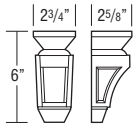
LGCORBEL 623

- Not intended for cabinet or freestanding countertop support. For substantial weight support, use a floor mounted support such as a Decorative Leg.

Species Availability

Cherry	Maple	Oak	Stained Hardwood	Laminate	Painted Hardwood	PureStyle™
•	•	•	•	Maple	•	Maple

6" MISSION CORBEL



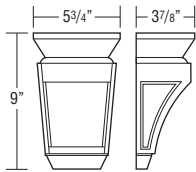
CORBELMIS6 528

- Not intended for cabinet or freestanding countertop support. For substantial weight support, use a floor mounted support such as a Decorative Leg.

Species Availability

Cherry	Maple	Oak	Stained Hardwood	Laminate	Painted Hardwood	PureStyle™
•	•	•	•	Maple	•	Maple

9" MISSION CORBEL



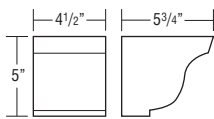
CORBELMIS9 614

- Not intended for cabinet or freestanding countertop support. For substantial weight support, use a floor mounted support such as a Decorative Leg.

Species Availability

Cherry	Maple	Oak	Stained Hardwood	Laminate	Painted Hardwood	PureStyle™
•	•	•	•	Maple	•	Maple

5" OLD WORLD CORBEL



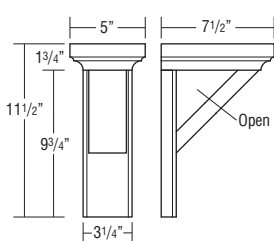
CORBELOWD5 406

- Not intended for cabinet or freestanding countertop support. For substantial weight support, use a floor mounted support such as a Decorative Leg.

Species Availability

Cherry	Maple	Oak	Stained Hardwood	Laminate	Painted Hardwood	PureStyle™
•	•	•	•	Maple	•	Maple

11 1/2" ARTS & CRAFTS BRACKET



JBRACKETART 446

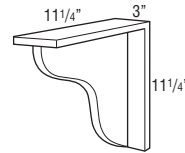
- Not intended for cabinet or freestanding countertop support. For substantial weight support, use a floor mounted support such as a Decorative Leg.

Species Availability

Cherry	Maple	Oak	Stained Hardwood	Laminate	Painted Hardwood	PureStyle™
•	•	•	•	Maple	•	Maple

DESCRIPTION MODEL PRICE

11 1/4" SNACK BAR SUPPORT



SBS 180

- Not intended for cabinet or freestanding countertop support. For substantial weight support, use a floor mounted support such as a Decorative Leg.

Species Availability

Cherry	Maple	Oak	Stained Hardwood	Laminate	Painted Hardwood	PureStyle™
•	•	•	•	Maple	•	Maple

LIGHTING

BATTERY STRIP LIGHT

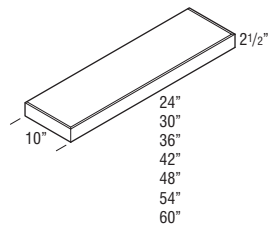


BATTLTI 137

- Battery operated – (4) AAA batteries (not included).
- Motion activated.
- Low power usage (0.3W).
- Plastic aluminum finish.
- Dimensions: Length 11.93" (303mm), Width 0.67" (17mm), and Depth 0.55" (14mm).
- Easy adhesive install.

DESCRIPTION MODEL PRICE
SHELVES

FLOATING SHELVES



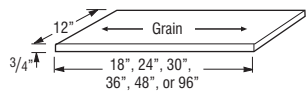
FS24	435
FS30	497
FS36	559
FS42	621
FS48	710
FS54	774
FS60	837

- 3/4" thick solid-wood front, back and ends. 3/8" thick veneered Medium Density Fiberboard (MDF) top and bottom. When a Paint finish is specified, veneer may not be applied. Front and ends are mitered together.
- Maximum Weight Capacity per shelf:
 - 24" = 25 lbs.
 - 30" = 31 lbs.
 - 36" = 37 lbs.
 - 42" = 43 lbs.
 - 48" = 50 lbs.
 - 54" = 56 lbs.
 - 60" = 62 lbs.

Species Availability

Cherry	Maple	Oak	Stained Hardwood	Laminate	Painted Hardwood	PureStyle™
	•		•	Maple	•	Maple

EXTERIOR SHELVES, 12" DEEP



ES1218	151
ES1224	165
ES1230	179
ES1236	191
ES1248	226
ES1296†	330

- 3/4" thick veneered furniture board finished both sides, and front and side edges (back edge is not finished).
- †5 day Express Response not available on items greater than 48".

Custom Modifications

ID	RD
•	•

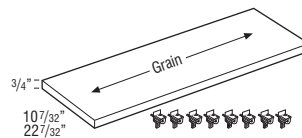
Species Availability

Cherry	Maple	Oak	Stained Hardwood	Laminate	Painted Hardwood	PureStyle™
•	•	•	•	Maple	•	Maple

DESCRIPTION MODEL PRICE

FULL DEPTH INTERIOR SHELVES

To Fit 12" and 24" Deep Cabinets



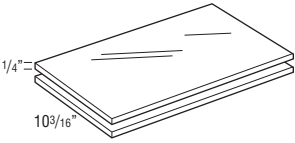
SK912	69
SK1212	69
SK1512	69
SK1812	83
SK2112	83
SK2412	83
SK2712	97
SK3012	97
SK3312	97
SK3612	110
SK3912	110
SK4212	110
SK4812	125

SK924	88
SK1224	88
SK1524	88
SK1824	105
SK2124	105
SK2424	105
SK2724	116
SK3024	116
SK3324	116
SK3624	131
SK3924	131
SK4224	131
SK4824	143

- SK_ _12 includes one 10 7/32" deep shelf, SK_ _24 includes one 22 7/32" deep shelf.
- Each kit includes 8 shelf pegs.
- Specify material when ordering.
- Full Depth Shelves will be shipped separate from the cabinet.
- RD not available on SK_ _12.

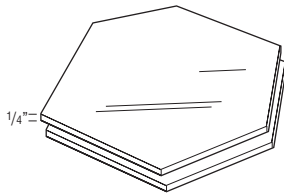
Custom Modifications

MIP	RD
•	•

DESCRIPTION	MODEL	PRICE
GLASS SHELF KIT, 12" DEEP 	JGSK1212	154
	JGSK1512	160
	JGSK1812	165
	JGSK2112	187
	JGSK2412	198
	JGSK2712	203
	JGSK3012	206
	JGSK3312	217
	JGSK3612	229

- JGSK cannot be trimmed.
- Kit includes two 1/4" tempered shelves.
- Example: JGSK1512 = 13 9/32" wide x 10 3/16" deep fits in W1530x12 Deep Cabinet.

**GLASS SHELF KIT,
DIAGONAL**



JGSKDW24 (Fits DW..2424)	313
JGSKDW27 (Fits DW..2727)	313

- JGSK cannot be trimmed.
- Kit includes two 1/4" tempered shelves.
- Not available for 12"-27" high Diagonal Wall Cabinets. Shelf will not fit through door opening.

DESCRIPTION MODEL PRICE
DECORATIVE HARDWARE — KNOBS AND PULLS

ANTIQUE PEWTER



NEW **KNOBM148** 17
 L: 2 5/8"
 W: 5/8"
 P: 1 1/4"



NEW **KNOBM206** 17
 D: 1 1/4"
 P: 1 1/16"



NEW **PULLM364** 21
 C/C: 3"
 L: 4 5/8"
 W: 1 7/16"
 P: 15/16"



NEW **PULLM475** 16
 C/C: 3 3/4"
 L: 5"
 W: 9/16"
 P: 1"

BLACK



NEW **KNOBT1017** 33
 C/C: 1 1/4"
 L: 2"
 W: 11/16"
 P: 1 1/4"
 Pairs best with PULLT1015



NEW **PULLT1015** 47
 C/C: 7"
 L: 8"
 W: 11/16"
 P: 1 1/2"
 Pairs best with KNOBT1017

D = Diameter
 P = Projection (Hardware Depth)
 L = Length
 W = Width
 B = Base
 C/C = Center to Center

Installation screws included with each hardware piece.
 Larger pulls may not be compatible with 5-piece drawer fronts on face frame openings of 9" wide or less.
 See page 21 for 5-piece drawer front dimensions when specifying decorative hardware.
 For color images of decorative hardware, see kempercabinets.com/products/hardware.

DESCRIPTION MODEL PRICE

BLACK (cont'd)



NEW **KNOB1912** 40
 D: 1 1/4"
 P: 1 13/16"



NEW **KNOBH951** 15
 L: 1 3/4"
 W: 1"
 P: 1"
 B: 1 1/16" x 1/2"



NEW **PULLB952** 29
 C/C: 3"
 L: 4 1/4"
 W: 1 1/2"
 P: 11/16"



NEW **PULLB383** 29
 C/C: 5 1/16"
 L: 6"
 W: 1/2"
 P: 1 1/16"

BLACK IRON



NEW **KNOB1901** 27
 L: 1 7/16"
 W: 1 1/4"
 P: 1 1/8"
 B: 15/16"



NEW **PULL1902** 39
 C/C: 128mm
 L: 6 1/3"
 W: 1 1/10"
 P: 1 1/16"

BLACK MIST



NEW **KNOBH116** 14
 L: 1 5/16"
 W: 1 1/4"
 P: 1 1/8"
 B: 3/8"



NEW **PULLH115** 30
 C/C: 128mm
 L: 6 3/8"
 W: 1/2"
 P: 1"

DESCRIPTION MODEL PRICE

BLACKENED BRONZE



NEW **KNOBH136** 13
L: 1 3/4"
W: 1/2"
P: 1 1/8"
B: 1/2"



NEW **PULLH130** 15
C/C: 128mm
L: 6 3/8"
W: 7/16"
P: 1 1/8"



NEW **PULLH132** 24
C/C: 224mm
L: 10"
W: 1/2"
P: 1 3/8"

BRONZE HIGHLIGHT



NEW **KNOB RH20** 36
L: 1 7/16"
W: 1 7/16"
P: 1 3/32"



NEW **PULL RH21** 18
C/C: 3"
L: 4 39/64"
W: 25/32"
P: 1 3/16"

CAST IRON



NEW **KNOB M1820** 36
L: 1 5/16"
W: 1 5/16"
P: 1"



NEW **PULL M1823** 42
C/C: 5 1/16"
L: 7 3/8"
W: 1"
P: 1 1/4"

D = Diameter
P = Projection (Hardware Depth)
L = Length
W = Width
B = Base
C/C = Center to Center

Installation screws included with each hardware piece.
Larger pulls may not be compatible with 5-piece drawer fronts on face frame openings of 9" wide or less.
See page 21 for 5-piece drawer front dimensions when specifying decorative hardware.
For color images of decorative hardware, see kempercabinets.com/products/hardware.

DESCRIPTION MODEL PRICE

CHAMPAGNE BRONZE



NEW **KNOB1909** 29
L: 1 1/4"
W: 1 1/4"
P: 1 1/8"
B: 3/4"



NEW **PULL1910** 61
C/C: 224mm
L: 9 9/16"
W: 3/4"
P: 1 5/16"



NEW **PULL1911** 54
C/C: 192mm
L: 8 3/8"
W: 3/4"
P: 1 1/4"

CHROME



NEW **KNOB1906** 40
L: 1 1/16"
W: 1 1/16"
P: 1 1/8"
B: 3/8"



NEW **PULL1905** 54
C/C: 128mm
L: 6 3/8"
W: 9/16"
P: 1"



NEW **PULL1904** 56
C/C: 3 3/4"
L: 5 1/4"
W: 1"
P: 1"

GOLD



NEW **KNOB1908** 30
L: 1 1/4"
W: 1 1/4"
P: 1"
B: 3/8"











NEW **PULL1907** 49
C/C: 160mm
L: 6 7/10"
W: 2/5"
P: 1 1/5"

DESCRIPTION	MODEL	PRICE
HAMMERED BRONZE 		
	NEW KNOBH913 L: 1 3/8" W: 1 3/8"	35
	NEW PULLH911 C/C: 3" L: 5 5/8" W: 1" P: 1 1/4"	37
ICE TEA 		
	NEW KNOBH108 L: 1 7/16" W: 1 1/16" P: 1" B: 1/2"	10
	NEW PULLH144 C/C: 160mm L: 6 5/16" W: 9/16" P: 1 1/16"	21

RUST 		
	NEW KNOBM207 D: 1 1/4" P: 1 1/16"	17
	NEW PULLM476 C/C: 3 3/4" L: 5" W: 9/16" P: 1"	36

D = Diameter
P = Projection (Hardware Depth)
L = Length
W = Width
B = Base
C/C = Center to Center

Installation screws included with each hardware piece.
Larger pulls may not be compatible with 5-piece drawer fronts on face frame openings of 9" wide or less.
See page 21 for 5-piece drawer front dimensions when specifying decorative hardware.
For color images of decorative hardware, see kempercabinets.com/products/hardware.

DESCRIPTION	MODEL	PRICE
SATIN NICKEL 		
	NEW KNOBT002 C/C: 1 1/4" L: 2" W: 3/8" P: 1 1/2" Pairs best with PULLT001	39
	NEW PULLT001 C/C: 7" L: 8" W: 3/8" P: 1 1/2" Pairs best with KNOBT002	27
	NEW PULLH120 C/C: 160mm L: 7 1/8" W: 3/4" P: 1" Pairs best with PULLH122	25
	NEW PULLH122 C/C: 12" L: 12 3/4" W: 7/8" P: 1 3/16" Pairs best with PULLH120	47
	NEW PULLH105 C/C: 1" L: 1 3/4" W: 1" P: 1 3/4" Pairs best with PULLH106 or PULLH107	31
	NEW PULLH106 C/C: 160mm L: 7" W: 1" P: 1 3/4" Pairs best with PULLH105 or PULLH107	44
	NEW PULLH107 C/C: 12" L: 13" W: 1" P: 1 13/16" Pairs best with PULLH105 or PULLH106	70

DESCRIPTION MODEL PRICE

SATIN NICKEL
(cont'd)



NEW **KNOB1420** 17
D: 1 1/4"
P: 1 1/8"



NEW **KNOBH100** 17
D: 1 3/8"
P: 1 3/8"
B: 3/4"



NEW **KNOBH118** 15
L: 1 5/16"
W: 1 5/16"
P: 1 3/16"
B: 7/8"



NEW **KNOBM549** 16
D: 7/8"
P: 1"



PULLH50 44
C/C: 5"
L: 5"
W: 5/16"
P: 1 1/4"



PULLH63 35
C/C: 96mm
L: 4 1/8"
W: 1/2"
P: 1 1/16"



NEW **PULLH957** 26
C/C: 3"
L: 4 1/4"
W: 1 1/2"
P: 1 1/16"

D = Diameter
P = Projection (Hardware Depth)
L = Length
W = Width
B = Base
C/C = Center to Center

Installation screws included with each hardware piece.
Larger pulls may not be compatible with 5-piece drawer fronts on face frame openings of 9" wide or less.
See page 21 for 5-piece drawer front dimensions when specifying decorative hardware.
For color images of decorative hardware, see kempercabinets.com/products/hardware.

KEMPER® ECHO™ SERIES

DESCRIPTION MODEL PRICE

SATIN NICKEL
(cont'd)



NEW **PULLM381** 21
C/C: 5 1/16"
L: 6"
W: 1/2"
P: 1 1/16"



NEW **PULLM430** 25
C/C: 5 1/16"
L: 7"
W: 15/32"
P: 1 7/16"



NEW **PULLM570** 20
C/C: 5 1/16"
L: 5 7/8"
W: 1/2"
P: 1 3/16"








SILVER STONE



NEW **KNOBH127** 17
D: 1 1/2"
P: 1"
B: 7/8"



NEW **PULLH128** 27
C/C: 160mm
L: 7 1/2"
W: 3/4"
P: 1 1/16"

DESCRIPTION	MODEL	PRICE
STAINLESS STEEL  	NEW KNOBH135	13
	L: 1 3/4" W: 1/2" P: 1 1/8" B: 1/2" Pairs best with PULLH129 or PULLH131	
	NEW PULLH129	15
	C/C: 128mm L: 6 3/8" W: 7/16" P: 1 1/8" Pairs best with KNOBH135 or PULLH131	
	NEW PULLH131	23
	C/C: 224mm L: 10" W: 1/2" P: 1 3/8" Pairs best with KNOBH135 or PULLH129	
	NEW PULLH141	14
	C/C: 128mm L: 7 3/8" W: 1/2" P: 1 1/4" Pairs best with PULLH142 or PULLH143	
	NEW PULLH142	16
	C/C: 192mm L: 9 15/16" W: 1/2" P: 1 1/4" Pairs best with PULLH141 or PULLH143	
	NEW PULLH143	24
	C/C: 384mm L: 17 1/2" W: 1/2" P: 1 1/4" Pairs best with PULLH141 or PULLH142	

DESCRIPTION	MODEL	PRICE
TUSCAN BRONZE  	NEW KNOBH117	15
	L: 1 5/16" W: 1 5/16" P: 1 3/16" B: 7/8" Pairs best with PULLH119	
	NEW PULLH119	37
	C/C: 160mm L: 7 1/8" W: 3/4" P: 1" Pairs best with KNOBH117	
	NEW KNOBT013	31
	D: 1 1/4" P: 1 1/16"	
	NEW PULLM1674	43
	C/C: 3" L: 4 5/8" W: 1 7/16" P: 15/16"	
	NEW PULLT018	29
	C/C: 5 1/16" L: 6" W: 1/2" P: 1 1/16"	

D = Diameter
P = Projection (Hardware Depth)
L = Length
W = Width
B = Base
C/C = Center to Center

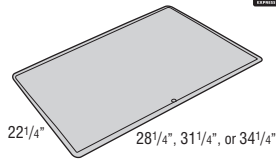
Installation screws included with each hardware piece.
 Larger pulls may not be compatible with 5-piece drawer fronts on face frame openings of 9" wide or less.
 See page 21 for 5-piece drawer front dimensions when specifying decorative hardware.
 For color images of decorative hardware, see kempercabinets.com/products/hardware.

DESCRIPTION MODEL PRICE
ACCESSORIES

CABMAT™



CABMAT30	270
CABMAT33	282
CABMAT36	291



- Designed to capture spills and is removable for cleaning.
- See CabMat™ modification for easy size selection by cabinet model.
- Not trimmable. Can also be used in wider cabinets but will create a small void of unprotected area along the end panels.

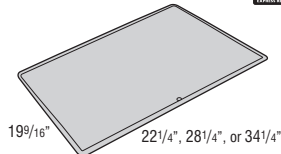
storage SOLUTIONS

Model	Liquid Capacity		Cabinet Size	
	Gallons	Liters	Width	Depth
CABMAT30	2.0	7.6	30"	24"
CABMAT33	2.4	9.0	33"	24"
CABMAT36	2.7	10.2	36"	24"

CABMAT™ VANITY



CABMATV24	265
CABMATV30	275
CABMATV36	296



- Designed to capture spills and is removable for cleaning.
- See CabMat™ modification for easy size selection by cabinet model.
- Not trimmable. Can also be used in wider cabinets but will create a small void of unprotected area along the end panels.

storage SOLUTIONS

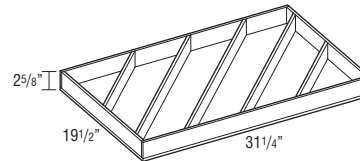
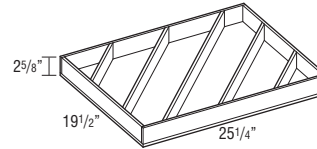
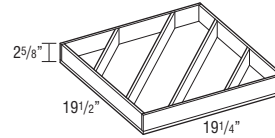
Model	Liquid Capacity		Cabinet Size	
	Quarts	Liters	Face Frame Opening	Depth
CABMATV24	2.5	2.4	21"-24"	21"
CABMATV30	3.3	3.1	27"-30"	21"
CABMATV36	3.9	3.7	33"	21"

DESCRIPTION MODEL PRICE

COOKING UTENSIL DIVIDER



CUDD24	255
CUDD30	284
CUDD36	312



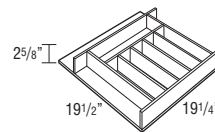
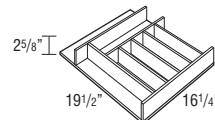
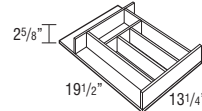
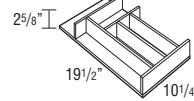
- Pre-assembled natural wood drawer insert (does not fit roll trays).

storage SOLUTIONS

CUTLERY INSERT WOOD ORGANIZER



CIW15	175
CIW18	186
CIW21	241
CIW24	259



Model	Application
CIW15	15" Base
CIW18	18" Base
CIW21	21" Base
CIW24	24" Base

- Pre-assembled natural wood drawer insert.
- Place a cabinet with a CIW next to the dishwasher for convenience.

storage SOLUTIONS

DESCRIPTION MODEL PRICE

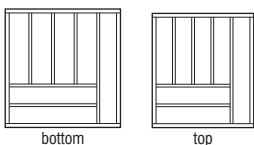
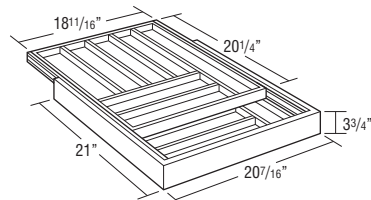
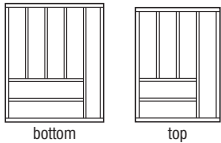
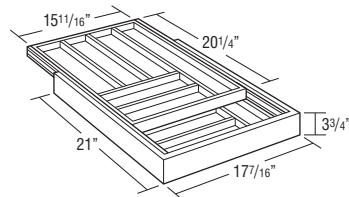
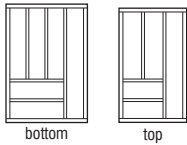
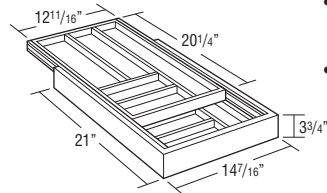
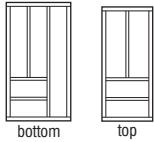
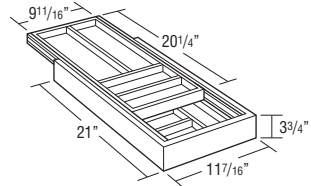
WOOD TIERED CUTLERY DIVIDER DRAWER, 15", 18", 21", and 24"



WTCD15	465
WTCD18	483
WTCD21	501
WTCD24	520

Model	Application
WTCD15	15" Base
WTCD18	18" Base
WTCD21	21" Base
WTCD24	24" Base

- Replaces standard drawer. Uses existing cabinet member drawer hardware.
- Requires field installation of drawer front.
- For use with 24" deep cabinets only.
- Exterior WTCD drawer box height is 3 3/4", interior height of top tier is 1 5/8", and interior height of bottom tier is 1 3/8".
- Top divider slides front-to-back.



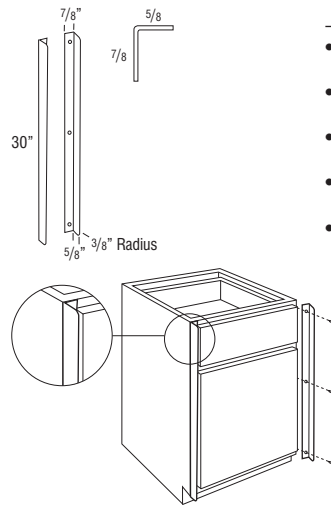
storage SOLUTIONS

DESCRIPTION MODEL PRICE

ANGLED HEAT SHIELDS



ANGLHEATSHIELD	139
ANGLSHIELDSS	159

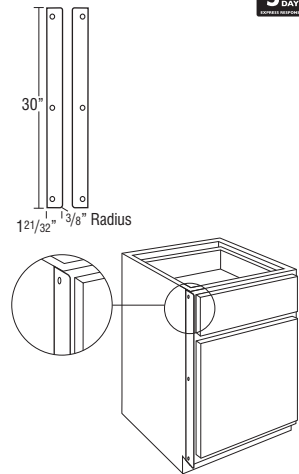


- ANGLHEATSHIELD is a pair of 1/16" thick, white powder coated metal shields.
- ANGLSHIELDSS is a pair of 1/16" thick, stainless steel metal shields.
- Heat Shield is used to deflect heat from self-cleaning ovens away from cabinet doors and drawer fronts.
- For use when additional 1/8" cannot be added to the oven manufacturer's recommended space requirement.
- Cabinet door cannot be hinged on the same side as the angled heat shield, not compatible with double door cabinets. Installs on the front of the face frame of each cabinet adjacent to the oven.

STRAIGHT HEAT SHIELDS



STRTHEATSHIELD	105
STRTHSHIELDSS	125

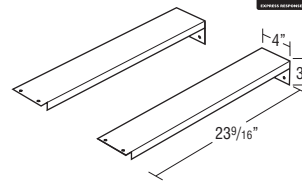


- STRTHEATSHIELD is a pair of 1/16" thick, white powder coated metal shields.
- STRTHSHIELDSS is a pair of 1/16" thick, stainless steel metal shields.
- Heat Shield is used to deflect heat from self-cleaning ovens away from cabinet doors and drawer fronts.
- For use when additional 1/8" can be added to the oven manufacturer's recommended space requirement.
- Installs on the side of the face frame of each cabinet adjacent to the oven.

OVEN INSTALLATION KIT



OCINSTALLKIT	58
--------------	----

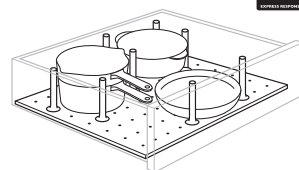


- Recommended for supporting built-in appliances such as ovens, microwaves, and warming drawers. Refer to appliance manufacturer specifications for installation requirements.
- Weight limit is 400 lbs. per pair.

PEGGED DISH ORGANIZER



PDO (8 Posts & Board)	360
PDOPOSTS (4 Posts)	92



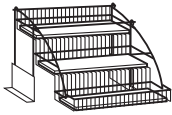
- For use in 36" wide drawer base cabinets in 6 3/8" or 10" deep drawers, trimmable for cabinets less than 36" wide. Not recommended for use in roll trays.
- Pegged Board is 19/32" thick.
- 29 15/16" x 19 1/2".
- Posts are 6" high.

DESCRIPTION MODEL PRICE

SPICE RACK PULL-DOWN



SPD18 217



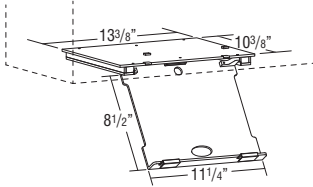
storage SOLUTIONS

- Spice Rack Pull-down dimensions: 8 15/16" high x 14 13/16" wide x 10 5/16" deep.
- Spice Rack Pull-down requires 3 3/4" below the bottom edge of the cabinet and 9 1/4" in front of the cabinet to be fully extended.
- Maximum Weight Capacity: 15 lbs.
- Must be installed on the floor of the cabinet. Cannot be installed on an adjustable shelf.

TABLET HOLDER



TABLEHLDR 242

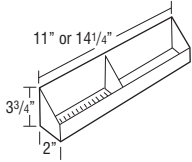


- Mounts under 15" wide cabinet or wider.
- Designed for cabinets 12" deep or deeper.
- Features an acrylic mounting base and pull-down tablet holder tray.
- Tray is movable forward and backward with a slight side to side rotation, and can be utilized at any position.
- Tray has side cut-outs for a charging cord and can be used to store most tablets when closed, depending on overall thickness, width, and height of the tablet.
- Maximum dimensions for tablet: 11 1/4" x 8 1/2" x 1 1/8" thick.
- Tablet Holder has an overall height of 1 17/32" when installed and in closed position (measured from the bottom panel of the cabinet), 0.78" visible from front of cabinet when closed.
- Installation instructions included.

TILT-OUT TRAYS, PLASTIC



TOT15 95



TOT18 100

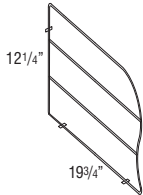
- Kit includes two white plastic trays and one pair of tilt-out hinges that attaches to the inside of the false panel.
- One tilt-out tray per false panel on cabinets less than 30" wide and greater than 36" wide, two tilt-out trays attached to one false panel on 30"-36" wide cabinets.
- Clean using a mild soap and water. Avoid scalding water.

Model	Size	Application
TOT15	11" w x 2" d x 3 3/4" h	SB30, SB33
TOT18	14 1/4" w x 2" d x 3 3/4" h	SB36, SB39, SB42, SB24, SB27

TRAY DIVIDER KIT



CTDK 55



- CTDK: Includes 1 divider, 3 clips, and 3 screws.
- Tray divider is chrome wire.

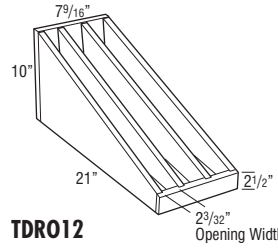
DESCRIPTION MODEL PRICE

TRAY DIVIDER ROLL-OUT KIT



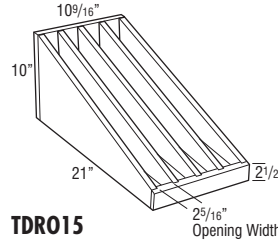
TDR012 306

TDR015 343



- TDR012: 2 removable dividers (3 compartments).
- TDR015: 3 removable dividers (4 compartments).
- Utilizes Smart Stop undermount guides and bumpers for door protection.
- Installation hardware included.

TDR012

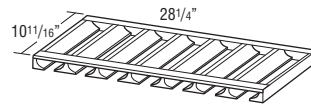


TDR015 storage SOLUTIONS

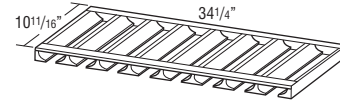
WINE GLASS HOLDERS

WGH30 (7 slots) 257

WGH36 (8 slots) 313



- Maximum wine glass base is 3" diameter.
- May be trimmed to fit smaller cabinets.
- Designed for installation under a wall cabinet (between end panels and behind face frame).

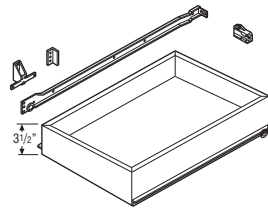


Species Availability

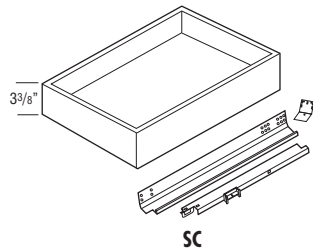
Cherry	Maple	Oak	Stained Hardwood	Laminate	Painted Hardwood	PureStyle™
•	•	•	•	Maple	•	Maple

DESCRIPTION MODEL PRICE
ROLL TRAY KITS

ROLL TRAY KIT



Standard



SC

RT12	172
RT15	172
RT18	174
RT21	176
RT24	180
RT27	181
RT30	182
RT33	184
RT36	186
RT12SC	204
RT15SC	204
RT18SC	206
RT21SC	208
RT24SC	212
RT27SC	213
RT30SC	214
RT33SC	216
RT36SC	218

Width	Application
12"	B12, U12
15"	B15, U15
18"	B18, U18
21"	B21, B42
24"	B24, U24
27"	B27
30"	B30, B30RT, U30
33"	B33, B33RT
36"	B36, B36RT, U36

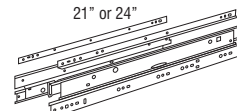
- RT and RT_ _SC include roll tray, roll tray brackets, hardware, screws, and installation instructions.
- Exterior dimensions of roll tray are 21" deep x 3 3/8" tall (fits standard 24" deep cabinet).
- Reduced Depth upcharge is applied if roll tray is ordered for a reduced depth cabinet (minimum depth 18").
- RD only available on SC models.

Custom Modifications

ID	RD
	•

DESCRIPTION MODEL PRICE
GUIDE KITS AND PARTS

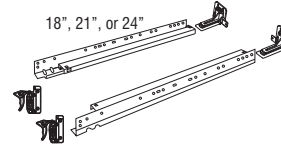
DRAWER GUIDE KITS



DGK_ _DDFX

DGK21DDFX	269
DGK24DDFX	269

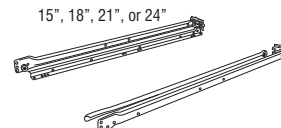
- Side-mount progressive full extension guide utilized on all drawers of DDFD_ _ cabinets.
- 125 lb. weight capacity per pair.
- Kit includes guide hardware for one drawer box (cabinets, drawer members wood vertical mounting rails and screws).
- Dimension refers to cabinet depth.



DGKIT_ _SC

DGKIT18SC	235
DGKIT21SC	235
DGKIT24SC	235

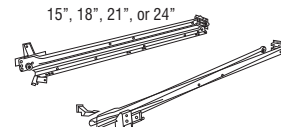
- Undermount full extension Smart Stop Premium Guide.
- 75 lb. weight capacity per pair.
- Kit includes guide hardware for one drawer box (cabinets and drawer members, sockets and screws).
- Dimension refers to cabinet depth.



DGK_ _SM

DGK18SM	36
DGK21SM	36
DGK24SM	36

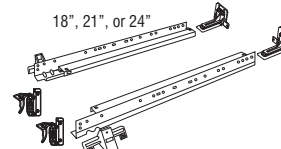
- SM-Furniture board drawer side-mount guide used on drawers with NSCFB mod.
- 75 lb. weight capacity per pair.
- Kit includes guide hardware for one drawer box (cabinets and drawer members, sockets and screws)
- Dimension refers to cabinet depth.



DGK_ _RT

DGK18RT	36
DGK21RT	36
DGK24RT	36

- Side-mount guide used on roll trays with NSCFB mod.
- 3/4 extension.
- 75 lb. weight capacity per pair.
- Kit includes guide hardware for one drawer box (cabinets and drawer members, sockets and screws).
- Dimension refers to cabinet depth.



DGKIT_ _RTSC

DGKIT18RTSC	235
DGKIT21RTSC	235
DGKIT24RTSC	235

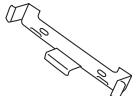
- Undermount full extension Smart Stop Premium Guide.
- 75 lb. weight capacity per pair.
- Kit includes guide hardware for one drawer box (cabinets and drawer members, sockets and screws).
- Dimension refers to cabinet depth.

DRAWER GUIDE BACK SOCKETS

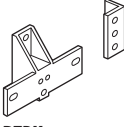


BKSOCKET-SC	44
BKSOCKET-RTSC	44
DGK-BKSCKT-RDSM	44
DGK-BKSCKT-24SM	44

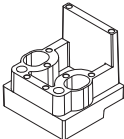
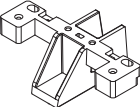
- BKSOCKET-SC used with Smart Stop drawer guides (12"-24" deep).
- BKSOCKET-RTSC used with Smart Stop roll tray guides.
- DGK-BKSCKT-RDSM used with side-mount drawer guides (15", 18", 21" deep) (NSCFB mod).
- DGK-BKSCKT-24SM used with side-mount drawer guides (24" deep) (NSCFB mod).
- Sold in pairs.

DESCRIPTION	MODEL	PRICE
FALSE PANEL CLIP 	FALSEPNLCLIP50	8 /pair
	PFALSEPNLCLIP50	8 /pair

- Clips come in pairs of two.
- Use to secure false front on sink base.

DESCRIPTION	MODEL	PRICE
ROLL TRAY PLUG IN BRACKET 	RTBK	44
	RTBKXSXP	44

- For use with roll tray hardware to prevent interference with door hinges. Also included in roll tray hardware kit.
- RTBK for use with roll trays with NSCFB mod.
- RTBKXSXP for use with standard roll trays.
- Includes four end panel brackets, two vertical stile brackets, and screws.

DESCRIPTION	MODEL	PRICE
RTBK 		
RTBKXSXP 		

DESCRIPTION	MODEL	PRICE
STAIN & PAINT 	QUARTCOLOR	170
	SSC	60
	SSCCLEAR	60

- Wiping stains can be sprayed at low pressure.
- Specify finish name and wood type when ordering stain.
- QUARTCOLOR sold in quarts. Not available in Ashen Strata and Kona. Available for their selected box color.
- SSC are 384 mL aerosol cans available in Paints and PureStyle™ colors and clear.

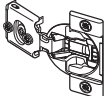
DESCRIPTION	MODEL	PRICE
TOUCH-UP TOOLS 	TUK	84
	MTUK	41
	GLAZEPEN	49

- Touch-up Kit includes a full size touch-up marker and an 8 cm fill stick. A small glaze pen is also included when ordered with glaze finishes.
- Mini Touch-up Kit includes a small touch-up marker and a 4 cm small fill stick. No glaze pen included with glaze finishes.
- GLAZEPEN works on finished doors and does not require a separate top coat.

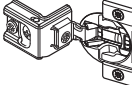
DESCRIPTION	MODEL	PRICE
PURE&SIMPLE™ CABINET CARE KIT 	CABCLEANKIT	50

- PURE&SIMPLE™ Cabinet Care Kit includes one 16 ounce spray bottle of cleaning solution and a small microfiber cloth.
- Safe for use on wood and laminate cabinet surfaces.

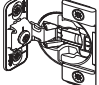
DESCRIPTION	MODEL	PRICE
HINGES		

DESCRIPTION	MODEL	PRICE
HINGES 	38NPOHINGE	Partial Overlay Hinge, 6-way Adjustable with integrated Smart Stop 29

- Sold in pairs.
- 1/2" partial overlay 107° hinge.
- For use on full overlay styles: Wall and Base Transition Cabinets, Diagonal Wall and Base Cabinets, and Angled Corner Sink Bases and Fronts.

DESCRIPTION	MODEL	PRICE
	38CFOHINGE	Full Overlay Hinge, 6-way Adjustable with integrated Smart Stop 29

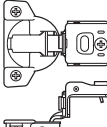
- Sold in pairs.
- 107° full overlay hinge.
- For use on all cabinets not specified by other hinges.

DESCRIPTION	MODEL	PRICE
	38BFOVHINGE	Full Overlay Hinge, 6-way Adjustable with integrated Smart Stop 29

- Sold in pairs.
- Full overlay, face mount 107° hinge.
- For use on OCD, OCS, OMC, and 30"–42" high WBMW cabinets.

DESCRIPTION	MODEL	PRICE
	2925HINGE	6-way Adjustable, 1/2" Partial Overlay, 107° Hinge 23

- Sold in pairs.
- All cabinets not specified by other hinges.

DESCRIPTION	MODEL	PRICE
	2933HINGE	6-way Adjustable, 1 1/4" Full Overlay, 107° Hinge 23

- Sold in pairs.
- All cabinets not specified by other hinges.

DESCRIPTION	MODEL	PRICE
	1351HINGE	4-way Adjustable, Full Overlay, Face-mount 107° Hinge 10


- Sold in pairs.
- For use on OCD, OCS, OMC, and 30"–42" high WBMW cabinets.

DESCRIPTION	MODEL	PRICE
	32049HINGE	90° Corner Self-closing Center Hinge 75

- Sold in pairs.
- Center Hinge for ER, BLS, SLS, and BER

DESCRIPTION	MODEL	PRICE
	942HINGE	170° Hinge 3/4" Overlay and 90° Corner Full/Partial Overlay Door to Frame 63

- Sold in pairs.
- BSC, BLS, SLS, ER, and BER

DESCRIPTION	MODEL	PRICE
	7299HINGE	Mirror Hinge 11

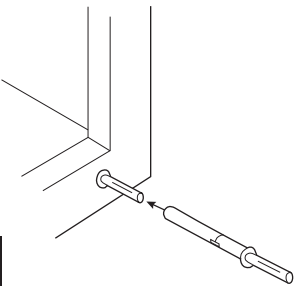
- Sold in pairs.
- TV and MC cabinets


DESCRIPTION	MODEL	PRICE
HINGE ANGLE RESTRICTION CLIP 	HINGERESCLIP	11


- For use in applications with cabinets installed at varying depths to prevent the door damage caused by opening into an adjacent cabinet.
- Restricts hinges to 86° opening capability.
- Works only with the 38NPOHINGE and 38CFOHINGE.
- Not recommended for cabinets with roll trays specified in partial overlay styles.
- Sold in pairs.


DESCRIPTION	MODEL	PRICE
HINGE SHIM 	HINGESHIMS	16

- Install between the face frame and hinge to allow additional adjustment of doors. Can be used to reduce gap between butt doors.
- Pack of 5 metal shims.
- Compatible with all hinges except face-mount.

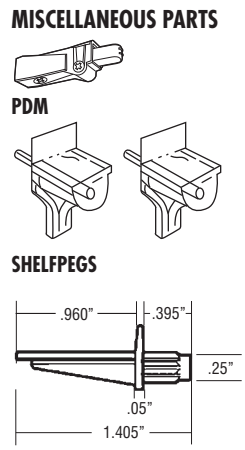
DESCRIPTION	MODEL	PRICE
TOUCH LATCH	TOUHLATCH	33
 <ul style="list-style-type: none"> • Nylon gray mechanism with bumper tip. • Face frame will need to be field drilled for insertion of the TOUCHLATCH, requires 25/64" (10mm) drill bit. • Can be field adjusted for door gap depth, no tools required. • For use on full overlay door styles only. • Requires a soft touch to open the door, and door must be pushed closed to reset the TOUCHLATCH mechanism. • Only for use on hinged doors, and can be used without decorative hardware. Not compatible with non-hinged doors. For drawers, pull-outs, and other non-compatible cabinets, PULLH105, PULLH106, and PULLH107 are recommended (see page 226). 		

DESCRIPTION	MODEL	PRICE
PARTS		
DOORS & DRAWER FRONTS	 Standard Door Size, 18" High or Less	268
	Standard Door Size, 21" to 30" High	336
	Standard Door Size, 33" or Higher	473
	Standard Door Size, No Hinge Route, 18" High or Less	268
	Standard Door Size, No Hinge Route, 21" to 30" High	336
	Standard Door Size, No Hinge Route, 33" or Higher	473
Any Drawer Front Only		123
<ul style="list-style-type: none"> • All applicable modification and premium finish upcharges will apply. • Door heights are based on full overlay for equivalent applications. • Backs of "NO HINGE ROUTE" doors may have identification marks, be unfinished, and have 3/16" diameter holes used during finish processing. For these reasons, these doors are not suitable for use as cabinet doors. 		

DESCRIPTION	MODEL	PRICE
DRAWERS	 Complete Drawer	195
	Drawer Box Only	173
<ul style="list-style-type: none"> • All applicable modification and premium finish upcharges will apply. • Complete Drawer and Drawer Box Only do not include drawer guides. They must be ordered separately. 		

DESCRIPTION	MODEL	PRICE
MISCELLANEOUS PARTS	 BRKOFFSCREW (pkg. 25)	5
	INSTALLSCR24 (pkg. 24)	12
	INSTALLSCREWS (pkg. 100)	41
	TVHDW/WCATCH	123
	MC16HDW/WCATCH	64
	RETCLIP250BAG	20
	RETCLIP259BAG	19
	BUMPERPADS (pkg. 25)	7
	PDM	24
	SHELFPEGS (pkg. 24)	10
SHELFPEGSCTR (pkg. 6)	5	

- BRKOFFSCREW is a pack of 25 breakaway screws for use with decorative hardware pulls and knobs.
- INSTALLSCR24 and INSTALLSCREWS are screws for cabinet installation through the cabinet back to the wall studs (includes a pack of 24 or 100).
- TVHDW/WCATCH is one set of the magnetic catch hardware and handle used on mirrors on Tri-View Mirrors (TV..).
- MC16HDW/WCATCH is one set of the magnetic catch hardware, handle, and one pair of hinges used on Single Door Medicine Cabinets (MC16).
- RETCLIP250BAG: 6 retainer clips for use with glass inserts in mullion and cut-for-glass doors. For use on all styles except PureStyle™ doors.
- RETCLIP259BAG: 6 retainer clips and a variety of rubber feet for use with glass inserts in mullion and cut-for-glass doors. For use on all PureStyle™ doors only.
- PDM creates a smooth and silent self-closing motion and includes all installation hardware.
- SHELFPEGS are 3mm steel pins with clear plastic shoulders.
- SHELFPEGSCTR is a package of 6 clear plastic shelf clips with 0.96" usable depth with 1/4" diameter pegs. For use on center mullions of full depth shelves.



DESCRIPTION

MODEL

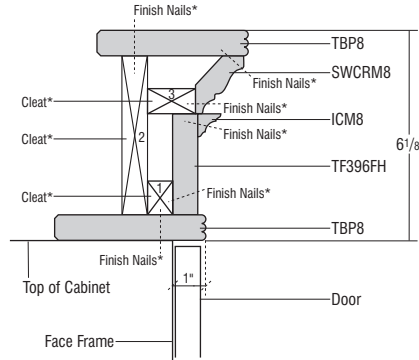
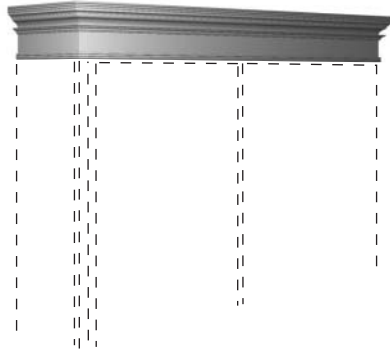
PRICE

STACK MOULDING KITS

- Moulding stacks do not ship assembled; field assembly is required. Assembly instructions can be viewed in 20/20 spec pages and will also ship with moulding kits.
- When ordered as a kit, only one finish can be specified. To order with more than one finish, moulding pieces must be ordered separately.
- Moulding stacks include Assembly Instructions. Cleats and finish nails not included.
- How to place a stack moulding in 20/20:

- Moulding
- Top Mouldings or Bottom Mouldings
- Stacked Mouldings
- Drag and drop desired moulding stack onto wall cabinets
- Mouldings specified as 8" nominal length have a usable length range of 93" up to 99". Be sure to order the correct amount of moulding length to work around required cuts with minimal butt joints.

MOULDING STACK 1



STKMLD1C

1028

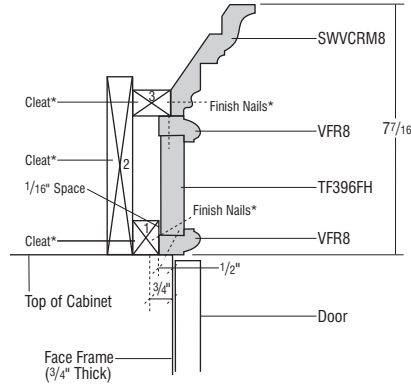
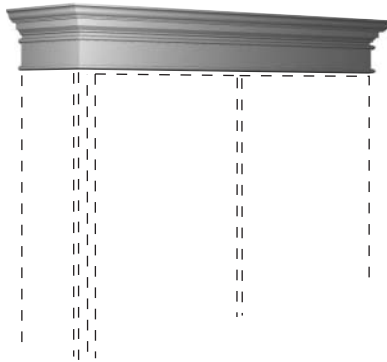
Species Availability

	Cherry	Maple	Oak	Stained Hardwood	Laminate	Painted Hardwood	PureStyle™
TBP8	•	•	•	•	Maple	•	Maple
SWCRM8	•	•	•	•	Maple	•	Maple
ICM8	•	•	•	•	Maple	•	Maple
TF396FH	•	•	•	•	Maple	•	Maple

*Cleats and finish nails not included.

235

MOULDING STACK 2



STKMLD2C

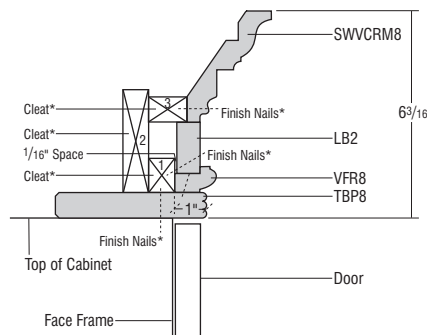
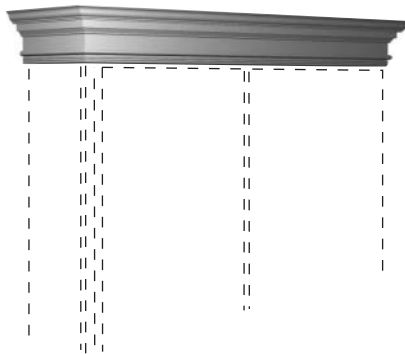
696

Species Availability

	Cherry	Maple	Oak	Stained Hardwood	Laminate	Painted Hardwood	PureStyle™
SWVCRM8	•	•	•	•	Maple	•	Maple
VFR8	•	•	•	•	Maple	•	Maple
TF396FH	•	•	•	•	Maple	•	Maple

*Cleats and finish nails not included.

MOULDING STACK 3



STKMLD3C

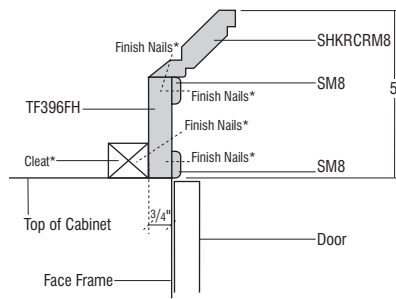
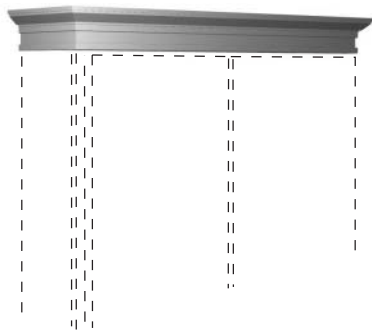
784

Species Availability

	Cherry	Maple	Oak	Stained Hardwood	Laminate	Painted Hardwood	PureStyle™
SWVCRM8	•	•	•	•	Maple	•	Maple
LB2	•	•	•	•	Maple	•	Maple
VFR8	•	•	•	•	Maple	•	Maple
TBP8	•	•	•	•	Maple	•	Maple

*Cleats and finish nails not included.

MOULDING STACK 6



STKMLD6C

511

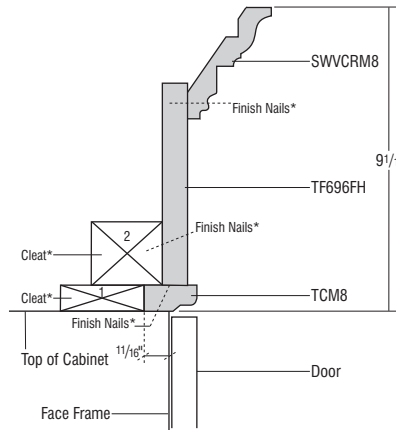
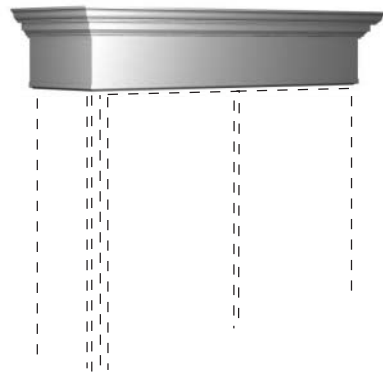
Species Availability

	Cherry	Maple	Oak	Stained Hardwood	Laminate	Painted Hardwood	PureStyle™
SHKRCRM8	•	•	•	•	Maple	•	Maple
SM8	•	•	•	•	Maple	•	Maple
TF396FH	•	•	•	•	Maple	•	Maple

*Cleats and finish nails not included.

236

MOULDING STACK 11



STKMLD11C

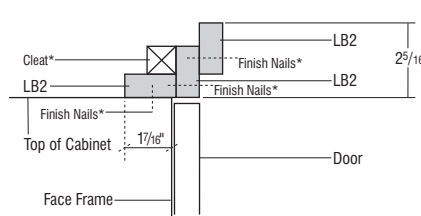
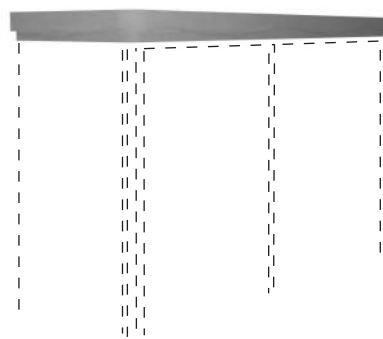
724

Species Availability

	Cherry	Maple	Oak	Stained Hardwood	Laminate	Painted Hardwood	PureStyle™
SWVCRM8	•	•	•	•	Maple	•	Maple
TF696FH	•	•	•	•	Maple	•	Maple
TCM8	•	•	•	•	Maple	•	Maple

*Cleats and finish nails not included.

MOULDING STACK 13



STKMLD13C

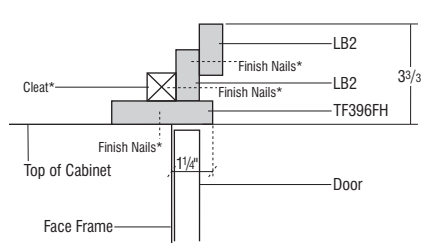
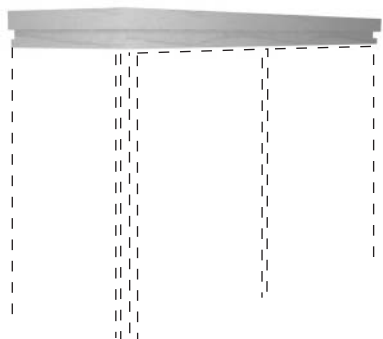
338

Species Availability

	Cherry	Maple	Oak	Stained Hardwood	Laminate	Painted Hardwood	PureStyle™
LB2	•	•	•	•	Maple	•	Maple

*Cleats and finish nails not included.

MOULDING STACK 14



STKMLD14C

440

Species Availability

	Cherry	Maple	Oak	Stained Hardwood	Laminate	Painted Hardwood	PureStyle™
LB2	•	•	•	•	Maple	•	Maple
TF396FH	•	•	•	•	Maple	•	Maple

*Cleats and finish nails not included.

DESCRIPTION

MODEL

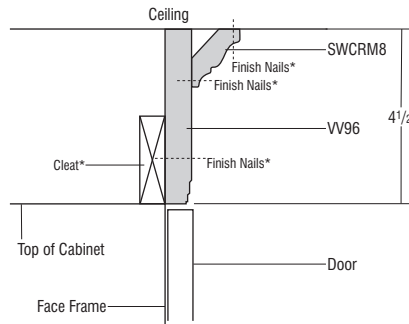
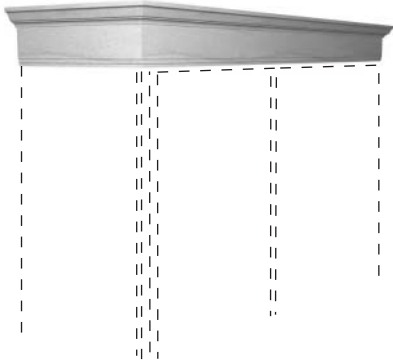
PRICE

MOULDING STACK 20



STKMLD20C

370



Species Availability

	Cherry	Maple	Oak	Stained Hardwood	Laminate	Painted Hardwood	PureStyle™
SWCRM8	•	•	•	•	Maple	•	Maple
VV96	•	•	•	•	Maple	•	Maple

*Cleats and finish nails not included.

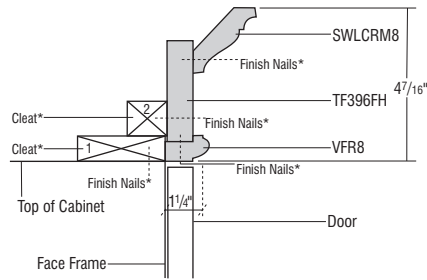
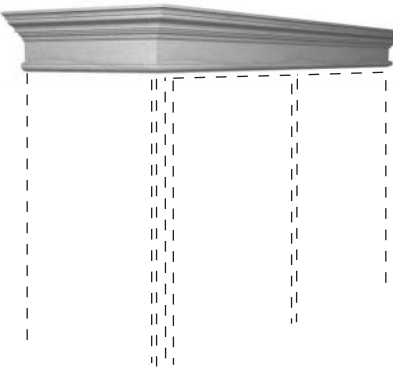
237

MOULDING STACK 21



STKMLD21C

559



Species Availability

	Cherry	Maple	Oak	Stained Hardwood	Laminate	Painted Hardwood	PureStyle™
SWLCRM8	•	•	•	•	Maple	•	Maple
TF396FH	•	•	•	•	Maple	•	Maple
VFR8	•	•	•	•	Maple	•	Maple

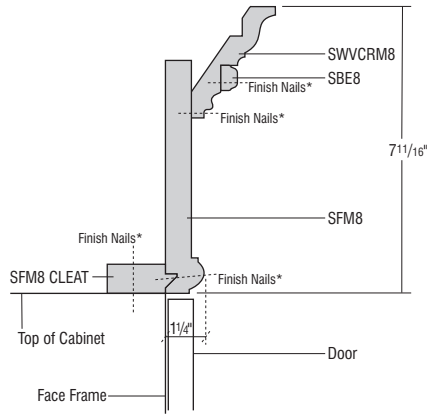
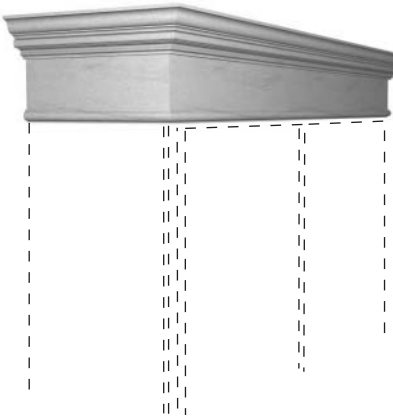
*Cleats and finish nails not included.

MOULDING STACK 22



STKMLD22C

797



Species Availability

	Cherry	Maple	Oak	Stained Hardwood	Laminate	Painted Hardwood	PureStyle™
SWVCRM8	•	•	•	•	Maple	•	Maple
SBE8	•	•	•	•	Maple	•	Maple
SFM8	•	•	•	•	Maple	•	Maple

*Cleats and finish nails not included.

KEMPER®

ECHO™ SERIES

Dear Kemper Echo Customer,

Congratulations on your selection of Kemper Echo cabinetry in a Painted Hardwood or Painted Hardwood with Glaze finish. Because of its unique characteristics, this finish is quite different from other cabinetry finishes you may be familiar with. Your satisfaction is important to Kemper Echo, and we want you to fully understand the characteristics that make painted finishes so distinctive.

It is important to realize that the beauty of wood cabinetry comes from the natural qualities of wood itself. Kemper Echo utilizes only select solid hardwoods and veneers. The beauty of these genuine woods lies in the variation of the grain. The textures of those natural grain patterns often remain visible with Painted Hardwood finishes and should be accepted as inherent characteristics when selecting painted cabinetry.

Seam lines and hairline cracking at stile, rail and panel joints are a normal characteristic of painted finishes and should not be considered a reason for product replacement. When ordering Painted Hardwood 5-piece styles, the door's center panel will be constructed of MDF material. Over time, there may be a slight color shift in the Painted Hardwood finish due to the continued exposure to natural and artificial light sources. We mention these characteristics because neither Kemper Echo nor your Kemper Echo dealer can be responsible for these conditions and variations.



Example of front joint separation



Example of front joint separation



Example of end joint separation

Accordingly, we ask that the following agreement be signed for Painted Hardwood Finish orders.

I have read the foregoing and find the characteristic variations of Painted Hardwood finish to be desirable. As such, I agree not to hold Kemper Echo and/or the Kemper Echo dealer listed below responsible in the event that these characteristics are later found by me to be less desirable than I had expected.

Customer Signature

Dealer Signature

Customer Name (please print)

Dealer Name (please print)

Dealer Purchase Order Number

Code	Page Number
2DB	132
2DB..DR	134
2DB..RT	134
2VSD	194
3DB	134, 148, 184
3DB..WTCD	134
3DBDD	136
4DB	136
4DB..WTCD	136
4VDB	192
ACS	122
ANGLHEATSHIELD	230
ANGLHSIELDSS	230
APW	20
AUTHL, AUTHR	23
AV	218
B	110, 146
B..DR	140
B..FH	112
B..RT	114
B..RTWTCD	116
B..TDRO	116
B..WTCD	112
BATTLI	221
BBCPO	140
BBM	216
BBMSH	216
BBMWD	142
BC	128
BCF	207
BCP	144
BCP..FH	144
BEC	132
BEDSD	212
BEP	210
BEPF	211
BEPS	208
BER	130
BKSOCKET	232
BLOWER	108
BLS	128
BLSBEP	210
BLVDF	207
BMWD	142
BMWD..DD	142
BO	142
BP	209
BP..CRSGR	209
BP..VG	209
BP4896LAM	209
BPP	138
BPPP	116
BRKOFFSCREW	234
BSC3ORP	114
BSC3ORP	114
BSC36PRP	114
BTC	132
BUMPERPADS	234
BUPP	138
BUPPKB	140
BWB	136
BWB..FH	138
BWC	138
CABCLEANKIT	233
CABMAT	229
CABMATV	229
CAPM	217
CBO	25
CCO	25
CD	96
CFNTO	31
CFP	25
CG	32
CIW	229
CLTCROWN	214
CMAT	27
CND	25

Code	Page Number
CNTYSB	124
CNTYSB..CM	124
CONVERSION	108
CORBELART9	221
CORBELMIS6	221
CORBELMIS9	221
CORBELWD5	221
CORBELSCR9	221
COVECROWN	214
CPE	215
CTDK	231
CUDD	229
DAB..FS	128
DAB..SLS	130
DB	132-136
DDFD	184
DDO	184
DFD	184
DF5PC	21
DFSLB	21
DGK	232
DLEGMISSION	219
DW	82
DW..S	86
ENGBARCOLUMN	218
ENGLSICOLUMN	218
ER	88
ES	222
F	206
FALSEPNCLIP50	233
FB	23
FBF	207
FD	27, 186
FDWB	186
FPEB	23
FS	222
FTK	28
FV	218
GLAZEPEN	233
HINGE	233
HNGRESCLIP	233
HINGESHIM	233
ICM	217
ID	26
INSCROWN	214
INSTALLSCR, INSTALLSCREWS	234
ISLEG	219
ISLEGTPRD	219
JBRACKETART	221
JCRAFTFOOT	220
JESTATELEGS	218
JGSK	223
JRPV	218
JSQISLLEG	219
JWSHIPC	104
JWSHIPT	102
KNOB	224
LB	217
LBRM	216
LC	200
LCRH	202
LGCORBEL	221
LGSQFOOT	220
LIFOOT	220
LRM	217
LSACROWN	214
LSHAKER	214
MC	204
MC16HDW/WCATCH	234
MD	33
METBARCOLUMN	219
METISLCOLUMN	219
MIP	24
MSACROWN	214
MTCROWN	214
MTUK	233
MW	92
NSCFB	22

Code	Page Number
NSCH	22
OC135	217
OCD	170
OCD..DD	172
OCINSTALLKIT	230
OCM	217
OCS	168
OSB	166
OGEEM	216
OL	206
OMC	174
OMC..DD	176
P	31
PDM	234
PDO, PDOPOSTS	230
PFALSEPNCLIP50	233
PLE	20
PULL	224
QRM	217
QUARTCOLOR	233
RD	26
RECTKALL	30
RECTKBK	30
RECTKL, RECTKR	30
RETCLIP.BAG	234
ROSETTEMIS	218
RT	27
RT, RT..SC	232
RTBK, RTBKXSXC	233
RWWS	148
SACROWN	214
SB	118-120, 146
SB..CM	118
SB..ST	120
SB..STCM	120
SB..STS	120
SB..STSCM	122
SBC	126
SBE	216
SBS	221
SFM	215
SHELFPEGS, SHELFPEGSCTR	234
SHKRCRM	214
SHM	217
SK	222
SLS	130, 146
SLSW	130
SM	215
SMCOVECROWN	214
SMLR	217
SPD	231
SPLG	220
SPRINGEND	220
SPRINGSPOOL	220
SSC	233
SSM8	216
STDW	86
STKMLD	235-237
STR8	215
STRS	215
STRTHEATSHIELD	230
STRTHSHIELDSS	230
STW	72
SWCRM	215
SWLCRM	215
SWTCRM	215
SWVCRM	215
T..BC	182
TABLETHLDR	231
TAPLG	220
TB	216
TBEM	216
TBP	216
TCM	215
TD	116
TD..FH	118
TDRO	231

Code	Page Number
TED	212
TEP	210
TEPS	209
TKC	217
TKTLFOOT	220
TLFOOT	220
TOT	231
TOUCHLATCH	234
TSTM	216
TUK	233
TV	204
TVHDW/WCATCH	234
TWH	106
TWHBLOWER	108
U	150-158
U..RT	160-163
UCD	186, 200
UOC	164
VB	190
VDB	192
VDL	211
VFR	217
VM	204
VP	194
VS3D	198
VS8	188-190
VSD	196
VSD..FP	198
VTK	29
VU	202
VV	218
VWM	202
VWS	148
VWTB	202
W	50-70, 100, 202
W..BC	178-180
W3D	78
WAGD	96
WBCPO	96
WBMW	94
WC	80-82
WCT	217
WEC	90
WED	212
WEP	210
WEPS	208
WGH	231
WHC	102
WHCS	104
WHS	102
WHSBATTEN	106
WHSFP	102
WHSMC	104
WHSMT	104
WMC	100
WMF	216
WNR	98
WO	100
WQRES	90
WSC	98
WSP	98
WTCD	230
WTH	50-58

TERMS AND CONDITIONS

KEMPER ECHO CABINETS LIFETIME LIMITED WARRANTY AND GENERAL INFORMATION



Prices and specifications in material, construction and design are subject to change without notice as conditions require, or as improvements are developed.

All orders are subject to credit approval.

To avoid errors, orders should be filled out on Kemper Echo Cabinet forms.

All cabinets are manufactured to individual order and cannot be cancelled or changed after manufacturing has begun. Cycle ship orders cannot be changed after the cut-off date.

Returns will not be accepted without prior written authorization.

Kemper Echo cabinets carry a Lifetime Limited Warranty. This limited warranty does not cover misuse*, improper storage, improper installation, labor costs or defects incurred during installation, storage or transportation. We reserve the right to repair or replace any defective material after field inspection by our representative. For complete warranty details, please refer to the Kemper Echo Warranty Document.

A product count and inspection must be performed before signing the Bill of Lading. Shortage, obvious damage and occurrences of mishandling must be noted on the Bill of Lading before it is signed. Replacement orders must then be made with Kemper Echo Customer Service. A signed Bill of Lading with no notations will indicate a complete and damage free shipment.

Sales are only to approved, authorized accounts.

Please make reference to the cabinet selection guide for information pertaining to characteristics of wood. This information will tell you the reactions that natural woods might develop under certain conditions after product is finished.

NOTES

NOTES

NOTES

NOTES

KEMPER ECHO DOOR STYLE PRICING REFERENCE

★ New

Price Point Order

- 1 Granbury Oak
- 2 Antrim Oak
- 2 Antrim Stained Hardwood
- 3 Antrim PureStyle
- 3 Granbury Maple
- 3 Granbury Painted Hardwood
- 4 Antrim Maple
- 4 Antrim Painted Hardwood
- 4 Granbury Cherry
- 4 Marimac Stained Hardwood
- 4 Trillian Laminate
- 4 Willowby Stained Hardwood
- 5 Hopkins Oak
- 5 Moriarty Oak
- 5 Willowby Oak
- 6 Antrim Cherry
- 7 Marimac PureStyle
- 8 Brisbane Oak ★
- 8 Hanley Maple
- 8 Hanley Painted Hardwood
- 8 Kleyborn Maple ★
- 8 Kleyborn Painted Hardwood ★
- 8 Marimac Maple
- 8 Marimac Painted Hardwood
- 8 Moriarty Maple
- 8 Moriarty Painted Hardwood
- 8 Newcomb PureStyle
- 8 Willowby Maple
- 8 Willowby Painted Hardwood
- 9 Hopkins Maple
- 9 Hopkins Painted Hardwood
- 9 Newcomb Maple
- 9 Newcomb Painted Hardwood
- 10 Hanley Cherry
- 10 Marimac Cherry
- 11 Kleyborn Cherry ★
- 11 Larsen PureStyle ★
- 11 Moriarty Cherry
- 11 Willowby Cherry
- 12 Larsen Maple ★
- 12 Larsen Painted Hardwood ★
- 12 Newcomb Cherry
- 13 Brisbane Maple ★
- 13 Brisbane Painted Hardwood ★
- 13 Hopkins Cherry
- 14 Larsen Cherry ★
- 14 Leyton PureStyle
- 14 Stinson Maple
- 14 Stinson Painted Hardwood
- 15 Warren PureStyle
- 16 Brisbane Cherry ★
- 16 Leyton Maple
- 16 Leyton Painted Hardwood
- 16 Stinson Cherry
- 17 Warren Maple
- 17 Warren Painted Hardwood
- 18 Eksten Maple
- 18 Eksten Painted Hardwood
- 18 Leyton Cherry
- 19 Warren Cherry
- 20 Eksten Cherry

Alphabetical Order

- 6 Antrim Cherry
- 4 Antrim Maple
- 2 Antrim Oak
- 4 Antrim Painted Hardwood
- 3 Antrim PureStyle
- 2 Antrim Stained Hardwood
- 16 Brisbane Cherry ★
- 13 Brisbane Maple ★
- 8 Brisbane Oak ★
- 13 Brisbane Painted Hardwood ★
- 20 Eksten Cherry
- 18 Eksten Maple
- 18 Eksten Painted Hardwood
- 4 Granbury Cherry
- 3 Granbury Maple
- 1 Granbury Oak
- 3 Granbury Painted Hardwood
- 10 Hanley Cherry
- 8 Hanley Maple
- 8 Hanley Painted Hardwood
- 13 Hopkins Cherry
- 9 Hopkins Maple
- 5 Hopkins Oak
- 9 Hopkins Painted Hardwood
- 11 Kleyborn Cherry ★
- 8 Kleyborn Maple ★
- 8 Kleyborn Painted Hardwood ★
- 14 Larsen Cherry ★
- 12 Larsen Maple ★
- 12 Larsen Painted Hardwood ★
- 11 Larsen PureStyle ★
- 18 Leyton Cherry
- 16 Leyton Maple
- 16 Leyton Painted Hardwood
- 14 Leyton PureStyle
- 10 Marimac Cherry
- 8 Marimac Maple
- 8 Marimac Painted Hardwood
- 7 Marimac PureStyle
- 4 Marimac Stained Hardwood
- 11 Moriarty Cherry
- 8 Moriarty Maple
- 5 Moriarty Oak
- 8 Moriarty Painted Hardwood
- 12 Newcomb Cherry
- 9 Newcomb Maple
- 9 Newcomb Painted Hardwood
- 8 Newcomb PureStyle
- 16 Stinson Cherry
- 14 Stinson Maple
- 14 Stinson Painted Hardwood
- 4 Trillian Laminate
- 19 Warren Cherry
- 17 Warren Maple
- 17 Warren Painted Hardwood
- 15 Warren PureStyle
- 11 Willowby Cherry
- 8 Willowby Maple
- 5 Willowby Oak
- 8 Willowby Painted Hardwood
- 4 Willowby Stained Hardwood

KEMPER®

Deep Roots. High Expectations.™

Styles, product availability and construction may vary slightly from those shown in this book due to material availability and/or design evolution. Specifications are subject to change without notice. Customer service is available if your design requires verification of product availability and specifications.

Product photography and illustrations have been reproduced as accurately as printing technologies permit. To ensure highest satisfaction, we strongly recommend you view an actual sample for best color, wood grain and finish representation.

When Hardwood is painted, cabinet components, doors and/or drawer fronts may be constructed of various hardwood materials and/or composite materials such as Medium Density Fiberboard (MDF) and/or High Density Fiberboard (HDF).

When Hardwood is stained, cabinet components, doors and/or drawer fronts may be constructed of various hardwood materials.

Kemper® has a Limited Lifetime Warranty.

For terms and conditions, please visit: <https://www.kempercabinets.com/warranty>

Front cover image: WILLOWBY Painted Hardwood Limestone Back cover flip-out image: LARSEN Painted Hardwood Maritime and Icy Avalanche

Customer Service

Hours: Mon - Fri, 7:30 AM - 8:00 PM EST

Phone: (800) 730-0171

Please reference Service Policies at www.mbc1touch.com

Designer ID #: _____

Customer Account #: _____

Sales Rep: _____



kempercabinets.com
#KemperCabinets
© 2020 MasterBrand Cabinets, Inc. All rights reserved.

1151009950
2017-05/CNV/2.6M