

D-TRUCK 600



CHASSIS CAB
BASE



➤ CHASSIS

Ladder type frame (for a maximum of safety)
in aluminium high resistance (naturally anticorrosion)

➤ CABIN AND DOORS

- Safe heavy duty aluminium cabin.
- Doors high resistance due to their aluminium structure
- ABS-PMMA Body (naturally anticorrosion)
- Automobile-type Door handles
- Central locking and electric windows

➤ SAFETY AND ERGONOMICS

- Automatic (CVT type) transmission with steering lever on the dashboard
- Ergonomic driving and pedal position
- Seats with head rests
- Cabin very spacious (shoulder width 1 280 mm
elbows width 1 170 mm)
- Multiple storage
- Easy access (height seats / floor 760 mm no wheel arch)
- Panoramic windscreen with wiper blades double,
- Seat belts
- Disks at the front
- Sun visors
- Rear protection bar
- LED daytime running lights

➤ AUTOMOBILE TYPE DASHBOARD AND CONTROLS

➤ STEERING

Very flexible, rack and pinion steering



➤ DIESEL MOTORISATION

- Traction
- KUBOTA diesel motor 600 cm³ liquid-cooled
- Power 11,2 kW at 3600 RPM
- Torque 34 Nm at 2200 RPM
- Automatic speed controller and gearbox with differential

➤ BRAKING

- Dual circuit with 220 mm disks at the front and 160 mm drums at the rear with load sensing valve,
- Automatic pad wear compensation,
- Mechanical handbrake on rear axle.

➤ SUSPENSION

- **FRONT:** fully independent Mac Pherson-type struts, coil springs.
- **REAR:** independent trailing arm suspension with coil springs.

➤ TYRES

145/70 R13

2 YEARS WARRANTY
PARTS AND LABOUR

WWW.AIXAM-PRO.COM



AIXAM PRO



STANDARD EQUIPMENT

Seat belts
 Automatic activation of hazard lights on sudden braking
 LED daytime running lights
 Reversing light and fog rear light
 Inside rearview mirror
 Left and right outside rearview mirrors
 Tinted windows
 Cabin rear window
 Interior lighting controlled by the door opening
 Wiper with double blades - 3 speed (one intermittent speed)
 Windscreen washer
 2 sun visors
 Ignition switch and steering lock
 Lockable fuel tank cap
 Horn
 "Lights on" warning buzzer
 Rear protection bar
 Spare wheel and jack with key
 Automobile-type dashboard
 Maintenance indicator
 Ashtray and cigarette lighter
 Glove box
 Shift lever steering ultra flexible
 Cabin doors equipped with storage compartment
 Seats with headrest
 Roof with insulation inner panel
 Rubber mat on floor flat
 Heating-ventilation-powerful 2-speed fan
 Radio pre-equipment
 Wheel covers



PERFORMANCES

REGULATIONS

USAGE

MAXIMUM SPEED

CONSUMPTION

TANK

CLIMBING CAPABILITY

EMISSIONS OF CO₂

DIESEL

HEAVY QUADRICYCLE

(European directive 2002/24/CE category L7e)

Passenger car driving licence or equivalent. Age 16 depending on the country

75 kph (46 mph)

about 4,2 liters / 100 km

24 liters

slope more than 20% (with max load)

108,9 g/km

*Measurement according to cycle described in directive 97/24/CE modified 2006/27/CE



OPTIONAL EQUIPMENT

GENERAL OPTIONS

Hook with lights connections and protection bar

OPTIONS COMFORT

Electric pack: electric windows and central locking

Radio

Additional heating system

EQUIPMENT OPTIONS

See model sheets



SAFETY OPTIONS

- > Side protection bars
- > Reflecting tapes class 1
- > Reflecting tapes class 2
- > Warning triangle + 2 beacon lights
- > Reverse bipper
- > Lashing rings
- > LED beacon light
- > Warning triangle + 2 beacon lights



PICK-UP



VAN

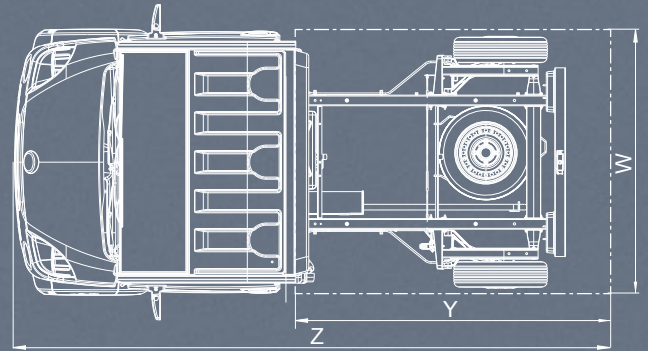
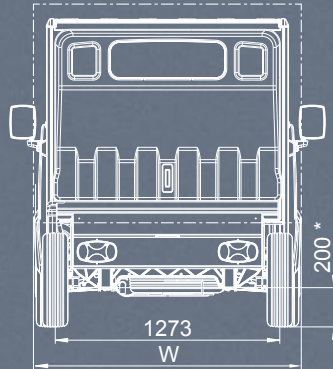
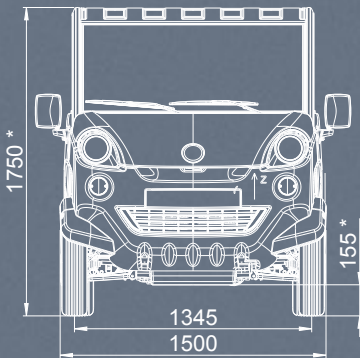
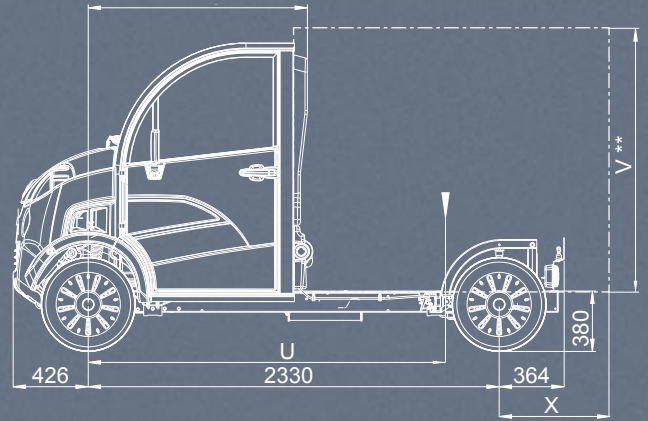


DROPSIDE



DIMENSIONS

CHASSIS CAB VERSION



DIMENSIONS (mm)

FRONT TRACK WIDTH	1 345
REAR TRACK WIDTH	1 273
AVERAGE WHEEL BASE	2 330
FRONT OVERHANG	426
MINI/MAXI RIDEABLE REAR OVERHANG (X)	364 / 944
MINI/MAXI RIDEABLE LENGTH (Z)	3 120 / 3 700
MINI/MAXI EFFECTIVE LENGTH (Y)	1 532 / 2 112
OVERALL WIDTH	1 500
MAXIMUM RIDEABLE WIDTH (W)	1 500
CABIN HEIGHT (WITHOUT OPTIONS)	1 750 ± 25
MAXI RIDEABLE HEIGHT (V**)	2 500
MINI/MAXI POSITION OF LOAD CENTRE OF GRAVITY IN RELATION TO THE AXIS OF THE FRONT AXLE: (U)	1850/2260



* Unladen vehicle ± 25 mm
 ** Unladen vehicle in running order



TIPPER



D-TRUCK 600



WEIGHT (kg)

	DIESEL
TOTAL AUTHORISED LADEN WEIGHT	1 000
MAX TOLERATED LOAD ON FRONT AXLE	475
MAX TOLERATED LOAD ON REAR AXLE	690
MAX AUTHORISED GROSS TRAIN WEIGHT (GTW) VEHICLE + TRAILER	1 200
MAX TOLERATED ON HOOK	50
MAX BRAKED TRAILER WEIGHT (WITHIN MAX GTW)	200
MAX UNBRAKED TRAILED WEIGHT	200

UNLADEN WEIGHT OF RUNNING ORDER CHASSIS CAB:

TOTAL	420
ON FRONT AXLE	290
ON REAR AXLE	130

PAYLOAD OF RUNNING ORDER VEHICLE:

CHASSIS CAB PAYLOAD*	580
PICK-UP PAYLOAD*	535
DROPSIDE PAYLOAD*	480
VAN PAYLOAD*	480
TIPPER PAYLOAD*	421

* excluding driver, passenger, equipment, options and load

OPTIONS WEIGHT (TO BE DEDUCTED FROM THE PAYLOAD)*

	DIESEL
SIDE PROTECTION BARS	12
HOOK WITH LIGHTS CONNECTIONS	10
ROOF LADDER RACK	16
FOLDING CAGE	40
HIGH CANVAS COVER	24



AVAILABLE COLORS

WHITE

BLUE

SILVER



AIXAM MEGA
56 ROUTE DE PUGNY BP 112
73101 AIX-LES-BAINS CEDEX
FRANCE

TEL + 33 (0)4 79 61 42 45

FAX + 33 (0)4 79 35 06 11

MAIL contact@aixam-pro.com



AIXAM PRO