



A4 | S4



You drive this.

The fuel consumption and CO₂ emission figures can be found from page 100 onwards.



A4 Saloon/A4 Avant 06

Lights 12

Engines 18

Driver assistance systems and quattro 24

Infotainment and connectivity 28

Interior 34

A4 allroad quattro 44**S4 Saloon/S4 Avant** 58

Highlights 72

A4 Avant g-tron 76

Equipment 78

Audi Genuine Accessories 96

The fascination of Audi 98

Technical data 100

You feel that.

Leading the way in design and technology. Sporty and pioneering.
United in the Audi A4 Saloon and the Audi A4 Avant. See for yourself.

Progressive design –
clear surfaces, sharp lines, distinctive style.

The powerful-looking front end, the three-dimensional Singleframe and the sporty, elegant design. The Audi A4 Saloon and the Audi A4 Avant: exciting, inspiring, captivating.



The fuel consumption and CO₂ emission figures can be found from page 100 onwards.



Dynamic, precise, succinct. From the front end to the distinct diffuser with integrated tailpipes. Rounded off by optional LED rear lights with dynamic indicators in a progressive design.



The fuel consumption and CO₂ emission figures can be found from page 100 onwards.



A saloon with a new language of form. Emphatically sporty. Strikingly staged. By the straight roof line and the crisp, all-round shoulder line with gently tapering shadow edge.

The fuel consumption and CO₂ emission figures can be found from page 100 onwards.

L i g h t s o n .

The fuel consumption and CO₂ emission figures can be found from page 100 onwards.

N i g h t o f f .

The fuel consumption and CO₂ emission figures can be found from page 100 onwards.



Audi Matrix LED headlights –
see and be seen.

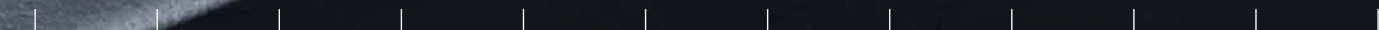
A shining example of progressiveness: the crystal-like light from the optional Matrix LED headlights casts a bright, uniform light across the road.

The fuel consumption and CO₂ emission figures can be found from page 100 onwards.

R o a r i n g e n g i n e .



The fuel consumption and CO₂ emission figures can be found from page 100 onwards.



Beating heart.

The fuel consumption and CO₂ emission figures can be found from page 100 onwards.



**Powerful TFSI and
TDI engines –
breathtaking performance, lower fuel consumption.**



Many engines, one principle: more power, lower fuel consumption. The latest generation of TFSI and TDI engines. For the A4 Avant g-tron with bivalent TFSI engine with CNG technology. Powerful performance with lower emissions. Experience driving dynamics and efficiency with virtually no compromise.

The fuel consumption and CO₂ emission figures can be found from page 100 onwards.





State-of-the-art driver assistance systems –
arrive more relaxed and save fuel.

The fuel consumption and CO₂ emission figures can be found from page 100 onwards.



More comfort, greater safety and reduced fuel consumption. Assured by an intelligent combination of newly developed assistance systems. As an option, the predictive efficiency assistant helps you to adopt an anticipatory driving style for fuel savings of up to 10%. adaptive cruise control with Stop&Go function including congestion assistant will make driving easier in slow-moving traffic, and at speeds of up to 65 km/h will even help to steer the car. The next step towards piloted driving.



quattro –
enhanced dynamics, traction and safety.

Agility in everyday driving and beyond. Stick to the road. Wherever and whenever you want. Made possible thanks to the optional quattro all-wheel drive system. More traction in virtually every situation. Exhilarating dynamics. Thrilling handling characteristics that you won't want to lose. For the Audi A4, quattro is also offered as permanently available all-wheel drive: quattro with ultra technology. Power at all four wheels, whenever it's needed. Just as self-assured, even more efficient.

The fuel consumption and CO₂ emission figures can be found from page 100 onwards.

Virtual cockpit.



The fuel consumption and CO₂ emission figures can be found from page 100 onwards.

Real experience.

The future of mobility clearly in focus. With the optional Audi virtual cockpit. Fully digital instrument cluster with high-resolution 12.3-inch colour display. A high level of function and design. Plus, on request, the head-up display¹, which also projects information in the driver's direct field of vision. Experience infotainment on a grand scale. Right here in your Audi A4.

The fuel consumption and CO₂ emission figures can be found from page 100 onwards.
¹ Polarising sunglasses will restrict the use of the head-up display.

**MMI and
Audi smartphone interface¹ –
your personal data environment integrated
and intuitively controlled.**



Everything under control. Driver-oriented and tailored to you. The familiar world of your smartphone with optional Audi smartphone interface¹. Presented on the high-resolution MMI display. And for even more entertainment, convenience and safety, there are the innovative Audi connect services² as an option. Up-to-date data delivered at top speed thanks to the LTE³ mobile communication standard. Including permanently installed SIM card² and Wi-Fi hotspot². Find out for yourself.

¹ Legal information about the Audi smartphone interface can be found on page 111.

² Legal information and notes on use can be found on page 111.

³ Requires LTE card contract for full use. For information about the availability and use of LTE support, please contact your Audi partner.

3 D sound.



BANG & OLUFSEN



Live sound.

Almost like in a concert hall. The optional Bang & Olufsen 3D Sound System raises musical enjoyment to a new level. Assured by an amplifier output of 755 watts and 19 loudspeakers. Midrange speakers and tweeters specially integrated into the A-pillar create a three-dimensional sound that reproduces the full depth of the music. And with a precision that will give you a fascinating in-car experience.

The fuel consumption and CO₂ emission figures can be found from page 100 onwards.



**Interior design –
innovative architecture, sophisticated ambience,
impressive quality.**

High tech, functionality and design. Impressively and harmoniously combined in the interior. Horizontal interior architecture. Exuding lightness and breadth. High-quality materials, sophisticated tactile qualities and precision workmanship. Plus headroom, shoulder room and legroom that ensure a wonderful sense of space. The optional contour/ambient lighting package with its range of selectable colours creates an atmosphere of well-being.

The fuel consumption and CO₂ emission figures can be found from page 100 onwards.

Functional interior –
comfortable equipment,
generously spacious.

The interior concept in the Audi A4 Avant. Well thought-out down to the last detail. From the generous amount of space for all passengers through to the impressive luggage capacity. With sensor-controlled luggage compartment lid release as an optional feature. A movement of the foot is all that's required. For fast, convenient loading and unloading. Without having to search for the key.

The fuel consumption and CO₂ emission figures can be found from page 100 onwards



The Audi A4:
Progress is intense.

The fuel consumption and CO₂ emission figures can be found from page 100 onwards.

Impression.



Expression.

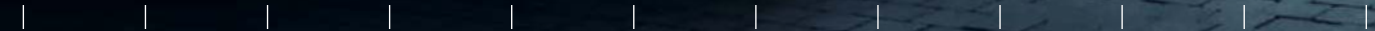
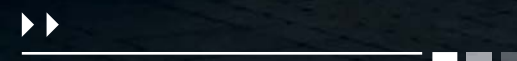
Fascinating technology. Design that sets standards. Extravagant. The Audi A4 allroad quattro – expressiveness that strikes a chord. Wherever the journey takes you. Thanks to quattro all-wheel drive. Plus optional innovative infotainment and assistance systems that ensure a high level of comfort, convenience and safety.

The fuel consumption and CO₂ emission figures can be found from page 107 onwards.





The fuel consumption and CO₂ emission figures can be found from page 107 onwards.





Looks you won't forget.

Typically allroad quattro.

The fuel consumption and CO₂ emission figures can be found from page 107 onwards.

Expressive

down to the last detail.

Extroverted, functional and individual. The exterior design of the Audi A4 allroad quattro emphasises its distinctive character in all its facets thanks to high-quality details. From the Singleframe, striking air inlets, allroad emblem on the front wings and door sill trims through to the rear diffuser in selenite silver, matt.

The fuel consumption and CO₂ emission figures can be found from page 107 onwards.





High-quality equipment.
A special sense of space.

Take a seat and relax. Sense lightness and width thanks to the horizontally oriented interior architecture. For instance on optional sport seats that provide excellent lateral support. The optional leather steering wheel in 3-spoke design with multifunction plus including steering wheel heating always ready to hand. Information relevant to the driver in view – razor-sharp in the optional digital Audi virtual cockpit instrument cluster with 12.3-inch colour display. In brilliant, high-contrast resolution. Plus top-class listening pleasure as an option thanks to the impressive Bang & Olufsen 3D Sound System.

Almost nothing out of reach.
Virtually no road you can't tame.



Stick to the road. Thanks to quattro all-wheel drive, confidence comes as standard in an Audi A4 allroad quattro. For more dynamism, more traction and a great feeling wherever the journey takes you. Even when offroad thanks to increased ground clearance.



More
than just a kick.



Quintessential sportiness.

Sharpened design, increased power. Dynamism and a driving experience that's on a par with a sports car. Plus quattro all-wheel drive as standard. Along with scintillating performance and the thrill of anticipation. Sporting the hallmark S: the Audi S4.

The fuel consumption and CO₂ emission figures can be found on page 109.



Unique
time and again.





S for sporty performance.

Hallmark S. Fascinating over and over again. Dynamically styled front with S-specific radiator protective grille in twilight grey, matt with twin blades in aluminium. Striking, low-set air inlets in titanium black with blades in aluminium. Plus black painted brake callipers with S logo and a host of other S-specific details that convey the character of a sports car.

The fuel consumption and CO₂ emission figures can be found on page 109.



Dynamics

brought to life.

Sporty looks as standard. Emphasised with exterior mirror housings in aluminium look. Optional cast aluminium wheels in 5-spoke V design (S design), contrasting grey, partly polished¹, and red painted brake callipers. Combined with rear honeycomb grid with black grain effect and S diffuser in twilight grey, matt. The S-specific dual-branch exhaust system in chrome, the illuminated door sill trims and the pronounced rear spoiler on the Saloon round off the athletic look in impressive style.

The fuel consumption and CO₂ emission figures can be found on page 109.

¹ Please note the special information relating to wheels on page 110.

Everything under control.

Get in, take a seat, buckle up. Perhaps on the optional S sport seats, front with S embossing. Excellent lateral support even for dynamic driving. Drivers always have the information they need in clear view. Optionally with the high-resolution Audi virtual cockpit that features a 12.3-inch colour display in S-specific design. And select sport mode to put the rev counter centre stage. The key to a fascinating sports car atmosphere.



The fuel consumption and CO₂ emission figures can be found on page 109.



Exhilaration

from the word go.

Be inspired by extraordinarily sporty design. Experience the thrill of sports-car-like performance and be enthralled by technical innovations. Or in short: experience the Audi S4.



01 | 02 | 03



04

More versatile. A quick look at your options.

The Audi A4 – an exceptional car whose diverse range of high-quality equipment will impress you. As will many other highlights – let yourself be inspired.

The fuel consumption and CO₂ emission figures can be found from page 100 onwards.

- 01_ Park assist package¹ (360 degree cameras, park assist including parking system plus) makes parking easier
- 02_ Tour assist package¹ (including adaptive cruise control with Stop&Go function, traffic jam assist, predictive efficiency assist, camera-based recognition of traffic signs, high-beam assist, Audi active lane assist) – supports the driver on motorways and country roads
- 03_ City assist package¹ (including exit warning, cross traffic assist rear, Audi side assist, Audi pre sense rear, parking system plus, reversing camera) – for added safety and comfort in urban traffic
- 04_ MMI navigation plus with MMI touch – multimedia functions and intuitive operation
- 05_ Audi connect² – digital networking – keep in touch with the world while on the move
- 06_ Audi connect emergency call & service² – safe on the road and always online with emergency call, online roadside assistance, Audi service request and Audi connect security & convenience
- 07_ Head-up display³ – optionally projects information relevant to the driver onto the windscreen in the driver's direct field of vision

Some of the equipment shown or described is optional equipment for which an extra charge is made. Detailed information on standard and optional equipment is available at www.audi.com or from your Audi partner.

¹Please note: The systems work only within system limits and assist the driver. However, the driver remains responsible for driving the vehicle and is required to be attentive at all times.

²Legal information and notes on use can be found on page 111. ³Polarising sunglasses will restrict the use of the head-up display.



05 | 06



07



01

01_ Contour/ambient lighting package – 3 pre-defined colour profiles ensure a relaxed atmosphere tailored to your individual preferences

02_ Sport or comfort suspension with damper control – dynamic or comfort-oriented characteristics for damper settings; adjusted via Audi drive select

03_ Convenience key including sensor-controlled luggage compartment release and luggage compartment lid with opening and closing function

04_ Panoramic glass sunroof – ensures an interior ambience that is flooded with light and improves the interior climate

05_ Audi exclusive titanium black styling package¹ – adds black highlights on the exterior

The fuel consumption and CO₂ emission figures can be found from page 100 onwards. Some of the equipment shown or described is optional equipment for which an extra charge is made. Detailed information on standard and optional equipment is available at www.audi.com or from your Audi partner.

¹ From Audi Sport GmbH.



02



04



03



05

Lower emissions. With innovative g-tron technology.

The Audi A4 Avant g-tron, with its sporty 125 kW, 2.0 litre TFSI engine, combines everyday usability and driving with lower emissions. It has a range¹ of up to 500 km in gas mode and if required can cover an additional 450 km in petrol mode. The A4 Avant g-tron, in conjunction with Audi e-gas^{2,3}, represents an important milestone in the journey towards achieving our vision of CO₂-neutral mobility. g-tron: Vorsprung starts before you drive.



01

01_ 4 lightweight, compact CNG tanks – holding 19 kg of CNG in total, sufficient for some 500 km¹
02_ g-tron instrument cluster – clearly displays the fill levels of the petrol tank and CNG tanks. The driver information system shows the fuel consumption in the current operating mode.



02

The fuel consumption and CO₂ emission figures can be found on page 106. Some of the equipment illustrated or described is optional equipment for which an extra charge is made. Please contact your Audi partner or visit www.audi.com for detailed information about standard and optional equipment.
¹The given range can vary depending on the usage of ancillary consumers, air conditioning, outside temperature, road speed, payload/additional equipment, wheel/tyre size, topography, driving style, traffic situation.
²Audi e-gas is a fuel developed by Audi and manufactured in its own production facility. It is made using renewable energies, water, CO₂ and waste materials, among other things. In an innovative process, CO₂ is extracted from the atmosphere and converted into fuel by power-to-gas and biomethane plants.
³Legal information about Audi e-gas can be found on page 111.

More exceptional. With A4 design and Audi design selection.

In an Audi A4, there is plenty of scope for your own ideas. The A4 design line allows you to create striking accents which reflect your personality. Make an exceptional vehicle even more exceptional. This can be stylishly achieved with the Audi design selection which offers an attractive range of special materials and colours for the interior. Our designers have combined selected inlays with exquisite leather seats featuring attractive contrasting stitching.

The fuel consumption and CO₂ emission figures can be found from page 100 onwards.

Some of the equipment shown or described is optional equipment for which an extra charge is made. Detailed information on standard and optional equipment is available at www.audi.com or from your Audi partner.

¹Please note the special information relating to wheels on page 110.



01_ A4 design line – including cast aluminium wheels in 10-spoke crystal design – rear diffuser insert in titanium black, matt – chrome inlays in the door handles – further differentiations in the interior **02_ Audi design selection** – including optional seat upholstery in fine Nappa leather in cedar brown, rock grey or Atlas beige with contrasting stitching and piping – leather steering wheel in 3-spoke design with multifunction plus and chrome trim – optional inlays in oak, natural grey **03_ Audi design selection** – interior elements in artificial leather, armrest in cedar brown with contrasting stitching in granite grey, centre console in black – cast aluminium wheels in 10-spoke dynamic design, partly polished¹
Many additional highlights can be found at www.audi.com



More sporty.

With A4 sport and the S line sport package.

The A4 sport equipment version lets you show your sporty side – all along the line. With details which impressively emphasise the character of your Audi A4 and, at the very first glance, leave you in no doubt of its powerful performance. The S line sport package offers even more highlights that further enhance the vehicle's sporty character.

01_ S line sport package – including sport seats, front with S embossing on the backrests – S line seat upholstery optionally in fine Nappa leather in rotor grey or in black – interior, dashboard and headlining in black – S line sport leather steering wheel in 3-spoke design with multifunction plus – inlays in matt brushed aluminium – pedals and footrest in stainless steel **02_ S line sport package** – cast aluminium wheels in 5-twin-spoke star design (S design) **03_ A4 sport line** – including cast aluminium wheels in 5-spoke Y design – radiator protective grille in twilight grey, matt – side air inlet grilles in titanium black, matt – further differentiations in the interior
Many additional highlights can be found at www.audi.com





01



04

01_ Including side sill trims painted in body colour 02_ Door sill trims, front with aluminium inlays and S logo, illuminated 03_ Diffuser insert in twilight grey, matt - insert in the rear bumper with honeycomb structure 04_ Radiator protective grille in twilight grey, matt; blades in aluminium silver, matt - side air inlet grilles in titanium black, matt with trim in aluminium silver, matt
Many additional highlights can be found at www.audi.com



02



03

More striking. With the S line exterior package.

Don't just emphasise the sporty character of your A4 – enhance it. With the S line exterior package, you can lend the dynamic lines of your car an even more exhilarating edge and create special accents with exceptional design details.

The fuel consumption and CO₂ emission figures can be found from page 100 onwards.

Some of the equipment shown or described is optional equipment for which an extra charge is made. Detailed information on standard and optional equipment is available at www.audi.com or from your Audi partner.



More individual.

With the Audi A4 S line black.

Discover exclusivity in its most beautiful form – with the Audi A4 S line black. Equipped with exclusive details that stand out at the very first glance. And express the performance of the A4 in a unique way.

The fuel consumption and CO₂ emission figures can be found from page 100 onwards.

Some of the equipment shown or described is optional equipment for which an extra charge is made. Detailed information on standard and optional equipment is available at www.audi.com or from your Audi partner.

¹From Audi Sport GmbH. ²Please note the special information relating to wheels on page 110.



01_ Including S line exterior package – optional exclusive quantum grey paint finish – items from the Audi exclusive titanium black styling package¹ – exterior mirror housings in black – side sill trims in black – Audi rings design film – optional privacy glazing including acoustic glazing for the front door windows **02_** Selected S line sport package items – sport seats, front in leather/artificial leather combination in black with contrasting stitching in express red – S line leather steering wheel in 3-spoke design, flattened at the bottom, with multifunction plus and contrasting stitching in express red – inlays in piano finish, black – optionally exclusive carbon Atlas inlay – interior elements in artificial leather with contrasting stitching in express red – pedals and footrest in stainless steel **03_** Mounted sporty rear spoiler in black for Saloon **04_** 18-inch Audi Sport cast aluminium wheels in 10-Y-spoke design in gloss black, gloss turned finish^{1,2} – optionally brake callipers, painted red

Many additional highlights can be found at www.audi.com





More unmistakable. With Audi exclusive.

Make your Audi A4 unique – as unmistakable as you are – with Audi exclusive. With selected trim, coloured leather and customised paint finishes in a wide range of colours. Whatever your heart desires.

The fuel consumption and CO₂ emission figures can be found from page 100 onwards.

01_ Audi exclusive leather upholstery and trim in fine Nappa leather with sport seats, front in cognac/black – Audi exclusive extended leather upholstery and trim in cognac/black – Audi exclusive controls in leather in cognac/black with contrasting stitching in cognac – Audi exclusive piano finish black inlays – door trim inserts in Alcantara, black – Audi exclusive floor mats, edging in black, stitching and piping in cognac
02_ Audi A4 Avant with Audi exclusive customised paint finish in sprint blue, pearl effect – Audi Sport cast aluminium wheels in 10-V-spoke design, gloss turned finish¹ – Audi exclusive titanium black styling package

Audi exclusive is an option from Audi Sport GmbH. Detailed information on standard and optional equipment is available at www.audi.com or from your Audi partner.

¹Please note the special information relating to wheels on page 110.



Powerful look.

Select the paint colour that best suits your personality. Secure in the knowledge that the quality will be superb, because your vehicle is not just painted once, but four times. So not only do you look radiant in your Audi, your car is also protected from environmental influences and wear. Ensuring that the car maintains a powerful look throughout its entire lifetime.

01_ Argus brown, metallic 02_ Gotland green, metallic 03_ Matador red, metallic
 04_ Tango red, metallic 05_ Manhattan grey, metallic 06_ Daytona grey, pearl effect
 07_ Floret silver, metallic 08_ Moonlight blue, metallic 09_ Scuba blue, metallic
 10_ Audi exclusive customised paint finish in sprint blue, pearl effect¹
 Many additional paint finishes can be found at www.audi.com

The fuel consumption and CO₂ emission figures can be found from page 100 onwards.

Some of the equipment shown or described is optional equipment for which an extra charge is made. Detailed information on standard and optional equipment is available at www.audi.com or from your Audi partner.

¹From Audi Sport GmbH.



02
17-inch

04
18-inch

08
18-inch

06
18-inch

07
18-inch

05
18-inch

01
19-inch

03
19-inch

Powerful presence.

With Audi wheels, you can emphasise your own individual style and the character of your Audi A4. Why not indulge yourself and create a powerful presence with your favourite design. For peace of mind on the road: Audi wheels are subjected to special test procedures, undergo rigorous testing and are of superb quality.

The fuel consumption and CO₂ emission figures can be found from page 100 onwards.

Some of the equipment shown or described is optional equipment for which an extra charge is made. Detailed information on standard and optional equipment is available at www.audi.com or from your Audi partner.

¹From Audi Sport GmbH. ²Please note the special information relating to wheels on page 110. ³Only available in conjunction with S line black. Available as 19-inch wheels for A4 Avant allroad quattro.

01_ 19-inch Audi Sport cast aluminium wheels in 5-arm rotor design in matt titanium look, gloss turned finish^{1,2} 02_ 17-inch cast aluminium wheels in 10-spoke crystal design
03_ 19-inch Audi Sport cast aluminium wheels in 10-V-spoke design, gloss turned finish^{1,2} 04_ 18-inch cast aluminium wheels in 5-spoke dynamic design, contrasting grey, partly polished²
05_ 18-inch cast aluminium wheels in 5-twin-spoke star design (S design) 06_ 18-inch cast aluminium wheels in 5-twin-spoke design, contrasting grey, partly polished²
07_ 18-inch Audi Sport cast aluminium wheels in 10-Y-spoke design in gloss black, gloss turned finish^{1,2,3} 08_ 18-inch Audi Sport cast aluminium wheels in 5-arm pylon design in black matt, gloss turned finish^{1,2} Many additional wheels can be found at www.audi.com

More sophisticated. With cloth and leather upholstery.

You have a special place in your Audi. Exclusive comfort can be felt on the front and rear seats: thanks to high-quality materials and first-class workmanship. No matter which seat upholstery you choose: you're sitting in the right place.

The fuel consumption and CO₂ emission figures can be found from page 100 onwards.

Many additional seat upholstery options can be found at www.audi.com

Some of the equipment shown or described is optional equipment for which an extra charge is made. Detailed information on standard and optional equipment is available at www.audi.com or from your Audi partner.

Sport seats, front in fine Nappa leather, cedar brown
optionally with lumbar support, pneumatically adjustable, with massage function
Image shows Audi design selection.

Sport seats, front in fine Nappa leather, rotor grey
optionally with lumbar support, pneumatically adjustable, with massage function
Image shows S line sport package.

Concept cloth, black

Fine Nappa leather, Atlas beige
with contrasting stitching and piping in granite grey

Perforated Milano leather, black

Audi exclusive leather upholstery
and trim
From Audi Sport GmbH

System cloth, black-red

Leather/artificial leather, nougat brown

Alcantara/leather combination, rotor grey
with contrasting stitching

Fine Nappa leather, black
with contrasting stitching

More refined. With inlays.

Exclusive ambience is a question of style. Your style. A style you can refine right down to the last detail. Create tangible accents with high-quality Audi inlays. Experience the fascination of selected materials: fine woods, carbon, piano finish or aluminium trim – combine them to suit your own individual taste.

Some of the equipment shown or described is optional equipment for which an extra charge is made. Detailed information on standard and optional equipment is available at www.audi.com or from your Audi partner. Many additional inlays can be found at www.audi.com

Aluminium ellipse, silver

Matt brushed aluminium

Aluminium trimaran

Audi exclusive painted inlays
From Audi Sport GmbH

Audi exclusive wood inlays
From Audi Sport GmbH

As individual as the life you lead.

Audi Genuine Accessories provides you with numerous ways of adding even more facets to your Audi A4. With products that keep our quality promise day in, day out. Benefit from customised solutions that offer a winning combination of fascinating design and high functionality. Further information on these and other highlights is available from your Audi partner.

- 01_ **Partition grille** – for the luggage compartment of the Audi A4 Avant and Audi A4 allroad quattro. Easy to install behind the rear seats, no drilling required
- 02_ **Ski and luggage boxes** – in a new Audi design, lockable and can be opened on both sides for convenience. Available in the sizes 300 l, 360 l and 405 l
- 03_ **Audi Entertainment mobile** – with its 10.1-inch touchscreen promises superb entertainment with excellent image quality
- 04_ **Exterior mirror housings** – in high-quality carbon add a visual highlight and also reduce weight
- 05_ **Audi child seat youngster advanced** – suitable for children from 15 kg. Intelligent belt guidance. Backrest adjustable in height and width. With just a few adjustments, can also be used simply as a booster seat for children from 22 kg
- 06_ **Cast aluminium wheels** – in size 8.5 J x 19 with 5-arm sidus design to ensure a dynamic presence

The fuel consumption and CO₂ emission figures can be found from page 100 onwards.



Further information can be obtained from the accessories catalogue, at www.audi.com and from your Audi partner.



03



04



01



02



05



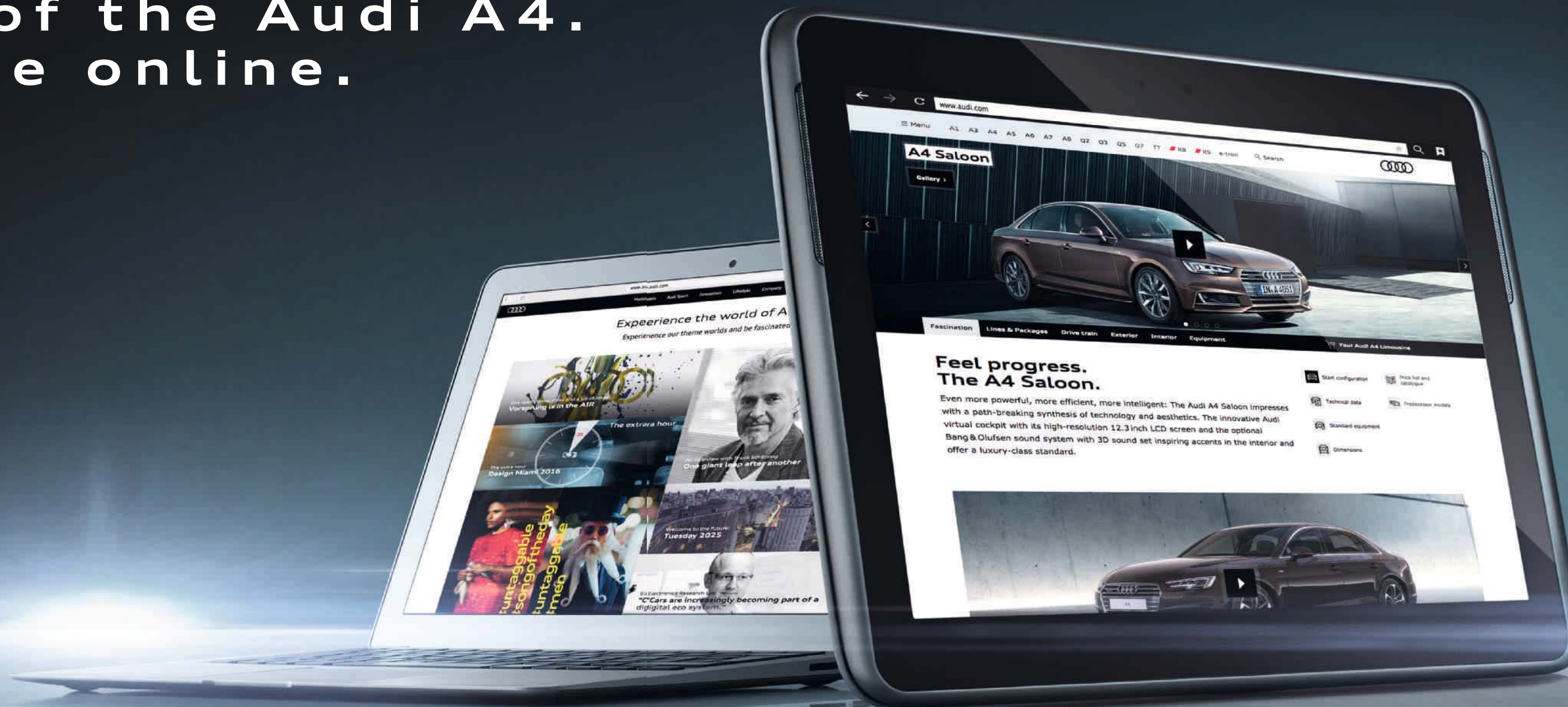
06

The fascination of the Audi A4. Find out more online.

Discover the world of the Audi A4. More information, more individuality and more exclusivity. Now at www.audi.com.



Scan the QR code using your smartphone or tablet and discover the world of the Audi A4. Connection costs depend on your mobile phone contract



Model	Audi A4 1.4 TFSI (110 kW)				Audi A4 2.0 TFSI (185 kW)				Audi A4 2.0 TFSI quattro (185 kW)				Audi A4 2.0 TDI (90 kW) ¹			
Engine type	4-cylinder inline petrol engine with direct fuel injection and turbocharging				4-cylinder inline petrol engine with direct fuel injection, turbocharging and Audi valvelift system				4-cylinder inline petrol engine with direct fuel injection, turbocharging and Audi valvelift system				4-cylinder inline diesel engine with common rail injection system and turbocharging			
Displacement in cc (valves per cylinder)	1,395 (4)				1,984 (4)				1,984 (4)				1,968 (4)			
Max. output ² in kW at rpm ¹	110/5,000–6,000				185/5,000–6,000				185/5,000–6,000				90/3,500–4,000			
Max. torque in Nm at rpm ¹	250/1,500–3,500				370/1,600–4,500				370/1,600–4,500				270/1,500–3,000			
Power transmission																
Drive type	Front-wheel drive				Front-wheel drive				quattro permanently available all-wheel drive				Front-wheel drive			
Transmission type	6-speed manual transmission [7-speed S tronic]				[7-speed S tronic]				6-speed manual transmission [7-speed S tronic]				6-speed manual transmission [7-speed S tronic]			
Weights/capacities	Saloon		Avant		Saloon		Avant		Saloon		Avant		Saloon		Avant	
Unladen weight ³ in kg	1,395	[1,450]	1,445	[1,490]	[1,530]	[1,585]	1,590	[1,605]	1,625	[1,650]	1,505	[1,540]	1,550	[1,600]		
Gross vehicle weight in kg	1,890	[1,945]	1,960	[2,005]	[2,025]	[2,100]	2,085	[2,100]	2,140	[2,165]	2,030	[2,065]	2,095	[2,145]		
Permissible roof load limit/nose weight in kg	90/80	[90/80]	90/80	[90/80]	[90/80]	[90/80]	90/80	[90/80]	90/80	[90/80]	90/80	[90/80]	90/80	[90/80]		
Trailer load limit ⁴ in kg unbraked	690	[720]	720	[740]	[750]	[750]	750	[750]	750	[750]	750	[750]	750	[750]		
12% gradient	1,400	[1,500]	1,400	[1,500]	[1,700]	[1,700]	1,700	[1,700]	1,700	[1,700]	1,300	[1,500]	1,300	[1,500]		
8% gradient	1,600	[1,700]	1,600	[1,700]	[1,900]	[1,900]	1,900	[1,900]	1,900	[1,900]	1,500	[1,700]	1,500	[1,700]		
Fuel tank capacity, approx. in l	54	[54]	54	[54]	[54]	[54]	58	[58]	58	[58]	40 (54) ⁵ /AdBlue ^{®1} tank: 12					
Performance/consumption⁶																
Top speed in km/h	210 ⁷	[210] ⁷	210 ⁷	[210] ⁷	[250] ⁷	[250] ⁷	250 ⁷	[250] ⁷	250 ⁷	[250] ⁷	205	[204]	200	[198]		
Acceleration 0–100 km/h in s	8.7	[8.5]	9.0	[8.9]	[6.3]	[6.5]	6.0	[5.8]	6.1	[6.0]	10.5	[10.2]	10.9	[10.6]		
Fuel grade	Sulphur-free super RON 95 ⁸				Sulphur-free super RON 95 ⁸				Sulphur-free super RON 95 ⁸				Sulphur-free diesel ⁹			
Fuel consumption ^{10,11} in l/100 km urban	7.0–6.6 ¹²	[7.1–6.4 ¹²]	7.3–6.8 ¹²	[7.2–6.7 ¹²]	[7.5–7.4]	[7.6–7.5]	8.3–8.1	[7.9–7.8]	8.5–8.3	[8.0–7.9]	4.9–4.4 ¹²	[5.1–4.7 ¹²]	5.0–4.6 ¹²	[5.2–4.8 ¹²]		
extra-urban	4.8–4.3 ¹²	[4.7–4.1 ¹²]	5.0–4.5 ¹²	[4.8–4.3 ¹²]	[5.2–4.9]	[5.3–5.1]	5.5–5.3	[5.6–5.4]	5.7–5.4	[5.8–5.6]	3.8–3.3 ¹²	[3.9–3.5 ¹²]	4.0–3.5 ¹²	[4.0–3.6 ¹²]		
combined	5.5–5.1 ¹²	[5.6–4.9 ¹²]	5.8–5.3 ¹²	[5.7–5.2 ¹²]	[6.0–5.8]	[6.1–6.0]	6.5–6.3	[6.5–6.3]	6.7–6.5	[6.6–6.5]	4.2–3.7 ¹²	[4.3–3.9 ¹²]	4.3–3.9 ¹²	[4.4–4.0 ¹²]		
CO ₂ emissions ^{10,11} in g/km combined	131–119 ¹²	[129–114 ¹²]	139–124 ¹²	[131–119 ¹²]	[137–132]	[139–135]	149–143	[146–142]	153–147	[150–146]	110–97 ¹²	[112–101 ¹²]	115–102 ¹²	[115–104 ¹²]		
Emission standard	EU6	[EU6]	EU6	[EU6]	[EU6]	[EU6]	EU6	[EU6]	EU6	[EU6]	EU6	[EU6]	EU6	[EU6]		

Model	Audi A4 2.0 TDI (110 kW) ¹				Audi A4 2.0 TDI quattro (110 kW) ¹				Audi A4 2.0 TDI quattro (120 kW) ¹				Audi A4 2.0 TDI (140 kW) ¹			
Engine type	4-cylinder inline diesel engine with common rail injection system and turbocharging				4-cylinder inline diesel engine with common rail injection system and turbocharging				4-cylinder inline diesel engine with common rail injection system and turbocharging				4-cylinder inline diesel engine with common rail injection system and turbocharging			
Displacement in cc (valves per cylinder)	1,968 (4)				1,968 (4)				1,968 (4)				1,968 (4)			
Max. output ² in kW at rpm	110/3,250–4,200				110/3,250–4,200				120/3,000–4,200				140/3,800–4,200			
Max. torque in Nm at rpm	320/1,500–3,250				320/1,500–3,250				400/1,750–2,750				400/1,750–3,000			
Power transmission																
Drive type	Front-wheel drive				quattro permanently available all-wheel drive				quattro permanent all-wheel drive				Front-wheel drive			
Transmission type	6-speed manual transmission [7-speed S tronic]				6-speed manual transmission				[7-speed S tronic]				6-speed manual transmission [7-speed S tronic]			
Weights/capacities	Saloon		Avant		Saloon		Avant		Saloon		Avant		Saloon		Avant	
Unladen weight ³ in kg	1,505	[1,540]	1,550	[1,600]	1,615	1,660	[1,650]	[1,690]	1,525	[1,555]	1,590	[1,605]				
Gross vehicle weight in kg	2,030	[2,065]	2,095	[2,145]	2,125	2,190	[2,160]	[2,220]	2,045	[2,075]	2,130	[2,145]				
Permissible roof load limit/nose weight in kg	90/80	[90/80]	90/80	[90/80]	90/80	90/80	[90/80]	[90/80]	90/80	[90/80]	90/80	[90/80]				
Trailer load limit ⁴ in kg unbraked	750	[750]	750	[750]	750	750	[750]	[750]	750	[750]	750	[750]				
12% gradient	1,700	[1,700]	1,700	[1,700]	1,800	1,800	[1,800]	[1,800]	1,700	[1,700]	1,700	[1,700]				
8% gradient	1,900	[1,900]	1,900	[1,900]	2,000	2,000	[2,000]	[2,000]	1,900	[1,900]	1,900	[1,900]				
Fuel tank capacity, approx. in l	40 (54) ⁵ /AdBlue ¹ tank: 12				58/AdBlue ¹ tank: 12				58/AdBlue ¹ tank: 12				40 (54) ⁵ /AdBlue ¹ tank: 12			
Performance/consumption⁶																
Top speed in km/h	221	[219]	215	[213]	219	214	[223]	[218]	240	[237]	235	[231]				
Acceleration 0–100 km/h in s	8.9	[8.7]	9.2	[9.0]	8.8	9.1	[7.8]	[8.0]	7.7	[7.7]	7.9	[7.9]				
Fuel grade	Sulphur-free diesel ⁹				Sulphur-free diesel ⁹				Sulphur-free diesel ⁹				Sulphur-free diesel ⁹			
Fuel consumption ^{10,11} in l/100 km urban	5.0–4.6	[5.1–4.8]	5.1–4.8	[5.2–4.9]	5.1–5.0	5.3–5.1	[5.3–5.1]	[5.4–5.1]	5.4–5.1	[5.0–4.8]	5.4–5.1	[5.0–4.9]				
extra-urban	3.9–3.4	[3.9–3.6]	4.0–3.6	[4.0–3.7]	3.9–3.7	4.1–3.8	[4.3–3.9]	[4.4–4.0]	4.1–3.8	[3.9–3.7]	4.1–3.9	[4.1–3.8]				
combined	4.2–3.8	[4.3–4.0]	4.3–4.0	[4.4–4.1]	4.3–4.2	4.5–4.3	[4.6–4.3]	[4.7–4.4]	4.5–4.3	[4.3–4.1]	4.6–4.4	[4.4–4.2]				
CO ₂ emissions ^{10,11} in g/km combined	111–99	[112–104]	116–104	[115–106]	113–109	118–112	[121–113]	[123–115]	118–111	[113–107]	121–114	[116–109]				
Emission standard	EU6	[EU6]	EU6	[EU6]	EU6	EU6	[EU6]	[EU6]	EU6	[EU6]	EU6	[EU6]				

[] Figures in square brackets refer to the S tronic/tiptronic automatic transmissions. Explanation of ¹ to ¹⁶ on page 110.

Technical data

Model	Audi A4 2.0 TDI quattro (140 kW) ¹		Audi A4 2.0 TDI quattro (140 kW) ¹		Audi A4 3.0 TDI (160 kW) ¹		Audi A4 3.0 TDI quattro (160 kW) ¹	
Engine type	4-cylinder inline diesel engine with common rail injection system and turbocharging		4-cylinder inline diesel engine with common rail injection system and turbocharging		V6 diesel engine with common rail injection system and turbocharging		V6 diesel engine with common rail injection system and turbocharging	
Displacement in cc (valves per cylinder)	1,968 (4)		1,968 (4)		2,967 (4)		2,967 (4)	
Max. output ² in kW at rpm	140/3,800–4,200		140/3,800–4,200		160/4,000–5,000		160/4,000–5,000	
Max. torque in Nm at rpm	400/1,750–3,000		400/1,750–3,000		400/1,250–3,750		400/1,250–3,750	
Power transmission								
Drive type	quattro permanent all-wheel drive		quattro permanently available all-wheel drive		Front-wheel drive		quattro permanent all-wheel drive	
Transmission type	[7-speed S tronic]		6-speed manual transmission		[7-speed S tronic]		[7-speed S tronic]	
Weights/capacities	Saloon	Avant	Saloon	Avant	Saloon	Avant	Saloon	Avant
Unladen weight ³ in kg	[1,650]	[1,690]	1,615	1,665	[1,615]	[1,670]	[1,695]	[1,735]
Gross vehicle weight in kg	[2,160]	[2,220]	2,125	2,195	[2,110]	[2,185]	[2,190]	[2,250]
Permissible roof load limit/nose weight in kg	[90/80]	[90/80]	90/80	90/80	[90/80]	[90/80]	[90/80]	[90/80]
Trailer load limit ⁴ in kg unbraked	[750]	[750]	750	750	[750]	[750]	[750]	[750]
12 % gradient	[1,800]	[1,800]	1,800	1,800	[1,700]	[1,700]	[1,800]	[1,800]
8 % gradient	[2,000]	[2,000]	2,000	2,000	[1,900]	[1,900]	[2,000]	[2,000]
Fuel tank capacity, approx. in l	58/AdBlue ¹ tank: 12		58/AdBlue ¹ tank: 12		54/AdBlue ¹ tank: 12		58/AdBlue ¹ tank: 12	
Performance/consumption⁶								
Top speed in km/h	[235]	[230]	236	230	[250] ⁷	[245]	[250] ⁷	[245]
Acceleration 0–100 km/h in s	[7.2]	[7.4]	7.2	7.5	[6.6]	[6.7]	[6.3]	[6.4]
Fuel grade	Sulphur-free diesel ⁹		Sulphur-free diesel ⁹		Sulphur-free diesel ⁹		Sulphur-free diesel ⁹	
Fuel consumption ^{10, 11} in l/100 km urban	[5.3–5.1]	[5.4–5.2]	5.4–5.3	5.6–5.4	[4.9–4.8]	[5.0–4.9]	[5.1–4.9]	[5.2–5.0]
extra-urban	[4.3–4.0]	[4.4–4.1]	4.2–4.0	4.3–4.1	[4.3–4.0]	[4.5–4.1]	[4.7–4.4]	[4.8–4.4]
combined	[4.6–4.4]	[4.7–4.5]	4.6–4.5	4.8–4.6	[4.5–4.2]	[4.6–4.4]	[4.8–4.6]	[4.9–4.7]
CO ₂ emissions ^{10, 11} in g/km combined	[121–114]	[123–116]	119–116	124–119	[117–109]	[121–114]	[127–119]	[129–123]
Emission standard	[EU6]	[EU6]	EU6	EU6	[EU6]	[EU6]	[EU6]	[EU6]

Model	Audi A4 3.0 TDI quattro (200 kW) ¹	
Engine type	V6 diesel engine with common rail injection system and turbocharging	
Displacement in cc (valves per cylinder)	2,967 (4)	
Max. output ² in kW at rpm	200/3,250–4,250	
Max. torque in Nm at rpm	600/1,500–3,000	
Power transmission		
Drive type	quattro permanent all-wheel drive	
Transmission type	[8-speed tiptronic]	
Weights/capacities	Saloon	Avant
Unladen weight ³ in kg	[1,735]	[1,770]
Gross vehicle weight in kg	[2,230]	[2,285]
Permissible roof load limit/nose weight in kg	[90/80]	[90/80]
Trailer load limit ⁴ in kg unbraked	[750]	[750]
12 % gradient	[1,900]	[1,900]
8 % gradient	[2,100]	[2,100]
Fuel tank capacity, approx. in l	58/AdBlue ¹ tank: 12	
Performance/consumption⁶		
Top speed in km/h	[250] ⁷	[250] ⁷
Acceleration 0–100 km/h in s	[5.3]	[5.4]
Fuel grade	Sulphur-free diesel ⁹	
Fuel consumption ^{10, 11} in l/100 km urban	[5.6–5.4]	[5.8–5.6]
extra-urban	[4.9–4.6]	[5.1–4.8]
combined	[5.2–4.9]	[5.4–5.1]
CO ₂ emissions ^{10, 11} in g/km combined	[137–129]	[142–134]
Emission standard	[EU6]	[EU6]

[] Figures in square brackets refer to the S tronic/tiptronic automatic transmissions. Explanation of ¹ to ¹⁶ on page 110.

Technical data

Model	Audi A4 2.0 TFSI ultra (140 kW)				Audi A4 2.0 TDI ultra (110 kW) ¹				Audi A4 2.0 TDI ultra (140 kW) ¹			
Engine type	4-cylinder inline petrol engine with direct fuel injection, turbocharging and Audi valvelift system				4-cylinder inline diesel engine with common rail injection system and turbocharging				4-cylinder inline diesel engine with common rail injection system and turbocharging			
Displacement in cc (valves per cylinder)	1,984 (4)				1,968 (4)				1,968 (4)			
Max. output ² in kW at rpm	140/4,200–6,000				110/3,250–4,200				140/3,800–4,200			
Max. torque in Nm at rpm	320/1,450–4,200				320/1,500–3,250				400/1,750–3,000			
Power transmission												
Drive type	Front-wheel drive				Front-wheel drive				Front-wheel drive			
Transmission type	6-speed manual transmission [7-speed S tronic]				6-speed manual transmission [7-speed S tronic]				6-speed manual transmission [7-speed S tronic]			
Weights/capacities	Saloon		Avant		Saloon		Avant		Saloon		Avant	
Unladen weight ³ in kg	1,455	[1,480]	1,510	[1,535]	1,505	[1,545]	1,555	[1,600]	1,505	[1,545]	1,575	[1,605]
Gross vehicle weight in kg	1,960	[1,985]	2,035	[2,060]	2,030	[2,070]	2,100	[2,145]	2,040	[2,070]	2,120	[2,150]
Permissible roof load limit/nose weight in kg	90/80	[90/80]	90/80	[90/80]	90/80	[90/80]	90/80	[90/80]	90/80	[90/80]	90/80	[90/80]
Trailer load limit ⁴ in kg	unbraked		unbraked		unbraked		unbraked		unbraked		unbraked	
12% gradient	1,500	[1,500]	1,500	[1,500]	1,400	[1,400]	1,400	[1,400]	1,400	[1,400]	1,400	[1,400]
8% gradient	1,700	[1,700]	1,700	[1,700]	1,600	[1,600]	1,600	[1,600]	1,600	[1,600]	1,600	[1,600]
Fuel tank capacity, approx. in l	54	[54]	54	[54]	40 (54) ⁵ /AdBlue ¹ tank: 12				40 (54) ⁵ /AdBlue ¹ tank: 12			
Performance/consumption⁶												
Top speed in km/h	240 ^{7,13}	[240] ^{7,13}	236 ¹³	[238] ^{7,13}	210 ⁷	[210] ⁷	210 ⁷	[210] ⁷	210 ⁷	[210] ⁷	210 ⁷	[210] ⁷
Acceleration 0–100 km/h in s	7.2	[7.3]	7.5	[7.5]	8.9	[8.7]	9.2	[9.0]	7.7	[7.7]	7.9	[7.9]
Fuel grade	Sulphur-free super RON 95 ⁸				Sulphur-free diesel ⁹				Sulphur-free diesel ⁹			
Fuel consumption ^{10,11} in l/100 km	urban		urban		urban		urban		urban		urban	
extra-urban	7.4–7.0 ¹⁴	[6.6–6.2 ¹⁴]	7.7–7.3 ¹⁴	[6.8–6.4 ¹⁴]	4.7–4.4	[4.9–4.6]	4.8–4.5	[5.0–4.7]	5.0–4.7	[4.9–4.6]	5.1–4.9	[5.0–4.7]
combined	5.0–4.4 ¹⁴	[4.7–4.0 ¹⁴]	5.2–4.6 ¹⁴	[4.9–4.3 ¹⁴]	3.6–3.3	[3.7–3.4]	3.7–3.4	[3.8–3.5]	3.7–3.4	[3.8–3.4]	3.8–3.6	[3.9–3.5]
	5.9–5.4 ¹⁴	[5.4–4.8 ¹⁴]	6.1–5.6 ¹⁴	[5.6–5.0 ¹⁴]	4.0–3.7	[4.1–3.8]	4.1–3.8	[4.2–3.9]	4.1–3.8	[4.2–3.9]	4.2–4.0	[4.3–4.0]
CO ₂ emissions ^{10,11} in g/km	combined		combined		combined		combined		combined		combined	
	134–122 ¹⁴	[122–109 ¹⁴]	139–127 ¹⁴	[128–114 ¹⁴]	103–95	[107–99]	108–99	[110–102]	107–99	[109–101]	111–104	[112–104]
Emission standard	EU6	[EU6]	EU6	[EU6]	EU6	[EU6]	EU6	[EU6]	EU6	[EU6]	EU6	[EU6]

Audi A4 Saloon and A4 Avant 2.0 TFSI ultra (140 kW from 109 g and 114 g CO₂/km)

The A4 2.0 TFSI ultra model is available with all equipment without any restrictions.

Audi A4 Saloon 2.0 TDI ultra (110 kW from 95 g CO₂/km and 140 kW from 99 g CO₂/km with manual transmission, and from 99 g CO₂/km and 101 g with automatic transmission), and A4 Avant 2.0 TDI ultra (110 kW from 99 g CO₂/km and 140 kW from 104 g CO₂/km with manual transmission, and from 102 g CO₂/km and 104 g with automatic transmission).

These vehicles represent extra efficiency Audi models in which the balance between power and consumption has been further improved. These Audi models are characterised by reduced consumption and CO₂ emissions when compared with the standard model. This effect has been achieved by modifications to the vehicle.

The A4 Saloon and A4 Avant 2.0 TDI ultra models (110 kW and 140 kW) are fitted with the following as standard:

- 6-speed manual transmission with improved transmission ratio (also available with 7-speed S tronic automatic transmission)
- driver information system with gear change and efficiency displays; provides gear-changing and fuel-saving tips to help the driver adopt a fuel-efficient driving style
- swivelling radiator grille to optimise heat-up behaviour and aerodynamics
- tyres with improved rolling resistance to allow fuel to be saved
- improved ride height (thanks to sport suspension) and various vehicle components for low drag coefficient

The A4 Saloon and the A4 Avant 2.0 TDI ultra (110 kW and 140 kW) come as standard with forged lightweight wheels with full wheel cover, size 7 J x 16 with 205/60 R 16 tyres¹⁵ as standard, optional for A4 Saloon 2.0 TDI ultra 110 kW with 195/65 R 16 tyres¹⁵ (not low rolling-resistance tyres)

The following wheels are also optionally available:

- forged aluminium wheels in 10-spoke design, size 7.5 J x 17 with 225/50 R 17 tyres¹⁵
- cast aluminium wheels in 5-arm star design, size 7.5 J x 17 with 225/50 R 17 tyres¹⁵
- cast aluminium wheels in 5-parallel-spoke design, size 7.5 J x 17 with 225/50 R 17 tyres¹⁵
- cast aluminium wheels in 5-arm aero design, contrasting grey, partly polished¹⁶, size 7.5 J x 17 with 225/50 R 17 tyres¹⁵
- cast aluminium wheels in 5-spoke Y design, size 7.5 J x 17 with 225/50 R 17 tyres¹⁵
- cast aluminium wheels in 10-spoke crystal design, size 7.5 J x 17 with 225/50 R 17 tyres¹⁵
- forged aluminium wheels in 10-spoke design, size 7.5 J x 17 with 225/50 R 17 tyres¹⁵
- 18-inch wheels

The following equipment is not available for the A4 Saloon or A4 Avant 2.0 TDI ultra (110 kW, 140 kW):

- comfort suspension with damper control
- auxiliary heating

[] Figures in square brackets refer to the S tronic/tiptronic automatic transmissions. Explanation of ¹ to ¹⁶ on page 110.

Model	Audi A4 Avant g-tron 2.0 TFSI (125 kW)	
Engine type	4-cylinder inline petrol engine with direct fuel and gas intake-manifold injection, turbocharging and Audi valvelift system	
Displacement in cc (valves per cylinder)	1,984 (4)	
Max. output ² in kW at rpm	125/4,450–6,000	
Max. torque in Nm at rpm	270/1,650–4,400	
Power transmission		
Drive type	Front-wheel drive	
Transmission type	6-speed manual transmission [7-speed S tronic]	
Weights/capacities		
Unladen weight ³ in kg	1,635	[1,670]
Gross vehicle weight in kg	2,100	[2,135]
Permissible roof load limit/nose weight in kg	90/80	[90/80]
Trailer load limit ⁴ in kg unbraked	750	[750]
12 % gradient	1,500	[1,500]
8 % gradient	1,700	[1,700]
Fuel tank capacity, approx. in l	25	[25]
Fuel tank capacity, approx. in kg (CNG)	19	[19]

Model	Audi A4 Avant g-tron 2.0 TFSI (125 kW)	
Performance/consumption⁶		
Top speed in km/h	223 ¹³	[221] ¹³
Acceleration 0–100 km/h in s	8.5	[8.4]
Fuel grade	CNG/sulphur-free super RON 95 ⁸	
Fuel consumption sulphur-free super RON 95 ^{8,10,11} in l/100 km urban	8.3–8.0	[7.5–7.1]
extra-urban	5.4–4.9	[5.2–4.6]
combined	6.5–6.0	[6.0–5.5]
Fuel consumption ^{10,11} CNG in kg/100 km urban	5.7–5.5	[5.3–5.1]
extra-urban	3.6–3.3	[3.5–3.1]
combined	4.4–4.0	[4.2–3.8]
CO ₂ emissions sulphur-free super RON 95 ^{8,10,11} in g/km urban	191–182	[169–162]
extra-urban	123–111	[119–105]
combined	147–136	[137–126]
CO ₂ emissions ^{10,11} CNG in g/km urban	153–148	[141–135]
extra-urban	96–86	[93–83]
combined	117–109	[111–102]
Emission standard	EU6	[EU6]

Model	Audi A4 2.0 TFSI allroad quattro (185 kW)	Audi A4 2.0 TDI allroad quattro (100 kW) ¹	Audi A4 2.0 TDI allroad quattro (110 kW) ¹	Audi A4 2.0 TDI allroad quattro (120 kW) ¹
Engine type	4-cylinder inline petrol engine with direct fuel injection, turbocharging and Audi valvelift system	4-cylinder inline diesel engine with common rail injection system and turbocharging	4-cylinder inline diesel engine with common rail injection system and turbocharging	4-cylinder inline diesel engine with common rail injection system and turbocharging
Displacement in cc (valves per cylinder)	1,984 (4)	1,968 (4)	1,968 (4)	1,968 (4)
Max. output ² in kW at rpm	185/5,000–6,000	100/3,000–4,400	110/3,250–4,200	120/3,000–4,200
Max. torque in Nm at rpm	370/1,600–4,500	320/1,500–3,000	320/1,500–3,250	400/1,750–2,750
Power transmission				
Drive type	quattro permanently available all-wheel drive	quattro permanent all-wheel drive	quattro permanent all-wheel drive	quattro permanent all-wheel drive
Transmission type	[7-speed S tronic]	6-speed manual transmission	6-speed manual transmission	[7-speed S tronic]
Weights/capacities				
Unladen weight ³ in kg	[1,675]	1,690	1,690	[1,715]
Gross vehicle weight in kg	[2,190]	2,220	2,220	[2,245]
Permissible roof load limit/nose weight in kg	[90/80]	90/80	90/80	[90/80]
Trailer load limit ⁴ in kg unbraked	[750]	750	750	[750]
12 % gradient	[1,700]	1,800	1,800	[1,800]
8 % gradient	[1,900]	2,000	2,000	[2,000]
Fuel tank capacity, approx. in l	[58]	58/AdBlue ¹ tank: 12	58/AdBlue ¹ tank: 12	[58/AdBlue ¹ tank: 12]
Performance/consumption⁶				
Top speed in km/h	[246] ⁷	198	205	[210]
Acceleration 0–100 km/h in s	[6.1]	9.6	9.1	[8.3]
Fuel grade	Sulphur-free super RON 95 ⁸	Sulphur-free diesel ⁹	Sulphur-free diesel ⁹	Sulphur-free diesel ⁹
Fuel consumption ^{10,11} in l/100 km urban	[8.1–7.9]	5.9–5.8	5.9–5.8	[5.7–5.5]
extra-urban	[6.0–5.7]	4.6–4.4	4.6–4.4	[4.8–4.6]
combined	[6.8–6.5]	5.1–4.9	5.1–4.9	[5.1–4.9]
CO ₂ emissions ^{10,11} in g/km combined	[154–148]	133–127	133–127	[134–128]
Emission standard	[EU6]	EU6	EU6	[EU6]

[] Figures in square brackets refer to the S tronic/tiptronic automatic transmissions. Explanation of ¹ to ¹⁶ on page 110.

Technical data

Model	Audi A4 2.0 TDI allroad quattro (140 kW) ¹		Audi A4 2.0 TDI allroad quattro (140 kW) ¹	Audi A4 3.0 TDI allroad quattro (160 kW) ¹	Audi A4 3.0 TDI allroad quattro (200 kW) ¹
Engine type	4-cylinder inline diesel engine with common rail injection system and turbocharging		4-cylinder inline diesel engine with common rail injection system and turbocharging	V6 diesel engine with common rail injection system and turbocharging	V6 diesel engine with common rail injection system and turbocharging
Displacement in cc (valves per cylinder)	1,968 (4)		1,968 (4)	2,967 (4)	2,967 (4)
Max. output ² in kW at rpm	140/3,800–4,200		140/3,800–4,200	160/4,000–5,000	200/3,250–4,250
Max. torque in Nm at rpm	400/1,750–3,000		400/1,750–3,000	400/1,250–3,750	600/1,500–3,000
Power transmission					
Drive type	quattro permanent all-wheel drive		Permanently available quattro all-wheel drive	quattro permanent all-wheel drive	quattro permanent all-wheel drive
Transmission type	[7-speed S tronic]		6-speed manual transmission	[7-speed S tronic]	[8-speed S tronic]
Weights/capacities					
Unladen weight ³ in kg	[1,715]	[1,715]	1,690	[1,765]	[1,805]
Gross vehicle weight in kg	[2,245]	[2,245]	2,220	[2,280]	[2,320]
Permissible roof load limit/nose weight in kg	[90/80]	[90/80]	90/80	[90/80]	[90/80]
Trailer load limit ⁴ in kg unbraked	[750]	[750]	750	[750]	[750]
12 % gradient	[1,800]	[1,800]	1,800	[1,800]	[1,900]
8 % gradient	[2,000]	[2,000]	2,000	[2,000]	[2,100]
Fuel tank capacity, approx. in l	[58/AdBlue ¹ tank: 12]		58/AdBlue ¹ tank: 12	[58/AdBlue ¹ tank: 12]	[58/AdBlue ¹ tank: 12]
Performance/consumption⁶					
Top speed in km/h	[220]	[220]	222	[231]	[250] ⁷
Acceleration 0–100 km/h in s	[7.8]	[7.8]	7.6	[6.6]	[5.5]
Fuel grade	Sulphur-free diesel ⁹		Sulphur-free diesel ⁹	Sulphur-free diesel ⁹	Sulphur-free diesel ⁹
Fuel consumption ^{10, 11} in l/100 km urban	[5.7–5.5]	[5.7–5.5]	6.0–5.8	[5.6–5.4]	[5.8–5.7]
extra-urban	[4.8–4.6]	[4.8–4.6]	4.8–4.5	[5.2–5.0]	[5.3–5.0]
combined	[5.1–4.9]	[5.1–4.9]	5.2–5.0	[5.3–5.1]	[5.5–5.3]
CO ₂ emissions ^{10, 11} in g/km combined	[134–128]	[134–128]	136–130	[143–137]	[146–139]
Emission standard	[EU6]	[EU6]	EU6	[EU6]	[EU6]

Model	Audi S4 3.0 TFSI quattro (260 kW)	
Engine type	V6 petrol engine with direct fuel injection, turbocharging and Audi valvelift system	
Displacement in cc (valves per cylinder)	2,995 (4)	
Max. output ² in kW at rpm	260/5,400–6,400	
Max. torque in Nm at rpm	500/1,370–4,500	
Power transmission		
Drive type	quattro permanent all-wheel drive	
Transmission type	[8-speed tiptronic]	
Weights/capacities	Saloon	Avant
Unladen weight ³ in kg	[1,705]	[1,750]
Gross vehicle weight in kg	[2,200]	[2,265]
Permissible roof load limit/nose weight in kg	[90/80]	[90/80]
Trailer load limit ⁴ in kg unbraked	[750]	[750]
12 % gradient	[1,900]	[1,900]
8 % gradient	[2,100]	[2,100]
Fuel tank capacity, approx. in l	[58]	[58]
Performance/consumption⁶		
Top speed in km/h	[250] ⁷	[250] ⁷
Acceleration 0–100 km/h in s	[4.7]	[4.9]
Fuel grade	Sulphur-free super RON 95 ⁸	
Fuel consumption ^{10, 11} in l/100 km urban	[9.9–9.8]	[10.1–10.0]
extra-urban	[6.1–5.9]	[6.3–6.1]
combined	[7.5–7.3]	[7.6–7.5]
CO ₂ emissions ^{10, 11} in g/km combined	[170–166]	[175–171]
Emission standard	[EU6]	[EU6]

[] Figures in square brackets refer to the S tronic/tiptronic automatic transmissions. Explanation of ¹ to ¹⁶ on page 110.

Explanatory notes

¹ Refill the separate AdBlue tank as indicated by the information in the display of the instrument cluster. We recommend having the AdBlue tank refilled by your Audi partner. AdBlue is a registered trademark of the Verband der Automobilindustrie e.V. (VDA).

² The figure given was calculated using the specified measuring procedure (current version of UN-R 85).

³ Unladen vehicle weight includes driver (75 kg) and fuel tank 90 % full, calculated in accordance with the current version of Regulation (EU) 1230/2012. Optional equipment may increase the car’s unladen weight and drag coefficient, whereupon the possible payload limit and the top speed will be reduced accordingly.

⁴ The engine’s power output always decreases with increasing altitude. At 1,000 m above sea level, and for every additional 1,000 m, deduct 10 % from the weight of the outfit (trailer load limit + gross weight of the towing vehicle). Figure for trailer load limit applies to factory-fitted trailer towing hitch. If using the vehicle with a trailer towing hitch for commercial purposes, a digital tachograph may be required under certain conditions.

⁵ Optionally available.

⁶ Fuel consumption and CO₂ emission figures given in ranges depend on the tyre/wheel sets used.

⁷ Electronically regulated.

⁸ We recommend using sulphur-free super unleaded RON 95 fuel complying with DIN EN 228. If this is not available, use sulphur-free regular unleaded RON 91 fuel complying with DIN EN 228; power output will be slightly reduced. Unleaded RON 95 fuel with a maximum ethanol content of 10 % (E10) can generally be used. Fuel consumption details refer to operation with RON 95 fuel complying with 692/2008/EC.

⁹ We recommend using sulphur-free diesel complying with DIN EN 590. If this is not available, use diesel complying with DIN EN 590.

¹⁰ The figures given were calculated using the specified measuring procedures. The figures do not refer to one individual vehicle and do not form part of any offer, but rather should be used purely for purposes of comparison between the different vehicle models.

¹¹ A vehicle’s fuel consumption and CO₂ emissions do not just depend on how efficiently the vehicle uses the fuel, but are also influenced by driving behaviour and other non-technical factors. CO₂ is the greenhouse gas primarily responsible for global warming.

¹² In conjunction with low rolling-resistance tyres.

¹³ In conjunction with low rolling-resistance tyres, the maximum permissible speed is 210 km/h.

¹⁴ In conjunction with low rolling-resistance tyres and a maximum permissible speed of 210 km/h.

¹⁵ You will find specifications on the technical characteristics of tyres in the adjacent table.

¹⁶ Please note the special information relating to wheels on this page.

Classifications of tyre parameters

The table shows the range of fuel efficiency, wet grip and exterior noise emission classes for the different tyre sizes of the Audi A4 Saloon, the A4 Avant, the A4 allroad quattro, the Audi S4 Saloon and the S4 Avant.

	Tyre size	Fuel efficiency class	Wet grip class	Exterior noise emission class
Summer tyres	205/60 R 16	C–B	B–A	72–70
	225/50 R 17	C–B	B–A	72–69 –
	225/55 R 17	C	A	70
	245/40 R 18	E–C	B–A	72–70
	245/45 R 18	E–C	A	71
	245/35 R 19	E	B–A	72–67 –
All-season tyres	245/40 R 19	E	A	72
	205/60 R 16	E–C	C	72–68 –
	225/50 R 17	E–C	C–B	72–71
	225/55 R 17	E	B	68
	245/40 R 18	E	B	72
	225/45 R 18	E	B	70
Winter tyres	245/45 R 18	E	C	70
	225/50 R 17	B	C	69

It is not possible to order a specific tyre.

Ask your Audi partner about the range of tyres available in your country.

Important note

Special information about the wheels: Wheels with gloss turned or gloss milled finish as well as polished or partly polished aluminium wheels must not be used in wintry road conditions. For manufacturing reasons, the rim surface does not have sufficient corrosion protection for such use and can be permanently damaged by road salt or similar.

Legal notice about Audi connect Navigation & Infotainment with customer’s own SIM card

Use of the services supported by Audi connect is possible only with an optional navigation system and Audi connect (including car phone – depending on the vehicle model). Depending on the vehicle model, you will also require a SIM card with data option and with LTE option to use LTE¹ – with car phone, a SIM card with telephone and data option or a Bluetooth-capable smartphone with remote SIM Access Profile (rSAP)². The services are available only with an existing or separate mobile phone contract and only within the range of the respective mobile phone network. Additional costs may be incurred when receiving data packets from the internet, depending on the terms of your mobile phone contract, particularly when used abroad. Because of the high data volumes involved, a data flat rate is strongly recommended.

The availability of the services supported by Audi Navigation & Infotainment varies from country to country. Audi connect services are provided for at least 1 year from vehicle delivery. Following a period of 24 months after vehicle delivery, Audi connect services are extended once free of charge for 12 months. If you do not require this extension, please write to:

AUDI AG
Audi International Customer Care Services
85045 Ingolstadt, Germany
Email: kundenbetreuung@audi.de
Tel.: +49 (0) 800-2834 7378423

Ask your Audi partner about a subsequent extension of the Audi connect services. Depending on the vehicle model, Audi connect provides access to Google and Twitter services. Permanent availability cannot be guaranteed as this is the responsibility of Google and Twitter. Please visit www.audi.com/connect or contact your Audi partner for more detailed information about Audi connect; contact your mobile services provider for information about contract conditions.

Legal notice about Audi connect Navigation & Infotainment via a SIM card permanently installed in the vehicle

Use of the services supported by Audi connect is possible only with an optional navigation system. Audi connect services are provided through AUDI AG/importers. The data connection for Audi connect services is set up through a mobile services provider via a SIM card permanently installed in the vehicle. The costs for these data connections are included in the price of Audi connect services. The costs of the Wi-Fi hotspot are not included. The data connection for the Wi-Fi hotspot can be arranged with a selected mobile services provider as a payable data tariff. You will find information about tariffs and booking at www.audi.com/myaudi.

Alternatively, a customer’s own SIM card can be inserted into the card slot to establish a data connection. In conjunction with the optional Audi phone box, a Bluetooth-capable smartphone with remote SIM Access Profile (rSAP)² can be connected to use the integrated car phone function. If an external SIM card is inserted into the card slot or connected via rSAP, all data connections, for both the Audi connect services as well as for the Wi-Fi hotspot, will be established via this external SIM card. In such cases, the costs incurred are attached to those accrued via the external SIM card.

The availability of the services supported by Audi connect Navigation & Infotainment varies from country to country. Audi connect services are provided for at least 1 year from vehicle delivery.³ Following a period of 24 months after vehicle delivery, Audi connect services are extended once free of charge for 12 months. If you do not require this free extension, please write to:

AUDI AG
Audi International Customer Care Services
85045 Ingolstadt, Germany
Email: kundenbetreuung@audi.de
Tel.: +49 (0) 800-2834 7378423

Ask your Audi partner about a subsequent extension of the Audi connect services. Depending on the vehicle model, Audi connect provides access to Google and Twitter services. Permanent availability cannot be guaranteed as this is the responsibility of Google and Twitter. Please visit www.audi.com/connect or contact your Audi partner for more detailed information about Audi connect; contact your mobile services provider for information about contract conditions.

Legal notice about Audi connect emergency call & service including security & convenience

The services are provided via a SIM card installed in the vehicle. The costs for calls and data connections are included in the price of the services. The services provided by Audi are available only within the coverage of the mobile phone network of the mobile phone provider chosen by Audi. The Audi connect services emergency call, online roadside assistance, Audi incident assistance and Audi service request are provided for 10 years from vehicle delivery in the following countries:

Austria, Belgium, Bulgaria, Finland, France, Germany, Gibraltar, Greece, Hungary, Ireland, Italy, Liechtenstein, Lithuania, Luxembourg, Malta, Monaco, the Netherlands, Norway, Poland, Portugal, Romania, Spain, Sweden, Switzerland, the UK.

Ask your Audi partner about when the services will become available in additional European countries and about the availability of the optional equipment.

The Audi connect security & convenience services can be used free of charge for 3 years from vehicle delivery and can then be extended at an extra charge.

Further information: Disruption to the services may occur due to force majeure and official orders as well as technical or other measures carried out on the systems of AUDI AG, suppliers or network operators to ensure their proper function (e. g. maintenance, repairs, system-related software updates, extensions). AUDI AG will make every reasonable effort to end such disruption as quickly as possible or to work towards a resolution.

Legal notice about the Audi smartphone interface

Please contact your Audi partner for information on compatible mobile phones. For information on availability in different countries, please contact your Audi partner. Audi has no influence over which applications are displayed via the Audi smartphone interface. The respective service providers are responsible for the content and functions displayed within the applications.

Legal notice about Audi e-gas

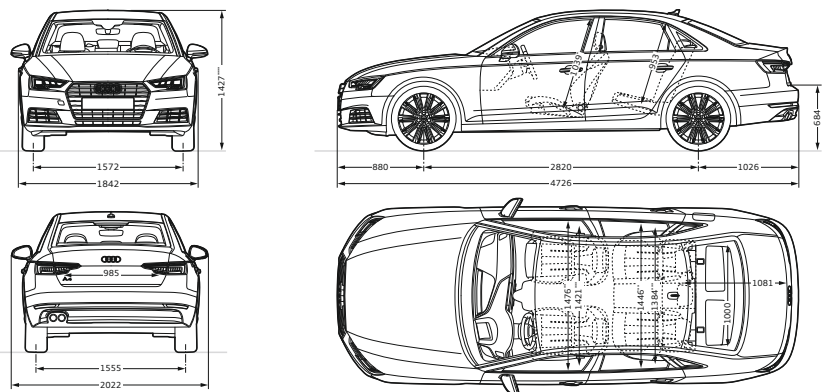
As a g-tron customer you can fill up as usual at any CNG filling station. AUDI AG undertakes to supply the European natural gas grid with a volume of Audi e-gas equivalent to the volume of gas consumed by all Audi g-tron vehicles registered between 7 March 2017 and 31 May 2018 – for 3 years from initial registration as a new vehicle. These volumes will be calculated on the basis of the legal standards for consumption and emission measurement according to NEDC/WLTC and regular statistical data related to annual mileage collected by Audi. This reduces dependence on fossil-based natural gas. The amount of CO₂ saved, which is calculated using the same procedure, can be lower in actual vehicle operation. Find out more at audi.com/g-tron.

¹ Requires LTE card contract for full use. For information about the availability and use of LTE support, please contact your Audi partner. ² Please contact your Audi partner or visit www.audi.com/bluetooth for information on compatible mobile phones. ³ The teaser phase offered by AUDI AG with the equipment “Audi connect Navigation & Infotainment with integrated SIM card (3 months)” is available for 3 months from the initial registration and ends automatically once the 3 months have expired. When purchasing the licence for Audi connect Navigation & Infotainment these 3 months are not deducted from the total period of the Audi connect services.

Audi A4 Saloon Dimensions in mm

Dimensions are for unladen vehicle weight. Luggage capacity¹ 480/965 l (second value with rear seat backrest folded down and vehicle loaded up to the parcel shelf). Turning circle approx. 11.6 m.

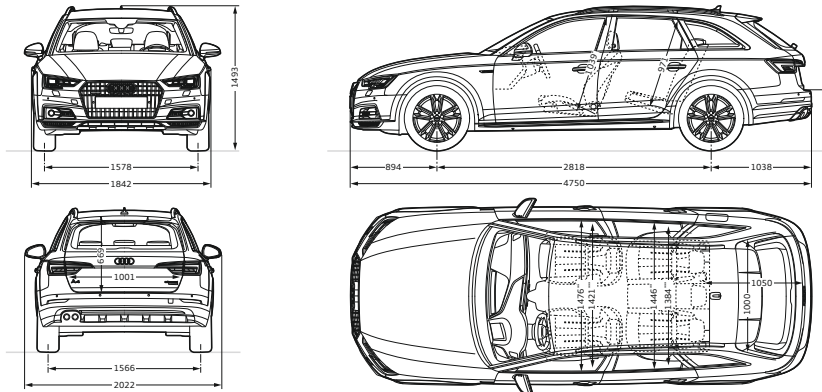
*Maximum headroom. **Elbow room width.
Shoulder room width. *With roof aerial the height of the vehicle is 1,430 mm.



Audi A4 allroad quattro Dimensions in mm

Dimensions are for unladen vehicle weight. Luggage capacity¹ 505/1,510 l (second value is with the rear seat backrest folded down and the vehicle loaded up to roof height). Turning circle approx. 11.6 m.

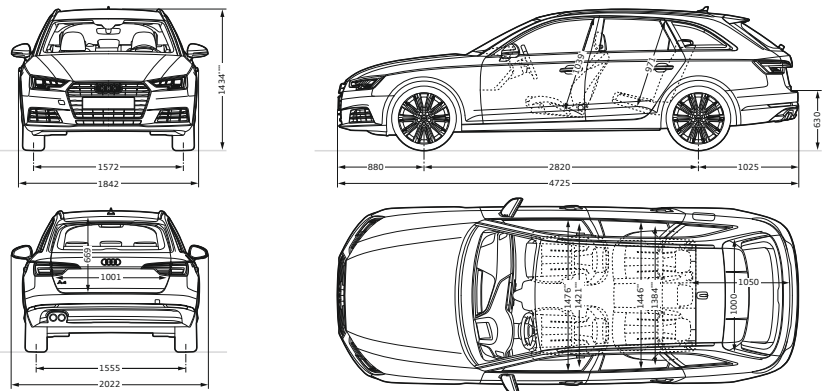
*Maximum headroom. **Elbow room width.
***Shoulder room width.



Audi A4 Avant Dimensions in mm

Dimensions are for unladen vehicle weight. Luggage capacity¹ 505/1,510 l (second value with rear set backrest folded down and vehicle loaded up to roof height). Turning circle approx. 11.6 m.

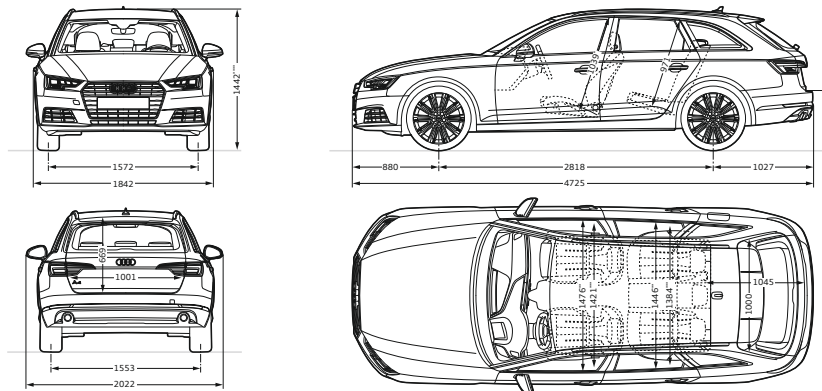
*Maximum headroom. **Elbow room width.
Shoulder room width. *With roof aerial the height of the vehicle is 1,459 mm.



Audi A4 Avant g-tron Dimensions in mm

Dimensions are for unladen vehicle weight. Luggage capacity¹ 415/1,415 l (second value is with the rear seat backrest folded down and the vehicle loaded up to roof height). Turning circle approx. 11.6 m.

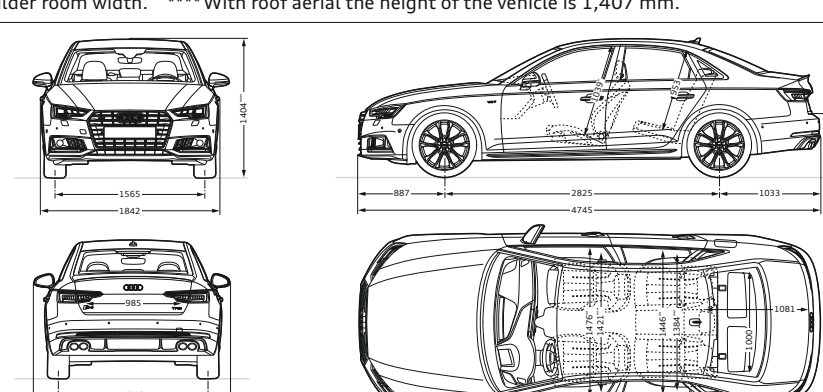
*Maximum headroom. **Elbow room width.
Shoulder room width. *With roof aerial the height of the vehicle is 1,471 mm.



Audi S4 Saloon Dimensions in mm

Dimensions are for unladen vehicle weight. Luggage capacity¹ 480/965 l (second value with rear seat backrest folded down and vehicle loaded up to the parcel shelf). Turning circle approx. 11.6 m.

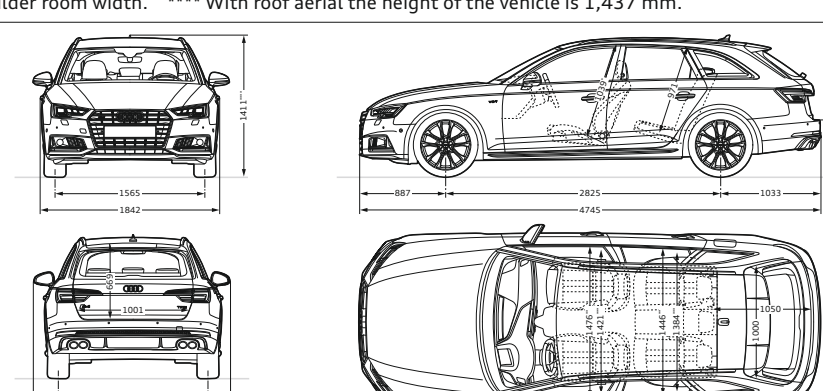
*Maximum headroom. **Elbow room width.
Shoulder room width. *With roof aerial the height of the vehicle is 1,407 mm.



Audi S4 Avant Dimensions in mm

Dimensions are for unladen vehicle weight. Luggage capacity¹ 505/1,510 l (second value with the rear seat backrest folded down and vehicle loaded up to roof height). Turning circle approx. 11.6 m.

*Maximum headroom. **Elbow room width.
Shoulder room width. *With roof aerial the height of the vehicle is 1,437 mm.



Equipment for the Audi A4 Saloon illustrated (p. 2-43):
Paint finish: Argus brown, metallic
Wheels: cast aluminium wheels in 10-spoke dynamic design, partly polished²
Seats/seat upholstery: sport seats, front in fine Nappa leather, cedar brown with contrasting stitching and piping in granite grey
Inlays: oak, natural grey
Other equipment: Audi design selection, S line exterior package

Equipment for the Audi A4 Avant illustrated (p. 2-43):
Paint finish: Daytona grey, pearl effect
Wheels: cast aluminium wheels in 5-twin-spoke star design (S design)
Seats/seat upholstery: sport seats, front in fine Nappa leather, rotor grey with contrasting stitching in rock grey
Inlays: matt brushed aluminium
Other equipment: S line sport package, S line exterior package

Equipment for the Audi A4 allroad quattro illustrated (p. 44-57):
Paint finish: Gotland green, metallic
Wheels: cast aluminium wheels in 5-twin-spoke dynamic design
Seats/seat upholstery: sport seats, front in fine Nappa leather, Atlas beige with contrasting stitching and piping in granite grey
Inlays: aluminium trimaran

Equipment for the Audi S4 Saloon illustrated (p. 58-71):
Paint finish: Navarra blue, metallic
Wheels: cast aluminium wheels in 5-spoke V design (S design), contrasting grey, partly polished²
Seats/seat upholstery: S sport seats, front in fine Nappa leather, rotor grey with contrasting stitching in anthracite
Inlays: Audi exclusive piano finish, black³
Other equipment: Brake callipers, painted red

Equipment for the Audi S4 Avant illustrated (p. 58-71):
Paint finish: Misano red, pearl effect
Wheels: cast aluminium wheels in 5-twin-spoke star design (S design)
Seats/seat upholstery: sport seats, front in Frequency Alcantara/leather, black with contrasting stitching in rock grey
Inlays: Carbon Atlas
Other equipment: brake callipers, painted black

The fuel consumption and CO₂ emission figures can be found from page 100 onwards.

¹ Technical specifications refer to a basic vehicle without country-specific features and the selected optional equipment.
² Please note the special information relating to wheels on page 110. ³ From Audi Sport GmbH.

AUDI AG

Auto-Union-Strasse 1

85045 Ingolstadt

www.audi.com

Date published: April 2017

Printed in Germany

733/1150.42.18

The vehicles and equipment versions illustrated and described in this catalogue and some of the services listed are not available in all countries. Some of the cars illustrated are equipped with optional features for which an extra charge is made. Details concerning the delivery specifications, appearance, performance, dimensions and weights, fuel consumption and running costs of the vehicle were correct to the best of our knowledge at the time of going to press. Deviations from the colours and shapes shown in the illustrations may occur. No liability is accepted for errors and printing errors. The right to introduce modifications is reserved. Not to be reproduced, including in part, without the written approval of AUDI AG.

This catalogue is printed on paper made from pulp bleached without the use of chlorine.

