



A6 | S6



# Elegant and progressive. The Audi A6.

**04** Fascination has many facets.  
The Audi A6

**18** Target new destinations.  
The Audi A6 allroad quattro

**28** Aim high.  
The Audi S6

**40** Indulge yourself in something special.  
Highlights

**54** Be inspired by versatility.  
Packages, lines and more

**72** Powerful look.  
Further equipment and accessories

**84** Technical data

The figures for fuel consumption and CO<sub>2</sub> emissions can be found from page 84 onwards.

## Fascination has many facets.

\_\_\_\_ Innovative technologies. Progressive design. And an impressively varied range of equipment. The Audi A6 Saloon and the Audi A6 Avant combine these values to form an extraordinarily sporty, elegant symbiosis.



The figures for fuel consumption and CO<sub>2</sub> emissions can be found from page 84 onwards.



## Dynamic design reflected in every line.

— A saloon that fascinates at first sight. Stirs emotions. Makes forward thrust visible. A design that radiates progressiveness and sportiness all along the line. Thanks to the horizontal alignment of all lines, the vehicle appears even wider and more sporty both front and rear.

# A6

Audi A6 Saloon | Audi A6 Avant

\_\_\_\_\_ Sportiness meets elegance. Functionality meets comfort. The A6 Avant demonstrates an ideal balance of versatility. Light, elegantly flowing proportions and a precisely defined body line. An original silhouette.



The figures for fuel consumption and CO<sub>2</sub> emissions can be found from page 84 onwards.

# A6

Audi A6 Saloon | Audi A6 Avant



Progressive design and innovative brilliance. The optionally available LED headlights turn night into day.

The optional 20-inch forged aluminium wheels in 5-arm star design, contrasting grey, partly polished<sup>1</sup>. A powerful expression – even when stationary.

Impressive in every light: the Audi Singleframe in three-dimensional design. Flat and wide. Exuding excellence. With horizontal chrome struts that impressively emphasise the dynamism of the A6.




The figures for fuel consumption and CO<sub>2</sub> emissions can be found from page 84 onwards.

<sup>1</sup>Please note the special information relating to wheels on page 89.



# A6

Audi A6 Saloon | Audi A6 Avant



Excellence shines through,  
strictly geared towards the driver.

Extraordinary details for the highest level of exclusivity. On request with MMI navigation plus with MMI touch and a large, 8-inch colour display. A variety of functions and Audi connect services integrated in a user-friendly way. And Bose Surround Sound as an option. With 14 loudspeakers and a total output of 472 watts. Brilliant sound. Distributed evenly in the interior.

The figures for fuel consumption and CO<sub>2</sub> emissions can be found from page 84 onwards.

Generous design of space and comfort. With numerous storage spaces and practical stowage options. The rear seat backrest<sup>1</sup> can be split-folded 40:60. Conveniently from the luggage compartment thanks to the remote backrest release. A luggage compartment volume<sup>2</sup> of 565 litres. Or 1,680 litres with the bench seat fully collapsed.

<sup>1</sup> Available as standard for the A6 Avant and optionally for the A6 Saloon.

<sup>2</sup> Technical specifications refer to a basic vehicle without country-specific settings and the selected optional equipment.

## Generous comfort that you can feel.

As an option, the luggage compartment lid opens and closes electrically. Or even with a foot gesture with the optional convenience key with sensor-controlled release of luggage compartment lid. When you open the tailgate, the luggage compartment cover automatically moves forward allowing easy access to the luggage compartment. When the tailgate is closed, the cover automatically moves back.



The figures for fuel consumption and CO<sub>2</sub> emissions can be found from page 84 onwards.






## Convincing performance is revealed in an efficient drive.

\_\_\_\_\_ Excellent dynamism, outstanding efficiency. Generated by high-performance TFSI and TDI engines. Fuel consumption and emissions reduced by innovative efficiency technology, such as the further refined start-stop system. And Audi drive select. With five modes for individual vehicle adjustment. From sporty to particularly energy efficient with the efficiency mode. Available on request: the quattro permanent all-wheel drive. For even more traction and superb handling in bends. In conjunction with the improved optional sport differential, quattro takes dynamism, agility and directional stability to a new level.

The figures for fuel consumption and CO<sub>2</sub> emissions can be found from page 84 onwards.

An aerial photograph showing a wide expanse of blue water in the foreground. In the middle ground, a dense forest of green trees borders a curved coastline. In the background, a city skyline with various skyscrapers is visible under a clear sky.

Target new destinations.  
The Audi A6 allroad quattro.

The most attractive way of  
going your own way.



\_\_\_\_\_ With the Audi A6 allroad quattro, a challenge is simply another way you can go. Helped along by features such as adaptive air suspension. The electronically controlled air suspension system with infinitely adjustable damping automatically adjusts the suspension to the driving situation. Confidently and dynamically. With high-performance and efficient TFSI and TDI engines.

The figures for fuel consumption and CO<sub>2</sub> emissions can be found from page 87 onwards.

# The most individual way of going your own way.

Unmistakeably an Audi A6 allroad quattro. Firm body line, extended wheel arches. Striking Audi Singleframe in aluminium look: characterised by vertical chrome struts. In addition, underbody protection that extends over the entire width of the bumper, the roof edge spoiler and the roof rails with raised webs.



The figures for fuel consumption and CO<sub>2</sub> emissions can be found from page 87 onwards.

# A6

Audi A6 allroad quattro



Generosity and exclusivity. Combined with fascinating details. For example the optionally available sport seats in Valcona leather, Atlas beige, with contrasting stitching. Excellent support as standard. Or the inlays in aluminium Ellipse, bronze and the interior colour Santos brown that are optionally available exclusively for the A6 allroad quattro. Included as a standard: Sierra cloth/mono.pur 350 combination, black/brown, tilt angle display, hill descent control and adaptive air suspension.

The figures for fuel consumption and CO<sub>2</sub> emissions can be found from page 87 onwards.



## The most powerful way of going your own way.

The powerful high-torque TFSI or TDI engines will win you over with compelling acceleration and astonishing efficiency. For example thanks to recuperation and aluminium hybrid construction. Decide for the sporty driving sensation: the quattro permanent all-wheel drive. Optionally with improved sport differential that variably distributes the power between the rear wheels.



To see the Audi A6 allroad quattro in action, just scan this QR code using your smartphone. Or follow this link in your browser: [www.audi.com/a6allroadfilm](http://www.audi.com/a6allroadfilm)

An aerial, high-angle photograph of a cityscape. The scene is dominated by several tall buildings. On the left, a massive skyscraper with a grid-like window pattern rises vertically. In the center, a prominent white building with a large, ornate dome sits atop a complex of lower-rise structures. To the right, another tall building with a vertical slat facade is visible. The streets below are filled with cars and some greenery. The lighting is bright, creating a high-contrast, slightly hazy atmosphere. The text 'Aim high. The Audi S6.' is overlaid on the right side of the image.

Aim high.  
The Audi S6.

# Sophisticated sportiness.

The Audi S6 is so many things: a prestigious business car. An elite family car. An elegant, athletic vehicle for every day. No matter whether Saloon or Avant – in every form it conveys intelligent power. And brings it to the road. Thanks to the powerful V8 TFSI engine with Audi cylinder on demand.



## A clear line requires one thing above all: lightness.

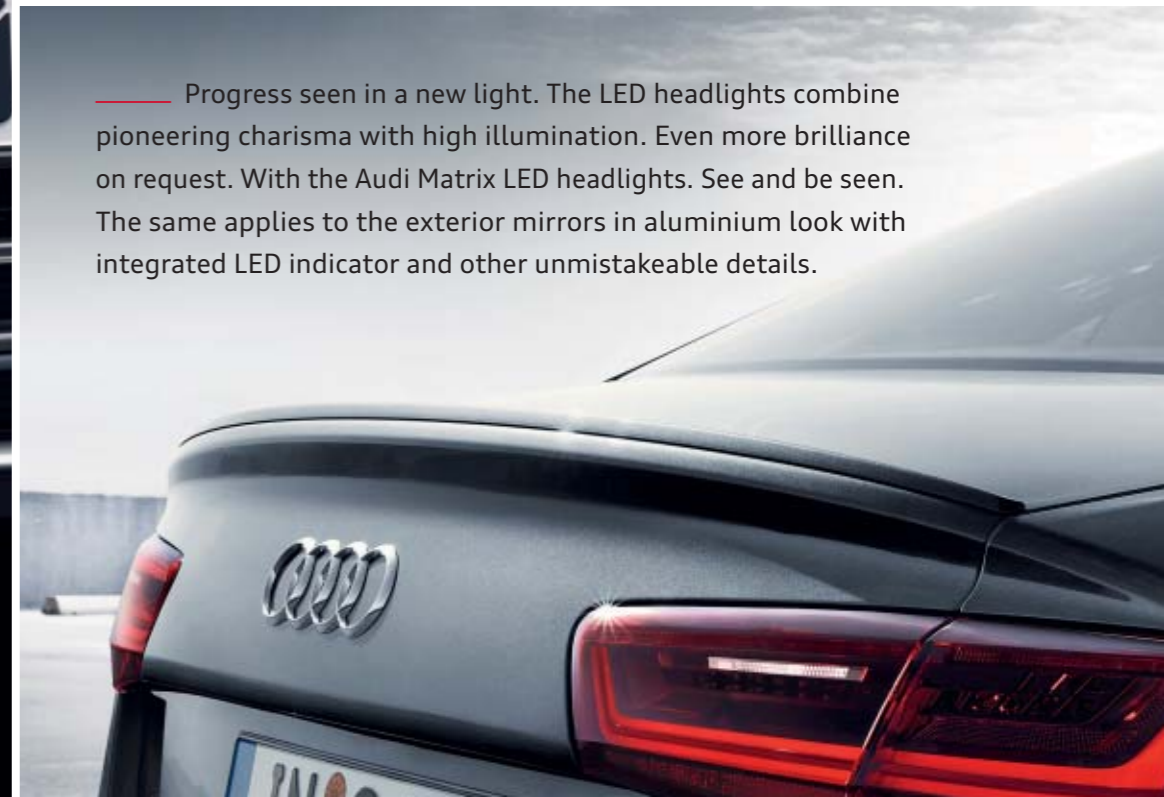
— Elegant lightness. With a sporty interpretation for the road. Signalled by flat rear lights. And dynamic indicators with sequentially illuminating LED lights. Sporty striking bumper design and chrome-look inserts on the tailgate. Typical S character: rear or roof edge spoiler and two chrome-plated twin tailpipe trims.



To see the Audi S6 in action, just scan this QR code using your smartphone. Or follow this link in your browser: [www.audi.com/s6film](http://www.audi.com/s6film)



Progress seen in a new light. The LED headlights combine pioneering charisma with high illumination. Even more brilliance on request. With the Audi Matrix LED headlights. See and be seen. The same applies to the exterior mirrors in aluminium look with integrated LED indicator and other unmistakable details.



Powerful performance requires control. And inner calm.

It's all at your command. Radio and driver information system, telephone or navigation. Easily controlled via the multifunction sport leather steering wheel. With shift paddles in aluminium look. And optionally: MMI navigation plus with MMI touch. Featuring a touchpad for quick and intuitive operation. To be enjoyed in high-quality sport seats in Alcantara/leather. On request also in exclusive S sport seats additionally in Valcona leather.

The figures for fuel consumption and CO<sub>2</sub> emissions can be found on page 88.

## Efficiency: the art of reducing without losing out.

Fascinating facts: V8 4.0 litre TFSI engine with 331 kW. From 0 to 100 km/h in 4.4 seconds. Dynamic power delivery due to high torque. 550 Nm. More power, less fuel consumption. Thanks to efficiency technologies such as Audi cylinder on demand, an optimised start-stop system and recuperation. Experience it yourself – with an extraordinary vehicle: the Audi S6.

The figures for fuel consumption and CO<sub>2</sub> emissions can be found on page 88.



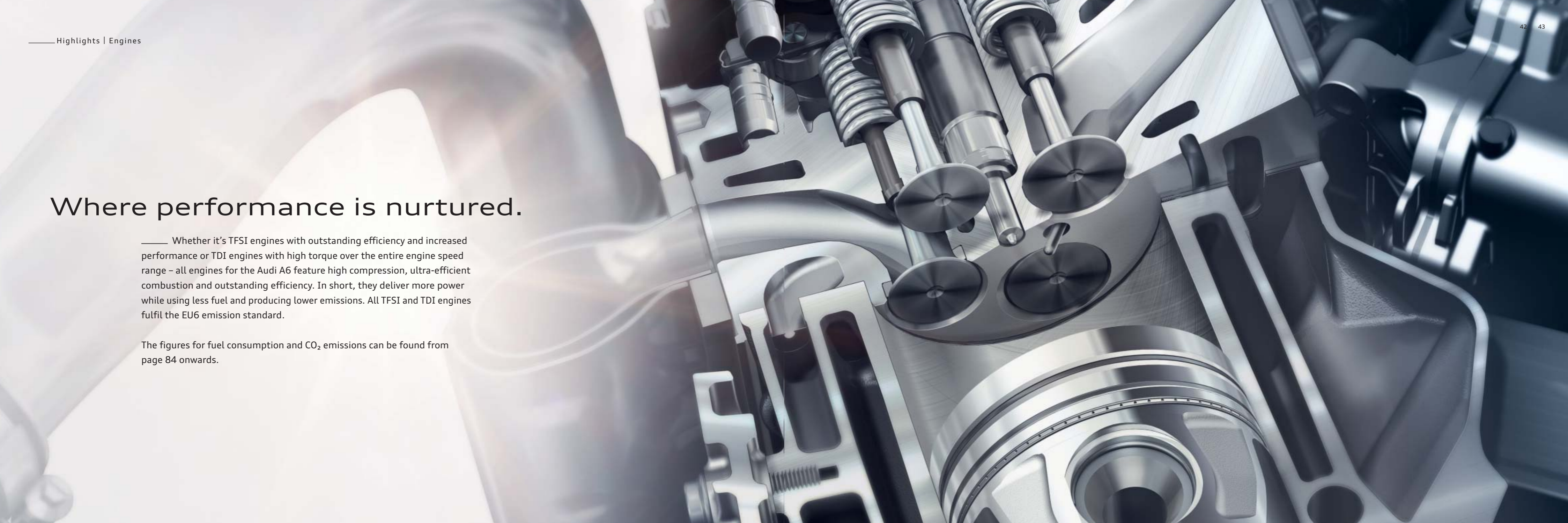
Indulge yourself in something special.  
The highlights of the Audi A6.



## Where performance is nurtured.

Whether it's TFSI engines with outstanding efficiency and increased performance or TDI engines with high torque over the entire engine speed range – all engines for the Audi A6 feature high compression, ultra-efficient combustion and outstanding efficiency. In short, they deliver more power while using less fuel and producing lower emissions. All TFSI and TDI engines fulfil the EU6 emission standard.

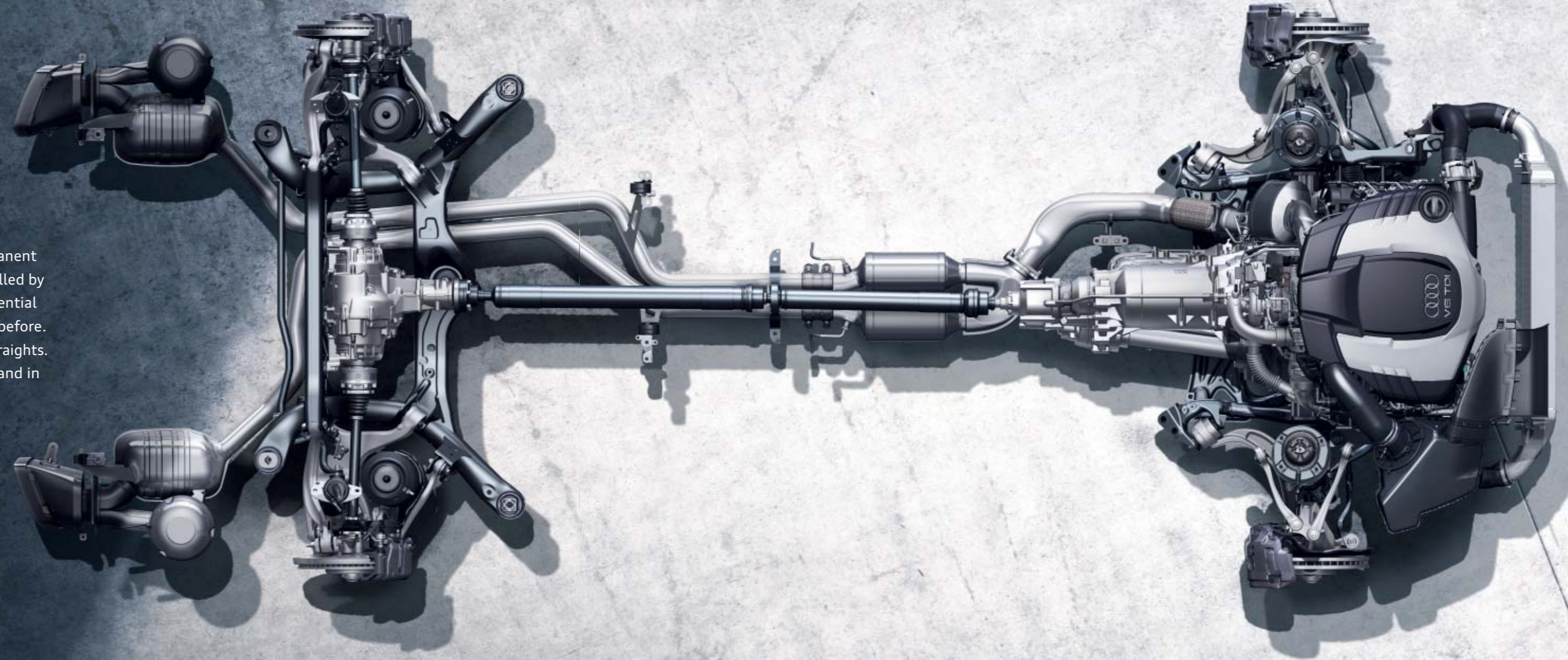
The figures for fuel consumption and CO<sub>2</sub> emissions can be found from page 84 onwards.



# Stick to the road.

Have the road completely under control, thanks to permanent distribution of the drive force to all four wheels. Variably controlled by the centre differential. On request with quattro and sport differential to experience handling stability, dynamism and agility as never before. Increased traction and superior propulsive power. In bends. On straights. Over almost any surface. Fascination that sticks. To the road – and in your mind.

The figures for fuel consumption and CO<sub>2</sub> emissions can be found from page 84 onwards.



## Bright lights.

The optional Audi Matrix LED headlights produce a light colour similar to that of daylight. Vehicles are detected and the light distribution of your Audi A6 adapts according to the situation by means of individually controllable diodes. This innovative lighting technology is quite a spectacle during the day, too. Sometimes appearing as light points, sometimes as a dynamic light strip. Exactly as required by the current conditions.

Some of the equipment illustrated or described is optional equipment for which an extra charge is made. Please visit [www.audi.com](http://www.audi.com) or contact your Audi partner for more detailed information about standard and optional equipment.



# Welcome home.

Feel at home when you are on the road. With the optional ambient lighting in LED technology. Creates a harmonious and comfortable atmosphere with glare-free light display and impressively sets the scene in the interior. Can be custom-configured via the MMI.

Some of the equipment illustrated or described is optional equipment for which an extra charge is made. Please visit [www.audi.com](http://www.audi.com) or contact your Audi partner for more detailed information about standard and optional equipment.



01



02



03

## At its finest. The equipment highlights.

- 01 **Bang & Olufsen Advanced Sound System** – captivating surround sound reproduction with 15 loudspeakers including centre speaker and subwoofer, each with its own amplifier channel.
- 02 **Audi connect<sup>1</sup>** – digital networking – keep in touch with the world while on the road
- 03 **Audi smartphone interface<sup>2, 3, 4</sup>** – transfers your smartphone content to the MMI display directly and seamlessly via USB. Navigation, telephony and selected third-party apps can be controlled conveniently via the MMI controller or by means of your smartphone's voice control
- 04 **Audi phone box<sup>5</sup>** – allows phone calls with improved reception quality by placing mobile phone in the universal phone holder near the centre armrest, front
- 05 **Massage function, front<sup>6</sup>** – massages using 10 pneumatic cushions; use the multifunction switches on the seat or the optional MMI to choose from 5 different programs in 5 levels of intensity



04



05

<sup>1</sup>Legal information and notes on use can be found on page 92. <sup>2</sup>Please contact your Audi partner for information on compatible mobile phones. <sup>3</sup>For information on availability in different countries, please contact your Audi partner. <sup>4</sup>Audi cannot influence which applications are displayed via the Audi smartphone interface. The respective provider is responsible for the content and functions displayed within the applications. <sup>5</sup>Please contact your Audi partner or visit [www.audi.com/bluetooth](http://www.audi.com/bluetooth) for information on compatible mobile phones. <sup>6</sup>Only available in conjunction with customised contour seats, front. Some of the equipment illustrated or described is optional equipment for which an extra charge is made. Please visit [www.audi.com](http://www.audi.com) or contact your Audi partner for more detailed information about standard and optional equipment.



01

- 01 **Head-up display<sup>1</sup>** – displays on request information relevant to the driver in the driver's direct field of vision
- 02 **MMI navigation plus with MMI touch** – multimedia functions and intuitive operation; with high-resolution 8-inch colour display for 3D map representation
- 03 **Ceramic brake** – formidable braking power thanks to 19-inch high-performance brake system featuring ventilated and perforated carbon-fibre-reinforced ceramic brake discs with special cooling channels
- 04 **Convenience key with sensor-controlled luggage compartment lid release** – doors and luggage compartment lid can be locked and unlocked without actuating the vehicle key you are carrying with you. Moving your foot (in a kicking motion) below the rear bumper causes the luggage compartment lid to swing open automatically



02




03



04

Some of the equipment illustrated or described is optional equipment for which an extra charge is made. Please visit [www.audi.com](http://www.audi.com) or contact your Audi partner for more detailed information about standard and optional equipment.  
<sup>1</sup> Polarising sunglasses will restrict the use of the head-up display.



Be inspired by versatility.  
Packages, lines and more.



01

## More powerful. The Audi A6 3.0 TDI competition special model

Exclusive combination of pure power and sharpened looks – the Audi A6 3.0 TDI competition. The special model features an uprated power output of 240 kW, including an overboost function that can briefly increase the power by another 15 kW. With its imposing torque of 650 Nm, the 3.0 TDI bi-turbo accelerates the vehicle from 0 to 100 km/h in 4.9 seconds. The uncompromising sportiness is also reflected in the equipment.

The figures for fuel consumption and CO<sub>2</sub> emissions can be found on page 87.

- 01 S line exterior package – Audi exclusive black styling package<sup>1</sup> – exterior mirror housings in gloss black, optionally painted in body colour – V6 T logo on the front wings – exclusive paint finish in Nardo grey or Sepang blue, pearl effect – 20-inch forged aluminium wheels in 5-arm star design in gloss black, partly polished<sup>2</sup> – brake callipers in gloss red
- 02 S line sport package – optional S sport seats, front, in Valcona leather, black, with contrasting stitching in red and S line embossing on the front-seat backrests – Audi exclusive inlays in aluminium/Beaufort wood, black<sup>1</sup>
- 03 Tailpipe trims in gloss black



02



03

<sup>1</sup>From Audi Sport GmbH. <sup>2</sup>Please note the special information relating to wheels on page 89.

Some of the equipment illustrated or described is optional equipment for which an extra charge is made. Please visit [www.audi.com](http://www.audi.com) or contact your Audi partner for more detailed information about standard and optional equipment.



## More expressive. The Audi A6 allroad quattro advanced package.

01 | 02

Give your vehicle a unique touch – with the optional Audi A6 allroad quattro advanced package. Including attractive paint finish in Soho brown and impressive 20-inch wheels. Additionally, sport seats, front, in Valcona leather and quattro with sport differential for even more comfort and dynamism.

The figures for fuel consumption and CO<sub>2</sub> emissions can be found from page 87 onwards.



03

- 01 Paint finish exclusively for the A6 allroad quattro advanced package in Soho brown, metallic, contrasting paint finish in structured grey, matt
- 02 20-inch forged aluminium wheels in 10-spoke V design
- 03 Sport seats, front, including electric 4-way lumbar support – seat upholstery in Valcona leather, Santos brown with contrasting stitching in silver – leather-covered armrests in the door trims in Santos brown with contrasting stitching – lower part of centre console in leather, black – optional inlays in aluminium Ellipse, silver

Some of the equipment illustrated or described is optional equipment for which an extra charge is made. Please visit [www.audi.com](http://www.audi.com) or contact your Audi partner for more detailed information about standard and optional equipment.



# More striking. With the S line exterior package.

— Don't just emphasise the sporty character of your A6 - enhance it. With the optional S line exterior package, you can accentuate the dynamic body line of your car even further and create special accents with exceptional design details.

— 01 **S line exterior package**— radiator grille, side radiator grilles and diffuser insert in sporty, striking design - diffuser insert painted in platinum grey - S line roof edge spoiler (only for A6 Avant) - door sill trims with aluminium inlays with S line logo - S line emblem on the front wings - exclusive paint finishes in Daytona grey, pearl effect and Misano red, pearl effect

The figures for fuel consumption and CO<sub>2</sub> emissions can be found from page 84 onwards.

Some of the equipment illustrated or described is optional equipment for which an extra charge is made. Please visit [www.audi.com](http://www.audi.com) or contact your Audi partner for more detailed information about standard and optional equipment.

## More sporty. With the S line sport package.

— 01

— The S line sport package lets you show your dynamic side – all along the line. With details that further enhance the sporty character of the Audi A6. Lend the interior even more expression or give the suspension even sportier definition for enhanced driving dynamics. And make a true athlete of your Audi.

- 01 Sport seats, front, including electric 4-way lumbar support – S line seat upholstery in sequence cloth/leather, black with contrasting stitching and S line embossing on the front-seat backrests – interior, dashboard and headlining in black; with contrasting stitching on leather-covered armrests in the door trims and on the centre armrest, front; lower part of centre console in leather – selector lever knob in perforated leather, black, with contrasting stitching on the selector lever gaiter – inlays in matt brushed aluminium – floor mats, front, in black with edging in contrasting colour
- 02 S line multifunction sport leather steering wheel in 3-spoke design in black leather with contrasting stitching (steering wheel grips in perforated leather) and S line emblem
- 03 18-inch Audi Sport cast aluminium wheels in 5-twin-spoke design<sup>1</sup> or 19-inch Audi Sport cast aluminium wheels in 5-twin-spoke design<sup>1</sup> (illustrated on page 60/61)

<sup>1</sup>From Audi Sport GmbH.  
Some of the equipment illustrated or described is optional equipment for which an extra charge is made. Please visit [www.audi.com](http://www.audi.com) or contact your Audi partner for more detailed information about standard and optional equipment.





01



02

#### Audi design selection flint grey

- 01 customised contour seats, front, optionally with seat ventilation, front – seat centre panel of front seats and the two outer rear seats in perforated Valcona leather, flint grey with contrasting stitching in brass – seat side bolsters, centre rear seat, head restraints and centre armrest, front (if ordered) in Valcona leather, flint grey with contrasting stitching in brass – door trim inserts in Alcantara, flint grey – armrests in the door trims and lower part of centre console in leather, flint grey, with contrasting stitching in brass – upper part of dashboard in granite grey, lower part in flint grey – steering wheel in granite grey – floor mats in velour, flint grey, with contrasting stitching in brass
- 02 Inlays in fine grain ash, natural grey

More exceptional.  
With the Audi design selection.

Make an exceptional vehicle even more exceptional. The Audi design selection offers you an aesthetic pre-selection of special materials and colours for the interior. High-quality inlays in conjunction with fine leather upholstery and trim and attractive contrasting stitching lend the interior an exclusive ambience.



01

**Audi design selection Arras red**

- \_ 01 S sport seats, front, with S6 embossing on the backrests – seat centre panels with rhombus pattern, seat side bolsters, head restraints, armrests in the door trims and centre armrest, front in Valcona leather, Arras red with contrasting stitching in granite grey – door trim inserts and lower part of centre console in Alcantara, black – optional headlining in cloth, black, dashboard in black, floor mats in velour, black
- \_ 02 Steering wheel in black with contrasting stitching in dark silver
- \_ 03 Inlays in carbon twill, red



Some of the equipment illustrated or described is optional equipment for which an extra charge is made. Please visit [www.audi.com](http://www.audi.com) or contact your Audi partner for more detailed information about standard and optional equipment.



02



03



01

## More personal. The Audi exclusive line.

Wanted: your style. With the Audi exclusive line we are offering you the chance to tailor your car. Selected décors and materials are combined into a harmonious whole in the interior. So you can emphasise your own particular style with elegance.

### Audi exclusive line

- 01 Customised contour seats, front, optionally with seat ventilation, front – seat side bolsters and head restraints in Valcona leather, alabaster white with contrasting stitching in powder beige; seat centre panels in perforated leather (with Audi exclusive line-specific perforation) in alabaster white with accordion pleat in powder beige; backrest covers and seat attachments to match in alabaster white – headlining in cloth, black – centre armrest, front in leather, alabaster white, with contrasting stitching in powder beige – door trim inserts in Alcantara, alabaster white; leather-covered arm rests in the door trims in alabaster white with contrasting stitching in powder beige
- 02 Audi exclusive inlays in eucalyptus, natural
- 03 Door sill trims with aluminium inlays with Audi exclusive line logo – floor mats in black with leather edging and seam in alabaster white

02

03



The Audi exclusive line is an option from Audi Sport GmbH. Please visit [www.audi.com](http://www.audi.com) or contact your Audi partner for more detailed information about standard and optional equipment.



01



02



03



Lines and packages | Audi exclusive



If you want to find out more about the Audi exclusive equipment versions and quality standards, just scan this QR code using your smartphone. Or follow this link in your browser: [www.audi.com/exclusivefilm](http://www.audi.com/exclusivefilm)

# More unmistakable. With Audi exclusive.

Make your Audi A6 unique – as unmistakable as you are – with Audi exclusive. With selected décors, coloured leather and customised paint finishes from a large range of colours. Whatever your heart desires.

- 01 Audi exclusive leather upholstery and trim (package 1) in Valcona leather in black with accents and contrasting stitching in crimson red – extended Audi exclusive leather package and Audi exclusive leather package including airbag cover in black with contrasting stitching in crimson red – seat belts in crimson red
- 02 Audi exclusive controls in leather in black with contrasting stitching in crimson red – Audi exclusive inlays in aluminium/Beaufort wood, black
- 03 Audi exclusive customised paint finish in Suzuka grey, metallic – Audi exclusive black styling package – Audi Sport cast aluminium wheels in 5-twin-spoke design in matt titanium look, gloss turned finish<sup>1</sup>

<sup>1</sup>Please note the special information relating to wheels on page 89. Audi exclusive is an option from Audi Sport GmbH. Please visit [www.audi.com](http://www.audi.com) or contact your Audi partner for more detailed information about standard and optional equipment.

# Powerful look.

Select the paint colour that best suits your personality. Secure in the knowledge that the quality will be superb, because your vehicle is painted not just once, but four times. So not only do you look radiant in your Audi, the car is also protected from environmental influences and wear. Ensuring that the car maintains its powerful look throughout its entire lifetime.



— Matador red, metallic

— Gotland green, metallic

— Java brown, metallic

— Daytona grey, pearl effect

— Mythos black, metallic

— Audi exclusive customised paint finish in sprint blue, pearl effect  
Many additional colours are available on request.  
From Audi Sport GmbH



## Powerful presence.

With Audi wheels, you can emphasise your own individual style and the character of your Audi A6. Why not indulge yourself and create a powerful presence with your favourite design. And for peace of mind when out on the road: Audi wheels are subjected to special test procedures, undergo rigorous testing and are of superb quality.

— **01** 19-inch Audi Sport cast aluminium wheels in 5-arm turbine design in magnesium look, gloss turned finish<sup>1,2,3</sup>

— **02** 20-inch forged aluminium wheels in 5-arm star design, contrasting grey, partly polished<sup>2</sup>

— **03** 18-inch Audi Sport cast aluminium wheels in 7-twin-spoke design<sup>1</sup>

— **04** 20-inch Audi Sport cast aluminium wheels in 5-twin-spoke design<sup>1</sup>

— **05** 18-inch cast aluminium wheels in 5-twin-spoke star design

— **06** 21-inch Audi Sport cast aluminium wheels in 5-spoke blade design in gloss black, gloss turned finish<sup>1,2,3</sup>

— **07** 19-inch cast aluminium wheels in 5-twin-arm design

— **08** 19-inch Audi Sport cast aluminium wheels in 10-spoke design in matt titanium look, gloss turned finish<sup>1,2</sup>

Many additional wheels can be found at [www.audi.com](http://www.audi.com)

<sup>1</sup>From Audi Sport GmbH. <sup>2</sup>Please note the special information relating to wheels on page 89. <sup>3</sup>Can only be ordered in conjunction with quattro permanent all-wheel drive. Some of the equipment illustrated or described is optional equipment for which an extra charge is made. Please visit [www.audi.com](http://www.audi.com) or contact your Audi partner for more detailed information about standard and optional equipment. You will find specifications on the technical characteristics of tyres on page 91.



More sophisticated.  
With the cloth and leather upholstery  
and trim options.

You have a special place in your Audi. Exclusive comfort can be felt on the front and rear seats: thanks to high-quality materials and first-class workmanship. No matter which seat upholstery you choose: you're sitting in the right place.

Some of the equipment illustrated or described is optional equipment for which an extra charge is made. Please visit [www.audi.com](http://www.audi.com) or contact your Audi partner for more detailed information about standard and optional equipment.

S sport seats, front, in Valcona leather, black with contrasting stitching

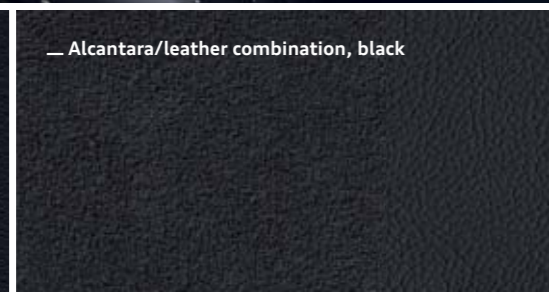


Customised contour seats, front, in perforated Valcona leather, Atlas beige

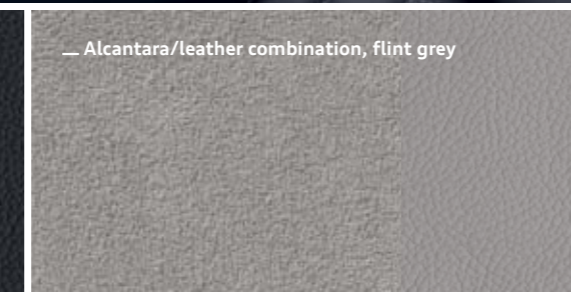
Many additional seat upholstery options can be found at [www.audi.com](http://www.audi.com)



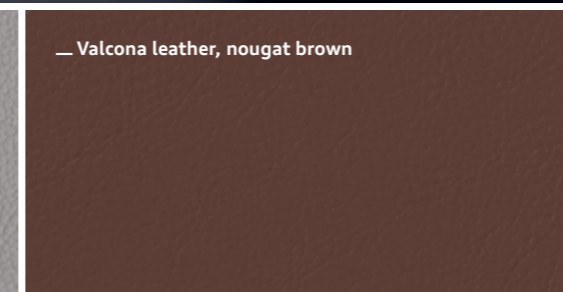
Sierra cloth/mono.pur 350 black/brown



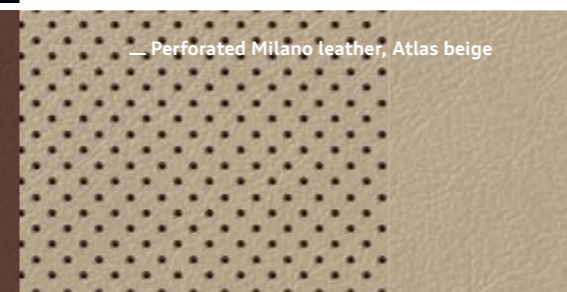
Alcantara/leather combination, black



Alcantara/leather combination, flint grey



Valcona leather, nougat brown



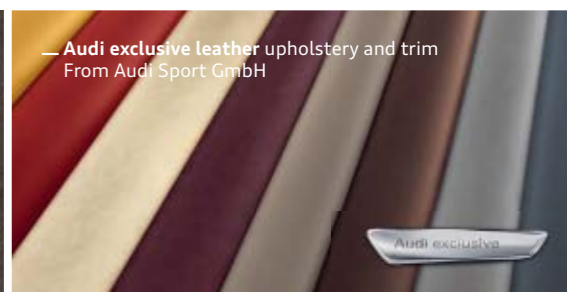
Perforated Milano leather, Atlas beige



Valcona leather, lunar silver with contrasting stitching



Valcona leather, Santos brown with contrasting stitching



Audi exclusive leather upholstery and trim  
From Audi Sport GmbH

# More exclusive. With the inlays.

Exclusive ambience is a question of style. Your style. A style you can refine right down to the last detail. Create tangible accents with high-quality Audi inlays. Experience the fascination of selected materials: fine woods or aluminium trim – combine them to suit your own personal taste.

<sup>1</sup> From Audi Sport GmbH.  
Some of the equipment illustrated or described is optional equipment for which an extra charge is made.  
Please visit [www.audi.com](http://www.audi.com) or contact your Audi partner for more detailed information about standard and optional equipment.

Many additional inlays can be found at [www.audi.com](http://www.audi.com)

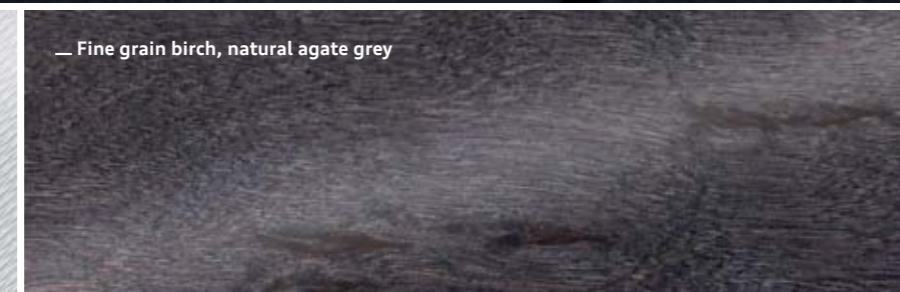
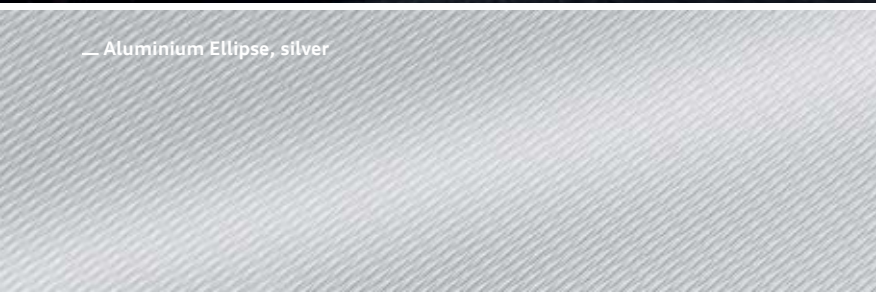
— Aluminium Ellipse, silver

— Fine grain birch, natural agate grey

— Beaufort walnut

— Audi exclusive aluminium/Beaufort wood, black<sup>1</sup>

— Inlays in Audi exclusive wood<sup>1</sup>





# As individual as the life you lead.

Audi Genuine Accessories provides you with numerous ways of adding even more facets to your Audi A6. With products that keep our quality promise day in, day out. Benefit from customised solutions with fascinating design and a high level of functionality. Further information on these and other highlights is available from your Audi partner.

- **01 Cycle mount** – made of specially shaped aluminium profile and powder-coated steel allowing easy cycle attachment. Lockable. Maximum load of 17 kg. Can only be used in conjunction with the carrier unit.<sup>1</sup>
- **02 Luggage compartment shell** – custom-fit luggage compartment protection, washable and sturdy. Edge better protects the luggage compartment floor from leaked liquids.
- **03 Cast aluminium wheels in 5-semi-v-spoke design, matt black, gloss turned finish<sup>2</sup>** in size 8.5 J × 19 with 255/40 R 19 tyres<sup>3</sup>.
- **04 Cycle rack for trailer towing hitch** – for up to 2 bicycles together weighing up to 60 kg<sup>1</sup>. Thanks to the folding mechanism, you always have access to the luggage compartment.
- **05 Audi Entertainment mobile<sup>4</sup>** – promises maximum entertainment in excellent image quality with its 10.1-inch touchscreen **Engine sound system<sup>5</sup>** (not shown) – 2 actuators integrated in the exhaust system provide the full sound of a powerful engine.

01

Further information can be obtained from the accessories catalogue, at [www.audi.com](http://www.audi.com) and from your Audi partner.



<sup>1</sup>Please note the information in the owner's manual on the maximum nose weight and gross weight of your vehicle.

<sup>2</sup>Please note the special information relating to wheels on page 89.

<sup>3</sup>You will find specifications on the technical characteristics of tyres on page 91.

<sup>4</sup>Audi Entertainment mobile won the Plus X Award in the category "Product of the year 2015/2016".

<sup>5</sup>Please ask your Audi partner about special requirements regarding installation.



02



03



04



05

The fascination of Audi

The fascination of the Audi A6  
Find out more online. Discover the world of the Audi A6. More information, more individuality and more exclusivity. Now at [www.audi.com](http://www.audi.com).



Scan the QR code using your smartphone or tablet and discover the world of the Audi A6. Connection costs depend on your mobile phone contract.

## Technical data

Model	A6 1.8 TFSI (140 kW)		A6 1.8 TFSI ultra (140 kW)		A6 2.0 TFSI (185 kW)		A6 2.0 TFSI quattro (185 kW)	
Engine type	4-cylinder inline petrol engine with direct fuel injection, turbocharging and Audi valvelift system		4-cylinder inline petrol engine with direct fuel injection, turbocharging and Audi valvelift system		4-cylinder inline petrol engine with direct fuel injection, turbocharging and Audi valvelift system		4-cylinder inline petrol engine with direct fuel injection, turbocharging and Audi valvelift system	
Displacement in cc (valves per cylinder)	1,798 (4)		1,798 (4)		1,984 (4)		1,984 (4)	
Max. output <sup>1</sup> in kW at rpm	140/4,200–6,200		140/4,200–6,200		185/5,000–6,000		185/5,000–6,000	
Max. torque in Nm at rpm	320/1,400–4,100		320/1,400–4,100		370/1,600–4,500		370/1,600–4,500	
<b>Power transmission</b>								
Drive type	Front-wheel drive		Front-wheel drive		Front-wheel drive		quattro permanent all-wheel drive	
Transmission type	6-speed manual transmission		7-speed S tronic		7-speed S tronic		7-speed S tronic	
<b>Weights/capacities</b>	<b>Saloon</b>	<b>Avant</b>	<b>Saloon</b>	<b>Avant</b>	<b>Saloon</b>	<b>Avant</b>	<b>Saloon</b>	<b>Avant</b>
Unladen weight <sup>2</sup> in kg	1,610	1,675	1,645	1,710	1,670	1,735	1,735	1,800
Gross vehicle weight in kg	2,115	2,230	2,150	2,265	2,175	2,290	2,270	2,355
Permissible roof load limit/nose weight in kg	100/85	100/85	100/85	100/85	100/85	100/85	100/85	100/85
Trailer load limit <sup>3</sup> in kg unbraked	750	750	750	750	750	750	750	750
12 <span> </span> % gradient	1,600	1,600	1,700	1,700	1,700	1,700	1,700	1,700
8 <span> </span> % gradient	1,700	1,700	1,800	1,800	1,800	1,800	1,800	1,800
Fuel tank capacity, approx. in l	65	65	65	65	65	65	65	65
<b>Performance/consumption<sup>4</sup></b>								
Top speed in km/h	233	226	233	226	250 <sup>5</sup>	250 <sup>5</sup>	250 <sup>5</sup>	250 <sup>5</sup>
Acceleration 0–100 km/h in s	7.9	8.2	7.9	8.2	6.7	6.9	6.5	6.7
Fuel grade	Sulphur-free super RON 95 <sup>6</sup>		Sulphur-free super RON 95 <sup>6</sup>		Sulphur-free super RON 95 <sup>6</sup>		Sulphur-free super RON 95 <sup>6</sup>	
Fuel consumption <sup>7,8</sup> in l/100 km urban	7.7–7.5	7.9–7.8	7.2–7.1	7.2–7.1	7.5–7.4	7.5–7.4	8.4–8.3	8.6–8.5
extra-urban	5.2–5.0	5.5–5.3	5.2–5.0	5.3–5.1	5.3–5.1	5.4–5.2	6.0–5.8	6.2–6.0
combined	6.1–5.9	6.4–6.2	5.9–5.7	6.0–5.9	6.1–5.9	6.2–6.0	6.9–6.7	7.1–6.9
CO <sub>2</sub> emission <sup>7,8</sup> in g/km combined	143–138	149–144	138–133	142–137	142–137	146–140	158–153	163–157
Emission standard	EU6	EU6	EU6	EU6	EU6	EU6	EU6	EU6

Explanation of <sup>1</sup> to <sup>10</sup> on page 89.

Model	A6 3.0 TFSI quattro (245 kW)		A6 2.0 TDI ultra (110 kW) <sup>9</sup>		A6 2.0 TDI ultra (140 kW) <sup>9</sup>		A6 2.0 TDI quattro (140 kW) <sup>9</sup>	
Engine type	V6 petrol engine with direct fuel injection and mechanical supercharger		4-cylinder inline diesel engine with common rail injection system and turbocharging		4-cylinder inline diesel engine with common rail injection system and turbocharging		4-cylinder inline diesel engine with common rail injection system and turbocharging	
Displacement in cc (valves per cylinder)	2,995 (4)		1,968 (4)		1,968 (4)		1,968 (4)	
Max. output <sup>1</sup> in kW at rpm	245/5,500–6,500		110/3,000–4,200		140/3,800–4,200		140/3,800–4,200	
Max. torque in Nm at rpm	440/2,900–5,300		350/1,500–3,000		400/1,750–3,000		400/1,750–3,000	
<b>Power transmission</b>								
Drive type	quattro permanent all-wheel drive		Front-wheel drive		Front-wheel drive		quattro permanent all-wheel drive	
Transmission type	7-speed S tronic		6-speed manual transmission [7-speed S tronic]		6-speed manual transmission [7-speed S tronic]		7-speed S tronic	
<b>Weights/capacities</b>	<b>Saloon</b>	<b>Avant</b>	<b>Saloon</b>	<b>Avant</b>	<b>Saloon</b>	<b>Avant</b>	<b>Saloon</b>	<b>Avant</b>
Unladen weight <sup>2</sup> in kg	1,825	1,890	1,700	[1,735]	1,765	[1,800]	1,700	[1,735]
Gross vehicle weight in kg	2,360	2,445	2,205	[2,240]	2,320	[2,355]	2,205	[2,240]
Permissible roof load limit/nose weight in kg	100/85	100/85	100/85	[100/85]	100/85	[100/85]	100/85	[100/85]
Trailer load limit <sup>3</sup> in kg unbraked	750	750	750	[750]	750	[750]	750	[750]
12 <span> </span> % gradient	2,100	2,100	1,800	[1,900]	1,800	[1,900]	1,900	[1,900]
8 <span> </span> % gradient	2,100	2,100	1,900	[2,000]	1,900	[2,000]	2,000	[2,000]
Fuel tank capacity, approx. in l	75	75	73	[73]	73	[73]	73	[73]
<b>Performance/consumption<sup>4</sup></b>								
Top speed in km/h	250 <sup>5</sup>	250 <sup>5</sup>	214	[214]	209	[209]	232	[232]
Acceleration 0–100 km/h in s	5.1	5.3	9.5	[9.6]	9.8	[9.9]	8.4	[8.2]
Fuel grade	Sulphur-free super RON 95 <sup>6</sup>		Sulphur-free diesel <sup>10</sup>		Sulphur-free diesel <sup>10</sup>		Sulphur-free diesel <sup>10</sup>	
Fuel consumption <sup>7,8</sup> in l/100 km urban	10.0–9.8	10.1–9.9	5.3–5.1	[4.9–4.7]	5.5–5.3	[5.1–4.9]	5.4–5.1	[4.9–4.7]
extra-urban	6.3–6.0	6.5–6.2	4.0–3.8	[4.1–3.9]	4.2–4.0	[4.3–4.1]	4.0–3.8	[4.1–3.9]
combined	7.6–7.4	7.8–7.6	4.5–4.3	[4.4–4.2]	4.7–4.5	[4.6–4.4]	4.5–4.3	[4.4–4.2]
CO <sub>2</sub> emission <sup>7,8</sup> in g/km combined	177–172	182–177	119–112	[116–109]	124–117	[121–114]	119–113	[116–109]
Emission standard	EU6	EU6	EU6	[EU6]	EU6	[EU6]	EU6	[EU6]

Technical data

Model	A6 3.0 TDI (160 kW) <sup>9</sup>		A6 3.0 TDI quattro (160 kW) <sup>9</sup>		A6 3.0 TDI quattro (200 kW) <sup>9</sup>		A6 3.0 TDI quattro (235 kW) <sup>9</sup>	
Engine type	V6 diesel engine with common rail injection system and turbocharging		V6 diesel engine with common rail injection system and turbocharging		V6 diesel engine with common rail injection system and turbocharging		V6 bi-turbo diesel engine with common rail injection system	
Displacement in cc (valves per cylinder)	2,967 (4)		2,967 (4)		2,967 (4)		2,967 (4)	
Max. output <sup>1</sup> in kW at rpm	160/4,000–5,000		160/3,250–5,000		200/3,500–4,250		235/3,900–4,600	
Max. torque in Nm at rpm	400/1,250–3,750		500/1,250–3,000		580/1,250–3,250		650/1,400–2,800	
<b>Power transmission</b>								
Drive type	Front-wheel drive		quattro permanent all-wheel drive		quattro permanent all-wheel drive		quattro permanent all-wheel drive	
Transmission type	7-speed S tronic		7-speed S tronic		7-speed S tronic		8-speed tiptronic	
<b>Weights/capacities</b>	<b>Saloon</b>	<b>Avant</b>	<b>Saloon</b>	<b>Avant</b>	<b>Saloon</b>	<b>Avant</b>	<b>Saloon</b>	<b>Avant</b>
Unladen weight <sup>2</sup> in kg	1,770	1,835	1,840	1,905	1,845	1,910	1,910	1,975
Gross vehicle weight in kg	2,275	2,390	2,375	2,460	2,380	2,465	2,445	2,530
Permissible roof load limit/nose weight in kg	100/85	100/85	100/85	100/85	100/85	100/85	100/85	100/85
Trailer load limit <sup>3</sup> in kg unbraked	750	750	750	750	750	750	750	750
12% gradient	2,000	2,000	2,000	2,000	2,000	2,000	2,100	2,100
8% gradient	2,100	2,100	2,100	2,100	2,100	2,100	2,100	2,100
Fuel tank capacity, approx. in l	73	73	73	73	73	73	73	73
<b>Performance/consumption<sup>4</sup></b>								
Top speed in km/h	245	237	245	237	250 <sup>5</sup>	250 <sup>5</sup>	250 <sup>5</sup>	250 <sup>5</sup>
Acceleration 0–100 km/h in s	7.1	7.3	6.6	6.8	5.5	5.7	5.0	5.2
Fuel grade	Sulphur-free diesel <sup>10</sup>		Sulphur-free diesel <sup>10</sup>		Sulphur-free diesel <sup>10</sup>		Sulphur-free diesel <sup>10</sup>	
Fuel consumption <sup>7,8</sup> in l/100 km urban	5.0–4.8	5.1–4.9	5.8–5.7	6.0–5.8	6.0–5.9	6.2–6.0	7.5–7.3	7.7–7.5
extra-urban	4.4–4.2	4.6–4.4	4.9–4.7	5.1–4.9	4.8–4.6	5.0–4.8	5.5–5.3	5.7–5.5
combined	4.6–4.4	4.8–4.6	5.3–5.0	5.4–5.2	5.2–5.1	5.4–5.3	6.2–6.0	6.4–6.2
CO <sub>2</sub> emission <sup>7,8</sup> in g/km combined	120–115	124–119	138–132	143–137	138–133	144–138	164–159	169–164
Emission standard	EU6	EU6	EU6	EU6	EU6	EU6	EU6	EU6

Explanation of <sup>1</sup> to <sup>10</sup> on page 89.

Model	A6 3.0 TDI competition quattro (240 kW) <sup>9</sup>	A6 allroad quattro 3.0 TFSI (245 kW)	A6 allroad quattro 3.0 TDI (140 kW) <sup>9</sup>	A6 allroad quattro 3.0 TDI (160 kW) <sup>9</sup>
Engine type	V6 bi-turbo diesel engine with common rail injection system and turbocharging	V6 petrol engine with direct fuel injection and mechanical supercharger	V6 diesel engine with common rail injection system and turbocharging	V6 diesel engine with common rail injection system and turbocharging
Displacement in cc (valves per cylinder)	2,967 (4)	2,995 (4)	2,967 (4)	2,967 (4)
Max. output <sup>1</sup> in kW at rpm	240/4,000–4,500	245/5,500–6,500	140/2,750–5,000	160/3,250–5,000
Max. torque in Nm at rpm	650/1,400–2,800	440/2,900–5,300	500/1,250–2,500	500/1,250–3,000
<b>Power transmission</b>				
Drive type	quattro permanent all-wheel drive	quattro permanent all-wheel drive	quattro permanent all-wheel drive	quattro permanent all-wheel drive
Transmission type	8-speed tiptronic	7-speed S tronic	7-speed S tronic	7-speed S tronic
<b>Weights/capacities</b>	<b>Saloon</b>	<b>Avant</b>		
Unladen weight <sup>2</sup> in kg	1,940	2,005	1,945	1,965
Gross vehicle weight in kg	2,475	2,560	2,505	2,520
Permissible roof load limit/nose weight in kg	100/85	100/85	100/100	100/100
Trailer load limit <sup>3</sup> in kg unbraked	750	750	750	750
12% gradient	2,100	2,100	2,500	2,500
8% gradient	2,100	2,100	2,500	2,500
Fuel tank capacity, approx. in l	73	73	75	73
<b>Performance/consumption<sup>4</sup></b>				
Top speed in km/h	250 <sup>5</sup>	250 <sup>5</sup>	250 <sup>5</sup>	221
Acceleration 0–100 km/h in s	4.9	5.2	5.8	7.9
Fuel grade	Sulphur-free diesel <sup>10</sup>		Sulphur-free super RON 95 <sup>6</sup>	Sulphur-free diesel <sup>10</sup>
Fuel consumption <sup>7,8</sup> in l/100 km urban	7.5–7.3	7.7–7.5	10.1	6.2
extra-urban	5.5–5.3	5.7–5.5	6.7	5.4
combined	6.2–6.0	6.4–6.2	8.0	5.7
CO <sub>2</sub> emission <sup>7,8</sup> in g/km combined	164–159	169–164	185	149
Emission standard	EU6	EU6	EU6	EU6

## Technical data

Model	A6 allroad quattro 3.0 TDI (200 kW) <sup>9</sup>	A6 allroad quattro 3.0 TDI (235 kW) <sup>9</sup>	S6 Saloon 4.0 TFSI quattro (331 kW)	S6 Avant 4.0 TFSI quattro (331 kW)
Engine type	V6 diesel engine with common rail injection system and turbocharging	V6 bi-turbo diesel engine with common rail injection system	V8 bi-turbo petrol engine with direct fuel injection, Audi valvelift system and Audi cylinder on demand	V8 bi-turbo petrol engine with direct fuel injection, Audi valvelift system and Audi cylinder on demand
Displacement in cc (valves per cylinder)	2,967 (4)	2,967 (4)	3,993 (4)	3,993 (4)
Max. output <sup>1</sup> in kW at rpm	200/3,500–4,250	235/3,900–4,600	331/5,800–6,400	331/5,800–6,400
Max. torque in Nm at rpm	580/1,250–3,250	650/1,400–2,800	550/1,400–5,700	550/1,400–5,700
<b>Power transmission</b>				
Drive type	quattro permanent all-wheel drive	quattro permanent all-wheel drive	quattro permanent all-wheel drive	quattro permanent all-wheel drive
Transmission type	7-speed S tronic	8-speed tiptronic	7-speed S tronic	7-speed S tronic
<b>Weights/capacities</b>				
Unladen weight <sup>2</sup> in kg	1,970	2,030	1,970	2,035
Gross vehicle weight in kg	2,525	2,585	2,505	2,590
Permissible roof load limit/ nose weight in kg	100/100	100/100	100/85	100/85
Trailer load limit <sup>3</sup> in kg unbraked	750	750	750	750
12 % gradient	2,500	2,500	2,100	2,100
8 % gradient	2,500	2,500	2,100	2,100
Fuel tank capacity, approx. in l	73	73	75	75
<b>Performance/consumption<sup>4</sup></b>				
Top speed in km/h	250 <sup>5</sup>	250 <sup>5</sup>	250 <sup>5</sup>	250 <sup>5</sup>
Acceleration 0–100 km/h in s	6.2	5.5	4.4	4.6
Fuel grade	Sulphur-free diesel <sup>10</sup>	Sulphur-free diesel <sup>10</sup>	Sulphur-free SuperPlus RON 98 <sup>11</sup>	Sulphur-free SuperPlus RON 98 <sup>11</sup>
Fuel consumption <sup>7,8</sup> in l/100 km urban	6.4	7.7	13.3–13.1	13.5–13.4
extra-urban	5.2	5.8	7.1–6.9	7.3–7.1
combined	5.6	6.5	9.4–9.2	9.6–9.4
CO <sub>2</sub> emission <sup>7,8</sup> in g/km combined	149	172	218–214	224–219
Emission standard	EU6	EU6	EU6	EU6

## Explanatory notes

- <sup>1</sup> The figure given was calculated using the specified measuring procedure (current version of UN R-85).
- <sup>2</sup> Unladen vehicle weight includes driver (75 kg) and fuel tank 90 % full, calculated in accordance with the current version of Reg. (EU) 1230/2012. Optional equipment may increase the car's unladen weight and drag coefficient, whereupon the possible payload limit and the top speed will be reduced accordingly.
- <sup>3</sup> The engine's power output always decreases with increasing altitude. At 1,000 m above sea level, and for every additional 1,000 m, deduct 10 % from the weight of the outfit (trailer load limit + gross weight of the towing vehicle). Figure for trailer load limit applies to factory-fitted trailer towing hitch. If using the vehicle with a trailer towing hitch for commercial purposes, a digital tachograph may be required under certain conditions.
- <sup>4</sup> Fuel consumption and CO<sub>2</sub> emission figures given in ranges depend on the tyre/wheel sets used.
- <sup>5</sup> Regulated.
- <sup>6</sup> We recommend using sulphur-free super unleaded RON 95 fuel complying with DIN EN 228. If this is not available, use sulphur-free regular unleaded RON 91 fuel complying with DIN EN 228; power output will be slightly reduced. Unleaded RON 95 fuel with a maximum ethanol content of 10 % (E10) can generally be used. Fuel consumption details refer to operation with RON 95 fuel complying with 692/2008/EC.
- <sup>7</sup> The figures given were calculated using the specified measuring procedures. The figures do not refer to one individual vehicle and do not form part of any offer, but rather should be used purely for purposes of comparison between the different vehicle models.
- <sup>8</sup> A vehicle's fuel consumption and CO<sub>2</sub> emissions depend not just on how efficiently the vehicle uses the fuel, but are also influenced by driving behaviour and other non-technical factors. CO<sub>2</sub> is the greenhouse gas primarily responsible for global warming.
- <sup>9</sup> The separate AdBlue<sup>®12</sup> tank is refilled as indicated by the information in the display of the instrument cluster. We recommend having the AdBlue tank refilled by your Audi partner.
- <sup>10</sup> We recommend using sulphur-free diesel complying with DIN EN 590. If this is not available, use diesel complying with DIN EN 590.

- <sup>11</sup> We recommend using sulphur-free SuperPlus unleaded RON 98 fuel complying with DIN EN 228. If this is not available, use sulphur-free super unleaded RON 95 fuel complying with DIN EN 228; power output will be slightly reduced. Unleaded RON 95 fuel with a maximum ethanol content of 10 % (E10) can generally be used. Fuel consumption details refer to operation with RON 95 fuel complying with 692/2008/EC.

- <sup>12</sup> Registered trademark of the Verband der Automobilindustrie e. V. (VDA).

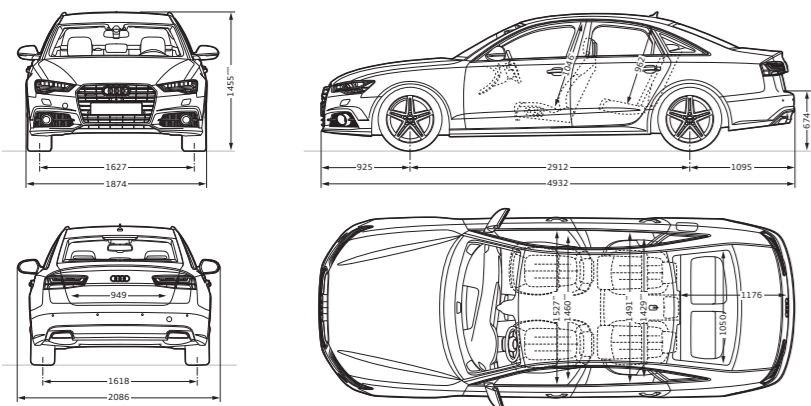
## Important note

**Special information about the wheels:** Wheels with gloss turned finish, gloss milled finish as well as polished or partly polished aluminium wheels must not be used in wintry road conditions. For manufacturing reasons, the wheel rim surface does not have sufficient corrosion protection for such use and can be permanently damaged by road salt or similar.

Dimensions

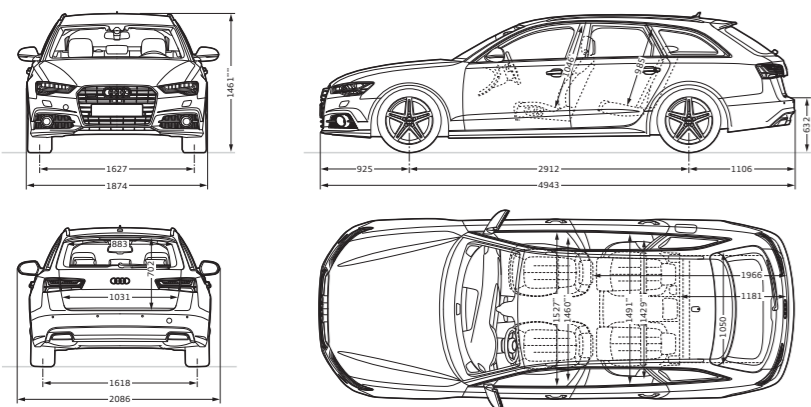
**Audi A6 Saloon** Dimensions in mm

Dimensions are for unladen vehicle weight. Luggage compartment volume<sup>1</sup> 530/995 l (second value is with the rear seat backrest folded down). Turning circle approx. 11.9 m.  
 \*Maximum headroom. \*\*Elbow room width. \*\*\*Shoulder room width.  
 \*\*\*\*With roof aerial the height of the vehicle is 1,468 mm.



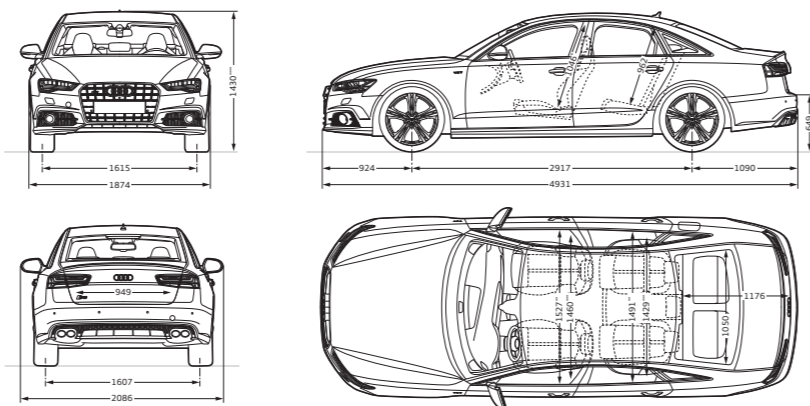
**Audi A6 Avant** Dimensions in mm

Dimensions are for unladen vehicle weight. Luggage compartment volume<sup>1</sup> 565/1,680 l (second value is with the rear seat backrest folded down and the vehicle loaded up to roof height). Turning circle approx. 11.9 m.  
 \*Maximum headroom. \*\*Elbow room width. \*\*\*Shoulder room width.  
 \*\*\*\*With roof aerial the height of the vehicle is 1,482 mm.



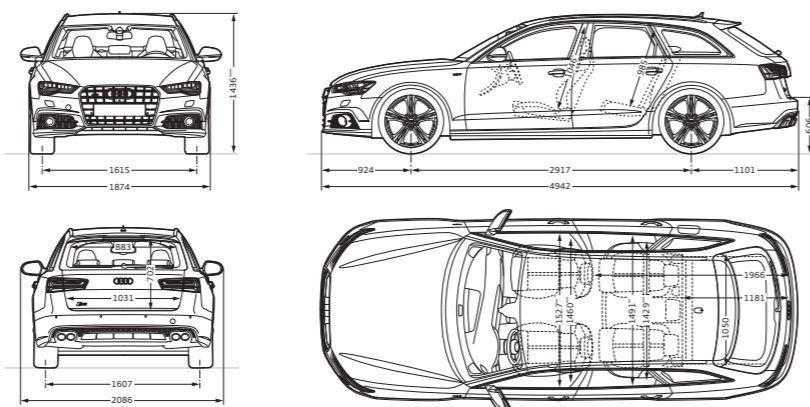
**Audi S6 Saloon** Dimensions in mm

Dimensions are for unladen vehicle weight, ground clearance measured with vehicle carrying its maximum load. Luggage compartment volume<sup>1</sup> 530/995 l (second value is with the rear seat backrest folded down and the vehicle loaded up to roof height). Turning circle approx. 11.9 m. \*Maximum headroom. \*\*Elbow room width. \*\*\*Shoulder room width. \*\*\*\*With roof aerial the height of the vehicle is 1,468 mm.



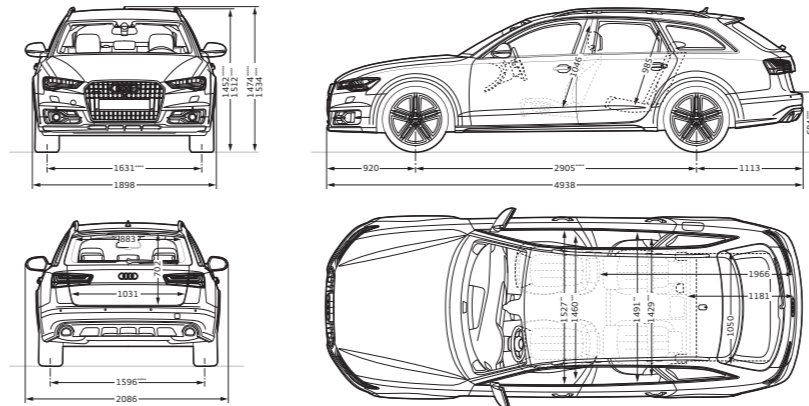
**Audi S6 Avant** Dimensions in mm

Dimensions are for unladen vehicle weight, ground clearance measured with vehicle carrying its maximum load. Luggage compartment volume<sup>1</sup> 565/1,680 l (second value is with the rear seat backrest folded down and the vehicle loaded up to roof height). Turning circle approx. 11.9 m. \*Maximum headroom. \*\*Elbow room width. \*\*\*Shoulder room width. \*\*\*\*With roof aerial the height of the vehicle is 1,482 mm.



**Audi A6 allroad quattro** Dimensions in mm

Dimensions are for unladen vehicle weight, ground clearance at maximum load. Luggage compartment volume<sup>1</sup> 565/1,680 l (second value is with the rear seat backrest folded down and vehicle loaded up to roof height). Turning circle approx. 11.9 m.  
 \*Maximum headroom. \*\*Elbow room width. \*\*\*Shoulder room width. \*\*\*\* lift mode. \*\*\*\*\* dynamic mode.



**Classifications of tyre parameters**

The table shows the range of fuel efficiency, wet grip and exterior noise emission classes for the different tyre sizes of the Audi A6 Saloon, A6 Avant, A6 allroad quattro, Audi S6 Saloon and S6 Avant.

	Tyre size	Fuel efficiency class	Wet grip class	Exterior noise emission class
Summer tyres	225/60 R 16	E-C	B	71-69
	225/55 R 17	E-C	C-A	72-67
	235/55 R 18	E	C-B	71-67
	245/45 R 18	E-C	C-A	72-68
	255/40 R 19	F-C	C-A	73-69
	255/45 R 19	E	B	72
Winter tyres	255/35 R 20	E	B-A	73-72
	255/40 R 20	E-C	B	73-70
	265/30 R 21	E	B-A	72-71
	225/60 R 16	F-E	C-B	72-69
	225/55 R 17	E	E-B	72-68
	225/50 R 18	E	E-B	72-69
	235/55 R 18	E	E	72
	235/45 R 19	E	E-C	72-70
	255/35 R 20	E	E-C	73-70
	255/40 R 20	C	B	73

It is not possible to order a specific tyre. Please ask your Audi partner which tyres are available in your country.

The figures for fuel consumption and CO<sub>2</sub> emissions can be found from page 84 onwards.  
<sup>1</sup> Technical specifications refer to a basic vehicle without country-specific settings and the selected optional equipment.

## Legal notices

### Legal notices about Audi connect services with customer's own SIM card.

The use of services supported by Audi connect is possible only in conjunction with an optional navigation system and Audi connect (including car phone – depending on the vehicle model). In addition, depending on the vehicle model, you will require a SIM card with data option and with LTE option to use LTE<sup>1</sup> – with car phone a SIM card with phone and data option or a Bluetooth-capable smartphone with remote SIM Access Profile (rSAP)<sup>2</sup>. The services are available only in conjunction with an existing or separate mobile phone contract and only within the range of the respective mobile phone network. Additional costs may be incurred when receiving data packets from the internet, depending on the terms of your mobile phone contract, particularly when used abroad. Because of the high data volumes involved, a data flat rate is strongly recommended.

The availability of services supported by Audi connect varies from country to country. The Audi connect services are provided for at least 1 year from vehicle delivery. 24 months after vehicle delivery, the Audi connect services will be extended free of charge once for 12 months. If you do not require this extension, please write to:

AUDI AG  
Audi International Customer Care Services  
85045 Ingolstadt, Germany  
Email: kundenbetreuung@audi.de  
Tel.: +49 800-28347378423

Ask your Audi partner about a subsequent extension of the Audi connect services. Depending on the vehicle model, Audi connect allows access to Google and Twitter services. Permanent availability cannot be guaranteed as this is the responsibility of Google and Twitter. Please visit [www.audi.com/connect](http://www.audi.com/connect) or contact your Audi partner for more detailed information about Audi connect; contact your mobile services provider for information about contract conditions.

Equipment for the Audi A6 Saloon illustrated (p. 4–17):  
Paint finish: diamond beige, metallic  
Wheels: forged aluminium wheels in 5-arm star design, contrasting grey, partly polished<sup>3</sup>  
Seats/seat upholstery: customised contour seats in Valcona leather, flint grey with contrasting stitching  
Inlays: fine grain ash, natural grey

Equipment for the Audi A6 Avant illustrated (p. 4–17):  
Paint finish: glacier white, metallic  
Wheels: cast aluminium wheels in 5-twin-arm design  
Seats/seat upholstery: customised contour seats in Valcona leather, nougat brown  
Inlays: Beaufort walnut

Equipment for the Audi A6 allroad quattro illustrated (p. 18–27):  
Paint finish: Java brown, metallic  
Wheels: cast aluminium wheels in 5-parallel-spoke design  
Seats/seat upholstery: sport seats in Valcona leather, Atlas beige with contrasting stitching  
Inlays: aluminium Ellipse, bronze

Equipment for the Audi S6 Saloon illustrated (p. 28–39):  
Paint finish: Daytona grey, pearl effect  
Wheels: cast aluminium wheels in 5-parallel-spoke design (S design)  
Seats/seat upholstery: S sport seats in Valcona leather, Arras red with contrasting stitching  
Inlays: carbon twill, red

Equipment for the Audi S6 Avant illustrated (p. 28–39):  
Paint finish: Sepang blue, pearl effect  
Wheels: cast aluminium wheels in 5-parallel-spoke star design (S design)  
Seats/seat upholstery: S sport seats in Valcona leather, black with contrasting stitching  
Inlays: Audi exclusive aluminium/Beaufort wood, black<sup>4</sup>

The figures for fuel consumption and CO<sub>2</sub> emissions can be found from page 84 onwards.

<sup>1</sup>Full use requires an LTE card contract. For information about the availability and use of LTE support, please contact your Audi partner. <sup>2</sup>Please contact your Audi partner or visit [www.audi.com/bluetooth](http://www.audi.com/bluetooth) for information on compatible mobile phones. <sup>3</sup>Please note the special information relating to wheels on page 89. <sup>4</sup>From Audi Sport GmbH

**AUDI AG**

Auto-Union-Stasse 1  
85045 Ingolstadt  
www.audi.com  
Date published: April 2017

Printed in Germany  
733/1150.62.18

The vehicles and equipment versions illustrated and described in this catalogue and some of the services listed are not available in all countries. Some of the cars illustrated are equipped with optional features for which an extra charge is made. Details concerning the delivery specifications, appearance, performance, dimensions and weights, fuel consumption and running costs of the vehicles were correct to the best of our knowledge at the time of going to press. Deviations from the colours and shapes shown in the illustrations may occur. No liability is accepted for errors and printing errors. The right to introduce modifications is reserved. Not to be reproduced, including in part, without the written approval of AUDI AG.

This catalogue is printed on paper made from pulp bleached without the use of chlorine.

