



A4



A4 Saloon | A4 Avant Audi Intelligent Technologies/04 Design/12 Infotainment/16 Interior/18 Performance/22
Highlights/24 Packages/28 Audi exclusive/38 Equipment/40 Audi Genuine Accessories/48 The fascination of Audi/50 Technical data/52

Audi Technology never felt this good.



Vorsprung durch Technik is geared to noticeably improving mobility. With technologies that make driving safer and more comfortable. Innovations that bring progress to life. Every day, whatever the situation. In the Audi A4 this is all thanks to the intelligent combination of sophisticated assist systems¹.

The next step towards piloted driving. And an invitation to feel just as good on the move as you do at home.

Some of the equipment illustrated or described is optional equipment for which an extra charge is made. Please contact your Audi partner or visit www.audi.com for detailed information about standard and optional equipment.

The figures for fuel consumption and CO₂ emissions can be found from page 52 onwards.

¹Please note: The systems work only within system limits and assist the driver.

However, the driver remains responsible for driving the vehicle and is required to be attentive at all times.

Progressive design and innovative technologies.

In the Audi A4, this combination manifests itself in a sporty elegant form.

This provides space not only for you to develop personally, but also for 30 assist systems.

So that things look and feel better in any number of everyday traffic situations.

Doesn't just look good.
It also provides space for **30**
assistants.



The figures for fuel consumption and CO₂ emissions can be found from page 52 onwards.
Some of the equipment illustrated or described is optional equipment for which an extra charge is made.
Please contact your Audi partner or visit www.audi.com for detailed information about standard and optional equipment.

The best things in life are invisible.

Sometimes performance can be compelling even at walking pace. One prime example in the Audi A4 is traffic jam assist, which helps you make safe, convenient progress in stop-and-go traffic. It uses the front camera and radar sensors to detect lane markings, roadside structures and vehicles in adjacent lanes and keeps the distance to the vehicle ahead constant by automatically braking and accelerating. An invisible helper that makes you visibly more relaxed, even in a traffic jam.

The figures for fuel consumption and CO₂ emissions can be found from page 52 onwards.
Please note: The systems work only within system limits and assist the driver.
However, the driver remains responsible for driving the vehicle and is required to be attentive at all times.
Some of the equipment illustrated or described is optional equipment for which an extra charge is made.
Please contact your Audi partner or visit www.audi.com for detailed information about standard and optional equipment.



Keep your distance, stay in lane. Negotiate narrow sections safely. Keep your speed in check. Anticipate what's ahead. Watch out for oncoming traffic when turning. We've already thought about many of the situations your brain processes when you're driving and have developed driver assist systems that help you with speed, efficiency, swerving and turning.

No need to worry.
We've done that
already.

The figures for fuel consumption and CO₂ emissions can be found from page 52 onwards.
Please note: The systems work only within system limits and assist the driver.
However, the driver remains responsible for driving the vehicle and is required to be attentive at all times.
Some of the equipment illustrated or described is optional equipment for which an extra charge is made.
Please contact your Audi partner or visit www.audi.com for detailed information about standard and optional equipment.

Four wide-angle 360 degree cameras cover the entire area around the vehicle. Radar sensors and a front camera that even recognises traffic signs provide the basis for perfectly matched assist packages designed to help with driving long distances, urban motoring and parking. Providing you with so much intelligent support that you'll say:

Audi technology has never felt better.

We've got your
back.
And sides.
And front.



The figures for fuel consumption and CO₂ emissions can be found from page 52 onwards.

Please note: The systems work only within system limits and assist the driver.

However, the driver remains responsible for driving the vehicle and is required to be attentive at all times.

Some of the equipment illustrated or described is optional equipment for which an extra charge is made.

Please contact your Audi partner or visit www.audi.com for detailed information about standard and optional equipment.

Progressive design –

**clear surfaces,
sharp lines,
distinctive
style.**

The Audi A4 Avant:
dynamic, precise, succinct.

From the front end to
the contrasting diffuser with
integrated tailpipe trims.
Rounded off by LED rear lights
with dynamic indicators in
a progressive design.



The figures for fuel consumption and CO₂ emissions can be found from page 52 onwards.
Some of the equipment illustrated or described is optional equipment for which an extra charge is made.
Please contact your Audi partner or visit www.audi.com for detailed information about standard and optional equipment.



**Matrix
LED headlights –
see and
be seen.**

Powerful-looking front end, three-dimensional Singleframe and sporty, elegant design.
A shining example of progressiveness. Emphasised by Matrix LED headlights producing bright, homogeneous illumination of the road.



Virtual cockpit – real experience.

The future of mobility in sharp focus.

With the Audi virtual cockpit.

Fully digital instrument cluster with high-resolution, 12.3-inch colour display. A high level of functionality and superb design. Plus the head-up display¹, which projects information in the driver's direct field of vision.

The Audi smartphone interface², including high-resolution presentation via the MMI display, provides access to the familiar world of your smartphone. Experience infotainment on a grand scale.

Right here in your Audi A4.



The figures for fuel consumption and CO₂ emissions can be found from page 52 onwards.

Some of the equipment illustrated or described is optional equipment for which an extra charge is made.

Please contact your Audi partner or visit www.audi.com for detailed information about standard and optional equipment.



¹ Polarising sunglasses will restrict the use of the head-up display.

² Legal information about the Audi smartphone interface can be found on page 56.

Interior design –

**innovative
architecture,
sophisticated
ambience,
impressive
quality.**

High tech, functionality and design.

Impressively and harmoniously combined in the interior. Horizontal interior architecture.

Exuding lightness and breadth. High-quality materials, sophisticated tactile qualities and precision workmanship. Plus headroom, shoulder room and legroom that ensure a wonderful sense of space. And with its range of selectable colours, the contour/ambient lighting package creates an atmosphere of well-being.

The figures for fuel consumption and CO₂ emissions can be found from page 52 onwards.
Some of the equipment illustrated or described is optional equipment for which an extra charge is made.
Please contact your Audi partner or visit www.audi.com for detailed information about standard and optional equipment.



**Practical
interior –
convenient
equipment,
generous
sense of space.**

The interior concept in the Audi A4 Avant. Well thought out down to the last detail. From the generous amount of space for all occupants, to the impressive luggage capacity. With sensor-controlled luggage compartment release. A foot gesture is all it takes. For fast, convenient loading. Without having to search for the key.

The figures for fuel consumption and CO₂ emissions can be found from page 52 onwards. Some of the equipment illustrated or described is optional equipment for which an extra charge is made. Please contact your Audi partner or visit www.audi.com for detailed information about standard and optional equipment.

Audi is more. The Audi A4.

Numerous engines, one principle:
more power, less fuel consumption.

The latest generation
of TFSI and TDI engines.

Powerful performance
with reduced emissions.

Experience driving dynamics
and efficiency with virtually
no compromise.



The figures for fuel consumption and CO₂ emissions can be found from page 52 onwards.
Some of the equipment illustrated or described is optional equipment for which an extra charge is made.
Please contact your Audi partner or visit www.audi.com for detailed information about standard and optional equipment.

More versatile. A quick look at your options.

The Audi A4 – an exceptional car whose diverse range of high-quality equipment will impress you. As will many other highlights – let yourself be inspired.



01 02 03



04



05

- 01_ Park assist package¹ – makes parking and manoeuvring easier
- 02_ Tour assist package¹ (including adaptive cruise control with Stop&Go function, traffic jam assist, predictive efficiency assist, camera-based recognition of traffic signs, high-beam assist, Audi active lane assist) – supports the driver on motorways and country roads
- 03_ City assist package¹ (including exit warning, cross traffic assist rear, Audi side assist, Audi pre sense rear, parking system plus, reversing camera) – for added safety and convenience in urban traffic
- 04_ Head-up display – projects information relevant to the driver onto the windscreen in the driver's direct field of vision
- 05_ MMI navigation plus with MMI touch – multimedia functions and intuitive operation
- 06_ Audi connect² – digital networking: keep in touch with the world while on the move
- 07_ Audi connect emergency call & service² – safe on the road and always online with emergency call, online roadside assist, Audi service request and Audi connect remote services

Some of the equipment illustrated or described is optional equipment for which an extra charge is made. Please contact your Audi partner or visit www.audi.com for detailed information about standard and optional equipment.

¹Please note: The systems work only within system limits and assist the driver. However, the driver remains responsible for driving the vehicle in traffic and is required to be attentive at all times.

²Legal information and notes on use can be found from page 54 onwards.

06 07





01

- 01_** Contour/ambient lighting package – 3 pre-defined colour profiles ensure a relaxed atmosphere tailored to your individual preferences
- 02_** Convenience key including sensor-controlled luggage compartment release and luggage compartment lid, electrically opening and closing
- 03_** Sport or comfort suspension with damper control – dynamic or comfort-oriented characteristics for damper settings; adjusted via Audi drive select
- 04_** Panoramic glass sunroof – ensures an interior ambience that is flooded with light and improves the interior climate
- 05_** Black styling package – adds exclusive touches in black



02



03



04



05

The figures for fuel consumption and CO₂ emissions can be found from page 52 onwards.
Some of the equipment illustrated or described is optional equipment for which an extra charge is made.
Please contact your Audi partner or visit www.audi.com for detailed information about standard and optional equipment.



01

More exceptional.

In an Audi A4, there is plenty of scope for your own ideas. The A4 design line allows you to create striking accents that reflect your personality. Make an exceptional vehicle even more exceptional.

With A4 design and Audi design selection.

This can be stylishly achieved with Audi design selection, which offers an attractive range of special materials and colours for the interior. Our designers have combined selected inlays with exquisite leather seats featuring attractive contrasting stitching.

- 01_ A4 design line** – including cast aluminium wheels in 10-spoke crystal design – rear diffuser insert in matt titanium black – chrome inserts in the door handles – further distinguishing features in the interior
- 02_ Audi design selection** – including seat upholstery in fine Nappa leather, cedar brown, rock grey or Atlas beige with contrasting stitching and piping – leather steering wheel in 3-spoke design with multifunction plus and chrome trim – inlays in oak, natural grey
- 03_ Audi design selection** – interior elements in artificial leather, armrest in cedar brown with contrasting stitching in granite grey, centre console in black – cast aluminium wheels in 10-spoke dynamic design, partly polished¹

Many additional highlights can be found at www.audi.com



02



03

The figures for fuel consumption and CO₂ emissions can be found from page 52 onwards.

Some of the equipment illustrated or described is optional equipment for which an extra charge is made. Please contact your Audi partner or visit www.audi.com for detailed information about standard and optional equipment. ¹Please note the special information relating to wheels on page 54.

Sportier.

With A4 sport and the S line sport package.

The A4 sport equipment version lets you show your sporty side – all along the line. With details that impressively emphasise the character of your Audi A4 and, at the very first glance, leave you in no doubt of its powerful performance.

The S line sport package creates even more highlights and further enhances the vehicle's sporty character.



01



02

01 – A4 sport line – including cast aluminium wheels in 5-arm dynamic design – radiator protective grille in matt twilight grey – side air inlet grilles in matt titanium black – further distinguishing features in the interior

02 – S line sport package – including front sport seats with S embossing on the backrests – S line seat upholstery in fine Nappa leather, rotor grey or black – interior, dashboard and headlining in black – S line sport leather steering wheel in 3-spoke design with multifunction plus – inlays in matt brushed aluminium – pedals and footrest in stainless steel

03 – S line sport package – cast aluminium wheels in 5-Y-spoke design (S design)

Many additional highlights can be found at www.audi.com



03

The figures for fuel consumption and CO₂ emissions can be found from page 52 onwards. Some of the equipment illustrated or described is optional equipment for which an extra charge is made. Please contact your Audi partner or visit www.audi.com for detailed information about standard and optional equipment.

More striking.

Don't just emphasise the sporty character of your Audi A4 – enhance it. With the S line exterior package, you can lend the dynamic body line of your car an even more exhilarating edge and create special accents with exceptional design details.

With the S line exterior package.

- 01** – Including side sill trims painted in body colour
- 02** – Diffuser insert in matt twilight grey – insert in the rear bumper with honeycomb structure
- 03** – Illuminated front door sill trims with aluminium inlays and S logo
- 04** – Radiator protective grille in matt twilight grey, slats in matt aluminium silver – side air inlet grilles in matt titanium black with trim in matt aluminium silver – front spoiler lip in dark matt twilight grey

Many additional highlights can be found at www.audi.com



The figures for fuel consumption and CO₂ emissions can be found from page 52 onwards.

Some of the equipment illustrated or described is optional equipment for which an extra charge is made. Please contact your Audi partner or visit www.audi.com for detailed information about standard and optional equipment.

More individual. With the Audi A4 S line black.

Discover exclusivity in its
most beautiful form – with
the Audi A4 S line black.

Equipped with exclusive details
that stand out at the very
first glance. And uniquely express
the performance of the A4.



01



02



03

- 01** – Including S line exterior package – quantum grey paint finish – items from the black styling package – exterior mirror housings in black – side sill trims in black – Audi rings design film – privacy glazing including acoustic glazing for the front door windows
- 02** – Selected S line sport package items – front sport seats in leather/artificial leather combination in black with contrasting stitching in express red – S line leather steering wheel in 3-spoke design, flattened at the bottom, with multifunction plus and contrasting stitching in express red – inlays in piano finish, black – exclusive inlay, carbon Atlas – interior elements in artificial leather with contrasting stitching in express red – pedals and footrest in stainless steel
- 03** – 18-inch Audi Sport cast aluminium wheels in 10-Y-spoke design in gloss black, gloss turned finish^{1,2} – brake callipers, painted red
- 04** – Mounted sporty rear spoiler in black for Saloon

Many additional highlights can be found at www.audi.com

The figures for fuel consumption and CO₂ emissions can be found from page 52 onwards.

Some of the equipment illustrated or described is optional equipment for which an extra charge is made.

Please contact your Audi partner or visit www.audi.com for detailed information about standard and optional equipment.

¹ From Audi Sport GmbH. ² Please note the special information relating to wheels on page 54.

04



More thrilling. With S line competition.

The sporty package for even more appeal: S line competition.

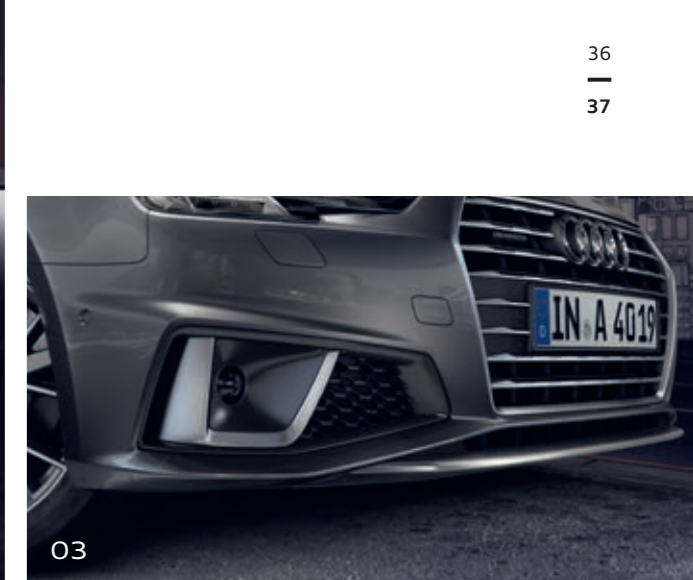
Experience fascinating sportiness. Every single moment, in every detail.



01



02



03

01 – Including S line exterior package in Daytona grey, pearl effect – exclusive paint finishes turbo blue, Navarra blue, metallic, mythos black, metallic or misano red, pearl effect – 19-inch Audi Sport cast aluminium wheels in 5-V-spoke star design in matt titanium look, gloss turned finish^{1,2} – exclusive red-painted brake callipers, front and rear – Audi rings design film – privacy glazing including acoustic glazing for the front door windows

02 – Inlays in carbon twill¹

03 – Front spoiler lip and clip in the air inlet in aluminium standard

04 – S sport seats, front, in fine Nappa leather, magma red with contrasting stitching in anthracite

05 – RS roof edge spoiler

Many additional highlights can be found at www.audi.com



04



05

The figures for fuel consumption and CO₂ emissions can be found from page 52 onwards.

Some of the equipment illustrated or described is optional equipment for which an extra charge is made. Please contact your Audi partner or visit www.audi.com for detailed information about standard and optional equipment. ¹From Audi Sport GmbH. ²Please note the special information relating to wheels on page 54.



The figures for fuel consumption and CO₂ emissions can be found from page 52 onwards.

Audi exclusive is an option from Audi Sport GmbH.

Please contact your Audi partner or visit www.audi.com for detailed information about standard and optional equipment.

¹Please note the special information relating to wheels on page 54.

01



02

**More
unmistakeable.**

With Audi exclusive.

Make your Audi A4 unique –

as unmistakable as you are – with

Audi exclusive. With selected trim,

coloured leather and customised paint

finishes available in a large range

of colours. Whatever your heart desires.

01 – Audi exclusive fine Nappa leather upholstery and trim with front sport seats in cognac/black – door trim inserts in Alcantara, black – Audi exclusive extended leather upholstery and trim in cognac/black – Audi exclusive controls in leather in cognac/black with contrasting stitching in cognac – inlays in piano finish, black – Audi exclusive floor mats with edging in black, piping and stitching in cognac

02 – Audi A4 Avant with Audi exclusive customised paint finish in teak brown, metallic – Audi Sport cast aluminium wheels in 10-V-spoke design, gloss turned finish¹ – black styling package

02

03

04

05

06

07

08

Audi exclusive

01



Powerful look.

Select the paint colour that best suits your personality. Secure in the knowledge that the quality will be superb, because your vehicle is painted not just once, but four times. So not only do you look radiant in your Audi, your car is also protected from environmental influences and wear. Ensuring that the car maintains its powerful look throughout its entire lifetime.

- 01_ Ascari blue, metallic
- 02_ Quantum grey
- 03_ Tango red, metallic
- 04_ Gotland green, metallic¹
- 05_ Manhattan grey, metallic
- 06_ Navarra blue, metallic
- 07_ Glacier white, metallic
- 08_ Audi exclusive customised paint finish
teak brown, metallic²

Many additional paint finishes can be found at www.audi.com

The figures for fuel consumption and CO₂ emissions can be found from page 52 onwards.

Some of the equipment illustrated or described is optional equipment for which an extra charge is made.

Please contact your Audi partner or visit www.audi.com for detailed information about standard and optional equipment.

¹ Available only in conjunction with Audi exclusive customised paint finishes. ² From Audi Sport GmbH.

Powerful presence.

With Audi wheels, you can emphasise your own individual style and the character of your Audi A4. Why not indulge yourself and create a powerful presence with your favourite design.

And for peace of mind when out on the road: Audi wheels are subjected to special test procedures, undergo rigorous testing and are of superb quality.

- 01_** 19-inch Audi Sport cast aluminium wheels in 5-arm rotor design in matt titanium look, gloss turned finish^{1,2}
- 02_** 17-inch cast aluminium wheels in 5-arm dynamic design
- 03_** 19-inch Audi Sport cast aluminium wheels in 5-V-spoke star design in matt titanium look, gloss turned finish^{1,2}
- 04_** 18-inch cast aluminium wheels in 5-spoke dynamic design, contrasting grey, partly polished²
- 05_** 18-inch cast aluminium wheels in 5-twin-spoke star design
- 06_** 18-inch cast aluminium wheels in 5-Y-spoke design (S design)
- 07_** 19-inch Audi Sport cast aluminium wheels in 5-arm Torsio design¹
- 08_** 18-inch Audi Sport cast aluminium wheels in 10-Y-spoke design in gloss black, gloss turned finish^{1,2}

Many additional wheels can be found at www.audi.com



The figures for fuel consumption and CO₂ emissions can be found from page 52 onwards.

Some of the equipment illustrated or described is optional equipment for which an extra charge is made.

Please contact your Audi partner or visit www.audi.com for detailed information about standard and optional equipment.

You will find specifications on the technical characteristics of tyres on page 54.

¹From Audi Sport GmbH. ²Please note the special information relating to wheels on page 54.

More quality.

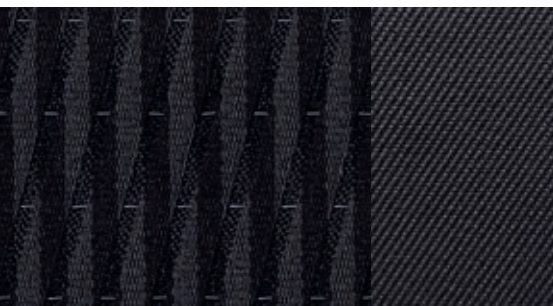
With the cloth and leather upholstery and trim options.

You have a special place in your Audi.

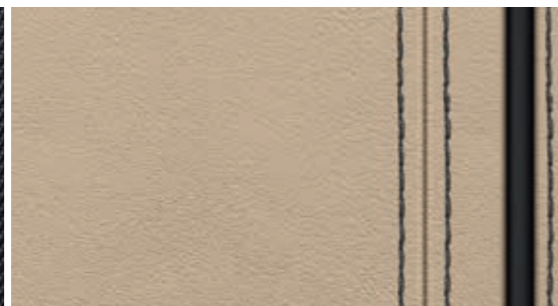
Exclusive comfort can be felt on the front and rear seats: thanks to high-quality materials and first-class workmanship. Regardless of which seat upholstery you choose, you're sitting in the right place.

Front sport seats in fine Nappa leather, cedar brown with pneumatically adjustable lumbar support and massage function
Image shows Audi design selection.

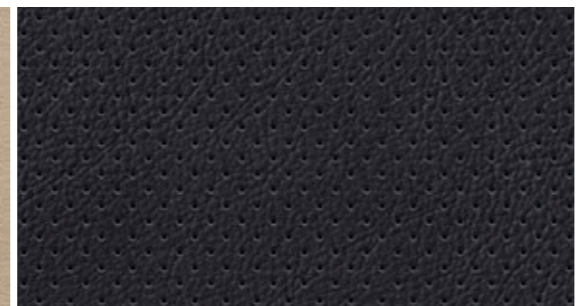
Front sport seats in fine Nappa leather, rotor grey with pneumatically adjustable lumbar support and massage function
Image shows S line sport package.



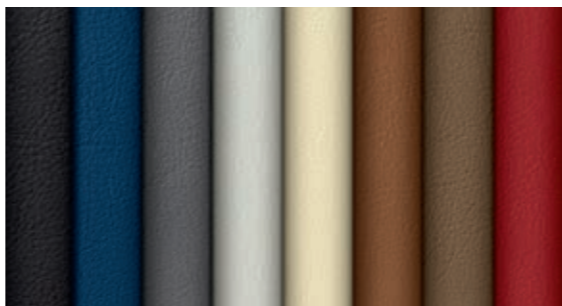
Concept cloth, black



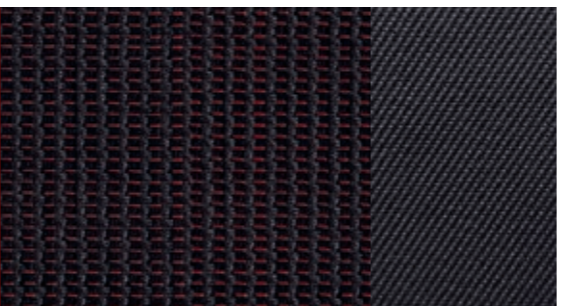
Fine Nappa leather, Atlas beige with contrasting stitching and piping in granite grey



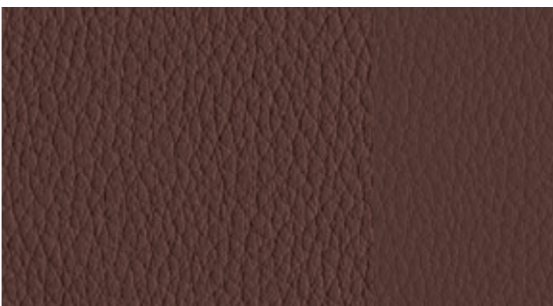
Perforated Milano leather, black



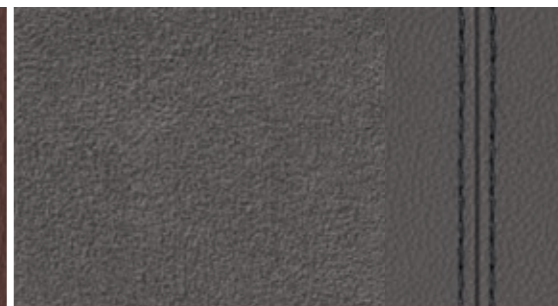
Audi exclusive leather upholstery and trim
From Audi Sport GmbH



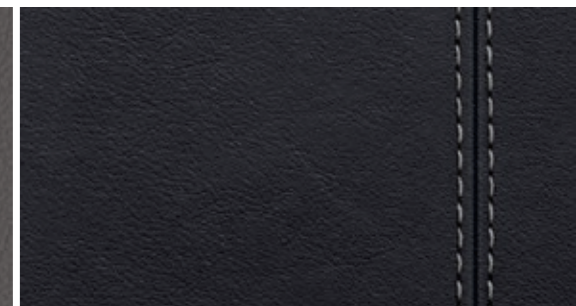
System cloth, black-red



Leather/artificial leather combination, nougat brown



Alcantara/leather combination, rotor grey with contrasting stitching



Fine Nappa leather, black with contrasting stitching

The figures for fuel consumption and CO₂ emissions can be found from page 52 onwards.
Many additional seat upholstery options can be found at www.audi.com

Some of the equipment illustrated or described is optional equipment for which an extra charge is made. Please contact your Audi partner or visit www.audi.com for detailed information about standard and optional equipment.

More exclusive.

With inlays.

Exclusive ambience is a question of style.

Your style. A style you can refine right down

to the last detail. Create tangible accents

with high-quality Audi inlays. Experience the

fascination of selected materials:

fine woods, carbon, piano finish or aluminium trim –

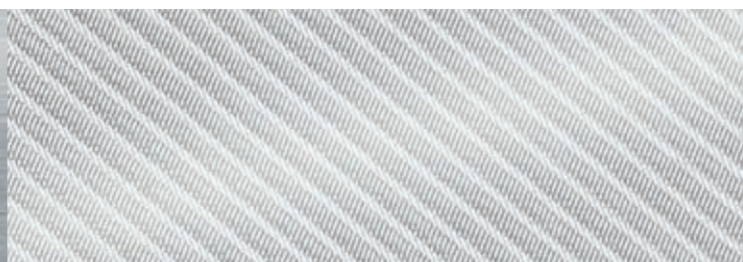
combine them to suit your own individual taste.



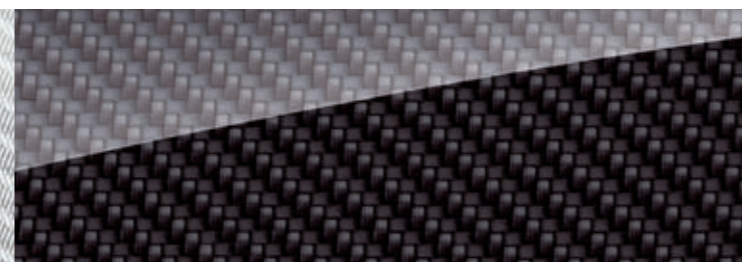
Aluminium ellipse, silver



Matt brushed aluminium



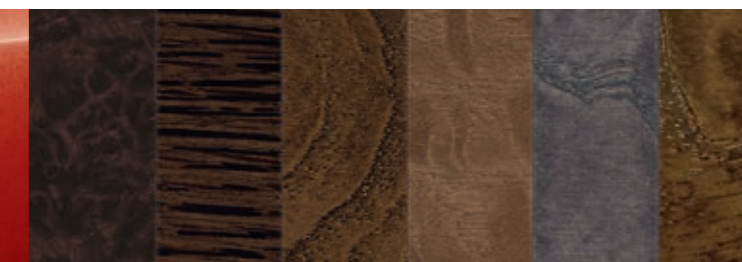
Aluminium trimaran



Carbon twill
From Audi Sport GmbH



Audi exclusive painted inlays
From Audi Sport GmbH



Audi exclusive wood inlays
From Audi Sport GmbH

The figures for fuel consumption and CO₂ emissions can be found from page 52 onwards.
Many additional inlays can be found at www.audi.com

Some of the equipment illustrated or described is optional equipment for which an extra charge is made. Please contact your Audi partner or visit www.audi.com for detailed information about standard and optional equipment.

As individual as the life you lead.

Audi Genuine Accessories provide you with numerous ways of adding even more facets to your Audi A4. With products that keep our quality promise day in, day out. Benefit from custom solutions with fascinating design and a high level of functionality. Further information on these and other highlights is available from your Audi partner.



Further information can be obtained from the accessories catalogue and from your Audi partner.



01

The figures for fuel consumption and CO₂ emissions can be found from page 52 onwards. Audi Genuine Accessories are available from AUDI AG for an extra charge and are not factored in when calculating the vehicle's fuel consumption and emission figures. Accessories can be fitted only after initial registration.



02



04

48
—
49

05



03

- 01** _ Ski and luggage boxes – available in the colours brilliant black and platinum grey with brilliant black side blade (shown on left) and in the sizes 300 l, 360 l (shown on left) and 405 l – in combination with separately available carrier unit
- 02** _ Audi Entertainment mobile – tablet with 10.1-inch touch display
- 03** _ Cast aluminium wheels in 5-arm sidus design – size 8.5 J x 19
- 04** _ Exterior mirror housings – in carbon
- 05** _ Partition grille – for the luggage compartment
- 06** _ Audi child seat youngster plus – for children between 15 and 36 kg (approximately 4 to 12 years of age)



06

The fascination of the Audi A4. Find out more online.

Discover the world of the new Audi A4.

More information, more individuality and more exclusivity.

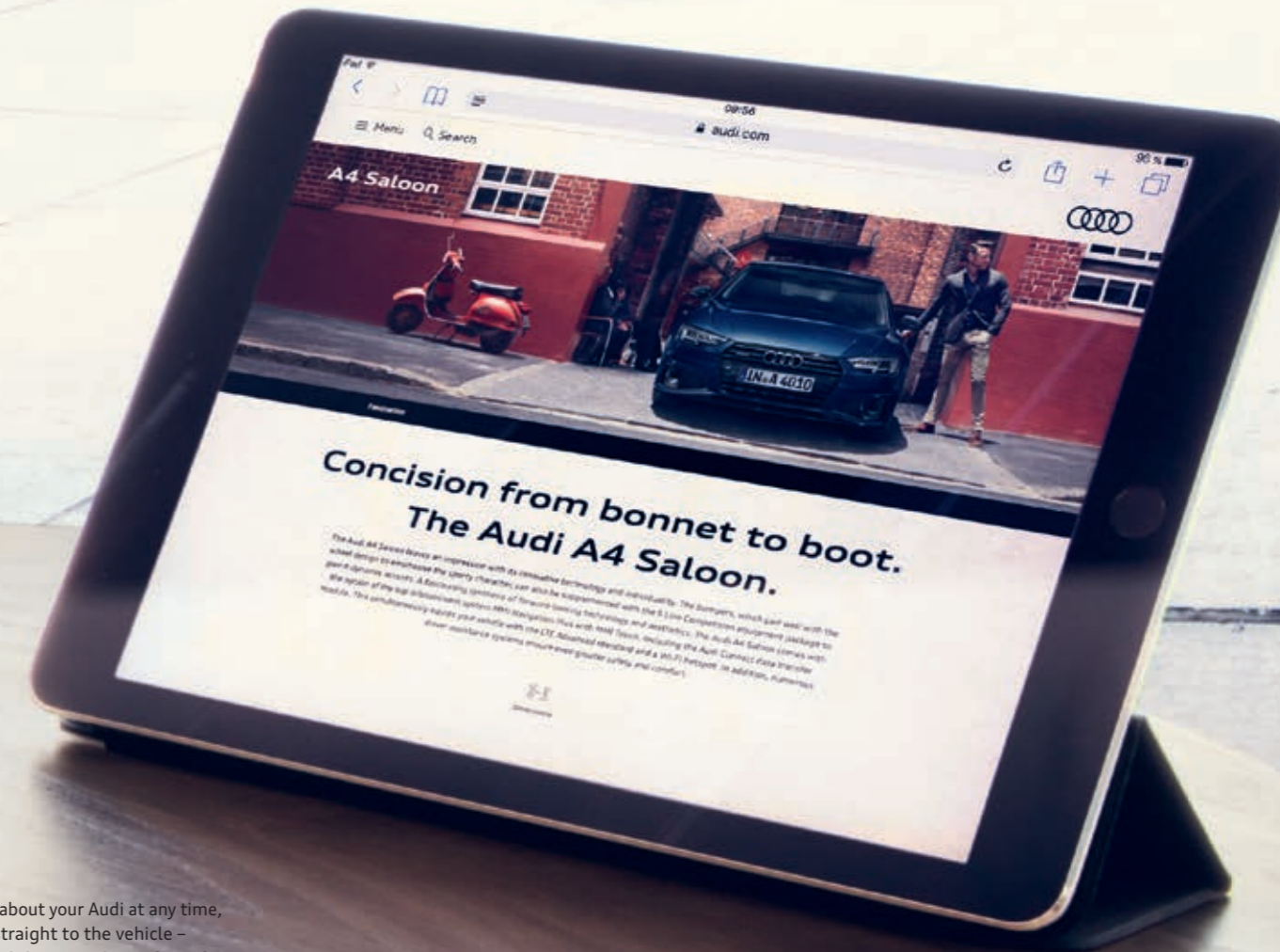
Now at www.audi.com.



Scan the QR code using your smartphone or tablet and discover the world of the Audi A4. Connection costs depend on your mobile phone contract.

The figures for fuel consumption and CO₂ emissions can be found from page 52 onwards.

¹The availability of services may vary depending on the model and equipment of your Audi. Audi connect is a prerequisite for using some services. Further information about myAudi is available at www.audi.com/myaudi; for information on Audi connect visit www.audi.com/connect.



myAudi app¹

Access vehicle and service information about your Audi at any time, plan journeys and send destinations straight to the vehicle – all with a single app. You can download the myAudi app free of charge from the App Store or the Google Play Store™. The app is available for iOS and Android.

Technical data

Model	Audi A4 35 TFSI (110 kW)				Audi A4 40 TFSI (140 kW)				Audi A4 35 TDI (110 kW)		Audi A4 40 TDI (140 kW)	
Engine type	4-cylinder inline petrol engine with direct fuel injection and turbocharging				4-cylinder inline petrol engine with direct fuel injection, turbocharging and Audi valvelift system				4-cylinder inline diesel engine with common rail injection system and turbocharging		4-cylinder inline diesel engine with common rail injection system and turbocharging	
Displacement in cc (valves per cylinder)	1,984 (4)				1,984 (4)				1,968 (4)		1,968 (4)	
Max. output ¹ in kW at rpm	110/3,900–6,000				140/4,200–6,000				110/3,250–4,200		140/3,800–4,200	
Max. torque in Nm at rpm	270/1,350–3,900				320/1,450–4,200				320/1,500–3,250		400/1,750–3,000	
Power transmission												
Drive type	Front-wheel drive				Front-wheel drive				Front-wheel drive		Front-wheel drive	
Transmission type	6-speed manual transmission [7-speed S tronic]				6-speed manual transmission [7-speed S tronic]				[7-speed S tronic]		[7-speed S tronic]	
Weights/capacities	Saloon		Avant		Saloon		Avant		Saloon		Avant	
Unladen weight ² in kg	1,485	[1,510]	1,540	[1,570]	1,495	[1,520]	1,550	[1,580]	[1,540]	[1,595]	[1,555]	[1,605]
Gross vehicle weight in kg	2,000	[2,035]	2,065	[2,100]	2,010	[2,040]	2,080	[2,115]	[2,085]	[2,150]	[2,090]	[2,160]
Permissible roof load limit/nose weight in kg	90/80	[90/80]	90/80	[90/80]	90/80	[90/80]	90/80	[90/80]	[90/80]	[90/80]	[90/80]	[90/80]
Trailer load limit ³ in kg unbraked	740	[750]	750	[750]	740	[750]	750	[750]	[750]	[750]	[750]	[750]
12 % gradient	1,400	[1,500]	1,400	[1,500]	1,500	[1,500]	1,500	[1,500]	[1,700]	[1,700]	[1,700]	[1,700]
8 % gradient	1,600	[1,700]	1,600	[1,700]	1,700	[1,700]	1,700	[1,700]	[1,900]	[1,900]	[1,900]	[1,900]
Fuel tank capacity, approx. in l	54	[54]	54	[54]	54	[54]	54	[54]	40 (54) ⁹ /AdBlue ^{®4} tank: 12		40 (54) ⁹ /AdBlue ^{®4} tank: 12	
Performance/consumption												
Top speed in km/h	224	[225]	219	[220]	241 ⁵	[241] ⁵	236	[238]	[219]	[213]	[241]	[231]
Acceleration 0–100 km/h in s	8.6	[8.9]	8.9	[9.2]	7.2	[7.3]	7.5	[7.5]	[8.9]	[9.2]	[7.7]	[7.9]
Fuel grade	Sulphur-free Super RON 95 ⁶				Sulphur-free Super RON 95 ⁶				Sulphur-free diesel ⁷		Sulphur-free diesel ⁷	
Fuel consumption ⁸ in l/100 km												
urban	7.8–7.4	[7.5–7.1]	7.8–7.5	[7.5–7.1]	7.6–7.0	[7.7–7.4]	7.6–7.1	[7.6–7.4]	[5.0–4.9]	[5.0–4.9]	[5.1–4.9]	[5.1–4.9]
extra-urban	5.0–4.6	[5.0–4.6]	5.1–4.6	[5.1–4.7]	5.1–4.6	[5.1–4.7]	5.2–4.7	[5.2–4.8]	[4.3–3.8]	[4.4–3.9]	[4.2–4.0]	[4.3–4.1]
combined	6.0–5.6	[5.9–5.5]	6.1–5.7	[6.0–5.6]	6.0–5.5	[5.9–5.8]	6.1–5.6	[6.0–5.8]	[4.6–4.2]	[4.6–4.3]	[4.5–4.3]	[4.6–4.4]
CO ₂ emissions ⁸ in g/km												
combined	137–128	[135–126]	139–129	[137–127]	137–126	[137–132]	138–127	[137–133]	[120–110]	[121–112]	[120–114]	[121–115]
Emission standard	EU6	[EU6]	EU6	[EU6]	EU6	[EU6]	EU6	[EU6]	[EU6]	[EU6]	[EU6]	[EU6]

[] Figures in square brackets refer to S tronic. Explanation of ¹ to ⁸ on page 53.

















Model	Audi A4 40 TDI quattro (140 kW)	
Engine type	4-cylinder inline diesel engine with common rail injection system and turbocharging	
Displacement in cc (valves per cylinder)	1,968 (4)	
Max. output ¹ in kW at rpm	140/3,800–4,200	
Max. torque in Nm at rpm	400/1,750–3,000	
Power transmission		
Drive type	quattro permanent all-wheel drive	
Transmission type	[7-Gang S tronic]	
Weights/capacities	Saloon	Avant
Unladen weight ² in kg	[1,650]	[1,690]
Gross vehicle weight in kg	[2,160]	[2,225]
Permissible roof load limit/nose weight in kg	[90/80]	[90/80]
Trailer load limit ³ in kg unbraked	[750]	[750]
12 % gradient	[1,800]	[1,800]
8 % gradient	[2,000]	[2,000]
Fuel tank capacity, approx. in l	58/AdBlue ^{®4} tank: 12	
Performance/consumption		
Top speed in km/h	[235]	[230]
Acceleration 0–100 km/h in s	[7.4]	[7.6]
Fuel grade	Sulphur-free diesel ⁷	
Fuel consumption ⁸ in l/100 km		
urban	[5.9–5.8]	[5.9–5.8]
extra-urban	[4.8–4.6]	[4.9–4.7]
combined	[5.2–5.0]	[5.3–5.1]
CO ₂ emissions ⁸ in g/km		
combined	[138–133]	[140–134]
Emission standard	[EU6]	[EU6]

Explanatory notes

- The figure given was calculated using the specified measuring procedure (current version of UN-R 85).
- Unladen vehicle weight includes driver (75 kg) and fuel tank 90 % full, calculated in accordance with the current version of Reg. (EU) 1230/2012. Optional equipment may increase the car's unladen weight and drag coefficient, whereupon the possible payload limit and the top speed will be reduced accordingly.
- The engine's power output always decreases with increasing altitude. At 1,000 m above sea level, and for every additional 1,000 m, deduct 10 % from the weight of the outfit (trailer load limit + gross weight of the towing vehicle). Figure for trailer load limit applies to factory-fitted trailer towing hitch. If using the vehicle with a trailer towing hitch for commercial purposes, a digital tachograph may be required under certain conditions.
- Refill the separate AdBlue tank as indicated by the information in the display of the instrument cluster. We recommend having the AdBlue tank refilled by your Audi partner. AdBlue is a registered trademark of the Verband der Automobilindustrie e. V. (VDA).
- Regulated.
- We recommend using sulphur-free SuperPlus unleaded RON 95 fuel complying with DIN EN 228. If this is not available, use sulphur-free super unleaded RON 91 fuel complying with DIN EN 228; power output will be slightly reduced. Unleaded RON 95 fuel with a maximum ethanol content of 10 % (E10) can generally be used. Fuel consumption details refer to operation with RON 95 fuel complying with 692/2008/EC.
- We recommend using sulphur-free diesel complying with DIN EN 590. If this is not available, use diesel complying with DIN EN 590.
- The specified fuel consumption and emission data have been determined according to the measurement procedures prescribed by law. Since 1 September 2017, certain new vehicles are already being type-approved according to the Worldwide Harmonized Light Vehicles Test Procedure (WLTP), a more realistic test procedure for measuring fuel consumption and CO₂ emissions. Starting on 1 September 2018, the New European Driving Cycle (NEDC) will be replaced by the WLTP in stages. Owing to the more realistic test conditions, the fuel consumption and CO₂ emissions measured according to the WLTP will, in many cases, be higher than those measured according to the NEDC. For further information on the differences between the WLTP and NEDC, please visit our website. We are currently still required by law to state the NEDC figures. In the case of new vehicles which have been type-approved according to the WLTP, the NEDC figures are derived from the WLTP data. It is possible to specify the WLTP figures voluntarily in addition until such time as this is required by law. In cases where the NEDC figures are specified as value ranges, these do not refer to a particular individual vehicle and do not constitute part of the sales offering. They are intended exclusively as a means of comparison between different vehicle types. Additional equipment and accessories (e.g. add-on parts, different tyre formats, etc.) may change the relevant vehicle parameters, such as weight, rolling resistance and aerodynamics, and, in conjunction with weather and traffic conditions and individual driving style, may affect fuel consumption, electrical power consumption, CO₂ emissions and the performance figures for the vehicle.
- Optional.

Classifications of tyre parameters

The table shows the range of fuel efficiency, wet grip and exterior noise emission classes for the different tyre sizes of the Audi A4 Saloon and the Audi A4 Avant.

	Tyre size	Fuel efficiency class	Wet grip class	Exterior noise emission class
Summer tyres	205/60 R 16	C–B	B–A	72–70 
	225/50 R 17	C–B	B–A	72–69  – 
	225/55 R 17	C	A	70–69 
	245/40 R 18	E–C	B–A	72–70 
	245/45 R 18	C	A	71 
Winter tyres	245/35 R 19	E	A	73–71 
	245/40 R 19	E	A	72 
	205/60 R 16	F–C	C	72–68  – 
	225/50 R 17	E–C	C–B	72–71 
	225/55 R 17	E–C	B	72–68 
All-season tyres	245/40 R 18	E	B	72 
	225/45 R 18	E–C	B	70 
	245/45 R 18	E	C	70 
All-season tyres	225/50 R 17	B	C	69 

It is not possible to order a specific tyre.

Ask your Audi partner about the range of tyres available in your country.

Important note

Special information about the wheels: Wheels with gloss turned or gloss milled finish as well as polished or partly polished aluminium wheels must not be used in wintry road conditions. For manufacturing reasons, the rim surface does not have sufficient corrosion protection for such use and can be damaged permanently by road salt or similar.

Equipment for the Audi A4 Saloon illustrated (p. 2–23):

Paint finish: Ascari blue, metallic

Wheels: Audi Sport cast aluminium wheels in 5-V-spoke star design in matt titanium look, gloss turned finish^{1,2}

Seats/seat upholstery: front sport seats in fine Nappa leather, rotor grey with contrasting stitching in rock grey

Inlays: matt brushed aluminium

Other equipment: S line black

Equipment for the Audi A4 Avant illustrated (p. 2–23):

Paint finish: quantum grey

Wheels: Audi Sport cast aluminium wheels in 5-arm rotor design in matt titanium look, gloss turned finish^{1,2}

Seats/seat upholstery: front sport seats in fine Nappa leather, cedar brown with contrasting stitching and piping in granite grey

Inlays: oak, natural grey

Other equipment: Audi design selection, S line exterior package

Legal notice about Audi connect navigation & infotainment with customer's own SIM card

Use of the services supported by Audi connect is possible only with an optional navigation system and Audi connect (including car phone – depending on the vehicle model). Depending on the vehicle model, you will also require a SIM card with data option and with LTE option to use LTE³ – with car phone, a SIM card with telephone and data option or a Bluetooth-capable smartphone with remote SIM Access Profile (rSAP)⁴. The services are available only with an existing or separate mobile phone contract and only within the range of the respective mobile phone network. Depending on the terms of your mobile phone contract, additional costs may be incurred when receiving data packets from the internet, particularly when used abroad. Due to the high data volumes involved, a data flat rate is strongly recommended.

The availability of the services supported by Audi connect navigation & infotainment varies from country to country. The services are generally provided for at least 1 year from vehicle delivery. If Audi connect services are based on services from third-party providers, permanent availability cannot be guaranteed as this is the responsibility of the third-party provider. Following a period of 24 months from vehicle delivery, Audi connect services are extended once free of charge for 12 months. If you do not require this extension, please write to:

AUDI AG

Audi International Customer Care Services

85045 Ingolstadt, Germany

Email: kundenbetreuung@audi.de

Tel.: +49 800 28347378423

Ask your Audi partner about a subsequent extension of the Audi connect services. Depending on the vehicle model, Audi connect provides access to Google and Twitter services. Permanent availability cannot be guaranteed as this is the responsibility of Google and Twitter. Please visit www.audi.com/connect or contact your Audi partner for more detailed information about Audi connect; contact your mobile services provider for information about contract conditions.

Legal notice about Audi connect navigation & infotainment via a SIM card permanently installed in the vehicle

Use of the services supported by Audi connect is possible only in conjunction with an optional navigation system. Audi connect services are provided through AUDI AG / importers. The data connection for Audi connect services is set up through a mobile services provider via a SIM card permanently installed in the vehicle. The costs for these data connections are included in the price of the Audi connect services. The data connection for the Wi-Fi hotspot and online media streaming as well as other services offered via an Audi smartphone app are not included. The data connection for the Wi-Fi hotspot as well as online media streaming and other services offered via an Audi smartphone app is also established via the SIM card permanently installed in the vehicle and a payable data tariff from the Audi provider. You will find information about tariffs and booking at www.audi.com/myaudi.

Alternatively, an external customer SIM card can be inserted into the card slot to establish a data connection. In conjunction with the optional Audi phone box, a Bluetooth-capable smartphone with remote SIM Access Profile (rSAP)⁴ can be connected to use the integrated car phone function. If an external SIM card is inserted into the card slot or connected via rSAP, all data connections, for both the Audi connect services as well as for the Wi-Fi hotspot, will be established via this external SIM card. In such cases, the costs incurred are added to those accrued via the external SIM card.

The availability of the services supported by Audi connect navigation & infotainment varies from country to country. The teaser phase is for 3 months from initial registration and automatically ends after these 3 months. Upon the purchase of an Audi connect navigation & infotainment licence, these 3 months shall not count towards the total duration of the Audi connect services. The services are generally provided for at least 1 year from vehicle delivery. If Audi connect services are based on services from third-party providers, permanent availability cannot be guaranteed as this is the responsibility of the third-party provider. Following a period of 24 months from vehicle delivery, the Audi connect services will be extended once free of charge for 12 months. If you do not require this extension, please write to:

AUDI AG

Audi International Customer Care Services

85045 Ingolstadt, Germany

Email: kundenbetreuung@audi.de

Tel.: +49 800 28347378423

Ask your Audi partner about a subsequent extension of the Audi connect services. Depending on the vehicle model, Audi connect provides access to Google and Twitter services. Permanent availability cannot be guaranteed as this is the responsibility of Google and Twitter. Please visit www.audi.com/connect or contact your Audi partner for more detailed information about Audi connect; contact your mobile services provider for information about contract conditions.

¹ From Audi Sport GmbH. ² Please note the special information about wheels on page 54. ³ Requires LTE card contract for full use. For information about the availability and use of LTE support, please contact your Audi partner.

⁴ Please contact your Audi partner or visit www.audi.com/bluetooth for information on compatible mobile phones.

Legal notice about Audi connect emergency call & service including remote services

The services are provided via a SIM card installed in the vehicle. The costs of calls and data connections are included in the price of the services. The services provided by Audi are available only within the coverage of the mobile phone network of the mobile phone provider chosen by Audi. The Audi connect services emergency call, online roadside assist, Audi incident assistance and Audi service request are available for 10 years from vehicle delivery in the following countries: Austria, Belgium, Bulgaria, Finland, France, Germany, Gibraltar, Greece, Hungary, Ireland, Italy, Liechtenstein, Lithuania, Luxembourg, Malta, Monaco, the Netherlands, Norway, Poland, Portugal, Romania, Spain, Sweden, Switzerland, the UK.

Ask your Audi partner about when the services will become available in additional European countries and about the availability of the optional equipment.

The Audi connect remote services can be used free of charge for 3 years from vehicle delivery and can then be extended at an extra charge.

Further information:

Disruption to the services may occur due to force majeure and official orders as well as technical or other measures carried out on the systems of AUDI AG, suppliers or network operators to ensure their proper function (e. g. maintenance, repairs, system-related software updates, extensions). AUDI AG will make every reasonable effort to end such disruption as quickly as possible or to work towards a resolution.

Legal notice about the Audi smartphone interface

Please contact your Audi partner for information on compatible mobile phones. For information on availability in different countries, please contact your Audi partner. Audi has no influence over which applications are displayed via the Audi smartphone interface. The respective service providers are responsible for the content and functions displayed within the applications.

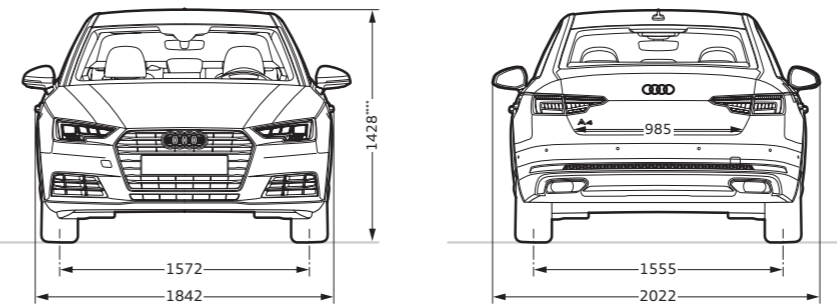
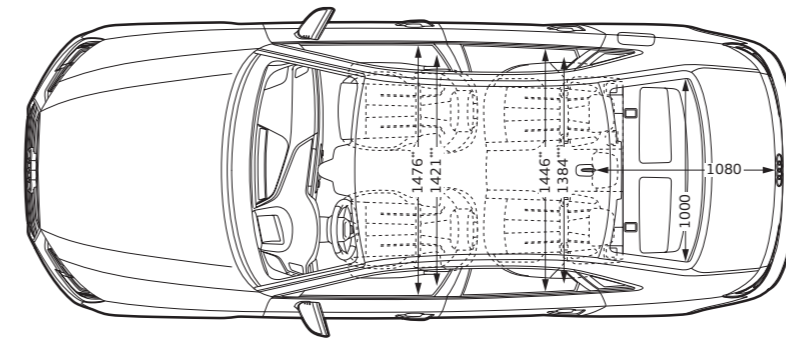
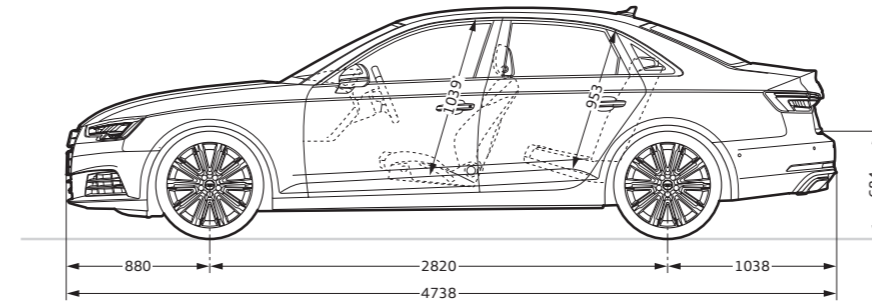
Audi A4 Saloon

Dimensions in mm

Dimensions are for unladen vehicle weight. Luggage capacity¹ 480/965 l (second value with rear seat backrest folded down and vehicle loaded up to the parcel shelf). Turning circle approx. 11.6 m.

*Maximum headroom. **Elbow room width.

Shoulder room width. *With roof aerial the height of the vehicle is 1,431 mm.

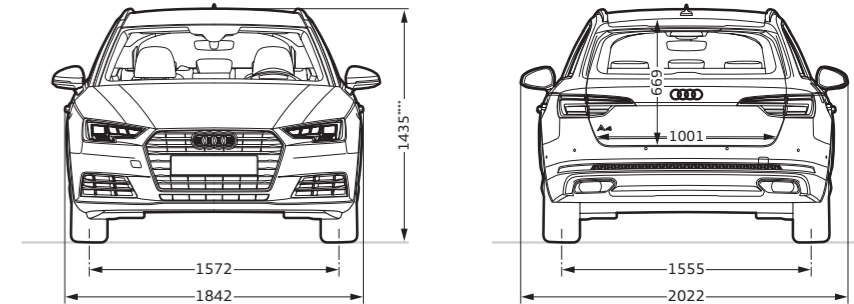
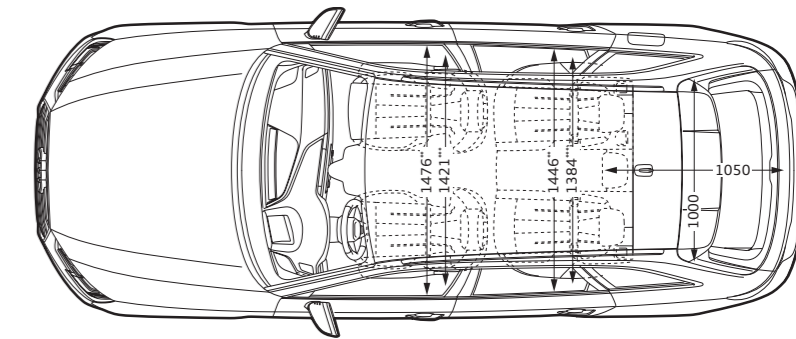
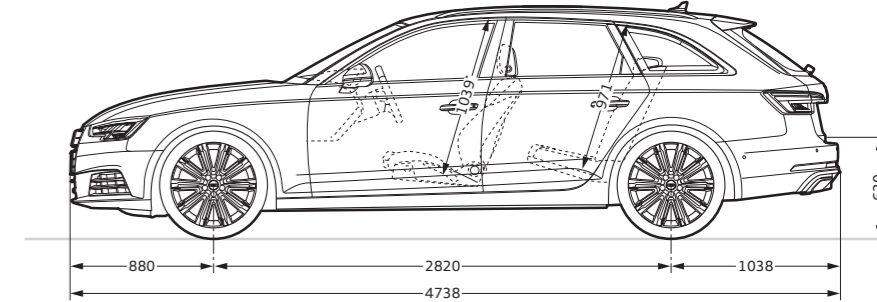
**Audi A4 Avant**

Dimensions in mm

Dimensions are for unladen vehicle weight. Luggage capacity¹ for TFSI 495/1,495 l; for TDI 505/1,510 l (second value with rear seat backrest folded down and vehicle loaded up to roof height). Turning circle approx. 11.6 m.

*Maximum headroom. **Elbow room width.

Shoulder room width. *With roof aerial the height of the vehicle is 1,460 mm.



¹Technical specifications refer to a basic vehicle without country-specific features and selected optional equipment.

AUDI AG

Auto-Union-Strasse 1

85045 Ingolstadt

www.audi.com

Date published: November 2018

The vehicles and equipment versions illustrated and described in this brochure and some of the services listed are not available in all countries. Some of the cars illustrated are equipped with optional features for which an extra charge is made. Details concerning the delivery specifications, appearance, performance, dimensions and weights, fuel consumption and running costs of the vehicles were correct to the best of our knowledge at the time of going to press. Deviations from the colours and shapes shown in the illustrations may occur. No liability is accepted for errors and printing errors. The right to introduce modifications is reserved. Not to be reproduced, including in part, without the written approval of AUDI AG.

Printed in Germany
833/115D.42.18

This brochure is printed on paper made from pulp bleached without the use of chlorine.