



# A8 S8

A8 | A8 L | A8 L W12 | S8







**Motionless, it still commands respect.**

Offering a variety of configurations, the A8 is peerless. Power, performance and luxury, not typical of an automobile, are all unparalleled in the finest Audi has to offer.





Reserved for pure luxury.





**Limited only in quantity.**

Swift, yet sumptuous, the A8 L W12 assumes its place as the definitive luxury car among those who know.



A8 L W12 shown





Unparalleled attention  
to absolutely everything.



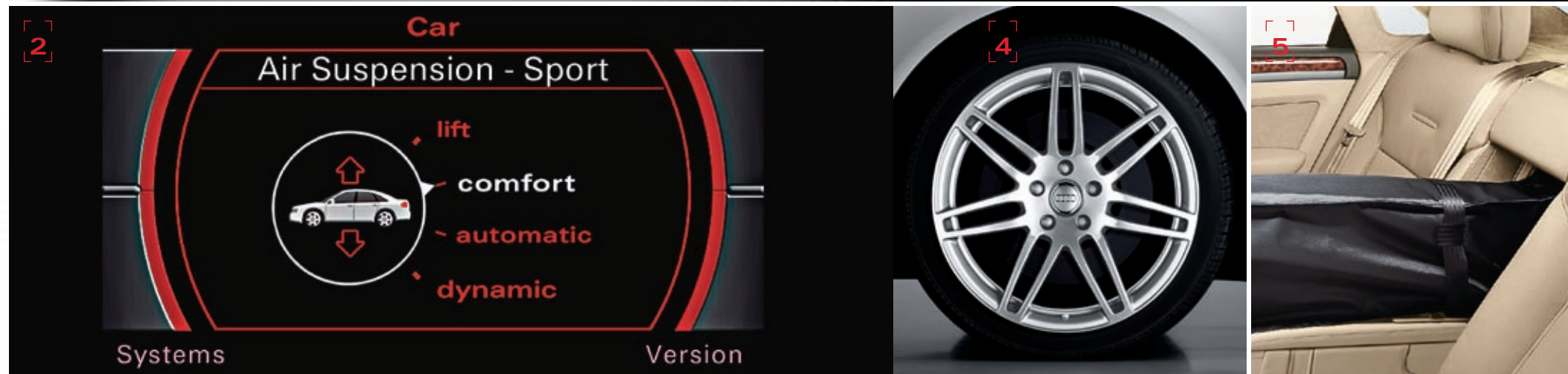


**The double entendre of power.**

With the all-aluminum Audi Space Frame [ASF®], a ferocious V10 and the legendary traction and performance of quattro® all-wheel drive, it is a power suit in every sense of the word.







**Technology Package**

- 1. **Audi side assist** | Audi side assist system monitors the blind spot areas, as well as fast-approaching vehicles within a range from 150 ft. to the rear of the car. If Audi side assist identifies another vehicle, it informs the driver via an LED light in the exterior mirror.
- + **Audi lane assist** | Audi lane assist detects when the driver is outside of traffic lanes and sends a warning via a vibrating steering wheel.
- + **Audi adaptive cruise control** | Adaptive cruise control monitors distance to the vehicle in front via radar sensors and automatically reduces speed and resumes speed to maintain the driver-selected distance.

+ Feature not shown.

**Sport Package** [A8, A8 L]

- 2. **Audi adaptive air suspension-sport** | As compared to the standard Audi adaptive air suspension, this feature has been tuned to deliver a more dynamic ride. Adaptive air suspension-sport is an electronically controlled air suspension system at all four wheels with a continuously adapting system. A change in ride height results in a lower center of gravity and increased directional stability.
- 3. **Sport steering wheel** | The three-spoke, leather-wrapped multifunction steering wheel provides easy access to infotainment functions.
- 4. **20" seven-twin-spoke wheel with summer performance tires\*** | The impressive 20" wheel is equipped with summer performance tires\*, which help to improve handling and driving dynamics.
- + **Shift paddles** | A8 models equipped with the Sport Package receive shift paddles in the three-spoke sport steering wheel that allow effortless, race-inspired gear shifting that keeps the driver's hands on the steering wheel.

**Cold Weather Package** [A8, A8 L, S8]

- 5. **Ski sack with rear seat pass-through** | The ski sack and rear seat pass-through optimizes the storage space and usability of the already roomy A8 interior.
- + **Heated, four-spoke, multifunction steering wheel** | The heated, multifunction, four-spoke steering wheel provides easy access to infotainment functions.
- + **Heated rear seats** | The multilevel seat heating system is designed to heat the entire surface of the seat; warming is initiated with a convenient knob.

\* See page 37 for important safety information regarding summer performance tires.



## A8. 4.2 [standard feature highlights]

- 1. BI-XENON™ headlights with automatic self-leveling** | BI-XENON™ headlights use gas-discharge lamps that are electronically controlled. The result is a bright arc that serves as an excellent light source to illuminate the road.
  - 2. [Optional on A8; standard on A8 L] Four-zone climate control** | Both driver and front passenger as well as the occupants of the outer rear seats can select their required temperature and distribution of air individually for their particular seat.
  - 3. Wood decorative inlays** | The genuine wood decorative inlays in the dash, center console and door panels add a refined touch of luxury to the A8.
  - 4. Leather-wrapped, four-spoke, multifunction steering wheel** | The four-spoke, leather-wrapped design has a refined look and feel. The multifunction steering wheel provides easy access to infotainment functions.
  - 5. 16-way power driver and front passenger seats** | The 16-way power seats come equipped with memory system and adjustment for forward/backward position, seat height, seat and backrest angle, and electric lumbar support.
- + **Audi adaptive light** | Utilizing input from the steering and speed of the vehicle, adaptive headlights pivot up to 15 degrees to allow the driver to see ahead in the dark by lighting up corners more effectively.
  - + **Audi adaptive air suspension** | Adaptive air suspension is an electronically controlled air suspension system at all four wheels with a continuously adaptive damping system. A change in ride height results in a lower center of gravity and increased directional stability. Uniting sporty handling with a high level of ride comfort, the vehicle's aerodynamics are enhanced at the same time.
  - + **Four-position memory for driver and front passenger seats** | With adjustment for forward/backward position, seat height, seat and backrest angle, and electric lumbar support.
  - + **Heated front seats** | The multilevel seat heating system is designed to heat the entire surface of the seat; warming is initiated with a convenient knob.
  - + **18" ten-spoke wheel with all-season tires** | The ten-spoke design is a refined choice, matching the sophistication of the Audi A8. The lightweight alloy helps to improve driving dynamics, while the all-season tires help ensure a safe and comfortable ride.

+ Feature not shown.





## A8. 4.2

1.

**MMI® Advanced with retractable seven-inch color display** | The MMI® [Multi-Media Interface] provides an easy-to-use interface for the advanced technology of the A8. MMI® connects you with every advanced system of your Audi, making a remarkable vehicle an intuitive extension of yourself. Controlling everything from the DVD-based navigation system to the Bluetooth® communications will become second nature. You will manage satellite radio, CDs and vehicle systems with ease, creating a driving experience like no other.

2.

**Bluetooth®** | The Bluetooth® hands-free phone interface allows you to pair a Bluetooth®-enabled mobile phone with your Audi and access your phone book within the driver information display in your instrument panel. For specific compatibility and operation, refer to [audiusa.com/bluetooth](http://audiusa.com/bluetooth) or contact your local Audi dealer for the latest listing of compatible phones.

3.

**Audi music interface** | The Audi music interface offers intelligent integration with the iPod®. Any iPod® Generation 4 and higher [iPod, iPod nano, iPod photo] equipped with the Dock Connector may be connected through the glove box, and full iPod® controls are available through the MMI® screen.

4.

**Audi Navigation system** | The DVD-based Audi Navigation system features a full-color LCD screen and MMI® control logic. Navigation information is given as audible route guidance prompts and turn arrows via the color driver information display, as well as through a detailed color map on the main screen.

+

**HomeLink® universal garage door opener** | HomeLink® is integrated into the overhead controls and uses a three-button system that controls garage doors, gates and even lights in the home.

+

**Power glass sunroof** | The power sunroof has slide-and-tilt functionality and pinch protection, giving the interior of the A8 a light and airy driving experience.

+

**BOSE® surround sound system with AudioPilot® noise compensation** | The 14 speakers include a center speaker and subwoofer matched with an eight-channel DSP amplifier with a total output of 255 watts. A microphone measures noise level and adjusts radio volume accordingly, resulting in balanced sound, despite background noise.

+

**Power door close assist** | This feature automatically assists passengers in opening and closing the side doors, making entry and exit of the A8 easy and comfortable.

+

**Power one-touch trunk open/close** | The trunk can automatically be opened with a touch of a button found in three useful locations; on the vehicle's key, on the lower side panel of the driver's door, and on the trunk lid itself. Additionally, a hands-free close button is found on the inside of the trunk lid.

+ Feature not shown.



5.

**Advanced parking system** | The rearview camera offers a real-time view of the rear parking area while the front and rear ultrasonic parking sensors measure the distance to the nearest objects and intermittent audible tones indicate the distance to the driver.

6.

**Power rear and manual side window sunshades** | The window shades help reduce the intensity of sunlight and heat buildup in the vehicle interior. That means more comfort and driving safety, particularly in the summer.

+

**Advanced key** | With Audi Advanced key, the car can be unlocked and started without removing the key from a pocket or purse. At the same time, the steering can be released and the ignition turned on electronically – all without inserting the key in the ignition.

+

**Backlit electro-luminescent instrument cluster** | The electro-luminescent instrument cluster gives the driver convenient and easily accessible information vital to the driving experience. Functions include timer, miles-to-empty, average MPG, average MPH, and instant MPG.

+

**Auto-dimming and power-folding exterior mirrors** | The exterior mirrors with automatic dimming recognize glaringly bright headlight beams behind the car and darken the mirror glass automatically. The power-folding feature helps protect the mirrors by automatically collapsing inward to fit in tight spaces.

+

**Voice recognition** | The Audi voice control system can be used to operate the most important navigation, radio and hands-free car phone functions by speaking the necessary commands.

+

**Eight-color LCD driver information display** | Conveniently located in the instrument panel, this user-friendly interface includes radio, telephone and navigation data, as well as information on the current operating status, which monitors the condition of vehicle components.

+

**SIRIUS® Satellite Radio** | Enjoy commercial-free music and more, available with a subscription to the SIRIUS® Satellite Radio network.

+

**Auto-dimming interior mirror** | The rearview mirror recognizes distracting bright light behind the car and darkens the mirror glass automatically.



## A8. Options

1.

**Bang & Olufsen Advanced Sound System** | This unrivaled sound system combines state-of-the-art technologies that include Acoustic Lens technology, proprietary Digital Signal Processing [DSP] and ICEpower digital amplification with a detailed study of the Audi interior. More than a sound system built into a car, the system is the ultimate driving and listening experience, a virtual concert hall on wheels.

2.

**Segmented wood/leather steering wheel** | The genuine wood and leather elements complement the overall interior excellence of the A8.

3.

**Alcantara® Package** | Alcantara® is a revolutionary suede-like fabric that is soft to the touch, colorful, comfortable, durable, easy to maintain, versatile and unique. It is used as an interior surface for seating inserts, steering wheels, headliners and hat shelf liners.

4.

**Solar sunroof** | The solar sunroof supplies power to the ventilation system to reduce interior temperatures by circulating fresh air while the ignition is off.

5.

**Front seat ventilation and massage** | Seat ventilation regulates heat and moisture by means of a fan in each of the front seatbacks, activated by a button within the climate control unit. The massage unit relaxes back muscles with movement of lumbar elements and is activated by a button on the side of the seat.

+

**19" five-spoke wheel with all-season tires** | The five-spoke design and finish on the wheel complements the elegant and powerful lines of the Audi A8. The lightweight alloy helps to improve driving dynamics, while the all-season tires help ensure a safe and comfortable ride.

+

**Rear seat electric lumbar** | The rear seats offer power adjustable lumbar support as well as adjustable head restraints for maximum comfort.

+ [A8 L Exclusive]

**Leather appointment upgrade** | The superior quality of leather and impeccable craftsmanship in the upgrades adds to the elegant and versatile driving experience.

+

**Dual pane acoustic and security glass** | The dual pane acoustic security glass produces a superior cabin sound and is laminated to provide improved break-in protection and superior acoustics.

+ Feature not shown.





## A8 L W12. 6.0 [standard feature highlights]

1.

**19" five-spoke wheel with all-season tires** | The five-spoke design and finish on the wheel complements the elegant and powerful lines of the Audi A8 L W12. The lightweight alloy helps to improve driving dynamics, while the all-season tires help ensure a safe and comfortable ride on virtually all driving surfaces.

2.

**Four-seat configuration with extended rear console** | Providing convenience and luxury for all passengers, the A8 L W12 features an extended rear console with headphone jacks, giving rear passengers maximum comfort and usability.

3.

**Advanced key** | With Audi Advanced key, the car can be unlocked and started without removing the key from a pocket or purse. At the same time, the steering can be released and the ignition turned on electronically – all without inserting the key in the ignition.

4.

**Advanced parking system** | The rearview camera offers a real-time view of the rear parking area while the front and rear ultrasonic parking sensors measure the distance to the nearest object. Intermittent audible tones indicate the distance to the driver.

5.

**Rear Seat Entertainment System** | The Rear Seat Entertainment System includes two screens in the front headrests, a DVD changer, headphones and remote control operation.

+

**Power door close assist** | This feature automatically assists the passengers in opening and closing the side doors, making entry and exit of the A8 L W12 easy and comfortable.

+

**Power rear and side window sunshades** | The window shades help reduce the intensity of sunlight and heat buildup in the vehicle interior. That means more comfort and driving safety, particularly in the summer.

+

**Four-zone climate control** | Both driver and front passengers as well as the occupants of the outer rear seats can select their required temperature and distribution of air individually for their particular seat.

+

**Segmented wood/leather steering wheel with wood shift knob** | The genuine wood and leather elements complement the overall interior excellence of the A8 L W12.

+

**Rear vanity mirrors** | Illuminated rear seat vanity mirrors.

+ Feature not shown.





## A8 L W12. Options

1.

**20" seven-double-spoke wheel with summer performance tires\*** | The impressive 20" wheel is equipped with summer performance tires for sportier handling and driving dynamics.

2.

**Leather appointment upgrade with premium stitching** | The superior leather upgrade includes upper dash, full door panels and front seat back pockets. This adds to the elegant, dynamic and versatile driving experience.

3.

**Personal refrigerator in pass-through** | The personal refrigerator provides rear seat passengers of the A8 L W12 with the ultimate in comfort and convenience.

4.

**Leather-wrapped shift knob with aluminum accents** | The quality and craftsmanship of leather and aluminum accents detail the overall interior excellence of the A8 L W12.

+

**Bang & Olufsen Advanced Sound System** | This unrivaled sound system combines state-of-the-art technologies that include Acoustic Lens technology, proprietary Digital Signal Processing [DSP] and ICEpower digital amplification with a detailed study of the Audi interior. More than a sound system built into a car, the system is the ultimate driving and listening experience, a virtual concert hall on wheels.

+

**Five seat configuration** | The spacious interior of the A8 L W12 is comprised of a rear bench that seats three, providing a comfortable ride for five passengers.

+

**Solar sunroof** | The solar sunroof supplies power to the ventilation system to reduce interior temperatures by circulating fresh air while the ignition is off.

+ Feature not shown.



\* See page 37 for important safety information regarding summer performance tires.



## S8. 5.2 [standard feature highlights]

1.

**20" five-double-spoke wheel with summer performance tires\*** | The 20" five-double-spoke wheel complements the sporty and aggressive look of the S8. The summer performance tires allow for sporty driving dynamics and responsive handling and performance.

2.

**Leather-wrapped, three-spoke, multifunction steering wheel with paddle shifters** | The three-spoke, leather-wrapped design has a sporty look and feel. The multifunction steering wheel provides easy access to infotainment functions.

3.

**Distinctive S model front and rear bumpers** | The distinct design of the front and rear S bumpers add a sporty and dynamic look to the exterior of the S8, playing off the already impressive stance of the vehicle.

4.

**Power folding mirrors in brushed aluminum optic** | The power folding feature helps protect the mirrors by collapsing inward to fit into tight spaces.

5.

**Rear spoiler integrated into trunk lid** | The sporty and elegant look of the S8 is accented by the rear spoiler integrated into the trunk lid.

+

**Backlit instrument cluster with S8 sport gauges** | The backlit instrument cluster gives the driver convenient and easily accessible information vital to the driving experience. Functions include timer, miles-to-empty, average MPG, average MPH and instant MPG.

+

**Ventilated disc brakes with S8 logo on calipers** | The ventilated disc brakes with S8 logo on the calipers add to the dynamic character of the vehicle while greatly enhancing its active safety.

+

**Power door close assist** | The front and rear side doors of the S8 are equipped with a power door close assist feature. This provides enhanced comfort and convenience when entering and exiting the vehicle.

\* Feature not shown.



+

**Advanced parking system** | The rearview camera offers a real-time view of the rear parking area while the front and rear ultrasonic parking sensors measure the distance to the nearest object. Intermittent audible tones indicate the distance to the driver.

+

**Power rear sunshade and manual rear window sunshades** | The window shades help reduce the intensity of sunlight and heat buildup in the vehicle interior. That means more driving comfort, particularly in the summer.

+

**Advanced key** | With Advanced key, the car can be unlocked and started without removing the key from a pocket or purse. At the same time, the steering can be released and the ignition turned on electronically – all without inserting the key in the ignition.

+

**Power one-touch trunk open/close** | The trunk can automatically be opened with a touch of a button found in three useful locations; on the vehicle's key, on the lower side panel of the driver's door, and on the trunk lid itself. Additionally, a hands-free close button is found on the inside of the trunk lid.

+

**Split folding center armrests with adjustable height** | The split, adjustable armrests give both the driver and front passenger a comfortable and unique driving experience.

\* See page 37 for important safety information regarding summer performance tires.



## S8. Options

1.

**Bang & Olufsen Advanced Sound System** | This unrivaled sound system combines state-of-the-art technologies that include Acoustic Lens technology, proprietary Digital Signal Processing [DSP] and ICEpower digital amplification with a detailed study of the Audi interior. More than a sound system built into a car, the system is the ultimate driving and listening experience, a virtual concert hall on wheels.

2.

**Carbon fiber decorative inlays** | The sporty carbon fiber trim accents the overall interior excellence.

3.

**Four-zone climate control** | Both driver and front passenger as well as the occupants of the outer rear seats can select their required temperature and distribution of air individually for their particular seat.

4.

**Black Alcantara® headliner** | The black Alcantara® headliner is a unique and revolutionary suede-like fabric that is soft to the touch, durable and easy to maintain.

5.

**Leather appointment upgrade** | The superior leather upgrade includes upper and lower dashboard, full door panels, front seat back pockets, gray Vavona wood inlays and Alcantara® headliner in either black or interior color leather.

+

**Solar sunroof** | The solar sunroof supplies power to the ventilation system to reduce interior temperatures by circulating fresh air while the ignition is off.

+

**Rear seat electric lumbar** | The rear seats offer power adjustable lumbar support as well as adjustable head restraints for maximum comfort.

\* Feature not shown.





## A8 | S8. Wheels



### 1. A8, A8 L

**18" alloy ten-spoke wheel with all-season tires** | The ten-spoke design is a refined choice, matching the sophistication of the Audi A8. The lightweight alloy helps to improve driving dynamics, while the all-season tires help ensure a safe and comfortable ride.

### 2. A8, A8 L, A8 L W12

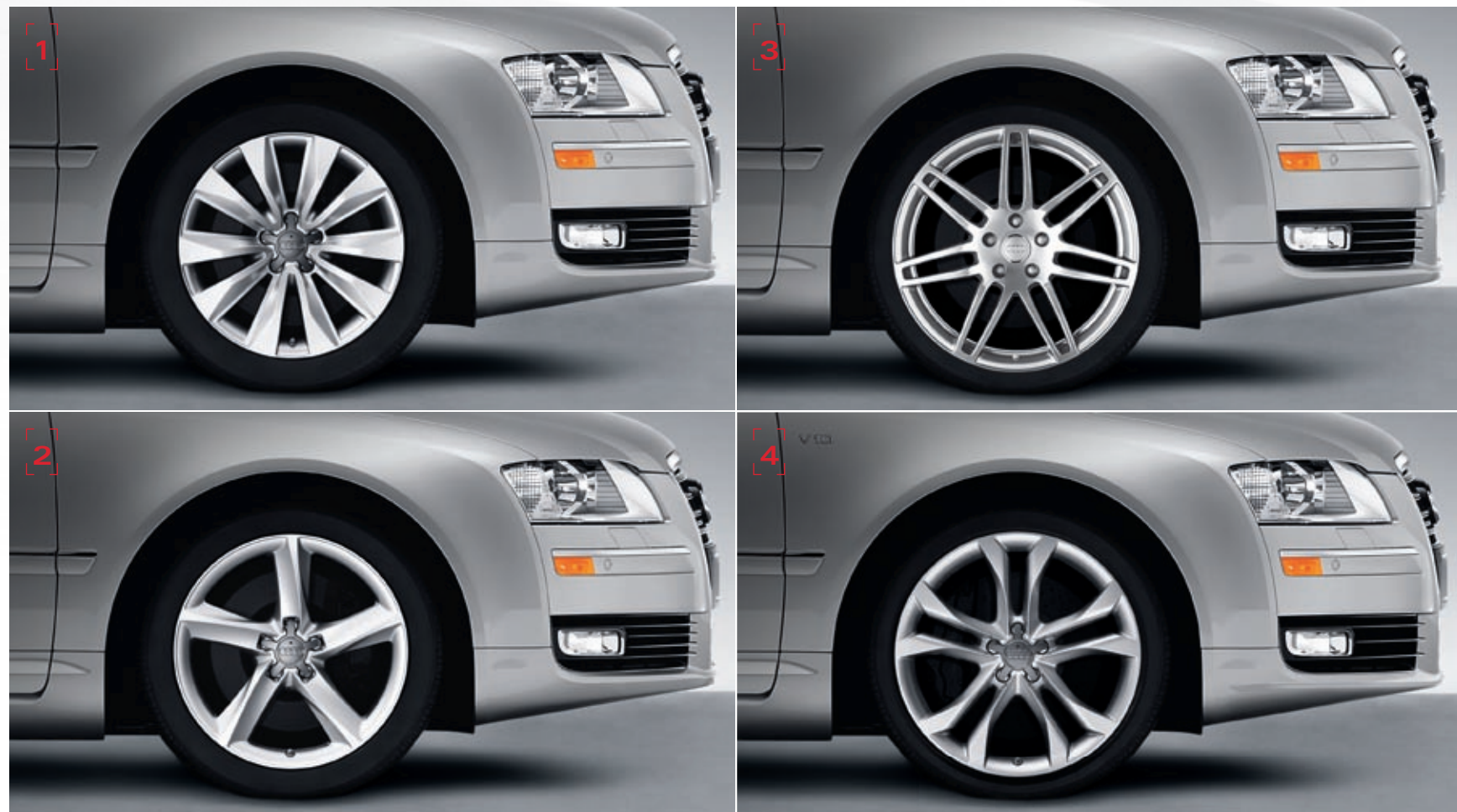
**19" alloy five-spoke wheel with all-season tires** | The five-spoke design and finish on the wheel complements the elegant and powerful lines of the Audi A8. The lightweight alloy helps to improve driving dynamics, while the all-season tires help ensure a safe and comfortable ride.

### 3. Sport Package Wheel A8, A8 L, A8 L W12

**20" alloy seven-double-spoke wheel with summer performance tires\*** | The impressive 20" wheel is equipped with summer performance tires, which help to enhance handling and driving dynamics.

### 4. S8 exclusive

**20" alloy five-double-spoke wheel with summer performance tires\*** | The 20" five-double-spoke wheel complements the sporty and aggressive look of the S8. The summer performance tires provide sporty driving dynamics and superior handling and performance.



\*Summer performance tires are designed for optimum performance and handling in warm climates. They are not suitable for cold, snowy or icy weather conditions. If you drive under those circumstances, you should equip your vehicle with all-season or winter tires, which offer better traction under those conditions. We suggest you use the recommended winter or all-season tires specified for your car or their equivalent. These summer performance tires also have a lower aspect ratio that aids performance and handling; however, in order to avoid tire, rim or vehicle damage, it is important that the inflation pressure is regularly checked and maintained at recommended levels. Serious wheel and tire damage may occur if the vehicle is operated on rough or damaged road surfaces, or upon encountering road debris or obstacles. Please also remember in making your selection that, while these tires deliver responsive handling, they may ride less comfortably and make more noise than other choices. Finally, these tires may wear more quickly than other choices. For more information on all of these topics, please consult the owner's manual, your local dealer or call 1-800-FOR-AUDI.

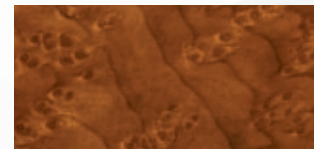


## A8. Interior Seating and Inlay Options

Dark Brown Walnut Wood Inlay



Amber Sycamore Wood Inlay



Dark Brown Walnut Wood Inlay



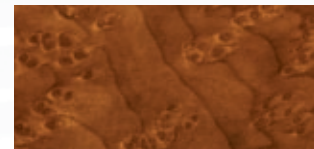
Dark Brown Walnut Wood Inlay



Beige Birch Wood Inlay



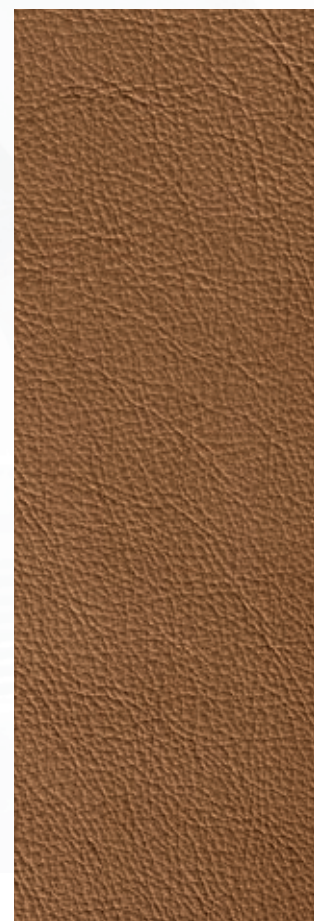
Amber Sycamore Wood Inlay



Black



Amaretto



Light Gray



Cardamom Beige



Linen Beige



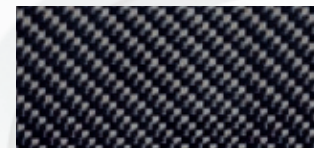
Espresso Brown



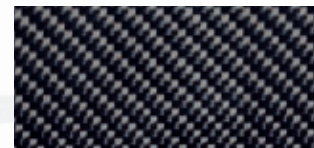


## S8. Interior Seating and Inlay Options

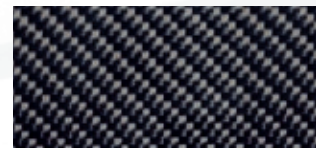
Carbon Fiber Inlay



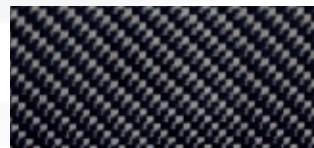
Carbon Fiber Inlay



Carbon Fiber Inlay



Carbon Fiber Inlay



Carbon Fiber Inlay



Carbon Fiber Inlay



Gray Vavona Wood Inlay



Gray Vavona Wood Inlay



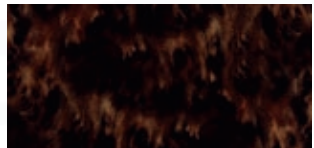
Gray Vavona Wood Inlay



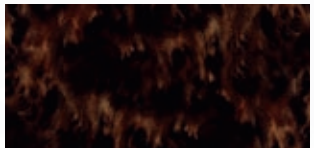
Gray Vavona Wood Inlay



Gray Vavona Wood Inlay



Gray Vavona Wood Inlay



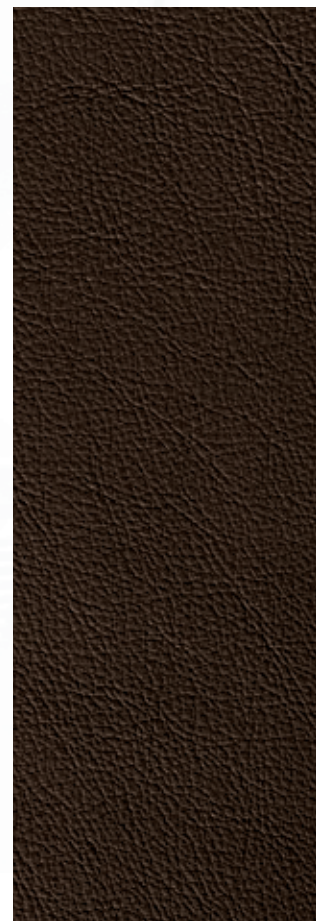
Black



Silver/Black



Espresso Brown



Light Gray



Silver/Light Gray



Amaretto





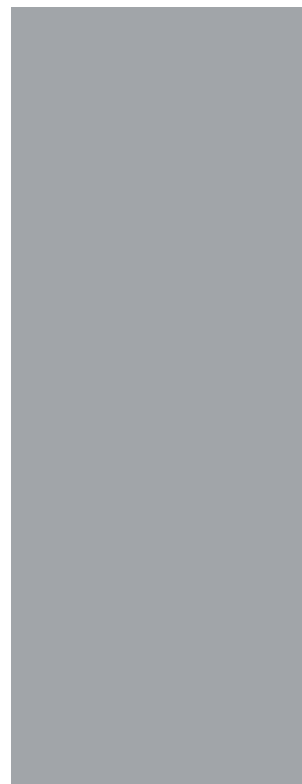
A8. Make Yours



A8. Cherry Black pearl effect



A8. Quartz Gray metallic



A8. Night Blue pearl effect



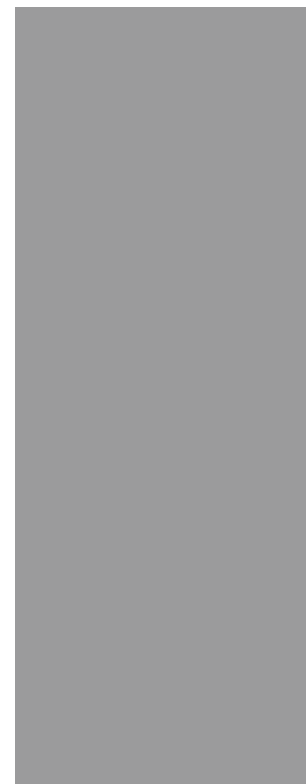
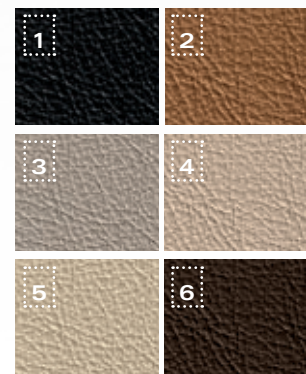
A8. Oyster Gray metallic



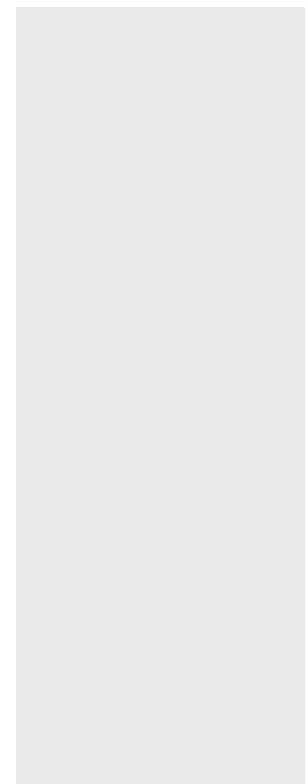
A8. Northern Blue pearl effect



A8. Ice Silver metallic



A8. Ibis White



A8. Phantom Black metallic



A8. Savanna Beige pearl effect



- 1 Black
- 2 Amaretto
- 3 Light Gray
- 4 Cardamom Beige
- 5 Linen Beige
- 6 Espresso Brown



S8. Make Yours



S8. Cherry Black pearl effect



S8. Ice Silver metallic



S8. Phantom Black metallic



S8. Night Blue pearl effect



S8. Daytona Gray pearl effect



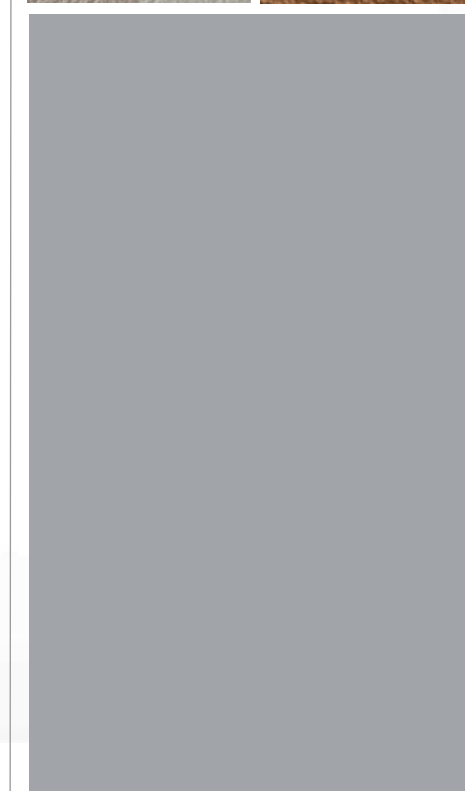
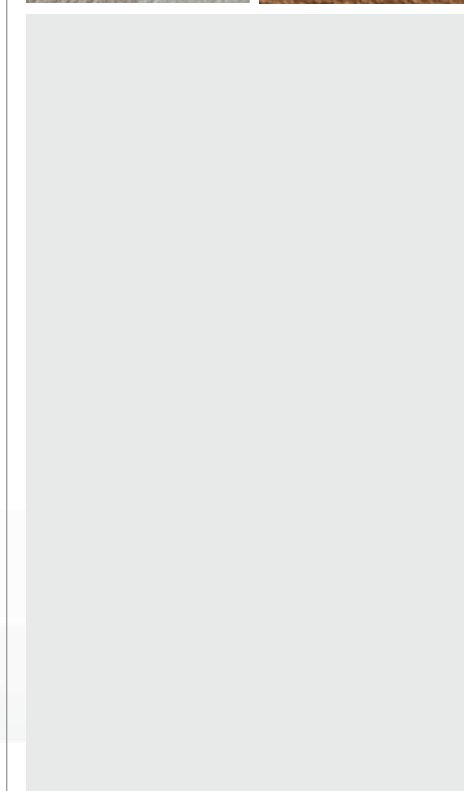
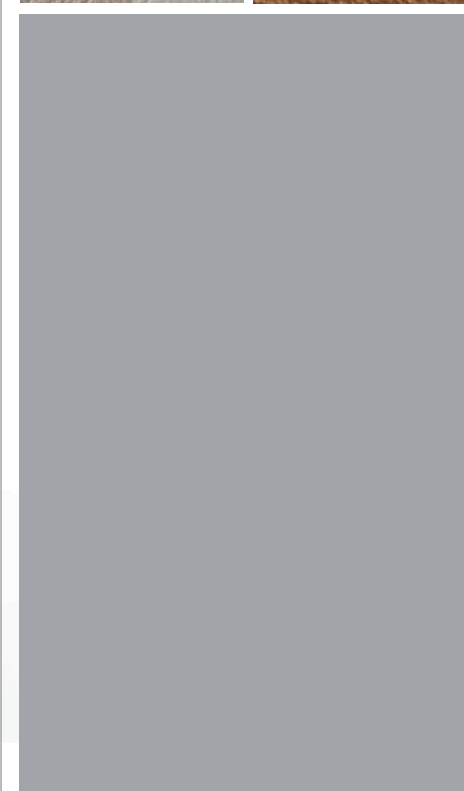
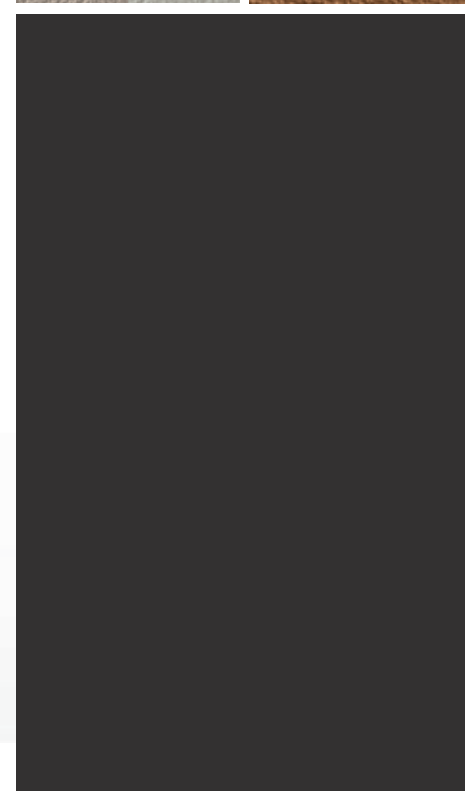
S8. Ibis White



S8. Quartz Gray metallic



- 1 Black
- 2 Black/Silver
- 3 Espresso Brown
- 4 Light Gray
- 5 Light Gray/Silver
- 6 Amaretto





## A8. 2009 Specifications

### A8 Standard Equipment

A8 4.2	A8 L 4.2	A8 L W12	S8 5.2	Technical/Suspension
S	S	S	S	ASF® aluminum alloy frame and body shell construction
S	S	S	-	Audi adaptive air suspension, air spring strut at each wheel, with continuous damping, driver-controlled suspension setting and automatic self-leveling
-	-	-	S	Audi air suspension-sport with electronic shock absorption control
S	S	S	S	Electronic Stabilization Program [ESP® 8.0]
S	S	S	-	quattro® IV permanent all-wheel drive system with torque sensing center differential
-	-	-	S	quattro® IV permanent all-wheel drive system with asymmetric torque distribution [60 rear : 40 front] and torque sensing center differential
S	S	S	S	Servotronic® vehicle speed-sensitive power steering
4321	4409	4729	4586	Curb weight – lbs.

A8 4.2	A8 L 4.2	A8 L W12	S8 5.2	Safety & Security
S	S	S	S	Anti-lock brake system with vacuum power assist, Electronic Brake-pressure Distribution [EBD] and hydraulic brake assist
S	S	S	S	Tire pressure monitoring system
S	S	S	S	Sideguard™ head protection airbags for front and rear occupants*
S	S	S	S	Driver and front passenger dual-stage and dual-threshold next-generation airbag supplemental restraints*
S	S	S	S	Driver and front passenger knee protection airbags*
S	S	S	-	Driver and front passenger seat-mounted chest side airbag supplemental restraints*
S	S	S	S	Rear side airbag supplemental restraints*
S	S	S	S	Front three-point safety belts with automatic pre-tensioning, height-adjustable upper mounts and force limiters
S	S	O	S	Three rear three-point safety belts with automatic pre-tensioning
S	S	S	-	Front passenger and rear safety belts with convertible locking retractors
S	S	O	S	Three rear head restraints
S	S	S	S	Power central locking system with safety unlock feature [if airbag is deployed]
S	S	S	S	Lower Anchorage and Tethers for Children [LATCH] in rear
S	S	S	S	Child safety rear door and window locks
S	S	S	S	Light/rain sensor with "Coming home" and "Leaving home" functions
S	S	S	S	Audi parking system advanced [includes rearview camera]
S	S	S	S	Active reflectors in rear of all doors
S	S	S	S	Anti-theft alarm system with blinking theft-deterrent light

-	Not Available	S	Standard	O	Option	O <sup>s</sup>	Optional with Sport Package
---	---------------	---	----------	---	--------	----------------	-----------------------------

\* Airbags are supplemental restraints only and will not deploy under all crash circumstances. Always use safety belts and seat children in the rear, using restraint systems appropriate for their size and age.

\*\* Summer performance tires are designed for optimum performance and handling in warm climates. They are not suitable for cold, snowy or icy weather conditions. If you drive under those circumstances, you should equip your vehicle with all-season or winter tires, which offer better traction under those conditions. We suggest you use the recommended winter or all-season tires specified for your car or its equivalent. These summer performance tires also have a lower aspect ratio, which aids performance and handling. However, in order to avoid tire, rim or vehicle damage, it is important that the inflation pressure is regularly checked and maintained at recommended levels. Serious wheel and tire damage may occur if the vehicle is operated on rough or damaged road surfaces or upon encountering road debris or obstacles. Please also remember in making your selection that, while these tires deliver responsive handling, they may ride less comfortably and make more noise than other choices. Finally, these tires may wear more quickly than other choices. For more information on all of these topics, please consult the owner's manual, your local dealer or call 1-800-FOR-AUDI.

† Audi Navigation plus depends on signals from the worldwide Global Positioning Satellite network. The vehicle's electrical system, and existing wireless and satellite technologies, must be available and operating properly for the system to function. The system is designed to provide you with suggested routes in locating addresses, destinations and other points of interest. Changes in street names, construction zones, traffic flow, points of interest and other road system changes are beyond the control of Audi of America, LLC. Complete detailed mapping of lanes, roads, streets, toll roads, highways, etc., is not possible, therefore you may encounter discrepancies between the mapping and your actual location. Please rely on your individual judgement in determining whether or not to follow a suggested Audi Navigation plus route. Periodically, the mapping is updated, and a new DVD will be required in order to maintain the latest navigation information available to us. These will be available for purchase from time to time at additional cost. Consult your dealer or call 1-800-FOR-AUDI for details.

†† Your Audi vehicle is equipped with a phone preparation utilizing Bluetooth interface to enable hands-free functionality [compatible mobile phones sold separately]. You will need a Bluetooth-enabled mobile phone in order to utilize this function. Not all Bluetooth-enabled mobile phone models are compatible with Audi's phone preparation. Visit audiusa.com/bluetooth, or contact your local Audi dealer for the latest listing of compatible phones. Audi recommends use of the Audi phone cradle [sold separately] with your mobile phone while operating this vehicle in order to maintain the latest navigation information available to us. These will be available for purchase from time to time at additional cost. Consult your dealer or call 1-800-FOR-AUDI for details.

## A8 Options and Packages

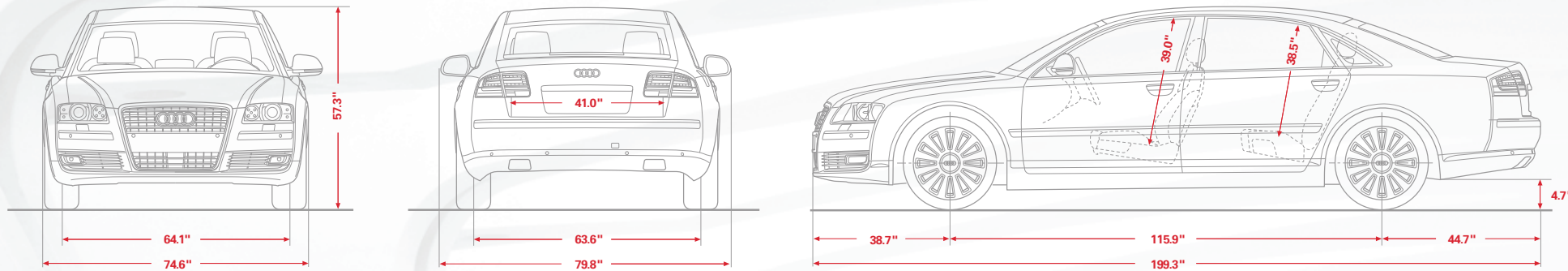
A8 4.2	A8 L 4.2	A8 L W12	S8 5.2	Features
S	S	O	-	18" ten-spoke wheel, all-season tires
O	O	S	-	19" five-spoke wheel, all-season tires
O <sup>s</sup>	O <sup>s</sup>	O	-	20" seven-double-spoke wheel, summer performance tires**
-	-	-	S	20" five-double-spoke wheel, summer performance tires**
S	S	S	S	Tinted glass, dark tinted band at top of windshield
S	S	S	S	Power outside folding and dimming mirrors with defog, reverse-tilt and integrated LED turn signal
-	-	-	S	Rear spoiler integrated into trunk lid
-	-	-	S	Distinctive S model front and rear bumpers
O	O	S	S	Dual-paned acoustic security glass
S	S	S	S	Protective side-moldings, aluminum/body color combinations for doors and bumpers
S	S	S	S	High-gloss aluminum trim around windows
S	S	S	S	Heated windshield washer nozzles
S	S	S	S	Power glass sunroof with slide-and-tilt functions
S	S	S	S	BI-XENON™ headlights with automatic self-leveling
S	S	S	S	Audi adaptive light: including cornering light with auxiliary headlight
S	S	S	S	Programmable daytime running lights
S	S	S	S	Headlight washers: high-pressure, retractable and heated
S	S	S	S	LED exterior lighting under outside mirrors and handles
S	S	S	S	Fog lights: two front, two rear
S	S	S	S	16-way power driver and front passenger seats
S	S	S	S	Four-position memory for driver and front passenger seats, outside mirrors, steering wheel position, climate control
S	S	S	S	Heated front seats
O	O	S	-	Front seat ventilation and massage
S	S	S	S	Full-length center console with forward storage area
S	S	S	S	Power tilt-and-telescoping steering column
S	S	-	-	Leather-wrapped, four-spoke multifunction steering wheel with MMI® controls
O	O	S	-	Leather/wood segmented four-spoke, multifunction steering wheel with shift paddles and wood shift knob
-	-	-	S	Leather-wrapped, three-spoke multifunction steering wheel with contrast stitching, aluminum optic paddle shifters and S8 logo
S	S	O	S	Leather-wrapped shift knob with aluminum accents
O	O	S	-	Wood shift knob
-	-	-	O	Carbon Fiber decorative inlays
S	S	S	S	Advanced key
S	S	S	S	Genuine wood decorative inlays in instrument panel, center console and door panels
O	O	-	-	Leather upgrade [door armrest and center console in leather with premium stitching]

A8 4.2	A8 L 4.2	A8 L W12	S8 5.2	Features
-	O	O	-	Leather appointment upgrade [upper and lower dashboard, center console, full door panel, seat back pockets in leather]
-	-	-	O	Leather appointment upgrade II [upper and lower dashboard, full door panels, seat back pockets in Valcona Leather]
S	S	S	S	White ambient LED lighting throughout interior
S	-	-	S	Fully automatic dual-zone climate control system with sun sensor and activated charcoal filter
O	S	S	O	Four-zone climate control system
S	S	S	S	Power windows with power retention
S	S	S	S	Power door close assist for front/rear side doors
S	S	S	S	Power one-touch trunk open/close
-	-	S	-	Power rear inside sunshades
S	S	-	S	Manual rear inside sunshades
S	S	S	S	Advanced MMI® with retractable seven-inch color display
S	S	S	S	Audi Navigation system with DVD†
S	S	S	S	Voice control system
S	S	S	S	BOSE® Surround Sound System with AudioPilot® noise-compensation technology
S	S	S	S	SIRIUS® Satellite Radio
S	S	S	S	Audi music interface with iPod® integration
S	S	S	S	HomeLink® garage door opener
S	S	S	S	Bluetooth® preparation for mobile phone††
-	-	S	-	Rear Seat Entertainment [RSE] System with two monitors, six-disc DVD changer, remote control
S	S	S	S	Eight-color LCD driver information display
S	S	S	S	Backlit electro-luminescent instrument cluster
S	S	S	S	Automatic-dimming inside mirror
S	S	S	S	Cruise control
O	O	O	O	Bang & Olufsen® Advanced Sound System
O	O	O	O	Solar sunroof
O	O	S	O	Rear seat electric lumbar support
-	-	O	-	Personal refrigerator in pass-through
-	-	S	-	Four-seat configuration [individual rear power seats with extended rear center console]
S	S	O	S	Five-seat configuration [rear bench seat for 3 passengers]
O	O	S	S	Alcantara® Package [includes headliner and rear hat shelf]
O	O	O	O	Technology Package: Audi side assist, Audi lane assist, adaptive cruise control
O	O	-	-	Sport Package: 20" seven-double-spoke high polished alloy wheel, adaptive air suspension [sport], leather-wrapped, three-spoke multifunction sport steering wheel with shift paddles
O	O	-	O	Cold Weather Package: Four-spoke, heated multifunction leather steering wheel with shift paddles, ski sack with rear pass-through, rear heated seats

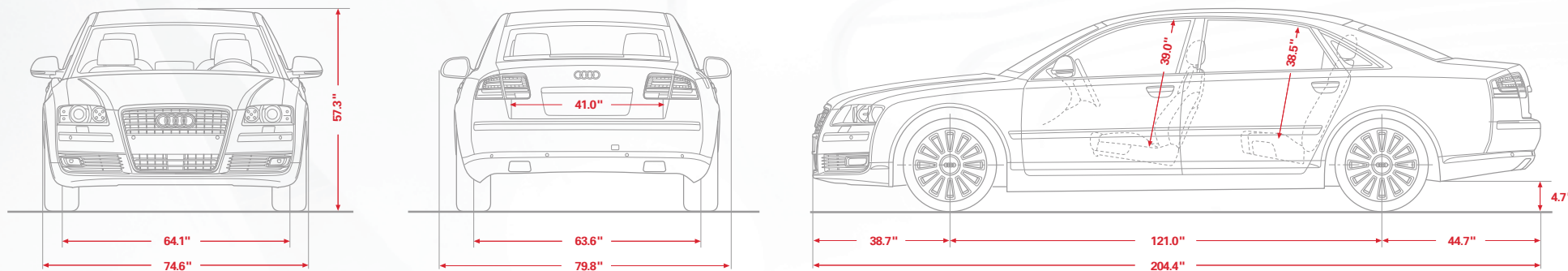


## A8. 2009 Specifications

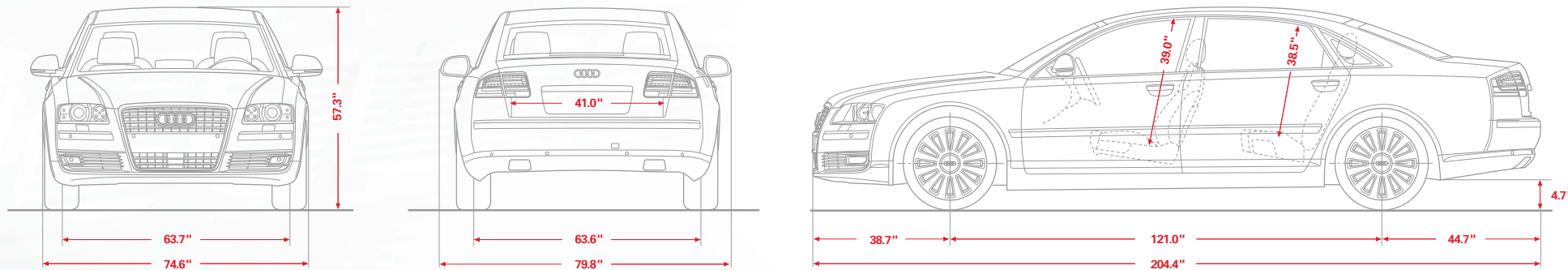
### A8



### A8 L



### A8 L W12



## A8. Model Configurations

- A8 4.2 350 hp with six-speed Tiptronic® automatic transmission and quattro® all-wheel drive
- A8 L 4.2 350 hp with six-speed Tiptronic® automatic transmission and quattro® all-wheel drive
- A8 L W12 6.0 450 hp with six-speed Tiptronic® automatic transmission and quattro® all-wheel drive

## Power and Performance

- A8/A8 L 4.2** | 350 hp – DOHC aluminum 90-degree 4.2 liter V8 with FSI® Direct Injection, variable intake valve timing and intake manifold
- | Displacement: 4.2 liters
  - | Bore: 3.33 in. Stroke: 3.65 in. Compression ratio: 12.5:1
  - | Horsepower: 350 hp @ 6800 rpm
  - | Torque: 325 lb-ft. @ 3500 rpm
  - | 0–60 mph in seconds: 5.9
  - | Top track speed\*: 130 mph
  - | Fuel economy estimates, city/highway\*\*: 16/23 mpg

- A8 L W12** | 450 hp – DOHC all-aluminum 6.0 liter W12 with four valves per cylinder and variable valve timing
- | Displacement: 6.0 liters
  - | Bore: 3.30 in. Stroke: 3.55 in. Compression ratio: 11.0:1
  - | Horsepower: 450 hp @ 6200 rpm
  - | Torque: 428 lb-ft. @ 4000-4700 rpm
  - | 0–60 mph in seconds: 5.0
  - | Top track speed\*: 130 mph
  - | Fuel economy estimates, city/highway\*\*: 13/19 mpg

\* Top track speed electronically limited to 130 mph in the U.S. \*\* EPA estimate; your mileage may vary. See your local Audi dealer for details.



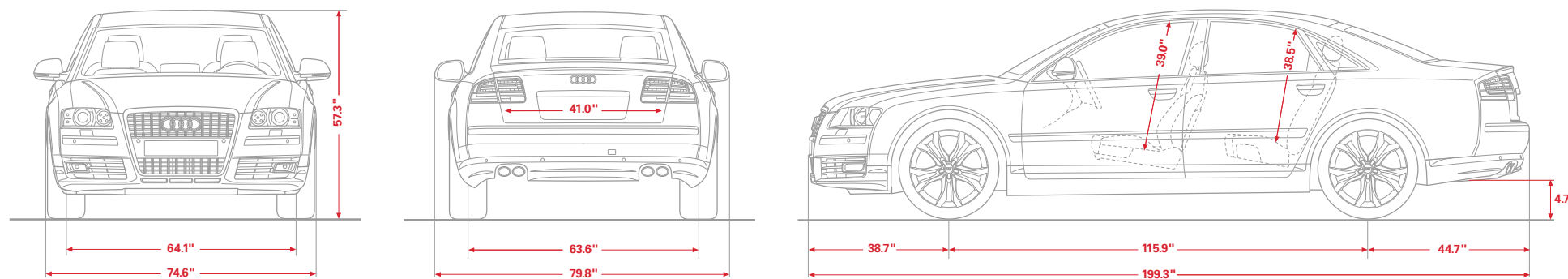


### S8. Model Configuration

S8 5.2 450 hp with six-speed Tiptronic® automatic transmission and quattro® all-wheel drive

### Power and Performance

- S8 5.2** | 450 hp – DOHC all-aluminum 5.2 liter V10 with FSI® Direct Injection with four valves per cylinder, variable valve timing and two-stage intake manifold
- | Displacement: 317.88 cu. in.
- | Bore: 3.33 in. Stroke: 3.65 in. Compression ratio: 12.5:1
- | Horsepower: 450 hp @ 7000 rpm
- | Torque: 398 lb-ft. @ 3500 rpm
- | 0–60 mph in seconds: 4.9
- | Top track speed\*: 155 mph
- | Fuel economy estimates, city/highway\*\*: 13/19 mpg



\* Top track speed electronically limited to 155 mph in the U.S. \*\* EPA estimate; your mileage may vary. See your local Audi dealer for details.



## A8. Accessories



1 2

3

4

1. **Base Carrier Bars** | Audi has designed a stylish, versatile roof rack system that features two base carrier bars. All the roof attachments described on these pages must be used in combination with these Base Carrier Bars. All attachments are sold separately.

2. **Upright Barracuda Bicycle Holder** | This bike holder fits 20–80mm bike frames and is easy to use. It features a molded front wheel well that lets the bike stand on its own allowing you to easily secure it. Includes one bike holder. Locks included. [Must be used in combination with the Base Carrier Bars, sold separately.]

3. **Ski/Snowboard Attachment** | Rubber-cushioned aluminum bars hold up to four pairs of skis or two snowboards. Push button keyed locks open and close easily.

4. **European-style rubber mats** | Trim profile, embossed rubber mats extend the life of your interior carpet. Set of two.

\* Feature not shown.







## The power of control.

The evolution of technology is the evolution of Audi. The commitment to innovative driving enhancements is second to none. Below are just four reasons Audi performance is unlike any other. Each is designed to deliver an unforgettable driving experience.



### Adaptive cruise control

Adaptive cruise control monitors distance to the vehicle in front via radar sensors and automatically reduces speed, as well as resumes speed to maintain the driver-selected distance.



### Audi side assist

Audi side assist system monitors the blind spot areas at a range of about 150 feet to the rear of the car for fast-approaching vehicles. If Audi side assist identifies another vehicle when you signal to change lanes, it informs you via a flashing LED light in the exterior mirror housing.



### quattro®

Developed and continually refined by Audi, quattro® offers a significantly enhanced level of all-wheel drive performance. With a 60-40 [S8 is 40-60] split of power between the front and rear in dry conditions, quattro® becomes simply superlative in the worst of conditions.

### Audi lane assist

Peace of mind merges with innovation in this unique system that detects when the driver is outside of traffic lanes and sends a warning via a vibrating steering wheel.



## Life's better when you have intuition working for you.

Prevention is always the most effective means of safety. That's why the A8 features a number of comprehensive safety systems.

**ESP®** [Electronic Stabilization Program] allows the driver to maximize control in adverse conditions or when the car is at its handling limit. By employing a number of safety systems, including ABS [Anti-lock Braking], EBD [Electronic Brake-pressure Distribution], EDL [Electronic Differential Lock] and ASR [Traction Control] in a fraction of a second, the A8 intuitively helps the driver to maintain control.



### Airbags

- + Driver and front passenger front dual-stage and dual-threshold next generation airbag supplemental restraints\*
- + Seat mounted side airbag supplemental restraint for front and rear outboard occupants
- + SIDEGUARD™ head protection airbag supplemental restraints
- + Driver and front passenger knee protection airbags

\* Airbags are supplemental restraints only and will not deploy under all crash circumstances. The illustration shown is a dramatization of airbag deployment; not all airbags deploy during a crash. Always use safety belts and seat children in the rear, using restraint systems appropriate for their size and age.







**audiusa.com**

**2009 A8 | A8 L | A8 L W12 | S8**

**If all of this wasn't enough to convince you,  
perhaps a visit to your nearest dealer will.**

Note: A word about this brochure. Audi of America, Inc. believes the specifications in this brochure to be correct at the time of printing. However, specifications, standard equipment, options and colors are subject to change without notice. Some equipment may be unavailable when your vehicle is built. Please ask your dealer for advice concerning current availability of standard and optional equipment and verify that your vehicle will include the equipment you ordered. Vehicles in this brochure are shown with optional equipment. Tires supplied by various manufacturers. "Truth in Engineering" is a trademark of Audi of America, Inc. "Audi," "quattro," "A8," "A8 L," "W12," "S8," "multitronic," "FSI," "Audi Financial Services," the four rings and Audi emblems are registered trademarks of AUDI AG. "Servotronic" is a registered trademark of the AM General Corporation. "BOSE" and "AudioPilot" are registered trademarks of the BOSE Corporation. "Tiptronic" is a registered trademark of Dr. Ing h.c. F. Porsche AG. "Alcantara" is a registered trademark of Alcantara S.P.A. "ESP" is a registered trademark of Daimler AG. "HomeLink" is a registered trademark of Prince Corporation, Holland, Michigan. Prince is a wholly owned subsidiary of Johnson Controls. "SIRIUS" is a registered trademark of SIRIUS Satellite Radio, Inc. "SD" is a registered trademark of the SD Card Association. "Bluetooth" is a registered trademark of Bluetooth SIG. "iPod" is a registered trademark of Apple Computer, Inc. "BI-XENON" is a trademark of Hella USA.

©2008 Audi of America, Inc.