

2009 BMW X6
Sports Activity
Coupe™

X6 xDrive35i
X6 xDrive50i



The Ultimate
Driving Machine®







The allure of thoughtful design.



Breaking new ground. Setting new standards.





An engine of change: the incredible new twin-turbo V-8.

Ignite your driving passion at every turn.



Adaptable grip and smart brakes to conquer any road, in any weather.



Drive all you want – you can't throw it off guard.







Inside this unique new vehicle: a familiar perspective.

360 degrees of pure BMW luxury.



This is how much has gone in.

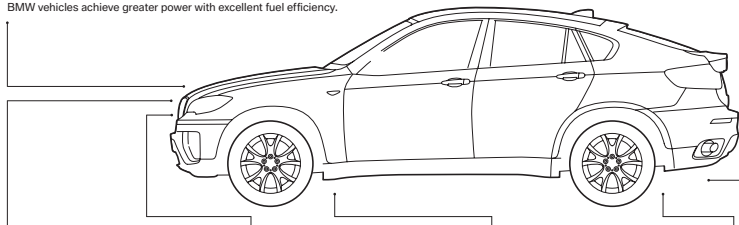
At BMW, we create dynamic vehicles that thrill you with quick acceleration, predictable handling and unshakable control. We are also busy finding ways to sustain this level of performance while incorporating innovative fuels and technologies to help preserve the environment. This is what we refer to as "EfficientDynamics." This goal has led to the visionary CleanEnergy hydrogen-powered engine, which is currently used in the emission-free BMW Hydrogen 7 Sedan. BMW Advanced Diesel with BluePerformance, which offers diesel power with quick acceleration, increased fuel efficiency and reduced emissions, is being introduced to the U.S. in select models in 2009. In fact, every BMW on the road today comes standard with technology that boosts performance while simultaneously reducing fuel consumption and CO₂ emissions.

High Precision Injection

Turbocharging is traditionally known for boosting power at the expense of fuel efficiency. BMW twin-turbocharged engines with piezo direct fuel injection, however, inject gasoline at high pressure and with extreme precision into each cylinder. And, thanks to BMW's fast and flexible electronic control system, both the timing and quantity of the fuel injections can be precisely adjusted to driving conditions. As a result, BMW vehicles achieve greater power with excellent fuel efficiency.

Aerodynamics

The more smoothly that air flows over a vehicle, the more efficiently it can operate. All BMWs are designed for a low coefficient of aerodynamic drag, which translates into quicker acceleration, more stable handling, quieter operation and greater fuel efficiency. A BMW's integrated front spoilers reduce the amount of air flowing underneath, minimizing front-end lift. This allows a BMW to hug the road at higher speeds for excellent stability.



Double-VANOS

VANOS is BMW's valve timing system that can "steplessly" vary the points in the combustion cycle when valves open and close. Double-VANOS refers to the fact that it operates on both the intake and exhaust camshafts. Electronically controlled in response to engine speed, load and temperature, VANOS reduces emissions, and enhances low- to medium-speed torque, as well as fuel efficiency.

Twin-turbocharged engines

Benefiting from BMW's twin-turbocharging technology, both X6 engines deliver quick acceleration without any "turbo-lag." Fuel economy is strong, as well, thanks to precise piezo direct fuel injection.

Efficient automatic transmission

A highly efficient 6-speed Sport Automatic transmission with Adaptive Transmission Control, Sport and STEPTRONIC Manual shift modes, and steering wheel-mounted paddle shifters enhances performance, comfort and fuel efficiency.










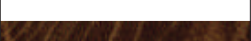


Lightweight construction

Our engineers use lightweight aluminum throughout our vehicles – in the front section, for example, or for the suspension. BMW's inline six-cylinder twin-turbo engine is all aluminum. Taken together, these weight savings lead to lower fuel consumption and better axle load distribution for more agility – especially in curves.

And this is what comes out.

BMW models have low CO₂ emissions today. But that's just for starters. We're carrying on our research in the quest to bring you greater driving pleasure, with fewer emissions and decreased fuel consumption.

Recommended color combinations

Materials	Nevada Leather ¹					Perforated Nevada Leather ²		Nappa Leather ³		Alcantara/Leather combination ⁴	
Upholstery colors	Sand Beige	Oyster	Chateau ⁵	Saddle Brown ⁵	Black	Sand Beige	Black	Sand Beige	Black	Chateau	Black
Exterior colors											
300 Alpine White Non-metallic	●	●	●	●	●	●	●	●	●	●	●
668 Jet Black Non-metallic	●	●	●	●	●	●	●	●	●	●	●
354 Titanium Silver Metallic		●	●		●		●		●	●	●
A14 Mineral Silver Metallic	●	●	●		●	●	●	●	●	●	●
A52 Space Gray Metallic		●	●		●		●		●	●	●
A81 Tasman Green Metallic	●	●		●	●	●	●	●	●		●
A35 Monaco Blue Metallic	●	●		●	●	●	●	●	●		●
A76 Deep Sea Blue Metallic	●	●		●	●	●	●	●	●		●
A82 Vermilion Red Metallic	●	●			●	●	●	●	●		●
475 Black Sapphire Metallic	●	●	●	●	●	●	●	●	●	●	●
Interior trims											
4AD Brushed Aluminum											
4AZ Dark Bamboo Wood											
4BN Ash Grain Wood											

All paint colors are standard, and all interior trims are no-cost options in the X6 xDrive35i and X6 xDrive50i.

¹ Standard.

² No-cost option; requires and must be ordered with optional Active Ventilated Seat Package.

³ Optional; includes Nappa Leather-covered dashboard and center console. X6 xDrive35i: requires optional multi-contour seats.

⁴ No-cost option; requires and must be ordered with optional sport seats.

⁵ X6 xDrive35i: requires optional multi-contour seats.

■ Standard

□ Optional



■ **Xenon Adaptive Headlights** optimize road illumination when the X6 enters a turn or corner, helping to enhance visibility when driving at night. Sensors continuously monitor the angle of the steering wheel to determine the direction in which the X6 is heading. The outer headlights swivel accordingly, up to 15 degrees left or right.

Xenon low- and high-beam headlights illuminate the road ahead and to the side with brilliant clarity. An auto-leveling feature adjusts for varying passenger and cargo loads. The **Corona headlight-rings** that circle both headlights and high beams also act separately as Daytime Running Lights and parking lights.



■ **Halogen free-form foglights** are cleanly integrated into the front air dam, illuminating the road ahead in bad weather and poor visibility. They also provide another practical feature: **Cornering Lights**. When the system senses you are making a turn – based on your steering angle and speed – a reflector mechanism in the foglight housing casts additional lighting up to 90 degrees in the direction of the turn. This enhances visibility and recognition of people and objects.



■ **Adaptive Brake Lights** increase vehicle visibility and signal the intensity of your braking action, thereby warning following drivers to brake quickly.



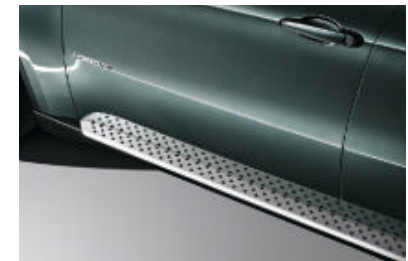
■ **Rain sensor** uses infrared light to measure the amount of rain. When the wipers are in the “intermittent” mode, the rain sensor automatically adjusts the windshield-wiping interval as needed. **Automatic headlight control** (not shown), included with rain sensor, activates headlights by means of a sensor that responds to darkness.



■ Signature **kidney grille** sits over the special intake grille, underscoring the X6’s rugged stance. (kidney grille has Black finish on X6 xDrive35i; Titanium finish on X6 xDrive50i)



□ **Power-adjustable folding exterior side-view mirrors**, in matching body color, automatically dim when reflecting bright lights, helping to eliminate glare when driving at night. (included in Premium Package)



□ **Running boards**, designed to add to the X6’s overall visual appeal, make it easy for passengers to enter and exit the X6 with comfort.

■ Standard

□ Optional



■ **Dual rectangular-shape chrome exhaust tips** are strikingly positioned in the rear fascia of the X6 xDrive50i. With their bold styling, these exhaust tips identify this X6 as the model with the V-8 engine.



■ **Dual circular-shape chrome exhaust tips**, integrated into the X6 xDrive35i's rear fascia, stand out and add an attractive touch to the exhaust system.



■ **19 x 9.0 Star Spoke (Style 232)** light alloy wheels and **255/50 run-flat all-season tires** are standard on the X6 xDrive35i. (Run-flat tires do not come equipped with a spare tire and wheel.)



■ **19 x 9.0 V-Spoke (Style 257)** light alloy wheels and **255/50 run-flat all-season tires** are standard on the X6 xDrive50i. (Run-flat tires do not come equipped with a spare tire and wheel.)



□ **19 x 9.0 Star Spoke (Style 212)** light alloy wheels and **255/50 run-flat all-season tires** are included in optional X6 xDrive35i Sport Package. (Run-flat tires do not come equipped with a spare tire and wheel.)



□ **19 x 9.0 Star Spoke (Style 258)** light alloy wheels and **255/50 run-flat all-season tires** are included in optional X6 xDrive50i Sport Package. (Run-flat tires do not come equipped with a spare tire and wheel.)



□ **20 x 10.0 front, 20 x 11.0 rear Y-Spoke (Style 214)** light alloy wheels and **275/40 front and 315/35 rear run-flat performance tires¹** are available as an option when ordering the optional X6 xDrive35i Sport Package. (Not available on X6 xDrive50i. Run-flat tires do not come equipped with a spare tire and wheel.)



□ **20 x 10.0 front, 20 x 11.0 rear Star Spoke (Style 259)** light alloy wheels and **275/40 front and 315/35 rear run-flat performance tires¹** are available as an option when ordering the optional X6 xDrive50i Sport Package. (Not available on X6 xDrive35i. Run-flat tires do not come equipped with a spare tire and wheel.)

¹ Due to low-profile tires, please note: wheels, tires and suspension parts are more susceptible to road hazard and consequential damages. Performance tires not recommended for driving in ice and snow conditions.

■ Standard

□ Optional



■ **Three-spoke leather-wrapped multi-function sport steering wheel**, featuring power tilt/telescoping adjustments, lets you keep both hands on the steering wheel while adjusting both the audio and a BMW-approved, **Bluetooth**[®] enabled mobile phone.¹

¹ BMW Assist™ with **Bluetooth** technology for hands-free wireless communication is optional and included in Premium Package.



■ / □ **Voice Activation** lets you verbally control numerous Navigation system functions and dial phone numbers hands-free.² The Voice Activation button must be pressed before each use, so conversations won't accidentally activate the phone or other systems.

² Voice Activation is part of the Navigation system, which is standard on X6 xDrive50i; optional and included in X6 xDrive35i Technology Package.



■ **Engine Start/Stop button**³ and remote key control the engine. First, insert the remote key into the starter switch slot. After the electronic identification system confirms that it is the correct remote key, you can start (or later, turn off) the engine by pressing the Start/Stop button.

³ Foot must be on brake in order to start.



■ **iDrive Controller**, conveniently located on the center console, allows access to a variety of functions that are displayed on the Control display screen. The turn/press button enables front-seat occupants to access the menu system and fine-tune settings for climate control, the audio system, Navigation system⁴ and communication through BMW Assist.TM¹

⁴ Navigation system standard on X6 xDrive50i; optional and included in X6 xDrive35i Technology Package.



■ **Six programmable memory keys** offer convenient storage of your most frequently accessed iDrive settings, such as favorite radio stations, Navigation system addresses, phone numbers (when equipped with a BMW-approved **Bluetooth** enabled mobile phone¹), and more.



■ **Glare-free Control display screen**, linked with the iDrive and Navigation system, renders clear images and text. The surface of this new-generation display is equipped with transreflective technology, ensuring legibility by automatically making adjustments to the brightness or background lighting in bright- or poor-light conditions.

Screen shown above is European version. U.S. screens may appear different.

■ Standard □ Optional



■ / □ **Navigation system** covers the U.S. with a single DVD. The glare-free monitor is mounted neatly into the dashboard for easy viewing. Using GPS satellites and DVD technology, a map of your area appears on the dash monitor, showing – and telling – the directions to your desired destination. It also provides Real Time Traffic Information (where available) on potential traffic problems and solutions. (standard in X6 xDrive50i; optional and included in X6 xDrive35i Technology Package)



□ **Rear-view camera** is activated automatically by shifting into reverse gear, or manually by pressing the parking-assist button. The color display shows a real camera image that may include “static” and “track” lines to help you when backing up or parallel parking. (optional; included in the X6 xDrive35i Technology Package)



■ **Park Distance Control** uses eight sensors – four in the front, four in the rear – to help you judge how close you are to other cars and unseen objects when parking. The warning beeps come faster as the bumper approaches the object, turning into a constant tone when the distance is less than 12 inches.



■ **Dynamic Cruise Control** lets you store and keep to a chosen speed above 20 mph, and automatically applies the brakes downhill. It is activated via the left-hand steering column switch, and deactivated by applying the brakes or via the switch.⁵

⁵ Cruise control is not a substitute for the driver's own responsibility in adjusting speed and otherwise controlling the vehicle. Due to road, traffic and visibility conditions, the driver must decide whether and how the system is used.



■ **6-speed Sport Automatic transmission** provides extremely fast synchronized shifting, whether performed by the Automatic shift mode or by means of the Formula 1™-inspired steering wheel-mounted paddle shifters.



■ **Electromechanical parking brake with Automatic Hold** keeps the vehicle stationary whenever the vehicle comes to a stop, then releases the brake when the driver steps on the accelerator pedal.



■ **Front cupholders** integrated into the center console are located within convenient reach of the driver and front passenger.



■ **Front armrest** with integrated storage compartment folds up to allow access to the optional iPod® and USB adaptor port.

■ Standard

□ Optional



□ **Head-up Display** projects important travel information, such as current speed, on the windshield directly in the driver's line of vision. Directional arrows from the Navigation system and Check Control data can also be displayed.



■ **Dynamic Performance Control Display** shows the percentage of drive force apportioned between the front and rear axles, as well as between the left and right rear wheels.



■ **BMW anti-theft AM/FM stereo CD/MP3 player** includes Radio Data System, Auto-Store, and 3-channel FM diversity antenna; reads/displays song title.

□ **HD Radio™** receives free, digital AM/FM broadcasts in clear, static-free sound; multicast FM stations, and innovative data services.



■ **Kneepads** along the sides of the center console provide greater comfort and grip for the driver and front passenger's knees – especially during quick, sharp turns.



■ **Storage space** abounds throughout the cabin – in the front center console, in door storage pockets and in the rear cabin.

■ Standard

□ Optional



□ **Ten-way power front sport seats** with two-way manual thigh support adjustment and driver's seat memory system make the X6 driving experience more enjoyable. Thanks to specially padded, highly contoured side bolsters, sport seats provide optimum lateral support during tight cornering, while remaining exceptionally comfortable when driving over long distances. The seats have power adjustments for seat height, backrest angle, seat bottom angle, forward/backward position and head-restraint height; includes manual adjustment for thigh support. (available as a no-cost option in the X6 xDrive50i Sport Package; included in the X6 xDrive35i Sport Package)



■ / □ **20-way power multi-contour front seats** conform to your body to provide optimum support and exceptional comfort over long distances. In addition to horizontal, vertical and angled adjustments, seats include an articulated upper backrest, backrest width, Comfort headrest (two-way power, two-way manual "relax headrest"), and four-way power-adjustable lumbar support. Both driver's and front-passenger's seats include memory function. (standard in X6 xDrive50i; optional in X6 xDrive35i)



■ **Rear cabin seats** securely and comfortably hold two passengers. The ergonomic belt system includes center-mounted buckles, two three-point safety belts and head restraints.



■ **Power seat adjustments** allow customized comfort for driver and front passenger. On the driver's side, a two-driver memory system automatically adjusts the driver's seat, side-view mirrors and the steering wheel position.



□ **Heated front seats** are a welcome feature in cooler weather. With the touch of a button, driver and front passenger can individually select from three heat settings.



■ **Two-way power glass moonroof** with remote, expanded one-touch operation, slides back or tilts up to let in as much fresh air and sky as you like, while a wind deflector helps keep the wind out. Includes a sliding interior sunshade.

■ Standard

□ Optional



■ **60/40 split-folding seat** gives you the flexibility to carry any combination of cargo and passengers.



■ **Retractable cargo cover** keeps contents of the cargo area hidden from sight. When not in use, it can easily be removed.



■ **12V power outlets** are included in the front and rear passenger areas, as well as in the cargo area.



□ **Rear-seat entertainment** system lets passengers in the rear cabin watch DVDs or listen to their choice of CDs through headphones or the vehicle speaker system. The system features a fold-down 8-inch color screen and can be controlled via a wireless remote control or manually by the rear-seat passengers.



■ **Rear cupholders** are integrated into the rear armrest.



□ **BMW Assist and Bluetooth®** system offers hands-free calling through your BMW-approved **Bluetooth** phone. The BMW Assist Safety Plan is included for 4 years, providing Automatic Collision Notification, Emergency Request, Roadside Assistance, Door Unlock, Stolen Vehicle Recovery, TeleService and more. The optional Convenience Plan offers Directions, Traffic, Weather, Critical Calling and Concierge services.



□ **Comfort Access system** offers an even greater degree of convenience: keyless access to your vehicle. Simply carrying the remote key in a pocket allows you to unlock the doors by touching the door handle. You can also turn the engine on or off by pressing the Start/Stop button² without inserting the remote key.

²Foot must be on brake in order to start.

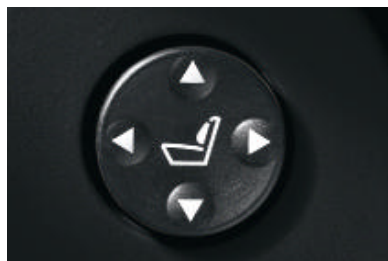
Premium Package

The X6 Premium Package enhances your driving experience every day. In addition to the ergonomic comfort of lumbar support,³ you'll enjoy the convenience of power tailgate operation, a cargo-area Storage package, Universal garage-door opener, and a digital compass to help keep you on track to your driving destination. You'll also appreciate the practicality of the Ambiance Lighting package and automatic-dimming rear- and side-view mirrors that cut headlight glare. The Premium Package also includes the roadgoing peace of mind of BMW Assist¹ with **Bluetooth** wireless communication system.

³ Standard in the X6 xDrive50i with 20-way power multi-contour seats.



Ambiance Lighting package includes lights in the exterior door handles that radiate downward whenever the doors are unlocked. They illuminate the area outside the doors for approximately 20 seconds to enable safe vehicle access in the dark. Also included are rear reading lights, rear footwell illumination, and ambiance interior lighting.



Lumbar support³ for front seats adds four-way power-adjustable comfort for the lower back. Lumbar support can be adjusted up/down and in/out.



Storage package adds practical extras: two lashing rails with four sliding lashing eyes, multi-function hooks, storage net, and lighting.



The **automatic-dimming inside rear-view mirror** darkens in response to the bright headlights of vehicles behind you. The easy-to-read **digital compass**, integrated into the mirror, is a convenient way to constantly keep your bearings while driving. A **three-button Universal garage-door opener** can be programmed to open garage doors and activate various remote convenience functions.

Active Ventilated Seat Package¹

For the ultimate in comfort, BMW offers the optional Active Ventilated Seat Package. Both the driver and front passenger enjoy highly supportive 20-way power multi-contour front seats upholstered in Perforated Nevada Leather. The internal sections of the seats contain multiple fans that provide forced ventilation through a permeable, “sandwich” seat layer. In cooler weather, temperature-adjustable air flows through the seat and seat-back, providing welcome heating. In warmer weather, air circulates through the seat and seatback, helping to dissipate perspiration. The Active function in the driver’s seat raises and lowers the left and right halves of the seat, helping to relieve fatigue during extended trips. By combining multi-contour support, ventilation and Active driver support, BMW’s Active Ventilated Seat Package adds to your long-distance traveling comfort and pleasure.

¹ Requires optional Perforated Nevada Leather and optional Cold Weather Package or heated front seats.



20-way power multi-contour front seats conform to your body to provide optimum support and exceptional comfort over long distances. In addition to horizontal, vertical and angled adjustments, multi-contour seats include an articulated upper backrest, backrest width, Comfort headrest (two-way power, two-way manual “relax headrest”), and four-way power-adjustable lumbar support. Both driver’s and front-passenger’s seats include memory function. (Optional in the X6 xDrive35i and included in Active Ventilated Seat Package.)



Active driver’s seat helps decrease stiffness or fatigue on long trips. When activated, the driver’s seat surface is continuously and imperceptibly raised and lowered from side to side, keeping your spine in motion and exercising various support muscles.



Front seat ventilation gently blows warm air or cool air through the microperforations in the leather to help keep driver and front passenger comfortably dry in hot weather, and warm in colder weather.

Cold Weather Package

Whether it's driving to the slopes, or just running errands around town, there's nothing like the feeling of three-stage heated front seats on a cold morning. Add the pleasure of a heated steering wheel on those blustery days, and you are truly ready for whatever nature has in store. Retractable, high-intensity headlight washers help maintain optimal visibility in all weather and driving conditions, and the ski bag is a must for protecting skis, poles and other long objects.



Retractable, high-intensity headlight washers help keep lights clean of ice, mud, road salt and other coatings, for maximum road lighting and enhanced driving visibility.



Heated steering wheel is a feature that, like heated seats, becomes a "must-have" once it's experienced. The heating switch is conveniently located on the multi-function steering wheel.



Ski bag allows for clean transport of up to four pairs of skis with up to four occupants in the vehicle. Whenever the ski bag is not in use, it remains stored conveniently and discreetly behind the rear center armrest.



Heated rear seats are a welcome feature for left and right rear-seat occupants in cooler weather. With the touch of a button, passengers can individually select their preferred level of warmth. (Must be ordered with Cold Weather Package or optional heated front seats.)

Premium Sound Package

Whatever your preference in music, you can enjoy the extraordinary listening experience of the Premium high-fidelity audio system and six-disc DVD changer. An equalizing method used in professional studio applications has been fitted into the X6, and the integration of 16 speakers with elaborate Digital Signal Processing (DSP) leads to optimal sound reproduction at all seating locations. And, whether your choice of music ranges from Bluegrass to Beethoven, an iPod® and USB adaptor interface enables you to scroll through and select your favorites.



Premium high-fidelity system is a multi-channel system that outputs reproduction of the surround information contained in the stereo signal in a nine-channel format (seven medium-high range channels and two central bass channels). The 16-speaker system is comprised of one center bass speaker sub-woofer below each front seat; one mid-range and one high-range speaker each in the door trim panels; one mid-range and one high-range speaker each in the D-pillar; one mid-range and one high-range speaker in the instrument panel (center channel); and a digital amplifier with nine channels and 600-watt output (7x50 watts + 2x125 watts). All speakers are fitted with very strong, yet compact Neodymium drives. The system also compensates for driving noise in smooth steps by speed-dependent equalizing in the low range.



DVD changer, located in the glovebox, accommodates six discs, as well as single-feed. The easily accessible six-disc changer supports multi-channel sources, and plays compressed audio formats (MP3, WMA, etc.). When equipped with the Navigation system, the DVD changer can also play video on the iDrive screen when the vehicle is stationary.



iPod and USB adaptor lets you scroll through and select music by using the vehicle's radio controls, the multi-function steering wheel buttons or the iDrive Controller. Music titles are displayed on the radio or screen. **Auxiliary input port** lets you connect an external audio source, such as an iPod or MP3 player.

Rear Climate Package

Let your rear-seat passengers create their own oasis of comfort. With the Rear Climate Package, all occupants, both front and rear, enjoy individual climate control settings. Each can customize the temperature and airflow rate to their own preferences. Privacy glass and manual rear side sunshades reduce the heat and glare of the sun, helping to keep the cabin cool and glare-free while increasing privacy.



Privacy glass in the rear and rear side windows enhances passenger privacy, while it reduces sun glare and interior heat.



Four-zone climate control lets occupants, both front and rear, select individual temperature and fan settings.



Rear side sunshades keep the sun's heat and glare away from the rear cabin while maintaining privacy. When not in use, these manually adjustable sunshades conveniently disappear into the side doors.

Sport Package

The X6 was made for sporty driving. Make the most of its fun-loving capabilities by adding the optional Sport Package. High-gloss shadowline trim and 19-inch light alloy wheels with run-flat all-season tires on both the X6 xDrive35i and X6 xDrive50i present an impressive sight. To enhance driving performance, Adaptive Drive with Active Roll Stabilization and Electronic Damping Control complements the already stiff suspension to provide more precise and agile handling. Front sport seats are designed to hold you secure in tight turns; an Anthracite headliner completes the sporty interior. Optional 20-inch light alloy wheels with mixed-size run-flat performance tires¹ are available on both X6 models.

¹ Due to low-profile tires, please note: wheels, tires and suspension parts are more susceptible to road hazard and consequential damages. Performance tires not recommended for driving in ice and snow conditions.



High-gloss shadowline trim gives the front and rear side-window frames and door-sill trim strips a sportier look.



10-way power front sport seats with two-way manual thigh support adjustment and driver's seat memory system make the X6 driving experience more enjoyable. Side bolsters on the seats cradle you comfortably over long distances, while holding you firmly in place during sporty driving maneuvers. (X6 xDrive50i comes standard with 20-way power multi-contour front seats; 10-way power front sport seats available as a no-cost option with Sport Package)



20 x 10.0 front, 20 x 11.0 rear Star Spoke (Style 259) light alloy wheels and 275/40 front and 315/35 rear **run-flat performance tires**¹ are available as an option when ordering the optional X6 xDrive50i Sport Package. (Not available on X6 xDrive35i. Run-flat tires do not come equipped with a spare tire and wheel.)



19 x 9.0 Star Spoke (Style 258) light alloy wheels and 255/50 **run-flat all-season tires** are included in the X6 xDrive50i Sport Package. (Not available on X6 xDrive35i. Run-flat tires do not come equipped with a spare tire and wheel.)



19 x 9.0 Star Spoke (Style 212) light alloy wheels and 255/50 **run-flat all-season tires** are included in the X6 xDrive35i Sport Package. (Not available on X6 xDrive50i. Run-flat tires do not come equipped with a spare tire and wheel.)



20 x 10.0 front, 20 x 11.0 rear Y-Spoke (Style 214) light alloy wheels and 275/40 front and 315/35 rear **run-flat performance tires**¹ are available as an option when ordering the optional X6 xDrive35i Sport Package. (Not available on X6 xDrive50i. Run-flat tires do not come equipped with a spare tire and wheel.)

Performance and efficiency	X6 xDrive35i	X6 xDrive50i
3.0-liter dual overhead cam (DOHC), 24-valve inline turbocharged 300-hp 6-cylinder engine with twin-turbo technology, piezo direct fuel injection, and Double-VANOS steplessly variable valve timing	●	
4.4-liter, 32-valve turbocharged 400-hp V-8 engine with twin-turbo technology, piezo direct fuel injection, 4 overhead camshafts, and Double-VANOS steplessly variable valve timing		●
6-speed Sport Automatic transmission with Adaptive Transmission Control (ATC), Sport and STEPTRONIC Manual shift modes, and steering wheel-mounted paddle shifters	●	●

Handling, ride and braking	X6 xDrive35i	X6 xDrive50i
xDrive all-wheel-drive system	●	●
Dynamic Stability Control (DSC), including Brake Fade Compensation, Start-off Assistant, Brake Drying, and Brake Stand-by features, with Dynamic Traction Control (DTC), and Dynamic Brake Control	●	●
Dynamic Performance Control	●	●
Hill Descent Control (HDC)	●	●
Double wishbone front suspension	●	●
Lightweight multi-link integral rear suspension	●	●
Engine-speed-sensitive power steering	●	●
4-wheel anti-lock ventilated disc brakes; electronic front/rear proportioning	●	●
Active Steering with Servotronic power assist ¹	○	○
Adaptive Drive: includes Active Roll Stabilization and Electronic Damping Control	□	□

- Standard
- Optional
- Included in Sport Package
- ★ Included in Cold Weather Package
- △ Included in Premium Sound Package

¹ Requires Sport Package.

² Run-flat tires do not come equipped with a spare tire and wheel.

³ Due to low-profile tires, please note: wheels, tires, and suspension parts are more susceptible to road hazard and consequential damage. Performance tires not recommended for driving in snow and ice conditions.

⁴ Requires Sport Package; includes increased top-speed limiter.

⁵ For additional information, please visit your authorized BMW SAV® center.

Exterior	X6 xDrive35i	X6 xDrive50i
19 x 9.0 Star Spoke (Style 232) light alloy wheels, and 255/50 run-flat ² all-season tires	●	
19 x 9.0 V-Spoke (Style 257) light alloy wheels, and 255/50 run-flat ² all-season tires		●
19 x 9.0 Star Spoke (Style 212) light alloy wheels, and 255/50 run-flat ² all-season tires	□	
19 x 9.0 Star Spoke (Style 258) light alloy wheels, and 255/50 run-flat ² all-season tires		□
20 x 10.0 front, 20 x 11.0 rear Y-Spoke (Style 214) light alloy wheels, and 275/40 front, 315/35 rear run-flat ² performance tires ³	○ ⁴	
20 x 10.0 front, 20 x 11.0 rear Star Spoke (Style 259) light alloy wheels, and 275/40 front, 315/35 rear run-flat ² performance tires ³		○ ⁴
Xenon Adaptive Headlights with auto-leveling and Corona headlight-rings	●	●
Halogen free-form foglights with Cornering Lights function	●	●
Retractable, high-intensity headlight washers	★	★
Dual power outside mirrors	●	●
Intermittent rain-sensing windshield wipers with adjustable and vehicle-speed-sensitive wiping interval, single-wipe control, windshield-washer system with heated washer jets	●	●
Metallic paint	●	●
Body-color exterior door handles	●	●
Chrome exhaust tips	●	●
Matte-black finish on side-window frame and door-sill trim	●	
Chrome finish on side-window frame and door-sill trim		●
High-gloss shadowline trim	□	□
Running boards	○	○

Audio system	X6 xDrive35i	X6 xDrive50i
Anti-theft AM/FM stereo CD radio with Radio Data System (RDS), MP3 capabilities, and 3-channel FM diversity antenna system	●	●
High-fidelity 10-speaker sound system includes 2 subwoofers under the front seats and digital 7-channel amplifier with 205 watts of power	●	●
Premium high-fidelity 16-speaker sound system with Digital Sound Processing (DSP), 2 subwoofers under the front seats and digital 9-channel amplifier with 600 watts of power	△	△
6-disc DVD changer with MP3 capabilities	△	△
SIRIUS Satellite Radio with one-year subscription ⁵	○	○
Rear-seat entertainment	○	○
HD Radio™ with "multicast" FM station reception	○	○
iPod® and USB adaptor (includes cable connector)	△	△

● Standard
 ○ Optional
 □ Included in Sport Package
 ★ Included in Cold Weather Package
 △ Included in Premium Sound Package

Interior	X6 xDrive35i	X6 xDrive50i
10-way power-adjustable driver's and passenger's seat and memory system for driver's seat, steering wheel and outside mirrors	●	
20-way power multi-contour front seats – include standard 10-way power seat functions, plus additional power adjustment functions for shoulder and thigh support, backrest width and lumbar support (contour and position), 2-way manual lateral adjustment for Comfort headrest, and 2-driver memory system	○/□ ⁶ /◆ ⁷	●
10-way power-adjustable front sport seats with 2-way manual thigh support adjustment, and memory system for driver's seat, steering wheel and outside mirrors	□	○ ⁸
4-way adjustable power lumbar support for front seats	◇	●
Active seat for driver ⁷	◆	◆
Front ventilated seats ⁷	◆	◆
3-stage heated front seats	○/★	○/★
Front-seat center console with armrest, storage compartment, and auxiliary input	●	●
Heated rear seats	★	★
Rear-seat center armrest	●	●
Split-folding rear seats	●	●
Nevada Leather upholstery	●	●
Perforated Nevada Leather upholstery ⁹	○	○
Nappa Leather upholstery, dashboard and center console ¹⁰	○	○
Alcantara/Leather combination upholstery ¹¹	○	○
Brushed Aluminum interior trim ¹²	○	○
Dark Bamboo Wood interior trim ¹²	○	○
Ash Grain Wood interior trim ¹²	○	○
Power tilt/telescopic leather-wrapped multi-function sport steering wheel	●	●
Anthracyte headliner	□	□
Ambiance Lighting package	◇	◇
Storage package – includes light in storage compartment; multi-function hooks, storage net, 2 lashing rails and 4 sliding lashing eyes in the luggage compartment	◇	◇
Fully finished cargo area	●	●
Retractable cargo cover	●	●

- Standard
- Optional
- Included in Sport Package
- Included in Technology Package
- ◇ Included in Premium Package

- ◆ Included in Active Ventilated Seat Package
- ▲ Included in Rear Climate Package
- ★ Included in Cold Weather Package

⁶ Available as an option with Sport Package.

⁷ Requires Cold Weather Package or optional heated front seats, and no-cost option Perforated Nevada Leather.

⁸ No-cost option; requires Sport Package.

⁹ No-cost option; requires and must be ordered with Active Ventilated Seat Package.

¹⁰ Requires multi-contour front seats.

¹¹ No-cost option; requires optional sport seats.

¹² No-cost option.

¹³ Requires optional Navigation system or Technology Package.

Comfort and convenience	X6 xDrive35i	X6 xDrive50i
Engine Start/Stop button	●	●
Vehicle & Key Memory	●	●
2-way power glass moonroof with "one-touch" operation, sliding interior sunshade, and wind deflector	●	●
Power windows with key-off operation, "one-touch" opening and closing of all door windows, and anti-trapping feature	●	●
Automatic front climate control with separate left/right temperature settings, automatic air conditioning, and recirculation control	●	●
4-zone climate control with 4 individual temperature settings	▲	▲
Active-charcoal micro-filter ventilation	●	●
Heated steering wheel	★	★
Comfort Access keyless entry	○	○
Soft-close automatic door operation	○	○
Park Distance Control (front and rear)	●	●
Dual cupholders front and rear	●	●
Dual front sun visors with illuminated mirrors	●	●
Automatic tilt-down of right outside mirror for visibility of curb when backing up	●	●
Automatic-dimming rear-view mirror with digital-readout compass and automatic-dimming, power-folding side-view mirrors	◇	◇
Automatic headlight on/off control	●	●
Privacy glass in rear windows	▲	▲
Rear manual side-window sunshades	▲	▲
Ski bag	★	★

Instrumentation and controls	X6 xDrive35i	X6 xDrive50i
Dynamic Cruise Control	●	●
Service Interval Indicator and Check Control vehicle monitor	●	●
Electronic analog instrumentation with LED illumination	●	●
Outside-temperature display	●	●
Tire Pressure Monitor	●	●
iDrive system with on-board computer and Controller, and 6 programmable memory buttons	●	●
DVD-based Navigation system with Voice Activation and Real Time Traffic Information	○/■	●
Time-delay courtesy lights – automatically activate when driver's door handle is lifted, remote control is used, or engine is turned off	●	●
Head-up Display (HUD)	○ ¹³	○
Rear-view camera	○/■	○
Rear-window defroster	●	●
Integrated 3-button Universal garage-door opener	◇	◇
<ul style="list-style-type: none"> ● Standard ○ Optional □ Included in Sport Package ■ Included in Technology Package ◇ Included in Premium Package ◆ Included in Active Ventilated Seat Package ▲ Included in Rear Climate Package ★ Included in Cold Weather Package 		

Safety and security	X6 xDrive35i	X6 xDrive50i
Driver's and passenger's front airbag supplemental restraint system (SRS) with advanced technology: dual-threshold, dual-stage deployment; and front-passenger seat sensors designed to prevent unnecessary airbag deployment	●	●
3-point safety belts and head restraints at all seating positions	●	●
Front safety belts with automatic pretensioners	●	●
Active Head Restraints in front seats	●	●
Front- and rear-compartment Head Protection System (HPS) with front side-impact airbags	●	●
Rollover sensor that triggers airbags and safety-belt pretensioners in the event of a rollover	●	●
Adaptive Brake Lights	●	●
Battery Safety Terminal and automatic fuel cut-off, triggered by airbag deployment	●	●
Central locking system and Coded Driveaway Protection	●	●
Anti-theft alarm system with keyhead remote operation interior motion detector	●	●
BMW Assist™ ¹⁴ with Bluetooth ® wireless technology for hands-free calling (with Bluetooth enabled mobile phone ¹⁵), with phonebook downloading and speech recognition capabilities	○/◇	○/◇

BMW Services	X6 xDrive35i	X6 xDrive50i
BMW Ultimate Service™ ¹⁶	●	●

Active Ventilated Seat Package¹⁷	X6 xDrive35i	X6 xDrive50i
20-way power multi-contour front seats – include standard 10-way power seat functions, plus additional power adjustment functions for shoulder and thigh support, backrest width and lumbar support (contour and position), 2-way manual lateral adjustment for Comfort headrest, and 2-driver memory system	◆	●
Active seat for driver	◆	◆
Front ventilated seats	◆	◆

Cold Weather Package	X6 xDrive35i	X6 xDrive50i
Retractable, high-intensity headlight washers	★	★
3-stage heated front seats	○/★	○/★
Heated steering wheel	★	★
Ski bag	★	★
Heated rear seats	★	★

- Standard
- Optional
- Included in Sport Package
- Included in Technology Package
- ◇ Included in Premium Package

- ◆ Included in Active Ventilated Seat Package
- ▲ Included in Rear Climate Package
- ★ Included in Cold Weather Package
- △ Included in Premium Sound Package

¹⁴ Please visit your BMW SAV® center for details on standard and optional services.

¹⁵ Please contact your authorized BMW SAV center for a list of BMW-approved **Bluetooth** technology enabled mobile phones.

¹⁶ For complete details on BMW Ultimate Service, visit bmwusa.com/bmwultimateservice.

¹⁷ Requires Cold Weather Package or optional heated front seats, and no-cost option Perforated Nevada Leather.

¹⁸ Run-flat tires do not come equipped with a spare tire and wheel.

¹⁹ Requires Sport Package; includes increased top-speed limiter. Due to low-profile tires, please note: wheels, tires, and suspension parts are more susceptible to road hazard and consequential damage. Performance tires not recommended for driving in snow and ice conditions.

²⁰ No-cost option; requires Sport Package.

Premium Package	X6 xDrive35i	X6 xDrive50i
Power tailgate opening and closing	◇	◇
Driver's seat lumbar support	◇	●
Ambiance Lighting package	◇	◇
Storage package	◇	◇
Automatic-dimming rear-view mirror with digital-readout compass and automatic-dimming, power-folding side-view mirrors	◇	◇
Integrated 3-button Universal garage-door opener	◇	◇
BMW Assist™ ¹⁴ with Bluetooth ® wireless technology for hands-free calling (with Bluetooth enabled mobile phone ¹⁵), with phonebook downloading and speech recognition capabilities	○/◇	○/◇

Premium Sound Package		
Premium high-fidelity 16-speaker sound system with Digital Sound Processing (DSP), 2 subwoofers under the front seats and digital 9-channel amplifier with 600 watts of power	△	△
6-disc DVD changer with MP3 capabilities	△	△
iPod® and USB adaptor (includes cable connector)	△	△

Rear Climate Package		
4-zone climate control with 4 individual temperature settings	▲	▲
Privacy glass in rear windows	▲	▲
Rear manual side-window sunshades	▲	▲

Sport Package		
Adaptive Drive: includes Active Roll Stabilization and Electronic Damping Control	□	□
19 x 9.0 Star Spoke (Style 212) light alloy wheels, and 255/50 run-flat ¹⁸ all-season tires	□	
19 x 9.0 Star Spoke (Style 258) light alloy wheels, and 255/50 run-flat ¹⁸ all-season tires		□
20 x 10.0 front, 20 x 11.0 rear Y-Spoke (Style 214) light alloy wheels, and 275/40 front, 315/35 rear run-flat ¹⁸ performance tires ¹⁹	○	
20 x 10.0 front, 20 x 11.0 rear Star Spoke (Style 259) light alloy wheels, and 275/40 front, 315/35 rear run-flat ¹⁸ performance tires ¹⁹		○
High-gloss shadowline trim	□	□
20-way power multi-contour front seats	○/◆ ¹⁷	●
10-way power-adjustable front sport seats	□	○ ²⁰
Anthracite headliner	□	□

Technology Package		
DVD-based Navigation system with Voice Activation and Real Time Traffic Information	○/■	●
Rear-view camera	○/■	○

Stand-alone optional equipment	X6 xDrive35i	X6 xDrive50i
Active Steering with Servotronic power assist ²¹	○	○
20 x 10.0 front, 20 x 11.0 rear Y-Spoke (Style 214) light alloy wheels, and 275/40 front, 315/35 rear run-flat ²² performance tires ²³	○	
20 x 10.0 front, 20 x 11.0 rear Star Spoke (Style 259) light alloy wheels, and 275/40 front, 315/35 rear run-flat ²² performance tires ²³		○
Running boards	○	○
20-way power multi-contour front seats – include standard 10-way power seat functions, plus additional power adjustment functions for shoulder and thigh support, backrest width and lumbar support (contour and position), 2-way manual lateral adjustment for Comfort headrest, and 2-driver memory system	○/□/◆ ²⁵	●
10-way power-adjustable front sport seats with 2-way manual thigh support adjustment, and memory system for driver's seat, steering wheel and outside mirrors	□	○ ²⁶
3-stage heated front seats	○/★	○/★
Perforated Nevada Leather upholstery ²⁷	○	○
Nappa Leather upholstery, dashboard and center console ²⁸	○	○
Alcantara/Leather combination upholstery ²⁹	○	○
Brushed Aluminum interior trim ³⁰	○	○
Dark Bamboo Wood interior trim ³⁰	○	○
Comfort Access keyless entry	○	○
Soft-close automatic door operation	○	○
SIRIUS Satellite Radio with one-year subscription ³¹	○	○
Rear-seat entertainment	○	○
HD Radio™ with "multicast" FM station reception; can be ordered in combination with Premium Sound Package	○	○
DVD-based Navigation system with Voice Activation and Real Time Traffic Information	○	●
Head-up Display (HUD)	○ ³²	○
Rear-view camera	○	○
BMW Assist™ ³³ with Bluetooth ® wireless technology for hands-free calling (with Bluetooth enabled mobile phone ³⁴), with phonebook downloading and speech recognition capabilities	○/◇	○/◇

- Standard
- Optional
- Included in Sport Package
- ◇ Included in Premium Package
- ◆ Included in Active Ventilated Seat Package
- ★ Included in Cold Weather Package

²¹ Requires Sport Package.

²² Run-flat tires do not come equipped with a spare tire and wheel.

²³ Requires Sport Package; includes increased top-speed limiter. Due to low-profile tires, please note: wheels, tires, and suspension parts are more susceptible to road hazard and consequential damage. Performance tires not recommended for driving in snow and ice conditions.

²⁴ Available as an option with Sport Package.

²⁵ Requires Cold Weather Package or optional heated front seats, and no-cost option Perforated Nevada Leather.

²⁶ No-cost option; requires Sport Package.

²⁷ No-cost option; requires and must be ordered with

Active Ventilated Seat Package.

²⁸ Requires multi-contour front seats.

²⁹ No-cost option; requires optional sport seats.

³⁰ No-cost option.

³¹ For additional information, please visit your authorized BMW SAV® center.

³² Requires optional Navigation system or Technology Package.

³³ Please visit your BMW SAV center for details on standard and optional services.

³⁴ Please contact your authorized BMW SAV center for a list of BMW-approved **Bluetooth** technology enabled mobile phones.

Weight		X6 xDrive35i	X6 xDrive50i
Unladen weight	lbs	4894	5269
Weight distribution, front/rear	%	49.5/50.5	51.9/48.1

Engine			
Liters/type		3.0-liter twin-turbocharged inline 6	4.4-liter twin-turbocharged V-8
Bore/stroke	inch	3.31/3.53	3.50/3.48
Nominal output/rpm	hp	300/5800	400/5500
Maximum torque/rpm	lb-ft	300/1400-5000	450/1750-4500

Transmission			
Automatic gear ratios I/II/III	:1	4.17/2.34/1.52	4.17/2.34/1.52
IV/V/VI/R	:1	1.14/0.87/0.69/3.40	1.14/0.87/0.69/3.40
Final drive ratio	:1	3.91	3.64

Performance			
Drag coefficient	C _d	0.35	0.37
Top speed ¹	mph	130 [150]	129 [156]
Acceleration 0-60 mph ²	sec	6.5	5.3

Fuel consumption³			
City/highway	mpg	15/20	13/18
Approx. tank capacity	gal	22.5	22.5

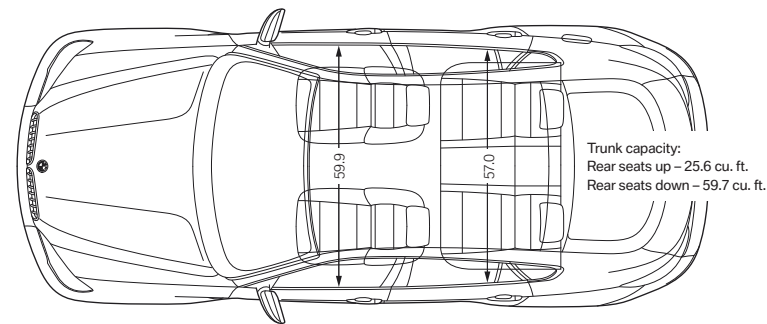
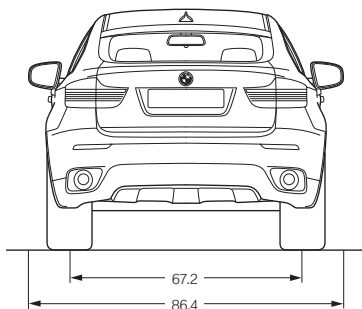
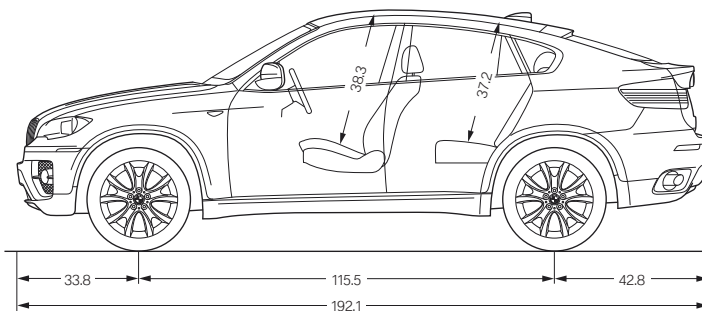
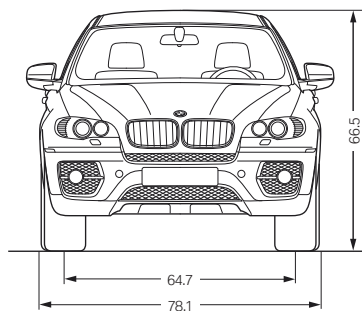
Tires, wheels and brakes			
Tire dimensions and type	standard	255/50 run-flat all-season	255/50 run-flat all-season
Wheel dimensions/material	standard	19 x 9.0/light alloy	19 x 9.0/light alloy
Brakes, front/rear	inch	13.7/13.6	14.4/13.6

All-season tires limited to 130 mph. Figures in [] refer to Sport Package with optional 20-inch wheels and performance tires.

¹ Top speed limited electronically.

² BMW AG test results. Actual acceleration results may vary, depending on specification of vehicle; road and environmental conditions; testing procedures and driving style. These results should be used for comparison only and verification should not be attempted on public roads. BMW urges you to obey all posted speed laws and always wear safety belts.

³ EPA-estimated figures are for comparison purposes only. Your actual mileage will vary, depending on speed, driving habits, trip length and driving conditions; actual mileage may be lower.



All dimensions of the technical drawings in inches. Height indicated with roof antenna and unloaded.

BMW Recycling.

BMW is a strong proponent of the environment and social responsibility. It is important to manage the earth's resources responsibly, and not jeopardize the needs of future generations. That is why BMW makes vehicles that minimize adverse environmental impact, from production (pollution prevention and waste minimization at the plant) through owner use (low emissions) to eventual disposal (easy drainability of all fluid-related components and easy neutralization of all pyrotechnic devices).

This effort has been recognized worldwide and, as a result, we are pleased to have received numerous environmental honors. In the U.S., for example, the Environmental Protection Agency accepted BMW's Spartanburg, SC production and manufacturing facility as a charter member of the agency's National Environmental Performance Track. Internationally, BMW AG – the parent company of both BMW of North America and BMW Manufacturing Co., Spartanburg, SC – was the first automotive company to be represented on the Dow Jones Sustainability Group Index, and has remained on the Index ever since. At BMW, we strive for high performance in everything we do.

U.S. Distributor: BMW of North America, LLC, Woodcliff Lake, NJ 07677. All illustrations and specifications contained in this brochure are based on the latest product information available at the time of printing. BMW reserves the right to make changes at any time, without notice, in colors, materials, equipment, specifications and models. BMW may, subject to legal requirements, determine the Model Year designation of its vehicles. The Model Year designation on any particular model may be longer or shorter than 12 months. Some vehicles pictured may contain non-U.S. equipment. Some models may be shown with optional equipment. While BMW NA makes all reasonable efforts to provide accurate information in this brochure, there is no guarantee or warranty of accuracy. Furthermore, we do not assume any liability for the accuracy or completeness of information presented. This brochure shall not be used or relied upon as a substitute for information that is available from your BMW SAV® center. Further information can be obtained from your authorized BMW SAV center or bmwusa.com.

©2008 BMW of North America, LLC. Not to be reproduced wholly or in part without written permission of BMW NA. The BMW name, logo, model names and SAV are registered trademarks. The **Bluetooth SIG, Inc.** word mark and logos are owned by the **Bluetooth SIG, Inc.** and any use of such marks by BMW is under license. iPod is a registered trademark of Apple Inc. Other trademarks and trade names are the property of their respective owners.

BMW recommends Castrol

More about BMW

bmwusa.com
1-800-334-4BMW



**The Ultimate
Driving Machine®**

