

2003

Honda

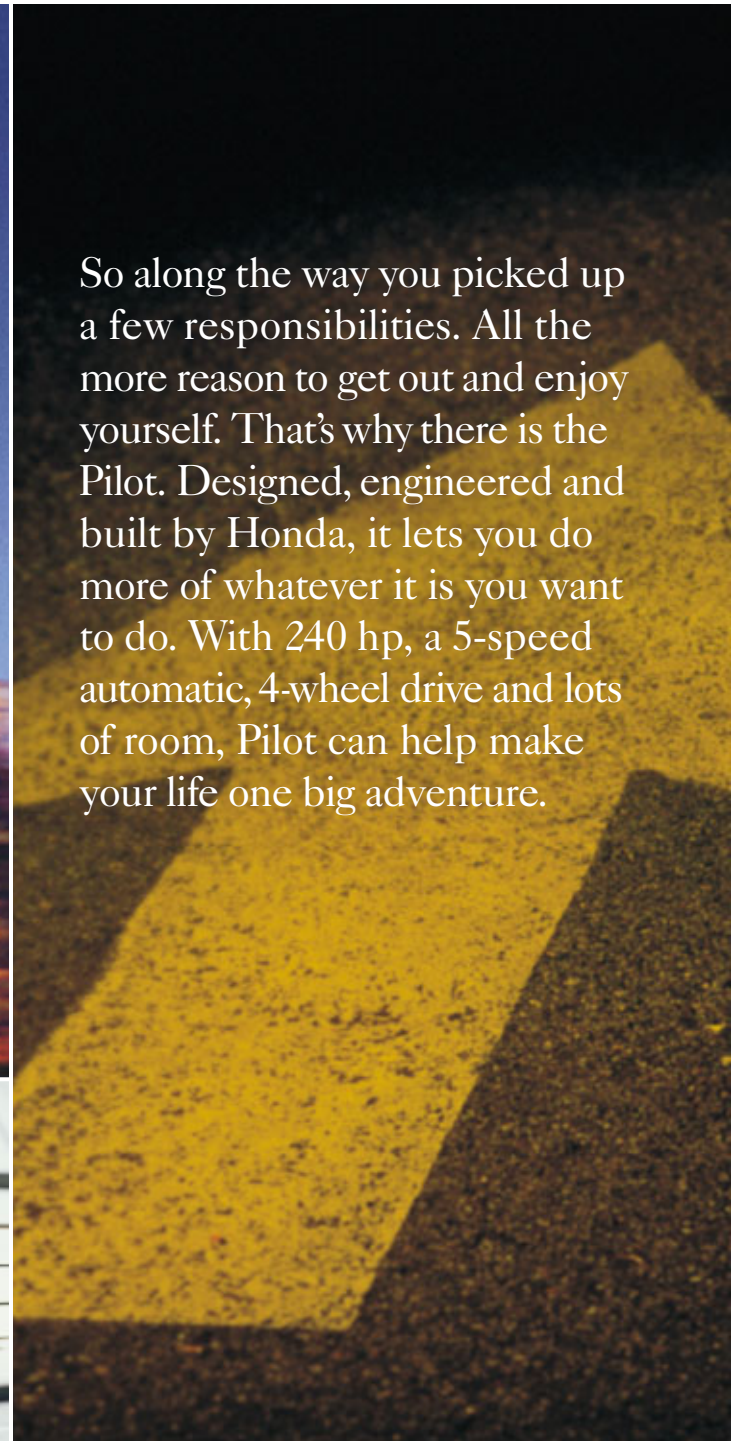
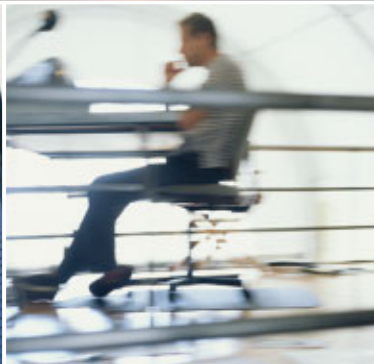
# Pilot





life suddenly got bigger

So along the way you picked up a few responsibilities. All the more reason to get out and enjoy yourself. That's why there is the Pilot. Designed, engineered and built by Honda, it lets you do more of whatever it is you want to do. With 240 hp, a 5-speed automatic, 4-wheel drive and lots of room, Pilot can help make your life one big adventure.





and your **choices** more fun



### PILOT LX

- › 240-hp, 3.5-liter VTEC™ V-6 engine
- › 5-speed automatic transmission
- › Variable Torque Management 4-wheel-drive system (VTM-4™)
- › 4-wheel independent suspension
- › 4-wheel disc brakes w/anti-lock braking system (ABS) and Electronic Brake Distribution (EBD)
- › Dual-stage front airbags (SRS) and dual side airbags
- › Seating for up to eight
- › 60/40 split fold-down 2nd- and 3rd-row bench seats
- › Front and rear climate control w/micron air-filtration system
- › AM/FM stereo CD player w/4 speakers
- › Immobilizer Theft-Deterrent System
- › Power windows, mirrors and door locks



Pilot EX shown in Starlight Silver Metallic.



### PILOT EX

Adds to or replaces LX features:

- › AM/FM stereo cassette w/in-dash CD player and 7 speakers
- › Front and rear synchronized automatic climate control system w/micron air-filtration system
- › Driver's seat w/8-way power adjustment
- › 16" alloy wheels
- › Security system w/remote entry
- › Second-row fold-down activity tray
- › Roof rails
- › HomeLink® remote system<sup>1</sup>

Optional Equipment:

- › Leather option, which includes a leather-trimmed interior and leather-wrapped steering wheel
- › Available Honda DVD Entertainment System featuring DVD player w/CD and video-game capability, 7" ceiling-mounted screen, remote control and two sets of wireless, infrared headphones<sup>2</sup>
- › Available Honda Satellite-Linked Navigation System™ w/off-road tracking<sup>3</sup>



Pilot EX shown in Starlight Silver Metallic.





check out **life from a fresh angle** perfectly describes the new



Pilot. Its interior is roomy, comfortable, totally functional and crafted from the inside out to let you do more. So you can adapt it to whatever you have going on at that moment. Because its versatility makes it not only a real workhorse, but also a rugged extension of yourself when it comes time for fun. So plan on getting out and doing lots of stuff.

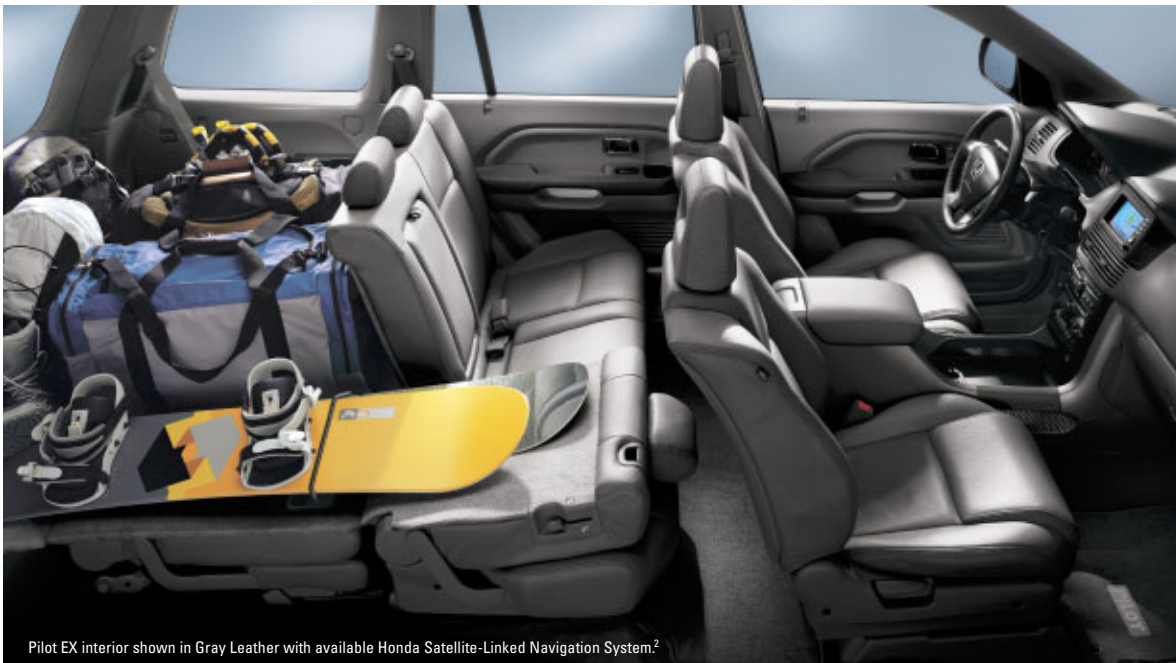


Pilot EX interior shown in Gray Leather with available Honda Satellite-Linked Navigation System.<sup>TM2</sup>



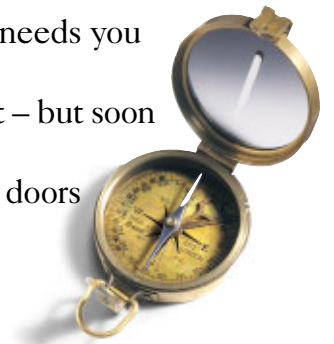
For all the ways you use your SUV, Pilot has you covered. It's easy to drive and maneuver. Yet it's big enough to carry up to 8 people, with theater-style seating so everyone inside has room and a great view of the world outside. Got stuff to pick up later? No problem. It takes mere seconds to fold the 60/40 split seats down flat

*think of space in a new way* to however you want them.



Pilot EX interior shown in Gray Leather with available Honda Satellite-Linked Navigation System.<sup>2</sup>

You never have to remove the seats, so they're always there, ready for their next use. You see, the Pilot was designed for needs you haven't even anticipated yet – but soon will discover, as it opens its doors and invites you to explore.







# change its dimensions

## to match your opportunities

**Stash the essential stuff.** You'll find plenty of places to do so inside. For example, thirst can take a hike, as there are **nine beverage holders** in the EX, seven in LX. There's no doubt the front and rear **door storage pockets** will prove very useful on road trips, as will the large, lockable glove compartment. The **cargo nets**, found on the back of the driver's and front passenger's seats, are ideal for stowing maps, magazines, small toys or electronic gizmos—you name it. And to power those gizmos and whatnots, there are a total of four 12-volt power outlets conveniently located throughout the Pilot's cabin.



**Get into your new living quarters.** Life on the road just became a lot more fun and spacious. With 167.1 cu. ft. of passenger volume,<sup>3</sup> there's **seating for up to eight passengers**. And they'll find those seats very accommodating, as they're fitted with a soft yet durable fabric. Supple, leather-trimmed front and second-row seats and door-panel inserts are available on EX models. And in all Honda Pilots, the **60/40 split second- and third-row seats** can be folded down flat and quickly reconfigured to suit your needs. So after you drop off the kid's sports team, you won't have to pass up that garage-sale bargain. **Power windows, mirrors and door locks** add real convenience, as do the steering wheel-mounted cruise control switches. EX models add a set of audio controls there, too. Dual illuminated vanity mirrors are always welcome, as are the flip-down sunglasses holder and the EX's HomeLink<sup>®</sup> remote system controls.



**Surprise yourself with what you can load.** With the second- and third-row seats folded to yield **90.3 cu.ft. of cargo room**, you can lay a 4' x 6' sheet of plywood flat on the floor between the Pilot's wheelwells.<sup>6</sup> Other cool cargo-area features include a 12-volt power outlet, cargo hooks and a wide, **one-piece tailgate** with cargo light. Got stuff you don't use all the time or want out of sight? Put it in the **hidden rear storage area**, where you can also stow the third-row head restraints. And if you still need space to carry more, the **roof rails** on EX models can hold up to 150 lbs.

<sup>6</sup>Honda reminds you to properly secure items stored in the cargo area.



Pilot EX shown in Sage Brush Pearl.<sup>1</sup>



**Information has a fresh, new face.**

The very distinctive, chronograph-styled instrument panel features **white-on-black analog gauges**. Red needles and displays make the gauges easy to read, day or night. A tachometer and dual trip meters are standard, and an engine coolant temperature gauge completes the array.



**Do you prefer Bach, or rock?** Either way, the Pilot's stereo serves up the tunes you love to hear. The LX has a 120-watt, AM/FM stereo CD player with 4 speakers. And the EX model features a booming **155-watt, AM/FM stereo cassette with in-dash CD player and seven speakers**, including a powerful subwoofer. So bring all your favorites, because Pilot loves a good, long drive with a great soundtrack.

**Create two climates within one SUV.** Some like it hot. Others like it cold. But everyone likes it just right for them. Now all the passengers in your Pilot LX can be comfortable using its **front and rear climate control system**. With separate front and rear controls, you and your rear passengers can enjoy different comfort settings. To help everyone breathe easier, the micron air-filtration system traps errant dust and pollen particles and prevents them from circulating within the cabin. All EX models have a **front and rear synchronized automatic climate control system**. Set the climate setting once and this patented system automatically maintains it. Or the second-row passengers can use the separate rear control to manually adjust the temperature setting for their own area, thus assuring everyone's happiness.

**Ingenuity you can rest your arm on.** Comfort is good, but under the padded armrest is what really makes this center console happen. There you'll find a clever organizer design, with a storage well **large enough to hold up to 13 CD cases** and a coin holder that lets you sort and hold change by size. For 12-volt electrical items, there's a power outlet at the bottom of the well and another on the back of the console for the second-row passengers' use. The innovative **phone cradle** folds down to reveal a pen clip, a business-card holder and a handy sleeve to secure your cell phone.\* The lower part of the console has a **sliding cover** for security and two beverage holders that can be moved forward, letting you use the holders and phone cradle at the same time.



**It's the little things that count.** When you're out and about, things that seem small may have a major impact on the overall comfort of your journey. Take map lights, for example: There's a pair in front, something you'd expect. But there are four more **grab rails with integrated map lights** for the second- and third-row passengers' use. With EX models, there's a **driver's seat with 8-way power adjustment** and a second-row fold-down **activity tray**. Kids can use this tray to rest their coloring books on and to hold two beverages. And when finished, they can store their crayons and books in the tray and fold them securely away.



\*Drive responsibly. State laws prohibit distracted driving.



**Let the entertainment begin.** Why leave it at home when you can bring it, using the Pilot's **integrated Honda DVD Entertainment System with remote**, which is available on the EX model.<sup>2</sup> With this state-of-the-art, multi-purpose system, the second- and third-row passengers can enjoy their favorite **programs on DVD** wherever they go. Or listen to music CDs. Or, by plugging a gaming system into the convenient console jacks, they can **play video games** that are displayed overhead on the flip-down 7" color screen.

## meet *nature* on your terms

The longer it takes to reach the great outdoors, the more you'll appreciate Pilot's special features. In the EX, there's an available Honda Satellite-Linked Navigation System,<sup>2</sup> with a huge store of maps and information that you'll find useful while travelling. Or, if you'd like to keep the second- and third-row passengers in your EX happily occupied, opt for the Honda DVD Entertainment System.<sup>2</sup> It can play DVD movies or music CDs, and also has video-game capabilities, helping to ensure that restless road trips become a thing of the past.



Image courtesy of Universal Studios.

**Give them complete control – or not.** The available Honda DVD Entertainment System can be operated using the hand-held remote control. Cool, that makes things easy. Or it can be operated using the front or rear controls. Great, that adds convenience. And then there are the **two sets of wireless, infrared headphones** for the rear passengers, with jacks for wired headphones also provided. This allows the **front-seat occupants to enjoy a separate audio program**, while those in back are using the DVD system. So no matter how far your journey, everyone will be thoroughly entertained.



**Or do you prefer to be well-informed?**

Then go for the EX's available **Honda Satellite-Linked Navigation System**². In addition to its guidance function, it can locate the nearest listed ATM, gas station or even restaurant by cuisine. All told, its DVD-based memory stores over 3.7 million places for you to visit in your Pilot.



**Got places to go?** Of course you do. And the available Honda Satellite-Linked Navigation System will not only show you how to get there on a **flat 6" color touch-screen display**, but voice prompts will guide you there, too. The latest electronics, signals from global positioning system (GPS) satellites and an onboard inertial guidance system pinpoint your exact location, then track your progress as you drive to your destination virtually anywhere in the continental United States. The system's **database is stored on a 4.7-gigabyte DVD** and features detailed maps of most major U.S. metropolitan areas.\* And if you go to an area not in the database, such as an off-road camping site, the screen **displays electronic "bread crumbs"** to help you retrace your way.

\*Only major streets, roads and highways are mapped outside major metropolitan areas. See navigation system owner's manual for the current detailed coverage areas.



go wherever **240 horses** lead you

Power is good, especially in your hands. And Pilot serves up a massive dose of it for you to tap into. So go ahead. Unleash that power to do what you've always dreamed about doing. Climb that mountain, tow that boat, take your family or friends on a vacation they'll never forget. Knowing it's a Honda, you can go in complete confidence. With the horsepower you need to get the job done.



Pilot EX shown in Redrock Pearl.

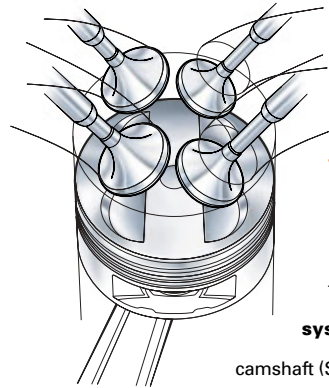
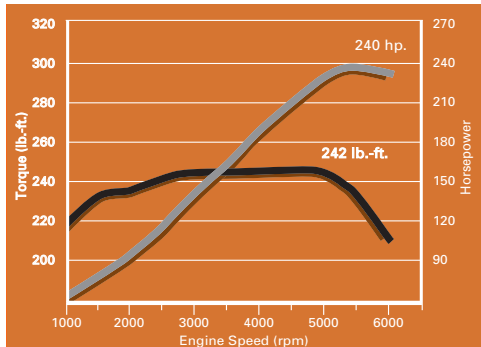
**Produce old-fashioned power the new-fashioned way.** Honda produces more engines annually than any other automaker in the world. And they drew on this vast engineering know-how to build a smarter, more responsible engine. Even as Pilot's **3.5-liter, 24-valve, aluminum-alloy V-6** pumps out power, it still burns clean enough to be rated as either a Low-Emission Vehicle (LEV) or, for specified models, as an Ultra-Low-Emission Vehicle (ULEV). Superb engineering, coupled with refined electronics like its **PGM-FI programmed fuel-injection** and **direct ignition systems**, lets it provide excellent fuel economy<sup>5</sup> and go 105,000 miles before its first scheduled tune-up.\* Yet, when equipped for towing, Pilot has the brawn to tow up to 4,500 lbs.<sup>6</sup>

\*Does not apply to fluid and filter changes. See owner's manual for details.



Pilot EX shown in Evergreen Pearl with accessory crossbars.





**VTEC™ makes it even sweeter.** Whether you're getting ready for a cross-country jaunt or just out running errands, the Pilot uses more advanced technology to get you there. Its innovative **VTEC (variable valve timing and lift electronic control) system** has two different sets of lobes on its single overhead camshaft (SOHC). The low-lift camshaft lobes help time delivery of the air/fuel charge and swirl it to make **more low-end torque** with fewer emissions, resulting in pulling power right off the line. As engine rpms rise, VTEC switches to the second set of camshaft lobes. These high-lift lobes now allow each cylinder to fill more quickly and with a larger supply of air and fuel for **more power at higher rpm.**



**Its muscle will definitely move you.**

The Pilot's VTEC™ V-6 engine produces a potent **240 horsepower and 242 lb.-ft. of torque.** And to get you off to a good start every time, 90% of this power is available at just 2000 rpm, with full engine power developing shortly after that all the way up to 5400 rpm. All this power is channeled to a very refined **5-speed automatic transmission** that provides fast and smooth shifts at all engine speeds. Its smart Grade Logic Control programming reduces gear hunting when driving up and down hills, for more occupant comfort. And a low 1st gear adds **extra pulling power**, while a high 5th gear provides more highway fuel economy.<sup>5</sup>



**You don't win by making excuses.**

The world of racing is notoriously unforgiving, and if you don't bring your absolute best to the track, you won't be there for the checkered flag. Honda has been involved in professional motor-sports for over 50 years. And in that time, we've garnered **more than 70 Formula One Grand Prix wins and over 50 CART victories.** All the wins and trophies are nice, of course, but we get something more important out of racing. **Competing in motorsports helps develop our technology and train our engineers.** It makes them think creatively and respond quickly to pressure. It helps them devise new solutions to old problems. And later, they apply those same lessons to designing exciting new vehicles for you, like the new Honda Pilot. Most certainly a win-win situation.



**Feel what it's like off-road.** Get out there and give yourself, and everyone else, a thrill. Only you need to know that the VTM-4 system is already busy, proactively applying 4-wheel drive so you can keep on going. And if you're in deep mud or snow, the rear differential can be manually locked using the **VTM-4 Lock™** feature. With **8.0" of ground clearance** and P235/70 R16 mud-and-snow tires, you'll find that the Pilot is very capable off-road, while still providing a great ride, as the suspension is tuned to control body motions. The rigid body resists twisting and bending, and a hefty steel plate beneath the body helps protect the fuel tank from damage.

## answer the call of the **wild** in person

If going off-road\* is on your wish list, Pilot can help make that happen. Its sophisticated Variable Torque Management 4-wheel-drive system (VTM-4™) is completely automatic and dedicated to being there when you need it most. There are no levers or locking hubs to engage. If the system detects the possibility of wheel slippage during acceleration, it instantly provides 4-wheel drive. So you can keep going and concentrate on your driving, not on whether you need to engage the system. Which makes driving on- or off-road a lot more enjoyable. See what the extra traction of 4-wheel drive can do for you, wet, dry or snowy.



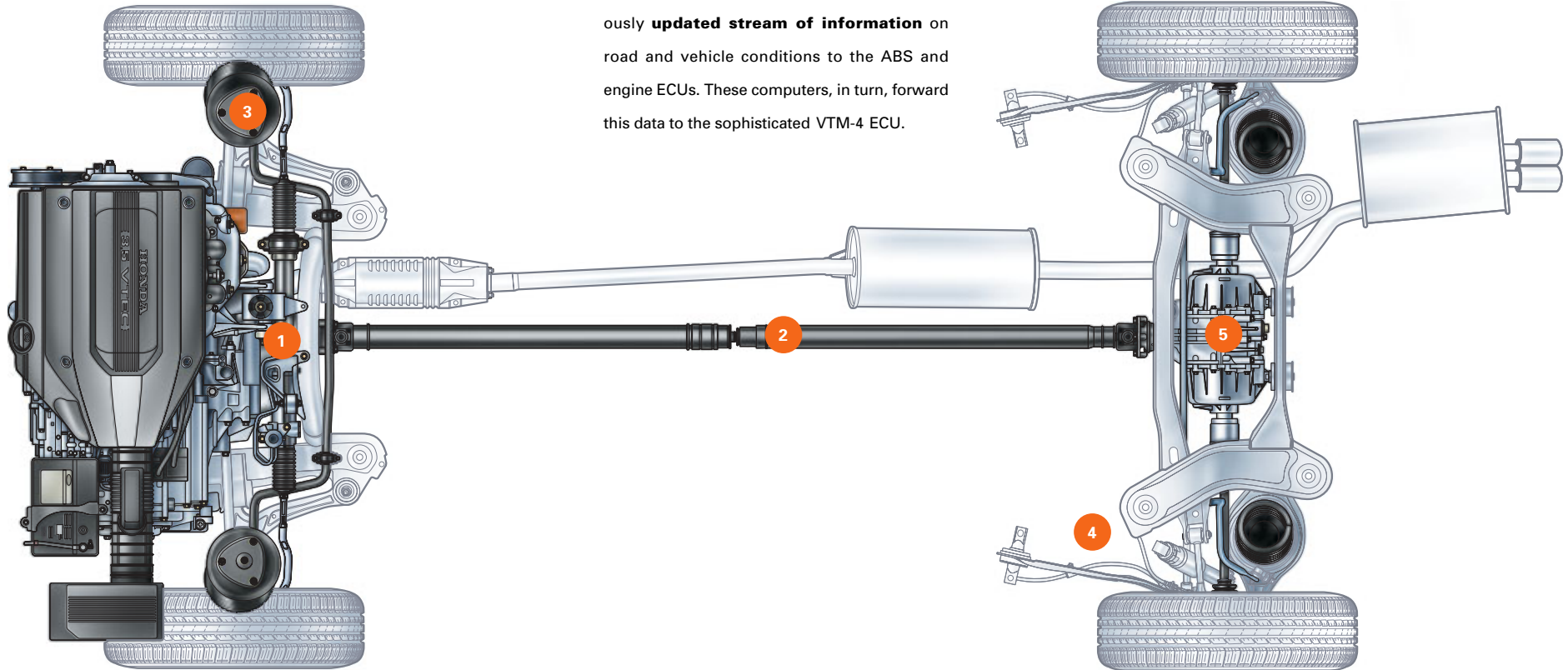


**[1] Front Differential.** Engine power is channeled through the transmission directly to the front differential, which then supplies power to the front wheels. As a result, on roads with a good level of traction, the Pilot **normally operates as a front-wheel-drive vehicle** to help provide maximum fuel economy.<sup>4</sup>

**[2] Center Propeller Shaft.** The versatile front differential also supplies power to the rear differential through a center propeller shaft, which has a special damper to reduce vibration. While this shaft **constantly transmits power to the rear differential**, the rear differential does not power the rear wheels until signaled by the VTM-4 system's electronic control unit, or ECU.

**[3] 4-Wheel-Drive System Sensors.**

Multiple electronic sensors provide a continuously **updated stream of information** on road and vehicle conditions to the ABS and engine ECUs. These computers, in turn, forward this data to the sophisticated VTM-4 ECU.



**[4] VTM-4 ECU.** Based on the data sent to it, the VTM-4 ECU processes these signals and uses that information to determine if wheel slippage is impending. If that condition is detected, the ECU calculates how much power to send to the rear wheels and immediately signals the rear differential. It then **proactively applies 4-wheel drive**, so you have additional traction before the front driving wheels slip. And when the VTM-4 ECU senses that a normal level of traction has returned, it automatically disengages 4-wheel drive, so you can also save fuel.

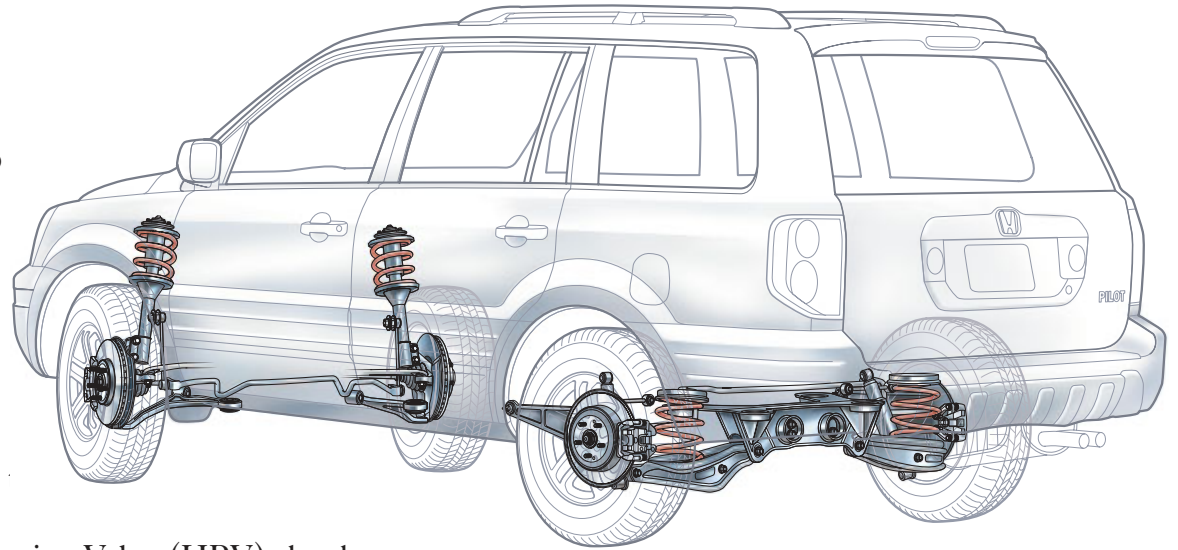
**[5] Rear Differential Unit.** Inside this unique rear differential unit are two clutches that are electronically controlled by the VTM-4 ECU. When these electromagnetic clutches are off, they allow the rear wheels to freewheel for more fuel economy. When the clutches are engaged by the ECU, power is transmitted to the rear wheels and they **work with the front wheels to provide 4-wheel drive**. And by carefully varying the activation of these clutches, the ECU can smoothly and seamlessly engage the Pilot's 4-wheel-drive system to help provide optimum traction at all times, whether driving on a hard city street or a winding country dirt road.



Pilot EX shown in Sandstone Metallic.<sup>4</sup>



Think of a sports sedan that's able to go or off-road. One whose immensely rigid body stays quiet over the roughest terrain and forms an unyielding platform for the 4-wheel independent suspension



soak up bumps and dips. Honda Progressive Valve (HPV) shock absorbers and front and rear stabilizer bars help ensure a smooth ride and excellent handling. Variable power-assist rack-and-pinion steering positively connects you to the road through big P235/70 R16 tires, mounted on 16" wheels (alloys on EX models). Strong 4-wheel disc

**enjoy the CURVES** because you can

brakes make short work of stopping, and a refined anti-lock braking system (ABS) with Electronic Brake Distribution (EBD) modulates braking power to help you retain steering control while braking hard, especially on slippery surfaces.

**Become more independent.** When the road gets rough, that's where the virtues of the Pilot's 4-wheel independent suspension really shine. This tough, yet very refined, **front strut and rear multi-link suspension** takes what the road dishes out in stride, whether paved or unpaved, while still providing a smooth, car-like ride with excellent handling. And its wide track is designed to provide an extra measure of stability.





Pilot EX shown in Nighthawk Black Pearl.





**See what you're missing.** For a panoramic view, the Pilot **provides a sweeping 282° of outward visibility.** Bright halogen headlights light up the road and help increase your visibility to other drivers, as do large taillights and brake-lights. Variable-intermittent front wipers can be adjusted to suit driving conditions, and a rear wiper helps keep a clear view behind.



**even tough guys need protection**

Pilot's strong unit body was designed, tested and built to meet the most stringent government crash-test standards. In the event of a

collision, front and rear crush zones help protect by absorbing impact energy, as do the sturdy steel door beams in

a side impact. Specially designed 5-mph bumpers are more compatible with the height of most passenger-car

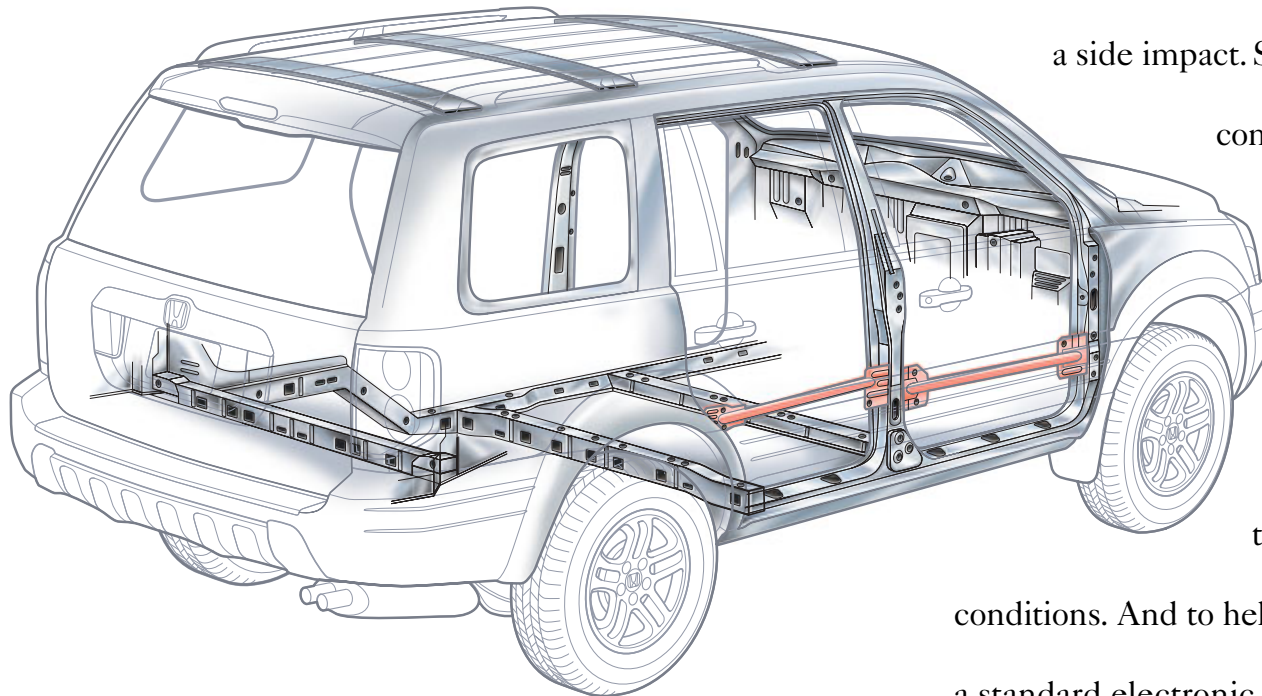
bumpers, making them friendlier to cars as they also help protect you. Of course,

its 4-wheel-drive system and anti-lock braking system (ABS) can help maintain

traction and steering control in poor driving

conditions. And to help protect your Pilot while it's parked, there's

a standard electronic Immobilizer Theft-Deterrent System.





**Make safety part of the family.** It's comforting to know that inside Pilot, there are three-point seat belts and head restraints at all eight seating positions, with the second- and third-row restraints being adjustable. **Supplemental protection for the driver and front passenger** is provided by standard front and side airbags.\* The front airbags are a dual-stage, dual-threshold design that uses sensor data to deploy at one of two rates or thresholds, based on impact severity and seat-belt usage. Kids have their own protection with the LATCH (Lower Anchors and Tethers for Children) mounting system, which is provided at the second-row outboard seating positions, for use with compatible child seats. Child-seat tether anchors are also built into the third row.

\*Honda reminds you and your passengers to always buckle up.



if you want **more resources**, here they are

At Honda, we and our dealers are happy to provide assistance.

Your dealer's team of Honda-trained technicians can help keep your



Pilot in tip-top shape. And if you require additional brochures, information or assistance, call us at 1-800-33-Honda. You can also visit our Web site at [honda.com](http://honda.com), where you'll find the most current information, including product specifications,

pictures, MSRPs and more. You can even “design” your own Honda, then personalize it with items from our list of quality accessories. Or request price quotes, apply for financing and check out dealer inventories. At Honda, we try our very hardest to please.

**HONDA**

Financial Services

Whether you want to buy or lease a Honda, **Honda Financial Services** can assist you with the process. Ask your dealer which lease or purchase plan best suits your needs.

**HONDA**  
**Care**

**Honda Care** is a comprehensive and affordable vehicle and travel protection plan that is backed by Honda reliability, service and parts. See your dealer for more details.

## Accessories

Here's your chance to customize your Pilot using excellent Honda accessories. Some accessories are high-tech, like the rearview camera available for select EX models. Some are stylish, like the chrome door-mirror covers and wood-grain steering wheel. Others are functional, like the cargo tray and cargo liner, which were designed to fit perfectly in place inside the vehicle and be immediately useful. Or the trailer hitch, which bolts on easily and uses existing attachment points for no-drilling installation. All accessories are extremely durable, of the highest quality and manufactured to Honda's exacting standards. In fact, if installed at the time of purchase by your authorized Honda dealer, accessories are covered by the same warranty<sup>7</sup> as your Pilot.

### Honda Pilot Accessories:

- › Rearview Camera (available on EX models with leather-trim option and Honda Satellite-Linked Navigation System)
- › Rear Back-Up Sensors
- › Trailer Hitch with Towing Cooler Package
- › Fog Lights
- › Running Boards
- › Side Steps
- › Air Deflector
- › Chrome Bumper Garnish
- › Chrome Door-Mirror Covers
- › Cargo Tray
- › Cargo Liner
- › Cargo-Area Bicycle Attachment
- › Separation Net
- › Cargo Cover
- › Wood-Grain Steering Wheel and Shift Selector Lever
- › Auto-Day/Night Mirror
- › Crossbars for Roof Rails (EX models)



# Honda Pilot 2003 Specifications and Features

Engine	Pilot LX	Pilot EX
Type: Aluminum-Alloy V-6	•	•
Displacement (liters)	3.5	3.5
Horsepower @ rpm (SAE net)	240 @ 5400	240 @ 5400
Torque (lb.-ft. @ rpm)	242 @ 4500	242 @ 4500
Compression Ratio	10.0:1	10.0:1
Valve Train: SOHC 24-Valve VTEC™	•	•
Fuel System: Multi-Point Fuel Injection	•	•
Direct Ignition System: Electronic w/Immobilizer	•	•
105,000-Mile Tune-Up Interval*	•	•

Drivetrain	Pilot LX	Pilot EX
Type: Variable Torque Management 4-Wheel Drive (VTM-4™)	•	•
Automatic Transmission: 5-Speed	•	•
Final Drive Ratio	4.428	4.428

Body/Suspension/Chassis	Pilot LX	Pilot EX
Body Type: Unit Body	•	•
Suspension: Front Strut/Rear Multi-Link w/Trailing Arms	•	•
Stabilizer Bar (mm, front/rear)	23.0 / 20.0	23.0 / 20.0
Variable-Assist Power Rack-and-Pinion Steering	•	•
Turning Diameter, Curb-to-Curb (ft.)	38.0	38.0
4-Wheel Disc Brakes	•	•
w/Anti-Lock Braking System (ABS)	•	•
Electronic Brake Distribution System (EBD)	•	•
Angle of Approach/Departure (degrees)	28.5 / 23.0	28.5 / 23.0
Minimum Ground Clearance (in.)	8.0	8.0
Wheels	16" x 6.5" Styled Steel	16" x 6.5" Alloy
Tires: All-Season	P235/70 R16 104S	P235/70 R16 104S

Exterior Dimensions	Pilot LX	Pilot EX
Wheelbase (in.)	106.3	106.3
Length (in.)	188.0	188.0
Height (in.)	70.6	71.7
Width (in.)	77.3	77.3
Track (in., front/rear)	66.3 / 66.5	66.3 / 66.5
Curb Weight (lbs.)	4416	4439
Weight Distribution (lbs., fr/rear)	2517 / 1899	2530 / 1909
Towing Capacity (lbs.)	4500 <sup>6</sup>	4500 <sup>6</sup>

Interior Dimensions	Pilot LX	Pilot EX
Headroom (in., front/middle/rear)	41.9 / 40.9 / 38.9	41.9 / 40.9 / 38.9
Legroom (in., front/middle/rear)	41.4 / 37.4 / 30.2	41.4 / 37.4 / 30.2
Shoulder Room (in., front/middle/rear)	61.6 / 61.4 / 58.8	61.6 / 61.4 / 58.8
Hiproom (in., front/middle/rear)	57.5 / 56.6 / 49.0	57.5 / 56.6 / 49.0
Cargo Volume (cu. ft., behind 1st/2nd/3rd row)	90.3 / 48.7/16.3	90.3 / 48.7/16.3
Passenger Volume <sup>3</sup> (cu. ft.)	176.9	176.9

EPA Mileage Estimates <sup>4</sup> /Fuel Capacity	Pilot LX	Pilot EX
5-Speed Automatic (City/Highway)	17/22	17/22
Fuel (gal.)	19.2	19.2

Exterior Features	Pilot LX	Pilot EX
Intermittent Rear Window Wiper w/ Washer	•	•
Security System	Accessory	•
Remote Entry	Accessory	•
Dual Power Mirrors	•	Body-Colored
Rear Privacy Glass	•	•
Alloy Wheels	Accessory	•
Roof Rails	•	•
Rear Roofline Spoiler	Black	Body-Colored
Body Side Molding	Black	Body-Colored
Multi-Reflector Halogen Headlights	•	w/Auto-Off

Interior Features	Pilot LX	Pilot EX
Air Conditioning, Front and Rear	•	Automatic
Power Windows w/Auto-Up/Down Driver's Window	•	•
Power Door and Tailgate Locks	•	•
AM/FM Stereo CD Player	w/4 Speakers	w/Cassette & 7 Speakers Including Subwoofer
Rear Subwoofer	•	(w/ 7-Speaker Audio)
Honda Satellite-Linked Navigation System <sup>2</sup> w/Off-Road Tracking	•	Available <sup>2</sup>
Honda DVD Entertainment System	•	Available <sup>2</sup>
Leather-Trimmed Seats and Door Armrests	•	Available
Cruise Control	•	•
Dual-Stage Front Airbags (SRS)	•	•
Front Side Airbags w/Passenger-Side Occupant Position Detection System	•	•
3-Point Seat Belts at all Seating Positions	•	•
Lower Anchors and Tethers for Children (LATCH)	2nd Row	2nd Row
3rd-Row Child-Seat Tether Anchors	•	•
Adjustable Front Seat Belt Anchors	•	•
Front 3-Point Seat Belts w/Pretensioners and Load Limiters	•	•
Child-Proof Rear Door Locks	•	•
HomeLink <sup>®</sup> Remote System <sup>1</sup>	•	•
Driver's Seat Adjustment	Manual	8-Way Power
Driver's Seat Manual Lumbar Support	•	•
Front Bucket Seats	•	•
60/40 Split, Flat-Folding 2nd-Row Bench Seat	•	•
60/40 Split, Flat-Folding 3rd-Row Bench Seat	•	•
Rear-Seat Heater Ducts	•	•
Adjustable Steering Column	•	•
Steering Wheel-Mounted Audio Controls	•	•
Beverage Holders, Front, Middle and Rear	7 Total	9 Total
Front, 2nd-Row and Cargo Area 12-Volt Accessory Outlets (4 total)	•	•
Front-Row Seatback Pockets	Bottom	Top and Bottom
Multi-Functional Center Console Storage w/Cellular Phone Cradle <sup>†</sup>	•	•
2nd- and 3rd-Row Grab-Rails w/Integrated Map Lights	•	•
Sunglasses Holder	•	•
Coin Box	•	•
Variable-Intermittent Front Windshield Wipers	•	•
Remote Fuel Filler Door Release	•	•
Door-Open and Tailgate-Open Indicator Light	•	•
Low-Fuel and Low-Oil-Pressure Indicator Lights	•	•
2nd-Row Fold-Down Activity Tray	•	•
Driver's and Front Passenger's Illuminated Vanity Mirrors	•	•
Sliding Sun Visor Extensions	•	•
Courtesy Door Lights	•	•
Rear Window Defroster w/ Timer	•	•
Floor Mats	•	•
Cargo Area Light	•	•
Hidden Storage Well	•	•
Cargo-Area Tie-Down Anchors (6 total)	•	•
Cargo Net	Accessory	•
Grocery Bag Hooks (9 total)	•	• (8 w/DVD system)

\*Does not apply to fluid or filter changes. See your owner's manual for details.

†Drive responsibly. State laws prohibit distracted driving.

<sup>1</sup>HomeLink<sup>®</sup> is a registered trademark of Prince Corporation, a wholly owned subsidiary of Johnson Controls.™ <sup>2</sup>Only available in the EX model with leather-trim option. The available Honda Satellite-Linked Navigation System and Honda DVD Entertainment System are separate systems that cannot be combined. <sup>3</sup>Includes cargo area. <sup>4</sup>Color not available until fall 2002. <sup>5</sup>Based on 2003 EPA mileage estimates. Use for comparison purposes only. Actual mileage may vary. <sup>6</sup>Towing requires installation of a power-steering- and transmission-fluid cooler, both available exclusively from your Honda dealer. Maximum towing capacity is 4,500 lbs. for boat trailers and 3,500 lbs. for all other trailers. Premium unleaded fuel increases engine torque and is recommended when towing above 3,500 lbs. Refer to the owner's manual for additional towing information. <sup>7</sup>**3-Year/36,000-Mile Limited Warranty:** Ordinary maintenance or adjustments, parts subject to normal wear and replacement, and certain items are excluded. See your Honda dealer for the terms and conditions of this limited warranty. **Always use seat belts and appropriate child seats. Children are safest in the second- and third- rows seats.** Specifications, features, illustrations and equipment shown in this brochure are based upon the latest available information at the time of printing. Although descriptions are believed correct, accuracy cannot be guaranteed. American Honda Motor Co., Inc., reserves the right to make changes at any time, without notice or obligation, in colors, specifications, accessories, materials and models. Some features mentioned herein are not available in all areas. See your Honda dealer for details. Some vehicles may be shown with optional equipment. Available=Optional. ©2002 American Honda Motor Co., Inc.





there'll **always** be a new road

Spoil yourself, not the planet. All Honda models have been engineered with a keen awareness of their impact on the environment. Every new Honda meets or exceeds the Low-Emission Vehicle (LEV) standards in all 50 states. In addition to that, 90% of the Pilot's parts are recyclable. And long-life coolant and engine oil, solvent-free paints and lead-free materials help make it even more environmentally friendly. Honda asks that you likewise respect the environment, and if you go off-road, remember to "Tread Lightly!®" on public and private land. You see, Honda's commitment to putting the Earth first is steadfast, and you can rest assured we'll be out front when tomorrow comes.

