

Accuride® Wheels Product Catalog 2015

The only company delivering industry-leading
steel and aluminum wheels.



Your only single source for industry-leading wheel end solutions.
STEEL & ALUMINUM WHEELS | DRUMS | HUBS | ROTORS | SLACK ADJUSTERS

Steel Armor™ Superior Coating Technology



2X CORROSION
RESISTANCE

2YR LONGER
SERVICE

200,000
MILES FURTHER

Powerful corrosion protection

Our new Steel Armor™ steel wheel powder coating technology employs a proprietary three-phase protection process that is unique to Accuride.

Zinc Phosphate

It all starts with our unique formula of tri-metal zinc phosphate – the same fundamental high-performance chemistry used by leading automakers – which prepares the metal for maximum adhesion.

Epoxy E-coat

Next, we apply our new best-in-class cathodic epoxy electrocoat (e-coat) optimized for sharp edge and overall corrosion protection.

Powder Coat

Finally, we spray on an exacting application of our premium powder coat, formulated exclusively for Accuride to meet the tough demands of the heavy truck environment.

Proprietary
Powder Coat

Epoxy E-Coat with
Best-in-Class
Sharp Edge Protection

Zinc Phosphate
Pre-Treatment

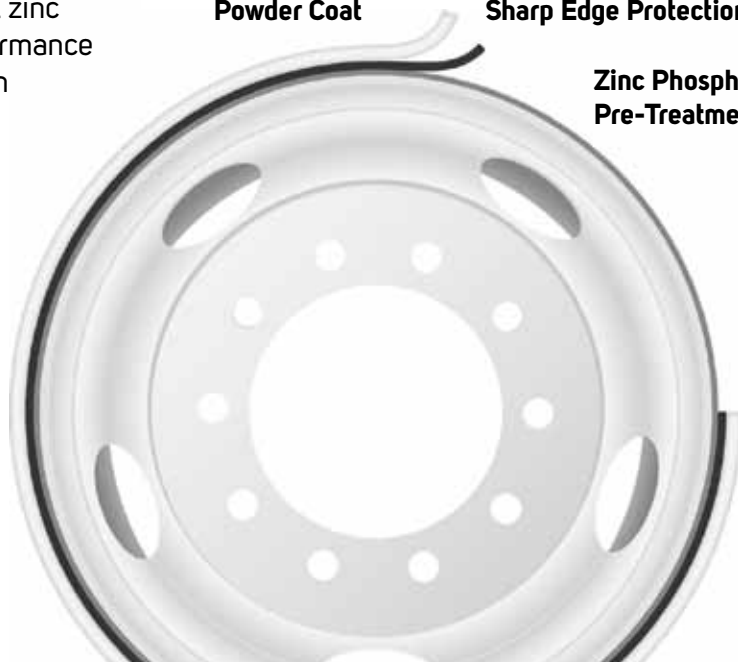


TABLE OF CONTENTS

Pages 2-3 Pages 4-5 Page 7	General Information Active Part Number Index Wheel and Rim Limited Warranty Aluminum Wheel Finishes
SECTION I Pages 8-9 Pages 10-11 Page 11 Page 12 Page 13	Hub-Piloted Tubeless Wheels Hub-Piloted — 10-Hole, 285.75mm Bolt Circle Hub-Piloted — 8-Hole, 275mm Bolt Circle Hub-Piloted — Styled Steel Wheels Hub-Piloted — 10-Hole, 11¼" Bolt Circle, Special Bus Application Hub-Piloted — 10-Hole, 335mm Bolt Circle
SECTION II Pages 15-16 Page 17 Page 17	Stud-Piloted Tubeless & Tube-Type Wheels Stud-Piloted — 10-Hole, 11¼" Bolt Circle Stud-Piloted — 10-Hole, 8¾" Bolt Circle Stud-Piloted — 6-Hole, 8¾" Bolt Circle
SECTION III Page 19 Page 20 Page 21	Demountable Rims, Spacer Bands and Components Tubeless Demountable Rims Heavy Duty Tube-Type Demountable Rims Demountable Rims Dimensions
SECTION IV Pages 23-24 Page 25	Duplex® Disc Wheels and Duplex® Demountable Rims Duplex® Disc Wheels Duplex® Demountable Rims
SECTION V Pages 27-30 Page 31	Light Truck Wheels Light Truck Wheels Application Chart — Light Truck Wheels
SECTION VI Page 33	Bolt-Together Specialty Wheels Bolt-Together Specialty Wheels
SECTION VII Page 35 Page 36 Page 37 Page 38 Page 39 Pages 40-41 Pages 42-43 Page 44 Page 45 Page 46 Page 47 Page 48 Page 49 Pages 50-55 Page 56 Page 57	General Information Wheel Guard Separator Plate Recommended Nut Torque Chart Aluminum Wheel Hand Hole Size by Part Number Types of Accuride Rims, Rings, and Typical Disc-To-Rim Attachment Locations Accuride Typical Product Stamping How to Identify Damaged Rims/Wheels Changeover from Conventional to Wide Base Tubeless Tires Selected Duplex® Changeover Applications 385/65R22.5 and 425/65R22.5 Tire Size Selected Duplex® Changeover Applications to Aluminum and Driver/Trailer Dual Spacing of Wheels Dual Spacing of Demountable Rims Changeover from Tube-Type Tires to Tubeless Tires Chart for Properly Matching Truck Tires to Rims/Wheels Obsolete Part Number Index Rim/Wheel Glossary Accuride Facilities and Production Locations

WARNING: Air pressure in an inflated truck tire mounted on a rim/wheel creates explosive energy; this pressure can cause the tire/rim assembly and/or components to burst apart with great force. If struck by an exploding tire or rim component, you can be seriously injured or killed. FEDERAL OSHA REGULATIONS REQUIRE ALL EMPLOYERS TO PROVIDE TRAINING FOR ALL EMPLOYEES WHO SERVICE SINGLE-PIECE AND MULTI-PIECE RIMS/WHEELS. THIS TRAINING SHOULD ENSURE THAT EACH EMPLOYEE DEMONSTRATES AND MAINTAINS HIS ABILITY TO SERVICE SINGLE AND MULTI-PIECE RIMS/WHEELS. THIS KIND OF SAFETY, SERVICE, AND MAINTENANCE INFORMATION IS CONTAINED IN THE ACCURIDE RIM/WHEEL SAFETY & SERVICE MANUAL, WHICH SHOULD BE RETAINED BY YOU. The Accuride Rim/Wheel Safety & Service Manual and other educational, informational, and training items are available free of charge. Please reference page 35. Please write to Literature Distribution, Accuride Corporation, 7140 Office Circle, Evansville, IN 47715 or call (800) 626-7096 to receive free copies. Outside the US call (812) 962-5000. You should not, nor should you let your employees, service rims/wheels unless they are thoroughly trained and completely understand this safety information.

ACTIVE PART NUMBER INDEX

Part Number	Size and Type	Page Number	Item Number	Part Number	Size and Type	Page Number	Item Number
313-5-1	24 x 8.5-5°	20	1	29374 ⁽²⁾	22.5 x 12.25	23	3
590-1	Wheel-Guard	35	6	29376 ⁽²⁾	22.5 x 13.00	23	5
590-2	Wheel-Guard	35	5	29378 ⁽²⁾	22.5 x 12.25	23	1
590-3	Wheel-Guard	35	3	29380 ⁽²⁾	22.5 x 13.00	23	4
738-1 ⁽¹⁾	Wheel-Guard	35	4	29388	19.5 x 6.00RW	17	3
790-2 ⁽¹⁾	Wheel-Guard	35	1	29395 ⁽⁶⁾	17 x 7.5J	-	-
13228	22.5 x 13.00	25	4	29396	22.5 x 8.25	11	4
13244	22.5 x 13.00	25	5	29521	19.5 x 6.00RW	Use 29584	-
27403	22.5 x 7.50	16	1	29543 ⁽²⁾⁽⁵⁾	22.5 x 8.25	-	-
27404	22.5 x 8.25	16	2	29544 ⁽²⁾⁽⁵⁾	24.5 x 8.25	-	-
27406	24.5 x 8.25	16	4	29545	24.5 x 8.25	11	5
27599 ⁽²⁾	24.5 x 8.25	15	3	29551 ⁽⁶⁾	17 x 7.5J	-	-
27833C	22.5 x 8.25	16	3	29560 ⁽²⁾	22.5 x 8.25	13	1
27834C	22.5 x 8.25	12	2	29562 ⁽²⁾	22.5 x 9.00	13	3
28112	17.5 x 6.75HC	17	1	29579	16 x 6K	28	2
28145	17.5 x 6.75HC	17	2	29583	16 x 6K	30	3
28409	24.5 x 8.25	9	6	29584	19.5 x 6.00RW	30	1
28410	24.5 x 8.25	16	8	29585	19.5 x 6.75RW	30	2
28440	22.5 x 8.25	13	5	29587	16 x 6K	27	2
28465	22.5 x 13.00	24	10	29588	16 x 6.5J	27	4
28476C	22.5 x 8.25	16	6	29602 ⁽²⁾	19.5 x 8.25RW	8	2
28510	22.5 x 9.00	16	7	29610 ⁽¹⁾	20 x 10.00W-5°	-	-
28549	22.5 x 8.25	16	5	29627	22.5 x 14.00	23	17
28608 ⁽²⁾	22.5 x 9.00	15	2	29637	22.5 x 8.25	9	5
28615 ⁽²⁾	22.5 x 8.25	15	1	29648 ⁽²⁾⁽⁵⁾	24.5 x 8.25	-	-
28632 ⁽²⁾	22.5 x 8.25	12	1	29667	19.5 x 6.00	27	1
28641	24.5 x 8.25	9	7	29668 ⁽⁷⁾	16 x 4T	-	-
28656	17.5 x 6.75HC	11	1	29670 ⁽²⁾	24.5 x 8.25	10	7
28684	22.5 x 13.00	24	9	29677 ⁽²⁾⁽⁵⁾	22.5 x 12.25	-	-
28827	24.5 x 8.25	9	12	29679 ⁽²⁾⁽⁵⁾	22.5 x 13.00	-	-
28828	22.5 x 8.25	9	8	29681 ⁽²⁾⁽⁵⁾	22.5 x 9.00	-	-
28844 ⁽²⁾	22.5 x 7.50	8	3	29683 ⁽²⁾	22.5 x 12.25	23	2
29001	22.5 x 7.50	9	2	29685 ⁽²⁾	19.5 x 7.50RW	8	1
29015	19.5 x 6.00	27	3	29695 ⁽²⁾	19.5 x 6.75RW	10	2
29025 ⁽²⁾⁽⁵⁾	24.5 x 8.25	-	-	29697 ⁽²⁾⁽³⁾	22.5 x 8.25	-	-
29027 ⁽²⁾⁽⁵⁾	22.5 x 8.25	-	-	29699 ⁽²⁾⁽³⁾	24.5 x 8.25	-	-
29035 ⁽²⁾⁽⁵⁾	22.5 x 8.25	-	-	29701 ⁽²⁾⁽³⁾	22.5 x 8.25	-	-
29037 ⁽²⁾⁽⁵⁾	24.5 x 8.25	-	-	29703 ⁽²⁾⁽³⁾	22.5 x 8.25	-	-
29039	22.5 x 9.00	9	10	29705 ⁽²⁾⁽³⁾	24.5 x 8.25	-	-
29057	22.5 x 13.00	23	15	29707 ⁽²⁾⁽³⁾	24.5 x 8.25	-	-
29058	22.5 x 13.00	23	16	29720 ⁽²⁾⁽⁵⁾	22.5 x 8.25	-	-
29070 ⁽²⁾⁽⁴⁾	24.5 x 8.25	-	-	29729 ⁽¹⁾	20 x 10.00-5°	-	-
29146	22.5 x 13.00	23	12	29730 ⁽²⁾	22.5 x 9.00	8	8
29169	22.5 x 8.25	9	9	29737 ⁽¹⁾	20 x 10.00-5°	-	-
29174	22.5 x 13.00	23	13	29740 ⁽¹⁾	21 x 18.00-5°	-	-
29195	19.5 x 7.50RW	9	1	29741 ⁽¹⁾	20 x 10.00-5°	-	-
29300	22.5 x 9.00	9	11	29745	19.5 x 6.00RW	Use 29584	-
29303	22.5 x 13.00	23	14	29746	16 x 6K	Use 29583	-
29315	16 x 6K	Use 29579	-	29747 ⁽⁶⁾	16 x 6.5J	-	-
29316	16 x 6K	Use 29579	-	29748 ⁽¹⁾	20 x 10.00-5°	-	-
29317	16 x 6K	Use 29579	-	29805	22.5 x 12.25	23	9
29329 ⁽²⁾	22.5 x 7.50	10	5	29806	22.5 x 12.25	23	10
29340 ⁽⁶⁾	17 x 7.5J	-	-	29807	22.5 x 12.25	23	11
29346 ⁽²⁾⁽⁵⁾	24.5 x 8.25	-	-	29816	22.5 x 12.25	24	7
29348 ⁽²⁾	22.5 x 8.25	10	6	29818	22.5 x 13.00	24	8
29361 ⁽⁷⁾	16 x 6.5J	Use 29588	-	29838PK	18 x 8J	-	-

⁽¹⁾ Call (800) 626-7096 for availability and minimum quantities.

⁽²⁾ Aluminum Wheels.

⁽³⁾ Available only through Freightliner Dealers.

⁽⁴⁾ Available only through Navistar Dealers.

⁽⁵⁾ Available only through Volvo Dealers.

⁽⁶⁾ Available only through Ford Dealers.

⁽⁷⁾ Available only through GM Dealers.

⁽⁸⁾ Available only through Western Trailer Dealers.

⁽⁹⁾ Available only through Western Star Dealers.

⁽¹⁰⁾ Available only through PACCAR Dealers.

ACTIVE PART NUMBER INDEX

Part Number	Size and Type	Page Number	Item Number	Part Number	Size and Type	Page Number	Item Number
29839 ⁽⁶⁾	19.5 x 6.00RW	Use 29884	-	50352	24 x 8.5	-	-
29850 ⁽¹⁾	20 x 10.0-5°	-	-	50408	22.5 x 8.25	9	3
29857	20 x 10.0-5°	-	-	50434	22.5 x 7.50	-	-
29875 ⁽⁶⁾	19.5 x 6.75RW	-	-	50487	22.5 x 8.25	9	4
29883	19.5 x 6.00 RW	Use 29884	-	50593	22.5 x 9.00	13	6
29884	19.5 x 6.00RW	29	2	50642	17 x 6.5J	28	1
29889	16 x 6K	Use 29583	-	100065	Wheel-Guard	35	2
29911	20 x 10.0-5°	-	-	30371225	22.5 x 7.50	19	3
29914	20 x 10.0-5°	-	-	30391225	22.5 x 8.25	19	4
29922	20 x 10.0-5°	-	-	30391245	24.5 x 8.25	19	5
29923	21 x 18.0-5°	-	-	31814175	17.5 x 8.25HC	19	2
29943	16 x 6K	Use 29579	-	31868175	17.5 x 6.75HC	19	1
31674	22.5 x 12.25	25	1	32051225	22.5 x 8.25	19	6
31677	22.5 x 12.25	25	2	32051245	24.5 x 8.25	19	8
31679	22.5 x 12.25	25	3	32052225	22.5 x 9.00	19	7
40000 ⁽²⁾⁽⁸⁾	22.5 x 8.25	-	-				
40002 ⁽²⁾⁽⁸⁾	22.5 x 8.25	-	-				
40004 ⁽²⁾⁽⁹⁾	22.5 x 8.25	-	-				
40006 ⁽²⁾⁽⁹⁾	24.5 x 8.25	-	-				
40008 ⁽²⁾	22.5 x 8.25	8	6				
40012 ⁽²⁾	22.5 x 9.00	8	7				
40014 ⁽²⁾	22.5 x 8.25	13	2				
40018 ⁽²⁾	19.5 x 6.00RW	29	1				
40036 ⁽²⁾	22.5 x 13.00	23	6				
40124 ⁽²⁾⁽⁴⁾	22.5 x 8.25	-	-				
40160 ⁽²⁾	19.5 x 7.50RW	10	3				
40162 ⁽²⁾	19.5 x 7.50RW	10	4				
40164 ⁽²⁾	22.5 x 11.75	24	1				
40166 ⁽²⁾	22.5 x 11.75	24	2				
40171 ⁽²⁾	17.5 x 6.75	10	1				
40176 ⁽²⁾	22.5 x 11.75	24	3				
40178 ⁽²⁾	22.5 x 11.75	24	4				
40180 ⁽²⁾	22.5 x 9.00	13	4				
40386 ⁽²⁾	22.5 x 11.75	24	5				
40394 ⁽²⁾	22.5 x 11.75	24	6				
40550 ⁽²⁾	24.5 x 8.25	8	9				
41016 ⁽²⁾	22.5 x 14.00	Use 41140	-				
41140 ⁽²⁾	22.5 x 14.00	23	7				
41142 ⁽²⁾	22.5 x 14.00	23	8				
41362 ⁽²⁾	24.5 x 8.25	8	5				
41644 ⁽²⁾	22.5 x 8.25	8	4				
41660 ⁽²⁾	22.5 x 14.00	Use 41142	-				
50052 ⁽¹⁾	22.5 x 12.25	-	-				
50082	20 x 10.00	-	-				
50095 ⁽⁷⁾		-	-				
50172	22.5 x 14.00	23	18				
50180	19.5 x 6.75RW	11	2				
50194	20 x 10.00	-	-				
50198 ⁽⁷⁾	17 x 6.5J	Use 50642	-				
50201		-	-				
50232	19.5 x 6.75RW	11	3				
50240 ⁽⁷⁾	17 x 7.5J	-	-				
50257	20 x 10.00	-	-				
50264 ⁽³⁾	17 x 7.5	-	-				
50291 ⁽¹⁰⁾	22.5 x 8.25	-	-				
50344 ⁽¹⁰⁾	22.5 x 8.25	-	-				

⁽¹⁾ Call (800) 626-7096 for availability and minimum quantities.

⁽²⁾ Aluminum Wheels.

⁽³⁾ Available only through Freightliner Dealers.

⁽⁴⁾ Available only through Navistar Dealers.

⁽⁵⁾ Available only through Volvo Dealers.

⁽⁶⁾ Available only through Ford Dealers.

⁽⁷⁾ Available only through GM Dealers.

⁽⁸⁾ Available only through Western Trailer Dealers.

⁽⁹⁾ Available only through Western Star Dealers.

⁽¹⁰⁾ Available only through PACCAR Dealers.

ACCURIDE WHEEL END SOLUTIONS (AWES) LIMITED WARRANTY TO FILE A WARRANTY CLAIM, CALL 1-800-869-2275 ext 1

Accuride Wheel End Solutions (AWES) warrants to the original purchaser that its products are free from defects in material and workmanship. The limited warranty time-frame (reference table below) is based on the date of product manufacture and shall be void if the product is altered, modified, misapplied, misused, neglected, repaired or not maintained in accordance with the instructions printed in the product-specific Accuride Wheel End Solutions' Safety & Service Manuals⁽²⁾.

GENERAL PRODUCT OVERVIEW

Product Type	6 years/ 1,000,000 miles ⁽¹⁾	5 years/ 60 months	5 years/ 500,000 miles ⁽¹⁾	4 years/ 400,000 miles ⁽¹⁾	3 years/ 350,000 miles ⁽¹⁾	3 years/ 300,000 miles ⁽¹⁾	2 years/ 200,000 miles ⁽¹⁾	1 year/ 12 months	Limited Warranty ⁽²⁾
Accuride Aluminum Wheels ⁽²⁾		Industry Standard Aluminum Wheels Duplex® Aluminum Wheels ACCU-SHIELD® Wheels ACCU-ARMOR® Wheels					ACCU-FLANGE™ Wheels		
Accuride Steel Wheels ⁽²⁾		Extra Service Wheels™ (ESW) Styled Steel Wheels Tubeless Wheels and Demountable Rims						Duplex® Steel Disc Wheels Duplex® Demountable Rims Tube-Type Wheels & Demountable Rims Light Truck Wheels Steel Bolt-Together Specialty Wheels	
Gunite Slack Adjusters ⁽²⁾	Over-The-Road/Line Operated Trucks and Trailers ⁽⁴⁾		Over-The-Road/Line Operated Trucks and Trailers ⁽³⁾	School Bus/City Delivery Vehicles ⁽⁴⁾		School Bus/City Delivery Vehicles ⁽³⁾ Severe Service: Garbage/Refuse Trucks, Fire Trucks, Logging, etc. ⁽⁴⁾	Severe Service: Garbage/Refuse Trucks, Fire Trucks, Logging, etc. ⁽³⁾		
Gunite Hubs ⁽²⁾			TRU-SET™ Trailer		TRU-SET™ Front/Steer TRU-SET™ Rear/Drive				Industry Standard Hubs
Gunite Brake Drums ⁽²⁾									Industry Standard Brake Drums
Gunite Disc Brake Rotors ⁽²⁾									Industry Standard Disc Brake Rotors
Gunite Spoke Wheels ⁽²⁾									Industry Standard Spoke Wheels

(1) Time or miles, whichever occurs first

(2) See Remedies and Limitations of Remedies and refer to appropriate Accuride Wheel End Solutions guide for additional limited warranty condition details: Accuride Rim/Wheel Safety & Service Manual, Gunite Heavy-Duty Brake Drums, Gunite Automatic Slack Adjuster Service Manual, Gunite Disc Brake Rotors Maintenance Manual, and Gunite Disc Wheel Hubs, High-Performance Hubs, and Spoke Wheels Maintenance & Installation Manual

(3) Manufactured prior to April 6, 2015

(4) Manufactured on or after April 6, 2015

ACCURIDE WHEEL END SOLUTIONS (AWES) LIMITED WARRANTY TO FILE A WARRANTY CLAIM, CALL 1-800-869-2275 ext 1

ADDITIONAL PRODUCT SPECIFIC LIMITED WARRANTY CRITERIA

Wheels: The above warranty shall be void if the product is used with improper tire sizes, inflation pressures, or exceeded load ratings. The above warranty shall be void if the product is not properly maintained in accordance with the Accuride Rim/Wheel Safety & Service Manual. The above warranty also does not cover defects resulting from corrosion (except as noted above), other non-Accuride components, accident, excessive speed or other abnormal or severe operating conditions.

ACCU-ARMOR® and ACCU-SHIELD®: AWES does not cover the following conditions: (i) Any damage in the areas of the mounting surfaces, such as the area under the mounting nuts, the area in contact with hubs or drums and the area in contact with other wheels in dual position, (ii) Any damage due to cleaning, including damage from the use of abrasives, abrasive brushes, steel wool, scouring pads or strong chemicals, and (iii) Any damage to the wheel finish due to removal, misuse, or chipping, whether by contact with road obstacles such as stones, gravel, curbs, barriers, signs, or otherwise. ACCU-SHIELD® products are not covered for corrosion. AWES recommends cleaning wheels with mild soap and water.

Standard Brake Drums, Spoke Wheels, Disc Wheel Hubs, Automatic Slack Adjusters, and Hardware: The above warranty shall be void if (i) any goods have exceeded AWES' acceptable wear limits or have been subjected to accidents or abnormal conditions of use, temperature, moisture, dirt or corrosive matter, or (ii) the product fails as the result of another manufacturer's product. The TRU-SET™ disc wheel hub requires the use of a seller-approved hubcap and lubricant.

REMEDIES AND LIMITATIONS OF REMEDIES

In the event of any material breach of the above limited warranties, AWES agrees to repair or replace, at its sole option, without charge any and all of its warrantable product that fail during normal use and service due to defects in material and/or workmanship, all subject to the original purchaser providing written notice of the alleged breach within 30 days of failure. Time is of the essence herein, and original purchaser's failure to provide written notice to AWES within the required time of any alleged breach of the foregoing warranty will release and discharge AWES from any obligation or liability for that breach of warranty. In no event will AWES be liable for any other costs associated with the replacement or repair of product covered under this warranty, including labor, installation or other costs incurred by customer.

The remedies set forth herein shall be the sole and exclusive remedies available to the original purchaser so that AWES repair or replacement is a fulfillment of all AWES obligations. AWES SHALL NOT BE LIABLE FOR ANY CONSEQUENTIAL OR INCIDENTAL DAMAGES OF ANY KIND. FURTHER, UNDER NO CIRCUMSTANCE SHALL AWES BE LIABLE FOR DAMAGES BEYOND THE PRICE OF THE GOODS PURCHASED BY THE ORIGINAL PURCHASER, WHETHER IN CONTRACT, IN TORT OR UNDER ANY WARRANTY OR OTHER USE.

AWES reserves the right to request product return as a condition of reimbursement. Return expense may be paid by AWES or may be reimbursed to the original purchaser if product is found to be warrantable. No goods are to be returned to AWES without a Returned Goods Authorization (RGA). If AWES determines that any of the returned goods are non-warrantable, AWES reserves the right to charge the original purchaser for the recovery of all transportation costs and expenses incurred in examining, processing and handling such goods. Any controversy or claim that customer may wish to bring that is arising out of or related to this limited warranty or breach hereof must be commenced in writing within 30 days of notification of warrantable status.

Any product deemed non-warrantable is the property of the original purchaser and can be returned to the original purchaser upon its request and at its sole cost and expense. Should the non-warrantable item(s) not be reclaimed, AWES will disposition the product no sooner than 30 days after original purchaser notification has been made.

For all warranty related questions, please contact your AWES warranty administrator at (800) 869-2275 Option 1 or submit questions or claims to warrantyadmin@accuridecorp.com.

THE ABOVE WARRANTY IS THE SOLE AND EXCLUSIVE WARRANTY GIVEN BY AWES AND IS IN LIEU OF ALL OTHER WARRANTIES EXPRESSED, STATUTORY OR IMPLIED, INCLUDING WARRANTIES OF MERCHANTABILITY AND FITNESS FOR A PARTICULAR PURPOSE, ALL OF WHICH ARE EXPRESSLY DISCLAIMED BY AWES. IN NO EVENT SHALL THIS WARRANTY BE DEEMED TO COVER INCIDENTAL, SPECIAL, INDIRECT OR CONSEQUENTIAL DAMAGES OF ANY KIND.

HUB-PILOTED TUBELESS WHEELS

Hub-Piloted
Tubeless Wheels

Stud-Piloted
Tubeless Wheels

Demountable
Rims & Components

Duplex Disc® Wheels
Duplex® Demountable
Rims

Light Truck
Wheels

Bolt-Together
Specialty Wheels

General
Information



ALUMINUM WHEEL FINISH OPTIONS

Maximize your profit and savings by switching to the lightest aluminum wheel offering in the market. Accuride aluminum wheels allow you to increase payload, improve fuel economy, reduce tire wear, and achieve better heat dissipation, increasing your resale value. Accuride offers one of the widest selections of wheel finishes in the industry.

SP and XP aluminum wheel finishes offer superior shine and value, while Accu-Shield®, Accu-Armor™ and Accu-Flange™ offers a wide range of aluminum wheel finish options for every application

ALUMINUM FINISHES	
Aluminum Finish Code	Aluminum Finish Name
SP	Standard Polish
XP	Extra Polish
AOP	Traditional Outside Polish
AIP	Traditional Inside Polish
ABP	Traditional Both Sides Polish
C	Accu-Shield® Wheels with Protective Coating
F	Accu-Flange™ Protective Flange Coating
R	Accu-Armor™ Finish
FC	Accu-Flange™ with Accu-Shield®
RF	Accu-Armor™ with Accu-Flange™

For example, 41644SPFC = Standard Polish with Accu-Flange™ and Accu-Shield®. Contact your sales representative for more information on Accuride's aluminum finishes.

Accu-Shield® Wheels with Protective Coating

Don't mess with unnecessary refinishing costs, keep your wheels shining as if they were new with Accu-Shield®. This low maintenance, easy cleaning coating will keep your truck looking good.

Accu-Flange™ Protective Flange Coating

When it comes to ensuring the durability of your aluminum wheels, you have a choice. Specify Accu-Flange™ from Accuride to protect your aluminum-wheel investment. It's ideal for severe-duty applications where loads are prone to shifting, circumstances requiring frequent stops and starts, as well as gritty operating environments that accelerate flange wear.

Accu-Armor™ Wheel Surface Treatment

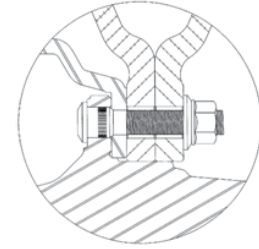
Need a wheel that will not only perform in the toughest environment but will always look good? Look no further than our Accu-Armor finish. Our texturized and anodized finish will outperform in any environment, and maintain its sharp appearance with low maintenance. Ideal for vocational applications.

ACCURIDE 15° TUBELESS ALUMINUM WHEELS



Hub-Piloted Dual-Mounting Two-Piece Flange Nut

10-Hole, 285.75mm Bolt Circle, 220mm Bore



Item	Wheel Size	Part Number	Polish Option (Typical Application)	Wheel Offset	Disc	Installed Valve	Approx. Wt. (lbs)	Maximum Load & Infl. (lbs) - (psi)
1	19.5 x 7.50RW ⁽¹⁾⁽²⁾	29685SP 29685AOP 29685AIP	Standard Polish Outside (Front) Inside (Outer Dual)	6.25"	.875"	TR545D	38	6700 - 125
2	19.5 x 8.25RW ⁽¹⁾⁽²⁾	29602SP 29602AOP 29602AIP	Standard Polish Outside (Front) Inside (Outer Dual)	6.63"	.875"	TR545D	39	7250 - 120
3	22.5 x 7.50	28844SP 28844AOP 28844AIP	Standard Polish Outside (Front) Inside (Outer Dual)	6.45"	.935"	TR545D	55	7300 - 120
4	22.5 x 8.25 2.75" Hand Hole	41644SP 41644XP	Standard Polish Extra Polish	6.59"	.875"	TR545D	45	7400 - 131
5	24.5 x 8.25	41362SP 41362XP	Standard Polish Extra Polish	6.59"	.875"	TR545D	54	7400 - 131
Heavy Load Applications								
6	22.5 x 8.25 2.0" Hand Hole	40008SP 40008AOP 40008AIP	Standard Polish Outside (Front) Inside (Outer Dual)	6.59"	.935"	TR545D	54	8100 - 131
7	22.5 x 9.00	40012SP 40012AOP 40012AIP	Standard Polish Outside (Front) Inside (Outer Dual)	3.12" ⁽³⁾	.980"	TR543E	54	10200 - 131
8	22.5 x 9.00	29730SP 29730AOP 29730AIP 29730ABP	Standard Polish Outside (Front) Inside (Outer Dual) Both Sides	7.00"	.980"	TR545D	62	10000 - 130
9	24.5 x 8.25	40550SP 40550XP	Standard Polish Extra Polish	6.59"	.950"	TR545D	60	8300-131

⁽¹⁾ "RW" denotes revised well for increased brake clearance.

⁽²⁾ Requires special 15 x 8⁵/₁₆" brake package.

⁽³⁾ Not approved for dual application. (inset listed)

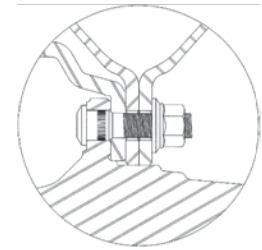
ACCURIDE 15° TUBELESS STEEL WHEELS



**Hub-Piloted Dual-Mounting
Two-Piece Flange Nut**

10-Hole, 285.75mm Bolt Circle, 220mm Bore

ACCUMOUNT EXTRA SERVICE WHEELS



Item	Wheel Size	Part Number	Hand Holes	Wheel Offset	Disc	Recommended Valve	Approx. Wt. (lbs)	Maximum Load & Infl. (lbs) - (psi)
1	19.5 x 7.50RW ⁽¹⁾⁽²⁾	29195	5	6.40"	.437"	TR546-36	65	6700 - 120
2	22.5 x 7.50	29001	5	6.44"	.437"	TR500	72	6610 - 120
3	22.5 x 8.25	50408 ⁽⁵⁾⁽⁶⁾	2	6.60"	.437"	TR572-F19	70	7400 - 120
4	22.5 x 8.25	50487 ⁽⁵⁾⁽⁶⁾	5	6.60"	.437"	TR572-F19	68	7400 - 120
5	22.5 x 8.25	29637 ⁽⁵⁾⁽⁶⁾	10	6.60"	.437"	TR572-F19 ⁽⁴⁾	66	7400 - 120
6	24.5 x 8.25	50409	2	6.59"	.437"	TR572-D19	78	7400 - 120
7	24.5 x 8.25	50641	5	6.59"	.437"	TR572-D19	76	7400 - 120
Heavy Load Applications								
8	22.5 x 8.25	28828	2	6.62"	.472"	TR573	79	8000 - 130
9	22.5 x 8.25	29169	5	6.62"	.472"	TR573	78	8000 - 130
10	22.5 x 9.00	29039	5	5.25" ⁽³⁾	.500"	TR573	103	10000 - 130
11	22.5 x 9.00	29300	5	7.00"	.625"	TR573	108	10000 - 130
12	24.5 x 8.25	28827	2	6.62"	.472"	TR573	86	8000 - 120

⁽¹⁾ "RW" denotes revised well for increased brake clearance.

⁽²⁾ Requires special 15 x 8⁵/₈" brake package.

⁽³⁾ Not approved for dual application. (inset listed)

⁽⁴⁾ Valve TR572-12E may provide improved valve access to inner dual.

⁽⁵⁾ Wheel might require a different weight balance. Contact your Accuride Field Representative for additional information.

⁽⁶⁾ Refer to bulletins W2.027 and W2.020 for heavy duty application.

Hub-Piloted
Tubeless Wheels

Stud-Piloted
Tubeless Wheels

Demountable
Rims & Components

Duplex Disc® Wheels
Duplex® Demountable
Rims

Light Truck
Wheels

Bolt-Together
Specialty Wheels

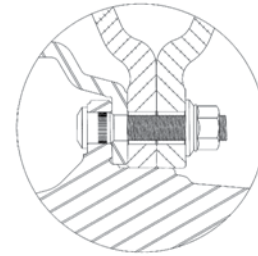
General
Information

ACCURIDE 15° TUBELESS ALUMINUM WHEELS



Hub-Piloted Dual-Mounting Two-Piece Flange Nut

8-Hole, 275mm Bolt Circle, 221mm Bore



Item	Wheel Size	Part Number	Polish Option (Typical Application)	Wheel Offset	Disc	Installed Valve	Approx. Wt. (lbs)	Maximum Load & Infl. (lbs) - (psi)
1	17.5 x 6.75	40171SP	Standard Polish	5.55"	.827"	TR544C	30	5515 - 142
		40171AIP	Inside (Outer Dual)					
2	19.5 x 6.75RW ⁽¹⁾⁽²⁾	29695SP	Standard Polish	5.60"	.830"	TR545D	36	5000 - 125
		29695AOP	Outside (Front)					
		29695AIP	Inside (Outer Dual)					
3	19.5 x 7.50RW ⁽¹⁾⁽²⁾	40160SP	Standard Polish	6.25"	.875"	TR545D	39	6700 - 131
		40160AOP	Outside (Front)					
		40160AIP	Inside (Outer Dual)					
		40160ABP	Both Sides					
4	19.5 x 7.50RW ⁽¹⁾⁽²⁾⁽³⁾	40162SP	Standard Polish	6.25"	.875"	TR545D	39	6700 - 131
		40162AOP	Outside (Front)					
		40162AIP	Inside (Outer Dual)					
		40162ABP	Both Sides					
5	22.5 x 7.50	29329SP	Standard Polish	6.45"	.935"	TR545D	55	7200 - 120
		29329AOP	Outside (Front)					
		29329AIP	Inside (Outer Dual)					
6	22.5 x 8.25	29348SP	Standard Polish	6.59"	.935"	TR545D	55	7300 - 120
		29348AOP	Outside (Front)					
		29348AIP	Inside (Outer Dual)					
		29348ABP	Both Sides					
7	24.5 x 8.25	29670SP	Standard Polish	6.59"	.935"	TR545D	57	7300 - 120
		29670ABP	Both Sides					

⁽¹⁾"RW" denotes revised well for increased brake clearance.

⁽²⁾ Fits only ISO Hub back-up for 8-holes, 275mm system.

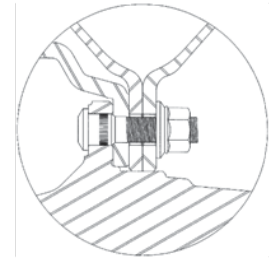
⁽³⁾ Bolt holes are 32.87mm. ISO Standards are 26mm.

ACCURIDE 15° TUBELESS STEEL WHEELS



**Hub-Piloted Dual-Mounting
Two-Piece Flange Nut**

8-Hole, 275mm Bolt Circle, 221mm Bore



Item	Wheel Size	Part Number	Hand Holes	Wheel Offset	Disc	Recommended Valve	Approx. Wt. (lbs)	Maximum Load & Infl. (lbs) - (psi)
1	17.5 x 6.75HC ⁽¹⁾	28656 ⁽²⁾⁽⁵⁾	4	5.60"	.437"	TR500 ⁽⁴⁾	54	5355 - 125
2	19.5 x 6.75RW ⁽³⁾⁽⁷⁾	50180 ⁽²⁾⁽⁶⁾	4	5.50"	.375"	TR575	59	5000 - 120
3	19.5 x 6.75RW ⁽³⁾⁽⁷⁾	50232 ⁽²⁾⁽⁶⁾	6	5.00"	.375"	TR575	58	5000 - 120

⁽¹⁾ "HC" denotes heavy construction to differentiate from light truck rims.

⁽²⁾ Fits only ISO hub back-up diameter for 8-hole, 275mm system.

⁽³⁾ "RW" denotes revised well for increased brake clearance.

⁽⁴⁾ For inner duals use TR574 with F29 bend and a 2" extension.

⁽⁵⁾ Bolt holes are 26mm. ISO Standards are 24mm.

⁽⁶⁾ Bolt holes are 25mm. ISO Standards are 24mm.

⁽⁷⁾ Requires special 15 x 8^{5/8}" brake package.

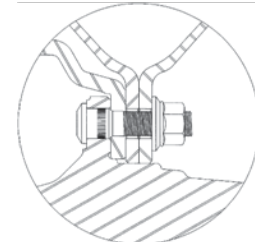
ACCURIDE 15° TUBELESS STYLED STEEL WHEELS



**Hub-Piloted Dual-Mounting
Two-Piece Flange Nut**

10-Hole, 285.75mm Bolt Circle, 220mm Bore

ACCUMOUNT EXTRA SERVICE WHEELS



Item	Wheel Size	Part Number	Hand Holes	Wheel Offset	Disc	Recommended Valve	Approx. Wt. (lbs)	Maximum Load & Infl. (lbs) - (psi)
4	22.5 x 8.25	29396	10	6.62"	.437	TR572 ⁽⁸⁾	76	7400 - 120
5	24.5 x 8.25	29545	10	6.62"	.437	TR573 ⁽⁸⁾	85	7400 - 120

⁽⁸⁾ Valve TR572E12 may provide improved valve access to inner dual.

Standard colors are powder white, grey, black.

Optional color is silver and other colors available upon request.

Hub-Piloted
Tubeless Wheels

Stud-Piloted
Tubeless Wheels

Demountable
Rims & Components

Duplex Disc® Wheels
Duplex® Demountable
Rims

Light Truck
Wheels

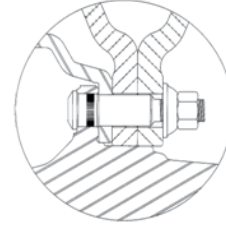
Bolt-Together
Specialty Wheels

General
Information

ACCURIDE 15° TUBELESS ALUMINUM WHEEL



**Hub-Piloted Dual-Mounting
Two-Piece Flange Nut
10-Hole, 11¼" Bolt Circle, 8.67" Bore
Special Bus Application with 1.22" Bolt Holes**

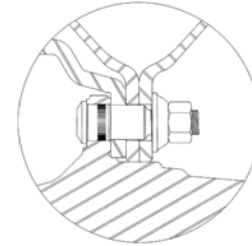


Item	Wheel Size	Part Number	Polish Option (Typical Application)	Wheel Offset	Disc	Installed Valve	Approx. Wt. (lbs)	Maximum Load & Infl. (lbs) - (psi)
1	22.5 x 8.25	28632SP 28632XP	Standard Polish Extra Polish	6.59"	.860"	TR545D	54	7300 - 120

ACCURIDE 15° TUBELESS STEEL WHEEL



**Hub-Piloted Dual-Mounting
Two-Piece Flange Nut
10-Hole, 11¼" Bolt Circle, 8.67" Bore
Special Bus Application with 1.22" Bolt Holes
EXTRA SERVICE WHEELS**



Item	Wheel Size	Part Number	Hand Holes	Wheel Offset	Disc	Recommended Valve	Approx. Wt. (lbs)	Maximum Load & Infl. (lbs) - (psi)
2	22.5 x 8.25	27834C ⁽¹⁾⁽²⁾	5	6.62"	.437"	TR572	76	7400 - 120

⁽¹⁾ Check clearance. May not fit some older bus applications.
⁽²⁾ "C" suffix denotes balanced wheel.

Hub-Piloted
Tubeless Wheels

Stud-Piloted
Tubeless Wheels

Demountable
Rims & Components

Duplex Disc® Wheels
Duplex® Demountable
Rims

Light Truck
Wheels

Bolt-Together
Specialty Wheels

General
Information

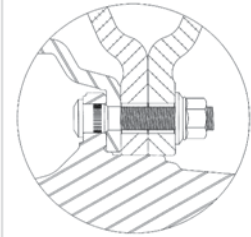
ACCURIDE 15° TUBELESS ALUMINUM WHEELS



**Hub-Piloted Dual-Mounting
Two-Piece Flange Nut**

10-Hole, 335mm Bolt Circle, 281mm Bore

ULTRAMOUNT 335



Item	Wheel Size	Part Number	Polish Option (Typical Application)	Wheel Offset	Disc	Installed Valve	Approx. Wt. (lbs)	Maximum Load & Infl. (lbs) - (psi)
1	22.5 x 8.25	29560SP 29560XP	Standard Polish Extra Polish	6.69"	.866"	V3-20-7	53	8046 - 138
2	22.5 x 8.25 ⁽¹⁾	40014SP 40014XP	Standard Polish Extra Polish	6.69"	.866"	V3-20-7	53	8046 - 138
3	22.5 x 9.00	29562SP 29562XP	Standard Polish Extra Polish	6.89"	.866"	V3-20-7	55	9094 - 141
4	22.5 x 9.00 ⁽¹⁾	40180SP 40180XP	Standard Polish Extra Polish	6.89"	.866"	V3-20-7	55	9094 - 141

⁽¹⁾ Bolt holes are 32mm. ISO standards are 26mm.

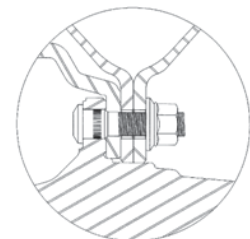
ACCURIDE 15° TUBELESS STEEL WHEELS



**Hub-Piloted Dual-Mounting
Two-Piece Flange Nut**

10-Hole, 335mm Bolt Circle, 281mm Bore

ULTRAMOUNT 335



Item	Wheel Size	Part Number	Hand Holes	Wheel Offset	Disc	Recommended Valve	Approx. Wt. (lbs)	Maximum Load & Infl. (lbs) - (psi)
5	22.5 x 8.25	28440	10	6.62"	.433"	TR570-14E	87	7500 - 130
6	22.5 x 9.00	50593	10	7.00"	.625"	V3-20-6	111	10500 - 130

Hub-Piloted
Tubeless Wheels

Stud-Piloted
Tubeless Wheels

Demountable
Rims & Components

Duplex Disc® Wheels
Duplex® Demountable
Rims

Light Truck
Wheels

Bolt-Together
Specialty Wheels

General
Information

STUD-PILOTED TUBELESS WHEELS

Hub-Piloted
Tubeless & Tube-Type
Wheels

Stud-Piloted
Tubeless & Tube-Type
Wheels

Demountable
Rims & Components

Duplex Disc® Wheels
Duplex® Demountable
Rims

Light Truck
Wheels

Bolt-Together
Specialty Wheels

General
Information

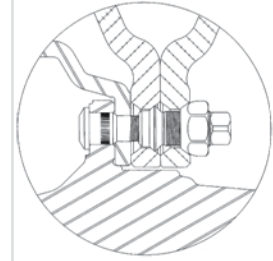


ACCURIDE 15° TUBELESS ALUMINUM WHEELS



**Stud-Piloted Dual-Mounting
Double Cap Nut**

10-Hole, 11¼" Bolt Circle, 8.72" Bore



Item	Wheel Size	Part Number	Polish Option (Typical Application)	Wheel Offset	Disc	Installed Valve	Approx. Wt. (lbs)	Maximum Load & Infl. (lbs) - (psi)
1	22.5 x 8.25	28615SP	Standard Polish	6.59"	.935"	TR545D	54	7250 - 120
		28615AOP	Outside (Front)					
		28615AIP	Inside (Outer Dual)					
2	22.5 x 9.00	28608SP	Standard Polish	7.00"	.980"	TR545D	60	9000 - 130
		28608AOP	Outside (Front)					
		28608AIP	Inside (Outer Dual)					
3	24.5 x 8.25	27599SP	Standard Polish	6.59"	.935"	TR545D	62	7200 - 120
		27599AOP	Outside (Front)					
		27599AIP	Inside (Outer Dual)					

Hub-Piloted
Tubeless Wheels

Stud-Piloted
Tubeless Wheels

Demountable
Rims & Components

Duplex Disc® Wheels
Duplex® Demountable
Rims

Light Truck
Wheels

Bolt-Together
Specialty Wheels

General
Information

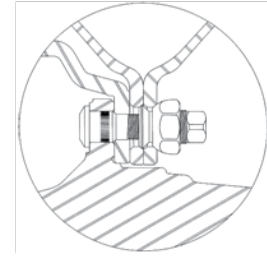
ACCURIDE 15° TUBELESS STEEL WHEELS

Hub-Piloted
Tubeless Wheels



Stud-Piloted Dual-Mounting Double Cap Nut

10-Hole, 11¼" Bolt Circle, 8.72" Bore



EXTRA SERVICE WHEELS

Stud-Piloted
Tubeless Wheels

Item	Wheel Size	Part Number	Hand Holes	Wheel Offset	Disc	Recommended Valve	Approx. Wt. (lbs)	Maximum Load & Infl. (lbs) - (psi)
1	22.5 x 7.50	27403	2	6.44"	.437"	TR500	73	6610 - 120
2	22.5 x 8.25	27404	2	6.62"	.437"	TR572	78	7400 - 120
3	22.5 x 8.25	27833C ⁽¹⁾⁽²⁾	5	6.62"	.437"	TR572	75	7400 - 120
4	24.5 x 8.25	27406	2	6.62"	.437"	TR573	86	7400 - 120

Heavy Load Applications

5	22.5 x 8.25	28549	2	6.62"	.472"	TR573	79	8000 - 130
6	22.5 x 8.25	28476C ⁽¹⁾⁽²⁾	5	6.62"	.472"	TR573	77	8000 - 130
7	22.5 x 9.00	28510 ⁽³⁾	2	7.00"	.625"	TR573	110	9000 - 130
8	24.5 x 8.25	28410	2	6.62"	.472"	TR573	86	8000 - 120

⁽¹⁾ Check clearance. May not fit some older bus applications.

⁽²⁾ "C" suffix denotes balanced wheel.

⁽³⁾ Because of the thicker disc, longer studs must be used. When longer studs are used, wheels with thinner discs cannot be used in a dual assembly because the inner cap nut can bottom out before the wheel is securely clamped.

Demountable
Rims & Components

Duplex Disc® Wheels
Duplex® Demountable
Rims

Light Truck
Wheels

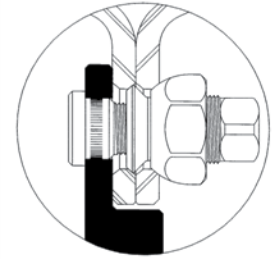
Bolt-Together
Specialty Wheels

General
Information

ACCURIDE 15° TUBELESS STEEL WHEELS



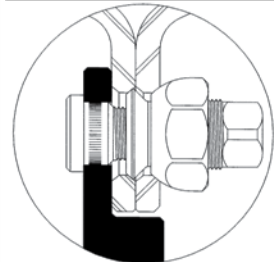
**Stud-Piloted Dual-Mounting
Double Cap Nut**
10-Hole, 8¾" Bolt Circle, 6.50" Bore



Item	Wheel Size	Part Number	Hand Holes	Wheel Offset	Disc	Recommended Valve	Approx. Wt. (lbs)	Maximum Load & Infl. (lbs) - (psi)
1	17.5 x 6.75HC ⁽¹⁾	28112	2	6.19"	.420"	TR570-14C	58	5070 - 125



**Stud-Piloted Dual-Mounting
Double Cap Nut**
6-Hole, 8¾" Bolt Circle, 6.50" Bore



Item	Wheel Size	Part Number	Hand Holes	Wheel Offset	Disc	Recommended Valve	Approx. Wt. (lbs)	Maximum Load & Infl. (lbs) - (psi)
2	17.5 x 6.75HC ⁽¹⁾	28145	2	6.07"	.420"	TR500	58	5070 - 125
3	19.5 x 6.00RW ⁽²⁾	29388	2	5.00"	.375"	TR435	52	3640 - 110

⁽¹⁾ "HC" denotes heavy construction to differentiate from light truck rims.

⁽²⁾ "RW" denotes revised well for increased brake clearance.

Hub-Piloted
Tubeless Wheels

Stud-Piloted
Tubeless Wheels

Demountable
Rims & Components

Duplex Disc® Wheels
Duplex® Demountable
Rims

Light Truck
Wheels

Bolt-Together
Specialty Wheels

General
Information

DEMOUNTABLE RIMS AND COMPONENTS



Hub-Piloted
Tubeless & Tube-Type
Wheels

Stud-Piloted
Tubeless & Tube-Type
Wheels

Demountable
Rims & Components

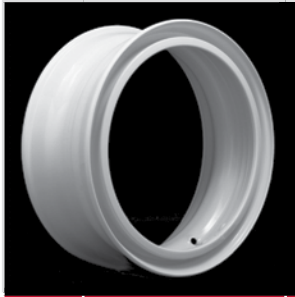
Duplex Disc® Wheels
Duplex® Demountable
Rims

Light Truck
Wheels

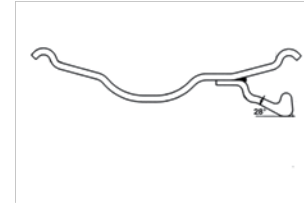
Bolt-Together
Specialty Wheels

General
Information

ACCURIDE 15° TUBELESS DEMOUNTABLE RIMS



EXTRA SERVICE RIMS



Item	Rim Size	Part Number	Rim Offset	Recommended Valve	Approx. Wt. (lbs)	Maximum Load & Infl. (lbs) - (psi)
1	17.5 x 6.75HC ⁽¹⁾	31868175	3.90"	TR572	46	4805 - 125
2	17.5 x 8.25HC ⁽¹⁾	31814175	4.75"	TR573	55	6040 - 130
3	22.5 x 7.50	30371225	4.26"	TR572	64	6610 - 120
4	22.5 x 8.25	30391225	4.75"	TR573	68	7300 - 120
5	24.5 x 8.25	30391245	4.75"	TR573	74	7300 - 120
Heavy Load Applications						
6	22.5 x 8.25	32051225 ⁽²⁾	4.75"	TR573	69	8000 - 120
7	22.5 x 9.00	32052225 ⁽²⁾	5.00"	TR574	87	10000 - 130
8	24.5 x 8.25	32051245 ⁽²⁾	4.75"	TR573	76	8000 - 120

⁽¹⁾ "HC" denotes heavy construction to differentiate from light truck rims.

⁽²⁾ Requires a six spoke cast spoke wheel to carry indicated load rating.

DUAL SPACINGS

All dimensions in inches.
(See pages 47 & 49 for additional information)

Rim Width Size	Rim Type	Rim Offset	Dual Spacing With Spacer Band Width			
			3 ³ / ₈ "	3 ⁵ / ₈ "	4"	4 ¹ / ₄ "
7.5	FL, 5°	4.75"	12.9	13.1	13.5	13.8
8.0	5°	5.00"	13.4	13.6	14.0	14.2
8.5 ⁽³⁾	5°	5.30"			14.6	14.8

⁽³⁾ 8.5 tube-type rims require M type spacer bands to fit smaller diameter cast spoke wheels (see "E" dimension on page 21)

Spacer bands for Tubeless Demountable Rims

Rim Diameter	Use Spacer Band Size
17.5"	15"
22.5"	20"
24.5"	22"

Hub-Piloted
Tubeless Wheels

Stud-Piloted
Tubeless Wheels

Demountable
Rims & Components

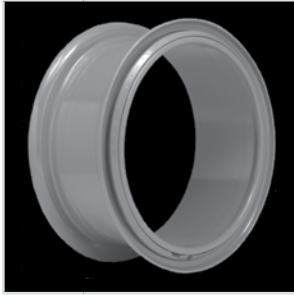
Duplex Disc® Wheels
Duplex® Demountable
Rims

Light Truck
Wheels

Bolt-Together
Specialty Wheels

General
Information

HEAVY DUTY TUBE-TYPE DEMOUNTABLE RIMS

 Hub-Piloted
 Tubeless Wheels


5° Radial Commander® 3-Piece Rim

- 5° bead seats on both sides provide maximum support under entire width of tire beads.
- Continuous base and side ring minimize tire bead chafing.


 Stud-Piloted
 Tubeless Wheels

RIM ASSEMBLY

Item	Rim Size & Type	Part No. ⁽¹⁾	Approx. Wt. (lbs)	Maximum Load & Infl. (lbs) - (psi)
1	24 x 8.5 - 5° ⁽³⁾	313-5-1	118	8900 - 120

 Demountable
 Rims & Components

COMPONENTS

Item	Rim Size & Type	Rim Base Part No. ⁽¹⁾⁽²⁾	Side Ring		Lock Ring	
			Markings/Size & Type	Part No. ⁽¹⁾	Markings/Size & Type	Part No. ⁽¹⁾
1	24 x 8.5 - 5° ⁽³⁾	313D51X	24 x 8.5 - 5°	313D5SR	24 x 8.5 - 5°	313D5LR

⁽¹⁾ Product has liquid topcoat over epoxy black E-coat.

⁽²⁾ "X" suffix on part number indicates rim only (side ring and lock ring are excluded).

⁽³⁾ 8.5 tube-type rims require M type spacer bands to fit smaller diameter cast spoke wheels (see "E" dimension on page 21).

Available Educational, Informational, and Training Items for Heavy Duty Tube-Type Demountable Rims

SAFETY AND SERVICE MANUALS

- Safety/Service Manuals - English
- Safety/Service Manuals - Spanish
- Safety/Service Manuals - French

CHART

- Accuride Rim & Ring Matching Wall Chart

VIDEO (DVD)

- "Servicing Single and Multi-Piece Wheels"

 Light Truck
 Wheels

 Bolt-Together
 Specialty Wheels

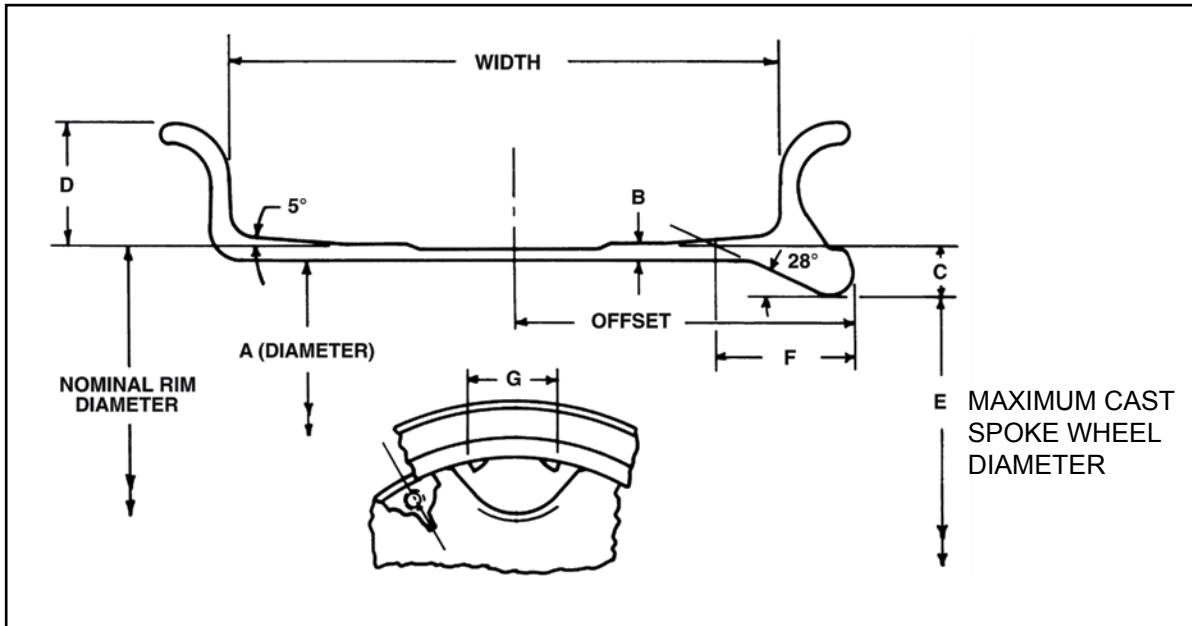
 General
 Information

WARNING: Air pressure in an inflated truck tire mounted on a rim/wheel creates explosive energy; this pressure can cause the tire/rim assembly and/or components to burst apart with great force. If struck by an exploding tire or rim component, you can be seriously injured or killed. FEDERAL OSHA REGULATIONS REQUIRE ALL EMPLOYERS TO PROVIDE TRAINING FOR ALL EMPLOYEES WHO SERVICE SINGLE-PIECE AND MULTI-PIECE RIMS/WHEELS. THIS TRAINING SHOULD ENSURE THAT EACH EMPLOYEE DEMONSTRATES AND MAINTAINS HIS ABILITY TO SERVICE SINGLE AND MULTI-PIECE RIMS/WHEELS. THIS KIND OF SAFETY, SERVICE, AND MAINTENANCE INFORMATION IS CONTAINED IN THE ACCURIDE RIM/WHEEL SAFETY & SERVICE MANUAL, WHICH SHOULD BE RETAINED BY YOU. The Accuride Rim/Wheel Safety & Service Manual and other educational, informational, and training items are available free of charge. Please write to Literature Distribution, Accuride Corporation, 7140 Office Circle, Evansville, IN 47715 or call (800) 626-7096 to receive free copies. Outside the US call (812) 962-5000. You should not, nor should you let your employees, service rims/wheels unless they are thoroughly trained and completely understand this safety information.

DIMENSIONS FOR TUBE-TYPE RIMS BY PART NUMBER (All dimensions in inches)

Part Number	Size		Rim Offset	A	B	C	D	E	F	G
	Dia.	Width								
313-5-1 ⁽¹⁾	24	8.5	5.30	23.372	.314	.750	1.75	22.422 ⁽¹⁾	2.000	5.25

⁽¹⁾ 8.5 tube-type rims require M type spacer bands to fit smaller diameter cast spoke wheels.



Hub-Piloted
Tubeless Wheels

Stud-Piloted
Tubeless Wheels

Demountable
Rims & Components

Duplex Disc® Wheels
Duplex® Demountable
Rims

Light Truck
Wheels

Bolt-Together
Specialty Wheels

General
Information

DUPLEX[®] DISC WHEELS AND DUPLEX[®] DEMOUNTABLE RIMS



Hub-Piloted
Tubeless & Tube-Type
Wheels

Stud-Piloted
Tubeless & Tube-Type
Wheels

Demountable
Rims & Components

Duplex Disc[®] Wheels
Duplex[®] Demountable
Rims

Light Truck
Wheels

Bolt-Together
Specialty Wheels

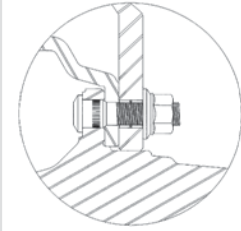
General
Information

ACCURIDE 15° TUBELESS DUPLEX® DISC WHEELS



Aluminum Hub-Piloted Mounting⁽¹⁾ Two-Piece Flange Nut

10-Hole, 285.75mm Bolt Circle, 220mm Bore

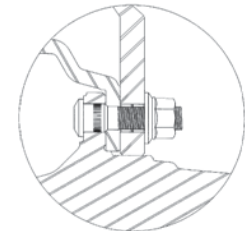


Item	Wheel Size	Part Number	Polish Option (Typical Application)	Inset ⁽²⁾	Outset ⁽²⁾	Disc Thickness	Installed Valve ⁽³⁾	Approx. Wt. (lbs)	Maximum Load & Infl. (lbs) - (psi)
1	22.5 x 12.25	29378SP 29378AOP	Standard Polish Outside (Rear)	---	0.56"	1.120"	TR543E	62	11400 - 120
2	22.5 x 12.25	29683SP 29683AIP 29683AOP	Standard Polish Inside (Rear) Outside (Front)	2.88"	4.00"	1.125"	TR545E	62	11400 - 125
3	22.5 x 12.25 ⁽⁴⁾	29374SP 29374AOP	Standard Polish Outside (Front)	4.75"	---	1.125"	TR545E	66	11000 - 131
4	22.5 x 13.00	29380SP 29380AOP	Standard Polish Outside (Rear)	---	0.56"	1.120"	TR543E	64	12300 - 120
5	22.5 x 13.00	29376SP 29376AOP	Standard Polish Outside (Front)	5.25"	---	1.125"	TR545E	68	11400 - 120
6	22.5 x 13.00	40036SP 40036AOP	Standard Polish Outside (Front)	2.38"	---	1.125"	TR545E	64	13000 - 131
7	22.5 x 14.00 ⁽⁴⁾	41140SP 41140XP	Standard Polish Outside (Rear)	---	0.50"	1.0"	TR543E	55	12800 - 131
8	22.5 x 14.00 ⁽⁴⁾	41142SP 41142XP	Standard Polish Outside (Rear)	1.00"	2.00" ⁽⁵⁾	1.0"	TR543E	56	12800 - 131



Steel Hub-Piloted Mounting⁽¹⁾ Two-Piece Flange Nut

10-Hole, 285.75mm Bolt Circle,
220mm Bore, .625" Disc



Item	Wheel Size	Part Number	Inset ⁽²⁾	Outset ⁽²⁾	Hand Holes	Disc Position	Recommended Valve ⁽⁶⁾	Approx. Wt. (lbs)	Maximum Load & Infl. (lbs) - (psi)
9	22.5 x 12.25	29805	---	0.63"	5	2	TR574-24E	119	11500 - 125
10	22.5 x 12.25	29806	4.00"	---	5	1	TR500	119	11500 - 125
11	22.5 x 12.25	29807	4.75"	---	5	1	TR574-24E	119	11500 - 125
12	22.5 x 13.00	29146	---	0.63"	5	2	TR574-26E	132	11000 - 110
13	22.5 x 13.00	29174	2.62"	---	5	2	TR500	129	11000 - 110
14	22.5 x 13.00	29303	4.32"	---	5	1	TR574-26E	132	11000 - 110
15	22.5 x 13.00	29057	5.25"	---	5	1	TR574-26E	132	11000 - 110
16	22.5 x 13.00	29058 ⁽⁷⁾	5.25"	---	0 ⁽⁶⁾	1	TR574-26E	153	13000 - 130
17	22.5 x 14.00	29627	1.38"	2.00" ⁽⁵⁾	5	2	TR573	127	12800 - 125
18	22.5 x 14.00	50172	---	0.00"	5	2	TR543E	127	12800 - 125

⁽¹⁾ These wheels require two-piece metric flange nuts and grade 8 or higher 22mm wheel studs and 450-500 ft. - lbs. nut torque are recommended.

⁽²⁾ Inset is the lateral distance from the rim centerline to the mounting surface of the disc. Inset places the rim centerline inboard of the mounting surface; outset places the rim centerline outboard of the hub surface.

⁽³⁾ Aluminum Duplex wheels come with valve installed.

⁽⁴⁾ Available with Accu-Shield®.

⁽⁵⁾ The outset of Duplex wheels can affect the loading on the axle end. When retrofitting trailers with wheels having an outset greater than 0.63 inches, consult the axle manufacturer.

⁽⁶⁾ The valve shown is for the inset position.

⁽⁷⁾ Rim flanges are reinforced.

⁽⁸⁾ Wheel disc has small valve access hole.

Hub-Piloted
Tubeless Wheels

Stud-Piloted
Tubeless Wheels

Demountable
Rims & Components

Duplex Disc® Wheels
Duplex® Demountable
Rims

Light Truck
Wheels

Bolt-Together
Specialty Wheels

General
Information

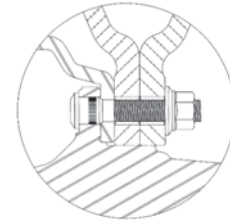
ACCURIDE 15° TUBELESS DUPLEX® DISC WHEELS

Hub-Piloted
Tubeless & Tube-Type
Wheels



Aluminum Hub-Piloted Mounting Two-Piece Flange Nut

10-Hole, 335mm Bolt Circle, 281mm Bore



ULTRAMOUNT 335

Stud-Piloted
Tubeless & Tube-Type
Wheels

Item	Wheel Size	Part Number	Polish Option	Outset (mm)	Inset (mm)	Bolt Hole (mm)	Approx. Wt. (kg/lbs)	Maximum Load (kg/lbs)	Maximum Infl (bar/psi/kPa)
1	22.5 x 11.75	40164SP 40164AOP	Standard Polish Outside (Front)	148	120	26	26.1 / 57.5	4500 / 9921	9.5 / 138 / 952
2	22.5 x 11.75	40166SP 40166AOP	Standard Polish Outside (Rear)	25	0	26	23 / 50	5000 / 11023	9.5 / 138 / 952
3	22.5 x 11.75	40176SP 40176AOP	Standard Polish Outside (Front)	148	120	32	25.9 / 57.0	4500 / 9921	9.5 / 138 / 952
4	22.5 x 11.75	40178SP 40178AOP	Standard Polish Outside (Rear)	25	0	32	23 / 50	5000 / 11023	9.5 / 138 / 952
5	22.5 x 11.75	40386SP 40386AOP	Standard Polish Outside (Front)	164.5	135	32	27.8 / 61.3	4500 / 9921	9.5 / 138 / 952
6	22.5 x 11.75	40394SP 40394AOP	Standard Polish Outside (Front)	164.5	135	26	28.0 / 61.8	4500 / 9921	9.5 / 138 / 952

Demountable
Rims & Components

Steel Stud-Piloted Mounting⁽¹⁾ Outer Cap Nut

10-Hole, 1 1/4" Bolt Circle, 8.72" Bore, .625" Disc

Duplex Disc® Wheels
Duplex® Demountable
Rims

Item	Wheel Size	Part Number	Inset ⁽³⁾	Outset ⁽³⁾	Hand Holes	Disc Position (see pg. 25)	Recommended Valve ⁽²⁾	Approx. Wt. (lbs)	Maximum Load & Infl. (lbs) – (psi)
7	22.5 x 12.25	29816	4.75"	---	2	1	TR574-26E	129	10000 - 105 ⁽⁶⁾
8	22.5 x 13.00	29818	---	0.63"	2	2	TR574-26E	132	10000 - 105
9	22.5 x 13.00	28684	5.25"	---	0 ⁽⁴⁾	3	TR501 ⁽⁵⁾	135	10250 - 110

Light Truck
Wheels

Heavy Duty (HD) Steel Stud-Piloted Mounting⁽⁸⁾ Heavy Duty Outer Cap Nut

10-Hole, 13 3/16" Heavy Duty Bolt Circle, 10.69" Bore, .625" Disc

Item	Wheel Size	Part Number	Inset ⁽³⁾	Outset ⁽³⁾⁽⁷⁾	Hand Holes	Disc Position (see pg. 25)	Recommended Valve ⁽²⁾	Approx. Wt. (lbs)	Maximum Load & Infl. (lbs) – (psi)
10	22.5 x 13.00	28465	6.12"	---	0 ⁽⁴⁾	3	TR570	133	10210 - 110

Bolt-Together
Specialty Wheels

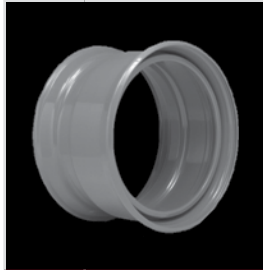
⁽¹⁾ These wheels use standard cap nuts with 7/8" (.875") spherical radius.
⁽²⁾ The valve shown is for the inset position.
⁽³⁾ Inset is defined as the lateral distance from the rim centerline to the mounting surface of the disc. Inset places the rim centerline inboard of the mounting surface; outset places the rim centerline outboard of the hub surface.
⁽⁴⁾ Wheel disc has small valve access hole.
⁽⁵⁾ Wheel has two valve holes. Plug unused valve hole with Dill VS#902 or Schrader#345 plug.
⁽⁶⁾ Wheel may be used at 9370 lbs -120 psi with 385/65R 22.5 LR J tires.
⁽⁷⁾ The wheel must only be installed in the inset position because bolt chamfers are only on one side of the disc.

⁽⁸⁾ These wheels require Heavy Duty (HD) outer cap nuts with a 3 3/16" spherical radius. Standard cap nuts have a 7/8" (.875") spherical radius.

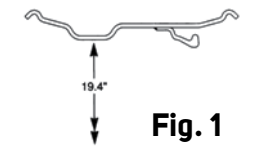
General
Information

ACCURIDE 15° TUBELESS DUPLEX® DEMOUNTABLE RIMS

For Installation on Cast Spoke Wheels Designed for 20 x 8.0 or Narrower Tube-Type or 22.5" Diameter Tubeless Demountable Rims



Duplex® Demountable Rims for Front Applications



Item	Rim Size	Part Number ⁽¹⁾	Rim Offset ⁽²⁾	Mounting Ring	Recommended Valve ⁽³⁾	Approx. Wt. (kg)	Maximum Load & Infl. (lbs) – (psi)	Valve Hole Location ⁽⁴⁾
1	22.5 x 12.25	31674	3.00"	Fig.1	TR574E13	100	9270 – 115	LS
2	22.5 x 12.25	31677	4.00"	Fig.1	TR574E13	100	9270 – 115	LS
3	22.5 x 12.25	31679	4.75"	Fig.1	TR574E13	100	9270 – 115	LS
4	22.5 x 13.00	13228	3.94"	Fig.1	TR574E13	103	10000 – 105	LS
5	22.5 x 13.00	13244	5.62"	Fig.1	TR574E13	103	10000 – 105	LS

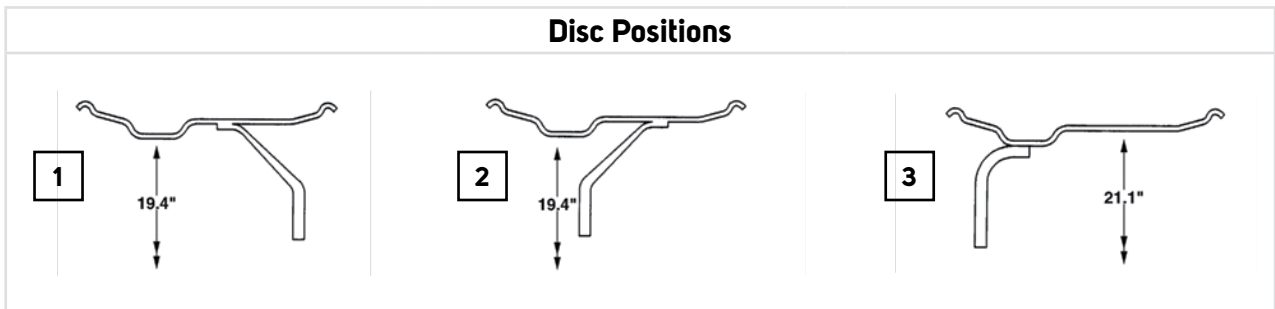
⁽¹⁾ Requires a six spoke cast spoke wheel.

⁽²⁾ Rim offset is defined as the lateral distance from the rim centerline to the face of the mounting ring.

⁽³⁾ The valve listed places the end of the valve near the mounting ring clamping face. Shorter valves TR501 or TR500 may be used.

⁽⁴⁾ "BDC" denotes bottom drop center, "LS" denotes long side.

Disc Positions



Hub-Piloted
Tubeless Wheels

Stud-Piloted
Tubeless Wheels

Demountable
Rims & Components

Duplex Disc® Wheels
Duplex® Demountable
Rims

Light Truck
Wheels

Bolt-Together
Specialty Wheels

General
Information

LIGHT TRUCK WHEELS

Hub-Piloted
Tubeless & Tube-Type
Wheels

Stud-Piloted
Tubeless & Tube-Type
Wheels

Demountable
Rims & Components

Duplex Disc® Wheels
Duplex® Demountable
Rims

Light Truck
Wheels

Bolt-Together
Specialty Wheels

General
Information

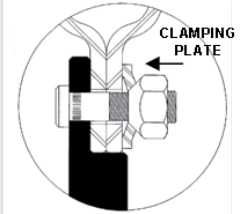


LIGHT TRUCK WHEELS



**Hub-Piloted Dual-Mounting
Use Clamping Plate w/90° Cone Nuts**

**10-Hole, 7¼" Bolt Circle, 5.25" Bore
(P-300 Chevrolet or GMC Typical)**

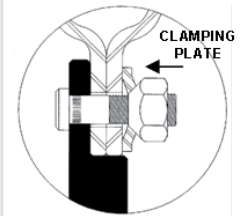


Item	Wheel Size	Rim Type	Part Number	Hand Holes	Wheel Offset	Disc	Valve Hole Dia.	Recommended Valve	Approx. Wt. (lbs)	Maximum Load & Infl. (lbs) - (psi)
1	19.5 x 6.00	15° Tbls	29667	5	5.08"	.375"	.625"	TR500	48	3000 - 95



**Hub-Piloted Dual-Mounting
Use Clamping Plate w/90° Cone Nuts**

**8-Hole, 6½" Bolt Circle, 4.56" Bore
(¾, 1 Ton, Chevrolet or GMC Typical)**

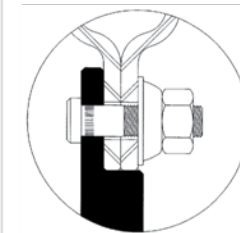


Item	Wheel Size	Rim Type	Part Number	Hand Holes	Wheel Offset	Disc	Valve Hole Dia.	Recommended Valve	Approx. Wt. (lbs)	Maximum Load & Infl. (lbs) - (psi)
2	16 x 6K	5° DC	29587	4	5.00"	.308"	.453"	TR600HP	35	2440 - 80
3	19.5 x 6.00	15° Tbls	29015	4	5.00"	.296"	.625"	TR573	46	2540 - 80



**Hub-Piloted Dual-Mounting
Use Only GM Swiveling Lug Nut⁽¹⁾**

**8-Hole, 6½" Bolt Circle, 4.60" Bore
(¾, 1 Ton, Chevrolet or GMC Typical)**



Item	Wheel Size	Rim Type	Part Number	Hand Holes	Wheel Offset	Disc	Valve Hole Dia.	Recommended Valve	Approx. Wt. (lbs)	Maximum Load & Infl. (lbs) - (psi)
4	16 x 6.5J	5° DC	29588	4	5.04"	.308"	.453"	TR600HP	34	2440 - 80

CLAMPING PLATE TABLE

Wheel Size	Wheel P/N	Replaces P/N	Clamping Plate General Motors P/N
16 x 6K	29587	27756, 27994, 28177, 28374, 28603 ⁽²⁾ , 28623 ⁽²⁾ , 29334 ⁽²⁾	472536
19.5 x 6.00	29015	27774	472536
19.5 x 6.00	29667	29207	349071

⁽¹⁾ The GM P/N for the M14-1.5 swiveling lug nut is 9591924. This type of nut is also called a two-piece flange nut or cone locking nut.

⁽²⁾ This wheel has a .453" valve hole and requires an HP600 series valve. 27756, 27994, 28177, and 28374 have a .625" valve hole and require an appropriate valve. Reference the Tire and Rim Association Book for applicable valve.

Hub-Piloted
Tubeless Wheels

Stud-Piloted
Tubeless Wheels

Demountable
Rims & Components

Duplex Disc® Wheels
Duplex® Demountable
Rims

Light Truck
Wheels

Bolt-Together
Specialty Wheels

General
Information

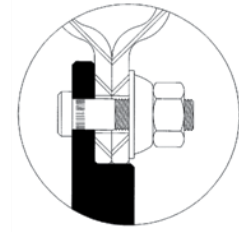
LIGHT TRUCK WHEELS

Hub-Piloted
Tubeless Wheels



**Hub-Piloted Dual-Mounting
Use Only GM Swiveling Lug Nut⁽¹⁾**

**8-Hole, 210mm Bolt Circle, 154.3mm Bore
(3/4 , 1 Ton, Chevrolet or GMC Typical)**



Stud-Piloted
Tubeless Wheels

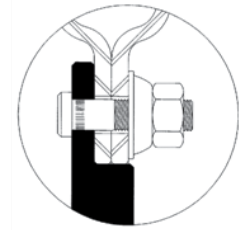
Item	Wheel Size	Rim Type	Part Number	Hand Holes	Wheel Offset	Disc	Valve Hole Dia.	Recommended Valve	Approx. Wt. (lbs)	Maximum Load & Infl. (lbs) - (psi)
1	17 x 6.5J.	5° DC	50642	5	137mm	.330"	.453"	TR600	41	3000-80

Demountable
Rims & Components



**Hub-Piloted Dual-Mounting
Use Only Ford Swiveling Lug Nut⁽¹⁾**

**8-Hole, 6½" Bolt Circle, 4.88" Bore
(Ford 3/4 & 1 Ton Typical)**



Duplex Disc® Wheels
Duplex® Demountable Rims

Item	Wheel Size	Rim Type	Part Number	Hand Holes	Wheel Offset	Disc	Valve Hole Dia.	Recommended Valve	Approx. Wt. (lbs)	Maximum Load & Infl. (lbs) - (psi)
2	16 x 6K	5° DC	29579	8	5.15"	.308"	.453"	TR600HP	35	2500 - 80

⁽¹⁾ The Ford P/N for the 9/16-18 swiveling lug nut is 391223. This type of nut is also called a two-piece flange nut or a cone locking nut.

Light Truck
Wheels

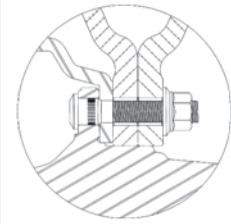
Bolt-Together
Specialty Wheels

General
Information

LIGHT TRUCK WHEELS



ALUMINUM LIGHT TRUCK WHEEL Hub Piloted Dual Mounting Two-Piece Flange Nut

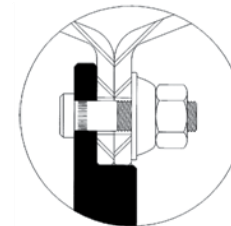


10-Hole, 225mm Bolt Circle, 170.10mm Bore

Item	Wheel Size	Part Number	Polish Option (Typical Application)	Wheel Offset	Disc	Installed Valve	Approx. Wt. (lbs)	Maximum Load & Infl. (lbs) - (psi)
1	19.5 x 6.00RW ⁽¹⁾	40018SP 40018AOP 40018AIP	Standard Polish Outside (Front) Inside (Outer Dual)	5.35"	.598"	TR545D	32	4000 - 110



Hub-Piloted Dual-Mounting Use Only Ford Swiveling Lug Nut⁽²⁾



10-Hole, 225mm Bolt Circle, 170.10mm Bore

Item	Wheel Size	Rim Type	Part Number	Hand Holes	Wheel Offset	Disc	Valve Hole Dia.	Recommended Valve	Approx. Wt. (lbs)	Maximum Load & Infl. (lbs) - (psi)
2	19.5 x 6.00RW ⁽²⁾	15° Tbls	29884	5	5.35"	.375"	.453"	TR416S	52	4000 - 115

⁽¹⁾ "RW" denotes revised well for increased brake clearance

⁽²⁾ The Ford P/N for the M14 x 2.0 swiveling lug nut is N811599. This type of nut is also called a two-piece flange nut or a cone locking nut.

Hub-Piloted
Tubeless Wheels

Stud-Piloted
Tubeless Wheels

Demountable
Rims & Components

Duplex Disc® Wheels
Duplex® Demountable
Rims

Light Truck
Wheels

Bolt-Together
Specialty Wheels

General
Information

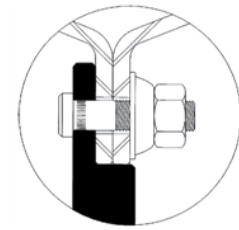
LIGHT TRUCK WHEELS

Hub-Piloted
Tubeless Wheels



**Hub-Piloted Dual-Mounting
Use Only Ford Swiveling Lug Nut⁽¹⁾**

**8-Hole, 225mm Bolt Circle, 170.10mm Bore
(Ford F-Super Duty Typical)**



Stud-Piloted
Tubeless Wheels

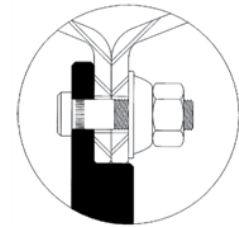
Item	Wheel Size	Rim Type	Part Number	Hand Holes	Wheel Offset	Disc	Valve Hole Dia.	Recommended Valve	Approx. Wt. (lbs)	Maximum Load & Infl. (lbs) - (psi)
1	19.5 x 6.00RW ⁽²⁾	15° Tbls	29584	5	5.35"	.375"	.453"	VS 902 K	51	3750 - 115
2	19.5 x 6.75RW ⁽²⁾	15° Tbls	29585	5	5.50"	.375"	.625"	TR500	59	4000 - 115

Demountable
Rims & Components



**Hub-Piloted Dual-Mounting
Use Only Ford Swiveling Lug Nut⁽¹⁾**

**8-Hole, 170mm Bolt Circle, 125.10mm Bore
(Ford F-Super Duty Typical)**



Duplex Disc® Wheels
Duplex® Demountable Rims

Item	Wheel Size	Rim Type	Part Number	Hand Holes	Wheel Offset	Disc	Valve Hole Dia.	Recommended Valve	Approx. Wt. (lbs)	Maximum Load & Infl. (lbs) - (psi)
3	16 x 6K	5° DC	29583	4	5.35"	.330"	.453"	TR600HP	37	2600 - 80

⁽¹⁾ The Ford P/N for the M14 x 2.0 swiveling lug nut is N811599. This type of nut is also called a two-piece flange nut or a cone locking nut.

⁽²⁾ "RW" denotes revised well for increased brake clearance.

Light Truck
Wheels

Bolt-Together
Specialty Wheels

General
Information

LIGHT TRUCK WHEELS

APPLICATION CHART

Model Year	Model & Series	Wheel Size	Holes & Bolt Circle	Wheel Offset	Maximum Load & Infl. (lbs) - (psi)	Accuride Part Number
CHEVROLET/GMC						
1975-99	C, COPO, P - Dual	19.5 x 6.00	8H, 6 1/2"	5.00"	2540 - 80	29015
1976-00	C/K 3500, P - Dual	16 x 6K	8H, 6 1/2"	5.00"	2440 - 80	29587 ⁽¹⁾
1996-05	C/K 3500HD - Dual	19.5 x 6.00	10H, 7 1/4"	5.08"	3000 - 95	29667
2001-05	C/K 3500 - Dual	16 x 6.5J	8H, 6 1/2"	5.00"	2440 - 80	29588
2006-10	3500 - Dual	17 x 6.5J	8H, 6 1/2"	5.00"	2500 - 80	50095
2011-Present	3500 - Dual	17 x 6.5J	8H, 210mm	137mm	3000 - 80	50642
2011-Present	2500/3500 - Single	17 x 7.5J	8H, 180mm	44mm inset	3195 - 80	50640
CHEVROLET/GMC - Van						
1989-02	G-Van - Dual	16 x 6K	8H, 6 1/2"	5.00"	2440 - 80	29587 ⁽¹⁾
2005	G-Van - Dual	16 x 6.5J	8H, 6 1/2"	5.00"	2440 - 80	29588
FORD F-Series						
- Single Wheels						
1967-91	F250/350 Single	16 x 6K	8H, 6 1/2"	0.50"	3045 - 80	29508 ⁽²⁾
1992-97	F250/350 Single	16 x 7K	8H, 6 1/2"	0.25"	3045 - 80	29508
1998-04	F250/350 Single	16 x 7K	8H, 170mm	0.25"	3415 - 80 Rear	29232
	F250/350 Single	16 x 7K	8H, 170mm	0.25"	3000 - 80 Front	29232
2005 - 07	F250/350 Single	17 x 7.5J	8H, 170mm	40 mm	3195 - 80	29841
2005 - 07	F250/350 Single	18 x 8.0J	8H, 170mm	40 mm	3525 - 80	29838
- Dual Wheels						
1984-97(4)	F350	16 x 6K	8H, 6 1/2"	5.00"	2200 - 65	29579
1985-97	F350 4 x 4	16 x 6K	8H, 6 1/2"	5.35"	2500 - 65	29579
1988-97	F-Super Duty	16 x 6K	10H, 7 1/4"	5.35"	3045 - 80	28671
1998-04	F350 Dual	16 x 6K	8H, 170mm	5.35"	2600 - 80	29583
1998-04	F-Super Duty & Motorhome	19.5 x 6.00	8H, 225mm	5.35"	3750 - 115	29584
1998-04	Motorhome	19.5 x 6.75	8H, 225mm	5.50"	3750 - 115	29585
2005	F450/550	19.5 x 6.0RW	10H, 225mm	5.35"	3750 - 115	29884
2005	Motorhome	19.5 x 6.75	10H, 225mm	5.50"	4000 - 115	29875
FORD Econoline Van						
- Single Wheels						
1985-91	E250/350 Single	16 x 6K	8H, 6 1/2"	0.50"	3045 - 80	29508 ⁽²⁾
1992-07	E250/350 Single	16 x 7K	8H, 6 1/2"	0.25"	3045 - 80	29508
- Dual Wheels						
1985-91	E350	16 x 6K	8H, 6 1/2"	5.00"	2200 - 65	29579
1992-07	E350 - 8 Vent Hole	16 x 6K	8H, 6 1/2"	5.15"	2500 - 80	29579
2002-03	E550	19.5 x 6.00	8H, 225mm	5.35"	3750 - 115	29584

⁽¹⁾ This wheel has a .453" valve hole. Wheels supplied on original vehicle have a .625" valve hole.

⁽²⁾ Replaced 29575, offset is slightly different.

 Hub-Piloted
 Tubeless Wheels

 Stud-Piloted
 Tubeless Wheels

 Demountable
 Rims & Components

 Duplex Disc® Wheels
 Duplex® Demountable
 Rims

 Light Truck
 Wheels

 Bolt-Together
 Specialty Wheels

 General
 Information

BOLT-TOGETHER SPECIALTY WHEELS



Hub-Piloted
Tubeless & Tube-Type
Wheels

Stud-Piloted
Tubeless & Tube-Type
Wheels

Demountable
Rims & Components

Duplex Disc® Wheels
Duplex® Demountable
Rims

Light Truck
Wheels

Bolt-Together
Specialty Wheels

General
Information

ACCURIDE 5° BOLT-TOGETHER SPECIALTY STEEL WHEELS



Accuride offers a wide variety of steel bolt-together wheels for specialty and military applications.

Contact your Accuride sales representative for more information.

Hub-Piloted
Tubeless Wheels

Stud-Piloted
Tubeless Wheels

Demountable
Rims & Components

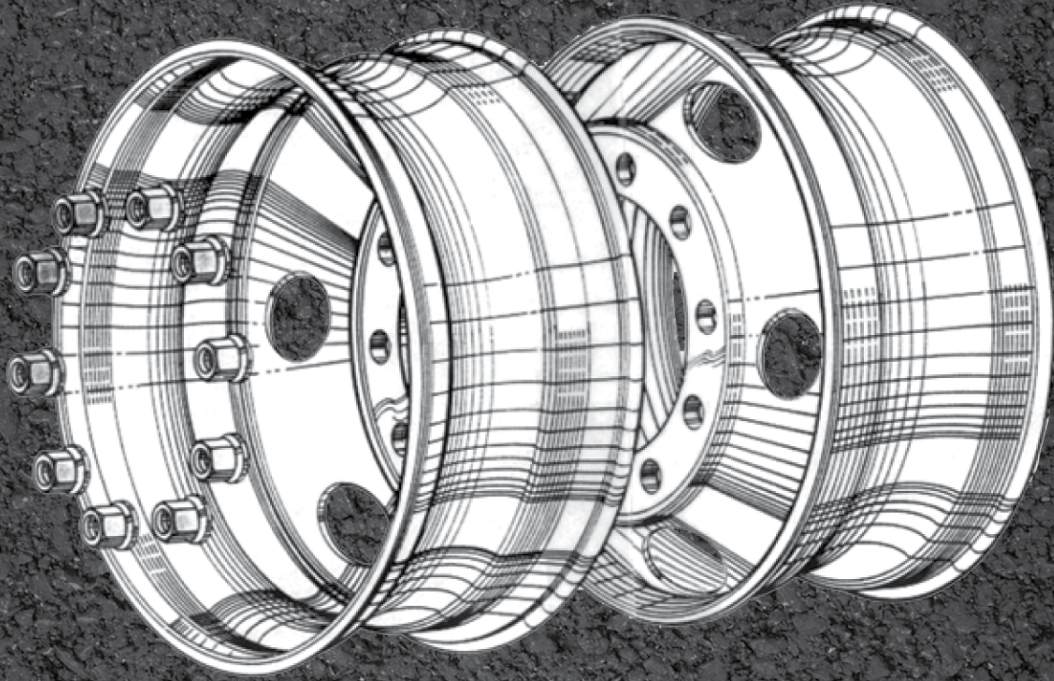
Duplex Disc® Wheels
Duplex® Demountable
Rims

Light Truck
Wheels

Bolt-Together
Specialty Wheels

General
Information

GENERAL INFORMATION



Hub-Piloted
Tubeless & Tube-Type
Wheels

Stud-Piloted
Tubeless & Tube-Type
Wheels

Demountable
Rims & Components

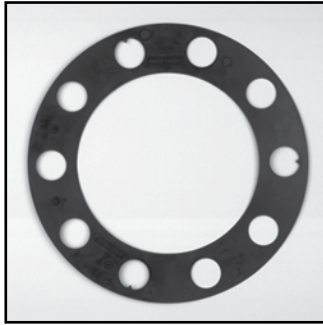
Duplex Disc® Wheels
Duplex® Demountable
Rims

Light Truck
Wheels

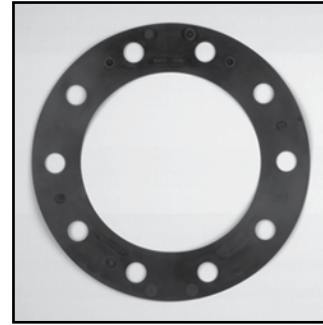
Bolt-Together
Specialty Wheels

General
Information

WHEEL-GUARD® SEPARATOR PLATE



590-1



590-3

The Wheel-Guard Separator Plate is approximately .040" thick. It is placed between the hub or drum and the wheel, and/or between two wheels in dual applications. Not to be installed between hub and brake drum. The Wheel-Guard is recommended in severe applications where corrosion and/or wear have been identified. Both aluminum and steel wheels can benefit from use of the Wheel-Guard. Care must be exercised in centering the separator plate prior to torquing, and stud length must be checked as each plate is approximately .040" thick.

Item	Part Number	Bolt Circle	Application
1	790-2	8 hole - 275mm	hub-piloted; 22mm diameter studs
2	100065	10 hole - 225mm	hub-piloted; 14mm diameter studs
3	590-3	10 hole - 285.75mm	hub-piloted; 22mm diameter studs
4	738-1	10 hole - 335mm	hub-piloted; ISO European Mount, 22mm diameter studs
5	590-2	10 hole - 11¼"	stud-piloted; ¾" diameter studs
6	590-1	10 hole - 11¼"	stud-piloted; 7/8" and 1½" diameter studs

Available Accuride Educational, Informational, and Training Items

ITEM DESCRIPTION	ITEM DESCRIPTION
CATALOGS Wheel and Rim Catalog - English SAFETY AND SERVICE MANUALS Safety/Service Manuals - English Safety/Service Manuals - Spanish Safety/Service Manuals - French	VIDEO (DVD) "Servicing Single and Multi-Piece Wheels" (BLUE) "Servicing and Maintaining Disc Wheels" (GREEN) "Accu-Forge Aluminum Wheels - The Bright Performers" (PURPLE) "Servicing and Maintaining Demountable Rims" (ORANGE)
CHARTS Accuride Rim & Ring Matching Wall Chart Hub-Piloted/Stud-Piloted Wheel Mounting System Identification Chart Wheel Out of Service Wall Chart WRIS Nut Torque Chart	OTHER Hub-Piloted, 8-Hole, 275mm Bolt Circle chassis label Hub-Piloted, 10-Hole, 285.75mm Bolt Circle chassis label Nut and Chamfer Gage Kit (P/N 5400) Accuride touch up spray paint can (Grey #5411, white #5412, black #5413) Aluminum Wheel Flange Wear Gage #5401K Accuride Touch Up Pens (Grey 5416, White 5417, Black 5415)

The Accuride Rim/Wheel Safety & Service Manual and other educational, informational, and training items are available. Please write to Literature Distribution, Accuride Corporation, 7140 Office Circle, Evansville IN, 47715 or call (800) 626-7096 to receive free copies. Outside the US call (812) 962-5000.

Hub-Piloted
Tubeless Wheels

Stud-Piloted
Tubeless Wheels

Demountable
Rims & Components

Duplex Disc® Wheels
Duplex® Demountable
Rims

Light Truck
Wheels

Bolt-Together
Specialty Wheels

General
Information

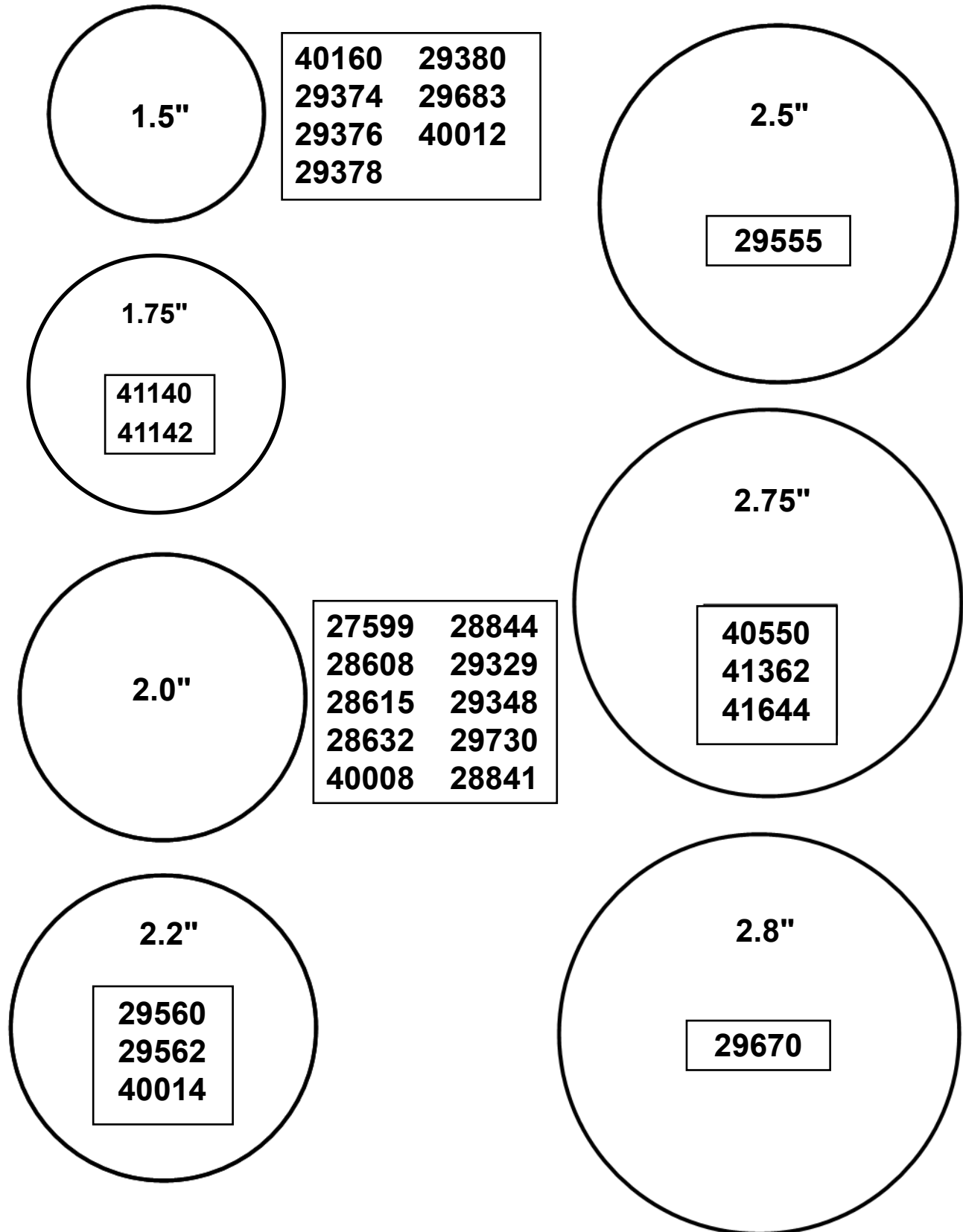
RECOMMENDED NUT TORQUE

	Mounting	Thread Size	Torque ft.-lbs.	Nut Type
LIGHT TRUCK				
Hub-Piloted Tubeless Wheels	10-Hole, 7.25" Hub-Piloted (Ford) (5.47" Bore)	9/16 - 18	125 - 165	Two piece flange
	10-Hole, 7.25" Hub-Piloted (GM) (5.25" Bore) - With Clamping Plate	5/8 - 18	171 - 179	90° cone ⁽¹⁾ With Clamping Plate
Stud-Piloted Tubeless Wheels	8-Hole, 6.50" I.O.C. (Ford)	9/16 - 18	175 - 200	90° cone
		5/8 - 18	175 - 200	90° cone
	8-Hole, 210mm, Hub-Piloted (GM)	M14 x 1.5	136 - 144	Two piece flange
	8-Hole, 6.50" Hub-Piloted (Ford) (4.88" Bore)	9/16 - 18	125 - 165	Two piece flange
		5/8 - 18	130 - 170	Two piece flange
	8-Hole, 6.50" Stud-Piloted (Ford) (4.88" Bore) - Single Wheel	9/16 - 18	130 - 150	60° cone
Demountable Rims & Components	8-Hole, 6.50" Hub-Piloted (GM)	M14 x 1.5	110 - 120	Two piece flange
	8-Hole, 6.50" Hub-Piloted (GM) (4.56" Bore) - With Clamping Plate	9/16 - 18	136 - 144	90° cone ⁽¹⁾
		M14 x 1.5	136 - 144	With Clamping Plate
	8-Hole, 6.50" Hub-Piloted (GM) (4.60" Bore)	M14 x 1.5	136 - 144	Two piece flange
	8-Hole, 170mm, Hub-Piloted (Ford) (125.10mm Bore)	M14 x 2.0	150 - 160	Two piece flange
	8-Hole, 225mm Hub-Piloted (Ford) (170.10mm Bore)	M14 x 2.0	150 - 160	Two piece flange
Duplex Disc® Wheels Duplex® Demountable Rims	6-Hole, 8.75" Stud-Piloted	3/4 - 16	450 - 500	.875" spherical radius
		1 - 1/8 - 16	450 - 500	.875" spherical radius
	6-Hole, 222.25mm Stud-Piloted Japanese .866" Nut Type	M20 x 1.5	325 - 400	.866" spherical radius
MEDIUM/HEAVY TRUCK, TRAILER AND BUS				
Light Truck Wheels	10-Hole, 13 3/16" HD Stud-Piloted	15/16 - 12	750 - 900	1.187" spherical radius
		1 - 5/16 - 12	750 - 900	1.187" spherical radius
	10-Hole, 335mm Hub-Piloted	M22 x 1.5	450 - 500	Two piece flange
	10-Hole, 11 1/4" Stud-Piloted	3/4 - 16	450 - 500	.875" spherical radius
		1 - 1/8 - 16	450 - 500	.875" spherical radius
	10-Hole, 11 1/4" Hub-Piloted (Bus Mount)	3/4 - 16	300 - 350	Two piece flange
	7/8 - 14	350 - 400	Two piece flange	
Bolt-Together Specialty Wheels	10-Hole, 285.75mm Hub-Piloted	M22 x 1.5	450 - 500	Two piece flange
	10-Hole, 8.75" Hub-Piloted	11/16 - 16	300 - 400	One piece flanged
	10-Hole, 8.75" Stud-Piloted	3/4 - 16	450 - 500	.875" spherical radius
		1 - 1/8 - 16	450 - 500	.875" spherical radius
	10-Hole, 200mm Hub-Piloted (Ford)	M14 x 2.0	150 - 160	Two piece flange
	10-Hole, 225mm Hub-Piloted (Ford)	M14 x 2.0	150 - 160	Two piece flange
General Information	8-Hole, 285mm Stud-Piloted Japanese	Check truck manufacturer for torque details		
	8-Hole, 275mm Hub-Piloted	M20 x 1.5	280 - 330	Two piece flange
		M22 x 1.5	450 - 500	Two piece flange
	Demountable Rims	3/4 - 10	200 - 260	Flat nut

⁽¹⁾ These nuts can only be used with a clamping plate. Do not use 90° cone nuts against the disc face.

Note: Hub, stud and spoke wheel manufacturers may have different torque requirements. Consult Accuride Field Engineering at (800) 869-2275 if torque recommendations conflict. Refer to Accuride's Rim/Wheel Safety Service Manual for information on torque and nut tightening sequence.

ALUMINUM WHEEL HAND HOLE SIZE BY PART NUMBER



Hub-Piloted
Tubeless Wheels

Stud-Piloted
Tubeless Wheels

Demountable
Rims & Components

Duplex Disc® Wheels
Duplex® Demountable
Rims

Light Truck
Wheels

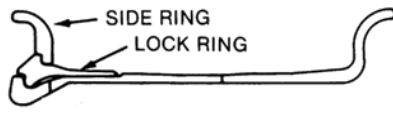
Bolt-Together
Specialty Wheels

General
Information

TYPES OF ACCURIDE RIMS, RINGS, AND TYPICAL DISC-TO-RIM ATTACHMENT LOCATIONS

Hub-Piloted
Tubeless Wheels

**5° RADIAL COMMANDER®
3-PIECE TUBE-TYPE RIMS**



Rim size	Type
20 x 7.5	5°
20 x 8.0	5°
22 x 8.0	5°
24 x 8.0	5°
24 x 8.5	5°

**FL 2-PIECE CONVERTIBLE
TUBE-TYPE RIMS**

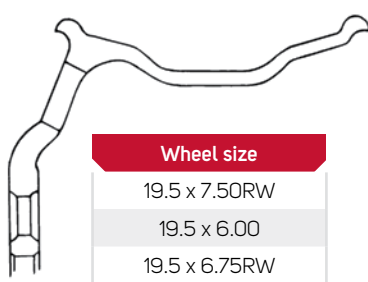


Rim size	Type
20 x 7.5	FL

Stud-Piloted
Tubeless Wheels

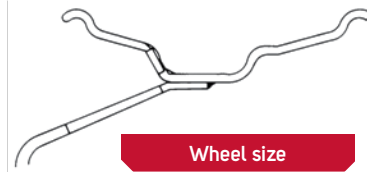
Demountable
Rims & Components

**15° TUBELESS
ALUMINUM WHEELS**



Wheel size
19.5 x 7.50RW
19.5 x 6.00
19.5 x 6.75RW
19.5 x 8.25RW
22.5 x 7.50
22.5 x 8.25
22.5 x 9.00
24.5 x 8.25

**15° TUBELESS STEEL WHEELS
(Welded on Well)**

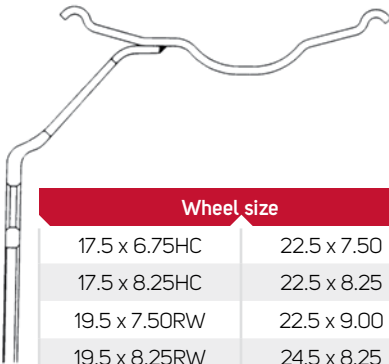


Wheel size
19.5 x 6.00
19.5 x 6.00RW
19.5 x 6.75RW

Duplex Disc® Wheels
Duplex® Demountable
Rims

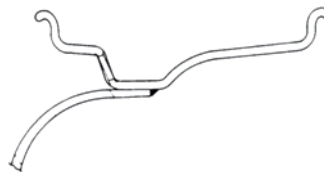
Light Truck
Wheels

**15° TUBELESS STEEL WHEELS
(Welded on Ledge)**



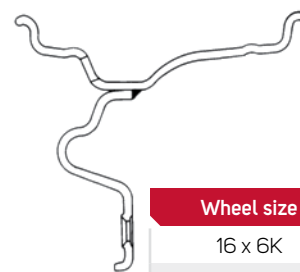
Wheel size	
17.5 x 6.75HC	22.5 x 7.50
17.5 x 8.25HC	22.5 x 8.25
19.5 x 7.50RW	22.5 x 9.00
19.5 x 8.25RW	24.5 x 8.25
22.5 x 6.75	

**5° DROP CENTER
DUAL STEEL WHEEL**



Wheel size
16 x 6K
16 x 6.5J
16 x 7K
17 x 6K
17 x 7.5J
18 x 8J

**5° DROP CENTER
SINGLE STEEL WHEEL**

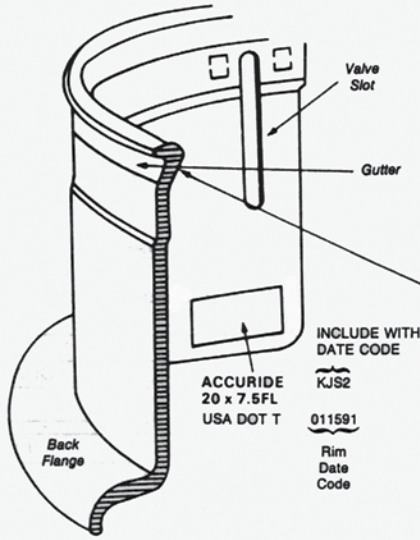


Wheel size
16 x 6K
16 x 7K

Bolt-Together
Specialty Wheels

General
Information

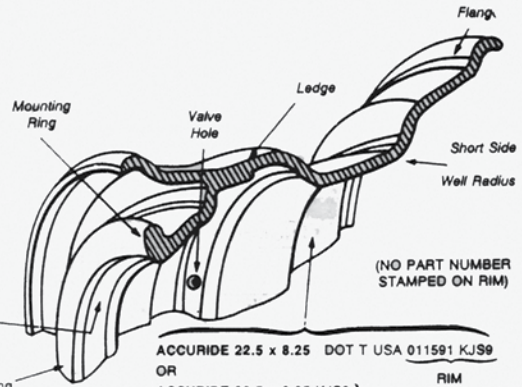
ACCURIDE TYPICAL PRODUCT STAMPING



(NO PART NUMBERS STAMPED ON DEMOUNTABLE RIMS)

TUBE-TYPE RIM BASE

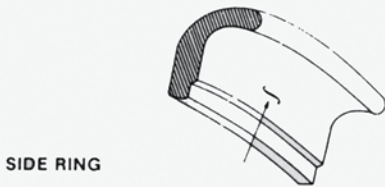
28° Bevel



(NO PART NUMBER STAMPED ON RIM)

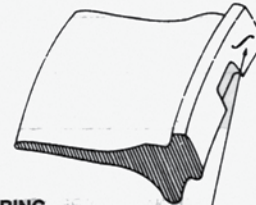
TUBELESS DEMOUNTABLE

Mounting Ring
Date Code
0115912
K 4.75
Include With
Date Code



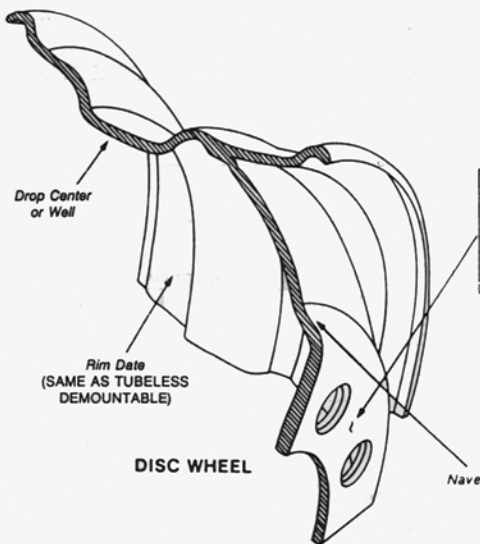
SIDE RING

Ⓐ 20 x 7.0-7.5-8.0 5° USA 01 15 91 2 JS
Date Code



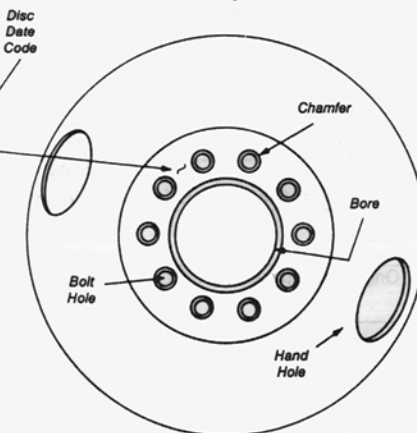
LOCK RING

Ⓐ 20 x 6.5-7.0 CR USA 01 15 91 2 JS
Date Code



DISC WHEEL

Disc Date Code
27406
011591 2 K
OR
50408
011591 2 L



WHEEL DISC

Hub-Piloted
Tubeless Wheels

Stud-Piloted
Tubeless Wheels

Demountable
Rims & Components

Duplex Disc® Wheels
Duplex® Demountable
Rims

Light Truck
Wheels

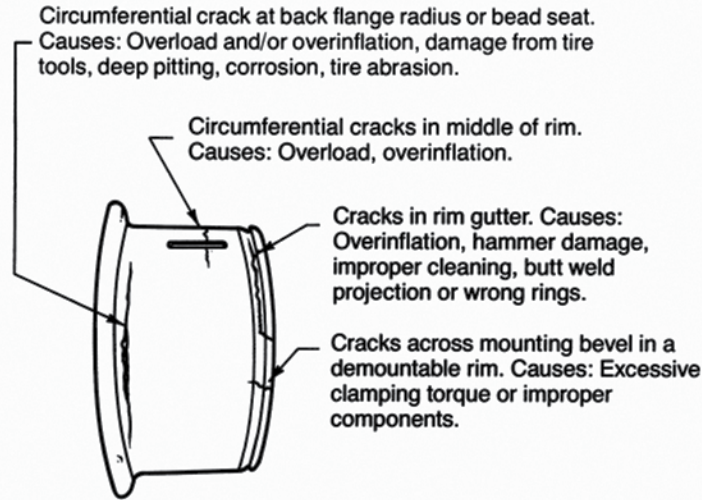
Bolt-Together
Specialty Wheels

General
Information

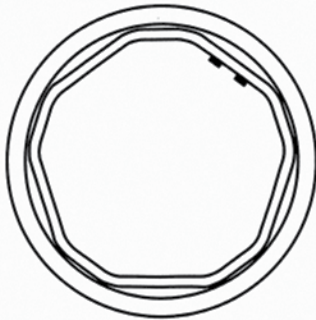
HOW TO IDENTIFY DAMAGED RIMS/WHEELS

Rim/wheel components can become damaged. Check all metal surfaces for rust or corrosion buildup, cracks in metal, bent flanges and side rings, deep rim tool marks on rings or in gutter areas. Watch for the problems illustrated in the following two pages and take the corrective actions to prevent further problems. Remember, it is dangerous to assemble cracked, bent, severely corroded, or sprung rim/wheel components. Such items should be destroyed and discarded.

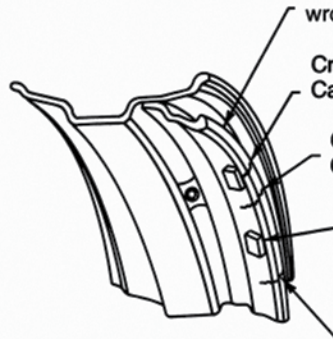
RIM BASE CRACKS



Flange or rim gutter chorded or bent. Causes: Excessive or improper torque, wrong hub or clamp, severe impact, run flat or hammering on rim gutter.



Mounting ring chorded or bent. Causes: Excessive or improper torque, wrong hub or clamp, severe impact.



Crack at valve locator. Cause: Overload.

Crack between valve locators. Cause: Overload.

Sheared or distorted valve locator. Causes: Insufficient torque, damaged stud thread, improper clamp wedge length or improper components.

Lateral crack at spoke or clamp fit. Causes: Excessive or improper torque, wrong hub or clamp.

Hub-Piloted
Tubeless Wheels

Stud-Piloted
Tubeless Wheels

Demountable
Rims & Components

Duplex Disc® Wheels
Duplex® Demountable
Rims

Light Truck
Wheels

Bolt-Together
Specialty Wheels

General
Information

HOW TO IDENTIFY DAMAGED RIMS/WHEELS

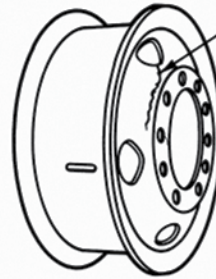
DISC WHEEL CRACKS/BOLT HOLE DISTORTION



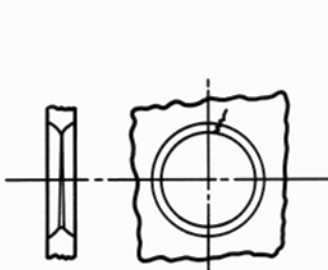
Handhole to handhole.
Handhole to bolt hole.
Handhole to rim.
Cause: Overloading.



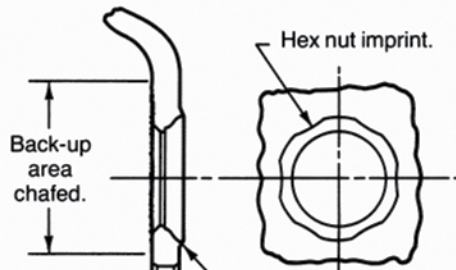
Bolt hole to bolt hole.
Causes: Loose cap nuts,
small hub backup (also
see bolt hole cracks/distortions).



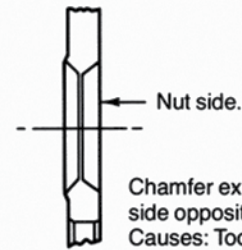
Cracks at disc nave
and/or handhole.
Causes: Bad fit-up,
damaged hub,
overload or sharp
edge at handhole.



Crack originating from thin
edge of stud hole. Cause:
Damaged or worn-out at
chamfers.

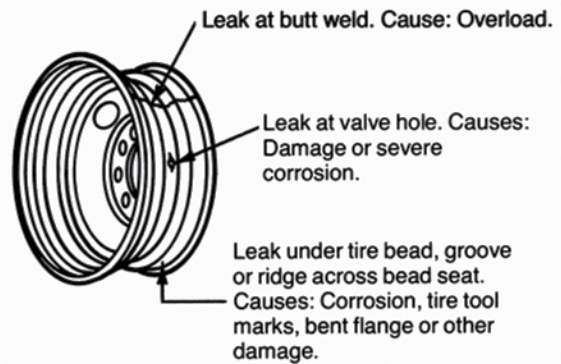
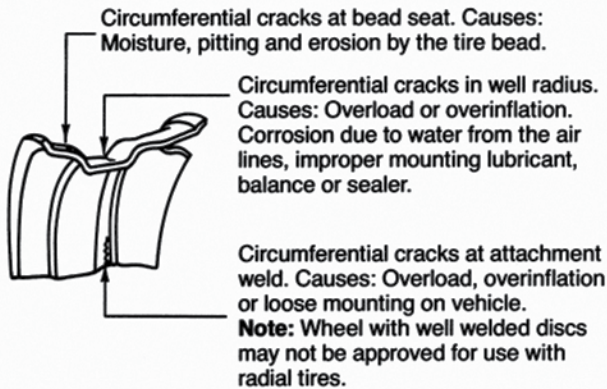


Chamfer enlarged or wallowed out
by nut. Causes: Loose cap nuts or
insufficient nut torque due to damaged
threads, improper torquing or by worn-
out nut.



Chamfer extruded on
side opposite nut.
Causes: Too much
torque or improper nut.

TUBELESS RIM LEAKS



Hub-Piloted
Tubeless Wheels

Stud-Piloted
Tubeless Wheels

Demountable
Rims & Components

Duplex Disc® Wheels
Duplex® Demountable
Rims

Light Truck
Wheels

Bolt-Together
Specialty Wheels

General
Information

CHANGEOVER FROM CONVENTIONAL TO WIDE BASE TUBELESS TIRES

FRONT APPLICATIONS

Required Information for Duplex® Changeover Calculations

Determine the following information and insert into the calculation below

OBTAIN THIS INFORMATION FROM THE TRUCK and THE CHOICE FOR THE NEW WIDE BASE TIRE

OBTAIN THIS INFORMATION FROM THE ACCURIDE CATALOG AND/OR TIRE DATA BOOK

Existing Wheel/Rim Part Number	<input type="text"/>	Existing Wheel Inset or Rim Offset ⁽¹⁾	<input type="text"/>
Existing Tire Size	<input type="text"/>	Existing Tire Section Width ⁽²⁾	<input type="text"/>
Proposed Wide Base Tire Size	<input type="text"/>	Proposed Wide Base Tire Section Width ⁽³⁾	<input type="text"/>
Existing Overall Width (See Figure 1 - page 43)	<input type="text"/>		

⁽¹⁾ Determine the existing wheel inset or rim offset from the part number and the catalog information. Inset is offset minus disc thickness

⁽²⁾ Determine the existing tire section width from the chart on page 46.

⁽³⁾ Determine the proposed wheel/rim width and wide base tire section width from the chart on page 44.

The new Duplex® wheel inset or rim offset is determined by inserting the above information into the following calculation.

Wide Base Changeover Calculation

$$\begin{array}{ccccccc}
 \text{Existing Wheel Inset or Rim Offset} & + & \text{Existing Tire Section Width} \div 2 & = & & - & \text{Proposed Wide Base Tire Section Width} \div 2 & = & \text{NEW DUPLEX® WHEEL INSET OR RIM OFFSET} \\
 \boxed{} & + & \boxed{} & = & \boxed{} & - & \boxed{} & = & \boxed{}
 \end{array}$$

Refer to the Duplex part number listings on pages 23-25 and choose the next smaller available wheel inset or rim offset for this application. This choice will maintain the existing inside clearance between the tire or wheel/rim and the frame/suspension. If adequate inside clearance exists, the next larger wheel inset or rim offset may be chosen.

The change in the overall width of the vehicle should be determined to verify that the new width is not over the maximum allowed by law. Use the following calculation to determine the new overall width. This new width should be checked against federal, state, and local regulations to assure compliance with maximum width restrictions.

$$\begin{array}{ccccccc}
 \text{Existing Overall Width} & +2x & \text{Existing Wheel Inset or Rim Offset} & - & \text{Existing Tire Section Width} & -2x & \text{New Duplex® Wheel Inset or Rim Offset} & + & \text{Wide Base Tire Section Width} & = & \text{NEW OVERALL WIDTH} \\
 \boxed{} & +2x & \boxed{} & - & \boxed{} & -2x & \boxed{} & + & \boxed{} & = & \boxed{}
 \end{array}$$

It is recommended that the wheel/rim be mounted on the truck without the tire to verify clearances prior to tire mounting. Products which have had a tire mounted may not be returned.

Hub-Piloted Tubeless Wheels
 Stud-Piloted Tubeless Wheels
 Demountable Rims & Components
 Duplex Disc® Wheels Duplex® Demountable Rims
 Light Truck Wheels
 Bolt-Together Specialty Wheels
 General Information

CHANGEOVER FROM CONVENTIONAL TO WIDE BASE TUBELESS TIRES

FRONT APPLICATIONS CONTINUED

Wide Base Tire Section Width and Dimension Chart

Information from The 2014 Tire & Rim Association Yearbook

Tire Size ⁽²⁾	Rim Width	Tire Section Width
15 ★ 22.5	11.75	15.30
	12.25	15.50 ⁽¹⁾
445/50 ★ 22.5	14.00	17.52
	11.75	15.31
385/65 ★ 22.5	12.25	15.51 ⁽¹⁾
	13.00	16.75
16.5 ★ 22.5	12.25	16.45 ⁽¹⁾
	13.00	16.61
425/65 ★ 22.5	12.25	16.61
	13.00	16.91 ⁽¹⁾
445/65 ★ 22.5	12.25	17.18 ⁽¹⁾
	13.00	17.48
	14.00	17.88 ⁽¹⁾
18 ★ 22.5	13.00	17.60 ⁽¹⁾
	14.00	18.00

⁽¹⁾ This value was calculated by the following formula: Tire section width will change 0.1" each 1/4" change in rim width from the design rim width.

⁽²⁾ A ★ denotes both radial and bias tires.

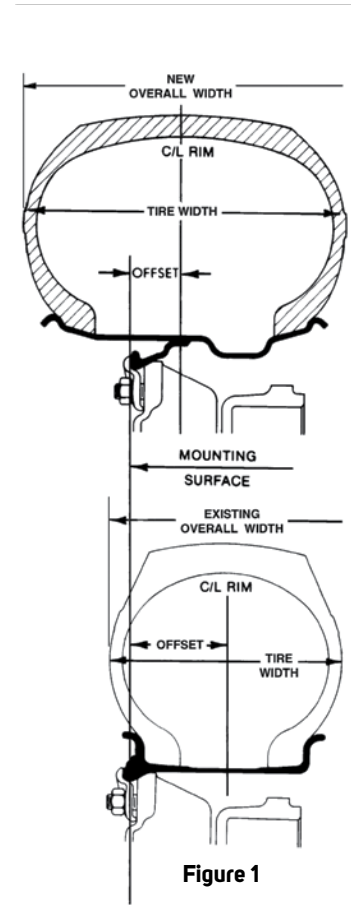


Figure 1

Hub-Piloted
Tubeless Wheels

Stud-Piloted
Tubeless Wheels

Demountable
Rims & Components

Duplex Disc® Wheels
Duplex® Demountable
Rims

Light Truck
Wheels

Bolt-Together
Specialty Wheels

General
Information

SELECTED DUPLEX® CHANGEOVER APPLICATIONS 385/65R22.5 TIRE SIZE

Factors which may effect fitment:

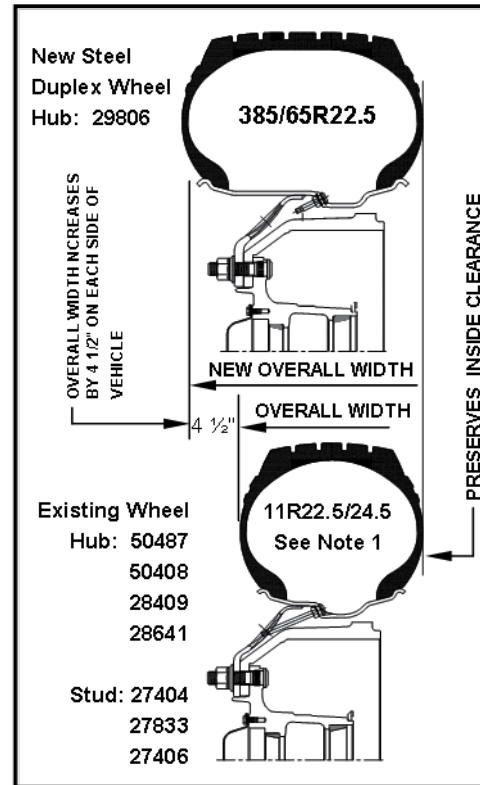
- Drum clearance on older applications
- Inside clearance
- Maximum outside track (overall width) (max is usually 102")

Use the following recommendations:

- Inside clearance will be preserved and the outside track will increase by 9"
- **For Hub-Piloted steel wheel applications:**
 - 12.25 width - 29806

Alternative Recommendation

- The new overall width will be increased 7½" and the inside clearance will be reduced by ¾"
- **For Hub-Piloted steel wheel applications:**
 - 12.25 width - 29807
- **For Stud-Piloted steel wheel applications:**
 - 12.25 width - 29816



SELECTED DUPLEX® CHANGEOVER APPLICATIONS 425/65R22.5 TIRE SIZE

Factors which may effect fitment:

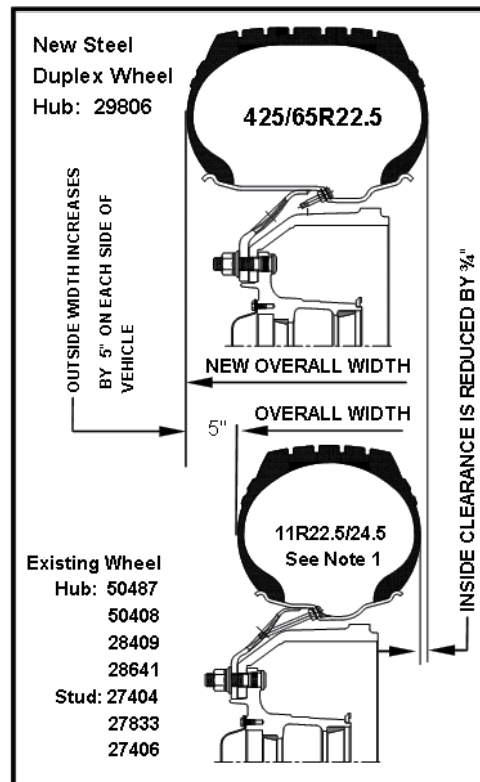
- Drum clearance on older applications
- Inside clearance
- Maximum outside track (overall width) (max is usually 102")

Use the following recommendations:

- Note that the inside clearance will be reduced by ¾" and the outside track will increase by 10"
- **For Hub-Piloted steel wheel applications:**
 - 12.25 width - 29806

Alternative Recommendation

- The new overall width will be increased 8½" and the inside clearance will now be reduced by 1½".
- **For Hub-Piloted steel wheel applications:**
 - 12.25 width - 29807
- **For Stud-Piloted steel wheel applications:**
 - 12.25 width - 29816



Note 1: Changeover also applies to 275/80 and 295/75 low profile tires.

SELECTED DUPLEX® CHANGEOVER APPLICATIONS TO ALUMINUM

Factors which may effect fitment:

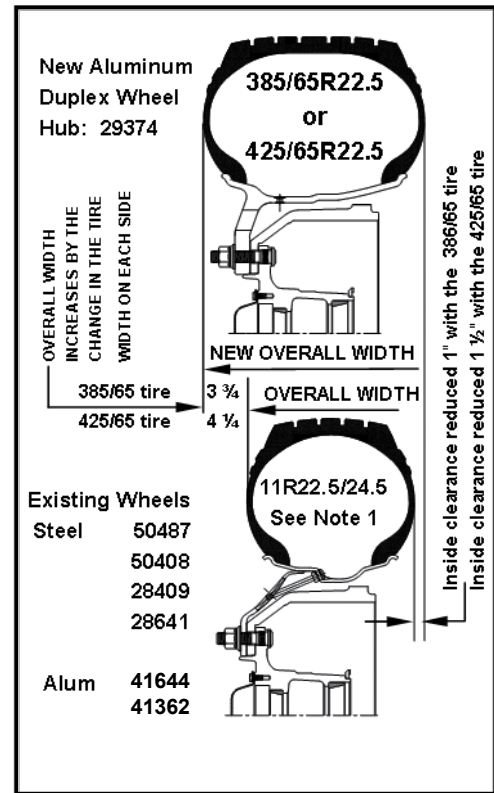
- Drum clearance
- Inside clearance
- Maximum outside track (width) (max is usually 102")

Use the following recommendations:

- Hub-Piloted applications only
 - 29374AOP
- New overall width is increased as follows:
 - 385/65R22.5 tire - 3¾" each side of the vehicle
 - 425/65R22.5 tire - 4¼" each side of the vehicle
- Reduces the inside clearance as follows:
 - 385/65R22.5 tire - approx 1"
 - 425/65R22.5 tire - approx 1½"

Alternative recommendation:

- Hub-Piloted applications only
 - 29683AOP
- Overall width increases an additional 2" each side from the dimensions shown above and in the sketch.
- Inside clearance is not changed from original.



SELECTED DUPLEX® CHANGEOVER APPLICATIONS – DRIVE/TRAILER

Factors which may effect fitment:

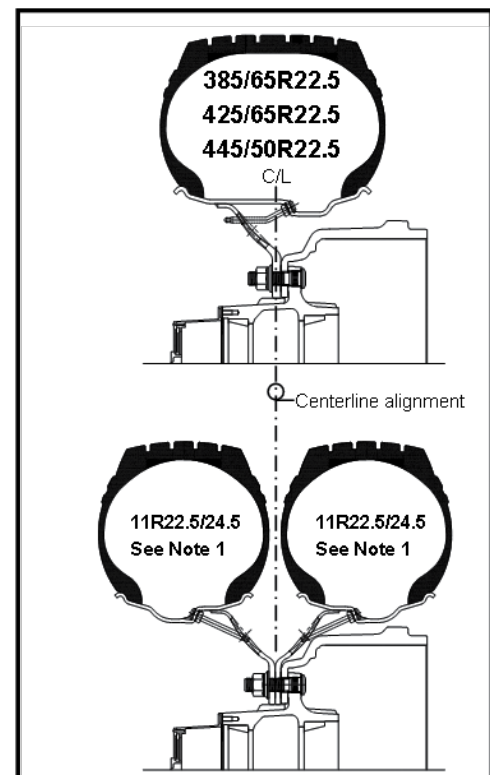
- Drum clearance on older applications
- Centerline alignment is recommended for best distribution of bearing loads. If outside alignment changeovers are preferred, bearing loading should be verified with axle manufacturer.

385/65R22.5 & 425/65R22.5 Recommendations:

- **Hub-Piloted applications:**
 - 12.25 width - Steel 29805; Aluminum 29378AOP (385 & 425 Tires)
 - 13.00 width - Steel 29146; Aluminum 29380AOP (425 Tire Only)
- **For Stud-Piloted applications:**
 - 13.00 width - Steel 29818 (425 Tire Only)

445/50R22.5

- **Tractor Applications**
 - Hub-Piloted applications:
 - 14.00 width - Steel 29627; Aluminum 41142
- **Trailer Applications**
 - Hub-Piloted applications:
 - 14.00 width - Steel 50172; Aluminum 41140



Note 1: Changeover also applies to 275/80 and 295/75 low profile tires.

Hub-Piloted
Tubeless Wheels

Stud-Piloted
Tubeless Wheels

Demountable
Rims & Components

Duplex Disc® Wheels
Duplex® Demountable
Rims

Light Truck
Wheels

Bolt-Together
Specialty Wheels

General
Information

DUAL SPACING OF WHEELS

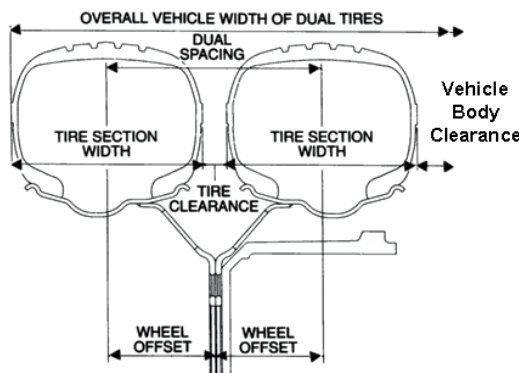
As shown in the diagram below, the sum of the wheel offsets of the two wheels used equals the dual spacing. The recommended minimum dual spacing for tire clearance is shown in the chart to the right.

Tire clearance can be calculated by subtracting one tire section width from the sum of the two wheel offsets. This information is found in tire data books (also see chart). For more accuracy, the grown tire width at the rated load can be used instead of the new tire section width. This dimension can be obtained either by actual measurement of the tire width (including protective side ribs) or by referring to the tire manufacturer's data book.

In addition to determining tire clearance, the wheel offset directly affects two other important dimensions: (1) the vehicle clearance and (2) the overall vehicle width of tires (see diagram below).

Vehicle body clearance, which is the distance from the inside tire to the spring or other body structures, will change proportionally to any change in offset of the inside wheel.

The overall vehicle width of tires is the distance from the outside tire wall of one tire to the outside tire wall of the tire on the opposite end of the axle. This dimension will be altered correspondingly by an increase or decrease in wheel offset. Overall vehicle width will change proportionally to any offset changes of the wheel, if the tire projects beyond the body structure. The maximum vehicle width is regulated by law.



2014 Wheel Selection And Tire Spacing

Information from The Tire & Rim Association Yearbook

Tire Sizes ⁽¹⁾	Design Rim Width ⁽²⁾	Tire Section Width ⁽³⁾	Minimum Dual Spacing ⁽³⁾
Light Truck			
7.50 ★ 16LT	6.00	8.65	10.00
LT265/70 ★ 17	8.00	10.71	12.44
LT225/75 ★ 16	6.00	8.78	10.20
LT245/75 ★ 16	7.00	9.76	11.34
LT265/75 ★ 16	7.50	10.51	12.20
LT285/75 ★ 16	8.00	11.26	13.07
LT235/80 ★ 17	6.50	9.25	10.75
LT215/85 ★ 16	6.00	8.50	9.88
LT235/85 ★ 16	6.50	9.25	10.75
LT255/85 ★ 16	7.00	10.04	11.65
8.00 ★ 16.5	6.00	8.00	9.00
8.75 ★ 16.5	6.75	8.75	9.90
9.50 ★ 16.5	6.75	9.50	10.70
Medium And Heavy Truck			
11.00 ★ 24	8.00	11.55	13.20
12.00 ★ 24	8.50	12.40	14.10
8 ★ 19.5	6.00	8.00	9.10
225/70 ★ 19.5	6.75	8.90	10.00
9 ★ 17.5HC, 22.5	6.75	9.00	10.30
235/80 ★ 22.5	6.75	9.17	10.31
245/70 ★ 19.5	7.50	9.76	10.98
245/75 ★ 22.5	7.50	9.76	10.98
255/70 ★ 22.5	7.50	10.04	11.30
10 ★ 17.5HC, 22.5	7.50	10.00	11.40
265/70 ★ 19.5	7.50	10.31	11.61
265/75 ★ 22.5	7.50	10.31	11.61
275/80 ★ 22.5, 24.5	8.25	10.87	12.24
11 ★ 17.5HC, 22.5, 24.5	8.25	11.00	12.50
285/75 ★ 24.5	8.25	11.14	12.52
295/75 ★ 22.5	9.00	11.73	13.19
305/70 ★ 19.5	9.00	12.01	13.50
305/75 ★ 22.5	9.00	12.01	13.50
12 ★ 22.5, 24.5	9.00	11.80	13.50
12.5 ★ 22.5	9.00	11.90	13.60
12.75 ★ 22.5	9.00	12.27	---
315/80R22.5	9.00	12.28	13.82

⁽¹⁾ A ★ denotes both radial and bias tires.

⁽²⁾ For additional approved rim contours and widths see page 49.

⁽³⁾ Tire section width and minimum dual spacings will change 0.1" for each 1/4" change in rim width from the design rim width.

DUAL SPACING OF DEMOUNTABLE RIMS

As shown in the diagram, the sum of the offsets of the two rims used, plus the width of the spacer band, equals the dual spacing of the demountable rim assembly. The recommended minimum dual spacing for each tire and rim combination is shown in the chart to the right. More spacing is required when tire chains are to be used.

The tire clearance can be calculated by subtracting one tire section width from the dual spacing (this information is found in Tire Data Books and the chart on this page). For more accuracy, the grown tire width at the rated load can be used instead of the new tire section width. This dimension can be obtained either by actual measurement of the tire width (including protective side ribs) or by referring to the tire manufacturer's data book.

If there is sufficient spoke length on the rear spoke wheel, spacing and tire clearance can be increased (by changing the spacer band width) (see pages 19 and 45). The clamp length must also be changed.

In addition to determining tire clearance, rim offset directly affects two other important dimensions: (1) vehicle clearance and (2) the overall vehicle width of the tires.

Vehicle body clearance, which is the distance from the inside tire to the spring or other body structures, will change proportionally to any change in offset of the inside rim.

The overall vehicle width of tires is the distance from the outside tire wall of one tire to the outside tire wall of the tire on the opposite end of the axle. This dimension will be altered correspondingly by an increase or decrease in rim offset. Overall vehicle width will change proportionally to any offset changes of the rim, if the tire projects beyond the body structure. The maximum vehicle width is restricted by law.

2014 Wheel Selection And Tire Spacing

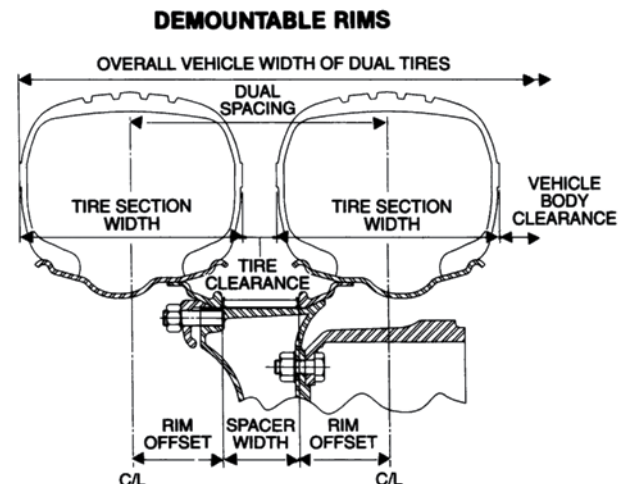
Information from The Tire & Rim Association Yearbook

Tire Sizes ⁽¹⁾	Design Rim Width ⁽²⁾	Tire Section Width	Minimum Dual Spacing ⁽³⁾
Medium And Heavy Truck			
11.00 ★ 24	8.00	11.55	13.20
12.00 ★ 24	8.50	12.40	14.10
9 ★ 17.5HC, 22.5	6.75	9.00	10.30
235/80 ★ 22.5	6.75	9.17	10.31
245/75 ★ 22.5	7.50	9.76	10.98
255/70 ★ 22.5	7.50	10.04	11.30
10 ★ 17.5HC, 22.5	7.50	10.00	11.40
265/75 ★ 22.5	7.50	10.31	11.61
275/80 ★ 22.5, 24.5	8.25	10.87	12.24
11 ★ 17.5HC, 22.5, 24.5	8.25	11.00	12.50
285/75 ★ 24.5	8.25	11.14	12.52
295/75 ★ 22.5	9.00	11.73	13.19
305/75 ★ 22.5	9.00	12.01	13.50
12 ★ 22.5, 24.5	9.00	11.80	13.50
12.5 ★ 22.5	9.00	11.90	13.60
12.75 ★ 22.5	9.00	12.27	---
315/80R22.5	9.00	12.28	13.82

⁽¹⁾ A ★ denotes both radial and bias tires.

⁽²⁾ For additional approved rim contours and widths see page 49.

⁽³⁾ Tire section width and minimum dual spacings will change 0.1" for each 1/4" change in rim width from the design rim width.



Hub-Piloted
Tubeless Wheels

Stud-Piloted
Tubeless Wheels

Demountable
Rims & Components

Duplex Disc® Wheels
Duplex® Demountable
Rims

Light Truck
Wheels

Bolt-Together
Specialty Wheels

General
Information

CHANGEOVER FROM TUBE-TYPE TO TUBELESS TIRES

Tubeless tires mounted on one-piece 15° drop center rims are completely interchangeable with tube-type tires and rims on the same cast spoke wheels except for cast spoke wheels designed to carry 8.5 and wider tube-type rims. When making a tubeless conversion, the first step is to select the proper replacement tubeless tire and drop-center rim.

The next step is to determine the dual spacing of the original rim and spacer band combination as shown on page 19 for 5° and FL rims. Then find in the dual spacing chart, below, the dual spacing for the new tubeless

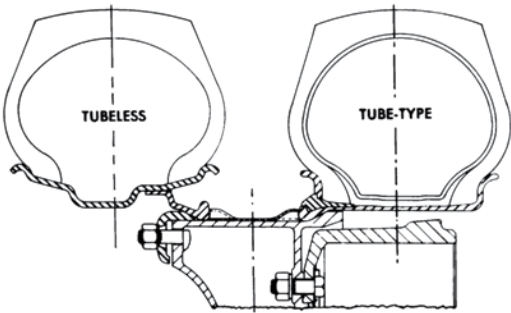
assembly using the original size spacer band. If this spacing varies considerably from that of the original tube-type assembly, the clearance between tires, vehicle body clearance, and/or overall width of dual tires may be incorrect. These conditions will require a change in width of the spacer bands and possibly the clamps.

2014 Tubeless Tire & Rim Changeover Table

Information from The Tire & Rim Association EDI

Tube-Type Tire (Width x Dia.) ⁽¹⁾	Replaced by Tubeless (Width x Dia.) ⁽¹⁾	Preferred Tire Rim (Dia. x Width)	Alternate Tubeless Rim (Dia. x Width)
8.25 ★ 15TR	9 ★ 17.5HC	17.5 x 6.75HC	—
9.00 ★ 15TR	10 ★ 17.5HC	17.5 x 7.50HC	17.5 x 6.75HC
10.00 ★ 15TR	11 ★ 17.5HC	17.5 x 8.25HC	—
7.50 ★ 20	8 ★ 22.5	22.5 x 6.00	22.5 x 6.75/5.25
8.25 ★ 20	9 ★ 22.5	22.5 x 6.75	22.5 x 7.50/6.00
9.00 ★ 20	10 ★ 22.5	22.5 x 7.50	22.5 x 6.75
10.00 ★ 20	11 ★ 22.5	22.5 x 8.25	22.5 x 7.50
10.00 ★ 22	11 ★ 24.5	24.5 x 8.25	24.5 x 7.50
11.00 ★ 20	12 ★ 22.5	22.5 x 9.00	22.5 x 8.25
11.00 ★ 22	12 ★ 24.5	24.5 x 9.00	24.5 x 8.25

⁽¹⁾ A ★ denotes both radial and bias tires.



Rim Dimensions & Dual Spacing For 15° Tubeless Rims Sizes 6.75 Through 9.00

Part Number	Size		Rim Offset	A	B	C	D	E	Dual spacing with spacer band width			
	Dia.	Width							3 3/8	3 5/8	4	4 1/4
31868175	17.5	6.75	3.90	14.5	8.67	13.550	15	3.75	11.2	11.4	11.8	12.0
31814175	17.5	8.25	4.75	14.5	10.25	13.550	15	3.75	12.9	13.1	13.5	13.7
30371225	22.5	7.50	4.26	19.5	9.50	18.550	20	3.75	11.9	12.1	12.5	12.8
30391225	22.5	8.25	4.75	19.5	10.25	18.550	20	3.75	12.9	13.1	13.5	13.7
32051225	22.5	8.25	4.75	19.5	10.25	18.550	20	3.75	12.9	13.1	13.5	13.7
32052225	22.5	9.00	5.00	19.5	11.20	18.550	20	3.75	--	13.6	14.0	14.2
30391245	24.5	8.25	4.75	21.5	10.25	20.550	22	4.50	12.9	13.1	13.5	13.7
32051245	24.5	8.25	4.75	21.5	10.25	20.550	22	4.50	12.9	13.1	13.5	13.7

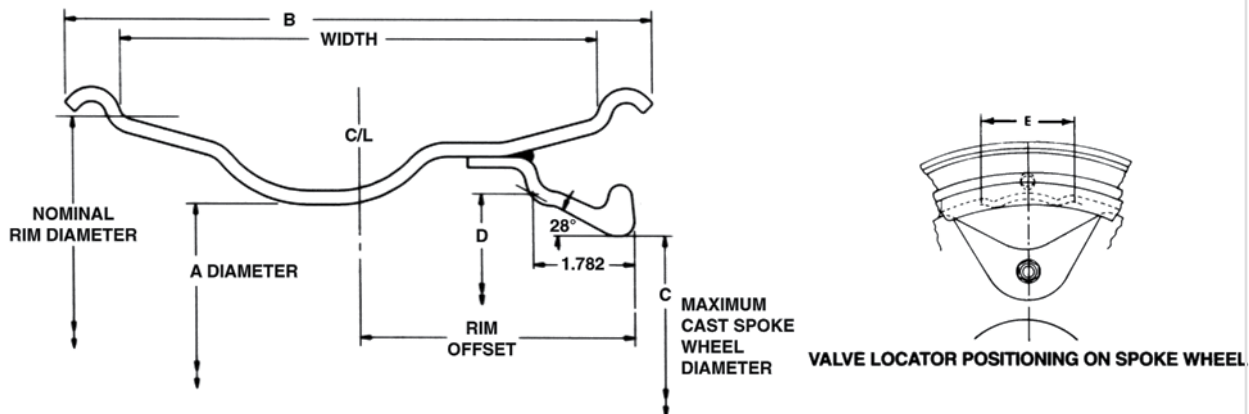


CHART FOR PROPERLY MATCHING TRUCK TIRES TO RIMS/WHEELS

Information obtained from the 2014 Tire & Rim Association Yearbook

Tire Size ⁽¹⁾	Approved Rim Contours ⁽²⁾	Tire Size ⁽¹⁾	Approved Rim Contours ⁽²⁾
LIGHT TRUCKS		MEDIUM AND HEAVY DUTY TRUCKS	
6.50 ★ 16LT	4½K, 4.50E, 5K, 6K, 6L	11.00 ★ 24	7.5, 8.0, 8.5, 8.50VM
7.50 ★ 16LT	5.50F (SDC), 6K, 6L, 6½L, 7L	12.00 ★ 24	8.0, 8.5, 8.50VM, 9.0
LT225/75 ★ 16	6J, 6½ J, 6K, 6½K, 6½L, 7J, 7K, 7L	8 ★ 19.5	5.25, 6.00, 6.00RW, 6.75, 6.75RW
LT245/75 ★ 16	6½J, 6½K, 6½L, 7J, 7K, 7L, 7½J, 8J	225/70R 19.5	6.00, 6.00RW, 6.75, 6.75RW
LT265/75 ★ 16	7J, 7K, 7L, 7½J, 8J, 8L	245/70R 19.5	6.75, 6.75RW, 7.50, 7.50RW
LT285/75 ★ 16	7½J, 8J, 8½J, 8L, 8LB, 8KB, 9J	265/70R 19.5	7.50, 7.50RW, 8.25, 8.25RW
LT215/85 ★ 16	5½J, 5½K, 5.50F (SDC), 6J, 6K, 6½J, 6½L, 7J, 7K, 7L	305/70R 19.5	8.25, 8.25RW, 9.00
LT235/80 ★ 17	6J, 6½J, 7J, 7½J	8 ★ 22.5	5.25, 6.00, 6.75
LT235/85 ★ 16	6J, 6K, 6L, 6½J, 6½L, 7J, 7K, 7L, 7½J	9 ★ 22.5	6.00, 6.75, 7.50
LT255/85 ★ 16	6½J, 6½L, 7KB, 7J, 7K, 7L, 8J, 8KB, 8L, 8LB	10 ★ 22.5	6.75, 7.50, 8.25
LT235/70 ★ 16	6J, 6K, 6L, 6½J, 6½K, 6½L, 7J, 7K, 7KB, 7L, 7½J	235/80R 22.5	6.75, 7.50
LT255/70 ★ 16	6½J, 6½K, 6½L, 7J, 7K, 7KB, 7L, 7½J, 8J, 8KB, 8L, 8LB, 8½J	245/75R 22.5	6.75, 7.50
LT265/70 ★ 17	7J, 7K, 7KB, 7L, 7½J, 8J, 8KB, 8L, 8LB, 8½J, 9J	255/70R 22.5	7.50, 8.25
LT275/70 ★ 16	7J, 7½J, 8J, 8½J	265/75R 22.5	7.50, 8.25
8.75 ★ 16.5	6.00, 6.75	11 ★ 22.5	7.50, 8.25
9.50 ★ 16.5	6.75, 8.25	275/80R 22.5	7.50, 8.25
LOW PLATFORM TRAILERS		295/75R 22.5	8.25, 9.00
9R17.5HC	6.75HC	305/70R 22.5	8.25, 9.00
215/75R 17.5HC	6.00HC, 6.75HC	12 ★ 22.5	8.25, 9.00
10R17.5HC	6.75HC, 7.50HC	12.5 ★ 22.5	8.25, 9.00
11R17.5HC	8.25HC	12.75 ★ 22.5	8.25, 9.00
		315/80R22.5	9.00, 9.75
		11 ★ 24.5	7.50, 8.25
		275/80R 24.5	7.50, 8.25
		12 ★ 24.5	8.25, 9.00
		285/75R 24.5	8.25
		WIDE BASE (DUPLEX®)	
		15 ★ 19.5	11.75, 12.25
		16.5 ★ 19.5	12.25, 13.00
		18 ★ 19.5	13.00, 14.00
		15 ★ 22.5	11.75, 12.25
		385/65R 22.5	11.75, 12.25
		16.5 ★ 22.5	12.25, 13.00
		425/65R 22.5	11.75, 12.25, 13.00
		445/50R 22.5	14.00
		445/65R 22.5	12.25, 13.00, 14.00
		455/55R 22.5	14.00
		18 ★ 22.5	13.00, 14.00

⁽¹⁾ A ★ denotes both radial and bias tires. An R indicates radial tires only.

⁽²⁾ SDC denotes semi-drop center rims.

Note: For tire sizes not shown, consult the Tire Manufacturer for approved rim contours.

Hub-Piloted
Tubeless Wheels

Stud-Piloted
Tubeless Wheels

Demountable
Rims & Components

Duplex Disc® Wheels
Duplex® Demountable
Rims

Light Truck
Wheels

Bolt-Together
Specialty Wheels

General
Information

OBSOLETE PART NUMBER INDEX

Part Number	Size	Mounting Type	Outset ⁽¹⁾	Inset ⁽¹⁾	Potential Replace ⁽²⁾	Part Number	Size	Mounting Type	Outset ⁽¹⁾	Inset ⁽¹⁾	Potential Replace ⁽²⁾
240 - 5° - 1	20 x 7.0 - 5° ⁽³⁾	Dem				26039	20 x 7.5 - MS	10H - 11.25"	6.75		
262FL2 - 1	20 x 7.5 FL ⁽³⁾	Dem				26205	19.5 x 14.00 WHL	10H - 11.25"	3.06		
276-5-1	22 x 8.0 - 5° ⁽³⁾	Dem	5.00			26357	20 x 7.5 - MS	6H - 8.75"	6.25		
277-5-1	24 x 8.0 - 5° ⁽³⁾	Dem	5.00			26385	22.5 x 14.00 WHL	10H - 11.25"	3.06		29818 ⁽⁵⁾
312 - 5 - 1	20 x 8.5 - 5° ⁽³⁾	Dem				26386	22.5 x 14.00 WHL	10H - 11.25"	0.44		29818 ⁽⁵⁾
241D5LR	22 x 7.0 - 7.5 - 8.0 - 5°	Lock Ring				26414	22.5 x 14.00	Rear Dem		2.75	
242D5LR	24 x 7.0 - 7.5 - 8.0 - 5°	Lock Ring				26415	22.5 x 14.00	Rear Dem		0.56	
263D5SR	22 x 8.0 - 5°	Side Ring				26464	20 x 8.0 - 5° ⁽³⁾	10H - 11.25"	6.62		
264D5SR	24 x 8.0 - 5°	Side Ring				26538	20 x 6.5 FL ⁽³⁾	6H - 8.75"	6.50		
276D51X	22 x 8.0 - 5° ⁽³⁾	Rim Only				26580	22.5 x 14.00	Front Dem ⁽⁴⁾		5.82	13244 ⁽⁶⁾⁽⁵⁾
277D51X	24 x 8.0 - 5° ⁽³⁾	Rim Only				26642	22.5 x 14.00 WHL	10H - 11.25"	4.25	3.62	29818 ⁽⁶⁾⁽⁵⁾
13180	22.5 x 14.00 WHL	10H - 11.25"	4.75	4.12		26654	22.5 x 14.00 WHL	10H - 11.25"	3.69	3.06	29818 ⁽⁶⁾⁽⁵⁾
13189	22.5 x 14.00	Front Dem ⁽⁴⁾				26660	22.5 x 14.00 WHL	10H - 11.25"		1.63	
13224	22.5 x 13.00	Front Dem		5.00		26738	19.5 x 13.00	Front Dem		2.44	
13229	22.5 x 12.25	Front Dem	5.44		31679 ⁽⁵⁾	26785	22.5 x 13.00 WHL	10H - 11.25"	3.06		
13257	19.5 x 12.25 WHL	10H - 11.25"	1.70			26786	22.5 x 13.00 WHL	10H - 11.25"	0.41		
13279	22.5 x 12.25	Front Dem		4.44		26787	22.5 x 13.00	Rear Dem			
13290	22.5 x 12.25	Front Dem			31674 ⁽⁵⁾	26788	22.5 x 13.00	Rear Dem			
13293	22.5 x 14.00 WHL	10H - 11.25"	3.69	3.06	29818 ⁽⁶⁾⁽⁵⁾	26793	19.5 x 13.00 WHL	10H - 11.25"	3.06		
13298	22.5 x 13.00	Front Dem		1.20		26794	19.5 x 13.00 WHL	10H - 11.25"	0.44	0.19	
13308	22.5 x 13.00	Front Dem		2.50		26811	22 x 8.0 - 5° ⁽³⁾	10H - 11.25"	6.65		
13333	22.5 x 14.00 WHL	10H - 11.25"	5.75	5.25		26831	22.5 x 14.00 WHL	10H - 13.188"		7.12	
13348	19.5 x 12.25 WHL	10H - 11.25" ⁽⁷⁾	3.12	2.50		26870	19.5 x 14.00 WHL	10H - 11.25" ⁽⁴⁾	4.88	4.25	
13349	22.5 x 13.00	Front Dem ⁽⁷⁾		5.62		26874	22.5 X 14.00 WHL	10H - 11.25"	5.25	4.62	
13350	22.5 x 12.25	Front Dem		4.75	31679	26875	19.5 x 14.00 WHL	10H - 11.25" ⁽⁴⁾	5.25	4.62	
13351	22.5 x 12.25	Front Dem		3.63	31674 ⁽⁵⁾	26886	22.5 x 14.00	Rear Dem		2.93	
13354	22.5 x 13.00	Rear Dem				26887	22.5 x 14.00 WHL	10H - 11.25"	5.75	5.25	
13491	22.5 x 12.25	Front Dem		6.44		26891	19.5 x 14.00 WHL	10H - 11.25"	3.69	3.06	
13580	22.5 x 14.00	Front Dem		4.17		26894	19.5 x 14.00 WHL	10H - 11.25" ⁽⁴⁾	4.72	4.09	
25415	22.5 x 8.25	10H - 11.25"	6.62		27834C	26915	22.5 x 14.00 WHL	10H - 13.188"	6.25	5.75	
25430	22.5 x 8.25	10H - 11.25"	6.62		27833C	26917	20 x 7.5 - FL ⁽³⁾	10H - 11.25"	6.38		
25438	20 x 7.0 - 5° ⁽³⁾	10H - 11.25"	6.50			26919	22.5 x 13.00	Front Dem		3.25	
25441	20 x 7.5 - FL ⁽³⁾	10H - 11.25"	6.50			26920	19.5 x 13.00 WHL	10H - 11.25"		2.75	
25451	22.5 x 7.50	10H - 11.25"	6.12		27403	26934	22.5 x 14.00 WHL	10H - 11.25"	6.25	5.75	
25495	22.5 x 8.25	10H - 11.25"	6.62		27833C	26935	22.5 x 14.00 WHL	10H - 11.25" ⁽⁴⁾	4.38	3.75	
25524	20 x 8.0 - 5° ⁽³⁾	10H - 11.25"	6.62			26940	22.5 x 14.00	Rear Dem			
25617	22 x 7.5 - 5° ⁽³⁾	10H - 11.25"	6.56			26942	22.5 x 13.00	Front Dem		5.83	13244
25622	22 x 8.0 - 5° ⁽³⁾	10H - 11.25"	6.88			26965	22.5 x 14.00	Rear Dem			
25662	20 x 7.5 - 5° ⁽³⁾	10H - 11.25"	6.38			27048	22.5 x 14.00 WHL	10H - 11.25"	3.06		
25666	20 x 8.0 - 5° ⁽³⁾	10H - 11.25"	6.38			27079	20 x 7.5 - FL ⁽³⁾	10H - 11.25"	6.12		
25668	20 x 8.0 - 5° ⁽³⁾	10H - 11.25"	6.88			27089	22.5 x 13.00 WHL	10H - 11.25"		5.81	
25672	22.5 x 8.25	10H - 11.25"	6.38		27833C	27093	22.5 x 13.00	Front Dem		4.50	13228

⁽¹⁾ Outset/Inset—(Inches) See Pg. 25 footnote (3) or Pg. 56 for definition.

⁽²⁾ Check vehicle clearances prior to mounting tire.

⁽³⁾ Tubeless wheel/rim available. See catalog.

⁽⁴⁾ Well Welded—check clearance I.D. upon replacement.

⁽⁵⁾ Offset Difference.

⁽⁶⁾ 13.00" Rim.

⁽⁷⁾ Reinforced Flanges.

⁽⁸⁾ Replacement wheel has a different disc contour which allows less clearance for brakes. Check clearance before ordering.

⁽⁹⁾ Potential replacement has an alternate rim contour which requires different side and/or lock ring.

⁽¹⁰⁾ Check clearance.

⁽¹¹⁾ This wheel has a .453" valve hole. Wheels supplied on original vehicle have a .625" valve hole.

⁽¹²⁾ 7.50" Rim.

OBSOLETE PART NUMBER INDEX

Part Number	Size	Mounting Type	Outset ⁽¹⁾	Inset ⁽¹⁾	Potential Replace ⁽²⁾	Part Number	Size	Mounting Type	Outset ⁽¹⁾	Inset ⁽¹⁾	Potential Replace ⁽²⁾
27121	20 x 6.5 - CR ⁽³⁾	6H - 8.75"	5.62			27760	22.5 x 14.00 WHL	10H-13.188"HD ⁽⁷⁾		7.12	28465 ⁽⁶⁾
27122	20 x 6.5 - CR ⁽³⁾	6H - 8.75"	6.00			27765	22.5 x 8.25	10H - 11.25" B	6.62		27834C ⁽¹⁰⁾
27123	20 x 6.5 - CR ⁽³⁾	10H - 11.25"	6.00			27766	22.5 x 8.25	10H - 11.25" B	6.62		27834C ⁽¹⁰⁾
27124	20 x 7.0 - CR ⁽³⁾	6H - 8.75"	6.12			27772	16 x 5.50-F	8H - 6.50"	5.00		29587
27126	20 x 7.0 - CR ⁽³⁾	10H - 11.25"	6.44			27773	22.5 x 12.25 WHL	10H - 13.188"HD		6.25	28465 ⁽⁶⁾
27163	20 x 6.5 - CR ⁽³⁾	10H - 8.75"	6.00			27774	19.5 x 6.00	8H - 6.50"	5.00		29015
27166	22 x 7.5 - LB ⁽³⁾	10H - 11.25"	6.50			27775	19.5 x 6.00	10-H - 7.25"	5.00"		
27196	20 x 7.5 - LB ⁽³⁾	10H - 11.25"	6.50			27784	22.5 x 6.75	6H - 8.75"	5.93		
27211	19.5 x 12.25 WHL	10H - 8.75" ⁽⁴⁾	3.12	2.50		27785	22.5 x 6.75	10H - 8.75"	6.00		
27212	19.5 x 12.25 WHL	10H - 8.75"	0.44			27791	22.5 x 14.00 WHL	10H - 13.188"HD		7.12	28465 ⁽⁶⁾
27215	19.5 x 12.25 WHL	10H - 11.25" ⁽⁴⁾	3.12	2.50		27796	16 x 6K	8H - 6.50" I ° C	5.00		
27216	19.5 x 12.25 WHL	10H - 11.25"	0.44			27833	22.5 x 8.25	10H - 11.25"	6.62		27833C
27221	22.5 x 12.25 WHL	10H - 11.25"	3.12	2.50	29816 ⁽⁶⁾	27834	22.5 x 8.25	10H - 11.25" B	6.62		27834C
27222	22.5 x 12.25 WHL	10H - 11.25"	0.44			27836	22.5 x 8.25	10H - 11.25"	6.62		27404 ⁽¹⁰⁾
27225	22.5 x 12.25	Rear Dem	0.38	0.38		27910	17.5 x 6.75	6H - 8.75"	5.62		28145
27226	22.5 x 12.25	Rear Dem	1.87	1.87		27913	22.5 x 13.00 WHL	10H - 11.25"	0.44		29818 ⁽⁵⁾
27233	22.5 x 12.25 WHL	10H - 11.25"		4.88		27917	22.5 x 13.00 WHL	10H - 11.25"	3.06		
27234	22.5 x 12.25 WHL	10H - 11.25"	5.06	4.56	29816 ⁽⁵⁾	27922	16 x 5.5-F	8H - 6.50"	5.00		29587
27235	22.5 x 12.25 WHL	10H - 11.25"	5.62	5.12	29816 ⁽⁵⁾	27924	22.5 x 12.25 WHL	10H - 11.25"	0.44		29818 ⁽⁵⁾⁽⁶⁾
27236	22.5 x 12.25 WHL	10H - 11.25"	6.80	6.30	29816 ⁽⁵⁾	27944	22.5 x 6.75	10H - 11.25"	5.91		
27238	19.5 x 12.25	Front Dem		2.44		27945	20 x 7.5 - 5" ⁽³⁾	10H - 11.25"	6.50		
27239	22.5 x 12.25 WHL	10H - 13.188"		5.87		27952	22.5 x 12.25 WHL	10H - 11.25"	5.18	4.56	29816
27256	22.5 x 12.25 WHL	10H - 11.25"	6.25	5.75	29234	27953	22.5 x 12.25 WHL	10H - 11.25"	2.25	1.62	
27257	22.5 x 12.25 WHL	10H - 11.25"	2.25	1.62		27954	22.5 x 12.25 WHL	10H - 11.25"	3.12	2.50	29816 ⁽⁶⁾
27258	22.5 x 12.25 WHL	10H - 11.25"	6.39	5.89	29816	27955	22.5 x 12.25 WHL	10H - 11.25"	4.25	3.62	
27271	22.5 x 12.25 WHL	10H - 11.25"	4.62	4.12		27956	22.5 x 12.25 WHL	10H - 11.25"	4.75	4.12	
27292	22.5 x 12.25 WHL	10H - 11.25"	7.06	6.56	29816 ⁽⁵⁾	27957	22.5 x 12.25 WHL	10H - 11.25"	5.75	5.12	29816
27344	20 x 7.0 - LB ⁽³⁾	10H - 11.25"	6.12			27958	22.5 x 13.00 WHL	10H - 11.25"	5.88	5.25	
27355	22.5 x 14.00 WHL	10H - 13.188"HD		6.62	28465 ⁽⁶⁾	27959	22.5 x 13.00 WHL	10H - 11.25"	3.69	3.06	29818 ⁽⁵⁾
27461	22.5 x 8.25	10H - 11.25"	6.62		27833C ⁽¹⁰⁾	27960	22.5 x 13.00 WHL	10H - 11.25"	5.25	4.62	
27471	22.5 x 8.25 AL	10H - 11.25"	6.59		28615	27964	22.5 x 13.00 WHL	10H - 11.25"	4.25	3.62	
27503	22.5 x 8.25	10H - 11.25"	6.62		27404 ⁽¹⁰⁾	27967	19.5 x 12.25 WHL	10H - 8.75"	3.12	2.5	
27611	22.5 x 8.25	10H - 11.25"	6.62		27834C ⁽¹⁰⁾	27968	19.5 x 12.25 WHL	10H - 8.75"	0.44		
27685	22.5 x 7.50	10H - 11.25"	6.44		27403	27969	19.5 x 12.25 WHL	10H - 11.25"	3.12	2.50	
27686	22.5 x 8.25	10H - 11.25"	6.62		27833C ⁽¹⁰⁾	27970	19.5 x 12.25 WHL	10H - 11.25"	0.44		
27688	24.5 x 8.25	10H - 11.25"	6.62		27406	27980	19.5 x 13.00 WHL	10H - 11.25"	4.88	4.25	
27709	22.5 x 8.25	10H - 11.25"	6.62		27834C ⁽¹⁰⁾	27981	19.5 x 13.00 WHL	10H - 11.25"	5.25	4.62	
27721	22.5 x 14.00	Front Dem		4.75	13228 ⁽⁶⁾	27982	19.5 x 13.00 WHL	10H - 11.25"	4.72	4.09	
27727	20 x 6.5 - LB ⁽³⁾	10H - 8.75"	5.84			27983	19.5 x 13.00 WHL	10H - 11.25"	4.38	3.75	
27728	20 x 7.0 - LB ⁽³⁾	10H - 8.75"	6.02			27984	19.5 x 13.00 WHL	10H - 11.25"	0.31		
27742	22.5 x 12.25 WHL	10H - 13.188"		6.30		27985	19.5 x 13.00 WHL	10H - 11.25"	3.06	2.43	
27756	16 x 6KS	8H - 6.50"	5.00		29587 ⁽¹¹⁾	27994	16 x 6KS	8H - 6.50"	5.00		29587 ⁽¹¹⁾

⁽¹⁾ Outset/Inset—(Inches) See Pg. 25 footnote (3) or Pg. 56 for definition.

⁽²⁾ Check vehicle clearances prior to mounting tire.

⁽³⁾ Tubeless wheel/rim available. See catalog.

⁽⁴⁾ Well Welded—check clearance I.D. upon replacement.

⁽⁵⁾ Offset Difference.

⁽⁶⁾ 13.00" Rim.

⁽⁷⁾ Reinforced Flanges.

⁽⁸⁾ Replacement wheel has a different disc contour which allows less clearance for brakes. Check clearance before ordering.

⁽⁹⁾ Potential replacement has an alternate rim contour which requires different side and/or lock ring.

⁽¹⁰⁾ Check clearance.

⁽¹¹⁾ This wheel has a .453" valve hole. Wheels supplied on original vehicle have a .625" valve hole.

⁽¹²⁾ 7.50" Rim.

Hub-Piloted
Tubeless Wheels

Stud-Piloted
Tubeless Wheels

Demountable
Rims & Components

Duplex Disc® Wheels
Duplex® Demountable
Rims

Light Truck
Wheels

Bolt-Together
Specialty Wheels

General
Information

OBSOLETE PART NUMBER INDEX

Part Number	Size	Mounting Type	Outset ⁽¹⁾	Inset ⁽¹⁾	Potential Replace ⁽²⁾	Part Number	Size	Mounting Type	Outset ⁽¹⁾	Inset ⁽¹⁾	Potential Replace ⁽²⁾
27995	16.5 x 6.00	8H - 6.50"	5.00			28377	20 x 7.5 - FL ⁽³⁾	10H - 11.25"	6.25		
27997	22.5 x 13.00	Rear Dem		2.75		28378	16 x 6K	8H - 6.50"	0.50		
27998	22.5 x 13.00	Rear Dem		2.00		28379	22.5 x 13.00 WHL	10H-13.188"HD ⁽⁷⁾		7.12	28465 ⁽⁵⁾
27999	22.5 x 12.25	Rear Dem		1.88		28396	22.5 x 13.00 WHL	10H-13.188"HD ⁽⁷⁾		6.81	28465 ⁽⁵⁾
28000	16.5 x 6.75	8H - 6.50 I [°] C	5.38			28408	22.5 x 8.25	10H - 285.75mm	6.62		50408
28001	22.5 x 12.25	Rear Dem		1.88		28414	22.5 x 6.75	8H - 275mm	5.93		
28004	19.5 x 6.00	10H - 8.75"	4.75			28415	22.5 x 7.50	8H - 275mm	6.44		29028
28118	22.5 x 12.25 WHL	10H - 11.25"	0.44			28433	19.5 x 14.00 WHL	10H - 11.25"	4.63	4.00	29307
28119	22.5 x 12.25 WHL	10H - 11.25"	2.25	1.62		28445	22.5 x 13.00 WHL	10H - 11.25"	5.88	5.25	28684
28120	22.5 x 12.25 WHL	10H - 11.25"	3.12	2.50	29816 ⁽⁵⁾	28450	22.5 x 8.25AL	10H - 285.75mm	6.59		41644
28122	22.5 x 14.00 WHL	10H - 11.25"	4.25	3.62		28452	24.5 x 8.25AL	10H - 285.75mm	6.59		41362
28124	22.5 x 12.25WHL	10H - 11.25"	4.90	4.28		28460	20 x 6.5 - CR ⁽³⁾	8H - 275mm	6.00		
28125	22.5 x 12.25WHL	10H - 11.25"	4.25	3.62		28466	19.5 x 6.75	8H - 275mm	5.50		50180
28126	22.5 x 12.25 WHL	10H - 11.25"	5.75	5.12	29816 ⁽⁵⁾	28473	24.5 x 8.25	10H - 11.25"	6.59		27599
28127	22.5 x 13.00 WHL	10H - 11.25"	3.06			28474	22.5 x 8.25	10H - 11.25"	6.59		28615
28128	22.5 x 13.00 WHL	10H - 11.25"	0.44		29818 ⁽⁵⁾	28476	22.5 x 8.25	10H - 11.25"	6.62		28476C
28132	22.5 x 12.25 WHL	10H - 11.25"	6.38	5.75	29816 ⁽⁵⁾	28484	22.5 x 8.25	8H - 275mm	6.62		
28157	22.5 x 6.75	6H - 8.75"	5.94			28487	22.5 x 8.25	10H - 285.75mm	6.62		50487
28158	22.5 x 6.75	10H - 11.25"	5.93			28492	22.5 x 7.50	10H - 335mm	6.50		
28160	22.5 x 6.75	10H - 8.75"	5.93			28511	16 x 6K	8H - 6.50"	5.00		29579
28165	22.5 x 12.25 WHL	10H - 11.25"	5.31	4.68	29816	28512	16 x 6K	8H - 6.50"	5.35		29579
28167	22.5 x 13.00 WHL	10H - 13.188"HD		7.12	28465	28513	16 x 6K	10H - 7.25	5.35		
28169	22.5 x 13.00 WHL	10H - 11.25"	3.44	2.51	29816 ⁽⁵⁾	28520	19.5 x 6.00	6H - 8.75"	2.50		
28174	22.5 x 13.00 WHL	10H - 13.188"HD	6.12			28532	19.5 x 6.75	8H - 275mm	5.66		50180
28175	22.5 x 12.25 WHL	10H - 13.188"HD	6.25			28537	20 x 7.5 LW ⁽³⁾	10H - 11.25"	6.50		
28177	16 x 6K	8H - 6.50"	5.00		29587 ⁽¹⁰⁾	28538	20 x 8.0 LW ⁽³⁾	10H - 11.25"	6.88		
28179	19.5 x 6.00RW	6H - 8.75"	4.75			28542	22.5 x 9.00	10H - 285.75mm	7.00		29300
28184	19.5 x 13.00 WHL	10H - 11.25"	4.72	4.09		28546	16 x 7K	8H - 6.50"		0.25	29508
28192	22.5 x 9.00	10H - 11.25"	3.12			28547	24.5 x 8.25	10H - 285.75mm	6.59		29699
28308	16 x 6K	8H - 6.50"	0.50			28548	22.5 x 8.25	10H - 285.75mm	6.59		29697
28322	16 x 6K	8H - 6.50" I [°] C	5.00			28550	22.5 x 12.25	Rear Dem	1.88		
28324	17.5 x 8.25HC	10H - 8.75"	6.62		28112	28551	22.5 x 13.00	Rear Dem	2.75		
28326	22.5 x 13.00 WHL	10H - 11.25"	5.38	4.75	28684 ⁽⁵⁾	28560	22.5 x 8.25AL	10H - 11.25"	6.59		28632
28327	22.5 x 13.00 WHL	10H - 11.25"	4.24	3.62		28572	22.5 x 13.00	10H - 13 3/16"		6.12	28465
28333	16 x 6K	8H - 6.50"	5.00		29579 ⁽¹⁰⁾	28603	16 x 6K	8H - 6.50"	5.00		29587
28338	22.5 x 13.00 WHL	10H - 13.188"HD		6.12	28465	28609	22.5 x 6.75	6H - 8.75"	5.93		
28348	16.5 x 6.00	8H - 6.50"	5.00			28612	19.5 x 6.75RW	8H - 275mm	5.60		50180
28353	16 x 6K	8H - 6.50" I [°] C	5.00			28613	22.5 x 8.25AL	10H - 285.75mm	6.59		40008
28356	16.5 x 6.00	8H - 6.50" I [°] C	5.00			28618	16 x 6K	8H - 6.50"	5.15		29579
28368	22.5 x 7.50	10H - 335mm	6.50			28623	16 x 6K	8H - 6.50"	5.00		29587
28374	16 x 6K	8H - 6.50"	5.00		29587 ⁽¹⁰⁾	28624	22.5 x 7.50	10H - 285.75mm	2.62		
28375	16 x 6K	10H - 7.25	5.35			28626	22.5 x 8.25-15°	10H - 11.25"	6.59		28584

⁽¹⁾ Outset/Inset—(Inches) See Pg. 25 footnote (3) or Pg. 56 for definition.
⁽²⁾ Check vehicle clearances prior to mounting tire.
⁽³⁾ Tubeless wheel/rim available. See catalog.
⁽⁴⁾ Well Welded—check clearance I.D. upon replacement.
⁽⁵⁾ Offset Difference.

⁽⁶⁾ 13.00" Rim.
⁽⁷⁾ Reinforced Flanges.
⁽⁸⁾ Replacement wheel has a different disc contour which allows less clearance for brakes. Check clearance before ordering.

⁽⁹⁾ Potential replacement has an alternate rim contour which requires different side and/or lock ring.
⁽¹⁰⁾ Check clearance.
⁽¹¹⁾ This wheel has a .453" valve hole. Wheels supplied on original vehicle have a .625" valve hole.
⁽¹²⁾ 7.50" Rim.

Hub-Piloted Tubeless Wheels

Stud-Piloted Tubeless Wheels

Demountable Rims & Components

Duplex Disc® Wheels
Duplex® Demountable Rims

Light Truck Wheels

Bolt-Together Specialty Wheels

General Information

OBSOLETE PART NUMBER INDEX

Part Number	Size	Mounting Type	Outset ⁽¹⁾	Inset ⁽¹⁾	Potential Replace ⁽²⁾	Part Number	Size	Mounting Type	Outset ⁽¹⁾	Inset ⁽¹⁾	Potential Replace ⁽²⁾
28628	22.5 x 8.25-15°	10H - 11.25"	6.59		28615	29094	22.5 x 8.25AL-15°	10H - 285.75mm	6.59		41644
28630	22.5 x 13.00	Rear Dem	2.75			29105	22.5 x 8.25AL-15°	10H - 285.75mm	6.59		41644
28633	19.5 x 14.00 WHL	10H - 11.25"	4.63	4.00		29110	22.5 x 8.25-15°	10H - 11.25"	6.59		28615
28640	22.5 x 9.00-15°	10H - 285.75mm	7.00		29730	29112	22.5 x 8.25-15°	10H - 11.25"	6.59		28615
28642	22.5 x 7.50	10H - 285.75mm	6.44		29001	29114	22.5 x 8.25-15°	10H - 285.75mm	6.59		29703
28658	19.5 x 8.25RW	10H - 285.75mm	6.62			29116	22.5 x 8.25-15°	10H - 285.75mm	6.59		29701
28670	22.5 x 6.75	6H - 8.75"	5.93			29118	24.5 x 8.25-15°	10H - 11.25"	6.59		27599
28671	16 x 6.00	10H - 7.25"	5.35			29120	24.5 x 8.25-15°	10H - 11.25"	6.59		27599
28680	19.5 x 6.75RW	8H - 275mm	5.60		50180	29122	24.5 x 8.25-15°	10H - 285.75mm	6.59		29705
28682	16 x 6K	8H - 6.50"	5.15			29124	24.5 x 8.25-15°	10H - 285.75mm	6.59		29707
28687	24.5 x 8.25-15°	10H - 11.25"	6.59			29126	22.5 x 8.25AL-15°	10H - 285.75mm	6.59		41644
28689	24.5 x 8.25-15°	10H - 11.25"	6.59			29133	22.5 x 7.50-15°	10H - 11.25"	6.59		
28803	22.5 x 12.25-15°	10H - 285.75mm	4.63	4.00	29806	29137	24.5 x 8.25AL-15°	10H - 285.75mm	6.59		41362/10HH's
28810	22.5 x 7.50	10H - 11.25"	6.45		28841	29138	16 x 6K	8H - 6.50"	5.00		29587
28820	24.5 x 8.25-15°	10H - 285.75mm	6.59			29147	22.5 x 12.25-15°	10H - 285.75mm	--	0.63	29805
28824	22.5 x 8.25-15°	10H - 11.25"	6.59			29152	22.5 x 13.00-15°	10H-13.188"HD ⁽⁷⁾		7.12	28465
28831	22.5 x 8.25-15°	10H - 285.75mm	6.59			29153	22.5 x 13.00-15°	10H-13.188"HD ⁽⁷⁾		6.12	28465
28832	22.5 x 8.25-15°	10H - 285.75mm	6.59			29154	16 x 7K	8H - 6.50"	0.25		
28837	24.5 x 8.25-15°	10H - 285.75mm	6.59			29157	22.5 x 12.25-15°	10H-13.188"HD ⁽⁷⁾		6.00	28465 ⁽⁶⁾
28839	24.5 x 8.25-15°	10H - 285.75mm	6.59			29160	22.5 x 8.25AL-15°	10H - 285.75mm	6.59		41644
28841	22.5 x 7.50	10H - 11.25"	6.45			29161	16 x 6K	8H - 6.50"	0.50		
28842	22.5 x 9.00	10H - 11.25"	7.00			29162	22.5 x 8.25ALCAST	10H - 285.75mm	6.59		41644
28849	20 x 8.5 -5°	10H - 285.75mm	7.00			29164	22.5 x 7.50-15°	10H - 335mm	6.31		
28852	22.5 x 8.25-15°	10H - 11.25"	6.59			29165	24.5 x 8.25AL-15°	10H - 285.75mm	6.59		41362
28853	19.5 x 6.00	6H - 8.75"	5.00		29388	29168	24.5 x 8.25-15°	10H - 285.75mm	6.62		28827
28855	20 x 8.5 -5°	10H - 11.25"	7.00			29170	24.5 x 8.25AL-15°	10H - 285.75mm	6.59		41362
28860	16 x 6K	6H - 222.25mm	5.00			29171	24.5 x 8.25AL-15°	10H - 285.75mm	6.59		41362
28865	24.5 x 8.25-15°	10H - 11.25"	6.59			29172	22.5 x 8.25AL-15°	10H - 285.75mm	6.59		41644
28867	24.5 x 8.25AL-15°	10H - 285.75mm	6.59		41644	29173	22.5 x 8.25AL-15°	10H - 285.75mm	6.59		41644
28869	22.5 x 6.75	8H - 275mm	5.70			29175	22.5 x 13.00-15°	10H-13.188"HD ⁽⁷⁾		7.12	28465 ⁽⁵⁾
28889	22.5 x 12.25-15°	10H - 11.25"	4.63	4.00	29816 ⁽⁵⁾	29176	22.5 x 13.00-15°	10H-13.188"HD ⁽⁷⁾		6.81	28465 ⁽⁵⁾
28899	20 x 10.0 -VE 5°	10H - 11.25"	6.62	6.00		29177	22.5 x 13.00-15°	10H-13.188"HD ⁽⁷⁾		6.12	28465
29020	20 x 8.0 -5°	10H - 335mm	6.77			29178	24.5 x 8.25AL-15°	10H - 285.75mm	6.59		41362
29021	24 x 8.5 -5°	10H - 335mm	7.62			29179	24.5 x 8.25AL-15°	10H - 285.75mm	6.59		41362
29028	22.5 x 7.50	8H - 275mm	6.20			29181	20 x 8.0 -5° ⁽⁸⁾	10H - 285.75mm	6.88		
29030	22.5 x 8.25-15°	10H - 11.25"	6.59			29182	22.5 x 13.00-15°	10H - 11.25"	3.43	2.81	
29052	22.5 x 7.50-15°	8H - 285mm	162mm			29183	22.5 x 12.25-15°	10H - 11.25"	4.62	4.00	
29054	22.5 x 12.25-15°	10H - 285.75mm	5.38	4.75	29807	29184	24.5 x 8.25AL-15°	10H - 285.75mm	6.59		41362
29056	22.5 x 12.25-15°	10H - 285.75mm	6.38	5.75	29807	29185	24.5 x 8.25AL-15°	10H - 285.75mm	6.59		41362
29064	24.5 x 8.25-15°	10H - 11.25"	6.59			29186	19.5 x 6.00RW	8H - 225mm	5.35		29584
29066	22.5 x 8.25-15°	10H - 11.25"	6.59			29207 ⁽⁹⁾	19.5 x 6.00	10H - 7.25"	5.08"		
29068	22.5 x 8.25AL-15°	10H - 285.75mm	6.59		41644						

⁽¹⁾ Outset/Inset—(Inches) See Pg. 25 footnote (3) or Pg. 56 for definition.
⁽²⁾ Check vehicle clearances prior to mounting tire.
⁽³⁾ Tubeless wheel/rim available. See catalog.
⁽⁴⁾ Well Welded—check clearance I.D. upon replacement.
⁽⁵⁾ Offset Difference.

⁽⁶⁾ 13.00" Rim.
⁽⁷⁾ Reinforced Flanges.
⁽⁸⁾ Replacement wheel has a different disc contour which allows less clearance for brakes. Check clearance before ordering.

⁽⁹⁾ Potential replacement has an alternate rim contour which requires different side and/or lock ring.
⁽¹⁰⁾ Check clearance.
⁽¹¹⁾ This wheel has a .453" valve hole. Wheels supplied on original vehicle have a .625" valve hole.
⁽¹²⁾ 7.50" Rim.

Hub-Piloted Tubeless Wheels
 Stud-Piloted Tubeless Wheels
 Demountable Rims & Components
 Duplex Disc® Wheels
 Light Truck Wheels
 Bolt-Together Specialty Wheels
 General Information

OBSOLETE PART NUMBER INDEX

Part Number	Size	Mounting Type	Outset ⁽¹⁾	Inset ⁽¹⁾	Potential Replace ⁽²⁾	Part Number	Size	Mounting Type	Outset ⁽¹⁾	Inset ⁽¹⁾	Potential Replace ⁽²⁾
29211	22.5 x 12.25-15°	10H - 11.25"		0.63	29818 ⁽⁶⁾	29398	16 x 6K	8H - 6.50"	0.25		29579
29189	24.5 x 8.25AL-15°	10H - 285.75mm	6.59		41362	29399	16 x 6K	8H - 6.50"	5.15		29579
29215	22.5 x 13.00-15°	10H - 11.25"	3.25	2.62	29818 ⁽⁵⁾	29508	16 x 7K	8H - 6.50"	0.25		
29216	22.5 x 13.00-15°	10H - 11.25"		0.63	29818 ⁽⁵⁾	29540	22.5 x 8.25	10H - 285.75mm	6.59		41644
29218	22.5 x 12.25-15°	10H - 11.25"	5.38	4.75	29816	29549	22.5 x 8.25	10H - 285.75mm	6.59		
29220	22.5 x 12.25-15°	10H - 11.25"	4.63	4.00	29816	29550	24.5 x 8.25	10H - 285.75mm	6.59		
29221	22.5 x 12.25-15°	10H - 11.25"	2.88	2.25	29816 ⁽⁴⁾	29555	22.5 x 8.25AL-15°	10H - 285.75mm	6.59		41644
29222	22.5 x 6.75-15°	10H - 11.25"	5.93			29571PK	22.5 x 8.25-15°	10H - 11.25"	6.62		27833C/5HH's
29223	16 x 6K	8H - 170mm	5.35		29583	29646	22.5 x 8.25-15°	10H - 285.75mm	6.59		29720
29232	16 x 7K	8H - 170mm	0.25			29575	16 x 6K	8H - 6.50"	0.50		
29236	19.5 x 6.75RW	8H - 225mm	5.50		29585	29576	16 x 7K	8H - 6.50"	0.250		
29237	19.5 x 7.50RW CAST	8H - 275mm	6.25		40160	29577	16 x 6K	8H - 6.50"	5.00		29579
29301	22.5 x 13.00-15°	10H - 11.25"	4.95	4.32	28684 ⁽⁵⁾	29578	16 x 6K	8H - 6.50"	5.35		29579
29304	19.5 x 7.50RW CAST	10H - 285.75mm	6.25		29685 Forged	29580	16 x 6K	8H - 6.50"	5.15		29579
29305	17 x 6K	8H - 6.50"	5.00			29581	16 x 6K	10H - 7.25"	5.35		
29307	19.5 x 14.00-15°	10H - 11.25"	4.63	4.00		29582	16 x 7K	8H - 170mm	6.35mm	0.25	
29309	24.5 x 8.25 CAST	10H - 285.75mm	6.59		41362	29583	16 x 6K	8H - 170mm	5.35		
29311	20 x 10.0 -VE 5°	10H - 11.25"	1.56			29586	17 x 6K	8H - 170mm	5.00		
29314	22.5 x 12.25-15°	10H - 11.25"	5.31	4.68		29611	20 x 10.0 -VE 5°	10H - 335mm		5.00	29911
29318	16 x 6K	8H - 6.50"	5.15		29579	29624	17 x 7.5J	5H - 135mm	14.00mm		
29319	16 x 7K	8H - 6.50"	0.25		29508	29625	17 x 7.5J	5H - 135mm	14.00mm		
29330	24.5 x 8.25-15°	10H - 11.25"	6.62			29626	17 x 7.5J	5H - 135mm	14.00mm		
29330C	24.5 x 8.25-15°	10H - 11.25"	6.62			29627	22.5 x 14.00-15°	10H - 285.75mm	2.00	1.38	29890
29331	22.5 x 6.75-15°	8H - 275mm	5.70		28869	29644	22.5 x 8.25	10H - 285.75mm			
29333	22.5 x 7.50	10H - 285.75mm	6.45			29717	19.5 x 6.00RW	8H - 275mm	5.00		50532
29334	16 x 6K	8H - 6.50"	5.00		29587	29736	19.5 x 6.75RW	8H - 225mm	5.50		29585
29339	17 x 7.5K	5H - 135mm	0.55		29551	29784	19.5 x 6.00-15°	10H - 7.25"	4.60		27775
29342	19.5 x 7.50RW-15°	10H - 285.75mm	6.25		29685	29787	16 x 4T	5H - 4.50"	0.94		
29344	22.5 x 8.25-15°	8H - 285mm	164mm			29801	16 x 7J	5H - 5.50"	12mm		
29350	16 x 6K	8H - 6.50"	5.00		29587	29808	22.5 x 12.25	10H - 285.75mm		5.75	29807
29352	22.5 x 8.25-15°	10H - 285.75mm	6.59		41644	29809TK	22.5 x 13.00 - 15°	10H - 285.75mm		0.63	29146
29356	17 x 6K	8H - 6.50"	5.00			29810TK	22.5 x 13.00 - 15°	10H - 285.75mm		2.62	29174
29360	22.5 x 8.25-15°	10H - 285.75mm	6.59			29811TK	22.5 x 13.00 - 15°	10H - 285.75mm		4.32	29303
29362	24.5 x 8.25	10H - 285.75mm	6.59		41362	29812TK	22.5 x 13.00 - 15°	10H - 285.75mm		5.25	29057
29364	22.5 x 9.00-15°	10H - 335mm	6.93		50593	29813	22.5 x 13.00 - 15°	10H - 285.75mm		5.25	29057
29368	17 x 6K	8H - 6.50"	5.35			29814TK	22.5 x 12.25	10H - 11.25"	0.63		
29369	19.5 x 7.50RW-15°	8H - 275mm	6.25		40160	29815TK	22.5 x 12.25	10H - 11.25"		4.00	29816
29371	19.5 x 6.00-15°	8H - 170mm	136mm			29817TK	22.5 x 12.25	10H - 11.25"		5.75	29816
29372	22.5 x 8.25-15°	10H - 285.75mm	6.59		40020	29819TK	22.5 x 13.00	10H - 11.25"		2.62	29816 ⁽⁵⁾
29390	22.5 x 8.25-15°	10H - 11.25"	6.59			29820TK	22.5 x 12.25	10H - 11.25"		4.32	28684 ⁽⁵⁾
29393	20 x 10.0 -VE 5°	10H - 285.75mm	4.63			29829TK	20 x 8.0 - 5° ⁽³⁾	10H - 11.25"	6.88		
29394	22.5 x 12.25-15°	10H - 11.25"	6.38	5.75	29816 ⁽⁶⁾	29831TK	20 x 7.5 - 5° ⁽³⁾	10H - 285.75mm	6.65		

⁽¹⁾ Outset/Inset—(Inches) See Pg. 25 footnote (3) or Pg. 56 for definition.

⁽²⁾ Check vehicle clearances prior to mounting tire.

⁽³⁾ Tubeless wheel/rim available. See catalog.

⁽⁴⁾ Well Welded—check clearance I.D. upon replacement.

⁽⁵⁾ Offset Difference.

⁽⁶⁾ 13.00" Rim.

⁽⁷⁾ Reinforced Flanges.

⁽⁸⁾ Replacement wheel has a different disc contour which allows less clearance for brakes. Check clearance before ordering.

⁽⁹⁾ Potential replacement has an alternate rim contour which requires different side and/or lock ring.

⁽¹⁰⁾ Check clearance.

⁽¹¹⁾ This wheel has a .453" valve hole. Wheels supplied on original vehicle have a .625" valve hole.

⁽¹²⁾ 7.50" Rim.

Hub-Piloted
Tubeless Wheels

Stud-Piloted
Tubeless Wheels

Demountable
Rims & Components

Duplex Disc® Wheels
Duplex® Demountable
Rims

Light Truck
Wheels

Bolt-Together
Specialty Wheels

General
Information

OBSOLETE PART NUMBER INDEX

Part Number	Size	Mounting Type	Outset ⁽¹⁾	Inset ⁽¹⁾	Potential Replace ⁽²⁾	Part Number	Size	Mounting Type	Outset ⁽¹⁾	Inset ⁽¹⁾	Potential Replace ⁽²⁾
29832TK	20 x 7.5 - 5° ⁽³⁾	10H - 11.25"	6.50			31716175	17.5 x 6.75HC	Dem	4.00		31868-17.5
29837	17 x 6.5J	8H - 200mm	5.56			31871225	22.5 x 6.75-15°	Dem	3.90		30371225 ⁽²⁾ ⁽⁴⁾⁽¹²⁾
29841	17 x 7.5J	8H - 170mm	40mm			31986	22.5 x 12.25-15°	Front Dem		4.44	31677
29842TK	20 x 8.0 - 5° ⁽³⁾	10H - 285.75mm	6.88			32201TK	22.5 x 13.00-15°	Front Dem	3.94		13228
29846TK	22.5 x 9	10H - 335mm	6.93		50593	32202TK	22.5 x 13.00-15°	Front Dem	5.62		13244
29855	18 x 8J	8H - 170mm	40mm			40010	24.5 x 8.25	10H - 335mm	6.79		
29856	17 x 7.5J	8H - 170mm	40mm			40016	22.5 x 14.00	10H - 285.75mm	0.5		
29879	19.5 x 6.75RW	10H - 225mm	5.50			40020	22.5 x 8.25	10H - 285.75mm	6.59"		41644
29890TK	22.5 x 14.00	10H - 287.75mm	2.00	1.375	29627	40048	20 x 10.00	10H - 335mm			
29891TK	22.5 x 14.00	10H - 287.75mm	0.00	0.625	50172	40082	20 x 10.00	10H - 335mm			
30872	19.5 x 13.00-15°	10H - 11.25"	0.31			40168	16 x 7.00	8H - 6.50"	0.25		
30645225	22.5 x 7.50-15°	Dem	4.50		30371225 ⁽⁴⁾	40169	17.5 x 6.75	8H - 6.50"	0.83		
30375225	22.5 x 7.50-15°	Dem	4.40		30391225 ⁽⁴⁾	40170	17.5 x 6.75	10H - 8.75"	5.55		
30375245	24.5 x 8.25-15°	Dem	4.40		30391245 ⁽⁴⁾	40224	20 x 10.00				
31061	22.5 x 14.00-15°	Rear Dem				40244	20 x 11.00				
31291	22.5 x 12.25-15°	Front Dem		1.11	31674	40380	20 x 11.00				
31292	22.5 x 12.25-15°	Front Dem		2.00		40422	20 x 10.00				
31293	22.5 x 12.25-15°	Front Dem		2.62		40455	20 x 11.00				
31294	22.5 x 12.25-15°	Front Dem		3.00	31674	40460	20 x 11.00				
31295	22.5 x 12.25-15°	Front Dem		3.44	31674 ⁽⁴⁾	40465	20 x 14.00				
31296	22.5 x 12.25-15°	Front Dem		3.75	31677 ⁽⁴⁾	40504	20 x 10.00				
31297	22.5 x 12.25-15°	Front Dem		4.00	31677	40470	22.5 x 8.25	10H - 225mm		2.40	
31298	22.5 x 12.25-15°	Front Dem		4.44	31677 ⁽⁴⁾	40470	22.5 x 8.25	10H - 225mm		2.40	
31299	22.5 x 12.25-15°	Front Dem		4.75	31679	50165	22.5 x 12.25	10H - 285.75mm	-	5.25	29807
31300	22.5 x 12.25-15°	Front Dem		5.44		50271	17 x 6.5J	8H - 6.50"	5.00		
31614	22.5 x 12.25-15°	Front Dem		4.75		50274	16 x 7J	5H - 5.50"	12mm		
31656	22.5 x 13.00-15°	Front Dem		3.94	13228	50275	17 x 6.5J	8H - 200mm	5.56		
31658	22.5 x 12.25	Rear Dem	0.38			50276	18 x 8J	8H - 170mm		40mm	
31659	22.5 x 13.00	Rear Dem	0.00			50277	17 x 7.5J	8H - 170mm		40mm	
31671	22.5 x 12.25-15°	Front Dem		1.10	31674 ⁽⁶⁾⁽⁴⁾	50475	22.5 x 8.25				
31673	22.5 x 12.25-15°	Front Dem		2.62		50640	17 x 7.5J	8H - 180mm	44mm		50240
31675	22.5 x 12.25-15°	Front Dem		3.44	31674 ⁽⁴⁾	PS2200	22.5 x 8.25-15°	10H - 285.75mm	6.62		
31676	22.5 x 12.25-15°	Front Dem		3.75	31677 ⁽⁴⁾	PS2205	22.5 x 8.25-15°	10H - 11.25"	6.62		
31678	22.5 x 12.25-15°	Front Dem		4.44	31677	PS2210	22.5 x 8.25-15°	10H - 285.75mm	6.62		
31680	22.5 x 12.25-15°	Front Dem		5.44	31679 ⁽⁴⁾						
31681	22.5 x 13.00-15°	Front Dem		3.50	13228 ⁽⁴⁾						
31682	22.5 x 13.00-15°	Front Dem		4.75	13228						
31686225	22.5 x 9.00-15°	Dem	5.00		32052-22.5						
31689	22.5 x 13.00-15°	Front Dem		4.50	13228						
31703	22.5 x 12.25-15°	Front Dem		4.00	31677						

⁽¹⁾ Outset/Inset—(Inches) See Pg. 25 footnote (3) or Pg. 56 for definition.

⁽²⁾ Check vehicle clearances prior to mounting tire.

⁽³⁾ Tubeless wheel/rim available. See catalog.

⁽⁴⁾ Well Welded—check clearance I.D. upon replacement.

⁽⁵⁾ Offset Difference.

⁽⁶⁾ 13.00" Rim.

⁽⁷⁾ Reinforced Flanges.

⁽⁸⁾ Replacement wheel has a different disc contour which allows less clearance for brakes. Check clearance before ordering.

⁽⁹⁾ Potential replacement has an alternate rim contour which requires different side and/or lock ring.

⁽¹⁰⁾ Check clearance.

⁽¹¹⁾ This wheel has a .453" valve hole. Wheels supplied on original vehicle have a .625" valve hole.

⁽¹²⁾ 7.50" Rim.

Hub-Piloted
Tubeless Wheels

Stud-Piloted
Tubeless Wheels

Demountable
Rims & Components

Duplex Disc® Wheels
Duplex® Demountable
Rims

Light Truck
Wheels

Bolt-Together
Specialty Wheels

General
Information

RIM/WHEEL GLOSSARY

Hub-Piloted
Tubeless Wheels

APPROVED RIM WIDTH - Rim width sizes approved by The Tire & Rim Association for use with the tire.

BALANCED WHEEL - A wheel that is within 30 inch-ounces of balance.

BEAD SEAT - Surface of a rim that contacts the tire bead. The bead seat angle is usually 5° for tube-type tires and 15° for tubeless tires.

Stud-Piloted
Tubeless Wheels

BOLT CIRCLE - The diameter of the circle which traces through the center line of the bolt holes. It defines the bolt hole spacing around the disc in a wheel.

BOLT HOLES - The holes in the disc of a wheel through which the bolts or the studs pass. For stud-piloted wheels, the bolt holes are chamfered and used to center the wheels.

BORE - The center hole (pilot) of the wheel. With hub mount wheels, it is used to center the wheel.

BUTT WELD - Transverse weld in a rim.

CAPACITY - Demountable rim or disc wheel maximum carrying load. Expressed in load (lbs) and inflation pressure (psi) cold.

DESIGN RIM WIDTH - Nominal rim width. Rim width on which a tire performs best. Approximately 75 percent as wide as the tire width designation.

DEMOUNTABLE RIM - A rim with valve locaters which is used with a cast spoke wheel to provide the method of attaching tires to the vehicle.

DISC WHEEL - A permanent assembly of a disc and a rim.

DOUBLE CAP NUT - The inner and outer nuts used to secure stud-piloted wheels to a vehicle. The inner dual wheel is attached by an inner cap nut with a spherical radius and the outer dual wheel is attached by an outer cap nut with a spherical radius.

DUAL SPACING - Lateral distance from wheel centerline to wheel centerline in a dual wheel arrangement. It is determined by adding two offsets (disc wheels) or two offsets plus one spacer band width (demountable rims).

HALF DUAL SPACING - See "Wheel Offset."

HAND HOLE - Opening in the disc area of a wheel for the purpose of valve stem access to inside dual tire and chain application.

HUB-PILOTED WHEEL - Wheels that are designed to center on the hub at the bore of the wheel. These wheels generally have straight through bolt holes, since the bolt holes only supply clearance for the stud. Hub-piloted wheels are used with two piece flange nuts.

INSET - The lateral distance from the rim centerline to the mounting surface of the disc. Inset places the rim center line inboard of the mounting surface.

LOCK RING - Third piece of a 3-piece rim assembly which locks the side ring to the rim base.

LONG SIDE - The side of the rim which has a ledge.

MINIMUM DUAL SPACING - The minimum allowable distance between the wheel centerlines in a dual arrangement.

MULTI-PIECE RIM - A rim consisting of more than one part. Usually two pieces (rim base and side ring), or three pieces (rim base, side ring, and lock ring).

OFFSET - See "Rim Offset" or "Wheel Offset."

OUTSET - The lateral distance from the rim centerline to the mounting surface of the disc. Outset places the rim center line outboard of the hub surface.

RIM (also see demountable rim) - The item that supports the tire. It may consist of one piece (tubeless drop center type) or two or three piece (tube-type).

RIM BASE - The major piece of a multi-piece rim assembly. It supports the tire bead on one side, provides a locking mechanism for the side ring or lock ring, and provides a bevel surface for attaching to a spoke wheel.

RIM OFFSET - The lateral distance from the rim surface that contacts the spacer band to the rim centerline (Demountable Rim see page 47).

SHORT SIDE - The side of the rim which does not have a ledge.

SIDE RING - A removable piece of a multi-piece rim assembly which provides lateral support for one tire bead.

SPACER BAND - Band of steel which separates two demountable rims on spoke wheels (also called "spacers").

SPOKE WHEEL - A casting with 3, 5, or 6 spokes that attaches to the axle and provides a means of attaching a demountable rim to a vehicle. Also called "Cast Spoke Wheel."

STUD-PILOTED WHEELS - Wheels that are designed to center on the studs of a hub. These wheels have chamfers at the bolt holes into which a ball seat or conical nut is installed to center the wheel. The center bore of the wheel is only for clearance of the axle end.

SUPER SINGLE - Duplex® or wide base.

TWO-PIECE FLANGE NUT - A nut attached to a washer that is used to secure hub-piloted wheels to a vehicle.

VALVE HOLE - The hole in the rim into which a valve is installed to inflate or deflate the tire/rim assembly.

VALVE LOCATERS - The guides located on either side of the demountable rim valve slot or valve hole to properly locate the tire valve between spokes. Sometimes called "drivers," "rim drivers," "locating lugs," etc.; they are either indented or welded on.

VALVE SLOT - Opening in a tube-type rim to receive the tire tube valve stem.

VENT HOLE - Opening in the disc area of a wheel for the purpose of air ventilation.

WHEEL - See "Spoke Wheel" or "Disc Wheel."

WHEEL OFFSET - The lateral distance from the disc mating surface (surface between the wheels as a dual assembly) to the rim centerline (disc wheel - see page 49).

Demountable
Rims & Components

Duplex Disc® Wheels
Duplex® Demountable
Rims

Light Truck
Wheels

Bolt-Together
Specialty Wheels

General
Information

Accuride Corporate Headquarters

7140 Office Circle
Evansville, IN 47715
(812) 962-5000, (800) 626-7096
FAX: (812) 962-5400

Customer Service Department

Place an order, check existing orders,
inquire about price, availability,
and delivery.
(800) 626-7096
FAX: (812) 962-5436
customerservice@accuridecorp.com

Sales

(800) 626-7096
FAX: (812) 962-5430
sales@accuridecorp.com

International Sales

(812) 962-5047
FAX: (812) 962-5430
internationalsales@accuridecorp.com

Field Engineering

For technical and warranty information
(800) 869-2275
FAX: (270) 827-7697
Warranty Claims FAX: (815) 964-0775
fieldengineering@accuridecorp.com

Accuride Canada Inc.

31 Firestone Boulevard
London, Ontario N5W 6E6 Canada
(519) 453-0880, (800) 399-0880
FAX: (519) 453-7084

Customer Service Department

(888) 818-8778
FAX: (888) 818-1088

Accuride Camden

30 Hengst Boulevard
Camden, SC 29020
(803) 425-6444
FAX: (803) 425-6445

Accuride Distribution Center

950 North Raddant Road
Batavia, IL 60510
(630) 454-4535
FAX: (630) 454-4498

Accuride Erie

1015 East 12th Street
Erie, PA 16503
(814) 480-6400
FAX: (814) 452-0809

Accuride Henderson

2315 Adams Lane
Henderson, KY 42420
(270) 826-5000, (800) 626-7096
FAX: (270) 827-7656

Accuride de Mexico

Ave. Norte America No 301
Parque Industrial Las Americas
Autopista Monterrey-Laredo Km 31.5
Cienega de Flores, N.L. 65550
(011) 5281-8158-8800
FAX: (011) 5281-8158-8805



Your only single source for industry-leading wheel end solutions.

STEEL & ALUMINUM WHEELS | DRUMS | HUBS | ROTORS | SLACK ADJUSTERS

(800) 823-8332 | accuridewheelendsolutions.com

7140 Office Circle | Evansville, IN 47715