

MOTORHOME



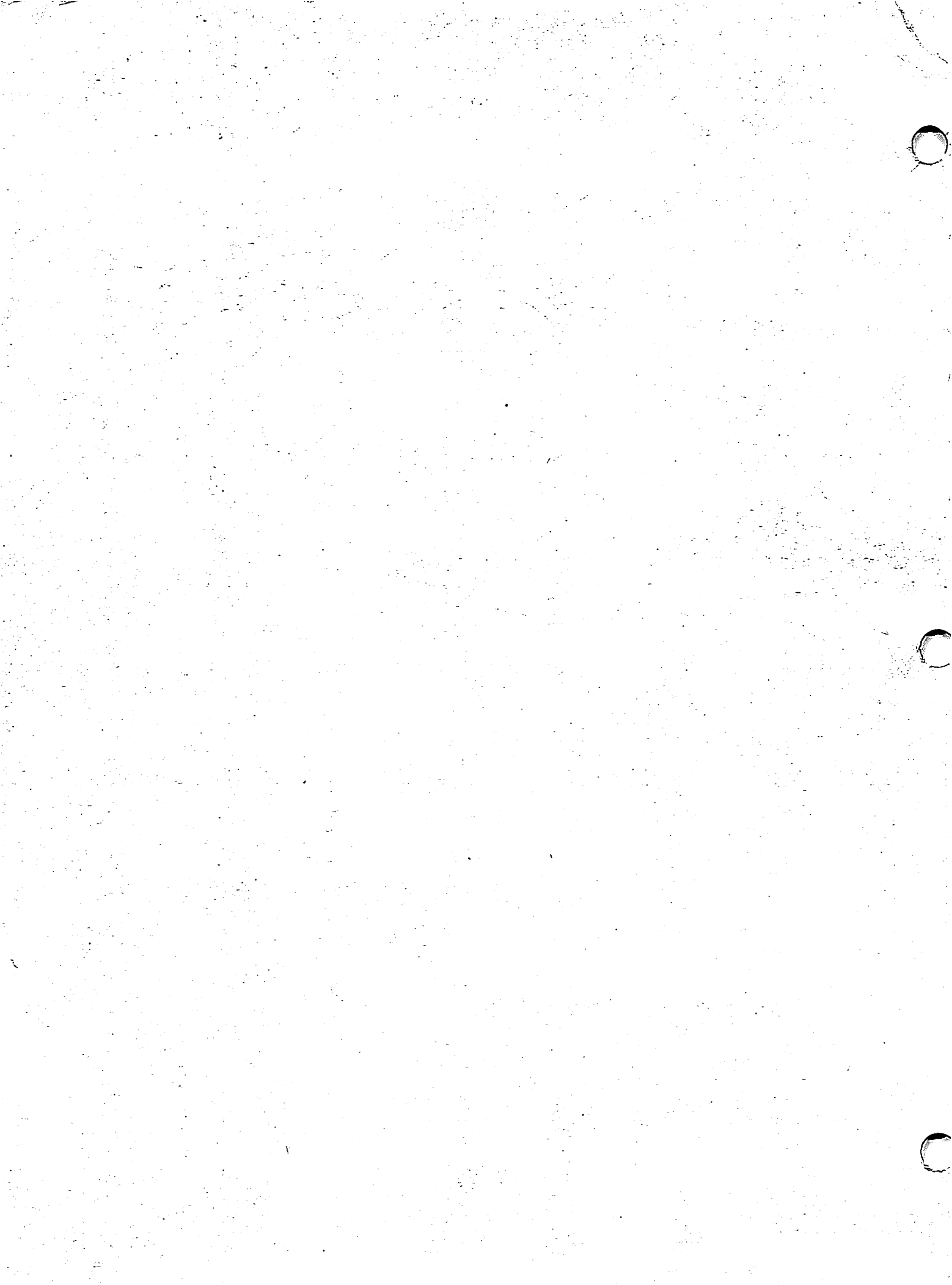
PARTS BOOK

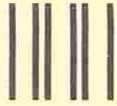


TRANSMODE

GENERAL MOTORS
SERVICE PARTS OPERATIONS
DRAYTON PLAINS, MICHIGAN 48020

78Z





No Postage
Necessary
If Mailed
In The
United States

BUSINESS REPLY CARD

FIRST CLASS PERMIT NO. 1046 FLINT, MICH.

- POSTAGE WILL BE PAID BY ADDRESSEE -

**GENERAL MOTORS
SERVICE PARTS OPERATIONS
5260 WILLIAMS LAKE RD.
DRAYTON PLAINS, MICHIGAN 48020
ATTN: PARTS PUBLICATIONS DEPT.**



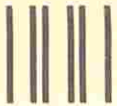
No Postage
Necessary
If Mailed
In The
United States

BUSINESS REPLY CARD

FIRST CLASS PERMIT NO. 1046 FLINT, MICH.

- POSTAGE WILL BE PAID BY ADDRESSEE -

**GENERAL MOTORS
SERVICE PARTS OPERATIONS
5260 WILLIAMS LAKE RD.
DRAYTON PLAINS, MICHIGAN 48020
ATTN: PARTS PUBLICATIONS DEPT.**



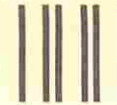
No Postage
Necessary
If Mailed
In The
United States

BUSINESS REPLY CARD

FIRST CLASS PERMIT NO. 1046 FLINT, MICH.

- POSTAGE WILL BE PAID BY ADDRESSEE -

**GENERAL MOTORS
SERVICE PARTS OPERATIONS
5260 WILLIAMS LAKE RD.
DRAYTON PLAINS, MICHIGAN 48020
ATTN: PARTS PUBLICATIONS DEPT.**



No Postage
Necessary
If Mailed
In The
United States

BUSINESS REPLY CARD

FIRST CLASS PERMIT NO. 1046 FLINT, MICH.

- POSTAGE WILL BE PAID BY ADDRESSEE -

**GENERAL MOTORS
SERVICE PARTS OPERATIONS
5260 WILLIAMS LAKE RD.
DRAYTON PLAINS, MICHIGAN 48020
ATTN: PARTS PUBLICATIONS DEPT.**



PACKAGE
ENGINEERING DEPT. GM DEALER COMMENT CARD SALES-
MARKETING DEPT. ENGINEERING PUBLICATION DEPT MARKETING DEPT.

CATALOG NO. _____ REV. DATE _____ GROUP NO. _____ PAGE NO. _____

DEALER COMMENT _____
(PLEASE TYPE OR PRINT CLEARLY)

SERVICE PARTS OPERATIONS USE ONLY			
ACTION CODE REGISTER NO.	DATE	W.C.	

DEALER _____ ADDRESS _____
CITY _____ STATE _____ ZIP _____

GM DEALER CODE _____ NAME _____
(6 digit) (PLEASE PRINT CLEARLY)
PLEASE DIRECT ALL NO PART NUMBER (NPN) REQUESTS AND PARTS QUALITY RELATED PROBLEMS TO YOUR LOCAL PARTS DISTRIBUTION CENTER OR PARTECH CENTER.

PACKAGE GM DEALER COMMENT CARD SALES-
ENGINEERING DEPT. ENGINEERING PUBLICATION DEPT MARKETING DEPT.

CATALOG NO. _____ REV. DATE _____ GROUP NO. _____ PAGE NO. _____

DEALER COMMENT _____
(PLEASE TYPE OR PRINT CLEARLY)

SERVICE PARTS OPERATIONS USE ONLY			
ACTION CODE REGISTER NO.	DATE	W.C.	

DEALER _____ ADDRESS _____
CITY _____ STATE _____ ZIP _____

GM DEALER CODE _____ NAME _____
(6 digit) (PLEASE PRINT CLEARLY)
PLEASE DIRECT ALL NO PART NUMBER (NPN) REQUESTS AND PARTS QUALITY RELATED PROBLEMS TO YOUR LOCAL PARTS DISTRIBUTION CENTER OR PARTECH CENTER.

PACKAGE GM DEALER COMMENT CARD SALES-
ENGINEERING DEPT. ENGINEERING PUBLICATION DEPT MARKETING DEPT.

CATALOG NO. _____ REV. DATE _____ GROUP NO. _____ PAGE NO. _____

DEALER COMMENT _____
(PLEASE TYPE OR PRINT CLEARLY)

SERVICE PARTS OPERATIONS USE ONLY			
ACTION CODE REGISTER NO.	DATE	W.C.	

DEALER _____ ADDRESS _____
CITY _____ STATE _____ ZIP _____

GM DEALER CODE _____ NAME _____
(6 digit) (PLEASE PRINT CLEARLY)
PLEASE DIRECT ALL NO PART NUMBER (NPN) REQUESTS AND PARTS QUALITY RELATED PROBLEMS TO YOUR LOCAL PARTS DISTRIBUTION CENTER OR PARTECH CENTER.

PACKAGE GM DEALER COMMENT CARD SALES-
ENGINEERING DEPT. ENGINEERING PUBLICATION DEPT MARKETING DEPT.

CATALOG NO. _____ REV. DATE _____ GROUP NO. _____ PAGE NO. _____

DEALER COMMENT _____
(PLEASE TYPE OR PRINT CLEARLY)

SERVICE PARTS OPERATIONS USE ONLY			
ACTION CODE REGISTER NO.	DATE	W.C.	

DEALER _____ ADDRESS _____
CITY _____ STATE _____ ZIP _____

GM DEALER CODE _____ NAME _____
(6 digit) (PLEASE PRINT CLEARLY)
PLEASE DIRECT ALL NO PART NUMBER (NPN) REQUESTS AND PARTS QUALITY RELATED PROBLEMS TO YOUR LOCAL PARTS DISTRIBUTION CENTER OR PARTECH CENTER.

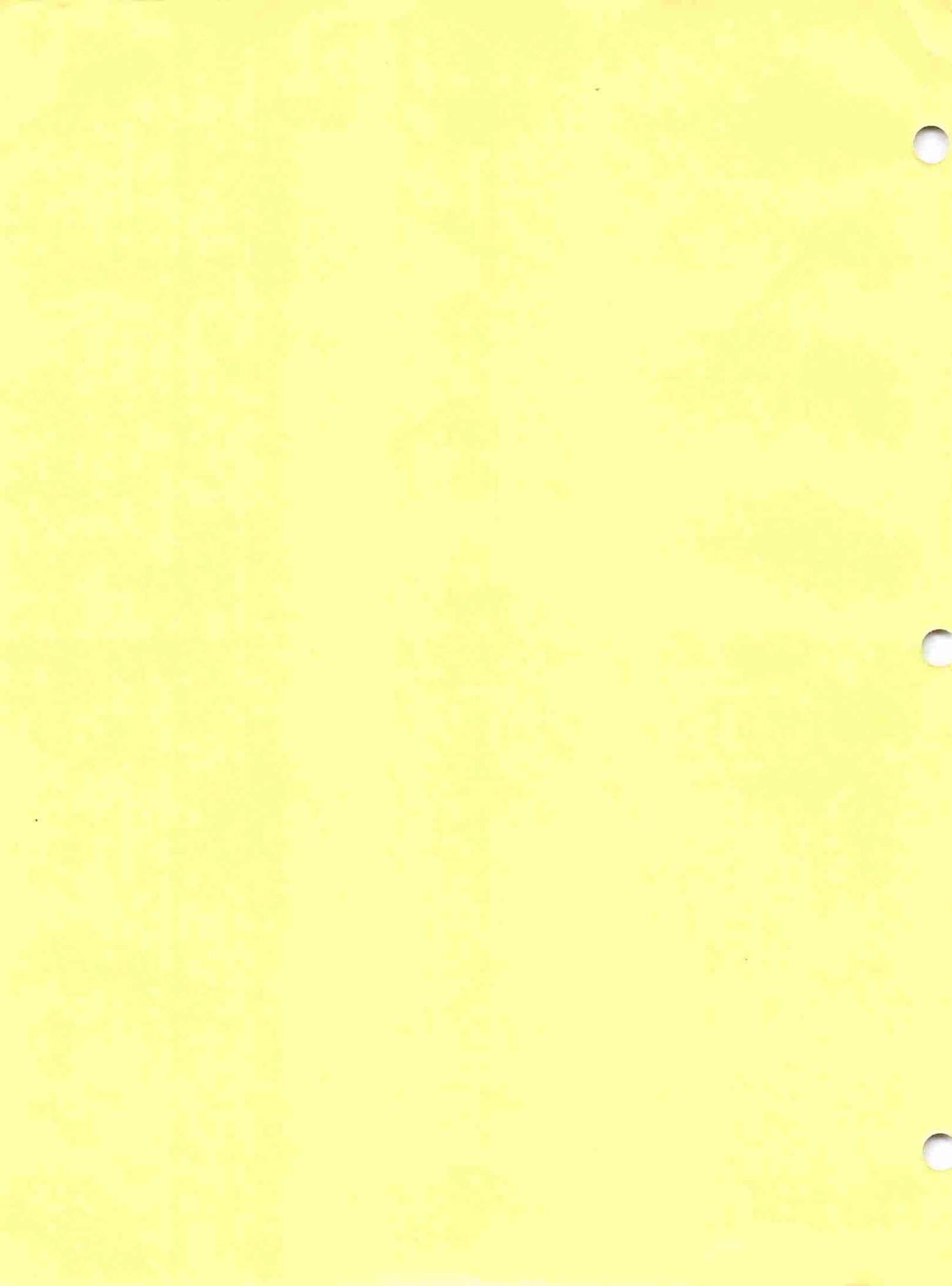
ATTENTION - PARTS MANAGER

78Z MOTORHOME & TRANSMODE

This Motorhome & Transmode Parts Book has been reprinted in its entirety and replaces 78Z dated November, 1977.

May, 1979

**GENERAL MOTORS PARTS DIVISION
TRUCK PARTS PUBLICATIONS DEPT.
BELLEVILLE, MICH. 48111**



GMC

MOTORHOME and TRANSMODE PARTS BOOK

MODELS

ZEO 6081, 6581, 6582

ZEO 6083, 6583, 6584

1973 - 1978

**This parts book replaces the previous MotorHome Parts Book 78Z
printed in November, 1977**

All illustrations and specifications contained in this catalog are based on the latest production information available at the time of publication approval. General Motors Corporation reserves the right to make changes at any time without notice in colors, materials, equipment, specifications and models, and also to discontinue models.

**GENERAL MOTORS PARTS DIVISION
TRUCK PARTS PUBLICATIONS DEPT.
BELLEVILLE, MICH. 48111**

78Z

Parts Publication

1.0M—Printed in U.S.A. May, 1979

GROUP INDEX

Front Axle	1
Brakes	4
Cooling	6
Electrical	7
Engine	8
Frame	11
Fuel	12
Air Suspension	14
Steering	16
Transmission	17
Wheels-Hubs	19
Tools	22
Body	23
Heater and Air Conditioning	26
Furnishings	28
Numerical Index	
Alphabetical Index	

GENERAL INFORMATION

This Parts Book lists serviceable Standard and RPO parts recommended for use in the maintenance of GMC Motorhome Models ZEO 6081, 6581, 6582, 6584 and GMC Transmode Models ZEO 6083 and 6583.

The book is divided into major groups and the groups arranged in the sequence indicated in the Group Index shown on the first page of the book.

Major Groups are divided into sub groups, i.e., 7.025, 7.026 etc. Parts within a sub group are listed in related sequence as follows:

ELECTRICAL

KEY	230	260	PART NUMBER	
7.025 MOTOR — STARTING				
-	1	1	1108522	MOTOR ASSY.—starting (repl. 1108352) (prior to 1975) (w/413610, 416542, 417794, 418694 engine)
-	1	1	1108761	MOTOR ASSY.—starting (eff. w/1975) (repl. 1108522) (w/413610, 416542, 417794, 418694 engine)
-	1	1	1109027	MOTOR ASSY.—starting (repl. 1108522, 1108761 & 1108795) (w/413610, 416542, 417794, 418694, 556626 & 556627 engine)
-	1	1	1108795	MOTOR ASSY.—starting (eff. w/interm. 1977) (w/556626, 556627 engine) (ref. only)
-	1	1	1109069	MOTOR ASSY.—starting (eff. w/1978) (w/561032, 561033 engine)
1	1	1	1969357	HOUSING—drive
2	1	1	1932197	STUD—shift lever

On page 3 are instructions for using this Parts Book and for ordering parts. Abbreviations used throughout the book will be found on page 4. Complete Motor Home exterior and interior specifications and available equipment will be found on pages 5 and 6.

The numbers 230 and 260 listed in the upper left hand heading of each page in the text indicate the overall length of the vehicle - 23 ft. and 26 ft. Some parts are applicable to one or both models.

Dealer copies of Motorhome Parts Books will be revised or reprinted periodically to keep them up-to-date with factory additions and changes of part numbers. All superseded parts will appear in the RP (Replacement and Supersessions) Book mailed to dealers.

Always refer to Final Vehicle Record (GMT 299) for assemblies and RPO's used on each vehicle.

MODEL DESIGNATION

MODEL	VEHICLE
ZE06081	23' Motorhome
ZE06581	26' Motorhome
ZE06582	26' Motorhome-Twin Bed/Dry Bath (1976)
ZE06083	23' Transmode
ZE06583	26' Transmode
ZE06584	26' Motorhome-Twin Bed/Dry Bath (1977)

TO LOCATE PARTS INFORMATION

If Noun Name Is Known

If you are in doubt as to which group the part you require is in, refer to the alphabetical index in the back of the book. This index lists assemblies and groups of related parts in an alphabetical sequence followed by the complete description and group in which the parts are listed. For example. Compressor - rear air suspension, "group 14.008" or Furnace - 22,000BTU, "group 28.029". After the group is identified turn to that group in the text of the book and use the illustrations and key numbers to select the part number required.

If Noun Name Is Not Known

Refer to the Major Group Index on the first page of book, keeping in mind the assembly for which the part is required, and determine the major group number. For example, if a Transmission part is required the Major Group is 17.000 or if a Toilet part is required the Major Group is 28.000.

Turn to the group indicated and use the illustrations and key numbers to select the part number required.

If Part Number Is Known

Refer to the numerical index which indicates the group in which the part appears.

Instructions For Ordering Parts

1. Indicate the part number and the name of the part.
2. Always show the street address and full instructions for shipment.
3. Do not designate quantity by "sets". State specifically how many parts are desired.
4. Specify, when necessary, whether parts are right or left handed or front or rear. Left and right are determined by facing the same direction as driver. Any part which is designated "Front" is always nearest the front of the vehicle.
5. When ordering some parts, it may be necessary to include the vehicle identification number. This information can be found on the vehicle identification plate located on the RH side of the dash panel inside of the engine compartment.

NOTE: Additional Parts Books may be ordered *@ \$15.00 per book. To place your order, send your check or money order payable to Division Printing Inc. This should be mailed to the following:

DIVISION PRINTING INC.
Department GMC
1179 Sylvertis
Pontiac, Michigan 48054

"C.O.D." and "CHARGE" orders CANNOT be accepted.

* Price is subject to change without notice.

GENERAL INFORMATION

LOCATION OF GLASS DISTRIBUTORS

The following is a list of distributors for L.O.F. and P.P.G. glass. Depending upon the glass manufacture you require, please order accordingly from one of the following sources:

For L.O.F. (Libby Owens Ford) glass, orders can be placed at one of the following distributors nearest to you:

Montcalm Auto Glass
263 West Montcalm St.
Pontiac, Michigan 48058
Phone: (313) 335-9204

American Glass Distributors
P.O. Box 7739
404 Riverside Dr.
Fort Worth Texas 76111
Phone: (817) 335-3273

Amron Company
44 East Chestnut St.
Columbus, Ohio 43215
Phone: (614) 469-7810

Auto Glass Depot
P.O. Box 18525
1615 Wolfpack Ln.
Raleigh, North Carolina 27609
Phone: (919) 876-3918

Sam's Auto Glass
P.O. Box 8225
1228 X Street
Sacramento, California 95818
Phone: (916) 442-4715

For P.P.G. (Pittsburgh Plate Glass) glass orders can be placed at the following location:

Hehr International Inc.
1103 West Pearl St.
Chesaning, Michigan 48616
Phone: (517) 845-3061
Attn: Sales Department

Decimal Equivalents

1/64015625	11/3234375	43/64671875
1/3203125	23/64359375	11/166875
3/64046875	3/8375	45/64703125
1/160625	25/64390625	23/3271875
5/64078125	13/3240625	47/64734375
3/3209375	27/64421875	3/4750
7/16109375	7/164375	49/64765625
1/8125	29/64453125	25/3278125
9/64140625	15/3246875	51/64796875
5/3215625	31/64484375	13/168125
11/64171875	1/2500	53/64828125
3/161875	33/64515625	27/3284375
13/64203125	17/3253125	55/64859375
7/3221875	35/64546875	7/8875
15/64234375	9/165625	57/64890625
1/4250	37/64578125	29/3290625
17/64265625	19/3259375	59/64921875
9/3228125	39/64609375	15/169375
19/64296875	5/8625	61/64953125
5/163125	41/64640625	31/3296875
21/64328125	21/3265625	63/64984375

Abbreviations

For simplicity of listing, the following abbreviations are used.

Abs.....	Absorber	GA	Gauge	P/Seat	Passenger Seat
A/C	Air Conditioning	Gal.	Gallon	Pstrn	Piston
A/CL	Air Cleaner	Gen.	Generator	Qty	Quantity
Acsry.	Accessories	Gls.	Glass	R/Axle	Rear Axle
Adj.	Adjusting	Gov	Governor	Rad.	Radiator
Amp.	Ampere	Grom	Grommet	Rcvr	Receiver
A/R	As Required	Grg	Group	Recs	Recess
A/Susp.	Air Suspension	Gskt	Gasket	Ref	Reference
Assy	Assembly	GVW	Gross Vehicle Weight	Rdo	Radio
Aux	Auxiliary	Hd.	Head	Rf	Roof
Bat	Battery	Hdl.	Handle	Req	Required
Bbl	Barrel	Hdlp.	Headlamp	RH	Right Hand
Bfl	Baffle	H.D.	Heavy Duty	Rngr	Ring Gear
B/Jnt.	Ball Joint	Hge.	Hinge	Repl	Replaces
Bhd.	Bulkhead	Hsg.	Housing	Ret	Retainer
Brg.	Bearing	I/Arm	Idler Arm	RPO	Regular Production Option
Brkt.	Bracket	I.D.	Inside Diameter	R.R.	Right Rear
Bzl	Bezel	Ign.	Ignition	Rub	Rubber
Bpr	Bumper	In	Inch	S/Abs.	Shock Absorber
But	Button	Illus.	Illustrated	Sa	Sash
Cabt	Cabinet	Incl.	Includes	S.A.E.	Society of Automotive Engineers
C/Bl	Cylinder Block	I/P	Instrument Panel	SBF	Sold by the Foot
C/L	Center Line	Intr	Interior	S.C.	Single Contact
Clo	Cloth	JK	Jack	Shf	Shaft
Cmpr.	Compressor	J/Blk	Junction Block	Sol	Solenoid
C/Mbr	Cross Member	Kilo	Kilometer	S.O.A.	Sold Only As Assembly
Curt	Curtain	Knu	Knuckle	Spd.	Speed
Cush	Cushion	Lam	Laminated	Spig.	Spark Plug
Cyl	Cylinder	Lk.	Lock	Std.	Standard
C.P.	Candle Power	LF	Left Front	Stmp	Stamped
Compt.	Compartment	Lg.	Long	Strg.	Steering
Contd	Continued	L.H.	Left Hand	Supt.	Support
CTL	Cut to Length	L.R.	Left Rear	Sw	Switch
D.C.	Double Contact	Lp.	Lamp	Tach	Tachometer
D.E.	Drive End	Lv	Lever	T/Ga	Temperature Gauge
Dehydr.	Dehydrator	Lw	Lock Washer	Therm	Thermostat
Dia.	Diameter	M/Cyl	Master Cylinder	Thd	Thread
Diff.	Differential	Manif	Manifold	Thk	Thick
Dr.	Door	Mir	Mirror	T/Lp	Tail Lamp
Distr.	Distributor	Mldg.	Molding	T/Pnl	Trim Panel
Eff.	Effective	Mt	Mounting	Trans.	Transmission
El.	Elbow	Mtr	Motor	T/Sig	Turn Signal
Emis.	Emission	Muff.	Muffler	Ujt.	Universal Joint
Extr.	Exterior	NPN	No Part Number	Unsi	Undersize
Eng.	Engine	NS	Not Serviced	Vac.	Vacuum
F/Axle.	Front Axle	NSS	Not Sold Separately	V/Cvr	Valve Cover
F/Ga.	Fuel Gage	Ny	Nylon	V	Volt
Flex	Flexible	Noz	Nozzle	Wa	Washer
Flr.	Floor	O.C.	Outside Circumference	Wdo	Window
Flrbd.	Floor Board	O.D.	Outside Diameter	W/H	Wheel Housing
Fltr.	Filter	O/Ga	Oil Gage	Whl.	Wheel
Flywhl.	Flywheel	O/Pump	Oil Pump	W/Pump	Water Pump
Frnt.	Front	Opt.	Optional	W/	With
Ft.	Foot or Feet	OVSI	Oversize	Wrg.	Wiring
F/Pump	Fuel Pump	Pkg.	Package	W/S	Windshield
Fig.	Fitting	Png.	Pinion Gear	X Mbr	Crossmember
F/Tnk	Fuel Tank	Pnl	Panel	Yd.	Yard
Fwd	Forward	Pro. Loc.	Procure Locally		

SPECIFICATIONS

MOTORHOME & TRANSMODE — BODY AND CHASSIS

STANDARD EQUIPMENT

GENERAL SPECIFICATIONS:

GVW — 10,500 lbs. — 23'
 GVW — 11,200 lbs. — 26' (Prior to 1975)
 GVW — 11,700 lbs. — 28' (Eff w/1975)
 Width — 98"
 Height — 98"
 Interior Ceiling Height — 78"
 Length — 23' 26'
 Front Overhang — 53" 53"
 Rear Overhang — 88" 104"
 Wheel Base — 140" 160"

BODY:

Structure

Aluminum body with fiberglass lower panels, front and rear end. (Front & rear end insulated)
 Floor — 1" treated plywood (prior to 1975)
 Floor — ¾" treated plywood (Eff w/1975)
 28" wide side door opens 180°

Windows — Softray

Windshield — two piece laminated
 Driver Compt. — Side Windows — sliding laminated
 Living Area Windows — two in 26' & one in 23', screened & sliding — Motor Home
 Galley & Entrance Door Windows
 Bedroom Side Windows — Two screened & sliding — Motor Home
 Bedroom Rear Window — One piece solid tempered — Motor Home
 Rear Bedroom Window & Living Area Windows have kickout safety feature.

Exterior Colors —

One standard plus six available (Prior to third series)
 Six available (Eff w/1975)

DRIVER & PASSENGER COMPT-MENT:

Adjustable contoured driver & single passenger seat with armrests and seat belts.
 Two painted outside (7½ x 10½) foldway mirrors
 Inside rear view mirror
 Left & right hand sun shades
 Two ash trays
 Dome lamps — for both driver & passenger
 Safety padded dash
 Automotive heater & defroster
 Glove Compt. & Map Pocket

Instruments & Controls

Windshield wiper/washer (hydraulic wipers)
 Lights, heater & defroster, lighter, speedometer, fuel, temp, oil, gen, brake cluster gage
 Key buzzer warning system
 Telltale — door open

CHASSIS:

Engine —

GMC 455 cu. in. V8, 4 Bbl. Carb. (Regular gas)
 SAE Net
 Net Horsepower 212 @ 3400 RPM
 Net Torque (Lbs. Ft.) 344 @ 2400 RPM
 Emission Control — Conforms to Federal Standards
 GMC 403 cu. in. V8, 4 Bbl. Carb. (Regular gas)
 SAE Net
 Net Horsepower 200 @ 3600 RPM
 Net Torque (Lbs. Ft.) 330 @ 2400 RPM
 Emission Control — Conforms to Federal Standards

Transmission —

3 Spd. Turbo Hydramatic HMT425
 (P—R—N—D—S—L)

Front Axle & Suspension —

Front wheel drive 3.07 ratio
 Torsion bar suspension, rated capacity 4,000 lbs. (Prior to third series)
 Torsion bar suspension, rated capacity 4,200 lbs. (Eff w/third series)
 Final drive ratio 3.07:1
 Number of wheel turn, lock to lock: 2.95 turn dia. curb to curb: 50.2 ft. (23')
 Number of wheel turn, lock to lock: 2.95 turn dia. curb to curb: 56.41 ft. (26')
 Two 1" dia. shock absorbers

Rear Axle & Suspension

Independently suspended tandem wheels (non-driving), capacity - 7000 lbs. (23')
 Independently suspended tandem wheels; non-driving; capacity 7,500 lbs. (26')
 Air springs with leading and trailing arms
 Four 1" dia. shock absorbers
 Two height control valves

Frame —

Ladder type welded frame with 6 x 2.50 x .125 channel
 SAE 950 side rails & SAE 1020 channel cross-members (prior to 1975)
 SAE 950 side rails & SAE 950 Channel cross-members (Eff. w/1975)

Brakes —

Front — Two disc with 37.9" effective lining area per brake
 Rear — four 11" x 2"
 Parking Brake — all four rear wheels
 Dual hydraulic split system with vacuum power assist

Fuel & Exhaust —

Two 25 gallon tanks with fuel selector switch
 Dual mufflers and single tailpipe

Steering —

Integral gear power steering (17.5:1 ratio)
 Tilt steering column (Eff w/1975)

Bumpers —

Formed steel painted silver
 Energy absorbers — two front and two rear

Wheels & Tires —

8.75 — 16.5 (D load range) blackwall tires

Cooling —

21 quart tube and center, 2.7 inch cross-flow radiator
 9 lb. pressure cap, 195° thermostat
 Belt driven clutch fan
 Radiator includes transmission & engine oil cooling

Electrical —

Alternator — 12 volt, 80 Amp.
 Battery — 2 — 12 volt.
 Headlights — Single 7" high intensity
 Amber front turn directionals
 Combination stop, tail, turn & backup
 Five amber (2 clearance, 3 identification) marker lamps upper front
 Five red marker lamps upper rear
 Side markers (front & rear with reflectors — front flash with turn signals)
 4-way emergency flashers
 Porch Light

AVAILABLE EQUIPMENT

Automotive Air Conditioning
 Dark tinted side & rear windows — Softray
 Fuel vapor emission controls
 Spare tire & carrier
 Engine compartment light
 Stainless foldaway mirrors
 Radio — AM, AM/FM monaural, AM/FM stereo radio & AM Stereo Tape Player & AM/FM Stereo Tape with four speakers.
 Dual passenger seat (Non swivel 26" — swivel 23') — Motor Home
 Dual passenger seat — The seat is stationary with Transmode (Eff w/1975)
 Cruise control
 Warning light system (Hand brake & low fuel)
 Exterior thermometer
 Chrome window trim
 Power leveler
 Chrome bumper (front & rear)
 Trailer Hitch Wiring
 Exterior accent stripes
 Heavy duty floor insulation
 Galley & entrance door
 Windows — sliding w/screen
 Battery — 12V, 205 amp hr.

SPECIFICATIONS

MOTORHOME — INTERIOR

STANDARD EQUIPMENT

ENVIRONMENTAL EQUIPMENT:

Heating —

- SPG Furnace — 22000 BTU (Forced Air) (Prior to 1975)
- SPG Furnace — 30000 BTU (Forced Air) (Eff w/1975)

Ventilation —

- Front roof mounted & bathroom gravity ventilators

Water Supply & Disposal —

- 40 Gallon each polyethelene water supply & disposal tanks with 12V demand water pump
- 6 Gallon, 110V hot water heater
- City water hook-up system with locking fillcap

Power —

- 12V DC with 30 Amp. AC/DC battery converter/changer
- 110V AC-25 foot 40 Amp. power cord
- LPG — 44.5 lb. Propane tank

LIVING COMPARTMENT: (Front)

- Main dinette, which converts into double bed, with removable folding leg table (L.H. side on 23", R.H. side on 26")
- 4 seat belts (prior to third series)
- 3 seat belts (Eff. w/1975)
- Davo which converts to upper & lower bunk beds (30" x 76") L.H.

GALLEY AREA:

- Refrigerator — 6 cu. ft. Electric 12V (Prior to 1975)
- Refrigerator — 7.5 cu. ft. all Electric (Eff w/1975)
- Range — 3 burner & oven w/hood, 12V fan & light
- Sink — 17" x 24" stainless steel double bowl with ledge back & swing spout faucet
- Cabinets — Under and over sink & refrigerator

INTERIOR ELECTRICAL:

- All lights 12V — located as follows:
 - Dinette — (2) on 26' Lt. side & Rt. side, (1) on 23' Lt. side only
 - Corridor — (1)
 - Range Hood — (1)
 - Sink — (1)
 - Rear Compartment — (2)
 - Bathroom — (2)
 - Door Courtesy — (1)
- Duplex outlets — 110V (4)

REAR BEDROOM:

- Permanent double bed (Prior to 1975)
- Storage locker

BATHROOM & HALL:

- Two piece molded FPP with shower and curtain
- Sink and faucet
- Medicine Chest with mirror
- Thethford 41 Aquamagic toilet (Prior to 1975)
- Storage Compt. (closet, three drawers & 2 doors)

INTERIOR FINISHING:

- Walls & roof insulated with foamed in place polyurethane
- Ceiling — vinyl covered composite panel
- Paneling — $\frac{3}{8}$ " vinyl covered wood panel
- Draperies — All windows except windshield and drive compartment side windows
- Driver compartment divider drape (Prior to 1975)
- Draperies — all windows (Eff w/1975)

AVAILABLE EQUIPMENT

- Four (4) color keyed interior decors with short or shag carpeting (Prior to 1975)
- Three (3) color keyed interior decor with short shag carpeting (1975)
- Hot water supply — Electric with engine pre-heat
- LPG Furnace — 32,000 BTU (Prior to 1975)
- LPG Furnace — 30,000 BTU (Eff. w/1975)

Air Conditioning - roof mounted 11,000 BTU, 110 AC

Air Conditioning — roof mounted 13,500 BTU, 110 AC

Prewire for Air Conditioning 110V includes additional gravity ventilator

Front roof mounted ventilator power fan

Center roof mounted ventilator non power (26' only)

Rear roof mounted ventilator with or without power fan

Bath exhaust fan

Power — 4000 W generator, 6000 W generator, AC/DC converter, 62 lb. Propane tank

TV antenna

Monitor Panel

Water Purifier

Thermassan waste disposal system

Chemical recirculating toilet

Driver & passenger table

Clock — Battery operated

Built in vacuum cleaner (26' only).

Lights — Aisle & Compartment

Fire extinguisher — 2½ lb.

Refrigerator — 6 cu. ft. Gas/Electric — 7 cu. ft. two door Gas/Electric; 7.5 cu. ft. two door all Electric AC/DC (Prior to 1975)

Four burner range with bifold top, glass door oven & sink cover cutting board (Prior to 1975)

Front cabinets overhead, L.H. side (W/Out Davo)

Front cabinets overhead, R.H. side (26' only)

Drapes — Windshield & driver compartment side windows (Prior to 1975)

R.H. Davo replacing double dinette (26' only)

Swivel lounge chairs & table replacing L.H. Davo

L.H. Davo replacing double dinette (23' only)

Rear side facing settee (converts to double bed)

Rear cocktail table for use with side facing settee

Rear Goucho (converts to double bed) (Prior to 1975)

Rear upper cabinets on each side

Roof carrier with access ladder

Code Insignia — For States as required

Broom closet

BASIC RPO INDEX

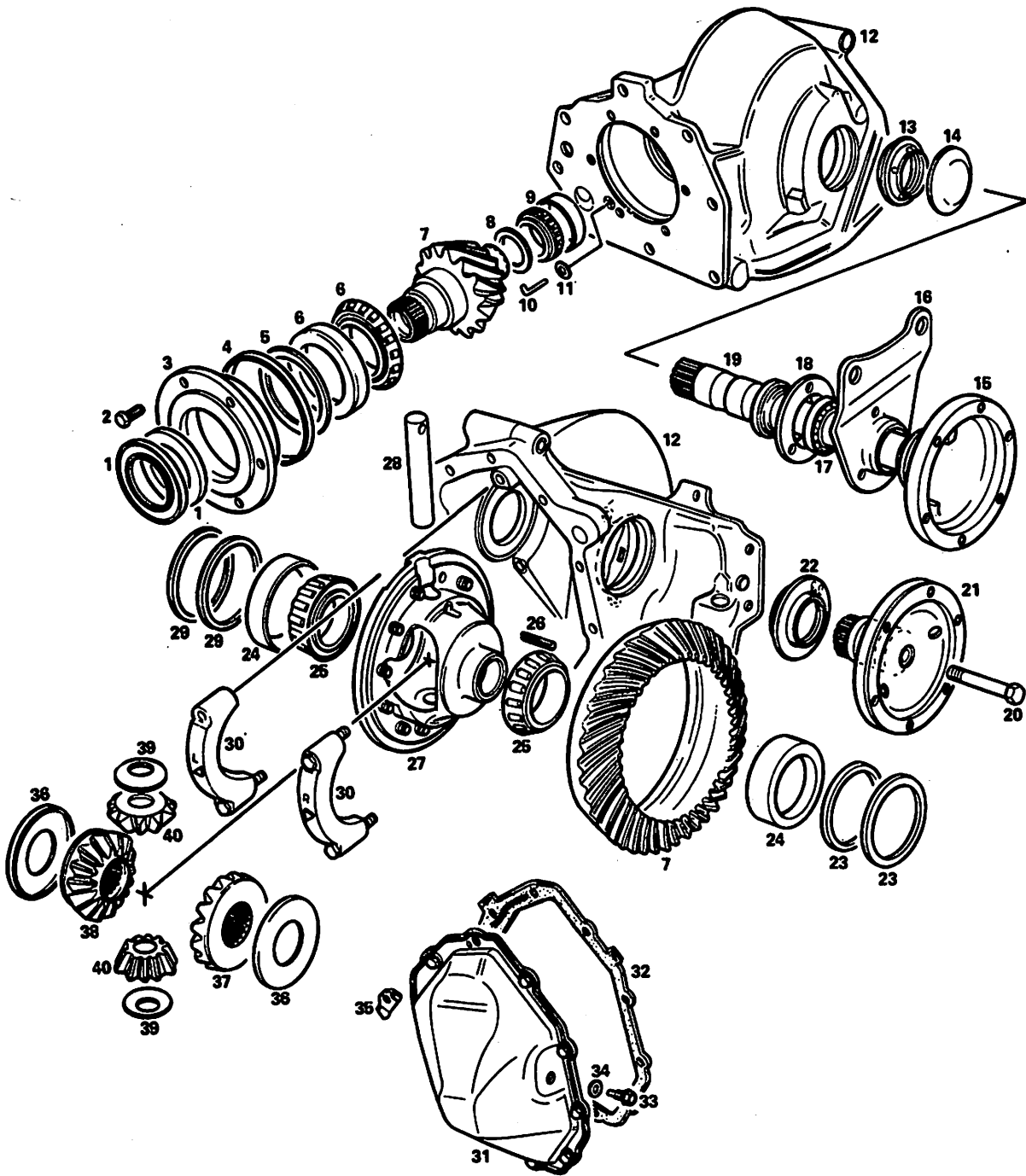
RPO	DESCRIPTION	RPO	DESCRIPTION
ANL	Seats – Driver & Passenger with Arm Rests	UM2	Radio – AM/FM Stereo w/Tape Player & Six Speakers
ANW	Toilet – Recirculating, Chemical	UM5	Radio – AM/FM Stereo w/Six Speakers
APC	Window – with Screen, Sliding, Side Door	UNF	Clock – Battery Operated
APD	Window – with Screen, Sliding, Galley Area	UNL	Vacuum Cleaner – Built-In
APN	Swivel Chairs – Deluxe, Flex Steel	UNR	Pre-Wire – Roof Air Conditioning (Rear)
APP	Davo – Front RH	UPA	Harness – Trailer Wiring
APQ	Window – Side Sash & Glass 23 Ft. Commercial	UPI	Radio – Combination FM Stereo Tape Player & C.B.
APR	Window – Side Sash & Glass 26 Ft. Commercial	UX1	Radio – AM/Four Speakers
APS	Bunk – Twin Rear Upper	UX2	Radio – AM/FM Mono/Four Speakers
APU	Furniture – Flexsteel	UX3	Radio – AM/FM Stereo/Four Speakers
AN4	Seats – Driver & Passenger (Flex Steel)	UX4	Radio – AM Stereo Tape Player & Four Speakers
A50	Seats – Driver & Single Passenger	UX5	Radio – AM/FM Stereo with Stereo Tape Player & Four Speakers
A58	Seat – Dual Passenger	U26	Lamp – Engine Compartment
BRQ	Insulation – Floor Panel	U41	Lamp – Low Fuel Indicator
BRR	TransMode Modifications for Rear Bath	U97	Outlet – 110 Volt Electrical
BRS	TransMode Modifications for Right Hand Bath	VNT	Water Purifier
BRT	Conversion Package – Interior, Wood Module	VQV	Cooling – Fan Clutch
BRU	Trim Package – TransMode Interior (Saddle)	VXA	Hose & Fittings – Provisions for Preheat of Hot Water Heater
BRV	Bolsters – Twin Bed	V37	Bumper – Chrome Front & Rear
CNL	Air Conditioning – Roof Mounted – Duo Therm	521	Exterior Color – White
CNQ	Ventilator – Roof, Front Power	525	Exterior Color – Chamois
CNU	Ventilator – Roof Front & Rear, Power	527	Exterior Color – Yellow
CNV	Air Conditioning – Twin Roof Mounted – Duo Therm	532	Exterior Color – White – Base
CNW	Air Conditioning – Roof Mounted – Evans	533	Exterior Color – Beige – Camel
C70	Air Conditioning – Automotive Type	534	Exterior Color – Cream Beige
DJ8	Mirror – Dual Stainless Foldaway Type, Outside Rear View	553	Exterior Color – Frosted Mint
D84	Mirror – Visor Vanity Illuminated	554	Exterior Color – Blue
ENA	Cabinet – Storage, Gun (Overhead RH Front)	557	Exterior Color – Aspen Gold
ENF	Table – Driver's Compartment	558	Exterior Color – Cameo White
ENJ	Cabinets – RH Front, Overhead	575	Exterior Color – Orange – Bittersweet
ENK	Table – Rear Dining	577	Exterior Color – Green
ENL	Cabinets – LH Front, Overhead	581	Exterior Color – Santa Fe Tan
ENN	Cabinet – Storage, Fishing Equipment (Overhead Rear)	595	Exterior Color – Suntan
ENT	Storage Shelving – Closet, Entrance Door	641	Interior Decor – Kingsley
GYE	Suspension Leveler – Power	681	Interior Decor – Glenbrook
KNC	Auxiliary Motor Generator – 600 Watt (Onan)	683	Interior Decor – Edgemonte
KNE	Auxiliary Motor Generator – 4500 Watt (Generac)	685	Interior Decor – Coca Cola
K30	Cruise Control	690	Interior Decor – Sequoia
NA9	Fuel Evaporative Emission System	692	Interior Decor – Painted Desert
NB4	California Emission System	693	Interior Decor – Glacier
PNJ	Wheel – Spare	695	Interior Decor – Canyon Lands
PO1	Trim Discs – Wheel (Hub Caps) Qty. -6	696	Interior Decor – Eleganza I
PO2	Trim Discs – Wheel (Hub Caps) Qty. -7	697	Interior Decor – Eleganza II
P10	Carrier – Spare Wheel	698	Interior Decor – Palm Beach
T58	Skirt – Rear Wheel Opening		
UND	Oven – Microwave		

FRONT AXLE

LIST OF SUB GROUPS

Name	Group No.
DRIVE ASSEMBLY – FINAL	1.001
KITS – DRIVE AXLE	1.004
KIT – FINAL DRIVE	1.002
MOUNTING – FINAL DRIVE	1.006
SHAFT – FRONT AXLE DRIVE	1.003
SUSPENSION – FRONT	1.010

FRONT AXLE



1.001 DRIVE - FINAL

1P-11

FRONT AXLE

KEY	230	280	PART NUMBER
-----	-----	-----	-------------

1.001 DRIVE — FINAL

—	1	1	230781	DRIVE ASSY.—final w/3.07: 1 ratio (complete)
1	1	1	1371622	SEAL ASSY.—oil, drive pinion rear
2	1	1	—	BOLT—drive gear bearing retainer (3/8—16 x 7/8) (procure locally)
3	1	1	397465	RETAINER—bearing, drive gear
4	1	1	1373511	SEAL—oil, pinion bearing retainer
5	AR	AR	—	REAR SHIM—see chart 1.001A
6	1	1	7451675	BEARING ASSY.—rear, drive pinion (New Departure Hyatt Bearings # LM806349C/LM806310) (repl. 9424311)
7	1	1	398650	GEAR ASSY.—drive, incl. pinion (SOA)
8	AR	AR	—	FRONT SHIM—see chart 1.001B
9	1	1	7451728	BEARING ASSY.—front, drive pinion (457050 & 457051) (ref. only) (incl. next.(2) items)
9	1	1	457051	CUP—front, drive pinion (repl. 7451726)
9	1	1	457050	CONE—front, drive pinion (repl. 7451727)
10	1	1	1375164	PIN—vent, differential housing
11	1	1	1375165	SEAL—oil vent
12	1	1	402905	HOUSING ASSY.—final drive, incl. bearing caps
13	1	1	397470	SHIELD—oil, differential bearing RH
14	1	1	NS	COVER—hole (for shipping purpose only)
15	1	1	403708	SHAFT ASSY.—output, differential RH
16	1	1	397478	SUPPORT—output shaft RH
17	1	1	907677	BEARING—output shaft RH (New Departure Hyatt Bearings # RW508B SYIBC)
18	1	1	397474	RETAINER—bearing output shaft RH
19	1	1	397479	SLINGER—grease, output shaft RH
20	1	1	—	BOLT—hex, output shaft LH (3/8—16 x 3 1/2) (procure locally)
21	1	1	397473	SHAFT—output, differential LH
22	1	1	404400	SEAL ASSY.—oil, differential bearing output LH
23	AR	AR	—	SIDE SHIM—see chart 1.001C
24	2	2	142223	CUP—bearing, side differential
25	2	2	7451693	BEARING—side differential (repl. 9422481)
26	1	1	455313	PIN—lock, pinion shaft
27	1	1	397436	CASE—differential
28	1	1	393131	SHAFT—pinion, differential (repl. 401028)
29	2	2	407109	SPACER—inner shim differential .140
30	2	2	NS	CAP—bearing (part of 402905 housing)
31	1	1	231288	KIT—housing cover (incl. cover gasket & shield)
32	1	1	231285	SHIELD KIT—housing cover (SOA) (repl. 409729)
33	1	1	1480294	PLUG—oil filler, differential
34	1	1	1377448	GASKET—oil filler plug
35	1	1	407086	SHIELD—vent, housing cover
36	2	2	397770	WASHER—thrust, differential side gear
37	1	1	397772	GEAR—side differential LH
38	1	1	397752	GEAR—side differential RH
39	2	2	393129	WASHER—thrust, differential pinion
40	2	2	393130	GEAR—pinion, differential

1.001A CHART — REAR SHIM

—	AR	AR	1380905	SHIM—rear bearing, drive pinion .043"
—	AR	AR	1373361	SHIM—rear bearing, drive pinion .044"
—	AR	AR	1380906	SHIM—rear bearing, drive pinion .045"
—	AR	AR	1373362	SHIM—rear bearing, drive pinion .046"
—	AR	AR	1380907	SHIM—rear bearing, drive pinion .047"
—	AR	AR	1373363	SHIM—rear bearing, drive pinion .048"
—	AR	AR	1380908	SHIM—rear bearing, drive pinion .049"
—	AR	AR	1373364	SHIM—rear bearing, drive pinion .050"
—	AR	AR	1380909	SHIM—rear bearing, drive pinion .051"
—	AR	AR	1373365	SHIM—rear bearing, drive pinion .052"
—	AR	AR	1380910	SHIM—rear bearing, drive pinion .053"
—	AR	AR	1373366	SHIM—rear bearing, drive pinion .054"
—	AR	AR	1380911	SHIM—rear bearing, drive pinion .055"
—	AR	AR	1373367	SHIM—rear bearing, drive pinion .056"
—	AR	AR	1380912	SHIM—rear bearing, drive pinion .057"
—	AR	AR	1373368	SHIM—rear bearing, drive pinion .058"
—	AR	AR	1380913	SHIM—rear bearing, drive pinion .059"
—	AR	AR	1373369	SHIM—rear bearing, drive pinion .060"

FRONT AXLE

KEY 230 260 PART NUMBER

1.001A CHART — REAR SHIM (Cont.)

—	AR	AR	1380914	SHIM—rear bearing, drive pinion .061"
—	AR	AR	1373370	SHIM—rear bearing, drive pinion .062"
—	AR	AR	1380915	SHIM—rear bearing, drive pinion .063"
—	AR	AR	1373371	SHIM—rear bearing, drive pinion .064"
—	AR	AR	1380916	SHIM—rear bearing, drive pinion .065"
—	AR	AR	1373372	SHIM—rear bearing, drive pinion .066"
—	AR	AR	1380917	SHIM—rear bearing, drive pinion .067"
—	AR	AR	1373373	SHIM—rear bearing, drive pinion .068"
—	AR	AR	1380918	SHIM—rear bearing, drive pinion .069"
—	AR	AR	1373374	SHIM—rear bearing, drive pinion .070"
—	AR	AR	1380919	SHIM—rear bearing, drive pinion .071"

1.001B CHART — FRONT SHIM

—	AR	AR	401853	SHIM—front bearing, drive pinion .034"
—	AR	AR	401854	SHIM—front bearing, drive pinion .036"
—	AR	AR	401855	SHIM—front bearing, drive pinion .038"
—	AR	AR	1373552	SHIM—front bearing, drive pinion .040"
—	AR	AR	1373553	SHIM—front bearing, drive pinion .042"
—	AR	AR	1373554	SHIM—front bearing, drive pinion .044"
—	AR	AR	1373555	SHIM—front bearing, drive pinion .046"
—	AR	AR	1373556	SHIM—front bearing, drive pinion .048"
—	AR	AR	1373557	SHIM—front bearing, drive pinion .050"
—	AR	AR	1373558	SHIM—front bearing, drive pinion .052"
—	AR	AR	1373559	SHIM—front bearing, drive pinion .054"
—	AR	AR	1373560	SHIM—front bearing, drive pinion .056"
—	AR	AR	1373561	SHIM—front bearing, drive pinion .058"
—	AR	AR	1373562	SHIM—front bearing, drive pinion .060"
—	AR	AR	1373563	SHIM—front bearing, drive pinion .062"
—	AR	AR	1373564	SHIM—front bearing, drive pinion .064"
—	AR	AR	1373565	SHIM—front bearing, drive pinion .066"
—	AR	AR	1373566	SHIM—front bearing, drive pinion .068"
—	AR	AR	1373567	SHIM—front bearing, drive pinion .070"

1.001C CHART — SIDE SHIM

—	AR	AR	397457	SHIM—inner, diff. side bearing .038"
—	AR	AR	397458	SHIM—inner, diff. side bearing .040"
—	AR	AR	397459	SHIM—inner, diff. side bearing .042"
—	AR	AR	397441	SHIM—inner, diff. side bearing .044"
—	AR	AR	397442	SHIM—inner, diff. side bearing .046"
—	AR	AR	397443	SHIM—inner, diff. side bearing .048"
—	AR	AR	397444	SHIM—inner, diff. side bearing .050"
—	AR	AR	397445	SHIM—inner, diff. side bearing .052"
—	AR	AR	397446	SHIM—inner, diff. side bearing .054"
—	AR	AR	397447	SHIM—inner, diff. side bearing .056"
—	AR	AR	397448	SHIM—inner, diff. side bearing .058"
—	AR	AR	397449	SHIM—inner, diff. side bearing .060"
—	AR	AR	397450	SHIM—inner, diff. side bearing .062"
—	AR	AR	397451	SHIM—inner, diff. side bearing .064"
—	AR	AR	397452	SHIM—inner, diff. side bearing .066"
—	AR	AR	397453	SHIM—inner, diff. side bearing .068"
—	AR	AR	397454	SHIM—inner, diff. side bearing .070"
—	AR	AR	397455	SHIM—inner, diff. side bearing .072"
—	AR	AR	397456	SHIM—inner, diff. side bearing .074"

1.002 KIT — FINAL DRIVE SERVICE

—	1	1	230380	KIT—drive gear & Pinion (incl. next 3 items)
—	1	1	398650	GEAR—drive, incl. pinion 3.07:1 ratio (see item 7 of 1.001 illustration)
—	12	12	413975	BOLT—drive gear
—	2	2	1052271	LUBRICATION (repl. 1050081, 1051022)
—	1	1	231285	KIT—cover gasket & shield (incl. next 3 items)
—	1	1	NS	GASKET—cover (see item 32 of 1.001 illustration) (ref. 409729) (part of 231285 kit)

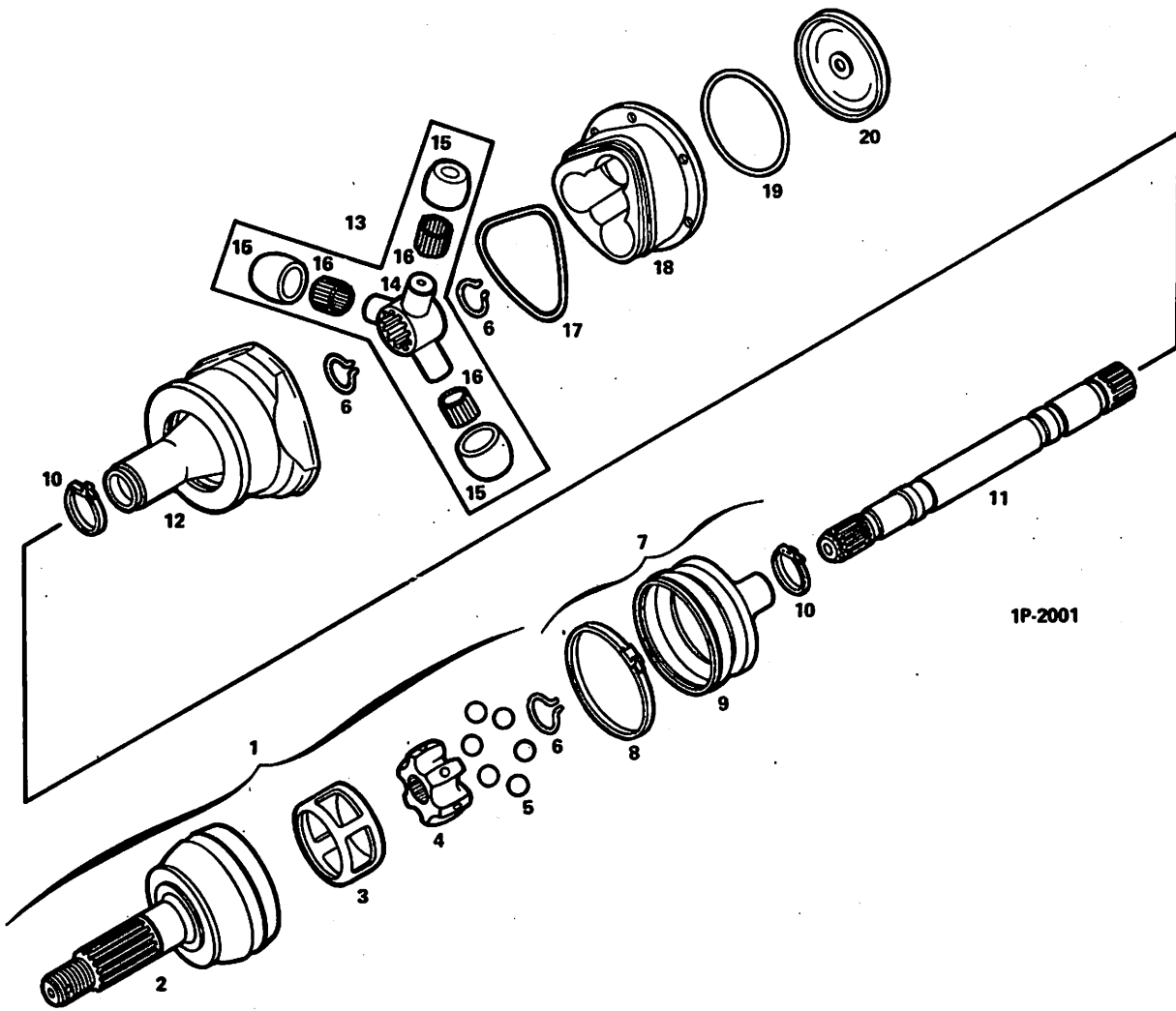
FRONT AXLE

KEY	230	280	PART NUMBER	
-----	-----	-----	-------------	--

1.002 KIT — FINAL DRIVE SERVICE (Cont.)

—	1	1	407086	SHIELD—vent (see item 35 of 1.001 illustration)
—	1	1	NS	SHEET—instruction (part of 231285 kit)
—	1	1	231058	KIT—gasket & seal (incl. next 7 items)
—	1	1	1377448	GASKET—drain plug (see item 34 of 1.001 illustration)
—	1	1	409729	GASKET—housing to cover (see item 32 of 1.001 illustration)
—	1	1	1373511	SEAL—oil, bearing housing (see item 4 of 1.001 illustration)
—	1	1	397470	SEAL—oil, RH, differential bearing (see item 13 of 1.001 illustration)
—	1	1	404400	SEAL—oil, LH, differential bearing (see item 22 of 1.001 illustration)
—	2	2	1371622	SEAL—oil, rear pinion bearing (see item 1 of 1.001 illustration)
—	1	1	1375165	SEAL—oil vent (see item 11 of 1.001 illustration)
—	1	1	231288	KIT—housing cover (incl. next 2 items) (see item 31 of 1.001 illustration)
—	1	1	231285	SHIELD KIT—cover (see item 32 of 1.001 illustration (SOA) (repl. 409729)
—	1	1	407086	SHIELD—cover (see item 35 of 1.001 illustration)
—	1	1	230379	KIT—side gear & pinion (incl. next 7 items)
—	2	2	393130	GEAR—pinion
—	1	1	397752	GEAR—side, RH
—	1	1	397772	GEAR—side, LH
—	1	1	393131	SHAFT—pinion (repl. 401028)
—	2	2	393129	WASHER—thrust, pinion (.932 I.D. x 2.00 O.D.)
—	2	2	397770	WASHER—thrust, side gear (1.730 I.D. x 3.540 O.D.)
—	1	1	NS	PIN—lock, pinion shaft (see item 26 of 1.001 illustration) (part of 230379 kit)

FRONT AXLE



1P-2001

KEY	230	260	PART NUMBER
-----	-----	-----	-------------

1.003 SHAFT — FRONT AXLE DRIVE

—	2	2	7815414	SHAFT ASSY.—front axle drive (RH or LH)
1	2	2	7808580	JOINT SERVICE KIT—drive shaft (see grp. 1.004)
2	2	2	NS	RACE—outer (ref. 7805321)
3	2	2	NS	CAGE—drive axle (ref. 7805320)
4	2	2	NS	RACE—inner (ref. 5695005)
5	12	12	NS	BALL—carbon steel (ref. 5695003)
6	6	6	5694379	RING—retainer
7	2	2	7800666	KIT—seal, outer, board (incl. next (4) items)
8	2	2	7800851	CLAMP—seal(outer board)
9	2	2	NS	SEAL—outer board (ref. 7805324) (part of 7800666)
10	4	4	7800852	CLAMP—seal
—	1	1	7805942	KIT—service, grease
11	2	2	7815413	SHAFT—drive axle
12	2	2	7802092	SEAL ASSY.—drive axle (kit)
13	2	2	5698263	KIT—u-joint spider (incl. next (5) items)
14	2	2	NS	SPIDER—u-joint (part of 5698263 kit)
15	6	6	NS	BALL—u-joint (part of 5698263 kit)
16	31	31	NS	NEEDLE—bearing-u-joint (part of 5698263 kit)
—	1	1	NS	SPIDER ASSY.—u-joint (part of 5698263 kit)
—	1	1	7805942	KIT—service, grease

FRONT AXLE

KEY	230	260	PART NUMBER
-----	-----	-----	-------------

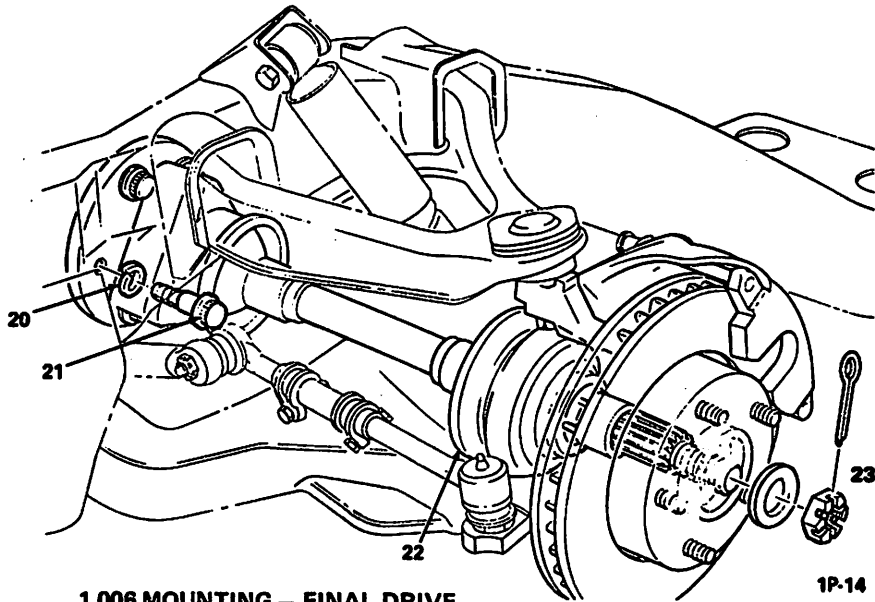
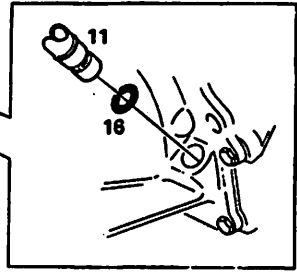
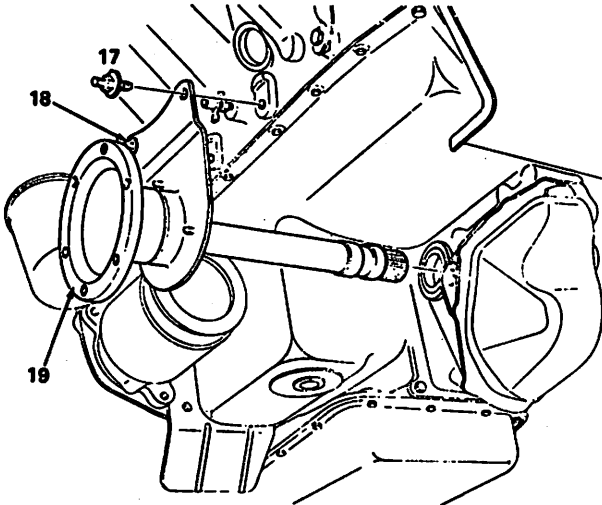
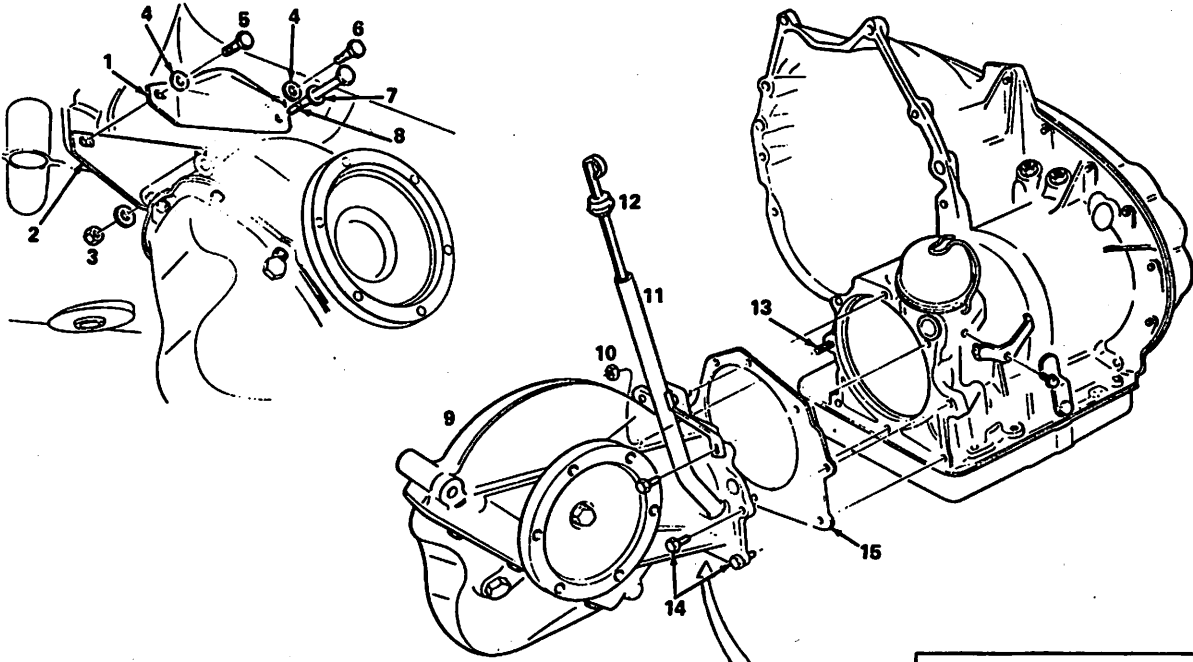
1.003 SHAFT — FRONT AXLE DRIVE (Cont.)

17	2	2	7801800	SEAL—"O" ring
18	2	2	NS	HOUSING—u-joint (ref. 7804389)
19	2	2	7801799	SEAL—"O" ring
20	2	2	7808647	CUP—retainer
—	2	2	389791	NUT—hub. (race) (1-20 unef-2B thd. plain) (see grp. 1.006)

1.004 KITS — DRIVE AXLE SERVICE

—	2	2	7804386	KIT—housing, drive axle (incl. next 6 items)
—	2	2	NS	HOUSING—universal joint (see 1.003 illustration) (ref. 7804389) (part of 7804386 kit)
—	2	2	7805942	KIT—service, grease
—	2	2	7801799	SEAL—"O" ring (see 1.003 illustration)
—	2	2	7801800	SEAL—"O" ring
—	2	2	NS	SHEET—instruction (part of 7804386 kit)
—	1	1	NS	CUP—retaining (part of 7804386 kit)
—	2	2	7808580	KIT—joint, drive axle (incl. next 10 items)
—	2	2	NS	JOINT ASSY.—drive axle (part of 7808580 kit)
—	2	2	401026	SEAL ASSY.—knuckle
—	2	2	NS	SEAL ASSY.—inner, knuckle (ref. 403193) (part of 7808580 kit)
—	2	2	7805942	KIT—grease
—	12	12	NS	BALL—carbon steel (see 1.003 illustration) (ref. 5695003) (part of 7808580 kit)
—	2	2	NS	CAGE—drive axle (see 1.003 illustration) (ref. 7805320) (part of 7808580 kit)
—	2	2	NS	RACE—inner, drive axle (see 1.003 illustration) (ref. 5695005) (part of 7808580 kit)
—	2	2	NS	RACE—outer, drive axle (see 1.003 illustration) (ref. 7805321) (part of 7808580 kit)
—	6	6	5694379	RING—retaining (see 1.003 illustration)
—	1	1	NS	SHEET—seal replacement instruction (part of 7808580 kit)
—	2	2	7802092	KIT—seal, drive axle inboard (incl. next 10 items)
—	2	2	NS	SEAL ASSY.—drive axle (see 1.003 illustration) (ref. 7806493) (part of 7802092 kit)
—	2	2	7800852	CLAMP ASSY.—seal, drive axle (SOA)
—	2	2	NS	ADAPTER—inboard seal (ref. 7806491) (part of 7802092 kit)
—	2	2	7805942	KIT—grease
—	2	2	NS	RETAINER—inboard seal (ref. 7806492) (part of 7802092 kit)
—	2	2	NS	SEAL—drive axle (inboard) (ref. 7806494) (part of 7802092 kit)
—	2	2	NS	SEAL—"O" ring (ref. 5699418) (part of 7802092)
—	2	2	7801800	SEAL—"O" ring
—	1	1	NS	SHEET—"O" ring instruction (part of 7802092 kit)
—	1	1	NS	SHEET—venting instruction (part of 7802092 kit)
—	2	2	7800666	KIT—seal, drive axle outboard (incl. next 4 items) (see 1.003 illustration)
—	2	2	7800851	CLAMP ASSY.—seal, outboard (see 1.003 illustration)
—	2	2	7800852	CLAMP ASSY.—seal, shaft (see 1.003 illustration)
—	2	2	7805942	KIT—grease
—	2	2	NS	SEAL—outboard (see 1.003 illustration) (ref. 7805324) (part of 7800666)
—	2	2	5698263	KIT—spider, drive axle (incl. next 5 items) (see 1.003 illustration)
—	2	2	NS	SPIDER ASSY.—drive axle (see 1.003 illustration) (ref. 7806955) (part of 5698263 kit)
—	6	6	NS	BALL—universal joint (see 1.003 illustration) (ref. 5698262) (part of 5698263 kit)
—	2	2	7805942	KIT—grease
—	31	31	NS	NEEDLE—bearing, universal joint (see 1.003 illustration) (ref. 7810572) (part of 5698263)
—	2	2	7805323	SPIDER—drive axle (see 1.003 illustration)

FRONT AXLE



1.006 MOUNTING - FINAL DRIVE

1P-14

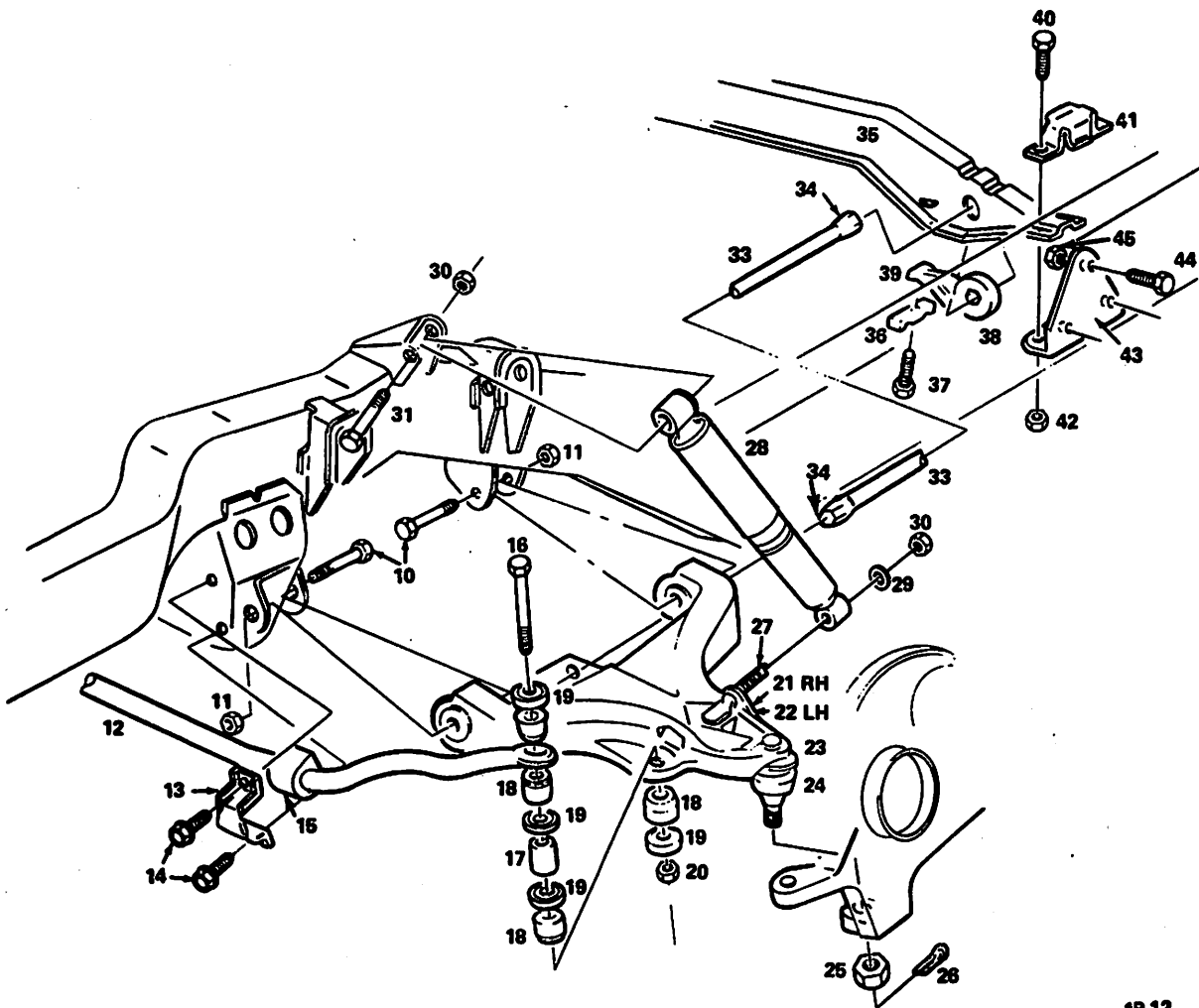
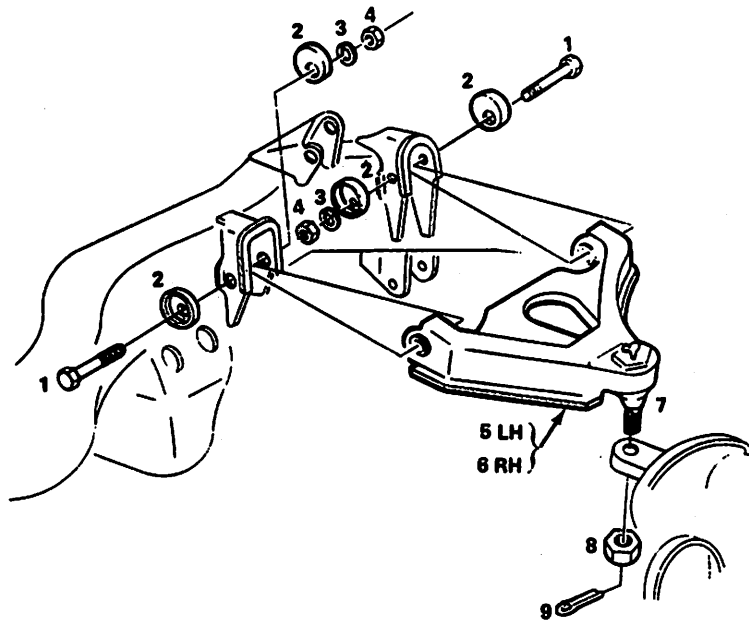
FRONT AXLE

KEY	230	280	PART NUMBER
------------	------------	------------	--------------------

1.006 MOUNTING — FINAL DRIVE

1	1	1	397476	BRACKET—final drive to engine (prior to 1977)
2	1	1	397477	PLATE ASSY.—final drive support (prior to 1977)
2	1	1	555745	PLATE—final drive support (eff. w/1977)
3	1	1	—	NUT—final drive support (1/2—13) (procure locally)
4	2	2	585792	WASHER—final drive bracket to engine bolt (.468 I.D. x 940 O.D.)
5	1	1	—	BOLT—final drive bracket (7/16—14) (procure locally)
6	1	1	—	BOLT—final drive bracket (7/16—14 x 1—1/4) (procure locally)
7	1	1	400944	WASHER—final drive bracket to housing bolt (.531 I.D. x 1.00 O.D.)
8	1	1	—	BOLT—final drive to housing (1/2—13 x 5) (procure locally)
9	1	1	—	DRIVE ASSY.—final drive (3.07:1) (see grp. 1.001)
10	1	1	—	NUT—final drive, transfer stud (3/8—24) (procure locally)
11	1	1	—	TUBE ASSY.—oil filler (see 17.001)
12	1	1	—	INDICATOR ASSY.—transfer oil lever (see grp. 1.001)
13	1	1	—	STUD—transfer case to final drive (see grp. 1.001)
14	3	3	—	BOLT—final drive (3/8—16 x 1—1/4) (procure locally)
15	1	1	389948	GASKET—final drive to transmission
16	1	1	—	SEAL—transmission oil filler tube (see grp. 1.001)
17	1	1	411349	STUD ASSY.—front support to engine (incl. washer)
18	1	1	380484	WASHER—front support bolt (.612 I.D. x 1.25 O.D.)
19	1	1	—	SHAFT ASSY.—differential output, RH (see grp. 1.001)
20	5	5	—	WASHER—spring lock (3/8) (procure locally)
21	5	5	384777	BOLT—washer head (.432 I.D. x .530 O.D.)
22	1	1	—	SHAFT ASSY.—front axle drive (see grp. 1.001)
23	2	2	—	NUT—hub, (race) (see grp. 1.003)

FRONT SUSPENSION



1.010 SUSPENSION - FRONT

FRONT AXLE

KEY 230 260 PART NUMBER

1.010 SUSPENSION — FRONT

1	4	4	395039	BOLT—arm, control upper (1/2-20 UNF-2A thd.)
2	8	8	395038	CAM—control arm adjuster, upper
3	4	4	794360	WASHER—arm, control, upper (.531 I.D. x .734 O.D.)
4	4	4	394382	NUT—arm, control (1/2-20)
5	1	1	412297	ARM ASSY.—control, upper LH
6	1	1	412296	ARM ASSY.—control, upper RH
NOTE: the above (2) ARM ASSY. 412297, & 412296 incl. next (2) items.				
—	2	2	9757984	KIT—ball joint, upper (part of arm assy. 412297 & 412296)
—	4	4	402116	BUSHING—control, upper (part of arm assy. 412297 & 412296)
7	2	2	NS	JOINT—ball, upper (part of ball joint upper kit 9757984) (ref. 7814490)
8	2	2	—	NUT—arm control, upper (procure locally)
9	2	2	103385	PIN—arm control, upper (1/8 x 1')
10	4	4	—	BOLT—arm control, lower (procure locally)
11	4	4	9422301	NUT—arm control, lower (1/2-13)
12	2	2	693154	SHAFT—stabilizer, front
13	2	2	406965	BRACKET—stabilizer, front
14	4	4	—	BOLT—bracket stabilizer, front (procure locally)
15	2	2	389098	BUSHING—stabilizer bracket (prior to 1977)
16	2	2	389271	BOLT—shaft stabilizer
17	2	2	389273	SPACER—stabilizer link
18	8	8	6264018	GROMMET—stabilizer link bolt, front (prior to 1977)
—	8	8	4941131	GROMMET—stabilizer link bolt, front (eff. w/1977)
19	8	8	4941130	RETAINER—grommet, front stabilizer link (repl. 5544049)
20	2	2	9418892	NUT—shaft stabilizer (5/16-24)
21	1	1	792769	ARM ASSY.—control, lower RH (repl. 700547, 706756, 715879)
22	1	1	792768	ARM ASSY.—control, lower LH (repl. 700546, 706755, 715880)
23	2	2	9752657	FITTING—lubrication
24	2	2	9755841	JOINT—ball, lower (part of 702775 kit ball joint lower)
24	2	2	9754740	SEAL—ball joint lower (rubber)
24	2	2	3825820	RETAINER—ball joint seal, lower
25	2	2	9414579	BOLT—arm control, lower
26	2	2	103387	PIN—arm control, lower (1/8 x 1 1/2)
27	2	2	NS	STUD—arm control, lower (part of 706756 & 706755 arm assy.)
28	2	2	4975540	ABSORBER ASSY.—shock (repl. 4975483)
29	2	2	409065	WASHER—shock stud
30	4	4	—	NUT—shock stud (Procure locally) (ref. 9422303)
31	2	2	9430836	BOLT—shock (5/16-24). also use 4-2436166 washers
33	1	1	702524	BAR—torsion RH
33	1	1	702525	BAR—torsion LH
34	AR	AR	NS	LUBRICANT—bar, torsion
35	2	2	711208	SUPPORT—anchor, torsion bar
36	2	2	395043	NUT—adjuster, torsion bar (1/2-20)
37	2	2	417224	BOLT—torsion bar, rear (repl. 407764) (300M)
38	2	2	413683	ARM—anchor, torsion bar rear, (in pairs only) (1973) (23 degrees)
38	2	2	416373	ARM—anchor, torsion bar rear (1974) (First Design) (28 degrees)
38	2	2	418352	ARM—anchor, torsion bar rear (eff. w/1974 & prior to 1977) (Second Design) (25/30 degrees)
38	2	2	413683	ARM—anchor, torsion bar rear (eff. w/1977) (23 degrees)
39	AR	AR	NS	LUBRICANT—anchor, torsion bar (ref. 9985092)
40	4	4	9420942	BOLT—insulator, torsion bar & support (3/8-16 x 7/8 hex head 300M)
41	2	2	410401	RETAINER—insulator, torsion bar anchor supt.
—	2	2	413516	INSULATOR—support, torsion bar (retainer)
42	4	4	9422297	NUT—support, torsion bar (3/8-16 30/M)
43	2	2	693155	BRACKET—support, torsion bar
44	6	6	9420942	BOLT—bracket, torsion bar support (3/8-16 x 7/8 hex head 300M)
45	2	2	9422297	NUT—bracket, torsion bar support (3/8-16 301M)
—	2	2	394382	NUT—upper control arm to frame bolt (1/4-20)

FRONT AXLE

NOTES

BRAKES

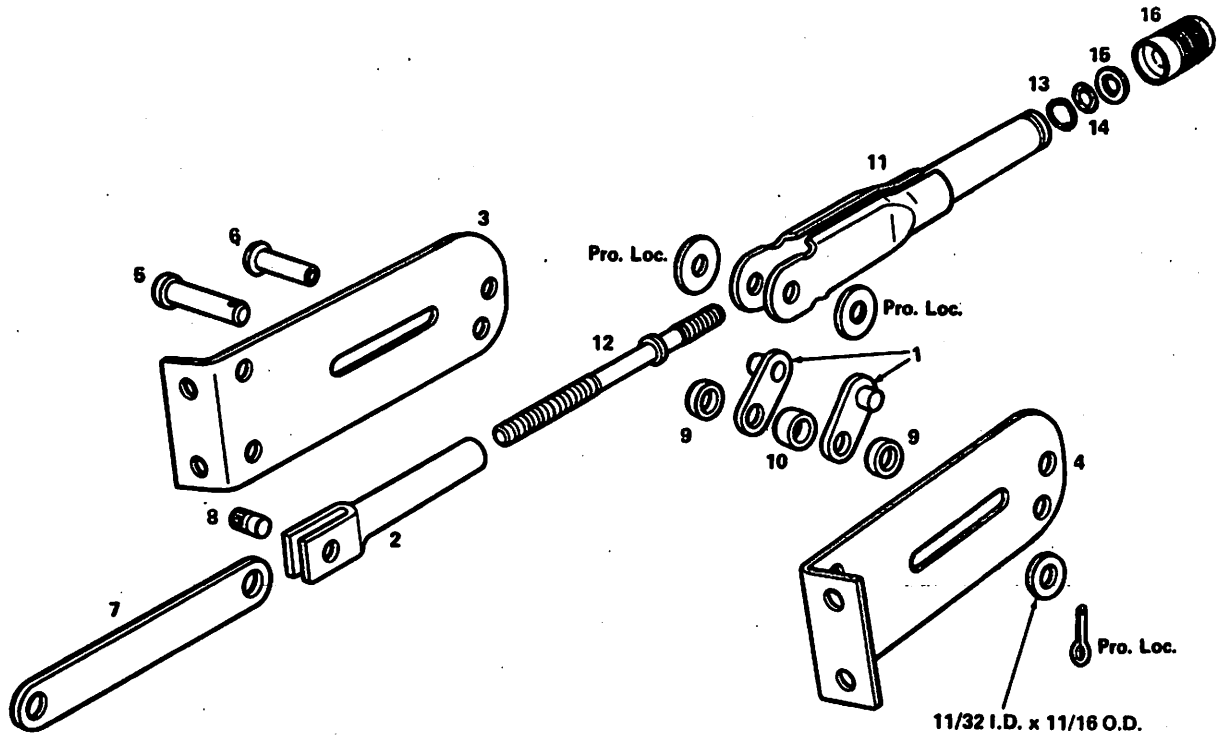
LIST OF SUB GROUPS

Name	Group No.
BOOSTER — POWER BRAKE	4.007
BRAKES — FRONT	4.015
BRAKES — REAR	4.020
CABLE — PARKING BRAKE	4.002
CYLINDER — MASTER	4.010
LEVER — PARKING BRAKE	4.001
LINES — FRONT HYDRAULIC BRAKE	4.025
LINES — REAR HYDRAULIC BRAKE	4.030
PEDAL — BRAKE	4.005

BRAKES

NOTES

BRAKES



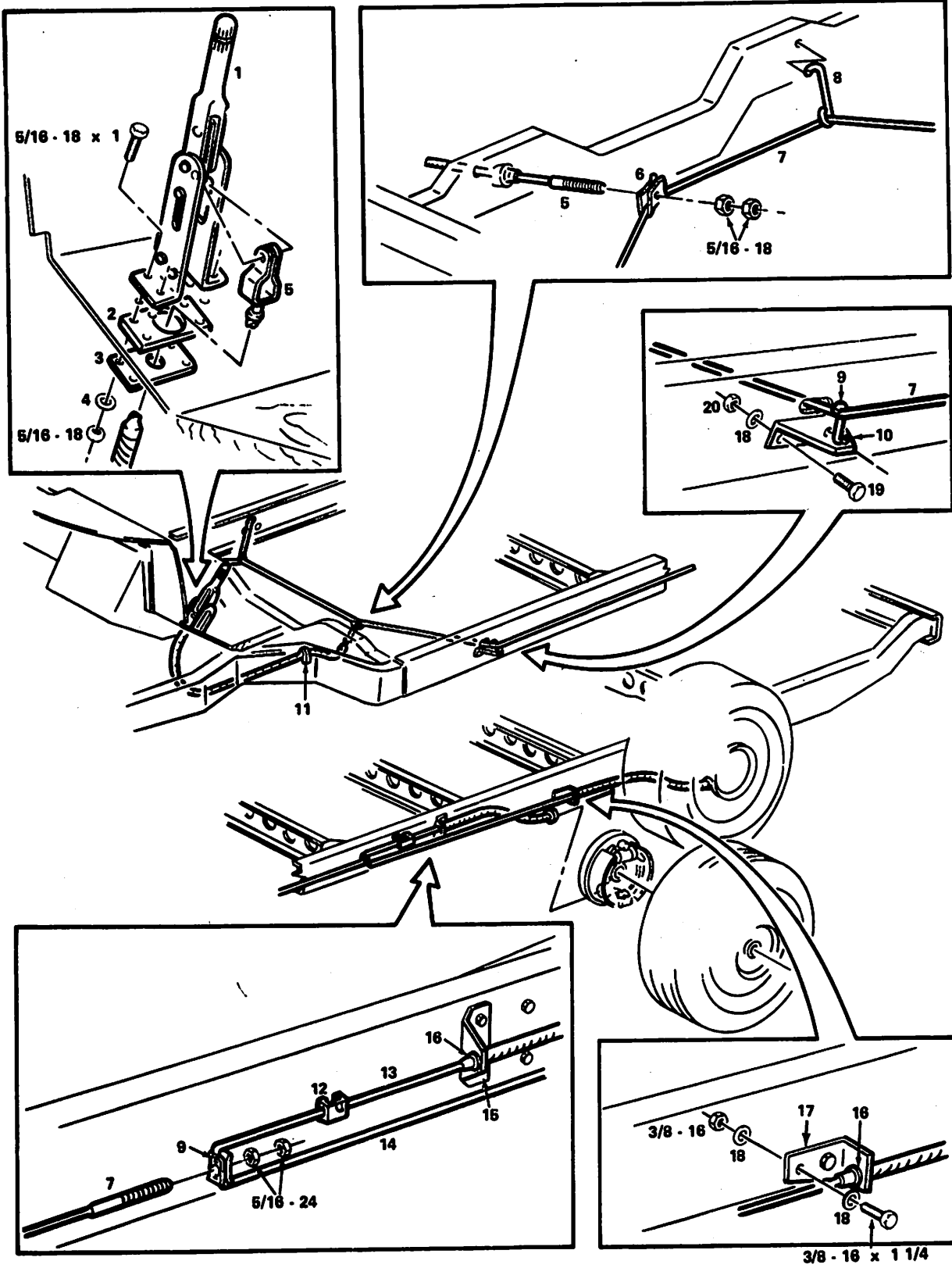
4P-3014

KEY	230	260	PART NUMBER
-----	-----	-----	-------------

4.001 LEVER — PARKING BRAKE

—	1	1	704302	LEVER ASSY.—parking brake (incl. items through asterisk) (repl. 641964, 791160, 2000854, 2009967)
	1	2	2324625	BRACKET ASSY.—pivot, parking brake (SOA)
	2	1	9023015	TUBE ASSY.—adjusting, parking brake (SOA)
	3	1	700097	BRACKET—mounting, parking brake (RH)
	4	1	700098	BRACKET—mounting, parking brake (LH)
	5	1	2376277	PIN—mounting bracket (replaces 9025866) (1/2 x 45 dia. chamber)
	6	1	9025863	RIVET—mounting bracket (1 21/64 lg.)
	7	1	NS	LINK—mounting bracket (ref. 2404028)
	8	1	9023022	PIN—lever handle (.5 x 2 dia.)
	9	2	2358794	SPACER—mounting bracket (13/32 I.D., 5/8 O.D. x 3/16 thk.)
	10	1	9023021	SPACER—mounting bracket (13/32 I.D., 5/8 O.D. x 5/16 thk.)
	11	1	700094	HANDLE ASSY.—lever, parking brake (incl. next 5 items)
			710062	SCREW—adjusting, handle (5.56" lg.)
			710060	RING—"O" handle
			710059	WASHER—spring, handle (.319 I.D. x .495 O.D.)
			2376275	WASHER—spring, handle (.406 I.D. x .750 O.D.)
			710058	KNOB—adjusting, handle
—	1	1	700612	CLAMP—cable, parking brake
—	2	2	700613	SPACER—(1 1/32 I.D., 5/8 O.D. x 5/8 thick)
—	1	1	2376064	SPACER—link (3/16 thick, 2 holes, 25/64)
—	1	1	* 717031	SWITCH ASSY.—parking brake warning light (SOA)

BRAKES



4.002 CABLE - PARKING BRAKE

4P - 3013

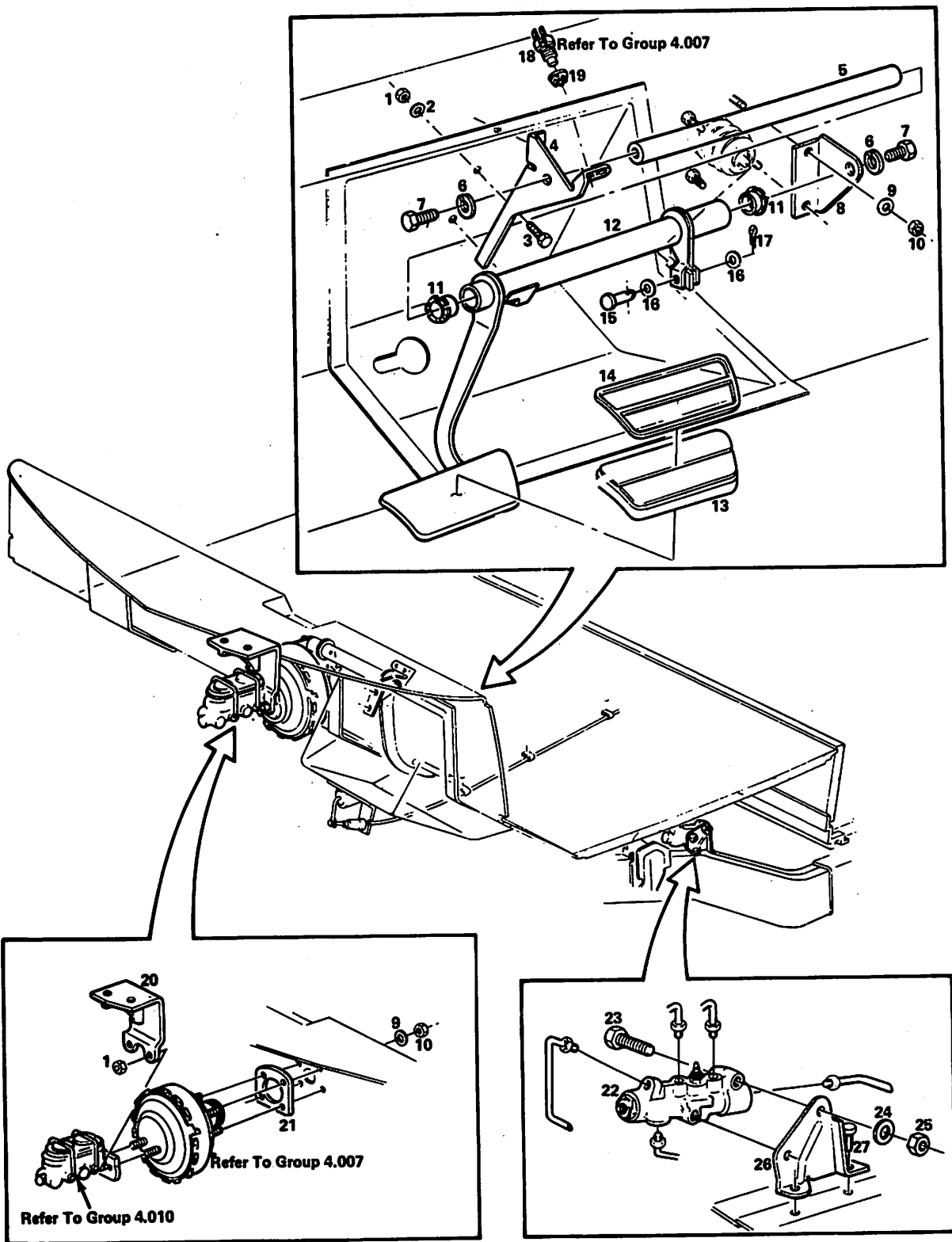
BRAKES

KEY	230	260	PART NUMBER	
-----	-----	-----	-------------	--

4.002 CABLE — PARKING BRAKE

1	1	1	—	LEVER ASSY.—parking brake (refer to grp. 4.001, parking brake lever)
2	1	1	—	SPACER—mounting, parking brake (procure locally)
3	1	1	—	RETAINER—lever, parking brake (procure locally)
4	4	4	2436163	WASHER—bolt, parking brake lever retainer
5	1	1	797243	CABLE ASSY.—front, parking brake (repl. 691962) (also use 1-719489 clip & 1-657558 strap)
6	3	3	550180	EQUALIZER—cable (one front and two rear) (repl. 1497525)
7	1	—	691966	CABLE ASSY.—intermediate, parking brake
7	—	1	691965	CABLE ASSY.—intermediate, parking brake
8	1	1	691866	GUIDE—cable, RH intermediate
9	2	2	1497532	GUIDE—intermediate (RH & LH)
10	2	2	691867	BRACKET—mounting, cable guide
11	1	1	711270	CLIP—front cable
12	2	2	537485	CONNECTOR—cable
13	2	2	1240558	CABLE ASSY.—rear, parking brake (upper)
14	2	2	691963	CABLE ASSY.—rear, parking brake (lower)
15	2	2	691945	BRACKET—intermediate cable
16	4	4	3875092	RETAINER—cable
17	1	1	691944	BRACKET—rear cable (RH)
17	1	1	691943	BRACKET—rear cable (LH)
18	8	8	2436163	WASHER—bolt, rear cable bracket & cable guide bracket (.406 I.D. x .734 O.D.)
19	4	4	9427321	BOLT—cable guide mounting bracket (3/8—16 x 1) hex (300M steel)
20	4	4	9422297	NUT—bolt, cable guide mounting bracket (3/8—16) (301M steel)
—	2	2	712715	CLIP—rear cable to frame (3/4 dia. closed w/2 bolt holes .562 dia.)
—	2	2	657558	STRAP—tie wrap, cable to control arm
—	1	1	3979315	CLIP—cable to floor support (repl. 2399079) (.38 dia. w/ 11/32 dia. bolt hole)

BRAKES

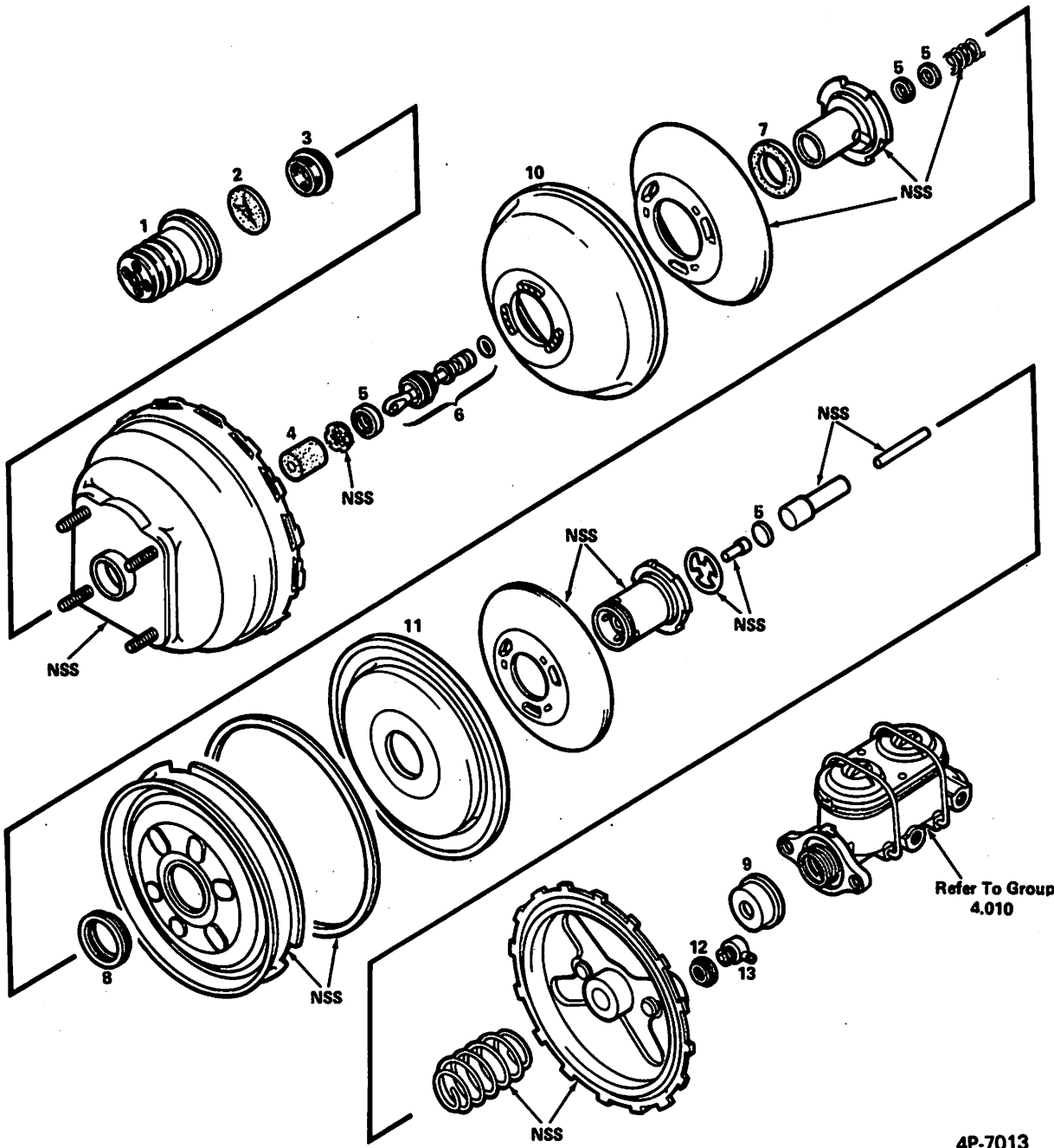


4.005 PEDAL - BRAKE (INCL. SHAFT)

BRAKES

KEY	230	260	PART NUMBER	
4.005 PEDAL — BRAKE (INCL. SHAFT)				
1	4	4	9422277	NUT—bolt (3/8-16)
2	2	2	2436163	WASHER—brake lever pivot outer brkt. to dash bolt (.406 I.D. x .734 O.D.)
3	2	2	9427321	BOLT—brake lever pivot outer brkt. to dash (3/8-16 x 1" 300M)
4	1	1	692327	BRACKET—brake lever pivot outer (prior to 1978)
4	1	1	2022286	BRACKET—brake lever pivot (1978)
5	1	1	692466	SHAFT—brake lever pivot
6	2	2	—	WASHER—brake lever pivot shaft (1/2 I.D. .883 O.D. x .151 thk.) (procure locally)
7	2	2	9419097	BOLT—brake lever pivot shaft (1/2—13 x 1 hex)
8	1	1	692328	BRACKET—brake lever pivot inner
9	4	4	103321	WASHER—lock. brake booster assy. & pivot inner brkt. to dash (3/8 plain)
10	4	4	9418931	NUT—brake booster assy. & pivot inner brkt. to dash
11	2	2	346383	BUSHING—brake lever pivot shaft (repl. 3769302)
12	1	1	692323	PEDAL ASSY.—brake (SOA) (prior to 1978)
12	1	1	2022287	PEDAL ASSY.—brake (1978)
13	1	1	412665	PAD—brake pedal
14	1	1	412664	PLATE—brake pedal trim
15	1	1	—	PIN—brake pedal to brake booster assy. clevis (procure locally) (ref. 138085)
16	2	2	9420022	WASHER—brake pedal to booster assy. pin (7/16)
17	1	1	103374	PIN—brake pedal to booster assy. cotter (3/32 x 1" plain)
18	1	1	3886907	SWITCH ASSY.—stop lamp (SOA)
19	1	1	9788182	CLIP—stop lamp switch to brkt. (.540 I.D.)
20	1	1	702350	BRACKET ASSY.—master cyl. to dash (SOA) (prior to serial no. 6V100878)
20	1	1	2002352	BRACKET—brake master cylinder to dash (eff. w/serial no. 6V100878)
21	1	1	9781640	GASKET—brake booster assy. to dash
22	1	1	1236004	VALVE ASSY.—metering balance and distribution switch (SOA) (repl. 1236005)
23	2	2	—	BOLT—valve to bracket (5/16—18 x 2 hex) (procure locally)
24	2	2	9418304	WASHER—bolt (.344 x .688 x .065)
25	2	2	—	NUT—bolt (ref. 9422275) (5/16-18 301M) (procure locally)
26	1	1	409494	BRACKET—valve to frame
27	2	2	NPN	SCREW—bracket to frame (5/16-12 x 5/8 (ref. 11500086) (procure locally)
—	1	1	—	BOLT—pivot outer brkt. to dash (lower) (5/16—18 x 1 round head square neck) (procure locally)
—	1	1	103320	WASHER—lock. pivot outer brkt. to dash bolt (5/16 plain)
—	1	1	120376	NUT—pivot outer brkt. to dash bolt (repl. 9417954)
—	2	2	9427321	BOLT—master cyl. to brkt. (3/8-16 x 1" 300M)
—	2	2	103321	WASHER—lock. master cyl. to brkt. bolt (3/8 plain)
—	2	2	2390834	RIVNUT—master cyl. to brkt. bolt (3/8-16)
—	4	4	120394	WASHER—flat. brake booster assy. & pivot inner brkt. to dash (13/32 I.D. x 13/16 O.D.)
—	2	2	2436163	WASHER—bolt master cylinder to mtg. brkt. (.406 I.D. x .734 O.D.)

BRAKES



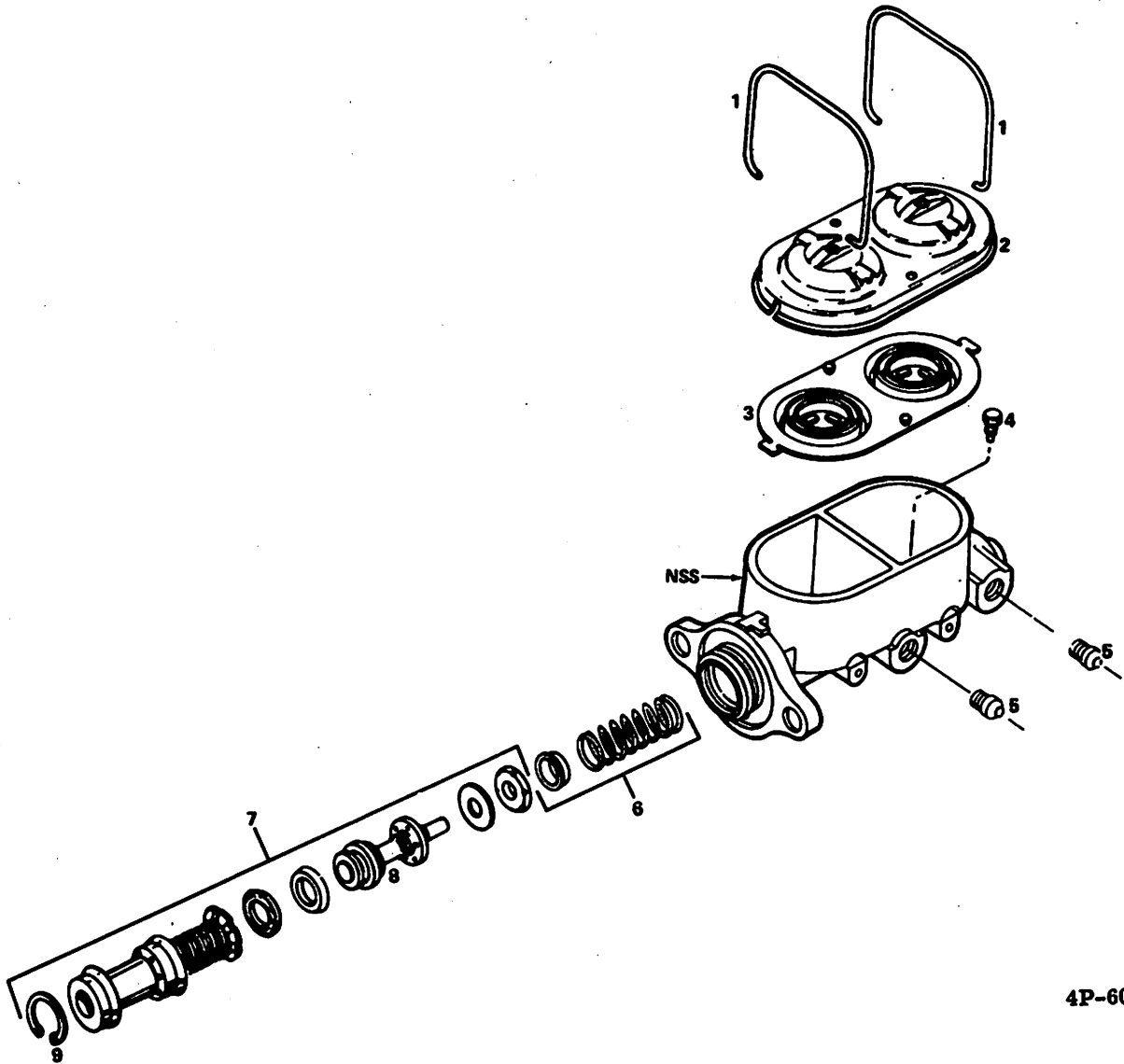
4.007 BOOSTER - POWER BRAKE

4P-7013

BRAKES

KEY	230	260	PART NUMBER	
4.007 BOOSTER — POWER BRAKE				
—	1	1	2620598	BOOSTER ASSY.—power brake (complete) (repl. 2620499) (prior to serial no. 6V100878)
—	1	1	18001970	BOOSTER ASSY.—(head) power brake (complete) (eff. w/serial no. 6V100878 & prior to 1977) (repl. 18001358)
—	1	1	18002562	BOOSTER ASSY.—(head) power brake (complete) (eff. w/1977) (prior to 1978) details not available at time of publication
—	1	1	18003823	BOOSTER ASSY.—(head) power brake (1978) (repl. 18002719)
—	1	1	18003823	HEAD PKG.—power (w/18002719 booster)
—	1	1	18003806	KIT—repair, power head (w/18002719 booster)
—	1	1	18001423	KIT—repair, power head (w/18001970 booster) (details not available at time of publication)
—	1	1	5468421	KIT—repair, power brake booster (First Design) (ref. only)
—	1	1	18000159	KIT—repair, power head (Second Design) (w/2620598 booster) (repl. 546842)
NOTE: The above kits 5468421 & 18000159 includes the following items as indicated.				
1	1	1	5468535	BOOT—power head (w/5468421 & 18000159 kit)
2	1	1	5468534	SILENCER—air (w/5468421 & 18000159 kit)
3	1	1	5465302	BEARING—primary power piston (w/5468421 & 18000159 kit)
4	1	1	NS	FILTER—power piston (w/5468421 & 18000159 kit) (ref. 5465064)
5	1	1	5474304	KIT—retainer, disc & bumper (SOA) (w/5468421 & 18000159 kit)
6	1	1	5474843	VALVE ASSY.—air (SOA) (w/5468421 & 18000159 kit)
7	1	1	5468560	SILENCER—power head (w/5468421 & 18000159 kit)
8	1	1	5469112	BEARING—secondary power piston (w/5468421 & 18000159 kit)
9	1	1	5469336	SEAL—front housing (repl. 5452549) (w/5468421 & 18000159 kit)
10	1	1	5468961	DIAPHRAGM—primary (w/18000159 kit)
11	1	1	5468536	DIAPHRAGM—secondary (w/1800159 kit)
12	1	1	5461808	GROMMET—check valve
13	1	1	18000139	KIT—check valve & grommet (repl. 5472419) (w/2620598 booster)
13	1	1	18003614	KIT—check valve & grommet (w/18001970 & 18002719 booster)
—	1	1	5471912	KIT—power piston (w/2620598 booster)
—	1	1	18001971	KIT—power piston (w/18001970 booster)
—	1	1	18003839	KIT—power piston (w/18002719 booster)
—	2	2	NPN	LUBRICANT—power brake (w/5468421, 18000159 KIT)
—	1	1	18003804	KIT—valve air (w/18002719 booster)
—	1	1	18000134	VALVE ASSY.—vacuum check (w/18000159 kit)
—	1	1	5469384	ROD—adjustable, piston (SOA) (w/2620598, 18001970 & 18002719 booster)
—	1	1	724548	HOSE—power brake booster to engine vacuum (repl. 700465)
—	3	3	2301878	CLIP—hose (3/4 dia.)
—	2	2	2464901	CLAMP—power brake cylinder to engine vacuum hose
—	1	1	693207	NUT—tee, brake booster hose
—	1	1	9419006	BOLT—tee nut to floor (1/4-20 x 1")

BRAKES



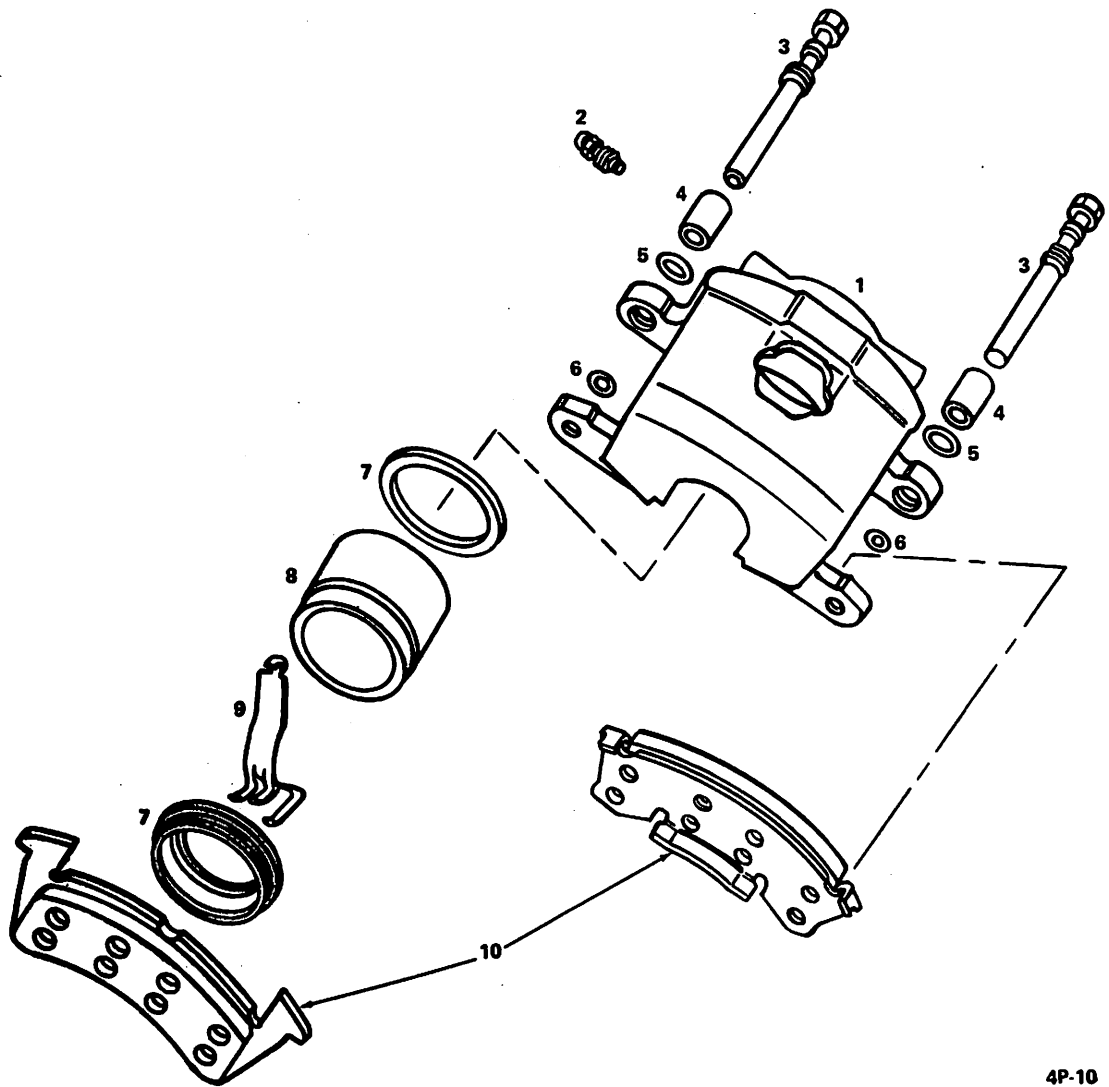
4P-6014

KEY	230	260	PART NUMBER
-----	-----	-----	-------------

4.010 CYLINDER — MASTER

—	1	1	5472542	CYLINDER ASSY.—master, power brake (complete) (First Design) (ref. only)
—	1	1	2623214	CYLINDER ASSY.—master, power brake (complete) (second design) (repl. 5472542 & 18001066) (prior to 1978)
—	1	1	18002458	CYLINDER ASSY.—master, power brake (complete) (1978)
—	1	1	18002432	KIT—cylinder, master (w/18001066 cyl.) (repl. 2623215) (details not available at time of publication)
1	2	2	5468305	WIRE—bail (w/5472542, 18001066 cyl.)
2	1	1	18000781	COVER—reservoir (w/5472542 cyl.) (repl. 5455517)
2	1	1	18000781	COVER—reservoir (w/18001066 cyl.)
3	1	1	5455516	DIAPHRAGM—reservoir (w/5472542, 18001066 cyl.)
4	1	1	5464418	SCREW—stop (.595 lg.)
5	2	2	5452322	INSERT—tube fitting
6	1	1	5472546	SPRING ASSY.—secondary piston (incl. retainer)
7	1	1	2623215	KIT—repair, master cylinder (incl. next 2 items) (repl. 5472561)
8	1	1	5472543	PISTON—secondary (w/5472542, 18001066 cyl.)
9	1	1	9412980	RING—retaining

BRAKES



4P-10

KEY	230	290	PART NUMBER	
-----	-----	-----	-------------	--

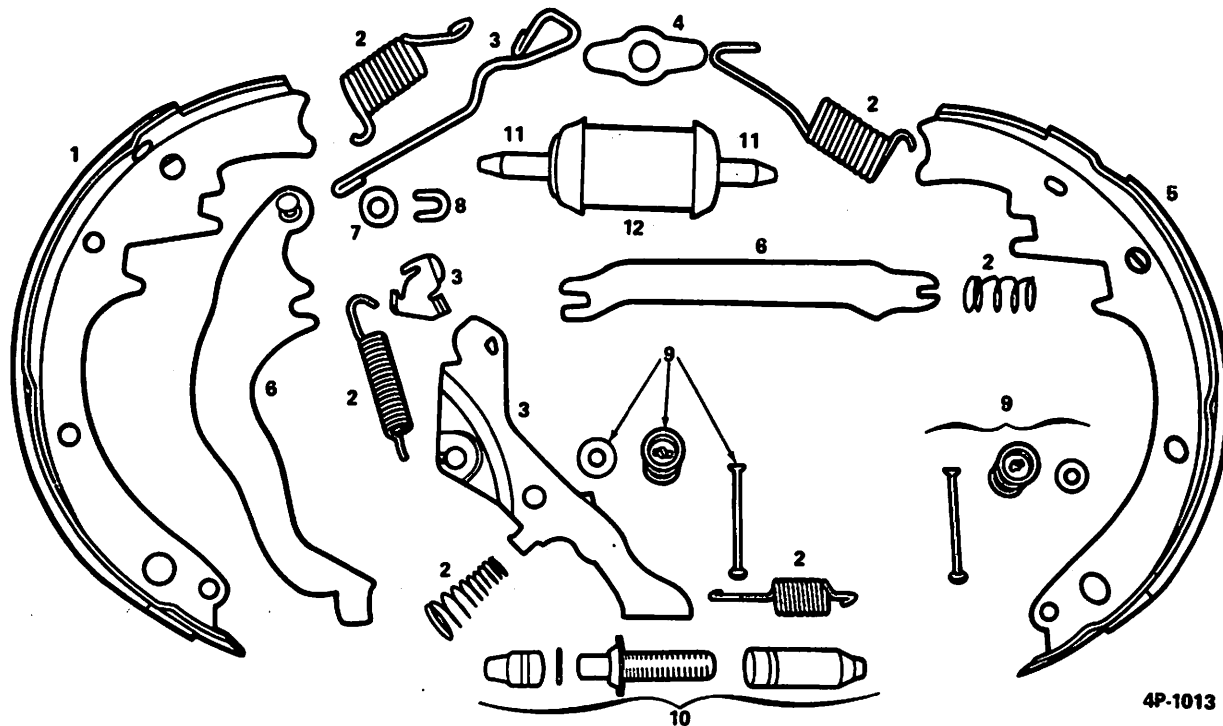
4.015 BRAKES — FRONT

1	1	1	2621712	CALIPER ASSY.—disc brake (RH) (less shoe and lining) (repl. 5472341, 18000201)
1	1	1	2621711	CALIPER ASSY.—disc brake (LH) (less shoe and lining) (repl. 5472340, 18000202)

(NOTE: The above [2] Caliper Assemblies include items through asterisk.)

2	1	1	5455122	VALVE—bleeder, caliper
3	2	2	5468226	BOLT—retaining, housing (7/16-20 UNF-2Ahd.)
4	2	2	5474406	SLEEVE—retaining, bolt (repl. 5468225)
5	2	2	5469178	BUSHING—caliper support (inner—5/8 I.D.)
6	2	2	5470497	BUSHING—caliper support (outer—3/8 I.D.)
7	1	1	5468767	KIT—repair, piston housing
8	1	1	2622207	PISTON—disc brake (repl. 5463483)
9	1	1	* 5469497	SPRING—retaining, brake shoe
10	1	1	18001210	KIT—shoe and lining (has sufficient QTY. for RH & LH brake asm.) (repl. 2620991)

BRAKES



4P-1013

KEY 230 260 PART NUMBER

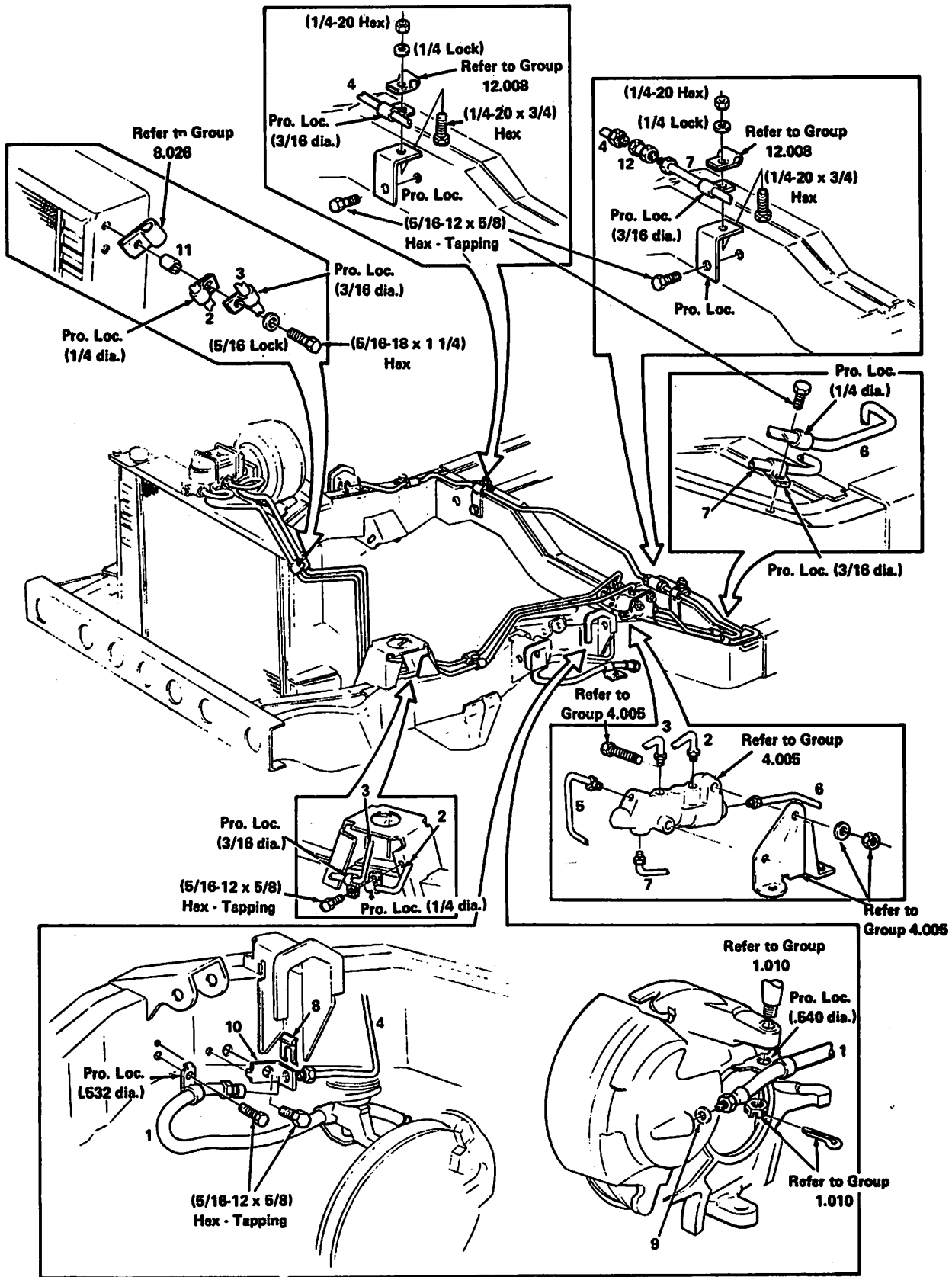
4.020 BRAKES — REAR

—	2	2	5463933	BRAKE ASSY.—rear, LH (2623488 assy.) (prior to serial no. 6V100878) (ref. only)
—	2	2	5463934	BRAKE ASSY.—rear, RH (2623489 assy.) (prior to serial no. 6V100878) (ref. only)
—	2	2	18000628	BRAKE ASSY.—rear, LH (eff. w/serial no. 6V100878) (ref. only) (STD.)
—	2	2	18000629	BRAKE ASSY.—rear, RH (eff. w/serial no. 6V100878) (ref. only) (STD.)
1	2	2	18001593	BRAKE ASSY.—rear LH (eff w/1977) (opt. for 18000628) (ref. only)
1	2	2	18001594	BRAKE ASSY.—rear RH (eff. w/1977) (opt. for 18000629) (ref. only)
1	2	2	18001920	KIT—brake shoe and lining (w/18000628, 18000629 brake assy.) (details not available at time of publication)
1	2	2	5472396	KIT—brake shoe and lining (SOA) (w/5463933, 5463934 brake asm.)
1	2	2	18002693	KIT—brake shoe and lining (w/18001593, 18001594 brake assy.)
2	2	2	2620587	KIT—brake spring (SOA) (replaces 5472514) (w/5463933, 5463934, 18000628, & 18000629 brake assy.)
2	2	2	18002398	KIT—brake spring (w/18001593, 18001594 brake assy.)
3	2	2	5472527	KIT—repair, automatic adjuster (incl. sleeve and springs) (SOA) (LH brake assy.) (replaces 5472516)
3	2	2	5472528	KIT—repair, automatic adjuster (incl. sleeve and springs) (SOA) (RH brake assy.) (replaces 5472517)
4	4	4	5472139	PLATE—guide, brake shoe (w/5463933, 5463934, 18000628, & 18000629 brake assy.)
4	2	2	18002428	PLATE PKG.—guide, brake shoe (w/18001593, 18001594 brake assy.)
5	2	2	5470830	KIT—brake lining (SOA) (w/5463933 & 5463934 brake assy.)
6	2	2	2623595	KIT—strut, parking brake (incl. lever and spring) (SOA) (LH brake assy.) (repl. 2620577)
6	2	2	2623596	KIT—strut, parking brake (incl. lever and spring) (SOA) (RH brake assy.) (repl. 2620578)
7	4	4	NPN	WASHER—parking brake operating lever to shoe (w/5463933 & 5463934 brake assy.)
8	4	4	NPN	CLIP—parking brake operating lever to shoe (w/5463933 & 5463934 brake assy.)
9	2	2	5472515	KIT—spring hold down (SOA)
10	2	2	5472642	KIT—screw, adjusting (LH brake assy.) (SOA)
10	2	2	5472643	KIT—screw, adjusting (RH brake assy.) (SOA)
11	8	8	5465649	LINK—wheel cylinder connecting (w/5463933, 5463934, 18000628, & 18000629 brake assy.)

BRAKES

KEY	230	260	PART NUMBER	
4.020 BRAKES — REAR (Cont.)				
11	8	8	18002427	LINK—wheel cylinder connecting (w/18001593 & 18001594 brake assy.)
12	4	4	5469302	CYLINDER ASSY.—wheel (incl. next two items) (w/5463933 & 5463934 brake assy.)
—	4	4	NPN	INSERT—wheel cylinder tube fitting (w/5463933 & 5463934 brake assy.)
—	4	4	5469230	VALVE—bleeder (w/5463933 & 5463934 brake assy.)
—	4	4	5463361	KIT—repair. wheel cylinder (incl. next two items) (repl. 5455422, 5464763) (w/5463933 & 5463934 brake assy.)
—	4	4	5462938	BOOT & RING ASSY.—wheel cylinder (SOA) (w/5463933 & 5463934 brake assy.)
—	8	8	5455439	CUP—wheel cylinder (w/5463933 & 5463934 brake assy.)
—	4	4	NPN	COVER—brake shoe adjusting screw hole (w/5463933 & 5463934 brake assy.)
—	2	2	2623597	PLATE ASSY.—brake backing (LH) (std. # 5467254) (center dia. 2.253/.259) (repl. 2623490)
—	2	2	2623598	PLATE ASSY.—brake backing (RH) (std. # 5467255) (center dia. 2.253/.259) (repl. 2623491)

BRAKES



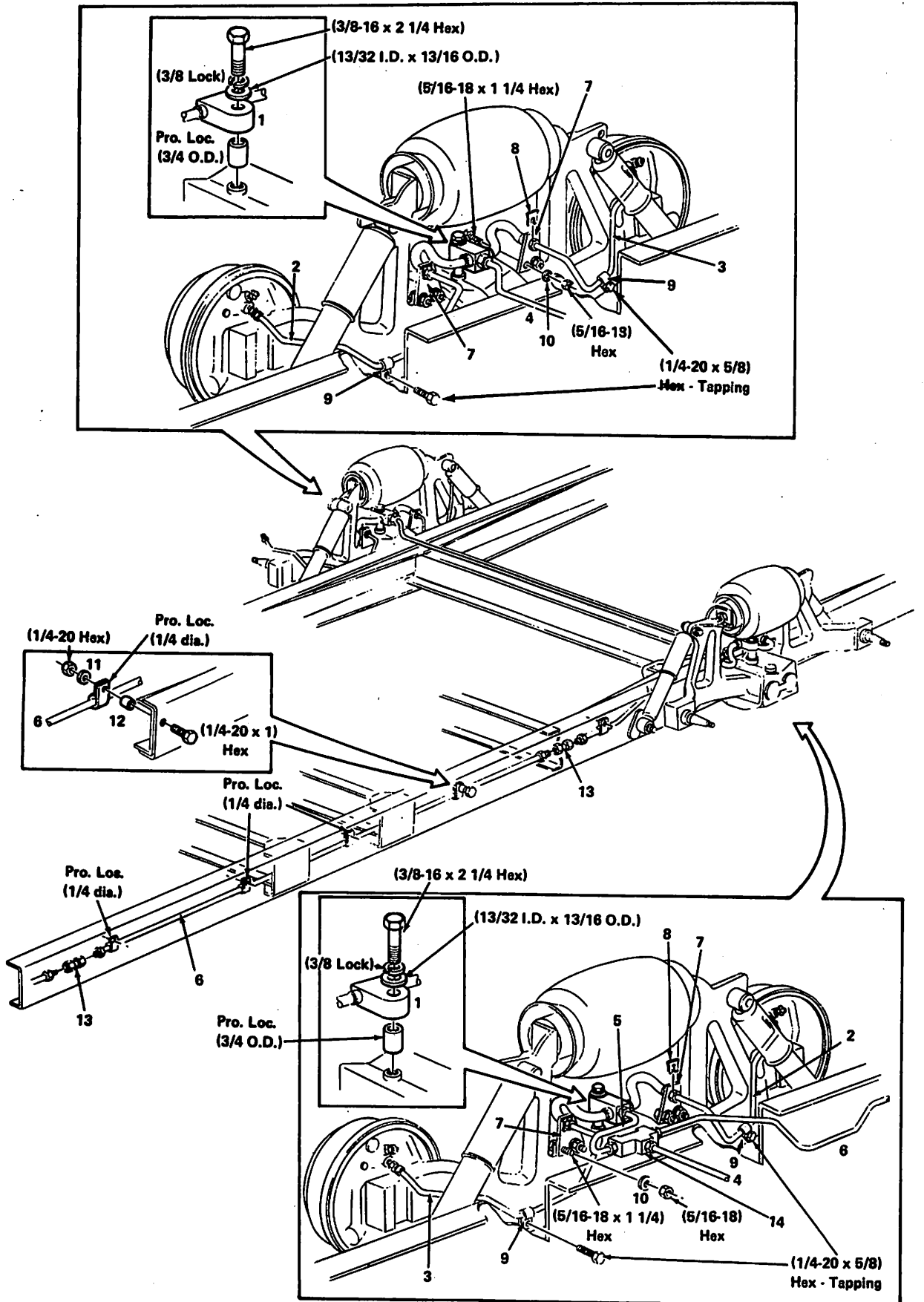
4.025 LINES - FRONT HYDRAULIC BRAKE

4P-2005

BRAKES

KEY	230	260	PART NUMBER	
4.025 LINES — FRONT HYDRAULIC BRAKE				
1	2	2	9758214	HOSE ASSY.—brake, front (repl. 9757663)
2	1	1	698251	TUBE ASSY.—master cylinder to combination valve, front (prior to serial no. 6V100878)
2	AR	AR	3696822	TUBE ASSY.—tee, master cylinder to front brake (25' CTL) (w/2-9424954 nuts) (eff. w/serial no. 6V100878) (repl. 2008650)
3	AR	AR	8884945	TUBE ASSY.—master cylinder to rear brake (25' CTL) (w/2-137397 nuts & 1-9424955 nut) (eff. w/serial no. 6V100878) (repl. 2008648)
3	1	1	698252	TUBE ASSY.—master cylinder to combination valve, rear (prior to serial no. 6V100878)
4	1	1	693876	TUBE ASSY.—combination valve to RH front brake (prior to serial no. 5V100013)
4	1	1	797709	TUBE ASSY.—combination valve to RH front brake (eff. w/serial no. 5V100013) (ref. only) (prior to serial no. 6V100878)
4	AR	AR	3696822	TUBE ASSY.—tee to union RH front brake (25' CTL) (w/2-142431 nuts) (eff. w/serial no. 6V100878) (repl. 2008647)
5	1	1	693875	TUBE ASSY.—combination valve to LH front brake (prior to serial no. 5V100013)
5	1	1	797711	TUBE ASSY.—combination valve to LH front brake (eff. w/serial no. 5V100013) (ref. only) (prior to serial no. 6V100878)
5	AR	AR	724548	TUBE ASSY.—tee to LH front brake hose (25' CTL) (eff. w/serial no. 6V100878) (repl. 2008666)
6	1	1	693868	TUBE ASSY.—combination valve to rear brake frame tee, front
7	1	1	693877	TUBE ASSY.—combination valve to RH front brake crossover (First Design)
7	1	1	—	TUBE ASSY.—combination valve to RH front brake crossover (3/16 O.D. x .028)(ref. 718132) (Second Design) (procure locally)
8	2	2	334961	YOKE—hose to bracket, front (or spring)
9	2	2	231343	WASHER—hose to front bracket (or gasket) (.448 I.D. x .69 O.D.)
10	2	2	389957	BRACKET—support, hose (prior to serial no. 5V100013)
10	2	2	550212	BRACKET—support, hose (eff. w/serial no. 5V100013)
11	1	1	2436832	SPACER—clip
12	1	1	442335	UNION—front brake tube to crossover tube
—	2	2	3834560	SPACER—clip to frame (eff. w/serial no. 5V100013)
—	2	2	142431	ENDS—tube (w/718132, 797709, 797711)
—	AR	AR	3996822	TUBE—combination valve to front brake (CTL) (repl. 797709, 797711)

BRAKES



4.030 LINES – REAR HYDRAULIC BRAKE

4P-2005

BRAKES

KEY	230	280	PART NUMBER	
-----	-----	-----	-------------	--

4.030 LINES — REAR HYDRAULIC BRAKE

1	2	2	9757643	HOSE ASSY.—brake, rear (w/sleeve) (repl. 9755790)
2	2	2	693869	TUBE ASSY.—rear brake LH front and RH rear (prior to serial no. 4V101024)
3	2	2	693870	TUBE ASSY.—rear brake RH front and LH rear (prior to serial no. 4V101024)
3	AR	AR	3698822	TUBE ASSY.—rear brake front and rear (25 ft. long) (CTL) (also use 142431 nuts) (eff. w/serial no. 4V101024)
4	1	1	693874	TUBE ASSY.—rear brake frame tee to hose and sleeve, RH (prior to 1975)
4	AR	AR	3698822	TUBE ASSY.—rear brake frame tee to hose & sleeve, RH & LH, also use 2-142431 nuts (CTL, 25 ft. long) (eff. w/1975)
5	1	1	693873	TUBE ASSY.—rear brake frame tee to hose and sleeve, LH (prior to 1975)
6	AR	AR	8884945	TUBE ASSY.—combination valve to rear brake frame tee, & rear brake intermediate (25'lg. CTL) (also use 2-142431 nuts)
6	AR	AR	698252	TUBE ASSY.—combination valve to rear brake master cylinder (w/2-137397-nuts) (eff. w/1977)
6	AR	AR	698251	TUBE ASSY.—combination valve to front brake master cylinder (w/2-137397-nuts) (eff. w/1977)
7	4	4	701271	BRACKET—support, rear brake hose
8	4	4	334961	YOKE—hose to bracket, rear (or spring)
9	4	4	—	CLIP—tube, front and rear (3/16 x 1/4 closed type) (procure locally) (ref. 130520)
10	8	8	2436162	WASHER—bolt, bracket to rear suspension control assembly (.344 I.D. x .625 O.D.)
11	4	5	2436161	WASHER—bolt, clip and spacer to side bolt (.281 I.D. x .500 O.D.)
12	4	5	3834560	SPACER—clip (steel)
13	2	2	442336	UNION—intermediate tube to front and rear tube (1/4—7/16—24 brass)
14	1	1	—	TEE—rear brake frame (3 way) (1/4 tubing) (prior to 1975) (procure locally)
14	1	1	350433	TEE—rear brake frame (3 way) (eff. w/1975)
—	2	2	NPN	BRACKET—support, brake tube tee (used w/350433 tee)(ref 790154) (Make loc)
—	2	2	1236004	VALVE ASSY.—brake combination (eff. w/1977) (prior to 1978)
—	2	2	1257169	VALVE ASSY.—brake combination (1978)
—	1	1	409494	BRACKET—brake combination valve to frame (eff. w/1977)
—	1	1	—	TUBE ASSY.—front brake combination valve to union RH front brake (3/16" O.D. X .028) (procure locally) (ref. 718132) (eff. w/1977)
—	3	3	—	CLIP—master cylinder to front & rear brake tube (procure locally) (eff. w/1977)
—	1	1	693868	TUBE ASSY.—rear combination valve intermediate (eff. w/1977)
—	1	1	3998822	TUBE ASSY.—combination valve to LH front brake hose also use 2-142431 nuts (ctl. 25 ft. long) (eff. w/1977)
—	4	4	—	BOLT—bracket to frame (5/16—18 x 1 1/4, 300M) (procure locally)
—	2	2	9418901	SCREW—clip to side rail
—	4	4	9417267	SCREW—clip to rear suspension control arm (10-24 x 3/4)

BRAKES

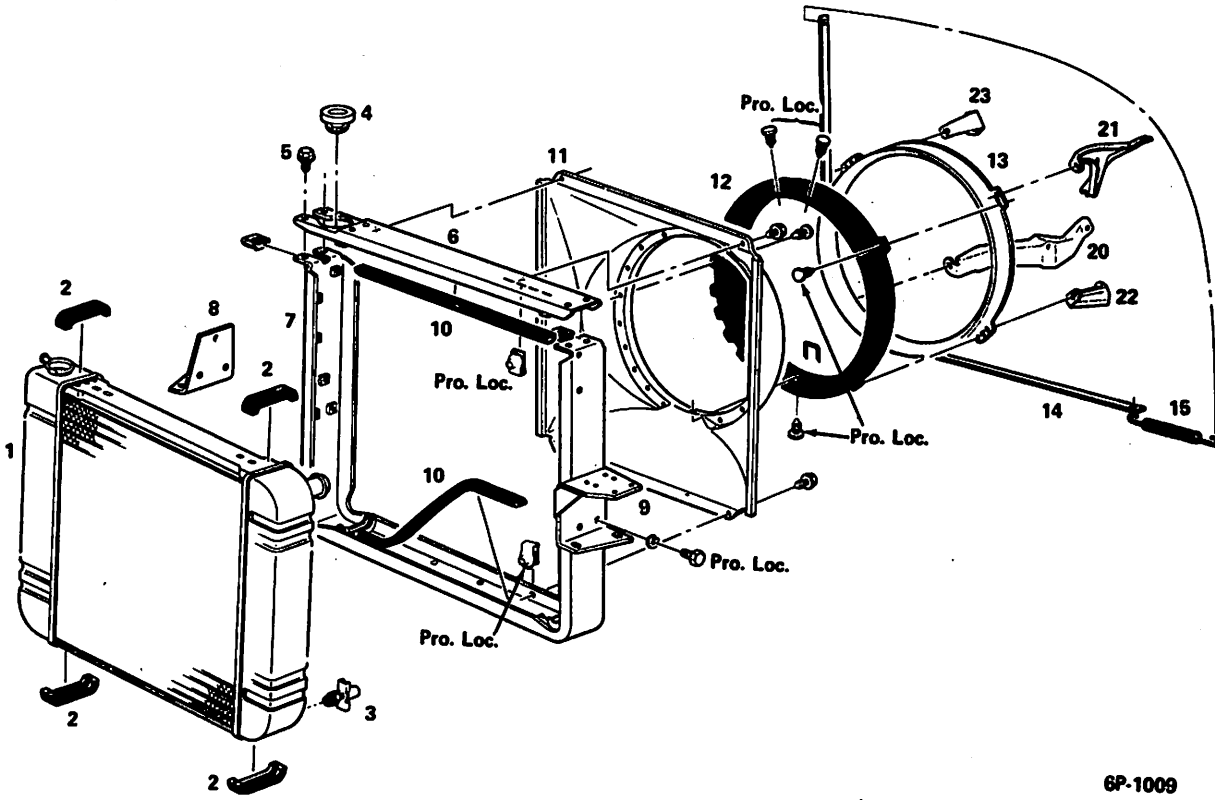
NOTES

COOLING

LIST OF SUB GROUPS

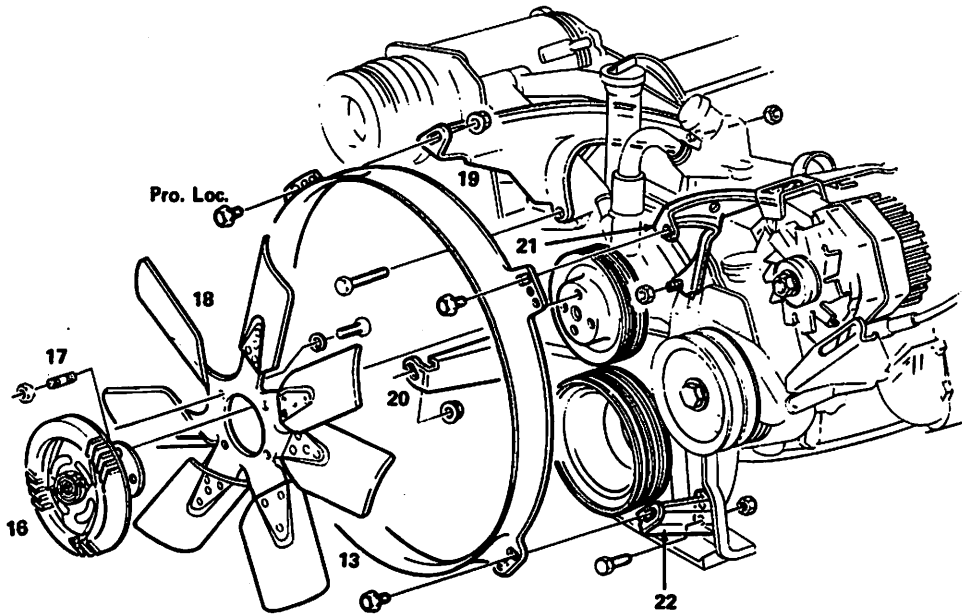
Name	Group No.
CORE, FAN, SHROUD & MOUNTING — RADIATOR	6.002
HOSES, CLAMPS AND STRAP — WATER	6.016
PUMP — WATER	6.012
RESERVOIR — RADIATOR OVERFLOW	6.010

COOLING



6P-1009

6.002 RADIATOR MOUNTING



6.002 FAN & DRIVE

6P-1004

COOLING

KEY	230	260	PART NUMBER	
-----	-----	-----	-------------	--

6.002 RADIATOR CORE, FAN, SHROUD & MOUNTING

1	1	1	3035237	CORE ASSY.—radiator (repl. 3025926)
2	4	4	3901449	PAD—mounting, radiator
3	1	1	9427524	COCK ASSY.—drain, radiator
4	1	1	6410619	CAP ASSY.—filler, radiator (pkg.)
5	8	8	9424877	BOLT—lower, support to upper channel and shroud (repl. 3846202) (5/16-18 x 3/4, 300M)
6	1	1	689878	CHANNEL ASSY.—upper radiator support
7	1	1	691084	SUPPORT ASSY.—lower, radiator
8	1	1	691087	BRACKET—mounting, radiator (RH)
9	1	1	699288	BRACKET—support radiator (LH) (used w/704386 comp.)
9	1	1	795261	BRACKET—support to radiator (LH) (w/717683, 795622 comp.) (repl. 716915) (prior to serial no. 6V100878)
9	—	1	2008184	BRACKET—support to radiator (LH) (eff. w/serial no. 6V100878)
10	2	2	391294	SEAL—radiator upper and lower
11	1	1	691841	SHROUD—fan, radiator (non-metallic) (w/413610, 416452, 417794, 418694 engine)
11	1	1	2016954	SHROUD ASSY.—fan, radiator (eff. w/interm. 1977)(w/556626, 556627 engine)
12	1	1	410807	SEAL—fan, shroud to venturi ring
13	1	1	410958	RING—venturi, radiator fan
14	1	1	411391	STRAP—retainer, fan shroud seal
15	1	1	401170	SPRING—strap, fan shroud seat
16	1	1	650528	CLUTCH ASSY.—fan (Motorhome) (prior to 1975) (w/413610, 416452, 417794, 418694 engine)(repl. 408228)
16	1	1	550528	CLUTCH ASSY.—fan (Motorhome) (eff. w/1975) (w/413610, 416452, 417794, 418694 engine)
16	1	1	724457	CLUTCH ASSY.—fan (Transmode) (prior to serial no. 6V100878/w/RPO VQV)
16	1	1	550528	CLUTCH ASSY.—fan (Transmode) (eff. w/serial no. 6V100878) (STD)
16	1	1	724457	CLUTCH ASSY.—fan (Motorhome) (eff. w/interm. of 1977) (w/556626, 556627 engine)
17	4	4	402720	STUD—fan clutch to pulley
18	1	1	407899	BLADE ASSY.—fan
19	1	1	411372	BRACKET—upper, venturi ring (RH) (w/air cond.)
20	1	1	697774	BRACKET—lower, venturi ring (RH)
21	1	1	419638	BRACKET—upper, venturi ring (LH)(repl. 411383)
22	1	1	411385	BRACKET—lower, venturi ring (LH)
23	1	1	700875	BRACKET—upper, venturi ring (RH) (w/o air cond.)
—	1	1	358375	PROBE ASSY.—radiator tank, low coolant (for module see group 7.042)

6.010 RESERVOIR — RADIATOR OVERFLOW

—	1	1	6273778	RESERVOIR ASSY.—radiator overflow (First Design)
—	1	1	337846	RECOVERY TANK—coolant (Second Design)
—	1	1	325653	BRACKET—mounting, radiator reservoir
—	1	1	486546	CAP—radiator reservoir (First Design)
—	1	1	1497193	CAP—radiator reservoir (Second Design) (1496024 optional)
—	1	1	358375	PROBE ASSY.—low coolant level sensor

6.012 PUMP — WATER

—	1	1	231887	PUMP ASSY.—water (eff. w/serial no. 5V100472) (413610, 416452, 417794, 418694 engine)
—	1	1	231462	PUMP ASSY.—water pkg. (prior to serial no. 5V100472) (413610, 416452, 417794, 418694 engine)
—	1	1	556283	PUMP—ASSY.—water (eff. w/interm. of 1977) (w/556626, 556627, 561032, 561033 engine)
—	1	1	9421749	PLUG—water pump (w/556283 pump)
—	4	4	—	BOLT—body to cover (procure locally)
—	1	1	410791	GASKET—body to cover
—	1	1	908108	BEARING ASSY.—water pump
—	1	1	583095	SLINGER—water pump bearing
—	1	1	400912	SEAL ASSY.—water pump (w/231462 pump)
—	1	1	550169	SEAL ASSY.—water pump (opt. 550168) (w/231887 pump)
—	1	1	404563	IMPELLER—water pump (w/231462 pump)
—	1	1	NS	IMPELLER—water pump (w/231887 pump) (ref. 550171)

COOLING

KEY	230	260	PART NUMBER
-----	-----	-----	-------------

6.012 PUMP — WATER (Cont.)

—	1	1	399394	HUB—fan and water pump pulley (repl. 587263)
—	1	1	409807	PULLEY ASSY.—water pump and fan (prior to 1978)
—	1	1	2025924	PULLEY ASSY.—water pump and fan (w/RPO L04) (1978)
—	1	1	404561	NIPPLE—heater hose to water pump
—	1	1	404561	NIPPLE—by-pass hose to water pump

6.016 WATER HOSES, CLAMPS AND STRAP

—	2	2	—	CLAMP—hose, radiator inlet (procure locally) (ref. 94 11656)
—	2	2	274765	CLAMP—hose, radiator outlet (upper & lower) (procure locally)
—	2	2	9414420	CLAMP—hose, radiator to reservoir
—	1	1	3786276	CLAMP—hose to radiator, at radiator and reservoir
—	1	1	651978	CLIP—coolant recovery tank hose & radiator overflow hose to radiator support
—	AR	AR	9432963	HOSE—coolant recovery (3/8" I.D. x 24' long, CTL) (repl. 3747666)
—	1	1	689921	HOSE—lower radiator (outlet)(w/413610, 416542, 417794, 418694 engine)
—	1	1	689922	HOSE—upper, radiator (inlet) (w/413610, 416542, 417794, 418694 engine)
—	1	1	2015465	HOSE—lower, radiator (outlet) (w/403 engine) (w/556626, 556627, 561032, 561033 engine)
—	1	1	2015466	HOSE—upper, radiator (inlet) (w/403 engine) (w/556626, 556627, 561032, 561033 engine)
—	AR	AR	—	HOSE—radiator to reservoir (72 inches CTL) coolant recovery tank hose (w/486546) (procure locally) (ref. 6264430)
—	2	2	676543	STRAP—radiator hose
—	1	1	2006646	BELT & HOSE KIT—driver convenience (emergency)

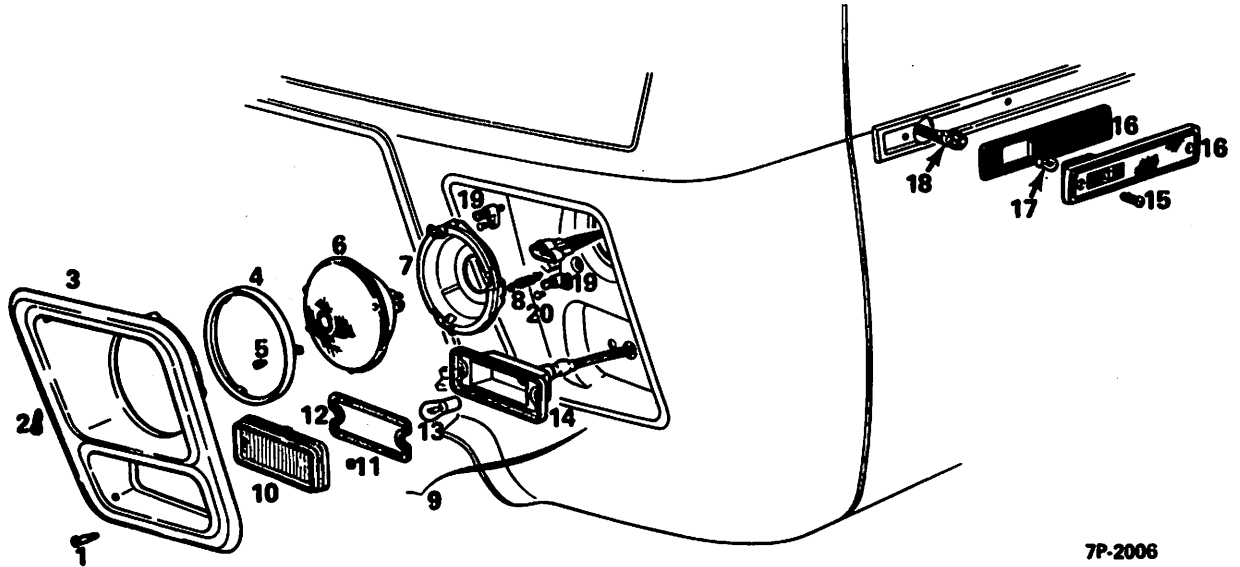
ELECTRICAL**LIST OF SUB GROUPS**

Name	Group No.
ANTENNA — RADIO	7.037
BREAKERS — CIRCUIT	7.078
CLUSTER ASSEMBLY — INSTRUMENT	7.042
COIL — IGNITION	7.038
CONNECTORS — WIRING	7.091
CRUISE CONTROL — SPEED	7.074
DISTRIBUTOR ASSEMBLY	7.031
ELECTRICAL, CLOCKS, SWITCHES	7.078H
GENERATOR — 80 AMP DELCOTRON	7.028A
GENERATOR — 145 AMP DELCOTRON	7.028H
HORN — ELECTRIC	7.076
LAMP — HEAD, PARK, DIRECTIONAL SIGNAL AND FRONT SIDE MARKER	7.001
LAMP — STOP, TAIL, BACK-UP, REAR SIDE MARKER AND LICENSE PLATE	7.003
LAMP — ENGINE COMPARTMENT	7.004
LAMP — MARKER	7.013
LAMP — DOME AND SPEAKER	7.020
LAMP — INSTRUMENTS AND TELL TALE	7.045
MOTOR — STARTING	7.025
MOUNTING — BATTERY	7.085
MOUNTING — GENERATOR	7.029
RADIO — AM/FM MONO W/FOUR SPEAKERS	7.036
RADIO — AM/FM W/FOUR SPEAKERS	7.032
RADIO — AM/FM W/SIX SPEAKERS	7.032H
RADIO — AM/FM W/STEREO TAPE PLAYER W/FOUR SPEAKERS	7.033
RADIO — AM/FM W/STEREO TAPE PLAYER, W/SIX SPEAKERS	7.033H
RADIO — AM/STEREO TAPE PLAYER W/FOUR SPEAKERS	7.035
RADIO — AM W/FOUR SPEAKERS	7.034
RELAYS	7.080
SENDING UNIT — HOLDING TANK	7.050
SOLENOID — STARTING MOTOR	7.026
SPEEDOMETER AND DRIVE	7.043
SWITCH — DIRECTIONAL LAMP	7.072
SWITCHES — MISCELLANEOUS	7.070
WIRING — (INCL. WIRING KIT ELE. RECEPTACLE)	7.080

ELECTRICAL

NOTES

ELECTRICAL



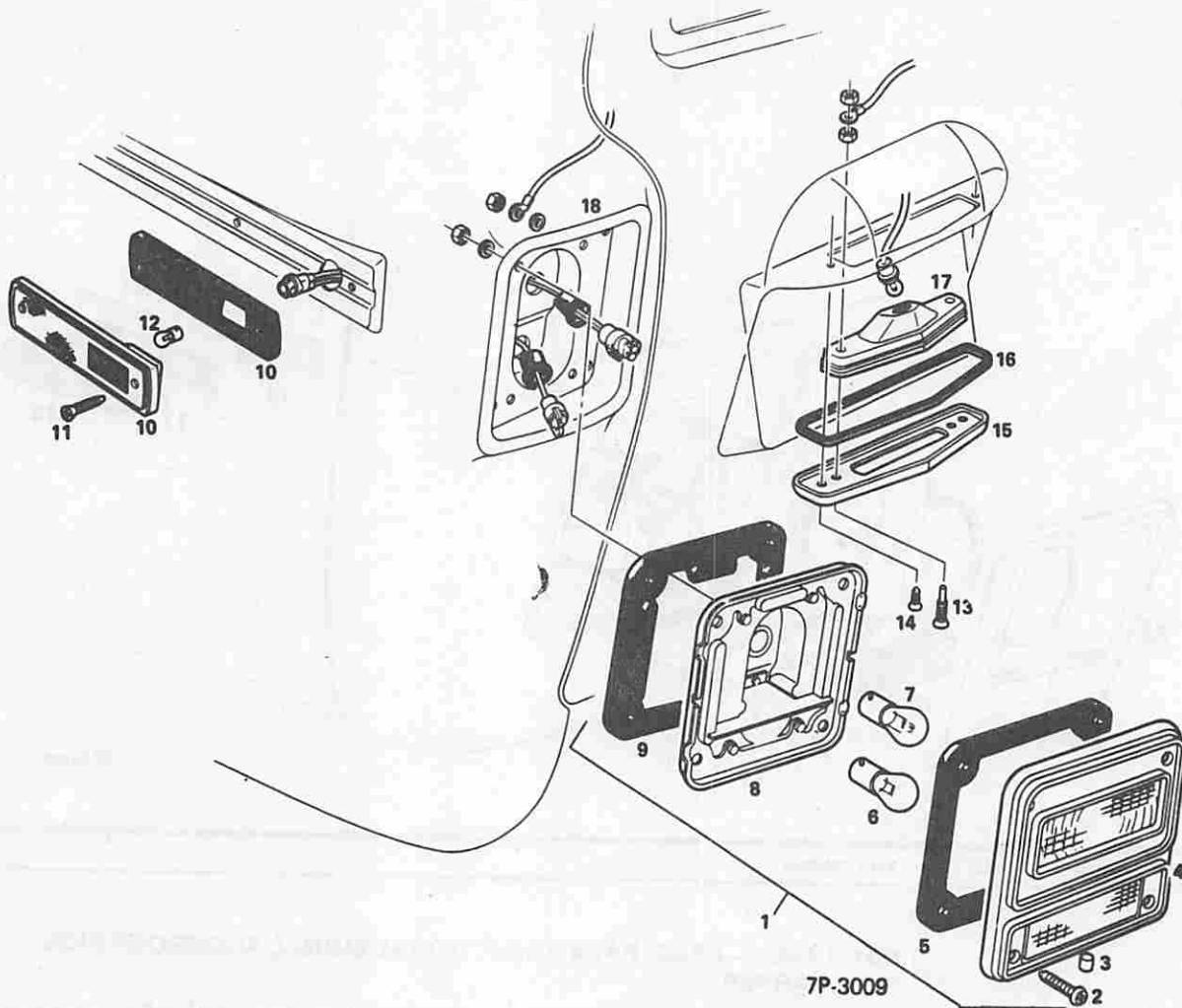
7P-2006

KEY	230	260	PART NUMBER
-----	-----	-----	-------------

7.001 LAMP — HEAD, PARK, DIRECTIONAL SIGNAL AND FRONT SIDE MARKER

1	4	4	5959089	SCREW—direction signal and parking lamp (No. 8-32 x 1-5/64 pan head cross rec.)
2	8	8	—	SCREW—headlamp bezel (No. 8-18 x 1-1/4 oval head cross rec.) (procure locally)
3	1	1	696186	BEZEL—headlamp RH
3	1	1	696187	BEZEL—headlamp LH
4	2	2	5952000	RING—retaining, headlamp sealed beam (repl. 5961888)
5	6	6	5947955	SCREW—sealed beam retaining ring (No. 8-32 x 3/32 round head cross rec.) (repl. 5959530)
6	2	2	5962548	BEAM ASSY.—sealed, headlamp
7	1	1	5961886	RING—mounting, sealed beam RH
7	1	1	5961887	RING—mounting, sealed beam LH
8	2	2	496096	SPRING—retaining, headlamp (repl. 480773)
9	2	2	916558	LAMP ASSY.—directional signal and parking
10	2	2	5959160	LENS—directional signal and parking lamp
11	2	2	5951990	WICK—drain, directional signal and parking lamp
12	2	2	5959131	GASKET—lens, directional signal and parking lamp
13	2	2	9428902	BULB—directional signal and parking (12-16V, 32CP)
14	2	2	NS	HOUSING—directional signal and parking lamp (not serviced)
15	4	4	—	SCREW—front side marker lamp (No. 6-32 x 1 pan head cross rec.) (procure locally) (prior to Serial No. 6V100878)
15	4	4	—	SCREW—front side marker lamp (No. 6-20 x 5/8 pan head cross rec.) (procure locally) (eff. w/Serial No. 6V100878)
16	2	2	695499	LAMP ASSY.—front marker side (SOA)
17	2	2	9421330	BULB—front side marker lamp (12-16V, 2CP)
18	1	1	6298886	WIRE ASSY.—front side marker lamp (incl. socket) (SOA)
19	4	4	5964500	BRACKET—headlamp
20	8	8	683102	RIVET—headlamp bracket
—	4	4	NPN	NUT—jack, front side marker lamp (ref. 701165) (procure locally)
—	AR	AR	9798363	GROMMET—fwd. lamp wrng. harness to dash panel (1.00 I.D. x 1.46 O.D.)

ELECTRICAL



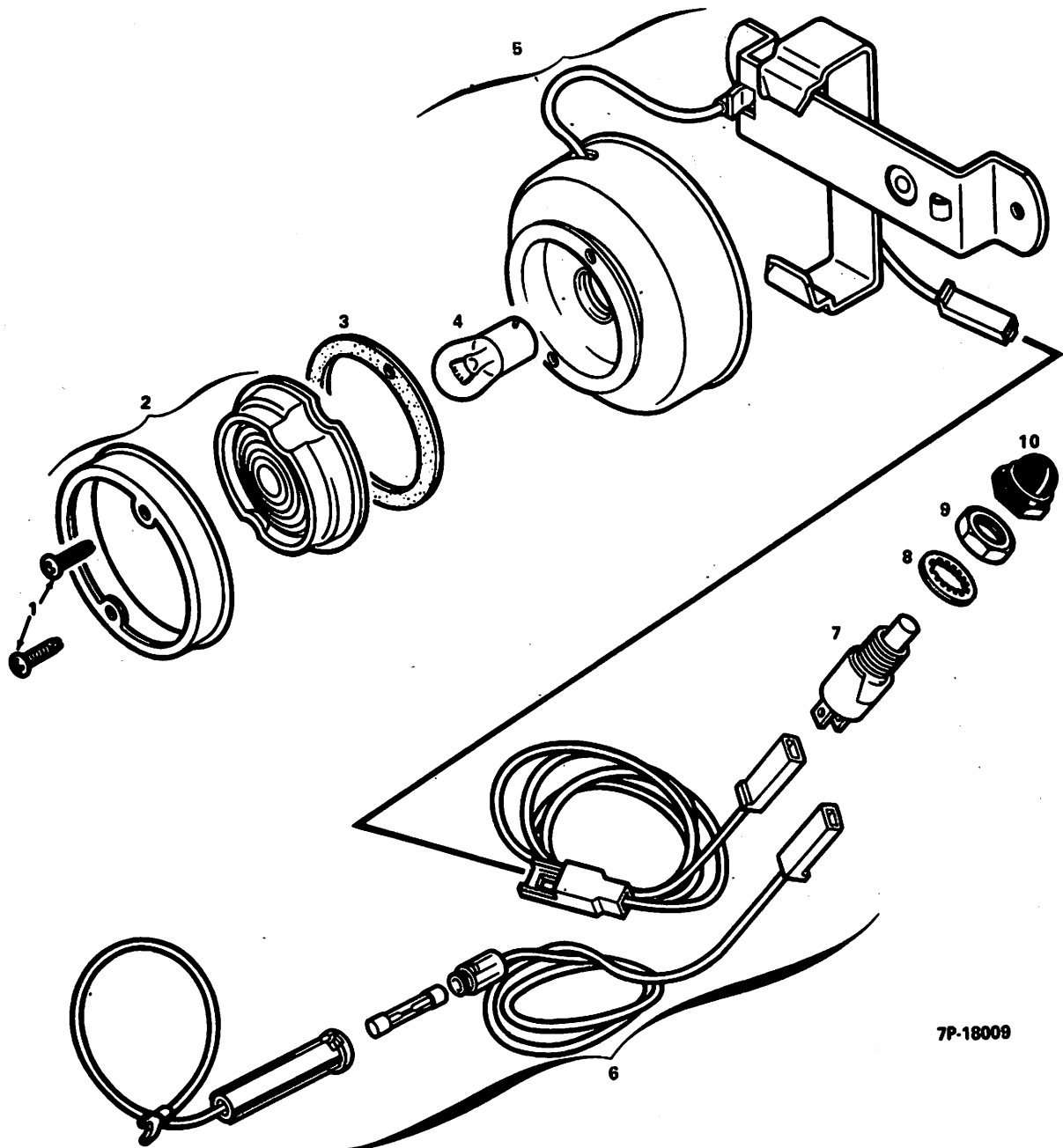
7P-3009

KEY	230	260	PART NUMBER
-----	-----	-----	-------------

7.003 LAMP — STOP, TAIL, BACK-UP, REAR SIDE MARKER AND LICENSE PLATE

1	2	2	911255	LAMP ASSY.—stop, tail and back-up
2	8	8	5959383	SCREW—mounting, stop, tail, back-up lamp (# 8-32-UNC-2A-thd.)
3	2	2	—	WICK—drain, stop, tail, back-up lamp (procure locally)
4	2	2	5962558	LENS ASSY.—stop, tail, back-up lamp (SOA)
5	2	2	5962563	GASKET—lens, stop, tail, back-up lamp
6	2	2	—	BULB—back-up lamp 12-16V, 32CP (procure locally)
7	2	2	—	BULB—stop and tail lamp 12-16V, 32-3CP (procure locally)
8	2	2	NS	HOUSING—stop, tail and back-up lamp
9	2	2	5962564	GASKET—mounting, stop, tail and back-up lamp
10	2	2	695498	LAMP ASSY.—marker, rear (SOA)
11	8	8	—	SCREW—rear marker lamp No. 6-32 x 1 pan hd. cross rec. (procure locally) (prior to Serial No. 6V100878)
11	8	8	—	SCREW—rear marker lamp (No. 6-20 x 5/8 pan hd. cross rec.) (procure locally) (eff. w/Serial No. 6V100878)
12	2	2	9421330	BULB—rear marker lamp 12-16V, 2CP
13	2	2	157166	SCREW—license plate lamp No. 10-32 x 3/4 ov. hd. cross rec.
14	2	2	—	SCREW—license plate lamp No. 10-32 x 1 1/2 ov. hd. cross rec. (procure locally)
15	1	1	696144	BRACKET—license plate lamp
16	1	1	696145	SEAL—license plate lamp
17	1	1	913060	LAMP ASSY.—rear license plate (SOA) (repl. 899290)
18	1	1	3970773	BEZEL—LH, stop lamp
18	1	1	3970774	BEZEL—RH, stop lamp
—	1	1	3699368	SLEEVE—license plate lamp
—	1	1	3863558	WASHER—spring, license plate lamp anti-rattle

ELECTRICAL



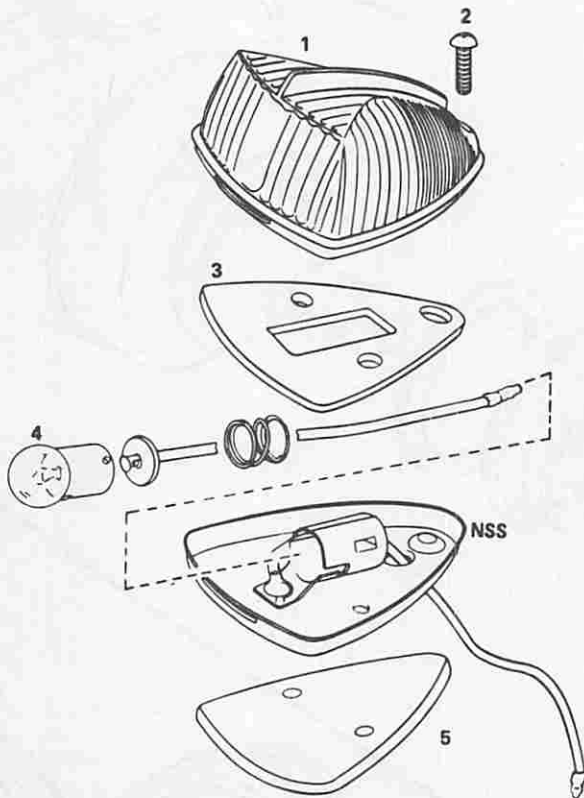
7P-18009

KEY	230	260	PART NUMBER
-----	-----	-----	-------------

7.004 LAMP — ENGINE COMPARTMENT

—	1	1	705450 LAMP ASSY.—engine compartment
1	1	1	— SCREW—lens. (No. 10-16 x 1/2 pan head) (procure locally)
2	1	1	708351 LENS ASSY.—lamp (SOA)
3	1	1	708352 GASKET—lamp lens
4	1	1	— BULB—lamp (procure locally)
5	1	1	NS HOUSING AND BRACKET ASSY.—lamp
6	1	1	— WIRE ASSY.—engine compartment (see group 7.090)
7	1	1	704885 SWITCH ASSY.—door
8	1	1	— LOCKWASHER—door switch (1/2 internal tooth) (procure locally)
9	1	1	— NUT—door switch (part of door switch) (procure locally)
10	1	1	683653 SEAL—door switch

ELECTRICAL



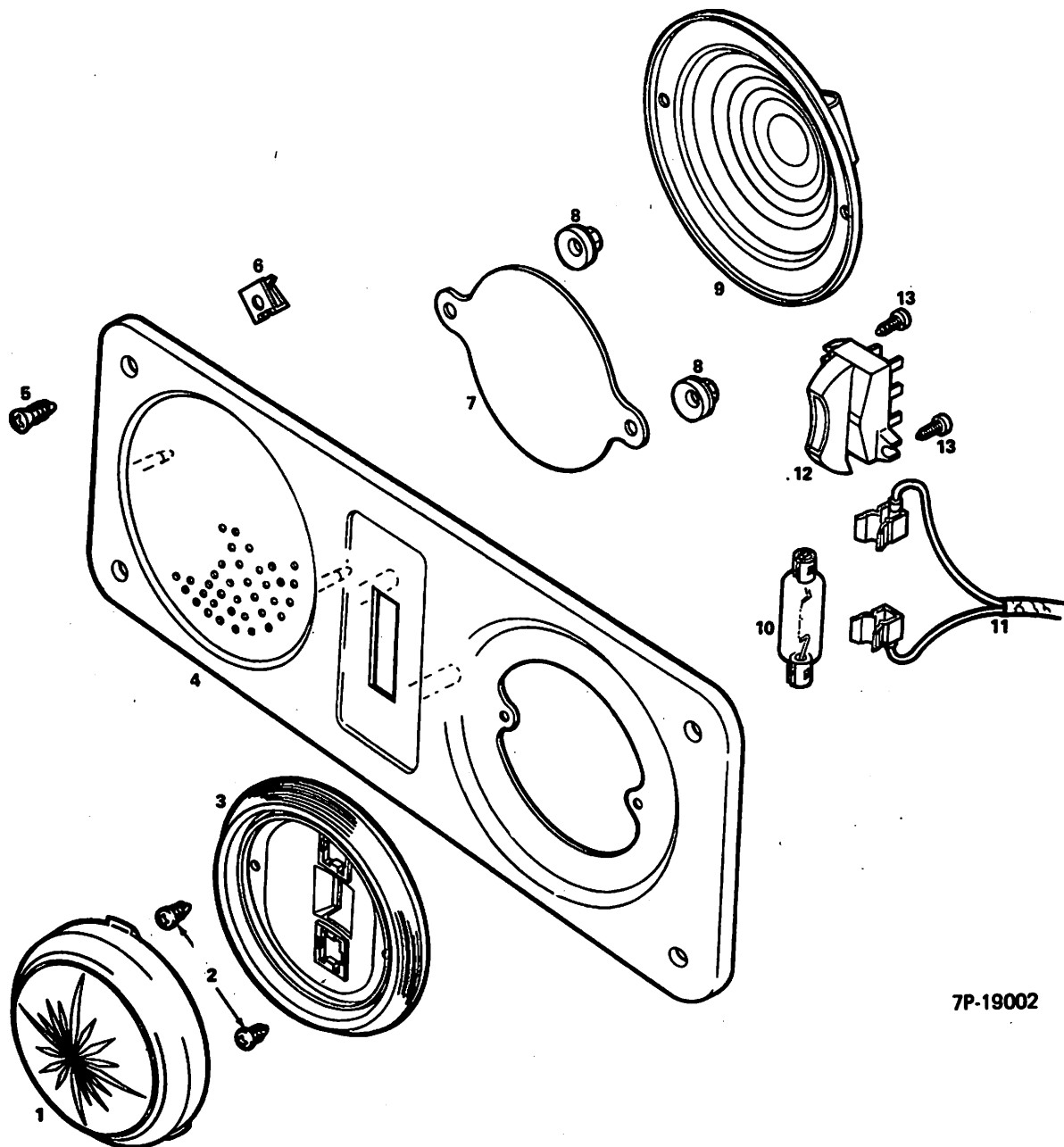
7P-28002

KEY 230 280 PART NUMBER

7.013 LAMP — MARKER

—	—	2	791143	LAMP ASSY.—courtesy (LPG/gen. compartment) (eff. w/ 1975)
—	5	5	648281	LAMP ASSY.—marker front
—	1	1	694262	LAMP ASSY.—porch
—	5	5	712815	LAMP ASSY.—rear center marker (repl. 2496502)
1	5	5	2444125	LENS—marker lamp (amber)
1	1	1	701211	LENS—porch lamp (clear)
1	5	5	2444124	LENS—rear center marker (red)
2	AR	AR	—	SCREW—lens, front marker & porch (8-32 x 3/8) (procure locally)
2	10	10	—	SCREW—lens, rear center marker (8-32 x 9/16) (procure locally)
3	AR	AR	2444123	GASKET—lens (prior to 1975)
3	—	1	2444123	GASKET—lens (eff. w/ 1975) (repl. 797256)
4	AR	AR	142450	BULB—12-16V, 4CP No. 67
5	1	1	797255	GASKET—body
—	2	2	2299512	RIVNUT—screw, front and rear center marker lamp mounting
—	2	2	2265051	RIVNUT—screw, porch lamp mounting
—	—	1	2962448	CONNECTOR—body (eff. w/ 1975 prior to 1978) (repl. 2962793) (w/out locking tab)
—	—	1	2977253	CONNECTOR—body (eff. w/ 1978) (w/locking tab)
—	—	4	799378	SLEEVE ASSY.—courtesy lamp, screw thread nut (w/ZEO 6584) (repl. 791804)

ELECTRICAL



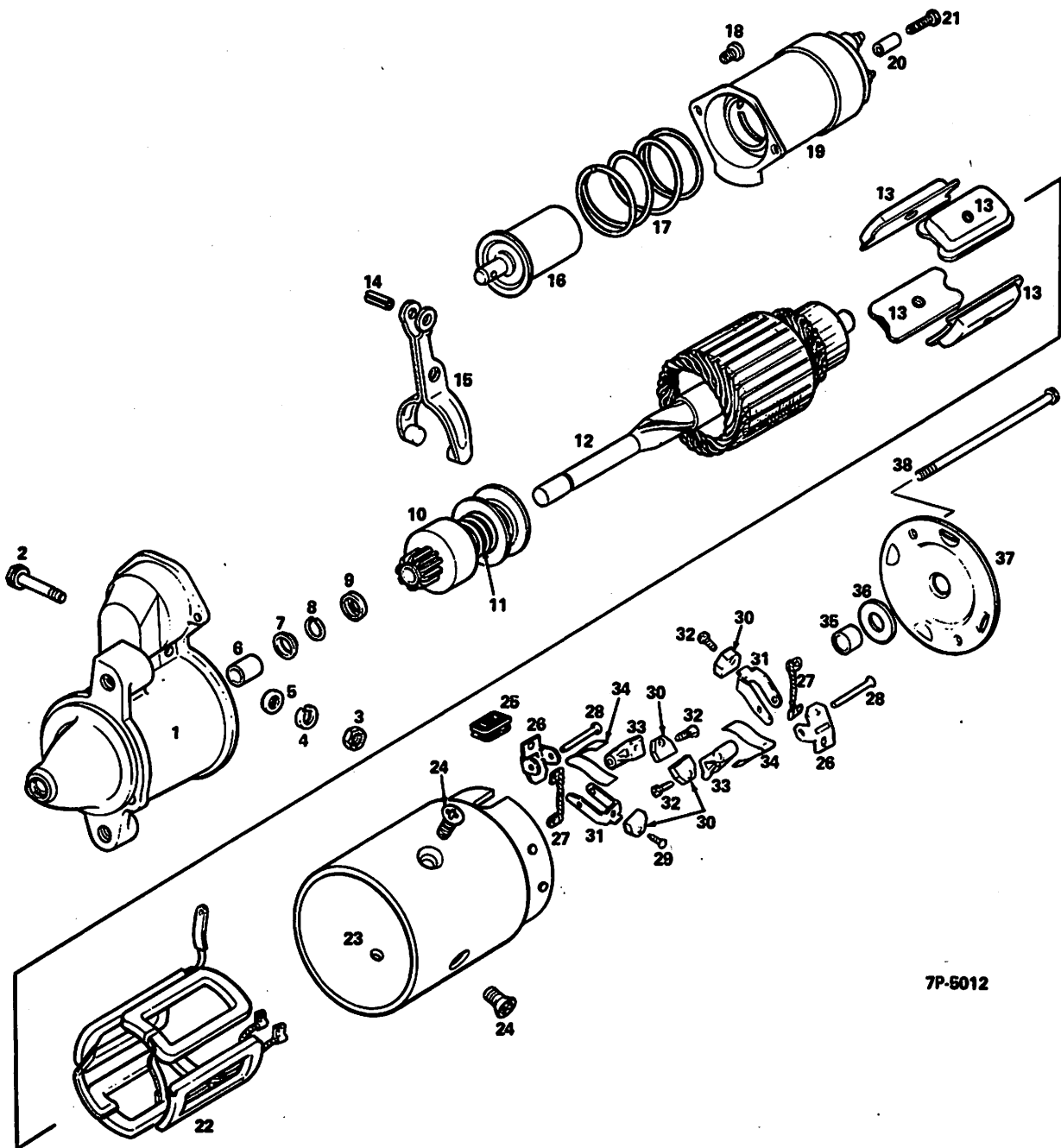
7P-19002

KEY	230	260	PART NUMBER
-----	-----	-----	-------------

7.020 LAMP — DOME AND SPEAKER

1	2	2	8732777	LENS—dome lamp (prior to 1978)
1	2	2	20013679	LENS—dome lamp (1978)
2	4	4	—	SCREW—dome lamp reflector No. 6-20 x 1/2 pan hd. cross rec. (procure locally)
3	2	2	8732779	REFLECTOR—dome lamp (prior to 1978)
3	2	2	20030351	REFLECTOR—dome lamp (1978)
4	2	2	694050	PANEL—dome lamp and speaker
5	8	8	—	SCREW—mounting, panel No. 8-18 x 7/8 ov. hd. cross rec. (procure locally)
6	8	8	—	NUT—panel mounting screw No. 8-18 clip type (procure locally)
7	2	2	699019	COVER—speaker hole (w/out radio)
8	4	4	9419761	NUT—hole cover 1/8 dia. stud type stamped skw. (procure locally)
9	2	2	9341561	SPEAKER—radio
10	2	2	9431808	BULB—dome lamp No. 211
11	2	2	8910940	HARNESS—front roof wiring
12	2	2	1386691	SWITCH—dome lamp
13	4	4	—	SCREW—dome lamp switch (ref. 9414714) (# 8-18 x 3/4)

ELECTRICAL



7P-5012

7.025 MOTOR - STARTING

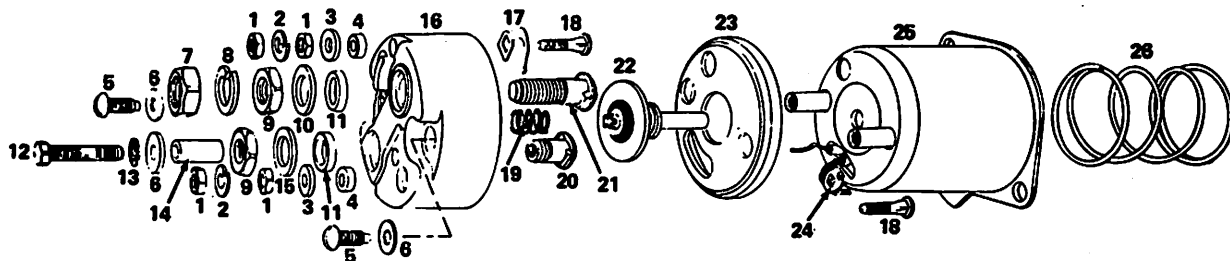
ELECTRICAL

KEY	230	260	PART NUMBER	
7.025 MOTOR — STARTING				
—	1	1	1108522	MOTOR ASSY.—starting (repl. 1108352) (prior to 1975) (ref. only) (w/413610, 416542, 417794, 418694 engine)
—	1	1	1108761	MOTOR ASSY.—starting (eff. w/1975) (repl. 1108522) (ref. only) (w/413610, 416542, 417794, 418694 engine)
—	1	1	1109027	MOTOR ASSY.—starting (repl. 1108522, 1108761 & 1108795) (w/413610, 416542, 417794, 418694, 556626 & 556627 engine)
—	1	1	1108795	MOTOR ASSY.—starting (eff. w/interm. 1977) (w/556626, 556627 engine) (ref. only)
—	1	1	1109069	MOTOR ASSY.—starting (eff. w/1978) (w/561032, 561033 engine)
1	1	1	1969357	HOUSING—drive
2	1	1	1932197	STUD—shift lever
3	1	1	—	NUT—H 5/16-18 (procure locally)
4	1	1	—	WASHER—lock 5/16 (procure locally)
5	1	1	—	WASHER—flat 5/16 (procure locally)
6	1	1	1932190	BUSHING—drive
7	1	1	1927849	COLLAR—stop DE
8	1	1	1927848	RING—stop. DE
9	1	1	1927850	COLLAR—thrust DE
10	1	1	1954842	DRIVE—starting motor (w/413610, 416542, 417794, 418694 engine)
10	1	1	1875687	DRIVE—starting motor (eff. w/interm. 1977) (w/556626, 556627, 561032, 561033 engine)
11	1	1	1932196	SPRING—drive
12	1	1	1970548	ARMATURE
13	4	4	1931129	SHOE—pole (w/1108352 motor assy.)
13	4	4	810601	SHOE—pole (w/1108522, 1108761 & 1108975 motor assy.)
14	1	1	456652	PIN—shift lever (repl. 455106) (w/1108522, 1108761, 1109027 motor assy.)
14	1	1	1894321	PIN—shift lever (w/1109069 motor assy.)
15	1	1	1951567	LEVER—shift (w/1108352, 1108761 & 1108795 motor assy.)
15	1	1	801433	LEVER—shift (w/1108522 motor assy.)
16	1	1	1941113	PLUNGER
17	1	1	1958679	SPRING—plunger return
18	1	1	—	SCREW—solenoid mounting (1/4-20 x 1/2 fill. cross rec. hd.) (procure locally)
19	1	1	1114458	SOLENOID—(see group 7.026) (repl. 1114356)
20	1	1	—	CONNECTOR—solenoid (w/1114356 solenoid) (ref. 1963519)
21	1	1	—	SCREW—solenoid (over No. 10-32 x 6/16 rd. hd.) (procure locally)
22	1	1	1965730	COIL—field (w/1108522 & 1108352 assy.)
22	1	1	1877308	COIL ASSY.—field.(w/1108761, 1108795 assy.)
23	1	1	NS	HOUSING—
24	4	4	1970469	SCREW—pole shoe (3/8-24-UNF-2A-thd.)
24	4	4	1948396	SCREW—shoe pole (w/1109069 motor assy.)
25	1	1	1965047	GROMMET—field frame (w/1108352 assy.)
25	1	1	1846097	GROMMET—field frame (w/1108522, 1108761 & 1108975 motor assy.) (.75 O.D.)
26	2	2	1928015	KIT—support, brush holder (supports not serviced separately) (w/413610, 416542, 417794, 418694 engine)
26	2	2	1918015	KIT—support, brush holder (eff. w/interm. 1977) (w/556626, 556627, 561032, 561033 engine)
27	2	2	1960864	LEAD—brush ground (part of 1918015 & 1928015 kit)
28	2	2	1966923	PIN—brush holder (part of 1918015 & 1928015 kit)
29	4	4	—	SCREW—brush ground (procure locally)
30	4	4	1946400	BRUSH—(repl. 1906945)
31	2	2	1940477	HOLDER—brush ground
32	4	4	—	SCREW—brush insulator (procure locally)
33	2	2	1926618	HOLDER—brush insulator
34	2	2	1926622	SPRING—brush
35	1	1	810820	BUSHING—starting motor frame
36	1	1	818265	WASHER—brush CE
37	1	1	1928966	FRAME—CE (w/1108761, 1108795, & 1109027 motor assy.)
37	1	1	1974157	FRAME—CE (w/1109069 motor assy.)
38	2	2	1939970	BOLT—thru (1/4-20-UNF-2A-thd.)
—	1	1	* 809593	PIN—dowel DE
—	1	1	1970988	WASHER—spring, plunger retainer (.310 I.D. x .56 O.D.)
—	1	1	1904436	LOCKWIRE—drive

ELECTRICAL

NOTES

ELECTRICAL



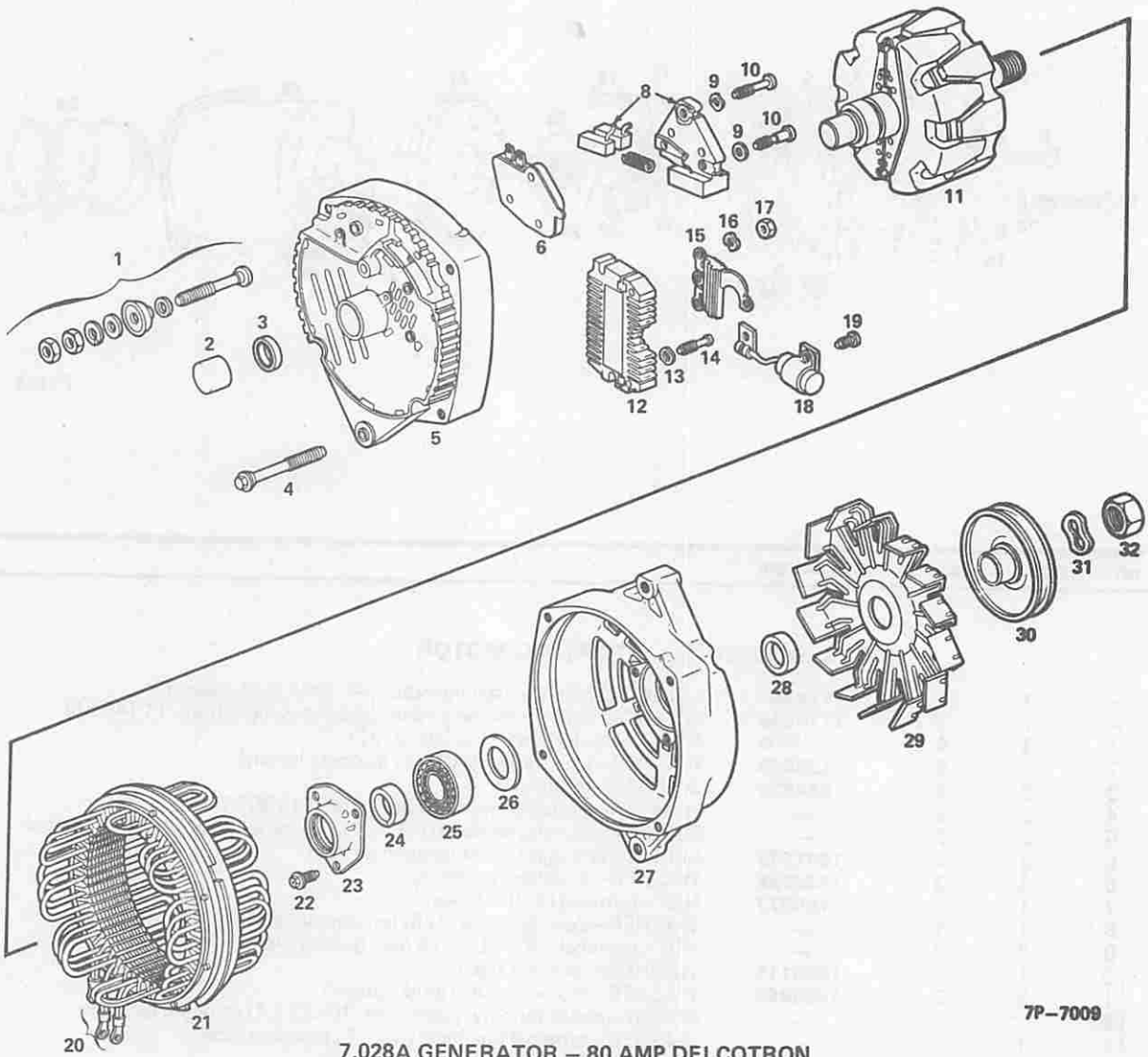
7-1123

KEY	230	260	PART NUMBER
-----	-----	-----	-------------

7.026 SOLENOID — STARTING MOTOR

—	1	1	1114356	SOLENOID ASSY.—starting motor (ref. only) (first design)
—	1	1	1114458	SOLENOID ASSY.—starting motor (second design) (repl. 1114356)
1	4	4	NPN	NUT—motor terminal stud (No. 8-32)
2	2	2	138530	WASHER—lock, terminal (No. 8) (procure locally)
3	2	2	034896	WASHER—terminal
4	2	2	—	WASHER—switch terminal (rubber) (ref 1950071)
5	2	2	—	SCREW—attaching cover (10-32 x 7/16) (procure locally) (first design)
5	2	2	1891278	SCREW—attaching cover (second design)
6	3	3	1923936	WASHER—attaching cover screw
7	1	1	120377	NUT—terminal (3/8-16 hex)
8	1	1	—	WASHER—lock, terminal (3/8) (procure locally)
9	2	2	—	NUT—terminal, stud (3/8-16 hex) (procure locally)
10	1	1	1883115	WASHER—terminal sealing
11	2	2	1950064	WASHER—motor terminal stud (rubber)
12	1	1	—	SCREW—motor terminal (plain) (No. 10-32 x 1) (procure locally)
13	1	1	—	WASHER—terminal (int. lock) (No. 10) (procure locally)
14	1	1	—	CONNECTOR—terminal (ref. 1963519)
15	1	1	805790	WASHER—motor terminal stud (plain) (first design)
15	1	1	812622	WASHER—motor terminal stud (plain) (second design)
16	1	1	1875848	COVER ASSY.—(SOA) (repl. 1891552 & 1963525)
17	1	1	1935645	CONTACT—blade
18	2	2	1950069	STUD—switch and terminal
19	1	1	1853342	SPRING—plunger, return
20	1	1	1955499	STUD—motor terminal
21	1	1	800487	STUD—battery terminal (repl 1960244) (repl. 1940546)
22	1	1	1956226	CONTACT ASSY.—(incl. push rod) (SOA)
23	1	1	1966034	GASKET—cover (first design)
23	1	1	830485	GASKET—cover (second design)
24	1	1	1948538	CLIP—terminal
25	1	1	NS	HOUSING—case and coil
26	1	1	1951792	SPRING—return (first design)
26	1	1	1958679	SPRING—return (second design)
—	1	1	807295	WASHER—switch terminal (plain) (second design) (3/8 I.D. x .566 O.D.)

ELECTRICAL



7.028A GENERATOR - 80 AMP DELCOTRON

7P-7009

ELECTRICAL

KEY	230	260	PART NUMBER	
-----	-----	-----	-------------	--

7.028A GENERATOR — 80 AMP DELCOTRON (prior to 1978)

—	1	1	1101015	GENERATOR—80 amp Delcotron (complete) (prior to 1975)
—	1	1	1101030	GENERATOR—80 amp Delcotron (complete) (eff. w/1975) (repl. 1101016)
1	1	1	1846901	PACKAGE—battery terminal
2	1	1	7451931	BEARING—roller, slip ring end
3	1	1	1961323	SEAL—roller bearing, slip ring, end
4	4	4	801810	BOLT—through
5	1	1	801813	FRAME—slip ring end
6	1	1	1116387	REGULATOR
7	1	1	1964117	SPRING—brush holder
8	1	1	801466	HOLDER—brush (incl. spring)
9	2	2	1847933	WASHER—lock, brush holder screw (.176 I.D. x .410 O.D.)
10	2	2	1876681	SCREW—insulated, brush holder attach (w/1101015, 1101016 generator) (repl. 1846864) (8-32-UNC-2A-thd.)
11	1	1	1877057	ROTOR—(w/1101015 generator) (repl. 801792)
11	1	1	1877057	ROTOR ASSY.—(w/1101016 generator)
12	1	1	1875645	BRIDGE—rectifier (w/1101015, 1101016 generator) (repl. 801816)
13	1	1	1847933	WASHER—lock, rectifier bridge attaching screw (.176 I.D. x .410 O.D.)
14	AR	AR	1876668	SCREW—attaching, rectifier bridge (repl. 1970145) (8-32-UNC-2A-thd.)
15	1	1	830891	DIODE—(trio) (w/1101015 & 1101016 generator) (repl. 801817)
16	1	1	1847933	WASHER—lock, diode (.176 I.D. x .410 O.D.)
17	1	1	—	NUT—diode (procure locally)
18	1	1	1869573	BRACKET—capacitor
19	1	1	1851612	SCREW—capacitor (8-32 thd.)
20	3	3	NS	CLIP—stator lead
21	1	1	801818	STATOR
22	3	3	1965104	SCREW—ball bearing retainer plate (10-24 UNC 2A thd.)
23	1	1	1971993	PLATE—retainer ball bearing
24	1	1	1963139	COLLAR—shaft, drive end (inside)
25	1	1	907998	BEARING—drive end
26	1	1	800832	WASHER—grease slinger, drive end (.675 I.D. x 1.37 O.D.)
27	1	1	801806	FRAME—drive end
28	1	1	1959991	COLLAR—shaft, drive end (outside)
29	1	1	801808	FAN
30	1	1	1949357	PULLEY—generator (prior to 1978)
30	1	1	2025923	PULLEY—generator (w/RPO LO4) (1978)
31	1	1	1941978	WASHER—lock, shaft nut, drive end (.685 I.D. x 1.00 O.D.)
32	1	1	1915172	NUT—shaft, drive end (15/16 hex head)
—	1	1	830478	RESISTOR—regulator to ground (w/1101016 generator)
—	1	1	801815	CONNECTOR—battery term. to rect. bridge (w/1101016 generator)
—	3	3	1851612	SCREW—connector, battery terminal (w/1101016 generator) (8-32 thd.)

7.028H GENERATOR—145 AMP DELCOTRON (1978)

—	1	1	1117148	GENERATOR—145 AMP (w/RPO LO4)
—	1	1	801722	PACKAGE ASSY.—battery terminal (SOA)
—	1	1	801634	FRAME ASSY.—slip ring end
—	1	1	1116389	REGULATOR ASSY.—generator (SOA)
—	1	1	801466	HOLDER ASSY.—brush
—	2	2	807295	WASHER—brush holder attach screw
—	2	2	830335	SCREW—brush holder attach (insul.)
—	2	2	830338	SCREW—brush holder attach
—	1	1	801539	ROTOR ASSY.—generator (SOA)
—	3	3	1867531	BRIDGE—rectifier
—	6	6	1851808	NUT—rectifier bridge term
—	6	6	830838	SCREW—rectifier bridge attach
—	5	5	807295	WASHER—rectifier bridge attach screw
—	2	2	1966879	SLEEVE—rectifier bridge attach screw (insul.)
—	1	1	1919478	WASHER—rectifier bridge attach screw
—	1	1	801572	DIODE—trio
—	1	1	801565	STATOR ASSY.—generator
—	4	4	1846955	SCREW—plate attach
—	1	1	801558	PLATE—cover
—	1	1	801551	CAPACITOR ASSY.—generator (SOA)
—	1	1	1970379	SCREW—capacitor attach
—	1	1	1910476	BRACKET—capacitor
—	1	1	1971673	PLACAGE ASSY.—relay terminal (SOA)

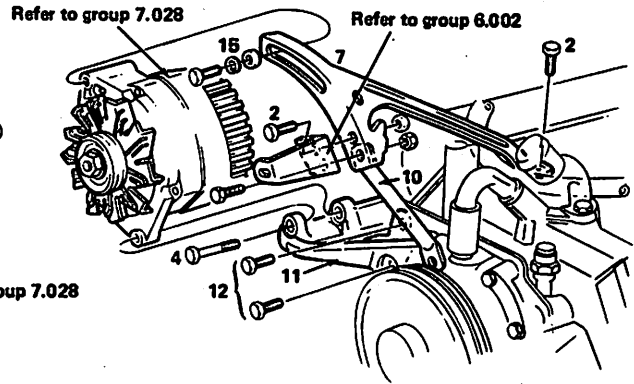
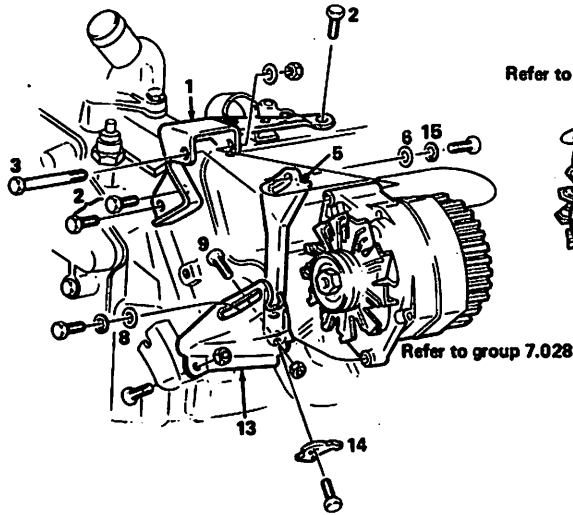
ELECTRICAL

KEY	230	260	PART NUMBER
-----	-----	-----	-------------

7.028H GENERATOR—145 AMP DELCOTRON (1978) (Cont.)

—	1	1	801533	FRAME—drive end
—	1	1	907056	BEARING ASSY.—drive end (New Departure Hyatt Bearing # Z99605-L1268 BC4)
—	1	1	801535	PLATE—drive end retainer
—	1	1	1948407	WASHER—drive end
—	4	4	1931312	NUT—drive end retainer attach screw
—	1	1	1912008	GASKET—drive end retainer plate
—	1	1	1846291	SCREW—drive end retainer plate attach
—	1	1	1968890	COLLAR—drive end outside shaft
—	1	1	1968891	SLINGER—drive end grease
—	1	1	9419881	NUT—drive end shaft
—	1	1	1905406	WASHER—drive end nut spring
—	1	1	1969481	FAN—generator
—	1	1	1851808	NUT—regulator stud
—	1	1	1970227	CAP—relay trim cover
—	4	4	1968991	BOLT—thru
—	1	1	801548	BODY—regulator connector
—	1	1	801549	PLATE—connector body hold down
—	1	1	1970397	SCREW—connector body hold down
—	1	1	801532	CAP—voltage adjustment
—	1	1	1851165	LEAD—relay terminal to heat sink
—	1	1	801550	CONNECTOR—rect. bridge to output
—	1	1	801481	LEAD—ac terminal stud
—	2	2	801575	LEAD—ac terminal stud
—	3	3	1905125	WASHER—nut
—	3	3	1944973	BUSHING—terminal stud nut
—	1	1	1859327	INSULATOR—terminal (repl. 1913436)
—	1	1	1970397	SCREW—rect. bridge to output terminal attach

ELECTRICAL

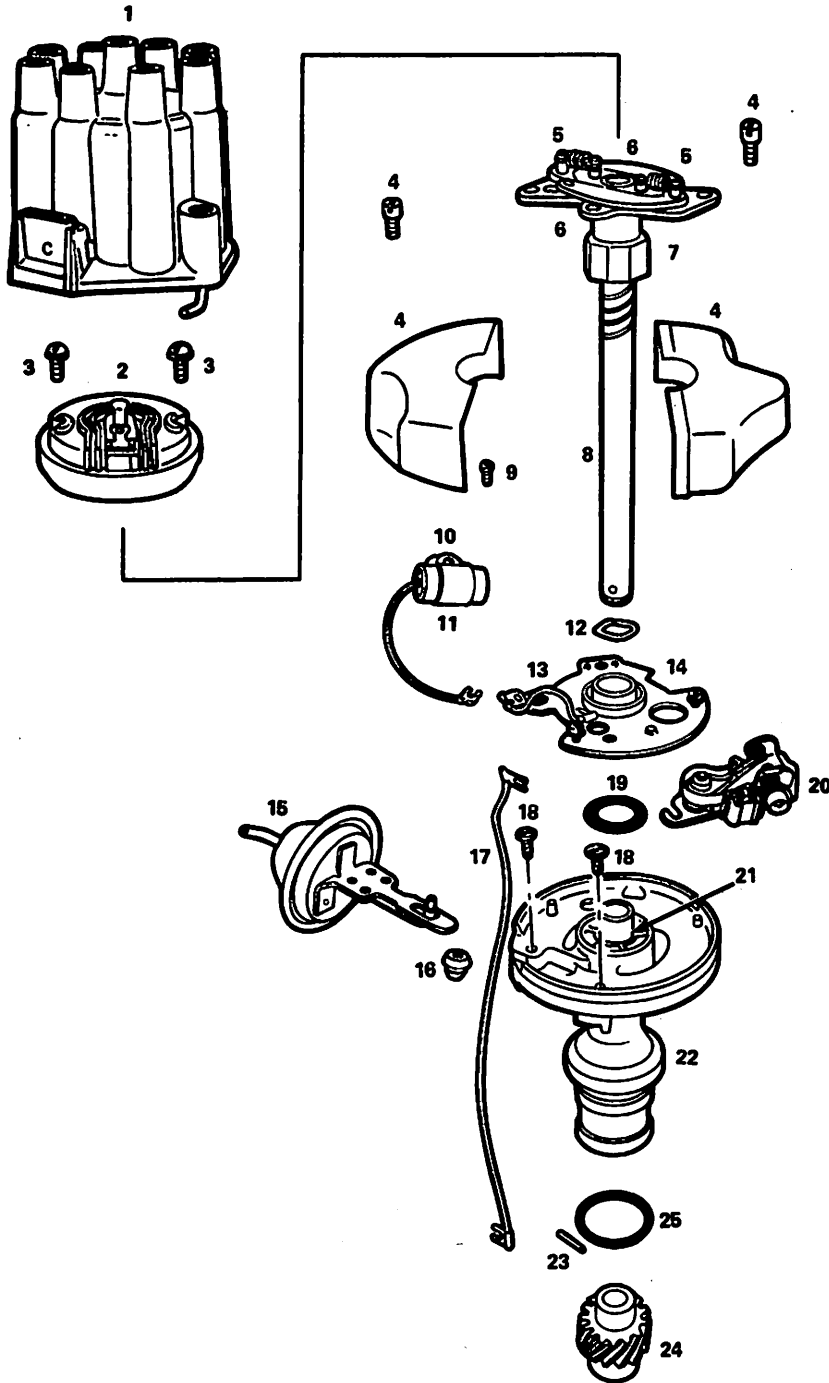


KEY	230	280	PART NUMBER
-----	-----	-----	-------------

7.029 GENERATOR MOUNTING

1	1	1	410354	BRACKET—generator front mounting (w/air cond.) (w/413610 engine) (eff. w/1973 & prior to 1974)
1	1	1	703569	BRACKET—generator front mounting (w/air cond.) (w/413610, 416542, 417794, 418694 engine) (eff. w/1974)
1	1	1	1606894	BRACKET—generator front mounting (eff. w/interm 1977) (w/556626, 556627 engine)
1	1	1	2025931	BRACKET ASSY.—generator front mounting (561032, 561033 engine)
2	3	3	9418967	BOLT—generator bracket (3/8-16 x 3/4)
3	1	1	—	BOLT—generator to bracket (w/air cond.) (procure locally)
4	1	1	9437699	BOLT—generator to bracket (exc./ air cond.) (3/8-16 x 3 1/4)(repl. 9419063)
5	1	1	410760	BRACE—generator (w/air cond.) (w/410360 engine) (eff. w/1973 & prior to 1974)
5	1	1	714617	BRACE—generator (w/air cond.) (w/413610, 416542, 417794, 418694 engine) (eff. w/1974)
5	1	1	556690	BRACE—generator (eff. w/interm. 1977) (w/556626, 556627 engine)
6	1	1	3834560	WASHER—gen. link or brace (w/air cond.) (11/32 special)
7	1	1	22504485	LINK—adjusting, gen. (exc./ air cond.) (repl. 390146)
8	1	1	3834560	WASHER—gen. brace lower bolt (w/air cond.) (11/32 special)
9	2	2	9430677	BOLT—brace and link (w/air cond.) (repl. 9418918) (5/16-18 x 1" 300M)
10	1	1	390145	STRUT—adjusting link (exc./ air cond.)
11	1	1	397209	BRACKET—generator lower (exc./ air cond.)
12	3	3	9427321	BOLT—gen. bracket to engine (exc./ air cond.) (3/8-16 x 1" 300M)
13	1	1	410353	LINK—adjusting generator (w/air cond.) (w/413610 engine) (eff. w/1973 & prior to 1974)
13	1	1	702363	ARM—adjusting, generator (link) (w/air cond.) (w/413610, 416542, 417794, 418694 engine) (eff. w/1974)
13	1	1	2027902	ARM—adjusting generator (w/RPO LO4) (1978) (w/556626, 556627, 561032, 561033 engine)
13	1	1	557460	ARM—adjusting generator (std.) (1978) (w/556626, 556627, 561032, 561033 engine)
14	1	1	399423	LOCK—generator link (w/air cond.)
15	2	2	2436163	WASHER—mounting (13/32 I.D. 13/16 O.D.)
—	1	1	703572	BRACKET—generator rear mounting (w/air cond.) (w/413610, 416542, 417794, 418694 engine)
—	1	1	556693	BRACKET—generator rear mounting (eff. w/interm. 1977) (w/556626, 556627 engine) (prior to 1978)
—	1	1	2025911	BRACKET—rear mounting (w/RPO LO4) (eff. w/1978)
—	3	3	9420462	BOLT—generator front mounting bracket to engine (300M, 3/8"-16 x 1 1/4") (eff. w/interm. 1977) (w/556626, 556627, 561032, 561033 engine)
—	3	3	2479541	WASHER—generator front mounting bracket to engine bolt (.406 I.D. x .750 O.D. x .1196 thk.) (eff. w/interm. 1977) (w/556626, 556627, 561032, 561033 engine)
—	1	1	556691	SPACER—generator rear bracket (11/16" sq. x 9/16" lg.) (eff. w/interm. 1977) (w/556626, 556627, 561032, 561033 engine)

ELECTRICAL



7.031 DISTRIBUTOR

7P-6006

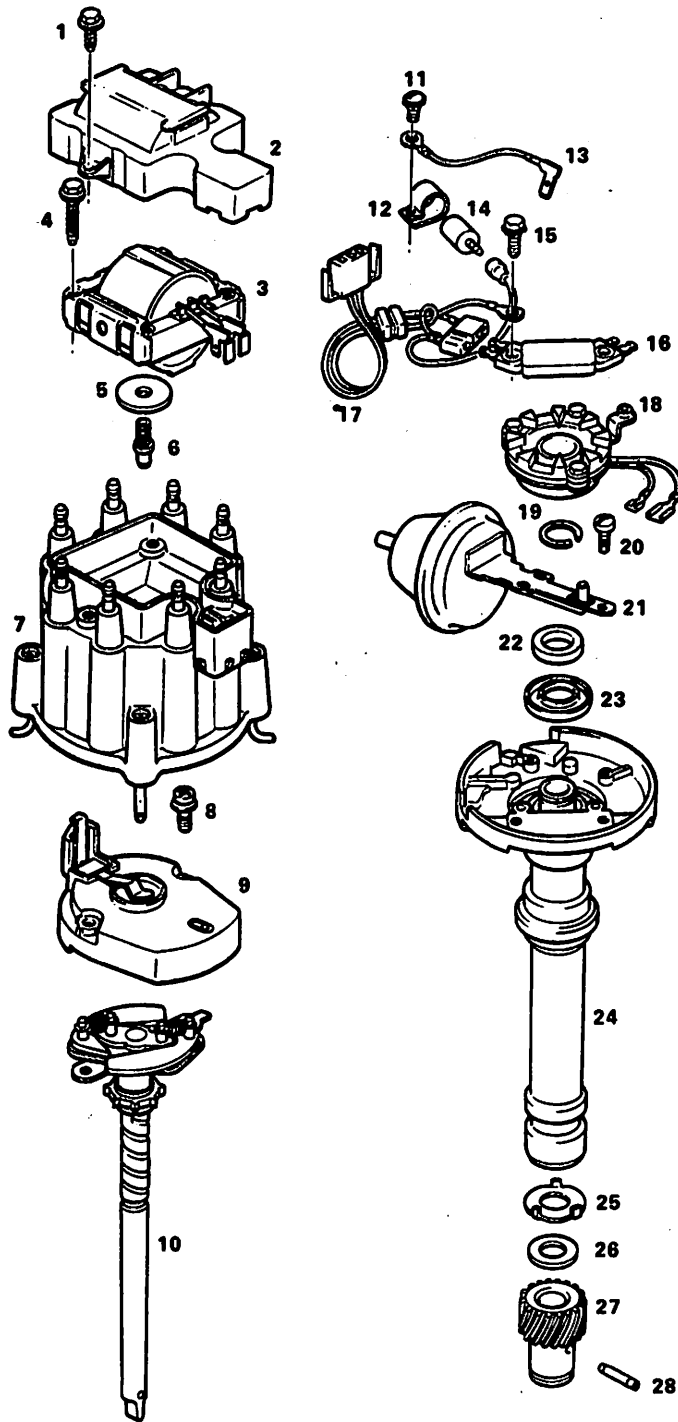
ELECTRICAL

KEY	230	280	PART NUMBER
-----	-----	-----	-------------

7.031 DISTRIBUTOR

—	1	1	1112172	DISTRIBUTOR ASSY.—complete. (w/4 13610, 416542 engine) (incl. the following items thru asterisk)
1	1	1	800061	CAP—distributor
2	1	1	1852722	ROTOR—distributor (repl. 1971247)
3	2	2	274453	SCREW—rotor attaching, incl. lockwasher (SOA)
4	1	1	1846216	PACKAGE—shield
5	2	2	1852808	SPRING—weight
6	2	2	1881371	WEIGHT
7	1	1	1943835	CAM
8	1	1	1852909	SHAFT
9	1	1	9417273	SCREW—condenser attaching (repl. 159572) (8-32 x 1/4)
10	1	1	1869573	BRACKET—condenser
11	1	1	1932004	CONDENSER
12	1	1	1932024	SPRING—contact weight retainer
13	1	1	1932002	LEAD—ground
14	1	1	1876641	PLATE—(repl. 1846122)
15	1	1	1973408	CONTROL—vacuum
16	1	1	1932023	GROMMET—housing (.54 O.D.)
17	1	1	1942518	LEAD—primary
18	2	2	454408	SCREW—control attaching
19	1	1	1951099	WASHER—felt (under breaker plate)
20	1	1	1931988	CONTACT ASSY.
21	1	1	1950569	SEAL—lubrication
22	1	1	801262	HOUSING
23	1	1	—	PIN—gear attaching (procure locally)
24	1	1	1955676	GEAR—shaft
25	1	1	NPN	O-RING—(not part of assy.)
—	1	1	1961234	SLEEVE—(on spring post)
—	1	1	1852935	PACKAGE—lubricator
—	1	1	* 1963958	RETAINER—camp lubricator (felt)
—	1	1	1938193	GROMMET—spherical (inside distributor cap) (.243 O.D.)

ELECTRICAL



7P-6007

7.031A DISTRIBUTOR (H.E.I.)

ELECTRICAL

KEY	230	280	PART NUMBER	
7.031A DISTRIBUTOR — HIGH ENERGY IGNITION (H.E.I.)				
—	1	1	1112893	DISTRIBUTOR ASSY.—complete (w/417794 engine) (repl. 1112908)
—	1	1	1112945	DISTRIBUTOR ASSY.—complete (w/418694 engine)
—	1	1	1103267	DISTRIBUTOR ASSY.—complete (w/556626, 561032 engine)
—	1	1	1103299	DISTRIBUTOR ASSY.—complete (w/556627 engine) (ref. only)
—	1	1	1103309	DISTRIBUTOR ASSY.—complete (w/561033 engine) (repl. 1103299)
1	1	1	1876153	SCREW—dist. cap cover attaching (.250 hex head)
2	1	1	1875980	COVER—cap
3	1	1	1875894	COIL ASSY.—ignition (w/1112893, 1112945, 1103267, 1103299 distributor)
3	1	1	1876209	COIL ASSY.—ignition (1103309 distributor)
4	4	4	1875961	SCREW—ignition coil attaching (incl. lockwasher)
5	1	1	1875962	SEAL—ignition coil (rubber)
6	1	1	1875967	BRUSH—register (cap)
7	1	1	1875963	CAP—distributor (w/1112893, 1112945, 1103267, 1103299 distributor)
7	1	1	1893686	CAP—distributor (w/1103309 distributor)
8	1	1	1875948	SCREW—rotor attaching (incl. lockwasher)
9	1	1	1893518	ROTOR— (repl. 1891080)
10	1	1	830421	SHAFT ASSY.—main (w/1112893 & 1112945 distributor)
10	1	1	1893988	SHAFT ASSY.—main (w/1103267 distributor)
10	1	1	1894423	SHAFT ASSY.—main (w/1103299 distributor)
10	1	1	1894687	SHAFT ASSY.—main (w/1103309 distributor)
11	1	1	1876639	SCREW—capacitor bracket attaching (incl. lockwasher)
12	1	1	1869573	BRACKET—capacitor
13	1	1	1876155	LEAD—ground (w/1112893, 1112945, 1103267, 1103299 distributor)
13	1	1	1894868	LEAD—ground (w/1103309 distributor)
14	1	1	1876154	CAPACITOR
15	1	1	1891234	SCREW—module attaching, (incl. lockwasher)
16	1	1	1875990	MODULE
17	1	1	1876013	HARNESS
18	1	1	1875981	POLE PIECE & PLATE (w/1112893, 1112945, 1103267, 1103299 distributor)
18	1	1	1892175	POLE PIECE & PLATE (w/1103309 distributor)
19	1	1	830446	RETAINER—pole piece & plate
20	1	1	1891239	SCREW—vacuum control attaching (8-32 x 1/2)
21	1	1	1973523	CONTROL—vacuum (w/1112893 & 1112945 distributor) (.72 I.D. x 1.2 O.D.)
21	1	1	1973609	CONTROL—vacuum (w/1103267 distributor)
21	1	1	1973622	CONTROL—vacuum (w/1103299 distributor)
21	1	1	1973634	CONTROL—vacuum (w/1103309 distributor)
22	1	1	1951099	WASHER—pole piece & plate, felt
23	1	1	1950569	SEAL—housing, distributor
24	1	1	1875955	HOUSING
25	1	1	1965864	WASHER—gear, tang-under (.500 I.D. x 1.00 O.D.)
26	1	1	1837617	WASHER—thrust, distributor housing (.500 I.D. x 1.00 O.D.)
27	1	1	1955876	GEAR
28	1	1	—	PIN—gear attaching (procure locally) (1/8 x 7/8) (ref. 455862)
—	1	1	1837617	WASHER—distr. thrust (w/1103309 distributor)
—	1	1	1965864	WASHER—distr. tang (w/1103309 distributor)
7.032 RADIO — AM/FM STEREO W/FOUR SPEAKERS				
—	1	1	NS	PACKAGE ASSY.—radio (incl. bolts, nuts, washers and the following items as indicated) (ref. 2234623)
—	1	1	7314211	RECEIVER ASSY.—radio (SOA) (w/2234623 pkg. assy.)
—	1	1	NS	RECEIVER ASSY.—radio (SOA) (ref. 9345290)
—	1	1	703515	CAPACITOR ASSY.—air compressor feed-through (SOA) (w/2234623 pkg. assy.)
—	1	1	1852715	CAPACITOR ASSY.—ignition coil (SOA) (repl. 1935729) (w/2234623 pkg. assy.)
—	1	1	409609	CAPACITOR ASSY.—heater blower feed-through (SOA) (w/2234623 pkg. assy.)
—	2	2	9341561	SPEAKER ASSY.—radio front (3—1/2 inches) (SOA) (w/2234623 pkg. assy.)
—	2	2	9347820	SPEAKER ASSY.—radio rear (4 inches x 10 inches) (SOA) (repl. 7933542) (w/2234623 pkg. assy.)

ELECTRICAL

KEY 230 260 PART NUMBER

7.032 RADIO — AM/FM STEREO W/FOUR SPEAKERS (Cont.)

—	1	1	703797	BRACKET—support, radio. (RH) (prior to 1977) (w/2234623 pkg. assy.)
—	1	1	703796	BRACKET—support, radio. (LH) (prior to 1977) (w/2234623 pkg. assy.)
—	1	1	798978	BRACKET—support, radio (eff. w/1977)
—	1	1	8913814	WIRE ASSY.—speaker, radio (SOA) (prior to Serial No. 6V100878) (w/2234623 pkg. assy.)
—	1	1	12002295	WIRE ASSY.—speaker, radio (eff. w/Serial No. 6V100878)
—	1	1	3986829	KNOB ASSY.—radio control, (RH) (SOA) (w/2234623 pkg. assy.)
—	1	1	3986872	KNOB ASSY.—radio control, (LH) (SOA) (w/2234623 pkg. assy.)
—	2	2	3986873	KNOB ASSY.—radio control, tone (SOA) (w/2234623 pkg. assy.)
—	2	2	—	BOLT ASSY.—radio receiver to bracket (SOA) (procure locally) (ref. 3996266) (w/2234623 pkg. assy.)

7.32H RADIO — AM/FM STEREO W/SIX SPEAKERS

—	1	1	7898450	RECEIVER ASSY.—radio (SOA)
—	2	2	NPN	NUT—radio receiver to instrument panel (ref. 7279805) (procure locally)
—	1	1	3986829	KNOB ASSY.—radio control, RH (SOA)
—	1	1	3986872	KNOB ASSY.—radio control LH (SOA)
—	2	2	3986873	KNOB ASSY.—radio control, tone (SOA)
—	2	2	16000680	SPEAKER ASSY.—radio front (86.1 O.D.) (SOA)
—	—	2	2028765	SPEAKER ASSY.—radio center (SOA)
—	2	2	7898980	SPEAKER ASSY.—radio rear (SOA)
—	1	1	409609	CAPACITOR ASSY.—heater blower feed-through (SOA)

7.033 RADIO — AM/FM W/STEREO TAPE PLAYER W/FOUR SPEAKERS

—	1	1	NS	PACKAGE ASSY.—radio (incl. bolts, nuts, washers and the following items as indicated) (ref. 2234625)
—	1	1	NS	RECEIVER ASSY.—radio (SOA) (repl. 7930121) (ref. 7895373) (prior to 1977) (w/2234625 pkg. assy.)
—	1	1	7898160	RECEIVER ASSY.—radio (SOA)
—	1	1	9342545	CONNECTOR ASSY.—(SOA) (w/2234625 pkg. assy.)
—	1	1	703515	CAPACITOR ASSY.—air compressor feed-through (SOA) (w/2234625 pkg. assy.)
—	1	1	1852715	CAPACITOR ASSY.—ignition coil (SOA) (repl. 1935729) (w/2234625 pkg. assy.)
—	1	1	409609	CAPACITOR ASSY.—heater blower feed-through (SOA) (w/2234625 pkg. assy.)
—	2	2	9341561	SPEAKER ASSY.—radio (3—1/2 inches) (front) (SOA) (w/2234625 pkg. assy.)
—	2	2	9347820	SPEAKER ASSY.—radio (4 inches x 10 inches) (rear) (SOA) (repl. 7933542) (w/2234625 pkg. assy.)
—	1	1	703797	BRACKET—support, (RH) (prior to 1977) (w.2234625 pkg. assy.)
—	1	1	703796	BRACKET—support, (LH) (prior to 1977) (w/2234625 pkg. assy.)
—	1	1	NPN	BRACKET—support, radio (eff. w/1977)(ref. 798978) (procure locally)
—	1	1	8913814	WIRE ASSY.—speaker, radio (SOA) (w/2234625 pkg. assy.)
—	1	1	3986829	KNOB ASSY.—radio control, (RH) (SOA) (w/2234625 pkg. assy.)
—	1	1	3986872	KNOB ASSY.—radio control, (LH) (SOA) (w/2234625 pkg. assy.)
—	2	2	3986873	KNOB ASSY.—radio control, tone (SOA) (w/2234625 pkg. assy.)
—	2	2	—	BOLT ASSY.—radio receiver to bracket (SOA) (procure locally) (ref. 3996266) (w/2234625 pkg. assy.)

7.033H RADIO — AM/FM W/STEREO TAPE PLAYER, W/SIX SPEAKERS

—	1	1	995998	RECEIVER ASSY.—radio (SOA)(repl. 7898510)
—	2	2	7279805	NUT—radio receiver to instrument panel
—	1	1	3986829	KNOB ASSY.—radio control, RH (SOA)
—	1	1	3986872	KNOB ASSY.—radio control, LH (SOA)
—	1	1	3986873	KNOB ASSY.—radio control, tone (SOA)
—	2	2	16000680	SPEAKER ASSY.—radio front (86.01 O.D.) (SOA)
—	—	2	2028765	SPEAKER ASSY.—radio center (SOA)
—	2	2	7898980	SPEAKER ASSY.—radio rear (SOA)
—	1	1	409609	CAPACITOR ASSY.—heater blower feed-through feed (SOA)

ELECTRICAL

KEY	230	260	PART NUMBER	
7.034 RADIO — AM W/FOUR SPEAKERS				
—	1	1	NS	PACKAGE ASSY.—radio (incl. bolts, nuts, washers and the following items as indicated) (ref. 2234621)
—	1	1	703515	CAPACITOR ASSY.—air compressor feed-through (SOA) (w/2234621 pkg. assy.)
—	1	1	1852715	CAPACITOR ASSY.—ignition coil (SOA) (repl. 1935729) (w/2234621 pkg. assy.)
—	1	1	409609	CAPACITOR ASSY.—heater blower feed-through (SOA) (w/2234621 pkg. assy.)
—	2	2	9341561	SPEAKER ASSY.—radio (3—1/2 inches) (front) (SOA) (w/2234621 pkg. assy.)
—	2	2	9347820	SPEAKER ASSY.—radio (4 inches x 10 inches) (rear) (SOA) (repl. 7933542) (w/2234621 pkg. assy.)
—	1	1	703797	BRACKET—support, radio, (RH) (prior to 1977) (w/2234621 pkg. assy.)
—	1	1	2001434	BRACKET—support, radio (eff. w/1977)
—	1	1	8913814	WIRE ASSY.—speaker, radio (SOA) (w/2234621 pkg. assy.)
—	1	1	3986829	KNOB ASSY.—radio control, (RH) (SOA) (w/2234621 pkg. assy.)
—	1	1	3986872	KNOB ASSY.—radio control, (LH) (SOA) (w/2234621 pkg. assy.)
—	2	2	3986873	KNOB ASSY.—radio control, tone (SOA) (w/2234621 pkg. assy.)
—	1	1	—	BOLT ASSY.—radio receiver to bracket (SOA) (procure locally) (ref. 3996266) (w/2234621 pkg. assy.)
7.035 RADIO — AM/STEREO TAPE PLAYER W/FOUR SPEAKERS				
—	1	1	NS	PACKAGE ASSY.—radio (incl. bolts, nuts, washers and the following items as indicated) (ref. 2234624)
—	1	1	NS	RECEIVER ASSY.—radio (SOA) (repl. 7930061) (prior to 1977) (w/2234624 pkg. assy.)
—	1	1	7898150	RECEIVER ASSY.—radio (SOA) (eff. w/1977)
—	1	1	1852715	CAPACITOR ASSY.—ignition coil (SOA) (repl. 1935729) (w/2234624 pkg. assy.)
—	1	1	409609	CAPACITOR ASSY.—heater blower feed-through (SOA) (w/2234624 pkg. assy.)
—	2	2	9341561	SPEAKER ASSY.—radio (3—1/2 inches) (front) (SOA) (w/2234624 pkg. assy.)
—	2	2	9347820	SPEAKER ASSY.—radio (4 inches x 10 inches) (rear) (SOA) (repl. 7933542) (w/2234624 pkg. assy.)
—	2	2	2005376	SPEAKER ASSY.—radio center
—	1	1	703797	BRACKET—support, (RH) (prior to 1977) (w/2234624 pkg. assy.)
—	1	1	703796	BRACKET—support, (LH) (prior to 1977) (w/2234624 pkg. assy.)
—	1	1	798978	BRACKET—support, radio (eff. w/1977)
—	1	1	8913814	WIRE ASSY.—speaker, radio (SOA) (w/2234624 pkg. assy.)
—	1	1	3986829	KNOB ASSY.—radio control, (RH) (SOA) (w/2234624 pkg. assy.)
—	1	1	3986872	KNOB ASSY.—radio control, (LH) (SOA) (w/2234624 pkg. assy.)
—	2	2	3986873	KNOB ASSY.—radio control, tone (SOA) (w/2234624 pkg. assy.)
—	2	2	—	BOLT ASSY.—radio receiver to bracket (SOA) (procure locally) (ref. 3996266) (w/2234624 pkg. assy.)
—	1	1	9342545	CONNECTOR ASSY.—(SOA) (w/2234624 pkg. assy.)
7.036 RADIO — AM/FM MONO W/FOUR SPEAKERS				
—	1	1	NS	PACKAGE ASSY.—radio, (incl. bolts, nuts, washers and the following items as indicated) (ref. 2234622)
—	1	1	NS	RECEIVER ASSY.—radio (SOA) (ref. 7933301) (w/2234622 pkg. assy.)
—	1	1	703515	CAPACITOR ASSY.—air compressor feed-through (SOA) (w/2234622 pkg. assy.)
—	1	1	1852715	CAPACITOR ASSY.—ignition coil (SOA) (repl. 1935729) (w/2234622 pkg. assy.)
—	1	1	409609	CAPACITOR ASSY.—heater blower feed-through (SOA) (w/2234622 pkg. assy.)
—	2	2	9341561	SPEAKER ASSY.—radio, front (3—1/2 inches) (SOA) (w/2234622 pkg. assy.)
—	2	2	9347820	SPEAKER ASSY.—radio, rear (4 inches x 10 inches) (SOA) (repl. 7933542) (w/2234622 pkg. assy.)

ELECTRICAL

KEY	230	260	PART NUMBER	
-----	-----	-----	-------------	--

7.036 RADIO — AM/FM MONO W/FOUR SPEAKERS (Cont.)

—	1	1	703797	BRACKET—support. radio. (RH) (prior to 1977) (w/2234622 pkg. assy.)
—	1	1	703798	BRACKET—support. radio. (LH) (prior to 1977) (w/2234622 pkg. assy.)
—	1	1	798978	BRACKET—support. radio (eff. w/1977)
—	1	1	8913814	WIRE ASSY.—speaker. radio (SOA) (w/2234622 pkg. assy.)
—	1	1	3986829	KNOB ASSY.—radio control. (RH) (SOA) (w/2234622 pkg. assy.)
—	1	1	3986872	KNOB ASSY.—radio control. (LH) (SOA) (w/2234622 pkg. assy.)
—	2	2	3986873	KNOB ASSY.—radio tone control. (SOA) (w/2234622 pkg. assy.)

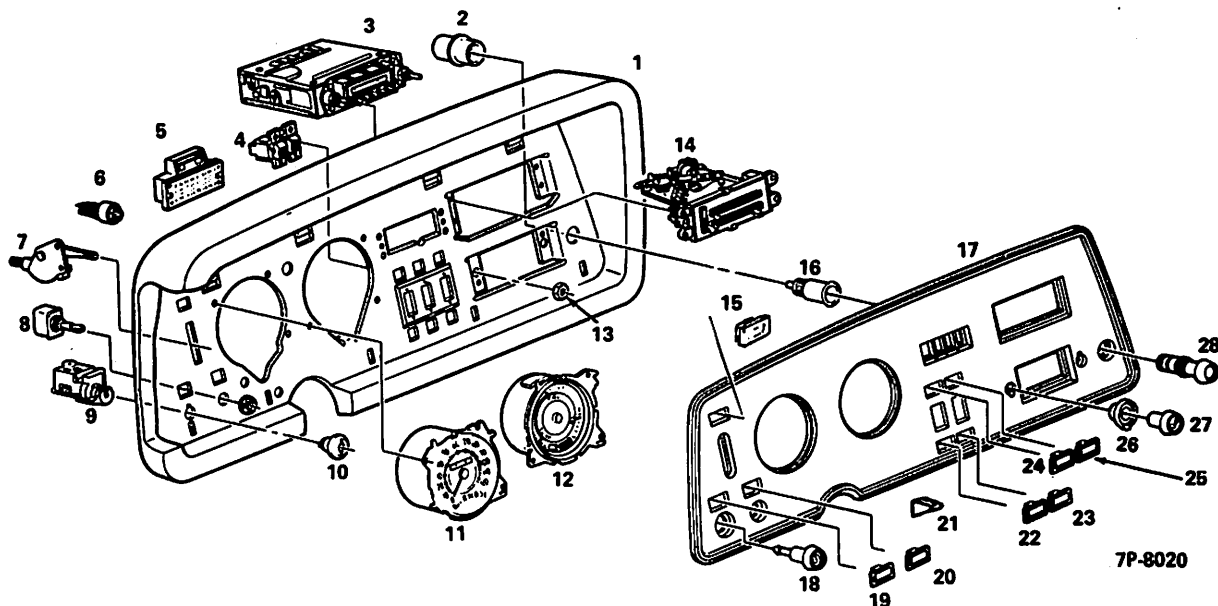
7.037 ANTENNA — RADIO

—	1	1	713739	ANTENNA ASSY.—(repl. 699103)
—	1	1	2021804	ANTENNA ASSY.—C/B
—	1	1	704520	CONDUIT—antenna
—	1	1	665880	MAST ASSY.—antenna (incl. nut)
—	1	1	665884	NUT—mounting. antenna (chrome plated) (used w/699103)
—	1	1	—	GASKET—antenna. mounting (procure locally) (ref. 665881)
—	1	1	—	SEAL—antenna. mounting (procure locally) (ref. 689693)
—	1	1	—	WASHER—antenna (chrome plated) (procure locally) (ref. 665882)
—	1	1	719391	EXTENSION ASSY.—antenna lead in
—	1	1	719390	NUT—mounting. antenna (chrome plated) (used w/713739)

7.038 COIL — IGNITION AND WIRING

—	1	1	6292319	WIRE SET—ignition
—	1	1	1115238	COIL ASSY.—ignition (prior to Serial No. 5V100472) (repl. 1115221)
—	1	1	12002211	HARNESS ASSY.—high energy ignition (spark plug) (SOA) (eff. w/serial no. 5V100472) (repl. 12000022) (413610, 416542, 417794, 418694 engine)
—	1	1	12002210	HARNESS ASSY.—high energy ignition (spark plug) (eff. w/interm. 1977) (prior to 1978) (w/556626, 556627 engine)
—	1	1	12002211	HARNESS ASSY.—high energy ignition (spark plug) (1978) (w/561032, 561033 engine)
—	1	1	8916005	CABLE ASSY.—No. 1 spark plug (repl. 8904948) (prior to Serial No. 5V100472)
—	2	2	8916002	CABLE ASSY.—No. 2 and 4 spark plug (repl. 8904941) (prior to Serial No. 5V100472)
—	1	1	8915242	CABLE ASSY.—No. 3 spark plug (repl. 8910879) (prior to Serial No. 5V100472)
—	2	2	8916007	CABLE ASSY.—No. 5 and 8 spark plug (repl. 8904917) (prior to Serial No. 5V100472)
—	2	2	8916008	CABLE ASSY.—No. 6 and 7 spark plug (repl. 8910044) (prior to Serial No. 5V100472)
—	1	1	6297881	CABLE ASSY.—coil to distributor (prior to Serial No. 5V100472)
—	1	1	8900174	RETAINER—spark plug cable (LH) (prior to Serial No. 5V100472) (w/413610, 416542, 417794, 418694 engine)
—	3	3	8917143	RETAINER—spark plug cable (eff. w/Serial No. 5V100472) (w/413610, 416542, 417794, 418694 engine)
—	1	1	8917144	RETAINER—spark plug cable (eff. w/Serial No. 5V100472) (w/413610, 416542, 417794, 418694 engine)
—	1	1	657558	RETAINER—spark plug cable (eff. w/Serial No. 5V100472) (repl. 3830786) (w/413610, 416542, 417794, 418694 engine)
—	2	2	367111	RETAINER—spark plug cable (eff. w/interm. 1977) (w/556626, 556627 engine)
—	1	1	3816659	RETAINER—spark plug cable (eff. w/1977) (w/556626 & 556627 engine)
—	1	1	8917256	CLIP—retainer. ignition (eff. w/Serial No. 5V100472) (repl. 8911554)
—	1	1	550208	BRACKET—spark plug cable (RH) (w/417794, 418694 engine)
—	1	1	417733	BRACKET—spark plug cable (LH) (w/418694 engine)
—	1	1	555469	BRACKET—spark plug cable (LH) (w/417794 engine)

ELECTRICAL



7P-8020

KEY 230 260 PART NUMBER

7.042 INSTRUMENT CLUSTER ASSEMBLY

1	1	1	695697	CLUSTER ASSY.—foam ring instrument (ref. only)
1	1	1	2003206	CLUSTER ASSY.—foam ring instrument (repl. 695697 (repl. 790064)
2	1	1	3986869	HOUSING ASSY.—cigarette lighter
3	1	1	2234621	RADIO ASSY.—(ref. only)
4	AR	AR	700994	SWITCH—fuel tank selector
5	1	1	8989860	TELL-TALE ASSY.—cruise, door, water, belts low fuel, parking brakes (see 7.045) (repl. 6499752)
6	1	1	1597232	SWITCH ASSY.—electronic, low fuel (repl. 1596747, 6495299)
7	1	1	699111	CABLE CONTROL ASSY.—windshield wiper
8	1	1	702795	SWITCH ASSY.—electronic windshield wiper
9	1	1	1995194	SWITCH ASSY.—lighting (repl. 1995186)
10	1	1	1952727	NUT—mounting, light switch
11	1	1	6499484	CLUSTER ASSY.—miles instrument (see group 7.043) (prior to Serial No. 6V100878) (ref. only)
11	1	1	8989366	CLUSTER ASSY.—miles instrument (see group 7.043) (eff. w/Serial No. 6V100878) (repl. 6499484) (MPH & KPH)
12	1	1	8989907	GAUGE ASSY.—cluster (fuel, oil, temp.) (eff. w/Serial No. 6V100878)
12	1	1	6499489	GAUGE ASSY.—cluster (fuel, temp., oil, generator, brake) (prior to Serial No. 6V100878)
13	2	2	—	NUT—radio receiver (procure locally) (ref. 7279805) (7/16-28-UNEF-2B-thd.)
14	1	1	9340926	CONTROL—heater and a/c (prior to 1975)
14	1	1	9345095	CONTROL—heater and a/c (eff. w/1975 & prior to 1977)
14	1	1	7898865	CONTROL ASSY.—heater, defroster & a/c (repl. 7895845) (eff. w/1977)
15	1	1	697216	PLATE ASSY.—name, instrument panel (wiper)
16	1	1	3986870	RETAINER ASSY.—cigarette lighter (repl. 6258260)
17	1	1	—	BEZEL—instrument cluster (see group 23.050)
18	1	1	3986886	ROD ASSY.—light switch
19	1	1	697208	PLATE ASSY.—name, instrument panel (lights)
20	1	1	697225	PLATE ASSY.—name, instrument panel (washer)
21	1	1	699118	BUTTON—windshield wiper switch
22	1	1	699636	PLATE ASSY.—name, instrument panel (fuel aux.)
23	1	1	699633	PLATE ASSY.—name, instrument panel (bat. booster)
24	1	1	699635	PLATE ASSY.—name, instrument panel (fuel main)
25	1	1	699634	PLATE ASSY.—name, instrument panel (bat. normal)
26	1	1	3986873	KNOB ASSY.—radio tone control
27	1	1	3986872	KNOB ASSY.—radio control volume
28	1	1	344803	LIGHTER ASSY.—cigarette (repl. 3986887)
—	1	1	6499811	CABLE ASSY.—shift indicator
—	1	1	—	PIN ASSY.—shift indicator cable pivot (ref. 701589)

ELECTRICAL

KEY 230 280 PART NUMBER

7.042 INSTRUMENT CLUSTER ASSEMBLY (Cont.)

-	1	1	6462137	SENDER UNIT ASSY.—engine oil pressure
-	1	1	6402383	SENDER UNIT ASSY.—engine water temperature
-	1	1	8910897	RIBBON ASSY.—instrument panel illumination (w/695895 retainer)
-	4	4	695895	RETAINER—battery normal and fuel main (name plate to instrument panel) & w/8910897 ribbon assy.
-	1	1	8911591	SOCKET ASSY.—light (incl. lens & bulb) (socket assy. 8911591 connects to ribbon assy 8910897 for instrument panel illumination)
-	1	1	676543	STRAP—instrument panel
-	1	1	9340926	CONTROL ASSY.—a/c and heater (prior to 1975)
-	1	1	9345095	CONTROL ASSY.—a/c and heater (eff. w/1975)
-	1	1	9343695	CONTROL ASSY.—heater (prior to 1975)
-	1	1	9345085	CONTROL ASSY.—heater (eff. w/1975)
-	1	1	7932345	VALVE ASSY.—temperature (3-port)
-	1	1	9340919	VALVE ASSY.—select (9-port)
-	3	3	7304177	KNOB—select. temperature and blower
-	2	2	7308915	RETAINER—dial
-	1	1	1223499	DIAL PACKAGE—(incl. dial, knobs and retainers) (a/c & heater control assy.)
-	1	1	1223501	DIAL PACKAGE—(incl. dial, knobs and retainers) (part of 9343695 heater control assy.)
-	1	1	1223595	DIAL KIT—(incl. knobs and retainers) (part of 9345085 heater control assy.) (SOA)
-	1	1	1223619	DIAL KIT—(includes knobs and retainers) (part of 9345095 a/c & heater control)
-	1	1	9342580	LEVER ASSY.—temperature (part of 9345085, 9345095 control assy.) (SOA)
-	1	1	9342581	LEVER ASSY.—select (part of 9345085, 9345095 control assy.) (SOA)
-	1	1	7932904	CAM—cable drive (part of 9345085, 9345095 control assy.)
-	1	1	7932907	CAM—temperature (part of 9345095 control assy.)
-	1	1	356135	MODULE ASSY.—probe, low coolant (black plastic)

7.043 SPEEDOMETER AND DRIVE

-	1	1	6499484	CLUSTER ASSY.—(includes next 7 items) (prior to Serial No. 6V100878) (ref. only)
-	3	3	6465923	SOCKET ASSY.—cold (repl. 6456309)
-	4	4	6288046	SOCKET ASSY.—hi-beam (repl. 6459502)
-	AR	AR	6456923	SOCKET ASSY.—illumination SOA
-	1	1	6499519	SPEEDOMETER ASSY.
-	2	2	9425542	BULB
-	2	2	6458053	LENS—cluster, miles/gauge (4" O.D.) SOA
-	1	1	6493204	CIRCUIT—printed
-	1	1	8989366	CLUSTER ASSY.—Miles instrument (eff. w/Serial No. 6V100878) (incl. next 6 items) (repl. 6499484)
-	1	1	6456923	SOCKET ASSY.—cold (used w/8989366) SOA
-	2	2	6288046	SOCKET ASSY.—hi-beam (used w/8989366) SOA (repl. 6459502)
-	2	2	6456923	SOCKET ASSY.—illumination (used w/8989366) SOA
-	1	1	8989939	SPEEDOMETER ASSY.—Miles instrument (used w/8989366) SOA
-	1	1	6458053	LENS—cluster (used w/8989366)
-	1	1	6493204	CIRCUIT ASSY.—printed (used w/8989366) SOA
-	3	3	-	CLIP—speedometer driven gear (procure locally) (ref. 127879)
-	1	1	716612	GROMMET—speedocable thru firewall
-	1	1	8625094	RETAINER—gear, speedometer drive
-	1	1	9419000	SCREW ASSY.—speedometer drive gear (1/4-20 x 1/2 hex)
-	1	1	103319	WASHER—lock, speedometer drive gear screw (1/4)
-	1	1	9422232	SCREW—clip, speedometer drive gear (5/16-12 x 5/8)
-	1	1	699605	SHAFT ASSY.—flexible, speedometer
-	-	1	790600	SHAFT ASSY.—flexible, speedo to sensing switch (w/low note, 76 DBA)
-	-	1	6478129	SHAFT ASSY.—flexible, sensing switch to trans. (w/low note, 76 DBA) (repl. 6478272)

ELECTRICAL

KEY	230	260	PART NUMBER
-----	-----	-----	-------------

7.045 LAMP — INSTRUMENTS AND TELL TALE

—	1	1	6499752	LAMP ASSY.—tell tale (incl. next 4 items)
—	1	1	6499755	CIRCUIT ASSY.—printed (w/6499752 lamp assy.)
—	7	7	6499801	SOCKET ASSY.—(w/6499752 lamp assy.)
—	1	1	6499754	FILTER—tell tale (w/6499752 lamp assy.)
—	1	1	6499753	HOUSING—tell tale (w/6499752 lamp assy.)
—	1	1	8989860	LAMP ASSY.—tell tale (incl. next (4) items)
—	1	1	8989864	CIRCUIT ASSY.—printed SOA (w/8989860 lamp assy.)
—	8	8	8987452	SOCKET—tell tale (w/8989860 lamp assy.)
—	1	1	8989861	FILTER—tell tale (w/8989860 lamp assy.)
—	1	1	8989512	HOUSING—tell tale (w/8989860 lamp assy.)
—	1	1	6499489	GAUGE ASSY.—cluster (incl. fuel, oil and temperature gauge)
—	1	1	697216	PLATE ASSY.—name, windshield wiper switch
—	1	1	697208	PALTE ASSY.—name, lamp switch
—	1	1	697225	PLATE ASSY.—name, windshield wiper switch
—	1	1	699633	PLATE ASSY.—name, battery boost
—	1	1	699634	PLATE ASSY.—name, battery normal
—	1	1	699635	PLATE ASSY.—name, main fuel tank
—	1	1	699636	PLATE ASSY.—name, auxiliary fuel tank
—	1	1	695895	RETAINER—battery normal and fuel main name plate to instrument panel
—	1	1	8910897	RIBBON ASSY.—illumination, instrument panel
—	1	1	326178	COVER—instrument panel radio opening
—	1	1	326179	RETAINER—cover, instrument panel radio opening
—	1	1	6481170	CIRCUIT—printed SOA
—	3	3	6456923	SOCKET ASSY.—cold (repl. 6456309)
—	4	4	6459502	SOCKET ASSY.—hi-beam SOA
—	2	2	9425542	BULB—hi-beam lamp
—	2	2	6458083	LENS—hi-beam lamp
—	1	1	6493721	FILTER—generator & brake
—	8	8	1550706	BULB PKG.—tell tale (pkg. of 10)
—	1	1	2006642	BULB & FUSE KIT—drive convenience (emergency)

7.050 SENDING UNIT — HOLDING TANK

—	1	1	6429634	SENDER ASSY.—holding unit (repl. 6429587)
—	1	1	1516395	GASKET—sender unit
—	1	1	6429637	GASKET—holding tank sender
—	1	1	2987004	WIRE—ground, sending unit (use w/6429587 sender)
—	2	2	—	NUT ASSY.—wire to sending unit (repl. 271169) (use w/6429587 sender) (procure locally)
—	2	2	—	WASHER—wire to sending unit (procure locally) (ref. 138479)

7.070 SWITCHES — MISCELLANEOUS

—	1	1	1597232	SWITCH ASSY.—low fuel (electronic) (repl. 1596747, 1597232 (repl. 6495299)
—	1	1	9794682	SWITCH ASSY.—stop lamp and cruise control (repl. 3902264)
—	1	1	3886907	SWITCH ASSY.—stop lamp (standard) (see brake pedal illustration)
—	1	1	1994153	SWITCH ASSY.—safety, transmission and backing lamp
—	2	2	3981828	RETAINER—safety switch, transmission and backing lamp
—	2	2	1386691	SWITCH ASSY.—dome lamp (see dome lamp and speaker illustration)
—	1	1	1997043	SWITCH ASSY.—dimmer, headlamp
—	1	1	1995194	SWITCH ASSY.—headlamp (repl. 1995186)
—	1	1	3986886	ROD ASSY.—headlamp switch
—	1	1	20071252	CYLINDER ASSY.—lock, ignition switch (1973)(repl. 413898)
—	1	1	20071252	CYLINDER—lock, ignition switch (1974) (repl. 9735300)
—	1	1	1681300	CYLINDER ASSY.—lock, ignition switch (eff. w/1975)
—	1	1	9862504	SWITCH ASSY.—door ajar
—	1	1	673499	FLASHER—turn signal and warning (prior to 1977)
—	1	1	491392	FLASHER ASSY.—turn signal (eff. w/1977)
—	1	1	673499	FLASHER ASSY.—hazard lamp (eff. w/1977)
—	—	1	790319	SWITCH ASSY.—battery (rocker) (eff. w/1975)
—	1	1	700994	SWITCH ASSY.—dual battery (rocker) (prior to 1975)
—	1	1	694946	SWITCH—low air warning (refer group 14.002 for illustration) (prior to Serial No. 6V100878)
—	1	1	444148	TEE—low air warning switch (refer group 14.002 for illustration)
—	1	1	484883	SWITCH—city country horn (used w/9000062 horn assy.)

ELECTRICAL

KEY	230	280	PART NUMBER
-----	-----	-----	-------------

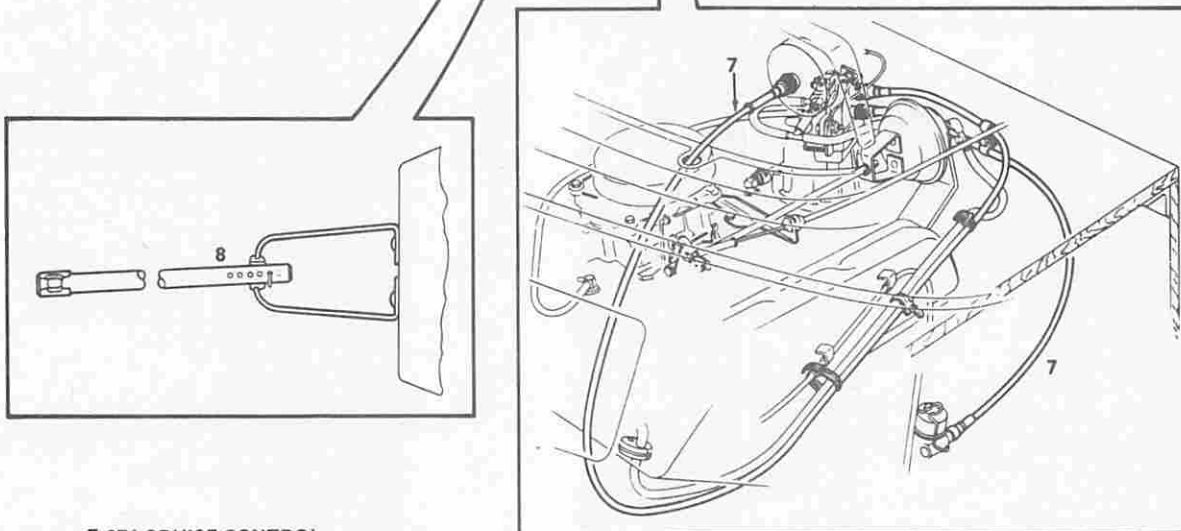
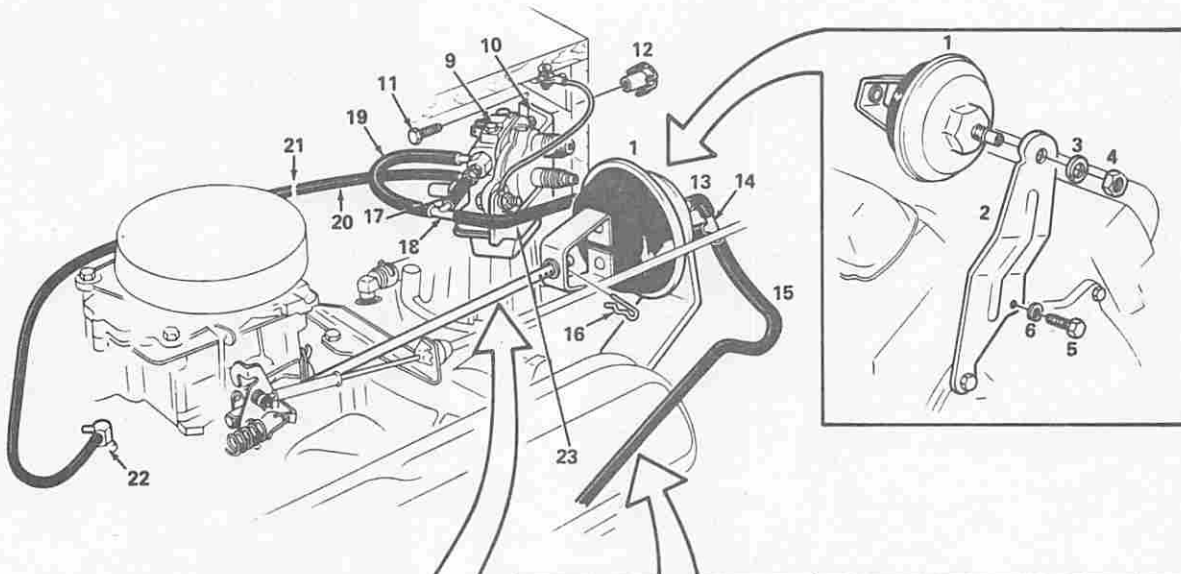
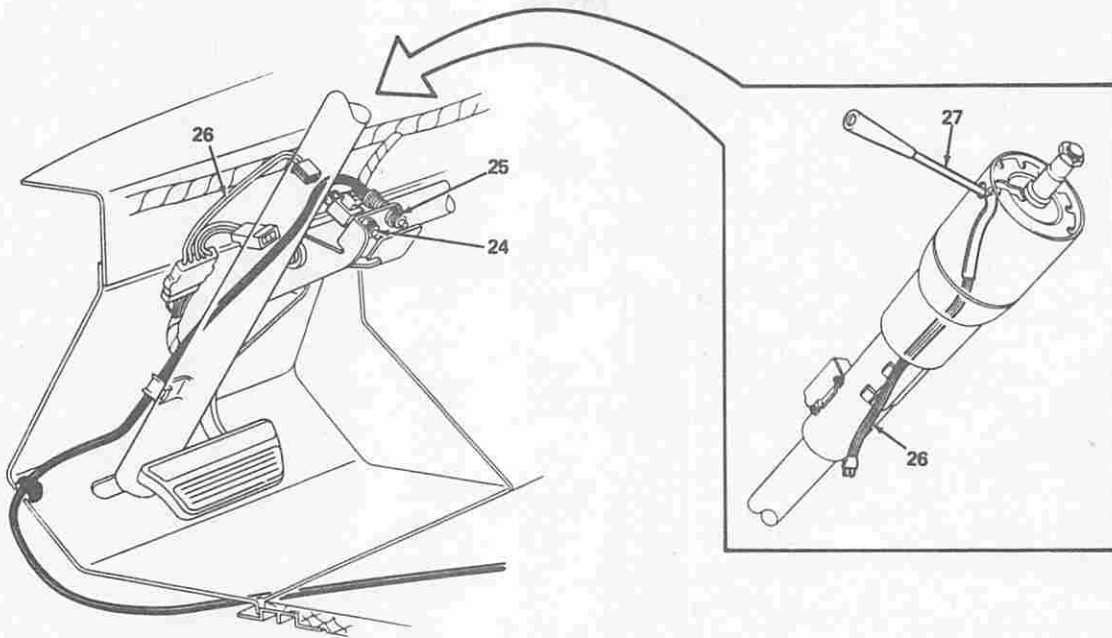
7.070 SWITCHES — MISCELLANEOUS (Cont.)

—	1	1	2257158	SWITCH ASSY.—magnetic starter solenoid
—	AR	AR	700955	BLOCK—battery junction
—	—	1	340409	BLOCK ASSY.—junction, air compressor to ground wire (eff. w/ 1976)
—	1	1	1242101	SWITCH ASSY.—transmission downshift
—	1	1	700994	SWITCH ASSY.—selector, fuel tank
—	1	1	702795	SWITCH ASSY.—windshield washer
—	1	1	706751	DIODE ASSY.—dual battery (prior to 1978)
—	1	1	2024077	DIODE ASSY.— (w/RPO LO4) (eff. w/1978)
—	1	1	7812526	SELECTOR UNIT—ignition switch
—	1	1	7812210	CAM ASSY.—canceling, turn signal
—	1	1	7804414	SWITCH ASSY.—buzzer, steering column
—	1	1	7804419	CLIP—retaining, buzzer switch
—	1	1	7805376	ACTUATOR ASSY.—ignition switch (w/tilt steering wheel) (ref. only)
—	1	1	7819749	ACTUATOR ASSY.—ignition switch (w/tilt steering wheel) (repl. 7805376)
—	1	1	9788182	CLIP—stop lamp switch to bracket (see brake pedal illustration)
—	1	1	1952727	NUT—mounting, headlamp switch (7/16-28 UNEF-24thd.)
—	1	1	1990099	SWITCH ASSY.—ignition (w/tilt steering wheel) (repl. 1990096)
—	1	1	7804518	CLIP—retaining, buzzer switch
—	1	1	7811092	SWITCH ASSY.—buzzer (w/tilt steering wheel)
—	1	1	1115858	RELAY—heater
—	1	1	3929054	RESISTOR ASSY.—heater (First Design)
—	1	1	3942651	RESISTOR ASSY.—heater (Second Design)
—	1	1	6462137	SWITCH ASSY.—sender unit engine oil pressure
—	1	1	701215	RELAY—thermal, buzzer (w/red warning light on dash, set to travel)
—	2	2	3981828	RETAINER—switch, transmission and safety
—	2	2	—	SCREW—switch, transmission and safety (ref. 9420591)
—	1	1	3028795	SWITCH ASSY.—thermo, heater to blower
—	1	1	6272089	SWITCH ASSY.—cut-off pressure (w/air conditioning) (repl. 6262646)
—	1	1	8526398	RING—“O” pressure switch to tube (w/air conditioning)
—	1	1	1223127	SWITCH ASSY.—blower (used with 9343695 control)
—	1	1	1223590	SWITCH KIT—blower (used with 9345085 control)
—	1	1	9340540	SWITCH ASSY.—selector (part of 9345085, 9345095 control assy.)
—	1	1	715215	GROMMET—trans. switch to dash panel (1-1/8 I.D. x 1-1/2 O.D. x 29/64 thk.)
—	1	1	413473	SWITCH ASSY.—thermal vacuum
—	AR	AR	9436263	HOSE—dist. to vac. control switch & vac. control switch to carburetor rear (25 ft. roll, CTL) (repl. 415899)
—	2	2	2007701	SWITCH ASSY.—level control, raise & lower (w/RPO GYE) (eff. w/Serial No. 6V100878)
—	1	1	2007702	SWITCH ASSY.—level control, travel hold (w/RPO GYE) (eff. w/Serial No. 6V100878)

7.072 SWITCH — DIRECTIONAL LAMP

—	1	1	1997963	SWITCH ASSY.—directional (incl. next 4 items)
—	1	1	1964784	SPRING—canceling, RH
—	1	1	1964785	SPRING—canceling, LH
—	1	1	1967684	SPRING—detent
—	1	1	1967685	SPRING—lane change
—	1	1	408237	LEVER ASSY.—turn signal (std.)
—	1	1	411525	KNOB—hazard warning
—	—	1	11502830	SCREW—hazard warning knob
—	—	1	11502765	SCREW—hazard warning knob (opt.)
—	1	1	6465256	LEVER ASSY.—turn signal and cruise control (incl. switch and next 3 items) (RPO No. K30) See 7.074 illustration
—	1	1	6466018	SWITCH ASSY.—cruise control (mtd. in turn signal lever) (see 7.074 illustration)
—	1	1	6465784	BUTTON—cruise control turn signal lever
—	1	1	6465255	RING—retaining, cruise control button
—	1	1	413585	CONNECTOR—hose, engine to thermal vacuum switch & trans., & turn signal

ELECTRICAL



7.074 CRUISE CONTROL

8P-1044

ELECTRICAL

KEY	230	260	PART NUMBER	
7.074 CRUISE CONTROL				
1	1	1	6494927	POWER UNIT—speed cruise control (prior to 1975) (w/413610. 416542, 417794, 418694 engine)
1	1	1	6494938	POWER UNIT—speed cruise control (eff. w/1975) (w/413610. 416542, 417794, 418694 engine)
1	1	1	6466383	POWER UNIT—speed cruise control. (incl. chain assy.) (eff. w/1975) (repl. 6466690) (w/413610, 416542, 417794, 418694, 556626 & 556627, 561032, 561033 engine)
1	1	1	6466690	POWER UNIT—speed cruise control. (incl. chain assy.) (eff. w/interm. 1977) (w/556626, 556627 engine) (ref. only)
2	1	1	700436	BRACKET—control power unit to engine
3	1	1	—	WASHER—lock, power unit to bracket (9/16) (procure locally)
4	1	1	—	NUT—hex, power unit to bracket (9/16-18) (procure locally)
5	1	1	—	BOLT—hex, transducer to bracket (1/4-20 x 3/4) (procure locally)
6	1	1	—	WASHER—lock, transducer to bracket bolt (1/4) (procure locally)
7	1	1	699211	CABLE ASSY.—speedometer transmission to transducer (prior to 1975)
7	1	1	793181	CABLE ASSY.—speedometer transmission to transducer (eff. w/1975)
8	1	1	409527	ROD ASSY.—power unit to carburetor lever ball stud (SOA) (prior to 1975)
8	1	1	6466384	CHAIN ASSY.—cruise control (w/6466383 & 6494938 power unit) (eff. w/1975) (repl. 793182)
—	1	1	793181	BRACKET—chain guide (w/793182)
9	1	1	6466628	TRANSDUCER—cruise control (repl. 6465477, when replacing w/6466180 also use 699065 bracket) (repl. 6466180)
10	1	1	699065	BRACKET—mounting, transducer (used w/6465477, 6466180 transducer)
11	2	2	—	BOLT—hex, transducer bracket to floor riser (1/4-20 x 1) (procure locally)
12	2	2	693207	NUT—tee transducer bracket to floor riser bolt (1/4-10 tee nut)
13	1	1	6294397	ELBOW—tee to cruise control power unit
14	1	1	6465399	TEE—power unit hose
15	AR	AR	8885031	HOSE—power unit tee to vacuum dump valve (25 ft. long, CTL)
16	1	1	1244707	RETAINER—ball stud rod at power unit (repl. 1351769)
17	AR	AR	2224567	HOSE—tee to transducer (39 inches long, CTL)
18	1	1	5646002	TEE—transducer (package) (replaces 5646297)
19	AR	AR	2224567	HOSE—transducer to tee (39 inches long, CTL)
20	AR	AR	8885031	HOSE—intake manifold to transducer (27/64" O.D. x 7/32" I.D.) (25 ft. long, CTL) (repl. 1599036)
21	3	3	657558	STRAP—band vacuum dump valve hose
22	1	1	413584	CONNECTOR—hose at intake manifold
23	AR	AR	2224567	HOSE—tee, transducer to power unit (39" lg, CTL)
24	1	1	—	SWITCH ASSY.—stop lamp and cruise control (see group 7.070)
25	1	1	6465213	VALVE ASSY.—vacuum dump cruise control
26	1	1	8913571	HARNES ASSY.—wiring, cruise control and stop lamp switch
27	1	1	—	LEVER AND SWITCH ASSY.—turn signal and cruise control (see group 7.072)
—	1	1	2017885	STUD—cruise control mounting (eff. w/interm. 1977) (w/556626, 556627 engine)
—	1	1	1600969	CLIP—cruise control ball chain (eff. w/interm. 1977) (w/556626, 556627 engine)
—	1	1	455561	SPRING—cruise control ball chain clip retainer (eff. w/interm. 1977) (w/556626, 556627 engine)
—	1	1	2965950	RETAINER—spark plug wire, left hand side
—	1	1	396484	BRACKET—mounting spark plug wire retainer
—	1	1	715216	GROMMET—vacuum dump valve hose through toe panel (1-1/8 I.D. x 1-1/2 O.D.)
—	1	1	3979315	CLIP—hose, vacuum dump valve hose (.38 I.D. closed)
—	1	1	693207	NUT—speedometer cable to floor riser clip bolt tee
—	1	1	NPN	STRAP—ground, transducer (make from 20 gauge wire, CTL) (used w/6465477 transducer)
—	1	1	3943610	CLIP—flasher, turn signal lamp (eff. w/1977)
7.076 HORN — ELECTRIC				
—	1	1	1892164	HORN ASSY.—electric ("A" note) (repl. 9000011 [std. 9000514]) (prior to 1978)

ELECTRICAL

KEY	230	260	PART NUMBER	
-----	-----	-----	-------------	--

7.076 HORN — ELECTRIC (Cont.)

—	1	1	1892163	HORN ASSY.—electric ("E" note) (repl. 9000239 [std. 9000513]) (prior to 1978)
—	1	1	2029365	HORN ASSY.—electric (high note) (1978)
—	1	1	2029366	HORN ASSY.—electric (low note) (1978)
—	2	2	2273809	RIVNUT
—	1	1	9000062	HORN—city country (low delibel note) (1974)
—	1	1	1958667	BRACKET—horn mounting (1974)
—	1	1	2426078	NUT—horn, to bracket (1974)
—	1	1	404095	PROCTOR—horn relay cap & stud (eff. w/ 1978)

NOTE: See group 7.080 for horn relay.

7.078 CIRCUIT BREAKERS

—	1	1	2301786	BREAKER ASSY.—circuit, 60 amp. (living area battery section, KLIXON # CDLA-60) (w/ZEO 6582, ZEO 6584)
—	1	1	2474055	BREAKER ASSY.—circuit, air susp. (30 amp.)
—	1	1	2212295	BREAKER ASSY.—circuit, inst. panel wiring (50 amp.) (3 5/32 lg. x 1 7/8' wide)
—	—	1	NPN	BREAKER ASSY.—circuit, refig. inverter (w/neon light & red button) (norcold div. # 163-201-100)
—	—	1	790868	BLOCK ASSY.—fuse (includes 7 fuse mtg. clip) (1975)
—	—	1	796334	BOX ASSY.—junction (located under second front ceiling panel) (eff. w/1975)
—	1	1	12004386	BLOCK ASSY.—fuse (w/12000947 harness assy.)
—	—	1	796335	COVER ASSY.—junction (located under second front ceiling panel) (eff. w/1975)
—	—	2	1946134	SPACER—screw, junction box (eff. w/1975 & prior to 1977) (repl. 2418710) (.205 I.D.)
—	—	2	2418710	SPACER—junction box mounting (eff. w/1977) (.215 I.D.)
—	—	2	700368	RIVET—auxiliary circuit breaker & magnetic switch mounting block
—	—	2	9416197	SCREW—mounting, junction box (eff. w/1975) (10-24 x 5/8)
—	—	1	2007988	BRACKET—mtg., circuit breaker (w/ZEO 6582, ZEO 6584)
—	1	1	706751	DIODE ASSY.—dual battery (prior to 1978)
—	1	1	2024077	DIODE ASSY.—(w/RPO LO4) (eff. w/1978)

7.078H ELECTRICAL, CLOCKS, SWITCHES

—	1	1	705771	CONVERTER—30 amp. voltage (Triad Utrad # TU334) (charger)
—	1	1	705772	CONVERTER—45 amp. voltage (prior to 1975) (Triad Utrad # TU344) (charger)
—	—	1	790315	CONVERTER—45 amp. voltage (eff. w/1975) (prior to 1978) (Triad Utrad # TU445-7) (charger)
—	—	1	2045153	CONVERTER—45 amp. voltage (1978) (Triad Utrad # TU550-2) (charger)
—	—	AR	780181	SPACER—converter mount RR (3/4" x 7.00" Aluminum) (w/ZEO 6581)
—	—	2	655605	SPACER—converter mount, front & rear (w/ZEO 6582, ZEO 6584)
—	—	1	2010518	BRACKET—converter side mount (w/ZEO 6582, ZEO 6584)
—	AR	AR	790182	SPACER—converter mount front (1/4" x 7 3/4" aluminum) (w/ZEO 6581)
—	—	1	2008353	BRACKET—front mount, converter (w/ZEO 6582, ZEO 6584)
—	—	1	2008349	BRACKET—rear mount, converter (w/ZEO 6582, ZEO 6584)
—	—	2	792175	MOUNT ASSY.—converter, front (w/790315)
—	—	2	792176	MOUNT ASSY.—converter, rear (w/790315)
—	1	1	716560	CLOCK—battery operated (w/RPO 690)
—	1	1	716559	CLOCK—battery operated (w/RPO 692, 693, 695, 696)
—	—	1	796200	CLOCK ASSY.—galley (battery operated) (eff. w/1975)
—	—	2	790344	SWITCH ASSY.—courtesy lamp (LPG/aux. generator compartment) (eff. w/1975)
—	—	10	791840	INSERT—thread, for expansion screw, for interior light (eff. w/1975)
—	—	1	799304	BOX ASSY.—receptacle, (plug) LH. (between swivel chairs) (eff. w/1975)
—	—	1	799297	RECEPTACLE ASSY.—plug (110V) LH. (between swivel chairs) (eff. w/1975)

ELECTRICAL

KEY	230	260	PART NUMBER
-----	-----	-----	-------------

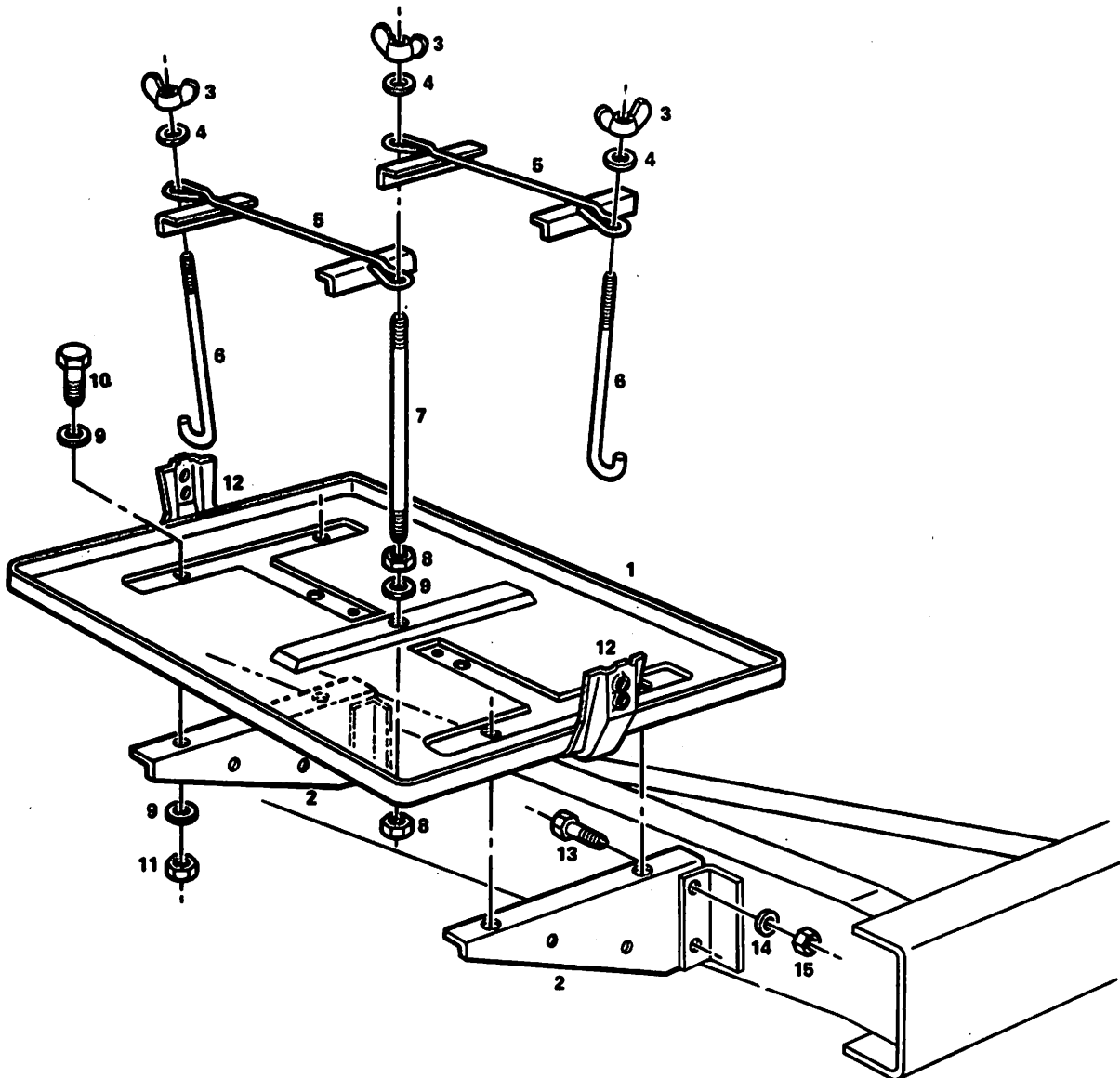
7.078H ELECTRICAL, CLOCKS, SWITCHES (Cont.)

-	-	1	799302	PLATE—cover, duplex (receptacle) (brown) (eff. w/1975)
---	---	---	--------	--

7.080 RELAYS

-	1	1	1115882	RELAY ASSY.—electric horn
-	2	2	1115858	RELAY—level control (w/RPO GYE) (eff. w/Serial No. 6V100878)
-	1	1	701215	RELAY—thermal, buzzer (w/red warning light on dash, set to travel)
-	1	1	366408	RELAY—heater blower delay

ELECTRICAL



3P-10004

7.085 BATTERY MOUNTING

ELECTRICAL

KEY 230 260 PART NUMBER

7.085 BATTERY MOUNTING

—	—	1	NS	BATTERY—12 volt (procure Delco Extra Duty) (eff. w/1975)
—	2	2	NS	BATTERY—12 volt (procure Delco batteries from UMS) (prior to 1975)
1	1	1	693849	TRAY ASSY.—battery (prior to 1975)
1	1	1	693849	TRAY ASSY.—battery (Transmode)
1	—	1	790629	TRAY ASSY.—battery (eff. w/1975) (Prior to 1977) (Motorhome)
1	—	1	2005494	TRAY ASSY.—battery (Motorhome) (eff. w/Serial No. 7V100040)
1	2	2	2005494	TRAY ASSY.—battery (Transmode) (eff. w/Serial No. 7V100040)
2	—	1	790630	BRACKET—rear, tray (w/790629 & 2005494)
2	—	1	790631	BRACKET—front, tray (w/790629)
2	—	1	—	BRACKET—front, battery tray (w/2005494) (ref. 2005492) (make locally)
2	2	2	—	BRACKET—battery tray (w/2005494) (Transmode) (ref. 2005492) (make locally)
2	2	2	706388	BRACKET—battery tray (w/693849) (Transmode)
3	3	3	—	NUT—wing, battery retainer (procure locally, 2005494)
4	3	3	3790662	WASHER—retainer stud (w/693849) (.320 I.D. x 1.00 O.D.)
4	—	2	9418304	WASHER—wing nut (w/790629, 2005494) (.688 I.D. x .344 O.D.)
5	—	1	580517	RETAINER—stud (w/790629)
5	—	1	3902542	RETAINER—battery (wood) (repl. 533308) (repl. 2479377) (w/790629, 2005494)
5	2	2	3902542	RETAINER—battery (wood) (repl. 533308) (w/2005494)
5	1	1	718823	RETAINER ASSY.—battery (w/693849)
6	2	2	671306	STUD—battery tray retainer, "J" style (w/693849)
6	—	2	325053	BOLT—retainer to tray, "J" style (w/790629) (repl. 3758788)
6	—	2	3826708	BOLT—retainer to tray, "J" style (w/2005494)
6	—	2	790056	STUD—battery hold down (w/790629)
7	1	1	NS	STUD—center, battery tray (w/693849) (ref. 3715712)
8	2	2	3417954	NUT—battery center stud (5/16-18 hex) (w/693849)
9	9	9	3418304	WASHER—battery stud (5/16, plain) (w/693849)
9	—	8	2436162	WASHER—bolt, tray to bracket (w/790629) (.341 I.D. x .620 O.D.)
10	—	4	9418918	BOLT—tray to bracket (w/790629) (5/16-18 x 1")
10	4	4	9418918	BOLT—tray to bracket (w/2005494) (5/16-18 x 1")
10	4	4	9430677	BOLT—battery tray to bracket (5/16-18 x 1, hex, 300M) (w/693849)
11	4	4	9422295	NUT—battery tray to bracket bolt (5/16-18 hex) (procure locally) (w/693849)
11	—	4	9422275	NUT—tray to bracket bolt (w/790629) (5/16-18 301M)
11	4	4	9422275	NUT—tray to bracket bolt (w/2005494) (5/16-18 301M)
12	2	2	3768219	BRACKET—battery tray clamp
13	4	4	NPN	BOLT—battery tray bracket (3/8-16 x 1, hex)
14	4	4	2436163	WASHER—battery tray bracket bolt (3/8, plain) (w/693849)
14	—	4	2436163	WASHER—bracket to frame bolt (w/790629, 2005494)
15	—	4	9422277	NUT—bracket to frame bolt (w/790629, 2005494)
15	4	4	9422277	NUT—battery tray bracket bolt (3/8-16, hex) (w/693849, 2005494)
—	1	1	2006274	PLATE—battery tray adapter (w/2005494) (Transmode) (eff. w/Serial No. 7V100040)
—	8	8	9424877	BOLT—battery tray adapter plate (5/16-18 x 3/4") (w/2005494) (Transmode) (eff. w/Serial No. 7V100040)
—	16	16	2436162	WASHER—battery tray adapter plate (w/2005494) (Transmode) (eff. w/Serial No. 7V100040)
—	8	8	9422275	NUT—battery tray adapter plate (w/200594) (Transmode) (eff. w/Serial No. 7V100040)
—	—	4	2009377	SCREW—battery tray
—	—	1	2032910	RETAINER—battery tray
—	—	2	2263568	STUD—battery holddown
—	1	1	NPN	LOCATOR—battery (eff. w/1975) (ref. 791975) (make locally)
—	—	1	2025764	SPACER—battery
—	—	1	2025901	BRACKET—battery locator (w/RPO KNC) (eff. w/1978)
—	—	1	2025800	BRACKET—battery box (w/RPO KNC) (eff. w/1978)
—	1	1	701142	DECAL—battery terminal

7.090 WIRING

—	1	1	8910952	STRAP ASSY.—engine ground
—	1	1	8910947	CABLE ASSY.—magnetic switch to starter (prior to 1977)
—	1	1	12000941	CABLE ASSY.—magnetic switch to starter (eff. w/1977)
—	1	1	8910948	CABLE ASSY.—battery to magnetic switch (prior to 1975)
—	—	1	12000224	CABLE ASSY.—battery post (eff. w/1975)

ELECTRICAL

KEY 230 260 PART NUMBER

7.090 WIRING (Cont.)

-	1	1	8910949	CABLE ASSY.—junction block to magnetic switch (prior to 1977)
-	1	1	12000942	CABLE ASSY.—junction block to magnetic switch (eff. w/1977)
-	1	1	8910950	CABLE ASSY.—junction block to fuse block
-	1	1	8910951	CABLE ASSY.—auxiliary battery to magnetic switch (prior to 1977)
-	1	1	12000945	CABLE ASSY.—auxiliary battery to magnetic switch (eff. w/1977)
-	1	1	12000944	CABLE ASSY.—magnetic switch to circuit breaker (eff. w/1977)
-	1	1	8910953	CABLE ASSY.—auxiliary battery to ground
-	1	-	8910999	CABLE ASSY.—circuit breaker to living area
-	-	1	8910955	CABLE ASSY.—circuit breaker to living area
-	-	1	12000196	CABLE ASSY.—magnetic switch to living area junction (eff. w/1975)
-	1	1	8910954	CABLE ASSY.—battery to ground (prior to 1975)
-	1	-	12000168	CABLE ASSY.—magnetic switch to living area (Transmode)
-	-	1	12000167	CABLE ASSY.—magnetic switch to living area (Transmode)
-	-	1	8907030	CABLE ASSY.—battery, negative (eff. w/1975) (prior to 1977) (repl. 12000225)
-	1	1	12002631	CABLE ASSY.—generator ground (w/RPO LO4) (1978)
-	1	1	12002633	CABLE ASSY.—generator diode (w/RPO LO4) (1978)
-	-	1	12000943	CABLE ASSY.—battery, negative (eff. w/1977)
-	1	-	8910944	HARNESS ASSY.—wiring, body (LH side) (prior to 1975)
-	-	1	8910943	HARNESS ASSY.—wiring, body (LH side) (prior to 1975)
-	1	-	12000954	HARNESS ASSY.—body wiring, LH side (eff. w/Serial No. 6V100878) (Transmode)
-	-	1	12000953	HARNESS ASSY.—body wiring, LH side (eff. w/Serial No. 6V100878) (Transmode)
-	-	1	12000221	HARNESS ASSY.—body wiring, LH (eff. w/1975) (prior to Serial No. 6V100878)
-	-	1	12000952	HARNESS ASSY.—body wiring, LH (eff. w/Serial No. 6V100878) (Motorhome)
-	1	1	8915308	HARNESS ASSY.—wiring, engine (replaces 8910941) (w/413610, 416542 engines)
-	1	1	12002607	HARNESS ASSY.—wiring, engine (w/RPO NB4) (eff. w/Serial No. 6V100878) (prior to 1977)
-	-	1	12002603	HARNESS ASSY.—level control (STD) (eff. w/Serial No. 6V100878) (prior to 1978)
-	-	1	12002605	HARNESS ASSY.—level control (w/RPO GYE) (eff. w/Serial No. 6V100878)
-	1	1	12002636	HARNESS ASSY.—level control (1978)
-	-	1	12002638	HARNESS ASSY.—level control side body (1978)
-	1	-	12002639	HARNESS ASSY.—level control side body (1978)
-	1	-	12002613	HARNESS ASSY.—level control (STD) (eff. w/Serial No. 6V100878) (1978)
-	1	-	12002614	HARNESS ASSY.—level control (w/RPO GYE) (eff. w/Serial No. 6V100878) (1978)
-	1	1	12002604	HARNESS ASSY.—level control, instrument panel (w/RPO GYE) (eff. w/Serial No. 6V100878) (prior to 1977)
-	1	1	12002618	HARNESS ASSY.—level control (w/RPO GYE) (eff. w/1977)
-	1	1	12006500	HARNESS ASSY.—sensor wiring (eff. w/1978)
-	1	1	12000949	HARNESS ASSY.—wiring, engine (w/RPO NB4) (eff. w/1977)
-	1	1	12000320	HARNESS ASSY.—wiring, engine (w/RPO NB4) (prior to Serial No. 6V100878)
-	1	1	12000179	HARNESS ASSY.—wiring, engine (w/417794 engine) (prior to Serial No. 6V100878)
-	1	1	12002602	HARNESS ASSY.—wiring, engine (w/417794 engine) (eff. w/Serial No. 6V100878) (prior to 1977)
-	1	1	12000948	HARNESS ASSY.—wiring, engine (eff. w/1977) (STD)
-	1	1	12000951	HARNESS ASSY.—wiring, front roof (eff. w/Serial No. 6V100878) & prior to 1978)
-	1	1	12002635	HARNESS—wiring, front roof (1978)
-	1	1	8910940	HARNESS ASSY.—wiring, front roof (see dome lamp & speaker illustration) (prior to Serial No. 6V100878)
-	1	1	8910957	HARNESS ASSY.—wiring, fuel tank
-	1	1	8910942	HARNESS ASSY.—wiring, headlamp & park lamp (prior to 1975)
-	1	1	12000209	HARNESS ASSY.—wiring, headlamp & park lamp (eff. w/1975) (prior to Serial No. 6V100878)
-	1	1	12002601	HARNESS ASSY.—wiring, forward lamp (eff. w/Serial No. 6V100878) (prior to 1977)
-	1	1	12000950	HARNESS ASSY.—wiring, forward lamp (eff. w/1977)

ELECTRICAL

KEY	230	260	PART NUMBER	
-----	-----	-----	-------------	--

7.090 WIRING (Cont.)

—	1	1	8910958	HARNESS ASSY.—wiring, heater (First Design)
—	1	1	8915599	HARNESS ASSY.—wiring, heater (Second Design) (prior to 1977)
—	1	1	12000937	HARNESS ASSY.—wiring, (eff. w/1977)
—	1	1	8910939	HARNESS ASSY.—wiring, inst. panel (prior to 1975)
—	—	1	12000220	HARNESS ASSY.—instrument panel wiring (eff. w/1975) (prior to serial no. 6V100878)
—	1	1	12002600	HARNESS ASSY.—instrument panel wiring (eff. w/Serial No. 6V100878) (prior to 1977)
—	1	1	12000947	HARNESS ASSY.—instrument panel wiring (eff. w/1977)
—	1	1	12000936	HARNESS ASSY.—wiring, rear body (eff. w/Serial No. 6V100878)
—	1	1	8910946	HARNESS ASSY.—wiring, rear body (prior to Serial No. 6V100878)
—	1	1	8910945	HARNESS ASSY.—wiring, trailer
—	1	—	8913658	WIRE ASSY.—body, door ajar
—	—	1	8913657	WIRE ASSY.—body, door ajar, (RH)
—	1	1	8913674	WIRE ASSY.—engine compartment (see 7.004 illustration) (prior to 1977)
—	1	1	12000946	WIRE ASSY.—engine compartment (see 7.004 illustration (eff. w/1977)
—	1	1	8910963	WIRE ASSY.—diode to magnetic switch (prior to 1977)
—	2	2	12000939	WIRE ASSY.—diode to magnetic switch (eff. w/1977)
—	1	1	8913708	WIRE ASSY.—ground, body to frame
—	1	1	8915506	WIRE—city country horn (use w/9000062 horn assy.) (1974)
—	—	1	12000288	HARNESS ASSY.—city/country horn (w/low note, 76 DBA)
—	1	1	8913905	WIRE—low level compressor (prior to Serial No. 6V100878)
—	—	1	12002606	WIRE ASSY.—level control, air compressor to ground (eff. w/Serial No. 6V100878)
—	1	1	12002637	WIRE ASSY.—level control, air compressor to ground (1978)
—	1	1	8910962	WIRE ASSY.—junction, diode to horn relay
—	1	1	—	WIRE ASSY.—license plate (make locally)
—	1	1	8910956	WIRE ASSY.—magnetic switch to ground
—	1	1	8913700	WIRE ASSY.—relay to heater blower
—	1	1	—	WIRE ASSY.—heater ground (procure locally)
—	1	1	8913665	WIRE ASSY.—air suspension warning buzzer
—	1	1	12002632	WIRE ASSY.—voltmeter (w/RPO LO4) (1978)
—	1	1	12006502	WIRE ASSY.—heater blower delay
—	1	1	8911591	SOCKET ASSY.—light (incl. lens & bulb)
—	—	1	12000837	HARNESS ASSY.—light and fan wiring (eff. w/1975) (repl. 12000199) (prior to Serial No. 5V101025)
—	—	1	12000934	HARNESS ASSY.—light and fan wiring (eff. w/Serial No. 5V101025) (exc./ ZEO 6582, ZEO 6584)
—	—	1	12002610	HARNESS ASSY.—light and fan wiring (w/ZEO 6582)
—	—	1	12002623	HARNESS ASSY.—light and fan wiring (w/ZEO 6584)
—	—	1	12002622	HARNESS ASSY.—light switch and bath wiring (w/ZEO 6584)
—	—	1	12002609	HARNESS ASSY.—light switch and bath wiring (w/ZEO 6582)
—	—	1	12000838	HARNESS ASSY.—light switch & bath wiring (eff. w/1975) (repl. 12000200) (exc./ ZEO 6582, ZEO 6584)
—	—	1	12000839	HARNESS ASSY.—furnace & mtr. gen. monitor wrg. (eff. w/1975) (repl. 12000201) (prior to Serial No. 5V101025)
—	—	1	12002611	HARNESS ASSY.—furnace & mtr. gen. monitor wrg. (w/ZEO 6582)
—	—	1	12002629	HARNESS ASSY.—furnace & mtr. gen. monitor wrg. (w/ZEO 6584) (repl. 12002624)
—	—	1	12000935	HARNESS ASSY.—furnace & mtr. gen. monitor wrg. (eff. w/Serial No. 5V101025) (w/724478 range)
—	—	1	12002616	HARNESS ASSY.—furnace & motor gen. monitor wrg. (w/2005742 range) (w/out ZEO 6582, ZEO 6584)
—	—	1	12000840	HARNESS ASSY.—refrig. & sender wrg. (eff. w/1975 & prior to serial no. 6V102006) (repl. 12000202) (exc./ ZEO 6582, ZEO 6584)
—	—	1	12002617	HARNESS—refrig. & sender wrg. (eff. w/serial no 6V102006) (exc./ ZEO 6582, ZEO 6584)
—	—	1	12000840	HARNESS ASSY.—refrig. & sender wrg. (w/ZEO 6582, ZEO 6584)
—	—	1	12000861	HARNESS ASSY.—switch & monitor wrg. (eff. w/1975) (repl. 12000203) (exc./ ZEO 6582, ZEO 6584)
—	—	1	12002608	HARNESS ASSY.—switch & monitor wrg. (w/ZEO 6582)
—	—	1	12002621	HARNESS ASSY.—switch & monitor wrg. (w/ZEO 6584)
—	1	1	2017564	HARNESS ASSY.—galley lamp jumper wiring (eff. w/1976)
—	—	1	12000233	HARNESS ASSY.—magnetic switch, LP compartment (eff. w/1975 & prior to 1976)
—	—	1	12002612	HARNESS ASSY.—aux. mag. switch (w/ZEO 6582)
—	—	1	12000234	HARNESS ASSY.—battery, ground (eff. w/1975)

ELECTRICAL

KEY	230	280	PART NUMBER	
-----	-----	-----	-------------	--

7.090 WIRING (Cont.)

—	—	1	12000235	HARNESS ASSY.—motor gen. battery (eff. w/1975)
—	—	1	12002615	HARNESS ASSY.—motor gen. battery (w/ZEO 6583) (eff. w/1977)
—	—	1	12002620	HARNESS ASSY.—motor gen. battery (aux 12-volt) (w/ZEO 6584)
—	—	3	NPN	BRACKET—harness clip (eff. w/1975)(ref. 791954) (make locally)
—	—	1	696218	HARNESS ASSY.—frame ground (eff. w/1975)
—	—	1	2000875	HARNESS ASSY.—110 volt MG. utility box to mg. compartment (eff. w/1975 & prior to 1977) (repl. 791121)
—	—	1	2018654	HARNESS ASSY.—110 volt MG. utility box to mg. compartment (eff. w/1977)
—	—	1	5157702	CLIP—harness, motor generator (w/2000875)
—	—	1	701122	WIRING KIT—3 duplex receptacles, wall socket (eff. w/1975)
—	AR	AR	700955	BLOCK—junction, battery
—	—	1	797889	HARNESS ASSY.—main wiring 110V (w/RPO UNR & exc./ RPO's APN, UNL) (eff. w/1975 & prior to 1977)
—	—	1	2013496	HARNESS ASSY.—main wiring 110V (w/RPO UNL & w/out CNV, UNR)
—	—	1	2013496	HARNESS ASSY.—main wiring 110V (w/RPO UNL & w/CNV, UNR)
—	—	1	791120	HARNESS ASSY.—main wiring, 110 volt. (w/out RPO CNV) (includes next 5 items) (eff. w/1975) (First Design)
—	—	1	796188	POWER CORD ASSY.—main (SOA)
—	—	1	—	ADAPTER—power cord (procure locally)
—	—	1	796189	PANEL ASSY.—circuit breaker (SOA)
—	—	1	796190	BREAKER ASSY.—main circuit (SOA)
—	—	1	796191	BREAKER ASSY.—secondary circuit (SOA)
—	—	1	796192	RECEPTACLE ASSY.—power (40 amp.) (SOA)
—	—	1	2006786	WIRING KIT—110 volt (electric receptacle) (w/ZEO 6582, ZEO 6584) (incl. 1-ivory duplex receptacle, 1-outlet box - pre punched, 4-jumbo metal duplex cover plates - 1-ivory, 1-brown, & 2-white)
—	—	1	791122	WIRING KIT—110 volt (electric receptacle) (exc./ ZEO 6582, ZEO 6584) (incl. 3-duplex receptacles one each ivory, white, brown, 3-outlet boxes pre punched, 4-jumbo metal duplex cover plates 1-ivory, 1-brown & 2-white, 1-std. metal duplex cover plate, 1-handy box blank cover plate)
—	—	1	2000280	HARNESS ASSY.—main wiring, 110 volt (STD) (eff. w/1975) (Second Design) (exc./ ZEO 6582, ZEO 6584)
—	—	1	799086	HARNESS ASSY.—main wiring, 110 volt. (w/RPO APN & exc./ RPO's UNL/CNV) (eff. w/1975)
—	—	1	799088	HARNESS ASSY.—main wiring, 110 volt. (w/RPO APN & CNV & exc./ RPO UNL) (eff. w/1975)
—	—	1	799090	HARNESS ASSY.—main wiring, 110 volt. (w/RPO APN & UNL & exc./ RPO CNV) (eff. w/1975)
—	—	1	799091	HARNESS ASSY.—main wiring, 110 volt. (w/RPO APN & CNV & UNL) (eff. w/1975)
—	—	1	799087	HARNESS ASSY.—main wiring, 110 volt (exc./ RPO's APN/CNV and w/RPO UNL) (eff. w/1975)
—	—	1	799089	HARNESS ASSY.—main wiring, 110 volt (w/RPO's CNV & UNL w/RPO APN) (eff. w/1975)
—	—	16	—	SCREW—receptacle (procure locally) (4-24 x 3/4) (ref. 9426489)
—	AR	AR	8885537	WIRE—flexgard convoluted conduit (battery to living area) (25 ft. roll, CTL)
—	—	2	708518	CLIP—harness, RH & LH side (w/791120 harness assy.)
—	AR	AR	2489333	GROMMET—body RH wire thru side (eff. w/1975)
—	—	1	2004621	RECEPTACLE ASSY.—outside electric, (RH) (w/RPO U97 & w/ZEO 6581)
—	—	1	2013918	RECEPTACLE ASSY.—outside electric (RH) (w/RPO U97 & w/ZEO 6582, ZEO 6584)
—	—	1	652036	CLIP—receptacle wiring harness (w/2004621 receptacle)
—	AR	AR	2003464	GROMMET—harness
—	—	2	2003464	GROMMET—harness (eff. w/1977) (w/ZEO 6584)
—	—	2	721167	GROMMET—harness (eff. w/1977) (w/ZEO 6581)
—	1	1	12002629	HARNESS ASSY.—furnace & MG monitor (repl. 12002624)
—	1	1	8913824	HARNESS ASSY.—heater vacuum (w/out air conditioning)
—	1	1	12002634	HARNESS ASSY.—audio vox radio jumper
—	1	1	8913823	HARNESS ASSY.—heater & air conditioning vacuum (prior to 1977)
—	1	1	8913819	WIRE ASSY.—ambient sensor and press switch (w/air conditioning)
—	1	1	2282862	CLIP—engine wiring harness (w/air conditioning)

ELECTRICAL

KEY	230	260	PART NUMBER	
-----	-----	-----	-------------	--

7.090 WIRING (Cont.)

-	-	1	2006784	HARNESS ASSY.—110 volt, motor generator (w/RPO KNE)
-	1	1	1115858	RELAY—level control (RPO GYE) (eff. w/1976) (prior to 1978)
-	-	1	2006778	HARNESS ASSY.—110 volt (w/RPO CNV, CNW & ZEO 6584)
-	-	1	797889	HARNESS ASSY.—110 volt (w/RPO CNV & ZEO 6581)
-	-	1	-	COVER—electrical wire (harness) (make locally) (ref. 2008300) (w/ZEO 6582)

7.091 CONNECTORS — WIRING

-	1	1	6288896	CONNECTOR ASSY.—male, engine harness (bulkhead)
-	1	1	8905116	CONNECTOR—female, body harness (LH side)
-	1	1	6288539	CONNECTOR—male, body harness (LH side)
-	2	2	2973407	CONNECTOR—female, engine harness, 2 contact, lock type (.976 x .856 x .267 high)
-	1	1	2973781	CONNECTOR—female, engine harness, 2 contact, lock type (.976 x .419 x .685 high) (cruise transducer)
-	1	1	6294493	CONNECTOR—female, engine harness (alternator)
-	1	1	8900826	CONNECTOR—male, engine harness (ambient sensor)
-	2	2	2973407	CONNECTOR—female, front roof harness, 2 contact, lock type (.976 x .856 x .267 high) (A/C compressor & downshift switch)
-	2	2	6288992	CONNECTOR—female, front roof harness (w/connector & cover, pan grip type)
-	1	1	2985036	CONNECTOR—male, fuel tank harness
-	1	1	2977253	CONNECTOR—female, headlamp & park lamp harness, 1 contact (.976 x .419 x .267 high)
-	2	2	2977804	CONNECTOR—female, headlamp & park lamp harness, & delay relay (w/3 female terminals)
-	2	2	2984855	CONNECTOR—female, headlamp & park lamp harness (w/round moulded connector)
-	1	1	6288890	CONNECTOR—male, headlamp & park lamp harness
-	1	1	2962510	CONNECTOR—female, heater harness, 3 contact, lock type (.976 x .809 x .507 high) (repl. 2962449)
-	1	1	2973386	CONNECTOR—female, heater harness, 3 contact, lock type (.976 x .616 x .758 high)
-	1	1	2977646	CONNECTOR—female, heater harness (3 female in-line terminals)
-	1	1	2977647	CONNECTOR—female, heater harness (2 female in-line terminals)
-	1	1	2984570	CONNECTOR—female, heater harness
-	-	1	-	CONNECTOR—male, heater harness (procure locally) (ref. 2984883)
-	-	3	8911773	CONNECTOR—male, RH & LH, front and rear lamp; bath and hall lamp (eff. w/1975) (w/12002623 harness)
-	-	2	8905222	CONNECTOR—male, galley lamp and E.G. harness (w/12000199, 12002623 harness assy.)
-	-	1	6294510	CONNECTOR—female, switch and monitor harness (small) (w/12000200 harness assy.)
-	-	1	6294509	CONNECTOR—female, switch and monitor harness (large) (w/12000200 harness assy.)
-	-	1	8900442	CONNECTOR—male, refrigerator, sender harness, and furnace & M.G. (eff. w/1975) (w/12002623 harness)
-	-	1	8900443	CONNECTOR—female, furnace & E.G. harness (w/12000200 harness assy.)
-	-	2	8911773	CONNECTOR—rear floor lamp (w/12000201 harness assy.)
-	-	1	8905205	CONNECTOR—female, lamp and fan harness (w/12000201 harness assy.)
-	-	1	8905206	CONNECTOR—female, E.G. at monitor (w/12000201 harness assy.)
-	-	2	2973407	CONNECTOR—female, refrigerator (w/12000202 harness assy.)
-	-	4	8911352	CONNECTOR—female, porch, galley, floor, water pump at monitor panel (w/12000203, 12002621 harness assy.)
-	-	1	6294508	CONNECTOR—female, LP switch & bath harness (w/12000203 harness assy.)
-	-	2	2985880	CONNECTOR—female, parking & signal front lamp (w/12000209 harness assy.)
-	-	2	2977804	CONNECTOR—female, head lamp (w/12000209 harness assy.)
-	-	1	2977253	CONNECTOR—female, horn (w/12000209, 12000950 harness assy.)
-	1	1	6288976	CONNECTOR—bulkhead
-	-	2	791665	CONNECTOR ASSY.—110V, 60 amp., blue (eff. w/1975 & prior to 1977)

ELECTRICAL

KEY	230	260	PART NUMBER	
-----	-----	-----	-------------	--

7.091 CONNECTORS — WIRING (Cont.)

—	—	1	8905206	CONNECTOR—body female (4-receptacles) (w/12002620 harness assy.)
—	—	1	8905220	CONNECTOR ASSY.—body male (5-prongs) (w/12002620 harness assy.)
—	—	4	8911352	CONNECTOR—body porch, floor, galley & water pump (w/12002621 harness assy.)
—	—	4	6294647	CONNECTOR—body level monitor (w/12002621 harness assy.)
—	—	1	8905467	CONNECTOR—body to lamp switch (w/12002621 harness assy.)
—	—	1	8911773	CONNECTOR—body front lamp (w/12002621 harness assy.)
—	—	1	8905206	CONNECTOR—body Mg. St. monitor (w/12002621 harness assy.)
—	—	3	8911773	CONNECTOR—body RH rear lamp (w/12002621, 12002622 harness assy.)
—	—	1	2973407	CONNECTOR—body refrigerator (w/12002622 harness assy.)
—	—	1	6294509	CONNECTOR—body switch monitor (w/12002622 harness assy.)
—	—	1	2977647	CONNECTOR—body female (2-receptacles) (w/12002622 harness assy.)
—	—	1	8911772	CONNECTOR—body to light & fan (2-receptacles) (w/12002622 harness assy.)
—	—	1	8905205	CONNECTOR—body to light & fan (3-receptacles) (w/12002622 harness assy.)
—	—	1	8900442	CONNECTOR—body furnace (w/12002624 harness assy.)
—	—	1	8900443	CONNECTOR—body lamp to fan (w/12002624 harness assy.)
—	—	1	8905206	CONNECTOR—body Mg. St. monitor (w/12002624 harness assy.)
—	—	1	2973407	CONNECTOR—body recirc. toilet (w/12002624 harness assy.)
—	1	1	8911614	BLOCK—fuse, inst. panel harness
—	1	1	12000940	LINK—fuse, directional lamp (eff. w/1977)
—	2	2	2281754	CLIP—instrument panel wiring harness RH (eff. w/1977) (1/4 I.D. closed)
—	2	2	2416806	CLIP—instrument panel wiring harness (prior to 1977)
—	4	4	8874491	CLIP—harness, instrument panel to dash panel (1.125 I.D. w/.468 bolt hole)
—	1	1	657558	CLIP—city country horn wire to instrument panel wiring harness (1974) (1/2 I.D. closed w/.281 bolt hole)
—	5	5	708513	CLIP—wiring, rear body & roof wiring) (.612 I.D. closed)
—	1	1	2236474	CLIP—starter to magnetic switch cable (w/413610, 416542, 417794, 418694 engine)
—	1	1	2488949	CLIP—starter to magnetic switch cable (eff. w/interm. 1977) (w/556626, 556627 engine)
—	4	4	3859786	CLIP—trailer wiring harness
—	1	1	2423777	CLIP—transmission switch lead (3/8 I.D. w/7/16 bolt hole)
—	6	6	NS	CLIP—wiring harness, side body (RH & LH) (prior to 1977) (ref. 8869177)
—	AR	AR	674904	CLIP—wiring, 110V main door
—	4	4	708513	CLIP—wiring harness, side body (RH) (eff. w/1977) (.612 I.D. closed)
—	4	4	708513	CLIP—wiring harness, side body (LH) (Trans mode) (eff. w/1977) (.612 I.D. closed)
—	—	4	2381771	CLIP—wiring harness, side body (LH) (MotorHome) (eff. w/1977) (7/16 I.D. closed)
—	—	1	708513	CLIP—light switch harness (w/12002622 harness assy.) (.612 I.D. closed)
—	1	1	2281754	CLIP—wiring harness, fuel tank (1/4 I.D. closed)
—	1	1	2236474	CLIP—cable, magnetic switch to cooler
—	7	7	409794	CLIP—wiring harness, front headlamp & parking lamp (prior to 1977) (.675 I.D. closed)
—	8	8	2488353	CLIP—wiring harness, forward lamp (LH) (eff. w/1977)
—	2	2	721167	CLIP—wiring harness to frt. lower side LH & roof panel (3/4 I.D. closed) (repl. 2301257)
—	2	2	719489	CLIP—wire, resistor to heater box (repl. 2281756) (.375 I.D. closed)
—	2	2	2399080	CLIP—wire, turn signal lamp (.621 I.D. closed)
—	2	2	2416806	CLIP—wiring harness, instrument panel
—	—	5	2381771	CLIP—wiring harness, (used w/12000221) (7/16 I.D. closed)
—	1	1	721167	CLIP—wiring, mtr. gen. harness to battery hold down stud (repl. 651875) (prior to 1975) (1/2 I.D. w/13/32 bolt hole)
—	—	1	719488	CLIP—wiring, MTR. GEN. harness to battery hold down stud (eff. w/1975 & prior to 1977)
—	—	1	719488	CLIP—wiring mtr. gen. to battery hold down stud (w/ZEO 6581) (eff. w/1977)

ELECTRICAL

KEY	230	260	PART NUMBER	
			7.091 CONNECTORS — WIRING (Cont.)	
-	-	3	120588	CLIP—wiring mtr. gen. to battery hold down stud (w/ZEO 6584) (eff. w/1977)
-	-	3	721167	CLIP—wiring 110V main harness (prior to 1977) (.75 I.D. closed)
-	-	AR	674904	CLIP—wiring 110V main harness (eff. w/1977)
-	1	1	5290433	CLIP—sensor wire
-	5	5	5297428	CLIP—sensor wire
-	1	1	1839906	CLIP—bulkhead splice
-	1	1	5290433	CLIP—ambient sensor splice
-	2	2	8911377	CLIP—downshift switch splice
-	4	4	8911377	CLIP—LH directional signal, parking lamp
-	1	1	5297428	CLIP—bulkhead splice
-	-	2	708513	CLIP—wiring 110V main harness (eff. w/1977)
-	1	1	5297428	CLIP—sleeve term (RH sensor) (w/12006500)
-	1	1	2977689	CONNECTOR—wiring harness, side body to inst. panel
-	1	1	2965972	CONNECTOR—wiring harness, frt. roof to inst. panel
-	1	1	2965980	CONNECTOR—wiring harness, side body
-	1	1	2977253	CONNECTOR—wiring harness, side body, 1 contact (.976 x .419 x .267 high)
-	1	1	2008027	GROMMET—rail, fuel tank wiring horn, thru beam belt
-	1	1	2411483	GROMMET—license plate wire
-	1	1	-	GROMMET—fuel tank wiring harness thru floor (procure locally)
-	2	2	-	CONNECTOR—female, inst. panel harness (procure locally)
-	1	1	-	CONNECTOR—female, inst. panel harness (procure locally)
-	2	2	2973385	CONNECTOR—female, inst. panel harness, 2 contact, lock type (.951 x .662 x .662 high), flasher & leveler warning
-	1	1	2973407	CONNECTOR—female, inst. panel harness, 2 contact, lock type (.976 x .856 x .267 high), back up lamp switch
-	1	1	2973781	CONNECTOR—female, inst. panel harness, 2 contact, lock type (.976 x .419 x .685 high), heater switch feed
-	1	1	2977645	CONNECTOR—female, inst. panel harness
-	1	1	2977690	CONNECTOR—female inst. panel harness (w/10 terminals, lock type)
-	1	1	2984235	CONNECTOR—female inst. panel harness, stop lamp switch
-	1	1	6294509	CONNECTOR—female, inst. panel harness, directional signal
-	1	1	6294641	CONNECTOR—female, inst. panel harness, ignition switch
-	1	1	6294642	CONNECTOR—female, inst. panel harness, main ground
-	1	1	8900855	CONNECTOR—female, inst. panel harness, 3 contact (2.3 x 2.33 x .7 high), dimmer switch
-	1	1	8905204	CONNECTOR—female, inst. panel harness, radio feed
-	1	1	8905205	CONNECTOR—female, inst. panel harness, 3 contact, pack-con, rear speaker
-	1	1	8905206	CONNECTOR—female, inst. panel harness, 4 contact, pack-con (1-508 x 1-133 x .455 high), front speaker
-	1	1	8905235	CONNECTOR—female, inst. panel harness, 2 mixed contact, round type (cigarette lighter)
-	2	2	8911352	CONNECTOR—female, inst. panel harness, battery/gas tank switch
-	1	1	8900717	CONNECTOR—female, leveler warning (w/12000220 harness assy.)
-	1	1	-	CONNECTOR—windshield wiper & washer switch/neutral safety switch, instrument panel (procure locally) (repl. 2962967)
-	1	1	-	CONNECTOR—dome lamps, front speakers, identification lamps and parking brake, at inst. panel (procure locally) (repl. 2965977)
-	1	1	2977763	CONNECTOR—male, inst. panel harness
-	1	1	6294544	CONNECTOR—male, inst. panel harness, low fuel warning
-	1	1	2984528	CONNECTOR—male, inst. panel harness, 1 contact, lock type (1.518 x .567 x .488 high), heater control lamp (repl. 8900420)
-	1	1	8900442	CONNECTOR—male, inst. panel harness, 6 contact, pack-con, cruise control
-	2	2	6294647	CONNECTOR—p/c, inst. panel harness, gauge cluster/speedometer
-	1	1	8900371	CONNECTOR—p/c instrument panel harness, tell-tale
-	1	1	-	LINK—fusible, turn signal (procure locally)
-	6	6	657558	STRAP—headlamp harness to auxiliary battery cable
-	2	2	NS	STRAP—generator wire to engine harness (ref. 657555) (includes next 3 items)
-	AR	AR	8885128	HOSE—generator wire to engine harness
-	1	1	657520	FITTING—generator wire to engine harness
-	1	1	657522	FITTING—generator wire to engine harness
-	2	2	657558	STRAP ASSY.—instrument panel harness level control (eff. w/1977) (repl. 8877974) (14.80" lg.)
-	AR	AR	657558	STRAP—engine heater, fuel tank harness (14.80" lg.)

ELECTRICAL

KEY	230	280	PART NUMBER
-----	-----	-----	-------------

7.091 CONNECTORS — WIRING (Cont.)

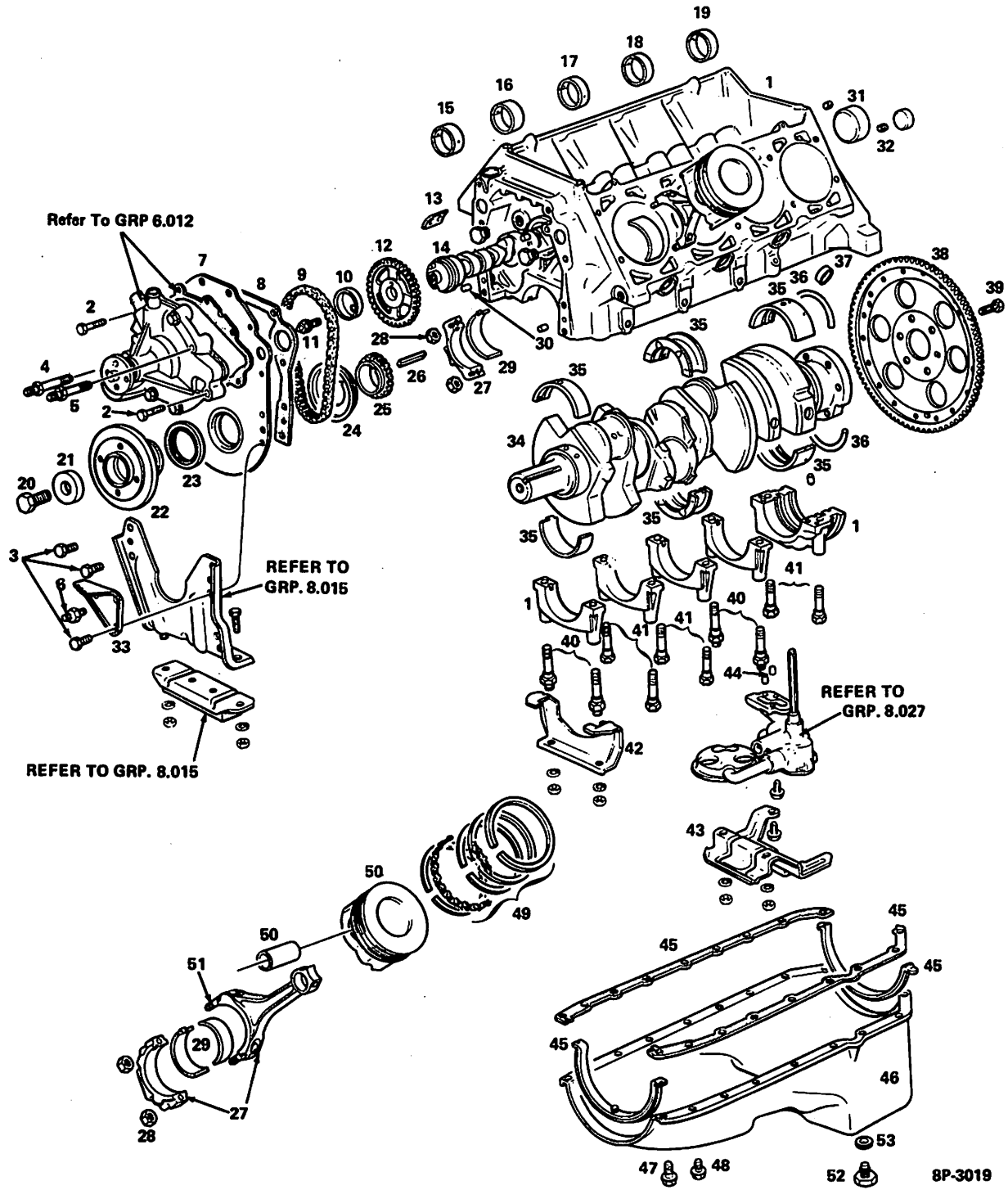
—	2	2	657558	STRAP—battery to magnetic switch and body RH band (14.80" lg.)
—	2	2	409217	STRAP—fuel tank harness
—	1	1	676543	STRAP—speedometer wiring harness
—	AR	AR	657558	STRAP—wiring harness; generator cable
—	5	4	409217	STRAP—wiring harness to engine
—	—	1	790945	GROMMET—wiring harness, used (w/12000221)
—	1	1	8905381	SOCKET—light lamp, instrument panel
—	2	2	6294125	SOCKET—LH side marker lamp (w/1200950)
—	1	1	8911591	LENS—light lamp, instrument panel
—	2	2	388218	CLIP—wiring harness to valve cover (w/417794, 418694 engine)
—	2	2	395283	CLIP—wiring harness to valve cover (w/417794, 418694 engine)
—	1	1	6294508	CONNECTOR—LP switch and bath harness (w/12000861 harness)
—	1	1	8905652	CONNECTOR—ground, air compressor feed (STD) (eff. w/Serial No. 6V100878)
—	1	1	2965972	CONNECTOR—ground, air compressor feed (eff. w/Serial No. 6V100878)
—	1	1	8900926	CONNECTOR—body male (1-prong) (w/12002621 harness assy.)
—	1	1	2977253	CONNECTOR—ground, air compressor feed (eff. w/1978)
—	1	1	12004697	CONNECTOR—sleeve term (RH sensor)(w/12006500)
—	2	2	2977647	CONNECTOR—relay LH side (w/12002639)
—	2	2	2962510	CONNECTOR—relay LH side (w/12002639)
—	2	2	2977373	CONNECTOR—shut off solenoid LH side (12002639)
—	1	1	NPN	CONNECTOR— to sensor (w/12002639)(ref. 2965977) (procure locally)
—	1	1	8900826	CONNECTOR—ambient sensor (w/12000948)
—	2	2	2973407	CONNECTOR—downshift switch (w/12000948)
—	1	1	2973781	CONNECTOR—cruise transducer (w/1200948)
—	2	2	2965980	CONNECTOR—LH directional signal and parking lamp (w/1200948)
—	1	1	8917253	CONNECTOR—engine harness (w/12000948)
—	2	2	2962510	CONNECTOR—relay LH side (w/12002638)
—	2	2	2977373	CONNECTOR—shut off solenoid LH side (w/12002638)
—	2	2	2977647	CONNECTOR—relay LH side (w/12002638)
—	1	1	—	CONNECTOR—to sensor (w/12002638) (ref. 2965977) (procure locally)
—	1	1	12004843	CHOKE ASSY.—radio jumper SOA (w/12002634)
—	1	1	12004844	CAPACITOR—radio jumper (w/12002634)

ENGINE

LIST OF SUB GROUPS

Name	Group No.
ACCELERATOR AND THROTTLE PUSHER	8.041
CYLINDER BLOCK, CRANKSHAFT AND OIL PAN	8.005
CYLINDER HEAD, VALVE MECHANISM AND MANIFOLDS	8.008
DRIVE — ACCESSORY	8.004
ENGINE	8.001
FILLER — OIL & LEVEL INDICATOR	8.028
FILTER — OIL	8.031
KIT — ENGINE TUNE UP	8.003
LINES — OIL	8.034
MOUNTING — ENGINE	8.015
PUMP — OIL	8.027

ENGINE



CYLINDER BLOCK, CRANKSHAFT AND OIL PAN

ENGINE

KEY 230 260 PART NUMBER

8.001 ENGINE

—	1	1	413610	ENGINE ASSY.—type 455 CID V-8 code VT (1973) (complete) (ref. only)
—	1	1	416542	ENGINE ASSY.—type 455 CID V-8 code VT (eff. w/1974 & prior to Serial No. 5V100472) (ref. only)
—	1	1	417794	ENGINE ASSY.—type 455 CID V-8 code RA (eff. w/Serial No. 5V100472 & prior to interm. of 1977)
—	1	1	418694	ENGINE ASSY.—type 455 CID (w/RPO NB4 & prior to interm. of 1977)
—	1	1	556626	ENGINE ASSY.—type 403 CID V-8 gas code RA (STD) (eff. w/interm. 1977)
—	1	1	556627	ENGINE ASSY.—type 403 CID V-8 gas (RPO NB4) (eff. w/interm 1977)
—	1	1	561032	ENGINE ASSY.—type 403 CID V-8 gas code RA (STD) (eff w/1978)
—	1	1	561033	ENGINE ASSY.—type 403 CID V-8 gas (RPO NB4) (eff w/1978)
—	1	1	231469	GASKET SET—engine (w/413610 engine)
—	1	1	557864	GASKET SET—engine (w/556626, 556627 engine)
—	1	1	562047	GASKET SET—engine (w/561032, 561033 engine)
—	1	1	231467	GASKET SET—valve grind (w/413610, 416542 engine)
—	1	1	231896	GASKET SET—valve, regrind (w/417794 engine)
—	1	1	557869	GASKET SET—valve, regrind (w/556626 engine)
—	1	1	562117	GASKET SET—valve, regrind (w/561032)

8.003 KIT — ENGINE TUNE UP

—	1	1	796270	KIT—engine tune up (prior to Serial No. 5V100472)
---	---	---	---------------	---

8.004 DRIVE — ACCESSORY

—	1	1	416102	BELT—drive (fan, water pump and power steering) (repl. 411235) (w/413610, 416542, 417794, 418694 engine)
—	1	1	9433640	BELT ASSY.—(fan, water pump and power steering) (eff. w/interm. 1977) (w/556626, 556627, 561032, 561033 engine)
—	1	1	405600	BELT—drive, generator (alternator) (prior to 1978)
—	1	1	2026920	BELT—drive, generator (alternator) (w/RPO LO4) (1978)
—	1	1	9433674	BELT—air conditioning compressor (w/413610, 416542, 417794 & 418694 engine)
—	1	1	9433670	BELT—air conditioning compressor (eff. w/interm 1977) (w/556626, 556627, (561032, 561033 engine)
—	1	1	2006646	BELT & HOSE KIT—driver convenience (emergency) (w/413610, 416542, 417794 & 418694 engine)
—	1	1	2031044	BELT & HOSE KIT—driver convenience (emergency) (w/556626, 556627, 561032 & 561033 engine)

8.005 CYLINDER BLOCK, CRANKSHAFT AND OIL PAN

1	1	1	417292	PARTIAL ENGINE ASSY.—(includes crankshaft, camshaft, pistons, connecting rods, bearings, gears, & timing chain) (repl. 231386) (w/413610, 416542 engine) (ref. only)
1	1	1	231925	PARTIAL ENGINE ASSY.—(incl. crankshaft, camshaft, pistons, connecting rods, bearings, gears, & timing chain) (w/413610, 416542, 417794, 418694 engine) (repl. 417292)
1	1	1	556623	PARTIAL ENGINE ASSY.—(eff. w/interm. 1977) (w/556626, 556627 engine) (details not available at time of publication)
1	1	1	561028	PARTIAL ENGINE ASSY.—(1978) (w/561032, 561033 engine) (details not available at time of publication)
2	2	2	9422041	BOLT—front cover (5/16-18 x 1-1/2)
3	AR	AR	9427321	BOLT—front cover & timing indicator to block (3/8-16 x 1-1/8) (300M) (repl. 186619)
4	1	1	412610	BOLT—front cover (5/16-18 x 2.62)
5	1	1	413096	BOLT—front cover (5/16-18 x 1-1/2)
6	1	1	398446	BOLT—front cover (3/8-16 x 1.22)
7	1	1	382926	COVER ASSY.—engine, front (less water pump)
8	1	1	382927	GASKET—engine front cover
9	1	1	405866	CHAIN—timing (w/413610, 416542 engine)
9	1	1	382881	CHAIN—timing (opt. 401584) (w/417794, 418694, 556626, 556627, 561032, 561033 engine)
10	1	1	382892	ECCENTRIC—fuel pump

ENGINE

KEY 230 260 PART NUMBER

8.005 CYLINDER BLOCK, CRANKSHAFT AND OIL PAN (Cont.)

11	1	1	382888	BOLT—camshaft gear and eccentric
12	1	1	388049	GEAR—camshaft (opt. 388056) (w/413610, 416542 engine)
12	1	1	381263	GEAR—camshaft (opt. 383788) (w/417794, 418694, 556626, 556627, 561032, 561033 engine)
13	1	1	383379	BAFFLE—oil filler
14	1	1	400117	CAMSHAFT ASSY.—engine (w/413610, 416542, 417794, 418694 engine)
14	1	1	400084	CAMSHAFT ASSY.—engine (eff. w/interm. 1977) (w/556626, 556627 engine)
14	1	1	562299	CAMSHAFT ASSY.—engine (1978) (w/561032, 561033)
15	1	1	561077	BEARING—camshaft No. 1 (repl. 390299)
16	1	1	390300	BEARING—camshaft No. 2
17	1	1	390301	BEARING—camshaft No. 3
18	1	1	390302	BEARING—camshaft No. 4
19	1	1	390303	BEARING—camshaft No. 5
20	1	1	271630	BOLT—balancer to crankshaft (3/4-16 x 1 1/2)
21	1	1	568738	WASHER—balancer to crankshaft (.780 I.D. x 1.78 O.D.)
22	1	1	400133	BALANCER ASSY.—crankshaft (1973)
22	1	1	417142	BALANCER ASSY.—crankshaft (eff. w/1974)
23	1	1	552711	SEAL—front crankshaft (repl. 382663)
24	1	1	382572	SLINGER—oil, crankshaft
25	1	1	388057	GEAR—crankshaft (w/413610, 416542 engine)
25	1	1	382880	GEAR—crankshaft (w/417794, 418694, 556626, 556627, 561032, 561033 engine)
26	1	1	588526	KEY—crankshaft gear
27	8	8	410999	ROD ASSY.—connecting (w/413610, 416542, 417794, 418694 engine)
27	8	8	555142	ROD ASSY.—connecting (eff. w/interm. 1977) (w/556626, 556627, 561032, 561033 engine)
28	16	16	395921	NUT—connecting rod bolt (3/8-24)
29	8	8	5474560	BEARING SET—connecting rod, standard (w/413610, 416542, 417794, 418694 engine)
29	8	8	5474561	BEARING SET—connecting rod, .022 U.S. (w/413610, 416542, 417794, 418694 engine)
29	8	8	5474562	BEARING SET—connecting rod, .010 U.S. (w/413610, 416542, 417794, 418694 engine)
29	8	8	5474563	BEARING SET—connecting rod, .012 U.S. (w/413610, 416542, 417794, 418694 engine)
29	8	8	5474564	BEARING SET—connecting rod, .020 U.S. (w/413610, 416542, 417794, 418694 engine)
29	8	8	5474130	BEARING SET—upper & lower connecting standard (eff. w/interm. 1977) (w/556626, 556627, 561032, 561033 engine)
29	8	8	5474132	BEARING SET—upper & lower .010 O.S. (eff. w/interm. 1977) (w/556626, 556627, 561032, 561033 engine)
30	2	2	585927	PIN—front cover to cylinder block, (RH)
30	1	1	417141	PIN—front cover to cylinder block, (LH)
31	1	1	588527	PLUG—camshaft rear bearing
32	2	2	—	PLUG—oil passage (RH & LH)
33	1	1	403902	INDICATOR—timing (1973)
33	1	1	419048	INDICATOR—timing (eff. w/1974) (repl. 417140)
34	1	1	231726	CRANKSHAFT—engine (w/413610, 416542, 417794, 418694 engine) (repl. 230908)
34	1	1	555479	CRANKSHAFT—engine (w/556626, 556627, 561032, 561033 engine)
35	1	1	5466312	BEARING KIT—main, crankshaft No. 1, standard (w/413610, 416542, 417794, 418694 engine)
35	1	1	5466315	BEARING KIT—main, crankshaft No. 1, .0005 U.S. (w/413610, 416542, 417794, 418694 engine)
35	1	1	5466318	BEARING KIT—main, crankshaft No. 1, .0010 U.S. (w/413610, 416542, 417794, 418694 engine)
35	1	1	5466321	BEARING KIT—main, crankshaft No. 1, .0015 U.S. (w/413610, 416542, 417794, 418694 engine)
35	1	1	5466303	BEARING KIT—main, crankshaft No. 1, .002 U.S. (w/413610, 416542, 417794, 418694 engine)
35	1	1	5466306	BEARING KIT—main, crankshaft No. 1, .010 U.S. (w/413610, 416542, 417794, 418694 engine)

ENGINE

KEY	230	260	PART NUMBER	
8.005 CYLINDER BLOCK, CRANKSHAFT AND OIL PAN (Cont.)				
35	1	1	5466309	BEARING KIT—main. crankshaft No. 1. .020 U.S. (w/413610, 416542, 417794, 418694 engine)
35	2	2	5458657	BEARING KIT—main. crankshaft, front and rear intermediate, standard (w/413610, 416542, 417794, 418694 engine)
35	2	2	5458658	BEARING KIT—main. crankshaft, front and rear intermediate. .0005 U.S. (w/413610, 416542, 417794, 418694 engine)
35	2	2	5458659	BEARING KIT—main. crankshaft, front and rear intermediate. .0010 U.S. (w/413610, 416542, 417794, 418694 engine)
35	2	2	5458660	BEARING KIT—main. crankshaft, front and rear intermediate. .0015 U.S. (w/413610, 416542, 417794, 418694 engine)
35	2	2	5458661	BEARING KIT—main. crankshaft, front and rear intermediate. .002 U.S. (w/413610, 416542, 417794, 418694 engine)
35	2	2	5458662	BEARING KIT—main. crankshaft, front and rear intermediate. .010 U.S. (w/413610, 416542, 417794, 418694 engine)
35	2	2	5458663	BEARING KIT—main. crankshaft, front and rear intermediate. .020 U.S. (w/413610, 416542, 417794, 418694 engine)
35	1	1	5463797	BEARING KIT—main. crankshaft, center, standard (w/413610, 416542, 417794, 418694 engine)
35	1	1	5463798	BEARING KIT—main. crankshaft, center. .0005 U.S. (w/413610, 416542, 417794, 418694 engine)
35	1	1	5463799	BEARING KIT—main. crankshaft, center. .0010 U.S. (w/413610, 416542, 417794, 418694 engine)
35	1	1	5463800	BEARING KIT—main. crankshaft, center. .0015 U.S. (w/413610, 416542, 417794, 418694 engine)
35	1	1	5463801	BEARING KIT—main. crankshaft, center. .002 U.S. (w/413610, 416542, 417794, 418694 engine)
35	1	1	5463802	BEARING KIT—main. crankshaft, center. .010 U.S. (w/413610, 416542, 417794, 418694 engine)
35	1	1	5463803	BEARING KIT—main. crankshaft, center. .020 U.S. (w/413610, 416542, 417794, 418694 engine)
35	1	1	5466314	BEARING KIT—main. crankshaft, rear, standard (w/413610, 416542, 417794, 418694 engine)
35	1	1	5466317	BEARING KIT—main. crankshaft, rear. .0005 U.S. (w/413610, 416542, 417794, 418694 engine)
35	1	1	5466320	BEARING KIT—main. crankshaft, rear. .0010 U.S. (w/413610, 416542, 417794, 418694 engine)
35	1	1	5466323	BEARING KIT—main. crankshaft, rear. .0015 U.S. (w/413610, 416542, 417794, 418694 engine)
35	1	1	5466305	BEARING KIT—main. crankshaft, rear. .002 U.S. (w/413610, 416542, 417794, 418694 engine)
35	1	1	5466308	BEARING KIT—main. crankshaft, rear. .010 U.S. (w/413610, 416542, 417794, 418694 engine)
35	1	1	5466311	BEARING KIT—main. crankshaft, rear. .020 U.S. (w/413610, 416542, 417794, 418694 engine)
35	1	1	5466211	BEARING KIT—crankshaft No. 1, 2 & 4 upper & lower standard (eff. w/interm. 1977) (w/556626, 556627, 561032, 561033 engine)
35	1	1	5466212	BEARING KIT—crankshaft No. 1 upper & lower. .0005 U.S. (eff. w/interm. 1977) (w/556626, 556627, 561032, 561033 engine)
35	1	1	5466213	BEARING KIT—crankshaft No. 1, 2 & 4 upper & lower. .0010 U.S. (eff. w/interm. 1977) (w/556626, 556627, 561032, 561033 engine)
35	1	1	5466214	BEARING KIT—crankshaft No. 1 upper & lower. .0015 U.S. (eff. w/interm. 1977) (w/556626, 556627, 561032, 561033 engine)
35	1	1	5466089	BEARING KIT—crankshaft No. 2 & 4 upper & lower standard (eff. w/interm. 1977) (w/556626, 556627, 561032, 561033 engine)
35	AR	AR	5466104	BEARING KIT—crankshaft No. 2 & 4 upper & lower. .0005 U.S. (eff. w/interm. 1977) (w/556626, 556627, 561032, 561033 engine)
35	AR	AR	5466083	BEARING KIT—crankshaft No. 2 & 4 upper & lower. .0010 U.S. (eff. w/interm. 1977) (w/556626, 556627, 561032, 561033 engine)
35	AR	AR	5466105	BEARING KIT—crankshaft No. 2 & 4 upper & lower. .0015 U.S. (eff. w/interm. 1977) (w/556626, 556627, 561032, 561033 engine)
35	1	1	5466090	BEARING KIT—crankshaft No. 3 upper & lower standard (eff. w/interm. 1977) (w/556626, 556627, 561032, 561033 engine)
35	AR	AR	5466110	BEARING KIT—crankshaft No. 3 upper & lower. .0005 U.S. (eff. w/interm. 1977) (w/556626, 556627, 561032, 561033 engine)
35	AR	AR	5466094	BEARING KIT—crankshaft No. 3 upper & lower. .0010 U.S. (eff. w/interm. 1977) (w/556626, 556627, 561032, 561033 engine)

ENGINE

KEY	230	260	PART NUMBER	
-----	-----	-----	-------------	--

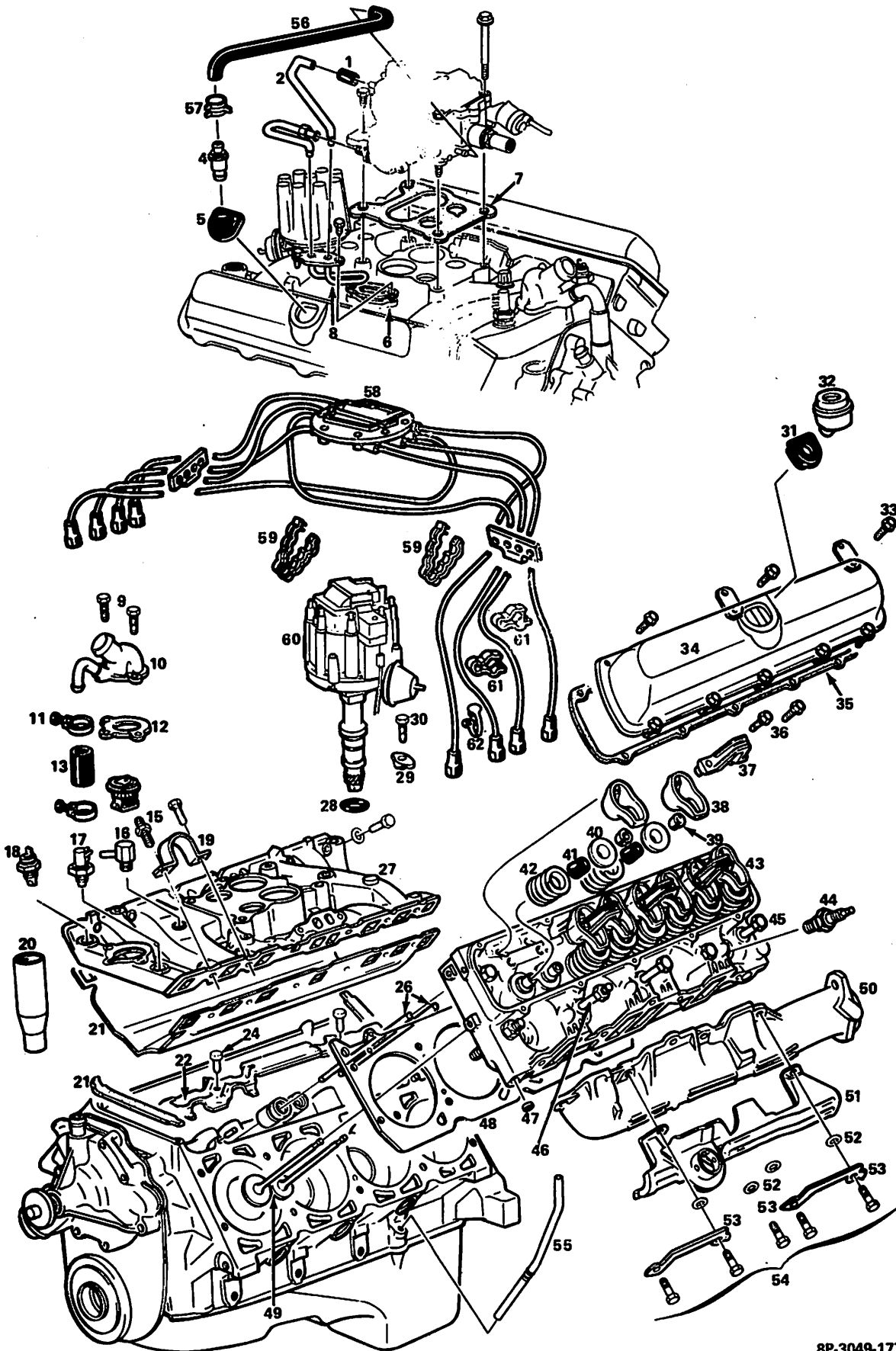
8.005 CYLINDER BLOCK, CRANKSHAFT AND OIL PAN (Cont.)

35	AR	AR	5466111	BEARING KIT—crankshaft No. 3 upper & lower .0015 U.S. (eff. w/interm. 1977) (w/556626, 556627, 561032, 561033 engine)
35	1	1	5466091	BEARING KIT—crankshaft No. 5 upper & lower standard (eff. w/interm. 1977) (w/556626, 556627, 561032, 561033 engine)
35	AR	AR	5466114	BEARING KIT—crankshaft No. 5 upper & lower .0005 U.S. (eff. w/interm. 1977) (w/556626, 556627, 561032, 561033 engine)
35	AR	AR	5466095	BEARING KIT—crankshaft No. 5 upper & lower .0010 U.S. (eff. w/interm. 1977) (w/556626, 556627, 561032, 561033 engine)
35	AR	AR	5466115	BEARING KIT—crankshaft No. 5 upper & lower .0015 U.S. (eff. w/interm. 1977) (w/556626, 556627, 561032, 561033 engine)
36	2	2	9772831	SEAL—rear, crankshaft
37	6	6	555679	PLUG—cylinder block core hole, cup
38	1	1	399964	FLYWHEEL ASSY.—engine (incl. ring gear) (repl. 553243) (prior to 1978) (w/413610, 416542, 417794, 418694, 556626, 556627 engine)
38	1	1	560712	FLYWHEEL ASSY.—engine (incl. ring gear) (1978) (w/561032, 561033 engine)
39	6	6	—	BOLT—flywheel to crankshaft (procure locally) (ref. 9409085) (w/413610, 416542, 417794, 418694 engine)
39	6	6	3727207	BOLT—flywheel to crankshaft (eff. w/interm. 1977) (w/556626, 556627, 561032, 561033 engine)
40	4	4	587509	BOLT—main bearing cap No. 1-4
41	6	6	392190	BOLT—main bearing cap No. 2-3-5
42	1	1	391448	DEFLECTOR—oil, front
43	1	1	390980	DEFLECTOR—oil, rear
44	2	2	380628	PIN—oil pump to bearing cap
45	1	1	384472	GASKET SET—oil pan (incl. gaskets and seats)
46	1	1	398438	PAN—oil, engine
47	4	4	385099	BOLT—oil pan block (5/16-18 x 22/32)
48	14	14	388708	BOLT—oil pan to block (1/4-20 x 9/16)
49	8	8	231429	RING SET—piston, standard (w/413610, 416542, 417794, 418694 engine)
49	8	8	231421	RING SET—piston, .010 O.S. (w/413610, 416542, 417794, 418694 engine)
49	8	8	231430	RING SET—piston, .030 O.S. (w/413610, 416542, 417794, 418694 engine)
49	8	8	556291	RING SET—piston, single cylinder standard (eff. w/interm. 1977) (w/556626, 556627, 561032, 561033 engine)
49	8	8	556292	RING SET—piston, single cylinder .010 O.S. (eff. w/interm. 1977) (w/556626, 556627, 561032, 561033 engine)
49	8	8	556293	RING SET—piston, single cylinder .020 O.S. (eff. w/interm. 1977) (w/556626, 556627, 561032, 561033 engine)
50	8	8	231110	PISTON ASSY.—engine (code A) (std., incl. pin) (w/413610, 416542, 417794, 418694 engine)
50	8	8	231111	PISTON ASSY.—engine (code B) (std., incl. pin) (w/413610, 416542, 417794, 418694 engine)
50	8	8	231112	PISTON ASSY.—engine (code C) (std., incl. pin) (w/413610, 416542, 417794, 418694 engine)
50	8	8	231113	PISTON ASSY.—engine (code D) (std., incl. pin) (w/413610, 416542, 417794, 418694 engine)
50	8	8	231114	PISTON ASSY.—engine (code J) (std., incl. pin) (w/413610, 416542, 417794, 418694 engine)
50	8	8	231115	PISTON ASSY.—engine (code K) (std., incl. pin) (w/413610, 416542, 417794, 418694 engine)
50	8	8	231116	PISTON ASSY.—engine (code L) (std., incl. pin) (w/413610, 416542, 417794, 418694 engine)
50	8	8	231117	PISTON ASSY.—engine (code M) (.010 O.S., incl. pin) (w/413610, 416542, 417794, 418694 engine)
50	8	8	231118	PISTON ASSY.—engine (no code) (.020 O.S., incl. pin) (w/413610, 416542, 417794, 418694 engine)
50	8	8	556265	PISTON ASSY.—engine (code A std.) (eff. w/interm. 1977) (w/556626, 556627, 561032, 561033 engine)
50	8	8	556266	PISTON ASSY.—engine (code B std.) (eff. w/interm. 1977) (w/556626, 556627, 561032, 561033 engine)
50	8	8	556267	PISTON ASSY.—engine (code C std.) (eff. w/interm. 1977) (w/556626, 556627, 561032, 561033 engine)

ENGINE

KEY	230	280	PART NUMBER	
8.005 CYLINDER BLOCK, CRANKSHAFT AND OIL PAN (Cont.)				
50	8	8	556268	PISTON ASSY.—engine (code D std.) (eff. w/interm. 1977) (w/556626, 556627, 561032, 561033 engine)
50	8	8	556269	PISTON ASSY.—engine (code J std.) (eff. w/interm. 1977) (w/556626, 556627, 561032, 561033 engine)
50	8	8	556270	PISTON ASSY.—engine (code K std.) (eff. w/interm. 1977) (w/556626, 556627, 561032, 561033 engine)
50	8	8	556271	PISTON ASSY.—engine (code L std.) (eff. w/interm. 1977) (w/556626, 556627, 561032, 561033 engine)
50	8	8	556272	PISTON ASSY.—engine (code M std.) (eff. w/interm. 1977) (w/556626, 556627, 561032, 561033 engine)
50	8	8	556273	PISTON ASSY.—engine (no code) (.030 O.S.) (eff. w/interm. 1977) (w/556626, 556627, 561032, 561033 engine)
51	16	16	382570	BOLT—connecting rod (eff. w/interm. 1977) (w/556626, 556627, 561032, 561033 engine)
51	16	16	397859	BOLT—connecting rod (w/413610, 416542, 417794, 418694 engine)
52	1	1	390919	PLUG—drain, oil pan
53	1	1	513975	GASKET—oil pan drain plug (repl. 559563)
—	2	2	444619	PLUG—drain, cylinder block (1/4-18)
—	1	1	409806	PULLEY—crankshaft (prior to 1978)
—	1	1	2025925	PULLEY—crankshaft (w/RPO LO4) (1978)
—	2	2	3712745	PIN—transmission to cylinder block (w/417794, 418694 engine)
—	1	1	413783	BRACKET—retainer, spark plug (w/417794 engine)
—	1	1	389750	COVER ASSY.—flywheel (w/413610, 416542, 417794, 418694 engine)
—	1	1	398295	PIN—piston (eff. w/interm. 1977) (w/556626, 556627, 561032, 561033 engine)

ENGINE



8P-3049-177

8.006 CYLINDER HEAD, VALVE MECHANISM & MANIFOLDS

ENGINE

KEY	230	260	PART NUMBER	
8.006 CYLINDER HEAD, VALVE MECHANISM AND MANIFOLDS				
1	1	1	393722	HOSE—clean air pipe to carburetor
2	1	1	413195	PIPE—choke, clean air (w/413610, 416542, 417794, 418694 engine)
2	1	1	419302	PIPE—choke clean air (eff. w/interm. 1977) (w/556626, 556627, 561032, 561033 engine)
3	1	1	555665	PIPE ASSY.—choke hot air (eff. w/interm. 1977) (w/556626, 556627, 561032, 561033 engine)
3	1	1	413196	PIPE ASSY.—choke, hot air (w/413610, 416542, 417794, 418694 engine)
4	1	1	6421972	VALVE ASSY.—crankcase ventilator (pkg.) (w/413610, 416542, engine)
4	1	1	6424982	VALVE ASSY.—engine (PCV) (w/417794, 418694, 556626, 556627 engine)
5	1	1	385283	GROMMET—vent valve to valve cover
6	1	1	382709	GASKET—choke heater
7	1	1	412501	GASKET—carburetor
8	1	1	412620	TUBE ASSY.—choke heater (w/413610, 416542, 417794, 556626, 556627, 561032, 561033 engine)
8	1	1	552708	TUBE ASSY.—choke heater (SOA) (w/418694 engine)
9	1	1	413096	BOLT—water outlet to intake manifolds (w/418694 engine)
9	1	1	9418918	BOLT—water outlet to intake manifolds (w/418694, 556626, 556627, 561032, 561033 engine)
9	2	2	9418918	BOLT—water outlet to intake manifolds (w/413610, 416542, 417794 engine)
10	1	1	409037	OUTLET—engine water
11	2	2	9436038	CLAMP—water by-pass hose
12	1	1	404633	GASKET—water outlet
13	1	1	409042	HOSE—water by-pass (w/413610, 416542, 417794, 418694 engine)
13	1	1	409041	HOSE—water by-pass (eff. w/interm. 1977) (w/556626, 556627, 561032, 561033 engine)
14	1	1	3030055	THERMOSTAT ASSY.—engine (repl. 3027868)
15	1	1	411584	BOLT—intake manifold to cylinder head, front
16	1	1	413037	CONNECTOR—vacuum hose to manifolds (w/413610, 416542 engine)
16	1	1	550636	CONNECTOR—vacuum hose to manifolds (w/417794, 418694 engine)
16	1	1	556479	CONNECTOR—vacuum hose to manifolds (w/556626 & 556627, 561032, 561033 engine)
17	1	1	6402383	SWITCH—engine water temperature
18	1	1	413473	SWITCH—carburetor, thermal vacuum (std.)
18	1	1	3038957	SWITCH ASSY.—thermal vacuum (w/RPO NB4)
19	1	1	387445	STRAP—engine lifting
20	1	1	—	TUBE—oil filler, upper (incl. clamp) (see grp. 8.026)
21	1	1	231465	GASKET SET—intake manifold (w/413610, 416542, 417794, 418694 engine)
21	1	1	557866	GASKET—intake manifold (eff. w/interm. 1977) (w/556626, 556627, 561032, 561033 engine)
22	1	1	391116	BAFFLE—intake manifold
23	4	4	585927	PIN—cylinder head to block
24	2	2	9418998	BOLT—baffle to block
25	10	10	5232750	LIFTER ASSY.—valve
25	16	16	5232895	LIFTER ASSY.—valve (.010 O.S.)
26	16	16	401479	ROD—valve, push (w/413610, 416542, 417794, 418694 engine)
26	16	16	398687	ROD—valve, push (eff. w/interm. 1977) (w/556626, 556627, 561032, 561033 engine)
27	1	1	418203	MANIFOLD—intake (w/413610, 416542, 417794, 418694 engine)
27	1	1	556859	MANIFOLD—intake (w/556626, 556627 engine)
27	1	1	561998	MANIFOLD—intake (w/561032, 561033)
28	1	1	383524	SEAL—distributor
29	1	1	3835505	CLAMP—distributor
30	1	1	9421235	BOLT—clamp
31	1	1	385204	GROMMET—filter to valve cover
32	1	1	403192	FILTER ASSY.—ventilation, crankcase (prior to 1978)
32	1	1	557240	FILTER ASSY.—ventilation, crankcase (1978)
33	20	20	388708	BOLT—cylinder head cover
34	2	2	414123	COVER ASSY.—cylinder head (w/413610, 416542 engine)

ENGINE

KEY 230 280 PART NUMBER

8.006 CYLINDER HEAD, VALVE MECHANISM AND MANIFOLDS (Cont.)

34	2	2	551459	COVER ASSY.—cylinder head (w/417794, 418694 engine)
34	2	2	556263	COVER ASSY.—cylinder head (w/556626, 556627, 561032, 561033 engine)
35	2	2	415629	GASKET—cylinder head cover (silicone rubber adhesive)
35	1	1	393573	GASKET—cylinder head cover (20.00" lg. x 4.72" wide x .062" thk.)
36	16	16	—	BOLT—rocker arm pivot (5/16-18 x 1-3/8) (procure locally)
37	8	8	391208	PIVOT—valve rocker arm
38	16	16	401384	ARM—valve rocker
39	32	32	838029	KEY—intake and exhaust valve (repl. 404674)
40	16	16	406996	ROTATOR ASSY.—valve
41	8	8	401823	DEFLECTOR—oil, exhaust valve
41	8	8	406595	DEFLECTOR—oil, intake valve
42	16	16	411226	SPRING—intake and exhaust
43	2	2	231472	HEAD ASSY.—cylinder (413610, 416542, 417794, 418694 engine)
43	2	2	556282	HEAD ASSY.—cylinder (eff. w/interm. 1977) (incl. next (2) items) (w/556626, 556627, 561032, 561033 engine)
—	1	1	554832	HEAD—cylinder (eff. w/interm. 1977) (w/556626, 556627, 561032, 561033 engine)
—	4	4	394018	PLUG—air injector hole (eff. w/interm. 1977) (w/556626, 556627, 561032, 561034 engine)
44	8	8	5612028	PLUG—spark (w/413610, 416542 engine) (R45S) (repl. 5612073)
44	8	8	5613516	PLUG—spark (w/417794, 418694 engine) (R46SX) (repl. 5631579)
44	8	8	5613664	PLUG—spark (eff. w/interm. 1977) (w/556626, 556627, 561032, 561033 engine) (R465X)
45	14	14	380252	BOLT—cylinder head (w/413610, 416542, 417794, 418694 engine)
45	2	2	414072	BOLT—cylinder head (w/413610, 416542, 417794, 418694 engine)
45	2	2	380253	BOLT—cylinder head (w/413610, 416542, 417794, 418694 engine)
45	13	13	556926	BOLT—cylinder head (eff. w/interm. 1977) (w/556626, 556627, 561032, 561033 engine)
45	3	3	556931	BOLT—cylinder head (eff. w/interm. 1977) (w/556626, 556627, 561032, 561033 engine)
45	2	2	556927	BOLT—cylinder head (eff. w/interm. 1977) (w/556626, 556627, 561032, 561033 engine)
46	2	2	383038	BOLT—cylinder head (stub end) (w/413610, 416542, 417794, 418694 engine)
46	2	2	556629	BOLT—cylinder head (stub end) (eff. w/interm. 1977) (w/556626, 556627, 561032, 561033 engine)
47	4	4	380254	PLUG—cylinder head core
48	2	2	404896	GASKET—cylinder head (w/413610, 416542 engine)
48	2	2	551273	GASKET—cylinder head (w/417794, 418694 engine)
48	2	2	555197	GASKET—cylinder head (w/556626, 556627, 561032, 561033 engine)
49	8	8	553408	VALVE—exhaust, standard (repl. 401762, 417736)
49	8	8	553409	VALVE—exhaust, .003 O.S. (repl. 401763, 417737)
49	8	8	553410	VALVE—exhaust, .010 O.S. (repl. 401765, 417739)
49	8	8	553412	VALVE—exhaust, .013 O.S.
49	8	8	553402	VALVE—intake, standard (repl. 412821)
49	8	8	553403	VALVE—intake, .003 O.S. (repl. 412822)
49	8	8	553404	VALVE—intake, .005 O.S. (repl. 412823)
49	8	8	553405	VALVE—intake, .010 O.S. (repl. 412824)
49	8	8	553406	VALVE—intake, .013 O.S. (repl. 412825)
50	1	1	411970	MANIFOLD—exhaust, (RH) (w/413610, 416542, 417794, 418694 engine)
50	1	1	554581	MANIFOLD—RH exhaust (eff. w/interm. 1977) (556626, 556627, 561032, 561033 engine)
50	1	1	407103	MANIFOLD—exhaust, (LH) (w/413610, 416542, 417794, 418694, 556626, 556627, 561032, 561033 engine)
51	1	1	411734	SHROUD ASSY.—exhaust manifolds (w/413610, 416542, 418694 engine)
51	1	1	416616	SHROUD ASSY.—exhaust manifolds (w/417794, 556626, 556627, 561032, 561033 engine)
52	9	9	555698	WASHER—exhaust manifold bolt
53	4	4	399423	LOCK—exhaust manifold bolt

ENGINE

KEY	230	260	PART NUMBER	
8.006 CYLINDER HEAD, VALVE MECHANISM AND MANIFOLDS (Cont.)				
54	10	10	9420462	BOLT—intake & exhaust manifold to cylinder head (3/8-16 x 1-1/4) (300M)
55	1	1	702000	TUBE—oil level indicator, lower
56	1	1	411685	HOSE—vent. valve to carburetor
57	1	1	3829058	CLAMP—hose to vent valve
58	1	1	—	HARNES ASSY.—high energy ignition (spark plug) (see group 7.038)
59	2	2	—	RETAINER—spark plug cable (see group 7.038)
60	1	1	—	DISTRIBUTOR—complete (See group 7.031) distributor w/high energy ignition (see group 7.031A)
61	3	3	—	RETAINER—spark plug cable (see group 7.038)
62	1	1	—	RETAINER—spark plug cable (see group 7.038)
—	1	1	497853	VALVE ASSY.—thermal vacuum switch hose check (w/RPO NB4)
—	1	1	3979424	TEE—thermal vacuum switch double (w/RPO NB4)
—	1	1	415899	HOSE—RH thermal vacuum switch center port to distributor advance (w/RPO NB4)
—	1	1	415899	HOSE— LH thermal vacuum switch bottom port to carburetor LH front (w/RPO NB4)
—	1	1	417235	HOSE—RH thermal vacuum switch bottom port to double tee (w/RPO NB4)
—	1	1	9436263	HOSE—RH thermal vacuum switch top port to LH center port (w/RPO NB4)(repl. 9433275)
—	1	1	NPN	HOSE—double tee to distributor retard port (ref. 9433206) (proc. loc.) (w/RPO NB4)
—	1	1	419801	HOSE—double tee to tee & double tee to check valve (w/RPO NB4)
—	1	1	415899	HOSE—check valve to LH thermal vacuum switch top port (w/RPO NB4)
—	1	1	415899	HOSE—dist. to vac. control. switch & vac. control switch to carburetor rear (25 ft. roll, ctl)
—	1	1	413903	COVER—E.G.R. opening in intake manifold (eff. w/interm. 1977) (w/556626, 556627, 561032, 561033 engine)
—	1	1	413158	VALVE—EGR valve control
—	1	1	409076	CAP—oil filter
—	2	2	413069	BAFFLE—ventilation, valve cover (w/413610, 416542 engine)
—	2	2	551460	BAFFLE—ventilation, valve cover (w/417794, 418694, 556626, 556627, 561032, 561033 engine)
—	1	1	411685	HOSE—vent valve to carburetor (w/417794 engine)
—	1	1	392995	HOSE—vent valve to carburetor (eff. w/interm 1977) (w/556626, 556627, 561032, 561033 engine)
—	1	1	406511	TEE—crankcase vent hose (w/RPO NB4) (1978)
—	1	1	416442	HOSE—carburetor vacuum tee to thermal vacuum switch (w/RPO NB4) (1978)
—	1	1	417232	HOSE—carburetor LH front port to tee (w/RPO NB4) (1978)
—	1	1	6272766	TEE—distributor retard hose (w/RPO NB4) (1978) (repl. 406026)
—	1	1	419801	HOSE—distributor retard port to tee (w/RPO NB4) (1978)
—	1	1	3829058	CLAMP—hose to vent valve
8.009 FILTER — OIL				
—	1	1	6437999	FILTER ASSY.—oil (incl. base & next item) (w/413610, 416542, 417794, 418694 engine)
—	1	1	6437994	ELEMENT—oil filter (w/413610, 416542, 417794, 418694 engine)
—	1	1	6436950	GASKET—to adapter (w/413610, 416542, 417794, 418694 engine)
—	1	1	719296	ADAPTER—engine oil filter (w/413610, 416542, 417794, 418694 engine)
—	1	1	2387408	FITTING—hose return, engine oil cooler, & hose feed to engine oil cooler (w/413610, 416542, 417794, 418694 engine)
—	1	1	692943	FITTING—extension to oil filter (w/413610, 416542, 417794, 418694 engine)
—	1	1	389942	GASKET—oil filter to block (w/413610, 416542, 417794, 418694 engine)
—	1	1	25010407	FILTER ASSY.—oil (ref. only) (eff. w/interm. 1977) (w/556626, 556627, 561032, 561033 engine)
—	1	1	6437994	ELEMENT—oil filter (w/556626, 556627 engine)
—	1	1	25010324	ELEMENT—oil filter (w/561032, 561033 engine)
—	1	1	6436950	GASKET—to adapter (w/556626, 556627, 561032, 561033 engine)

ENGINE

KEY	230	260	PART NUMBER	
-----	-----	-----	-------------	--

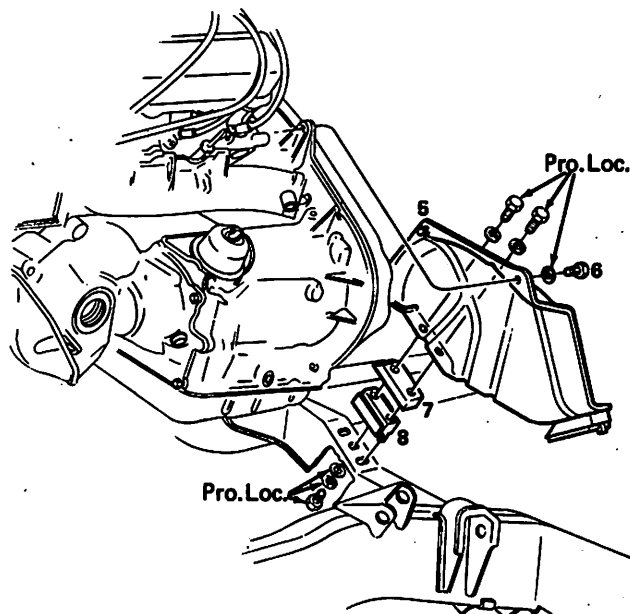
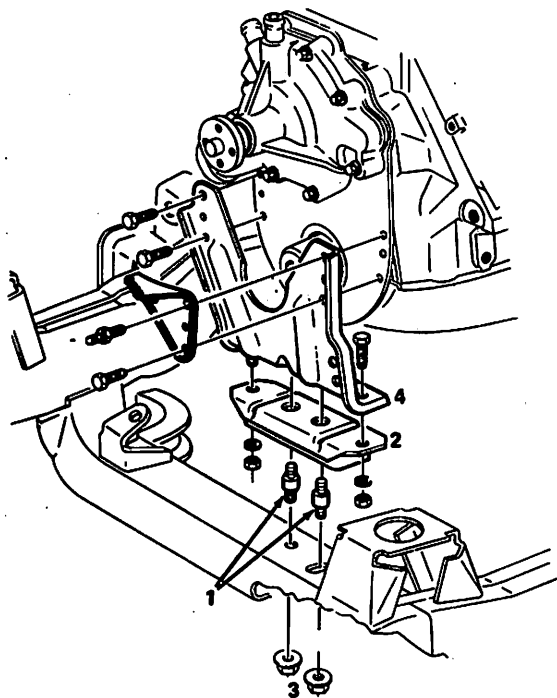
8.009 FILTER — OIL (Cont.)

—	1	1	2015464	ADAPTER—engine oil filter (w/556626, 556627, 561032, 561033 engine)
—	1	1	2387408	FITTING—hose return engine oil cooler, & hose feed to engine oil cooler (w/556626, 556627, 561032, 561033 engine)
—	1	1	692943	FITTING—extension to oil filter (w/556626, 556627, 561032, 561033 engine)
—	1	1	556879	GASKET—oil filter to block (eff. w/interm. 1977) (w/556626, 556627, 561032, 561033 engine)
—	2	2	9427321	BOLT—oil filter to block (3/8-16 x 1) (300M)
—	1	1	433114	BOLT—oil filter to block

8.012 LINES — OIL

—	1	1	694300	HOSE ASSY.—feed engine oil cooler (413610, 416542, 417794, 418694 engine)
—	1	1	694533	HOSE ASSY.—return, engine oil cooler (413610, 416542, 417794, 418694 engine)
—	1	1	719292	HOSE ASSY.—engine oil filter to radiator (eff. w/interm. 1977) (w/556626, 556627, 561032, 561033 engine)
—	1	1	719293	HOSE ASSY.—radiator to engine oil filter (eff. w/interm. 1977) (w/556626, 556627, 561032, 561033 engine)
—	AR	AR	3733220	TUBE ASSY.—adapter to hose feed and return (25 ft. long, CTL)
—	1	1	719296	ADAPTER—engine oil cooler (repl. 694180) (413610, 416542, 417794, 418694 engine)
—	1	1	2015464	ADAPTER—engine oil filter (eff. w/interm. 1977) (w/556626, 556627, 561032, 561033 engine)
—	1	1	694442	BRACKET—support, clip
—	1	1	694446	CLAMP—tube
—	1	1	692943	FITTING—extension, oil filter
—	1	1	6436950	GASKET—adapter to mounting casting

ENGINE



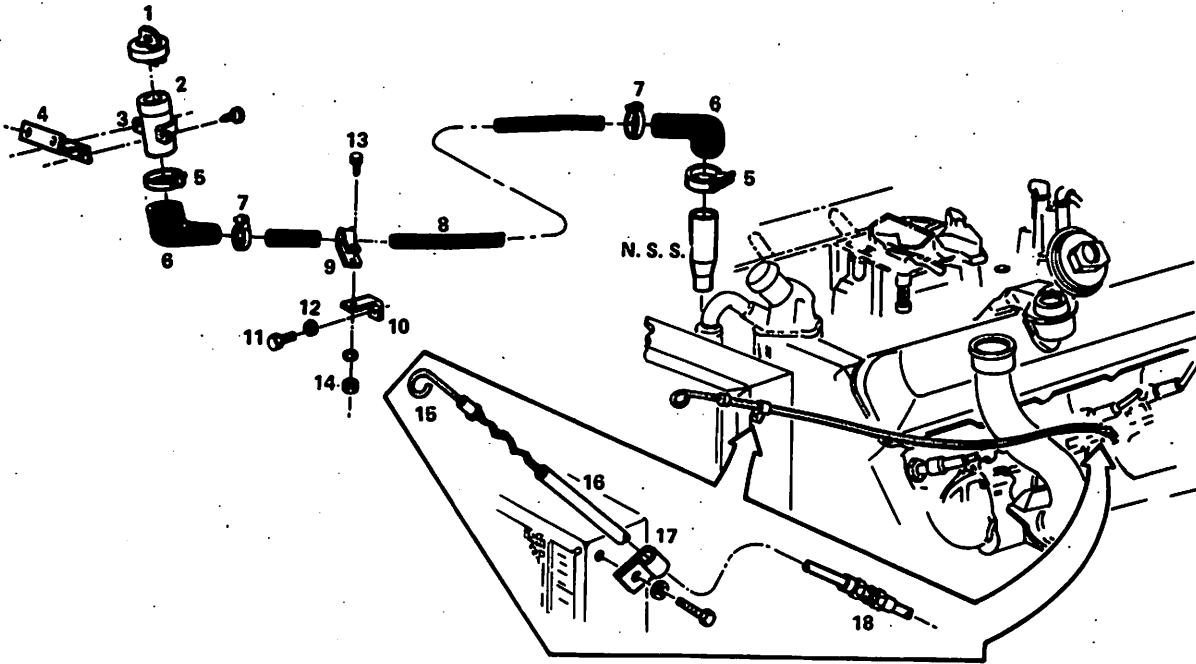
8P-1020

KEY	230	260	PART NUMBER
-----	-----	-----	-------------

8.015 MOUNTING — ENGINE

1	2	2	390403	STUD—support assy. to frame
2	1	1	413914	CUSHION ASSY.—front engine support (First Design)
2	1	1	550210	CUSHION ASSY.—front engine support (Second Design)
3	2	2	2482399	NUT—stud support assy. to frame
4	1	1	411380	SUPPORT—front, engine (w/413610, 416542 engine)
4	1	1	419948	SUPPORT—front, engine (w/417794, 418694 engine)
4	1	1	555940	SUPPORT ASSY.—engine front (SOA) (w/556626, 556627, 561032, 561033 engine)
4	1	1	2025912	SUPPORT—engine front (w/RPOLO4) (1978)
5	1	1	408332	BRACKET—support, transmission
6	3	3	394545	BOLT—trans. support bracket to trans.
7	2	2	400761	RESTRICTOR—front, engine
8	2	2	413032	MOUNT ASSY.—transmission (First Design)
8	2	2	550352	MOUNT ASSY.—transmission & engine rear (Second Design)

ENGINE



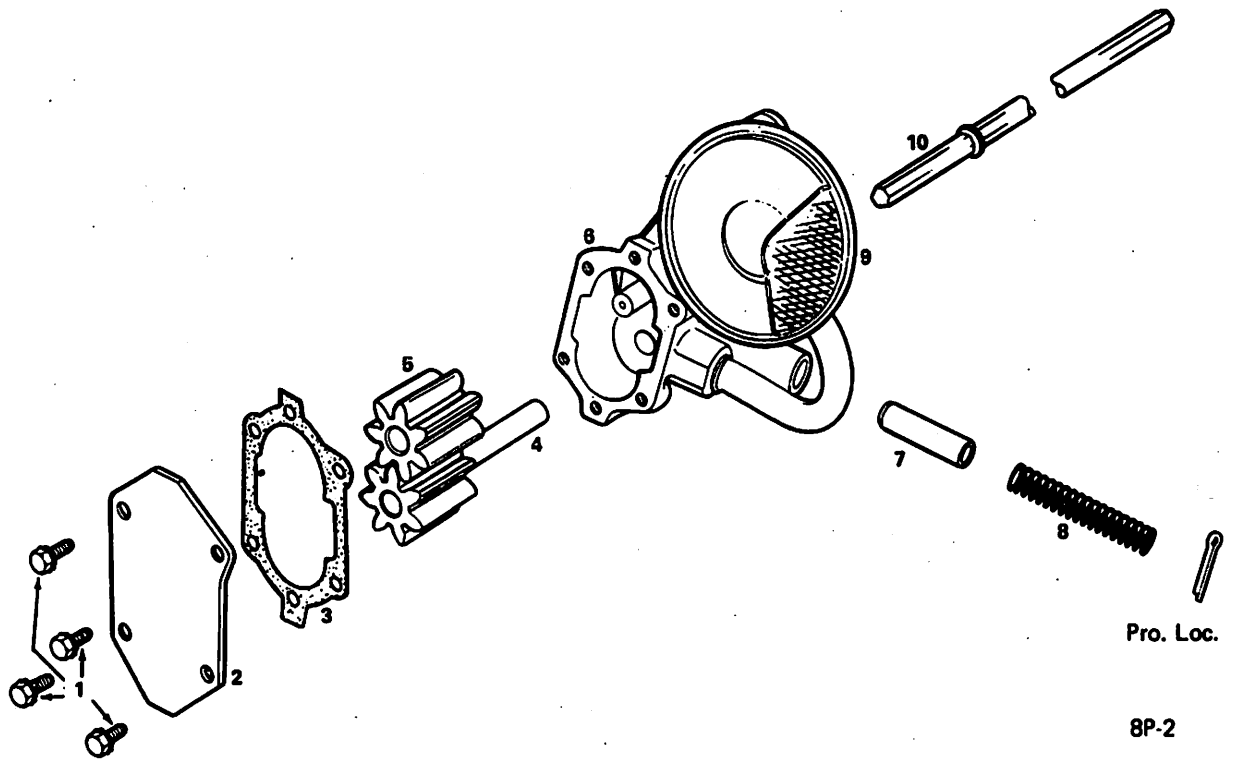
8P-5008

KEY	230	260	PART NUMBER
-----	-----	-----	-------------

8.026 FILLER — OIL (INCLUDES LEVEL INDICATOR)

1	1	1	409076	CAP—oil filler tube
2	1	1	701948	TUBE—upper, oil filler
3	1	1	701971	BRACKET—clamp, upper tube
4	1	1	NPN	MOUNTING—bracket, upper tube (ref. 701972) (make locally)
5	1	1	2471945	CLAMP—elbow
6	1	1	702202	TUBE—elbow, upper
7	1	1	2488394	CLAMP—upper tube, interm.
8	1	1	702550	TUBE—oil filler, interm.
9	1	1	NPN	CLIP—tube bracket (ref. 427043) (procure locally)
10	1	1	653296	BRACKET—tube intermediate
11	1	1	9418967	BOLT—bracket, radiator
12	1	1	—	WASHER—bolt, bracket (procure locally)
13	1	1	9424877	BOLT—clip, bracket (5/16-18 x 3/4 300M) (repl. 9417950)
14	1	1	9417954	NUT—bolt
15	1	1	702383	INDICATOR ASSY.—oil level (prior to 1975)
15	1	1	718401	INDICATOR ASSY.—oil level (eff. w/1975)
16	AR	AR	3750950	TUBE—oil level indicator, upper (25 ft. roll) (4 1.47" per vehicle) (CTL) (prior to 1975)
16	1	1	718412	TUBE—oil level indicator, upper (4 1.47" per vehicle) (eff. w/1975)
17	1	1	2480119	CLIP—tube (prior to 1975)
17	1	1	718402	CLIP—tube (eff. w/1975)
18	1	1	318477	UNION—upper tube to lower tube
—	1	1	702000	GUIDE—oil level indicator

ENGINE

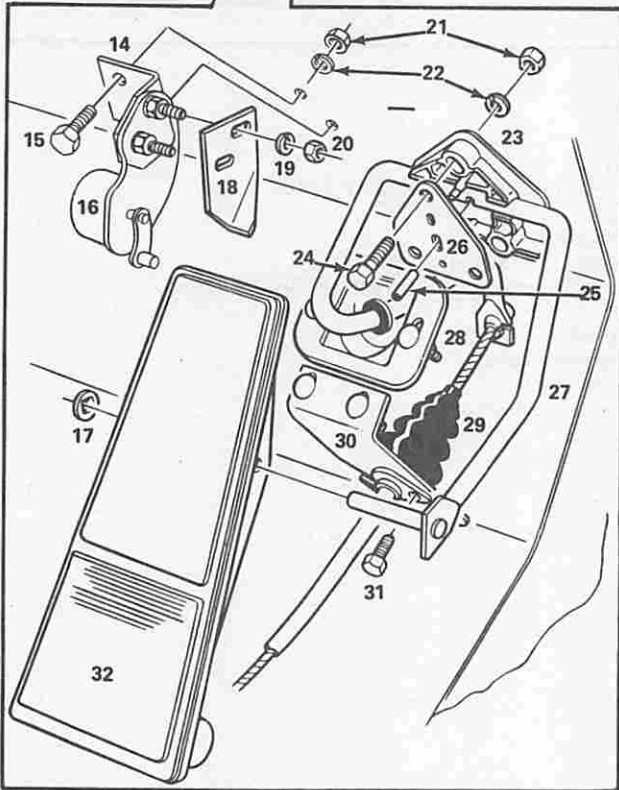
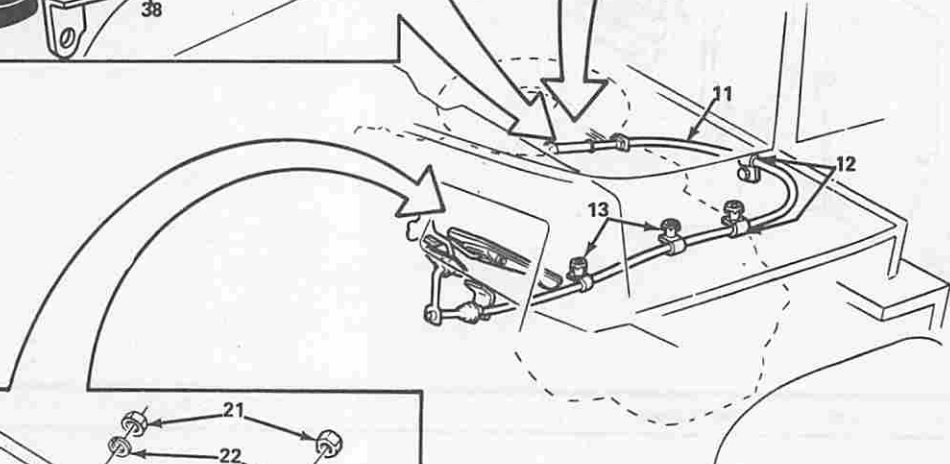
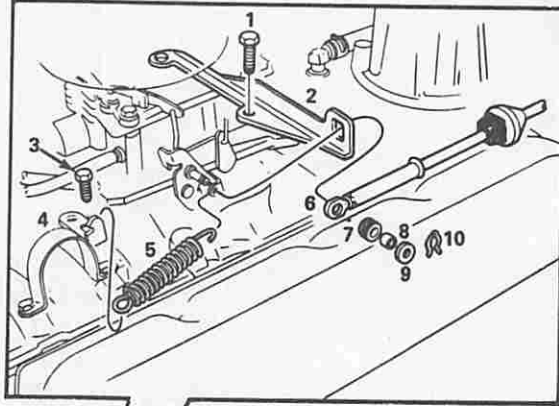
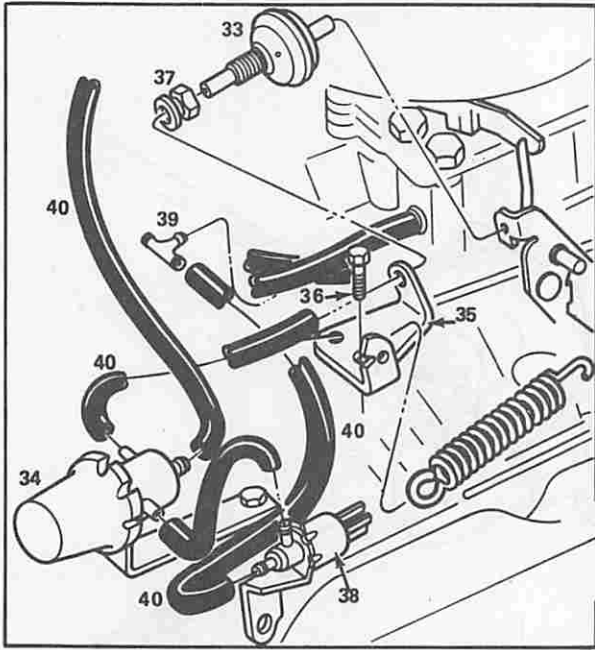


KEY	230	260	PART NUMBER
-----	-----	-----	-------------

8.027 PUMP — OIL

—	1	1	401365	PUMP ASSY.—oil
1	4	4	—	SCREW ASSY.—(procure locally) (1/4-20 x 7/16)
2	1	1	397933	COVER—oil pump
3	1	1	382160	GASKET—oil pump cover
4	1	1	382157	SHAFT ASSY.—drive, oil pump (incl. gear)
5	1	1	NS	GEAR—oil pump driven (ref. 585582) (part of 382157 gear)
6	1	1	387803	BODY—oil pump
7	1	1	557238	VALVE—oil pump relief
8	1	1	401366	SPRING—oil pump relief valve
9	1	1	389798	SCREEN ASSY.—oil pump
10	1	1	579237	SHAFT ASSY.—oil pump drive ext.

ENGINE



8P-1052

8.041 ACCELERATOR AND THROTTLE PUSHER
(FIRST DESIGN)
8-16

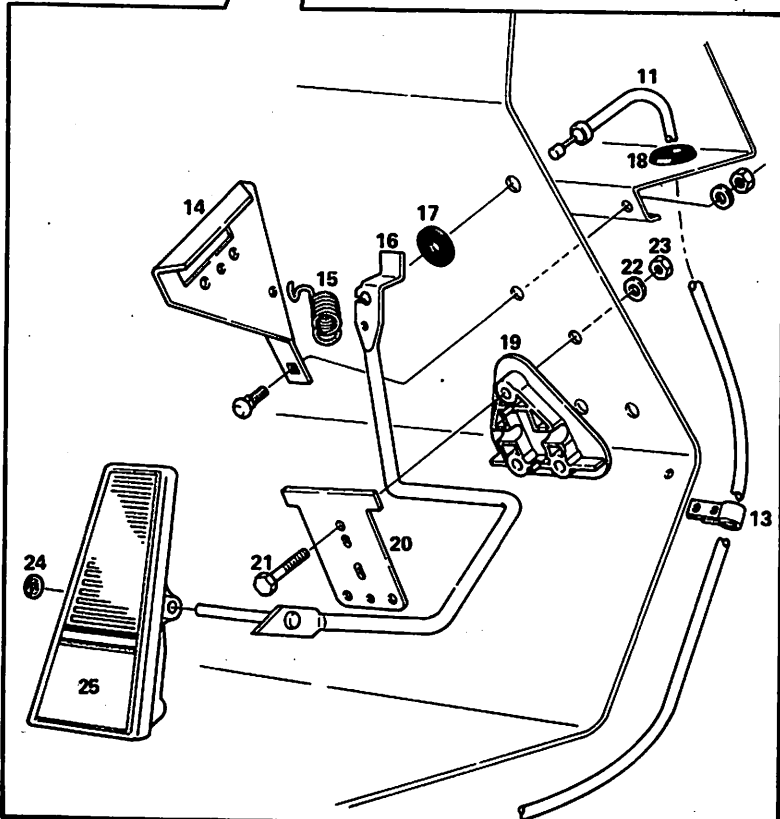
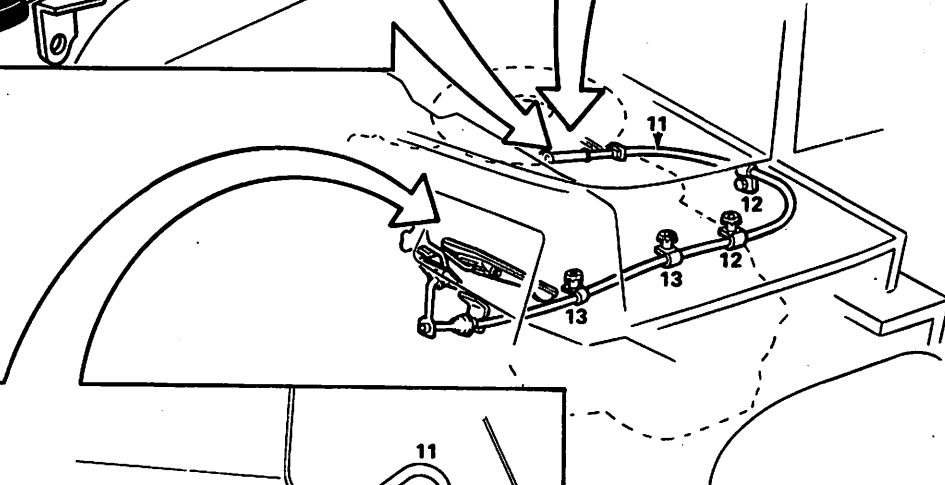
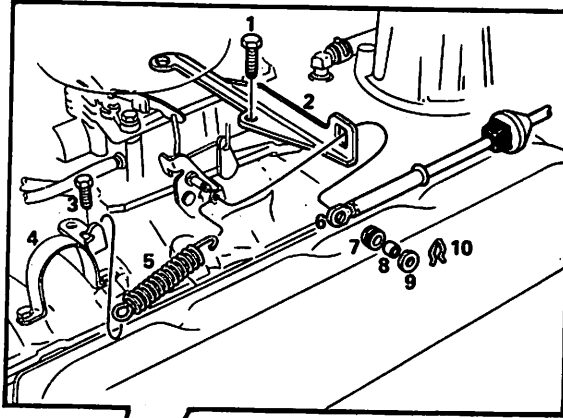
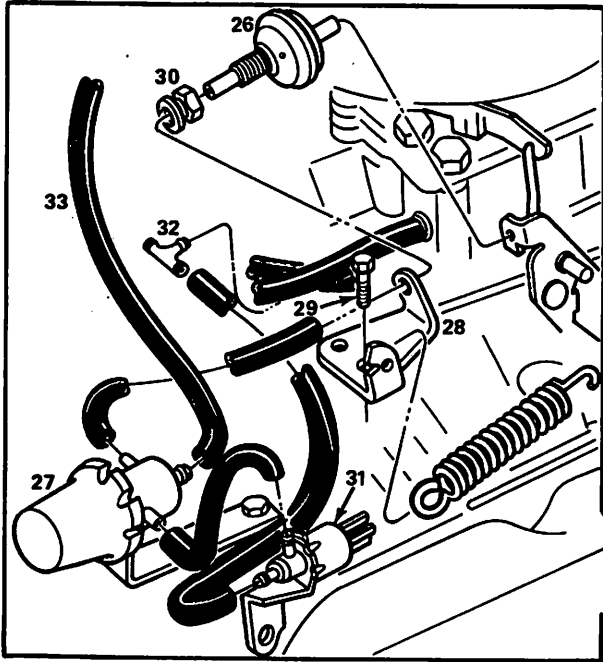
ENGINE

KEY	230	280	PART NUMBER
-----	-----	-----	-------------

8.041 ACCELERATOR AND THROTTLE PUSHER (FIRST DESIGN)

1	1	1	9419029	BOLT—bracket to downshift switch (5/16-18 x 12)
2	1	1	419926	BRACKET—cable, anchor (repl. 414548)
3	2	2	—	BOLT—spring bracket (1/4-20 x 3/4) (ref. 120518) (procure locally)
4	1	1	411445	BRACKET—spring and downshift switch (1973)
5	1	1	416074	SPRING—throttle return (repl. 408918)
6	1	1	723592	CABLE ASSY.—throttle (1973)
7	1	1	403410	BUSHING—cable and lever
8	1	1	414091	SLEEVE—cable and lever
9	1	1	507295	WASHER—cable and lever
10	1	1	583105	RETAINER—cable to carburetor lever
11	1	1	723592	CABLE ASSY.—throttle (1973)
12	2	2	2399078	CLIP—cable (repl. 2490118)
13	2	2	721625	CLIP—cable to floor (repl. 3748083)
14	1	1	723591	BRACKET—downshift switch
15	1	1	9419004	BOLT—to dash
16	1	1	1242101	SWITCH ASSY.—downshift transmission
17	1	1	9428794	NUT—pedal lever (spring type)
18	1	1	698622	STOP—accelerator pedal lever
19	1	1	—	WASHER—lock, stop pedal lever (ref. 138479) (procure locally)
20	1	1	—	NUT—lever (procure locally)
21	2	2	9422273	NUT—lever
22	2	2	9419892	WASHER—lever
23	1	1	3993087	SUPPORT—accelerator lever
24	3	3	9419010	BOLT—anchor to bracket
25	1	1	9415609	PIN—accelerator lever
26	1	1	NPN	REINFORCEMENT—accelerator, pedal rod support (ref. 723589) (make locally)
27	1	1	723593	LEVER ASSY.—accelerator pedal (std.)
27	1	1	788457	LEVER ASSY.—accelerator, pedal (optional)
28	1	1	695376	RETAINER—grommet
29	1	1	409988	GROMMET—accelerator lever to dash (repl. 587980)
30	1	1	692249	BRACKET—anchor cable
31	1	1	—	BOLT—bracket (5/16-18 x 3/4) (ref. 126216) (procure locally)
32	1	1	479314	PEDAL ASSY.—accelerator
33	1	1	550623	PUSHER ASSY.—throttle (w/RPO NB4)
34	1	1	550622	VALVE ASSY.—pusher control (w/RPO NB4)
35	1	1	550624	BRACKET—pusher (w/RPO NB4)
36	2	2	9424877	BOLT—bracket (5/16-18 x 3/4 300M) (repl. 9417950)
—	2	2	2436162	WASHER—bolt
37	1	1	271187	NUT—adjusting, pusher
38	1	1	1997454	VALVE ASSY.—solenoid, pusher
—	1	1	801528	FILTER—valve, solenoid
39	1	1	406026	TEE—vacuum
40	AR	AR	415899	HOSE—vacuum (5/32 I.D.) (25 ft. roll) (CTL) (repl. 415893, 417590, 417592, & 3988734)
—	1	1	408911	PAD—accelerator pedal
—	1	1	409936	PLATE—trim, accelerator pedal
—	2	2	693207	NUT—tee, cable to floor clip
—	1	1	724013	PLATE—accelerator cable anchor
—	1	1	724014	SPACER—downshift switch bracket

ENGINE



ACCELERATOR THROTTLE PUSHER (SECOND DESIGN)
(INCL. CHOKE CONTROL)
8-18

8P-1056-177

ENGINE

KEY	230	280	PART NUMBER	
-----	-----	-----	-------------	--

8.41H ACCELERATOR AND THROTTLE PUSHER (SECOND DESIGN)

1	1	1	9419029	BOLT—bracket to downshift switch (5/16-18 x 12)
2	1	1	419926	BRACKET—cable, anchor (repl. 414548)
3	2	2	—	BOLT—spring bracket (1/4-20 x 3/4) (ref. 120518) (proc. loc.)
4	1	1	416085	BRACKET—spring return & downshift switch (eff w/1974 & prior to 1977)
4	1	1	2016420	BRACKET—spring return & downshift switch (eff. w/1977)
5	1	1	416074	SPRING—throttle return (repl. 408918)
6	1	1	724454	CABLE ASSY.—throttle (eff. w/1974)
7	1	1	403410	BUSHING—cable and lever
8	1	1	414091	SLEEVE—cable and lever
9	1	1	507295	WASHER—cable and lever
10	1	1	583105	RETAINER—cable to carburetor lever
11	1	1	724454	CABLE ASSY.—throttle (eff. w/1974)
12	2	2	2399078	CLIP—cable (repl. 2490118)
13	1	1	724070	CLIP—cable to floor
14	1	1	723591	BRACKET—downshift switch
15	1	1	723590	SPRING—accelerator lever return
16	1	1	798457	LEVER ASSY.—accelerator pedel
17	1	1	404087	RETAINER—accelerator pedel
18	1	1	2388804	GROMMET—cable thru windshield wiper mtr. mtg. brkt.
19	1	1	3993087	SUPPORT—pedel lever
20	1	1	723589	REINFORCEMENT—accelerator, pedel rod support
21	3	3	9419010	BOLT—anchor to bracket
22	2	2	9419892	WASHER—lever
23	2	2	9422273	NUT—lever
24	1	1	3909063	NUT—pedel lever (spring type) (repl. 9428794)
25	1	1	479314	PEDAL ASSY.—accelerator
26	1	1	550623	PUSHER ASSY.—throttle (w/RPONB4)
27	1	1	550622	VALVE ASSY.—pusher control (w/RPONB4)
28	1	1	550624	BRACKET—pusher (w/RPONB4)
29	2	2	9424877	BOLT—bracket (5/16-18 x 3/4 300M) (repl 9417950)
-	2	2	2436162	WASHER—bolt
30	1	1	271187	NUT—adjusting, pusher
31	1	1	1997454	VALVE ASSY.—solenoid, pusher
-	1	1	801528	FILTER—valve, solenoid
32	1	1	6272766	TEE—vacuum (repl. 406026)
33	1	1	415899	HOSE—vacuum (5/32 I.D.) (25 ft. roll) (repl 415893, 417590, 417592, & 3988734)
-	1	1	408911	PAD—accelerator pedal
-	1	1	409936	PLATE—trim, accelerator
-	2	2	693207	NUT—tee, cable to floor clip
-	1	1	724013	PLATE—accelerator cable anchor
-	1	1	724014	SPACER—downshift switch bracket

ENGINE

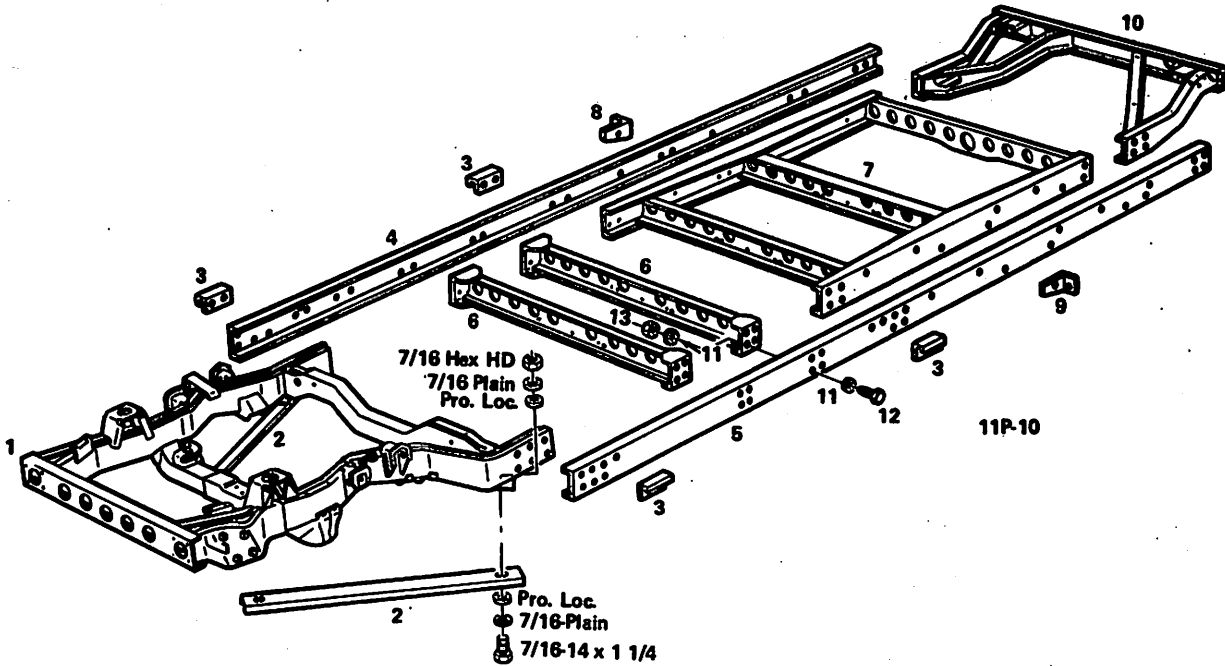
NOTES

FRAME

LIST OF SUB GROUPS

Name	Group No.
FRAME	11.002
BUMPER - FRONT	11.008
BUMPER - REAR	11.008

FRAME

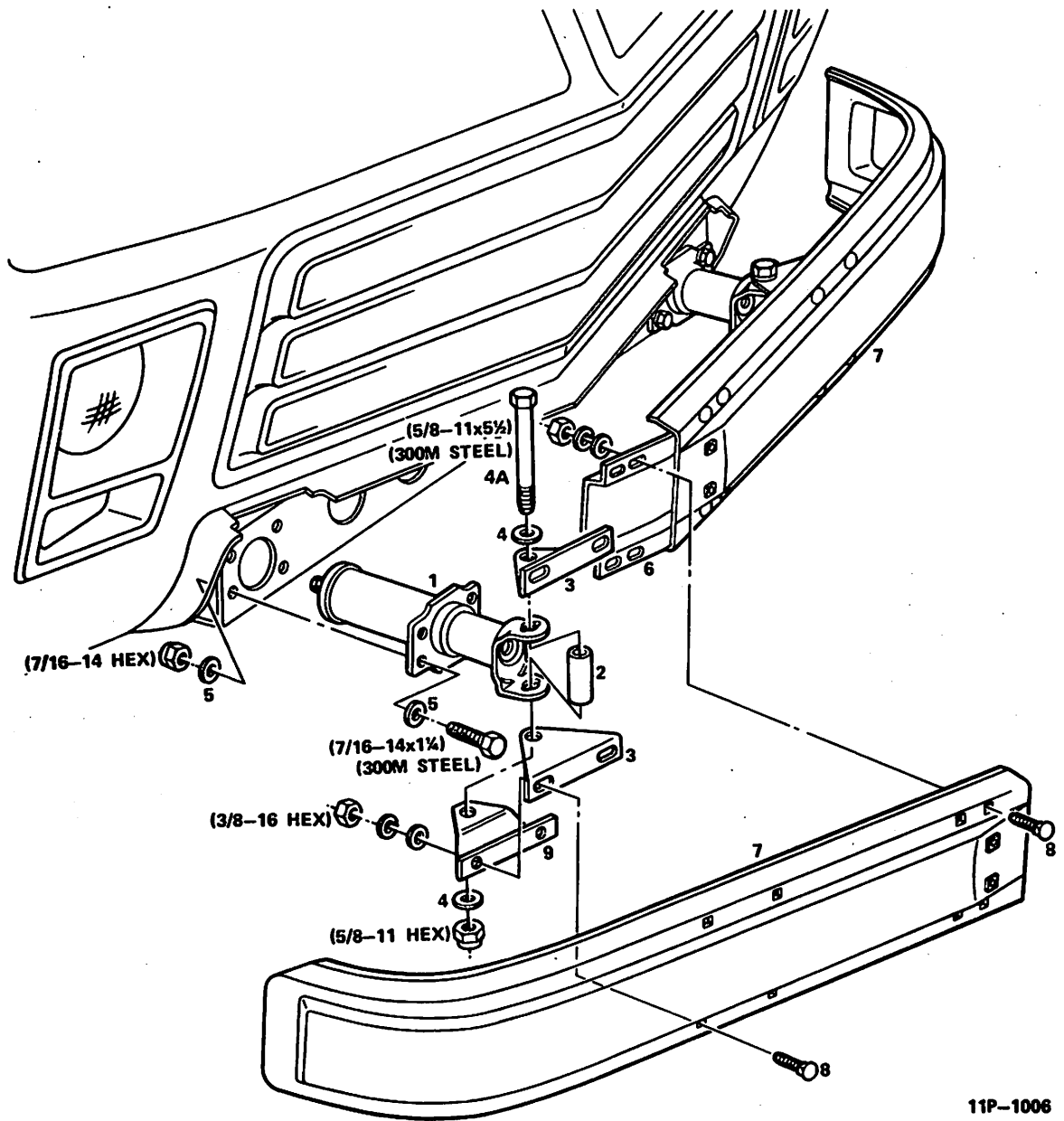


KEY 230 260 PART NUMBER

11.002 FRAME

1	1	1	711967	FRAME ASSY.—front welded
2	2	2	715304	BRACE—side rail to crossmember (prior to serial no. 5V100542)
2	2	2	795964	BRACE—side rail to crossmember (lower) (eff. w/serial no. 5V100542)
3	4	4	NPN	BRACKET—mtg. frame center(ref. 700139) (make locally)
4	1	—	691908	RAIL—side, frame rear section (RH)
4	—	1	691910	RAIL—side, frame rear section (RH)
5	1	—	691907	RAIL—side, frame rear section (LH)
5	—	1	691909	RAIL—side, frame rear section (LH)
6	1	2	708640	CROSSMEMBER—frame front (repl. 692482, 691906)
7	1	1	708639	CROSSMEMBER ASSY.—bogie reinforcement, rear frame (repl. 691905)
8	1	1	691944	BRACKET—parking brake rear cable (RH)
9	1	1	691943	BRACKET—parking brake rear cable (LH)
10	1	1	712315	EXTENSION ASSY.—rear frame (SOA) (repl. 691904)
11	16	32	2436165	WASHER—bolt, front crossmember to side rail
12	10	10	9425058	BOLT—frame to crossmembers (1/2-20 hex hd., 300M steel)
13	10	10	9422301	NUT—frame to crossmembers (1/2-13 hex hd., 301M steel)
—	—	1	713506	REINFORCEMENT—rear bogie crossmember
—	20	20	2436165	WASHER—bolt, rear frame to front frame
—	16	16	2436165	WASHER—bolt, rear extension of body mount bracket
—	AR	AR	2436165	WASHER—bolt, reinforcement to side rail
—	12	12	3914468	SPACER—bolt to frame
—	8	8	2436164	WASHER—bolt, side rail to crossmember
—	8	8	3980717	WASHER—bolt, side rail to crossmember
—	1	—	711516	BRACKET ASSY.—dinettes seat belt anchor
—	1	—	711517	BRACKET ASSY.—dinettes seat belt anchor (w/two holes)
—	—	1	709075	BRACKET ASSY.—dinettes seat belt anchor (w/one hole)
—	AR	AR	9425082	BOLT—bogie crossmember reinforcement to frame side rail
—	4	4	9420462	BOLT—reinforcement to crossmember (3/8-16 x 1 1/4) (300M) (prior to 1975)
—	4	4	9421235	BOLT—reinforcement to crossmember (3/8-16 x 1 1/2) (300M) (eff. w/1975)
—	8	8	2436163	WASHER—bolt, reinforcement to crossmember (used w/9420462)
—	8	8	2479541	WASHER—bolt, reinforcement to crossmember (used w/9421235)

FRAME



11P-1006

KEY	230	260	PART NUMBER
-----	-----	-----	-------------

11.006 BUMPER — FRONT

1	2	2	22007642	ABSORBER ASSY.—energy, front bumper (SOA) (incl. installation sheet) (repl. 4974154 & 497506)
2	2	2	2477950	SPACER—front bumper bar (1973)
2	2	2	3865601	SPACER—front bumper bar (eff. w/ 1974)
3	4	4	700566	BRACKET—front bumper
4	4	4	2436167	WASHER—bolt, front bumper bracket
4A	2	2	9424077	BOLT—front bumper bracket (5/8-11 x 5 1/2 300M)
5	16	16	2436184	WASHER—bolt, front bumper face bar
6	1	1	700745	BAR—tie, front bumper
7	2	2	702564	BAR—face, front bumper (chrome)
7	2	2	693974	BAR—face, front bumper (painted)
8	16	16	142414	BOLT—bumper (chrome)
9	2	2	790546	BRACKET—bumper mounting bracket reinforcement
—	2	2	2023726	REINFORCEMENT—front bumper (1978)
—	2	2	2023729	BRACKET—inner front bumper mounting (1978)

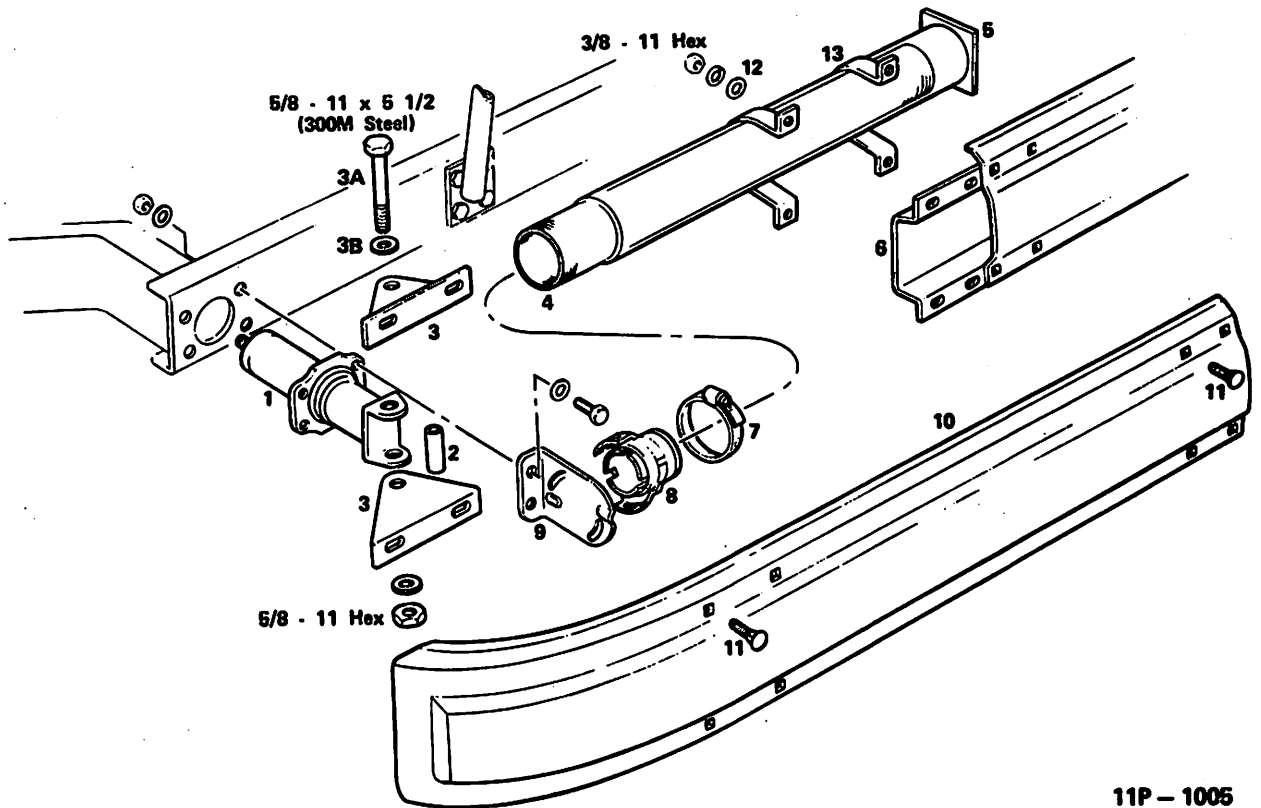
FRAME

KEY	230	260	PART NUMBER
-----	-----	-----	-------------

11.006 BUMPER — FRONT (Cont.)

-	2	2	2023730	BRACKET—outer front bumper mounting (1978)
-	24	24	3954735	WASHER—front bumper mounting bolt (1978)
-	2	2	3907444	NUT—screw. license plate mounting

FRAME



11P - 1005

KEY	230	260	PART NUMBER
-----	-----	-----	-------------

11.008 BUMPER - REAR

1	2	2	22007642	ABSORBER ASSY.—energy. rear bumper (SOA) (incl. installation sheet) (repl. 4974154 & 4975706)
2	2	2	2477950	SPACER—rear bumper tie bar (1973)
2	2	2	3865601	SPACER—rear bumper tie bar (eff. w/1974)
3	4	4	700566	BRACKET—rear bumper
3A	2	2	NPN	BOLT—bolt rear bumper bracket (5/8-11 x 5 1/2 300M) (procure locally)
3B	4	4	2436167	WASHER—bolt rear bumper bracket
4	1	1	699861	HOSE—sewer, flexible (see grp. 19.001)
5	1	1	699714	TUBE ASSY.—storage, hose (see grp. 19.001)
6	1	1	700588	BAR—tie, rear bumper
7	1	1	2465815	CLAMP ASSY.—sewer hose (see grp. 19.001)
8	1	1	697654	FITTING—sewer hose (see grp. 19.001)
9	1	1	701572	BRACKET—mounting, storage tube (prior to 1975)
10	2	2	702565	BAR—face, rear bumper (chrome)
10	2	2	693975	BAR—face, rear bumper (painted)
11	16	16	142414	BOLT—bumper (chrome)
12	16	16	2436164	WASHER—bolt, rear bumper face bar
—	1	1	3924813	BUMPER—rubber, rear license plate
—	2	2	3907444	NUT—nylon, rear license plate mounting
13	2	2	701573	STRAP—tube
—	2	2	2023727	BRACKET—outer rear bumper mounting (1978)
—	2	2	2023728	BRACKET—inner rear bumper mounting (1978)
—	2	2	3954735	WASHER—rear bumper bracket mounting bolt (1978)

FRAME

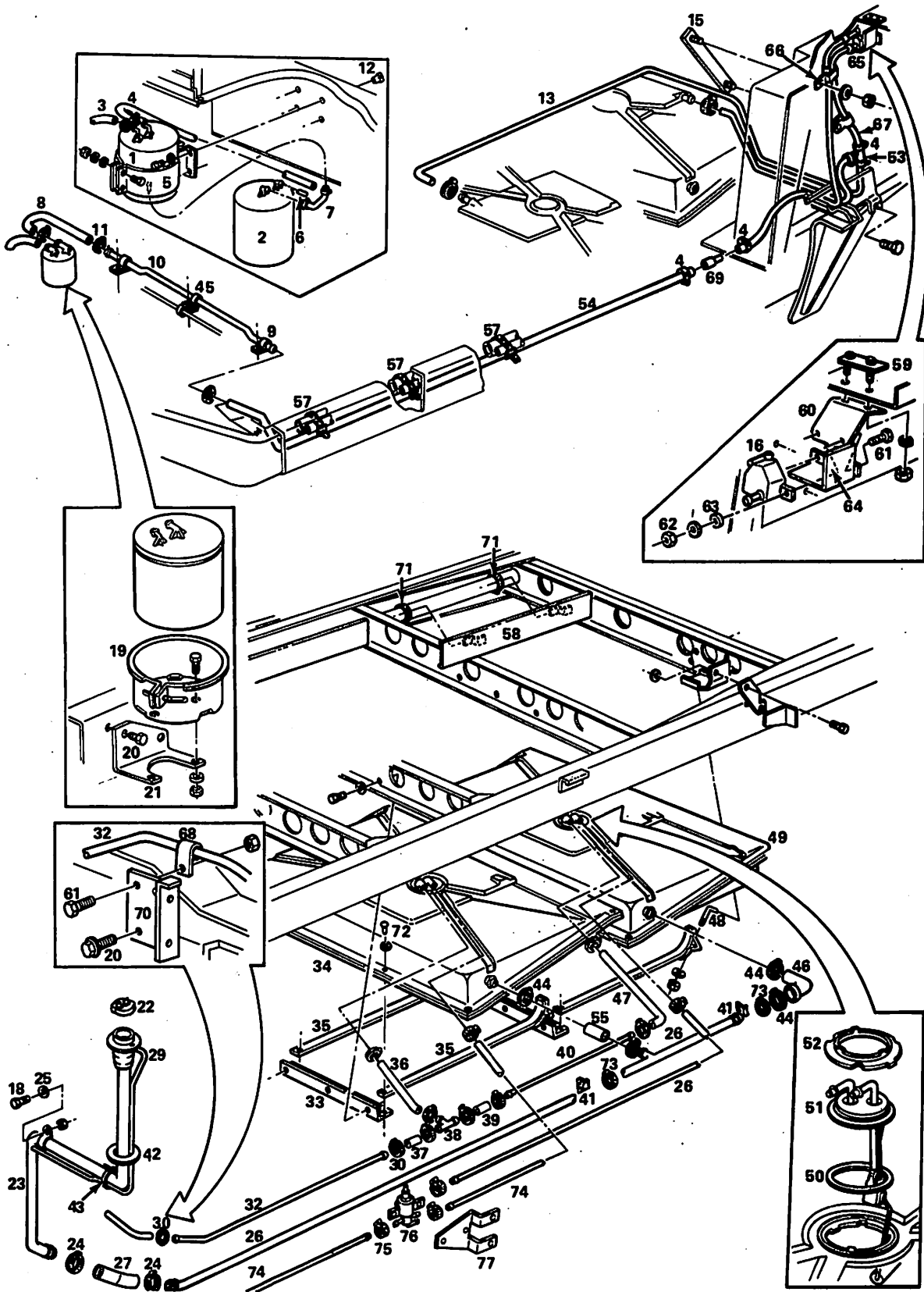
NOTES

FUEL

LIST OF SUB GROUPS

Name	Group No.
AIR CLEANER	12.020
CARBURETOR	12.040
EXHAUST	12.030
FUEL TANK, LINE AND FUEL EMISSION SYSTEM	12.001
PUMP — FUEL	12.007
VALVE — SELECTOR, AND LINES	12.010

FUEL



12P-8060-177

12.001 FUEL TANK, LINES & FUEL EMISSION SYSTEM

FUEL

KEY 230 260 PART NUMBER

12.001 FUEL TANK, LINE AND FUEL EMISSION SYSTEM

1	1	1	7040590	CANISTER—vapor (w/RPO NA9) (prior to 1978)
1	1	1	17060868	CANISTER—vapor (w/RPO NA9) (1978)
2	1	1	17056582	CANISTER—vapor (1978)
2	1	1	7028131	CANISTER—vapor (prior to 1978)
3	1	1	9432787	HOSE—vapor canister to carburetor (25 ft., CTL)
4	AR	AR	2468869	CLAMP—hose filler tube
5	1	1	NPN	BRACKET ASSY.—canister (w/RPO NA9) (ref. 705001) (make locally)
6	1	1	696498	CAP—canister (w/RPO NA9)
7	AR	AR	9432875	HOSE—upper canister to lower canister (CTL) (w/RPO NA9)
8	1	1	9432875	HOSE—upper canister to tank (w/RPO NA9)
9	2	2	2436115	CLIP—tube to crossmember (w/RPO NA9)
9	1	1	667636	CLIP—tube mounting
10	1	1	699789	TUBE—canister to fuel tank (w/RPO NA9)
11	1	1	9418992	BOLT—bracket to bracket
12	4	4	693207	TEE NUT—bolt (w/RPO NA9)
13	AR	AR	9432875	HOSE—auxiliary tank to stand pipe (CTL)
14	AR	AR	9432875	HOSE—rear tank to stand pipe (CTL)
15	1	1	NPN	PLATE ASSY.—height control valve mounting (ref. 705849) (make locally)
16	1	1	7028035	SEPARATOR—liquid fuel
17	2	2	9432754	HOSE—separator canister (28 inches length)
18	1	1	—	SCREW—hexagon washer head tapping (procure locally) (1/4 x 14-1) (repl. 9422176)
19	1	1	408174	BRACKET ASSY.—canister
20	1	1	9422232	SCREW—bracket to frame (procure locally)
21	1	1	699095	BRACKET—mounting canister
22	1	1	413755	CAP ASSY.—fuel filler (w/RPO NA9)
22	1	1	6263474	CAP ASSY.—fuel filler (prior to 1975)
22	1	1	790899	CAP ASSY.—fuel filler (eff. w/1975)
23	1	1	698637	NECK ASSY.—filler to tank (First Design)
23	1	1	717958	NECK ASSY.—fuel filler (Second Design)
23	1	1	698294	GASKET—fuel filler neck mtg. (1973)
23	1	1	720017	GASKET—fuel tank (eff. w/1974)
23	3	3	716846	RIVET—neck mounting, fuel filler
24	2	2	2337379	CLAMP ASSY.—neck to tube
25	1	1	3767139	WASHER—screw
26	1	1	723309	TEE KIT—intermediate filler tube to front tank (repl. 695634), (including parts marked with asterisk), (prior to 1975)
26	1	1	698454	TUBE—filler, front, upper (First Design)
26	1	—	717956	TUBE ASSY.—filler, fuel (Second Design)
26	—	1	717957	TUBE ASSY.—filler, fuel (Second Design)
27	1	1	695633	HOSE—connecting tube to tube (elbow) (prior to 1975)
27	1	1	717952	ELBOW—hose, connecting tube to tube elbow (eff. w/1975)
27	1	1	695793	TUBE—filler, front fuel lower (prior to 1975)
28	1	1	667636	CLIP—mtg., upper filler tube
29	AR	AR	9433154	HOSE—fuel filler, front (CTL) (prior to Serial No. 5V100529)
30	2	2	2464901	CLAMP—filler neck to hose
—	1	—	695662	TUBE—filler intermediate fuel (horizontal) (prior to 1975)
—	—	1	695661	TUBE—filler intermediate fuel (horizontal) (prior to 1975)
31	1	1	3956971	SPACER—clip to riser, fuel filler tube
32	1	—	705055	TUBE—fuel limiter, front (First Design)
32	—	1	705054	TUBE—fuel limiter, front (First Design)
32	1	—	796689	TUBE—fuel limiter, front (Second Design) (repl. 717977)
32	—	1	796688	TUBE—fuel limiter, front (Second Design) (repl. 717975)
33	2	2	701383	BRACKET ASSY.—fuel tank mounting
34	1	1	695642	TANK ASSY.—fuel, front
35	4	4	695648	STRAP ASSY.—mounting fuel tank
36	AR	AR	9432963	HOSE—fuel limiter, front tank (CTL) (First Design)
36	AR	AR	9433154	HOSE—fuel limiter, front (Second Design)
37	AR	AR	9433154	HOSE—tube to filler (CTL)
38	1	1	696075	TEE—fuel limiter (prior to Serial No. 5V100529)
39	1	1	9433154	HOSE—fuel limiter, front tank (25 ft. length)
40	1	1	705068	TUBE—fuel limiter (rear) (prior to Serial No. 5V100529)
41	3	4	697403	BRACKET—support, lower filler tube (First Design)
41	3	4	717953	BRACKET—support, lower filler tube (Second Design)
—	AR	AR	2488394	CLAMP—line, filler tube (prior to 1975)
42	1	1	719206	SEAL—filler neck to riser
43	11	11	676543	STRAP—tube and hose to filler pipe
—	1	1	711542	HOSE—connecting filler neck to tube (repl. 695637) (prior to 1975)
44	AR	AR	2337379	CLAMP—line to filler tube, rear

FUEL

KEY 230 260 PART NUMBER

12.001 FUEL TANK, LINE AND FUEL EMISSION SYSTEM (Cont.)

-	1	1	695663	TUBE—filler, rear fuel (horizontal) (prior to 1975)
45	1	1	-	CLIP—tube (procure locally)
46	1	1	695636	HOSE—connecting filler tube (elbow) (prior to serial no. 3V101757)
46	1	1	717979	HOSE—connecting filler tube (elbow) (eff. w/serial no. 3V101757)
47	AR	AR	9432963	HOSE—fuel limiter, rear tank (CTL)
48	4	4	701515	J-BOLT—fuel tank strap to crossmember
49	1	1	698779	TANK ASSY.—fuel, rear (main)
50	1	1	3893116	GASKET—fuel metering unit
51	2	2	6429128	SENDER ASSY.—fuel tank
52	1	1	413899	CAM—fuel metering unit (repl. 394938)
53	1	1	327220	TEE—fuel tanks vent
54	AR	AR	9432875	HOSE—vapor canister to fuel tank (25 ft.) (CTL)
55	AR	AR	9432963	HOSE—fuel filler (CTL) (First Design)
55	1	1	717954	HOSE—fuel filler (First Design)
56	AR	AR	9432963	HOSE—fuel vent line (CTL)
57	3	3	657558	STRAP—hose
58	1	1	715048	SHIELD—stand pipe to frame (prior to 1975 & eff. w/Serial No. 6V100878)
58	1	1	792002	SHIELD ASSY.—vent hoses (eff. w/1975 & prior to Serial No. 6V100878)
58	1	1	792003	PLATE—air tube shield (used w/792002)
58	1	1	657558	STRAP—pipe to shield (repl. 2435539)
59	1	1	694606	PLATE ASSY.—bracket mounting
60	1	1	718122	BRACKET—separator mounting
61	2	2	-	BOLT—shield to bracket (procure locally) (12-24 x 3/4) (repl. 9413575)
62	2	2	121743	NUT—bolt
63	2	2	9419892	WASHER—bolt
64	1	1	NPN	SHIELD—separator stone (ref. 717417) (make locally)
65	1	1	2390135	CLIP—pipe
66	AR	AR	2224546	LOOM—clip (25 ft.) (CTL)
67	2	2	9436421	HOSE—tee separator (repl. 9432818)
68	1	1	674904	CLIP
69	1	1	1099429	UNION—hose
70	1	1	717955	BRACKET—supt., front fuel tube hose crossmember (prior to Serial No. 6V100878)
71	4	4	2465815	CLAMP ASSY.—shield mounting
72	4	4	452193	RIVET—bracket, and strap to tank
73	3	4	2471945	CLAMP ASSY.—lower tube bracket
74	AR	AR	9432963	LINE—fuel (3/8 I.D., rubber, 25ft. roll. ctl)
75	AR	AR	2468869	CLAMP—hose (repl. 2494772)
76	1	1	699894	VALVE ASSY.—selector, fuel tank
77	1	1	NPN	BRACKET—valve, fuel tank selector (ref. 700752) (make locally)
-	1	1	9432963	HOSE—crankcase vent valve to tee (1978)
-	1	1	9436580	HOSE—tee to carburetor (1978)
-	2	2	3829058	CLAMP—PCV valve (1978)
-	1	1	-	HOSE—fuel tank vent to primary canister (procure locally) (ref. 9432788) (1978)
-	1	1	9432822	HOSE—fuel tank vent to auxiliary canister (1978)
-	1	1	327220	TEE—fuel tank vent (1978)
-	1	1	9432963	HOSE—bowl vent to primary canister (1978)
-	1	1	415899	HOSE—primary and auxiliary canister signal (1978)
-	2	2	6272766	TEE—purge valve signal hose (1978)
-	1	1	524681	HOSE—purge valve signal (1978) (repl. 324681)
-	1	1	9432787	HOSE—primary canister to pcv host tee (1978)
-	1	1	415899	HOSE—bowl vent valve signal (1978)
-	2	2	3829058	CLAMP—bowl vent to primary canister hose (1978)
-	2	2	9414420	CLAMP—primary canister to pcv hose (1978) (repl. 3786275)
-	4	4	2494772	CLAMP—fuel tank evap. emis. vent hose (1978)
-	1	1	406511	TEE—crankcase vent hose (1978)
-	1	1	9436263	HOSE—carburetor vac tee to thermal vac switch (1978) (repl. 416442)
-	1	1	9436263	HOSE—carburetor LH front port to tee (1978) (repl. 417232)
-	1	1	713299	SHIELD—heat (w/RPO NA9)
-	2	3	657558	STRAP—limiter to fuel hose to bracket
-	1	1	722148	TEE ASSY.—fuel filler
-	1	1	723308	HOSE—tee to rear tank
-	1	1	NS	UNION—tube to hose (prior to 1975) (repl. 705069)
-	1	1	6429669	SENDER PACKAGE—fuel level (incl. 1-6429128 Sender & 1-394934 gasket)

FUEL

KEY 230 260 PART NUMBER

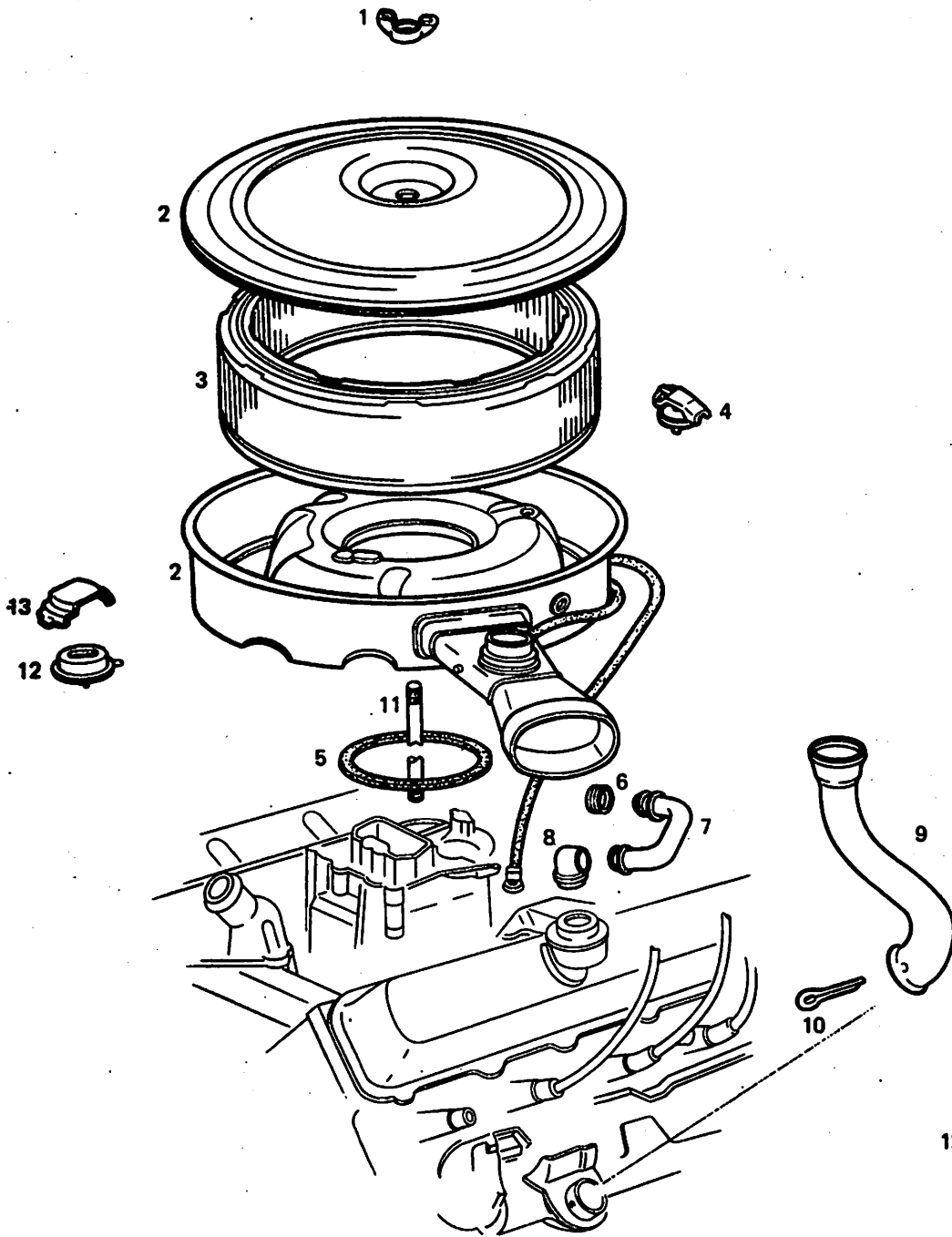
12.007 PUMP — FUEL

—	1	1	6470329	PUMP ASSY.—fuel package (incl. gasket)
—	1	1	382897	GASKET—fuel pump
—	1	1	402720	STUD—fuel pump to cylinder block
—	1	1	1195016	BOLT—fuel pump to cylinder block
—	1	1	724950	TUBE ASSY.—fuel pump to carb. (pipe)(repl. 717779)(w/413610. 416542, 417794, 418694 engine)
—	1	1	555198	TUBE ASSY.—fuel pump to carb. (eff. w/interm 1977)(w/556626. 556627 engine)

12.010 VALVE — SELECTOR, AND LINES

—	1	1	681441	CLIP—hose, valve to front fuel tube
—	1	1	2485150	CLIP—fuel line to bracket
—	1	1	699780	LINE—front fuel (3/8 inch O.D., steel w/hardened ends)
—	1	1	717980	TUBE—front fuel
—	2	2	686991	CLIP—fuel line to crossmember
—	1	1	699894	VALVE ASSY.—selector, fuel tank

FUEL



12P-3054

12.020 AIR CLEANER

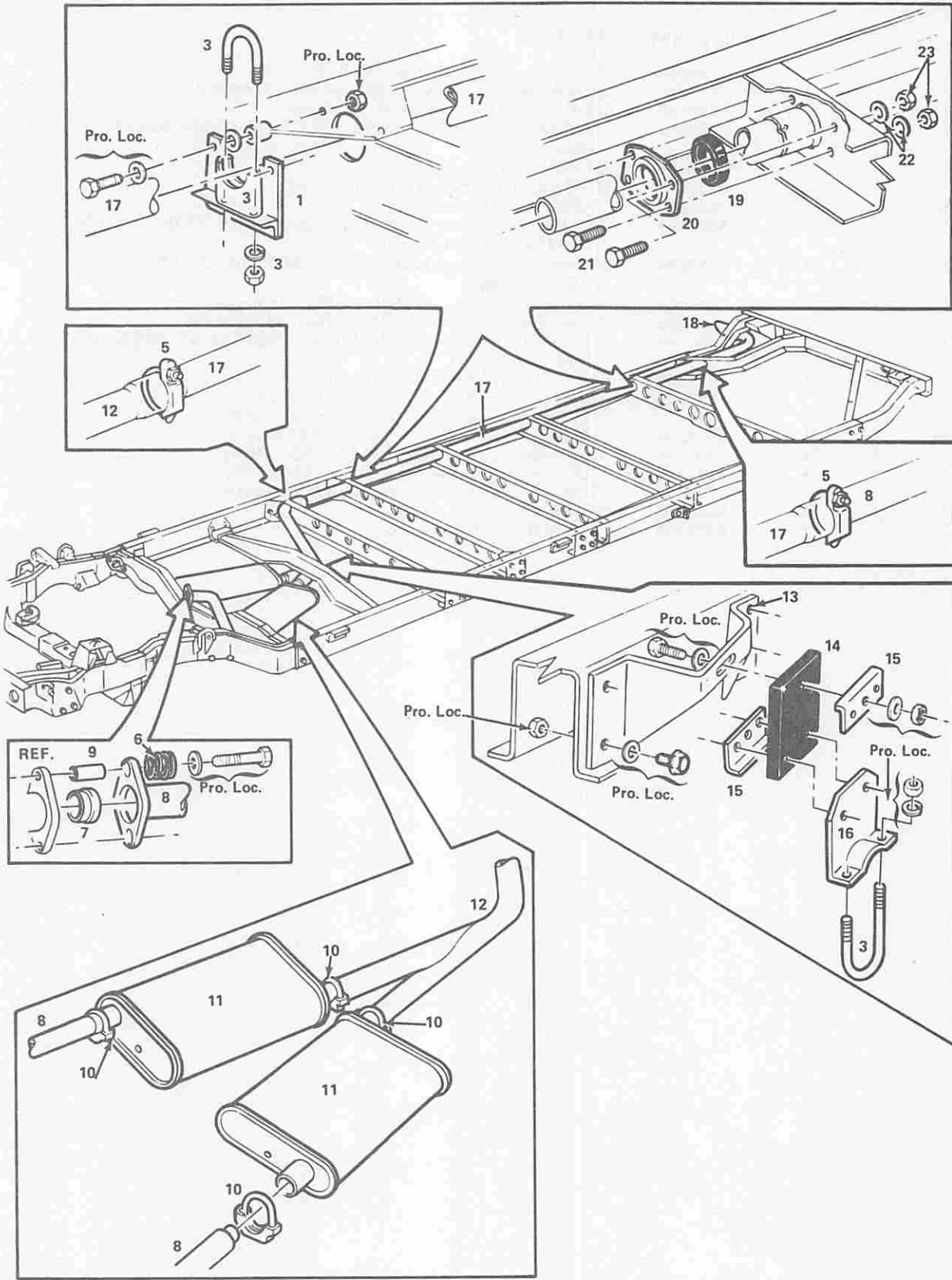
FUEL

KEY	230	260	PART NUMBER
-----	-----	-----	-------------

12.020 AIR CLEANER

1	1	1	1385852	NUT—wing. air cleaner (repl. 148312)
2	1	1	6487400	CLEANER ASSY.—air (w/413610, 416542 engines)
2	1	1	8994145	CLEANER ASSY.—air (w/417794 engine)
2	1	1	8995915	CLEANER ASSY.—air (eff. w/interm 1977)(w/556626, 556627 engine)
3	1	1	6421746	ELEMENT—air cleaner
4	1	1	6484244	KIT—sensor (incl. thermal valve & fastener)
5	1	1	3989843	GASKET—carb. to air cleaner
6	1	1	3989344	GROMMET—vent to air cleaner (repl. 3923256)(w/413610, 416542, 417794, 418694 engine)
6	1	1	416519	GROMMET—vent to air cleaner (w/556626, 556627, 561032, 561033 engine)
7	1	1	408956	PIPE—valve cover (w/413610, 416542 engines)
7	1	1	408956	PIPE—valve cover (w/417794 engine) (repl. 413449)
7	1	1	555704	PIPE—valve cover (w/556626, 556627, 561032, 561033 engine)
8	1	1	391095	ELBOW—valve cover
9	1	1	411736	PIPE—hot air (w/6487400 cleaner)
9	1	1	550394	PIPE—hot air (w/8994145, 8995915 cleaner)
10	1	1	NS	PIN—hot air pipe to shroud (w/6487400 cleaner)
10	1	1	3817244	CLAMP—pipe (w/8994145, 8995915 cleaner)
11	1	1	400056	STUD—carb. to air cleaner (w/6487400 cleaner)
11	1	1	1382106	STUD—carb. to air cleaner (w/8994145 cleaner)
11	1	1	555699	STUD—carb. to air cleaner (w/8995915 cleaner)
12	1	1	6487368	MOTOR—diaphragm. air cleaner
13	1	1	6484425	RETAINER—diaphragm motor

FUEL



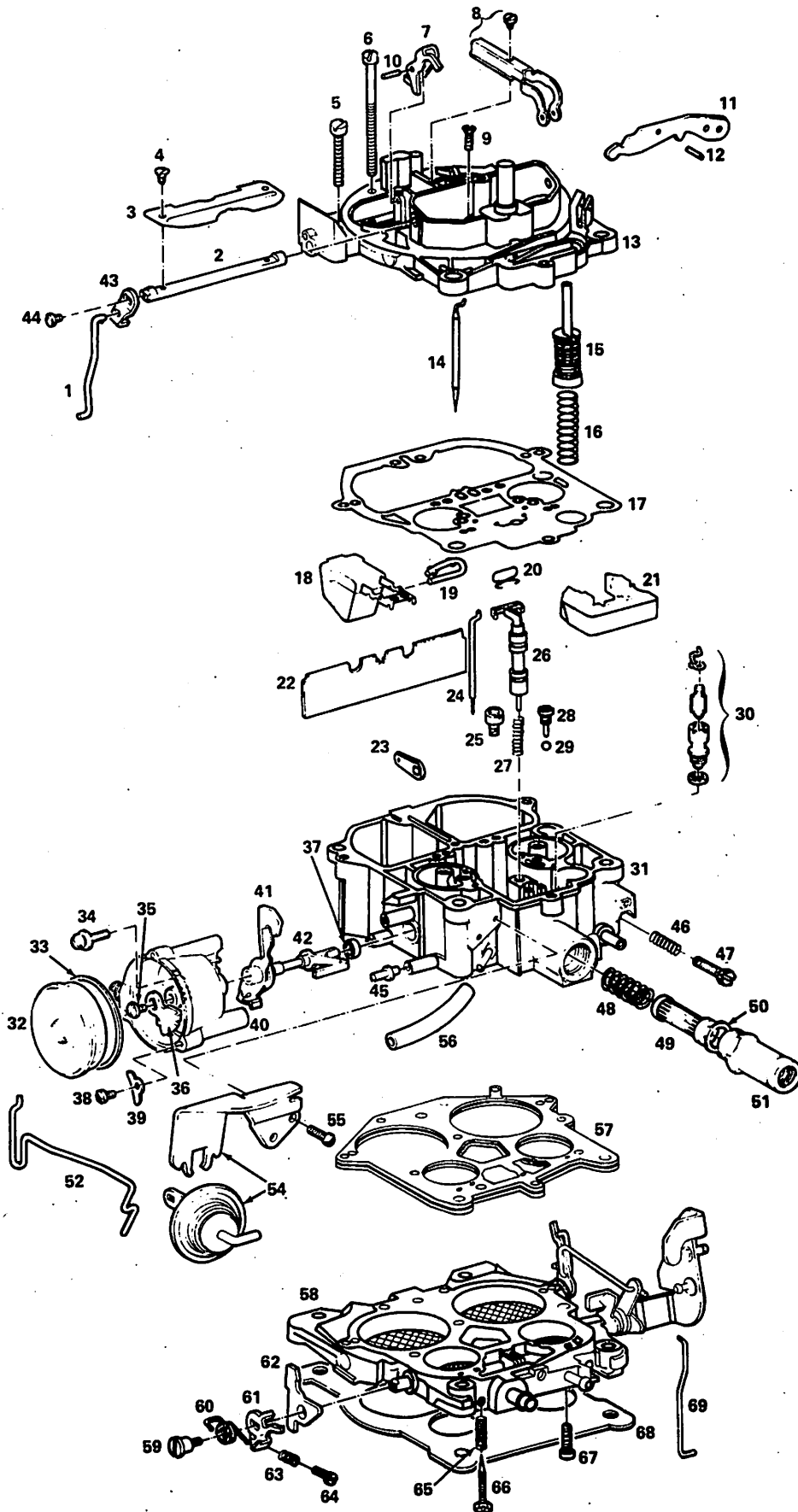
12P-4086

12.030 EXHAUST

FUEL

KEY	230	280	PART NUMBER	
12.030 EXHAUST				
1	2	2	701093	HANGER—tail pipe (prior to Serial No. 3V100800)
2	4	4	—	SPACER—(prior to Serial No. 3V100800) (ref. 2387530) (make locally)
3	5	5	3633128	KIT—u-bolt (consists of 1 -u-bolt, 1 -saddle, 2 -washers, 2 -nuts) (prior to Serial No. 3V100800)
4	8	8	3779986	WASHER—bolt
5	2	2	666138	CLAMP—pipe
6	4	4	587575	SPRING—manifold to exhaust pipe
7	2	2	387897	SEAL—manifold
8	1	1	693150	PIPE—exhaust, frt. RH (w/413610, 416542, 417794, 418694 engine)
8	1	1	693149	PIPE—exhaust, frt. LH (w/413610, 416542, 417794, 418694 engine)
8	1	1	2015468	PIPE—exhaust, frt. RH (eff. w/interm 1977)(w/556626, 556627, 561032, 561033 engine)
8	1	1	2015467	PIPE—exhaust, frt. LH (eff. w/interm 1977)(w/556626, 556627, 561032, 561033 engine)
9	4	4	587574	SPACER—manifold
10	4	4	684169	CLAMP—pipe
11	2	2	411456	MUFFLER—RH & LH
12	1	1	693153	PIPE—tail, front
13	1	1	692363	BRACKET—mounting
14	1	1	693145	INSULATOR—tail pipe
15	2	2	NPN	PLATE—reinforcement (ref. 693143) (make locally)
16	1	1	693144	SADDLE—u-bolt
17	1	—	712309	PIPE—tail, intermediate (repl. 693147)
17	—	1	712310	PIPE—tail, intermediate (repl. 693148)
18	1	1	693146	PIPE—tail, rear
—	1	1	687802	LABEL—certification, exhaust
19	2	2	712307	GROMMET—tail pipe mtg. (eff. w/Serial No. 3V100800)
20	2	2	712306	BRACKET—tail pipe grommet mtg. (eff. w/Serial No. 3V100800)
21	8	7	9418967	BOLT—bracket (3/8-16 x 3/4)
22	8	7	120394	WASHER—(3/8 I.D. x 13/16 O.D. x .080 thick)
23	8	7	9422277	NUT—(3/8-16)

FUEL



12.040 CARBURETOR

FUEL

KEY	230	260	PART NUMBER	
	12.040 CARBURETOR			
-	1	1	7047354	CARBURETOR PKG.—stdp. 7043254 (incl. flange and air cleaner gaskets) (w/413610, 416542 engine)
-	1	1	7047554	CARBURETOR ASSY.—engine (w/417794 engine) (incl. flange and air cleaner gaskets)
-	1	1	7047555	CARBURETOR ASSY.—engine (w/RPO NB4) (repl. 7045554) (incl. flange and air cleaner gaskets) (prior to interm 1977)(w/418694 engine)
-	1	1	17055154	CARBURETOR PKG.—engine (eff. w/interm 1977)(w/556626 engine)
-	1	1	17055155	CARBURETOR PKG.—engine (w/RPO NB4)(eff. w/interm 1977)(w/556627 engine)
-	1	1	17058254	CARBURETOR ASSY.—engine (1978) (w/561032 engine)
-	1	1	17058559	CARBURETOR ASSY.—engine (1978) (w/561033 engine)
-	1	1	7046812	KIT—overhaul, carburetor (w/7047354 carb.)
-	1	1	17051886	KIT—overhaul, carburetor (w/7047554 carb.)
-	1	1	17055499	KIT—overhaul, carburetor (w/17055154, 17055155 carb.)
-	1	1	17055634	KIT—overhaul, carburetor (w/17058254, 17058559 carb.)
-	1	1	7039269	KIT—power carburetor (w/7047554 carb.)
-	1	1	7039258	KIT—power, carburetor (w/7047354 carb.)
-	1	1	7035344	KIT—air valve spring and cam
-	1	1	17055181	GASKET SET—carburetor (w/17055154, 17055155 carb.)
-	1	1	17055624	GASKET SET—carburetor (w/17058258, 17058559 carb.)
-	1	1	7034522	KIT—secondary metering holder (w/17055154, 17055155, 17058258, & 17058559 carb.)
-	1	1	7035344	KIT—air valve spring cam (w/17055154, 17055155, 17058254, & 17058559 carb.)
-	1	1	17055095	KIT—choke housing (w/17055154 carb.)
-	1	1	17051955	KIT—choke housing (w/17055155 carb.)
-	1	1	17055623	KIT—choke housing (w/17058254 carb.)
-	1	1	17055613	KIT—choke housing (w/17058559 carb.)
1	1	1	7038269	ROD—choke (w/7047354, 7047554 carb.)
1	1	1	7041472	ROD—choke (w/17055154, 17055155, 17058254, & 17058559 carb.)
2	1	1	7038259	SHAFT—choke
3	1	1	7045665	VALVE—choke (w/7047354, 7047554 carb.)
3	1	1	7048904	VALVE—choke (w/17055154, 17055155, 17058254, & 17058559 carb.)
4	2	2	7029866	SCREW—choke valve
5	5	5	7014699	SCREW—air horn
6	2	2	7029912	SCREW—air horn
7	1	1	7037968	LEVER—lockout, air valve (w/7047354, 7047554)
7	1	1	7041473	LEVER—lockout, air valve (w/17055154, 17055155, 17058254 & 17058559 carb.)
8	1	1	7034522	KIT—holder, secondary metering rod (w/7047354, 7047554 carb.)
9	2	2	7031105	SCREW—air horn (7047354, 7047554 carb.)
10	1	1	-	PIN—roll, lockout lever (procure locally) (w/7047354, 7047554, 17058254 & 17058559 carb.) (ref. 9428787)
11	1	1	7048028	LEVER—pump, actuating (w/7047354 carb.)
11	1	1	7048169	LEVER—pump, actuating (w/7047554, 17055154, 17055155, 17058254, & 17058559 carb.)
12	1	1	-	PIN—roll, pump lever hinge (procure locally) (ref. 9428787)
13	1	1	7047976	HORN ASSY.—air (SOA) (w/7047354, 7047554 carb.)
13	1	1	17055497	HORN ASSY.—air (SOA) (w/17055154 carb.)
13	1	1	17055216	HORN ASSY.—air (SOA) (w/17055155 carb.)
13	1	1	17055632	HORN ASSY.—air (SOA) (w/17058254, 17058559 carb.)
14	2	2	7045780	ROD—secondary metering (w/7047354, 7047554, & 17055154 carb.)
14	2	2	7045984	ROD—secondary metering (w/17055155, 17058254, & 17058559 carb.)
15	1	1	7035031	PUMP ASSY.—(SOA) (w/7047354, 7047554 carb.)
15	1	1	7048867	PUMP ASSY.—(SOA) (w/17055154, 17055155, carb.)
15	1	1	17053072	PUMP ASSY.—(SOA) (w/17058254, 17058559 carb.)
16	1	1	7004597	SPRING—pump return (w/7047354 carb.)
16	1	1	7041169	SPRING—pump return (w/7047554 carb.)
16	1	1	7042979	SPRING—pump return (w/17055154, 17055155, 17058254, & 17058559 carb.)
17	1	1	7028087	GASKET—air horn (w/7047354, 7047554 carb.)
17	1	1	17051797	GASKET—air horn (w/17055154, 17055155 carb.)
17	1	1	17056357	GASKET—air horn (w/17058254, 17058559 carb.)

FUEL

KEY 230 260 PART NUMBER

12.040 CARBURETOR (Cont.)

18	1	1	7033752	FLOAT ASSY.—(SOA) (w/7047354, 7047554 carb.)
18	1	1	7046300	FLOAT ASSY.—(SOA) (w/17055154, 17055155, 17058254, & 17058559 carb.)
19	1	1	7029856	PIN—float hinge (w/7047354, 7047554 carb.)
19	1	1	7041469	PIN—float hinge (w/17055154, 17055155, 17058254 & 17058559 carb.)
20	2	2	7029862	SPRING—primary metering rod (w/7047354, 7047554 carb.)
20	2	2	7041459	SPRING—primary metering rod (w/17055154, 17055155, 17058254, & 17058559 carb.)
21	1	1	7034361	INSERT—float bowl (w/7047354, 7047554 carb.)
21	1	1	7041471	INSERT—float bowl (w/17055154, 16055155, 17058254, & 17058559 carb.)
22	1	1	7031365	BAFFLE—float bowl
23	1	1	7031231	LEVER—intermediate choke
24	2	2	7046338	ROD—primary metering (w/7047354, 7047554 carb.)
24	2	2	17056953	ROD—primary metering (17055154 carb.)
24	2	2	7043541	ROD—primary metering (w/17055155, 17058254, 17058559 carb.)
25	2	2	7031970	JET—primary (w/7047354, 7047554 carb.)
25	2	2	7031974	JET—primary (w/17055154 carb.)
25	2	2	7031967	JET—primary (w/17055155, 17058254, & 17058559 carb.)
26	1	1	7034903	PISTON ASSY.—power (SOA) (w/7047354, 7047554 carb.)
26	1	1	7044449	PISTON ASSY.—power (w/17055154, 17055155, 17058254, & 17058559 carb.)
27	1	1	7036019	SPRING—power piston (w/7047354, 7047554, 17055154 carb.)
27	1	1	7040498	SPRING—power piston (w/17055155, 17058254, 17058559 carb.)
28	1	1	7029849	RETAINER—pump discharge ball
29	1	1	7002117	BALL—pump discharge
30	1	1	7039258	NEEDLE ASSY.—(incl. seat) (SOA) (7047354, 7047554 carb.)
31	1	1	7046757	BOWL ASSY.—float (SOA) (w/7047354, 7047554 carb.)
31	1	1	17055217	BOWL ASSY.—float (SOA) (w/17055155 carb.)
31	1	1	17055498	BOWL ASSY.—float (SOA) (w/17055154 carb.)
31	1	1	17055633	BOWL ASSY.—float (SOA) (w/17058254, 17058559 carb.)
32	1	1	7036881	COIL ASSY.—stat cover (incl. gasket) (w/7047354, 7047554 carb.)
32	1	1	17054309	COIL ASSY.—stat cover (incl. gasket) (SOA) (w/17055154, 17055155, 17058254, 17058559 carb.)
33	1	1	7002760	GASKET—stat cover (w/7047354 carb.)
33	1	1	17050961	GASKET—stat cover (w/7047554, 17055154, 17055155, 17058254, & 17058559 carb.)
34	1	1	7038808	SCREW—choke housing to bowl
35	1	1	7019709	SCREW—coil lever
36	1	1	7038285	LEVER—stat coil (w/7047354, 7047554 carb.)
36	1	1	7043368	LEVER—stat coil (w/17055154, 17055155, 17058254, & 17058559 carb.)
37	2	2	7037569	SEAL—intermediate choke shaft
38	3	3	—	SCREW—stat cover (procure locally)
39	3	3	7000614	RETAINER—stat cover
40	1	1	7036880	KIT—choke housing (incl. housing, 2-shaft seal & choke seal)
41	1	1	7035199	CAM—fast idle (w/7047354, 7047554 carb.)
41	1	1	7041484	CAM—fast idle (w/17055154, 17055155, 17058254, & 17058559 carb.)
42	1	1	7038282	SHAFT ASSY.—choke (incl. lever) (SOA)
43	1	1	7038301	LEVER—choke (w/7047354, 7047554 carb.)
43	1	1	7041542	LEVER—choke (w/17055154, 17055155, 17058254, & 17058559 carb.)
44	1	1	7029866	SCREW—choke lever
45	1	1	7030662	SEAL—choke housing to bowl (w/7047334, 7047554 carb.)
45	1	1	7043367	SEAL—choke housing to bowl (w/17055154, 17055155, 17058254, & 17058559 carb.)
46	1	1	7003176	SPRING—idle stop screw
47	1	1	3960392	SCREW—idle stop (repl. 7002121)
48	1	1	7032732	SPRING—filter
49	1	1	5650906	ELEMENT ASSY.—fuel filter (SOA)
50	1	1	7024281	GASKET—filter nut
51	1	1	7045878	NUT—filter (w/7047354, 7047554 carb.)
51	1	1	7044951	NUT—fuel filter (w/17055154, 17055155 carb.)
51	1	1	17059861	NUT—fuel filter (w/17058154, 17058559 carb.)
52	1	1	7038305	ROD—vacuum break (w/7047354, 7047554 carb.)

FUEL

KEY	230	280	PART NUMBER	
12.040 CARBURETOR (Cont.)				
52	1	1	7041527	ROD—vacuum break (w/17055154, 17055155, 17058254 & 17058559 carb.)
54	1	1	7047499	CONTROL ASSY.—vacuum break (incl. bracket) (SOA) (w/7047354, 7047554 carb.)
54	1	1	7044435	CONTROL ASSY.—vacuum break (incl. 1 bracket) (SOA) (w/17055154, 17055155, 17058254, 17058559 carb.)
55	2	2	7038581	SCREW—control attaching (w/7047354, 7047554 carb.)
55	2	2	17050732	SCREW—control attaching (w/17055154, 17055155, 17058254, & 17058559 carb.)
56	1	1	2410096	HOSE—vacuum (CTL)
57	1	1	7046766	KIT—gasket (w/7047354 carb.)
57	1	1	17051885	KIT—gasket (w/7047554 carb.)
58	1	1	7046811	BODY ASSY.—throttle (w/7047354 carb.)
58	1	1	17052803	BODY ASSY.—throttle (incl. plug) (w/7047554 carb.)
58	1	1	17058885	BODY ASSY.—throttle (w/1705514 carb.)
58	1	1	17054744	BODY ASSY.—throttle (w/17055155 carb.)
58	1	1	17058648	BODY ASSY.—throttle (w/17058254 carb.)
58	1	1	17058984	BODY ASSY.—throttle (w/17058559 carb.)
59	1	1	7035523	SCREW—fast idle lever (w/7047354, 7047554 carb.)
59	1	1	7036079	SCREW—fast idle lever (17058254, 17058559 carb.)
60	1	1	7035772	SPRING—cam lever (w/7047354, 7047554 carb.)
60	1	1	17051494	SPRING—cam follower (w/17058254, 17058559 carb.)
61	1	1	7038298	LEVER—cam follower (w/7047354, 7047554 carb.)
61	1	1	7041497	LEVER—cam follower (w/17058254, 17058559 carb.)
62	1	1	7035998	LEVER—fast idle (w/7047354, 7047554 carb.)
62	1	1	7041498	LEVER—fast idle (w/17058254, 17058559 carb.)
63	1	1	7029900	SPRING—idle screw (w/7047354, 7047554, 17058254 & 17058559 carb.)
64	1	1	7044794	SCREW—fast idle adjusting (w/7047354, 7047554, 17058254, & 17058559 carb.)
65	2	2	7011479	SPRING—idle needle (w/7047354, 7047554, 17058254, & 17058559 carb.)
66	2	2	7042457	NEEDLE—idle (w/7047354 carb.)
66	2	2	7048532	NEEDLE—idle (w/7047554, 17058254, 17058559 carb.)
67	3	3	7035790	SCREW—throttle body attaching (w/7047354, 7047554, 17058254, & 17058559 carb.)
68	1	1	412501	GASKET—carburetor to manifold (w/7047354, 7047554 carb.)
68	1	1	419047	GASKET—flange (w/7047554, 17058254, 17058559 carb.)
69	1	1	7026138	ROD—pump (w/7047354, 7047554 carb.)
—	1	1	7042801	LIMITER—idle needle
—	1	1	7035134	SEAT ASSY.—needle (w/17055154, 17055155, 17058254, & 17058559 carb.)
—	1	1	17050754	LEVER ASSY.—choke shaft (w/17058254, 17058559 carb.)
—	1	1	7033751	CLIP—float needle pull (w/17055154, 17055155, 17058254 & 17058559 carb.)
—	1	1	7037318	PLUG—throttle body (w/17052803 body)
—	1	1	555214	CONNECTOR—Vacuum brake line to carburetor (eff w/interm 1977) (1/4-18 N.P.T.F.)(L-shaped)(w/556626, 556627 engine)
—	1	1	495279	VALVE—carburetor vent relay (eff. w/interm 1977)(w/556626, 556627 engine)
—	1	1	9433022	HOSE—carburetor vent relay valve to connector (eff w/interm 1977) (w/556626, 556627 engine) (5/32 I.D. X19")
—	1	1	9433275	HOSE—carburetor vent to relay valve (eff. w/interm 1977) (w/403 engine)
—	1	1	2017545	PUSHER ASSY.—throttle at carburetor (eff. w/interm 1977)(w/403 engine)
—	1	1	2016420	BRACKET—throttle at carburetor mounting (eff. w/interm 1977)(w/403 engine)
—	1	1	7042654	NUT—throttle at carburetor to bracket retainer (eff. w/interm 1977) (w/403 engine)
—	1	1	7042653	WASHER—throttle at carburetor to bracket retainer nut (eff. w/interm 1977) (w/556626, 556627 engine)
—	1	1	6272766	TEE—carburetor vacuum (eff. w/interm 1977)(w/403 engine)
—	1	1	419801	HOSE—carburetor to vacuum tee (eff. w/interm 1977)(w/403 engine)
—	1	1	415899	HOSE—solenoid to carburetor vacuum tee (eff. w/interm 1977)(w/556626, 556627 engine)

FUEL

KEY	230	260	PART NUMBER
-----	-----	-----	-------------

12.040 CARBURETOR (Cont.)

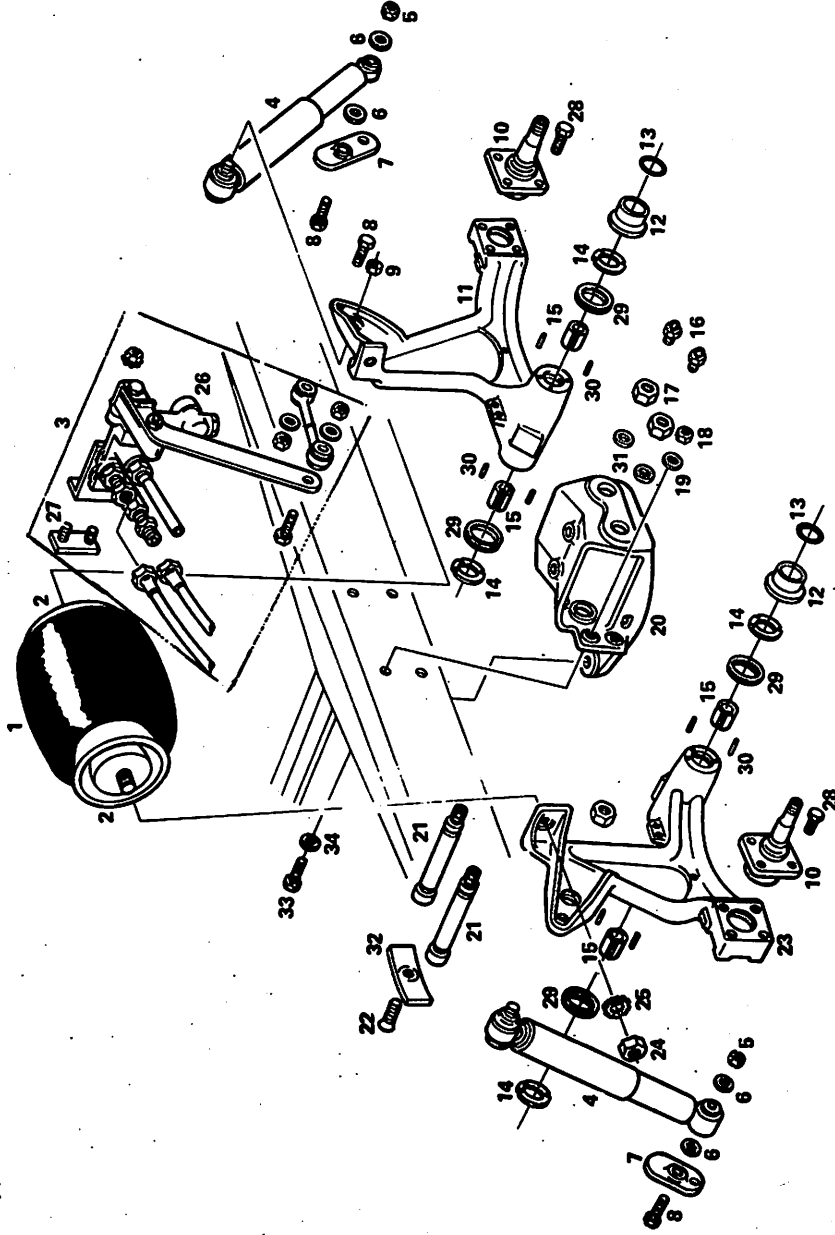
-	1	1	1997460	VALVE ASSY.—throttle retainer control solenoid (eff. w/interm 1977) (w/556626, 556627 engine)
-	1	1	801528	FILTER—solenoid (w/1997460 assy.)(eff. w/interm 1977)(w/556626, 556627 engine)
-	1	1	550822	VALVE ASSY.—throttle at carburetor pusher control (eff. w/interm 1977) (w/556626, 556627 engine)
-	1	1	415899	HOSE—throttle at carburetor pusher control valve to solenoid valve (eff. w/interm 1977)(w/403 engine;
-	1	1	419700	HOSE—throttle at carburetor to pusher control valve (eff. w/interm 1977)

AIR SUSPENSION

LIST OF SUB GROUPS

Name	Group No.
COMPRESSOR — AIR (DANA)	14.010
COMPRESSOR — AIR (DELCO) (ELECTRIC)	14.012
COMPRESSOR — AIR (W.R. BROWN)	14.008
LEVEL — ELECTRO SWITCHES AND PANEL	14.002D
REAR AIR SUSPENSION LINE, VALVE AND TANK (FIRST DESIGN)	14.002
REAR AIR SUSPENSION LINE, VALVE AND TANK (SECOND DESIGN)	14.002D
SUSPENSION — REAR AIR	14.001
VALVE — REAR AIR SUSPENSION HEIGHT CONTROL	14.003

AIR SUSPENSION



14.001 SUSPENSION - REAR AIR

AIR SUSPENSION

KEY	230	260	PART NUMBER	
14.001 SUSPENSION — REAR AIR				
NOTE: items marked with asterisk are part of kit (723332)				
—	AR	AR	723332	KIT—rear suspension pin & thrust pack, for vehicles prior to Serial No. 4V101010 (includes spacer, bushing 1 1/4", for control arm & pin 1 1/4") (w/706862-3 control arms only)
—	1	1	2003732	KIT—rear suspension bushing & thrust washer for vehicles prior to Serial No. 4V101024 (this kit reduces the center pivot pin hole from the current 1 1/2" dia. to the former 1 1/4" dia.)
1	2	2	2030001	SPRING ASSY.—air (complete) (SOA) (repl. 714374)
1	2	2	NS	BELLOWS—air spring (repl. 699406) (ref. 708502)
2	2	2	NS	PISTON—air spring, (LH) (ref. 699407)
2	2	2	NS	PISTON—air spring, (RH) (ref. 699405)
3	2	2	—	REAR AIR SUSPENSION LINE, VALVE & TANK—(see group 14.002)
4	4	4	4975541	ABSORBER—shock (repl. 4975412)
5	AR	AR	—	NUT—shock to bracket bolt (procure locally) (ref. 9422303)
6	AR	AR	2436166	WASHER—shock to bracket bolt
7	4	4	701096	BRACKET—mounting, shock absorber
8	2	2	9419010	BOLT—control arm to link
8	4	4	9428598	BOLT—bracket, shock absorber
9	4	4	9422306	NUT—shock absorber stud
10	4	4	721507	SPINDLE
11	2	2	706863	ARM—control RH front and LH rear (incl. bushings) (prior to Serial No. 4V101024) (1 1/4" dia.) (ref. only)
11	2	2	721317	ARM ASSY.—control, RH front and LH rear, (incl. bushings) (1 1/2" dia.) (repl. 706863) (also use 1-2003732 kit)
12	4	4	721330	SPACER—pin, control arm to frame mounting bracket (eff. w/Serial No. 4V101024)
13	4	4	2443965	"O" RING—control arms to frame and bracket (eff. w/Serial No. 4V101024)
13	8	8	* 2421884	"O" RING—control arms to frame and bracket (prior to Serial No. 4V101024)
14	8	8	* 711448	PACK ASSY.—thrust (prior to Serial No. 4V101024)
14	8	8	721087	PACK ASSY.—thrust (eff. w/Serial No. 4V101024)
15	16	16	—	BUSHING—control arm, RH & LH front and rear (use 723332 KIT) (prior to Serial No. 4V101024)
15	16	16	5155839	BUSHING—control arm, RH & LH front and rear (eff. w/Serial No. 4V101024)
16	4	4	* 9411010	FITTING—mounting bracket pin lubrication
17	4	4	* 791148	NUT—lock, control arm
18	12	12	9422301	NUT—bolt, control arm bracket to frame rail
19	24	24	2436165	WASHER—bolt, control arm bracket to frame rail
20	2	2	692340	BRACKET—mounting, control arm to frame (prior to Serial No. 4V101024)
20	2	2	721332	BRACKET—mounting, control arm to frame (eff. w/Serial No. 4V101024)
21	4	4	721329	PIN—bracket, control arm mounting (eff. w/Serial No. 4V101024)
22	2	2	2433648	SCREW—plate (used w/721329)
22	4	4	* 699225	SCREW—cap, arm to frame mounting bracket pin
23	2	2	706862	ARM—control, LH front and RH rear (incl. bushings) (prior to Serial No. 4V101024) (1 1/4" dia.) (ref. only)
23	2	2	721316	ARM ASSY.—control, LH front and RH rear (incl. bushings) (1 1/2" dia.) (repl. 706862) (also use 1-2003732 kit)
24	4	4	219758	NUT—mounting, front to rear arms spring
25	2	2	—	WASHER—external tooth, front to rear arms spring mounting (procure locally)
26	2	2	4949722	VALVE ASSY.—height control (see group 14.003)
27	2	2	694606	PLATE ASSY.—mounting, height control valve
28	16	16	9420892	BOLT—spindle and brake to control arm (300M)
29	8	8	721373	SEAL—thrust pack (eff. w/Serial No. 4V101024)
30	16	16	9415609	PIN—thrust pack seal, washer
31	4	4	2436170	WASHER—fitting
32	2	2	721331	PLATE—locking (used w/721329)
33	2	2	9426323	BOLT—bracket (300M)
34	2	2	2436165	WASHER—bolt, (17/32 I.D. x 1-1/16 O.D.)
—	8	8	* 711449	SEAL—thrust, pack (prior to Serial No. 4V101024)
—	AR	AR	702245	SHIM—control arm mtg. brkt. to frame, longitudinal adjustment (3.50")

AIR SUSPENSION

KEY	230	260	PART NUMBER
-----	-----	-----	-------------

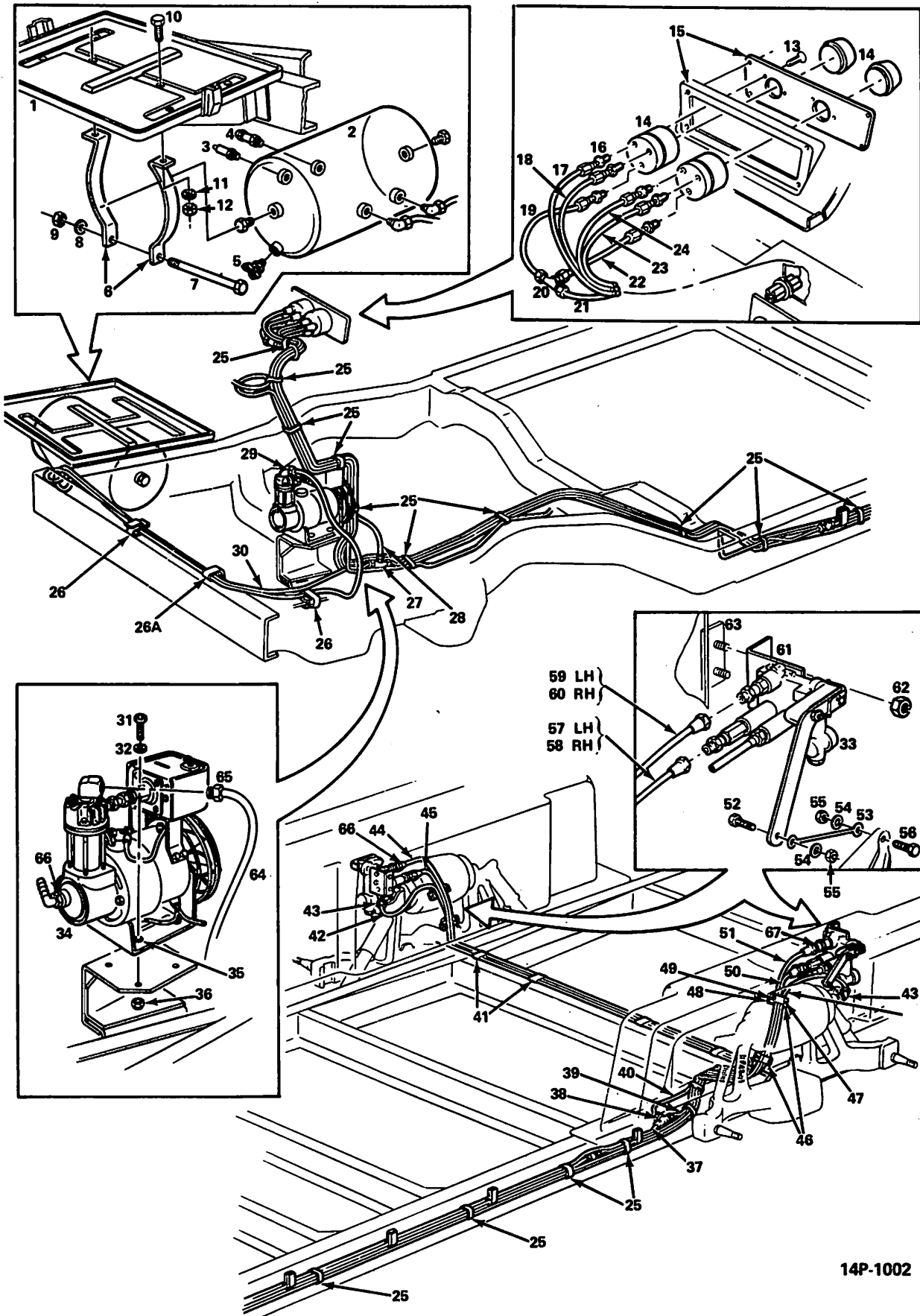
14.001 SUSPENSION — REAR AIR (Cont.)

—	AR	AR	702246	SHIM—control arm mounting bracket to frame, vertical adjustment (8.80")
—	8	8	* 723340	BUSHING—king pin
—	4	4	* 723473	SPACER—pin support
—	2	2	* 723472	KEEPER—pin, rear suspension
—	4	4	* 723474	PIN—bracket, rear suspension

AIR SUSPENSION

NOTES

AIR SUSPENSION



14P-1002

14-002 REAR AIR SUSPENSION LINE, VALVE AND TANK (FIRST DESIGN)

AIR SUSPENSION

KEY	230	260	PART NUMBER
-----	-----	-----	-------------

14.002 REAR AIR SUSPENSION LINE, VALVE AND TANK (FIRST DESIGN) (PRIOR TO SERIAL NO. 6V100878)

NOTE: Items marked with asterisk are part of Reservoir Assembly.

1	1	1		BATTERY TRAY MOUNTING—(see group 7.085)
2	1	1	* 701588	TANK ASSY.—air (SOA)
2	1	1	791382	RESERVOIR ASSY.—air
3	1	1	* 278383	VALVE—reservoir tank (safety)
4	1	1	* 2214695	VALVE—reservoir tank, auxiliary air
5	1	1	* 798004	COCK—drain, reservoir
5	1	1	444620	PLUG—drain, reservoir (tank) (opt.)
6	2	2	705506	BRACKET—reservoir tank to battery tray (w/701588) (prior to 1975)
6	2	2	3726158	BRACKET ASSY.—reservoir tank to battery tray (w/791382) (eff. w/1975)
7	1	1	—	BOLT—battery tray bracket (3/8-16 x 6 hex) (procure locally)
8	1	1	103321	WASHER—battery tray bracket bolt (3/8 plain)
9	1	1	9418931	NUT—battery tray bracket bolt (3/8-16 hex)
10	2	2	—	BOLT—reservoir assembly to battery box support (3/8-16) (ref. 9427325)
11	2	2	2436163	WASHER—reservoir assembly to battery box support (3/8)
12	2	2	9422277	NUT—reservoir assembly to battery box support (3/8-16)
13	2	2	NPN	SCREW—panel mounting (8-32 x 3/8)
14	2	2	715105	VALVE ASSY.—leveling (repl. 699189) (SOA) (also use [3] 652628 connectors)
14	1	1	NS	KIT—service, leveling valve (incl. springs, gaskets, & seals) (ref. 2017739)
15	—	1	717995	PANEL—valve mounting (teak) (w/RPO 692, 693, 695, 696 & TransMode)
15	1	1	701837	PANEL—mounting, leveling valve (w/RPO 690)
15	1	1	791161	PANEL—valve mounting (w/RPO 681, 697)
15	—	1	2001460	PANEL—valve mounting (w/RPO 698)
16	6	6	652629	CONNECTOR ASSY.—leveling valve to tube (use w/699189) (First Design)
16	6	6	652628	CONNECTOR ASSY.—leveling valve to tube (use w/715105 valve) (Second Design)
16	6	6	793388	ADAPTER—fitting, leveling valve to hose (eff. w/1975)
17	AR	AR	8884052	TUBE—air suspension (CTL) (50' black) (prior to 1975)
17	1	1	796703	HOSE ASSY.—air suspension (blue) (eff. w/1975)
17	1	—	796704	HARNESS ASSY.—air suspension (w/RPO GYE) (ref. only) (eff. w/1975)
17	1	1	2005299	HARNESS ASSY.—air suspension (std.) (red) (eff. w/1975)
17	2	2	2005300	HARNESS—height control valve to RH & LH air spring (std.) (yellow) (eff. w/1975)
17	—	1	796705	HARNESS ASSY.—air suspension (w/RPO GYE) (ref. only) (eff. w/1975)
17	1	—	793912	HARNESS—air suspension, LH (gray) (w/796704) (eff. w/1975)
17	1	1	791656	HARNESS—air suspension, LH (gray) (eff. w/1975) (tube) (w/796705)
—	1	1	796784	COUPLING ASSY.—harness (w/791656) (eff. w/1975)
—	1	1	796788	STEM ASSY.—harness (incl. nut) (w/791656) (eff. w/1975)
—	1	1	798020	CONNECTOR ASSY.—harness (w/791656) (eff. w/1975)
—	2	2	796787	INSERT—harness, (brass) (w/791656) (eff. w/1975)
17	1	1	791654	HARNESS—air suspension, LH, valve outlet to leveling valve (purple) (eff. w/1975) (tube) (w/796705)
—	2	2	798020	CONNECTOR ASSY.—harness, (w/791654) (eff. w/1975)
—	2	2	796787	INSERT—harness, (brass) (w/791654) (eff. w/1975)
17	1	—	793910	HARNESS—air suspension, LH, valve outlet to leveling valve (purple) (w/796704) (eff. w/1975)
18	AR	AR	8884052	TUBE—air suspension (CTL) (50' black) (prior to 1975)
18	1	1	791651	HARNESS—air suspension, RH (blue) (eff. w/1975) (tube) (w/796705)
—	1	1	796784	COUPLING ASSY.—harness (w/791651) (eff. w/1975)
—	1	1	796788	STEM ASSY.—harness (incl. nut) (w/791651) (eff. w/1975)
—	1	1	798020	CONNECTOR ASSY.—harness (w/791651) (eff. w/1975)
—	2	2	796787	INSERT—harness (brass) (w/791651) (eff. w/1975)
18	1	—	796703	HARNESS—air suspension RH (blue) (w/796704) (eff. w/1975) (repl. 793908)
18	1	1	796702	HOSE ASSY.—air suspension (yellow) (eff. w/1975) (repl. 793911)
18	1	1	791655	HARNESS—air suspension, RH, valve outlet to leveling valve (yellow) (eff. w/1975) (tube) (w/796705)
—	2	2	798020	CONNECTOR ASSY.—harness (w/791655) (eff. w/1975)
—	2	2	796787	INSERT—harness (brass) (w/791655) (eff. w/1975)
19	AR	AR	8884052	TUBE—air suspension (CTL) (prior to 1975) (50' roll) (black)

AIR SUSPENSION

KEY 230 260 PART NUMBER

14.002 REAR AIR SUSPENSION LINE, VALVE AND TANK (FIRST DESIGN) (PRIOR TO SERIAL NO. 6V100878) (Cont.)

19	1	—	793809	HARNES—air suspension (red) (w/796704) (eff. w/1975)
19	1	1	791653	HARNES—air suspension (red) (eff. w/1975) (tube) (w/796705)
—	3	3	796784	COUPLING ASSY.—harness (w/791653) (eff. w/1975)
—	2	2	796788	TEE ASSY.—harness (w/791653) (eff. w/1975)
—	3	3	796788	STEM ASSY.—harness (incl. nut) (w/791653) (eff. w/1975)
—	1	1	798020	CONNECTOR ASSY.—harness (w/791653) (eff. w/1975)
—	10	10	796787	INSERT—harness (brass) (w/791653) (eff. w/1975)
20	1	1	652632	TEE ASSY.—(repl. 693784)
21	AR	AR	8884052	TUBE—air suspension, rear (CTL) (50' roll) (prior to 1975)
22	AR	AR	8884052	TUBE—air suspension, rear (CTL) (50' roll) (prior to 1975)
22	1	1	796349	HOSE ASSY.—air suspension (purple) (eff. w/1975)
23	AR	AR	8884052	TUBE—height control valve outlet to leveling (CTL) (LH) (50' roll) (prior to 1975)
23	1	1	796701	HOSE ASSY.—air suspension (red) (eff. w/1975)
24	AR	AR	8884052	TUBE—air suspension (RR) (CTL) (50' black) (prior to 1975)
24	1	1	796350	HOSE ASSY.—air suspension (gray) (eff. w/1975)
25	17	17	657558	STRAP
26	1	1	2397582	CLIP—spring type
26A	3	3	3916876	CLIP—air line from comp. to res. (flat type)
27	1	1	652632	TEE ASSY.—(repl. 693784)
28	AR	AR	8884052	TUBE—air suspension (CTL) (rear) (50' roll) (black)
29	1	1	652628	CONNECTOR ASSY.—air compressor (repl. 693266)
30	4	4	8884052	TUBE—air suspension (CTL) (rear) (50' roll) (black)
31	4	4	—	SCREW—compressor (procure locally)
32	4	4	—	WASHER—compressor (procure locally)
33	2	2	4949722	VALVE ASSY.—height control (see group 14.003)
34	1	1	—	COMPRESSOR—air 12 VDC (see 14.008 for illustration) (repl. 704386) (707990 opt.)
34	1	1	—	COMPRESSOR—air, (DANA) (see 14.010 for illustration)
35	3	3	—	GROMMET—rubber (procure locally) (w/717683)
35	4	4	—	MOUNT—air compressor elastomer (w/704386) (rubber) (make locally) (ref. 700977)
36	4	4	190254	NUT—compressor mounting
37	AR	AR	8884052	TUBE—air suspension (CTL) (rear) (50' roll) (black)
38	1	1	716841	TEE ASSY.—(repl. 693784)
39	AR	AR	8884052	TUBE—air suspension (CTL) (rear) (50' roll) (black)
40	AR	AR	8884052	TUBE—air suspension (CTL) (rear) (50' roll) (black)
41	AR	AR	—	TAPE—masking (procure locally)
42	AR	AR	8884052	TUBE—air suspension (CTL) (rear) (RH) (50' roll) (black)
43	2	2	652628	CONNECTOR—air bellows (LH—RH) (repl. 652629) (prior to 1975)
43	2	2	793387	ADAPTER—fitting, air line to air spring (bellows) (eff. w/1975)
44	AR	AR	8884052	TUBE—air suspension (CTL) (rear) (RH) (50' roll) (black)
45	AR	AR	8884052	TUBE—air suspension (CTL) (rear) (RH) (50' roll) (black)
46	2	2	2423131	SPACER—cross seat, (RH & LH)
47	8	8	—	NUT—spacer (procure locally)
48	8	8	—	WASHER—spacer (procure locally)
49	8	8	2446799	SCREW—spacer
50	AR	AR	8884052	TUBE—air suspension (CTL) (rear) (50' roll) (black)
51	AR	AR	8884052	TUBE—height control valve outlet (CTL) (LH) (50' roll) (black)
52	2	2	9419006	BOLT—link (1/4-20 x 1)
53	2	2	4950793	LINK ASSY.—height control valve
54	4	4	2436181	WASHER—link, bolt (1/4)
55	4	4	9422273	NUT—link, bolt (1/4-20)
56	2	2	9419010	BOLT—link (1/4-20 x 1-1/2")
57	AR	AR	8884052	TUBE—air suspension (CTL) (LH) (50' roll) (black)
58	AR	AR	8884052	TUBE—air suspension (CTL) (RH) (50' roll) (black)
59	AR	—	8884052	TUBE—air suspension (CTL) (RR) (LH) (50' roll) (black)
60	—	AR	8884052	TUBE—air suspension (CTL) (RR) (RH) (50' roll) (black)
61	2	2	4949722	VALVE ASSY.—height control (see group 14.003) (prior to 1975)
61	2	2	4992987	VALVE ASSY.—height control (see group 14.003) (eff. w/1975)
62	2	2	—	NUT ASSY.—height control (procure locally)
63	2	2	694606	PLATE ASSY.—height control mounting
64	1	1	791652	HARNES—reservoir to compressor (red) (eff. w/1975)
—	1	1	796784	COUPLING ASSY.—tube, (w/791652) (eff. w/1975)
—	1	1	796785	ELBOW ASSY.—tube, (w/791652) (eff. w/1975)
—	2	2	796788	STEM ASSY.—tube, (incl. nut) (w/791652) (eff. w/1975)
—	2	2	796787	INSERT—tube, (brass) (w/791652) (eff. w/1975)
65	2	2	793387	ADAPTER—fitting, tank pressure switch to air line (eff. w/1975)

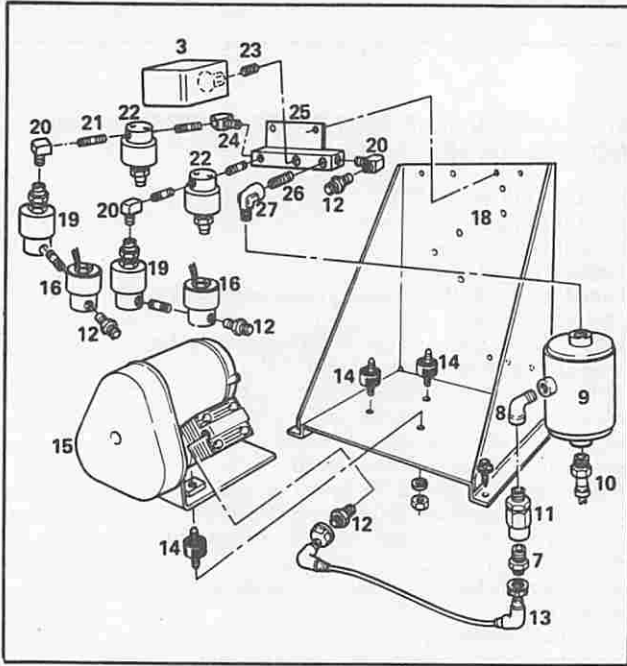
AIR SUSPENSION

KEY	230	260	PART NUMBER
-----	-----	-----	-------------

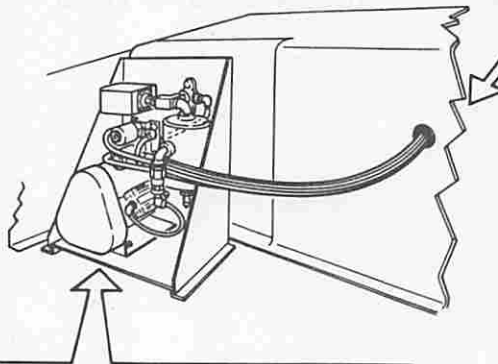
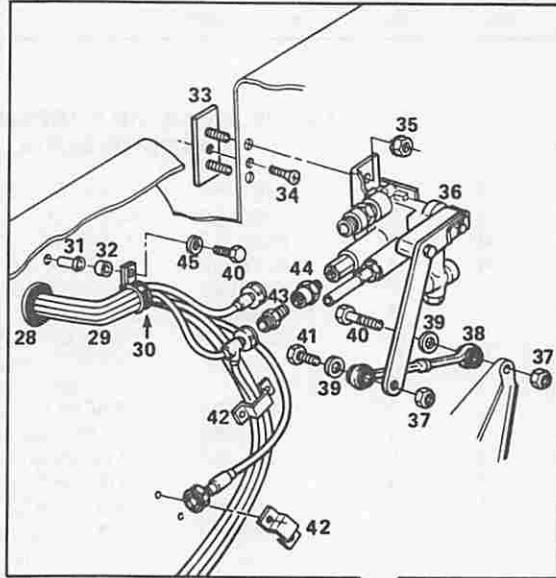
14.002 REAR AIR SUSPENSION LINE, VALVE AND TANK (FIRST DESIGN) (PRIOR TO SERIAL NO. 6V100878) (Cont.)

66	2	1	793388	ADAPTER—fitting, tube (eff. w/1975)
67	2	2	793389	ADAPTER—fitting, tube (eff. w/1975)
—	4	4	5538443	BUSHING—line, height control valve
—	4	4	3178698	SLEEVE—link, bushing height control
—	1	1	3035049	GROMMET—air line through dash to leveling valve (repl. 3722970)
—	1	1	* 2444480	VALVE—check, air res. to comp.
—	3	3	708513	CLIP—LH height cont. valve, intake to tee on LH frame rail tube
—	1	1	* —	SWITCH—low air warning, at tank (see group 7.070)
—	1	1	* —	TEE—low air warning switch, at tank (see group 7.070)
—	1	1	791381	BRACKET—reservoir tank to toe panel mtg. (eff. w/1975)
—	1	1	719488	CLAMP—air lines to rad. cushioned (eff. w/1975)
—	4	5	723250	CLAMP—air lines, cushioned loop (eff. w/1975)
—	3	3	—	SUPPORT—clamp to frame (eff. w/1975) (procure locally)
—	1	1	* 724460	SWITCH ASSY.—pressure regulator (SOA) (repl. 708586)
—	3	3	* 444040	ELBOW—switch to pressure tank, check valve & valve to tank
—	1	1	* —	NIPPLE—switch to elbow (proc. loc.) (ref. 443979)
—	1	1	2004647	SERVICE KIT—air system (includes the following 6 items.)
—	2	2	2003432	VALVE ASSY.—solenoid
—	4	4	793388	ADAPTER—tube compressor fitting
—	4	4	796788	STEM ASSY.—air suspension harness (1/4" male adapter)
—	4	4	796784	COUPLING ASSY.—air suspension harness (1/4" tubing)
—	4	4	796787	INSERT—brass
—	1	1	NS	SHEET—instruction (ref. 8881317)

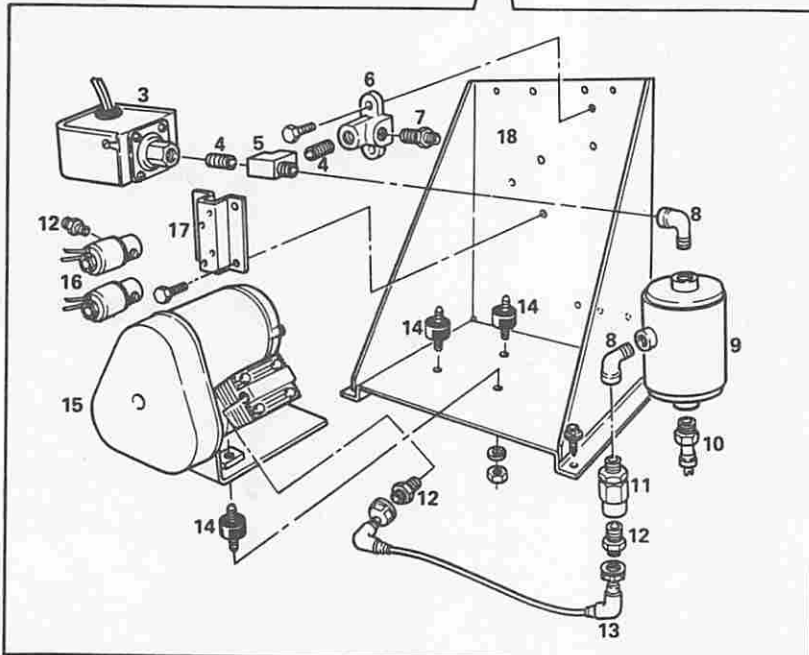
AIR SUSPENSION



1



2



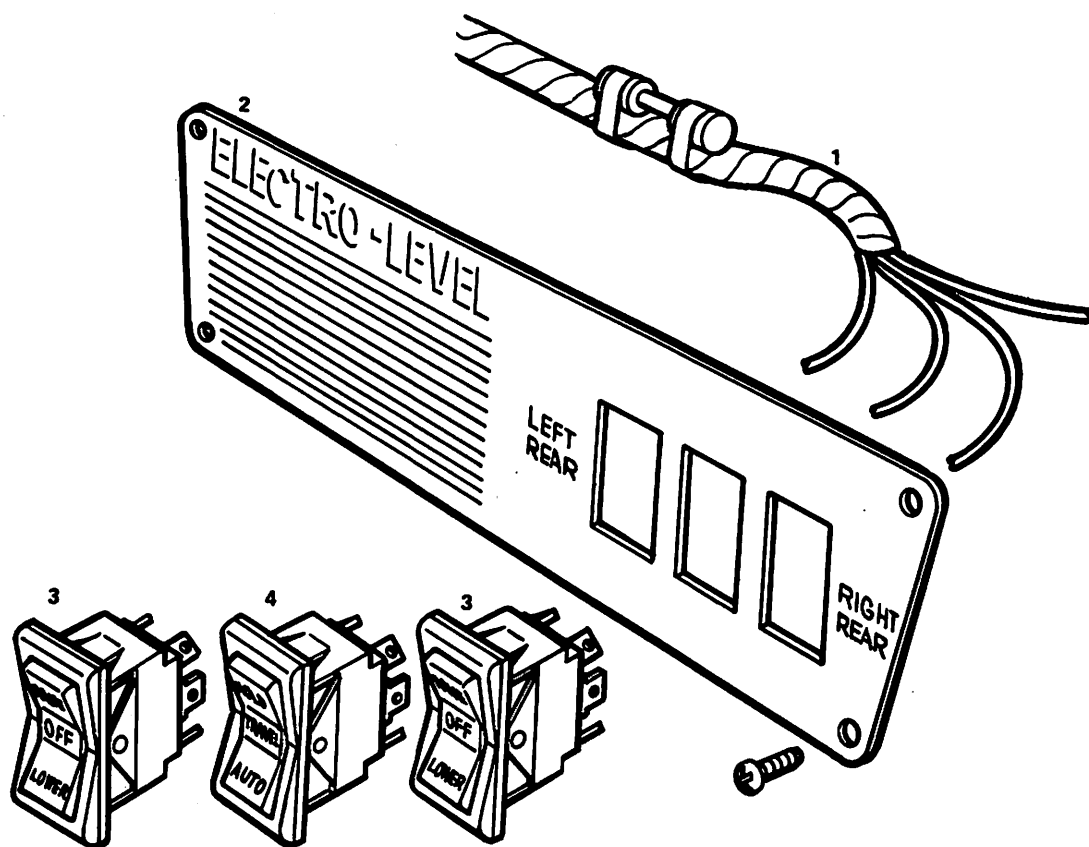
14.002D REAR AIR SUSPENSION LINE, VALVE AND TANK (SECOND DESIGN) (EFF. W/SERIAL NO. 6V100878)

14P-1003-877

AIR SUSPENSION

KEY	230	260	PART NUMBER	
14.002D REAR AIR SUSPENSION LINE, VALVE AND TANK (SECOND DESIGN) (EFF. W/SERIAL NO. 6V100878)				
1	1	1	2009159	MODULE ASSY.—air compressor (w/RPO, GXW, GYE) (exc. ZEO 6581) (ref. only)
2	1	1	2008348	MODULE ASSY.—air compressor (exc./RPO, GXW, GYE) (ref. only)
—	1	1	2027286	MOUNTING ASSY.—air compressor (module assy.) (incl. following 9) items) (exc. RPO GXW) std. (1978) (ref. only)
—	2	2	—	COMPRESSOR ASSY.—rear air suspension (DELCO—ELECTRIC) (see gr. 14.012)
—	1	1	2027284	BRACKET—air compressor
—	1	1	2027282	BRACKET—riser
—	2	2	2006761	VALVE ASSY.—solenoid shut off 2 way
—	1	1	2007486	BRACKET—solenoid mounting
—	4	4	397224	INSULATOR ASSY.—riser bracket
—	2	2	2027285	TUBE ASSY.—compressor to solenoid
—	2	2	3176207	FITTING ASSY.—compressor to solenoid
—	2	2	793388	ADAPTER—compressor to solenoid tube
—	1	1	2008347	SWITCH ASSY.—tank & pressure (ref. only) (incl. the following 9 items) (exc. RPO GXW, & GYE)
3	1	1	724460	SWITCH ASSY.—pressure
4	2	2	9423325	NIPPLE—tank to switch
5	1	1	444148	TEE—nipple to switch
6	1	1	302722	ELBOW—tank to switch
7	2	2	793387	ADAPTER—fitting, rear suspension
8	2	2	144112	ELBOW—tank to switch and check valve
9	1	1	2006554	TANK ASSY.—air
10	1	1	2214695	VALVE—drain, tank (brass) (1 5/16" lg.) (can also be used to supply air to bellows when vehicle air supply has malfunctioned)
11	1	1	2444480	VALVE—check
12	AR	AR	793388	ADAPTER—fitting
13	1	1	2007617	HARNESS—pressure switch to compressor air suspension (red)
14	3	3	397224	INSULATOR—compressor to mtg. bracket
15	1	1	—	COMPRESSOR—air (see group 14.010)
16	2	2	2006761	VALVE ASSY.—solenoid (2-way)
17	1	1	NPN	BRACKET—solenoid mounting (ref. 2007486) (make locally)
18	1	1	2007452	BRACKET ASSY.—compressor module mounting
19	2	2	2006799	VALVE ASSY.—3-way, solenoid (w/RPO GYE)
20	3	3	9409931	ELBOW—manifold
21	1	1	—	NIPPLE—pipe (1/8 x 1 3/8) (ref. 144585) (proc. loc.)
22	2	2	2006798	VALVE ASSY.—3-way (w/RPO GYE)
23	6	6	—	NIPPLE—pipe (1/4 x 1 3/8) (ref. 115144) (proc. loc.)
24	1	1	9409927	ELBOW—valve to manifold
25	1	1	2474438	MANIFOLD ASSY.—valve
26	1	1	9423325	NIPPLE—elbow, manifold to tank
27	1	1	444480	ELBOW—nipple to manifold (90 street)
28	1	1	2215928	GROMMET—air lines
29	1	1	2007611	HARNESS ASSY.—air suspension (air line)
30	1	1	721167	CLIP—air line harness
31	1	1	2404667	RIVNUT—air line harness
32	1	1	—	SPACER—air line harness (ref. 2476733) (make locally)
33	2	2	694606	PLATE ASSY.—mtg., height control valve
34	1	1	—	SCREW—mtg., height control plate (1/4-20 x 5/8) (proc. loc.)
35	2	2	—	NUT ASSY.—mtg., height control plate (1/4-20) (incl. ext. tooth lockwasher) (proc. loc.)
36	2	2	—	SENSOR—electronic height (see group 14.003)
37	4	4	9422273	NUT—link bolt (1/4-20)
38	2	2	4950793	LINK ASSY.—height control valve
39	4	4	2436161	WASHER—link, bolt (1/4)
40	1	1	9419006	BOLT—clip, air line
41	4	4	9419010	BOLT—link (1/4-20 x 1 1/2)
42	4	4	2423131	SPACER—rear susp. air line
43	2	2	793388	ADAPTER—fitting rear susp. air line to leveling rear valve
44	2	2	793389	ADAPTER—fitting, rear susp. air line to rear leveling valve
45	1	1	103319	WASHER—lock, rear susp. air lines to crossmember clip
—	1	1	2243319	NUT—clip, air line harness
—	3	3	708513	CLIP—rear susp. air line to crossmember
—	8	8	2464989	NUT—screw, rear susp. air line to crossmember clip

AIR SUSPENSION



14.002D REAR AIR SUSPENSION LINE, VALVE AND TANK (SECOND DESIGN) (EFF. W/SERIAL NO. 6V100878) (Cont.)

-	1	1	2009196	BRACKET—mtg. air compressor
-	1	1	2008492	CONTROL ASSY.—air susp. (w/RPO GYE) (ref. only) (w/ZEO 658 1)
-	1	1	444614	PLUG—manifold
-	1	1	2009304	KIT—valve, solenoid (w/2006761 valve assy. 2-way) (incl. next (2) items)
-	1	1	2470537	SEAL—valve solenoid
-	1	1	2009305	SPRING—valve solenoid
-	1	1	2009301	KIT—valve solenoid (w/2006798-9 valve assy. 3-way) (incl. next (4) items)
-	1	1	NS	PLUNGER ASSY.—valve
-	1	1	2303949	SEAL—adapter
-	1	1	2470537	SEAL—flange
-	1	1	2009302	SPRING—valve
1	1	1	-	HARNASS ASSY —level control (w/RPO GYE) (eff. w/1977) (see 7.090)
2	-	1	2009201	PANEL—leveling valve control (walnut grain) (prior to 1977) (w/RPO 641, 681, 697, 698 & GYE)
2	1	1	2009201	PANEL—leveling valve control (walnut grain) (eff. w/1977)
2	1	1	2009202	PANEL—leveling valve control (rosewood grain) (prior to 1977) (exc RPO 681, 697, 698) (w/RPO GYE)
3	2	2	2007701	SWITCH ASSY —level control, raise & lower (w/RPO GYE)
4	1	1	2007702	SWITCH ASSY —level control, travel & hold (w/RPO GYE)

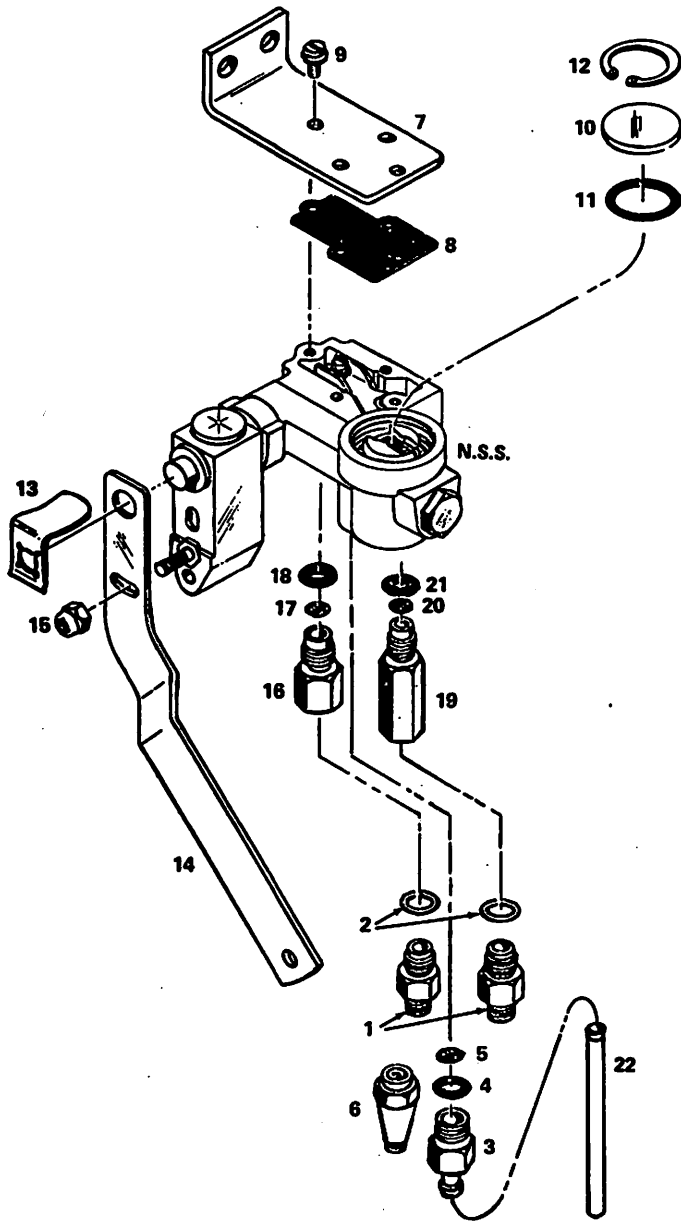
28P-6002-177

ELECTRO - LEVEL SWITCHES & PANEL

AIR SUSPENSION

NOTES

AIR SUSPENSION



14P-15

14.003 VALVE - REAR SUSPENSION HEIGHT CONTROL

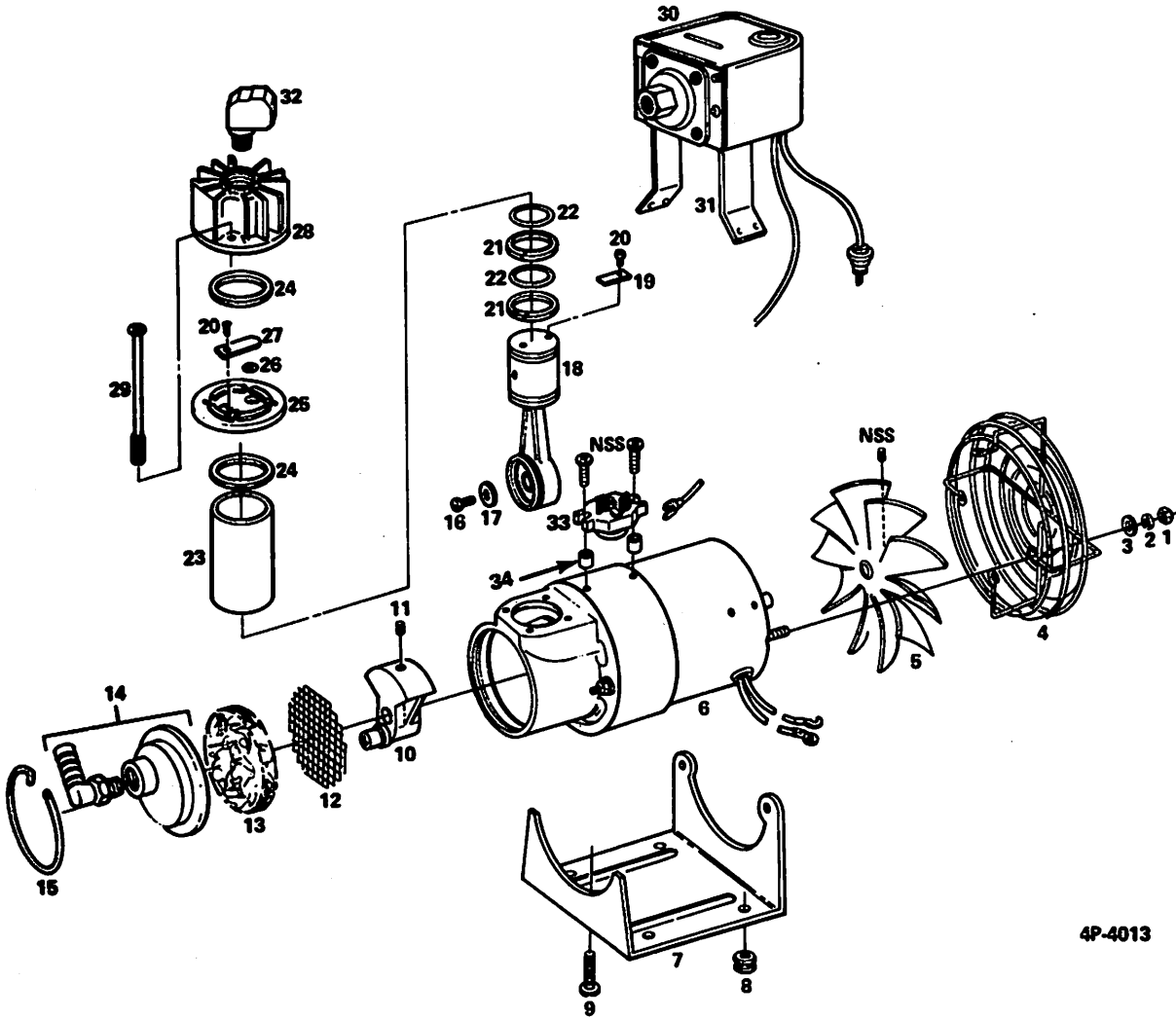
AIR SUSPENSION

KEY	230	260	PART NUMBER	
-----	-----	-----	-------------	--

14.003 VALVE — REAR SUSPENSION HEIGHT CONTROL

—	2	2	4949722	VALVE ASSY.—height control, complete (incl. the following items thru asterisk) (prior to 1975)
1	4	4	5549340	ADAPTER—air line
2	4	4	5540299	ADAPTER—gasket
3	2	2	5353314	VALVE PKG.—exhaust, check, (repl. 3176144) (incl. next (2) items)
4	2	2	5549030	“O” RING (part of pkg. 5353314)
5	2	2	NS	FILTER—air, (part of pkg. 5353314) (ref. 3178875)
6	2	2	698507	SLEEVE—tube connector (incl. nut)
7	2	2	4974380	BRACKET—cover plate and mounting (repl. 4974187)
8	2	2	5549018	GASKET—cover plate and mounting bracket
9	8	8	9411717	SCREW—bracket
10	2	2	5552832	COVER—plate
11	2	2	5549547	“O” RING
12	2	2	9424835	RING—retaining
13	2	2	5549027	FASTENER—plug retaining
14	2	2	4974187	ARM—control
15	2	2	2282071	NUT—retaining, control arm
16	2	2	5549052	ADAPTER ASSY.
17	2	2	5549038	FILTER ASSY.
18	2	2	5549030	“O” RING
19	2	2	5549339	ADAPTER ASSY.
20	2	2	5540093	SCREEN
21	2	2	5549030	“O” RING
22	2	2	* 5329107	TUBE—exhaust
—	2	2	4992987	VALVE ASSY.—height control, complete (eff. w/ 1975) (SOA) (w/RPO GXW)
—	2	2	22007286	SENSOR—electronic height (std.) (1978)
—	2	2	2027283	BRACKET—electronic height sensor (std.) (w/22007286 sensor) (1978)

AIR SUSPENSION



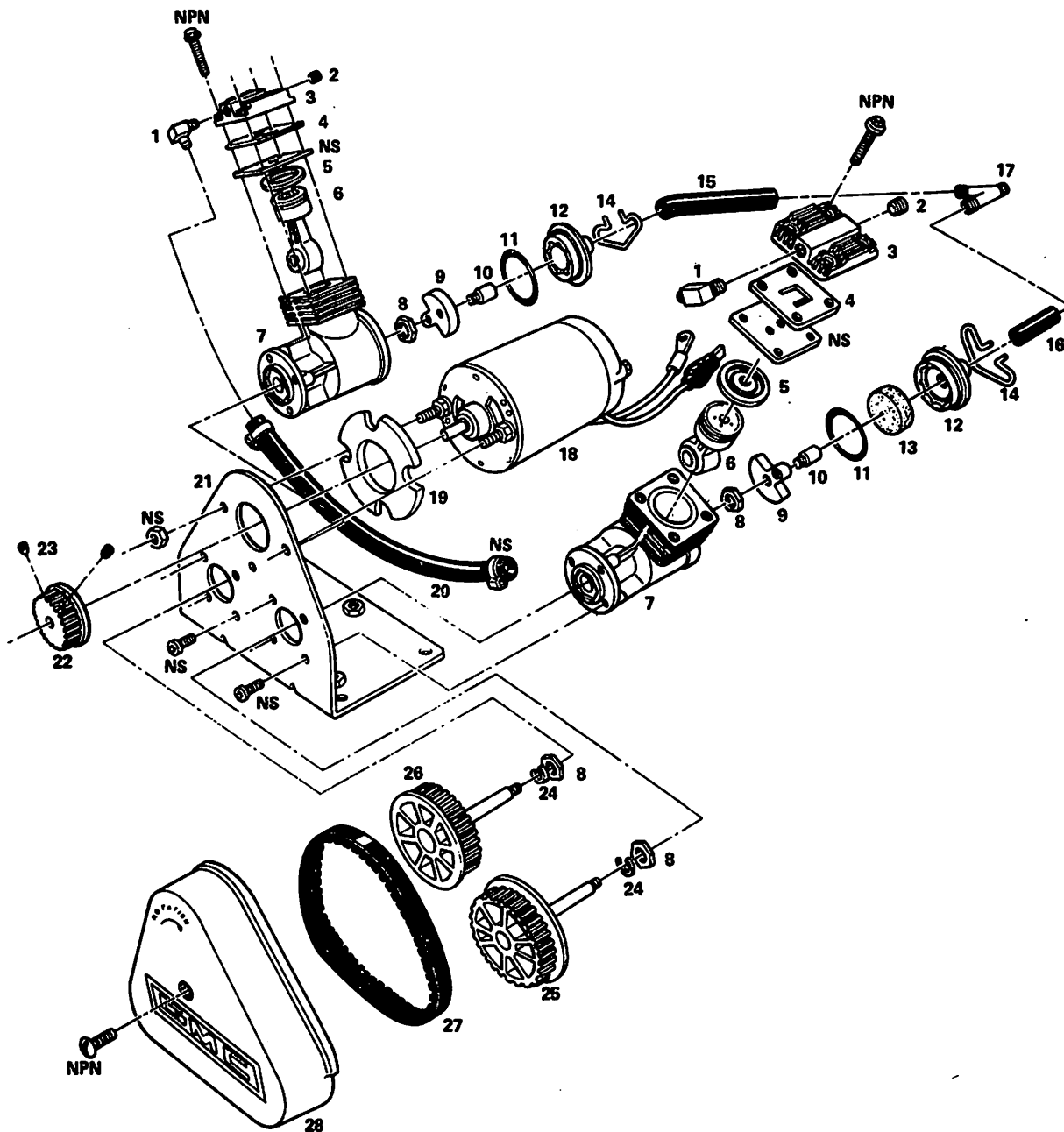
4P-4013

14.008 COMPRESSOR - AIR (W. R. BROWN)

AIR SUSPENSION

KEY	230	260	PART NUMBER	
14.008 COMPRESSOR — AIR (W.R. BROWN)				
—	1	1	717683	COMPRESSOR ASSY.—air, rear air suspension, (W.R. Brown) (repl. 700983, 704386) (707990 opt.) (ref. only) (see group 14.010)
1	1	1	—	NUT—jam, fan guard (procure locally) (ref. 120614)
2	1	1	—	WASHER—lock, fan guard (procure locally) (ref. 138479)
3	1	1	708572	WASHER—plain, fan guard
4	1	1	708564	GUARD—fan blade
5	1	1	708565	BLADE—fan (incl. set screw)
6	1	1	708551	MOTOR ASSY.—air compressor (incl. body) (w/704386)
6	1	1	724461	MOTOR ASSY.—air compressor (incl. body) (w/717683)
7	1	1	708570	BASE—mounting
8	4	4	708571	GROMMET—mounting
9	1	1	—	SCREW—mounting (No. 10-32 x 1) (procure locally)
10	1	1	708573	ECCENTRIC ASSY.—air compressor
11	1	1	708569	SCREW—set, eccentric
12	1	1	708567	SCREEN—filter
13	1	1	708566	FILTER—air
14	1	1	717307	MANIFOLD—intake
15	1	1	708568	RETAINER—filter
15	1	1	717306	RETAINER—intake
16	1	1	708574	SCREW—piston
17	1	1	708578	WASHER—screw
18	1	1	708550	PISTON ASSY.—(incl. eccentric rings & int. valve) (NSS)
19	1	1	708558	VALVE—intake
20	2	2	708555	SCREW—valve
21	3	3	708560	RING—piston
22	3	3	708561	EXPANDER—piston ring
23	1	1	708553	SLEEVE—piston
24	2	2	708562	GASKET—valve plate
25	1	1	708554	PLATE—valve
26	1	1	708559	“O” RING—exhaust valve
27	1	1	708557	VALVE—exhaust
28	1	1	724462	DOME—piston (repl. 708552)
	1	1	444688	PLUG—piston
29	4	4	708563	SCREW—dome (# 8 - 32 - 2 13/16)
30	1	1	724460	SWITCH ASSY.—pressure, sending unit (w/704386, 717683) (part of compressor) (repl. 708586) SOA
31	1	1	791126	BRACKET—pressure switch mounting (w/717683)
32	1	1	444040	ELBOW—air line to dome
33	1	1	2000387	SWITCH—thermal over-load (w/717683)
34	2	2	2000388	SPACER—switch, over-load (w/717683)
—	1	1	657922	ELBOW—air line to elbow on dome
—	1	1	724405	KIT—plumbing, pressure switch (w/717683 compressor) (includes next (5) items)
—	1	1	657922	ELBOW ASSY.—male
—	AR	AR	8884052	TUBE—(CTL) (repl. 8860810)
—	1	1	652632	TEE ASSY.—nylon (repl. 693784)
—	1	1	444614	PLUG—pipe
—	1	1	NS	SHEET—instruction (ref. 8881311)
—	1	1	724404	KIT—plumbing, pressure switch (w/704386 compressor) (includes next (5) items)
—	1	1	657922	ELBOW—male
—	1	1	—	UNION ASSY.—(proc. loc.) (ref. 693783)
—	AR	AR	8884052	TUBE—(CTL) (repl. 8860810)
—	1	1	652632	TEE ASSY.—nylon (repl. 693784)
—	1	1	NS	SHEET—instruction (ref. 8881310)

AIR SUSPENSION



4P-4015

14.010 COMPRESSOR - AIR (DANA)

AIR SUSPENSION

KEY	230	260	PART NUMBER	
14.010 COMPRESSOR — AIR (DANA)				
—	1	1	795622	COMPRESSOR ASSY.—air, rear air suspension (DANA) (795622 can be used as an assy. to repl. 717683)
1	2	2	2000626	CONNECTOR—hose (90 degree male)
2	1	1	444688	PLUG—head (1/8" pipe)
3	2	2	2000625	HEAD—cylinder
4	2	2	2000624	VALVE—exhaust
5	2	2	2000623	SEAL—o-ring
6	2	2	2000604	PISTON ASSY.—(incl. rod) (SOA)
7	2	2	2000603	HOUSING ASSY.—(SOA)
8	4	4	2000621	WASHER—thrust
9	2	2	2000631	CRANKSHAFT
10	2	2	2000622	PIN—crank
11	2	2	2000634	SEAL—o-ring
12	2	2	2000605	INTAKE ASSY.—(SOA)
13	2	2	2000633	FILTER—intake
14	2	2	2000635	RETAINER—filter
15	1	1	8885567	TUBING—(CTL, 5' lg.) (repl. 2000637)
16	1	1	8885567	TUBING—(CTL, 5' lg.) (repl. 2000636)
17	1	1	2000638	TEE—tubing (repl. 409308)
18	1	1	2000629	MOTOR
19	1	1	2000640	SPACER—motor
20	1	1	2467485	HOSE—cross over (1/4" I.D. x 1/2" O.D.) (repl. 2000627)
21	1	1	2000608	BRACKET—mounting
22	1	1	2000630	PULLEY—motor
23	2	2	—	SCREW—set, headless socket (procure locally) (ref. 193222)
24	2	2	2000642	RING—retaining
25	1	1	2000607	PULLEY ASSY.—rear, (incl. flange shaft)
26	1	1	2000606	PULLEY ASSY.—front, (incl. flange shaft)
27	1	1	2000632	BELT—timing
28	1	1	2000639	GUARD—belt
—	2	2	2000628	VALVE—intake (between seal & piston)
—	2	2	2000641	PLATE—head
—	3	3	9427805	BOLT—mounting, compressor (repl. 9417950)
14.012 COMPRESSOR — AIR (DELCO)				
—	2	2	5044908	COMPRESSOR ASSY.—rear air suspension (electric) (incl. items thru asterisk) (ref. only)
—	1	1	22009033	COMPRESSOR ASSY.—air (incl. next (2) items)
—	1	1	22009546	O-RING—dryer
—	1	1	22009541	GASKET—bracket
—	1	1	22010692	MOTOR ASSY.—compressor (incl. next (4) items)
—	1	1	11503529	SCREW—head
—	1	1	22009540	GASKET—head
—	1	1	22009541	GASKET—bracket
—	1	1	22009546	O-RING—dryer
—	1	1	22010694	HEAD ASSY.—compressor (incl. next (9) items)
—	1	1	22009540	GASKET—head
—	1	1	22009534	GASKET—cover
—	2	2	22009531	FILTER—compressor head
—	1	1	22009523	SPRING—exhaust
—	1	1	22009522	VALVE—exhaust
—	1	1	22010705	SOLENOID ASSY.—compressor SOA
—	1	1	22009535	COVER—compressor head
—	4	4	11503527	SCREW—compressor head
—	1	1	22009546	O-RING—compressor dryer
—	1	1	22010695	SOLENOID ASSY.—compressor cover (incl. next (10) items)
—	1	1	22010705	SOLENOID ASSY.—compressor SOA
—	1	1	22009579	COVER ASSY.—compressor
—	1	1	22009534	GASKET—cover
—	1	1	22009540	GASKET—head
—	1	1	22009544	BODY—connector
—	1	1	22009567	SEAL—connector

AIR SUSPENSION

KEY	230	260	PART NUMBER
-----	-----	-----	-------------

14.012 COMPRESSOR — AIR (DELCO) (Cont.)

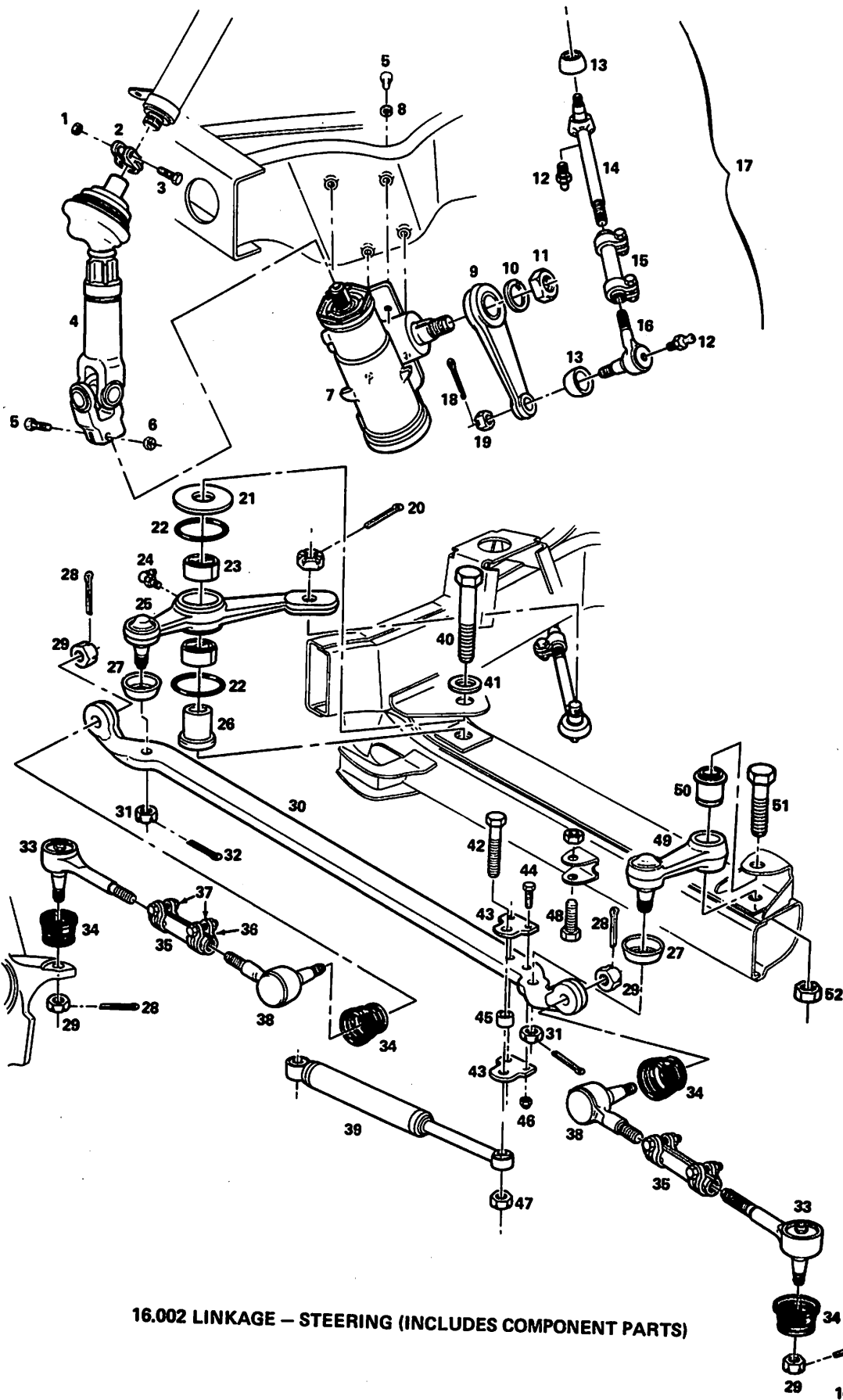
—	1	1	22009532 FILTER—compressor cover & solenoid
—	1	1	22009531 FILTER—compressor head
—	1	1	22009523 SPRING—exhaust
—	1	1	22009522 VALVE—exhaust
—	1	1	22009035 DRYER PACKAGE—compressor (incl. next (2) items)
—	1	1	22009546 O-RING—dryer
—	1	1	22009547 CLIP—spring
—	1	1	22009034 BRACKET PACKAGE—mounting (incl. next (5) items)
—	1	1	22009541 GASKET—bracket
—	3	3	22009550 ISOLATORS—compressor mounting bracket
—	1	1	22009548 BRACKET—dryer
—	1	1	22009542 BRACKET—mounting
—	1	1	22009549 BRACKET—rear mounting
—	1	1	22010693 GASKET PACKAGE—compressor (incl. next (7) items)
—	1	1	22009529 O-RING—solenoid
—	1	1	22009546 O-RING—dryer
—	1	1	22009540 GASKET—head
—	1	1	22009534 GASKET—cover
—	1	1	22009541 GASKET—bracket
—	3	3	22009550 ISOLATORS—compressor mounting
—	4	4	*22009516 STUD—cover

STEERING

LIST OF SUB GROUPS

Name	Group No.
COLUMN — STANDARD STEERING	16.030
COLUMN — TILT STEERING	16.035
GEAR — STEERING	16.010
LINES — HYDRAULIC STEERING, AND HOSE	16.045
LINKAGE — STEERING, AND COMPONENT	16.002
MOUNTING — POWER STEERING HYDRAULIC PUMP	16.055
PUMP — HYDRAULIC POWER STEERING	16.060
SHAFT — STEERING LOWER	16.020
WHEEL — STEERING	16.040

STEERING



16.002 LINKAGE – STEERING (INCLUDES COMPONENT PARTS)

16P-1009

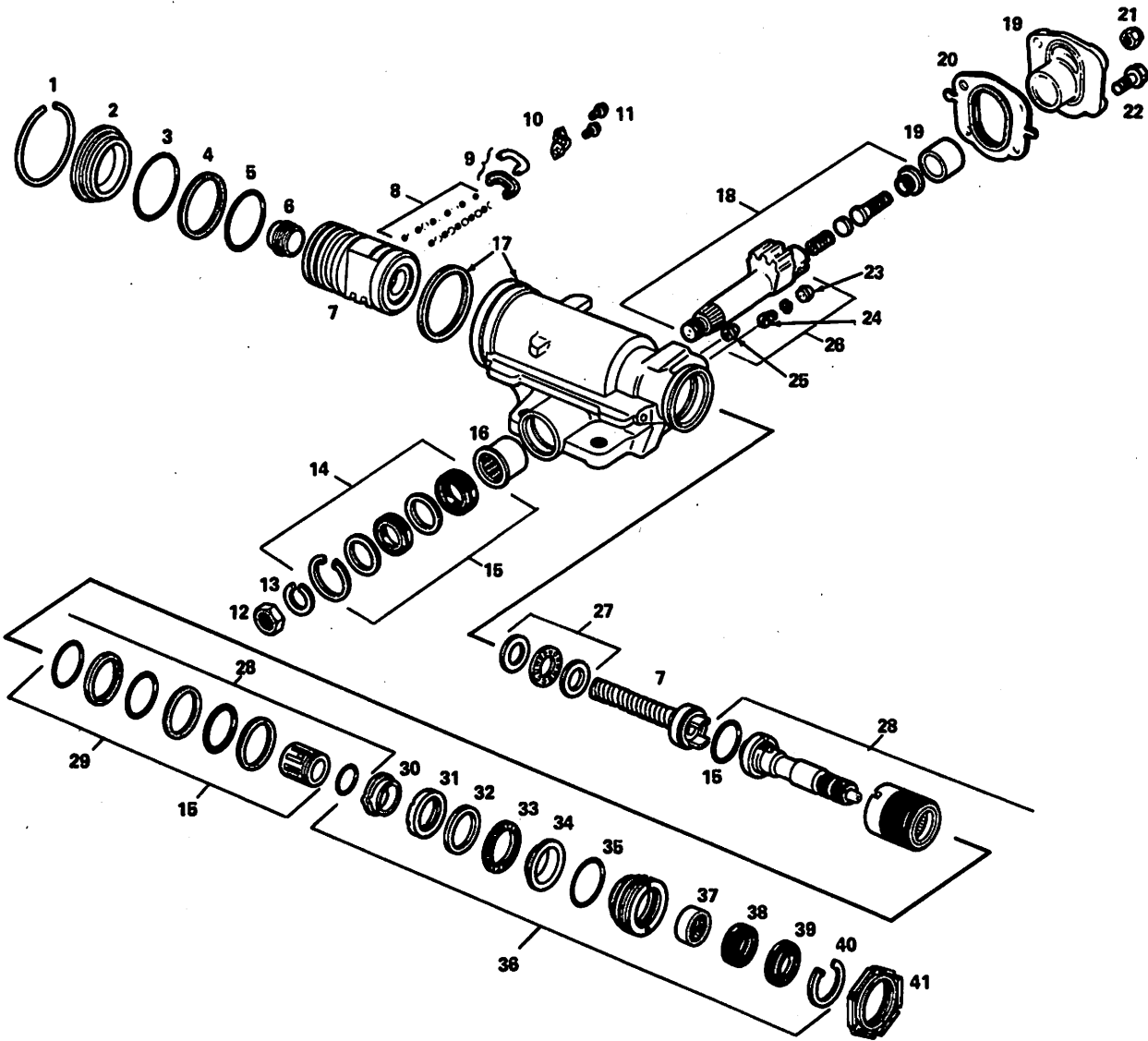
STEERING

KEY	230	280	PART NUMBER
-----	-----	-----	-------------

16.002 LINKAGE — STEERING (INCLUDES COMPONENT PARTS)

1	1	1	7810280	NUT—clamp, steering (300M)
2	1	1	7802922	CLAMP—steering
3	1	1	7803464	BOLT—clamp steering (300M)
4	1	1	692860	SHAFT ASSY.—steering column to gear (see grp. 16.020 for details)
5	2	2	—	BOLT—shaft to gear (procure locally)
6	1	1	9422299	NUT—steering (301M)
7	1	1	7815876	GEAR ASSY.—steering (see grp. 16.010 for details) (1973)
7	1	1	7817940	GEAR ASSY.—steering (see grp. 16.010 for details) (eff. w/1974)
8	1	1	103328	WASHER—bolt
9	1	1	697067	ARM—pitman
10	1	1	5697702	WASHER—arm, pitman
11	1	1	258779	NUT—arm, pitman (replaces 5667628)
12	2	2	5675948	FITTING—arm, lubrication
13	2	2	704802	BOOT—drag link
14	1	1	702013	DRAG LINK ASSY.—steering, LH
15	1	1	6259076	TUBE—adjusting, sleeve
16	1	1	702014	DRAG LINK ASSY.—steering, RH
17	1	1	716898	LINK ASSY.—steering, drag (SOA) (repl. 698758)
18	1	1	103387	PIN—arm (cotter)
19	2	2	3983808	NUT—drag link (repl. 125267)
20	1	1	103387	PIN—lever assembly
21	1	1	700446	WASHER—lever
22	2	2	2398984	SEAL—idler, lever dust
23	2	2	2399043	BUSHING—relay lever
24	1	1	9417808	FITTING—lube, fitting relay lever
25	1	1	697068	LEVER ASSY.—steering relay (incl. seal bushing)
26	1	1	697069	BUSHING—steering
27	1	1	5697840	SEAL ASSY.—idler arm
28	4	4	103385	PIN—rod tie
29	4	4	—	NUT—rod tie (procure locally) (1/2-20) (ref. 274428)
30	1	1	7815525	ROD—relay tie
31	1	1	9418844	NUT—lever steering
32	1	1	103387	PIN—lever steering
33	2	2	7817092	ROD ASSY.—tie, outer w/ends (repl. 7810467)
34	2	2	6259391	SEAL—(Socket) (repl. 5679728)
35	2	2	7812118	TUBE KIT—adjusting
36	4	4	7807288	CLAMP—tie rod
37	4	4	9422277	NUT—tie rod
38	2	2	7817093	ROD ASSY.—inner tie, ball and stud (repl. 5695507)
39	1	1	4975363	ABSORBER ASSY.—shock (repl. 4949828)
40	1	1	9427898	BOLT—steering relay lever pivot (1973-1974) (fine thread) (first design)
40	1	1	9430934	BOLT—steering relay lever pivot (eff. w/1975) (coarse thread) (second design)
41	1	1	2436168	WASHER—lever
42	1	1	9421122	BOLT—shock, bracket (7/16-14 x 300M) (procure locally)
43	2	2	393170	BRACKET—shock
44	1	1	9430680	BOLT—shock bracket
45	1	1	393171	SPACER—shock to intermediate
46	1	1	—	NUT—shock bracket (procure locally)
47	1	1	9422299	NUT—shock
48	1	1	9419089	BOLT—frame bracket (7/16-14) (procure locally) 280M
49	1	1	7805966	ARM ASSY.—idler, steering
50	1	1	NS	BUSHING ASSY.—idler arm (part of arm)
51	1	1	—	BOLT—arm to frame (5/8-11 x 3-3/4) 280M (procure locally) (ref. 9424047)
52	1	1	9422305	NUT—arm
—	2	2	7816937	SEAL—tie rod

STEERING



16P-32

16.010 GEAR - STEERING

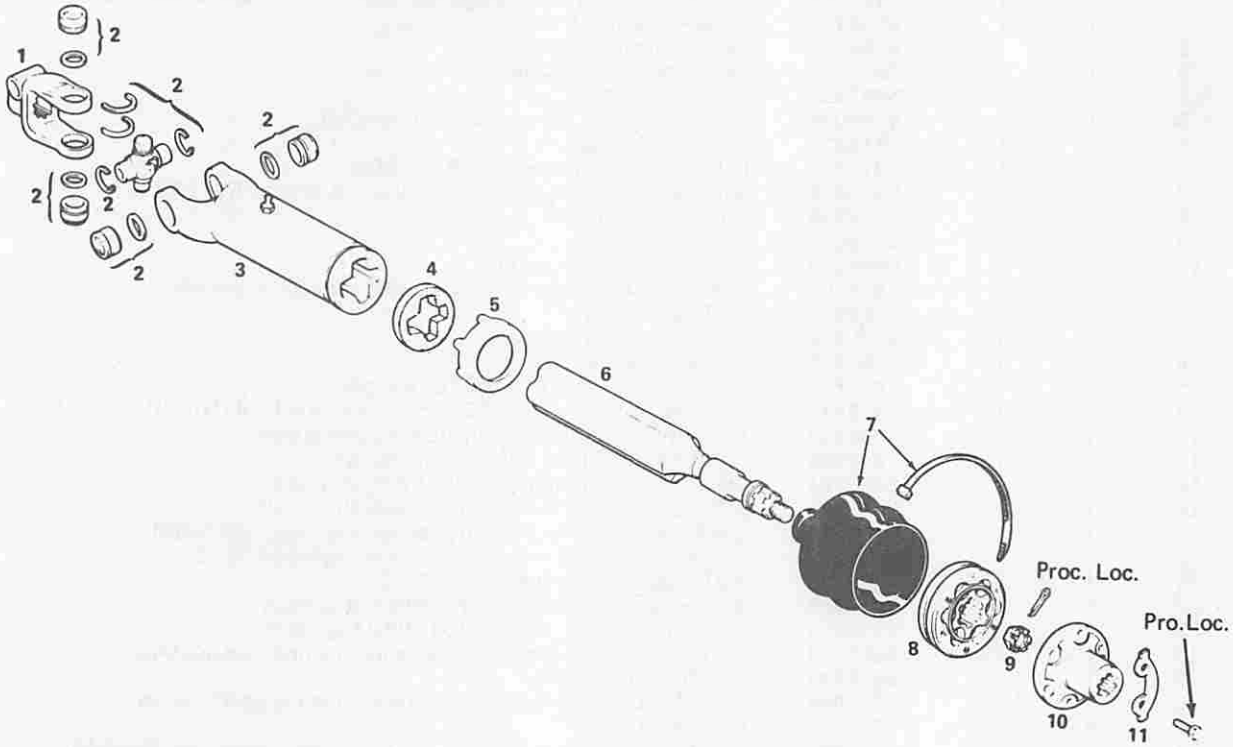
STEERING

KEY 230 260 PART NUMBER

16.010 GEAR — STEERING

—	1	1	7815876	GEAR ASSY.—hydraulic steering (1973).
—	1	1	7817940	GEAR ASSY.—hydraulic steering (eff. w/1974)
—	1	1	5687185	KIT—thrust bearing adjusting plug, upper (w/7815876 strg. gear)
1	1	1	5686814	RING—retaining, end plug
2	1	1	5694823	PLUG—end housing
3	1	1	7812122	SEAL—housing end plug
4	1	1	5687958	RING—rack piston
5	1	1	5688034	SEAL—"O" ring, worm and rack piston nut
5	1	1	7816227	SEAL ASSY.—gasket
6	1	1	7817355	PLUG—end rack piston (repl. 5689695)
7	1	1	5692425	NUT ASSY.—piston, steering worm and rack (repl. 5692427)
8	1	1	5695513	KIT—recirculator ball
9	2	2	5686540	GUIDE—ball return
10	1	1	5686539	CLAMP—guide ball, return
11	2	2	5696151	SCREW ASSY.—worm and rack piston nut (incl. lockwasher)
12	1	1	5667628	NUT—pitman arm
13	1	1	5697702	WASHER—steering gear
14	1	1	5685355	KIT—seal, pitman shaft
15	1	1	7811277	KIT—master seal (w/7815876 strg. gear)
15	1	1	7828570	KIT—master seal (w/7817940 strg. gear) (repl. 7818104)
16	1	1	5697804	BEARING ASSY.—needle, hydraulic steering gear
17	1	1	7818005	HOUSING KIT—(incl. ring and bearing assy.)
18	1	1	5687184	KIT—gear, pitman shaft (w/7815876 strg. gear)
18	1	1	7815885	KIT—gear, pitman shaft (w/7817940 strg. gear)
19	1	1	7817484	COVER ASSY.—side steering gear housing (repl. 7815398)
20	1	1	7817486	"O" RING—gasket, housing side cover (repl. 5686570)
21	1	1	5687973	NUT—lash adjuster (repl. 5685372)
22	4	4	7808685	BOLT—flange hex head (w/7815876 strg. gear)
22	4	4	7816516	BOLT—flange hex head (w/7817940 strg. gear)
23	1	1	5687538	CONNECTOR—inverted flate, hydraulic steering gear housing
24	1	1	5687499	SPRING—check valve
25	1	1	5682044	CONNECTOR—inverted flate, hydraulic steering gear housing
26	1	1	5687624	KIT—check valve
27	1	1	7826844	KIT—thrust bearing; upper (w/7815876, strg. gear) (use 7826844)
27	1	1	NS	KIT—thrust bearing, lower (w/7815876, strg. gear)
27	1	1	7826850	KIT—thrust bearing, lower (w/7817940 strg. gear)
28	1	1	7810897	VALVE ASSY.—hydraulic steering gear (w/7815876 strg. gear)
28	1	1	7813032	VALVE ASSY.—hydraulic steering gear (w/7817940 strg. gear)
29	1	1	5687182	KIT—valve ring (incl. seal) (w/7815876 strg. gear)
30	1	1	5686872	RETAINER—bearing, adjusting plug, upper thrust
31	1	1	7817725	SPACER—bearing adjusting, plug, upper thrust (repl. 5687435)
32	1	1	NS	RACE—outer, adjusting plug, upper, thrust bearing (use 7826844)
33	1	1	5686837	BEARING—thrust adjusting plug, upper
34	1	1	5687209	RACE—inner, adjusting plug upper, thrust bearing
35	1	1	5686527	SEAL—"O" ring, adjusting plug
36	1	1	7817725	PLUG ASSY.—adjusting, hydraulic steering gear (w/7815876 strg. gear) (repl. 5686866)
36	1	1	7828563	PLUG ASSY.—adj., steering gear (w/7817940 strg. gear) (repl. 7817941)
37	1	1	5683229	BEARING—stub shaft, adjusting plug
38	1	1	5687183	KIT—seal, adjusting plug (w/7815876 strg. gear)
38	1	1	7828565	KIT—seal, adj. plug (w/7817940 strg. gear) (repl. 7816983)
39	1	1	5688229	SEAL—dust, stub shaft oil seal
40	1	1	5684820	RING—retaining, stub shaft oil seal
41	1	1	5690698	NUT—lock, adjusting plug
—	1	1	5687539	POPPET—check valve
—	1	1	7828563	KIT—adjuster plug (w/7817940 strg. gear)

STEERING



16P-7001

KEY	230	260	PART NUMBER
-----	-----	-----	-------------

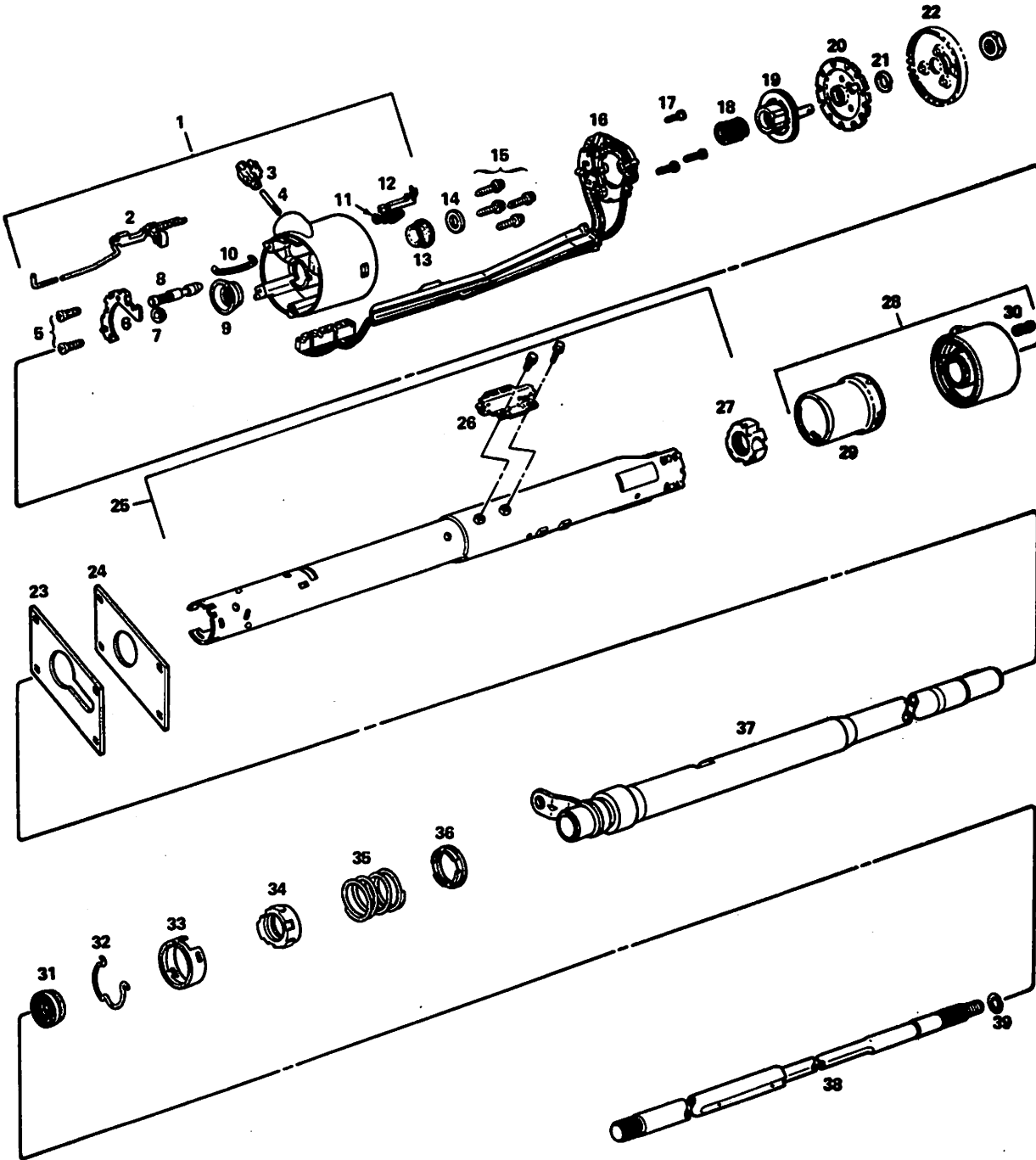
16.020 SHAFT — STEERING, LOWER

—	1	1	692860	SHAFT ASSY.—steering, lower
1	1	1	703326	YOKE—end
2	1	1	703325	JOURNAL KIT—shaft (SOA)
3	1	1	NS	YOKE ASSY.—slip (ref. 704387)
4	1	1	703328	WASHER—slip yoke
5	1	1	703327	CAP—dust, steering, lower shaft
6	1	1	703319	SHAFT ASSY.—stub (incl. items 1 thru 5)
7	1	1	703320	BOOT KIT—lower shaft
8	1	1	703321	JOINT ASSY.—disc, lower shaft
9	1	1	703323	NUT—hex, companion flange
10	1	1	703322	FLANGE—companion, lower shaft
11	1	1	703324	LOCK—companion flange
—	1	1	7802922	CLAMP ASSY.—steering column to lower shaft
—	1	1	7803464	BOLT—clamp, column to lower shaft
—	1	1	9425686	BOLT—steering gear to lower shaft (procure locally)
—	1	1	7810280	NUT—clamp bolt
—	1	1	9422299	NUT—bolt, steering gear to lower shaft

STEERING

NOTES

STEERING



16P-33

16.030 COLUMN - STANDARD STEERING

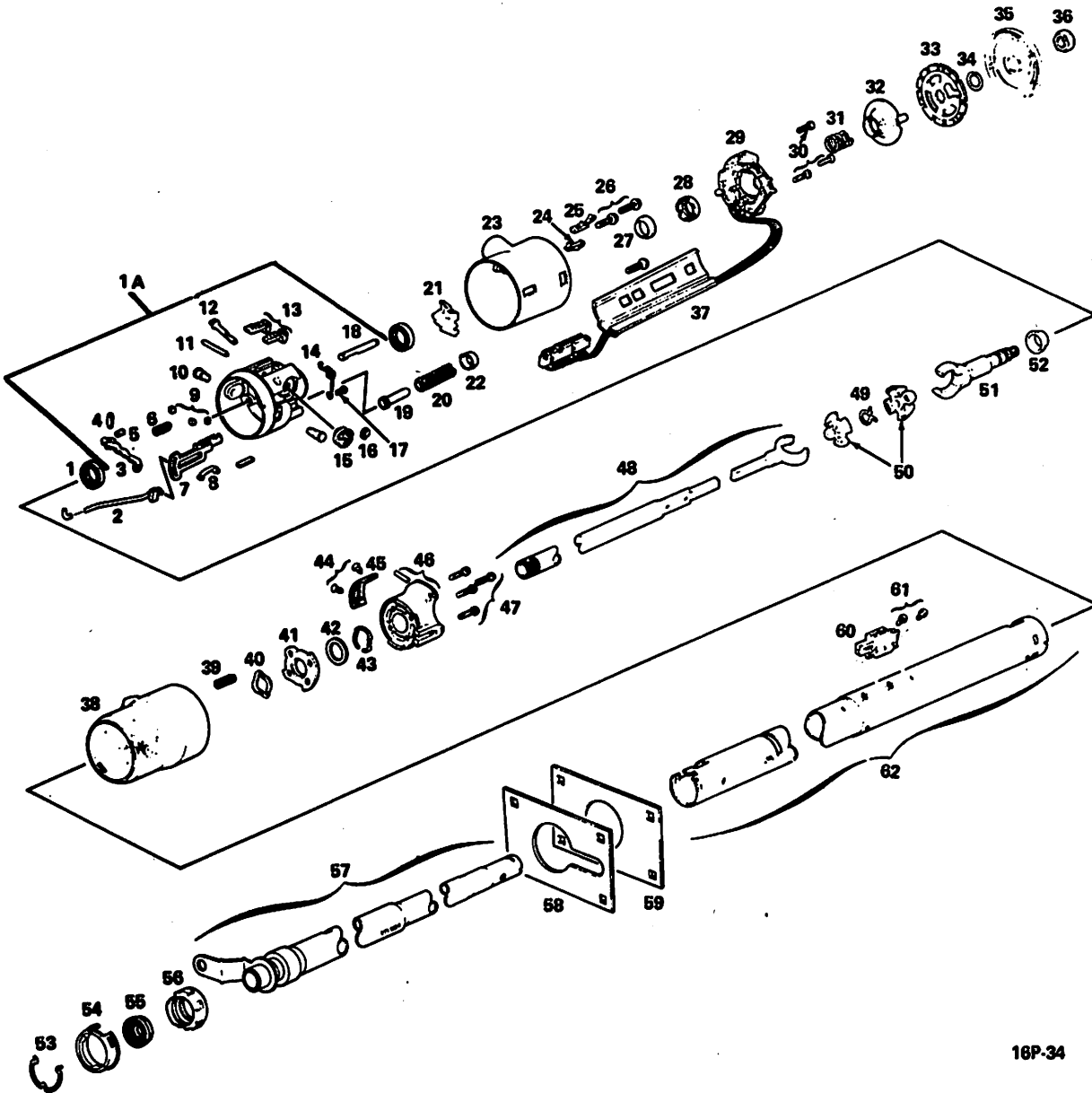
STEERING

KEY	230	260	PART NUMBER
-----	-----	-----	-------------

16.030 COLUMN — STANDARD STEERING

—	1	1	7815327	COLUMN ASSY.—steering (complete)
1	1	1	7827355	HOUSING ASSY.—steering shaft (repl. 7811172)
2	1	1	7807284	RACK ASSY.—steering shaft lock (incl. rod)
3	1	1	7812526	SECTOR—steering column
4	1	1	NS	SHAFT—steering column (part of housing)
5	2	2	7804407	SCREW—flat head, cross recess
6	1	1	7811592	GATE—lock, shift lever
7	1	1	7805950	SPRING—thrust water
8	1	1	7806185	BOLT—spring, steering column housing
9	1	1	7804413	CUP—thrust
10	1	1	7804410	SPRING—pre-load rack and rod
11	1	1	7804419	CLIP—steering column
12	1	1	7804414	SWITCH ASSY.—steering column
13	1	1	7800269	BEARING—steering column
14	1	1	7800580	WASHER—thrust
15	4	4	7806867	SCREW—tapping, hex washer head
16	1	1	7804558	PROTECTOR—wiring, steering column
17	3	3	7808587	SCREW—recess, pan head
18	1	1	7804771	SPRING—upper bearing
19	1	1	7812210	CAM ASSY.—steering column
20	1	1	7826016	LOCK—steering shaft (repl. 7804766)
21	1	1	5694191	RING—retaining
22	1	1	7806232	COVER ASSY.—lock, steering shaft (incl. screw and ret.)
23	1	1	NPN	PLATE—support, steering column, lower (ref. 696173) (make locally)
24	1	1	696174	SEAL—lower, steering column
25	1	1	7808885	JACKET ASSY.—steering column (incl. switch and bearing)
26	1	1	1990098	SWITCH ASSY.—ignition (repl. 1990095)
27	1	1	7805365	BEARING—lower, shift lever bowl
28	1	1	7810216	BOWL—gear shift lever (incl. shroud and spring)
29	1	1	7811350	SHROUD—shift bowl
30	1	1	7808017	SPRING—upper shift lever
31	1	1	7805700	BEARING ASSY.—lower, steering column
32	1	1	7804439	CLIP—adapter, lower bearing
33	1	1	7804440	RETAINER—adapter, lower bearing
34	1	1	7805822	ADAPTER—lower bearing steering column
35	1	1	7810567	SPRING—return, steering shaft tube
36	1	1	7807427	WASHER—steering column shift tube, thrust
37	1	1	7809589	TUBE ASSY.—shift, steering column
38	1	1	7809416	SHAFT ASSY.—steering column
39	1	1	5694191	RING—retaining
—	2	2	7806433	SCREW—washer head (No. 10-24 x 1/4)
—	1	1	696177	BRACKET—support, steering column, upper
—	1	1	696175	BRACKET—support, steering column, lower
—	1	1	NPN	PLATE—steering column supt. upper (repl. 696176)(ref. 724977)(make locally)
—	1	1	408658	LEVER ASSY.—shift
—	AR	AR	2436162	WASHER—bolt, support plate
—	1	1	374217	U-BOLT—steering column to lower plate
—	2	2	2436162	WASHER—u-bolt
—	4	4	11502764	BOLT—steering column upper support bracket (repl. 9431600)

STEERING



16P-34

16.035 COLUMN - TILT STEERING

STEERING

KEY	230	260	PART NUMBER	
16.035 COLUMN — TILT STEERING				
—	1	1	7815326	COLUMN ASSY.—steering (First Design) (ref. only)
—	1	1	7819122	COLUMN ASSY.—steering (exc./ Transmode 1977) (Second Design) (repl. 791158, 2000853, 2009968, 7815326)
—	1	1	7827961	COLUMN ASSY.—steering (second design) (w/Transmode 1977)
—	1	1	7829693	COLUMN ASSY.—steering (w/Transmode 1978)
NOTE: The above Column Assemblies include the following items thru asterisk as indicated.				
—	1	1	7809755	SHAFT ASSY.—steering (w/7815326 column)
—	1	1	7818892	SHAFT ASSY.—steering (w/7819122, 7827961 column)
—	1	—	7829694	SHAFT ASSY.—steering (w/7829693 column)
1	2	2	5696210	BEARING—steering column (SOA)
1A	1	1	7813067	HOUSING ASSY.—steering column (w/7815326 column)
1A	1	1	7819440	HOUSING ASSY.—steering column (w/7819122 column) (repl. 7819748)
1A	1	1	7827172	HOUSING ASSY.—steering column (w/7827961, 7829693 column)
NOTE: The above Housing Assemblies include items 2 thru 18.				
2	1	1	7819862	ACTUATOR KIT.—ignition switch (w/7815326, 7819122 column) (repl. 7805376)
2	1	1	7818778	ACTUATOR ASSY.—ignition switch (w/7827961, 7829693 column)
3	1	1	7800154	LEVER—shoe release
4	1	1	5698406	PIN—steering housing release lever
5	1	1	5698410	SPRING—release lever
6	2	2	7804912	SPRING—steering wheel, lock shoe
—	1	1	7819749	KIT—switch actuator and rack (repl. 7804923)
7	1	1	7827157	RACK—switch actuator (w/7827172 Hsg.)
8	1	1	7804908	SPRING—rack pre-load
9	3	3	5698416	BUMPER—steering housing
10	2	2	7810363	PIN—pivot
11	1	1	7806567	PIN—dowel, steering housing
12	1	1	7809368	SHAFT—drive
13	1	1	7804925	SHOE—steering wheel lock (3 positions)
13	1	1	7804926	SHOE—steering wheel lock (4 positions) (repl. 7813068)
14	1	1	7805827	SPRING—lock bolt
15	1	1	7805158	SECTOR—switch actuator (w/7819440 Hsg.)
15	1	1	7827156	SECTOR—switch actuator (w/7827172 Hsg.)
16	1	1	7804911	RING—retaining switch actuator
17	1	1	7803623	SCREW—switch actuator
18	1	1	7808613	BOLT—lock steering housing
19	1	1	7800176	GUIDE—spring
20	1	1	7812854	SPRING—steering wheel tilt
21	1	1	7805608	SHIELD—opening, tilt lever
22	1	1	7800177	RETAINER—spring
23	1	1	7805986	LOCK—housing cover
24	1	1	7804518	CLIP—retaining, buzzer switch
25	1	1	7811092	SWITCH ASSY.—buzzer (SOA) (optional sw. 7815611)
26	3	3	9428927	SCREW—housing cover
27	1	1	5693941	RACE—inner bearing
28	1	1	7815184	SEAT—race, bearing (upper, inner)
29	1	1	1997963	SWITCH ASSY.—turn signal (w/7815326, 7819122 column)
29	1	1	1997983	SWITCH ASSY.—turn signal (SOA) (w/7827961, 7829693 column)
30	3	3	7809128	SCREW—turn signal switch
31	1	1	7815185	SPRING—upper bearing
32	1	1	7812211	CAM UNIT—converter, steering wheel (incl. cancel)
33	1	1	7805227	LOCK—steering shaft
34	1	1	5694191	RING—retaining
35	1	1	7806159	COVER ASSY.—lock, steering shaft
35	1	1	7819738	COVER—lock, steering shaft (opt.)
36	1	1	—	NUT—steering wheel (procure locally) (ref. 124939)
37	1	1	7815106	PROTECTOR—wiring, steering shaft
38	1	1	7805991	BOWL—gear shift lever
39	1	1	7812853	SPRING—shift lever
40	1	1	3884595	WASHER—wave (repl. 7805159)
41	1	1	7804915	PLATE—lock, steering shaft
42	1	1	7804906	WASHER—thrust
43	1	1	7804907	RING—retaining, shaft tube
44	2	2	7800639	SCREW—oval head, cross recess

STEERING

KEY	230	260	PART NUMBER
-----	-----	-----	-------------

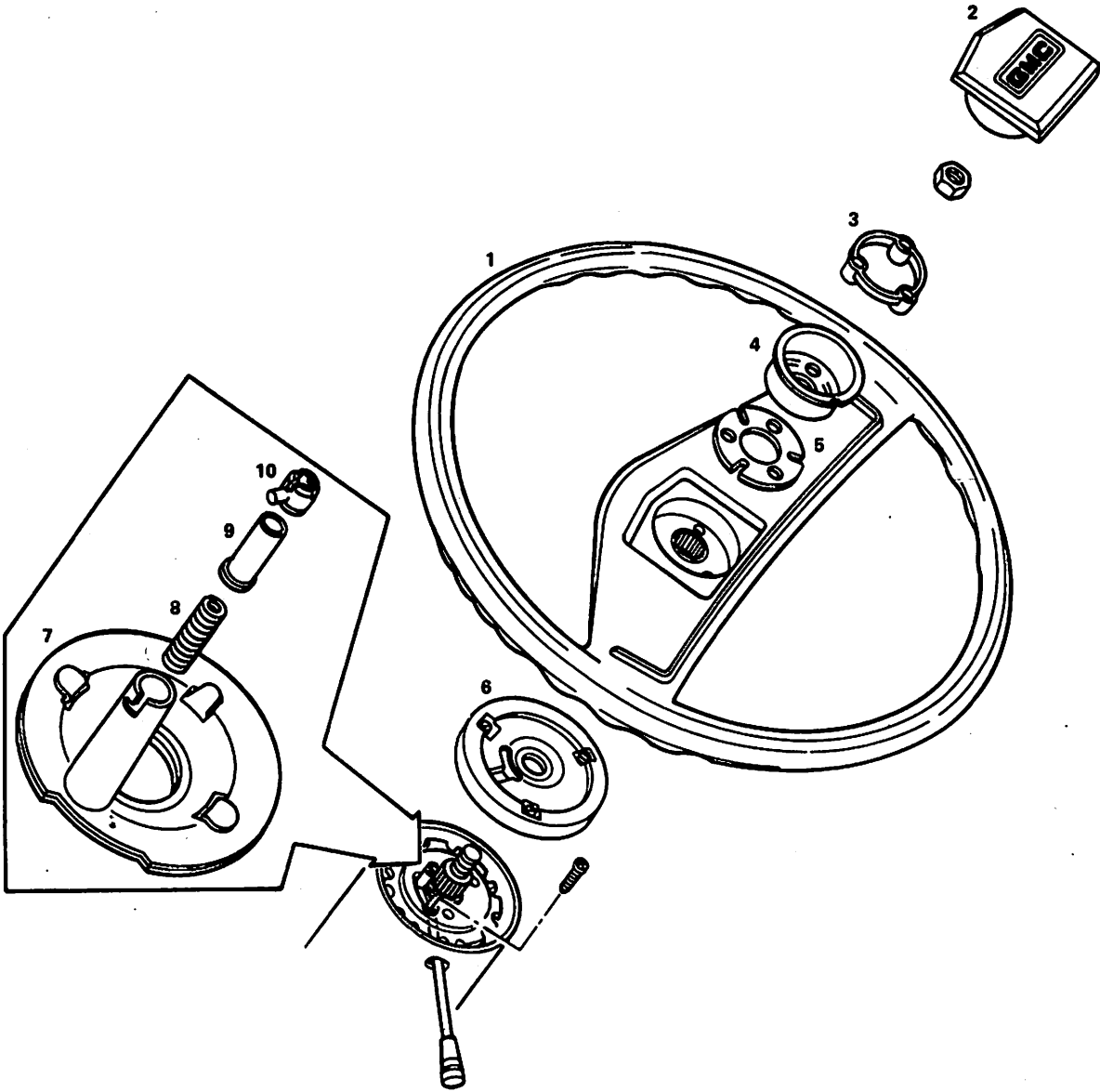
16.035 COLUMN — TILT STEERING (Cont.)

45	1	1	7811691	GATE—support
46	1	1	7811692	SUPPORT ASSY.—housing, steering column (incl. pin)
47	4	4	7807274	SCREW—support
48	1	1	7809745	SHAFT ASSY.—lower steering (SOA)
49	1	1	7805259	SPRING—joint pre-load
50	2	2	7805258	SPHERE—centering
51	1	1	7810569	SHAFT ASSY.—upper steering, (incl. race) (w/7809755 shaft)
51	1	1	7818890	SHAFT ASSY.—upper steering (incl. race) (SOA) (w/7818892 shaft)
51	1	—	7828404	SHAFT ASSY.—upper steering (incl. race) (SOA) (w/7829694 shaft)
52	1	1	5693941	RACE—shaft assembly, steering, upper (inner)
53	1	1	7804439	CLIP—lower bearing actuator
54	1	1	7804440	RETAINER—bearing adapter
55	1	1	7805700	BEARING ASSY.—lower (SOA)
56	1	1	7805822	ADAPTER—lower bearing
57	1	1	7809800	TUBE ASSY.—shift
58	1	1	696173	PLATE—steering column, lower
59	1	1	696174	SEAL—lower, steering column
60	1	1	1990099	SWITCH ASSY.—ignition (SOA) (w/7815326, 7819122, 7827961 column) (repl. 1990096)
61	2	2	7806433	SCREW—washer head
62	1	1	7805257	JACKET ASSY.—steering column (SOA) (w/7815326, 7819122 column)
62	1	1	7827423	JACKET ASSY.—steering column (SOA) (w/7827961 column)
62	1	—	7828834	JACKET ASSY.—steering column (SOA) (w/7829693)
—	1	1	408239	LEVER ASSY.—steering column tilt locking
—	1	1	554640	LEVER—shift
—	1	1	419454	CLIP—column nut retaining
—	1	1	7819748	KIT—column housing (w/7815326, 7819122 column)
—	1	1	7819749	KIT—switch actuator and rack (w/7815326, 7819122 column)
—	1	1	7810077	KIT—steering shaft (repair) (w/7827961, 7829693 column)
—	1	1	20071252	SET ASSY.—ignition lock (1976) (details not available at time of publication) (repl. 1723200)
—	1	1	20022700	SET ASSY.—ignition lock (1977) (ref. only) (details not available at time of publication)
—	1	1	20071252	SET ASSY.—ignition lock (1978) (details not available at time of publication)
—	1	1	7812051	CAM ASSY.—turn signal (SOA) (w/7827961 7829693 column)
—	1	1	7825867	SHAFT—lock (w/7827961 7829693 column)

STEERING

NOTES

STEERING



16P-39-675

16.040 WHEEL - STEERING (FIRST DESIGN)

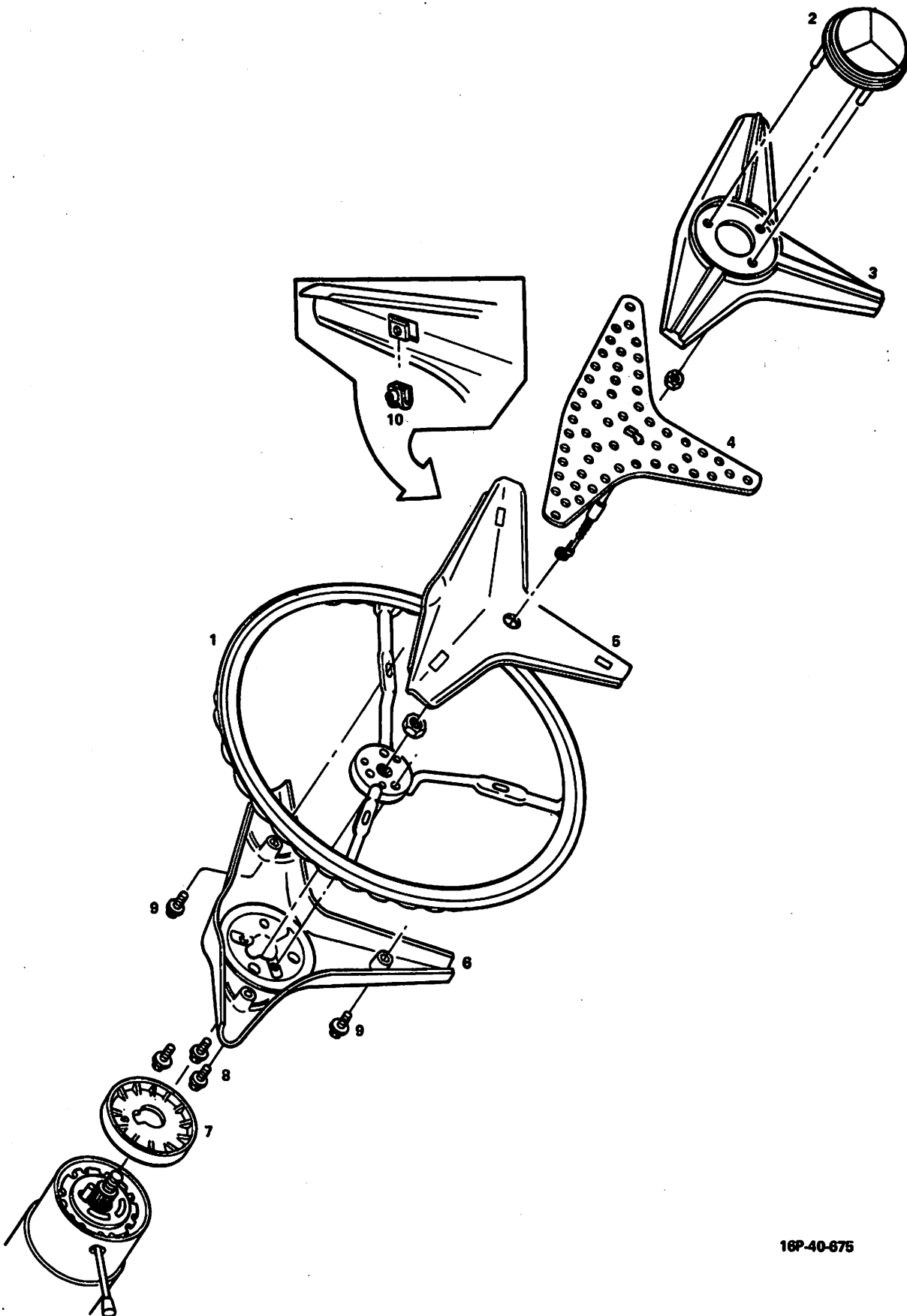
STEERING

KEY	230	280	PART NUMBER
-----	-----	-----	-------------

16.040 WHEEL — STEERING (FIRST DESIGN)

1	1	1	9755262	WHEEL ASSY.—steering (prior to 1975)
1	1	1	9755905	WHEEL ASSY.—steering (TransMode or w/RPO 683)
2	1	1	9755008	PAD ASSY.—steering wheel
2	—	1	—	PAD—steering wheel (ref. 1603176)
3	1	1	9754764	BUSHING—spacer
4	1	1	9748190	CUP—receiver
5	1	1	9748040	SPRING—belleville (repl. 9749363)
6	1	1	7826017	COVER ASSY.—lock plate, steering shaft (repl. 7806159)
7	1	1	—	CAM UNIT—converter, steering wheel (incl. cancel) (see group 16.035)
8	1	1	404234	SPRING—contact
9	1	1	3916047	EYELET—contact (repl. 3857251)
10	1	1	409190	INSULATOR—horn contact
—	—	1	1603458	BASE—pad center (w/RPO 696)
—	—	1	721333	APPLIQUE—pad center (w/RPO 696)
—	—	3	1493941	U-NUT—applique to base (w/RPO 696)
—	—	1	796684	INSERT—pad (w/RPO 696) (repl. 1603947)
—	—	3	9423769	SCREW—insert to pad (w/RPO 696)
—	—	AR	9437000	NUT—screw (w/796684) (repl. 1604209)
—	3	3	9740099	SCREW
—	1	1	1602426	SHROUD—steering wheel (repl. 791159 & paint)

STEERING



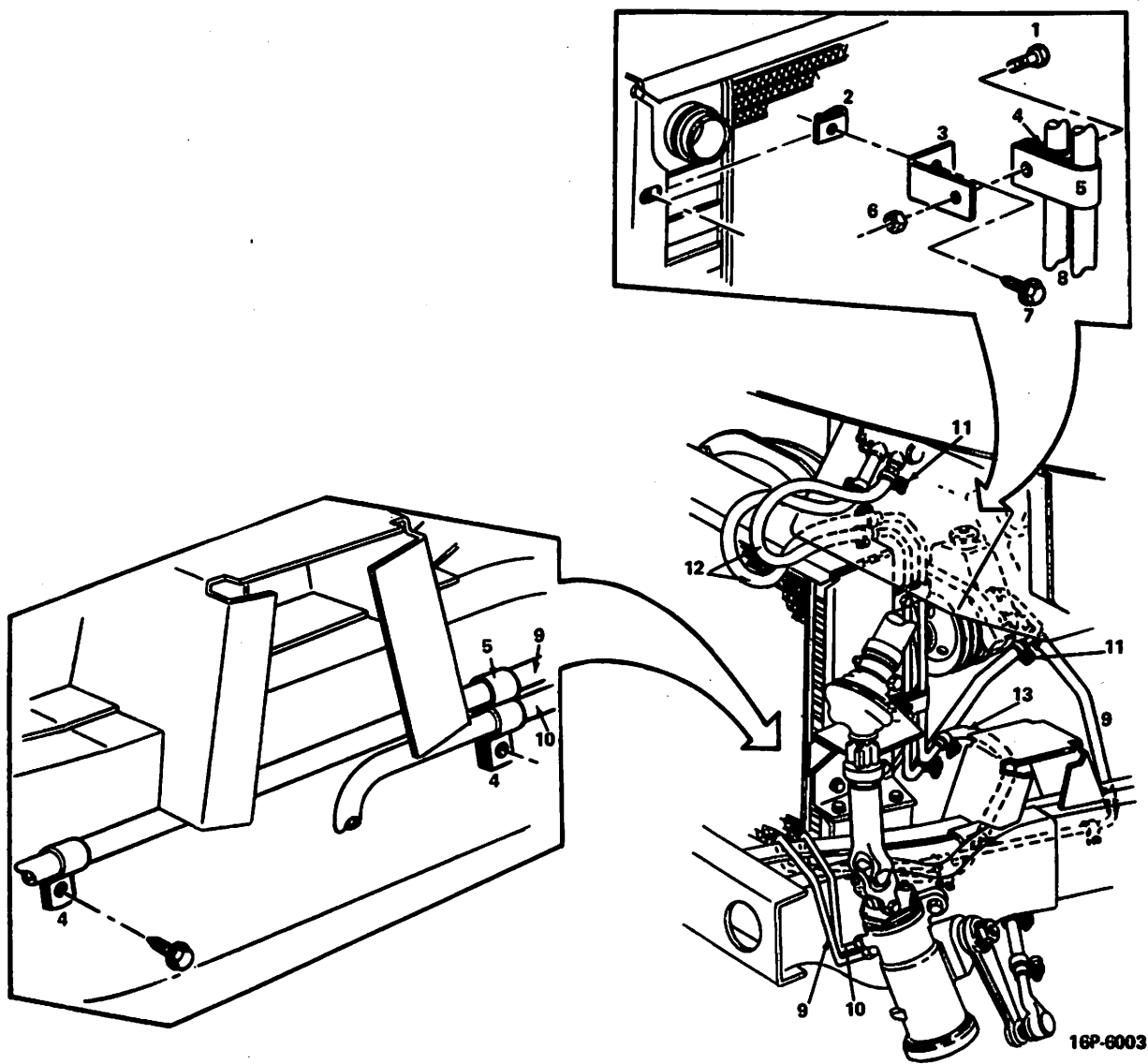
16P-40-675

16.043 WHEEL - STEERING (SECOND DESIGN)

STEERING

KEY	230	260	PART NUMBER	
16.043 WHEEL — STEERING (SECOND DESIGN)				
—	—	1	9757112	WHEEL ASSY.—steering (w/RPO 641, 681 & 697) (repl. 9753718)
1	—	1	9759051	WHEEL ASSY.—steering (w/RPO 698)
2	—	1	798684	APPLIQUE—pad center (w/9753718) (vehicles built prior to June 21, 1976)
2	—	1	2000850	APPLIQUE—pad center (w/9753718, 9757112 & 9759051 wheel assy.) (vehicles built after June 21, 1976) (w/out (2) slots in center of applique)
2	—	1	1607526	APPLIQUE—pad center (w/9753718, 9757112 & 9759051 wheel assy.) (vehicles built after June 21, 1976) (w/(2) slots in center of applique) (Note: Also use next (2) items)
—	—	1	2028442	APPLIQUE—steering wheel pad lower (w/1607526 applique)
—	—	1	2028443	APPLIQUE—steering wheel pad upper (w/1607526 applique)
3	—	1	1603178	PAD—steering wheel (w/9753718, 9757112)
3	—	1	2001472	PAD—steering wheel (w/9759051)
4	—	1	8911805	SWITCH ASSY.—horn
5	—	1	1603458	BASE—pad
6	—	1	1602426	SHROUD—steering wheel (w/9753718, 9757112, 9759051) (repl. 791159 & 2009969)
7	—	1	7819738	COVER—lock, steering shaft
8	—	3	9420835	SCREW—steering wheel pad to insert (8-32 x 1/2)
9	—	2	9423769	SCREW—shroud
10	—	3	1493941	U-NUT—applique to base

STEERING

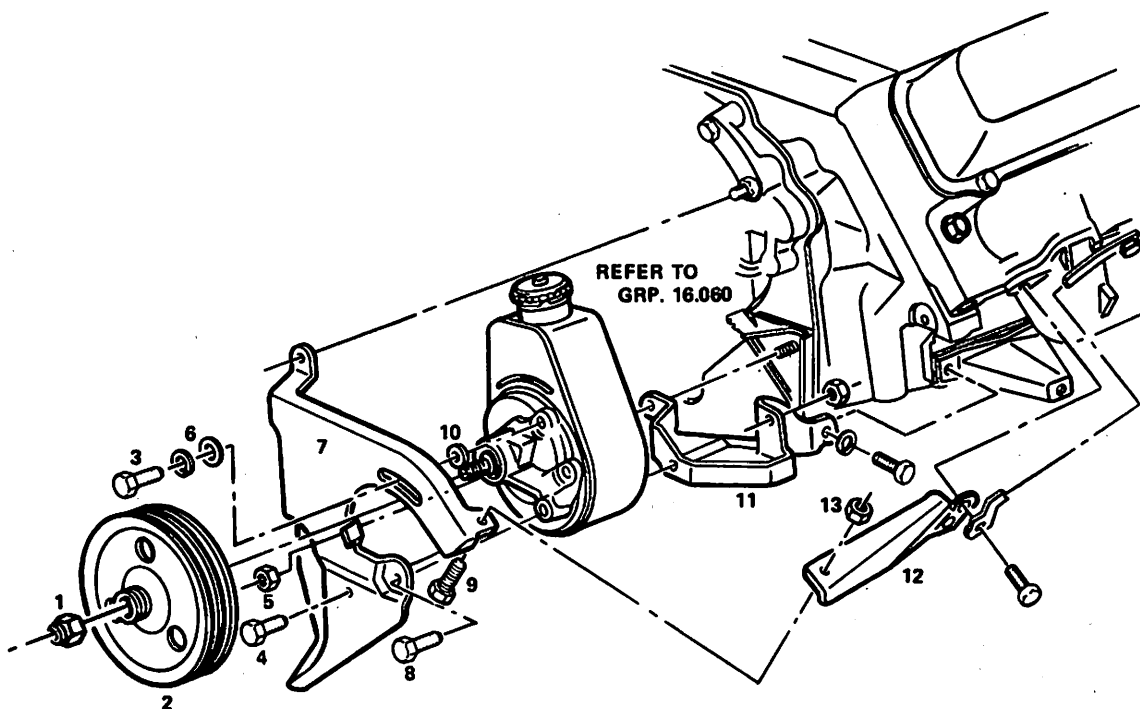


KEY	230	260	PART NUMBER
-----	-----	-----	-------------

16.045 LINES — HYDRAULIC STEERING AND HOSE

1	2	2	9427605	BOLT—clip to support bracket (5/16-18 x 3/4, 300M Steel)
2	2	2	1494253	CLIP—nut screw at radiator support
3	2	2	680401	BRACKET—clip support
4	3	3	2490119	CLIP—line, hydraulic steering
5	3	3	NS	CLIP—line, hydraulic steering (removed from service)
6	2	2	9422275	NUT—bolt, clip to support bracket
7	2	2	3864202	SCREW ASSY.—clip at radiator support
8	2	2	702389	HOSE—return (prior to 1978)
8	1	1	2025993	HOSE—hydraulic steering return (w/ 1978)
—	1	1	2467406	HOSE—hydraulic steering return tube to pump (w/ 1978) (repl. 1469409)
—	2	2	657558	STRAP ASSY.—hydraulic steering return hose (w/ 1978)
9	1	1	702357	HOSE ASSY.—pressure, steering pump to valve
10	1	1	NS	LINE ASSY.—return hydraulic steering (removed from service)
11	8	8	2468869	CLAMP—hose, hydraulic steering return
12	AR	AR	2467406	HOSE—windshield washer motor to return line, return hyd. steering & return to hyd. pump (CTL)
—	2	2	9422232	SCREW—clip at frame
—	2	2	9422276	WASHER—bolt, clip to support bracket
—	AR	AR	8885525	HOSE—steering gear to windshield wiper motor inlet (CTL), also use 1-2364393 & 1-2362432 fittings (repl. 8871999, 2378749)
—	1	1	2488392	CLIP—hose to mounting bracket

STEERING



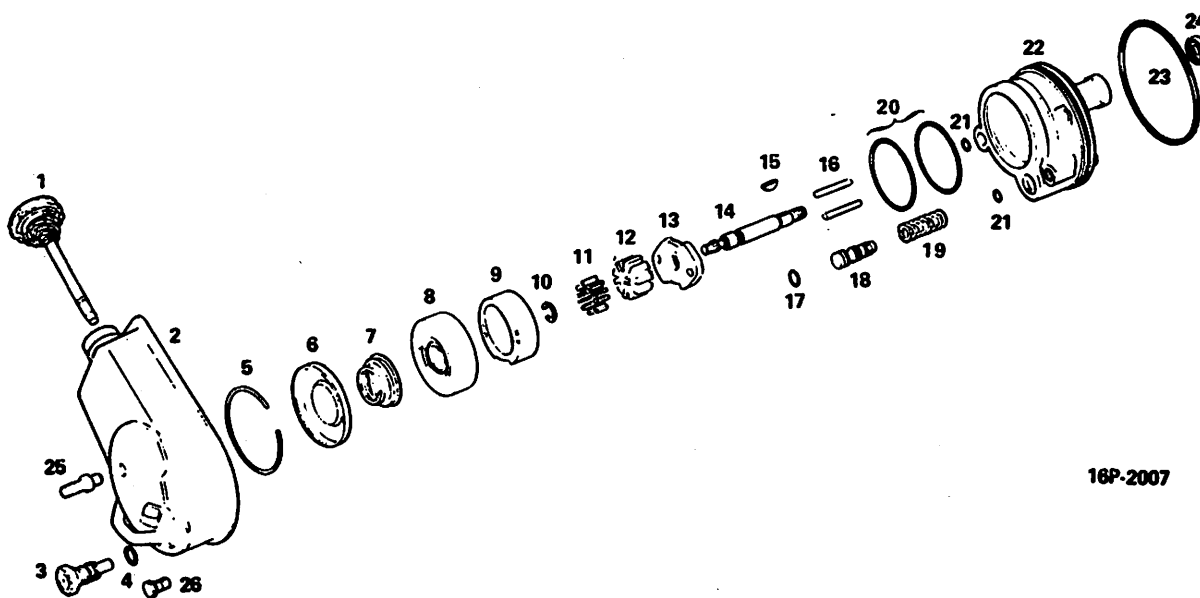
16P-2008

KEY	230	260	PART NUMBER
-----	-----	-----	-------------

16.055 POWER STEERING HYDRAULIC PUMP MOUNTING

1	1	1	3824475	NUT—pulley, hydraulic steering pump (used w/7813474)
2	1	1	399406	PULLEY ASSY.—pump, hydraulic steering (used w/7813474 pump)
2	1	1	419713	PULLEY ASSY.—power steering pump (used w/7818023 pump)
2	1	1	2025922	PULLEY ASSY.—pump, hydraulic steering (w/7827380 pump)
3	1	1	9427321	BOLT—adjusting link to hydraulic pump
4	1	1	9419995	SCREW—bracket, adjusting link
5	1	1	9418931	NUT—bolt, bracket to pump
6	1	1	120394	WASHER—flat, adjusting link to pump
7	1	1	562594	LINK—adjusting, hydraulic steering pump (replaces 414064) (w/413610, 416542, 417794, 418694 engine) (repl. 417143)
7	1	1	555378	LINK—adjusting hydraulic steering pump (eff. w/interm. 1977) (w/556626, 556627 engine) (prior to 1978)
7	1	1	2020385	LINK—adjusting hydraulic steering pump (eff w/561032, 561033 engine 1978)
8	1	1	9419049	BOLT—adjusting, link to hydraulic pump
9	1	1	9418918	BOLT—adjusting link to hydraulic pump
10	1	1	555698	WASHER—adjusting, link to hydraulic pump (w/413610, 416542, 417794, 418694 engine)
10	1	1	3898786	WASHER—adjusting, link to hydraulic pump (eff. w/interm. 1977) (w/556626, 556627, 561032, 561033 engine)
11	1	1	398668	BRACKET—pump hydraulic steering (w/413610, 416542, 417794, 418694 engine)
11	1	1	555377	BRACKET—pump hydraulic steering (eff. w/interm. 1977) (w/556626, 556627 engine) (prior to 1978)
11	1	1	2025927	BRACKET—pump hydraulic steering (eff w/561032, 561033 engine 1978)
12	1	1	410335	BRACE—pump hydraulic steering (not used with air conditioning)
13	1	1	9417954	NUT—bolt, hydraulic pump link
—	1	1	555379	SPACER—hydraulic steering pump adjusting link (eff. w/interm 1977) (w/556626, 556627, 561032, 561033 engine)

STEERING



16P-2007

KEY	230	260	PART NUMBER	
-----	-----	-----	-------------	--

16.060 PUMP — HYDRAULIC POWER STEERING

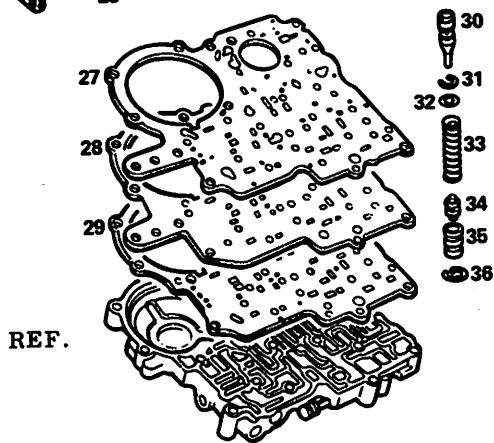
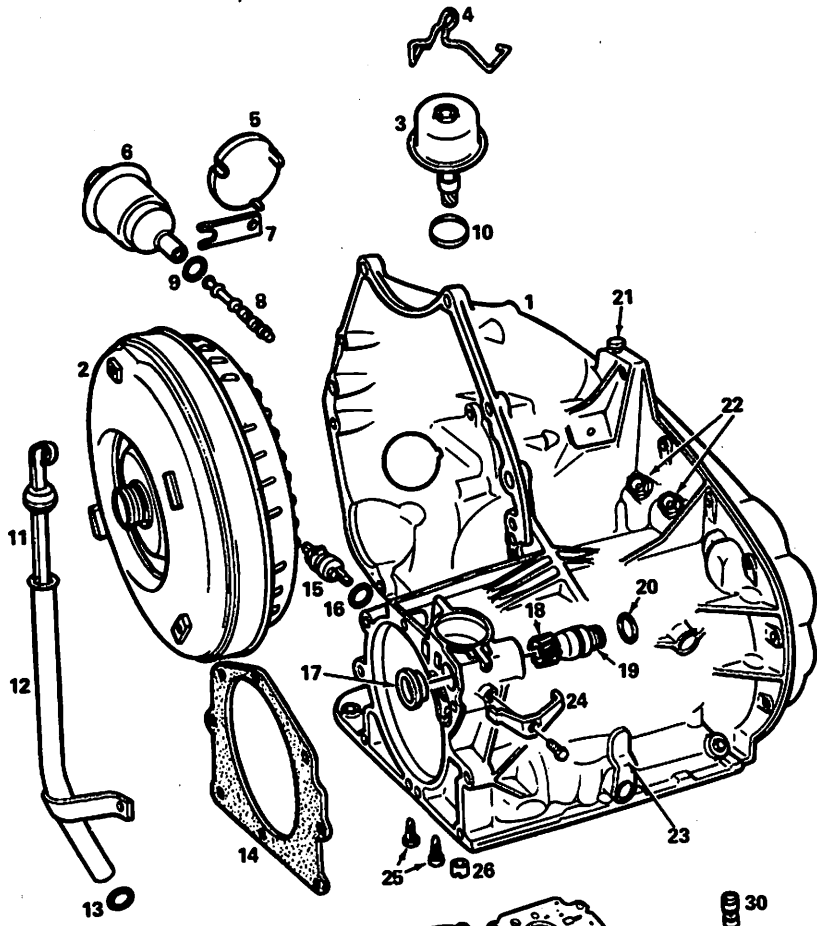
—	1	1	7827380	PUMP ASSY.—hydraulic steering, complete (eff. w/1978)
—	1	1	7818023	PUMP ASSY.—hydraulic steering, complete (Second Design) (eff w/1974 & prior to 1978)
—	1	1	7813474	PUMP ASSY.—hydraulic steering, complete (First Design) (eff. w/1973 & prior to 1974)
—	1	1	7825173	KIT—rotor, vane and ring (SOA) (repl. 5690858)
—	1	1	5688044	KIT—seal (SOA)
1	1	1	7803820	CAP ASSY.—hydraulic steering reservoir (SOA)
2	1	1	7814126	RESERVOIR ASSY.—hydraulic steering (w/7813474 & 7818023 pump assy.)
2	1	1	7827562	RESERVOIR ASSY.—hydraulic steering (w/7827380 pump assy.)
3	1	1	7811615	FITTING—hydraulic steering pump (SOA)
4	1	1	5688065	SEAL—“o” ring (w/7813474 & 7818023 pump assy.)
5	1	1	5688014	RING—retaining
6	1	1	5689358	PLATE—end, hydraulic steering pump
7	1	1	5689359	SPRING—pressure plate
8	1	1	5688043	PLATE—pressure
9	1	1	7825171	RING—pump, hydraulic steering (w/7813474 & 7818023 pump assy.)
				RING—hydraulic steering pump (w/7827380 pump assy.) (repl. 5690857)
10	1	1	5689388	RING—retaining, shaft
11	1	1	7825173	KIT—pump vane (incl. rotor and ring) (SOA) (repl. 5688047)
12	1	1	NS	ROTOR—hydraulic steering pump (w/7813474 & 7818023 pump assy.) (ref. 5688011) (use 7825173 kit) (16.060)
13	1	1	7813462	PLATE—thrust, hydraulic steering pump
14	1	1	7810333	KIT—ret. ring and drive shaft (SOA) (w/7813474 pump assy.)
14	1	1	7818175	KIT—ret. ring and drive shaft (SOA) (w/7818023 & 7827380 pump assy.)
15	1	1	124543	KEY—woodruff (w/7813474 & 7818023 pump assy.)
16	.2	2	5689357	PIN—dowel, ring
17	1	1	5688065	SEAL—“o” ring (w/7813474 & 7818023 pump assy.)
18	1	1	7809232	VALVE ASSY.—control (SOA)
19	1	1	5688037	SPRING—flow control
20	2	2	5688034	SEAL—“o” ring (w/7813474 & 7818023 pump assy.)
21	2	2	5688109	SEAL—“o” ring (w/7813474 & 7818023 pump assy.)
22	1	1	7807934	HOUSING ASSY.—hydraulic steering pump
23	1	1	5688015	SEAL—“o” ring
24	1	1	7808195	SEAL—drive shaft (w/7813474 & 7818023 pump assy.)
25	1	1	5689546	STUD—mounting
26	1	1	5696245	BOLT—reservoir (w/7813474 & 7818023 pump assy.)
—	1	1	7808195	SEAL—drive shaft (w/7807934 housing)
—	1	1	7827562	KIT—hydraulic pump reservoir (w/7827380 pump assy.)

TRANSMISSION

LIST OF SUB GROUPS

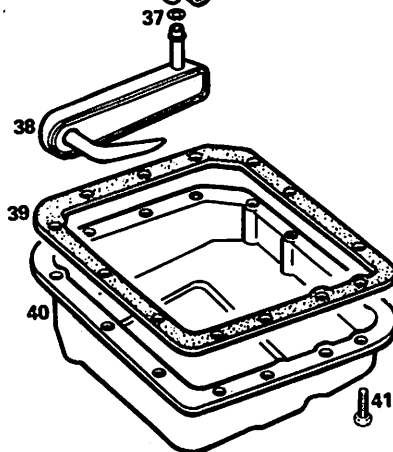
Name	Group No.
BRAKE — TRANSMISSION PARKING	17.007
CASE — TRANSMISSION, AND OIL PAN	17.001
CLUTCH — TRANSMISSION	17.002
CONTROLS — TRANSMISSION	17.048
LINES — TRANSMISSION OIL COOLER	17.048
OUTPUT — TRANSMISSION, REACTION CARRIER AND SHAFTS	17.003
PIPE — TRANSMISSION VACUUM MODULATOR	17.080
PUMP — TRANSMISSION OIL, DRIVE SPROCKET AND LINK	17.008
SERVO — TRANSMISSION FRONT AND REAR	17.004
VALVE BODY — TRANSMISSION CONTROL	17.008

TRANSMISSION



REF.

AT 425
17-001 TRANSMISSION CASE
AND OIL PAN



TRANSMISSION

KEY	230	280	PART NUMBER	
-----	-----	-----	-------------	--

17.001 TRANSMISSION CASE AND OIL PAN

—	1	1	8627428	TRANSMISSION ASSY.—complete (1973) (ref. only)
—	1	1	8627737	TRANSMISSION ASSY.—complete (eff. w/ 1974) (First Design) (ref. only)
—	1	1	8629034	TRANSMISSION ASSY.—complete (Second Design) (prior to Serial No. 6V100878) (ref. only)
—	1	1	8629289	TRANSMISSION ASSY.—complete (eff. w/Serial No. 6V100878) (ref. only)
—	1	1	8629429	TRANSMISSION ASSY.—complete (eff. w/serial No. 7V101820) (ref. only)
—	1	1	8629631	TRANSMISSION ASSY.—complete (eff. w/serial no. 8V100002) (repl. 8627428, 8627737, 8629034, 8629289 & 8629429) of the above trans. assy. 8629631 are the same as trans. assy. 8629429 except onnector. 1-8629531 band assy. & 1-8629507 valve assy.)
—	1	1	8623979	KIT—snap ring
—	1	1	8624958	KIT—overhaul seals and gaskets
—	1	1	8624939	PACKAGE—governor driven gear replacement
1	1	1	8624986	CASE—trans. (incl. vacuum modulator valve sleeve)
2	1	1	8623964	CONVERTER—transmission
3	1	1	8627597	GOVERNOR—trans. (used w/8627428 & 8627737 trans. assy.)
—	1	1	8629093	GOVERNOR—trans. (used w/8629034, 8629289, 8629429 & 8629631 trans. assy.)
4	1	1	8625220	SPRING—retainer, gov. cover
5	1	1	390042	PLUG—case
6	1	1	3027842	MODULATOR ASSY.—vacuum (SOA) (repl. 3027714)
7	1	1	8627650	RETAINER—modulator to case (repl. 1357282)
8	1	1	8625071	VALVE—vacuum modulator
9	2	2	6264903	SEAL—modulator to case (repl. 3708146)
10	1	1	8625058	RING—seal, governor to case
11	1	1	1489612	INDICATOR—oil level
12	1	1	405368	TUBE ASSY.—oil filter (SOA)
13	1	1	6264902	SEAL—tube, oil filler
14	1	1	389948	GASKET—final drive to trans.
15	1	1	8626252	CONNECTOR—solenoid sleeve
16	1	1	3708146	SEAL—connector, solenoid sleeve
17	1	1	8625001	PLUG—speedo bore
18	1	1	403417	GEAR—drive speedo
19	1	1	404024	SLEEVE ASSY.—speedo drive gear
20	1	1	8622076	SEAL—speedo drive gear
21	1	1	3766380	VENT—trans. (SOA) (repl. 3750810, 3820840)
22	2	2	8626632	CONNECTOR—flared (used w/8627428, 8627737, 8629034, 8629289, 8629429 trans. assy.)
22	2	2	8629653	CONNECTOR—flared (used w/8629631 trans. assy.)
23	1	1	8626261	LEVER ASSY.—manual (SOA)
24	1	1	8625094	RETAINER—sleeve, speedo gear
25	1	1	8627468	SCREEN ASSY.—governor (SOA)
26	1	1	8625457	BALL ASSY.—retainer, check valve (SOA)
27	1	1	8625380	GASKET—case to spacer
28	1	1	8627591	SPACER—valve body (used w/8627428 trans. assy.)
28	1	1	8627862	SPACER—valve body (used w/8627737, 8629034, 8629289, 8629489 & 8629631 trans. assy.)
29	1	1	8625205	GASKET—valve body to spacer
30	1	1	8623422	VALVE—regulator boost (repl. 8625902)
31	AR	AR	8623368	SPACER—spring, pressure regulator
32	1	1	8623039	WASHER—spring retainer
33	1	1	8625648	SPRING—pressure regulator
34	1	1	8625902	PLUG—pressure regulator valve (repl. 8623422) (pkg.) (incl. bushing)
35	1	1	8625902	BUSHING—valve, regulator boost (pkg.) (incl. plug)
36	1	1	274613	RING—retainer (pkg.)
37	1	1	1363951	SEAL—ring, oil strainer pipe
38	1	1	6438301	FILTER ASSY.—trans. (SOA)
39	1	1	8625089	GASKET—oil pan (repl. 8626932)
40	1	1	8625090	PAN—oil
41	13	13	—	BOLT—oil pan (incl. washer) (proc. loc.) (ref. 425108)
—	2	2	8625422	GASKET—cooler fitting
—	1	1	8625907	PLATE—name
—	1	1	8625185	PLUG—trans. case (opt. 390042)
—	1	1	404024	SLEEVE—speedo drive shaft (repl. 8626259)

TRANSMISSION

KEY	230	260	PART NUMBER
-----	-----	-----	-------------

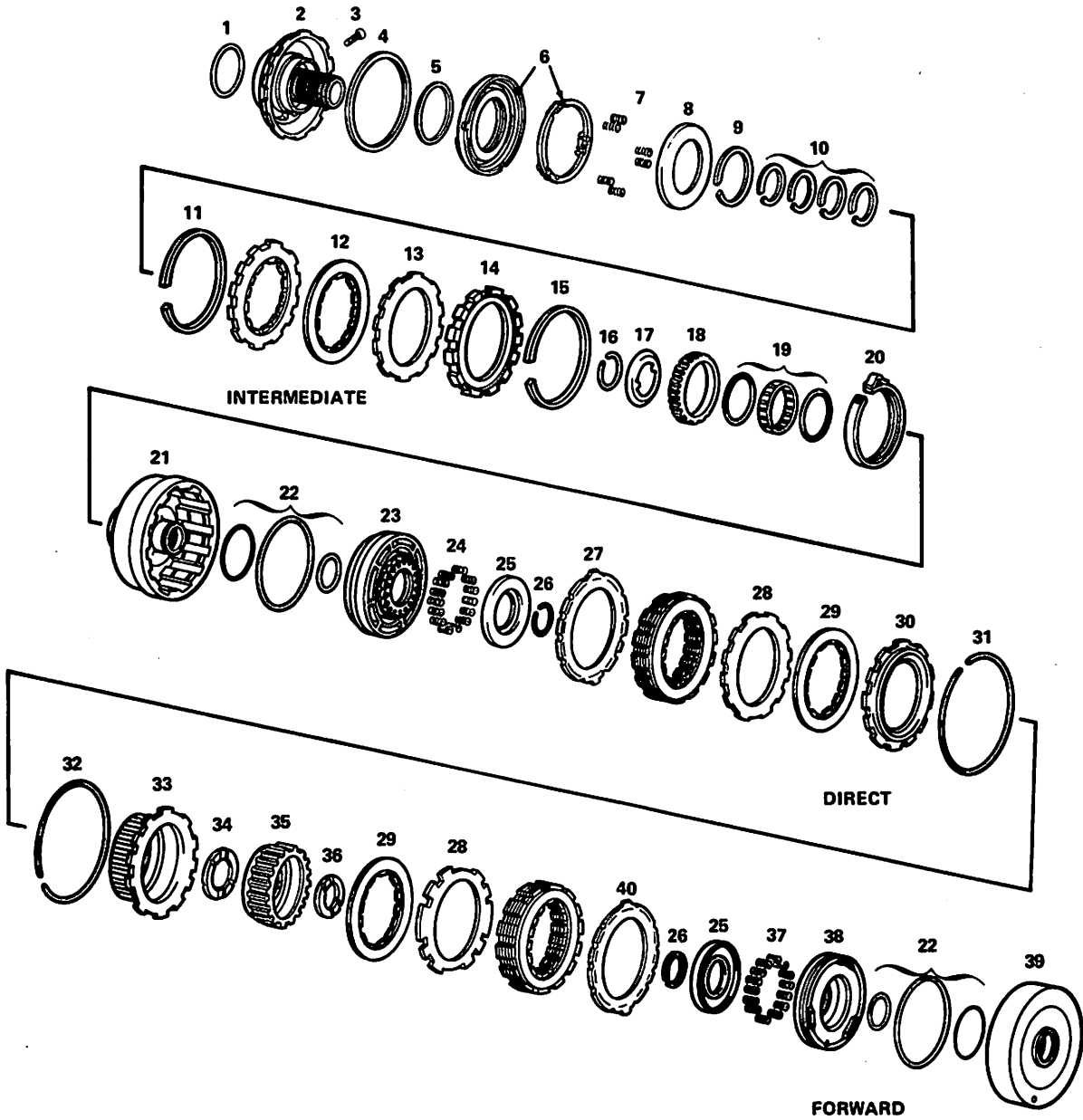
17.001 TRANSMISSION CASE AND OIL PAN (Cont.)

-	1	1	NS	SLEEVE—valve, vacuum modulator (part of trans. case)
-	3	3	3987930	BOLT—transmission to flywheel

TRANSMISSION

NOTES

TRANSMISSION



17P-100A

17.002 CLUTCH - TRANSMISSION, FORWARD, INTERMEDIATE AND DIRECT

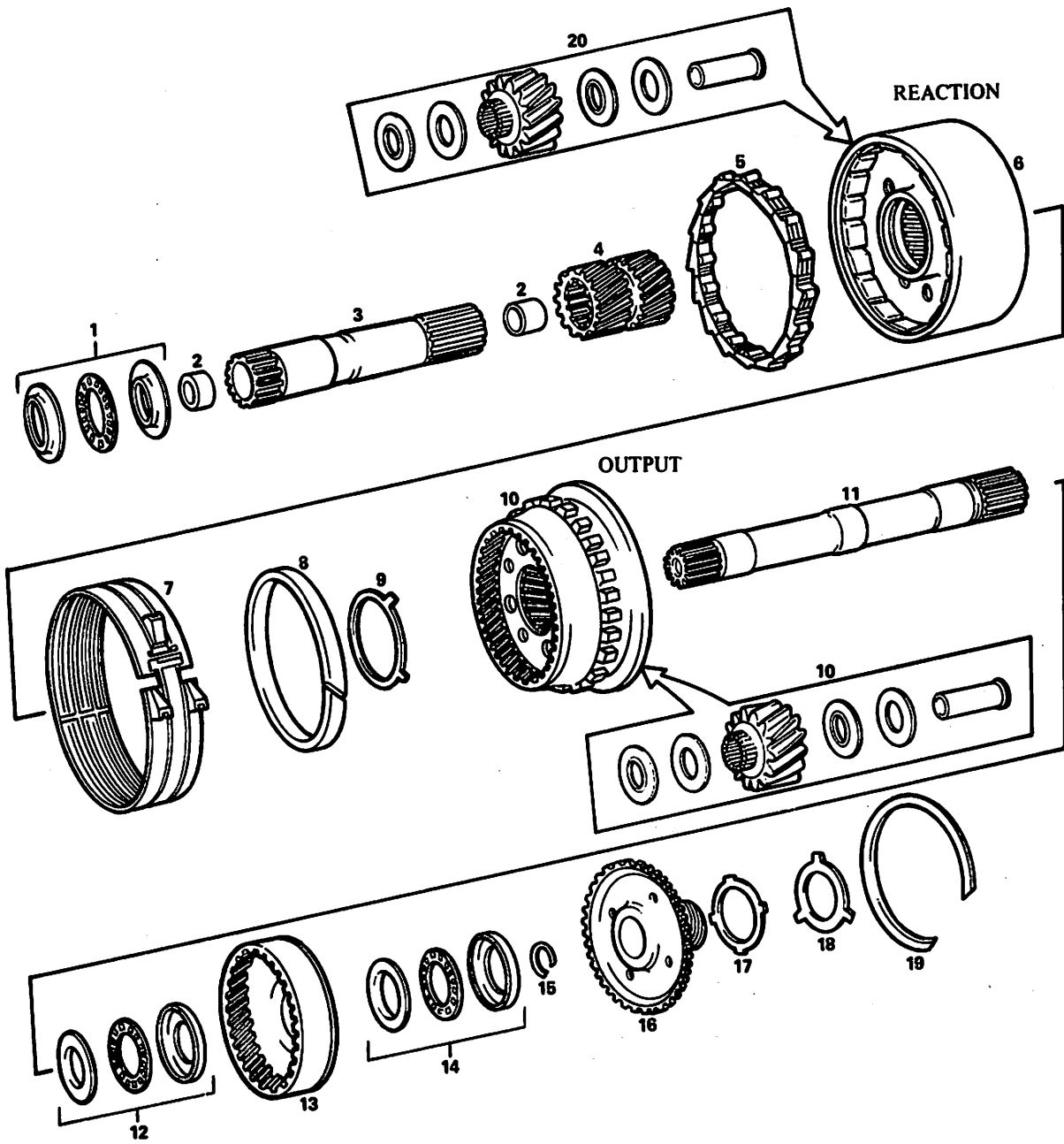
TRANSMISSION

KEY	230	260	PART NUMBER	
-----	-----	-----	-------------	--

17.002 CLUTCH — TRANSMISSION, FORWARD, INTERMEDIATE AND DIRECT

1	1	1	8624783	WASHER—drum
2	1	1	8625990	KIT—center support & race assy.
3	1	1	8624009	BOLT—case to center support
4	1	1	8623918	SEAL—outer, intermediate clutch
5	1	1	8623918	SEAL—inner, intermediate clutch
6	1	1	8624210	PACKAGE—intermediate clutch, piston & retainer (repl. 8626938)
7	6	6	8626888	SPRING—release, intermediate clutch
8	1	1	8623146	RETAINER—spring, intermediate clutch
9	1	1	8623153	RING—snap
10	4	4	8626356	RING—oil seal (repl. 8623148)
11	1	1	8623437	RING—snap, center supt. to case
12	3	3	8623151	PLATE ASSY.—intermediate clutch (SOA)
13	3	3	8623150	PLATE—reaction, intermediate clutch
14	1	1	8623152	PLATE—backing, intermediate clutch
15	1	1	8623149	RING—snap, backing plate
16	1	1	8623120	RING—snap
17	1	1	8623119	RETAINER—intermediate clutch (repl. 8627334)
18	1	1	8623117	RACE—outer, intermediate clutch
18	1	1	8629083	RACE—outer, intermediate clutch (opt. for 8623117)
19	1	1	8623116	SPRAG—intermediate clutch
20	1	1	8623123	BAND ASSY.—front (SOA) (w/8627428, 8627737, 8629034, 8629289 & 8629429 trans. assy.)
20	1	1	8629531	BAND ASSY.—front (SOA) (w/8629631 trans. assy.)
21	1	1	8627435	HOUSING ASSY.—direct clutch (incl. race) (repl. 8625756)
22	1	1	8623917	KIT—seal, forward clutch
23	1	1	8625384	PISTON ASSY.—direct clutch (SOA) (repl. 8625383, 8629123)
24	14	14	8624101	SPRING—piston release, direct clutch
25	2	2	8623104	RETAINER—release spring
26	2	2	8623105	RING—snap
27	1	1	8623851	PLATE—waved, direct clutch (.0605)
28	10	10	8625197	PLATE—flat, direct & forward clutch (.0915)
29	5	5	8623483	PLATE ASSY.—forward clutch (SOA)
29	6	6	8623483	PLATE ASSY.—direct clutch (SOA)
30	1	1	8623122	PLATE—backing, direct clutch
31	1	1	8623112	RING—snap, direct clutch
32	1	1	8623112	RING—snap, driving hub
33	1	1	8625718	HUB—driving, direct clutch
34	1	1	8624781	WASHER—hub hsg., thrust clutch
35	1	1	8625717	HUB—forward clutch
36	1	1	8624196	WASHER—thrust
37	16	16	8624101	SPRING—piston release, forward clutch
38	1	1	8625191	PISTON—forward clutch (repl. 8625193)
39	1	1	8624808	HOUSING—forward clutch
40	1	1	8625196	PLATE—dished, forward clutch (.054)
—	1	1	8627385	GUIDE—spring, intermediate clutch

TRANSMISSION



AT 425 TRANSMISSION
17-003 OUTPUT, REACTION CARRIER
AND SHAFTS

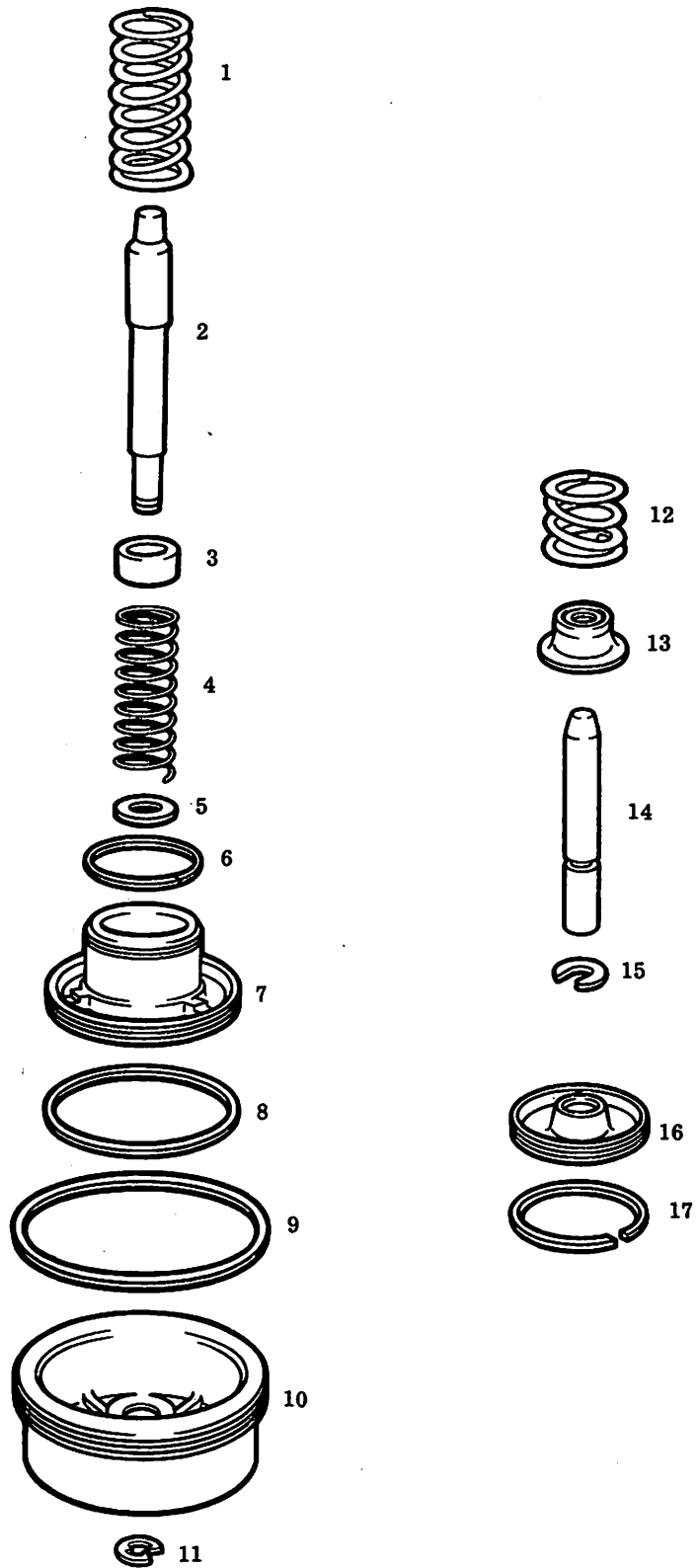
TRANSMISSION

KEY	230	260	PART NUMBER	
-----	-----	-----	-------------	--

17.003 TRANSMISSION OUTPUT, REACTION CARRIER AND SHAFTS

1	1	1	8623920	BEARING PKG.—sun gear
2	2	2	8623944	BUSHING—sun gear shaft
3	1	1	8623177	SHAFT ASSY.—sun gear, incl. bushings
4	1	1	8626808	GEAR—sun
5	1	1	8623842	ROLLER ASSY.—low clutch
6	1	1	8625461	CARRIER ASSY.—reaction complete (SOA) (opt. 8627895)
7	1	1	8623155	BAND ASSY.—rear (SOA)
8	1	1	8626112	RING—snap. frt. interm. gear
9	1	1	8626372	WASHER—carrier (repl. 8624077)
10	1	1	8626241	CARRIER ASSY.—output
11	1	1	8625736	SHAFT—main
12	1	1	8623921	BEARING PKG.—sun gear interm.
13	1	1	8625041	GEAR—rear internal
14	1	1	8623922	BEARING PKG.—thrust brg. & race internal gear to output shaft
15	1	1	8625221	RING—snap. mainshaft internal gear
16	1	1	8625042	GEAR ASSY.—output, incl. flange
17	1	1	8626372	WASHER—thrust
18	AR	AR	8625401	WASHER—thrust, output shaft to case (.074- .078 thk.)
18	AR	AR	8625402	WASHER—thrust, output shaft to case (.082- .086 thk.)
18	AR	AR	8625403	WASHER—thrust, output shaft to case (.090- .094 thk.)
18	AR	AR	8625404	WASHER—thrust, output shaft to case (.098- .102 thk.)
18	AR	AR	8625405	WASHER—thrust, output shaft to case (.106- .110 thk.)
18	AR	AR	8625406	WASHER—thrust, output shaft to case (.114- .118 thk.)
19	1	1	8626173	RING—snap. output flange internal gear
20	1	1	8625915	PACKAGE—pinion, reaction carrier
—	1	1	8627657	RING—spacer (use w/8627895)

TRANSMISSION



17.004 SERVO - TRANSMISSION, FRONT AND REAR

17P-15003

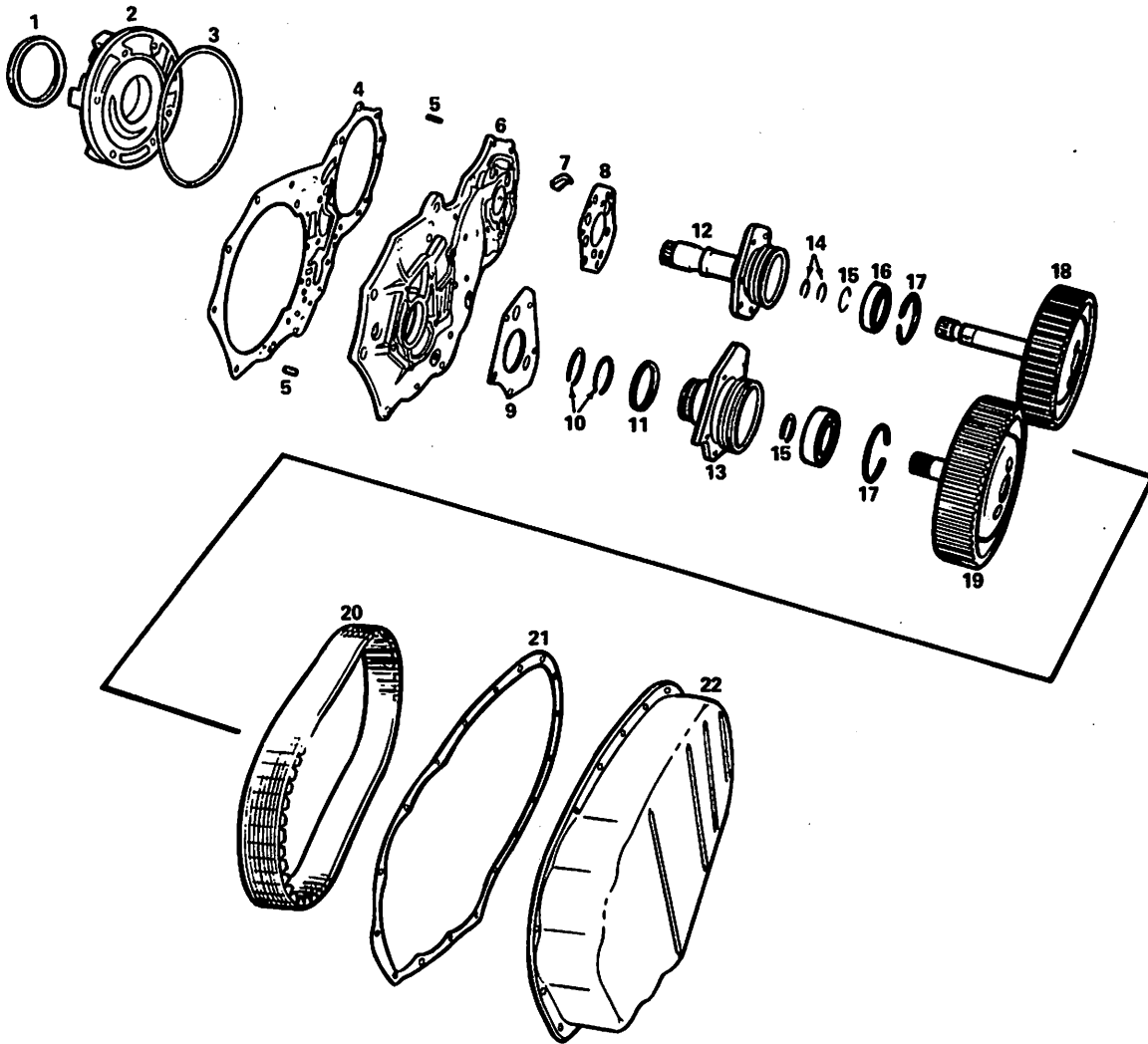
TRANSMISSION

KEY 230 260 PART NUMBER

17.004 SERVO — TRANSMISSION, FRONT AND REAR

1	1	1	8624391	SPRING—piston, rear accumulator
2	1	1	8625101	PIN—apply, rear band
2	1	1	8625102	PIN—apply, rear band
2	1	1	8625103	PIN—apply, rear band
3	1	1	8623664	RETAINER—rear servo piston spring
4	1	1	8623666	SPRING—rear servo
5	1	1	8623744	WASHER—rear servo piston
6	1	1	8623671	RING—oil seal (inner)
7	1	1	8626902	PISTON—accumulator
8	1	1	8627153	RING—oil seal (outer)
9	1	1	8623430	SEAL—rear servo piston
10	1	1	8624138	PISTON—rear servo
11	1	1	—	RING—snap, rear servo piston ret. (ref. 9413523)
12	1	1	8623489	SPRING—front servo piston
13	1	1	8626881	RETAINER—spring, front servo piston
14	1	1	8626880	PIN—front servo piston
15	1	1	8626884	RETAINER—ring, front servo spring
16	1	1	8626878	PISTON—front servo
17	1	1	8623131	RING—seal, front servo piston

TRANSMISSION



AT 425 TRANSMISSION
17-005 OIL PUMP DRIVE SPROCKET
AND LINK

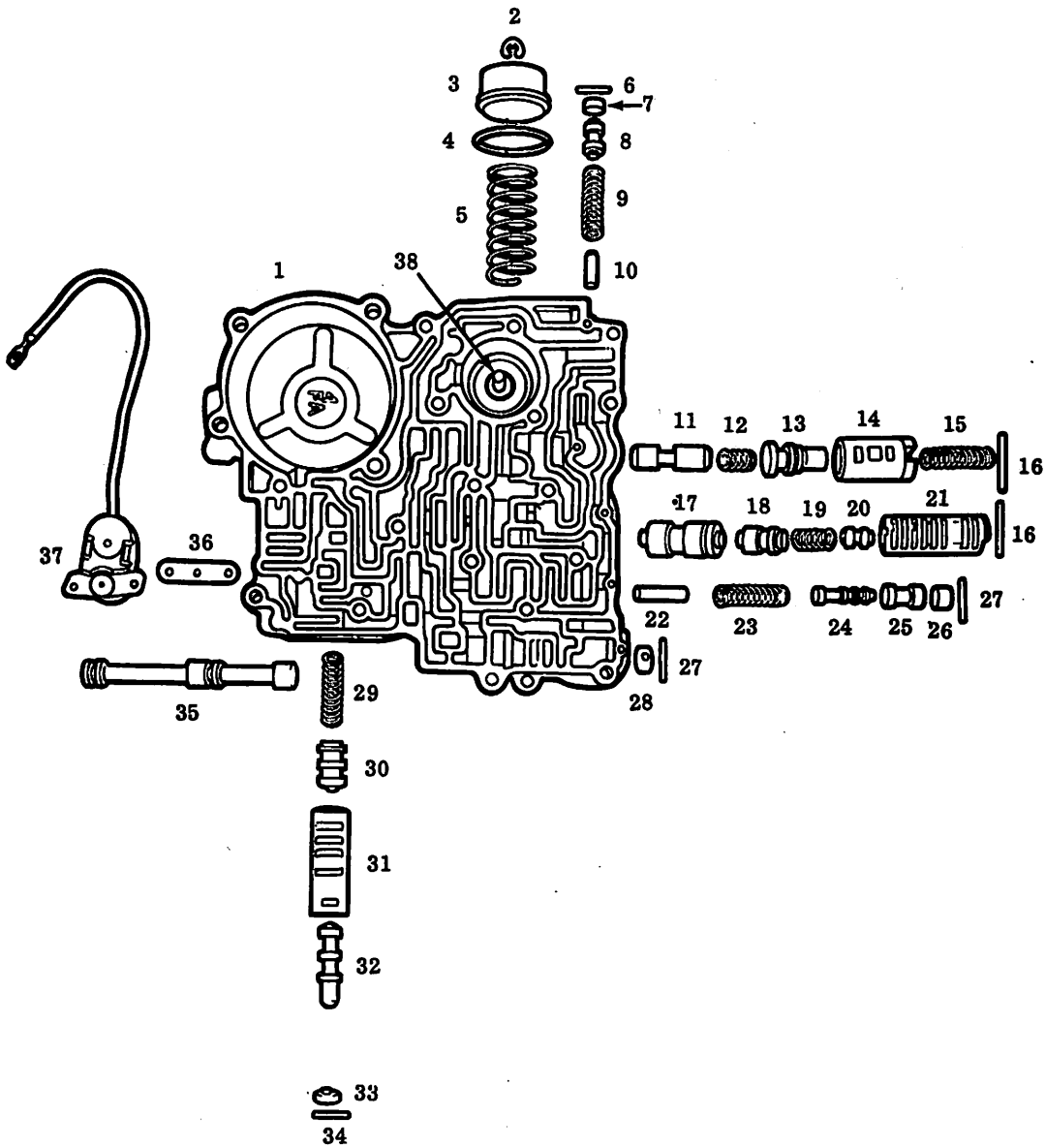
TRANSMISSION

KEY	230	260	PART NUMBER	
-----	-----	-----	-------------	--

17.005 TRANSMISSION OIL PUMP, DRIVE SPROCKET AND LINK

1	1	1	8626916	SEAL ASSY.—oil, pump body (repl. 8625571)
2	1	1	8625330	BODY ASSY.—pump, incl. gear SOA
3	1	1	8625007	SEAL—pump to case
4	1	1	8625018	GASKET—pump cover
5	2	2	—	PIN—dowel (procure locally)
6	1	1	8627897	PLATE—pump cover (repl. 8625009)
7	1	1	8624076	VALVE—check, converter out
8	1	1	8625017	GASKET—supt., driving sprocket
9	1	1	8625016	GASKET—supt., driven sprocket
10	1	1	8626356	RING—seal, pump cover (repl. 8623148)
11	1	1	8623300	WASHER—thrust, cover to hsg. (.060- .064 thk.)
11	1	1	8623301	WASHER—thrust, cover to hsg. (.071- .075 thk.)
11	1	1	8623302	WASHER—thrust, cover to hsg. (.082- .086 thk.)
11	1	1	8623303	WASHER—thrust, cover to hsg. (.093- .097 thk.)
11	1	1	8623304	WASHER—thrust, cover to hsg. (.104- .108 thk.)
11	1	1	8623305	WASHER—thrust, cover to hsg. (.115- .119 thk.)
11	1	1	8623306	WASHER—thrust, cover to hsg. (.126- .130 thk.)
12	1	1	8625362	SHAFT ASSY.—support & stator (SOA)
13	1	1	8625292	SUPPORT ASSY.—complete, driven sprocket
14	1	1	8623296	RING—oil seal, driving sprocket & shaft (repl. 8627565)
15	2	2	8625020	RING—snap, inner (drive & driven)
16	2	2	954369	BEARING—drive and driven sprocket (repl. 954504)
17	2	2	8625484	RING—snap, outer (drive & driven)
18	1	1	8625946	SPROCKET ASSY.—driving, incl. shaft (SOA) (repl. 8627232)
19	1	1	8626404	SPROCKET ASSY.—driven, incl. shaft (SOA)
20	1	1	—	LINK ASSY.—drive (SOA) (ref. 8627232)
21	1	1	8625031	GASKET—sprocket cover
22	1	1	8625028	COVER—sprocket hsg., incl. plate (SOA)
—	1	1	8625351	BOLT—sprocket cover
—	17	17	8625291	BOLT—sprocket cover

TRANSMISSION



17.006 VALVE - CONTROL, TRANSMISSION

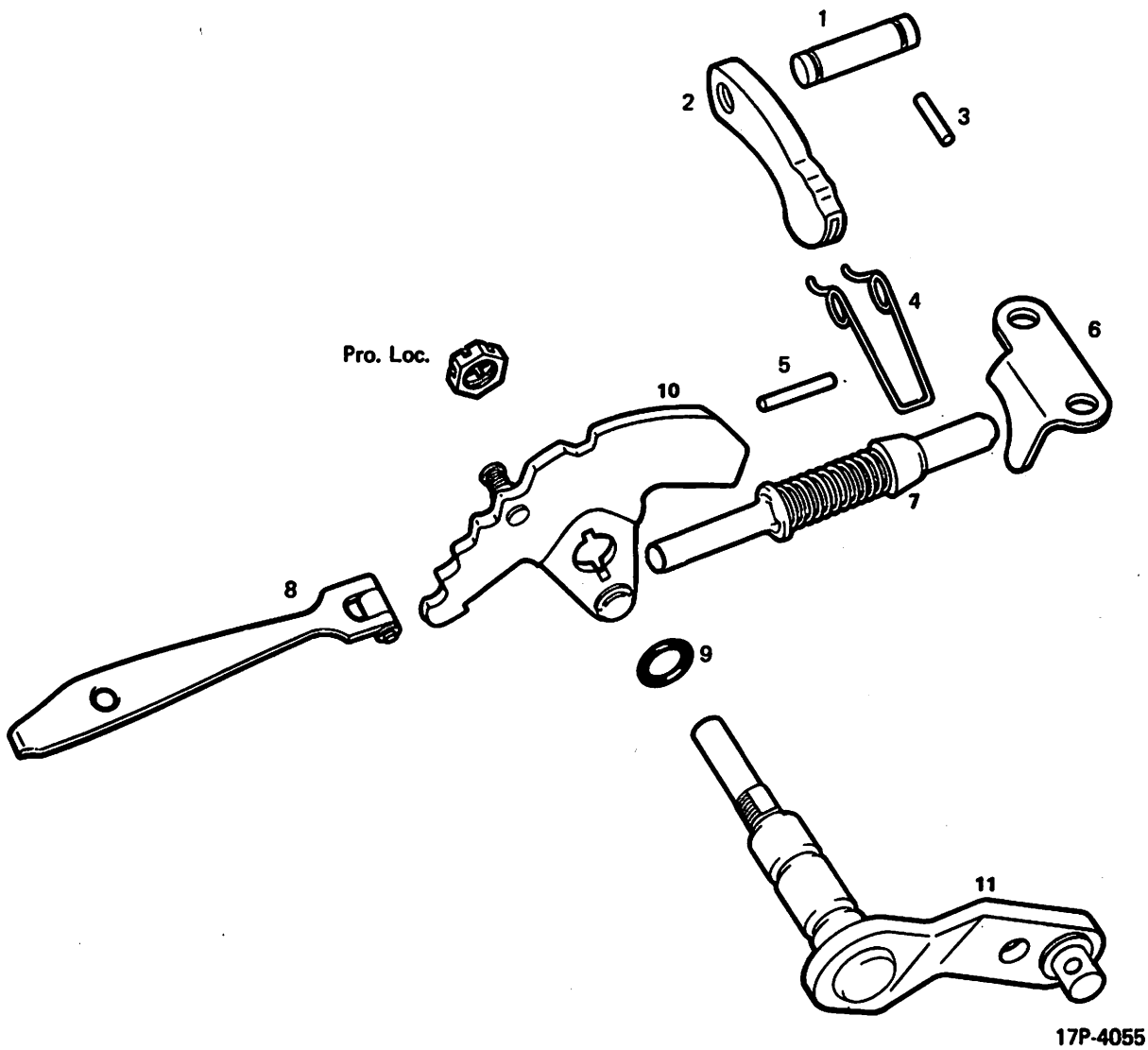
TRANSMISSION

KEY	230	260	PART NUMBER
-----	-----	-----	-------------

17.006 VALVE — CONTROL, TRANSMISSION

1	1	1	8626940	VALVE ASSY.—control, complete (w/8627428 trans. assy.)
1	1	1	8626968	VALVE ASSY.—control, complete (w/8627737 trans. assy.)
1	1	1	8629202	VALVE ASSY.—control, complete (w/8629034, 8629289 & 8629429 trans. assy.)
1	1	1	8629507	VALVE ASSY.—control, complete (w/8629631 trans. assy.)
2	1	1	9431762	RING—snap, accumulator piston (repl. 9412978)
3	1	1	8626883	PISTON—front accumulator
4	1	1	8623653	RING—oil seal, accumulator piston tee
5	1	1	8626775	SPRING—frt. accumulator piston
6	1	1	455862	PIN—slotted spring (procure locally)
7	1	1	8623295	PLUG—valve bore
8	1	1	NS	VALVE—3/2
9	1	1	NS	SPRING—3/2 valve
10	1	1	8625324	PIN—3/2 valve
11	1	1	NS	VALVE—2/3
12	1	1	NS	SPRING—2/3 valve
13	1	1	NS	VALVE—2/3 modulator
14	1	1	NS	BUSHING—2/3 modulator valve
15	1	1	NS	SPRING—2/3 valve (ref. 8627210)
16	2	2	8623078	PIN—straight
17	1	1	NS	VALVE—1/2
18	1	1	NS	VALVE—1/2 modulator
19	1	1	NS	SPRING—1/2 modulator
20	1	1	NS	VALVE—1/2 regulator
21	1	1	NS	BUSHING—1/2 modulator valve
22	1	1	8623507	PIN—valve detent regulator
23	1	1	NS	SPRING—detent regulator
24	1	1	NS	VALVE—detent regulator
25	1	1	NS	VALVE—detent
26	1	1	8625079	PLUG—valve bore
27	2	2	8624482	PIN—coiled spring
28	1	1	8625080	PLUG—valve bore
29	1	1	NS	SPRING—1/2 accumulator primary
30	1	1	NS	VALVE—1/2 accumulator primary
31	1	1	NS	BUSHING—1/2 accumulator valve
32	1	1	NS	VALVE—1/2 accumulator
33	1	1	8625546	PLUG—valve bore
34	1	1	8625544	PIN—grooved
35	1	1	8625081	VALVE—manual
36	1	1	8625085	GASKET—valve, detent solenoid
37	1	1	1993319	SOLENOID ASSY.—detent
38	1	1	NS	PIN—frt. accum. piston
—	1	1	NS	PLUG—control valve
—	1	1	8626347	SCREW—control valve
—	3	3	8625901	BOLT—control valve (repl. 8626287) (w/8627428 trans. assy.)
—	3	3	8627677	BOLT—control valve (w/8627737, 8629034, 8629289, 8629429 & 8629631 trans. assy.)
—	2	2	8625086	PIPE—governor
—	1	1	8625087	PIPE—oil, governor

TRANSMISSION



KEY	230	260	PART NUMBER
-----	-----	-----	-------------

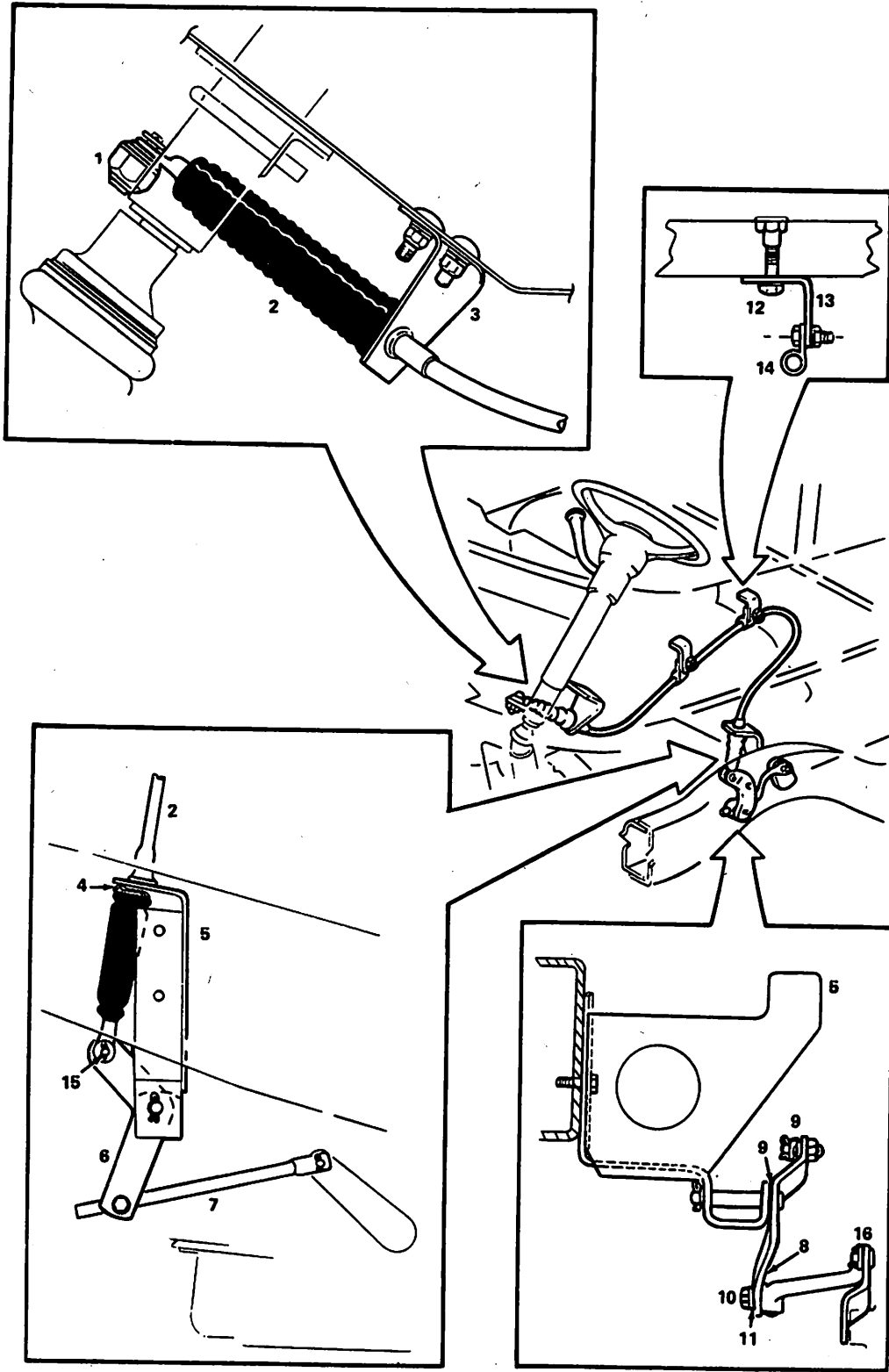
17.007 BRAKE — TRANSMISSION PARKING

1	1	1	8624103	SHAFT—pawl, parking brake
2	1	1	8623037	PAWL—parking brake
3	1	1	8625134	PIN—slotted spring
4	1	1	8625060	SPRING—return, parking brake pawl
5	1	1	8625325	PIN—manual shaft
6	1	1	8625117	BRACKET—parking brake
7	1	1	8625065	ACTUATOR ASSY.—parking brake (SOA)
8	1	1	8625431	SPRING ASSY.—detent, incl. lever (SOA)
9	1	1	8621767	SEAL—oil, manual shaft
10	1	1	8625062	LEVER ASSY.—range selector, incl. pin (SOA)
11	1	1	8626261	LEVER ASSY.—manual

TRANSMISSION

NOTES

TRANSMISSION



17.045 CONTROLS – TRANSMISSION

17P-4058

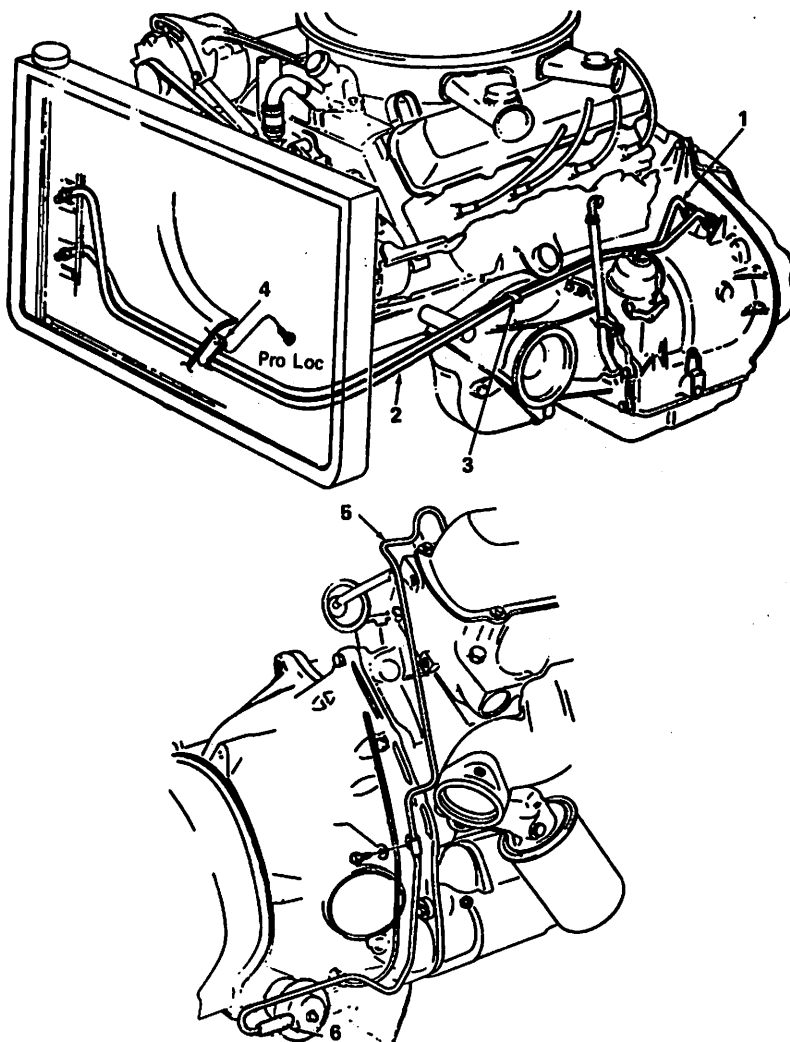
TRANSMISSION

KEY	230	260	PART NUMBER
-----	-----	-----	-------------

17.045 CONTROLS — TRANSMISSION

1	1	1	693124	ADAPTER—shift control cable to column
2	1	1	693208	CABLE ASSY.—control
3	1	1	693061	BRACKET—control cable (at steering column)
4	1	1	709818	SPRING—yoke, control cable at shift relay bracket (replaces 476737)
5	1	1	693068	BRACKET ASSY.—shift relay
6	1	1	408500	LEVER—shift relay (at transmission)
7	1	1	712157	ROD—shift relay (at transmission)
8	1	1	1385607	CLAMP—rod swivel
9	2	2	3788262	WASHER—shift relay lever pivot pin
10	1	1	3989433	SCREW—rod swivel clamp
11	1	1	3989434	WASHER—rod swivel clamp screw
12	2	2	693207	NUT—tee, control cable bracket mounting
13	2	2	—	BRACKET—control cable (intermediate) (procure locally)
14	2	2	3979315	CLIP—rubber cover (cable to mounting bracket) (repl. 2399079)
15	1	1	1244707	RETAINER—shift relay lever pivot pin (repl. 1351769)
16	1	1	693123	ADAPTER—shift control cable to lever
—	1	1	334961	SPRING—yoke, control cable (at steering column bracket) (replaces 476737) (ref. 709818)
—	1	1	6499811	CABLE ASSY.—shift indicator
—	1	1	712326	STRUT—shift relay bracket
—	2	2	9776302	BUSHING—accelerator pedal rod

TRANSMISSION



KEY	230	260	PART NUMBER
-----	-----	-----	-------------

17.048 LINES — TRANSMISSION OIL COOLER

1	1	1	8884946	PIPE ASSY.—trans. to radiator cooler feed, oil cooler return (also use 1-137398 nut & 1-9431629 nut) (w/413610, 416542, 417794, 418694 engine)
1	1	1	NPN	PIPE ASSY.—trans. to radiator cooler feed (procure locally) (also use 1-137398 nut & 1-9431629 nut) (eff. w/interm. 1977) (w/556626, 556627, 561032 & 561033 engine)
2	1	1	NPN	PIPE ASSY.—trans. to oil cooler return (procure locally) (also use 1-137398 nut & 1-9431629 nut) (eff. w/interm. 1977) (w/556626, 556627, 561032 & 561033 engine)
3	1	1	2307316	CLIP—feed & return pipes
4	1	1	2226261	CLIP—feed & return pipes
—	4	4	2224544	LOOM—trans oil cooler pipe (5/16" I.D. 25' roll CTL)

17.050 PIPE — TRANSMISSION VACUUM MODULATOR

5	1	1	401247	PIPE—modulator valve to distributor vacuum control switch (w/413610, 416542, 417794, 418694 engine)
---	---	---	---------------	---

TRANSMISSION

KEY	230	260	PART NUMBER
-----	-----	-----	-------------

17.050 PIPE — TRANSMISSION VACUUM MODULATOR (Cont.)

5	1	1	556484	PIPE ASSY.—modulator valve (eff. w/interm. 1977) (w/556626, 556627, 561032 & 561033 engine)
6	1	1	2416136	HOSE—vacuum modulator valve to pipe
—	1	1	9436101	HOSE—trans. modulator valve pipe (7/32 I.D. x 300 ")
—	1	1	413585	CONNECTOR—trans. modulator hose
—	1	1	444024	REDUCER—trans. modulator hose connector
—	1	1	406026	TEE—modulator vacuum hose
—	1	1	415899	HOSE—modulator vacuum (w/413610, 416542, 417794, 418694 engine)
—	1	1	417236	HOSE—modulator vacuum (eff. w/interm. 1977) (w/556626, 556627, 561032 & 561033 engine)
—	1	1	415899	HOSE—intake manifold to vacuum modulator tee
—	1	1	415899	HOSE—vacuum control switch to tee hose

TRANSMISSION

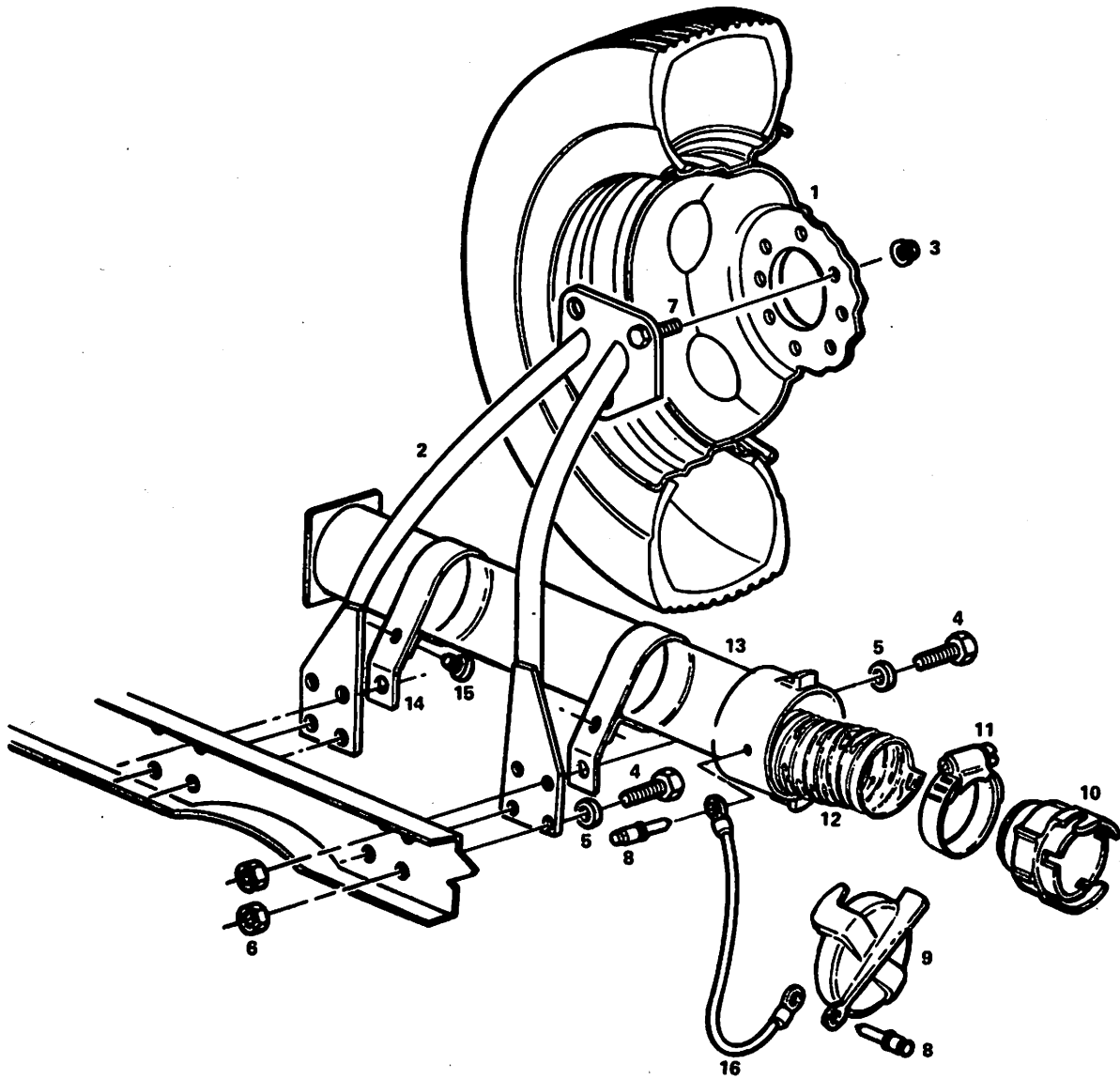
NOTES

WHEELS & HUBS

LIST OF SUB GROUPS

Name	Group No.
DISC AND HUB — FRONT BRAKE	19.008
HUB AND DRUM — REAR	19.010
WHEELS — SPARE TIRE CARRIER AND SEWER HOSE STORAGE	19.001

WHEELS & HUBS



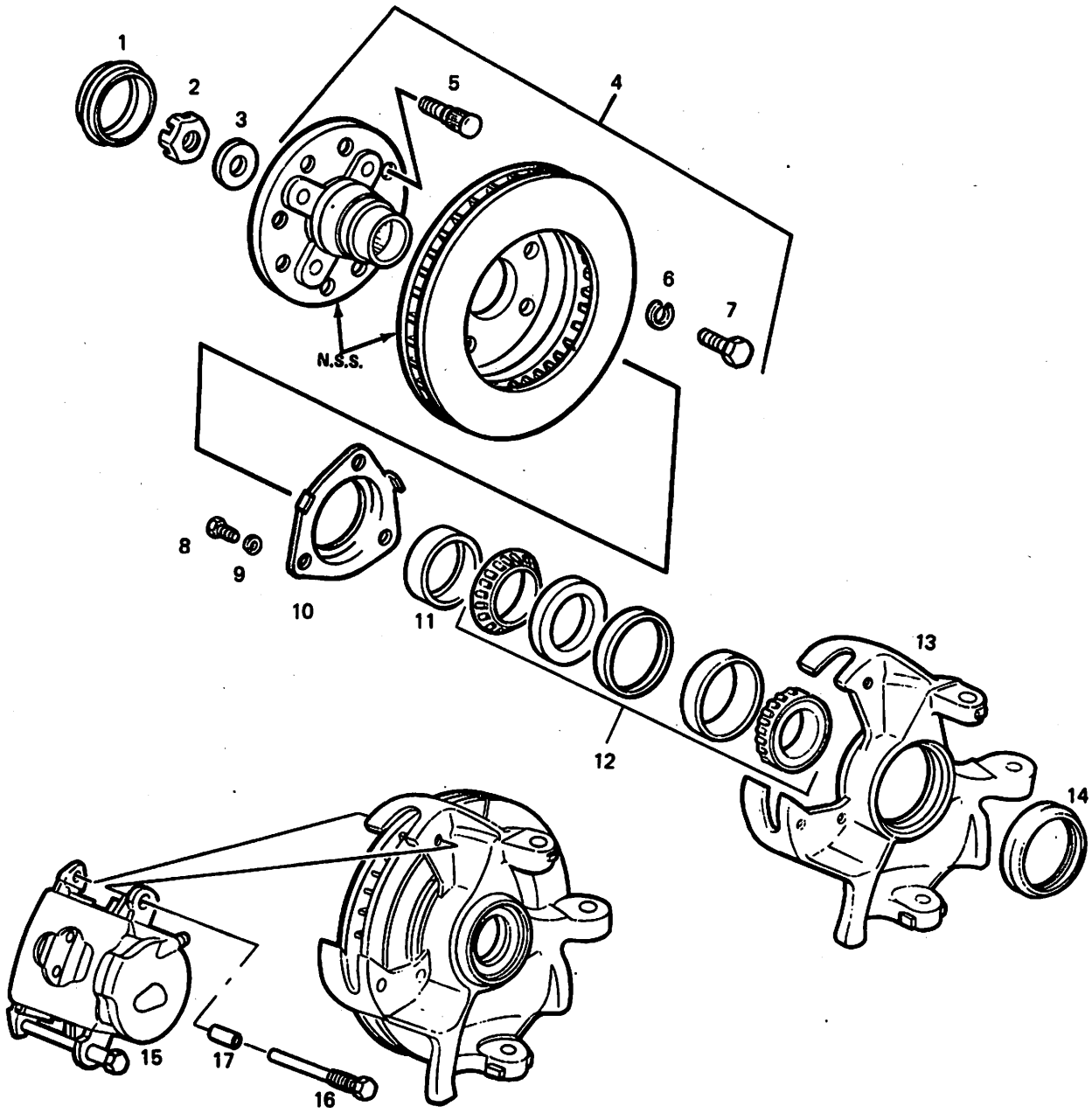
19P-8003-975

19.001 WHEEL, SPARE TIRE CARRIER & SEWER HOSE STORAGE

WHEELS & HUBS

KEY	230	260	PART NUMBER	
19.001 WHEELS, SPARE TIRE CARRIER & SEWER HOSE STORAGE				
1	7	7	14005762	WHEEL ASSY.—front, rear and spare (16.5 x 600 w/8 stud) (w/blue dot next to valve core on inside of wheel) (repl. 337264) (prior to 1978) (repl. 337264)
1	7	7	2034918	WHEEL ASSY.—front, rear and spare (16.5 x 600 w/8 holes .66 dia.) (1978)
2	1	1	2234612	CARRIER ASSY.—spare tire (incl. the next item)
3	51	51	701902	NUT—wheel
4	8	8	9427321	BOLT—mounting, carrier (3/8-16 x 1 hex) (300M steel)
5	8	8	2436163	WASHER—bolt, carrier mounting (3/8)
6	8	8	—	NUT—bolt, carrier mounting (3/8-16 hex)
7	3	3	9427609	BOLT—carrier to spare tire (9/16-18 x 1 1/2 hex) (300M Steel)
8	2	2	2397327	RIVET
9	1	1	711231	CAP—tube, storage
10	1	1	697654	FITTING—sewer hose
11	1	1	2465815	CLAMP—hose and fitting
12	1	1	699861	HOSE—waste disposal (flexable)
13	1	1	699714	TUBE ASSY.—hose storage
14	2	2	718101	BRACKET—tube mounting
15	2	2	9427682	SCREW—bracket, mounting
16	1	1	710308	CABLE ASSY.—cap
—	1	1	699754	BRACKET—support hose (prior to Serial No. 3V100366)
—	2	2	3818229	CLAMP ASSY.—hose (prior to 1975)
—	1	1	697656	FITTING ASSY.—hose end (prior to Serial No. 3V100366)
—	1	1	699753	SUPPORT—hose (prior to 1975)
—	1	1	701572	BRACKET—mounting, storage tube (prior to Serial No. 3V100366)
—	1	1	701573	STRAP—mounting, storage tube (prior to Serial No. 3V100366)
—	6	6	2234617	COVER ASSY.—wheel trim, front and rear
—	8	8	9422277	NUT—mounting wheel
—	1	1	2234707	COVER—spare wheel (std. I've been bitten by the GMC Motor Home Bug)
—	1	1	NS	DECAL—discharge tube (ref. 793023)

WHEELS & HUBS



19P-18

19.006 HUB - FRONT BRAKE (INCLUDES DISC)

WHEELS & HUBS

KEY	230	260	PART NUMBER	
-----	-----	-----	-------------	--

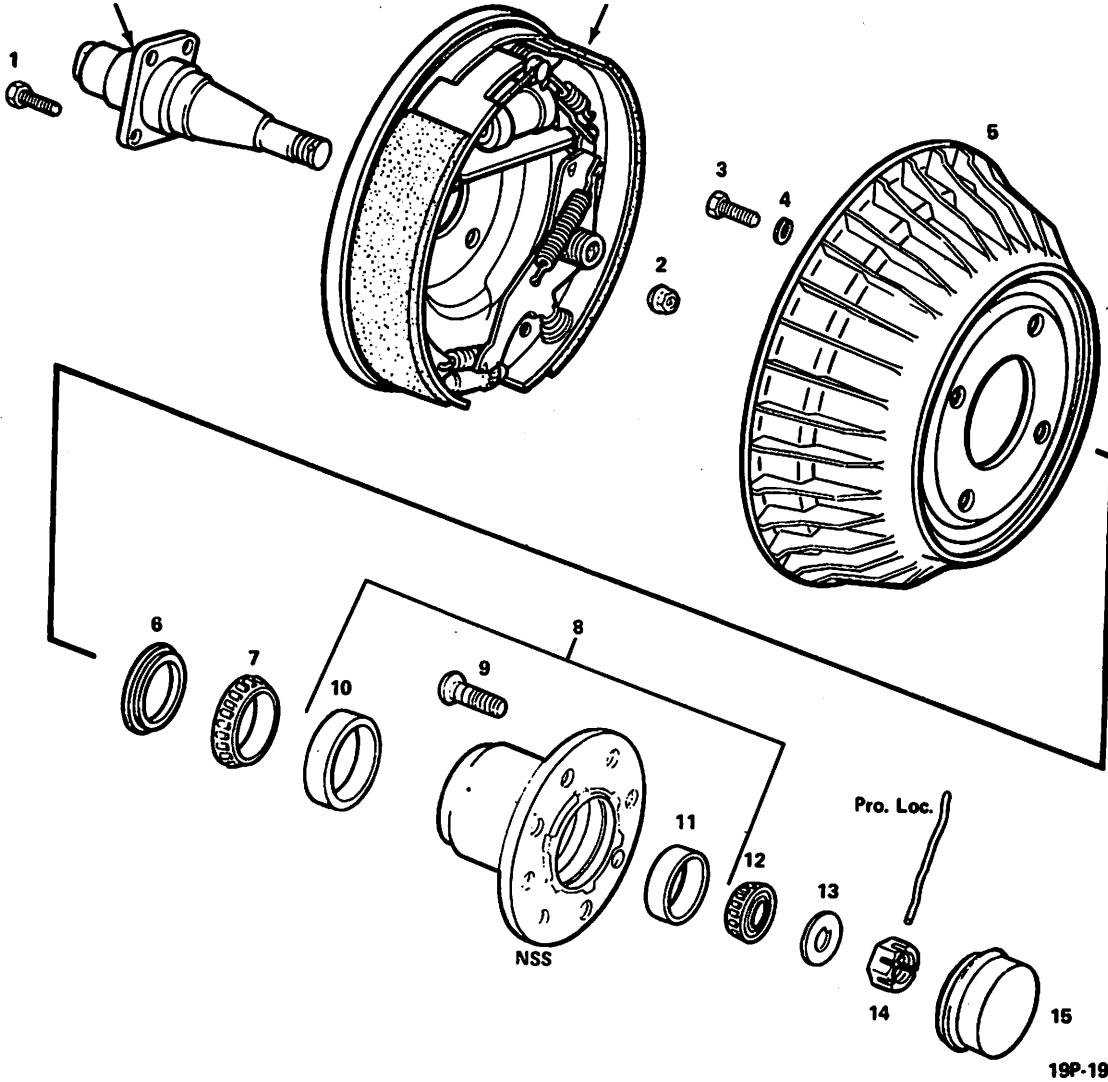
19.006 HUB — FRONT BRAKE (INCLUDES DISC)

1	2	2	700226	CAP—bearing seal
2	2	2	389791	NUT—hub
3	2	2	389790	WASHER—hub nut
4	2	2	704056	HUB ASSY.—front (incl. rotor) (incl. next three items)
5	16	16	704921	BOLT—hub (stud)
6	8	8	—	WASHER—lock, brake disc to hub bolt (1/2" O.D.) (procure locally)
7	8	8	—	BOLT—brake disc to hub (proc. loc.) (ref. 455025)
8	6	6	9418967	BOLT—bearing retainer to knuckle
9	6	6	103321	WASHER—lock, bolt
10	2	2	414318	RETAINER—bearing
11	2	2	401024	SEAL ASSY.—outer
12	2	2	7455526	BEARING PACKAGE—front wheel (New Departure Hyatt Bearings #LM104949E/LM104911/D2)
13	1	1	700830	KNUCKLE—steering, front brake (RH)
13	1	1	700831	KNUCKLE—steering, front brake (LH)
14	2	2	401028	SEAL ASSY.—inner
15	1	1	NPN	CALIPER ASSY.—disc brake (LH) (refer to group 4.015) (Front Brakes)
15	1	1	NPN	CALIPER ASSY.—disc brake (RH) (refer to group 4.015) (Front Brakes)
16	2	2	NPN	BOLT—housing retainer (refer to group 4.015) (Front Brakes)
17	2	2	NPN	SLEEVE—bolt retaining (refer to group 4.015) (Front Brakes)

WHEELS & HUBS

Refer to Group 14 - 001

Refer to Group 4 - 020



19P-19

KEY	230	280	PART NUMBER
-----	-----	-----	-------------

19.010 HUB — REAR (INCLUDES DRUM)

1	16	16	9420892	BOLT—spindle and brake to control arm
2	16	16	9422297	NUT—spindle and brake to control arm bolt
3	16	16	192478	BOLT—hub to drum (procure locally)
4	16	16	103329	WASHER—lock, hub to drum bolt
5	4	4	721426	DRUM—brake
6	4	4	3857731	SEAL ASSY.—hub
7	4	4	7451228	BEARING—cone and roller (hub-inner) (New Departure Hyatt Bearings # A 150269)
8	4	4	721425	HUB ASSY.—wheel (incl. next 3 items)
9	32	32	704921	BOLT—hub (stud)
10	4	4	457234	CUP—hub (inner) (repl. 7451227)
11	4	4	7450343	CUP—front outer bearing (used w/7450344 cone) (New Departure Hyatt Bearings # 15243) (repl. 7450336)
12	4	4	7450344	CONE—front wheel outer bearing (used w/7450343 cup) (New Departure Hyatt bearings # 15103S) (repl. 7450336)
13	4	4	3936464	WASHER—wheel brg. adj. nut
14	4	4	3953436	NUT—adj., wheel brg.
15	4	4	721381	CAP—wheel brg. seal (outer)
—	4	4	3936465	CAP—wheel brg. (inner)
—	16	16	2436163	WASHER—bolt, spindle and brake to control arm

LIST OF SUB GROUPS

Name

Group No.

TOOLS 22.002

TOOLS

NOTES

TOOLS

KEY	230	260	PART NUMBER
-----	-----	-----	-------------

22.002 TOOLS

--	1	1	702482	JACK ASSY.—hydraulic (1973)
--	1	1	796122	JACK ASSY.—hydraulic (eff. w/ 1974)
--	1	1	3883156	HANDLE—jack
--	1	1	—	PAD—jack (procure locally)
--	1	1	702481	CHAIN ASSY.—hydraulic jack
--	1	1	703470	BAG—tool storage (Motor Home)
--	1	1	706744	WRENCH—wheel
--	1	1	724757	BOX ASSY.—unitized tool (Transmode)
--	1	1	710307	STRAP ASSY.—jack to tool box retaining (Transmode)
--	4	4	3980580	SCREW—tool box to step riser (Transmode)
--	1	1	2029946	KIT ASSY.—hand tools (incl. 1-wrench (box) (1/2 x 9/16) & 1-screw driver no. 2 cross recessed)

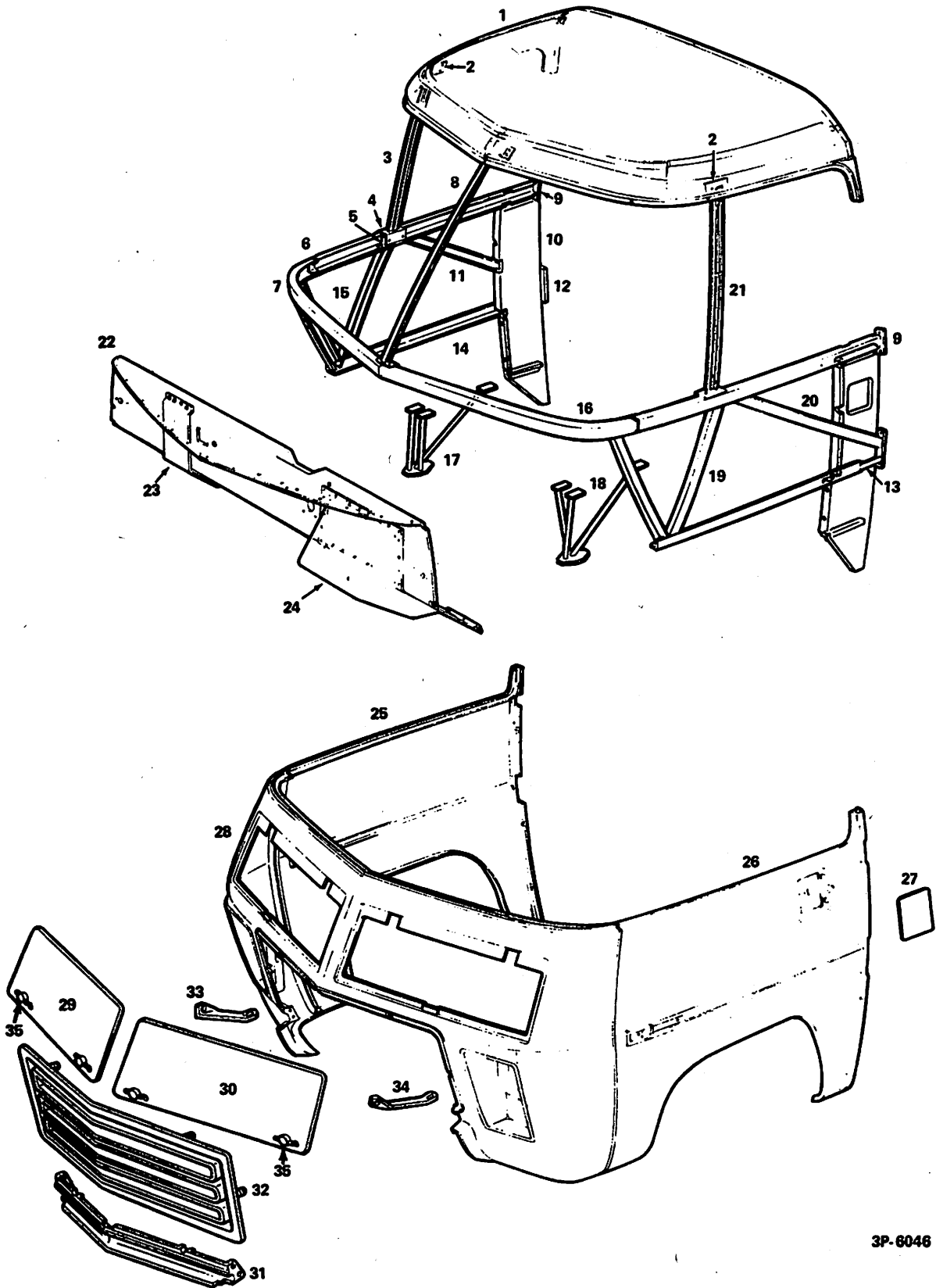
TOOLS

NOTES

BODY**LIST OF SUB GROUPS**

Name	Group No.
BODY MOUNTING	23.090
COVER — MOTOR GENERATOR COMPARTMENT	23.028
DECALS — DECOR & MODEL	23.140
DOOR — ENTRANCE	23.065
DOOR — FRONT ENGINE ACCESS	23.006
DOOR — FUEL ACCESS	23.007
DOOR — SIDE ACCESS	23.040
DOOR — WATER AND ELECTRIC	23.043
ELECTRICAL COMPARTMENT — OUTSIDE (OUTLET)	23.044
FINISH & FITTINGS	23.080
FLOOR SUPPORT AND WHEELHOUSE	23.045
FRONT BODY, COWL AND DASH	23.005
INSULATION — FLOOR	23.047
MIRROR — OUTSIDE REAR VIEW	23.107
MOULDING — BODY SIDE (FIRST DESIGN)	23.130
MOULDING — BODY SIDE (SECOND DESIGN)	23.130H
PANEL — INSTRUMENT (FIRST DESIGN)	23.050
PANEL — INSTRUMENT (SECOND DESIGN)	23.050F
PANELS — INSULATION	23.075
PANELS AND FRAMING — LH SIDE	23.026
PANELS AND FRAMING — RH SIDE	23.025
REAR CAP, PILLAR AND PANEL	23.010
ROOF — PANEL AND FRAMING	23.015
SASH — GALLEY & ENTRANCE DOOR — SLIDING (FIRST DESIGN)	23.070M
SASH — GALLEY & ENTRANCE DOOR — SLIDING (SECOND DESIGN)	23.070S
SASH — GALLEY & ENTRANCE DOOR — STATIONARY (FIRST DESIGN)	23.070
SASH — GALLEY & ENTRANCE DOOR — STATIONARY (SECOND DESIGN)	23.070H
SASH — GALLEY, SLIDING (FIRST DESIGN)	23.066
SASH — GALLEY, SLIDING (SECOND DESIGN)	23.066H
SASH — LH FRONT (FIRST DESIGN)	23.074
SASH — LH FRONT (SECOND DESIGN)	23.74H
SASH — LH REAR (FIRST DESIGN)	23.071
SASH — LH REAR (SECOND DESIGN)	23.071H
SASH — RH FRONT (FIRST DESIGN)	23.073
SASH — RH FRONT (SECOND DESIGN)	23.073H
SASH — RH REAR (FIRST DESIGN)	23.072
SASH — RH REAR (SECOND DESIGN)	23.072H
SEAT — DRIVER & SINGLE PASSENGER (BOSTROM)	23.115
SEAT — DRIVER & SINGLE PASSENGER (FLEX STEEL)	23.116
SEAT — DUAL PASSENGER	23.117
SKIRT — REAR WHEEL OPENING	23.042
STRIPES — ACCENT	23.145
SUN VISOR AND MIRROR	23.060
TANK — DRAIN HOSE AND HOLDING	23.110
WINDOW ASSEMBLY—LH FRONT, SLIDE ("A")	23.069
WINDOW ASSEMBLY — RH FRONT — SLIDE ("A")	23.068
WINDSHIELD AND REAR WINDOW	23.067
WIPER — WINDSHIELD	23.100

BODY



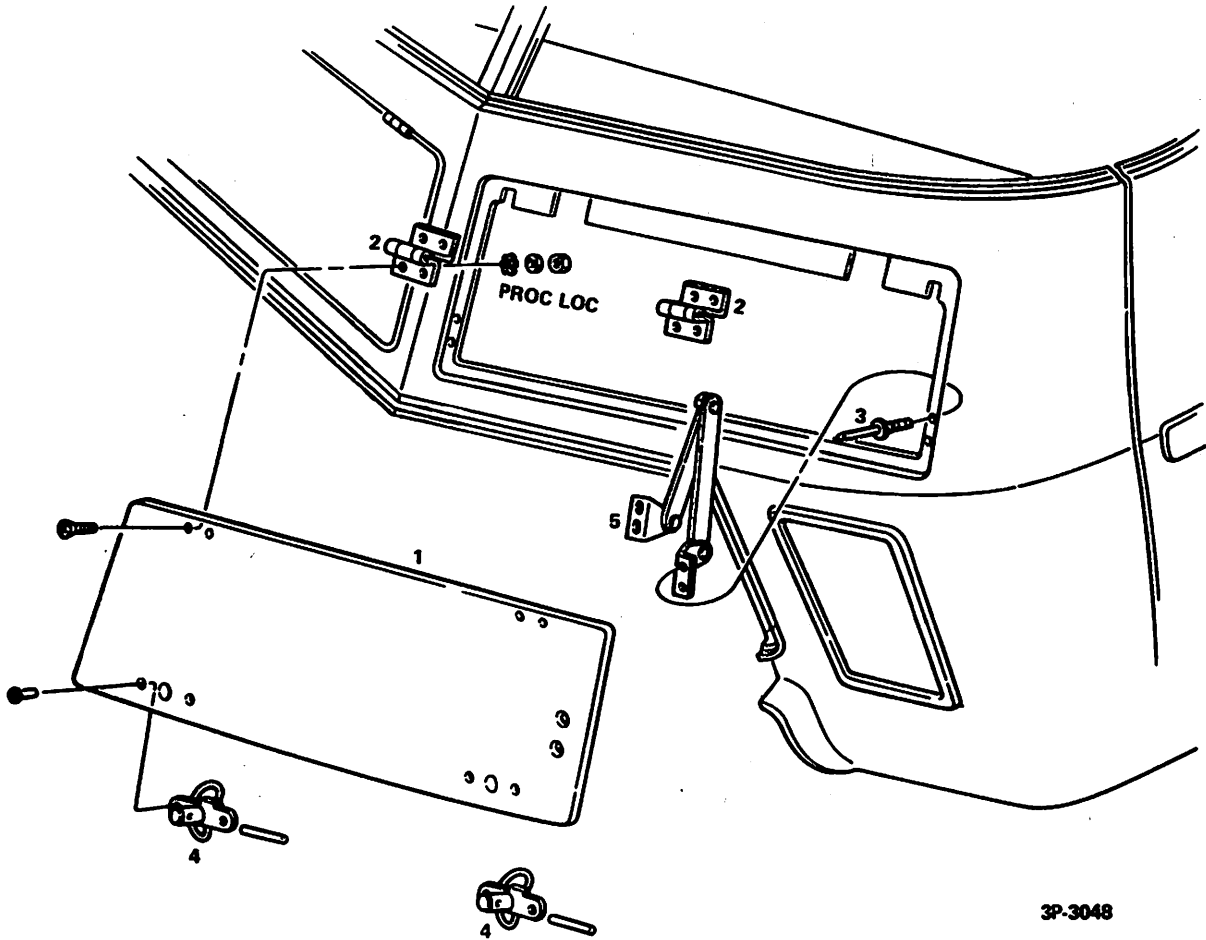
3P-6046

23.005 FRONT BODY, COWL AND DASH

BODY

KEY	230	260	PART NUMBER	
23.005 FRONT BODY, COWL AND DASH				
1	1	1	691631	CAP ASSY.—roof, front (repl. 721338)
2	1	1	701406	PLATE—pillar (part of pillar 701446)
2	1	1	NPN	PLATE—pillar (part of pillar 701447)(ref. 709810) (make locally)
3	1	1	701446	PILLAR ASSY.—window RH (incl. plate)
4	2	2	—	BRACKET—pillar RH & LH (procure locally)
5	2	2	703652	REINFORCEMENT—side pillar to belt rail
6	2	2	698185	REINFORCEMENT—belt rail side
7	1	1	698184	REINFORCEMENT—belt rail, front RH (prior to Serial No. 6V100878)
7	1	1	2001949	REINFORCEMENT—belt rail, front RH (eff. w/Serial No. 6V100878)
8	1	1	702531	PILLAR ASSY.—windshield divider
9	2	2	—	PLATE—rail to side post (procure locally)
10	1	1	707545	SUPPORT—side, rear vertical RH (reinforcement)
10	1	1	707546	SUPPORT—side, rear vertical LH (reinforcement)
11	1	1	698125	SUPPORT—side, rear RH
12	2	2	—	PLATE—support, floor to side post (procure locally)
13	2	2	701411	EXTENSION—support, floor to plate
14	2	2	698127	SUPPORT—body, side to floor
15	1	1	698116	SUPPORT—side, front RH
16	1	1	702378	REINFORCEMENT—belt, rail, front LH (prior to Serial No. 6V100878)
16	1	1	2001948	REINFORCEMENT—belt rail, front LH (eff. w/Serial No. 6V100878)
17	1	1	2001709	SUPPORT ASSY.—floor to body mounting RH (prior to Serial No. 6V100878) (repl. 698131)
17	1	1	2001709	SUPPORT—floor to body mounting RH (eff. w/Serial No. 6V100878)
18	1	1	2001708	SUPPORT—floor to body mounting LH (eff. w/Serial No. 6V100878)
18	1	1	2001708	SUPPORT ASSY.—floor to body mounting LH (prior to Serial No. 6V100878) (repl. 698132)
19	1	1	698136	SUPPORT—side, front LH
20	1	1	698126	SUPPORT—side, rear LH
21	1	1	701447	PILLAR ASSY.—window LH (incl. plate)
22	1	1	2003633	PANEL—dash (eff. w/1977)
22	1	1	694009	PANEL—dash (incl. next 4 items) (prior to 1977)
23	1	1	700819	PLATE ASSY.—mounting elec. component (prior to 1977)
24	1	1	694010	EXTENSION—panel
25	1	1	691627	PANEL—side, front lower, RH
26	1	1	691628	PANEL—side, front lower, LH
27	1	1	701441	DOOR ASSY.—fuel filler (see group 23.007 details)
28	1	1	697788	PANEL—front, lower
—	AR	AR	610603	SHIM—front lower center panel attaching (w/697788 panel)
29	1	1	691629	DOOR ASSY.—engine, access, RH
30	1	1	691630	DOOR ASSY.—engine, access, LH
31	1	1	697789	PANEL—lower, grille support
32	1	1	691620	GRILLE ASSY.—radiator
33	1	1	706017	STRUT—front lower grille support panel, RH
34	1	1	706018	STRUT—front lower grille support panel, LH
35	8	8	707991	LATCH—access door
—	4	4	2436161	WASHER—pillar plate to lower panel bolt
—	8	8	2436161	WASHER—pillar bracket to reinforcement bolt
—	AR	AR	700368	RIVET—plate & front lower center panel belt rail
—	AR	AR	2003467	RIVET—front lower center panel belt rail
—	12	12	2265051	RIVNUT—inner roof front trim panel
—	1	1	703037	PLATE—recess radio receiver
—	7	7	2248137	RIVNUT—plate to dash panel
—	1	1	707545	REINFORCEMENT—front structure, RH
—	1	1	707546	REINFORCEMENT—front structure, LH
—	1	1	704057	SUPPORT—front belt reinf., RH
—	1	1	704058	SUPPORT—front belt reinf., LH
—	6	6	3759924	NUT—radiator grille (prior to 1978)
—	6	6	9419912	NUT—radiator grille (1978)
—	10	10	794525	SCREW—front lower panel to side wheel opening panel
—	—	1	719575	PLATE—recirc. trim, ("L" shaped) (below dash panel, LH) (prior to Serial No. 6V100057)
—	—	1	719576	PLATE—heater trim ("L" shaped) (below dash panel, RH)
—	1	1	2000701	PANEL—LH, front side inner (eff. w/Serial No. 6V100878)
—	1	1	2000702	PANEL—RH, front side inner (eff. w/Serial No. 6V100878)
—	2	2	2009161	SHIELD—water, "A" window RH (eff. w/1975)
—	2	2	2009162	SHIELD—water, "A" window LH (eff. w/1975)

BODY

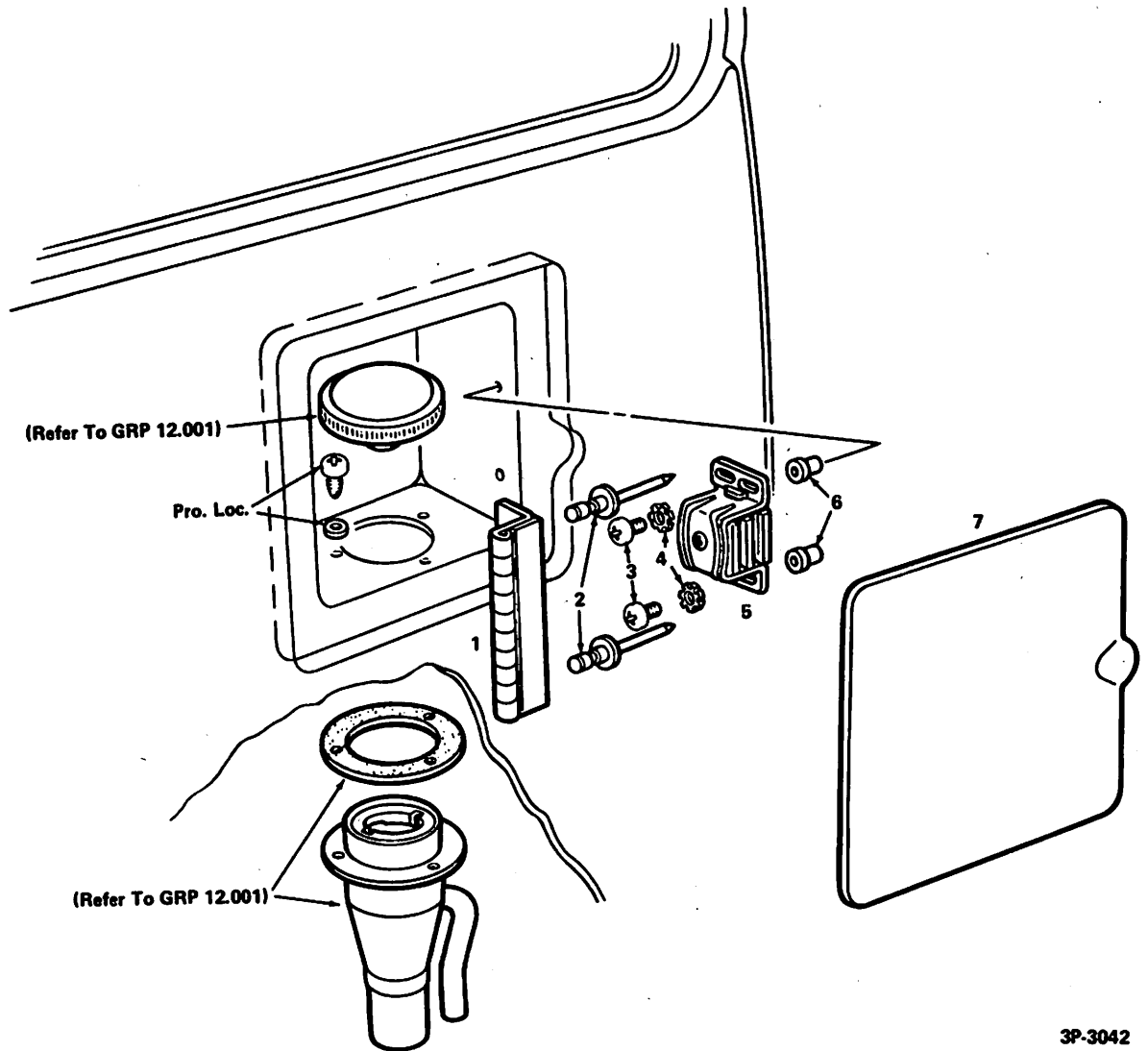


KEY	230	260	PART NUMBER
-----	-----	-----	-------------

23.006 DOOR — FRONT ENGINE ACCESS

1	1	1	691629	DOOR ASSY.—engine access, RH
1	1	1	691630	DOOR ASSY.—engine access, LH
2	2	2	709490	HINGE—engine access, RH
2	2	2	709490	HINGE—engine access, LH
3	8	8	668290	RIVET—engine access, door latch
4	4	4	707991	LATCH ASSY.—spring, engine access door (repl. 702144)
—	4	4	704207	PLATE—wear, engine access door
—	8	8	2397326	RIVET—engine door wear plate
5	1	1	709361	STRUT—engine access door, RH, incl. arms & bracket
5	1	1	709362	STRUT—engine access door, LH, incl. arms & bracket
—	AR	AR	—	BUMPER—engine access door (ref. only) (ref. 8860971)

BODY

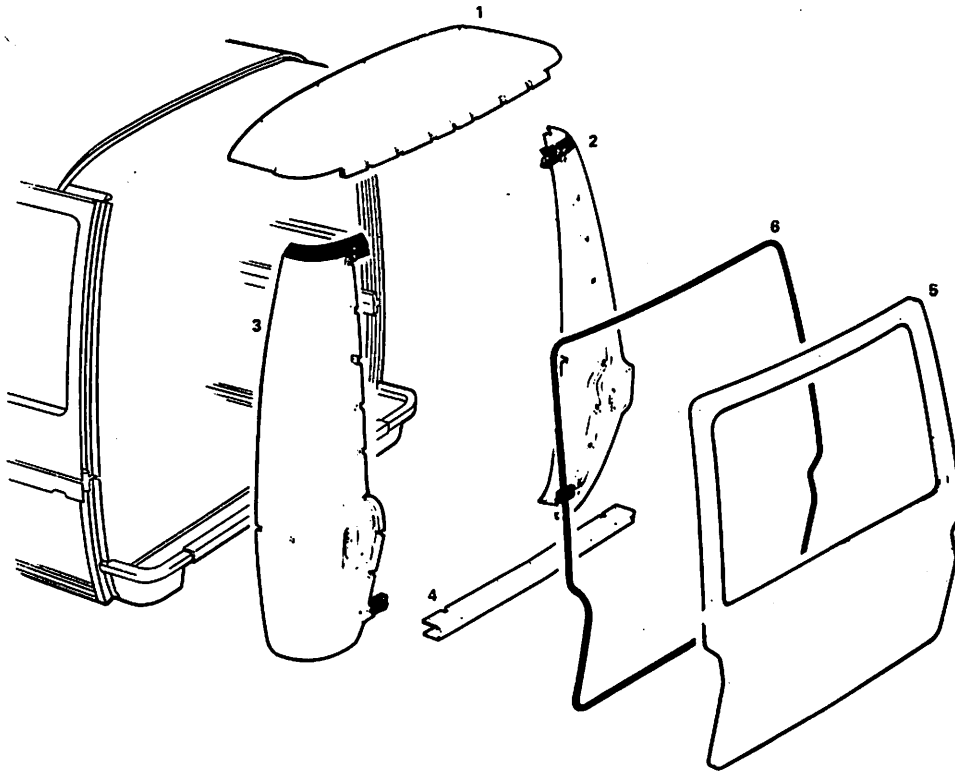


KEY	230	260	PART NUMBER
-----	-----	-----	-------------

23.007 DOOR — FUEL ACCESS

1	1	1	703710	HINGE ASSY.—fuel door
2	2	2	700368	RIVET—fuel door to side panel
3	2	2	—	SCREW—pan cross recess (6-32-1/2) (procure locally) (ref. 159336)
4	2	2	138473	WASHER—tooth lock
5	1	1	671791	CATCH—magnetic, fuel door
6	2	2	2245859	RIVNUT—magnetic catch screw
7	1	1	701441	DOOR ASSY.—filler, fuel
—	1	1	791690	TAG—caution (gasoline only, warning, all pilot lights and appliances shall be turned off during refueling of motor fuel tanks)

BODY



KEY	230	260	PART NUMBER
-----	-----	-----	-------------

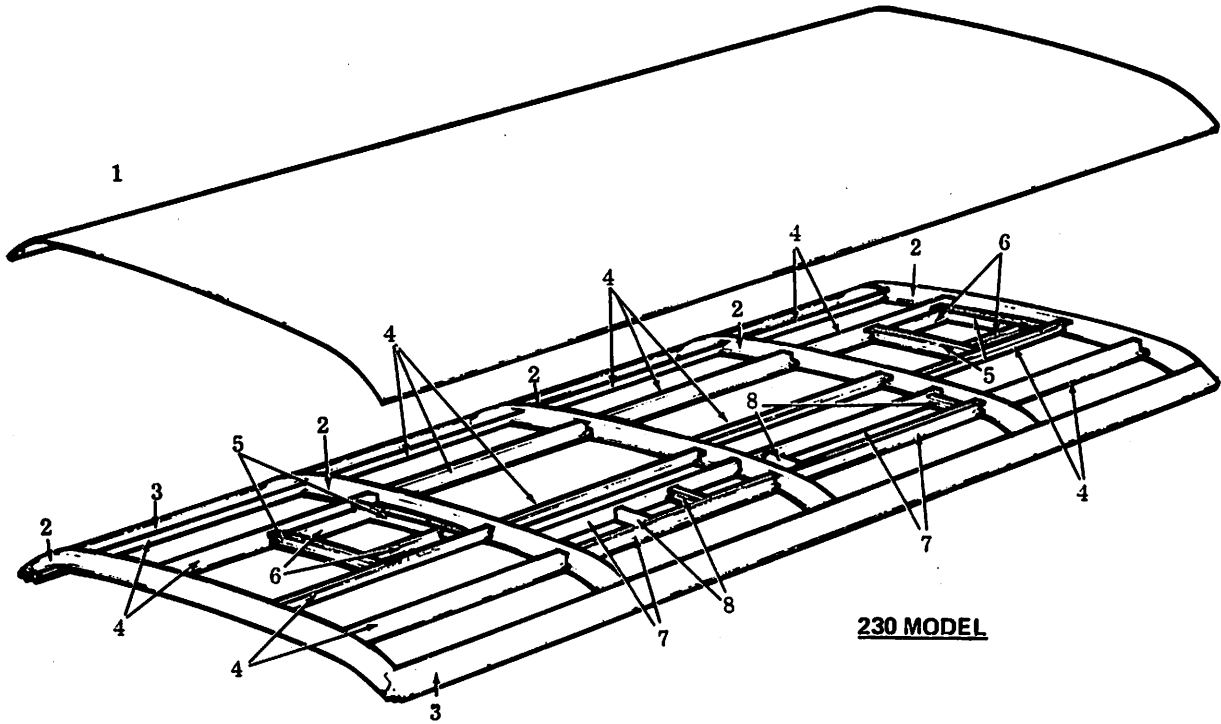
23.010 REAR CAP, PILLAR AND PANEL

1	1	1	691621	CAP ASSY.—roof, rear (repl. 721339)
2	1	1	691622	PILLAR ASSY.—corner, rear outer RH
3	1	1	691623	PILLAR ASSY.—corner, rear outer LH (repl. 721337)
4	1	1	696146	BRACE—pillar
5	1	1	721342	PANEL—access, rear (repl. 691618)
6	AR	AR	8884086	SEAL—rear door panel (3/8 O.D., wall thick 120. Black) (replaces R-30926, S-0068, 8860947) (210" CTL)
-	AR	AR	722427	SCREW—rear access panel to RH & LH pillar & roof cap (1/4" shank) ("hi-lo")
-	8	8	2436161	WASHER—nut
-	18	18	700368	RIVET—brace to floor
-	2	2	2226070	RIVNUT—license lamp mounting bracket
-	1	1	NPN	SHIELD—retainer, insulation LH(ref. 703737) (make locally)
-	1	1	NPN	SHIELD—retainer, insulation RH(ref. 703738) (make locally)
-	1	1	706068	RING—pull, emergency exit
-	32	32	9434044	NUT—insert, rear end cap
-	6	6	708648	RIVET—rear roof cap to corner, outer RH & LH pillar
-	7	7	-	SCREW—rear access door to lower brace (procure locally) (1/4-14 x 3/4) (repl. 9416844)
-	6	6	-	WASHER—rivet, roof cap to corner pillar (procure locally)
-	1	1	NS	DECAL—emergency exit (ref. 2005725)

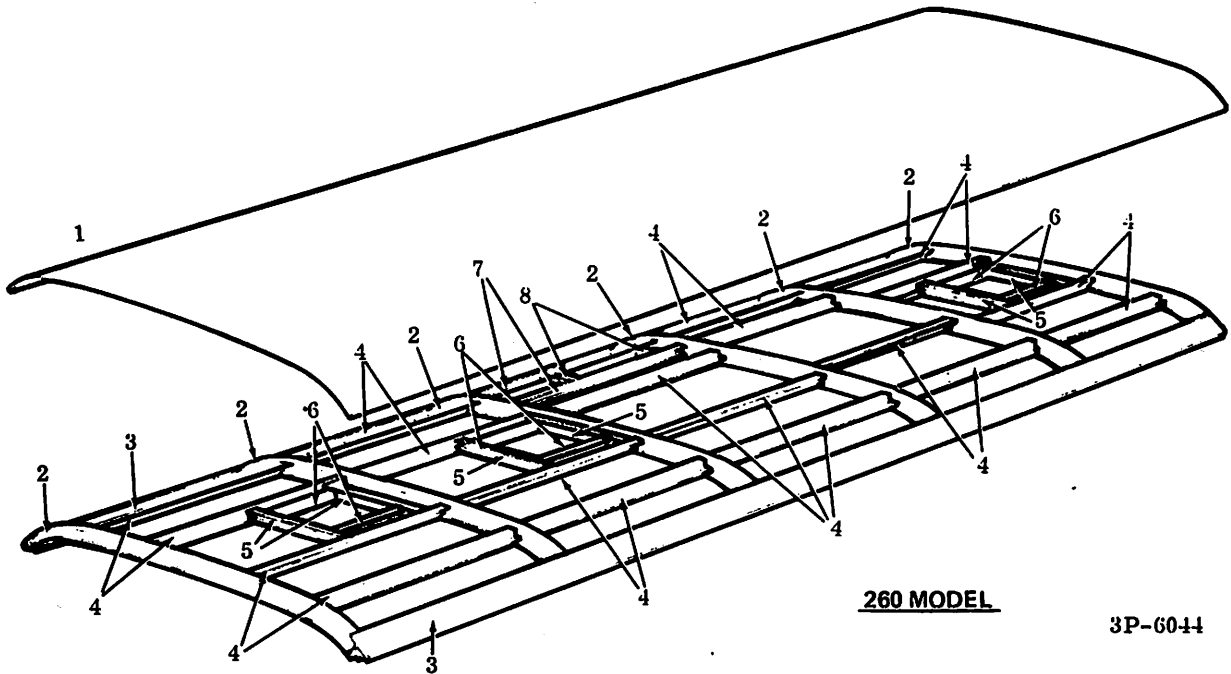
BODY

NOTES

BODY



230 MODEL



260 MODEL

3P-6044

23.015 ROOF - PANEL AND FRAMING

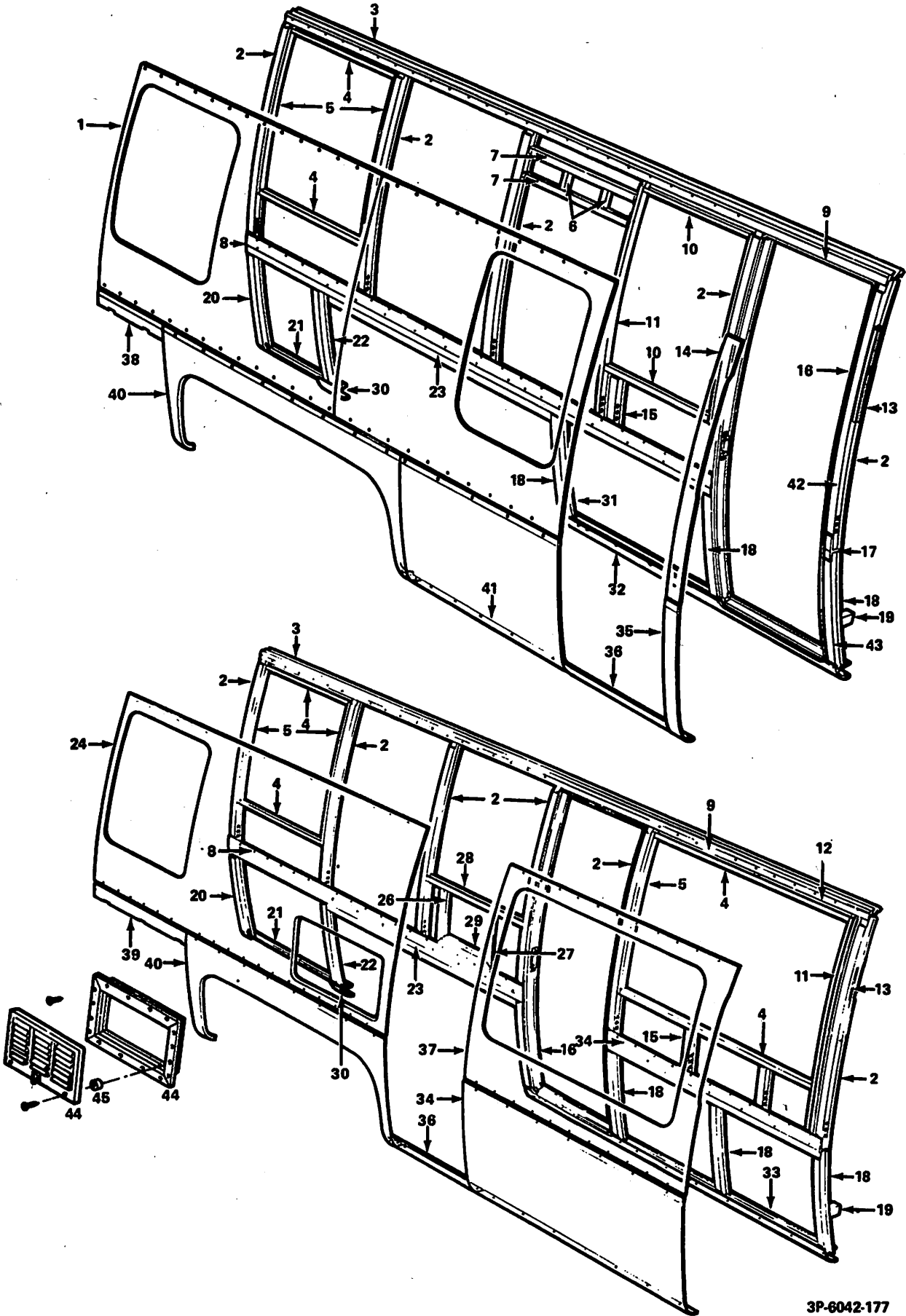
BODY

KEY	230	260	PART NUMBER
-----	-----	-----	-------------

23.015 ROOF — PANEL AND FRAMING

1	1	—	691605	PANEL—roof
1	—	1	688808	PANEL—roof
2	AR	AR	688801	BOW—roof
3	1	1	688803	BEAM—roof, corner longitudinal (204.80" long. CTL)
3	1	1	715343	BEAM—roof, corner longitudinal — CTL
4	AR	AR	698139	REINFORCEMENT—roof, longitudinal (43.73" long. CTL) (prior to 1977)
4	AR	AR	2016389	REINFORCEMENT—roof longitudinal (eff. w/1977)
5	AR	AR	688807	REINFORCEMENT—roof hatch opening
6	AR	AR	688804	REINFORCEMENT—roof, air conditioning opening (14.30" long)
7	4	2	698192	REINFORCEMENT—roof, refriger. vent opening (43.73" long. CTL)
8	AR	AR	688804	REINFORCEMENT—roof, refriger. vent opening (14.30" long. CTL)
—	AR	AR	715698	SPACER—roof cap
—	2	2	716420	BOW—rear roof
—	2	2	716421	POST—side, upper, rear
—	3	3	716486	POST—side, front lower
—	1	2	716989	POST—side, upper, front
—	AR	AR	708648	RIVET—panel to side beam
—	—	AR	NPN	BRACKET—mounting, air box (ref. 791003) (make locally)
—	—	8	NPN	SUPPORT—grille, roof vent (ref 2004743) (make locally)
—	—	4	2030156	SUPPORT—grille, roof vent (1978)
—	—	1	2030159	INSERT—grille, bath liner (1978)
—	—	1	—	COVER—roof rail upper extrusion front sealing (eff. w/1976) (make locally) (ref. 2005435)
—	—	1	—	COVER—roof rail upper extrusion rear sealing (eff. w/ 1976) (make locally) (ref. 2005436)

BODY



3P-6042-177

RIGHT SIDE FRAMING 23' & 26'
23-10

BODY

KEY	230	260	PART NUMBER
-----	-----	-----	-------------

23.025 PANELS AND FRAMING — RH SIDE

1	1	—	694035	PANEL—side, RH upper rear (Motorhome, w/RPO APQ, BRS)
1	1	—	724364	PANEL—side, RH upper rear (Transmode) (w/out RPO BRS)
2	5	7	688832	POST—RH side, upper
3	1	1	688816	BEAM—side post to roof, RH longitudinal (215.52 CTL)
4	2	4	688823	SUPPORT—sash frame, RH side upper & lower (59.39 CTL) (prior to Serial No. 6V100878)
4	4	4	2006419	SUPPORT—sash frame, rear RH side upper and lower (w/out RPO BRR) (eff. w/Serial No. 6V100878)
5	AR	AR	688830	SUPPORT—sash frame, RH side (w/out RPO BRR, BRS)
5	AR	—	691611	SUPPORT—front sash frame side (w/RPO BRR, BRS) (prior to 1977)
5	2	—	2006420	SUPPORT—front sash frame side (60.35' lg.) (eff. w/1977)
6	2	2	NS	SUPPORT—stove vent, vertical, RH side (ref. 701429)
7	2	—	NS	SUPPORT—stove vent, horizontal RH SIDE (ref. 702429)
8	1	1	694001	BEAM—belt rail, RH rear longitudinal (148.59 CTL) (prior to Serial No. 6V100878)
8	—	1	2007957	BEAM—belt rail, RH rear longitudinal (eff. w/Serial No. 6V100878)
8	1	—	2007979	BEAM—belt rail, RH rear longitudinal (eff. w/Serial No. 6V100878)(repl. 2007978)
9	1	1	702989	PANEL—side filler, RH door jamb to longitudinal beam
10	2	—	701418	SUPPORT—sash frame, RH side upper and lower front
10	2	—	688823	SUPPORT—sash frame (w/RPO BRR) (prior to serial no. 6V100878) (prior to 1977)
10	2	—	2010239	SUPPORT—rear sash frame side
10	2	—	NPN	SUPPORT—sash frame (w/out RPO BRR) (eff. w/Serial No. 6V100878)(ref. 2006421)
11	1	2	691611	SUPPORT—sash frame, RH side, front
12	—	1	688821	SUPPORT—sash frame, RH side upper front
13	1	1	696157	REINFORCEMENT—RH upper post to front side sash (16.71 lg.)
14	1	—	694036	PANEL—side, RH upper front (prior to Serial No. 3V102100)
14	1	—	694036	PANEL—side, RH upper front (eff. w/1975) (Transmode)
14	1	—	—	PANEL—side, RH upper front (eff. w/Serial No. 3V102100) (ref. 716218)
15	2	2	688825	POST—RH side upper intermediate
16	1	1	691698	JAMB ASSY.—RH entrance door (prior to Serial No. 3V102100)
16	1	1	716206	JAMB ASSY.—RH entrance door (ref. only)
16	1	1	791392	JAMB ASSY.—RH entrance door (eff. w/serial no. 3V102100) (repl. 716206)

NOTE: The above [3] Jamb Assemblies include the next [7] items as indicated.

—	1	1	790180	FRAME—door, lower (w/791392 jamb)
—	1	1	790180	FRAME—door, lower (w/691698 and 716206 jambs) (repl. 688817)
—	1	1	688841	FRAME—door, upper
—	1	1	691632	FILLER—door frame corner, upper rear
—	1	1	688842	FILLER—door frame corner, lower rear
—	1	1	691633	FILLER—door frame corner, upper front
—	1	1	688843	FILLER—door frame corner, lower front
17	1	—	688811	BEAM—belt rail, RH front longitudinal (prior to Serial No. 6V100878)(repl. 698130)
17	1	—	2007979	BEAM—belt rail, RH front longitudinal (eff. w/Serial No. 6V100878)(repl. 2007955)
18	6	8	688831	POST—RH side, lower
19	1	1	698122	EXTENSION—support, step to lower riser, RH front
20	1	1	696155	POST—RH side, lower, rear (prior to Serial No. 6V100878)
20	1	1	2007954	POST—RH side, lower rear (eff. w/Serial No. 6V100878)
21	1	1	696179	EXTENSION—post, RH side, lower, rear (prior to 1975)
21	—	1	791376	EXTENSION—rear, lower, RH side post (motor home) (eff. w/1975)
21	—	1	792420	EXTENSION—rear, lower side post (Transmode) (eff. w/1975)
22	1	1	703974	POST—RH side lower rear (at rear wheelhouse)
23	1	1	691610	SUPPORT—wheelhouse, RH longitudinal (76.18 CTL)
24	—	1	724359	PANEL—side, RH upper, rear (Transmode)
24	—	1	689610	PANEL—side, RH upper, rear (motor home, also used w/RPO APR) (prior to 1975)
24	—	1	689610	PANEL—side, RH upper, rear (motor home) (eff. w/1975) (prior to 1978) (repl. 793022)
24	—	1	2028934	PANEL—side, RH upper rear (Motorhome) std. (w/refrigerator louvers) (1978)
24	—	1	2028935	PANEL—side, RH upper rear (Motorhome) (w/RPO U97) (w/refrigerator louvers) (1978)
25	—	1	719501	POST ASSY.—RH side, lower (incl. next item)
25	—	1	688834	POST—RH side, lower

BODY

KEY 230 260 PART NUMBER

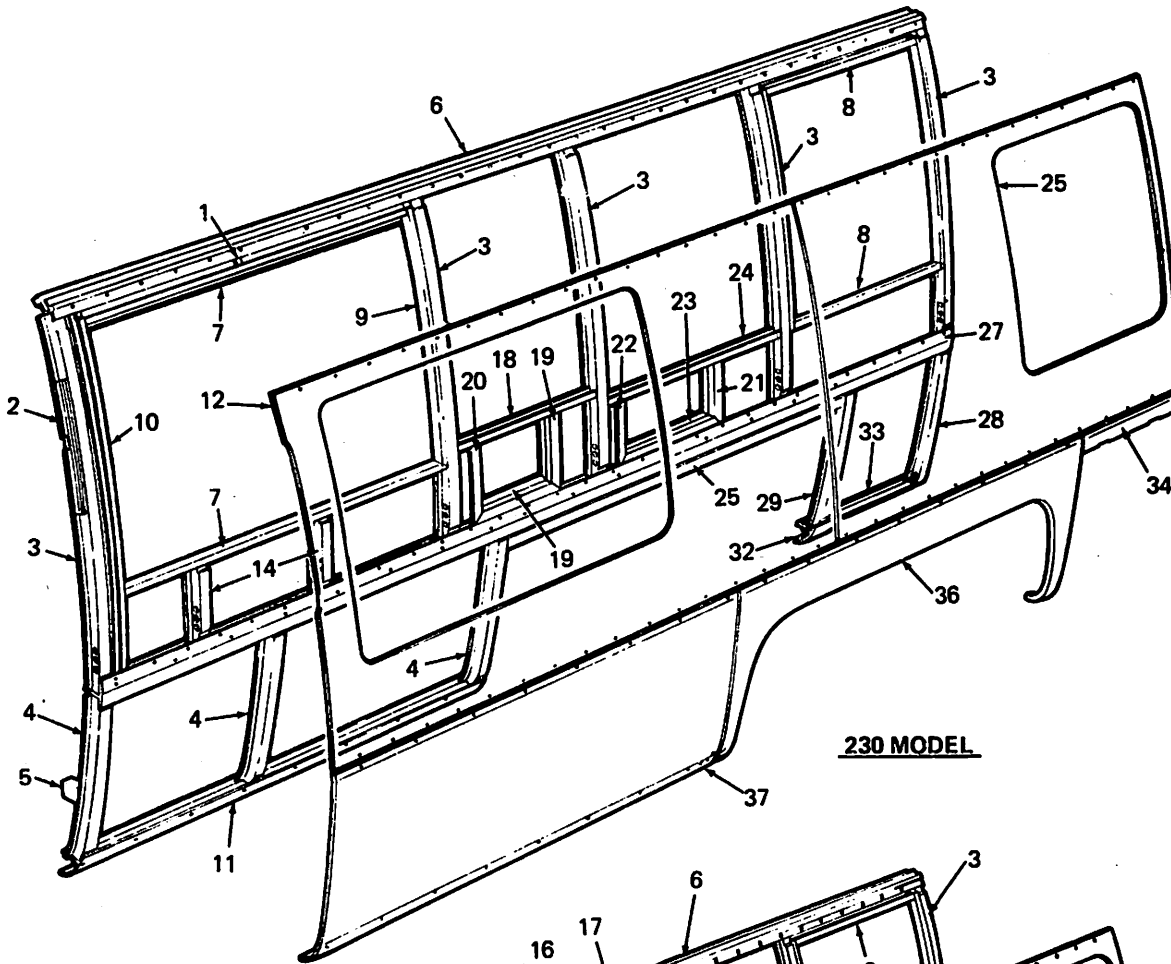
23.025 PANELS AND FRAMING — RH SIDE (Cont.)

26	1	1	NS	SUPPORT—refrigerator vent, RH side, rear (ref. 701973)
27	—	1	NS	SUPPORT—refrigerator vent, RH side, front (ref. 701423)
28	AR	AR	701421	SUPPORT—refrigerator vent, RH side, upper (CTL)
29	1	1	NS	SUPPORT—refrigerator vent, RH side, lower (ref. 701424)
30	1	1	698183	BEAM—floor to lower side post, RH front (prior to 1975)
30	1	1	791369	BEAM—floor to lower side post rear RH (eff. w/1975)
31	1	—	694037	PANEL—side, intermediate, RH upper (Motorhome) (also RPO APQ)
31	1	—	724365	PANEL—side, RH upper intermediate (Transmode) (w/out RPO BRR, BRS)
31	1	—	2008198	PANEL—side, RH upper intermediate (Transmode) (w/RPO BRR)
31	1	—	2008200	PANEL—side, RH upper intermediate (Transmode) (w/RPO BRS)
32	1	—	694003	BEAM—floor to lower side post, RH front (Motorhome)
32	1	—	792442	BEAM—floor to lower side post, front, RH (Transmode)
33	—	1	688828	BEAM—floor to lower side post, RH front (prior to 1975)
33	—	1	791356	BEAM—floor to lower side post front RH (eff. w/1975)
34	—	1	688814	BEAM—belt rail, RH front longitudinal (prior to Serial No. 6V100878)
34	—	1	2007979	BEAM—belt rail, RH front longitudinal (eff. w/Serial No. 6V100878) (repl. 2007956)
34	—	1	691613	PANEL—side, RH lower front (prior to Serial No. 3V102100)
34	—	1	—	PANEL—side, RH lower front (eff. w/Serial No. 3V102100) (ref. 716221)
34	—	1	691613	PANEL—side, RH lower front (eff. w/1975)
35	1	—	691635	PANEL—side, RH lower front
36	1	1	691612	PANEL—rocker, RH door
37	—	1	689611	PANEL—side, RH
37	—	1	792407	PANEL—side, RH upper front (Transmode)
38	1	—	696148	PANEL—side, RH lower rear
39	—	1	696147	PANEL—side, RH lower rear
40	1	1	691615	PANEL—side, RH outer wheel opening
41	1	—	691641	PANEL—side, intermediate RH lower
42	2	2	716989	POST—front, side upper
43	2	2	716486	POST—front, side lower
44	—	1	792854	DOOR ASSY.—vent, exterior side, refrigerator (SOA) (incl. door frame) (14 1/8 x 19 15/16) (eff. w/1975) (prior to 1978) (for refrigerator vent louvers eff. w/1978 see item 24 panel gr. 23.025)
45	—	1	794650	SPACER—vent door, refrigerator (used w/792854 vent door) (prior to 1978)
—	AR	AR	700368	RIVET—RH side panel & upper side panel to roof corner longitudinal beam
—	2	2	702672	GUSSET—RH wheelhouse beam to upper side post
—	1	1	708463	PAD—non-slip
—	1	1	—	POST ASSY.—lower side, door (prior to 1975) (ref. 716224)
—	8	8	700368	RIVET—reinforcement to post
—	1	1	—	POST ASSY.—upper side, door (prior to 1975) (ref. 716225)
—	1	1	792417	POST ASSY.—side lower, LPG tank (eff. w/1975 and prior to Serial No. 6V100878)
—	—	1	704076	POST—side lower, front, LPG tank (eff. w/Serial No. 6V100878) (prior to 1978)
—	—	1	2032757	POST—side lower, front, LPG tank (1978)
—	—	1	711328	SUPPORT—dinette table RH (prior to 1975)
—	—	1	791987	SUPPORT ASSY.—dinette table RH (eff. w/1975)
—	—	4	2226070	RIVNUT—support (used w/791987)
—	—	1	791989	BRACKET—davo/bunk
—	—	1	2006225	COVER—tank, LPG (eff. w/Serial No. 6V100878)
—	—	37	2006657	SCREW ASSY.—LPG tank cover to floor (eff. w/Serial No. 6V100878)
—	—	1	792011	COVER ASSY.—tank, LPG (aluminum) (SOA) (eff. w/1975 and prior to Serial No. 6V100878)
—	—	2	797686	SUPPORT—cover, to RR inside panel (use w/792011) (eff. w/1975 and prior to Serial No. 6V100878)
—	1	—	2008181	COVER ASSY.—LPG tank (w/RPO BRR/BRS)
—	7	7	793289	RIVET—post to bracket

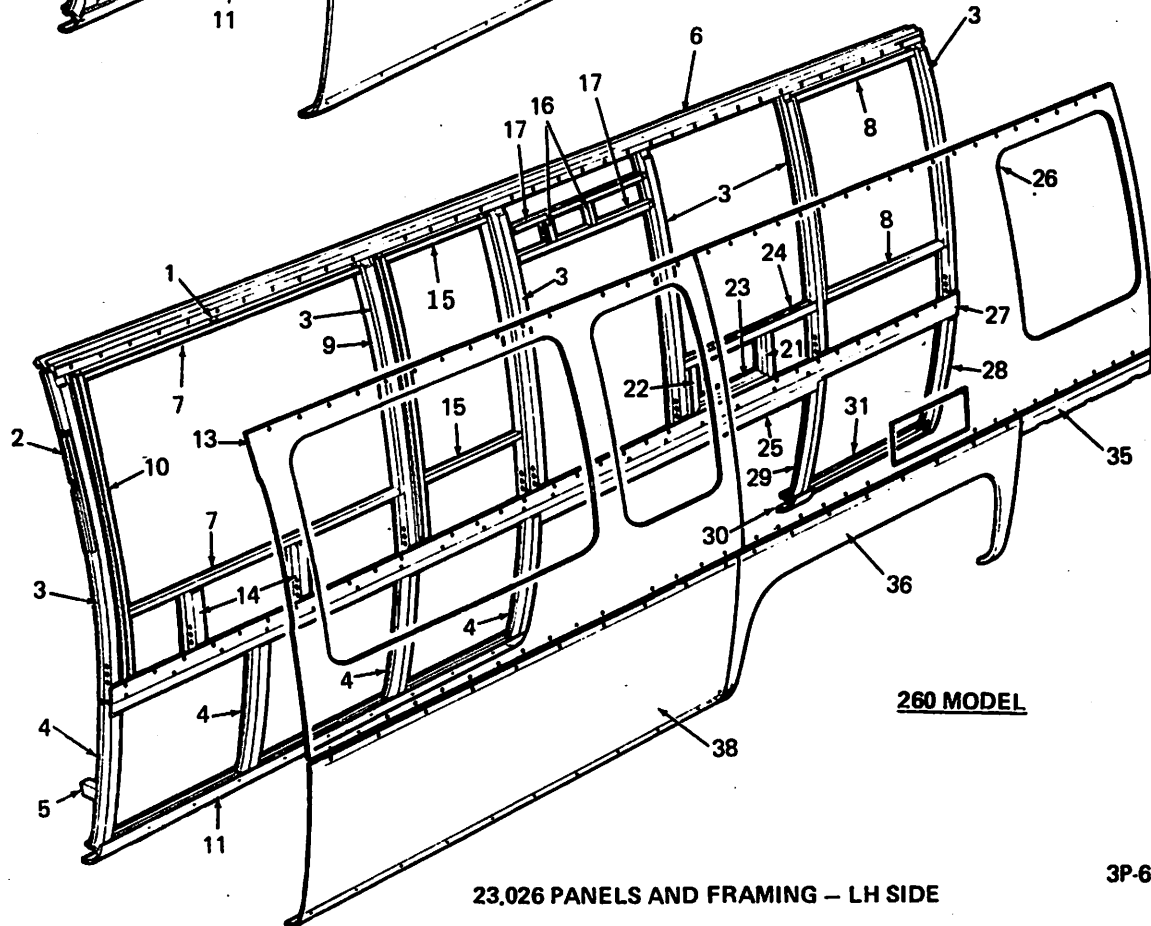
BODY

NOTES

BODY



230 MODEL



260 MODEL

23.026 PANELS AND FRAMING - LH SIDE

3P-6043

BODY

KEY	230	280	PART NUMBER	
23.026 PANELS AND FRAMING — LH SIDE				
1	1	1	688821	SUPPORT—sash frame, LH side upper front
2	1	1	696157	REINFORCEMENT—LH upper post to front side sash (repl. 703573)
3	5	7	688832	POST—LH side, upper
4	6	8	688831	POST—LH side, lower
5	1	1	698122	EXTENSION—support, step to lower riser, LH front
6	1	1	691608	BEAM—side post to roof, LH corner lgt dnl. (215.52 lg.)
7	2	4	688823	SUPPORT—sash frame, LH side upper and lower front (59.39 lg.) (prior to Serial No. 6V100878)
7	2	4	NPN	SUPPORT—sash frame, LH side upper and lower front (60.35" lg.) (eff. w/Serial No. 6V100878) (ref. 2006420) (make locally)
8	—	4	NPN	SUPPORT—sash frame, LH side upper and lower rear (37.56" lg.) (w/ZEO6582, ZEO6584) (ref. 2006419) (make locally)
8	2	2	688823	SUPPORT—sash frame, LH side upper and lower rear (59.39" CTL) (exc./ZEO6582, ZEO6582)
9	AR	AR	688830	SUPPORT—sash frame, LH side
10	1	1	691611	SUPPORT—sash frame, LH side front
11	AR	AR	688827	BEAM—floor to lower side post, LH front (97.23") (prior to 1975)
11	—	1	791355	BEAM—floor to lower side post, front, LH (eff. w/1975)
11	1	—	792425	BEAM—floor to lower side post, front, LH (Transmode) (eff. w/1975)
12	1	—	694038	PANEL—side, LH upper front (motor home/RPO APQ, BRR, BRS)
12	1	—	724363	PANEL—side, LH upper front (Transmode) (w/out RPO BRR, BRS) (prior to interm 1977)
13	1	1	724362	PANEL—side, LH upper front (Transmode) (eff. w/interm 1977)
13	—	1	694034	PANEL—side, LH upper front (Motorhome) (also w/RPO APR) (exc./ZEO6582, ZEO6584)
13	—	1	2006227	PANEL—side, LH upper front (w/ZEO6582, ZEO6584)
14	2	2	688825	POST—LH side upper intermediate
15	—	2	688823	SUPPORT—sash frame, LH side intermediate (CTL) (repl. 688824)
16	—	2	NS	SUPPORT—stove vent, vertical, LH side (ref. 701429)
17	—	2	701421	SUPPORT—stove vent, horizontal, LH SIDE (39.06 CTL)
18	1	—	701421	SUPPORT—refrigerator vent, LH side upper (39.06 CTL)
19	1	—	NS	SUPPORT—refrigerator vent, LH side lower (ref. 701424)
19	1	—	NS	SUPPORT—refrigerator vent, LH side rear (ref. 701973)
20	1	—	NS	SUPPORT—refrigerator vent, LH side front (ref. 701423)
21	1	1	701422	SUPPORT—water & electric access door, LH rear
22	1	1	701420	SUPPORT—water & electric access door, LH front
23	1	1	701419	SUPPORT—water & electric access door, LH lower
24	1	1	701421	SUPPORT—water & electric access door, LH lower (39.06 CTL)
25	1	1	691610	SUPPORT—wheelhouse, LH longitudinal (76.18 CTL)
25	1	—	694039	PANEL—side, LH upper rear (Motorhome/RPO BRS)
25	1	—	724364	PANEL—side, LH upper rear (Transmode) (w/out RPO BRR, BRS)
25	1	—	2008199	PANEL—side, LH upper rear (w/RPO BRR)
26	—	1	724361	PANEL—side, LH upper rear (Transmode)
26	—	1	792262	PANEL—side, LH upper rear (w/RPO APR/Transmode)
26	—	1	694033	PANEL—side, LH upper rear (Motorhome) (exc./ZEO6582, ZEO6584)
26	—	1	2008302	PANEL—side, LH upper rear (w/ZEO6582, ZEO6584)
27	—	1	2007979	BEAM—belt rail, LH side longitudinal (eff. w/Serial No. 6V100878)
27	1	—	2007979	BEAM—belt rail, LH side longitudinal (eff. w/Serial No. 6V100878) (repl. 200798)
27	1	1	688811	BEAM—belt rail, LH side longitudinal (215.04 CTL) (prior to Serial No. 6V100878)
28	1	1	704076	POST—LH side lower rear
29	1	1	703974	POST—LH side lower rear (at rear wheelhouse)
30	—	1	702679	BEAM—floor to lower side post, LH rear (6.00') (prior to 1975)
30	—	2	791369	BEAM—floor to lower side post, rear, LH (eff. w/1975)
31	—	1	702660	EXTENSION—post, LH side lower rear (prior to 1975)
31	—	1	791352	EXTENSION—rear lower side post LH (eff. w/1975) (Motorhome)
32	1	—	702661	EXTENSION—post, LH side lower rear
32	1	—	792421	EXTENSION—rear, lower side post, LH (Transmode) (eff. w/1975)
33	2	—	698183	BEAM—floor to lower side post, LH rear
34	1	—	696148	PANEL—side, LH lower rear
35	—	1	696147	PANEL—side, LH lower rear
36	1	1	691615	PANEL—side, LH outer wheel opening
37	1	—	691636	PANEL—side, LH lower front
38	—	1	691614	PANEL—side, LH lower front
—	AR	AR	700368	RIVET—LH side panel
—	2	2	702672	GUSSET—LH wheelhouse beam to upper side post
—	—	1	701421	SUPPORT—side panel, LH (39.06 CTL) (repl. 701425)

BODY

KEY 230 260 PART NUMBER

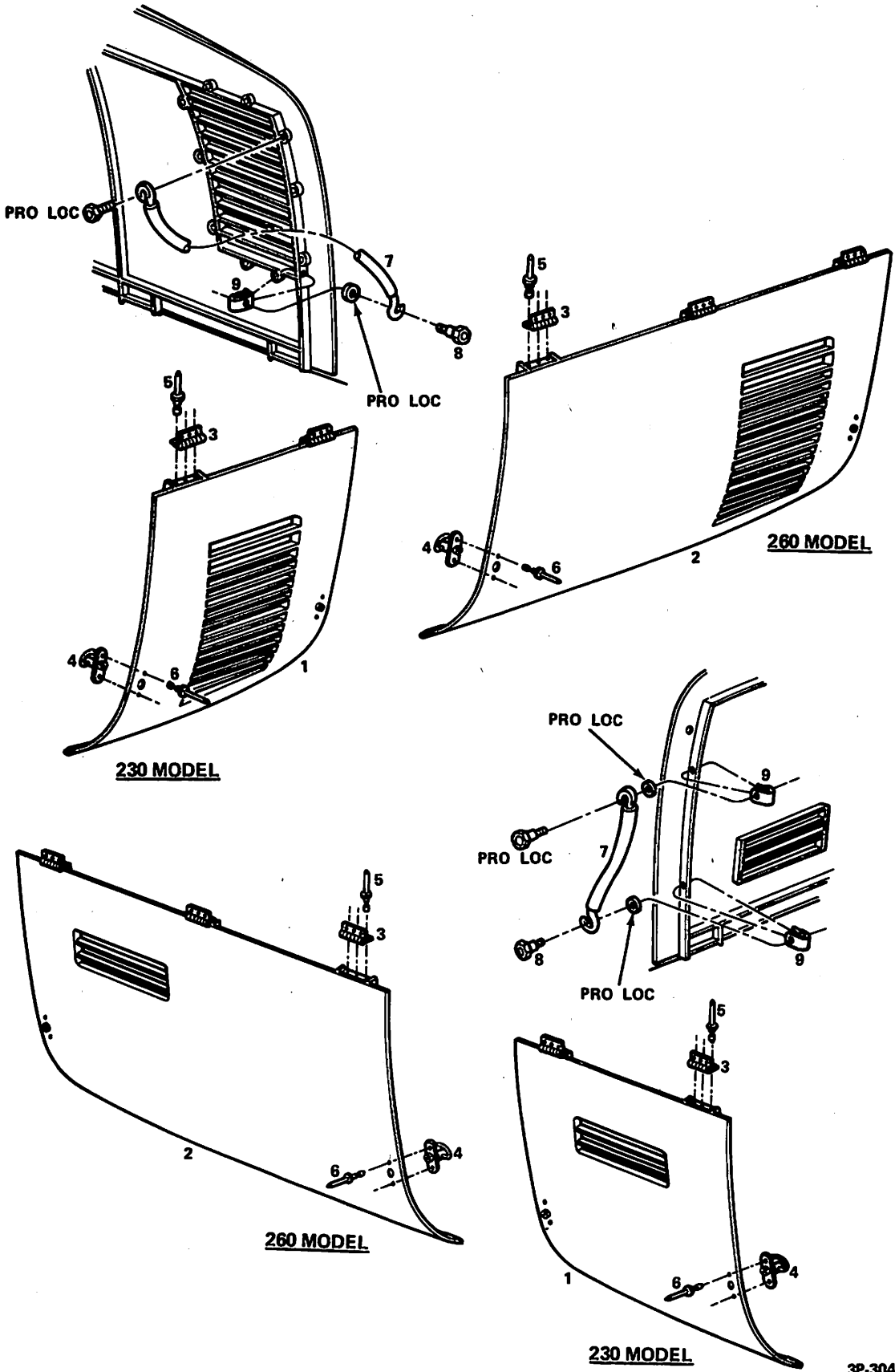
23.026 PANELS AND FRAMING — LH SIDE (Cont.)

-	-	2	701421	SUPPORT—horizontal, stove vent (39.06" CTL) (Transmode) (repl. 701425)
-	-	1	792004	EXTENSION—LH, floor to lower side front, motor generator (w/RPO KNC)
-	-	1	792005	EXTENSION—LH, floor to lower side rear, motor generator (w/RPO KNC)
-	-	1	791352	EXTENSION—LH, floor to lower side, (exc./ RPO KNC) (eff. w/1975)
-	-	1	792416	POST ASSY.—front, side lower motor generator (incl. next [3] items) (prior to Serial No. 6V100878)
-	-	1	703974	POST—side lower motor generator, front
-	-	1	792041	ANGLE—post
-	-	5	-	RIVET—angle to post (ref. 9436024)
-	-	1	703974	POST—side lower motor generator, rear (eff. w/Serial No. 6V100878)
-	-	36	2006657	SCREW ASSY.—motor generator compt. cover to body and floor (eff. w/Serial No. 6V100878)
-	-	1	2465308	PLATE—tapping, motor generator cover assembly (w/2006226 cover)
-	-	1	792418	POST ASSY.—side lower motor generator, rear (incl. next [3] items) (prior to Serial No. 6V100878)
-	-	1	797686	SUPPORT—cover to inside RR panel (use w/792012) (eff. w/1975) (prior to Serial No. 6V100878)
-	-	1	2001029	VENT—motor generator compt. (eff. w/1975)
-	-	1	2000239	PANEL—battery closure upper panel (w/RPO KNC)
-	-	1	792012	COVER ASSY.—motor generator compt. (aluminum) (SOA) (eff. w/1975) (w/ZEO 6581) (prior to serial no. 6V100878)
-	-	1	2006226	COVER ASSY.—motor generator compt. (w/ZEO 6581, & ZEO 6582) (eff. w/serial no. 6V100878) (prior to 1978)
-	-	1	2011648	COVER ASSY.—motor generator compt. (w/ZEO 6582) (eff. w/interm 1976) (prior to 1978)
-	-	1	2026201	COVER ASSY.—motor generator compt. (w/ZEO 6581) (1978)
-	1	-	2008180	COVER ASSY.—motor generator (w/RPO BRR/BRS) (transmode w/bath)
-	-	1	2009152	COVER ASSY.—motor generator compt. (w/RPO KNC) (prior to 1978)
-	-	1	2026213	COVER ASSY.—motor generator compt. (w/RPO KNC) (eff. w/1978)
-	-	1	2261791	GROMMET—battery cable thru side panel (w/2008174 panel)
-	-	1	2008174	PANEL—battery side closure (w/RPO KNC, KNE) (prior to 1978)
-	-	1	2025739	PANEL—battery side closure (w/RPO KNC, KNE) (1978)
-	-	1	NPN	BRACKET—battery box (w/RPO KNC, KNE) (prior to 1978)2008178(make locally)
-	-	1	2025800	BRACKET—battery box (w/RPO KNC) (1978)
-	-	1	NPN	PLATE—battery box cover support (w/RPO KNC, KNE)(ref. 2008177)(make locally)
-	-	1	2008182	PANEL—access, battery (w/RPO KNC, KNE)

BODY

NOTES

BODY



23.040 DOOR - SIDE ACCESS

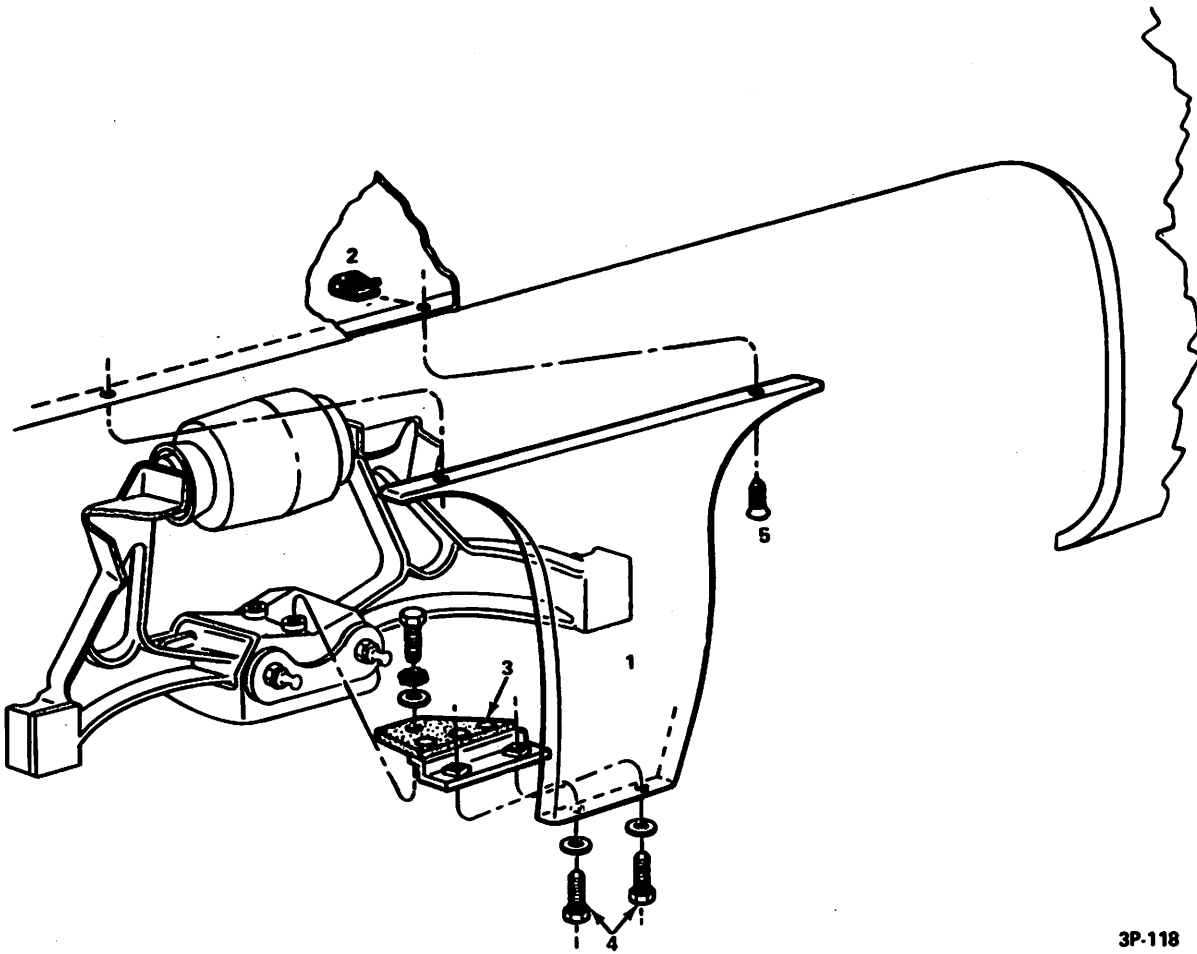
BODY

KEY	230	280	PART NUMBER
-----	-----	-----	-------------

23.040 DOOR — SIDE ACCESS

1	1	—	694040	PANEL—side access door, RH (rear of rear wheelhouse)
1	1	—	694041	PANEL—side access door, LH (rear of rear wheelhouse)
1	2	—	724598	PANEL—side access door closure, RH & LH (Transmode) (prior to 1975)
1	2	—	793157	PANEL—side access door, RH & LH (Transmode) (eff. w/ 1975) (24.50" x 21.70 lg.)
2	—	1	694042	PANEL—side access door, RH (rear of rear wheelhouse)
2	—	1	694043	PANEL—side access door, LH (rear of rear wheelhouse)
2	—	2	724597	PANEL—side access door closure, RH & LH (Transmode) (prior to 1975)
2	—	2	793156	PANEL—side access door, RH & LH (Transmode) (eff. w/ 1975) (24.50" x 37.70 lg.)
3	4	6	702821	HINGE ASSY.—side access door
4	4	4	707991	LATCH—spring, front access door (repl. 702145)
5	12	18	700368	RIVET—hinge to panel
6	4	4	668290	RIVET—front access door spring latch
7	1	1	713229	STRAP ASSY.—door hold open, (RH & LH)
8	2	2	3945359	BOLT—stop to door
9	2	2	2292732	U-NUT—bolt
—	1	1	791685	TAG—danger ("danger, do not obstruct airflow to generator")
—	10	16	9414712	SCREW—panel, access door closure (Transmode) (prior to 1975)
—	AR	AR	791702	SCREW—panel (used w/793157) (eff. w/ 1975)
—	4	6	NPN	REINFORCEMENT—hinge, side access door (ref. 790545) (make locally)

BODY



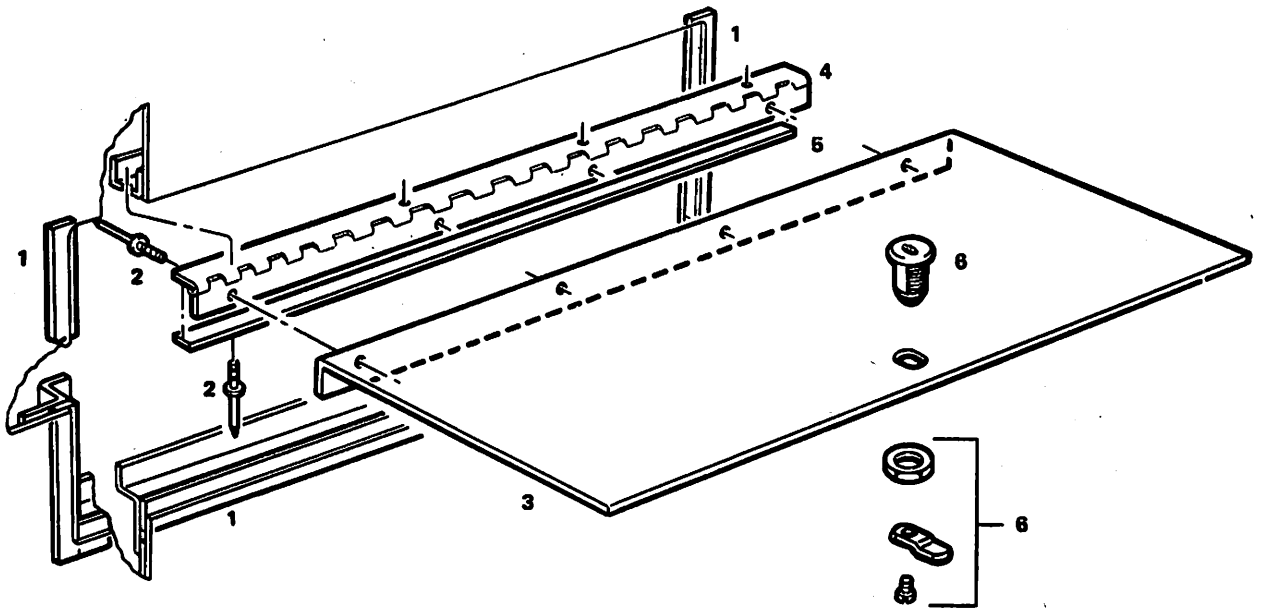
3P-118

KEY	230	260	PART NUMBER
-----	-----	-----	-------------

23.042 SKIRT — REAR WHEEL OPENING

1	2	2	793495	SKIRT ASSY.—rear wheel opening (RPO T58)
2	4	4	325822	U-NUT—skirt to side panel (repl. 3433156)
3	2	2	793494	BRACKET—skirt mounting, bottom
4	2	2	9427321	BOLT—bracket to suspension (3/8-16 x 1 300M) (repl. 9418822)
5	4	4	9417311	SCREW—skirt to side panel

BODY



3P-3040

KEY	230	260	PART NUMBER
-----	-----	-----	-------------

23.043 DOOR — WATER AND ELECTRIC

1	1	1	702309	SEAL—door, lower (prior to 1975)
1	2	2	702309	SEAL—door, side (prior to 1975) (repl. 702310)
1	1	1	792289	SEAL—door (eff. w/ 1975) (prior to 1978)
1	1	1	2028974	SEAL—door (1978)
2	8	8	700368	RIVNUT—striker
3	1	1	702305	DOOR—access, water and electric (over left wheelhouse)
4	1	1	702306	HINGE ASSY.—door
5	1	1	702303	SEAL—door, upper (prior to Serial No. 6V100878)
5	1	1	702309	SEAL—door, upper (eff. w/Serial No. 6V100878)
6	1	1	701241	LOCK ASSY.—cam (prior to 1975)
6	1	1	709156	LOCK UNIT—door, (1975) (see group 23.065)
6	1	1	798326	LOCK UNIT—door (eff. w/1976) (see group 23.065) (ref. only)
—	—	1	—	LOCK UNIT—(set assy.) door (eff. w/Serial No. 6V100878) (w/RPO U97) (see group 23.065) (ref. 2008266)
—	1	1	702348	STRIKER—lock (w/701241)
—	—	3	2002835	CYLINDER ASSY.—water & elect. access door lock (see group 23.044 for lock assy.) (NOTE: Use Qty. of (2) w/ lock set 2028776, 2030075, 2030076) (SOA) (eff. w/1975)
—	—	1	791175	BOX ASSY.—power cord storage, (w/4KW ONAN) (eff. w/1975)
—	—	1	795117	BOX ASSY.—power cord storage, (w/6KW ONAN) (eff. w/1975) (prior to Serial No. 6V100878)
—	—	1	2008303	BOX ASSY.—power cord storage (w/ZE06582, ZE06584) (exc./ RPO KNE)
—	—	1	2008305	BOX ASSY.—power cord storage (w/ZE06582, ZE06584) (exc./ RPO KNE)
—	—	1	2007952	BOX ASSY.—power cord storage (STD) (w/out ZE06582, ZE06584) (eff. w/Serial No. 6V100878)
—	—	1	2007953	BOX ASSY.—power cord storage (w/RPO KNC) (w/ZE06582, ZE06584) (eff w/serial no. 6V100878)

BODY

KEY	230	260	PART NUMBER	
-----	-----	-----	-------------	--

23.043 DOOR — WATER AND ELECTRIC (Cont.)

—	—	1	2000059	TAG—AC electric connection (this connection for 120/240 volt AC, 3 pole, 4 wire, 60 cycle supply, 40 amp. service) (repl. 791692)
—	—	1	NS	GROMMET—power cord box (w/791175)

23.044 ELECTRICAL COMPARTMENT — OUTSIDE (OUTLET)

—	—	1	—	LOCK UNIT—cylinder (see group 23.065)
—	—	1	9728247	RETAINER—lock
—	—	1	2005009	COMPARTMENT ASSY.—electrical outlet (prior to interm 1976) (incl. next (5) items)
—	—	1	2005000	COMPARTMENT—electrical outlet
—	—	1	2004900	DOOR ASSY.—compartment
—	—	1	2005014	STRIKER—compartment door
—	—	4	700368	RIVET—door & striker to compartment
—	—	4	446161	WASHER—rivet to compartment
—	—	1	2004915	DOOR—electrical compartment
—	—	1	703710	HINGE ASSY.—door
—	—	1	2005011	SEAL—receptacle panel
—	—	1	2012752	COMPARTMENT ASSY.—electric outlet (eff. w/interm 1976) (incl. next (6) items)
—	—	1	2012757	COMPARTMENT—electric outlet
—	—	1	2012755	DOOR ASSY.—compartment
—	—	1	2012754	DOOR—electric compartment
—	—	1	703710	HINGE ASSY.—door
—	—	1	2005014	STRIKER—compartment door
—	—	4	700368	RIVET—door & striker to compartment
—	—	1	2030079	SET ASSY.—electric outside (110V) receptacle (1978) (w/RPO U97, & ZEO6581) (ref. only) details not available at time of publication
—	—	1	2030077	LOCK SET—secondary (1978) (w/RPO ENN) (w/out RPO ENA)
—	—	1	2030078	LOCK SET—secondary (1978) (w/RPO ENA) (w/out ENN)
—	—	1	2030116	LOCK SET—secondary (1978) (w/RPO ENA & ENN)
—	—	1	2028776	LOCK SET—secondary (1978) (w/out RPO ENN or U97)
—	—	1	2030075	LOCK SET—secondary (1978) (w/RPO ENN) (w/out RPO U97)
—	—	1	2030076	LOCK SET—secondary (1978) (w/out RPO ENA or U97)

NOTE: The above (6) lock set assy. are listed for ref. only use the following (5) details

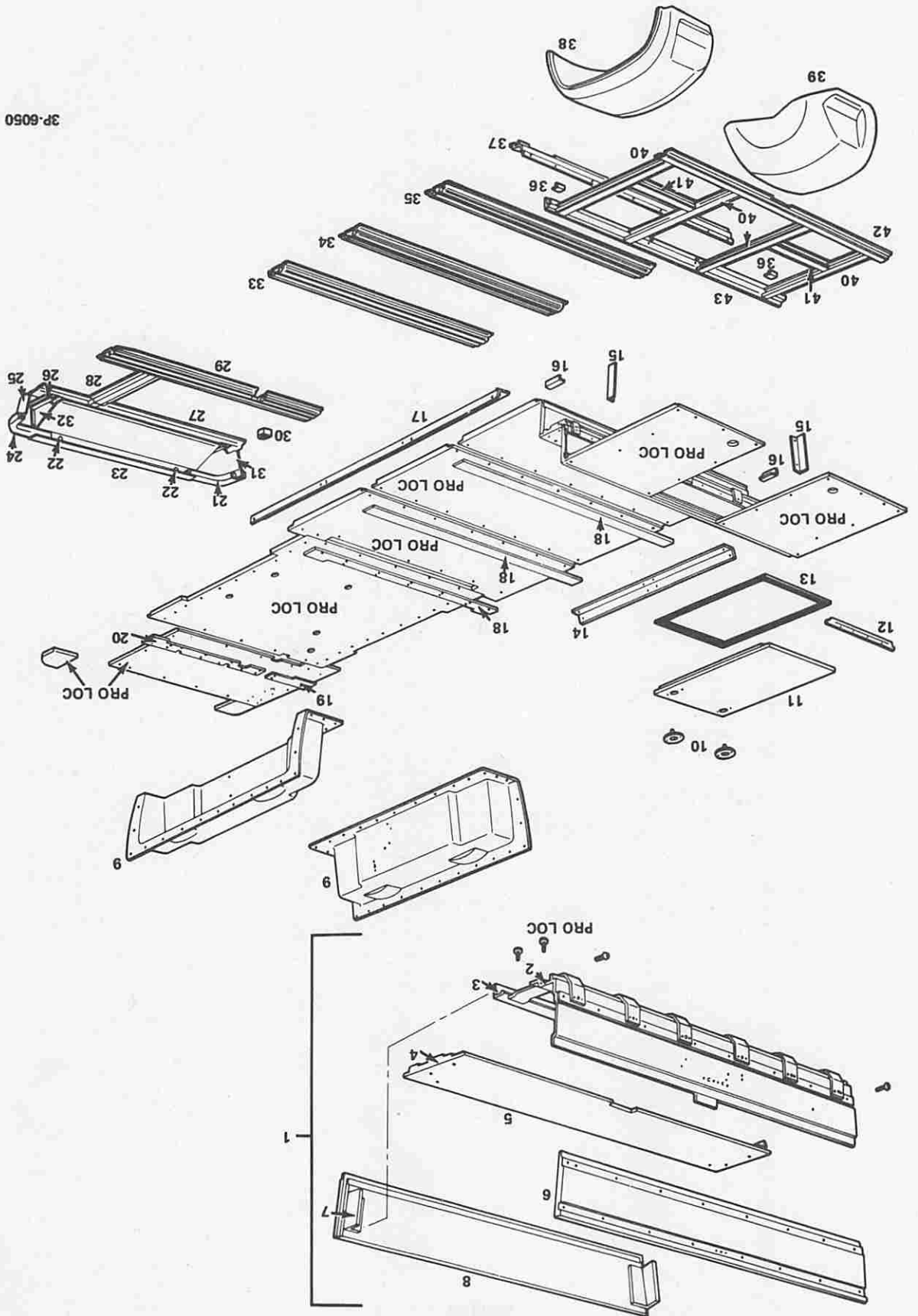
—	—	1	—	CYLINDER ASSY.—side entrance door lock (see group 23.065)
—	—	1	—	CYLINDER ASSY.—instrument panel glove box lock (see group 23.050F)
—	—	3	—	CYLINDER ASSY.—water & elect access door lock (see group 23.043) (Note: Use Qty. of (2) w/lock set 2028776, 2030075 & 2030076)
—	—	3	—	CYLINDER ASSY.—cabinet lock (see group 28.120) (Note: Use Qty. of (2) w/lock set 2030075 & 2030078) (Use Qty. (1) w/lock set 2030076 & 2030077)
—	—	2	NPN	KEY—cylinder lock (procure locally) (ref. 7025287)
—	—	1	2030224	PLATE—lock (w/RPO U97) (1978)
—	—	1	2030223	CATCH—lock striker (w/RPO U97) (1978)
—	—	1	—	RECEPTACLE ASSY.—outside electric (see group 7.090)
—	—	1	—	CLIP—receptacle wiring harness (see group 7.090)
—	—	1	2004967	SPACER—receptacle to outlet compartment
—	—	2	—	SCREW—spacer to compartment and receptacle (ref. 9425533)
—	—	1	2004614	COVER ASSY.—receptacle, weatherproof (w/ZEO6581)
—	—	1	2014007	COVER ASSY.—receptacle, weatherproof (w/ZEO6584)
—	—	1	2002635	CYLINDER ASSY.—lock, door (SOA) (1975-1976)
—	—	1	2010292	CYLINDER ASSY.—lock, door (also use 3-2010410) (repl. 2010505) (eff. w/1976)

BODY

NOTES

23.045 FLOOR SUPPORT AND WHEELHOUSE

3P-6050



BODY

BODY

KEY	230	260	PART NUMBER	
23.045 FLOOR SUPPORT AND WHEELHOUSE				
1	1	1	688802	RISER ASSY.—driver's floor (prior to 1975)
1	1	1	792481	RISER ASSY.—driver's floor (eff. w/ 1975 and prior to Serial No. 6V100878)
1	1	1	2006418	RISER ASSY.—driver's floor (eff. w/Serial No. 6V100878)
NOTE: The above [3] Riser Assemblies include the next [7] items.				
2	1	1	698188	SUPPORT—step to upper riser
3	1	1	—	SUPPORT—step to lower riser (ref. 698121) (make locally)
4	2	2	707835	ANGLE—reinforcement
5	1	1	NPN	STEP—floorboard (procure locally)
6	1	1	NPN	RISER—upper floorboard (procure locally)
7	2	2	701439	SHIELD—splash, lower riser
8	1	1	NPN	RISER—lower floorboard (procure locally)
9	2	2	691634	PANEL—rear wheelhouse inner (prior to Serial No. 4V101022)
9	2	2	721321	PANEL—rear wheelhouse inner (eff. w/Serial No. 4V101022) (prior to Serial No. 6V100878)
9	2	2	2027321	PANEL—rear wheelhouse inner (eff. w/Serial No. 6V100878) (prior to 1978) (repl. 2006222)
9	2	2	2027321	PANEL—rear wheelhouse inner (1978)
10	2	2	717332	LATCH ASSY.—engine cover (repl. 703069)
11	1	1	712942	FLOOR ASSY.—engine cover (incl. items 10-11)
11	1	1	—	INSULATION—floor, engine cover (procure locally) (ref. 2000261)
11	1	1	794439	COVER—floor, engine
11	8	8	—	SCREW—cover to floor (repl. 9425632) (ref. 9425622)
11	4	4	9418338	SCREW—latch to floor
11	4	4	9411281	NUT—screw
11	AR	AR	716228	SEAL—cover (16" x 16" length)
12	1	1	712123	RETAINER—engine cover
13	AR	AR	8884096	SECTION—elastometric, extruded (210" lg., CTL)
14	1	—	698199	BRACE—floor to RH body side post, at riser (prior to 1975)
14	—	1	698197	BRACE—floor to RH body side post, at riser (prior to 1975)
14	1	—	—	BRACE—floor to RH body side post, at riser (Transmode) (ref. 793151)
14	—	1	—	BRACE—floor to RH body side post, at riser Std. (eff. w/1975) (ref. 792010)
15	2	2	701439	SHIELD—splash
16	2	2	707835	ANGLE—reinforcement
17	1	—	698200	BRACE—floor to LH body side post, at riser (prior to 1975)
17	—	1	698198	BRACE—floor to LH body side post, at riser (prior to 1975)
17	1	—	—	BRACE—floor to LH body side post, at riser (Transmode) (repl. 793152)
17	—	1	—	BRACE—floor to LH body side post, at riser (eff. w/1975) (repl. 792009)
18	1	—	714460	COVER—floor support, center (prior to Serial No. 4V101024) (Motorhome) (RH/LH)
18	AR	—	721349	COVER—floor support, intermediate (eff. w/Serial No. 4V101024) (CTL)
18	1	—	714463	COVER—floor support, intermediate (prior to Serial No. 4V101024) (motor home)
18	2	—	721367	COVER—floor support, rear, intermediate (eff. w/Serial No. 4V101024)
18	—	1	721349	COVER—floor support, front, intermediate (eff. w/Serial No. 4V101024)
18	—	1	721348	COVER—floor support, intermediate (eff. w/Serial No. 4V101024)
18	—	1	721347	COVER—floor support, rear, intermediate (eff. w/Serial No. 4V101024)
18	1	—	721346	COVER—floor support, rear (eff. w/Serial No. 4V101024)
19	—	1	721343	COVER—floor support, rear, RH (eff. w/Serial No. 4V101024)
20	—	1	721344	COVER—floor support, rear, LH (eff. w/Serial No. 4V101024)
21	2	2	691646	CHANNEL—extension, rear (incl. support, RH)
22	2	2	701354	SPACER—body mount
23	1	1	691643	COVER—rear floor (prior to 1975)
23	1	1	791378	COVER—rear floor (Transmode) (repl. 792406) (exc./ RPO BRR, BRS)
23	1	—	2009108	COVER—rear floor (Transmode) (w/RPO BRR, BRS)
23	—	1	791378	COVER—rear floor (eff. w/1975)
24	1	1	698170	CHANNEL—extension, rear (incl. support, LH)
25	1	1	696172	SUPPORT—floor, (LH)
26	2	2	698109	SUPPORT—floor, rear side, rear (34.34" lg. CTL)
27	1	1	698110	SUPPORT—rear floor, rear (prior to 1975)
27	1	1	791377	SUPPORT—rear floor, rear (eff. w/1975 and prior to Serial No. 6V100878)

BODY

KEY	230	280	PART NUMBER	
23.045 FLOOR SUPPORT AND WHEELHOUSE (Cont.)				
27	-	1	-	CROSSMEMBER—rear floor, full (procure locally) (eff. w/Serial No. 6V100878) (ref. 791354)
28	1	1	698109	SUPPORT—floor, longitudinal, LH side rear (prior to 1975) (34.34" lg.)
28	-	1	791375	SUPPORT—rear floor, longitudinal LH side rear (eff. w/1975) (30.74" lg.) (prior to Serial No. 6V100878)
28	-	1	2010165	MEMBER—motor generator, longitudinal (eff. w/Serial No. 6V100878)
29	1	-	698107	SUPPORT—floor, rear front (prior to 1975)
29	-	1	698102	SUPPORT—floor, rear front (prior to 1975)
29	-	1	791353	SUPPORT—floor, rear front (eff. w/1975 and prior to Serial No. 6V100878)
29	1	1	2005847	CROSSMEMBER—floor, rear wheelhouse (eff. w/Serial No. 6V100878)
30	-	2	698173	REINFORCEMENT—floor, wheelhouse support (prior to Serial No. 4V101024)
30	-	1	721351	REINFORCEMENT—floor, wheelhouse support (eff. w/Serial No. 4V101024)
30	-	2	791365	REINFORCEMENT—floor, wheelhouse support (eff. w/1975 and prior to Serial No. 6V100878)
31	1	1	696160	SUPPORT—floor, RH side
32	1	1	696172	SUPPORT—floor, LH side
33	1	1	698107	SUPPORT—floor, rear intermediate front (prior to 1975)
33	1	1	791372	SUPPORT—floor, rear intermediate front (eff. w/1975 and prior to Serial No. 6V100878)
33	AR	AR	2005846	CROSSMEMBER—floor, front wheelhouse (eff. w/Serial No. 6V100878)
34	1	2	694031	SUPPORT—floor, intermediate (prior to 1975)
34	-	AR	792408	SUPPORT—floor, intermediate (w/out RPO APN) (eff. w/1975 and prior to Serial No. 6V100878)
34	-	3	2005845	SUPPORT ASSY.—seat belt (eff. w/Serial No. 6V100878)
35	4	6	-	SUPPORT—floor, front intermediate (eff. w/1975) (procure locally) (ref. 791354)
36	1	1	701431	EXTENSION—front floor support (1973)
36	1	1	703235	EXTENSION—front floor support (eff. w/1974)
37	1	1	694030	SUPPORT—floor, front (prior to 1975)
37	1	1	791359	SUPPORT—floor, front (eff. w/1975)
38	1	1	696199	PANEL—wheelhouse, LH front
39	1	1	696198	PANEL—wheelhouse, RH front
40	4	4	698109	SUPPORT—driver's floor, longitudinal (1973)
40	4	4	712126	SUPPORT—driver's floor, longitudinal (eff. w/1974)
41	2	2	698109	SUPPORT—driver's floor, cross front (1973)
41	2	2	712129	SUPPORT—driver's floor, cross front (eff. w/1974)
42	1	1	698101	SUPPORT—driver's floor, front (prior to Serial No. 6V100878)
42	1	1	2009160	SUPPORT—driver's floor, front (eff. w/Serial No. 6V100878)
43	1	1	698189	SUPPORT—driver's floor riser (1973)
43	1	1	712130	SUPPORT—driver's floor riser (eff. w/1974)
-	1	1	701433	CAP—end, rear floor support to cover (RH)
-	1	1	701432	CAP—end, rear floor support to cover (LH)
-	2	2	792846	CAP—end, front LH (eff. w/1975)
-	2	2	792848	CAP—end, front RH (eff. w/1975)
-	1	2	792847	CAP—end, LH rear (eff. w/1975)
-	1	2	792845	CAP—end, RH rear (eff. w/1975)
-	-	2	792426	CROSSMEMBER—front floor (eff. w/1975) (Motorhome) (prior to Serial No. 6V100878)
-	AR	AR	-	CROSSMEMBER—front floor (procure locally) (eff. w/Serial No. 6V100878) (ref. 791354)
-	-	1	791374	CROSSMEMBER—rear (55.60" lg.) (eff. w/1975) (motor home) (prior to Serial No. 6V100878)
-	-	1	791357	CROSSMEMBER—rear floor (eff. w/Serial No. 6V100878) (repl. 2010177) (CTL)
-	-	1	791357	CROSSMEMBER—rear floor rear (w/out RPO KNC) (eff. w/Serial No. 6V100878) (repl. 2010177) (CTL)
-	-	1	791371	CROSSMEMBER—rear (21.82" lg.) (eff. w/1975 and prior to Serial No. 6V100878)
-	3	3	791357	CROSSMEMBER—wheelhouse (eff. w/1975 and prior to Serial No. 6V100878)
-	3	3	2005844	CROSSMEMBER—wheelhouse (eff. w/Serial No. 6V100878)
-	2	2	2006113	MEMBER ASSY.—wheelhouse floor, RH & LH longitudinal (eff. w/Serial No. 6V100878)

BODY

KEY	230	260	PART NUMBER	
-----	-----	-----	-------------	--

23.045 FLOOR SUPPORT AND WHEELHOUSE (Cont.)

-	1	1	791351	MEMBER ASSY.—wheelhouse floor, LH longitudinal (eff. w/ 1975 and prior to Serial No. 6V100878)
-	1	1	791389	MEMBER ASSY.—wheelhouse floor, RH (eff. w/ 1975 and prior to Serial No. 6V100878)
-	2	2	791373	REINFORCEMENT—wheelhouse floor, RH (eff. w/ 1975 and prior to Serial No. 6V100878)
-	-	1	792434	SUPPORT—storage compartment floor (eff. w/ 1975) (Motorhome)
-	-	3	792033	SUPPORT—wheelhouse floor, RH front (eff. w/ 1975 and prior to Serial No. 6V100878)
-	-	1	791358	SUPPORT—wheelhouse floor, rear (eff. w/ 1975 and prior to Serial No. 6V100878)
-	9	9	798681	BOLT—riser to support (special - 5/16-24 x 1-3/4) (1974) (repl. 2067939)
-	1	1	707028	MAT—driver's floor extension (1974)
-	4	4	3730562	FASTENER—mat to dash panel (1974)
-	1	1	708908	STRIP—mat to panel at floor filler (1974)
-	1	1	708916	RETAINER—mat to panel, LH (1974)
-	1	1	708909	RETAINER—mat to panel, RH (1974)
-	2	2	712125	GUSSET—front floor support, lower post (1974)
-	1	1	721352	INSULATION—driver's floor (cut outs)
-	1	1	721505	INSULATION—driver's floor (solid)
-	18	18	3980590	SCREW—wheelhouse to floor
-	1	1	791782	MAT—driver's floor extension (eff. w/ 1975)
-	1	1	708916	RETAINER—mat to panel, LH (eff. w/ 1975)
-	1	1	708909	RETAINER—mat to panel, RH (eff. w/ 1975)
-	8	8	792150	SCREW—retainer to floor (eff. w/ 1975)
-	4	4	3730562	FASTENER—mat to dash panel
-	2	2	721355	PANEL—rear floor insulation
-	1	1	701805	PLATE ASSY.—upper riser splash shield (1973)
-	1	1	717441	SEAL—shower trap hole (prior to 1975)
-	-	1	792008	SEAL—shower drain (eff. w/ 1975 and prior to Serial No. 6V100878)
-	12	12	700368	RIVET—front wheelhouse panel to side panel
-	1	1	714598	SHIELD—front wheelhouse RH panel
-	2	2	2305300	WASHER—wheelhouse panel to floor support bolt
-	1	1	701436	RETAINER—front floor panel
-	5	5	700368	RIVET—front floor panel retainer (1973)
-	2	2	2483950	NUT—speed, engine cover latch
-	2	2	701435	PLATE—mounting, engine cover latch (1973)
-	29	29	700368	RIVET—rear floor cover
-	80	80	700368	RIVET—floor to support (1973)
-	AR	AR	708648	RIVET—floor to support (1974)
-	AR	AR	708648	RIVET—wheelhouse inner panel to longitudinal support
-	2	2	2279500	RIVNUT—driver's floor to cross support (1973)
-	2	2	2497228	RIVNUT—driver's floor to cross support (1974)
-	-	4	798681	BOLT—cover, rear floor (eff. w/ 1975) (Motorhome) (5/16' - 24 x 1-3/4') (repl. 710083)
-	-	1	-	SHIELD—foam insulation at floor (polyethylene) (procure locally) (ref. 2004270)
-	AR	AR	2008781	SCREW—crossmember (support)

23.047 INSULATION — FLOOR

-	AR	AR	8885577	SHEET ASSY.—insulation service (eff. w/ Serial No. 6V200878)
---	----	----	----------------	--

NOTE: The following insulators are 1" thick urethane foam w/.0016 aluminum skin attached. (prior to Serial No. 6V100878)

-	-	1	792014	INSULATION—floor (19.50" x 2.05")
-	-	1	792016	INSULATION—floor (21.28" x 12.06")
-	-	2	792018	INSULATION—floor (16.75" x 12.12")
-	-	1	792019	INSULATION—floor (24.20" x 21.38")
-	-	1	792439	INSULATION—floor (19.50" x 7.32")
-	-	1	792017	INSULATION—floor (58.50" x 19.50")
-	2	2	792028	INSULATION—floor (21.25" x 54.50")
-	1	1	792029	INSULATION—floor (11.75" x 54.50")
-	1	1	792435	INSULATION—floor (79.80" x 12.50")
-	1	-	792445	INSULATION—floor (54.00" x 16.75")

BODY

KEY	230	260	PART NUMBER
-----	-----	-----	-------------

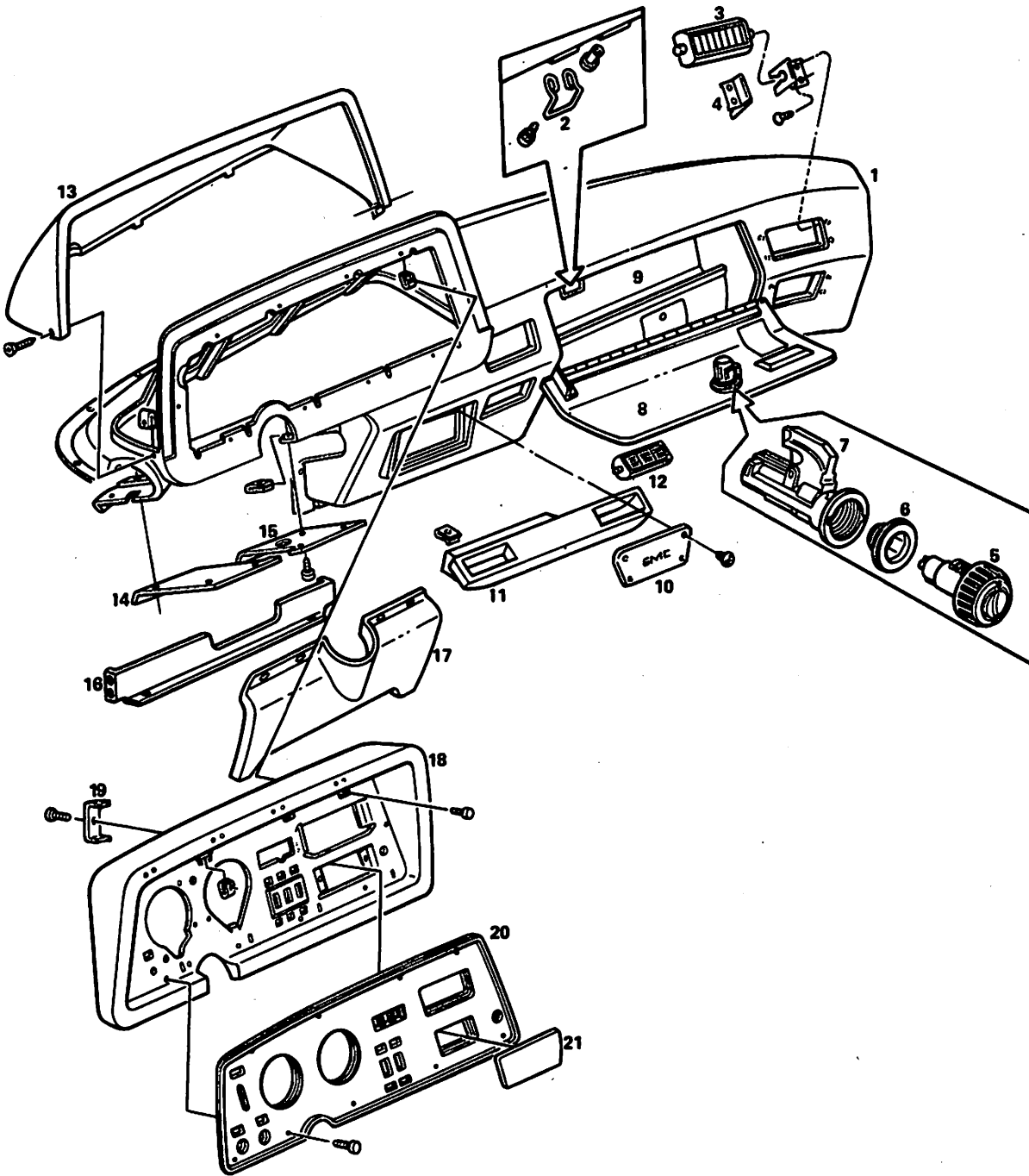
23.047 INSULATION — FLOOR (Cont.)

—	1	—	792446	INSULATION—floor (58.25" x 14.25")
—	—	1	792440	INSULATION—floor (16.75" x 54.00")
—	AR	AR	2002039	INSULATION—floor (19.50" x 48.65")
—	AR	AR	2002041	INSULATION—floor (19.50" x 17.00")
—	AR	AR	2002042	INSULATION—floor (19.50" x 10.00")
—	AR	AR	2002043	INSULATION—floor (21.75" x 79.80")
—	AR	AR	2002046	INSULATION—floor (19.50" x 79.80")
—	AR	AR	2002047	INSULATION—floor (19.50" x 79.80")
—	AR	AR	2002048	INSULATION—floor (19.50" x 79.80")
—	AR	AR	2002049	INSULATION—floor (15.00" x 79.80")
—	AR	AR	2002050	INSULATION—floor (14.25" x 79.80")
—	AR	AR	2002051	INSULATION—floor (12.62" x 79.80")
—	AR	AR	2002052	INSULATION—floor (19.50" x 79.80")
—	AR	AR	2002053	INSULATION—floor (19.50" x 79.80")

BODY

NOTES

BODY



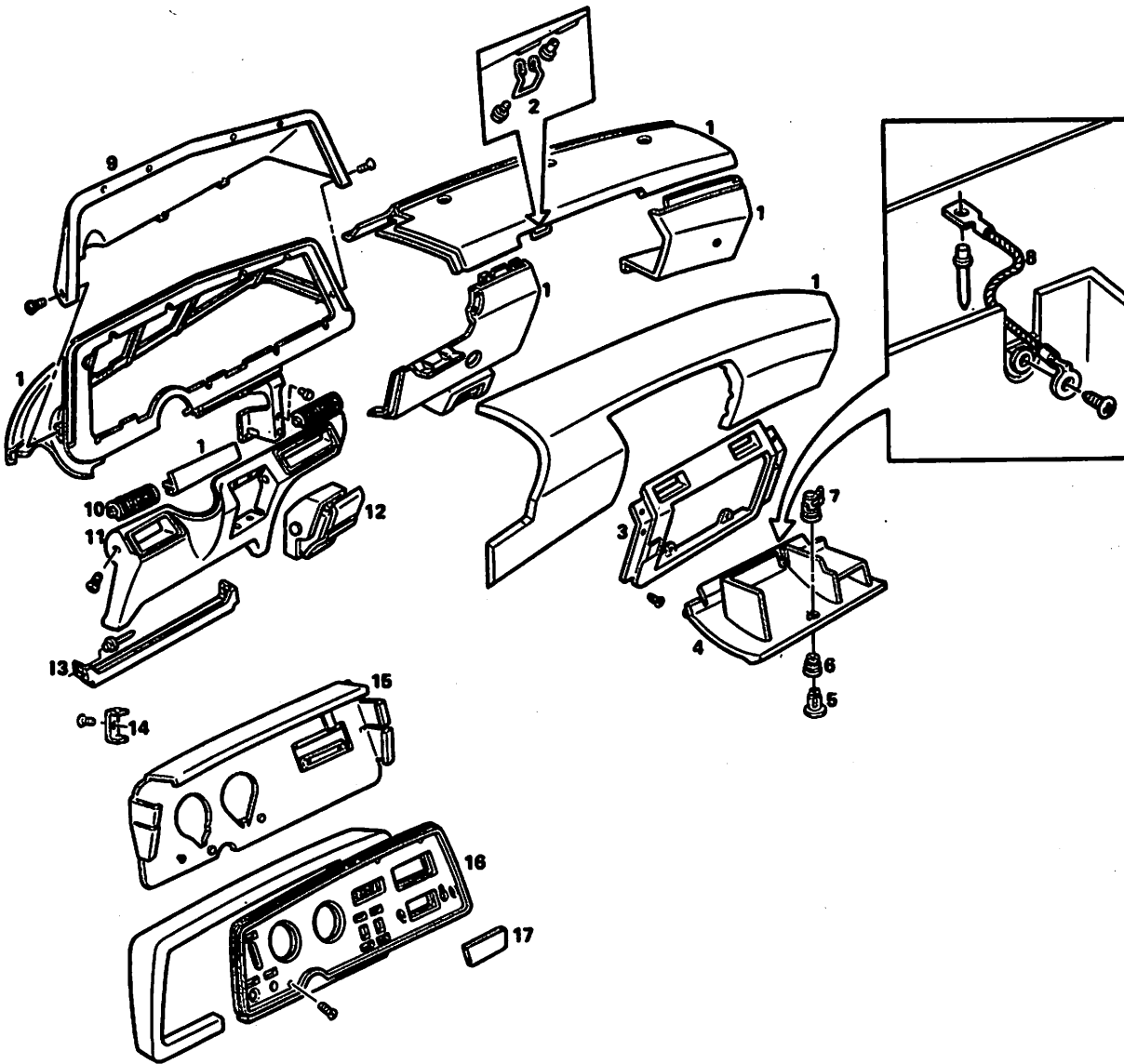
BODY

KEY 230 280 PART NUMBER

23.050 PANEL — INSTRUMENT (FIRST DESIGN)

1	1	1	694045	PANEL ASSY.—instrument (ref. only) (incl. next (3) items)
1	1	1	695691	PANEL—instrument, LH
1	1	1	695690	PANEL—instrument, RH
1	1	1	695696	PAD—main crash, instrument panel
2	1	1	407228	STRIKER—glove box door, (used w/695695)
2	1	1	403288	STRIKER—glove box door, (used w/715865)
3	4	4	698175	OUTLET—air duct
4	AR	AR	689645	CLIP—air outlet duct
5	1	1	2002634	CYLINDER ASSY.—glove box knob (eff. w/ 1975, prior to 1978) (repl. 9832566)
5	1	1	8808035	CYLINDER ASSY.—glove box knob (repl. 9721498) (1978)
6	1	1	403286	ESCUTCHEON—glove box door
7	1	1	403287	CASE ASSY.—glove box lock
8	1	1	715865	GLOVE BOX ASSY.—(repl. 695695)
9	1	1	715870	TRAY—glove box
10	1	1	701367	DECAL—cover (w/out leveling valve)
11	1	1	2005508	DUCT ASSY.—air conditioning (eff. w/serial no. 6V100057) (w/RPO 681, 696, 697) (dark saddle)
11	1	1	2005243	DUCT ASSY.—air conditioning (eff. w/serial no. 6V100057) (w/RPO 698) (avocado)
11	1	1	2005509	DUCT ASSY.—air conditioning (eff. w/serial no. 6V100057) (w/RPO 690, 692, 693, 695 & Transmode)
12	2	2	1602464	OUTLET ASSY.—air duct (eff. w/serial no. 6V100057) (w/2004783 bezel)
—	2	2	2004783	BEZEL—air conditioning duct (w/ 1602464 outlet assy.)
13	1	1	695693	PANEL—instrument cluster cowl
14	1	1	695699	PANEL—cover, lower access, LH
15	1	1	695698	PANEL—cover, lower access, RH
16	—	1	719185	BRACKET—panel mounting
17	—	1	718904	PANEL—valance, LH instrument
18	1	1	790064	CLUSTER ASSY.—instrument foam ring (repl. 695697)
19	1	1	326179	RETAINER—instrument panel radio opening cover
20	1	1	718584	BEZEL—instrument cluster (prior to 1975)
20	—	1	718584	BEZEL—instrument cluster (eff. w/ 1975) (w/RPO 698) (repl. 2001318)
20	1	1	790074	BEZEL—instrument cluster (rosewood) (w/RPO 681, 697) (eff. w/ 1975) (vehicles built prior to June 21, 1976)
20	—	1	790074	BEZEL—instrument cluster (Transmode) (rosewood grain) (w/RPO BRU)
20	1	1	718584	BEZEL—instrument cluster (Transmode) (w/out RPO BRU)
20	—	1	718584	BEZEL—instrument cluster (w/RPO 681, 697) (walnut) (vehicles built after June 21, 1976) (repl. 2001318)
20	—	1	2005465	BEZEL—instrument cluster (dark saddle) (w/ZEO 6582)
21	1	1	326178	COVER—instrument panel radio opening
—	—	1	715683	DOOR—fuse box
—	3	3	702125	HINGE—compartment door
—	6	6	696143	PLATE—hinge tapping
—	—	AR	8860544	STRIP—valance panel steering column filler (w/Eleganza I)
—	1	1	701837	PANEL—mounting, leveling valve
—	1	1	—	MODULE ASSY.—low coolant probe (black plastic) (located on LH side of instrument panel by steering column) (see group 7.042)

BODY



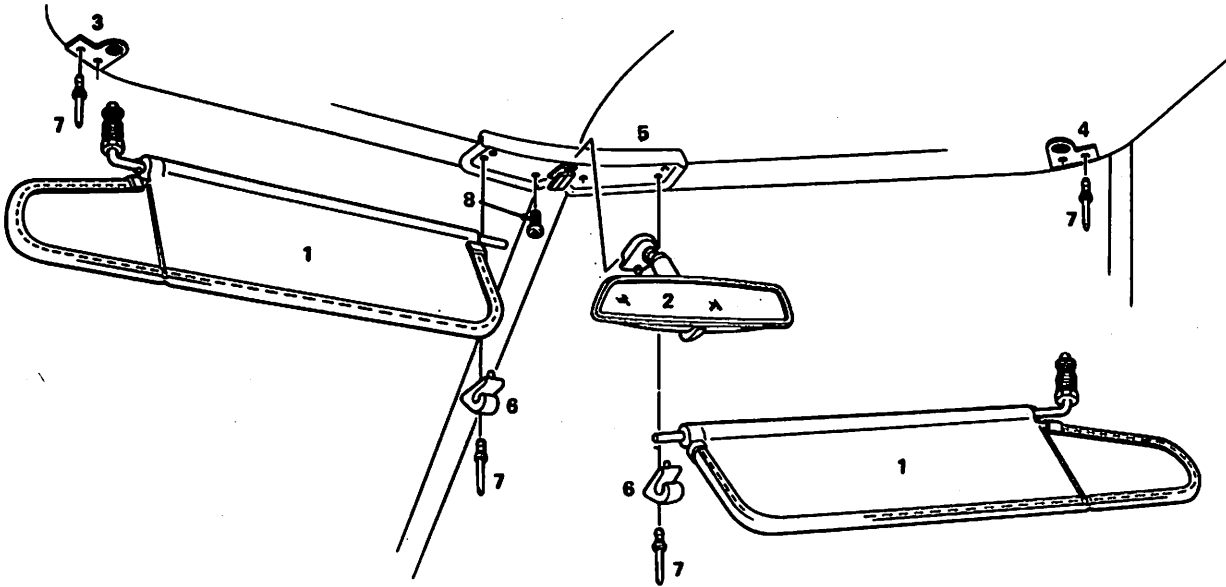
BODY

KEY	230	260	PART NUMBER
-----	-----	-----	-------------

23.050F PANEL — INSTRUMENT (SECOND DESIGN)

1	1	1	2003627	PANEL ASSY.—instrument (dark saddle) (SOA) (Transmode RPO 64 1, 685, 697 & ZEO658 1, ZEO6584)
1	—	1	2003628	PANEL ASSY.—instrument (avocado) (SOA) (w/RPO 698)
2	1	1	403288	STRIKER—glove box door
3	1	1	2005209	REINFORCEMENT—glove box (w/woodgrain applique between a/c outlets) (w/RPO 64 1, 697) (dark saddle)
3	1	1	2005210	REINFORCEMENT—glove box (w/woodgrain applique between a/c outlets) (avocado) (w/RPO 698)
4	1	1	2005281	GLOVE BOX ASSY.—(w/transmode RPO 64 1, 685, 697, 698)
5	1	1	8808035	CYLINDER ASSY.—inst. panel glove box lock (see group 23.044 for lock assy.)
6	1	1	403286	ESCUTCHEON—glove box door
7	1	1	403287	CASE ASSY.—glove box door
8	2	2	1603122	STOP—glove box (steel rope, 4.22" lg)
9	1	1	695693	PANEL—instrument cluster cowl (w/out RPO 64 1) (repl. 790072)
9	—	1	2012189	PANEL—instrument cluster cowl (w/RPO 64 1)
10	2	2	1602464	OUTLET ASSY.—a/c duct (w/2004783 bezel)
—	2	2	2004783	BEZEL—a/c duct (w/1602464 outlet assy.)
11	1	1	2000708	PANEL—valance, LH steering column (w/transmode RPO 64 1, 685, 697 ZEO 658 1, ZEO 6584) (repl. 2012187)
11	—	1	2001711	PANEL—valance LH steering column (w/RPO 698)
—	AR	AR	—	TRAY—ash, side trim panel (prior to 1977) (see group 23.080)
12	1	1	2003208	TRAY—ash, instrument panel (dark saddle) (w/transmode RPO 64 1, 685, 697) (repl. 2012188)
12	—	1	2003209	TRAY—ash, instrument panel (avocado) (w/RPO 698)
13	1	1	2000300	BRACKET—valance panel mounting
14	1	1	326179	RETAINER—radio cover
15	1	1	2003208	PANEL ASSY.—instrument cluster foam ring (repl. 2003207, 2012186)
16	1	1	718584	BEZEL—instrument cluster (walnut) (repl. 2001318)
17	1	1	326178	COVER—radio cover
—	—	1	2034447	SEAL—dash panel (2.00" wide x 8.00" lg.)
—	—	1	2034448	SEAL—dash panel (2.00" wide x 34.00" lg.)

BODY



3P-19005

KEY	230	260	PART NUMBER
-----	-----	-----	-------------

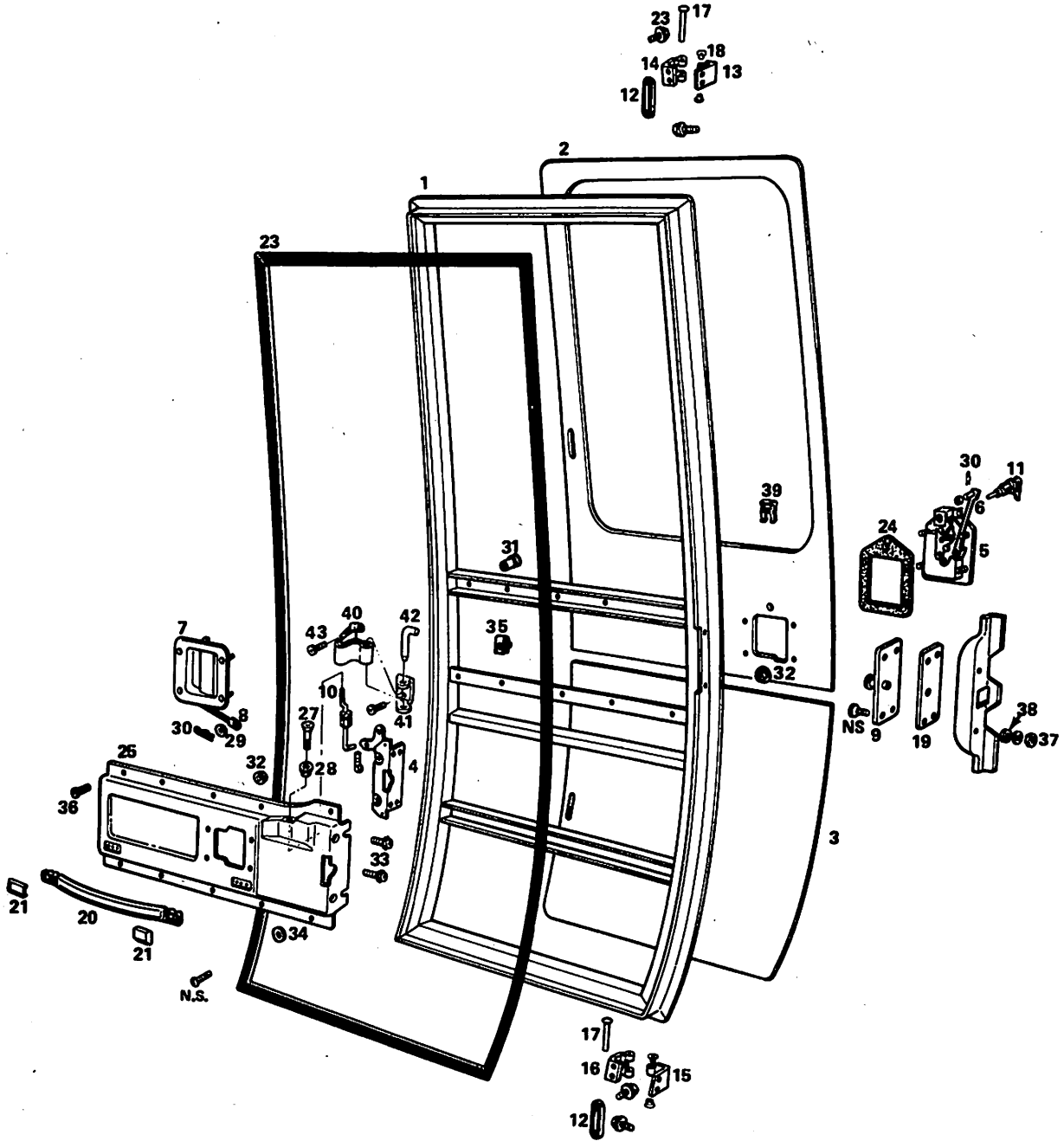
23.060 SUN VISOR AND MIRROR

1	2	2	689608	SUN VISOR ASSY.—RH & LH (prior to 1978)
1	1	1	2020477	SUNSHADE ASSY.—lighted (vanity mirror) (w/RPO D64) (1978)
2	1	1	911582	MIRROR ASSY.—rear view, inside
3	1	1	696150	BRACKET ASSY.—mounting, LH
4	1	1	696149	BRACKET ASSY.—mounting, RH
5	1	1	702592	BRACKET ASSY.—mounting, sun visor and mirror
6	2	2	3867324	CLIP—support, RH & LH
7	AR	AR	700368	RIVET—bracket assy. to front roof cap assy.
8	2	2	796748	SCREW—mounting brkt. (repl. 716839)
—	2	2	2436167	WASHER—sun visor clamp brkt screw
—	2	2	708648	RIVET—support clip to mirror mtg. brkt.

BODY

NOTES

BODY



23.065 DOOR - ENTRANCE
23-38

BODY

KEY	230	260	PART NUMBER	
23.065 DOOR — ENTRANCE				
1	1	1	694029	DOOR ASSY.—entrance (repl. 694028) (ref. only)
1	1	1	716217	DOOR ASSY.—entrance (ref. only)
1	1	1	791395	DOOR ASSY.—entrance. (incl. frame and panels) (repl. 694029. 716217)
2	1	1	689606	PANEL—door, upper outer (used w/694029)
2	1	1	716214	PANEL—door, upper outer (used w/716217, 791395)
3	1	1	689604	PANEL—door, lower outer (used w/694029, 791395)
3	1	1	716213	PANEL—door, lower outer (used w/716217)
—	1	1	2007983	RAIL—belt, longitudinal (28.22" x 2.12") (extruded aluminum) (w/ 791395 door panel and frame assy.)
—	1	1	716191	LOCK ASSY.—door (complete, w/out cylinder) (eff w/Serial No 3V100168 & used w/service modification)
—	1	1	689344	LOCK ASSY.—door (complete, w/out cylinder) (first design) (prior to Serial No. 3V100168, w/out service modification)
—	1	1	NS	LOCK ASSY.—door (complete, w/out cylinder) (second design) (prior to Serial No. 3V100168, w/out service modification) (ref. 704910)
—	—	1	709156	LOCK UNIT—(incl. entrance door, glove box, water fill & water & electric access door cylinders, plus two (2) keys) (Motorhome) (1975)
—	—	1	798326	LOCK UNIT—(incl. entrance door, glove box & water & electric access door cylinders, plus two (2) keys) (Motorhome) (1976) (ref. only)
—	1	1	791197	LOCK UNIT—(incl. entrance door & glove box cylinders, plus two (2) keys) (Transmode) (1975) (ref. only)
—	1	1	798329	LOCK UNIT—(incl. entrance door & glove box cylinders, plus two (2) keys) (Transmode) (eff. w/1976) (ref. only)
—	1	1	2010292	LOCK UNIT—(incl. entrance door, glove box, water fill and water & electric, access door and electric, outlet compartment door cylinders plus two keys (eff. w/1977) (ref. only)
—	—	1	2004631	LOCK UNIT—(incl. entrance door, glove box, water & electric access door, water fill & outside electrical outlet compartment door cylinders, plus two (2) keys)
—	—	1	—	LOCK UNIT—(incl. cylinders for side entrance door, glove box, water & electric access door and outside electric outlet compartment plus [2] keys) (details not available at time of publication) (ref. 2008266)
4	1	1	716189	LATCH ASSY.—door (SOA)
5	1	1	716187	HANDLE ASSY.—door outside (incl. rod) (also order 1975 Cylinder)
6	1	1	716183	ROD ASSY.—handle, outside (incl. pin) (SOA) (w/716187)
7	1	1	716184	HANDLE ASSY.—door, inside (incl. rod)
8	1	1	716182	ROD ASSY.—handle, inside (SOA) (w/716184)
9	1	1	716180	PIN ASSY.—striker, (incl. plate) (SOA)
10	1	1	716188	ROD ASSY.—push button (SOA)
11	1	1	708337	CYLINDER ASSY.—door lock (w/704910 lock assembly) (second design) (prior to serial No. 3V100168)
11	1	1	717333	CYLINDER ASSY.—door lock (w/689344 lock asm.) (first design) (prior to serial No. 3V100168)
11	1	1	2002633	CYLINDER ASSY.—door lock (w/716191 lock asm.) (eff w/serial No. 3V100168)
11	1	1	717437	RETAINER—lock cylinder
12	2	2	694032	GROMMET—door hinge
13	1	1	689632	LEAF—upper door hinge
14	1	1	689649	LEAF—upper pillar hinge (used w/694029, 716217 791395 door) (repl. 76236)
15	1	1	689618	LEAF—lower door hinge (used w/694029, 716217, 791395 door) (repl. 716230)
16	1	1	689650	LEAF—lower pillar hinge (used w/694029, 716217 791395 door) (repl. 689650)
17	2	2	471209	PIN—hinge, upper and lower (used w/694029, 791395 door)
17	2	2	330423	PIN—hinge, upper and lower (used w/716217 door)
18	4	4	4150462	BUSHING—hinge to pin
19	1	1	716181	SHIM—striker plate
19	3	3	717189	SHIM—door latch striker
—	1	1	717190	PLATE ASSY.—door handle mounting
—	1	1	717185	PLATE—panel mounting, lower
—	1	1	717460	PANEL—doorlatch mounting (for opt. see 790073) (exc./ RPO 698)
—	1	1	—	PLATE—handle, mounting, outer (ref. 724489)
20	1	1	719653	HANDLE ASSY.—door pull (strap) (birch) (w/RPO 690)
20	1	1	719654	HANDLE ASSY.—door pull (strap) (teak) (w/RPO 692, 693, 695)

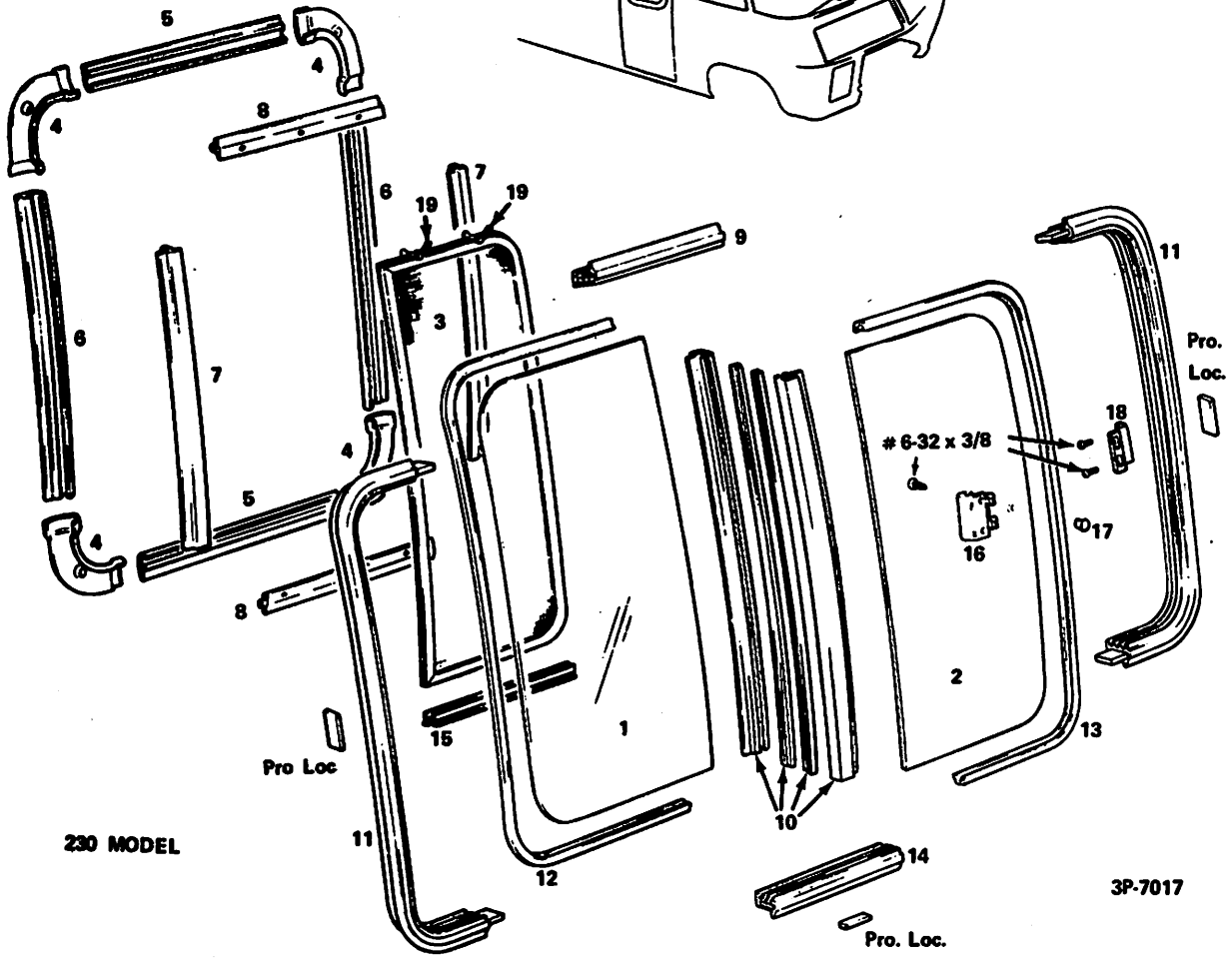
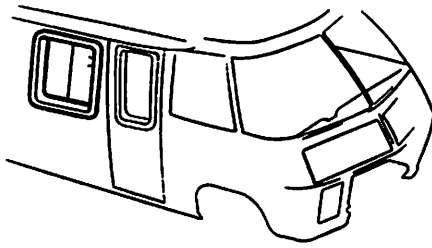
BODY

KEY	230	260	PART NUMBER	
23.065 DOOR — ENTRANCE (Cont.)				
20	1	1	2001359	HANDLE ASSY.—door pull (strap) (w/RPO 641, 681, 683, 696, 697, 698, & transmode) (saddle) (repl. 9643505) (when repl. 719640 also use 2-1653249 plate) (prior to 1978)
20	1	1	2029222	STRAP ASSY.—side entrance door pull (1978)
21	2	2	719640	PLATE—handle, strap (escutcheon) (w/719653, 719654) (ref. only) (repl. by 1-2001359 handle, 2-1653249 plate)
21	2	2	1653249	PLATE ASSY.—handle, strap (escutcheon) (plastic) (w/1653247, 2001359, 2001360) (repl. 7799435) (when repl. 719640 also use 1-2001359 handle) (prior to 1978)
21	2	2	20008916	PLATE ASSY.—side door pull strap (escutcheon) (1978)
22	AR	AR	8884096	SEAL—door weather (210" CTL) (prior to interm 1974)
22	1	1	716228	SEAL—door weather (eff. w/interm 1974)
23	4	4	3831892	SCREW—hinge to door frame (prior to 1975)
23	4	4	274905	SCREW—hinge to door frame (eff. w/1975)
24	1	1	716227	GASKET—door handle
25	1	1	2005266	PANEL—door latch mounting (paint as required) (repl. 716208, 716991, 790073 & 2000883) (prior to 1978)
25	1	1	2029191	PANEL ASSY.—side entrance door latch mounting (1978)
26	1	1	716201	REINFORCEMENT—lock pillar (repl. 717186)
26	1	1	716239	PAD—reinforcement, lock pillar (rubber)
27	1	1	798759	KNOB—door latch push button (repl. 9813799)
28	1	1	330485	GROMMET—knob, door latch push button
29	2	2	—	WASHER—spring (procure locally) (repl. 2297431)
30	2	2	716502	CLIP—hair pin
31	4	4	2226070	RIVNUT—handle mounting panel to door sash support
32	8	8	271166	NUT/WASHER ASSY.—inside and outside handle to handle mounting panel
33	2	2	189355	SCREW—panel (1/4-20 x 5/8)
34	1	1	140271	WASHER—screw, panel (No. 10)
35	1	1	1494251	NUT—latch mounting panel to mounting plate spring
36	4	4	3841575	SCREW—(10-32 x 1/2)
37	1	1	—	NUT—(5/16-18)
38	1	1	—	WASHER—(.396 I.D.—.734 O.D.)
39	1	1	9728247	RETURN F/D LOCK CYLINDER
40	1	1	3958858	STRAP ASSY.—entrance door check
40	—	1	2001359	STRAP ASSY.—entrance door check (w/RPO 685) (eff w/interm 1977)
41	1	1	2009730	BRACKET—strap, door check (repl. 3794769)
42	1	1	3794770	PIN—door check strap to bracket
43	4	4	—	SCREW—bracket, door check strap (ref. 9418374)
—	4	4	2248137	RIVNUT—strap
—	2	2	2228368	RIVNUT—strap to handle mounting panel
—	1	1	2226070	RIVNUT—handle mounting panel to door lock outer channel
—	AR	AR	702502	RAIL ASSY.—rub (CTL) (also see group 23.130)
—	2	2	701417	END CAP—moulding, rub rail
—	—	6	791803	HOOK—button, entrance door (eff. w/1975)
—	1	1	707961	PLUG—door panel hole
—	1	1	8884082	MOULDING—door, entrance, side rub rail (repl. 702396)
—	2	2	715166	RAIL ASSY.—weather strip check (incl. rail and seal)
—	1	1	8885580	PANEL—interior trim (48" x 48" ctl) (service blank) (rosewood) (w/RPO 681, 683, 697) (vehicles built prior to June 21, 1976)
—	1	1	8885579	PANEL—interior trim (48" x 48" ctl) (service blank) (walnut) (w/RPO 641, 697, 698) (vehicles built after June 21, 1976)
—	—	1	9688320	STRAP—entrance door assist
—	—	2	9685807	COVER—entrance door assist
—	—	1	2017795	SCREW—side entrance door strap to handle mounting panel (10-32 x 5/8 phillips)

BODY

NOTES

BODY



230 MODEL

3P-7017

23.066 SASH - GALLEY, SLIDING (FIRST DESIGN)

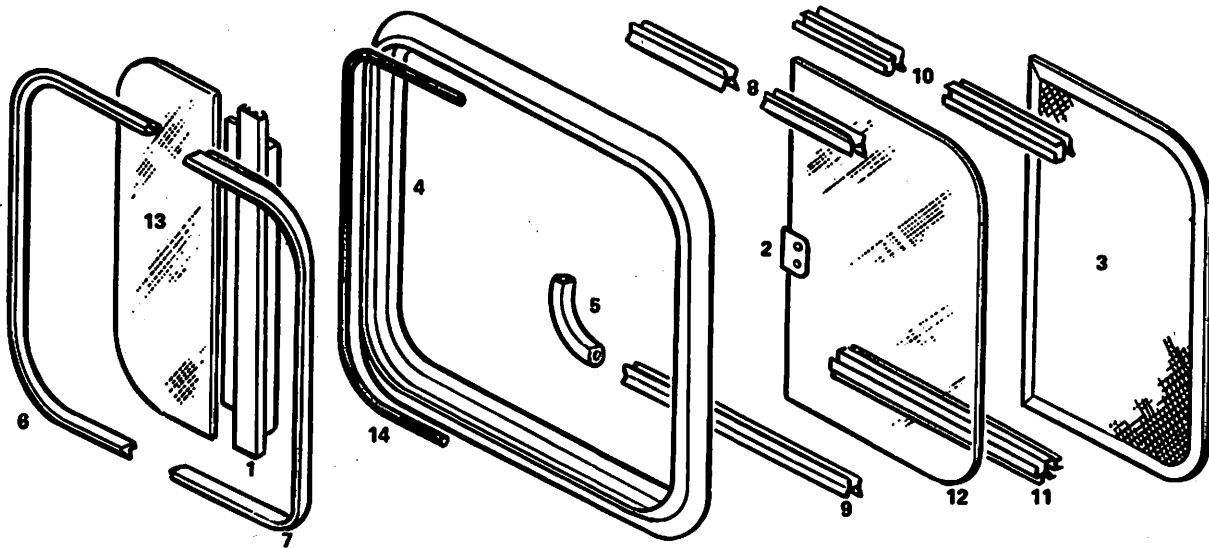
BODY

KEY	230	260	PART NUMBER
-----	-----	-----	-------------

23.066 SASH — GALLEY, SLIDING (FIRST DESIGN)

—	1	—	702853	SASH ASSY.—side, inter., RH, front (with L.O.F. glass)
—	1	—	703050	SASH ASSY.—side, inter., RH, front, (tinted) (with L.O.F. glass)
1	1	—	702579	GLASS—intermediate RH front stationary (procure locally)
1	1	—	702578	GLASS—intermediate RH front stationary (tinted) (procure locally)
2	1	—	704619	GLASS—intermediate, RH front sliding (procure locally)
2	1	—	704618	GLASS—intermediate, RH front sliding (tinted) (procure locally)
3	1	—	702688	SCREEN ASSY.—glass
—	1	—	793674	KIT—moulding, sash-window, intermediate, RH, front (incl. next [3] items)
4	4	—	689623	MOULDING—sash, corner
5	2	—	702576	MOULDING—sash, horizontal (18.00")
6	2	—	702577	MOULDING—sash, vertical (23.24")
7	AR	—	711453	RETAINER—sash, vertical (10 ft. CTL) (repl. 702574)
8	AR	—	711453	RETAINER—sash, horizontal (10 ft. CTL) (repl. 702573)
9	1	—	702516	HEADER—sash, intermediate, (RH)
10	2	—	715166	RAIL ASSY.—weatherstrip check (incl. rail and seal)
11	2	—	689607	FRAME—sash
12	AR	—	702671	SEAL—fixed glass (86.88" CTL)
13	AR	—	702600	RUN—glass (134.50" CTL) (repl. 702601) (felt)
14	1	—	709173	SILL—rear sash
15	1	—	704747	SPACER—window screen (42.00" long. CTL)
16	1	—	704342	LATCH ASSY.—side window
7	2	—	704341	BUSHING—latch
18	1	—	704620	LATCH—keeper
19	2	—	706781	CLIP—screen
—	AR	—	712111	STOP—sliding window (rubber) (29.81" CTL)
—	1	—	715820	SCREW ASSY.—housing fastener
—	AR	—	715824	BAND—sash, intermediate (CTL)
—	1	—	715819	FASTENER—sash serrated
—	AR	—	9437760	SCREW—retainer to sash (repl. 9414712)

BODY



3P-7024-276

23.066H SASH - GALLEY, SLIDING (SECOND DESIGN)

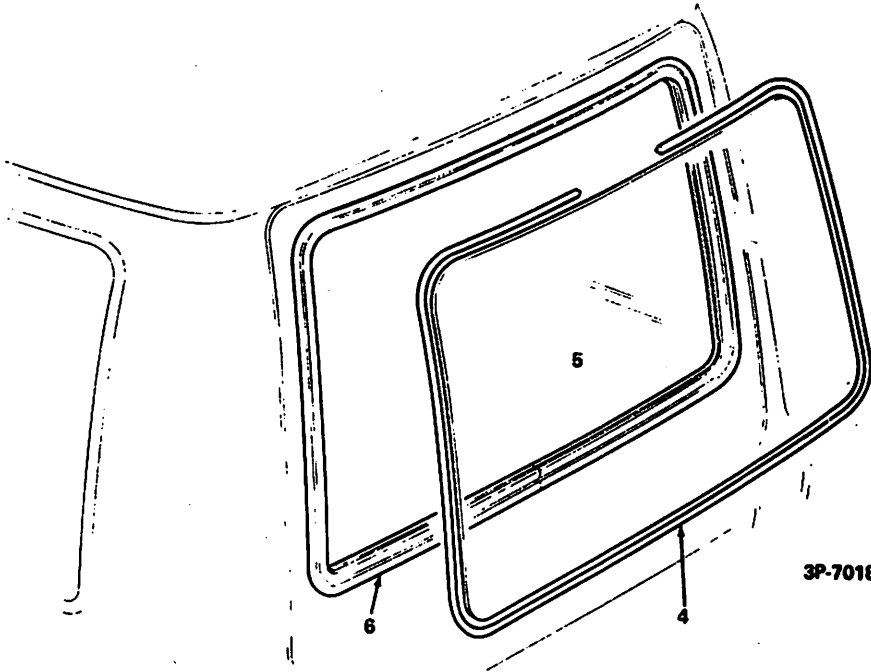
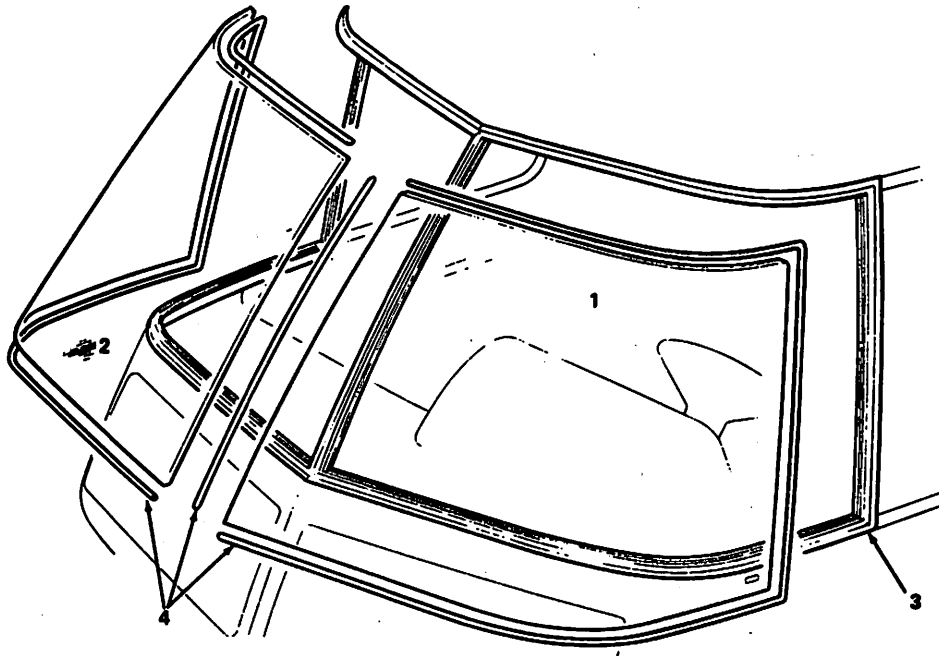
BODY

KEY	230	260	PART NUMBER
-----	-----	-----	-------------

23.066H SASH GALLEY, SLIDING (SECOND DESIGN)

—	1	—	790839	SASH ASSY.—side, inter. RH front (w/P.P.G. GLASS) (interm 1975)
1	1	—	2004674	MULLION ASSY.—sash (SOA) (w/latch keeper)
2	1	—	2004675	LATCH ASSY.—sash (SOA) (RH/LH)
3	1	—	2010386	SCREEN ASSY.—sash (SOA)
4	1	—	2010375	FRAME—back
5	1	—	2004678	BUMPER—
6	1	—	2004679	BEAD—glazing (20 ft.)
7	1	—	2004680	GASKET—vent (20 ft.)
8	1	—	2004681	TRACK—top vent (8 ft.)
9	1	—	2004682	TRACK—bottom vent (8 ft.)
10	1	—	2004683	TRACK—top screen (8 ft.)
11	1	—	2004684	TRACK—bottom screen (8 ft.)
12	1	—	2005385	GLASS—vent (sliding) (procure locally)
13	1	—	2005386	GLASS—stationary (procure locally)
14	1	—	2004687	BEAD—adhesive (20 ft.)
—	AR	—	8885607	MOULDING—sash trim (white vinyl) (100' roll ctl) (repl. 886155)
—	2	—	2011596	RETAINER—sash vertical (repl. 2006575)
—	2	—	2011594	RETAINER—sash horizontal (repl. 2006590)
—	AR	—	9414712	SCREW—retainer to sash

BODY



3P-7018

KEY 230 260 PART NUMBER

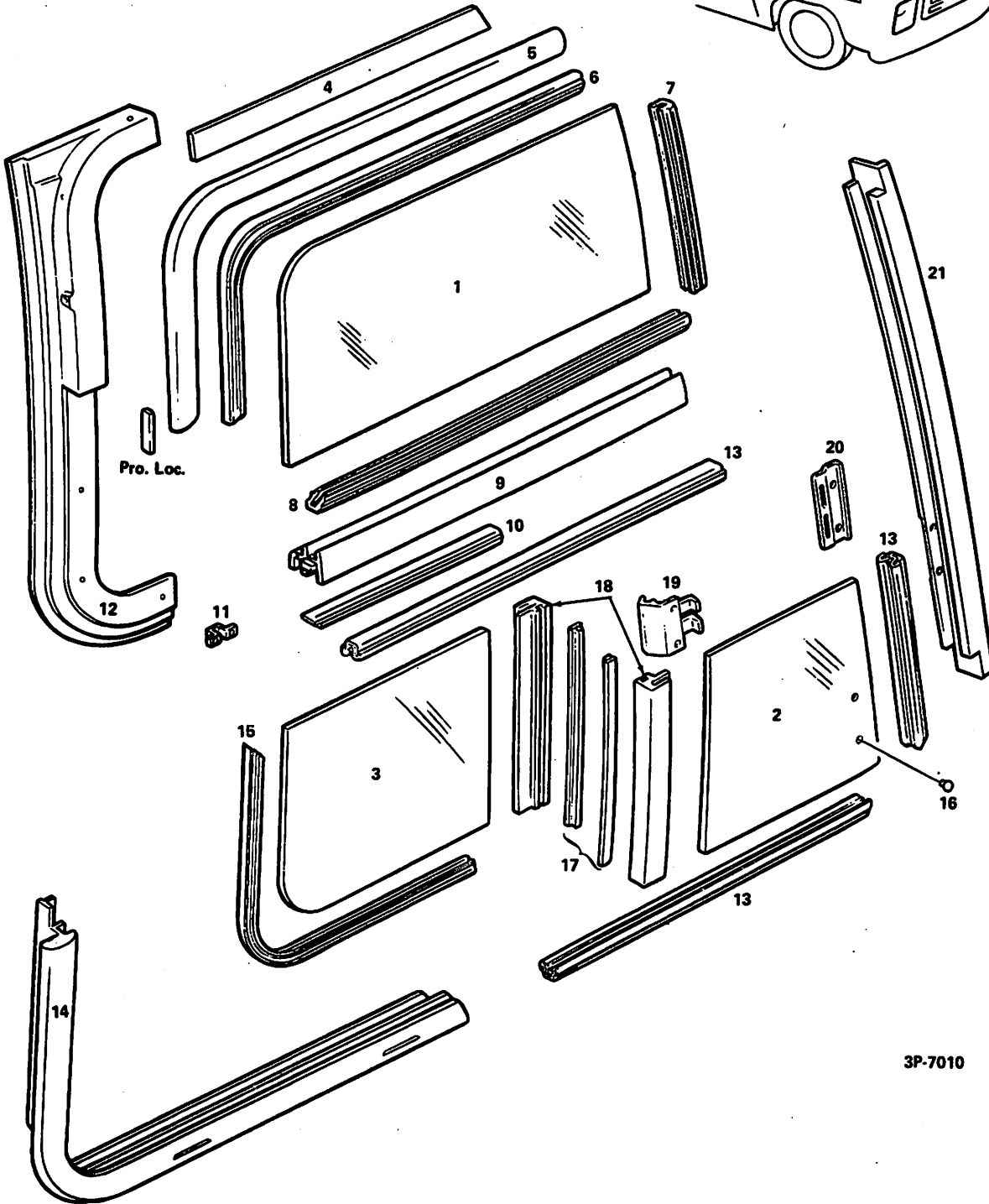
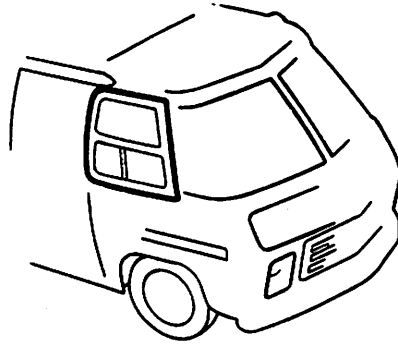
23.067 WINDSHIELD AND REAR WINDOW

1	1	1	691607	GLASS—windshield, LH (procure locally)
2	1	1	691606	GLASS—windshield, RH (procure locally)
3	1	1	701895	WEATHERSTRIP—windshield
4	AR	AR	2335017	FILLER—seal (25 ft. roll, CTL)
5	1	1	691649	GLASS—tinted, rear window (back lite) (procure locally)
5	1	1	691650	GLASS—rear window (back lite) (procure locally)
6	AR	AR	721869	WEATHERSTRIP—back glass (189.38") (CTL)
—	1	1	—	RING—pull emergency exit (see group 23.010)

BODY

NOTES

BODY



3P-7010

23.068 WINDOW ASSY.—RH FRONT—SLIDE ("A")

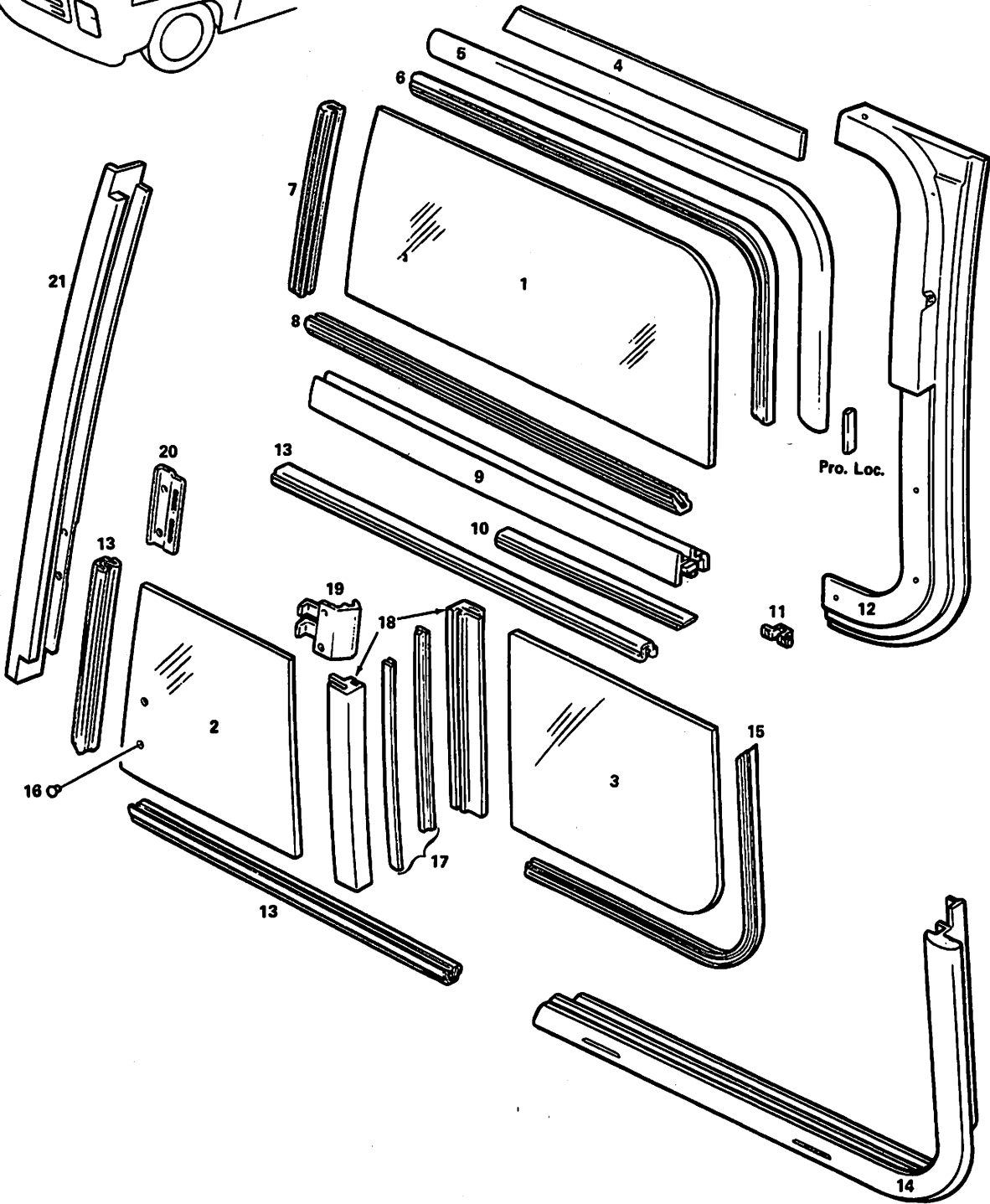
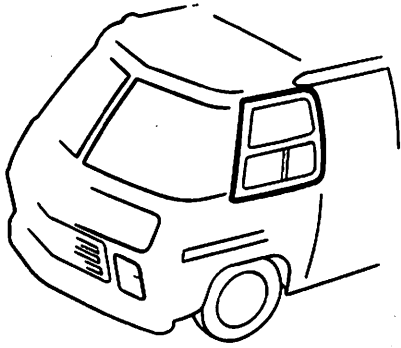
BODY

KEY	230	260	PART NUMBER
-----	-----	-----	-------------

23.068 WINDOW ASSY. — RH FRONT — SLIDE "A"

—	1	1	781720	WINDOW ASSY.—RH side. "A" (eff. w/ 1975) (repl. 707488)
—	1	1	707488	WINDOW ASSY.—RH side. "A" (w/out glass) (prior to 1975) (SOA) (ref. only) (repl. 702847)
—	1	1	NS	WINDOW ASSY.—RH. side. "A" (w/out glass) (eff. w/ 1975) (SOA) (ref. 794506)
1	1	1	698140	GLASS—upper. RH (procure locally)
2	1	1	698142	GLASS—lower. front. RH (procure locally)
3	1	1	698144	GLASS—rear. lower. RH (procure locally)
4	1	1	698146	MOULDING—RH "A" window
5	1	1	NS	FRAME ASSY.—upper "A" window. (RH)
6	1	1	NS	SEAL—upper fixed sash
7	1	1	NS	SEAL—front. fixed sash. upper
8	1	1	NS	SEAL—lower. fixed sash. upper
9	1	1	NS	BAR—center window "A". (RH)
10	1	1	NS	SEAL—fixed seal. lower. upper
11	1	1	NS	SUPPORT—window to body
12	1	1	698148	MOULDING—"A" window rear. (RH)
13	AR	AR	702600	GLASS RUN—"A" sash channel (CTL) (felt)
14	1	1	NS	FRAME ASSY.—lower "A" window. (RH)
15	1	1	NS	SEAL—fixed sash. lower. lower
16	1	1	704341	BUSHING—latch (replaces 707486)
17	2	2	NS	RAIL—seal check
18	2	2	NS	RAIL—seal retainer check
19	1	1	704342	LATCH ASSY.—sliding window (replaces 707484)
20	1	1	707485	BRACKET—sliding window latch
21	1	1	NS	FRAME—front "A" window. (RH)
—	1	1	NS	SPACER—"A" RH window. upper
—	1	1	NS	SPACER—"A" RH window. lower
—	1	1	NS	SPACER—"A" RH window. rear
—	AR	AR	712111	STOP—sliding window (rubber) (29.81" CTL)
—	AR	AR	—	SEALER—clear (ref. only) (ref. 9985270)
—	AR	AR	—	SEALER—"A" window front pillar (ref. only) (ref. 8861476)
—	2	2	—	TAPE—"A" window to body (ref. only) (ref. 8861460)
—	AR	AR	—	SEALER—"A" window pillar to roof (ref. only) (ref. 8861489)
—	2	2	2009161	SHIELD—water. "A" window RH (eff. w/ 1975)

BODY



23.069 WINDOW ASSY-LH FRONT-SLIDE ("A")

3P-7011

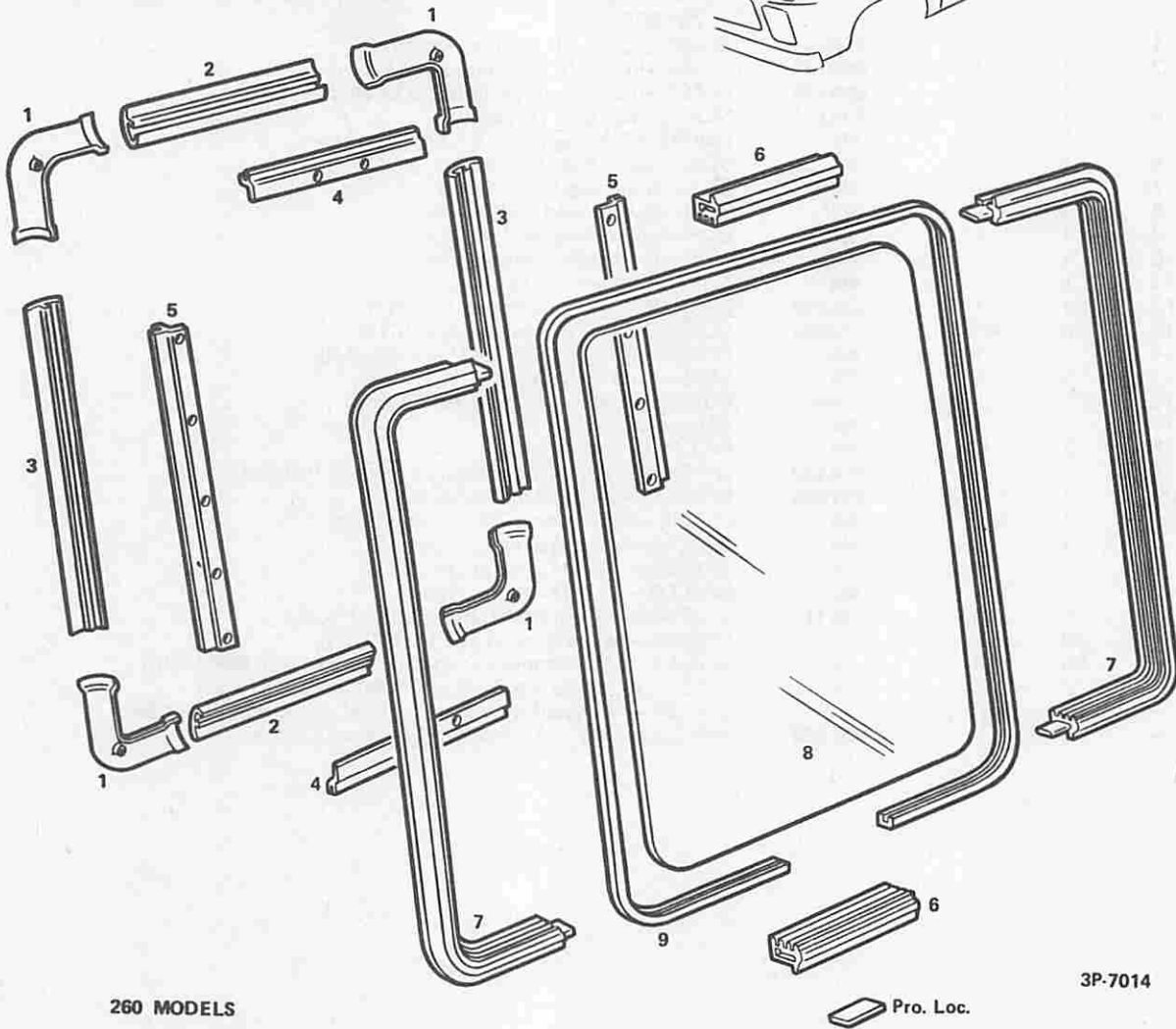
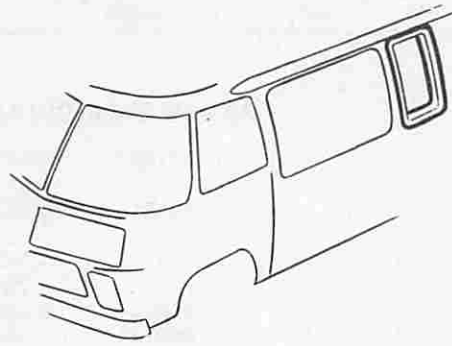
BODY

KEY	230	260	PART NUMBER	
-----	-----	-----	-------------	--

23.069 WINDOW ASSEMBLY—LH FRONT, SLIDE ("A")

—	1	1	707487	WINDOW ASSY.—LH, side, "A" (w/out glass) (prior to 1975) (ref. only) (ref. 707487) (SOA)
—	1	1	791719	WINDOW ASSY.—LH, side, "A" (ref. only) (eff. w/1975) (repl. 707487)
—	1	1	NS	WINDOW ASSY.—LH, side, "A" (w/out glass) (eff. w/1975) (SOA) (ref. 794505)
1	1	1	698141	GLASS—upper, LH (procure locally)
2	1	1	698143	GLASS—lower, front, LH (procure locally)
3	1	1	698145	GLASS—rear, lower, LH (procure locally)
4	1	1	698146	MOULDING—LH, "A" window
5	1	1	NS	FRAME ASSY.—upper, "A" window, (LH)
6	1	1	NS	SEAL—upper fixed sash, upper
7	1	1	NS	SEAL—front, fixed sash, upper
8	1	1	NS	SEAL—lower, fixed sash, upper
9	1	1	NS	BAR—center window, "A", (LH)
10	1	1	NS	SEAL—fixed sash, lower, upper
11	1	1	NS	SUPPORT—window to body
12	1	1	698149	MOULDING—"A" window, rear, (LH)
13	AR	AR	702600	GLASS RUN—"A" sash channel (CTL)
14	1	1	NS	FRAME ASSY.—lower, "A" window, (LH)
15	1	1	NS	SEAL—fixed sash lower
16	1	1	704341	BUSHING—latch (replaces 707486)
17	2	2	NS	RAIL—seal check
18	2	2	NS	RAIL—seal retainer check
19	1	1	704342	LATCH ASSY.—sliding window (replaces 707484)
20	1	1	707485	BRACKET—sliding window latch
21	1	1	NS	FRAME ASSY.—front, "A" window, (LH)
—	1	1	NS	SPACER—"A" LH window, upper
—	1	1	NS	SPACER—"A" LH window, lower
—	1	1	NS	SPACER—"A" LH window, rear
—	AR	AR	712111	STOP—sliding window (rubber) (29.81" CTL)
—	AR	AR	—	SEALER—clear (ref. only) (ref. 9985270)
—	AR	AR	—	SEALER—"A" window front pillar (ref. only) (ref. 8861476)
—	2	2	—	TAPE—"A" window to body (ref. only) (ref. 8861460)
—	AR	AR	—	SEALER—"A" window pillar to roof (ref. only) (ref. 8861489)
—	2	2	2009162	SHIELD—water, "A" window LH (eff. w/1975)

BODY



260 MODELS

3P-7014

23.070 SASH – GALLEY AND ENTRANCE DOOR, STATIONARY (FIRST DESIGN)

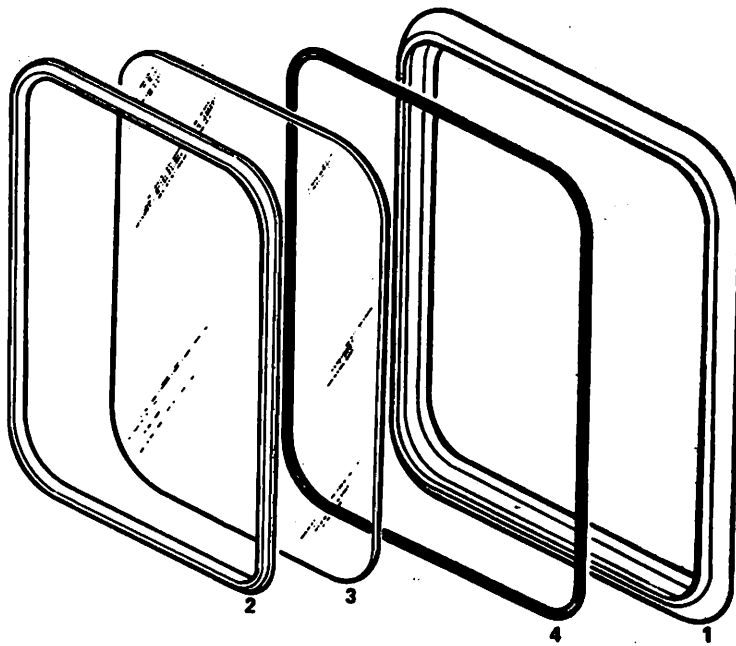
BODY

KEY	230	260	PART NUMBER
-----	-----	-----	-------------

23.070 SASH — GALLEY & ENTRANCE DOOR — STATIONARY (FIRST DESIGN)

-	2	2	702854	SASH ASSY.—side, intermediate, (with L.O.F. glass) (ref. only) (see group 23.070H)
-	2	2	703101	SASH ASSY.—side, intermediate, (tinted) (with L.O.F. glass) (ref. only) (see group 23.070H)
-	2	2	793675	KIT—moulding, sash window, side, inter., (incl. next (3) items)
1	4	4	689623	MOULDING—sash, corner
2	2	2	689625	MOULDING—sash, horizontal (13.00")
3	2	2	702577	MOULDING—sash, vertical (23.24")
4	2	2	711453	RETAINER—sash, horizontal (CTL) (repl. 702572)
5	2	2	711453	RETAINER—sash, vertical (CTL) (repl. 702574)
6	2	2	689620	HEADER—sash, inter., (LH)
7	1	1	689607	FRAME—sash
8	1	1	689636	GLASS—inter., (procure locally)
8	1	1	689638	GLASS—inter., (procure locally) (tinted)
8	1	1	691649	GLASS—back lite, entrance door (Transmode) (procure locally)
9	1	1	702664	SEAL—fixed glass
-	1	1	715820	SCREW ASSY.—housing fastener
-	AR	AR	715824	BAND—sash intermediate (CTL)
-	1	1	715819	FASTENER—sash serrated
-	AR	AR	9414712	SCREW—retainer to sash

BODY



3P-7023-276

23.070H GALLEY AND ENTRANCE DOOR STATIONARY (SECOND DESIGN)

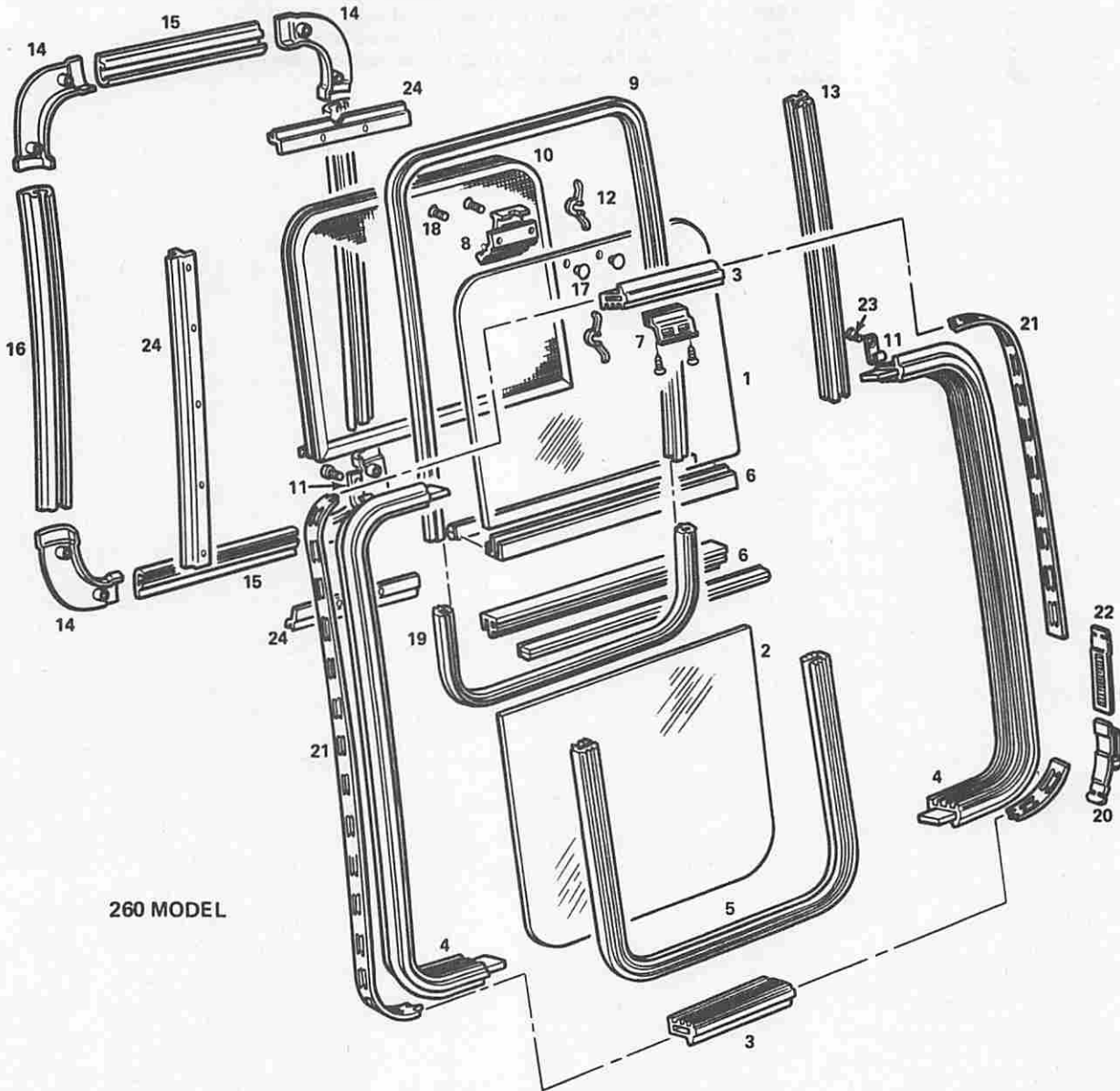
BODY

KEY	230	260	PART NUMBER
-----	-----	-----	-------------

23.070H SASH — GALLEY & ENTRANCE DOOR — STATIONARY (SECOND DESIGN)

—	2	2	790838	SASH ASSY.—side intermediate (w/P.P.G. glass) (interm 1975) (790838 can be used as an assy. to repl. first design sash 702854 & 703101)
1	1	1	2010371	BACKFRAME—sash (repl. 2004677)
2	1	1	2004679	BEAD—glazing (20 ft.)
3	1	1	2004699	GLASS—sash (procure locally)
4	1	1	2004687	BEAD—adhesive (20 ft.)
—	AR	AR	8886607	MOULDING—side trim (entrance door sash) (white vinyl) (100' ft roll ctl) (repl. 8861551)
—	—	2	2011595	RETAINER—sash horizontal (galley) (repl. 2006582)
—	—	2	2011596	RETAINER—sash, vertical (galley) (repl. 2006575)
—	2	2	2011597	RETAINER—sash horizontal (entrance door sash) (repl. 2006583)
—	2	2	2011598	RETAINER—sash, vertical (entrance door sash) (repl. 2006586)
—	AR	AR	9414712	SCREW—retainer to sash

BODY



260 MODEL

3P-7020

23.070M SASH – GALLEY AND ENTRANCE DOOR, SLIDING (FIRST DESIGN)

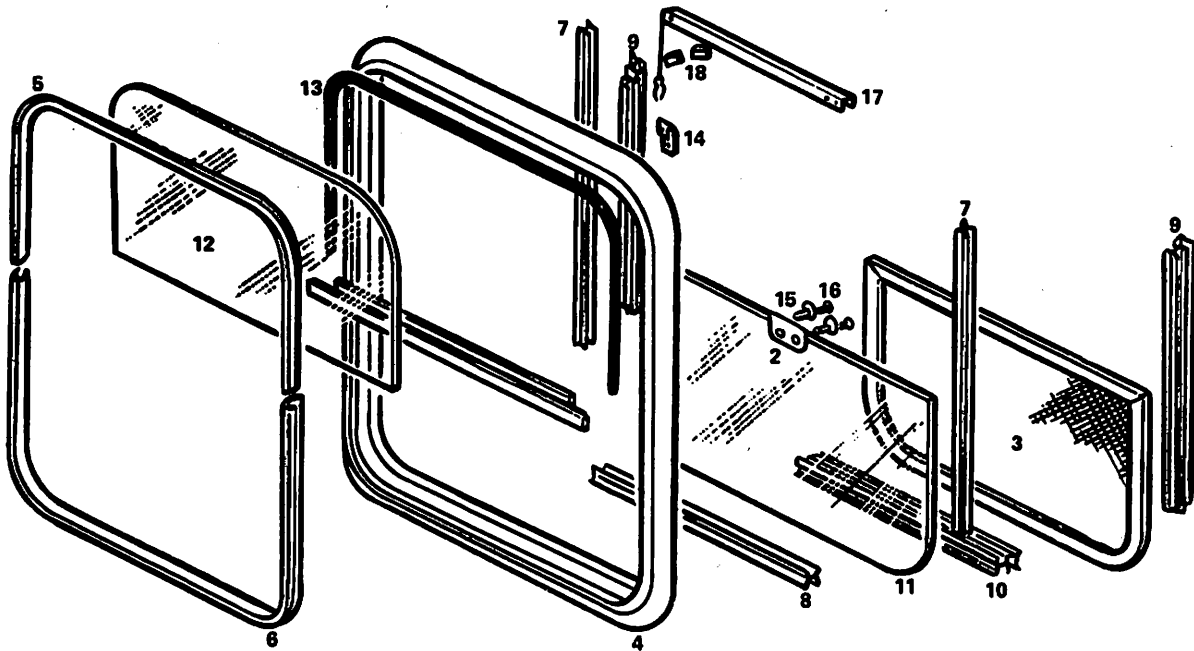
BODY

KEY	230	260	PART NUMBER	
-----	-----	-----	-------------	--

23.070M SASH — GALLEY & ENTRANCE DOOR — SLIDING (FIRST DESIGN)

—	—	1	707083	SASH ASSY.—side, inter., (tinted) (w/L.O.F. glass)
1	—	1	706999	GLASS—side, inter., tinted, stationary (procure locally)
2	—	1	707000	GLASS—side, inter., tinted, sliding (procure locally)
3	—	2	689620	HEADER—side, inter.
4	—	2	689607	FRAME—sash
5	—	1	706041	SEAL—frame
6	—	2	715166	RAIL ASSY.—weatherstrip check (incl. rail and seal) (repl. 702535) (32.19" lg. CTL)
7	—	1	704342	LATCH ASSY.—sliding window
8	—	1	704620	KEEPER—latch
9	—	1	702600	RUN—glass (CTL) (felt)
10	—	1	706036	SCREEN ASSY.—window
11	—	2	706039	RETAINER—screen
12	—	2	706781	CLIP—retainer
13	—	1	704747	SPACER—retainer (42" long) (CTL)
—	—	1	793675	KIT—moulding, sash window, side, inter., LH (incl. next [3] items)
14	—	4	689623	MOULDING—sash, corner
15	—	2	689625	MOULDING—sash, horizontal (13.00")
16	—	2	702577	MOULDING—sash, vertical (23.24")
17	—	2	704341	BUSHING—window latch
18	—	2	—	SCREW—latch (procure locally) (No. 6-32 x 3/8) (ref. 449203)
19	—	AR	712111	STOP—sliding window (rubber) (29.81" CTL)
20	—	1	715820	SCREW ASSY.—housing fastener
21	—	AR	715824	BAND—sash, intermediate (CTL)
22	—	1	715819	FASTENER—sash serrated
23	—	2	237492	SCREW—retainer, screen
24	AR	AR	711453	RETAINER—sash (7' 10" CTL)

BODY



3P-7026-276

23.070S SASH – GALLEY AND ENTRANCE DOOR, SLIDING (SECOND DESIGN)

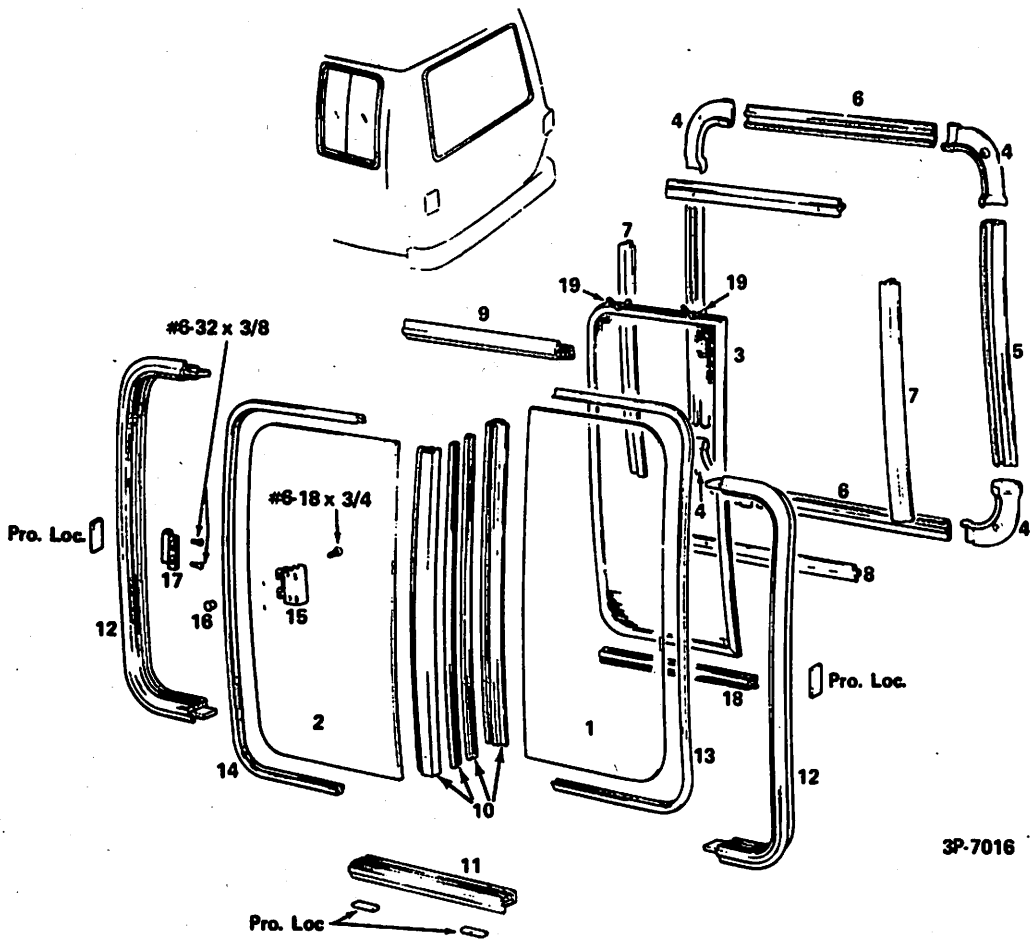
BODY

KEY	230	260	PART NUMBER
-----	-----	-----	-------------

23.070S SASH — GALLEY & ENTRANCE DOOR, SLIDING (SECOND DESIGN)

—	1	1	2003021	SASH ASSY.—side inter. (sliding w/screen) (tinted) (w/P.P.G. GALSS) (ref. only)
1	1	1	2004674	MULLION ASSY.—sash (SOA)
2	1	1	2004675	LATCH ASSY.—sash (SOA)
3	1	1	2010376	SCREEN ASSY.—sash (SOA)
4	1	1	2010371	BACKFRAME—sash
5	1	1	2004679	BEAD—glazing sash
6	1	1	2004680	GASKET—vent
7	1	1	2004681	TRACK—side vent.
8	1	1	2004682	TRACK—bottom vent
9	1	1	2004683	TRACK—side screen
10	1	1	2004684	TRACK—bottom screen
11	1	1	2009394	GLASS—vent. (ref. only) (procure locally)
12	1	1	2009395	GLASS—stationary (ref only) (procure locally)
13	1	1	2004687	BEAD—adhesive
14	1	1	2009396	HOOK—balance
15	1	1	2009397	SPACER—sleeve
16	1	1	2009398	NUT—tubular
17	1	1	2009399	POSITIONER—window
18	1	1	2009400	GUIDE—window
—	—	2	2011595	RETAINER—sash horizontal (galley) (repl. 2006582)
—	—	2	2011597	RETAINER—sash horizontal (entrance door sash) (repl. 2006583)
—	—	2	2011956	RETAINER—sash vertical ("L" shaped) (galley) (repl. 2006575)
—	2	2	2011598	RETAINER—sash vertical ("L" shaped) (entrance door sash) (repl. 2006586)
—	AR	AR	8885607	MOULDING—side sash trim (white vinyl) (100' roll ctl) (repl. 8861551)
—	—	2	—	SCREW—retainer screw (procure locally) (ref. 237492)

BODY



3P-7016

23.071 SASH - LH REAR (FIRST DESIGN)

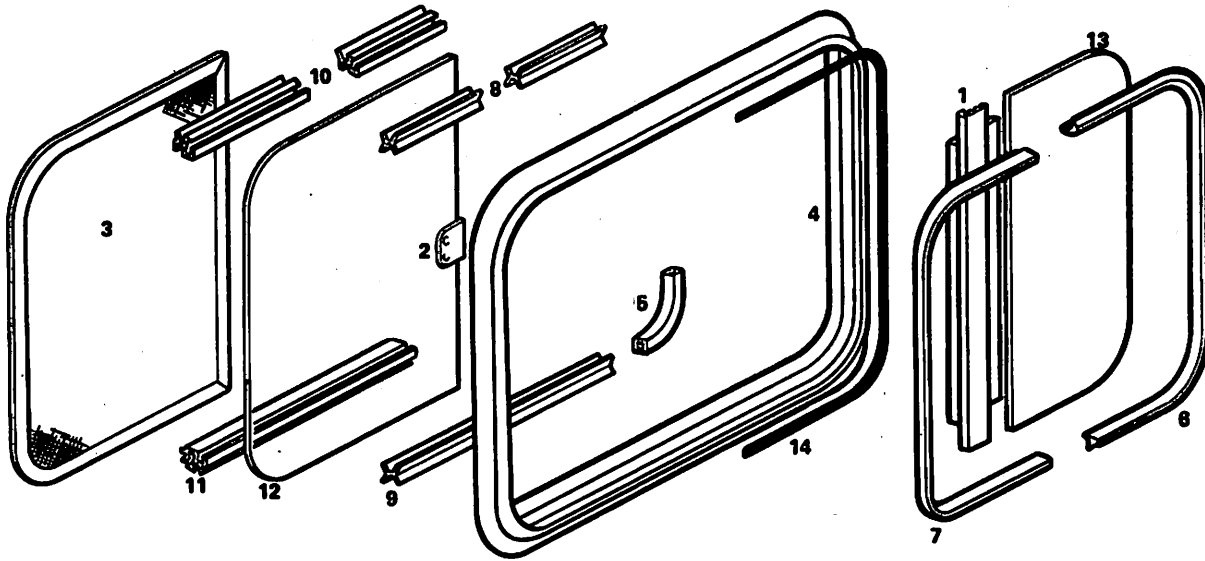
BODY

KEY	230	260	PART NUMBER
-----	-----	-----	-------------

23.071 SASH — LH REAR (FIRST DESIGN)

—	1	1	702852	SASH ASSY.—side, LH rear (with L.O.F. glass)
—	1	1	703049	SASH ASSY.—side, LH rear (tinted) (with L.O.F. glass)
1	1	1	689635	GLASS—LH rear (stationary) (procure locally)
1	1	1	689637	GLASS—LH rear (stationary) (tinted) (procure locally)
2	1	1	704615	GLASS—LH rear (sliding) (procure locally)
2	1	1	704614	GLASS—LH rear (sliding) (tinted) (procure locally)
3	1	1	702687	SCREEN ASSY.—glass
—	1	1	793676	KIT—moulding, sash window, side, LH, rear (incl. next [3] items)
4	4	4	689623	MOULDING—sash, corner
5	2	2	702575	MOULDING—sash, horizontal (25.00")
6	2	2	702577	MOULDING—sash, vertical (23.24")
7	AR	AR	711453	RETAINER—sash, vertical (7'10" — CTL) (repl. 702574)
8	AR	AR	711453	RETAINER—sash, horizontal (7'10" — CTL) (repl. 702570)
9	1	1	689622	HEADER—rear sash, LH (23.34" long)
10	2	2	715166	RAIL ASSY.—weatherstrip check (incl. seal and rail) (repl. 702535) (32.19" lg. CTL)
11	1	1	709172	SILL—rear sash (repl. 689630)
12	2	2	689607	FRAME ASSY.—sash (repl. 701445)
13	1	1	702671	SEAL—fixed glass (86.88" CTL)
14	1	1	702600	RUN—glass (134.50" CTL) (felt)
15	1	1	704342	LATCH ASSY.—side window
16	2	2	704341	BUSHING—latch
17	1	1	704620	LATCH—keeper
18	1	1	704747	SPACER—window screen (42.00" long, CTL)
19	2	2	706781	CLIP—screen
—	AR	AR	712111	STOP—sliding window (CTL) (29.81" long) (rubber)
—	1	1	715820	SCREW ASSY.—housing fastener
—	AR	AR	715824	BAND—sash, rear (CTL)
—	1	1	715819	FASTENER—sash serrated
—	AR	AR	9414712	SCREW—retainer to sash

BODY



3P-7022-278

23.071H SASH - (LH) REAR (SECOND DESIGN)

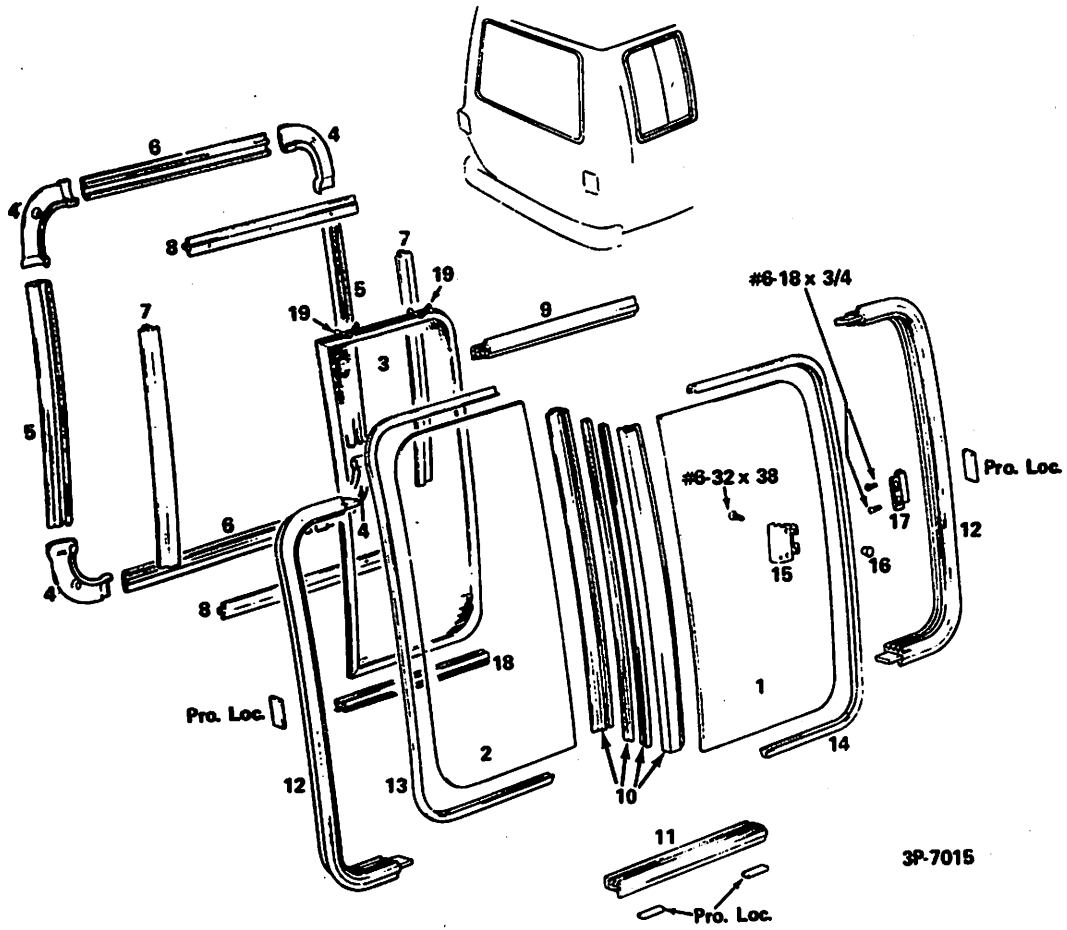
BODY

KEY 230 260 PART NUMBER

23.071H SASH — LH REAR (SECOND DESIGN)

—	—	1	790835	SASH ASSY.—side LH rear (w/P.P.G. GLASS) (interm 1975)
1	1	1	2004674	MULLION ASSY.—sash (SOA) (w/latch keeper)
2	1	1	2004675	LATCH ASSY.—sash (SOA) (RH/LH)
3	1	1	2010377	SCREEN ASSY.—sash (SOA)
4	1	1	2010373	BACKFRAME—sash
5	1	1	2004678	BUMPER—sash
6	1	1	2004679	BEAD—glazing (20 ft.)
7	1	1	2004680	GASKET—vent (20 ft.)
8	1	1	2004681	TRACK—top vent (8 ft.)
9	1	1	2004682	TRACK—bottom vent (8ft.)
10	1	1	2004683	TRACK—top screen (8 ft.)
11	1	1	2004684	TRACK—bottom screen (8 ft.)
12	1	1	2004691	GLASS—vent (sliding) (procure locally)
13	1	1	2004692	GLASS—stationary (procure locally)
14	1	1	2004687	BEAD—adhesive (20 ft.)
—	AR	AR	8885607	MOULDING—side sash trim (white vinyl) (100' roll CTL) (repl. 8861551)
—	—	2	2011595	RETAINER—sash vertical (eff. w/serial no. 6V100878) (repl. 2006575)
—	—	2	2011593	RETAINER—sash horizontal (eff. w/serial no. 6V100878) (repl. 2006580)
—	AR	AR	9414712	SCREW—retainer to sash

BODY



3P-7015

23.072 SASH - RH REAR (FIRST DESIGN)

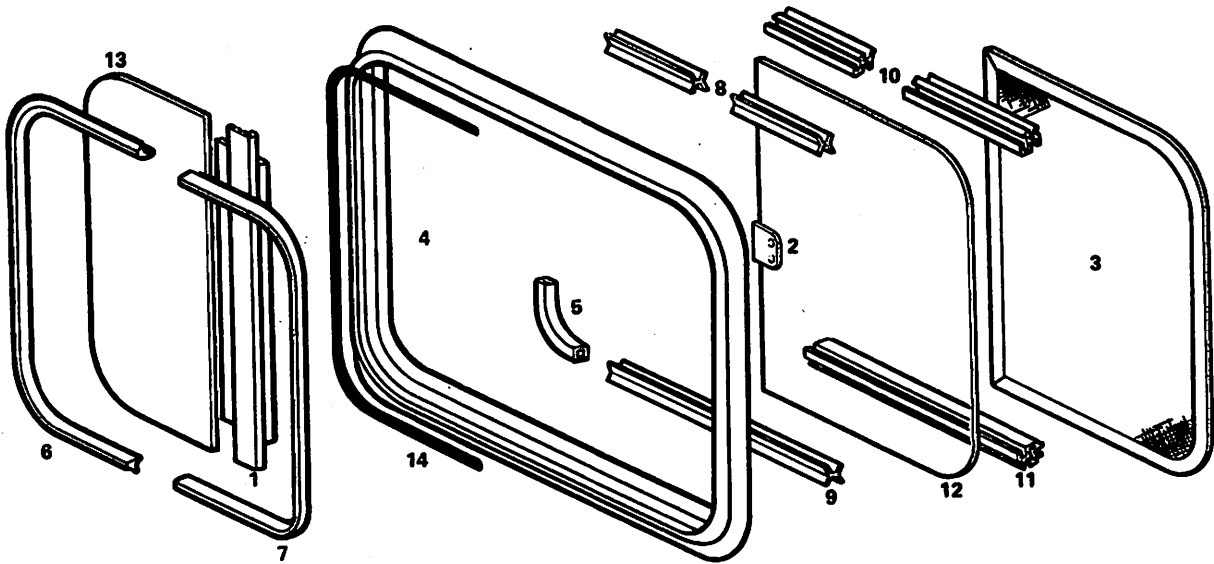
BODY

KEY	230	260	PART NUMBER
-----	-----	-----	-------------

23.072 SASH — RH REAR (FIRST DESIGN)

—	1	1	702851	SASH ASSY.—side, RH rear (with L.O.F. glass)
—	1	1	703048	SASH ASSY.—side, RH rear (tinted) (with L.O.F. glass)
1	1	1	689635	GLASS—RH rear (stationary) (procure locally)
1	1	1	689637	GLASS—RH rear (stationary-tinted) (procure locally)
2	1	1	704615	GLASS—RH rear (sliding) (procure locally)
2	1	1	704614	GLASS—RH rear (sliding-tinted) (procure locally)
3	1	1	702686	SCREEN ASSY.—glass
—	1	1	793676	KIT—moulding, side, RH, rear (incl. next [3] items)
4	4	4	689623	MOULDING—sash, corner
5	2	2	702575	MOULDING—sash, horizontal
6	2	2	702577	MOULDING—sash, vertical
7	AR	AR	711453	RETAINER—sash, vertical (10 ft.-CTL) (repl. 702574)
8	AR	AR	711453	RETAINER—sash, horizontal (10 ft.-CTL) (repl. 702570)
9	1	1	689622	HEADER—rear sash, RH (23.34" long)
10	2	2	715166	RAIL ASSY.—weatherstrip check (incl. seal and rail) (repl. 702535) (32.19" lg. CTL)
11	1	1	709172	SILL—rear sash (repl. 689630)
12	1	1	689607	FRAME ASSY.—sash (repl. 701445)
13	1	1	702671	SEAL—fixed glass (86.88" CTL)
14	1	1	702600	RUN—glass (134.50" CTL) (felt)
15	1	1	704342	LATCH ASSY.—side window
16	2	2	704341	BUSHING—latch
17	1	1	704620	LATCH—keeper
18	1	1	704747	SPACER—window screen (42.00" long, CTL)
19	2	2	706781	CLIP—screen
—	AR	AR	712111	STOP—sliding window (CTL) (29.81" long)
—	1	1	715820	SCREW ASSY.—housing fastener
—	AR	AR	715824	BAND—sash, rear (CTL)
—	1	1	715819	FASTENER—sash, serrated
—	AR	AR	9414712	SCREW—retainer to body

BODY



3P-7022-276

23.072H SASH - (RH) REAR (SECOND DESIGN)

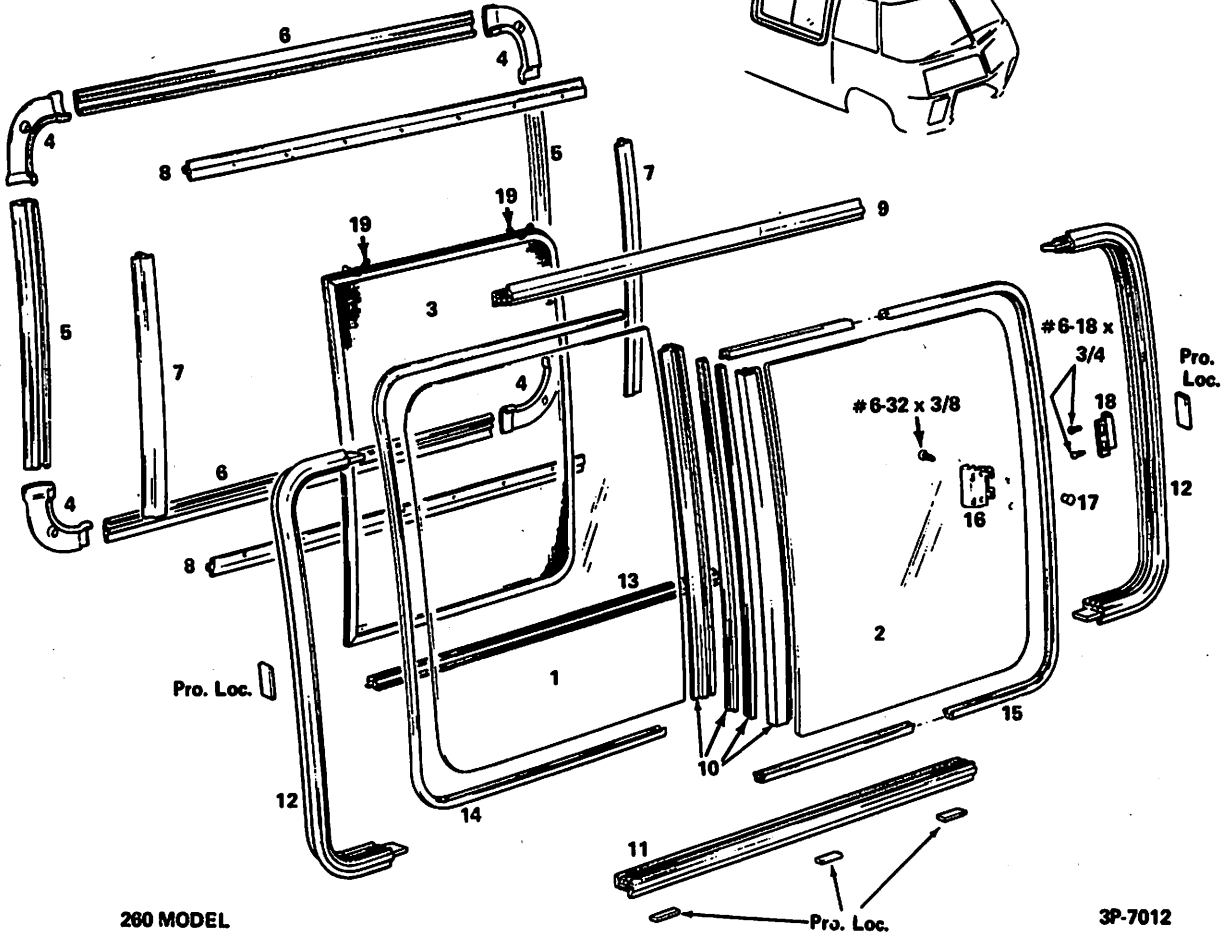
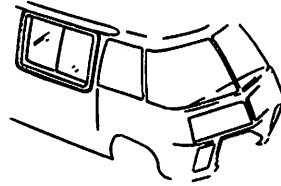
BODY

KEY	230	260	PART NUMBER
-----	-----	-----	-------------

23.072H SASH — RH REAR (SECOND DESIGN)

—	—	1	790837	SASH ASSY.—side RH rear (w/P.P.G. glass) (interm 1975)
1	1	1	2004674	MULLION ASSY.—sash (SOA) (w/latch keeper)
2	1	1	2004675	LATCH ASSY.—sash (SOA) (RH/LH)
3	1	1	2010377	SCREEN ASSY.—sash (SOA)
4	1	1	2010373	BACKFRAME—sash
5	1	1	2004678	BUMPER—sash
6	1	1	2004679	BEAD—glazing (20 ft.)
7	1	1	2004680	GASKET—vent (20 ft.)
8	1	1	2004681	TRACK—top vent (8 ft.)
9	1	1	2004682	TRACK—bottom vent (8 ft.)
10	1	1	2004683	TRACK—top screen (8 ft.)
11	1	1	2004684	TRACK—bottom screen (8 ft.)
12	1	1	2004696	GLASS—vent (sliding) (procure locally)
13	1	1	2004697	GLASS—stationary (procure locally)
14	1	1	2004687	BEAD—adhesive (20 ft.)
—	AR	AR	8885607	MOULDING—side sash trim (white vinyl) (100' roll ctl) (repl. 8861551)
—	—	2	2011596	RETAINER—sash, vertical (repl. 2006575)
—	—	2	2011593	RETAINER—sash horizontal (2006580)
—	AR	AR	9414712	SCREW—retainer to body

BODY



260 MODEL

3P-7012

23.073 SASH - RH FRONT (FIRST DESIGN)

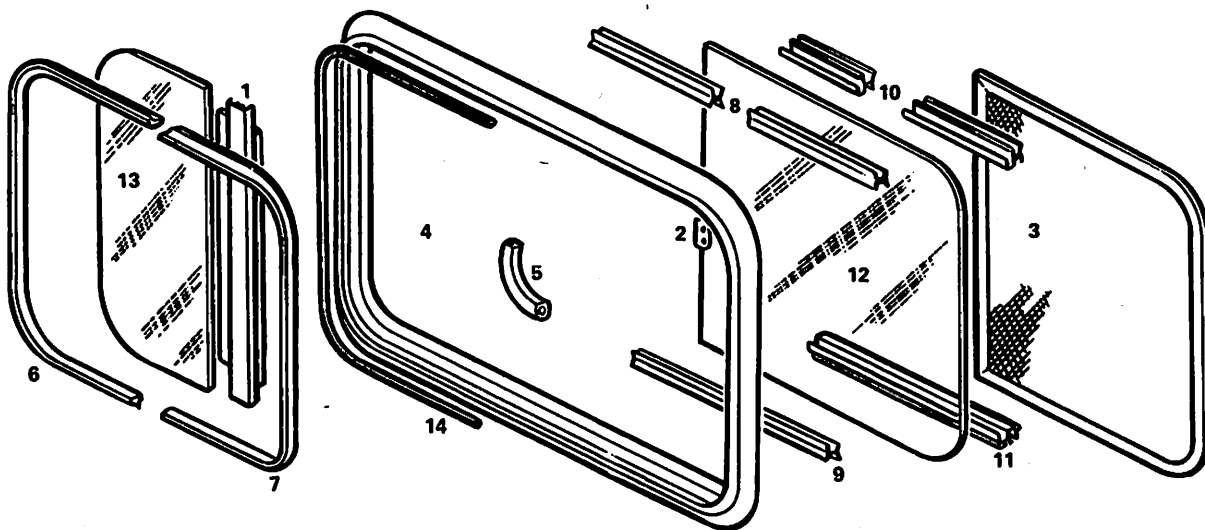
BODY

KEY	230	260	PART NUMBER
-----	-----	-----	-------------

23.073 SASH — RH FRONT (FIRST DESIGN)

—	—	1	702849	SASH ASSY.—side, RH front (with L.O.F. glass)
—	—	1	703046	SASH ASSY.—side, RH front (tinted) — (with L.O.F. glass) (ref. only) (see group 23.073H)
1	—	1	689639	GLASS—RH front (stationary) (procure locally)
1	—	1	689640	GLASS—RH front, tinted (stationary) (procure locally)
2	—	1	704617	GLASS—RH front (sliding) (procure locally)
2	—	1	704616	GLASS—RH front, tinted (sliding) (procure locally)
3	—	1	702684	SCREEN ASSY.—glass (incl. clips)
—	—	1	793677	KIT—moulding, sash window, side, RH front (incl. next [3] items)
4	—	4	689623	MOULDING—sash, corner
5	—	2	702577	MOULDING—sash, vertical (23.24")
6	—	2	689624	MOULDING—sash, horizontal (48.50")
7	—	AR	711453	RETAINER—sash, front and horizontal (10 ft.-CTL) (repl. 702571)
8	—	AR	711453	RETAINER—sash, vertical (10 ft.-CTL) (repl. 702574)
9	—	1	689621	HEADER—sash
10	—	2	715166	RAIL ASSY.—weatherstrip check (incl. seal and rail) (repl. 702535) (32.19" lg. CTL)
11	—	1	709174	SILL—front sash (repl. 689648)
12	—	2	689607	FRAME ASSY.—sash (repl. 701445)
13	—	1	704747	SPACER—window screen (42.00 long, CTL)
14	—	1	702671	SEAL—fixed glass (86.88 CTL)
15	—	1	702600	RUN—glass (134.50" CTL) (felt)
16	—	1	704342	LATCH ASSY.—side window
17	—	2	704341	BUSHING—latch
18	—	1	704620	LATCH—keeper
19	—	2	706781	CLIP—screen
—	—	AR	712111	STOP—sliding window (CTL) (29.81" long) (rubber)
—	—	1	715820	SCREW ASSY.—housing fastener
—	—	AR	715822	BAND—sash, front (CTL)
—	—	1	715819	FASTENER—sash, serrated
—	—	AR	9418622	SCREW—moulding

BODY



3P-7021-276

23.073H SASH - (RH) FRONT (SECOND DESIGN)

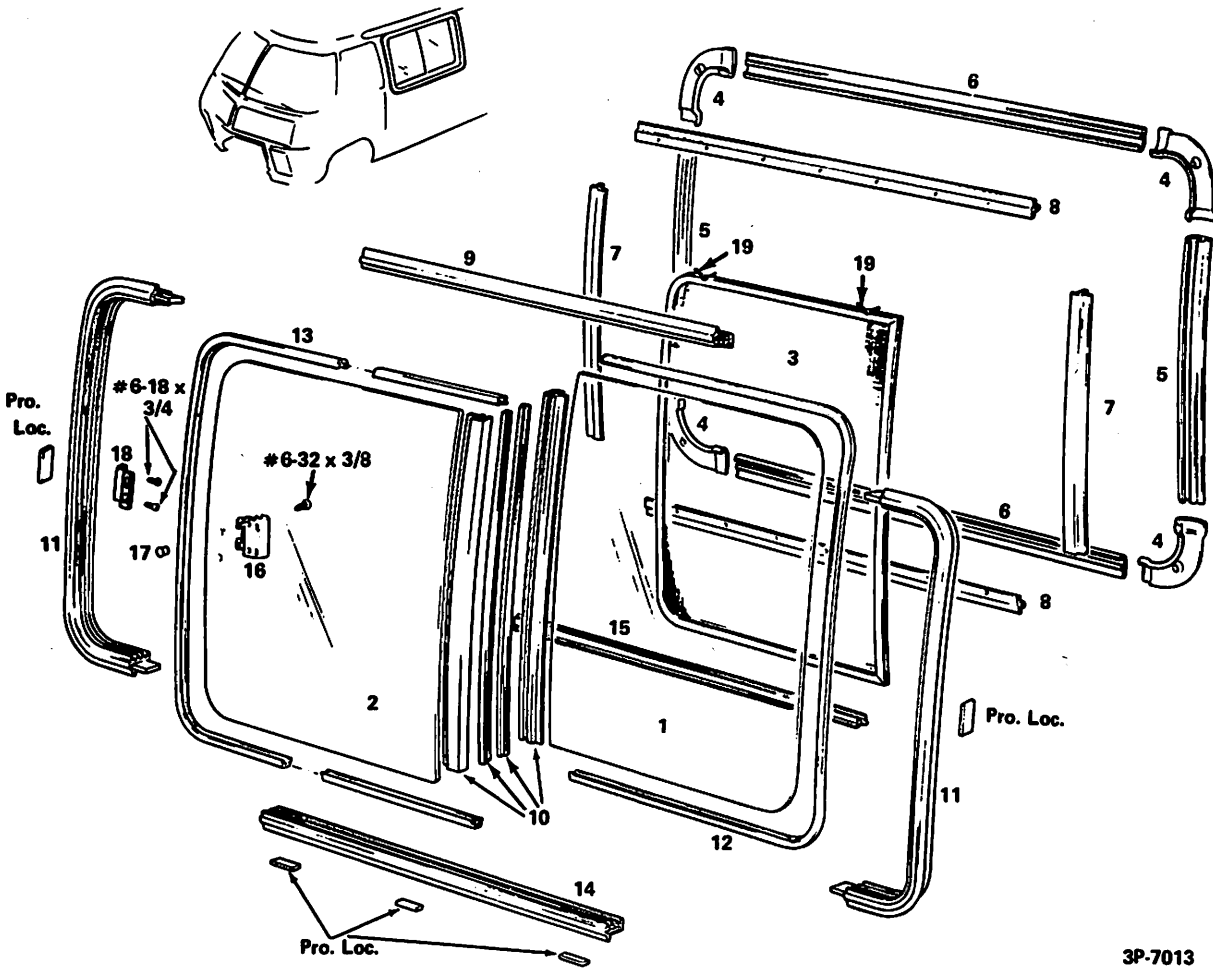
BODY

KEY	230	260	PART NUMBER
-----	-----	-----	-------------

23.073H SASH — RH FRONT (SECOND DESIGN)

-	1	1	790836	SASH ASSY.—side RH front w/P.P.G. glass) (interm 1975) (NOTE: 790836 can be used as a complete assy. to repl. first design sash assy. 703046)
1	-	1	2004674	MULLION ASSY.—sash (SOA) (w/latch keeper)
2	-	1	2004675	LATCH ASSY.—sash (SOA) (RH/LH)
3	-	1	2010385	SCREEN—sash (SOA)
4	-	1	2010374	BACKFRAME—sash
5	-	1	2004678	BUMPER—sash
6	-	1	2004679	BEAD—glazing (20 ft.)
7	-	1	2004680	GASKET—vent (20 ft.)
8	-	1	2004681	TRACK—top vent (8 ft.)
9	-	1	2004682	TRACK—bottom vent (8 ft.)
10	-	1	2004683	TRACK—top screen (8 ft.)
11	-	1	2004684	TRACK—bottom screen (8 ft.)
12	-	1	2004693	GLASS—vent (sliding) (procure locally)
13	-	1	2004695	GLASS—stationary (procure locally)
14	-	1	2004687	BEAD—adhesive (20 ft.)
-	-	2	2011592	RETAINER—sash horizontal (repl. 2006580, 2006581)
-	-	2	2011596	RETAINER—sash, vertical (repl. 2006575)
-	AR	AR	8885607	MOULDING—side sash trim (white vinyl) (100 ft. roll ctl) (repl. 8861551)
-	-	AR	9414712	SCREW—retainer to sash

BODY



3P-7013

23.074 SASH - LH FRONT SIDE (FIRST DESIGN)

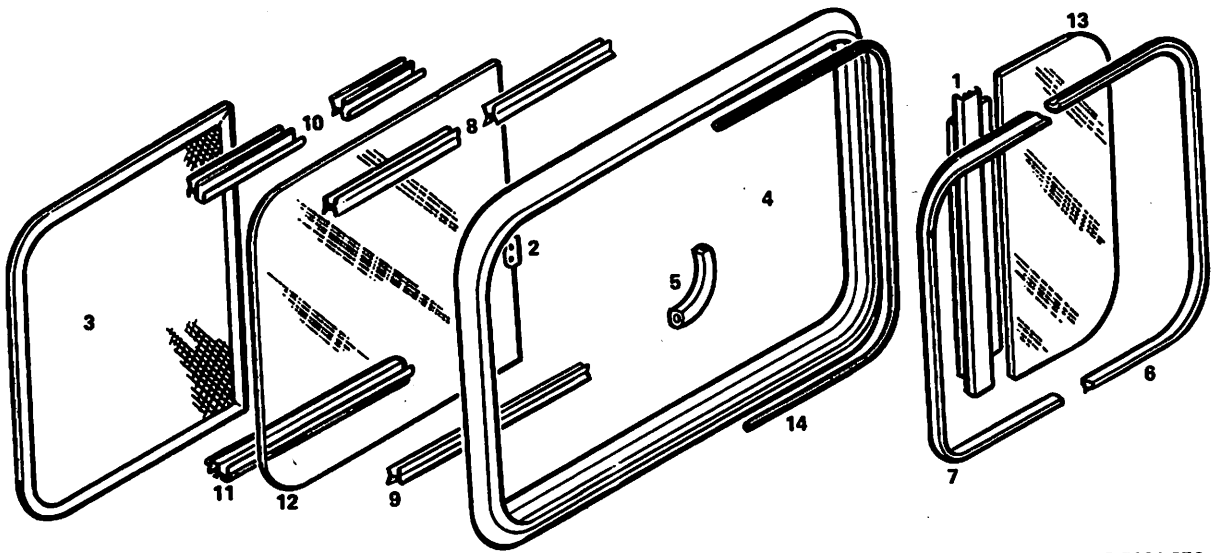
BODY

KEY	230	260	PART NUMBER
-----	-----	-----	-------------

23.074 SASH — LH FRONT (FIRST DESIGN)

—	1	1	702850	SASH ASSY.—side, LH front (with L.O.F. glass)
—	1	1	703047	SASH ASSY.—side, LH front (tinted) (with L.O.F. glass)
1	1	1	689639	GLASS—LH front, stationary (procure locally)
1	1	1	689640	GLASS—LH front, stationary (tinted) (procure locally)
2	1	1	704617	GLASS—LH front, sliding (procure locally)
2	1	1	704616	GLASS—LH front, sliding (tinted) (procure locally)
3	1	1	702685	SCREEN ASSY.—glass
—	1	1	793677	KIT—moulding, sash window side, LH front (incl. next [3] items)
4	4	4	689623	MOULDING—sash, corner
5	2	2	702577	MOULDING—sash, vertical (23.24")
6	2	2	689624	MOULDING—sash, horizontal (48.50")
7	AR	AR	711453	RETAINER—sash, vertical (10 ft.-CTL) (repl. 702571)
8	AR	AR	711453	RETAINER—sash, horizontal (10 ft.-CTL) (repl. 702574)
9	1	1	689621	HEADER—sash, LH front
10	2	2	715166	RAIL ASSY.—weatherstrip check (incl. seal and rail) (repl. 702535) (32.19" lg. CTL)
11	2	2	689607	FRAME ASSY.—sash (repl. 701445)
12	1	1	702671	SEAL—stationary glass (86.88" long, CTL)
13	1	1	702600	RUN—glass (134.50" long, CTL) (felt)
14	1	1	709174	SILL—sash, LH front (repl. 689648)
15	1	1	704747	SPACER—window screen (42.00" long, CTL)
16	1	1	704342	LATCH ASSY.—window, LH front
17	2	2	704341	BUSHING—latch
18	1	1	704620	LATCH—keeper
19	2	2	706781	CLIP—screen
—	AR	AR	712111	STOP—sliding window (CTL) (29.81" long) (rubber)
—	1	1	715820	SCREW ASSY.—housing, fastener
—	AR	AR	715822	BAND—sash, front (CTL)
—	1	1	715819	FASTENER—sash, serrated
—	AR	AR	9414712	SCREW—retainer to sash
—	AR	AR	9418622	SCREW—moulding

BODY



3P-7021-276

23.074H SASH - (LH) FRONT (SECOND DESIGN)

BODY

KEY	230	260	PART NUMBER
-----	-----	-----	-------------

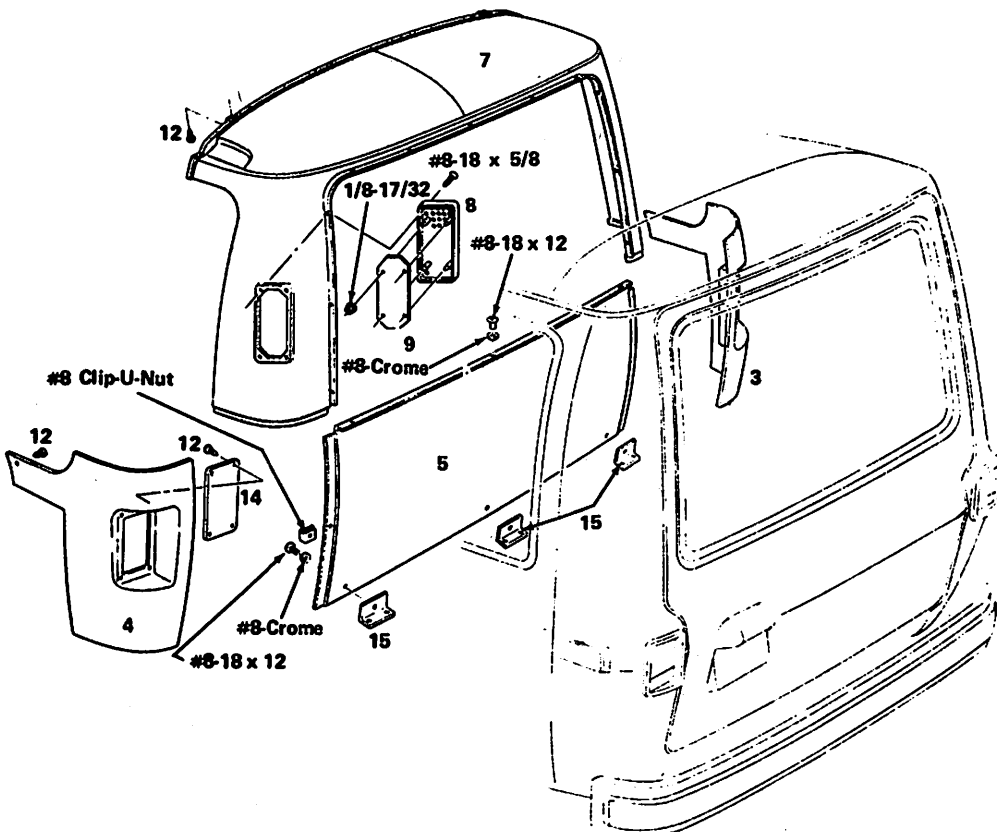
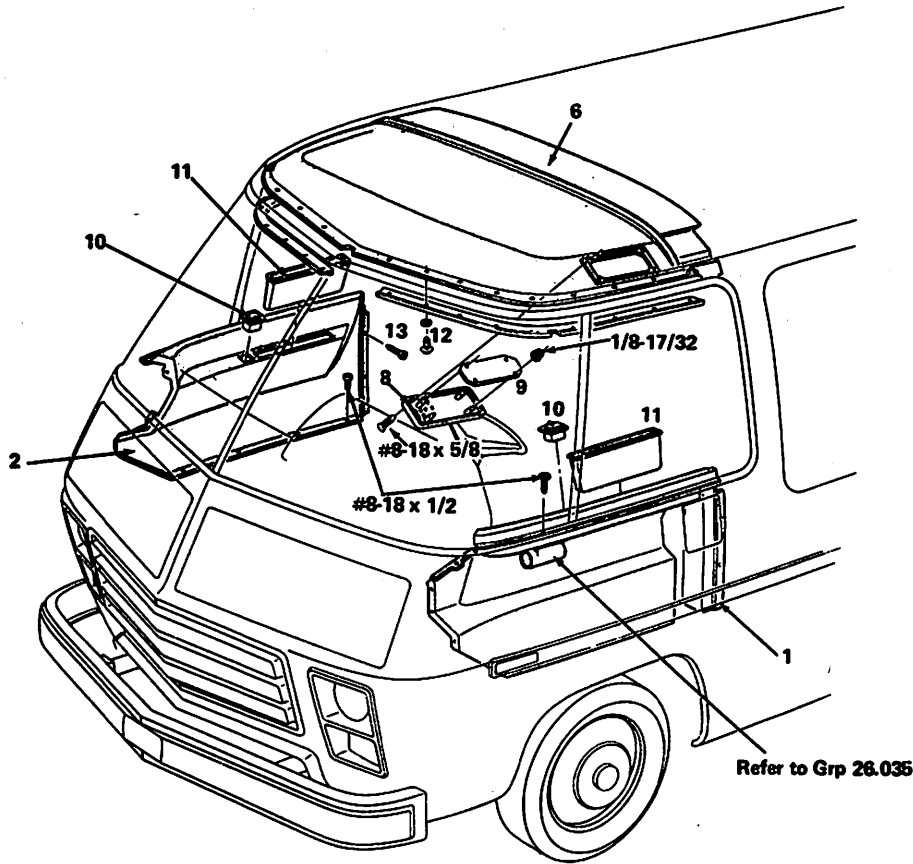
23.074H SASH LH FRONT (SECOND DESIGN)

—	1	1	780834	SASH ASSY.—side. LH (w/P.P.G. GLASS) (interm 1975)
1	1	1	2004674	MULLION ASSY.—sash (SOA) (w/latch keeper)
2	1	1	2004675	LATCH ASSY.—sash (SOA) (RH/LH)
3	1	1	2010385	SCREEN—sash (SOA)
4	1	1	2010374	BACKFRAME—sash
5	1	1	2004678	BUMPER—sash
6	1	1	2004679	BEAD—glazing (20 ft.)
7	1	1	2004680	GASKET—vent (20 ft.)
8	1	1	2004681	TRACK—top vent (8 ft.)
9	1	1	2004682	TRACK—bottom vent (8 ft.)
10	1	1	2004683	TRACK—top screen (8 ft.)
11	1	1	2004684	TRACK—bottom screen
12	1	1	2004685	GLASS—vent (sliding) (procure locally)
13	1	1	2004686	GLASS—stationary (procure locally)
14	1	1	2004687	BEAD—adhesive (20 ft.)
—	AR	AR	8885807	MOULDING—side sash trim (white vinyl) (100' roll ctl.) (repl. 8861551)
—	2	2	2011596	RETAINER—sash vertical (eff. w/serial no. 6V100878) (repl. 2006575)
—	2	2	2011592	RETAINER—sash horizontal (eff. w/serial 6V100878) (repl. 2006580, 2006581)
—	AR	AR	9414712	SCREW—retainer to sash

23.075 PANELS — INSULATION

—	AR	AR	NS	PANEL—body insulation (make locally) (ref. 703032, 703033)
—	1	1	703110	PANEL—insulation, dash
—	1	1	721354	PANEL—insulation, dash, RH (repl. 703045)
—	1	1	721353	PANEL—insulation, dash, LH (repl. 703044)
—	2	2	721355	PANEL—insulation, rear floor (repl. 703109) (prior to Serial No. 6V100878)
—	1	1	703711	PANEL—insulation, dash, upper RH

BODY



3P-1032

23.080 FINISH & FITTINGS

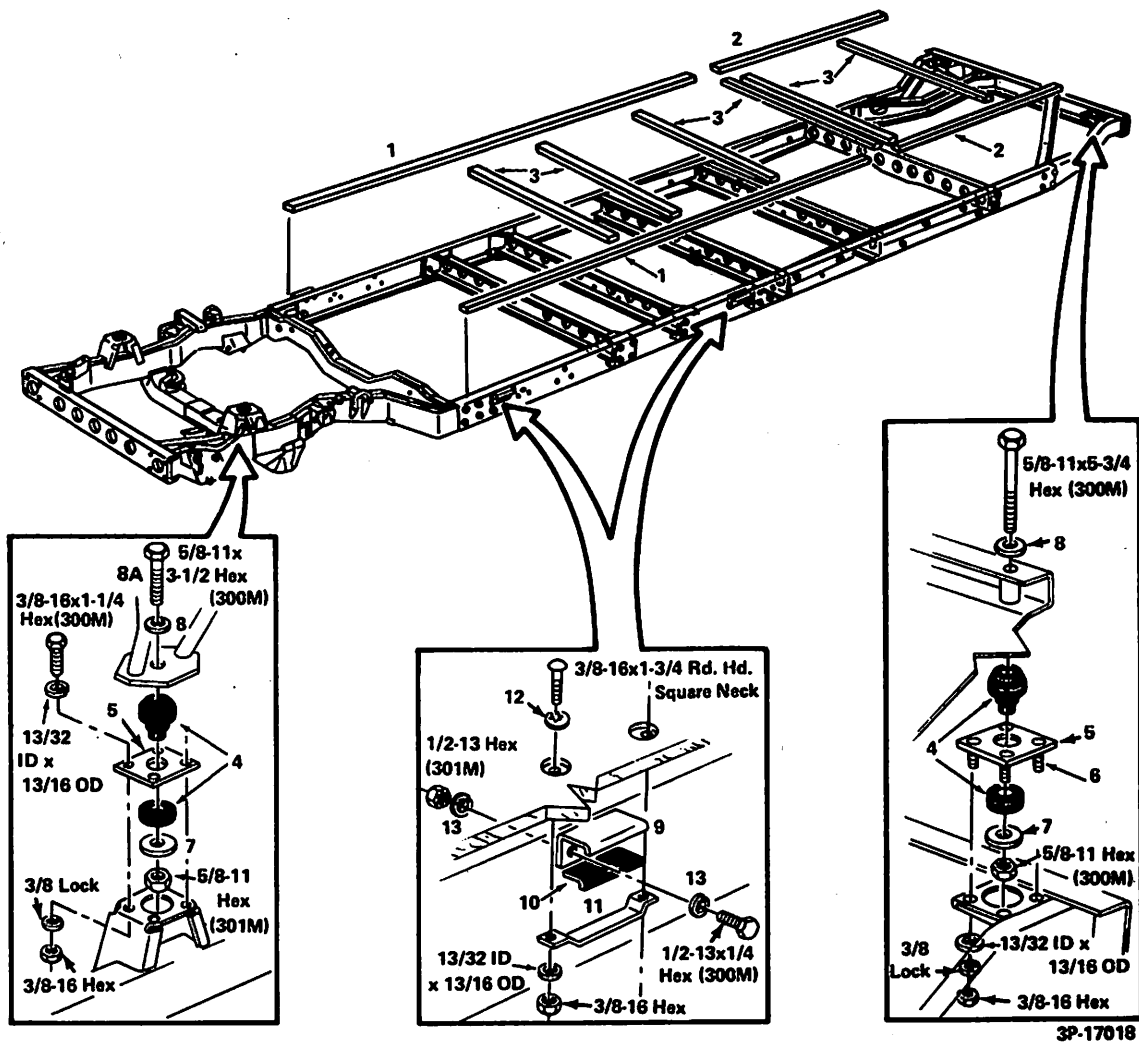
BODY

KEY	230	260	PART NUMBER
-----	-----	-----	-------------

23.080 FINISH & FITTINGS

1	1	1	695700	PANEL—side trim, LH (prior to 1977)
1	1	1	799996	PANEL—side trim, LH (w/RPO 685, 697, Transmode) (eff. w/1977)
1	—	1	799996	PANEL—side trim, LH (w/RPO 641)
1	—	1	799996	PANEL—side trim, LH (w/RPO 698) (eff. w/1977) (repl. 2004302)
2	1	1	685701	PANEL—side trim, RH (w/RPO 641, 697, 698 Transmode)
3	—	1	2007910	PANEL—trim, inner rear lower RH (Motorhome) (repl. 694047, 713191, 792411)
3	1	1	2007912	PANEL—trim, inner rear lower RH (Transmode) (eff. w/Serial No. 6V100878)
4	—	1	2007911	PANEL—trim, inner rear lower LH (Motorhome) (repl. 694048, 713188, 792412)
4	1	1	2007916	PANEL—trim, inner rear lower LH (Transmode) (eff. w/Serial No. 6V100878)
5	1	1	713193	PANEL—trim, rear door lower (repl. 694049)
6	1	1	696154	PANEL—trim, inner roof, front
7	1	1	713192	PANEL—trim, inner roof, rear (repl. 694046) (prior to 1975)
7	—	1	792268	PANEL—inner, rear upper roof, liner (eff. w/1975 and prior to Serial No. 6V100878)
7	1	1	2007909	PANEL—inner, rear upper roof liner (eff. w/Serial No. 6V100878)
8	2	2	700880	PANEL—radio speaker
9	2	2	700881	COVER—hole, speaker
10	AR	AR	486902	TRAY ASSY.—ash, side trim panel (prior to 1977)
—	AR	AR	—	TRAY ASSY.—ash, instrument panel (eff. w/1977) (see group 23.050F)
11	2	2	9731656	STORAGE BOX—panel, side trim (prior to 1975 & Transmode) (w/out RPO BRU) (repl. 9725063)
11	2	2	1681108	STORAGE BOX—side trim, panel (w/RPO 641, 681, 683, 685, 697, transmode)
11	—	2	2001323	STORAGE BOX—side trim, panel (w/RPO 698)
12	31	31	NPN	SCREW—retainer, trim panel
13	4	4	9420721	SCREW—panel mounting, RH (8-18 x 3/4 pan head cross recess)
14	2	2	—	COVER—inner trim, rear corner, LH panel (procure locally)
15	3	3	NPN	BRACKET—rear access door, trim panel
—	—	1	701367	PANEL—air suspension control switch hole (eff. w/1977)
—	1	1	707984	TRACK—windshield drape, LH
—	1	1	707983	TRACK—windshield drape, RH
—	8	8	700368	RIVET—track to front roof cap
—	2	2	718395	SPRING—storage box exp.
—	4	4	715106	RIVET—upper to lower panel
—	—	4	4664885	SCREW & WASHER ASSY.—RH panel mtg. (w/695701, 790079)
—	—	2	716852	SCREW—track to inner roof frt. trim
—	1	1	—	DECAL—emergency exit (see group 23.010)
—	8	8	9417311	SCREW—rear speaker installation

BODY



KEY 230 260 PART NUMBER

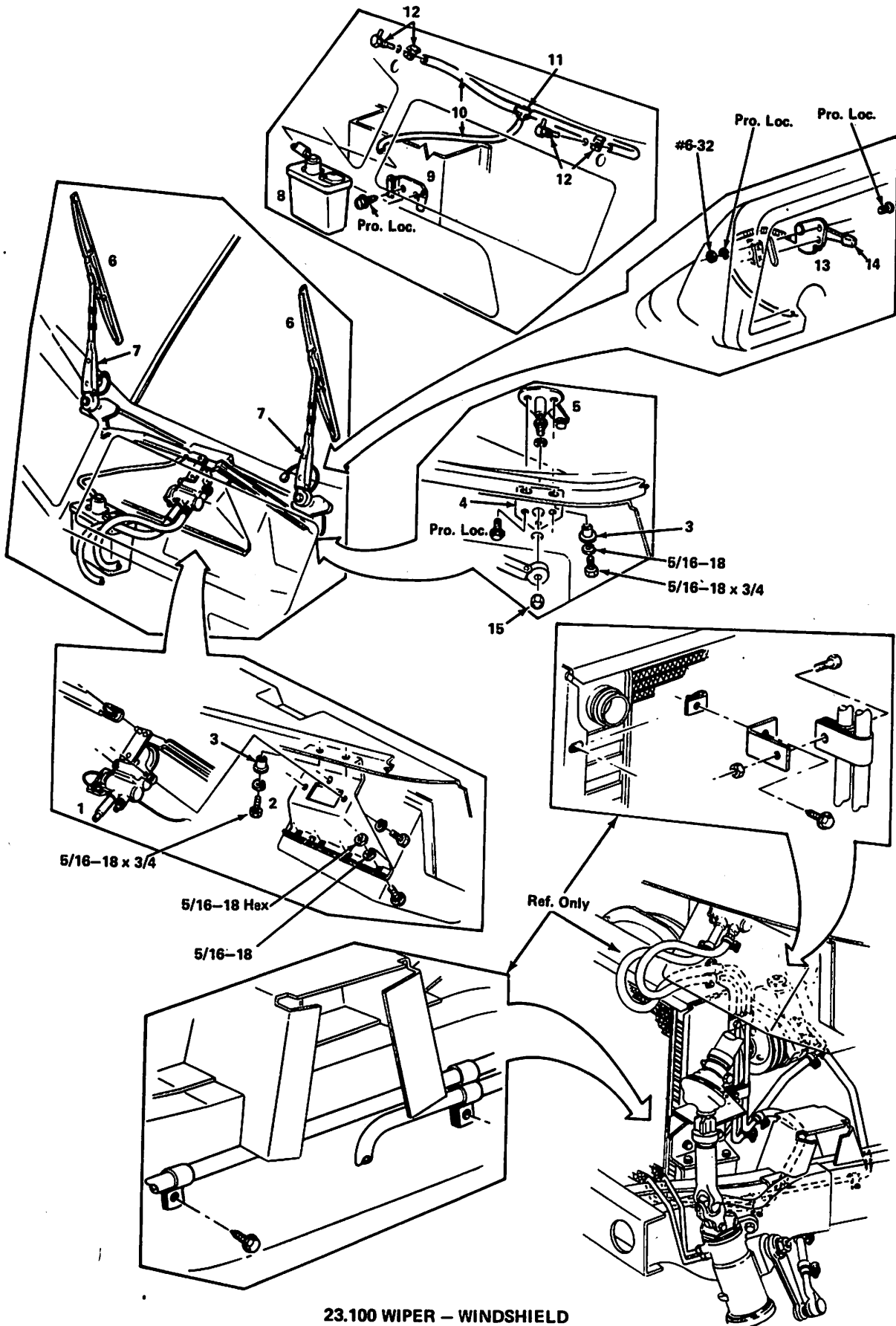
23.090 BODY MOUNTING

-	AR	AR	2005279	INSULATOR—frame to floor (3" x 6") (opt.)
1	AR	AR	698128	INSULATOR—frame to floor (128.00" — CTL) (repl. 698129)
1	-	1	792006	INSULATOR—frame to floor (132.10" lg.) (eff. w/1975)
2	AP	AR	698128	INSULATOR—frame to floor (128.00" — CTL) (repl. 700243, 700244)
3	4	4	702894	SUPPORT—crossmember to floor
4	4	4	699895	MOUNT ASSY.—body, front and rear (incl. ring) (SOA)
5	4	4	NPN	PLATE—mount to frame, front and rear (ref. 700858) (make locally)
6	8	8	189850	BOLT—rear mount to frame plate (3/8-16 x 1-1/4, round head, ribbed neck)
7	4	4	681190	WASHER—body mount (front and rear)
8	4	4	2436167	WASHER—body mount (front and rear)
8A	2	2	9430885	BOLT—body rear mounting
9	4	4	700139	BRACKET—mount, frame center
10	4	4	698128	INSULATOR—(or cushion) (CTL) (repl. 700140)
11	4	4	700138	MOUNT—body, center section (prior to 1975)
11	4	4	791364	MOUNT—body, center section (eff. w/1975)
12	8	8	2366327	WASHER—bolt
13	16	16	2436165	WASHER—bolt, bracket (17/32 I.D. x 1-1/16 O.D.)
-	2	2	3914468	SPACER—bolt to frame

BODY

NOTES

BODY



23.100 WIPER - WINDSHIELD

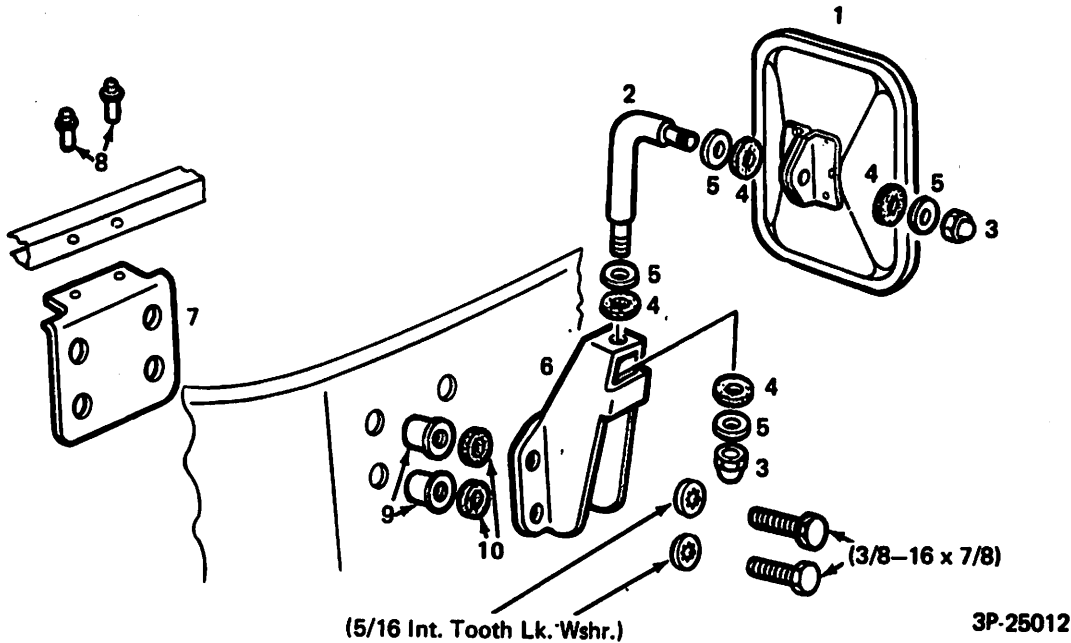
BODY

KEY	230	260	PART NUMBER	
-----	-----	-----	-------------	--

23.100 WIPER — WINDSHIELD

1	1	1	715456	MOTOR ASSY.—windshield wiper (repl. 699 1 14) (incl. next item)
—	1	1	717027	FILTER ASSY.—wiper motor SOA
2	1	1	790483	BRACKET—mounting, motor (First Design) (repl. 698186)
2	1	1	790483	BRACKET—windshield wiper motor mtg. (Second Design)
3	6	6	2273809	RIVNUT—bolt, mounting bracket
4	1	1	698177	BRACKET—wiper, pivot LH
4	1	1	698178	BRACKET—wiper, pivot RH
5	1	1	699112	ARM ASSY.—LH compression pivot body and connector
5	1	1	699113	ARM ASSY.—RH compression pivot body and connector
6	2	2	699116	BLADE ASSY.—wiper
7	2	2	712873	ARM ASSY.—wiper (incl. spray nozzle) (repl. 699 106) (incl. next item)
—	2	2	2027555	NOZZLE—wiper arm — (nozzle attaches to end of windshield wiper blade) (second design)
—	1	1	717080	NOZZLE ASSY.—windshield washer (incl. (2) nozzles, (2) hoses & (2) clips) (nozzle attaches to center of windshield wiper arm) (first design)
8	1	1	699115	WASHER ASSY.—windshield wiper (electromatic) (incl. next (3) items)
—	1	1	2041280	PUMP ASSY.—cover (incl. next item)
—	1	1	2369544	STRAINER—windshield washer
—	1	1	2041286	JAR—washer reservoir
9	1	1	610163	STRAP—mounting, washer
10	AR	AR	1359744	HOSE—windshield washer (25' CTL)
11	1	1	1378180	TEE—hose
12	2	2	699104	CONNECTOR ASSY.—hose
13	1	1	699111	CONTROL ASSY.—windshield wiper and washer
14	1	1	699118	BUTTON—washer control
15	2	2	703864	CAP NUT—wiper arm (Trico No. 75026-1NS) (3/8 - 24 - unf. thd. - 26) (1/2" hex)
—	1	1	717556	BRACKET—mtg., power strg. & w/s hose, LH (repl. 702874) (also use 1-790628 bracket)
—	1	1	653296	BRACKET—clip support
—	2	2	708513	CLIP—windshield washer hose

BODY



KEY	230	260	PART NUMBER
-----	-----	-----	-------------

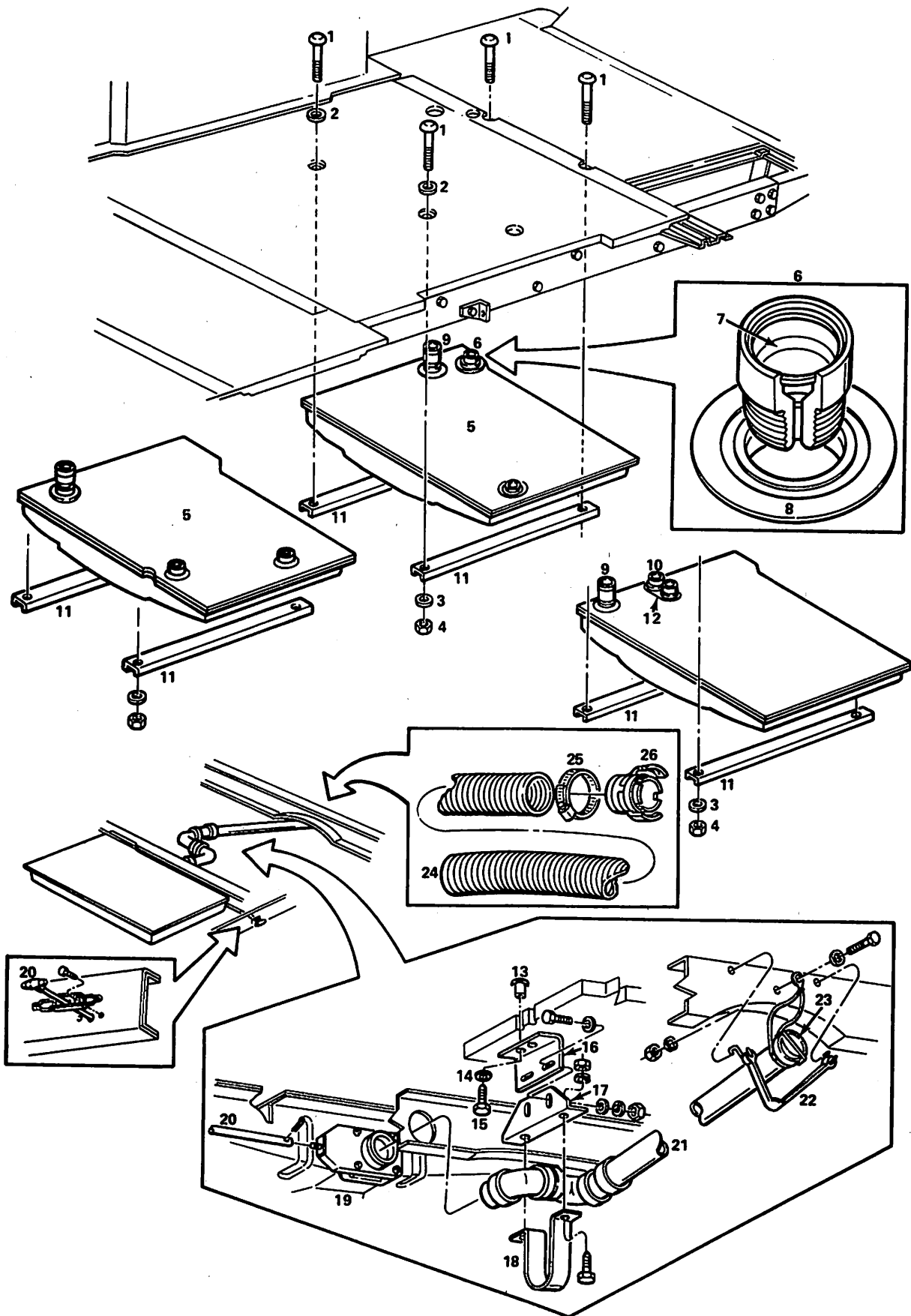
23.107 MIRROR — OUTSIDE REAR VIEW

1	2	2	701486	MIRROR ASSY.—outside rearview (white) (ref. only) (incl. next 5 items)
—	1	1	993872	MIRROR KIT—outside rear view (white enamel) (SOA) (incl. 1-mirror assy.) (repl. 331558, 2971950 mirror head)
2	1	1	704590	ARM—solid outside rear view (white enamel)
3	2	2	331545	NUT—crown high (repl. 3940862, 3976158)
4	4	4	331543	WASHER—nylon (.44 I.D.) (repl. 3933426)
5	4	4	3940861	WASHER—steel (7/16 - 1.0 x .09)
1	2	2	704161	MIRROR ASSY.—outside rearview (chrome) (ref. only incl. next 5 items)
—	1	1	993874	MIRROR KIT—outside rear view (chrome) (SOA) (incl. 1-mirror assy.) (repl. 704591)
2	1	1	704592	ARM—solid (chrome)
3	2	2	331545	NUT—high crown (repl. 3940862, 3976158)
4	4	4	331543	WASHER—nylon (.44 I.D.) (repl. 3933426)
5	4	4	3940861	WASHER—steel
6	2	2	701842	BRACKET—mirror
7	2	2	701405	REINFORCEMENT—bracket (prior to Serial No. 6V100878)
7	1	1	2005993	REINFORCEMENT—LH mirror, (eff. w/Serial No. 6V100878)
7	1	1	2006416	REINFORCEMENT—RH mirror, (eff. w/Serial No. 6V100878)
8	4	4	700368	RIVET—bracket to sill
9	8	8	2497229	RIVNUT—bracket to side
10	8	8	3700098	KIT—gasket, mirror bracket to rivnut (includes 1-3698890 gasket & 1-3698891 gasket)

BODY

NOTES

BODY



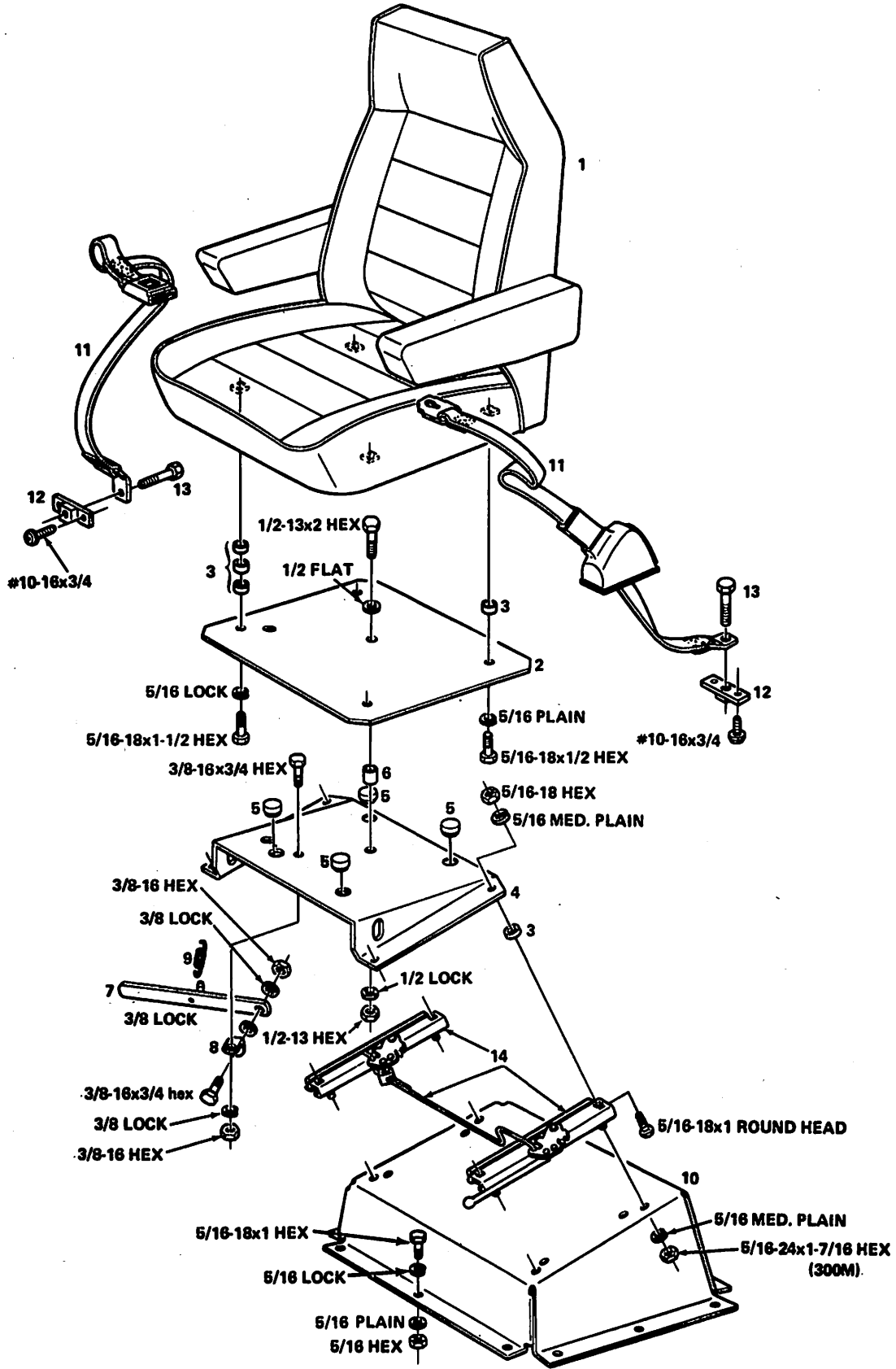
BODY

KEY	230	260	PART NUMBER
-----	-----	-----	-------------

23.110 TANK — DRAIN HOSE AND HOLDING

1	4	4	NPN	BOLT—tank mounting (3/8-16 x 6" Rd. Hd.) (prior to 1975)
1	—	4	3812166	BOLT—tank mounting (3/8-16 x 7 1/2) (eff. w/1975)
2	2	2	2366327	WASHER—bolt (upper front) (repl. 3885600)
3	4	4	3781455	WASHER—bolt (15/32 I.D. x 59/64 O.D.)
4	4	4	NPN	NUT—bolt (3/8-16)
5	1	—	706573	TANK ASSY.—holding (repl. 699278) (140 WB)
5	—	1	791846	TANK ASSY.—holding (exc./ ZEO6582, ZEO6584) (repl. 706574) (160 WB) (prior to 1978)
5	—	1	2028382	TANK ASSY.—holding (w/ZEO6581) (1978) (40 gallon)
5	—	1	2005797	TANK ASSY.—holding (w/ZEO6582, ZEO6584)
6	—	1	719638	ADAPTER—sink and vent drain (at tank) (prior to 1975)
6	—	1	790052	ADAPTER—sink and vent drain (nipple) (at tank) (exc./ ZEO6584) (eff. w/1975)
6	—	2	2010765	ADAPTER ASSY.—sanitary plumbing to holding tank (w/ZEO6584)
7	—	1	716624	"O" RING—sink drain and vent (prior to 1975)
7	—	1	791722	"O" RING—sink inlet nipple (eff. w/1975) (prior to Serial No. 5V101105)
7	—	1	3876138	"O" RING—bath inlet nipple (eff. w/1975)
8	1	3	705538	SEAL—sink, toilet and bath inlet to floor
9	1	1	719639	NIPPLE—toilet inlet (at tank)
10	2	1	719637	NIPPLE—kitchen drain inlet (at tank) (prior to 1975)
10	—	1	797240	NIPPLE—sink inlet (at tank) (eff. w/1975) (exc./ ZEO6584) (repl. 790051)
10	—	1	797240	NIPPLE—sink inlet (at tank) (eff. w/1977) (w/ZEO6584)
11	2	2	696092	BRACKET—mounting, tank
12	1	—	705089	SEAL—nipple to floor
13	2	2	693207	TENNUT—bolt
14	2	2	NPN	WASHER—bolt (3/8)
15	2	2	NPN	BOLT—bracket (3/8-16 x 4")
16	1	1	711107	BRACKET—anchor (prior to 1975)
16	—	1	791380	BRACKET—anchor (eff. w/1975)
17	—	1	791379	BRACKET—discharge tube support clamp (adjustable) (repl. 711106)
18	1	1	2439071	CLAMP—discharge tube support
19	1	1	693761	VALVE ASSY.—fullway (incl. "O"-ring)
—	1	1	701212	"O" RING—fullway valve
20	1	1	693762	HANDLE ASSY.—valve
21	1	—	699695	HOSE ASSY.—discharge (prior to Serial No. 3V100366)
21	—	1	699696	HOSE ASSY.—discharge (prior to Serial No. 3V100366)
21	1	—	714360	TUBE—discharge (incl. valve) (SOA) (eff. w/Serial No. 3V100366)
21	—	1	714359	TUBE—discharge (incl. valve) (SOA) (eff. w/Serial No. 3V100366)
22	1	1	710307	STRAP—retaining, discharge tube
23	1	1	697653	CAP—storage tube (see grp. 19.001) (repl. 711231)
24	1	1	699861	HOSE—waste disposal (flexable) (see grp. 19.001)
25	1	1	2465815	CLAMP ASSY.—sewer hose (see grp. 19.001)
26	1	1	697654	FITTING—sewer hose (see grp. 19.001)
—	1	1	2020880	SEAL—sanitary pipe to floor (w/center dia. hole 1.94" & O.D. 6.50)
—	1	1	2020897	SEAL—sanitary pipe to floor (w/center dia. hole 2.30" & O.D. 4.25)
—	1	1	2020898	NIPPLE—sanitary pipe adapter
—	1	1	684380	GASKET—fullway valve mounting
—	1	1	700959	KIT—repair, fullway valve (incl. [1] stamping assy., [4] eyelets and [1] perimeter seal)
—	1	1	NS	DECAL—discharge valve handle (ref. 701556)

BODY



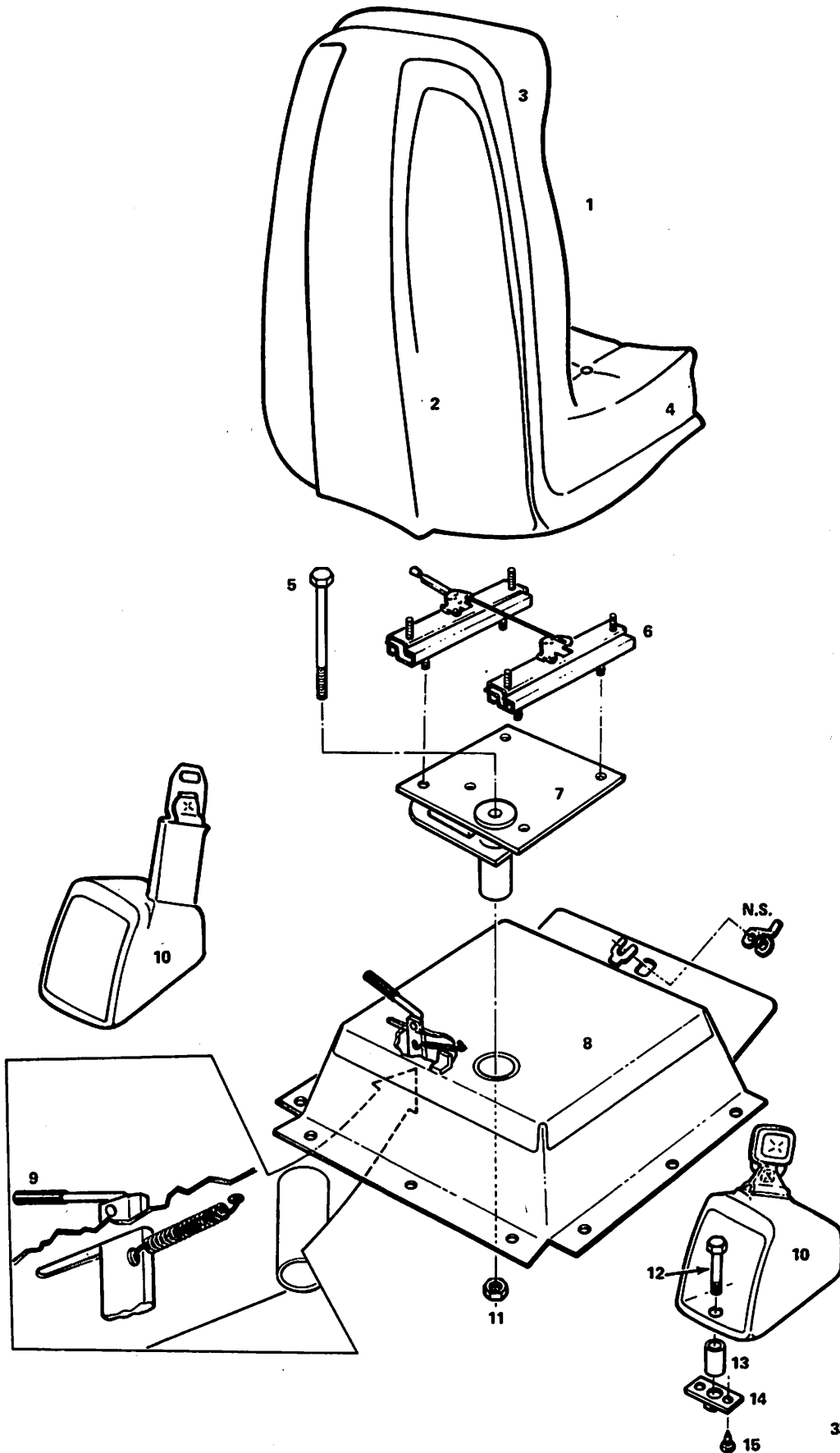
23.115 SEAT - DRIVER & SINGLE PASSENGER

3P-24021

BODY

KEY	230	260	PART NUMBER	
23.115 SEAT — DRIVER & SINGLE PASSENGER (BOSTROM)				
1	2	2	701539	SEAT ASSY.—driver and passenger. (w/RPO 695/Transmode) (w/gold fabric)
1	2	2	704787	SEAT ASSY.—driver and passenger. (w/RPO 693/Transmode) (w/blue-green fabric)
1	—	2	721417	SEAT ASSY.—driver and passenger. (w/RPO 696) (repl. 718042)
1	2	2	701537	SEAT ASSY.—driver and passenger. (w/RPO 692/Transmode) (w/out RPO BRR, BRS) (orange fabric with vinyl)
1	2	—	2006777	SEAT ASSY.—driver and passenger (fabrics and vinyl omitted) (w/RPO BRR, BRS) (prior to 1976)
1	2	2	701538	SEAT ASSY.—driver and passenger. (w/RPO 690/Transmode) (w/green fabric)
2	2	2	701346	PLATE—seat mounting
3	AR	AR	3969018	SPACER—plate and adjuster
4	2	2	701883	SUPPORT ASSY.—seat
5	8	8	701295	BUSHING—support
6	2	2	701345	SPACER—pivot
7	2	2	701366	LEVER ASSY.—rotation lock
8	2	2	2436655	BRACKET—lever mounting
9	2	2	701400	SPRING—rotation lever
10	2	2	700133	PEDESTAL—seat (prior to 1975) (w/non retractable seat belt)
10	2	2	791366	PEDESTAL ASSY.—seat (Transmode) (eff. w/1975) (w/retractable seat belt)
11	1	1	714447	KIT—seat belt, passenger seat (prior to Eleganza 1)
11	—	1	2010782	KIT—driver seat, belt (w/RPO696) (repl. 718043)
11	—	1	2010783	KIT—passenger seat, (w/RPO696) (repl. 718044)
11	1	1	714446	KIT—seat belt, driver (prior to Eleganza 1)
11	1	1	2008789	BELT ASSY.—driver seat (Transmode) (eff. w/1975) (repl. 717301)
11	1	1	2008790	BELT ASSY.—passenger seat (Transmode) (eff. w/1975) (repl. 717302)
12	2	2	701805	PLATE ASSY.—belt anchor
13	4	4	9425121	BOLT—belt to plate (Motorhome) (prior to 1977)
13	4	4	720008	BOLT—belt to plate (Transmode) (aslo use 4-723407 bolt, & 4-2436165 washer) (eff. w/1975) (prior to 1977)
13	4	4	711850	BOLT—seat belt anchor plate (spec. hex. hd. shoulder) (eff. w/1977)
13	4	4	2436167	WASHER—bolt, seat belt anchor plate (eff. w/1977)
14	2	2	701638	ADJUSTER ASSY.—seat (incl. next 4 items)
—	1	1	709113	SPRING—return, handle, seat adjuster
—	1	1	709114	CLIP—wire seat adjuster connecting
—	2	2	793692	WIRE—latch, seat adjuster connecting
—	2	2	716636	SPRING—seat adjuster return
—	1	1	688836	SUPPORT—seat, driver's floor to crossmember
—	4	4	723407	SPACER—seat belt anchor (eff. w/1975)
—	2	2	NS	COVER ASSY.—driver & passenger seat cushion. (w/RPO 692) (ref. 717749)
—	2	2	719630	COVER ASSY.—driver & passenger seat back. (w/RPO 692)
—	2	2	717671	COVER ASSY.—driver & passenger side arm, (LH), (w/RPO 692)
—	2	2	717672	COVER ASSY.—driver & passenger side arm, (RH), (w/RPO 692)
—	2	2	719631	COVER ASSY.—driver & passenger seat cushion. (w/RPO 690)
—	2	2	719632	COVER ASSY.—driver & passenger seat back. (w/RPO 690)
—	2	2	717666	COVER ASSY.—driver & passenger side arm, (LH), (w/RPO 690)
—	2	2	717667	COVER ASSY.—driver & passenger side arm, (RH), (w/RPO 690)
—	2	2	717036	COVER ASSY.—driver & passenger seat cushion. (w/RPO 695)
—	2	2	719633	COVER ASSY.—driver & passenger seat back. (w/RPO 695)
—	2	2	717671	COVER ASSY.—driver & passenger side arm, (LH), (w/RPO 695)
—	2	2	717672	COVER ASSY.—driver & passenger side arm, (RH), (w/RPO 695)
—	2	2	718462	COVER ASSY.—driver & passenger seat cushion. (w/RPO 693)
—	2	2	723743	COVER ASSY.—driver & passenger seat back. (w/RPO 693)
—	2	2	717671	COVER ASSY.—driver & passenger side arm, (LH) (beige) (w/RPO 693)
—	2	2	717672	COVER ASSY.—driver & passenger side arm, (RH) (beige) (w/RPO 693)
—	1	1	2001884	LABEL—passenger seat, seat facing forward

BODY



23.116 SEAT - DRIVER & SINGLE PASSENGER

BODY

KEY	230	260	PART NUMBER
-----	-----	-----	-------------

23.116 SEAT — DRIVER & SINGLE PASSENGER (FLEX STEEL)

NOTE: First Design seat cushions did not have a cut-out for arm rests. Second Design seat cushions have a cut-out for arm rests.

1	—	2	2002263	SEAT ASSY.—driver and passenger (w/RPO 697) (incl. arm rests) (repl. 790308)
1	—	2	2002264	SEAT ASSY.—driver and passenger (w/RPO 681) (dundee gold. plaid) (incl. arm rests) (repl. 794552) (prior to Serial No. 6V100151)
1	—	2	2005709	SEAT ASSY.—driver and passenger (w/RPO 681) (dundee gold. solid) (incl. arm rests) (eff. w/Serial No. 6V100151)
1	—	2	2002266	SEAT ASSY.—driver and passenger (w/RPO 698) (incl. arm rests) (repl. 2000648)
1	—	2	2006610	SEAT ASSY.—driver and passenger (w/RPO 683) (SOA)
1	2	2	2014429	SEAT ASSY.—drive & passenger (OPT.) upholstered (transmode) (SOA) (eff. w/1977)
1	—	2	2010337	SEAT ASSY.—driver and passenger (w/RPO 641)
—	2	2	2014430	SEAT ASSY.—driver & passenger (STD.) upholstered(transmode) (SOA) (eff. w/1977)
1	—	2	2027538	SEAT ASSY.—driver & passenger (w/RPO 685) (eff w/1977)
2	—	2	799282	KIT—plastic trim. seat back (SOA) (w/RPO 641, 681, 697)
2	—	2	2003799	KIT—plastic trim. seat back (SOA) (w/RPO 698)
3	—	2	2003795	CUSHION ASSY.—back (SOA) (w/RPO 681) (prior to serial No. 6V100151)
3	—	2	2027140	CUSHION ASSY.—back (SOA) (w/RPO 641)
3	—	2	2027139	CUSHION ASSY.—back (SOA) (w/RPO 681) (eff w/serial No. 6V100151)
3	—	2	2030921	CUSHION ASSY.—back (SOA) (w/RPO 685) (eff w/1977)
3	—	2	799279	CUSHION ASSY.—back (SOA) (w/RPO 697)
3	—	2	2003800	CUSHION ASSY.—back (SOA) (w/RPO 698)
4	—	2	2003796	CUSHION ASSY.—seat (SOA) (w/RPO 681) (First Design) (prior to serial No. 6V100151)
4	—	2	799281	CUSHION ASSY.—seat (SOA) (w/RPO 697) (First Design)
4	—	2	2004132	CUSHION ASSY.—seat (SOA) (w/RPO 698) (First Design)
4	—	2	2027131	CUSHION ASSY.—seat (SOA) (w/RPO 681) (Second Design) (w/side cut-out) (prior to serial No. 6V100151)
4	—	2	2027135	CUSHION ASSY.—seat (SOA) (w/RPO 681) (second design) (w/side cut-out) (eff. w/serial N. 6V100151)
4	—	2	2027136	CUSHION ASSY.—seat (SOA) (w/RPO 641) (w/side cut-out)
4	—	2	2030922	CUSHION ASSY.—seat (SOA) (w/RPO 685) (eff w/1977)
4	—	2	2027130	CUSHION ASSY.—seat (SOA) (w/RPO 697) (Second Design) (w/side cut-out)
4	—	2	2027132	CUSHION ASSY.—seat (SOA) (w/RPO 698) (Second Design) (w/side cut-out)
5	—	2	—	BOLT—pedestal (3/8" x 8") (procure locally)
6	—	2	799277	TRACK ASSY.—seat (SOA)
7	—	2	NS	PLATE—pedestal
8	—	1	2010329	PEDESTAL ASSY.—driver seat complete (w/RPO 641) (w/ZEO6581 & ZEO6584) (prior to 1978)
8	—	1	2028712	PEDESTAL ASSY.—driver seat complete (w/RPO 683, or 2014429, 2014430 seat assy.) (w/ZEO6582) (repl. 2008784)
8	1	—	2028712	PEDESTAL ASSY.—driver complete (w/1976 to 1977 transmode)
8	1	—	2028712	PEDESTAL ASSY.—driver complete (1978 transmode) (repl. 2008784)
8	—	1	2028585	PEDESTAL ASSY.—drivers seat complete (w/RPO 697) (w/ZEO 6581)
8	—	1	790301	PEDESTAL ASSY.—driver seat complete (w/RPO 681 & 697 & 698) (w/ZEO6581)
8	—	1	2028585	PEDESTAL ASSY.—driver seat complete (w/RPO 641, 698) (w/ZEO6581) (1978) (repl. 2028525, 2028527 & paint)
8	—	1	2010330	PEDESTAL ASSY.—passenger seat complete (w/RPO 641) (w/ZEO6581 & ZEO6584) (prior to 1978)
8	—	1	2028711	PEDESTAL ASSY.—passenger seat complete (w/RPO 683 or 214429, 2014430 seat assy.) (w/ZEO6582) (repl. 2008783)
8	1	—	2028711	PEDESTAL ASSY.—passenger seat complete (w/1976 to 1977 transmode) (repl. 2008783)
8	1	—	2028711	PEDESTAL ASSY.—passenger seat complete (1978 transmode)
8	—	1	790302	PEDESTAL ASSY.—passenger seat complete (w/RPO 681 & 697 & 698) (w/ZEO6581)

BODY

KEY	230	260	PART NUMBER	
-----	-----	-----	-------------	--

23.116 SEAT — DRIVER & SINGLE PASSENGER (FLEX STEEL) (Cont.)

8	—	1	2028586	PEDESTAL ASSY.—passenger seat complete (w/RPO 697) (w/ZEO 6581)
8	—	1	2028586	PEDESTAL ASSY.—passenger seat complete (w/RPO 641, 698) (w/ZEO 6581) (1978) (repl. 2028524, 2028526 & paint)
8	—	1	2028585	PEDESTAL ASSY.—driver seat complete (w/RPO685) (eff w/1977) (repl. 2027536)
8	—	1	2028586	PEDESTAL ASSY.—passenger seat complete (w/RPO 685) (eff w/1977) (repl. 2027537)
9	—	2	799278	GRIP—actuator (pedestal) (eff. w/1975) (black)
10	—	1	793969	BELT & RETRACTOR ASSY.—driver seat (w/RPO 681, 697)
10	—	1	2002845	KIT—seat belt, drivers (w/RPO 698)
10	—	1	793970	BELT & RETRACTOR ASSY.—passenger seat (w/RPO 681, 697)
10	—	1	2002840	KIT—seat belt, passenger (w/RPO 698)
10	—	2	793972	BELT ASSY.—driver and passenger seat (w/RPO 683)
10	—	1	2027153	BELT & RETRACTOR ASSY.—driver seat (w/RPO 641) (repl. 2010352)
10	—	1	2027154	BELT & RETRACTOR ASSY.—passenger seat (w/RPO 641) (repl. 2010356)
10	—	1	2029283	KIT—driver seat belt (w/RPO 685)
10	—	1	2029284	KIT—passenger seat belt (w/RPO 685)
11	—	2	—	NUT—bolt (3/8") (procure locally)
12	—	4	720008	BOLT—belt to plate (also use 4-723407 spacer & 4-2436165 washer) (prior to 1977)
12	4	4	711850	BOLT—seat belt anchor plate (eff. w/1977)
13	4	4	2436167	WASHER—bolt seat plate anchor plate (eff. w/1977)
13	—	4	723407	SPACER—seat belt anchor (prior to 1977)
14	—	2	701805	PLATE ASSY.—belt anchor
15	—	8	—	SCREW—plate (procure locally) (ref. 9414726)
—	—	9	2003790	BUTTON—strap (1") (w/RPO 681) (prior to serial No. 6V100151)
—	—	9	799283	BUTTON—strap (1") (w/RPO 697)
—	—	9	2003797	BUTTON—strap (1") (w/RPO 698) (plain)
—	—	9	2029995	BUTTON—strap (1-1/4") (w/RPO 685) (eff w/1977)
—	—	9	2027143	BUTTON—strap (1 5/8") (w/RPO 641)
—	—	9	2027142	BUTTON—strap (1 5/8") (w/RPO 681) (eff w/serial No. 6V100151)
—	—	9	2029991	BUTTON—strap (1-5/8") (w/RPO 685) (eff w/1977)
—	—	9	2027145	BUTTON—strap (2 1/4") (w/RPO 641)
—	—	9	2003792	BUTTON—strap (2 1/4") (w/RPO 681) (prior to serial No. 6V100151)
—	—	9	2027144	BUTTON—strap (2 1/4") (w/RPO 681) (eff w/serial No. 6V100151)
—	—	9	799284	BUTTON—strap (2 1/4") (w/RPO 697)
—	—	9	2003798	BUTTON—strap (2 1/4") (w/RPO 698) (plaid)
—	1	1	—	LABEL—passenger seat, seat facing forward (see group 23.115)

NOTE: The following arm rest kits are used **ONLY** on those 1975 Motorhome driver and passenger seats that were built **WITHOUT** arm rests.

—	—	1	2005783	ARM REST KIT—driver seat (dundee) (w/RPO 681)
—	—	1	2005780	ARM REST KIT—passenger seat (dundee) (w/RPO 681)
—	—	1	2005782	ARM REST KIT—driver seat (brahmin) (w/RPO 697)
—	—	1	2005779	ARM REST KIT—passenger seat (brahmin) (w/RPO 697)
—	—	1	2005784	ARM REST KIT—driver seat (palm beach) (w/RPO 698)
—	—	1	2005781	ARM REST KIT—passenger seat (palm beach) (w/RPO 698)
—	—	1	2005793	ARM REST ASSY.—driver seat, LH (less cover asm.) (SOA) (w/RPO 681, 697 & 698)
—	—	1	2005791	ARM REST ASSY.—passenger seat, LH (less cover asm.) (SOA) (w/RPO 681, 697 & 698)
—	—	1	2005794	ARM REST ASSY.—driver seat, RH (less cover asm.) (SOA) (w/RPO 681, 697 & 698)
—	—	1	2005792	ARM REST ASSY.—passenger seat, RH (less cover asm.) (SOA) (w/RPO 681, 697 & 698)
—	—	1	2005787	COVER ASSY.—arm rest, (block) LH (w/RPO 681)
—	—	1	2005788	COVER ASSY.—arm rest, (block) RH (w/RPO 681)
—	—	1	2005785	COVER ASSY.—arm rest, (block) LH (w/RPO 697)
—	—	1	2005786	COVER ASSY.—arm rest, (block) RH (w/RPO 697)
—	—	1	2005789	COVER ASSY.—arm rest, (block) LH (w/RPO 698)
—	—	1	2005790	COVER ASSY.—arm rest, (block) RH (w/RPO 698)

NOTE: The following arm rest are (eff. w/1975) Motorhome driver and passenger seats built w/arm rest and seat cushions (w/side cut-outs)

—	—	1	2027127	ARM—driver & passenger seat LH (less cover) (w/RPO 641)
---	---	---	---------	---

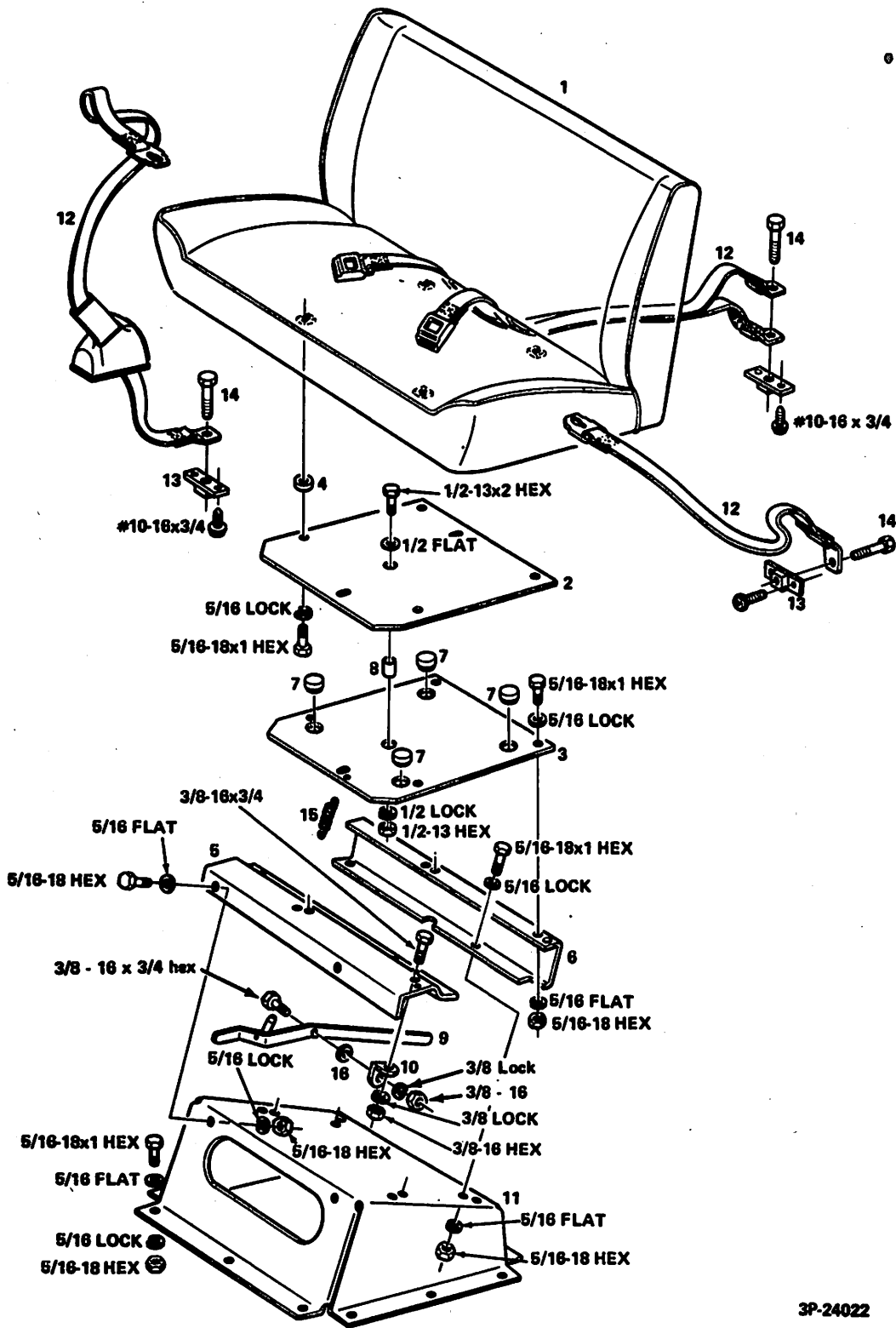
BODY

KEY	230	260	PART NUMBER
-----	-----	-----	-------------

23.116 SEAT — DRIVER & SINGLE PASSENGER (FLEX STEEL) (Cont.)

—	—	1	2027129	ARM—driver & passenger seat RH (less cover) (w/RPO 64 1)
—	—	1	2027123	ARM—driver & passenger seat LH (less cover) (w/RPH 68 1 & 697)
—	—	1	2027124	ARM—driver & passenger seat RH (less cover) (w/RPO68 1 & 697)
—	—	2	2030923	ARM—driver & passenger seat LH (w/RPO 685)
—	—	2	2030924	ARM—driver & passenger seat RH (w/RPO 685)
—	—	1	2027125	ARM—driver & passenger seat LH (less cover) (w/RPO 698)
—	—	1	2027126	ARM—driver & passenger seat RH (less cover) (w/RPO 698)
—	—	1	2027120	COVER—arm rest (block LH (w/RPO 64 1)
—	—	1	2027121	COVER—arm rest (block) RH (w/RPO 64 1)
—	—	1	2027114	COVER—arm rest (block) LH (w/RPO 68 1) (prior to serial No. 6V100151)
—	—	1	2027115	COVER—arm rest (block) RH (w/RPO 68 1) (prior to serial NO. 6V100151)
—	—	1	2027118	COVER—arm rest (block) LH (w/RPO 68 1) (eff w/serial No. 6V100151)
—	—	1	2027119	COVER—arm rest (block) RH (w/RPO 68 1) (eff w/serial No. 6V100151)
—	—	1	2030925	COVER—arm rest (block) LH (w/RPO 685)
—	—	1	2030927	COVER—arm rest (block) RH (w/RPO 685)
—	—	1	2027112	COVER—arm rest (block) LH (w/RPO 697)
—	—	1	2027113	COVER—arm rest (block) RH (w/RPO 697)
—	—	1	2027116	COVER—arm rest (block) LH (w/RPO 698)
—	—	1	2027117	COVER—arm rest (block) RH (w/RPO 698)

BODY



3P-24022

23.117 SEAT - DUAL PASSENGER

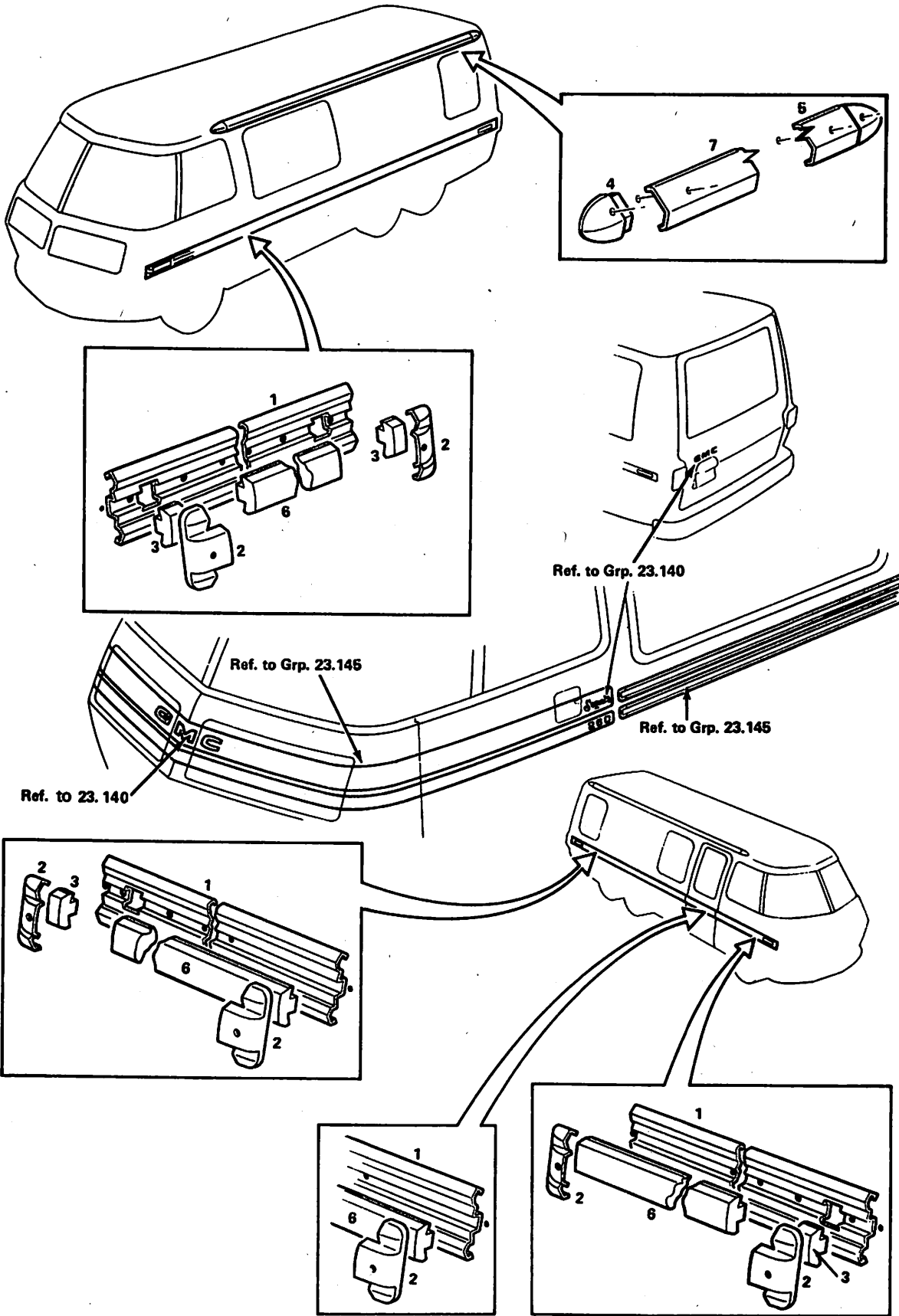
BODY

KEY	230	260	PART NUMBER
-----	-----	-----	-------------

23.117 SEAT — DUAL PASSENGER

1	1	1	701535	SEAT ASSY.—dual passenger, (w/RPO 690)
1	1	1	701534	SEAT ASSY.—dual passenger, (w/RPO 692)
1	1	1	704788	SEAT ASSY.—dual passenger, (w/RPO 693)
1	1	1	701536	SEAT ASSY.—dual passenger, (w/RPO 695)
2	1	—	701955	PLATE—seat mounting
3	1	1	701953	PLATE ASSY.—mounting, seat pedestal
4	—	AR	3969018	SPACER—mounting plate
5	1	1	701952	SUPPORT—seat, front
6	1	1	701954	SUPPORT—seat, rear
7	4	—	701295	BUSHING—support
8	1	—	701345	SPACER—pivot
9	1	—	701910	LEVER ASSY.—rotation lock
10	1	—	2436655	BRACKET—lever mounting
11	—	1	700133	PEDESTAL—seat
12	1	1	714431	KIT—belt assy., dual seat (repl. 714447, 716899, 716900)
13	2	2	701805	PLATE ASSY.—belt to plate
14	1	1	9425121	BOLT—belt to plate
14	1	1	720008	BOLT—belt to riser (eff. w/ 1975)
14	1	1	3930679	BOLT—belt to plate (Transmode) (eff. w/ 1975)
15	2	—	701400	SPRING—lever rotation
16	2	—	3975524	SPACER—seat rotation lock lever to bracket
—	—	1	701883	SUPPORT ASSY.—seat
—	4	—	715373	RETAINER—seat swivel anti-release
—	8	8	2436161	WASHER—bolt, retainer to seat (1/4-.291 I.D. x .500 O.D., .063 thk.)
—	4	4	271184	NUT—incl. washer, 5/16-18 hex, hd.
—	1	1	NS	COVER ASSY.—dual passenger seat cushion, (w/RPO 690)(ref. 719627)
—	1	1	NS	COVER ASSY.—dual passenger seat back, (w/RPO 690)(ref. 719628)
—	1	1	792855	COVER ASSY.—dual passenger seat cushion, (w/RPO 692)
—	1	1	792856	COVER ASSY.—dual passenger seat back, (w/RPO 692)
—	1	1	717716	COVER ASSY.—dual passenger seat cushion, (w/RPO 693)
—	1	1	717717	COVER ASSY.—dual passenger seat back, (w/RPO 693)
—	1	1	719629	COVER ASSY.—dual passenger seat cushion, (w/RPO 695)
—	1	1	NS	COVER ASSY.—dual passenger seat back, (w/RPO 695)(ref. 717665)

BODY



**23.130 MOLDING - BODY SIDE
(FIRST DESIGN)**

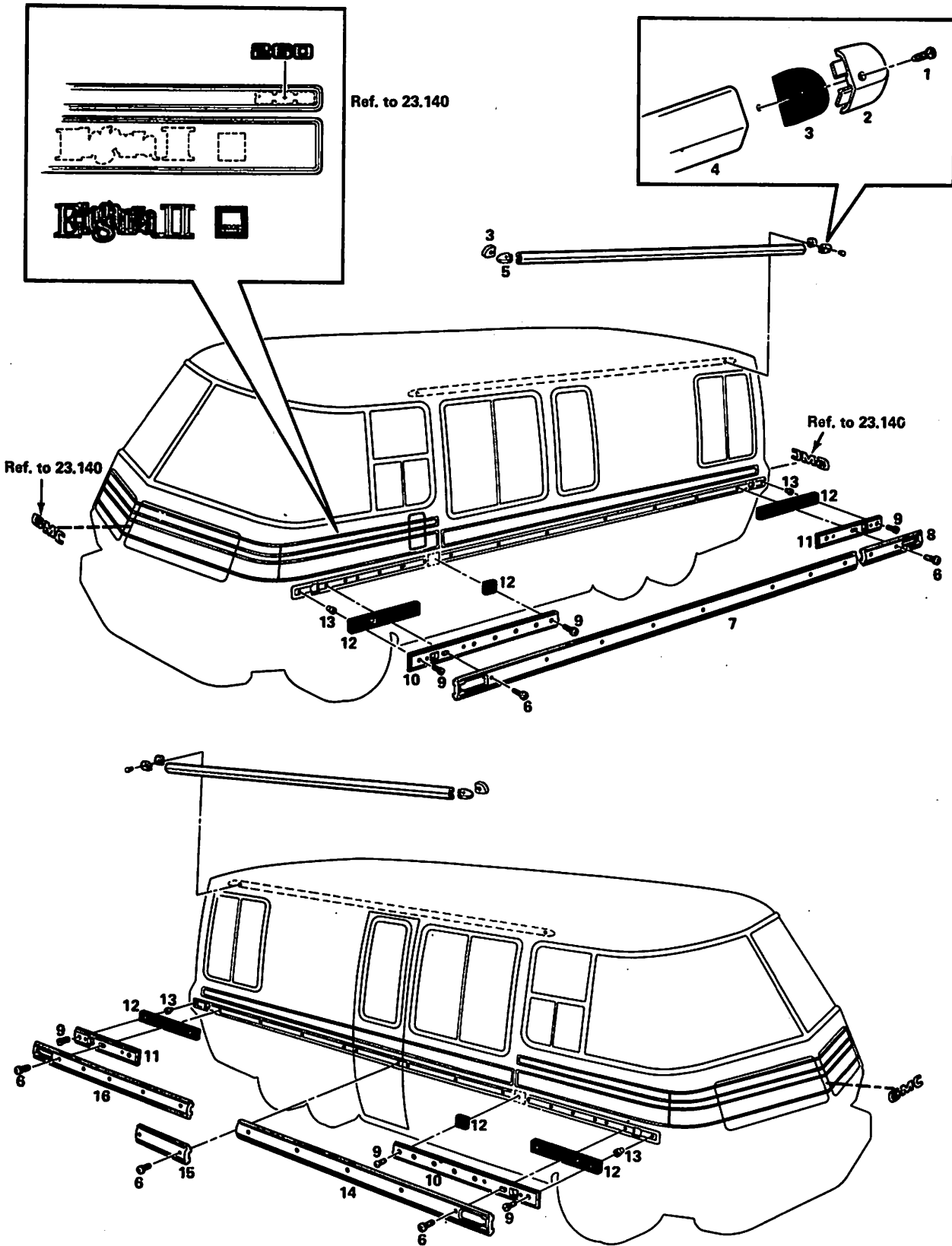
BODY

KEY 230 280 PART NUMBER

23.130 MOULDING — BODY SIDE (FIRST DESIGN)

1	AR	AR	8884082	MOULDING—body side rub rail, (8' length) (CTL)
—	—	AR	2008764	SCREW—body side rub rail moulding
2	8	8	701417	END CAP—moulding, rub rail, (RH)
3	4	4	705298	END CAP—moulding, rub rail, (RH & LH)
4	2	2	703656	CAP—front end upper moulding
5	2	2	703657	CAP—rear end upper moulding
6	AR	AR	8884089	RAIL ASSY.—rub (25') (CTL)
7	AR	AR	8884084	MOULDING—trim; side upper (drip moulding) (6' length) (CTL)
—	AR	AR	8884090	RETAINER—rub rail (8' length) (CTL)
—	AR	AR	2226070	RIVNUT—moulding, body side rub rail
—	AR	AR	791702	SCREW—moulding, rub rail (self sealing)
—	2	2	2009163	GASKET—end cap (RH/LH) (upper trim moulding) (2.36" x 2.22") (eff. w/1975)
—	2	2	2009164	GASKET—end cap (RH/LH) (upper trim moulding) (2.36" x 2.22") (eff. w/1975)

BODY



23-130H BODYSIDE MOLDING & EMBLEMS
(SECOND DESIGN)
23-94

3P-19011-177

BODY

KEY	230	260	PART NUMBER	
-----	-----	-----	-------------	--

23.130H MOULDING — BODY SIDE (SECOND DESIGN)

1	AR	AR	2008764	SCREW—body side trim upper moulding
2	2	2	703657	CAP—body side trim moulding rear end (RH & LH)
3	2	2	2009163	GASKET—body side trim moulding end cap (RH & LH) (2.36" x 2.22")
4	AR	AR	8884084	MOULDING—body side trim upper (RH & LH)
5	2	2	703656	CAP—body side trim moulding front end (RH & LH)
6	10	10	2006755	SCREW—mtg. rub rail
7	—	1	2008164	RAIL—rub. LH front (260.90" x 2.04")
7	1	—	2008165	RAIL—rub. LH front (225.73" x 2.04")
8	1	1	2008163	RAIL—rub. LH rear (10.53" x 2.04")
9	AR	AR	9423437	SCREW—belt rail mounting (NO. 8-18 x 3/4)
10	2	2	2007981	RAIL—belt, longitudinal front (49.18" x 2.12") (extruded aluminum) (RH & LH)
11	2	2	2007982	RAIL—belt, longitudinal rear (10.58" x 2.12") (RH & LH)
12	6	6	2008158	SEAL—belt rail (1.90" x 1.90") (adhesive) (RH & LH)
13	AR	AR	2226070	RIVNUT—moulding, body side rub rail
14	—	1	2008160	RAIL—rub. PH front (114.34" x 2.04")
14	1	—	2008162	RAIL—rub. RH front (50.36" x 2.04")
15	1	1	2008166	RAIL—rub. entrance door (28.22" x 2.04")
16	1	—	2008161	RAIL—rub. RH rear (157.74" x 2.04")
16	—	1	2008159	RAIL—rub. RH rear (127.38" x 2.04")
—	—	1	2028082	CAP—entrance door rain (drip moulding) (31.02" lg)

23.140 DECALS — DECOR & MODEL

—	2	—	702251	DECAL—230
—	—	2	702250	DECAL—260 (prior to Eleganza 1)
—	—	2	722384	DECAL—260 (eff. w/Eleganza 1)
—	—	3	722382	DECAL—"Eleganza SE" (w/Eleganza 1)
—	—	3	793159	DECAL—Eleganza II
—	—	3	796007	DECAL—Glenbrook
—	—	3	2001763	DECAL—Palm Beach
—	—	2	2011392	DECAL—Edgemonte
—	—	3	2015712	DECAL—Kingsley
—	2	2	702247	DECAL—Canyon Lands
—	2	2	702248	DECAL—Glacier
—	2	2	702230	DECAL—Painted Desert
—	2	2	702249	DECAL—Sequoia
—	—	2	722383	DECAL—"GMC", side, Eleganza 1
—	2	2	793160	DECAL—"GMC", side, (Eleganza II, Glenbrook & Kingsley)
—	—	2	2001764	DECAL—"GMC", side, (Palm Beach)
—	1	1	701977	DECAL—identification, front
—	1	1	701976	DECAL—identification, rear GMC
—	—	1	722385	DECAL—identification, rear GMC
—	1	1	716479	EMBLEM—front, letter "G" (eff. w/1975)
—	1	1	716498	EMBLEM—front, letter "M" (eff. w/1975)
—	1	1	716499	EMBLEM—front, letter "C" (eff. w/1975)
—	1	1	716478	EMBLEM—rear, letter "G" (eff. w/1975)
—	1	1	716496	EMBLEM—rear, letter "M" (eff. w/1975)
—	1	1	716497	EMBLEM—rear, letter "C" (eff. w/1975)
—	17	17	—	NUT—attaching, letter to body (procure locally) (ref. 9419764) (prior to 1978)
—	17	17	3829006	CLIP—attaching, letter to body (1978)

BODY

KEY	230	260	PART NUMBER
-----	-----	-----	-------------

23.145 STRIPES — ACCENT

Color	D. Blue/ L. Blue	D. Yellow/ L. Yellow	L. Orange/ White	D. Green/ L. Green	D. Orange/ L. Orange
Kit No.	—	702258	702264	702270	702276
LH Side (Dr. Wdo.)	702253	702259	702265	702271	702277
RH Side (Pass. Wdo.)	702254	702260	702266	702272	702278
LH Door (access)	702255	702261	702267	702273	702279
RH Door (access)	702256	702262	702268	702274	702280
Center	702257	702263	702269	702275	702281
Fuel Fill Door	703674	703675	703676	703677	703678
LH Corner (front)	705363	705364	705365	705366	705367
RH Corner (front)	705368	705369	705370	705371	705372

SIDE STRIPES (EFF. W/1973)

	Light & Dark Stripe Kit	Light Color End Pieces	Dark Color End Pieces
(L. Blue D. Blue)	715280	703684	703694
(L. Yellow/ D. Yellow)	715340	703685	703695
(White/ L. Orange)	715367	703686	703696
(L. Green/ D. Green)	715387	703687	703697
(L. Orange/ D. Orange)	715396	703688	703698

NOTE: Stripe Kit (prior to 1975) consists of 2 light & 2 dark stripes.

1 Stripe Kit required per motor home.

4 Light color end pieces required per motor home.

4 Dark color end pieces required per motor home.

FRONT STRIPES (EFF. W/1975)

	*Ochre & Gold	*Frosted Mint	*Buckskin	*Suntan	*Firethorne (Coca-Cola)
Kit No.	722144	2001779	2011611	2014482	2036479
LH Side (Dr. wdo.)	722386	2001765	2011394	2015676	2036490
RH Side (Pass. wdo.)	722387	2001766	2011395	2015677	2036489
LH Door (access)	722388	2001767	2011396	2015678	2036488
RH Door (access)	722389	2001768	2011397	2015679	2036487
Center	722390	2001770	2011398	2015680	2036484
Fuel Fill Dr.	722391	2001771	2011400	2015681	2036491
LH Corner (front)	722392	2001772	2011602	2015682	2036486
RH Corner (front)	722393	2001773	2011610	2015683	2036485

BODY

KEY	230	260	PART NUMBER
-----	-----	-----	-------------

SIDE & REAR STRIPES (EFF. W/1975) (PRIOR TO 1977)

	*Ochre Gold	*Frosted Mint	*Buckskin	*Suntan	*Firethorne (Coca-Cola)
Left & Right Side	#722394	#2001774	—	#2015684	—
Rear	722395	2001775	—	2015686	—

*NOTE: Ochre & Gold — w/RPO 681, 696, 697
 Frosted Mint — w/RPO 698
 Buckskin — w/RPO 683
 Suntan — w/RPO 641
 Firethorne — w/RPO 685

#NOTE: (eff. w/1975) (prior to 1977 left & right side require the same part number)

SIDE & REAR STRIPES (1977)

	*Ochre & Gold	*Frosted Mint	*Buckskin	*Suntan	*Firethorne (Coca-Cola)
Entrance Dr	2017857	2017856	—	2017855	2038481
Left & Right Side	**2017848 70"	**2017846 70"	—	**2017844 70"	**2038482 70"
	**2017851 59"	**2017847 59"	—	**2017845 59"	**2038480 59"
Rear	722395	2001775	—	2015686	2038492
End Cap	2017854	2017853	—	2017852	2038483

*NOTE: Ochre & Gold — w/RPO 681, 696, 697
 Frosted Mint — w/RPO 698
 Buckskin — w/RPO 683
 Suntan — w/RPO 641
 Firethorne — w/RPO 685

**NOTE: (1977) Left side consists of (4) 59" stripes.
 (1) end cap stripe
 Right side consists of (2) 59" stripes
 (1) 70" stripe
 (1) side door stripe
 (1) end cap stripe

BODY

KEY	230	280	PART NUMBER
-----	-----	-----	-------------

FRONT STRIPES (1978)

	*Medium Beige	*Medium Green	*Saffron
Kit No.	2032787	2032788	2032786
LH Side (Dr. wdo.)	2032219	2032221	2032216
RH Side (Pass. wdo.)	2032220	2032222	2032218
LH Door (access)	2032206	2032208	2032204
RH Door (access)	2032207	2032209	2032205
Center	2032202	2032203	2032201
Fuel Fill Door	2032224	2032225	2032223
Left Corner (front)	2032212	2032214	2032210
Right Corner (front)	2032213	2032215	2032211
Front Upper (LH)	2032266	2032268	2032264
Front Upper (RH)	2032267	2032269	2032265
Front Side	2032271	2032272	2032270
Front Side (upper RH)	2032274	2032275	2032273

SIDE & REAR STRIPES (1978)

	*Medium Beige	*Medium Green	Saffron
Entrance Dr Intermediate (Side LH)	2032234	2032235	2032233
Intermediate (Side RH)	2032230	2032231	2032229
Rear Side (LH)	2033227	2032228	2032226
Water & Ele. (Access Dr.)	2032238	2032240	2032237
Water Fill (Dr.)	2032247	2032248	2032246
Rear Side RH (exc. RPO/97)	2032253	2032254	2032252
Rear Side RH (w/RPO/97)	2032244	2032245	2032243
Rear	2032250	2032251	2032249
End Cap (LH)	2032262	2032263	2032261
End Cap (RH)	2032257	2032259	2032255
Entrance Dr (Upper)	2032258	2032260	2032256
Rr. Side Upper (RH & LH)	2032277	2032278	2032276
Rear Upper	2032280	2032281	2032279
End Cap (Upper LH)	2032289	2032290	2032288
End Cap (Upper RH)	2032284	2032286	2032282
	2032285	2032287	2032283

*NOTE: Medium Beige — w/RPO 697
 Medium Green — w/RPO 689
 Saffron — w/RPO 641

HEATER AND AIR CONDITIONING

LIST OF SUB GROUPS

Name	Group No.
COMPRESSOR — AIR CONDITIONING	28.020
DUCT — AUTOMOTIVE HEATER AND AIR CONDITIONING (PRIOR TO 1977)	28.035
DUCT — AUTOMOTIVE HEATER AND AIR CONDITIONING (EFF. W/1977)	28.035F
HEATER — AUTOMOTIVE	28.010
HEATER AND EVAPORATOR — AIR CONDITIONING (PRIOR TO 1977)	28.015
HEATER AND EVAPORATOR — AIR CONDITIONING (EFF. W/1977)	28.015H
HOSES AND FITTINGS — HEATER AND AIR CONDITIONING	28.040
MOUNTING — AIR CONDITIONING COMPRESSOR, CONDENSER & DEHYDRATOR	28.025

HEATER AND AIR CONDITIONING

NOTES

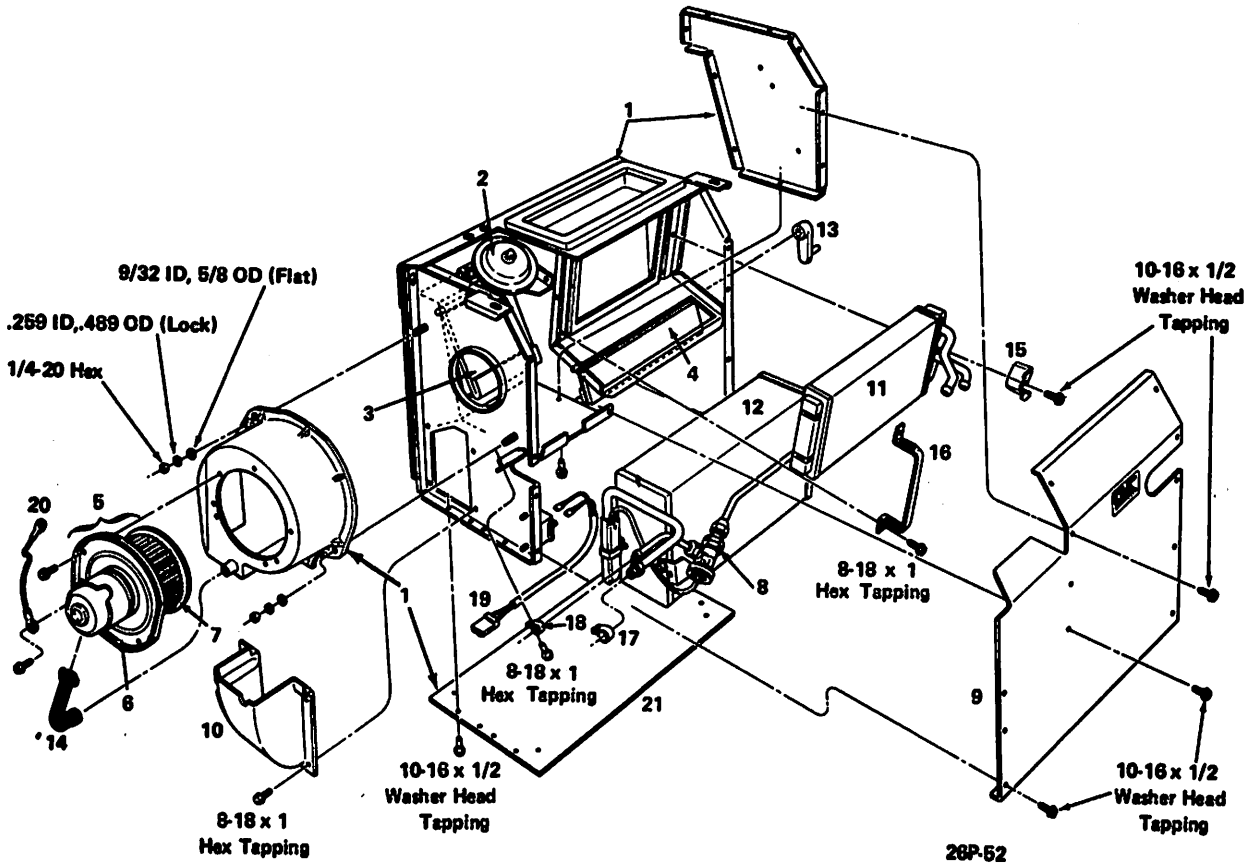
HEATER AND AIR CONDITIONING

KEY	230	260	PART NUMBER	
-----	-----	-----	-------------	--

26.010 HEATER — AUTOMOTIVE

—	1	1	3031532	HEATER ASSY.—automotive, incl. blower (Second Design) (incl. the following items marked asterisk (*) as indicated)
—	1	1	* 3031533	HEATER ASSY.—(used w/3031532) (SOA)
—	1	1	3028640	HEATER ASSY.—automotive, incl. blower (not used w/a/c) (First Design)
—	1	1	3028864	CASE ASSY.—heater (SOA)
—	1	1	* 3022861	MOTOR ASSY.—blower (incl. fan) (incl. next 4 items)
—	1	1	* 4960506	MOTOR ASSY.—blower pkg. (SOA) (repl. 5044760)
—	1	1	* 3027062	KIT—fan, blower motor (SOA)
—	1	1	* 3027134	NUT—shaft, blower motor
—	1	1	* 3015545	WASHER—blower fan support
—	1	1	* 3028773	PLATE ASSY.—cover (SOA)
—	1	1	* 3028767	VALVE ASSY.—temperature (SOA)
—	1	1	* 3028742	DUCT—air
—	1	1	* 3022708	CLAMP—mounting core
—	1	1	* 3028785	CORE—heater
—	1	1	* 3028743	LEVER—temperature valve
—	1	1	* 3021665	STRAP—mounting core
—	1	1	* 3027165	TUBE—motor cooling
—	1	1	* —	WIRE ASSY.—ground (procure locally) (ref. 3017949)

HEATER AND AIR CONDITIONING



KEY	230	260	PART NUMBER
-----	-----	-----	-------------

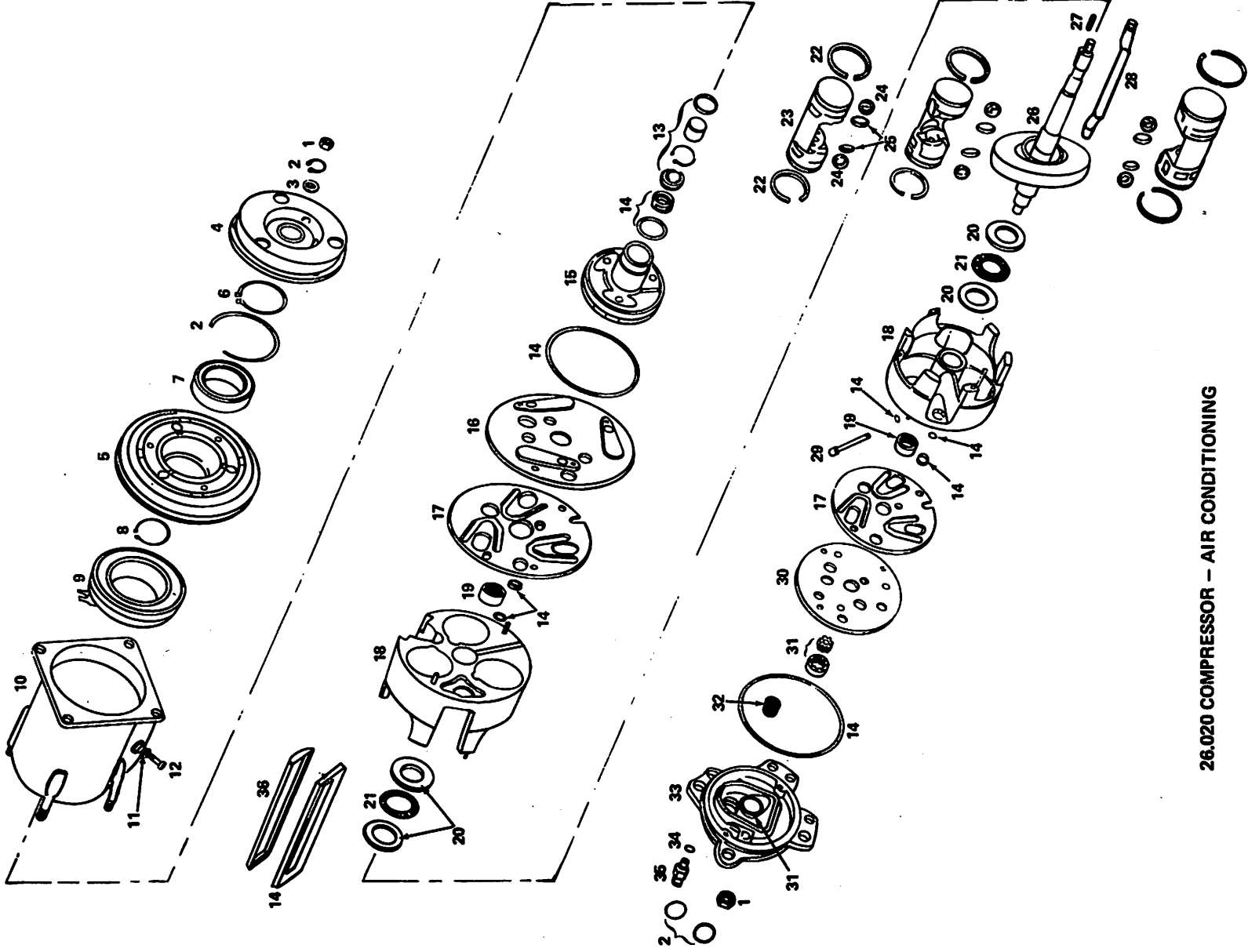
26.015 HEATER — AIR CONDITIONING (INCLUDES EVAPORATOR) (PRIOR TO 1977)

—	1	1	3031528	HEATER—air conditioning (incl. evaporator) (eff. w/ 1974) (prior to Serial No. 6V100057)
—	1	1	3035089	HEATER & BLOWER ASSY.—(includes evaporator) (eff. w/Serial No. 6V100057)
—	1	1	3031529	HEATER & EVAPORATOR CASE (prior to 1974) (repl. 3028755)
—	1	1	3028608	HEATER—air conditioning (incl. evaporator) (incl. items thru asterisk) (1973)
1	1	1	3035103	CASE ASSY.—heater and evaporator (w/3035089 blower asm.)
1	1	1	3028755	CASE ASSY.—heater and evaporator (incl. next 3 items) (w/3031529) (ref. only)
2	1	1	3028761	ELEMENT ASSY.—vacuum (incl. bracket) (SOA) (w/3028755)
3	1	1	3028762	VALVE ASSY.—air (SOA) (w/3028755)
4	1	1	3028767	VALVE ASSY.—temperature (SOA)
5	1	1	3027939	MOTOR ASSY.—heater & air conditioning (incl. fan) (incl. next 2 items)
6	1	1	4980846	MOTOR ASSY.—heater & air conditioning (less fan)
7	1	1	3027062	FAN—heater & air conditioning motor (pkg.)
8	1	1	5910744	VALVE ASSY.—expansion (SOA) (repl. 5910754)
9	1	1	3028773	PLATE ASSY.—cover (SOA)
10	1	1	3028742	DUCT—air
11	1	1	3028785	CORE—heater
12	1	1	3028859	CORE—evaporator
13	1	1	3028743	LEVER—valve (w/3031528 heater)
13	2	2	3035093	LEVER—valve (w/3035089 blower)

HEATER AND AIR CONDITIONING

KEY	230	260	PART NUMBER	
26.015 HEATER — AIR CONDITIONING (INCLUDES EVAPORATOR) (PRIOR TO 1977) (Cont.)				
14	1	1	3027165	TUBE—cooling. motor
15	1	1	3022708	CLAMP—mounting. core
16	1	1	3021665	STRAP—mounting. core
17	1	1	3017084	CLAMP—core (5/8 dia.)
18	1	1	3017083	CLAMP—core (3/8 dia.)
19	1	1	3028745	WIRE ASSY.—electrical (SOA)
20	1	1	—	WIRE ASSY.—ground (SOA) (procure locally)
21	1	1	3028744	PLATE—bottom (w/3031528)
—	1	1	3028795	SWITCH ASSY.—thermo (SOA)
—	1	1	* 3027134	NUT—heater and air conditioning motor
—	1	1	3035104	ACTR. & BRACKET ASSY.—vac. w/3035103 case)
26.015H HEATER — AIR CONDITIONING (INCLUDES EVAPORATOR) (EFF. w/1977)				
—	1	1	3033290	HEATER & BLOWER ASSY.—(includes evaporator) (incl items thru asterisk)
—	1	1	3028745	WIRE ASSY.—electric (SOA)
—	1	1	—	WIRE ASSY.—ground (SOA) (procure locally) (ref. 3017949)
—	1	1	3033293	CASV ASSY.—heater and evaporator (incl. next [4] items)
—	1	1	3028761	BRACKET ASSY.—vacuum element (SOA)
—	1	1	3033301	VALVE ASSY.—air (SOA)
—	1	1	3028767	VALVE ASSY.—air (SOA)
—	1	1	3033317	VALVE ASSY.—air (SOA)
—	1	1	3034904	PLATE ASSY.—cover (SOA)
—	1	1	3036848	MOTOR ASSY.—heater & air conditioning (incl. fan) (incl. next [2] items)
—	1	1	4960846	MOTOR ASSY.—heater (less fan) (SOA) (repl. 5044831)
—	1	1	3036721	FAN ASSY.—service (SOA)
—	1	1	3028795	SWITCH ASSY.—thermo (SOA)
—	1	1	3028742	DUCT—air
—	1	1	3028785	CORE—heater
—	1	1	3028743	LEVER—valve
—	1	1	3033316	CORE ASSY.—evaporator (incl. next item) (repl. 3033313)
—	1	1	5910768	VALVE ASSY.—expansion (SOA)
—	1	1	3022708	CLAMP—core mounting
—	1	1	3021665	STRAP—core mounting
—	1	1	3017084	CLAMP—(.625 dia)
—	1	1	3017083	CLAMP—(.375 dia)
—	2	2	3145607	RETAINER—capillary stake
—	3	3	3039873	SEAL—(1.125 x .250 x 18.50) (repl. 3016894)
—	1	1	3028740	SEAL—tube
—	1	1	2022576	BAFFEL ASSY.—air conditioning (eff. w/1977) (incl. next 2 items)
—	1	1	—	SEAL—air conditioning LH baffel (procure locally) (ref. 2022566)
—	1	1	—	WIRE—insulator stitching (procure locally) (ref. R34740)
—	1	1	* 3028741	SEAL—tube
—	1	1	2034836	SCREEN—heater air inlet
—	1	1	2019777	BAFFEL ASSY.—air conditioning (SOA) (eff. w/1977)
—	1	1	2022723	BAFFEL ASSY.—condenser lower (eff. w/1977) (incl. next 4 items)
—	1	1	2022569	RETAINER—condenser lower
—	1	1	—	SEAL—condenser lower baffel (procure locally) (ref. 2022568)
—	1	1	2022570	RETAINER—condenser lower baffel
—	AR	AR	—	WIRE—insulator stitching (procure locally) (ref. R34740)
—	1	1	2022575	BAFFEL ASSY.—condenser side mounting (eff. w/1977) (incl. next 2 items)
—	1	1	—	SEAL—condenser side baffel (procure locally) (ref. 2022567)
—	AR	AR	—	WIRE—insulator stitching (procure locally) (ref. R34740)

HEATER & AIR CONDITIONING



26.020 COMPRESSOR - AIR CONDITIONING

26P-37

HEATER AND AIR CONDITIONING

KEY 230 260 PART NUMBER

26.020 COMPRESSOR — AIR CONDITIONING

—	1	1	6598423	COMPRESSOR BODY ASSY.—air conditioning (incl. the following items marked asterisk (*) as indicated) (repl. 5910495)
—	1	1	* 6590686	KIT—pin, compressor cylinder locator
1	1	1	6590589	KIT—nut, compressor shell and shaft (incl. 5 nuts)
2	1	1	6590591	KIT—ring, compressor retainer (incl. hub & pulley bearing ring)
3	1	1	6555384	SPACER—compressor clutch hub
4	1	1	5914719	DRIVE ASSY.—compressor clutch (SOA)
5	1	1	5914745	PULLEY ASSY.—(incl. next two items)
6	1	1	6555338	RING—pulley to bearing retainer
7	1	1	908126	BEARING—compressor pulley (repl. 9518201)
8	1	1	6555330	RING—retainer, compressor coil and housing
9	1	1	6550835	COIL ASSY.—compressor (incl. housing) (SOA)
10	1	1	* 5914808	SHELL ASSY.—compressor (incl. next two items)
11	1	1	* 5858696	GASKET—compressor charging screw
12	1	1	‡ 5858694	SCREW—compressor charging
13	1	1	* 6599114	KIT—seal, compressor shaft (incl. retainer, rings, seals and seat)
14	1	1	* 6591956	KIT—gasket, compressor
15	1	1	* 6555283	HEAD—compressor, front
16	1	1	* 5914706	PLATE—compressor discharge valve, front
17	2	2	* 6555279	REED—compressor suction valve, front and rear
18	1	1	* 5914809	CYLINDER ASSY.—compressor (complete w/pistons, rings, disc, races, etc.) (incl. next 35 items)
18	1	1	* 5914807	CYLINDER ASSY.—compressor (incl. next item)
19	2	2	* 148406	BEARING—compressor mainshaft
20	1	1	* NS	RACE—compressor bear thrust (0) (ref. 6556000)
20	1	1	* NS	RACE—compressor bearing thrust (5) (ref. 6556050)
20	1	1	* NS	RACE—compressor bearing thrust (5-1/2) (ref. 6556055)
20	1	1	* NS	RACE—compressor bearing thrust (ref. 6556060)
20	1	1	* NS	RACE—compressor bearing thrust (6-1/2) (ref. 6556065)
20	1	1	* NS	RACE—compressor bearing thrust (7) (ref. 6556070)
20	1	1	* NS	RACE—compressor bearing thrust (7-1/2) (ref. 6556075)
20	1	1	* NS	RACE—compressor bearing thrust (8) (ref. 6556080)
20	1	1	* NS	RACE—compressor bearing thrust (8-1/2) (ref. 6556085)
20	1	1	* NS	RACE—compressor bearing thrust (9) (ref. 6556090)
20	1	1	* NS	RACE—compressor bearing thrust (9-1/2) (ref. 6556095)
20	1	1	* NS	RACE—compressor bearing thrust (10) (ref. 6556100)
20	1	1	* NS	RACE—compressor bearing thrust (10-1/2) (ref. 6556105)
20	1	1	* NS	RACE—compressor bearing thrust (11) (ref. 6556110)
20	1	1	* NS	RACE—compressor bearing thrust (11-1/2) (ref. 6556115)
20	1	1	* NS	RACE—compressor bearing thrust (12) (ref. 6556120)
21	2	2	* NS	BEARING—compressor needle thrust (ref. 6556259)
22	6	6	* NS	RING—compressor piston (ref. 6555254)
23	3	3	* NS	PISTON—compressor (ref. 6555255)
24	6	6	* NS	BALL—compressor piston drive (ref. 6555258)
25	1	1	* NS	DISC—compressor shoe (0) (ref. 6557000)
25	1	1	* NS	DISC—compressor shoe (17-1/2) (ref. 6556175)
25	1	1	* NS	DISC—compressor shoe (18) (ref. 6556180)
25	1	1	* NS	DISC—compressor shoe (18-1/2) (ref. 6556185)
25	1	1	* NS	DISC—compressor shoe (19) (ref. 6556190)
25	1	1	* NS	DISC—compressor shoe (19-1/2) (ref. 6556195)
25	1	1	* NS	DISC—compressor shoe (20) (ref. 6556200)
25	1	1	* NS	DISC—compressor shoe (20-1/2) (ref. 6556205)
25	1	1	* NS	DISC—compressor shoe (21) (ref. 6556210)
25	1	1	* NS	DISC—compressor shoe (21-1/2) (ref. 6556215)
25	1	1	* NS	DISC—compressor shoe (22) (ref. 6556220)
26	1	1	—	SHAFT ASSY.—compressor (incl. plate) (SOA) (ref. 5914705)
27	1	1	* 6555320	KEY—compressor clutch hub
28	1	1	* NS	KIT—tube, compressor discharge (incl. bushing) (ref. 6590592)
29	1	1	* 6555298	TUBE—compressor oil inlet
30	1	1	* 5914709	PLATE—compressor discharge valve, rear
31	1	1	* 6590594	KIT—pump, compressor oil
32	1	1	* 6555299	SCREEN—compressor suction
33	1	1	* 6555302	HEAD—compressor
34	1	1	* 5152148	GASKET—compressor, pressure relief valve (repl. 640044)
35	1	1	* 5914435	VALVE ASSY.—compressor pressure relief
36	1	1	* 6555755	COVER—compressor, suction pass
—	1	1	410363	SHIELD—a/c compressor pulley (eff. w/ 1973 & prior to 1975)

HEATER AND AIR CONDITIONING

KEY	230	280	PART NUMBER
-----	-----	-----	-------------

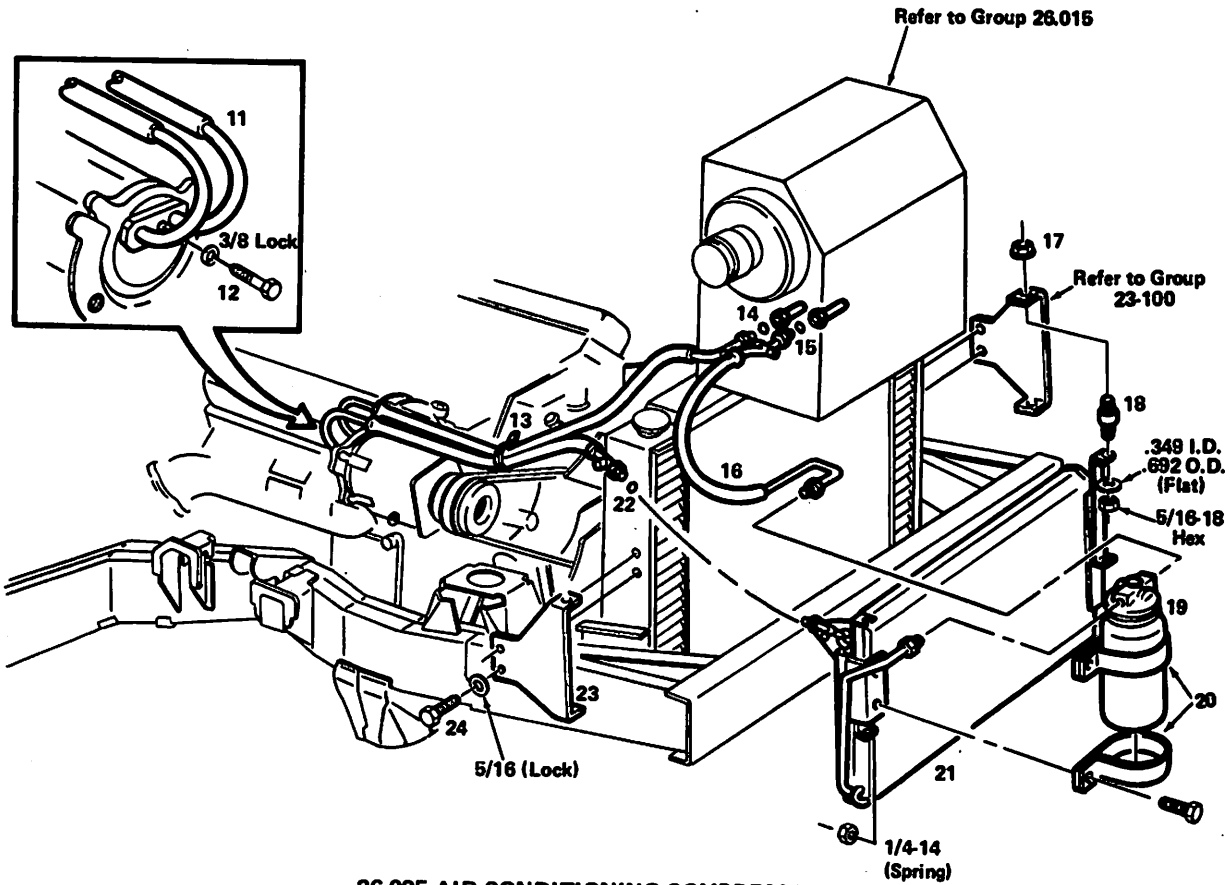
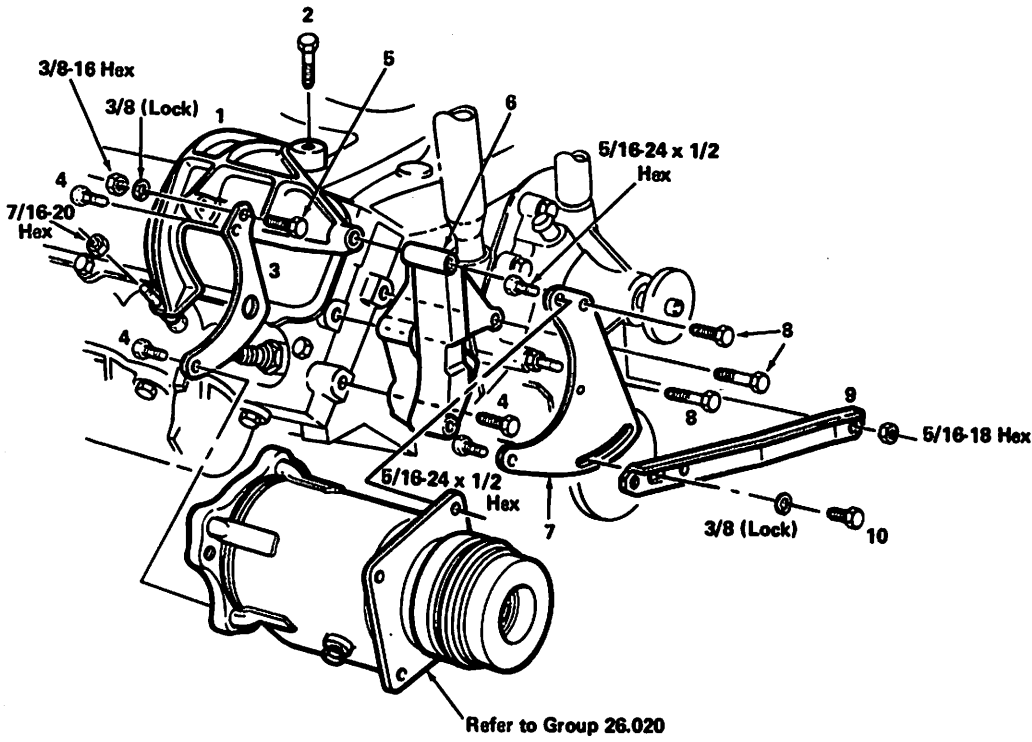
26.020 COMPRESSOR — AIR CONDITIONING (Cont.)

-	4	4	*	-	PIN—compressor head locator (procure locally) (ref. 455734)
-	1	1		9433674	BELT—compressor (w/413610, 416542, 417794, 418694 engine)
-	1	1		9433670	BELT—compressor (w/556626, 556627 engine)

HEATER AND AIR CONDITIONING

NOTES

HEATER & AIR CONDITIONING



26.025 AIR CONDITIONING COMPRESSOR,
CONDENSER & DEHYDRATOR MOUNTING

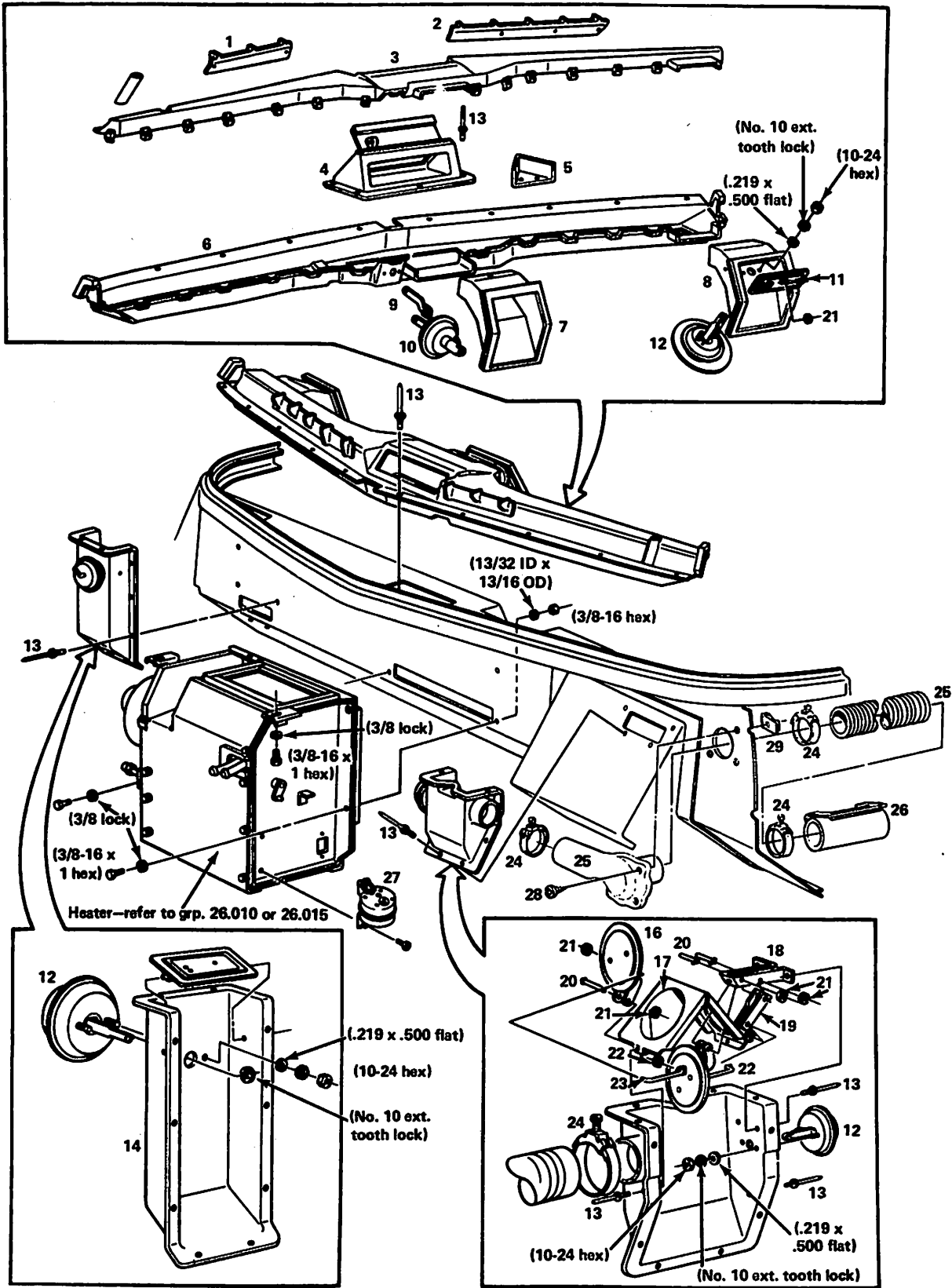
HEATER AND AIR CONDITIONING

KEY	230	260	PART NUMBER
-----	-----	-----	-------------

26.025 AIR CONDITIONING COMPRESSOR; CONDENSER & DEHYDRATOR MOUNTING

1	1	1	391366	BRACKET—compressor, rear (to engine)
2	1	1	9421235	BOLT—rear bracket to engine (3/8-16 x 1-1/2 hex—300M) (steel)
3	1	1	387582	SUPPORT—compressor, rear (to compressor)
4	3	3	9427321	BOLT—compressor to support and front bracket to engine (3/8-16 x 1 hex—300M, steel)
5	1	4	9420462	BOLT—pivot, support to bracket (3/8-16 x 1-1/4 hex—300M, steel)
6	1	1	398682	BRACKET—compressor, front (to engine) (w/413610, 416542, 417794, 418694 engine)
6	1	1	555287	BRACKET—compressor, front (to engine) (w/556626, 556627 engine)
7	1	1	382802	LINK—adjusting, compressor
8	3	3	9428394	BOLT—front bracket to engine and link to rear bracket (3/8-16 x 3 hex—300M, steel)
9	1	1	398924	BRACE—adjusting, compressor
10	1	1	9420462	BOLT—adjusting, brace to front bracket (3/8-16 x 1-1/4 hex—300M, steel)
11	1	1	702789	HOSE ASSY.—air conditioning air compressor (at compressor) (SOA)
12	1	1	9425060	BOLT—air compressor hose to compressor (3/8-24 x 1-1/4 hex—300M, steel)
13	1	1	676543	STRAP—air compressor hose to oil filler tube
14	1	1	3140748	RING—“O”, hose (at heater) (.551 I.D. x .070 thick, rubber)
15	2	2	8526398	RING—“O”, hose (.301 I.D. x .070 thick, rubber)
16	1	1	702790	HOSE ASSY.—receiver & dehydrator to heater (SOA)
17	4	4	2473028	NUT—condenser insulator stud (repl. 1359887)
18	4	4	397224	INSULATOR ASSY.—condenser to bracket (SOA)
19	1	1	3012944	DEHYDRATOR ASSY.—air conditioning (incl. receiver) (SOA)
20	2	2	405025	BRACKET—dehydrator to condenser
21	1	1	3014916	CONDENSER ASSY.—air conditioning (SOA) (vehicles built prior to May 1975)
21	1	1	3034647	CONDENSER ASSY.—air conditioning (SOA) (vehicles built after May 1975)
22	2	2	3140600	RING—“O”, air compressor to condenser (.426 I.D. x .070 thick, rubber)
23	1	1	702874	BRACKET—mounting, condenser (to radiator) (First Design)
23	1	1	790628	BRACKET—mounting, condenser (to radiator) RH (Second Design)
24	2	2	9427605	BOLT—condenser bracket to radiator (5/16-18 x 3/4 hex—300M, steel)
—	1	1	680401	BRACKET—mtg., receiver & dehydrator to condenser (eff. w/1975) (repl. 653296)
—	1	1	555288	STRUT—air conditioning compressor to water pump support (eff. w/interm. 1977) (w/556626, 556627 engine)
—	1	1	553723	STRUT—air conditioning compressor rear support (eff. w/interm. 1977) (w/556626, 556627 engine)
—	1	1	413468	SPACER—air conditioning compressor rear support strut stud (eff. w/interm. 1977) (w/556626, 556627 engine)

HEATER & AIR CONDITIONING



3P-8025

26.035 DUCT — AUTOMOTIVE HEATER & AIR CONDITIONING

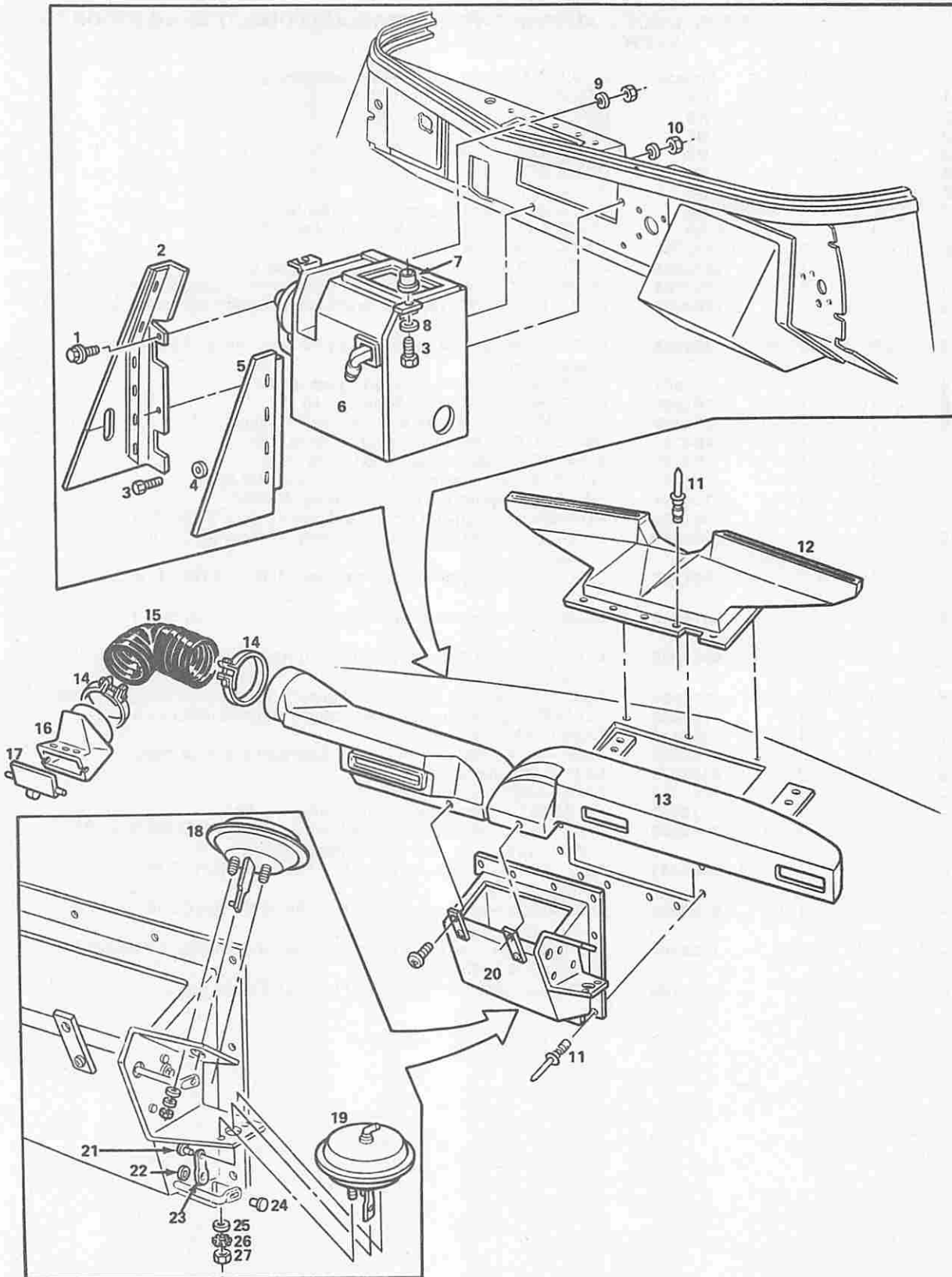
HEATER AND AIR CONDITIONING

KEY	230	260	PART NUMBER
-----	-----	-----	-------------

26.035 DUCT — AUTOMOTIVE HEATER & AIR CONDITIONING (PRIOR TO 1977)

—	1	1	703426	PLENUM ASSY.—heater and air conditioning
1	1	1	NS	DEFLECTOR—air defroster (LH)
2	1	1	NS	DEFLECTOR—air defroster (RH)
3	1	1	NS	BOX—plenum, upper
4	1	1	NS	BOX—air distribution
5	1	1	NS	DEFLECTOR—air
6	1	1	NS	BOX—plenum, lower
7	1	1	NS	DUCT—heater and air conditioning (center)
8	1	1	NS	DUCT—heater and air conditioning (upper RH)
9	1	1	703653	LINK—actuator, air distribution box
10	1	1	1998905	ACTUATOR ASSY.—vacuum, air distribution box
11	2	2	703783	DOOR ASSY.—duct, heater and air conditioning (upper & lower, RH)
12	3	3	1998985	ACTUATOR ASSY.—vacuum, heater and air conditioning duct (upper and lower RH, lower LH)
13	AR	AR	700368	RIVET—heater and air conditioning (.437 grip range, .188 O.D. x .727, aluminum)
14	1	1	702554	DUCT—heater and air conditioning (lower RH)
15	1	1	702555	DUCT—heater and air conditioning (LH)
16	2	2	704253	DOOR ASSY.—duct, heater and air conditioning (LH)
17	1	1	704241	DEFLECTOR—heater and air conditioning (LH)
18	1	1	704270	SUPPORT—heater and air conditioning LH door
19	1	1	704240	LEVER—linkage, heater and air conditioning LH door
20	3	3	704237	PIN—hinge, heater and air conditioning LH door
21	AR	AR	381700	NUT—push on, actuator to duct and plenum (repl. 3126659)
22	1	1	704239	LINK—control, heater & air conditioning LH door (.90 C.L. to C.L. "U" shaped)
23	1	1	704238	LINK—control, heater & air conditioning LH door (2.08 C.L. to C.L. "U" shaped)
24	3	3	9414942	CLAMP—hose, heater & air conditioning (LH) (2.88 closed, 3.25 opened type "C")
25	1	1	8884092	HOSE—heater & air conditioning duct (LH) (3" I.D.) (10 ft. long, CTL) (First Design)
25	1	1	714034	ELBOW—heater and air conditioning hose (LH) (at dash) (Second Design)
26	1	1	700433	HOUSING—gimble, heater & air conditioning side trim panel, (LH)
27	1	1	385076	TANK ASSY.—vacuum
28	3	3	700368	RIVET—heater and air conditioning hose (LH) elbow (at dash)
29	3	3	9433078	CLIP—rivet, retainer
—	1	1	2491792	CABLE ASSY.—temperature control
—	1	1	878851	GROMMET—temperature control cable thru dash
—	1	1	2005508	DUCT ASSY.—air conditioning (eff. w/Serial No. 6V100057) (w/RPO 681, 696, 697) (dark saddle) (Motor Home)
—	1	1	2005243	DUCT ASSY.—air conditioning (eff. w/Serial No. 6V100057) (w/RPO 698) (avocado)
—	1	1	2005509	DUCT ASSY.—air conditioning (eff. w/Serial No. 6V100057) (w/RPO 690, 692, 693, 695 & TransMode)
—	2	2	1602464	OUTLET ASSY.—air conditioning duct.(eff. w/Serial No. 6V100057) (w/2004783 bezel)
—	2	2	2004783	BEZEL—air conditioning duct (w/1602464 outlet assy.)

HEATER & AIR CONDITIONING



26.035F DUCT – AUTOMOTIVE HEATER & AIR
CONDITIONING (EFF/W 1977)
26-14

3P-8037-877

HEATER AND AIR CONDITIONING

KEY 230 260 PART NUMBER

26.035F DUCT — AUTOMOTIVE HEATER & AIR CONDITIONING (EFF. w/1977)

1	1	1	—	SCREW—baffle evaporator (procure locally) (ref. 9419303)
2	1	1	2019777	BAFFLE ASSY.—a/c
3	1	1	9427321	BOLT—heater dash (300M) (3/8-16 x 1 hex—)
4	1	1	120394	WASHER—heater bolt (3/8 I.D. x O.D. x .080 thk.)
5	1	1	2022576	BAFFLE ASSY.—LH
6	1	1	—	HEATER & BLOWER ASSY.—(includes evaporator) (see group 26.0154H)
7	1	1	—	RIVNUT—bolt heater dash
8	4	4	9421042	WASHER—heater bolt
9	7	7	120321	WASHER—screw baffle evaporator
10	4	4	120377	NUT—screw baffle evaporator
11	AR	AR	700368	RIVET—a/c system
12	1	1	2005001	DUCT—defrost
13	1	1	2001435	PLENUM ASSY.—heater and a/c
14	2	2	—	CLAMP—LH heater duct hose (procure locally) (ref. 9420907)
15	1	1	8861477	HOSE—LH duct
16	1	1	2001707	DUCT—LH heater
17	1	1	1602468	DOOR ASSY.—LH heater duct
18	1	1	1998985	ACTUATOR ASSY.—door vacuum, a/c duct
19	1	1	1998999	ACTUATOR ASSY.—door vacuum, heater duct
20	1	1	2003632	BOX ASSY.—distribution (incl. next item)
—	1	1	2031001	SPRING—heater door return
21	1	1	2419255	RIVET—drive link
22	2	2	381700	NUT—vacuum actuator door
23	1	1	2005280	LINK—vacuum actuator door
24	1	1	134800	RIVET—drive link
25	2	2	—	WASHER—actuator (.214-10 x .500 O.D.) (procure locally) (ref. 9421089)
26	2	2	—	WASHER—external tooth lock (# 10) (procure locally) (ref. 138479)
27	2	2	NPN	NUT—actuator (ref. 120361) (procure locally)
—	2	2	1606800	OUTLET ASSY.—(located LH of steering column)
—	2	2	1602464	OUTLET ASSY.—(located above glove box assy.)
—	1	1	2024068	CABLE ASSY.—heater temperature control
—	1	1	678651	GROMMET—heater temperature control dash
—	1	1	385076	TANK—heater vacuum storage
—	1	1	2005985	HARNES—vacuum control hose
—	2	2	676543	STRAP—hose vacuum tank hose
—	2	2	700813	CLIP—actuator & w/s washer hose to plenum
—	1	1	NPN	DEFLECTOR—a/c system water (10.82 hex—1, x 2.85 hex—) (w/1.75 hex— tab on top LH side) (located inside engine access door) (ref. 2029334) (make locally)

26.040 HOSES — HEATER & AIR CONDITIONING (INCLUDES FITTINGS)

—	5	5	698175	OUTLET ASSY.—air, heater
—	10	10	689645	CLIP—air outlet
—	20	20	700368	RIVET—clip to dash
—	1	1	8913825	HOSE—engine to vacuum tank
—	2	2	708513	CLIP—water valve vacuum hose to plenum (eff. w/1975)
—	AR	AR	482420	HOSE—return, heater (3/4" I.D.) (50 ft. long, CTL) (repl. 8885154)
—	AR	AR	482434	HOSE—supply, heater (50 ft. roll, CTL) (repl. R-37158, 8885155)
—	1	1	—	BRACKET—supply, heater (make loc.) (ref. 2005069)
—	1	1	793852	NIPPLE—heater supply hose, at engine (eff. w/1975) (repl. 407729)
—	4	4	2467789	CLAMP ASSY.—heater return and supply hose
—	2	2	793887	CLAMP—heater return & supply tube hose (eff. w/1976)
—	1	1	2496721	CLIP—hose to heater (repl. 3825416)
—	2	2	676543	STRAP ASSY.—vacuum hose to radiator hose
—	1	1	676543	STRAP ASSY.—heater hose to oil filler tube
—	1	1	494192	VALVE ASSY.—water, heater and air conditioning (with a/c) (repl. 697664)
—	2	2	2467789	CLAMP—valve to hose (with a/c)
—	1	1	702789	HOSE ASSY.—air conditioning air compressor (at compressor) (Prior to 1976)
—	—	1	2017078	HOSE ASSY.—air conditioning air compressor (w/fittings) (at compressor) (eff. w/1976)
—	—	1	3825416	CLIP—air conditioning air compressor hose (at compressor) (prior to 1976)

HEATER AND AIR CONDITIONING

KEY	230	280	PART NUMBER	
-----	-----	-----	-------------	--

26.040 HOSES — HEATER & AIR CONDITIONING (INCLUDES FITTINGS) (Cont.)

—	—	1	2005403	CLIP—air conditioning air compressor hose (at compressor) (eff. w/1976)
—	1	1	3140800	RING—“O” air conditioning air compressor hose (.426I.D. x .070 Thk. Rubber)
—	—	1	2017286	GUARD—air compressor hose
—	1	1	880401	BRACKET—stand-off, air conditioning air compressor hose (at compressor)
—	1	1	—	SCREW—clip, heater hose to heater supply clip (repl. 94 19380) (procure locally)
—	—	1	2024931	HOSE ASSY.—air conditioning recr & dehydr. outlet
—	1	1	2000385	HOSE ASSY.—air conditioning recr. & dehydr. to conditioning hose
—	2	2	8526398	RING—“o”, air conditioning recr. & dehydr. to conditioning hoses
—	1	1	—	CLIP—hose, air conditioning recr. & dehydr. to conditioning hose (procure locally) (ref. 8876975)

FURNISHINGS

LIST OF SUB GROUPS

Name	Group No.
AIR CONDITIONER—ROOF MOUNTED, DUO—THERM	28.004
AIR CONDITIONER—ROOF MOUNTED, MARK IV	28.002
ATTACHMENTS—VACUUM SWEEPER	28.073
BED—GAUCHO/DOUBLE	28.160
BED—PERMANENT	28.158
BED—TWIN	28.158
BLOWER—SUBURBAN FURNACE	28.029B
BUNK—TWIN REAR UPPER	28.134
CABINET—SUBURBAN FURNACE	28.029A
CABINETS—OVERHEAD	28.120
CABINETS—OVERHEAD (W/FISHING EQUIPMENT RACK & GUN RACK)	28.120
CARBURETOR—ONAN 4KW GENERATOR	28.044A
CARPETING	28.108
CARTRIDGE—WATER PURIFIER	28.052A
CEILING PANELS AND MOULDING (W/ZE06582, ZE06584)	28.174E
CEILING PANELS AND MOULDING (Exc. ZE06582, XE06584)	28.174
CHASSIS—ONAN 4KW GENERATOR	28.044D
CHASSIS—ONAN 6KW GENERATOR	28.045A
CLOSET—BROOM/VACUUM SWEEPER	28.164
CLOSURE—HEATER	28.154
COMPARTMENT ASSY.—BEVERAGE DISPENSER	28.128
CONTROL—ONAN 4KW GENERATOR	28.044C
CONTROL—ONAN 6KW GENERATOR	28.045H
CONTROLS—GAS/ELECTRIC REFRIGERATOR (INSTA—MATIC)	28.057A
DAVO/BUNK FRONT	28.132
DINETTE/DOUBLE BED	28.136
DINETTE/SINGLE BED—AUXILIARY	28.140
DISPOSAL—WASTE	28.078
DRAPES, SLIDES, STOPS, TRACKS	28.110
DRESSER—REAR	28.162
DUCT WORK—DUO—THERM 30,000 BTU FURNACE (W/ZE0581)	28.023C
DUCT WORK—SOL—AIRE 30,000 BTU FURNACE (W/ZE06582, ZE06584)	28.023F
DUCT WORK—SOL—AIRE 30,000 BTU FURNACE (Exc. ZE06582, ZE06584)	28.023
ENGINE—KOHLER 4KW GENERATOR	28.046A
FAUCET—BATH SINK (FIRST DESIGN)	28.062
FAUCET—BATH SINK (SECOND DESIGN)	28.062H
FAUCET—GALLEY	28.064
FAUCET—WATER TREATMENT UNIT	28.052
FILLER—WATER (FRESH WATER TANK)	28.051C
FUEL SYSTEM—ONAN 6KW GENERATOR	28.045C
FURNACE—30,000 BTU, SUBURBAN (FIRST DESIGN)	28.028
FURNACE—CHAMBER AND BURNER ASSEMBLY (SUBURBAN) (SECOND DESIGN)	28.028A
FURNACE—22,000 BTU, SUBURBAN	28.029
FURNACE—36,000 BTU, DUO—THERM	28.20F
FURNACE—30,000 BTU, SOL—AIRE	28.020
GALLEY SINK AND FAUCET (PRIOR TO 1975)	28.063
GALLEY SINK AND FAUCET (EFF. W/1975)	28.064
GAUGE—HOLDING TANK (PANEL)	28.038
GEAR COVER AND GOVERNOR—ONAN 6KW GENERATOR	28.045D
GEAR COVER—ONAN 4KW GENERATOR	28.044G
GENERATOR—KOHLER 4KW	28.046
GENERATOR—ONAN 4KW	28.044
GENERATOR—ONAN 6KW (INCLUDES: MUFFLER KIT)	28.045
HEATER—WATER (FIRST DESIGN)	28.034
HEATER—WATER (SECOND DESIGN)	28.034J
IGNITION—ONAN 4KW GENERATOR	28.44H
IGNITION—ONAN 6KW GENERATOR	28.045E

FURNISHINGS

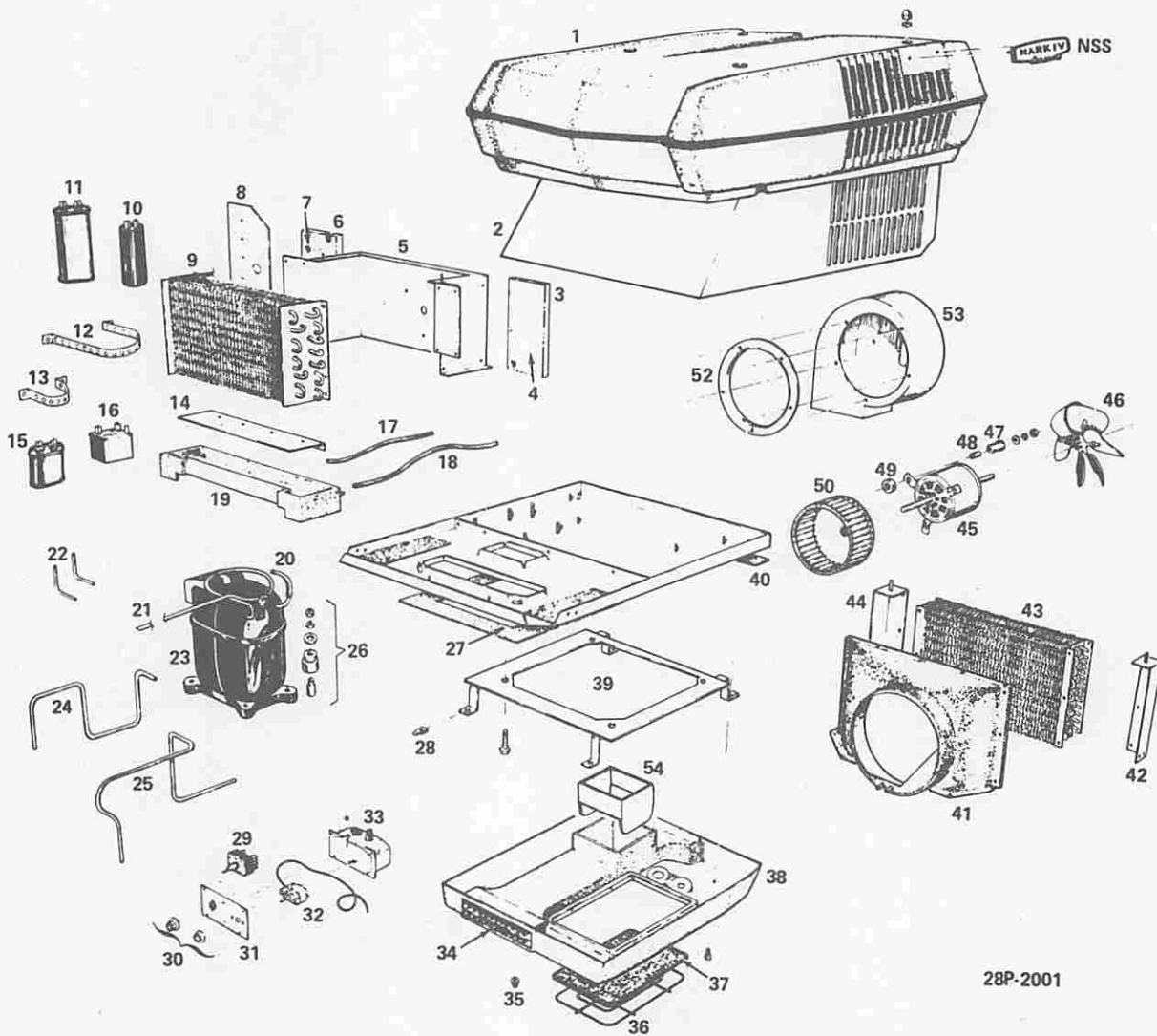
LIST OF SUB GROUPS

Name	Group No.
KOHLER 4KW GENERATOR MOUNTING	28.046C
LAMP—BATH	28.049
LAMP—FLOOR (AISLE)	28.049A
LAMP—HALL & LIVING AREA	28.048
LAMP—READING	28.047
LINES—MOTOR GENERATOR FUEL	28.042
LOCKER—BEDDING	28.155
MODULE—BATHROOM	28.172
MODULE—CLOSET	28.124
MODULE—GALLEY	28.128
MODULE—REFRIGERATOR	28.168
MOTOR—STARTING, ONAN 6KW GENERATOR	28.045G
ONAN 4KW GENERATOR—CYLINDER BLOCK CRANKSHAFT, FLYWHEEL,	28.044B
ONAN 4KW GENERATOR—FUEL SYSTEM	28.044F
ONAN 4KW GENERATOR—OIL SYSTEM	28.044J
ONAN 6KW GENERATOR—CYLINDER BLOCK, CRANKSHAFT, FLYWHEEL,	28.045B
ONAN 6KW GENERATOR—OIL SYSTEM	28.045F
PANEL—CONTROL, KOHLER 4KW GENERATOR	28.046B
PANEL—MONITOR	28.040
PANEL—SWITCH (LIGHT)	28.049B
PANELS—SIDE AND MOULDING	28.176
PLUMBING—BATHROOM MODULE	28.172D
PLUMBING—GALLEY MODULE	28.130
PUMP—FRESH WATER (FIRST DESIGN)	28.050
PUMP—FRESH WATER (SECOND DESIGN)	28.050F
PUMP—FUEL, ONAN GENERATOR	28.044E
PURIFIER—WATER	28.052C
RANGE—3 BURNER WITH OVEN (COLEMAN)	28.054
RANGE—3 BURNER WITH OVEN (MAGIC CHEF)	28.054A
RANGE—4 BURNER WITH OVEN (COLEMAN)	28.055
REFRIGERATOR—ALL ELECTRIC (6 & 7.5 CU. FT.) (NORCOLD)	28.056
REFRIGERATOR—GAS/ELECTRIC (6 & 7 CU. FT.) (INSTA—MATIC)	28.057
SEAT—LOVE	28.142
SENDING—UNIT—HOLDING TANK	28.039
SHOWER HEAD	28.060
SIDE FACING SETTEE/DOUBLE BED AND REAR DINING TABLE	28.152
STARTING MOTOR—ONAN 4KW GENERATOR	28.044K
SWEEPER—VACUUM	28.072
SWIVEL LOUNGE SEATS AND AIR CRAFT TABLE	28.144
TABLE—DRIVER'S COMPARTMENT	28.148
TANK—FRESH WATER (INCL. FITTINGS) (FIRST DESIGN)	28.051
TANK—FRESH WATER (INCL. FITTINGS) (SECOND DESIGN)	28.051A
TANK—L.P.G. (INCLUDES VALVES)	28.030
TOILET PAPER AND CHEMICALS	28.067
TOILET—AQUA—MAGIC	28.068
TOILET—ELECTRA—MAGIC	28.070
VENT—BATH POWER	28.075A
VENT—BATH, NON POWER	28.075
VENT—KITCHEN RANGE	28.075B
VENT—NON—POWER ROOF	28.074
VENT—POWER ROOF (EFF. w/1975)	28.074B
VENT—POWER ROOF (PRIOR TO 1975)	28.074A
VENTS—PLUMBING & REFRIGERATION	28.077
WATER FILL COMPARTMENT (FRESH WATER TANK)	28.051B
WATER TREATMENT UNIT AND FAUCET	28.052B
WOOD AND CUSHION COVERING	28.180

FURNISHINGS

NOTES

FURNISHINGS



28.002 AIR CONDITIONER - ROOF MOUNTED, MARK IV

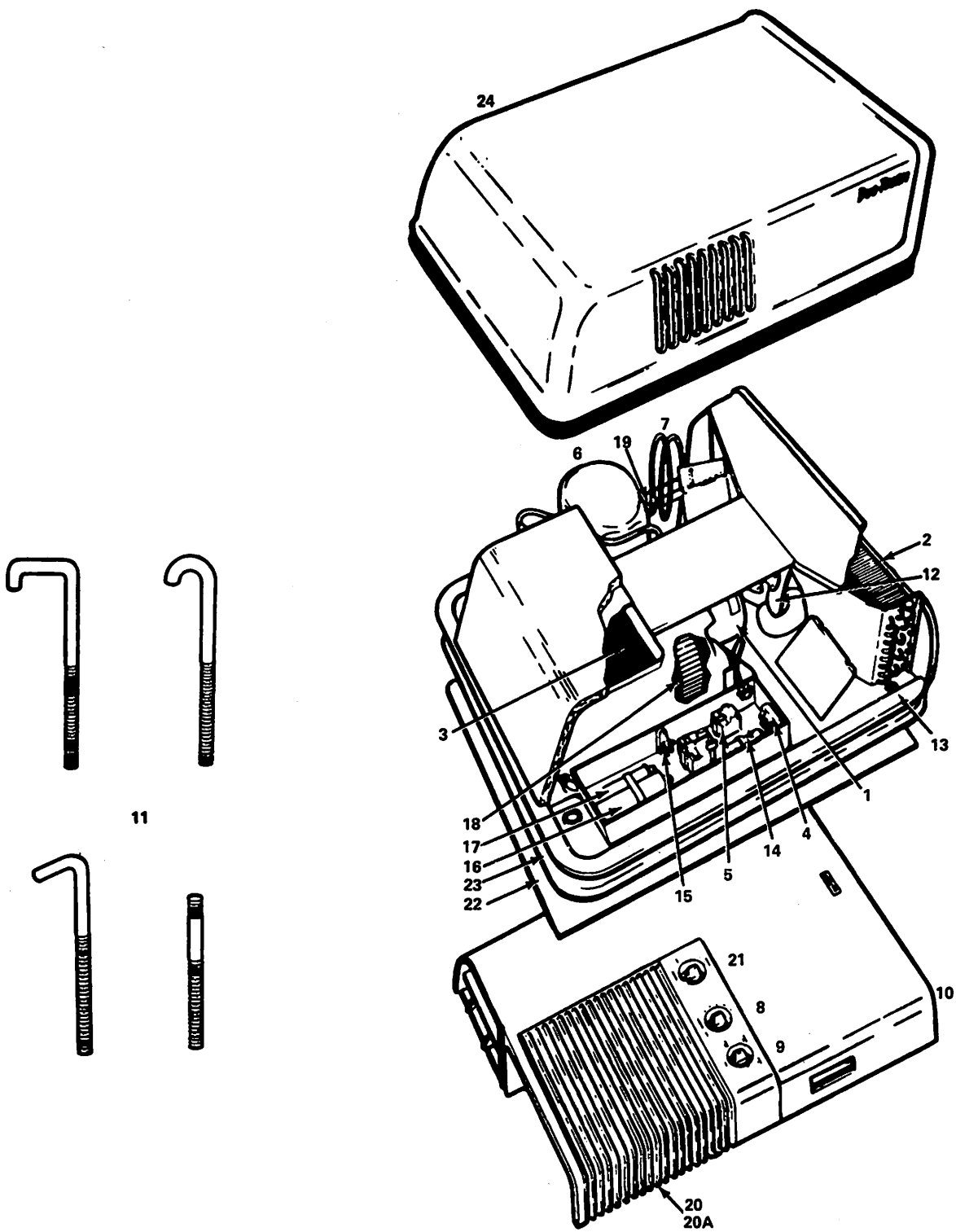
FURNISHINGS

KEY	230	260	PART NUMBER
-----	-----	-----	-------------

28.002 AIR CONDITIONER—ROOF MOUNTED, MARK IV

—	1	1	708712	AIR CONDITIONER—roof mounted
1	1	1	707768	COVER—roof mounted air conditioner
2	1	1	707774	ENCLOSURE
3	1	1	707794	EXTENSION—bulkhead (LH)
4	1	1	707796	INSULATION—bulkhead extension (LH)
5	1	1	707772	PLENUM—leaving
6	1	1	707795	EXTENSION—bulkhead (RH)
7	1	1	707797	INSULATION—bulkhead extension (RH)
8	1	1	708710	SHIELD—heat
9	1	1	707762	COIL—evaporator
10	1	1	707757	CAPACITOR—start, compressor (380 volts)
11	1	1	707758	CAPACITOR—run, compressor
12	1	1	707787	STRAP—capacitor, compressor
13	1	1	707788	STRAP—capacitor, motor
14	1	1	707775	BAFFLE—water
15	1	1	707759	CAPACITOR—run, motor
16	1	1	707763	RELAY—potential, compressor
17	1	1	—	HOSE—drain (3/8" x 17-1/2") (procure locally)
18	1	1	—	HOSE—drain (3/8" x 20") (procure locally)
19	1	1	707773	PAN—drain (incl. tubes)
20	1	1	707776	TUBE—process
21	1	1	707777	TUBE—suction
22	1	1	707778	TUBE—feeder
23	1	1	707756	COMPRESSOR
24	1	1	707779	TUBE—discharge
25	1	1	707780	TUBE—capillary
26	1	1	707769	PAD—mounting, compressor
27	1	1	708704	PAD—mounting (18" x 18" x 2" x 3/4") (between base and roof)
28	1	1	708711	CLIP—mounting plate
29	1	1	707764	SWITCH—rotary
30	1	1	707793	KNOB—control
31	1	1	707792	COVER—control box
32	1	1	707765	THERMOSTAT
33	1	1	707791	BOX—control
34	1	1	708703	LOUVER—air duct
35	1	1	708702	KNOB—air divider
36	1	1	707800	GRILLE—return, air
37	1	1	708701	FILTER—return air (incl. frame)
38	1	1	707771	PLENUM—discharge (incl. air duct)
39	1	1	707770	PALTE—mounting
40	1	1	708709	PAD—mounting (20" x 2" x 3/4") (between base and roof)
41	1	1	707786	SHROUD—fan
42	1	1	707789	BRACKET—condenser mounting (LH)
43	1	1	707781	COIL—condenser
44	1	1	707790	BRACKET—condenser mounting (RH)
45	1	1	707780	MOTOR—blower
46	1	1	707785	BLADE—fan
47	1	1	707782	TUBE—grommet, motor mounting
48	1	1	707784	SLEEVE—motor mount
49	1	1	707783	WASHER—grommet, motor mounting
50	1	1	707781	WHEEL—blower
51	1	1	707767	BASE
52	1	1	707799	RING—inlet
53	1	1	707798	SCROLL—blower
54	1	1	NPN	DUCT—plenum
—	1	1	707766	HARNES—wiring (not illustrated)

FURNISHINGS



28P-3006

28.004 AIR CONDITIONER - ROOF MOUNTED, DUO-THERM

FURNISHINGS

KEY	230	260	PART NUMBER	
28.004 AIR CONDITIONER—ROOF MOUNTED, DUO—THERM				
—	1	1	793957	KIT—a/c compressor (including items marked with asterisk)
—	—	1	2033919	AIR CONDITIONER ASSY.—duo—therm roof mounted (rear) (also use 1-721026 air box) (11,000 BTU) (1978)
—	—	1	796251	AIR CONDITIONER ASSY.—duo—therm roof mounted (rear) (complete) (11,000 BTU) (ref. only) (prior to 1978)
—	—	1	2004563	AIR CONDITIONER ASSY.—duo—therm roof mounted (rear) (also use 1-721026 air box assembly) (11,000 BTU) (repl. 796251) (for opt. see 2014090) (prior to 1978) (ref. only)
—	—	1	2014090	AIR CONDITIONER ASSY.—duo—therm roof mounted (rear) (does not include air box assembly) (11,000 BTU) (Opt. for 2004563) (prior to 1978)
—	—	1	2033916	AIR CONDITIONER ASSY.—duo—therm roof mounted, (front) (also use 1-721026 air box) (13,500 BTU) (1978) (repl. 2004563)
—	—	1	2004562	AIR CONDITIONER ASSY.—duo—therm roof mounted, (front) (also use 1-721026 air box assembly) (13,500 BTU) (prior to 1978) (repl. 720102)
—	1	1	720102	AIR CONDITIONER ASSY.—duo—therm roof mounted (front) (13,500 BTU) (complete) (ref. only) (prior to 1978)
1	1	1	720192	MOTOR ASSY.—air conditioner (SOA) (w/720102, 2004562)
1	1	1	2009926	MOTOR ASSY.—fan (SOA) (w/796251, 2004563, 2014090)
2	1	1	2009927	COIL ASSY.—condenser (SOA) (w/796251, 2004563, 2014090)
2	1	1	720193	COIL ASSY.—condenser (SOA) (w/720102, 2004562)
3	1	1	720194	COIL ASSY.—evaporator (SOA) (w/720102, 2004562)
3	1	1	2009928	COIL ASSY.—evaporator (SOA) (w/796251, 2004563, 2014090)
4	1	1	720195	RELAY ASSY.—time delay (SOA) (w/720102, 796251, 2004562, 2004563, 2014090)
5	1	1	720196	RELAY ASSY.—start (SOA) (w/720102, 796251, 2004562, 2004563)
6	1	1	* NS	COMPRESSOR ASSY.—air conditioner (use 793957 kit) (w/720102, 2004562)
6	1	1	2013249	COMPRESSOR KIT—air conditioning (incl. compressor, dryer & filter) (w/796251, 2004563) (repl. 2009929)
6	1	1	2013252	COMPRESSOR KIT—air conditioning (incl. compressor, dryer & filter) (w/2014090)
7	1	1	2009931	DRIER ASSY.—air conditioning (SOA) (w/796251, 2004563, 2014090)
7	1	1	* 720198	DRIER ASSY.—air conditioner (SOA) (w/720102, 2004562)
8	1	1	720199	THERMOSTAT ASSY.—air conditioner (SOA) (for knob use No. 721038) (w/720102, 796251, 2004562, 2004563, 2014090)
9	1	1	720200	SWITCH ASSY.—blower (SOA) (for knob use No. 721038) (w/720102, 796251, 2004562, 2004563, 2014090)
10	1	1	721026	AIR BOX ASSY.—air conditioner (SOA) (w/720102, 796251, 2004562, 2004563, 2014090)
11	1	1	721027	BOLT KIT—anchor (SOA) (w/720102, 796251, 2014090)
12	1	1	721028	BLADE—fan (w/720102, 2004562)
12	1	1	2009932	BLADE—fan (w/796251, 2004563, 2014090)
13	1	1	2009933	PAN—base (w/796251, 2004563, 2014090)
13	1	1	721029	PAN—air conditioner base (w/720102, 2004562)
14	1	1	721030	CAPACITOR—start (w/720102, 2004562)
14	1	1	2009934	CAPACITOR—start (w/796251, 2004563)
15	1	1	2009935	BLOCK—terminal (w/796251, 2004563)
15	1	1	721031	BLOCK ASSY.—a/c start capacitor terminal (w/720102, 2004562, 2014090)
16	1	1	721032	CAPACITOR—run (w/720102, 2004562)
16	1	1	2009937	CAPACITOR—run (w/796251, 2004563)
17	1	1	721033	CAPACITOR—fan (w/720102, 796251, 2004562, 2004563, 2014090)
18	1	1	721034	WHEEL—blower (w/720102, 2004562)
18	1	1	2009940	WHEEL—blower (w/796251, 2004563, 2014090)
19	2	2	2009941	TUBE—cap (w/796251, 2004563, 2014090)
19	1	1	721035	TUBE—cap (w/720102, 2004562)
20	1	1	* 721036	FILTER—air (w/720102, 796251, 2004562, 2004563, 2014090)
20A	1	1	721037	GRILLE—filter (w/720102, 796251, 2004562, 2004563, 2014090)
21	3	3	721038	KNOB—air flow (w/720102, 796251, 2004562, 2004563, 2014090)

FURNISHINGS

KEY	230	260	PART NUMBER
-----	-----	-----	-------------

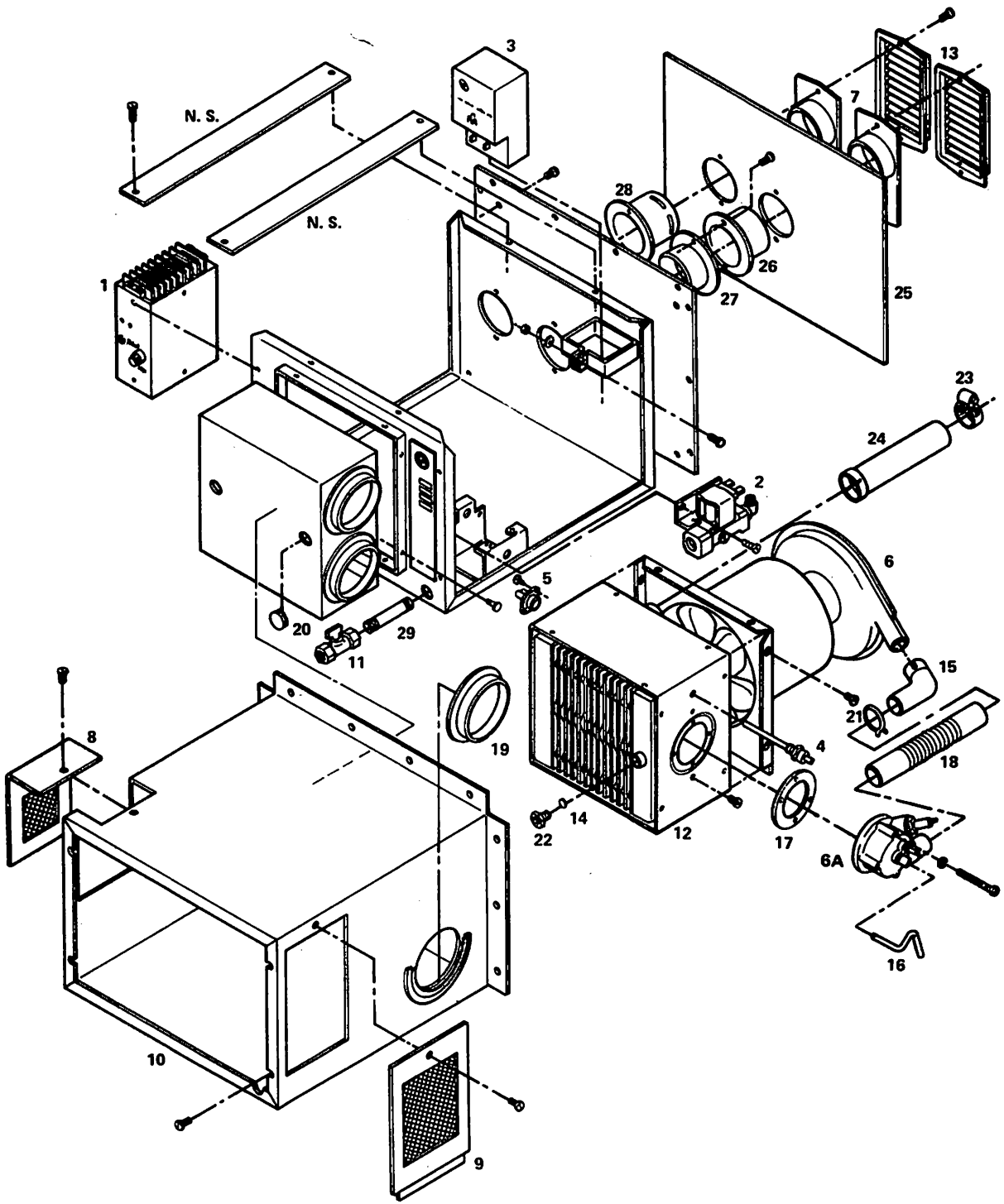
28.004 AIR CONDITIONER—ROOF MOUNTED, DUO—THERM.(Cont.)

22	1	1	721039	TEMPLATE—ceiling permanent (w/720102, 796251, 2004562, 2004563, 2014090)
23	1	1	721040	FLASHING—air conditioner roof (w/720102, 796251, 2004562, 2004563, 2014090)
24	1	1	721041	SHROUD—air conditioner roof (w/720102, 2004562)
24	1	1	2009842	SHROUD—air conditioning roof (w/796251, 2004563, 2014090)
—	1	1	790805	PLATE—mounting, roof air
—	1	1	NS	SWITCH ASSY.—overload (SOA) (exc./2014090) (ref. 797164)
—	1	1	2018432	SWITCH ASSY.—overload (w/2014090)
—	1	1	*2013322	FILTER—suction, compressor (w/796251, 793957, 2014090)
—	1	1	2029289	KIT—roof air conditioner mounting bolt

FURNISHINGS

NOTES

FURNISHINGS



28P-33

28.020 FURNACE - 30,000 BTU, SOL-AIRE

FURNISHINGS

KEY	230	280	PART NUMBER	
28.020 FURNACE—30,000 BTU, SOL—AIRE				
—	—	1	2005741	FURNACE ASSY.—Tri—Men (30,000 BTU) (complete) (w/ZEO6582, ZEO6584)
—	—	1	780318	FURNACE ASSY.—Tri—Men (30,000 BTU) (complete) (eff. w/1975) (exc./ ZEO6582)
1	—	1	791630	BOX ASSY.—DC control (SOA) (w/790318 furnace assy.)
1	—	1	2034551	BOX ASSY.—DC control (SOA) (w/2005741 furnace assy.)
2	—	1	791616	VALVE ASSY.—gas (SOA)
3	—	1	791633	IGNITION PAK ASSY.—(SOA)
—	—	1	791613	CABLE ASSY.—hi tension lead (SOA)
4	—	1	791632	ROD ASSY.—flame (SOA)
5	—	1	791612	SWITCH ASSY.—limit (SOA)
—	—	1	791631	ELECTRODE ASSY.—spark (SOA) (w/790318 furnace assy.)
—	—	1	2034552	ELECTRODE ASSY.—spark (SOA) (w/2005741 furnace assy.)
—	—	1	791628	THERMOSTAT ASSY.—(SOA) (w/790318 furnace assy.)
—	—	1	2030107	THERMOSTAT ASSY.—(SOA) (w/2005741 furnace assy.)
6	—	1	791634	BLOWER ASSY.—(SOA)
6A	—	1	791635	BURNER ASSY.—(SOA)
7	—	2	791624	ADAPTER ASSY.—flue (SOA) (w/790318 furnace assy.)
7	—	1	2034553	ADAPTER ASSY.—flue (SOA) (w/2005741 furnace assy.)
8	—	1	791620	PLATE ASSY.—wiring access
9	—	1	791621	PLATE ASSY.—burner access
10	—	1	791625	CASING ASSY.—outer (SOA)
11	—	1	791618	VALVE ASSY.—manual shut—off
12	—	1	NS	HEAT EXCHANGER ASSY.—heat
13	—	2	791629	CAP—vent
14	—	1	791610	GLASS—sight
—	—	1	791637	FUSE—furnace
—	—	1	791604	FILTER—valve
15	—	1	791614	ELBOW—scroll
16	—	1	791607	TUBE—fuel (w/790318 furnace assy.)
16	—	1	2034555	TUBE—fuel (w/2005741 furnace assy.)
—	—	2	791603	GASKET—vent
17	—	1	791605	GASKET—burner
18	—	1	791608	TUBE—combustion air
—	—	2	791627	STRAP—plenum
19	—	2	791615	FLANGE—outlet
20	—	1	791617	PLUG—dot
21	—	3	791611	CLAMP—duct
22	—	1	791609	RETAINER—sight tube
23	—	1	791606	CLAMP—flue tube
24	—	1	791626	TUBE—flue
25	—	1	791623	PLATE—outside back
26	—	1	791601	PIPE—outer inlet
27	—	1	791602	PIPE—inner inlet
28	—	1	791622	PIPE—exhaust outlet
29	—	1	791619	NIPPLE—shut—off valve
—	—	1	2034556	CONNECTOR—
—	—	1	791125	DECAL—furnace
28.20F FURNACE—30,000 BTU, DUO—THERM				
—	—	1	2028332	FURNACE ASSY.—(30,000 BTU) (Duo—therm 65930—946) (complete) (w/ZEO6581) (incl. the following (25) items)
—	1	—	2045210	MOTOR ASSY.—blower (SOA) (3—14331)
—	1	—	2045211	WHEEL—blower (3—12754—002)
—	1	—	2045212	WHEEL—blower (3—14924—001)
—	1	—	2045213	SWITCH ASSY.—sail (SOA) (3—14346)
—	1	—	2045214	SWITCH ASSY.—fan (SOA) (3—12825—001)
—	1	—	2045215	DUCT—flex (3—12742—001)
—	2	—	2045217	RELAY ASSY.—fan (SOA) (3—12812—001)
—	1	—	2045218	CONTROL ASSY.—ignition (SOA) (3—14249)
—	1	—	2045219	SWITCH ASSY.—limit (SOA) (3—12933)
—	1	—	2045220	VALVE ASSY.—regulator (SOA) (3—14246)
—	1	—	2045221	CONTROL ASSY.—gas (SOA) (3—14245)
—	1	—	2045222	MANIFOLD—furnace (3—14279)
—	1	—	2045224	DOOR ASSY.—observation (SOA) (3—14404)
—	1	—	2045223	GASKET—door (3—3456)
—	1	—	2045226	BURNER—main crossover (3—12502)

FURNISHINGS

KEY 230 260 PART NUMBER

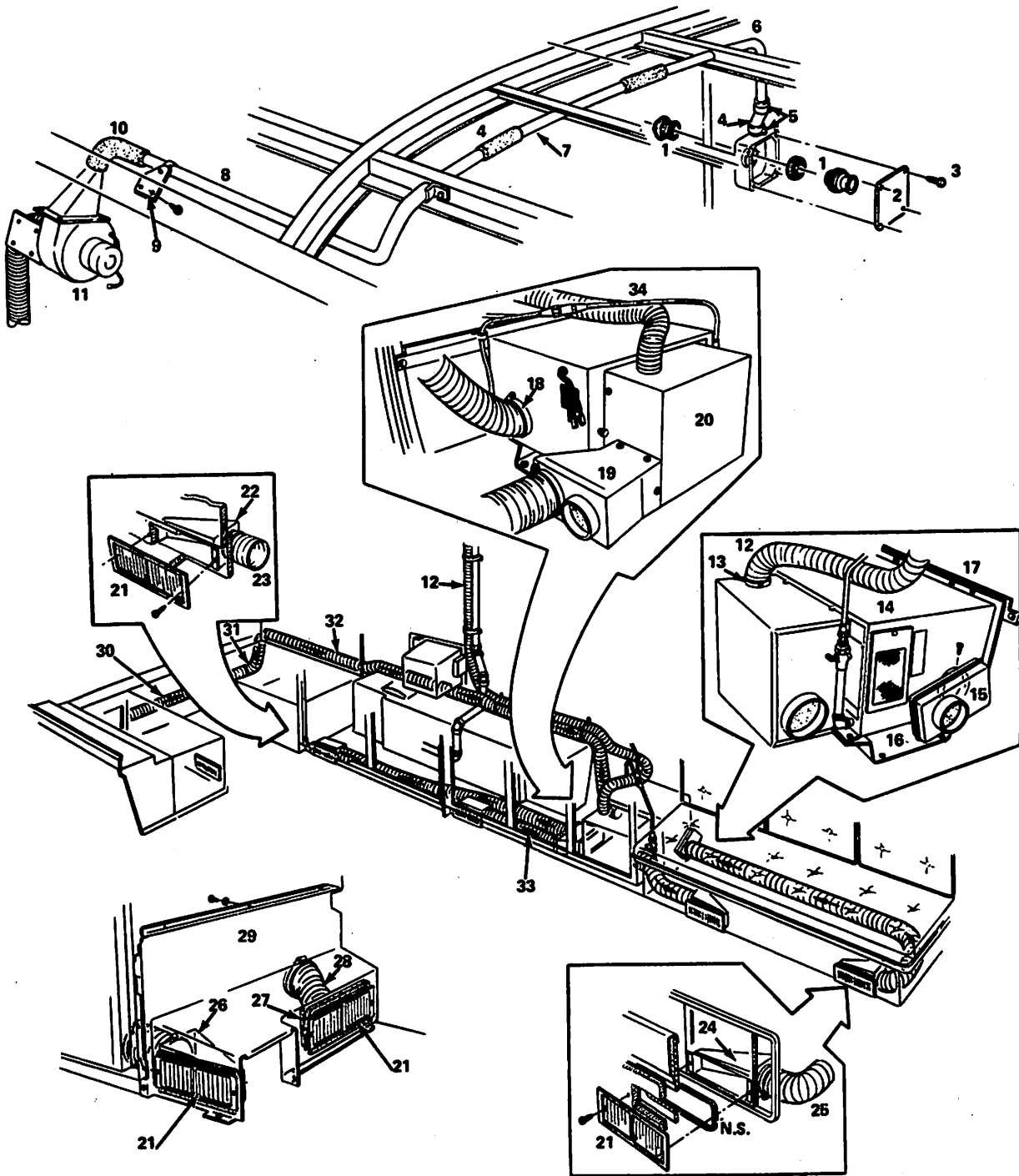
28.20F FURNACE—30,000 BTU, DUO—THERM (Cont.)

—	2	—	2045225	BURNER—main (3—12503)
—	3	—	2045228	ORIFICE—burner (6—111255—063)
—	1	—	2045229	IGNITOR ASSY.—furnace (SOA) (3—14267)
—	1	—	2045230	THERMOSTAT ASSY.—wall (SOA) (3—12743—001)
—	1	—	2045231	GASKET—burner cover (3—12586)
—	1	—	2045232	PANEL—front (3—13743)
—	1	—	2045233	LATCH ASSY.—front panel (SOA) (13—9105—001)
—	1	—	2045234	WIRE ASSY.—high voltage (SOA) (3—14312)
—	1	—	2045235	CONNECTOR—side duct (3—12622—002)
—	1	—	2045236	HARNESS ASSY.—wire (SOA) (3—14694)

FURNISHINGS

NOTES

FURNISHINGS



28P-2007

28.023 DUCT - SOL-AIRE 30,000 BTU FURNACE

FURNISHINGS

KEY	230	260	PART NUMBER	
-----	-----	-----	-------------	--

28.023 DUCT WORK—SOL—AIRE 30,000 BTU FURNACE (exc. ZE06582, ZE06584)

1	—	1	2455558	OUTLET ASSY.—bath (prior to Serial No. 5V101025)
2	—	1	790184	COVER—outlet (prior to Serial No. 5V101025)
3	—	4	274233	SCREW—cover, bath outlet
4	—	3	792156	HOSE—heat duct (prior to Serial No. 5V101025)
5	—	2	2467789	CLAMP—tube
6	—	1	792160	TUBE ASSY.—(prior to Serial No. 5V101025)
7	—	1	792159	TUBE ASSY.—(prior to Serial No. 5V101025)
8	—	1	792161	TUBE ASSY.—(prior to Serial No. 5V101025)
8	—	2	791737	TUBE—bath module heat duct (eff. w/Serial No. 5V101025)
9	—	1	2001658	CONNECTOR—tube (eff. w/Serial No. 5V101025)
9	—	1	791970	SUPPORT—heat duct (prior to Serial No. 5V101025)
10	—	1	792157	HOSE—heat duct (prior to Serial No. 5V101025)
11	—	1	791724	BLOWER ASSY.—shower module heating fan (eff. w/1975)
11	—	1	793696	MOTOR ASSY.—blower (SOA)
11	—	1	793695	WHEEL ASSY.—blower (SOA)
11	—	1	2236300	CONNECTOR—wire, blower
11	—	1	792158	ADAPTER ASSY.—fan discharge duct at blower (prior to Serial No. 5V101025)
11	—	1	2001978	ADAPTER ASSY.—fan discharge duct at blower (eff. w/Serial No. 5V101025)
11	—	1	2001977	SUPPORT ASSY.—fan mounting (bracket) (eff. w/Serial No. 5V101025)
11	—	1	792162	BRACKET ASSY.—fan mounting (prior to Serial No. 5V101025)
12	—	1	791737	DUCT TUBE—plenum to fan discharge
13	—	2	2468878	CLAMP—plenum to fan discharge tube
14	—	1	—	FURNACE—30,000 BTU (see group 28.020)
15	—	1	791728	ADAPTER ASSY.—cold air duct
16	—	1	791590	BRACKET—furnace mounting, lower
17	—	1	791591	BRACKET—furnace mounting, upper
18	—	AR	2465839	CLAMP—furnace duct tube
19	—	1	791743	TRANSITION ASSY.—plenum duct
20	—	1	792163	PLENUM ASSY.—furnace
21	—	5	791725	REGISTER—air duct
22	—	1	791751	TRANSITION ASSY.—rear discharge air duct
23	—	1	2028114	TUBE—rear discharge air duct (repl. 791738)
24	—	2	791741	TRANSITION ASSY.—air duct, intermediate and below LH Davo (air inlet)
24	—	1	791742	TRANSITION ASSY.—front discharge air duct (below LH Davo)
25	—	AR	2007960	TUBE—furnace ducts, (furnace to transition) (CTL, 3.5" x 216" lg.)
26	—	1	799814	TRANSITION ASSY.—front discharge air duct (LH) outlet (prior to serial No. 6V101292)
26	—	1	2010250	TRANSITION ASSY.—front discharge air duct (LH) outlet (eff. w/serial no. 6V101292)
27	—	1	799815	TRANSITION ASSY.—furnace, air inlet (LH)
28	—	AR	2007960	TUBE—furnace ducts (furnace to transition) (CTL, 3.5" x 216" lg.)
29	—	1	—	PANEL—duct, interior trim (covers transitions) (see group 28.144)
30	—	AR	2007960	TUBE—rear return air duct (CTL, 3.5" x 216" lg.)
31	—	1	791723	CONNECTOR—rear return air duct
32	—	AR	2007960	TUBE—rear return air duct (LH side) (CTL, 3.5" x 216" lg.)
33	—	AR	2007960	TUBE—air duct, intermediate (repl. 791735) (CTL, 3.5" x 216" lg.)
34	—	1	791737	TUBE—plenum to blower (eff. w/Serial No. 5V101025) (CTL) (repl. 2001975)
—	—	1	791726	DUCT—hot air outlet, (housing for plastic outlet assembly No. 245558)
—	—	7	657558	STRAP—air duct (repl. 2435539)
—	—	1	2001663	TRANSITION—bath heat duct (eff. w/Serial No. 5V101025)
—	—	1	2468878	CLAMP—tube to transition (eff. w/Serial No. 5V101025)
—	—	1	2001976	OUTLET—bath heater duct (eff. w/Serial No. 5V101025)
—	—	AR	792762	INSULATION—furnace backing (eff. w/interm 1977)

28.023C DUCT WORK DUO—THERM 30,000 BTU FURNACE (w/ZE06581)

—	—	1	2028117	ADAPTER—furnace
—	—	1	2028118	ADAPTER—furnace
—	—	1	—	BACKER—air intake & exhaust (ref. 2030323) (make locally)
—	—	1	2029830	SEAL—heat duct outlet
—	—	1	791725	REGISTER—air duct
—	—	1	791751	TRANSITION—front discharge air duct
—	—	1	2007960	TUBE—front and intermediate discharge air duct

FURNISHINGS

KEY	230	260	PART NUMBER
-----	-----	-----	-------------

28.023C DUCT WORK DUO—THERM 30,000 BTU FURNACE (w/ZEO6581) (Cont.)

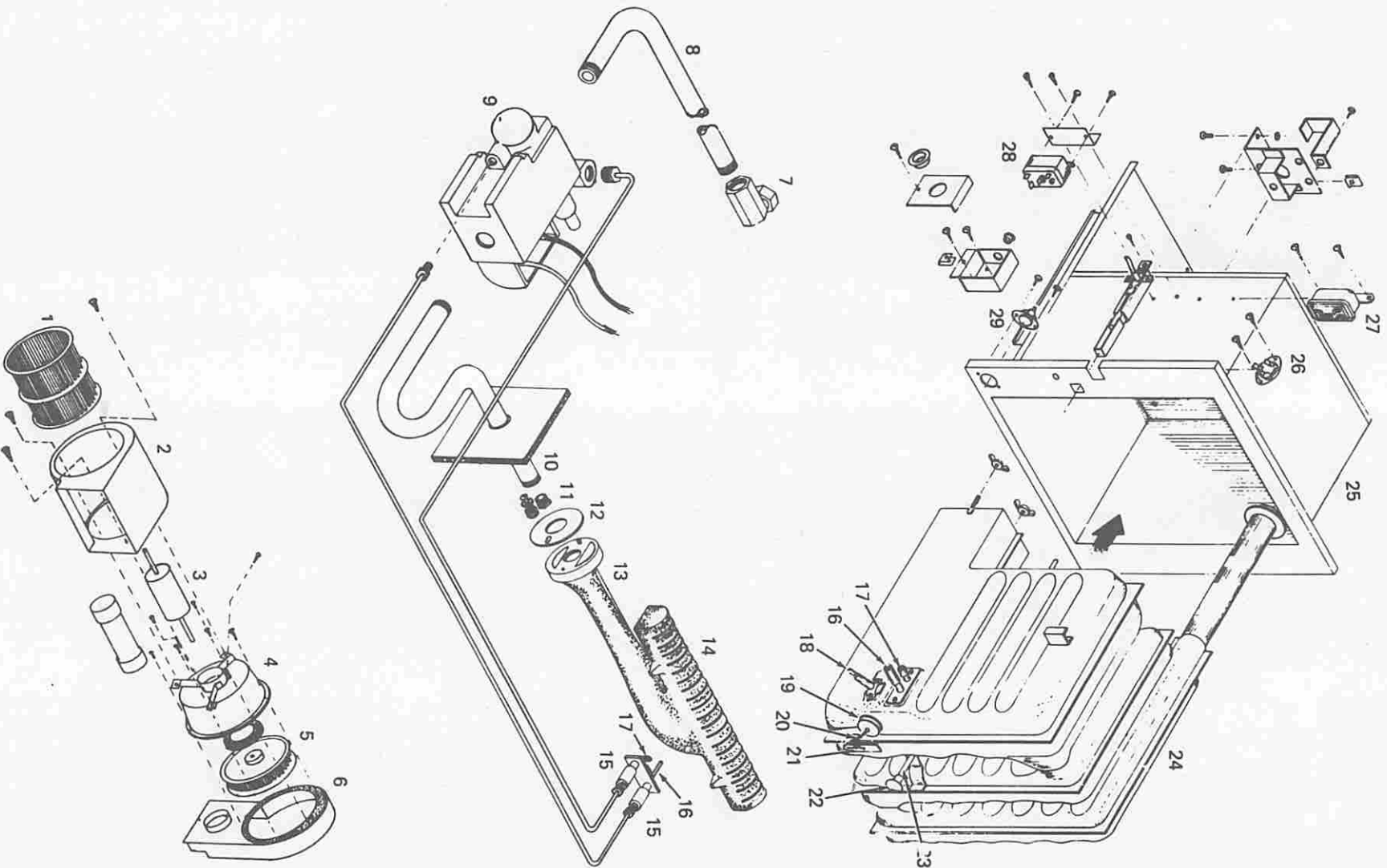
—	—	2	2465839	CLAMP—discharge air duct tube
—	—	1	791741	TRANSITION ASSY.—intermediate
—	—	1	791551	TRANSITION ASSY.—rear discharge air duct
—	—	1	2028114	TUBE—rear discharge air duct
—	—	1	791724	BLOWER—shower module heater fan
—	—	1	2001978	ADAPTER ASSY.—fan discharge duct
—	—	1	791737	TUBE—furnace plenum to blower (repl. 2013092)
—	—	2	2468878	CLAMP—furnace plenum to blower tube
—	—	2	791737	TUBE—bath module heat duct
—	—	1	2001658	CONNECTOR—bath module heat duct tube
—	—	2	791156	CLAMP—bath module heat duct tube connector
—	—	2	2468878	CLAMP—bath module heat duct tube connector; bath heat duct transition
—	—	1	2001663	TRANSITION—bath heat duct
—	—	1	2001976	OUTLET—bath heat duct

28.023F DUCT WORK—SOL—AIRE 30,000 BTU FURNACE (w/ZEO6582, ZE06584)

—	—	1	791742	TRANSITION ASSY.—return air duct at love seat
—	—	AR	2007960	TUBE—furnace discharge and return (CTL, 3.5" dia. x 216" lg.)
—	—	AR	2465839	CLAMP—tube
—	—	1	2002088	ADAPTER ASSY.—fan discharge duct
—	—	1	791742	TRANSITION ASSY.—discharge air duct at galley
—	—	5	791725	REGISTER—air duct
—	—	AR	2468878	CLAMP—water compartment discharge tube
—	—	1	2008185	CONNECTOR—discharge air duct at water compartment
—	—	1	2008211	TRANSITION ASSY.—discharge, air duct at shower
—	—	1	2007974	TRANSITION ASSY.—discharge, air duct at dresser
—	—	1	791741	TRANSITION ASSY.—return air duct to bed
—	—	1	2001663	TRANSITION—bath heat duct (w/ZEO6584)
—	—	1	2001976	OUTLET—bath heat duct (w/ZEO6584)
—	—	1	791724	BLOWER—furnace auxiliary fan (w/ZEO6584)
—	—	AR	791737	TUBE—discharge, shower transition to vanity transition (CTL, 124" lg.) (repl. 2007962) (w/ZEO6582)
—	—	1	2008255	SUPPORT ASSY.—blower motor (incl. next [2] items)
—	—	1	2008409	TUBE—blower motor
—	—	1	2008410	BRACKET—blower motor
—	—	1	2008149	BRACKET—support, blower motor
—	—	1	791590	BRACKET—furnace mounting, lower
—	—	1	791591	BRACKET—furnace mounting, upper
—	—	1	3980590	SCREW—furnace lower mounting bracket to floor
—	—	7	657558	STRAP—air duct tube
—	—	1	—	SUPPORT—transition, heating (procure locally) (w/ZEO6582) (ref. 2009866)

FURNISHINGS

NOTES



28,028 FURNACE - 30,000 BTU, SUBURBAN (FIRST DESIGN)

28-18

3P-8020

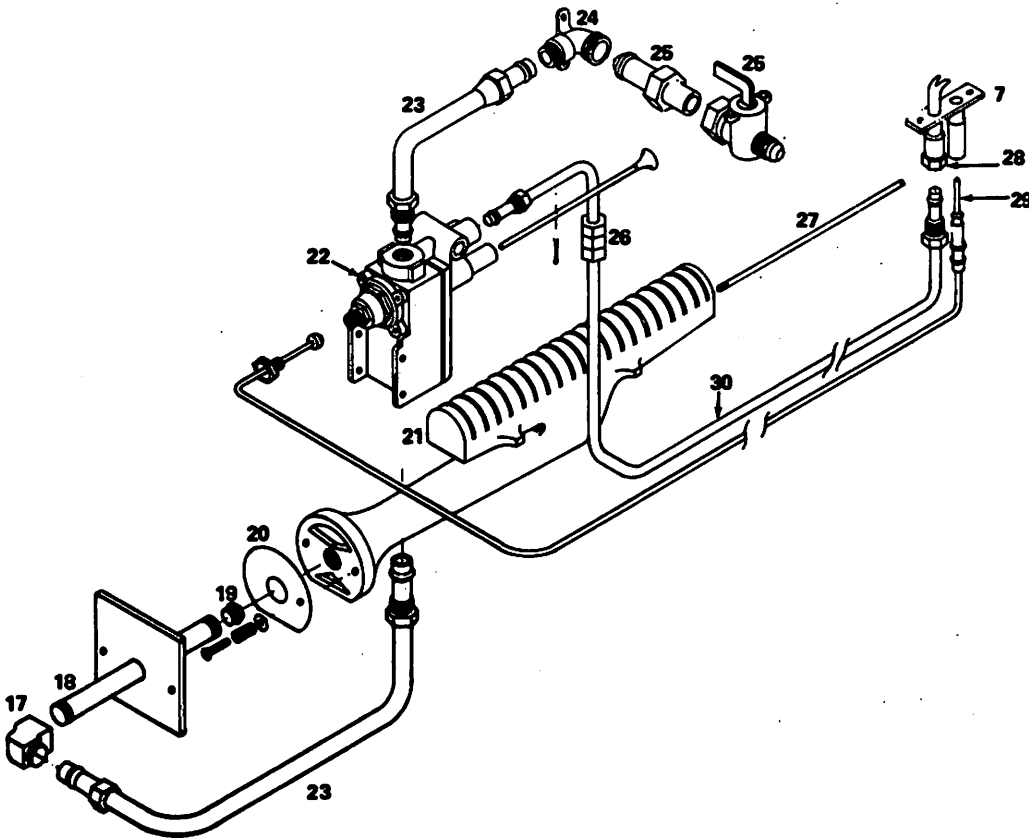
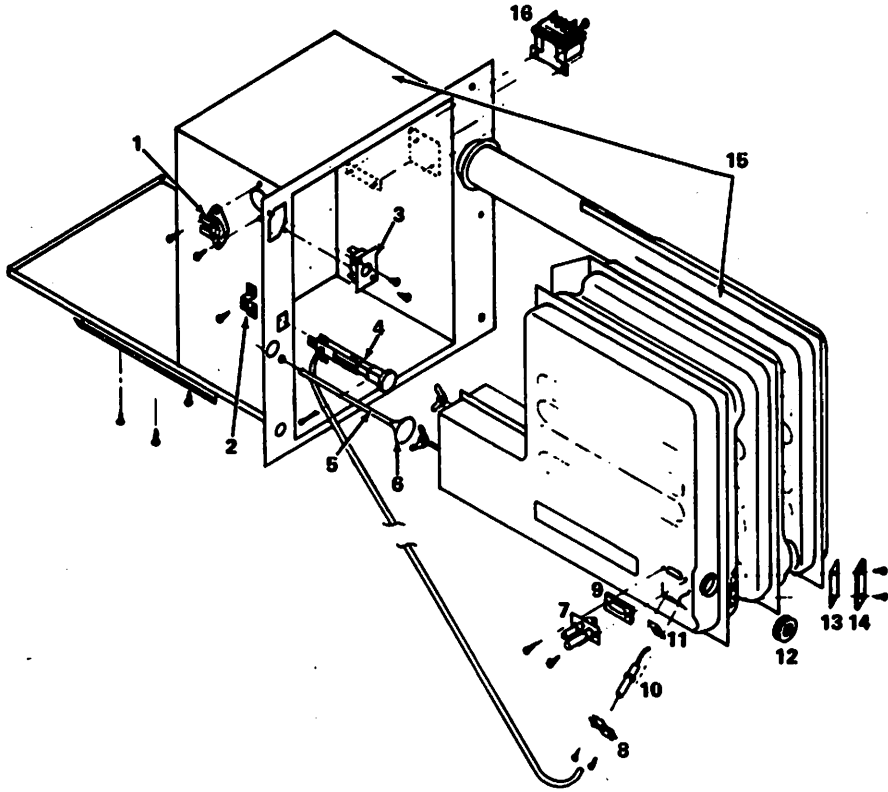
FURNISHINGS

KEY	230	260	PART NUMBER
-----	-----	-----	-------------

28.028 FURNACE—30,000 BTU, SUBURBAN (FIRST DESIGN)

—	—	—	703802	FURNACE ASSY.—NT32G dyna—trail (30,000 BTU) (complete) (for ref. only) (First Design)
1	1	1	703845	WHEEL—blower, large
2	1	1	703841	HOUSING—blower
3	1	1	703843	MOTOR—blower (Bosch)
4	1	1	703847	MOUNT—blower motor
5	1	1	703846	WHEEL—blower, small
6	1	1	703848	COVER—air intake, blower motor
7	1	1	703834	FITTING—tetrad, burner
8	1	1	703852	PIPE—burner, basotrol
9	1	1	703844	VALVE—burner, basotrol
10	1	1	703851	PIPE—manifold, burner
11	1	1	703850	ORIFICE—main burner No. 53 (drilled)
12	1	1	703830	SHUTTER—air burner
13	1	1	703828	ROD—air shutter
14	1	1	703849	BURNER—main
15	2	2	703829	ORIFICE—pilot burner (.007)
16	2	2	703814	THERMOCOUPLE—burner & combustion chamber
17	2	2	703815	BURNER—pilot, burner & combustion chamber
18	1	1	713684	ELECTRODE—combustion chamber (repl. 703837)
19	1	1	703816	CAP—lighter, combustion chamber
20	1	1	703817	CHAIN—lighter, combustion chamber
21	1	1	703826	COVER—air shutter adjustment
22	1	1	703819	KNOB—pilot reset
23	1	1	703827	ROD—control reset
24	1	1	703840	CHAMBER ASSY.—combustion
25	1	1	NS	WRAPPER—radiation shield
26	1	1	703807	SWITCH ASSY.—fan (145 degrees) (SOA)
27	1	1	703806	RELAY—thermostat RBM150
28	1	1	NPN	RELAY—AC/DC switching
29	1	1	703808	SWITCH ASSY.—limit (170 degrees) (SOA) (First Design)
29	1	1	715409	SWITCH ASSY.—limit (170 degrees) (SOA) (Second Design)
—	1	1	703842	SWITCH ASSY.—micro, incl. paddle (SOA)
—	1	1	703809	IGNITOR ASSY.—impact (SOA)

FURNISHINGS



28.028A FURNACE - CHAMBER AND BURNER ASSEMBLY (SUBURBAN)
(SECOND DESIGN)

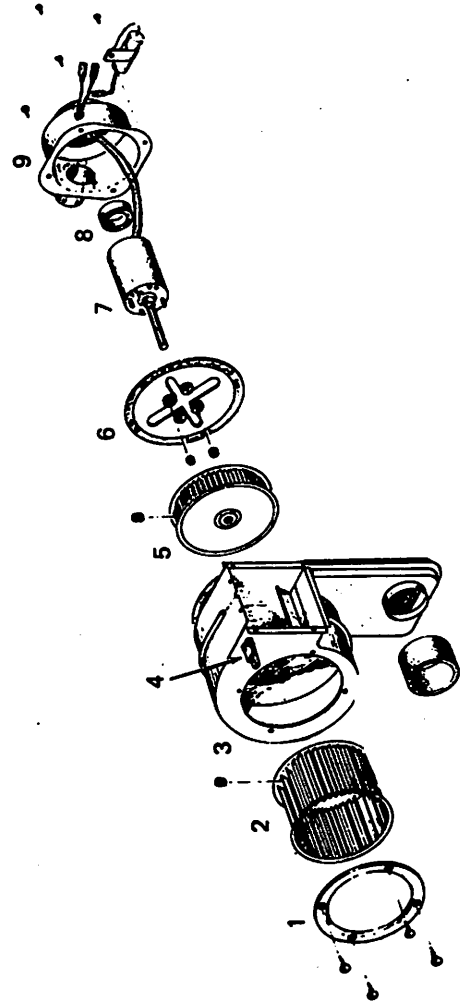
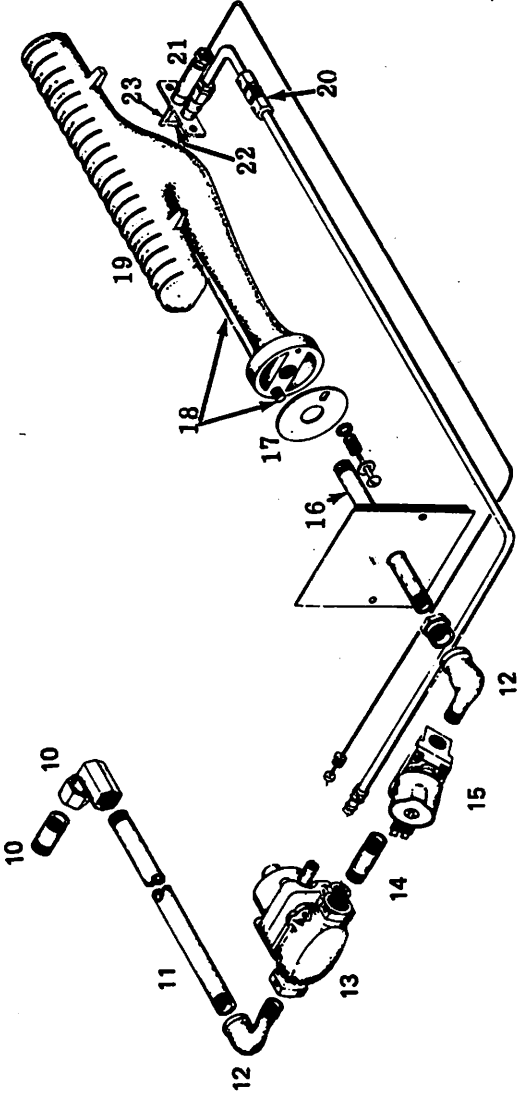
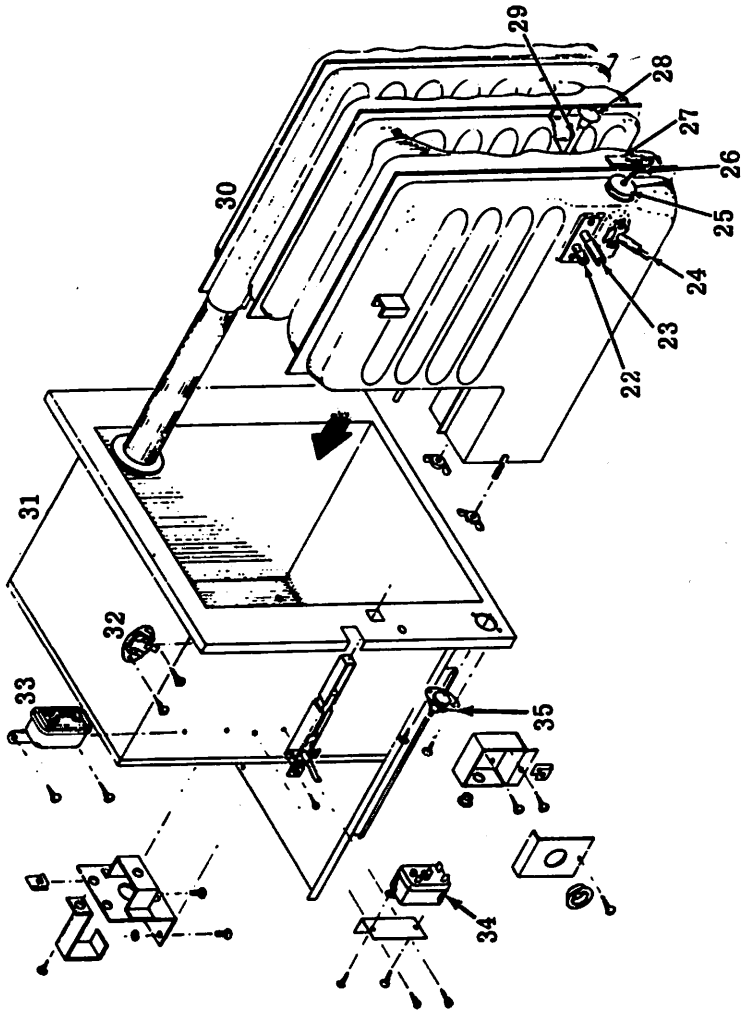
FURNISHINGS

KEY	230	260	PART NUMBER
-----	-----	-----	-------------

28.028A FURNACE—CHAMBER AND BURNER ASSEMBLY (SUBURBAN) (SECOND DESIGN)

—	1	1	713649	FURNACE ASSY.—22000 BTU DYNATRIL NT—22G (Second Design) (replaces 703801) (ref. only)
—	1	1	713650	FURNACE ASSY.—30000 BTU DYNATRIL NT—32G (Second Design) (replaces 703802)
1	1	1	703807	SWITCH—fan 145 degrees
2	1	1	NS	BRACKET
3	1	1	713664	SWITCH—limit 210 degrees
4	1	1	703809	IGNITOR—impact
5	1	1	713679	ROD—lighter
6	1	1	703819	KNOB—pilot reset (black)
7	1	1	703815	BURNER—pilot
8	1	1	NS	BRACKET—electrode
9	1	1	NS	GASKET—pilot mounting
10	1	1	713684	ELECTRODE
11	1	1	713702	GASKET—electrode
12	1	1	703816	CAP—lighter (solid)
12	1	1	713718	CAP—lighter (mica)
13	1	1	713701	GASKET—air shutter cover
14	1	1	703826	COVER—air shutter adjustment
15	1	1	703803	CHAMBER ASSY.—combustion — 22,000 BTU - 3 chambers
15	1	1	703840	CHAMBER ASSY.—combustion — 30,000 BTU - 5 chambers
16	1	1	703806	RELAY—thermostat
17	1	1	—	ELBOW—brass 90 (procure locally)
18	1	1	—	PIPE—manifold (procure locally)
19	1	1	713673	ORIFICE—main burner — 22,000 BTU (Second Design)
19	1	1	703850	ORIFICE—main burner — 30,000 BTU
20	1	1	703830	SHUTTER—burner air
21	1	1	703825	BURNER—main — 22,000 BTU
21	1	1	703849	BURNER—main — 30,000 BTU
22	1	1	713704	VALVE—basotrol
23	1	1	799740	KIT—tube (SOA) (repl. 713706 & 713708)
24	1	1	713711	FITTING—elbow
25	1	1	713705	VALVE—manual shut—off
26	1	1	703831	REGULATOR—pilot
27	1	1	703828	ROD—air shutter
28	1	1	703829	ORIFICE—pilot (.007)
29	1	1	713665	THERMOCOUPLE
30	1	1	713707	TUBING—pilot

FURNISHINGS



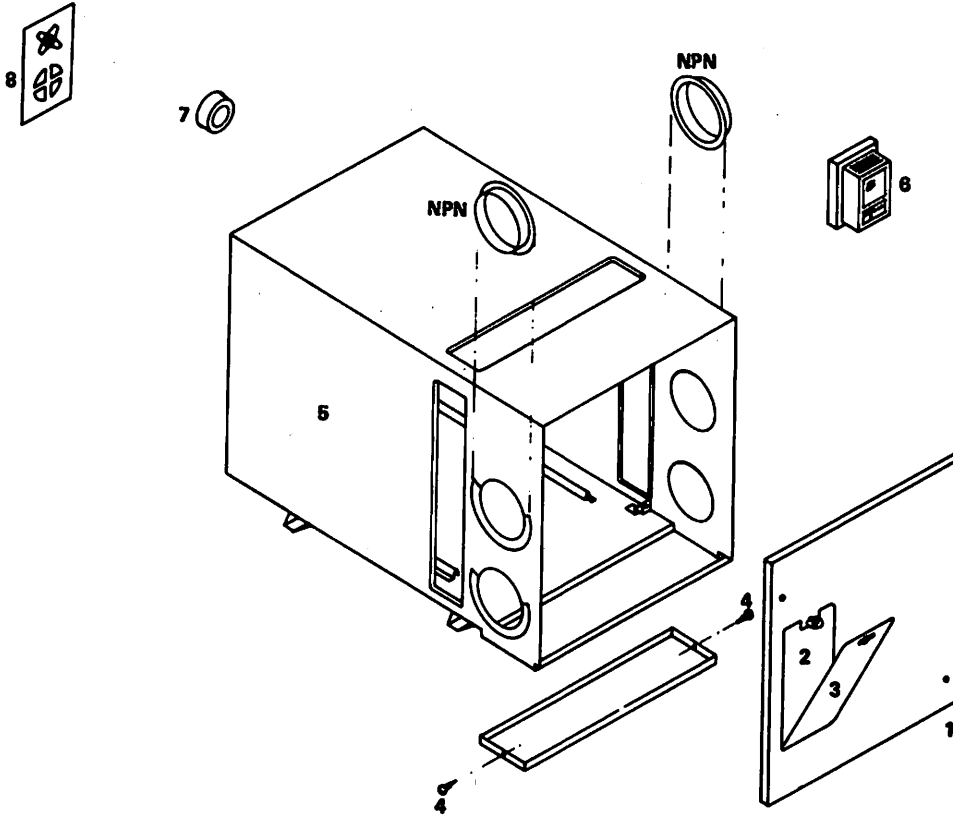
FURNISHINGS

KEY	230	260	PART NUMBER
-----	-----	-----	-------------

28.029 FURNACE—22,000 BTU, SUBURBAN

—	—	—	703801	FURNACE ASSY.—NT22G DYNATRIL (22,000 BTU) (First Design) (ref. only)
—	—	—	713649	FURNACE ASSY.—DYNATRIL (Second Design) (ref. only)
1	1	1	703823	RING—inlet, blower
2	1	1	703820	WHEEL—blower, large
3	1	1	703804	HOUSING—blower
4	1	1	703805	SWITCH ASSY.—micro, incl. paddle (SOA)
5	1	1	703821	WHEEL—blower, small
6	1	1	703822	PLATE—divider, blower
7	1	1	703810	MOTOR—blower (1450 RPM) (BOSCH)
8	2	2	703824	BUSHING—blower & burner
9	1	1	703818	COVER—air intake, blower motor
10	1	1	703834	FITTING—tetrad, blower
11	1	1	703833	PIPE—burner (blackiron)
12	2	2	—	ELBOW—burner 3/8 x 90 street (procure locally)
13	1	1	NPN	PILOT—safety No. TS11-K
14	1	1	—	NIPPLE—burner 3/8" x 1 1/2" (procure locally)
15	1	1	713704	VALVE—solenoid, alpha (SOA)
16	1	1	703832	PIPE—manifold 1/4", burner
17	1	1	703830	SHUTTER—air, burner
18	1	1	703828	ROD—air shutter
19	1	1	703825	BURNER—main
20	1	1	703831	REGULATOR—pilot, burner
21	1	1	703829	ORIFICE—pilot burner (.007)
22	2	2	703815	BURNER—pilot (w/burner & combustion chamber)
23	2	2	703814	THERMOCOUPLE—(w/burner & combustion chamber)
24	1	1	713684	ELECTRODE—combustion chamber (repl. 703837)
25	1	1	703816	CAP—lighter, combustion chamber
26	1	1	703817	CHAIN—lighter, combustion chamber
27	1	1	703826	COVER—air shutter adjustment
28	1	1	703819	KNOB—pilot reset (black)
29	1	1	703827	ROD—reset control
30	1	1	703803	CHAMBER ASSY.—combustion
31	1	1	NS	WRAPPER—radiation
32	1	1	703807	SWITCH ASSY.—fan (145) (SOA)
33	1	1	703806	RELAY—thermostat
34	1	1	NPN	RELAY—AC/DC switching
35	1	1	703808	SWITCH ASSY.—limit (195) (SOA)
—	1	1	703809	IGNITOR ASSY.—impact (SOA)

FURNISHINGS



28P-2002

KEY	250	260	PART NUMBER
-----	-----	-----	-------------

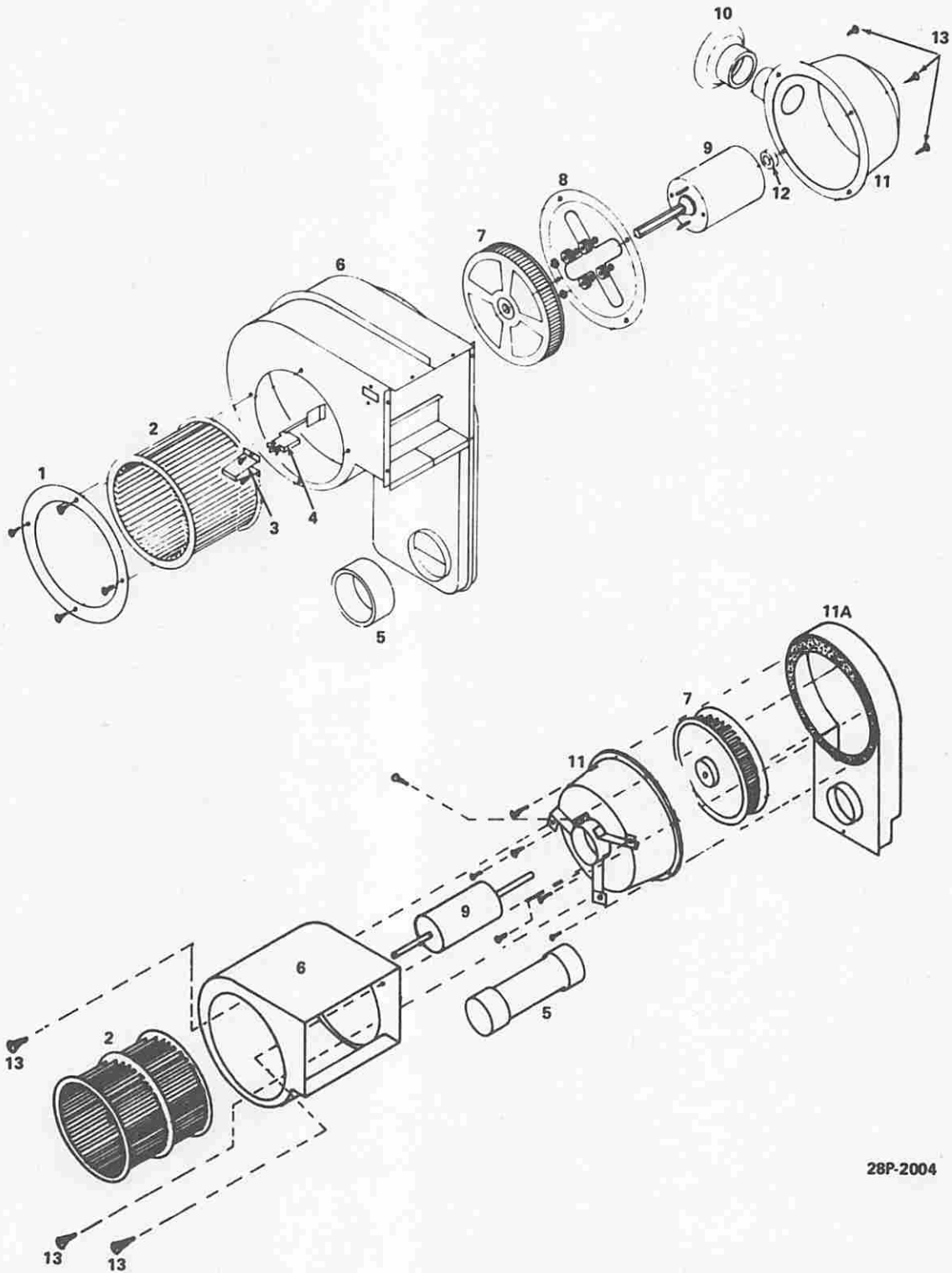
28.029A CABINET—SUBURBAN FURNACE

1	1	1	NS	FRONT—main cabinet
2	1	1	703838	LATCH—door
3	1	1	703839	DOOR—main cabinet, front (First Design)
3	1	1	713700	DOOR—main cabinet, front (Second Design)
4	1	1	—	SCREW—hold down # 8 x 1 (procure locally)
5	1	1	NS	CABINET ASSY.—outer
6	1	1	703813	THERMOSTAT ASSY.—(SOA) (prior to 1975)
6	—	1	2030107	THERMOSTAT ASSY.—(SOA) (w/Sol—Aire furnace) (eff. w/1975) (repl. 791628)
7	1	1	703836	ADAPTER—vent cap
8	1	1	703835	CAP—vent

FURNISHINGS

NOTES

FURNISHINGS



28P-2004

28.029B BLOWER – SUBURBAN FURNACE

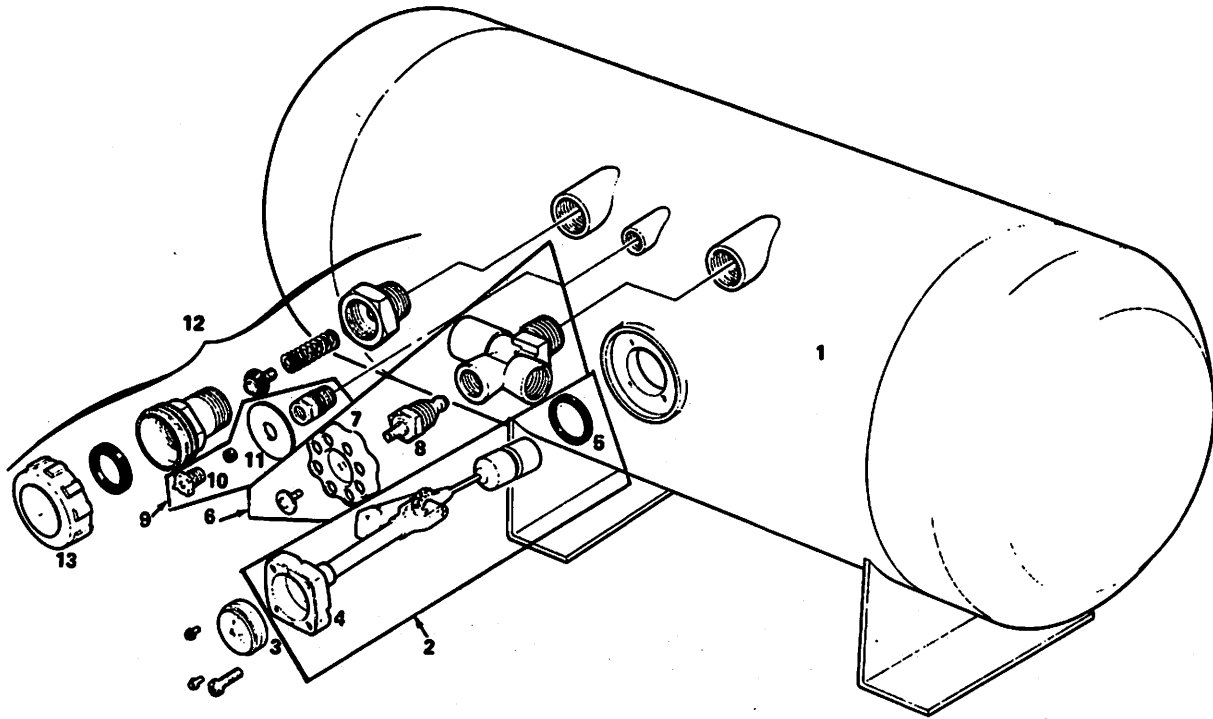
FURNISHINGS

KEY 230 260 PART NUMBER

28.029B BLOWER—SUBURBAN FURNACE

1	1	1	703823	RING—inlet (22000 BTU)
2	1	1	703820	WHEEL—blower, large (22000 BTU)
2	1	1	703845	WHEEL—blower, large (32000 BTU)
3	1	1	713703	COVER—micro switch (22000 BTU)
4	1	1	713651	SWITCH—micro, incl. paddle (22000 BTU)
5	1	1	713709	TUBE—crossover, rubber (22000 BTU)
5	1	1	713714	TUBE—crossover, rubber (32000 BTU)
6	1	1	703804	HOUSING—blower (22000 BTU)
6	1	1	703841	HOUSING—blower (32000 BTU)
7	1	1	703821	WHEEL—blower, small (22000 BTU)
7	1	1	703846	WHEEL—blower, small (32000 BTU)
8	1	1	703822	PLATE—blower divider (22000 BTU)
9	1	1	703810	MOTOR—blower (BOSCH) (22000 BTU)
9	1	1	703843	MOTOR—blower (BOSCH) (32000 BTU)
10	1	1	713710	CUP—vacuum (22000 BTU)
11	1	1	713669	COVER—air intake blower motor (22000 BTU)
11	1	1	713713	COVER—air intake blower motor (32000 BTU)
11A	1	1	703848	COVER—air intake blower motor (32000 BTU)
12	1	1	703824	BUSHING—blower and burner
13	AR	AR	NPN	SCREW

FURNISHINGS



28P-23

28.030 TANK - L.P.G. (INCLUDES VALVES)

FURNISHINGS

KEY	230	260	PART NUMBER	
28.030 TANK—L.P.G. (INCLUDES VALVES)				
1	1	1	703506	TANK ASSY.—liquid propane gas (30 inches) (42.5 lb.)
1	—	1	703507	TANK ASSY.—liquid propane gas (40 inches) (62 lb.) (ref. only) (Frist Design) (No. 703506 & 703507)
NOTE: The above listed tanks (703506 & 703507) use the following 12 parts.				
2	1	1	703511	GAUGE ASSY.—gas tank float (mounts on L.P. tank) (replacement gauge does not include dial customment must order—1—706918 when replacing 703511)
3	1	1	706918	DIAL—gas tank sight/transmitter (repl. 706919) (mounts on dash) (to be used when replacing 703511 gauge)
4	1	1	706914	BODY—float gauge
5	1	1	706915	GASKET—float gauge body
6	1	1	703510	VALVE ASSY.—vapor pol
7	1	1	706912	HANDLE—vapor pol valve
8	1	1	706913	STEM—vapor pol valve
9	1	1	703509	VALVE ASSY.—liquid level outage
10	1	1	NS	SEAT—outage valve (ref. 706909)
11	1	1	706910	DIAL—stop fill
12	1	1	703508	VALVE ASSY.—3/4 inch fill
13	1	1	706911	CAP—tank fill valve
—	—	1	2005737	TANK ASSY.—liquid propane gas (Second Design)
—	—	1	2011557	VALVE ASSY.—high flow service (SOA) (used w/2005737 tank only)
—	—	1	2011558	VALVE ASSY.—tank fill (SOA) (used w/2005737 tank only)
—	—	1	2011559	GAUGE ASSY.—liquid level outage (SOA) (w/overflow) (used w/2005737 tank only)
—	—	1	2011560	GAUGE ASSY.—tank sight (SOA) (w/connection to monitor panel) (used w/2005737 tank only)
—	—	1	2024082	SENDING UNIT—90 OHM SOA (used w/2005737 tank only)
—	1	1	780396	VALVE ASSY.—LP gas regulator (prior to 1978)
—	1	1	2036718	VALVE ASSY.—LP gas regulator (1978) (repl. 2033014)
—	1	1	780833	HOSE ASSY.—LP gas tank to floor
—	—	1	792192	HOSE—flexible, LPG (eff. w/1975)
—	—	1	792193	HOSE—flexible, rubber, LPG (eff. w/1975)
—	—	1	792194	TUBE—LPG, 5/8", compartment to frame (eff. w/1975)
—	—	1	—	SHIELD—LPG, line (procure locally) (eff. w/1975) (ref. 2002983)
—	—	2	666138	CLAMP ASSY.—shield to tube (eff. w/1975)
—	—	1	792196	TUBE—LPG, 5/8", main flame line (eff. w/1975) (prior to Serial No. 6V100878)
—	—	1	2008201	TUBE ASSY.—LPG, rear (eff. w/Serial No. 6V100878)
—	—	1	792198	TUBE—LPG, 5/8", bulk connector to tee above floor (eff. w/1975)
—	—	1	792199	TUBE—LPG, 3/8", tee to range (eff. w/1975) (prior to 1978) (exc./ZEO6582, ZEO6584)
—	—	1	—	TUBE—LPG, 3/8", tee to range (1978) (w/ZEO6581) (ref. 2028120) (procure locally)
—	—	1	2008264	TUBE ASSY.—LPG, tee to range (w/ZEO6582, ZEO6584)
—	—	1	2027033	TUBE ASSY.—LPG, tee to range (w/RPO 685) (eff. w/1977)
—	—	1	3786405	GROMMET—LPG, tube to range
—	—	1	—	ELBOW—LPG to range (procure locally) (ref. 9409816)
—	—	2	117219	REDUCER—LPG tube (eff. w/1975)
—	—	1	792200	TUBE—LPG, 3/8", tee to floor (eff. w/1975)
—	—	1	792191	TEE—LPG (eff. w/1975)
—	—	1	9409840	UNION—swivel, LPG (eff. w/1975)
—	1	1	2032708	TAG—LP gas, decal ("LP gas system, etc.—") (repl. 791686)
—	—	2	NPN	BRACKET—support, LP tube (eff. w/1975) (ref. 792711) (make locally)
—	—	2	NPN	PLATE—mounting regulator hose (eff. w/1975) (ref. 790057) (make locally)
—	—	2	2215842	COUPLING ASSY.—elbow to bulkhead (eff. w/1975)
—	—	1	3866188	CLIP—LPG tube to range (eff. w/1975)
—	—	1	2419766	CLAMP—LPG hose to frame
—	—	5	NPN	CLIP—LPG tube to frame (repl. 2493419)
—	—	1	719178	CLIP—LP tube
—	—	4	2026823	CLIP—LP tube
—	—	6	2390893	CLIP—LP tube (repl. 2488390)
—	—	1	2027013	TUBE ASSY.—LP gas rear rear
—	—	1	792193	HOSE—LP gas rear rear tube to rear tube
—	—	1	2026824	BRACKET—LP gas rear hose
—	—	1	2027015	TUBE ASSY.—LP gas rear

FURNISHINGS

KEY	230	260	PART NUMBER
-----	-----	-----	-------------

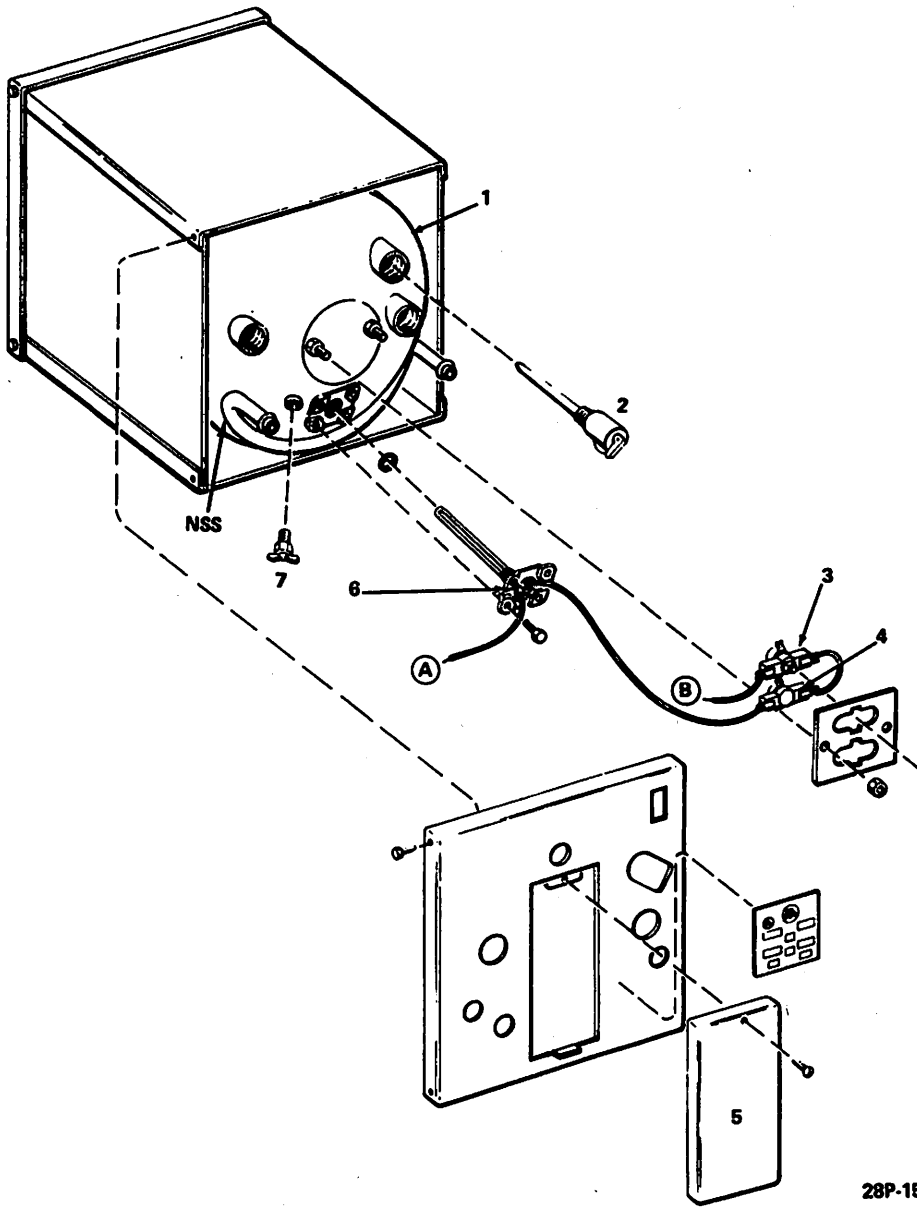
28.030 TANK—L.P.G. (INCLUDES VALVES) (Cont.)

-	-	1	2027011	TUBE ASSY.—LP gas at bulkhead
-	-	1	-	COVER ASSY.—tank (see group 23.065)
-	-	1	2027855	LABEL—LPG tank menthyl alcohol (cold weather operation)

FURNISHINGS

NOTES

FURNISHINGS



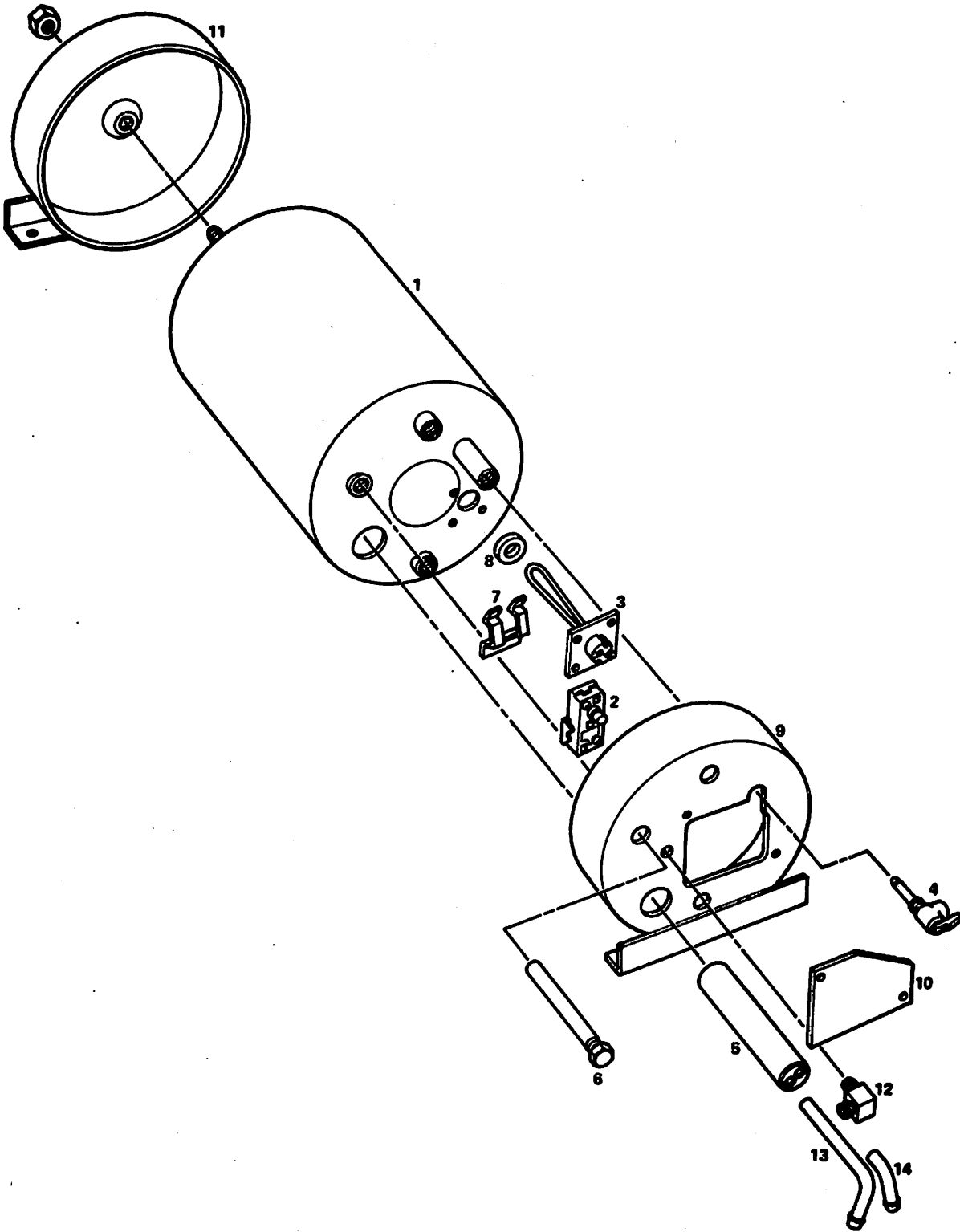
28P-15

28.034 HEATER - WATER (FIRST DESIGN)

FURNISHINGS

KEY	230	280	PART NUMBER	
28.034 HEATER—WATER (FIRST DESIGN)				
—	1	1	707465	HEATER ASSY.—water (1000 watt electric) (complete) (incl. next 8 items)
1	1	1	707466	TANK ASSY.—inner
2	1	1	707470	VALVE ASSY.—relief, temperature and pressure
3	1	1	707468	CONTROL ASSY.—thermostat
4	1	1	707469	CONTROL ASSY.—high temperature
5	1	1	707471	COVER—access
6	1	1	707467	ELEMENT ASSY.—heat (incl. gasket)
7	1	1	NPN	COCK—drain (1/8 thd.) (procure locally)
—	1	1	707472	GASKET—heat element
—	1	1	2464966	TEE—water heater return hose
—	1	1	698319	CLIP—feed and return hose (rolled edge type)
—	—	16	2468869	CLAMP—hot water tank
—	1	1	791687	TAG—water heater switch
—	AR	AR	711541	TEE—water pump hose to return hose
—	—	1	796778	VALVE—check, hot water tank to pump
—	—	1	444044	ELBOW—inlet, hot water tank
—	—	2	—	SPACER—hot water tank (make locally) (w/ZEO6582) (ref. 2007419)
—	—	AR	2224567	TUBE—hot water drain tank (repl. R32600) (9/32" ID x 1/2 OD x 39") (CTL) (w/ZEO6582, ZEO6584)
—	—	AR	9433154	HOSE—hot water safety valve (repl. R34825) (25' roll, CTL) (w/ZEO6582, ZEO6584)
—	—	1	455946	BUSHING—hot water safety valve (w/ZEO6582, ZEO6584)

FURNISHINGS



28.034J HEATER - WATER (SECOND DESIGN)
28-34

28P-43-177

FURNISHINGS

KEY	230	260	PART NUMBER	
28.034J HEATER-WATER (SECOND DESIGN)				
1	1	1	2005305	HEATER ASSY.—water (complete) (12" dia.) (Second Design) (exc./ZE06584)
1	—	1	2024848	TANK ASSY.—water heater hot water (w/ZE06584) (eff w/interm 1977, w/aluminum vent nipples) (details not available at time of publication)
1	—	1	2006742	TANK ASSY.—inner (w/2005305 heater) (exc./ZE06584) (prior to interm 1977, w/plastic vent nipples)
1	—	1	2006740	EXCHANGER ASSY.—heater (w/2005305 heater (preheat) (exc./ZE06584) (prior to interm 1977, w/2006742 tank assy.)
2	—	1	2007713	THERMOSTAT ASSY.—heater (SOA) (w/2005305 water heater) (prior to interm 1977, w/2006742 tank assy.)
2	—	1	2029906	THERMOSTAT ASSY.—heater (SOA) (eff. w/interm 1977, w/2005305 water heater)
3	—	1	2007714	ELEMENT ASSY.—heating (SOA) (w/2005305 water heater)
4	—	1	2007717	VALVE ASSY.—pressure (SOA) (w/2005305 water heater)
5	—	1	2041858	AID ASSY.—motor (SOA) (w/2005305 water heater) (repl. 2007718)
6	—	1	2007720	ROD—arode (w/2005305 water heater)
7	—	1	2007721	BRACKET—thermo (w/2005305 water heater)
8	—	1	2007723	GASKET—element (w/2005305 water heater)
9	—	1	2007724	HOUSING—control, front (w/2005305 water heater)
10	—	1	2007725	DOOR—access (w/2005305 water heater)
11	—	1	2007726	DOOR—rear (w/2005305 water heater)
12	—	1	2007727	ELBOW—conduit, 1/2 inch (w/2005305 water heater)
13	—	1	NS	TUBE—motor aid heat exchanger straight (w/2005305 water heater)(use 2041858)
14	—	1	2021865	TUBE—motor aid heat exchanger bent (w/2005305 water heater)
—	—	16	2488869	CLAMP—hot water tank
—	—	1	444044	ELBOW—inlet, hot water tank
—	—	AR	2224567	TUBE—hot water drain tank (repl. R32600) (9/32" I.D. x 39" CTL)
—	—	AR	9433154	HOSE—hot water safety valve (repl. 34825) (25' roll ctl)

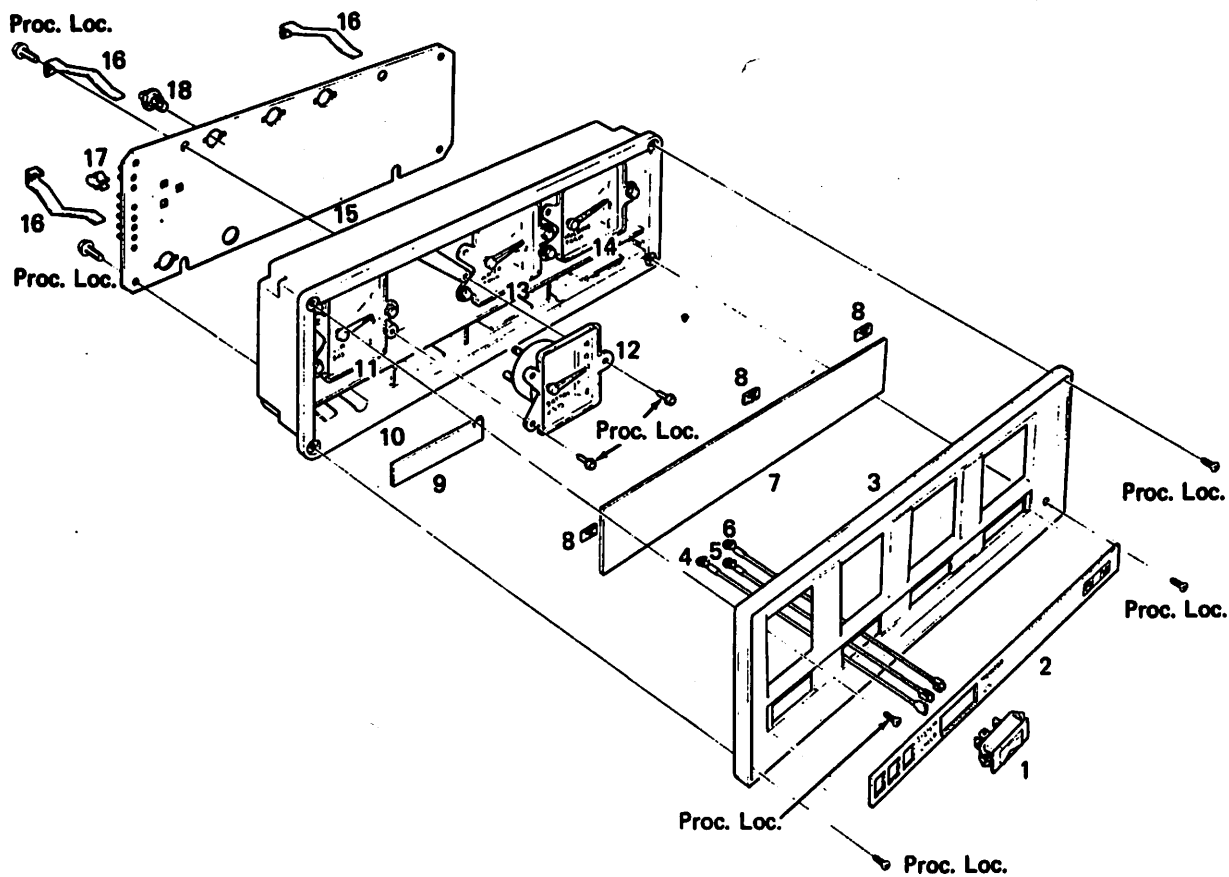
28.038 GAUGE—HOLDING TANK (PANEL)

—	1	1	—	GAUGE—holding tank (exc./ZE06582) (see group 28.040)
—	—	1	2006796	GAUGE—holding tank (w/ZE06582) (details not available at time of publication)

28.039 SENDING UNIT—HOLDING TANK

—	1	1	6429634	SENDER ASSY.—holding unit (repl. 6429587)
—	1	1	1516395	GASKET—sender unit
—	1	1	6429637	GASKET—holding tank sender
—	1	1	2987004	WIRE—ground, sending unit (use w/6429587 sender)
—	2	2	—	NUT ASSY.—wire to sending unit (repl. 271169) (use w/6429587 sender) (procure locally)
—	2	2	—	WASHER—wire to sending unit (procure locally) (ref. 138479)

FURNISHINGS



3P-14005

KEY	230	260	PART NUMBER
-----	-----	-----	-------------

28.040 PANEL—MONITOR

—	1	1	8985038	PANEL ASSY.—monitor (complete)
1	1	1	6499902	SWITCH—monitor panel (3 prong)
2	1	1	NS	APPLIQUE—monitor panel
3	1	1	8985187	BEZEL—instrument cluster
4	1	1	—	WIRE ASSY.—monitor switch — off position (make locally)
5	1	1	—	WIRE ASSY.—monitor switch — feed (make locally)
6	1	1	—	WIRE ASSY.—monitor switch — on position (make locally)
7	1	1	8985188	LENS—instrument cluster and monitor panel
8	3	3	6481318	NUT—push
9	1	1	8985135	FILTER—tell tale
10	1	1	NS	CASE—instrument cluster and monitor panel
11	1	1	6431789	GAUGE—LP gas
12	1	1	6474099	VOLTMETER (prior to 1978)
12	1	1	6473717	VOLTMETER—(w/RPO L04) (1978)
13	1	1	6431790	GAUGE—water tank
14	1	1	6431791	GAUGE—holding tank (see group 28.038 for gauge w/ZE06582)
15	1	1	6499906	BOARD—circuit
16	4	4	6499910	CLIP—spring, circuit board to instrument case
17	12	12	6498641	CLIP—circuit board to instrument case
18	4	4	6456923	SOCKET—lamp (repl. 6457224)
18	4	4	9421330	BULB—(repl. 6457224)
—	3	3	6497106	GASKET—tell tale filter

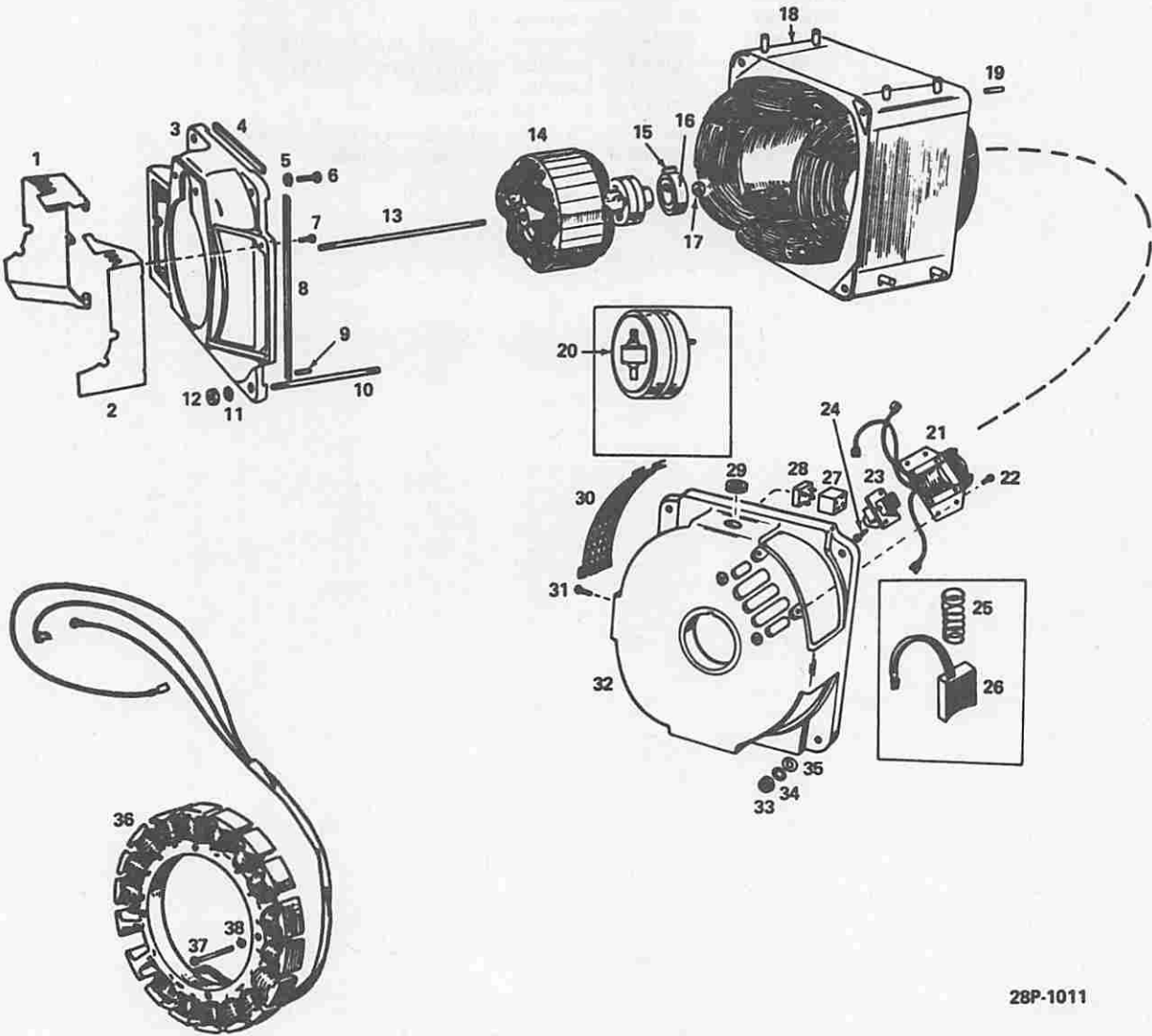
FURNISHINGS

KEY 230 260 PART NUMBER

28.042 LINES—MOTOR GENERATOR FUEL

-	1	1	3744155	ELBOW—fuel hose
-	AR	AR	9432787	HOSE—fuel (25' CTL) (prior to 1977)
-	-	1	9436889	HOSE—motor generator fuel inlet (eff. w/1976)
-	-	AR	2224546	LOOM—motor generator fuel inlet hose (eff. w/1976)
-	-	1	9436889	SUCTION HOSE—fuel, motor generator
-	2	2	2468869	CLAMP—hose
-	3	3	2397582	CLIP—hose (spring type)
-	1	1	5168001	CLIP—fuel hose (hair pin type) (repl. 5151108)
-	2	2	3866188	CLIP—fuel hose (clamp type) (repl. 3941477)
-	1	1	719177	CLIP—fuel hose (w/RPO NRE)
-	1	1	676543	STRAP ASSY.—fuel hose
-	1	1	797242	VALVE ASSY.—solenoid, fuel line (4KW and 6KW ONAN) (SOA)
-	2	2	2436165	WASHER—bolt, fuel hose (w/RPO NRE)

FURNISHINGS



28.044 GENERATOR - ONAN 4KW

28P-1011

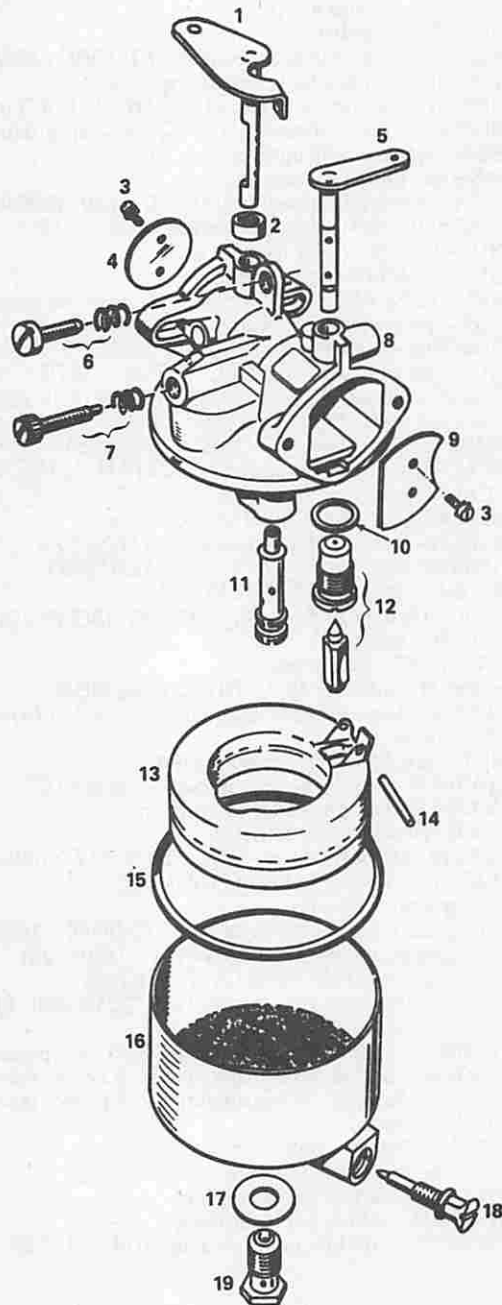
FURNISHINGS

KEY 230 280 PART NUMBER

28.044 GENERATOR—ONAN 4KW

—	—	1	706128	GENERATOR ASSY.—Onan 4KW (complete)
NOTE: Items marked * procure from Onan Corp.				
NOTE: The above Generator Assembly No. 706128 includes the following items in groups 28.044 thru 28.044K and the Solenoid Valve Assembly No. 797242 in group 28.042.				
1	1	1	707154	DUCT—generator air. (LH)
2	1	1	707153	DUCT—generator air. (RH)
3	1	1	707155	ADAPTER—control
4	2	2	* NS	SEAL—generator to adapter (ref. 707156) (232A2368)
5	4	4	103321	WASHER—lock, adapter mounting (3/8)
6	AR	AR	9420462	SCREW—adapter mounting (3/8—16 x 1-1/4") (hex)
7	AR	AR	—	SCREW—air duct mounting (10—32 x 3/8) (procure locally)
8	2	2	707156	SEAL—generator to adapter
9	4	4	707157	PIN—roll, generator adapter
10	4	4	* NS	STUD—generator mounting(ref. 707158) (520A731)
11	AR	AR	103320	WASHER—lock, generator through stud (5/16")
12	AR	AR	707174	NUT—hex, generator through stud
13	1	1	—	STUD—rotor through (procure locally)
14	1	1	* NS	ARMATURE ASSY.—wound (incl. bearing and collector ring)(ref. 707101)(201D1986)
15	1	1	707161	CLIP—generator bearing stop
16	1	1	* NS	BEARING—ball (ref. 707160) (510P47)
17	1	1	* NS	NUT—rotor through stud (ref. 707162) (870 - 273)
18	1	1	* NS	FRAME AND STATOR—wound (ref. 707163) (220D1857)
19	4	4	* NS	PIN—roll (ref. 707157) (156 - 182)
20	1	1	* NS	RING—collector (ref. 707159) (204C115)
21	1	1	* NS	REACTOR—compounding (ref. 707171) (315C380)
22	4	4	—	SCREW—hex, reactor mounting (10—32 x 7/8") (procure locally)
23	2	2	707102	BLOCK ASSY.—(incl. brushes and spring)
24	4	4	—	SCREW—hex, brush block mounting (10—32 x 7/8) (procure locally)
25	4	4	* NS	SPRING—brush (ref. 707170) (212A1232)
26	4	4	* NS	BRUSH (ref. 707169) (214A96)
27	1	1	* NS	PLUG—rectifier bridge (ref. 707168) (305B519)
28	1	1	707164	BRIDGE—rectifier
29	1	1	707167	GROMMET—output lead
30	3	3	* NS	SCREEN—end bell (ref. 707166) (234B46)
31	1	1	—	SCREW—hex, rectifier mounting (8—32 x 1-1/4) (procure locally)
32	1	1	707165	BELL—end
33	AR	AR	707174	NUT—hex, generator, through stud
34	AR	AR	103320	WASHER—lock, generator through stud (5/16")
35	4	4	707173	WASHER—flat, generator thorough stud
36	1	1	707184	STATOR—charging alternator
37	3	3	707185	SCREW—stator mounting (10—32 x 1-1/2") (round head)
38	3	3	707186	WASHER—stator mounting (10) (lock)
—	1	1	707409	KIT—gasket, oil pump
—	1	1	* NS	KIT—gasket, carbon removal (ref. 707410) (168K123)
—	1	1	* NS	KIT—gasket, engine (ref. 707411) (168K126)
—	1	1	* NS	KIT—overhaul (ref. 707412) (522K268)
—	1	1	* NS	KIT—carburetor air pre—heater (ref. 2018249) (140 - 1361)
—	1	1	710573	HARNESS—wiring, alternator
—	1	1	715810	HARNESS—generator to utility box. (incl. receptacle)
—	1	1	714228	SWITCH—remote, on and off (interior, 8 prong) (see group 28.044C)
—	1	1	719649	SWITCH—remote, on and off (interior, 5 prong) (see group 28.044C)
—	1	1	717015	GUARD—mud
—	2	2	710770	SCREW—battery cable terminal
—	4	4	710771	NUT—battery cable terminal
—	2	2	710773	WASHER—battery cable terminal
—	1	1	710774	WASHER—battery cable terminal
—	1	1	* NS	GROMMET—battery cable thru pan (ref. 710624) (508A60)

FURNISHINGS



28P-1002

28.044A CARBURETOR - ONAN 4KW GENERATOR

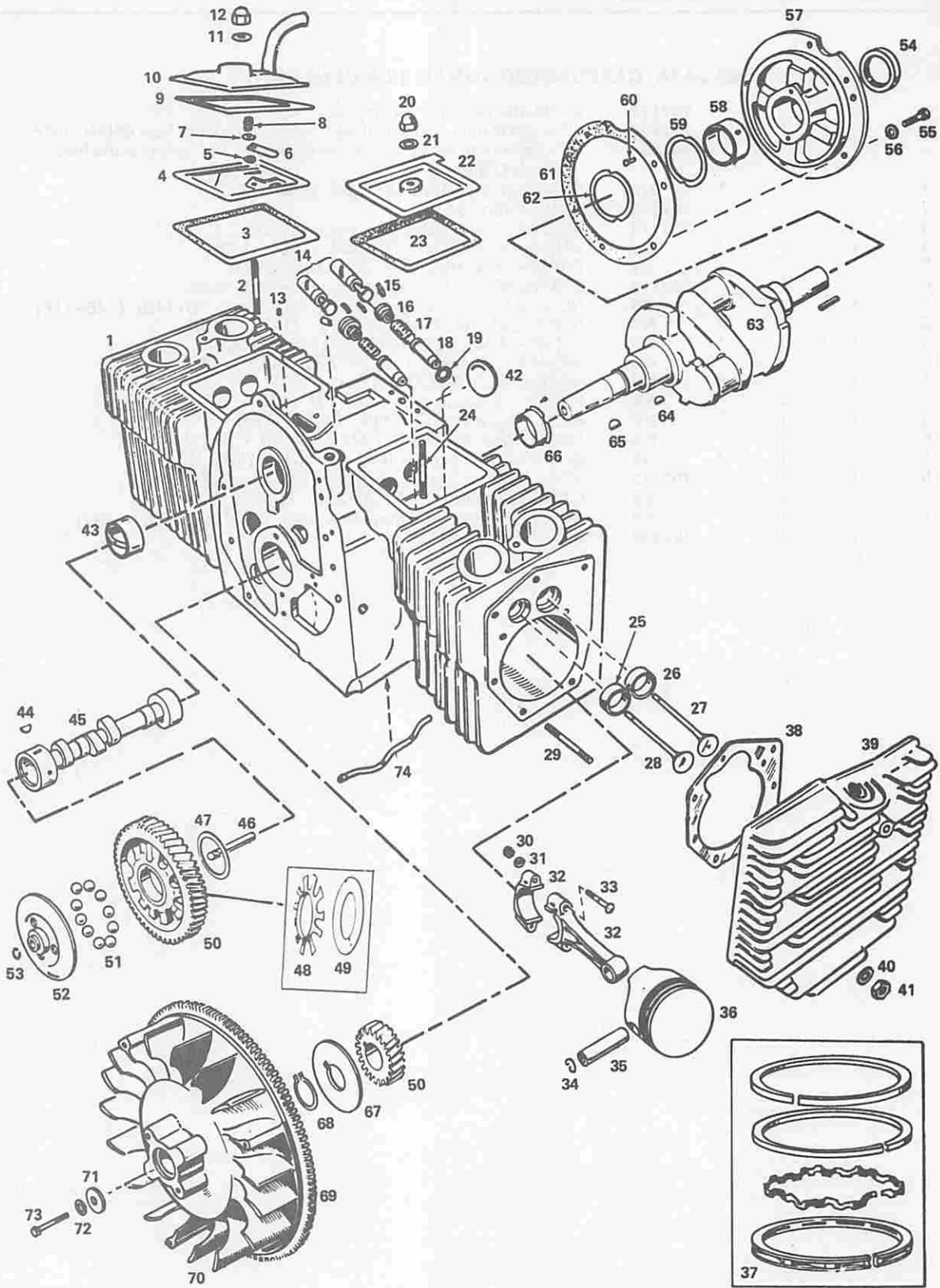
FURNISHINGS

KEY 230 260 PART NUMBER

28.044A CARBURETOR—ONAN 4KW GENERATOR

—	1	1		707112	CARBURETOR ASSY.—complete
—	1	1		707407	KIT—gasket (incl. items marked *) (ref. only procure from ONAN CORP.)
—	1	1		707408	KIT—carburetor repair (incl. items marked *) (ref. only procure from ONAN CORP.)
1	1	1	*	NS	SHAFT—throttle (ref. 707224) (146 - 172)
2	1	1		707225	SEAL—throttle shaft
3	4	4		707118	SCREW—throttle valve (incl. washer) (SOA)
4	1	1	*	NS	VALVE—throttle (ref. 707226) (146 - 173)
5	1	1	*	NS	SHAFT—choke (ref. 707223) (146 - 174)
6	1	1		707119	SPRING ASSY.—body adjusting (incl. screw) (SOA)
7	1	1	*	NS	NEEDLE ASSY.—idler (incl. spring) (SOA) (ref. 707116) (146P116)
8	1	1	*	NS	BODY—carburetor (ref. 707222) (146 - 170)
9	1	1	*	NS	VALVE—choke (ref. 707227) (146 - 175)
10	1	1	*	NS	GASKET—valve seat (ref. 707228) (146 - 182)
11	1	1	*	NS	NOZZLE (ref. 707229) (146 - 181)
12	1	1	*	NS	FLOAT—valve seat (ref. 707117) (146 - 179)
13	1	1	*	NS	FLOAT—bowl (ref. 707114) (146 - 176)
14	1	1	*	NS	SHAFT—bowl float (ref. 707230) (146 - P111)
15	1	1	*	NS	GASKET—body to bowl (ref. 707231) (146 - 184)
16	1	1		707113	BOWL ASSY.—(incl. power needle and screw) (SOA)
17	2	2	*	NS	GASKET—bowl nut (ref. 707232) (146 - 183)
18	1	1	*	NS	NEEDLE—power carburetor bowl (ref. 707115) (146 - 187)
19	1	1		707234	RETAINER—bowl

FURNISHINGS



28.044B ONAN 4KW GENERATOR CYLINDER
BLOCK, CRANKSHAFT, FLYWHEEL, CAMSHAFT
AND PISTON

28P-1006

FURNISHINGS

KEY 230 260 PART NUMBER

**28.044B ONAN 4KW GENERATOR—CYLINDER BLOCK CRANKSHAFT,
FLYWHEEL, CAMSHAFT AND PISTON**

NOTE: Items marked with asterisk are included in Block Assembly.

1	1	1	*	NS	BLOCK ASSY.— (ref. 707142) (110A1975)
2	12	12	*	NS	STUD—cylinder head (5/16 x 1-1/16") (ref. 707414) (520A759)
3	1	1		707364	GASKET—valve cover
4	1	1	*	NS	BAFFLE—breather (ref. 707366) (123C1225)
5	1	1		707416	WASHER—flat, breather valve (1/4 steel)
6	1	1	*	NS	VALVE—breather (ref. 707367) (123A1175)
7	1	1		707416	WASHER—flat, breather valve (1/4 steel)
8	1	1	*	NS	SPRING—breather valve (ref. 707368) (123A1174)
9	1	1	*	NS	GASKET—valve cover (ref. 707364) (110A1921)
10	1	1	*	NS	COVER—valve compartment with tube for breather hose, LH (110C1960)
11	1	1		9419892	WASHER—flat, valve compartment cover (1/4" copper)
12	1	1		124818	NUT—acorn, valve compartment cover (1/4-20)
13	1	1	*	707356	PLUG—impulse
14	4	4		707363	TAPPET—valve (.005" oversize)
15	8	8	*	NS	LOCK—valve and spring retainer (ref. 707361) (110A639)
16	4	4	*	NS	RETAINER—valve spring (ref. 707360) (110A893)
17	4	4	*	NS	SPRING—valve (ref. 707359) (110A539)
18	4	4	*	707358	GUIDE—valve
19	2	2	*	707357	GASKET—valve guide (intake)
20	1	1		-	NUT—acorn, valve compartment cover (1/4-20) (procure locally)
21	1	1		9419892	WASHER—flat, valve compartment cover (1/4" copper)
22	1	1	*	NS	COVER—valve compartment without tube for breather hose, RH (110C1879)
23	1	1	*	NS	GASKET—valve cover (ref. 707364) (110A68)
24	1	1	*	NS	STUD—valve compartment cover (1/4 x 2-1/16") (ref. 707415) (520A757)
25	2	2	*	707329	INSERT—valve seat exhaust (standard)
25	2	2	*	707330	INSERT—valve seat exhaust (.002" oversize)
25	2	2	*	707331	INSERT—valve seat exhaust (.005" oversize)
25	2	2	*	707305	INSERT—valve seat exhaust (.010" oversize)
25	2	2	*	707332	INSERT—valve seat exhaust (.025" oversize)
26	2	2	*	707333	INSERT—valve seat intake (standard)
26	2	2	*	707334	INSERT—valve seat intake (.002" oversize)
26	2	2	*	707335	INSERT—valve seat intake (.005" oversize)
26	2	2	*	707336	INSERT—valve seat intake (.010" oversize)
26	2	2	*	707337	INSERT—valve seat intake (.025" oversize)
27	2	2	*	NS	VALVE—intake (ref. 707327) (110B1808)
28	2	2	*	NS	VALVE—exhaust (ref. 707328) (110B1809)
29	6	6	*	NS	STUD—cylinder heat (5/16 x 2-5/16") (ref. 707413) (520A424)
30	4	4		707323	NUT—hex, connecting rod cap
31	4	4		707322	WASHER—flat, connecting rod bolt
32	2	2	*	NS	ROD ASSY.—connecting (standard) (ref. 707130) (114B225)
32	2	2		707131	ROD ASSY.—connecting (.010" undersize)
32	2	2		707132	ROD ASSY.—connecting (.020" undersize)
32	2	2		707133	ROD ASSY.—connecting (.030" undersize)
33	4	4		707321	SCREW—connecting rod (special)
34	4	4		707320	RING—piston pin retaining
35	2	2		707318	PIN—piston (standard)
35	2	2		707319	PIN—piston (.002" oversize)
36	2	2	*	NS	PISTON—(incl. pin and retaining ring) (standard) (First Design) (112 - 123)
36	2	2		721448	PISTON—(incl. pin and retaining ring) (standard) (Second Design)
36	2	2	*	NS	PISTON—(incl. pin and retaining ring) (.005" oversize) (repl. 707135) (112 - 134 - 05)
36	2	2	*	NS	PISTON—(incl. pin and retaining ring) (.010" oversize) (repl. 707136) (112 - 134 - 010)
36	2	2	*	NS	PISTON—(incl. pin and retaining ring) (.020" oversize) (repl. 707137) (112 - 134 - 020)
36	2	2	*	NS	PISTON—(incl. pin and retaining ring) (.030" oversize) (repl. 707138) (112 - 134 - 030)
36	2	2	*	NS	PISTON—(incl. pin and retaining ring) (.040" oversize) (repl. 707139) (112 - 134 - 040)
37	2	2		2014413	RING SET—piston (standard) (repl. 707312, 721454)
37	2	2		721455	RING SET—piston (.005" oversize) (repl. 707313)
37	2	2	*	NS	RING SET—piston (.010" oversize) (repl. 707314) (ref. 721456) (113A174 - 010)
37	2	2	*	NS	RING SET—piston (.020" oversize) (repl. 707315) (ref. 721457) (113A)
37	2	2	*	NS	RING SET—piston (.030" oversize) (repl. 707316) (ref. 721459) (113A174 - 030)
37	2	2	*	NS	RING SET—piston (.040" oversize) (repl. 707317) (ref. 721460) (113A174 - 040)
-	2	2		2014414	EXPANDER—piston ring
38	2	2		707326	GASKET—cylinder heat
39	1	1	*	NS	HEAD—cylinder (2 cylinder) (RH) (ref. 707324) (110D1924)

FURNISHINGS

KEY 230 260 PART NUMBER

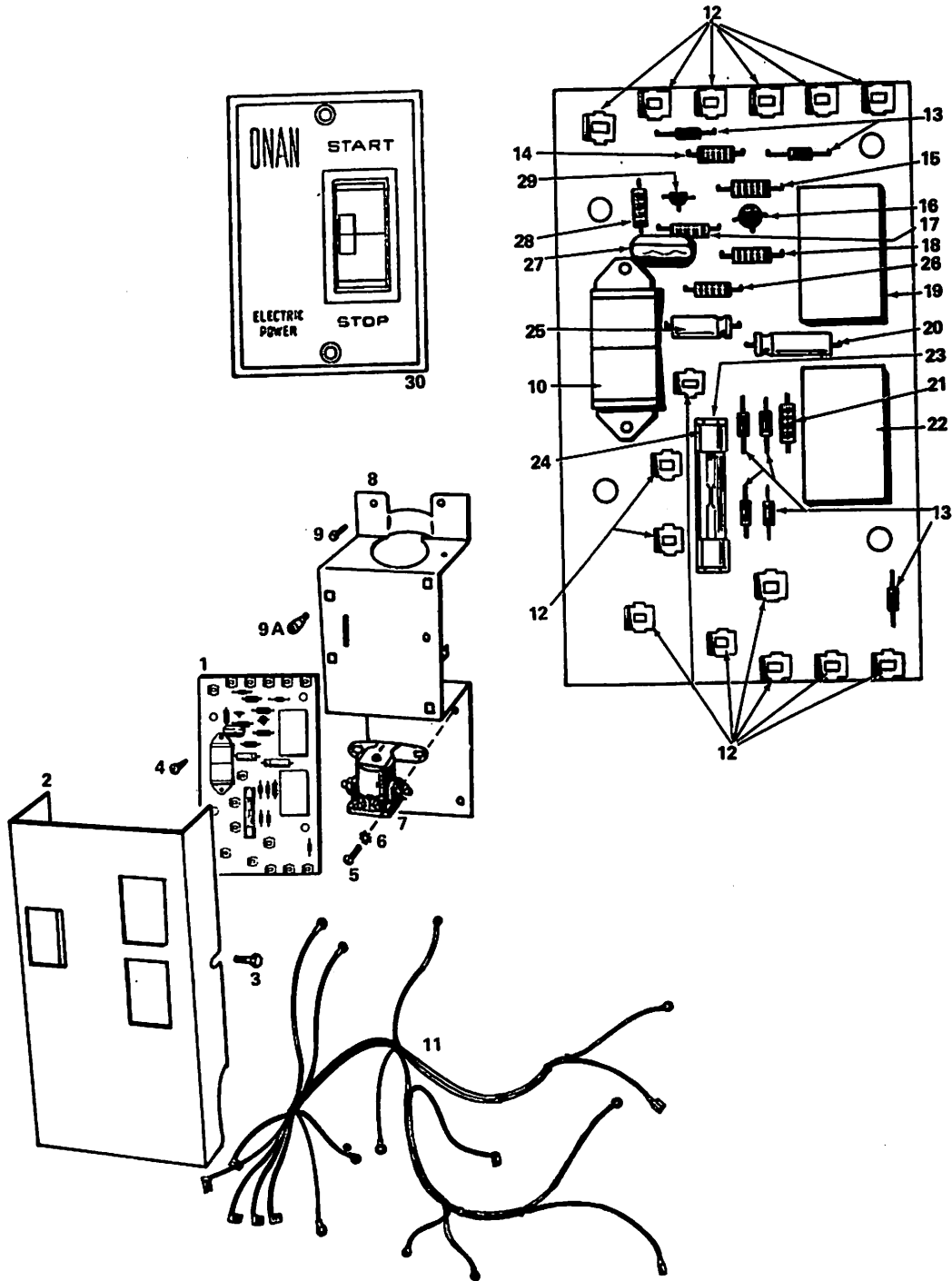
28.044B ONAN 4KW GENERATOR—CYLINDER BLOCK CRANKSHAFT, FLYWHEEL, (Cont.)

39	1	1	*	NS	HEAD—cylinder (1 cylinder) (LH) (ref. 707325) (110D1925)
40	18	18		9418304	WASHER—flat cylinder head stud (5/16" steel)
41	18	18		9421077	NUT—hex. cylinder head (5/16—24)
42	1	1	*	707345	PLUG—camshaft. expansion
43	2	2	*	NS	BEARING—camshaft (precision) (ref. 707344) (101A367)
44	1	1	*	NS	KEY—camshaft gear mounting (ref. 707297) (515 - 1)
45	1	1	*	NS	CAMSHAFT—(incl. center pin) (ref. 707140) (105A376)
46	1	1	*	NS	PIN—camshaft center (ref. 707298) (150A75)
47	1	1	*	NS	WASHER—camshaft gear thrust (ref. 707299) (105A4)
48	1	1		711492	PLATE—governor ball
49	1	1		711493	SPACER—governor ball
50	1	1		707300	GEAR SET—timing (incl. camshaft and crankshaft gear)
51	10	10		707301	BALL—fly. governor
52	1	1	*	NS	CUP—governor (ref. 707302) (150B162)
53	1	1	*	NS	RING—camshaft center pin (re. 707303) (150A78)
54	1	1	*	707355	SEAL—bearing plate
55	5	5		9420462	SCREW—hex cap. bearing plate mounting (3/8—16 x 1-1/4")
56	5	5	*	103321	WASHER—lock. rear bearing plate (3/8")
57	1	1	*	707354	PLATE—rear bearing (excludes bearing)
58	1	1	*	707346	BEARING—crankshaft rear (standard)
58	1	1	*	707347	BEARING—crankshaft rear (.002" undersize)
58	1	1	*	707348	BEARING—crankshaft rear (.010" undersize)
58	1	1	*	707349	BEARING—crankshaft rear (.020" undersize)
58	1	1	*	707350	BEARING—crankshaft rear (.030" undersize)
59	AR	AR	*	NS	SHIM—rear bearing plate (.005") (ref. 707352) (104A776)
60	4	4	*	707293	PIN—main bearing stud
61	1	1	*	707353	GASKET—bearing plate
62	2	2	*	707351	WASHER—crankshaft bearing thrust
63	1	1	*	NS	CRANKSHAFT (ref. 707304) (104D804)
64	1	1		707297	KEY—crankshaft gear mounting
65	1	1	*	NS	KEY—flywheel mounting (ref. 707306) (515 - 2)
66	1	1	*	NS	BEARING—crankshaft, front (standard) (ref. 707339) (101K432)
66	1	1	*	707340	BEARING—crankshaft, front (.002" undersize)
66	1	1	*	707341	BEARING—crankshaft, front (.010" undersize)
66	1	1	*	707342	BEARING—crankshaft, front (.020" undersize)
66	1	1	*	707343	BEARING—crankshaft, front (.030" undersize)
67	1	1	*	NS	WASHER—crankshaft gear retaining (ref. 707307) (104A43)
68	1	1		707308	LOCK—crankshaft gear washer
69	1	1	*	NS	GEAR—ring. flywheel (ref. 707309) (104C779)
70	1	1		707141	FLYWHEEL—(incl. ring gear and magnet ring)
71	1	1		707310	WASHER—flat. flywheel mounting
72	1	1		707311	WASHER—lock. flywheel mounting
73	1	1		—	SCREW—hex. flywheel mounting (7/16—14 x 4) (procure locally)
74	1	1	*	707338	TUBE—crankcase oil

FURNISHINGS

NOTES

FURNISHINGS

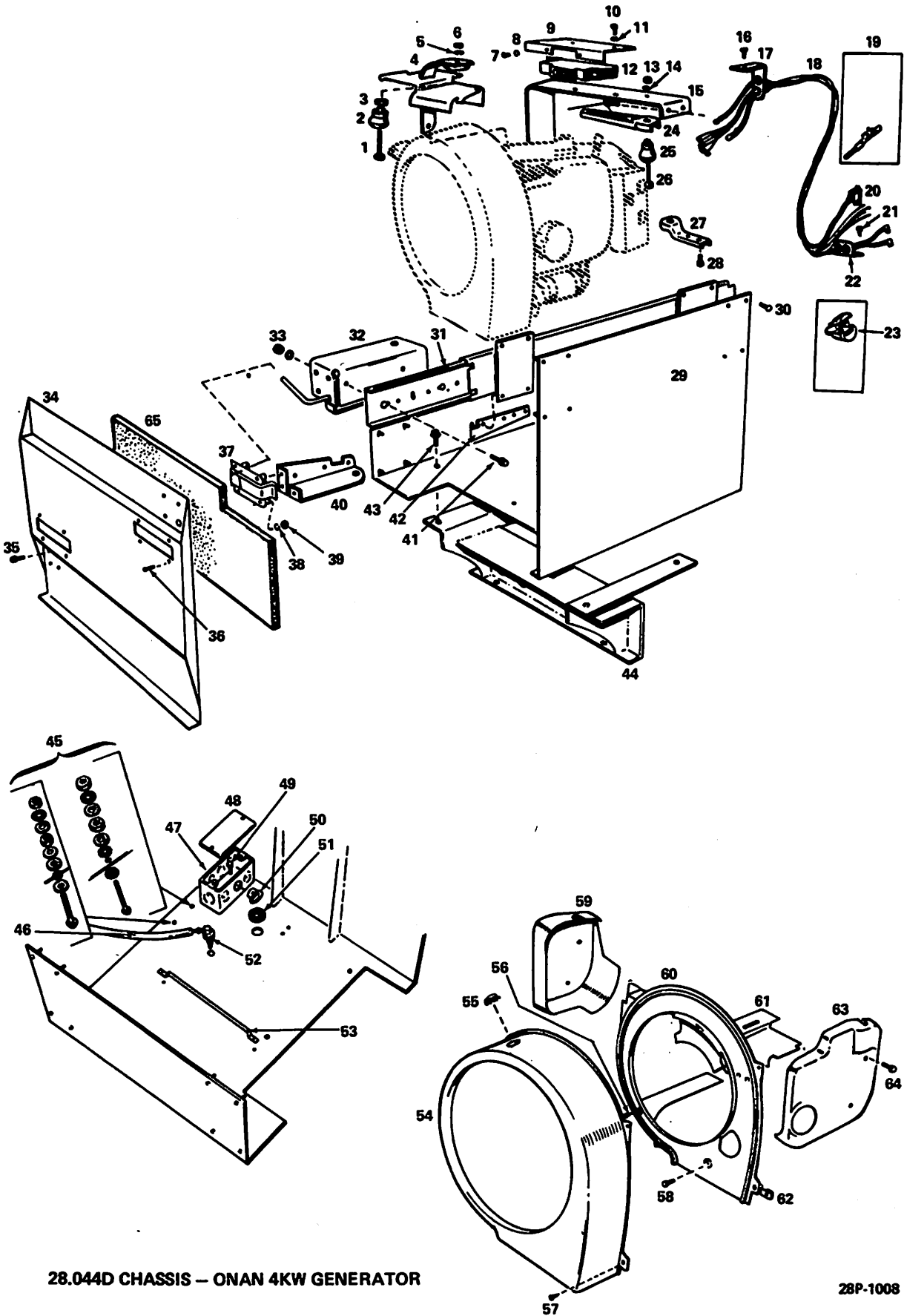


28.044C CONTROL - ONAN 4KW GENERATOR

FURNISHINGS

KEY	230	260	PART NUMBER	
28.044C CONTROL—ONAN 4KW GENERATOR				
1	1	1	793986	CONTROL ASSY.—generator (incl. next 19 items) (repl. 707144)
—	1	—	711483	CAPACITOR—control (100 MFD. 15 VDC)
—	4	—	707374	RECTIFIER—control silicon
—	1	—	793988	RELAY—control start disconnect
—	1	—	793989	RELAY—control engine stop
—	1	—	707377	RESISTOR—control 100—OHM 1/2 watt
—	1	—	707378	RESISTOR—control 330 OHM 1/2 watt
—	1	—	NS	SWITCH—control (ref. 707379) (308A320)
—	15	—	707380	TAB—control stake
—	1	—	710759	CAPACITOR—(5MFD., 25 volt)
—	1	—	710760	CAPACITOR—(1 MFD., 100 volt)
—	1	—	2000363	RECTIFIER—gate cont (8 amp., 30 volt)
—	1	—	710762	FUSE—(5 amp.)
—	2	—	710763	CLIP—fuse holder
—	1	—	710764	TRANSISTOR—Uni Junction
—	1	—	710765	RESISTOR—(200 OHM, 1/2 watt)
—	1	—	710766	RESISTOR—(470K OHM, 1/2 watt)
—	1	—	710767	RESISTOR—(27K OHM, 1/2 watt)
—	1	—	710768	RESISTOR—(16K OHM, 1/2 watt)
—	1	—	710769	RESISTOR—(2.7 OHM, 1/2 watt)
2	1	1	NS	COVER—control (ref. 707381) (301B3597)
3	2	2	707382	SCREW—control cover mounting (10 x 1/2") (hex)
4	4	4	—	SCREW—sheet metal, control to bracket (8 x 1") (procure locally)
5	2	2	—	SCREW—round head, start solenoid mounting (1/4—20 x 3/8") (procure locally)
6	2	2	707371	WASHER—start solenoid mounting shake proof
7	1	1	707143	RELAY—start solenoid
8	1	1	707370	BRACKET—control and coil, mounting
9	4	4	—	SCREW—control bracket mounting (10—32 x 5/16") (hex) (procure locally)
9A	4	4	707372	NUT—insulating control to bracket
10	1	1	707379	SWITCH
11	1	1	707145	HARNESS—wiring, control to engine
12	15	15	* 707380	TAB—stake
13	7	7	* 707374	RECTIFIER—silicon
14	1	1	* 707378	RESISTOR—(330—OHM-1/2 watt)
15	1	1	* NPN	RESISTOR—(470—OHM-1/2 watt)
16	1	1	* NPN	TRANSISTOR—unijunction
17	1	1	* 707377	RESISTOR—(100—OHM-1/2 watt)
18	1	1	* NPN	RESISTOR—(16K—OHM-1/2 watt)
19	1	1	* 793988	RELAY—start disconnect (repl. 707375)
20	1	1	* 711483	CAPACITOR—(100 med. 16V—DC) (repl. 711483)
21	1	1	* NPN	RESISTOR—(200—OHM-1/2 watt)
22	1	1	* 793989	RELAY—engine stop (repl. 707376)
23	1	1	* NPN	FUSE—5 amp.
24	2	2	* NPN	CLIP—fuse holder
25	1	1	* NPN	CAPACITOR—(5 med., 25 volt)
26	1	1	* NPN	RESISTOR—(27K—OHM-1/2 watt)
27	1	1	* NPN	CAPACITOR—(.1 med., 100 volt)
28	1	1	* NPN	RESISTOR—(2.7—OHM-1/2 watt)
29	1	1	* NPN	RECTIFIER—gate control (8 amp., 30 volt)
30	1	1	719649	SWITCH—remote, on and off (interior) (repl. 714228)
—	1	1	* 711484	LABEL—control

FURNISHINGS



28.044D CHASSIS - ONAN 4KW GENERATOR

28P-1008

FURNISHINGS

KEY	230	260	PART NUMBER	
28.044D CHASSIS—ONAN 4KW GENERATOR				
1	2	2	* NS	BOLT—cushion mounting (ref. 707395) (402A412)
2	2	2	707394	CUSHION—mount
3	1	1	* NS	SPACER—cushion mounting (ref. 707396) (402A413)
4	1	1	* NS	FOOT ASSY.—engine mounting RH (SOA) (ref. 707149) (403A1019)
5	2	2	103321	WASHER—lock, generator support mounting (3/8")
6	4	4	707417	NUT—self locking cushion mount
7	2	2	—	SCREW—round head circuit breaker mounting (6—32 x 1/4) (procure locally)
8	1	1	—	WASHER—lock, circuit breaker mounting (6) (procure locally)
9	1	1	707398	BRACKET—circuit breaker mounting
10	2	2	—	SCREW—self locking, circuit breaker bracket mounting (1/4—20 x 3/8")
11	1	1	—	WASHER—lock, circuit breaker mounting (6) (procure locally)
12	1	1	707397	BREAKER—circuit
13	2	2	707417	NUT—self locking mounting
14	2	2	103321	WASHER—lock, generator support mounting (3/8)
15	1	1	707391	YOKE—generator support
16	AR	AR	—	SCREW—self locking, wiring harness bracket mounting (1/4—20 x 3/8) (hex head) (procure locally)
17	1	1	707390	BRACKET—harness mounting (part of wiring harness)
18	1	1	* NS	HARNES—wiring, chassis (ref. 707147) (338D702)
19	6	6	707389	CONTACT—connection (part of wiring harness)
20	1	1	707388	BODY—connection (part of wiring harness)
21	AR	AR	—	SCREW—wiring harness, bracket mounting (1/4—20 x 3/8") (self locking hex) (procure locally)
22	1	1	707387	BRACKET—harness (part of wiring harness)
23	4	4	707386	RELIEF—strain (part of wiring harness)
24	1	1	* NS	SUPPORT—generator (RH) (ref. 707393) (232C2364)
25	2	2	* NS	CUSHION—mount (ref. 707394) (402B283)
26	2	2	707395	BOLT—cushion mount
27	1	1	707392	SUPPORT—generator (LH)
28	AR	AR	9420462	SCREW—generator support (3/8—16 x 1-1/4) (hex cap)
29	1	1	707399	PAN—mounting base
30	16	16	707418	SCREW—press, slide rail mounting (1/4—20 x 3/4) (hex head)
31	2	2	707152	SLIDE ASSY.
32	1	1	* NS	BRACKET AND CATCH ASSY.—safety (SOA) (ref. 707146) (405B1950)
33	AR	AR	9422273	NUT—self locking, slide rail mounting (1/4—20)
34	1	1	707151	DOOR—slide out (SOA)
35	AR	AR	—	SCREW—self locking, door latch mounting (1/4—20 x 3/8) (procure locally)
36	AR	AR	—	SCREW—self locking, slide rail (1/4—20 x 3/8) (procure locally)
37	2	2	711485	LATCH—door (SOA) (repl. 707150)
38	1	1	—	WASHER—lock, circuit breaker (6) (procure locally)
39	AR	AR	9422273	NUT—self locking, door latch mounting (1/4—20)
40	1	1	* NS	BRACKET—engine end (LH) (ref. 707264) (405C1958)
41	AR	AR	—	SCREW—self locking slide rail (1/4—20 x 3/8) (procure locally)
42	2	2	707400	BRACKET—latch strike
43	AR	AR	9427321	SCREW—set, mounting bracket to base pan (3/8 x 1—1/4) hex cap, self locking (300M)
44	1	1	707401	BRACKET—set mounting
45	1	1	—	KIT—bolt and nut (procure locally)
46	1	1	* NS	HOSE—fuel (ref. 707406) (503A673)
47	1	1	707402	BOX—junction
48	1	1	707403	COVER—junction box
49	3	3	—	SCREW—self locking, junction box mounting (1/4—20 x 3/8") (procure locally)
50	1	1	707404	BUSHING—junction box
51	1	1	710624	GROMMET—battery cable, pan
52	1	1	707405	CONNECTOR—elbow fuel line
53	1	1	710606	BRACKET—fuel line return
54	1	1	707187	COVER—blower housing, scroll
55	1	1	710572	PLUG—scroll cover, dot button
56	4	4	707188	SCREW—scroll mounting (sheet metal)
57	4	4	707188	SCREW—scroll cover mounting (sheet metal)
58	4	4	—	SCREW—air cylinder housing mounting (1/4—20 x 7/16) (hex head) (procure locally)
59	1	1	* NS	HOUSING—air cylinder, LH (ref. 707193) (134D2565)
60	1	1	* NS	SCROLL—blower housing (ref. 707190) (134C2570)

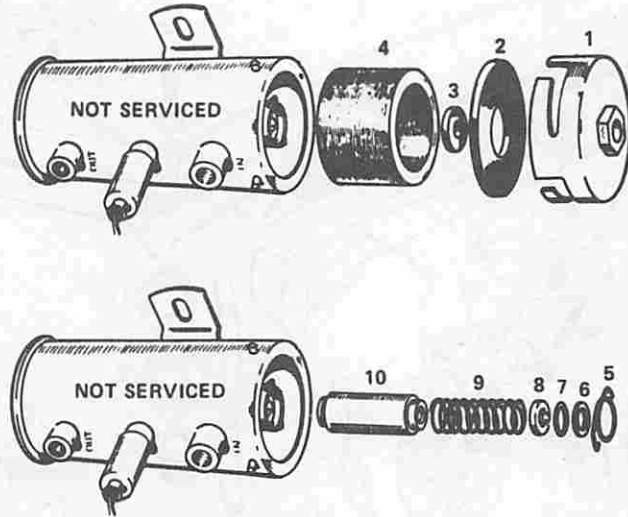
FURNISHINGS

KEY	230	260	PART NUMBER
-----	-----	-----	-------------

28.044D CHASSIS—ONAN 4KW GENERATOR (Cont.)

61	1	1	* NS	BAFFLE—air cylinder, RH (ref. 707192) (134C2567)
62	8	8	707189	CLIP—speed nut, scroll cover mounting
63	1	1	* NS	HOUSING—air cylinder, RH (ref. 707191) (134C2564)
64	2	2	707263	SCREW—scroll mounting (1/4—20 x 7/16) (hex)
65	1	1	710623	INSULATION—slide out door

FURNISHINGS



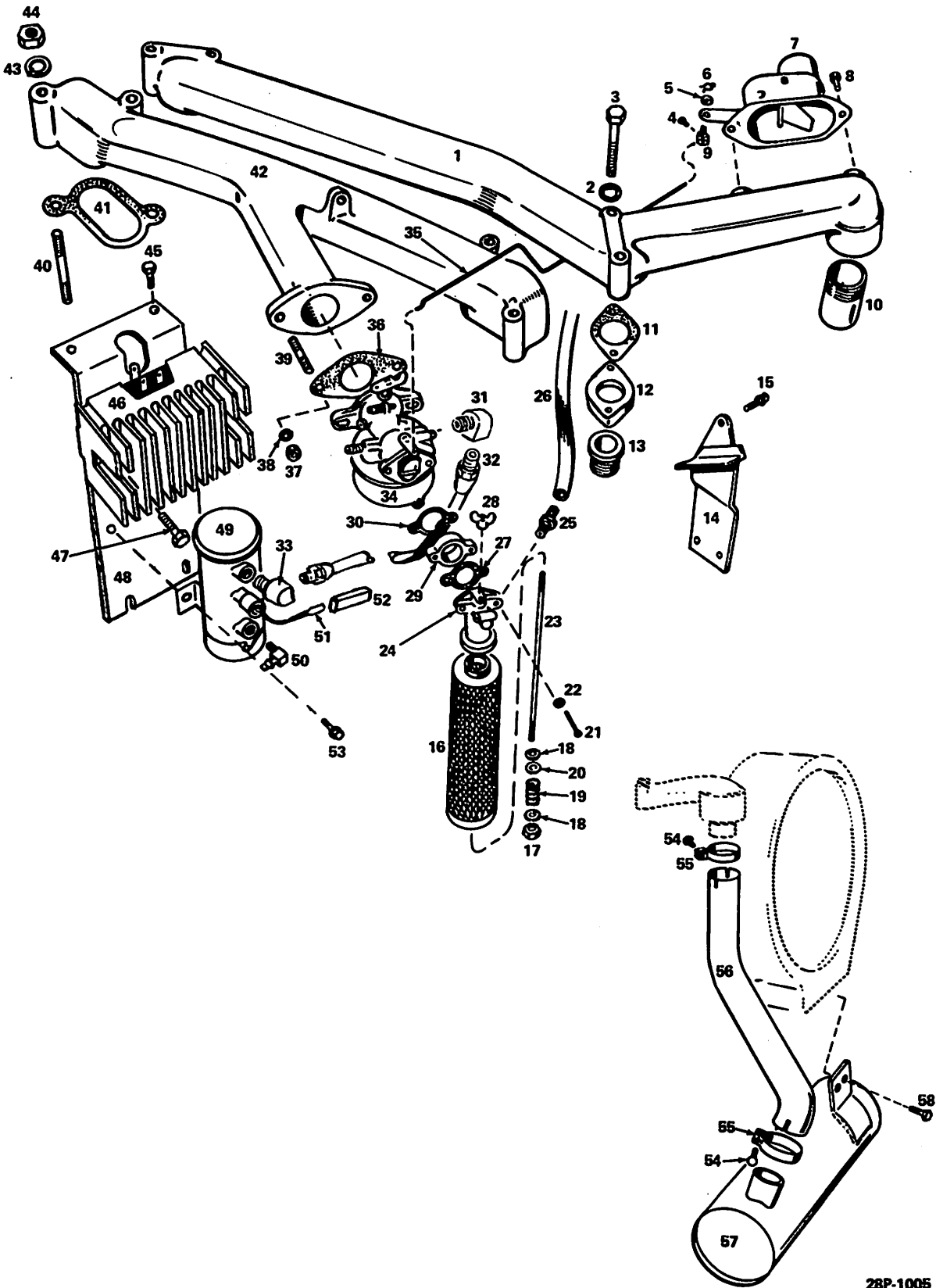
28P-1001

KEY	230	260	PART NUMBER
-----	-----	-----	-------------

28.044E PUMP—FUEL, ONAN GENERATOR

—	1	1	707120	PUMP—fuel assy. (incl. items thru asterisk)
1	1	1	707265	COVER
2	1	1	* NS	GASKET—cover (ref. 707266) (149 - 1446)
3	1	1	707251	MAGNET
4	1	1	707267	FILTER
5	1	1	707268	RETAINER—cup and plunger
6	1	1	707269	WASHER—cup gasket
7	1	1	707270	GASKET—spring cup
8	1	1	* NS	SPRING—cup and valve (SOA) (ref. 707122) (149 - 1451)
9	1	1	707271	SPRING—plunger return
10	1	1	* 707272	PLUNGER

FURNISHINGS



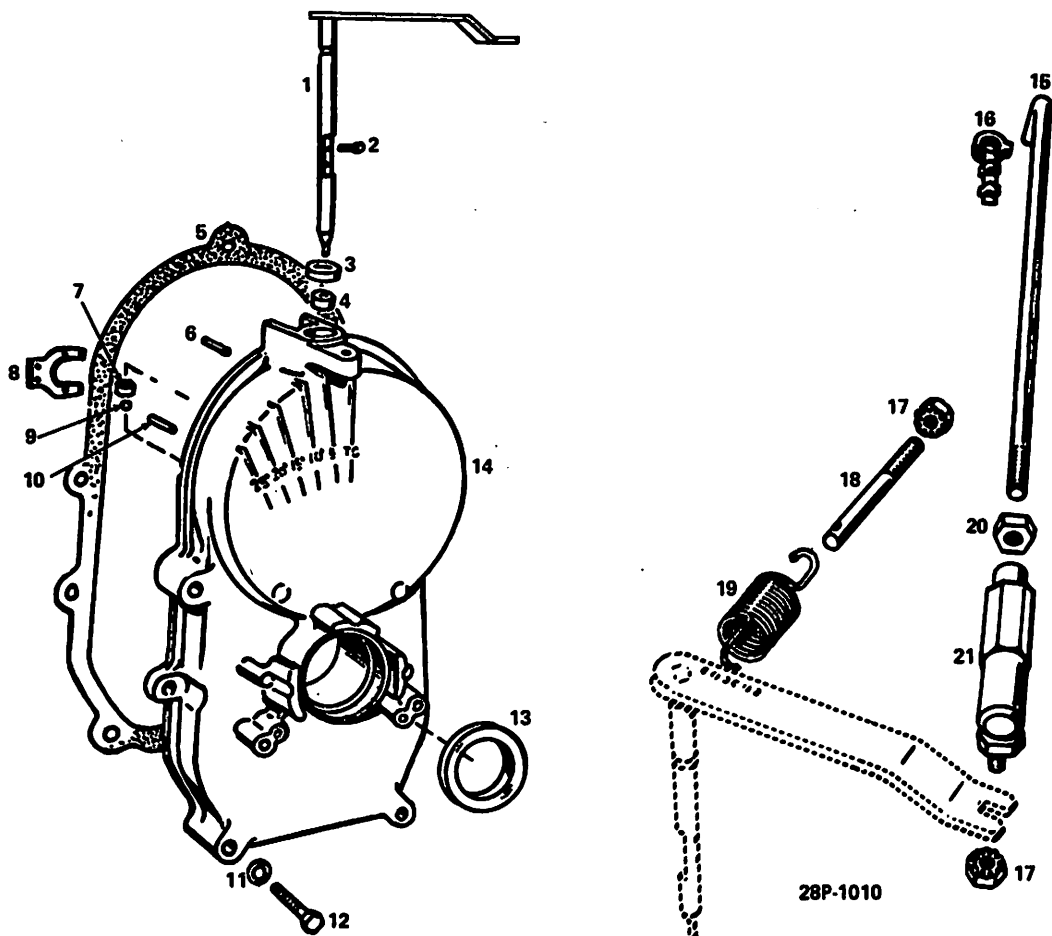
28P-1005

28.044F ONAN 4 KW GENERATOR FUEL SYSTEM

FURNISHINGS

KEY	230	260	PART NUMBER	
28.044F ONAN 4KW GENERATOR—FUEL SYSTEM				
1	1	1	NS	MANIFOLD—exhaust (ref. 707235) (154D1518)
2	4	4	—	WASHER—flat, exhaust manifold and mounting (5/16) (procure locally)
3	4	4	—	SCREW—hex, exhaust manifold mounting (5/16—18 x 1-3/4") (procure locally)
4	4	4	—	SCREW—hex, fuel pump and regulator bracket mounting (1/4—20 x 5/16") (procure locally) (ref. 707263)
5	1	1	—	WASHER—flat, choke swivel (procure locally) (ref. 707243)
6	1	1	—	PIN—cotter, choke swivel (procure locally) (ref. 707244)
7	1	1	707241	CHOKE—sisson
8	2	2	—	SCREW—self locking, choke mounting (1/4—20 x 3/8") (procure locally)
9	1	1	NS	SWIVEL—choke, linkage (ref. 707242) (152A155)
10	1	1	NS	NIPPLE—exhaust, manifold outlet (ref. 707240) (505 - 755)
11	2	2	NS	GASKET—exhaust, manifold (ref. 707236) (154A1526)
12	2	2	NS	FLANGE—exhaust, manifold mounting (ref. 707237) (154A1537)
13	2	2	NS	NIPPLE—exhaust (ref. 707238) (154A1536)
14	1	1	NS	BRACKET—muffler (ref. 707239) (155B1237)
15	3	3	—	SCREW—muffler bracket (procure locally)
16	1	1	707256	ELEMENT—air cleaner
17	1	1	—	NUT—square, air cleaner mounting (No. 10—32) (procure locally)
18	2	2	707258	WASHER—flat, air cleaner mounting
19	1	1	711489	SPRING—air cleaner element mounting
20	1	1	711488	WASHER—fibre, air cleaner element mounting
21	2	2	—	SCREW—round head, air cleaner adapter mounting (No. 8—32 x 1-1/2") (procure locally)
22	2	2	—	WASHER—lock, air cleaner adapter mounting (No. 8) (procure locally)
23	1	1	711486	STUD—air cleaner mounting
24	1	1	707121	ADAPTER—air cleaner (incl. breather hose adapter)
25	1	1	NS	ADAPTER—breather hose (ref. 707254) (502 - 193)
26	1	1	707255	HOSE—breather
27	1	1	707252	GASKET—air cleaner adapter
28	1	1	707259	NUT—wing, air cleaner
29	1	1	NS	SPACER—carburetor to air cleaner adapter (ref. 707253) (146P163)
30	1	1	NS	GASKET—air cleaner adapter (ref. 710383) (145A446)
31	1	1	710380	ELBOW—carburetor, inlet
32	1	1	NS	HOSE—fuel
33	1	1	NS	ELBOW—fuel pump inlet
34	1	1	707112	CARBURETOR
35	1	1	NS	LINKAGE—choke (ref. 707250) (153A451)
36	1	1	707248	GASKET—carburetor mounting
37	2	2	—	NUT—hex, carburetor mounting (1/4—28) (procure locally)
38	2	2	—	WASHER—lock, carburetor mounting (1/4") (procure locally)
39	2	2	707249	STUD—carburetor mounting
40	4	4	707247	STUD—intake, manifold mounting
41	2	2	707246	GASKET—intake, manifold
42	1	1	707245	MANIFOLD—intake
43	4	4	—	WASHER—lock, intake manifold mounting (5/16") (procure locally)
44	4	4	707174	NUT—hex, intake manifold mounting (5/16—18)
45	4	4	707263	SCREW—hex, fuel pump and regulator bracket mounting (No. 10—32 x 5/16")
46	1	1	707182	REGULATOR—12 volt
47	2	2	707183	SCREW—regulator, mounting (1/4—20 x 5/8) self locking
48	1	1	NS	BRACKET—fuel pump and regulator mounting (ref. 707262) (149C1316)
49	1	1	707120	PUMP—fuel
50	1	1	707261	ELBOW—fuel pump
51	1	1	711490	TERMINAL—fuel pump lead
52	1	1	711491	CONNECTOR—fuel pump lead
53	2	2	—	SCREW—self locking, fuel pump mounting (1/4—20 x 3/8") (procure locally)
54	2	2	707385	BOLT—carriage muffler
55	2	2	707384	CLAMP—exhaust
56	1	1	707383	TUBE—exhaust
57	1	1	707148	MUFFLER—exhaust
58	2	2	—	SCREW—muffler mounting (1/4—20 x 3/8) (procure locally)
—	1	1	797242	VALVE—fuel solenoid

FURNISHINGS



KEY	230	280	PART NUMBER
-----	-----	-----	-------------

28.044G GEAR COVER—ONAN 4KW GENERATOR

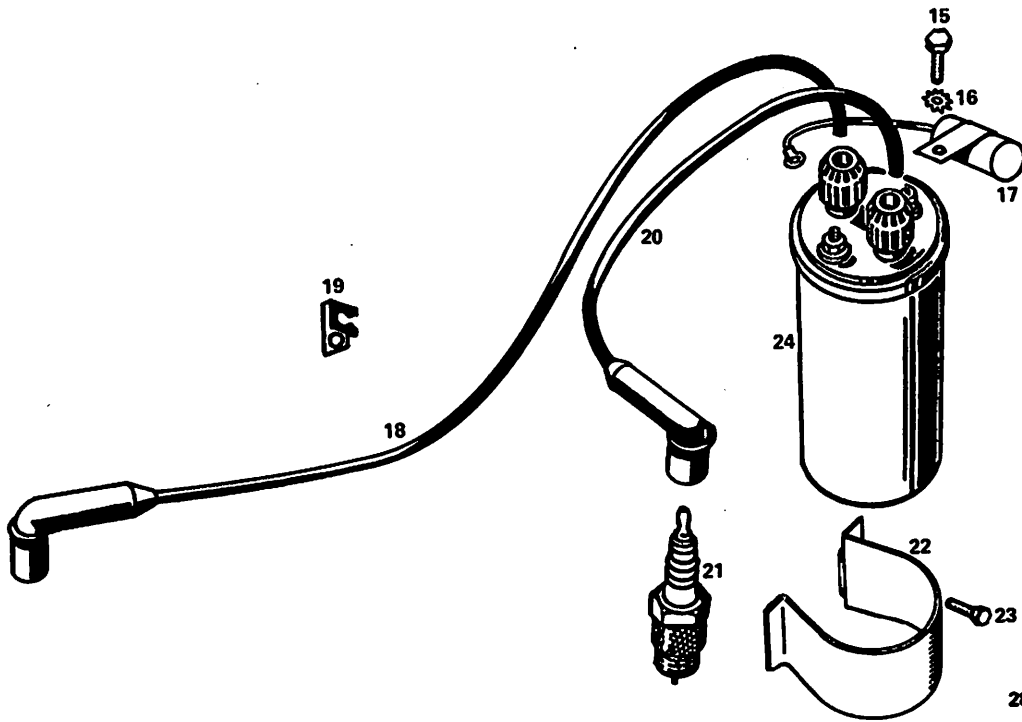
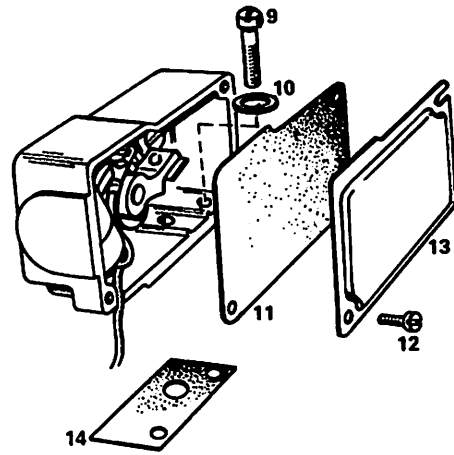
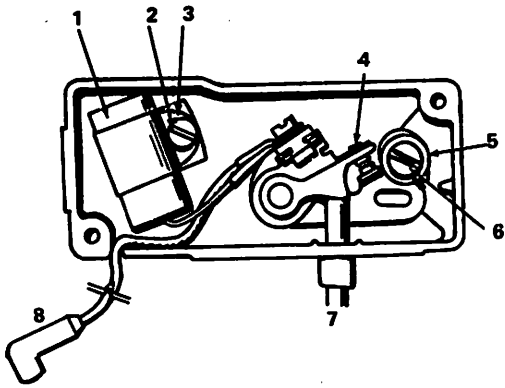
NOTE: Items with asterisk are part of Cover Assembly

1	1	1	* NS	SHAFT AND ARM ASSY.—governor (SOA) (ref. 707124) (150A1375)
2	2	2	* 707276	SCREW—yoke retaining
3	1	1	* NS	SEAL—oil, governor shaft (509P8)
4	1	1	* NS	BEARING—governor shaft (upper) (ref. 707273) (510P13)
5	1	1	707277	GASKET—gear cover mounting
6	2	2	—	PIN—gear cover (5/16 x 1-1/8") (procure locally)
7	1	1	* 707281	BEARING—governor shaft (lower)
8	1	1	* NS	YOKE—governor shaft (upper) (ref. 707275) (150A1187)
9	1	1	* 707280	BALL—bearing, governor shaft
10	1	1	* NS	PIN—governor cup. stop (ref. 707278) (518 - 4)
11	5	5	103320	WASHER—lock, gear cover mounting (5/16)
12	4	4	—	SCREW—gear cover mounting (5/16—18 x 1-3/4) (procure locally)
13	2	2	* 707279	SEAL—gear cover
14	1	1	* NS	COVER ASSY.—gear (ref. 707123) (103C417)
15	1	1	* NS	ROD—governor control (ref. 707175) (150B1377)
16	1	1	707176	CLIP—governor control rod
17	1	1	707181	NUT—keps. governor ball joint and adjusting stud
18	1	1	710079	STUD—adjusting, governor
19	1	1	* NS	SPRING—governor (ref. 707178) (150A98)
20	1	1	* NS	PALNUT—governor rod (ref. 707180) (870 - 188)
21	1	1	707179	JOINT—ball, governor
—	1	1	—	SCREW—gear cover mounting (5/16—18 x 2-1/4) (procure locally)

FURNISHINGS

NOTES

FURNISHINGS



28P-1009

28.044H IGNITION — ONAN 4KW GENERATOR

FURNISHINGS

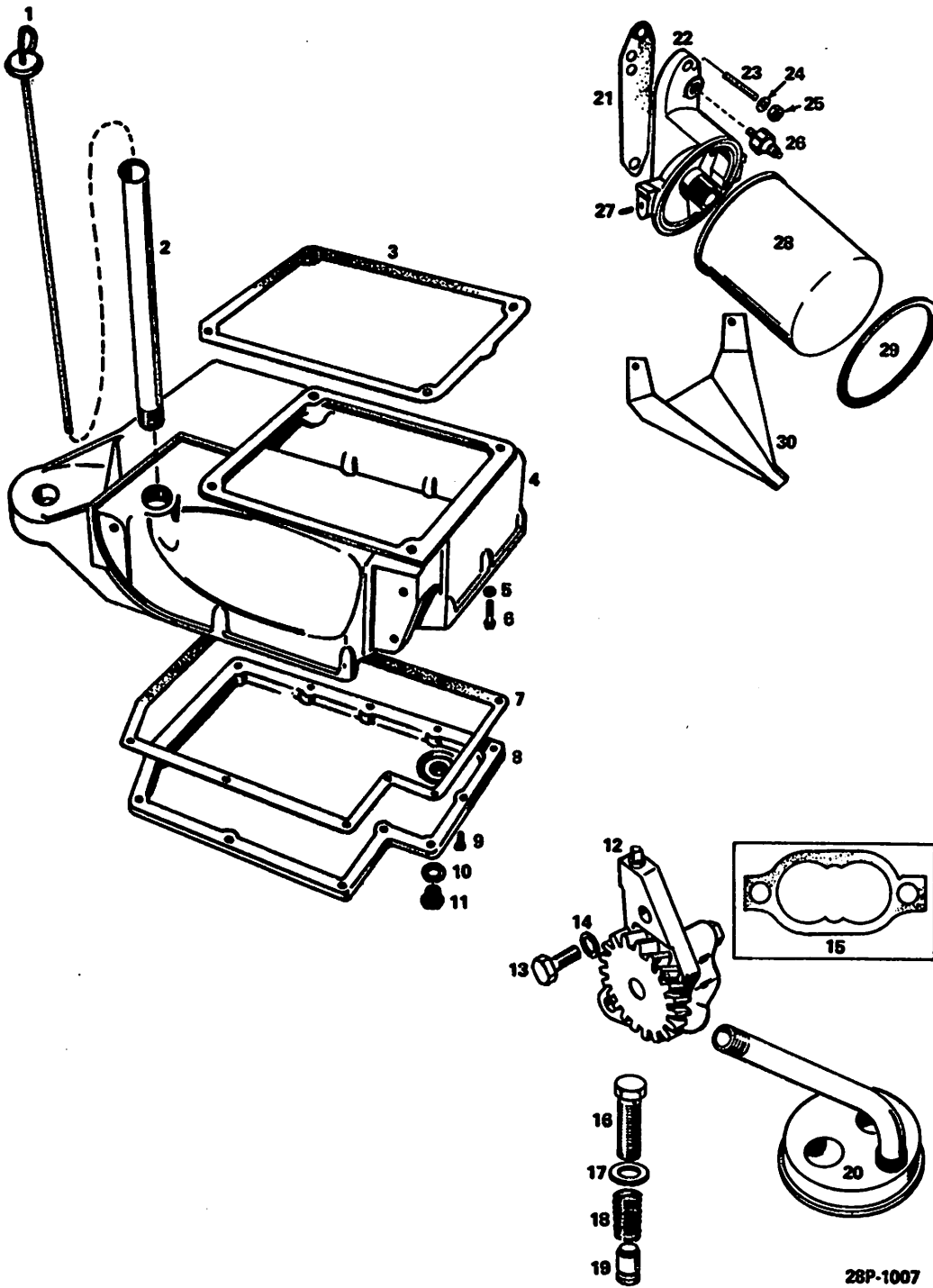
KEY	230	260	PART NUMBER	
-----	-----	-----	-------------	--

28.044H IGNITION—ONAN 4KW GENERATOR

NOTE: Items with asterisk are part of Box Assembly.

—	1	1	707110	BOX ASSY.—
1	1	1	* 707217	CONDENSER—breaker points
2	1	1	* —	SCREW—breaker points and condenser mounting (8—32 x 3/8") (slotted pan head) (procure locally)
3	1	1	* —	WASHER—breaker points and condenser mounting (No. 8) (lock) (procure locally)
4	1	1	* 707218	POINT SET—breaker
5	1	1	* —	WASHER—point set. mounting (No. 8) (flat) (ref. 131015) (procure locally)
6	1	1	* —	SCREW—breaker points and condenser mounting (No. 8—32 x 3/8") (slotted pan head) (procure locally)
7	1	1	* NS	PLUNGER (ref. 707219) (160A115)
8	1	1	* 707111	LEAD ASSY.—(SOA)
9	2	2	9419000	SCREW—breaker box mounting (1/4—20 x 1/2") (fillister phillips head)
10	2	2	103319	WASHER—lock. breaker box mounting (1/4")
11	1	1	* 707220	GASKET—breaker box. cover
12	2	2	* —	SCREW—breaker box cover mounting (8—32 x 3/8") (procure locally)
13	1	1	* 707221	COVER—breaker box
14	1	1	707216	GASKET—breaker box mounting
15	1	1	707382	SCREW—condenser mounting (No. 10—32 x 1/2") (hex)
16	1	1	707211	WASHER—condenser mounting (No. 8) (shake proof)
17	1	1	* NS	CONDENSER—ignition (ref. 707210) (312A17)
18	1	1	710365	CABLE—spark plug (21")
19	1	1	707214	CLIP—spark plug cable
20	1	1	710364	CABLE—spark plug (8—1/2")
21	1	2	5612073	PLUGS—spark (repl. 707215)
22	1	1	* NS	CLAMP—coil mounting (ref. 707208) (166B603)
23	1	1	707209	SCREW—coil clamp mounting (No. 10—32 x 3/8")
24	1	1	2021066	COIL—ignition (repl. 707207)
—	1	1	710363	CAP—ignition

FURNISHINGS



28P-1007

28.044J ONAN 4KW GENERATOR - OIL SYSTEM

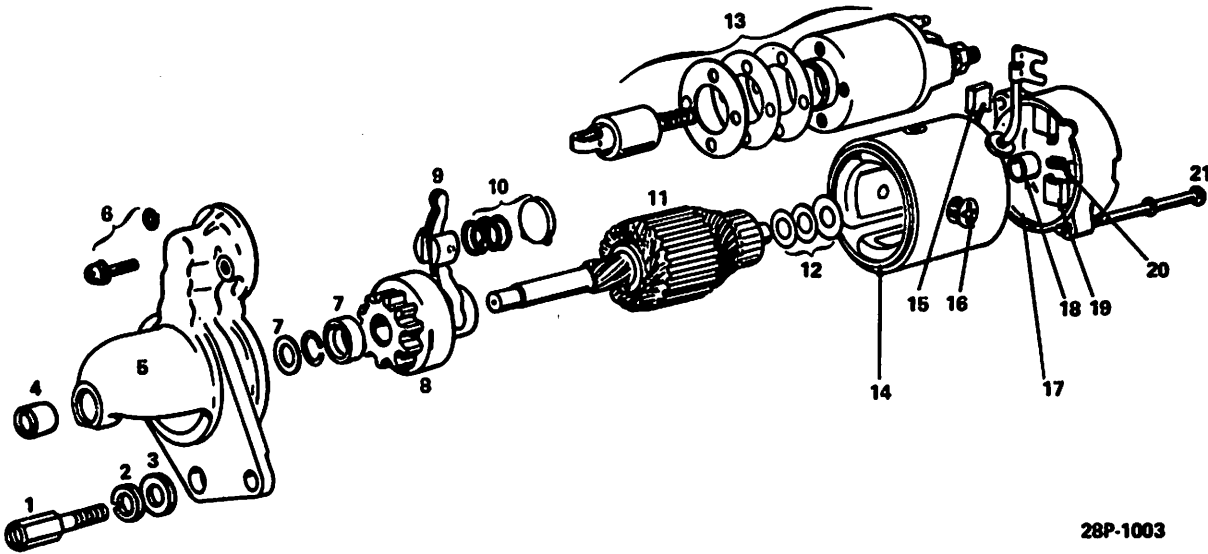
FURNISHINGS

KEY	230	260	PART NUMBER
-----	-----	-----	-------------

28.044J ONAN 4KW GENERATOR—OIL SYSTEM

1	1	1	707125	INDICATOR—oil filler (incl. cap) (SOA) (first design)
1	1	1	2000339	INDICATOR—oil filler (incl. cap) (must also use 2000350 tube) (second design)
1	1	1	2000350	TUBE—oil filler (must also use 2000339 indicator) (second design)
2	1	1	707283	TUBE—oil filler (first design)
3	1	1	* NS	GASKET—oil base mounting (ref. 707284) (102B693)
4	1	1	* NS	BASE—oil (ref. 707282) (102E711)
5	4	4	103321	WASHER—flat. oil base mounting (3/8")
6	4	4	—	SCREW—oil base. mounting (3/8—16 x 1-1/2) (procure locally)
7	1	1	707286	GASKET—oil pan
8	1	1	707285	PAN—oil
9	13	13	—	SCREW—oil pan. mounting (1/4—20 x 3/4") (procure locally)
10	1	1	* NS	GASKET—oil pan. plug (ref. 707288) (102P743)
11	1	1	* NS	PLUG—oil drain (ref. 707287) (102A716)
12	1	1	707128	PUMP—oil (SOA)
13	2	2	9419008	SCREW—oil pump mounting (1/4—20 x 1")
14	2	2	103319	WASHER—oil pump. mounting (1/4) (flat)
15	1	1	* NS	KIT—gasket. oil pump (ref. 707409) (120K161)
16	1	1	9427161	SCREW—oil by—pass valve. (3/8-24 x 1") (300M)
17	1	1	—	WASHER—oil by—pass valve. copper (3/8") (procure locally)
18	1	1	* NS	SPRING—oil by—pass valve (ref. 707289) (120A140)
19	1	1	* NS	VALVE—oil by—pass (ref. 707290) (120A398)
20	1	1	* 707 NS	INTAKE—oil pump (incl. cup) (SOA) (ref. 707129) (120A713)
21	1	1	707291	GASKET—oil filter. adapter
22	1	1	707127	ADAPTER—oil filter (SOA)
23	2	2	* NS	STUD—oil filter. adapter and mounting foot (ref. 707295) (520 - 824)
24	2	2	—	WASHER—flat. oil filter mounting. copper (5/16) (procure locally)
25	2	2	—	NUT—oil filter. adapter mounting (5/16—18) (procure locally) (repl. 124824)
26	1	1	707294	SWITCH—low oil pressure
27	2	2	* NS	PIN—drive. oil filter drain (ref. 707293) (516A72)
28	1	1	707128	FILTER—oil. spin—on (SOA)
29	1	1	707296	SEAL—oil filter. air
30	1	1	* NS	DRAIN—oil filter (ref. 707292) (122C360)

FURNISHINGS



28P-1003

KEY 230 260 PART NUMBER

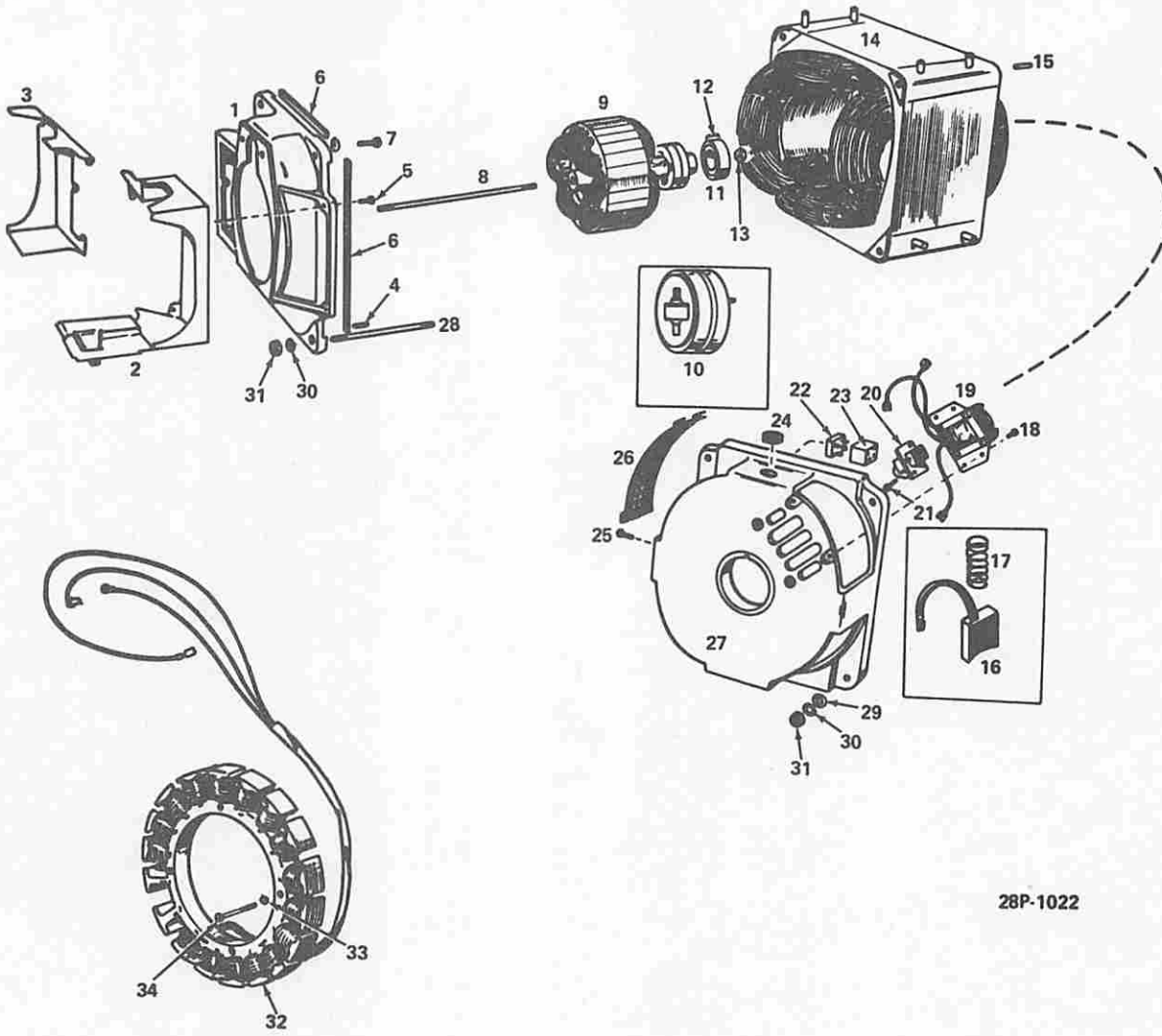
28.044K STARTING MOTOR—ONAN 4KW GENERATOR

KEY	230	260	PART NUMBER	DESCRIPTION
—	1	1	707103	MOTOR—starter (complete with solenoid)
1	2	2	NS	STUD—starter motor (ref. 707194) (134A2592)
2	2	2	103320	WASHER—lock, starter motor mounting (5/16")
3	2	2	707195	WASHER—flat, starter mounting
4	1	1	NS	BEARING—front (ref. 707205) (191 - 971)
5	1	1	NS	BRACKET ASSY.—front (incl. bearing) (SOA) (ref. 707106) (191 - 970)
6	1	1	NS	SCREW—set (ref. 707206) (191 - 982)
7	1	1	NS	STOPPER—set, pinion (ref. 707204) (191 - 972)
8	1	1	707107	CLUTCH ASSY.—(SOA) (ref. 707107) (191 - 973)
9	1	1	NS	LEVER ASSY.—(SOA) (ref. 707104) (191 - 965)
10	1	1	NS	SPRING SET (ref. 707203) (191 - 966)
11	1	1	NS	ARMATURE (ref. 707201) (191 - 974)
12	1	1	NS	WASHER SET (ref. 707202) (191 - 975)
13	1	1	707105	SWITCH ASSY.—(solenoid)
14	1	1	NS	YOKE ASSY.—(incl. bearing and brush) (SOA) (ref. 707108) (191 - 976)
15	1	1	NS	BRUSH—starter (positive) (ref. 707200) (191 - 978)
16	4	4	707172	SCREW—flat head, machine
17	1	1	707109	BRACKET ASSY.—rear (incl. bearing and brush) (SOA)
18	1	1	NS	BEARING—rear (ref. 707198) (191 - 980)
19	1	1	NS	BRUSH—negative (ref. 707199) (191 - 981)
20	2	2	NS	SPRING—brush (ref. 707197) (191 - 968)
21	2	2	707198	BOLT—through

FURNISHINGS

NOTES

FURNISHINGS



28P-1022

28.045 GENERATOR - ONAN 6KW

FURNISHINGS

KEY	230	260	PART NUMBER	
28.045 GENERATOR—ONAN 6KW				
—	—	1	706129	GENERATOR ASSY.—Onan 6KW (Onan No. 6NH—IR-9000A) (complete) (ref. only)
—	—	1	2001699	GENERATOR ASSY.—Onan 6KW (Onan No. 6NH—IR-9000E) (complete) (repl. 706129) (ref. only)
—	—	1	2002654	GENERATOR ASSY.—Onan 6KW (Onan No. 6NH—IR-9000G) (complete) (repl. 706129 & 2001699) (ref. only)
—	—	1	2010790	GENERATOR ASSY.—Onan 6KW (Onan No. 6.ONH—IR-9000H) (complete) (repl. 706129, 2001699 & 2002654)
1	—	1	707155	ADAPTER—control
2	—	1	710334	DUCT—generator air, starter baffle and oil filtered drain (RH)
3	—	1	701335	DUCT—generator air (LH)
4	—	4	707157	PIN—roll, generator adapter
5	—	6	—	SCREW—hex, air duct mounting (No. 10—32 x 3/8") (procure locally)
6	—	4	707156	SEAL—generator to adapter
7	—	4	—	SCREW—adapter mounting (3/8—16 x 1-1/4) (procure locally)
8	—	1	710336	STUD—rotor through
9	—	1	2025349	ARMATURE ASSY.—wound (incl. bearing and collector ring) (repl. 710303) (also use 1-2025351 frame & stator)
10	—	1	707159	RING—collector
11	—	1	707160	BEARING—ball
12	—	1	707161	CLIP—generator bearing stop
13	—	1	707162	NUT—rotor through stud
14	—	1	2025351	FRAME AND STATOR—wound (repl. 710341) (use w/2025349 armature assy.)
15	—	4	707157	PIN—roll, end bell
16	—	1	707169	BRUSH—block
17	—	1	707170	SPRING—brush block
18	—	4	—	SCREW—hex, reactor mounting (No. 10—32 x 7/8") (procure locally)
19	—	1	710343	REACTOR—compounding
20	—	2	707102	BLOCK ASSY.—(incl. brushes and springs)
21	—	4	—	SCREW—hex, brush block mounting (No. 10—32 x 7/8") (procure locally)
22	—	1	707164	BRIDGE—rectifier
23	—	1	707168	PLUG—rectifier bridge
24	—	1	707167	GROMMET—output leads
25	—	1	—	SCREW—hex, rectifier mounting (No. 8—32 x 1-1/4") (procure locally)
26	—	3	707166	SCREEN—end bell
27	—	1	707165	BELL—end
28	—	4	710345	STUD—generator mounting
29	—	4	—	WASHER—flat, generator through stud (5/16) (procure locally)
30	—	8	—	WASHER—lock, generator through stud (5/16) (procure locally)
31	—	8	707174	NUT—hex, generator through stud
32	—	1	707184	STATOR—charging alternator (w/706129 generator)
32	—	1	2000344	STATOR—charging alternator (w/2001699, 2002654, 2010790 generator)
33	—	3	707186	WASHER—stator mounting
34	—	3	707185	SCREW—stator mounting (No. 10—32 x 1-1/2)
—	—	1	710361	HARNESS—wiring alternator (w/706129 generator)
—	—	1	2000346	HARNESS—wiring alternator (w/2001699, 2002654 generator)
—	—	1	715810	HARNESS—generator to utility box (incl. receptical)
—	—	1	2000875	HARNESS ASSY.—generator compartment to utility box (eff. w/1975) (repl. 791121)
—	—	1	719649	SWITCH—remote on and off (interior) (repl. 714228)
—	—	1	2257158	SWITCH ASSY.—magnetic (at generator compartment) (eff. w/1975)
—	—	1	717015	GUARD—mud
—	—	2	NS	SCREW—battery cable terminal (ref. 710770) (810 - 181)
—	—	4	NS	NUT—battery cable terminal (ref. 710771) (871 - 25)
—	—	2	NS	WASHER—battery cable terminal (ref. 710773) (508 - 19)
—	—	1	NS	WASHER—battery cable terminal (ref. 707774) (508 - 7)
—	—	1	710624	GROMMET—battery cable thru pan
—	—	1	791841	SEAL ASSY.—bushing, at gen. compartment
—	—	1	2018214	BOX—outlet (w/2010790 generator)
—	—	1	2018215	COVER—outlet box (w/2010790 generator)
—	—	1	2018216	CONNECTOR—outlet box (w/2010790)
—	—	1	—	GASKET KIT—oil pump (see group 28.045F)
—	—	1	—	KIT—carbon removal (see group 28.045B)
—	—	1	—	KIT—gasket engine (see group 28.045B)
—	—	1	—	KIT—generator overhaul (see group 28.045B)

FURNISHINGS

KEY	230	260	PART NUMBER
-----	-----	-----	-------------

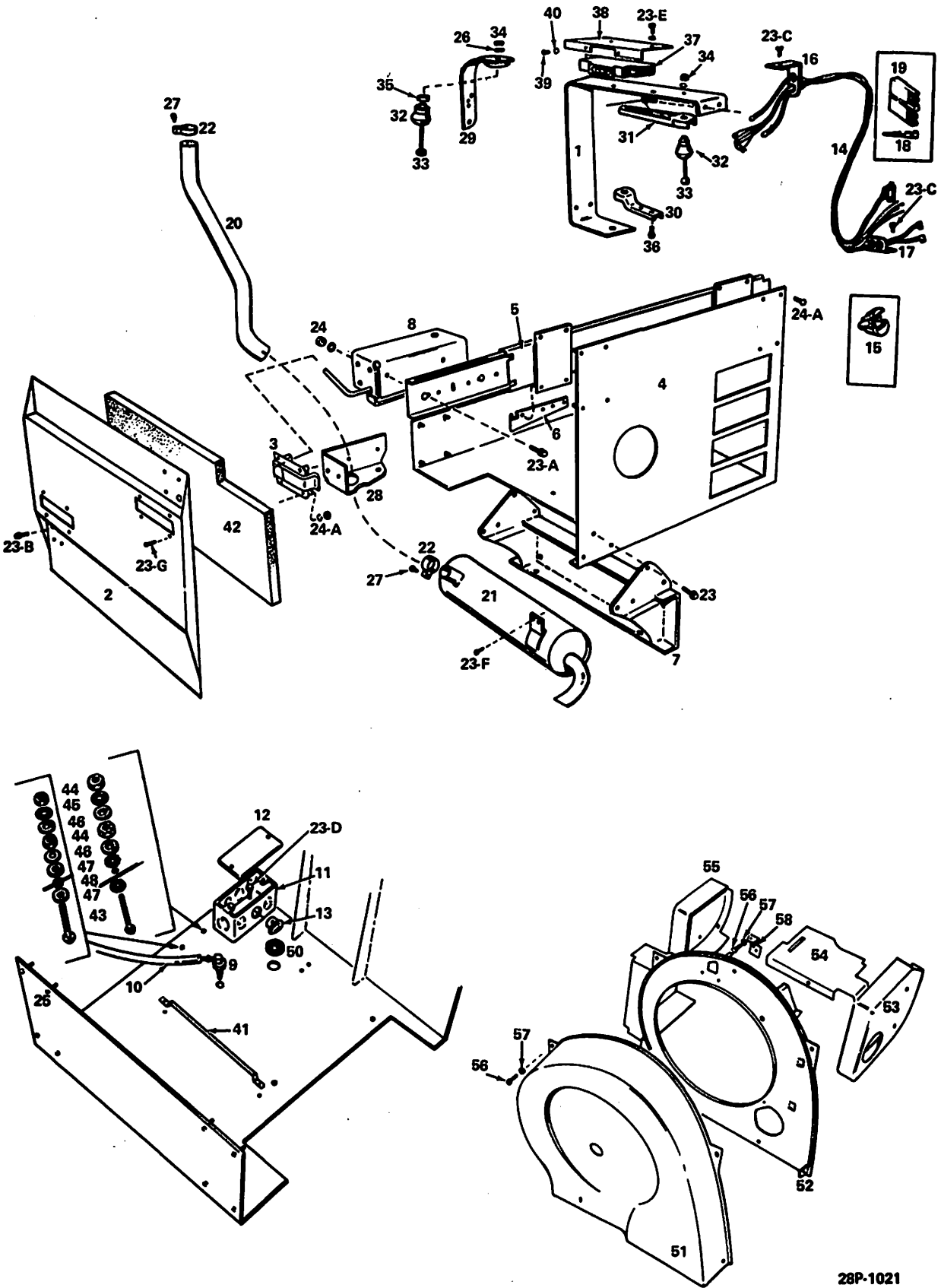
28.045 GENERATOR—ONAN 6KW (Cont.)

-	-	1	-	KIT—carburetor pre-heater (see group 28.045B)
---	---	---	---	---

FURNISHINGS

NOTES

FURNISHINGS



28.045A CHASSIS - ONAN 6KW GENERATOR

28P-1021

FURNISHINGS

KEY	230	260	PART NUMBER	
28.045A CHASSIS—ONAN 6KW GENERATOR (INCLUDES: MUFFLER KIT)				
1	—	1	710496	YOKE—generator support
2	—	1	710333	DOOR—slide out
3	—	2	NS	LATCH—door (ref. 707150) (406P639)
4	—	1	710517	PAN—mounting base
5	—	2	707152	SLIDE
6	—	2	707400	BRACKET—latch strike
7	—	1	710602	BRACKET—set mounting
8	—	1	710331	BRACKET AND CATCH ASSY.—safety
9	—	1	707405	CONNECTOR ELBOW—fuel line
10	—	1	707406	HOSE—fuel (w/706129 generator)
10	—	1	2002204	HOSE—fuel (w/2001699, 2002654 generator)
11	—	1	710605	BOX—junction
12	—	1	707403	COVER—junction box
13	—	2	707404	BUSHING—junction box (part of wiring harness)
14	—	1	707147	HARNESS—wiring, chassis (w/706129 generator)
14	—	1	2000343	HARNESS ASSY.—wiring, chassis (w/2001699, 2002654 generator)
14	—	1	2018213	HARNESS ASSY.—wiring, chassis (w/2010790 generator)
15	—	4	707386	RELIEF—strain (part of wiring harness)
16	—	1	707390	BRACKET—harness mounting (part of wiring harness)
17	—	1	707387	BRACKET—harness mounting (part of wiring harness)
18	—	4	707389	CONTACT—connector (part of wiring harness)
19	—	1	707388	BODY—connector (part of wiring harness)
20	—	1	710493	TUBE—exhaust
21	—	1	707148	MUFFLER—exhaust (SOA)
—	—	1	2035386	KIT—muffler (w/2010790 generator assy.)
22	—	1	707384	CLAMP—exhaust
23	—	4	—	SCREW—hex, set mounting bracket to base pan (3/8 x 3/4) self locking (procure locally)
23A	—	8	—	SCREW—hex, slide rail (1/4—20 x 3/8") self locking (procure locally)
23B	—	6	—	SCREW—hex, door mounting (1/4—20 x 3/8") self locking (procure locally)
23C	—	3	—	SCREW—hex, wiring harness brackets mounting (1/4—20 x 3/8") (procure locally)
23D	—	3	—	SCREW—hex, junction box mounting (1/4—20 x 3/8) self locking (procure locally)
23E	—	2	—	SCREW—hex, circuit breaker bracket mounting (1/4—20 x 3/8") self locking (procure locally)
23F	—	2	—	SCREW—hex, muffler mounting (1/4—20 x 3/8") self locking (procure locally)
23G	—	8	—	SCREW—hex, door latch mounting (1/4—20 x 3/8") self locking (procure locally)
24	—	16	—	NUT—self locking, slide rail mounting (1/4—20) (procure locally)
24A	—	8	—	SCREW—self locking, door latch mounting (1/4—20) (procure locally)
25	—	16	707418	SCREW—press, slide rail mounting (1/4—20 x 3/4)
26	—	4	—	WASHER—lock, generator support mounting (3/8") (procure locally)
27	—	1	NS	BOLT—carriage, muffler clamp (ref. 710495) (816 - 152)
28	—	1	710603	BRACKET—engine end (LH)
29	—	1	710332	FOOT ASSY.—engine mounting (RH)
30	—	1	707392	SUPPORT—generator (LH)
31	—	1	707393	SUPPORT—generator (RH)
32	—	2	707394	END—engine
32A	—	2	710515	END—generator
33	—	4	707395	BOLT—cushion mounting
34	—	4	707417	NUT—self locking cushion mounting
35	—	1	707396	SPACER—cushion mounting engine end (RH)
36	—	4	—	SCREW—hex, generator support (3/8—16 x 1-1/4") (procure locally)
37	—	1	710499	BREAKER—circuit (w/706129, 2001699 gen.)
37	—	1	2003485	BREAKER—circuit (w/2002654, 2010790 gen.)
38	—	1	707398	BRACKET—circuit breaker mounting
39	—	2	—	SCREW—round head, circuit breaker mounting (No. 6—32 x 1/4") (procure locally)
40	—	2	—	WASHER—lock, circuit breaker mounting (No. 6) (procure locally)
41	—	1	710606	BRACKET—fuel line return
42	—	1	710623	INSULATION—door
43	—	2	710770	SCREW—round head brass, battery cable terminals (5/16—18 x 1-1/4")
44	—	4	710771	NUT—hex, brass, battery cable terminals (5/16—18)

FURNISHINGS

KEY	230	280	PART NUMBER	
-----	-----	-----	-------------	--

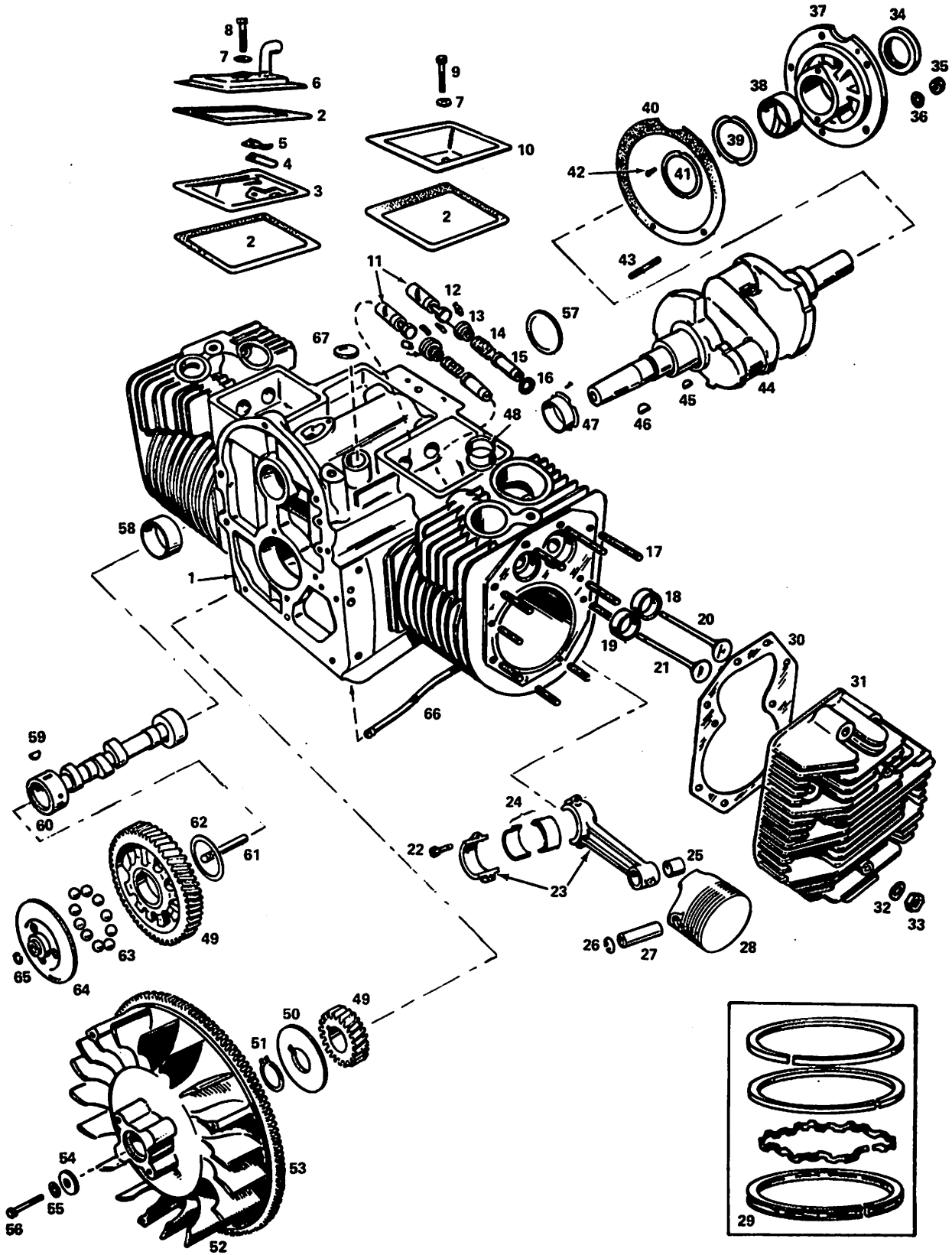
28.045A CHASSIS—ONAN 6KW GENERATOR (INCLUDES: MUFFLER KIT) (Cont.)

45	—	2	—	WASHER—internal tooth, battery cable terminal (5/16") (procure locally)
46	—	4	—	WASHER—flat, battery cable terminals (5/16") (procure locally)
47	—	2	710773	WASHER—fiber, battery cable terminals (5/16")
48	—	1	710774	WASHER—fiber, battery cable terminals (5/16")
49	—	1	—	WASHER—external, internal tooth, battery cable terminals (5/16") (procure locally)
50	—	1	710624	GROMMET—battery cable through pan
50A	—	1	710772	GROMMET—harness bracket (part of wiring harness)
51	—	1	710362	COVER—blower housing scroll
52	—	1	710358	SCROLL—blower housing
53	—	1	NS	HOUSING—cylinder, air (RH) (ref. 710353) (134C2597)
54	—	1	710354	BAFFLE—cylinder, air (RH)
55	—	1	710352	HOUSING—cylinder, air (LH)
56	—	4	—	SCREW—hex, scroll cover mounting (1/4—20 x 1/2") (procure locally)
57	—	2	—	WASHER—lock, scroll cover mounting (1/4") (procure locally)
58	—	1	710359	BRACKET—scroll mounting
—	—	1	2000352	BOX—circuit breaker mounting (w/2003485 breaker)
—	—	1	2000353	COVER—circuit breaker mounting box (w/2003485 breaker)
—	—	1	2000354	GROMMET—cover, circuit breaker mounting box (w/2003485 breaker)

FURNISHINGS

NOTES

FURNISHINGS



28.045B ONAN 6KW GENERATOR - CYLINDER BLOCK, CRANKSHAFT, FLYWHEEL, CAMSHAFT AND PISTON

28P-1016

FURNISHINGS

KEY	230	260	PART NUMBER
-----	-----	-----	-------------

28.045B ONAN 6KW GENERATOR—CYLINDER BLOCK, CRANKSHAFT, CAMSHAFT AND PISTON

NOTE: Items marked with asterisk are part of Block Assembly plus intake and exhaust manifolds studs

1	—	1	710330	BLOCK ASSY.—cylinder
2	—	3	710482	GASKET—valve cover
3	—	1	* NS	BAFFLE—breather (ref. 710486) (123C1215)
4	—	1	710490	VALVE—breather
5	—	1	710491	STOP—breather valve
6	—	1	710492	COVER—valve compartment with tube for breather hose (LH)
7	—	2	* 9419892	WASHER—flat valve compartment cover (1/4" copper)
8	—	1	9419014	SCREW—hex. valve cover mounting (1/4—20 x 2")
9	—	1	* —	SCREW—hex. valve cover mounting (1/4—20 x 1-3/4") (procure locally)
10	—	1	710483	COVER—valve compartment without tube for breather hose (RH)
11	—	4	707362	TAPPET—valve, standard
11	—	4	707363	TAPPET—valve, .005" oversize
12	—	8	707361	LOCK—valve and spring retainer
13	—	4	NPN	ROTOR CAP—valve spring
14	—	4	707359	SPRING—valve
15	—	4	* 710742	GUIDE—valve
16	—	2	* 707357	GASKET—valve guide (intake)
17	—	8	* 710756	STUD—cylinder head (3/8 x 2—3/4")
18	—	2	* 710719	INSERT—valve seat (intake) standard
18	—	2	710730	INSERT—valve seat .002" oversize
18	—	2	710734	INSERT—valve seat .005" oversize
18	—	2	710735	INSERT—valve seat .010" oversize
18	—	2	710737	INSERT—valve seat .025" oversize
19	—	2	* 710709	INSERT—valve seat (exhaust) standard
19	—	2	710713	INSERT—valve seat, .002" oversize
19	—	2	710716	INSERT—valve seat, .005" oversize
19	—	2	710717	INSERT—valve seat, .010" oversize
19	—	2	710718	INSERT—valve seat, .025" oversize
20	—	2	710476	VALVE—intake
21	—	2	710477	VALVE—exhaust
22	—	4	710694	BOLT—connecting rod cap
23	—	2	710321	ROD ASSY.—(incl. bushing and bolts)
24	—	4	710411	BEARING HALF—connecting rod, standard
24	—	4	710412	BEARING HALF—connecting rod, .002" undersize
24	—	4	710413	BEARING HALF—connecting rod, .010" undersize
24	—	4	710419	BEARING HALF—connecting rod, .020" undersize
24	—	4	710458	BEARING HALF—connecting rod, .030" undersize
25	—	2	710693	BUSHING—piston pin, connecting rod
26	—	4	3778828	RING—piston pin retaining
27	—	2	710695	PIN—piston, standard
27	—	2	710701	PIN—piston, .002" oversize
28	—	2	* NS	PISTON AND PIN—(incl. retaining rings) standard (ref. 710322) (112 - 111)
28	—	2	710323	PISTON AND PIN—(incl. retaining rings) .005" oversize
28	—	2	710324	PISTON AND PIN—(incl. retaining rings) .010" oversize
28	—	2	710325	PISTON AND PIN—(incl. retaining rings) .020" oversize
28	—	2	710326	PISTON AND PIN—(incl. retaining rings) .030" oversize
28	—	2	710327	PISTON AND PIN—(incl. retaining rings) .040" oversize
29	—	2	710459	RING SET—piston, standard
29	—	2	710460	RING SET—piston, .005" oversize
29	—	2	710461	RING SET—piston, .010" oversize
29	—	2	710462	RING SET—piston, .020" oversize
29	—	2	710465	RING SET—piston, .030" oversize
29	—	2	710467	RING SET—piston, .040" oversize
30	—	2	710474	GASKET—cylinder head
31	—	1	710470	HEAD—cylinder (No. 2 cylinder)
31	—	1	710471	HEAD—cylinder (No. 1 cylinder)
32	—	20	120394	WASHER—flat, cylinder head stud (3/8" steel)
33	—	20	—	NUT—hex, cylinder head (3/8—24) (procure locally) (ref. 124925)
34	—	1	* 707355	SEAL—bearing plate
35	—	5	124925	NUT—hex, rear bearing plate (3/8—24)
36	—	5	710753	WASHER—flat, rear bearing plate mounting (3/8" steel)

FURNISHINGS

KEY 230 260 PART NUMBER

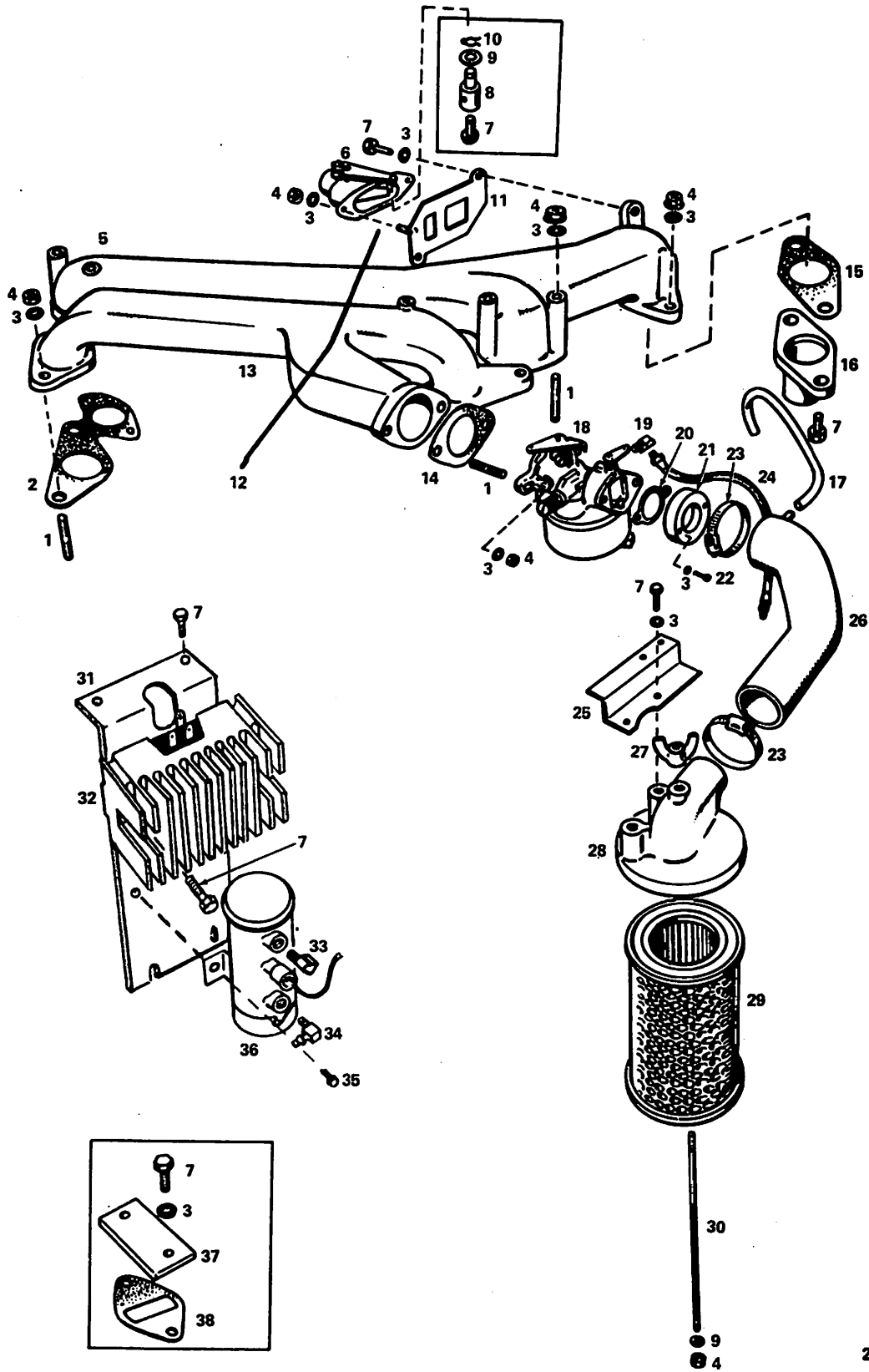
28.045B ONAN 6KW GENERATOR—CYLINDER BLOCK, CRANKSHAFT, (Cont.)

37	—	1	*	710707	PLATE—rear bearing (excludes bearing)
38	—	1	*	707346	BEARING—crankshaft, rear, standard
38	—	1		707347	BEARING—crankshaft, rear, .002" undersize
38	—	1		707348	BEARING—crankshaft, rear, .010" undersize
38	—	1		707349	BEARING—crankshaft, rear, .020" undersize
38	—	1	*	707350	BEARING—crankshaft, rear, .030" undersize
39	—	AR	*	707352	SHIM—rear bearing plate (.005")
40	—	1	*	707353	GASKET—bearing plate
41	—	2	*	707351	WASHER—crankshaft bearing thrust
42	—	4	*	707293	PIN—main bearing stop
43	—	5	*	710755	STUD—rear bearing plate mounting (3/8 x 1—21/32")
44	—	1	*	NS	CRANKSHAFT—(w/706129, 2001699 generator) (ref. 710409) (104D843)
44	—	1		2003483	CRANKSHAFT—(w/2002654, 2010790 generator)
45	—	1		707297	KEY—crankshaft gear mounting
46	—	1		707306	KEY—flywheel mounting (w/706129, 2001699 generator)
46	—	1		2003484	KEY—flywheel mounting (w/2002654 generator)
47	—	1	*	707339	BEARING—crankshaft front, standard
47	—	1		707340	BEARING—crankshaft front, .002" undersize
47	—	1		707341	BEARING—crankshaft front, .010" undersize
47	—	1		707342	BEARING—crankshaft front, .020" undersize
47	—	1		707343	BEARING—crankshaft front, .030" undersize
48	—	2		710484	INSERT—exhaust port
49	—	1		707300	GEAR SET—timing (incl. camshaft and crankshaft gears)
50	—	1		707307	WASHER—crankshaft gear retaining
51	—	1		707308	LOCK—crankshaft gear washer
52	—	1		710329	FLYWHEEL—(incl. ring gear and magnet ring)
53	—	1		710705	GEAR—ring, flywheel
54	—	1		710410	WASHER—flat, flywheel mounting
55	—	1		707311	WASHER—lock, flywheel mounting
56	—	1		—	SCREW—hex, flywheel mounting (7/16—14 x 4") (procure locally)
57	—	1	*	707345	PLUG—camshaft expansion
58	—	2	*	NS	BEARING—camshaft (precision) (ref. 710480) (101A405)
59	—	1		707297	KEY—camshaft gear mounting
60	—	1	*	NS	CAMSHAFT—(incl. center pin) (ref. 710328) (105B382)
61	—	1		707298	PIN—camshaft, center
62	—	1		707299	WASHER—camshaft gear thrust
63	—	10		707301	BALL—fly, governor.
64	—	1		707302	CUP—governor
65	—	1		707303	RING—camshaft center pin
66	—	1		710708	TUBE—crankcase oil
67	—	1		710708	PLUG—core hole
—	—	1		711492	PLATE—governor ball
—	—	1		711493	SPACER—governor ball
—	—	1	*	NS	KIT—gasket, engine (ref. 710629) (168K125)
—	—	1		794579	GEAR—crankshaft (part of 707300 gear set)
—	—	1		794580	GEAR—camshaft (part of 707300 gear set)
—	—	1		710628	KIT—carbon removal gasket
—	—	1	*	NS	KIT—generator overhaul (ref. 710643) (522K270)
—	—	1		2018248	KIT—carburetor pre-heater (w/2010790 generator)

FURNISHINGS

NOTES

FURNISHINGS



28P-1020

28.045C FUEL SYSTEM - ONAN 6KW GENERATOR

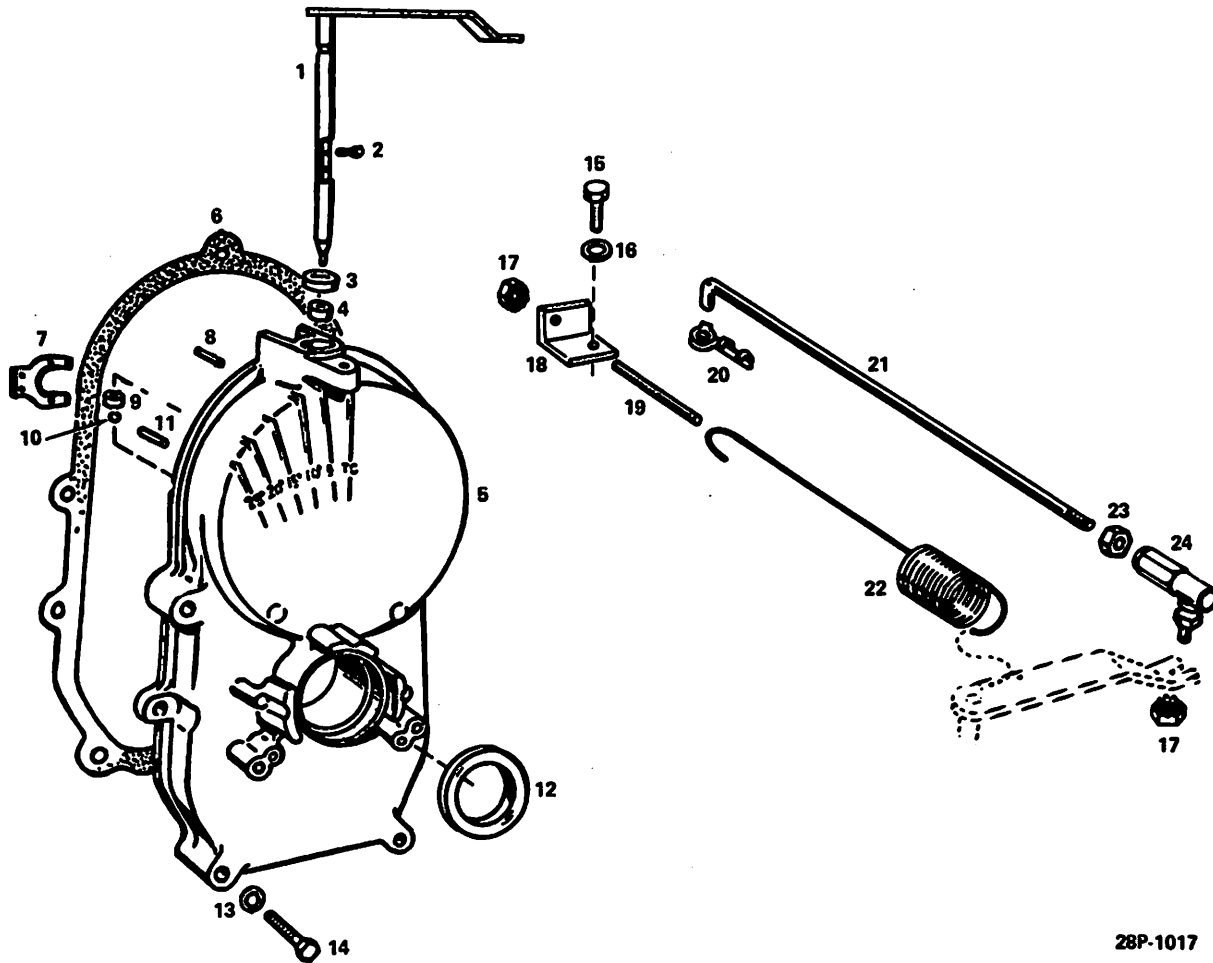
FURNISHINGS

KEY	230	260	PART NUMBER	
-----	-----	-----	-------------	--

28.045C FUEL SYSTEM—ONAN 6KW GENERATOR

1	—	4	710379	STUD—intake manifold
1	—	2	707249	STUD—carburetor mounting
1	—	4	710371	STUD—exhaust manifold mounting
2	—	2	710378	GASKET—intake and exhaust manifold
3	—	2	—	WASHER—lock, air cleaner adapter to bracket (1/4") (procure locally)
3	—	2	—	WASHER—lock, air cleaner adapter mounting (No. 8) (procure locally)
3	—	2	—	WASHER—lock, exhaust flange to manifold (5/16") (procure locally)
3	—	2	—	WASHER—carburetor mounting (1/4") (procure locally)
3	—	2	—	WASHER—lock, choke mounting (1/4") (procure locally)
3	—	4	—	WASHER—lock, intake manifold mounting (3/8") (procure locally)
3	—	2	—	WASHER—lock, choke plate mounting (1/4") (procure locally)
3	—	4	—	WASHER—lock, exhaust manifold mounting (3/8") (procure locally)
3	—	2	—	WASHER—lock, fuel pump hole cover mounting (1/4") (procure locally)
4	—	2	NS	NUT—hex, exhaust tube to manifold (5/16—18) (ref. 707174) (862 - 15)
4	—	4	—	NUT—hex, intake manifold mounting (3/8—24) (procure locally)
4	—	4	—	NUT—hex, exhaust manifold mounting (3/8—24) (procure locally)
4	—	2	—	NUT—hex, carburetor mounting (1/4—28) (procure locally)
4	—	2	—	NUT—hex, choke mounting (1/4—20) (procure locally)
5	—	1	710366	MANIFOLD—exhaust
6	—	1	707241	CHOKE—sisson
7	—	4	—	SCREW—hex cap, fuel pump and regulator bracket mounting (No. 10—32 x 5/16") (procure locally) (ref. 707263)
7	—	1	—	SCREW—hex cap, choke swivel (No. 8—32 x 5/16") (procure locally)
7	—	2	—	SCREW—hex cap, fuel pump hole cover mounting (1/4—20 x 5/8") (procure locally)
7	—	2	—	SCREW—hex cap, choke plate mounting (1/4—20 x 5/8") (procure locally)
7	—	2	—	SCREW—hex cap, exhaust flange to manifold (5/16—18 x 1") (procure locally)
7	—	2	—	SCREW—hex cap, air cleaner adapter to bracket (1/4—20 x 5/8") (procure locally)
8	—	1	707242	SWIVEL—choke linkage
9	—	1	NS	WASHER—flat, choke swivel (ref. 710388) (526 - 15)
9	—	1	NS	WASHER—flat, air cleaner mounting (ref. 710393) (526A52)
10	—	1	—	PIN—cotter, choke swivel (procure locally)
11	—	1	710367	PLATE—choke mounting
12	—	1	NS	LINKAGE—choke (ref. 710368) (153A455)
13	—	1	NS	MANIFOLD—intake (ref. 710377) (154B1547)
14	—	1	707248	GASKET—carburetor mounting
15	—	1	710378	GASKET—intake & exhaust manifold (repl. 710370)
16	—	1	710369	FLANGE—exhaust outlet
17	—	1	710382	HOSE—breather
18	—	1	710305	CARBURETOR
19	—	1	710380	ELBOW—carburetor inlet (repl. 707261)
20	—	1	710383	GASKET—air cleaner adapter
21	—	1	710384	ADAPTER—carburetor to inlet hose
22	—	2	—	SCREW—fillister head, air cleaner adapter mounting (No. 8—32 x 7/8) (procure locally)
23	—	2	710385	CLAMP—air inlet hose
24	—	1	710381	LINE—flex, fuel
25	—	1	710387	BRACKET—air cleaner mounting
26	—	1	710386	HOSE—air inlet
27	—	1	710390	NUT—wing, air cleaner
28	—	1	710306	ADAPTER—air cleaner (SOA)
29	—	1	710391	ELEMENT—air cleaner
30	—	1	710392	BOLT—air cleaner mounting
31	—	1	707262	BRACKET—fuel pump and regulator mounting
32	—	1	793987	REGULATOR—12 volt (repl. 707182)
33	—	1	710394	ELBOW—fuel pump outlet
34	—	1	707261	ELBOW—fuel pump inlet
35	—	2	—	SCREW—self locking, fuel pump mounting (1/4—20 x 3/8") (procure locally)
36	—	1	707120	PUMP—fuel (for details see group 28.044E)
37	—	1	710396	COVER—fuel pump hole in cylinder block
38	—	1	710395	GASKET—fuel pump hole cover

FURNISHINGS



28P-1017

28.045D GEAR COVER AND GOVERNOR – ONAN 6KW GENERATOR

FURNISHINGS

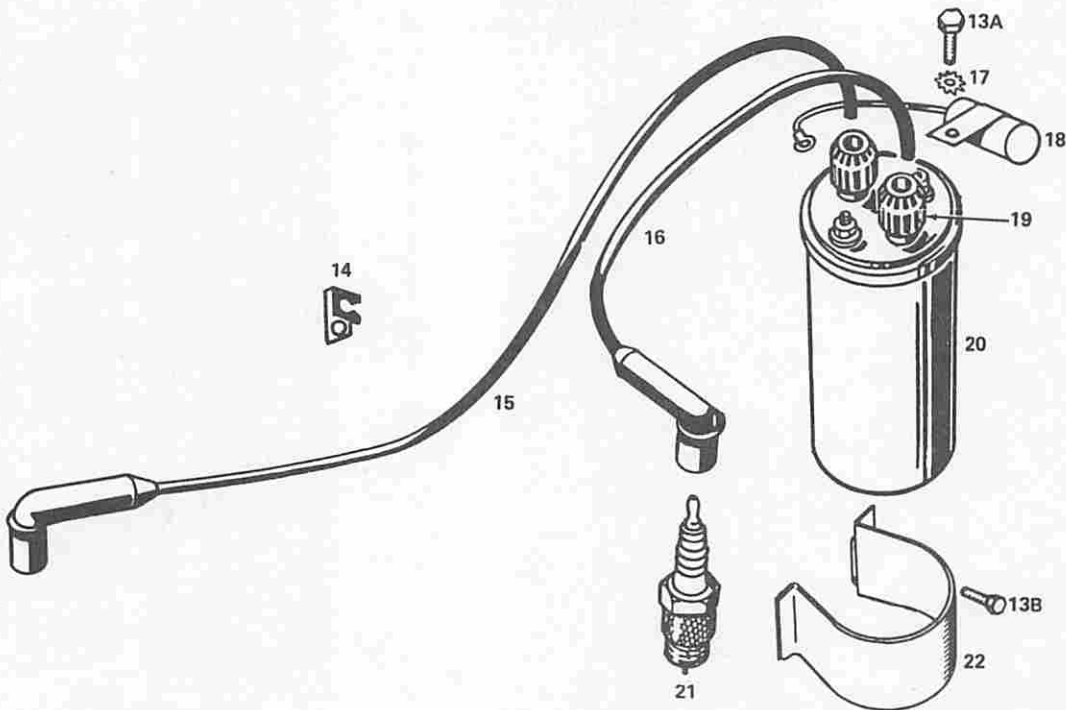
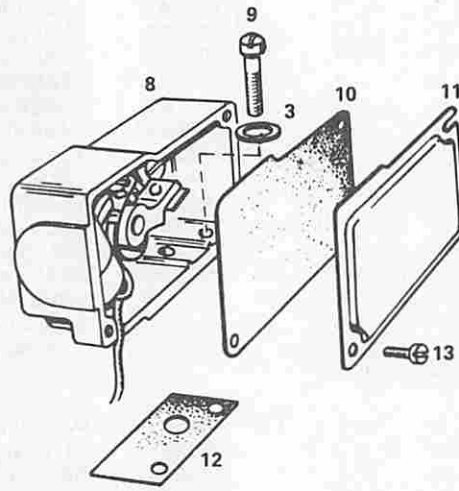
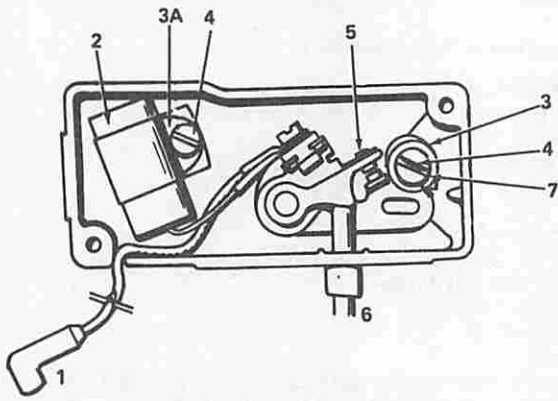
KEY	230	260	PART NUMBER
-----	-----	-----	-------------

28.045D GEAR COVER AND GOVERNOR—ONAN 6KW GENERATOR

NOTE: Items marked with asterisk are part of Cover Assembly

1	—	1	*	710691	SHAFT AND ARM ASSY.—governor (SOA)
2	—	2	*	707276	SCREW—yoke, retaining
3	—	1	*	707274	SEAL—oil, governor shaft
4	—	1	*	707273	BEARING—governor shaft (upper)
5	—	1	*	NS	COVER ASSY.—gear (ref. 710309) (103B418)
6	—	1		710397	GASKET—gear cover mounting
7	—	1	*	707275	YOKE—governor shaft
8	—	2		—	PIN—gear cover (5/16 x 1-1/8") (procure locally)
9	—	1	*	707281	BEARING—governor shaft (lower)
10	—	1	*	707280	BALL—bearing, governor shaft
11	—	1	*	707278	PIN—governor cup stop
12	—	1	*	707279	SEAL—gear cover
13	—	5		—	WASHER—flat, gear cover mounting (5/16) (procure locally)
14	—	4		—	SCREW—hex, gear cover mounting (5/16—18 x 1-3/4") (procure locally)
15	—	1		—	SCREW—hex, governor bracket mounting (1/4—20 x 5/8) (procure locally)
16	—	1		—	WASHER—lock, governor bracket mounting (1/4) (procure locally)
17	—	2		707181	NUT—keps, governor ball joint and adjusting stud
18	—	1		710348	BRACKET—governor spring adjusting
19	—	1		710079	STUD—governor adjusting
20	—	1		707176	CLIP—governor control rod
21	—	1		710346	ROD—governor control
22	—	1	*	NS	SPRING—governor (ref. 710347) (150A1389)
23	—	1		707180	PALNUT—governor rod
24	—	1		707179	JOINT—ball, governor

FURNISHINGS



28.045E IGNITION – ONAN 6KW GENERATOR

28P-1019

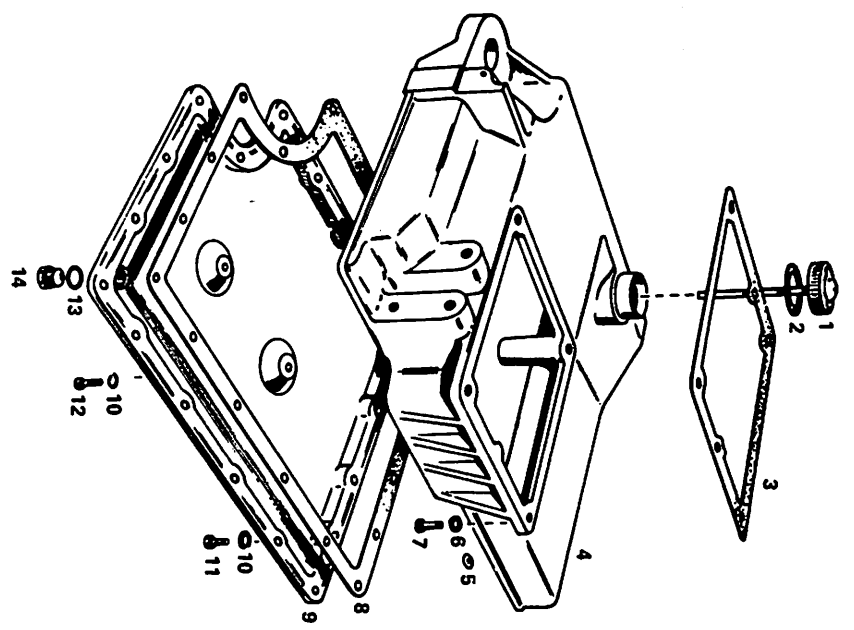
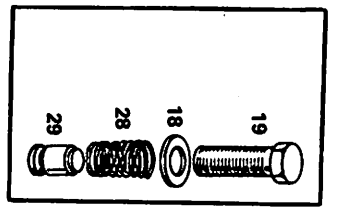
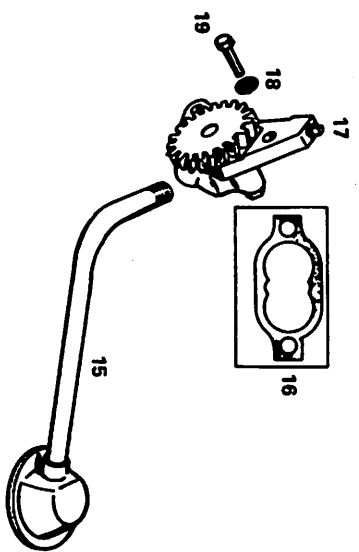
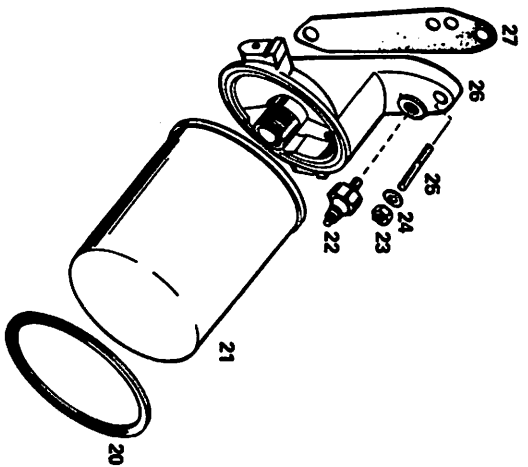
FURNISHINGS

KEY	230	260	PART NUMBER	
-----	-----	-----	-------------	--

28.045E IGNITION—ONAN 6KW GENERATOR

1	—	1	707111	LEAD ASSY.—points to coil (SOA) (w/out 2010790 gen. assy.)
1	—	1	2018220	WIRE—coil to points (breaker box) (w/2010790 gen. assy)
2	—	1	707217	CONDENSER—breaker points (w/out 2010790 gen. assy.)
2	—	1	2018218	CAPACITOR—ignition breaker box (w/2010790 gen. assy.)
3	—	2	—	WASHER—lock, breaker box mounting (1/4") (procure locally)
3A	—	2	—	WASHER—lock, breaker points and condenser mounting (No. 8) (procure locally)
4	—	2	—	SCREW—slotted pan head breaker points and condenser mounting (No. 8—32 x 3/8) (procure locally)
5	—	1	707218	POINT SET—breaker (w/out 2010790 gen. assy.)
5	—	1	2017788	POINT ASSY.—breaker box (w/2010790 gen. assy.)
6	—	1	707219	PLUNGER
7	—	1	—	WASHER—flat, point set mounting (No. 8) (procure locally)
8	—	1	707110	BOX ASSY.—breaker (w/out 2010790 gen. assy.)
8	—	1	2018212	KIT—breaker box (incl. cover, Points, capacitor etc) (w/2010790 gen. assy.)
9	—	2	—	SCREW—fillister phillips head, breaker box mounting (1/4—20 x 5/8) (procure locally)
10	—	1	707220	GASKET—breaker box cover
11	—	1	707221	COVER—breaker box (w/out 2010790 gen. assy.)
11	—	1	2018217	COVER—breaker box (w/2010790 gen. assy.)
12	—	1	707218	GASKET—breaker box mounting
13	—	2	—	SCREW—breaker box cover mounting (No. 8—32 x 3/8) (procure locally)
13A	—	1	707382	SCREW—condenser mounting (No. 10—32 x 1/2")
13B	—	1	707209	SCREW—coil clamp mounting (No. 10—32 x 3/8")
14	—	1	707214	SUPPORT—spark plug cable
15	—	1	710365	CABLE—spark plug (21")
16	—	1	710364	CABLE—spark plug (8 1/2 in.)
17	—	1	707211	WASHER—shake proof, condenser mounting (No. 10)
18	—	1	707210	CONDENSER—ignition
19	—	2	710363	CAP—ignition coil (part of coil)
20	—	1	2021068	COIL—ignition (repl. 707207)
21	—	2	5612073	PLUG—spark (repl. 707215)
22	—	1	707208	CLAMP—coil mounting
—	—	1	2018219	BASE—breaker box (w/2010790 gen. assy)

FURNISHINGS



28.045F 6KW GENERATOR - OIL SYSTEM

28P-1018

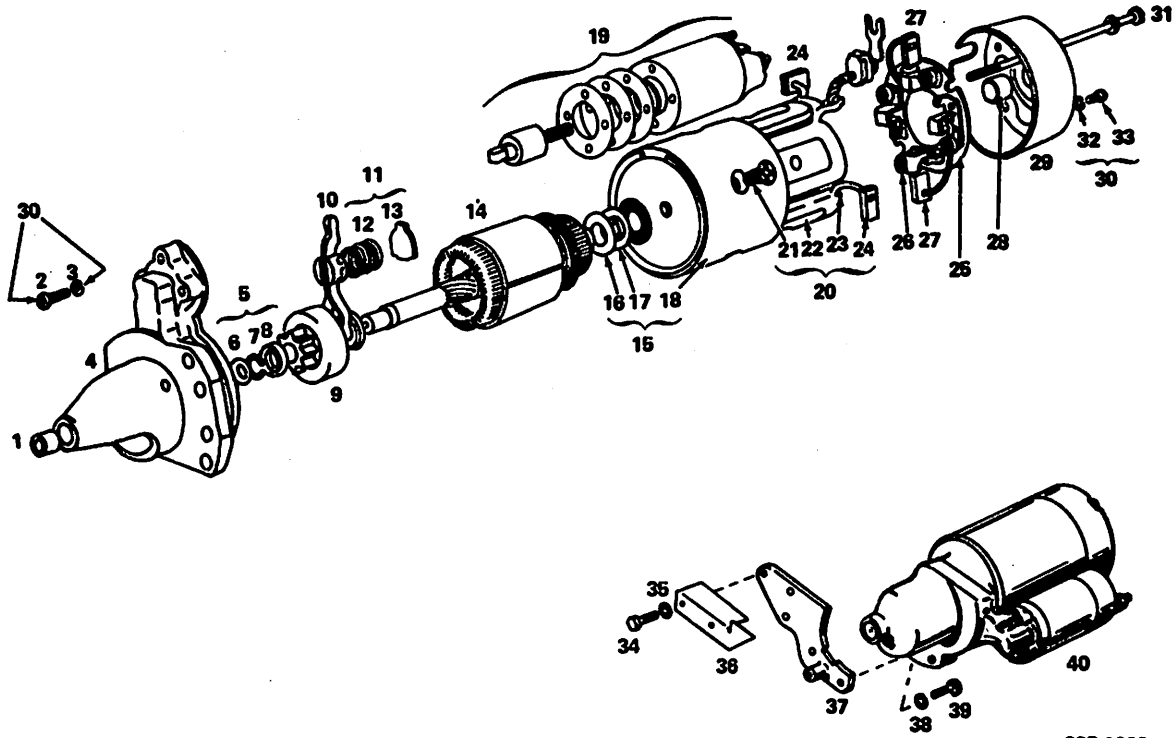
FURNISHINGS

KEY	230	280	PART NUMBER
-----	-----	-----	-------------

28.045F ONAN 6KW GENERATOR—OIL SYSTEM

1	—	1	NS	CAP AND INDICATOR—oil fill (incl. gasket) (ref. 710314) (123A1166)
2	—	1	NS	GASKET—oil fill cap and indicator (ref. 710692) (123A191)
3	—	1	710399	GASKET—oil base mounting
4	—	1	710398	BASE—oil
5	—	2	—	WASHER—flat, oil base mounting (3/8") (procure locally)
6	—	2	—	WASHER—lock, oil base mounting (3/8") (procure locally)
7	—	2	—	SCREW—hex, oil base mounting (3/8—16 x 4") (procure locally)
8	—	1	710404	GASKET—oil pan
9	—	1	710405	PAN—oil
10	—	19	—	WASHER—lock, oil pan mounting (1/4") (procure locally)
11	—	18	—	SCREW—hex, oil pan mounting (1/4—20 x 5/8") (procure locally)
12	—	2	—	SCREW—hex, oil pan mounting (1/4—20 x 1) (procure locally)
13	—	1	710407	GASKET—oil drain plug
14	—	1	NS	PLUG—oil drain (ref. 710406) (102A737)
15	—	1	710320	INTAKE—oil pump (incl. cup, screen and pipe) (SOA)
16	—	1	707409	GASKET KIT—oil pump
17	—	1	707126	PUMP—oil, complete (NOTE: Internal part not sold separately) (SOA)
18	—	2	—	WASHER—lock, oil pump mounting (1/4") (procure locally)
19	—	2	—	SCREW—hex, oil by—pass valve (3/8—24 x 1") (procure locally)
20	—	1	707296	SEAL—oil filter, air
21	—	1	710319	FILTER—oil, spin—on (SOA)
22	—	1	707294	SWITCH—low oil pressure
23	—	2	—	NUT—oil filter, adapter mounting (5/16—18) (procure locally)
24	—	2	—	WASHER—flat, oil filter adapter mounting (5/16) (procure locally)
25	—	2	710408	STUD—oil filter, adapter and mounting floor
26	—	1	710318	ADAPTER—oil filter (SOA)
27	—	1	707291	GASKET—oil filter adapter
28	—	1	707289	SPRING—oil by—pass
29	—	1	707290	VALVE—oil by—pass

FURNISHINGS



28.045G MOTOR – STARTING ONAN 6KW GENERATOR

FURNISHINGS

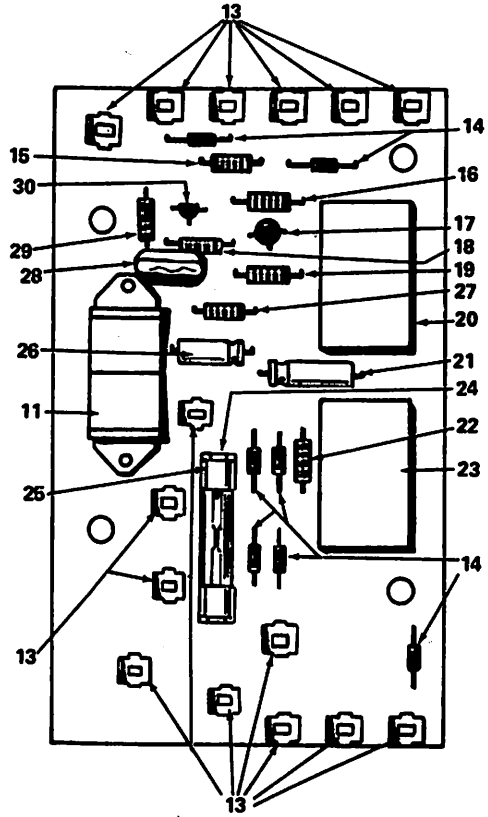
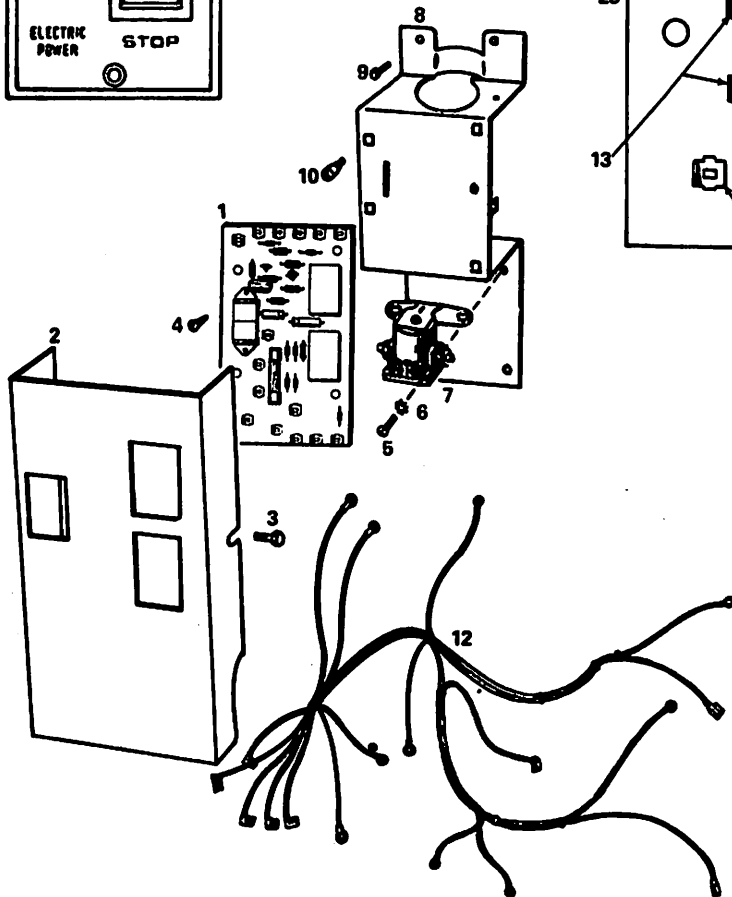
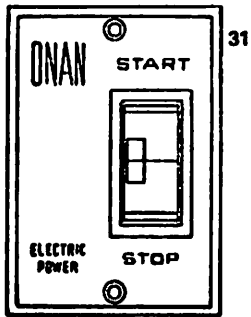
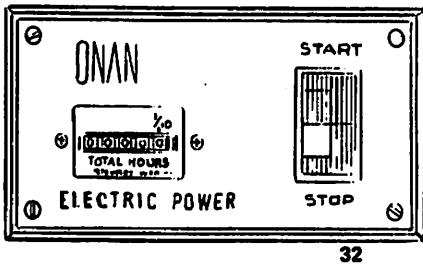
KEY	230	260	PART NUMBER	
-----	-----	-----	-------------	--

28.045G MOTOR—STARTING, ONAN 6KW GENERATOR

NOTE: Items marked with asterisk are part of Screw Set.

—	—	1	710304	MOTOR ASSY.—starting — complete with solenoid (w/706129, 2001699 generator)
—	—	1	2003482	MOTOR ASSY.—starting (complete) (w/2002654, 2010790 generator) (details not available at time of publication)
—	—	1	2033074	SHIELD—solenoid
1	—	1	710658	BEARING—front
2	—	3	* 710680	SCREW—machine, pan head
3	—	5	* 710681	WASHER—lock
4	—	1	710646	BRACKET ASSY.—front (incl. bearing)
5	—	1	710651	STOPPER SET—pinion (incl. washer, ring and stopper)
6	—	1	710662	WASHER—flat
7	—	1	710663	RING—retaining
8	—	1	710664	STOPPER—pinion
9	—	1	* NS	CLUTCH ASSY.—(SOA) (ref. 710648) (191 - 995)
10	—	1	710644	LEVER ASSY.—(SOA)
11	—	1	* NS	SPRING SET (ref. 710652) (191 - 984)
12	—	1	710668	SPRING—lever
13	—	1	710669	PACKING
14	—	1	710653	ARMATURE
15	—	1	710654	WASHER SET—(incl. 2 plain and 1 insulated washer)
16	—	1	710672	WASHER—plain
17	—	1	710673	WASHER—plain
18	—	1	710674	WASHER—insulating
19	—	1	710645	SWITCH ASSEMBLY—(SOA) (solenoid)
20	—	1	* NS	COIL SET—field (incl. pole shoes, field coil, brushes and screws)(191 - 1001)
21	—	4	710675	SCREW—flat head
22	—	4	710677	POLE—shoe, field coil
23	—	1	710678	COIL—field
24	—	2	* NS	BRUSH—positive, field coil (ref. 710679) (191 - 1005)
25	—	1	710649	HOLDER ASSY.—brush (incl. brushes and springs)
26	—	4	710659	SPRING—brush, holder
27	—	2	* NS	BRUSH—negative, holder (ref. 710660) (191 - 1008)
28	—	1	710661	BEARING—rear
29	—	1	710650	BRACKET ASSEMBLY—rear (incl. bearing)
30	—	1	* 710656	SCREW SET
31	—	2	710657	BOLT—through
32	—	2	* 710684	WASHER—lock
33	—	2	* 710688	SCREW—machine pan head
34	—	2	—	SCREW—hex cap, bracket mounting (3/8—16 x 1-1/4) (procure locally)
35	—	2	—	WASHER—starting motor bracket mounting (3/8") (procure locally)
36	—	1	710349	BRACKET—muffler and starting motor baffle
37	—	1	710351	BRACKET—starting motor mounting
38	—	2	—	SCREW—starting motor to bracket (3/8—16 x 1-1/4") (procure locally)
39	—	2	—	WASHER—starting motor to bracket (3/8") (procure locally)

FURNISHINGS



28.045H CONTROL - ONAN 6KW GENERATOR

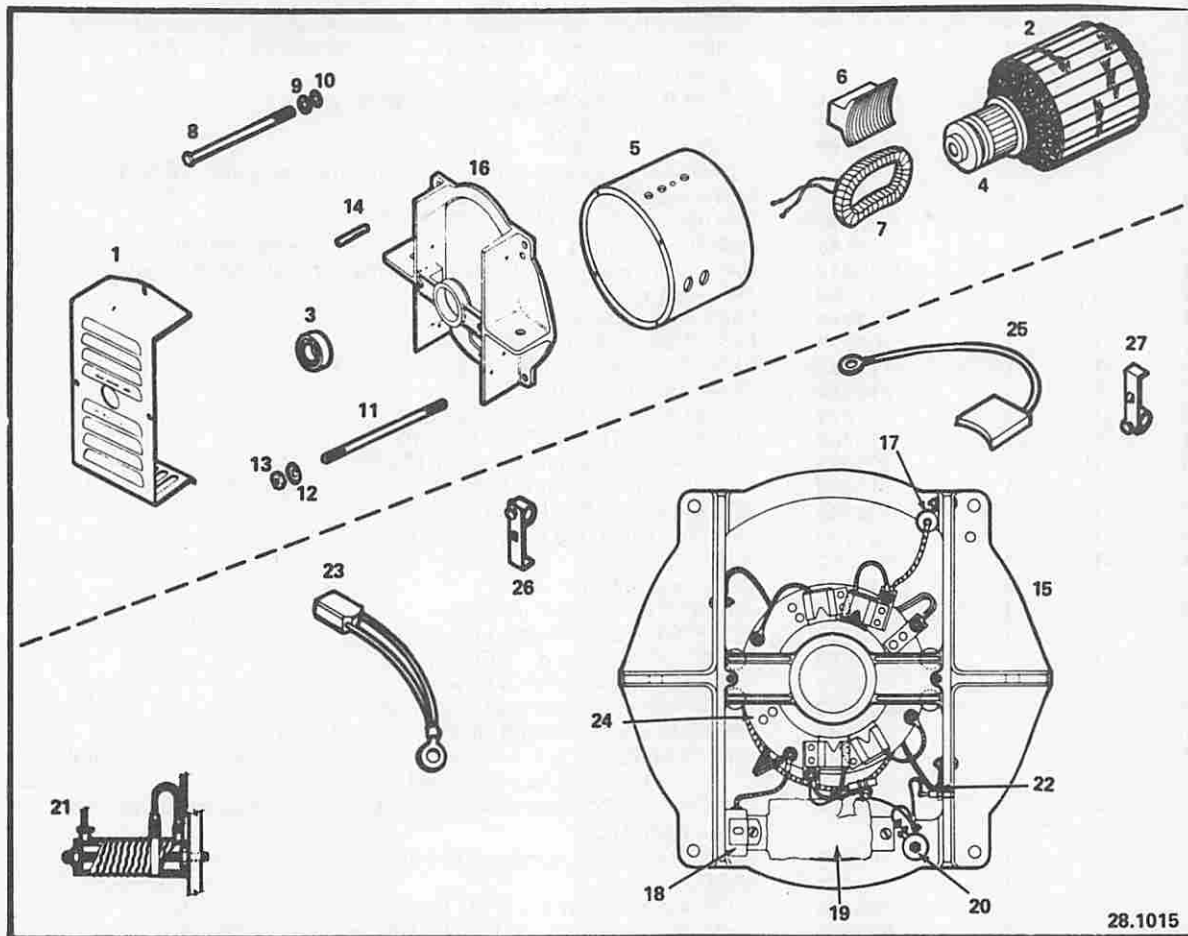
FURNISHINGS

KEY	230	260	PART NUMBER	
-----	-----	-----	-------------	--

28.045H CONTROL—ONAN 6KW GENERATOR

1	1	1	793986	CONTROL ASSY.—generator (w/706129 generator) (repl. 707144)
1	1	1	2000341	CONTROL ASSY.—generator (incl. harness) (incl. 793986 control and 2000362 harness) (w/2001699, 2002654, 2010790 generator)
2	1	1	707381	COVER—control
3	2	2	707382	SCREW—control cover mounting (No. 10 x 1/2") (hex)
4	4	4	—	SCREW—sheet metal, control to bracket (No. 8 x 1") (procure locally)
5	2	2	—	SCREW—round head, start solenoid mounting (1/4—20 x 3/8") (procure locally)
6	2	2	707371	WASHER—start solenoid mounting shake proof
7	1	1	707143	RELAY—start solenoid
8	1	1	707370	BRACKET—control and coil, mounting
9	4	4	—	SCREW—control bracket mounting (procure locally) (ref. 707263)
10	4	4	707372	NUT—insulating control to bracket
11	1	1	NS	SWITCH (ref. 710379) (308A320)
12	1	1	707145	HARNESS—wiring, control to engine (w/793986 control)
12	1	1	2000342	HARNESS—wiring, control to engine (SOA) (w/2000341 control)
13	15	15	707380	TAB—stake
14	7	7	707374	RECTIFIER—silicon
15	1	1	707378	RESISTOR—(330—OHM-1/2 watt)
16	1	1	710766	RESISTOR—(470—OHM-1/2 watt)
17	1	1	710764	TRANSISTOR—unijunction
18	1	1	707377	RESISTOR—(100—OHM-1/2 watt)
19	1	1	710768	RESISTOR—(16K—OHM-1/2 watt)
20	1	1	793988	RELAY—start disconnect (repl. 707375)
21	1	1	711483	CAPACITOR—(100 mfb 15V—DC)
22	1	1	710765	RESISTOR—(200—OHM-1/2 watt)
23	1	1	793989	RELAY—engine stop (repl. 707376)
24	1	1	710762	FUSE—5 amp.
25	2	2	710763	CLIP—fuse holder
26	1	1	710759	CAPACITOR—(5 med., 25 volt)
27	1	1	710767	RESISTOR—(27K—OHM-1/2 watt)
28	1	1	710760	CAPACITOR—(.1 med., 100 volt)
29	1	1	710769	RESISTOR—(2.7 OHM—1/2 watt)
30	1	1	2000363	RECTIFIER—gate control (8 amp. — 30 volt)
31	1	1	719649	SWITCH—remote, on and off (interior) (repl. 714228)
32	—	1	791805	CONTROL ASSY.—gen. remote (start and stop w/hour meter reading) (eff. w/1975) (w/out ZEO6584)
—	—	1	2014304	CONTROL ASSY.—gen. remote (start and stop w/hour meter reading) (w/ZEO6584)
—	—	1	798397	SWITCH ASSY.—control (w/791805) (SOA)
—	1	1	711484	LABEL—control
—	—	1	798398	WIRE ASSY.—control (5 3/4" length) (w/791805) (SOA)
—	—	1	798399	WIRE ASSY.—control (3 3/4" length) (w/791805) (SOA)
—	—	1	2000362	HARNESS ASSY.—wiring, control board (w/2000341 control)
—	—	1	3736851	METER ASSY.—hour, motor generator (w/TransMode & RPO KNC) (prior to 1978)
—	—	1	2028734	METER ASSY.—hour, motor generator (w/TransMode & RPO KNC) (1978)
—	—	1	2009110	BRACKET—mounting, motor generator hour (w/TransMode & RPO KNC)

FURNISHINGS



28.046 GENERATOR - KOHLER 4KW

28.1015

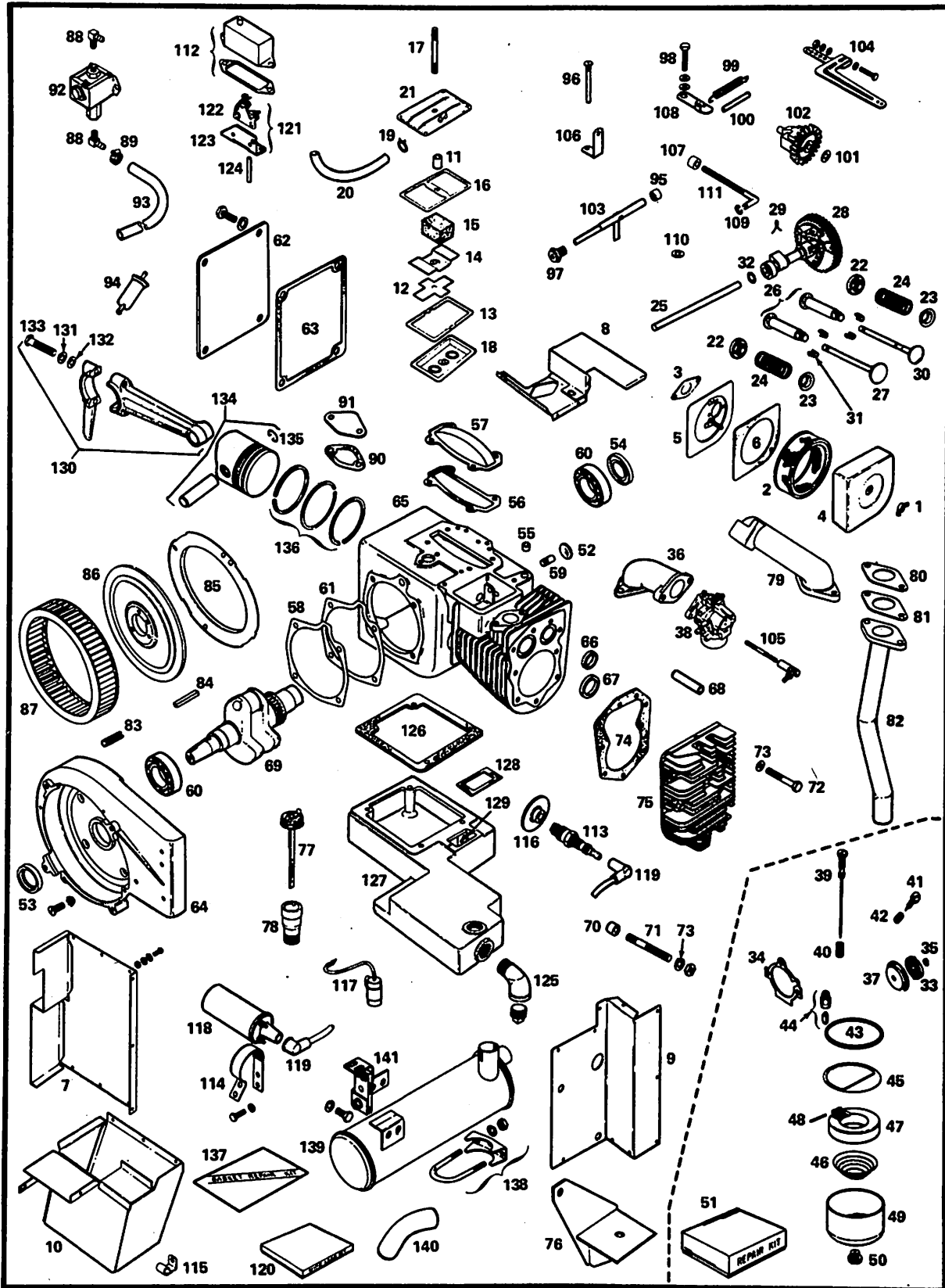
FURNISHINGS

KEY	230	260	PART NUMBER	
-----	-----	-----	-------------	--

28.046 GENERATOR—KOHLER 4KW

—	1	1	* NS	GENERATOR ASSY.—Kohler (4KW) (incl. gen. hsg. and engine) (complete) (ref. 708101) (13000B)
1	1	1	708136	COVER—generator end
2	1	1	708105	ARMATURE—assembly
3	1	1	* NS	BEARING—ball (ref. 708296) (X - 758 - 1)
4	1	1	* NS	RING—collector (ref. 708297) (237901)
5	1	1	708106	FRAME—generator assembly
6	4	4	708298	POLE—field
7	4	4	708299	COIL—field
8	1	1	* NS	BOLT—thru (1/2—13 x 10-1/16) (ref. 708137) (237796)
9	1	1	103329	WASHER—lock (1/2)
10	1	1	708138	WASHER—plain
11	4	4	708139	STUD—(5/16—18 x 7-3/4)
12	4	4	103320	WASHER—lock (5/16)
13	4	4	—	NUT—hex (5/16—18) (procure locally) (repl. 124824)
14	1	1	708176	PIN—roll (1/4 O.D. x 5/8)
15	1	1	708107	BRACKET—end assembly
16	1	1	708301	BRACKET—end
17	1	1	* NS	CONDENSER—(240 volt, AC) (ref. 708302) (232416)
18	1	1	708303	CONDENSER—(100 volt, DC)
19	1	1	708304	ANTI—FLICKER—or cycle compensator
20	1	1	* NS	RESISTOR—(4 OHM) (ref. 708305) (242088)
21	1	1	708306	STUD—resistor, mounting
22	1	1	708272	RECTIFIER—(Diode)
23	4	4	* NS	BRUSH—DC (ref. 708309) (237906)
24	4	4	718079	RING—brush holder assy. (SOA) (repl. 708300)
25	4	4	* NS	BRUSH—AC (ref. 708310) (252148)
26	4	4	* NS	SPRING—brush (DC) (ref. 708140) (237900)
27	4	4	* NS	SPRING—brush (AC) (ref. 708141) (269516)
—	6	6	—	SCREW—(10—24 x 3/8) (procure locally)
—	8	8	122158	WASHER—lock (10) (repl. 120217)
—	2	2	9421235	SCREW—(3/8—16 x 1-1/2)
—	2	2	—	SCREW—(10—24 x 1/2) (procure locally)
—	2	2	—	NUT—hex (10—24) (procure locally)
—	2	2	708307	WASHER—resistor centering
—	1	1	—	WASHER—lock (No. 10) (procure locally)
—	1	1	* NS	KIT—No. 14 lead wire and terminals (ref. 708293) (245677)
—	1	1	* NS	KIT—No. 10 lead wire and terminals (ref. 708294) (245678)
—	1	1	* NS	KIT—No. 6 lead wire and terminals (ref. 708295) (245679)
—	1	1	714355	STRAP—frame, generator
—	AR	AR	709147	SHIM—center ring brushes
—	1	1	716803	SWITCH—remote on and off (interior)
—	1	1	715810	HARNESS—generator to utility box (incl. receptical)

FURNISHINGS



28.046A ENGINE - KOHLER 4KW GENERATOR

28P-1012

FURNISHINGS

KEY	230	260	PART NUMBER
-----	-----	-----	-------------

28.046A ENGINE—KOHLER 4KW GENERATOR

AIR INTAKE

1	1	1	*	708145	NUT—wing (ref. 708145) (X - 276 - 7)
2	1	1		708143	ELEMENT
3	1	1	*	708142	GASKET—air horn (ref. 708142) (275341)
4	1	1	*	708144	COVER—air cleaner (ref. 708144) (45 - 082 - 02)
5	1	1	*	708110	BASE—air cleaner, assembly (ref. 708110) (45 - 201 - 01)
6	1	1	*	708308	GASKET (ref. 708308) (45 - 049 - 01)
—	3	3		—	SCREW—(No. 10—32 x 7/16) (procure locally)
—	3	3		—	WASHER—lock I.T. (No. 10) (procure locally) (repl. 121801)
—	1	1		708146	DECAL—air cleaner

BAFFLES AND SHROUD

7	1	1	*	708147	COVER—air duct
8	1	1		708148	DUCT—top
9	1	1		708149	AIR DUCT—side
10	1	1		708114	AIR DUCT—chute
—	2	2		120217	WASHER—lock (No. 10)
—	16	16		—	WASHER—lock (No. 10 E.T.) (procure locally) (ref. 138479)
—	1	1		—	WASHER—(1/4) (procure locally)
—	1	1		—	WASHER—(No. 10) (procure locally)
—	17	17		708330	WASHER—plain
—	16	16		159908	SCREW—(No. 10—24 x 3/8)
—	2	2		—	SCREW—(No. 10—24 x 3/8) (procure locally)
—	1	1		9419004	SCREW—sems (1/4—20 x 3/4)

BREATHER AND VENT

11	1	1	*	708154	SEAL—breather (ref. 708154) (231032)
12	1	1	*	708158	REED—breather (ref. 708158) (235047)
13	1	1	*	708159	GASKET—valve cover (ref. 708159) (235048)
14	1	1		708157	BAFFLE—breather
15	1	1	*	708156	FILTER—breather (ref. 708156) (235118)
16	1	1	*	708155	GASKET (ref. 708155) (275144)
17	1	1		708150	STUD—valve cover
18	1	1		708160	PLATE—breather
19	2	2		708152	CLAMP—hose
20	1	1		708153	HOSE
21	1	1		708151	COVER—valve
—	1	1		103319	WASHER—split (1/4)
—	1	1		—	NUT—hex (1/4—20) (procure locally)

CAMSHAFT AND VALVES

22	2	2	*	708238	ROTATOR (ref. 708238) (230020)
23	2	2	*	708240	RETAINER—spring, upper (ref. 708240) (235011)
24	2	2	*	708239	SPRING—valve (ref. 708239) (235168)
25	1	1		708244	PIN—camshaft
26	2	2	*	708220	TAPPET ASSY.— (ref. 708220) (D - 235327)
27	1	1	*	708241	VALVE—intake (ref. 708241) (235582)
28	1	1		715816	CAMSHAFT ASSY.—(repl. 708212)
29	1	1	*	715817	SPRING—actuating (repl. 708255) (ref. 715817) (47 - 089 - 01)
30	1	1		708242	VALVE—exhaust
31	4	4	*	708243	KEEPER—valve (ref. 708243) (240013)
32	AR	AR	*	708245	SPACER—camshaft, .005 (ref. 708245) (275066)
—	AR	AR	*	708246	SPACER—camshaft, .010 (ref. 708246) (275067)

CARBURETOR

33	1	1	*	716115	SPRING—thermostat (rep. 708313)
34	2	2	*	708314	GASKET—carburetor (ref. 708314) (271030)
35	1	1	*	708315	RING—grip (ref. 708315) (31 - 080 - 01)

FURNISHINGS

KEY	230	260	PART NUMBER	
-----	-----	-----	-------------	--

28.046A ENGINE—KOHLER 4KW GENERATOR (Cont.)

36	1	1	• 708161	ADAPTER—carburetor
37	1	1	• NS	CUP—choke (ref. 708316) (45 - 109 - 01)
38	1	1	• NS	CARBURETOR ASSY. (ref. 708111) (200443)
39	1	1	• NS	NEEDLE—main fuel (ref. 708317) (235415)
40	1	1	• NS	SPRING—main needle (ref. 708318) (200338)
41	1	1	• NS	NEEDLE—idle fuel (235006)
42	1	1	• NS	SPRING—idle needle (ref. 708320) (200380)
43	1	1	• NS	GASKET—bowl (ref. 708321) (200375)
44	1	1	• NS	NEEDLE AND SEAT—(SOA)
45	1	1	• NS	GASKET—baffle (ref. 708322) (200439)
46	1	1	708323	SPRING—float damper
47	1	1	• NS	FLOAT—(SOA) (ref. 708312) (200408)
48	1	1	• NS	PIN—float (ref. 708324) (200376)
49	1	1	• NS	BOWL—fuel (ref. 708325) (235448)
50	1	1	708326	NUT—bowl retaining
51	1	1	• NS	KIT—carburetor (ref. 708327) (231555)
—	2	2	9418918	SCREW—(5/16—18 x 1)
—	2	2	—	WASHER—lock (5/16) (procure locally)
—	2	2	9416090	SCREW—(No. 6—32 x 3/4)
—	1	1	708127	ELBOW—hose
—	AR	AR	708125	CLAMP—hose
—	2	2	9430677	SCREW—carburetor (hex head 5/16—18 x 1) (300M)

CRANKCASE

52	1	1	• NS	PLUG (ref. 708230) (X - 230 - 11)
53	1	1	• NS	SEAL—front oil (ref. 708221) (X - 271 - 30)
54	1	1	• NS	SEAL—rear oil (repl. 708227)(ref. 709576) (X - 379 - 9)
55	1	1	708228	BEARING—needle
56	1	1	• NS	GASKET—cover (ref. 708231) (235025)
57	1	1	708232	COVER—camshaft
58	AR	AR	• NS	GASKET—fan housing (ref. 708223) (235070)
59	1	1	• NS	SHAFT—governor (ref. 708229) (2351255)
60	2	2	• NS	BEARING—ball (ref. 708225) (235376)
61	1	1	• 708 NS	GASKET (ref. 708224) (235757)
62	1	1	708234	PLATE—closure
63	1	1	• NS	GASKET (ref. 708233) (45 - 041 - 01)
64	1	1	708222	HOUSING—fan
65	1	1	• NS	SHORT BLOCK ASSY.—(incl. crankshaft, piston, rings, camshaft, valves, fan housing, bearings and breaker assembly) (ref. 708102) (45 - 522 - 02)
66	2	2	708235	INSERT—exhaust valve
67	1	1	708236	INSERT—intake valve
68	2	2	• NS	GUIDE—valve (ref. 708237) (235007 - S)
—	4	4	—	WASHER—E.T. (3/8) (procure locally) (ref. 138489)
—	4	4	—	SCREW—(3/8—16 x 1) (procure locally)
—	4	4	9419000	SCREW—(1/4—20 x 1/2)
—	6	6	—	SCREW—(3/8—16 x 1) (procure locally)
—	1	1	712894	WASHER—c/case grp.
—	2	2	9420462	SCREW—c/case grp. (3/8—16 x 1-1/4) (300M)
—	2	2	708123	CLAMP—c/case grp.

CRANKSHAFT

69	1	1	• NS	CRANKSHAFT (ref. 708226) (45 - 014 - 07)
----	---	---	------	--

CYLINDER HEAD

70	2	2	708168	SPACER
71	2	2	708167	STUD
72	8	8	9421235	SCREW—H.C. (3/8—16)
73	10	10	708165	WASHER
74	1	1	• NS	GASKET—head (ref. 708162)
75	1	1	• NS	HEAD—cylinder (ref. 708163) (45 - 015 - 03)
76	1	1	• NS	SUPPORT—front mounting (ref. 708166) (45 - 161 - 01)
—	2	2	103321	WASHER—split (3/8) (repl. 131099)
—	4	4	NS	NUT—hex (3/8—16) (ref. 124829)

FURNISHINGS

KEY	230	260	PART NUMBER	
28.046A ENGINE—KOHLER 4KW GENERATOR (Cont.)				
DIPSTICK				
77	1	1	NS	DIPSTICK (ref. 708169) (45 - 272 - 01)
78	1	1	708170	TUBE—oil fill
EXHAUST				
79	1	1	NS	ELBOW—exhaust (ref. 708171) (45 - 054 - 02)
80	1	1	708173	GASKET—exhaust
81	1	1	708174	GASKET—exhaust
82	1	1	NS	TUBE—exhaust (ref. 708172) (45 - 123 - 03)
—	1	1	—	SCREW—(5/16—18 x 2-1/4) (procure locally)
—	1	1	—	SCREW—(5/16—18 x 1-5/8) (procure locally)
—	4	4	103320	WASHER—(5/16)
—	2	2	—	SCREW—(5/16—18 x 3/4) (procure locally)
FLYWHEEL				
83	1	1	708176	PIN—1/4 roll
84	1	1	NS	KEY (ref. 708177) (X - 286 - 15)
85	1	1	708175	BAFFLE—air
86	1	1	708178	ADAPTER—rotor
87	1	1	708179	ROTOR
—	7	7	120217	WASHER—split (No. 10)
—	7	7	708332	WASHER—flat
—	7	7	—	SCREW—(No. 10 x 3/8) (procure locally)
—	3	3	9419006	SCREW—sems (1/4—20 x 1)
—	1	1	9419892	WASHER—carb., side baffle (repl. 120392)
FUEL PUMP				
88	2	2	NS	CONNECTOR—hose (ref. 708127) (X - 391 - 1)
89	AR	AR	708125	CLAMP—hose
90	1	1	708182	GASKET—pump
91	1	1	708183	COVER—pump, pad
92	1	1	712823	PUMP—fuel (repl. 708117)
93	1	1	708180	LINE—fuel (2" long)
94	1	1	708120	FILTER—fuel (ref. 708120) (45 - 050 - 01)
—	1	1	—	WASHER—I.T. No. 8 (procure locally)
—	1	1	—	NUT—hex (8.32) (procure locally) (repl. 120622)
—	1	1	9419000	SCREW—sems (1/4—20 x 1/2)
—	1	1	713333	LINE—fuel (4" long) (repl. 709595)
—	1	1	713331	BRACKET—fuel pump
—	AR	AR	708125	CLAMP—fuel hose
GOVERNOR				
95	1	1	708184	SPACER
96	1	1	NS	PIN—stop (ref. 708185) (231355)
97	1	1	NS	BUSHING (ref. 708186) (235476)
98	1	1	708187	SCREW—shoulder
99	1	1	708188	SPRING—governor
100	1	1	708189	DAMPER—spring
101	1	1	NS	WASHER—thrust (ref. 708190) (237022)
102	1	1	708191	GEAR—governor
103	1	1	708112	SHAFT—cross assembly
104	1	1	708118	LEVER—throttle
105	1	1	NS	ROD—throttle (ref. 708192) (45 - 541 - 01)
106	1	1	NS	BRACKET—adjusting screw (ref. 708193) (235084)
107	1	1	NS	SPACER (ref. 708194) (235085)
108	1	1	708195	BRACKET—speed, control
109	1	1	NS	RETAINER—rod (ref. 708196) (235278)
110	1	1	708197	WASHER—tension
111	1	1	NS	ROD—control bracket (ref. 708198) (235277)
—	2	2	122158	WASHER—split (No. 10) (repl. 120217)

FURNISHINGS

KEY	230	260	PART NUMBER	
28.046A ENGINE—KOHLER 4KW GENERATOR (Cont.)				
-	1	1	-	WASHER—flat (copper)
-	4	4	-	NUT—hex (NO. 10—32) (procure locally) (repl. 120614)
-	1	1	-	WASHER—flat
-	1	1	9419006	SCREW—hex (1/4—20 x 1)
IGNITION				
112	1	1	708249	COVER—breaker
113	1	1	5613333	PLUG—spark (repl. 708119)
114	1	1	708200	BRACKET—coil (SOA)
115	1	1	708204	CLIP—cable
116	1	1	* NS	GROMMET (ref. 708202) (45 - 313 - 01)
117	1	1	708201	CONDENSER
118	1	1	* NS	COIL (ref. 708199) (237256)
119	1	1	708203	CABLE—spark plug
120	1	1	708293	KIT—No. 14 wire
121	1	1	* NS	BREAKER ASSY.—incl. next two items marked * (SOA) (A - 220474)
122	1	1	* NS	POINTS—breaker
123	1	1	* NS	BRACKET—breaker
124	1	1	* NS	ROD—breaker (ref. 708249) (232535)
-	2	2	159908	SCREW—(No. 10—24 x 3/8)
-	2	2	9419000	SCREW—(1/4—20 x 1/2)
-	1	1	* NS	GASKET—breaker (ref. 708248) (220174)
-	1	1	131014	WASHER—flat
-	1	1	9417273	SCREW—sems (No. 8—32 x 1/4)
OIL PAN				
125	1	1	708207	ELBOW—pipe (3/4)
126	1	1	708205	GASKET—oil pan
127	1	1	708206	PAN—oil
128	1	1	* NS	GASKET—oil, level indicator (ref. 708208) (45 - 041 - 05)
129	1	1	* NS	SWITCH—oil, level indicator (ref. 708209) (45 - 099 - 01)
-	4	4	-	SCREW—(5/16—18 x 2-3/4) (procure locally)
-	4	4	103320	WASHER—split (5/16)
-	2	2	121801	WASHER—I.T. (No. 10)
-	2	2	-	SCREW—(No. 10—24 x 1/2) (ref. 159920)
-	1	1	708210	CLIP
PISTON AND ROD				
130	1	1	2005351	ROD—connector assy. (standard) (repl. 708213, 714351)
130	1	1	2005352	ROD—connector assy. (.010" oversize) (repl. 708214, 714353)
131	2	2	103321	WASHER—split, C.R.S. (3/8) (repl. 131099)
132	2	2	708256	WASHER—plain (3/8)
133	2	2	* NS	SCREW—connecting rod (ref. 708257) (236611)
134	1	1	* NS	PISTON ASSY.—(standard) (incl. pin and retaining rings) (45 - 074 - 01)
134	1	1	708216	PISTON ASSY.—(.010" oversize)
134	1	1	708217	PISTON ASSY.—(.020" oversize)
134	1	1	708218	PISTON ASSY.—(.030" oversize)
135	2	2	* NS	RING—retaining (ref. 708258) (235811)
136	1	1	* NS	RING SET—standard (ref. 708250) (45 - 108 - 01)
136	1	1	708251	RING SET—.010" oversize
136	1	1	708252	RING SET—.020" oversize
136	1	1	708253	RING SET—.030" oversize
137	1	1	* NS	GASKET SET (ref. 708254) (45 - 004 - 02)
138	2	2	* NS	CLAMP—muffler (ref. 708115) (237548)
139	1	1	708113	MUFFLER
140	1	1	708211	PIPE—tail
141	1	1	* NS	HANGER—muffler (ref. 708116) (45 - 445 - 01)
-	2	2	9419029	SCREW—(5/16—18 x 1/2)
-	3	3	9418967	SCREW—(3/8—16 x 7/8)
-	2	2	103320	WASHER—split (5/16)
-	3	3	103321	WASHER—split (3/8)
-	3	3	120394	WASHER—plain (3/8) (repl. 446363)

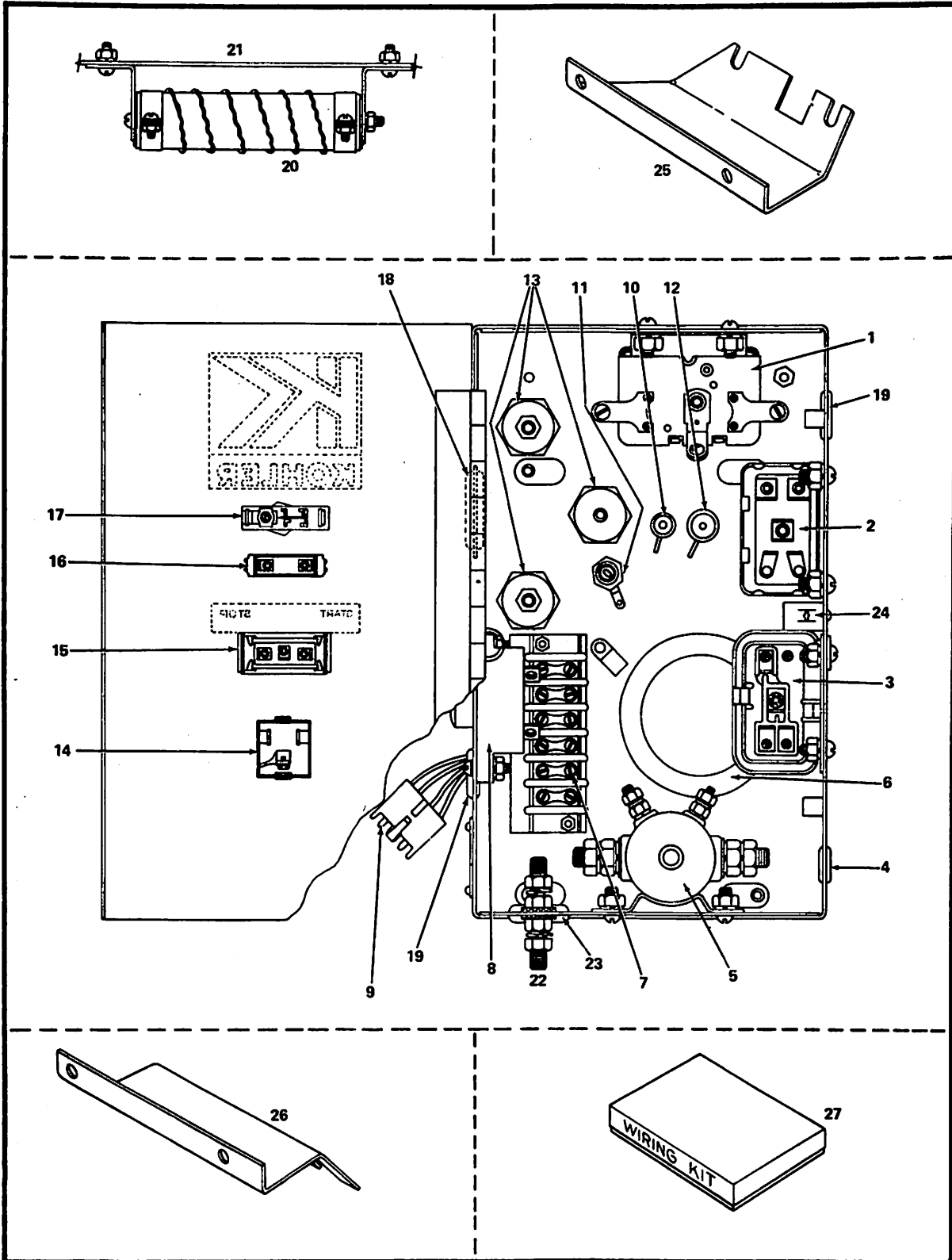
FURNISHINGS

KEY	230	280	PART NUMBER
-----	-----	-----	-------------

28.046A ENGINE—KOHLER 4KW GENERATOR (Cont.)

— 2 2 NPN SCREWS—sems. (1/4—20 x 3/8)

FURNISHINGS



28.046B PANEL - CONTROL, KOHLER 4KW GENERATOR

28P-1013

FURNISHINGS

KEY	230	280	PART NUMBER	
28.046B PANEL—CONTROL, KOHLER 4KW GENERATOR				
1	1	1	* NS	RELAY—(R.R.) (ref. 708262) (245269)
2	1	1	708263	RELAY—(2 CR)
3	1	1	708264	RELAY—(1 CR)
4	1	1	708265	GROMMET—controller mounting
5	1	1	715818	RELAY—(C) (repl. 708266)
—	8	8	—	SCREW—relay. (1/4—20 x 1/2 mounting (procure locally)
—	8	8	103319	WASHER—lock. relay mounting (1/4)
—	4	4	—	WASHER—E.T. relay mounting (1/4) (procure locally)
—	8	8	134551	NUT—hex. relay mounting (1/4—20)
6	1	1	713604	GROMMET—controller mounting (repl. 708267)
7	1	1	708268	STRIP—terminal
—	2	2	9417273	SCREW—terminal strip mounting (No. 8—32 x 1/4)
—	2	2	—	WASHER—lock. terminal strip mounting (No. 8) (procure locally)
—	2	2	—	NUT—hex. terminal strip mounting (No. 8—32) (procure locally) (repl. 120622)
8	1	1	* NS	BREAKER—circuit (ref. 708269) (233713)
—	2	2	—	SCREW—circuit breaker mounting (1/4—20 x 1/2) (procure locally)
—	2	2	103319	WASHER—lock. circuit breaker mounting (1/4)
—	2	2	134551	NUT—hex. circuit breaker mounting (1/4—20)
9	1	1	708261	LEAD ASSY.
10	1	1	* NS	RESISTOR—50 OHM (R3) (ref. 708270) (243971)
—	1	1	—	SCREW—resistor insulation mounting (No. 8—32 x 1-1/2) (procure locally)
—	1	1	—	WASHER—flat. resistor insulation mounting (No. 8) (procure locally)
—	1	1	—	WASHER—lock. resistor insulation mounting (No. 8) (repl. 121841) (ref. 138530) (procure locally)
—	1	1	120622	NUT—hex. resistor insulation mounting (No. 8—32)
11	1	1	708272	RECTIFIER
12	1	1	* NS	RESISTOR—15 OHM (R2) (ref. 708273) (X - 474 - 4)
—	2	2	708274	WASHER—resistor centering mounting (No. 10)
—	1	1	—	SCREW—resistor mounting (No. 10—32 x 2-1/2) (procure locally)
—	1	1	9421089	WASHER—flat. resistor mounting (No. 10) (repl. 120391) (procure locally)
—	1	1	122158	WASHER—lock. resistor mounting (No. 10) (repl. 120217)
—	1	1	—	NUT—hex. resistor mounting (No. 10—32) (procure locally) (repl. 120614)
13	3	3	708275	INSULATOR
—	1	1	708276	STUD—insulator mounting (1/4)
—	2	2	—	NUT—hex. insulator jam mounting (1/4—20) (procure locally)
—	2	2	103319	WASHER—lock. insulator mounting (1/4)
—	1	1	708334	WASHER—flat. insulator mounting (1/4)
—	1	1	—	SCREW—insulator mounting (1/4—20 x 3/8) (procure locally)
14	1	1	708277	RECEPTACLE
15	1	1	* NS	SWITCH—rocker (ref. 708278) (233691)
—	1	1	708279	DECAL—instruction
16	1	1	708280	LIGHT—indicator
17	1	1	* NS	SWITCH—thermal (ITS) (ref. 708281) (245803)
—	1	1	708282	DECAL—instruction
18	1	1	708283	GROMMET—controller mounting
19	2	2	708284	GROMMET—controller mounting
20	1	1	* NS	RESISTOR—2.5 OHM (1R2) (ref. 708285) (245442)
—	2	2	708286	WASHER—resistor centering mounting (No. 10)
—	1	1	708335	SCREW—resistor mounting (No. 10—24 x 4-1/2)
—	3	3	120217	WASHER—resistor mounting (No. 10)
—	3	3	—	NUT—hex. resistor mounting (No. 10—24) (procure locally)
—	2	2	—	SCREW—resistor mounting (No. 10—24 x 3/8) (procure locally)
21	1	1	708287	BRACKET—resistor
—	2	2	—	SCREW—resistor bracket mounting (No. 10—24 x 3/8) (procure locally)
—	2	2	120217	WASHER—resistor bracket mounting (No. 10, lock)
—	2	2	120361	NUT—hex. resistor bracket mounting (No. 10—24)
22	1	1	708288	STUD—ground
—	2	2	—	WASHER—E.T. ground stud mounting (1/4) (procure locally)
—	2	2	103319	WASHER—lock. ground stud mounting (1/4)
—	4	4	134551	NUT—hex. ground stud mounting (No. 1/4—20)
23	1	1	794237	GROMMET—controller mounting (repl. 708289)
24	1	1	* NS	BRACKET—cover (ref. 708290) (265348)
—	1	1	—	SCREW—sheet metal cover bracket mounting (No. 8 x 1/2) (procure locally)
25	1	1	708291	BRACKET—controller mounting, top
—	2	2	9419000	SCREW—controller bracket mounting (1/4—20 x 1/2)

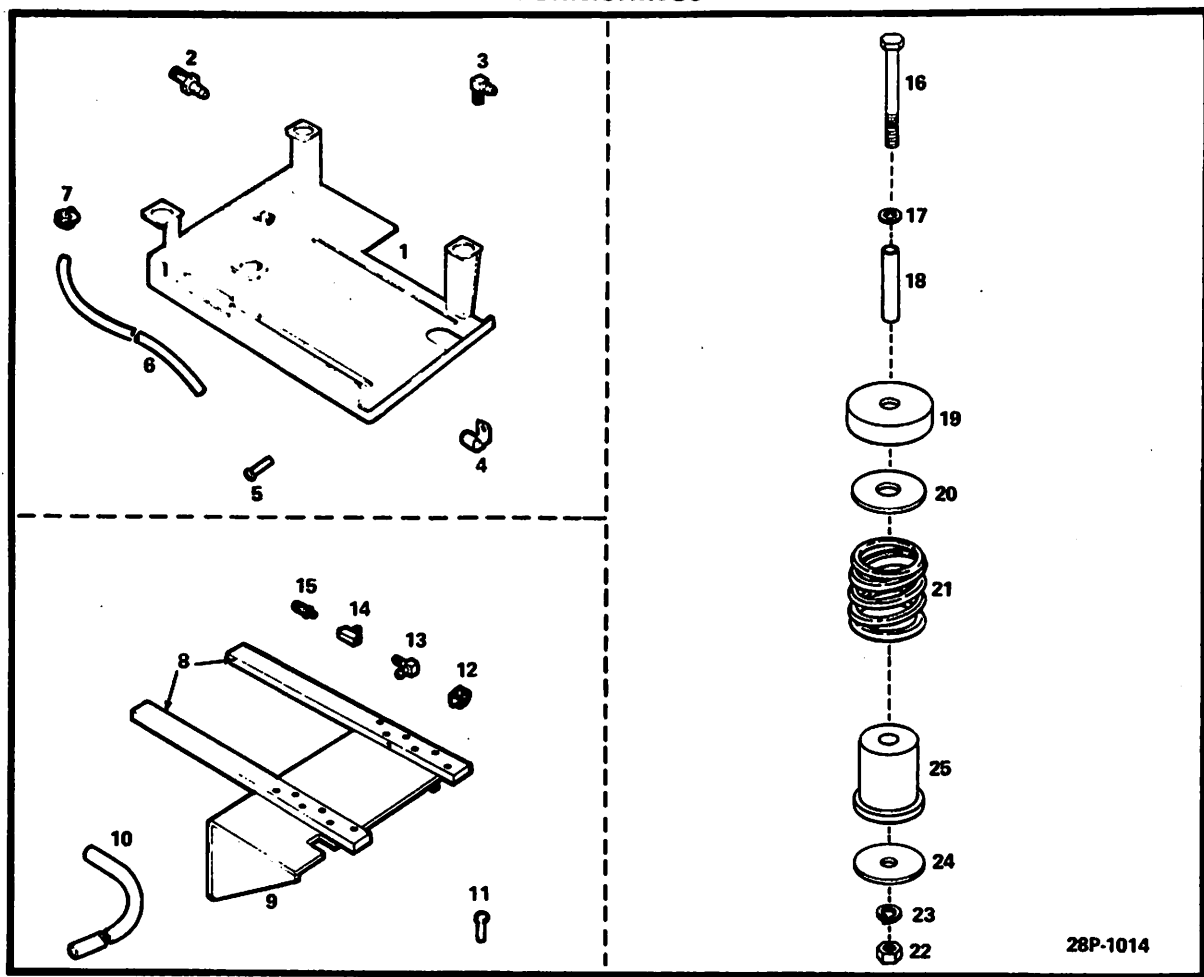
FURNISHINGS

KEY	230	260	PART NUMBER
-----	-----	-----	-------------

28.046B PANEL—CONTROL, KOHLER 4KW GENERATOR (Cont.)

—	2	2	103319 WASHER—controller bracket mounting (1/4, lock)
—	2	2	— SCREW—sems controller bracket mounting (1/4—20 x 5/8) (procure locally) (ref. 179793)
26	1	1	708292 BRACKET—controller mounting, bottom
—	2	2	9419000 SCREW—controller bracket mounting (1/4—20 x 1/2)
—	2	2	103319 WASHER—lock, controller bracket mounting (1/4)
—	2	2	179793 SCREW—sems controller bracket mounting (1/4—20 x 5/8)
27	1	1	708293 KIT—No. 14 lead wire and terminals
—	1	1	708294 KIT—No. 10 lead wire and terminals
—	1	1	708295 KIT—No. 6 lead wire and terminals
—	1	1	714354 BRACKET—controller resistor mtg.
—	1	1	9419892 WASHER—(9/32 I.D. 5/8 O.D.)
—	1	1	794236 STRAP—wire

FURNISHINGS



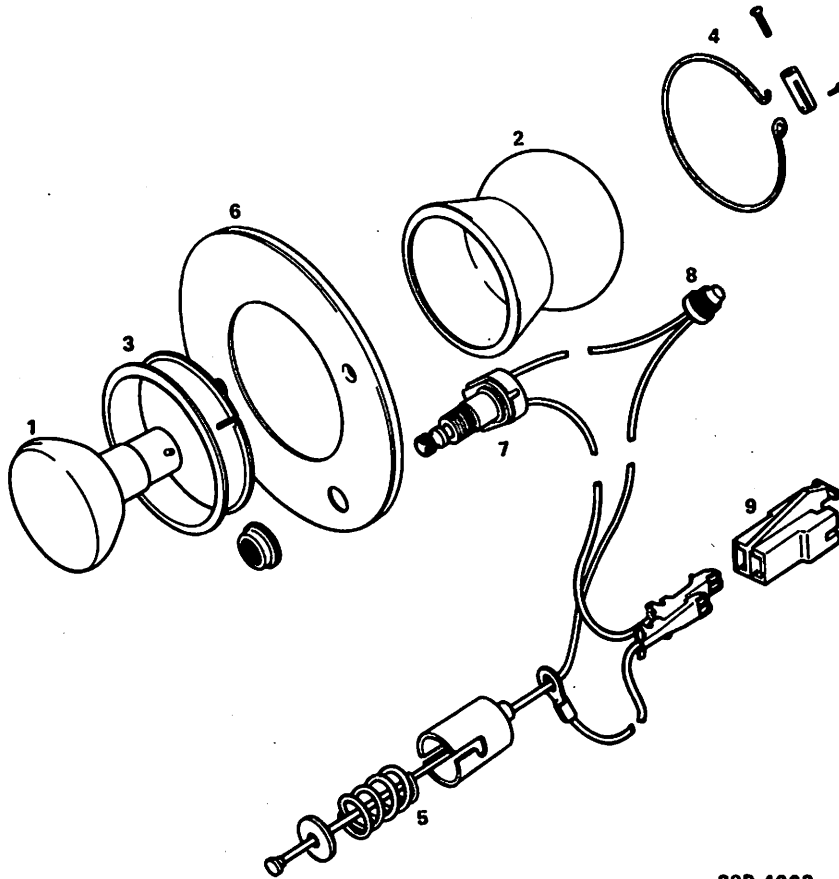
28P-1014

KEY 230 260 PART NUMBER

28.046C KOHLER 4KW GENERATOR MOUNTING

1	1	1	708103	SKID—mounting
2	1	1	708122	CONNECTOR—hose (repl. 708122)
3	1	1	708122	ELBOW—fuel fitting
4	2	2	708123	CLAMP—retaining
5	2	2	159582	SCREW—(8—32 x 5/16)
6	1	1	713332	LINE—fuel (25—1/2" long) (repl. 708124)
7	2	2	708125	CLAMP—hose
8	2	2	NS	BAR—slide (ref. 708129) (45 - 197 - 01)
9	1	1	NS	BRACKET—mounting (ref. 708130) (45 - 126 - 01)
10	2	2	708126	LINE—fuel (10—1/2" long)
11	6	6	—	SCREW—sems. (3/8—16 x 1) (procure locally)
12	1	1	708125	CLAMP—hose
13	1	1	708127	ELBOW
14	1	1	708128	TEE
15	1	1	708121	CONNECTOR—hose
16	1	1	—	SCREW—mounting (4" long) (hex head 3/8—16 x 3/4) (procure locally)
17	4	4	120395	WASHER—plain
18	2	2	708131	SPACER—generator end
19	4	4	708133	CUP—rubber
20	4	4	708328	WASHER—upper
21	4	4	708134	SPRING—mounting
22	4	4	NS	NUT—mounting screw (ref. 124829)
23	4	4	103321	WASHER—lock
24	4	4	708329	WASHER—lower
25	4	4	NS	TEE—rubber mounting (ref. 708135) (237451)
—	2	2	—	WASHER—clamp screw (repl. 121841) (ref. 138530) (procure locally)
—	3	3	9419085	SCREW—mounting (3—3/4" long)
—	2	2	708132	SPACER—engine, end
—	1	1	NS	CAPACITOR—mounting (ref. 714350) (237957)

FURNISHINGS



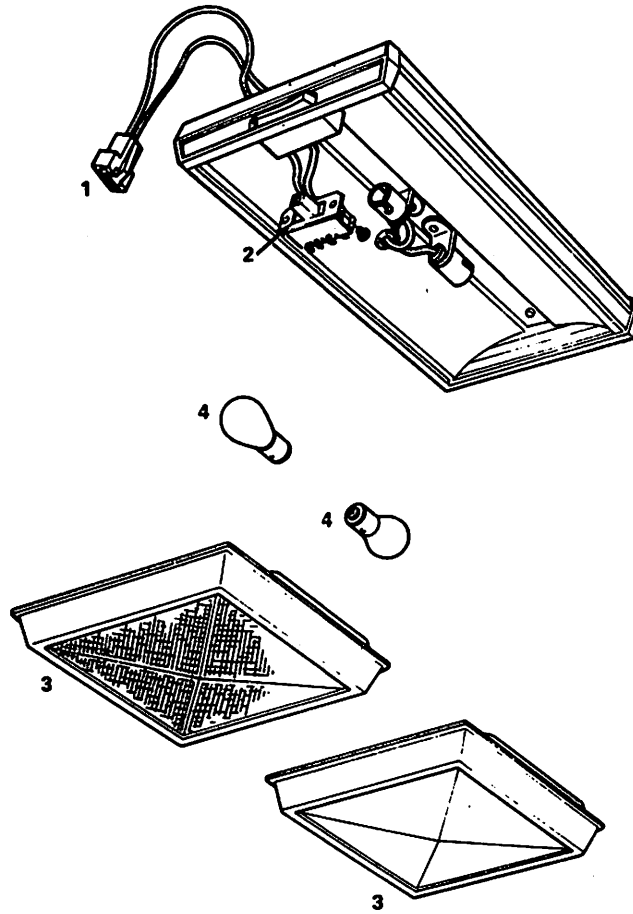
28P-4003

KEY	230	260	PART NUMBER
-----	-----	-----	-------------

28.047 LAMP—READING

—	2	2	705770	LAMP ASSY.—reading, rear (w/out rear cabinet) (prior to 1975)
—	2	2	716804	LAMP ASSY.—reading, rear (w/o bulb) (silver) (prior to 1975)
—	—	2	791703	LAMP ASSY.—reading, rear (complete) (brass) (eff. w/1975) (prior to 1978)
—	—	2	2045152	LAMP ASSY.—reading, rear (gold-finish) (1978) (details not available at time of publication)
1	2	2	9425469	BULB—reading lamp
2	1	1	NS	BALL—lamp housing
3	1	1	NS	RETAINER—ball housing
4	1	1	NS	CLAMP ASSY.—wire, ball
5	1	1	NS	SOCKET ASSY.—bulb
6	1	1	NS	PLATE—trim
7	—	1	793673	SWITCH ASSY.—lamp (incl. gold knob) (w/791703)
8	1	1	NS	CONNECTOR—wire
9	—	1	8911772	CONNECTOR—main-wire
—	—	3	790962	COVER—elec. conduit at overhead cabinet (white plastic) (covers reading lamp wires inside overhead cabinets) (eff. w/ 1975) (repl. 791842)

FURNISHINGS



KEY	230	260	PART NUMBER
-----	-----	-----	-------------

28.048 LAMP—HALL & LIVING AREA

—	AR	AR	705453	LAMP ASSY.—overhead (1 bulb) (prior to 1975)
—	AR	AR	705452	LAMP ASSY.—overhead (2 bulb) (prior to 1975)
—	—	1	790379	LAMP ASSY.—overhead (RH dinette cabinet) (eff. w/1975) (w/RPO 681, 697) (vehicles built prior to June 21, 1976)
—	—	1	2000974	LAMP ASSY.—overhead (RH/LH) (walnut) (w/RPO 641, 685, 697, 698) (vehicles built after June 21, 1976) (prior to 1978)
—	—	1	2045148	LAMP ASSY.—overhead (RH/LH) (walnut) (w/RPO 641, 697, 698) (1978)
—	—	2	781142	LAMP ASSY.—overhead (hall & LH living area) (eff. w/1975) (prior to 1978) (w/RPO 641, 681, 697, or w/ZEO6582, w/ZEO6584)
—	—	1	2045147	LAMP ASSY.—overhead (hall & LH living area) (1978) (RPO 641, 697, 698)
—	—	1	790380	LAMP ASSY.—overhead (galley) (rosewood) (w/RPO 681, 683, 697) (eff. w/1975 & vehicles built prior to June 21, 1976)
—	—	2	2006788	LAMP ASSY.—rear overhead cabinet (single lens) (w/ZEO6582) (STD) (SOA)
—	—	1	2006789	LAMP ASSY.—galley (dual lens) (w/ZEO6582) (STD) (SOA)
—	—	1	2000975	LAMP ASSY.—overhead (galley) (eff. w/1975) (w/RPO 698)
—	—	1	2000975	LAMP ASSY.—overhead (galley) (walnut) (w/RPO 697) (vehicles built after June 21, 1976) (prior to 1978)

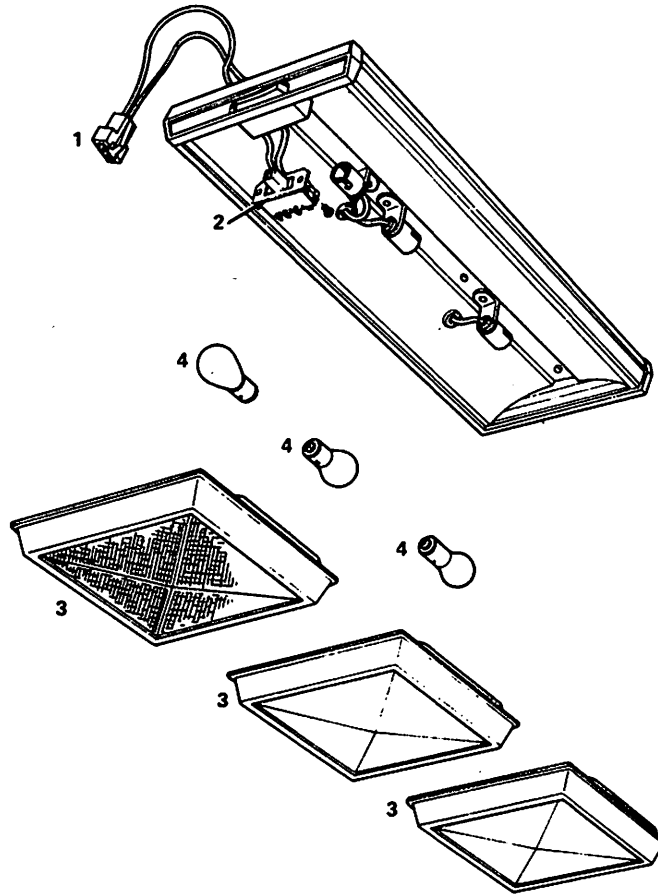
FURNISHINGS

KEY	230	260	PART NUMBER
-----	-----	-----	-------------

28.048 LAMP—HALL & LIVING AREA (Cont.)

—	—	1	2045149	LAMP ASSY.—overhead (galley) (walnut) (w/RPO 641, 697, 698) (1978)
1	—	1	NS	HOUSING—terminal, lamp (ref. 8911772)
2	—	1	798005	SWITCH ASSY.—lamp (w/791142 & 2045147, 2045148, 2045149)
—	—	1	2045987	LENS—lamp (w/2045147, 2045148, 2045149)
3	—	AR	798006	LENS—lamp (w/791142)
3	AR	AR	705482	LENS—overhead lamp (1 and 2 bulb) (prior to 1975)
4	AR	AR	142456	BULB—overhead lamp

FURNISHINGS

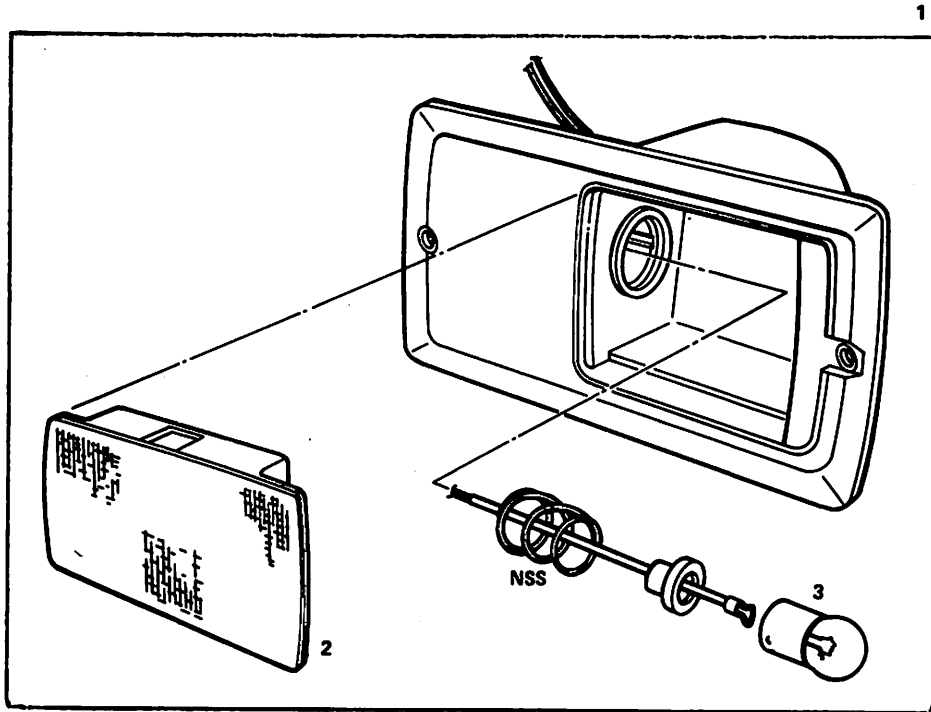


KEY	230	280	PART NUMBER
-----	-----	-----	-------------

28.049 LAMP—BATH

—	2	2	705451	LAMP ASSY.—bathroom (3 bulb) (prior to 1975)
—	—	2	790832	LAMP ASSY.—bathroom (3 bulb) (eff. w/ 1975) (prior to 1978) (exc/ZEO6582, ZEO6584)
—	—	2	2045146	LAMP ASSY.—bathroom (3 bulb) (1978) (w/ZEO6581)
—	—	1	2008797	LAMP ASSY.—bathroom (recessed overhead) (w/ZEO6582, ZEO6584) (STD) (SOA)
1	—	1	NS	HOUSING—terminal, lamp (ref. 8911772)
2	—	1	798005	SWITCH ASSY.—lamp (w/790832 & 2045146)
—	—	1	2045867	LENS—lamp (w/2045146)
3	—	AR	798006	LENS—lamp (w/790832)
3	2	2	705481	LENS—lamp (w/705451)
4	AR	AR	142456	BULB—overhead lamp

FURNISHINGS

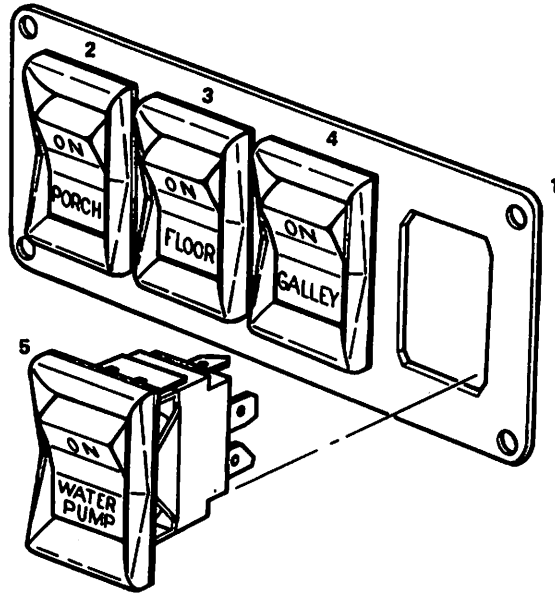


KEY	230	260	PART NUMBER
-----	-----	-----	-------------

28.049A LAMP—FLOOR (AISLE)

—	3	3	715576	LAMP ASSY.—floor, (aisle) (prior to 1975)
1	—	2	791155	LAMP ASSY.—floor, (aisle) (eff. w/1975)
2	—	2	NPN	LENS—lamp (w/791155)
3	—	2	NS	BULB—lamp

FURNISHINGS

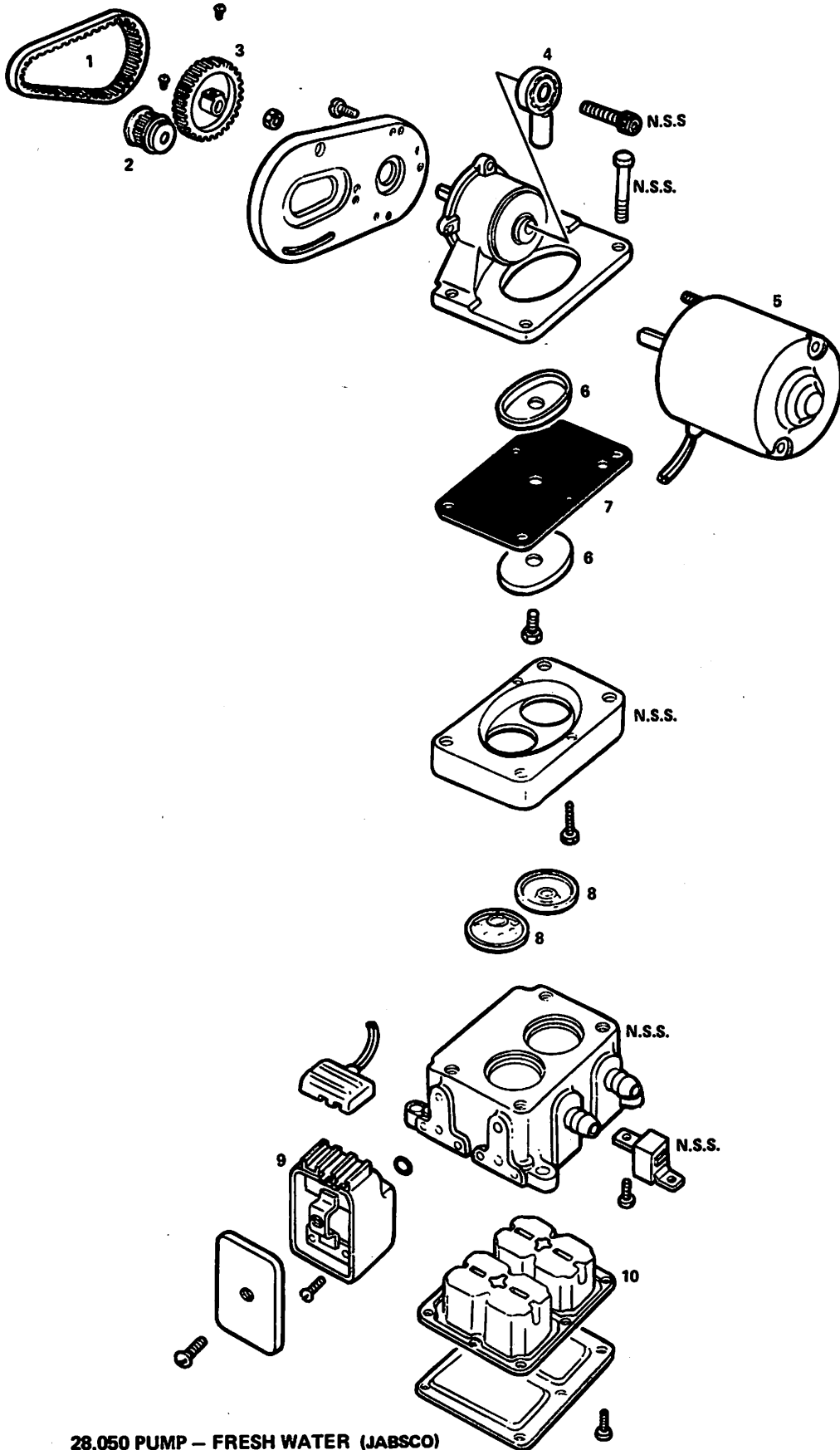


KEY	230	260	PART NUMBER
-----	-----	-----	-------------

28.049B PANEL—SWITCH (LIGHT)

—	3	3	715538	SWITCH—light (aisle, galley, porch) (ivory) (prior to 1975)
—	—	1	790345	PANEL ASSY.—switch, left side (side of refrigerator module) (eff. w/1975) (exc./ZE06582)
—	—	1	2006791	PANEL ASSY.—switch (porch & water pump) (w/ZE06582) (STD) (details not available at time of publication)
1	—	1	798098	PANEL—mounting. (w/790345)
2	—	1	798093	SWITCH ASSY.—porch (SOA) (w/790345)
3	—	1	798094	SWITCH ASSY.—floor (SOA) (w/790345)
4	—	1	798095	SWITCH ASSY.—galley (SOA) (w/790345)
5	—	1	798096	SWITCH ASSY.—water pump (SOA) (w/790345)

FURNISHINGS



28.050 PUMP - FRESH WATER (JABSCO)
(FIRST DESIGN)

3P-14010

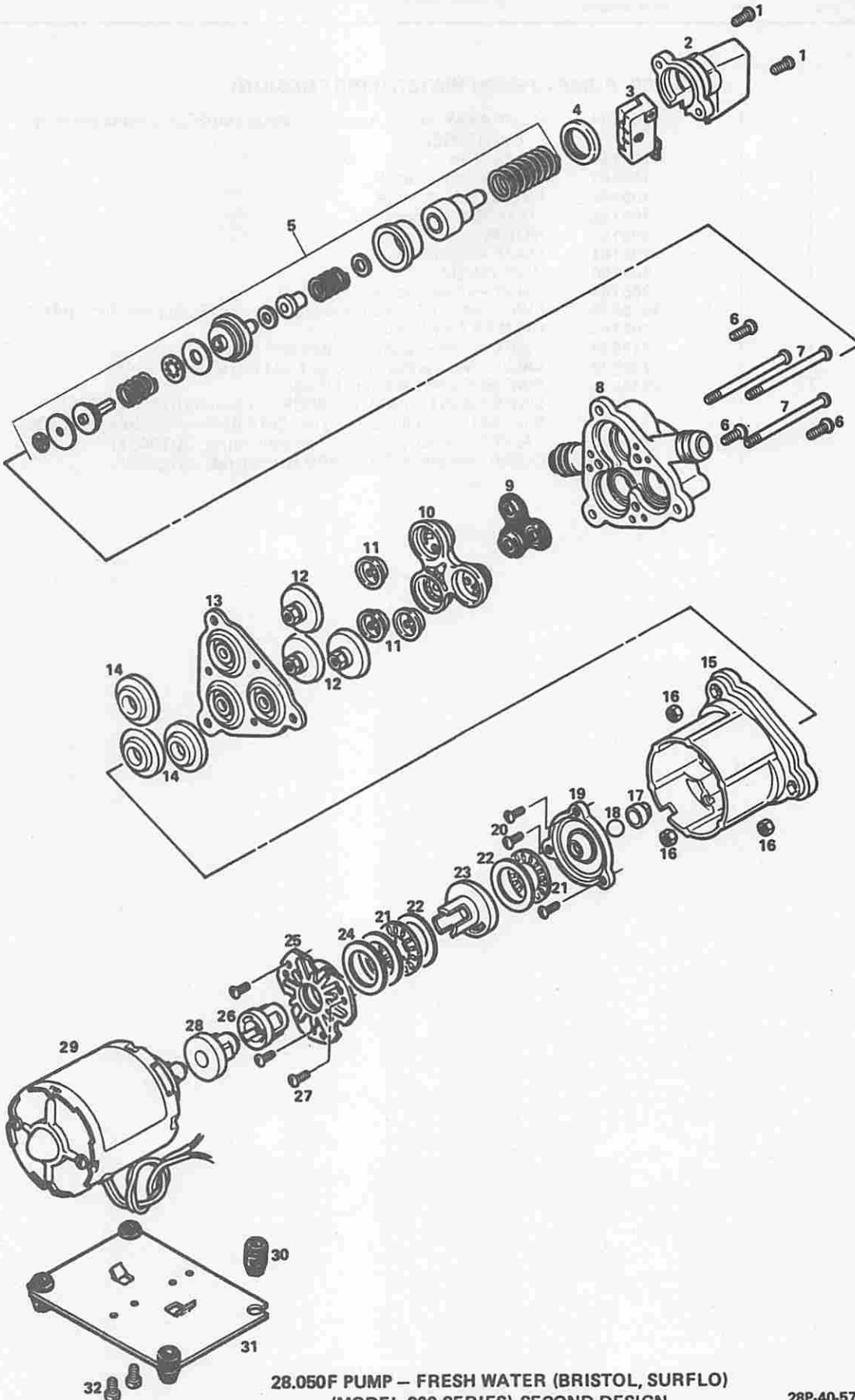
FURNISHINGS

KEY	230	280	PART NUMBER
-----	-----	-----	-------------

28.050 PUMP—FRESH WATER (FIRST DESIGN)

—	1	1	705154 PUMP ASSY.—fresh water (complete) (JABSCO) (prior to serial no. 6V102006)
1	1	1	705159 BELT—drive
2	1	1	705157 PULLEY—drive, small
3	1	1	705158 PULLEY—drive, large
4	1	1	705156 ROD ASSY.—connecting
5	1	1	705155 MOTOR
6	2	2	705161 PLATE—diaphragm
7	1	1	705160 DIAPHRAGM
8	1	1	705163 VALVE—intake and discharge (set)
9	1	1	2009958 SWITCH ASSY.—pressure (kit) conversion (SOA) (repl. 705164)
10	1	1	705162 DAMPER ASSY.—pulsation
—	1	1	715538 SWITCH—water pump (located above galley) (ivory)
—	1	1	796778 VALVE—fresh water inlet check (at tank) (repl. 718045)
—	1	1	2034271 PORT SET—inlet and outlet (SOA)
—	—	1	NS SWITCH ASSY.—(SOA) (w/2009958 switch) (ref. 2010495)
—	—	1	NS BRACKET—switch mounting (w/2009958 switch) (ref. 2010496)
—	—	1	NS GASKET—switch (w/2009958 switch) (ref. 2010497)
—	—	1	NS COVER—switch (w/2009958 switch) (ref. 2010499)

FURNISHINGS



28.050F PUMP – FRESH WATER (BRISTOL, SURFLO)
(MODEL 200 SERIES) SECOND DESIGN

28P-40-577

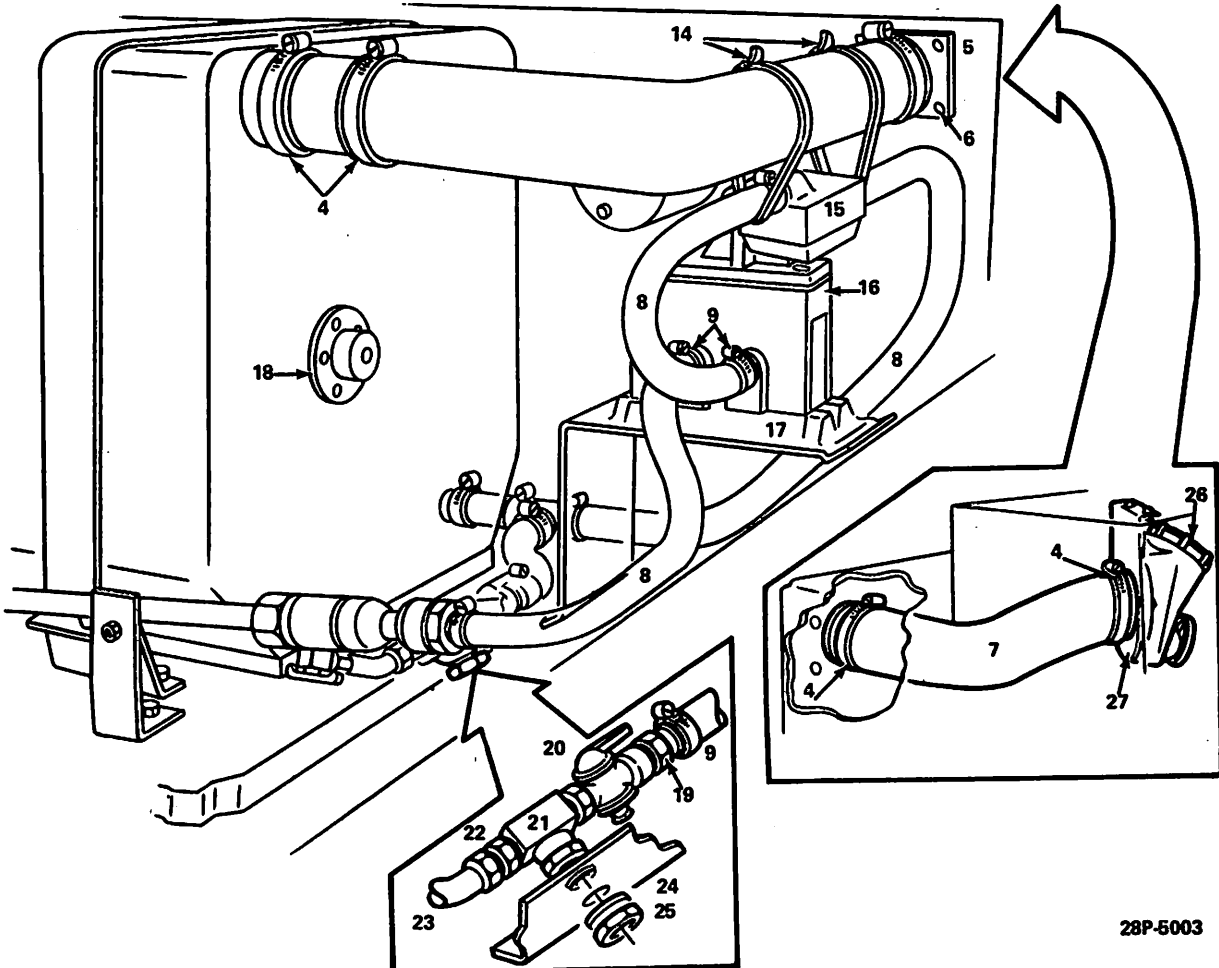
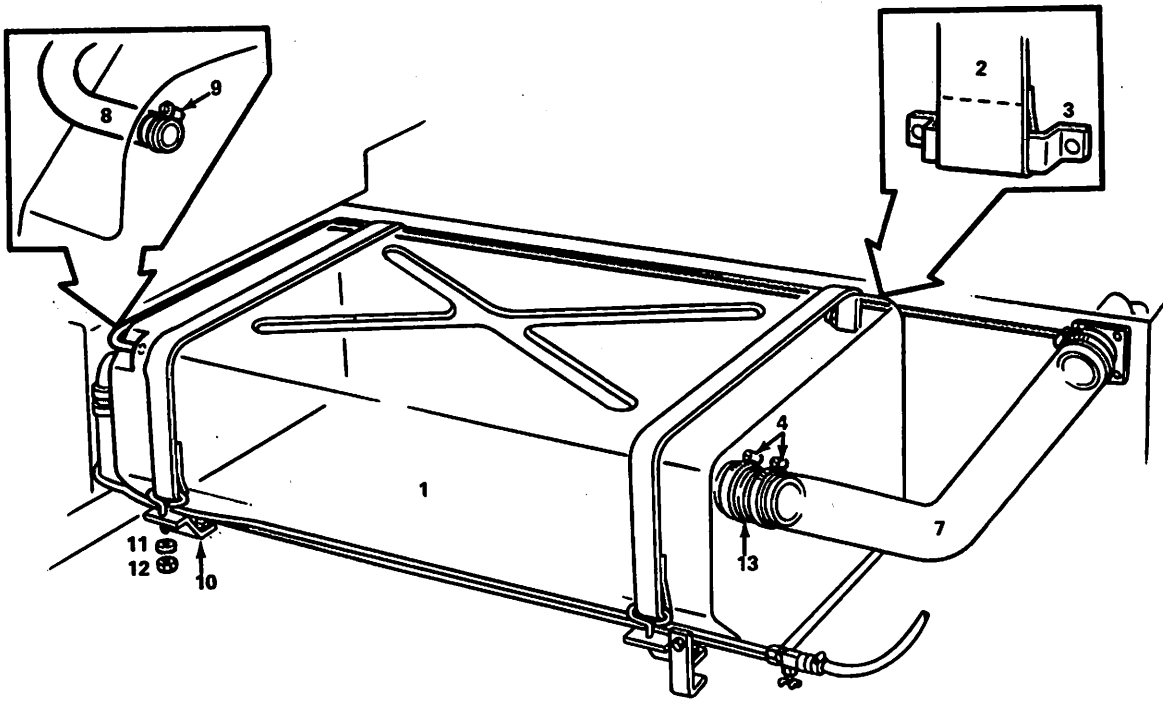
FURNISHINGS

KEY	230	260	PART NUMBER
-----	-----	-----	-------------

28.050F PUMP—FRESH WATER SECOND DESIGN

—	—	1	2006776	PUMP ASSY.—fresh water (bristol, surflo) (eff. w/serial no. 6V102006) (ref. only)
1	—	2	NS	SCREW—water pump
2	—	1	2033370	CAP—switch
3	—	1	2033369	SWITCH ASSY—pump (SOA)
4	—	1	NS	RING—bridge water pump
5	—	1	2033368	MECHANISM ASSY.—switch (SOA)
6	—	3	NS	SCREW—water pump (short)
7	—	3	NS	BOLT—water pump (long)
8	—	1	2033371	HOUSING—upper
9	—	1	2033382	VALVE—discharge (gasket)
10	—	1	NS	VALVE—housing w/screen
11	—	3	2033372	VALVE—(chamber) inlet
12	—	3	2033375	PISTON—top
13	—	1	2033377	DIAPHRAGM—pump
14	—	3	2033376	PISTON—bottom
15	—	1	NS	HOUSING—water pump lower
16	—	3	NS	NUT—hex water pump
17	—	1	NS	BUSHING—water pump
18	—	1	NS	BALL—steel
19	—	1	NS	PLATE—wobble
20	—	3	NS	SCREW—water pump
21	—	2	2001695	BEARING—drive coupling
22	—	4	2033381	WASHER—bearing
23	—	1	NS	COUPLING—drive
24	—	1	NS	SHIM—Mylar
25	—	1	NS	PLATE—support
26	—	1	2033380	BUSHING—drive coupling
27	—	3	NS	SCREW—water pump
28	—	1	NS	COUPLING—water pump
29	—	1	2033367	MOTOR ASSY.—water pump (SOA) (painted black)
30	—	4	2033379	FOOT—base plate
31	—	1	NS	PLATE—base
32	—	2	NS	SCREW—base plate
—	—	1	2033389	KIT HEAD—pump (SOA)

FURNISHINGS



28.051 TANK - FRESH WATER (INCL. FITTINGS)
(FIRST DESIGN)

FURNISHINGS

KEY	230	260	PART NUMBER	
28.051 TANK—FRESH WATER (INCL. FITTINGS) (FIRST DESIGN)				
1	1	1	2018854	TANK ASSY.—fresh water (w/ZE06581) (repl. 706126)
<p>NOTE: Sending unit is not part of tank assy. Use 1-6429633 sending unit (incl. gasket). Also use 1-2001669 TUBE—flexible water fill (90.70" lg. 1 1/4" I.D.) & 1-2001670 COUPLING—reducer (2" to 1 1/4 insert type) when installing 2018854 fresh water tank.</p>				
2	—	2	791721	STRAP ASSY.—water tank (eff. w/1975)
3	—	2	NS	CLAMP—strap (procure locally)
4	—	5	2465814	CLAMP—water hose (prior to 1975 Second Design)
5	—	1	NS	CONNECTOR ASSY.—fresh water inlet (eff. w/1975) (First Design)(ref. 791067)
5	—	1	791236	GASKET—connector (w/791067)
6	—	4	700368	RIVET—connector
7	—	1	8885531	TUBING—water fill. (RH) from inlet to water tank (2" I.D.) (48" long) (CTL) (First Design) (repl. 790323)
8	—	AR	8885532	TUBING—water tank to water pump and venting system (1/2" I.D.) (25' roll) (CTL) (eff. w/1975) (first design)
9	—	AR	2468869	CLAMP—tube
10	—	2	NPN	ANCHOR—strap, water tank (eff. w/1975) (ref. 791566) (make locally)
11	—	2	9418304	WASHER—bolt, strap anchor
12	—	2	120376	NUT—strap anchor
13	—	1	—	CONNECTOR—outlet, fresh water (prior to 1975 Second Design) (see grp. 28.051A)
—	—	1	2194031	CONNECTOR—fresh water tank outlet (w/ZE06582, ZE06584)
14	—	2	676543	STRAP—tube
15	—	1	790334	FILTER ASSY.—water, between water tank and water pump (exc./ZE06582, ZE06584) (eff. w/1975) (first design)
16	1	1	—	PUMP ASSY.—fresh water (see group 28.050)
17	—	1	791555	SUPPORT—water pump (eff. w/1975)
18	1	1	6429633	SENDING UNIT—fresh water tank (incl. next item)
18	—	1	6429637	GASKET—sender
19	—	2	2061210	CONNECTOR—bulkhead, water tank (eff. w/1975)
20	—	1	2429626	VALVE—fresh water tank (exc./ZE06582, ZE06584)
21	—	1	444134	TEE—hose (1/4—18)
22	—	1	652629	CONNECTOR ASSY.—hose to tee
23	AR	AR	8884956	TUBING—fresh water tank, black nylon, extruded (9/32 I.D.) (25 ft. roll) (CTL)
24	—	1	—	WASHER—tee (3/4") (procure locally)
25	—	1	219758	NUT—(3/4—16)
26	—	1	—	FILLER—water (see group 23.051A)
27	—	1	790088	SUPPORT—inlet (eff. w/1975) (First Design)
—	1	1	2032557	TAG—portable water fill ("warning, potable water only — sanitize, flush and drain before using — see instruction manual") (repl. 791691)
—	1	1	—	INLET ASSY. (valve)—city water (located at utilities compartment) (see group 28.130)
—	—	1	444012	REDUCER—pipe (eff. w/1975)
—	—	1	791659	VALVE ASSY.—water tank vent (eff. w/1975)
—	—	2	793398	ADAPTER ASSY.—hose, at water tank (tee) (barbed male) (eff. w/1975) (First Design)
—	—	1	3745928	BOLT—strap eye (eff. w/1975)
—	—	AR	8860217	WEBBING—tie down (strap) (36.00" per vehicle) (70") (CTL)
—	—	2	795685	TEE ASSY.—water tank, pump and fresh water system drain (1/2" plastic) (repl. 791675) (eff. w/1975) (First Design)
—	—	3	NPN	BRACKET—water tank compartment to floor (eff. w/1975) (make locally)
—	AR	AR	2014028	TUBING—fresh water (1/2 ID x 3/8 OD) (20 ft. straight length)
—	AR	AR	2014030	TUBING—fresh water (3/8 ID x 1/2 OD) (20 ft. straight length)
—	AR	AR	2014031	TUBING—fresh water (1/2 ID x 5/8 OD) (20 ft. straight length)
—	—	1	2001630	PLUMBING KIT—repair (complete) (eff. w/1975) (incl. next three (3) repair kits) (ref. only)
—	—	1	2001631	PLUMBING KIT—repair (3/8) (eff. w/1975)
—	—	1	2001632	PLUMBING KIT—repair (1/2") (eff. w/1975)
—	—	1	2001633	PLUMBING KIT—repair (5/8") (eff. w/1975)
—	—	1	2061210	CONNECTOR—water tank and pump drain bulkhead (eff. w/1975)

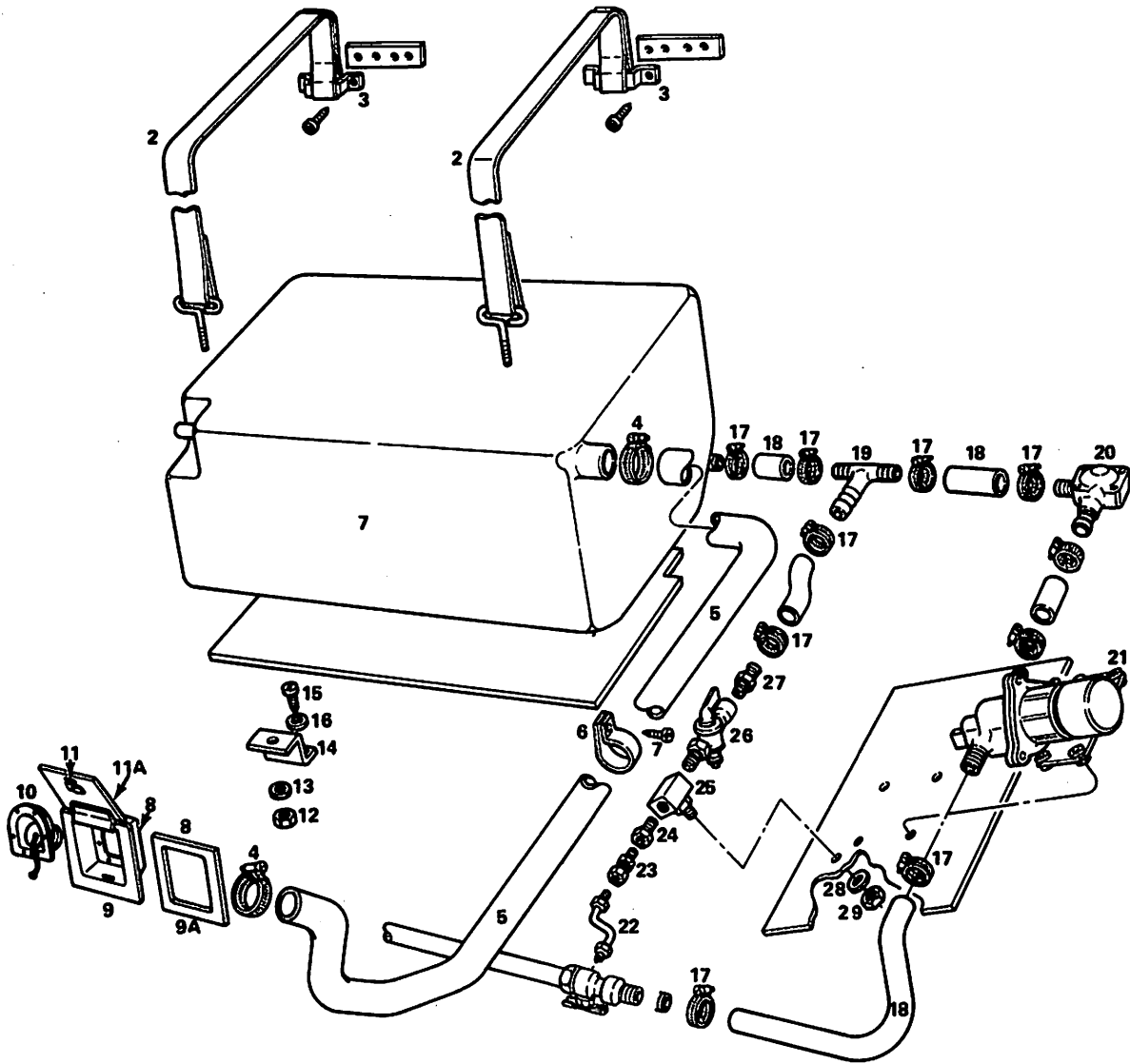
FURNISHINGS

KEY	230	260	PART NUMBER	
28.051 TANK—FRESH WATER (INCL. FITTINGS) (FIRST DESIGN) (Cont.)				
—	—	1	444134	TEE—drain, water tank and pump (eff. w/1975) (exc./ZE06582, ZE06584)
—	—	1	2429626	VALVE ASSY.—shut off, water tank & pump drain to tee (eff. w/1975) (exc./ZE06582, ZE06584)
—	—	1	680310	NIPPLE—valve, shut off (eff. w/1975) (first design)
—	—	1	796778	VALVE—water tank vent check
—	—	1	652629	CONNECTOR—tube, water tank & pump drain tee nylon (eff. w/1975)
—	—	1	3838094	NIPPLE—fresh water tank to hot water tank (eff. w/1975) (prior to 1978)
—	—	1	2463052	NIPPLE—fresh water tank to hot water tank (1978)
—	—	1	791156	CLIP—pipe, RH sanitary plumbing
—	—	2	2008017	BRACKET—fresh water tank strap (w/ZE06582, ZE06584)
—	—	1	2006741	TEE—fresh water tank and pump drain (w/ZE06582, ZE06584)
—	—	1	—	HOSE—fresh water drain (ref. 2020199) (Proc. loc.) (1/4" O.D. x .035 copper)
—	—	1	444626	PLUG—fresh water tank (w/ZE06582, ZE06584)

FURNISHINGS

NOTES

FURNISHINGS



28.051A TANK - FRESH WATER (INCL. FITTINGS)
(SECOND DESIGN)
28-112

28P-5004-177

FURNISHINGS

KEY	230	260	PART NUMBER
-----	-----	-----	-------------

28.051A TANK—FRESH WATER (INCL. FITTINGS) (SECOND DESIGN)

1	1	1	2018854 TANK ASSY.—fresh water (w/ZEO6581) (repl. 706126)
---	---	---	---

NOTE: Sending unit is not part of tank assy. Use 1-6429633 sending unit (incl. gasket). Also use 1-2001669 TUBE—flexible water fill (90.70" lg. 1 1/4" I.D.) & 1-2001670 COUPLING—reducer (2" to 1 1/4" insert type) when installing 2018854 water ta

1	—	1	2006652 TANK ASSY.—fresh water (w/ZEO6582)
1	—	1	2021124 TANK ASSY.—fresh water (w/ZEO6584) (repl. 2015299)
2	—	2	791721 STRAP ASSY.—water tank (eff. w/1975)
3	—	2	— CLAMP—strap (procure locally)
4	—	2	9139804 CLAMP—fresh water hose (eff. w/1975 second design) (repl. 2465813)
5	—	1	2001669 TUBING—water fill, (LH) from inlet to water tank (1.25" I.D.) (90.70" long)
5	—	1	2022110 TUBING—water fill, (LH) from inlet to water tank (1.25" I.D.) (99.00" long)
6	—	3	791156 CLIP ASSY.—tube water fill
7	—	3	11503684 SCREW—tube water fill clip (repl. 9427230)
8	—	1	2005011 SEAL—fresh water fill
9	—	1	2012753 COMPARTMENT ASSY.—fresh water fill
9A	—	1	2012756 COMPARTMENT—fresh water fill
10	—	1	2004698 FILLER ASSY.—fresh water (located at LH side under rear sash) (eff. w/1975 second design)
—	—	1	2033017 CAP ASSY.—filler (SOA) (w/2004698 filler assy.)
11	—	1	9728247 RETAINER—fresh water fill door
11A	—	1	2012754 DOOR—fresh water fill
12	—	4	9417954 NUT—strap anchor
13	—	4	9418304 WASHER—bolt, strap anchor
14	—	2	791566 ANCHOR—strap, water tank (eff. 1975)
15	—	2	NS SCREW—strap anchor (also use 1-3718496 washer) (ref. 9422176)
16	—	2	9419892 WASHER—strap anchor
17	—	AR	2468869 CLAMP—tube
18	—	AR	2224567 TUBING—water tank to water pump and venting system (1/2" I.D.) (39" lg.) (neoprene)
19	—	1	795685 TEE—water tank, pump and fresh water system drain (1/2" neoprene)
20	—	1	2010322 FILTER ASSY.—water, between water tank and water pump (incl. next (2) items)
—	—	1	2011900 GASKET—filter, fresh water tank (w/2010322 filter assy.)
—	—	1	2014502 SCREEN—filter, fresh water tank (w/2010322 filter assy.)
21	1	1	— PUMP ASSY.—fresh water (see grp. 28.050)
22	—	AR	8884956 TUBE—water tank & pump drain tee
23	—	1	625629 CONNECTOR—tube, water tank, & pump drain tee (nylon) (eff. w/1975)
24	—	2	2061210 CONNECTOR—water tank, & pump drain tee
25	—	1	444134 TEE—water tank & pump drain (1/4 x 1/8) (exc./ZEO6582, ZEO6584)
26	—	1	2429626 VALVE ASSY.—shut off water tank & pump drain (exc./ZEO6582, ZEO6584)
27	—	1	2194031 NIPPLE—water tank & pump drain
28	—	1	— WASHER—tee (3/4") (ref. 138056) (procure locally)
29	—	1	219758 NUT—tee washer (3/4 - 16)
—	1	1	6429633 SENDER—fresh water tank
—	1	1	6429637 GASKET—sender
—	—	1	792251 CONNECTOR—outlet, fresh water
—	—	1	2001670 CONNECTOR—fresh water tank outlet (exc./ZEO6582, ZEO6584)
—	—	1	790839 FILTER ASSY.—tank (incl. screen & "L" shaped connector) (eff. w/1975 & prior to 1976) (w/ZEO6582, ZEO6584)
—	—	1	2003132 FILTER ASSY.—fresh water tank vent valve (incl. screen & straight connector 3 3/4") (eff. w/1976) (exc./ZEO6582, ZEO6584)
—	—	1	444040 ADAPTER—faucet to shower
—	—	1	680310 CONNECTOR—fresh water system at drain tee

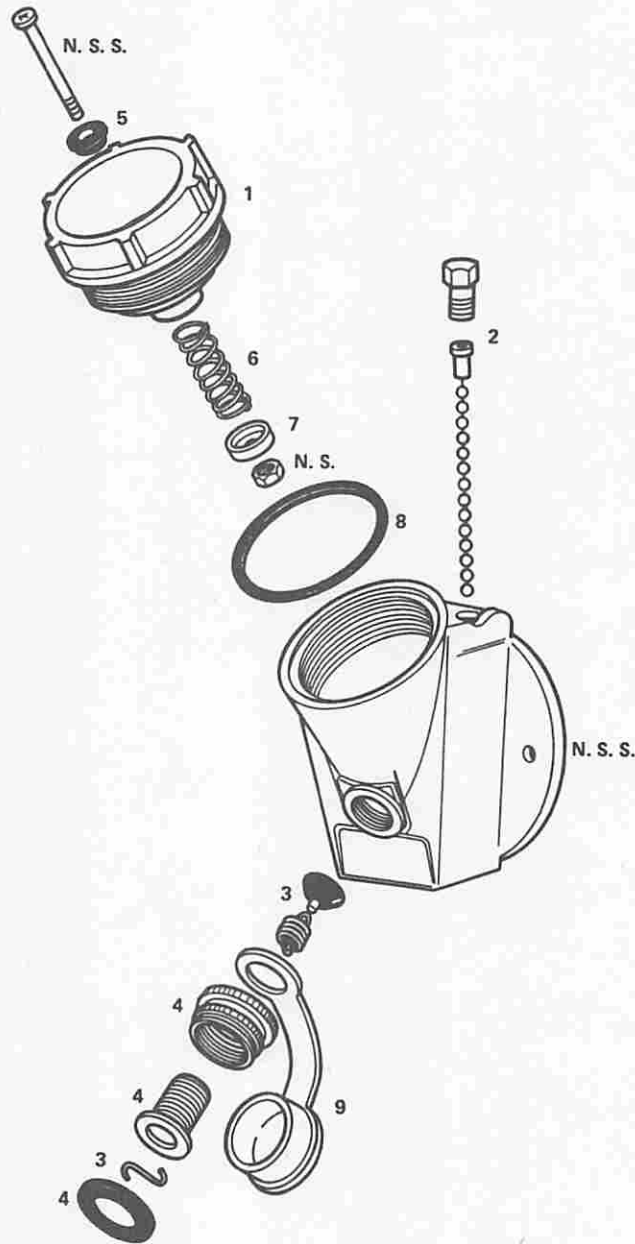
FURNISHINGS

KEY	230	280	PART NUMBER	
28.051B WATER FILL COMPARTMENT (FRESH WATER TANK)				
-	-	1	2005124	COMPARTMENT ASSY.—fresh water fill LH (eff. w/ 1975 second design) (prior to interm 1976) (includes next (5) items)
-	-	1	2005010	COMPARTMENT—fresh water fill
-	-	1	2004900	DOOR ASSY.—compartment
-	-	1	2005014	STRIKER—compartment door
-	-	4	700368	RIVET—door & striker to compartment
-	-	4	448161	WASHER—rivet to compartment
-	-	1	-	RETAINER—door lock, fill compartment (ref. 9428247)
-	-	1	2002635	CYLINDER—lock
9	-	1	-	COMPARTMENT ASSY.—fresh water fill (eff. w/interm 1976) (see gr. 28.05 1A) (incl. next (5) items)
9A	-	1	-	COMPARTMENT—fresh water fill (see gr. 28.05 1A)
11A	-	1	-	DOOR—fresh water fill (see gr. 28.05 1A)
-	-	1	703710	HINGE—fresh water fill door
-	-	1	2005014	STRIKER—fresh water fill door
-	-	4	700368	RIVET—fresh water fill

FURNISHINGS

NOTES

FURNISHINGS



28P-32

28.051A FILLER – WATER

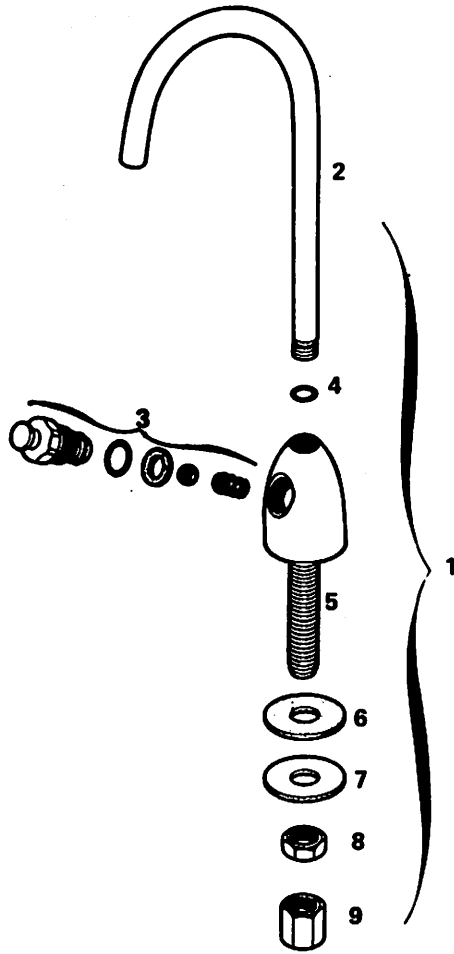
FURNISHINGS

KEY	230	260	PART NUMBER
-----	-----	-----	-------------

28.051C FILLER—WATER (FRESH WATER TANK)

—	1	1	715170	CAP ASSY.—fresh water tank (incl. keys) (SOA) (prior to 1975)
—	—	1	791167	FILLER ASSY.—water, at inlet (prior to 1975 First Design)
1	—	1	798007	CAP ASSY.—filler (SOA)
2	—	1	798008	CHAIN ASSY.—cap. (SOA)
3	—	1	798009	KIT—check valve. (incl. check plugs & pin, spring & spring retainer) (SOA)
4	—	1	798010	KIT—water inlet adapter. (incl. hose coupling, adapter & washer) (SOA)
5	—	1	798013	WASHER—cap screw
6	—	1	798014	SPRING—cap
7	—	1	798015	WASHER—spring, cap
8	—	1	798016	O—RING—cap
9	—	1	798017	CAP—dust
—	—	1	2004698	FILLER ASSY.—fresh water (located at LH side under rear sash) (eff. w/ 1975 second second design) (incl. next item) (for illus. see gr. 28.051A item # 10)
—	—	1	2033017	CAP ASSY.—filler (w/2004698 filler assy.) (SOA)

FURNISHINGS



28P-13

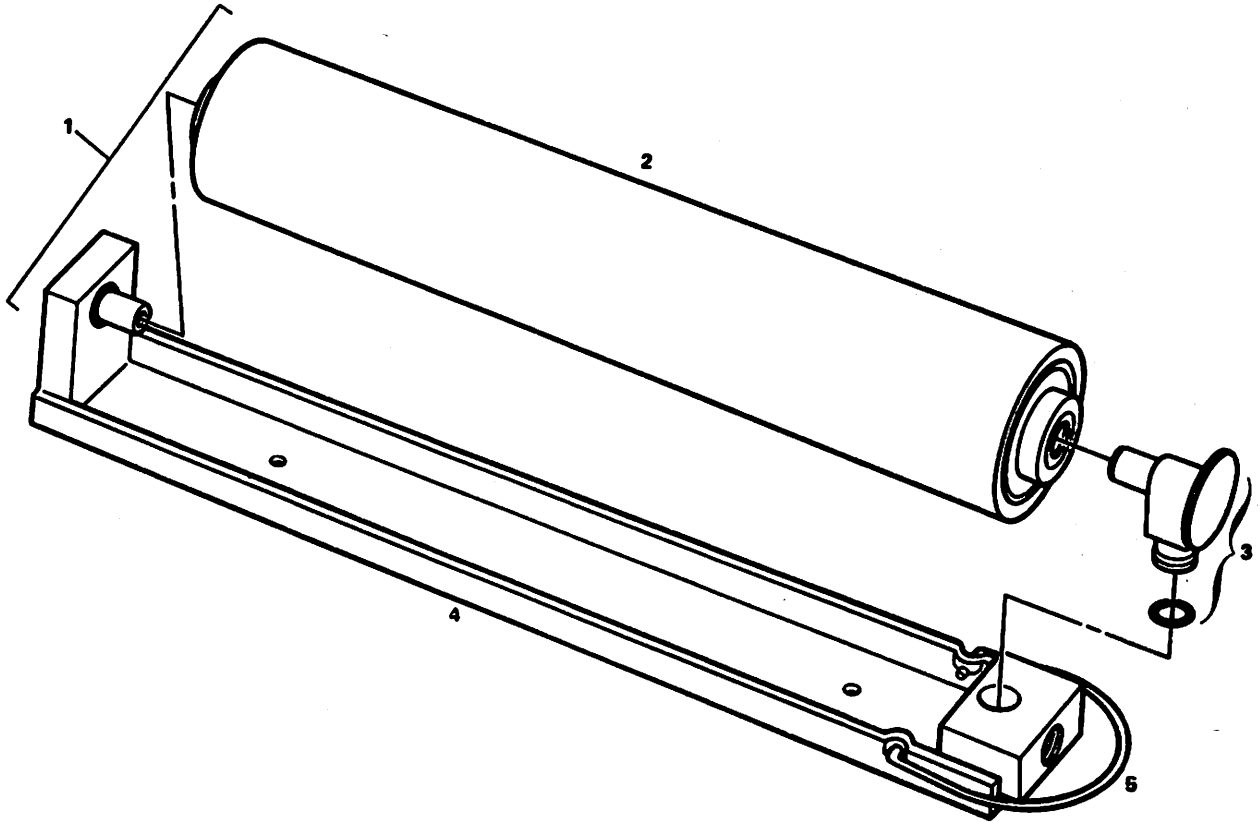
KEY 230 260 PART NUMBER

28.052 FAUCET—WATER TREATMENT UNIT

—	1	1	2234649	TREATMENT UNIT—water (kit)
1	1	1	706783	FAUCET ASSY.—water treatment unit (First Design) (ecom system)
2	1	1	710100	SPOUT—faucet swing
3	1	1	706786	KIT—repair, valve stem
4	1	1	NS	“O” RING—spout to body
5	1	1	NS	BODY—valve
6	1	1	NS	GASKET—composition, valve body (ref. 706787)
7	1	1	NS	WASHER—valve body
8	1	1	NS	NUT—locking, valve body
9	1	1	NS	NUT—compression, valve body
—	1	1	710099	TUBING—plastic (1/4" dia. 48" long)

NOTE: See 28.052A Illustration for Balance of Water Treatment Unit

FURNISHINGS



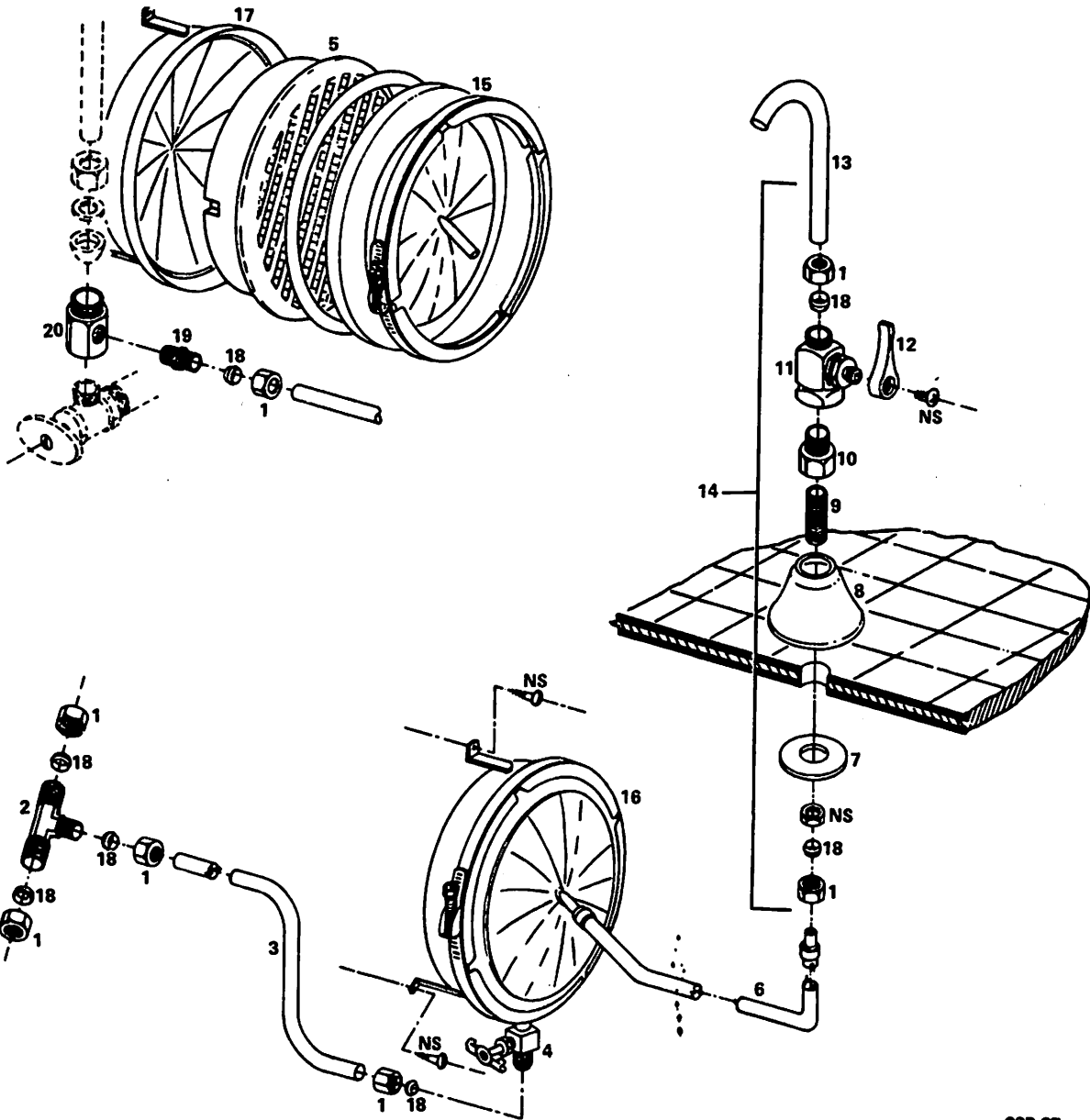
28P-14

KEY	230	260	PART NUMBER
-----	-----	-----	-------------

28.052A CARTRIDGE—WATER TREATMENT UNIT

1	1	1	706782	CARTRIDGE & BRACKET ASSY.—water treatment unit, filter (First Design) (ecom system)
2	1	1	706785	CARTRIDGE—water treatment unit, filter (First Design)
3	1	1	706784	KIT—adapter elbow and "O" ring (SOA) (First Design)
4	1	1	NS	BRACKET—filter frame
5	1	1	NS	BALE—locking, quick release

FURNISHINGS



28P-27

28.052B WATER PURIFIER AND FAUCET ASSY

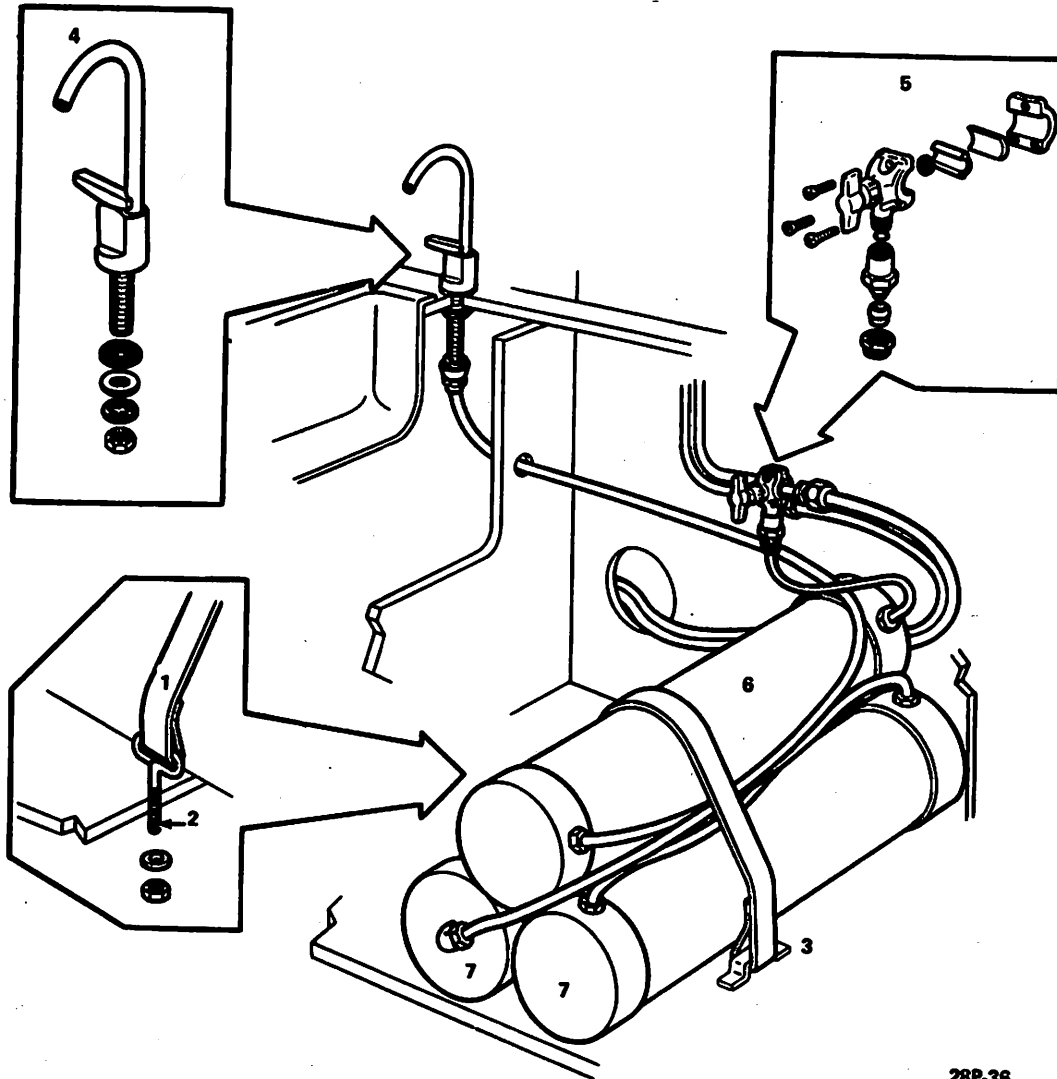
FURNISHINGS

KEY	230	280	PART NUMBER
-----	-----	-----	-------------

28.052B WATER TREATMENT UNIT AND FAUCET

—	1	1	719655	TREATMENT UNIT—water (kit) (Second Design) (water gard)
1	7	7	—	NUT—pipe (procure locally)
2	1	1	—	TEE—pipe (procure locally)
3	1	1	—	PIPE—flexible (procure locally)
4	1	1	—	INLET—treatment, cartridge
5	1	1	719658	CARTRIDGE—treatment unit, water (SOA) (Second Design) (water gard)
6	1	1	—	PIPE—outlet, cartridge (procure locally)
7	1	1	NS	WASHER—base, faucet
8	1	1	NS	BODY—valve
9	1	1	NS	SPRING—valve
10	1	1	NS	BOLT—valve
11	1	1	NS	VALVE—faucet
12	1	1	NS	HANDLE—valve
13	1	1	720132	SPOUT—water treatment unit, faucet (water gard)
14	1	1	719657	FAUCET ASSY.—water treatment unit, (Second Design) (water gard) (SOA)
15	1	1	NS	LID—cartridge, treatment unit,
16	1	1	NS	CANISTER ASSY.—cartridge, treatment unit,
17	1	1	NS	COVER—cartridge, treatment unit,
18	7	7	—	SLEEVE—connector (procure locally)
19	1	1	—	CONNECTOR—pipe (procure locally)
20	1	1	—	FITTING—pipe (procure locally)

FURNISHINGS



28P-38

KEY	230	260	PART NUMBER
-----	-----	-----	-------------

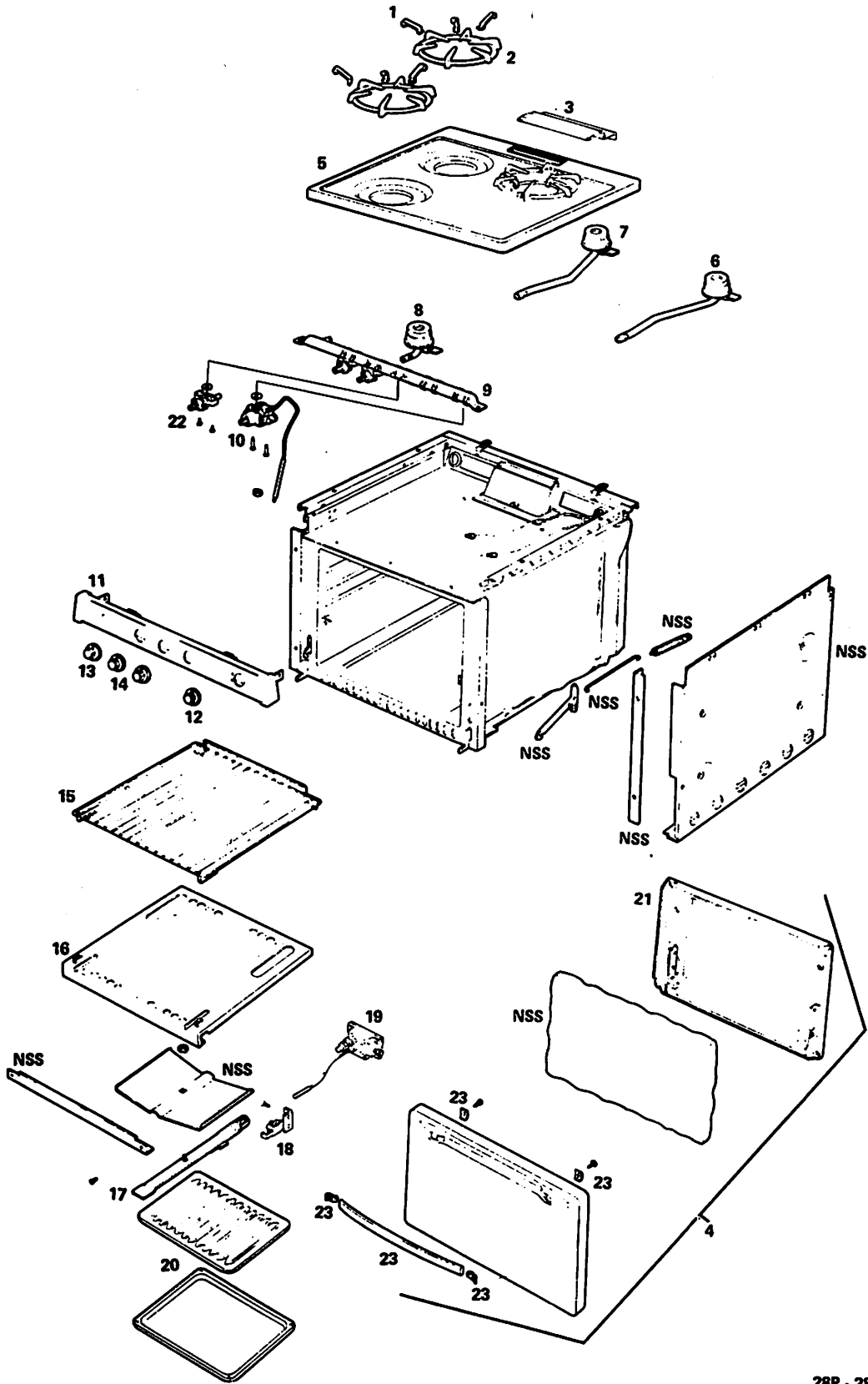
28.052C TREATMENT UNIT—WATER

—	—	1	2234773	TREATMENT UNIT—water (complete) (repl. 798360) (eff. w/1975)
1	—	1	798682	STRAP ASSY.—treatment unit, to floor
2	—	1	3745928	BOLT—strap eye
—	—	AR	8860217	WEBBING—tie down (21.60" per vehicle) (70") (CTL)
3	—	1	—	CLAMP—strap to floor (procure locally) (ref. 2383392)
4	—	1	2002831	FAUCET ASSY.—purifier treatment unit
5	—	1	2002832	VALVE ASSY.—saddle, treatment unit
6	—	1	2002833	CARTRIDGE—replacement
7	—	2	NS	RESERVOIR—water

FURNISHINGS

NOTES

FURNISHINGS



28P - 28

28.054 RANGE - 3 BURNER WITH OVEN (COLEMAN)

28-124

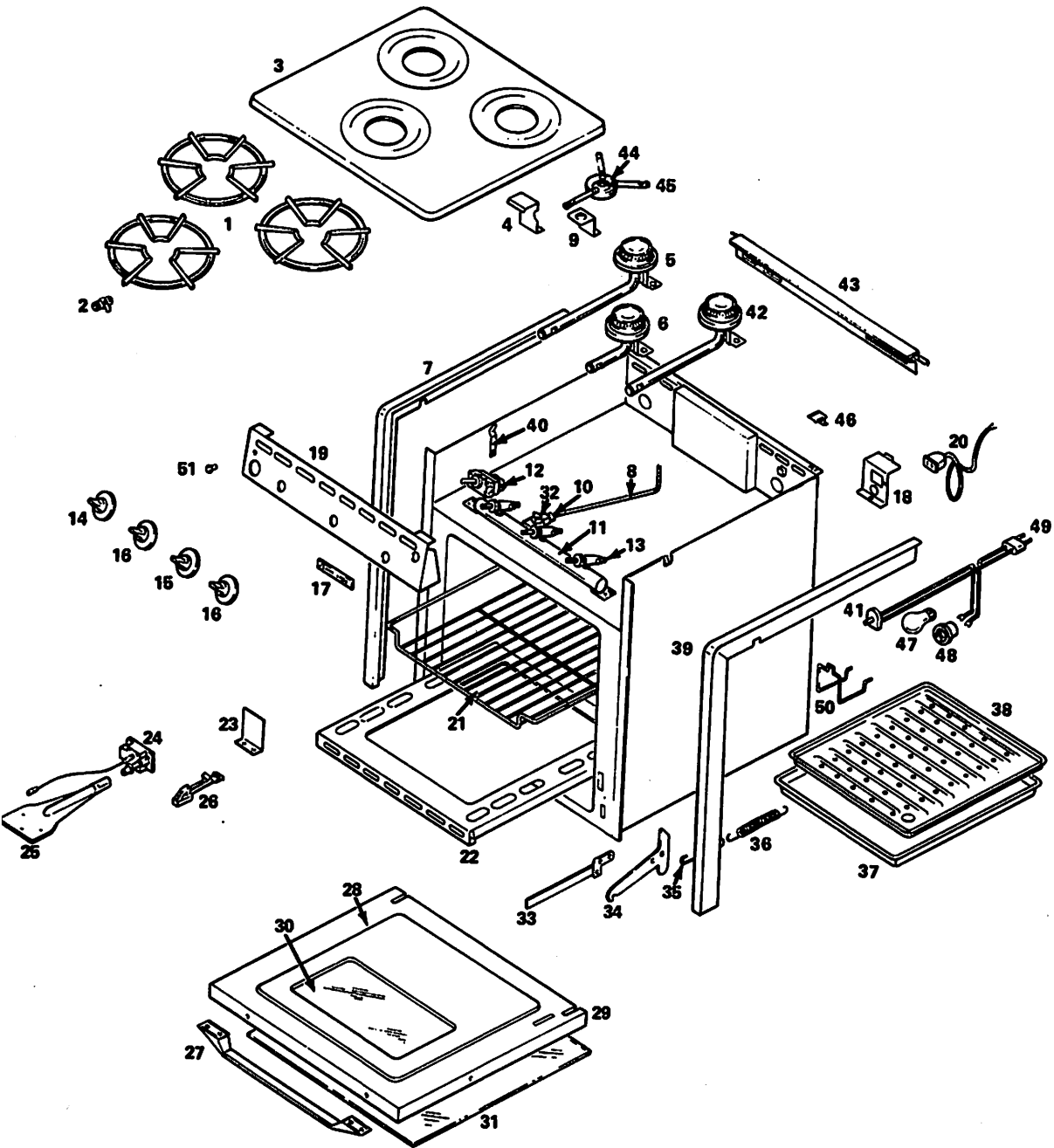
FURNISHINGS

KEY	230	280	PART NUMBER
------------	------------	------------	--------------------

28.054 RANGE—3 BURNER WITH OVEN (COLEMAN)

—	1	1	709146	RANGE—3 burner (Coleman) (prior to 1975) (incl. next 23 items)
1	1	1	709133	CLIP—grate (package)
2	3	3	709130	GRATE—top burner
3	1	1	709148	DEFLECTOR—flue
4	1	1	710032	DOOR ASSY.—oven complete (incl. glass)
5	1	1	709145	TOP—cook
6	1	1	709558	BURNER—top, without lighter (right rear)
7	1	1	709560	BURNER—top, without lighter (left rear)
8	1	1	709562	BURNER—top, without lighter (front)
9	1	1	709150	PIPE ASSY.—manifold (SOA)
10	1	1	709571	THERMOSTAT
11	1	1	709551	COVER ASSY.—manifold (SOA)
12	1	1	709149	DIAL—thermostat
13	1	1	709556	KNOB—valve (front)
14	2	2	709557	KNOB—valve (rear)
15	1	1	709579	RACK—oven
16	1	1	709583	BOTTOM ASSY.—oven (SOA)
17	1	1	709552	BURNER—oven
18	1	1	709553	BURNER—oven pilot
19	1	1	709142	VALVE—oven safety
20	1	1	709593	PAN ASSY.—2 piece broiler
21	1	1	709139	PANEL ASSY.—door (plain) (SOA)
22	3	3	709132	VALVE—top burner
23	1	1	709578	HANDLE—oven door

FURNISHINGS



28P-29

28.054A RANGE - 3 BURNER WITH OVEN (MAGIC CHEF)

FURNISHINGS

KEY 230 260 PART NUMBER

28.054A RANGE—3 BURNER WITH OVEN (MAGIC CHEF)

—	—	1	724478	RANGE ASSY.—3 burner (w/black glass door & oven light) (incl. following items thru asterisk*)
1	—	3	796141	GRATE—top burner
2	—	4	796186	NUT—tee
3	—	1	796140	TOP—range
4	—	1	796142	SHIELD—pilot, top
5	—	1	796152	BURNER—rear (LH)
6	—	1	796151	BURNER—front
7	—	1	796160	TRIM—side (LH)
8	—	1	796154	TUBE—pilot
9	—	1	796143	SUPPORT—pilot, top
10	—	1	796155	FILTER—pilot
11	—	1	796156	PIPE—manifold
12	—	1	796157	THERMOSTAT
13	—	1	796144	VALVE—burner, top
14	—	1	796150	DIAL—thermostat
15	—	1	796145	KNOB—top burner, front
16	—	2	796146	KNOB—top burner, rear
17	—	1	796198	PLATE—name
18	—	1	796163	SUPPORT—receptacle
19	—	1	796161	PANEL—manifold
20	—	1	796164	CORD—service
21	—	1	796168	RACK—oven
22	—	1	NPN	BOTTOM—oven
23	—	1	796169	STOP—broiler pan
24	—	1	796170	VALVE—burner, oven
25	—	1	796171	BURNER—oven (also use 1-796172 air shuter)
—	—	1	796172	AIR SHUTTER—oven burner (w/796171 burner—oven)
26	—	1	796173	PILOT—oven
27	—	1	796176	HANDLE—oven door
28	—	1	796177	LINER—oven door
29	—	1	796178	FRAME—door glass
30	—	1	796179	GLASS—door inner
31	—	1	796180	GLASS—front
32	—	1	796147	VALVE—shut—off, top pilot
33	—	1	796138	HINGE ASSY.—door (RH)
33	—	1	796139	HINGE ASSY.—door (LH)
34	—	1	796181	ARM—spring hinge
35	—	1	796182	HOOK—spring, oven door
36	—	1	796183	SPRING—door
37	—	1	796174	PAN—broiler, oven
38	—	1	796175	INSERT—broiler pan
39	—	1	796159	TRIM—side (RH)
40	—	1	796149	CLIP—top hold down
41	—	1	796166	SWITCH—oven light
42	—	1	796153	BURNER—rear (RH)
43	—	1	796162	DEFLECTOR—flue
44	—	1	796136	CUP ASSY.—lighter
45	—	3	796158	TUBE—flash
46	—	2	796148	SPRING—rear, top
47	—	1	709135	BULB—light, oven
48	—	1	NPN	RECEPTACLE—light
49	—	1	796165	HARNESS—light, oven
50	—	1	796167	GUARD—bulb
51	—	1	796195	BUTTON—indicator
—	—	1	796137	RETAINER—glass assembly
—	—	1	796184	FITTING—thermostat inlet
—	—	1	* 796185	CLIP—oven rack
—	—	1	799874	LABEL—range warning
—	—	1	2005742	RANGE ASSY.—3 burner (w/brushed chrome oven door) (incl. following items thru asterisk **)
—	—	1	2030002	CUP ASSY.—lighter (SOA)
—	—	1	2030003	HINGE ASSY.—RH door (SOA)
—	—	1	2030004	HINGE ASSY.—LH door (SOA)
—	—	1	796140	TOP—main

FURNISHINGS

KEY	230	260	PART NUMBER	
-----	-----	-----	-------------	--

28.054A RANGE—3 BURNER WITH OVEN (MAGIC CHEF) (Cont.)

—	—	3	2030013	GRATE—top
—	—	1	796142	SHIELD—top pilot
—	—	1	796143	SUPPORT—top pilot
—	—	1	796144	VALVE—top burner
—	—	1	796145	KNOB—front top burner
—	—	1	2030014	KNOB—rear top burner
—	—	1	2030015	VALVE—top pilot shut-off
—	—	2	2030016	SPRING—main top rear
—	—	1	796149	CLIP—main top hold down
—	—	1	2030017	TUBE—valve (1/4")
—	—	1	2030018	TUBE—oven pilot
—	—	1	2030020	BURNER—front
—	—	1	2030021	BURNER—left rear
—	—	1	2030022	BURNER—right rear
—	—	1	2030023	TUBE—pilot
—	—	1	796155	FILTER—pilot
—	—	1	796156	PIPE—manifold
—	—	1	2030024	THERMOSTAT—range
—	—	3	796158	TUBE—flash
—	—	1	2030050	CLIP—tube
—	—	1	2030025	TRIM—RH side
—	—	1	2030026	TRIM—LH side
—	—	1	2030027	PANEL—manifold
—	—	1	796162	DEFLECTOR—flue
—	—	1	2030028	FERRULE—range (3/16")
—	—	1	2030030	SHIELD—heat
—	—	1	2030049	SPREADER—flame
—	—	1	2030051	RACK—oven
—	—	1	2030052	TRIM—manifold panel
—	—	1	2030053	TRIM—manifold
—	—	1	796169	STOP—broiler pan
—	—	1	796170	VALVE—oven burner
—	—	1	796171	BURNER—oven
—	—	1	2030054	PILOT—oven
—	—	1	796174	PAN—oven broiler
—	—	1	796175	INSERT—broiler door
—	—	1	2030055	PANEL—oven door
—	—	1	2030056	HANDLE—oven door
—	—	1	NPN	LINER—oven door (Magic Chef # 50-22022-3) (procure from Magic Chef Co.)
—	—	1	2030057	BOTTOM—oven
—	—	1	2030058	SPRING—bottom
—	—	1	796181	ARM—spring hinge
—	—	1	796182	HOOK—oven door spring
—	—	1	2030059	SPRING—door
—	—	1	796184	FITTING—thermostat inlet
—	—	1	2030060	CLIP—oven rack
—	—	4	2030061	NUT—tee
—	—	1	796195	BUTTON—indicator
—	—	1	796196	NAMEPLATE—range
—	—	1	2030062	CLIP—bulb
—	—	1	2030063	NUT—compression
—	—	1	2030064	NUT—range (3/16")
—	—	2	* 2030065	NUT—range (1/4")

28.054B RANGE—3 BURNER WITHOUT OVEN (MAGIC CHEF)

—	—	1	2025476	RANGE ASSY.)3 burner (w/o oven) (w/RPO 685) (incl. items thru asterisk)
—	—	1	2030083	BOX—burner
—	—	1	2030022	BURNER—RH rear
—	—	1	2030021	BURNER—LH rear
—	—	1	2030020	BURNER—front
—	—	1	796195	BUTTON—indicator
—	—	3	2030050	CLIP—flash tube
—	—	3	2030060	CLIP—grate

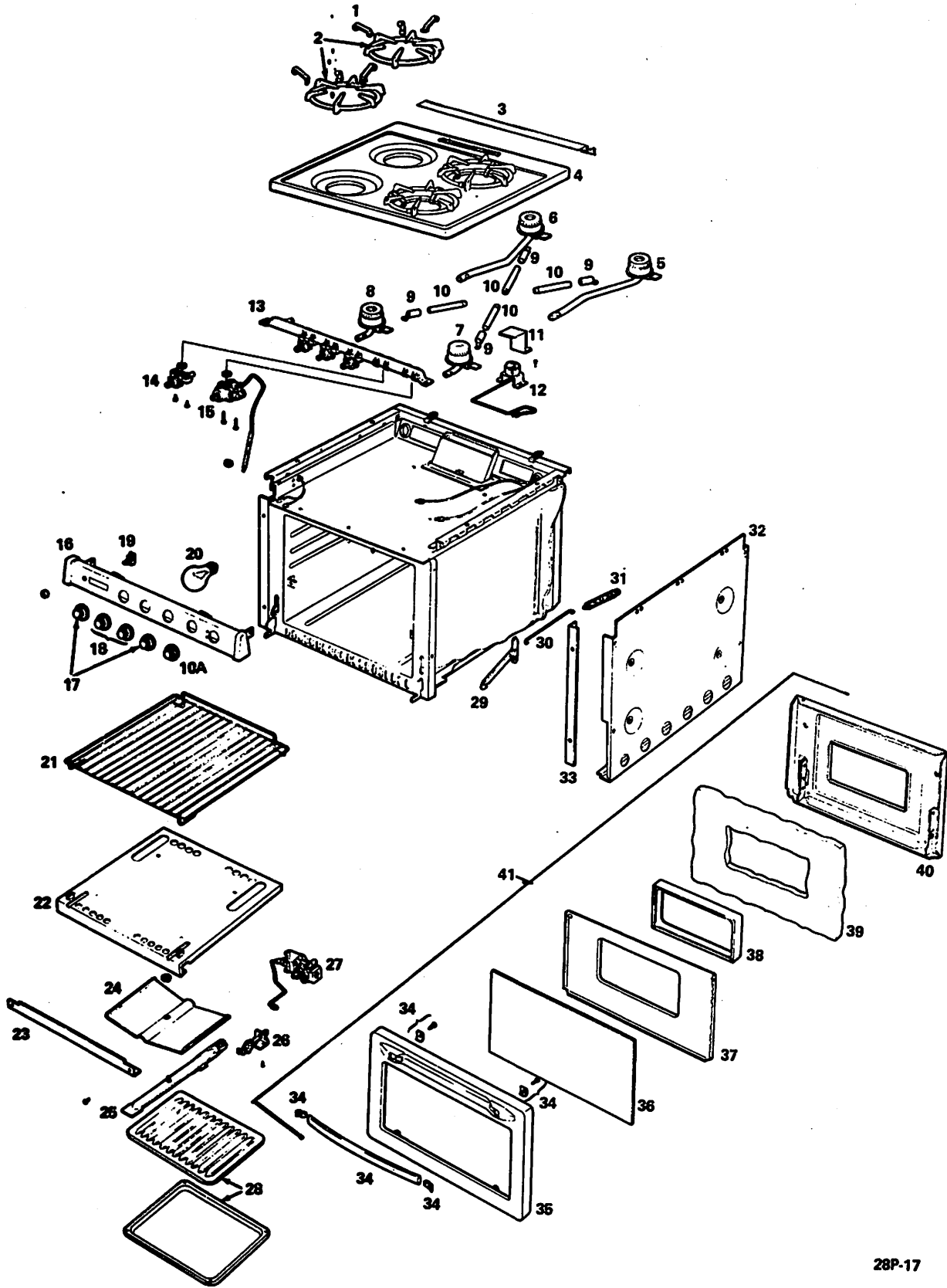
FURNISHINGS

KEY	230	260	PART NUMBER
-----	-----	-----	-------------

28.054B RANGE—3 BURNER WITHOUT OVEN (MAGIC CHEF) (Cont.)

—	—	1	796149	CLIP—main top
—	—	1	2030002	CUP—lighter
—	—	1	2030084	FERRULE—
—	—	1	2030087	FILTER—pilot
—	—	3	2030013	GRATE—burner
—	—	1	796145	KNOB—front burner
—	—	2	2030014	KNOB—rear burner
—	—	1	796196	PLATE—name
—	—	1	2030088	NUT—compressor
—	—	3	2030061	NUT—tee
—	—	1	2030089	PANEL—manifold
—	—	1	2030090	PIPE—manifold
—	—	1	796142	SHIELD—pilot
—	—	1	2030091	SUPPORT—pilot
—	—	1	796140	TOP—main
—	—	1	2030092	TRIM—box RH
—	—	1	2030093	TRIM—box LH
—	—	1	2030052	TRIM—manifold panel
—	—	1	2030096	TRIM—top rear
—	—	1	2030097	TUBE—pilot
—	—	1	2030098	TUBE—pilot
—	—	3	796144	VALVE—burner
—	—	3	* 2030015	VALVE—shut off
—	—	1	2025475	OVEN—microwave (w/RPO 685) (ref. only) (procure oven and component parts from LITTON CO. model No. 102.002)
—	—	2	NPN	BRACKET—microwave bracket (w/RPO 685) (ref. 2026272) (make locally)
—	—	1	2029240	OVEN—microwave (w/RPO UND) (1978) (Thermador Co. model no. MC17)

FURNISHINGS



28.055 RANGE - 4 BURNER WITH OVEN (COLEMAN)

28P-17

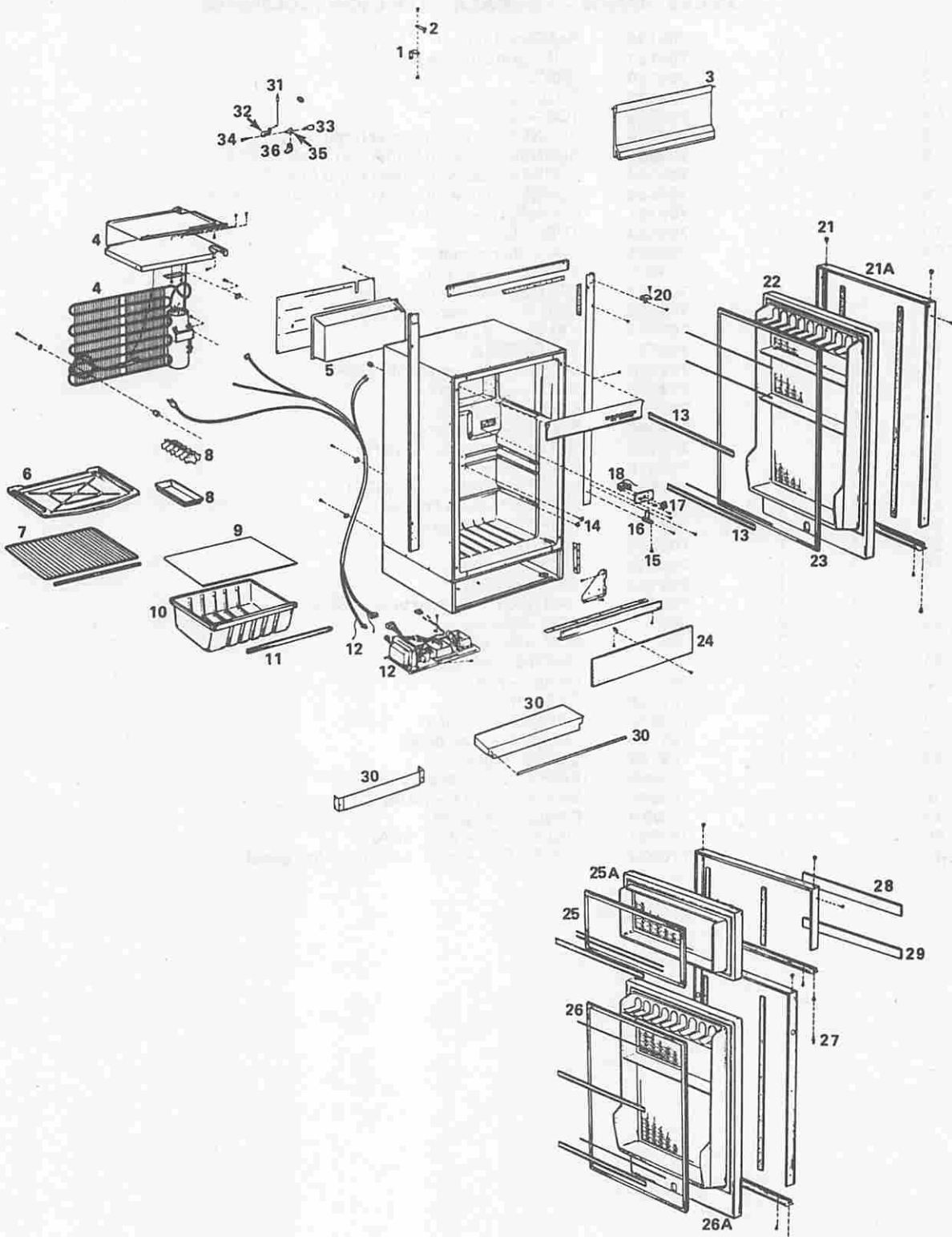
FURNISHINGS

KEY	230	260	PART NUMBER	
-----	-----	-----	-------------	--

28.055 RANGE—4 BURNER WITH OVEN (COLEMAN)

—	1	1	709136	RANGE—4 burner
1	1	1	709133	CLIP—grate (package)
2	4	4	709130	GRATE
3	1	1	709570	FLUE—deflector
4	1	1	709569	TOP—cook
5	1	1	709559	BURNER—top with lighter (right rear)
6	1	1	709561	BURNER—top with lighter (left rear)
7	1	1	709564	BURNER—top with lighter (right front)
8	1	1	709566	BURNER—top with lighter (left front)
9	4	4	709131	CONNECTOR—flash tube
10	4	4	709594	TUBE—flash
10A	1	1	709575	DIAL—thermostat
11	1	1	NPN	SHIELD—pilot light
12	1	1	709584	LIGHTER ASSY.—top (SOA)
13	1	1	709582	PIPE ASSY.—manifold (SOA)
14	4	4	709592	VALVE—top burner
15	1	1	709572	THERMOSTAT
16	1	1	709585	COVER ASSY.—manifold (SOA)
17	2	2	709556	KNOB—valve, front
18	2	2	709557	KNOB—valve, rear
19	1	1	709580	SWITCH—oven light
20	1	1	709135	BULB—oven light (12 volt)
21	1	1	709579	RACK—oven
22	1	1	709583	BOTTOM ASSY.—oven (SOA)
23	1	1	NS	SUPPORT—oven bottom
24	1	1	NS	SHIELD—oven burner
25	1	1	709552	BURNER—oven
26	1	1	709555	BURNER—pilot
27	1	1	709143	VALVE—safety
28	1	1	709593	PAN ASSY.—2 piece broiler (SOA)
29	2	2	NS	ARM—door stop
30	2	2	NS	ROD—door stop arm
31	2	2	NS	SPRING—door stop arm
32	1	1	NS	PANEL—side
33	1	1	709138	TRIM—front
34	1	1	709578	HANDLE—oven door
35	1	1	709140	FRAMING—door panel
36	1	1	709144	GLASS—black
37	1	1	NPN	INNER LINER—black glass
38	1	1	709567	WINDOW ASSY.—(SOA)
39	1	1	NPN	PANEL—fiberglass
40	1	1	709141	LINER ASSY.—door (SOA)
41	1	1	710032	DOOR ASSY.—oven, complete (incl. glass)

FURNISHINGS



28P-42-1077

28.056 REFRIGERATOR ALL ELECTRIC (6 & 7.5 CU FT.) (NORCOLD)
28-132

FURNISHINGS

KEY	230	260	PART NUMBER	
28.056 REFRIGERATOR—ALL ELECTRIC (6 & 7.5 CU. FT.) (NORCOLD)				
—	—	1	2006602	REFRIGERATOR—electric, 6 cubic foot (w/ZEO6582, ZEO6584)
—	1	1	704935	REFRIGERATOR—electric, 6 cubic foot
—	—	1	704936	REFRIGERATOR—electric, 7.5 cubic foot (w/ZEO6581) (ref. only) (prior to 1978)
—	—	1	2031329	REFRIGERATOR—electric, 7.5 cubic foot (w/ZEO6581) (1978) (Norcold Model No. DE-728G1) (details not available at time of publication)
1	1	1	2003429	LATCH—travel LH (repl. 705401, 705424) (w/704935 & 704936 refrig.)
2	1	1	2003430	LATCH—travel RH (repl. 705404, 705426) (w/704935 & 704936 refrig.)
2A	1	1	705420	GASKET—door evaporator (6 cubic ft.) (w/704935 refrig.)
3	1	1	705416	DOOR ASM.—evaporator (6 cubic ft.) (w/704935 refrig.)
3	1	1	2028675	DOOR ASSY.—evaporator (SOA) (6 cubic ft.) (w/2006602 refrig.)
4	1	1	705418	COOLING UNIT—refrigerator (SOA) (6 cubic ft.) (w/704935 & 2006602 refrig.)
4	—	1	704937	COOLING UNIT—refrigerator (SOA) (7.5 cubic ft.) (w/704936 refrig.)
5	1	1	705423	COVER—blind (6 cubic ft.) (w/704935 refrig.)
5	—	1	704951	COVER—blind (7.5 cubic ft.) (w/704936 refrig.)
5	—	1	2028687	COVER—blind (6 cubic ft.) (w/2006602 refrig.)
6	1	1	705433	TRAY—drip (6 cubic ft.) (w/704735 refrig.)
6	—	1	705414	TRAY—drip (7.5 cubic ft.) (w/704736 refrig.)
6	—	1	2028691	TRAY—drip (6 cubic ft.) (w/2006602 refrig.)
7	1	1	705434	SHELF—wire (6 cubic ft.) (w/704935 refrig.)
7	—	2	705415	SHELF—wire (7.5 cubic ft.) (w/704936 refrig.)
8	1	1	705413	TRAY—cube ice (6 cubic ft.) (w/704935 & 2006602 refrig.)
8	—	2	705413	TRAY—cube ice (7.5 cubic ft.) (w/704936 refrig.)
9	1	1	705431	COVER—crisper (6 cubic ft.) (w/704935 refrig.)
9	—	1	705432	COVER—crisper (7.5 cubic ft.) (w/704936 refrig.)
10	1	1	705430	CRISPER—(6 cubic ft.) (w/704935 refrig.)
10	—	1	705408	CRISPER—(7.5 cubic ft.) (w/704936 refrig.)
10	—	1	2028689	CRISPER—(6 cubic ft.) (w/2006602 refrig.)
11	1	1	705429	TRIM—crisper (6 cubic ft.) (w/704935 refrig.)
11	—	1	705407	TRIM—crisper (7.5 cubic ft.) (w/704936 refrig.)
11	—	1	2028690	TRIM—crisper (6 cubic ft.) (w/2006602 refrig.)
12	1	1	716118	INVERTER ASSY.—including wiring (6 cubic ft.) (w/704935 refrig.)
12	—	1	2028676	INVERTER ASSY.—(6 cubic ft.) (w/2006602 refrig.)
12	—	1	2011861	INVERTER ASSY.—service (7.5 cubic ft.) (w/704936 refrig.) (stamped on inverter 634) (repl. 716119) (also use 1-2011860 transformer assy.) (9 wire white adapter w/Norcold Serial No. 1142-5802) (first design)
—	—	1	2011860	TRANSFORMER ASSY.—inverter (w/7.5 cubic ft refrig) (w/704936 refrig.) (stamped on transformer U64A) (w/2011861 inverter assy.) (9 wire white adapter w/Norcold Serial No. 1142-5802) (first design)
12	—	1	2037879	INVERTER ASSY.—(7.5 cubic ft.) (ref. only) (incl. the (2) items)
12	—	1	2037881	INVERTER ASSY.—service (7.5 cubic ft.) (also use 1-2037880 transformer) (7 wire black adapter eff. w/Norcold Serial No. 6002) (second design)
—	—	1	2037880	TRANSFORMER ASSY.—inverter service (7.5 cubic ft.) (also use 1-2037881 inverter) (7 wire black adapter eff. w/Norcold Serial No. 6002) (second design)
—	—	1	NPN	BREAKER ASSY.—circuit (w/neon light & red button)
13	2	2	705428	TRIM—door rail (6 cubic ft.) (w/704935 refrig.)
13	—	3	705406	TRIM—door rail (7.5 cubic ft.) (w/704936 refrig.)
13	—	1	2028678	TRIM ASSY.—door rail (6 cubic ft.) (w/2006602 refrig.)
14	2	2	704950	CLIP—shelf (6 & 7.5 cubic ft.)
15	2	2	704948	PINS—hinge (6 & 7.5 cubic ft.)
16	2	2	704947	HINGE—left hand (6 & 7.5 cubic ft.)
17	1	1	704940	KNOB—thermostat (w/6 & 7.5 cubic ft.) (w/704935 & 704936 refrig.)
17	—	1	2028685	KNOB—thermostat (6 cubic ft.) (w/2006602 refrig.)
18	1	1	704939	THERMOSTAT ASM.—refrigerator (SOA) (w/6 & 7.5 cubic ft.) (w/704935 & 704936 refrig.)
18	—	1	2028677	THERMOSTAT ASSY.—(6 cubic ft.) (w/2006602 refrig.)
19	6	6	705427	RAIL—door (6 cubic ft.) (w/704935 refrig.)
19	—	7	705405	RAIL—door (7.5 cubic ft.) (w/704936 refrig.)

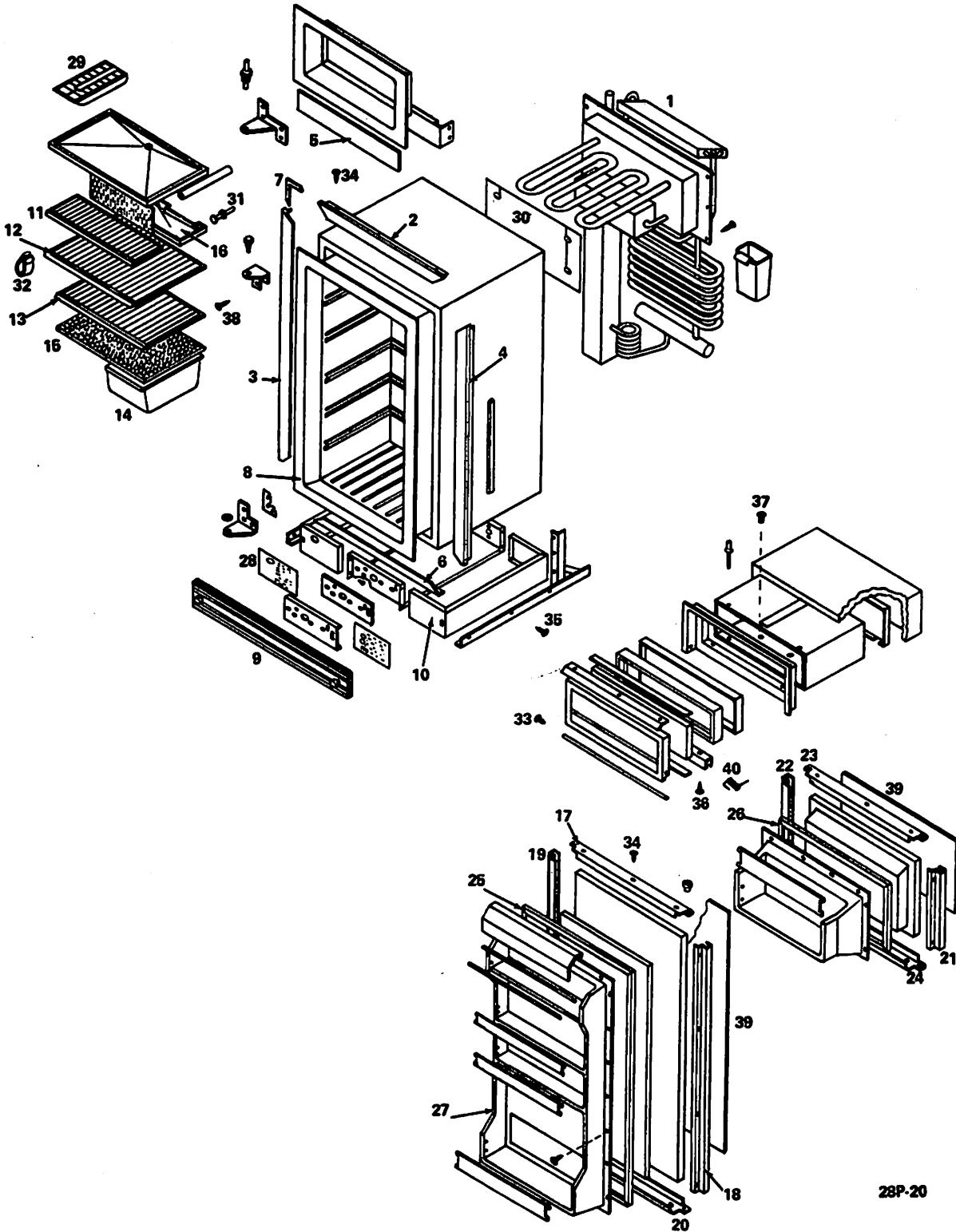
FURNISHINGS

KEY	230	260	PART NUMBER	
28.056 REFRIGERATOR—ALL ELECTRIC (6 & 7.5 CU. FT.) (NORCOLD)				
(Cont.)				
19	—	1	2028681	RAIL—door (6 cubic ft.) (w/2006602 refrig.)
20	2	2	704946	HINGE—right hand (6 cubic ft.) (w/704935 & 2006602 refrig.)
20	—	3	704946	HINGE—right hand (7.5 cubic ft.) (w/704936 refrig.)
21	4	4	704944	BUSHING—hinge (6 cubic ft.) (w/704935 refrig.)
21	8	8	704944	BUSHING—hinge (7.5 cubic ft.)
21	—	2	2028684	BUSHING—hinge (6 cubic ft.) (w/2006602 refrig.)
21A	—	1	2028679	FRAME—door (6 cubic ft.) (w/2006602 refrig.)
22	1	1	705419	DOOR—refrigerator (less panel) (6 cubic ft.) (w/704935 refrig.)
22	—	1	2028680	DOOR ASSY.—(less frame, lock & panel) (6 cubic ft.) (w/2006602 refrig.)
23	1	1	705422	GASKET—door (6 cubic ft.) (w/704935 refrig.)
23	—	1	2028682	GASKET—door (6 cubic ft.) (w/2006602 refrig.)
24	1	1	705421	PLATE—kick (6 cubic ft.) (w/704935 refrig.)
24	—	1	2028686	PLATE—kick (6 cubic ft.) (w/2006602 refrig.)
24	—	1	704941	PLATE—kick (7.5 cubic ft.) (w/704936 refrig.)
25	—	1	704943	GASKET—top door (7.5 cubic ft.) (w/704936 refrig.)
25A	—	1	704942	DOOR—top, refrigerator (7.5 cubic ft.) (first design) (w/704936 refrig.)
25A	—	1	2028672	DOOR—top, refrigerator (7.5 cubic ft.) (second design) (eff. w/1976) (w/704936 refrig.)
26	—	1	704945	GASKET—bottom door (7.5 cubic ft.) (w/704936 refrig.)
26A	—	1	705758	DOOR—bottom, refrigerator (7.5 cubic ft.) (w/out built in lock) (first design) (w/704936 refrig.)
26A	—	1	2028671	DOOR—bottom, refrigerator (7.5 cubic ft.) (w/built in lock) (second design) (w/704936 refrig.) (eff. w/1976) (NORCOLD # 614107-22)
27	—	1	704949	PIN—double hinge (7.5 cubic ft.) (w/704936 refrig.)
28	—	1	2019887	TRIM—decorative door (gold) (bottom of top door) (eff. w/1976) (7.5 cubic ft.) (w/704936 refrig.)
29	—	1	2019888	TRIM—decorative door (gold) (top of bottom door) (name plate) (eff. w/1976) (7.5 cubic ft.) (w/704936 refrig.)
30	—	1	2020252	FOAMED ASSY.—divider (eff. w/1976) (7.5 cubic ft.) (w/704536 refrig.)
31	—	1	2019689	ROD ASSY.—lock (eff. w/1976) (6 & 7.5 cubic ft.) (w/704936, & 2006602 refrig.)
32	—	1	2019690	CAM—lock (eff. w/1976) (6 & 7.5 cubic ft.) (w/704936, & 2006602 refrig.)
33	—	1	2020253	KEY—refrigerator door, square head type (eff. w/1976) (7.5 cubic ft.) (w/704936 refrig.)
33	—	1	2028692	KEY—lock (6 cubic ft.) (w/2006602 refrig.) (ref. only) (procure locally) (Norcold # 614153)
34	—	1	2019694	SCREW—lock (eff. w/1976) (6 & 7.5 cubic ft.) (w/704936 & 2006602 refrig.)
35	—	1	2019695	LOCK—refrigerator (eff. w/1976) (7.5 cubic ft.) (w/704936 refrig.)
36	—	1	2019696	CLIP—lock (eff. w/1976) (6 & 7.5 cubic ft.) (w/704936 & 2006602 refrig.)
—	1	1	—	PANEL—(front of refrig. door) top/bottom (see group 28.168)
—	—	1	791953	TRAY ASSY.—refrigerator drain (prior to Serial No. 6V100878)
—	—	1	791966	SEAL—drain
—	—	2	791817	BRACKET—refrigerator module to floor
—	—	1	791818	BRACKET—refrigerator module to floor
—	—	1	792167	BRACKET—refrigerator to side member mounting
—	—	AR	8885533	SECTION—extruded expan. elastic (between module and ceiling) (100' roll ctl.)
—	—	1	2028683	TRIM—decorative (single door) 6 cubic ft.) (w/2006602 refrig.)

FURNISHINGS

NOTES

FURNISHINGS



28.057 REFRIGERATOR - GAS/ELECTRIC (6 & 7 CU. FT.) (INSTA-MATIC)

FURNISHINGS

KEY	230	260	PART NUMBER	
			28.057 REFRIGERATOR—GAS/ELECTRIC (6 & 7 CU. FT.) (INSTA—MATIC)	
—	1	1	710958	REFRIGERATOR ASSY.—6 cubic foot
—	—	1	—	REFRIGERATOR ASSY.—7 cubic foot (ref. only) (use 704936) (NORCOLD) (ref. 710959)
1	1	1	710960	UNIT—cooling, 12 volt and 115 volt (6 cubic ft.)
1	—	1	711007	UNIT—cooling, 12 volt and 115 volt (7 cubic ft.)
2	1	1	710963	FRAME—body top (6 cubic ft.)
2	1	1	711017	FRAME—body top (7 cubic ft.)
3	1	1	710964	FRAME—body sides, LH (6 cubic ft.)
3	1	1	711018	FRAME—body sides, LH (7 cubic ft.)
4	1	1	710965	FRAME—body sides, RH (6 cubic ft.)
4	—	1	711019	FRAME—body sides, RH (7 cubic ft.)
5	—	1	711020	FRAME—body, bottom middle (7 cubic ft.)
6	1	1	710966	FRAME—body, bottom (6 cubic ft.)
6	—	1	711021	FRAME—body, bottom (7 cubic ft.)
7	2	2	710967	BRACE—corner, body frame
8	1	1	710968	LINER—body (6 cubic ft.)
8	—	1	711027	LINER—body (7 cubic ft.)
9	1	1	710961	SHUTTER ASSY.—(6 cubic ft.)
9	—	1	711011	SHUTTER ASSY.—(7 cubic ft.)
10	2	2	710974	CLIP—shutter spring
11	1	1	710969	SHELF—upper (6 cubic ft.)
11	—	1	711030	SHELF—upper (7 cubic ft.)
12	1	1	710970	SHELF—center (6 cubic ft.)
12	—	1	711031	SHELF—center (7 cubic ft.)
13	1	1	710971	SHELF—lower (6 cubic ft.)
13	—	1	711032	SHELF—lower (7 cubic ft.)
14	AR	AR	710973	BIN—vegetable (1 required w/6 cubic ft. and 2 required w/7 cubic ft.)
15	1	1	710972	SHELF—glass (6 cubic ft.)
15	—	1	711033	SHELF—glass (7 cubic ft.)
16	1	1	710962	TRAY—drip (6 cubic ft.)
16	—	1	711012	TRAY—drip (7 cubic ft.)
17	1	1	710975	FRAME—door, top (6 cubic ft.)
17	—	1	711036	FRAME—door, top (7 cubic ft.)
18	1	1	710976	FRAME—door, sides, LH (6 cubic ft.)
18	—	1	711034	FRAME—door, sides, LH (7 cubic ft.)
19	1	1	710977	FRAME—door, sides, RH (6 cubic ft.)
19	—	1	711034	FRAME—door, sides, RH (7 cubic ft.)
20	1	1	710978	FRAME—door, bottom (6 cubic ft.)
20	—	1	711036	FRAME—door, bottom (7 cubic ft.)
21	—	1	711037	FRAME—door, freezer, LH (7 cubic ft.)
22	—	1	711038	FRAME—door, freezer, RH (7 cubic ft.)
23	—	1	711040	FRAME—door, freezer, top (7 cubic ft.)
24	—	1	711036	FRAME—door, freezer, bottom (7 cubic ft.)
25	1	1	710979	GASKET—door (6 cubic ft.)
25	—	1	711042	GASKET—door (7 cubic ft.)
26	—	1	711041	GASKET—door, freezer (7 cubic ft.)
27	1	1	710980	LINER—door (6 cubic ft.)
28	1	1	710984	BASE—instruction label (6 cubic ft.)
28	—	1	711046	BASE—instruction label (7 cubic ft.)
29	2	2	710982	TRAY—ice cube
30	1	1	710983	COVER—secondary evaporator (6 cubic ft.)
30	—	1	711047	COVER—secondary evaporator (7 cubic ft.)
31	4	4	710985	RIVET—drip tray
32	1	1	—	CLAMP—nylong (procure locally)
33	AR	AR	—	SCREW—tapping, washer face (No. 8 x 3/8) (20 required w/6 cubic ft. and 32 required w/7 cubic ft.) (procure locally)
34	AR	AR	—	SCREW—tapping, RH (No. 10 x 3/8) (25 required w/6 cubic ft. and 35 required w/7 cubic ft.) (procure locally)
35	8	8	—	SCREW—tapping, RH (No. 10 x 3/8) (procure locally)
36	8	8	—	SCREW—tapping, RH (No. 8 x 1/2) (procure locally)
37	5	5	—	SCREW—RH (No. 10—24 x 3/4) (procure locally)
38	AR	AR	—	SCREW—tapping, RH (No. 10 x 3/4) (22 required w/6 cubic ft. and 28 required w/7 cubic ft.) (procure locally)
39	1	1	—	PANEL—(see group 28.168)
40	1	1	710981	SPRING—freezer door (6 cubic ft.)
—	1	—	704152	PIPE ASSY.—liquid propane
—	—	1	704153	PIPE—liquid propane
—	1	1	710986	SWITCH ASSY.—electric control (6 cubic ft.)
—	1	1	710987	THERMOSTAT ASSY.—electric (6 cubic ft.)

FURNISHINGS

KEY	230	280	PART NUMBER
-----	-----	-----	-------------

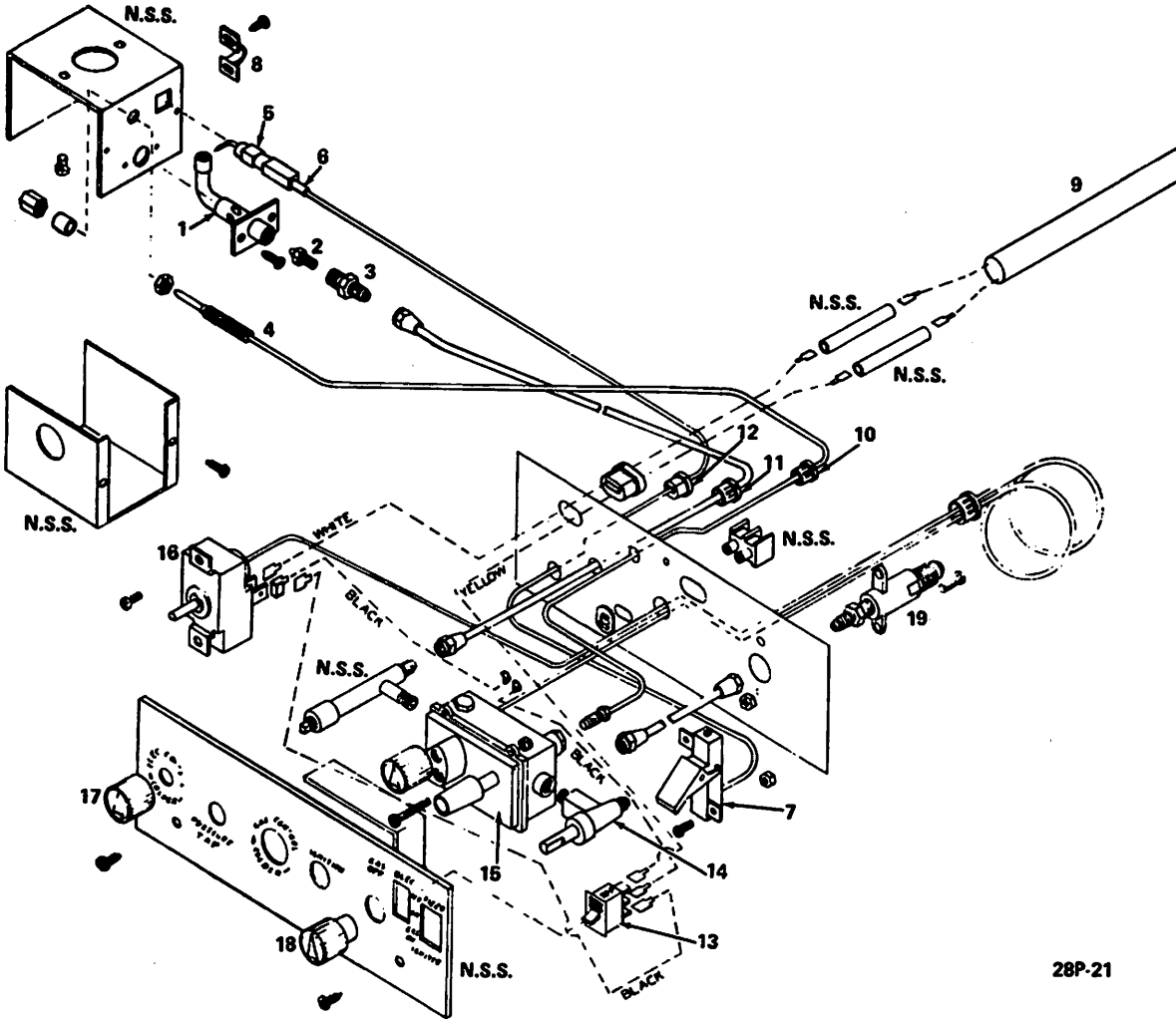
28.057 REFRIGERATOR—GAS/ELECTRIC (6 & 7 CU. FT.) (INSTA—MATIC) (Cont.)

—	1	1	710988	CONTROL ASSY.—gas (6 cubic ft.)
—	1	1	710989	VALVE ASSY.—gas shut off (6 cubic ft.)
—	1	1	710990	BURNER ASSY.—ignitor (6 cubic ft.)
—	1	1	710991	IGNITOR ASSY.—burner (6 cubic ft.)
—	1	1	710992	ORIFICE—burner
—	1	1	710993	FITTING—burner orifice
—	1	1	710994	COUPLE—thermo
—	1	1	710995	PLUG—ignitor
—	1	1	710996	TUBE—heat shrink
—	1	1	710997	BRACKET—ignitor
—	1	1	710998	ELEMENT—heating (6 cubic ft.)
—	1	1	710999	BUSHING—thermo couple
—	1	1	711000	BUSHING—gas line strain
—	1	1	711001	BUSHING—strain ignitor
—	1	1	711002	KNOB—electric thermostat
—	1	1	711006	KNOB—gas shut off valve
—	—	1	711043	LINER—refrigerator door (7 cubic ft.)
—	—	1	717856	ORIFICE—burner (7 cubic ft.) (repl. 711049)
—	—	1	711050	ELEMENT—burner heating (7 cubic ft.)
—	2	2	2490119	CLIP—pipe, liquid propane

FURNISHINGS

NOTES

FURNISHINGS



28P-21

28.057A CONTROLS - GAS/ELECTRIC REFRIGERATOR (INSTA-MATIC)

FURNISHINGS

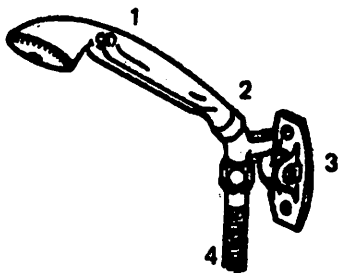
KEY	230	260	PART NUMBER
-----	-----	-----	-------------

28.057A CONTROLS—GAS/ELECTRIC REFRIGERATOR (INSTA—MATIC)

NOTE: Parts not keyed on illustration are not serviced.

1	1	1	710990	BURNER
2	1	1	710992	ORIFICE—burner (6 cubic ft.)
2	—	1	717856	ORIFICE—burner (7 cubic ft.)
3	1	1	710993	FITTING—burner orifice
4	1	1	710994	COUPLE—thermo
5	1	1	710995	PLUG—igniter
6	1	1	710996	TUBE—shrink
7	1	1	710991	IGNITER—burner (plezo)
8	1	1	710997	BRACKET—igniter
9	1	1	710998	ELEMENT—heating (6 cubic ft.)
9	—	1	711050	ELEMENT—heating (7 cubic ft.)
10	1	1	710999	BUSHING—thermo couple
11	1	1	711000	BUSHING—gas line
12	1	1	711001	BUSHING—igniter tube
13	1	1	710986	SWITCH—electric control
14	1	1	710989	VALVE—gas, shut—off
15	1	1	710988	CONTROL—gas
16	1	1	710987	THERMOSTAT—electric
17	1	1	711002	KNOB—electric
18	1	1	711006	KNOB—gas
19	1	1	715414	CONNECTOR—gas

FURNISHINGS



3P-14002

KEY	230	260	PART NUMBER	
28.060 SHOWER HEAD				
-	1	1	702085	SHOWER ASSY.—(complete) (First Design) (with vertical wall mount) (incl. next (4) items)
1	1	1	702087	HEAD ASSY.—shower (SOA)
2	1	1	702088	CONNECTOR—shower head
3	1	1	702089	MOUNT—wall, shower head
4	1	1	702090	HOSE ASSY.—water supply (flexible) (SOA)
-	-	1	444024	ADAPTER—bath faucet to shower (1/8" to 1/2" pipe nipple to shower plumbing) (eff. w/ 1975)
-	-	4	-	SCREW—support, shower head hose (No. 8—32 x 7/8) (procure locally) (w/ZEO6582) (ref. 159666)
-	-	4	789378	SLEEVE ASM—screw, shower head hose support nut (w/ZEO6582) (repl. 791804)
-	-	1	2004517	SHOWER ASSY.—(head) (second design) (with horizontal wall mount) (SOA) (1977)
-	-	1	786778	VALVE ASSY.—shower vent check (1977)
-	-	1	796779	ELBOW—90 check valve (1977)
-	-	1	9427747	NIPPLE—auto pipe (1/2 x 1 1/2) (1977)
-	-	1	2002686	SEAL—nipple to bath module wall (1977)
-	-	1	8884956	TUBE—black nylon (9/32 I.D.) (1977)
-	-	1	2025681	HEAD ASSY.—shower (1978)

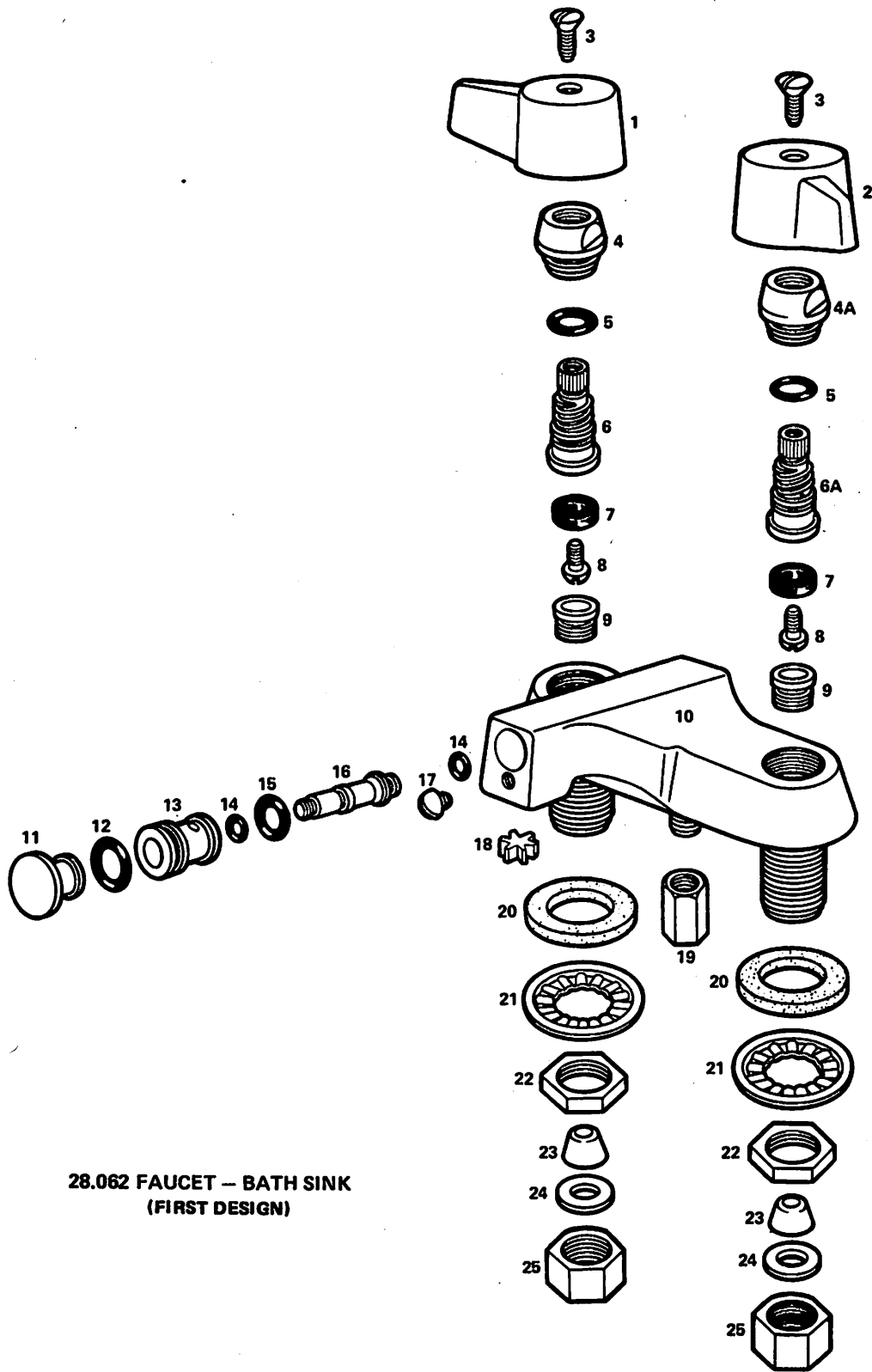
FURNISHINGS

KEY 230 260 PART NUMBER

28.060 SHOWER HEAD (Cont.)

-	-	1	2025602	HOSE ASSY.—shower (exc./RPO VNW) (1978)
-	-	1	2025603	HOSE ASSY.—shower (w/RPO VNW) (1978)
-	-	1	2025604	RETAINER—shower hose (1978)
-	-	2	2025600	WASHER—shower hose (1978)
-	-	1	2024405	GROMMET—shower hose (1978)
-	-	1	2025605	HOOK—shower head (1978)
-	-	2	9414754	SCREW—hook shower head (1978)
-	-	2	2025606	COVER—hook shower head screw (1978)
-	-	1	796778	VALVE ASSY.—shower head check vent (1978)
-	-	1	719178	CLIP—valve shower head (1978)
-	-	1	NPN	SCREW—clip valve shower head (procure locally) (1978)
-	-	1	796779	ELBOW—shower hose check valve (90) (1978)

FURNISHINGS



28.062 FAUCET - BATH SINK
(FIRST DESIGN)

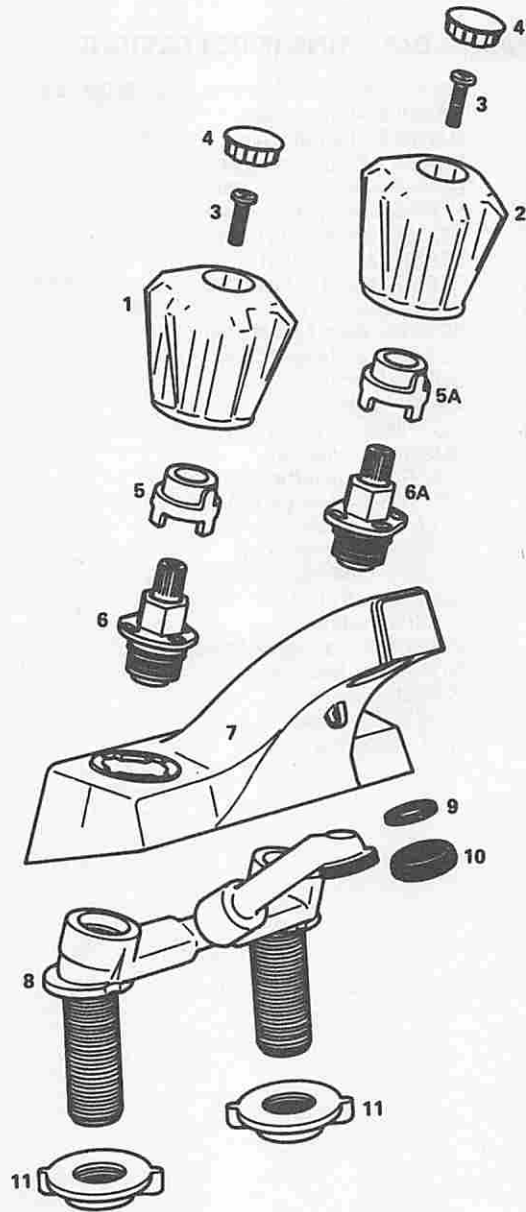
FURNISHINGS

KEY 230 PART NUMBER 260

KEY	PART NUMBER	DESCRIPTION	QTY	UNIT
1	705784	FAUCET ASSY.-bath sink (exc./ZE06582)	1	
2	705786	HANDLE-faucet (hot)	1	
3	705785	HANDLE-faucet (cold)	1	
4	705787	SCREW-faucet handles	2	
4A	705787	NUT-faucet gland - hot	1	
5	717383	NUT-faucet gland - cold	1	
6	705789	NUT-faucet (hot)	1	
6A	705788	NUT-faucet (cold)	1	
7	717384	STEM-faucet - hot	1	
7	705790	STEM-faucet - cold	1	
8	705791	DISC-faucet stem	2	
9	705792	SEAT-disc, faucet stem	2	
10	NS	BODY-faucet	1	
11	705796	SCREW-faucet	1	
12	705793	KNOB-diverter	1	
13	705794	..O..RING-diverter (O13)	1	
14	705795	..O..RING-diverter (O08)	1	
15	705788	BUSHING-diverter (110)	1	
16	705798	STEM-diverter	1	
17	705797	SCREW-diverter knob	1	
18	NS	INSERT-anti-splash	1	
19	NS	UNION-pip (1/4)	1	
20	NS	WASHER-fibre	2	
21	NS	WASHER-corrugated steel	2	
22	NS	NUT-lock, heagon	2	
23	NS	WASHER-cone	2	
24	NS	WASHER-brass	2	
25	NS	NUT-coupling	2	

28.062 FAUCET-BATH SINK (FIRST DESIGN)

FURNISHINGS



28P-39-376

28.062H FAUCET – BATH SINK (SECOND DESIGN)

FURNISHINGS

KEY	230	280	PART NUMBER
-----	-----	-----	-------------

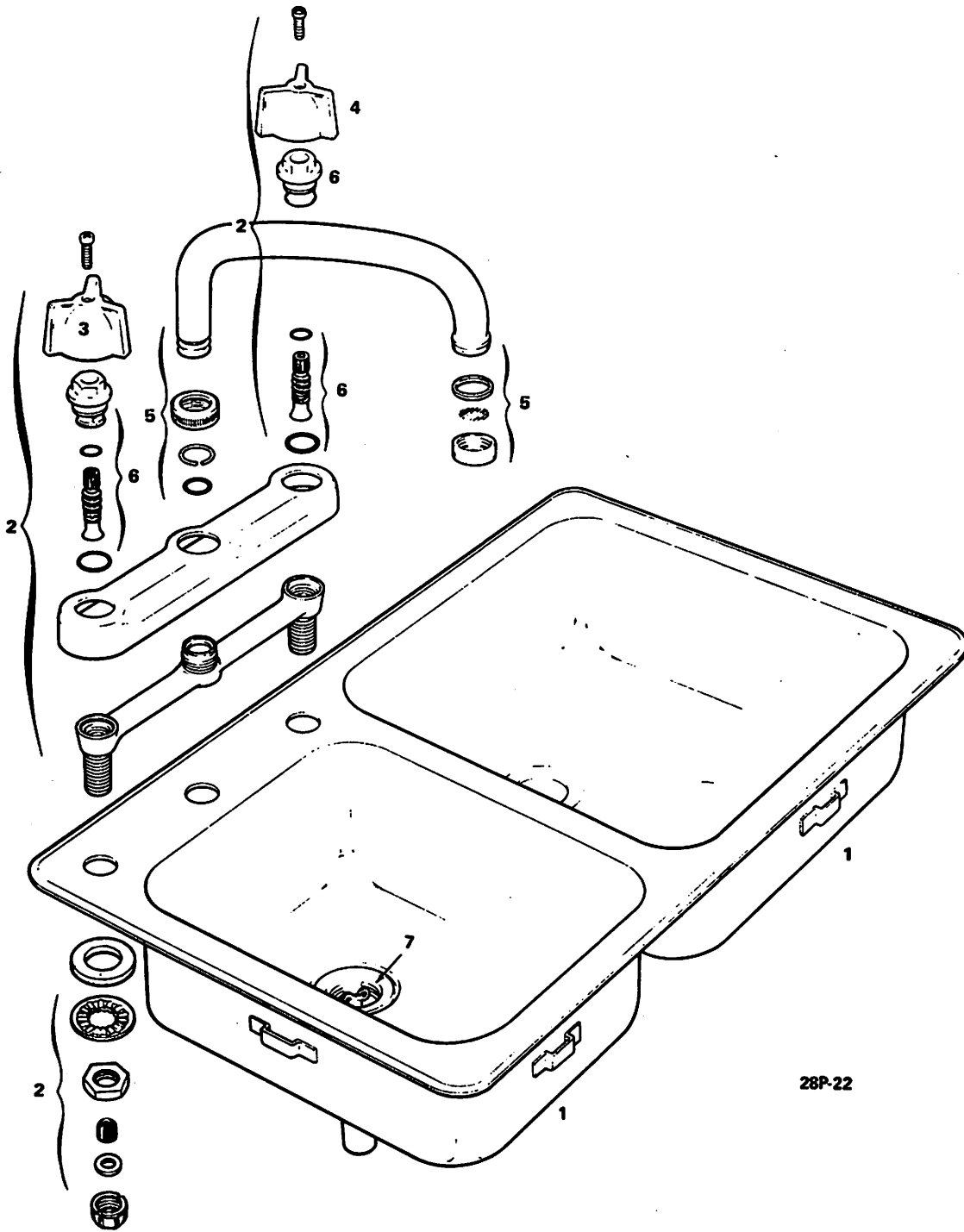
28.062H FAUCET—BATH SINK (SECOND DESIGN)

—	—	1	2008655	FAUCET ASSY.—bath sink (SOA)
—	—	1	2008656	FAUCET ASSY.—shower (SOA) (not illus.)

NOTE: The following parts are listed for reference only.

1	—	1	NS	HANDLE—faucet (hot)
2	—	1	NS	HANDLE—faucet (cold)
3	—	1	NS	SCREW—faucet handles
4	—	1	NS	CAP—faucet handles
5	—	1	NS	NUT—faucet hot
5A	—	1	NS	NUT—faucet cold
6	—	1	NS	STEM—faucet hot
6A	—	1	NS	STEM—faucet cold
7	—	1	NS	COVER—body faucet
8	—	1	NS	BODY—faucet
9	—	1	NS	WASHER—faucet
10	—	1	NS	WASHER—faucet
11	—	1	NS	NUT—faucet

FURNISHINGS



28P-22

28.063 GALLEY SINK AND FAUCET

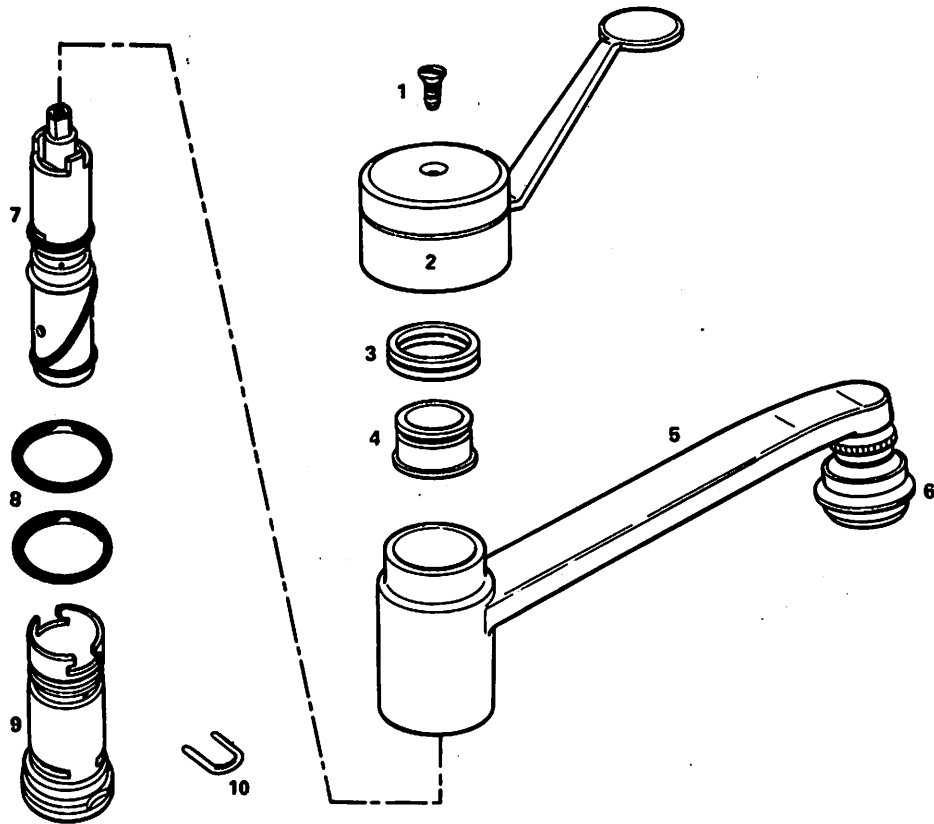
FURNISHINGS

KEY	230	260	PART NUMBER
-----	-----	-----	-------------

28.063 GALLEY SINK AND FAUCET (PRIOR TO 1975)

1	1	—	707967	SINK—galley
1	—	1	707968	SINK—galley
2	1	1	706575	FAUCET ASSY.—galley sink
3	1	1	706578	HANDLE—faucet, hot
4	1	1	706579	HANDLE—faucet, cold
5	1	1	706576	SPOUT ASSY.—faucet
6	2	2	706577	CARTRIDGE ASSY.—faucet valve
7	1	1	718453	STOP—sink (strainer basket)
—	—	2	—	COVER—sink (or chopping block) (small & large) (see group 28.128)

FURNISHINGS



KEY	230	260	PART NUMBER
-----	-----	-----	-------------

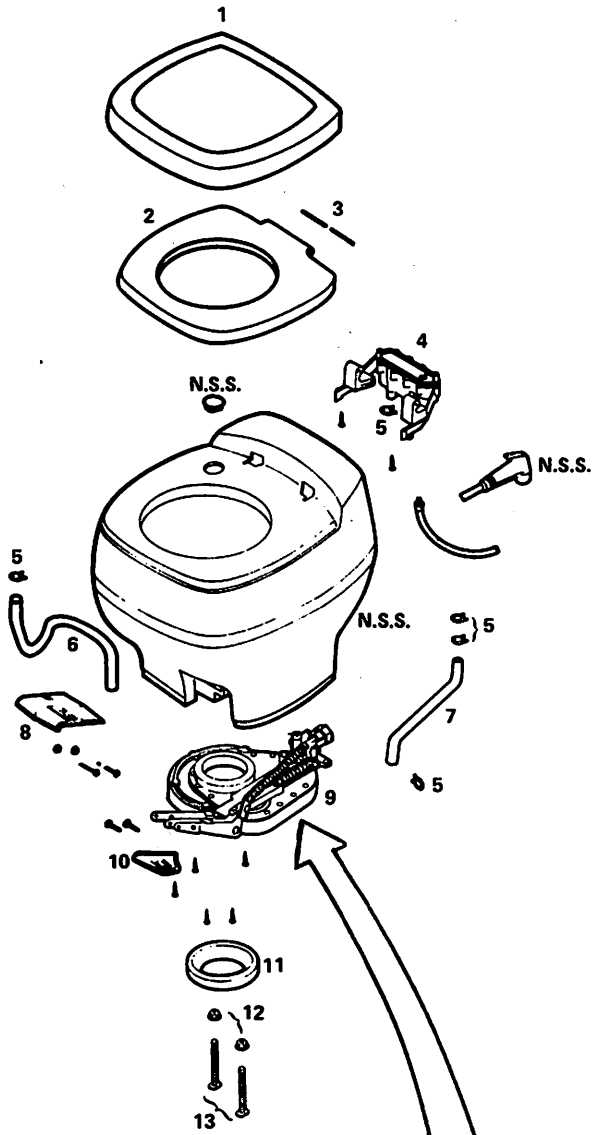
28.064 GALLEY SINK AND FAUCET (EFF. W/1975)

-	-	1	790352	SINK—galley (eff. w/ 1975) (prior to 1978) (w/ZEO6581)
-	-	1	2027437	SINK ASSY.—galley (1978) (w/ZEO6581)
-	-	1	790335	FAUCET ASSY.—(complete) (incl. the next [10] items) (eff. w/ 1975) (prior to 1978) (exc./ZEO6582, ZEO6584)
1	-	1	794555	SCREW—handle
2	-	1	794553	HANDLE ASSY.—(SOA)
3	-	1	794556	RETAINER—nut, grooved sleeve
4	-	1	794557	SLEEVE—grooved
5	-	1	794558	SPOUT—(9")
6	-	1	2015950	AERATOR ASSY.—swivel spray (SOA) (repl. 794554)
7	-	1	794560	CARTRIDGE—valve
8	-	2	794561	SEAL—spout
9	-	1	NPN	BODY—
10	-	1	794559	CLIP—retainer
-	-	1	2028735	FAUCET ASSY.—(complete) (w/ZEO6581) (1978) (SOA)
-	-	1	2006654	FAUCET ASSY.—(complete) (w/RPO 685) (w/ZEO6581, ZEO6582, & ZEO6584) (eff. w/ 1976) (SOA)
-	-	1	2028865	PIPE ASSY.—elbow at galley sink (eff. w/interm 1977)
-	-	1	2028847	NUT—elbow to tee (eff. w/interm 1977)
-	-	1	2028864	WASHER—elbow to tee nut (eff. w/interm 1977)

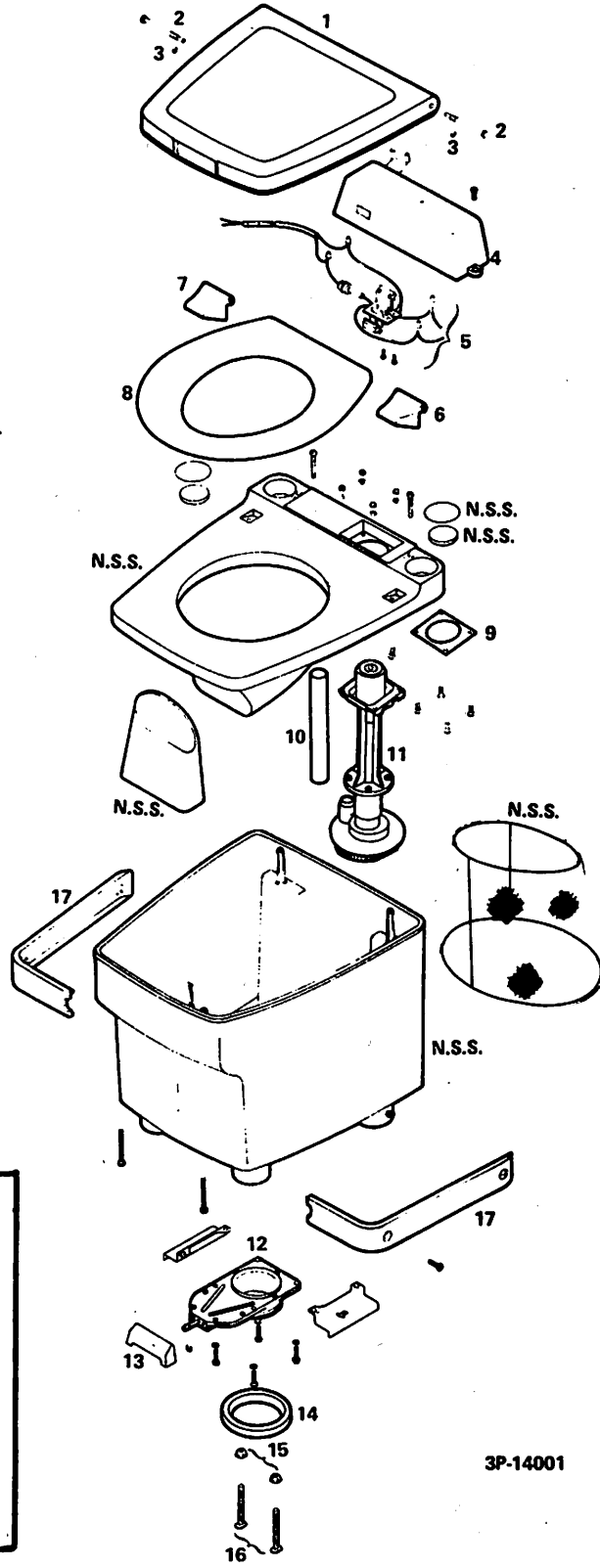
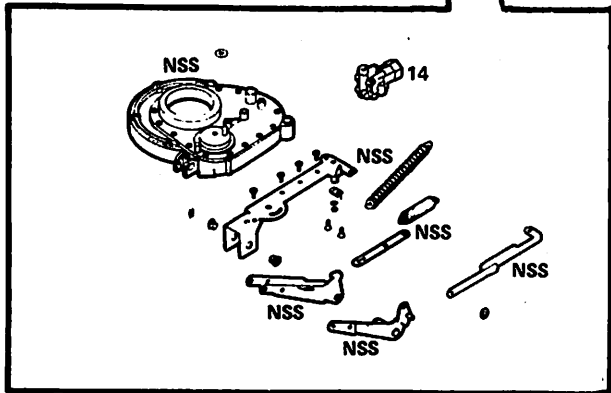
28.064 GALLEY SINK AND FAUCET (EFF. W/1975) (Cont.)

-	-	1	2026861	PIPE ASSY.—tee at galley sink (eff. w/interm 1977)
-	-	2	2026863	SEAL—galley sink drain pipe tee to elbow (eff. w/interm 1977)
-	-	1	794562	KIT—mounting hardware

FURNISHINGS



28.068 TOILET - AQUA-MAGIC



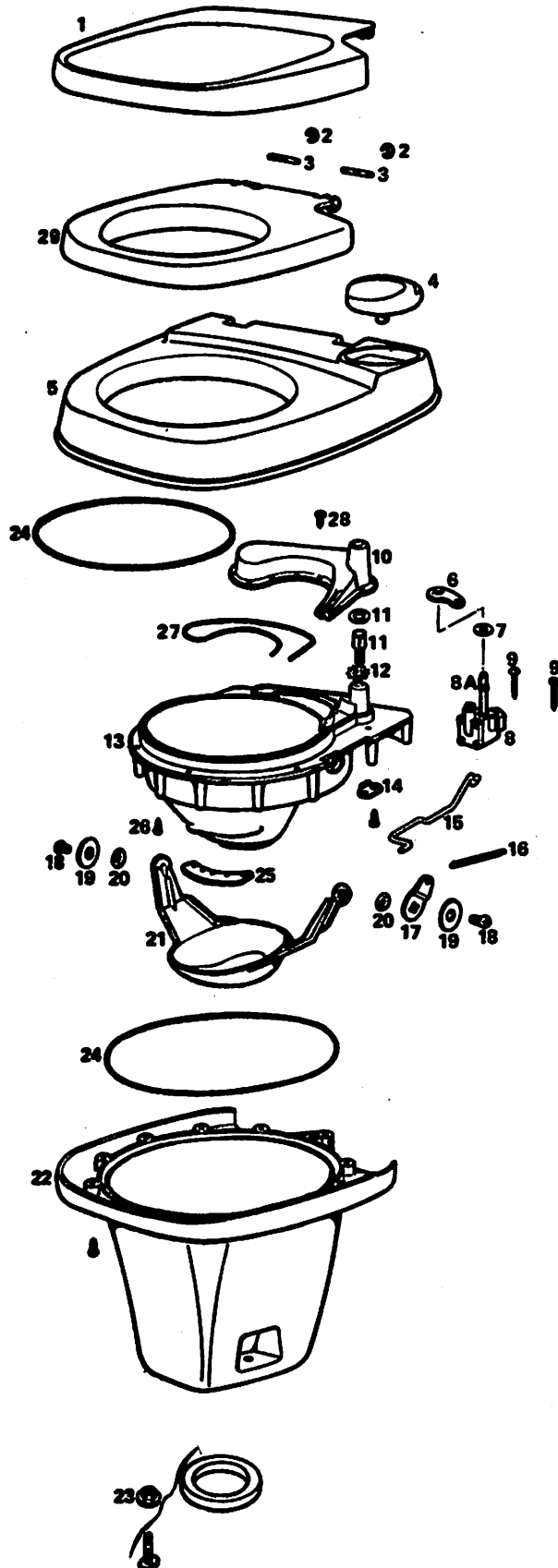
28.070 TOILET - ELECTRA-MAGIC
RECIRCULATION

3P-14001

FURNISHINGS

KEY	230	260	PART NUMBER	
28.067 TOILET PAPER AND CHEMICALS				
-	1	1	705411	PAPER—toilet (package of 4) (soluble matter)
-	1	1	705409	AQUA KEM—odor control (package of 6)
-	1	1	705410	AQUA KEM—plastic cleaner (1-16 oz. bottle)
-	1	1	705412	CLEANER—aqua bowl (1-32 oz. bottle)
28.068 TOILET—AQUA—MAGIC				
-	1	1	702058	TOILET ASSY.—Aqua—Magic (eff. w/1973 & prior to 1976) (& 1978) (white, gold & ivory)
1	1	1	711064	COVER—seat
2	1	1	711063	SEAT—toilet (repl. 702070)
3	2	2	711060	PIN—hinge
4	1	1	711061	BREAKER ASSY.—vacuum
5	5	5	-	CLAMP—trap tube (ref. 702077) (procure locally)
6	1	1	702075	TUBE—lower trap (27")
7	1	1	702076	TUBE—upper trap (20")
8	1	1	702067	PEDAL—waste trap and cleansing
9	1	1	711062	VALVE ASSY.—flush
10	1	1	702068	PEDAL—water level
11	1	1	702061	SEAL—flush valve flange
12	2	2	702069	NUT—closet bolt
13	2	2	702078	BOLT—closet
14	1	1	713334	VALVE—ball
-	1	1	2026210	TUBE ASSY.—toilet water inlet to elbow
-	1	1	798371	ADAPTER—toilet water inlet tube adapter
28.070 TOILET—ELECTRA—MAGIC				
-	1	1	702736	TOILET ASSY.—(w/RPO ANW)
1	1	1	702737	COVER ASSY.—seat
2	2	2	702742	PIN—hinge, seat cover
3	2	2	702743	RING—retaining, hinge pin
4	1	1	702746	COVER—timer motor
5	1	1	702739	TIMER ASSY.—recirculating (SOA)
6	1	1	702745	HINGE—seat cover, RH
7	1	1	702744	HINGE—seat cover, LH
8	1	1	702738	SEAT ASSY.—toilet (incl. bumper) (SOA)
9	1	1	702748	GASKET—pump mounting
10	1	1	702747	TUBE—flush
11	1	1	702740	PUMP ASSY.—recirculating (incl. motor) (w/out strainer)
12	1	1	702749	VALVE—slide—ez
13	1	1	702751	HANDLE—flush
14	1	1	702061	SEAL—flange, slide—ez
15	2	2	702069	NUT—closet stud
16	2	2	702750	STUD—closet
17	1	1	716886	MOULDING—base
-	1	1	702741	KIT—refill, pump (SOA) (incl. 1-fill tube assy., 1-flange, 1-tube, 1-reflector, tape, 1-vacuum breaker, 1-shut-off valve, 1-close nipple, 1-inlet assy., 1-stand pipe, 1-socket filler, 4-screws, 1-gasket, 1-adapter-garden hose & washer-garden hose)
-	-	1	798356	TUBE ASSY.—water inlet (3/8 OD x 12"lg) (plastic nuts on both ends) (eff. w/1975) (prior to 1977)
-	-	1	798371	COUPLING—water inlet tube to shut-off valve (3/8 x 1/2 male adapter coupling) (2 7/16"lg) (eff. w/1975)
-	-	1	798357	SPIGOT—water inlet tube drain (eff. w/1975 & prior to Serial No. 6V100878)
-	-	1	2026211	TUBE ASSY.—water inlet to elbow (3/8 O.D. x 18.25 lg.) (eff. w/1977)
-	-	1	2026244	ELBOW—water inlet (90 degrees male) (eff. w/1977)
-	-	1	2026212	TUBE ASSY.—water inlet (w/RPO ANW) (3/8 O.D. x 30.00 lg.) (eff. w/1977)
-	-	1	798359	TEE—spigot, drain (1/2" NPT male) (eff. w/1975) (prior to 1977)
-	-	1	2002228	COUPLING—water inlet tube (eff. w/serial No. 6V100878) (prior to 1977)

FURNISHINGS



28.070H AQUA-MAGIC III TOILET
(SECOND DESIGN)
28-154

28P-41-177

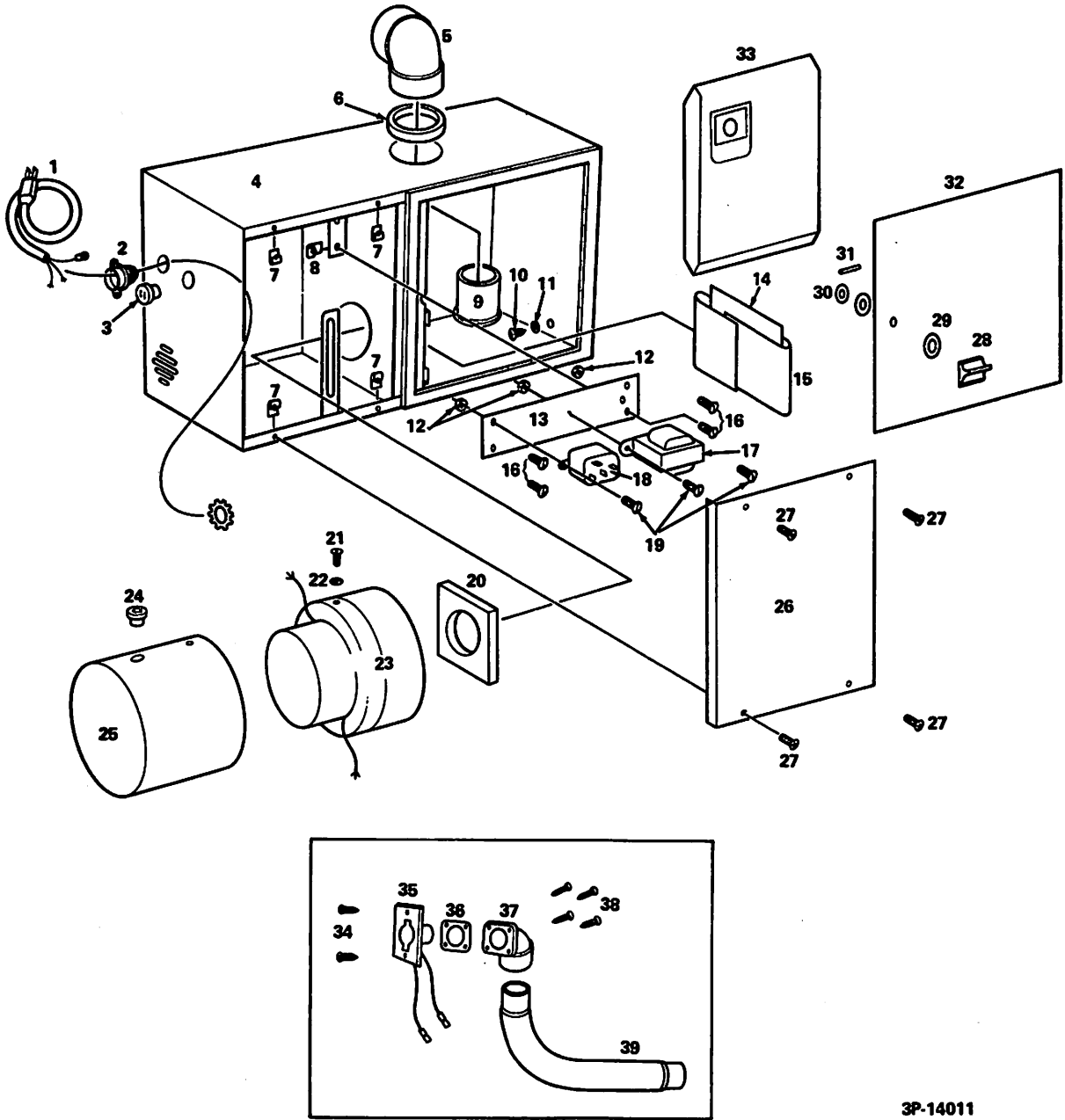
FURNISHINGS

KEY . 230 260 PART NUMBER

28.070H TOILET—AQUA-MAGIC

—	—	1	2006651	TOILET ASSY.—aqua magic III (eff. w/1976 & 1977)
1	—	1	2029250	COVER—seat
2	—	2	2029249	RETAINER—pin
3	—	2	2029248	PIN—hinge
4	—	1	2029242	KNOB ASSY.—flush (SOA)
5	—	1	2029251	TOP—toilet
6	—	1	2029256	CRANK—knob
7	—	1	2029254	RETAINER—valve stem
8	—	1	2029244	VALVE ASSY.—ball
8A	—	1	2029255	O RING—valve to bowl
9	—	2	2029253	SCREW—valve
10	—	1	2029270	COVER—vacuum breaker
11	—	1	2029245	FLOAT ASSY.—toilet (SOA)
12	—	1	2029274	WASHER—float star
13	—	1	2029258	BOWL—toilet
14	—	1	2029276	BRACKET—spring mounting
15	—	1	2029277	LINK—push
16	—	1	2029275	SPRING—toilet
17	—	1	2029262	CRANK—water trap
18	—	2	2029263	SCREW—water trap crank
19	—	2	2029264	WASHER—water trap crank
20	—	2	2029265	SEAL—water trap crank
21	—	1	2029260	TRAP—water
22	—	1	2029267	BASE—toilet
23	—	1	2029269	MOUNTING PKG.—toilet base (mounting pkg. incl. 1-702061 seal, & 2-702069 nut.)
24	—	1	2029257	SEALANT—toilet top
25	—	1	NS	SEAL—trap (ref. 2029261)
26	—	9	2029259	SCREW—toilet
27	—	1	2029271	SEAL—cover
28	—	AR	2029268	SCREW—base
29	—	1	2029246	SEAT—toilet

FURNISHINGS



3P-14011

28.072 SWEEPER - VACUUM

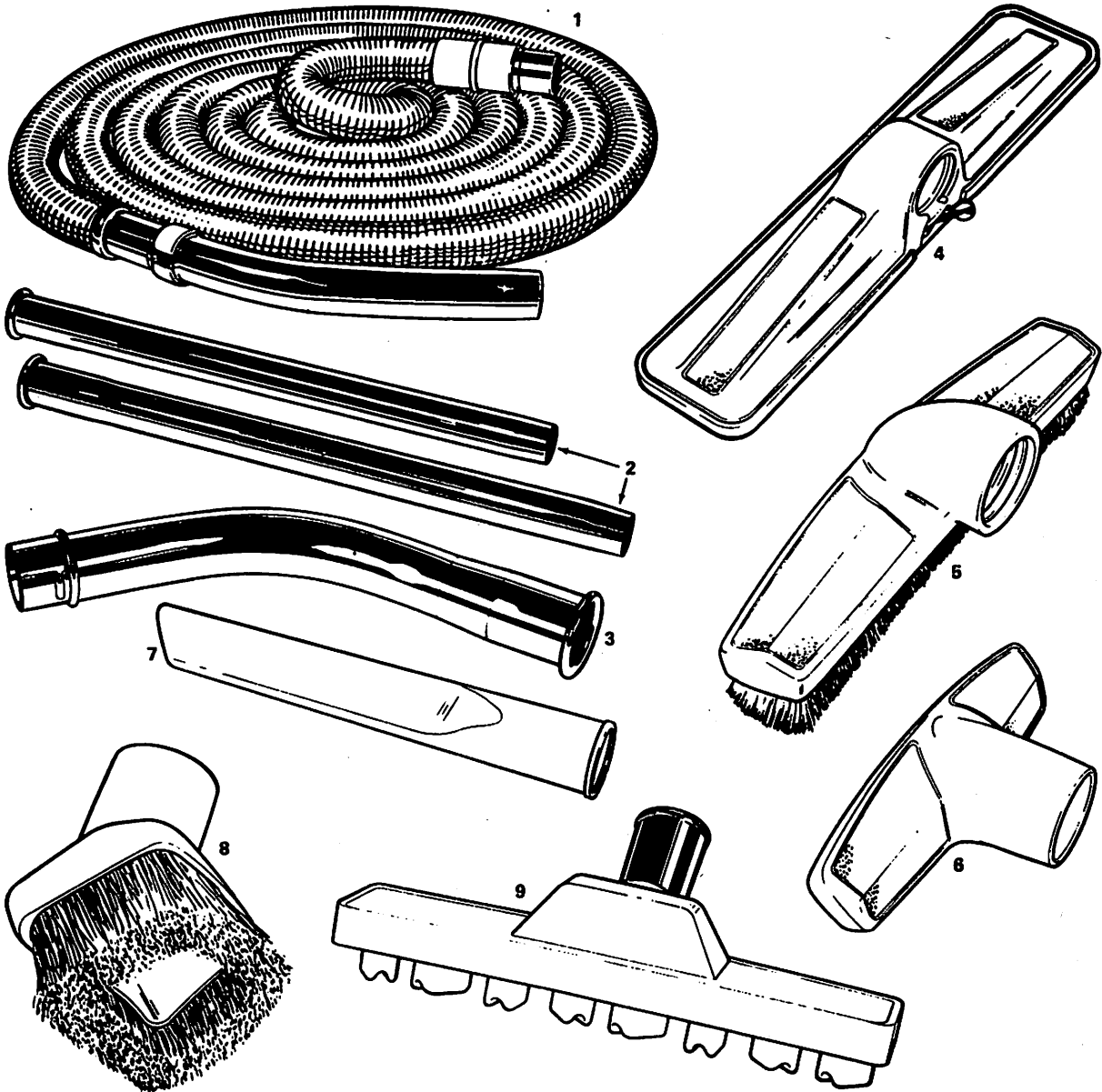
FURNISHINGS

KEY	230	260	PART NUMBER
-----	-----	-----	-------------

28.072 SWEEPER—VACUUM

—	—	2	718070	PIPE—pvc (type II) (1974)
—	—	1	718071	BARRIER—terminal block (1974)
1	—	1	706104	CORD ASSY.—line
2	—	1	NPN	CONNECTOR—strain relief
3	—	1	706110	BUSHING—terminal, low voltage
4	—	1	NPN	CABINET ASSY.
5	—	1	718064	ELBOW—(2", 90 degrees)
6	—	1	718065	GROMMET
7	—	4	—	SPEED NUT—cover plate (No. 6—32) (procure locally)
8	—	4	—	SPEED NUT—low voltage bracket (No. 10—24) (procure locally)
9	—	1	718066	PIPE—filter
10	—	4	—	SCREW—mounting (No. 10—16 x 1/2) (procure locally)
11	—	4	—	WASHER—mounting (procure locally)
12	—	3	—	NUT—hex (No. 6—32) (procure locally)
13	—	1	NPN	BRACKET—low voltage
14	—	1	706111	STIFFENER—filter
15	—	1	706112	FILTER—secondary
16	—	4	—	SCREW—low voltage bracket (No. 10—24 x 3/8) (procure locally)
17	—	1	706107	TRANSFORMER
18	—	1	706106	RELAY
19	—	3	—	SCREW—pan head (No. 6—32 x 5/8) (procure locally)
20	—	1	718067	SEAL—motor
21	—	1	—	SCREW—motor (procure locally)
22	—	1	—	WASHER—motor screw (procure locally)
23	—	1	706105	MOTOR ASSY.
24	—	1	NPN	BUSHING—snap (1/4 x 15/32)
25	—	1	NPN	DUCT—motor (SOA)
26	—	1	NPN	PLATE—cover
27	—	4	—	SCREW—cover plate (No. 6—32 x 1/2) (procure locally)
28	—	1	718069	KNOB—door
29	—	2	—	WASHER—door knob (procure locally)
30	—	1	NPN	NUT—push
31	—	1	NPN	PIN—roll
32	—	1	718068	DOOR
33	—	1	706109	BAG PACKAGE—filtering (4 per package)
34	—	2	—	SCREW—inlet, Phillips oval head (No. 10 x 1—5/8) (procure locally)
35	—	1	706108	INLET—low voltage
36	—	1	706113	GASKET—flange ell to inlet
37	—	1	706114	ELL—flange
38	—	4	—	SCREW—flange ell (No. 7—19 x 3/4) (procure locally)
39	—	1	706115	HOSE—flexible (13" long, 2" I.D.)
—	—	1	2234659	VACUUM
—	—	1	2234660	TOOL KIT(Complete)
—	—	1	2234661	HOSE

FURNISHINGS



28.073 ATTACHMENTS - VACUUM SWEEPER

28P-24

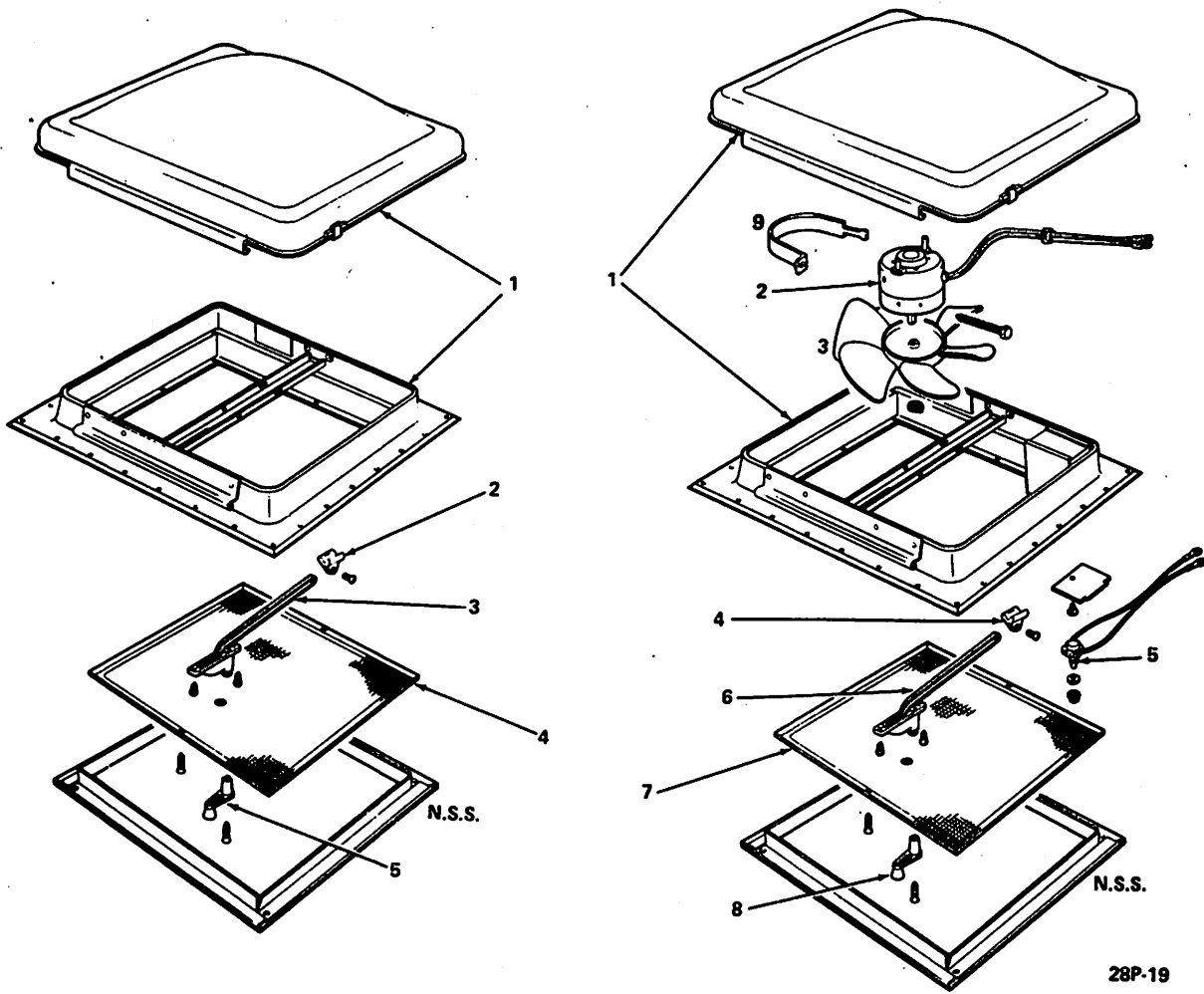
FURNISHINGS

KEY	230	280	PART NUMBER
-----	-----	-----	-------------

28.073 ATTACHMENTS—VACUUM SWEEPER

1	—	1	708116	HOSE—vacuum cleaner (Part of 2234661 kit)
2	—	1	708117	WAND SET—steel chrome plate (2 pc.)
3	—	1	708118	CONNECTOR—wand to tool set
4	—	1	708119	NOZZLE—carpet
5	—	1	708120	BRUSH—floor and wall (9")
6	—	1	708121	TOOL—upholstery
7	—	1	708122	TOOL—crevice
8	—	1	708123	TOOL—dusting
9	—	1	708124	TOOL—shag rug
—	—	1	717063	CADDY—tool storage

FURNISHINGS



KEY	230	260	PART NUMBER
-----	-----	-----	-------------

28.074 VENT—NON—POWER ROOF

—	1	1	708369	NON—POWER ROOF VENT ASSY.—(prior to 1975) (incl. next (5) items)
1	1	1	708371	DOME AND COVER ASSY.—(SOA)
2	1	1	708373	SLIDE AND SCREW ASSY.—operator (SOA)
3	1	1	708374	OPERATOR ASSY.—crank (SOA)
4	1	1	708372	SCREEN ASSY.—(SOA)
5	1	1	708375	CRANK
—	—	2	2234633	NON—POWER ROOF VENT ASSY.—(off white). (repl. 720131) (eff. w/ 1975) (1st Design) (SOA)
—	—	2	2005297	NON—POWER ROOF VENT ASSY.—(white). (eff. w/ 1975) (2nd Design) (incl. next (2) items)
—	—	1	798050	COVER ASSY.—ceiling
—	—	1	798057	GASKET ASSY.—ceiling
—	—	2	2005296	FRAME ASSY.—vent screen (white) (w/ 2005297 vent assy.)
—	—	4	2005290	CRANK ASSY.—vent (white) (w/ 2005297 vent assy.)

28.074A VENT—POWER ROOF (PRIOR TO 1975)

—	1	1	708370	VENT ASSY.—power. ceiling (complete) (incl. next (9) items)
1	1	1	708371	DOME AND COVER ASSY.—(SOA)
2	1	1	705463	MOTOR ASSY.—(SOA)
3	1	1	705464	BLADE—fan
4	1	1	708373	SLIDE AND SCREW ASSY.—operator (SOA)

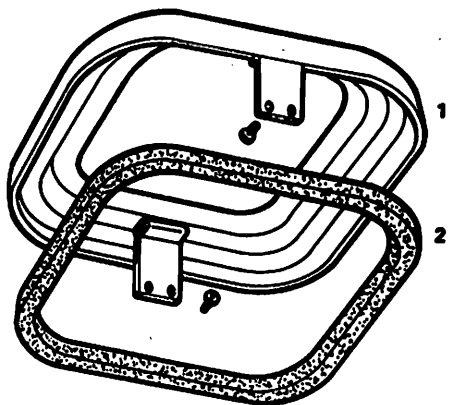
FURNISHINGS

KEY	230	260	PART NUMBER
-----	-----	-----	-------------

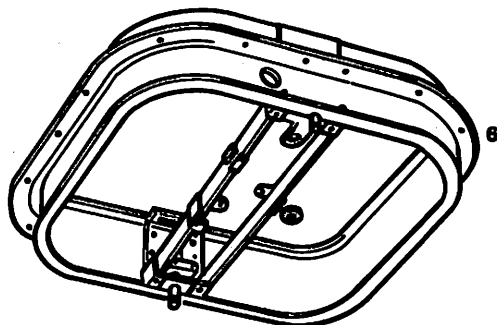
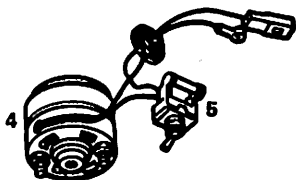
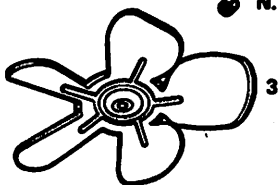
28.074A VENT—POWER ROOF (PRIOR TO 1975) (Cont.)

5	1	1	705465	SWITCH ASSY.—(SOA)
6	1	1	708374	OPERATOR ASSY.—crank (SOA) (repl. 708379)
7	1	1	708376	SCREEN ASSY.—(SOA)
8	1	1	708380	CRANK
9	1	1	2009041	BRACKET—motor mount

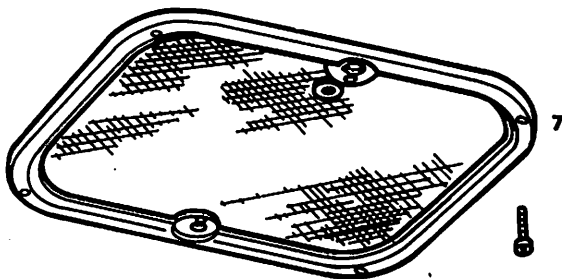
FURNISHINGS



● N.S.



● ● N.S.



28.074B VENT - POWER ROOF (EFF. W/1975)

28P-30

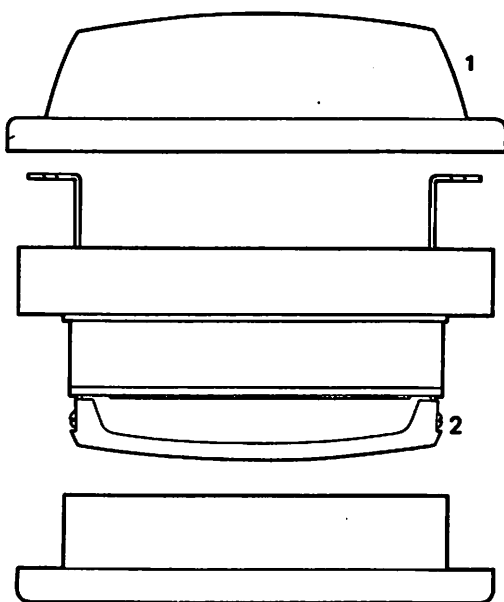
FURNISHINGS

KEY	230	260	PART NUMBER
-----	-----	-----	-------------

28.074B VENT—POWER ROOF (EFF. w/1975)

—	—	2	790842	VENT ASSY.—power, ceiling (off white) (1st Design)
—	—	1	2005298	VENT ASSY.—power, ceiling (white) (complete) (2nd Design) (Note: above (2) vent assemblies include the following items as indicated)
1	—	1	798050	COVER ASSY.—power, ceiling (incl. gasket) (SOA) (w/790842 & 2005298 vent assy.)
2	—	1	798057	GASKET—cover (w/790842 & 2005298 vent assy.)
3	—	1	798056	BLADE—fan (9") (w/790842, & 2005298 vent assy.)
4	—	1	798051	MOTOR ASSY.—vent (SOA) (w/790842 & 2005298 vent assy.)
5	—	1	798055	SWITCH ASSY.—motor (SOA) (w/790842 & 2005298 vent assy.)
6	—	1	798052	FRAME ASSY.—vent (SOA) (w/790842 vent assy.)
7	—	1	798053	SCREEN FRAME ASSY.—vent (SOA) (w/798052 vent assy.)
8	—	2	798054	CRANK ASSY.—vent (incl. screws) (w/798052 vent assy.)
—	—	8	791036	SUPPORT—vent
—	—	1	2000390	FRAME ASSY.—vent screen (white) (this item is not a part of vent assy. 2005298)

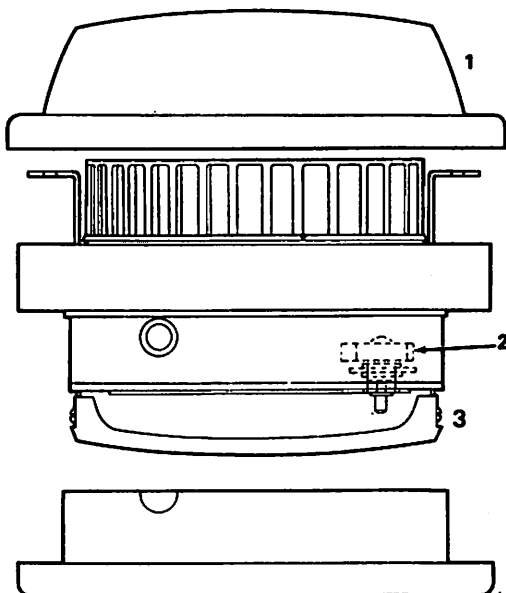
FURNISHINGS



KEY	230	260	PART NUMBER
-----	-----	-----	-------------

28.075 VENT — BATH, NON POWER

—	1	1	704838	VENT ASSY.—bath, non-power
1	1	1	704839	COVER—bath, non-power vent
2	1	1	2003730	HANDLE ASSY.—vent



3P-14013

KEY	230	260	PART NUMBER
-----	-----	-----	-------------

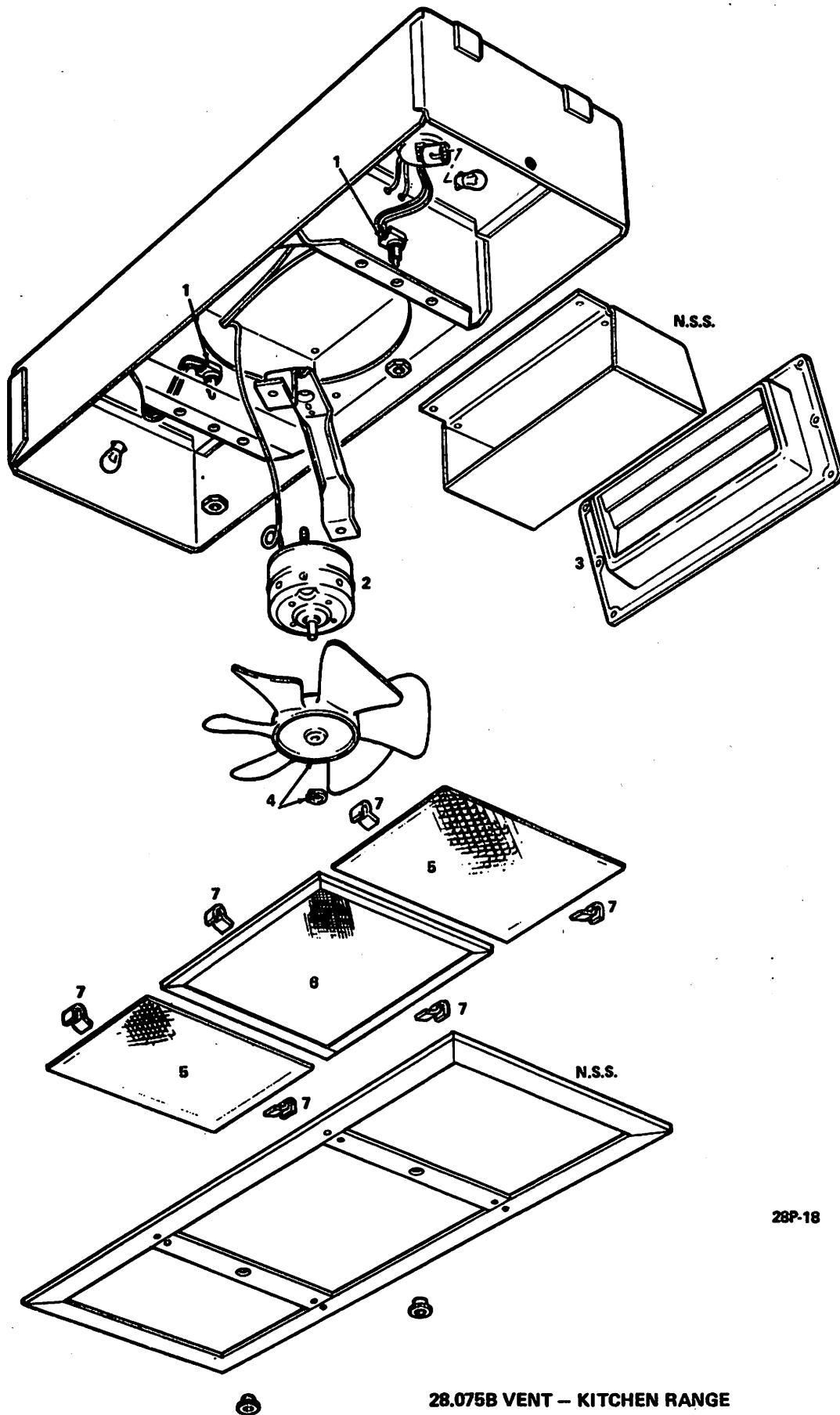
28.075A VENT—BATH POWER

—	1	1	704840	VENT ASSY.—bath power
1	1	1	704841	COVER—bath power vent
2	1	1	704842	SWITCH—motor, bath power vent
—	—	6	9436816	RIVET—bath vent to roof panel
3	1	1	2003730	HANDLE ASSY.—vent

FURNISHINGS

NOTES

FURNISHINGS



28P-18

28.075B VENT - KITCHEN RANGE

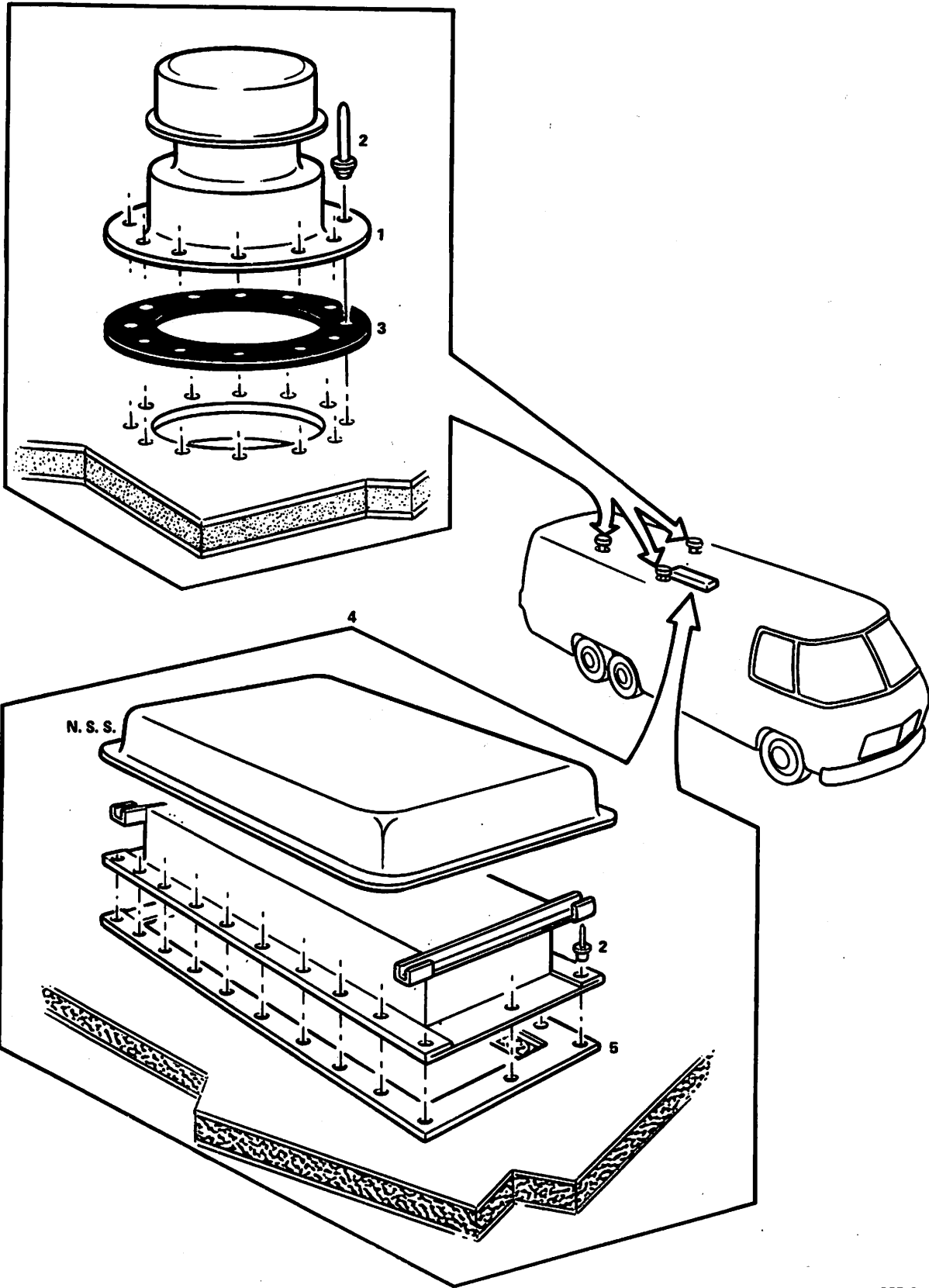
FURNISHINGS

KEY	230	260	PART NUMBER
-----	-----	-----	-------------

28.075B VENT—KITCHEN RANGE

—	1	1	705460	VENT ASSY.—power. range (prior to 1975)
—	—	1	791177	LAMP AND VENT ASSY.—power. range (eff. w/1975)
1	2	2	705465	SWITCH—power motor (w/705460)
1	—	2	792812	SWITCH ASSY.—power motor (w/791177) (SOA)
2	1	1	705463	MOTOR—power (12 volt)
3	1	1	705466	LOUVRE—outside (repl. 792814)(w/705460, 791177)
4	—	1	792813	BLADE—fan. power motor (w/791177)
4	1	1	705464	BLADE—fan. power motor (w/705460)
5	2	2	705462	DIFFUSER—vent
6	1	1	705461	FILTER—vent
7	6	6	705467	CLIP—spring
—	—	1	792811	FRAME ASSY.—hood, vent (incl. diffuser and filter) (w/791177)
—	1	1	791689	TAG—range vent and do not cook
—	—	1	NPN	SHIELD—vent. galley (eff. w/1975) (ref. 2000270) (make locally)

FURNISHINGS



28P-35

28.077 VENTS - PLUMBING & REFRIGERATION

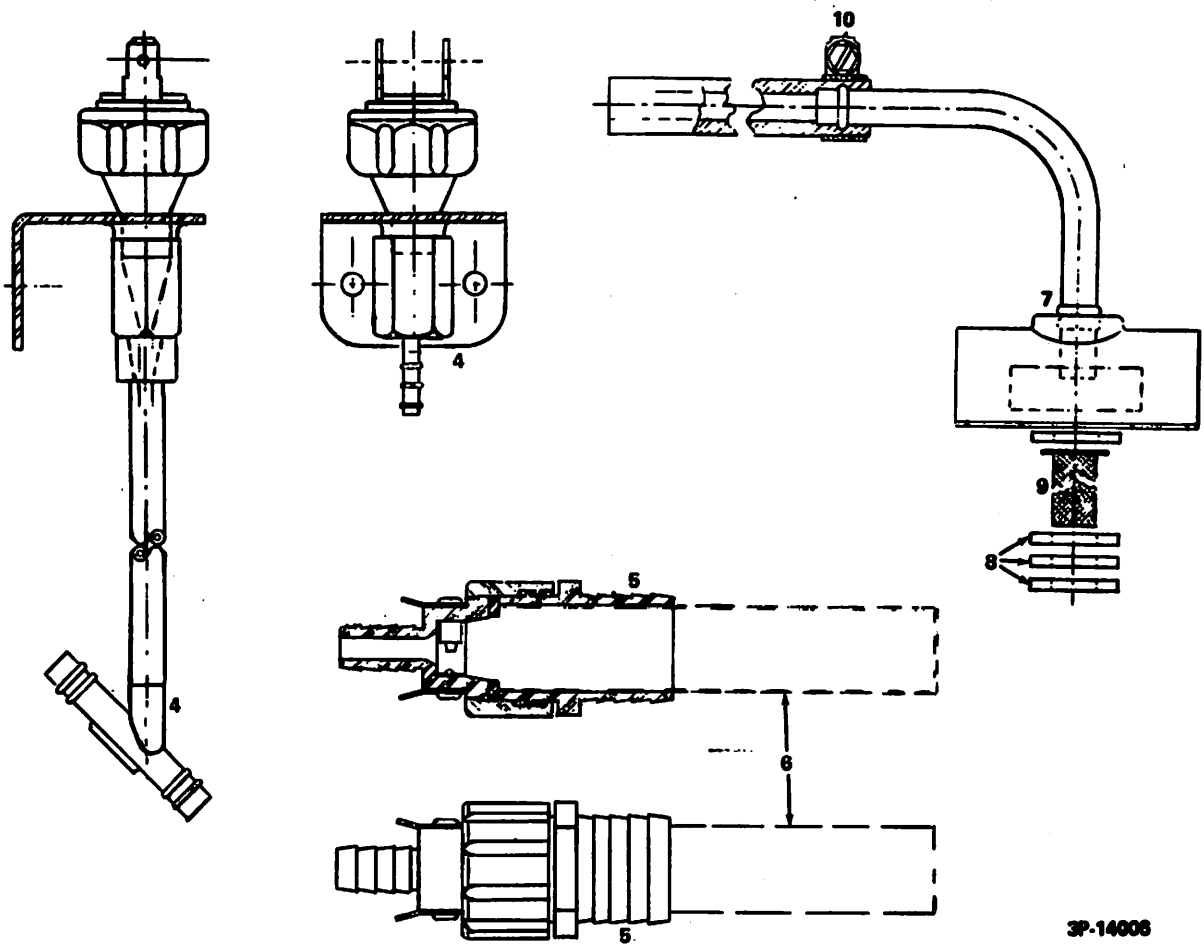
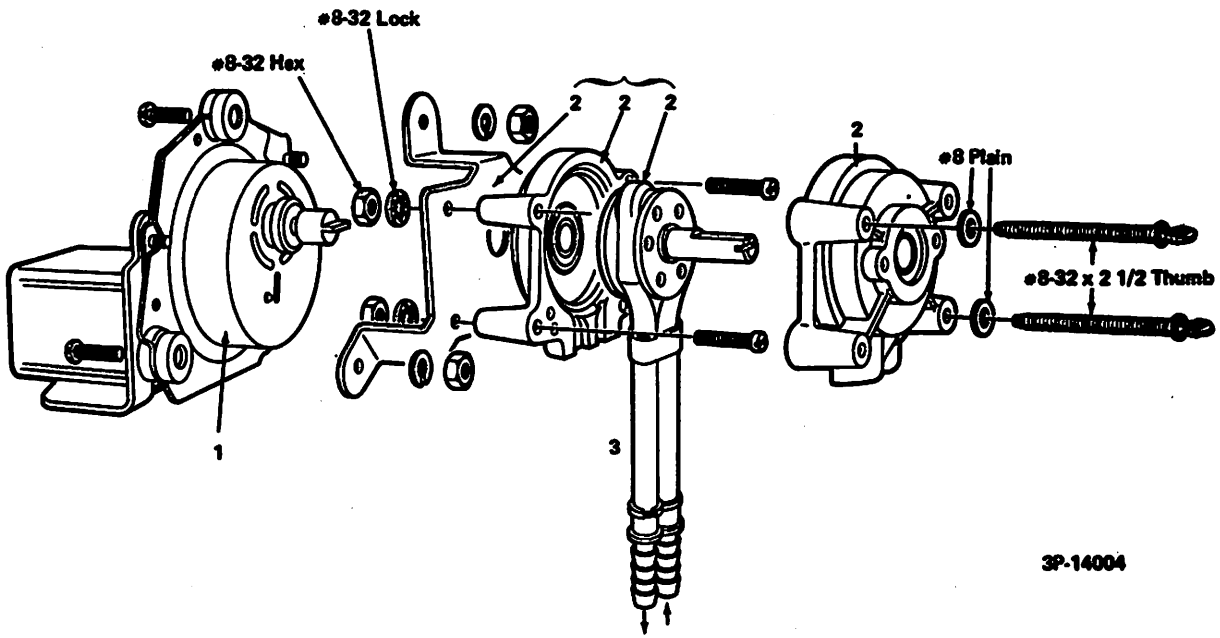
FURNISHINGS

KEY	230	260	PART NUMBER
-----	-----	-----	-------------

28.077 VENTS—PLUMBING & REFRIGERATION

1	2	3	718499	VENT ASSY.—sanitary plumbing (white) (SOA) (prior to 1975)
1	—	3	790369	VENT ASSY.—sanitary plumbing (white) (eff. w/1975)
2	—	AR	9436816	RIVET—vent (w/790369 vent)
2	—	30	792864	RIVET—vent (w/792853 vent)
3	—	3	790087	GASKET—vent (w/790369)
3	2	3	718786	GASKET—vent (w/718499)
4	1	1	NPN	VENT ASSY.—refrigerator (prior to 1975)
4	—	1	792853	VENT ASSY.—refrigerator (eff. w/1975) (details not available at time of publication)
5	—	AR	—	TAPE—vent (to roof) (65') (ref. only) (procure locally) (repl. 8861174)
6	2	3	2000394	CAP—vent, roof (w/790369)
—	—	1	—	VENT ASSY.—refrigerator side (door asm.) (see grp. 23.025)
—	—	1	2027496	VENT KIT—furnace (1978)

FURNISHINGS



28.078 DISPOSAL - WASTE

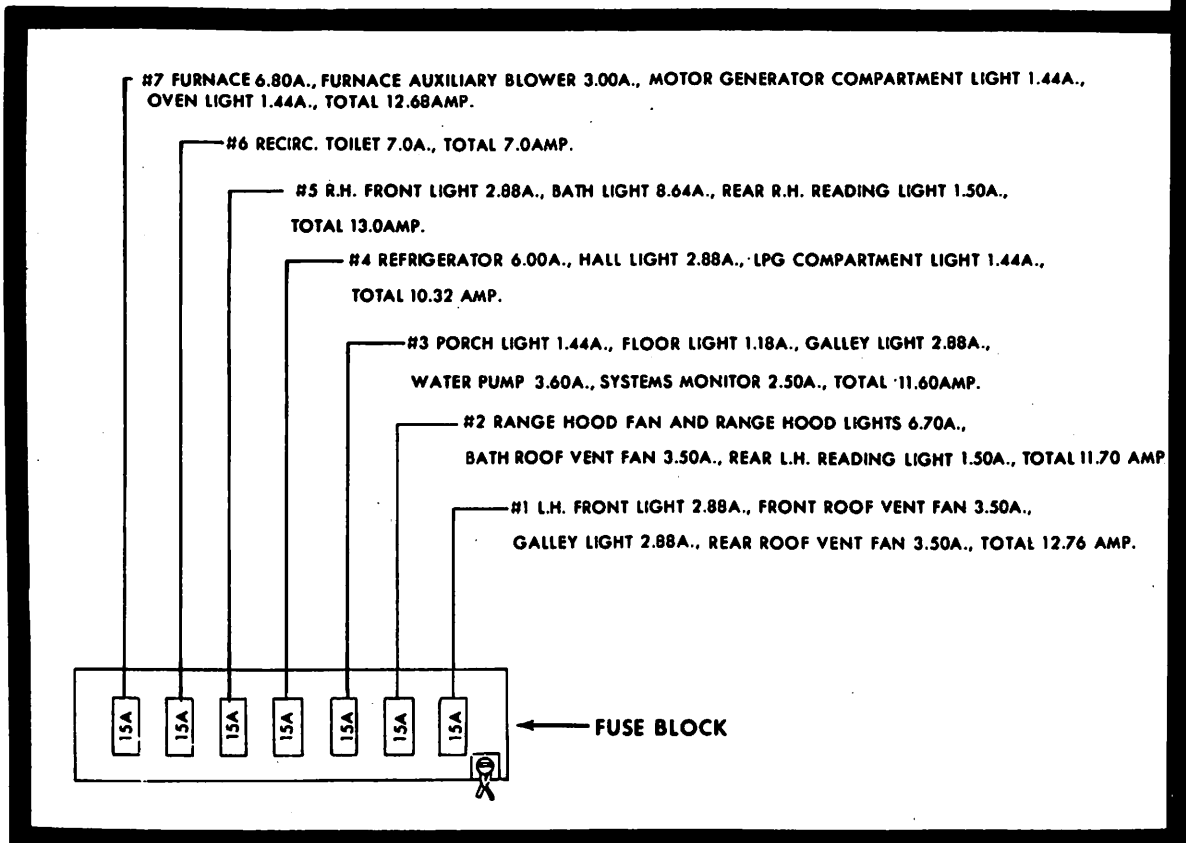
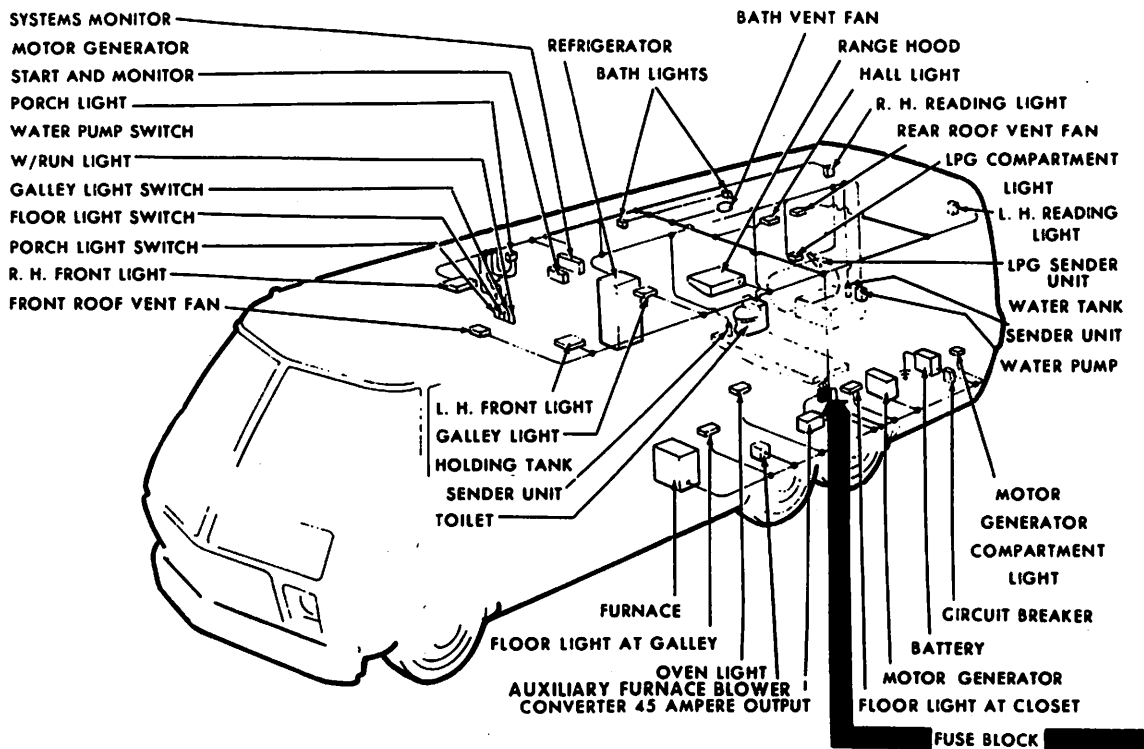
FURNISHINGS

KEY 230 260 PART NUMBER

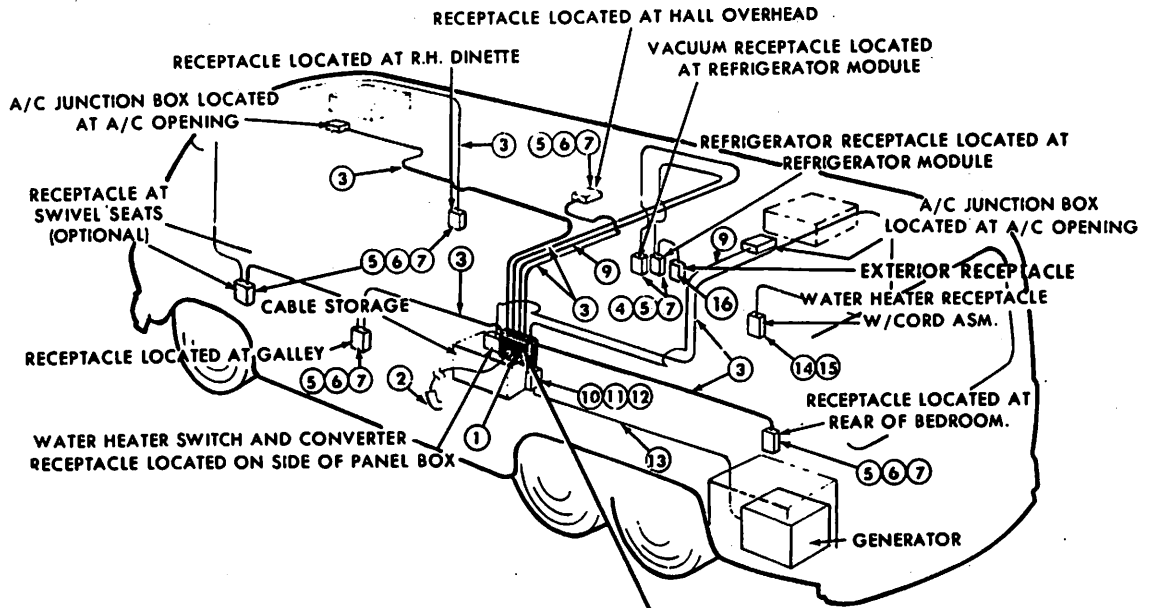
28.078 DISPOSAL--WASTE

-	1	1	705119	DISPOSAL ASSY.--waste (complete)
-	1	1	705121	INJECTION ASSY.--metering (incl. pump and motor)
1	1	1	705129	MOTOR ASSY.--(SOA)
2	1	1	705122	PUMP ASSY.--(incl. hose and non--serviced brkt.) (part of 705121 injection assy.)
3	1	1	705124	HOSE--pump (part of 705122 pump assy.)
4	1	1	705125	SENSOR ASSY.--heat (SOA)
5	1	1	719678	PROBE ASSY.--evacuation (incl. grommet, screen & washer) (at tank (repl. 705130))
6	1	1	719679	SCREEN ASSY.--probe (part of 719678 probe) (repl. 705136)
7	1	1	705131	SANIJECTOR ASSY.--(incl. clamp, hose, screen, spring & gasket pkg.)
8	1	1	705141	PACKAGE--gasket, sanijector (part of 705131 sanijector assy.)
9	1	1	705143	SCREEN--sanijector (part of 705131 sanijector assy.) (at exhaust)
10	1	1	705146	CLAMP--hose, sanijector (part of 705131 sanijector assy.)
-	1	1	705144	GROMMET--holding tank (part of 719678 probe assy.)
-	2	2	705145	WASHER--rubber, holding tank (part of 719678 probe assy.)
-	1	1	705138	HOSE--pump to sanijector (red) (part of 705131 sanijector assy.)
-	1	1	705137	SPRING--hose protection (part of 705131 sanijector assy.)
-	1	1	705128	CENTER ASSY.--control
-	1	1	705132	LIGHT--ready--green (part of 705128 control assy.)
-	1	1	705133	LIGHT--reaction--red (part of 705128 control assy.)
-	1	1	705134	LIGHT--empty--white (part of 705128 control assy.)
-	1	1	705139	BASE--mounting, control center (part of 705128 control assy.)
-	1	1	705140	KNOB--control (part of 705128 control assy.)
-	1	1	705127	SENSOR ASSY.--tank level (SOA)
-	1	1	705135	HARNESS ASSY.--disposal (SOA)
-	1	1	705126	HARNESS ASSY.--speed sensor (SOA)
-	1	1	705142	HOSE--PVC, holding tank to pump
-	1	1	705123	SENSOR ASSY.--speed switch (SOA)
-	1	1	2017118	KIT--adapter, evacuation probe (incl. next (5) items)
-	1	1	705145	SEAL--adapter large
-	1	1	2017121	SEAL--adapter small
-	1	1	2017122	SCREEN--adapter
-	1	1	8884900	TUBING--nylon (25 ft. service)
-	1	1	2017120	CONNECTOR--twin tab

FURNISHINGS



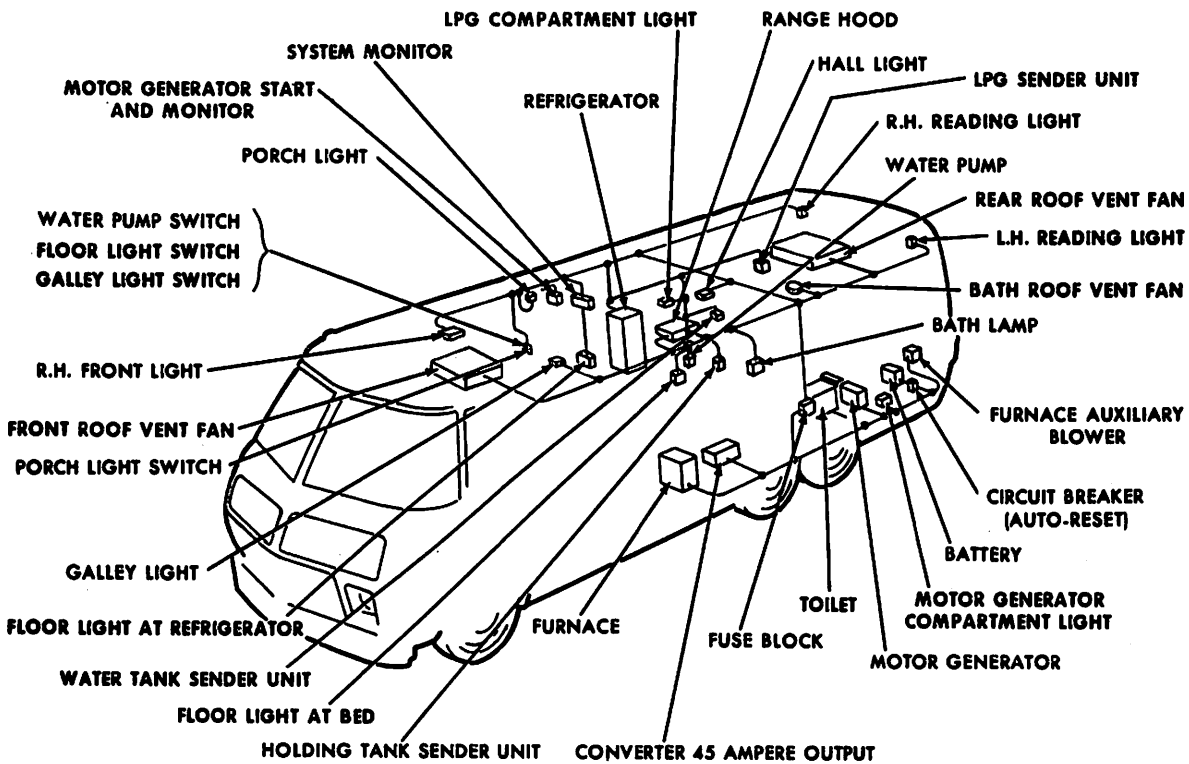
FURNISHINGS



ITEM NO	PART NAME
1	MAIN PANEL BOX
2	#8-4 WIRE CORD TYPE '50' W/PLUG
3	WIRE 12/2 W/GROUND WIRE
4	SINGLE RECEPTACLE
5	OUTLET BOX
6	DUPLEX RECEPTACLE
7	OUTLET PLATE
8	SWITCH & RECEPTACLE
9	14/2 W/GROUND WIRE
10	3 POLE 4 WIRE RECEPTACLE
11	OUTLET BOX
12	OUTLET PLATE
13	#6-2 WIRE CORD IN METAL CONDUIT
14	'J' BOX
15	BLANK COVER PLATE
16	EXTERIOR RECEPTACLE

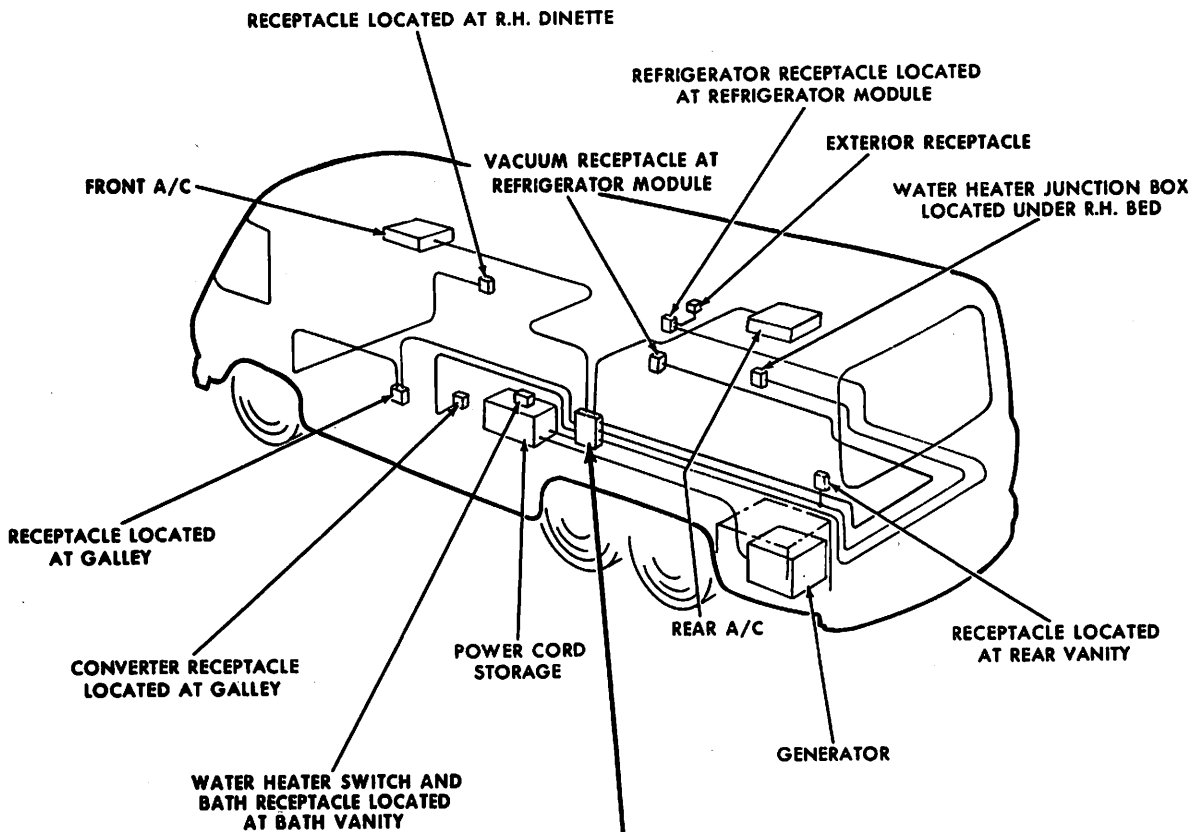
CIRCUIT BREAKER PANEL				
CIRCUIT #1	CIRCUIT #2	CIRCUIT #3	CIRCUIT #4	CIRCUIT #5
FRONT AIR COND. RECEPT.	WATER HEATER RECEPT.	HALL OVER RECEPT.	VACUUM RECEPT.	REAR AIR COND. RECEPT.
	CONVERTER RECEPT.	BEDROOM RECEPT.		
		GALLEY RECEPT.		
		SWIVEL CHAIR RECEPT.(OPT.)		
		R.H. DINETTE RECEPT.		
		REFRIGERATOR RECEPT.		
		EXTERIOR RECEPT.		

FURNISHINGS



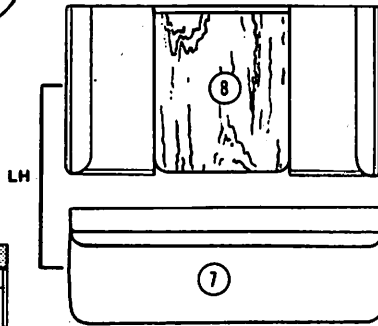
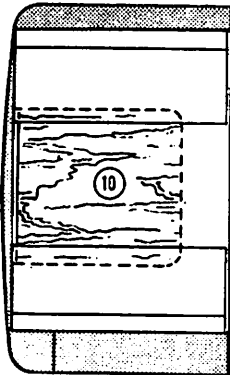
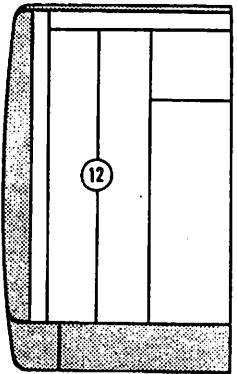
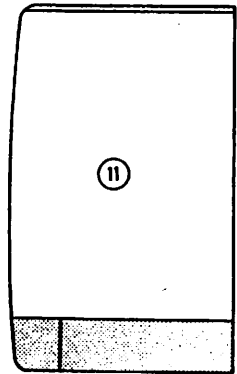
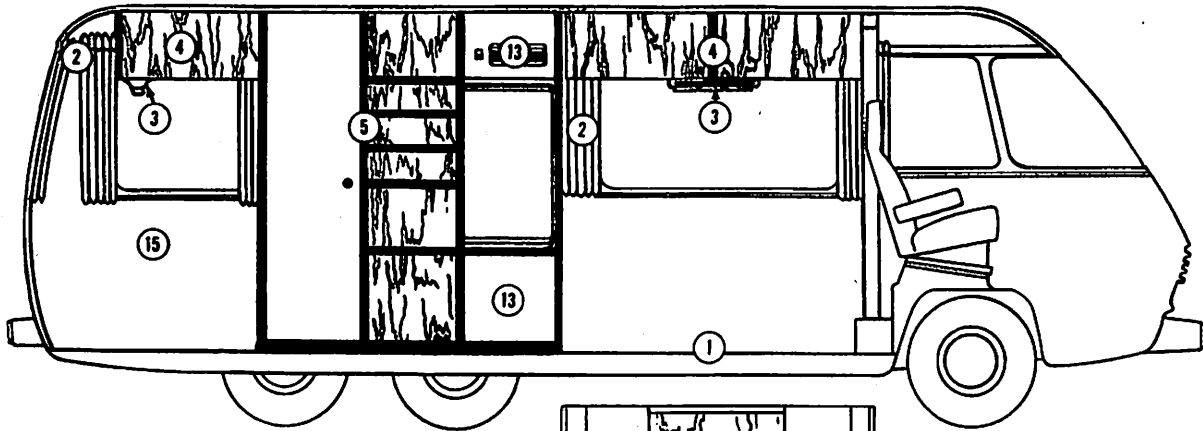
15A	#1	L.H. READING LIGHT 1.50A., REAR ROOF VENT FAN 3.50A., BATH ROOF VENT FAN 3.50A., GALLEY LIGHT 2.88A., TOTAL 11.38 AMP.
15A	#2	FRONT ROOF VENT FAN 3.50A., RANGE HOOD FAN AND LIGHTS 6.70A., HALL LIGHT 2.88A., TOTAL 13.08 AMP.
15A	#3	FURNACE 6.80A., FURNACE AUXILIARY BLOWER 3.00A., MOTOR GENERATOR COMPARTMENT LIGHT 1.44A., TOTAL 11.24 AMP.
15A	#4	REFRIGERATOR 5.00A., LPG COMPARTMENT LIGHT 1.44A., R.H. FRONT LIGHT 2.88A., TOTAL 9.32 AMP.
15A	#5	PORCH LIGHT 1.44A., FLOOR LIGHTS 1.18A., WATER PUMP 5.50A., TOTAL 8.12 AMP.
15A	#6	RECIRC. TOILET 7.00A., TOTAL 7.00 AMP.
15A	#7	R.H. READING LIGHT 1.50A., GALLEY LIGHT SWITCH 2.88A., BATH LIGHT 4.32A., SYSTEMS MONITOR 2.50A., TOTAL 11.20 AMP.

FURNISHINGS



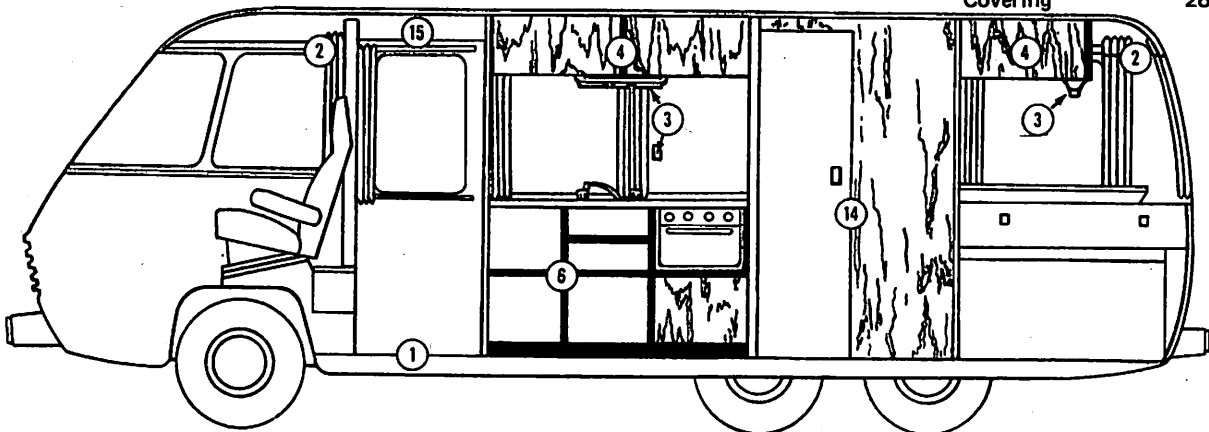
CIRCUIT BREAKER PANEL				
CIRCUIT #1	CIRCUIT #2	CIRCUIT #3	CIRCUIT #4	CIRCUIT #5
FRONT AIR COND. RECEPT.	WATER HEATER RECEPT.	GRD. FAULT PROTECTED	VACUUM RECEPT.	REAR AIR COND.
	CONVERTER RECEPT.	GALLEY RECEPT.		
		R.H. DINETTE RECEPT.		
		REFRIGERATOR RECEPT.		
		BATH RECEPT.		
		EXTERIOR RECEPT.		

FURNISHINGS



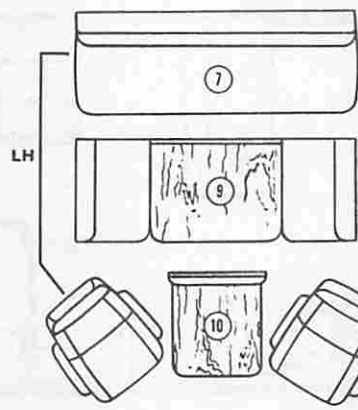
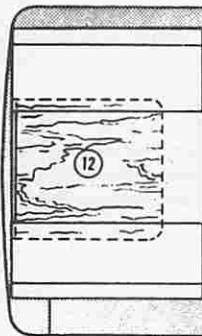
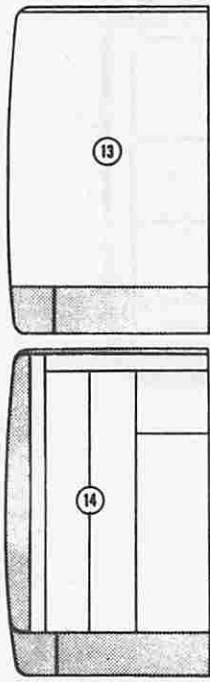
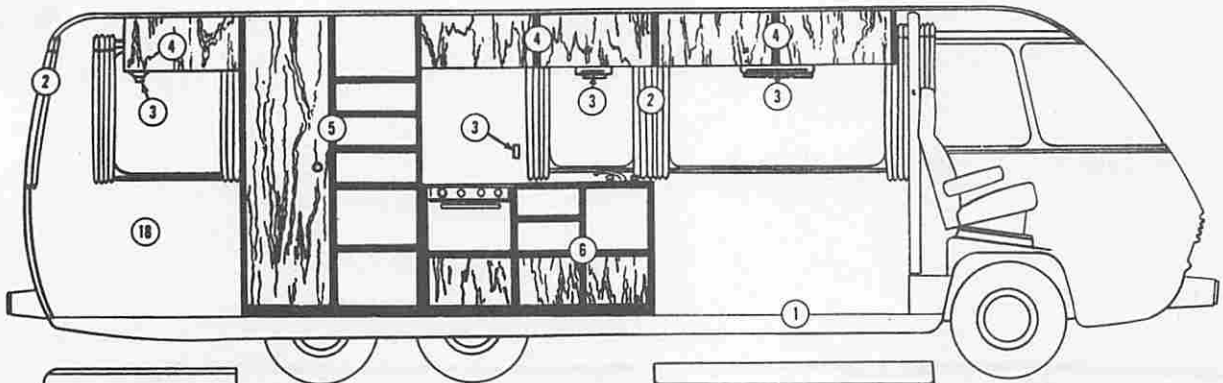
LH

Key	Description	Grp. No.
1	Carpeting	28.106
2	Drapes	28.110
3	Electrical	28.114
4	Overhead Cabinets	28.120
5	Clothes Closet	28.124
6	Galley	28.128
7	Davo/Bunk	28.132
8	Dinette/Double Bed	28.136
9	Drivers Comp. Table	28.148
10	Settee & Table	28.152
11	Permanent Bed	28.156
12	GaUCHO/Double Bed	28.160
13	Refrigerator Cabinet	28.168
14	Bathroom	28.172
15	Panels & Molding	28.176
-	Wood & Cushion Covering	28.180



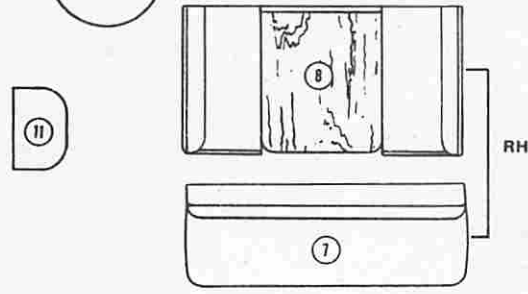
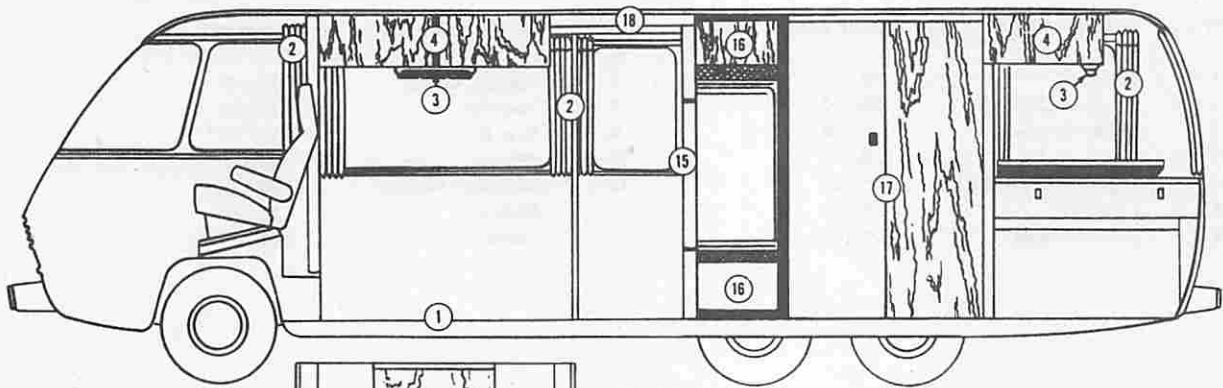
GMC MOTOR HOME 230

FURNISHINGS



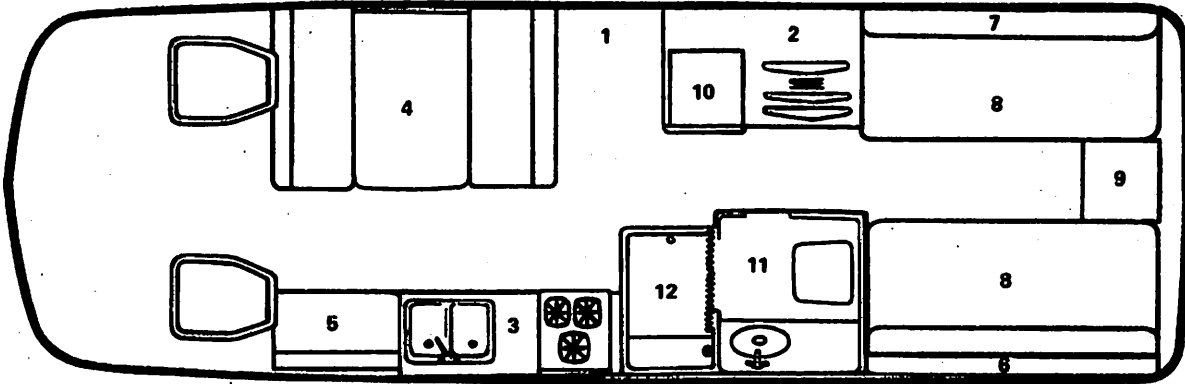
Key	Description	Group No.
1	Carpeting	28.106
2	Drapes	28.110
3	Electrical	28.114
4	Overhead Cabinets	28.120
5	Clothes Closet	28.124
6	Galley	28.128
7	Davo/Bunk	28.132
8	Dinette/Double Bed	28.136
9	Aux. Din./Single Bed	28.140
10	Lounge Seats & Table	28.144
11	Drivers Comp. Table	28.148
12	Sette & Table	28.152
13	Permanent Bed	28.156
14	GaUCHO/Double Bed	28.160
15	Broom/Vac. Closet	28.164
16	Refrigerator Cabinet	28.168
17	Bathroom	28.172
18	Panels & Molding	28.176

Key	Description	Group No.
-	Wood & Cushion Covering	28.180



GMC MOTOR HOME 260

FURNISHINGS



KEY	DESCRIPTION	GROUP NO.	KEY	DESCRIPTION	GROUP NO.
1	Carpeting	28.106	7	Bedding Locker	28.155
-	Overhead Cabinets	28.120	8	Twin-Bed	28.158
2	Closet Module	28.124	9	Rear Dresser	28.162
3	Galley Module	28.128	10	Refrigerator Module	28.168
4	Dinette/Double Bed	28.138	11	Bathroom Module	28.172
5	Love Seat	28.142	12	Shower	28.172
6	Heater Closure	28.154	-	Panels & Molding	28.178

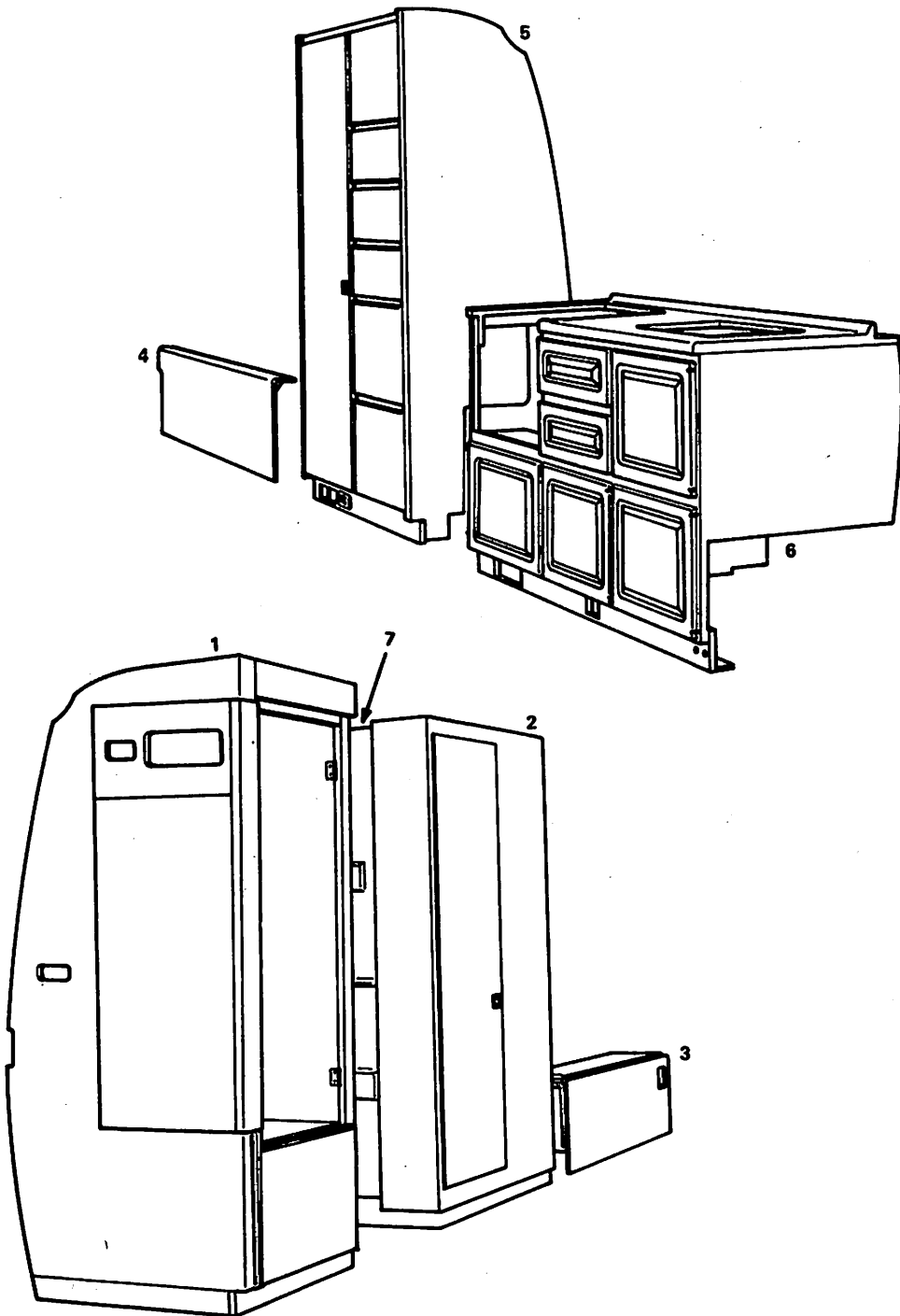
28P-37-975

GMC MOTOR HOME
TWIN BED, DRY BATH
260 MODEL

FURNISHINGS

NOTES

FURNISHINGS



MOTORHOME MAJOR MODULES

FURNISHINGS

KEY	230	260	PART NUMBER
-----	-----	-----	-------------

MOTORHOME MAJOR MODULES

KEY	DESCRIPTION	GROUP NO.
1	REFRIGERATOR MODULE	28.168
2	BATHROOM MODULE	28.172
3	BEDDING LOCKER	28.155
4	HEATER CLOSURE (TRIM PANEL)	28.154
5	CLOSET MODULE	28.124
6	GALLEY MODULE	28.128
7	BATHROOM MODULE INSERT	28.172

28.106 CARPETING

-	2	2	NS	CARPET-690 Sequoia (7' x 12') (procure locally) (ref. 717385)
-	2	2	NS	CARPET-692 Painted Desert (7' x 12') (repl. 715580, 716562) (procure locally)
-	2	2	NS	CARPET-693 Glacier (procure locally) (7' x 12') (repl. 715581, 716563) (ref. 717387)
-	2	2	NS	CARPET-695 Canyon Land (7' x 12') (repl. 715582, 716564) (procure locally) (ref. 717388)
-	-	2	723366	CARPET-Eleganza 1 (7' x 12')
-	-	AR	NS	CARPET-interior (681 Glenbrook, 697 Eleganza 11) (Mohawk No. (Natural Charmer) NTL-8, Burnished Brown) (procure locally) (w/out ZEO6584)
-	-	1	NS	CARPET-interior (w/RPO 698) Sweet Water No. 326-2072 Green) (procure locally)
-	-	AR	NS	CARPET-interior (w/RPO 683) (sweet water No. 2232 spanish ocher) (ref. 8861529) (procure locally)
-	-	AR	NS	CARPET-interior (w/RPO 685) (sweet water No. 2135 lipstick) (procure locally)
-	-	AR	NS	CARPET-interior (sweet water No. 825 saffron) (w/RPO 641 & ZEO6584) (procure locally)
-	-	AR	NS	CARPET-interior (Mohawk-Natural Charmer) (w/RPO 697 & ZEO6584) (procure locally)
-	-	2	2001451	CARPET ASSY.-seat riser, (around driver and passenger seat pedestal) (w/RPO 698) (w/out ZEO6584)
-	-	2	NS	CARPET ASSY.-seat riser, (around driver and passenger seat pedestal) (w/RPO 685) (sweet water No. 2135 Lipstick)

28.110 DRAPES, SLIDES, STOPS, TRACKS

NOTE: When ordering Drapes, the quantity one [1] indicates 1 pair. (Except as noted).

-	-	1	2006770	DRAPE SET-complete (w/RPO 683) (ref. only) (*Note: does not incl. windshield drape)
-	-	1	793374	DRAPE SET-complete (w/RPO 681, 697) (prior to 1977) (ref. only)
-	-	1	2000928	DRAPE SET-complete (w/RPO 698) (prior to 1977) (ref. only)
-	-	1	2022736	DRAPE SET-complete (w/RPO 641, 697) (exc./ZEO6584) (eff. w/interm 1977) (prior to 1978) (ref. only) (pattern: edinberg natural) (fabric: lined - color fern beige)
-	-	1	2025187	DRAPE SET-complete (w/RPO 697) (w/ZEO6581) (1978)
-	-	1	2018589	DRAPE SET-complete (w/RPO 698) (exc./ZEO6584) (1977) (ref. only)
-	-	1	2029067	DRAPE SET-complete (w/RPO 698) (w/ZEO6581) (1978) (ref. only)
-	-	1	2027935	DRAPE SET-complete (w/RPO 685) (eff w/1977) (ref. only)
-	-	1	2022737	DRAPE SET-complete (w/RPO 641, 697 & ZEO6584) (ref. only) (pattern: edinberg natural) (fabric: lined-color fern beige)
-	-	1	2013072	DRAPE SET-complete (w/RPO 698 & ZEO6584) (eff. w/1977) (ref. only)
-	-	1	2018588	DRAPE SET-complete (w/RPO 697) (exc./ZEO6584) (prior to interm 1977) (pattern: grasscloth) (fabric: lined-color gold) (ref. only)
-	-	1	2013063	DRAPE SET-complete (w/RPO 697) (w/ZEO6584) (prior to interm 1977) (pattern: grasscloth) (fabric: lined-color gold) (ref. only)

FURNISHINGS

KEY 230 260 PART NUMBER

28.110 DRAPES, SLIDES, STOPS, TRACKS (Cont.)

*NOTE: There are no windshield drapes available for (RPO 683)

-	1	1	715174	DRAPE—windshield (w/RPO 690)
-	1	1	715181	DRAPE—windshield (w/RPO 692)
-	1	1	715188	DRAPE—windshield (w/RPO 693)
-	1	1	NS	DRAPE—windshield (w/RPO 695, 696)
-	-	1	795083	DRAPE—windshield (w/RPO 681, 697) (prior to 1977)
-	-	1	2027439	DRAPE—windshield (w/RPO 685) (Pattern: bonaire) (Fabric: lined - color ivory)
-	-	1	2003479	DRAPE—windshield (incl. drape glides) (w/RPO 698) (prior to 1977)
-	-	1	2029207	DRAPE—windshield (w/RPO 698) (1978)
-	-	1	2018240	DRAPE—windshield (w/RPO 698) (1977)
-	-	1	2018253	DRAPE—windshield (w/RPO 697) (prior to interm 1977) (pattern: grass cloth) (fabric: lined-color gold)
-	-	1	2022805	DRAPE—windshield (w/RPO 641 & 697) (pattern: edinberg natural) (fabric: lined-color fern beige)
-	-	1	2022803	DRAPE—front privacy/divider (incl. 1 pair tie backs) (w/RPO 641 & 697) (pattern: edinberg natural) (fabric: lined-color fern beige)
-	1	1	715175	DRAPE—front privacy/divider (w/RPO 690)
-	1	1	715182	DRAPE—front privacy/divider (w/RPO 692)
-	1	1	715189	DRAPE—front privacy/divider (w/RPO 693)
-	1	1	NS	DRAPE—front privacy/divider (w/RPO 695, 696)
-	1	1	2027438	DRAPE—front privacy/divider (w/RPO 685) (Pattern: bonaire) (Fabric: lined - color ivory) (incl. 1 pair tie backs)
-	-	1	2018239	DRAPE—front privacy/divider (incl. 1 pair tie backs) (w/RPO 698) (1977)
-	-	1	2029206	DRAPE—front privacy/divider (incl. 1 pair tie backs) (w/RPO 698) (1978)
-	-	1	2018252	DRAPE—front privacy/divider (incl. 1 pair tie backs) (w/RPO 697) (prior to interm 1977) (pattern: grass cloth) (fabric: lined-color gold)
-	-	1	795084	DRAPE—front privacy/divider (incl. 1 pair tie backs) (w/RPO 681, 697) (prior to 1977)
-	-	1	2003480	DRAPE—front privacy/divider (incl. 1 pair tie backs & drape glides) (w/RPO 698) (prior to 1977)
-	-	1	2009364	DRAPE—front privacy/divider (incl. 1 pair tie backs) (w/RPO 683)
-	-	2	2009373	DRAPE—front picture (living area) window (2 pair) (w/RPO 683)
-	-	2	2018245	DRAPE—front picture (living area) window (2 pair) (w/RPO 698) (1977)
-	-	1	2029071	DRAPE—front side window RH (living area) (woven wood) (w/RPO 698) (1978)
-	-	1	2029070	DRAPE—front side window LH (living area) (woven wood) (w/RPO 698) (1978)
-	-	2	2018256	DRAPE—front picture (living area) window (2 pair) (w/RPO 697) (prior to interm 1977) (pattern: grass cloth) (fabric: lined-color gold)
-	1	2	715177	DRAPE—front picture (living area) window (w/RPO 690)
-	1	2	715184	DRAPE—front picture (living area) window (w/RPO 692)
-	1	2	715191	DRAPE—front picture (living area) window (w/RPO 693)
-	1	2	NS	DRAPE—front picture (living area) window (w/RPO 695, 696)
-	-	2	795080	DRAPE—front picture (living area) window (w/RPO 681, 697) (prior to 1977)
-	-	2	2003474	DRAPE—front picture (living area) window (w/RPO 698) (prior to 1977)
-	-	1	2029068	DRAPE—front side window RH (living area) (woven wood) (w/RPO 685) (eff w/ 1977)
-	-	1	2027947	DRAPE—front side window LH (living area) (woven wood) (w/RPO 685) (eff w/ 1977)
-	-	1	2022816	DRAPE—front picture (living area) window (2 pair) (w/RPO 641 & 697) (pattern: edinberg natural) (fabric: lined-color fern beige)
-	-	1	2022818	DRAPE—entrance door window (w/RPO 641 & 697) (pattern: edinberg natural) (fabric: lined-color fern beige)
-	-	1	2003472	DRAPE—entrance door window (w/RPO 698) (prior to 1977)
-	-	1	795079	DRAPE—entrance door window (w/RPO 681, 697) (prior to 1977)
-	-	1	2009374	DRAPE—entrance door window (1 pair) (w/RPO 683)
-	-	1	2027440	DRAPE—entrance door window (w/RPO 685) (Pattern: bonaire) (Fabric: lined - color ivory)
-	-	1	2018246	DRAPE—entrance door window (w/RPO 698) (1977)
-	-	1	2029208	DRAPE—entrance door window (w/RPO 698) (1978)
-	-	1	2018257	DRAPE—entrance door window (w/RPO 697) (prior to interm 1977) (Pattern: grass cloth) (Fabric: lined - color gold)

FURNISHINGS

KEY	230	260	PART NUMBER	
28.110 DRAPES, SLIDES, STOPS, TRACKS (Cont.)				
-	1	1	719392	DRAPE PKG.—entrance door window (w/RPO 690) (incl. 2 curtains, snap fasteners and 2 tie backs) (repl. 715172)
-	1	1	719393	DRAPE PKG.—entrance door window (w/RPO 692) (incl. 2 curtains, snap fasteners and 2 tie backs) (repl. 715179)
-	1	1	719394	DRAPE PKG.—entrance door window (w/RPO 693) (incl. 2 curtains, snap fasteners and 2 tie backs) (ref. 719395) (repl. 715186)
-	1	1	NS	DRAPE PKG.—entrance door window (w/RPO 695) (incl. 2 curtains, snap fasteners and 2 tie backs) (repl. 715193)
-	-	1	2018258	DRAPE—galley window (w/RPO 697) (prior to interm 1977) (pattern: grasscloth) (fabric: lined-color gold)
-	-	1	2018247	DRAPE—galley window (w/RPO 698) (1977)
-	-	1	2029072	DRAPE—galley window (w/RPO 698) (woven wood) (1978)
-	1	1	715173	DRAPE—galley window (w/RPO 690)
-	1	1	715180	DRAPE—galley window (w/RPO 692)
-	1	1	715187	DRAPE—galley window (w/RPO 693)
-	1	1	NS	DRAPE—galley window (w/RPO 695, 696)
-	-	1	795078	DRAPE—galley window (w/RPO 681, 697) (prior to 1977)
-	-	1	2003471	DRAPE—galley window (w/RPO 698) (prior to 1977)
-	-	1	2022819	DRAPE—galley window (w/RPO 641 & 697) (pattern: edinberg natural) (fabric: lined - color fern beige)
-	-	1	2027948	DRAPE—galley window (w/RPO 685) (eff w/1977) (woven wood)
-	-	1	2022814	DRAPE—rear side window (w/RPO 641 & 697) (pattern: edinberg natural) (fabric: lined - color fern beige)
-	-	2	2003475	DRAPE—rear side window (w/RPO 698) (prior to 1977)
-	2	2	715176	DRAPE—rear side window (w/RPO 690)
-	-	1	2029069	DRAPE—rear side window RH (woven wood) (w/RPO 685) (eff. w/1977)
-	-	1	2027949	DRAPE—rear side window LH (woven wood) (w/RPO 685) (eff. w/1977)
-	-	1	2027441	DRAPE—rear side window (w/RPO 685) (Pattern: bonaire) (Fabric: lined - color ivory)
-	2	2	715183	DRAPE—rear side window (w/RPO 692)
-	2	2	715190	DRAPE—rear side window (w/RPO 693)
-	2	2	NS	DRAPE—rear side window (w/RPO 695, 696)
-	-	2	795081	DRAPE—rear side window (w/RPO 681, 697) (prior to 1977)
-	-	2	2009372	DRAPE—rear side window (w/RPO 683)
-	-	2	2018243	DRAPE—rear side window (2 pair) (w/RPO 698) (1977)
-	-	1	2029074	DRAPE—rear side window RH (woven wood) (w/RPO 698) (1978)
-	-	1	2029073	DRAPE—rear side window LH (woven wood) (w/RPO 698) (1978)
-	-	2	2018255	DRAPE—rear side window (2 pair) (w/RPO 697) (prior to interm 1977) (pattern: glass cloth) (fabric: lined-color gold)
-	-	2	2022814	DRAPE—rear side window (2 pair) (w/RPO 641 & 697) (eff. w/interm 1977) (pattern: Edinberg natural) (fabric: lined-color fern beige)
-	-	1	2022811	DRAPE—rear end (w/RPO 641 & 697) (pattern: edinberg natural) (fabric: lined-color fern beige)
-	-	1	2018254	DRAPE—rear end window (w/RPO 697) (prior to interm 1977) (Pattern: grass cloth) (fabric: lined- color gold)
-	-	1	2018241	DRAPE—rear end window (w/RPO 698) (1977)
-	-	1	2029209	DRAPE—rear end window (w/RPO 698) (1978)
-	-	1	2009375	DRAPE—rear end window (w/RPO 683)
-	-	1	795082	DRAPE—rear end window (w/RPO 681, 697) (prior to 1977)
-	-	1	2003476	DRAPE—rear end window (w/RPO 698) (prior to 1977)
-	1	1	715171	DRAPE—rear end window (w/RPO 690)
-	1	1	715178	DRAPE—rear end window (w/RPO 692)
-	1	1	715185	DRAPE—rear end window (w/RPO 693)
-	1	1	NS	DRAPE—rear end window (w/RPO 695, 696)
-	2	2	715571	TIE BACK—front privacy/divider drape (w/RPO 690)
-	2	2	715573	TIE BACK—front privacy/divider drape (w/RPO 693)
-	2	2	715572	TIE BACK—front privacy/divider drape (w/RPO 692)
-	2	2	715574	TIE BACK—front privacy/divider drape (w/RPO 695, 696)
-	2	2	2021887	TIE BACK—front privacy/divider drape (w/RPO 681, 697) (prior to interm 1977)
-	-	2	2027442	TIE BACK—front privacy/divider drape (w/RPO685)
-	2	2	2021889	TIE BACK—front privacy/divider drape (w/RPO 698) (prior to 1978)
-	-	2	2029210	TIE BACK—front privacy/divider drape (1978)
-	2	2	2021890	TIE BACK—front privacy/divider drape (w/RPO 683)

FURNISHINGS

KEY	230	260	PART NUMBER	
-----	-----	-----	-------------	--

28.110 DRAPES, SLIDES, STOPS, TRACKS (Cont.)

-	-	2	2024790	TIE BACK—front privacy/divider drape (w/RPO 641 & 697) (eff. w/interm 1977)
-	-	5	2029322	CLEAT KIT—drape tie (w/RPO 685, 698) (eff. w/1977)
-	AR	AR	715498	SLIDES—drape (chrome metal w/nylon rollers)
-	-	4	792886	GLIDE—drapes, windshield, privacy/divider (eff. w/1975)
-	4	4	715472	STOPS—drape track (screw, procure locally)
-	21	21	715473	STOPS—drape track (bracket w/screw eye)
-	AR	AR	707983	TRACK—windshield drape, RH
-	AR	AR	707984	TRACK—windshield drape, LH
-	AR	AR	8884081	TRACK—upper, side windows and end cap drape (75", CTL)
-	AR	AR	8884080	TRACK—lower, side windows and end cap drape (75", CTL)
-	1	1	8884085	TRACK—front privacy/divider drape
-	-	10	2027946	TRACK—window drapery (w/RPO 685, 698) (eff. w/1977) (woven wood)
-	-	1	791839	ROD SET ASSY.—drape (complete) (hardware not incl.) (ref. only) (eff. w/1975 & w/out ZEO6582)
-	-	1	2027936	ROD SET ASSY.—drape (w/RPO 685, 698) (eff w/1977) (ref. only) (woven wood)
-	-	1	2006774	ROD SET ASSY.—drape (complete) (hardware not incl.) (ref. only) (w/ZEO6582)
-	-	4	791183	ROD ASSY.—rear quarter, side windows (eff. w/1975) (SOA)
-	-	1	791181	ROD ASSY.—rear cap, rear window, upper (eff. w/1975) (SOA) (exc./ZEO6582)
-	-	1	2009363	ROD ASSY.—rear cap, rear window, upper (w/ZEO6582) (SOA)
-	-	1	791182	ROD ASSY.—rear cap, rear window, bottom (eff. w/1975) (SOA) (exc./ZEO6582)
-	-	2	791184	ROD—curtain, galley window (eff. w/1975)
-	-	2	791185	ROD ASSY.—curtain, entrance door (eff. w/1975) (SOA)
-	-	4	791186	ROD ASSY.—curtain, front side windows (RH & LH) (eff. w/1975) (SOA)
-	-	1	791661	TRACK—privacy curtain, front (eff. w/1975)
-	-	10	2027946	TRACK—woven wood drapery track
-	-	2	791660	STOP ASSY.—rod end, privacy curtain (eff. w/1975)
-	-	6	791803	FASTENER—hook, curtain rod (eff. w/1975)
-	-	2	792165	RETAINER—drape rod (eff. w/1975)
-	-	4	791179	FASTENER—male shell snap rod (eff. w/1975 & PRIOR TO Serial No. 6V100878)
-	-	4	-	FASTENER—rod, (procure locally) (ref. 9436188) (eff. w/Serial No. 6V100878) (& prior to 1977)
-	-	4	105507	FASTNER—curt male shell snap (eff. w/1977)
-	-	4	668290	RIVET—shell snap fastener (eff. w/1977)
-	-	6	799378	SLEEVE—special, privacy curtain rod (eff. w/1975) (repl. 791804)
-	-	2	2007258	BAR—drape rod splice (eff. w/1975)
-	-	4	2007300	COUPLING—drape rod (eff. w/1975)
-	-	AR	791180	BRACKET—drape rod (wall mtg.) (eff. w/1975)
-	-	2	2030532	SPACER—drape rod bracket (1978)
-	-	10	2039692	SPACER—woven wood drapery track
-	-	AR	791176	END CAP—drape rod (eff. w/1975)
-	1	1	791829	MOLDING—drape track front privacy/divider (ref. 715543)
-	2	2	716852	SCREW—w/s drape RH & LH track to roof trim

NOTE: The following parts are necessary to properly fasten entrance door drapes:

-	-	10	105195	SOCKET—(eff. w/1975)
-	-	10	105189	CAP—(eff. w/1975)
-	-	10	797210	STUD—sheet metal screw (eff. w/1975)

28.120 CABINETS—OVERHEAD

NOTE: " + " indicates not serviced, for reference only. See Group 28.180 for raw material coverings.

-	AR	AR	+	NS	CABINET ASSY.—overhead (w/RPO 690, 692, 693, 695)
-	-	2	791824		CABINET ASSY.—overhead (RH/LH) (w/RPO 681, 697) (68" lg. (rosewood) (w/ZEO6581) (vehicles built prior to June 21, 1976) (ref. only)

FURNISHINGS

KEY	230	260	PART NUMBER	
28.120 CABINETS—OVERHEAD (Cont.)				
-	-	2	2016730	CABINET ASSY.—overhead (RH/LH) front (w/RPO 641, 697, 698) (68" lg.) (walnut) (w/ZEO6581) (vehicles built after June 21, 1976)
-	-	1	2000338	CABINET ASSY.—overhead. (RH/LH) front (w/RPO 685, 698) (68" lg.) (walnut) (w/ZEO6581)
-	-	1	2014868	CABINET ASSY.—RH front overhead (w/RPO 697 & ZEO 6584)
-	-	1	2018304	CABINET ASSY.—RH front overhead (w/RPO 641, 698 & ZEO6584)
-	-	1	791825	CABINET ASSY.—overhead RH rear (w/RPO 681, 697) (34" lg.) (w/ZEO6581) (vehicles built prior to June 21, 1976) (ref. only)
-	-	1	791830	CABINET ASSY.—overhead LH rear (w/RPO 681, 697) (34" lg.) (w/ZEO6581) (vehicles built prior to June 21, 1976)
-	-	1	2016729	CABINET ASSY.—overhead RH rear (w/RPO 681, 697) (34" lg.) (walnut) (w/ZEO6581) (vehicles built after June 21, 1976)
-	-	1	2016728	CABINET ASSY.—overhead LH rear (w/RPO 681, 697) (34" lg.) (walnut) (w/ZEO6581) (vehicles built after June 21, 1976)
-	-	1	2000336	CABINET ASSY.—overhead. RH rear (w/RPO 641, 685, 698) (w/ZEO6581) (prior to 1978)
-	-	1	2000335	CABINET ASSY.—overhead. LH rear (w/RPO 641, 685, 698) (w/ZEO6581) (prior to 1978)
-	-	1	2016729	CABINET ASSY.—overhead RH rear (w/RPO 641, 698) (w/ZEO6581) (1978)
-	-	1	2016728	CABINET ASSY.—overhead LH rear (w/RPO 641, 698) (w/ZEO6581) (1978)
-	-	1	2008143	CABINET ASSY.—overhead. RH rear (w/RPO 683) (w/ZEO6582) (ref. only)
-	-	1	2008047	CABINET ASSY.—overhead. LH rear (w/RPO 683) (w/ZEO6582) (ref. only)
-	-	1	2018303	CABINET ASSY.—overhead. RH rear (w/RPO 641, 698 & ZEO 6584)
-	-	1	2018302	CABINET ASSY.—overhead LH rear (w/RPO 641, 698 & ZEO6584)
-	-	1	2013782	CABINET ASSY.—overhead RH rear (w/RPO 697 & ZEO6584)
-	-	1	2013781	CABINET ASSY.—overhead LH rear (w/RPO 697 & ZEO6584)
-	-	1	2033437	CABINET ASSY.—overhead (fishing equipment) (w/RPO ENN) (1978) (cabinet is mounted above rear window)
-	-	1	2033435	CABINET ASSY.—overhead (gun rack) (w/RPO ENA) (1978) (RH front cabinet)
-	-	3	2030081	CYLINDER ASSY.—cabinet (fishing equipment & gun rack) (see group 23.044 for lock set & key) (Note: use qty of (2) w/lock set 2030075 & 2030078) (use qty (1) w/lock set 2030076, 2030077)
-	-	1	2018200	CABINET ASSY.—overhead galley (w/RPO 641, 698 & ZEO6584)
-	-	1	2013783	CABINET ASSY.—overhead galley (w/RPO 697 & ZEO6584)
-	-	1	2008183	CABINET ASSY.—overhead. galley (w/RPO 683) (ref. only) (w/ZEO6582)
-	-	1	791823	CABINET ASSY.—overhead. galley (w/RPO 681, 697) (59" lg.) (w/ZEO6581) (vehicles built prior to June 21, 1976) (ref. only)
-	-	1	2016727	CABINET ASSY.—overhead. galley (w/RPO 681, 697) (59" lg.) (w/ZEO6581) (vehicles built after June 21, 1976)
-	-	1	2000337	CABINET ASSY.—overhead. galley (w/RPO 641, 685, 698) (w/ZEO6581) (prior to 1978) (ref. only)
-	-	1	2016727	CABINET ASSY.—overhead galley (w/RPO 641, 698) (59" lg.) (w/ZEO6581) (1978)
-	-	3	790353	PAD ASSY.—RH overhead cabinet. (and galley)
-	-	2	790354	PAD ASSY.—LH overhead cabinet
-	1	1	795607	DOOR—small, overhead cabinet (carved) (w/RPO 692, 693, 695, 696) (25.03" x 14.25")
-	5	5	795608	DOOR—large, overhead cabinet (carved) (w/RPO 692, 693, 695, 696) (33.56" x 14.25")
-	AR	AR	NS	DOOR—plain, overhead cabinet (w/RPO 690, 692, 693, 695)
-	-	1	790806	DOOR—small, overhead LH (w/RPO 681, 697) (w/ZEO6581)
-	-	5	790807	DOOR—large, overhead RH (w/RPO 681, 697) (w/out ZEO6584)
-	-	1	2033434	DOOR—overhead gun cabinet (w/RPO ENA)
-	-	1	2033433	DOOR—overhead gun cabinet (w/RPO ENA)
-	-	1	2033436	DOOR—overhead fishing equipment cabinet (w/RPO ENN)
-	-	1	2010672	DOOR ASSY.—overhead. galley RH (w/RPO 681, 697) (walnut) (w/ZEO6581)
-	-	2	2010672	DOOR ASSY.—overhead. galley RH (w/RPO 641, 698) (w/ZEO6581) (1978)
-	-	1	2010637	DOOR ASSY.—overhead. galley LH (w/RPO 681, 697) (walnut) (w/ZEO6581)
-	-	1	2011753	DOOR—overhead rear LH (plain) (w/RPO 683) (w/ZEO6582)
-	-	1	2011755	DOOR—overhead rear RH (plain) (w/RPO 683) (w/ZEO6582)

FURNISHINGS

KEY	230	260	PART NUMBER	
-----	-----	-----	-------------	--

28.120 CABINETS—OVERHEAD (Cont.)

—	—	1	2015171	DOOR—overhead rear (w/RPO 697 & ZEO6584)
—	—	1	2015174	DOOR—overhead rear (W/RPO 697 & ZEO6584)
—	—	1	2016653	DOOR—overhead front, rear, galley (RH) (w/RPO 641, 685, 698, ZEO6581 & ZEO6584) (repl. 798786)
—	—	1	2016654	DOOR—overhead front, rear, galley (LH) (w/RPO 641, 685, 698, ZEO6581 & ZEO6584) (repl. 798787)
—	—	AR	715760	HINGE ASSY.—overhead cabinet (eff. w/ 1975 & prior to 1977)
—	—	AR	2025358	HINGE—overhead cabinet (eff. w/1977)
—	AR	AR	716805	MOULDING—overhead cabinet to bulkhead (25' rolls, CTL)
—	6	6	711466	LATCH—overhead cabinet door
—	AR	AR	—	SCREW—overhead cabinet mounting (ref. 717732) (procure locally)
—	—	22	2248137	U—NUT—overhead cabinet mounting (repl. 791472) (eff. w/1975)
—	—	4	791699	CATCH ASSY.—overhead cabinet (prior to 1977)
—	—	4	2026184	CATCH ASSY.—overhead cabinet (eff. w/1977)
—	—	6	—	BUMPER—overhead cabinet (ref. 791657) (proc. loc.)
—	—	9	2009884	RETAINER—bolt, galley overhead cabinet mtg. (w/ZEO6582, ZEO6584)
—	AR	AR	2013358	BOARD—particle service (.50 x 48.0 x 96.0) (rosewood grain)
—	AR	AR	2013359	BOARD—particle, service (.50 x 48.0 x 96.0) (walnut grain)
—	—	1	2014326	STRUT—front overhead cabinet door lid (incl. steel spring & tube)

28.124 MODULE—CLOSET

NOTE: " + " indicates not serviced, for reference only. See Group 28.180 for raw material coverings.

—	—	1	791821	MODULE ASSY.—closet (w/RPO 681, 697) (exc./ZEO6584) (rosewood) (includes all doors and drawers plus respective items marked with asterisk) (vehicles built prior to June 21, 1976) (ref. only)
—	—	1	2000333	MODULE ASSY.—closet (w/RPO 641, 681, 685, 697, 698) (exc./ZEO6584) (walnut) (includes all doors and drawers plus respective items marked with asterisk) (prior to 1978) (ref. only)
—	—	1	2032762	MODULE ASSY.—closet (w/RPO 641, 697, 698) (w/ZEO6581) (walnut) (1978) (details not available at time of publication)
—	—	1	2008038	MODULE ASSY.—closet (w/RPO 683) (exc./ZEO6584) (rosewood) (includes all doors and drawers plus respective items with asterisk)(ref. only)
—	—	1	2014620	MODULE ASSY.—closet (w/RPO 641, 697, 698 & ZEO6584) (includes all door and drawers plus respective items with asterisk) (ref. only)
—	—	1	* 2008969	DOOR ASSY.—closet main (w/RPO 641, 683, 697, 698) (w/ZEO6582, ZEO6584)
—	—	1	* 790349	DOOR ASSY.—closet main (w/RPO 681, 697) (exc./ZEO6584) (rosewood)
—	—	1	* 2000375	DOOR ASSY.—closet main (w/RPO 641, 685, 698) (exc./ZEO6584) (walnut)
—	1	1	+ 716844	DOOR ASSY.—closet (w/RPO 690) (repl. 715489)
—	1	1	+ 716845	DOOR ASSY.—closet (w/RPO 692, 693, 695, 696) (repl. 715490)
—	—	1	* 2023070	DOOR—linen (large upper) (21.44" x 23.12") (w/RPO 641, 681, 685, 698) (exc./ZEO6584)
—	1	1	NS	LATCH—closet door (First Type) (incl. striker) (ref. 711465)
—	1	1	* 2003710	LATCH—closet door (Second Type) (repl. 711465, 716120)
—	1	1	716121	STRIKER—closet door latch (used w/Second Type latch)
—	—	1	* 790593	STRIKER—latch, closet (eff. w/1975)
—	3	3	* 715492	HINGE—closet door
—	3	3	+ 715493	DOOR—cabinet, clothes closet (w/RPO 690)
—	3	3	+ 715494	DOOR—cabinet, clothes closet (w/RPO 692, 693, 695, 696)
—	—	3	* 2018496	DOOR—cabinet, clothes closet (w/RPO 681, 697)
—	—	2	* 2023069	DOOR—storage (small lower) (21.44" x 13.94") (w/RPO 641, 681, 685, 698) (exc./ZEO6584)
—	—	1	* 2023071	FRONT—wardrobe drawer (21.44" x 7.80") (w/RPO 641, 681, 698) (exc./ZEO6584)
—	—	3	* 791699	CATCH ASSY.—closet door (eff. w/1975) (prior to 1977)
—	—	3	* 2026184	CATCH ASSY.—closet door (eff. w/1977) (w/2000333 module)
—	—	3	790063	HINGE—wardrobe closet (eff. w/1975)
—	—	3	* 797218	HINGE ASSY.—wardrobe door (RH) (bronze) (eff. w/1975) (prior to interm 1977)

FURNISHINGS

KEY	230	280	PART NUMBER
-----	-----	-----	-------------

28.124 MODULE—CLOSET (Cont.)

-	-	3	* 797219	HINGE ASSY.—wardrobe door (LH) (bronze) (eff. w/ 1975) (prior to interm 1977)
-	-	1	2024881	HINGE ASSY.—wardrobe door (RH/LH) (eff. w/interm 1977)
-	6	6	715761	HINGE—cabinet door clothes closet
-	3	3	+ 715487	DRAWER—cabinet clothes closet (w/RPO 690)
-	3	3	+ 715488	DRAWER—cabinet clothes closet (w/RPO 692, 693, 695, 696)
-	-	3	* 2018495	DRAWER—cabinet clothes closet (w/RPO 681, 697)
-	-	10	* 791193	GUIDE—drawer (plastic) (eff. w/ 1975)
-	-	5	* 791192	SLIDE ASSY.—drawer (steel) (eff. w/ 1975)
-	-	AR	*	BUMPER—door and drawer (plastic) (eff. w/ 1975) (procure locally)
-	AR	AR	716805	MOULDING—closet bulkhead to wall (25' roll, CTL)
-	3	3	711466	LATCH—cabinet door
-	-	1	* NS	HOOK—robe (brass) (eff. w/ 1975) (not serviced)
-	-	1	* 790062	RACK—wardrobe closet (8" long) (eff. w/ 1975)
-	-	1	* 790060	RACK—wardrobe closet (14-3/4" long) (eff. w/ 1975)
-	-	1	* 2007917	RACK—wardrobe closet (25.50" long) (eff. w/ 1976)
-	-	2	* 791819	BRACKET—closet mounting
-	-	1	* 791820	BRACKET—closet mounting
-	-	1	* 799288	BRACKET—closet mounting
-	1	1	793336	COVER—thermostat wiring harness conduit
-	-	1	* NS	SPACER—striker (eff. w/ 1975) (procure locally)
-	-	2	2000001	BRACKET—closet module to roof member (ref. 2000001) (make locally)
-	AR	AR	2013358	BOARD—particle, service (.50 x 48.0" x 96.0) (rosewood grain)
-	AR	AR	2013359	BOARD—particle, service (.50 x 48.0 x 96.0") (walnut grain)
-	-	1	-	MIRROR ASSY.—closet module (procure locally) (w/ZEO6584)
-	-	1	-	STOP—closet module door (procure locally) (w/ZEO6584)
-	-	1	2025333	BOLT ASSY.—closet SOA

28.128 MODULE—GALLEY

NOTE: " + " indicates not serviced, for reference only. See Group 28.180 for raw material coverings.

-	-	1	2016725	MODULE ASSY.—galley (walnut) (w/RPO 681, 697) (exc./ ZEO6584) (vehicles built after June 21, 1976) (prior to 1978)
-	-	1	2009960	MODULE ASSY.—galley (w/RPO 641) (exc./ ZEO6584) (includes respective items marked with asterisk) (ref. only)
-	-	1	2029507	MODULE ASSY.—galley (w/RPO 641 & UND) (w/ZEO6581) (1978)
-	-	1	2026580	MODULE ASSY.—galley (w/RPO 641, exc./ RPO UND) (w/ZEO6581) (1978)
-	-	1	2029506	MODULE ASSY.—galley (w/RPO 697, 698 & UND) (w/ZEO6581) (1978)
-	-	1	2026579	MODULE ASSY.—galley (w/RPO 697, 698) (w/out RPO UND) (w/ZEO6581) (1978)
-	-	1	791827	MODULE ASSY.—galley (rosewood) (w/RPO 681, 697) (w/out ZEO6584) (includes respective items marked with asterisk) (vehicles built prior to June 21, 1976) (ref. only)
-	-	4	2000334	MODULE ASSY.—galley (w/RPO 698) (w/out ZEO6584) (includes respective items marked with asterisk) (ref. only)
-	-	1	2008018	MODULE ASSY.—galley (w/RPO 683) (w/ZEO6584) (ref. only)
-	-	1	2027917	MODULE ASSY.—galley (w/RPO 685) (eff w/ 1977)
-	-	1	2014619	MODULE ASSY.—galley (w/RPO 698 & ZEO6584) (ref. only)
-	-	1	2014311	MODULE ASSY.—galley (w/RPO 641 & ZEO6584) (ref. only)
-	-	1	2016753	MODULE ASSY.—galley (w/RPO 697 & ZEO6584)
-	AR	AR	+ NS	Door galley, upper & LOWER (plain) (w/RPO 690, 692, 693, 695, 696)
-	-	1	* 790810	DOOR—galley, large, lower, LH (under oven) (w/RPO 681, 697) (21.5/16" x 14.1/2") (rosewood) (w/out ZEO6584)
-	-	1	715783	DOOR—lower, large (w/RPO 692, 693, 695, 696) (21.5/16 x 14 1/2) (carved) (exc./hinges)
-	-	1	2010624	DOOR—lower, LH (w/RPO 681, 697) (21.5/16 x 14 1/2) (walnut) (exc./ZEO6584)
-	-	1	2016664	DOOR ASSY.—under stove (SOA) (22 3/8 x 11 1/2) (w/RPO 641, 698 & w/ZEO6584)
-	-	1	2015170	DOOR ASSY.—under stove (SOA) (22 3/8 x 11 1/2) (w/RPO 697 & w/ZEO6584)
-	-	1	2016655	DOOR ASSY.—under sink (large) (SOA) (18 3/4 x 11 1/2) (w/RPO 641, 698 & w/ZEO6584)

FURNISHINGS

KEY 230 260 PART NUMBER

28,128 MODULE—GALLEY (Cont.)

-	-	1	2015167	DOOR ASSY.—under sink (large) (SOA) (18¾ x 14½) (w/RPO 697 & ZE06584)
-	-	1	2026249	DOOR ASSY.—galley under oven (w/RPO 685) (eff w/1977;SOA) (25 7/8 x 12½)
-	1	1	795611	DOOR— galley, RH, lower (carved) (w/RPO 692, 693, 695, 696) (21.31" x 14.50") (w/hinges)
-	-	1	2026248	DOOR—galley, RH lower (17¾ x 14½) (w/RPO 685) (eff. w/1977)
-	1	1	795612	DOOR—galley, LH, lower (carved) (w/RPO 692, 693, 695, 696) (21.31" x 14.50") (w/hinges)
-	-	1	* 798788	DOOR—galley, large (under oven) (w/RPO 641, 698) (21 5/16 x 14 1/2) (louvered) (walnut) (exc./ZE06584)
-	-	1	2029558	DOOR—galley, large (under microwave oven) (25 7/8 x 13") (w/RPO 641, 694, 698, UND & w/ZE06581) (1978)
-	-	1	* 790811	DOOR—galley, small, lower, center (w/RPO 681, 697) (17.3/4" x 14 1/2") (rosewood) (exc./ZE06584)
-	-	3	* 798789	DOOR—galley, small (w/RPO 641, 698) (17 3/4 x 14 1/2 louvered) (walnut) (exc./ZE06584)
-	2	2	795609	DOOR—galley, RH, upper and lower (carved) (w/RPO 692, 693, 695, 696) (17.18" x 14.50") (w/hinges)
-	-	1	2026246	DOOR—galley, LH lower under drawers (12½ x 14½) (w/RPO 685) (eff. w/1977)
-	1	1	795610	DOOR—galley, LH, upper and lower (carved) (w/RPO 692, 693, 695, 696) (17.50" x 14.43") (w/hinges)
-	-	2	* 790812	DOOR—galley, upper and lower (w/RPO 681, 697) (17.72" x 14.48") (rosewood) (exc./ZE06584)
-	-	1	2027849	DOOR—galley, upper RH (17¾ x 14") (w/RPO 685) (eff. w/1977)
-	-	2	NPN	DOOR—galley, lower, small (w/RPO 692, 693, 695, 696) (17.82" x 14.43") (carved) (exc./hinges) (ref. 715767) (procure locally)
-	-	1	2010627	DOOR—galley, upper & lower RH (w/RPO 681, 697) (17.75" x 14.50") (walnut) (exc./ZE06584)
-	-	1	* 2016923	DOOR—galley, lower center (17¾ x 14½) (w/RPO 641, 697, 698) (w/out RPO UND) (w/ZE06581)
-	-	1	* 2026246	DOOR—galley, lower center (12½ x 14½) (w/RPO 641, 697, 698, UND & w/ZE06581) (w/microwave oven)
-	-	1	2027849	DOOR—galley, upper RH (17¾ x 14") (w/RPO 641, 697, 698, UND & w/ZE06581) (w/microwave oven)
-	-	1	2026248	DOOR—galley, lower RH (17¾ x 14½) (w/RPO 641, 697, 698, UND & w/ZE06581) (w/microwave oven)
-	-	1	2016924	DOOR—galley, lower center (w/RPO 681, 697) (17 3/4 x 14 1/2) (walnut) (w/out ZE06584)
-	-	1	2016663	DOOR ASSY.—under drawer (SOA) (16½ x 11½) (w/RPO 641, 698, & w/ZE06584)
-	-	1	2015166	DOOR ASSY.—under drawer (SOA) (16½ x 11½) (w/RPO 697 & ZE06584)
-	-	1	2016656	DOOR ASSY.—under sink (small) (SOA) (18¾ x 11½) (w/RPO 641, 698 & w/ZE06584)
-	-	1	2015169	DOOR ASSY.—under sink (small) (SOA) (18¾ x 11½) (w/RPO 697 & ZE06584)
-	-	1	2028356	DOOR—galley, under sink (w/grill for furnace) (17¾ x 14½) (w/all ZE06581 models)
-	-	2	2016652	FRONT—drawer, galley (16½ x 6¾) (w/RPO 641, 698 & w/ZE06584)
-	-	2	2015165	FRONT—drawer, galley (16½ x 6¾) (w/RPO 697, & ZE06584)
-	-	1	2010675	FRONT—drawer, galley (17¾ x 6¾) (w/RPO 681, 697) (exc./ZE06584) (walnut)
-	2	2	NPN	FRONT—drawer, galley (procure locally) (w/RPO 692, 693, 695, 696) (17.81" x 6 7/3") (carved) (ref. 795613) (procure locally)
-	-	2	* 790809	FRONT—drawer, galley (17.81" x 6.73") (w/RPO 681, 697) (exc. ZE06584)
-	-	2	* 798791	FRONT—drawer, galley (17¾ x 6¾) (exc. ZE06584) (prior to 1976)
-	-	2	2026245	FRONT—drawer, galley (12.62 x 6¾) (w/RPO 641, 697, 698, UND & w/ZE06581) (1978) (1978)
-	-	1	790377	STOP—door, bath (at galley)
-	-	1	* 799287	BRACKET—angle
-	-	1	* 799288	BRACKET—corner
-	-	1	* 797217	SCREW—hinge
-	AR	AR	2014897	DRAWER ASSY.—galley, top (18.80" x 14.50") (w/ZE06584 std.)
-	AR	AR	2014899	DRAWER ASSY.—galley, Bottom (18.80" x 14.50") (w/ZE06584 std.)
-	AR	AR	NS	DRAWER—galley, small & large (w/RPO 690, 692, 693, 695, 696)
-	AR	AR	2006744	DRAWER—galley & dresser (14.12" x 3.50" x 18.50) (w/ZE06582)
-	AR	AR	2006746	DRAWER—galley & dresser (17.12" x 5.25" x 18.50") (w/ZE06582)
-	-	2	2026245	DRAWER—galley (w/RPO 685) (eff w/1977)
-	AR	AR	2006747	KIT—drawer mtg. (w/ZE06582)
-	2	2	715761	HINGE—galley cabinet door (prior to 1975)
-	-	8	* 792815	HINGE SET—galley cabinet door (eff. w/1975) (prior to 1977)
-	-	4	2024881	HINGE SET—galley cabinet door (eff. w/1977)

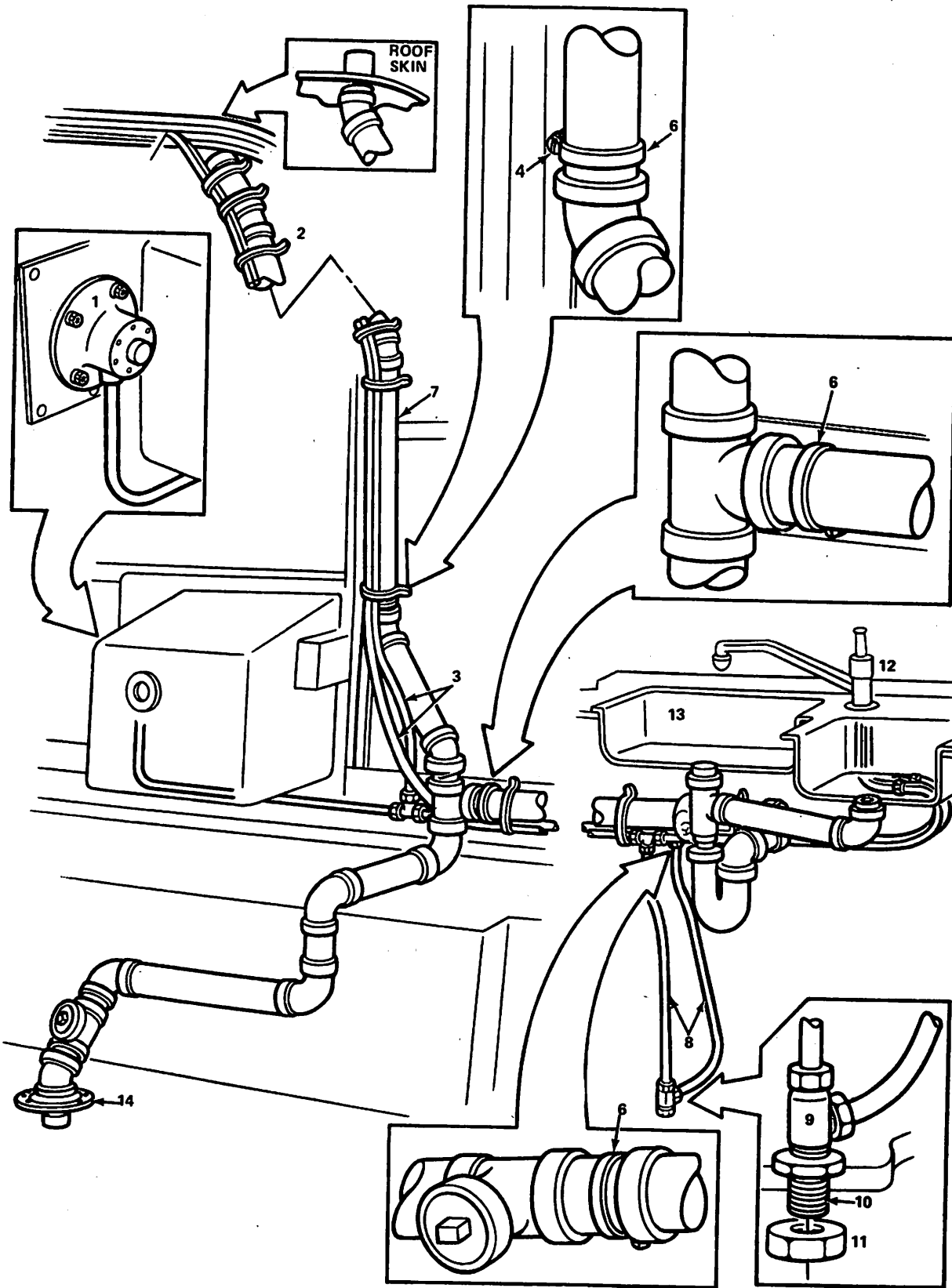
FURNISHINGS

KEY	230	280	PART NUMBER
-----	-----	-----	-------------

28.128 MODULE—GALLEY (Cont.)

—	—	4	* 791699	CATCH ASSY.—galley door (single roller) (eff. w/1975)
—	—	1	—	CATCH ASSY.—galley door (double roller) (eff. w/1975) (ref. 2007759) (procure locally)
—	AR	AR	716810	MOULDING—bead, galley to closet module (25' roll, CTL)
—	AR	AR	716805	SEAL—galley bulkhead to wall (25' rolls, CTL)
—	—	1	* 791816	ANGLE—galley support (eff. w/1975)
—	—	2	791819	BRACKET—galley mounting (eff. w/1975) (prior to 1978)
—	—	1	* 2028112	BRACKET—galley mounting (1978)
—	—	2	2393434	SPACER—galley mounting (eff. w/1975) (repl. 661978) (exc./ZEO6582, ZEO6584)
—	—	2	669171	SPACER—galley mounting (w/ZEO6582, ZEO6584)
—	—	1	* 790831	TOP ASSY.—galley counter (w/RPO 641, 681, 697, 698) (color: harvest leather) (exc./ZEO6584) (prior to 1978)
—	—	1	* 2026573	TOP ASSY.—galley counter (w/RPO 641) (w/ZEO6581) (1978) (w/out microwave oven)
—	—	1	* 2026572	TOP ASSY.—galley counter (w/RPO 697, 698) (w/ZEO6581) (1978) (w/out microwave oven)
—	—	1	2026840	TOP—galley counter (w/RPO 641) (w/ZEO6581) (1978) (w/microwave oven)
—	—	1	2026839	TOP—galley counter (w/RPO 697, 698) (w/ZEO6581) (1978) (w/microwave oven)
—	—	1	2014893	TOP—galley counter (w/RPO 641 & w/ZEO6584)
—	—	1	2014894	TOP—galley counter (w/RPO 697, 698 & w/ZEO6584)
—	—	1	2027916	TOP—galley counter (w/RPO 685) (eff w/1977)
—	—	1	2008685	TOP—galley counter (tan linen) (w/ZEO6582)
—	1	1	717739	TOP—galley (blue) (no cut outs) (w/RPO 693)
—	1	1	792831	TOP—galley (green) (no cut outs) (w/RPO 690)
—	1	1	792832	TOP—galley (gold) (no cut outs) (w/RPO 692, 695, 696)
—	—	1	2027812	COMPARTMENT ASSY.—beverage dispenser, (w/RPO 641, 697, 698) (w/ZEO6581) (mounted on galley counter top) (1978)
—	—	1	792052	COVER—sink (or chopping block) (small) (eff. w/1975)
—	—	1	792174	COVER—sink (or chopping block) (large) (eff. w/1975)
—	—	1	2234819	COVER PKG.—sink (or chopping block) (small & large block)
—	—	2	2279500	U—NUT—galley module to body (repl. 1494258)
—	—	2	* 791192	SLIDE SET—drawer (steel) (eff. w/1975)
—	—	4	* 791193	GUIDE—drawer (eff. w/1975)
—	—	AR	*	BUMPER—drawer & DOOR (eff. w/1975) (ref. 791657) (procure locally)
—	AR	AR	2013358	BOARD—particle, service (.50 x 48.0 x 96.0") (rosewood grain)
—	AR	AR	2013359	BOARD—particle, service (.50 x 48.0 x 96.0") (walnut grain)
—	1	1	791819	BRACKET—galley module to closet module (eff. w/1976 & ZEO6581)

FURNISHINGS



28P-5001

28.130 PLUMBING - GALLEY MODULE

FURNISHINGS

KEY	230	260	PART NUMBER	
-----	-----	-----	-------------	--

28.130 PLUMBING—GALLEY MODULE

1	1	1	790333	INLET ASSY. (VALVE)—city water (located at utilities compartment) (prior to 1978)
2	—	AR	657558	STRAP—(repl. 2435539)
3	—	1	790337	PIPE ASSY.—water (eff. w/ 1975) (exc./ZEO6582, ZEO6584)
3	—	1	2006650	PIPE ASSY.—water (w/ZEO6582) (ref. only)
3	—	1	2012418	PIPE ASSY.—water (w/ZEO6584)
4	—	3	9414716	SCREW—clamp (exc./ZEO6582)
6	—	3	791156	CLAMP—sanitary plumbing (eff. w/ 1975)
7	—	1	790388	PLUMBING—sanitary (eff. w/ 1975) (prior to 1978) (exc./ZEO6582, ZEO6584)
7	—	1	2027435	PIPE ASSY.—sanitary (eff. w/ 1978) (exc./ZEO6582, ZEO6584)
7	—	1	2027435	PIPE ASSY.—sanitary plumbing (w/RPO 685) (eff w/ 1977)
7	—	1	2026277	PIPE ASSY.—sanitary plumbing (w/ZEO6582, ZEO6584)
8	—	AR	8884956	TUBE—fresh water (25') (CTL) (eff. w/ 1975)
9	—	1	711949	TEE—fresh water, drain at bulkhead (eff. w/ 1975)
10	—	1	2061210	FITTING
11	—	1	219758	NUT—fitting
12	1	1	—	FAUCET—galley (see groups 28.063 and 28.064)
13	1	1	—	SINK—galley (see group 28.063)
14	—	2	791948	FLANGE—gasket, (5" dia.) steel (eff. w/ 1975)
14	—	1	791950	GASKET—flange
—	—	1	2032349	INLET ASSY. (VALVE)—city water (1978)
—	—	1	796779	ELBOW—fresh water inlet
—	—	1	2034653	TUBE ASSY.—city water fill (5/8 O.D.) (7.25" lg.)
—	—	1	2034655	TUBE ASSY.—city water fill (5/8 O.D.) (23.00" lg.)
—	—	3	2034672	BUSHING—city water fill tube
—	—	1	2034649	TEE—city water fill tube
—	—	2	796778	VALVE ASSY.—city water fill check
—	—	1	2034646	TEE—city water fill to galley
—	—	1	2034662	TUBE ASSY.—galley cold water
—	—	3	2034673	TEE—galley cold & hot water tube
—	—	5	2034669	COUPLING—galley cold water tube
—	—	2	NPN	COCK—drain galley (ref. 110293) (procure locally)
—	—	2	8877861	SLEEVE—galley drain cock
—	—	1	—	NUT—galley drain cock (ref. 114627) (procure locally)
—	—	1	2020891	STRAINER ASSY.—galley sink
—	—	1	2034665	TUBE—cold water cross over
—	—	1	2034645	TUBE—hot water cross over
—	—	2	2020892	DRAIN—galley sink
—	—	2	—	WASHER—galley sink drain nut (ref. 2020886) (procure locally)
—	—	1	2010765	ADAPTER ASSY.—galley drain to holding tank
—	—	1	NPN	SEAL—galley drain to holding tank (ref. 2020895) (procure locally)
—	—	2	2007999	BLOCK—pipe, sanitary plumbing (w/ZEO6582, ZEO6584)
—	—	2	335551	SCREW—clip, sanitary plumbing (w/ZEO6582, ZEO6584)

28.132 DAVO/BUNK FRONT

NOTE: " + " indicates not serviced, for references only. See Group 28.180 for raw material coverings.

—	AR	AR	+	NS	SEAT ASSY.—RH & LH davo/bunk (w/RPO 690, 692, 693, 695)
—	—	1	—	794544	SEAT ASSY.—LH davo/bunk, (complete bunk) (w/RPO 681)
—	—	1	—	790305	SEAT ASSY.—LH davo/bunk, (complete bunk) (w/RPO 697) (prior to 1977) (w/first design strap)
—	—	1	—	2000649	SEAT ASSY.—LH davo/bunk, (complete bunk) (w/RPO 698) (prior to 1977) (w/first design strap)
—	—	1	—	2010331	SEAT ASSY.—LH davo/bunk (complete bunk) (w/RPO 641) (w/second design strap) (1977) (ref. only)
—	—	1	—	2028520	SEAT ASSY.—LH davo/bunk (complete bunk) (w/RPO 641) (1978) (repl. 2010331)
—	—	1	—	2028584	SEAT ASSY.—LH davo/bunk (complete bunk) (w/RPO 697) (1978) (repl. 2016086)
—	—	1	—	2027548	SEAT ASSY.—LH davo/bunk (complete bunk) (w/RPO 685) (eff. w/ 1977)

FURNISHINGS

KEY 230 260 PART NUMBER

28.132 DAVO/BUNK FRONT (Cont.)

-	-	1	2016086	SEAT ASSY.—LH davo/bunk (complete bunk) (w/RPO 697) (w/second design strap) (1977) (ref. only)
-	-	1	2016081	SEAT ASSY.—LH davo/bunk (complete bunk) (w/RPO 698) (w/second design strap) (1977) (ref. only)
-	-	1	2028521	SEAT ASSY.—LH davo/bunk (complete bunk) (w/RPO 698) (1978) (repl. 2016081)
-	-	1	2027138	BACK ASSY.—LH davo/bunk (SOA) (w/RPO 641) (prior to 1978)
-	-	1	2040515	BACK ASSY.—LH davo/bunk (SOA) (w/RPO 641) (1978)
-	-	1	2003772	BACK—LH davo/bunk (SOA) (w/RPO 681)
-	-	1	799269	BACK—LH davo/bunk (SOA) (w/RPO 697) (prior to 1978)
-	-	1	2040521	BACK—LH davo/bunk (SOA) (w/RPO 697) (1978)
-	-	1	2003777	BACK—LH davo/bunk (SOA) (w/RPO 698) (prior to 1978)
-	-	1	2040518	BACK—LH davo/bunk (SOA) (w/RPO 698) (1978)
-	-	1	2030941	BACK ASSY.—LH davo/bunk (SOA) (w/RPO 685)
-	-	1	2027137	SEAT ASSY.—LH davo/bunk (SOA) (w/RPO 641) (prior to 1978)
-	-	1	2040514	SEAT ASSY.—LH davo/bunk (SOA) (w/RPO 641) (1978)
-	-	1	2003773	SEAT ASSY.—LH davo/bunk (SOA) (w/RPO 681)
-	-	1	2030944	SEAT ASSY.—LH davo/bunk (SOA) (w/RPO 685)
-	-	1	799270	SEAT ASSY.—LH davo/bunk (SOA) (w/RPO 697) (prior to 1978)
-	-	1	2040520	SEAT ASSY.—LH davo/bunk (SOA) (w/RPO 697) (1978)
-	-	1	2003781	SEAT ASSY.—LH davo/bunk (SOA) (w/RPO 698) (prior to 1978)
-	-	1	2040517	SEAT ASSY.—LH davo/bunk (SOA) (w/RPO 698) (1978)
-	-	1	796763	SEAT ASSY.—RH davo/bunk. (complete bunk) (w/RPO 681)
-	-	1	799365	SEAT ASSY.—RH davo/bunk. (complete bunk) (w/RPO 697) (prior to 1977) (w/first design strap)
-	-	1	2000937	SEAT ASSY.—RH davo/bunk. (complete bunk) (w/RPO 698) (prior to 1977) (w/first design strap)
-	-	1	2010349	SEAT ASSY.—RH davo/bunk (complete bunk) (w/RPO 641) (w/second design strap) (1977) (ref. only)
-	-	1	2016078	SEAT ASSY.—RH davo bunk (complete bunk) (w/RPO 697) (second design (ref. only)
-	-	1	2016087	SEAT ASSY.—RH davo bunk (complete bunk) (w/RPO 698) (second design strap) (1977) (ref. only)
-	-	1	2028518	SEAT ASSY.—RH davo/bunk (w/RPO 641) (1978) (repl. 2010349)
-	-	1	2028582	SEAT ASSY.—RH davo/bunk (w/RPO 697) (1978) (repl. 2016078)
-	-	1	2028519	SEAT ASSY.—RH davo/bunk (w/RPO 698) (1978) (repl. 2016087)
-	AR	AR	+	NS
-	-	1	2026188	BACK ASSY.—RH & LH davo/bunk (w/RPO 690, 692, 693, 695)
-	-	1	2026186	BACK ASSY.—RH davo/bunk (SOA) (w/RPO 641)
-	-	1	2026185	BACK ASSY.—RH davo/bunk (SOA) (w/RPO 681)
-	-	1	2026187	BACK ASSY.—RH davo/bunk (SOA) (w/RPO 697)
-	-	1	2026194	SEAT ASSY.—RH davo/bunk (SOA) (w/RPO 641)
-	-	1	2026192	SEAT ASSY.—RH davo/bunk (SOA) (w/RPO 681)
-	-	1	2026191	SEAT ASSY.—RH davo/bunk (SOA) (w/RPO 697)
-	-	1	2026193	SEAT ASSY.—RH davo/bunk (SOA) (w/RPO 698)
-	-	1	794547	REST—davo arm (w/RPO 681) (first design)
-	-	1	792155	REST—davo arm (w/RPO 697) (first design)
-	-	1	2000650	REST—davo arm (w/RPO 698) (first design)
-	-	1	2026200	REST—davo arm (w/RPO 641) (second design)
-	-	1	2026197	REST—davo arm (w/RPO 681) (second design)
-	-	1	2026195	REST—davo arm (w/RPO 697) (second design)
-	-	1	2026198	REST—davo arm (w/RPO 698) (second design)
-	1	1	+	715717
-	1	1	+	715718
-	1	1	+	715719
-	1	1	+	715720
-	2	2		717371
-	2	2		715762
-	2	2		NS
-	4	4		798100
-	2	2		2007778
-	2	2		791170
-	2	2		791171
-	-	2		2016387
-	2	2		715829
-	-	2		2002841
-	2	2		717380
-	1	1		790694

FURNISHINGS

KEY	230	260	PART NUMBER	
28.132 DAVO/BUNK FRONT (Cont.)				
-	-	2	2027149	BELT ASSY.—davo seat (lap belt) (w/RPO 64 1) (repl 2010359)
-	-	2	793971	BELT ASSY.—davo seat (lap belt) (w/RPO 681, 697) (repl. 790381)
-	-	1	2029287	KIT—davo seat (lap belt) (w/RPO 685) (repl. 2027544)
-	-	1	799271	LINKAGE ASSY.—back, RH (SOA) (eff. w/1975) (& prior to 1977)
-	-	1	799272	LINKAGE ASSY.—back, LH (SOA) (eff. w/1975) (& prior to 1977)
-	-	1	2026189	LINKAGE ASSY.—back, RH (SOA) (eff. w/1977)
-	-	1	2026190	LINKAGE ASSY.—back, LH (SOA) (eff. w/1977)
-	-	2	796762	BELT—(strap) (attaches to the ceiling) (w/RPO 681, 697) (eff w/1975 & prior to 1977)
-	-	2	2003776	BELT—(strap) (attaches to the ceiling) (w/RPO 698) (eff w/1975 & prior to 1977)
-	-	1	2030945	BELT—(strap) (attaches to the ceiling) (w/RPO 685)
-	-	2	2022837	BELT ASSY.—(strap) (attaches to the ceiling) (SOA) (w/RPO 64 1) (eff w/1977)
-	-	2	2022838	BELT ASSY.—(strap) (attaches to the ceiling) (SOA) (w/RPO 697) (eff w/1977)
-	-	2	2022839	BELT ASSY.—(strap) (attaches to the ceiling) (SOA) (w/RPO 698) (eff w/1977)
-	-	1	2027104	PANEL—RH floor to seat (w/RPO 64 1)
-	-	1	2027111	PANEL—LH floor to seat (w/RPO 64 1)
-	-	1	2030946	PANEL—LH floor to seat (w/RPO 685)
-	-	1	2003775	PANEL—RH/LH floor to seat (w/RPO 68 1) (first design)
-	-	1	799273	PANEL—floor to seat (w/RPO 697) (first design)
-	-	1	2003780	PANEL—floor to seat (w/RPO 698) (first design)
-	-	1	2027102	PANEL—PH floor to seat (w/RPO 681) (second design)
-	-	1	2027108	PANEL—LH floor to seat (w/RPO 681, 697) (second design)
-	-	1	2027101	PANEL—RH floor to seat (w/RPO 697) (second design)
-	-	1	2027103	PANEL—RH floor to seat (w/RPO 698) (second design)
-	-	1	2027110	PANEL—LH floor to seat (w/RPO 698) (second design)
-	-	2	799274	SPRING—mechanism, back (eff. w/1975)
-	-	2	799275	GRIP—actuator, plastic (eff. w/1975)
-	AR		2027141	BUTTON—strap (1 3/4") (w/RPO 64 1)
-	AR		2003774	BUTTON—strap (1 3/4") (w/RPO 681)
-	AR		2029996	BUTTON—strap (1 3/4") (w/RPO 685)
-	AR		799276	BUTTON—strap (1 3/4") (w/RPO 697)
-	AR		2003779	BUTTON—strap (1 3/4") (w/RPO 698)
-	-	2	791969	BRACKET—davo/bunk (anchor—channel) (aluminum) (1.74 x 2.62)
28.134 BUNKS/TWIN REAR UPPER				
-	-	1	2022322	BUNK ASSY.—rear upper LH (w/RPO 64 1 & ZE06584)
-	-	1	2022318	BUNK ASSY.—rear upper LH (w/RPO 697 & ZE06584)
-	-	1	2022320	BUNK ASSY.—rear upper LH (w/RPO 698 & ZE06584)
-	-	1	2022325	BUNK ASSY.—rear upper RH (w/RPO 64 1 & ZE06584)
-	-	1	2022319	BUNK ASSY.—rear upper RH (w/RPO 697 & ZE06584)
-	-	1	2022321	BUNK ASSY.—rear upper RH (w/RPO 698 & ZE06584)
-	-	1	2013222	BOLSTER—twin rear upper LH (pillow) (w/RPO 64 1 & ZE06584)
-	-	1	2013228	BOLSTER—twin rear upper LH (pillow) (w/RPO 697 & ZE06584)
-	-	1	2013240	BOLSTER—twin rear upper LH (pillow) (w/RPO 698 & ZE06584)
-	-	1	2013223	BOLSTER—twin rear upper RH (pillow) (w/RPO 64 1 & ZE06584)
-	-	1	2013229	BOLSTER—twin rear upper RH (pillow) (w/RPO 697 & ZE06584)
-	-	1	2013241	BOLSTER—twin rear upper RH (pillow) (w/RPO 698 & ZE06584)
-	-	12	2027141	BUTTON—strap (1 3/4") (w/RPO 64 1)
-	-	12	2029996	BUTTON—strap (1 3/4") (w/RPO 685)
-	-	12	799276	BUTTON—strap (1 3/4") (w/RPO 697)
-	-	12	2003779	BUTTON—strap (1 3/4") (w/RPO 698)
-	-	2	799274	SPRING—back (w/RPO 64 1, 697, & 698)
-	-	1	2028530	LINKAGE—back RH (w/2022318, 2022320, & 2022322 bunk assy.)
-	-	1	2028531	LINKAGE—back LH (w/2022318, 2022320, & 2022322 bunk assy.)
-	-	1	2028535	LINKAGE—back RH (w/2022319, 2022321, & 2022325 bunk assy.)
-	-	1	2028536	LINKAGE—back LH (w/2022319, 2022321, & 2022325 bunk assy.)
-	-	2	2028533	BELT—w/connector (w/RPO 64 1)
-	-	2	2028532	BELT—w/connector (w/RPO 697)
-	-	2	2028534	BELT—w/connector (w/RPO 698)
-	-	1	2022276	SUPPORT—rear upper LH bunk
-	-	1	691611	SUPPORT—rear upper RH bunk
-	-	2	791969	ANCHOR—rear upper bunk
-	-	4	2007778	BRACKET—rear upper wall mounting

FURNISHINGS

KEY	230	260	PART NUMBER	
-----	-----	-----	-------------	--

28.134 BUNKS/TWIN REAR UPPER (Cont.)

-	-	4	2016387	HOOK—rear upper
-	-	4	2016388	COVER—rear upper hook
-	-	8	798100	CAP—rear upper

28.136 DINETTE/DOUBLE BED

NOTE: " + " indicated not serviced, for reference only. See Group 28.180 for raw material coverings.

-	-	1	2010338	SEAT ASSY.—dinette, front facing (incl. cushion) (complete) (w/RPO 641) (prior to 1978) (ref. only)
-	-	1	2028517	SEAT ASSY.—dinette, front facing (incl. cushion) (complete) (w/RPO 641) (1978) (repl. 2010338)
-	-	1	794543	SEAT ASSY.—dinette, front facing (incl. cushion) (complete) (w/RPO 681)
-	-	1	2006625	SEAT ASSY.—dinette, front facing (incl. cushion) (complete) (w/RPO 683)
-	-	1	790304	SEAT ASSY.—dinette, front facing (incl. cushion) (complete) (w/RPO 697) (prior to 1978) (ref. only)
-	-	1	2028580	SEAT ASSY.—dinette, front facing (incl. cushion) (complete) (w/RPO 697) (1978) (repl. 790304)
-	-	1	2000651	SEAT ASSY.—dinette, front facing (incl. cushion) (complete) (w/RPO 698) (prior to 1978) (ref. only)
-	-	1	2028516	SEAT ASSY.—dinette front facing (incl. cushion) (complete) (w/RPO 698) (1978) (repl. 2000651)
-	-	1	2027545	SEAT ASSY.—dinette front facing (incl. cushion) (complete) (w/RPO 685) (eff w/1977)
-	-	1	2010339	SEAT ASSY.—dinette rear facing (incl. cushion) (complete) (w/RPO 641) (prior to 1978) (ref. only)
-	-	1	2028515	SEAT ASSY.—dinette rear facing (incl. cushion) (complete) (w/RPO 641) (1978) (repl. 2010339)
-	-	1	794542	SEAT ASSY.—dinette rear facing (incl. cushion) (complete) (w/RPO 681)
-	-	1	2006626	SEAT ASSY.—dinette rear facing (incl. cushion) (complete) (w/RPO 683)
-	-	1	790303	SEAT ASSY.—dinette rear facing (incl. cushion) (complete) (w/RPO 697) (prior to 1978) (ref. only)
-	-	1	2028581	SEAT ASSY.—dinette rear facing (incl. cushion) (complete) (w/RPO 697) (1978) (repl. 790303)
-	-	1	2000652	SEAT ASSY.—dinette rear facing (incl. cushion) (complete) (w/RPO 698) (prior to 1978) (ref. only)
-	-	1	2028514	SEAT ASSY.—dinette rear facing (incl. cushion) (complete) (w/RPO 698) (1978) (repl. 2000652)
-	-	1	2027546	SEAT ASSY.—dinette rear facing (incl. cushion) (complete) (w/RPO 685) (eff. w/1977)
-	AR	AR	+ NS	SEAT ASSY.—front & rear (w/RPO 690, 692, 693, 695, 696)
-	-	1	2024770	BACK ASSY.—upper front facing seat SOA (w/RPO 641)
-	-	1	2024763	BACK ASSY.—upper rear facing seat SOA (w/RPO 641)
-	-	1	2003760	BACK ASSY.—upper front facing seat (SOA) (w/RPO 681)
-	-	1	2030928	BACK ASSY.—front facing seat (w/RPO 685) (eff w/1977)
-	-	1	2030936	BACK ASSY.—rear facing seat (w/RPO 685) (eff w/1977)
-	-	1	799253	BACK ASSY.—upper front facing seat (SOA) (w/RPO 697)
-	-	1	2024099	BACK ASSY.—upper rear facing seat (SOA) (w/RPO 697)
-	-	1	2003766	BACK—upper front facing seat (SOA) (w/RPO 698)
-	-	1	2024762	BACK—upper rear facing (SOA) (w/RPO 698)
-	-	1	2024100	SEAT ASSY.—lower (SOA) (w/RPO 641)
-	-	1	2030931	SEAT ASSY.—front & rear facing (w/RPO 685) (eff w/1977)
-	-	1	2003761	SEAT—lower (SOA) (w/RPO 681)
-	-	1	799254	SEAT—lower (SOA) (w/RPO 697)
-	-	1	2003767	SEAT—lower (SOA) (w/RPO 698)
-	2	2	-	CHANNEL—front and rear dinette seat back to wall (procure locally) (ref. 715499)
-	AR	AR	716809	T—MOULDING—seat back (25' rolls, CTL) (w/RPO 692, 693, 695, 696)
-	AR	AR	716808	T—MOULDING—seat back (w/RPO 690) (25' roll, CTL)

FURNISHINGS

KEY	230	260	PART NUMBER	
28.136 DINETTE/DOUBLE BED (Cont.)				
-	1	1	715475	TABLE—dinette/double bed (w/RPO 692, 693, 695, 696)
-	1	1	+ 715474	TABLE—dinette/double bed (w/RPO 690) (procure locally)
-	-	1	2000916	TABLE ASSY.—dinette (walnut) 2 leaf, (w/RPO 641, 681, 685, 697, 698) (incl. the following items as indicated)
-	-	1	2006658	TABLE ASSY.—dinette (finish similar to rosewood) (w/RPO 683) (incl. the following items as indicated)
-	-	1	791658	TABLE ASSY.—dinette, 2 leaf (incl. the following items as indicated) (w/RPO 681, 697) (exc./ZEO6584) (vehicles built prior to June 21, 1976)
-	-	6	796783	HINGE ASSY.—table (w/791658 & 2000916) (SOA)
-	-	1	796780	BRACKET ASSY.—leg. table (w/791658, 2000916 & 2006658) (SOA)
-	-	1	797300	LEG—table (w/791658, 2000916 & 2006658)
-	-	1	797299	SUPPORT—table, (stained wood) (w/791658 & 2000916)
-	-	1	796782	FERRULE—table leg (w/791658, 2000916 & 2006658)
-	-	4	796781	RING—table brass (w/791658, 2000916 & 2006658)
-	-	1	791914	CHANNEL—table, inner (att. to wall) (w/791658, 2000916 & 2006658)
-	-	1	791915	CHANNEL—table, outer (att. to table) (w/791658, 2000916 & 2006658)
-	-	4	2299512	RIVNUT—channel, table (w/791658)
-	1	1	715476	LEG—table, dinette/double bed (prior to 1975)
-	1	1	715478	BOARD—splash, table to wall (w/RPO 692, 693, 695, 696)
-	1	1	+ 715477	BOARD—splash, table to wall (w/RPO 690)
-	AR	AR	716807	T—MOULDING—dinette table and splash board (25' rolls)
-	1	1	707969	HINGE ASSY.—dinette table to splash board
-	2	2	+ 715705	CUSHION—dinette seat back (w/RPO 690)
-	2	2	+ 715725	CUSHION—dinette seat (w/RPO 690)
-	2	2	+ 715706	CUSHION—dinette seat back (w/RPO 692)
-	2	2	+ 715726	CUSHION—dinette seat (w/RPO 692)
-	2	2	+ 715707	CUSHION—dinette seat back (w/RPO 693)
-	2	2	+ 715727	CUSHION—dinette seat (w/RPO 693)
-	2	2	+ 715708	CUSHION—dinette seat back (w/RPO 695)
-	2	2	+ 715729	CUSHION—dinette seat (w/RPO 695)
-	-	2	+ 723354	CUSHION—dinette seat back (w/RPO 696)
-	-	2	+ 723356	CUSHION—dinette seat (w/RPO 696)
-	2	2	715762	HINGE—seat access compartment, dinette/double bed
-	1	1	715831	KIT—front seat belt, dinette/double bed (prior to 1975)
-	2	-	715832	KIT—rear seat belt, dinette/double bed (prior to 1975)
-	-	2	715834	KIT—rear seat belt, dinette/double bed (repl. 715830) (prior to 1975)
-	-	2	2029287	KIT—seat belt, rear facing dinette (w/RPO 685)
-	-	2	2002841	KIT—seat belt, rear facing dinette (w/RPO 698)
-	-	1	2029286	KIT—seat belt, (in board) front facing dinette (w/RPO 685)
-	-	1	2029285	KIT—seat belt, (out board) front facing dinette (w/RPO 685)
-	-	1	2002842	KIT—seat belt, (inboard) front facing dinette (w/RPO 698)
-	-	1	2002843	KIT—seat belt, (outboard) front facing dinette (w/RPO 698)
-	-	1	793974	BELT ASSY.—rear facing dinette seat, (w/RPO 681, 697) (repl. 790381)
-	-	1	2027149	BELT ASSY.—rear facing dinette seat (w/RPO 641) (repl. 2010359)
-	-	1	2027150	BELT ASSY.—dinette seat outboard, front facing (w/RPO 641) (repl. 2010358)
-	-	1	793973	BELT ASSY.—dinette seat outboard, front facing (w/RPO 681, 683, 697) (repl. 792183)
-	-	1	793972	BELT ASSY.—dinette seat inboard, front facing (w/RPO 681, 683, 697) (repl. 792184)
-	-	1	2010357	BELT ASSY.—dinette seat inboard, front facing (w/RPO 641)
-	-	1	799256	LOCK ASSY—seat, RH (SOA) (eff. w/1975)
-	-	1	2024098	LOCK ASSY—seat, LH SOA (eff. w/1977)
-	-	2	799257	MECHANISM ASSY.—back, (LH) (SOA) (eff. w/1975)
-	-	2	799258	MECHANISM ASSY.—back, (RH) (SOA) (eff. w/1975)
-	-	1	2024759	PANEL ASSY.—front, floor to seat (SOA) (w/RPO 641)
-	-	2	2003765	PANEL—front, floor to seat (w/RPO 681)
-	-	1	2027549	PANEL ASSY.—trim, dinette (w/RPO 685) (eff. w/1977)
-	-	2	799259	PANEL—front, floor to seat (w/RPO 697)
-	-	2	2003771	PANEL—front, floor to seat (w/RPO 698)
-	-	4	799260	SPRING—back mechanism (eff. w/1975)
-	-	4	799261	SPRING—lock mechanism (eff. w/1975)
-	-	4	799262	GRIP—actuator (plastic) (eff. w/1975)

FURNISHINGS

KEY 230 260 PART NUMBER

28.136 DINETTE/DOUBLE BED (Cont.)

—	—	2	2024751	BUTTON—pivot (3/8) (w/RPO 64 1)
—	—	4	2003763	BUTTON—pivot (3/8) (w/RPO 68 1)
—	—	4	2029994	BUTTON—pivot (3/8) (w/RPO 685) (eff. w/1977)
—	—	4	799264	BUTTON—pivot (3/8) (w/RPO 697)
—	—	4	2003769	BUTTON—pivot (3/8) (w/RPO 698)
—	—	4	2024757	BUTTON—pivot (5/8) (w/RPO 64 1)
—	—	16	2003762	BUTTON—pivot (5/8) (w/RPO 68 1)
—	—	8	2029992	BUTTON—pivot (5/8) (w/RPO 685) (eff. w/1977)
—	—	16	799263	BUTTON—pivot (5/8) (w/RPO 697)
—	—	16	2003768	BUTTON—pivot (5/8) (w/RPO 698)
—	—	16	2024758	BUTTON—pivot (2 3/4) (w/RPO 64 1)
—	—	32	2003764	BUTTON—strap (2 3/4) (w/RPO 68 1)
—	—	32	2029993	BUTTON—strap (2-3/4) (w/RPO 685) (eff. w/1977)
—	—	32	799265	BUTTON—strap (2 3/4) (w/RPO 697)
—	—	32	2003770	BUTTON—strap (2 3/4) (w/RPO 698)

28.140 DINETTE/SINGLE BED—AUXILIARY

NOTE: “ + ” indicates not serviced, for reference only. See Group 28.180 for raw material coverings.

—	—	1	+	715801	SEAT ASSY.—front, exc./cushion (w/RPO 690)
—	—	1	+	715803	SEAT ASSY.—rear, exc./cushion (w/RPO 690)
—	—	1	+	715802	SEAT ASSY.—front, exc./cushion (w/RPO 692, 693, 695)
—	—	1	+	715804	SEAT ASSY.—rear, exc./cushion (w/RPO 692, 693, 695)
—	—	2	—	—	CHANNEL—seat back to wall (procure locally) (ref. 715499)
—	—	AR	—	716808	T—MOULDING—seat back (25' rolls, CTL) (w/RPO 690)
—	—	AR	—	716809	T—MOULDING—seat back (25' rolls, CTL) (w/RPO 692, 693, 695, 696)
—	—	AR	—	716807	T—MOULDING—table and splash board (25' rolls)
—	—	1	+	715805	TABLE—auxiliary dinette (w/RPO 690)
—	—	1	—	715806	TABLE—auxiliary dinette (w/RPO 692, 693, 695)
—	—	1	—	715807	LEG—table, auxiliary dinette
—	—	1	+	715477	BOARD—splash, table to wall (w/RPO 690) (procure locally)
—	—	1	—	715478	BOARD—splash, table to wall (w/RPO 692, 693, 695)
—	—	1	—	707969	HINGE ASSY.—table to splash board
—	—	2	+	715701	CUSHION—dinette seat back (w/RPO 690)
—	—	2	+	715721	CUSHION—dinette seat (w/RPO 690)
—	—	2	+	715702	CUSHION—dinette seat back (w/RPO 692)
—	—	2	+	715722	CUSHION—dinette seat (w/RPO 692)
—	—	2	+	715703	CUSHION—dinette seat back (w/RPO 693)
—	—	2	+	715723	CUSHION—dinette set (w/RPO 693)
—	—	2	+	715704	CUSHION—dinette seat back (w/RPO 695)
—	—	2	+	715724	CUSHION—dinette seat (w/RPO 695)
—	—	1	—	715831	KIT—front seat belt, auxiliary dinette
—	—	1	—	715834	KIT—rear seat belt, auxiliary dinette (repl. 715830)

28.142 SEAT—LOVE

—	—	1	—	2006618	SEAT ASSY.—love (complete) (w/RPO 683)
—	—	1	—	2013207	FRAME ASSY.—love seat
—	—	1	—	2013214	CUSHION ASSY.—bottom (w/RPO 64 1)
—	—	1	—	2024087	CUSHION ASSY.—bottom (w/RPO 683)
—	—	1	—	2013208	CUSHION ASSY.—bottom (w/RPO 697)
—	—	1	—	2013211	CUSHION ASSY.—bottom (w/RPO 698)
—	—	1	—	2013215	CUSHION ASSY.—back (w/RPO 64 1)
—	—	1	—	2024088	CUSHION ASSY.—back (w/RPO 683)
—	—	1	—	2013209	CUSHION ASSY.—back (w/RPO 697)
—	—	1	—	2013212	CUSHION ASSY.—back (w/RPO 698)
—	—	1	—	—	PANEL ASSY.—trim (see grp. 28.176)

28.144 SWIVEL LOUNGE SEATS AND AIR CRAFT TABLE

NOTE: “ + ” indicates not serviced, for reference only. See Group 28.180 for raw material covering.

FURNISHINGS

KEY	230	260	PART NUMBER
-----	-----	-----	-------------

28.144 SWIVEL LOUNGE SEATS AND AIR CRAFT TABLE (Cont.)

-	-	2	701538	SEAT—swivel lounge (w/RPO 690)
-	-	2	723367	SEAT—swivel lounge (flexsteel) (w/RPO 690)
-	-	2	701537	SEAT—swivel lounge (w/RPO 692)
-	-	2	723368	SEAT—swivel lounge (flexsteel) (w/RPO 692)
-	-	2	704787	SEAT—swivel lounge (w/RPO 693)
-	-	2	723369	SEAT—swivel lounge (flexsteel) (w/RPO 693)
-	-	2	701539	SEAT—swivel lounge (w/RPO 695)
-	-	2	723371	SEAT—swivel lounge (flexsteel) (w/RPO 695)
-	-	2	723353	SEAT—swivel (w/RPO 696)
-	-	2	723361	SEAT—swivel lounge (flexsteel) (w/RPO 696)
-	-	2	2010351	SEAT ASSY.—swivel chair (w/RPO 641)
-	-	2	796722	SEAT ASSY.—swivel chair (w/RPO 681)
-	-	2	799320	SEAT ASSY.—swivel chair (w/RPO 697)
-	-	2	2000936	SEAT ASSY.—swivel chair (w/RPO 698)
-	-	2	701638	ADJUSTER—seat (incl. next 3 items)
-	-	2	709113	SPRING—handle return, seat adjuster
-	-	1	709114	CLIP—connecting wire, seat adjuster
-	-	2	793692	WIRE—connecting latch, seat adjuster (repl. 709115 & 709116)
-	-	2	717661	PEDESTAL—seat (incl. round pipe) (prior to 1975)
-	-	2	796720	PEDESTAL ASSY.—chair (complete) (w/RPO 's 681, 697) (eff. w/1975)
-	-	2	2000935	PEDESTAL ASSY.—chair (complete) (w/RPO 698) (eff. w/1975)
-	-	2	2010348	PEDESTAL ASSY.—chair (complete) (w/RPO 641)
-	-	8	9426323	BOLT—pedestal to floor (300M) (eff. w/1975)
-	-	8	-	SPACER—pedestal, bolt thru floor (eff. w/1975) (make locally) (ref. 2000567)
-	-	8	701805	PLATE ASSY.—anchor, seat (eff. w/1975)
-	-	2	723350	SHROUD—swivel seat pedestal (w/RPO 696)
-	-	2	717356	SHROUD—inner and outer (prior to 1975)
-	-	2	717357	SPACER—seat (wood) (prior to 1975)
-	-	12	717358	PLATE—seat mounting (prior to 1975)
-	-	1	717361	CABINET AND TABLE ASSY.—aircraft, complete (w/RPO 690)
-	-	1	717359	CABINET AND TABLE ASSY.—aircraft, complete (w/RPO 692, 693, 695, 696)
-	-	1	717362	TABLE—aircraft, w/T—moulding, w/out cabinet (w/RPO 690)
-	-	1	717360	TABLE—aircraft, w/T—moulding, w/out cabinet (w/RPO 692, 693, 695, 696)
-	-	1	796718	TABLE ASSY.—captains (rosewood) (vehicles built prior to June 21, 1976) (w/RPO 's 681, 697)
-	-	1	2001376	TABLE—captains (walnut) (w/RPO 697, 698) vehicles built after June 21, 1976) (details not available at time of publication)
-	-	1	2001884	LABEL—forward, seat facing (decal)
-	-	1	2002026	LABEL—rearward, seat facing (decal)
-	AR	-	716808	T—MOULDING—aircraft table, trim (w/RPO 690) (25' rolls, CTL)
-	AR	-	716809	T—MOULDING—aircraft table, trim (w/RPO 692, 693, 695, 696) (25' rolls, CTL)
-	-	1	715833	KIT—belt, swivel lounge seat (front, to step riser) (prior to 1975)
-	-	1	715834	KIT—belt, swivel lounge seat (rear, to floor) (prior to 1975)
-	-	2	793973	BELT KIT—seat, swivel chair (w/RPO 's 681, 697) (eff. w/1975)
-	-	2	2002843	BELT KIT—seat, swivel chair (repl. 2000677) (w/RPO 698) (eff. w/1975)
-	-	2	2027150	BELT ASSY.—seat, swivel chair (w/RPO 641) (repl. 2010358)
-	-	2	720008	BOLT—anchor, belt (step to riser) (eff. w/1975)
-	-	2	9417033	BOLT—anchor, belt (to floor) (300M) (eff. w/1975)
-	-	4	2436165	WASHER—bolt (eff. w/1975)
-	-	1	799816	PANEL—duct, trim (covers transitions) (w/RPO 681, 697)
-	-	1	2001121	PANEL—duct, trim (covers transitions) (w/RPO 698)
-	-	1	2001884	LABEL—seat facing forward (decal)
-	-	1	2002026	LABEL—seat facing rearward (decal)

28.148 TABLE—DRIVER'S COMPARTMENT

-	1	1	796570	TABLE—driver's compartment (complete) (w/RPO 690, 692, 693, 695, 696) (repl. 715563)
-	1	1	715564	SUPPORT—table to instrument panel (w/715563)
-	1	1	723339	TABLE LEG—driver's compartment (w/715563)

FURNISHINGS

KEY	230	260	PART NUMBER
-----	-----	-----	-------------

28.148 TABLE—DRIVER'S COMPARTMENT (Cont.)

—	—	1	2030283	TABLE ASSY.—driver's compartment (w/RPO ENF) (w/ZEO6581) (1978) (incl. next (2) items)
—	—	1	715470	CAP—driver's table leg end (mounts to driver's table)
—	—	1	796781	RING—driver's table
—	—	1	2029940	CAP—recessed leg end (mounts to floor under carpet)
—	—	1	2029944	LEG—driver's table (w/RPO ENF)
—	—	1	796570	TABLE ASSY.—driver's (w/RPO 681, 697) (SOA) (vehicles built prior to June 21, 1976)
—	—	1	2004497	TABLE ASSY.—drivers compartment (w/RPO 698) (eff. w/1977)
—	—	1	795262	TABLE ASSY.—drivers (pecan) (w/cut outs for drinking glasses) (w/RPO 641, 697, ENF) (SOA) (eff w/1977)
—	—	1	2001312	TABLE ASSY.—driver's
—	—	4	2004761	SPACER—retainer to table anchor
—	—	1	796569	RETAINER—driver's table to instrument panel (w/796570, 2001312)
—	—	1	796572	BRACKET—mounting, drivers table (w/795262, 2004497 table)
—	—	4	798396	ANCHOR—nylon, retainer to instrument panel (w/796570, 2001312)
—	—	1	796568	STRIP—trim insert (rosewood) (w/RPO 681, 697) (vehicles built prior to June 21, 1976)
—	—	1	2001311	STRIP—insert trim (walnut) (w/RPO 641, 681, 697, 698) (vehicles built after June 21, 1976)

28.152 SIDE FACING SETTEE/DOUBLE BED AND REAR DINING TABLE

NOTE: " + " indicates not serviced, for reference only. See Group 28.180 for raw material coverings.

—	2	2	798366	BACK—seat (w/RPO 690) (repl. 717347)
—	1	1	+ 715738	CUSHION—seat, RH (w/RPO 690)
—	1	—	+ 715750	CUSHION—seat, LH (w/RPO 690)
—	—	1	+ 715734	CUSHION—seat, LH (w/RPO 690)
—	2	2	798362	BACK—seat (w/RPO 692) (repl. 717348)
—	1	1	+ 715739	CUSHION—seat, RH (w/RPO 692)
—	1	—	+ 715794	CUSHION—seat, LH (w/RPO 692)
—	—	1	+ 715735	CUSHION—seat, LH (w/RPO 692)
—	2	2	798367	BACK—seat (w/RPO 693) (repl. 717349)
—	1	1	+ 715740	CUSHION—seat, RH (w/RPO 693)
—	1	—	+ 715795	CUSHION—seat, LH (w/RPO 693)
—	—	1	+ 715736	CUSHION—seat, LH (w/RPO 693)
—	2	2	798368	BACK—seat (w/RPO 695) (repl. 717350)
—	1	1	+ 715741	CUSHION—seat, RH (w/RPO 695)
—	1	—	+ 715796	CUSHION—seat, LH (w/RPO 695)
—	—	1	+ 715737	CUSHION—seat, LH (w/RPO 695)
—	—	1	2010336	CUSHION—rear trim, at rear window (w/RPO 641)
—	—	1	794549	CUSHION—rear trim, at rear window (w/RPO 681)
—	—	1	2027554	CUSHION—rear trim, at rear window (w/RPO 685)
—	—	1	792151	CUSHION—rear trim, at rear window (w/RPO 697)
—	—	1	2000659	CUSHION—rear trim, at rear window (w/RPO 698)
—	—	2	2010341	SEAT ASSY.—side facing settee, (complete seat) (w/RPO 641) (prior to 1978) (ref. only)
—	—	2	2028523	SEAT ASSY.—side facing settee, (complete seat) (w/RPO 641) (1978) (repl. 2010341)
—	—	2	794545	SEAT ASSY.—side facing settee, (complete seat) (w/RPO 681)
—	—	2	2027547	SEAT ASSY.—side facing settee, (complete seat) (w/RPO 685)
—	—	2	790306	SEAT ASSY.—side facing settee, (complete seat) (w/RPO 697) (prior to 1978) (ref. only)
—	—	2	2028583	SEAT ASSY.—side facing settee, (complete seat) (w/RPO 697) (1978) (repl. 790306) (details not available at time of publication)
—	—	2	2000654	SEAT ASSY.—side facing settee, (complete seat) (w/RPO 698) (prior to 1978) (ref. only)
—	—	2	2028522	SEAT ASSY.—side facing settee, (complete seat) (w/RPO 698) (1978) (repl. 2000654)
—	—	1	2024764	BACK—settee upper (complete) (SOA) (w/RPO 641)
—	—	2	2003782	BACK—settee upper (complete) (SOA) (w/RPO 681)
—	—	1	2030937	BACK ASSY.—settee upper (complete) (SOA) (w/RPO 685)
—	—	2	799266	BACK—settee upper (complete) (SOA) (w/RPO 697)
—	—	2	2003786	BACK—settee upper (complete) (SOA) (w/RPO 698)

FURNISHINGS

KEY	230	260	PART NUMBER
-----	-----	-----	-------------

**28.152 SIDE FACING SETTEE/DOUBLE BED AND REAR DINING TABLE
(Cont.)**

-	-	1	2024767	SEAT—settee (complete) (SOA) (w/RPO 641)
-	-	2	2003783	SEAT—settee (complete) (SOA) (w/RPO 681)
-	-	1	2030939	SEAT ASSY.—settee (complete) (SOA) (w/RPO 685)
-	-	2	799267	SEAT—settee (complete) (SOA) (w/RPO 697)
-	-	2	2003787	SEAT—settee (complete) (SOA) (w/RPO 698)
-	2	4	796796	REST—arm. (w/RPO 690)
-	2	4	796797	REST—arm. (w/RPO 692)
-	2	4	796798	REST—arm. (w/RPO 693)
-	2	4	796799	REST—arm. (w/RPO 695)
-	2	-	796800	REST—arm. LH (w/RPO 690)
-	2	-	797152	REST—arm. LH (w/RPO 692)
-	2	-	797153	REST—arm. LH (w/RPO 693)
-	2	-	797154	REST—arm. LH (w/RPO 695)
-	-	1	-	PANEL—settee lower RH/LH (see group 28.176)
-	-	2	791984	ANCHOR—settee seat, rear (aluminum angle) (w/790306)
-	-	1	791985	ANCHOR—settee seat, front (aluminum angle) (w/790306)
-	-	4	700368	RIVET—settee front anchor (LH) (grip range .437)
-	2	2	796318	LINKAGE ASSY.—settee, rear RH-side front & LH side rear (prior to 1975)
-	2	2	796323	LINKAGE ASSY.—settee, rear LH side rear & RH side front (prior to 1975)
-	1	1	715468	TABLE—rear dining (w/RPO 690)
-	1	1	715469	TABLE—rear dining (w/RPO 692, 693, 695)
-	-	1	796717	TABLE ASSY.—rear dining (incl. table & upper support cap only) (vehicles built prior to June 21, 1976) (w/RPO 681, 697)
-	-	1	2001350	TABLE ASSY.—rear dining (incl. table & upper support cap only) (w/RPO 641, 698) (walnut)
-	-	1	2001350	TABLE ASSY.—rear dining (incl. table & upper support cap only) (w/RPO 697) (vehicles built after June 21, 1976)
-	AR	AR	716807	T—MOULDING—rear dining table (prior to 1975)
-	-	1	796795	LEG—rear table (eff. w/1975)
-	1	1	715575	SUPPORT—rear dining table (leg) (prior to 1975)
-	1	1	715470	CAP—lower table support (leg)
-	-	1	799257	MECHANISM ASSY.—settee, LH (linkage) (SOA) (eff. w/1975)
-	-	1	799258	MECHANISM ASSY.—settee, RH (linkage) (SOA) (eff. w/1975)
-	-	4	799268	SPRING—linkage (eff. w/1975)
-	-	4	799262	GRIPS—release, plastic (eff. w/1975)
-	-	4	2003762	BUTTON—pivot (5/8") (w/RPO 681)
-	-	8	799263	BUTTON—pivot (5/8") (w/RPO 685)
-	-	4	799263	BUTTON—pivot (5/8") (w/RPO 697)
-	-	4	2003768	BUTTON—pivot (5/8") (w/RPO 698)
-	-	16	2024758	BUTTON (2 3/4") (w/RPO 641)
-	-	32	2003764	BUTTON—strap (2 3/4") (w/RPO 681)
-	-	8	799265	BUTTON—pivot (2 3/4") (w/RPO 685)
-	-	32	799265	BUTTON—strap (2 3/4") (w/RPO 697)
-	-	32	2003770	BUTTON—strap (2 3/4") (w/RPO 698)

28.154 CLOSURE—HEATER

-	-	1	791848	CLOSURE—rear heater (LH) (52 3/4" x 18" x 5") (rosewood) (trim panel) (w/RPO 681, 697) (vehicles built prior to June 21, 1976)
-	-	1	2008299	CLOSURE—rear heater (LH) (rosewood) (trim panel) (w/RPO 683)
-	-	1	2000329	CLOSURE ASSY.—rear heater (52 3/4" x 18" x 5") (walnut) (trim panel) (w/RPO 641, 681, 685, 697 & 698) (exc./ZEO6584) (LH) (vehicles built after June 21, 1976)
-	-	1	2014618	CLOSURE ASSY.—rear heater (trim panel) (w/RPO 641 & w/ZEO6584) 697, 698) (ref. only)
-	-	2	NPN	BRACKET—heater closure to car line (eff. w/1975) (ref. 792171) (make locally)
-	-	1	2240368	BRACKET—heater closure to MG box (eff. w/1975) (repl. 792169, 2000762)
-	AR	AR	2013358	BOARD—particle, service (.50 x 48.0 x 96.0") (rosewood grain)
-	AR	AR	2013359	BOARD—particle, service (.50 x 48.0 x 96.0") (walnut grain)

FURNISHINGS

KEY	230	260	PART NUMBER	
-----	-----	-----	-------------	--

28.155 LOCKER—BEDDING

—	—	1	791849	LOCKER ASSY.—bedding (w/RPO 681, 697) (53.75 lg. x 17.75) (rosewood) (vehicles built prior to June 21, 1976)
—	—	1	2000330	LOCKER ASSY.—bedding (w/RPO 641, 681, 685, 697, 698) (53.75 lg. x 17.75) (walnut) (vehicles built after June 21, 1967)
—	2	2	715762	HINGE—bed locker (prior to 1975)
—	—	2	715760	HINGE ASSY.—bed locker (eff. w/1975)
—	—	1	791850	HANDLE—flush, pull ring (brass) (eff. w/1975)
—	AR	AR	2013358	BOARD—particle service (.50 x 48.0 x 96.0") (rosewood grain)
—	AR	AR	2013359	BOARD—particle, service (.50 x 48.0 x 96.0") walnut grain)

28.156 BED—PERMANENT

NOTE: " + " indicates not serviced, for reference only. See Group 28.180 for raw material coverings.

—	1	—	+	715746	ATTRESS—permanent bed (w/RPO 690)
—	1	—	+	715747	MATTRESS—permanent bed (w/RPO 692)
—	1	—	+	715748	MATTRESS—permanent bed (w/RPO 693)
—	1	—	+	715749	MATTRESS—permanent bed (w/RPO 695)
—	—	1	+	715713	MATTRESS—permanent bed (w/RPO 690)
—	—	1	+	715714	MATTRESS—permanent bed (w/RPO 692)
—	—	1	+	715715	MATTRESS—permanent bed (w/RPO 693)
—	—	1	+	715716	MATTRESS—permanent bed (w/RPO 695)

28.158 BED—TWIN

—	—	1	2013223	BOLSTER—(pillow) back, rear RH (w/RPO BRV & 641)
—	—	1	2007791	BOLSTER—(pillow) back, rear RH (w/RPO BRV & 683)
—	—	1	2013229	BOLSTER—(pillow) back, rear RH (w/RPO BRV & 697)
—	—	1	2013241	BOOSTER—(pillow) back, rear RH (w/RPO BRV & 698)
—	—	1	2013222	BOLSTER—(pillow) back, rear LH (w/RPO BRV & 641)
—	—	1	2007792	BOLSTER (pillow) back, rear LH (w/RPO BRV & 683)
—	—	1	2013228	BOLSTER—(pillow) back, rear LH (w/RPO BRV & 697)
—	—	1	2013240	BOLSTER—(pillow) back, rear LH (w/RPO BRV & 698)
—	—	4	2013220	BOLSTER—(pillow) back, side (w/RPO BRV & 641)
—	—	4	2007793	BOLSTER (pillow) back, side (w/RPO BRV & 683)
—	—	4	2013226	BOLSTER—(pillow) back, side (w/RPO BRV & 697)
—	—	4	2013234	BOLSTER—(pillow) back, side (w/RPO BRV & 698)
—	—	1	2013219	CUSHION ASSY.—LH, seat (w/RPO 641)
—	—	1	2006628	CUSHION ASSY.—LH, seat (w/RPO 683)
—	—	1	2013225	CUSHION ASSY.—LH, seat (w/RPO 697)
—	—	1	2013231	CUSHION ASSY.—LH, seat (w/RPO 698)
—	—	1	2013217	CUSHION ASSY.—RH, seat (w/RPO 641)
—	—	1	2006632	CUSHION ASSY.—RH, seat (w/RPO 683)
—	—	1	2013224	CUSHION ASSY.—RH, seat (w/RPO 697)
—	—	1	2013230	CUSHION ASSY.—RH, seat (w/RPO, 698)
—	—	1	2008059	SUPPORT ASSY.—LH, twin bed (frame) (w/ZEO6582)
—	—	1	2008144	SUPPORT ASSY.—RH, twin bed (frame) (w/ZEO6582)
—	—	1	2014903	SUPPORT ASSY.—LH twin bed (frame) (w/ZEO 6584)
—	—	1	2014905	SUPPORT ASSY.—RH twin bed (frame) (w/ZEO 6584)
—	—	1	2009457	BRACKET—support, twin bed

28.160 BED—GAUCHO/DOUBLE

NOTE: " + " indicates not serviced, for reference only. See Group 28.180 for raw material coverings.

—	1	1	+	715709	CUSHION—back (w/RPO 690)
—	1	1	+	715730	CUSHION—seat (w/RPO 690)
—	1	—	+	715742	CUSHION—utility seat (w/RPO 690)
—	—	1	+	715797	CUSHION—utility seat (w/RPO 690)
—	1	1	+	715710	CUSHION—back (w/RPO 692)
—	1	1	+	715731	CUSHION—seat (w/RPO 692)
—	1	—	+	715798	CUSHION—utility seat (w/RPO 692)
—	—	1	+	715743	CUSHION—utility seat (w/RPO 692)

FURNISHINGS

KEY	230	260	PART NUMBER	
-----	-----	-----	-------------	--

28.160 BED—GAUCHO/DOUBLE (Cont.)

-	1	1	+	715711	CUSHION—back (w/RPO 693)
-	1	1	+	715732	CUSHION—seat (w/RPO 693)
-	1	-	+	715799	CUSHION—utility seat (w/RPO 693)
-	-	1	+	715744	CUSHION—utility seat (w/RPO 693)
-	1	1	+	715712	CUSHION—back (w/RPO 695)
-	1	1	+	715733	CUSHION—seat (w/RPO 695)
-	1	-	+	715800	CUSHION—utility seat (w/RPO 695)
-	-	1	+	715745	CUSHION—utility seat (w/RPO 695)
-	-	1	+	723355	CUSHION—back (w/RPO 696)
-	-	1	+	723357	CUSHION—seat (w/RPO 696)
-	-	1	+	723358	CUSHION—utility seat (w/RPO 696)
-	-	1	+	723359	CUSHION—bed locker side (w/RPO 696)
-	-	1	+	723360	CUSHION—utility side (w/RPO 696)
-	3	3		NS	HINGE—gaucho seat (piano hinge) (ref. 715471)
-	1	1		715762	HINGE—reinforcement, gaucho seat
-	2	2		NS	BRACKET—roller mounting, gaucho seat (ref. 717363)
-	2	2		717364	ROLLER—gaucho seat

28.162 DRESSER—REAR

-	-	1	2008045	DRESSER ASSY.—rear (w/RPO 683) (w/ZEO6582)
-	-	1	2014891	DRESSER ASSY.—rear (w/RPO 641, 697, 698) (w/ZEO6584)
-	-	1	2018493	DRAWER ASSY.—rear upper SOA (w/RPO 641, 697, 698) (w/ZEO6584)
-	-	1	2018492	DRAWER ASSY.—rear lower SOA (w/RPO 641, 697, 698) (w/ZEO6584)
-	-	1	791192	SLIDE ASSY.—drawer (w/RPO 641, 697, 698) (w/ZEO6584)
-	-	4	791193	GUIDE—drawer (w/RPO 641, 697, 698) (w/ZEO6584)
-	-	6	-	BUMPER—drawer (w/RPO 641, 697, 698) (w/ZEO6584) (ref. 791657) (proc. loc.)
-	-	1	2018494	DOOR—rear dresser (w/RPO 641, 697, 698) (w/ZEO6584)
-	-	2	799288	BRACKET—dresser support
-	-	AR	2006744	DRAWER—(14.12" x 3.50" x 18.50) (w/RPO 683) (w/ZEO6582)
-	-	AR	2006746	DRAWER—(17.12" x 5.25" x 18.50) (w/RPO 683) (w/ZEO6582)
-	-	AR	2006747	KIT—drawer mtg. (RPO 683) (w/ZEO6582)

28.164 CLOSET—BROOM/VACUUM SWEEPER

NOTE: " + " indicates not serviced, for reference only. See Group 28.180 for raw material coverings. (items marked w/asterisk are part of refrigerator modul)

-	-	1	2028110	RACK ASSY.—glass & spice (w/RPO ENT) (eff. w/1978)	
-	-	4	-	SCREW—glass & spice rack mounting (ref. 145135) (proc. loc.) (8-18 x 5/8) (round head slotted tapping)	
-	-	1	+	715755	DOOR—broom and vacuum closet (green) (w/RPO 690)
-	-	1	+	715756	DOOR—broom and vacuum closet (gold) (w/RPO 692, 695)
-	-	1	NPN	DOOR—broom and vacuum closet (blue) (w/RPO 693) (procure locally)	
-	-	1	* 2018498	DOOR—broom and vacuum closet (w/RPO 681, 697) (w/ZEO6581) (rosewood)	
-	-	1	* 2018491	DOOR—broom and vacuum closet (w/RPO 641, 697, 698) (std.) (w/ZEO6584) (walnut) (16.41" x 36.90")	
-	-	1	2026146	DOOR—broom and vacuum closet (w/RPO 641, 681, 697, 698) (w/ZEO6581) (walnut)	
-	-	1	715758	HINGE—door, broom and vacuum closet (piano hinge)	
-	-	3	* 797220	HINGE—broom closet door (eff. w/1975) (repl. 791678)	
-	-	1	790358	LATCH ASSY.—broom closet door (eff. w/1975) (First Design)	
-	-	1	* 2000392	LATCH ASSY.—broom closet door (push type) (eff. w/1975) (Second Design)	
-	-	1	790096	LATCH—broom closet retainer (eff. w/1975)	
-	-	1	715759	LATCH—door, broom and vacuum closet (prior to 1975)	
-	-	1	715763	STRIKER—latch, broom and vacuum closet door (prior to 1975)	
-	-	1	790097	STRIKER—broom closet door (eff. w/1975)	
-	-	1	2234775	EXTINGUISHER ASSY.—(incl. Strap & Bracket) (repl. 791178)	
-	-	12	* 797216	SCREW—hinge, broom closet door	
-	-	10	* 797217	SCREW—hinge, access door	

FURNISHINGS

KEY 230 260 PART NUMBER

28.168 MODULE—REFRIGERATOR

NOTE: " + " indicates not serviced, for reference only. See Group 28.180 for raw material coverings.

-	-	1	2000332	MODULE ASSY.—refrigerator (walnut) (w/RPO 641, 681, 685, 697, 698) (w/ZEO6581) (vehicles built after June 21, 1976) (prior to 1978) (incl. respective item marked with asterisk)
-	-	1	2029349	MODULE ASSY.—refrigerator (walnut) (w/RPO 641, 685, 697, 698) (w/ZEO6581) (eff. w/1978)
-	-	1	2013588	MODULE ASSY./—refrigerator (walnut) (w/RPO 641, 697, 698) (w/ZEO6584) (std.) (ref. only) (includes respective items marked with asterisk)
-	-	1	791826	MODULE ASSY.—refrigerator (Rosewood) (w/RPO 681, 697) (w/ZEO6581) (ref. only) (vehicles built prior to June 21, 1976) (includes respective items marked with asterisk)
-	-	1	2008039	MODULE ASSY.—refrigerator (rosewood) (w/RPO 683) (w/ZEO6582) (includes respective items marked with asterisk) (ref. only)
-	AR	AR	+ NS	DOOR—top and bottom access (w/RPO 690, 692, 693, 695, 696)
-	-	2	* 2018489	DOOR—cabinet, refrigerator, top access (11.68" x 14.12") (plain) (rosewood) (w/RPO 683) (w/ZEO6582)
-	-	2	* 2018490	DOOR—cabinet, refrigerator, top access (11.68" x 14.12") (plain) (walnut) (w/RPO 641, 697, 698) (std.) (w/ZEO6584)
-	-	2	* 2018488	DOOR—cabinet, refrigerator bottom access (11.68" x 13.50") (plain) (rosewood) (w/RPO 683) (w/ZEO6582)
-	-	2	* 2018487	DOOR—cabinet, refrigerator bottom access (11.68" x 13.50") (plain) (walnut) (w/RPO 641, 697, 698) (std.) (w/ZEO6584)
-	-	2	* 2025498	DOOR—cabinet, refrigerator, bottom access (w/RPO 641, 681, 697, 698) walnut (w/ZEO6581)
-	1	1	795614	DOOR—cabinet, refrigerator, bottom access (24.58" x 15.42") (carved) (w/RPO 692, 693, 695, 696)
-	1	1	795618	DOOR—cabinet, refrigerator, bottom access (22.74" x 15.44") (carved) (w/RPO 692, 693, 695, 696)
-	-	1	* 2018497	DOOR—Cabinet, refrig. bottom access (rosewood) (w/RPO 681, 697) (w/ZEO6581) (RH & LH)
-	1	-	795615	DOOR—cabinet, refrigerator, top (22.69" x 12.80") (carved) (w/RPO 692, 693, 695)
-	-	1	795616	DOOR—cabinet, refrigerator, top (22.69" x 12.80") (carved) (w/RPO 692, 693, 695, 696)
-	1	-	795617	DOOR—cabinet, refrigerator, top (16.56" x 15.44) (carved) (w/RPO 692, 693, 695)
-	-	1	795619	DOOR—cabinet, refrigerator, top (22.74" x 15.44") (carved) (w/RPO 692, 693, 695, 696)
-	AR	AR	+ NS	PANEL—insert, refrigerator trim (w/RPO 690, 692, 693, 695)
-	-	1	780093	PANEL—insert, refrigerator trim (top) (w/RPO 681, 697, 698) (exc./ZEO6584)
-	-	1	-	PANEL—insert, refrigerator trim (top) (w/RPO 641) (exc./ZEO6584) (make locally) (ref 2009883)
-	-	1	-	PANEL—insert, refrigerator trim (bottom) (w/RPO 641) (exc./ZEO6584) (make locally) (ref 2009882)
-	-	1	2014307	PANEL—trim refrigerator (w/RPO 641, & ZEO6584)
-	-	1	2014308	PANEL—trim refrigerator (w/RPO 697, 698 & ZEO6584)
-	-	1	790094	PANEL—insert, refrigerator trim (bottom) (w/RPO 681, 697, 698) (exc./ZEO6584)
-	-	1	2007918	PANEL—insert, refrigerator trim (w/RPO 683)
-	-	1	* 790898	PANEL—refrigerator accent (w/RPO 681, 697, 698) (exc./ZEO6584)
-	AR	AR	716805	MOULDING—bulkhead to wall (25' roll, CTL)
-	-	2	715760	HINGE—refrigerator, upper access door w/6 cu. ft. all electric (prior to 1975)
-	2	2	715761	HINGE—refrigerator, bottom access door (prior to 1975)
-	-	1	* 797218	HINGE—lower door (RH) (bronze) (eff. w/1975) (prior to interm 1977)
-	-	1	* 797219	HINGE—lower door (LH) (bronze) (eff. w/1975) (prior to interm 1977)
-	-	1	2024881	HINGE—lower door (RH/LH) (eff. w/interm 1977)
-	-	4	* 2006749	HINGE—door LH refrigerator (eff. w/1977) (antique copper)
-	-	4	* 2006748	HINGE—door RH refrigerator (eff. w/1977) (antique copper)
-	-	1	* 791699	CATCH ASSY.—refrigerator module lower door (eff. w/1975) (prior to 1977)
-	-	4	2026184	CATCH ASSY.—door (eff. w/1977)

FURNISHINGS

KEY	230	260	PART NUMBER	
-----	-----	-----	-------------	--

28.168 MODULE—REFRIGERATOR (Cont.)

—	AR	AR	711466	LATCH—refrigerator cabinet access door
—	—	2	2029465	SEAL—refrigerator module lower vent
—	—	1	2029464	SEAL—refrigerator module upper vent
—	—	1	791965	INSULATION—refrigerator module
—	—	4	* 790098	BRACKET—retainer, refrigerator
—	—	1	790096	RETAINER—latch, door (eff. w/1975)
—	—	3	*	HINGE—broom closet door (see group 28.164)
—	—	1	—	LATCH—door (see group 28.164)
—	—	1	—	STRIKER—door (see group 28.164)
—	—	4	* NS	BUMPER—door (procure locally)
—	—	1	791818	BRACKET—mounting, module (eff. w/1975)
—	—	2	* 799288	BRACKET—mounting, module (eff. w/1975) (repl. 791817)
—	—	2	—	SCREW—refrigerator to retainer (ref. 9414717)
—	—	4	* 2436162	WASHER—mounting bracket
—	—	12	*	SCREW—hinge, broom closet door (see group 28.164)
—	—	10	*	SCREW—hinge, access door (see group 28.164)
—	—	4	—	BRACKET—mtg., refrigerator (make locally) (ref. 2008936) (w/ZEO6582)
—	—	8	2000322	SCREW—bracket—, refrigerator mtg. (w/ZEO6582, ZEO6584)
—	AR	AR	* 2013358	BOARD—particle, service (.50 x 48.0 x 96.0) (rosewood grain)
—	AR	AR	2013359	BOARD—particle, service (.50 x 48.0 x 96.0) (walnut grain)
—	—	1	2010595	SEAL—refrigerator module (w/ZEO6584)
—	—	1	9686320	STRAP—entrance door assist handle
—	—	2	9685807	COVER—entrance door assist handle

NOTE: Asterisk (*) indicates part of above Module

28.172 MODULE—BATHROOM

NOTE: " + " indicates not serviced, for reference only. See Group 28.180 for raw material coverings.

—	—	1	791822	MODULE ASSY.—bath (w/RPO 681, 697) (ref. only) (includes items marked with asterisk) (vehicles built prior to June 21, 1976)
—	—	1	2000331	MODULE ASSY.—bath (w/RPO 681, 685, 697) (ref. only) (exc./ZEO6584) (vehicles built after June 21, 1976) (prior to 1978) (includes respective items marked with asterisk)
—	—	1	2000331	MODULE ASSY.—bath (w/RPO 641, 698) (ref. only) (exc./ZEO6584) (prior to 1978) (includes respective items marked with asterisk)
—	—	1	2030660	MODULE ASSY.—bath (w/RPO 641, 685, 697, 698) (w/ZEO6581) (1978) (includes respective items marked with asterisk)
—	—	1	2008037	MODULE ASSY.—bath & shower (w/RPO 683) (ref. only)
—	—	1	2014621	MODULE ASSY.—bath & shower (w/ZEO6584 & w/RPO 641, 697, 698) (ref. only)

NOTE: Bath module assemblies 2008037 & 2014621 include the following item only.

—	—	1	2041238	SINK—bath vanity top
—	1	1	716842	DOOR ASSY.—bath (w/RPO 690) (repl. 715495)
—	1	1	+ 716843	DOOR ASSY.—bath (w/RPO 692, 693, 695, 696) (repl. 715496)
—	—	1	* 790350	DOOR ASSY.—bath (w/RPO 681, 697) (exc./ZEO6584) (vehicles built prior to June 21, 1976)
—	—	1	* 2000374	DOOR ASSY.—bath (w/681, 697) (exc./ZEO6584) (vehicles built after June 21, 1976)
—	—	1	* 2000374	DOOR ASSY.—bath (w/RPO 641, 698) (exc./ZEO6584)
—	—	1	2008968	DOOR ASSY.—bath (w/ZEO6582)
—	—	1	* 2025491	PANEL—front (w/ZEO6581) (1978)
—	—	1	* 2025492	PANEL—LH (w/ZEO6581) (1978)
—	—	1	790377	STOP—door, bath (at galley)
—	1	1	* 2003710	LATCH—bath door (repl. 711465, 716120)
—	1	1	716121	STRIKER—bath door latch (w/2003710 latch)
—	3	3	* 715492	HINGE—bath door
—	1	1	* 794994	TRACK—shower curtain (above sink) (repl. 717351)
—	2	2	—	DOOR—vanity cabinet (w/RPO 690) (procure locally)
—	2	2	—	DOOR—vanity cabinet (w/RPO 693) (procure locally)

FURNISHINGS

KEY 230 260 PART NUMBER

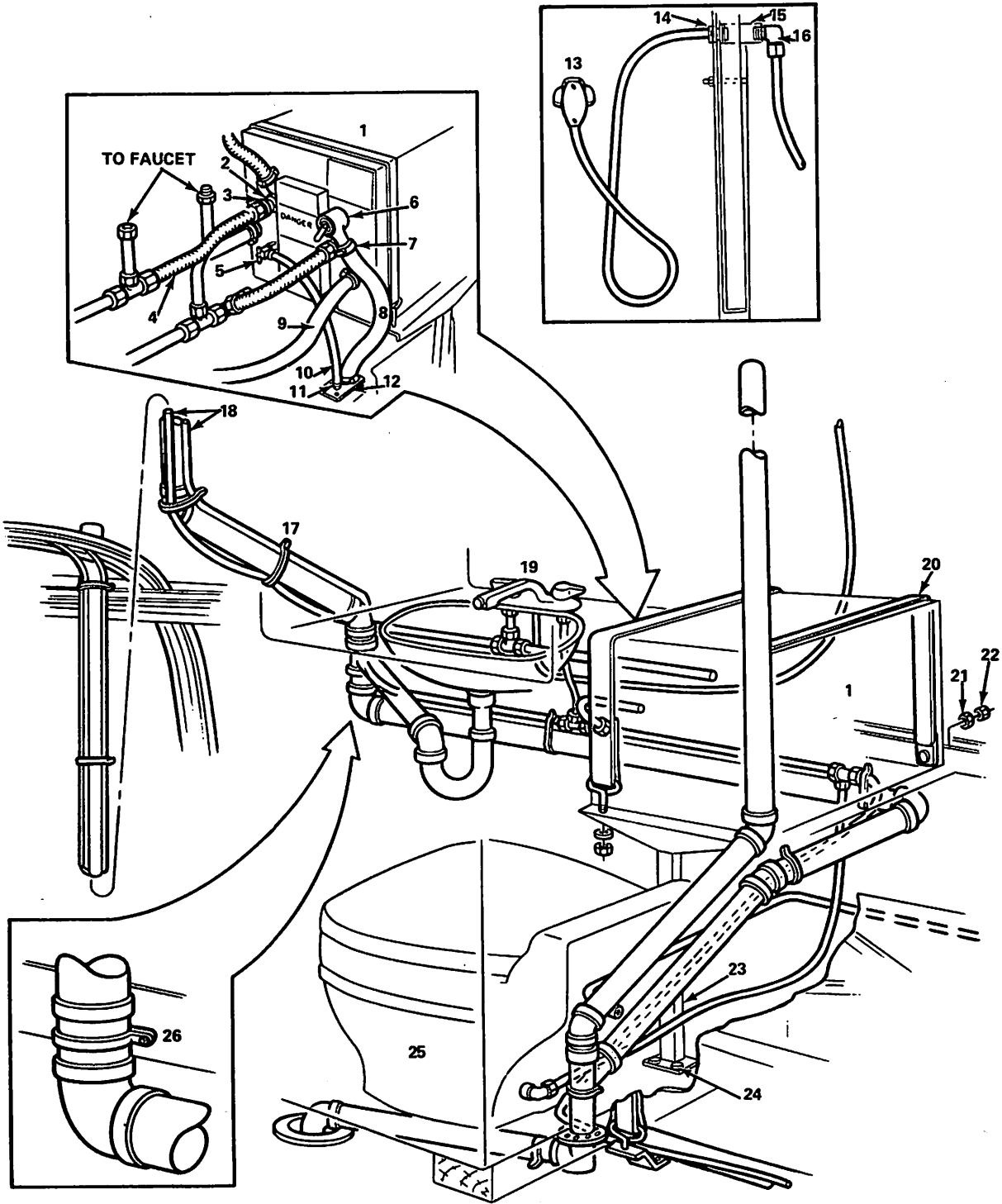
28.172 MODULE—BATHROOM (Cont.)

-	-	1	791174	DOOR—vanity cabinet (gold) (16.50" x 12.31") (w/RPO 681, 692, 695, 697) (exc./ZEO6584)
-	-	2	2000328	DOOR—vanity cabinet (apple green) (16.50" x 12.31") (w/RPO 698) (exc./ZEO6584)
-	-	2	2007607	DOOR—vanity cabinet (burnt orange) (16.88" x 11.12") (w/RPO 641, 683 & ZEO6582, ZEO6584)
-	-	2	2018410	DOOR—vanity cabinet (burnt orange) (16.50" x 12.31") (w/RPO 641 & ZEO6581) (eff. w/1977)
-	-	2	2014309	DOOR—vanity cabinet (gold) (16.88" x 11.12") (w/RPO 697 & ZEO6584)
-	-	2	2014306	DOOR—vanity cabinet (apple green) (16.88" x 11.12") (w/RPO 698 & ZEO6584)
-	-	2	2027937	DOOR—vanity cabinet (w/RPO 685)
-	-	1	791844	LINER—vanity cabinet (plastic) (below sink) (tissue holder attaches to part)
-	-	2	* 791173	FRAME ASSY.—medicine and vanity cabinet
-	-	4	791194	SLIDE—insert/medicine and vanity cabinet (plastic)
-	-	24	-	RIVET—vanity (ref. 791191)
-	1	1	NS	STOP—sink (procure locally)
-	1	1	717355	STRAINER—shower (incl. grid)
-	1	1	* 715497	HANDLE—pull, bath door
-	AR	AR	716805	MOULDING—bulkhead to wall (25' roll, CTL)
-	AR	AR	715544	SEAL ASSY.—bath door (25' roll, CTL) (ref. only) (incl. next (2) items)
-	-	2	* 791916	SEAL—door (extruded vinyl) (eff. w/1975) (69 12")
-	-	2	* 790869	RETAINER—door (aluminum) (eff. w/1975)
-	-	1	* 791242	MOULDING—drip bath door
-	1	1	* 715539	MOULDING—bath door, frame upper
-	1	1	* 715540	MOULDING—bath door, frame lower
-	2	2	-	MIRROR—medicine cabinet (procure locally)
-	1	1	-	STOP—bath module door (procure locally)
-	-	1	* 791683	CABINET—medicine (eff. w/1975)
-	1	1	718816	CURTAIN—shower (white) above bath door
-	-	2	791756	CURTAIN—shower (gold) (w/RPO 681, 697)
-	-	2	NPN	CURTAIN—shower (w/RPO 641) (ref. 2010793) (procure locally)
-	-	2	2000327	CURTAIN—shower (w/RPO 698)
-	-	2	2027434	CURTAIN—shower (w/RPO 685)
-	-	1	NPN	CURTAIN—shower (w/RPO 683)(ref. 2006775) (procure locally)
-	1	1	* 794995	TRACK—shower curtain, (above bath door) (repl. 717858)
-	AR	AR	* 715498	SLIDE—shower curtain
-	2	2	* 715473	END—shower curtain, above bath door
-	8	8	* 717857	RIVET—shower curtain, above bath door
-	-	1	* 790357	INSERT ASSY.—incomplete bath module (fiberglass construction) (w/ZEO6081 & ZEO6581 only)
-	-	1	* 2030659	INSERT ASSY.—incomplete bath module (fiberglass construction) (w/2030660 bath module only)
-	-	2	792166	BRACKET—bath module to roof support
-	-	3	-	BUMPER—door and drawer (procure locally)
-	-	1	* 790342	RING ASSY.—towel holder
-	-	1	* 790340	BAR ASSY.—towel
-	-	1	790341	HOLDER ASSY.—tissue
-	-	1	-	INSULATION—shower drain trap (procure locally) (ref. 2003560)
-	-	5	-	SCREW—drip moulding to door (8—18 x 1/2") (procure locally) (ref. 9425795)
-	-	2	NPN	BRACKET—bath module to roof support (ref. 2000552) (make locally)
-	-	2	2000001	BRACKET—bath/shower module to roof (w/ZEO6582, ZEO6584)
-	-	1	2007608	CABINET—vanity, bath module (w/ZEO6582, ZEO6584)
-	-	1	2006750	BRACKET—base, corner bath (w/ZEO6582)
-	AR	AR	2013358	BOARD—particle, service (.50 x 48.0 x 96.0") (rosewood grain)
-	AR	AR	2013359	BOARD—particle, service (.50 x 48.0 x 96.0") (walnut grain)

FURNISHINGS

NOTES

FURNISHINGS



28P-5002

28.172D PLUMBING -- BATHROOM MODULE

FURNISHINGS

KEY	230	280	PART NUMBER	
-----	-----	-----	-------------	--

28.172D PLUMBING—BATHROOM MODULE

1	1	1	—	HEATER ASSY.—water (see group 28.034)
2	2	2	191032	NIPPLE—tank
3	2	2	455946	REDUCER
4	2	2	791190	PIPE ASSY.—outlet, hot water (copper) (prior to 1977)
5	1	1	—	VALVE—drain (.34 full thread) (procure locally) (ref. 148344)
6	1	1	2489388	NIPPLE
7	1	1	2468869	CLAMP—hot water tank
8	AR	AR	9433154	HOSE—overflow .500 special bulk (25' roll) (CTL)
9	AR	AR	8885560	HOSE—preheat. (50' roll) (CTL) (repl. 482434)
10	AR	AR	2224567	HOSE—drain (39" length) (CTL)
11	2	2	2468869	CLAMP—water drain (repl. 2494772)
12	1	1	790058	BULKHEAD ASSY.—water drain (prior to 1978)
12	1	1	2036598	BULKHEAD ASSY.—water drain (1978)
12	1	1	791238	GASKET—water drain
13	1	1	—	SHOWER ASSY.—(complete) (see group 28.060)
14	—	1	9427747	NIPPLE—check valve to shower hose (eff. w/ 1975)
14	—	1	2002696	SEAL—nipple to module
15	—	2	796778	VALVE ASSY.—shower supply tube (check) (eff. w/ 1975)
16	—	1	796779	ELBOW—check valve (1/2" NPT male 90") (eff. w/ 1975)
17	—	AR	1324714	CLIP—band (25' roll, CTL) (repl. 8877970)
18	—	1	790337	PIPE ASSY.—water (eff. w/ 1975) (w/out ZEO6582)
18	—	1	2006650	PIPE ASSY.—water (w/ZEO6582)
19	1	1	—	FAUCET ASSY.—bath sink (see group 28.062)
20	2	2	791080	STRAP ASSY.—tank (w/707465 tank)
21	2	2	9418304	WASHER—strap
22	2	2	9417954	NUT—strap
23	1	1	791082	SUPPORT ASSY.—(w/707465 tank)
23	1	1	2005633	SUPPORT ASSY.—(w/2005305 tank) (exc./ZEO6582, ZEO6584)
23	—	2	2009813	SUPPORT—hot water tank (V-shaped) (w/ZEO6582, ZEO6584)
24	1	1	3718496	WASHER—support screw
24	2	2	—	SCREW—support (Proc. Loc.) (ref. 9422176)
25	1	1	—	TOILET ASSY.—aqua magic (see gr. 28.068)
26	AR	AR	791156	CLIP—pipe
—	—	1	—	BRACKET—hoses to floor (make locally) (ref. 2005069)
—	1	1	8885553	SERVICE KIT—preheat hose (prior to 1975) (incl. next [7] items)
—	4	4	1470030	CLAMP—hose
—	2	2	2003222	HOSE
—	2	2	705144	GROMMET
—	2	2	9414723	SCREW
—	2	2	2317218	GROMMET
—	1	1	2003216	BRACKET
—	4	4	2003223	NIPPLE
—	—	1	8885554	SERVICE KIT—preheat hose (eff. w/ 1975) (includes next [7] items)
—	—	4	1470030	CLAMP—hose
—	—	2	2003222	HOSE
—	—	2	2003217	GROMMET
—	—	2	700368	RIVET—blind
—	—	4	2317218	GROMMET
—	—	1	2003216	BRACKET
—	—	4	2003223	NIPPLE
—	—	1	2020896	DRAIN ASSY.—shower (1978)
—	—	1	—	WASHER—shower drain (procure locally) (1978)
—	—	1	2020888	NUT—shower & sink drain flange (1978)
—	—	1	—	PIPE ASSY.—sanitary RH & LH (procure locally) (1978)
—	—	1	2020881	DRAIN ASSY.—bath sink (1978)
—	—	1	—	NUT—bath sink flange (procure locally) (ref. 2020890) (1978)
—	—	1	—	WASHER—bath sink nut (procure locally) (ref. 2020883) (1978)
—	—	1	—	PLUG ASSY.—bath sink drain (procure locally) (ref. 2020884) (1978)
—	—	1	2034457	SEAL—bath sink drain (1978)
—	—	1	780052	ADAPTER—bath sink drain to holding tank (1978)
—	—	1	3876138	O—RING—bath sink drain adapter seal (1978)
—	—	1	798356	TUBE ASSY.—bath sink faucet (1978)
—	—	1	2034647	TEE—bath sink faucet tube (1978)
—	—	1	2034656	TUBE ASSY.—bath sink to water pump (50.12" lg.) (1978)

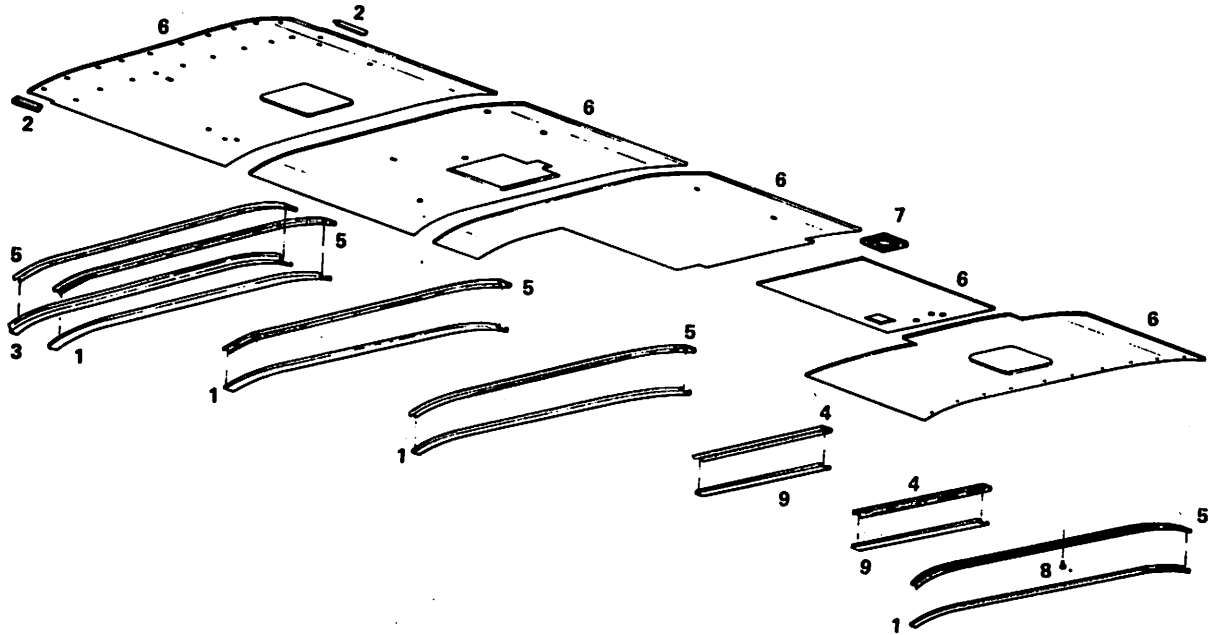
FURNISHINGS

KEY	230	260	PART NUMBER
-----	-----	-----	-------------

28.172D PLUMBING—BATHROOM MODULE (Cont.)

—	—	1	2034657	TUBE ASSY.—bath sink to water pump (52.50" lg.) (1978)
—	—	1	2034648	ADAPTER—bath faucet to water pump tube (1978)
—	—	1	2034674	ADAPTER—bath faucet to water pump tube (1978)
—	—	1	2034645	TEE—bath sink to water pump (1978)
—	—	1	—	COCK—drain bath faucet to water pump (procure locally) (1978)
—	—	1	8877861	SLEEVE—drain cock ball (1978)
—	—	1	2034666	TUBE ASSY.—hot water cross over (1978)
—	—	1	2034651	TUBE ASSY.—hot water to bath sink faucet (1978)
—	—	1	2034663	TUBE ASSY.—bath sink to shower head (1978)
—	—	1	2034654	TUBE ASSY.—hot water tank (1978)
—	—	1	455946	REDUCER—hot water tank tube (1978)
—	—	1	2034670	ADAPTER—hot water tank cold water inlet (1978)
—	—	1	2034652	TUBE ASSY.—hot water tank fill (1978)
—	—	1	719839	NIPPLE—toilet drain (1978)
—	—	1	2020888	NIPPLE—toilet drain (1978)
—	—	1	2020899	FLANGE—toilet to bath module (1978)
—	—	1	2008139	COVER—shower drain trap (w/ZEO6582, ZEO6584)
—	—	1	2008138	COVER—shower drain trap (exc./ZEO6582, ZEO6584)
—	—	2	2008147	GROMMET — engine to hot water supply and return hose thru floor

FURNISHINGS



28P-34

KEY	230	260	PART NUMBER
-----	-----	-----	-------------

28.174 CEILING PANELS AND MOULDING (exc. /ZE06582, ZE06584)

-	1	1	791829	MOULDING—front privacy/divider drape track (ref. 715543)
1	AR	AR	715542	MOULDING—ceiling, white (1" wide x 71.46" long)
2	-	2	791195	MOULDING—edge, front (eff. w/1975)
3	-	1	791829	MOULDING—ceiling, privacy curtain (plastic) (eff. w/1975)
4	-	AR	792173	RETAINER—ceiling and wall moulding, 5 slots, 34" long (eff. w/1975)
5	-	5	792172	RETAINER—ceiling panel moulding, 10 slots, 70" long (eff. w/1975)
-	AR	AR	-	PANEL—ceiling, white upson board (.165 thick) (173" x 137") (prior to 1975) (ref 718008) (procure locally)
-	AR	AR	-	PANEL—rear side, white upson board (.165 thick) (173" x 137") (prior to 1975) (ref. 718008) (procure locally)
-	1	1	718007	PANEL—ceiling, moulded fiberglass, hallway between bath and closet (prior to 1975)
-	-	1	2027968	PANEL—ceiling (72.75" x 50.90") (CTL) (1978)
6	-	1	8885551	PANEL—ceiling (72.75" x 50.90") (CTL) (eff. w/1975) (prior to 1978)
6	-	1	2027968	PANEL—ceiling, No. 1 (w/RPO 685) (eff. w/1977)
6	-	1	2027967	PANEL—ceiling, No. 2 (w/RPO 685) (eff. w/1977)
7	-	AR	-	ADHESIVE—foam insulation (procure locally) (ref. 8860955)
8	-	1	-	SCREW—retainer (8—18 x 3/8) (procure locally)
9	-	AR	693837	MOULDING—ceiling (68.80") (CTL)
-	-	10	716846	RIVET—retainer (eff. w/1975)

FURNISHINGS

KEY 230 260 PART NUMBER

28.174E CEILING PANELS AND MOULDING (w/ZEO6582, ZEO6584)

—	—	AR	8885578	PANEL—interior trim (service blank) (48" x 74", CTL)
—	—	1	2008351	MOULDING—edge, front panel
—	—	AR	8885564	MOULDING—headliner retainer (6' CTL) (between No. 1 panel and driver compartment panel, between No. 3 & 4 panels, and to the rear of panel No. 5) (w/out ZEO6584)
—	—	AR	NS	MOULDING—head liner retainer (12' CTL) (between No. 1 & 2 panel, between No. 2 & 3 panel, and between No. 4 & 5 panels) (exc./ZEO6584) (ref. 8885576)
—	—	AR	715542	MOULDING—headliner retainer (71.46" lg.) (w/ZEO6584)
—	—	AR	792172	RETAINER—roof trim moulding (70.00" lg.) (w/10-.188 x .562 oval slots) (w/ZEO6584)
—	—	4	2008215	INSERT—moulding, headliner (exc./ZEO6584)

28.176 PANELS—SIDE AND MOULDING

NOTE: " + " indicates not serviced, for reference only. See Group 28.180 for raw material coverings.

—	AR	AR	2004742	MOULDING—front to end cap (white) (roof rail trim) (3.66" x 10'8" CTL) (repl. 716806, 790872) (exc./ZEO6582)
—	—	AR	8885563	MOULDING—front to end cap (white) (roof rail trim) (3.66" x 12' CTL) (w/ZEO6582, ZEO6584)
—	—	60	3722217	CLIP—moulding, front to end cup (eff. w/Serial No. 6V100878)
—	AR	AR	715541	MOULDING—side upson board to end cap
—	—	2	792290	RETAINER—moulding, ceiling and wall, 3 slots, 9—5" long (eff. w/1975)
—	AR	AR	791837	MOULDING—entrance door (goes around door jam) (white) (86", CTL) (repl. 717026)
—	—	1	790059	MOULDING—entrance door carpet (eff. w/1975) (extruded aluminum) ("H")
—	—	2	2004720	MOULDING—upper to lower wall panel (1/4" division) (44.50") (extruded aluminum) ("H") (eff. w/1975) (repl. 792179)
—	—	1	2004721	MOULDING—upper to lower wall panel (1/4" division) (3.75") (eff. w/1975) (repl. 792178)
—	—	AR	792182	MOULDING—"H" lower wall (rosewood vinyl wrap) (w/RPO 683) (vehicles built prior to June 21, 1976)
—	—	AR	2001116	MOULDING—"H" lower wall (walnut) (w/RPO 697) (vehicles built after June 21, 1976)
—	AR	AR	723654	MOULDING—"H", paneling (teak) (w/RPO 692, 693, 695, 696)
—	AR	AR	723655	MOULDING—"H", paneling (birch) (w/RPO 690)
—	—	AR	2001116	MOULDING—"H", lower wall (walnut) (w/RPO 641, 698)
—	—	1	2007415	MOULDING—"H", upper to lower wall panel (103.38" CTL) (chrome like finish) (w/ZEO6582, ZEO6584)
—	—	1	2004719	MOULDING—"H", upper to lower wall panel (horizontal) (w/ZEO6582, ZEO6584)
—	—	1	2007973	MOULDING—"H", upper to lower wall panel (w/ZEO6584) (92.18" CTL)
—	—	1	2007416	MOULDING—"H", upper to lower wall (w/ZEO6584) (64.46" CTL)
—	—	1	2010334	PANEL—settee, lower LH trim (w/RPO 641)
—	—	1	794548	PANEL—settee, lower LH trim (w/RPO 681)
—	—	1	2027550	PANEL—settee, lower LH trim (w/RPO 685)
—	—	1	792154	PANEL—settee, lower LH trim (w/RPO 697)
—	—	1	2000657	PANEL—settee, lower LH trim (w/RPO 698)
—	—	1	2010335	PANEL—settee, lower RH trim (w/RPO 641)
—	—	1	2000658	PANEL—settee, lower RH trim (w/RPO 698)
—	—	1	792153	PANEL—settee, lower RH trim (w/RPO 697)
—	—	1	794551	PANEL—settee, lower RH trim (w/RPO 681)
—	—	1	2027551	PANEL—settee lower RH trim (w/RPO 685)
—	—	1	2010343	PANEL ASSY.—dinetto side trim (fabric covered) (w/RPO 641)
—	—	1	790322	PANEL ASSY.—dinetto side trim (fabric covered) (w/RPO 697)
—	—	1	794541	PANEL ASSY.—dinetto side trim (fabric covered) (w/RPO 681)
—	—	1	2000653	PANEL ASSY.—dinetto side trim (fabric covered) (w/RPO 698)
—	—	1	2010343	PANEL ASSY.—dinetto side trim (fabric covered) (w/RPO 641)
—	—	1	2010332	PANEL ASSY.—rear trim (below center window) (w/RPO 641)
—	—	1	790307	PANEL ASSY.—rear trim (below center window) (w/RPO 697)
—	—	1	794546	PANEL ASSY.—rear trim (below center window) (w/RPO 681)

FURNISHINGS

KEY	230	260	PART NUMBER	
28.176 PANELS—SIDE AND MOULDING (Cont.)				
—	—	1	2027553	PANEL ASSY—rear trim (below center window) (w/RPO 685)
—	—	1	2000655	PANEL ASSY—rear trim (below center window) (w/RPO 698)
—	—	1	2010333	PANEL—rear trim lower center (floor to trim cushion) (w/RPO 641)
—	—	1	2013216	PANEL ASSY—trim, love seat (w/RPO 641)
—	—	1	2024086	PANEL ASSY—trim, love seat (w/RPO 683)
—	—	1	2013210	PANEL ASSY—trim, love seat (w/RPO 697)
—	—	1	2013213	PANEL ASSY—trim, love seat (w/RPO 698)
—	—	1	794550	PANEL—rear trim, lower center (floor to trim cushion) (w/RPO 681)
—	—	1	2027552	PANEL—rear trim, lower center (floor to trim cushion) (w/RPO 685)
—	—	1	2000656	PANEL—rear trim, lower center (floor to trim cushion) (w/RPO 698)
—	—	1	792152	PANEL—rear trim, lower center (floor to trim cushion) (w/RPO 697)
—	1	1	715583	PANEL—accent, rear interior trim (w/RPO 690)
—	1	1	715584	PANEL—accent, rear interior trim (w/RPO 692)
—	1	1	715586	PANEL—accent, rear interior trim (w/RPO 693)
—	1	1	715588	PANEL—accent, rear interior trim (w/RPO 695)
—	—	1	2004718	MOULDING—LH, upper to lower wall panel (14 1.50" x 1.25") (extruded aluminum) (repl. 792180)
—	—	1	2004719	MOULDING—upper to lower wall panel (74.25" long) (extruded aluminum section) (repl. 792181)
—	AR	AR	8885551	PANEL—interior upper trim (bottom of window line up) (72 75" x 50.90", CTL) (Service blank) (exc./ZEO6582, ZEO6584)
—	AR	AR	8885578	PANEL—interior upper trim (bottom of window line up) (48" X 74", CTL) (Service blank) (w/ZEO6582, ZEO6584)
—	AR	AR	8885580	PANEL—interior lower trim (bottom of window line down) (also used on entrance door) 48" x 48", CTL (service blank) (rosewood) (w/RPO 681, 683, 697) (vehicles built prior to June 21, 1976)
—	—	AR	8885579	PANEL—interior lower trim (bottom of window line down) (also used on entrance door) (48" x 48", CTL) (service blank) (walnut) (w/RPO 641, 697, 698) (vehicles built after June 21, 1976)
—	—	1	2007946	PANEL—side, upper (galley) (42.90 x 38.32) (repl. 791760)
—	—	1	2007940	PANEL—side, upper (galley) (12.06 x 3 42) (exc./ZEO6582, ZEO6584) (repl. 791811)
—	AR	AR	2007941	PANEL—side upper (galley window) (12.06" x 2.00") (repl. 791812)
—	1	1	+ 717680	PANEL—front entrance door (w/RPO 690) (Procure locally)
—	1	1	+ 717681	PANEL—front entrance door (w/RPO 692, 693, 695, 696) (Procure locally)
—	AR	AR	+ 723652	PANEL—side, teak (4' x 8') (w/RPO 692, 693, 695, 696)
—	AR	AR	+ 723653	PANEL—side, birch (4' x 8') (w/RPO 690)
28.180 WOOD AND CUSHION COVERING				
—	1	1	8885498	TEXTOLITE—wood covering (gold) (30" x 60" x .051" thick)
—	1	1	8885499	TEXTOLITE—wood covering (green) (30" x 60" x .051" thick)
—	1	1	8885501	TEXTOLITE—wood covering (teak) (3' x 10' x .062" thick) (repl. 8885500)
—	1	1	8885503	TEXTOLITE—wood covering (white) (4' x 8' x .062" thick) (repl 8885502)
—	1	1	8885505	TEXTOLITE—wood covering (light blue) (30" x 60" x .051" thick)
—	1	1	8885513	VINYL—wood covering (teak) (3 yd. x 48")
—	1	1	8885515	VINYL—wood covering (black) (3 yd. x 55")
—	1	1	—	VINYL—wood covering (white) (3 yd. x 56") (procure locally) (ref. 8885516) (used for overhead cabinet end pads)
—	1	1	8885517	VINYL—wood covering (gold) (3 yd. x 55")
—	1	1	8885519	VINYL—wood covering (light blue) (3 yd. x 55")
—	1	1	NS	FABRIC—cushion cover (yellow/solid) (54" x 3 yd.) (ref. 8885487)
—	1	1	8885488	FABRIC—cushion cover (orange/solid) (54" x 3 yd.)
—	1	1	8885489	FABRIC—cushion cover (green/floral) (54" x 3 yd.)
—	1	1	8885490	FABRIC—cushion cover (gold/floral) (54" x 3 yd.)
—	1	1	8885491	FABRIC—cushion cover (blue/solid) (54" x 3 yd.)
—	1	1	8885492	FABRIC—cushion cover (blue/floral) (54" x 3 yd.)
—	1	1	8885493	FABRIC—cushion cover (gold/solid) (54" x 3 yd.)
—	1	1	NS	FABRIC—cushion cover (yellow/solid vinyl) (54" x 3 yd.) (ref. 8885494)
—	AR	AR	2037497	FABRIC—cushion (saffron) (54" x 3 yd.) (w/RPO 641)
—	—	AR	8885557	FABRIC—cushion (dundee gold, plaid) (54" x 3 yd.) (w/RPO 681)
—	—	AR	8885596	FABRIC—cushion (dundee gold, solid) (54" x 3 yd.) (w/RPO 681)
—	1	1	8885497	FABRIC—cushion cover (crushed velvet) (54" x 3 yd.) (w/RPO 696)
—	—	AR	8885545	FABRIC—cushion (sandstone brahmin) (54" x 3 yd.) (w/RPO 697)

FURNISHINGS

KEY	230	260	PART NUMBER
-----	-----	-----	-------------

28.180 WOOD AND CUSHION COVERING (Cont.)

-	-	AR	8885558	FABRIC—cushion (green plaid) (54" x 3 yd.) (w/RPO 698)
-	-	AR	8885559	FABRIC—cushion (lime green plain) (54" x 3 yd.) (w/RPO 698)
-	AR	AR	2032695	FABRIC—cushion (stripe) (54" x 3 yd.) (transmode)
-	AR	AR	2032696	FABRIC—cushion (orange) (54" x 3 yd.) (transmode)
-	AR	AR	2032697	FABRIC—cushion (buckskin) (54" x 3 yd.) (transmode)

NUMERICAL INDEX

PART NO.	GROUP NO.	PART NO.	GROUP NO.	PART NO.	GROUP NO.	PART NO.	GROUP NO.	PART NO.	GROUP NO.
034896	7.026	142414	11.008	331543	23.107	391095	12.020	399964	8.005
103319	7.043	142414	11.006	331545	23.107	391116	8.006	400056	12.020
103319	14.002D	142431	4.025	331545	23.107	391208	8.006	400084	8.005
103319	28.046A	142450	7.013	334961	4.025	391294	6.002	400117	8.005
103319	28.044J	142456	28.048	334961	4.030	391366	26.025	400133	8.005
103319	28.044H	142456	28.049	334961	17.045	391448	8.005	400761	8.015
103319	28.046B	148406	26.020	335551	28.130	392190	8.005	400912	6.012
103319	28.046B	157166	7.003	335551	28.050	392995	8.006	400944	1.006
103319	28.046B	159582	28.046C	337846	6.010	393129	1.001	401024	19.006
103319	28.046B	159908	28.046A	340409	7.070	393129	1.002	401026	19.006
103319	28.046B	159908	28.046A	344803	7.042	393130	1.002	401026	1.004
103319	28.046B	179793	28.046B	346383	4.005	393130	1.001	401170	6.002
103320	28.046A	189355	23.065	350433	4.030	393131	1.001	401247	17.050
103320	28.046A	189850	23.090	356135	7.042	393131	1.002	401365	8.027
103320	28.046A	190254	14.002	358375	6.010	393170	16.002	401366	8.027
103320	28.044K	191032	28.172D	358375	6.002	393171	16.002	401384	8.006
103320	28.044	192478	19.010	359402	19.001	393573	8.006	401479	8.006
103320	28.044	203002	28.054B	366408	7.080	393722	8.006	401823	8.006
103320	28.046	219758	28.051	367111	7.038	394018	8.006	401853	1.001B
103320	28.044G	219758	28.130	374217	16.030	394382	1.010	401854	1.001B
103320	4.005	219758	28.051A	380252	8.006	394382	1.010	401855	1.001B
103321	4.005	219758	14.001	380253	8.006	394545	8.015	402116	1.010
103321	4.005	230379	1.002	380254	8.006	394777	1.006	402720	12.007
103321	28.044D	230380	1.002	380628	8.005	395038	1.010	402720	6.002
103321	28.044	230781	1.001	381263	8.005	395039	1.010	402905	1.001
103321	28.044J	230908	8.005	381700	26.035	395043	1.010	403192	8.006
103321	28.044B	230908	8.005	381700	26.035F	395283	7.091	403286	23.050
103321	28.044D	231058	1.002	381700	26.035F	395921	8.005	403286	23.050F
103321	28.046A	231110	8.005	382157	8.027	396484	7.074	403287	23.050F
103321	28.046A	231111	8.005	382160	8.027	397209	7.029	403287	23.050
103321	28.046C	231112	8.005	382570	8.005	397224	26.025	403288	23.050
103321	28.046A	231113	8.005	382572	8.005	397224	14.002D	403288	23.050F
103321	14.002	231114	8.005	382663	8.005	397224	14.010	403410	8.041
103321	19.006	231115	8.005	382709	8.008	397436	1.001	403410	8.41H
103328	16.002	231116	8.005	382802	26.025	397441	1.001C	403417	17.001
103329	19.010	231117	8.005	382880	8.005	397442	1.001C	403708	1.001
103329	28.046	231118	8.005	382881	8.005	397443	1.001C	403902	8.005
103374	4.005	231285	1.001	382888	8.005	397444	1.001C	404024	17.001
103385	16.002	231285	1.002	382892	8.005	397445	1.001C	404087	8.41H
103385	1.010	231285	1.002	382897	12.007	397446	1.001C	404095	7.076
103387	1.010	231288	1.002	382926	8.005	397447	1.001C	404234	16.040
103387	16.002	231288	1.001	382927	8.005	397448	1.001C	404400	1.001
103387	16.002	231343	4.025	383038	8.006	397449	1.001C	404400	1.002
103387	16.002	231421	8.005	383379	8.005	397450	1.001C	404561	6.012
105189	28.110	231429	8.005	383524	8.006	397451	1.001C	404561	6.012
105195	28.110	231430	8.005	384472	8.005	397452	1.001C	404563	6.012
105507	28.110	231462	6.012	385076	26.035	397453	1.001C	404633	8.006
117219	28.030	231465	8.006	385076	26.035F	397454	1.001C	404898	8.006
120217	28.046A	231467	8.001	385099	8.005	397455	1.001C	405025	26.025
120217	28.046A	231469	8.001	385204	8.006	397456	1.001C	405368	17.001
120217	28.046B	231472	8.006	385283	8.006	397457	1.001C	405600	8.004
120217	28.046B	231726	8.005	387445	8.006	397458	1.001C	405866	8.005
120361	28.046B	231887	6.012	387582	26.025	397459	1.001C	406026	8.41H
120376	28.051	231896	8.001	387803	8.027	397466	1.001	406026	8.041
120376	4.005	231925	8.005	387897	12.030	397470	1.002	406026	17.050
120377	7.026	237492	23.070M	388049	8.005	397470	1.001	406595	8.006
120391	28.046B	258779	16.002	388057	8.005	397473	1.001	406965	1.010
120394	28.046A	271166	23.065	388218	7.091	397474	1.001	406996	8.006
120394	12.030	271184	23.117	388708	8.005	397476	1.006	407086	1.001
120394	16.055	271187	8.041	388708	8.006	397477	1.006	407086	1.002
120394	4.005	271187	8.41H	389098	1.010	397478	1.001	407086	1.002
120394	28.046B	271630	8.005	389271	1.010	397479	1.001	407103	8.006
120395	28.046C	274233	28.023	389273	1.010	397752	1.002	407109	1.001
120499	14.002D	274453	7.031	389750	8.005	397752	1.001	407228	23.050
120588	7.091	274613	17.001	389790	19.006	397770	1.002	407999	6.002
120622	28.046B	274765	6.016	389791	19.006	397770	1.001	408174	12.001
121743	12.001	274905	23.065	389791	1.003	397772	1.001	408228	6.002
121801	28.046A	278383	14.002	389798	8.027	397772	1.002	408237	7.072
122158	28.046B	302722	14.002D	389942	8.009	397859	8.005	408239	16.035
122158	28.046A	318477	8.026	389948	17.001	397933	8.027	408332	8.015
122158	28.046	325053	7.085	389948	1.006	398295	8.005	408500	17.045
124543	16.060	325653	6.010	389957	4.025	398438	8.005	408658	16.030
124818	28.044B	325822	23.042	390145	7.029	398446	8.005	408911	8.041
124926	28.045B	326178	23.050F	390146	7.029	398650	1.002	408911	8.41H
125267	16.002	326178	23.050	390299	8.005	398650	1.001	408956	12.020
131014	28.046A	326178	7.045	390300	8.005	398668	16.055	408956	12.020
134551	28.046B	326179	7.045	390301	8.005	398682	26.025	409037	8.006
134551	28.046B	326179	23.050F	390302	8.005	398687	8.006	409041	8.006
134551	28.046B	326179	23.050	390303	8.005	398924	26.025	409042	8.006
138473	23.007	327220	12.001	390403	8.015	399394	6.012	409065	1.010
138530	7.026	330423	23.065	390494	1.006	399406	16.055	409076	8.006
140271	23.065	330485	23.065	390919	8.005	399423	8.006	409076	8.026
142223	1.001	331543	23.107	390980	8.005	399423	7.029	409190	16.040

NUMERICAL INDEX

PART NO.	GROUP NO.	PART NO.	GROUP NO.	PART NO.	GROUP NO.	PART NO.	GROUP NO.	PART NO.	GROUP NO.
409217	7.091	415629	8.006	480773	7.001	556623	8.005	668290	23.040
409217	7.091	415899	12.040	482420	26.040	556626	8.001	668290	23.006
409308	14.010	415899	12.040	482434	26.040	556627	8.001	669171	28.128
409494	4.030	415899	17.050	486546	6.010	556629	8.006	671305	7.085
409494	4.005	415899	8.006	486902	23.080	556690	7.029	671791	23.007
409527	7.074	415899	8.006	491392	7.070	556691	7.029	673499	7.070
409609	7.036	415899	17.050	494883	7.070	556693	7.029	673499	7.070
409609	7.036H	415899	8.006	495279	12.040	556859	8.006	674904	7.091
409609	7.035	415899	8.41H	497853	8.006	556879	8.009	674904	7.091
409609	7.033	415899	17.050	507295	8.041	556926	8.006	674904	12.001
409609	7.034	415899	8.041	507295	8.41H	556927	8.006	676543	7.091
409609	7.032	415899	7.070	513975	8.005	556931	8.006	676543	26.040
409729	1.002	416074	8.041	537485	4.002	557238	8.027	676543	26.035F
409794	7.091	416074	8.41H	550169	6.012	557240	8.006	676543	6.016
409806	8.005	416085	8.41H	550180	4.002	557460	7.029	676543	26.025
409807	6.012	416102	8.004	550208	7.038	557864	8.001	676543	12.001
409936	8.41H	416373	1.010	550210	8.015	557866	8.006	676543	26.040
409936	8.041	416519	12.020	550212	4.025	557869	8.001	676543	7.042
409988	8.041	416542	8.001	550352	8.015	561032	8.001	676543	28.051
410335	16.055	416616	8.006	550394	12.020	561033	8.001	676543	28.042
410353	7.029	417141	8.005	550528	6.002	568738	8.005	678651	26.035F
410354	7.029	417142	8.005	550528	6.002	579237	8.027	678651	26.035
410363	26.020	417143	16.055	550622	12.040	580517	7.085	680310	28.051A
410401	1.010	417224	1.010	550622	8.041	583095	6.012	680310	28.051
410760	7.029	417235	8.006	550622	8.41H	583105	8.041	680401	26.040
410791	6.012	417236	17.050	550622	8.041	583105	8.41H	680401	16.045
410807	6.002	417292	8.005	550623	8.41H	585582	8.027	680401	26.025
410958	6.002	417733	7.038	550624	8.41H	585792	1.006	681190	23.090
410999	8.005	417794	8.001	550624	8.041	585927	8.005	681441	12.010
411226	8.006	418203	8.006	550636	8.006	585927	8.006	683102	7.001
411349	1.006	418352	1.010	551273	8.006	587509	8.005	683653	7.004
411372	6.002	418694	8.001	551459	8.006	587574	12.030	684169	12.030
411380	8.015	419047	12.040	551460	8.006	587575	12.030	684380	23.110
411383	6.002	419048	8.005	552708	8.006	588526	8.005	686991	12.010
411385	6.002	419302	8.006	553402	8.006	588527	8.005	687802	12.030
411391	6.002	419454	16.035	553403	8.006	610163	23.100	688801	23.015
411445	8.041	419700	12.040	553404	8.006	610603	23.005	688802	23.045
411456	12.030	419713	16.055	553405	8.006	648281	7.013	688803	23.015
411525	7.072	419801	12.040	553406	8.006	651978	6.016	688804	23.015
411584	8.006	419801	8.006	553408	8.006	652036	7.090	688804	23.015
411685	8.006	419926	8.041	553409	8.006	652628	14.002	688807	23.015
411685	8.006	419926	8.41H	553410	8.006	652628	14.002	688808	23.015
411734	8.006	419948	8.015	553412	8.006	652628	14.002	688811	23.026
411736	12.020	427043	8.026	553723	26.025	652629	14.002	688814	23.025
411970	8.006	433114	8.009	554581	8.006	652629	28.051	688816	23.025
412296	1.010	442335	4.025	554640	16.035	652629	28.051	688817	23.025
412297	1.010	442336	4.030	554832	8.006	652632	14.002	688821	23.026
412501	12.040	444012	28.051	555142	8.005	652632	14.002	688821	23.025
412501	8.006	444024	28.060	555197	8.006	652632	14.008	688823	23.026
412610	8.005	444024	17.050	555198	12.007	652632	14.008	688823	23.025
412620	8.006	444040	28.051A	555214	12.040	653296	8.026	688823	23.025
412664	4.005	444040	14.008	555287	26.025	653296	23.100	688823	23.026
412665	4.005	444040	14.002	555288	26.025	655605	7.078H	688823	23.026
413032	8.015	444044	28.034J	555377	16.055	657520	7.091	688825	23.026
413037	8.006	444044	28.034	555378	16.055	657522	7.091	688825	23.025
413069	8.006	444134	28.051A	555379	16.055	657558	7.091	688827	23.026
413096	8.006	444134	28.051	555469	7.038	657558	16.045	688828	23.025
413096	8.005	444134	28.051	555479	8.005	657558	7.091	688830	23.026
413158	8.006	444148	14.002D	555665	8.006	657558	12.001	688830	23.025
413195	8.006	444148	7.070	555679	8.005	657558	7.091	688831	23.025
413196	8.006	444612	17.001	555698	16.055	657558	4.002	688831	23.026
413468	26.025	444614	14.008	555698	8.006	657558	12.001	688832	23.026
413473	8.006	444614	14.002D	555699	12.020	657558	12.001	688832	23.025
413473	7.070	444619	8.005	555704	12.020	657558	7.091	688834	23.025
413516	1.010	444620	14.002	555745	1.006	657558	7.091	688836	23.115
413584	7.074	444626	28.051	555940	8.015	657558	7.091	688841	23.025
413585	7.072	444688	14.010	556263	8.006	657558	7.074	688842	23.025
413585	17.050	446161	28.051B	556265	8.005	657558	7.038	688843	23.025
413610	8.001	446161	23.044	556266	8.005	657558	14.002	689344	23.065
413683	1.010	452193	12.001	556267	8.005	657558	28.023F	689604	23.065
413683	1.010	454408	7.031	556268	8.005	657558	28.023	689606	23.065
413755	12.001	455313	1.001	556269	8.005	657558	28.130	689607	23.070M
413783	8.005	455561	7.074	556270	8.005	657922	14.008	689607	23.070
413898	7.070	455862	17.006	556271	8.005	657922	14.008	689607	23.072
413899	12.001	455946	28.172D	556272	8.005	657922	14.008	689607	23.066
413903	8.006	455946	28.034	556273	8.005	659629	28.051A	689607	23.071
413914	8.015	456652	7.025	556282	8.006	665880	7.037	689607	23.073
413975	1.002	457050	1.001	556283	6.012	665884	7.037	689607	23.074
414072	8.006	457051	1.001	556291	8.005	666138	28.030	689608	23.060
414091	8.041	457234	19.010	556292	8.005	666138	12.030	689610	23.025
414091	8.41H	471209	23.065	556293	8.005	667636	12.001	689610	23.025
414123	8.006	479314	8.041	556479	8.006	667636	12.001	689611	23.025
414318	19.006	479314	8.41H	556484	17.050	668290	28.110	689618	23.065

NUMERICAL INDEX

PART NO.	GROUP NO.	PART NO.	GROUP NO.	PART NO.	GROUP NO.	PART NO.	GROUP NO.	PART NO.	GROUP NO.
689620	23.070	691943	4.002	694606	14.001	698109	23.045	699753	19.001
689620	23.070M	691944	4.002	694606	14.002	698109	23.045	699754	19.001
689621	23.073	691944	11.002	694606	14.002D	698109	23.045	699780	12.010
689621	23.074	691945	4.002	694946	7.070	698110	23.045	699789	12.001
689622	23.072	691963	4.002	695376	8.041	698116	23.005	699861	19.001
689622	23.071	691965	4.002	695498	7.003	698121	23.045	699861	23.110
689623	23.073	691966	4.002	695499	7.001	698122	23.025	699861	11.008
689623	23.071	692249	8.041	695633	12.001	698122	23.026	699894	12.001
689623	23.070M	692323	4.005	695636	12.001	698125	23.005	699895	23.090
689623	23.066	692327	4.005	695642	12.001	698126	23.005	700094	4.001
689623	23.070	692328	4.005	695648	12.001	698127	23.005	700096	4.001
689623	23.072	692340	14.001	695661	12.001	698128	23.080	700097	4.001
689623	23.074	692363	12.030	695662	12.001	698128	23.090	700133	23.115
689624	23.074	692466	4.005	695663	12.001	698128	23.090	700133	23.117
689624	23.073	692860	16.020	695690	23.050	698130	23.025	700138	23.090
689625	23.070	692860	16.002	695691	23.050	698132	23.005	700139	23.090
689625	23.070M	692943	8.012	695693	23.050	698136	23.005	700139	11.002
689632	23.065	693061	17.045	695693	23.050F	698139	23.015	700226	19.008
689635	23.072	693068	17.045	695696	23.050	698140	23.068	700368	7.078
689635	23.071	693123	17.045	695697	7.042	698141	23.069	700368	23.025
689636	23.070	693124	17.045	695698	23.050	698142	23.068	700368	23.010
689637	23.071	693143	12.030	695699	23.050	698143	23.069	700368	23.025
689637	23.072	693144	12.030	695700	23.080	698144	23.068	700368	23.026
689638	23.070	693145	12.030	695701	23.080	698145	23.069	700368	23.107
689639	23.073	693146	12.030	695793	12.001	698146	23.069	700368	23.044
689639	23.074	693149	12.030	695895	7.042	698146	23.068	700368	23.044
689640	23.074	693150	12.030	695895	7.045	698148	23.068	700368	23.060
689640	23.073	693153	12.030	696075	12.001	698149	23.069	700368	23.045
689645	26.040	693154	1.010	696092	23.110	698170	23.045	700368	23.007
689649	23.065	693155	1.010	696143	23.050	698173	23.045	700368	23.045
689650	23.065	693207	7.074	696144	7.003	698175	26.040	700368	23.005
689878	6.002	693207	23.110	696145	7.003	698177	23.100	700368	23.045
689921	6.016	693207	7.074	696146	23.010	698178	23.100	700368	23.045
689922	6.016	693207	8.41H	696147	23.025	698183	23.026	700368	23.043
691084	6.002	693207	4.007	696147	23.026	698183	23.025	700368	23.040
691087	6.002	693207	8.041	696148	23.025	698184	23.005	700368	28.172D
691605	23.015	693207	12.001	696148	23.026	698185	23.005	700368	23.080
691606	23.067	693207	17.045	696149	23.060	698186	23.100	700368	26.035F
691607	23.067	693208	17.045	696150	23.060	698188	23.045	700368	26.040
691608	23.026	693761	23.110	696154	23.080	698189	23.045	700368	26.035
691610	23.026	693762	23.110	696155	23.025	698197	23.045	700368	26.035
691610	23.025	693837	28.174	696157	23.026	698198	23.045	700368	28.051B
691611	23.025	693849	7.085	696157	23.025	698199	23.045	700368	28.152
691611	23.025	693849	7.085	696160	23.045	698200	23.045	700368	28.051B
691611	23.026	693868	4.025	696172	23.045	698251	4.030	700368	28.051
691611	28.134	693868	4.030	696172	23.045	698251	4.025	700433	26.035
691612	23.025	693869	4.030	696173	16.030	698252	4.025	700436	7.074
691613	23.025	693870	4.030	696173	16.035	698252	4.030	700446	16.002
691613	23.025	693873	4.030	696174	16.035	698294	12.001	700566	11.006
691614	23.026	693874	4.030	696174	16.030	698319	28.034	700566	11.008
691615	23.026	693875	4.025	696175	16.030	698454	12.001	700588	11.008
691615	23.025	693876	4.025	696177	16.030	698507	14.003	700612	4.001
691620	23.005	693877	4.025	696179	23.025	698622	8.041	700613	4.001
691621	23.010	693974	11.006	696186	7.001	698637	12.001	700745	11.006
691622	23.010	693975	11.008	696187	7.001	698779	12.001	700752	12.001
691623	23.010	694001	23.025	696198	23.045	699019	7.020	700819	23.005
691627	23.005	694003	23.025	696199	23.045	699065	7.074	700830	19.006
691628	23.005	694009	23.005	696218	7.090	699095	12.001	700831	19.006
691629	23.006	694010	23.005	696498	12.001	699104	23.100	700858	23.090
691629	23.005	694029	23.065	697067	16.002	699111	23.100	700875	6.002
691630	23.006	694030	23.045	697068	16.002	699111	7.042	700880	23.080
691630	23.005	694031	23.045	697069	16.002	699112	23.100	700881	23.080
691631	23.005	694032	23.065	697208	7.045	699113	23.100	700955	7.090
691632	23.025	694033	23.026	697208	7.042	699115	23.100	700955	7.070
691633	23.025	694034	23.026	697216	7.045	699116	23.100	700959	23.110
691634	23.045	694035	23.025	697216	7.042	699118	23.100	700994	7.070
691635	23.025	694036	23.025	697225	7.042	699118	7.042	700994	7.070
691636	23.026	694036	23.025	697225	7.045	699211	7.074	700994	7.042
691641	23.025	694037	23.025	697403	12.001	699225	14.001	701093	12.030
691643	23.045	694038	23.026	697653	23.110	699288	6.002	701096	14.001
691646	23.045	694039	23.026	697654	11.008	699605	7.043	701122	7.090
691649	23.070	694040	23.040	697654	23.110	699633	7.042	701142	7.085
691649	23.067	694041	23.040	697654	19.001	699633	7.045	701165	7.001
691650	23.067	694042	23.040	697656	19.001	699634	7.042	701211	7.013
691698	23.025	694043	23.040	697664	26.040	699634	7.045	701212	23.110
691841	6.002	694045	23.050	697774	6.002	699635	7.045	701215	7.080
691866	4.002	694050	7.020	697788	23.005	699635	7.042	701215	7.070
691867	4.002	694262	7.013	697789	23.005	699636	7.042	701241	23.043
691907	11.002	694300	8.012	698101	23.045	699636	7.045	701271	4.030
691908	11.002	694442	8.012	698102	23.045	699695	23.110	701295	23.117
691909	11.002	694446	8.012	698107	23.045	699696	23.110	701295	23.115
691910	11.002	694533	8.012	698107	23.045	699714	11.008	701335	28.045
691943	11.002	694606	12.001	698109	23.045	699714	19.001	701345	23.115

NUMERICAL INDEX

PART NO.	GROUP NO.	PART NO.	GROUP NO.	PART NO.	GROUP NO.	PART NO.	GROUP NO.	PART NO.	GROUP NO.
701345	23.117	702068	28.068	702736	28.070	703797	7.035	703844	28.028
701346	23.115	702069	28.068	702737	28.070	703797	7.034	703845	28.028
701354	23.045	702070	28.070	702738	28.070	703797	7.032	703845	28.029B
701366	23.115	702075	28.068	702739	28.070	703797	7.036	703846	28.028
701367	23.050	702076	28.068	702740	28.070	703797	7.033	703846	28.029B
701367	23.080	702078	28.068	702741	28.070	703801	28.029	703847	28.028
701383	12.001	702086	28.060	702742	28.070	703802	28.028	703848	28.028
701400	23.115	702087	28.060	702743	28.070	703803	28.028A	703848	28.029B
701400	23.117	702088	28.060	702744	28.070	703803	28.029	703849	28.028
701405	23.107	702089	28.060	702745	28.070	703804	28.029B	703849	28.028A
701406	23.005	702090	28.060	702746	28.070	703804	28.029	703850	28.028A
701411	23.005	702125	23.050	702747	28.070	703805	28.029	703850	28.028
701417	23.065	702202	8.026	702748	28.070	703806	28.028A	703851	28.028
701417	23.130	702230	23.140	702749	28.070	703806	28.028	703852	28.028
701418	23.025	702245	14.001	702750	28.070	703806	28.029	703864	23.100
701419	23.026	702246	14.001	702751	28.070	703807	28.029	703974	23.026
701420	23.026	702247	23.140	702789	26.040	703807	28.028A	703974	23.025
701421	23.026	702248	23.140	702789	26.025	703807	28.028	703974	23.026
701421	23.026	702249	23.140	702790	26.025	703808	28.028	703974	23.026
701421	23.026	702250	23.140	702795	7.070	703808	28.029	704056	19.006
701421	23.026	702251	23.140	702795	7.042	703809	28.029	704057	23.005
701421	23.026	702303	23.043	702821	23.040	703809	28.028	704058	23.005
701421	23.026	702305	23.043	702849	23.073	703809	28.028A	704076	23.025
701422	23.026	702306	23.043	702850	23.074	703810	28.029	704076	23.026
701431	23.045	702309	23.043	702851	23.072	703810	28.029B	704152	28.057
701432	23.045	702309	23.043	702852	23.071	703813	28.029A	704153	28.057
701433	23.045	702309	23.043	702853	23.066	703814	28.029	704161	23.107
701435	23.045	702348	23.043	702854	23.070	703814	28.028	704207	23.006
701436	23.045	702350	4.005	702874	26.025	703815	28.028	704237	26.035
701439	23.045	702357	16.045	702894	23.090	703815	28.029	704238	26.035
701439	23.045	702363	7.029	702989	23.025	703815	28.028A	704239	26.035
701441	23.007	702378	23.005	703037	23.005	703816	28.028A	704240	26.035
701441	23.005	702383	8.026	703046	23.073	703816	28.029	704241	26.035
701446	23.005	702389	16.045	703047	23.074	703816	28.028	704253	26.035
701447	23.005	702481	22.002	703048	23.072	703817	28.028	704270	26.035
701486	23.107	702482	22.002	703049	23.071	703817	28.029	704302	4.001
701515	12.001	702502	23.065	703050	23.066	703818	28.029	704341	23.070M
701534	23.117	702516	23.066	703069	23.045	703819	28.028A	704341	23.069
701535	23.117	702524	1.010	703101	23.070	703819	28.028	704341	23.072
701536	23.117	702525	1.010	703110	23.075	703819	28.029	704341	23.073
701537	23.115	702531	23.005	703235	23.045	703820	28.029B	704341	23.071
701537	28.144	702550	8.026	703319	16.020	703820	28.029	704341	23.066
701538	28.144	702554	26.035	703320	16.020	703821	28.029	704341	23.074
701538	23.115	702555	26.035	703321	16.020	703821	28.029B	704341	23.068
701539	28.144	702564	11.006	703322	16.020	703822	28.029	704342	23.071
701539	23.115	702565	11.008	703323	16.020	703822	28.029B	704342	23.074
701572	11.008	702575	23.071	703324	16.020	703823	28.029	704342	23.068
701572	19.001	702575	23.072	703325	16.020	703823	28.029B	704342	23.069
701573	19.001	702576	23.066	703326	16.020	703824	28.029	704342	23.073
701573	11.008	702577	23.073	703327	16.020	703824	28.029B	704342	23.066
701588	14.002	702577	23.072	703328	16.020	703825	28.029	704342	23.070M
701638	23.115	702577	23.070	703426	26.035	703825	28.028A	704342	23.072
701638	28.144	702577	23.074	703470	22.002	703826	28.028A	704520	7.037
701805	28.144	702577	23.071	703506	28.030	703826	28.029	704590	23.107
701805	23.117	702577	23.066	703507	28.030	703826	28.028	704592	23.107
701805	23.116	702577	23.070M	703508	28.030	703827	28.029	704614	23.071
701805	23.115	702578	23.066	703509	28.030	703827	28.028	704614	23.072
701805	23.045	702579	23.066	703510	28.030	703828	28.029	704615	23.072
701837	23.050	702582	23.060	703511	28.030	703828	28.028A	704615	23.071
701837	14.002	702600	23.070M	703515	7.036	703828	28.028	704616	23.074
701842	23.107	702600	23.066	703515	7.032	703829	28.028	704616	23.073
701883	23.115	702600	23.071	703515	7.034	703829	28.028A	704617	23.073
701883	23.117	702600	23.068	703515	7.033	703829	28.029	704617	23.074
701895	23.067	702600	23.072	703569	7.029	703830	28.029	704618	23.066
701902	19.001	702600	23.074	703572	7.029	703830	28.028A	704619	23.066
701910	23.117	702600	23.073	703652	23.005	703830	28.028	704620	23.073
701948	8.026	702600	23.069	703653	26.035	703831	28.029	704620	23.070M
701952	23.117	702660	23.026	703656	23.130	703831	28.028A	704620	23.074
701953	23.117	702661	23.026	703656	23.130H	703832	28.029	704620	23.072
701954	23.117	702664	23.070	703657	23.130H	703833	28.029	704620	23.071
701955	23.117	702671	23.071	703657	23.130	703834	28.029	704620	23.066
701971	8.026	702671	23.072	703710	23.007	703834	28.028	704747	23.070M
701972	8.026	702671	23.073	703710	23.044	703835	28.029A	704747	23.071
701976	23.140	702671	23.066	703710	23.044	703836	28.029A	704747	23.072
701977	23.140	702671	23.074	703710	28.051B	703838	28.029A	704747	23.066
702000	8.026	702672	23.026	703711	23.075	703839	28.029A	704747	23.073
702000	8.006	702672	23.025	703737	23.010	703840	28.028A	704747	23.074
702013	16.002	702679	23.026	703738	23.010	703840	28.028	704787	23.115
702014	16.002	702684	23.073	703783	26.035	703841	28.029B	704787	28.144
702058	28.068	702685	23.074	703796	7.033	703841	28.028	704788	23.117
702061	28.068	702686	23.072	703796	7.035	703842	28.028	704802	16.002
702061	28.070	702687	23.071	703796	7.032	703843	28.029B	704838	28.075
702067	28.068	702688	23.066	703796	7.036	703843	28.028	704839	28.075

NUMERICAL INDEX

PART NO.	GROUP NO.	PART NO.	GROUP NO.	PART NO.	GROUP NO.	PART NO.	GROUP NO.	PART NO.	GROUP NO.
704840	28.075A	705420	28.056	706573	23.110	707147	28.045A	707199	28.044K
704841	28.075A	705421	28.056	706575	28.063	707148	28.045A	707200	28.044K
704842	28.075A	705422	28.056	706576	28.063	707148	28.044F	707201	28.044K
704885	7.004	705423	28.056	706577	28.063	707149	28.044D	707202	28.044K
704910	23.065	705427	28.056	706578	28.063	707150	28.045A	707203	28.044K
704921	19.006	705428	28.056	706579	28.063	707151	28.044D	707204	28.044K
704921	19.010	705429	28.056	706744	22.002	707152	28.045A	707205	28.044K
704935	28.056	705430	28.056	706751	7.078	707152	28.044D	707206	28.044K
704936	28.056	705431	28.056	706751	7.070	707153	28.044	707208	28.045E
704937	28.056	705432	28.056	706781	23.066	707154	28.044	707208	28.044H
704939	28.056	705433	28.056	706781	23.072	707155	28.044	707209	28.044H
704940	28.056	705434	28.056	706781	23.073	707155	28.045	707209	28.045E
704941	28.056	705450	7.004	706781	23.074	707156	28.045	707210	28.044H
704942	28.056	705451	28.049	706781	23.071	707156	28.044	707210	28.045E
704943	28.056	705452	28.048	706781	23.070M	707156	28.044	707211	28.045E
704944	28.056	705453	28.048	706782	28.052A	707157	28.044	707211	28.044H
704944	28.056	705460	28.075B	706783	28.052	707157	28.044	707214	28.045E
704945	28.056	705461	28.075B	706784	28.052A	707157	28.045	707214	28.044H
704946	28.056	705462	28.075B	706785	28.052A	707157	28.045	707216	28.044H
704946	28.056	705463	28.075B	706786	28.052	707157	28.045	707216	28.045E
704947	28.056	705463	28.074A	706862	14.001	707158	28.044	707217	28.044H
704948	28.056	705464	28.075B	706863	14.001	707159	28.044	707217	28.045E
704949	28.056	705464	28.074A	706910	28.030	707159	28.045	707218	28.044H
704950	28.056	705465	28.074A	706911	28.030	707160	28.044	707218	28.045E
704951	28.056	705465	28.075B	706912	28.030	707161	28.044	707219	28.044H
705001	12.001	705466	28.075B	706913	28.030	707161	28.045	707219	28.045E
705054	12.001	705467	28.075B	706914	28.030	707162	28.045	707220	28.045E
705055	12.001	705481	28.049	706915	28.030	707162	28.044	707220	28.044H
705068	12.001	705482	28.048	706918	28.030	707163	28.044	707221	28.044H
705089	23.110	705506	14.002	706999	23.070M	707164	28.044	707221	28.045E
705119	28.078	705538	23.110	707000	23.070M	707164	28.045	707222	28.044A
705121	28.078	705758	28.056	707028	23.045	707165	28.045	707223	28.044A
705122	28.078	705770	28.047	707083	23.070M	707165	28.044	707224	28.044A
705123	28.078	705771	7.078H	707101	28.044	707166	28.044	707225	28.044A
705124	28.078	705772	7.078H	707102	28.044	707166	28.045	707226	28.044A
705125	28.078	705784	28.062	707102	28.045	707167	28.045	707227	28.044A
705126	28.078	705785	28.062	707103	28.044K	707167	28.044	707228	28.044A
705127	28.078	705786	28.062	707104	28.044K	707168	28.044	707229	28.044A
705128	28.078	705787	28.062	707105	28.044K	707168	28.045	707230	28.044A
705129	28.078	705788	28.062	707106	28.044K	707169	28.045	707231	28.044A
705131	28.078	705788	28.062	707107	28.044K	707169	28.044	707232	28.044A
705132	28.078	705789	28.062	707108	28.044K	707170	28.044	707234	28.044A
705133	28.078	705790	28.062	707109	28.044K	707170	28.045	707235	28.044F
705134	28.078	705791	28.062	707110	28.045E	707171	28.044	707236	28.044F
705135	28.078	705792	28.062	707110	28.044H	707172	28.044K	707237	28.044F
705137	28.078	705793	28.062	707111	28.045E	707173	28.044	707238	28.044F
705138	28.078	705794	28.062	707111	28.044H	707174	28.044	707239	28.044F
705139	28.078	705795	28.062	707112	28.044F	707174	28.044	707240	28.044F
705140	28.078	705796	28.062	707112	28.044A	707174	28.045	707241	28.045C
705141	28.078	705797	28.062	707113	28.044A	707174	28.045C	707241	28.044F
705142	28.078	705798	28.062	707114	28.044A	707174	28.044F	707242	28.044F
705143	28.078	705849	12.001	707115	28.044A	707175	28.044G	707242	28.045C
705144	28.078	706017	23.005	707116	28.044A	707176	28.044G	707245	28.044F
705144	28.172D	706018	23.005	707117	28.044A	707176	28.045D	707246	28.044F
705145	28.078	706036	23.070M	707118	28.044A	707178	28.044G	707247	28.044F
705145	28.078	706039	23.070M	707119	28.044A	707179	28.044G	707248	28.044F
705146	28.078	706041	23.070M	707120	28.044F	707179	28.045D	707248	28.045C
705154	28.050	706068	23.010	707120	28.044E	707180	28.045D	707249	28.045C
705155	28.050	706104	28.072	707120	28.045C	707180	28.044G	707249	28.044F
705156	28.050	706105	28.072	707121	28.044F	707181	28.044G	707250	28.044F
705157	28.050	706106	28.072	707122	28.044E	707181	28.045D	707251	28.044E
705158	28.050	706107	28.072	707123	28.044G	707182	28.045C	707252	28.044F
705159	28.050	706108	28.072	707124	28.044G	707182	28.044F	707253	28.044F
705160	28.050	706109	28.072	707125	28.044J	707183	28.044F	707254	28.044F
705161	28.050	706110	28.072	707126	28.044J	707184	28.045	707255	28.044F
705162	28.050	706111	28.072	707126	28.045F	707184	28.044	707256	28.044F
705163	28.050	706112	28.072	707127	28.044J	707185	28.044	707258	28.044F
705299	23.130	706113	28.072	707128	28.044J	707185	28.045	707259	28.044F
705405	28.056	706114	28.072	707129	28.044J	707186	28.045	707261	28.045C
705406	28.056	706115	28.072	707130	28.044B	707186	28.044	707261	28.044F
705407	28.056	706116	28.073	707131	28.044B	707187	28.044D	707262	28.045C
705408	28.056	706117	28.073	707132	28.044B	707188	28.044D	707262	28.044F
705409	28.067	706118	28.073	707133	28.044B	707188	28.044D	707263	28.044F
705410	28.067	706119	28.073	707134	28.044B	707189	28.044D	707263	28.044D
705411	28.067	706120	28.073	707140	28.044B	707190	28.044D	707264	28.044D
705412	28.067	706121	28.073	707141	28.044B	707191	28.044D	707265	28.044E
705413	28.056	706122	28.073	707142	28.044B	707192	28.044D	707266	28.044E
705413	28.056	706123	28.073	707143	28.045H	707193	28.044D	707267	28.044E
705414	28.056	706124	28.073	707143	28.044C	707194	28.044K	707268	28.044E
705415	28.056	706128	28.044	707145	28.044C	707195	28.044K	707269	28.044E
705416	28.056	706129	28.045	707145	28.045H	707196	28.044K	707270	28.044E
705418	28.056	706130	28.062	707146	28.044D	707197	28.044K	707271	28.044E
705419	28.056	706388	7.085	707147	28.044D	707198	28.044K	707272	28.044E

NUMERICAL INDEX

PART NO.	GROUP NO.	PART NO.	GROUP NO.	PART NO.	GROUP NO.	PART NO.	GROUP NO.	PART NO.	GROUP NO.
707273	28.044G	707334	28.044B	707386	28.045A	707766	28.002	708133	28.046C
707273	28.045D	707335	28.044B	707386	28.044D	707767	28.002	708134	28.046C
707274	28.044G	707336	28.044B	707387	28.045A	707768	28.002	708135	28.046C
707274	28.045D	707337	28.044B	707387	28.044D	707769	28.002	708136	28.046
707275	28.044G	707338	28.044B	707388	28.044D	707770	28.002	708137	28.046
707275	28.045D	707339	28.044B	707388	28.045A	707771	28.002	708138	28.046
707276	28.045D	707339	28.045B	707389	28.045A	707772	28.002	708139	28.046
707276	28.044G	707340	28.045B	707389	28.044D	707773	28.002	708140	28.046
707277	28.044G	707340	28.044B	707390	28.044D	707774	28.002	708141	28.046
707278	28.045D	707341	28.044B	707390	28.045A	707775	28.002	708142	28.046A
707278	28.044G	707341	28.045B	707391	28.044D	707776	28.002	708143	28.046A
707279	28.044G	707342	28.045B	707392	28.045A	707777	28.002	708144	28.046A
707279	28.045D	707342	28.044B	707392	28.044D	707778	28.002	708145	28.046A
707280	28.045D	707343	28.044B	707393	28.044D	707779	28.002	708146	28.046A
707280	28.044G	707343	28.045B	707393	28.045A	707780	28.002	708147	28.046A
707281	28.045D	707344	28.044B	707394	28.045A	707781	28.002	708148	28.046A
707281	28.044G	707345	28.044B	707394	28.044D	707782	28.002	708149	28.046A
707282	28.044J	707345	28.045B	707394	28.044D	707783	28.002	708150	28.046A
707283	28.044J	707346	28.044B	707395	28.044D	707784	28.002	708151	28.046A
707284	28.044J	707346	28.045B	707395	28.044D	707785	28.002	708152	28.046A
707285	28.044J	707347	28.045B	707395	28.045A	707786	28.002	708153	28.046A
707286	28.044J	707347	28.044B	707396	28.044D	707787	28.002	708154	28.046A
707287	28.044J	707348	28.044B	707396	28.045A	707788	28.002	708155	28.046A
707288	28.044J	707348	28.045B	707397	28.044D	707789	28.002	708156	28.046A
707289	28.044J	707349	28.045B	707398	28.045A	707790	28.002	708157	28.046A
707289	28.045F	707349	28.044B	707398	28.044D	707791	28.002	708158	28.046A
707290	28.044J	707350	28.044B	707399	28.044D	707792	28.002	708159	28.046A
707290	28.045F	707350	28.045B	707400	28.044D	707793	28.002	708160	28.046A
707291	28.044J	707351	28.045B	707400	28.045A	707794	28.002	708161	28.046A
707291	28.045F	707351	28.044B	707401	28.044D	707795	28.002	708162	28.046A
707292	28.044J	707352	28.044B	707402	28.044D	707796	28.002	708163	28.046A
707293	28.044B	707352	28.045B	707403	28.044D	707797	28.002	708165	28.046A
707293	28.045B	707353	28.045B	707403	28.045A	707798	28.002	708166	28.046A
707293	28.044J	707353	28.044B	707404	28.044D	707799	28.002	708167	28.046A
707294	28.044J	707354	28.044B	707404	28.045A	707800	28.002	708168	28.046A
707294	28.045F	707355	28.044B	707405	28.044D	707835	23.045	708169	28.046A
707295	28.044J	707355	28.045B	707405	28.045A	707835	23.045	708170	28.046A
707296	28.044J	707356	28.044B	707406	28.045A	707961	23.065	708171	28.046A
707296	28.045F	707357	28.045B	707406	28.044D	707967	28.063	708172	28.046A
707297	28.044B	707357	28.044B	707407	28.044A	707968	28.063	708173	28.046A
707297	28.044B	707358	28.044B	707408	28.044A	707969	28.136	708174	28.046A
707297	28.045B	707359	28.045B	707409	28.044	707969	28.140	708175	28.046A
707297	28.045B	707359	28.044B	707409	28.045F	707983	28.110	708176	28.046A
707298	28.045B	707360	28.044B	707409	28.044J	707983	23.080	708176	28.046
707298	28.044B	707361	28.044B	707410	28.044	707984	23.080	708177	28.046A
707299	28.044B	707361	28.045B	707411	28.044	707984	28.110	708178	28.046A
707299	28.045B	707362	28.045B	707412	28.044	707991	23.006	708179	28.046A
707300	28.045B	707363	28.045B	707413	28.044B	707991	23.005	708180	28.046A
707300	28.044B	707363	28.044B	707414	28.044B	707991	23.040	708182	28.046A
707301	28.044B	707364	28.044B	707415	28.044B	708101	28.046	708183	28.046A
707301	28.045B	707364	28.044B	707416	28.044B	708102	28.046A	708184	28.046A
707302	28.045B	707364	28.044B	707416	28.044B	708103	28.046C	708185	28.046A
707302	28.044B	707365	28.044B	707417	28.044D	708105	28.046	708186	28.046A
707303	28.044B	707366	28.044B	707417	28.045A	708106	28.046	708187	28.046A
707303	28.045B	707367	28.044B	707417	28.044D	708107	28.046	708188	28.046A
707304	28.044B	707368	28.044B	707418	28.044D	708110	28.046A	708189	28.046A
707305	28.044B	707369	28.044B	707418	28.045A	708111	28.046A	708190	28.046A
707306	28.045B	707370	28.045H	707465	28.034	708112	28.046A	708191	28.046A
707306	28.044B	707370	28.044C	707466	28.034	708113	28.046A	708192	28.046A
707307	28.044B	707371	28.044C	707467	28.034	708114	28.046A	708193	28.046A
707307	28.045B	707371	28.045H	707468	28.034	708115	28.046A	708194	28.046A
707308	28.044B	707372	28.044C	707469	28.034	708116	28.046A	708195	28.046A
707308	28.045B	707372	28.045H	707470	28.034	708118	28.046A	708196	28.046A
707309	28.044B	707374	28.044C	707471	28.034	708120	28.046A	708197	28.046A
707310	28.044B	707374	28.045H	707472	28.034	708121	28.046C	708198	28.046A
707311	28.044B	707377	28.045H	707485	23.069	708121	28.046C	708199	28.046A
707311	28.045B	707377	28.044C	707485	23.068	708122	28.046C	708200	28.046A
707318	28.044B	707378	28.044C	707487	23.069	708123	28.046A	708201	28.046A
707319	28.044B	707378	28.045H	707488	23.068	708123	28.046C	708202	28.046A
707320	28.044B	707379	28.044C	707545	23.005	708125	28.046C	708203	28.046A
707321	28.044B	707379	28.045H	707545	23.005	708125	28.046C	708204	28.046A
707322	28.044B	707380	28.044C	707546	23.005	708125	28.046A	708205	28.046A
707323	28.044B	707380	28.045H	707546	23.005	708125	28.046A	708206	28.046A
707324	28.044B	707381	28.044C	707756	28.002	708125	28.046A	708207	28.046A
707325	28.044B	707381	28.045H	707757	28.002	708126	28.046C	708208	28.046A
707326	28.044B	707382	28.044C	707758	28.002	708127	28.046A	708209	28.046A
707327	28.044B	707382	28.044H	707759	28.002	708127	28.046A	708210	28.046A
707328	28.044B	707382	28.045H	707760	28.002	708127	28.046C	708211	28.046A
707329	28.044B	707382	28.045E	707761	28.002	708128	28.046C	708215	28.046A
707330	28.044B	707383	28.044F	707762	28.002	708129	28.046C	708216	28.046A
707331	28.044B	707384	28.044F	707763	28.002	708130	28.046C	708217	28.046A
707332	28.044B	707384	28.045A	707764	28.002	708131	28.046C	708218	28.046A
707333	28.044B	707385	28.044F	707765	28.002	708132	28.046C	708220	28.046A

NUMERICAL INDEX

PART NO.	GROUP NO.	PART NO.	GROUP NO.	PART NO.	GROUP NO.	PART NO.	GROUP NO.	PART NO.	GROUP NO.
708221	28.046A	708308	28.046A	708648	23.045	709583	28.055	710386	28.045C
708222	28.046A	708309	28.046	708648	23.010	709583	28.054	710387	28.045C
708223	28.046A	708310	28.046	708648	23.015	709584	28.055	710388	28.045C
708224	28.046A	708311	28.046A	708701	28.002	709585	28.055	710390	28.045C
708225	28.046A	708312	28.046A	708702	28.002	709592	28.055	710391	28.045C
708226	28.046A	708314	28.046A	708703	28.002	709593	28.055	710392	28.045C
708228	28.046A	708315	28.046A	708704	28.002	709593	28.054	710393	28.045C
708229	28.046A	708316	28.046A	708709	28.002	709594	28.055	710394	28.045C
708230	28.046A	708317	28.046A	708710	28.002	709810	23.005	710396	28.045C
708231	28.046A	708318	28.046A	708711	28.002	709818	17.045	710396	28.045C
708232	28.046A	708319	28.046A	708712	28.002	710032	28.055	710397	28.045D
708233	28.046A	708320	28.046A	708808	23.045	710032	28.054	710398	28.045F
708234	28.046A	708321	28.046A	708909	23.045	710058	4.001	710399	28.045F
708235	28.046A	708322	28.046A	708909	23.045	710059	4.001	710404	28.045F
708236	28.046A	708323	28.046A	708916	23.045	710060	4.001	710406	28.045F
708237	28.046A	708324	28.046A	708916	23.045	710062	4.001	710406	28.045F
708238	28.046A	708325	28.046A	709075	11.002	710079	28.045D	710407	28.045F
708239	28.046A	708326	28.046A	709113	23.115	710079	28.044G	710408	28.045F
708240	28.046A	708327	28.046A	709113	28.144	710099	28.052	710409	28.045B
708241	28.046A	708328	28.046C	709114	28.144	710100	28.052	710410	28.045B
708242	28.046A	708329	28.046A	709114	23.115	710304	28.045G	710411	28.045B
708243	28.046A	708330	28.046A	709130	28.054	710305	28.045C	710412	28.045B
708244	28.046A	708332	28.046A	709130	28.055	710306	28.045C	710413	28.045B
708245	28.046A	708334	28.046B	709131	28.055	710307	22.002	710419	28.045B
708246	28.046A	708335	28.046B	709132	28.054	710307	23.110	710458	28.045B
708248	28.046A	708337	23.065	709133	28.054	710308	19.001	710459	28.045B
708249	28.046A	708351	7.004	709133	28.055	710309	28.045D	710460	28.045B
708249	28.046A	708352	7.004	709135	28.055	710314	28.045F	710461	28.045B
708250	28.046A	708369	28.074	709135	28.054A	710318	28.045F	710462	28.045B
708251	28.046A	708370	28.074A	709136	28.055	710319	28.045F	710465	28.045B
708252	28.046A	708371	28.074A	709138	28.055	710320	28.045F	710467	28.045B
708253	28.046A	708371	28.074	709139	28.054	710321	28.045B	710470	28.045B
708254	28.046A	708372	28.074	709140	28.055	710322	28.045B	710471	28.045B
708256	28.046A	708373	28.074A	709141	28.055	710323	28.045B	710474	28.045B
708257	28.046A	708373	28.074	709142	28.054	710324	28.045B	710476	28.045B
708258	28.046A	708374	28.074A	709143	28.055	710325	28.045B	710477	28.045B
708261	28.046B	708374	28.074	709144	28.055	710326	28.045B	710480	28.045B
708262	28.046B	708375	28.074	709145	28.054	710327	28.045B	710482	28.045B
708263	28.046B	708376	28.074A	709146	28.054	710328	28.045B	710483	28.045B
708264	28.046B	708380	28.074A	709147	28.046	710329	28.045B	710484	28.045B
708265	28.046B	708463	23.025	709148	28.054	710330	28.045B	710486	28.045B
708268	28.046B	708513	23.100	709149	28.054	710331	28.045A	710490	28.045B
708269	28.046B	708513	7.091	709150	28.054	710332	28.045A	710491	28.045B
708270	28.046B	708513	7.091	709156	23.043	710333	28.045A	710492	28.045B
708272	28.046B	708513	7.091	709156	23.065	710334	28.045	710493	28.045A
708272	28.046	708513	7.091	709172	23.072	710336	28.045	710495	28.045A
708273	28.046B	708513	7.091	709172	23.071	710343	28.045	710496	28.045A
708274	28.046B	708513	14.002	709173	23.066	710345	28.045	710499	28.045A
708275	28.046B	708513	14.002D	709174	23.073	710346	28.045D	710499	28.045A
708276	28.046B	708513	26.035F	709174	23.074	710347	28.045D	710515	28.045A
708277	28.046B	708513	26.040	709361	23.006	710347	28.045D	710517	28.045A
708278	28.046B	708518	7.090	709362	23.006	710348	28.045D	710572	28.044D
708279	28.046B	708550	14.008	709490	23.006	710349	28.045G	710573	28.044
708280	28.046B	708551	14.008	709490	23.006	710351	28.045G	710602	28.045A
708281	28.046B	708552	14.008	709551	28.054	710352	28.045A	710603	28.045A
708282	28.046B	708553	14.008	709552	28.054	710353	28.045A	710605	28.045A
708283	28.046B	708554	14.008	709552	28.055	710354	28.045A	710606	28.045A
708284	28.046B	708555	14.008	709553	28.054	710358	28.045A	710606	28.044D
708285	28.046B	708557	14.008	709553	28.054	710359	28.045A	710623	28.045A
708286	28.046B	708558	14.008	709555	28.055	710361	28.045	710623	28.044D
708287	28.046B	708558	14.008	709556	28.055	710362	28.045A	710624	28.045
708288	28.046B	708560	14.008	709556	28.054	710363	28.045E	710624	28.044D
708290	28.046B	708561	14.008	709557	28.055	710364	28.044H	710624	28.044
708291	28.046B	708562	14.008	709557	28.054	710364	28.045E	710628	28.045B
708292	28.046B	708563	14.008	709558	28.054	710365	28.045E	710629	28.045B
708293	28.046B	708564	14.008	709559	28.055	710365	28.044H	710643	28.045B
708293	28.046A	708565	14.008	709560	28.054	710366	28.045C	710644	28.045G
708293	28.046	708566	14.008	709561	28.055	710366	28.045C	710645	28.045G
708294	28.046B	708567	14.008	709562	28.054	710367	28.045C	710645	28.045G
708294	28.046	708568	14.008	709564	28.055	710368	28.045C	710646	28.045G
708295	28.046	708569	14.008	709566	28.055	710369	28.045C	710648	28.045G
708295	28.046B	708570	14.008	709567	28.055	710371	28.045C	710649	28.045G
708296	28.046	708571	14.008	709569	28.055	710377	28.045C	710650	28.045G
708297	28.046	708572	14.008	709570	28.055	710378	28.045C	710651	28.045G
708298	28.046	708573	14.008	709571	28.054	710378	28.045C	710652	28.045G
708299	28.046	708574	14.008	709572	28.055	710379	28.045C	710653	28.045G
708301	28.046	708578	14.008	709575	28.055	710380	28.044F	710654	28.045G
708302	28.046	708586	14.002D	709576	28.046A	710380	28.045C	710655	28.045G
708303	28.046	708586	14.002	709578	28.055	710381	28.045C	710656	28.045G
708304	28.046	708639	11.002	709578	28.054	710382	28.045C	710657	28.045G
708305	28.046	708640	11.002	709579	28.054	710383	28.044F	710658	28.045G
708306	28.046	708648	23.045	709579	28.055	710383	28.045C	710659	28.045G
708307	28.046	708648	23.060	709580	28.055	710384	28.045C	710660	28.045G
				709582	28.055	710385	28.045C	710661	28.045G

NUMERICAL INDEX

PART NO.	GROUP NO.	PART NO.	GROUP NO.	PART NO.	GROUP NO.	PART NO.	GROUP NO.	PART NO.	GROUP NO.
710862	28.045G	710979	28.057	711453	23.071	713673	28.028A	715478	28.140
710863	28.045G	710980	28.057	711453	23.074	713679	28.028A	715478	28.136
710864	28.045G	710981	28.057	711453	23.066	713684	28.028A	715487	28.124
710868	28.045G	710982	28.057	711453	23.070M	713684	28.029	715488	28.124
710869	28.045G	710983	28.057	711453	23.070	713684	28.028	715492	28.172
710872	28.045G	710984	28.057	711453	23.071	713700	28.029A	715492	28.124
710873	28.045G	710985	28.057	711453	23.066	713701	28.028A	715493	28.124
710874	28.045G	710986	28.057A	711453	23.074	713702	28.028A	715494	28.124
710875	28.045G	710986	28.057	711453	23.073	713703	28.029B	715497	28.172
710877	28.045G	710987	28.057	711453	23.072	713704	28.028A	715498	28.172
710878	28.045G	710987	28.057A	711453	23.070	713704	28.029	715498	28.110
710879	28.045G	710988	28.057	711453	23.073	713705	28.028A	715538	28.049B
710880	28.045G	710988	28.057A	711453	23.072	713707	28.028A	715538	28.050
710881	28.045G	710989	28.057	711465	28.172	713709	28.029B	715539	28.172
710884	28.045G	710989	28.057A	711465	28.124	713710	28.029B	715540	28.172
710888	28.045G	710990	28.057A	711466	28.120	713711	28.028A	715541	28.176
710891	28.045D	710990	28.057	711466	28.124	713713	28.029B	715542	28.174
710892	28.045F	710991	28.057A	711466	28.168	713714	28.029B	715542	28.174E
710893	28.045B	710991	28.057	711483	28.044C	713718	28.028A	715544	28.172
710894	28.045B	710992	28.057A	711483	28.045H	713739	7.037	715563	28.148
710895	28.045B	710992	28.057	711484	28.045H	714034	26.035	715564	28.148
710701	28.045B	710993	28.057A	711484	28.044C	714228	28.044	715571	28.110
710705	28.045B	710993	28.057	711485	28.044D	714350	28.046C	715572	28.110
710706	28.045B	710994	28.057	711486	28.044F	714354	28.046B	715573	28.110
710707	28.045B	710994	28.057A	711488	28.044F	714355	28.046	715574	28.110
710708	28.045B	710995	28.057A	711489	28.044F	714359	23.110	715575	28.152
710709	28.045B	710995	28.057	711490	28.044F	714360	23.110	715576	28.049A
710713	28.045B	710996	28.057A	711491	28.044F	714374	14.001	715583	28.176
710716	28.045B	710996	28.057	711492	28.045B	714431	23.117	715584	28.176
710717	28.045B	710997	28.057	711492	28.044B	714446	23.115	715586	28.176
710718	28.045B	710997	28.057A	711493	28.044B	714447	23.115	715588	28.176
710719	28.045B	710998	28.057	711493	28.045B	714460	23.045	715683	23.050
710730	28.045B	710998	28.057A	711516	11.002	714463	23.045	715698	23.015
710734	28.045B	710999	28.057	711517	11.002	714598	23.045	715701	28.140
710735	28.045B	710999	28.057A	711541	28.034	714617	7.029	715702	28.140
710737	28.045B	711000	28.057	711542	12.001	715048	12.001	715703	28.140
710742	28.045B	711000	28.057A	711850	23.116	715105	14.002	715704	28.140
710753	28.045B	711001	28.057	711850	23.115	715106	23.080	715705	28.136
710755	28.045B	711001	28.057A	711949	28.130	715166	23.065	715706	28.136
710756	28.045B	711002	28.057A	711967	11.002	715166	23.070M	715707	28.136
710759	28.045H	711002	28.057	712111	23.071	715166	23.066	715708	28.136
710760	28.045H	711006	28.057	712111	23.074	715166	23.071	715709	28.160
710762	28.045H	711006	28.057A	712111	23.073	715166	23.074	715710	28.160
710763	28.045H	711007	28.057	712111	23.070M	715166	23.072	715711	28.160
710764	28.045H	711011	28.057	712111	23.069	715166	23.073	715712	28.160
710765	28.045H	711012	28.057	712111	23.072	715170	28.051C	715713	28.156
710766	28.045H	711017	28.057	712111	23.066	715171	28.110	715714	28.156
710767	28.045H	711018	28.057	712111	23.068	715173	28.110	715715	28.156
710768	28.045H	711019	28.057	712123	23.045	715174	28.110	715716	28.156
710769	28.045H	711020	28.057	712125	23.045	715175	28.110	715717	28.132
710770	28.045	711021	28.057	712126	23.045	715176	28.110	715718	28.132
710770	28.045A	711027	28.057	712129	23.045	715177	28.110	715719	28.132
710770	28.044	711030	28.057	712130	23.045	715178	28.110	715720	28.132
710771	28.044	711031	28.057	712157	17.045	715180	28.110	715721	28.140
710771	28.045	711032	28.057	712306	12.030	715181	28.110	715722	28.140
710771	28.045A	711033	28.057	712307	12.030	715182	28.110	715723	28.140
710772	28.045A	711034	28.057	712309	12.030	715183	28.110	715724	28.140
710773	28.045A	711034	28.057	712310	12.030	715184	28.110	715725	28.136
710773	28.045	711036	28.057	712315	11.002	715185	28.110	715726	28.136
710773	28.044	711036	28.057	712326	17.045	715187	28.110	715727	28.136
710774	28.044	711036	28.057	712715	4.002	715188	28.110	715729	28.136
710774	28.045	711037	28.057	712815	7.013	715189	28.110	715730	28.160
710774	28.045A	711038	28.057	712823	28.046A	715190	28.110	715731	28.160
710958	28.057	711040	28.057	712873	23.100	715191	28.110	715732	28.160
710960	28.057	711041	28.057	712894	28.046A	715215	7.070	715733	28.160
710961	28.057	711042	28.057	712942	23.045	715216	7.074	715734	28.152
710962	28.057	711043	28.057	713192	23.080	715304	11.002	715735	28.152
710963	28.057	711046	28.057	713193	23.080	715343	23.015	715736	28.152
710964	28.057	711047	28.057	713229	23.040	715373	23.117	715737	28.152
710965	28.057	711050	28.057A	713299	12.001	715409	28.028	715738	28.152
710966	28.057	711050	28.057	713331	28.046A	715414	28.057A	715739	28.152
710967	28.057	711060	28.068	713332	28.046C	715456	23.100	715740	28.152
710968	28.057	711061	28.068	713333	28.046A	715468	28.152	715741	28.152
710969	28.057	711062	28.068	713334	28.068	715469	28.152	715742	28.160
710970	28.057	711063	28.068	713506	11.002	715470	28.152	715743	28.160
710971	28.057	711064	28.068	713604	28.046B	715472	28.110	715744	28.160
710972	28.057	711107	23.110	713649	28.028A	715473	28.172	715745	28.160
710973	28.057	711208	1.010	713649	28.029	715473	28.110	715746	28.156
710974	28.057	711231	19.001	713650	28.028A	715474	28.136	715747	28.156
710975	28.057	711270	4.002	713651	28.029B	715475	28.136	715748	28.156
710976	28.057	711328	23.025	713664	28.028A	715476	28.136	715749	28.156
710977	28.057	711448	14.001	713665	28.028A	715477	28.136	715750	28.152
710978	28.057	711449	14.001	713669	28.029B	715477	28.140	715755	28.164

NUMERICAL INDEX

PART NO.	GROUP NO.	PART NO.	GROUP NO.	PART NO.	GROUP NO.	PART NO.	GROUP NO.	PART NO.	GROUP NO.
715756	28.164	716206	23.025	717384	28.062	719629	23.117	721448	28.044B
715757	28.164	716213	23.065	717386	28.106	719630	23.115	721449	28.044B
715758	28.164	716214	23.065	717417	12.001	719631	23.115	721450	28.044B
715759	28.164	716217	23.065	717437	23.065	719632	23.115	721451	28.044B
715760	28.168	716227	23.065	717441	23.045	719633	23.115	721452	28.044B
715760	28.120	716228	23.065	717460	23.065	719637	23.110	721453	28.044B
715760	28.155	716228	23.045	717556	23.100	719638	23.110	721455	28.044B
715761	28.124	716239	23.065	717661	28.144	719639	23.110	721456	28.044B
715761	28.128	716420	23.015	717665	23.117	719640	23.065	721457	28.044B
715761	28.168	716421	23.015	717666	23.115	719649	28.044C	721459	28.044B
715762	28.160	716478	23.140	717667	23.115	719649	28.044	721460	28.044B
715762	28.132	716479	23.140	717671	23.115	719649	28.045H	721505	23.045
715762	28.136	716486	23.015	717671	23.115	719649	28.045	721507	14.001
715762	28.155	716486	23.025	717671	23.115	719653	23.065	721625	8.041
715763	28.164	716496	23.140	717672	23.115	719654	23.065	721869	23.067
715767	28.128	716497	23.140	717672	23.115	719655	28.052B	722148	12.001
715783	28.128	716498	23.140	717672	23.115	719657	28.052B	722382	23.140
715794	28.152	716499	23.140	717680	28.176	719658	28.052B	722383	23.140
715795	28.152	716502	23.065	717681	28.176	719678	28.078	722384	23.140
715796	28.152	716559	7.078H	717683	14.008	719679	28.078	722385	23.140
715797	28.160	716560	7.078H	717716	23.117	720008	28.144	722427	23.010
715798	28.160	716612	7.043	717717	23.117	720008	23.116	723250	14.002
715799	28.160	716623	7.085	717739	28.128	720008	23.117	723308	12.001
715800	28.160	716624	23.110	717856	28.057A	720008	23.115	723309	12.001
715801	28.140	716636	23.115	717856	28.057	720017	12.001	723332	14.001
715802	28.140	716803	28.046	717857	28.172	720102	28.004	723339	28.148
715803	28.140	716804	28.047	717952	12.001	720132	28.052B	723340	14.001
715804	28.140	716805	28.124	717953	12.001	720192	28.004	723350	28.144
715805	28.140	716805	28.120	717954	12.001	720193	28.004	723363	28.144
715806	28.140	716805	28.168	717955	12.001	720194	28.004	723364	28.136
715807	28.140	716805	28.128	717956	12.001	720195	28.004	723355	28.160
715810	28.046	716805	28.172	717957	12.001	720196	28.004	723356	28.136
715810	28.045	716807	28.152	717958	12.001	720198	28.004	723357	28.160
715810	28.044	716807	28.140	717979	12.001	720199	28.004	723358	28.160
715816	28.046A	716807	28.136	717980	12.010	720200	28.004	723369	28.160
715817	28.046A	716808	28.140	717995	14.002	721026	28.004	723360	28.160
715818	28.046B	716808	28.136	718007	28.174	721027	28.004	723361	28.144
715819	23.070	716808	28.144	718045	28.050	721028	28.004	723366	28.106
715819	23.066	716809	28.144	718064	28.072	721029	28.004	723367	28.144
715819	23.071	716809	28.140	718065	28.072	721030	28.004	723368	28.144
715819	23.072	716809	28.136	718066	28.072	721031	28.004	723369	28.144
715819	23.074	716810	28.128	718067	28.072	721032	28.004	723371	28.144
715819	23.070M	716841	14.002	718068	28.072	721033	28.004	723407	23.115
715819	23.073	716842	28.172	718069	28.072	721034	28.004	723407	23.116
715820	23.073	716843	28.172	718070	28.072	721035	28.004	723472	14.001
715820	23.072	716844	28.124	718071	28.072	721036	28.004	723473	14.001
715820	23.070M	716845	28.124	718079	28.046	721037	28.004	723474	14.001
715820	23.071	716846	28.174	718101	19.001	721038	28.004	723589	8.041
715820	23.066	716846	12.001	718122	12.001	721039	28.004	723589	8.41H
715820	23.070	716852	28.110	718395	23.080	721040	28.004	723590	8.41H
715820	23.074	716852	23.080	718401	8.026	721041	28.004	723591	8.041
715822	23.074	716886	28.070	718402	8.026	721087	14.001	723591	8.41H
715822	23.073	716898	16.002	718412	8.026	721167	7.091	723592	8.041
715824	23.066	716989	23.025	718453	28.063	721167	7.091	723592	8.041
715824	23.070M	716989	23.015	718462	23.115	721167	7.090	723593	8.041
715824	23.070	717015	28.045	718499	28.077	721316	14.001	723652	28.176
715824	23.071	717015	28.044	718584	23.050F	721317	14.001	723653	28.176
715824	23.072	717027	23.100	718584	23.050	721321	23.045	723654	28.176
715829	28.132	717031	4.001	718584	23.050	721329	14.001	723655	28.176
715831	28.136	717036	23.115	718786	28.077	721330	14.001	723743	23.115
715831	28.140	717063	28.073	718816	28.172	721331	14.001	724013	8.41H
715832	28.136	717080	23.100	718904	23.050	721332	14.001	724013	8.041
715833	28.144	717185	23.065	719177	28.042	721333	16.040	724014	8.41H
715834	28.140	717189	23.065	719178	28.030	721342	23.010	724014	8.041
715834	28.144	717190	23.065	719185	23.050	721343	23.045	724070	8.41H
715834	28.136	717306	14.008	719206	12.001	721344	23.045	724359	23.025
715865	23.050	717307	14.008	719243	8.012	721346	23.045	724361	23.026
715870	23.050	717332	23.045	719292	8.012	721347	23.045	724362	23.026
716115	28.046A	717333	23.065	719296	8.012	721348	23.045	724363	23.026
716116	28.046A	717346	23.050	719390	7.037	721349	23.045	724364	23.025
716118	28.056	717351	28.172	719391	7.037	721349	23.045	724364	23.026
716121	28.172	717355	28.172	719392	28.110	721351	23.045	724365	23.025
716121	28.124	717356	28.144	719393	28.110	721352	23.045	724404	14.008
716180	23.065	717357	28.144	719394	28.110	721353	23.075	724405	14.008
716181	23.065	717358	28.144	719488	7.091	721354	23.075	724454	8.41H
716182	23.065	717359	28.144	719488	7.091	721355	23.045	724454	8.41H
716183	23.065	717360	28.144	719488	14.002	721355	23.075	724457	6.002
716184	23.065	717361	28.144	719489	7.091	721367	23.045	724457	6.002
716187	23.065	717362	28.144	719501	23.025	721373	14.001	724460	14.008
716188	23.065	717364	28.160	719575	23.005	721381	19.010	724460	14.002D
716189	23.065	717371	28.132	719576	23.005	721417	23.115	724461	14.008
716191	23.065	717380	28.132	719627	23.117	721425	19.010	724462	14.008
716201	23.065	717383	28.062	719628	23.117	721426	19.010	724478	28.054A

NUMERICAL INDEX

PART NO.	GROUP NO.	PART NO.	GROUP NO.	PART NO.	GROUP NO.	PART NO.	GROUP NO.	PART NO.	GROUP NO.
724548	4.007	790809	28.128	791369	23.026	791699	28.124	792008	23.045
724548	4.025	790810	28.128	791369	23.025	791702	23.130	792011	23.025
724597	23.040	790811	28.128	791371	23.045	791702	23.040	792012	23.026
724598	23.040	790812	28.128	791372	23.045	791703	28.047	792014	23.047
724757	22.002	790831	28.128	791373	23.045	791719	23.069	792016	23.047
724960	12.007	790832	28.049	791374	23.045	791720	23.068	792017	23.047
724977	16.030	790833	28.030	791375	23.045	791721	28.051	792018	23.047
790052	23.110	790834	23.074H	791376	23.025	791721	28.051A	792019	23.047
790056	7.085	790835	23.071H	791377	23.045	791722	23.110	792028	23.047
790057	28.030	790836	23.073H	791378	23.045	791723	28.023	792029	23.047
790058	28.172D	790837	23.072H	791378	23.045	791724	28.023F	792033	23.045
790059	28.176	790838	23.070H	791379	23.110	791724	28.023	792041	23.026
790060	28.124	790839	23.066H	791380	23.110	791725	28.023	792052	28.128
790062	28.124	790839	28.051A	791381	14.002	791725	28.023F	792150	23.045
790063	28.124	790842	28.074B	791382	14.002	791726	28.023	792151	28.152
790064	23.050	790868	7.078	791389	23.045	791728	28.023	792152	28.176
790072	23.050F	790869	28.172	791392	23.025	791737	28.023	792153	28.176
790074	23.050	790898	28.168	791395	23.065	791737	28.023	792154	28.176
790074	23.050	790899	12.001	791555	28.051	791737	28.023	792155	28.132
790087	28.077	790945	7.001	791566	28.051A	791737	28.023F	792156	28.023
790088	28.051	790945	7.091	791566	28.051	791738	28.023	792157	28.023
790093	28.168	790962	28.047	791590	28.023	791741	28.023	792158	28.023
790094	28.168	791003	23.015	791590	28.023F	791741	28.023F	792159	28.023
790096	28.168	791067	28.051	791591	28.023F	791742	28.023F	792160	28.023
790096	28.164	791080	28.172D	791591	28.023	791742	28.023F	792161	28.023
790097	28.164	791082	28.172D	791601	28.020	791742	28.023	792162	28.023
790098	28.168	791120	7.090	791602	28.020	791743	28.023	792163	28.023
790154	4.030	791122	7.090	791603	28.020	791751	28.023	792165	28.110
790180	23.025	791125	28.020	791604	28.020	791756	28.172	792166	28.172
790181	7.078H	791126	14.008	791605	28.020	791762	23.045	792166	28.051
790182	7.078H	791142	28.048	791606	28.020	791803	23.065	792167	28.056
790184	28.023	791143	7.013	791607	28.020	791803	28.110	792171	28.154
790301	23.116	791148	14.001	791608	28.020	791805	28.045H	792172	28.174
790301	23.116	791155	28.049A	791609	28.020	791816	28.128	792172	28.174E
790302	23.116	791156	28.051A	791610	28.020	791817	28.056	792173	28.174
790302	23.116	791156	28.051	791611	28.020	791818	28.056	792174	28.128
790303	28.136	791156	28.172D	791612	28.020	791818	28.168	792175	7.078H
790304	28.136	791156	28.130	791613	28.020	791819	28.128	792176	7.078H
790305	28.132	791159	16.040	791614	28.020	791819	28.128	792182	28.176
790306	28.152	791161	14.002	791615	28.020	791819	28.124	792191	28.030
790307	28.176	791167	28.051C	791616	28.020	791820	28.124	792192	28.030
790315	7.078H	791170	28.132	791617	28.020	791821	28.124	792193	28.030
790318	28.020	791171	28.132	791618	28.020	791822	28.172	792193	28.030
790319	7.070	791173	28.172	791619	28.020	791823	28.120	792194	28.030
790322	28.176	791174	28.172	791620	28.020	791824	28.120	792196	28.030
790333	28.130	791175	23.043	791621	28.020	791825	28.120	792198	28.030
790334	28.051	791176	28.110	791622	28.020	791826	28.168	792199	28.030
790335	28.064	791177	28.075B	791623	28.020	791827	28.128	792200	28.030
790337	28.130	791179	28.110	791624	28.020	791829	28.174	792251	28.061A
790337	28.172D	791180	28.110	791625	28.020	791829	28.110	792262	23.026
790340	28.172	791181	28.110	791626	28.020	791829	28.174	792268	23.080
790341	28.172	791182	28.110	791627	28.020	791830	28.120	792269	23.043
790342	28.172	791183	28.110	791628	28.020	791837	28.176	792290	28.176
790344	7.078H	791184	28.110	791628	28.029A	791839	28.110	792407	23.025
790345	28.049B	791185	28.110	791629	28.020	791840	7.078H	792408	23.045
790349	28.124	791186	28.110	791630	28.020	791841	28.045	792416	23.026
790350	28.172	791190	28.172D	791631	28.020	791844	28.172	792417	23.025
790352	28.064	791192	28.128	791632	28.020	791846	23.110	792418	23.026
790353	28.120	791192	28.124	791633	28.020	791848	28.154	792420	23.025
790354	28.120	791192	28.162	791634	28.020	791849	28.155	792421	23.026
790357	28.172	791193	28.128	791635	28.020	791850	28.155	792425	23.026
790358	28.164	791193	28.162	791637	28.020	791914	28.136	792426	23.045
790369	28.077	791193	28.124	791651	14.002	791915	28.136	792434	23.045
790377	28.172	791194	28.172	791652	14.002	791916	28.172	792435	23.047
790377	28.128	791195	28.174	791653	14.002	791948	28.130	792439	23.047
790379	28.048	791197	23.065	791654	14.002	791950	28.130	792440	23.047
790380	28.048	791236	28.051	791655	14.002	791953	28.056	792442	23.025
790388	28.130	791238	28.172D	791656	14.002	791954	7.090	792445	23.047
790396	28.030	791242	28.172	791658	28.136	791965	28.168	792446	23.047
790483	23.100	791351	23.045	791659	28.051	791966	28.056	792481	23.045
790545	23.040	791352	23.026	791660	28.110	791969	23.025	792711	28.030
790546	11.006	791352	23.026	791661	28.110	791969	28.132	792762	28.023
790593	28.172	791353	23.045	791665	7.091	791969	28.134	792768	1.010
790593	28.124	791355	23.026	791683	28.172	791970	28.023	792769	1.010
790600	7.043	791356	23.025	791685	23.040	791975	7.085	792811	28.075B
790628	26.025	791357	23.045	791686	28.030	791984	28.152	792812	28.075B
790629	7.085	791357	23.045	791687	28.034	791985	28.152	792813	28.075B
790630	7.085	791357	23.045	791689	28.075B	791987	23.025	792815	28.128
790631	7.085	791358	23.045	791690	23.007	792002	12.001	792831	28.128
790694	28.132	791359	23.045	791691	28.051	792003	12.001	792832	28.128
790805	28.004	791364	23.090	791699	28.168	792004	23.026	792845	23.045
790806	28.120	791365	23.045	791699	28.128	792005	23.026	792846	23.045
790807	28.120	791366	23.115	791699	28.120	792006	23.090	792847	23.045

NUMERICAL INDEX

PART NO.	GROUP NO.	PART NO.	GROUP NO.	PART NO.	GROUP NO.	PART NO.	GROUP NO.	PART NO.	GROUP NO.
792848	23.045	794558	28.064	796165	28.054A	796784	14.002	798326	23.043
792853	28.077	794559	28.064	796166	28.054A	796785	14.002	798326	23.065
792854	23.025	794560	28.064	796167	28.054A	796786	14.002	798329	23.065
792855	23.117	794561	28.064	796168	28.054A	796787	14.002	798356	28.070
792856	23.117	794562	28.064	796169	28.054A	796787	14.002	798357	28.070
792864	28.077	794579	28.045B	796169	28.054A	796787	14.002	798359	28.070
792886	28.110	794580	28.045B	796170	28.054A	796787	14.002	798362	28.152
793156	23.040	794650	23.025	796170	28.054A	796787	14.002	798366	28.152
793157	23.040	794994	28.172	796171	28.054A	796787	14.002	798367	28.152
793159	23.140	794995	28.172	796171	28.054A	796787	14.002	798368	28.152
793160	23.140	795078	28.110	796172	28.054A	796788	14.002	798371	28.070
793181	7.074	795079	28.110	796173	28.054A	796788	14.002	798371	28.068
793191	7.074	795080	28.110	796174	28.054A	796788	14.002	798396	28.148
793289	23.025	795081	28.110	796174	28.054A	796788	14.002	798397	28.045H
793336	28.124	795082	28.110	796175	28.054A	796788	14.002	798398	28.045H
793374	28.110	795083	28.110	796175	28.054A	796795	28.152	798399	28.045H
793387	14.002D	795084	28.110	796176	28.054A	796796	28.152	798457	8.041
793387	14.002	795117	23.043	796177	28.054A	796797	28.152	798457	8.41H
793387	14.002	795261	6.002	796178	28.054A	796798	28.152	798681	23.045
793387	14.002D	795262	28.148	796179	28.054A	796799	28.152	798681	23.045
793388	14.002	795607	28.120	796180	28.054A	796800	28.152	798682	28.052C
793388	14.002	795608	28.120	796181	28.054A	797152	28.152	798759	23.065
793388	14.002D	795609	28.128	796181	28.054A	797153	28.152	798786	28.120
793388	14.002D	795610	28.128	796182	28.054A	797154	28.152	798788	28.128
793388	14.002D	795611	28.128	796182	28.054A	797210	28.110	798789	28.128
793388	14.002D	795612	28.128	796183	28.054A	797216	28.164	798791	28.128
793388	14.002	795613	28.128	796184	28.054A	797217	28.128	798978	7.032
793388	14.010	795614	28.168	796184	28.054A	797217	28.164	798978	7.033
793389	14.002D	795615	28.168	796185	28.054A	797218	28.124	798978	7.036
793389	14.002	795616	28.168	796186	28.054A	797218	28.168	798978	7.035
793398	28.051	795617	28.168	796188	7.090	797219	28.168	799086	7.090
793494	23.042	795618	28.168	796189	7.090	797219	28.124	799087	7.090
793495	23.042	795619	28.168	796190	7.090	797220	28.164	799088	7.090
793673	28.047	795622	14.010	796191	7.090	797240	23.110	799089	7.090
793674	23.066	795685	28.051	796192	7.090	797240	23.110	799090	7.090
793675	23.070	795685	28.051A	796195	28.054B	797242	28.042	799091	7.090
793675	23.070M	795964	11.002	796195	28.054A	797242	28.044F	799253	28.136
793676	23.072	796007	23.140	796195	28.054A	797243	4.002	799254	28.136
793676	23.071	796122	22.002	796196	28.054B	797255	7.013	799256	28.136
793677	23.074	796136	28.054A	796196	28.054A	797299	28.136	799257	28.152
793677	23.073	796137	28.054A	796196	28.054A	797300	28.136	799257	28.136
793692	23.115	796138	28.054A	796200	7.078H	797686	23.025	799258	28.152
793692	28.144	796139	28.054A	796251	28.004	797686	23.026	799258	28.136
793695	28.023	796140	28.054A	796270	8.003	797709	4.025	799259	28.136
793696	28.023	796140	28.054B	796318	28.152	797711	4.025	799260	28.136
793852	26.040	796140	28.054A	796323	28.152	797889	7.090	799261	28.136
793887	26.040	796141	28.054A	796334	7.078	797889	7.090	799262	28.136
793912	14.002	796142	28.054B	796335	7.078	798004	14.002	799262	28.152
793957	28.004	796142	28.054A	796349	14.002	798005	28.049	799263	28.136
793969	23.116	796142	28.054A	796350	14.002	798005	28.048	799263	28.152
793970	23.116	796143	28.054A	796568	28.148	798006	28.049	799264	28.136
793971	28.132	796143	28.054A	796569	28.148	798006	28.048	799265	28.136
793972	28.136	796144	28.054A	796570	28.148	798007	28.051C	799265	28.152
793972	23.116	796144	28.054A	796572	28.148	798008	28.051C	799266	28.152
793973	28.136	796144	28.054B	796684	16.043	798009	28.051C	799267	28.152
793973	28.144	796145	28.054A	796684	16.040	798010	28.051C	799268	28.152
793974	28.136	796145	28.054A	796688	12.001	798013	28.051C	799269	28.132
793986	28.044C	796145	28.054B	796689	12.001	798014	28.051C	799270	28.132
793986	28.045H	796146	28.054A	796701	14.002	798015	28.051C	799271	28.132
793988	28.045H	796147	28.054A	796702	14.002	798016	28.051C	799272	28.132
793988	28.044C	796148	28.054A	796703	14.002	798017	28.051C	799273	28.132
793989	28.044C	796149	28.054A	796703	14.002	798020	14.002	799274	28.134
793989	28.045H	796149	28.054A	796704	14.002	798020	14.002	799274	28.132
794236	28.046B	796149	28.054B	796705	14.002	798020	14.002	799275	28.132
794237	28.046B	796150	28.054A	796717	28.152	798020	14.002	799276	28.132
794360	1.010	796151	28.054A	796718	28.144	798020	14.002	799276	28.134
794439	23.045	796152	28.054A	796720	28.144	798050	28.074	799277	23.116
794525	23.005	796153	28.054A	796722	28.144	798050	28.074B	799278	23.116
794541	28.176	796154	28.054A	796748	23.060	798051	28.074B	799279	23.116
794542	28.136	796155	28.054A	796762	28.132	798052	28.074B	799281	23.116
794543	28.136	796155	28.054A	796763	28.132	798053	28.074B	799282	23.116
794544	28.132	796156	28.054A	796778	28.172D	798054	28.074B	799283	23.116
794545	28.152	796156	28.054A	796778	28.034	798055	28.074B	799284	23.116
794546	28.176	796157	28.054A	796778	28.051	798056	28.074B	799287	28.128
794547	28.132	796158	28.054A	796779	28.172D	798057	28.074	799288	28.168
794548	28.176	796158	28.054A	796780	28.136	798057	28.074B	799288	28.162
794549	28.152	796159	28.054A	796781	28.136	798093	28.049B	799288	28.124
794550	28.176	796160	28.054A	796782	28.136	798094	28.049B	799288	28.128
794551	28.176	796161	28.054A	796783	28.136	798095	28.049B	799297	7.078H
794553	28.064	796162	28.054A	796784	14.002	798096	28.049B	799302	7.078H
794555	28.064	796162	28.054A	796784	14.002	798098	28.049B	799304	7.078H
794556	28.064	796163	28.054A	796784	14.002	798100	28.134	799320	28.144
794557	28.064	796164	28.054A	796784	14.002	798100	28.132	799365	28.132

NUMERICAL INDEX

PART NO.	GROUP NO.	PART NO.	GROUP NO.	PART NO.	GROUP NO.	PART NO.	GROUP NO.	PART NO.	GROUP NO.
799378	7.013	1112172	7.031	1380917	1.001A	1876153	7.031A	1959991	7.028A
799378	28.110	1112893	7.031A	1380918	1.001A	1876154	7.031A	1960864	7.025
799378	28.060	1112945	7.031A	1380919	1.001A	1876155	7.031A	1961234	7.031
799740	28.028A	1114356	7.026	1382106	12.020	1876639	7.031A	1961323	7.028A
799814	28.023	1114458	7.025	1385607	17.045	1876641	7.031	1963139	7.028A
799815	28.023	1114458	7.026	1385852	12.020	1876668	7.028A	1963858	7.031
799816	28.144	1115238	7.038	1386691	7.020	1876681	7.028A	1964117	7.028A
799874	28.054A	1115858	7.080	1386691	7.070	1877057	7.028A	1964784	7.072
799996	23.080	1115858	7.070	1469409	16.045	1877306	7.025	1964785	7.072
799996	23.080	1115858	7.090	1470030	28.172D	1881371	7.031	1965047	7.025
800061	7.031	1115882	7.080	1470030	28.172D	1883115	7.026	1965104	7.028A
800832	7.028A	1116387	7.028A	1480294	1.001	1891234	7.031A	1965730	7.025
801262	7.031	1116389	7.028H	1489612	17.001	1891239	7.031A	1965864	7.031A
801433	7.025	1117148	7.028H	1493941	16.040	1891278	7.026	1966034	7.026
801466	7.028H	1195016	12.007	1493941	16.043	1891552	7.026	1966879	7.028H
801466	7.028A	1223127	7.070	1494251	23.065	1892163	7.076	1966923	7.025
801481	7.028H	1223499	7.042	1494253	16.045	1892164	7.076	1967684	7.072
801528	12.040	1223501	7.042	1497193	6.010	1893518	7.031A	1967685	7.072
801528	8.041	1223590	7.070	1497532	4.002	1893988	7.031A	1968890	7.028H
801528	8.41H	1223595	7.042	1516395	7.050	1894321	7.025	1968891	7.028H
801532	7.028H	1223619	7.042	1550706	7.045	1894423	7.031A	1968991	7.028H
801533	7.028H	1236004	4.030	1597232	7.042	1904436	7.025	1969357	7.025
801535	7.028H	1236004	4.005	1599036	7.074	1905125	7.028H	1969481	7.028H
801539	7.028H	1240558	4.002	1600969	7.074	1905406	7.028H	1970227	7.028H
801548	7.028H	1242101	8.041	1602426	16.043	1906945	7.025	1970379	7.028H
801549	7.028H	1242101	7.070	1602426	16.040	1910476	7.028H	1970397	7.028H
801550	7.028H	1324714	28.172D	1602464	26.035F	1912008	7.028H	1970397	7.028H
801551	7.028H	1351769	7.074	1602464	26.035	1913436	7.028H	1970469	7.025
801558	7.028H	1351769	17.045	1602464	23.050	1915172	7.028A	1970548	7.025
801565	7.028H	1359744	23.100	1602468	26.035F	1918015	7.025	1970988	7.025
801572	7.028H	1363951	17.001	1603122	23.050F	1919478	7.028H	1971673	7.028H
801575	7.028H	1371622	1.001	1603178	16.043	1923935	7.026	1971993	7.028A
801634	7.028H	1371622	1.002	1603458	16.043	1926618	7.025	1973408	7.031
801722	7.028H	1373361	1.001A	1603458	16.040	1926622	7.025	1973523	7.031A
801792	7.028A	1373362	1.001A	1606800	26.035F	1927848	7.025	1973609	7.031A
801806	7.028A	1373363	1.001A	1606894	7.029	1927849	7.025	1973622	7.031A
801808	7.028A	1373364	1.001A	1606895	7.029	1927850	7.025	1974157	7.025
801810	7.028A	1373365	1.001A	1607526	16.043	1928015	7.025	1990098	16.030
801813	7.028A	1373366	1.001A	1653249	23.065	1928966	7.025	1990099	16.035
801815	7.028A	1373367	1.001A	1681106	23.080	1931129	7.025	1990099	7.070
801818	7.028A	1373368	1.001A	1681300	7.070	1931312	7.028H	1993319	17.006
805790	7.026	1373369	1.001A	1723200	16.035	1931988	7.031	1994153	7.070
807295	7.026	1373370	1.001A	1837617	7.031A	1932002	7.031	1995194	7.042
807295	7.028H	1373371	1.001A	1846097	7.025	1932004	7.031	1995194	7.070
807295	7.028H	1373372	1.001A	1846216	7.031	1932023	7.031	1997043	7.070
809593	7.025	1373373	1.001A	1846291	7.028H	1932024	7.031	1997454	8.041
810601	7.025	1373374	1.001A	1846901	7.028A	1932190	7.025	1997454	8.41H
810620	7.025	1373511	1.001	1846955	7.028H	1932196	7.025	1997460	12.040
812622	7.026	1373511	1.002	1847933	7.028A	1932197	7.025	1997963	16.035
818265	7.025	1373552	1.001B	1847933	7.028A	1935645	7.026	1997963	7.072
830335	7.028H	1373553	1.001B	1847933	7.028A	1938193	7.031	1997983	16.035
830338	7.028H	1373554	1.001B	1851165	7.028H	1939970	7.025	1998905	26.035
830421	7.031A	1373555	1.001B	1851612	7.028A	1940477	7.025	1998985	26.035
830446	7.031A	1373556	1.001B	1851612	7.028A	1940546	7.026	1998985	26.035F
830478	7.028A	1373557	1.001B	1851808	7.028H	1941113	7.025	1998999	26.035F
830485	7.026	1373558	1.001B	1851808	7.028H	1941978	7.028A	2000001	28.124
830838	7.028H	1373559	1.001B	1852715	7.036	1942518	7.031	2000001	28.172
830891	7.028A	1373560	1.001B	1852715	7.035	1943835	7.031	2000059	23.043
838029	8.006	1373561	1.001B	1852715	7.032	1944973	7.028H	2000239	23.026
907056	7.028H	1373562	1.001B	1852715	7.034	1946134	7.078	2000270	28.075B
907677	1.001	1373563	1.001B	1852715	7.033	1946400	7.025	2000280	7.090
907998	7.028A	1373564	1.001B	1852722	7.031	1948396	7.025	2000300	23.050F
908108	6.012	1373565	1.001B	1852908	7.031	1948407	7.028H	2000322	28.168
908126	26.020	1373566	1.001B	1852909	7.031	1949357	7.028A	2000327	28.172
911255	7.003	1373567	1.001B	1852935	7.031	1949538	7.026	2000328	28.172
911582	23.060	1375164	1.001	1853342	7.026	1950064	7.026	2000329	28.154
913060	7.003	1375165	1.001	1867531	7.028H	1950069	7.026	2000330	28.155
916558	7.001	1375165	1.002	1869573	7.031	1950569	7.031A	2000331	28.172
954369	17.005	1377448	1.001	1869573	7.031A	1950569	7.031	2000331	28.172
993872	23.107	1377448	1.002	1869573	7.028A	1951099	7.031A	2000332	28.168
993874	23.107	1378180	23.100	1875645	7.028A	1951099	7.031	2000333	28.124
994568	23.050F	1380905	1.001A	1875687	7.025	1951567	7.025	2000333	28.124
1050081	1.002	1380906	1.001A	1875894	7.031A	1951792	7.026	2000334	28.128
1099429	12.001	1380907	1.001A	1875948	7.031A	1952727	7.070	2000335	28.120
1101015	7.028A	1380908	1.001A	1875955	7.031A	1952727	7.042	2000336	28.120
1101016	7.028A	1380909	1.001A	1875960	7.031A	1954842	7.025	2000337	28.120
1103267	7.031A	1380910	1.001A	1875961	7.031A	1955499	7.026	2000338	28.120
1103299	7.031A	1380911	1.001A	1875962	7.031A	1955676	7.031A	2000339	28.044J
1108522	7.025	1380912	1.001A	1875963	7.031A	1955676	7.031	2000341	28.045H
1108761	7.025	1380913	1.001A	1875967	7.031A	1956226	7.026	2000342	28.045H
1108795	7.025	1380914	1.001A	1875981	7.031A	1958667	7.076	2000343	28.045A
1109027	7.025	1380915	1.001A	1875990	7.031A	1958679	7.026	2000344	28.045
1109069	7.025	1380916	1.001A	1876013	7.031A	1958679	7.025	2000345	28.045

NUMERICAL INDEX

PART NO.	GROUP NO.	PART NO.	GROUP NO.	PART NO.	GROUP NO.	PART NO.	GROUP NO.	PART NO.	GROUP NO.
2000350	28.044J	2001460	14.002	2003432	14.002	2004675	23.074H	2005014	28.051B
2000352	28.045A	2001472	16.043	2003464	7.090	2004678	23.074H	2005014	28.051B
2000353	28.045A	2001630	28.051	2003464	7.090	2004678	23.073H	2005124	28.051B
2000354	28.045A	2001631	28.051	2003467	23.005	2004678	23.071H	2005209	23.050F
2000362	28.045H	2001632	28.051	2003471	28.110	2004678	23.072H	2005210	23.050F
2000363	28.045H	2001633	28.051	2003472	28.110	2004678	23.066H	2005243	23.050
2000374	28.172	2001658	28.023	2003474	28.110	2004679	23.074H	2005243	26.035
2000374	28.172	2001663	28.023F	2003475	28.110	2004679	23.072H	2005266	23.065
2000375	28.124	2001663	28.023	2003476	28.110	2004679	23.070H	2005279	23.090
2000385	26.040	2001669	28.051A	2003479	28.110	2004679	23.073H	2005280	26.035F
2000387	14.008	2001670	28.051A	2003480	28.110	2004679	23.070S	2005281	23.050F
2000388	14.008	2001699	28.045	2003482	28.045G	2004679	23.071H	2005290	28.074
2000390	28.074B	2001707	26.035F	2003483	28.045B	2004679	23.066H	2005296	28.074
2000392	28.164	2001708	23.005	2003484	28.045B	2004680	23.073H	2005297	28.074
2000394	28.077	2001709	23.005	2003485	28.045A	2004680	23.066H	2005298	28.074B
2000552	28.172	2001709	23.005	2003627	23.050F	2004680	23.072H	2005299	14.002
2000603	14.010	2001711	23.050F	2003628	23.050F	2004680	23.074H	2005300	14.002
2000604	14.010	2001763	23.140	2003632	26.035F	2004680	23.070S	2005305	28.034J
2000605	14.010	2001764	23.140	2003633	23.005	2004680	23.071H	2005351	28.046A
2000606	14.010	2001884	23.115	2003710	28.172	2004681	23.070S	2005352	28.046A
2000607	14.010	2001884	28.144	2003710	28.124	2004681	23.072H	2005376	7.035
2000608	14.010	2001884	28.144	2003730	28.075	2004681	23.071H	2005376	7.032
2000621	14.010	2001948	23.005	2003730	28.075A	2004681	23.074H	2005385	23.066H
2000622	14.010	2001949	23.005	2003732	14.001	2004681	23.066H	2005386	23.066H
2000623	14.010	2001976	28.023F	2003760	28.136	2004681	23.073H	2005403	26.040
2000624	14.010	2001976	28.023	2003761	28.136	2004682	23.066H	2005465	23.050
2000625	14.010	2001977	28.023	2003762	28.136	2004682	23.070S	2005492	7.085
2000626	14.010	2001978	28.023	2003762	28.152	2004682	23.074H	2005492	7.085
2000628	14.010	2002026	28.144	2003763	28.136	2004682	23.072H	2005494	7.085
2000629	14.010	2002026	28.144	2003764	28.152	2004682	23.071H	2005494	7.085
2000630	14.010	2002039	23.047	2003764	28.136	2004682	23.073H	2005508	26.035
2000631	14.010	2002041	23.047	2003765	28.136	2004683	23.073H	2005508	23.050
2000632	14.010	2002042	23.047	2003766	28.136	2004683	23.070S	2005509	23.050
2000633	14.010	2002043	23.047	2003767	28.136	2004683	23.071H	2005509	26.035
2000634	14.010	2002046	23.047	2003768	28.152	2004683	23.072H	2005633	28.172D
2000635	14.010	2002047	23.047	2003768	28.136	2004683	23.074H	2005709	23.116
2000639	14.010	2002048	23.047	2003769	28.136	2004683	23.066H	2005737	28.030
2000640	14.010	2002049	23.047	2003770	28.136	2004684	23.070S	2005741	28.020
2000641	14.010	2002050	23.047	2003770	28.152	2004684	23.071H	2005742	28.054A
2000642	14.010	2002051	23.047	2003771	28.136	2004684	23.073H	2005779	23.116
2000649	28.132	2002052	23.047	2003772	28.132	2004684	23.072H	2005780	23.116
2000650	28.132	2002053	23.047	2003773	28.132	2004684	23.066H	2005781	23.116
2000652	28.136	2002088	28.023F	2003774	28.132	2004684	23.074H	2005782	23.116
2000653	28.176	2002204	28.045A	2003775	28.132	2004685	23.074H	2005783	23.116
2000654	28.152	2002228	28.070	2003776	28.132	2004686	23.074H	2005784	23.116
2000655	28.176	2002263	23.116	2003777	28.132	2004687	23.070H	2005785	23.116
2000656	28.176	2002264	23.116	2003779	28.132	2004687	23.072H	2005786	23.116
2000657	28.176	2002266	23.116	2003779	28.134	2004687	23.073H	2005787	23.116
2000658	28.176	2002270	16.035	2003780	28.132	2004687	23.074H	2005788	23.116
2000659	28.152	2002352	4.005	2003781	28.132	2004687	23.066H	2005789	23.116
2000701	23.005	2002633	23.065	2003782	28.152	2004687	23.070S	2005790	23.116
2000702	23.005	2002634	23.050	2003783	28.152	2004687	23.071H	2005791	23.116
2000708	23.050F	2002635	28.051B	2003786	28.152	2004691	23.071H	2005792	23.116
2000850	16.043	2002635	23.043	2003787	28.152	2004692	23.071H	2005793	23.116
2000875	28.045	2002635	23.043	2003790	23.116	2004693	23.073H	2005794	23.116
2000875	7.090	2002635	23.044	2003792	23.116	2004695	23.073H	2005797	23.110
2000916	28.136	2002654	28.045	2003795	23.116	2004696	23.072H	2005844	23.045
2000928	28.110	2002696	28.172D	2003796	23.116	2004697	23.072H	2005845	23.045
2000935	28.144	2002831	28.052C	2003797	23.116	2004698	28.051C	2005846	23.045
2000936	28.144	2002832	28.052C	2003798	23.116	2004698	28.051A	2005847	23.045
2000937	28.132	2002833	28.052C	2003799	23.116	2004699	23.070H	2005981	23.050F
2000974	28.048	2002840	23.116	2003800	23.116	2004718	28.176	2005983	23.107
2000974	28.048	2002841	28.132	2004132	23.116	2004719	28.176	2005985	26.035F
2000975	28.048	2002841	28.136	2004302	23.080	2004719	28.176	2006113	23.045
2000975	28.048	2002842	28.136	2004497	28.148	2004720	28.176	2006222	23.045
2001029	23.026	2002843	28.136	2004517	28.060	2004721	28.176	2006225	23.025
2001116	28.176	2002843	28.144	2004562	28.004	2004742	28.176	2006226	23.026
2001116	28.176	2002845	23.116	2004563	28.004	2004743	23.015	2006227	23.026
2001121	28.144	2003021	23.070S	2004614	23.044	2004761	28.148	2006274	7.085
2001311	28.148	2003132	28.051A	2004621	7.090	2004783	23.050	2006416	23.107
2001312	28.148	2003206	23.050F	2004631	23.065	2004783	26.035	2006418	23.045
2001318	23.050	2003207	23.050F	2004647	14.002	2004900	23.044	2006419	23.026
2001318	23.050	2003208	23.050F	2004674	23.074H	2004900	28.051B	2006419	23.025
2001323	23.080	2003209	23.050F	2004674	23.070S	2004915	23.044	2006420	23.026
2001350	28.152	2003216	28.172D	2004674	23.073H	2004967	23.044	2006420	23.025
2001350	28.152	2003216	28.172D	2004674	23.071H	2005000	23.044	2006421	23.025
2001359	23.065	2003217	28.172D	2004674	23.066H	2005001	26.035F	2006454	14.002D
2001359	23.065	2003222	28.172D	2004674	23.072H	2005009	23.044	2006602	28.056
2001376	28.144	2003222	28.172D	2004675	23.072H	2005010	28.051B	2006610	23.116
2001376	28.144	2003223	28.172D	2004675	23.066H	2005011	28.051A	2006618	28.142
2001434	7.034	2003223	28.172D	2004675	23.070S	2005011	23.044	2006625	28.136
2001435	26.035F	2003429	28.056	2004675	23.073H	2005014	23.044	2006626	28.136
2001451	28.106	2003430	28.056	2004675	23.071H	2005014	23.044	2006628	28.158

NUMERICAL INDEX

PART NO.	GROUP NO.	PART NO.	GROUP NO.	PART NO.	GROUP NO.	PART NO.	GROUP NO.	PART NO.	GROUP NO.
2006632	28.158	2007940	28.176	2008783	23.116	2010373	23.071H	2013222	28.158
2006642	7.045	2007941	28.176	2008784	23.116	2010373	23.072H	2013222	28.134
2006646	8.004	2007946	28.176	2008784	23.116	2010374	23.073H	2013223	28.158
2006646	6.016	2007952	23.043	2008789	23.115	2010374	23.074H	2013223	28.134
2006650	28.172D	2007953	23.043	2008790	23.115	2010375	23.066H	2013224	28.158
2006650	28.130	2007954	23.025	2008968	28.172	2010376	23.070S	2013225	28.158
2006651	28.136	2007955	23.025	2008969	28.124	2010377	23.071H	2013226	28.158
2006651	28.070H	2007956	23.025	2008969	28.124	2010377	23.072H	2013228	28.158
2006652	28.051A	2007957	23.025	2009041	28.074A	2010385	23.073H	2013228	28.134
2006654	28.064	2007960	28.023	2009108	23.045	2010385	23.074H	2013229	28.134
2006655	28.062H	2007960	28.023	2009110	28.045H	2010386	23.066H	2013229	28.158
2006656	28.062H	2007960	28.023	2009152	23.026	2010495	28.050	2013230	28.158
2006657	23.025	2007960	28.023	2009159	14.002D	2010496	28.050	2013231	28.158
2006657	23.026	2007960	28.023	2009160	23.045	2010497	28.050	2013234	28.158
2006658	28.136	2007960	28.023F	2009161	23.005	2010499	28.050	2013240	28.134
2006676	28.050	2007973	28.176	2009161	23.068	2010518	7.078H	2013240	28.158
2006740	28.034J	2007974	28.023F	2009162	23.069	2010595	28.168	2013241	28.134
2006741	28.051	2007978	23.025	2009162	23.005	2010624	28.128	2013241	28.158
2006742	28.034J	2007979	23.026	2009163	23.130H	2010627	28.128	2013249	28.004
2006744	28.162	2007980	23.026	2009163	23.130	2010637	28.120	2013252	28.004
2006744	28.128	2007981	23.130H	2009164	23.130	2010672	28.120	2013358	28.154
2006746	28.162	2007982	23.130H	2009196	14.002D	2010675	28.128	2013358	28.155
2006746	28.128	2007983	23.065	2009201	14.002D	2010765	23.110	2013358	28.128
2006747	28.128	2007988	7.078	2009201	14.002D	2010782	23.115	2013358	28.172
2006747	28.162	2007999	28.130	2009202	14.002D	2010783	23.115	2013358	28.168
2006748	28.168	2008017	28.051	2009301	14.002D	2010790	28.045	2013358	28.120
2006749	28.168	2008018	28.128	2009363	28.110	2010793	28.172	2013358	28.124
2006750	28.172	2008027	7.091	2009364	28.110	2011392	23.140	2013359	28.124
2006755	23.130H	2008037	28.172	2009372	28.110	2011557	28.030	2013359	28.120
2006761	14.010	2008038	28.124	2009373	28.110	2011558	28.030	2013359	28.155
2006761	14.002D	2008039	28.168	2009374	28.110	2011559	28.030	2013359	28.172
2006770	28.110	2008045	28.162	2009375	28.110	2011560	28.030	2013359	28.128
2006774	28.110	2008047	28.120	2009394	23.070S	2011592	23.073H	2013359	28.168
2006775	28.172	2008059	28.158	2009395	23.070S	2011592	23.074H	2013359	28.154
2006777	23.115	2008138	28.172D	2009396	23.070S	2011593	23.071H	2013496	7.090
2006778	7.090	2008139	28.172D	2009397	23.070S	2011593	23.072H	2013496	7.090
2006784	7.090	2008143	28.120	2009398	23.070S	2011594	23.066H	2013568	28.168
2006786	7.090	2008144	28.158	2009399	23.070S	2011595	23.070S	2013781	28.120
2006788	28.048	2008147	28.172D	2009400	23.070S	2011595	23.071H	2013782	28.120
2006789	28.048	2008149	28.023F	2009457	28.158	2011595	23.070H	2013783	28.120
2006791	28.049B	2008158	23.130H	2009730	23.065	2011596	23.066H	2013918	7.090
2006796	28.038	2008159	23.130H	2009813	28.172D	2011596	23.074H	2014007	23.044
2006797	28.049	2008160	23.130H	2009884	28.120	2011596	23.073H	2014028	28.051
2006798	14.002D	2008161	23.130H	2009926	28.004	2011596	23.072H	2014030	28.051
2006799	14.002D	2008162	23.130H	2009927	28.004	2011596	23.070H	2014031	28.051
2007258	28.110	2008163	23.130H	2009928	28.004	2011597	23.070S	2014090	28.004
2007300	28.110	2008164	23.130H	2009931	28.004	2011597	23.070H	2014304	28.045H
2007415	28.176	2008165	23.130H	2009932	28.004	2011598	23.070S	2014306	28.172
2007416	28.176	2008166	23.130H	2009933	28.004	2011598	23.070H	2014307	28.168
2007452	14.002D	2008174	23.026	2009934	28.004	2011648	23.026	2014308	28.168
2007486	14.002D	2008177	23.026	2009935	28.004	2011753	28.120	2014309	28.172
2007486	14.010	2008178	23.026	2009937	28.004	2011755	28.120	2014311	28.128
2007607	28.172	2008180	23.026	2009940	28.004	2011860	28.056	2014326	28.120
2007608	28.172	2008181	23.025	2009941	28.004	2011861	28.056	2014413	28.044B
2007611	14.002D	2008182	23.026	2009942	28.004	2011900	28.051A	2014414	28.044B
2007617	14.002D	2008183	28.120	2009958	28.050	2011956	23.070S	2014429	23.116
2007701	14.002D	2008184	6.002	2009960	28.128	2012180	23.050F	2014430	23.116
2007701	7.070	2008185	28.023F	2010165	23.045	2012186	23.050F	2014502	28.051A
2007702	7.070	2008198	23.025	2010239	23.025	2012187	23.050F	2014618	28.154
2007702	14.002D	2008199	23.026	2010250	28.023	2012189	23.050F	2014619	28.128
2007713	28.034J	2008200	23.025	2010292	23.044	2012418	28.130	2014620	28.124
2007714	28.034J	2008201	28.030	2010292	23.065	2012752	23.044	2014621	28.172
2007717	28.034J	2008211	28.023F	2010322	28.051A	2012753	28.051A	2014868	28.120
2007718	28.034J	2008215	28.174E	2010329	23.116	2012754	28.051A	2014891	28.162
2007720	28.034J	2008255	28.023F	2010330	23.116	2012754	23.044	2014893	28.128
2007721	28.034J	2008264	28.030	2010331	28.132	2012755	23.044	2014894	28.128
2007723	28.034J	2008299	28.154	2010332	28.176	2012756	28.051A	2014897	28.128
2007724	28.034J	2008302	23.026	2010333	28.176	2012757	23.044	2014899	28.128
2007725	28.034J	2008303	23.043	2010334	28.176	2013063	28.110	2014903	28.158
2007726	28.034J	2008305	23.043	2010335	28.176	2013072	28.110	2014905	28.158
2007727	28.034J	2008347	14.002D	2010336	28.152	2013207	28.142	2015165	28.128
2007778	28.132	2008348	14.002D	2010337	23.116	2013208	28.142	2015166	28.128
2007778	28.134	2008349	7.078H	2010338	28.136	2013209	28.142	2015167	28.128
2007791	28.158	2008351	28.174E	2010339	28.136	2013210	28.176	2015169	28.128
2007792	28.158	2008353	7.078H	2010341	28.152	2013211	28.142	2015170	28.128
2007793	28.158	2008409	28.023F	2010343	28.176	2013212	28.142	2015171	28.120
2007909	23.080	2008410	28.023F	2010343	28.176	2013213	28.176	2015174	28.120
2007910	23.080	2008492	14.002D	2010348	28.144	2013214	28.142	2015464	8.012
2007911	23.080	2008685	28.128	2010349	28.132	2013215	28.142	2015465	6.016
2007912	23.080	2008764	23.130	2010351	28.144	2013216	28.176	2015466	6.016
2007916	23.080	2008764	23.130H	2010357	28.136	2013217	28.158	2015467	12.030
2007917	28.124	2008781	23.045	2010371	23.070H	2013219	28.158	2015468	12.030
2007918	28.168	2008783	23.116	2010371	23.070S	2013220	28.158	2015712	23.140

NUMERICAL INDEX

PART NO.	GROUP NO.	PART NO.	GROUP NO.	PART NO.	GROUP NO.	PART NO.	GROUP NO.	PART NO.	GROUP NO.
2015950	28.064	2018498	28.164	2025038	28.124	2027118	23.116	2028520	28.132
2016078	28.132	2018588	28.110	2025039	28.124	2027119	23.116	2028521	28.132
2016081	28.132	2018589	28.110	2025040	28.124	2027120	23.116	2028522	28.152
2016086	28.132	2018654	7.090	2025041	28.124	2027121	23.116	2028523	28.152
2016087	28.132	2018854	28.051	2025043	28.124	2027123	23.116	2028524	23.116
2016387	28.134	2018854	28.051A	2025202	28.124	2027124	23.116	2028525	23.116
2016387	28.132	2019687	28.056	2025332	7.036H	2027125	23.116	2028526	23.116
2016388	28.134	2019688	28.056	2025333	28.124	2027126	23.116	2028527	23.116
2016389	23.015	2019689	28.056	2025349	28.045	2027127	23.116	2028530	28.134
2016420	8.41H	2019690	28.056	2025351	28.045	2027129	23.116	2028531	28.134
2016420	12.040	2019694	28.056	2025358	28.120	2027130	23.116	2028532	28.134
2016652	28.128	2019695	28.056	2025475	28.054B	2027131	23.116	2028533	28.134
2016653	28.120	2019696	28.056	2025476	28.054B	2027132	23.116	2028534	28.134
2016654	28.120	2019777	26.015H	2025496	28.168	2027135	23.116	2028535	28.134
2016654	28.120	2020252	28.056	2025739	23.026	2027136	23.116	2028536	28.134
2016655	28.128	2020253	28.056	2025764	7.085	2027137	28.132	2028580	28.136
2016656	28.128	2020385	16.055	2025800	7.085	2027138	28.132	2028581	28.136
2016663	28.128	2020880	23.110	2025901	7.085	2027139	23.116	2028582	28.132
2016664	28.128	2020897	23.110	2025911	7.029	2027140	23.116	2028584	28.132
2016725	28.128	2020898	23.110	2025912	8.015	2027141	28.134	2028671	28.056
2016727	28.120	2021066	28.045E	2025920	8.004	2027141	28.132	2028672	28.056
2016728	28.120	2021066	28.044H	2025922	16.055	2027142	23.116	2028675	28.056
2016729	28.120	2021124	28.051A	2025923	7.028A	2027143	23.116	2028676	28.056
2016730	28.120	2021804	7.037	2025924	6.012	2027144	23.116	2028677	28.056
2016753	28.128	2021864	28.034J	2025925	8.005	2027145	23.116	2028678	28.056
2016924	28.128	2021865	28.034J	2025927	16.055	2027149	28.132	2028679	28.056
2016954	6.002	2021887	28.110	2025931	7.029	2027149	28.136	2028680	28.056
2017078	26.040	2021889	28.110	2025993	16.045	2027150	28.136	2028681	28.056
2017118	28.078	2021890	28.110	2026059	28.120	2027150	28.144	2028682	28.056
2017120	28.078	2022110	28.051A	2026146	28.164	2027153	23.116	2028683	28.056
2017121	28.078	2022276	28.134	2026184	28.168	2027154	23.116	2028684	28.056
2017122	28.078	2022318	28.134	2026184	28.124	2027282	14.010	2028685	28.056
2017286	26.040	2022319	28.134	2026185	28.132	2027284	14.010	2028686	28.056
2017545	12.040	2022320	28.134	2026186	28.132	2027285	14.010	2028687	28.056
2017564	7.090	2022321	28.134	2026187	28.132	2027286	14.010	2028689	28.056
2017739	14.002	2022322	28.134	2026188	28.132	2027321	23.045	2028690	28.056
2017788	28.045E	2022325	28.134	2026189	28.132	2027434	28.172	2028691	28.056
2017795	23.065	2022569	26.015H	2026190	28.132	2027435	28.130	2028692	28.056
2017885	7.074	2022570	26.015H	2026191	28.132	2027435	28.130	2028710	28.120
2017898	17.048	2022575	26.015H	2026192	28.132	2027437	28.064	2028711	23.116
2017900	17.048	2022576	26.015H	2026193	28.132	2027438	28.110	2028712	23.116
2018200	28.120	2022723	26.015H	2026194	28.132	2027439	28.110	2028735	28.064
2018212	28.045E	2022736	28.110	2026195	28.132	2027440	28.110	2028776	23.044
2018213	28.045A	2022737	28.110	2026197	28.132	2027441	28.110	2028934	23.025
2018214	28.045	2022803	28.110	2026198	28.132	2027442	28.110	2028935	23.025
2018215	28.045	2022805	28.110	2026200	28.132	2027536	23.116	2029068	28.110
2018216	28.045	2022811	28.110	2026201	23.026	2027537	23.116	2029069	28.110
2018217	28.045E	2022814	28.110	2026210	28.068	2027538	23.116	2029191	23.065
2018218	28.045E	2022814	28.110	2026211	28.070	2027544	28.132	2029222	23.065
2018219	28.045E	2022816	28.110	2026212	28.070	2027545	28.136	2029242	28.070H
2018220	28.045E	2022818	28.110	2026213	23.026	2027546	28.136	2029244	28.070H
2018239	28.110	2022819	28.110	2026244	28.070	2027548	28.132	2029245	28.070H
2018240	28.110	2022837	28.132	2026245	28.128	2027549	28.136	2029246	28.070H
2018241	28.110	2022838	28.132	2026246	28.128	2027550	28.176	2029248	28.070H
2018243	28.110	2022839	28.132	2026248	28.128	2027551	28.176	2029249	28.070H
2018245	28.110	2024068	26.035F	2026249	28.128	2027552	28.176	2029250	28.070H
2018246	28.110	2024077	7.070	2026272	28.054B	2027553	28.176	2029251	28.070H
2018247	28.110	2024077	7.078	2026277	28.130	2027554	28.152	2029253	28.070H
2018248	28.045B	2024082	28.030	2026823	28.030	2027555	23.100	2029254	28.070H
2018249	28.044	2024086	28.176	2026824	28.030	2027849	28.128	2029255	28.070H
2018252	28.110	2024087	28.142	2026828	28.120	2027855	28.030	2029256	28.070H
2018253	28.110	2024088	28.142	2026845	28.064	2027902	7.029	2029257	28.070H
2018254	28.110	2024098	28.136	2026847	28.064	2027916	28.128	2029258	28.070H
2018255	28.110	2024099	28.136	2026861	28.064	2027917	28.128	2029259	28.070H
2018256	28.110	2024100	28.136	2026863	28.064	2027935	28.110	2029260	28.070H
2018257	28.110	2024751	28.136	2026864	28.064	2027936	28.110	2029261	28.070H
2018258	28.110	2024757	28.136	2027011	28.030	2027937	28.172	2029262	28.070H
2018302	28.120	2024758	28.136	2027013	28.030	2027946	28.110	2029263	28.070H
2018303	28.120	2024759	28.136	2027015	28.030	2027947	28.110	2029264	28.070H
2018304	28.120	2024762	28.136	2027033	28.030	2027948	28.110	2029265	28.070H
2018410	28.172	2024763	28.136	2027101	28.132	2027949	28.110	2029267	28.070H
2018432	28.004	2024764	28.152	2027102	28.132	2027967	28.174	2029268	28.070H
2018487	28.168	2024767	28.152	2027103	28.132	2027968	28.174	2029269	28.070H
2018488	28.168	2024770	28.136	2027104	28.132	2028110	28.164	2029270	28.070H
2018489	28.168	2024790	28.110	2027108	28.132	2028382	23.110	2029271	28.070H
2018490	28.168	2024848	28.034J	2027110	28.132	2028442	16.043	2029274	28.070H
2018491	28.164	2024881	28.128	2027111	28.132	2028443	16.043	2029275	28.070H
2018492	28.162	2024881	28.124	2027112	23.116	2028514	28.136	2029276	28.070H
2018493	28.162	2024881	28.168	2027113	23.116	2028515	28.136	2029277	28.070H
2018494	28.162	2024931	26.040	2027114	23.116	2028516	28.136	2029283	23.116
2018495	28.124	2025002	7.036H	2027115	23.116	2028517	28.136	2029284	23.116
2018496	28.124	2025035	28.124	2027116	23.116	2028518	28.132	2029285	28.136
2018497	28.168	2025037	28.124	2027117	23.116	2028519	28.132	2029286	28.136

NUMERICAL INDEX

PART NO.	GROUP NO.	PART NO.	GROUP NO.	PART NO.	GROUP NO.	PART NO.	GROUP NO.	PART NO.	GROUP NO.
2029287	28.136	2030924	23.116	2301257	14.002D	2436165	11.002	2620587	4.020
2029289	28.004	2030925	23.116	2301786	7.078	2436165	28.042	2620598	4.007
2029322	28.110	2030927	23.116	2301878	4.007	2436165	14.001	2621711	4.015
2029334	26.035F	2030928	28.136	2305300	23.045	2436165	14.001	2621712	4.015
2029349	28.168	2030931	28.136	2307316	17.048	2436165	28.144	2622207	4.015
2029906	28.034J	2030935	28.136	2317218	28.172D	2436166	14.001	2623214	4.010
2029946	22.002	2030936	28.136	2317218	28.172D	2436167	23.090	2623215	4.010
2029991	23.116	2030941	28.132	2324625	4.001	2436167	11.006	2623595	4.020
2029992	28.136	2030944	28.132	2335017	23.067	2436167	23.115	2623596	4.020
2029993	28.136	2030945	28.132	2337379	12.001	2436167	23.116	2623597	4.020
2029993	28.136	2030946	28.132	2337379	12.001	2436167	11.008	2623598	4.020
2029995	23.116	2031044	8.004	2358794	4.001	2436168	16.002	2962448	7.013
2029996	28.134	2032695	28.180	2366327	23.090	2436170	14.001	2962449	7.091
2030002	28.054A	2032696	28.180	2366327	23.110	2436655	23.117	2965036	7.091
2030003	28.054A	2032697	28.180	2376064	4.001	2436655	23.115	2965950	7.074
2030004	28.054A	2061210	28.051A	2376275	4.001	2436832	4.025	2965972	7.091
2030013	28.054A	2061210	28.051	2376277	4.001	2439071	23.110	2965972	7.091
2030013	28.054B	2061210	28.130	2381771	7.091	2443965	14.001	2965980	7.091
2030014	28.054A	2061210	28.051	2381771	7.091	2444123	7.013	2965980	7.091
2030014	28.054B	2194031	28.051A	2388804	8.41H	2444123	7.013	2973385	7.091
2030015	28.054A	2194031	28.051	2390135	12.001	2444124	7.013	2973386	7.091
2030015	28.054B	2212295	7.078	2390834	4.005	2444125	7.013	2973407	7.091
2030016	28.054A	2214695	14.002D	2390893	28.030	2444480	14.002D	2973407	7.091
2030017	28.054A	2214695	14.002	2393434	28.128	2444480	14.002	2973407	7.091
2030018	28.054A	2215842	28.030	2397326	23.006	2446799	14.002	2973407	7.091
2030020	28.054A	2215928	14.002D	2397327	19.001	2455558	28.023	2973407	7.091
2030020	28.054B	2224544	17.048	2397582	28.042	2464901	4.007	2973407	7.091
2030021	28.054B	2224546	12.001	2397582	14.002	2464901	12.001	2973781	7.091
2030021	28.054A	2224546	28.042	2398984	16.002	2464966	28.034	2973781	7.091
2030022	28.054A	2224567	28.034	2399043	16.002	2464989	14.002D	2977253	7.091
2030022	28.054B	2224567	28.034J	2399078	8.41H	2465308	23.026	2977253	7.091
2030023	28.054A	2224567	7.074	2399078	8.041	2465814	28.051	2977253	7.091
2030024	28.054A	2224567	7.074	2399080	7.091	2465815	19.001	2977253	7.091
2030025	28.054A	2224567	7.074	2410096	12.040	2465815	12.001	2977253	7.013
2030026	28.054A	2224567	28.051A	2411483	7.091	2465815	23.110	2977645	7.091
2030027	28.054A	2224567	28.172D	2416136	17.050	2465815	11.008	2977646	7.091
2030028	28.054A	2226070	23.025	2416806	7.091	2465839	28.023	2977647	7.091
2030030	28.054A	2226070	23.010	2416806	7.091	2465839	28.023F	2977647	7.091
2030049	28.054A	2226070	23.065	2418710	7.078	2467406	16.045	2977689	7.091
2030050	28.054A	2226070	23.065	2419766	28.030	2467485	14.010	2977690	7.091
2030050	28.054B	2226070	23.130	2421884	14.001	2467789	28.023	2977763	7.091
2030051	28.054A	2226070	23.130H	2423131	14.002D	2467789	26.040	2977804	7.091
2030052	28.054B	2226261	17.048	2423131	14.002	2467789	26.040	2977804	7.091
2030052	28.054A	2228368	23.050	2423777	7.091	2468869	28.034	2984235	7.091
2030053	28.054A	2228368	23.065	2426078	7.076	2468869	28.034J	2984528	7.091
2030054	28.054A	2234612	19.001	2429626	28.051A	2468869	28.042	2984570	7.091
2030055	28.054A	2234617	19.001	2429626	28.051	2468869	12.001	2984855	7.091
2030056	28.054A	2234621	7.042	2429626	28.051	2468869	16.045	2987004	7.050
2030057	28.054A	2234633	28.074	2433648	14.001	2468869	28.051	3012944	26.025
2030058	28.054A	2234649	28.052	2436115	12.001	2468869	28.051A	3014916	26.025
2030059	28.054A	2234659	28.072	2436161	4.030	2468869	28.172D	3015545	26.010
2030060	28.054B	2234660	28.072	2436161	14.002	2468869	28.172D	3016894	26.015H
2030060	28.054A	2234661	28.072	2436161	14.002D	2468878	28.023	3017083	26.015H
2030061	28.054A	2234707	19.001	2436161	23.005	2468878	28.023F	3017083	26.015
2030061	28.054B	2234773	28.052C	2436161	23.005	2468878	28.023	3017084	26.015H
2030062	28.054A	2234775	28.164	2436161	23.010	2471945	8.026	3017084	26.015H
2030063	28.054A	2234819	28.128	2436161	23.117	2471945	12.001	3021665	26.015
2030064	28.054A	2236300	28.023	2436162	28.168	2473028	26.025	3021665	26.015H
2030065	28.054A	2236474	7.091	2436162	8.41H	2474055	7.078	3021665	26.010
2030075	23.044	2236474	7.091	2436162	4.030	2474438	14.002D	3022661	26.010
2030076	23.044	2240368	28.154	2436162	8.041	2477950	11.008	3022708	26.015H
2030077	23.044	2243319	14.002D	2436162	16.030	2477950	11.006	3022708	26.015
2030078	23.044	2245859	23.007	2436162	16.030	2479541	11.002	3022708	26.010
2030079	23.044	2248137	23.005	2436162	7.085	2479541	7.029	3027062	26.010
2030081	28.120	2248137	23.065	2436162	7.085	2482399	8.015	3027062	26.015
2030083	28.054B	2248137	28.120	2436163	7.085	2483950	23.045	3027134	26.015
2030084	28.054B	2257158	28.045	2436163	7.085	2485150	12.010	3027134	26.010
2030087	28.054B	2257158	7.070	2436163	4.002	2488353	7.091	3027165	26.015
2030088	28.054B	2261791	23.026	2436163	4.002	2488392	16.045	3027165	26.010
2030089	28.054B	2265051	23.005	2436163	4.005	2488394	8.026	3027842	17.001
2030090	28.054B	2265051	7.013	2436163	4.005	2488394	12.001	3027939	26.015
2030091	28.054B	2273809	23.100	2436163	11.002	2488949	7.091	3028608	26.015
2030092	28.054B	2273809	7.076	2436163	7.029	2489333	7.090	3028640	26.010
2030093	28.054B	2279500	23.045	2436163	14.002	2489388	28.172D	3028740	26.015H
2030096	28.054B	2279500	28.128	2436163	19.010	2490119	8.026	3028741	26.015H
2030097	28.054B	2281754	7.091	2436163	19.001	2490119	16.045	3028742	26.015
2030098	28.054B	2281754	7.091	2436164	11.008	2490119	28.057	3028742	26.015H
2030116	23.044	2282071	14.003	2436164	11.002	2491792	26.035	3028742	26.010
2030223	23.044	2282862	7.090	2436164	11.006	2493419	28.030	3028743	26.015
2030224	23.044	2292732	23.040	2436165	11.002	2494772	12.001	3028743	26.010
2030921	23.116	2299512	28.136	2436165	11.002	2496721	26.040	3028743	26.015H
2030922	23.116	2299512	7.013	2436165	23.090	2497228	23.045	3028744	26.015
2030923	23.116	2301257	7.091	2436165	11.002	2497229	23.107	3028745	26.015H

NUMERICAL INDEX

PART NO.	GROUP NO.	PART NO.	GROUP NO.	PART NO.	GROUP NO.	PART NO.	GROUP NO.	PART NO.	GROUP NO.
3028745	26.015	3818229	19.001	3986872	7.032	5466110	8.005	5650906	12.040
3028755	26.015	3824475	16.055	3986873	7.042	5466111	8.005	5667628	16.010
3028761	26.015	3825416	26.040	3986873	7.035	5466114	8.005	5675948	16.002
3028761	26.015H	3825820	1.010	3986873	7.033	5466115	8.005	5682044	16.010
3028762	26.015	3826708	7.085	3986873	7.036	5466211	8.005	5683229	16.010
3028767	26.015	3829058	8.006	3986873	7.032	5466212	8.005	5684820	16.010
3028767	26.015H	3829058	8.006	3986886	7.042	5466213	8.005	5685355	16.010
3028767	26.010	3831892	23.065	3986886	7.070	5466214	8.005	5685372	16.010
3028773	26.015	3834560	4.025	3987930	17.001	5466303	8.005	5686527	16.010
3028773	26.010	3834560	4.030	3989344	12.020	5466305	8.005	5686539	16.010
3028785	26.010	3834560	7.029	3989433	17.045	5466306	8.005	5686540	16.010
3028785	26.015H	3834560	7.029	3989434	17.045	5466308	8.005	5686814	16.010
3028785	26.015	3835505	8.006	3993087	8.041	5466309	8.005	5686836	16.010
3028795	26.015H	3838094	28.051	3993087	8.41H	5466311	8.005	5686837	16.010
3028795	7.070	3841575	23.065	3996822	4.030	5466312	8.005	5686872	16.010
3028795	26.015	3857731	19.010	3996822	4.025	5466314	8.005	5687182	16.010
3028859	26.015	3859766	7.091	4150462	23.065	5466315	8.005	5687183	16.010
3028864	26.010	3863558	7.003	4664885	23.080	5466317	8.005	5687184	16.010
3030055	8.006	3864202	16.045	4941130	1.010	5466318	8.005	5687185	16.010
3031528	26.015	3865601	11.008	4941131	1.010	5466320	8.005	5687186	16.010
3031529	26.015	3865601	11.006	4949722	14.001	5466321	8.005	5687209	16.010
3031532	26.010	3866188	28.030	4949722	14.003	5466323	8.005	5687435	16.010
3031533	26.010	3866188	28.042	4949722	14.002	5466534	4.007	5687499	16.010
3033290	26.015H	3875092	4.002	4949722	14.002	5466535	4.007	5687538	16.010
3033293	26.015H	3876138	23.110	4950793	14.002	5466536	4.007	5687539	16.010
3033301	26.015H	3883156	22.002	4950793	14.002D	5466560	4.007	5687624	16.010
3033316	26.015H	3884595	16.035	4960506	26.010	5468225	4.015	5687958	16.010
3033317	26.015H	3886873	7.034	4960846	26.015	5468226	4.015	5688011	16.060
3034647	26.025	3886907	7.070	4974187	14.003	5468305	4.010	5688014	16.060
3034904	26.015H	3886907	4.005	4974380	14.003	5468421	4.007	5688015	16.060
3035049	14.002	3893116	12.001	4975363	16.002	5468767	4.015	5688034	16.010
3035089	26.015	3898786	16.055	4975540	1.010	5468961	4.007	5688034	16.060
3035093	26.015	3901449	6.002	4975541	14.001	5469112	4.007	5688037	16.060
3035103	26.015	3902542	7.085	4975706	11.008	5469178	4.015	5688043	16.060
3035104	26.015	3902542	7.085	4975706	11.006	5469230	4.020	5688044	16.060
3035237	6.002	3907444	11.006	4992987	14.003	5469302	4.020	5688065	16.060
3036721	26.015H	3907444	11.008	4992987	14.002	5469384	4.007	5688065	16.060
3036848	26.015H	3914468	23.090	5044831	26.015H	5469497	4.015	5688109	16.060
3038957	8.006	3914468	11.002	5044908	14.010	5470497	4.015	5688229	16.010
3140600	26.025	3916047	16.040	5152148	26.020	5470830	4.020	5688357	16.060
3140600	26.040	3916876	14.002	5155839	14.001	5471912	4.007	5689358	16.060
3140748	26.025	3924813	11.008	5157702	7.090	5472139	4.020	5689359	16.060
3145607	26.015H	3924813	23.050	5168001	28.042	5472396	4.020	5689388	16.060
3176207	14.010	3929054	7.070	5232750	8.006	5472515	4.020	5689546	16.060
3178598	14.002	3930679	23.117	5232895	8.006	5472527	4.020	5689695	16.010
3178875	14.003	3936464	19.010	5329107	14.003	5472528	4.020	5690698	16.010
3633128	12.030	3936465	19.010	5353314	14.003	5472542	4.010	5690857	16.060
3696822	4.030	3940861	23.107	5452322	4.010	5472543	4.010	5692425	16.010
3696822	4.030	3940861	23.107	5455122	4.015	5472546	4.010	5693941	16.035
3696822	4.025	3942651	7.070	5455439	4.020	5472561	4.010	5693941	16.035
3696822	4.025	3943610	7.074	5455516	4.010	5472642	4.020	5694191	16.030
3699368	7.003	3945359	23.040	5455517	4.010	5472643	4.020	5694191	16.035
3700098	23.107	3953436	19.010	5458657	8.005	5474130	8.005	5694191	16.030
3708146	17.001	3956971	12.001	5458658	8.005	5474132	8.005	5694379	1.003
3712745	8.005	3959858	23.065	5458659	8.005	5474304	4.007	5694379	1.004
3718496	28.172D	3967324	23.060	5458660	8.005	5474406	4.015	5694823	16.010
3722217	28.176	3969018	23.115	5458661	8.005	5474560	8.005	5695507	16.002
3726158	14.002	3969018	23.117	5458662	8.005	5474561	8.005	5695513	16.010
3727207	8.005	3969843	12.020	5458663	8.005	5474562	8.005	5696151	16.010
3730562	23.045	3970773	7.003	5460935	4.007	5474563	8.005	5696210	16.035
3730562	23.045	3970774	7.003	5461808	4.007	5474564	8.005	5696245	16.060
3733220	8.012	3975524	23.117	5462938	4.020	5474843	4.007	5697702	16.002
3736851	28.045H	3979315	4.002	5463361	4.020	5538443	14.002	5697702	16.010
3744155	28.042	3979315	17.045	5463797	8.005	5540093	14.003	5697804	16.010
3745928	28.051	3979315	7.074	5463798	8.005	5540299	14.003	5697840	16.002
3745928	28.052C	3979424	8.006	5463799	8.005	5549018	14.003	5698263	1.004
3750950	8.026	3980590	22.002	5463800	8.005	5549027	14.003	5698263	1.003
3759924	23.005	3980590	23.045	5463801	8.005	5549030	14.003	5698406	16.035
3766219	7.085	3980590	28.023F	5463802	8.005	5549030	14.003	5698410	16.035
3766380	17.001	3980717	11.002	5463803	8.005	5549030	14.003	5698416	16.035
3767139	12.001	3981828	7.070	5463933	4.020	5549038	14.003	5699418	1.004
3767139	7.036H	3981828	7.070	5463934	4.020	5549052	14.003	5858694	26.020
3778828	28.045B	3986829	7.034	5464418	4.010	5549339	14.003	5858696	26.020
3779986	12.030	3986829	7.033	5465302	4.007	5549340	14.003	5910744	26.015
3781455	23.110	3986829	7.035	5465649	4.020	5549547	14.003	5910768	26.015H
3786276	6.016	3986829	7.036	5466089	8.005	5552832	14.003	5914435	26.020
3786405	28.030	3986829	7.032	5466090	8.005	5612028	8.006	5914706	26.020
3788262	17.045	3986869	7.042	5466091	8.005	5612073	28.044H	5914709	26.020
3790662	7.085	3986870	7.042	5466093	8.005	5612073	28.045E	5914719	26.020
3794770	23.065	3986872	7.036	5466094	8.005	5613333	28.046A	5914745	26.020
3812166	23.110	3986872	7.035	5466095	8.005	5613516	8.006	5914807	26.020
3816659	7.038	3986872	7.033	5466104	8.005	5613664	8.006	5914808	26.020
3817244	12.020	3986872	7.034	5466105	8.005	5646002	7.074	5914809	26.020

NUMERICAL INDEX

PART NO.	GROUP NO.	PART NO.	GROUP NO.	PART NO.	GROUP NO.	PART NO.	GROUP NO.	PART NO.	GROUP NO.
5951990	7.001	6466180	7.074	7032732	12.040	7802092	1.004	7809416	16.030
5952000	7.001	6466383	7.074	7033752	12.040	7802922	16.002	7809589	16.030
5959089	7.001	6466384	7.074	7034361	12.040	7802922	16.020	7809745	16.035
5959131	7.001	6466690	7.074	7034522	12.040	7803464	16.002	7809755	16.035
5959160	7.001	6470329	12.007	7034903	12.040	7803464	16.020	7809800	16.035
5959383	7.003	6473717	28.040	7035031	12.040	7803623	16.035	7810077	16.035
5959530	7.001	6474099	28.040	7035199	12.040	7803820	16.060	7810216	16.030
5961886	7.001	6478129	7.043	7035344	12.040	7804386	1.004	7810280	16.020
5961887	7.001	6481170	7.045	7035523	12.040	7804407	16.030	7810280	16.002
5962548	7.001	6481318	28.040	7035772	12.040	7804410	16.030	7810333	16.060
5962558	7.003	6484244	12.020	7035790	12.040	7804413	16.030	7810363	16.035
5962563	7.003	6484425	12.020	7035998	12.040	7804414	7.070	7810567	16.030
5962564	7.003	6487368	12.020	7036019	12.040	7804414	16.030	7810569	16.035
5964500	7.001	6487400	12.020	7036880	12.040	7804419	16.030	7810897	16.010
6259076	16.002	6493204	7.043	7036881	12.040	7804419	7.070	7811092	16.035
6259391	16.002	6493204	7.043	7037318	12.040	7804439	16.030	7811092	7.070
6263474	12.001	6493721	7.045	7037569	12.040	7804439	16.035	7811277	16.010
6264018	1.010	6494927	7.074	7037968	12.040	7804440	16.035	7811350	16.030
6264902	17.001	6494938	7.074	7038259	12.040	7804440	16.030	7811592	16.030
6264903	17.001	6495299	7.070	7038269	12.040	7804518	7.070	7811615	16.060
6272089	7.070	6496641	28.040	7038282	12.040	7804518	16.035	7811691	16.035
6272766	12.040	6497106	28.040	7038285	12.040	7804558	16.030	7811692	16.035
6273778	6.010	6499484	7.043	7038298	12.040	7804766	16.030	7812051	16.035
6288539	7.091	6499484	7.042	7038301	12.040	7804771	16.030	7812118	16.002
6288890	7.091	6499489	7.042	7038305	12.040	7804906	16.035	7812122	16.010
6288896	7.091	6499489	7.045	7038581	12.040	7804907	16.035	7812210	7.070
6288976	7.091	6499519	7.043	7038808	12.040	7804908	16.035	7812210	16.030
6288992	7.091	6499601	7.045	7039258	12.040	7804911	16.035	7812211	16.035
6292319	7.038	6499752	7.042	7039258	12.040	7804912	16.035	7812526	16.030
6294397	7.074	6499752	7.045	7039269	12.040	7804915	16.035	7812526	7.070
6294493	7.091	6499753	7.045	7040590	12.001	7804925	16.035	7812853	16.035
6294508	7.091	6499754	7.045	7041169	12.040	7804926	16.035	7812854	16.035
6294508	7.091	6499755	7.045	7042457	12.040	7805158	16.035	7813032	16.010
6294509	7.091	6499811	7.042	7042653	12.040	7805227	16.035	7813067	16.035
6294509	7.091	6499811	17.045	7042654	12.040	7805257	16.035	7813462	16.060
6294509	7.091	6499902	28.040	7042801	12.040	7805258	16.035	7813474	16.060
6294510	7.091	6499906	28.040	7044794	12.040	7805259	16.035	7814126	16.060
6294544	7.091	6499910	28.040	7045665	12.040	7805323	1.004	7815106	16.035
6294641	7.091	6550835	26.020	7045780	12.040	7805365	16.030	7815184	16.035
6294642	7.091	6555279	26.020	7045878	12.040	7805376	7.070	7815185	16.035
6294647	7.091	6555283	26.020	7046338	12.040	7805608	16.035	7815326	16.035
6294647	7.091	6555298	26.020	7046757	12.040	7805700	16.030	7815327	16.030
6297881	7.038	6555299	26.020	7046766	12.040	7805700	16.035	7815398	16.010
6298886	7.001	6555302	26.020	7046811	12.040	7805822	16.030	7815413	1.003
6402383	7.042	6555320	26.020	7046812	12.040	7805822	16.035	7815414	1.003
6402383	8.006	6555330	26.020	7047354	12.040	7805827	16.035	7815525	16.002
6410619	6.002	6555338	26.020	7047499	12.040	7805942	1.003	7815876	16.010
6421746	12.020	6555384	26.020	7047554	12.040	7805942	1.004	7815876	16.002
6421972	8.006	6555755	26.020	7047555	12.040	7805942	1.004	7815885	16.010
6424982	8.006	6590589	26.020	7047976	12.040	7805942	1.003	7816005	16.010
6429128	12.001	6590591	26.020	7048028	12.040	7805942	1.004	7816227	16.010
6429633	28.051	6590594	26.020	7048169	12.040	7805942	1.004	7816516	16.010
6429634	7.050	6590686	26.020	7048532	12.040	7805942	1.004	7816937	16.002
6429637	7.050	6591956	26.020	7304177	7.042	7805950	16.030	7816983	16.010
6429637	28.051	6598423	26.020	7308915	7.042	7805966	16.002	7817092	16.002
6429669	12.001	6599114	26.020	7314211	7.032	7805986	16.035	7817486	16.010
6431789	28.040	7000614	12.040	7450343	19.010	7805991	16.035	7817725	16.010
6431790	28.040	7002117	12.040	7450344	19.010	7806159	16.040	7817940	16.002
6431791	28.040	7002121	12.040	7451228	19.010	7806159	16.035	7817940	16.010
6436950	8.012	7002760	12.040	7451394	7.028A	7806185	16.030	7818023	16.060
6437994	8.009	7003176	12.040	7451675	1.001	7806232	16.030	7818175	16.060
6437999	8.009	7004597	12.040	7451693	1.001	7806433	16.030	7818778	16.035
6438301	17.001	7011479	12.040	7451728	1.001	7806433	16.035	7818890	16.035
6456923	28.040	7014699	12.040	7455526	19.006	7806567	16.035	7818892	16.035
6456923	7.045	7019709	12.040	7800154	16.035	7806647	1.003	7819122	16.035
6456923	7.043	7024281	12.040	7800176	16.035	7806685	16.010	7819440	16.035
6456923	7.043	7026138	12.040	7800177	16.035	7806867	16.030	7819738	16.035
6456923	7.043	7028035	12.001	7800269	16.030	7807274	16.035	7819738	16.043
6458053	7.043	7028131	12.001	7800580	16.030	7807284	16.030	7819748	16.035
6458053	7.043	7029087	12.040	7800639	16.035	7807288	16.002	7819749	16.035
6458083	7.045	7029849	12.040	7800666	1.003	7807427	16.030	7819862	16.035
6459502	7.045	7029856	12.040	7800666	1.004	7807934	16.060	7825173	16.060
6459502	7.043	7029862	12.040	7800851	1.004	7808017	16.030	7825173	16.060
6459502	7.043	7029866	12.040	7800851	1.003	7808195	16.060	7825867	16.035
6462137	7.042	7029866	12.040	7800852	1.003	7808195	16.060	7826844	16.010
6462137	7.070	7029900	12.040	7800852	1.004	7808580	1.004	7826850	16.010
6465213	7.074	7029912	12.040	7800852	1.004	7808580	1.003	7827156	16.035
6465255	7.072	7030662	12.040	7801799	1.004	7808587	16.030	7827157	16.035
6465256	7.072	7031105	12.040	7801799	1.003	7808613	16.035	7827172	16.035
6465399	7.074	7031231	12.040	7801800	1.003	7808885	16.030	7827355	16.030
6465784	7.072	7031365	12.040	7801800	1.004	7809128	16.035	7827380	16.060
6465923	7.043	7031969	12.040	7801800	1.004	7809232	16.060	7827423	16.035
6466018	7.072	7031970	12.040	7802092	1.003	7809368	16.035	7827562	16.060

NUMERICAL INDEX

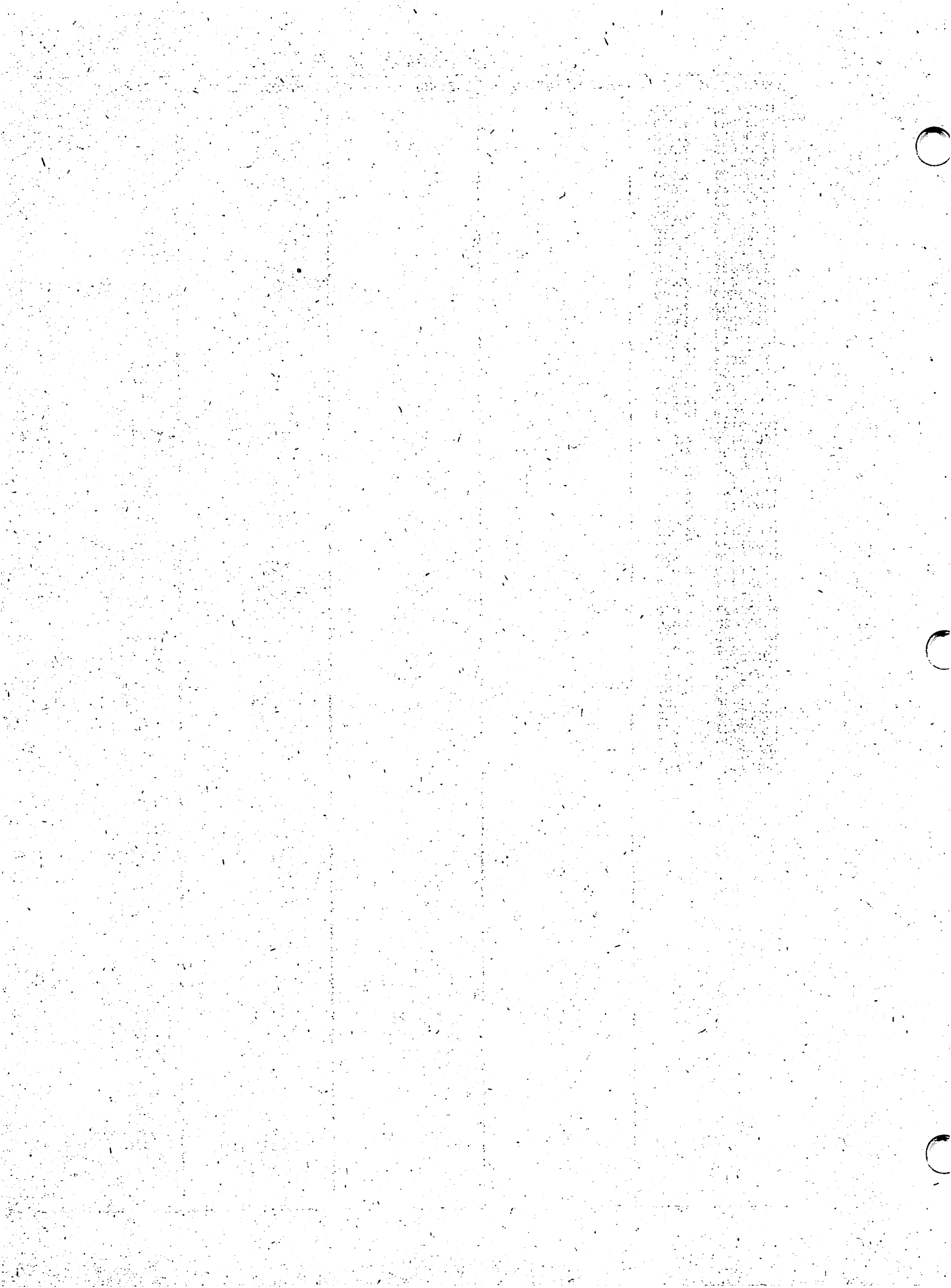
PART NO.	GROUP NO.	PART NO.	GROUP NO.	PART NO.	GROUP NO.	PART NO.	GROUP NO.	PART NO.	GROUP NO.
7827562	16.060	8624196	17.002	8626241	17.003	8884096	23.065	8905206	7.091
7827961	16.035	8624210	17.002	8626252	17.001	8884900	28.078	8905206	7.091
7828404	16.035	8624391	17.004	8626259	17.001	8884945	4.030	8905206	7.091
7828563	16.010	8624482	17.006	8626261	17.001	8884945	4.025	8905220	7.091
7828563	16.010	8624781	17.002	8626261	17.007	8884946	17.048	8905222	7.091
7828570	16.010	8624783	17.002	8626347	17.006	8884956	28.130	8905235	7.091
7828834	16.035	8624908	17.002	8626372	17.003	8884956	28.051	8905381	7.091
7829693	16.035	8624939	17.001	8626372	17.003	8884956	28.051A	8905467	7.091
7829694	16.035	8624958	17.001	8626404	17.005	8885031	7.074	8905652	7.091
7898150	7.035	8624986	17.001	8626775	17.006	8885031	7.074	8910897	7.042
7898160	7.033	8625001	17.001	8626808	17.003	8885128	7.091	8910897	7.045
7898865	7.042	8625007	17.005	8626878	17.004	8885487	28.180	8910939	7.090
7932345	7.042	8625016	17.005	8626880	17.004	8885488	28.180	8910940	7.090
7932904	7.042	8625017	17.005	8626881	17.004	8885489	28.180	8910940	7.020
7932907	7.042	8625018	17.005	8626883	17.006	8885490	28.180	8910942	7.090
8526398	26.040	8625020	17.005	8626884	17.004	8885491	28.180	8910943	7.090
8526398	7.070	8625028	17.005	8626888	17.002	8885492	28.180	8910944	7.090
8526398	26.025	8625031	17.005	8626902	17.004	8885493	28.180	8910945	7.090
8621767	17.007	8625041	17.003	8626916	17.005	8885494	28.180	8910946	7.090
8622076	17.001	8625042	17.003	8626940	17.006	8885495	28.180	8910947	7.090
8623037	17.007	8625058	17.001	8626968	17.006	8885496	28.180	8910948	7.090
8623039	17.001	8625060	17.007	8627153	17.004	8885497	28.180	8910949	7.090
8623078	17.006	8625062	17.007	8627385	17.002	8885498	28.180	8910950	7.090
8623104	17.002	8625065	17.007	8627428	17.001	8885499	28.180	8910951	7.090
8623105	17.002	8625071	17.001	8627468	17.001	8885501	28.180	8910952	7.090
8623112	17.002	8625079	17.006	8627591	17.001	8885503	28.180	8910953	7.090
8623112	17.002	8625080	17.006	8627597	17.001	8885505	28.180	8910954	7.090
8623116	17.002	8625081	17.006	8627622	17.001	8885513	28.180	8910955	7.090
8623117	17.002	8625085	17.006	8627650	17.001	8885514	28.180	8910956	7.090
8623119	17.002	8625086	17.006	8627657	17.003	8885515	28.180	8910957	7.090
8623120	17.002	8625087	17.006	8627677	17.006	8885517	28.180	8910958	7.090
8623122	17.002	8625089	17.001	8627737	17.001	8885518	28.180	8910962	7.090
8623123	17.002	8625090	17.001	8627862	17.001	8885519	28.180	8910963	7.090
8623131	17.004	8625094	17.001	8627897	17.005	8885525	16.045	8910999	7.090
8623146	17.002	8625094	7.043	8629034	17.001	8885531	28.051	8911352	7.091
8623148	17.002	8625101	17.004	8629083	17.002	8885532	28.051	8911352	7.091
8623148	17.005	8625102	17.004	8629093	17.001	8885533	28.056	8911352	7.091
8623149	17.002	8625103	17.004	8629202	17.006	8885537	7.090	8911554	7.038
8623150	17.002	8625117	17.007	8629289	17.001	8885545	28.180	8911591	7.090
8623151	17.002	8625134	17.007	8629429	17.001	8885551	28.176	8911591	7.091
8623152	17.002	8625185	17.001	8732777	7.020	8885551	28.174	8911614	7.091
8623153	17.002	8625191	17.002	8732779	7.020	8885553	28.172D	8911772	7.091
8623155	17.003	8625196	17.002	8808035	23.050	8885554	28.172D	8911772	28.047
8623177	17.003	8625197	17.002	8860217	28.051	8885557	28.180	8911773	7.091
8623295	17.006	8625205	17.001	8860217	28.052C	8885558	28.180	8911773	7.091
8623296	17.005	8625220	17.001	8860544	23.050	8885559	28.180	8911773	7.091
8623300	17.005	8625221	17.003	8869177	7.091	8885560	28.172D	8911773	7.091
8623301	17.005	8625291	17.005	8874491	7.091	8885563	28.176	8911905	16.043
8623302	17.005	8625292	17.005	8884052	14.002	8885564	28.174E	8913571	7.074
8623303	17.005	8625324	17.006	8884052	14.002	8885567	14.010	8913657	7.090
8623304	17.005	8625325	17.007	8884052	14.002	8885567	14.010	8913658	7.090
8623305	17.005	8625330	17.005	8884052	14.002	8885576	28.174E	8913665	7.090
8623306	17.005	8625351	17.005	8884052	14.002	8885577	23.047	8913674	7.090
8623368	17.001	8625362	17.005	8884052	14.002	8885578	28.176	8913700	7.090
8623422	17.001	8625380	17.001	8884052	14.002	8885578	28.174E	8913708	7.090
8623430	17.004	8625384	17.002	8884052	14.002	8885579	28.176	8913814	7.036
8623437	17.002	8625401	17.003	8884052	14.002	8885580	28.176	8913814	7.034
8623483	17.002	8625402	17.003	8884052	14.002	8885596	28.180	8913814	7.033
8623483	17.002	8625403	17.003	8884052	14.002	8885607	23.070S	8913814	7.032
8623489	17.004	8625404	17.003	8884052	14.002	8885607	23.066H	8913814	7.035
8623507	17.006	8625405	17.003	8884052	14.002	8885607	23.070H	8913819	7.090
8623653	17.006	8625406	17.003	8884052	14.002	8885607	23.074H	8913823	7.090
8623664	17.004	8625422	17.001	8884052	14.002	8885607	23.072H	8913824	7.090
8623666	17.004	8625431	17.007	8884052	14.002	8885607	23.073H	8913825	26.040
8623671	17.004	8625457	17.001	8884052	14.002	8885607	23.071H	8913905	7.090
8623744	17.004	8625461	17.003	8884052	14.002	8900174	7.038	8915242	7.038
8623842	17.003	8625484	17.005	8884052	14.002	8900371	7.091	8915308	7.090
8623851	17.002	8625544	17.006	8884052	14.002	8900442	7.091	8915506	7.090
8623917	17.002	8625546	17.006	8884052	14.002	8900442	7.091	8915599	7.090
8623918	17.002	8625648	17.001	8884052	14.008	8900442	7.091	8916002	7.038
8623918	17.002	8625717	17.002	8884052	14.008	8900443	7.091	8916005	7.038
8623920	17.003	8625718	17.002	8884080	28.110	8900443	7.091	8916007	7.038
8623921	17.003	8625736	17.003	8884081	28.110	8900717	7.091	8916008	7.038
8623922	17.003	8625756	17.002	8884082	23.065	8900826	7.091	8917143	7.038
8623944	17.003	8625901	17.006	8884082	23.130	8900826	7.091	8917144	7.038
8623964	17.001	8625902	17.001	8884084	23.130H	8900855	7.091	8985038	28.040
8623979	17.001	8625902	17.001	8884084	23.130	8905116	7.091	8985135	28.040
8624009	17.002	8625907	17.001	8884085	28.110	8905204	7.091	8985187	28.040
8624076	17.005	8625915	17.003	8884086	23.010	8905205	7.091	8985188	28.040
8624101	17.002	8625946	17.005	8884089	23.130	8905205	7.091	8986872	7.042
8624101	17.002	8625990	17.002	8884090	23.130	8905205	7.091	8987452	7.045
8624103	17.007	8626112	17.003	8884092	26.035	8905206	7.091	8989366	7.043
8624138	17.004	8626173	17.003	8884096	23.045	8905206	7.091	8989366	7.042

NUMERICAL INDEX

PART NO.	GROUP NO.	PART NO.	GROUP NO.	PART NO.	GROUP NO.	PART NO.	GROUP NO.	PART NO.	GROUP NO.
8989512	7.045	9418304	28.051A	9420942	1.010	9427321	4.005	9755008	16.040
8989860	7.042	9418304	28.172D	9420942	1.010	9427321	7.029	9755262	16.040
8989860	7.045	9418304	7.085	9421077	28.044B	9427321	8.005	9755841	1.010
8989861	7.045	9418304	4.005	9421122	16.002	9427321	8.009	9755805	16.040
8989864	7.045	9418304	7.085	9421235	26.025	9427321	23.042	9757112	16.043
8989907	7.042	9418304	28.044B	9421235	28.046	9427524	6.002	9757643	4.030
8989939	7.043	9418338	23.045	9421235	11.002	9427605	26.025	9757984	1.010
8994145	12.020	9418622	23.074	9421235	28.046A	9427605	16.045	9758214	4.025
8995915	12.020	9418622	23.073	9421235	8.008	9427605	14.010	9759051	16.043
9000062	7.076	9418844	16.002	9421330	7.001	9427609	19.001	9772831	8.005
9023015	4.001	9418881	7.028H	9421330	7.008	9427682	19.001	9776302	17.045
9023021	4.001	9418892	1.010	9421330	28.040	9427747	28.172D	9788182	4.005
9023022	4.001	9418901	4.030	9421749	6.012	9427898	16.002	9788182	7.070
9025663	4.001	9418918	8.006	9422041	8.005	9428394	26.025	9791640	4.005
9139804	28.051A	9418918	8.006	9422176	28.051A	9428598	14.001	9794682	7.070
9340540	7.070	9418918	16.055	9422232	16.045	9428787	12.040	9798363	7.001
9340919	7.042	9418918	7.085	9422232	12.001	9428787	12.040	9985092	1.010
9340926	7.042	9418918	7.085	9422232	4.005	9428794	8.41H	11502764	16.030
9341561	7.033	9418918	28.046A	9422232	7.043	9428794	8.041	11502765	7.072
9341561	7.020	9418931	4.005	9422273	8.41H	9428902	7.001	11502830	7.072
9341561	7.034	9418931	16.055	9422273	8.041	9428927	16.035	12000167	7.080
9341561	7.036	9418931	14.002	9422273	28.044D	9430677	7.085	12000168	7.080
9341561	7.032	9418967	19.006	9422273	28.044D	9430677	7.029	12000179	7.080
9341561	7.035	9418967	12.030	9422273	14.002	9430677	28.046A	12000196	7.080
9342545	7.035	9418967	28.046A	9422273	14.002D	9430680	16.002	12000209	7.080
9342545	7.033	9418967	8.026	9422275	16.045	9430836	1.010	12000220	7.080
9342580	7.042	9418967	7.029	9422275	7.085	9430885	23.090	12000221	7.080
9342581	7.042	9418992	12.001	9422275	7.085	9430934	16.002	12000224	7.080
9343695	7.042	9418998	8.006	9422275	7.085	9431762	17.006	12000225	7.080
9345085	7.042	9419000	7.043	9422276	16.045	9431808	7.020	12000233	7.080
9345095	7.042	9419000	28.046A	9422277	7.085	9432754	12.001	12000234	7.080
9345095	7.042	9419000	28.046B	9422277	7.085	9432787	12.001	12000235	7.080
9347820	7.036H	9419000	28.046A	9422277	4.005	9432787	28.042	12000288	7.080
9347820	7.036	9419000	28.046B	9422277	12.030	9432818	12.001	12000320	7.080
9347820	7.033	9419000	28.046A	9422277	16.002	9432875	12.001	12000837	7.080
9347820	7.035	9419000	28.044H	9422277	14.002	9432875	12.001	12000838	7.080
9347820	7.032	9419004	28.046A	9422277	19.001	9432875	12.001	12000839	7.080
9347820	7.036H	9419004	8.041	9422295	7.085	9432875	12.001	12000840	7.080
9347820	7.034	9419006	4.007	9422297	4.002	9432875	12.001	12000840	7.080
9409840	28.030	9419006	28.046A	9422297	19.010	9432963	12.001	12000861	7.080
9409927	14.002D	9419006	28.046A	9422297	1.010	9432963	12.001	12000934	7.080
9409931	14.002D	9419006	14.002D	9422297	1.010	9432963	12.001	12000935	7.080
9411010	14.001	9419006	14.002	9422299	16.002	9432963	12.001	12000936	7.080
9411281	23.045	9419006	28.044J	9422299	16.020	9432963	12.001	12000937	7.080
9411717	14.003	9419010	14.002	9422299	16.020	9432963	6.016	12000939	7.080
9412980	4.010	9419010	14.001	9422299	16.002	9433022	12.040	12000940	7.080
9414420	6.016	9419010	8.41H	9422301	1.010	9433078	26.035	12000941	7.080
9414579	1.010	9419010	8.41H	9422301	11.002	9433154	12.001	12000942	7.080
9414712	23.072	9419010	8.041	9422301	14.001	9433154	12.001	12000943	7.080
9414712	23.074	9419014	28.045B	9422305	16.002	9433154	12.001	12000944	7.080
9414712	23.072H	9419029	8.41H	9422306	14.001	9433154	12.001	12000945	7.080
9414712	23.071H	9419029	8.041	9423325	14.002D	9433154	12.001	12000946	7.080
9414712	23.073H	9419029	28.046A	9423325	14.002D	9433154	28.034	12000947	7.080
9414712	23.066H	9419049	16.055	9423325	23.130H	9433154	28.034J	12000947	7.080
9414712	23.040	9419063	7.029	9423325	7.028A	9433154	28.172D	12000948	7.080
9414712	23.070H	9419065	28.046C	9423769	16.043	9433275	12.040	12000948	7.080
9414712	23.070	9419089	16.002	9423769	16.040	9433275	8.006	12000949	7.080
9414712	23.066	9419097	4.005	9424077	11.006	9433640	8.004	12000950	7.080
9414716	28.130	9419761	7.020	9424077	11.008	9433670	8.004	12000951	7.080
9414723	28.172D	9419892	12.001	9424835	14.003	9433670	26.020	12000952	7.080
9414942	26.035	9419892	28.051A	9424877	6.002	9433674	26.020	12000953	7.080
9415609	8.041	9419892	28.046A	9424877	7.085	9433674	8.004	12000954	7.080
9415609	14.001	9419892	28.046B	9424877	8.41H	9434044	23.010	12002210	7.038
9416090	28.046A	9419892	28.046B	9424877	8.026	9436038	8.006	12002211	7.038
9416197	7.078	9419892	8.41H	9424877	8.041	9436101	17.050	12002211	7.038
9417033	28.144	9419892	8.041	9425058	11.002	9436816	28.077	12002296	7.032
9417267	4.030	9419892	28.044B	9425060	26.025	9436816	28.075A	12002600	7.080
9417273	28.046B	9419892	28.044B	9425082	11.002	9436889	28.042	12002601	7.080
9417273	28.046A	9419995	16.055	9425121	23.117	9436889	28.042	12002602	7.080
9417273	7.031	9420022	4.005	9425121	23.115	9437000	16.040	12002603	7.080
9417311	23.080	9420462	26.025	9425469	28.047	9469010	14.002D	12002604	7.080
9417311	23.042	9420462	26.025	9425542	7.045	9662504	7.070	12002605	7.080
9417908	16.002	9420462	28.044B	9425542	7.043	9686320	28.168	12002606	7.080
9417954	7.085	9420462	28.044D	9425686	16.020	9728247	23.044	12002607	7.080
9417954	16.055	9420462	28.044D	9426323	28.144	9728247	23.065	12002608	7.080
9417954	28.172D	9420462	8.006	9426323	14.001	9728247	28.051A	12002609	7.080
9417954	28.051A	9420462	28.046A	9427161	28.044J	9731656	23.080	12002610	7.080
9417954	8.026	9420462	11.002	9427230	28.051A	9735300	7.070	12002611	7.080
9418304	28.051	9420462	7.029	9427321	28.044D	9740099	16.040	12002612	7.080
		9420721	23.080	9427321	19.001	9748190	16.040	12002613	7.080
		9420721	23.050	9427321	26.025	9749040	16.040	12002614	7.080
		9420835	16.043	9427321	16.055	9752657	1.010	12002615	7.080
		9420892	19.010	9427321	4.005	9754740	1.010	12002616	7.080
		9420892	14.001	9427321	4.002	9754764	16.040	12002617	7.080
								12002618	7.080

NUMERICAL INDEX

PART NO.	GROUP NO.	PART NO.	GROUP NO.	PART NO.	GROUP NO.	PART NO.	GROUP NO.	PART NO.	GROUP NO.
12002620	7.090								
12002621	7.090								
12002622	7.090								
12002623	7.090								
12002629	7.090								
12002631	7.090								
12002632	7.090								
12002633	7.090								
12002635	7.090								
12002636	7.090								
12002637	7.090								
12002638	7.090								
12002639	7.090								
12004386	7.078								
12006500	7.090								
12006502	7.090								
17050961	12.040								
17051885	12.040								
17051886	12.040								
17052803	12.040								
17055154	12.040								
17055156	12.040								
17058254	12.040								
17058559	12.040								
18000134	4.007								
18000139	4.007								
18000159	4.007								
18000628	4.020								
18000629	4.020								
18000781	4.010								
18001210	4.015								
18001423	4.007								
18001593	4.020								
18001594	4.020								
18001920	4.020								
18001970	4.007								
18001971	4.007								
18002398	4.020								
18002427	4.020								
18002428	4.020								
18002458	4.010								
18002562	4.007								
18002693	4.020								
18002719	4.007								
18003614	4.007								
18003804	4.007								
18003806	4.007								
18003823	4.007								
18003839	4.007								
20008916	23.065								
25010407	8.009								



ALPHABETICAL INDEX

A

ABSORBER ASSY. - energy, front bumper	11.006
ABSORBER ASSY. - energy, rear bumper	11.008
ABSORBER - steering shock	16.002
ABSORBER ASSY. - shock, front suspension	1.010
ABSORBER ASSY. - shock, rear suspension	14.001
ACCELERATOR AND THROTTLE PUSHER	8.041
ACTUATOR ASSY. - heater & air conditioning	26.035
ACTUATOR ASSY. - ignition switch	7.070
ADAPTER - carburetor, Kohler 4 KW Gen.	28.046A
ADAPTER - control (Onan 4 KW Gen.)	28.044
ADAPTER - oil filter (Onan 4 KW Gen.)	28.044J
ADAPTER - Onan 4 KW Gen.	28.044F
ADAPTER - rear air suspension	14.003
ADAPTER - rear suspension	14.003
ADAPTER - shift control cable to column, trans.	17.045
ADJUSTER ASSY. - single seat	23.115
AIR CONDITIONER - roof mounted, Mark IV	28.002
AIR CONDITIONER ASSY. - roof mounted, Duo Therm	28.004
AIR CONDITIONING COMPRESSOR CONDENSER & DEHYDRATOR MOUNTING	26.025
AIR CLEANER - engine	12.020
ANTENNA - radio	7.037
ARM - engine valve rocker	8.006
ARM - front suspension control	1.010
ARM - idler, steering	16.002
ARM - outside mirror	23.107
ARM - rear air suspension control	14.001
ARM - steering, pitman	16.002
ARM ASSY. - windshield wiper	23.100
ARMATURE - Kohler 4 KW Gen.	28.046
ARMATURE - Onan 4 KW Gen.	28.044K
ARMATURE - wound(Onan 4 KW Gen.)	28.044
ATTACHMENTS VACUUM SWEEPER	28.073

B

BAFFLE - breather, Kohler 4 KW Gen.	28.046A
BAFFLE - breather, Onan 4 KW Gen.	28.044B
BAFFLE - Onan 4 KW Gen.	28.044D
BALANCER ASSY. - crankshaft	8.005
BALL - air conditioning compressor	26.020
BAR - center, LH front window	23.069
BAR - center, RH front window	23.068
BAR - tie and face, front	11.006
BAR - tie and face, rear	11.008
BASF - oil, Onan 4 KW Gen.	28.044J
BATHROOM	28.172
BATTERY	7.085
BEAM - belt rail, side	23.025
BEAM - floor (RH)	23.025
BEAM - floor (LH)	23.026
BEAM - roof panel and framing	23.015
BEAM - side floor	23.026
BEAM - side	23.026
BEAM - side post	23.025
BEAM ASSY. - sealed, headlamp	7.001
BEARING - air conditioning compressor	26.020
BEARING - crankshaft, Onan 4 KW Gen.	28.044B
BEARING - cone & roller, rear hub	19.010
BEARING - engine camshaft	8.005
BEARING - main, crankshaft	8.005
BEARING - Onan 4 KW Gen.	28.044G
BEARING PACKAGE - front wheel	19.006
BEARING - piston, power brake	4.007
BED - aux. din./single	28.140
BED - dinette/double	28.136
BED - gaucho/double	28.160
BED - permanent	28.156
BED - twin	28.158
BELLOWS - rear air suspension, air	14.001
BELT - air conditioning compressor	26.020

BELT ASSY. - driver & passenger seat	23.115
BELT ASSY. - dual seat	23.117
BELT - engine drive	8.004
BEZEL - headlamp, front	7.001
BEZEL - instrument cluster	23.050
BEZEL - stop lamp, rear	7.003
BLADE - fan, radiator	6.002
BLADE - roof air conditioner fan	28.002
BLADE ASSY. - wiper	23.100
BLOCK - engine	8.005
BLOCK - junction	7.070
BLOCK ASSY. - Onan 6 KW Gen. cylinder	28.045B
BLOCK - Onan 4 KW Gen.	28.044B
BLOWER ASM. - 30,000 BTU furnace (first design)	28.028
BLOWER ASM. - 22,000 BTU furnace (first design)	28.029
BLOWER ASM. - 22,000 & 30,000 BTU furnace (second design)	28.029B
BOARD - circuit	28.040
BODY - engine oil pump	8.027
BODY - front	23.005
BODY MOUNTING	23.090
BODY - transmission control valve	17.006
BOLT - front brake disc to hub	19.006
BOLT - front hub (stud)	19.006
BOLT - rear hub (stud)	19.010
BOLT - retaining, front disc brake caliper housing	4.015
BOOSTER ASSY. - power brake	4.007
BOOT - head, power brake	4.007
BOOT ASSY. - rear wheel cylinder	4.020
BOW - roof	23.015
BOWL - Onan 4 KW Gen.	28.044A
BOWL - fuel, Kohler 4 KW Gen.	28.046A
BOX - battery mounting tray	7.085
BOX - heater and air conditioning	26.035
BOX ASSY. - DC control, SOL-AIRE furnace	28.020
BRACE - air conditioning compressor	26.025
BRACE - floor	23.045
BRACE - pillar, rear cap	23.010
BRACE - rear extension crossmember	11.002
BRACKET - air box mounting	23.015
BRACKET - air conditioning compressor	26.025
BRACKET - air conditioning receiver and dehydrator	26.025
BRACKET - dual seat, lever mounting	23.117
BRACKET - fuel tank	12.001
BRACKET - fuel vapor canister	12.001
BRACKET - front bumper	11.006
BRACKET - holding tank, mounting & support	23.110
BRACKET ASSY. - master cylinder	4.005
BRACKET - metering balance & distribution switch valve to frame	4.005
BRACKET - mounting, air conditioning condenser	26.025
BRACKET - mounting, center, frame	23.090
BRACKET - mounting, parking brake	4.001
BRACKET - mounting, parking brake cable	4.002
BRACKET - mounting, radiator reservoir	6.010
BRACKET ASSY. - mounting, sun visor	23.060
BRACKET - outside mirror	23.107
BRACKET ASSY. - pivot, parking brake	4.001
BRACKET - pivot, brake lever	4.005
BRACKET - pump, hydraulic steering	16.005
BRACKET - RH front window latch	23.068
BRACKET - LH front window latch	23.069
BRACKET - rear bumper and storage tank	11.008
BRACKET - single seat, lever mounting	23.115
BRACKET - support, front brake hose	4.025
BRACKET - support, rear brake hose	4.030
BRACKET - support, transmission	8.015
BRACKET - windshield wiper	23.100
BRACKET ASSY. - canister	12.001
BRAKE ASSY. - front	4.015

ALPHABETICAL INDEX

BRAKE ASSY. - rear	4.020	CHAIN - engine timing	8.005
BRAKE - Transmission parking	17.007	CHAMBER ASSY. - combustion, furnace	28.028
BREAKER circuit	7.078	CHANNEL - extension, rear end support	23.045
BREAKER - circuit, Onan 4 KW Gen.	28.044D	CHANNEL ASSY. - upper radiator support	6.002
BREAKER - circuit, Kohler 4 KW Gen.	28.046B	CHART - front shim	1.001B
BREAKER - circuit, 6 KW Onan	28.045A	CHART - rear shim	1.001A
BREAKER - Kohler 4 KW Gen.	28.046A	CHART - side shim	1.001C
BRIDGE - rectifier, Onan 4 KW Gen.	28.044	CHASSIS - Onan 4 KW Generator	28.044D
BRUSH - AC and DC, Kohler 4 KW Gen.	28.046	CHASSIS - Onan 6KW Generator	28.045A
BRUSH - starting motor	.025	CHEMICALS - toilet	28.067
BUMPER - front	11.006	CIRCUIT BREAKERS	7.078
BUMPER - glove box	23.050	CLAMP ASSY. - holding tank hose	23.110
BUMPER - rear	11.008	CLAMP - engine distributor	8.006
BUNKS - twin rear upper	28.134	CLAMP - heater and air conditioning	26.015
BURNER ASSY. - SOL-AIRE furnace	28.020	CLAMP - hose, heater and air conditioning	26.035
BUSHING - brake lever pivot shaft	4.005	CLAMP - mounting heater core	26.010
BUSHING - front disc brake caliper support	4.015	CLAMP - parking brake cable	4.001
BUSHING - dual seat, support	23.117	CLAMP - radiator hose	6.016
BUSHING - entrance door, hinge	23.065	CLEANER ASSY. - air	12.020
BUSHING - latch, inter., RH sash	23.066	CLIP - air conditioning and heater air outlet	26.040
BUSHING - LH front sash, latch	23.074	CLIP - engine wiring harness (w/air conditioning)	26.035
BUSHING - LH rear sash, latch	23.071	CLIP - power brake hose	4.007
BUSHING - RH front sash, latch	23.073	CLIP - single seat wire adjuster	23.115
BUSHING - RH rear sash, latch	23.072	CLIP - stop lamp switch to bracket	4.005
BUSHING - single seat, support	23.115	CLIP - support, sun visor	23.060
BUTTON - washer control	23.100	CLOCK - electrical	7.078H
BUZZER - warning (switch)	7.070	CLOSET - broom/vacuum sweeper	28.164
C			
CABINET - furnace	28.029A	CLOSET - clothes	28.124
CABINET - galley	28.128	CLOSURE - heater	28.154
CABINET - refrigerator	28.168	CLUSTER ASSY. - instrument	7.042
CABINETS - overhead	28.120	CLUTCH - fan, radiator	6.002
CABINETS - overhead (w/fishing equip. rack & gun rack)	28.120	CLUTCH - Onan 6KW Generator	28.045G
CABLE - coil	7.038	CLUTCH - Onan 4 KW Generator	28.044K
CABLE ASSY. - parking brake	4.002	CLUTCH - transmission, forward, intermediate and direct	17.002
CABLE ASSY. - temperature control	26.036	COCK ASSY. - drain, radiator	6.002
CABLE - throttle	8.041	COIL - field, Kohler 4 KW Generator	28.046
CABLE - transmission control	17.045	COIL - ignition	7.038
CABLE - shift indicator	17.045	COIL - ignition, Onan 4 KW Generator	28.044H
CABLE - spark plug	7.038	COIL - Kohler, 4 KW Generator	28.046A
CABLE - spark plug, Kohler 4 KW Gen.	28.046A	COIL ASSY. - air conditioning compressor	26.020
CABLE - spark plug, Onan 4 KW Gen.	28.044H	COLUMN - steering (standard)	16.030
CABLE ASSY. - wiring harness	7.090	COLUMN - steering (tilt)	16.035
CALIPER ASSY. - front disc brake	4.015	COMPRESSOR - rear air (W.R. Brown)	14.008
CAMSHAFT - engine	8.005	COMPRESSOR - rear air (Dana)	14.010
CAMSHAFT - Onan 4 KW Gen.	28.044B	COMPRESSOR ASSY. - air conditioning	26.020
CAMSHAFT - Onan 6 KW Gen.	28.045B	COMPRESSOR - roof mounted, air conditioner	28.002
CANISTER - fuel vapor	12.001	CONDENSER ASSY. - air conditioning	26.025
CAP - end, rear floor	23.045	CONDENSER - AC and DC Kohler 4 KW Gen.	28.046
CAP - front hub, bearing seal	19.006	CONDENSER - Kohler 4 KW Generator	28.046A
CAP - fuel filler	12.001	CONDENSER - Onan 4 KW Generator	28.044H
CAP ASSY. - filler radiator	6.002	CONDENSER - Onan 6 KW Generator	28.045E
CAP ASSY. - holding tank, hose	23.110	CONDITIONER - roof, air	28.002
CAP ASSY. - roof, front	23.005	CONNECTOR cable, parking brake	4.002
CAP ASSY. - roof rear	23.010	CONNECTOR ASSY. - windshield washer hose	23.100
CAP - radiator reservoir	6.010	CONNECTOR - wiring harness	7.091
CAP - rear wheel bearing seal	19.010	CONTACT ASSY. - starting motor, solenoid	7.026
CAPACITOR - roof air conditioner	28.002	CONTACT ASSY. - distributor	7.031
CARBURETOR - engine	12.040	CONTROL - gas/electric refrigerator	28.057A
CARBURETOR - Kohler 4 KW Gen.	28.046A	CONTROL - Onan 4 KW Generator	28.044C
CARBURETOR - Onan 6 KW Gen.	28.045C	CONTROL - Onan 6 KW Generator	28.045H
CARBURETOR - Onan 4 KW Gen.	28.044A	CONTROL - Kohler 4 KW Generator (Panel)	28.046B
CARPETING	28.106	CONTROLS - transmission	17.045
CARRIER - output	17.003	CONTROL ASSY. - heater and air conditioning	26.035
CARRIER - reaction	17.003	CONTROL ASSY. - windshield wiper and washer	23.100
CARRIER ASSY. - spare tire	19.001	CONVERTER - transmission	17.001
CARTRIDGE - water purifier	28.052A	CORE - heater	26.010
CASE - transmission	17.001	CORE - heater and air conditioning	26.015
CASE ASSY. - glove box lock	23.050	CORE - radiator	6.002
CASE ASSY. - heater	26.010	COVER - air conditioning compressor	28.002
CASE ASSY. - heater and evaporator	26.015	COVER - air duct, Kohler 4 KW Gen.	28.046A
CATCH - magnetic, fuel door	23.007	COVER - engine	8.005
CEILING PANELS AND MOULDING (w/out ZEO 6582, ZEO 6584)	28.174	COVER - engine cylinder head	8.006
CEILING PANELS AND MOULDING (w/ZEO 6582, ZEO 6584)	28.174E	COVER - floor	23.045

ALPHABETICAL INDEX

COVER - gear, Onan 4 KW Generator	28.044G	EMISSION - fuel (system)	12.001
COVER - gear, Onan 6 KW Generator	28.045D	END CAP - moulding, rub rail	23.130
COVER - instrument panel (radio opening)	7.045	ENGINE - Kohler 4 KW Generator	28.046A
COVER - interior trim and speaker hole	23.080	ENGINE ASSY.	8.001
COVER - master cylinder	4.010	EQUALIZER - cable, parking brake	4.002
COVER - rear brake shoe adjusting screw hose	4.020	ESCUICHEON - glove box door	23.050
COVER - shower trap hole	23.045	EXHAUST	12.030
COVER - sink (or chopping block)	28.128	EXPANDER ASSY. - rear wheel cylinder	4.020
COWL - front body	23.005	EXTENSION - front floor support	23.046
CRANKSHAFT - engine	8.005	EXTENSION - panel, floor to plate	23.005
CRANKSHAFT - Kohler 4 KW Generator	28.046A	EXTENSION - post, left side	23.026
CRANKSHAFT - Onan 4 KW Generator	28.044B	EXTENSION - post, right side	23.025
CRANKSHAFT - Onan 6 KW Generator	28.045B	EXTENSION - side rail and rear frame	11.002
CRUISE CONTROL	7.074	EXTENSION - support, front body & cowl	23.005
CROSSMEMBER - frame	11.002		
CUP - rear hub, inner and outer	19.010	F	
CUP - rear wheel cylinder	4.020	FAN - generator, 80 amp	7.028A
CUSHION - engine front support	8.015	FAN - heater and air conditioning	26.015
CUSHION - frame bracket	23.090	FAN - radiator	6.002
CYLINDER - ignition switch lock	7.070	FAUCET - bath sink	28.062
CYLINDER ASSY. - air conditioning compressor	26.020	FAUCET - galley sink (prior to 1975)	28.063
CYLINDER BLOCK - crankshaft and oil pan	8.005	FAUCET - galley sink (eff. w/1975)	28.064
CYLINDER ASSY. - glove box	23.050	FAUCET ASSY. - water treatment unit	28.052
CYLINDER HEAD - valve mechanism and manifolds	8.006	FILLER - oil (includes level indicator)	8.026
CYLINDER ASSY. - master, brake	4.010	FILLER - water	28.051C
CYLINDER ASSY. - wheel, rear	4.020	FILLER - windshield & rear window seal	23.067
		FILTER - breather, Kohler 4 KW Gen.	28.046A
D		FILTER - engine oil	8.009
DAVO/BUNK	28.132	FILTER - oil, spin-on, Onan 4 KW Gen.	28.044J
DECAL - emergency kit	23.080	FILTER - Onan 6 KW Generator oil	28.045F
DECALS - decor & model	23.140	FILTER - secondary, sweeper	28.072
DEFLECTOR - heater and air conditioning	26.035	FILTER - transmission	17.001
DEHYDRATOR ASSY. - air conditioning	26.025	FILTER ASSY. - water, tank inlet	28.051
DIAPHRAM - master cylinder	4.010	FINISH & FITTINGS	23.080
DIAPHRAM - power brake	4.007	FITTING ASSY. - holding tank hose	23.110
DIPSTICK - Kohler 4 KW Generator	28.046A	FLASHER - directional signal	7.070
DISC - air conditioning compressor	26.020	FLOOR SUPPORT AND WHEELHOUSE	23.045
DISC ASSY. - trim front and rear wheels	19.001	FLYWHEEL - engine	8.005
DISC - front brake	19.006	FLYWHEEL - Onan 4 KW Generator	28.044B
DISPOSAL ASSY. - waste	28.078	FLYWHEEL - Onan 6 KW Generator	28.045B
DISTRIBUTOR - ignition	7.031	FRAME - left side	23.026
DISTRIBUTOR - high energy ignition (H.E.I.)	7.031A	FRAME - right side	23.025
DOOR - access, water and electric	23.043	FRAME - roof	23.015
DOOR ASSY. - duct, heater & air conditioning	26.035	FRAME ASSY. - front and rear	11.002
DOOR ASSY. - engine access	23.006	FRAME ASSY. - LH front sash	23.074
DOOR ASSY. - entrance	23.065	FRAME ASSY. - LH front window	23.069
DOOR ASSY. - filler, fuel	23.007	FRAME ASSY. - RH front sash	23.073
DOOR ASSY. - side access	23.040	FRAME ASSY. - RH rear sash	23.072
DRAPES (slides, stops & tracks)	28.110	FRAME ASSY. - RH front window	23.068
DRESSER - rear	28.162	FRAME ASSY. - LH rear sash	23.071
DRIVE - accessory	8.004	FRAME ASSY. - sash, inter., LH	23.070
DRIVE - final	1.001	FRAME ASSY. - sash, inter., RH	23.066
DRIVE ASSY. - air conditioning compressor		FRAME ASSY. - sash, entrance door	23.065
clutch	26.020	FRONT BODY - cowl and dash	23.005
DRIVER'S COMPARTMENT TABLE	28.148	FUEL SYSTEM - Onan 4 KW Generator	28.044F
DRUM - rear brake	19.010	FUEL SYSTEM - Onan 6 KW Generator	28.045C
DUCT - air heater	26.010	FUEL TANK - line and fuel emission system	12.001
DUCT - air, heater and air conditioning	26.015	FURNACE - 22,000 BTU	28.029
		FURNACE - 33,000 BTU (first design)	28.028
DUCT - heater and air conditioning	26.035	FURNACE - chamber and burner assy. (suburban)	
DUCT - Kohler 4 KW Generator (top side)	28.046A	(second design)	28.028A
DUCT WORK - furnace (w/ZEO6582, ZEO 6584)	28.023F	FURNACE ASSY. - tri-men, sol-aire	28.020
DUCT WORK - SOL-AIRE 30,000 BTU furnace			
(w/out ZEO6582, ZEO6584)	28.023		
E		G	
ELECTRICAL - clocks, switches	7.078H	GALLEY CABINET	28.128
ELECTRICAL COMPARTMENT - outside (outlet)	23.044	GASKET - air, conditioning compressor	26.020
ELEMENT - air cleaner	12.020	GASKET - brake booster assy. to dash	4.005
ELEMENT - cigarette lighter	7.039	GASKET - engine cylinder head	8.006
ELEMENT ASSY. - fuel, carburetor	12.040	GASKET - fuel pump	12.007
ELEMENT ASSY. - heat, water heater	28.034	GASKET - housing cover, front axle	1.001
ELEMENT ASSY. - vacuum, heater and air		GASKET - oil, pan, engine	8.005
conditioning	26.015	GASKET SeT - engine	8.001
		GASKET SET - Kohler 4 KW Generator	28.046A

ALPHABETICAL INDEX

GASKET SET - manifold, engine	8.006	HOSE - heater and air conditioning (incl. fittings) ...	26.040
GAUGE - holding tank (panel/monitor)	28.040	HOSE - heater and air conditioning ducts	26.035
GAUGE - holding tank (panel)	28.038	HOSE - power brake booster to engine	4.007
GAUGE - liquid propane gas float	28.030	HOSE - radiator	6.016
GAUGE - water tank	28.040	HOSE - return, hydraulic steering	16.045
GAUGE ASSY. - fuel, oil, temperature	7.045	HOSE - windshield washer	23.100
GEAR COVER - Onan 4 KW Generator	28.044G	HOSE - windshield washer return	16.045
GEAR COVER AND GOVERNOR - Onan 6 KW Gen.	28.045D	HOSE ASSY. - brake front	4.025
GEAR - final drive	1.001	HOSE ASSY. - brake, rear	4.030
GEAR - hydraulic steering	16.010	HOSE ASSY. - holding tank, discharge	23.110
GEAR - linkage steering (includes component parts)	16.002	HOSE ASSY. - LP gas tank to floor	28.030
GEAR - ring, flywheel, Onan 4 KW Gen.	28.044B	HOSE ASSY. - receiver and dehydrator to heater ...	26.025
GEAR - speedometer drive	17.001	HOUSING - air cylinder, Onan 4 KW Gen.	28.044D
GEAR - steering	16.010	HOUSING - blower, furnace	28.029B
GEAR SET - timing, Onan 4 KW Gen.	28.044B	HOUSING - direct clutch	17.002
GENERATOR - 80 Amp delcontron	7.028A	HOUSING - forward clutch	17.002
GENERATOR - Kohler 4 KW Generator	28.046	HOUSING - gimble, heater & air conditioning	26.035
GENERATOR - mounting	7.029	HOUSING - Onan 6 KW Gen cylinder	28.045A
GENERATOR - Onan 4 KW	28.044	HOUSING - steering gear	16.010
GENERATOR - Onan 6 KW	28.045	HOUSING ASSY. - final drive	1.001
GLASS - entrance door	23.065	HOUSING ASSY. - steering shaft	16.030
GLASS - inter., RH side window	23.066	HUB - driving, direct clutch	17.002
GLASS - inter., LH side window	23.070	HUB ASSY. - front wheel (includes disc)	19.006
GLASS - LH front side window	23.069	HUB ASSY. - rear wheel (includes drum)	19.010
GLASS - LH front window	23.074		
GLASS - LH rear window	23.071	I	
GLASS - rear window	23.067	IGNITION - Onan 4 KW Generator	28.044H
GLASS - RH front	23.068	IGNITION - Onan 6 KW Generator	28.045E
GLASS - RH front window	23.073	INDICATOR - engine oil level	8.026
GLASS - RH rear window	23.072	INDICATOR - oil filler, Onan 4 KW Gen.	28.044J
GLASS - windshield	23.067	INDICATOR - transmission oil level	17.001
GOVERNOR - Onan 6 KW Generator	28.045D	INLET ASSY. - city water	28.051
GRILLE ASSY. - radiator	23.005	INSERT - exhaust, intake valve, Kohler 4 KW Generator	28.046A
GROMMET - entrance door hinge	23.065	INSERT - master cylinder tube fitting	4.010
GROMMET - power brake check valve	4.007	INSERT - valve, Onan 4 KW Generator	28.044B
GUIDE - parking brake cable	4.002	INSTRUMENTS - cluster assy.	7.042
GUSSET - end frame crossmember	11.002	INSTRUMENTS	7.045
GUSSET - wheelhouse	23.026	INSULATION - floor	23.047
GUSSET - wheelhouse	23.025	INSULATOR - frame	23.090
		INSULATOR ASSY. - air conditioning cond.	26.025
H		J	
HANDLE - parking brake lever	4.001	JACKET ASSY. - steering column	16.030
HANDLE ASSY. - holding tank, valve	23.110	JAMB ASSY. - entrance door	23.025
HARNESS - Onan 4 KW Generator	28.044C		
HARNESS - front roof wiring	7.020	K	
HARNESS - Onan 6 KW Generator wiring	28.045A	KEY - air conditioning compressor	26.020
HARNESS - roof air conditioner wiring	28.002	KIT - air conditioning compressor	26.020
HARNESS - wiring	7.090	KIT - ball joint, front suspension	1.010
HARNESS ASSY. - heater and air conditioning	7.090	KIT - carburetor, Kohler 4 KW Generator	28.046A
HEAD - air conditioning compressor	26.020	KIT - check valve, power brake booster	4.007
HEAD - engine cylinder	8.006	KIT - drive axle	1.004
HEAD - Onan 6 KW Generator cylinder	28.045B	KIT - engine tune up	8.003
HEAD - shower	28.060	KIT - fan, blower motor	26.010
HEAD ASSY. - outside mirror	23.107	KIT - final drive	1.002
HEADER - LH front sash	23.074	KIT - gasket, oil pump, Onan 4 KW Gen.	28.044J
HEADER - RH front sash	23.073	KIT - Kohler 4 KW Generator	28.046
HEADER - LH rear sash	23.071	KIT - Kohler 4 KW Generator	28.046B
HEADER - RH rear sash	23.072	KIT - No. 14 wire, Kohler 4 KW Generator	28.046A
HEADER - sash, entrance door	23.065	KIT - lining, rear brake shoe	4.020
HEADER - sash, inter., LH	23.070	KIT - Onan 4 KW Generator	28.044
HEADER - sash, inter., RH	23.066	KIT - Onan 4 KW Generator	28.044A
HEATER - air conditioning (incl. evaporator)	26.015	KIT - outside mirror, gasket	23.107
HEATER - water	28.034	KIT - overhaul, carburetor	12.040
HEATER ASSY. - automotive	26.010	KIT - power piston, power brake booster	4.007
HINGE - engine access door	23.006	KIT - rear brake adjusting screw	4.020
HINGE - entrance door	23.065	KIT - rear suspension pin & thrust pack	14.001
HINGE - entrance door, pillar	23.065	KIT - repair, front disc brake piston	4.015
HINGE ASSY. - door, access, water and electric	23.043	KIT - repair, fullway valve	23.110
HINGE ASSY. - fuel door	23.007	KIT - repair, master cylinder	4.010
HINGE ASSY. - side access door	23.040	KIT - repair, power brake booster	4.007
HOLDER - starting motor brush	7.025	KIT - repair, rear brake automatic adjuster	4.020
HORN ASSY.	7.076		
HOSE - flexible, waste disposal	23.110		
HOSE - fuel vapor canister	12.001		

ALPHABETICAL INDEX

KIT - repair, rear wheel cylinder	4.020	LINK - parking brake mounting bracket	4.001
KIT - retainer, power brake disc & bumper	4.007	LINK - generator adjusting	7.029 ¹
KIT - shoe and lining, front disc brake	4.015	LINKAGE - choke, Onan 4 KW Generator	28.044F
KIT - shoe and lining, rear brake	4.020	LOCK ASSY. - cam, access, water & elect.	23.043
KIT - spring, rear brake	4.020	LOCK ASSY. - entrance door	23.065
KIT - spring, rear brake hold down	4.020	LOCK UNIT - door (cylinders)	23.065
KIT - strut, parking brake	4.020	LOCKER ASSY. - bedding, rear, side	28.155
KOHLER 4KW GENERATOR MOUNTING	28.046C	M	
KNOB - adjusting, parking brake handle	4.001	MAINSHAFT - transmission	17.003
KNOB - hazard warning	7.072	MANIFOLD - engine exhaust	8.006
KNUCKLE - steering, front brake	19.006	MANIFOLD - engine intake	8.006
L			
LABEL - certification, exhaust	12.030	MANIFOLD - Onan 4KW Generator	28.044F
LAMP - back-up	7.003	MANIFOLD - Onan 6 KW Generator	28.045C
LAMP - bath	28.049	MIRROR ASSY. - outside	23.107
LAMP - floor (aisle)	28.049A	MIRROR ASSY. - rear view	23.060
LAMP - courtesy front, porch & rear center	7.013	MODULATOR - transmission vacuum	17.001
LAMP - dome and speaker	7.020	MODULE - bathroom	28.172
LAMP - electrical	28.114	MODULE - closet	28.124
LAMP - engine compartment	7.004	MODULE - galley	28.128
LAMP - hall & living area	28.048	MODULE - refrigerator	28.168
LAMP ASSY. - head, marker and directional signal	7.001	MOTOR - diaphragm, air cleaner	12.020
LAMP - license plate	7.003	MOTOR - roof air conditioner	28.002
LAMP - marker	7.013	MOTOR - starting	7.025
LAMP - reading	28.047	MOTOR - starting, Onan 4 KW Generator	28.044K
LAMP - rear side marker	7.003	MOTOR - starting, Onan 6 KW Generator	28.045G
LAMP - stop/tail	7.003	MOTOR - sweeper	28.072
LAMP ASSY. - instruments and tell tale	7.045	MOTOR ASSY. - air compressor, rear suspension	14.008
LATCH ASSY. - engine cover	23.045	MOTOR ASSY. - heater and air conditioning	26.015
LATCH - door, Onan 4 KW Generator	28.044D	MOTOR ASSY. - heater blower	26.010
LATCH ASSY. - LH front window	23.069	MOTOR ASSY. - windshield wiper	23.100
LATCH ASSY. - RH front window	23.068	MOULDING - body, side mounting, trim	23.130
LATCH ASSY. - LH rear sash	23.071	MOULDING - sash, entrance door	23.065
LATCH ASSY. - RH rear sash	23.072	MOULDING - LH front sash	23.074
LATCH - keeper, inter., RH side sash	23.066	MOULDING - RH front sash	23.073
LATCH - RH front sash, keeper	23.073	MOULDING - LH front window	23.069
LATCH - LH front sash, keeper	23.074	MOULDING - RH front window	23.068
LATCH - LH rear sash, keeper	23.071	MOULDING - LH rear sash	23.071
LATCH - RH rear sash, keeper	23.072	MOULDING - RH rear sash	23.072
LATCH - spring, access door	23.040	MOULDING - sash, inter., LH	23.070
LATCH ASSY. - spring, engine access door	23.006	MOULDING - sash, inter., RH	23.066
LEVEL - electro switches and panel	14.002D	MOUNTING - body	23.090
LEVER - directional signal & cruise control	7.072	MOUNTING - engine	8.015
LEVER - linkage, heater and air conditioning	26.035	MOUNTING - dual passenger seat	23.117
LEVER - Onan 4 KW Generator	28.044K	MOUNTING - final drive	1.006
LEVER - temperature valve, heater	26.010	MOUNTING - generator	7.029
LEVER - transmission range selector	17.007	MOUNTING - Kohler 4 KW generator	28.046C
LEVER - shift relay	17.045	MOUNTING - parking brake	4.002
LEVER - valve, heater and air conditioning	26.015	MOUNTING - power steering pump	16.055
LEVER ASSY. - dual seat, rotation lock	23.117	MOUNTING - radiator	6.002
LEVER ASSY. - parking brake	4.001	MOUNTING - single passenger seat	23.115
LEVER ASSY. - shift, steering column	16.030	MUFFLER - engine	12.030
LEVER ASSY. - single seat, rotation lock	23.115	MUFFLER - Kohler, 4 KW Generator	28.046A
LIFTER - engine valve	8.006	MUFFLER - Onan 4 KW Generator	28.044F
LIGHTER - cigarette	7.042	N	
LINES - front hydraulic brake	4.025	NECK - fuel filler	12.001
LINE - fuel	12.001	NUT - adjusting, rear wheel bearing	19.010
LINE - fuel, motor generator	28.042	NUT - front hub	19.006
LINES - hydraulic steering and hose	16.045	NUT - wheel	19.001
LINES - oil, engine	8.012	O	
LINES - rear air suspension valve and tank (first design)	14.002	OIL SYSTEM - Onan 4 KW Generator	28.044J
LINES - rear air suspension valve and tank (second design)	14.002D	OIL SYSTEM - Onan 6 KW Generator	28.045F
LINES - rear hydraulic brake	4.030	ONAN 4 KW GENERATOR - cylinder block crankshaft, flywheel	28.044B
LINE - transmission oil cooler	17.048	ONAN 6 KW GENERATOR - cylinder block crankshaft, flywheel	28.045B
LINK - air conditioning compressor	26.020	ONAN 4 KW GENERATOR - fuel system	28.044F
LINK - air conditioning and heating	26.036	ONAN 6 KW GENERATOR - fuel system	28.045C
LINK - connecting, rear wheel cylinder	4.020	OUTLET ASSY. - air, heater	26.040
LINK - drag, steering (includes component parts)	16.002		
LINK - drive, transmission	17.005		

ALPHABETICAL INDEX

OUTSIDE OUTLET - electrical compartment 23.044
 OVERHEAD CABINETS - interior 28.120

P

PAD - accelerator pedal 8.041
 PAD - brake pedal 4.005
 PAD - non-slip, side 23.025
 PAD - steering wheel 16.040
 PAN - oil, engine 8.005
 PAN - oil, Kohler 4 KW Generator 28.046A
 PAN - oil, Onan 4 KW Generator 28.044J
 PAN - Onan 6 KW Generator oil 28.045F
 PAN - oil, transmission 17.001
 PANEL - access, rear cap, pillar 23.010
 PANEL - control Kohler 4 KW Generator 28.046B
 PANEL - cover, instrument (radio opening) 23.050
 PANEL - dash 23.005
 PANEL - dome lamp 7.020
 PANEL - entrance door 23.065
 PANEL - front, lower, body 23.005
 PANEL ASSY. - instrument 23.050
 PANEL - instrument cluster cowl 23.050
 PANEL - insulation, dash 23.075
 PANEL - lower grille support 23.005
 PANEL - monitor 28.040
 PANEL - mounting, leveling valve 23.050
 PANEL - rocker 23.025
 PANEL - roof 23.015
 PANELS AND FRAMING - RH side 23.025
 PANELS AND FRAMING - LH side 23.026
 PANEL - side access door 23.040
 PANEL - side filler 23.025
 PANEL - side, front lower 23.005
 PANEL - switch (light) 28.049B
 PANEL - trim, interior 23.080
 PANEL - valence, LH instrument 23.050
 PANEL - wheelhouse 23.045
 PANEL SIDE & MOULDING 28.176
 PAPER - toilet 28.067
 PEDAL - accelerator 8.041
 PEDAL ASSY. - brake 4.005
 PEDESTAL - dual seat 23.117
 PEDESTAL - single seat 23.115
 PILLAR ASSY. - corner, rear outer, cap 23.010
 PILLAR ASSY. - side window 23.005
 PILLAR ASSY. - windshield divider 23.005
 PIN - air conditioning compressor 26.020
 PIN - entrance door, hinge 23.065
 PIN - hinge, heater and air conditioning 26.035
 PIN - parking brake lever handle 4.001
 PIN - piston, Onan 4 KW Generator 28.044B
 PIPE - choke, clean air 8.006
 PIPE - engine exhaust and tail 12.030
 PIPE - oil, transmission governor 17.006
 PIPE - tail, Kohler 4 KW Generator 28.046A
 PIPE - transmission vacuum modulator 17.050
 PISTON - air conditioning compressor 26.020
 PISTON - direct clutch 17.002
 PISTON - engine 8.005
 PISTON - Kohler 4 KW Generator 28.046A
 PISTON - front disc brake 4.015
 PISTON - master cylinder 4.010
 PISTON - Onan 4 KW Generator 28.044B
 PISTON - rear air suspension spring 14.001
 PISTON - rear wheel cylinder 4.020
 PISTON ASSY. - Onan 6 KW Generator 28.045B
 PLATE - air conditioning compressor 26.020
 PLATE - dual seat mounting & belt anchor 23.117
 PLATE - entrance door, striker 23.065
 PLATE - floor support and wheelhouse 23.045
 PLATE - forward clutch 17.002
 PLATE - guide, rear brake shoe 4.020
 PLATE - intermediate clutch 17.002

PLATE - mount to frame 23.090
 PLATE - pillar, front body 23.005
 PLATE - recess radio receiver 23.005
 PLATE - seal, dash panel 23.005
 PLATE - single seat mounting & belt anchor 23.115
 PLATE - stud, side panel to front panel 23.006
 PLATE - trim, brake pedal 4.005
 PLATE - wear, engine access door 23.006
 PLATE ASSY. - backing, rear brake 4.020
 PLATE ASSY. - bracket mounting 12.001
 PLATE ASSY. - cover, heater and air conditioning 26.015
 PLATE ASSY. - final drive support 1.006
 PLATE ASSY. - front window 23.005
 PLATE ASSY. - heater cover 26.010
 PLATE ASSY. - mounting, elect., component 23.006
 PLATE - mounting, height control valve 12.001
 PLATE ASSY. - name 7.045
 PLATE ASSY. - splash shield, upper riser 23.045
 PLENUM ASSY. - furnace 28.023
 PLENUM ASSY. - heater and air conditioning 26.035
 PLUG - spark 8.006
 PLUG - spark, Kohler 4 KW Generator 28.046A
 PLUG - spark, Onan 4 KW Generator 28.044H
 PLUMBING - bathroom module 28.172D
 PLUMBING - galley module 28.130
 POINT SET - breaker, Onan 4 KW Generator 28.044H
 POLE - field, Kohler 4 KW Generator 28.046
 POST - side, LH 23.026
 POST - side, RH 23.025
 POWER STEERING - hydraulic power steering 16.060
 POWER STEERING - hydraulic pump steering (mounting) 16.055
 POWER UNIT - cruise control 7.074
 PULLEY - engine crankshaft 8.005
 PULLEY - generator, 80 Amp. 7.028A
 PULLEY - pump, hydraulic steering 16.055
 PULLEY - water pump 6.012
 PULLEY ASSY. - air conditioning 26.020
 PUMP - engine fuel 12.007
 PUMP - fuel, Onan 4 KW/6 KW Generator 28.044E
 PUMP ASSY. - fresh water 28.050
 PUMP - engine water 6.012
 PUMP - oil, engine 8.027
 PUMP - oil, transmission 17.005
 PUMP - oil, Onan 4 KW Generator 28.044J
 PUMP - Onan 6 KW Generator fuel 28.045C
 PUMP - Onan 6 KW Generator oil 28.045F
 PUMP - power steering 16.060

R

RACE - air conditioning compressor 26.020
 RACK ASSY. - glass & spice 28.164
 RADIATOR - core fan, shroud & mounting 6.002
 RADIO - AM/FM W/four speakers 7.034
 RADIO - AM/FM stereo W/four speakers 7.032
 RADIO - AM/FM mono. W/four speakers 7.036
 RADIO - AM/Stereo tape player W/four speakers 7.035
 RADIO - AM/FM/Stereo tape player W/four speakers 7.033
 RADIO - antenna 7.037
 RAIL - seal check, LH front 23.069
 RAIL - seal check, RH front 23.068
 RAIL - side, frame 11.002
 RAIL ASSY. - rub 23.130
 RAIL ASSY. - weatherstrip check 23.066
 RANGE - 3 burner with oven (Coleman) 28.054
 RANGE - 3 burner with oven (Magic Chef) 28.054A
 RANGE - 4 burner with oven (Coleman) 28.056
 REAR AIR SUSPENSION - line valve and tank (first design) 14.002

ALPHABETICAL INDEX

REAR AIR SUSPENSION - line valve and tank (second design)	14.002D	SASH - galley & entrance door, sliding	23.070M
REAR CAP - pillar and panel	23.010	SASH - galley, sliding	23.066
RECEIVER - air conditioning (dehydrator)	26.030	SASH - inter., RH	23.066
RECEIVER ASSY. - radio	7.032	SASH - LH front side	23.074
RECTIFIER - diode, Kohler 4 KW Generator	28.046	SASH - LH rear	23.071
RECTIFIER - Onan 4 KW Generator	28.044C	SASH - RH front	23.073
REED - air conditioning compressor	26.020	SASH - RH rear	23.072
REFRIGERATOR - all electric (Norcold)	28.056	SASH - sliding, entrance door	23.065M
REFRIGERATOR - 6 & 7 cubic foot gas/electric (Insta-Matic)	28.057	SASH - sliding, galley window	23.070
REGULATOR - Onan 6 KW Generator	28.045C	SCREEN - air conditioning compressor	26.020
REGULATOR - 12 volt, Onan 4 KW Generator	28.044F	SCREEN ASSY. - inter., RH	23.066
REINFORCEMENT - bracket, outside mirror	23.107	SCREEN ASSY. - LH front window	23.074
REINFORCEMENT - frame crossmember	11.002	SCREEN ASSY. - RH front window	23.073
REINFORCEMENT - post, side	23.026	SCREEN ASSY. - LH rear window	23.071
REINFORCEMENT - roof panel and framing	23.015	SCREEN ASSY. - RH rear window	23.072
REINFORCEMENT - side belt rail	23.005	SCREEN - transmission governor	17.001
REINFORCEMENT - side pillar to belt rail	23.005	SCREW - air conditioning compressor, adj.	26.020
REINFORCEMENT - upper post, side	23.025	SCREW - stop, master cylinder	4.010
RELAY - heater	7.070	SCROLL - blower housing, Onan 4 KW Gen.	28.044D
RELAY - horn	7.080	SEAL - door, access, water and elect.	23.043
RELAY - Kohler 4 KW Generator	28.046B	SEAL - engine distributor	8.006
RELAY - Onan 4 KW Generator	28.044C	SEAL - entrance door, fixed glass	23.065
RELAY - sweeper	28.072	SEAL - housing, power brake	4.007
RESERVOIR - hydraulic steering	16.060	SEAL - inter., LH window sash	23.070
RESERVOIR - radiator overflow	6.010	SEAL - inter., RH window sash	23.066
RESERVOIR ASSY. - rear suspension air	14.002	SEAL - rear door panel	23.010
RESISTOR - control, Onan 4 KW Generator	28.044C	SEAL - RH front sash	23.073
RESISTOR - Kohler 4 KW Generator	28.046B	SEAL - LH front sash	23.074
RESISTOR - 4 ohm, Kohler 4 KW Generator	28.046	SEAL - LH front window	23.069
RETAINER - cable, parking brake	4.002	SEAL - RH front window	23.068
RETAINER - front hub bearing	19.006	SEAL - LH rear sash	23.071
RETAINER - front floor panel	23.045	SEAL - RH rear sash	23.072
RETAINER - instrument	7.045	SEAL ASSY. - front hub, inner and outer	19.006
RETAINER - inter., LH sash	23.070	SEAL ASSY. - drive pinion rear	1.001
RETAINER - inter., RH sash seal	23.066	SEAL ASSY. - differential bearing	1.001
RETAINER - LH front sash	23.074	SEAL ASSY. - oil, pump body	17.005
RETAINER - LH rear sash	23.071	SEAL ASSY. - rear hub	19.010
RETAINER - radio opening cover	23.050	SEAL ASSY. - water pump	6.012
RETAINER - RH front sash	23.073	SEAT - driver & single passenger (Bostrum)	23.115
RETAINER - RH rear sash	23.072	SEAT - driver & single passenger (Flex Steel) ..	23.116
RETAINER - sash, entrance door	23.065	SEAT ASSY. - dual passenger	23.117
RETAINER - sash, inter., RH	23.066	SEAT - love	28.142
RETAINER ASSY. - battery	7.085	SEAT & TABLE - swivel lounge	28.144
RIBBON ASSY. - illumination	7.045	SELECTOR - switch	7.070
RING - air conditioning compressor	26.020	SELECTOR UNIT - ignition switch	7.070
RING - "O", air conditioning compressor hose ..	26.040	SENDER - engine fuel tank	12.001
RING - "O", fullway valve	23.110	SENDER ASSY. - holding tank	7.050
RING - "O", air conditioning receiver and dehydrator	26.025	SENDER ASSY. - water tank level	28.051
RING SET - piston, engine	8.005	SEPARATOR - liquid fuel	12.001
RING SET - Kohler 4 KW Generator	28.046A	SERVO - transmission front and rear	17.004
RING SET - Onan 4 KW Generator	28.044B	SETTEE & TABLE - side facing	28.152
RING - venturi, radiator fan	6.002	SHAFT - air conditioning compressor	26.020
RISER ASSY. - driver's floor	23.045	SHAFT AND ARM - governor, Onan 4 KW Gen.	28.044G
ROD - connector, Kohler 4 KW Generator	28.046A	SHAFT - bowl float, Onan 4 KW Gen.	28.044A
ROD - engine connecting	8.005	SHAFT - final drive	1.001
ROD - governor control, Onan 4 KW Gen.	28.044G	SHAFT - front axle drive	1.003
ROD - Onan 4 KW Generator	28.044B	SHAFT - pawl, parking brake	17.007
ROD - steering relay tie	16.002	SHAFT - pivot, brake lever	4.005
ROOF - panel and framing	23.015	SHAFT - speedometer drive	7.043
ROTATOR - Kohler 4 KW Generator	28.046A	SHAFT - steering column	16.002
RUN - glass, inter., RH	23.066	SHAFT - steering, lower	16.020
RUN - LH front window glass	23.069	SHAFT - sun gear	17.003
RUN - LH rear glass	23.071	SHAFT - throttle, Onan 4 KW Generator	28.044A
RUN - RH front window glass	23.068	SHAFT ASSY. - drive, oil pump	8.027
RUN - RH rear, glass	23.072	SHELL ASSY. - air conditioning compressor ..	26.020
RUN - LH front, glass	23.074	SHIELD - retainer, insulation, rear cap	23.010
RUN - RH front, glass	23.073	SHIELD - wheelhouse splash	23.045
		SHIM - final drive, front	1.001B
		SHIM - final drive, rear	1.001A
		SHIM - final drive side	1.001C
		SHOWER ASSY. - bath	28.080
		SHROUD - fan, radiator	6.002
		SIDE FACING SETTE	28.152
		SILENCER - air, power brake	4.007
SASH - galley & entrance door, stationary	23.070		

S

ALPHABETICAL INDEX

SILL - LH front sash	23.074	SUPPORT ASSY. - floor to body mounting	23.005
SILL - LH rear sash	23.071	SUPPORT ASSY. - lower, radiator	6.002
SILL - RH front sash	23.073	SUSPENSION - front	1.010
SILL - RH rear sash	23.072	SUSPENSION - rear air	14.001
SILL - rear sash, inter., RH	23.066	SWEEPER - vacuum	28.072
SINK - galley	28.063	SWITCH - engine water temperature	8.008
SKIRT - rear wheel opening	23.042	SWITCH - oil, Onan 4 KW Generator	28.044J
SLEEVE - front disc brake calliper bolt	4.015	SWITCH - pressure	14.008
SLEEVE - speedometer drive gear	17.001	SWITCH - remote, on and off	28.044C
SLEEVE - speedometer drive shaft	17.001	SWITCH ASSY. - directional signal	7.072
SOLENOID - starting motor	7.026	SWITCH - dome lamp	7.070
SPACER - air conditioning, compressor clutch hub	26.020	SWITCH ASSY. - cruise control	7.072
SPACER - body mounting	23.045	SWITCH ASSY. - door ajar	7.070
SPACER - clip, front brake line	4.025	SWITCH ASSY. - dual battery	7.070
SPACER - clip, rear brake line	4.030	SWITCH ASSY. - fuel tank selector	7.070
SPACER - dual seat	23.117	SWITCH ASSY. - headlamp	7.070
SPACER - front bumper bar	11.006	SWITCH ASSY. - headlamp dimmer	7.070
SPACER - Kohler 4 KW Generator	28.046A	SWITCH ASSY. - limit, SOL-AIRE furnace	28.020
SPACER - LH rear window screen	23.071	SWITCH ASSY. - low fuel electronic	7.070
SPACER - RH rear window screen	23.072	SWITCHES - miscellaneous	7.070
SPACER - RH front window screen	23.073	SWITCH ASSY. - parking brake warning light	4.001
SPACER - LH front window screen	23.074	SWITCH ASSY. - safety, transmission and backing lamp	7.070
SPACER - rear bumper bar	11.008	SWITCH ASSY. - sender unit engine oil pressure	7.070
SPACER - single seat	23.115	SWITCH ASSY. - starter solenoid magnetic	7.070
SPACER - valve body, transmission	17.001	SWITCH ASSY. - steering column buzzer	7.070
SPACER - window screen, inter., RH	23.066	SWITCH ASSY. - tilt steering wheel buzzer	7.070
SPEAKER - dome lamp radio	7.020	SWITCH ASSY. - tilt steering ignition	7.070
SPEEDOMETER AND DRIVE	7.043	SWITCH ASSY. - stop lamp	7.070
SPINDLE - control arm, rear suspension	14.001	SWITCH ASSY. - stop lamp and cruise control	7.070
SPRING - dual seat, lever rotation	23.117	SWITCH ASSY. - transmission downshift	7.070
SPRING - retaining, front disc brake shoe	4.015	SWITCH ASSY. - windshield washer	7.070
SPRING - single seat, rotation lever and adjuster	23.115	SWITCHES - electrical, light	7.078H
SPRING ASSY. - air, rear suspension	14.001	SWIVEL LOUNGE SEATS	28.144
SPRING ASSY. - piston, master cylinder	4.010		
SPROCKET - drive, transmission	17.005	T	
STARTING MOTOR - Onan 4 KW Generator	28.044K	TABLE - drivers compartment	28.148
STARTING MOTOR - Onan 6 KW Generator	28.045G	TANK - fresh water	28.051
STATOR - charging alternator, Onan 4 KW Generator	28.044	TANK - fuel, engine	12.001
STIFFENER - filter, sweeper	28.072	TANK - liquid propane gas	28.030
STORAGE BOX - panel, trim, interior	23.080	TANK - rear air suspension	14.002
STRAP - air conditioning receiver and dehydrator	26.025	TANK ASSY. - drain hose & holding	23.110
STRAP - mounting, heater core	26.010	TANK ASSY. - vacuum, heater and air conditioning	26.035
STRAP - mounting, storage tube	23.110	TAPPET - valve, Onan 4 KW Generator	28.044B
STRAP - washer mounting	23.100	TEE - windshield washer hose	23.100
STRAP ASSY. - heater and air conditioning hose	26.040	TELL-TALE ASSY.	7.045
STRIKER - glove box	23.050	THERMOSTAT - engine	8.006
STRIKER - lock, access, water & elect.	23.043	THERMOSTAT ASSY. - furnace	28.029A
STRIPES - accent	23.145	THERMOSTAT ASSY. - roof mounted air conditioner	28.004
STRUT - front lower grille support panel	23.005	TOILET - aqua-magic	28.068
STUD ASSY. - front support to engine	1.006	TOILET - electra magic	28.070
SUN VISOR & MIRROR	23.060	TOILET - paper and chemicals	28.067
SUPPORT - air conditioning compressor	26.025	TOOLS	22.002
SUPPORT - body, side to floor	23.005	TOOL - sweeper (vacuum)	28.072
SUPPORT - crossmember	23.090	TRACK - windshield drape	23.080
SUPPORT - driver's floor	23.045	TRANSDUCER - cruise control	7.074
SUPPORT - dual seal	23.117	TRANSFORMER - sweeper	28.072
SUPPORT - floor	23.045	TRANSISTOR - control, Onan 4 KW Generator	28.044C
SUPPORT - front body cowl and dash	23.005	TRANSITION ASSY. - SOL-AIRE furnace	28.023
SUPPORT - front, engine	8.015	TRANSMISSION ASSY. - (case & oil pan)	17.001
SUPPORT - heater and air conditioning	26.035	TRANSMISSION - oil pump, drive sprocket and link	17.005
SUPPORT - refrigerator vent, LH side	23.026	TRANSMISSION - output reaction carrier and shafts	17.003
SUPPORT - refrigerator vent, RH side	23.025	TRAY - battery	7.085
SUPPORT - sash frame, side	23.026	TRAY ASSY. - ash	23.080
SUPPORT - side, sash frame	23.025	TREATMENT UNIT - water	28.052
SUPPORT - single seat	23.115	TUBE ASSY. - adjusting, parking brake lever	4.002
SUPPORT - stove vent, LH side	23.026	TUBE - air conditioning compressor	26.020
SUPPORT - stove vent, RH side	23.025	TUBE - cooling, motor, heater and air conditioning	26.015
SUPPORT - water & electric access door	23.026	TUBE ASSY. - disposal hose, storage	23.110
SUPPORT - wheelhouse, RH side	23.026	TUBE - engine oil filter	8.006
SUPPORT - wheelhouse, LH side	23.026		
SUPPORT - window to body, LH front	23.069		
SUPPORT - window to body, RH front	23.068		

ALPHABETICAL INDEX

TUBE - motor cooling, heater	26.010	WIRE - latch, single seat adjuster	23.115
TUBE - oil filler, Onan 4 KW Generator	28.044J	WIRE ASSY. - ambient sensor and pressure switch (with air conditioning)	7.090
TUBE - transmission oil filler	17.001	WIRE ASSY. - front side marker lamp	7.001
TUBE ASSY. - heating, bath module	28.063	WIRE ASSY. - harness	7.090
TUBE ASSY. - brake, front	4.025	WIRE ASSY. - heater and air conditioning	28.015
TUBE ASSY. - brake, rear	4.030	WOOD AND CUSHION COVERING	28.180
TUBE ASSY. - storage, hose	11.008		

V

VALVE - bleeder, front disc brake caliper	4.015
VALVE - bleeder, rear brake	4.020
VALVE - control transmission	17.008
VALVE - engine crankcase ventilator	8.006
VALVE - engine exhaust and intake	8.006
VALVE - intake and exhaust, Kohler 4 KW Generator	28.046A
VALVE - liquid propane gas	28.030
VALVE - Onan 4 KW Generator	28.044B
VALVE - Onan 6 KW Generator	28.045F
VALVE - rear suspension height control	14.003
VALVE - rear air suspension reservoir	14.002
VALVE - selector, engine fuel tank	12.010
VALVE - transmission control	17.006
VALVE - water heater	28.034
VALVE ASSY. - air conditioning compressor	26.020
VALVE ASSY. - air, power brake	4.007
VALVE ASSY. - cruise control	7.074
VALVE ASSY. - selector, fuel tank	12.010
VALVE ASSY. - heater and air conditioning	28.015
VALVE ASSY. - holding tank, fullway	23.110
VALVE ASSY. - hyd. steering gear	16.010
VALVE ASSY. - metering balance and distribution switch	4.005
VALVE ASSY. - rear suspension	14.003
VALVE ASSY. - temperature, heater	28.010
VALVE ASSY. - water, heater and air conditioning	26.040
VENT - 22,000 & 30,000 BTU furnace (adapter)	28.029A
VENT - bath, non-power	28.075
VENT - bath, power	28.075A
VENT - kitchen range	28.075B
VENT - transmission	17.001
VENT - roof, non-power	28.074
VENT - roof, power (prior to 1975)	28.074A
VENT - power roof (eff. W/1975)	28.074B
VENTS - plumbing & refrigeration	28.077
VOLTMETER	28.040

Y

YOKE - front brake hose	4.025
YOKE - rear brake hose	4.030

W

WASHER - bolt, spare tire carrier mounting	19.001
WASHER - front, hub nut	19.006
WASHER - rear brake line	4.030
WASHER - rear wheel bearing adjusting nut	19.010
WASHER ASSY. - windshield wiper	23.100
WASTE DISPOSAL	28.078
WATER FILL COMPARTMENT	28.051B
WATER HOSES, CLAMPS AND STRAP	6.016
WATER PURIFIER AND FAUCET	28.052B
WEATHERSTRIP - back glass	23.067
WEATHERSTRIP - windshield	23.067
WHEEL - steering (first design)	16.040
WHEEL - steering (second design)	16.043
WHEEL ASSY.	19.001
WHEEL HOUSE	23.045
WHEEL - spare tire carrier & sewer hose storage	19.001
WINDOW ASSY. - LH front slide ("A")	23.069
WINDSHIELD AND REAR WINDOW	23.067
WINDOW ASSY. - RH front slide ("A")	23.068
WINDSHIELD WIPER	23.100
WIRING	7.090

