



2023

# SILVERADO 5W4 SSV



Shown with equipment from independent suppliers not covered by the GM New Vehicle Limited Warranty. GM is not responsible for the safety or quality of independent supplier alterations.





## About This Publication

This catalog is not updated during the model year and should not be used for ordering purposes. It is intended as a source of basic information. All illustrations and specifications in this literature are based on the latest product information available at the time of publication. General Motors reserves the right to make changes at any time without notice. For further details, consult your local dealer.

Care must be taken during customer installation of equipment and wiring to ensure that all holes drilled in the body are corrosion protected, properly sealed and that vehicle wiring harnesses, piping or other components have not been displaced or damaged. Aftermarket equipment installers must be mindful of applicable Federal Motor Vehicle Safety Standards. This information can be obtained directly from the National Highway Traffic Safety Administration. Adding non-dealer accessories or making modifications to the vehicle can affect vehicle performance, aerodynamics, and overall top speed. Please return all police vehicles to factory condition and settings upon decommissioning to prevent civilians from using these new 2023 calibrations, lighting and other features intended only for police and emergency customers. Wiring connection or splice changes are to be removed before the vehicle is returned to civilian use.

These vehicles are equipped with an airbag system. The airbag system in your police vehicle includes frontal driver and front outboard passenger airbags, front seat back side impact airbags and roof rail mounted head-curtain airbags. Customer installed equipment such as security barriers behind the front seats should not be mounted so that the barrier ends are within the side airbag deployment zones. The sensors and other components for the airbag system must not be relocated to accommodate the installation of customer furnished equipment; please refer to the service manual for sensor and other component locations. For information concerning instrument panel top pad mounted equipment and airbag system deployment zones, see the airbag information section in this catalog and the vehicle owners manual.

A note about vehicle alterations by independent suppliers: This catalog shows pictures of vehicles that have been altered or upfitted with equipment or components supplied to Chevrolet or its dealers by independent suppliers. GM is not responsible for the safety or quality of design features, materials or workmanship of any alterations by third parties.

# INDEX

## 2023 SILVERADO 5W4 SSV (SPECIAL SERVICE VEHICLE)

- **STANDARD FEATURES**
- **OPTIONAL EQUIPMENT**
- **COLORS & INTERIOR TRIM**
- **SPECIFICATIONS**
- **POWERTRAIN & EMISSIONS**
- **ILLUSTRATION HIGHLIGHTS**
- **WIRING DIAGRAMS**
- **AIRBAG DIMENSIONS**
- **AIRBAGS FAQ**
- **MAINTENANCE AND LIMITED WARRANTY**

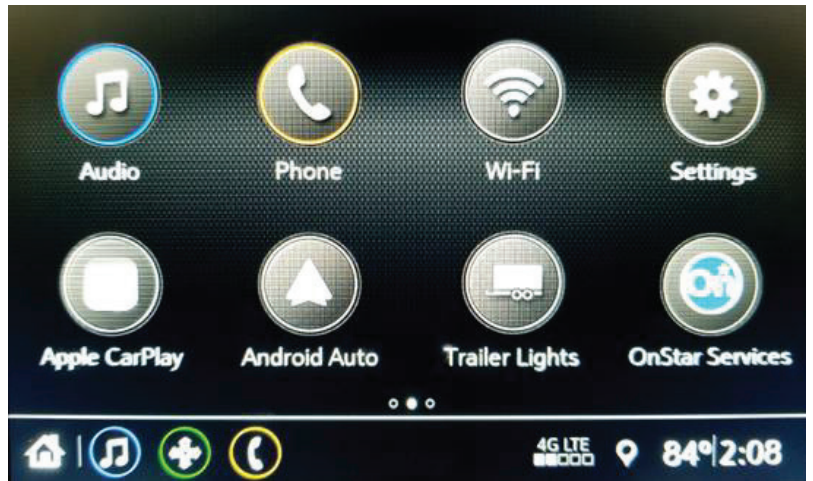




Shown with aftermarket equipment



Standard 120-volt power outlet in bed



Standard 7" diagonal touchscreen radio



## STANDARD UNIQUE 5W4 (SSV) FEATURES

REQUIRES (ZLQ) OR (PCV) CONVENIENCE PACKAGE

AVAILABLE IN 1500 SERIES CREW CAB WITH SHORT OR STANDARD BOX AND WT TRIM

- **5.3L V8 engine (L84) with 10-speed transmission and column shift (M12)**
- **Automatic Stop/Start overridden (KL9)**
- **High-capacity air filter (K47)**
- **220-amp alternator (KW5)**
- **120-volt bed mounted power outlet (KC9)**
- **120-volt dash mounted power outlet (K14)**
- **Cruise control (K34)**
- **Locking rear differential (G80)**
- **Power Mirrors (DLF)**
- **Remote Keyless Entry (AQQ) with Push to Start**
- **Protected Idle**
- **EZ Lift power lock and release tailgate (QT5)**
- **Certified speedometer calibration (VZ2)**
- **Calibration with keyless remote panic button exterior and lights/horn disable (5J1)**
- **Calibration and surveillance mode interior and exterior lighting (5J3)**
- **Head and taillamp flasher system, DRL Compatible (6J7)**
  - Calibration for taillamp flasher Red/White (5J9)
  - Calibration for taillamp flasher Red/Red (5LO)

## OPTIONAL UNIQUE 5W4 (SSV) FEATURES

- **Skid Plates (NZZ)**
- **R30 TIRES, LT275/65R18C MT - Goodyear Wrangler DuraTrac, Blackwall. Requires (Z71) Off-Road Package and (PZX) 18" Bright Silver painted aluminum wheels**
- **Off-road suspension (Z71)**
- **2-speed transfer case (NQH)**
- **Trailer package (Z82)**
- **Multi-Flex Tailgate (QK2)**
- **Trailer mirrors (DPO)**
- **Tinted rear windows (AK0) included with (PCV) WT Convenience Package**
- **Rear window defogger (C49) included with (PCV) WT Convenience Package**
- **Common Fleet Key (6E2) or (6E8)**
- **4 additional keyless remote transmitters with internal pre-cut keys (AMF)**
- **Horn and Siren circuit (6J4)**
- **Grille lamps and siren speaker wiring provisions (6J3)**
- **Spotlights (LED) driver and passenger side (7X2)**
- **Spotlight (LED) driver side only (7X3)**
- **Spotlights (Halogen) driver and passenger side (7X7)**
- **Spotlight (Halogen) driver side only (7X6)**
- **Inoperative rear windows (6N5)**
- **Inside rear door handles and locks disabled (6N6)**
- **Front row 20% center seat delete (5Y1)**
- **Auto Door Locks disabled (BCV)**
- **Ship thru Kerr Industries (GEZ)**
- **Front Driver 10-way Power Seat including lumbar (A2X)**

The Silverado 5W4 (SSV) Police Package has been designed for special service work up and is not intended for high-speed emergency vehicle operations. GM restricts the sale of police vehicles and they are not to be sold to retail customers. 2WD Short Bed Models CC10543 or Standard Bed CC10743, or 4WD Short Bed CK10543 or Standard Bed CK10743 with equipment group WT and (ZLQ) or (PCV) Convenience Package are required when ordering SSV Special Service Package. Content, Options and Specifications shown are for the SSV version only which differ from retail civilian model.

SSV PPV Package includes: High-capacity air filter, 220-amp alternator, 120-volt interior power outlet, 120-volt bed-mounted power outlet, surveillance mode interior and exterior lighting calibration, head and tail lamp flasher calibration, certified speedometer, work truck steering wheel with re-purposed cruise cancel button to operate Protected Idle.

## STANDARD SSV INTERIOR FEATURES

<b>AIR CONDITIONING</b>	Single-zone with rear Heating/Cooling air vents.
<b>ASSIST HANDLES</b>	Front A-pillar mounted for driver and passenger, rear B-pillar mounted.
<b>AUDIO SYSTEM FEATURES<sup>1</sup></b>	Chevrolet Infotainment 3 system, 7" diagonal color touchscreen, AM/FM stereo, 6 speakers. Additional features for compatible phones include: Bluetooth <sup>2</sup> audio streaming for two active devices, voice command pass-through to phone, wired Apple CarPlay and Android Auto capable.
<b>BUCKLE TO DRIVE</b>	Buckle to Drive helps remind the driver to buckle up their seat belt before driving by preventing the vehicle from being shifted out of PARK temporarily when the driver's seat belt is not buckled. On some vehicles, the feature also reminds the front passenger to buckle up.
<b>CALIBRATION, KEYLESS REMOTE</b>	Panic button, exterior light/horn disabled
<b>CALIBRATION, SURVEILLANCE MODE INTERIOR LIGHTING</b>	Calibration to disable interior automatic lighting. Feature is activated by adding wire connection to the BCM by customer/upfitter.
<b>COMPASS</b>	Located in instrument cluster. Requires UE1 OnStar
<b>CONVENIENCE PACKAGE</b>	Includes, Remote Keyless Entry, EZ Lift power lock and release tailgate, cruise control and power mirrors. When ordered with (PQA) WT Safety Package, (DLF) power mirrors include (UKC) Lane Change Alert with Side Blind Zone Alert <sup>3</sup> and (DP6) high-gloss mirror caps.
<b>DOOR LOCKS</b>	Power
<b>DRIVER INFO. CENTER</b>	3.5 inch diagonal monochromatic display, provides warning messages and basic vehicle information
<b>FLOOR COVERING</b>	Front and Rear rubberized-vinyl floor mats available and included with optional color-keyed carpeting (B30).
<b>INSTRUMENTATION CLUSTER</b>	6-gauge cluster featuring speedometer, fuel level, engine temperature, tachometer, voltage and oil pressure
<b>MIRROR</b>	Inside rearview manual tilt
<b>POWER OUTLET</b>	Instrument panel mounted. 120 volt. 400 watts shared with (KC9) bed mounted power outlet.
<b>PUSH BUTTON START</b>	Keyless Open and Start with two remote keyless entry transmitters.
<b>REAR VISION CAMERA<sup>3</sup></b>	When you're in Reverse, Rear Vision Camera shows you an image of the area directly behind your vehicle to help you park and avoid vehicles and objects. You can also select to show an overlay of where you vehicle is going.
<b>RESTRAINT SYSTEM<sup>4</sup></b>	Seat belts at all designated seating positions with driver and front outboard passenger pretensioners. Airbags: Dual-stage frontal airbags for driver and front outboard passenger; includes front outboard Passenger Sensing System. Seat-mounted side-impact airbags for driver and front outboard passenger; Head Curtain airbags for front and rear outboard seating positions. NOTE: Nine inch seat belt extenders are available (part number 19259268) through our dealers at no charge.
<b>SEAT, FRONT</b>	40/20/40 Split Bench with arm rest storage and Vinyl trim. Driver and front passenger seat adjuster are 4-way manual (for cloth trim and power seat availability see seat availability page).
<b>SEAT, REAR</b>	60/40 folding bench (folds up), 3-passenger (includes child seat top tether anchor). Includes Rear seat Reminder. <sup>5</sup>
<b>SURVEILLANCE MODE</b>	Calibration to disable interior & exterior automatic lighting. Feature is activated by adding wire connection to the BCM by customer/upfitter.
<b>STEERING COLUMN</b>	Tilt-Wheel, manual with wheel locking security feature
<b>TEEN DRIVER MODE<sup>3</sup></b>	Teen Driver helps encourage driving skills for teens by providing an in-vehicle report card. It also activates certain safety systems, if equipped, when a Teen Driver-designated key fob is used and mutes the radio until the front seat occupants fasten their seat belts.
<b>TEMPERATURE DISPLAY</b>	Exterior temperature display located in radio display
<b>THEFT DETERRENT SYSTEM</b>	Vehicle Immobilizer (prevents vehicle start without correct key or remote). Content Theft System not available. See your Owner's Manual for system information.
<b>TIRE PRESSURE MONITOR WITH TIRE FILL ALERT</b>	Tire Pressure Monitoring System. The standard spare wheel includes an unprogrammed tire pressure monitor. Includes Tire Fill Alert in addition to the DIC warning when a tire has low pressure. This feature provides audible and visual indication when air is being added to the low tire to aid in achieving optimal tire pressure.
<b>USB PORTS<sup>1</sup></b>	Two Charge/Data ports located on instrument panel
<b>WINDOWS</b>	Power front, drivers express up/down. Front passenger express down. Rear power express down.

**1.** Functionality varies by model. Full functionality requires compatible Bluetooth and smartphone, and USB connectivity for some devices **2.** Go to myChevrolet.com/learn About/bluetooth to find out which phones are compatible with the vehicle **3.** Safety or driver assistance features are no substitute for the driver's responsibility to operate the vehicle in a safe manner. The driver should remain attentive to traffic, surroundings and road conditions at all times. Visibility, weather, and road conditions may affect feature performance. Read the vehicle's owner's manual for more important feature limitations and information. **4.** Always use seat belts and child restraints. Children are safer when properly secured in a rear seat in the appropriate child restraint. See the Owner's Manual for more information **5.** Does not detect people or items. Always check rear seat before exiting.



## STANDARD SSV EXTERIOR FEATURES

<b>BUMPER FRONT</b>	Black (semi-gloss).
<b>BUMPER REAR</b>	Black (semi-gloss) with corner step.
<b>CARGO TIE DOWN</b>	12 fixed, Rated at 500 pounds per corner.
<b>CAPLESS FUEL FILL</b>	The vehicle has a capless refueling system and does not have a fuel cap. The filling nozzle must be fully inserted and latched prior to starting fuel flow. NOTE: Overfilling the fuel tank by more than three clicks of a standard fill nozzle may cause vehicle performance issue, including engine stalling and damage to the fuel system, fuel spills, potential fuel fires.
<b>DAYTIME RUNNING LAMPS</b>	Includes automatic exterior lamp control. Daytime running light delete option available.
<b>DOOR HANDLES</b>	Black
<b>FLASHERS</b>	Taillamp Flasher Calibration (5J9) flashes white (backup) and red (brake lamps) alternately when activated. Headlamp and taillamp Flasher System (6J7) DRL compatible with control wire. Head and Taillamp circuit for customer furnished switch and wiring.
<b>GLASS</b>	Solar absorbing, tinted.
<b>GRILLE</b>	Black bars with mesh inserts
<b>HEADLAMPS</b>	Halogen reflector with halogen Daytime Running Lamps and Automatic exterior lamp control. Altering headlamp assembly is not-Recommended. General Motors is not responsible for the effects of any modifications
<b>LAMPS</b>	Cargo area, cab mounted integrated with center high mount stop lamp, with switch in bank on left side of steering wheel (LED on Crew Cab models)
<b>MIRRORS, OUTSIDE</b>	Black, Manual
<b>POWER OUTLET</b>	Bed mounted. 120-volt. 400 watts shared with (KI4) instrument panel mounted power outlet.
<b>PICKUP BED</b>	Built from high-strength roll-formed steel for durability with 12 fixed corner tie downs and 120v outlet
<b>RECOVERY HOOKS<sup>1</sup></b>	Front, frame-mounted.
<b>TAILGATE</b>	Gate function manual, no lift assist. Locking, utilizes same key as ignition and door. Includes Tailgate and bed rail protection cap.
<b>TAILLAMPS</b>	Incandescent tail, stop and reverse lights
<b>TIRES</b>	255/70R17 all-season, blackwall.
<b>TIRE, SPARE</b>	255/70R17 all-season, blackwall.
<b>TIRE, SPARE CARRIER</b>	Keyed cylinder lock utilizes same key as ignition and door
<b>WHEELS</b>	17" x 8" (43.2 cm x 20.3 cm) Ultra Silver painted steel

## STANDARD SSV MECHANICAL FEATURES

<b>AIR FILTER</b>	High capacity air filter (K47) included with 5W4 Special Service Package.
<b>ALTERNATOR</b>	220 amp Charging System with Idle Boost increases alternator output at idle with increased electrical load. See Specifications page for Alternator Output Chart.
<b>BATTERY</b>	Heavy-duty 730 cold-cranking amps/80 Amp-hr, maintenance-free with rundown protection and retained accessory power
<b>ENGINE</b>	5 .3L EcoTec3 V8, (355 hp [265 kW] @ 5600 rpm, 383 lb-ft of torque [518 Nm] @ 4100 rpm)
<b>FRAME</b>	Fully-boxed, hydroformed front section
<b>FUEL TANK</b>	Approximately 24 gallons (91 liters)
<b>HILL DESCENT CONTROL</b>	Sets and maintains vehicle speed while driving down steep grades in forward or reverse.
<b>OIL COOLING</b>	External engine oil cooler and auxiliary transmission oil cooler
<b>RADIO SUPPRESSION</b>	The Silverado vehicle systems are designed to prevent unwanted emissions and to minimize susceptibility and maximize immunity to external emissions (Electromagnetic (EMI) or Radio Frequency (RFI) Interference). Most emergency vehicle communications equipment operating at frequencies in the VHF Band (30-300 MHz) and up to frequencies in the UHF Band (300 MHz-3GHz) will function as intended without enhanced noise suppression.
<b>REAR AXLE</b>	3.23 ratio with standard automatic locking differential (G80)
<b>SKID PLATES</b>	Additional underbody shields provided standard with SSV.
<b>STABILITRAK</b>	Stability control system with Proactive Roll Avoidance and traction control includes electronic trailer sway control and hill start assist. For description see Stability Control and Traction Control section
<b>STEERING</b>	Electric Power Steering (EPS) assist, rack-and-pinion
<b>SUSPENSION, FRONT</b>	Independent, coil over shock, includes 35mm twin tube shock absorbers
<b>SUSPENSION, REAR</b>	2-Stage multi-leaf springs, semi-elliptic
<b>TRANSFER CASE</b>	Two-speed, electronic Autotrac with push button control.
<b>TRANSMISSION</b>	10-speed automatic electronically controlled with steering column mounted shift lever and overdrive and tow/haul mode. Includes Cruise Grade Braking and Powertrain Grade Braking.

<sup>1</sup> Front recovery hooks are for vehicle recovery only. To avoid the risk of injury, never use recovery hooks to tow a vehicle. Never pull on recovery hooks from the side. The hooks could break and you and others could be injured. When using recovery hooks, always pull the vehicle from the front.

## OPTIONAL WORK TRUCK CONVENIENCE PACKAGES (CHOOSE ONE OPTION)

<b>ZLQ</b>	<b>WORK TRUCK CONVENIENCE PACKAGE 1</b> - Includes (K34) cruise control and (DLF) power mirrors.
<b>PCV</b>	<b>WORK TRUCK CONVENIENCE PACKAGE 2</b> - Includes ZLQ above plus deep tinted glass (AKO) and Rear defogger (C49)

## OPTIONAL INTERIOR FEATURES

<b>VV4</b>	<b>LTE WI-FI® HOTSPOT<sup>1</sup></b> - Can connect up to 7 devices; includes data trial for 1 month or 3GB (whichever comes first) Service varies with conditions and location. Available Wi-Fi requires compatible mobile device, active OnStar service and data plan. Data plans provided by AT&T. Visit <a href="http://www.OnStar.com/BusinessSolutions">www.OnStar.com/BusinessSolutions</a> for details and system limitations.
<b>UTQ</b>	<b>ALARM, HORN CONTENT THEFT DETERRENT, DISABLED</b> - Calibration disables the horn for the theft deterrent alarm.
<b>RIA</b>	<b>ALL WEATHER FLOOR LINER</b> - 1st and 2nd rows (includes Chevrolet Bowtie logo). Requires (B30) color-keyed carpeting.
<b>C49</b>	<b>DEFOGGER, REAR WINDOW</b> - Electric
<b>B30</b>	<b>FLOOR COVERING</b> - Color-keyed carpeting. Includes front and rear vinyl floor mats
<b>BCV</b>	<b>LOCK CONTROL REAR DOOR, AUTO DOOR LOCKS DISABLE</b> - Calibration disables auto door locks and is activated through radio or DIC settings.
<b>UE1</b>	<b>ONSTAR®</b> - Fleet orders of properly equipped vehicles receive a 3-month trial of Driver Remote Access Plan, 3 months of Safety & Security coverage, and 1 month or 3GB of data (whichever comes first) from vehicle delivery date. Certain services require working electrical system, cell reception and GPS signal. OnStar links to emergency services. Data plans offered by AT&T. See <a href="http://OnStar.com/BusinessSolutions">OnStar.com/BusinessSolutions</a> for details. Services subject to Terms and limitations and availability is subject to change.
<b>6N5</b>	<b>REAR DOOR WINDOW SWITCHES INOPERATIVE</b> - Calibration for rear windows to operate from drivers position only. Window lockout switch remains illuminated in all positions when equipped with this feature.
<b>6N6</b>	<b>REAR DOOR LOCKS AND HANDLES INOPERATIVE</b> - Rear power locks are inoperable at rear door but operate from drivers' position, rear doors can be opened only from outside the vehicle. Requires (GEZ) Kerr Industries Ship-thru to mechanically remove hardware linkage.
<b>UD7</b>	<b>REAR PARK ASSIST<sup>2</sup></b> - Requires (PQA) WT Safety Package. When in Reverse, Rear Park Assist provides alerts of nearby detected vehicles and objects behind your vehicle to help you park and avoid collisions.
<b>VBJ</b>	<b>REAR UNDERSEAT STORAGE</b> - Composite storage bin (see optional equipment section for illustration)
<b>AMF</b>	<b>REMOTE KEYLESS ENTRY PACKAGE</b> - Includes 4 additional transmitters. Keys will be cut but not programmed. Programming of keys is at customer's expense. Programming keys is not a warranty claim.
<b>5T5</b>	<b>SEATS</b> - Front cloth and second row vinyl.
<b>A2X</b>	<b>SEAT ADJUSTER</b> - Driver 10-way power seat including lumbar. Requires (ZLQ) WT Fleet Convenience Package, (K14) 120-volt power outlet and (HOU) Jet Black interior.
<b>9L7</b>	<b>UPFITTER SWITCH KIT</b> - Provides three (3) 30amp and two (2) 20amp circuits to facilitate installation of aftermarket electrical accessories. Kit with all required parts will be shipped loose with the truck for installation by the dealer or upfitter. Installation instructions and technical assistance available at <a href="http://www.gmupfitter.com">www.gmupfitter.com</a> .
<b>6J4</b>	<b>WIRING</b> - Horn and siren circuit. Requires Kerr Industries ship thru (GEZ).
<b>6J3</b>	<b>WIRING</b> - Provisions for grille lamps and siren speakers. Requires Kerr Industries ship thru (GEZ).
<b>PQA</b>	<b>WT SAFETY PACKAGE<sup>3</sup></b> - Includes (UD7) Rear Park Assist <sup>2</sup> , (UKC) Lane Change Alert with Side Blind Zone Alert <sup>2</sup> , (UFB) Rear Cross Traffic Alert- Braking <sup>2</sup> . Includes (V46) Chrome front bumper, (VJH) Chrome rear bumper (DP6) Black high gloss mirror caps (U12) Perimeter Lighting and (K14) 120-volt power outlet.

## OPTIONAL EXTERIOR FEATURES

<b>VQO</b>	<b>ASSIST STEP</b> - Black work step, Included with (PDW) Assist Step and Tonneau Value Package. Not available with any other assist steps.
<b>VT2</b>	<b>ASSIST STEPS</b> - Black 6" tubular rectangular wheel-to-wheel.
<b>RVQ</b>	<b>ASSIST STEPS</b> - Black 6" tubular rectangular. Not available with any other assist steps
<b>RVS</b>	<b>ASSIST STEPS</b> - Black 4" round. Not available with any other assist steps
<b>CGN</b>	<b>BEDLINER, CHEVYTEC SPRAY-ON</b> - Black (does not include spray-on liner on tailgate due to Black composite inner panel). Not available with (ZW9) pickup bed delete. Not available with any Ship Thrus EXCEPT (VCO), (VDT), (VYC) or (VYS).
<b>V46</b>	<b>BUMPER FRONT</b> - Chrome. Requires (VJH) Chrome rear bumper and (E63) Durabed, pickup bed. Included with (PQA) WT Safety Package.
<b>VJH</b>	<b>BUMPER REAR</b> - Chrome. Requires (V46) Chrome front bumper. Included with (PQA) WT Safety Package.
<b>9G8</b>	<b>DAYTIME RUNNING LAMPS DELETE</b> - Daytime Running Lamps and automatic headlamp control delete, deletes standard Daytime Running Lamps and automatic headlamp control features from the vehicle for police stealth surveillance.
<b>9M4</b>	<b>DECAL AND NAME PLATE DELETE</b> - Tailgate. Deletes all nameplates and decals on the pickup box tailgate. Not available with SEO (8F2) ornamentation delete.
<b>9R1</b>	<b>DECAL DELETE</b> - Pickup box Deletes the "4x4" decal from the side of the pickup box. Requires 4WD models only. Not available with SEO (8F2) ornamentation delete
<b>AKO</b>	<b>GLASS</b> - Deep tinted

1. Service varies with conditions and location. Requires active OnStar service and paid AT&T data plan. Visit [www.gmfleet.com/technology/connected-vehicle.html](http://www.gmfleet.com/technology/connected-vehicle.html) for details and limitations. 2. Safety or driver assistance features are no substitute for the driver's responsibility to operate the vehicle in a safe manner. The driver should remain attentive to traffic, surroundings, and road conditions at all times. Visibility, weather, and road conditions may affect feature performance. Read the vehicle's owner's manual for more important feature limitations and information. 3. Certain vehicles built prior to 7-11-22 may be forced to include (00Y) Not Equipped with Rear Park Assist, which removes Rear Park Assist. See dealer for details or the window label for the features on a specific vehicle. Vehicles built on or after 7-11-22 will include (UD7) Rear Park assist. Includes (UD7) Rear Park Assist and (U12) Perimeter Lighting. Requires (ZLQ) WT Fleet Convenience Package, (PCV) WT Convenience Package or (PEB) WT Value Package and (K14) 120-volt power outlet. 2WD models include (V76) recovery hooks. Not available with (DPO) trailer mirrors or (ZW9) pickup bed delete.



<b>6E2</b>	<b>KEY SINGLE</b> - Complete vehicle fleet. Provides a single key with a specific code that is common to the door locks and ignition of all the vehicles in the vehicle fleet. Key code is an alternate to SEO 6E8 complete vehicle fleet common key. Compatible with 2021 or newer Tahoe with option code 6E2. NOTE: Requires Content Theft Disable.
<b>6E8</b>	<b>KEY SINGLE</b> - Complete vehicle fleet. Provides a single key with a specific code that is common to the door locks and ignition of all the vehicles in the vehicle fleet. Key code is an alternate to SEO 6E8 complete vehicle fleet common key. Compatible with 2021 or newer Tahoe with option code 6E8. NOTE: Requires Content Theft Disable.
<b>5H1</b>	<b>KEY EQUIPMENT</b> - Two additional keys for single key system. Provides two additional spare keys for a total of (4). (Keys will be cut but not programmed). Programming of keys is at customer's expense. Programming keys is not a warranty claim. Requires (SAF) spare tire lock. Not available with SEO (5Z4) spare wheel, carrier and lock delete or (AMF) Remote keyless entry package.
<b>UF2</b>	<b>LED CARGO AREA LIGHTING</b> - Located in pickup bed, activated with switch on center switch bank or key fob
<b>VK3</b>	<b>LICENSE PLATE KIT</b> - Front (will be shipped to orders with ship-to states that require front license plate)
<b>DP6</b>	<b>MIRROR CAPS, PAINTED</b> - Body-color. High gloss Black Included and only available with (PQA) WT Safety Package.
<b>DPO</b>	<b>MIRROR OUTSIDE POWER ADJUSTABLE</b> - Adjustable vertical trailering with heated upper glass, lower convex mirrors, integrated turn signals, clearance lamps, and auxiliary lighting. Manual folding/extending. Includes (DD8) autodimming inside rearview mirror.
<b>QK2</b>	<b>MULTI-FLEX TAILGATE</b> - Six function gate (Primary, easy access, load stop, full width step, inner gate load stop, inner gate work surface).
<b>Z71</b>	<b>OFF-ROAD PACKAGE</b> - Off-Road Package, Includes (Z71) Off-Road suspension, (JHD) Hill Descent Control, (NZZ) Skid Plates, (K47) Heavy-Duty Air Cleaner and Z71 hard badge. Requires 4WD model, (Z82) Trailering Package and AT or MT tires. Includes (G80) Locking Differential and (NQH) 2-Speed Transfer Case.
<b>NZZ</b>	<b>SKID PLATES</b> - Includes large underbody aluminum skid plates.
<b>8F2</b>	<b>ORNAMENTATION, DELETE</b> - Deletes badges, decals and nameplates on truck exterior to allow for upfitters to paint or wrap the vehicle. Retains Chevy bowties
<b>Z71</b>	<b>OFF-ROAD PACKAGE</b> - Off-Road Package, Includes (Z71) Off-Road suspension, (JHD) Hill Descent Control, (NZZ) Skid Plates, (K47) Heavy-Duty Air Cleaner and Z71 hard badge. Requires 4WD model, (Z82) Trailering Package and AT or MT tires. Includes (G80) Locking Differential and (NQH) 2-Speed Transfer Case.
<b>9V5</b>	<b>PAINT</b> - Solid, Woodland Green All normally body colored non-sheet metal parts will be black including front fascias, cab spoiler and LT trim door handles. May require extended lead time. Requires (01U) Special Exterior Color.
<b>9W3</b>	<b>PAINT</b> - Solid, Wheatland Yellow. All normally body colored non-sheet metal parts will be black including front fascias, cab spoiler and LT trim door handles. May require extended lead time. Requires (01U) Special Exterior Color.
<b>9W4</b>	<b>PAINT</b> - Solid, Tangier Orange All normally body colored non-sheet metal parts will be black including front fascias, cab spoiler and LT trim door handles. May require extended lead time. Requires (01U) Special Exterior Color.
<b>SFW</b>	<b>REAR BACKUP ALARM CALIBRATION</b> - This calibration will allow installation of an aftermarket back-up alarm by disabling rear perimeter lighting. Not available with SEO (8S3) backup alarm.
<b>8S3</b>	<b>REAR BACKUP ALARM 97 DECIBELS</b> - Not available with SEO (SFW) backup alarm.
<b>NZZ</b>	<b>SKID PLATES</b> - Includes large underbody aluminum skid plates.
<b>01U</b>	<b>SPECIAL EXTERIOR COLOR</b> - All normally body colored non-sheet metal parts will be black including front fascia, cab spoiler on Double & Crew cabs and LT trim door handles. May require extended lead time.
<b>VGK</b>	<b>SPLASH GUARDS, MOLDED</b> - Black (see optional equipment section for illustration)
<b>7X2</b>	<b>SPOTLAMPS</b> - Left and right-hand pillar mounted, LED. Requires (GEZ) Kerr Industries ship thru.
<b>7X3</b>	<b>SPOTLAMP</b> - Left-hand pillar mounted, LED. Requires (GEZ) Kerr Industries ship thru.
<b>7X6</b>	<b>SPOTLAMP</b> - Left-hand pillar mounted, Halogen. Requires (GEZ) Kerr Industries ship thru.
<b>7X7</b>	<b>SPOTLAMPS</b> - Left and right-hand pillar mounted, Halogen. Requires (GEZ) Kerr Industries ship thru.
<b>QDV</b>	<b>TIRE</b> - 265/70R17 all-terrain, blackwall
<b>RC5</b>	<b>TIRE</b> - 265/70R17C all-terrain, blackwall
<b>R30</b>	<b>TIRES</b> - LT275/65R18C MT - Goodyear Wrangler DuraTrac, Blackwall. Requires (Z71) Off-Road Package and (PZX) 18" Bright Silver painted aluminum wheels
<b>VPB</b>	<b>TONNEAU COVER, PREMIUM SOFT</b> - Roll-up. Not available with any other tonneau cover.
<b>5JY</b>	<b>TONNEAU COVER, SOFT</b> - Tonneau cover by Advantage. Not available with any other tonneau cover.
<b>VOZ</b>	<b>TONNEAU COVER, HARD</b> - Folding tonneau cover by REV. Not available with any other tonneau cover.
<b>SFE</b>	<b>WHEEL LOCKS</b> - Set of 4
<b>5Z4</b>	<b>WHEEL, SPARE</b> - Carrier and lock delete. Deletes the base spare wheel, carrier and lock. Does not delete jack or tools. Requires SEO (9L3) spare tire delete. Not available with (RC3). Tires, 265/70R17 all-terrain, blackwall.
<b>Q5U</b>	<b>WHEELS</b> - 17" x 8" (43.2 cm x 20.3 cm), Bright Silver painted aluminum
<b>RPP</b>	<b>WHEELS</b> - 17" x 8" (43.2 cm x 20.3 cm), Black painted steel, Steel wheels will have a low gloss Black paint finish and center caps will be painted with high gloss Black

## OPTIONAL MECHANICAL FEATURES

<b>K05</b>	<b>ENGINE BLOCK HEATER</b>
<b>Z82</b>	<b>TRAILERING PACKAGE</b> - Includes trailer hitch, 7-pin and 4-pin connectors and (CTT) Hitch Guidance

## AVAILABLE EXTERIOR COLORS ACTUAL COLORS MAY VARY



Red Hot



Dark Ash  
Metallic



Summit White



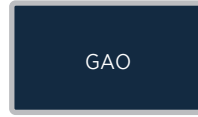
Black



Glacier Blue  
Metallic\*



Sterling Gray  
Metallic



Northsky  
Blue  
Metallic

\*Available at extra charge.

## SEO PAINT AVAILABLE ACTUAL COLORS MAY VARY



Woodland Green  
(9V5) WA-9015



Doeskin Tan  
WA-9403



Wheatland Yellow  
(9W3) WA-253A



Tangier Orange  
(9W4) WA-9417



Unripened Green  
Metallic WA-136X



Indigo Blue  
WA-9792



Lt. Autumnwood  
Metallic WA-228A



Pewter  
WA-382E



Dark Toreador Red  
WA-334D



Orange  
WA-770H



Orange  
WA-9419



Yellow  
WA-5248



Yellow  
WA-5445



Yellow  
WA-5456



Silver Ice Metallic  
WA-636R



Blue  
WA-454N



Blue  
WA-5405



Arrival Blue  
Metallic WA-815K



Blue  
WA-7154



Green  
WA-7927

NOTE:

- Actual color may vary
- GM will require 5 orders before sending to the plant
- May require extended lead time.

## AVAILABLE INTERIOR COLOR ACTUAL COLORS MAY VARY



Jet Black  
Vinyl



Jet Black  
Cloth



## SPECIFICATIONS

## 5.3L ENGINE (L84) WITH 10-SPEED TRANSMISSION (M12)

	CC10543 2WD Short Bed Crew Cab	CK10543 4WD Short Bed Crew Cab	CC10743 2WD Standard Bed Crew Cab	CK10743 4WD Standard Bed Crew Cab
--	--------------------------------------	--------------------------------------	---	---

**SPECIFICATIONS**

Front stabilizer bar diameter, in. (mm)	1.30 (33)	1.30 (33)	1.30 (33)	1.30 (33)
Turning diameter, curb-to-curb, ft. (m)	46.3 (14.1)	46.3 (14.1)	49.5 (15.1)	49.5 (15.1)

**EPA-ESTIMATED MPG FUEL ECONOMY RATING**

With QBN, QDV or RC5 tires (City/Highway/Combined)	16/20/18	15/19/17	16/20/18	15/19/17
4WD with R30 tires (City/Highway/Combined)	NA	15/19/16	NA	15/19/16

Note: EPA-ESTIMATED ratings are official, not estimate based on GM testing.

**CAPACITIES**

Front axle <sup>1</sup> , lbs. (kg)	3700 (1678)	3800 (1724)	3700 (1678)	3800 (1724)
Front spring capacity <sup>1</sup> , lbs. (kg)	3700 (1678)	3800 (1724)	3700 (1678)	3800 (1724)
Rear axle <sup>1</sup> , lbs. (kg)	3800 (1724)	3800 (1724)	3800 (1724)	3800 (1724)
Rear spring capacity <sup>1</sup> , lbs. (kg)	3850 (1746)	3850 (1746)	3850 (1746)	3850 (1746)
Base Curb weight <sup>1</sup> , [w/ L84], lbs. (kg)	4860 (2204)	5070 (2300)	4930 (2236)	5130 (2327)
Maximum Trailer Weight <sup>2</sup> , lbs. (kg)	9500 (4309)	9300 (4218)	9500 (4309)	9200 (4173)
Cargo volume <sup>3</sup> , cargo box, cu. ft. (liters)	62.9 (1781.3)	62.9 (1781.3)	71.7 (2030.5)	71.7 (2030.5)
Base Payload <sup>4</sup> , [w/ L84], lbs. (kg)	2010 (912)	1990 (903)	1930 (875)	1940 (880)
Gross Vehicle Weight Rating <sup>5</sup> (GVWR) Base, lbs. (kg)	6800 (3084)	7000 (3175)	6800 (3084)	7000 (3175)
Front Gross Axle Weight Rating <sup>3</sup> (GAWR), lbs. (kg)	3700 (1678)	3800 (1724)	3700 (1678)	3800 (1724)
Rear Gross Axle Weight Rating <sup>3</sup> (GAWR), lbs. (kg)	3800 (1724)	3800 (1724)	3800 (1724)	3800 (1724)
Gross Combination Weight Rating <sup>6</sup> (GCWR) Base, lbs. (kg)	15000 (6804)	15000 (6804)	15000 (6804)	15000 (6804)
Fuel capacity, approximate, U.S., for Gas engine, gallon (liters)	24 (91)	24 (91)	24 (91)	24 (91)

**SEATING CAPACITY**

	6	6	6	6
--	---	---	---	---

**PASSENGER COMPARTMENT VOLUME (cu.ft./liters)**

Passenger Volume <sup>7</sup>	129.8/3636
-------------------------------	------------

**FRONT COMPARTMENT (in./mm)**

Head room	43.03/1093
Shoulder room	66.02/1677
Hip room	61.18/1554
Leg room	44.53/1131

**REAR COMPARTMENT (in./mm)**

Head room	40.12/1019
Shoulder room	65.16/1655
Hip room	60.24/1530
Leg room	43.4/1102

**EXTERIOR (in./mm)**

Wheelbase	147.43/3745
Overall length (Short Bed)	231.7/5885
Overall length (Standard Bed)	241.2/6127
Body width (without mirrors)	81.24/2063
Overall height*	75.51/1918
Front bumper to back of cab	150.9/3833
Inside length of box at floor (Short Bed)	69.9/1776
Inside length of box at floor (Standard Bed)	79.4/2017
Inside height, bed	22.4/569
Inside bed width	71.4/1814
Inside width, between Wheel housing, Fleetside	50.63/12866
Turning radius, ft./m	46.9/14.3
Ground clearance*	10.9/277
Fording depth*	22/559

\*Published dimensions indicated are at Base Curb Weight.

**1.** Mass values are calculated assuming nominal equipment. Actual values may vary due to equipment loading. **2.** Maximum trailering ratings are intended for comparison purposes only. Before you buy a vehicle or use it for trailering, carefully review the trailering section of the Owner's Manual. The trailering capacity of your specific vehicle may vary. The weight of passengers, cargo and options or accessories may reduce the amount you can trailer. **3.** Cargo and load capacity limited by weight and distribution. **4.** Payload capacity includes weight of driver, passengers, optional equipment and cargo. Must not exceed vehicle and box cargo capacity. Cargo and load capacity limited by weight and distribution. **5.** When properly equipped; includes weight of vehicle, passengers, cargo and equipment. **6.** When properly equipped; includes weight of the vehicle and trailer combination, including the weight of driver, passengers, fuel, optional equipment and cargo in the vehicle and trailer. **7.** Cargo and load capacity limited by weight and distribution.

## SPECIFICATIONS

### 5.3L ENGINE (L84) WITH 10-SPD TRANS (M12)

ENGINE	STANDARD
Type	EcoTec3 V8
Displacement: liters/cu. in.	5.3/325
Horsepower/rpm	355 @ 5600
Torque lb.-ft./rpm	383 @ 4100
Induction system	Direct Injection
Compression ratio	11.0:1
Exhaust	Single
Minimum recommended fuel octane	87
Fuel capacity, approximate, gallon/liters	24/91
Oil with filter (quarts/liters)	8.5/8
Cooling capacity (quarts/liters)	17.4/16.5

TRANSMISSION	
Automatic electronic with overdrive and grade braking	10-Speed

AXLE	
Ratio	3.23

BRAKES	
eBoost ABS	Disc/Disc
Front-swept area (sq. in./sq. cm)	288.5/1861.2
Rear-swept area (sq. in./sq. cm)	263.7/1701.6
Front rotor diameter (in./mm)	16.1/410
Rear rotor diameter (in./mm)	13.58/345
Front rotor thickness (in./mm)	1.26/32
Rear rotor thickness (in./mm)	79/20

STANDARD TIRES	
Type	All-Season Blackwall
Size	255/70R17

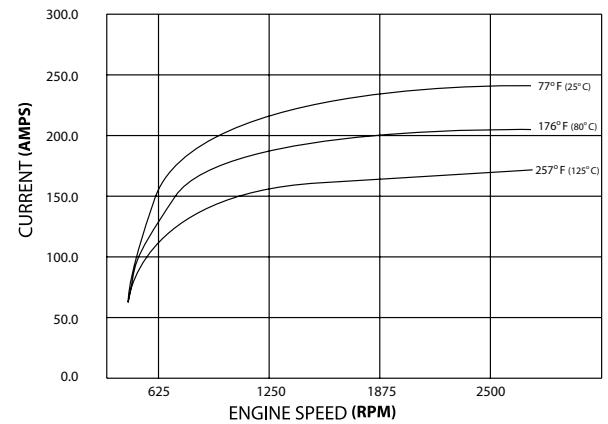
STANDARD WHEELS	
Type	Ultra Silver Painted Steel
Size	17"x8"

CHASSIS	
Frame	Full perimeter steel
Front suspension	Coil over shock with 35mm twin tube shocks
Rear suspension	2-stage multi-leaf springs, semi-elliptic
Steering type	Electric Rack and Pinion
Steering ratio	NA

BATTERY	
Type	Maintenance free
BCI group size	LN3
Volts	12
Amp hour rating	70
Cold cranking-amps @ 0°F (-18°C)	730

ALTERNATOR	
Type	MELCO GX9
Amps	77°F (25°C) 220

### SILVERADO SSV ALTERNATOR OUTPUT



BOOST LEVEL	PARK/NEUTRAL	DRIVE
Normal Idle	550	550
1	800	650
2	800	725
3	1000	800



## POWERTRAIN

ENGINE				TRANSMISSION		AXLE	
OPTION CODE	TYPE	DISPLACEMENT SYSTEM	FUEL CODE	OPTION CODE	TYPE	OPTION	RATIO
L84	V8	5.3/325	DI, Active Fuel Management	MI2	10-Speed auto w/OD and grade braking	GU5	3.23

## EMISSIONS - MUST BE SPECIFIED

<b>FE9</b>	<b>Emissions</b> , Federal requirements
<b>YF5</b>	<b>Emissions</b> , California state requirements
<b>NE1</b>	<b>Emissions</b> , Connecticut, Delaware, Maine, Maryland, Massachusetts, New Jersey, New York, Oregon, Pennsylvania, Rhode Island, Vermont and Washington state requirements
<b>NB8</b>	<b>Emissions override</b> , California (allows a dealer in states that require California emissions - California, Connecticut, Delaware, Maryland, Massachusetts, New Jersey, New York, Oregon, Pennsylvania, Rhode Island or Washington - to order Federal emissions for a vehicle that will be registered in a state that has Federal emission requirements). Do not use for vehicles that will be registered in California, Connecticut, Delaware, Maryland, Massachusetts, New Jersey, New York, Oregon, Pennsylvania, Rhode Island or Washington. Requires (FE9) Federal emissions requirements. Not available in Maine or Vermont.
<b>NB9</b>	<b>Emissions override</b> , state-specific (for dealers ordering vehicles in (YF5) or (NE1) emission states - California, Connecticut, Delaware, Maine, Maryland, Massachusetts, New Jersey, New York, Oregon, Pennsylvania, Rhode Island, Vermont and Washington) Allows a California dealer (YF5 emissions) to order (NE1) emissions with (NB9) emissions override code for registration in (NE1) states; or, a Connecticut, Delaware, Maine, Massachusetts, New Jersey, New York, Oregon, Pennsylvania, Rhode Island, Vermont and Washington dealer (NE1 emissions) to order (YF5) emissions with (NB9) emissions override code for registration in California.
<b>NC7</b>	<b>Emissions override</b> , Federal (for vehicles ordered by dealers in Federal emission states with (YF5) or (NE1) emissions - Not required for vehicles being shipped to California, Connecticut, Delaware, Maine, Maryland, Massachusetts, New Jersey, New York, Oregon, Pennsylvania, Rhode Island, Vermont or Washington) Requires (YF5) California state emissions requirements or (NE1) Connecticut, Delaware, Maine, Massachusetts, New York, Pennsylvania, Rhode Island or Vermont state emission requirements.

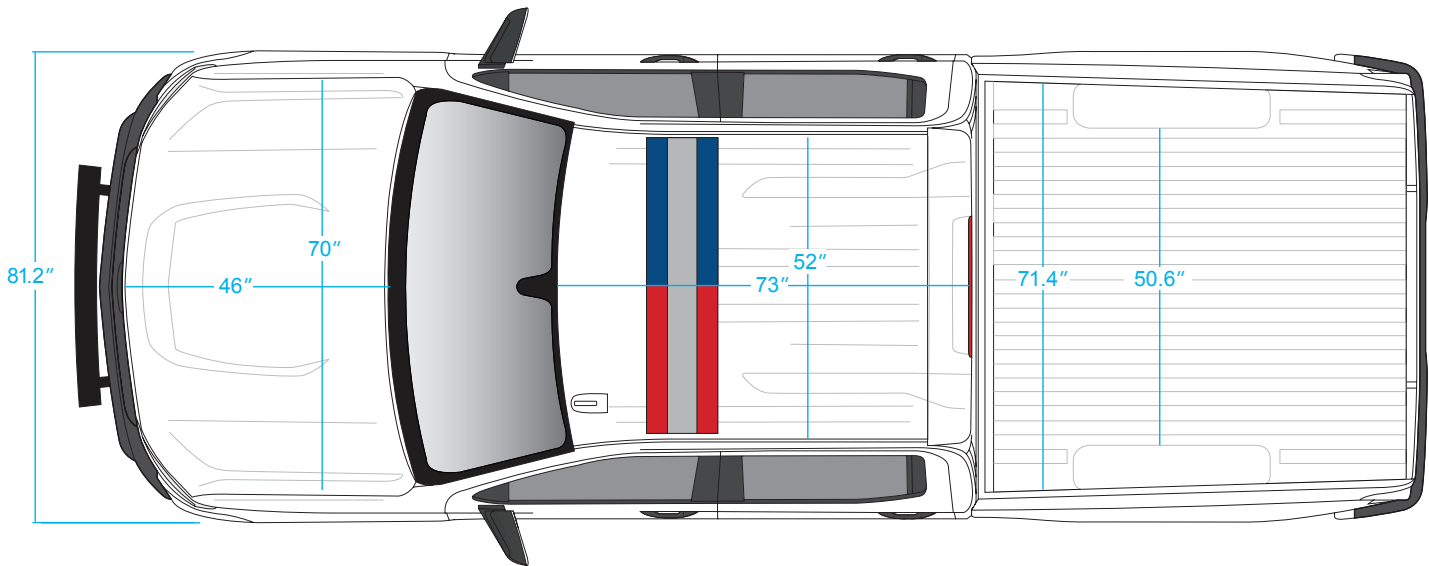
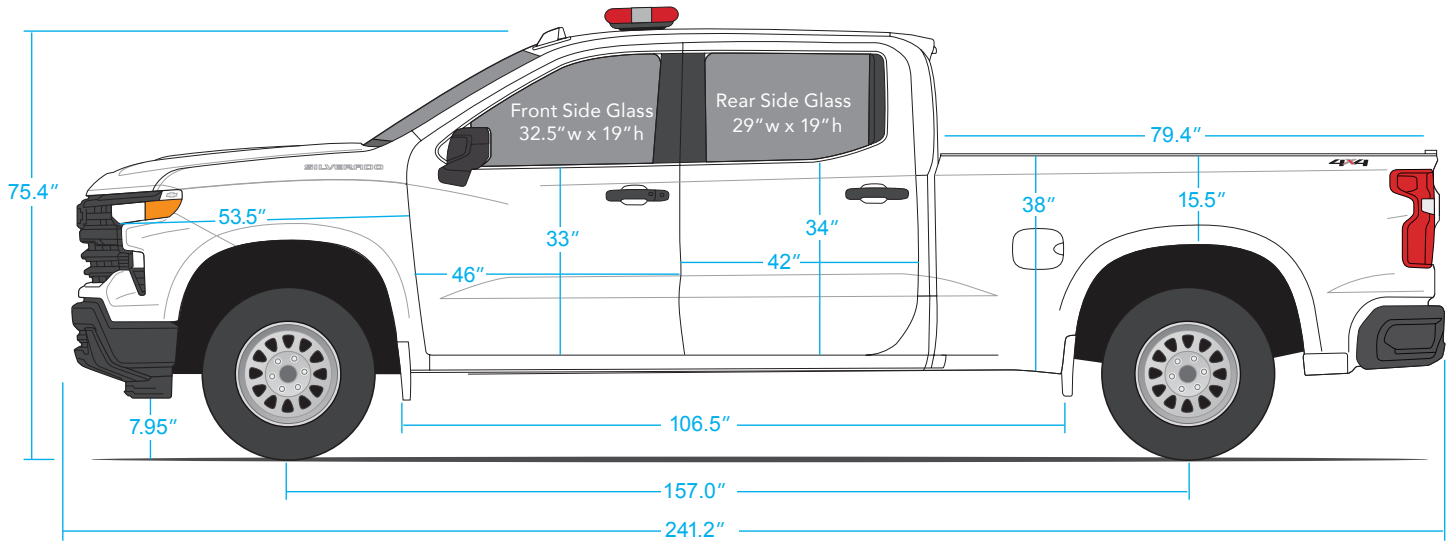
NOTE: The 2023 Chevrolet Silverado Special Service Vehicle with the 5.3L Engine (L84) with Emission Option Codes:  
 FE9 NAME CERTIFICATION EMISSION, FEDERAL  
 NE1 NAME CERTIFICATION EMISSION, GEOGRAPHICALLY RESTRICTED  
 YF5 NAME CERTIFICATION EMISSION, CALIFORNIA is certified to EPA Tier 3 BIN 70 standards and qualifies as ULEV 70 (Ultra Low Emission Vehicle) under California Air Resources Board (CARB) requirements, meaning it is 50-state certified.  
 EPA engine family or test group: MGMXT05.3388

## PROJECTED TOP SPEED WITH STANDARD AND OPTIONAL TIRES

NOTE: Adding accessories or making modifications to the vehicle can affect vehicle performance, aerodynamics, and overall top speed.

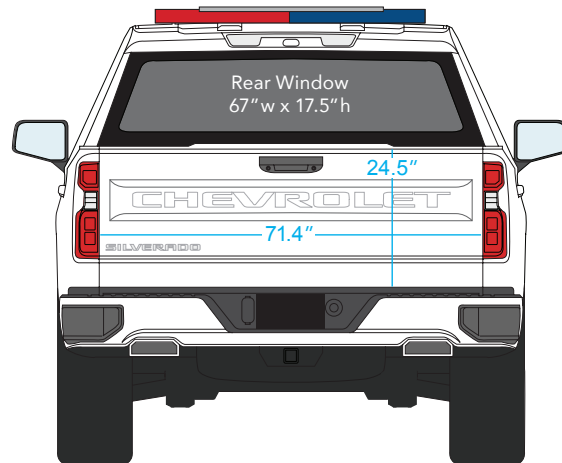
TIRE CODE	TIRE SIZE	MODEL	TOP SPEED SSV CREW CAB	TOP SPEED IN REVERSE
QBN	255/70R17 (STANDARD)	2WD STANDARD BED	112 MPH / 180 KPH	37 MPH / 60 KPH
QDV	265/70R17 (OPTIONAL)	2WD STANDARD BED	112 MPH / 180 KPH	37 MPH / 60 KPH
R3O	LT275/65R18C (OPTIONAL)	4WD SHORT BED	112 MPH / 180 KPH	37 MPH / 60 KPH
R3O	LT275/65R18C (OPTIONAL)	4WD STANDARD BED	112 MPH / 180 KPH	37 MPH / 60 KPH
QBN	255/70R17 (STANDARD)	4WD SHORT BED	106 MPH / 170 KPH	37 MPH / 60 KPH
QBN	255/70R17 (STANDARD)	4WD STANDARD BED	106 MPH / 170 KPH	37 MPH / 60 KPH
QDV	265/70R17 (OPTIONAL)	4WD SHORT BED	106 MPH / 170 KPH	37 MPH / 60 KPH
QDV	265/70R17 (OPTIONAL)	4WD STANDARD BED	106 MPH / 170 KPH	37 MPH / 60 KPH
QBN	255/70R17 (STANDARD)	2WD SHORT BED	98 MPH / 158 KPH	37 MPH / 60 KPH
QDV	265/70R17 (OPTIONAL)	2WD SHORT BED	98 MPH / 158 KPH	37 MPH / 60 KPH
RC5	265/70R17C (OPTIONAL)	4WD SHORT BED	98 MPH / 158 KPH	37 MPH / 60 KPH
RC5	265/70R17C (OPTIONAL)	4WD STANDARD BED	98 MPH / 158 KPH	37 MPH / 60 KPH

**DIMENSIONS SSV STANDARD BED**



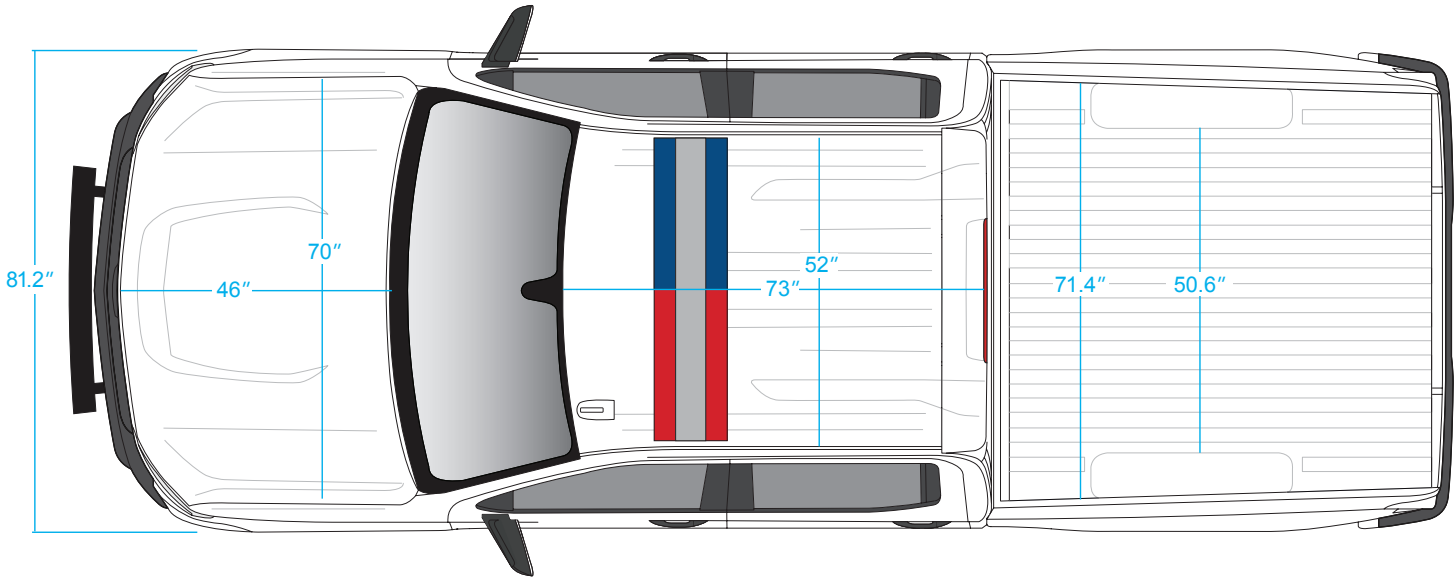
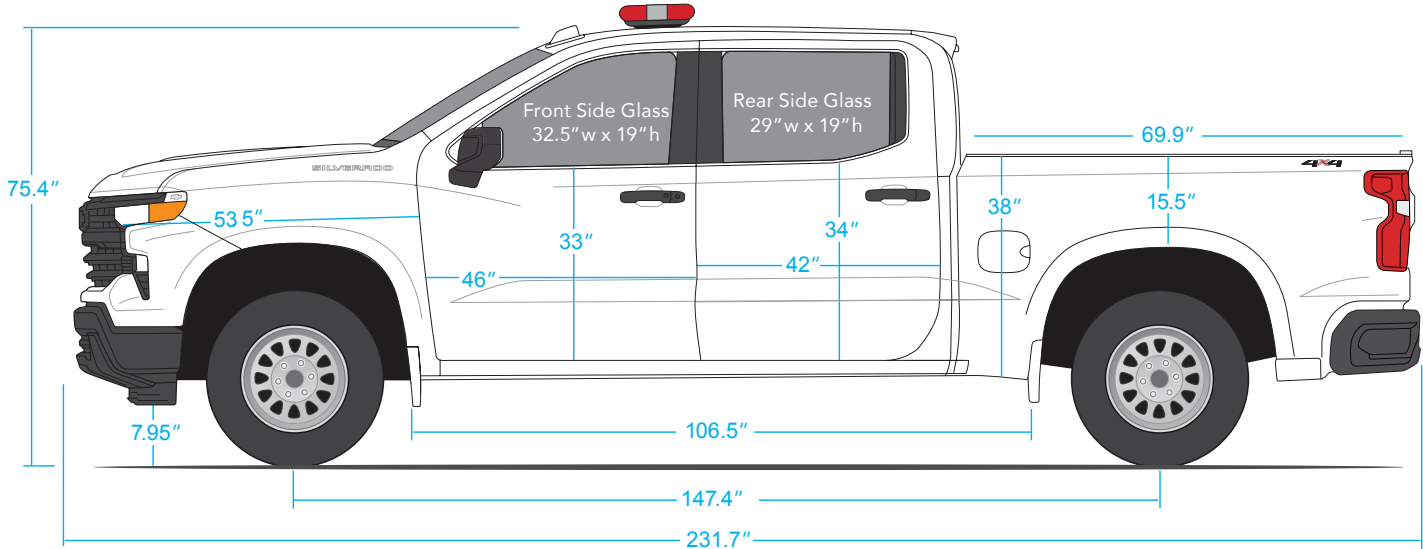
**Estimated material sizes to wrap:**

- Hood – 72" x 50"
- Front Doors – 50" x 36"
- Rear Doors – 45" x 37"
- Roof – 75" x 54"
- Tailgate – 69" x 26"



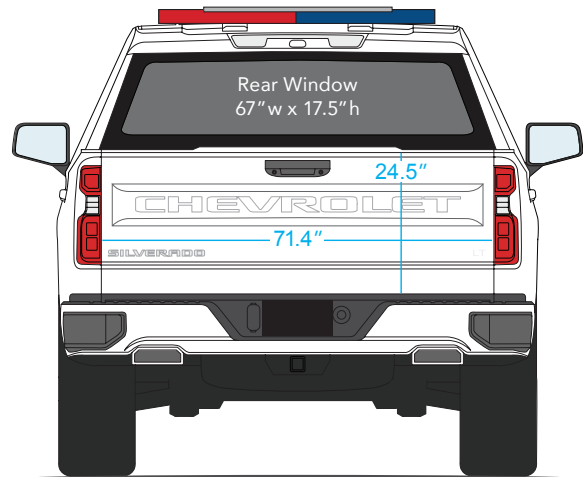


**DIMENSIONS SSV SHORT BED**



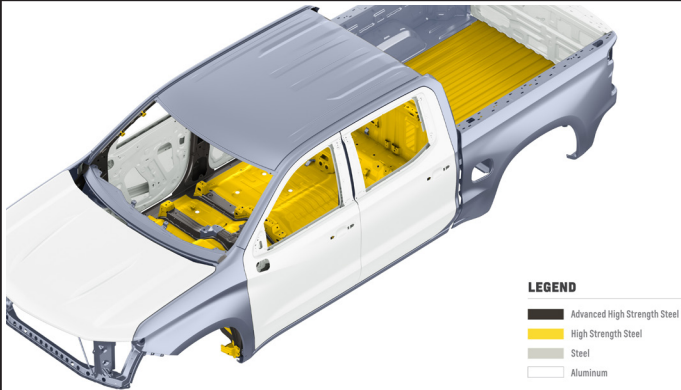
**Estimated material sizes to wrap:**

- Hood – 72" x 50"
- Front Doors – 50" x 36"
- Rear Doors – 45" x 37"
- Roof – 75" x 54"
- Tailgate – 69" x 26"



# BODY, CAGE, UNDERBODY AND FRAME MATERIAL

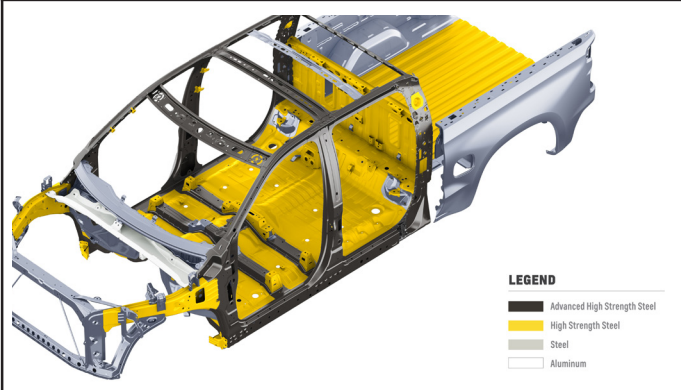
## BODY



**LEGEND**  
 ■ Advanced High Strength Steel  
 ■ High Strength Steel  
 ■ Steel  
 ■ Aluminum

The 2023 Chevrolet Silverado is up to 450 pounds lighter than the previous model through the use of mixed materials. Featuring fixed steel body components and aluminum swing panels (doors, hood, tailgate) the body is up to 88 pounds lighter

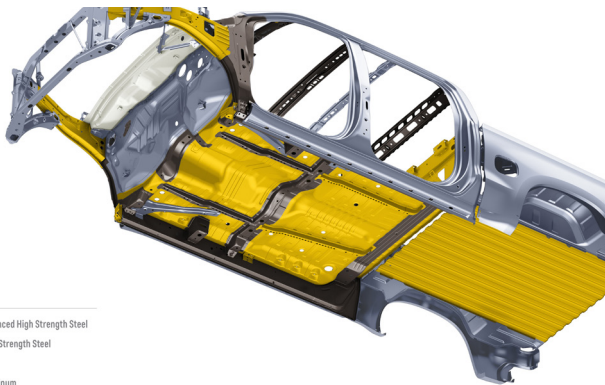
## CAGE



**LEGEND**  
 ■ Advanced High Strength Steel  
 ■ High Strength Steel  
 ■ Steel  
 ■ Aluminum

The 2023 Chevrolet Silverado is 450 pounds lighter than the prior model due to the extensive use of mixed materials. The underlying safety cage features significant use of advanced high strength steels, each tailored for the specific application.

## UNDERBODY



**LEGEND**  
 ■ Advanced High Strength Steel  
 ■ High Strength Steel  
 ■ Steel  
 ■ Aluminum

The 2023 Chevrolet Silverado is up to 450 pounds lighter than the previous model due to extensive use of mixed materials.

## FRAME

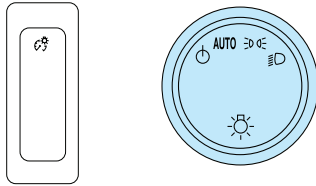


**LEGEND**  
 ■ High Strength Steel  
 ■ Steel

The 2023 Chevrolet Silverado features a fully boxed steel frame that is 88 pounds lighter than its predecessor, while offering 10 percent greater torsional rigidity. Eighty percent of the frame is made of high-strength steel varying from 2 to 5 millimeters in thickness, and every millimeter is optimized for performance using a variety of processes, including hydroforming, roll forming, conventional stamping and tailor-rolled blanking.

# STANDARD FEATURES

## SURVEILLANCE FEATURE 5J3 MANUAL LAMP CONTROL 9G8



The headlamp control on the driver's side of the instrument panel operates the exterior lamps. If your Silverado does not have option 9G8, DELETE DAYTIME RUNNING LAMPS and AUTOMATIC HEADLAMPS, the Daytime Running Lamps and Automatic Headlamps can be turned OFF for one ignition cycle by rotating the headlamp control knob momentarily counter-clockwise. See your Silverado Owner's Manual.

Surveillance Feature: The Body Control Module (BCM) is calibrated to provide disabling of the exterior and interior automatic lighting. The BCM is located under the instrument panel to the left side of the steering column.

The Surveillance Feature can be activated by installing a terminated wire in cavity 20 of the BCM connector X3. When a customer-provided terminated wire, e.g., GM T/L 19370262, is installed in X3-20 and the wire is connected to vehicle ground via a customer switch, automatically controlled lighting is disabled or dimmed to Federally regulated level. BCM connector X3 is shown below.

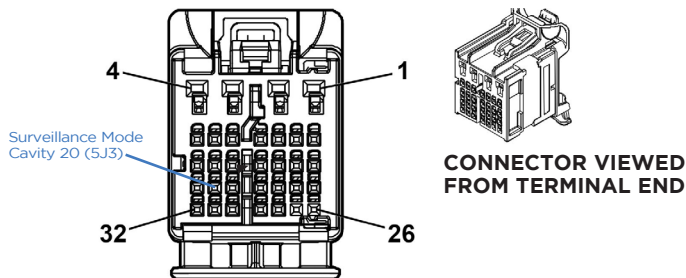
Option SEO 9G8 – Delete Daytime Running Lamps and Automatic Headlamps. This option disables the Daytime Running Lamps and Automatic Headlamps control feature. Exterior lamps are only manually controlled (Option 9G8 is not available in Canada).

When the headlamp switch is in Auto with 9G8 installed, the instrument cluster, radio display and air conditioning illumination remains at daytime intensity and are dimmable only when the headlamp switch is rotated to the Parking Lamps or Headlamps positions. If SEO 9G8 is not installed, the displays are dimmable with the Headlamp switch in the AUTO position. The instrument cluster, radio and AC displays will dim if the Surveillance Feature is activated as described above.

Interior courtesy lamps, including dome lamps, can be turned OFF with a three-position switch located in the front overhead console. The interior lamp control positions are: OFF – DOOR – ON

When the switch is in the OFF position, all interior lighting remains off whenever the doors are opened.

NOTE: Wiring connection or splice changes are to be removed before the vehicle is returned to civilian use.



## PROTECTED IDLE

The Protected Idle Feature allows the vehicle to remain idling but will not allow the transmission to be shifted from Park without a valid key fob.

### ACTIVATING PROTECTED IDLE

#### Preconditions (All preconditions must be met.)

- Vehicle is in PROPULSION (engine running) state
- Vehicle is in Parked State
- Vehicle speed is less than 4 kilometers per hour
- Valid key fob is present.

#### Activation

Press and Hold the Cruise Cancel Switch for 2 seconds

#### Vehicle Feedback.

Upon activation of Protected Idle, the Digital Information

Center (DIC) will display the following:

- "Protected Idle ON"
- "Park in Open Area"
- "Take Your Key"

If any of the above preconditions are not met while activating Protected Idle, DIC will display the message: "Protected Idle Unavailable"

### DEACTIVATING PROTECTED IDLE

Valid key fob is present

- Press brake pedal and shift out of Park **OR**
- Press and hold the Cruise Cancel Switch for 2 seconds **OR**
- Press the Ignition Switch with the Brake Pedal pressed.

DIC messages will turn off, indicating Protected Idle is no longer activated.

### CONDITIONS UNDER WHICH THE PROTECTED IDLE WILL TURN OFF AND VEHICLE WILL TRANSITION TO OFF POWER MODE

- Brake pedal pressed without a valid key fob present **OR**
- Cruise Cancel Switch depressed without a valid key fob present **OR**
- Ignition Switch pressed without a valid key fob present **OR**
- With a valid key fob present, ignition switch is pressed and brake pedal is not pressed (the system treats this action as a customer request to turn OFF the vehicle.) **OR**
- Engine stalls. Horn chirps occur. **OR**
- Low fuel condition. Horn chirps occur.

### CONDITIONS UNDER WHICH THE PROTECTED IDLE WILL TURN OFF AND VEHICLE WILL TRANSITION TO RUN POWER MODE.

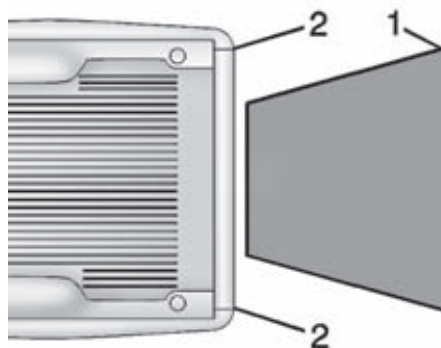
If the Shift Lock mechanism is defeated and shifted Out of Park while the Protected Idle is active, the vehicle will transition to the RUN power mode (the engine will be turned off) and Protected Idle will be deactivated and Horn chirps occur. DIC messages will turn off indicating Protected Idle is inactive.

**ALWAYS PROPERLY SUPERVISE A VEHICLE WHEN PEOPLE OR ANIMALS ARE INSIDE WHEN THE ENGINE IS IDLING.**



# STANDARD FEATURES

## REAR VISION CAMERA



1. View Displayed by the Camera in infotainment Screen

2. Corners of the Rear Bumper

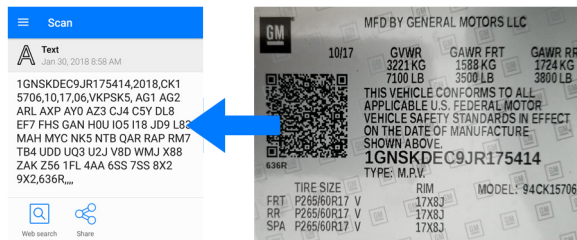
Displayed images may be farther or closer than they appear. The area displayed is limited and objects that are close to either corner of the bumper or under the bumper do not display.

When the vehicle is in R (Reverse), at low speeds the RVC displays an image of the area behind the vehicle in the center stack display. The previous screen displays when the vehicle is shifted out of R (Reverse) after a short delay. To return to the previous screen sooner, press a button on the infotainment system, shift into P (Park), or reach a vehicle speed of 8 km/h (5 mph).

**NOTE: The Rear Vision Camera will not work properly if the tailgate is down. If the tailgate is down, do not use this system.**

Safety or driver assistance features are no substitute for the driver's responsibility to operate the vehicle in a safe manner. The driver should remain attentive to traffic, surroundings and road conditions at all times. Visibility, weather, and road conditions may affect feature performance. Read the vehicle's owner's manual for more important feature limitations and information.

## SERVICE PARTS IDENTIFICATION LABEL

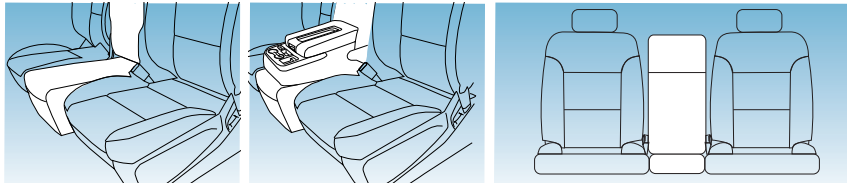


A Service Parts Identification (SPID) Label provides Vehicle Identification Number (VIN)-specific Option Code content list, Engineering Model Number (Nameplate, body style), Exterior paint system, Exterior paint color code and Interior trim level and color.

## FRONT SEATS AND INTERIOR TRIM

### STANDARD FRONT ROW SEATING

**STANDARD (AZ3) - 40/20/40 SPLIT-BENCH IN VINYL TRIM** 3-passenger, driver and front passenger manual recline with outboard head restraints, fold-down armrest with storage and fixed lumbar. Driver and front passenger seat adjuster are 4-way manual. Cloth trim and (A2X) 10-way power driver seat including lumbar is available and requires (ZLQ) WT Fleet Convenience Package.



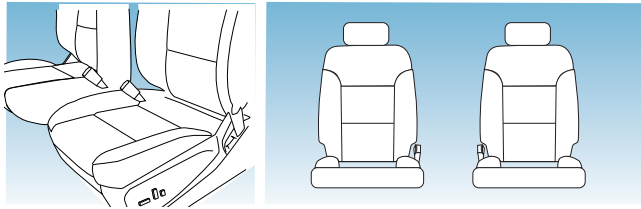
Seat Code	Seat Trim	Color	Color Code
AZ3	Vinyl	Jet Black	H2G

A2X Driver 10-way power seat including lumbar. Requires (ZLQ) WT Fleet Convenience Package.

5Y1

### OPTIONAL FRONT ROW SEATING

**20% FRONT CENTER SEAT DELETE WITH CLOTH 40/40 INDIVIDUAL SEATS (AZ3 & OPTION 5Y1)** Deletes the center section of the front bench seat. Also removes the USB port and auxiliary power outlet when (AZ3) bench seat is ordered. Does not include a floor console. All exposed floor area will remain untrimmed. Requires (BG9) rubberized vinyl flooring



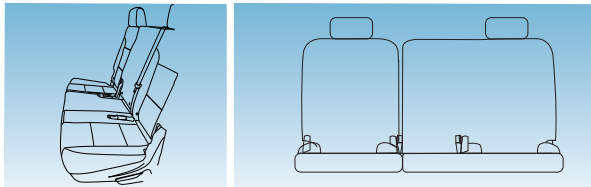
Seat Code	Seat Trim	Color	Color Code
AZ3 & 5Y1	Cloth	Jet Black	HOU

- Front cloth and vinyl rear seat combination is available by ordering option 5T5 and requires Jet Black (HOU)
- Requires (BG9) Black rubberized vinyl floor covering

## REAR SEATS AND INTERIOR TRIM

### STANDARD SECOND ROW SEATING

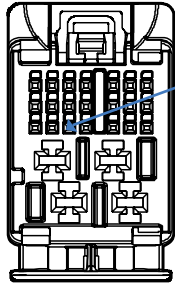
**STANDARD - A68 VINYL REAR SEAT Vinyl rear bench 60/40 split-folding seat.** 3 passenger 60/40 folding bench folds up. Includes child seat top tether anchor.



Seat Code	Seat Trim	Color	Color Code
A68	Vinyl	Jet Black	H2G
A52	Cloth	Jet Black	HOU

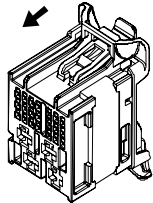
# STANDARD FEATURES

## RADIO MUTE FEATURE<sup>1</sup>



Radio Mute Feature Cavity 19

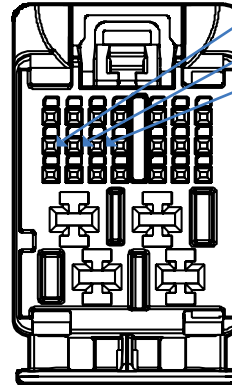
CONNECTOR VIEWED FROM TERMINAL END



K219 Lighting Control Module X4

The following customer device electrical specifications must be met to avoid damage to the vehicle Exterior Lighting Module (ELM) input circuitry: - No inductance allowed - Maximum Load Capacitance: 600 nano-farads. - Maximum Closed switch contact resistance: 20 ohms - Minimum Open switch contact resistance: 100,000 ohms. The Radio Mute feature function is provided to permit muting of the vehicle radio when an emergency vehicle 2 way radio is transmitting. It can be accessed by using the Crimped wire Service PN 19370262 inserted into the ELM connector X4 pin 19. When that inserted wire is grounded, then the radio mute feature is activated.

## 5J9 5L0 6J7 FRONT AND REAR FLASHERS<sup>1</sup>



Tail Lamp Flasher RED/RED Cavity 12 (5L0)

Tail Lamp Flasher RED/WHITE Cavity 13 (5J9)

Head Lamp Flasher Cavity 14 (6J7)

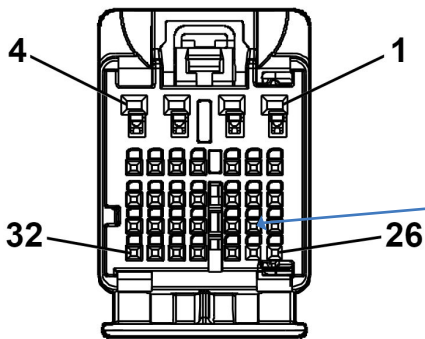
The stop lamps and backup lamps will flash to provide an alternating red/red (5L0) when connected to Cavity 12 or red/white (5J9) when connected to Cavity 13 (5J9)".

The rear lamps flashing mode is interrupted when ever the service brakes are applied.

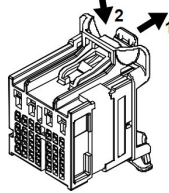
The flashers are activated by a customer-provided switch ground connected at the ELM (Electronic Lamp Module)" connector X4 Cavity 12 (5L0) or Cavity 13 (5J9) and/or Cavity 14 (6J7).

K219 Lighting Control Module X4

## DRIVER DOOR AJAR<sup>1</sup>



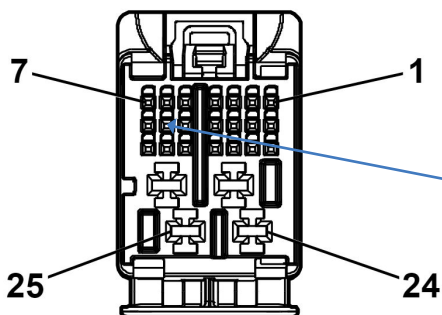
CONNECTOR VIEWED FROM TERMINAL END



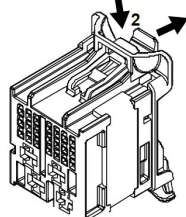
Left Front Door Ajar Switch Cavity 17

The driver door ajar signal can be used to determine when the driver's door is ajar. The signal goes high (+12 volts) when the driver's door is opened. It can be accessed by using the crimped wire **GM Service Part Number 19370262** inserted into the BCM connector X6 pin 17

## OUT OF PARK FEATURE<sup>1</sup>



CONNECTOR VIEWED FROM TERMINAL END



Out of Park Cavity 13

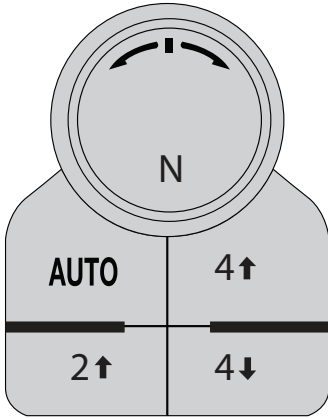
The out of park signal can be used to determine when the transmission gear selector is in park. The signal goes high (+12 volts) when the when shifted out of park. It can be accessed by using the crimped wire **GM Service Part Number 19370262** inserted into the BCM connector X1 pin 13

1. Wiring connection or splice changes are to be removed before the vehicle is returned to civilian use.



## OPTIONAL FEATURES

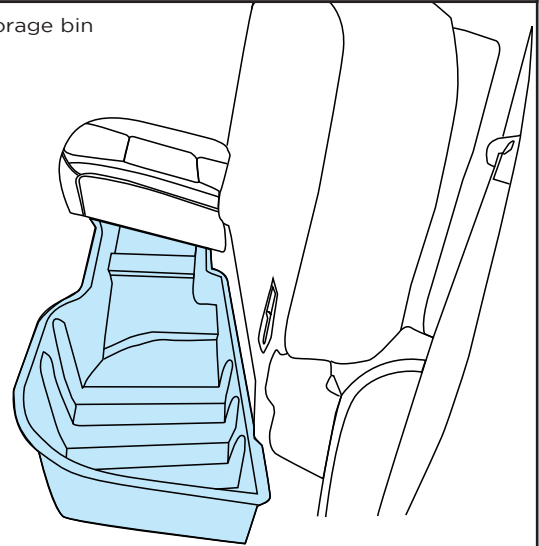
### NQH AUTOMATIC TRANSFER CASE



Active, 2-speed electronic Autotrac with rotary controls, includes neutral position for dingy towing. Use the transfer case knob next to the steering wheel to shift into and out of four-wheel drive.

### VBJ REAR UNDERSEAT STORAGE

Composite storage bin



GM PART  
19417361

### REAR UNDER SEAT COMBINATION LOCK BOX



3,700 cubic inches of storage, 16-gauge steel construction, 3-digit combination with custom hook-cam. Marine-grade carpet lining with weather and dust seal. Pin-lock hinge design, no drilling required for installation.

## OPTIONAL FEATURES

**AMF**

### PACKAGE OF FOUR UNPROGRAMMED KEYS/FOBS

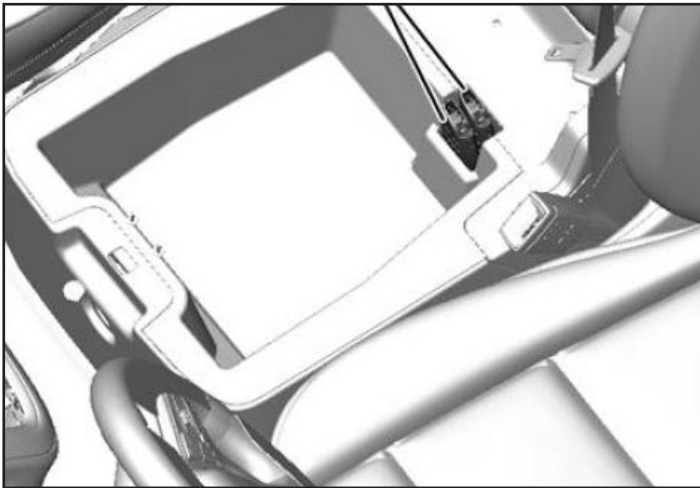
An unlimited number of KEYS/FOBS can be learned for Keyless start and Keyless open, only the last 8 KEYS/FOBS learned will have the key fob buttons work for that vehicle. The programming procedure for SEO AMF KEYS/FOBS requires that one previously learned key fob be present in the vehicle.  
One learned key fob is required for this procedure.

**NOTE:** If a previously learned key fob is not available, the programming of the new KEYS/FOBS must be performed by a dealer using the Service Programming System (SPS). Key fob programming is not a warranty item and programming is conducted by the customer or at a dealer at customer expense.

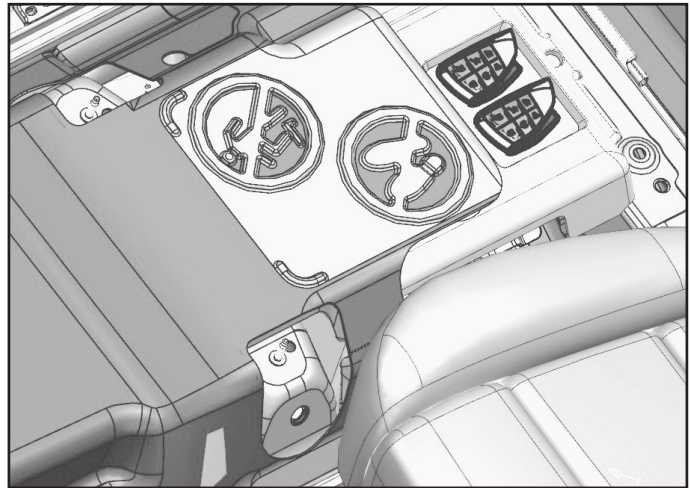
**PROGRAMMING PROCEDURE:**

1. Using the learned key fob, turn the ignition ON. The transmission selector must be in PARK.
2. Using the SELECT and other buttons on the right side of the steering wheel, open the Driver Information Center (DIC) Main Menu. Scroll down to Main Menu item OPTIONS with the lower steering wheel button and then SELECT. Scroll to REMOTE KEY RELEARN and Select START. The DIC will display LEARNING ACTIVE.
3. For vehicles equipped with AZ3 front row seating place the FOBs in the pocket inside the center seat console. For vehicle equipped with 5Y1 front row center 20% seat/console delete place the FOBs on top of the the SDM cover.
4. Press the start button to learn the key fob. The DIC will display "ready for Key #" where # is the next key fob to be learned.
5. Verify that key fob is learned by operating the door locks remotely.
6. Repeat Step 3 through 5 to learn the next key fob.
7. To exit key fob learning mode, press and hold the start button for approximately 15 seconds.

With AZ3 Center Seat Console



With 5Y1 No Center Seat



**6E2**

### FLEET KEY & REMOTE FOB

**6E8**

The fleet key fob feature allows the user to program a fob to be recognized by a particular vehicle for full remote functionality (Lock/Unlock and Remote Start if equipped). Use of this remote on other fleet keyed-a-like vehicles will be limited to unlocking the driver's door by pressing the exterior door handle button and starting the vehicle once inside. The remote lock/unlock and remote start (if equipped) buttons will not function unless the operator uses the Diver Information Center (DIC) to program the newly introduced fob. Note that a vehicle is only capable of recognizing the last 8 key fobs programmed for full remote capability. Adding a 9th remote fob will bump fob #1 remote functionality until it is reprogrammed through the DIC, adding remote #1 back into the DIC will bump fob #2 remote button functionality, etc. There are no limitations to the amount of fleet keys that will be recognized to access and start the vehicle. Programming a newly introduced fleet fob through the DIC is required to use the Protected Idle feature. Requires AMF..

1. Never pull on recovery hooks from the side. The hooks could break and you and others could be injured. When using recovery hooks, always pull the vehicle from the front.

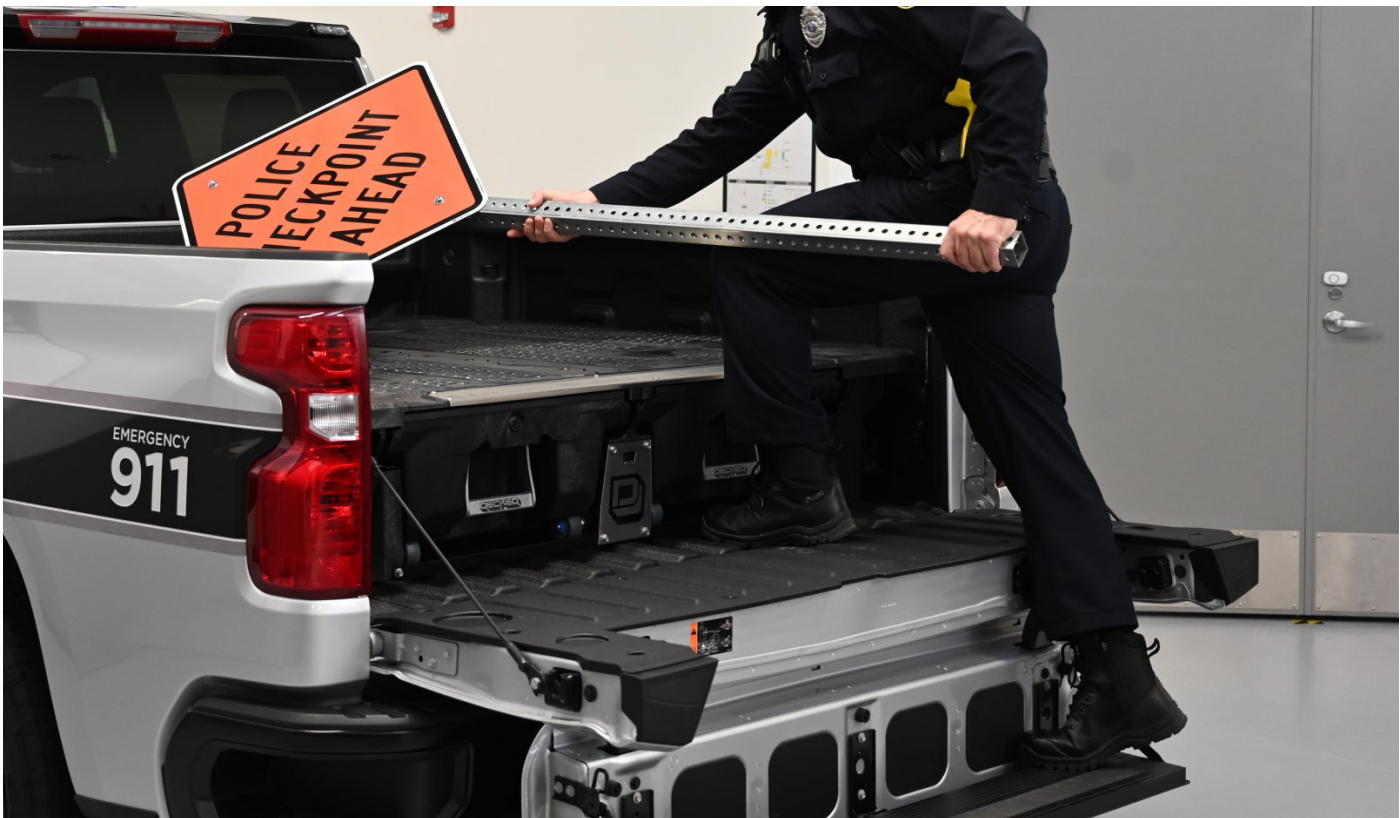
## OPTIONAL FEATURES

QK2

### MULTI-FLEX TAILGATE



Six function gate (Primary, easy access, load stop, full width step, inner gate load stop, inner gate work surface)





## OPTIONAL FEATURES



ACCESSORIES

PART NO:19421491



### Short Bed Truck Bed Storage System By Decked - Associated Accessories

- Features smooth-rolling, secure drawers with customizable storage options that still allow use of the cargo area
- High-density polyethylene construction with treated steel subframe, aluminum and stainless steel hardware
- Custom fit requires no drilling or modification of the truck bed
- Durable weather-resistant design keeps cargo safe and secure from the elements
- 2,000-lb. top deck payload capacity preserves the full footprint of your cargo area
- 200-lb. payload capacity per drawer
- Includes 1 Desert Tan D-Box, 1 Desert Tan Crossbox, 2 Wide Drawer Dividers, 1 DRAWERGANIZER™ and mounting hardware



## 6J3 GRILLE LAMPS AND SIREN SPEAKER WIRING PROVISIONS

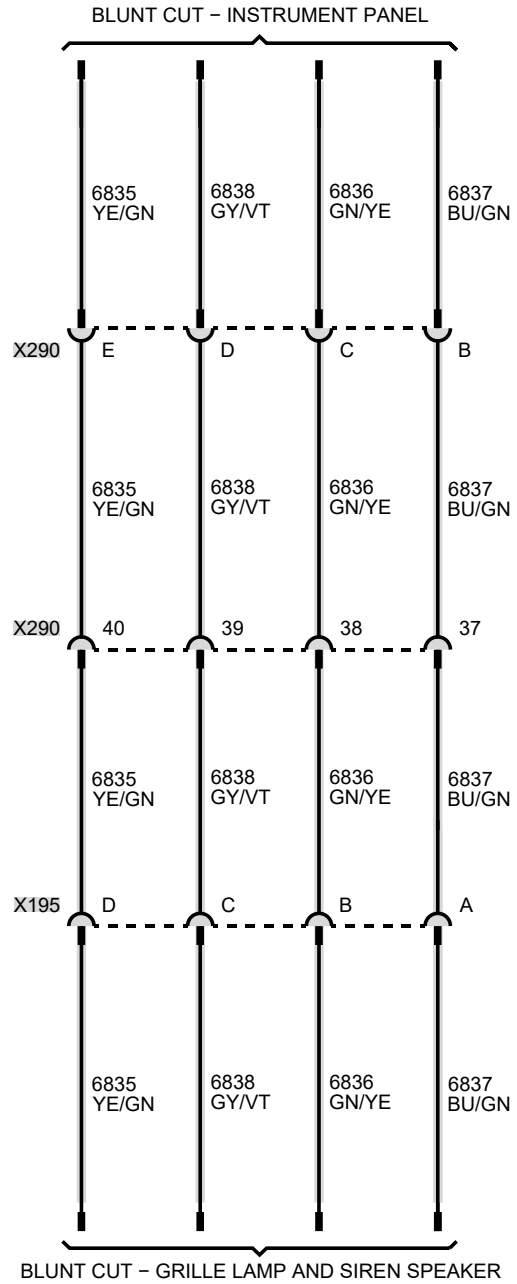
6J3

### GRILLE LAMPS AND SIREN SPEAKER WIRING LOCATION



**NOTES:**

- Wiring connection or splice changes are to be removed before the vehicle is returned to civilian use.
- For wiring diagram see Wiring Section



## 6J4 HORN AND SIREN CONTROL PROVISION

6J4

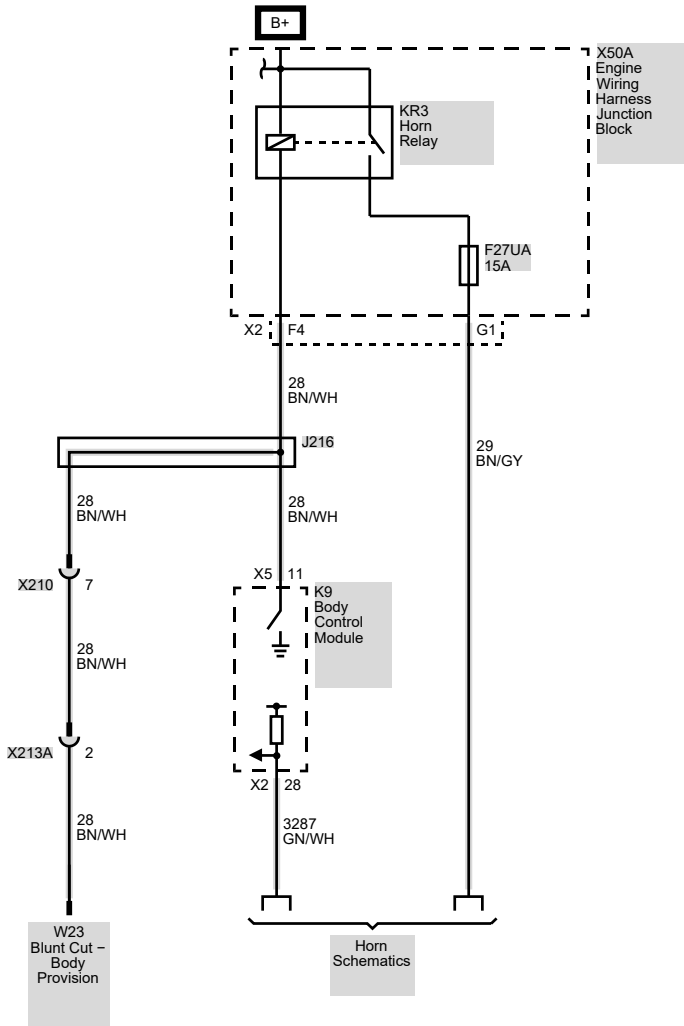
### GRILLE LAMPS AND HORN SIREN WIRING LOCATION



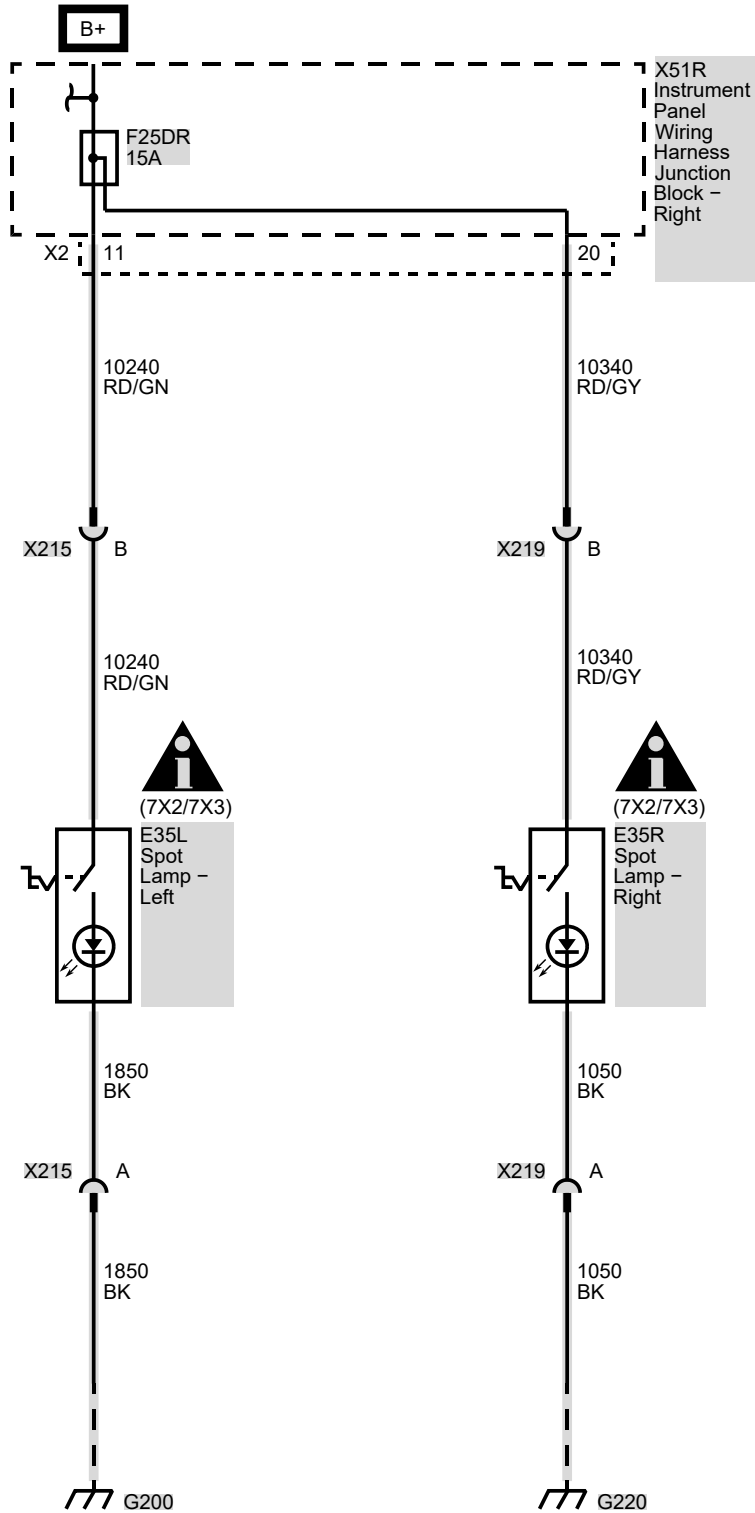
This provision permits customer connection of a switch to select either horn or siren operation when the horn pad is pressed. A 22-gauge (0.35 mm<sup>2</sup>) wire is connected to an in-line connector in the horn circuit of the instrument panel harness under the instrument panel. The end of this harness extension is a 5-foot (1.5 m) loop of wire coiled under the center of the instrument panel.

**NOTES:**

- Wiring connection or splice changes are to be removed before the vehicle is returned to civilian use.
- For wiring diagram see Wiring Section

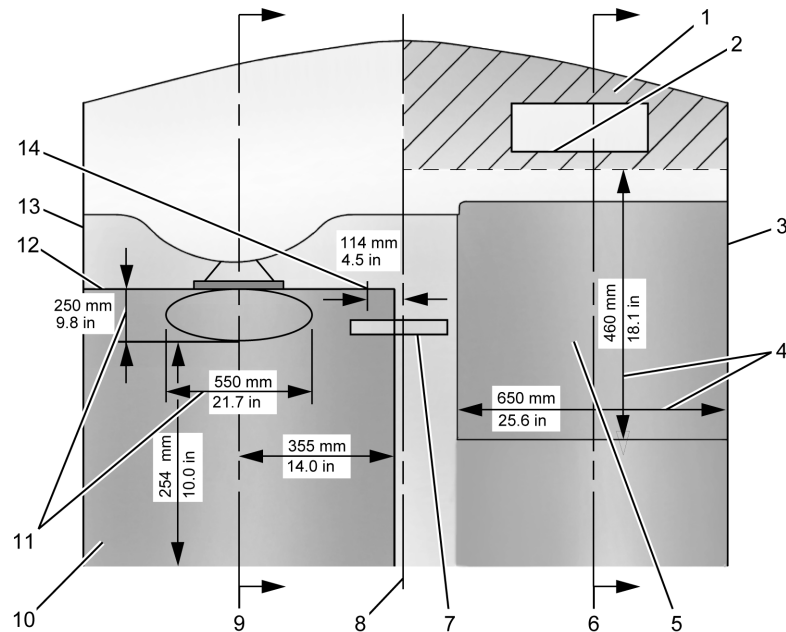


# 7X2/7X3 LED SPOT LAMPS



## AIRBAGS

### INSTRUMENT PANEL TOP VIEW - APPROXIMATE FRONTAL AIRBAG DEPLOYMENT ZONES



1. Passenger Side Instrument Panel Top Surface Zone
2. Frontal Outboard Passenger Airbag Module Trim Panel – Rear Edge
3. Passenger Side Door
4. Approximate Dimensions of Inflated Airbag
5. Frontal Outboard Passenger Airbag Deployment Zone
6. Passenger Centerline
7. Inside Rearview Mirror
8. Vehicle Centerline
9. Driver Centerline
10. Driver Airbag Deployment Zone
11. Driver Inflated Airbag Dimensions
12. Front of Steering Wheel (See also “Side View of Driver Frontal Airbag Deployment Zone” Following)
13. Driver Side Door
14. Shift Selector Arc

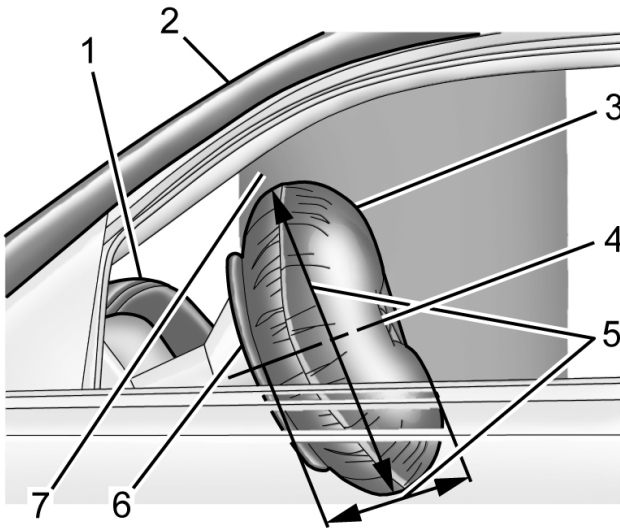
See Customer-Installed Equipment.

Sitting too close to an airbag when it deploys can increase the risk of serious injury or death. Always properly wear your seat belt. See Owner’s Manual for more information



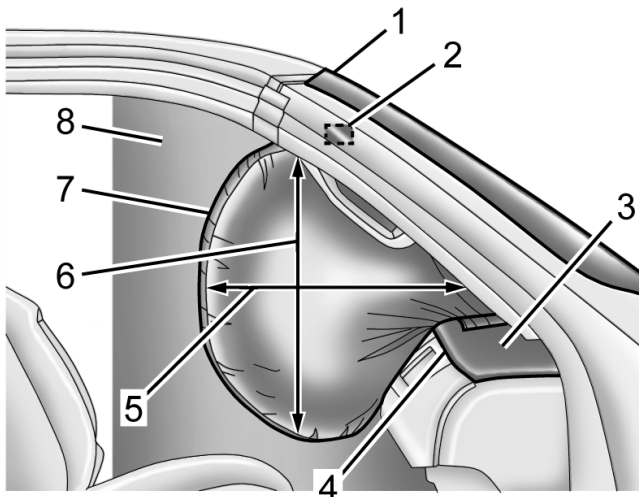
## AIRBAGS

### SIDE VIEW OF DRIVER FRONTAL AIRBAG DEPLOYMENT ZONE



1. Top of Instrument Panel
  2. Top Edge of Windshield
  3. Inflated Airbag - Steering Wheel
  4. Centerline of Steering Column at Mid-Tilt
  5. Driver Inflated Airbag Dimensions (250 mm (9.8 in) From Front of Steering Wheel and 550 mm (21.7 in) Diameter From Center of Steering Wheel)
  6. Front of Steering Wheel
  7. Driver Airbag Deployment Zone Including Inflated Driver Airbag
- See Customer-Installed Equipment.

### SIDE VIEW OF FRONTAL OUTBOARD PASSENGER AIRBAG DEPLOYMENT ZONE

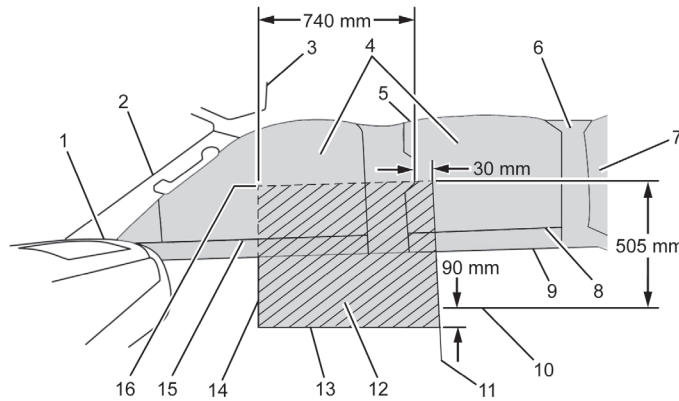


1. Top Edge of Windshield
  2. Inside Rearview Mirror
  3. Instrument Panel Top Surface Zone
  4. Frontal Outboard Passenger Airbag Module Trim Panel - Rear Edge
  5. Inflated Airbag - Horizontal Dimension (Approximately 460 mm (18.1 in))
  6. Inflated Airbag - Vertical Dimension (from Top of Occupants Lap to Headliner)
  7. Inflated Airbag - Instrument Panel
  8. Frontal Outboard Passenger Airbag Deployment Zone
- See Customer-Installed Equipment.

Sitting too close to an airbag when it deploys can increase the risk of serious injury or death. Always properly wear your seat belt. See Owner's Manual for more information

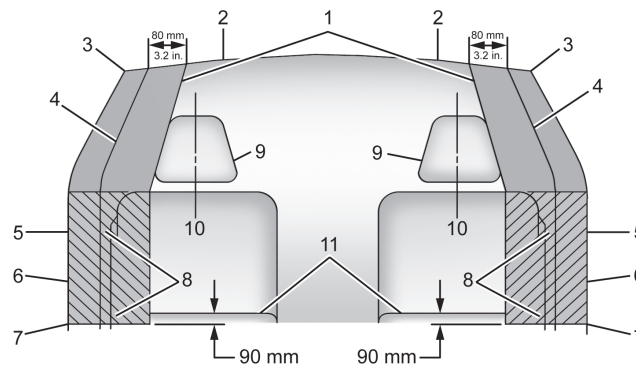
## AIRBAGS

### ROOF-RAIL MOUNTED HEAD-CURTAIN AIRBAG DEPLOYMENT ZONES - PASSENGER SIDE SHOWN, DRIVER SIDE SIMILAR



- |  |  |
|--|--|
| <ol style="list-style-type: none"> <li>1. Front of Deployment Zone at Bottom of Windshield Pillar Trim</li> <li>2. A-Pillar Trim with Grab Handle (Passenger Side)</li> <li>3. Sun Visor</li> <li>4. Roof rail mounted head-curtain Airbag Deployment Zone - Seat Rows 1 and 2 and Cargo Area</li> <li>5. Top of Roof rail mounted head-curtain Airbag Deployment Zone - Along Roof-rail at Edge of Headliner</li> <li>6. C-Pillar Upper Trim</li> <li>7. Rear Window</li> <li>8. Top Edge of Rear Door Trim</li> <li>9. Bottom Edge of Roof rail mounted head-curtain Airbag Deployment Zone at Top of Side Door Armrests</li> <li>10. Top Surface of Front Seat Cushion (with Seat Fully Lowered)</li> </ol> | <ol style="list-style-type: none"> <li>11. Rear Edge of Seat-Mounted Side Impact Airbag Deployment Zone (30 mm (1.2 in) Rearward of Back Edge of B-Pillar Trim Grab Handle)</li> <li>12. Seat-Mounted Side Impact Airbag Deployment Zone</li> <li>13. Bottom Edge of the Seat-Mounted Side Impact Airbag Zone (90 mm (3.5 in) Below Top of Seat Cushion with the Seat Fully Lowered)</li> <li>14. Front Edge of Seat Mounted Side Impact Deployment Zone (740 mm (29.1 in) Forward of Back Edge of B-Pillar Trim Grab Handle)</li> <li>15. Top Edge of Front Door Trim</li> <li>16. Top Edge of Seat-Mounted Side Impact Deployment Zone (505 mm (19.9 in) Above Top Surface of Seat Cushion with the Seat Fully Lowered)</li> </ol> |
|--|--|

### ROOF RAIL MOUNTED HEAD CURTAIN AIRBAG - DRIVER AND OUTBOARD FRONT PASSENGER DEPLOYMENT ZONES - VIEW FROM REAR OF VEHICLE



- |   |  |
|---|--|
| <ol style="list-style-type: none"> <li>1. Roof-Rail Mounted Head-Curtain Airbag Deployment Zone</li> <li>2. Underside of Headliner</li> <li>3. Edge of Headliner</li> <li>4. Inner Center and Rear Pillar Trim</li> <li>5. Inner Front and Rear Door</li> <li>6. Side Door Upper Armrests and Rear Quarter Trim Armrests</li> </ol> | <ol style="list-style-type: none"> <li>7. Bottom Edge of Seat-Mounted Side Impact Airbag Deployment Zone (90 mm (3.3 in) Below Top Surface of Outboard Front Seat Cushion with Seat Fully Lowered)</li> <li>8. Seat-Mounted Side Impact Deployment Zone</li> <li>9. Front Seat Head Restraint</li> <li>10. Seat Centerline</li> <li>11. Top of Seat Cushion</li> </ol> |
|---|--|

Sitting too close to an airbag when it deploys can increase the risk of serious injury or death. Always properly wear your seat belt. See Owner's Manual for more information

## AIRBAGS FAQ

**Q: Can equipment such as radar devices, video cameras, and radio trees be mounted in a specialty vehicle equipped with a right front passenger frontal airbag?**

A: Yes, but care must be taken to properly mount the equipment outside of the airbag "deployment zone."

**Q: What is the airbag "deployment zone"?**

A: The term "deployment zone" describes the space an airbag takes up when fully inflated. Airbags need room to work properly, and anything in the "deployment zone" – such as improperly mounted equipment – can greatly affect the performance of the airbag.

**Q: How can I identify the airbag "deployment zone" in my vehicle?**

A: See Airbag Deployment Diagrams for more information. The diagrams provide the approximate dimensions of the "deployment zones" for your specialty vehicle. Before doing any service work, including the installation of any equipment, consult the appropriate service manual.

**Q: Is it possible to shield equipment so it does not interfere with airbag deployment?**

A: While shielding may protect certain equipment from being damaged or dislodged, it may also negatively affect how an airbag inflates. Therefore, we do not recommend the placement of any equipment in the deployment zone, even if shielded.

**Q: Can the installation of push bumpers on the front end of the vehicle affect the deployment of the airbag?**

A: It is not likely that installing push bumpers will affect deployment for the airbag as long as the vehicle structure itself is not modified. GM is not aware of any adverse defects effect on the deployment of the front airbags due to use of many aftermarket push bumpers installed on current GM police vehicles

See "Adding Equipment to the Airbag-Equipped Vehicle" in the owner manual for more information.

### Customer-Installed Equipment

Before installing equipment, read the following.

Airbags inflate with great force, faster than the blink of an eye. No objects, such as shotguns, should be placed over or near the airbag covers. Equipment mounted too close to an inflating airbag could prevent the airbag from operating properly to protect the occupants or could be forced into an occupant or break and become a dangerous projectile, causing severe injury or even death. To help prevent injury and to allow the airbag to perform as it was designed, do not mount equipment inside the airbag deployment zones.

Do not attach anything to the steering wheel hub or mount any equipment within the deployment zone for the driver airbag.

Do not mount equipment on the passenger side of the instrument panel top pad deployment zone. Equipment should not be mounted on or around the passenger airbag opening because of a deploying airbag. To allow the airbag to perform as it was designed, do not mount equipment inside the airbag deployment zone.

Do not mount a security barrier such that the ends of the barrier or brackets are within the roof-rail airbag deployment zones.

Avoid installing wiring for roof-rail emergency lighting or radio antennas that may restrict the proper deployment of the roof-rail airbags.

GM approved service procedures must be followed to remove and reinstall the instrument panel to the pad to ensure proper airbag deployment.

The police vehicle has a rollover sensor mounted on the centerline of the vehicle between the driver and front outboard passenger positions. If the vehicle has individual front seats, the rollover sensor will be exposed. Do not mount equipment within 25 mm (1 in) of the rollover sensor. This may affect the performance of multiple restraint systems.

Always use seat belts and the correct restraint for your child's age and size, even with airbags. Even in vehicles equipped with the Passenger Sensing System, children are safer when properly secured in a rear seat in the appropriate infant, child or booster seat. Never place a rear-facing infant restraint in the front seat of any vehicle equipped with an active frontal airbag. See the Owner's Manual and the child safety seat instructions for more safety information.

## MAINTENANCE / LIMITED WARRANTY

<b>SCHEDULED MAINTENANCE</b>	One visit within first year of vehicle delivery <sup>1</sup>
<b>BUMPER-TO-BUMPER LIMITED WARRANTY</b>	3 years/36,000 miles <sup>2</sup> . Bumper-to-Bumper Limited Warranty with no deductible
<b>TRANSFERABLE POWERTRAIN LIMITED WARRANTY</b>	Qualified Fleet Customers: 5 years/100,000 miles <sup>3</sup>
<b>TIRES<sup>4</sup></b>	3 years/36,000 miles <sup>2</sup> ; coverage prorated after first 12,000 miles
<b>ROADSIDE ASSISTANCE AND COURTESY TRANSPORTATION</b>	Qualified Fleet Customers: 5 years/100,000 miles <sup>3</sup>
<b>RUST-THROUGH</b>	6 years/100,000 miles <sup>2</sup>
<b>CORROSION</b>	3 years/36,000 miles <sup>2</sup>
<b>WHEEL ALIGNMENT AND BALANCE</b>	Up to 7,500 miles <sup>6</sup>

**1.** Includes first required maintenance visit as stated in vehicle maintenance schedule. Maintenance visit consists of oil change, tire rotation and Multi-Point Vehicle Inspection. Does not include air filters. See participating dealer for other restrictions and complete details. Excludes vehicles ordered with fleet delete option RY9. **2.** Whichever comes first. See dealer for limited warranty details. **3.** Whichever comes first. A Qualified Fleet User is defined as a company that has purchased and registered or leased five (5) or more new cars/or trucks solely for use in its operation during the current or preceding calendar year, model year, preceding twelve (12) month period, or that owns or leases fifteen (15) or more cars and trucks. Excludes rental customers. See dealer for details. **4.** Tires also covered under the Bumper-to-Bumper limited warranty but are prorated based upon mileage. See dealer for limited warranty details. **5.** If the vehicle has a warrantable failure, see your Owner's Manual for full details on the Courtesy Transportation program. **6.** Customer maintenance item after 7,500 miles.





GM reserves the right to make changes at any time, without notice, in prices, colors, materials, equipment, specifications, models, and availability. Specifications, dimensions, measurements, ratings, and other numbers in this catalog and other printed materials provided at the dealership or affixed to vehicles are approximates based upon design and engineering drawings and prototypes and laboratory tests. Your vehicle may differ due to variations in manufacture and equipment. Since some information may have been updated since the time of printing, please check with your GM dealer for complete details. Some of the equipment shown or described throughout this publication may be available at extra cost, and/or is supplied by an independent supplier.

Copyright 2022 General Motors. All rights reserved. All text, images, graphics, and other materials in this publication are subject to the copyright and other intellectual property rights of General Motors. These materials may not be reproduced, distributed, or modified without the express written permission of General Motors. The marks appearing in this publication including, but not limited to: GM and the GM logo; Chevrolet and their respective logos, emblems, slogans, and vehicle model names and body designs; and other marks such as GM Fleet and Commercial are trademarks and/or service marks of General Motors, its subsidiaries, affiliates, or licensors.

For more detailed information, contact your District Sales Manager or see the online order guide at [gmfleet.com/police](https://gmfleet.com/police).

