

HUSSMANN®

Product Reference Guide

March 2018





Delivered Fresh Daily

Healthy Made Easy

\$1.29 EA

99¢ EA

\$1.29

\$1.29

\$1.29

\$1.29



HUSSMANN®

Display Case Products

JANUARY 2018

Note regarding all products featured:

For optimum performance, these models are designed for use in air-conditioned stores where temperatures and humidity are maintained at 75°F and 55% RH. Locate case away from direct sunlight, rapid air current and extreme temperature changes.

Hussmann reserves the right to change or revise specifications and product design in connection with any feature of our products. Such changes do not entitle the buyer to corresponding changes, improvements, additions or replacements for equipment previously sold or shipped.

Measurements in this book are in inches. Parentheses indicate millimeters.

Please use Hussmann's Technical Data Sheets for precise dimensions when doing store layout and design.

TABLE OF CONTENTS

XS refers to the cross section. **PV** refers to the plan view.

BAKERY

	XS, PV
ARTISAN BREAD WALL CASE	1, 1
HIGH PROFILE PASTRY CASE	2, 2
LOW PROFILE PASTRY CASE	3, 3
PASTRY and BAGEL WALL CASE	4, 4
PASTRY WALL CASE	5, 5
ROUND TOWER PASTRY CASE	6, 6
CR3-B	7, 9
R3-B	8, 9
VR3-B	10, 11
CR3HTO-HTB	12, 12
CR3HV-NB	13, 14
R3HV-NB	13, 14
CR3HV-WB	14, 15
R3HV-WB	15, 15
VR3HV-B	16, 17
Q3-BC	18, 19-20
Q3-BS	18, 19-20
Q3-BV	20, 21
Q4-BV	21, 22
SGB	22, 23
SHVS	23, 24
SHVSS	24, 24

BULK

	XS, PV
B1X-GE	27, 28
B3XC-LEP	27, 28
B3XC-LGEP	28, 28
B4X-E	29, 29
B5XEC-L	30, 30

CONVERTIBLE

	XS, PV
C2NX-EP	33, 45
C2NX-LEP	33, 45
C2NX-XLE, C2NX-XLP	34, 45
C2NX-XLGP	34, 45
C2XEC-XEP	35, 46

C2X-EP	35, 46
C2X-LEP	36, 46
C2X-LGE, C2X-LGEP	36, 46
C2XSC-LG	37, 47
C2XSC-LP	37, 47
C2X-XEP	38, 46
C2X-XGE, C2X-XGEP	38, 46
C2X-XLE, C2X-XLEP	39, 46
C2X-XLGE, C2X-XLGEP	39, 46
C3X-LGE, C3X-LGEP	40, 46
C4X-LEP	40, 46
C5NX-LE	41, 45
C5X-E, C5X-EP	41, 46
C5X-GEP	42, 46
C5X-LE, C5X-LEP	42, 46
C6X-E, C6X-EP	43, 46
C6X-LE, C6X-LEP	43, 46
C6X-LRE	44, 45
CF5X Freedom Line	44, 46
CW2EGE	47, 48
CW2GE	48, 49
CW2UGE	49, 50
IC1BL	51, 51
IC2NL	52, 54
IC2SL	52, 54
IC2SM	53, 54
IC2XNL	53, 54
IC2XSL	55, 56
IC2XSM	55, 56
IC3BL	56, 57
IC3SL	57, 58
IC4BM	58, 59
IC4SL	59, 62
IC5BL	60, 62
IC6SL	60, 62
IC6SL-R	61, 62
IC6SM	61, 62

DAIRY/DELI**XS, PV**

D5NX-E, D5NX-EP	65, 66
D5NX-LE, D5NX-LEP	65, 66
DF5NX Freedom Line	66, 66
D5X-E, D5X-EP	67, 69
D5XELE	67, 70
D5X-GE	68, 69
D5X-HE, D5X-HEP	68, 69
D5X-LE, D5X-LEP	69, 69
D5X-LRE	70, 71
D5X-RE	71, 71
D5XRR1	72, 73
D5XRRIS	72, 73
D5X-ULEP	73, 74
D6X-ULEP	74, 74
D5X-URLE	75, 76
D6X-URLE	75, 76
D6NX-LE, D6NX-LEP	76, 77
DD5NX-L	77, 78
DD6NX-L	78, 78
DD5X-LP	79, 80
DD6X-LP	79, 80
DD5X-LR	80, 81
DD5X-ULP	81, 82
DD6X-ULP	82, 82
DD6X-URE	83, 83
DDF5NX-L Freedom Line	84, 84
ID5NL	85, 95
ID5NM	85, 95
ID5SL	86, 96
ID5SL-R	86, 96
ID5SM	87, 96
ID5SM-R	87, 96
ID5SU	88, 97
ID5SV	88, 97
ID6NL	89, 95
ID6SU	89, 97
ID6SU-R	90, 97
ID6SV	90, 97
IDD5NL	91, 98

IDD5SL	91, 98
IDD5SL-R	92, 99
IDD5SU	92, 99
IDD5SV	93, 99
IDD6NL	93, 98
IDD6SU	94, 99
IDD6SU-R	94, 97
IDD6SV	95, 99
IDDF5SU Freedom Line	100, 100
IDF5NM Freedom Line	101, 101
IDF5SM Freedom Line	102, 102
IDDF6SV Freedom Line	103, 103

DELI**XS, PV**

CR3-D	7, 9
CR3FO	105, 106
CR3FO-SC	105-106, 106
CR3HV-ND	13, 14
CR3HV-WD	14, 15
CR3-P	107, 110
R3-P	108-109, 110
CR3TO	110, 111
R3TO	111, 111
E1	112, 119
E1S	112, 119
E2	113, 117
E2S	113, 117
E2SP	114, 114
E2V	115, 117
E3	115, 117
E3S	116, 117
E4	116, 117
E5	117, 117
ES1	118, 119
ES1S	118, 119
ESBD	119, 120
ESBDS	120, 120
ESBDHV	121, 121
ESBDVS	122, 123

TABLE OF CONTENTS

XS refers to the cross section. **PV** refers to the plan view.

DELI <i>continued</i>	XS, PV
ESGMVS	122, 123
Q1-DC	123, 124-126
Q1-DS	124, 124-126
Q1-SS	126, 127-128
Q1-SSN	129, 129-130
Q2-SPN	131, 131-132
Q2-SS	132, 133
Q2-SS-S	134, 135
Q3-DC	135, 136-138
Q3-DS	136, 136-138
Q3-DV	20, 21
Q3-SP	138, 139-140
Q3-SS	140, 141-142
Q3-SS-S	143, 143
Q3.5-SS	144, 145-146
Q3.5-SSEC	144, 145-146
Q4-DV	146, 147
Q4-SS	147, 148, 150
Q4-SSEC	149, 149-150
Q5-SSEC	150, 151
R3-D	8, 9
R3HV-ND	13, 14
R3HV-WD	15, 15
RBB	152, 152
RGD-2472	153, 154
RGD-2472-SC	153, 154
RGD-2483	154, 154
RGD-3072	155, 156
RGD-3072-SC	155, 156
RGD-3083	156, 156
RGDC-2472	157, 158
RGDC-2472-SC	157, 158
RGDC-2483	158, 158
SMB	159, 160
SMBT	159, 160
VR3-D	10, 11
VR3HV-D	16, 17

ENTYCE ISLANDS	XS, PV
Entyce Overview	163
TY1-6	164, 172-173
TY3-4, TY3-4-S	164, 170
TY3-4-H	165, 165
TY3-5, TY3-5-S	166, 171
TY3-6, TY3-6-S	166, 172-173
TY3EC-3	167, 167
TY4-4	168, 170
TY4-4-S	168, 170
TY4-5	169, 171
TY4-6	169, 172-173

FLORAL	XS, PV
FL3X-LEP	175, 175
FL4NX-EP	176, 177
FL5NX-LEP	176, 177
IM-04-RF	177, 179-180
IM-04-RF-NC	178, 179-180
IM-05-RF	178, 179-180
IM-05-RF-NC	179, 179-180
Q3.5-SS-F	180, 181
Q4-SS-F	182, 182-183
Q5-SSEC-F	184, 184-185

FROZEN	XS, PV
F6	187, 188
F6L	187, 188
F	189, 191
F-L	189, 191
FG	190, 191
FG-L	190, 191
FI	191, 193
FI-L	192, 193
FIG	192, 193
FIG-L	193, 193
FN	194, 196

FN-L	194, 196
FNG	195, 196
FNG-L	195, 196
FW	196, 198
FW-L	197, 198
FWG	197, 198
FWG-L	198, 198
FWE	199, 202
FWEL	199, 202
FWEG	200, 202
FWEGL	200, 202
FWEGH	201, 202
FWEGHL	201, 202
FWGH	202, 203
FWGH-L	203, 203
Q1-LC	204, 205
Q1-LS	204, 205
Q1-LV	205, 206
SFG	206, 207
SFNG	207, 208

HOT XS, PV

CR3-H	211, 213
R3-H	211, 213
CR3H-HF	212, 213
R3H-HF	212, 213
IM-03-H	237, 239
IM-03-H Q-Match	237, 239
IM-04-H	238, 239
IM-05-H	238, 239
Q-HC	213, 214-215
Q-HS	214, 214-215
Q-HC-SS	216, 217
Q-HS-SS	216, 217
Q-HV	218, 218
WDCHE-C	219, 222
WDCHE-S	220, 222
WDCHI	221, 222

ISLA MODULES XS, PV

ISLA Modules Overview	225
ISLA Standard	226, 226

ISLA Dry Vista Sweet Goods

IM-04-BV	227, 228
IM-05-BV	227, 228
IM-05-ECDR	229, 229-230

ISLA Hot Counter with Hot Well

IM-04-FH	231, 232
IM-05-FH	231, 232

ISLA Refrigerated Counter

IM-04-FR	233, 234
IM-05-FR	233, 234

ISLA Self-Service Soup Counter

IM-04-FS	235, 236
IM-05-FS	235, 236

ISLA Hot Self-Service Multi-Deck

IM-03-H	237, 239
IM-03-H Q-Match	237, 239
IM-04-H	238, 239
IM-05-H	238, 239

ISLA Refrigerated Self-Service Multi-Deck

IM-04-R	240, 241
IM-05-R	240, 241-242
IM-05-EC	241, 241-242
IM-04-NR	243, 244-245
IM-05-NR	243, 244-245
IM-04-S	245, 247
IM-04-S Twin	246, 246
IM-05-S	247, 247

TABLE OF CONTENTS

XS refers to the cross section. **PV** refers to the plan view.

MEAT

	XS, PV
AB	249, 249
CR1-MN	250, 251
R1-MN	250, 251
CR3HV-M, CR3HV-M/F-EP	252, 256
R3HV-M, R3HV-M/F-EP	253, 256
CR3-M, CR3-M/F-EP	254, 256
R3-M, R3-M/F-EP	255, 256
ESGM	257, 258
ESGMS	257, 258
ESGMVS	122, 123
IM1SL	258, 262
IM1SL-L	259, 262
IM1SM	259, 262
IM3SL	260, 263
IM4SL	260, 263
IM5NL	261, 263
IM5SL	261, 263
M1XD-E	264, 271
M1XD-GEP	264, 271
M1X-E, M1X-EP	265, 271
M1X-GE, M1X-GEP	265, 271
M1XLD-GE	266, 271
M1XL-GE	266, 271
M1X-XGE	267, 271
M3X-E, M3X-EP	267, 271
M3X-GE, M3X-GEP	268, 271
M4NX-EP	268, 272
M4X-EP	269, 271
M4X-GE, M4X-GEP	269, 271
M5NX-EP	270, 272
M5X-EP	270, 271
M5X-GE, M5X-GEP	271, 271
ME5X-GP	272, 273
ME5X-P	273, 273
Q3-MC, Q3-M/FC-EP	274, 275
Q3-MS, Q3-M/FS-EP	274, 275
Q3-M/FV-EP	276, 276
SMG	277, 279
SMG-B	277, 279

SMGT	278, 279
SMGV	278, 279
VR3HV-M/F-EP	280, 282
VR3-M/F-EP	281, 282

EXCEL Wedges:

WI45, WO45 (PV)	--, 283
WI90, WO90 (PV)	--, 283

PRODUCE

	XS, PV
DBP-03	285, 286
DBRP-03	285, 286
DSI-03	287, 288
DSRPI-03	287, 288
IP1SL	288, 290
IP1XSL	289, 290
IP1XXSL	289, 290
IP2SL	290, 292
IP4NL	291, 292
IP4SL	291, 292
MPC	293, 294
MPC-ET	295, 295
MPC-ETN	296, 296
P1NX-E	297, 301
P1X-E	297, 301
P1X-XE	298, 301
P1X50-EP	298, 301
P2NX-E, P2NX-EP	299, 301
P2X-E, P2X-EP	299, 301
P4NX-EP	300, 301
P4X-EP	300, 301
P4XRO-E	302, 302
PW-E	303, 303
PWEE	304, 304
PWR-E	305, 305
PWREE	306, 306
PWW-E	307, 307
PWWEE	308, 308

REACH-INS **XS, PV**

RL, RM, RMF	311, 311
RLN, RMN	312, 312
RLNE	313, 313
RLNI, RLNIE	314, 315
RLNS, RMNS	316, 316
RLTIM	317, 317
RLTM, RMTM	318, 318
RMTD	319, 319

Freedom Line

RFLN, RFMN	320, 320
RFLNS, RFMNS	321, 321
RFLTM	322, 322

LifeLine Premier

RL, RM	323, 324-328
RLN, RMN	323, 325-326, 328-329
RLNI, RLNIE	324, 326, 330

SEAFOOD **XS, PV**

CR1-FN	250, 251
CR3HV-F, CR3HV-M/F-EP	252, 256
CR3-F, CR3-M/F-EP	254, 256
DSF	333, 335
DSFI, DSFN	334, 335-337
DSFM	337-338, 338-339
ESGS	340, 341
ESGSS	340, 341
Q1-FC	341, 342-344
Q1-FS	342, 342-344
Q3-FC, Q3-M/FC-EP	274, 275
Q3-FS, Q3-M/FS-EP	274, 275
Q3-M/FV-EP	276, 276
R1-FN	250, 251
R3HV-F, R3HV-M/F-EP	253, 256
R3-F, R3-M/F-EP	255, 256

SSG-B	344, 345
SSGVE	345, 346
VR3HV-M/F-EP	280, 282
VR3-M/F-EP	281, 282

SPECIAL APPLICATIONS **XS, PV**

BEXD-8, BEXD-8A	349, 349
DDSS-4MC	350, 350
FMSS	351, 351
GSVM-4060	352, 353
GSVM-4072, GSVM-5272	352, 353
ISFGG, ISMGG	354, 354
MD-10, MD-14	355, 355
MD4060DA	356, 356
NAV-4, -6, -8	357, 358
NAV-4, -6, -8	357, 358
Q1-SSM-S	359, 360
Q2-SSM-S	359, 360
Q3-SSM-S	360, 360
RDI-20	361, 361
RDI-27	362, 362
RDI-LS Slimline	363, 363
SHM-3, SHM-4	364, 364
SM-110, SM-115	365, 365
VRL3B	366, 366
VRM2B	367, 367
VRM3B	368, 368

EXCEL Styling Options	viii
INSIGHT Styling Options	ix

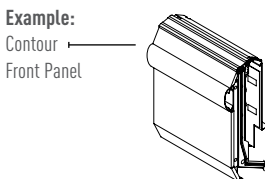
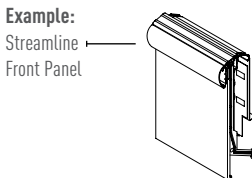
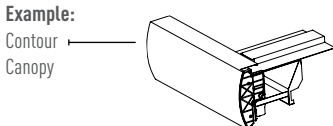
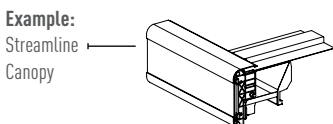
HUSSMANN®

EXCEL Merchandisers

Many EXCEL models are available in either Streamline or Contour Styling.

Excel drawings in this Product Reference Guide are shown with Streamline styling. The Contour option can be ordered by specifying the proper kit.

Streamline and Contour styling can be mixed within a single case. For example, a case can be ordered with a Contour canopy and a Streamline front panel.



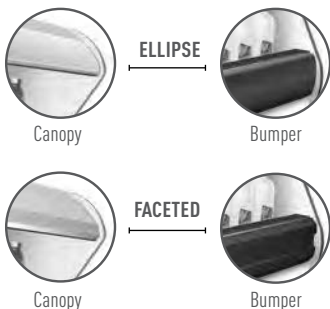
HUSSMANN®

INSIGHT Merchandisers

Many INSIGHT models are available in either **Ellipse or Faceted Styling**.

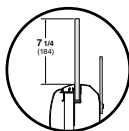
Ellipse and Faceted styling can be mixed within a single case. For example, a case can be ordered with an Ellipse canopy and a Faceted front panel.

Two Versatile Styling Options*



*Available on most cases. Contact your representative for details.

Optional Glass Front*



*This glass front option is available on selected Insight models as specified in the following pages.

HUSSmann®

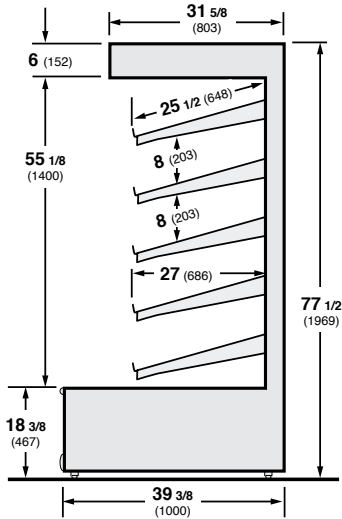
Bakery Cases



ARTISAN BREAD WALL CASE (Specialty)

Dry, Packaged Bread Multi-Deck Bakery Display

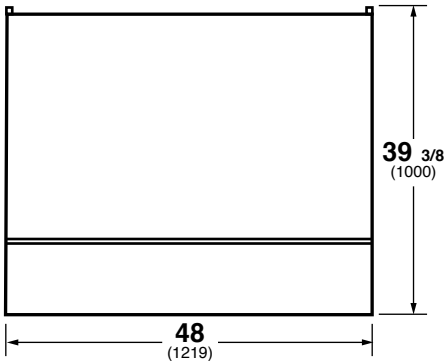
See Plan View - Below



ARTISAN BREAD WALL CASE - PLAN VIEW

Dry, Packaged Bread Multi-Deck Bakery Display

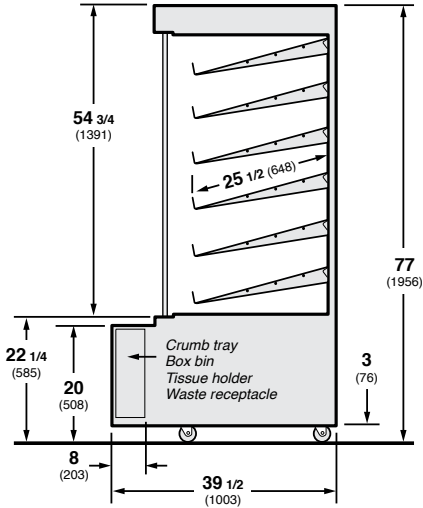
NOTE: Contact your sales representative for information on possible availability of additional case lengths.



HIGH PROFILE PASTRY CASE (Specialty)

Dry, Self-Service Multi-Deck for Packaged and Un-Packaged Pastry

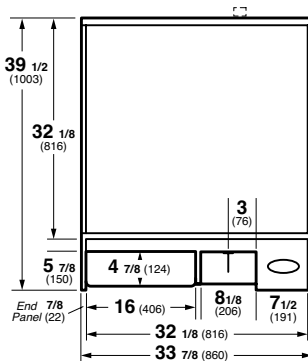
See Plan View - Below



HIGH PROFILE PASTRY CASE - PLAN VIEW

Dry, Self-Service Multi-Deck for Packaged and Un-Packaged Pastry

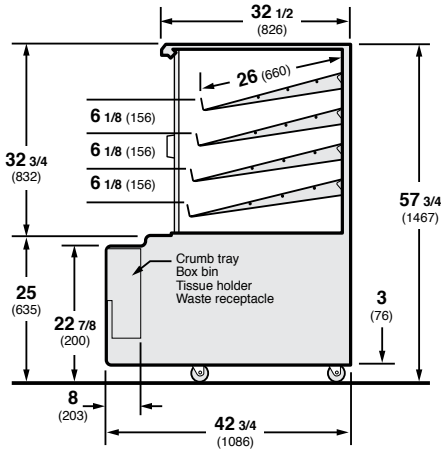
NOTE: Contact your sales representative for information on possible availability of additional case lengths.



LOW PROFILE PASTRY CASE (Specialty)

Dry, Self-Service Multi-Deck for Packaged and Un-Packaged Pastry

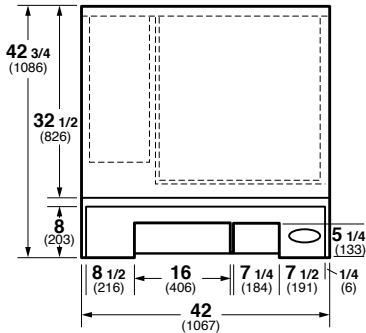
See Plan View - Below



LOW PROFILE PASTRY CASE - PLAN VIEW

Dry, Self-Service Multi-Deck for Packaged and Un-Packaged Pastry

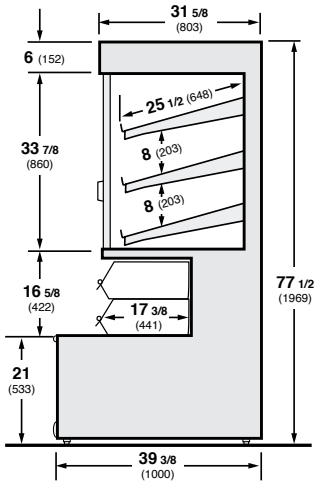
NOTE: Contact your sales representative for information on possible availability of additional case lengths.



PASTRY and BAGEL WALL CASE (Specialty)

Dry, 2 Bagel Bin Levels, Self-Service Multi-Deck Bakery Display

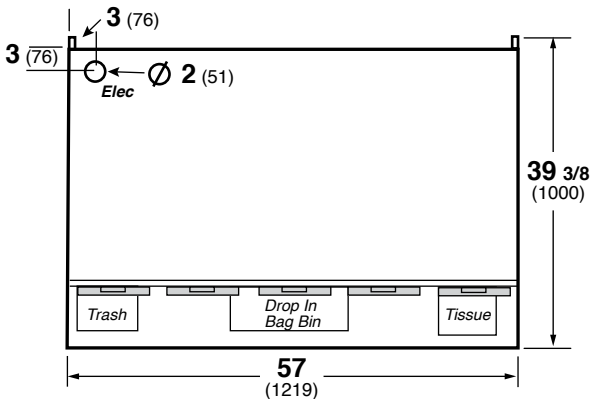
See Plan View - Below



PASTRY and BAGEL WALL CASE - PLAN VIEW

Dry, 2 Bagel Bin Levels, Self-Service Multi-Deck Bakery Display

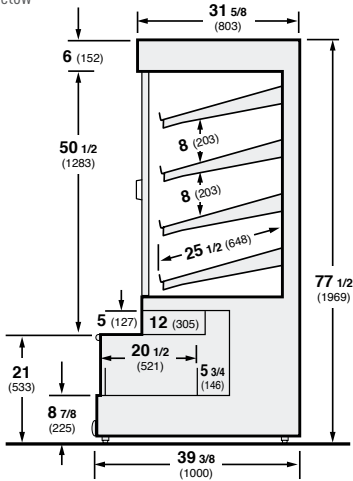
NOTE: Contact your sales representative for information on possible availability of additional case lengths.



PASTRY WALL CASE (Specialty)

Dry, Self-Service Multi-Deck Bakery Merchandiser

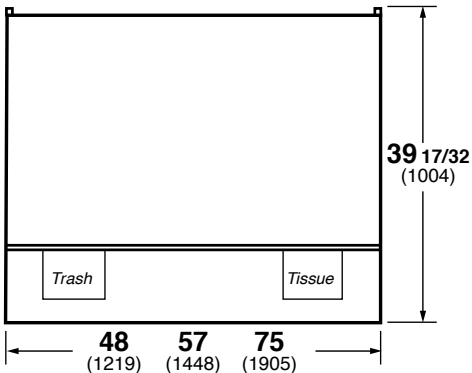
See Plan View - Below



PASTRY WALL CASE - PLAN VIEW

Dry, Self-Service Multi-Deck Bakery Merchandiser

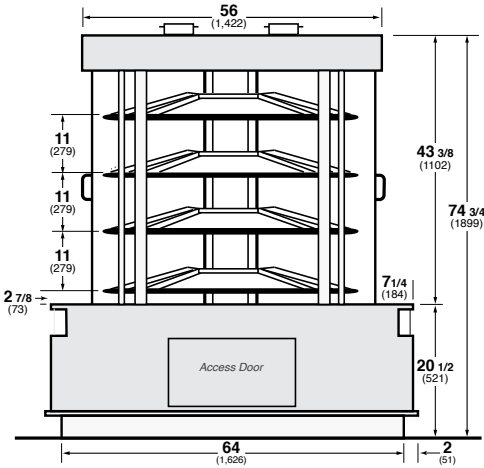
NOTE: Contact your sales representative for information on possible availability of additional case lengths.



ROUND TOWER PASTRY CASE (Specialty)

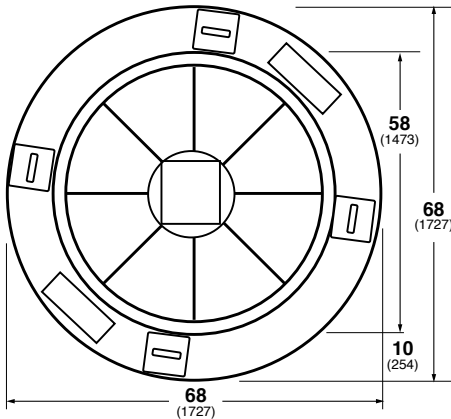
Dry, Un-Packaged Bakery Self-Service Multi-Deck Round Case

See Plan View - Below



ROUND TOWER PASTRY CASE - PLAN VIEW

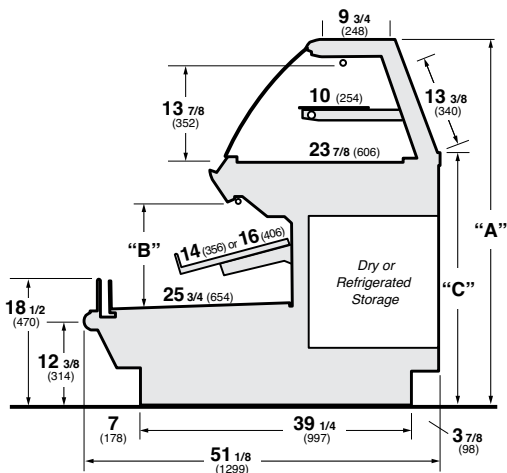
Dry, Un-Packaged Bakery Self-Service Multi-Deck Round Case



CR3-B and CR3-D (Specialty)

Refrigerated Service, Self-Service Bakery OR Deli Merchandiser, Rear Storage with Curved Glass

See Plan View - Page 9

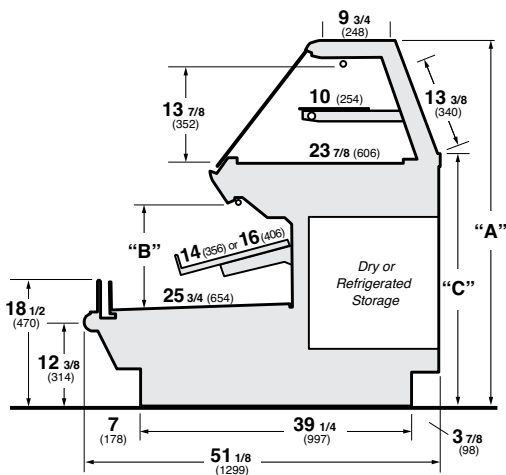


Dimension	Standard	+ 2"	+ 4"
"A"	53 (1346)	55 (1397)	57 (1448)
"B"	15 1/4 (387)	17 1/4 (438)	19 1/4 (489)
"C"	36 3/4 (933)	38 3/4 (982)	40 3/4 (1035)
(Qty) Self-Service Shelves	(1)	(1)	(2)
Lengths	14 (356)	14 (356)	12 (305)
	OR	OR	14 (356)
	16 (406)	16 (406)	OR 16 (406)

R3-B and R3-D (Specialty)

Refrigerated Service, Self-Service Bakery OR Deli Merchandiser, Rear Storage with Straight Glass

See Plan View - Page 9

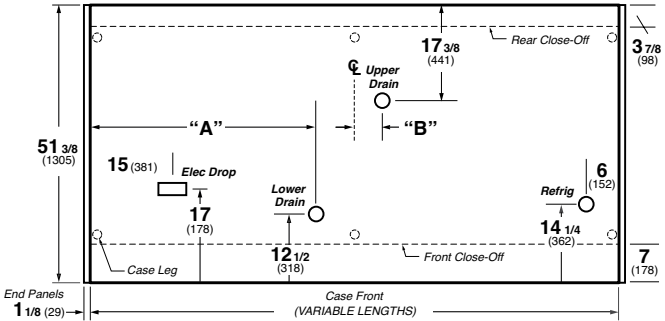


Dimension	Standard	" + 2 "	" + 4 "
"A"	53 (1346)	55 (1397)	57 (1448)
"B"	15 1/4 (387)	17 1/4 (438)	19 1/4 (489)
"C"	36 3/4 (933)	38 3/4 (982)	40 3/4 (1035)
(Qty) Self-Service Shelves	(1)	(1)	(2)
Lengths	14 (356)	14 (356)	12 (305)
	OR	OR	14 (356)
	16 (406)	16 (406)	OR 16 (406)

CR3-B, CR3-D, R3-B, and R3-D - PLAN VIEW

Refrigerated Service, Self-Service Bakery OR Deli Merchandiser, Rear Storage with Curved OR Straight Glass

NOTE: Contact your sales representative for information on possible availability of additional case lengths.

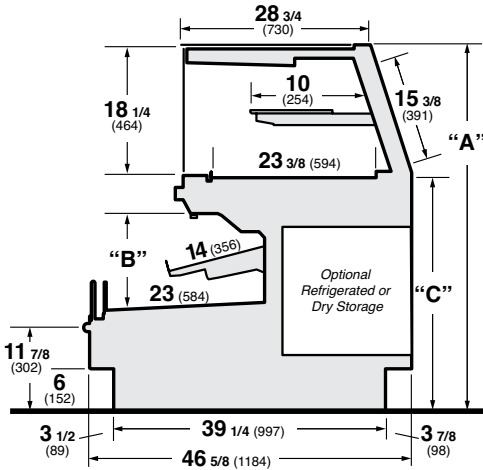


Dimensions	4'	5'	6'	8'	10'	12'
A	7 (178)	35 (889)	41 (1041)	53 (1346)	65 (1651)	65 (1651)
B	8 (203)	5 (127)	8 (203)	8 (203)	18 (203)	5 (127)

VR3-B and VR3-D (Specialty)

Refrigerated, Multi-Deck Self-Service Bakery OR Deli Merchandiser, Rear Storage with Vertical Glass

See Plan View - Page 11

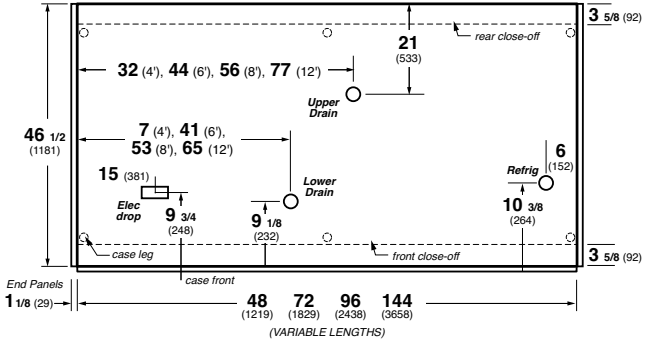


Dimension	Standard	" + 2"	" + 4"
"A"	53 (1346)	55 (1397)	57 (1448)
"B"	13 3/8 (340)	15 1/2 (394)	17 1/2 (445)
"C"	33 1/2 (851)	35 1/2 (902)	37 1/2 (953)
(Qty) Self-Service Shelves	(1)	(1)	(2)
Lengths	14 (356)	14 (356)	12 (305)
			16 (406)

VR3-B and VR3-D - PLAN VIEW

Refrigerated, Multi-Deck Self-Service Bakery OR Deli Merchandiser, Rear Storage Vertical Glass

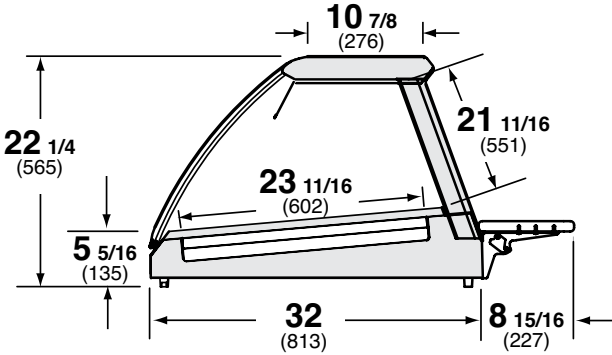
NOTE: Contact your sales representative for information on possible availability of additional case lengths.



CR3HTO-HTB (Specialty)

Hot Service Case with Curved Glass

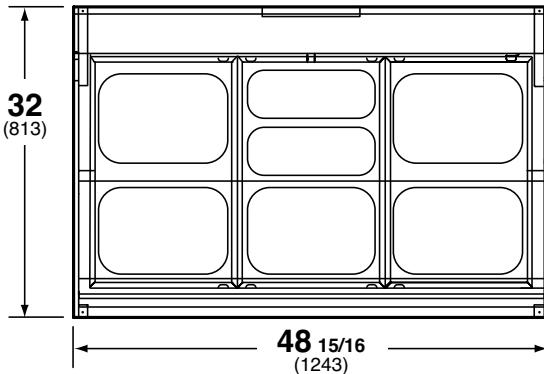
See Plan View - Below



CR3HTO-HTB - PLAN VIEW

Hot Service Case with Curved Glass

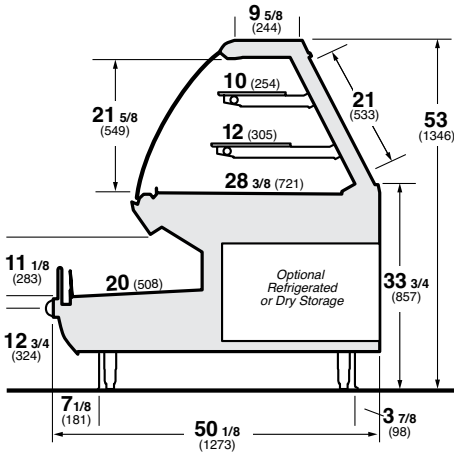
NOTE: Contact your sales representative for information on possible availability of additional case lengths.



CR3HV-NB and CR3HV-ND (Specialty)

3-Zone, High Volume, Narrow Service and Single-Deck Self-Service Merchandiser, Rear Storage with Curved Glass

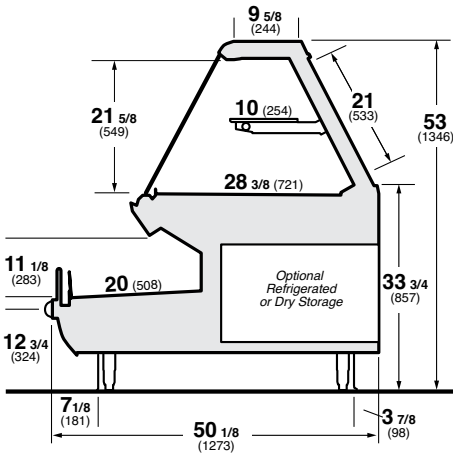
See Plan View - Page 14



R3HV-NB and R3HV-ND (Specialty)

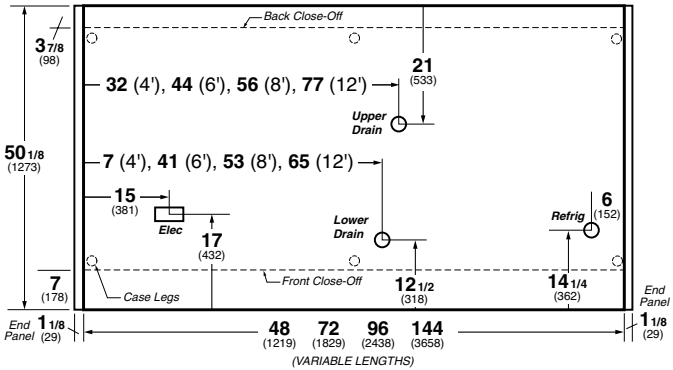
3-Zone, High Volume, Narrow Service and Single-Deck Self-Service Merchandiser, Rear Storage with Straight Glass

See Plan View - Page 14



CR3HV-NB, CR3HV-ND, R3HV-NB, and R3HV-ND - PLAN VIEW

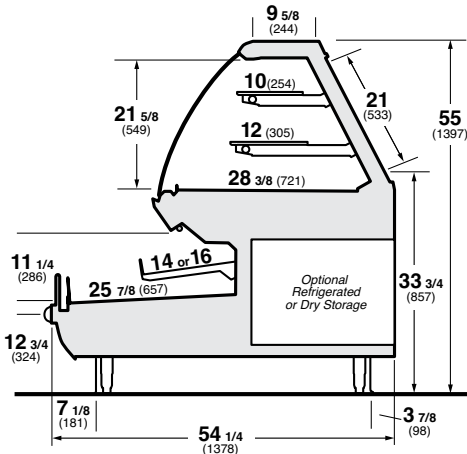
NOTE: Contact your sales representative for information on possible availability of additional case lengths.



CR3HV-WB and CR3HV-WD (Specialty)

3-Zone, High Volume, Wide Service and Self-Service Merchandiser, Rear Storage with Curved Glass

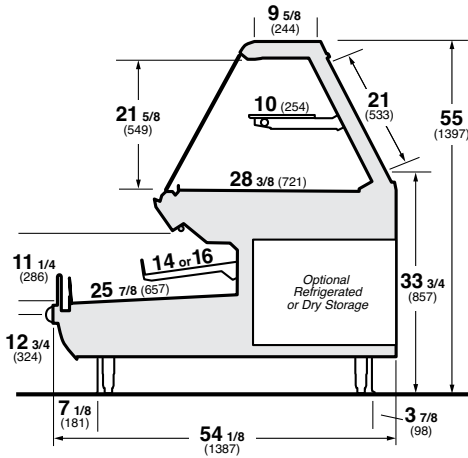
See Plan View - Page 15



R3HV-WB and R3HV-WD (Specialty)

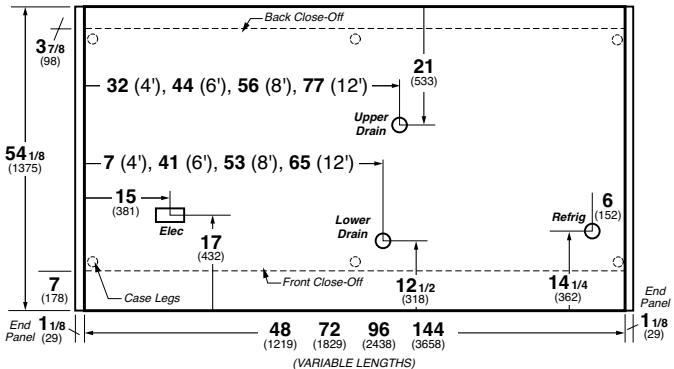
3-Zone, High Volume, Wide Service and Self-Service Merchandiser, Rear Storage with Straight Glass

See Plan View - Below



CR3HV-WB, CR3HV-WD, R3HV-WB and R3HV-WD - PLAN VIEW

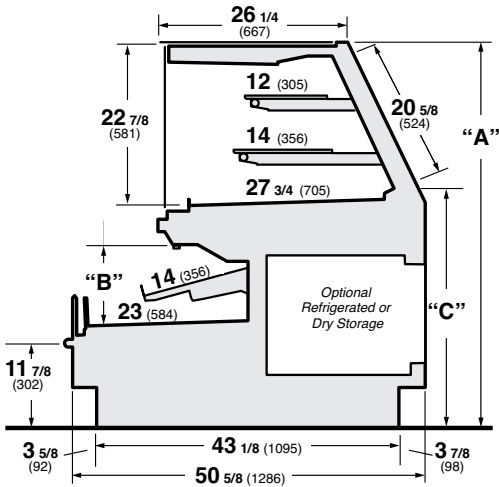
NOTE: Contact your sales representative for information on possible availability of additional case lengths.



VR3HV-B and VR3HV-D (Specialty)

3-Zone, High Volume Service and Self-Service Bakery OR Deli Merchandiser, Rear Storage with Vertical Glass

See Plan View - Page 17

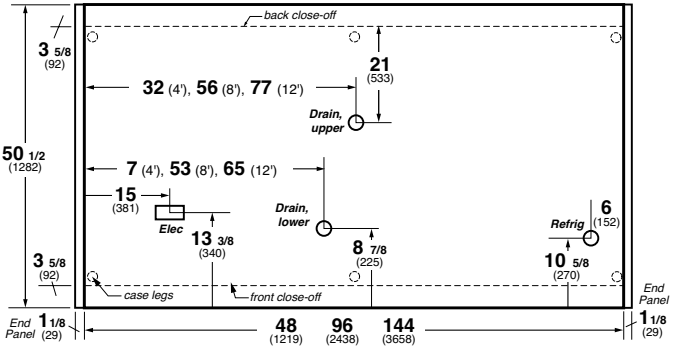


Dimension	Standard	" + 2"	" - 2"
"A"	55 (1397)	57 (1448)	53 (1346)
"B"	11 (279)	13 (330)	9 (229)
"C"	$33 \frac{3}{4}$ (857)	$35 \frac{3}{4}$ (908)	$31 \frac{3}{4}$ (806)
(Qty) Self-Service Shelves	(1)	(1)	(0)
Lengths	14 (356)	14 (356)	N/A

VR3HV-B and VR3HV-D - PLAN VIEW

3-Zone, High Volume Service and Self-Service Bakery OR Deli Merchandiser, Rear Storage with Vertical Glass

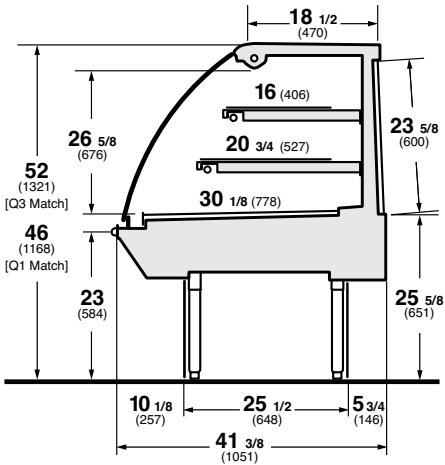
NOTE: Contact your sales representative for information on possible availability of additional case lengths.



Q3-BC (Specialty)

Multi-Deck Bakery, Refrigerated Service Merchandiser with Curved Glass

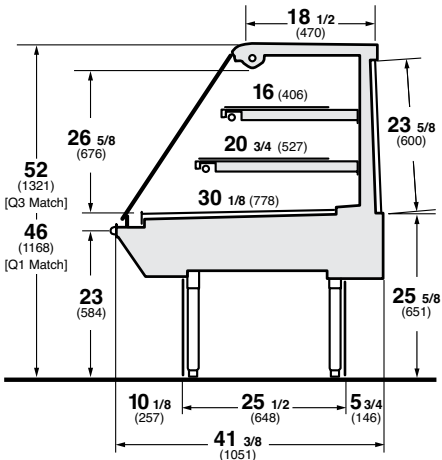
See Plan Views - Page 19 thru 20



Q3-BS (Specialty)

Multi-Deck Bakery, Refrigerated Service Merchandiser with Straight Glass

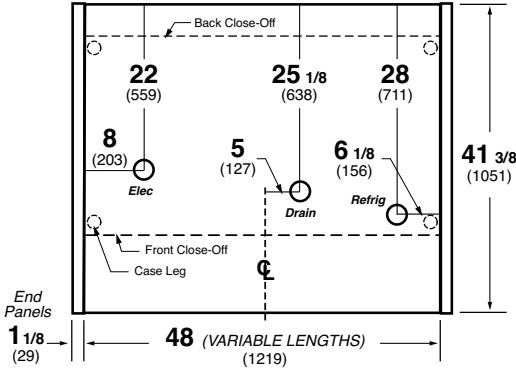
See Plan Views - Page 19 thru 20



Q3-BC and Q3-BS - PLAN VIEW

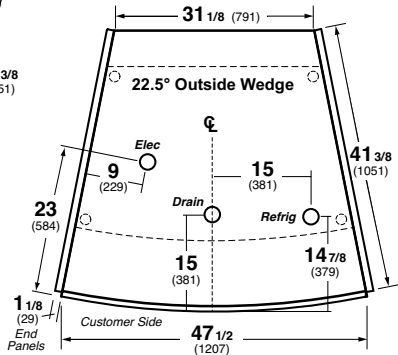
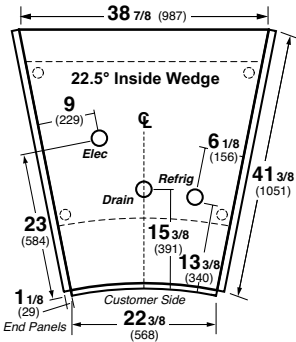
Multi-Deck Bakery, Refrigerated Service Merchandiser with Curved OR Straight Glass

NOTE: Contact your sales representative for information on possible availability of additional case lengths.



Q3-BC and Q3-BS - WEDGE PLAN VIEWS

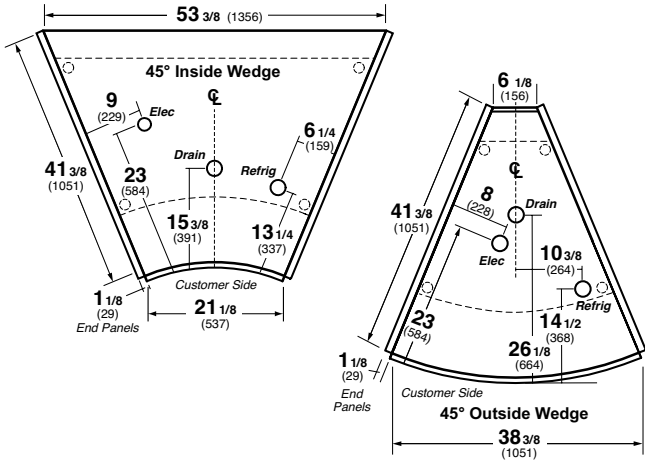
22.5° Inside and Outside Wedges



Q3-BC and Q3-BS - WEDGE PLAN VIEWS

45° Inside and Outside Wedges*

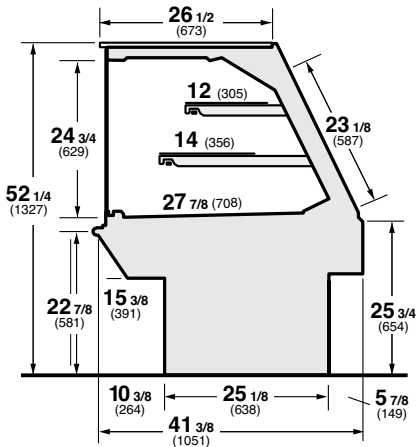
*Consult Factory for Availability.



Q3-BV and Q3-DV (Specialty)

Multi-Deck Bakery OR Deli, Service Merchandiser with Vertical Glass

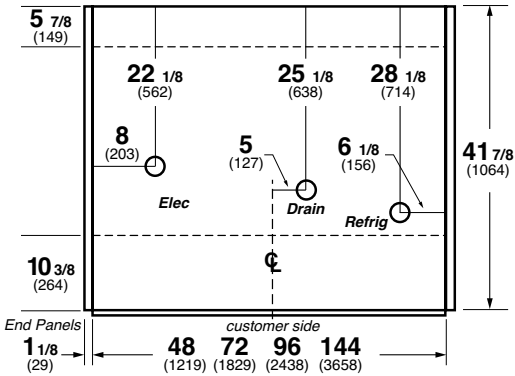
See Plan View - Page 21



Q3-BV and Q3-DV - PLAN VIEW

Multi-Deck Bakery OR Deli, Service Merchandiser with Vertical Glass

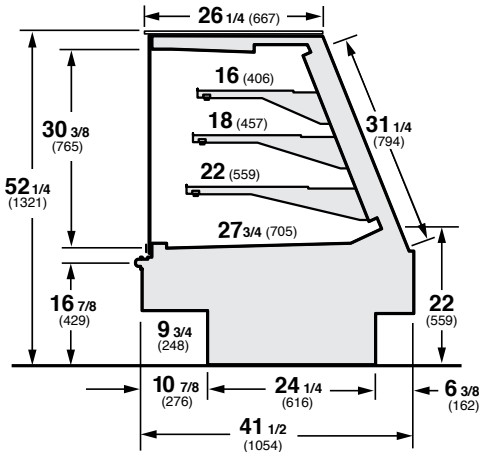
NOTE: Contact your sales representative for information on possible availability of additional case lengths.



Q4-BV (Specialty)

Multi-Deck Service Bakery Merchandiser with Vertical Glass

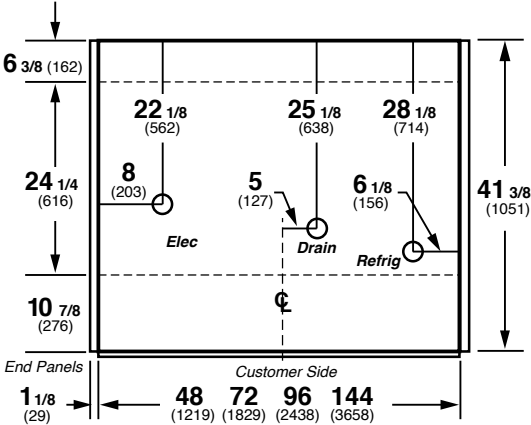
See Plan View - Page 22



Q4-BV - PLAN VIEW

Multi-Deck Service Bakery Merchandiser with Vertical Glass

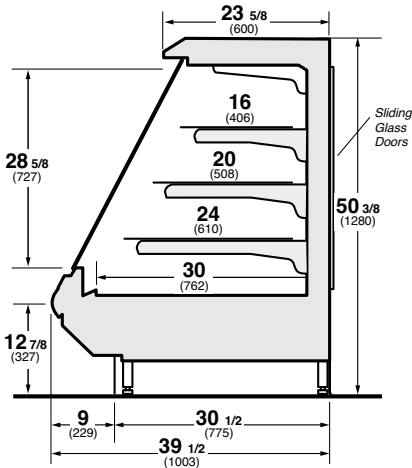
NOTE: Contact your sales representative for information on possible availability of additional case lengths.



SGB (Specialty)

Multi-Deck Service Bakery Merchandiser with Straight Glass

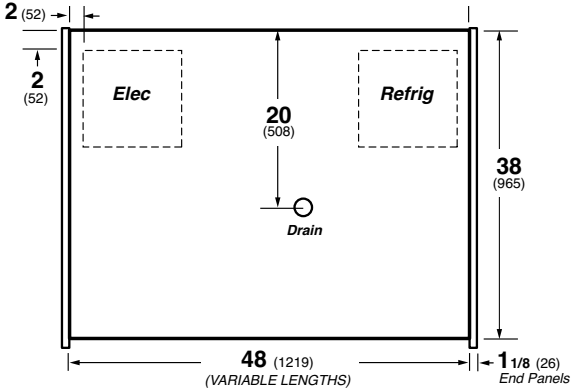
See Plan View - Page 23



SGB - PLAN VIEW

Multi-Deck Service Bakery Merchandiser with Straight Glass

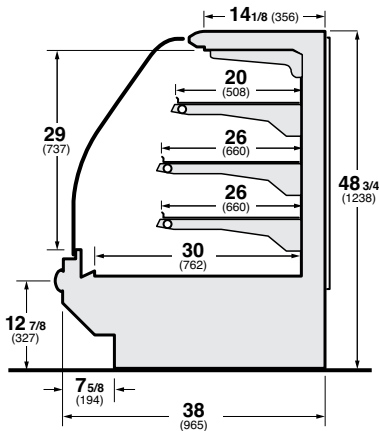
NOTE: Contact your sales representative for information on possible availability of additional case lengths.



SHVS (Specialty)

High Volume, Multi-Deck Service Bakery Merchandiser with Curved Glass

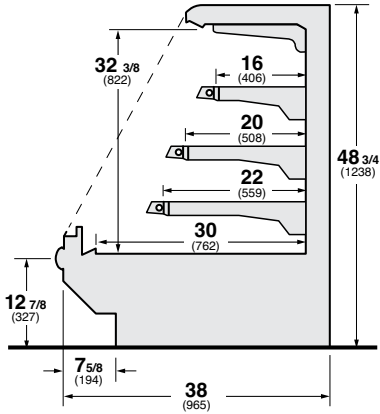
See Plan View - Page 24



SHVSS (Specialty)

High Volume, Multi-Deck Self-Service Bakery Merchandiser

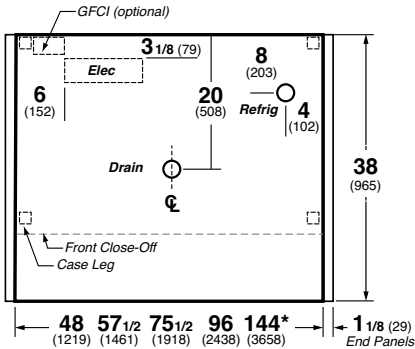
See Plan View - Below



SHVS and SHVSS - PLAN VIEW

High Volume, Multi-Deck Bakery Merchandiser with OR without Curved Glass

NOTE: Contact your sales representative for information on possible availability of additional case lengths.



*SHVS is not available in 144 inch length. Drain position is for 48" length only.

NOTES

.....

HUSSMANN®

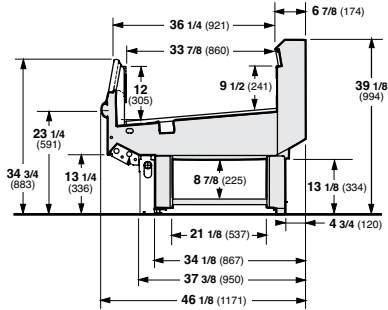
Bulk Cases



B1X-GE (Excel)

Single-Deck, Extended Depth Bulk Display Merchandiser with Glass Front

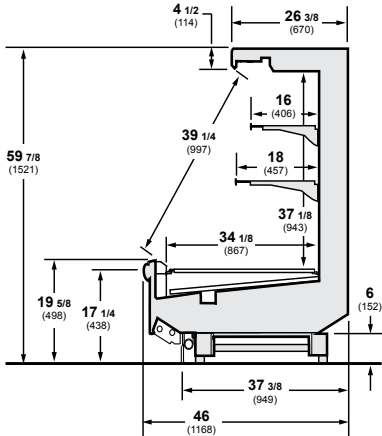
See Plan View - Page 28



B3XC-LEP (Excel)

High Volume, Extended Depth Multi-Deck Bulk Convertible Merchandiser with Low Front

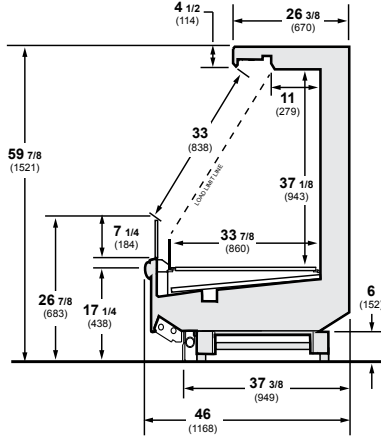
See Plan View - Page 28



B3XC-LGEP (Excel)

Multi-Deck, High Volume, Extended Depth Bulk Convertible Merchandiser, Low Front with Glass

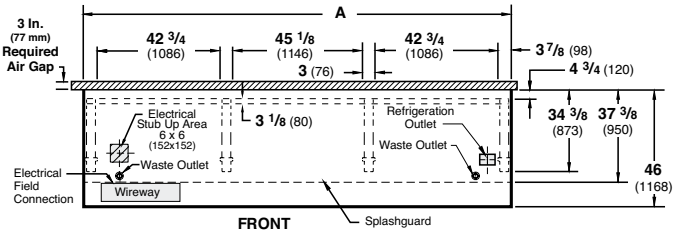
See Plan View - Below



B1X-GE, B3XC-LEP and B3XC-LGEP - PLAN VIEW

Single OR Multi-Deck, High Volume, Extended Depth Bulk Merchandiser, Low Front with OR without Glass

NOTE: Case-to-case electrical connections are made in front of splash guard. Overall case length shown without ends or partitions. Contact your sales representative for information on possible availability of additional case lengths.



Dimensions

A

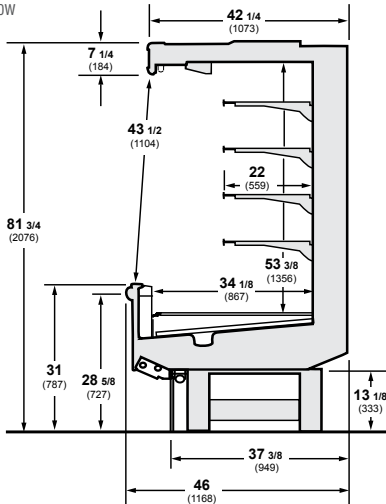
8 FT
96 3/8 (2448)

12 FT
144 1/2 (3670)

B4X-E (Excel)

Four-Deck, High Volume, Bulk Convertible Merchandiser

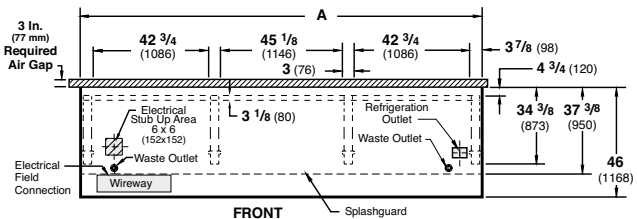
See Plan View - Below



B4X-E - PLAN VIEW

Four-Deck, High Volume, Bulk Convertible Merchandiser

NOTE: Case-to-case electrical connections are made in front of splash guard. Overall case length shown without ends or partitions. Contact your sales representative for information on possible availability of additional case lengths.



Dimensions

A

8 FT

12 FT

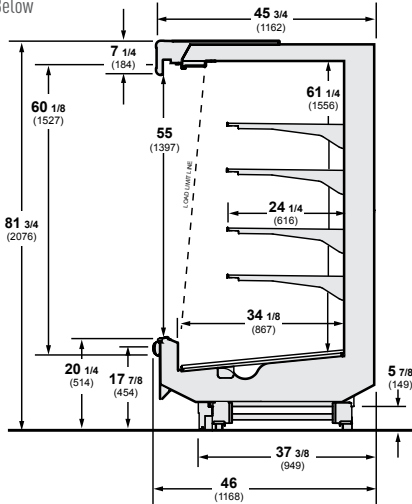
96 3/8 (2448)

144 1/2 (3670)

B5XEC-L (Excel)

5-Display Levels, Multi-Deck, Bulk Convertible Merchandiser

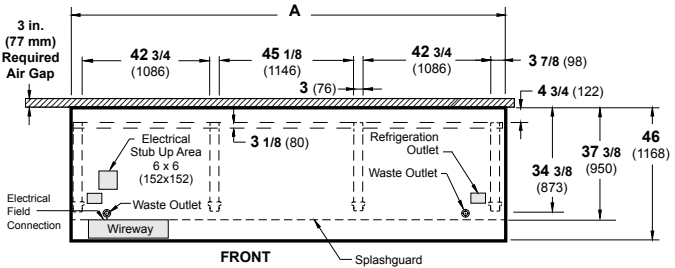
See Plan View - Below



B5XEC-L - PLAN VIEW

5-Display Levels, Multi-Deck, Bulk Convertible Merchandiser

NOTE: Case-to-case electrical connections are made in front of splashguard. Contact your sales representative for information on possible availability of additional case lengths.



Dimensions

A

8 FT
96 3/8 (2448)

12 FT
144 1/2 (3670)

HUSSMANN®

Convertible



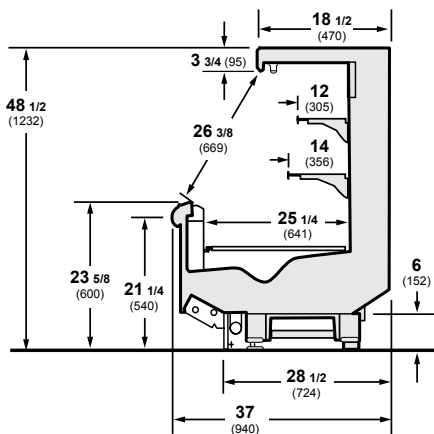
C2NX-EP (Excel)

Multi-Deck, Narrow Footprint, Energy Efficient Convertible Merchandiser with 48-Inch Back

See Plan View - Page 45

NOTE:

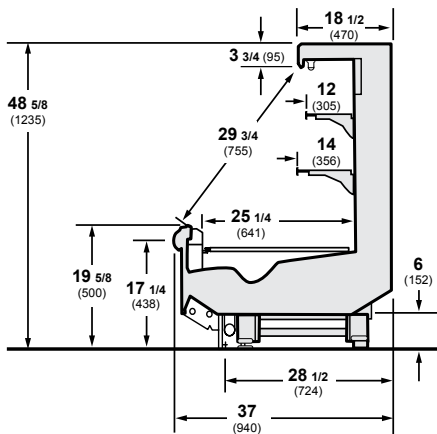
C2NX-EP is not available in 8-foot length.



C2NX-LEP (Excel)

Multi-Deck, Narrow Footprint, Energy Efficient Convertible Merchandiser, Low Front with 48-Inch Back

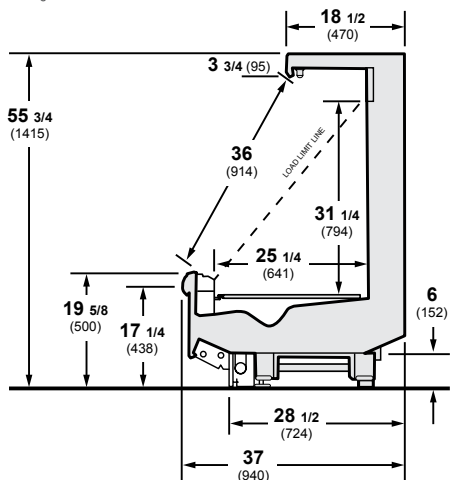
See Plan View - Page 45



C2NX-XLE and C2NX-XLP (Excel)

Multi-Deck, Narrow Footprint, Energy Efficient Convertible Merchandiser, Low Front with 55-Inch Back

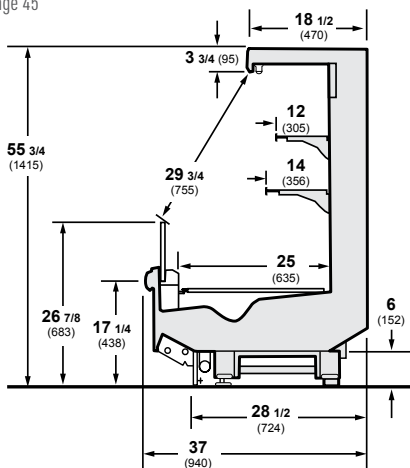
See Plan View - Page 45



C2NX-XLGP (Excel)

Multi-Deck, Narrow Footprint, Convertible Merchandiser, Low Front with Glass, 55.75-Inch Back

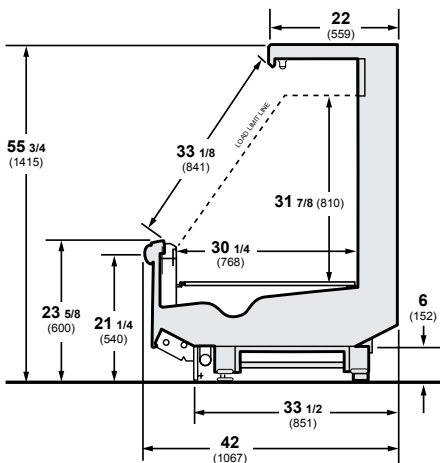
See Plan View - Page 45



C2XEC-XEP (Excel)

Multi-Deck, Low Profile, Energy Efficient Convertible Merchandiser with 55-Inch Back

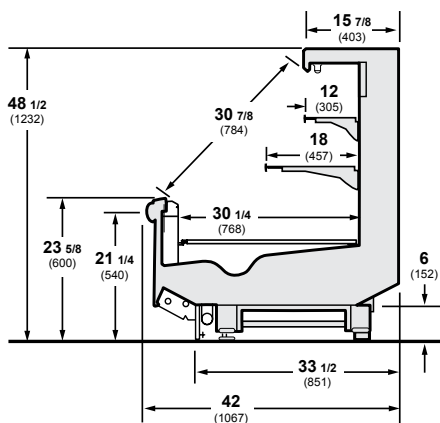
See Plan View - Page 46



C2X-EP (Excel)

Multi-Deck, Low Profile, Energy Efficient Convertible Merchandiser with 48-Inch Back

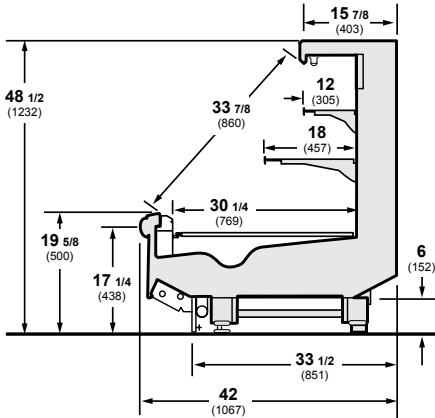
See Plan View - Page 46



C2X-LEP (Excel)

Multi-Deck, Low Profile, Energy Efficient Convertible Merchandiser, Low Front with 48-Inch Back

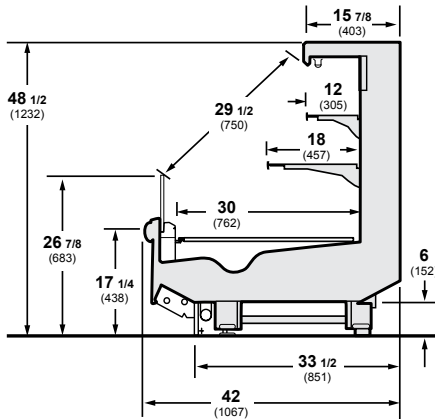
See Plan View - Page 46



C2X-LGE and C2X-LGEP (Excel)

Multi-Deck, Low Profile, Energy Efficient Convertible Merchandiser, Low Front with Glass, 48-Inch Back

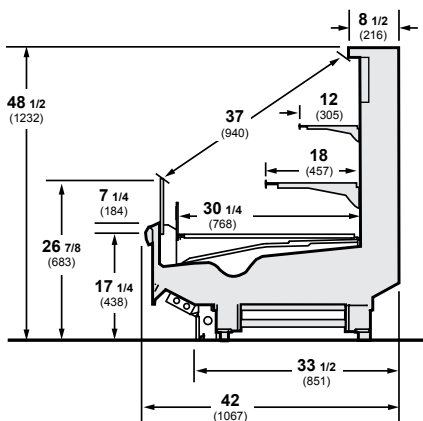
See Plan View - Page 46



C2XSC-LG (Excel)

3-Display Levels, Multi-Deck Convertible Merchandiser, Low Front Glass with 48-Inch Back

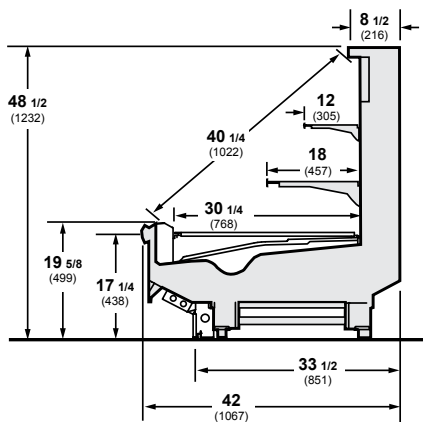
See Plan View - Page 47



C2XSC-LP (Excel)

3-Display Levels, Multi-Deck Convertible Merchandiser, Low Front with 48-Inch Back

See Plan View - Page 47



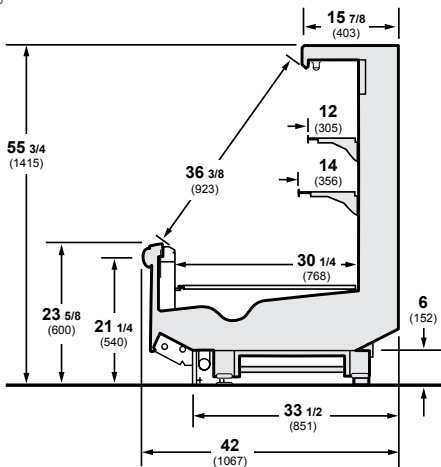
C2X-XEP (Excel)

Multi-Deck, Low Profile, Energy Efficient Convertible Merchandiser with 55-Inch Back

See Plan View - Page 46

NOTE:

C2X-XEP is not available in 12-foot length.



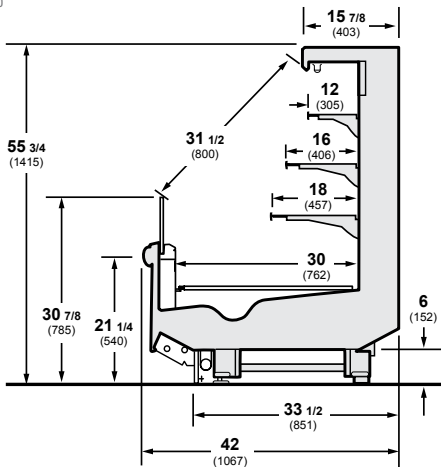
C2X-XGE and C2X-XGEP (Excel)

Multi-Deck, Low Profile, Energy Efficient Convertible Merchandiser, Glass Front with 55-Inch Back

See Plan View - Page 46

NOTE:

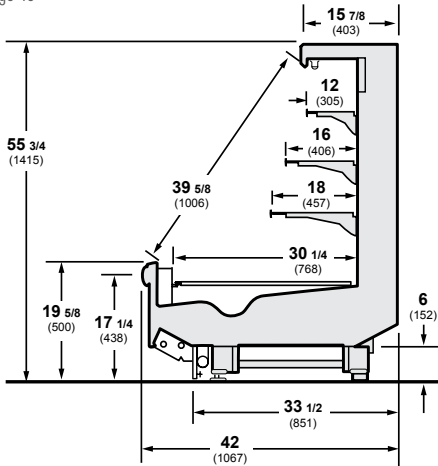
C2X-XGE is not available in 8-foot length.



C2X-XLE and C2X-XLEP (Excel)

Multi-Deck, Low Profile, Energy Efficient Convertible Merchandiser, Low Front with 55-Inch Back

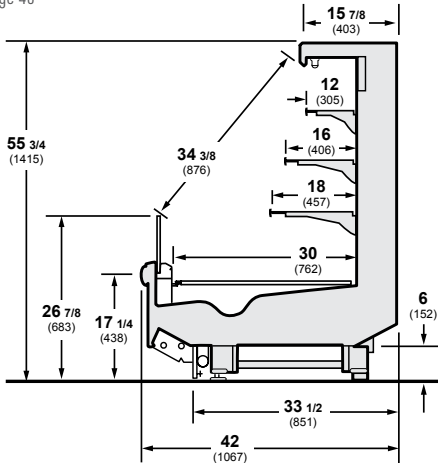
See Plan View - Page 46



C2X-XLGE and C2X-XLGEP (Excel)

Multi-Deck, Low Profile, Energy Efficient Convertible Merchandiser, Low Front with Glass, 55-Inch Back

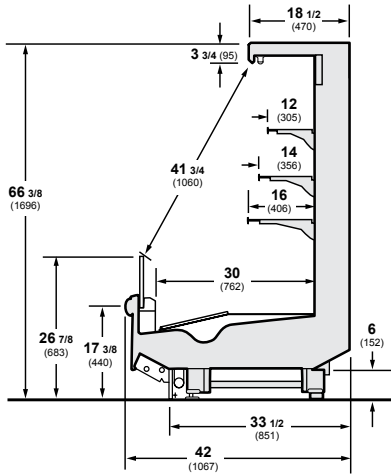
See Plan View - Page 46



C3X-LGE and C3X-LGEP (Excel)

Multi-Deck Convertible Merchandiser, Low Front with Glass, with OR without E Plus Coils

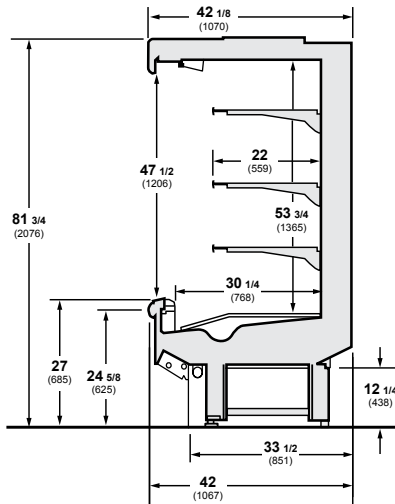
See Plan View - Page 46



C4X-LEP (Excel)

Multi-Deck Convertible Merchandiser with Low Front

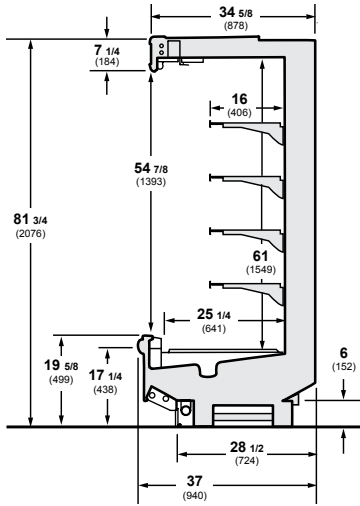
See Plan View - Page 46



C5NX-LE (Excel)

Multi-Deck Convertible Merchandiser with Low Front for Dairy/Deli Applications

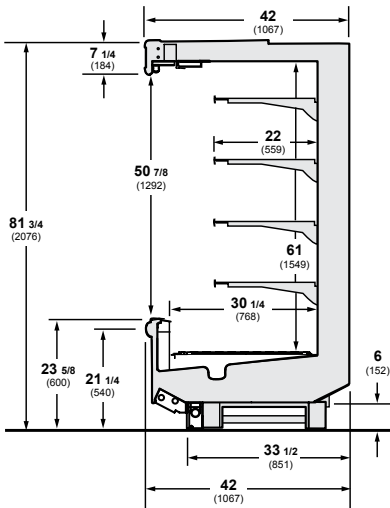
See Plan View - Page 45



C5X-E and C5X-EP (Excel)

Multi-Deck Convertible Merchandiser for Meat (C5X-E only), Produce and Dairy/Deli Applications

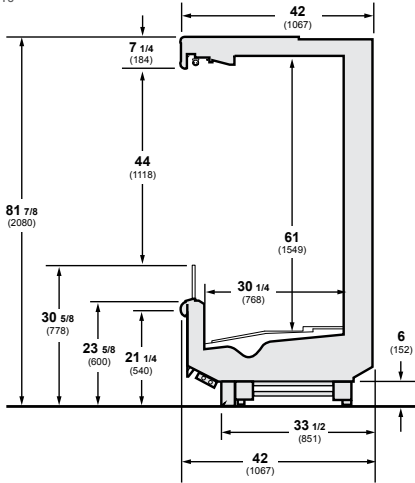
See Plan View - Page 46



C5X-GEP (Excel)

Multi-Deck Convertible Merchandiser with Glass Front

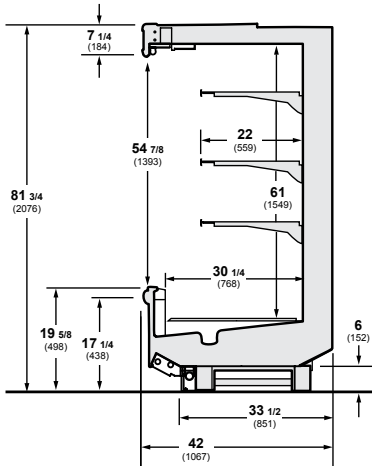
See Plan View - Page 46



C5X-LE and C5X-LEP (Excel)

Multi-Deck Convertible Merchandiser, Low Front for Meat (C5X-LE only), Produce and Dairy/Deli Applications

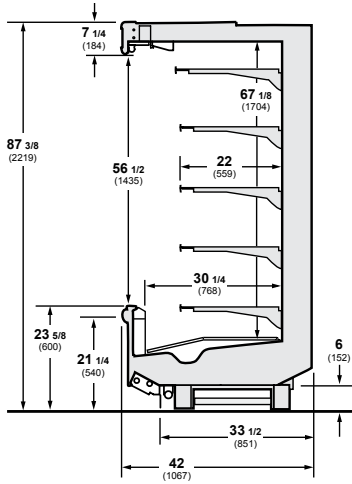
See Plan View - Page 46



C6X-E and C6X-EP (Excel)

Multi-Deck Convertible Merchandiser for Meat (C6X-E only), Dairy/Deli, and Produce Applications

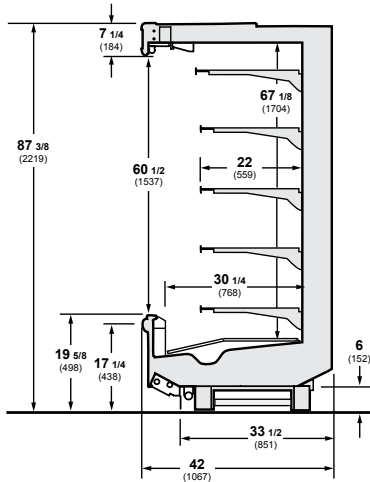
See Plan View - Page 46



C6X-LE and C6X-LEP (Excel)

Multi-Deck Convertible Merchandiser, Low Front, Meat (C6X-LE only), Dairy/Deli, and Produce Applications

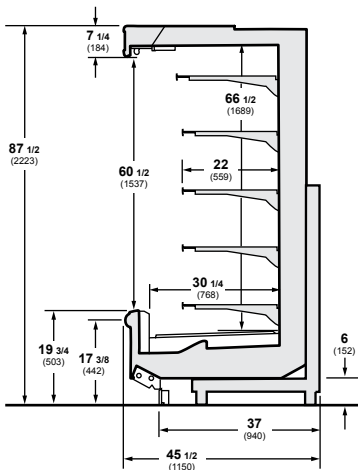
See Plan View - Page 46



C6X-LRE (Excel)

Multi-Deck, Rear Load Merchandiser with Low Front for Dairy/Deli Applications

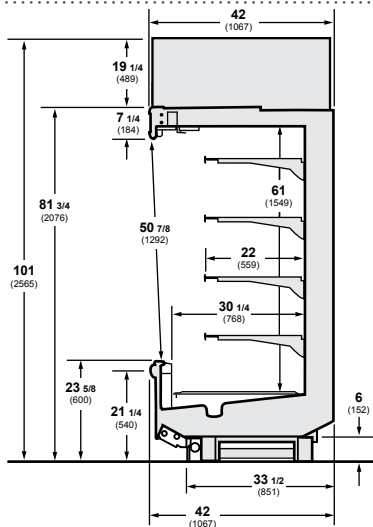
See Plan View - Page 45



CF5X Freedom Line (Excel)

Freedom Line Multi-Deck Convertible Merchandiser

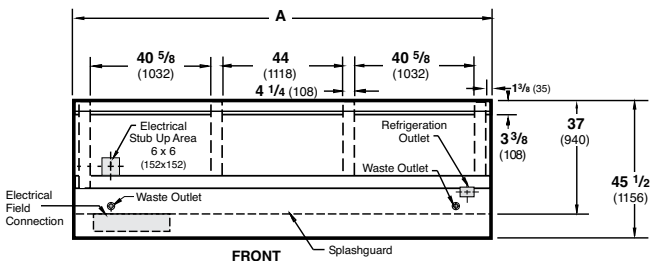
See Plan View - Page 46



C6X-LRE - PLAN VIEW

Multi-Deck, Rear Load Merchandiser with Low Front for Dairy/Deli Applications

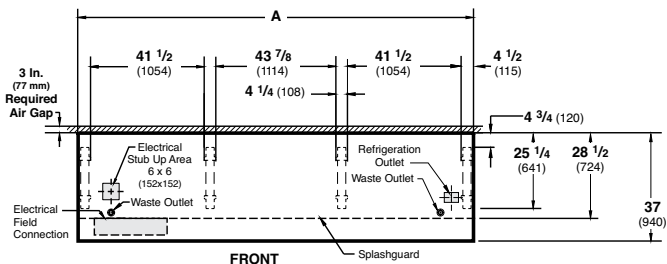
NOTE: Case-to-case electrical connections are made in front of splashguard. Overall case length shown without ends or partitions. Contact your sales representative for information on possible availability of additional case lengths.



Dimensions	8 FT	12 FT
A	96 3/8 (2448)	144 1/2 (3670)

C2NX-EP*, C2NX-LEP, C2NX-XLE, C2NX-XLP C2NX-XLGP and C5NX-LE - PLAN VIEW

NOTE: Case-to-case electrical connections are made in front of splashguard. Overall case length shown without ends or partitions. Contact your sales representative for information on possible availability of additional case lengths.

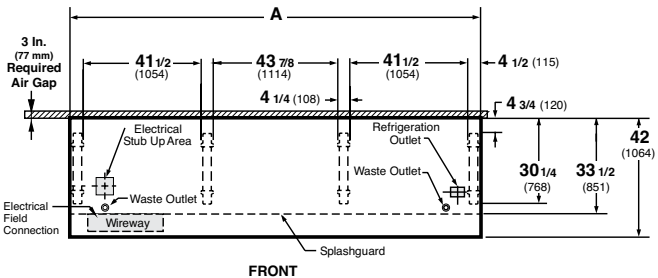


Dimensions	8 FT	12 FT
A	96 3/8 (2448)	144 1/2 (3670)

*C2NX-EP is not available in 8-foot length.

C2XEC-XEP, C2X-EP, C2X-LEP, C2X-LGE, C2X-LGEP, C2X-XEP*, C2X-XGE, C2X-XGEP, C2X-XLE, C2X-XLEP, C2X-XLGE, C2X-XLGEP, C3X-LGE, C3X-LGEP, C4X-LEP, C5X-E, C5X-EP, C5X-GEP, C5X-LE, C5X-LEP, C6X-E, C6X-EP, C6X-LE, C6X-LEP and CF5X - PLAN VIEW**

NOTE: Case-to-case electrical connections are made in front of splashguard. Overall case length shown without ends or partitions. Contact your sales representative for information on possible availability of additional case lengths.



Dimensions	8 FT	12 FT
A	96 3/8 (2448)	144 1/2 (3670)

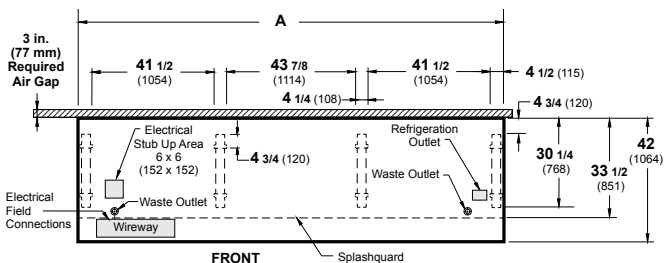
***C2X-XEP is not available in 12-foot length.**

****C2X-XGEP is not available in 8-foot length.**

C2XSC-LG and C2XSC-LP - PLAN VIEW

3-Display Levels, Multi-Deck Merchandiser with OR without Low Front Glass with 48-Inch Back

NOTE: Case-to-case electrical connections are made in front of splashguard. Contact your sales representative for information on possible availability of additional case lengths.

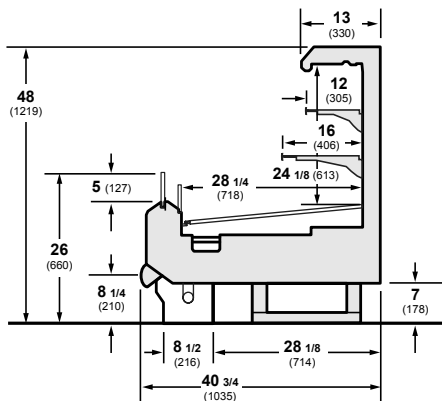


Dimensions	8 FT	12 FT
A	96 3/8 (2448)	144 1/2 (3670)

CW2EGE (Excel)

Multi-Deck Convertible Island End

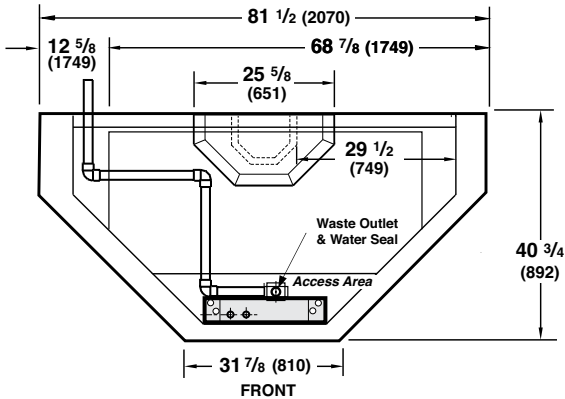
See Plan View - Page 48



CW2EGE - PLAN VIEW

Multi-Deck Convertible Island Ends

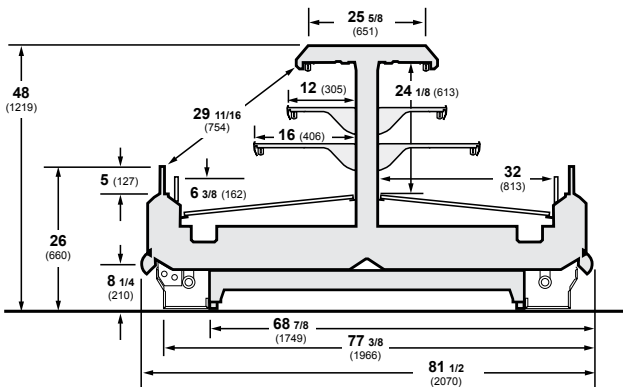
NOTE: Maximum dimension of case (back to front) includes bumper.



CW2GE (Excel)

Multi-Deck Convertible Island Merchandiser

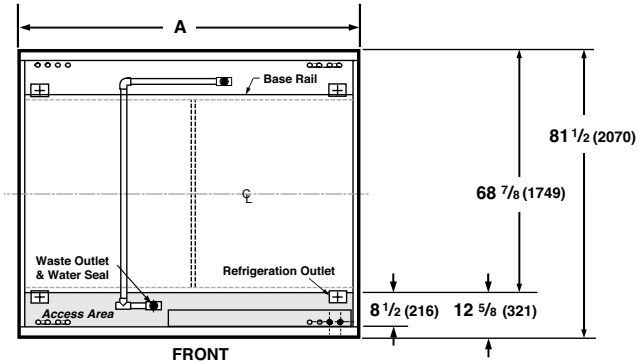
See Plan View - Page 49



CW2GE - PLAN VIEW

Multi-Deck Convertible Island Merchandiser

NOTE: Overall case length shown without ends or partitions. Contact your sales representative for information on possible availability of additional case lengths.

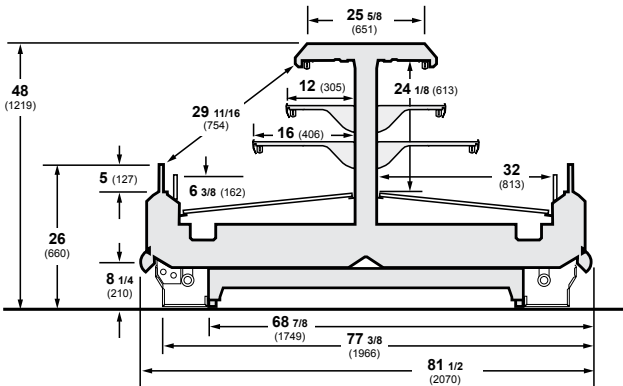


Dimensions	8 FT	12 FT
A	96 3/8 (2448)	144 1/2 (3670)

CW2UGE (Excel)

Multi-Deck Convertible Island Merchandiser

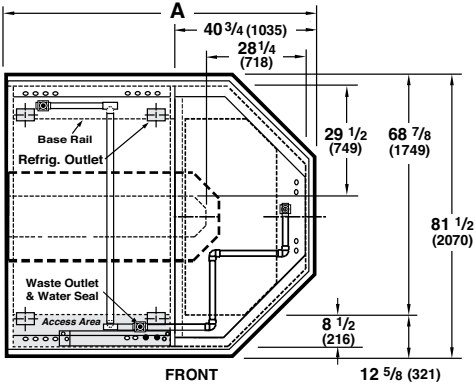
See Plan View - Page 50



CW2UGE - PLAN VIEW

Multi-Deck Convertible Island Merchandiser

NOTE: Overall case length shown without ends or partitions. Contact your sales representative for information on possible availability of additional case lengths.

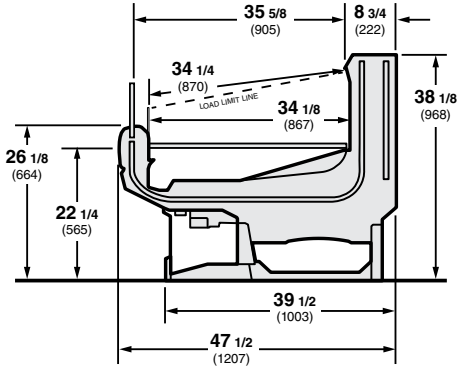


Dimensions	90 IN	138 IN
A	89 (2261)	137 (3480)

IC1BL (Insight)

Single-Deck Convertible Bulk Merchandiser with Low Front for High Volume Bulk Applications

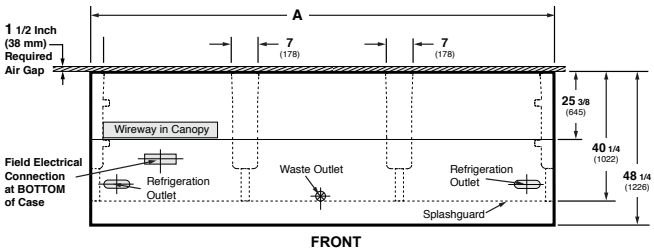
See Plan View - Below



IC1BL - PLAN VIEW

Single-Deck Convertible Bulk Merchandiser with Low Front for High Volume Bulk Applications

NOTE: Overall case length shown without ends or partitions. Contact your sales representative for information on possible availability of additional case lengths.



Dimensions

8 FT

12 FT

A

96 1/4 (2445)

144 3/8 (3668)

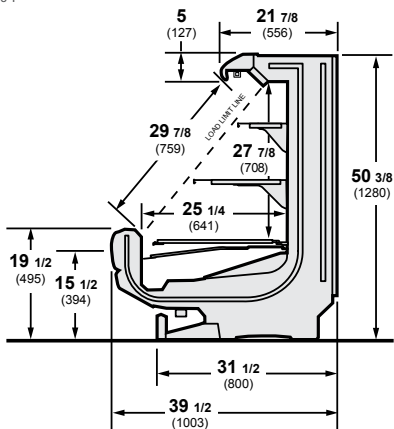
IC2NL (Insight)

2-Deck Convertible Merchandiser with Narrow Depth, Low Front for Multiple Applications

See Plan View - Page 54

NOTE:

Glass option available.
Refer to Page ix for
more information.



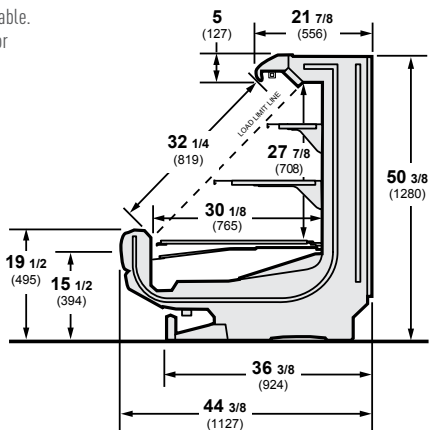
IC2SL (Insight)

2-Deck Convertible Merchandiser with Low Front for Multiple Applications

See Plan View - Page 54

NOTE:

Glass option available.
Refer to Page ix for
more information.



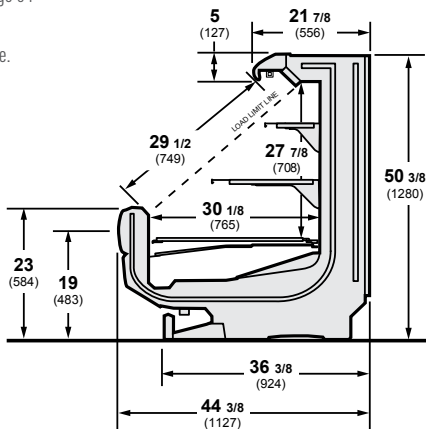
IC2SM (Insight)

2-Deck Convertible Merchandiser with Medium Front for Multiple Applications

See Plan View - Page 54

NOTE:

Glass option available.
Refer to Page ix for
more information.



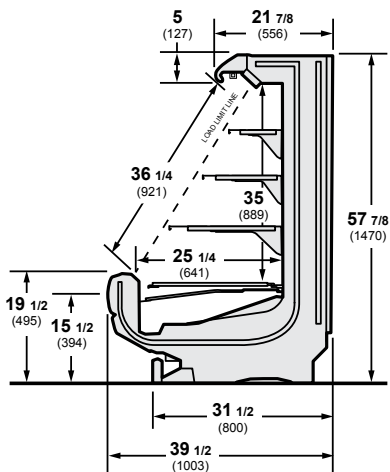
IC2XNL (Insight)

2-Deck Convertible Merchandiser with Narrow Depth, Extra Height, Low Front for Multiple Applications

See Plan View - Page 54

NOTE:

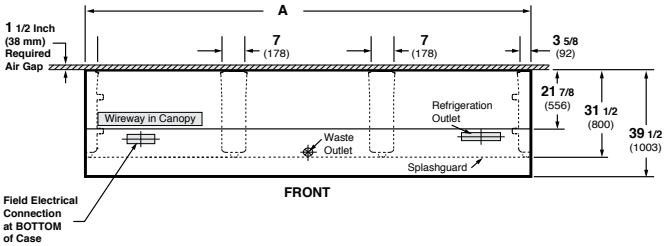
Glass option available.
Refer to Page ix for
more information.



IC2NL and IC2XNL - PLAN VIEW

2-Deck Convertible Merchandiser, Narrow Depth OR Extra Height, Low Front for Multiple Applications

NOTE: Overall case length shown without ends or partitions. Contact your sales representative for information on possible availability of additional case lengths.

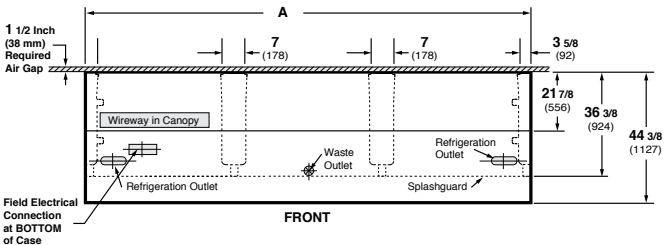


Dimensions	8 FT	12 FT
A	96 1/4 (2445)	144 3/8 (3668)

IC2SL and IC2SM - PLAN VIEW

2-Deck Convertible Merchandiser, Low OR Medium Front for Multiple Applications

NOTE: Overall case length shown without ends or partitions. Contact your sales representative for information on possible availability of additional case lengths.



Dimensions	8 FT	12 FT
A	96 1/4 (2445)	144 3/8 (3668)

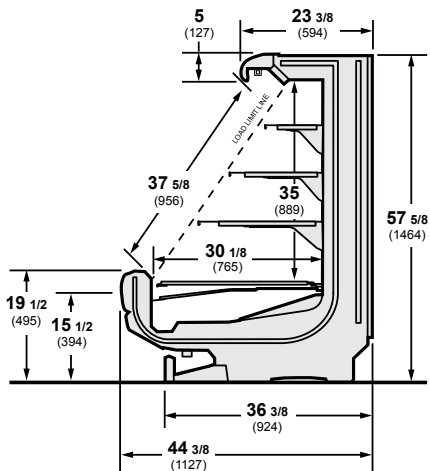
IC2XSL (Insight)

2-Deck Convertible Merchandiser, Extra Tall Standard Front-to-Back Depth with Low Front

See Plan View - Page 56

NOTE:

Glass option available.
Refer to Page ix for
more information.



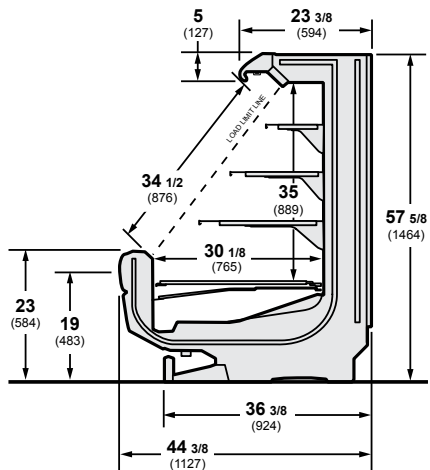
IC2XSM (Insight)

2-Deck Convertible Merchandiser, Extra Tall Standard Front-to-Back Depth with Medium Front

See Plan View - Page 56

NOTE:

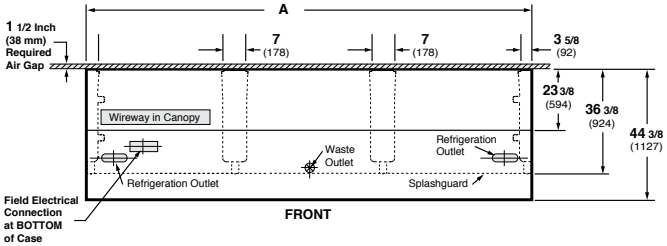
Glass option available.
Refer to Page ix for
more information.



IC2XSL and ICXSM - PLAN VIEW

2-Deck Convertible Merchandiser, Extra Tall Standard Front-to-Back Depth, Low OR Medium Front

NOTE: Overall case length shown without ends or partitions. Contact your sales representative for information on possible availability of additional case lengths.



Dimensions

	8 FT	12 FT
A	96 1/4 (2445)	144 3/8 (3668)

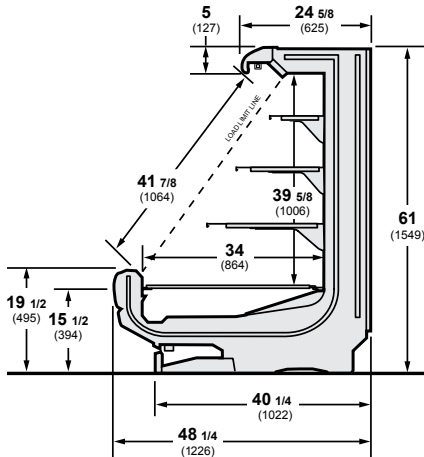
IC3BL (Insight)

3-Deck Convertible Merchandiser with Low Front for High Volume Bulk Applications

See Plan View - Page 57

NOTE:

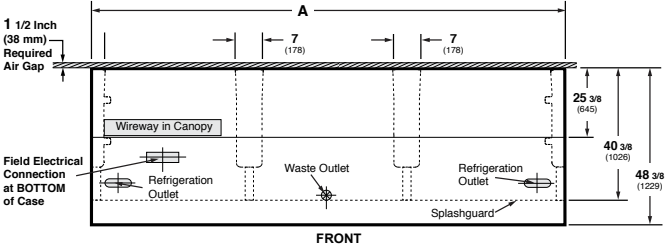
Glass option available.
Refer to Page ix for more information.



IC3BL - PLAN VIEW

3-Deck Convertible Merchandiser with Low Front for High Volume Bulk Applications

NOTE: Overall case length shown without ends or partitions. Contact your sales representative for information on possible availability of additional case lengths.



Dimensions	8 FT	12 FT
A	96 1/4 (2445)	144 3/8 (3668)

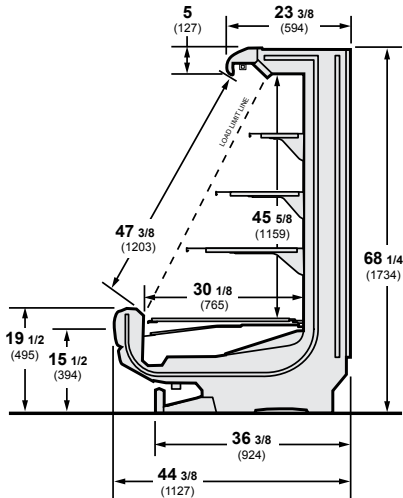
IC3SL (Insight)

3-Deck Convertible Merchandiser with Low Front for Multiple Applications

See Plan View - Page 58

NOTE:

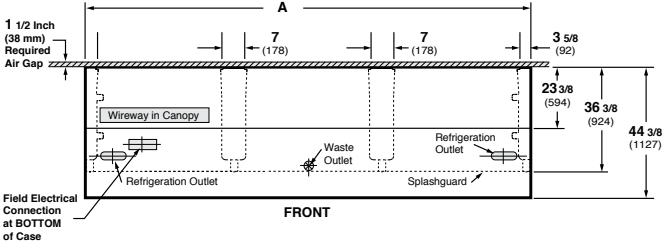
Glass option available.
Refer to Page ix for more information.



IC3SL - PLAN VIEW

3-Deck Convertible Merchandiser with Low Front for Multiple Applications

NOTE: Overall case length shown without ends or partitions. Contact your sales representative for information on possible availability of additional case lengths.



Dimensions

	8 FT	12 FT
A	96 1/4 (2445)	144 3/8 (3668)

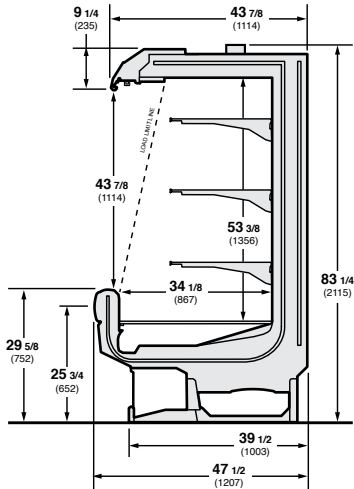
IC4BM (Insight)

4-Deck Convertible Merchandiser for High Volume Bulk Applications

See Plan View - Page 59

NOTE:

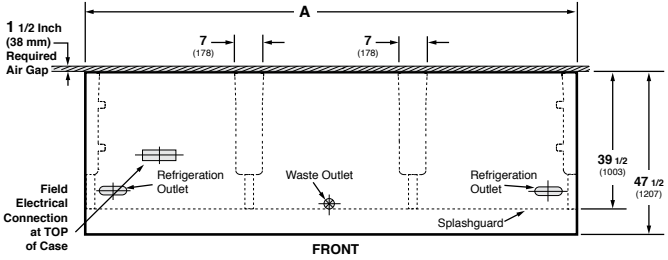
Glass option available.
Refer to Page ix for more information.



IC4BM - PLAN VIEW

4-Deck Convertible Merchandiser for High Volume Bulk Applications

NOTE: Overall case length shown without ends or partitions. Contact your sales representative for information on possible availability of additional case lengths.



Dimensions	8 FT	12 FT
A	96 1/4 (2445)	144 3/8 (3668)

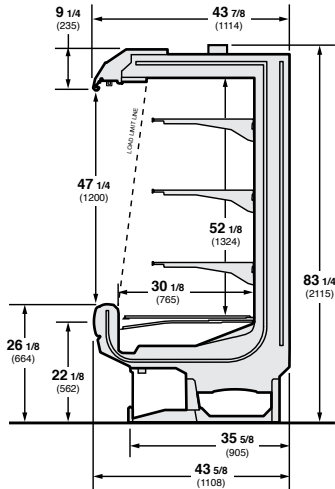
IC4SL (Insight)

4-Deck Convertible Merchandiser with Low Front for Medium Temperature Applications

See Plan View - Page 62

NOTE:

Glass option available.
Refer to Page ix for more information.



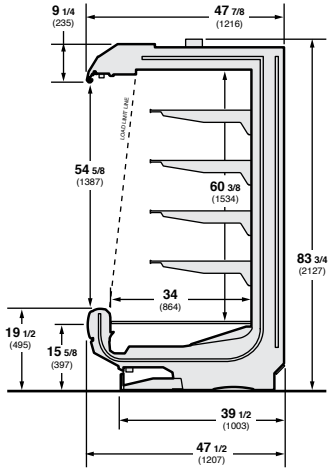
IC5BL (Insight)

5-Deck Convertible Merchandiser with Low Front for High Volume Bulk Applications

See Plan View - Page 62

NOTE:

Glass option available.
Refer to Page ix for
more information.



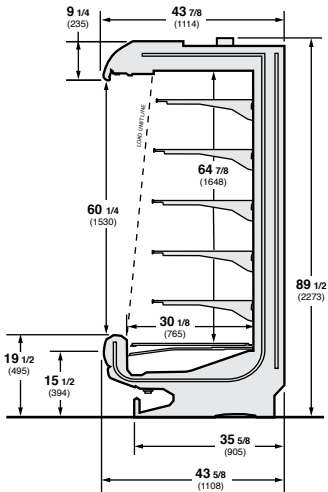
IC6SL (Insight)

6-Deck Tall Convertible Merchandiser with Low Front for Multiple Applications

See Plan View - Page 62

NOTE:

Glass option available.
Refer to Page ix for
more information.



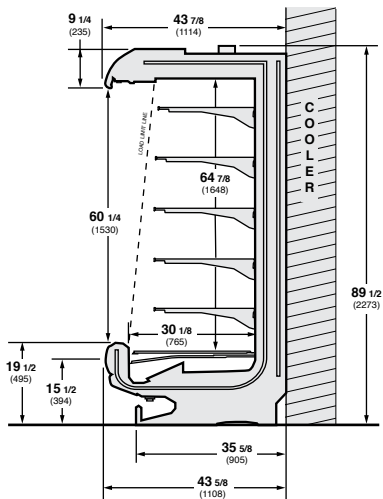
IC6SL-R (Insight)

6-Deck Tall Convertible Merchandiser with Low Front, Rear Load for Multiple Applications

See Plan View - Page 62

NOTE:

Glass option available.
Refer to Page ix for
more information.



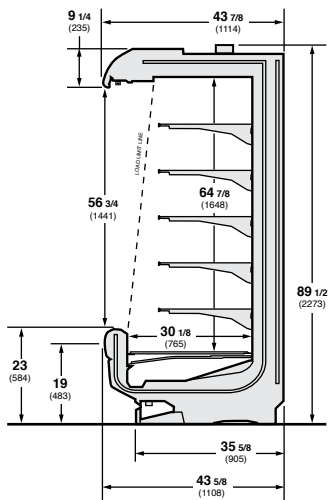
IC6SM (Insight)

6-Deck Tall Convertible Merchandiser with Medium Front for Multiple Applications

See Plan View - Page 62

NOTE:

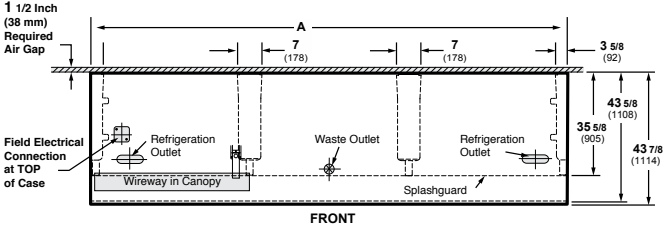
Glass option available.
Refer to Page ix for
more information.



IC4SL, 1C6SL, 1C6SL-R, and IC6SM - PLAN VIEW

4-Deck OR 6-Deck Convertible Merchandiser with Low OR Medium Fronts for Multiple Applications

NOTE: Overall case length shown without ends or partitions. Contact your sales representative for information on possible availability of additional case lengths.

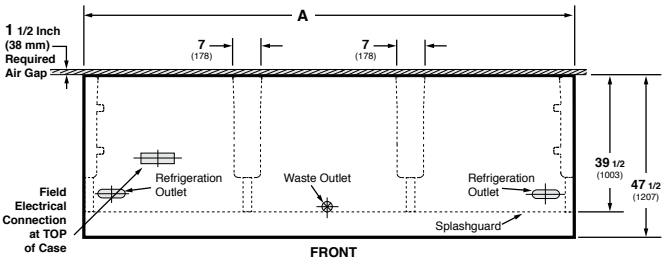


Dimensions	8 FT	12 FT
A	96 1/4 (2445)	144 3/8 (3668)

IC5BL - PLAN VIEW

5-Deck Convertible Merchandiser with Low Front for High Volume Bulk Applications

NOTE: Overall case length shown without ends or partitions. Contact your sales representative for information on possible availability of additional case lengths.



Dimensions	8 FT	12 FT
A	96 1/4 (2445)	144 3/8 (3668)

HUSSMANN®

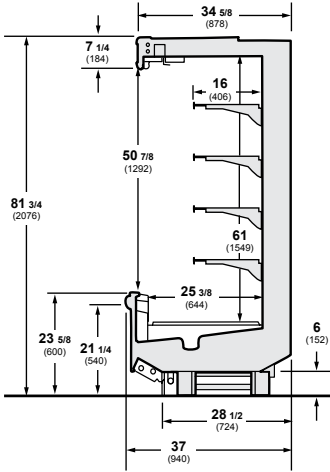
Dairy/Deli Cases



D5NX-E and D5NX-EP (Excel)

Multi-Deck, Narrow Footprint Merchandiser for Dairy/Deli Applications

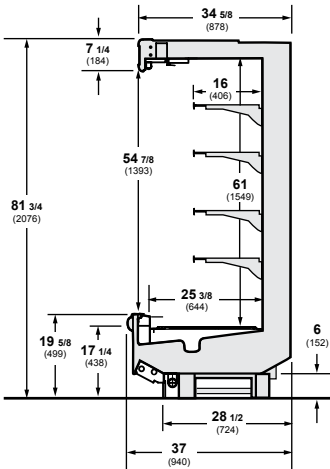
See Plan View - Page 66



D5NX-LE and D5NX-LEP (Excel)

Multi-Deck, Narrow Footprint Merchandiser with Low Front for Dairy/Deli Applications

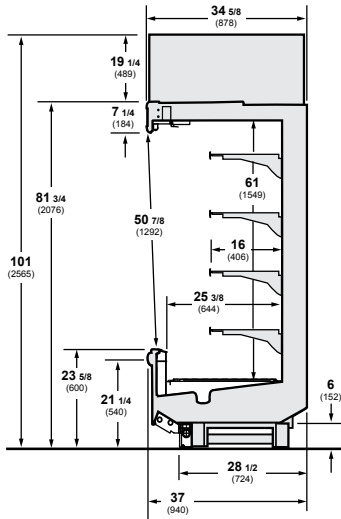
See Plan View - Page 66



DF5NX Freedom Line (Excel)

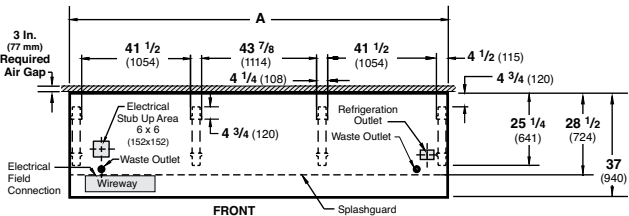
Freedom Line Multi-Deck Merchandiser with Narrow Footprint for Dairy/Deli Applications

See Plan View - Below



D5NX-E, D5NX-EP, D5NX-LE, D5NX-LEP, and DF5NX - PLAN VIEW

NOTE: Case-to-case electrical connections are made in front of splashguard. Overall case length shown without ends or partitions. Contact your sales representative for information on possible availability of additional case lengths.



Dimensions

A

8 FT

12 FT

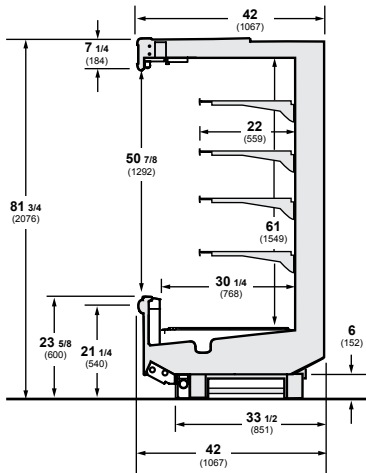
96 3/8 (2448)

144 1/2 (3670)

D5X-E and D5X-EP (Excel)

Multi-Deck Merchandiser for Dairy/Deli Applications

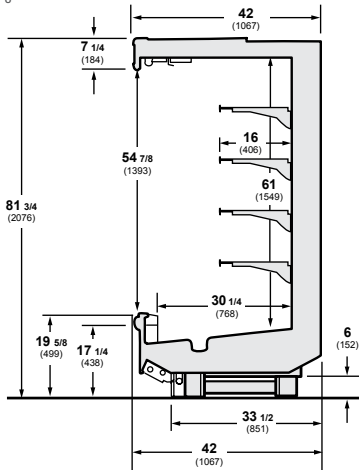
See Plan View - Page 69



D5XELE (Excel)

Multi-Deck End Merchandiser for Dairy/Deli Applications

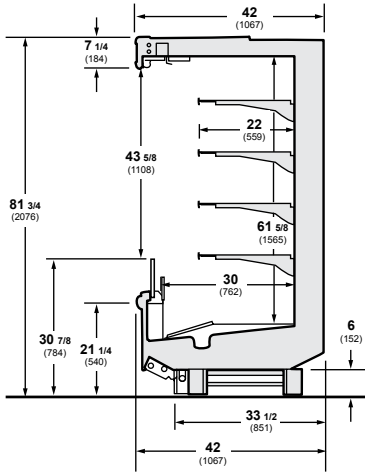
See Plan View - Page 70



D5X-GE (Excel)

Multi-Deck Merchandiser for Dairy/Deli Applications

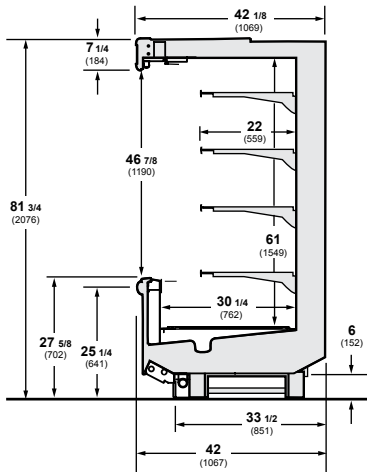
See Plan View - Page 69



D5X-HE and D5X-HEP (Excel)

Multi-Deck Merchandiser for Dairy/Deli Applications

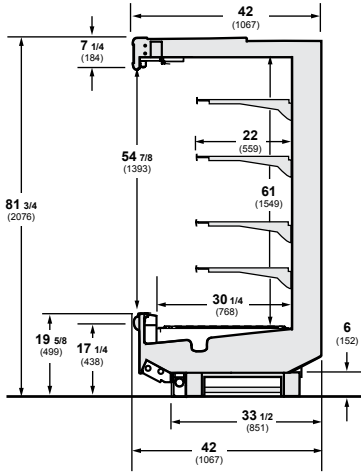
See Plan View - Page 69



D5X-LE and D5X-LEP (Excel)

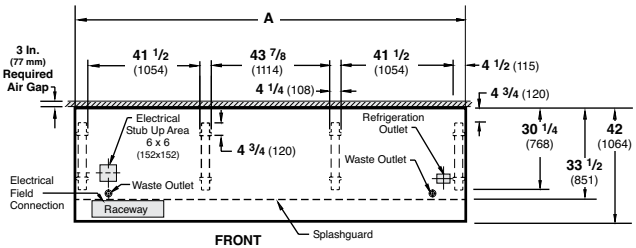
Multi-Deck Merchandiser with Low Front for Dairy/Deli Applications

See Plan View - Below



D5X-E, D5X-EP, D5X-GE, D5X-HE, D5X-HEP, D5X-LE and D5X-LEP - PLAN VIEW

NOTE: Case-to-case electrical connections are made in front of splashguard. Overall case length shown without ends or partitions. Contact your sales representative for information on possible availability of additional case lengths.



Dimensions

8 FT

12 FT

A

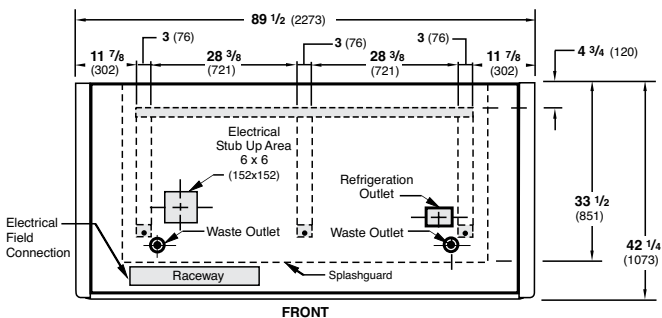
96 $\frac{3}{8}$ (2448)

144 $\frac{1}{2}$ (3670)

D5XELE - PLAN VIEW

Multi-Deck End Merchandiser for Dairy/Deli Applications

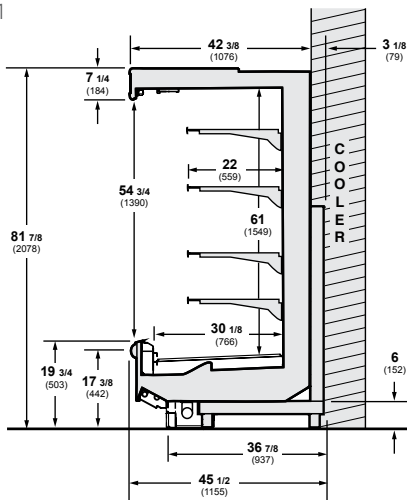
NOTE: Case-to-case electrical connections are made in front of splashguard. Contact your sales representative for information on possible availability of additional case lengths.



D5X-LRE (Excel)

Multi-Deck, Rear Load Merchandiser with Low Front for Dairy/Deli Applications

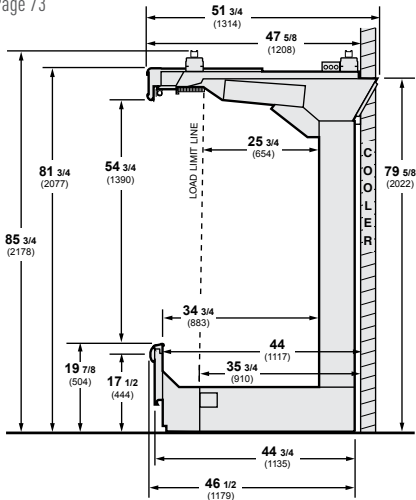
See Plan View - Page 71



D5XRR1 (Excel)

Roll-In Rear Load Merchandiser for Dairy Applications

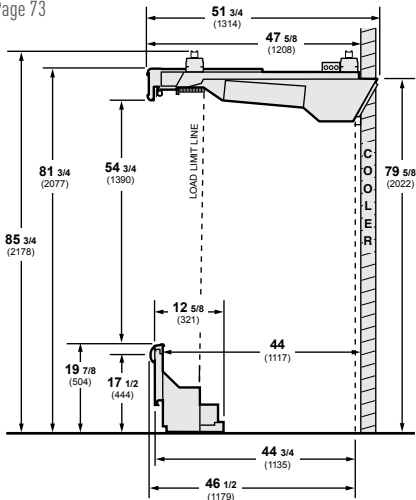
See Plan View - Page 73



D5XRR1S (Excel)

Suspended, Roll-In Rear Load Merchandiser for Dairy Applications

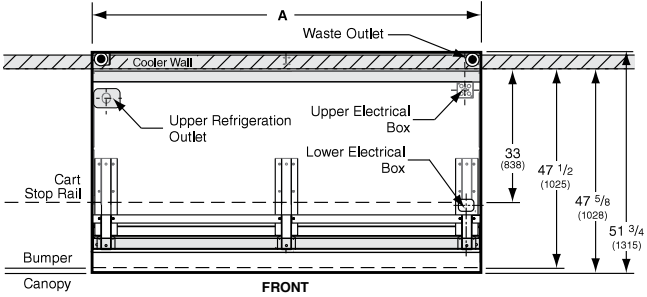
See Plan View - Page 73



D5XRR1 and D5XRRIS - PLAN VIEW

Roll-In Rear Load Merchandiser for Dairy Applications

NOTE: Each end and insulated partition adds 1 1/2" (38 mm) to the length of the lineup.
Overall case length shown without ends or partitions. Contact your sales representative for information on possible availability of additional case lengths.

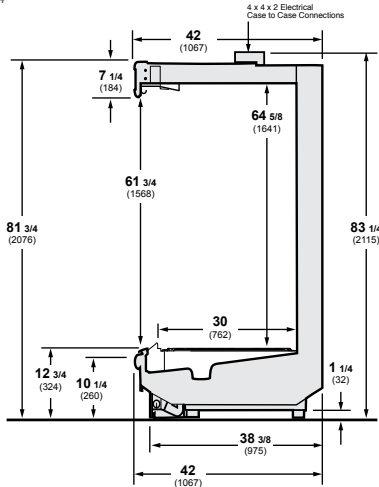


Dimensions	8 FT	12 FT
A	96 3/8 (2448)	144 1/2 (3670)

D5X-ULEP (Excel)

Multi-Deck Merchandiser with Ultra Low Front for Dairy/Deli Applications

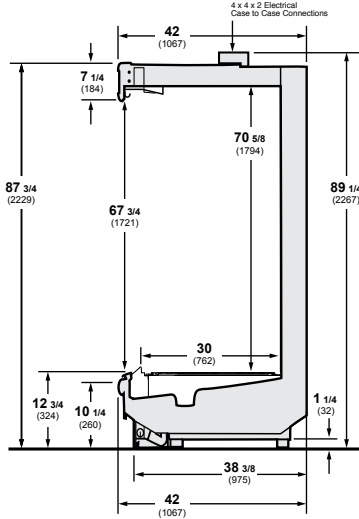
See Plan View - Page 74



D6X-ULEP (Excel)

Multi-Deck Merchandiser with Ultra Low Front for Dairy/Deli Applications

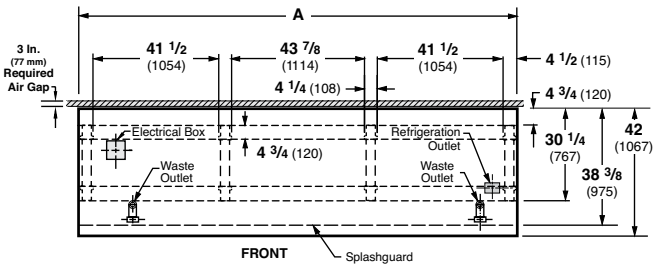
See Plan View - Below



D5X-ULEP and D6X-ULEP - PLAN VIEW

Multi-Deck Merchandiser with Ultra Low Front for Dairy/Deli Applications

NOTE: All field wiring connection points are above the case. Case-to-case connections are made in the electrical box at the top of the case. Overall case length shown without ends or partitions. Contact your sales representative for information on possible availability of additional case lengths.



Dimensions

8 FT

12 FT

A

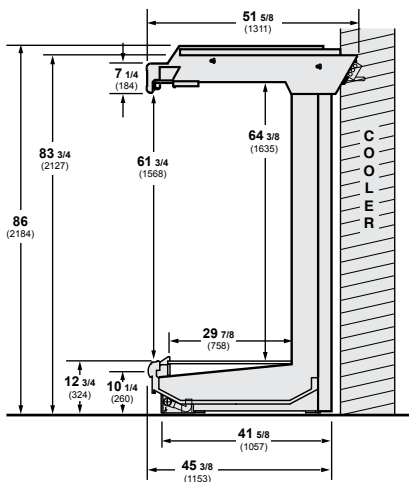
96 3/8 (2448)

144 1/2 (3670)

D5X-URLE (Excel)

Multi-Deck, Rear Load Merchandiser with Ultra Low Front for Dairy Applications

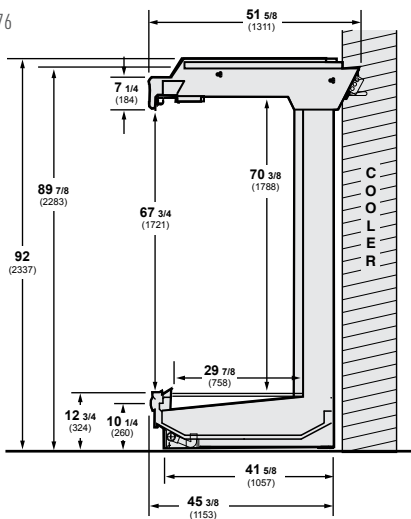
See Plan View - Page 76



D6X-URLE (Excel)

Multi-Deck, Rear Load Merchandiser with Ultra Low Front for Dairy Applications

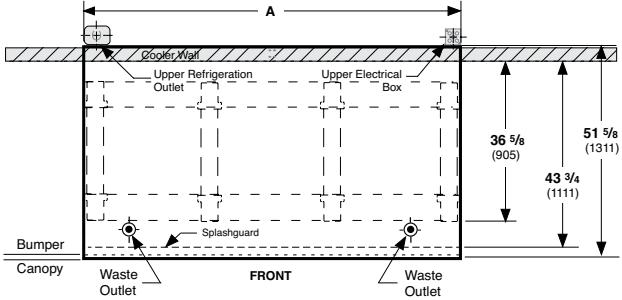
See Plan View - Page 76



D5X-URLE and D6X-URLE - PLAN VIEW

Multi-Deck, Rear Load Merchandiser with Ultra Low Front for Dairy Applications

NOTE: All field wiring connection points are above the case. Case-to-case connections are made in the electrical box at the top of the case. Overall case length shown without ends or partitions. Contact your sales representative for information on possible availability of additional case lengths.

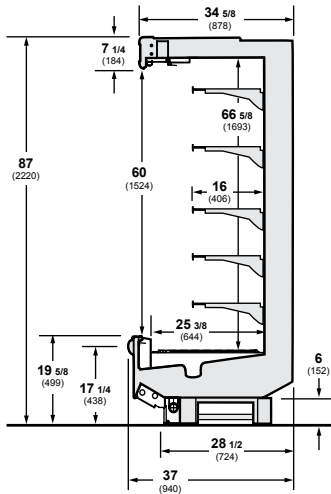


Dimensions	8 FT	12 FT
A	96 3/8 (2448)	144 1/2 (3670)

D6NX-LE and D6NX-LEP (Excel)

Multi-Deck, Extra Tall, Narrow Footprint Merchandiser with Low Front for Dairy/Deli Applications

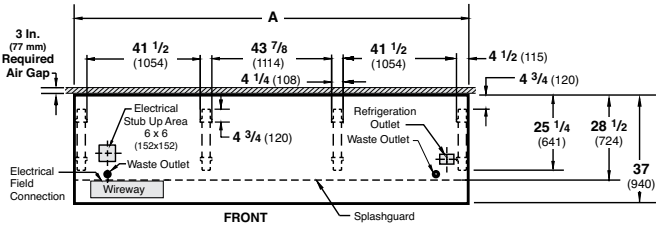
See Plan View - Page 77



D6NX-LE and D6NX-LEP - PLAN VIEW

Multi-Deck, Extra Tall, Narrow Footprint Merchandiser with Low Front for Dairy/Deli Applications

NOTE: Case-to-case electrical connections are made in front of splashguard. Overall case length shown without ends or partitions. Contact your sales representative for information on possible availability of additional case lengths.



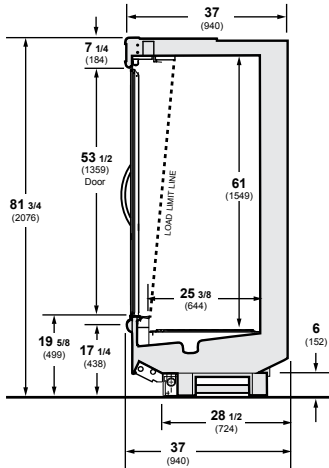
Dimensions

	8 FT	12 FT
A	96 3/8 (2448)	144 1/2 (3670)

DD5NX-L with EcoVision Doors (Excel)

Multi-Deck, Narrow Footprint Merchandiser with Low Front for Dairy/Deli Applications

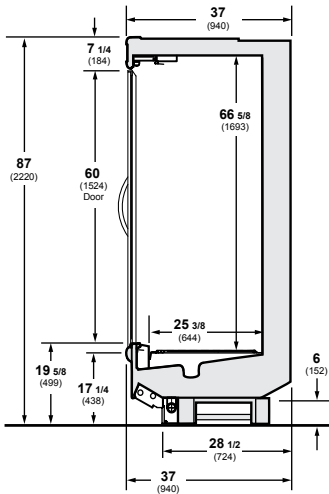
See Plan View - Page 78



DD6NX-L with EcoVision Doors (Excel)

Multi-Deck, Narrow Footprint Merchandiser with Low Front for Dairy/Deli Applications

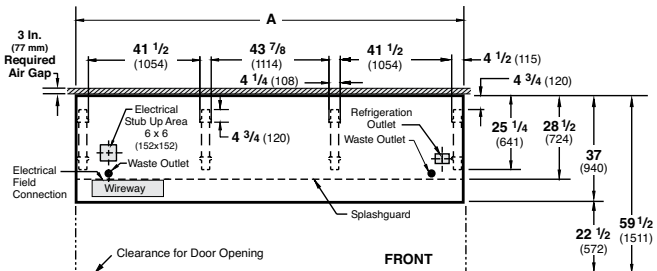
See Plan View - Below



DD5NX-L and DD6NX-L - PLAN VIEW

Multi-Deck, Narrow Footprint Merchandiser with Low Front for Dairy/Deli Applications

NOTE: Case-to-case electrical connections are made in front of splashguard. Overall case length shown without ends or partitions. Contact your sales representative for information on possible availability of additional case lengths.



Dimensions

A

8 FT

12 FT

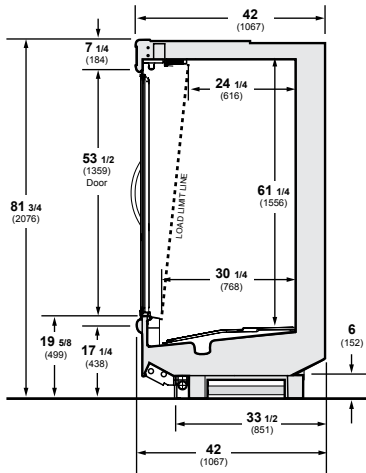
96 3/8 (2448)

144 1/2 (3670)

DD5X-LP with EcoVision Doors (Excel)

Multi-Deck Merchandiser with Low Front for Dairy/Deli Applications

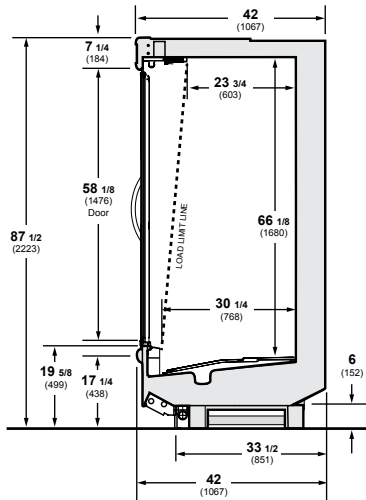
See Plan View - Page 80



DD6X-LP with EcoVision Doors (Excel)

Multi-Deck, Extra Tall Merchandiser with Low Front for Dairy/Deli Applications

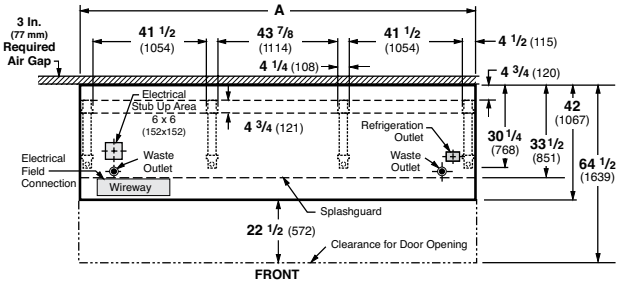
See Plan View - Page 80



DD5X-LP and DD6X-LP - PLAN VIEW

Multi-Deck, Extra Tall Merchandiser with Low Front for Dairy/Deli Applications

NOTE: Case-to-case electrical connections are made in front of splashguard. Overall case length shown without ends or partitions. Contact your sales representative for information on possible availability of additional case lengths.



Dimensions

A

8 FT

12 FT

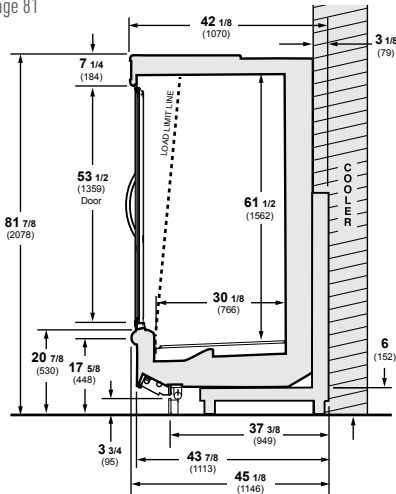
96 3/8 (2448)

144 1/2 (3670)

DD5X-LR with EcoVision Doors (Excel)

Multi-Deck Merchandiser with Low Front, Rear Sliding Doors for Dairy/Deli Applications

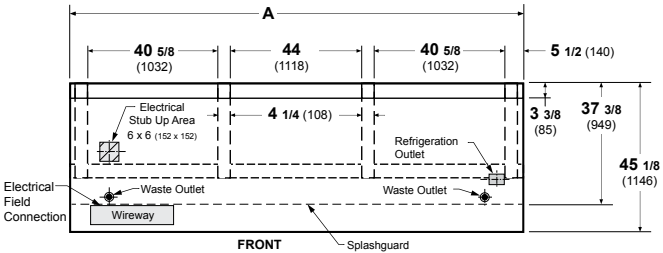
See Plan View - Page 81



DD5X-LR - PLAN VIEW

Multi-Deck Merchandiser with Low Front, Rear Sliding Doors for Dairy/Deli Applications

NOTE: Case-to-case electrical connections are made in front of splashguard. Overall case length shown without ends or partitions. Contact your sales representative for information on possible availability of additional case lengths.

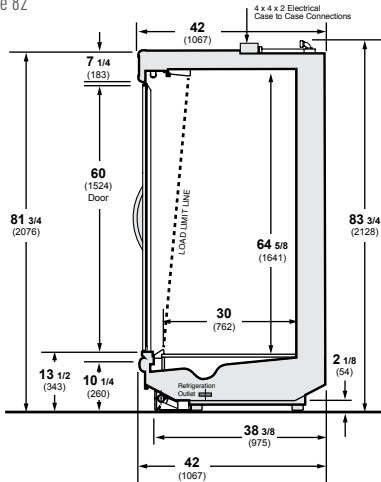


Dimensions	8 FT	12 FT
A	96 3/8 (2448)	144 1/2 (3670)

DD5X-ULP with EcoVision Doors (Excel)

Multi-Deck Merchandiser with Ultra Low Front for Dairy/Deli Applications

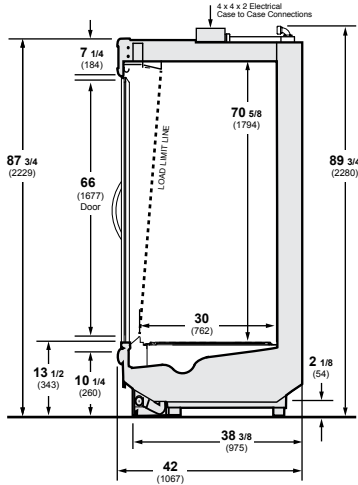
See Plan View - Page 82



DD6X-ULP with EcoVision Doors (Excel)

Multi-Deck Merchandiser with Ultra Low Front for Dairy/Deli Applications

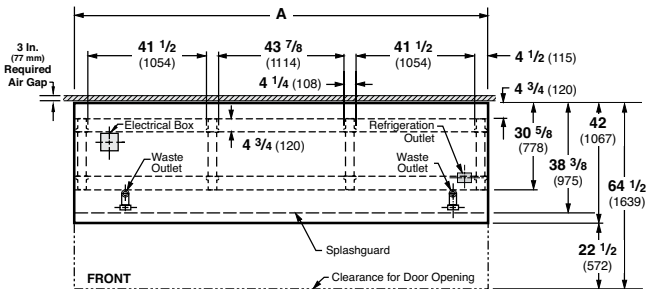
See Plan View - Below



DD5X-ULP and DD6X-ULP - PLAN VIEW

Multi-Deck Merchandiser with Low Front for Dairy/Deli Applications

NOTE: All field wiring connection points are above the case. Case-to-case connections are made in the electrical box at the top of the case. Overall case length shown without ends or partitions. Contact your sales representative for information on possible availability of additional case lengths.



Dimensions

A

8 FT

96 3/8 (2448)

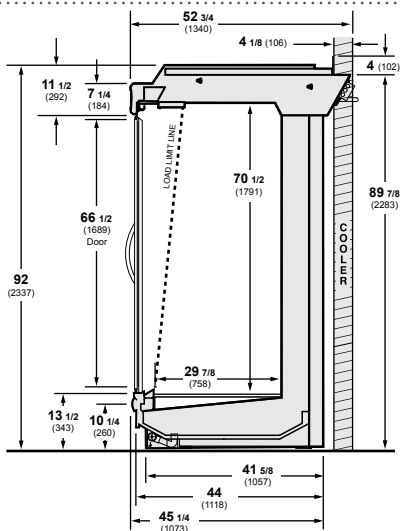
12 FT

144 1/2 (3670)

DD6X-URE with EcoVision Doors (Excel)

Multi-Deck Merchandiser with Ultra-Low Front, Rear Sliding Doors for Dairy/Deli Applications

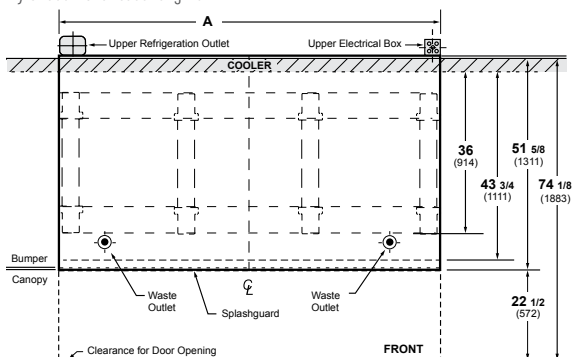
See Plan View - Below



DD6X-URE with EcoVision Doors - PLAN VIEW

Multi-Deck Merchandiser with Ultra-Low Front, Rear Sliding Doors for Dairy/Deli Applications

NOTE: Case-to-case electrical connections are made in front of splashguard. Overall case length shown without ends or partitions. Contact your sales representative for information on possible availability of additional case lengths.



Dimensions

8 FT

12 FT

A

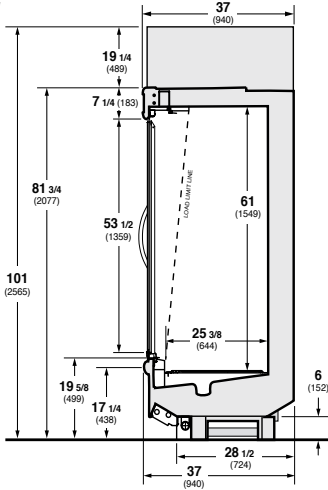
96 3/8 (2448)

144 1/2 (3670)

DDF5NX-L Freedom Line (Excel)

Multi-Deck Merchandiser with Low Front for Dairy/Deli Applications

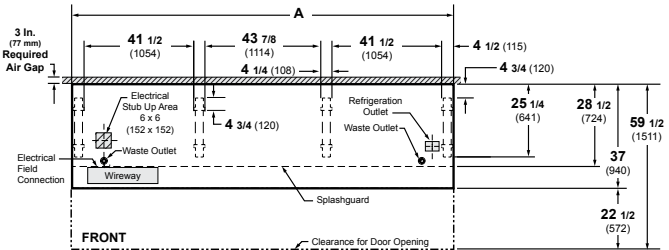
See Plan View - Below



DDF5NX-L Freedom Line - PLAN VIEW

Multi-Deck Merchandiser with Low Front for Dairy/Deli Applications

NOTE: Case-to-case electrical connections are made in front of splashguard. Overall case length shown without ends or partitions. Contact your sales representative for information on possible availability of additional case lengths.



Dimensions

A

4 FT

6 FT

48 3/8 (1229)

72 3/8 (1838)

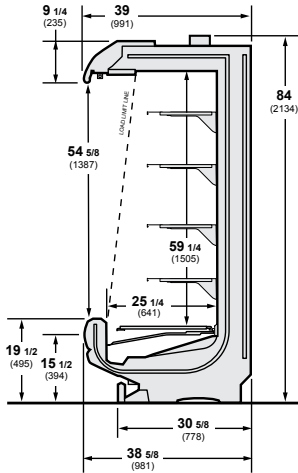
ID5NL (Insight)

5-Deck Merchandiser, Narrow Depth with Low Front for Dairy/Deli Applications

See Plan View - Page 95

NOTE:

Glass option available.
Refer to Page ix for
more information.



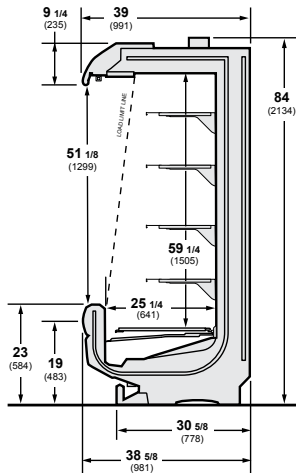
ID5NM (Insight)

5-Deck Merchandiser, Narrow Depth with Medium Front for Dairy/Deli Applications

See Plan View - Page 95

NOTE:

Glass option available.
Refer to Page ix for
more information.



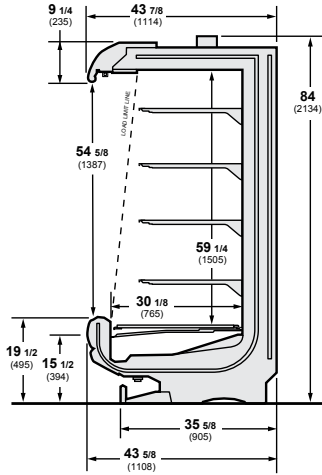
ID5SL (Insight)

5-Deck Merchandiser, Standard Depth with Low Front for Dairy/Deli Applications

See Plan View - Page 96

NOTE:

Glass option available.
Refer to Page ix for
more information.



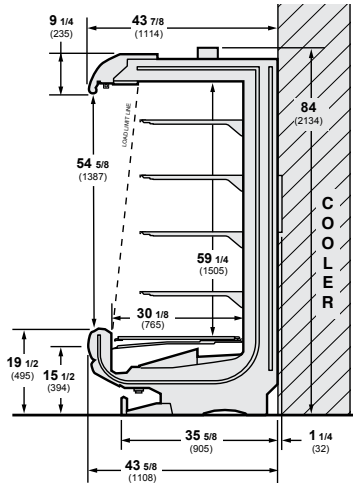
ID5SL-R (Insight)

5-Deck Merchandiser, Standard Depth with Low Front, Rear Sliding Doors for Dairy/Deli Applications

See Plan View - Page 96

NOTE:

Glass option available.
Refer to Page ix for
more information.



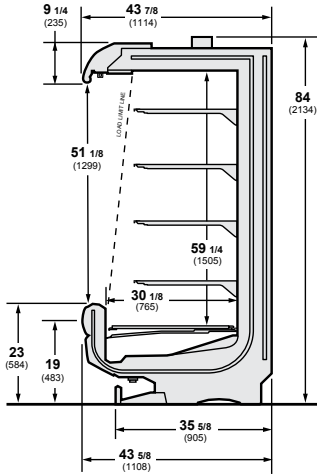
ID5SM (Insight)

5-Deck Merchandiser, Standard Depth with Medium Front for Dairy/Deli Applications

See Plan View - Page 96

NOTE:

Glass option available.
Refer to Page ix for
more information.



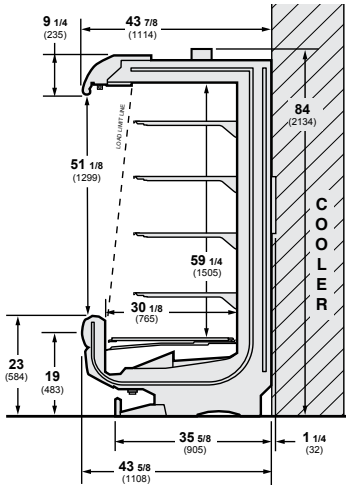
ID5SM-R (Insight)

5-Deck Merchandiser, Standard Depth with Medium Front, Rear Sliding Doors for Dairy/Deli Applications

See Plan View - Page 96

NOTE:

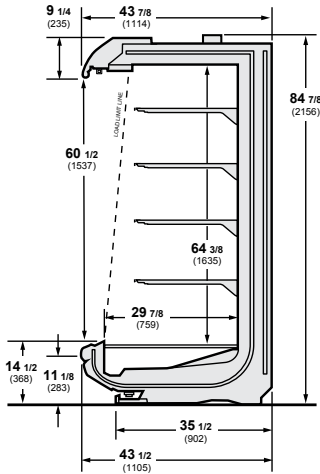
Glass option available.
Refer to Page ix for
more information.



ID5SU (Insight)

5-Deck Merchandiser, Standard Depth with Ultra Low Front for Dairy/Deli Applications

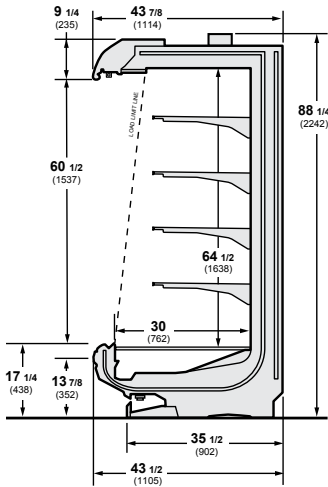
See Plan View - Page 97



ID5SV (Insight)

5-Deck Merchandiser, Standard Depth with Very Low Front for Dairy/Deli Applications

See Plan View - Page 97



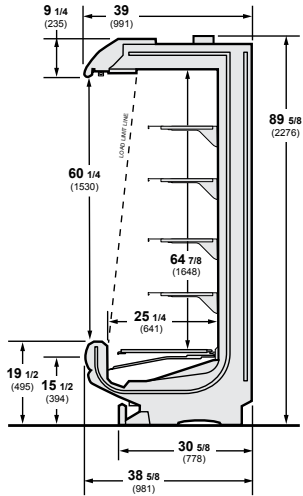
ID6NL (Insight)

6-Deck Tall Merchandiser, Narrow Depth with Low Front for Dairy/Deli Applications

See Plan View - Page 95

NOTE:

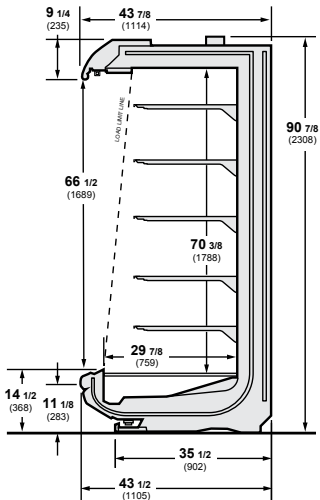
Glass option available.
Refer to Page ix for
more information.



ID6SU (Insight)

6-Deck Extra Tall Merchandiser, Standard Depth with Ultra Low Front for Dairy/Deli Applications

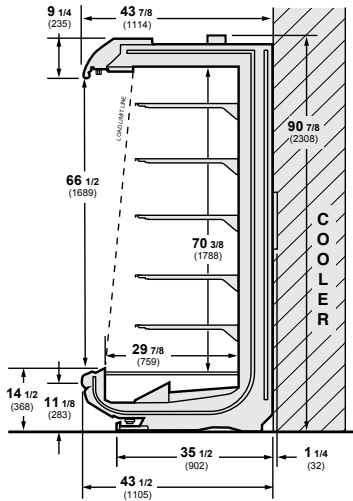
See Plan View - Page 97



ID6SU-R (Insight)

6-Deck Merchandiser, Standard Depth with Ultra Low Front, Rear Sliding Doors for Dairy/Deli Applications

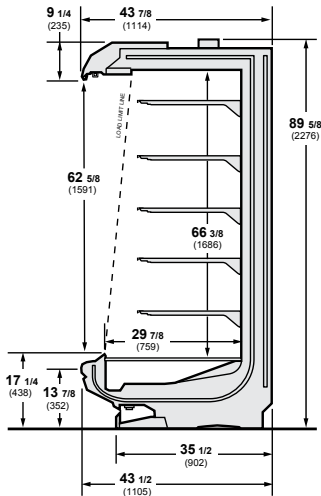
See Plan View - Page 97



ID6SV (Insight)

6-Deck Extra Tall Merchandiser, Standard Depth with Very Low Front for Dairy/Deli Applications

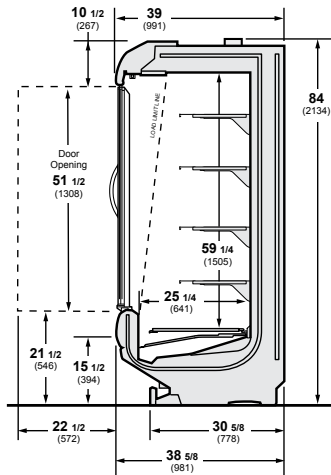
See Plan View - Page 97



IDD5NL with EcoVision Doors (Insight)

6-Deck Tall Merchandiser, Narrow Depth with Low Front for Dairy/Deli Applications

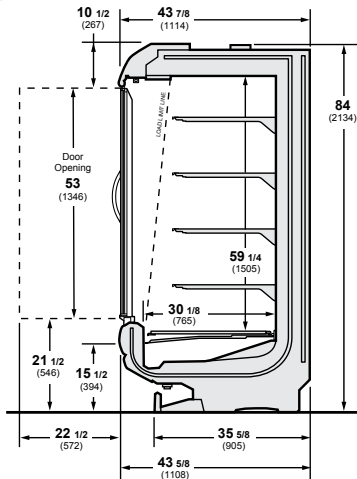
See Plan View - Page 98



IDD5SL with EcoVision Doors (Insight)

5-Deck Merchandiser, Standard Depth with Low Front for Dairy/Deli Applications

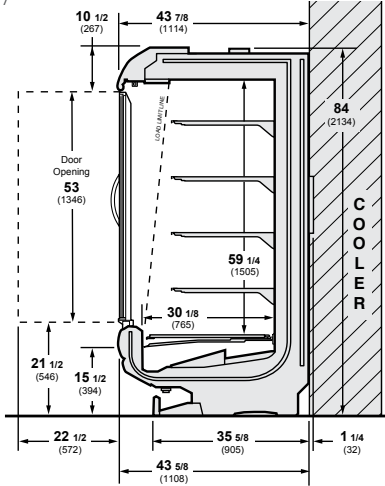
See Plan View - Page 98



IDD5SL-R with EcoVision Doors (Insight)

5-Deck Merchandiser, Standard Depth with Low Front, Rear Sliding Doors for Dairy/Deli Applications

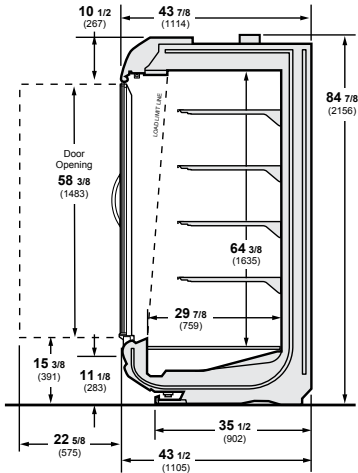
See Plan View - Page 99



IDD5SU with EcoVision Doors (Insight)

5-Deck Merchandiser, Standard Depth with Ultra Low Front for Dairy/Deli Applications

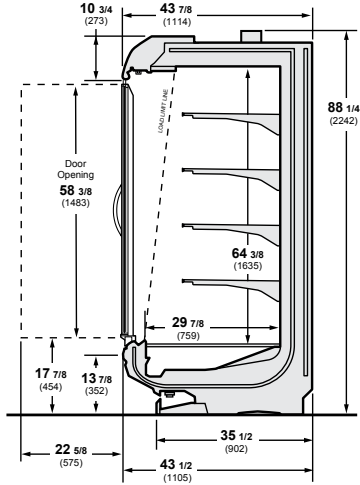
See Plan View - Page 99



IDD5SV with EcoVision Doors (Insight)

5-Deck Merchandiser, Standard Depth with Very Low Front for Dairy/Deli Applications

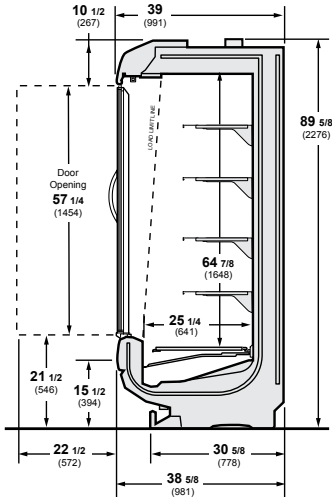
See Plan View - Page 99



IDD6NL with EcoVision Doors (Insight)

6-Deck Merchandiser, Narrow Depth with Low Front for Dairy/Deli Applications

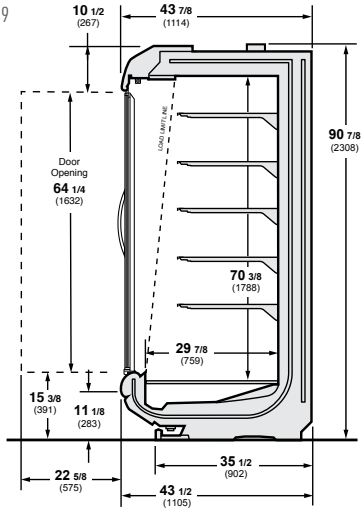
See Plan View - Page 98



IDD6SU with EcoVision Doors (Insight)

6-Deck Merchandiser, Standard Depth with Ultra Low Front for Dairy/Deli Applications

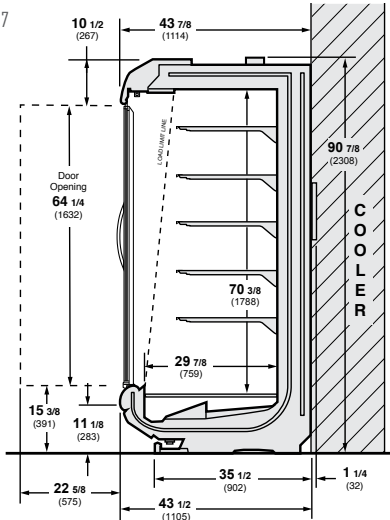
See Plan View - Page 99



IDD6SU-R with EcoVision Doors (Insight)

6-Deck Merchandiser, Standard Depth with Ultra Low Front, Rear Sliding Doors for Dairy/Deli Applications

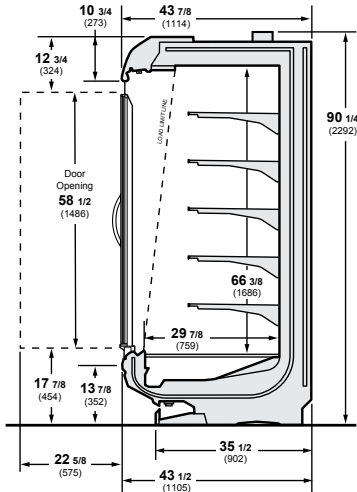
See Plan View - Page 97



IDD6SV with EcoVision Doors (Insight)

6-Deck Merchandiser, Standard Depth with Very Low Front for Dairy/Deli Applications

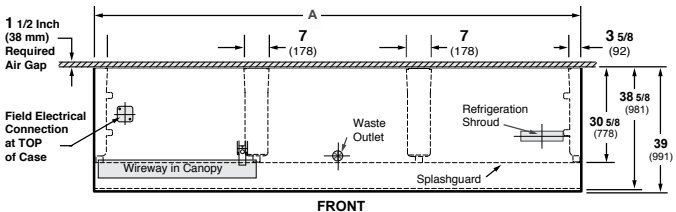
See Plan View - Page 99



ID5NL, ID5NM, and ID6NL - PLAN VIEW

5-Deck OR 6-Deck Merchandiser, Narrow Depth with Low OR Medium Front for Dairy/Deli Applications

NOTE: Overall case length shown without ends or partitions. Contact your sales representative for information on possible availability of additional case lengths.



Dimensions

8 FT

12 FT

A

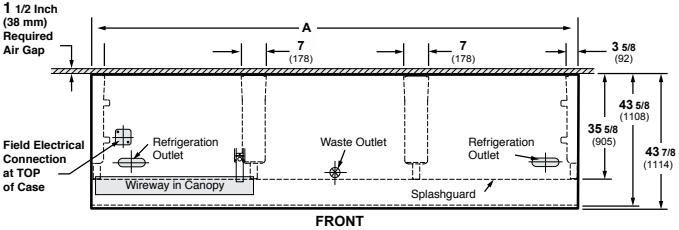
96 1/4 (2445)

144 3/8 (3668)

ID5SL and ID5SM - PLAN VIEW

5-Deck Merchandiser, Narrow Depth with Low OR Medium Front for Dairy/Deli Applications

NOTE: Overall case length shown without ends or partitions. Contact your sales representative for information on possible availability of additional case lengths.

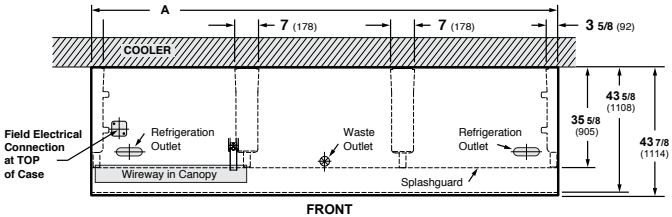


Dimensions	8 FT	12 FT
A	96 1/4 (2445)	144 3/8 (3668)

ID5SL-R and ID5SM-R - PLAN VIEW

5-Deck Merchandiser, Narrow Depth with Low OR Medium Front, Rear Sliding Doors for Dairy/Deli Applications

NOTE: Overall case length shown without ends or partitions. Contact your sales representative for information on possible availability of additional case lengths.

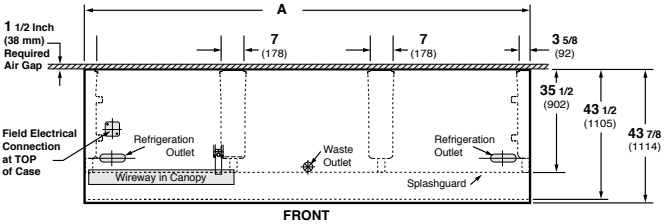


Dimensions	8 FT	12 FT
A	96 1/4 (2445)	144 3/8 (3668)

ID5SU, ID5SV, ID6SU, and ID6SV - PLAN VIEW

5-Deck OR 6-Deck Merchandiser, Standard Depth with Ultra Low OR Very Low Front for Dairy/Deli Applications

NOTE: Overall case length shown without ends or partitions. Contact your sales representative for information on possible availability of additional case lengths.



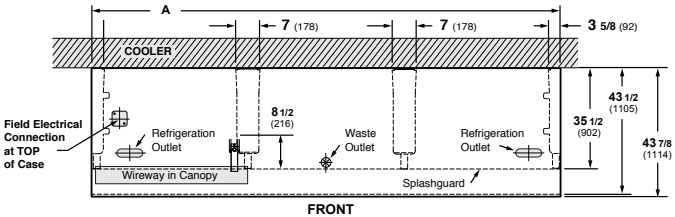
Dimensions

	8 FT	12 FT
A	96 1/4 (2445)	144 3/8 (3668)

ID6SU-R and IDD6SU-R - PLAN VIEW

6-Deck Merchandiser, Standard Depth with Ultra Low OR Very Low Front, Rear Sliding Doors

NOTE: Overall case length shown without ends or partitions. Contact your sales representative for information on possible availability of additional case lengths.



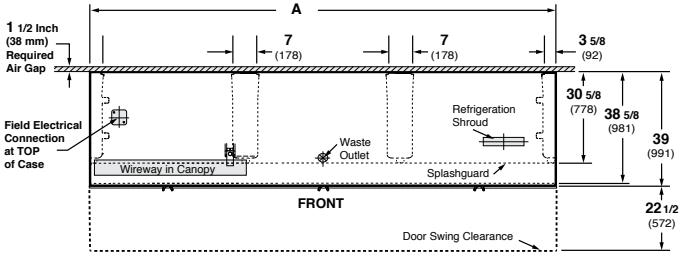
Dimensions

	8 FT	12 FT
A	96 1/4 (2445)	144 3/8 (3668)

IDD5NL and IDD6NL - PLAN VIEW

5-Deck OR 6-Deck Merchandiser, Narrow Depth with Low Front for Dairy/Deli Applications

NOTE: Overall case length shown without ends or partitions. Contact your sales representative for information on possible availability of additional case lengths.

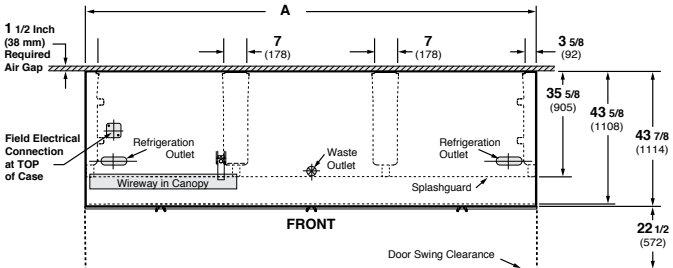


Dimensions	8 FT	12 FT
A	96 1/4 (2445)	144 3/8 (3668)

IDD5SL - PLAN VIEW

5-Deck Merchandiser, Standard Depth with Low Front for Dairy/Deli Applications

NOTE: Overall case length shown without ends or partitions. Contact your sales representative for information on possible availability of additional case lengths.

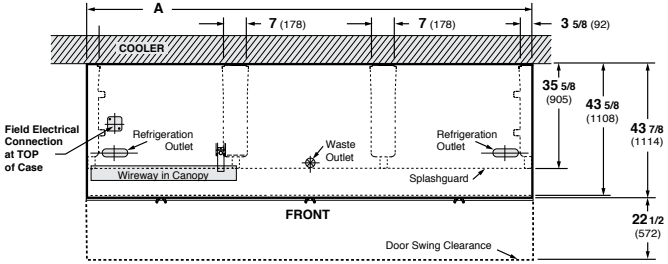


Dimensions	8 FT	12 FT
A	96 1/4 (2445)	144 3/8 (3668)

IDD5SL-R - PLAN VIEW

5-Deck Merchandiser, Standard Depth with Low Front, Rear Sliding Doors for Dairy/Deli Applications

NOTE: Overall case length shown without ends or partitions. Contact your sales representative for information on possible availability of additional case lengths.

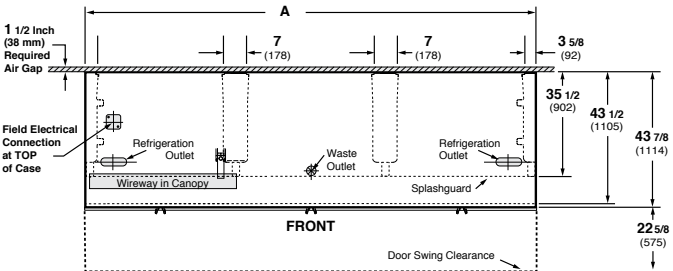


Dimensions	8 FT	12 FT
A	96 1/4 (2445)	144 3/8 (3668)

IDD5SU, IDD5SV, IDD6SU, and IDD6SV - PLAN VIEW

5-Deck OR 6-Deck Merchandiser, Standard Depth with Ultra Low OR Very Low Front for Dairy/Deli Applications

NOTE: Overall case length shown without ends or partitions. Contact your sales representative for information on possible availability of additional case lengths.

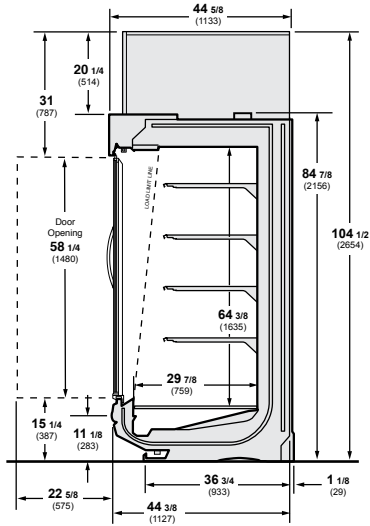


Dimensions	8 FT	12 FT
A	96 1/4 (2445)	144 3/8 (3668)

IDDF5SU Freedom Line with EcoVision Doors (Insight)

5-Deck Merchandiser with Ultra Low Front for Dairy Applications

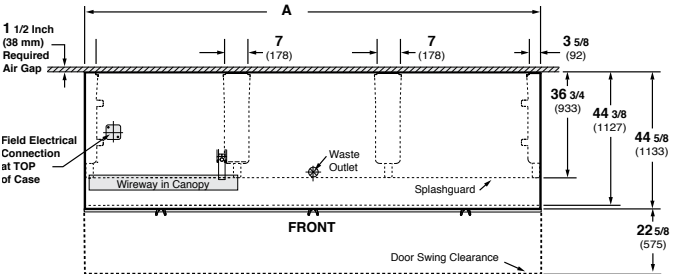
See Plan View - Below



IDDF5SU Freedom Line - PLAN VIEW

5-Deck Merchandiser with Ultra Low Front for Dairy Applications

NOTE: Overall case length shown without ends or partitions. Contact your sales representative for information on possible availability of additional case lengths.



Dimensions

8 FT

12 FT

A

96 1/4 (2445)

144 3/8 (3668)

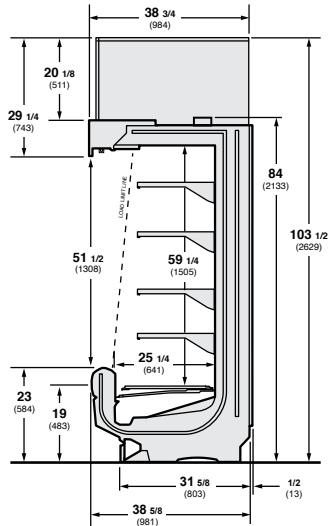
IDF5NM Freedom Line (Insight)

5-Deck Merchandiser, Narrow Depth with Medium Front for Dairy Applications

See Plan View - Below

NOTE:

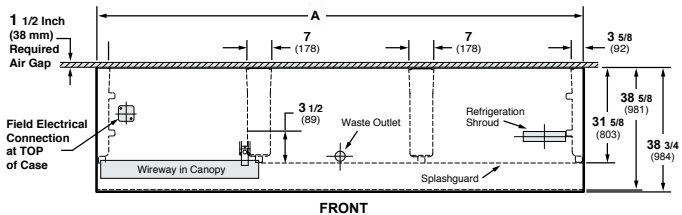
Glass option available.
Refer to Page ix for more information.



IDF5NM Freedom Line - PLAN VIEW

5-Deck Merchandiser, Narrow Depth with Medium Front for Dairy Applications

NOTE: Overall case length shown without ends or partitions. Contact your sales representative for information on possible availability of additional case lengths.



Dimensions

A

8 FT

12 FT

96 1/4 (2445)

144 3/8 (3668)

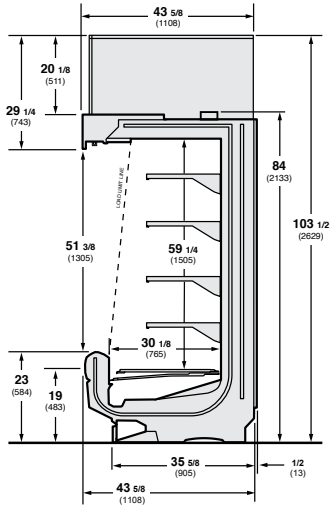
IDF5SM Freedom Line (Insight)

5-Deck Merchandiser with Medium Front for Dairy Applications

See Plan View - Below

NOTE:

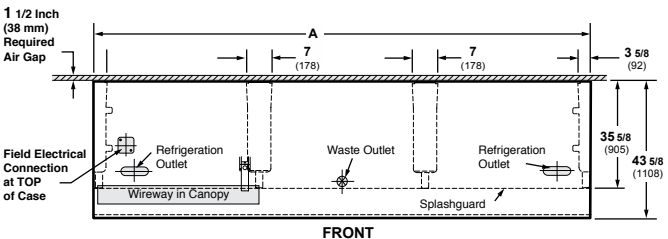
Glass option available.
Refer to Page ix for more information.



IDF5SM Freedom Line - PLAN VIEW

5-Deck Merchandiser with Medium Front for Dairy Applications

NOTE: Overall case length shown without ends or partitions. Contact your sales representative for information on possible availability of additional case lengths.



Dimensions

A

8 FT

12 FT

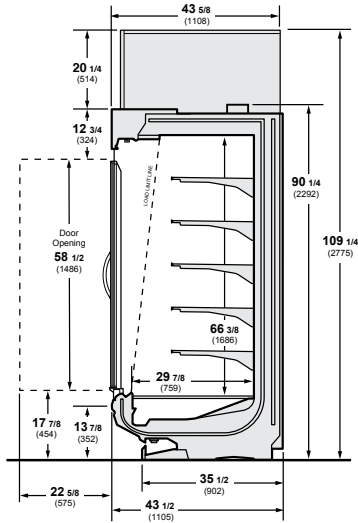
96 1/4 (2445)

144 3/8 (3668)

IDDF6SV Freedom Line with EcoVision Doors (Insight)

6-Deck Merchandiser with Very Low Front for Dairy Applications

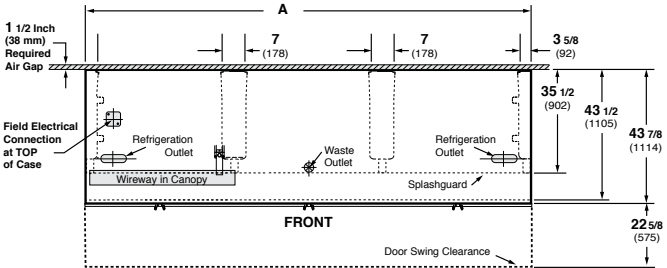
See Plan View - Below



IDDF6SV Freedom Line - PLAN VIEW

6-Deck Merchandiser with Very Low Front for Dairy Applications

NOTE: Overall case length shown without ends or partitions. Contact your sales representative for information on possible availability of additional case lengths.



Dimensions

A

8 FT

12 FT

96 1/4 (2445)

144 3/8 (3668)

HUSSmann®

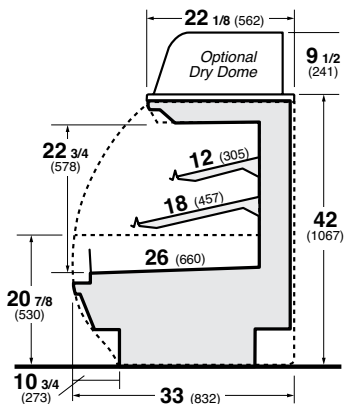
Deli Cases



CR3FO (Specialty)

Self-Service/Service Merchandiser with Optional Dry Dome for Deli Applications

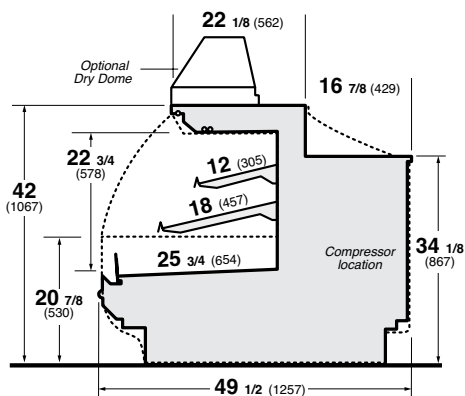
See Plan View - Page 106



CR3FO-SC (Specialty)

Self-Service/Service Merchandiser, Rear Mount Compressor with Optional Dry Dome for Dairy Applications

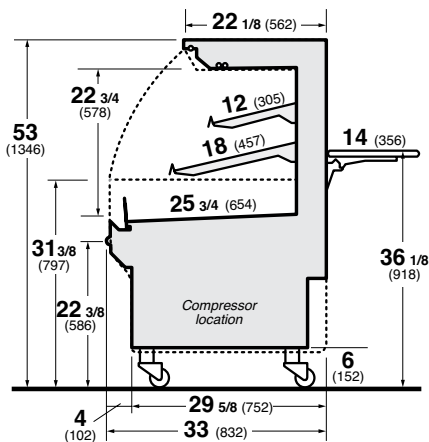
See Plan View - Page 106



CR3FO-SC (Specialty)

Self-Service/Service Merchandiser with Optional Casters for Deli Applications

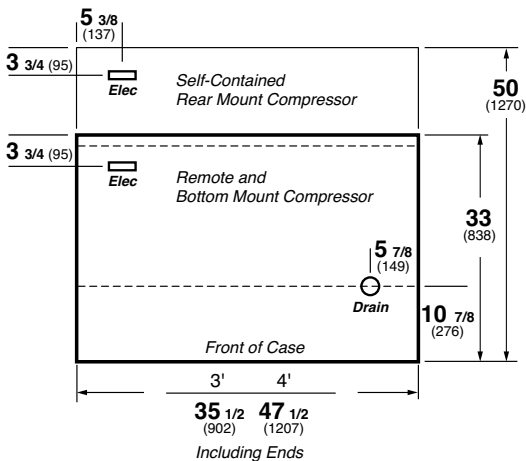
See Plan View - Below



CR3FO and CR3FO-SC - PLAN VIEW

Self-Service/Service Merchandiser with OR without Rear Mount Compressor, with OR without Casters with Optional Dry Dome

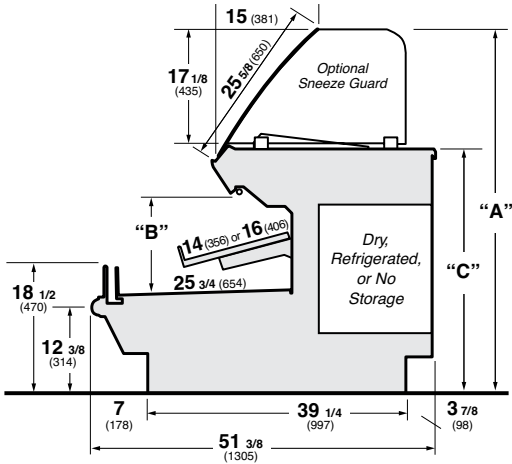
NOTE: Contact your sales representative for information on possible availability of additional case lengths.



CR3-P (Specialty)

Prep Top with Refrigerated Self-Service/Service Merchandiser with Curved Glass for Deli Applications

See Plan View - Page 110

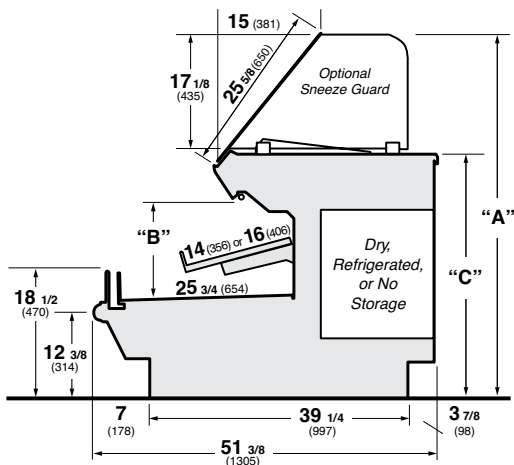


Dimension	Standard	+ 2"	+ 4"
"A"	53 1/2 (1359)	55 1/2 (1410)	57 1/2 (1461)
"B"	15 1/8 (384)	17 1/8 (435)	19 1/8 (486)
"C"	36 3/8 (924)	38 3/8 (975)	40 3/8 (1026)
(Qty) Self-Service Shelves	(1)	(2)	(2)
Lengths	14 (356)	12 (305)	12 (305)
	OR	14 (356)	14 (356)
	16 (406)	OR	OR
		16 (406)	16 (406)

R3-P (Specialty)

Prep Top with Refrigerated Self-Service/Service Merchandiser with Straight Glass for Deli Applications

See Plan View - Page 110

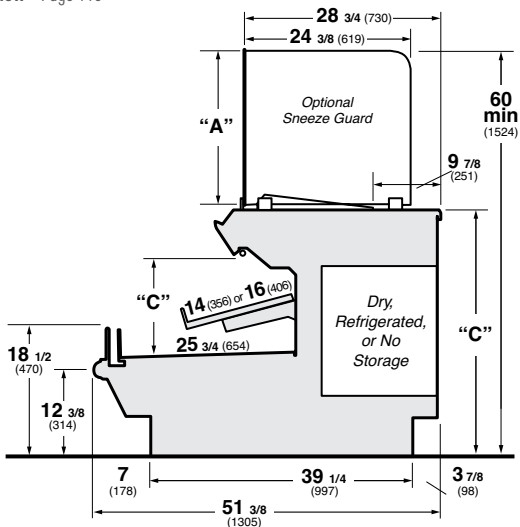


Dimension	Standard	+ 2"	+ 4"
"A"	53 1/2 (1359)	55 1/2 (1410)	57 1/2 (1461)
"B"	15 1/8 (384)	17 1/8 (435)	19 1/8 (486)
"C"	36 3/8 (924)	38 3/8 (975)	40 3/8 (1026)
(Qty) Self-Service Shelves	(1)	(2)	(2)
Lengths	14 (356)	12 (305)	12 (305)
	OR	14 (356)	14 (356)
	16 (406)	OR	OR
		16 (406)	16 (406)

R3-P (Specialty)

Prep Top with Refrigerated Self-Service/Service Merchandiser with Vertical Glass for Deli Applications

See Plan View - Page 110

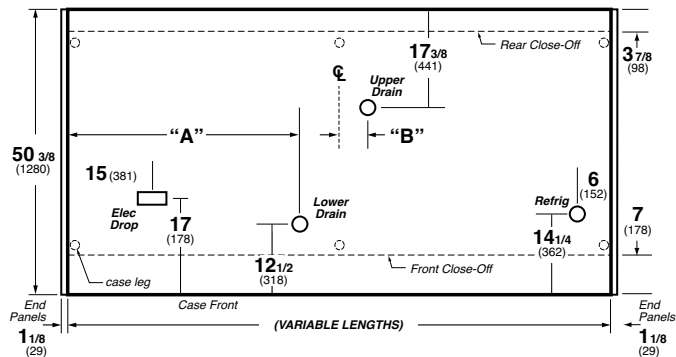


Dimension	Standard	" + 2 "	" + 4 "
"A"	$23 \frac{5}{8}$ (600)	$21 \frac{5}{8}$ (321)	$19 \frac{5}{8}$ (498)
"B"	$15 \frac{1}{4}$ (387)	$17 \frac{1}{4}$ (438)	$19 \frac{1}{4}$ (489)
"C"	$36 \frac{3}{8}$ (924)	$38 \frac{3}{8}$ (975)	$40 \frac{3}{8}$ (1026)
(Qty) Self-Service Shelves	(1)	(2)	(2)
Lengths	14 (356)	12 (305)	12 (305)
	OR	14 (356)	14 (356)
	16 (406)	OR	OR
		16 (406)	16 (406)

CR3-P and R3-P - PLAN VIEW

Prep Top with Refrigerated Self-Service/Service with Curved OR Straight Glass for Deli Applications

NOTE: Contact your sales representative for information on possible availability of additional case lengths.

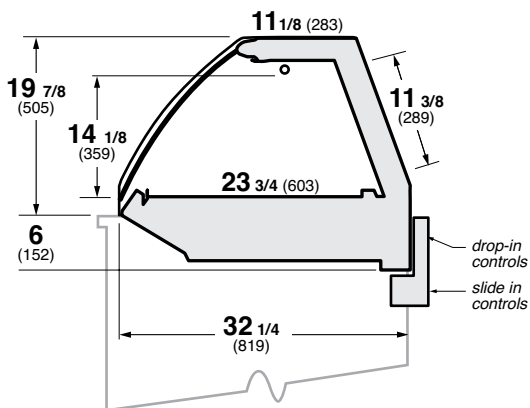


Dimensions	4FT	5FT	6FT	8FT	10 FT	12 FT
A	7 (178)	35 (889)	41 (1041)	53 (1346)	65 (1651)	65 (1651)
B	8 (203)	5 (127)	8 (203)	8 (203)	8 (203)	5 (127)

CR3TO (Specialty)

Service, Refrigerated Drop-In Counter Merchandiser with Curved Glass for Deli Applications

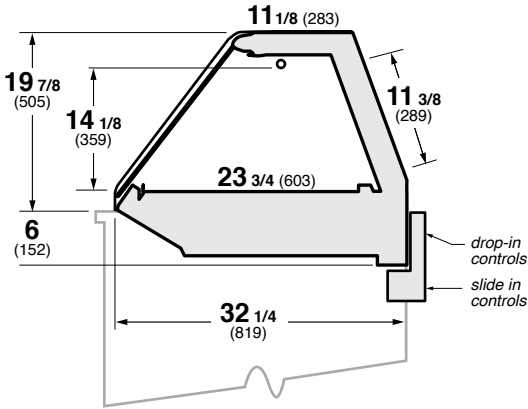
See Plan View - Page 111



R3TO (Specialty)

Service, Refrigerated Drop-In Counter Merchandiser with Straight Glass for Deli Applications

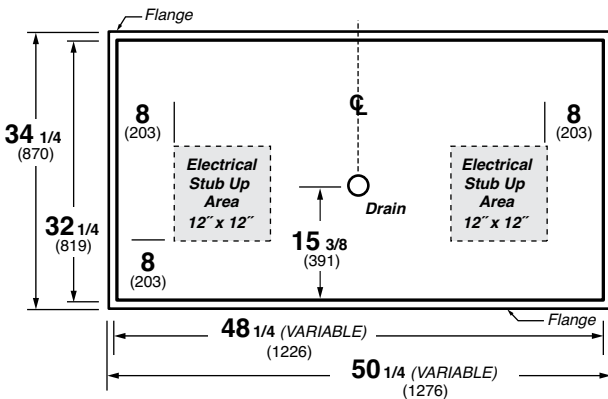
See Plan View - Below



CR3TO and R3TO - PLAN VIEW

Service, Refrigerated Drop-In Counter with Curved OR Straight Glass

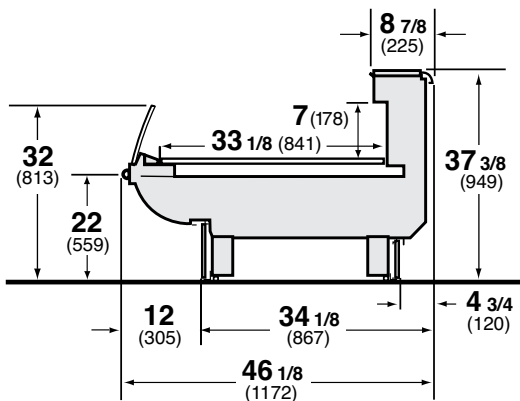
NOTE: Contact your sales representative for information on possible availability of additional case lengths.



E1 (Elite)

Self-Service, Single-Deck Merchandiser for Deli Applications

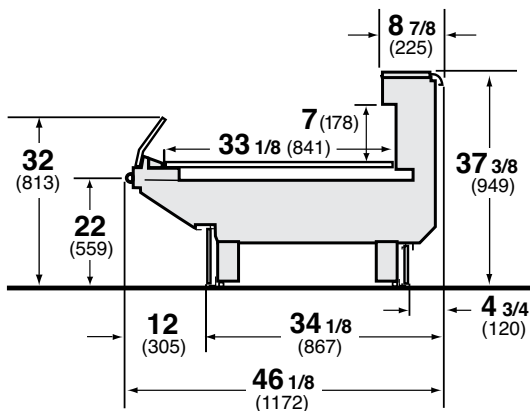
See Plan View - Page 119



E1S (Elite)

Self-Service, Single-Deck Merchandiser for Deli Applications

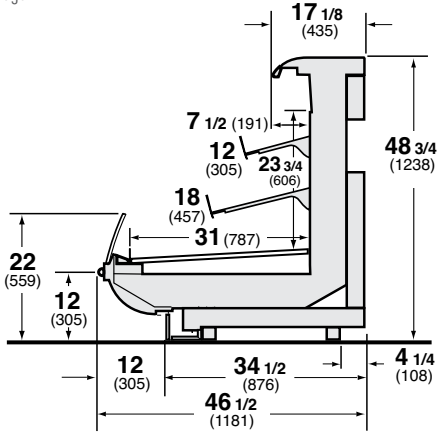
See Plan View - Page 119



E2 (Elite)

Self-Service, Multi-Deck Merchandiser for Deli Applications

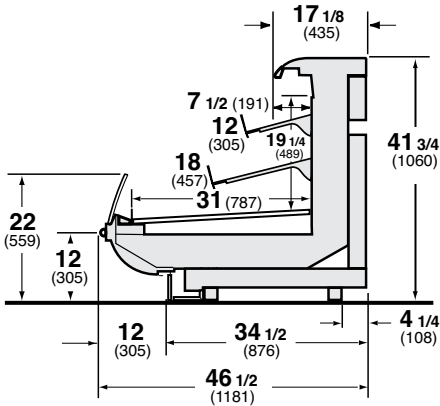
See Plan View - Page 117



E2S (Elite)

Self-Service, Three-Level Merchandiser for Deli Applications

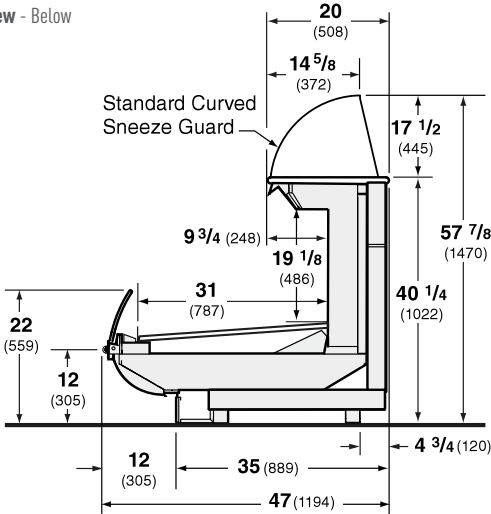
See Plan View - Page 117



E2SP (Elite)

Self-Service, Multi-Deck Merchandiser with Prep Top for Deli Applications

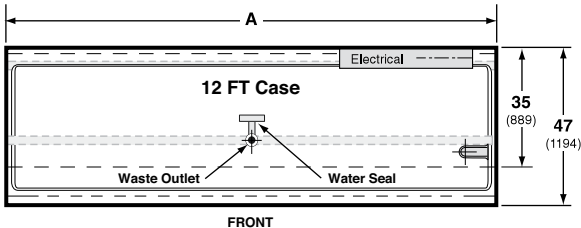
See Plan View - Below



E2SP - PLAN VIEW

Self-Service, Multi-Deck Merchandiser with Prep Top for Deli Applications

NOTE: Case-to-case electrical connections are made in front of splash guard. Overall case length shown without ends or partitions. Contact your sales representative for information on possible availability of additional case lengths.



Dimensions

8 FT

12 FT

A

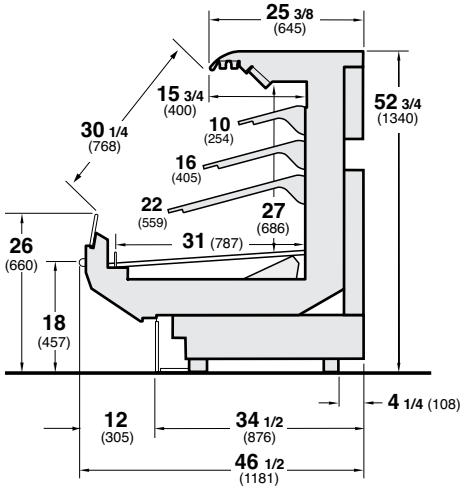
96 1/4 (2445)

144 3/8 (3668)

E2V (Elite)

Multi-Deck Merchandiser for Deli, Precut and Packaged Produce Applications

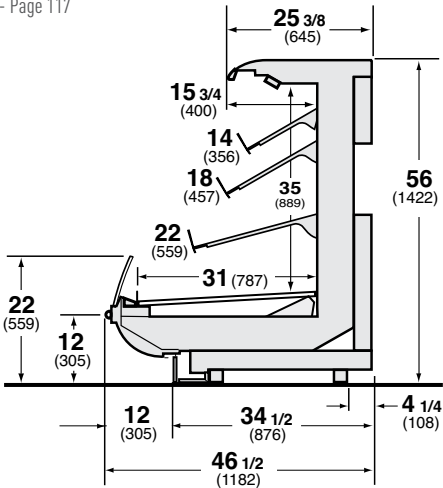
See Plan View - Page 117



E3 (Elite)

Self-Service, Multi-Deck Merchandiser for Deli Applications

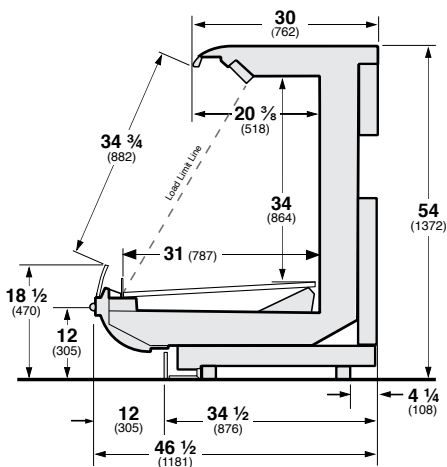
See Plan View - Page 117



E3S (Elite)

Self-Service, Multi-Deck Merchandiser for Deli Applications

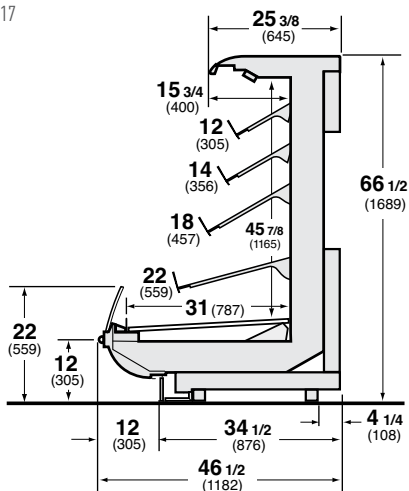
See Plan View - Page 117



E4 (Elite)

Self-Service, Multi-Deck Merchandiser for Deli Applications

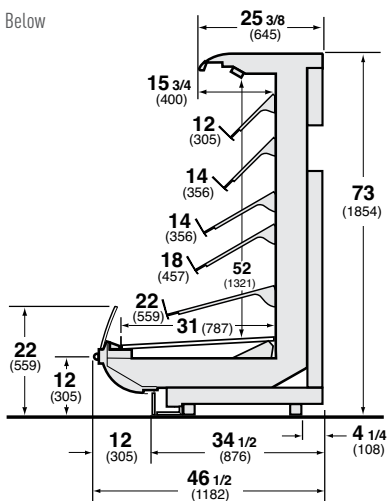
See Plan View - Page 117



E5 (Elite)

Self-Service, Multi-Deck Merchandiser for Deli Applications

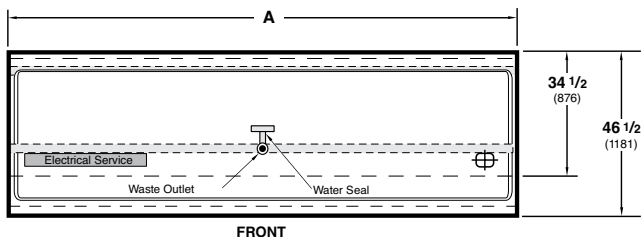
See Plan View - Below



E2, E2S, E2V, E3, E3S, E4, and E5 - PLAN VIEW

Self-Service, Multi-Deck Merchandiser for Deli Applications

NOTE: Overall case length shown without ends or partitions. Contact your sales representative for information on possible availability of additional case lengths.



Dimensions

8 FT

12 FT

A

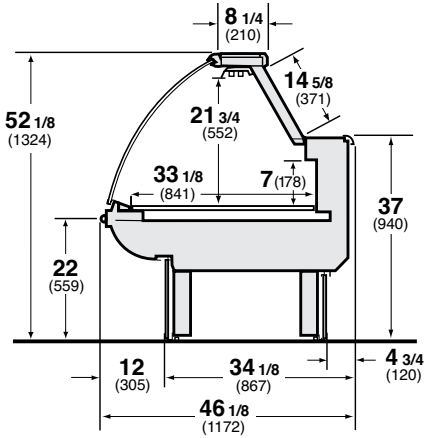
$96 \frac{1}{4}$ (2445)

$144 \frac{3}{8}$ (3668)

ES1 (Elite)

Single-Deck Merchandiser with Curved Glass Case for Deli, Meat, and Seafood Applications

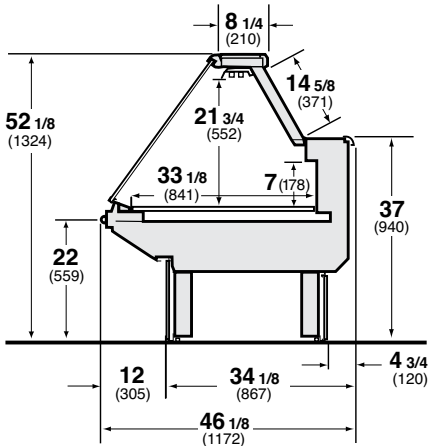
See Plan View - Page 119



ES1S (Elite)

Single-Deck Merchandiser with Straight Glass Service Case for Deli and Meat Applications

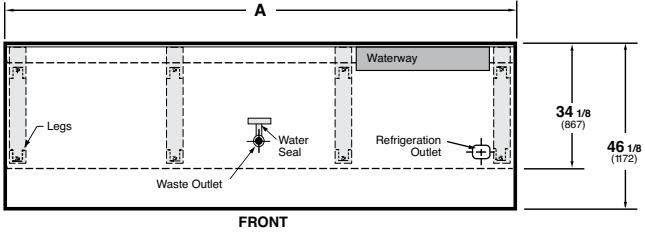
See Plan View - Page 119



E1, E1S, ES1, and ES1S - PLAN VIEW

Single-Deck Merchandiser with OR without Curved OR Straight Glass for Deli, Meat, OR Seafood

NOTE: Overall case length shown without ends or partitions. Contact your sales representative for information on possible availability of additional case lengths.

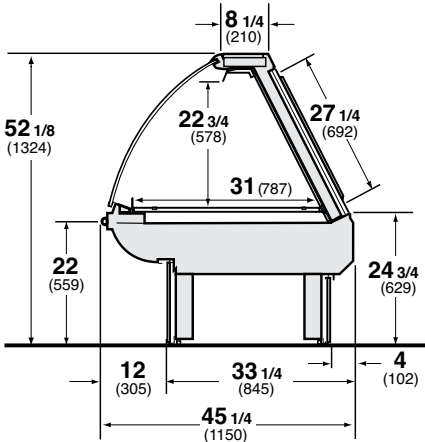


Dimensions	8 FT	12 FT
A	96 3/8 (2448)	144 1/2 (3670)

ESBD (Elite)

Blower Coil Service Merchandiser with Curved Glass for Deli Applications

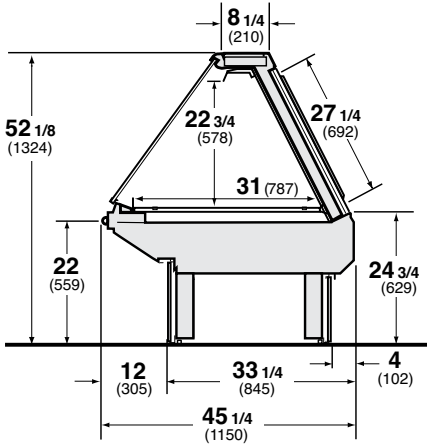
See Plan View - Page 120



ESBDS (Elite)

Blower Coil Service Merchandiser with Straight Glass for Deli Applications

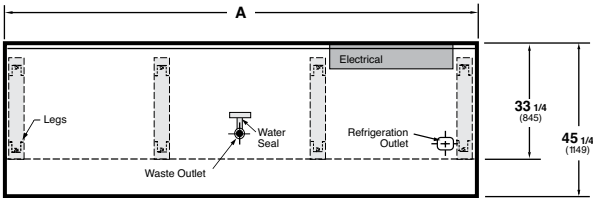
See Plan View - Below



ESBD and ESBDS - PLAN VIEW

Blower Coil Service Merchandiser Straight OR Curved Glass for Deli Applications

NOTE: Overall case length shown without ends or partitions. Contact your sales representative for information on possible availability of additional case lengths.



FRONT

Dimensions

8 FT

12 FT

A

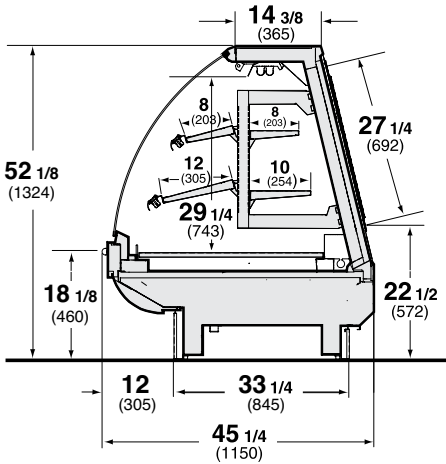
96 3/8 (2448)

144 1/2 (3670)

ESBDHV (Elite)

High Volume, Blower Coil Service Merchandiser with Curved Glass for Deli Applications

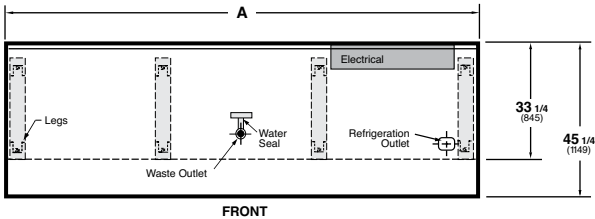
See Plan View - Below



ESBDHV - PLAN VIEW

High Volume, Blower Coil Service Merchandiser with Curved Glass for Deli Applications

NOTE: Overall case length shown without ends or partitions. Contact your sales representative for information on possible availability of additional case lengths.



Dimensions

A

8 FT

12 FT

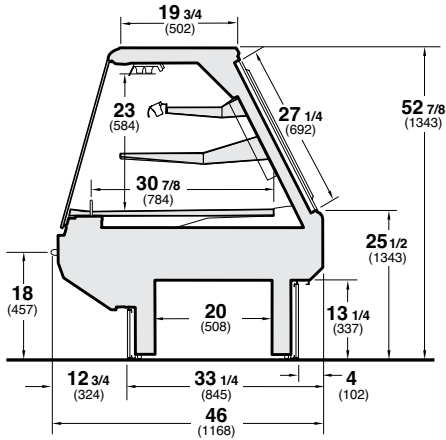
96 $\frac{3}{8}$ (2448)

144 $\frac{1}{2}$ (3670)

ESBDVS (Elite)

Blower Coil, Multi-Deck Merchandiser with Vertical Hinged Glass for Meat and Deli Applications

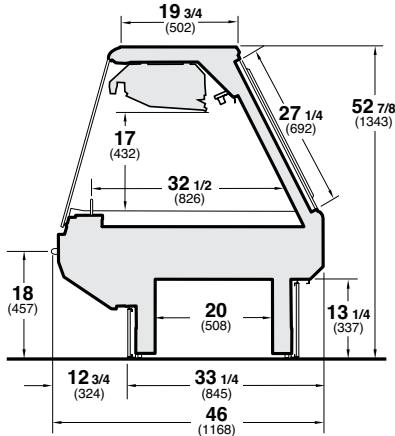
See Plan View - Page 123



ESGMVS (Elite)

Gravity and Serpentine Coil, Single-Deck Merchandiser with Vertical Hinged Glass for Meat and Deli

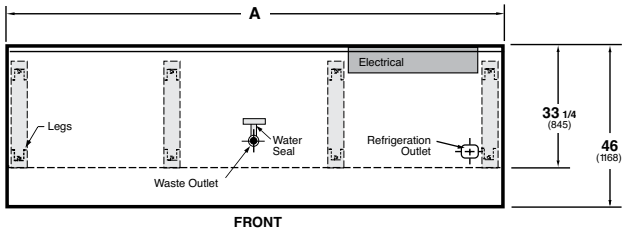
See Plan View - Page 123



ESBDVS and ESGMVS - PLAN VIEW

Blower Coil OR Gravity/Serpentine Coil, Multi-Deck OR Single-Deck Merchandiser with Vertical Hinged Glass

NOTE: Overall case length shown without ends or partitions. Contact your sales representative for information on possible availability of additional case lengths.

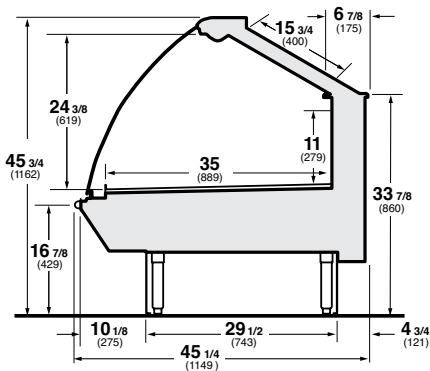


Dimensions	8 FT	12 FT
A	96 3/8 (2448)	144 1/2 (3670)

Q1-DC (Specialty)

Single-Deck Merchandiser with Curved Glass for Deli Applications

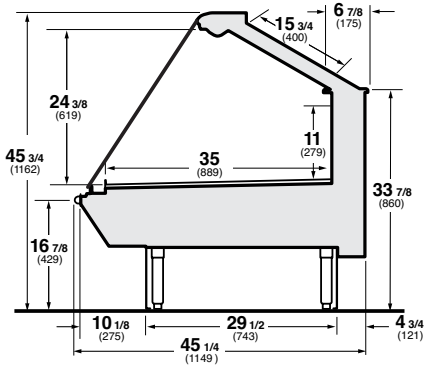
See Plan Views - Page 124 thru 126



Q1-DS (Specialty)

Single-Deck Merchandiser with Straight Glass for Deli Applications

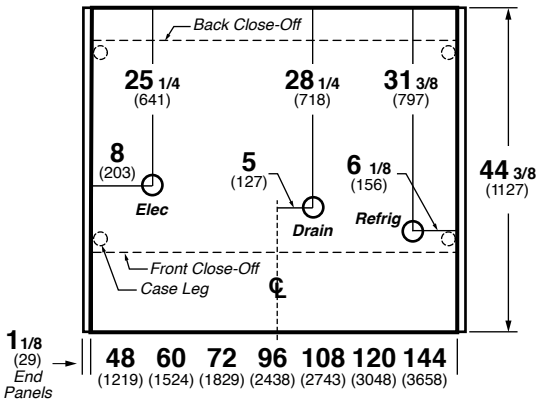
See Plan Views - Page 124 thru 126



Q1-DC and Q1-DS - PLAN VIEW

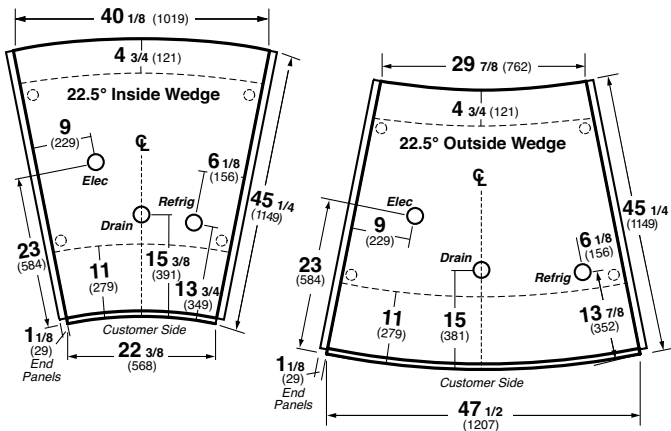
Single-Deck Merchandiser with Curved OR Straight Glass for Deli Applications

NOTE: Contact your sales representative for information on possible availability of additional case lengths.



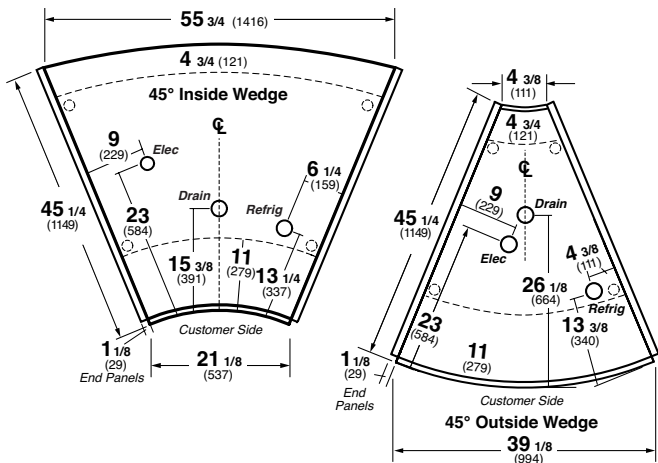
Q1-DC and Q1-DS - WEDGE PLAN VIEWS

22.5° Inside and Outside Wedges for Deli Applications



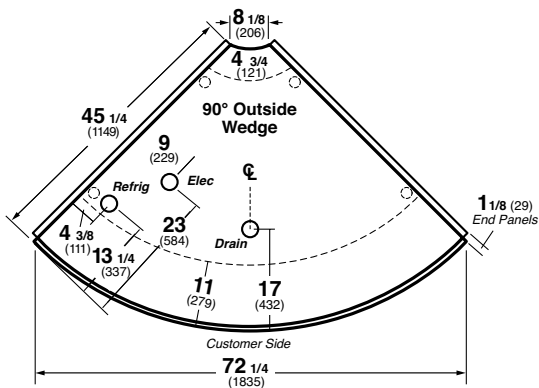
Q1-DC and Q1-DS - WEDGE PLAN VIEWS

45° Inside and Outside Wedges for Deli Applications



Q1-DC and Q1-DS - WEDGE PLAN VIEW

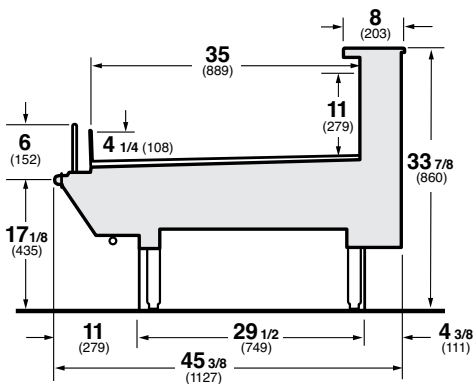
90° Outside Wedges for Deli Applications



Q1-SS (Specialty)

Self-Service, Single-Deck Merchandiser for Deli Applications

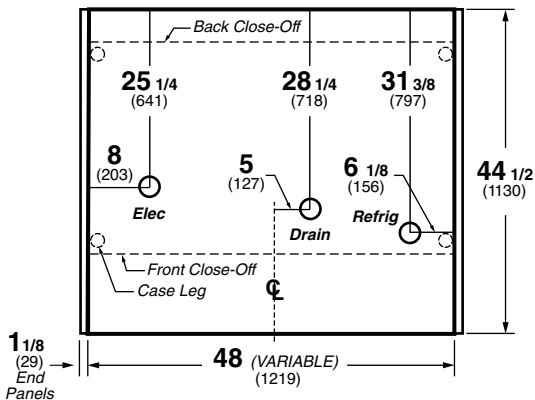
See Plan Views - Page 127 thru 128



Q1-SS - PLAN VIEW

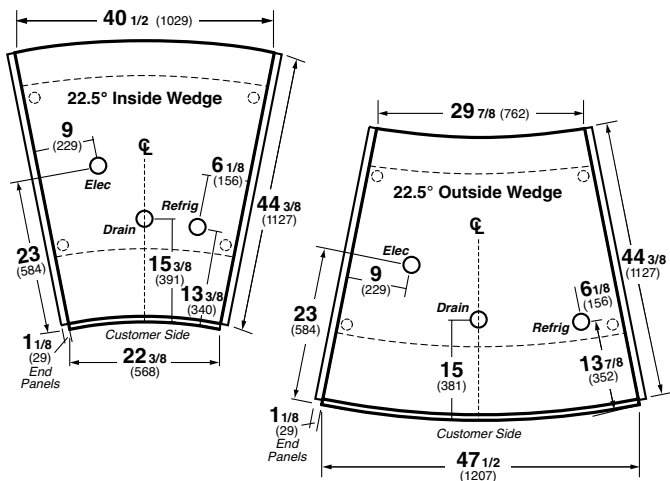
Self-Service, Single-Deck Merchandiser for Multiple Applications

NOTE: Contact your sales representative for information on possible availability of additional case lengths.



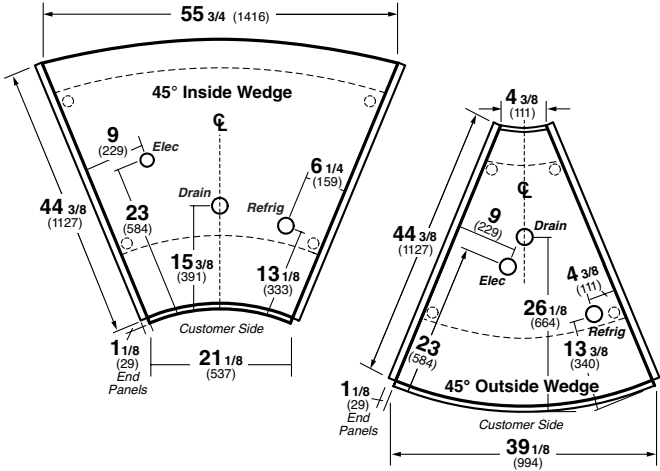
Q1-SS - WEDGE PLAN VIEWS

22.5° Inside and Outside Wedges for Multiple Applications



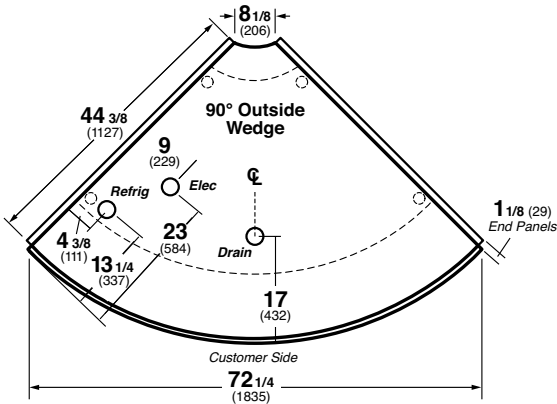
Q1-SS - WEDGE PLAN VIEWS

45° Inside and Outside Wedges for Multiple Applications



Q1-SS - WEDGE PLAN VIEW

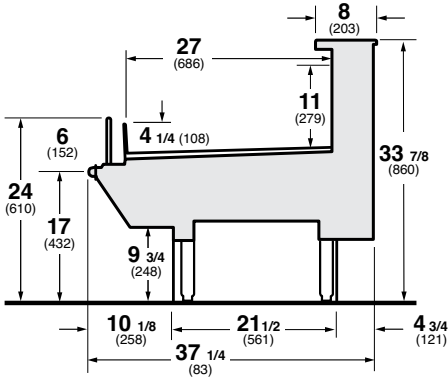
90° Outside Wedge for Multiple Applications



Q1-SSN (Specialty)

Self-Service, Single-Deck Merchandiser for Multiple Applications

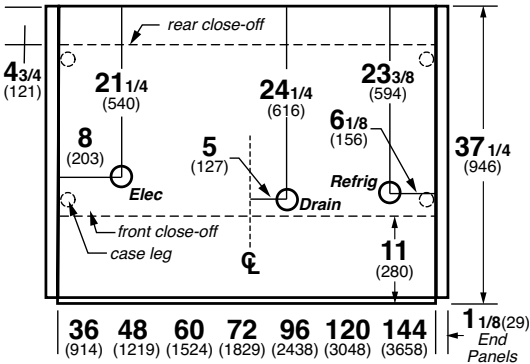
See Plan Views - Page 129 thru 130



Q1-SSN - PLAN VIEW

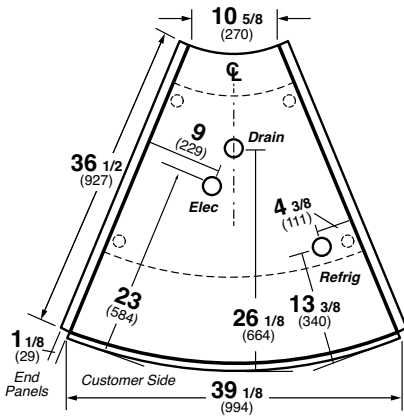
Self-Service, Single-Deck Merchandiser for Multiple Applications

NOTE: Contact your sales representative for information on possible availability of additional case lengths.



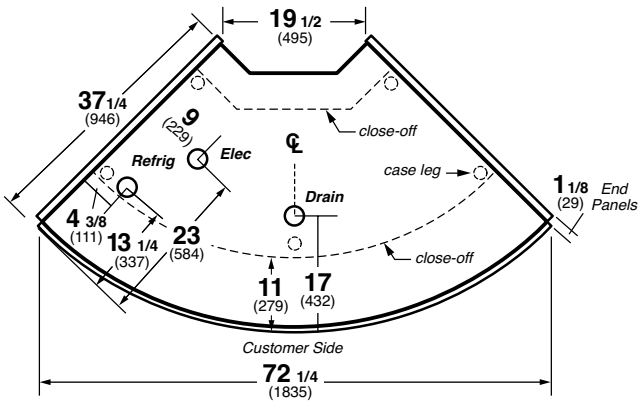
Q1-SSN - WEDGE PLAN VIEW

45° Outside Wedges for Multiple Applications



Q1-SSN - WEDGE PLAN VIEW

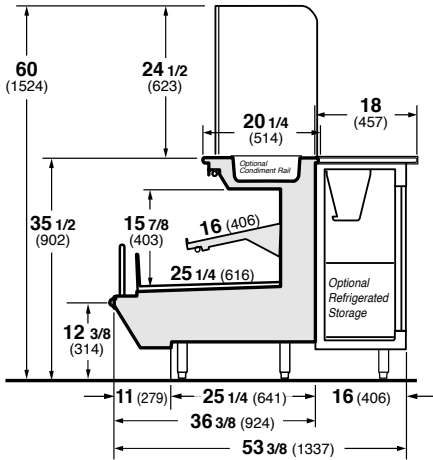
90° Outside Wedges for Multiple Applications



Q2-SPN (Specialty)

Refrigerated, Service and Self-Service, Multi-Deck Merchandiser with Prep Top for Multiple Applications

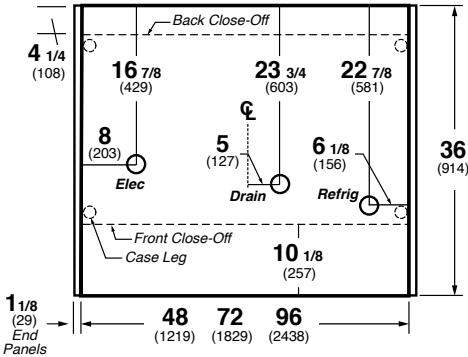
See Plan Views - Page 131 thru 132



Q2-SPN - PLAN VIEW

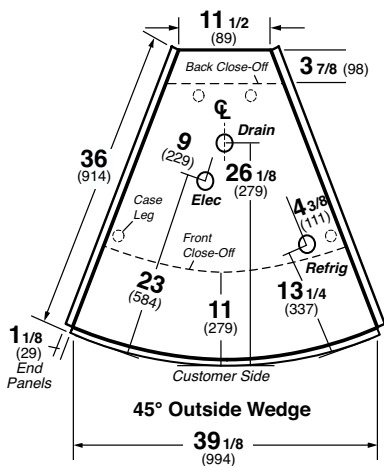
Refrigerated, Service and Self-Service, Multi-Deck Merchandiser with Prep Top for Multiple Applications

NOTE: Contact your sales representative for information on possible availability of additional case lengths.



Q2-SPN - WEDGE PLAN VIEW

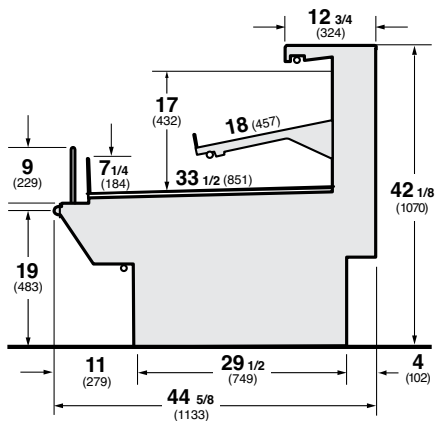
45° Outside Wedges for Multiple Applications



Q2-SS (Specialty)

Multi-Deck, Self-Service Merchandiser for Multiple Applications

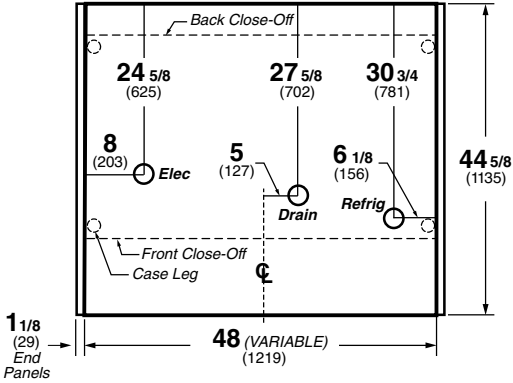
See Plan Views - Page 133



Q2-SS - PLAN VIEW

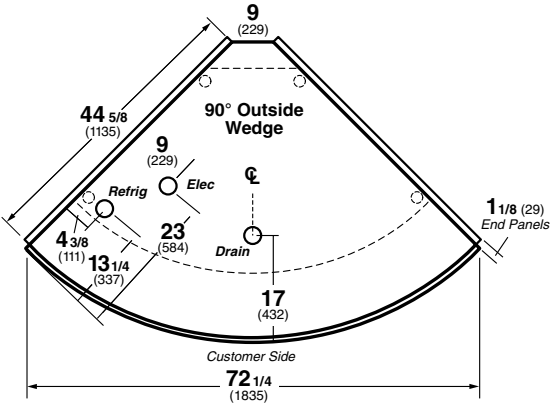
Multi-Deck, Self-Service Merchandiser for Multiple Applications

NOTE: Contact your sales representative for information on possible availability of additional case lengths.



Q2-SS - WEDGE PLAN VIEW

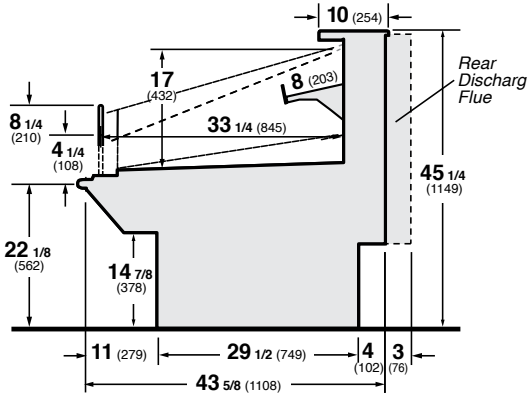
90° Outside Wedge for Multiple Applications



Q2-SS-S (Specialty)

Mobile Self-Contained, Multi-Deck Self-Service Merchandiser for Multiple Applications

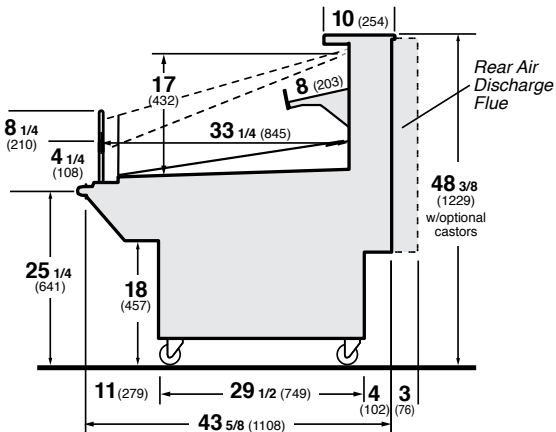
See Plan View - Page 135



Q2-SS-S (Specialty)

Mobile Self-Contained, Multi-Deck Self-Service Merchandiser with Optional Casters for Multiple Applications

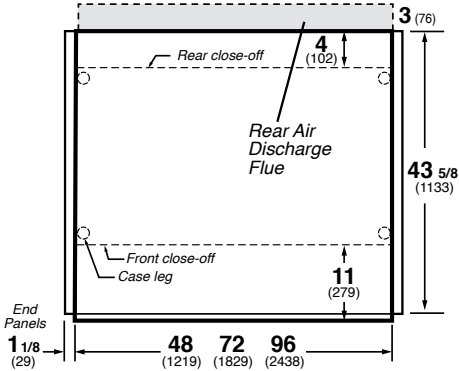
See Plan View - Page 135



Q2-SS-S - PLAN VIEW

Mobile Self-Contained, Multi-Deck Self-Service Merchandiser with OR without Optional Casters

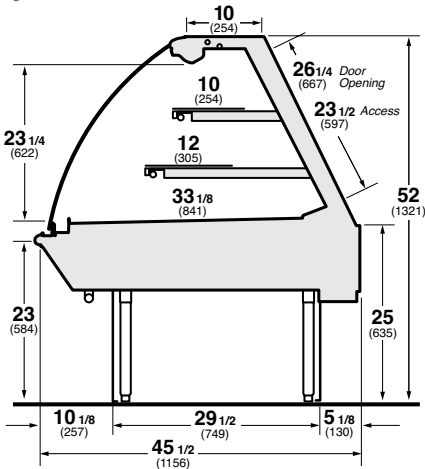
NOTE: Contact your sales representative for information on possible availability of additional case lengths.



Q3-DC (Specialty)

Multi-Deck Merchandiser with Curved Glass for Deli Applications

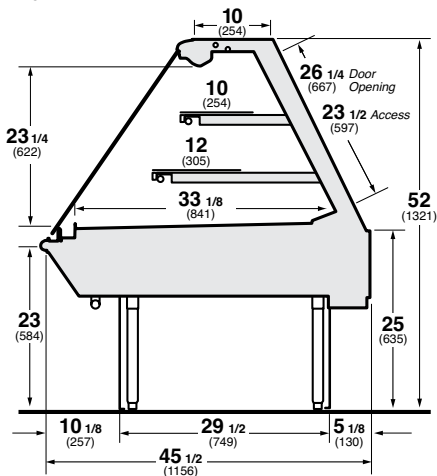
See Plan Views - Page 136 thru 138



Q3-DS (Specialty)

Multi-Deck Merchandiser with Straight Glass for Deli Applications

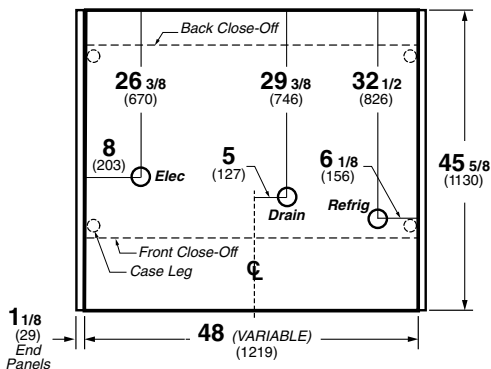
See Plan Views - Page 136 thru 138



Q3-DC and Q3-DS - PLAN VIEW

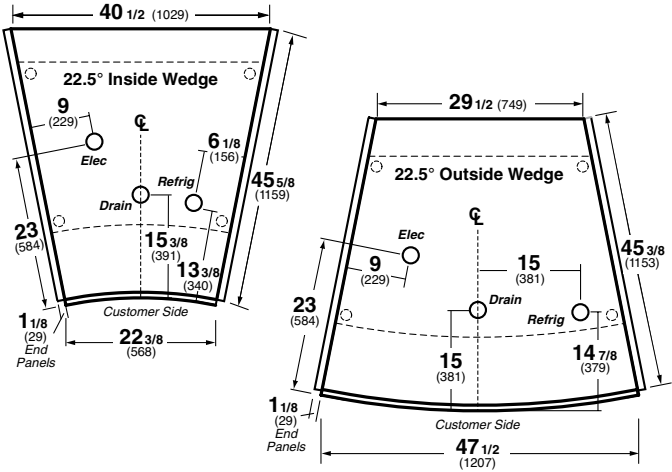
Multi-Deck Merchandiser with Curved OR Straight Glass for Deli Applications

NOTE: Contact your sales representative for information on possible availability of additional case lengths.



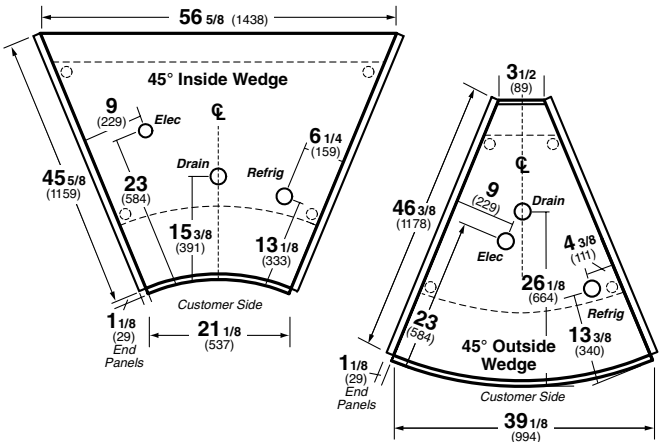
Q3-DC and Q3-DS - WEDGE PLAN VIEWS

22.5° Inside and Outside Wedges for Deli Applications



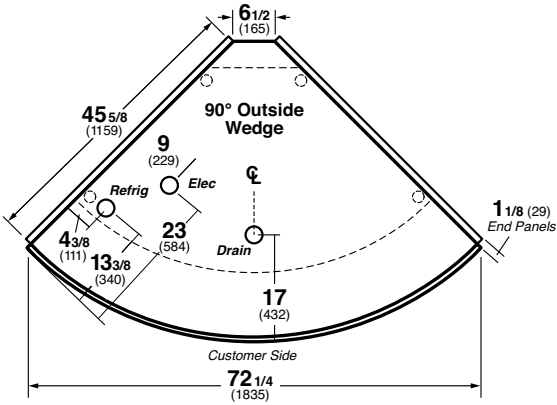
Q3-DC and Q3-DS - WEDGE PLAN VIEWS

45° Inside and Outside Wedges for Deli Applications



Q3-DC and Q3-DS - WEDGE PLAN VIEW

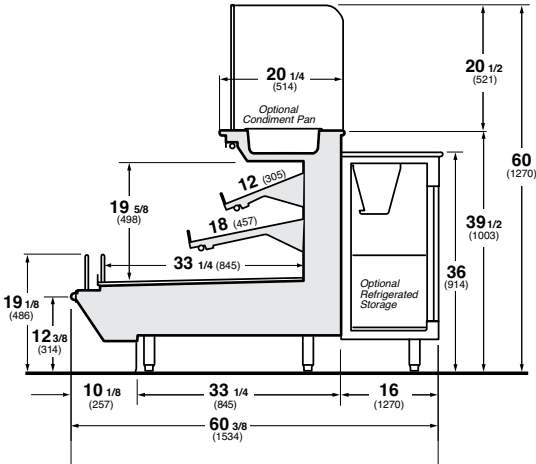
90° Outside Wedge for Deli Applications



Q3-SP (Specialty)

Self-Service, Refrigerated Merchandiser with Prep Top, Optional Refrigerated Storage for Multiple Applications

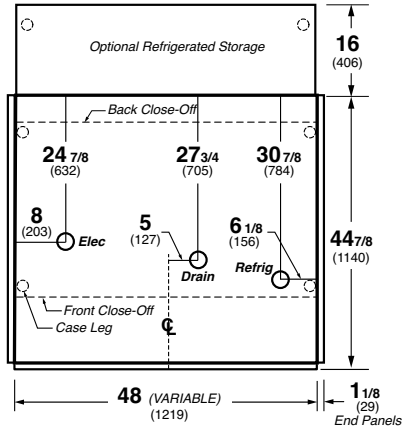
See Plan Views - Page 139 thru 140



Q3-SP - PLAN VIEW

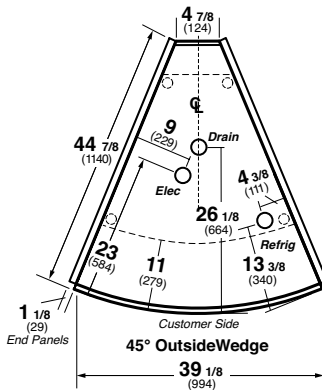
Self-Service, Refrigerated Merchandiser with Prep Top, Optional Refrigerated Storage for Multiple Applications

NOTE: Contact your sales representative for information on possible availability of additional case lengths.



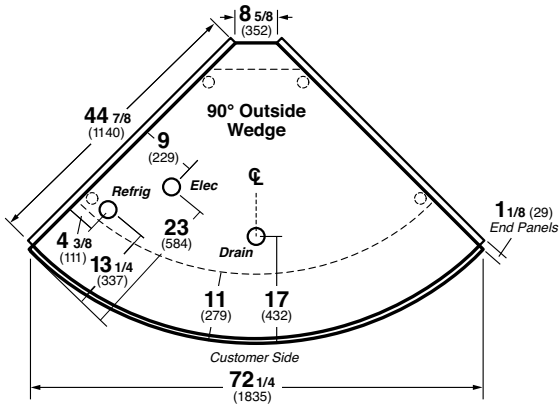
Q3-SP - WEDGE PLAN VIEWS

45° Outside Wedges for Multiple Applications



Q3-SP - WEDGE PLAN VIEWS

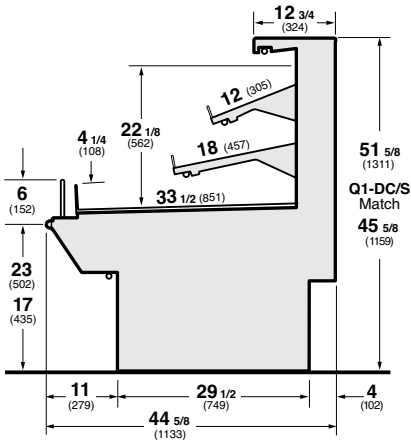
90° Inside and Outside Wedges for Multiple Applications



Q3-SS (Specialty)

Self-Service, Multi-Deck Merchandiser for Multiple Applications

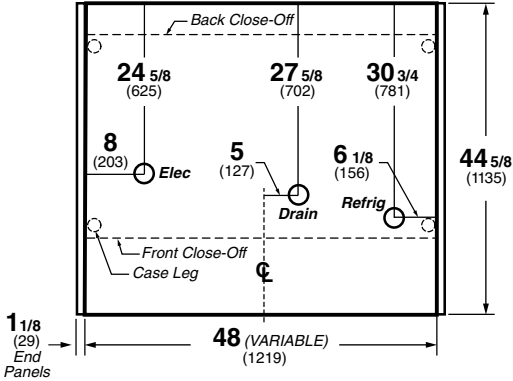
See Plan Views - Page 141 thru 142



Q3-SS - PLAN VIEW

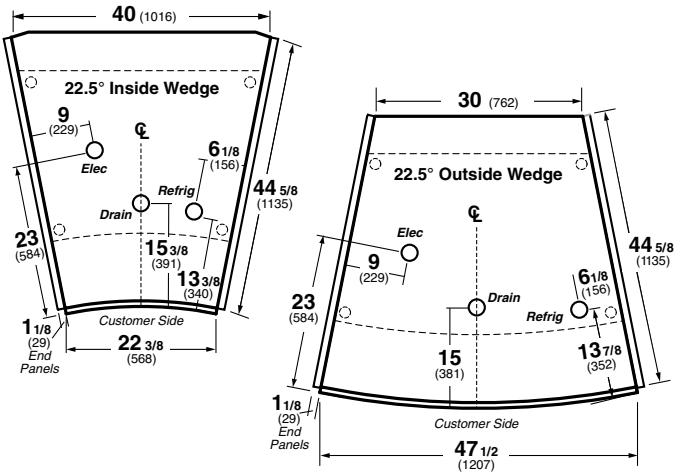
Self-Service, Multi-Deck Merchandiser for Multiple Applications

NOTE: Contact your sales representative for information on possible availability of additional case lengths.



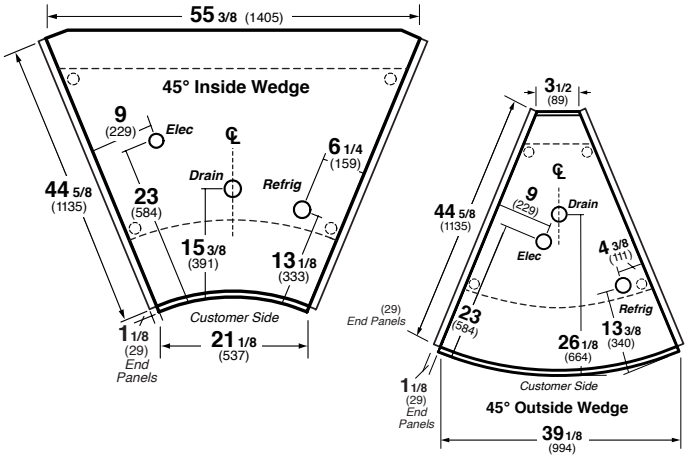
Q3-SS - WEDGE PLAN VIEWS

22.5° Inside and Outside Wedges for Multiple Applications



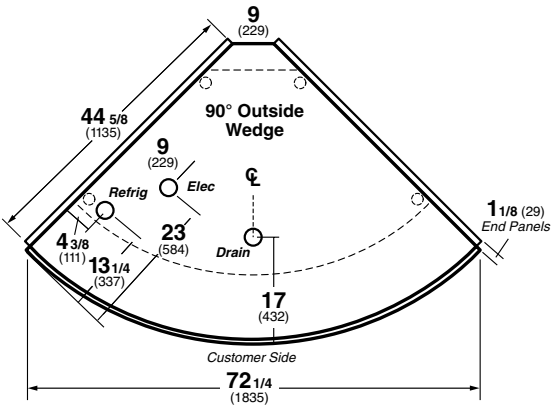
Q3-SS - WEDGE PLAN VIEWS

45° Inside and Outside Wedges for Multiple Applications



Q3-SS - WEDGE PLAN VIEW

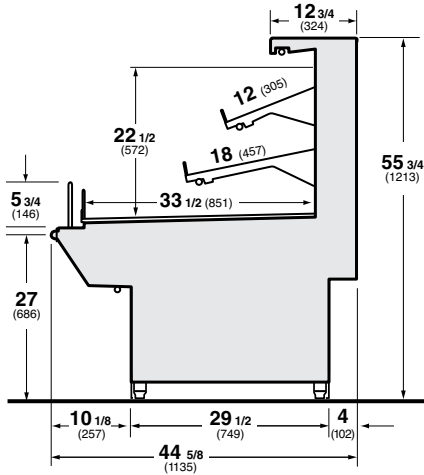
90° Outside Wedge for Multiple Applications



Q3-SS-S (Specialty)

Self-Service, Self-Contained Multi-Deck Merchandiser for Multiple Applications

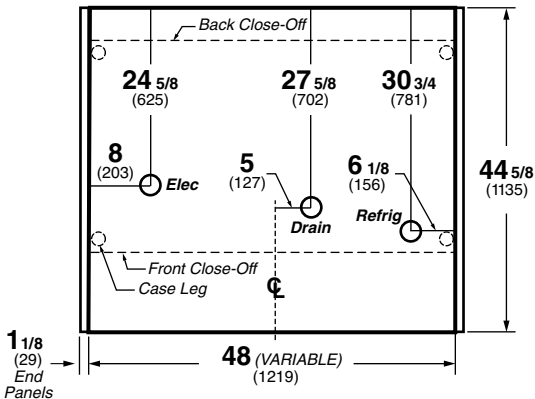
See Plan View - Below



Q3-SS-S - PLAN VIEW

Self-Service, Self-Contained Multi-Deck Merchandiser for Multiple Applications

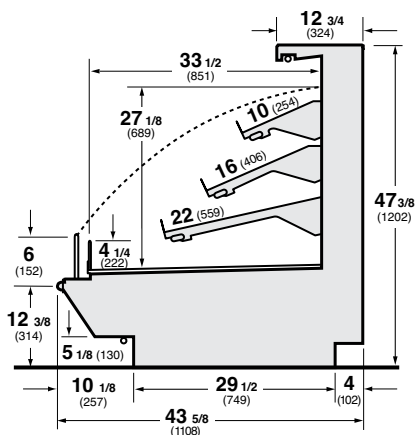
NOTE: Contact your sales representative for information on possible availability of additional case lengths.



Q3.5-SS (Specialty)

Refrigerated, Self-Service, Multi-Deck Merchandiser for Multiple Applications

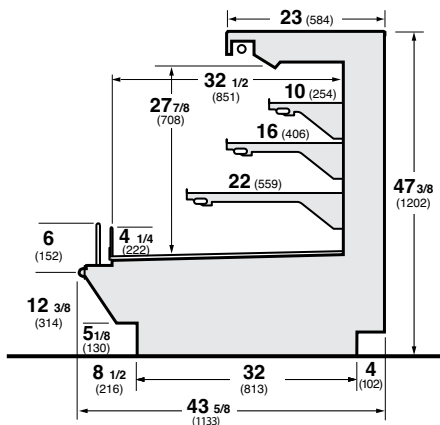
See Plan Views - Page 145 thru 146



Q3.5-SSEC (Specialty)

Refrigerated, Self-Service, Multi-Deck Merchandiser with Extended Canopy for Multiple Applications

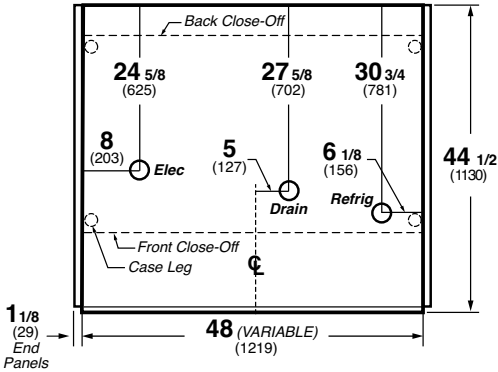
See Plan Views - Page 145 thru 146



Q3.5-SS and Q3.5-SSEC - PLAN VIEW

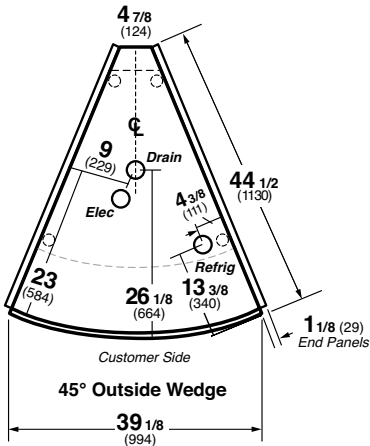
Refrigerated, Self-Service, Multi-Deck Merchandiser with OR without Extended Canopy for Multiple Applications

NOTE: Contact your sales representative for information on possible availability of additional case lengths.



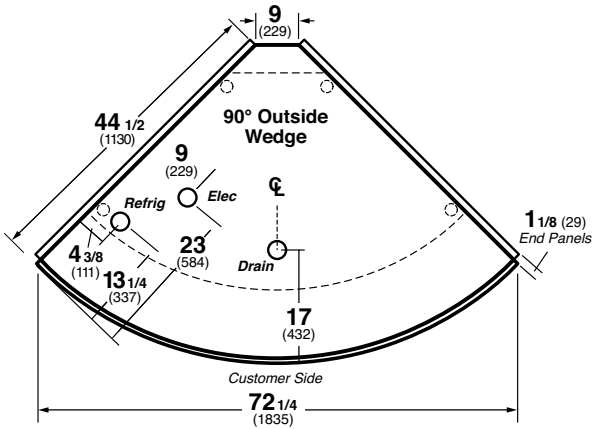
Q3.5-SS - WEDGE PLAN VIEW

45° Outside Wedge for Multiple Applications



Q3.5-SS and Q3.5-SSEC - WEDGE PLAN VIEW

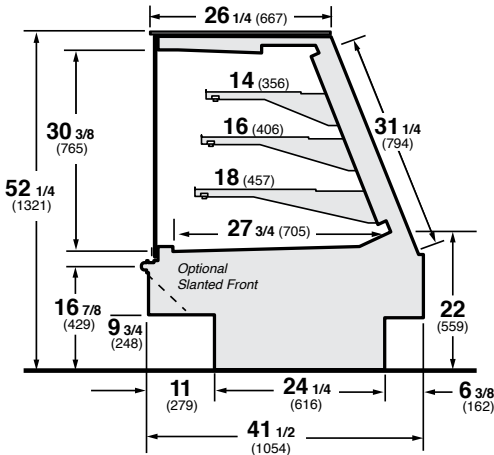
90° Outside Wedge for Multiple Applications



Q4-DV (Specialty)

Multi-Deck Service Merchandiser with Vertical Glass for Deli Applications

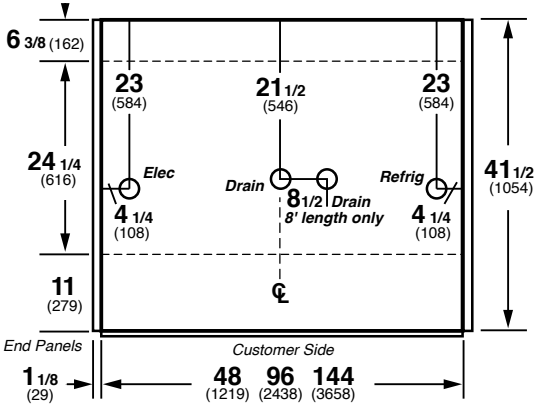
See Plan View - Page 147



Q4-DV - PLAN VIEW

Multi-Deck Service Deli Merchandiser with Vertical Glass for Deli Applications

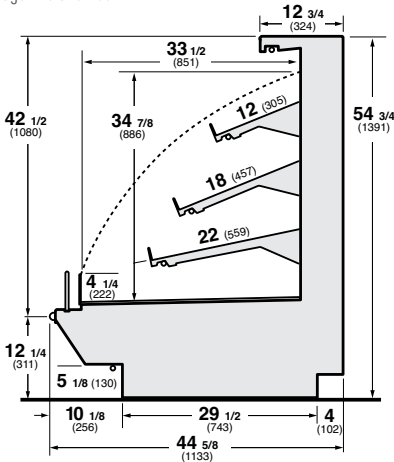
NOTE: Contact your sales representative for information on possible availability of additional case lengths.



Q4-SS (Specialty)

Refrigerated, Self-Service, Multi-Deck Merchandiser for Multiple Applications

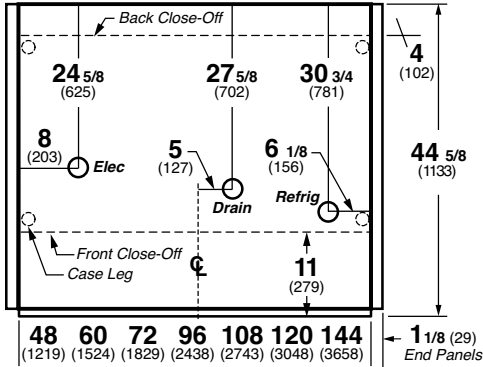
See Plan Views - Page 148 and 150



Q4-SS - PLAN VIEW

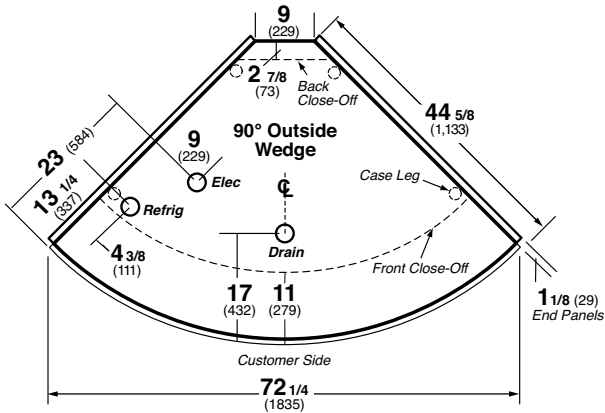
Refrigerated, Self-Service, Multi-Deck Merchandiser for Multiple Applications

NOTE: Contact your sales representative for information on possible availability of additional case lengths.



Q4-SS - WEDGE PLAN VIEW

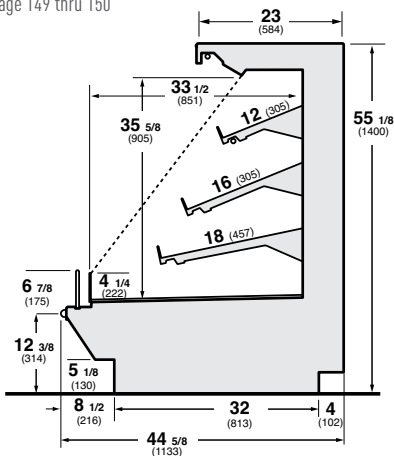
90° Outside Wedge for Multiple Applications



Q4-SSEC (Specialty)

Refrigerated, Self-Service, Multi-Deck Merchandiser with Extended Canopy for Multiple Applications

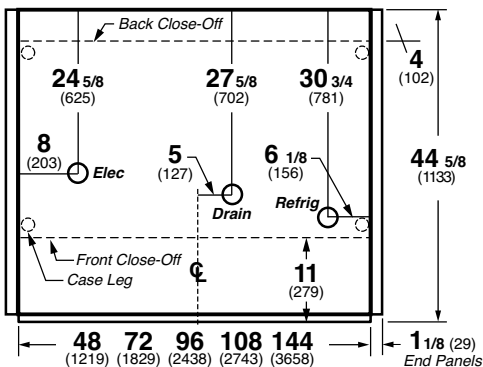
See Plan Views - Page 149 thru 150



Q4-SSEC - PLAN VIEW

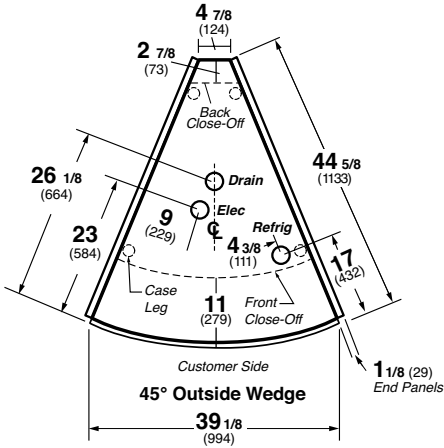
Refrigerated, Self-Service, Multi-Deck Merchandiser with Extended Canopy for Multiple Applications

NOTE: Contact your sales representative for information on possible availability of additional case lengths.



Q4-SS and Q4-SSEC - WEDGE PLAN VIEW

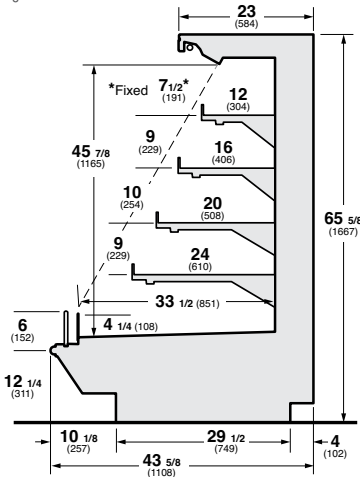
45° Outside Wedge for Multiple Applications



Q5-SSEC (Specialty)

Self-Service, Multi-Deck Merchandiser with Straight OR Angled Shelves for Multiple Applications

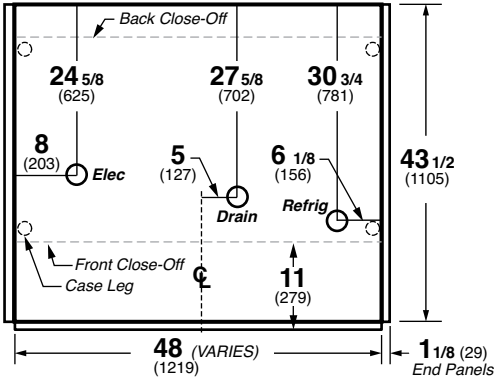
See Plan Views - Page 151



Q5-SSEC - PLAN VIEW

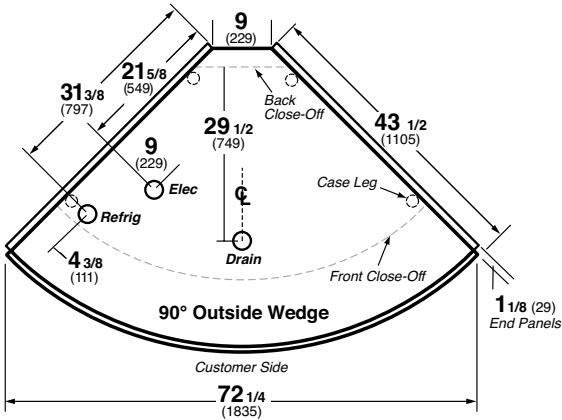
Self-Service, Multi-Deck Merchandiser with Straight OR Angled Shelves for Multiple Applications

NOTE: Contact your sales representative for information on possible availability of additional case lengths.



Q5-SSEC - WEDGE PLAN VIEW

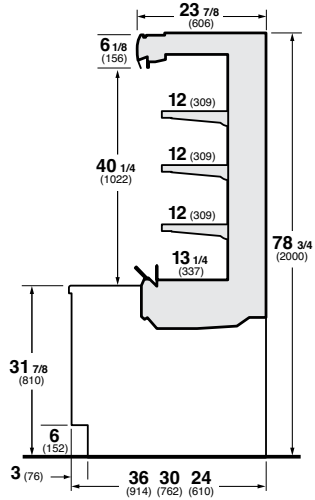
90° Outside Wedge for Multiple Applications



RBB (Specialty)

Refrigerated Back Bar Merchandiser for Deli Applications

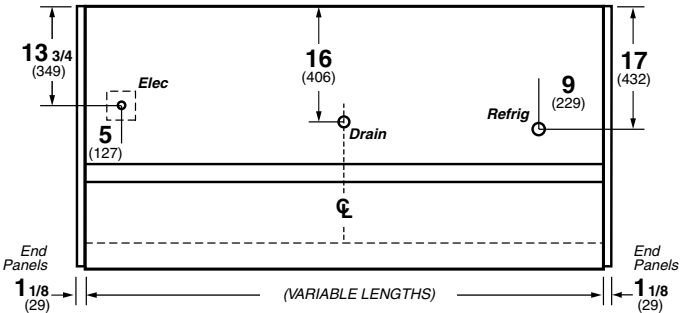
See Plan View - Below



RBB - PLAN VIEW

Refrigerated Back Bar Merchandiser for Deli Applications

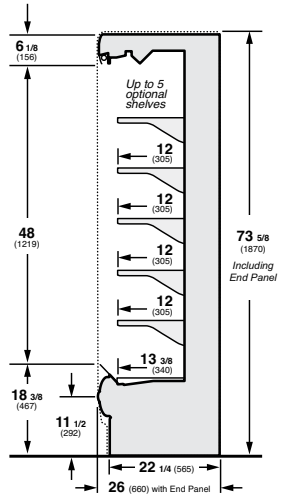
NOTE: Contact your sales representative for information on possible availability of additional case lengths.



RGD-2472 (Specialty)

Remote, Self-Service Refrigerated Gondola Merchandiser for Multiple Applications

See Plan View - Page 154



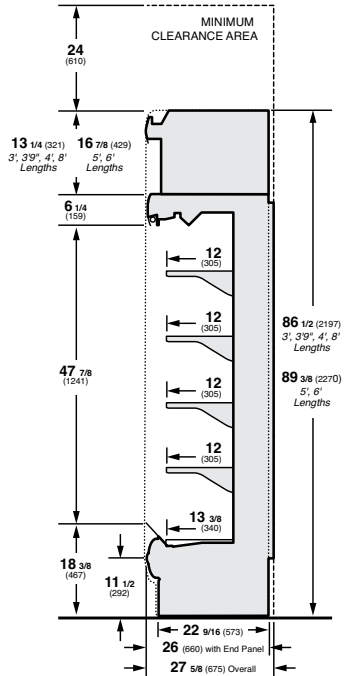
RGD-2472-SC (Specialty)

Self-Contained, Self-Service Refrigerated Gondola Merchandiser for Multiple Applications

See Plan View - Page 154

NOTE: Maintain minimum clearances as shown in dotted line are to facilitate air intake and discharge.

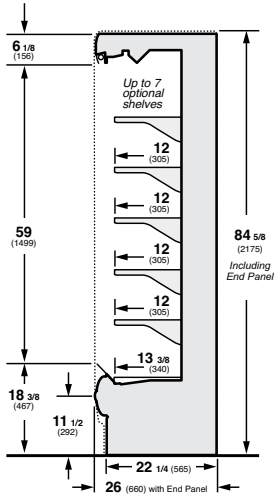
Clean air circulation i.e. no air entrapment above unit so as to allow fresh air circulation.



RGD-2483 (Specialty)

Remote, Self-Service Refrigerated Gondola Merchandiser for Multiple Applications

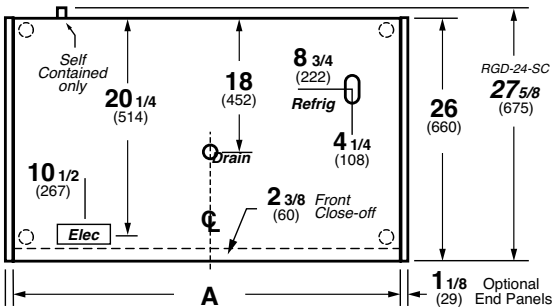
See Plan View - Below



RGD-2472, RGD-2472-SC, and RGD-2483 - PLAN VIEW

Remote OR Self-Contained, Self-Service Refrigerated Gondola Merchandiser for Multiple Applications

NOTE: Overall case length shown without ends or partitions. Contact your sales representative for information on possible availability of additional case lengths.

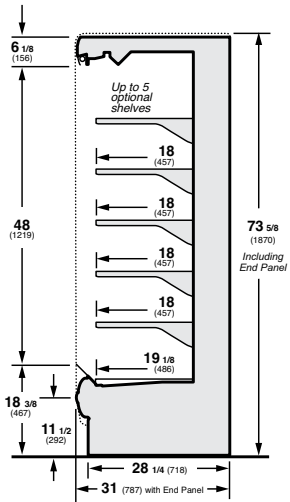


Dimension	3'	3'9"	4'	5'	6'	8'	10'	12'
A	36 (914)	45$\frac{1}{2}$ (1156)	48 (1219)	60 (1524)	72 (2438)	96 (1524)	120 (3048)	144 (3658)

RGD-3072 (Specialty)

Remote, Self-Service Refrigerated Gondola
Deep Wall Merchandiser for Multiple
Applications

See Plan View - Page 156



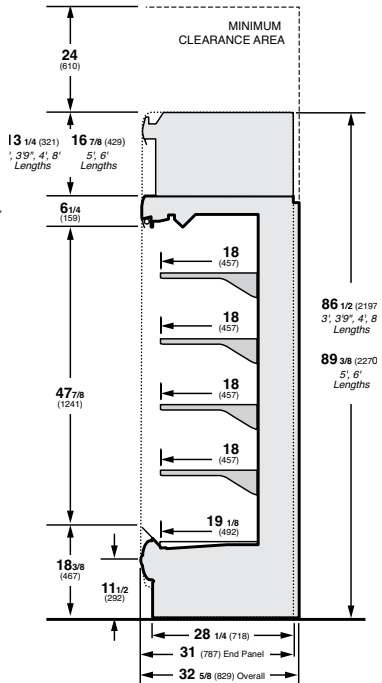
RGD-3072-SC (Specialty)

Self-Contained, Self-Service
Refrigerated Gondola Deep Wall
Merchandiser for Multiple Applications

See Plan View - Page 156

NOTE: Maintain minimum clearances as shown in dotted line are to facilitate air intake and discharge.

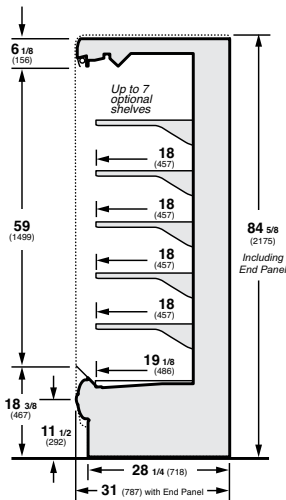
Clean air circulation i.e. no air entrapment above unit so as to allow fresh air circulation.



RGD-3083 (Specialty)

Remote, Self-Service Refrigerated Gondola Deep Wall Merchandiser for Multiple Applications

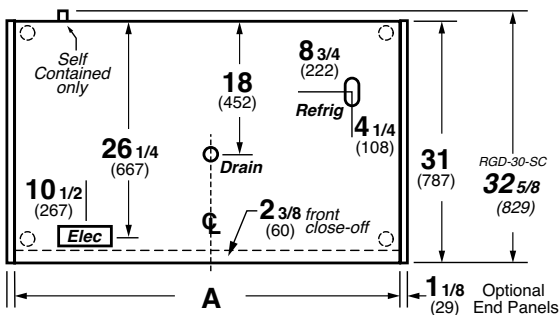
See Plan View - Below



RGD-3072, RGD-3072-SC, and RGD-3083 - PLAN VIEW

Remote OR Self-Contained, Self-Service Refrigerated Gondola Deep Wall Merchandiser

NOTE: Contact your sales representative for information on possible availability of additional case lengths.

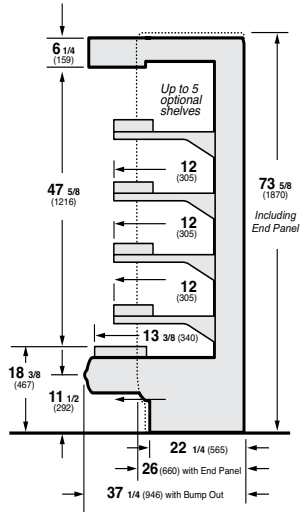


Dimension	3'	3'9"	4'	5'	6'	8'	10'	12'
A	36 (914)	45 1/2 (1156)	48 (1219)	60 (1524)	72 (2438)	96 (1524)	120 (3048)	144 (3658)

RGDC-2472 (Specialty)

Remote, Curved Self-Service Refrigerated Merchandiser for Deli Applications

See Plan View - Page 158



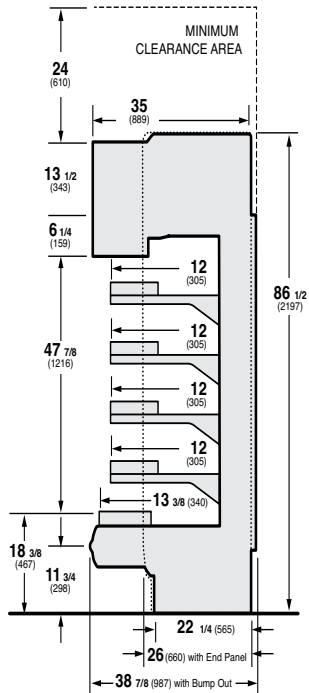
RGDC-2472-SC (Specialty)

Self-Contained, Curved Self-Service Refrigerated Merchandiser for Deli Applications

See Plan View - Page 158

NOTE: Maintain minimum clearances as shown in dotted line are to facilitate air intake and discharge.

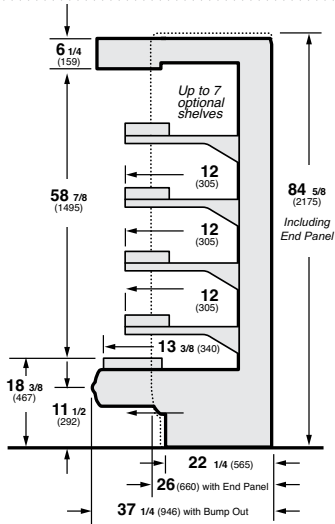
Clean air circulation i.e. no air entrapment above unit so as to allow fresh air circulation.



RGDC-2483 (Specialty)

Remote, Curved Self-Service Refrigerated Merchandiser for Deli Applications

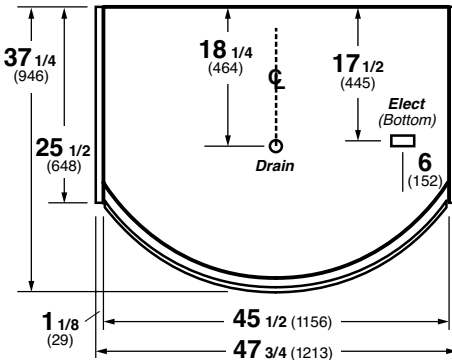
See Plan View - Below



RGDC-2472, RGDC-2472-SC, and RGDC-2483 - PLAN VIEW

Remote OR Self-Contained, Curved Self-Service Refrigerated Merchandiser for Deli Applications

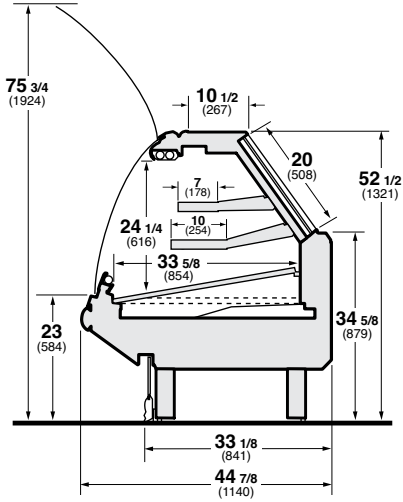
NOTE: Contact your sales representative for information on possible availability of additional case lengths.



SMB (Excel)

Blower Coil Merchandiser with Single Pane, Tilt-Up Curved Glass for Meat and Deli Applications

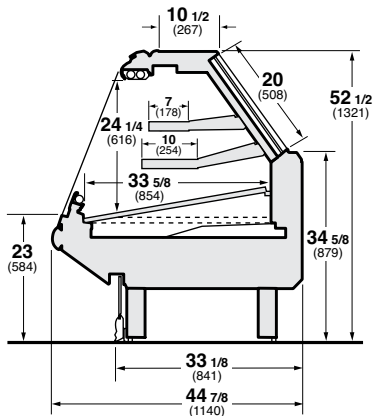
See Plan View - Page 160



SMBT (Excel)

Blower Coil Merchandiser with Single Pane, Tilt-Up Straight Glass for Meat and Deli Applications

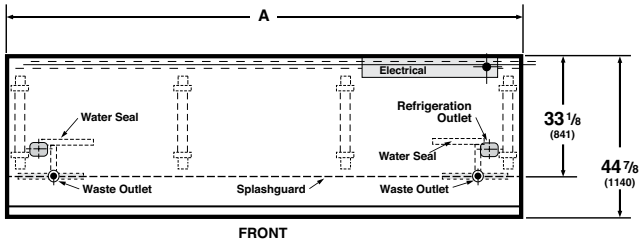
See Plan View - Page 160



SMB and SMBT - PLAN VIEW

Blower Coil Merchandiser with Single Pane, Tilt-Up Curved OR Straight Glass for Meat and Deli

NOTE: Contact your sales representative for information on possible availability of additional case lengths.



Dimensions	8 FT	12 FT
A	96 3/8 (2448)	144 1/2 (3670)

NOTES

.....

HUSSMANN®

Entyce Islands



ENTYCE ISLANDS (Specialty)

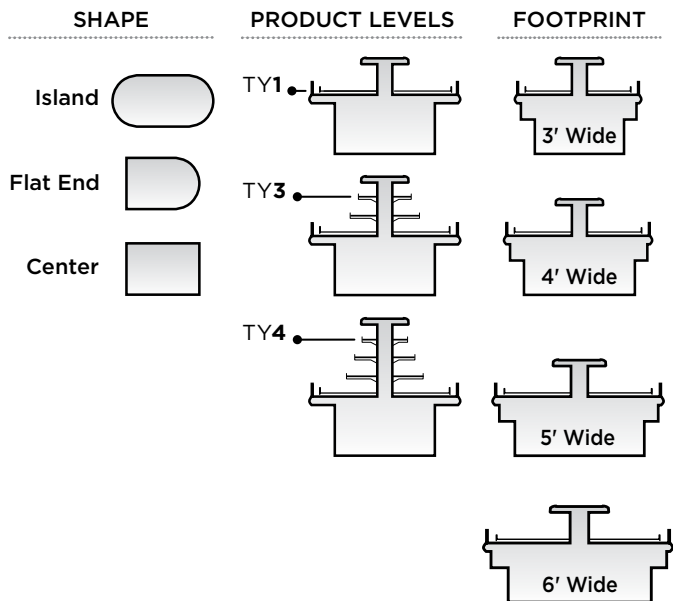
Entyce is a family of single or multi-deck shop-around island merchandisers with distinctive, radius ends. These gently curving ends are designed to guide your shoppers around the display to see everything, which inspires impulse buying.

.....

Whether you are designing a supermarket, supercenter, convenience, drug or dollar store, Entyce has a solution for you. Models are available with 1-, 3- or 4-decks in 3', 4', 5' or 6' widths. These Entyce models can be used to display prepared foods, fresh produce, beverages, dairy products, hot foods, bakery items, various deli products, and much more.

The Entyce line offers:

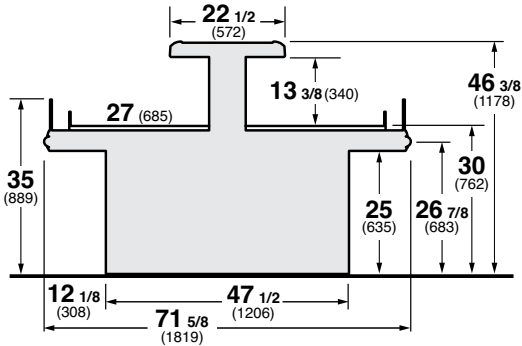
- Exceptional merchandising with an open, cascading product presentation
- Enhanced product temperatures designed for more stringent ambient conditions
- Advanced coil technology and a balanced air distribution system
- New shelving system with the flexibility of vertical shelf height adjustments
- Cross selling to increase impulse purchases of both hot and refrigerated products



TY1-6 (Specialty)

Self-Service, Single-Deck Shop Around Island Merchandiser for Multiple Applications

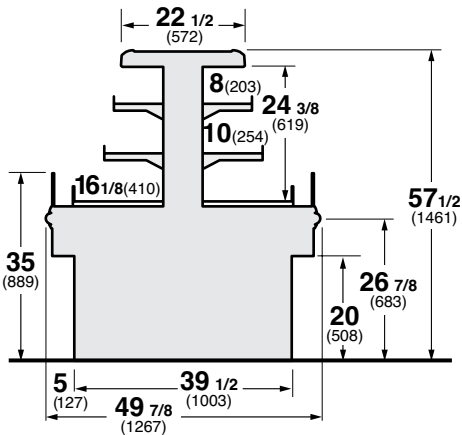
See Plan Views - Page 172 thru 173



TY3-4 and *TY3-4-S (Specialty)

Self-Service, Multi-Deck Shop Around Island Merchandiser, *Self-Contained Option for Multiple Applications

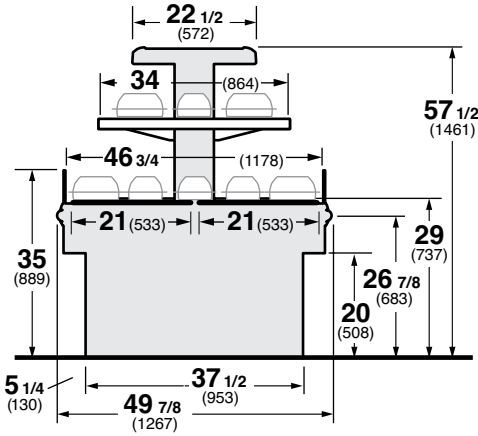
See Plan Views - Page 170



TY3-4-H (Specialty)

Hot Self-Service, Multi-Deck Shop Around Island Merchandiser for Hot Food Applications

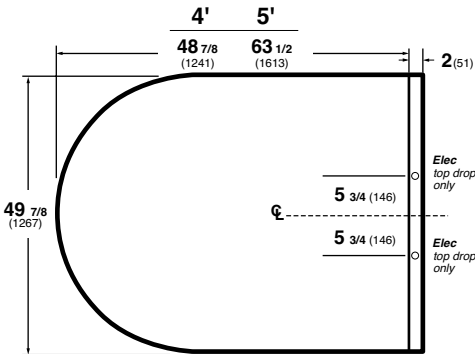
See Plan View - Below



TY3-4-H - PLAN VIEW

Hot Self-Service, Multi-Deck Shop Around Island Merchandiser for Hot Food Applications

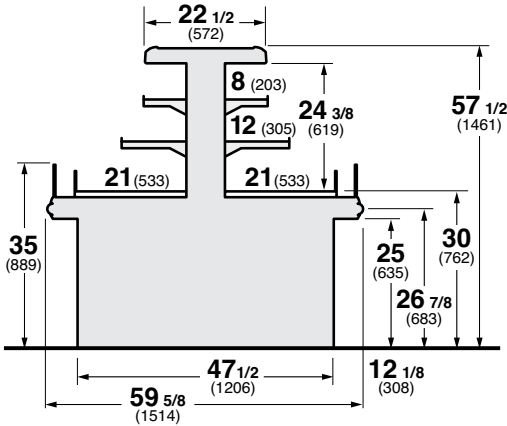
NOTE: Contact your sales representative for information on possible availability of additional case lengths.



TY3-5 and *TY3-5-S (Specialty)

Self-Service, Multi-Deck Shop Around Island Merchandiser, *Self-Contained Option for Multiple Applications

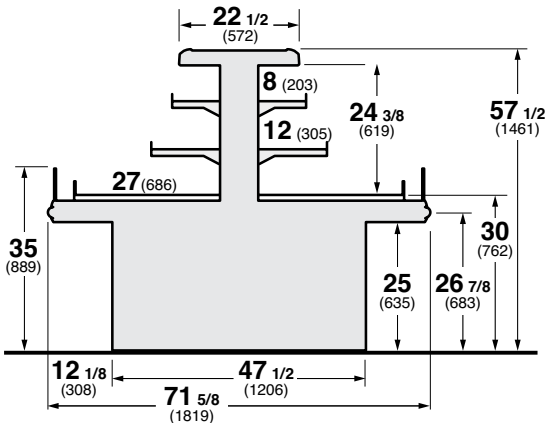
See Plan Views - Page 171



TY3-6 and *TY3-6-S (Specialty)

Self-Service, Multi-Deck Shop Around Island Merchandiser, *Self-Contained Option for Multiple Applications

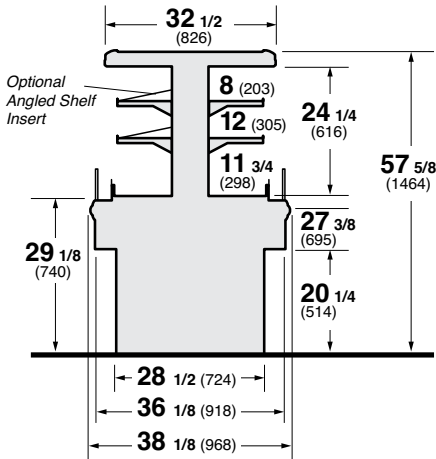
See Plan Views - Page 172 thru 173



TY3EC-3 (Specialty)

Self-Service, Narrow Multi-Deck Shop Around Island Merchandiser with Extended Canopy for Multiple Applications

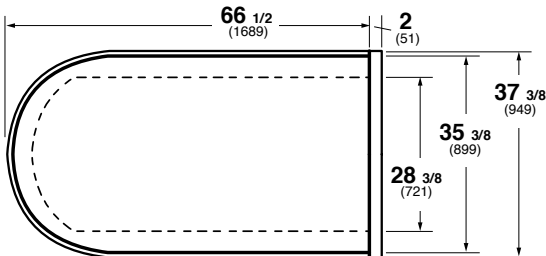
See Plan Views - Below



TY3EC-3 - PLAN VIEW

Self-Service, Narrow Multi-Deck Shop Around Island Merchandiser with Extended Canopy for Multiple Applications

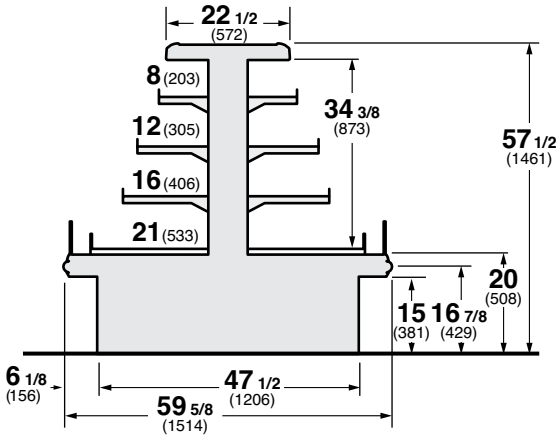
NOTE: Contact your sales representative for information on possible availability of additional case lengths.



TY4-5 (Specialty)

Self-Service, Multi-Deck Shop Around Island Merchandiser for Multiple Applications

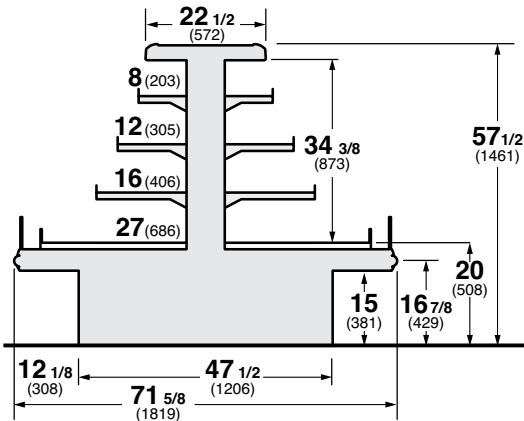
See Plan Views - Page 171



Entyce TY4-6 (Specialty)

Self-Service, Multi-Deck Shop Around Island Merchandiser for Multiple Applications

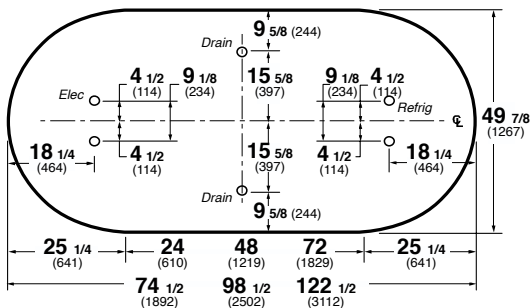
See Plan Views - Page 172 thru 173



Entyce TY(# of levels) -4' WIDE ISLAND - PLAN VIEW

Self-Service, Multi-Deck Shop Around Island Merchandiser for Multiple Applications

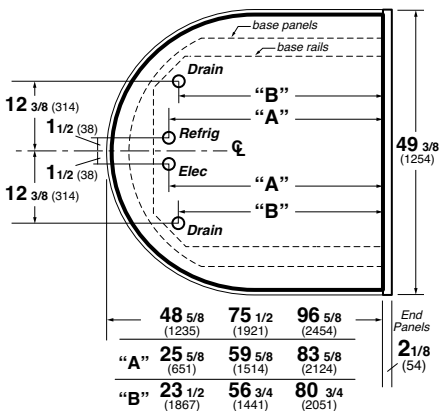
NOTE: Contact your sales representative for information on possible availability of additional case lengths.



Entyce TY(# of levels) -4' WIDE END - PLAN VIEW

Self-Service, Multi-Deck Shop Around Island Merchandiser for Multiple Applications

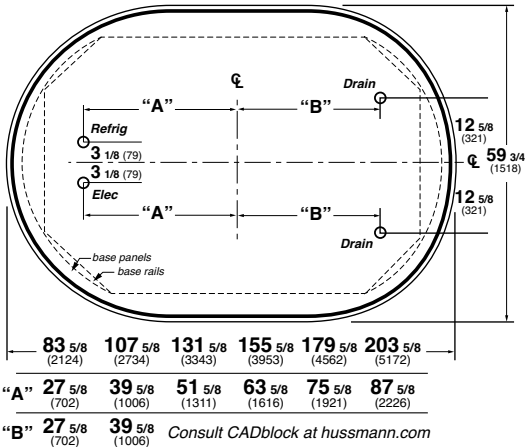
NOTE: Contact your sales representative for information on possible availability of 1/2 inch additional case lengths.



Entyce TY(# of levels) -5' WIDE ISLAND - PLAN VIEW

Self-Service, Multi-Deck Shop Around Island Merchandiser for Multiple Applications

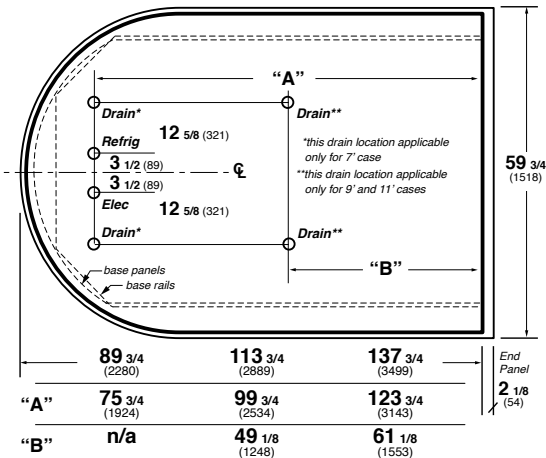
NOTE: Contact your sales representative for information on possible availability of additional case lengths.



Entyce TY(# of levels) -5' WIDE END - PLAN VIEW

Self-Service, Multi-Deck Shop Around Island Merchandiser for Multiple Applications

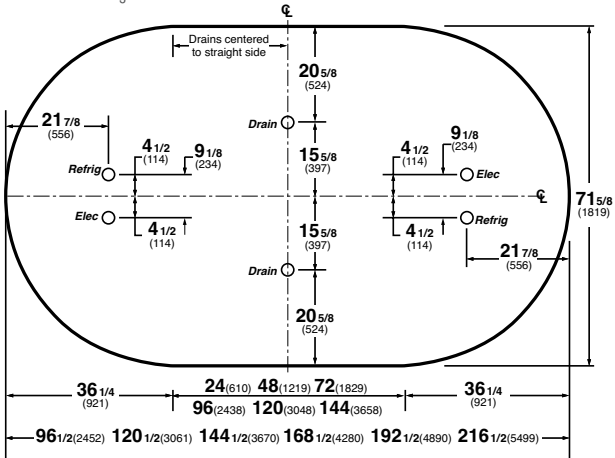
NOTE: Contact your sales representative for information on possible availability of additional case lengths.



Entyce TY(# of levels) -6' WIDE ISLAND - PLAN VIEW

Self-Service, Multi-Deck Shop Around Island Merchandiser for Multiple Applications

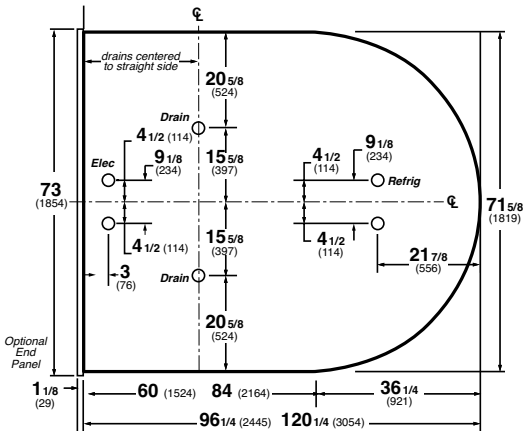
NOTE: Contact your sales representative for information on possible availability of additional case lengths.



Entyce TY(# of levels) -6' WIDE END - PLAN VIEW

Self-Service, Multi-Deck Shop Around Island Merchandiser for Multiple Applications

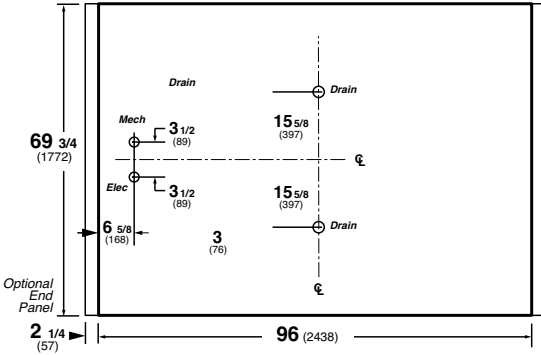
NOTE: Contact your sales representative for information on possible availability of additional case lengths.



Entyce TY(# of levels) -6' CENTER- PLAN VIEW

Self-Service, Multi-Deck Shop Around Island Merchandiser for Multiple Applications

NOTE: Contact your sales representative for information on possible availability of additional case lengths.



NOTES

HUSSMANN®

Floral Cases



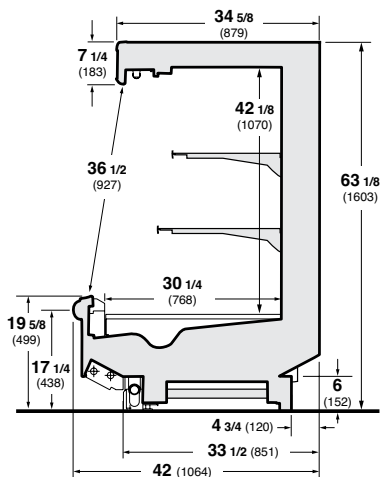
FL3X-LEP (Excel)

Low Front, Multi-Deck Merchandiser for Floral Applications

See Plan View - Below

NOTE:

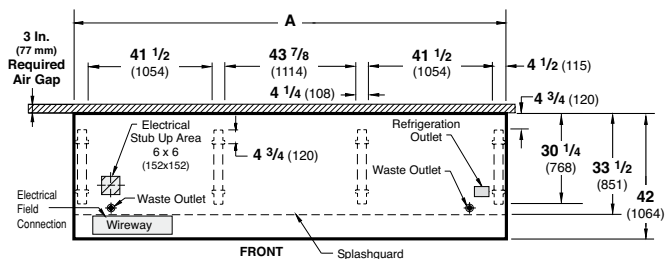
FL3X-LEP is only available in 4-foot length.



FL3X-LEP - PLAN VIEW

Low Front, Multi-Deck Merchandiser for Floral Applications

NOTE: Overall case length without shown ends or partitions. Contact your sales representative for information on possible availability of additional case lengths.



Dimensions

4 FT

A

48 3/8 (1229)

*FL3X-LEP is only available in 4-foot length.

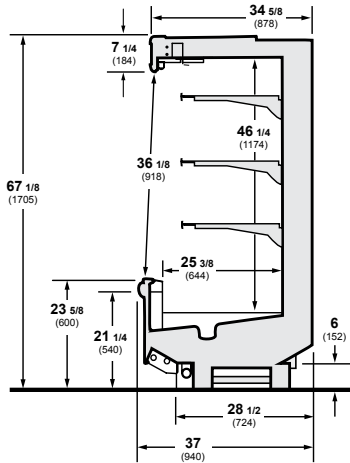
FL4NX-EP (Excel)

Multi-Deck, Narrow Footprint Merchandiser, Standard Front Height for Floral Applications

See Plan View - Page 177

NOTE:

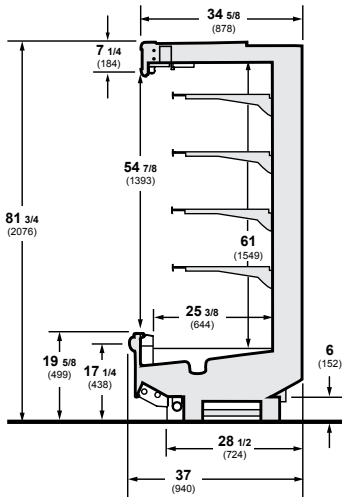
FL4NX-EP is not available in 8-foot length.



FL5NX-LEP (Excel)

Multi-Deck, Narrow Footprint Merchandiser, Low Front Height for Floral Applications

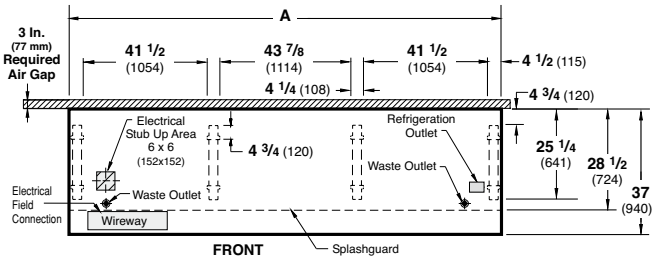
See Plan View - Page 177



FL4NX-EP and FL5NX-LEP - PLAN VIEW

Multi-Deck, Narrow Footprint Merchandiser, Standard OR Low Front Height for Floral Applications

NOTE: Overall case length shown without ends or partitions. Contact your sales representative for information on possible availability of additional case lengths.



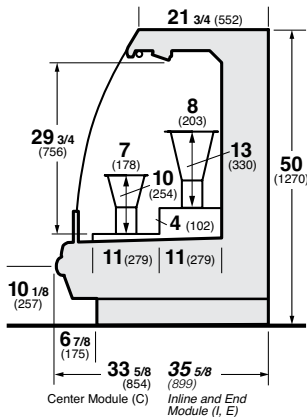
Dimensions	8 FT	12 FT
A	96 3/8 (2448)	144 1/2 (3670)

*FL4NX-EP is not available in 8-foot length.

IM-O4-RF (Isla)

ISLA Refrigerated Self-Service, Multi-Deck Merchandiser for Floral Applications

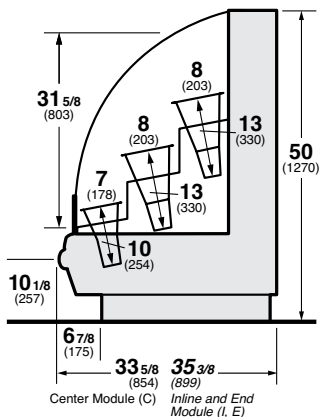
See Plan Views - Page 179 thru 180



IM-04-RF-NC (Isla)

ISLA Refrigerated Self-Service, Multi-Deck Merchandiser with Narrow Canopy for Floral Applications

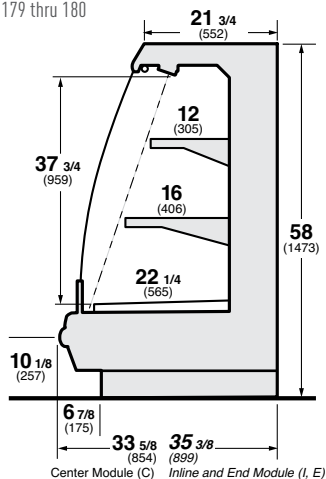
See Plan Views - Page 179 thru 180



IM-05-RF (Isla)

ISLA Refrigerated Self-Service, Multi-Deck Merchandiser for Floral Applications

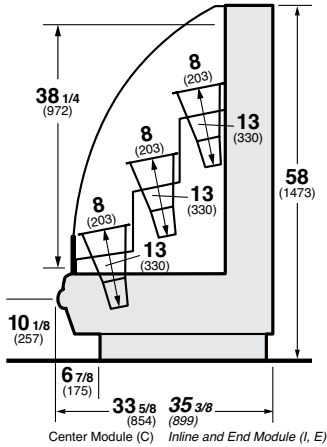
See Plan Views - Page 179 thru 180



IM-05-RF-NC (Isla)

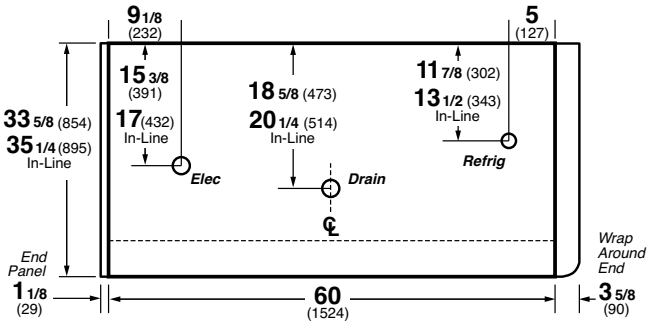
ISLA Refrigerated Self-Service, Multi-Deck Merchandiser with Narrow Canopy for Floral Applications

See Plan Views - Page 179 thru 180



IM-04-RF, IM-04-RF-NC, IM-05-RF, and IM-05-RF-NC - PLAN VIEW

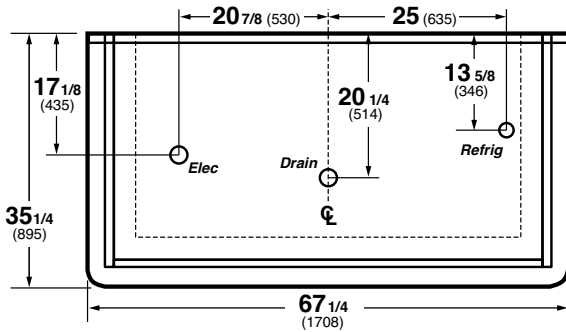
NOTE: Contact your sales representative for information on possible availability of additional case lengths.



IM-04-RF, IM-04-RF-NC, IM-05-RF, and IM-05-RF-NC - PLAN VIEW

Refrigerated End Module

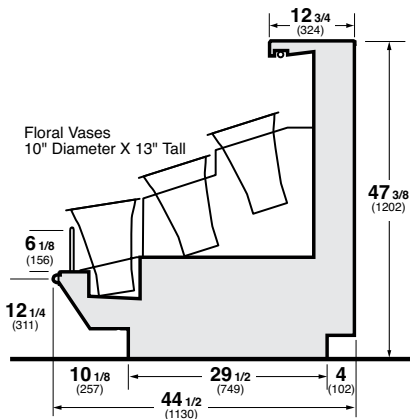
NOTE: Contact your sales representative for information on possible availability of additional case lengths.



Q3.5-SS-F (Specialty)

Refrigerated, Multi-Deck Self-Service Merchandiser for Floral Applications

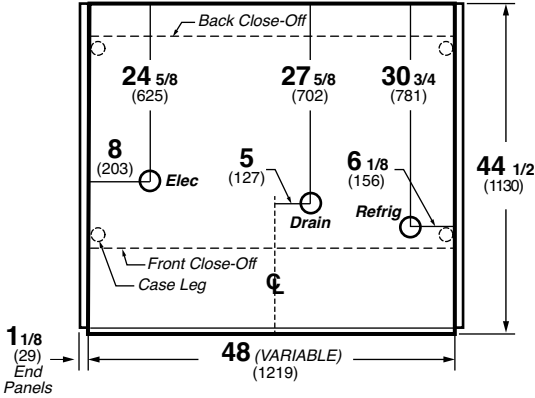
See Plan Views - Page 181



Q3.5-SS-F - PLAN VIEW

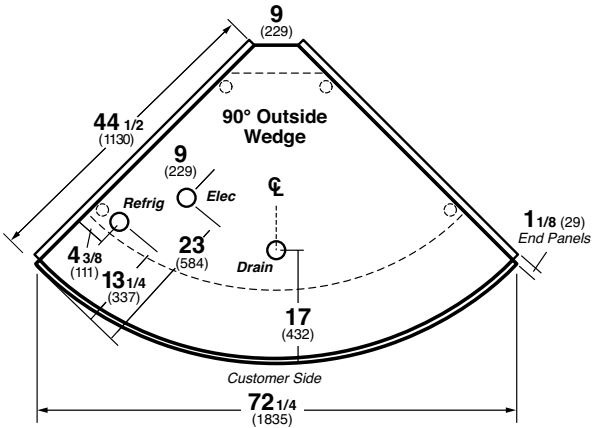
Refrigerated, Multi-Deck Self-Service Merchandiser for Floral Applications

NOTE: Contact your sales representative for information on possible availability of additional case lengths.



Q3.5-SS-F - WEDGE PLAN VIEW

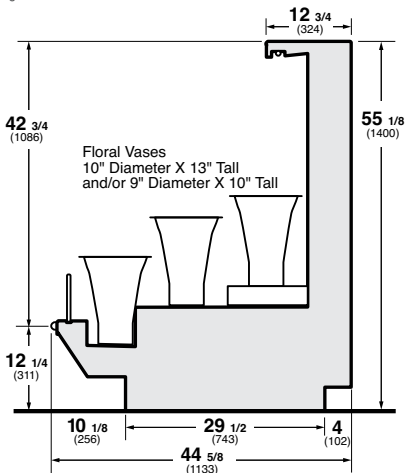
90° Outside Wedge for Floral Applications



Q4-SS-F (Specialty)

Refrigerated, Multi-Deck Self-Service Merchandiser for Floral Applications

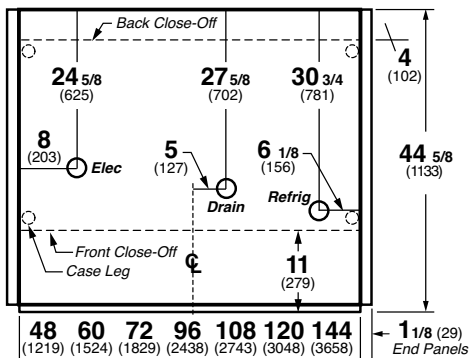
See Plan Views - Page 182 thru 183



Q4-SS-F - PLAN VIEW

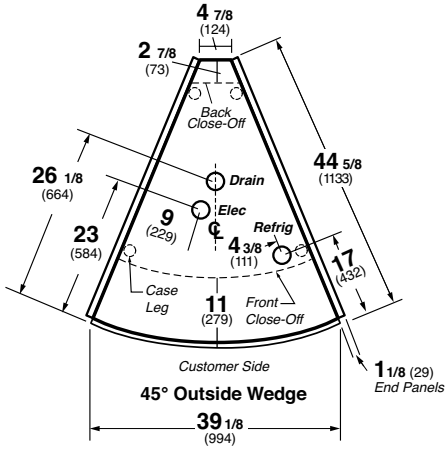
Refrigerated, Multi-Deck Self-Service Merchandiser for Floral Applications

NOTE: Contact your sales representative for information on possible availability of additional case lengths.



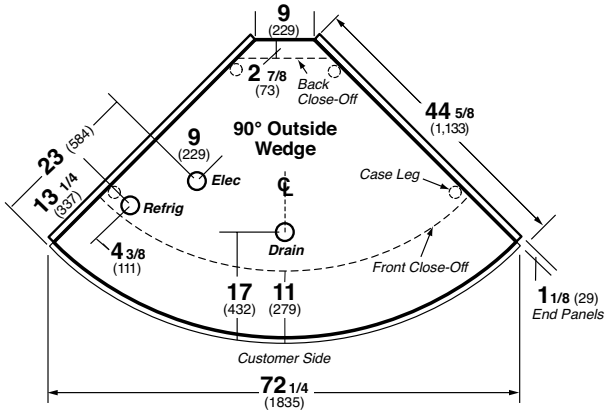
Q4-SS-F - WEDGE PLAN VIEW

45° Outside Wedge for Floral Applications



Q4-SS-F - WEDGE PLAN VIEW

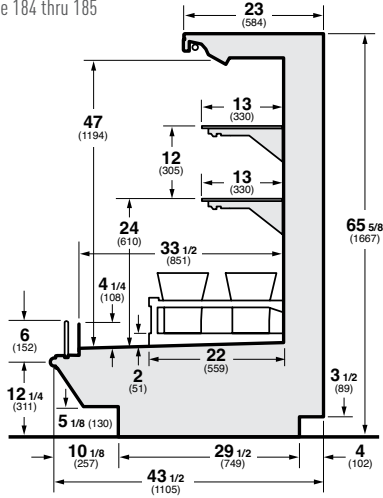
90° Outside Wedge for Floral Applications



Q5-SSEC-F - PLAN VIEW

Refrigerated, Multi-Deck, Self-Service Merchandiser for Floral and Multiple Applications

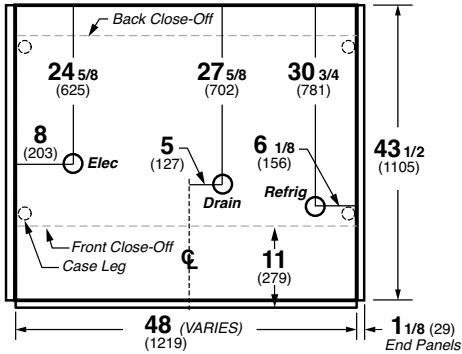
See Plan Views - Page 184 thru 185



Q5-SSEC-F - PLAN VIEW

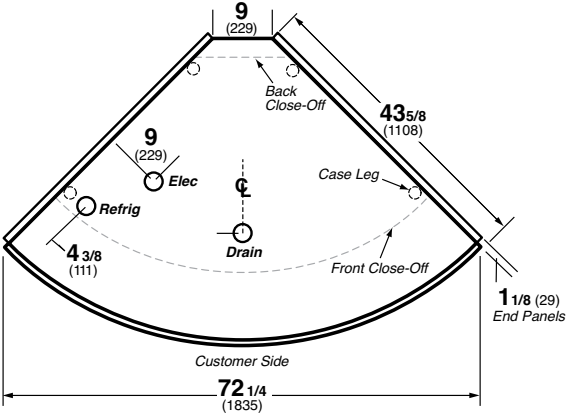
Refrigerated, Multi-Deck, Self-Service Merchandiser for Floral and Multiple Applications

NOTE: Contact your sales representative for information on possible availability of additional case lengths.



Q5-SSEC-F - WEDGE PLAN VIEW

90° Outside Wedge for Floral and Multiple Applications



NOTES

HUSSMANN®

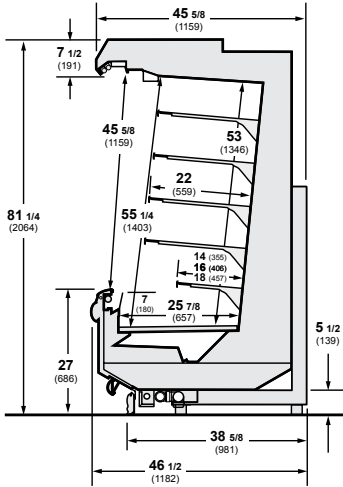
Frozen Cases



F6 (Excel)

Open Multi-Deck Merchandiser with Medium Front for Frozen Applications

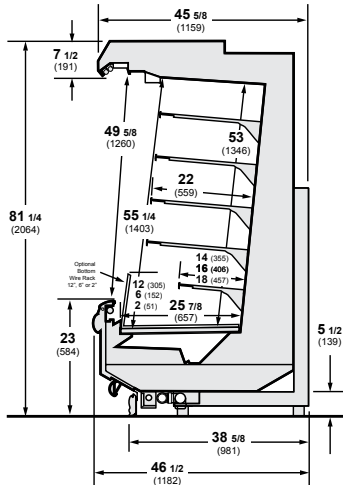
See Plan Views - Page 188



F6L (Excel)

Open Multi-Deck Merchandiser with Low Front for Frozen Applications

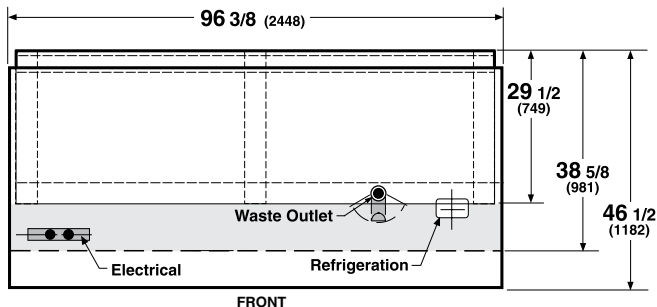
See Plan Views - Page 188



F6 and F6L - PLAN VIEW

8-Foot Open Multi-Deck Merchandiser with Medium Front for Frozen Applications

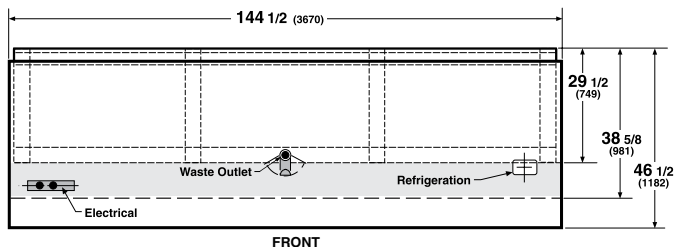
NOTE: Contact your sales representative for information on possible availability of additional case lengths.



F6 and F6L - PLAN VIEW

12-Foot Open Multi-Deck Merchandiser with Medium Front for Frozen Applications

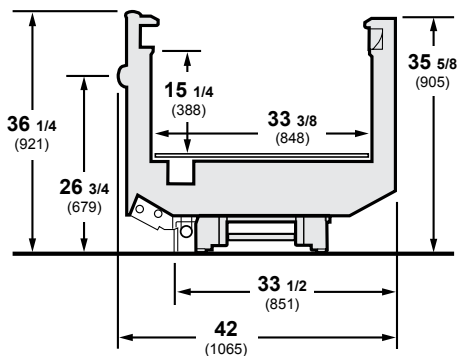
NOTE: Contact your sales representative for information on possible availability of additional case lengths.



F (Excel)

Single-Deck Wall Merchiser with Solid Front for Frozen Applications

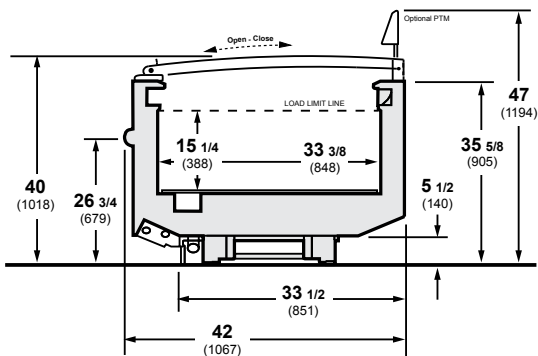
See Plan View - Page 191



F-L (Excel)

Single-Deck Wall Merchiser with Solid Front and Lids for Frozen Applications

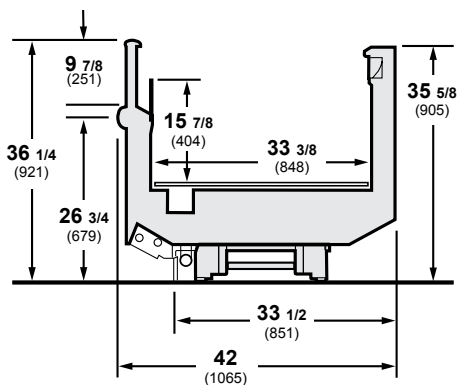
See Plan View - Page 191



FG (Excel)

Single-Deck Wall Merchandiser with Glass Front for Frozen Applications

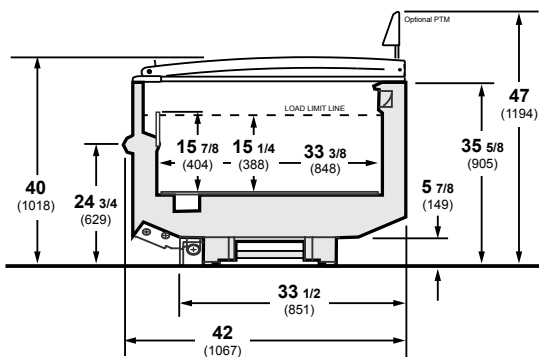
See Plan View - Page 191



FG-L (Excel)

Single-Deck Wall Merchandiser with Glass Front and Lids for Frozen Applications

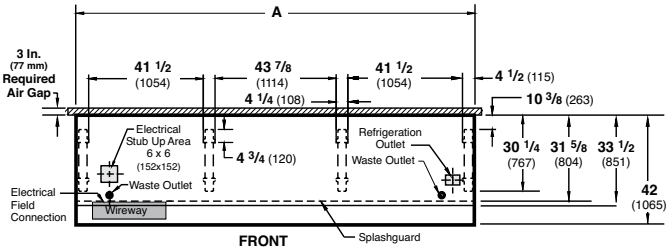
See Plan View - Page 191



F, F-L, FG, and FG-L - PLAN VIEW

Single-Deck Wall Merchandiser with Solid OR Glass Front with OR without Lids for Frozen Applications

NOTE: Overall case length shown without ends or partitions. Contact your sales representative for information on possible availability of additional case lengths.



Dimensions

A

8 FT

12 FT

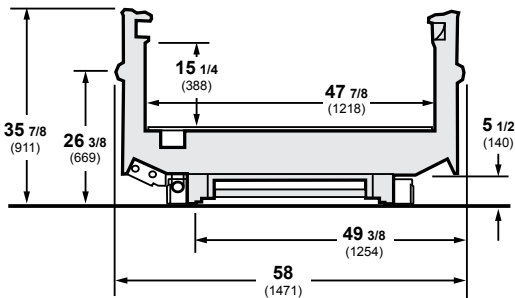
96 3/8 (2448)

144 1/2 (3670)

FI (Excel)

Intermediate Island Merchandiser with Solid Walls for Frozen Applications

See Plan View - Page 193



FI-L (Excel)

Intermediate Island Merchandiser with Solid Walls and Lids for Frozen Applications

See Plan View - Page 193

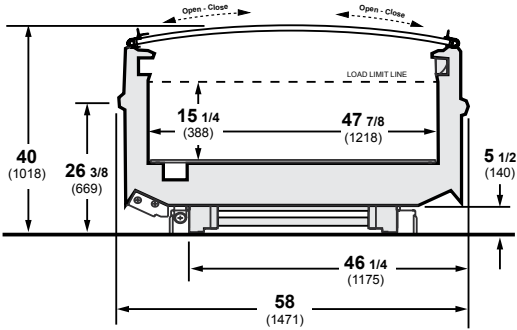


FIG (Excel)

Intermediate Island Merchandiser with Glass Walls for Frozen Applications

See Plan View - Page 193

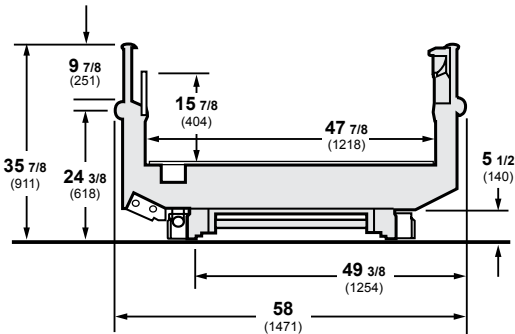
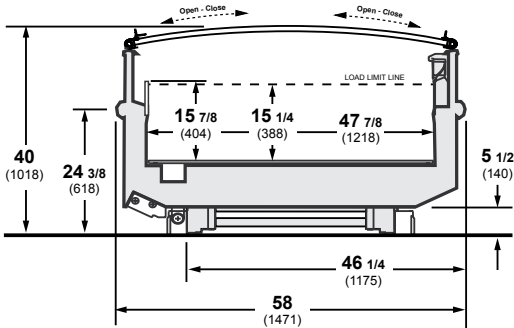


FIG-L (Excel)

Intermediate Island Merchandiser with Glass Walls and Lids for Frozen Applications

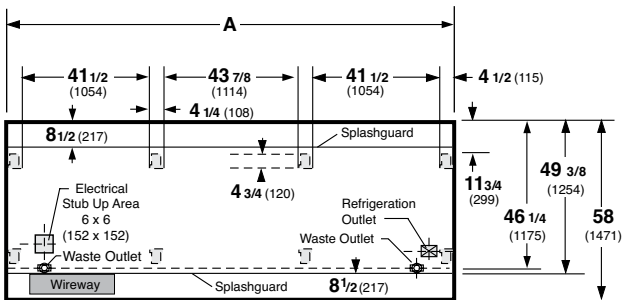
See Plan View - Below



FI, FI-L, FIG, and FIG-L - PLAN VIEW

Intermediate Island Merchandiser with Solid OR Glass Walls with OR without Lids for Frozen Applications

NOTE: Overall case length shown without ends or partitions. Contact your sales representative for information on possible availability of additional case lengths.



Dimensions

8 FT

12 FT

A

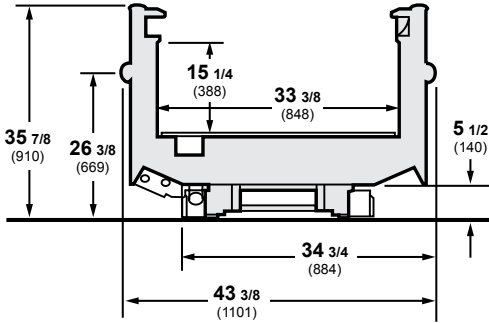
96 3/8 (2448)

144 1/2 (3670)

FN (Excel)

Narrow Island Merchandiser with Solid Walls for Frozen Applications

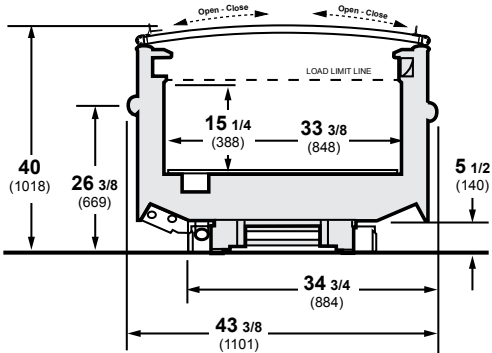
See Plan View - Page 196



FN-L (Excel)

Narrow Island Merchandiser with Solid Walls and Lids for Frozen Applications

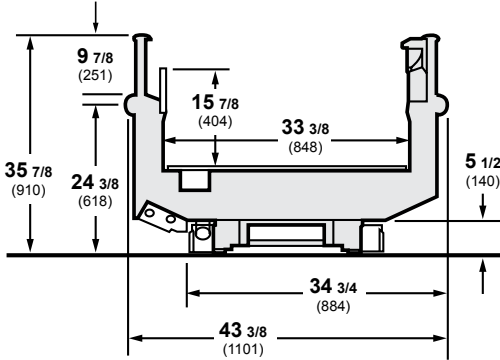
See Plan View - Page 196



FNG (Excel)

Narrow Island Merchandiser with Glass Walls for Frozen Applications

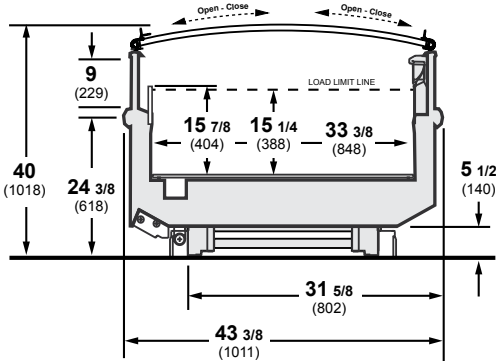
See Plan View - Page 196



FNG-L (Excel)

Narrow Island Merchandiser with Glass Walls and Lids for Frozen Applications

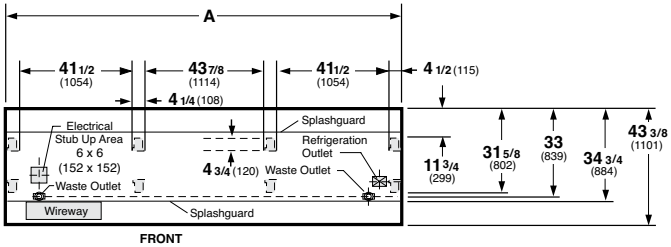
See Plan View - Page 196



FN, FN-L, FNG, and FNG-L - PLAN VIEW

Narrow Island Merchandiser with Solid OR Glass Walls with OR without Lids for Frozen Applications

NOTE: Overall case length shown without ends or partitions. Contact your sales representative for information on possible availability of additional case lengths.

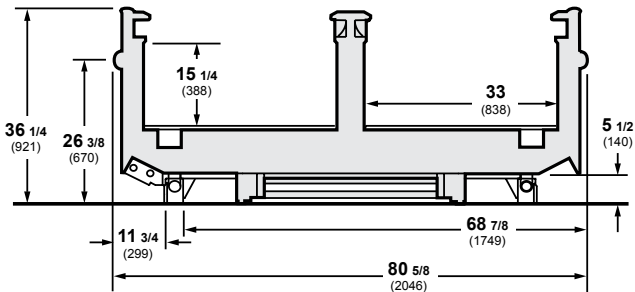


Dimensions	8 FT	12 FT
A	96 3/8 (2448)	144 1/2 (3670)

FW (Excel)

Wide Island Merchandiser with Solid Walls for Frozen Applications

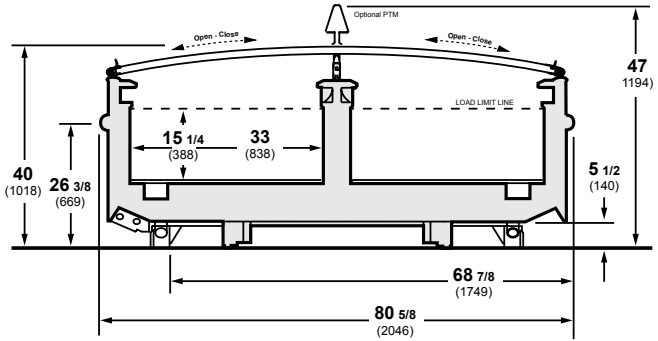
See Plan View - Page 198



FW-L (Excel)

Wide Island Merchandiser with Solid Walls and Lids for Frozen Applications

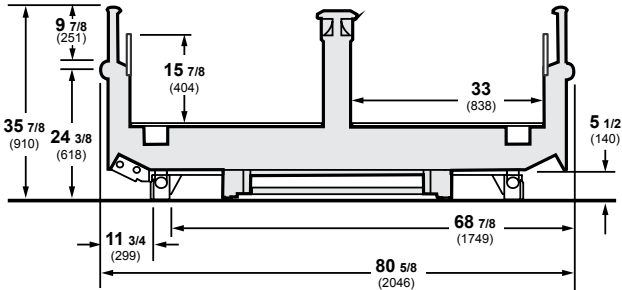
See Plan View - Page 198



FWG (Excel)

Wide Island Merchandiser with Glass Walls for Frozen Applications

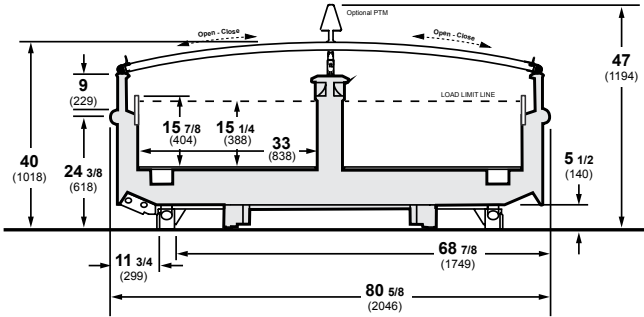
See Plan View - Page 198



FWG-L (Excel)

Wide Island Merchandiser with Glass Walls and Lids for Frozen Applications

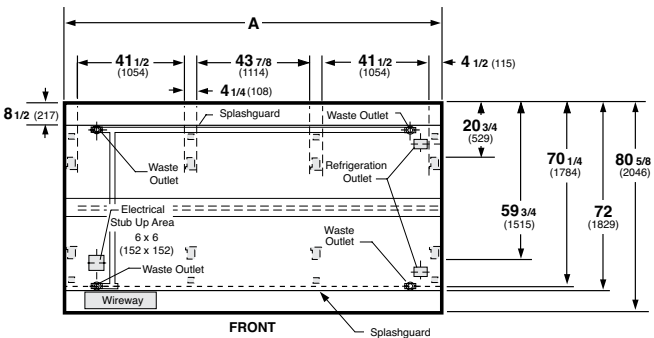
See Plan View - Below



FW, FW-L, FWG, and FWG-L - PLAN VIEW

Wide Island Merchandiser with Solid OR Glass Walls with OR without Lids for Frozen Applications

NOTE: Overall case length shown without ends or partitions. Contact your sales representative for information on possible availability of additional case lengths.



Dimensions

8 FT

12 FT

A

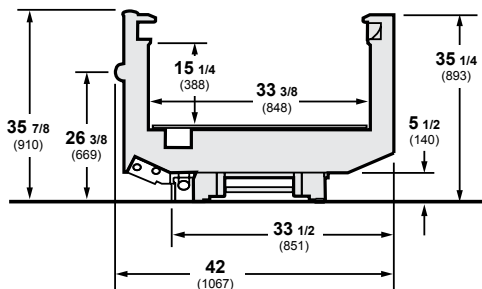
96 3/8 (2448)

144 1/2 (3670)

FWE (Excel)

Single-Deck End Merchandiser with Solid Front for Frozen Applications

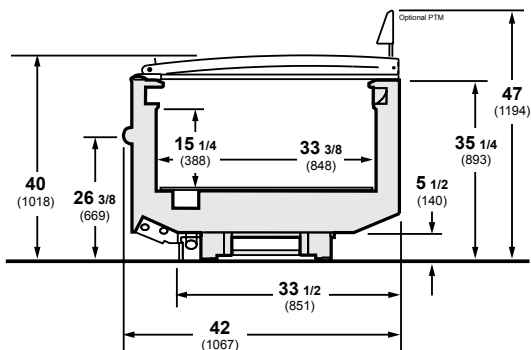
See Plan View - Page 202



FWEL (Excel)

Single-Deck End Merchandiser with Solid Front with Lids for Frozen Applications

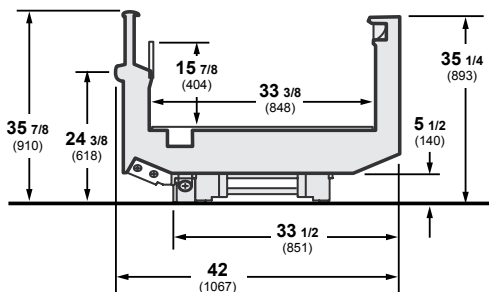
See Plan View - Page 202



FWEG (Excel)

Single-Deck End Merchandiser with Glass Front for Frozen Applications

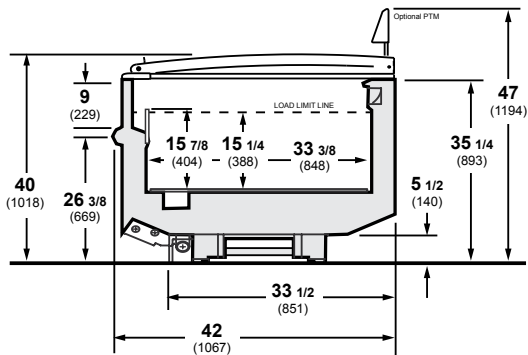
See Plan View - Page 202



FWEGL (Excel)

Single-Deck End Merchandiser with Glass Front and Lids for Frozen Applications

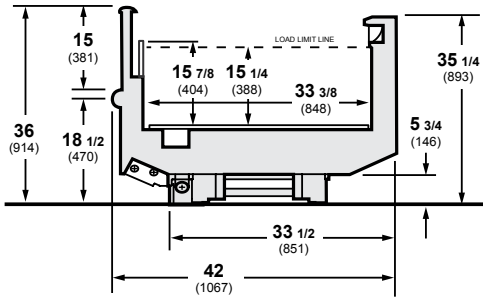
See Plan View - Page 202



FWEGH (Excel)

Single-Deck End Merchandiser with Glass Front for Frozen Applications

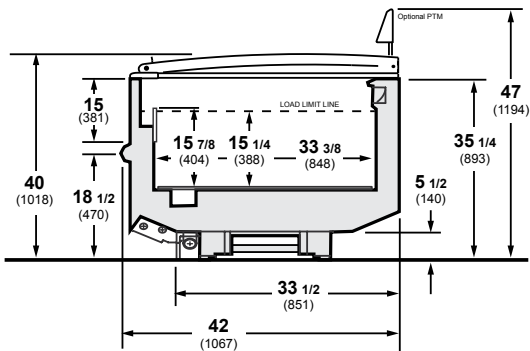
See Plan View - Page 202



FWEGHL (Excel)

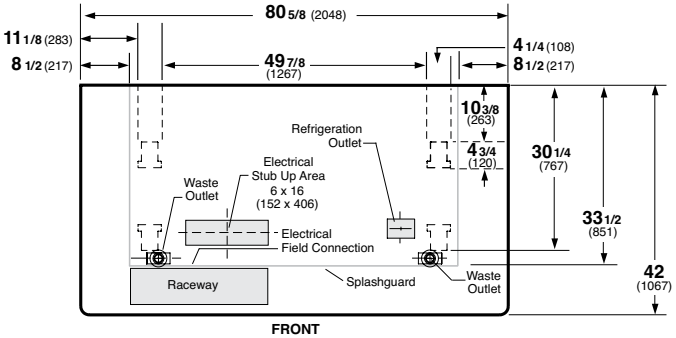
Single-Deck End Merchandiser with Glass Front with Lids for Frozen Applications

See Plan View - Page 202



FWE, FWEL, FWEG, FWEGL, FWEGH, and FWEGHL - PLAN VIEW

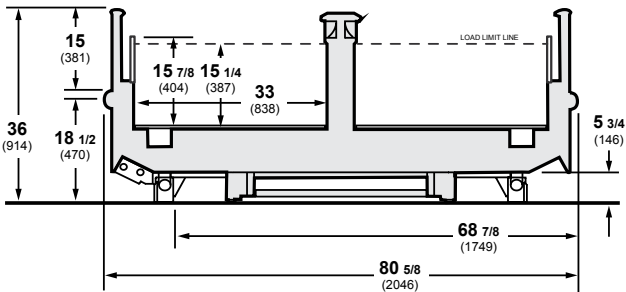
NOTE: Contact your sales representative for information on possible availability of additional case lengths.



FWGH (Excel)

Wide Island Merchandiser with Extra Tall Glass for Frozen Applications

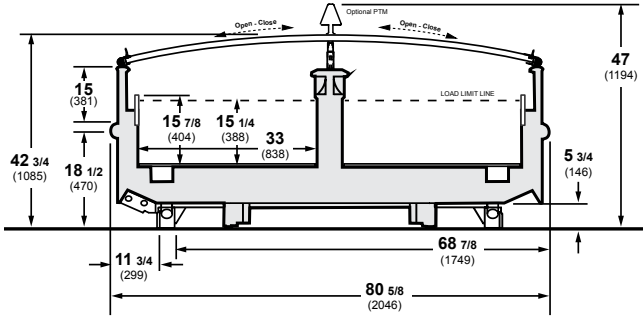
See Plan View - Page 203



FWGH-L (Excel)

Wide Island Merchandiser with Extra Tall Glass with Lids for Frozen Applications

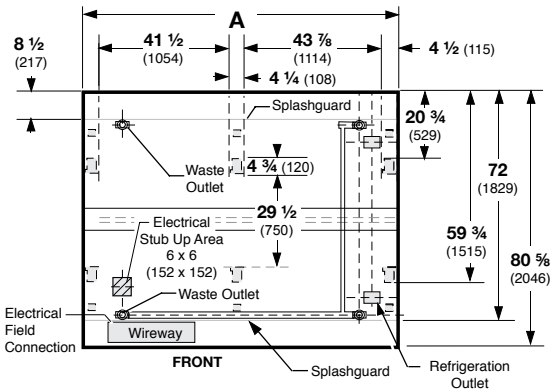
See Plan View - Below



FWGH and FWGH-L - PLAN VIEW

Wide Island Merchandiser with Extra Tall Glass OR with Lids for Frozen Applications

NOTE: Contact your sales representative for information on possible availability of additional case lengths.

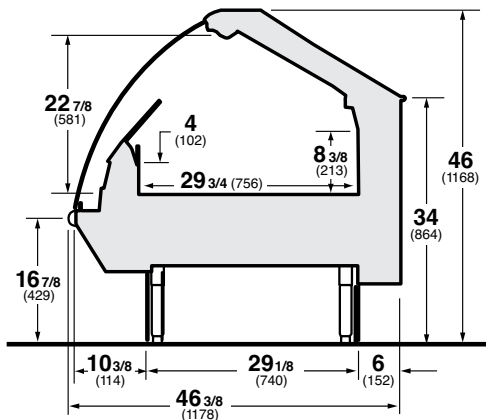


Dimensions	8 FT	12 FT
A	96 3/8 (2448)	144 1/2 (3670)

Q1-LC (Specialty)

Service Merchandiser with Curved Glass for Frozen Applications

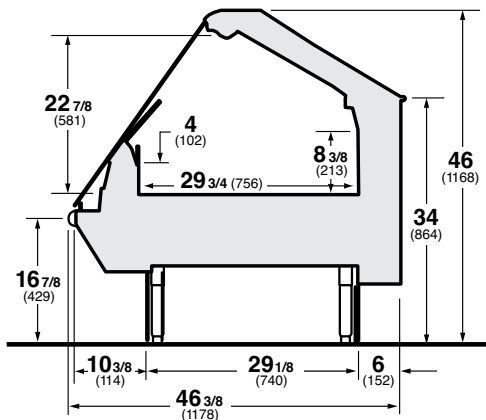
See Plan View - Page 205



Q1-LS (Specialty)

Service Merchandiser with Straight Glass for Frozen Applications

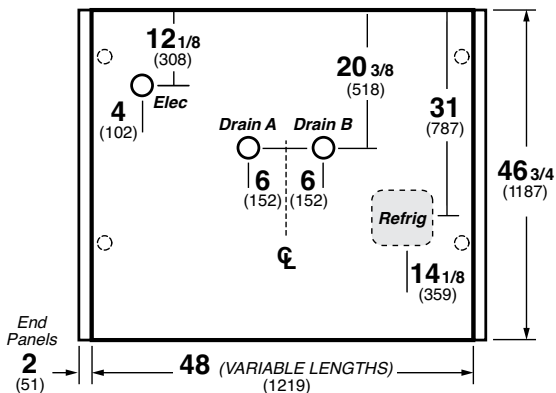
See Plan View - Page 205



Q1-LC and Q1-LS - PLAN VIEW

Service Merchandiser with Curved OR Straight Glass for Frozen Applications

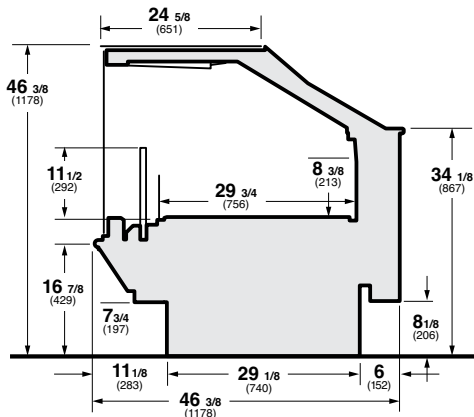
NOTE: Contact your sales representative for information on possible availability of additional case lengths.



Q1-LV (Specialty)

Service Merchandiser with Vertical Glass for Low Temp Applications

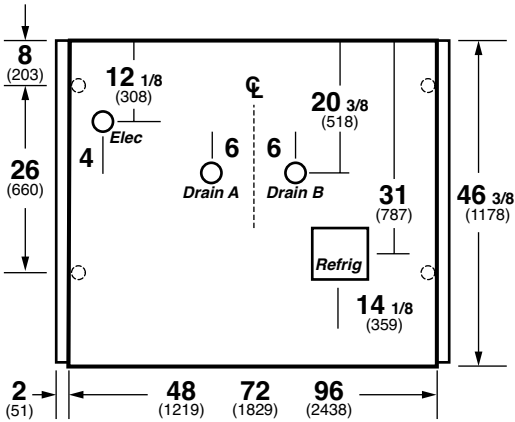
See Plan View - Page 206



Q1-LV - PLAN VIEW

Service Merchandiser with Vertical Glass for Low Temp Applications

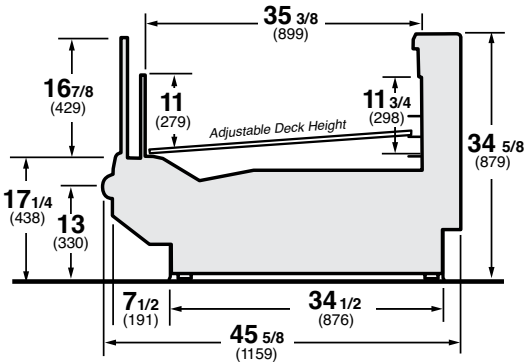
NOTE: Contact your sales representative for information on possible availability of additional case lengths.



SFG (Specialty)

Self-Service Merchandiser with Glass Front for Frozen or Medium Temp Applications

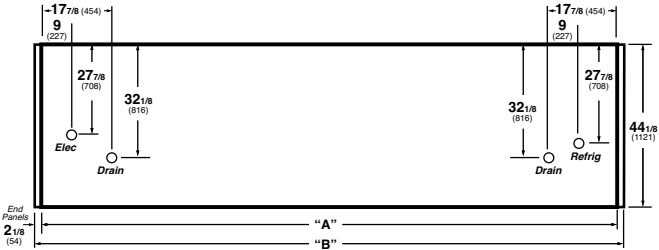
See Plan View - Page 207



SFG - PLAN VIEW

Self-Service Merchandiser with Glass Front for Frozen or Medium Temp Applications

NOTE: Contact your sales representative for information on possible availability of additional case lengths.

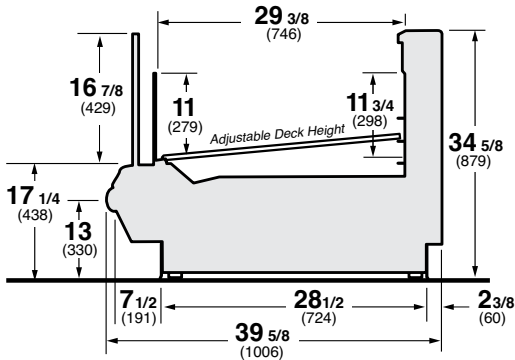


Dimensions	SFG-4	SFG-5	SFG-6	SFG-8	SFG12
A	48 1/8 (1222)	59 3/4 (1518)	72 1/8 (1832)	96 1/4 (2445)	144 3/8 (3667)
B	52 3/8 (1330)	64 (1626)	72 3/8 (1836)	100 1/2 (2553)	148 5/8 (3775)

SFNG (Specialty)

Self-Service Narrow Depth Merchandiser with Glass Front for Frozen or Medium Temp Applications

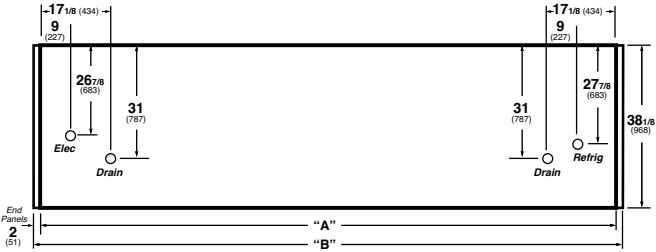
See Plan View - Page 208



SFNG - PLAN VIEW

Self-Service Narrow Depth Merchandiser with Glass Front for Frozen or Medium Temp Applications

NOTE: Contact your sales representative for information on possible availability of additional case lengths.



Dimensions	SFNG-4	SFNG-5	SFNG-6	SFNG-8	SFG12
A	48 1/8 (1222)	59 3/4 (1518)	72 1/8 (1832)	96 1/4 (2445)	144 3/8 (3667)
B	52 3/8 (1330)	64 (1626)	72 3/8 (1836)	100 1/2 (2553)	148 3/8 (3769)

NOTES

HUSSMANN®

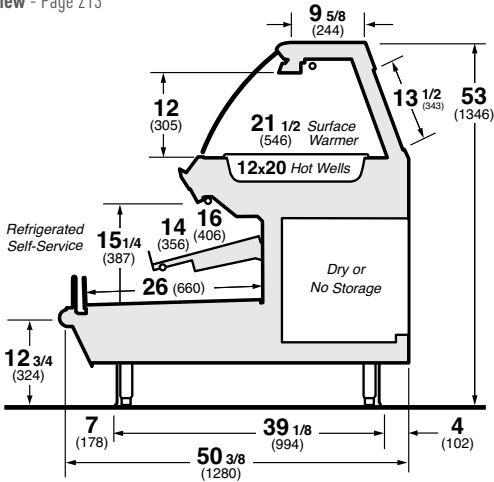
Hot Cases



CR3-H (Specialty)

Hot Service Merchandiser with Self-Service Refrigerated or Hot Front with Curved Glass

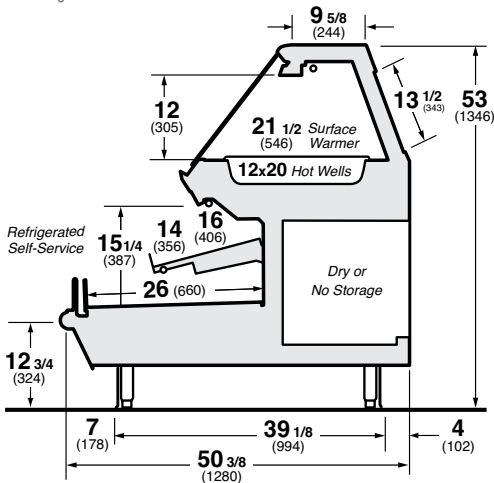
See Plan View - Page 213



R3-H (Specialty)

Hot Service Merchandiser with Self-Service Refrigerated or Hot Front with Straight Glass

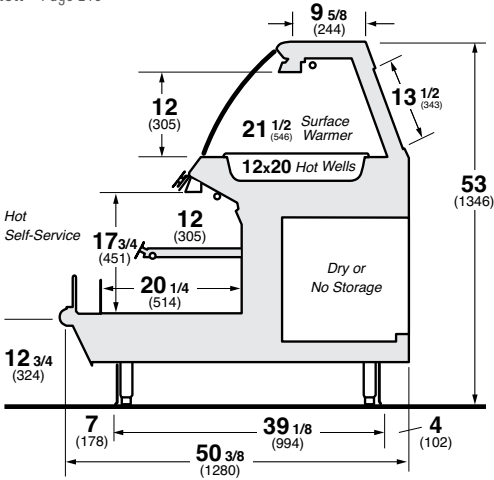
See Plan View - Page 213



CR3H-HF (Specialty)

Hot Service Merchandiser with Self-Service Refrigerated or Hot Front with Curved Glass

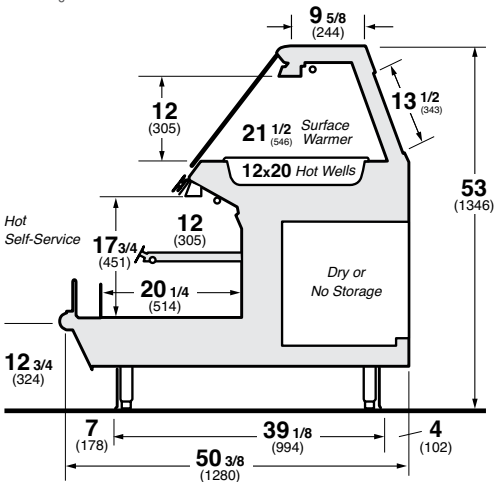
See Plan View - Page 213



R3H-HF (Specialty)

Hot Service Merchandiser with Self-Service Refrigerated or Hot Front with Straight Glass

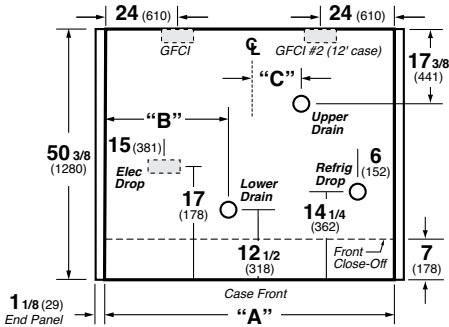
See Plan View - Page 213



CR3-H, R3-H, CR3H-HF and R3H-HF - PLAN VIEW

Hot Service Merchandiser with Self-Service Refrigerated or Hot Front with Curved OR Straight Glass

NOTE: Contact your sales representative for information on possible availability of additional case lengths.

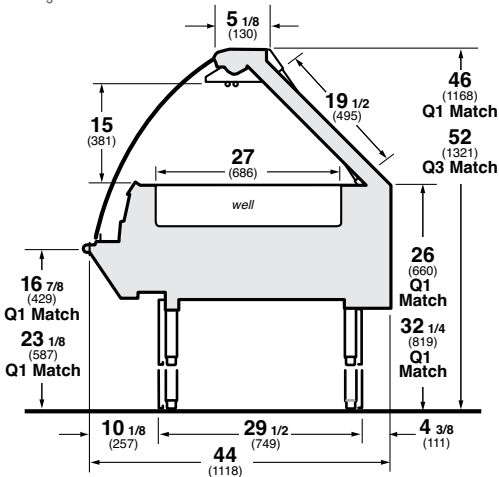


Dimensions	4'	5'	6'	8'	10'	12'
A	48 (1219)	60 (1528)	72 (1829)	96 (2438)	120 (3048)	144 (3658)
B	7 (178)	35 (889)	41 (1041)	53 (1346)	65 (1651)	65 (1651)
C	8 (203)	5 (127)	8 (203)	8 (203)	8 (203)	5 (127)

Q-HC (Specialty)

Q-Series Hot Service Merchandiser with Curved Glass

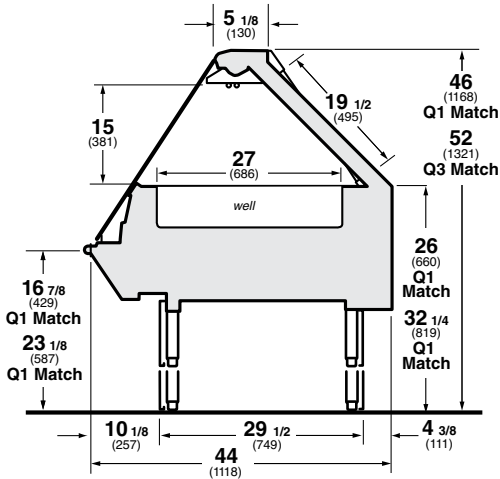
See Plan Views - Page 214 thru 215



Q-HS (Specialty)

Q-Series Hot Service Merchandiser with Straight Glass

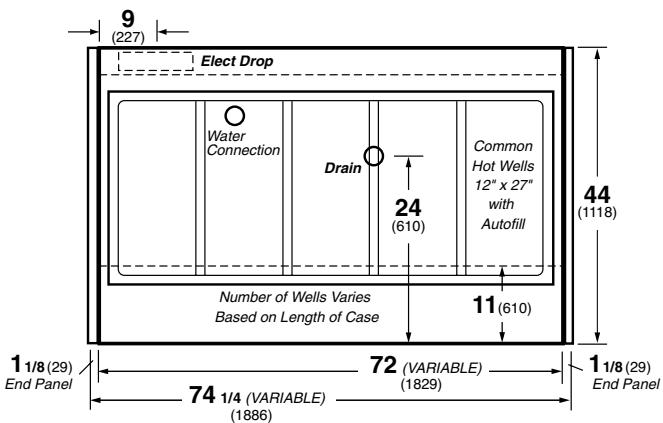
See Plan Views - Page 214 thru 215



Q-HC and Q-HS - PLAN VIEW

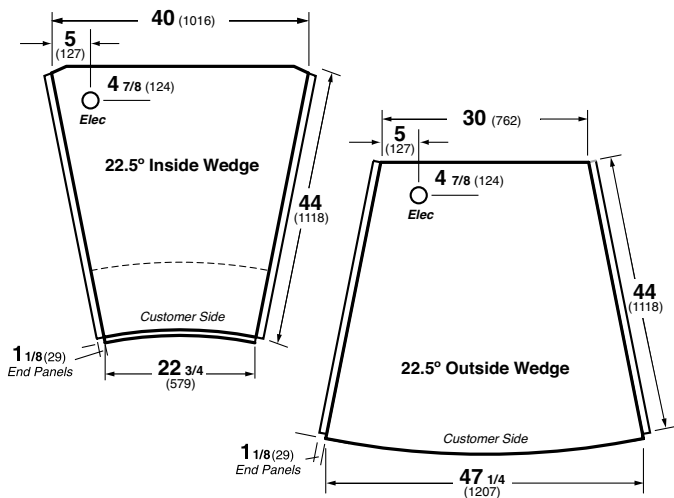
Q-Series Hot Service Merchandiser

NOTE: Contact your sales representative for information on possible availability of additional case lengths.



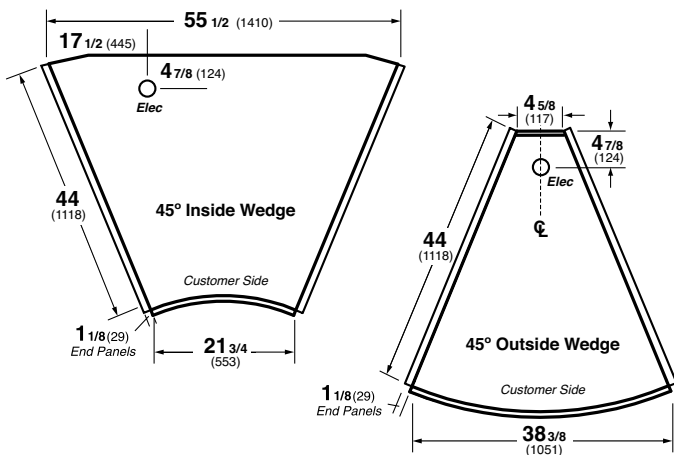
Q-HC and Q-HS - WEDGE PLAN VIEWS

22.5° Inside and Outside Wedges



Q-HC - WEDGE PLAN VIEWS

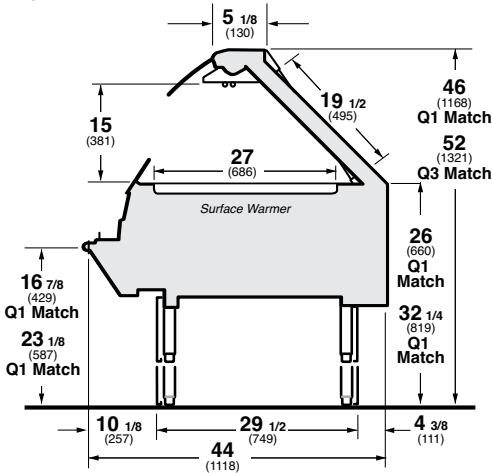
45° Inside and Outside Wedges



Q-HC-SS (Specialty)

Q-Series Hot Self-Service Merchandiser with Curved Glass

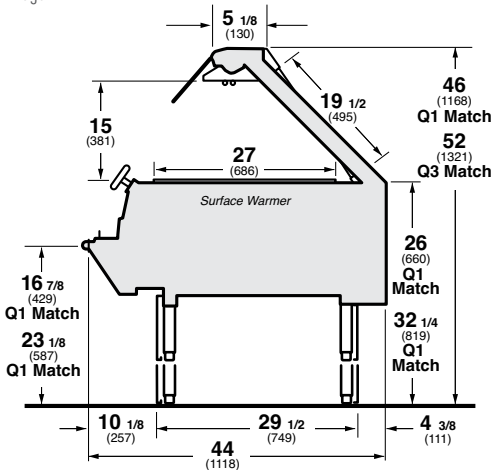
See Plan View - Page 217



Q-HS-SS (Specialty)

Q-Series Hot Self-Service Merchandiser with Straight Glass

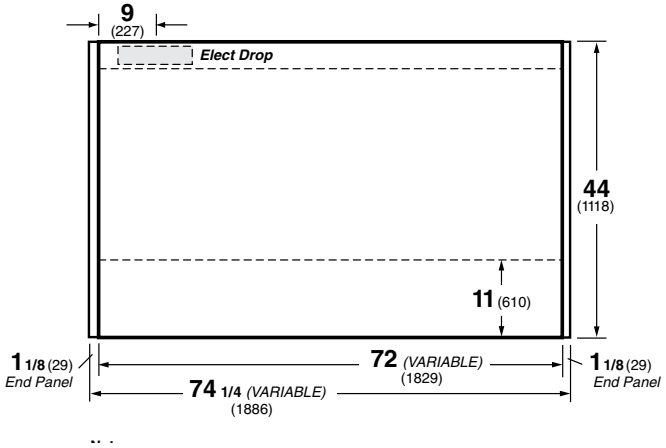
See Plan View - Page 217



Q-HC-SS and Q-HS-SS - PLAN VIEW

Q-Series Hot Self-Service Merchandiser

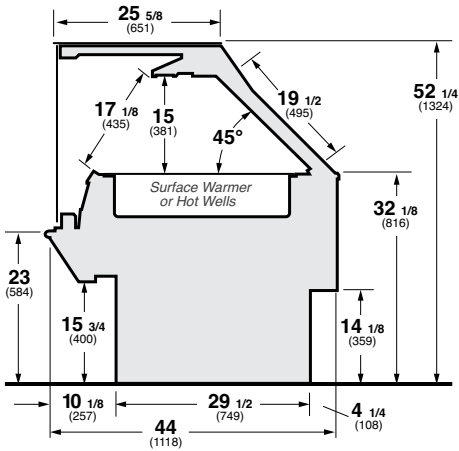
NOTE: Contact your sales representative for information on possible availability of additional case lengths.



Q-HV (Specialty)

Q-Series Hot Service, Self-Service Single-Deck Merchandiser with Vertical Glass

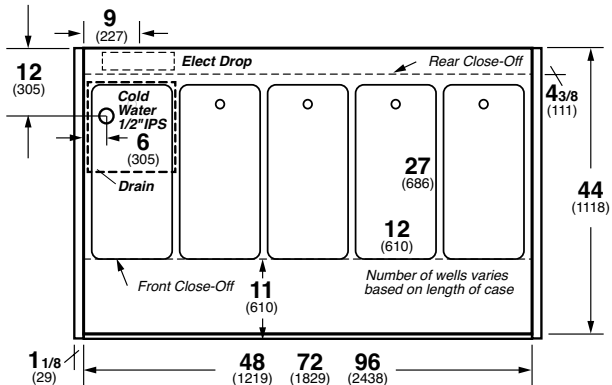
See Plan View - Below



Q-HV - PLAN VIEW

Q-Series Hot Service, Self-Service Single-Deck Merchandiser with Vertical Glass

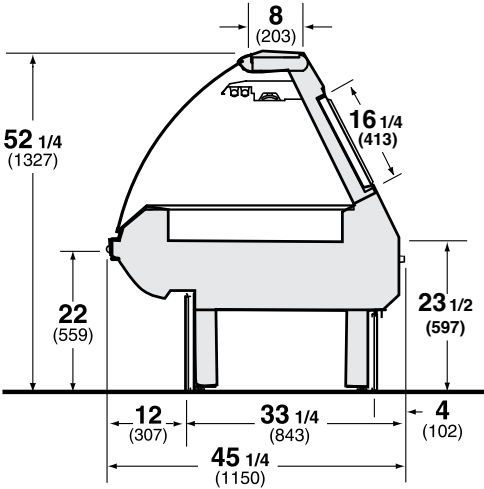
NOTE: Overall case length without ends or partitions. Contact your sales representative for information on possible availability of additional case lengths.



WDCHE-C (Elite)

Hot Food Merchandiser, Thermostatically Controlled Hot Food Wells with Curved Glass from BKI

See Plan View - Page 222

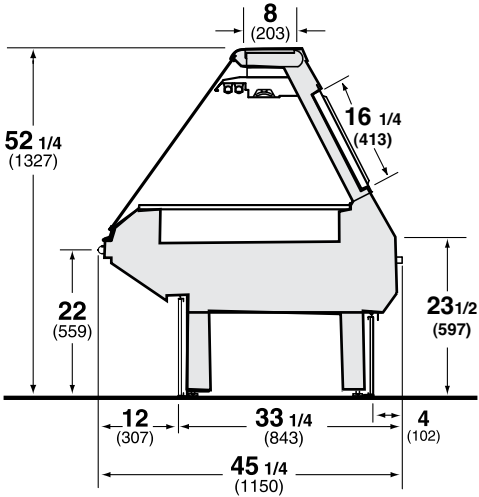


Model	4 FT (3-Wells)	6 FT (5-Wells)	8 FT (7-Wells)
WDCHE-3C	48 1/4 (1226)		
WDCHE-5C		72 5/15 (1837)	
WDCHE-7C			96 3/8 (2448)

WDCHE-S (Elite)

Hot Food Merchandiser, Thermostatically Controlled Hot Food Wells with Straight Glass from BKI

See Plan View - Page 222

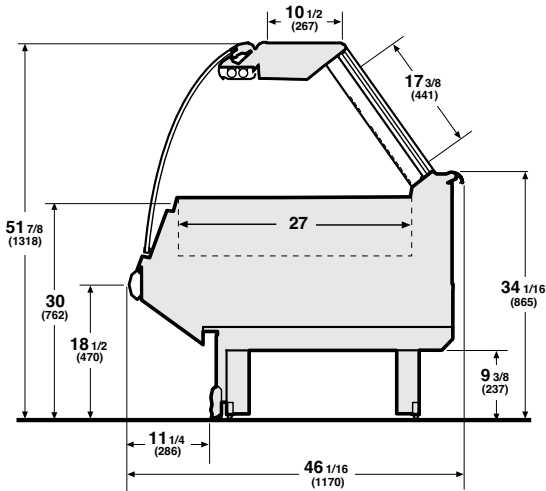


Model	4 FT (3-Wells)	6 FT (5-Wells)	8 FT (7-Wells)
WDCHE-3S	48 1/4 (1226)		
WDCHE-5S		72 5/15 (1837)	
WDCHE-7S			96 3/8 (2448)

WDCHI (Excel)

Hot Food Merchandiser, Thermostatically Controlled Hot Food Wells with Curved Glass from BKI

See Plan View - Page 222

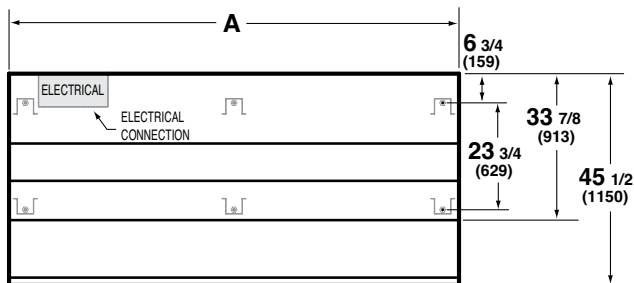


Model	4 FT (3-Wells)	6 FT (5-Wells)	8 FT (7-Wells)
WDCHI-3	$48 \frac{1}{4}$ (1226)		
WDCHI-5		$72 \frac{5}{15}$ (1837)	
WDCH1-7			$96 \frac{3}{8}$ (2448)

WDCHE-C and WDCHE-S - PLAN VIEW

4', 6' OR 8' Elite Hot Food Case, 3-, 5-, OR 7-Wells, Curved OR Straight Glass

NOTE: Overall case length without ends or partitions. Contact your sales representative for information on possible availability of additional case lengths.

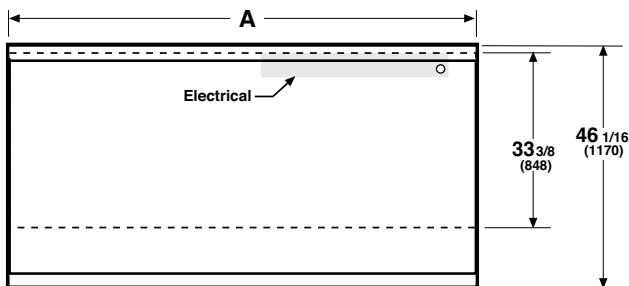


Dimension	4 FT (3-Wells)	6 FT (5-Wells)	8 FT (7-Wells)
A	48 1/4 (1226)	72 5/15 (1837)	96 3/8 (2448)

WDCHI - PLAN VIEW

4', 6' OR 8' Excel Hot Food Case, 3-, 5-, OR 7-Wells, Curved Glass

NOTE: Overall case length without ends or partitions. Contact your sales representative for information on possible availability of additional case lengths.



Dimension	4 FT (3-Wells)	6 FT (5-Wells)	8 FT (7-Wells)
A	48 1/4 (1226)	72 5/15 (1837)	96 3/8 (2448)

Notes: Length added for:

- Ends - Glass 3/8" each
- Ends - Solid 1 1/2" each

HUSSmann®

ISLA Modules

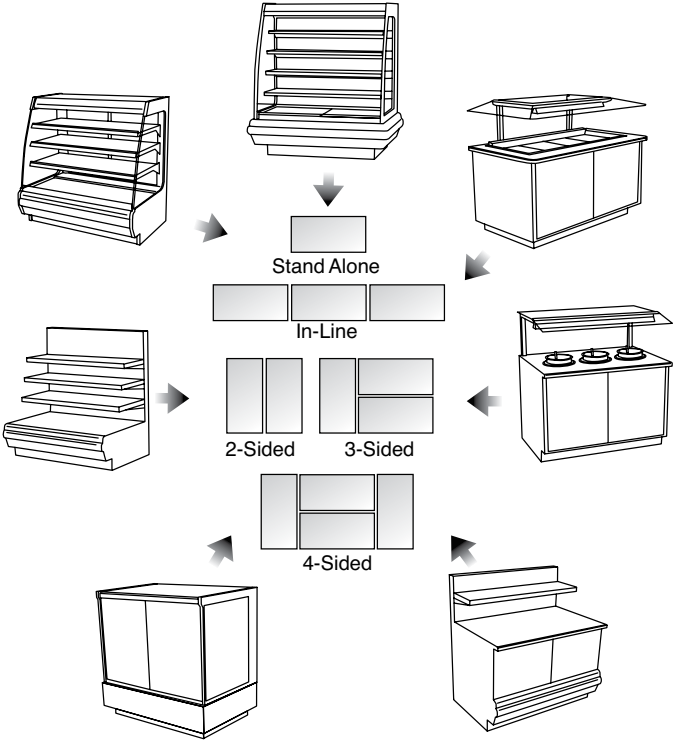


ISLA MODULES (Specialty)

Modules include: refrigerated, dry, and hot; multi-deck and counters; hot wells, cold wells, soup... that can be configured for stand alone, 2-, 3-, 4-sided island or in-line configurations:

.....

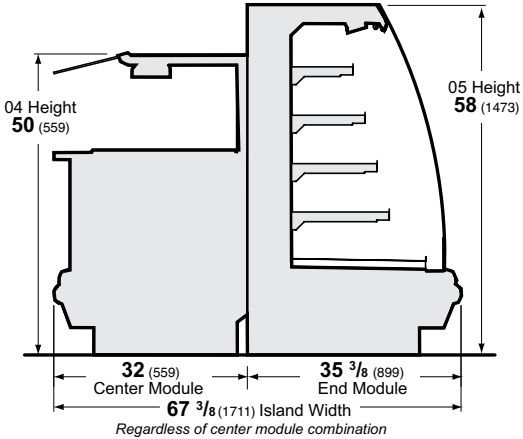
NOTE: End panels MAY BE required for stand alone or in-line cases up to 1 1/8".



ISLA STANDARD (Specialty)

Standard Fixed Dimensions

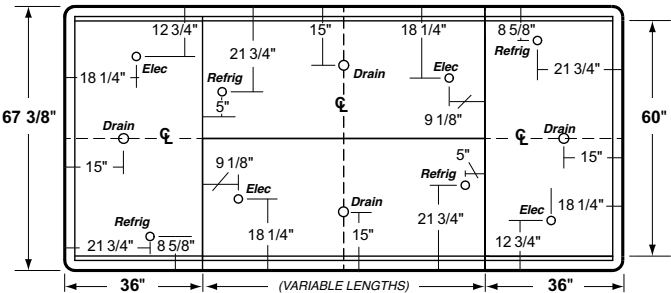
See Plan View - Below



ISLA STANDARD - PLAN VIEW

Refrigerated 4-Sided Example

NOTE: Contact your sales representative for information on possible availability of additional case lengths.



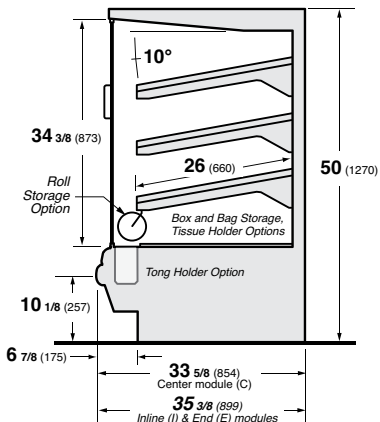
ISLA Dry Vista Sweet Goods (Specialty)

Applications: Bakery

IM-O4-BV

Dry Bakery Center, In-Line, and/or End Module, 50" Height

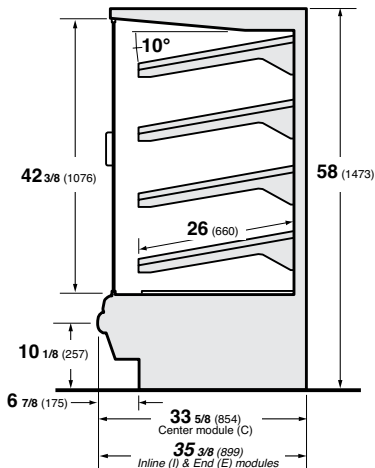
See Plan Views - Page 228



IM-O5-BV

Dry Bakery Center, In-Line, and/or End Module, 58" Height

See Plan Views - Page 228



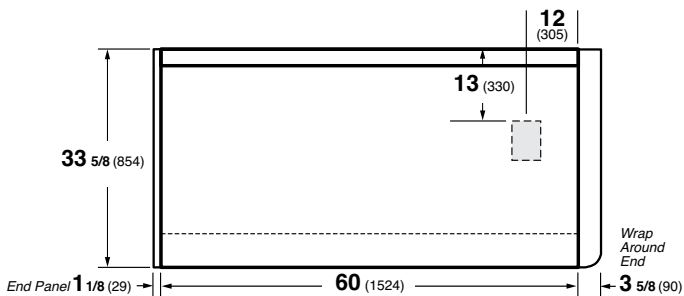
ISLA Dry Vista Sweet Goods Continued

Applications: Bakery

IM-04-BV and IM-05-BV - PLAN VIEW

Dry Bakery Center or In-Line Module

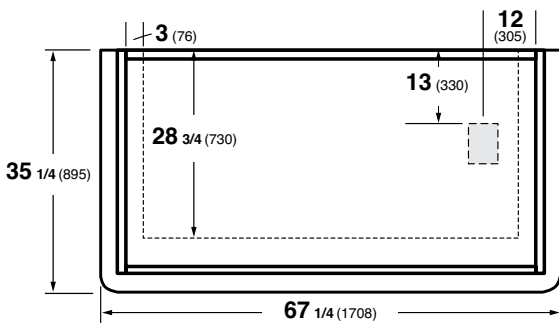
NOTE: Contact your sales representative for information on possible availability of additional case lengths.



IM-04-BV and IM-05-BV - PLAN VIEW

Dry Bakery End Module

NOTE: Contact your sales representative for information on possible availability of additional case lengths.



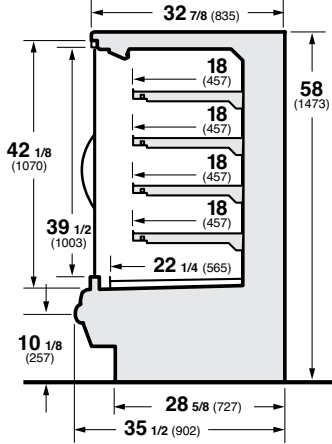
ISLA Dry Vista Sweet Goods Continued

Applications: Bakery

IM-05-R-ECDR with EcoVision II Plus Doors

Dry Bakery Center, Multi-Deck with Extended Canopy

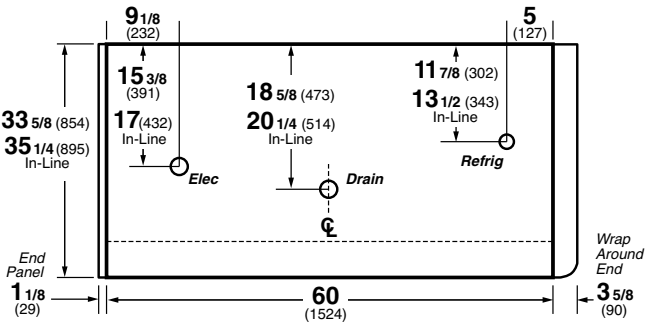
See Plan Views - Pages 229 thru 230



IM-05-R-ECDR - PLAN VIEW

Dry Bakery Center, Multi-Deck with Extended Canopy

NOTE: Contact your sales representative for information on possible availability of additional case lengths.



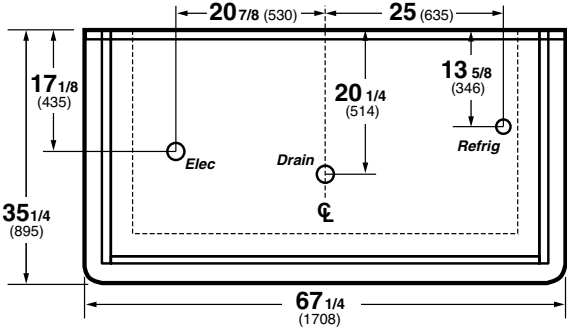
ISLA Dry Vista Sweet Goods Continued

Applications: Bakery

IM-05-R-ECDR - PLAN VIEW

Refrigerated Self-Service Multi-Deck End Module

NOTE: Contact your sales representative for information on possible availability of additional case lengths.



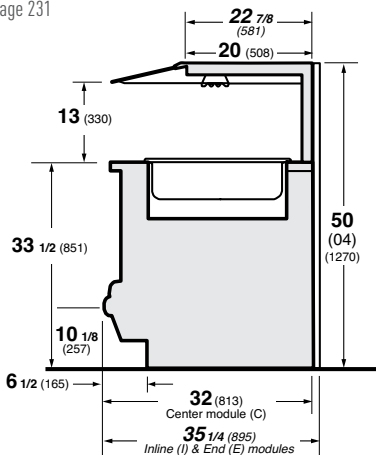
ISLA Hot Counter with Hot Well (Specialty)

Applications: Hot Prepared Foods

IM-O4-FH

Hot Well Food Counter Center, In-Line, and/or End Module, 50" Height

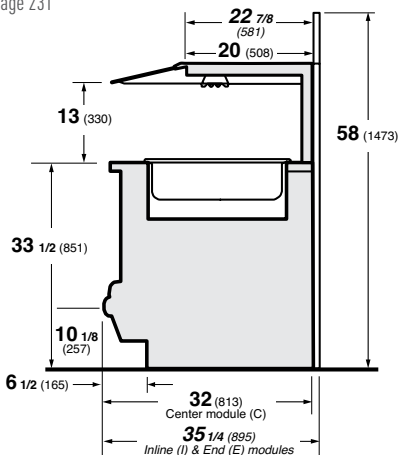
See Plan Views - Page 231



IM-O5-FH

Hot Well Food Counter Center, In-Line, and/or End Module, 58" Height

See Plan Views - Page 231



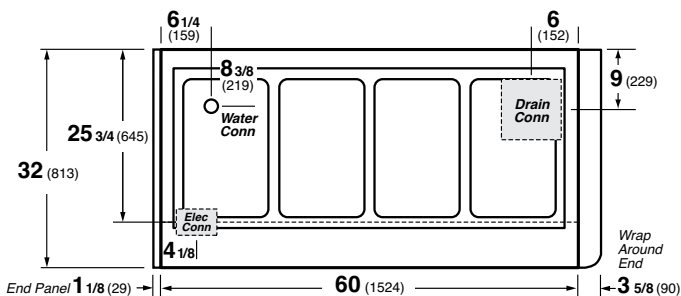
ISLA Hot Counter with Hot Well Continued

Applications: Hot Prepared Foods

IM-04-FH and IM-05-FH - PLAN VIEW

Hot Well Food Counter Center or In-Line Module

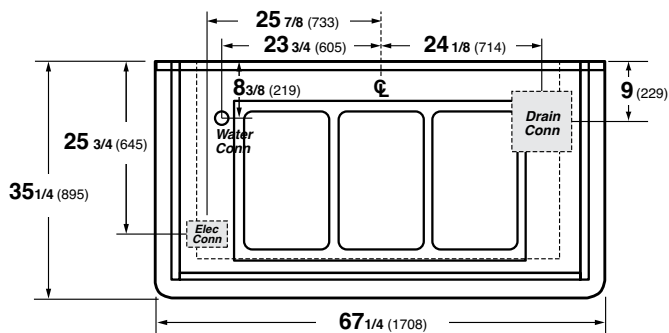
NOTE: Contact your sales representative for information on possible availability of additional case lengths.



IM-04-FH and IM-05-FH - PLAN VIEW

Hot Well Food Counter End Module

NOTE: Contact your sales representative for information on possible availability of additional case lengths.



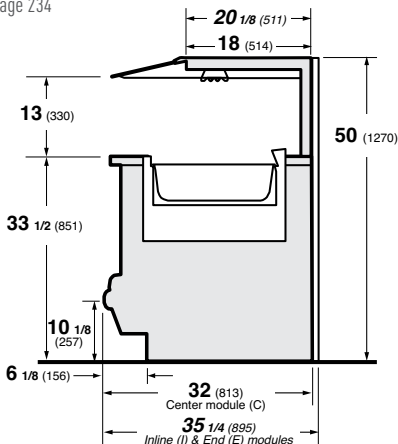
ISLA Refrigerated Counter (Specialty)

Applications: Deli, Prepared Foods, and Olives

IM-O4-FR

Refrigerated Well Food Counter Center, In-Line, and/or End Module, 50" Height

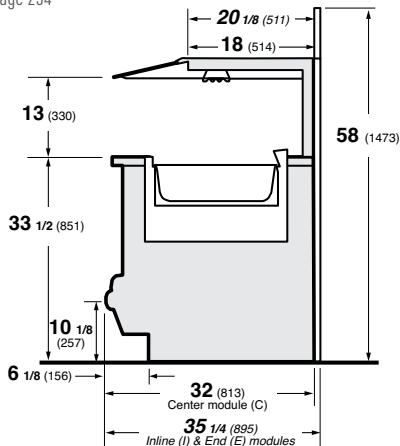
See Plan Views - Page 234



IM-O5-FR

Refrigerated Well Food Counter Center, In-Line, and/or End Module, 58" Height

See Plan Views - Page 234



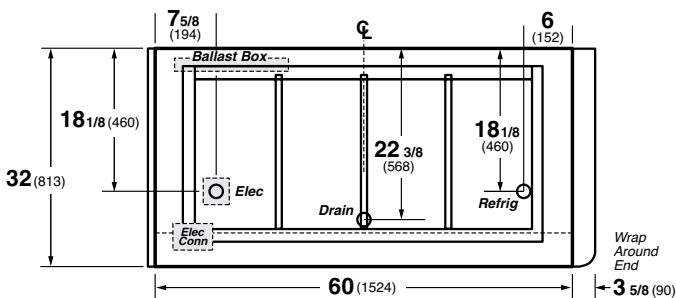
ISLA Refrigerated Counter Continued

Applications: Deli, Prepared Foods, and Olives

IM-04-FR and IM-05-FR - PLAN VIEW

Refrigerated Well Food Counter Center or In-Line Module

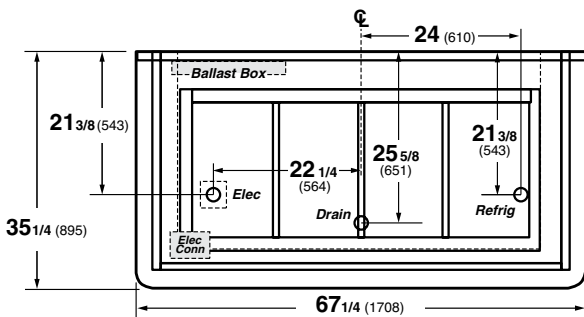
NOTE: Contact your sales representative for information on possible availability of additional case lengths.



IM-04-FR and IM-05-FR - PLAN VIEW

Refrigerated Well Food Counter End Module

NOTE: Contact your sales representative for information on possible availability of additional case lengths.



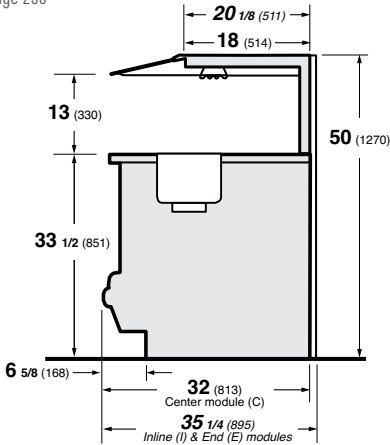
ISLA Self-Service Soup Counter (Specialty)

Applications: Hot Soup Well Counter

IM-O4-FS

Hot Soup Well Counter Center, In-Line, and/or End Module, 50" Height

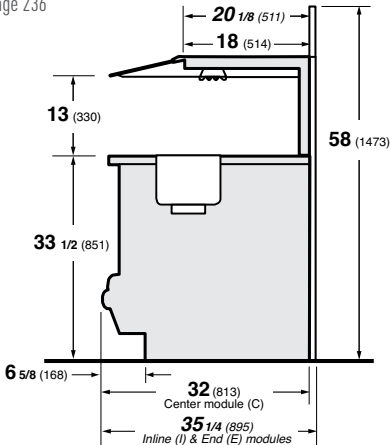
See Plan Views - Page 236



IM-O5-FS

Hot Soup Well Counter Center, In-Line, and/or End Module, 58" Height

See Plan Views - Page 236



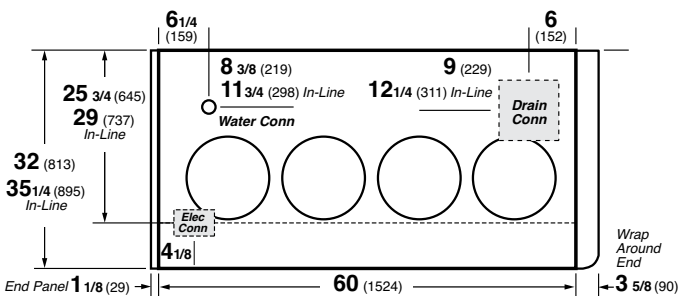
ISLA Self-Service Soup Counter Continued

Applications: Hot Soup Well Counter

IM-04-FS and IM-05-FS - PLAN VIEW

Hot Soup Well Counter Center or In-Line Module

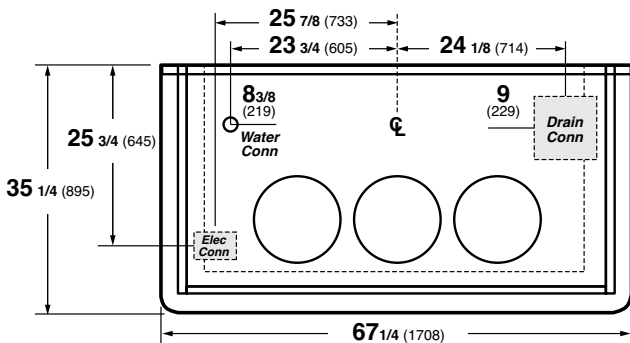
NOTE: Contact your sales representative for information on possible availability of additional case lengths.



IM-04-FS and IM-05-FS - PLAN VIEW

Hot Soup Well Counter End Module

NOTE: Contact your sales representative for information on possible availability of additional case lengths.



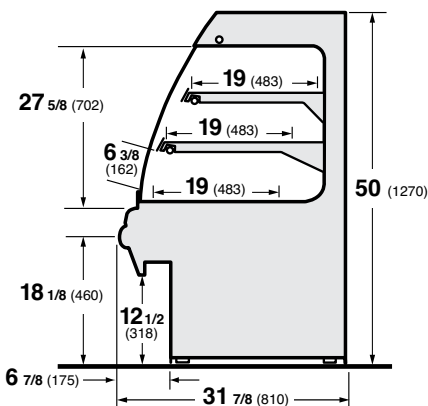
ISLA Hot Self-Service Multi-Deck (Specialty)

Applications: Hot Prepared Food

IM-O3-H

Hot Self-Service Multi-Deck Center, In-Line, and/or End Module, 50" Height

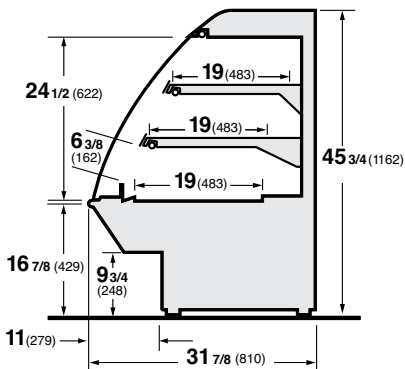
See Plan Views - Page 239



IM-O3-H Q-MATCH

Hot Self-Service Multi-Deck Center, In-Line, and/or End Module, 45" Height

See Plan Views - Page 239



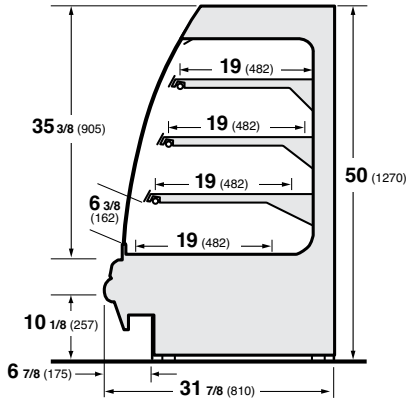
ISLA Hot Self-Service Multi-Deck Continued

Applications: Hot Prepared Food

IM-O4-H

Hot Self-Service Multi-Deck Center, In-Line, and/or End Module, 50" Height

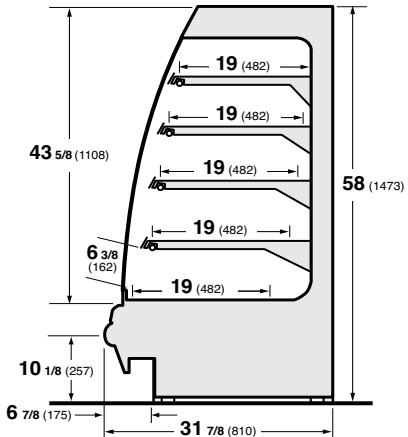
See Plan Views - Page 239



IM-O5-H

Hot Self-Service Multi-Deck Center, In-Line, and/or End Module, 58" Height

See Plan Views - Page 239



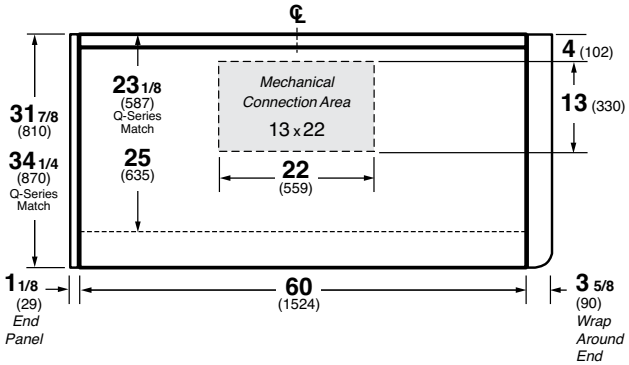
ISLA Hot Self-Service Multi-Deck Continued

Applications: Hot Prepared Food

IM-03-H, IM-04-H, and IM-05-H - PLAN VIEW

Hot Self-Service, Q-Series Match Multi-Deck Center or In-Line Module

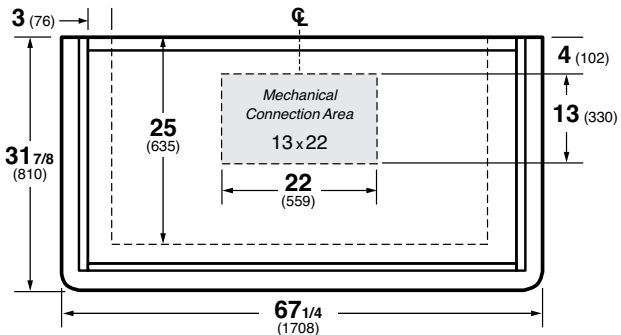
NOTE: Contact your sales representative for information on possible availability of additional case lengths.



IM-03-H, IM-04-H, and IM-05-H - PLAN VIEW

Hot Self-Service Multi-Deck End Module

NOTE: Contact your sales representative for information on possible availability of additional case lengths.



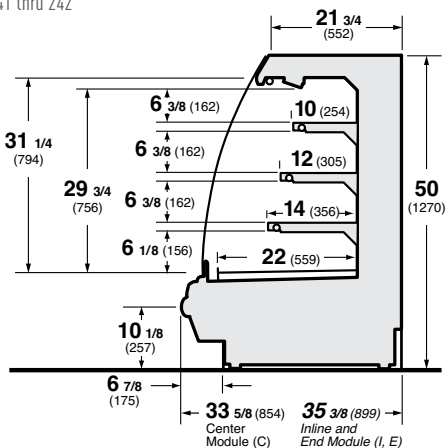
ISLA Refrigerated Self-Service Multi-Deck (Specialty)

Applications: Deli, Bakery, Prepared Foods, Produce, Seafood, Meat, Beverage, and Dairy

IM-O4-R

Refrigerated Self-Service Multi-Deck Center, In-Line, and/or End Module, 50" Height

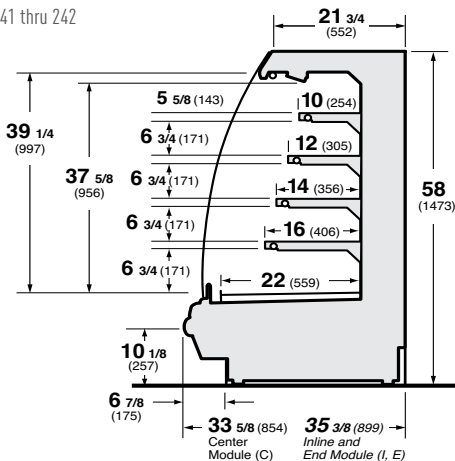
See Plan Views - Page 241 thru 242



IM-O5-R

Refrigerated Self-Service Multi-Deck Center, In-Line, and/or End Module, 58" Height

See Plan Views - Page 241 thru 242



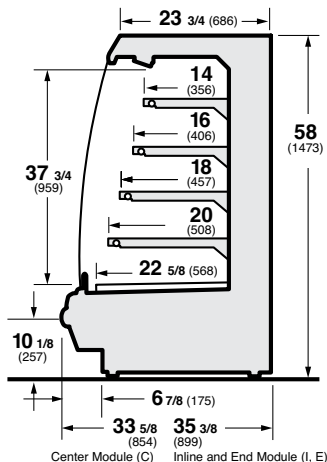
ISLA Refrigerated Self-Service Multi-Deck (Specialty)

Applications: Deli, Bakery, Prepared Foods, Produce, Seafood, Meat, Beverage, and Dairy

IM-05-R-EC

Refrigerated Self-Service Multi-Deck Center, In-Line, and/or End Module with Extended Canopy

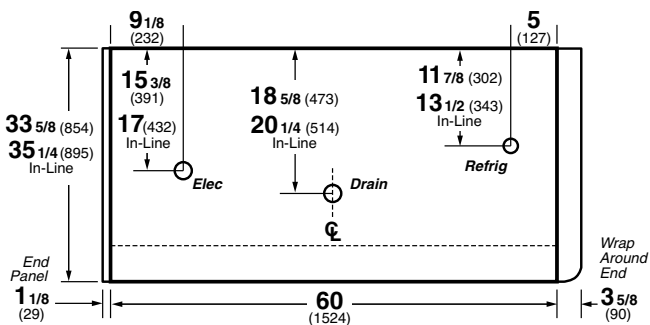
See Plan Views - Page 241 thru 242



IM-04-R, IM-05-R, and IM-05-R-EC - PLAN VIEW

Refrigerated Self-Service Multi-Deck Center or In-Line Module with OR without Extended Canopy

NOTE: Contact your sales representative for information on possible availability of additional case lengths.



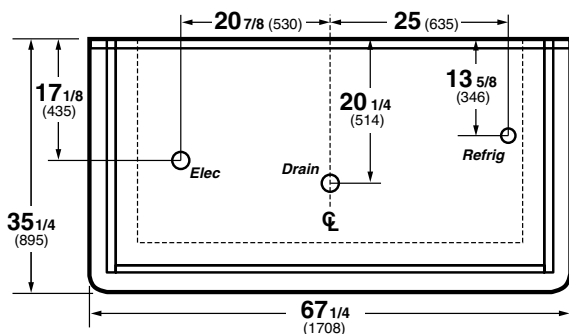
ISLA Refrigerated Self-Service Multi-Deck Continued

Applications: Deli, Bakery, Prepared Foods, Produce, Seafood, Meat, Beverage, and Dairy

IM-04-R, IM-05-R, and IM-05-R-EC - PLAN VIEW

Refrigerated Self-Service Multi-Deck End Module

NOTE: Contact your sales representative for information on possible availability of additional case lengths.



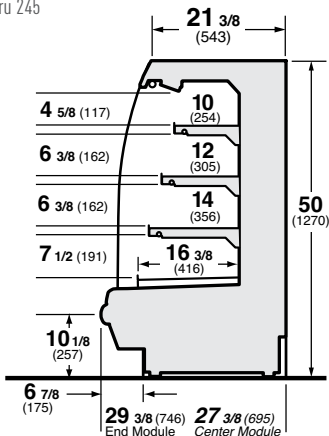
ISLA Refrigerated Self-Service Multi-Deck Continued

Applications: Deli, Bakery, Prepared Foods, Produce, Seafood, Meat, Beverage, and Dairy

IM-O4-NR

Refrigerated Narrow Self-Service Multi-Deck Center, In-Line, and/or End Module, 50" Height

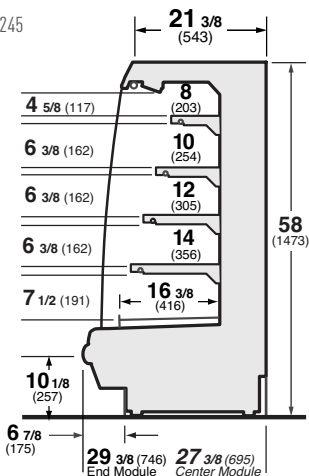
See Plan Views - Page 244 thru 245



IM-O5-NR

Refrigerated Narrow Self-Service Multi-Deck Center, In-Line, and/or End Module, 58" Height

See Plan Views - Page 244 thru 245



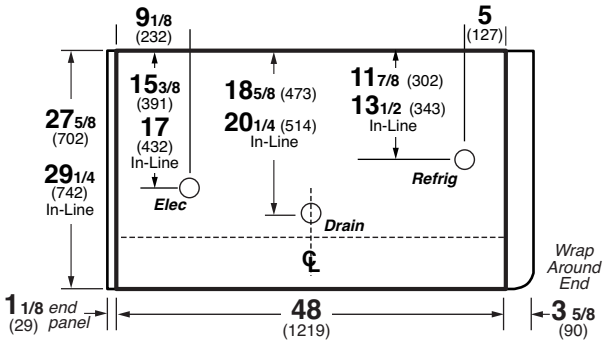
ISLA Refrigerated Self-Service Multi-Deck Continued

Applications: Deli, Bakery, Prepared Foods, Produce, Seafood, Meat, Beverage, and Dairy

IM-04-NR and IM-05-NR - PLAN VIEW

Refrigerated Narrow Self-Service Multi-Deck Center or In-Line Module

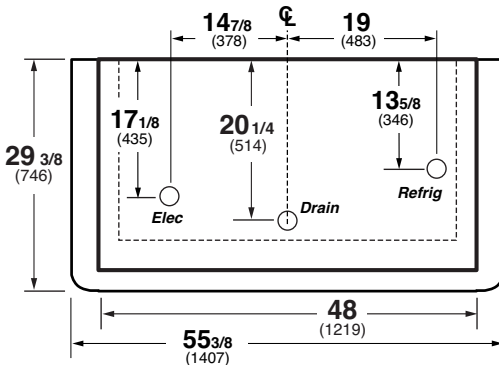
NOTE: Contact your sales representative for information on possible availability of additional case lengths.



IM-04-NR and IM-05-NR - PLAN VIEW

Refrigerated Narrow Self-Service Multi-Deck End Module

NOTE: Contact your sales representative for information on possible availability of additional case lengths.



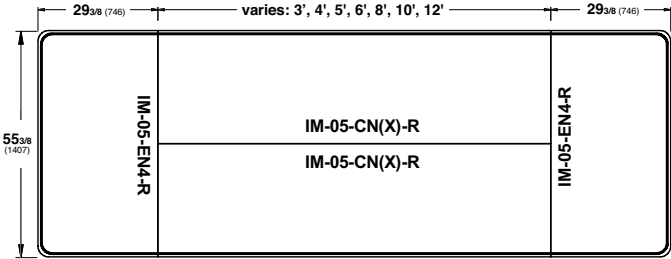
ISLA Refrigerated Self-Service Multi-Deck Continued

Applications: Deli, Bakery, Prepared Foods, Produce, Seafood, Meat, Beverage, and Dairy

IM-04-NR and IM-05-NR - PLAN VIEW

Refrigerated Narrow Self-Service Multi-Deck Island Module

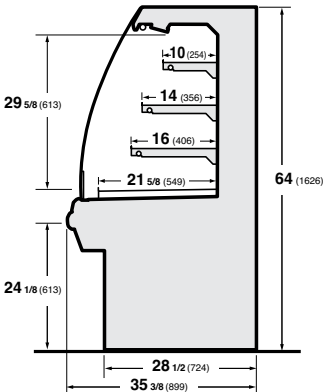
NOTE: Contact your sales representative for information on possible availability of additional case lengths.



IM-04-S

Refrigerated Multi-Deck Self-Contained Module, 64" Height

See Plan View - Page 247



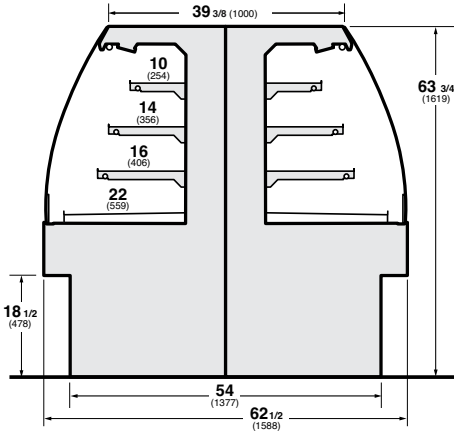
ISLA Refrigerated Self-Service Multi-Deck Continued

Applications: Deli, Bakery, Prepared Foods, Produce, Seafood, Meat, Beverage, Dairy, and Floral

IM-O4-S TWIN

Refrigerated Back-to-Back Multi-Deck Self-Contained Module, 64" Height

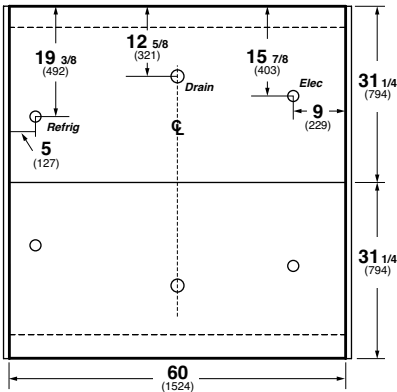
See Plan View - Below



IM-O4-S TWIN - PLAN VIEW

Refrigerated Back-to-Back Multi-Deck Self-Contained Module

NOTE: Contact your sales representative for information on possible availability of additional case lengths.



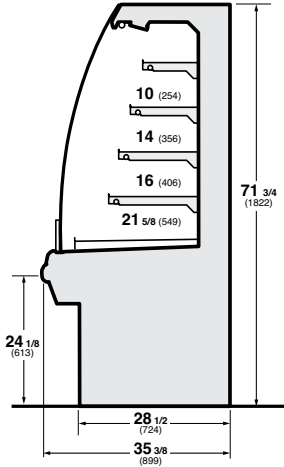
ISLA Refrigerated Self-Service Multi-Deck Continued

Applications: Deli, Bakery, Prepared Foods, Produce, Seafood, Meat, Beverage, Dairy, and Floral

IM-05-S

Refrigerated Multi-Deck Self-Contained Module, 71.75" Height

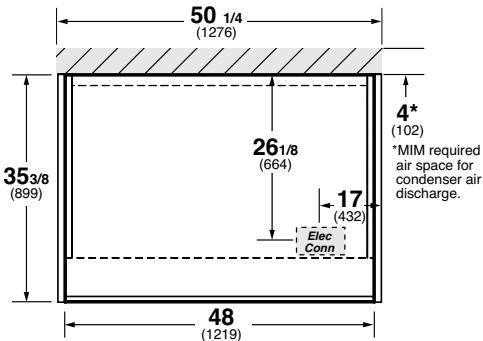
See Plan View - Below



IM-04-S and IM-05-S - PLAN VIEW

Refrigerated Multi-Deck Self-Contained Module

NOTE: Contact your sales representative for information on possible availability of additional case lengths.



HUSSmann®

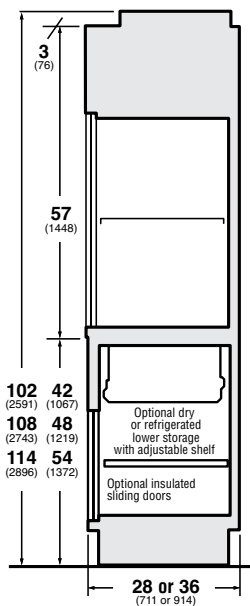
Meat Cases



AB (Specialty)

Aged Beef Display Case

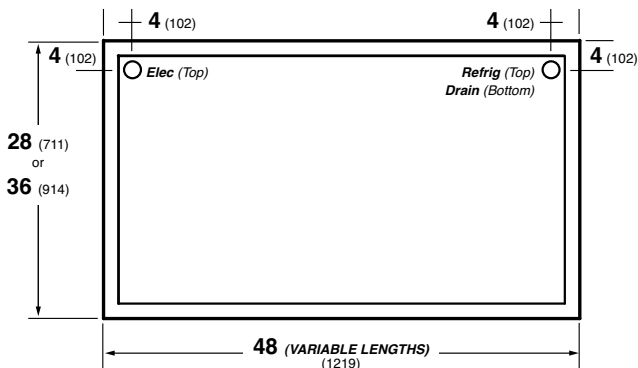
See Plan View - Below



AB - PLAN VIEW

Aged Beef Display Case

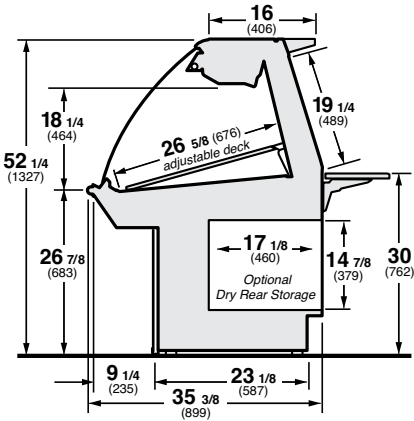
NOTE: Contact your sales representative for information on possible availability of additional case lengths.



CR1-MN and CR1-FN (Specialty)

Narrow Depth Service Merchandiser with Curved Glass for Meat or Seafood Applications

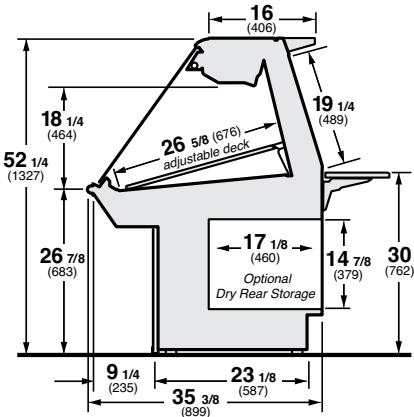
See Plan View - 251



R1-MN and R1-FN (Specialty)

Narrow Depth Service Merchandiser with Straight Glass for Meat or Seafood Applications

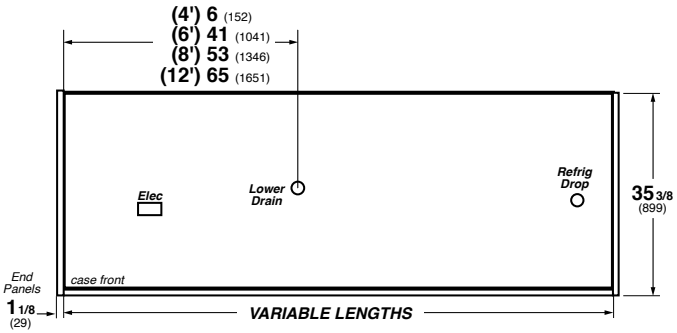
See Plan View - Page 251



CR1-MN, CR1-FN, R1-MN, and R1-FN - PLAN VIEW

Narrow Depth Service Merchandiser with Curved OR Straight Glass for Meat or Seafood Applications

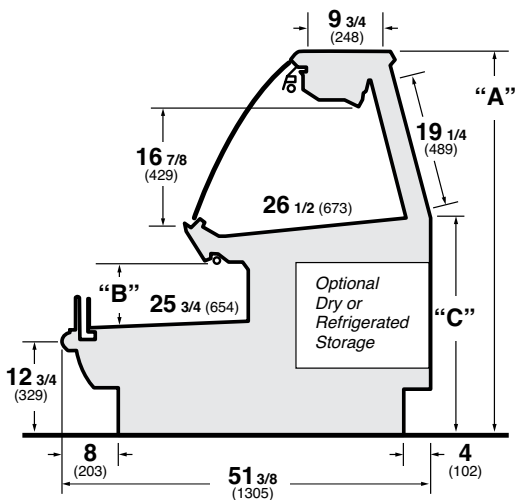
NOTE: Contact your sales representative for information on possible availability of additional case lengths.



CR3HV-M, CR3HV-F, and CR3HV-M/F-EP (Specialty)

3 Zone, High Volume Refrig Service/Self-Service Merchandiser, Rear Storage, Gravity Coil, Curved Glass for Meat or Seafood

See Plan View - Page 256

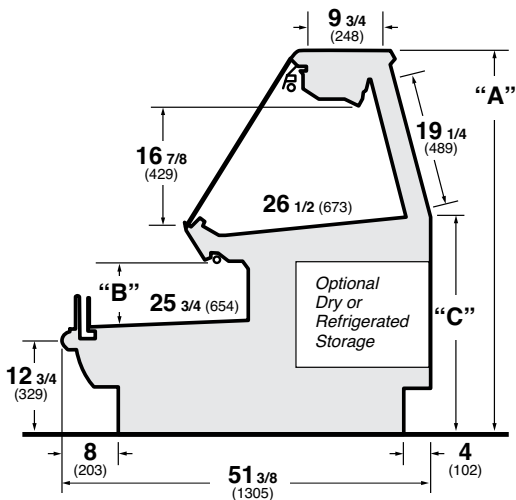


Dimension	Standard	" + 2 "
"A"	$53 \frac{1}{4}$ (1353)	$55 \frac{1}{4}$ (1403)
"B"	$9 \frac{1}{4}$ (235)	$11 \frac{1}{4}$ (286)
"C"	$30 \frac{1}{8}$ (765)	$32 \frac{1}{8}$ (816)
(Qty) Self-Service Shelves	(0)	(1)
Lengths	N/A	16 (406)

R3HV-M, R3HV-F, R3HV-M/F-EP (Specialty)

3 Zone, High Volume Refrig Service/Self-Service Merchandiser, Rear Storage, Gravity Coil, Straight Glass for Meat or Seafood

See Plan View - Page 256

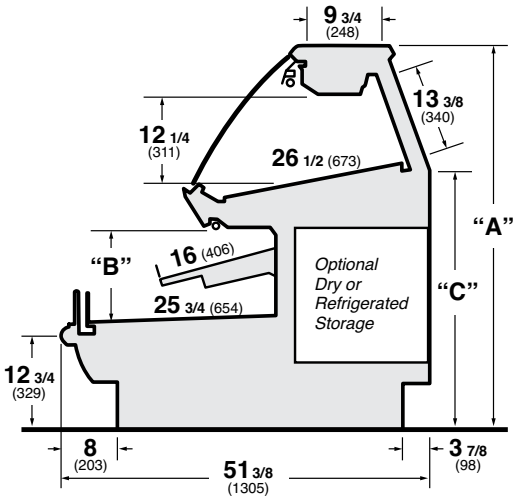


Dimension	Standard	"+ 2"
"A"	$53 \frac{1}{4}$ (1353)	$55 \frac{1}{4}$ (1403)
"B"	$9 \frac{1}{4}$ (235)	$11 \frac{1}{4}$ (286)
"C"	$30 \frac{1}{8}$ (765)	$32 \frac{1}{8}$ (816)
(Qty) Self-Service Shelves	(0)	(1)
Lengths	N/A	16 (406)

CR3-M, CR3-F, and CR3-M/F-EP (Specialty)

3 Zone, Refrig Service/Self-Service Merchandiser, Rear Storage, Gravity Coil, Curved Glass for Meat or Seafood

See Plan View - Page 256

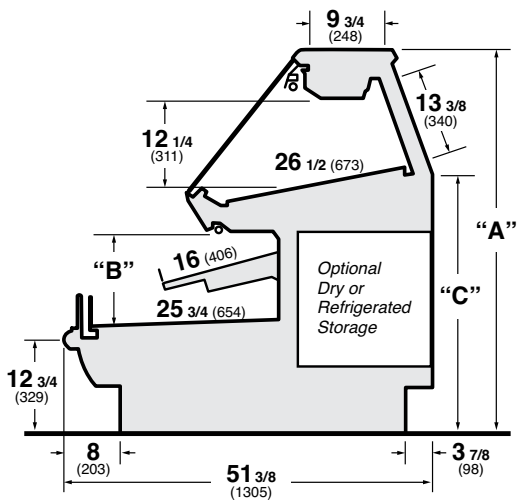


Dimension	Standard	" + 2 "	" + 4 "
"A"	53 1/4 (1353)	55 1/4 (1403)	57 1/4 (1454)
"B"	13 1/4 (311)	15 1/4 (387)	17 1/4 (438)
"C"	35 5/8 (905)	37 5/8 (956)	39 5/8 (1006)
(Qty) Self-Service Shelves	(1)	(1)	(2)
Lengths	16 (406)	16 (406)	12 (305) 16 (406) OR 18 (457)

R3-M, R3-F, and R3-M/F-EP (Specialty)

3 Zone, Refriger Service/Self-Service Merchandiser, Rear Storage, Gravity Coil, Straight Glass for Meat or Seafood

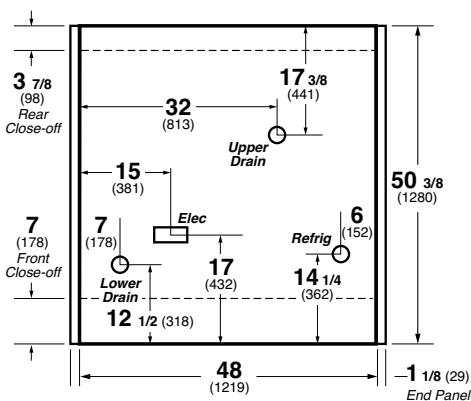
See Plan View - Page 256



Dimension	Standard	" + 2"	" + 4"
"A"	$53 \frac{1}{4}$ (1353)	$55 \frac{1}{4}$ (1403)	$57 \frac{1}{4}$ (1454)
"B"	$13 \frac{1}{4}$ (311)	$15 \frac{1}{4}$ (387)	$17 \frac{1}{4}$ (438)
"C"	$35 \frac{5}{8}$ (905)	$37 \frac{5}{8}$ (956)	$39 \frac{5}{8}$ (1006)
(Qty) Self-Service Shelves	(1)	(1)	(2)
Lengths	16 (406)	16 (406)	12 (305) 16 (406) OR 18 (457)

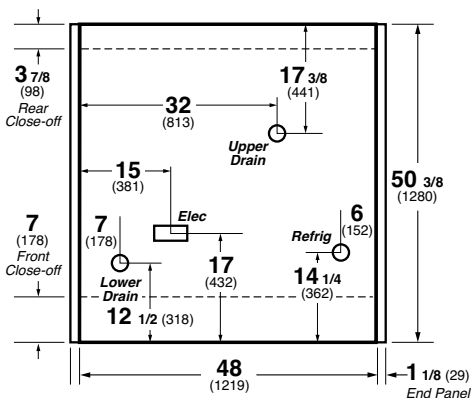
CR3HV-M, CR3HV-F, CR3HV-M/F-EP, R3HV-M, R3HV-F, and R3HV-M/F-EP - PLAN VIEW

NOTE: Contact your sales representative for information on possible availability of additional case lengths.



CR3-M, CR3-F, CR3-M/F-EP R3-M, R3-F, and R3-M/F-EP - PLAN VIEW

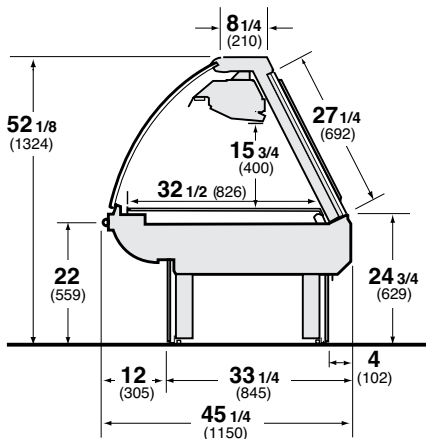
NOTE: Contact your sales representative for information on possible availability of additional case lengths.



ESGM (Elite)

Gravity Coil Service Merchandiser with Curved Glass for Meat, Deli and Seafood Applications

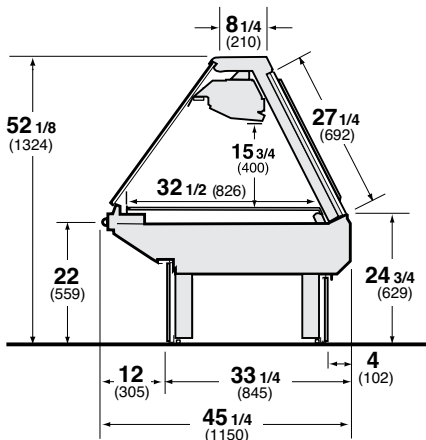
See Plan View - Page 258



ESGMS (Elite)

Gravity Coil Service Merchandiser with Straight Glass for Meat, Deli and Seafood Applications

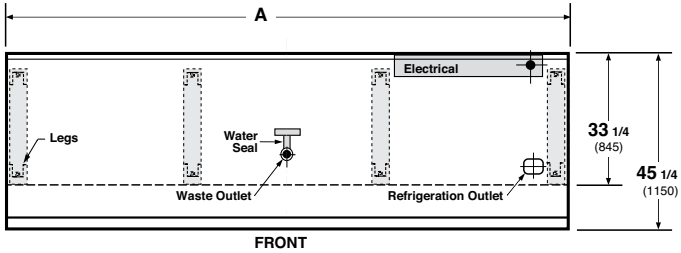
See Plan View - Page 258



ESGM and ESGMS - PLAN VIEW

Gravity Coil Service Merchandiser with Curved OR Straight Glass for Meat, Deli and Seafood Applications

NOTE: Overall case length shown without ends or partitions. Contact your sales representative for information on possible availability of additional case lengths.



Dimensions	8 FT	12 FT
A	96 3/8 (2448)	144 1/2 (3670)

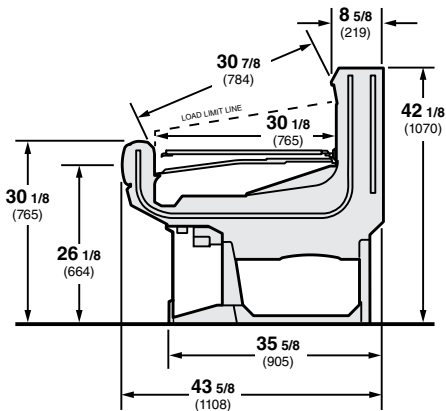
IM1SL (Insight)

Insight Single-Deck, Standard Front-to-Back Depth Merchandiser with Low Front for Meat Applications

See Plan View - Page 262

NOTE:

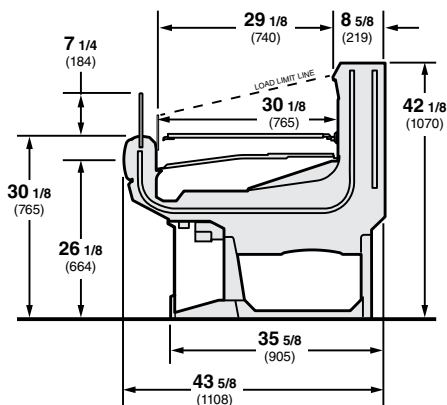
Glass option available.
Refer to Page ix for more information.



IM1SL-L (Insight)

Insight Single-Deck, Standard Front-to-Back Depth Merchandiser with Low Front for Low Temp Applications

See Plan View - Page 262



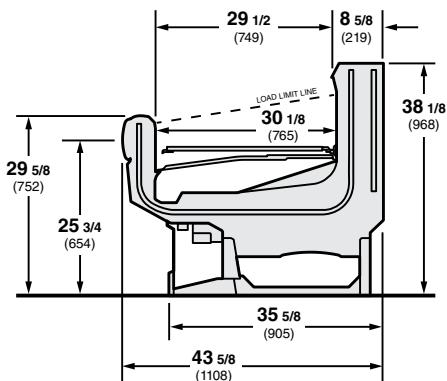
IM1SM (Insight)

Insight Single-Deck, Standard Front-to-Back Depth Merchandiser with Medium Front for Meat Applications

See Plan View - Page 262

NOTE:

Glass option available.
Refer to Page ix for
more information.



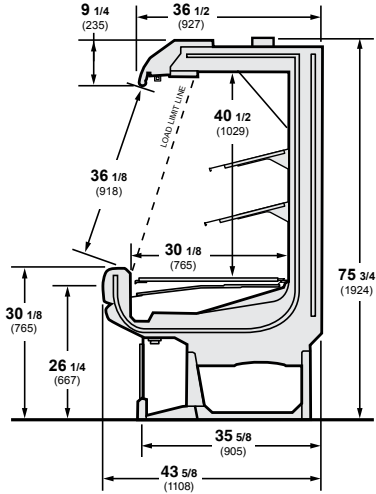
IM3SL (Insight)

Insight 3-Deck, Standard Front-to-Back Depth Merchandiser with Low Front for Meat Applications

See Plan View - Page 263

NOTE:

Glass option available.
Refer to Page ix for more information.



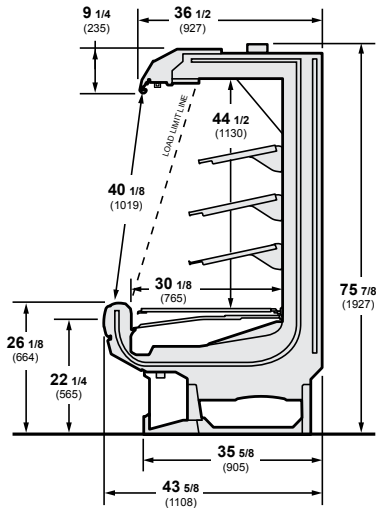
IM4SL (Insight)

Insight 4-Deck, Standard Front-to-Back Depth Merchandiser with Low Front for Meat Applications

See Plan View - Page 263

NOTE:

Glass option available.
Refer to Page ix for more information.



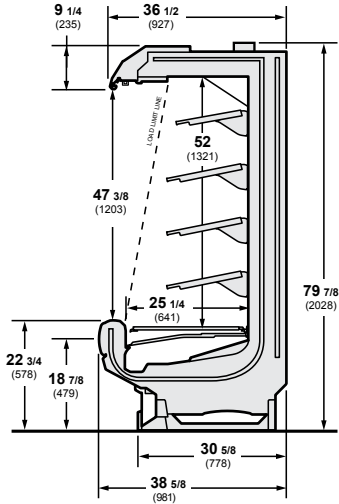
IM5NL (Insight)

Insight 5-Deck, Narrow Front-to-Back Depth Merchandiser with Low Front for Meat Applications

See Plan View - Page 263

NOTE:

Glass option available.
Refer to Page ix for
more information.



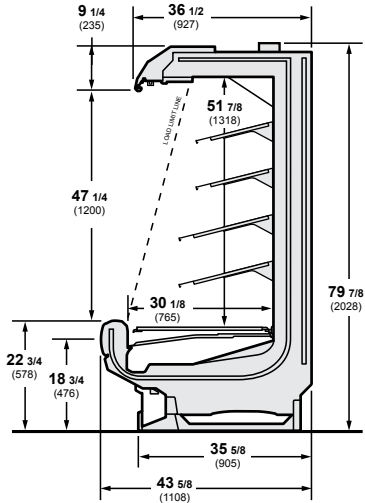
IM5SL (Insight)

Insight 5-Deck, Standard Front-to-Back Depth Merchandiser with Low Front for Meat Applications

See Plan View - Page 263

NOTE:

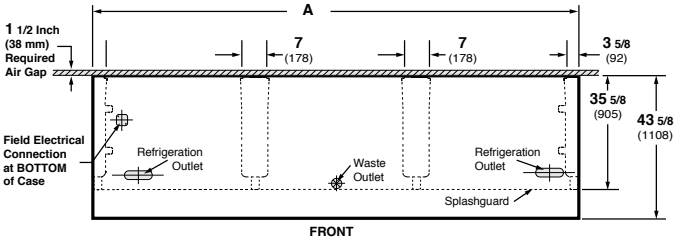
Glass option available.
Refer to Page ix for
more information.



IM1SL and IM1SM - PLAN VIEW

Insight Single-Deck, Standard Front-to-Back Depth Merchandiser, Low OR Medium Front for Meat

NOTE: Overall case length shown without ends or partitions. Contact your sales representative for information on possible availability of additional case lengths.

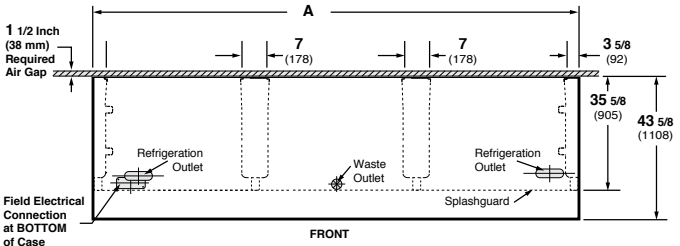


Dimensions	8 FT	12 FT
A	96 1/4 (2445)	144 3/8 (3668)

IM1SL-L - PLAN VIEW

Insight Single-Deck, Standard Front-to-Back Depth Merchandiser with Low Front for Low Temp Applications

NOTE: Overall case length shown without ends or partitions. Contact your sales representative for information on possible availability of additional case lengths.

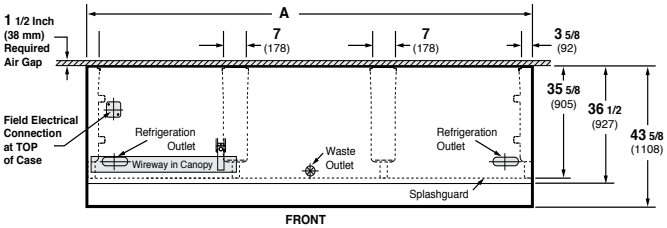


Dimensions	8 FT	12 FT
A	96 1/4 (2445)	144 3/8 (3668)

IM3SL, IM4SL, and IM5SL - PLAN VIEW

Insight 3-, 4- OR 5-Deck, Standard Front-to-Back Depth Merchandiser with Low Front for Meat

NOTE: Overall case length shown without ends or partitions. Contact your sales representative for information on possible availability of additional case lengths.

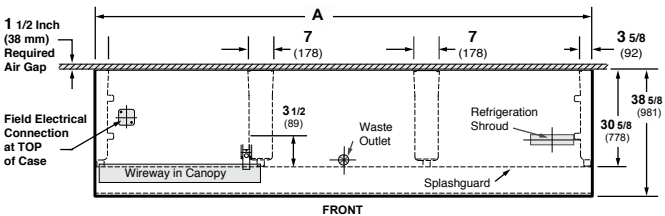


Dimensions	8 FT	12 FT
A	96 1/4 (2445)	144 3/8 (3668)

IM5NL - PLAN VIEW

Insight 5-Deck, Narrow Front-to-Back Depth Merchandiser with Low Front for Meat Applications

NOTE: Overall case length shown without ends or partitions. Contact your sales representative for information on possible availability of additional case lengths.

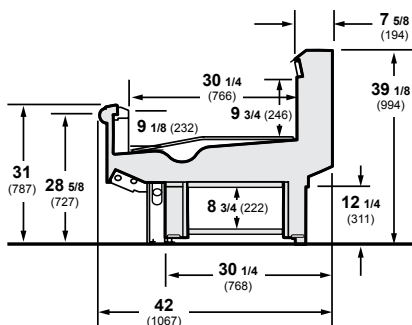


Dimensions	8 FT	12 FT
A	96 1/4 (2445)	144 3/8 (3668)

M1XD-E (Excel)

Deep, Single-Deck Merchandiser for Meat, Deli, Precut, and Packaged Produce Applications

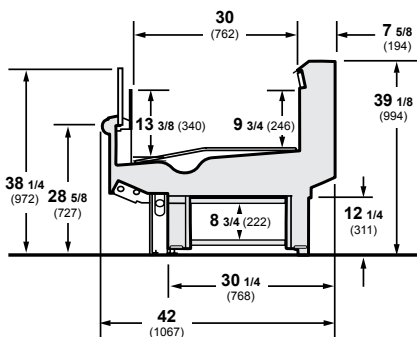
See Plan View - Page 271



M1XD-GEP (Excel)

Deep, Single-Deck High Efficiency Merchandiser, Glass Front for Meat, Deli, Precut, and Packaged Produce

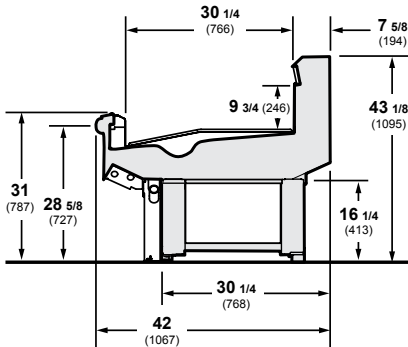
See Plan View - Page 271



M1X-E and M1X-EP (Excel)

Single-Deck Merchandiser for Meat, Deli, Precut, and Packaged Produce Applications

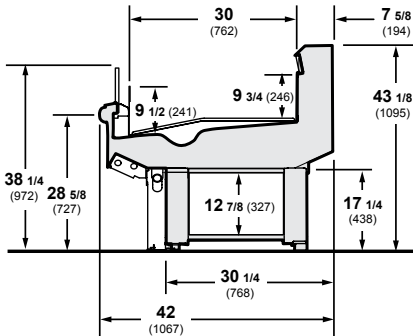
See Plan View - Page 271



M1X-GE and M1X-GEP (Excel)

Single-Deck Merchandiser with Glass Front for Meat, Deli, Precut, and Packaged Produce Applications

See Plan View - Page 271



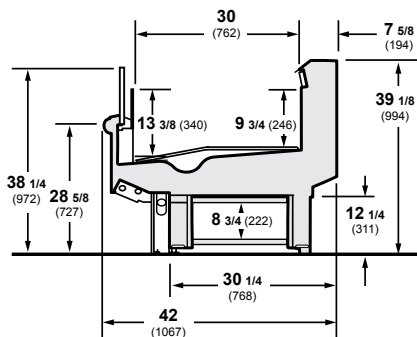
M1XLD-GE (Excel)

Deep, Single-Deck Merchandiser with Glass Front for Frozen Meat Applications

See Plan View - Page 271

NOTE:

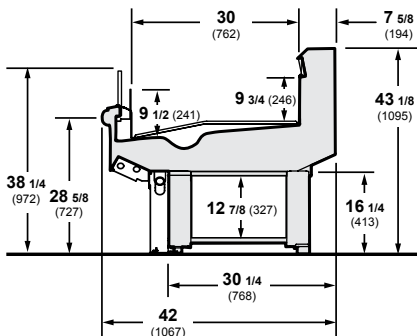
M1XLD-GE is not available in 12-foot length.



M1XL-GE (Excel)

Single-Deck Merchandiser with Glass Front for Frozen Meat Applications

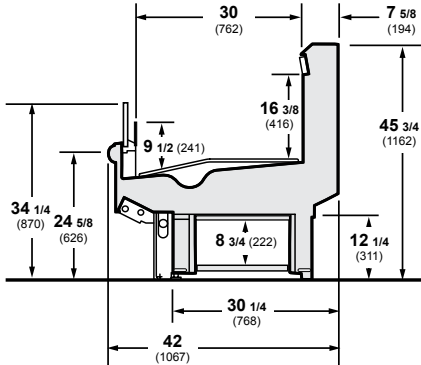
See Plan View - Page 271



M1X-XGE (Excel)

Extra Tall Back, Single-Deck Merchandiser, Glass Front for Meat, Deli, Precut, and Packaged Produce

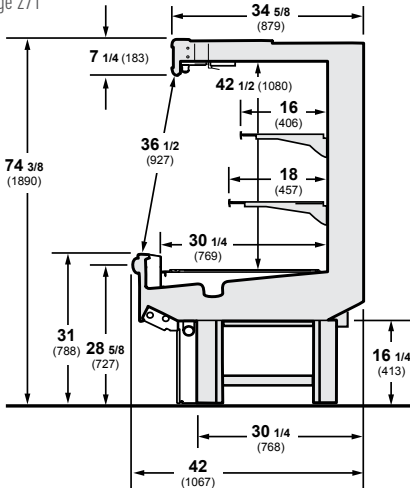
See Plan View - Page 271



M3X-E and M3X-EP (Excel)

3-Deck Merchandiser for Meat, Deli, Precut and Packaged Produce Applications

See Plan View - Page 271



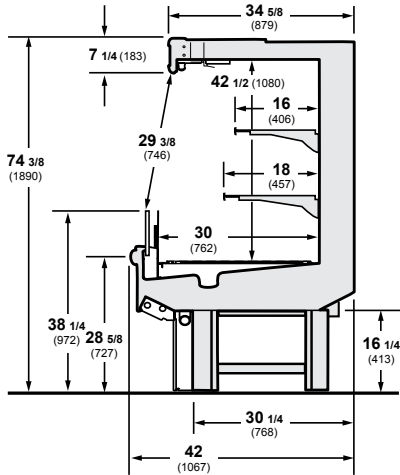
M3X-GE and M3X-GEP (Excel)

3-Deck Merchandiser with Glass Front for Meat, Deli, Precut and Packaged Produce Applications

See Plan View - Page 271

NOTE:

M3X-GE is not available in 12-foot length.



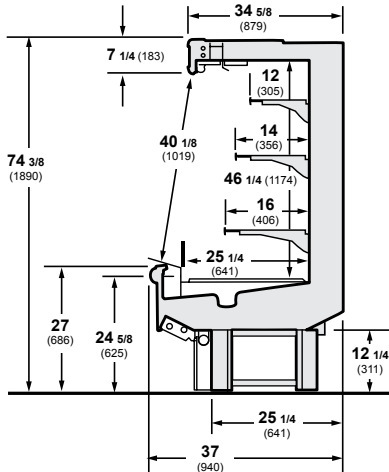
M4NX-EP (Excel)

4-Deck, Narrow Front-to-Back Depth Energy Efficient Merchandiser with Glass Front for Meat Applications

See Plan View - Page 272

NOTE:

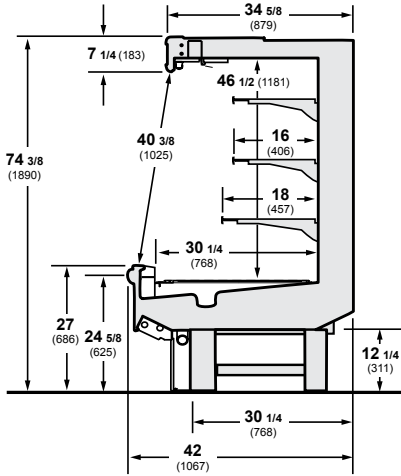
M4NX-E is not available in 12-foot length.



M4X-EP (Excel)

4-Deck Energy Efficient Merchandiser for Meat Applications

See Plan View - Page 271



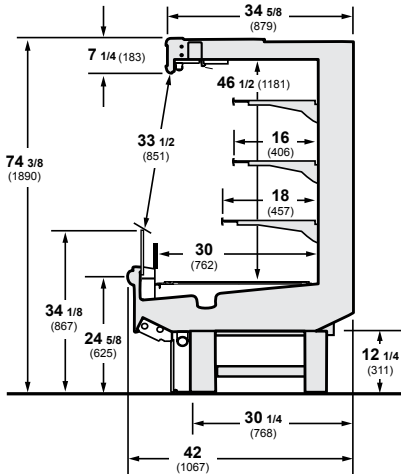
M4X-GE and M4X-GEP (Excel)

4-Deck Large Capacity Merchandiser with Glass Front for Meat Applications

See Plan View - Page 271

NOTE:

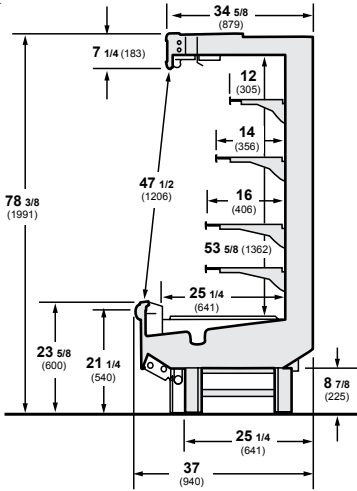
M4X-GE is not available in 8-foot length.



M5NX-EP (Excel)

5-Deck, Narrow Front-to-Back Depth Large Capacity Merchandiser, Low Front for Meat Applications

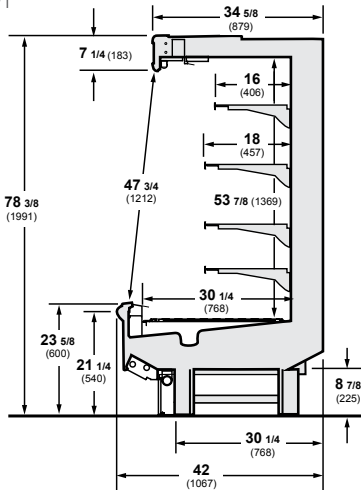
See Plan View - Page 272



M5X-EP (Excel)

5-Deck Large Capacity, Energy Efficient Merchandiser for Meat Applications

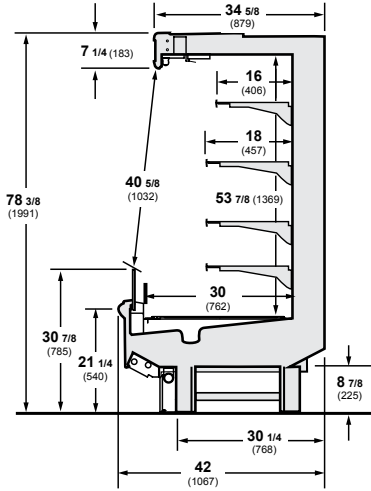
See Plan View - Page 271



M5X-GE and M5X-GEP (Excel)

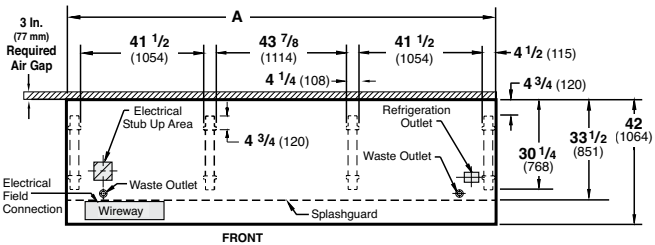
5-Deck Large Capacity Merchandiser with Glass Front for Meat Applications

See Plan View - Below



M1XD-E, M1XD-GEP, M1X-E, M1X-EP, M1X-GE, M1X-GEP, M1XLD-GE*, M1XL-GE, M1X-XGE, M3X-E, M3X-EP, M3X-GE*, M3X-GEP, M4X-EP, M4X-GE**, M4X-GEP, M5X-EP, M5X-GE, and M5X-GEP - PLAN VIEW

NOTE: Overall case length shown without ends or partitions. Contact your sales representative for information on possible availability of additional case lengths.



Dimensions	8 FT	12 FT
A	96 3/8 (2448)	144 1/2 (3670)

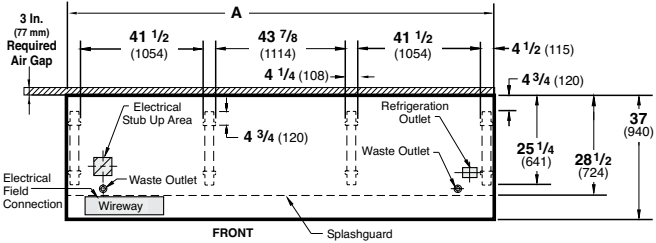
*M1XLD-GE and M3X-GE are not available in 12-foot length.

**M4X-GE is not available in 8-foot length.

M4NX-EP* and M5NX-EP - PLAN VIEW

4- OR 5-Deck, Narrow Front-to-Back Depth Energy Efficient Merchandiser with Glass Front

NOTE: Overall case length shown without ends or partitions. Contact your sales representative for information on possible availability of additional case lengths.



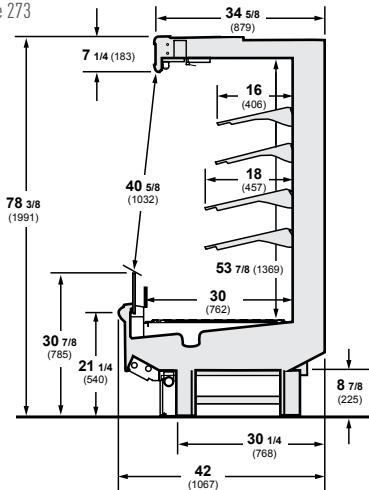
Dimensions	8 FT	12 FT
A	96 3/8 (2448)	144 1/2 (3670)

*M4NX-E is not available in 12-foot length.

ME5X-GP (Excel)

5-Deck, Ultra-Efficient Air Shelf Technology Merchandiser with Glass Front for Meat Applications

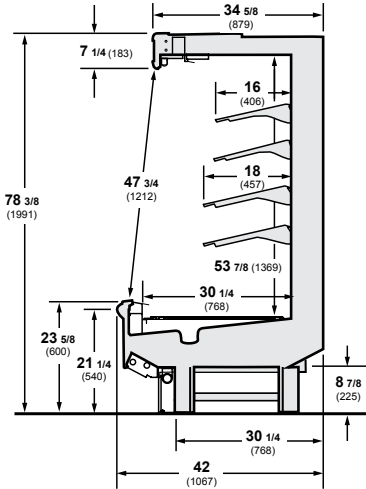
See Plan View - Page 273



ME5X-P (Excel)

5-Deck, Ultra-Efficient Air Shelf Technology Merchandiser for Meat Applications

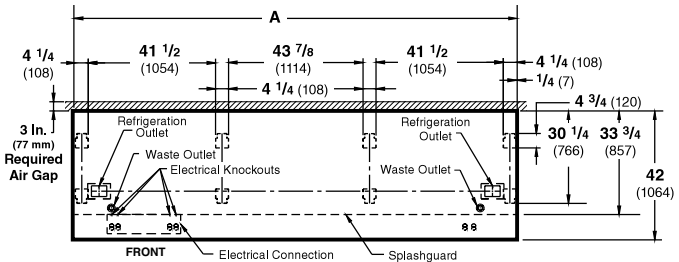
See Plan View - Below



ME5X-GP and ME5X-P - PLAN VIEW

5-Deck, Ultra-Efficient Air Shelf Technology Merchandiser with OR without Glass Front

NOTE: Overall case length shown without ends or partitions. Contact your sales representative for information on possible availability of additional case lengths.



Dimensions

A

8 FT

96 3/8 (2448)

12 FT

144 1/2 (3670)

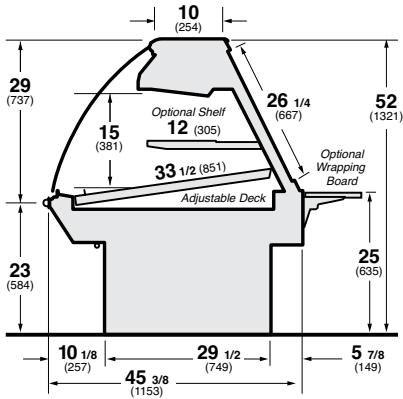
Q3-MC, Q3-FC, and Q3-M/FC-EP (Specialty)

Q-Series Multi-Deck Service Merchandiser with Curved Glass for Meat and Seafood Applications

See Plan Views - Page 275

NOTE:

Q3-M/FC-EP with Enhanced Performance is for Non-Ice Applications.



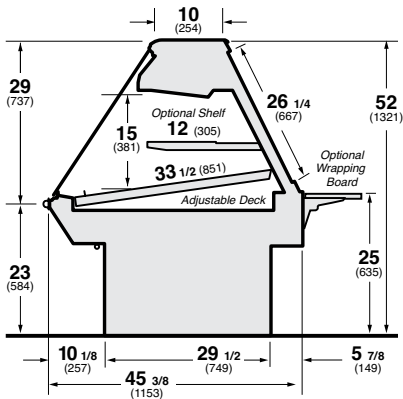
Q3-MS, Q3-FS, and Q3-M/FS-EP (Specialty)

Q-Series Multi-Deck Service Merchandiser with Straight Glass for Meat and Seafood Applications

See Plan Views - Page 275

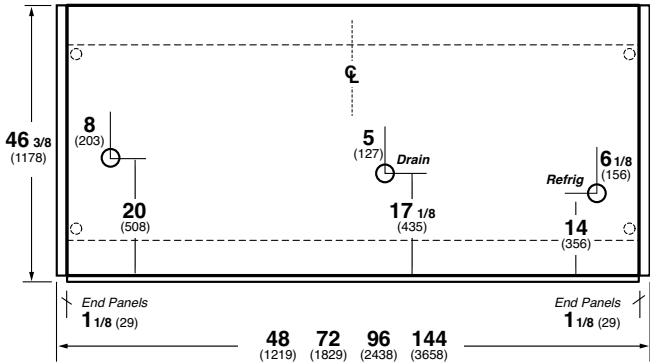
NOTE:

Q3-M/FS-EP with Enhanced Performance is for Non-Ice Applications.



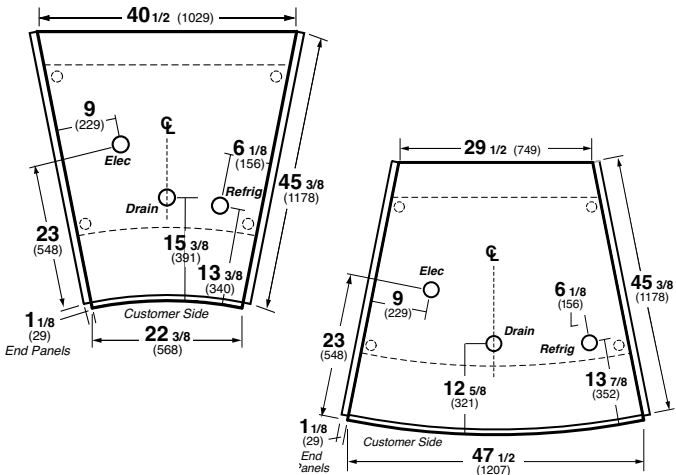
Q3-MC, Q3-FC, Q3-MS, Q3-FS, Q3-M/FC-EP, and Q3-M/FS-EP - PLAN VIEW

NOTE: Contact your sales representative for information on possible availability of additional case lengths.



Q3-MC, Q3-FC, Q3-MS, and Q3-FS - WEDGE PLAN VIEWS

22.5° Inside and Outside Wedges



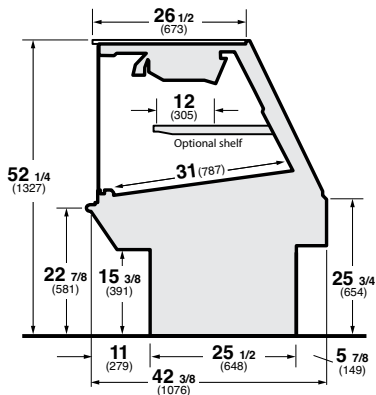
Q3-M/FV-EP (Specialty)

Q-Series Multi-Deck Service, Slanted-Deck Merchandiser, Vertical Glass for Meat and Seafood Applications

See Plan View - Below

NOTE:

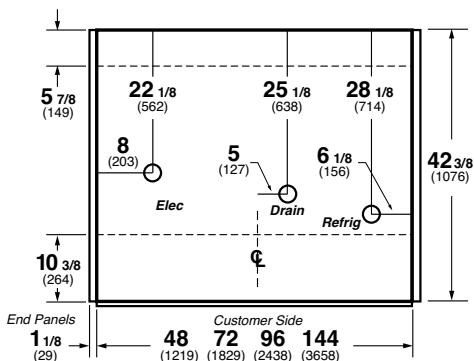
Q3-M/FV-EP with Enhanced Performance is for Non-Ice Applications.



Q3-M/FV-EP - PLAN VIEW

Q-Series Multi-Deck Service, Slanted-Deck Merchandiser, Vertical Glass for Meat and Seafood Applications

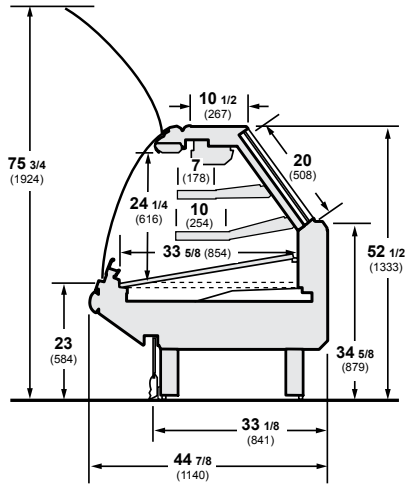
NOTE: Contact your sales representative for information on possible availability of additional case lengths.



SMG (Excel)

Multi-Deck Service Merchandiser, Gravity Coil, Small Blower Coil, Tilt-Up Curved Glass for Meat and Deli

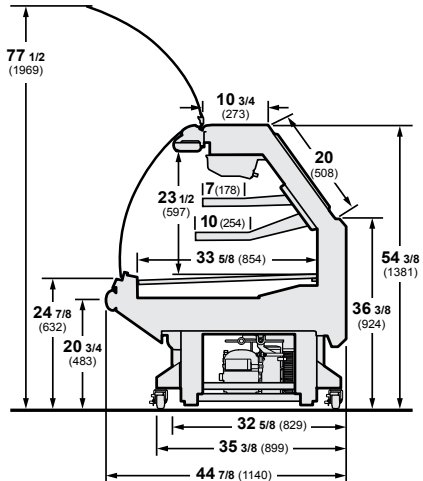
See Plan View - Page 279



SMG-B (Excel)

Self-Contained Service Merchandiser, Gravity Coil, Small Blower Coil, Tilt-Up Curved Glass for Meat and Deli

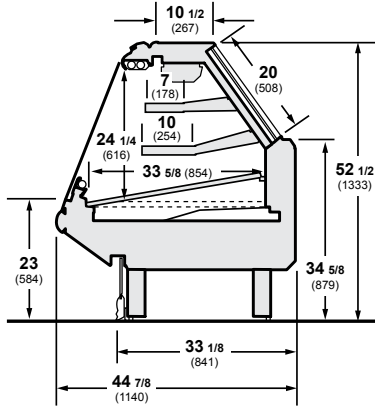
See Plan View - Page 279



SMGT (Excel)

Multi-Deck Service Merchandiser, Gravity Coil, Small Blower Coil, Straight Glass for Meat and Deli

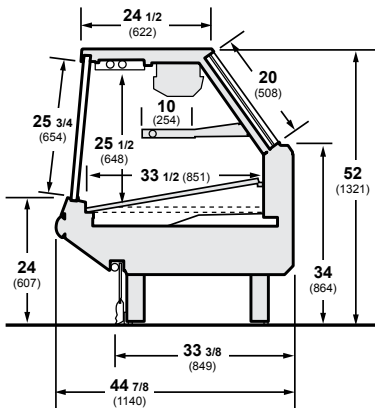
See Plan View - Page 279



SMGV (Excel)

Multi-Deck Service Merchandiser, Gravity Coil, Small Blower Coil, Vertical Glass for Meat and Deli

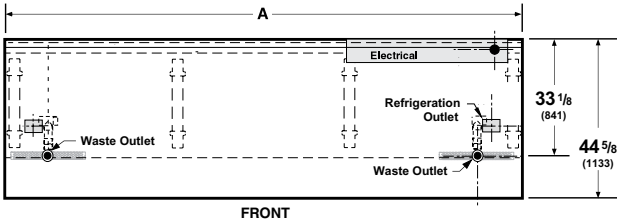
See Plan View - Page 279



SMG, SMGT, and SMGV - PLAN VIEW

Multi-Deck Service Merchandiser, Gravity Coil, Small Blower Coil, Curved OR Straight Glass

NOTE: Overall case length shown without ends or partitions. Contact your sales representative for information on possible availability of additional case lengths.

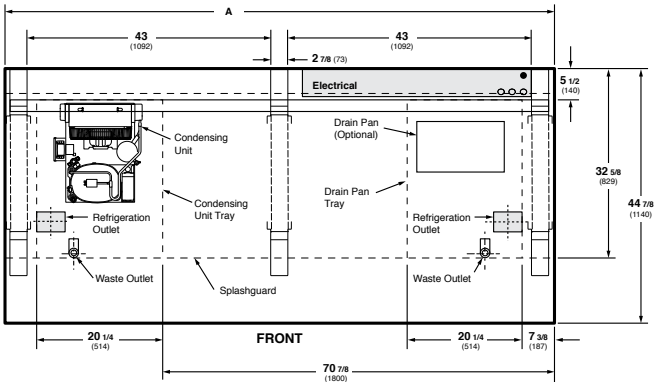


Dimensions	8 FT	12 FT
A	96 3/8 (2448)	144 1/2 (3670)

SMG-B - PLAN VIEW

Self-Contained Service Merchandiser, Gravity Coil, Small Blower Coil, Tilt-Up Curved Glass for Meat and Deli

NOTE: Overall case length shown without ends or partitions. Contact your sales representative for information on possible availability of additional case lengths.

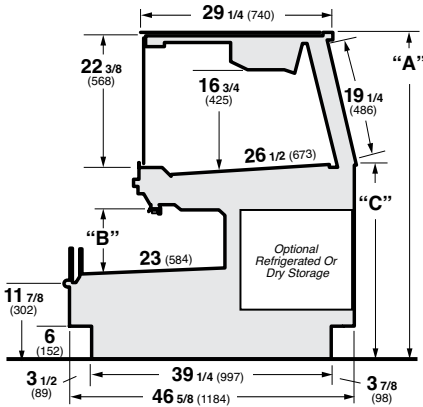


Dimensions	8 FT
A	99 1/4 (2521)

VR3HV-M/F-EP (Specialty)

Multi-Deck, Self-Service, High Volume Service Top Merchandiser with Vertical Glass, Height Options

See Plan View - Page 282

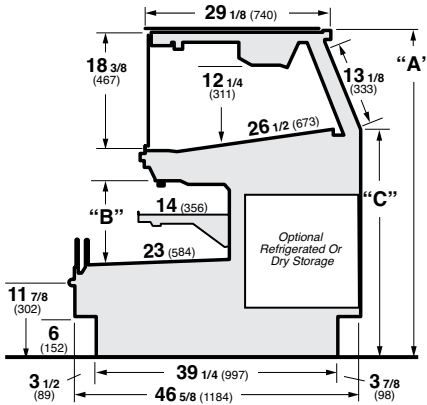


Dimension	Standard	" + 2"
"A"	53 (1346)	55 (1397)
"B"	9 1/2 (241)	11 1/2 (292)
"C"	30 1/8 (765)	32 1/8 (816)
(Qty) Self-Service Shelves	(0)	(1)
Lengths	N/A	14 (356)

VR3-M/F-EP (Specialty)

Multi-Deck, Self-Service, Standard Service Top Merchandiser with Vertical Glass, Height Options

See Plan View - Page 282

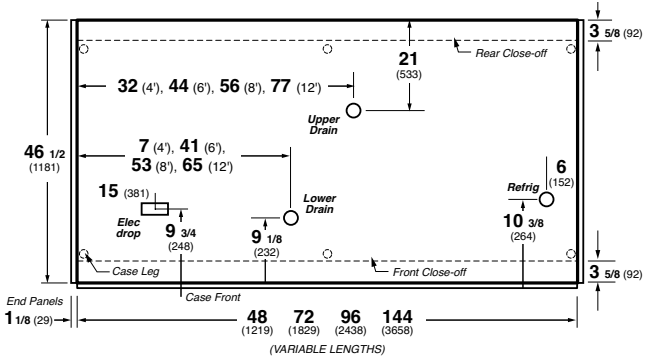


Dimension	Standard	+ 2"	+ 4"
"A"	53 (1346)	55 (1397)	57 (1448)
"B"	13 1/2 (343)	15 1/2 (394)	17 1/2 (445)
"C"	35 5/8 (905)	37 5/8 (956)	39 5/8 (1006)
(Qty) Self-Service Shelves	(1)	(1)	(2)
Lengths	14 (356)	14 (356)	12 (305) 16 (406)

VR3HV-M/F-EP - PLAN VIEW

Multi-Deck, Self-Service, High Volume Service Top Merchandiser with Vertical Glass, Height Options

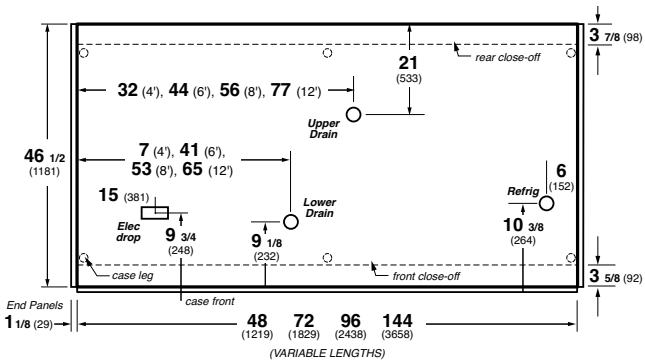
NOTE: Contact your sales representative for information on possible availability of additional case lengths.



VR3-M/F-EP - PLAN VIEW

Multi-Deck, Self-Service, Standard Service Top Merchandiser with Vertical Glass, Height Options

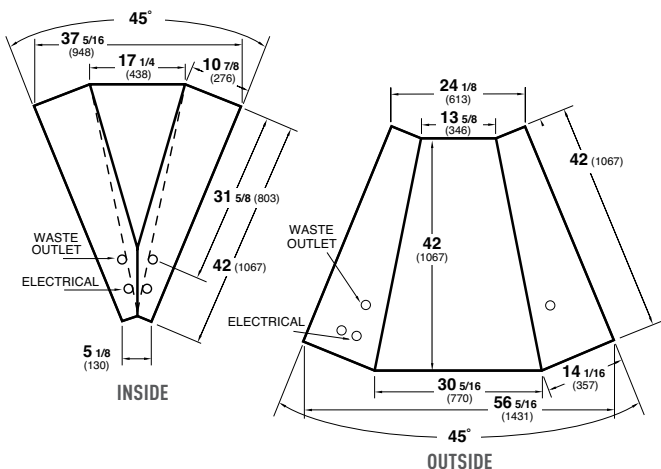
NOTE: Contact your sales representative for information on possible availability of additional case lengths.



EXCEL WO45 and WI45 - WEDGE PLAN VIEWS

45° Inside and Outside Wedge

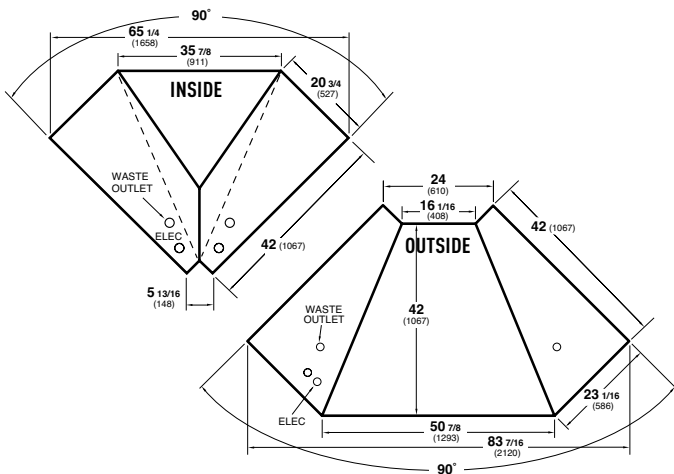
Cross Section same as Parent Case



EXCEL WO90 and WI90 - WEDGE PLAN VIEWS

90° Outside and Inside Wedge

Cross Section same as Parent Case



HUSSMANN®

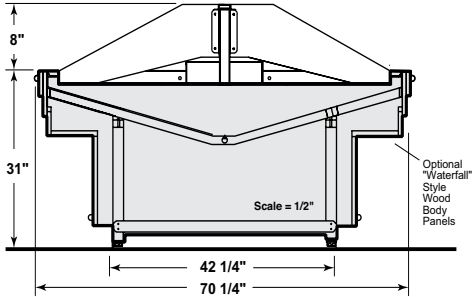
Produce Cases



DBP-03 (Specialty)

Dry or Refrigerated Island Merchandiser with 8" High Aluminum Center Divider for Produce Applications

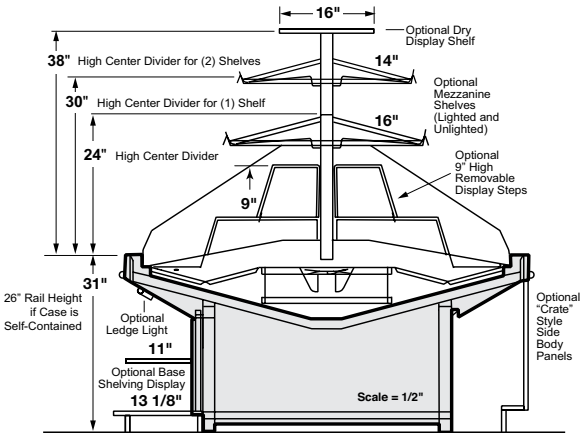
See Plan View - Page 286



DBRP-03 (Specialty)

Dry or Refrigerated Island Merchandiser for Produce Applications

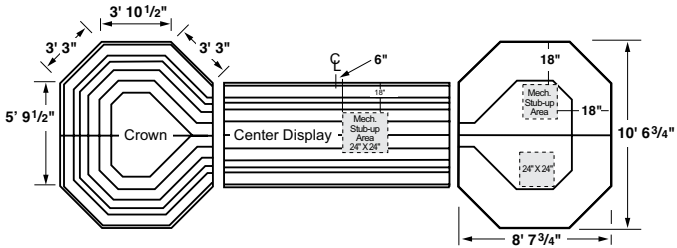
See Plan View - Page 286



DBP-03 LINEUP - PLAN VIEW

Dry or Refrigerated Island Merchandiser Modular Example for Produce Applications

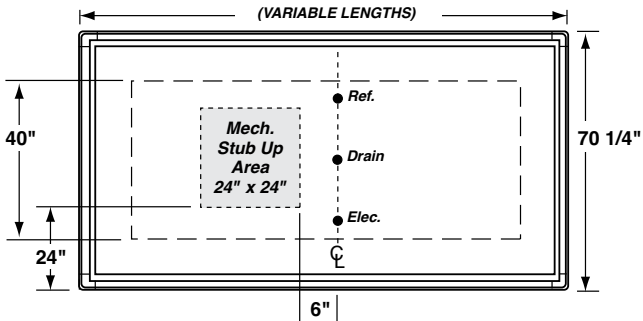
NOTE: Mechanical Stub Up areas will vary with size of case. Contact your sales representative for information on possible availability of additional case lengths.



DBRP-03 - PLAN VIEW

Dry or Refrigerated Island Merchandiser for Produce Applications

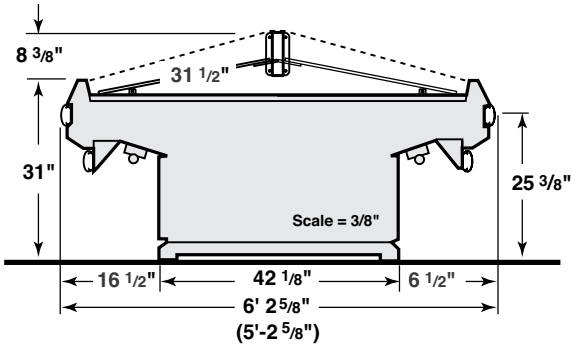
NOTE: Mechanical Stub Up areas will vary with size of case. Contact your sales representative for information on possible availability of additional case lengths.



DSI-03 (Specialty)

Dry Multi-Deck Island Merchandiser for Produce Applications

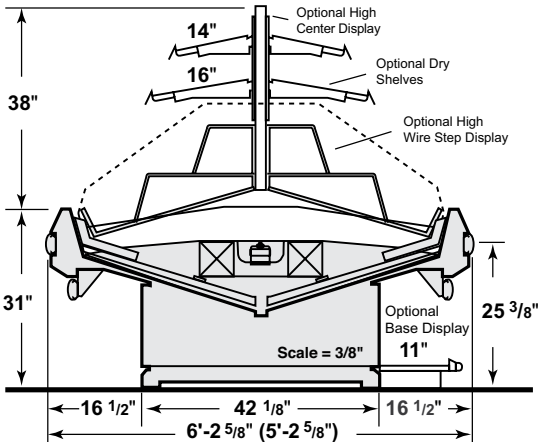
See Plan View - Page 288



DSRPI-03 (Specialty)

Refrigerated Multi-Deck Island Merchandiser for Produce Applications

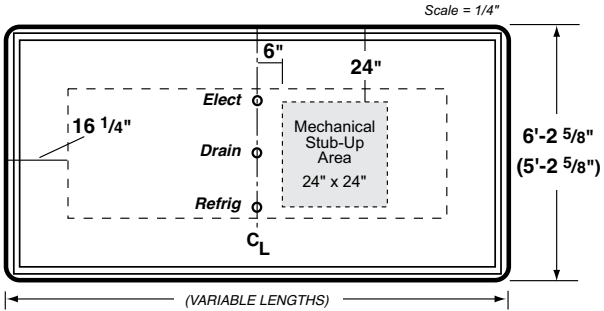
See Plan View - Page 288



DSI-03 and DSRPI-03 - PLAN VIEW

Dry OR Refrigerated Multi-Deck Island Merchandiser for Produce Applications

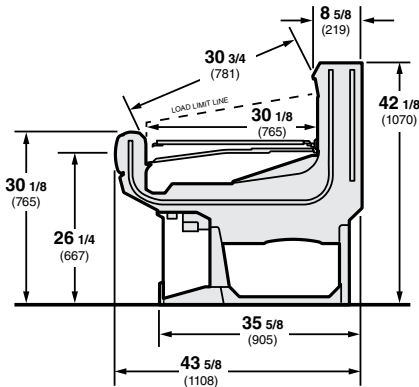
NOTE: Mechanical Stub Up areas will vary with size of case. Contact your sales representative for information on possible availability of additional case lengths.



IP1SL (Insight)

Single-Deck, Standard Front-to-Back Depth Merchandiser with Low Front for Produce Applications

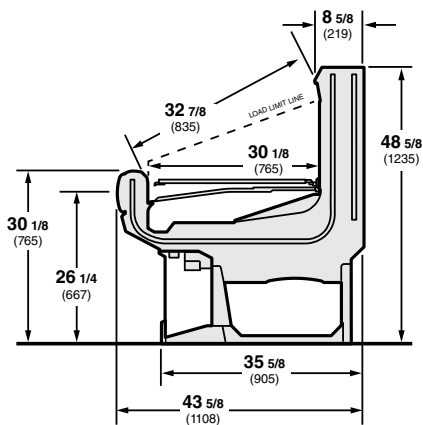
See Plan View - Page 290



IP1XSL (Insight)

Single-Deck, Extra Tall Standard Front-to-Back Depth Merchandiser with Low Front for Produce

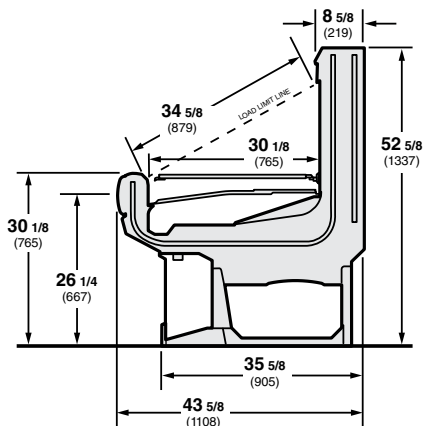
See Plan View - Page 290



IP1XXSL (Insight)

Single-Deck, Extra-Extra Tall Standard Front-to-Back Depth Merchandiser with Low Front for Produce

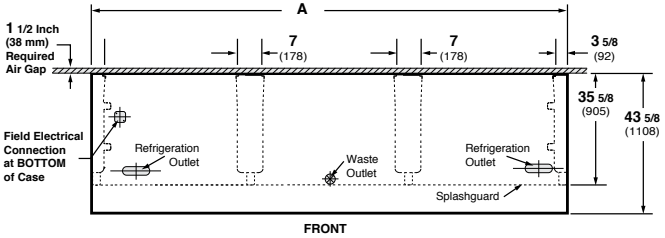
See Plan View - Page 290



IP1SL, IP1XSL, AND IP1XXSL - PLAN VIEW

Single-Deck, Standard Front-to-Back Depth Merchandiser with Low Front for Produce Applications

NOTE: Overall case length shown without ends or partitions. Contact your sales representative for information on possible availability of additional case lengths.

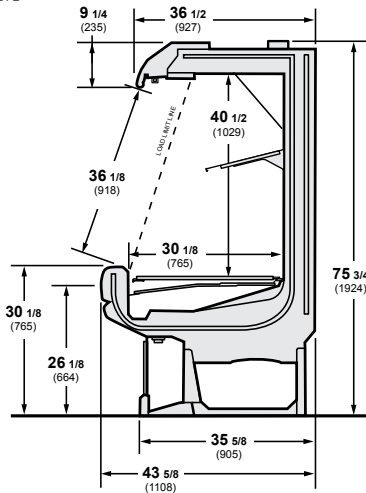


Dimensions	8 FT	12 FT
A	96 1/4 (2445)	144 3/8 (3668)

IP2SL (Insight)

2-Deck, Standard Front-to-Back Depth Merchandiser with Low Front for Produce Applications

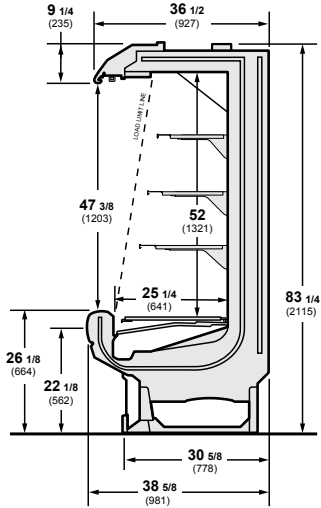
See Plan View - Page 292



IP4NL (Insight)

4-Deck, Narrow Front-to-Back Depth Merchandiser with Low Front for Produce Applications

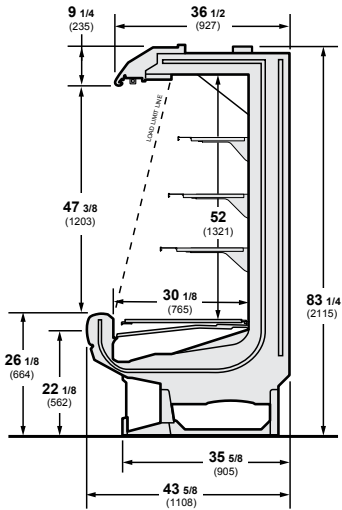
See Plan View - Page 292



IP4SL (Insight)

4-Deck, Standard Front-to-Back Depth Merchandiser with Low Front for Produce Applications

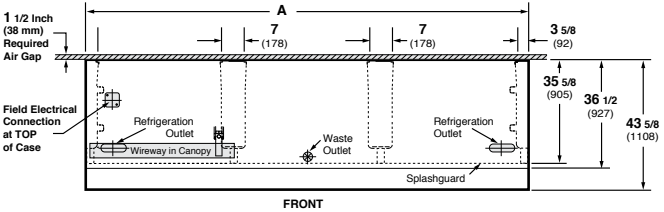
See Plan View - Page 292



IP2SL and IP4SL - PLAN VIEW

2-Deck OR 4-Deck, Standard Front-to-Back Depth Merchandiser, Low Front for Produce Applications

NOTE: Overall case length shown without ends or partitions. Contact your sales representative for information on possible availability of additional case lengths.

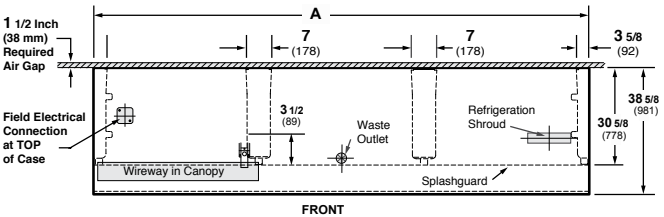


Dimensions	8 FT	12 FT
A	96 1/4 (2445)	144 3/8 (3668)

IP4NL - PLAN VIEW

4-Deck, Narrow Front-to-Back Depth Merchandiser with Low Front for Produce Applications

NOTE: Overall case length shown without ends or partitions. Contact your sales representative for information on possible availability of additional case lengths.

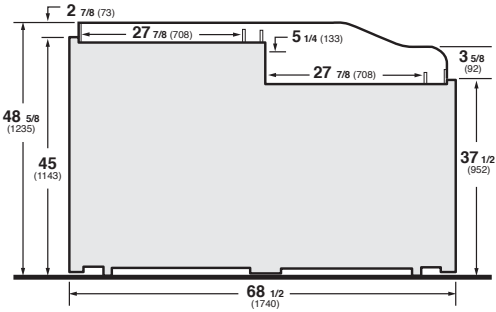


Dimensions	8 FT	12 FT
A	96 1/4 (2445)	144 3/8 (3668)

MPC 6x6 Only - Side A (Specialty)

Non-Critical Refrigerated, Self-Service Produce Merchandiser

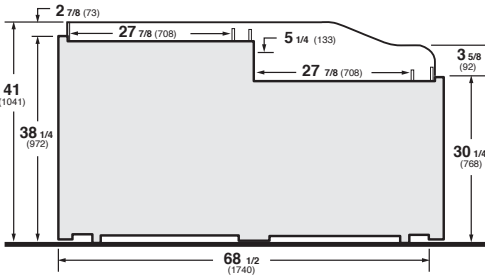
See Plan View - Page 294



MPC 3x6 and MPC 6x6 - Side B (Specialty)

Non-Critical Refrigerated, Self-Service Produce Merchandiser

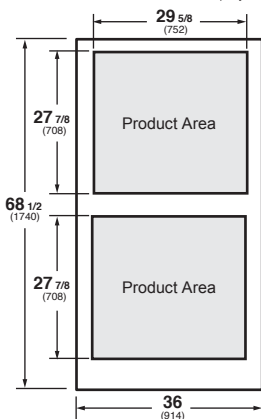
See Plan View - Page 294



MPC 3x6 Side B - PLAN VIEW

Non-Critical Refrigerated, Self-Service Produce Merchandiser

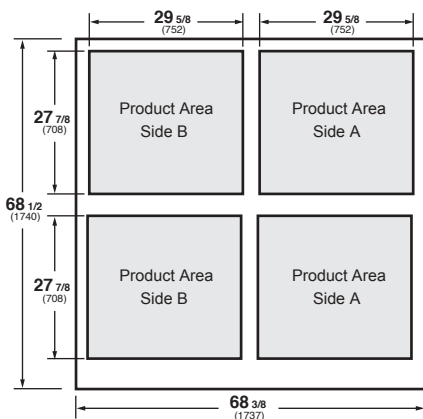
NOTE: Contact your sales representative for information on possible availability of additional case lengths.



MPC 6x6 Side A and Side B - PLAN VIEW

Non-Critical Refrigerated, Self-Service Produce Merchandiser

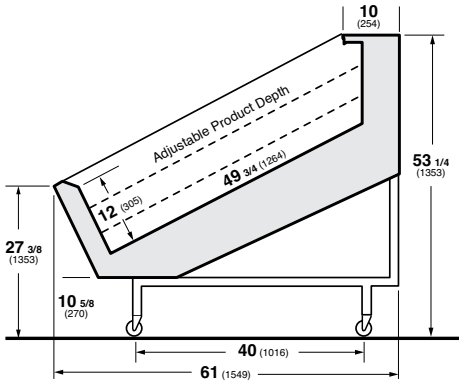
NOTE: Contact your sales representative for information on possible availability of additional case lengths.



MPC-ET (Specialty)

Self-Service Refrigerated Produce Mobile Case, Euro Table Style

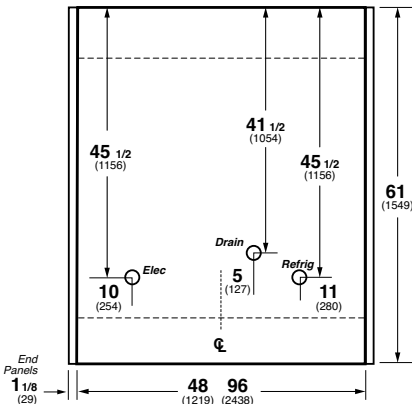
See Plan View - Below



MPC-ET - PLAN VIEW

Self-Service Refrigerated Produce Mobile Case, Euro Table Style

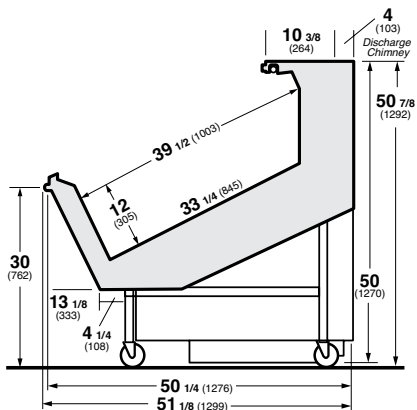
NOTE: Stub Up locations may vary. Contact your sales representative for information on possible availability of additional case lengths.



MPC-ETN (Specialty)

Self-Service, Narrow Refrigerated Produce Mobile Case, Euro Table Style

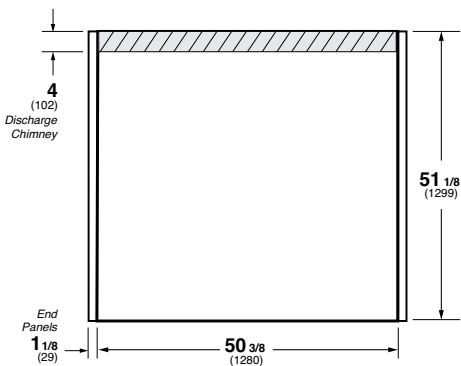
See Plan View - Below



MPC-ETN -PLAN VIEW

Self-Service, Narrow Refrigerated Produce Mobile Case, Euro Table Style

NOTE: Contact your sales representative for information on possible availability of additional case lengths.



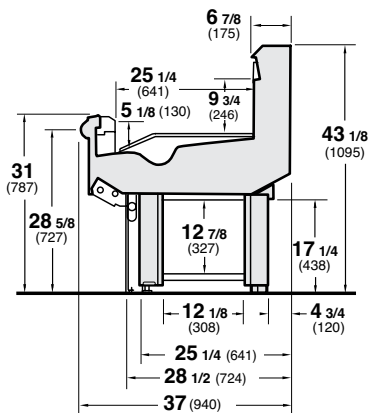
P1NX-E (Excel)

Narrow Footprint, Single-Deck Merchandiser for Produce Applications

See Plan View - Page 301

NOTE:

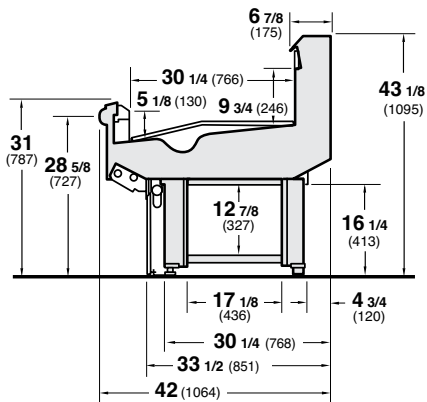
P1NX-E is not available in 12-foot length.



P1X-E (Excel)

Single-Deck Merchandiser for Produce Applications

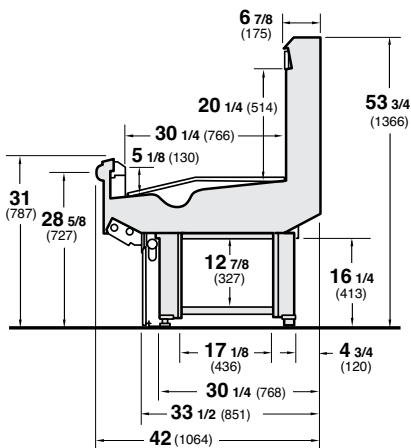
See Plan View - Page 301



P1X-XE (Excel)

Single-Deck, High Back Merchandiser for Produce Applications

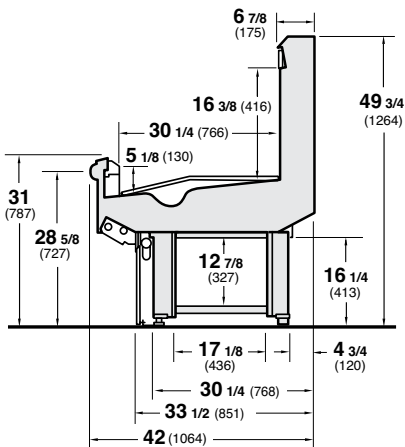
See Plan View - Page 301



P1X50-EP (Excel)

Single-Deck, High Back, Energy Efficient Bulk Merchandiser for Produce Applications

See Plan View - Page 301



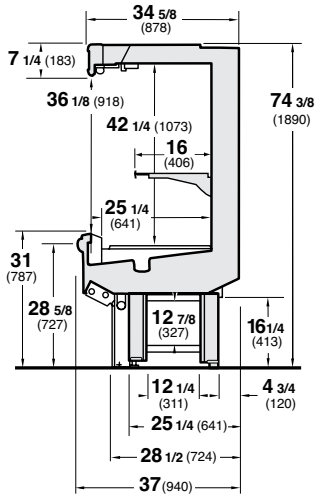
P2NX-E and P2NX-EP (Excel)

Narrow Footprint, Multi-Deck Merchandiser for Produce Applications

See Plan View - Page 301

NOTE:

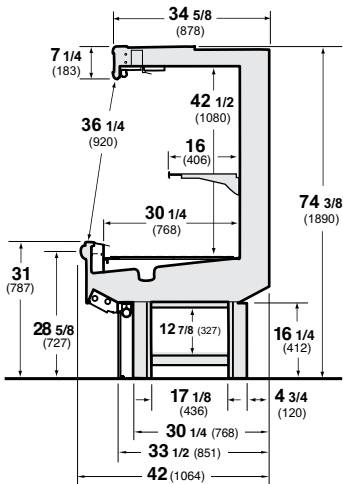
P2NX-E is not available
in 8-foot length.



P2X-E and P2X-EP (Excel)

Single or Multi-Deck Merchandiser for Produce Applications

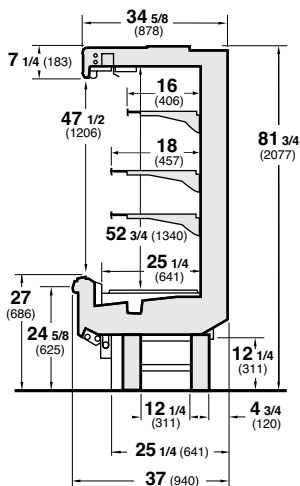
See Plan View - Page 301



P4NX-EP (Excel)

Narrow Depth, Multi-Deck Energy Efficient Merchandiser for Produce Applications

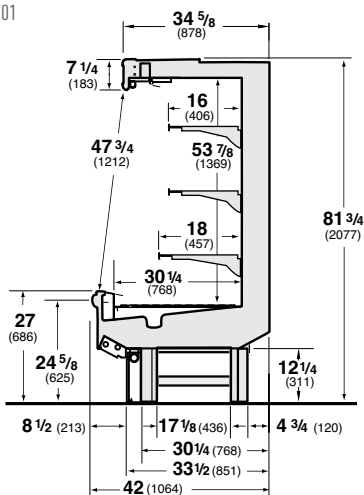
See Plan View - Page 301



P4X-EP (Excel)

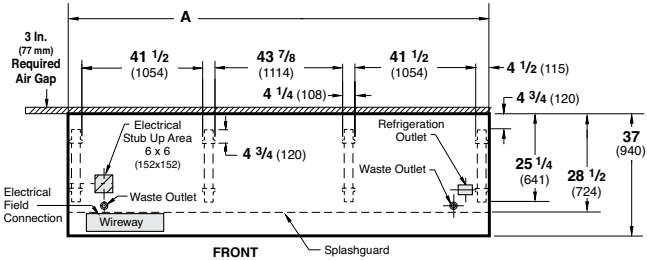
Multi-Deck Energy Efficient Merchandiser for Produce Applications

See Plan View - Page 301



P1NX-E*, P2NX-E**, P2NX-EP, and P4NX-EP - PLAN VIEW

NOTE: Overall case length shown without ends or partitions. Contact your sales representative for information on possible availability of additional case lengths.



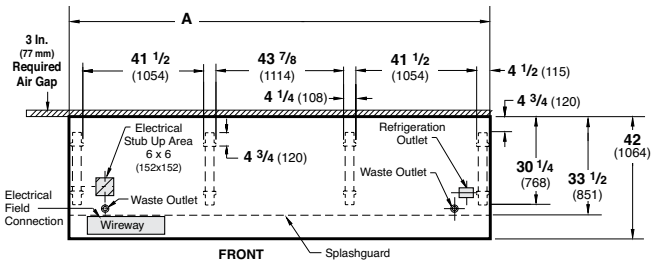
Dimensions	8 FT	12 FT
A	96 3/8 (2448)	144 1/2 (3670)

*P1NX-E is not available in 12-foot length.

**P2NX-E is not available in 8-foot length.

P1X-E, P1X-XE, P1X50-EP, P2X-E, P2X-EP, and P4X-EP - PLAN VIEW

NOTE: Overall case length shown without ends or partitions. Contact your sales representative for information on possible availability of additional case lengths.

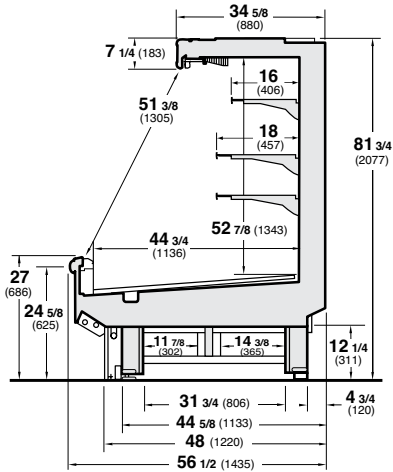


Dimensions	8 FT	12 FT
A	96 3/8 (2448)	144 1/2 (3670)

P4XRO-E (Excel)

Multi-Deck, Extra Front to Back Capacity Merchandiser for Produce Applications

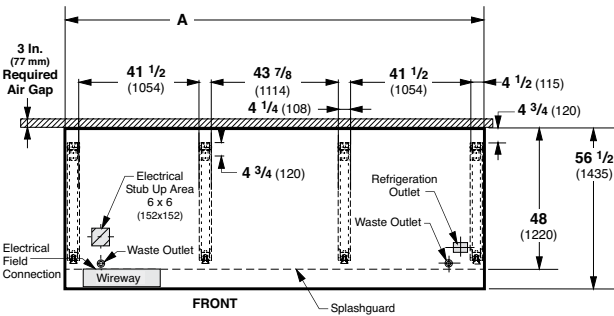
See Plan View - Below



P4XRO-E - PLAN VIEW

Multi-Deck, Extra Front to Back Capacity Merchandiser for Produce Applications

NOTE: Overall case length shown without ends or partitions. Contact your sales representative for information on possible availability of additional case lengths.



Dimensions

A

8 FT

12 FT

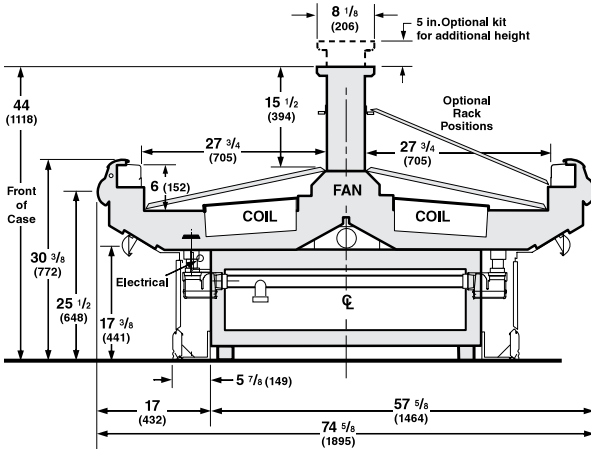
96 3/8 (2448)

144 1/2 (3670)

PW-E (Excel)

Refrigerated, Wide Island Bulk Merchandiser for Produce Applications

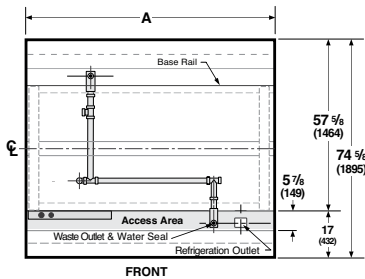
See Plan View - Below



PW-E - PLAN VIEW

Refrigerated, Wide Island Bulk Merchandiser for Produce Applications

NOTE: Overall case length shown without ends or partitions. Contact your sales representative for information on possible availability of additional case lengths.



Dimensions

8 FT

12 FT

A

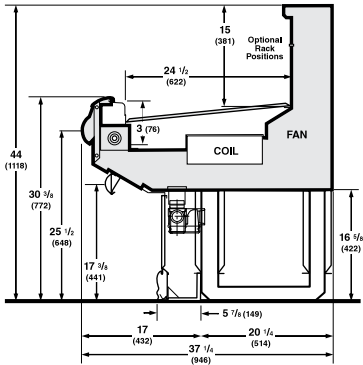
96 3/8 (2448)

144 1/2 (3670)

PWEE (Excel)

Refrigerated, Wide Island Bulk End Case Merchandiser for Produce Applications

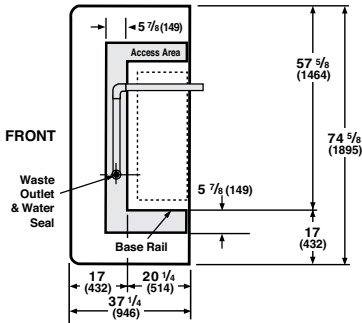
See Plan View - Below



PWEE - PLAN VIEW

Refrigerated, Wide Island Bulk End Case Merchandiser for Produce Applications

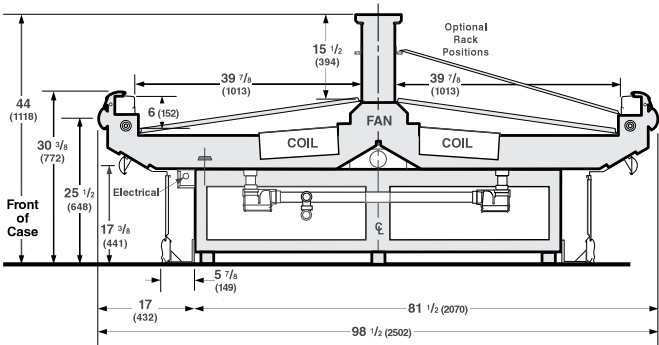
NOTE: Maximum outside dimension of case (side-to-side) includes bumper. Overall case length shown without ends or partitions. Contact your sales representative for information on possible availability of additional case lengths.



PWR-E (Excel)

Refrigerated, 98-1/2 Inch Wide Island Bulk Merchandiser for Produce Applications

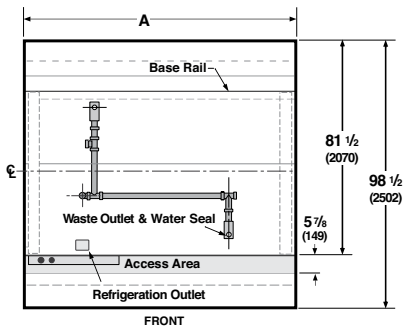
See Plan View - Below



PWR-E - PLAN VIEW

Refrigerated, 98-1/2 Inch Wide Island Merchandiser for Produce Applications

NOTE: Overall case length shown without ends or partitions. Contact your sales representative for information on possible availability of additional case lengths.



Dimensions

8 FT

12 FT

A

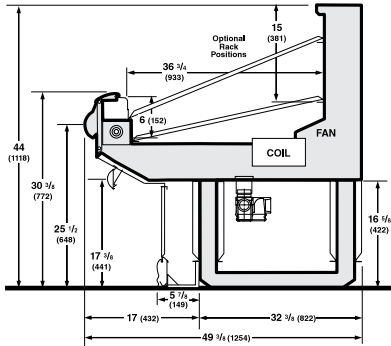
96 3/8 (2448)

144 1/2 (3670)

PWREE (Excel)

Refrigerated, Wide Island Bulk End Case Merchandiser for Produce Applications

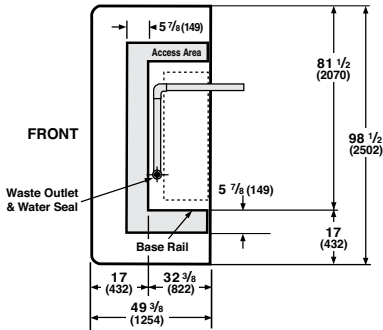
See Plan View - Below



PWREE - PLAN VIEW

Refrigerated, Wide Island End Case Merchandiser for Produce Applications

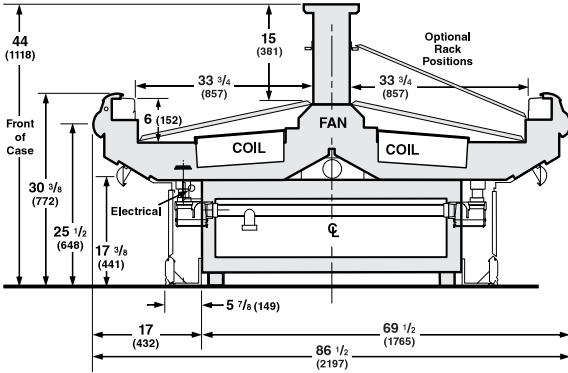
NOTE: Maximum outside dimension of case (side-to-side) includes bumper. Overall case length shown without ends or partitions. Contact your sales representative for information on possible availability of additional case lengths.



PWW-E (Excel)

Refrigerated, 86-1/2 Inch Wide Island Bulk Merchandiser for Produce Applications

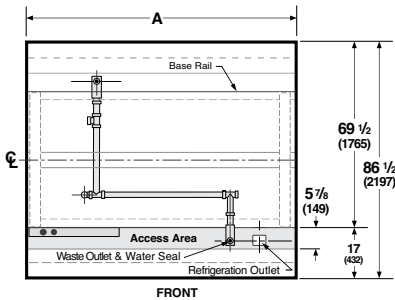
See Plan View - Below



PWW-E - PLAN VIEW

Refrigerated, 86-1/2 Inch Wide Island Bulk Merchandiser for Produce Applications

NOTE: Overall case length shown without ends or partitions. Contact your sales representative for information on possible availability of additional case lengths.



Dimensions

8 FT

12 FT

A

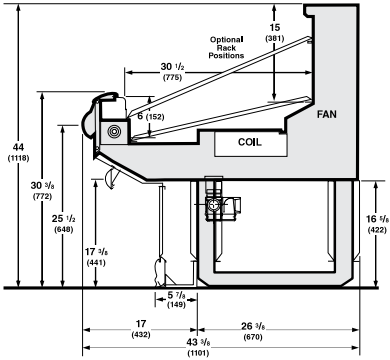
96 3/8 (2448)

144 1/2 (3670)

PWEE (Excel)

Refrigerated, Wide Island Bulk End Case Merchandiser for Produce Applications

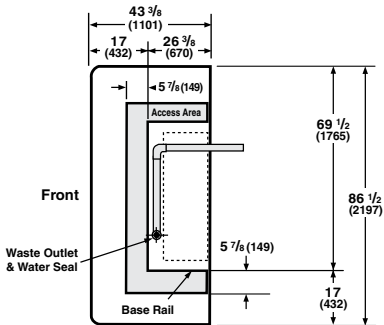
See Plan View - Below



PWEE - PLAN VIEW

Refrigerated, Wide Island Bulk End Case Merchandiser for Produce Applications

NOTE: Maximum outside dimension of case (side-to-side) includes bumper. Overall case length shown without ends or partitions. Contact your sales representative for information on possible availability of additional case lengths.



NOTES

.....

HUSSmann®

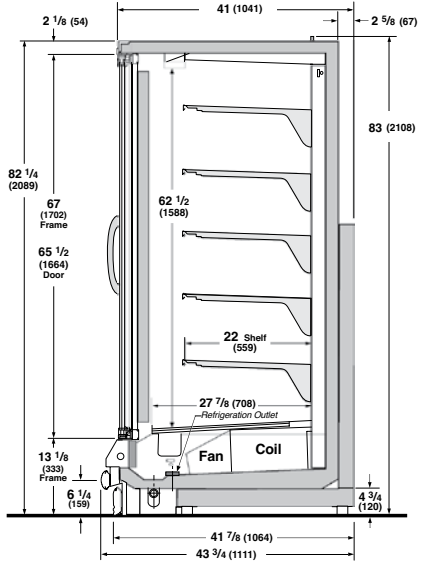
Reach-Ins



RL, RM, and RMF

Reach-In Merchandiser for
Low Temp, Medium Temp,
and Floral Applications

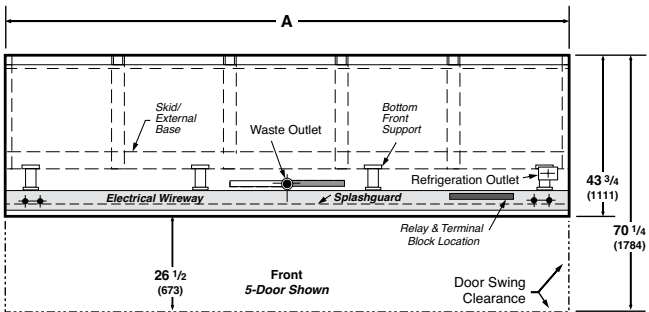
See Plan View - Below



RL, RM, and RMF - PLAN VIEW

Reach-In Merchandiser for Low Temp, Medium Temp, and Floral Applications

NOTE: Overall case length shown without ends or partitions. Contact your sales representative for information on possible availability of additional case lengths.



Dimensions	2 DOOR	3 DOOR	4 DOOR	5 DOOR
A	62 (1575)	92 1/2 (2350)	122 7/8 (3121)	153 3/8 (3896)

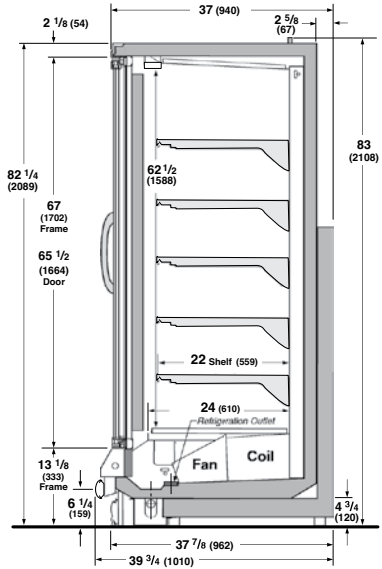
RLN

Narrow Depth, Reach-In Merchandiser
for Low Temp Applications

RMN

Narrow Depth, Reach-In Merchandiser
for Medium Temp Applications

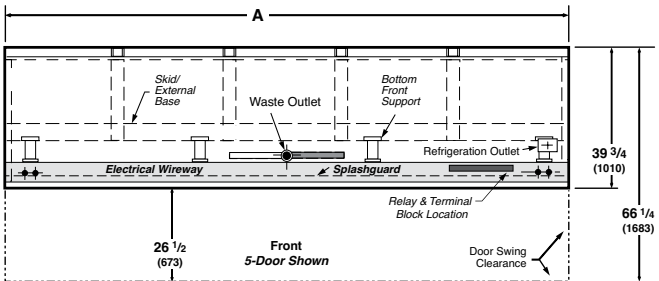
See Plan View - Below



RLN and RMN - PLAN VIEW

Narrow Depth, Reach-In Merchandiser for Low OR Medium Temp Applications

NOTE: Overall case length shown without ends or partitions. Contact your sales representative for information on possible availability of additional case lengths.

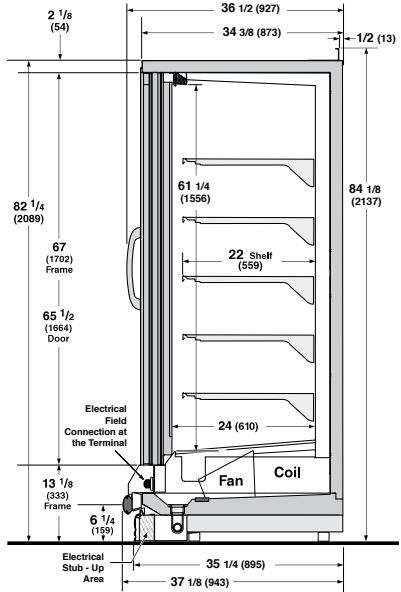


Dimensions	2 DOOR	3 DOOR	4 DOOR	5 DOOR
A	62 (1575)	92 1/2 (2350)	122 7/8 (3121)	153 3/8 (3896)

RLNE

Narrow Depth, Front-to-Back
End Reach-In Merchandiser
for Low Temp Applications

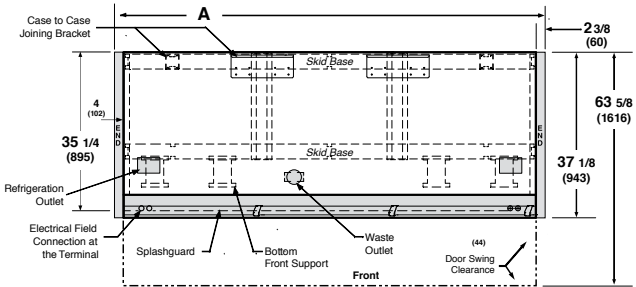
.....
See Plan View - Below



RLNE - PLAN VIEW

Narrow Depth, Front-to-Back End Reach-In Merchandiser for Low Temp Applications

.....
NOTE: Overall case length shown without ends or partitions. Contact your sales representative for information on possible availability of additional case lengths.



Dimensions

A

2 DOOR

3 DOOR

66 3/4 (1695)

97 1/4 (2470)

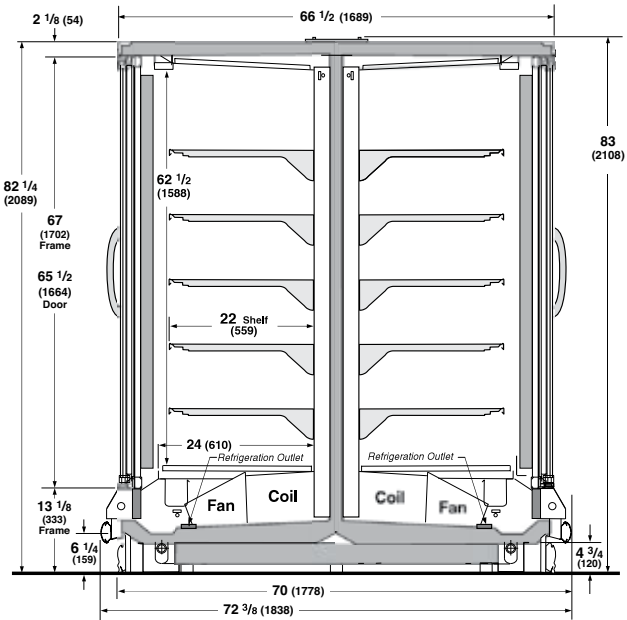
RLNI

Narrow Depth, Reach-In Island Merchandiser for Low Temp Applications

RLNIE

Narrow Depth, Wrap-Around End Reach-In Island Merchandiser for Low Temp Applications

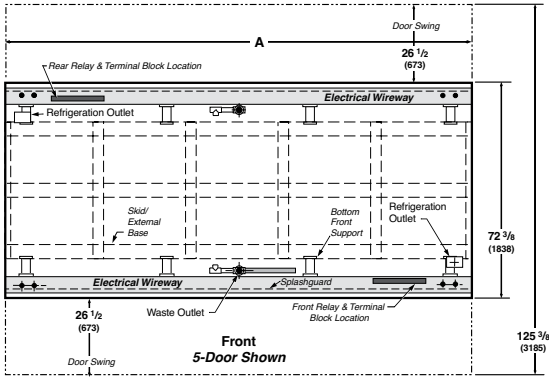
See Plan View - Page 315



RLNI - PLAN VIEW

Narrow Depth, Reach-In Island Merchandiser for Low Temp Applications

NOTE: Overall case length shown without ends or partitions. Contact your sales representative for information on possible availability of additional case lengths.

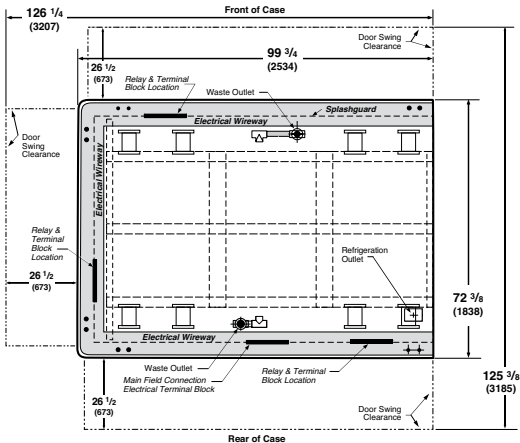


Dimensions	2 DOOR	3 DOOR	4 DOOR	5 DOOR
A	62 (1575)	92 1/2 (2350)	122 7/8 (3121)	153 3/8 (3896)

RLNIE - PLAN VIEW

Narrow Depth, Wrap-Around End Reach-In Island Merchandiser for Low Temp Applications

NOTE: Contact your sales representative for information on possible availability of additional case lengths.



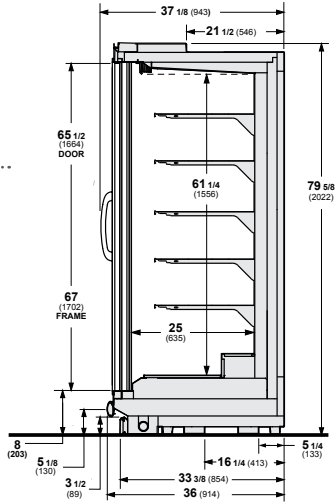
RLNS

Narrow Front-to-Back Dimension,
Shorter Height Reach-In Merchandiser
for Low Temp Applications

RMNS

Narrow Front-to-Back Dimension,
Shorter Height Reach-In Merchandiser
for Medium Temp Applications

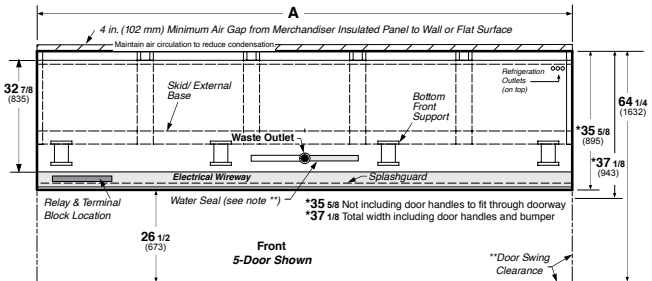
.....
See Plan View - Below



RLNS and RMNS - PLAN VIEW

Narrow Front-to-Back Dimension, Shorter Height Reach-In Merchandiser for Low OR Medium Temp

.....
NOTE: Contact your sales representative for information on possible availability
of additional case lengths.

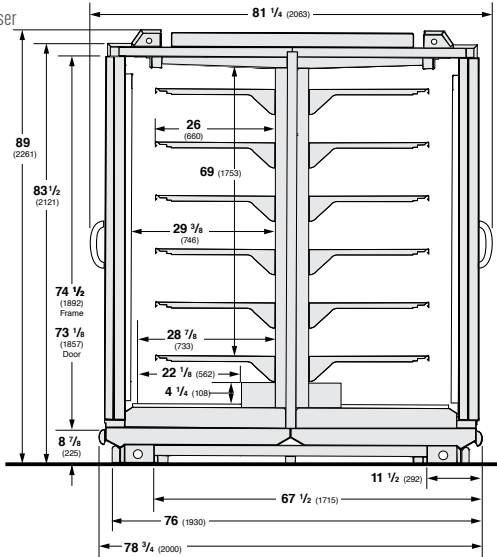


Dimensions	2 DOOR	3 DOOR	4 DOOR	5 DOOR
A	62 (1575)	92 1/2 (2350)	122 7/8 (3121)	153 3/8 (3896)

RLTIM

Extra Tall, Back-to-Back, Reach-In Island Merchandiser for Maximum Performance for Low Temp Applications

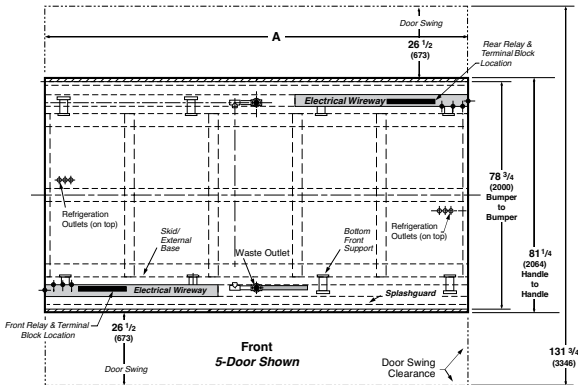
.....
See Plan View - Below



RLTIM - PLAN VIEW

Extra Tall, Back-to-Back, Reach-In Island Merchandiser for Maximum Performance for Low Temp

NOTE: Overall case length shown without ends or partitions. Contact your sales representative for information on possible availability of additional case lengths.



Dimensions	2 DOOR	3 DOOR	4 DOOR	5 DOOR
A	62 (1575)	92 1/2 (2350)	122 7/8 (3121)	153 3/8 (3896)

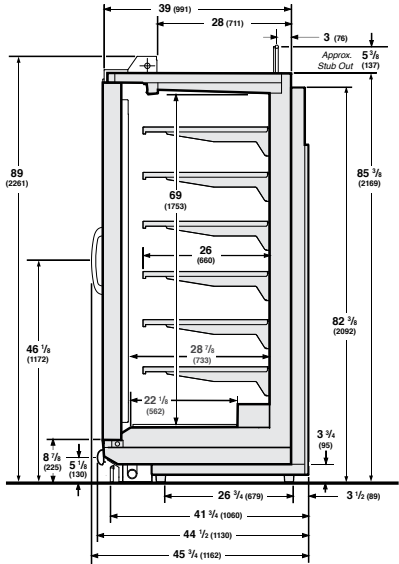
RLTM

Extra Tall, Reach-In Merchandiser
with Maximum Performance
for Low Temp Applications

RMTM

Extra Tall, Reach-In Merchandiser
with Maximum Performance
for Medium Temp Applications

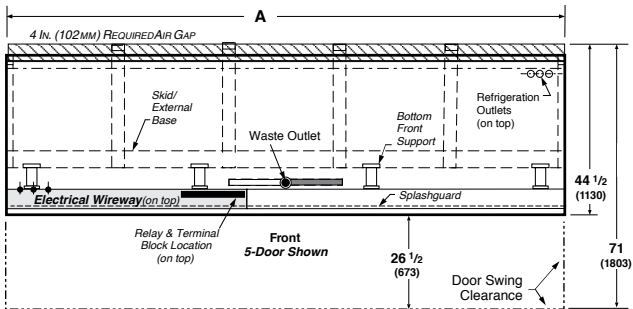
See Plan View - Below



RLTM and RMTM - PLAN VIEW

Extra Tall, Reach-In Merchandiser with Maximum Performance for Low OR Medium Temp Applications

NOTE: Overall case length shown without ends or partitions. Contact your sales representative for information on possible availability of additional case lengths.

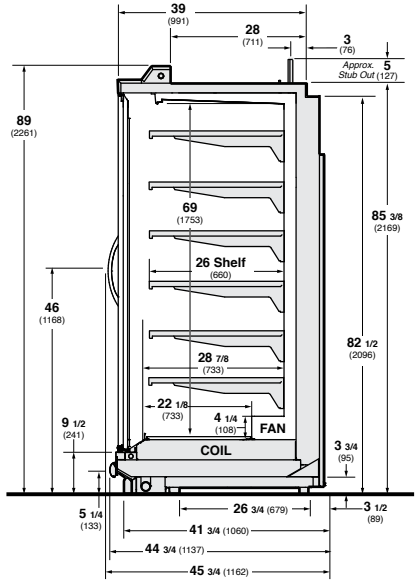


Dimensions	2 DOOR	3 DOOR	4 DOOR	5 DOOR
A	62 (1575)	92 1/2 (2350)	122 7/8 (3121)	153 3/8 (3896)

RMTD

Extra Tall, Reach-In Merchandiser with EcoVision Doors for Medium Temp Applications

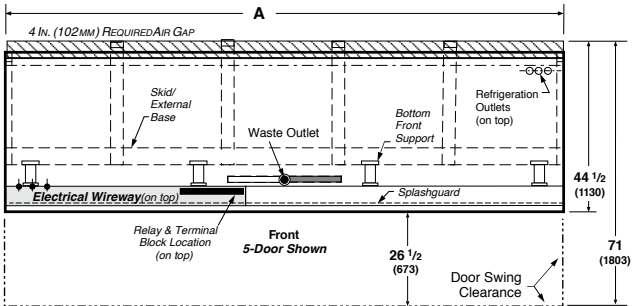
See Plan View - Below



RMTD - PLAN VIEW

Extra Tall, Reach-In Merchandiser with EcoVision Doors for Medium Temp Applications

NOTE: Overall case length shown without ends or partitions. Contact your sales representative for information on possible availability of additional case lengths.



Dimensions	2 DOOR	3 DOOR	4 DOOR	5 DOOR
A	62 (1575)	92 1/2 (2350)	122 7/8 (3121)	153 3/8 (3896)

Freedom Line -

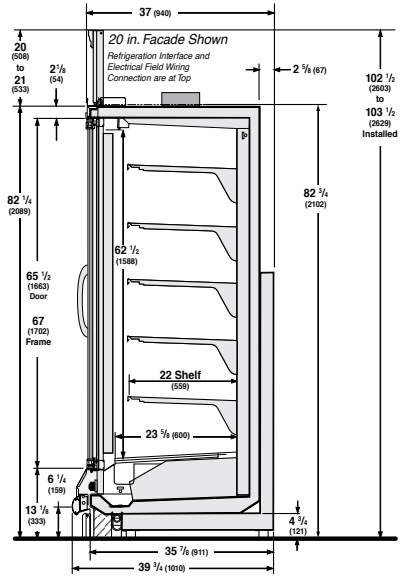
RFLN

Narrow Depth, Top-Mount,
Refrigeration-Ready Reach-In
Merchandiser for Low Temp
Applications

RFMN

Narrow Depth, Top-Mount,
Refrigeration-Ready Reach-In
Merchandiser for Medium Temp
Applications

.....
See Plan View - Below

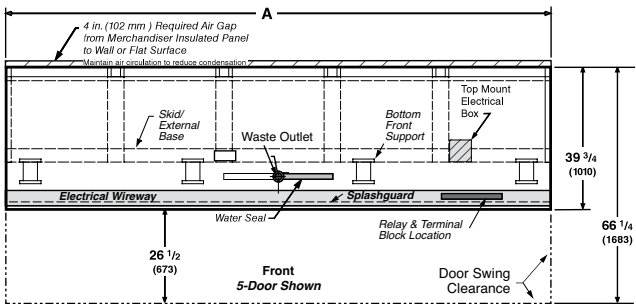


RFLN and RFMN - PLAN VIEW

Narrow Depth, Top-Mount, Refrigeration-Ready Reach-In Merchandiser for Low OR Medium Temp

.....

NOTE: Overall case length shown without ends or partitions. Contact your sales representative for information on possible availability of additional case lengths.



Dimensions	2 DOOR	3 DOOR	4 DOOR	5 DOOR
A	62 (1575)	92 1/2 (2350)	122 7/8 (3121)	153 3/8 (3896)

Freedom Line -

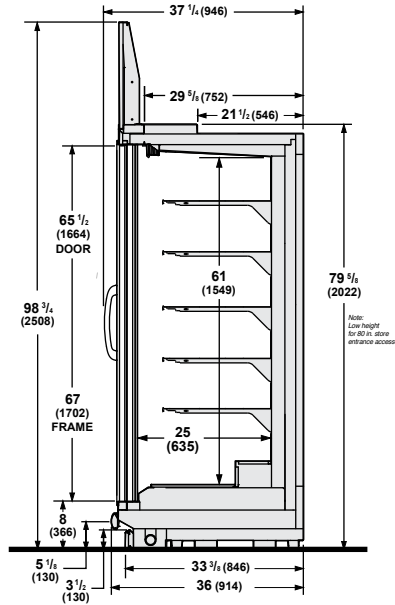
RFLNS

Narrow Depth, Top-Mount,
Refrigeration-Ready, Shorter Height
Reach-In Merchandiser
for Low Temp Applications

RFMNS

Narrow Depth, Top-Mount,
Refrigeration-Ready, Shorter Height
Reach-In Merchandiser
for Medium Temp Applications

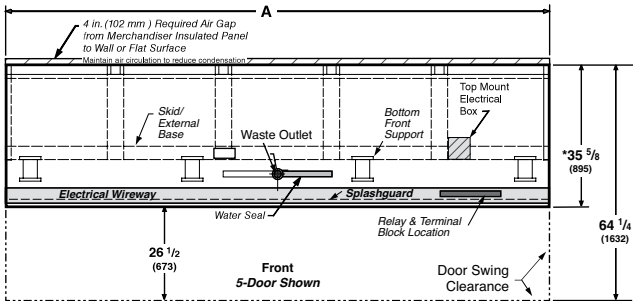
.....
See Plan View - Below



RFLNS and RFMNS - PLAN VIEW

Narrow Depth, Top-Mount, Refrigeration-Ready, Shorter Height Reach-In Merchandiser for Low OR Medium Temp

.....
NOTE: Overall case length shown without ends or partitions. Contact your sales representative for information on possible availability of additional case lengths.



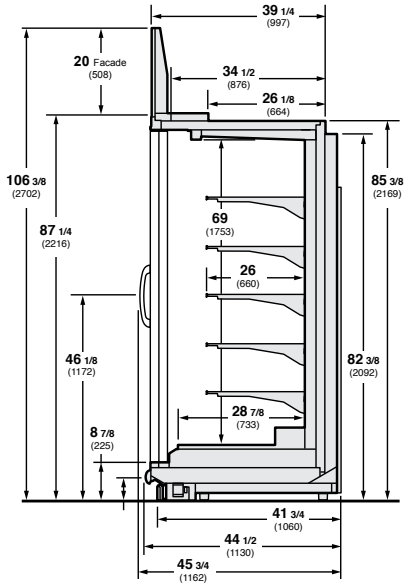
Dimensions	2 DOOR	3 DOOR	4 DOOR	5 DOOR
A	62 (1575)	92 1/2 (2350)	122 7/8 (3121)	153 3/8 (3896)

Freedom Line -

RFLTM

Extra Tall, Top-Mount,
Refrigeration-Ready
Reach-In Merchandiser
for Low Temp Applications

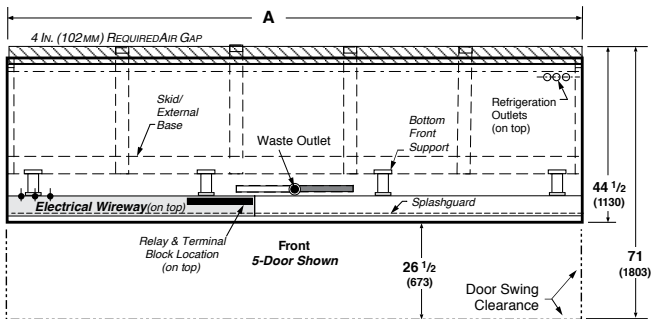
See Plan View - Below



RFLTM - PLAN VIEW

Extra Tall, Top-Mount, Refrigeration-Ready Reach-In Merchandiser for Low Temp Applications

NOTE: Overall case length shown without ends or partitions. Contact your sales representative for information on possible availability of additional case lengths.



Dimensions	2 DOOR	3 DOOR	4 DOOR	5 DOOR
A	62 (1575)	92 1/2 (2350)	122 7/8 (3121)	153 3/8 (3896)

LifeLine Premier -

RL

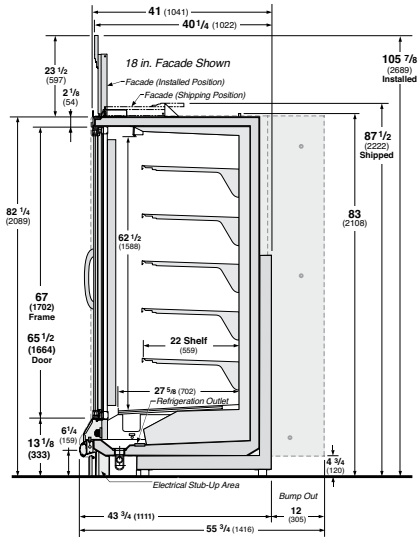
Top-Mount, Refrigeration-Ready
Reach-In Merchandiser
for Low Temp Applications

RM

Top-Mount, Refrigeration-Ready
Reach-In Merchandiser
for Medium Temp Applications

.....
See Plan Views -
Pages 324 thru 328

Shown with
Optional Bump Out



LifeLine Premier -

RLN

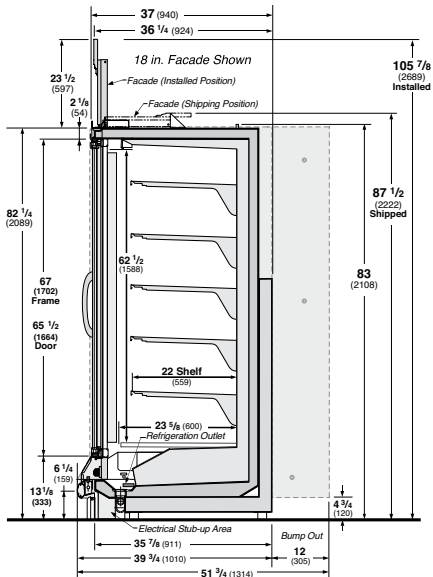
Narrow Depth, Top-Mount,
Refrigeration-Ready,
Reach-In Merchandiser
for Low Temp Applications

RMN

Narrow Depth, Top-Mount,
Refrigeration-Ready,
Reach-In Merchandiser
for Medium Temp Applications

.....
See Plan Views -
Pages 325 thru 326,
and 328 thru 329

Shown with
Optional Bump Out



LifeLine Premier -

RLNI (Impact)

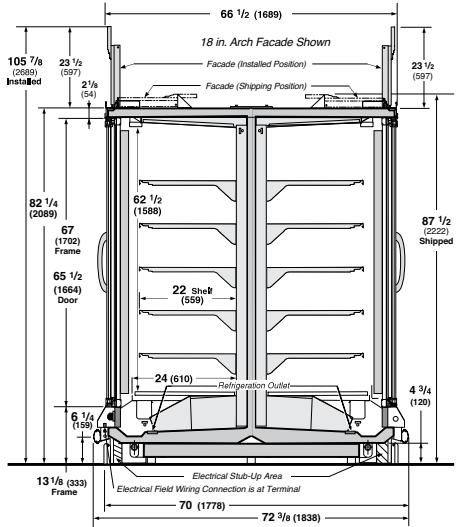
Narrow Depth, Reach-In
Island Merchandiser for
Low Temp Applications

LifeLine Premier -

RLNIE (Impact)

Narrow Depth, Wrap-Around
End Reach-In for
Low Temp Applications

.....
See Plan Views -
Pages 326 and 330



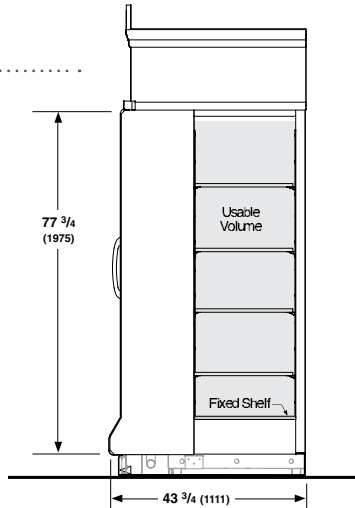
LifeLine Premier -

RL and RM Stand Alone

Dry Goods Reach-In Merchandiser Kit

NOTE:

Kit does not include
the Reach-In Merchandisers.



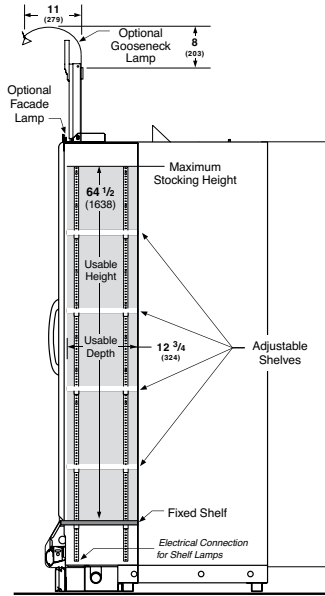
LifeLine Premier -

RL, RM, RLN, and RMN

Dry Goods / Bump Out

NOTE:

Not available for RLNI or RLNIE Merchandisers.



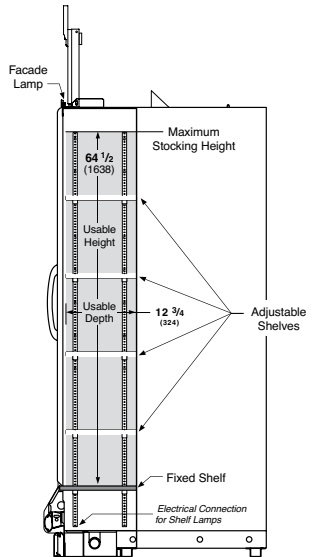
LifeLine Premier -

RL, RM, RLN, and RMN

Dry Goods Reach-In Merchandiser Kit

NOTE:

Not available for RLNI or RLNIE. Kit does not include the Reach-In Merchandisers.

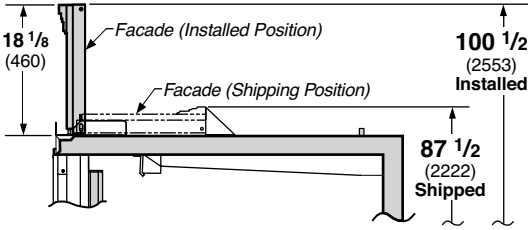


LifeLine Premier -

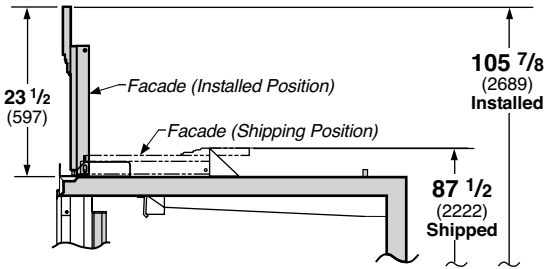
RL, RM, RLN, RMN, RLNI, and RLNIE

Facade Options

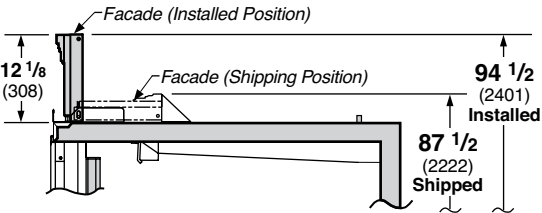
18-Inch Straight Facade



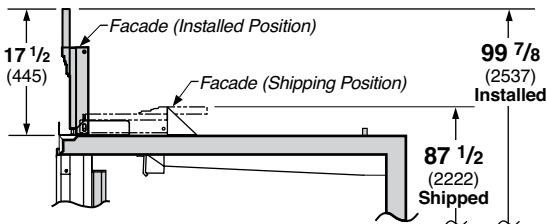
18-Inch Arch Facade - Not Available on RLNIE



12-Inch Straight Facade



12-Inch Arch Facade - Not Available on RLNIE

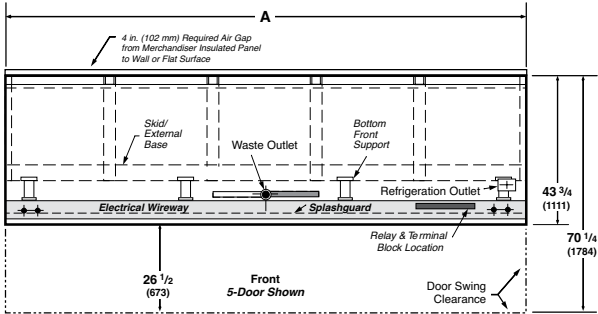


LifeLine Premier -

RL and RM - PLAN VIEW

Top-Mount, Refrigeration-Ready, Reach-In Merchandiser for Low OR Medium Temp Applications

NOTE: Overall case length shown without ends or partitions. Contact your sales representative for information on possible availability of additional case lengths.

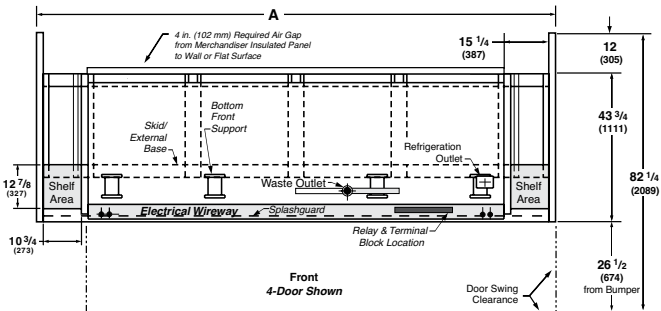


Dimensions	2 DOOR	3 DOOR	4 DOOR	5 DOOR
A	62 (1575)	92 1/2 (2350)	122 7/8 (3121)	153 3/8 (3896)

RL and RM - PLAN VIEW

Dry Goods / Bump Out

NOTE: Overall case length shown without ends or partitions. Contact your sales representative for information on possible availability of additional case lengths.



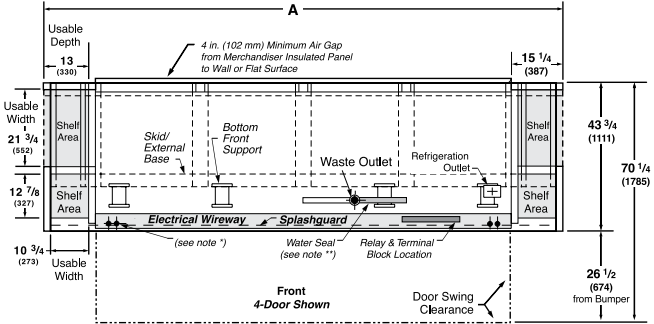
Dimensions	2 DOOR	3 DOOR	4 DOOR	5 DOOR
A - Dry Goods (4 Ends/Cabinets)	92 1/2 (2350)	123 (3124)	153 3/8 (3896)	NA
B - Bump Out (4 Ends/Cabinets)	66 (1676)	96 1/2 (2451)	126 7/8 (3222)	157 3/8 (3997)

LifeLine Premier -

RL and RM - PLAN VIEW

Stand Alone Dry Goods Reach-In Merchandiser Kit

NOTE: Overall case length shown without ends or partitions. Contact your sales representative for information on possible availability of additional case lengths.

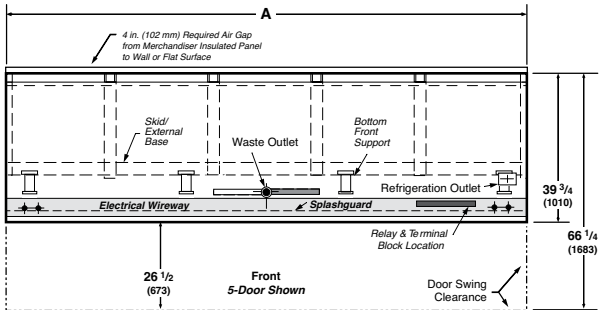


Dimensions	2 DOOR	3 DOOR	4 DOOR
A	92 1/2 (2350)	123 (3124)	153 3/8 (3896)

RLN and RMN - PLAN VIEW

Narrow Depth, Top-Mount, Refrigeration-Ready, Reach-In Merchandiser for Low OR Medium Temp

NOTE: Overall case length shown without ends or partitions. Contact your sales representative for information on possible availability of additional case lengths.



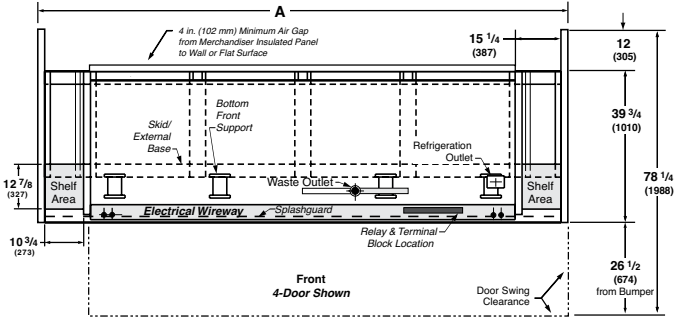
Dimensions	2 DOOR	3 DOOR	4 DOOR	5 DOOR
A	62 (1575)	92 1/2 (2350)	122 7/8 (3121)	153 3/8 (3896)

LifeLine Premier -

RLN and RMN - PLAN VIEW

Dry Goods / Bump Out

NOTE: Overall case length shown without ends or partitions. Contact your sales representative for information on possible availability of additional case lengths.



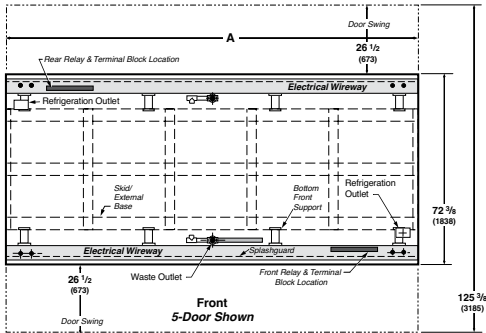
Dimensions	2 DOOR	3 DOOR	4 DOOR	5 DOOR
A - Dry Goods (4 Ends/Cabinets)	92 1/2 (2350)	123 (3124)	153 3/8 (3896)	NA
B - Bump Out (4 Ends/Cabinets)	66 (1676)	96 1/2 (2451)	126 7/8 (3222)	157 3/8 (3997)

LifeLine Premier -

RLNI - PLAN VIEW

Narrow Depth, Reach-In Island Merchandiser for Low Temp Applications

NOTE: Overall case length shown without ends or partitions. Contact your sales representative for information on possible availability of additional case lengths.

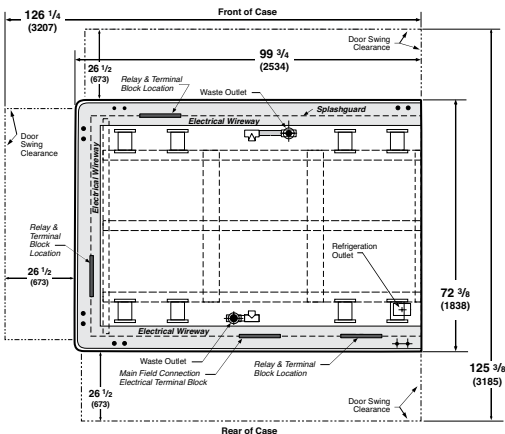


Dimensions	2 DOOR	3 DOOR	4 DOOR	5 DOOR
A	62 (1575)	92 1/2 (2350)	122 7/8 (3121)	153 3/8 (3896)

RLNIE - PLAN VIEW

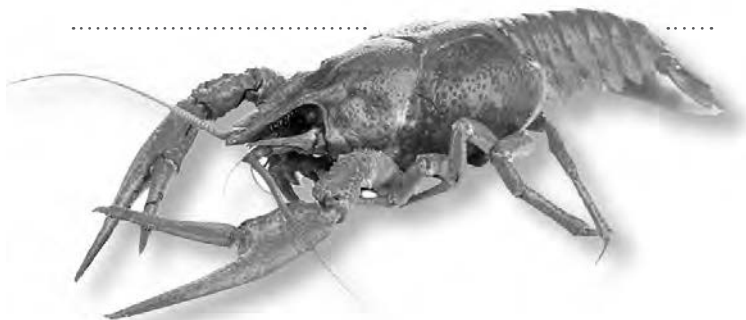
Narrow Depth, Wrap-Around End Reach-In Island for Low Temp Applications

NOTE: Overall case length shown without ends or partitions. Contact your sales representative for information on possible availability of additional case lengths.



HUSSmann®

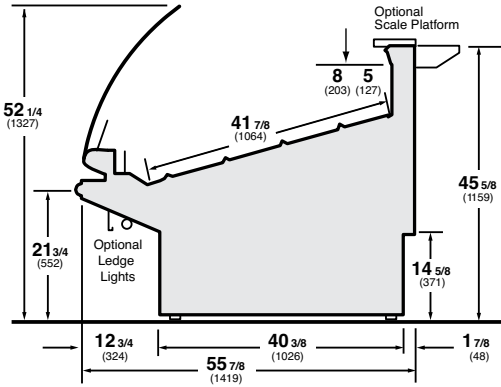
Seafood



DSF (Specialty)

Refrigerated Medium Depth Center Service Merchandiser with Curved Glass for Seafood Applications

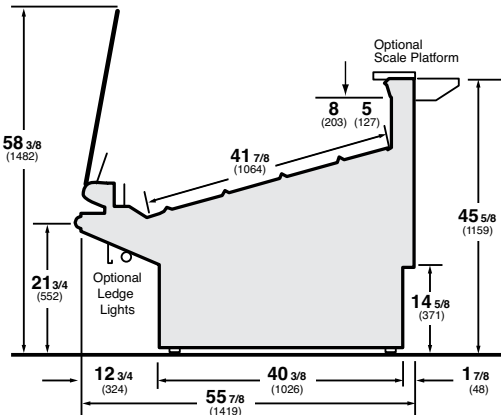
See Plan View - Page 335



DSF (Specialty)

Refrigerated Medium Depth Center Service Merchandiser with Straight Glass for Seafood Applications

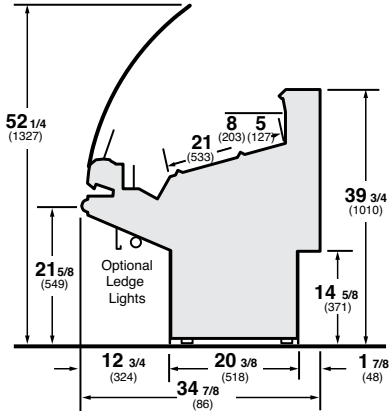
See Plan View - Page 335



DSFI and DSFN (Specialty)

Refrigerated DSF Inlet Module OR Narrow Depth Stand Alone Service Merchandiser, Curved Glass for Seafood Applications

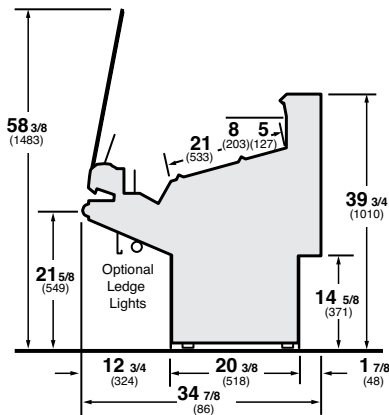
See Plan Views - Page 335 thru 337



DSFI and DSFN (Specialty)

Refrigerated DSF Inlet Module OR Narrow Depth Stand Alone Service Merchandiser, Straight Glass for Seafood Applications

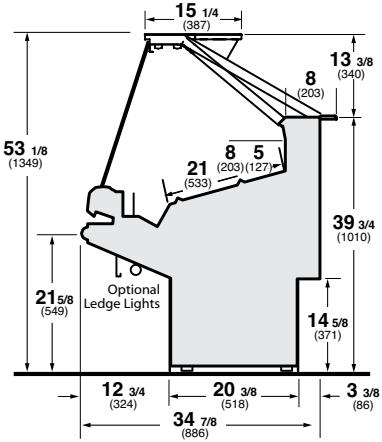
See Plan Views - Page 335 thru 337



DSFN (Specialty)

Refrigerated Narrow Depth Service Merchandiser, Optional Canopy/Door with Straight Glass

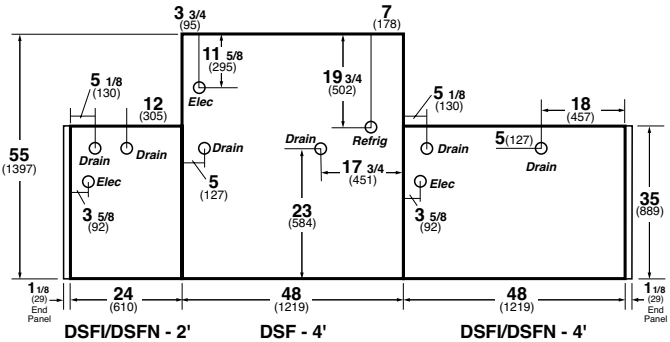
See Plan View - Below



DSF, DSFI and DSFN - PLAN VIEW

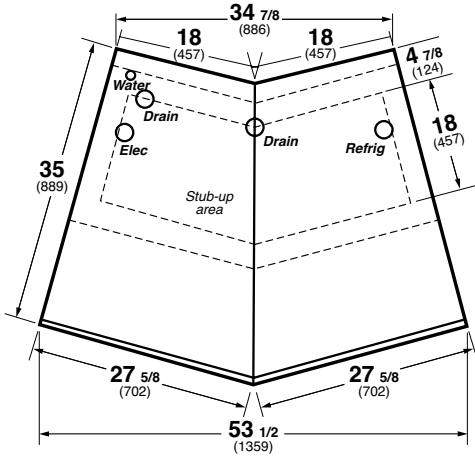
Refrigerated DSF Inlet Module OR Narrow Depth Stand Alone Service Merchandiser, Curved OR Straight Glass

NOTE: Contact your sales representative for information on possible availability of additional case lengths.



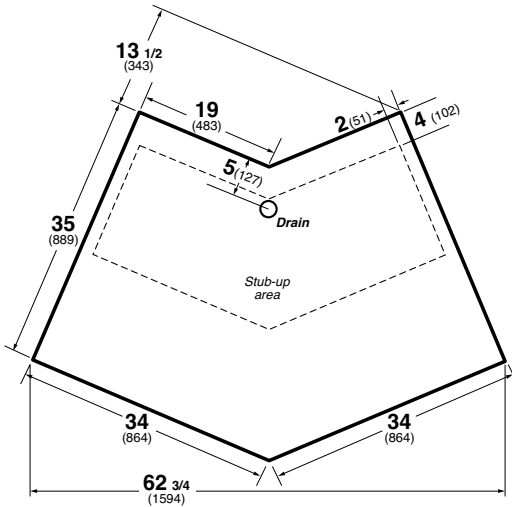
DSFI - WEDGE PLAN VIEW

30° Outside Wedge



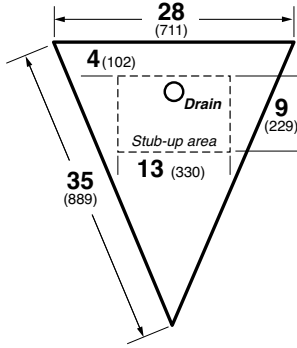
DSFI - WEDGE PLAN VIEW

45° Outside Wedge



DSFI - WEDGE PLAN VIEW

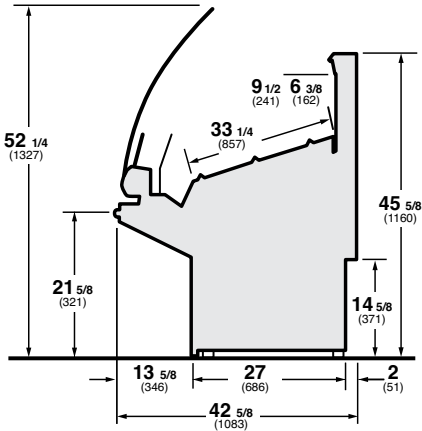
45° Inside Wedge



DSFM (Specialty)

Refrigerated Medium Depth Service Merchandiser with Curved Glass for Seafood Applications

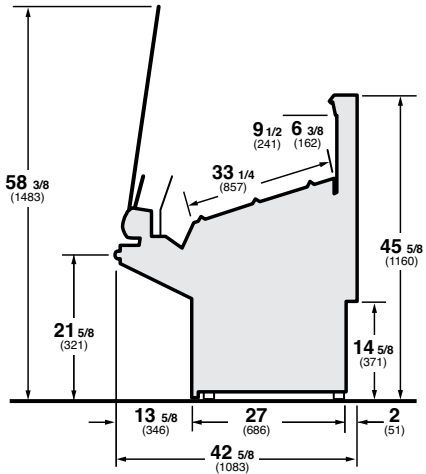
See Plan Views - Page 338 thru 339



DSFM (Specialty)

Refrigerated Medium Depth Service Merchandiser with Straight Glass for Seafood Applications

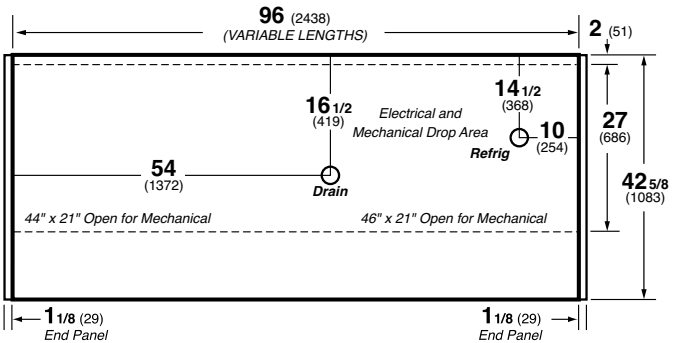
See Plan Views - Page 338 thru 339



DSFM - PLAN VIEW

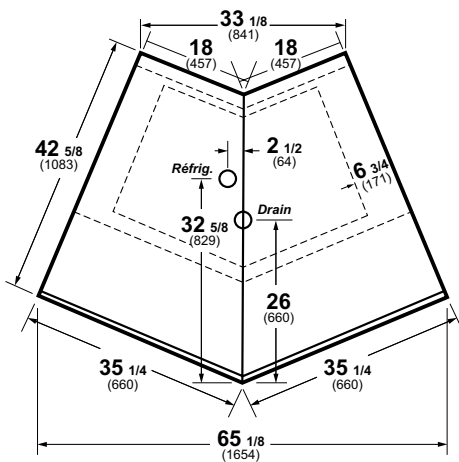
Refrigerated Medium Depth Service Merchandiser with Curved OR Straight Glass for Seafood Applications

NOTE: Contact your sales representative for information on possible availability of additional case lengths.



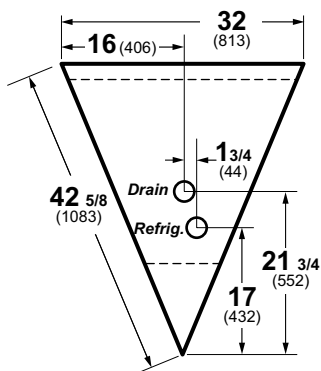
DSFM - WEDGE PLAN VIEW

45° Outside Wedge



DSFM - WEDGE PLAN VIEW

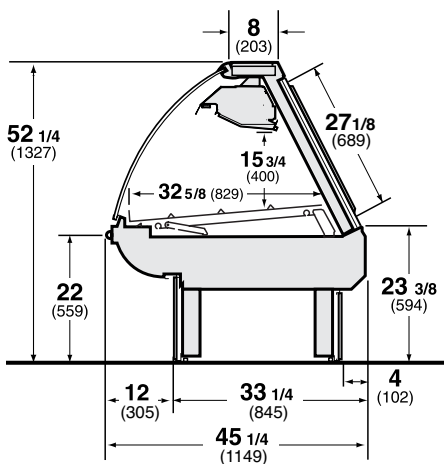
45° Inside Wedge



ESGS (Elite)

Service Merchandiser with Gravity Coil and Curved Glass for Seafood Applications

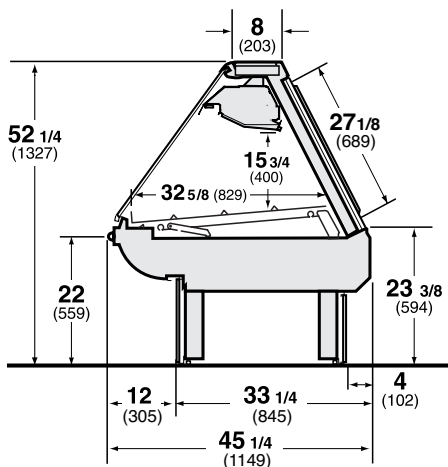
See Plan View - Page 341



ESGSS (Elite)

Service Merchandiser with Gravity Coil and Straight Glass for Seafood Applications

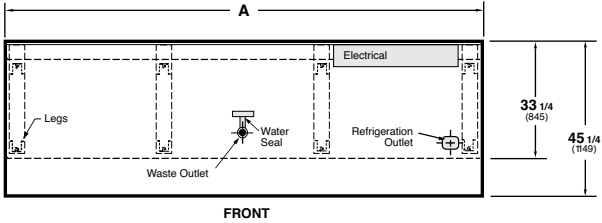
See Plan View - Page 341



ESGS and ESGSS - PLAN VIEW

Service Merchandiser with Gravity Coil and Curved OR Straight Glass for Seafood Applications

NOTE: Overall case length shown without ends or partitions. Contact your sales representative for information on possible availability of additional case lengths.

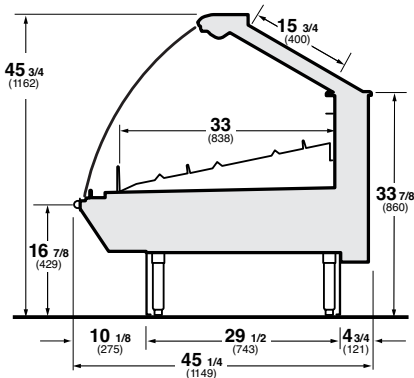


Dimensions	8 FT	12 FT
A	96 3/8 (2448)	144 1/2 (3670)

Q1-FC (Specialty)

Single-Deck Service Merchandiser with Curved Glass for Seafood Applications

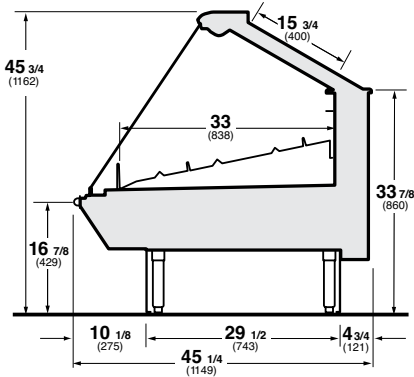
See Plan Views - Page 342 thru 344



Q1-FS (Specialty)

Single-Deck Service Merchandiser with Straight Glass for Seafood Applications

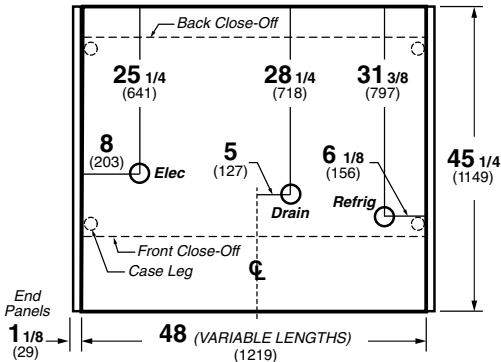
See Plan Views - Page 342 thru 344



Q1-FC and Q1-FS - PLAN VIEW

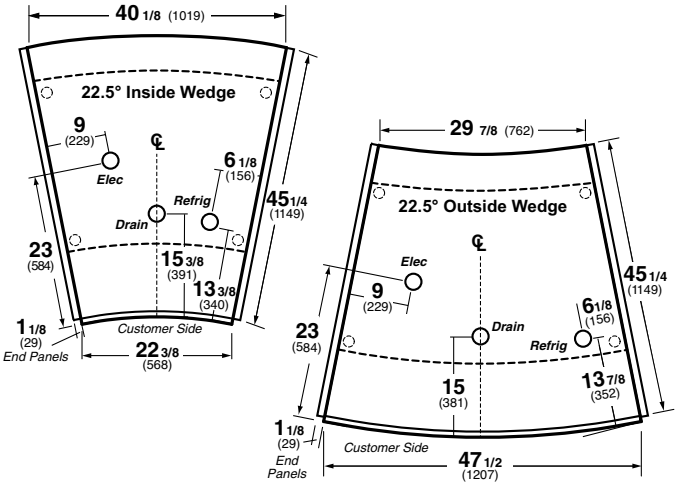
Single-Deck Service Merchandiser with Curved OR Straight Glass for Seafood Applications

NOTE: Contact your sales representative for information on possible availability of additional case lengths.



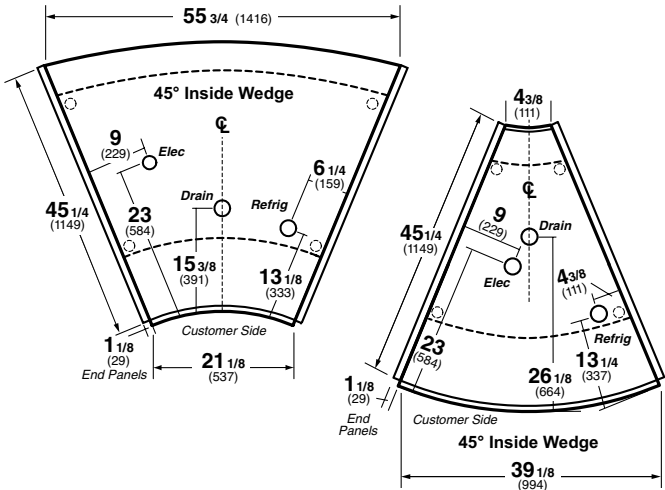
Q1-FC and Q1-FS - WEDGE PLAN VIEWS

22.5° Inside and Outside Wedges



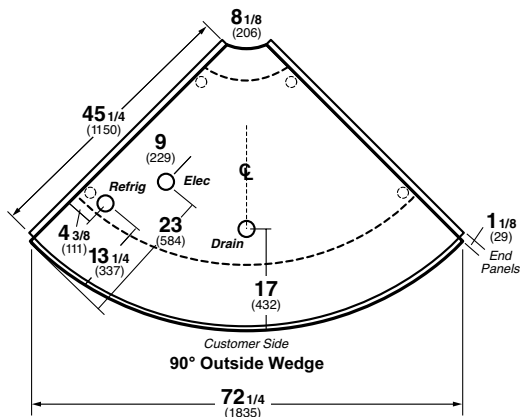
Q1-FC and Q1-FS - WEDGE PLAN VIEWS

45° Inside and Outside Wedges



Q1-FC and Q1-FS - WEDGE PLAN VIEW

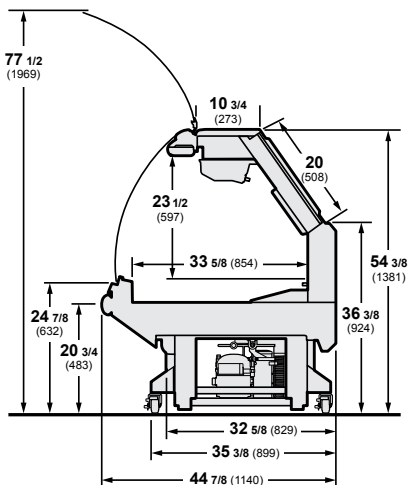
90° Outside Wedge



SSG-B (Excel)

Self-Contained Merchandiser with Gravity Coil, Small Blower Coil and Tilt-Up Curved Glass

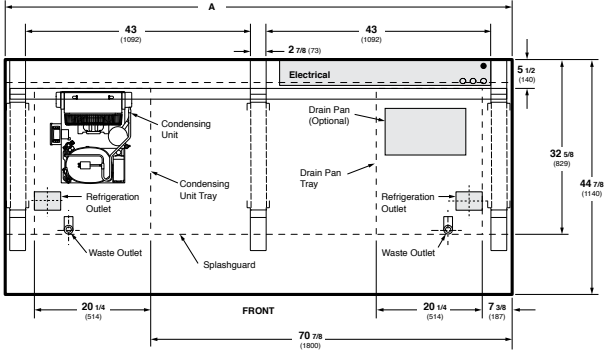
See Plan View - Page 345



SSG-B - PLAN VIEW

Self-Contained Merchandiser with Gravity Coil, Small Blower Coil and Tilt-Up Curved Glass

NOTE: Overall case length shown without ends or partitions. Contact your sales representative for information on possible availability of additional case lengths.



Dimensions

8 FT

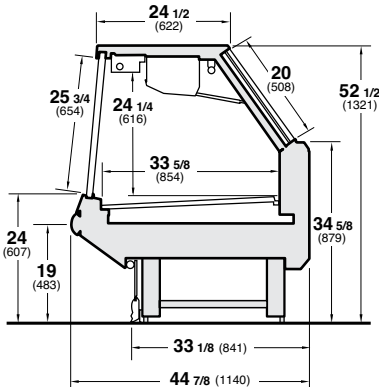
A

99 1/4 (2521)

SSGVE (Excel)

Service Merchandiser with Gravity Coil, Rear Coil and Straight Glass for Seafood Applications

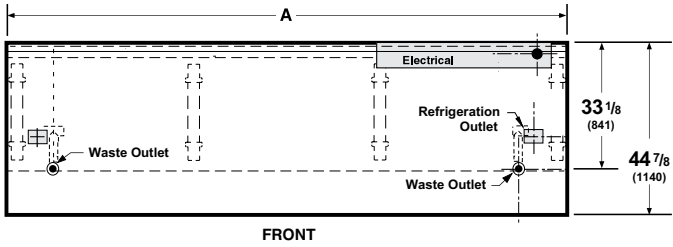
See Plan View - Page 346



SSGVE - PLAN VIEW

Service Merchandiser with Gravity Coil, Rear Coil and Straight Glass for Seafood Applications

NOTE: Overall case length shown without ends or partitions. Contact your sales representative for information on possible availability of additional case lengths.



Dimensions

	8 FT	12 FT
A	96 3/8 (2448)	144 1/2 (3670)

NOTES

.....

HUSSmann®

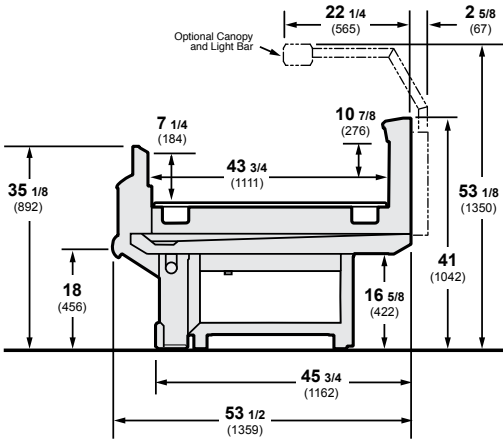
Special Applications



BEXD-8 and BEXD-8A (Excel)

Self-Service, Single-Deck Extended Depth Merchandiser for Medium Temp Applications

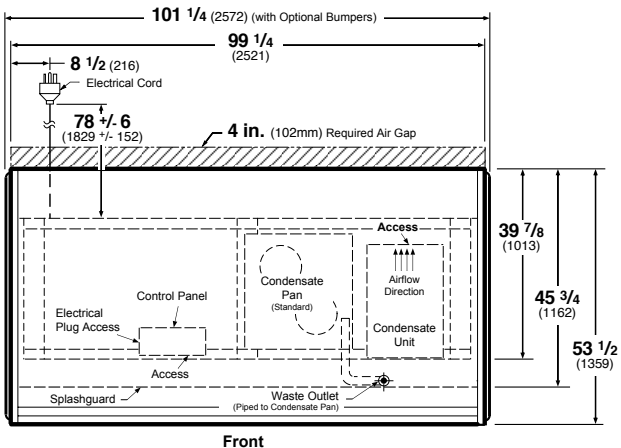
See Plan View - Below



BEXD-8 and BEXD-8A - PLAN VIEW

Self-Service, Single-Deck Extended Depth Merchandiser for Medium Temp Applications

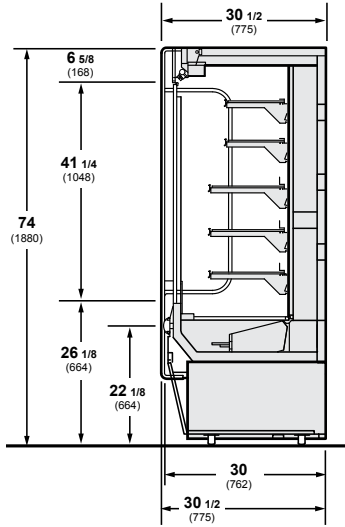
NOTE: Overall case length shown without ends or partitions. Contact your sales representative for information on possible availability of additional case lengths.



DDSS-4MC (Self-Contained)

Self-Contained, High Capacity Multi-Deck Merchandiser for Medium Temp Applications

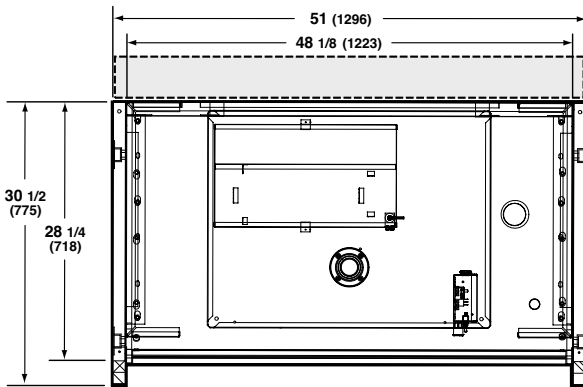
See Plan View - Below



DDSS-4MC - PLAN VIEW

Self-Contained, High Capacity Multi-Deck Merchandiser for Medium Temp Applications

NOTE: Contact your sales representative for information on possible availability of additional case lengths.

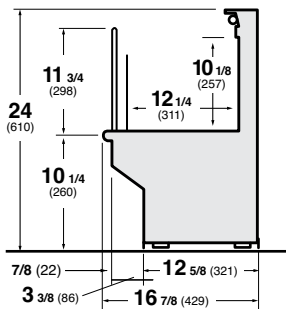


FMSS (Specialty)

Refrigerated Self-Service, Cross Merchandiser with Straight Glass Front

See Plan View - Below

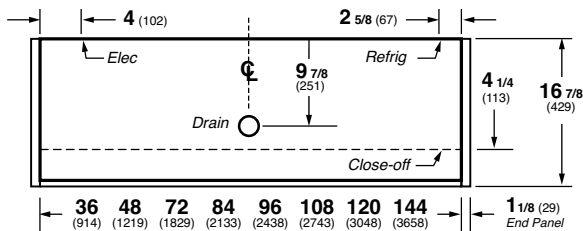
Shown with Optional Speical Height



FMSS - PLAN VIEW

Refrigerated Self-Service, Cross Merchandiser with Straight Glass Front

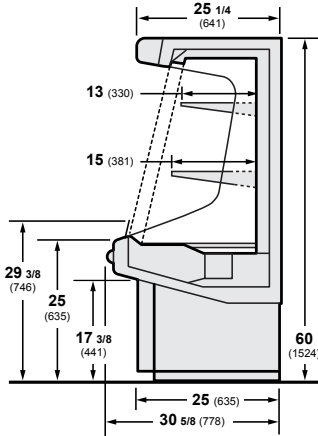
NOTE: Contact your sales representative for information on possible availability of additional case lengths.



GSVM-4060 (Self-Contained)

Self-Contained, Vertical Multi-Deck Merchandiser for Medium Temp Applications

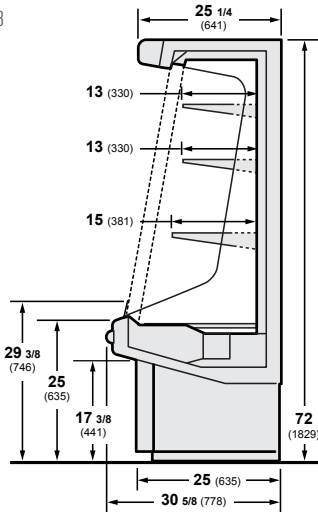
See Plan View - Page 353



GSVM-4072 and GSVM-5272 (Self-Contained)

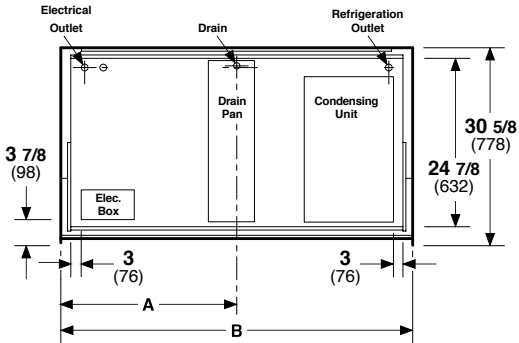
Self-Contained, Vertical Multi-Deck Merchandiser for Medium Temp Applications

See Plan View - Page 353



GSVM-4060, GSVM-4072, and GSVM-5272 - PLAN VIEW

NOTE: Contact your sales representative for information on possible availability of additional case lengths.

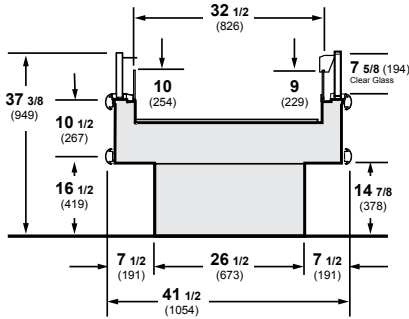


Dimensions	A	B
GSVM-4060	26 (660)	52 (1346)
GSVM-4072	20 (508)	40 (1016)

ISFGG and ISMGG (Self-Contained)

Self-Contained, Single-Deck Island Merchandiser with Straight Glass Sides for Low OR Medium Temp

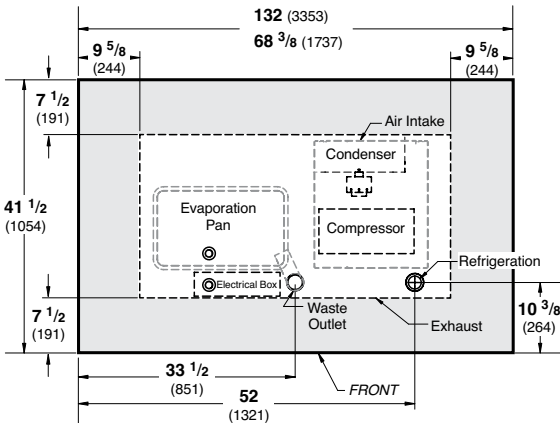
See Plan View - Below



ISFGG and ISMGG - PLAN VIEW

Self-Contained, Single-Deck Island Merchandiser with Straight Glass Sides for Low OR Medium Temp Applications

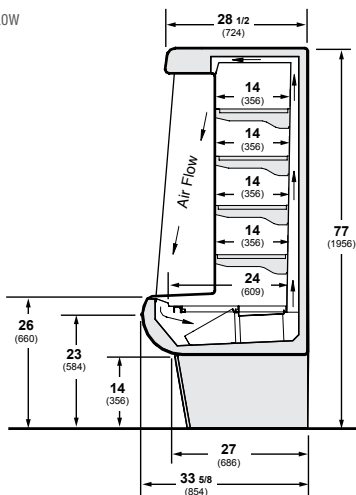
NOTE: Contact your sales representative for information on possible availability of additional case lengths.



MD-10 and MD-14 (Self-Contained)

Self-Contained, Multi-Deck Merchandiser for Medium Temp Applications

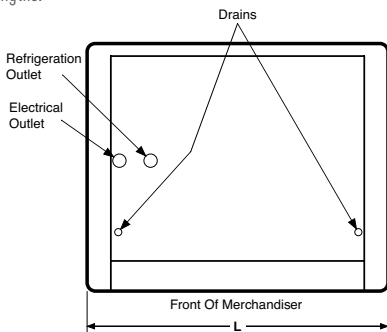
See Plan View - Below



MD-10 and MD-14 - PLAN VIEW

Self-Contained, Multi-Deck Merchandiser for Medium Temp Applications

NOTE: Contact your sales representative for information on possible availability of additional case lengths.

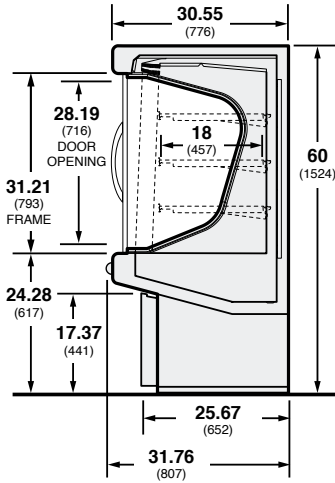


Dimensions	LENGTH	DEPTH	HEIGHT
MD-10	39 (991)	33 5/8 (854)	77 (1956)
MD-14	52 (1321)	33 5/8 (854)	77 (1956)

MD4060DA (Self-Contained)

Self-Contained, Specialty Propane, Multi-Deck Merchandiser with Glass Doors for Medium Temp Applications

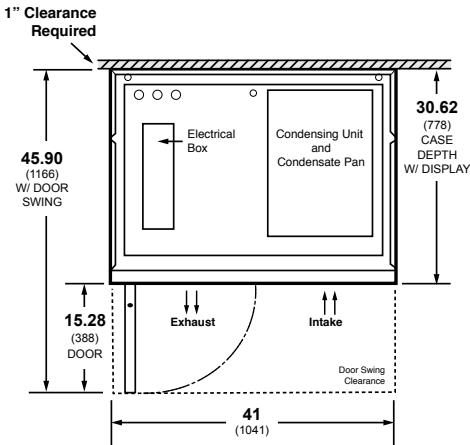
See Plan View - Below



MD4060DA - PLAN VIEW

Self-Contained, Specialty Propane, Multi-Deck Merchandiser with Glass Doors for Medium Temp Applications

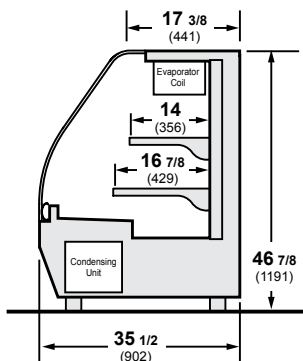
NOTE: Contact your sales representative for information on possible availability of additional case lengths.



NAVC-4, -6, and -8 (Self-Contained)

Self-Contained, High Volume Service Merchandiser with Curved Glass for Medium Temp Applications

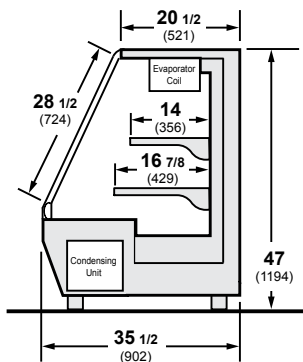
See Plan Views - Page 358



NAV-4, -6, and -8 (Self-Contained)

Self-Contained, High Volume Service Merchandiser with Straight Glass for Medium Temp Applications

See Plan Views - Page 358

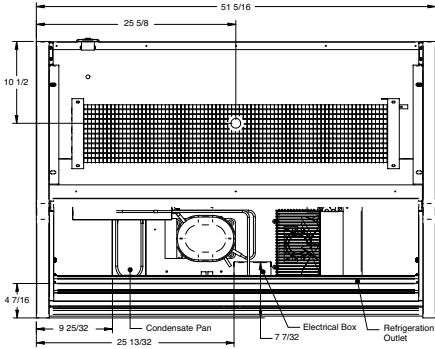


NAV/C-4, -6, and -8 - PLAN VIEW

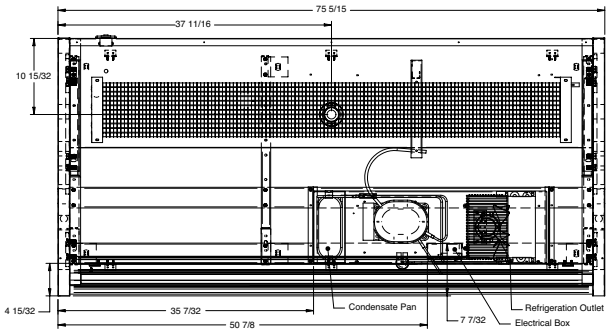
Self-Contained, High Volume Service Merchandiser with Curved OR Straight Glass for Medium Temp

NOTE: Contact your sales representative for information on possible availability of additional case lengths.

NAV-4 Shown



NAV-6 Shown

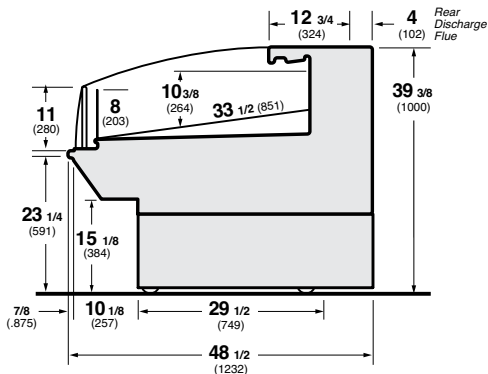


Dimensions	LENGTH	DEPTH	HEIGHT
NAV/C-4	51 5/16 (1301)	35 1/2 (902)	47 (1194)
NAV/C-6	75 5/16 (1913)	35 1/2 (902)	47 (1194)
NAV/C-8	99 5/16 (2526)	35 1/2 (902)	47 (1194)

Q1-SSM-S (Self-Contained)

Self-Contained, Self-Service Single-Deck Mobile Merchandiser for Medium Temp Applications

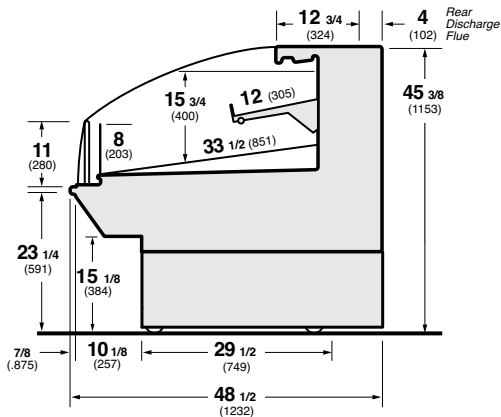
See Plan View - Page 360



Q2-SSM-S (Self-Contained)

Self-Contained, Self-Service 2-Deck Mobile Merchandiser for Medium Temp Applications

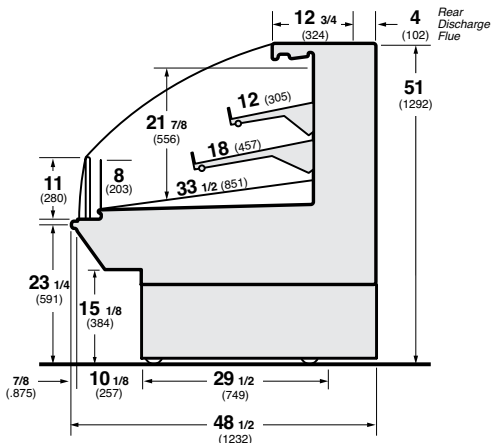
See Plan View - Page 360



Q3-SSM-S (Self-Contained)

Self-Contained, Self-Service 3-Deck Mobile Merchandiser for Medium Temp Applications

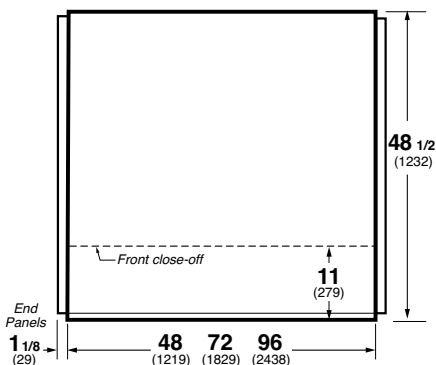
See Plan View - Below



Q1-SSM-S, Q2-SSM-S, and Q3-SSM-S - PLAN VIEW

Self-Contained, Self-Service Mobile 1-, 2-, OR 3-Deck Merchandiser for Medium Temp Applications

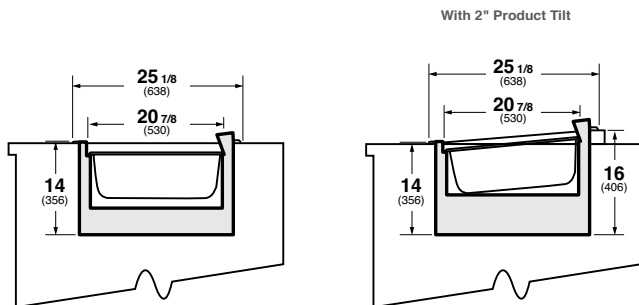
NOTE: Contact your sales representative for information on possible availability of additional case lengths.



RDI-20 (Specialty)

Refrigerated Service, 20" Drop-In Self-Service Module with Optional Tilt

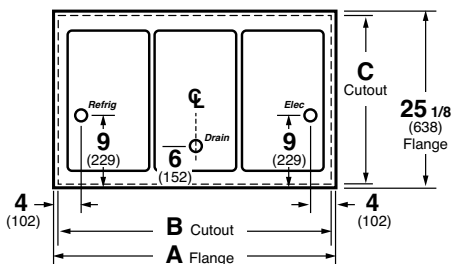
See Plan View - Below



RDI-20 - PLAN VIEW

Refrigerated Service, 20" Drop-In Self-Service Module with Optional Tilt

NOTE: Contact your sales representative for information on possible availability of additional case lengths.

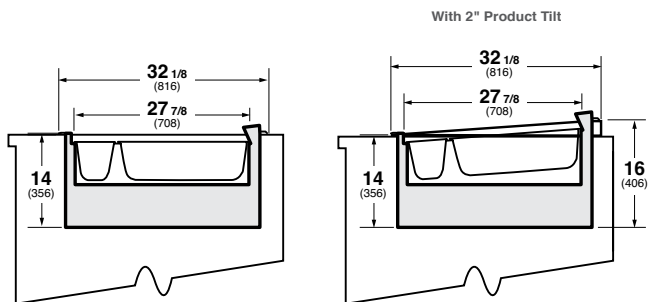


Wells	1W	2W	3W	4W	5W	6W	7W
A Flange	17 1/8	28 3/4	41 1/2	54 3/8	67 1/8	80	92 3/4
B Cutout	15 3/4	27	39 7/8	52 5/8	65 3/4	78 1/4	91 1/2
C Cutout	22 1/2	23 3/4	23 3/4	23 3/4	23 3/4	23 3/4	23 3/4

RDI-27 (Specialty)

Refrigerated Service, 27" Drop-In Self-Service Module with Optional Tilt

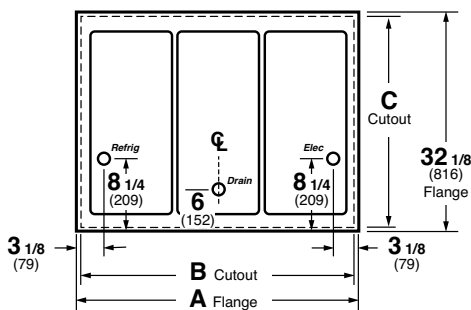
See Plan View - Below



RDI-27 - PLAN VIEW

Refrigerated Service, 27" Drop-In Self-Service Module with Optional Tilt

NOTE: Contact your sales representative for information on possible availability of additional case lengths.

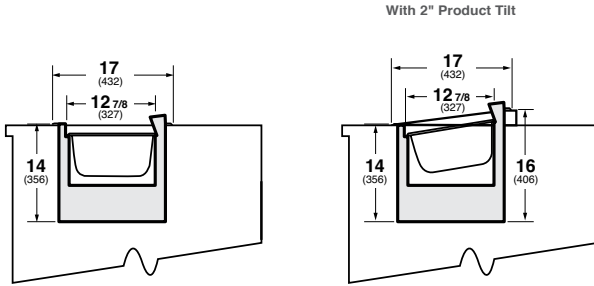


Wells	1W	2W	3W	4W	5W	6W	7W
A Flange	17 1/8	28 3/4	41 1/2	54 3/8	67 1/8	80	92 3/4
B Cutout	15 3/4	27 3/8	40 1/8	53	65 3/4	78 5/8	91 3/8
C Cutout	29 1/2	30 3/4	30 3/4	30 3/4	30 3/4	30 3/4	30 3/4

RDI Slim Line (Specialty)

Refrigerated Service, 12" Drop-In Self-Service Module with Optional Tilt

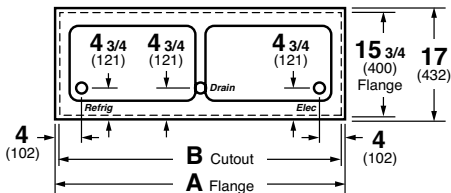
See Plan View - Below



RDI Slim Line - PLAN VIEW

Refrigerated Service, 12" Drop-In Self-Service Module with Optional Tilt

NOTE: Contact your sales representative for information on possible availability of additional case lengths.

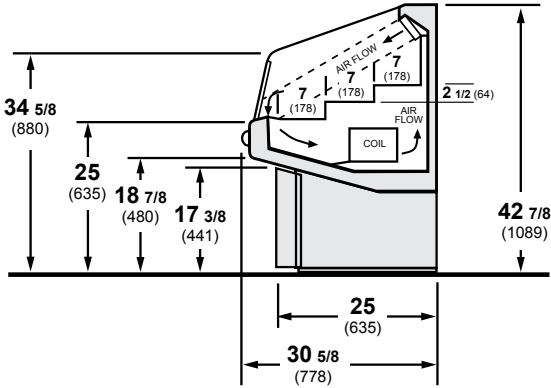


Wells	2W	3W	4W
A Flange	45	65 3/4	86 1/2
B Cutout	43 1/2	64 3/8	85 1/8

SHM-3 and SHM-4 (Self-Contained)

Self-Contained, Specialty Horizontal Merchandiser for Medium Temp Applications

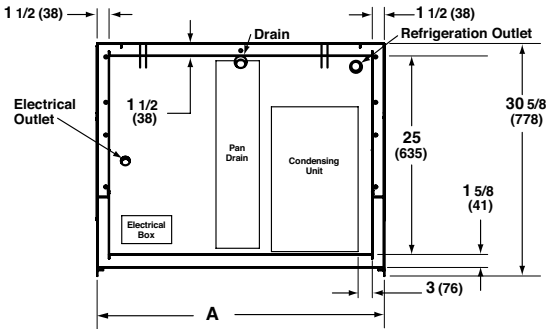
See Plan View - Below



SHM-3 and SHM-4 - PLAN VIEW

Self-Contained, Specialty Horizontal Merchandiser for Medium Temp Applications

NOTE: Contact your sales representative for information on possible availability of additional case lengths.



Dimensions

SHM-3

SHM-4

A

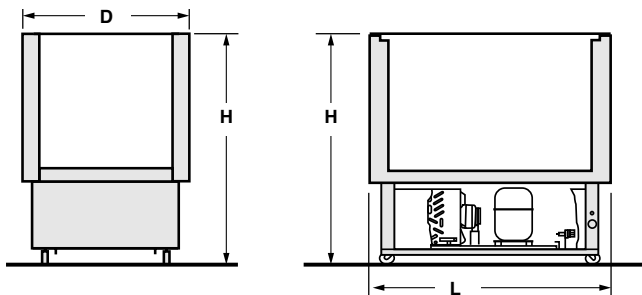
36 (914)

48 (1219)

SM-110 and SM-115 (Self-Contained)

Self-Contained, Spot Mobile Merchandiser with Open Top for Low Temp Applications

See Plan View - Below



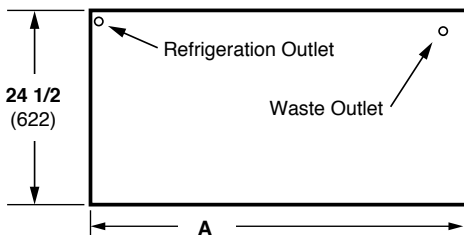
Dimensions	LENGTH	DEPTH	HEIGHT
SM-110	41 (1941)	29 (737)	34 (864)
SM-115	45 (1143)	24 1/2 (622)	34 1/2 (876)

*SM Models are not designed for ice cream use.

SM-110 and SM-115 - PLAN VIEW

Self-Contained, Spot Mobile Merchandiser with Open Top for Low Temp Applications

NOTE: Contact your sales representative for information on possible availability of additional case lengths.

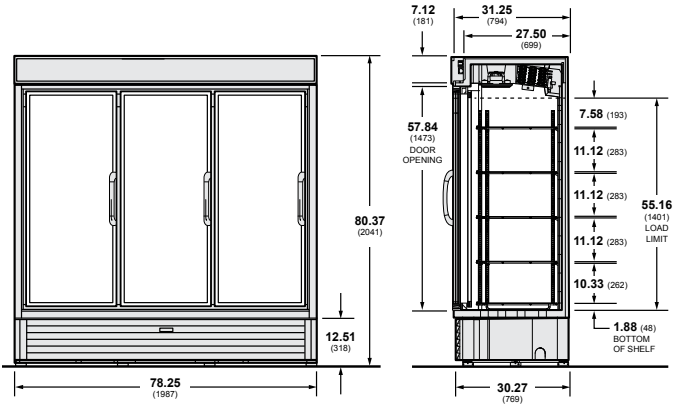


Dimensions	SM-110	SM-115
A	41 (1041)	45 (1143)
B	29 (737)	24 1/2 (622)

VRL3B (Self-Contained)

Self-Contained, Reach-In Bottom Mount Merchandiser with 3-Glass Doors for Low Temp Applications

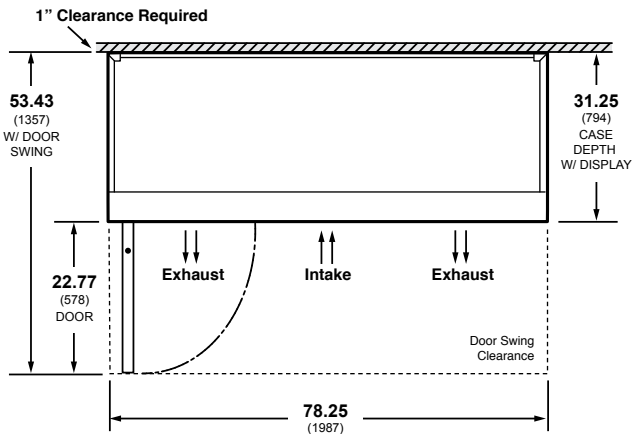
See Plan View - Below



VRL3B - PLAN VIEW

Self-Contained, Reach-In Bottom Mount Merchandiser with 3-Glass Doors for Low Temp Applications

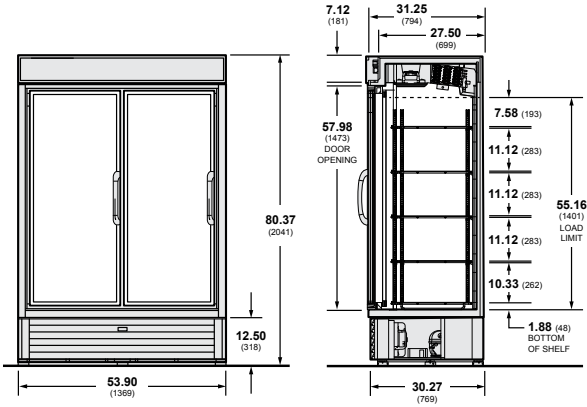
NOTE: Contact your sales representative for information on possible availability of additional case lengths.



VRM2B (Self-Contained)

Self-Contained, Reach-In Bottom Mount Merchandiser with 2-Glass Doors for Medium Temp Applications

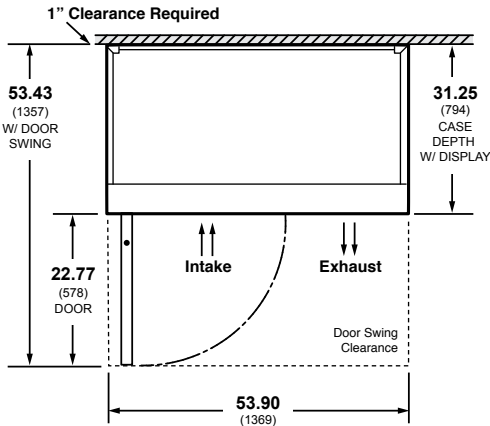
See Plan View - Below



VRM2B - PLAN VIEW

Self-Contained, Reach-In Bottom Mount Merchandiser with 2-Glass Doors for Medium Temp Applications

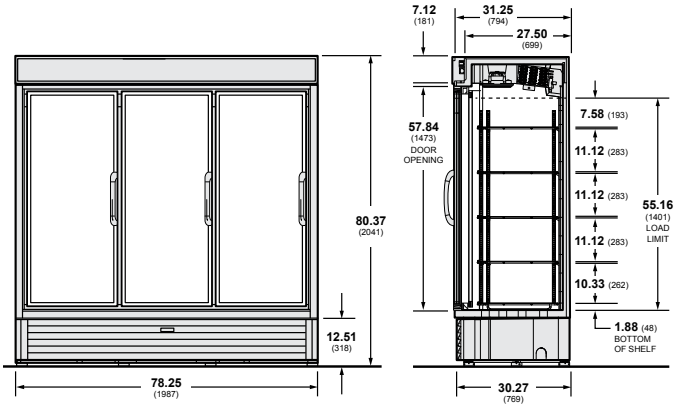
NOTE: Contact your sales representative for information on possible availability of additional case lengths.



VRM3B (Self-Contained)

Self-Contained, Reach-In Bottom Mount Merchandiser with 3-Glass Doors for Medium Temp Applications

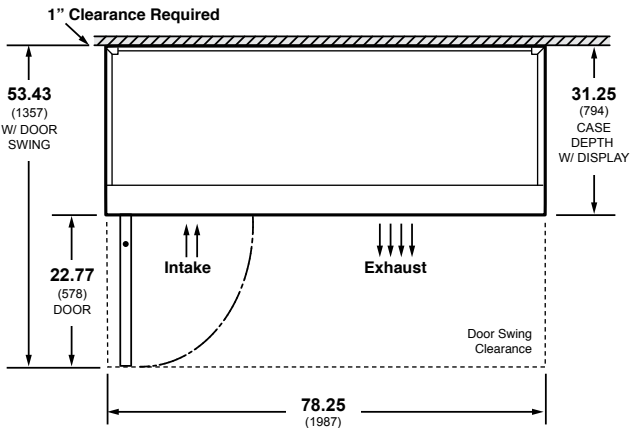
See Plan View - Below



VRM3B - PLAN VIEW

Self-Contained, Reach-In Bottom Mount Merchandiser with 3-Glass Doors for Medium Temp Applications

NOTE: Contact your sales representative for information on possible availability of additional case lengths.



NOTES

INDEX

XS refers to the cross section. **PV** refers to the plan view.

CASE	XS, PV	CASE	XS, PV
AB	249, 249	CR3-P	107, 110
ARTISAN BREAD WALL CASE	1, 1	CR3FO	105, 106
B1X-GE	27, 28	CR3FO-SC	105-106, 106
B3XC-LEP	27, 28	CR3H-HF	212, 213
B3XC-LGEP	28, 28	CR3HTO-HTB	12, 12
B4X-E	29, 29	CR3HV-F, CR3HV-M/F-EP	252, 256
B5XEC-L	30, 30	CR3HV-M, CR3HV-M/F-EP	252, 256
BEXD-8, BEXD-8A	349, 349	CR3HV-NB	13, 14
C2NX-EP	33, 45	CR3HV-ND	13, 14
C2NX-LEP	33, 45	CR3HV-WB	14, 15
C2NX-XLE, C2NX-XLP	34, 45	CR3HV-WD	14, 15
C2NX-XLGP	34, 45	CR3TO	110, 111
C2X-EP	35, 46	CW2EGE	47, 48
C2X-LEP	36, 46	CW2GE	48, 49
C2X-LGE, C2X-LGEP	36, 46	CW2UGE	49, 50
C2X-XEP	38, 46	D5NX-E, D5NX-EP	65, 66
C2X-XGE, C2X-XGEP	38, 46	D5NX-LE, D5NX-LEP	65, 66
C2X-XLE, C2X-XLEP	39, 46	D5X-E, D5X-EP	67, 69
C2X-XLGE, C2X-XLGEP	39, 46	D5X-GE	68, 69
C2XEC-XEP	35, 46	D5X-HE, D5X-HEP	68, 69
C2XSC-LG	37, 47	D5X-LE, D5X-LEP	69, 69
C2XSC-LP	37, 47	D5X-LRE	70, 71
C3X-LGE, C3X-LGEP	40, 46	D5X-RE	71, 71
C4X-LEP	40, 46	D5X-ULEP	73, 74
C5NX-LE	41, 45	D5X-URLE	75, 76
C5X-E, C5X-EP	41, 46	D5XELE	67, 70
C5X-GEP	42, 46	D5XRR1	72, 73
C5X-LE, C5X-LEP	42, 46	D5XRRIS	72, 73
C6X-E, C6X-EP	43, 46	D6NX-LE, D6NX-LEP	76, 77
C6X-LE, C6X-LEP	43, 46	D6X-ULEP	74, 74
C6X-LRE	44, 45	D6X-URLE	75, 76
CF5X Freedom Line	44, 46	DBP-03	285, 286
CR1-FN	250, 251	DBRP-03	285, 286
CR1-MN	250, 251	DD5NX-L	77, 78
CR3-B	7, 9	DD5X-LP	79, 80
CR3-D	7, 9	DD5X-LR	80, 81
CR3-F, CR3-M/F-EP	254, 256	DD5X-ULP	81, 82
CR3-H	211, 213	DD6NX-L	78, 78
CR3-M, CR3-M/F-EP	254, 256	DD6X-LP	79, 80

CASE	XS, PV
DD6X-ULP	82, 82
DD6X-URE	83, 83
DDSS-4MC	350, 350
DDF5NX-L Freedom Line	84, 84
DF5NX Freedom Line	66, 66
DSF	333, 335
DSFI, DSFN	334, 335-337
DSFM	337-338, 338-339
DSI-03	287, 288
DSRPI-03	287, 288
E1	112, 119
E1S	112, 119
E2	113, 117
E2S	113, 117
E2SP	114, 114
E2V	115, 117
E3	115, 117
E3S	116, 117
E4	116, 117
E5	117, 117
Entyce Overview	163
ES1	118, 119
ES1S	118, 119
ESBD	119, 120
ESBDHV	121, 121
ESBDS	120, 120
ESBDVS	122, 123
ESGM	257, 258
ESGMS	257, 258
ESGMVS	122, 123
ESGS	340, 341
ESGSS	340, 341
EXCEL Styling Options	viii
F	189, 191
F-L	189, 191
F6	187, 188
F6L	187, 188
FG	190, 191
FG-L	190, 191

CASE	XS, PV
FI	191, 193
FI-L	192, 193
FIG	192, 193
FIG-L	193, 193
FL3X-LEP	175, 175
FL4NX-EP	176, 177
FL5NX-LEP	176, 177
FMSS	351, 351
FN	194, 196
FN-L	194, 196
FNG	195, 196
FNG-L	195, 196
FW	196, 198
FW-L	197, 198
FWE	199, 202
FWEG	200, 202
FWEGH	201, 202
FWEGHL	201, 202
FWEGL	200, 202
FWEL	199, 202
FWG	197, 198
FWG-L	198, 198
FWGH	202, 203
FWGH-L	203, 203
GSVM-4060	352, 353
GSVM-4072, GSVM-5272	352, 353
HIGH PROFILE PASTRY CASE	2, 2
IC1BL	51, 51
IC2NL	52, 54
IC2SL	52, 54
IC2SM	53, 54
IC2XNL	53, 54
IC2XSL	55, 56
IC2XSM	55, 56
IC3BL	56, 57
IC3SL	57, 58
IC4BM	58, 59
IC4SL	59, 62
IC5BL	60, 62

INDEX

XS refers to the cross section. **PV** refers to the plan view.

CASE	XS, PV	CASE	XS, PV
IC6SL	60, 62	IM-04-S	245, 247
IC6SL-R	61, 62	IM-04-S Twin	246, 246
IC6SM	61, 62	IM-05-BV	227, 228
ID5NL	85, 95	IM-05-EC	241, 241-242
ID5NM	85, 95	IM-05-ECDR	229, 229-230
ID5SL	86, 96	IM-05-FH	231, 232
ID5SL-R	86, 96	IM-05-FR	233, 234
ID5SM	87, 96	IM-05-FS	235, 236
ID5SM-R	87, 96	IM-05-H	238, 239
ID5SU	88, 97	IM-05-NR	243, 244-245
ID5SV	88, 97	IM-05-R	240, 241-242
ID6NL	89, 95	IM-05-RF	178, 179-180
ID6SU	89, 97	IM-05-RF-NC	179, 179-180
ID6SU-R	90, 97	IM-05-S	247, 247
ID6SV	90, 97	IM1SL	258, 262
IDD5NL	91, 98	IM1SL-L	259, 262
IDD5SL	91, 98	IM1SM	259, 262
IDD5SL-R	92, 99	IM3SL	260, 263
IDD5SU	92, 99	IM4SL	260, 263
IDD5SV	93, 99	IM5NL	261, 263
IDD6NL	93, 98	IM5SL	261, 263
IDD6SU	94, 99	INSIGHT Styling Options	ix
IDD6SU-R	94, 97	IP1SL	288, 290
IDD6SV	95, 99	IP1XSL	289, 290
IDDF5SU Freedom Line	100, 100	IP1XXSL	289, 290
IDDF6SV Freedom Line	103, 103	IP2SL	290, 292
IDF5NM Freedom Line	101, 101	IP4NL	291, 292
IDF5SM Freedom Line	102, 102	IP4SL	291, 292
IM-03-H	237, 239	ISFGG, ISMGG	354, 354
IM-03-H Q-Match	237, 239	ISLA Modules Overview	225
IM-04-BV	227, 228	ISLA Standard	226, 226
IM-04-FH	231, 232	LOW PROFILE PASTRY CASE	3, 3
IM-04-FR	233, 234	M1X-E, M1X-EP	265, 271
IM-04-FS	235, 236	M1X-GE, M1X-GEP	265, 271
IM-04-H	238, 239	M1X-XGE	267, 271
IM-04-NR	243, 244-244	M1XD-E	264, 271
IM-04-R	240, 241	M1XD-GEP	264, 271
IM-04-RF	177, 179-180	M1XL-GE	266, 271
IM-04-RF-NC	178, 179-180	M1XLD-GE	266, 271

CASE	XS, PV
M3X-E, M3X-EP	267, 271
M3X-GE, M3X-GEP	268, 271
M4NX-EP	268, 272
M4X-EP	269, 271
M4X-GE, M4X-GEP	269, 271
M5NX-EP	270, 272
M5X-EP	270, 271
M5X-GE, M5X-GEP	271, 271
MD-10, MD-14	355, 355
MD4060DA	356, 356
ME5X-GP	272, 273
ME5X-P	273, 273
MPC	293, 294
MPC-ET	295, 295
MPC-ETN	296, 296
NAV-4, -6, -8	357, 358
NAVC-4, -6, -8	357, 358
P1NX-E	297, 301
P1X-E	297, 301
P1X-XE	298, 301
P1X50-EP	298, 301
P2NX-E, P2NX-EP	299, 301
P2X-E, P2X-EP	299, 301
P4NX-EP	300, 301
P4X-EP	300, 301
P4XRO-E	302, 302
PASTRY and BAGEL WALL CASE	4, 4
PASTRY WALL CASE	5, 5
PW-E	303, 303
PWEE	304, 304
PWR-E	305, 305
PWREE	306, 306
PWW-E	307, 307
PWWEE	308, 308
Q-HC	213, 214-215
Q-HC-SS	216, 217
Q-HS	214, 214-215
Q-HS-SS	216, 217
Q-HV	218, 218

CASE	XS, PV
Q1-DC	123, 124-126
Q1-DS	124, 124-126
Q1-FC	341, 342-344
Q1-FS	342, 342-344
Q1-LC	204, 205
Q1-LS	204, 205
Q1-LV	205, 206
Q1-SS	126, 127-128
Q1-SSM-S	359, 360
Q1-SSN	129, 129-130
Q2-SPN	131, 131-132
Q2-SS	132, 133
Q2-SS-S	134, 135
Q2-SSM-S	359, 360
Q3-BC	18, 19-20
Q3-BS	18, 19-20
Q3-BV	20, 21
Q3-DC	135, 136-138
Q3-DS	136, 136-138
Q3-DV	20, 21
Q3-FC, Q3-M/FC-EP	274, 275
Q3-FS, Q3-M/FS-EP	274, 275
Q3-M/FV-EP	276, 276
Q3-MC, Q3-M/FC-EP	274, 275
Q3-MS, Q3-M/FS-EP	274, 275
Q3-SP	138, 139-140
Q3-SS	140, 141-142
Q3-SS-S	143, 143
Q3-SSM-S	360, 360
Q3.5-SS	144, 145-146
Q3.5-SS-F	180, 181
Q3.5-SSEC	144, 145-146
Q4-BV	21, 22
Q4-DV	146, 147
Q4-SS	147, 148, 150
Q4-SS-F	182, 182-183
Q4-SSEC	149, 149-150
Q5-SSEC	150, 151
Q5-SSEC-F	184, 184-185

INDEX

XS refers to the cross section. **PV** refers to the plan view.

CASE	XS, PV	CASE	XS, PV
R1-FN	250, 251	RLNS, RMNS	316, 316
R1-MN	250, 251	RLTIM	317, 317
R3-B	8, 9	RLTM, RMTM	318, 318
R3-D	8, 9	RMTD	319, 319
R3-F, R3-M/F-EP	255, 256	ROUND TOWER PASTRY CASE	6, 6
R3-H	211, 213	SFG	206, 207
R3-M, R3-M/F-EP	255, 256	SFNG	207, 208
R3-P	108-109, 110	SGB	22, 23
R3H-HF	212, 213	SHM-3, SHM-4	364, 364
R3HV-F, R3HV-M/F-EP	253, 256	SHVS	23, 24
R3HV-M, R3HV-M/F-EP	253, 256	SHVSS	24, 24
R3HV-NB	13, 14	SM-110, SM-115	365, 365
R3HV-ND	13, 14	SMB	159, 160
R3HV-WB	15, 15	SMBT	159, 160
R3HV-WD	15, 15	SMG	277, 279
R3TO	111, 111	SMG-B	277, 279
RBB	152, 152	SMGT	278, 279
RDI-20	361, 361	SMGV	278, 279
RDI-27	362, 362	SSG-B	344, 345
RDI-LS Slimline	363, 363	SSGVE	345, 346
RFLN, RFMN	320, 320	TY1-6	164, 172-173
RFLNS, RFMNS	321, 321	TY3-4-H	165, 165
RFLTM	322, 322	TY3-4, TY3-4-S	164, 170
RGD-2472	153, 154	TY3-5, TY3-5-S	166, 171
RGD-2472-SC	153, 154	TY3-6, TY3-6-S	166, 172-173
RGD-2483	154, 154	TY3EC-3	167, 167
RGD-3072	155, 156	TY4-4	168, 170
RGD-3072-SC	155, 156	TY4-4-S	168, 170
RGD-3083	156, 156	TY4-5	169, 171
RGDC-2472	157, 158	TY4-6	169, 172-173
RGDC-2472-SC	157, 158	VR3-B	10, 11
RGDC-2483	158, 158	VR3-D	10, 11
RL, RM	323, 324-328	VR3-M/F-EP	281, 282
RL, RM, RMF	311, 311	VR3HV-B	16, 17
RLN, RMN	323, 325-326, 328-329	VR3HV-D	16, 17
RLN, RMN	312, 312	VR3HV-M/F-EP	280, 282
RLNE	313, 313	VRL3B	366, 366
RLNI, RLNIE	324, 326, 330	VRM2B	367, 367
RLNI, RLNIE	314, 315	VRM3B	368, 368

.....

CASE	XS, PV
WDCHE-C	219, 222
WDCHE-S	220, 222
WDCHI	221, 222
WI45, WO45 (PV)	--, 283
WI90, WO90 (PV)	--, 283

NOTES

.....

NOTES

NOTES



HUSSMANN®

HUSSMANN®

Hussmann Corporation

12999 St. Charles Rock Rd.
Bridgeton, MO 63044-2483
Ph: 314.291.2000

www.hussmann.com