

HUSSMANN®

Date: January 15, 1997

IMPACT™

REPLACEMENT PARTS BOOK PHASE II, UPDATE

New! *IMPACT Phase II Wide Island Frozen Food and Reach -In Merchandisers* Have been added to this edition of the Replacement Parts Book.

The *IMPACT* product line introduces a revolutionary modular design concept. To take advantage of this new engineering approach, the parts book is organized in a completely different format. The following explains how the parts book is organized, and why it is arranged in this manner.

In the past, a separate parts list and a drawing for each merchandiser was shown. Parts were rarely universally common for a product line or even within the same family line. The *IMPACT* line uses fewer parts to create a small number of modules used to put together any desired case configuration, across the entire product line. The parts book reflects this modular approach, by grouping parts by function, into six sections (roman numeral I thru VI). Each section is further grouped by location or specific function (A, B, etc.). Parts that don't fit into any specific category are found in the miscellaneous section, and separate kit items are found in the kit section.

The first column lists the individual parts and pertinent data or description. The second column lists part numbers for four and six foot cases, and wide island end cases. The third and fourth columns list part numbers for eight and twelve foot cases. In kit section VI, the 8 and 12 foot columns have been changed to L.H. (Left Hand) End, and R.H. (Right Hand) End, columns respectively. The final column lists either the case nomenclature for that particular part number, (Example: M4, M5), or the merchandiser family by abbreviation; M = Meat, P = Produce, (See notes on abbreviations at the bottom of each parts list page). When a part number has not yet been assigned, that part has been given a 0376xxx identification.

All painted parts are #700 Interior White, unless otherwise stated, except for colored parts such as front panels, and canopies. The default color for these parts are #311 Pearl. There is no default color for upper and lower bumpers. The correct kit nomenclature for the required color and case length must be used.

The reduction of part numbers, improved part repeatability, and commonization engineered into the *IMPACT* product line, have allowed us to drastically reduce the size of the *IMPACT* Replacement Parts Book. We are confident we have given you a improved, more efficient and manageable parts book.

Hussmann Corporation
Marketing Services
12999 St. Charles Rock Road
Bridgeton, MO 63044-2419
Fax: 1-314/298-6416

IMPACT Merchandisers Replacement Parts Book

CONTENTS

Section I. Panels

Section I. Panels

- A. Lower Front Panels
 - 1. Lower Front - Standard
 - 2. Lower Front - Medium
 - 3. Lower Front - High

- B. Front Panels
 - 4. Front - Standard
 - 5. Front - Medium
 - 6. Front - High
 - 7. Front - Island - End

- C. Upper Front Panels
 - 8. Upper Front Panel
 - 9. Glass Panel Assembly - Standard
 - 10. Glass Panel Assembly - Medium
 - 11. Upper Front Panel- Island - End
 - 12. Upper Side Panel- Island - End

- D. Bumpers & Splashguards
 - 13. Upper Bumpers
 - 14. Lower Bumpers
 - 15. Splashguards

- E. Front Display Support
 - 16. Front Support - Standard
 - 17. Front Support - Medium
 - 18. Front Support - High
 - 19. Front Shelf Support
 - 20. Side Shelf Support - L.H.
 - 21. Side Shelf Support - R.H.
 - 22. Return Air Guard
 - 23. Package Guard
 - 24. Return Air Grill

Replacement Parts Book

CONTENTS

Section I. Panels

Section I. Panels (continued)

F. Back Panels

- 25. Interior Back Panels
- 26. Upper Interior Back Panels
- 27. Lower Interior Back Panels

G. Top Panels

- 28. Interior Top Panels
- 29. Exterior Top Panel (Single Deck)
- 30. Top Closeoff Panel
- 31. Top Front Discharge Panel

Section II. Canopies

Section II. Canopies

A. Canopy with one or two rows of lights

- 32. Fascia
- 33. Honeycombs
- 34. Light Channels with one row of lights
- 35. Light Channels with two rows of lights

Section III. Misc.

Section III. Miscellaneous

A. Retainers

- 36. Lower Bumper Retainers
- 37. Bumper Retainers
- 38. Upper Bumper Retainers
- 39. Splashguard Retainer Assembly
- 40. Upper Splashguard Retainers
- 41. Honeycomb Retainers

B. Supports

- 42. Bumper Supports
- 43. Splashguard Retainer Supports

C. Brackets

- 44. Receptacle Bracket
- 45. Fan Brackets
- 46. Splashguard Support Brackets
- 47. Insulation Brackets

D. Receptacles

- 48. Receptacle

CONTENTS

**Section III.
Misc.**

Section III. Miscellaneous (continued)

E. Plumbing

- 49. Waste Outlet Connections
- 50. Water Seal

F. Trim

- 51. Top Rail
- 52. Glass Trim
- 53. Glass Extrusions
- 54. Glass End & Joint Covers

G. Glass

- 55. Glass Modules
- 56. Glass Assembly
- 57. Glass Channel
- 58. Acrylic Package Guard

H. Doors

- 59. L.H./R.H. Interior Doors
- 60. Center Interior Doors
- 61. L.H./R.H. Exterior Doors
- 62. Center Exterior Doors
- 63. Vertical Door Frame
- 64. Door Joining Bracket
- 65. Door Tracks
- 66. Roller Bearing
- 67. Door Handle
- 68. Reach-in Door Modules

I. Plenums

- 69. Fan Plenums

J. Pans

- 70. Display Pan

K. Miscellaneous

- 71. Leveling Shim
- 72. Light Channel Cover
- 73. Blue Board Insulation

IMPACT Merchandisers

Replacement Parts Book

CONTENTS

Section IV. Electrical

Section IV. Electrical

- A. Fans
 - 74. Fan Motors
 - 75. Fan Blades
- B. Wiring Harnesses
 - 76. Single Modular Fan Wiring Harness
 - 77. Dual Modular Fan Wiring Harness
 - 78. Fan Wiring Harness
 - 79. Light Channel Wiring Harness
 - 80. Rail Light Wiring Harness
 - 81. Shelf Light Wiring Harnesses
 - 82. Ballast Jumper Wiring Harness
 - 83. Ballast Feed Wiring Harness
- C. Defrost Heaters
 - 84. Defrost Heaters
 - 85. Top Rail Heaters
 - 86. Perimeter Heaters
 - 87. Drip Pan Heaters
 - 88. Nosing Heaters
- D. Ballasts
 - 89. Electronic Ballasts
- E. Switches
 - 90. Switches
- F. Terminal Block and Relays
 - 91. Terminal Block
 - 92. Relays
- G. Electrical Controls
 - 93. Electrical Control Modules
- H. Transformers
 - 94. Transformer Assembly
- I. Raceway
 - 95. Raceway
 - 96. Raceway Covers
 - 97. Wiring Channel

CONTENTS

**Section IV.
Electrical**

**Section V.
Refrigeration**

**Section VI.
Kits**

Section IV. Electrical (Continued)

J. Lamps

98. Fluorescent Lamp

Section V. Refrigeration

A. Coils

99. Coil Assembly

100. Coil Covers

B. Thermostats

101. Thermostats

C. Filters

102. Liquid Filters

D. Expansion Valves

103. Expansion Valves (See Chart)

Section VI. Kits

A. Ends

104. Contoured End Assembly

105. Rectangular End Assembly

B. Joints

106. Threaded Rod $\frac{1}{2}$ - 16 x 12

107. Hex Nut $\frac{1}{2}$ - 13

108. Flat Washer $\frac{1}{2}$

C. Partitions

109. Acrylic Partition

110. Partition Bracket

D. Optional Display Shelves

E. Optional Wire Rack Kits

F. Upper and Lower Bumper Starter Kits

111. Starter Bumper

Replacement Parts Book

Explanatory Notes

Explanatory notes concerning Nomenclature. On each page of the parts list, there is a final column called "Nomenclature". This column shows abbreviations of the case family the part pertains to. Normally, When "M", "D", or "P" nomenclature letters are shown after a part number, it pertains to the complete family of Meat, Dairy or Produce cases (M1,M3, M4, M5 etc.). If the part pertains to a specific case, such as a M1 or P1 Single-deck Meat or Produce case, those cases will be listed.

The Wide Island family is handled a little differently, "IsFF" pertains to the whole Wide Island family of cases; (Narrow Island, Intermediate, Wide Island, and Wall models); "IsFFG" to all the Wide Island glass models. When the part shown pertains only to one particular model, such as the unitized models, "LWU or LWUG" is shown. Below is a listing of what each group of abbreviated letters represents..

M	=	Meat Cases.
P	=	Produce Cases.
D	=	Dairy Cases.
IsFF	=	Complete family of Wide Island Frozen Food Cases.
IsFFG	=	Family of Wide Island Frozen Food Glass Cases.
L	=	Low Temp Wall Cases..
LG	=	Low Temp glass front Wall Cases.
LI	=	Low Temp Intermediate Island Cases.
LIG	=	Low Temp Intermediate glass front Island Cases.
LN	=	Low Temp Narrow Island Cases.
LNG	=	Low Temp glass front Narrow Island Cases.
LW	=	Low Temp Wide Island Cases.
LWG	=	Low Temp Wide Island glass front Cases.
LWU	=	Low Temp Unitized Wide Island Cases.
LWUG	=	Low Temp Unitized Wide Island glass front Cases.
LWE	=	Low Temp Wide Island End Cases.
RI	=	Reach-In Cases.
MW	=	Wide Island Meat Cases.
WIP	=	Wide Island Produce Cases.
M2	=	Specialty Case.
C2	=	Specialty Case.

Other Notes:

* 6 ft Merchandiser part number shown except when 4 ft noted.

This page replaces the footnotes shown on the bottom of each page in the previous edition of the IMPACT Parts Book shown below.

*Note: 6 ft Merchandiser part number shown except when 4 ft noted.

**Note: Nomenclature Abbreviations:

M = Meat, P = Produce, D = Dairy, R = Reach-In, CG = Curved Glass, FF = Frozen Food, WIP = Wide Island (Produce and Deli)

A large, bold, black text box with a thick gray border, containing the text "Section I Panels".

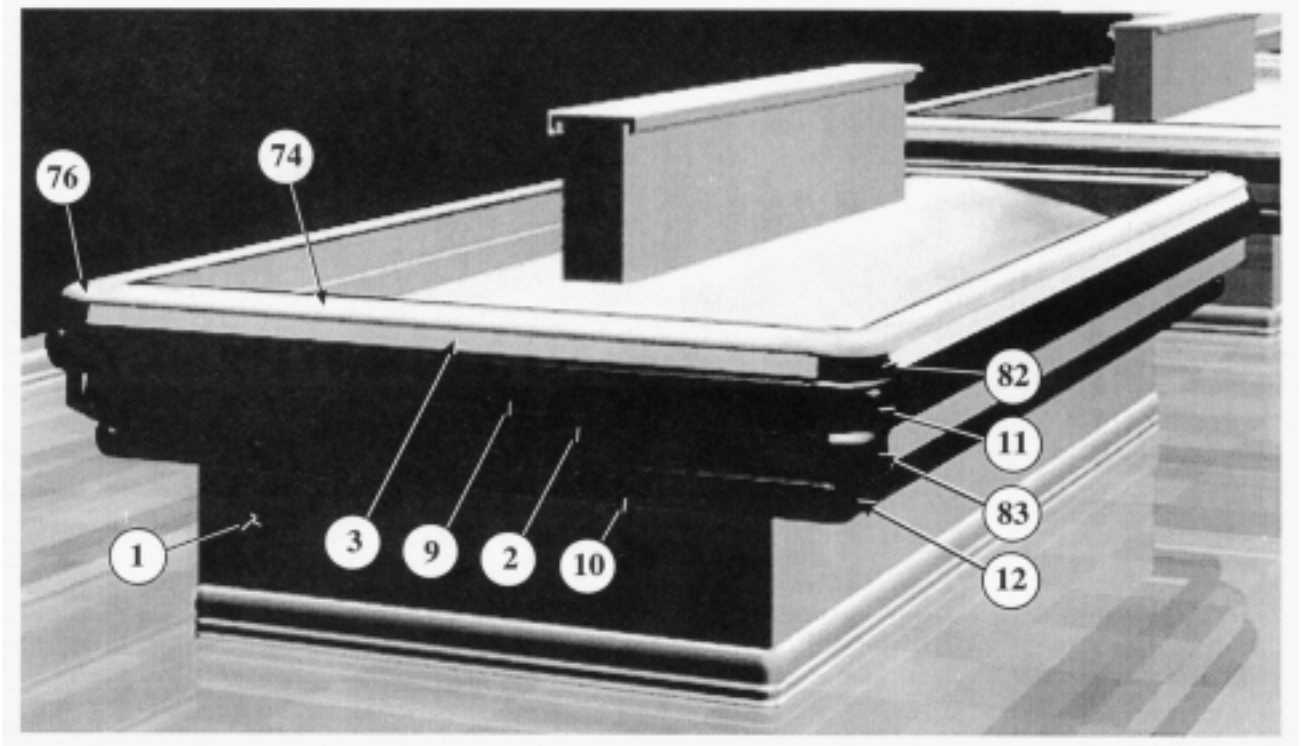
Section I Panels

IMPACT Merchandisers
Replacement Parts Book

**This Page
Blank**

Section I. Panels

A. B. C. & D. Shown

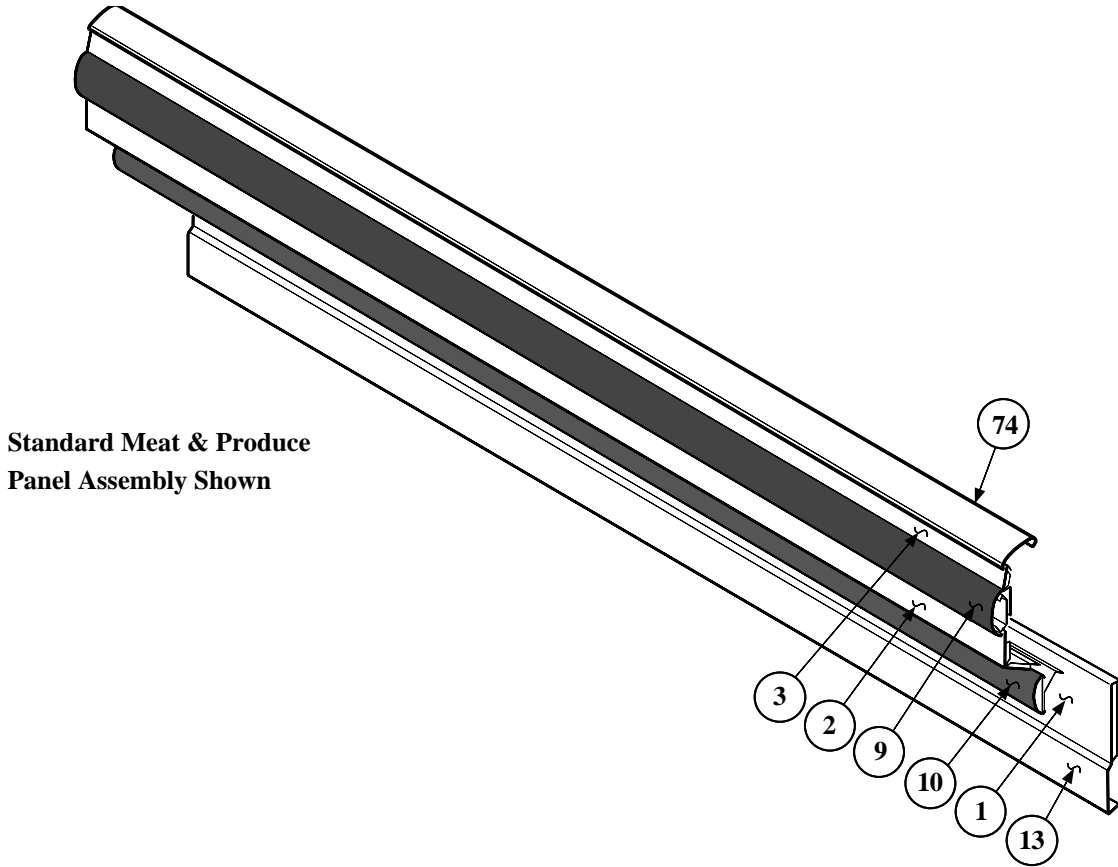


PW, Wide Island Produce Merchandiser Shown

Replacement Parts Book

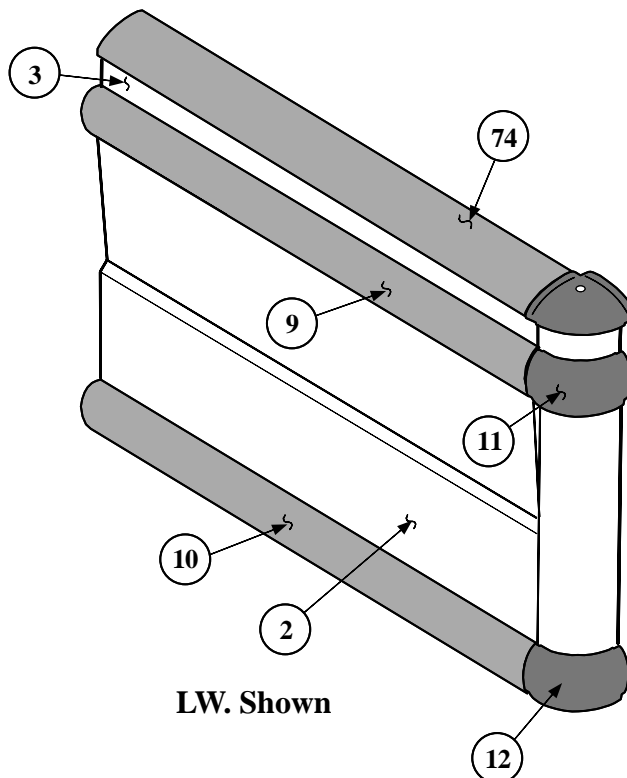
Section I. Panels

A. B. C. & D. Shown



Section I. Panels

A. B. C. & D. Shown



Replacement Parts Book

Section I. Panels

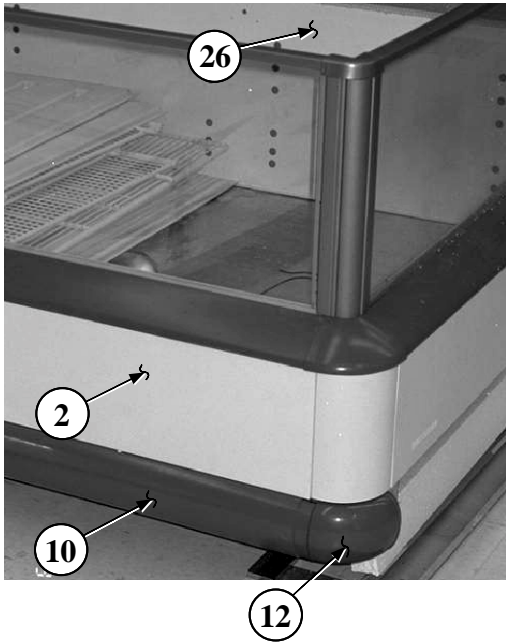
		Part Number			Nomenclature
		*4 ft / 6 ft	8 ft	12 ft	
A. Lower Front Panels					
1. Lower Front - Standard			0378395	0378396	M5
Lower Front - Medium			0378397	0378398	M4,P4
Lower Front - High	0381766		0378399	0378400	M1,M3,P1,P2,MW
Exterior Lower Front - 2&3 Door			0387060	0387061	RI
Exterior Lower Front - 4&5 Door			0387062	0387063	RI
B. Front Panels					
2. Front Panel - Standard	0378455		0378449	0378450	M,P,D,MW,C2
Front Panel - Medium			0378451	0378452	M,P,D,C2
Front Panel - High			0378453	0378454	M,P,D
Front Panel -Island			0396079	0396080	L,LW,LL,LN
Front Panel - Island (Glass)			0396092	0396093	IsFFG
Front Panel - WI - End	0396081		_____	_____	LWE
Front Panel - WI - End (Side)	0392226		_____	_____	LWE
Front Panel - WI -6 ft End Glass	0392228		_____	_____	LWEG
Front Panel - Unitized			0396083	0396084	LWU
Front Panel - Unitized (Glass)			0392176	0392171	LWUG
Front Panel -Unitized (Glass)End	0396088		_____	_____	LWUG,LWEG
Front Panel -Narrow/End	0378237		_____	_____	WIP
Front Panel -Island/End	0378235		_____	_____	WIP
C. Upper Front Panels					
3. Upper Front Panel			0378158	0378159	M,P,D,C2 WIP,MW
Upper Front Panel	0378258		_____	_____	WIP,MW
Upper Front Panel - Wide Is.			0391979	0391980	L,LW,LL,LN
Upper Front Panel - WI - Unitized			0391981	0391982	LWU
Upper Front Panel - WI - End	0391983		_____	_____	LWE
Upper Front Panel - WI - End (Side)	0392227		_____	_____	LWE
4. Glass Panel Assembly - Standard	0378440		0376738	0376739	M,D,MW,C2
Glass Panel Assembly - Medium			0378411	0378412	M, D
Glass Panel Assembly - Unitized, 3 ft	0392124		0392124	Same	LWU,LWEG
Glass Panel Assembly - Unitized, 4 ft			0392125	Same	LWUG,LNG

IMPACT Merchandisers

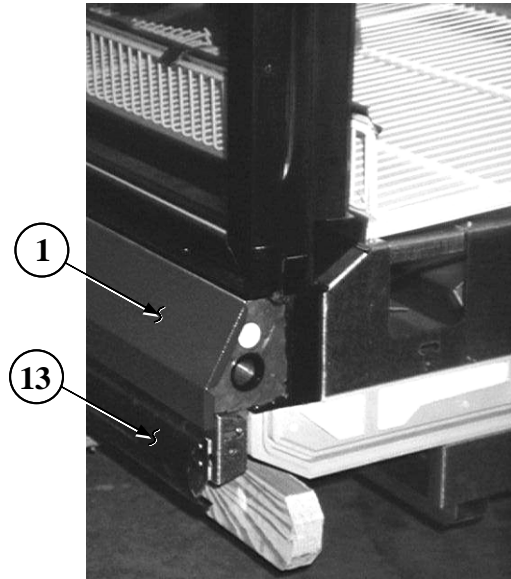
Replacement Parts Book

Section I. Panels

A. B. F. & G. Shown



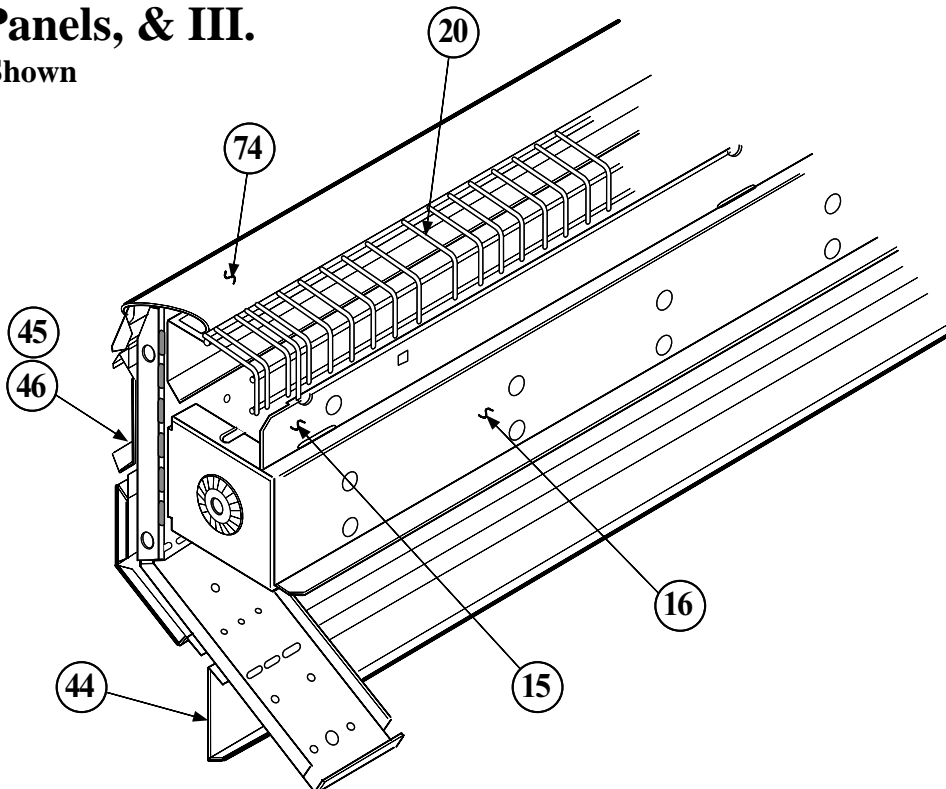
LWEG. Shown



RL-3. Shown

Section I. Panels, & III.

I-E. & III-A., F. Shown



Replacement Parts Book

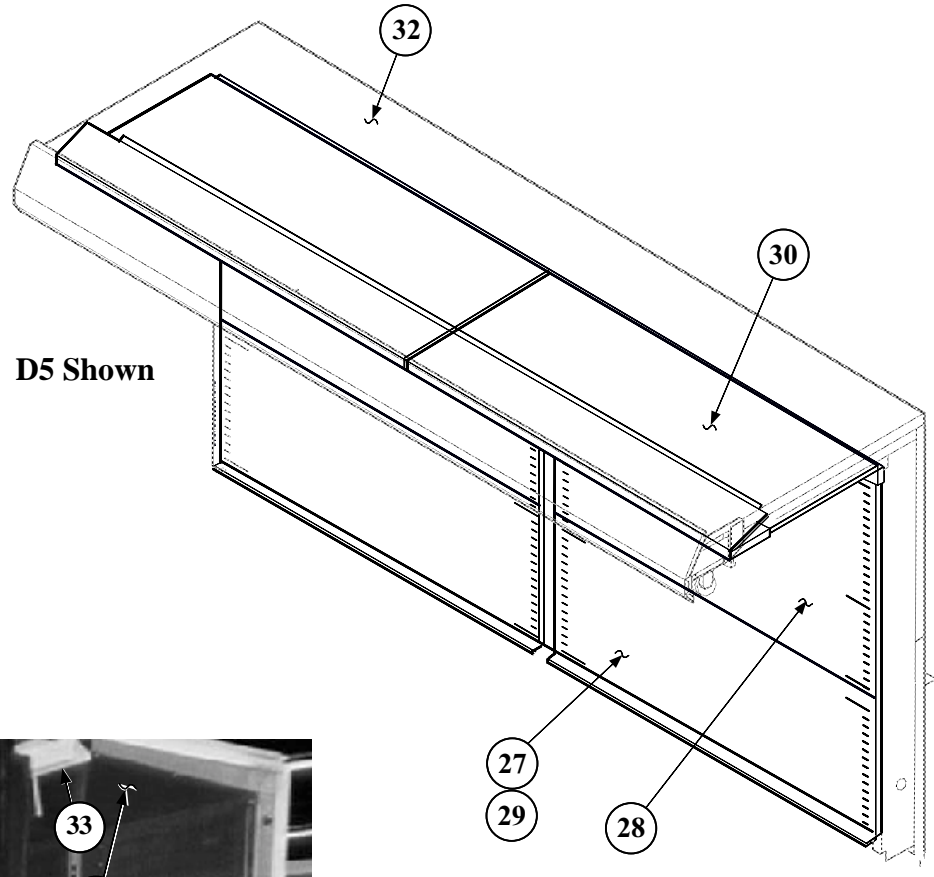
Section I. Panels (continued)

		Part Number			Nomenclature
		*4 ft / 6 ft	8 ft	12 ft	
C. Upper Front Panels (continued)					
5. Interior Glass Panel			0393462	Same	LIG,LNG
6. Upper Front Panel -Narrow/End	0378236	_____	_____		WIP
Upper Front Panel -Island/End	0378269	_____	_____		WIP
7. Upper Side Panel - L.H. N/E	0378238	_____	_____		WIP
8. Upper Side Panel - R.H. N/E	0378239	_____	_____		WIP
D. Bumpers & Splashguards					
9. Upper Bumper	There is no default part number for upper, lower, or corner				
10. Lower Bumper	bumpers. Corner bumpers are included with each bumper kit.				
11. Upper Corner Bumper	To receive bumpers, order the correct kit nomenclature for the				
12. Lower Corner Bumper	required color and case length, from the <i>IMPACT</i> Price List				
	No.6000 or your Hussmann Service Representative.				
13. Splashguard	0381759	0378384	0378385		M,P,D,MW,C2
Front Splashguard - Wide Is.		0397056	0397057		IsFF,IsFFG
Splashguard -138, Unitized		0397059	0397059		LWU
Splashguard -2 & 3 Door		0378385	0378384		RI
Splashguard -4 & 5 Door		0387042	0387043		RI
14. Splashguard - Unitized - End	0397060	_____	_____		LWU,LWE
Splashguard - End (Side)	0400170	_____	_____		LWE
E. Front Display Support					
15. Front Display Support - Standard	0380932	0382060	0382061		M,P,D,MW,C2
Front Display Support - Medium		0382062	0382063		M,P,D
Front Display Support - Island		0378257	0378278		WIP
Front Display Support - Narrow Is.		0378504	0378506		LN
Front Display Support - High		0382064	0382065		M,P,D
16. Front Shelf Support	0387422	0387421	Same		M,P,D,MW,C2
Front Shelf Support	0378475	_____	_____		WIP
17. Side Shelf Support L.H.	0378471	_____	_____		WIP
18. Side Shelf Support R.H.	0378472	_____	_____		WIP
19. Side Display Support -	0378505	_____	_____		WIP
20. Return Air Guard		0378169	Same		M,P,D,MW,C2
Return Air Guard	0378527	_____	_____		MW
21. Return Air Grill (All Doors)		0386865	All		RI
22. 4" Package Guard	0378533	_____	_____		WIP
2.5" Package Guard - Std.	0378536	_____	_____		WIP

Replacement Parts Book

Section I. Panels

F. Back Panels & G. Top Panels



RL-3 Shown

Replacement Parts Book

Section I. Panels (continued)

		Part Number		Nomenclature	
		*3 ft / 6 ft	8 ft		12 ft
E. Front Display Support (continued)					
23.	Return Air Grill Glass Assembly, 3ft	0393998	_____	_____	LWUG, LWEG
	Return Air Grill Glass Assembly, 4ft		0394002	0394002	IsFFG
F. Back Panels					
24.	Interior Solid Panel Assembly- 3 ft	0400507	_____	_____	LWU, LWE
	With Stiffener (Discharge Only)				
	Interior Solid Panel Assembly- 4 ft		0393992	Same	LW,LWU, LWE(G)
	With Stiffener (Discharge Only)				
25.	Interior Solid Panel - 3 ft	0393995	_____	_____	LWU, LWE
	Interior Solid Panel - 4 ft		0393990	Same	IsFF,IsFFG
26.	Interior Glass Panel Assembly- 3 ft	0393997	_____	_____	LWUG, LWEG
	With Return Grill				
	Interior Glass Panel Assembly- 4 ft		0394001	Same	IsFFG
	With Return Grill				
27.	Interior Back Panel		0383993	Same	P1,M1
	Interior Back Panel		0383992	Same	M2
	Interior Back Panel		0398656	Same	C2
	Interior Back Panel	0392502	0392503	Same	MW
	Interior Back Panel (All Doors)		0386874	All	RI
28.	Upper Interior Back Panel		0383996	Same	M3,
	Upper Interior Back Panel		0383999	Same	P2
	Upper Interior Back Panel		0384006	Same	M4,P4,M
	Upper Interior Back Panel		0383997	Same	D5
	Upper Interior Back Panel		0384012	Same	D6
29.	Lower Interior Back Panel		0384002	Same	M3,M4,
	Lower Interior Back Panel		0384003	Same	P2
	Lower Interior Back Panel		0383998	Same	M5,P4,D5,D6
G. Top Panels					
30.	Interior Top Panel		0389226	Same	M,P4,D6
	Interior Top Panel		0389227	Same	D5
	Interior Top Panel		0389228	Same	P2
	Interior Top Panel		0396230	Same	M2
	Interior Top Panel		0396385	Same	C2
	Interior Top Panel - L.H. (All Doors)		0386977	Same	RI
	Interior Top Panel -Cntr. (3,4,&5)		0386978	Same	RI
	Interior Top Panel - R.H. (All Doors)		0386979	Same	RI

Replacement Parts Book

Section I. Panels (continued)

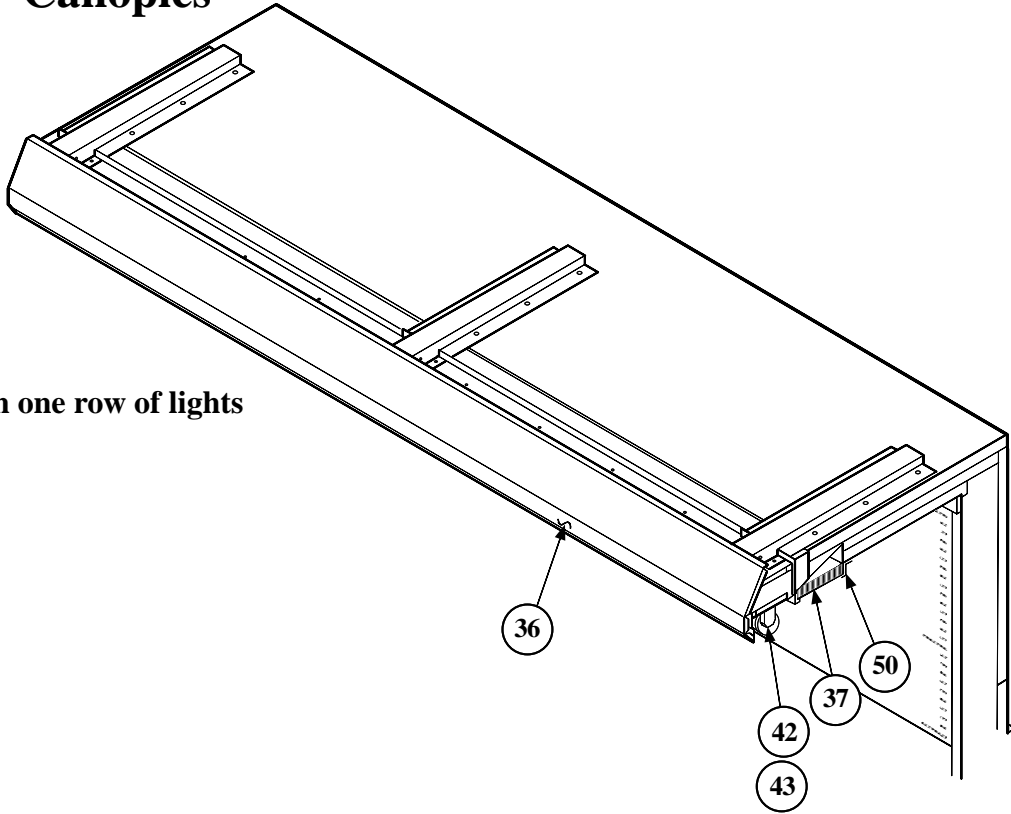
		Part Number			Nomenclature
		*4 ft / 6 ft	8 ft	12 ft	
G. Top Panels (continued)					
31. Interior Top Panel (Glass)			0393457	0393458	LIG,LNG
32. Exterior Top Panel			0376468	Same	M1, P1,
Exterior Top Panel			0383983	0383984	M2
Exterior Top Panel			0396981	0396982	C2
33. Top Panel (2 & 3 Door)			0386716	0386717	RI
Top Panel (4 & 5 Door)			0386718	0386719	RI
34. Top Closeoff Panel			0376464	Same	P1
35. Top Front Discharge Panel			0387205	Same	P1

Section II Canopies

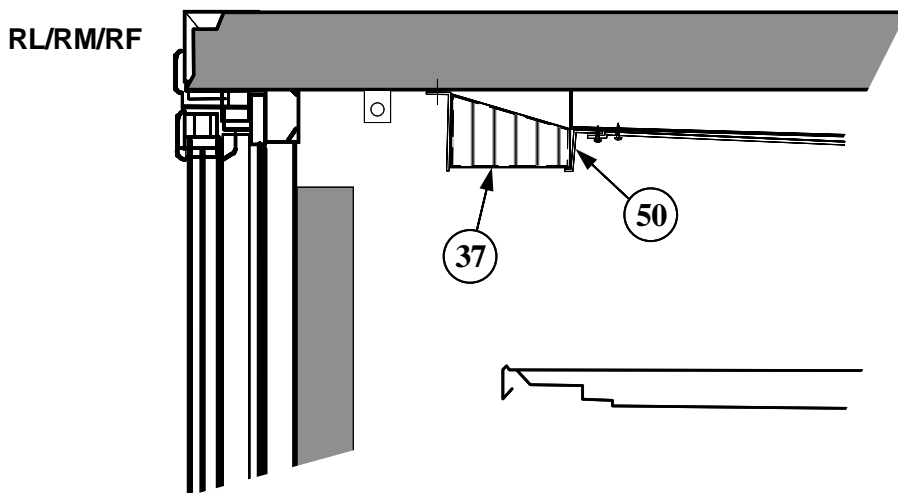
Section III Miscellaneous

Replacement Parts Book

Section II. Canopies



A. Canopy with one row of lights



Reach-In Shown

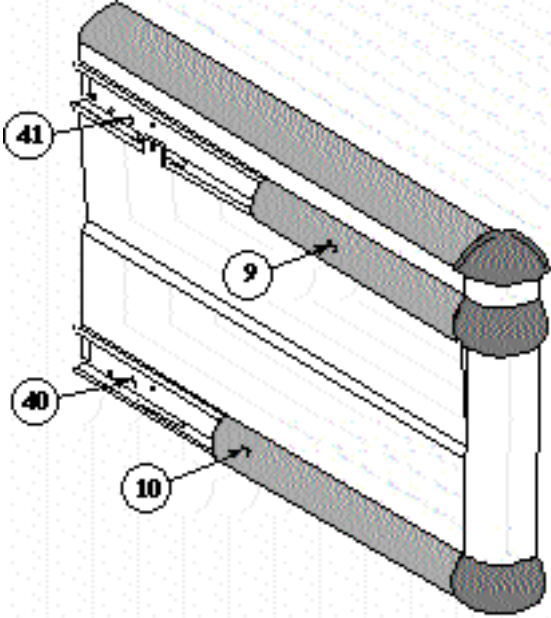
Section II. Canopies

A. Canopy	*4 ft / 6 ft	Part Number		Nomenclature
		8 ft	12 ft	
36. Fascia		0376443	0376444	M,P,D
Fascia		0395927	0395928	C2
37. Honeycomb		0376472	Same	M1,M2,MW
Honeycomb		0376473	Same	D
Honeycomb		0376474	Same	P4,M3,4,5,D6,C2
Honeycomb		0376475	Same	P2
Honeycomb (2 & 3 Door)		0387055	0387056	RI
Honeycomb (4 & 5 Door)		0387057	0387058	RI
Honeycomb - Island -3 ft	0392087	0392087	Same	LWU,LWE
Honeycomb - Island -4 ft		0392088	Same	IsFF,IsFFG
Honeycomb - Island -4 ft	0350951	0350949	Same	MW
38. Honeycomb - 6 ft	0378275	_____	_____	WIP,MW
39. Honeycomb - Front	0376290	_____	_____	WIP
40. Honeycomb - Corner	0376291	_____	_____	WIP
41. Honeycomb - Side	0376292	_____	_____	WIP
42. Light Channel - one row of lights		0387805	0387806	M,P,D
43. Light Channel - two rows of lights		0376439	0376440	M,P,D

Replacement Parts Book

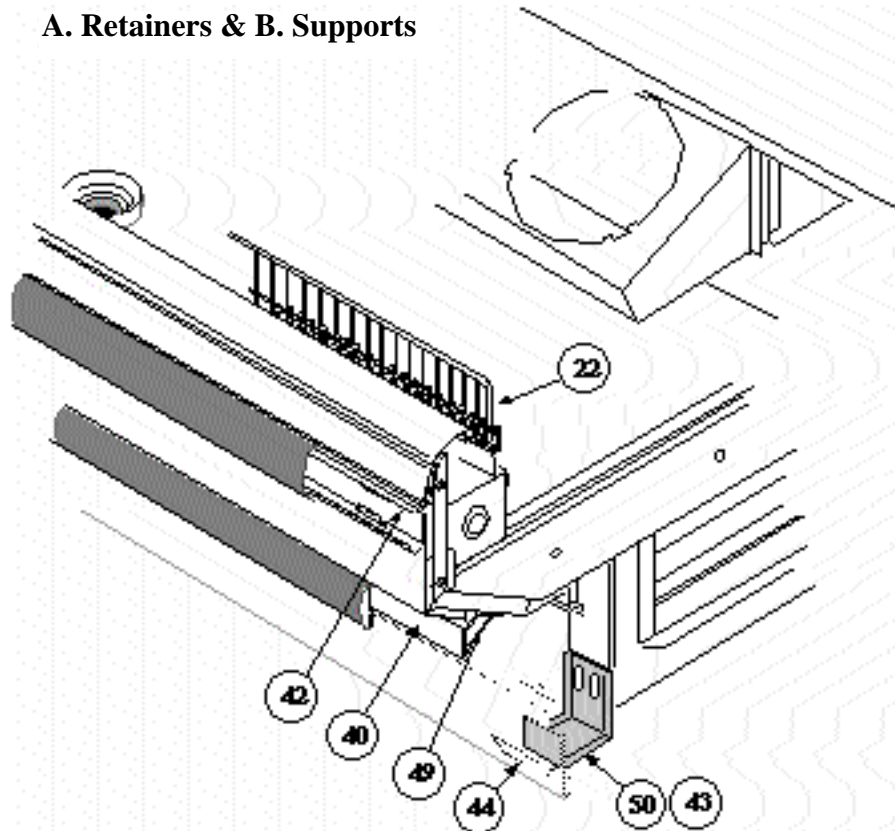
Section III. Miscellaneous

A. Retainers & B. Supports



Section III. Miscellaneous

A. Retainers & B. Supports



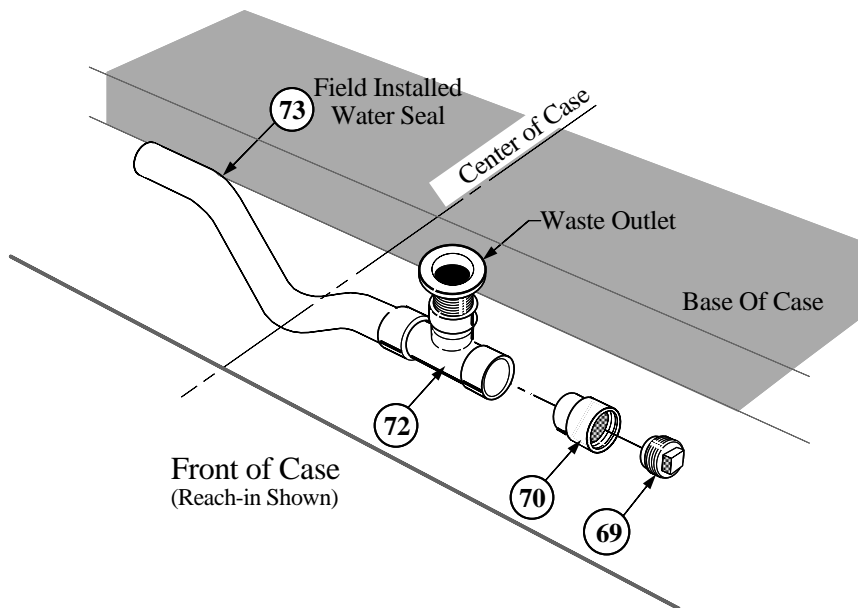
Section III. Miscellaneous

	Part Number			Nomenclature
	*4 ft / 6 ft	8 ft	12 ft	
A. Retainers				
44. Lower Bumper Retainer		0376676	Same	M,P,D,C2
Lower Bumper Retainer	0378255	0376676	Same	MW
Lower Bumper Retainer		0378255	Same	WIP
45. Bumper Retainer		0376672	Same	M,P,D
Bumper Retainer - Island.		0392070	Same	IsFF,IsFFG
Bumper Retainer - All Doors		0387064	All	RI
Bumper Retainer -Unitized Frt		0392162	Same	LWU
Bumper Retainer -Unitized Frt		0392163	Same	LWU
Bumper Retainer -Unitized End	0392164	0392164	Same	LWU,LWE
Bumper Retainer -6 ft End	0392225	————	————	LWE
Bumper Retainer	0378218	————	————	WIP
Bumper Retainer - Narrow Is. End	0378219	————	————	WIP
46. Upper Bumper Retainer		0388883	Same	M,P2,D,MW,C2
Main Bumper Retainer	0388888	————	————	MW
47. Splashguard Retainer Assembly		0376713	Same	D,C2,M2
Splashguard Retainer Assembly		0376727	Same	M,P
48. Splashguard Retainer	0376651	Same	Same	M,P,MW,RI,C2
49. Upper Splashguard Retainer	0397055	0397055	Same	IsFF,IsFFG
50. Honeycomb Retainer		0369424	Same	M,P,D
Honeycomb Retainer		0378203	Same	M1,MW
Honeycomb Retainer		0393501	Same	LN
Honeycomb Retainer - 2 & 3 Door		0387077	0387078	RI
Honeycomb Retainer - 4 & 5 Door		0387079	0387080	RI
51. Honeycomb Retainer - Flue	0378277	0392539	Same	MW
Honeycomb Retainer - Center	0392538	————	————	MW
Honeycomb Retainer - 6 ft	0378277	————	————	WIP
52. Honeycomb Retainer - Frt End 4 ft	0378293	————	————	WIP

Section III. Miscellaneous

E. Plumbing

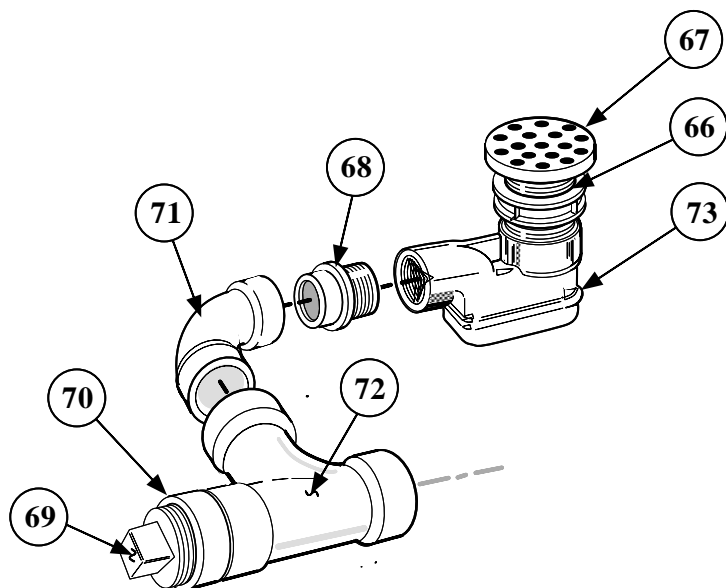
For Wide Island
& Reach-in Cases



Section III. Miscellaneous

E. Plumbing

For Meat, Produce
& Dairy Cases



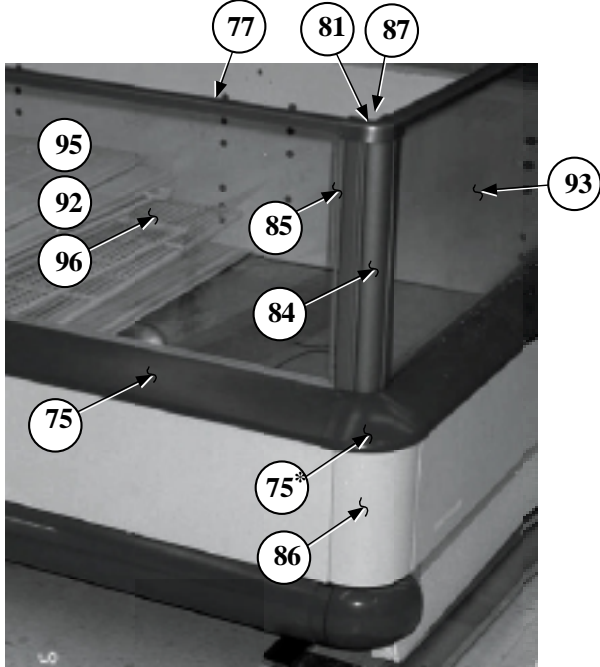
Section III. Miscellaneous (continued)

		Part Number			Nomenclature
		*4 ft / 6 ft	8 ft	12 ft	
B. Supports					
53.	Bumper Support - Std.		0376716	Same	M,P
	Bumper Support - Dairy		0376717	Same	D,C2,M2
54.	Splashguard Retainer Support	0376728	Same	Same	M,P,MW
	Splashguard Retainer Support		0376715	Same	D,C2,M2
	Splashguard Retainer Support		0387065	All	RI
55.	Front Splashguard Support -6 ft Wall	0397062	————	————	LWE
C. Brackets					
56.	Receptacle Bracket.		0376500	Same	M,P,D
57.	Fan Motor Mount Bracket		0137676	Same	M,P,D,RI,C2
	Fan Motor Mount Bracket		0394004	Same	IsFF,IsFFG
58.	Fan Bracket -Island End-Meat	0378367	Same	Same	MW
	Fan Bracket -Island End-Produce	0378306	————	————	WIP
59.	Fan Bracket -Island Center	0376842	Same	Same	WIP
60.	Frnt. Splashguard Bracket		0397050	Same	LIG,LN
61.	Frnt. Lower Splashguard Bracket	0397052	0397052	Same	LWU,LWE
62.	Splashguard Support Bracket (All Doors)		0387072	All	RI
63.	Insulation Bracket		0397125	Same	LW,LWU,LWE
64.	Insulation Side Bracket		0397126	Same	LW,LWU,LWG
D. Receptacles					
65.	Receptacle Cover.		0114652	Same	All
E. Plumbing					
66.	Drain -Plastic		0376547	Same	M,P,D,C2
67.	Drain - Cover		0301266	Same	All
68.	Male Adapter		0144554	Same	M,P,D
69.	Cleanout Plug-1 1/2 PL.		0144557	Same	M,P,D
70.	Cleanout Adapter-1 1/2 SP.		0252121	Same	M,P,D
71.	Elbow, 1/2 street -1 1/2 SP		0145647	Same	M,P,D
72.	Sanitary Tee - 1 1/2		0252120	Same	M,P,D
73.	Water Seal	0331946	Same	Same	M,P,D,MW,C2
	Water Seal		0386602	Same	IsFF,RI

Replacement Parts Book

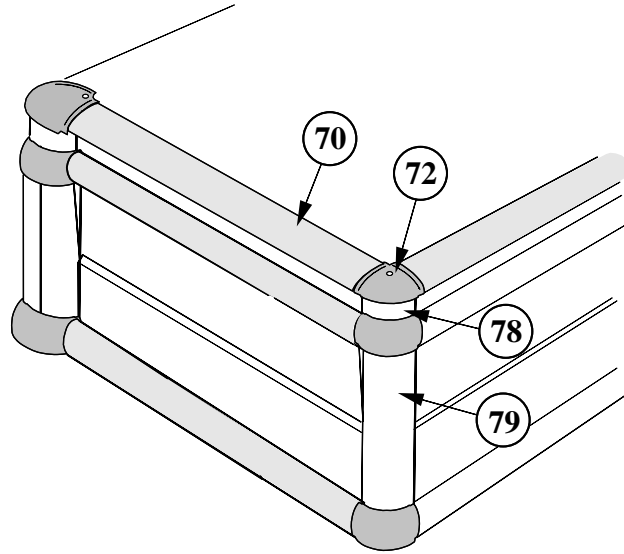
Section III. Miscellaneous

F. Trim & G. Glass



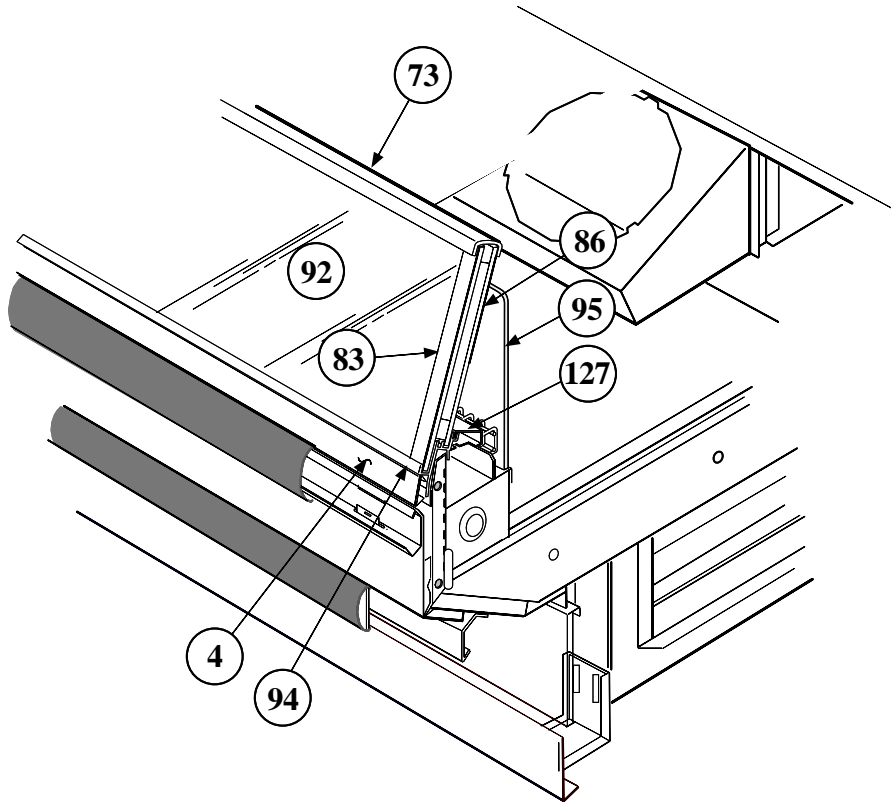
LWUG Shown

F. Trim (Solid)



LWU Shown

G. Glass Assembly



Replacement Parts Book

Section III. Miscellaneous (continued)

F. Trim	*4 ft / 6 ft	Part Number		Nomenclature
		8 ft	12 ft	
74. Top Rail		0388876	Same	M,P,D,C2
Top Solid Rail (Std.)		0391989	0391990	IsFF
75. Front Rail-Glass		NOTE: To receive Wide Island Top Solid Rail, & Front Rail-Glass		
75* Front Corner Rail-Glass		parts, place order using the correct kit nomenclature for the		
		required color and case length, from the <i>IMPACT</i> Price List		
		No.6000 or your Hussmann Service Representative (Corners		
		included in kit).		
76. Top Solid Corner Rail	0393449	0393449	Same	IsFF
77. Glass Trim	0378407	0378407	0378408	IsFFG
78. Glass Trim -End, 6 ft	0392230	————	————	LWEG
79. Glass Trim Center	0378437	————	————	MW
80. Glass Upright Trim		0393496	Same	LIG,LNG
Glass Trim -Unitized End	0392179	0392179	Same	LWUG,LWEG
81. Corner Glass Top Cap		0392949	Same	IsFFG
82. Upper Corner Extrusion (Solid)		0399888	Same	IsFF
83. Lower Corner Extrusion (Solid)		0399889	Same	IsFF
84. Corner Post Extrusion (Glass)		0397107	Same	IsFFG
85. End Corner Post Extrusion (Glass)		0397108	Same	IsFFG
86. Lower Corner Extrusion (Glass)		0399890	Same	IsFFG
87. Interior Glass Post Extrusion		0397094	Same	IsFFG
88. Glass Joint Trim		0376752	Same	M,P,D
89. Glass End Post Cover (See Kits)	0397114	0397114	Same	IsFFG
90. Glass Joint Post Cover (See Kits)	0397111	0397111	Same	IsFFG
G. Glass				
91. Front Glass Module - Standard		0378084	0378085	M,D,MW,C2
Front Glass Module - Medium		0378409	0378410	M,D
Front Glass Module - Standard	0378439	————	————	WIP
Front Glass Module -Standard		0393506	0393507	LIG,LNG
92. Glass Module -Standard -End, 6 ft	0393510	————	————	LWEG
93. Glass Module -Standard -Side, 6 ft	0393511	————	————	LWEG
94. Three Pane Multi-Glass		0392369	0392370	LIG,LNG

IMPACT Merchandisers

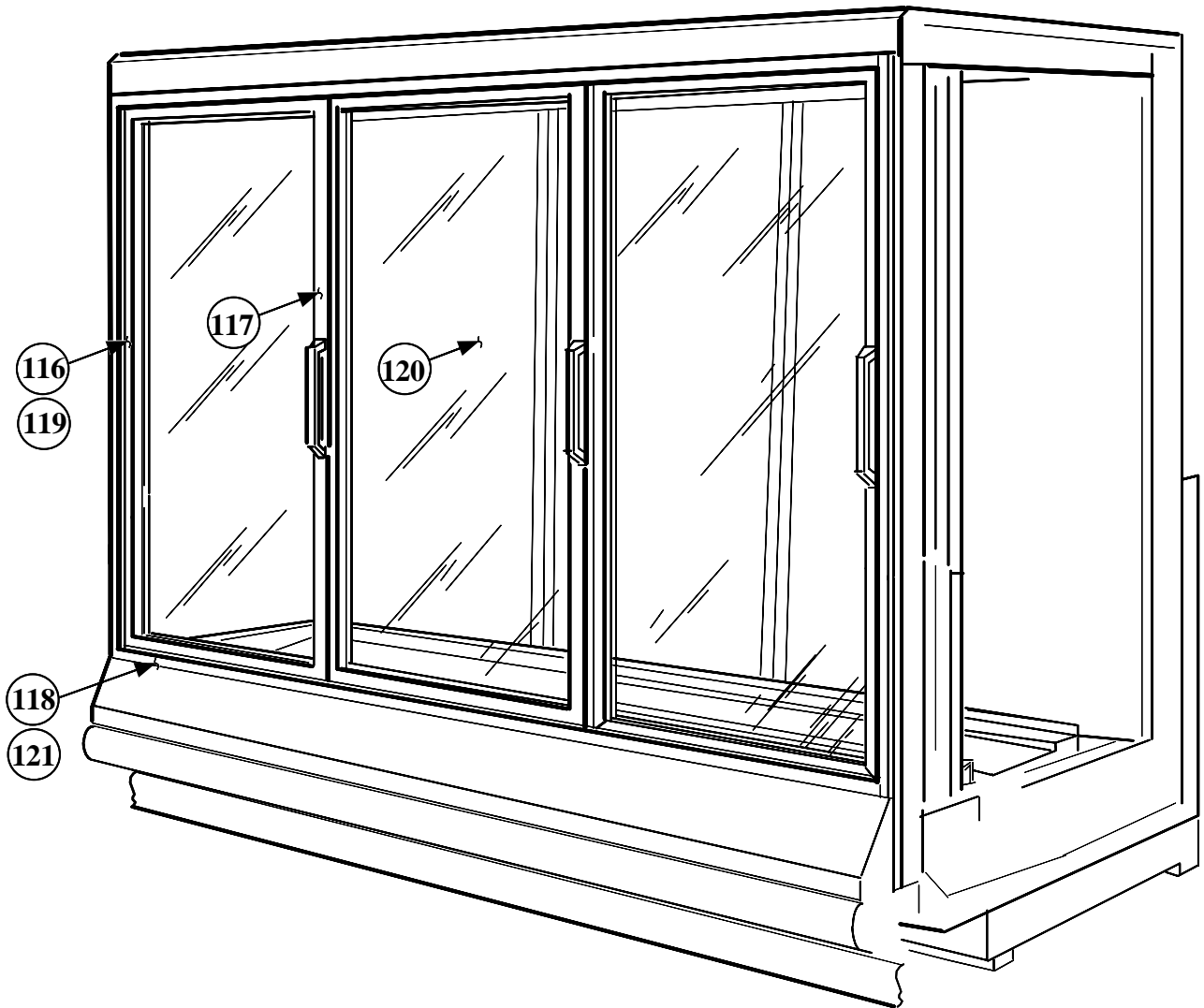
Replacement Parts Book

Section III. Miscellaneous (continued)

G. Glass (continued)	*4 ft / 6 ft	Part Number			Nomenclature
		8 ft	12 ft		
95. 3 Pane Multi-Glass		0392372	Same		LWUG,LWEG
96. 3 Pane Multi-Glass -End, 6 ft	0392373	—————	—————		LWUG,LWEG
97. Discharge Glass Assembly		0393497	0393498		LIG,LNG
98. Glass Assembly		0382113	0382114		M,D,MW,C2
99. Glass Assembly -6 ft, Center	0378435	—————	—————		WIP,MW
100. Glass Channel	0378436	0382115	0382116		M,D,MW,C2
101. Acrylic Package Guard - 2.5"	0387434	0387418	Same		M,D,MW,C2
Acrylic Package Guard - 5"		0378411	Same		WIP
Acrylic Package Guard - 3 ft		0392094	Same		IsFFG
Acrylic Package Guard - 4 ft		0392095	Same		LWUG,LWEG

Section III. Miscellaneous

H. Reach-in Doors

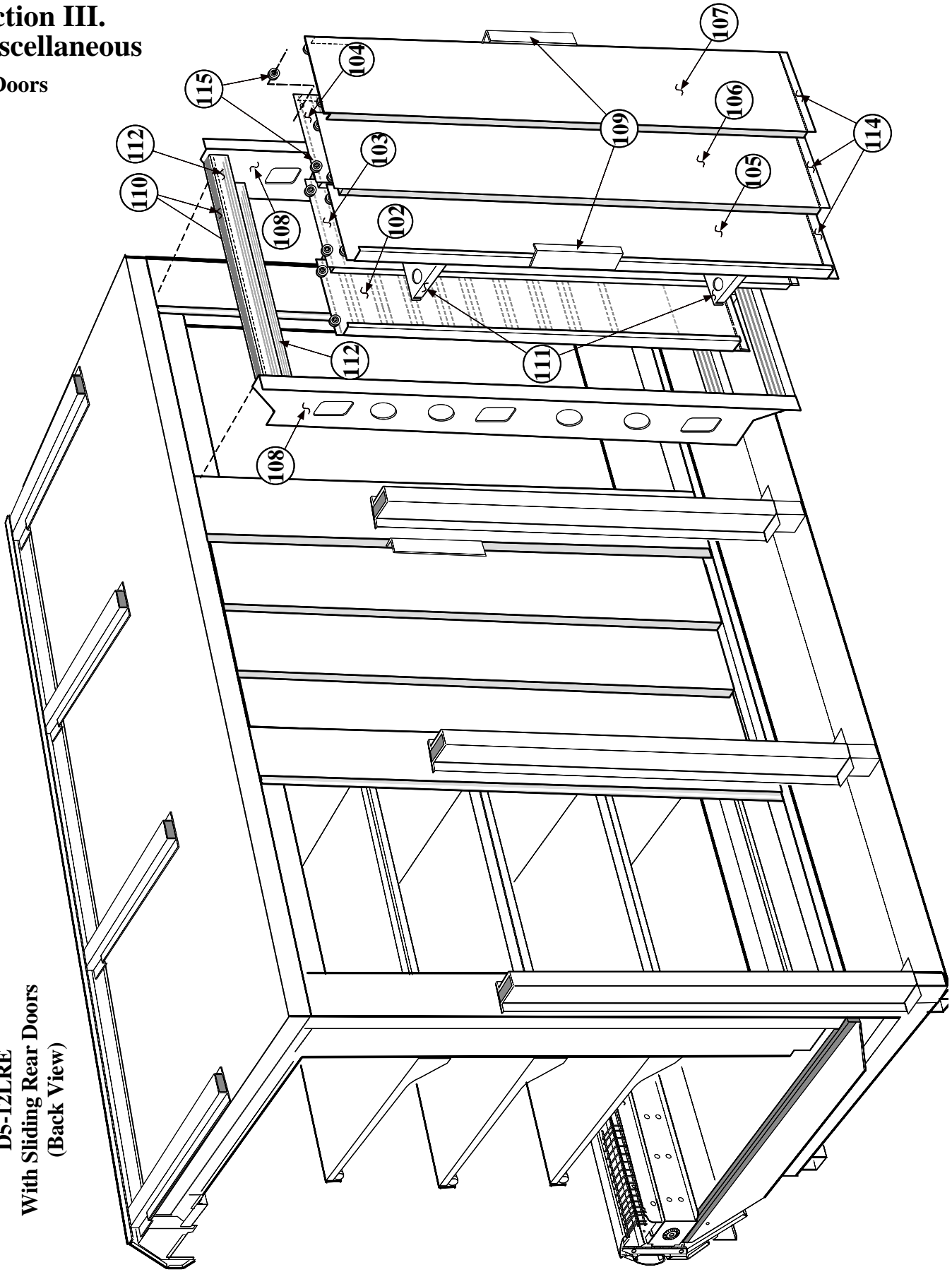


3 Door RF Reach-in Shown

Section III. Miscellaneous

H. Doors

D5-12LRE
With Sliding Rear Doors
(Back View)



Section III. Miscellaneous (continued)

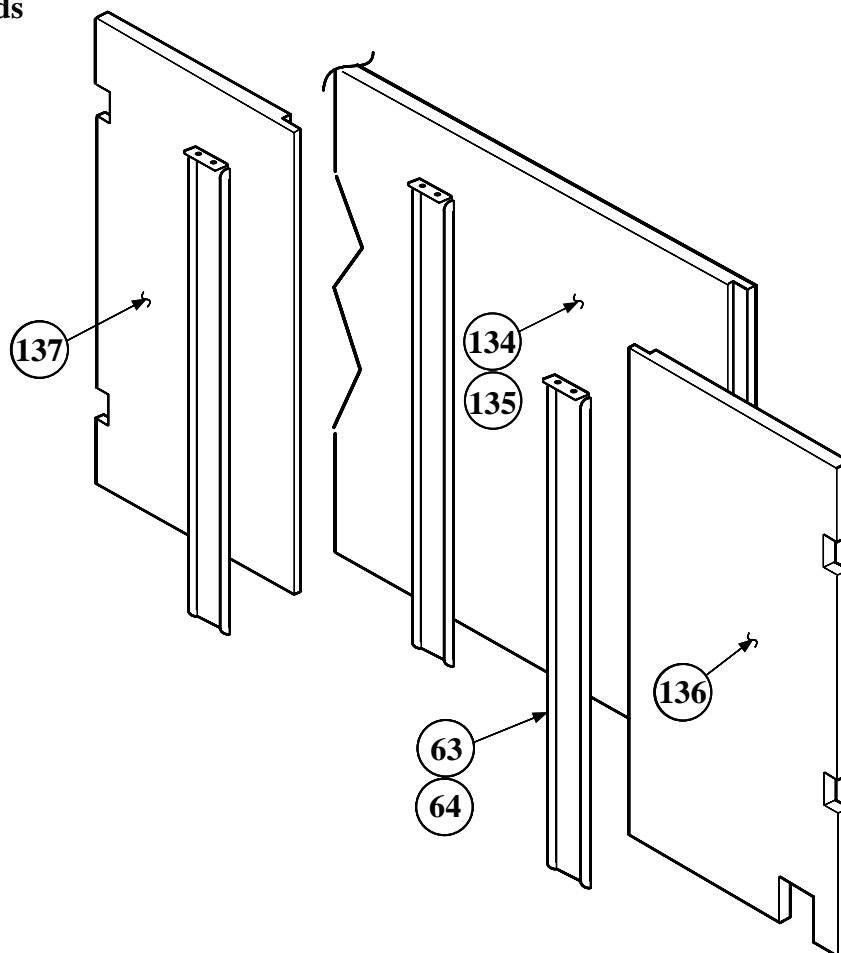
H. Doors	*4 ft / 6 ft	Part Number		Nomenclature
		8 ft	12 ft	
Door Module		0376655	0376656	D
102. Door Assembly - L.H. Interior		0377441	Same	D
Door - L.H./R.H. Interior		0377457	Same	D
103. Door Assembly - Center. Interior		0377443	Same	D
Door - Center. Interior		0377458	Same	D
104. Door Assembly - R.H. Interior		0377442	Same	D
Door - L.H./R.H. Interior		0377457	Same	D
105. Door Assembly - L.H. Exterior		0377444	Same	D
Door - L.H./R.H. Exterior		0377459	Same	D
106. Door Assembly - Center. Exterior		0377446	Same	D
Door - Center. Exterior		0377460	Same	D
107. Door Assembly - R.H. Exterior		0377445	Same	D
Door - L.H./R.H. Exterior		0377459	Same	D
108. Vertical Door Frame		0377447	Same	D
109. Door Handle		0377464	Same	D
110. Door Joining Bracket		0377461	Same	D
111. Door Frame Brace		0377448	Same	D
112. Top Door Track		0377450	Same	D
113. Bottom Door Track		0377449	Same	D
114. Bottom Door Glide		0377456	Same	D
115. Roller Bearing		0377455	Same	D
H. Reach-In Doors		2 Door	3 Door	
116. Door Module		0386840	0386841	RM
Door Module		0387044	0387045	RL
117. Door (Anthony 101)		0386982	Same	RL
118. Door Frame (Anthony 101)		0386958	0386959	RL
		4 Door	5 Door	
119. Door Module		0386842	0386843	RM
Door Module		0387046	0387047	RL
120. Door (Anthony 101)		0386982	Same	RL
121. Door Frame (Anthony 101)		0386960	0386961	RL

IMPACT Merchandisers

Replacement Parts Book

Section III. Miscellaneous

K. Insulation Boards



LW, LWG -8 & 12, LWU, LWUG -90 & 138

Section III. Miscellaneous (continued)

	*4 ft / 6 ft	Part Number		Nomenclature
		8 ft	12 ft	
I. Plenums				
122. Plenum - 1 Fans		0378554	Same	M1,M3,P1,P2,D, M2,C2
123. Plenum - 2 Fans		0376556	Same	M4,M5,P4,
Plenum - 2 Fans		0378553	Same	D6
124. Plenum - 1 Fans - 6 ft	0376859	_____	_____	WIP,MW
125. Plenum - 1 Fans - End	0378308	_____	_____	WIP
126. Plenum - 1 Fan	0394005	0394005	Same	IsFF
127. Plenum - 2 Fan 2 & 3 Door		0386929	0386930	RI
Plenum - 2 Fan 2 & 3 Door		0387173	0387174	RI
Plenum - 2 Fan 4 & 5 Door		0386931	0386932	RI
Plenum - 2 Fan 4 & 5 Door		0387175	0387176	RI
J. Pans				
128. Display Pan		0376559	Same	M,P,C2
Display Pan		0348981	Same	D
Display Pan		0383962	Same	D6
Display Pan	0329537	Same	Same	MW
Display Pan	0392432	0392432	Same	L,LG,LN,LWE
Display Pan		0392429	Same	LI,LIG
Display Pan		0392427	Same	LW,LWU
Display Pan		0392428	Same	LWU,LWUG
Display Pan (All Doors)		0347340	All	RI
129. Display Pan - L.H.		0392430	Same	LWU,LWUG
130. Display Pan - R.H.		0392431	Same	LWU,LWUG
K. Miscellaneous				
131. Leveling Shim (Not shown)		0376436	Same	All
132. Light Channel Cover		0378541	0378542	M,P,D,C2
133. Light Channel Cover - Glass	0378438	0378390	0378391	M,D,MW
134. Blue Board Insulation 38"		0397131	0397131	LW,LWUG-138,
135. Blue Board Insulation 29"		0397130	0397130	LWU,LWUG-90
136. Insulation L.H. End		0397127	0397127	LWU,LWUG,LWG
137. Insulation R.H. End		0397128	03971288	LWU,LWUG,LWG

IMPACT Merchandisers
Replacement Parts Book

**This Page
Blank**

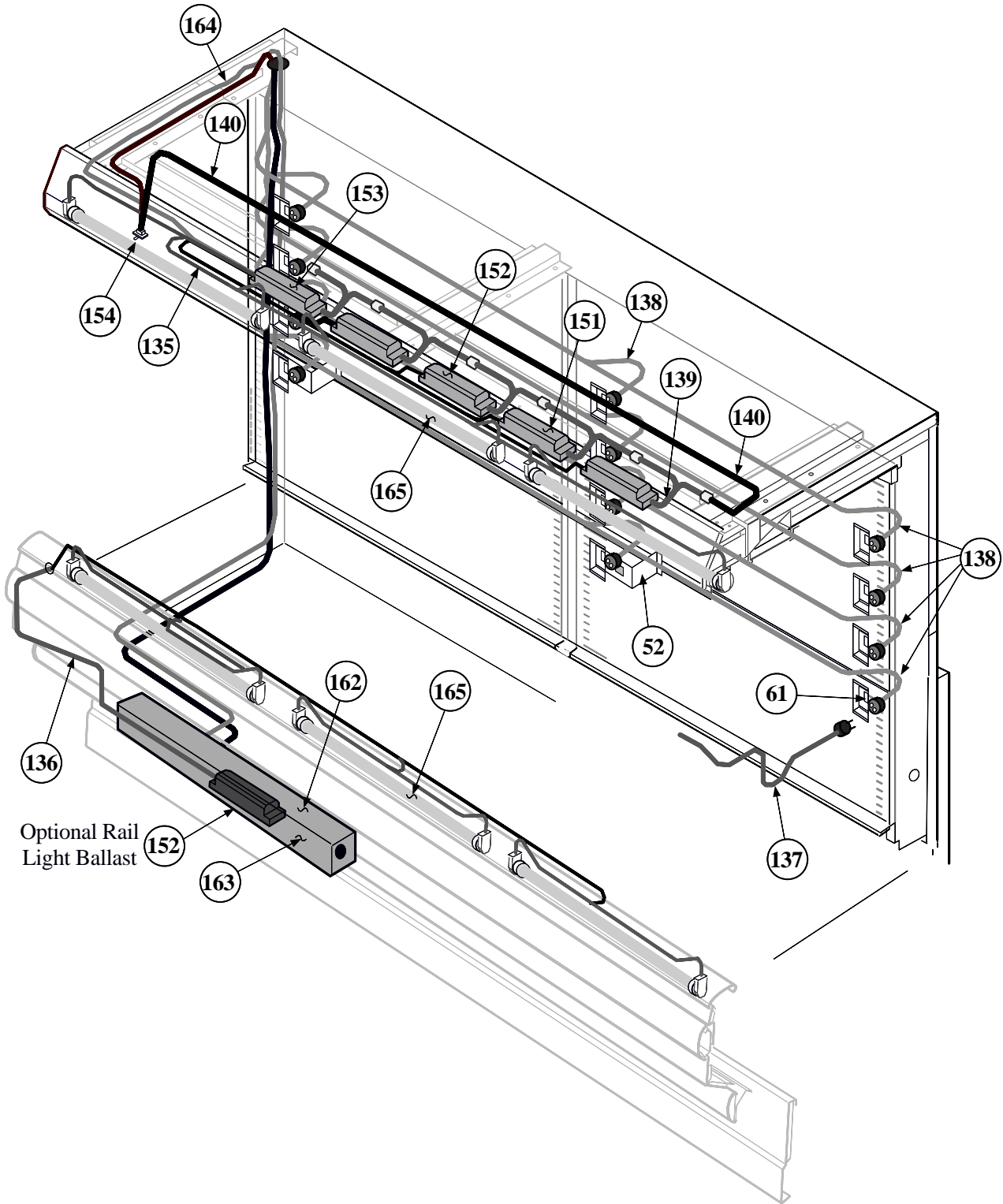
Section IV Electrical

IMPACT Merchandisers

Replacement Parts Book

Section IV. Electrical

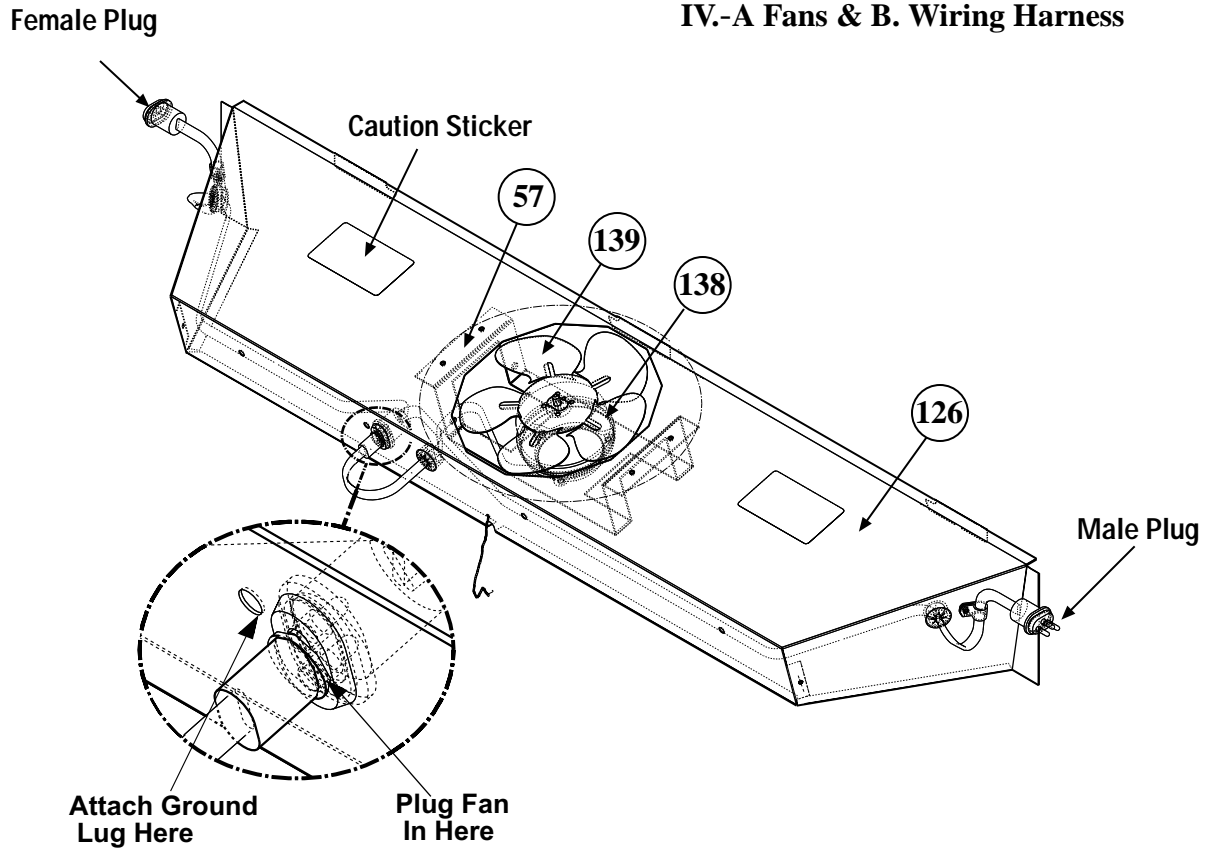
IV-B, C, & E Shown



Section IV. Electrical

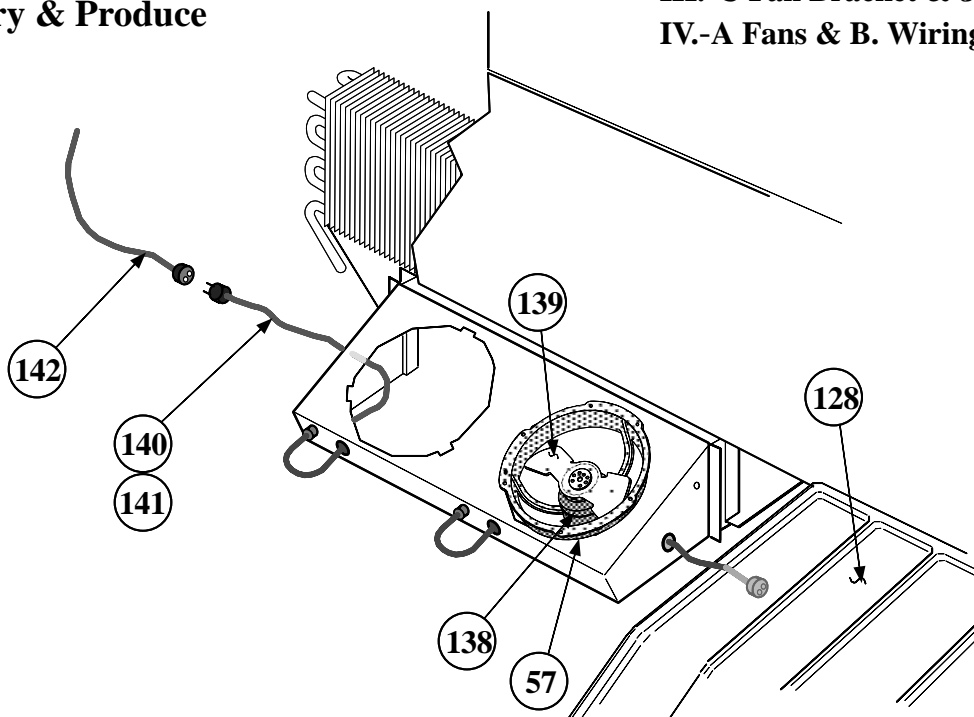
Wide Island Fans

III.-C Fan Bracket & J Display Pan
IV.-A Fans & B. Wiring Harness



Meat, Dairy & Produce

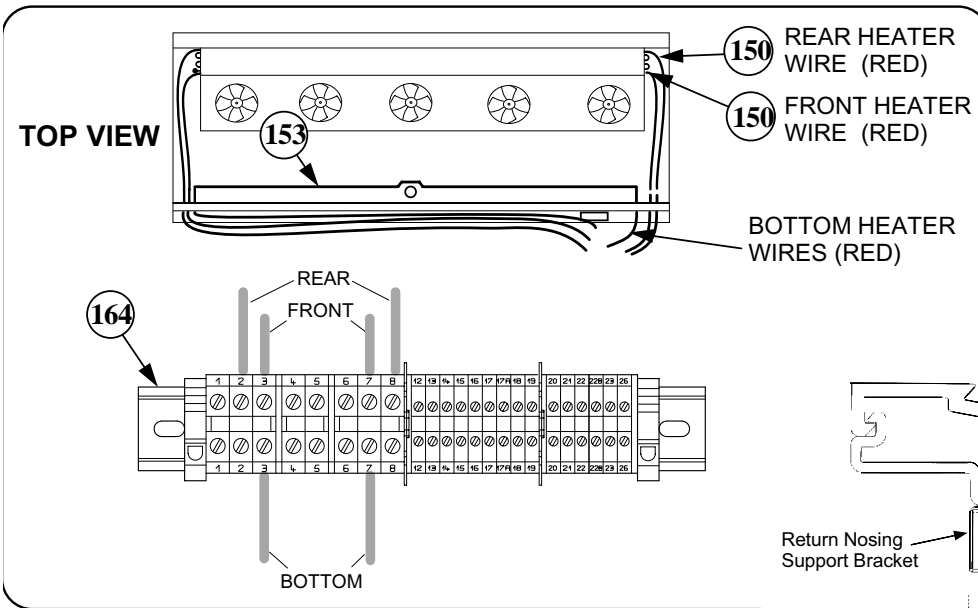
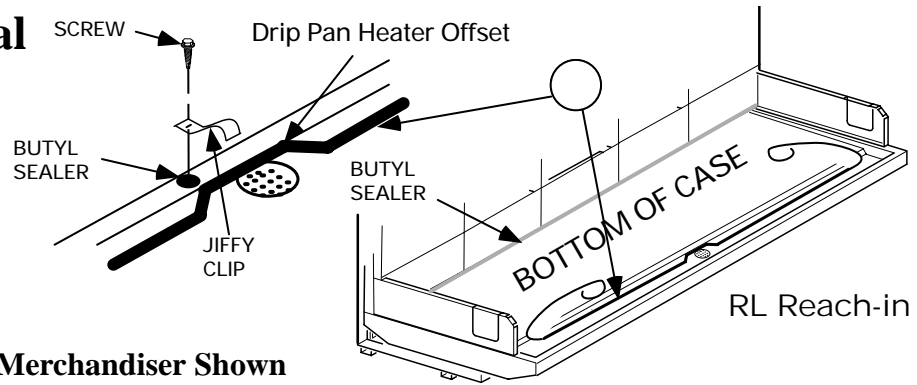
III.-C Fan Bracket & J Display Pan
IV.-A Fans & B. Wiring Harness



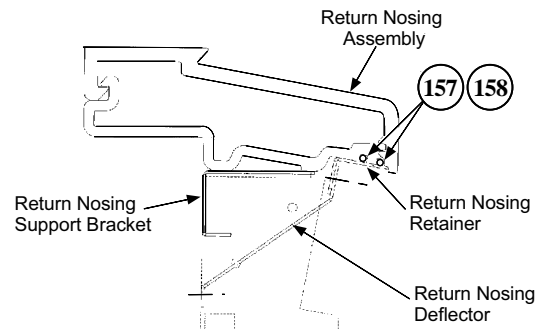
Replacement Parts Book

Section IV. Electrical

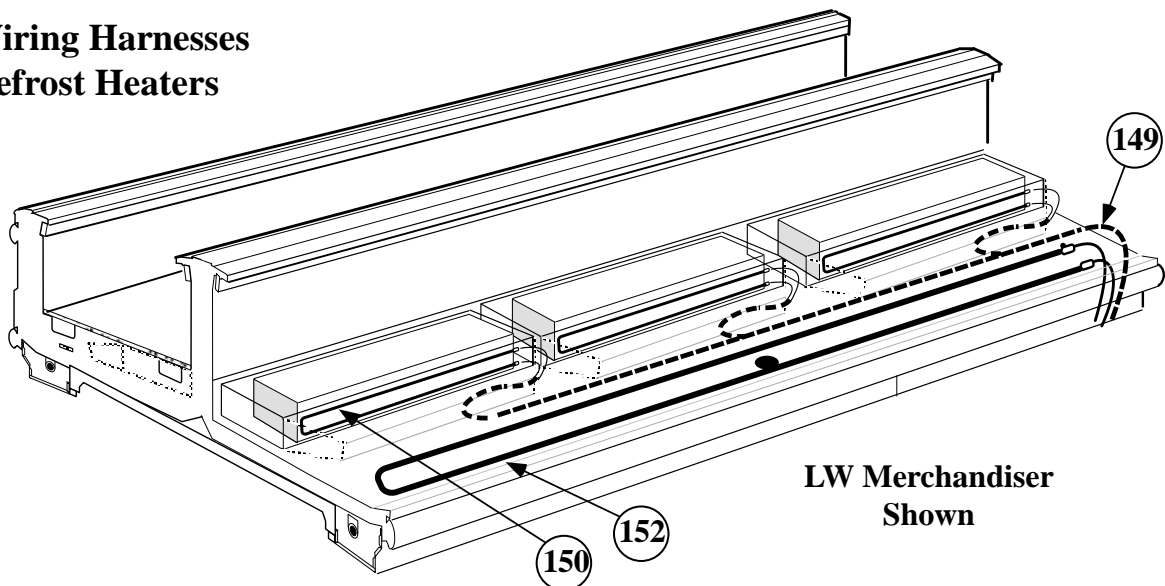
IV-C. Drip Pan Heaters



IV-C. Defrost Heaters
RL Merchandiser Shown



IV-B. Wiring Harnesses IV-C. Defrost Heaters



Replacement Parts Book

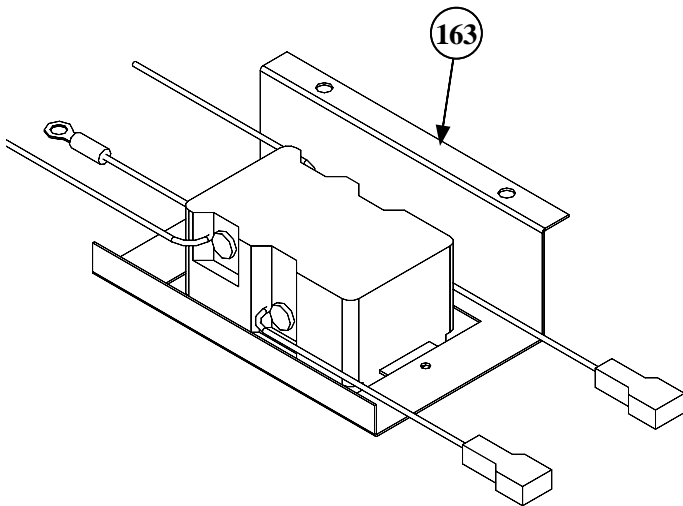
Section IV. Electrical

		Part Number			Nomenclature
		*4 ft / 6 ft	8 ft	12 ft	
A. Fans					
138. Fan Motor, 4W 115V CW50			0376414	Same	M1,P1
Fan Motor, 6W 115V CW50			0058698	Same	M2,P2,C2
Fan Motor, 9W 115V CW50			0047000	Same	M3,4,5,P4,D,RL
Fan Motor, 4W 115V CW50			0392457	Same	M1,IsFF,IsFFG
Fan Motor, 9W 115V CW50	0378349		Same	Same	MW
Fan Motor, 9W 115V CW50			0138119	All	RI
139. Fan Blade -10°			0376413	Same	M1,P1
embossing toward motor					
Fan Blade -10°			0142780	Same	M2,P2,C2
embossing toward motor					
Fan Blade -10°			0315470	Same	M3,4,5, P4,D,RI
embossing toward motor					
Fan Blade -20°/15°	0136260		0252116	Same	IsFF,IsFFG
embossing toward motor		20°	15°		
Fan Blade -10°			0141070	Same	MW
embossing toward motor					
Fan Blade -10°	0315470		—————	—————	MW
embossing toward motor					
B. Wiring Harnesses					
140. Single Modular Fan	0376609	0376609		Same	M1,M2,M3,P1,D, IsFF,MW,C2
141. Dual Modular Fan Wiring Harness		0376610		Same	M4,P4,MW,D6
142. Fan Wiring Harness	0376608	0376608		Same	M,P,D,IsFF,(G) MW,C2
Fan Wiring Harness (X-Large)		0392398		Same	LWU,LWUG
Fan Wiring Harness (2 & 3 Doors)		0331332	0331333		RL3&4
Fan Wiring Harness (3 & 4 Doors)		0331334	0331335		RL4&5
143. Light Channel Harness		0394422	0394421		M,P,D,C2
144. Rail Light Harness		0376615		Same	M,P,D
145. Shelf Light Harness		0378562		Same	M,P,D
146. Back Shelf Harness		0378563	0378564		M,P,D
Back Shelf Harness		0378565		Same	D5X
147. Ballast Jumper Harness		0376613		Same	M,P,D,C2
148. Ballast Feed Harness		0376614		Same	M,P,D,C2
149. Defrost Heater Harness		0392416	0392417		L,LL,LN,LW,(G)
Defrost Heater Harness	0392415	0392415		Same	LWU,LWE,(G)

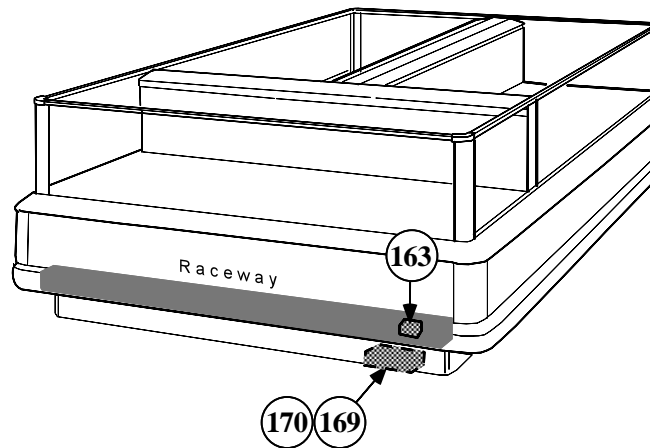
Replacement Parts Book

Section IV. Electrical

IV-E Switches



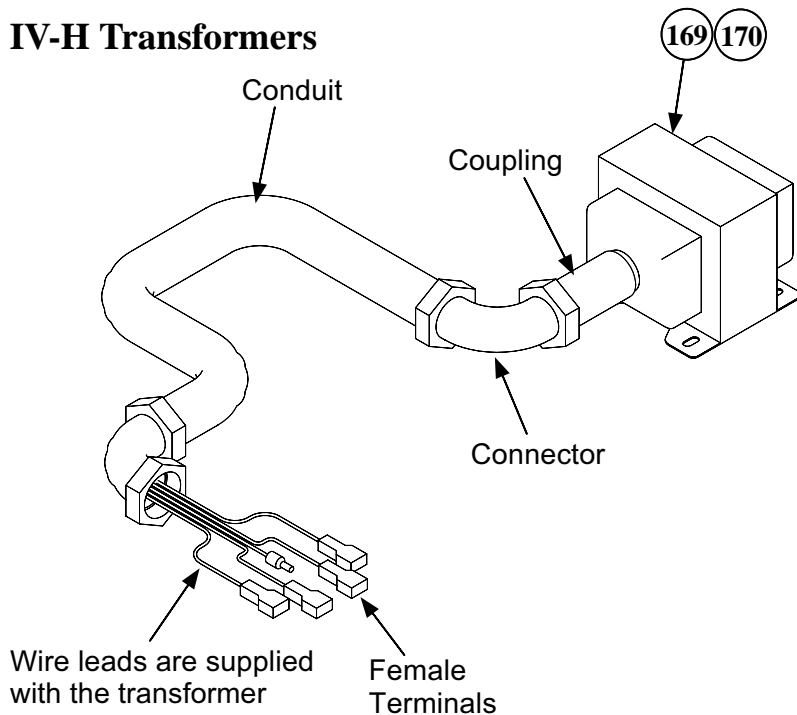
GFCI Switch Assembly Shown



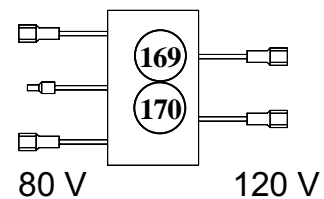
**Switch/Transformer
Location Drawing. - LWU Shown**

Section IV. Electrical

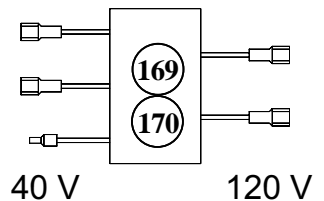
IV-H Transformers



Wide Island Transformer Assembly Shown



80 V 120 V
When 80V is desired
connect the terminals
as shown.



40 V 120 V
When 40V is desired
connect the terminals
as shown.

Replacement Parts Book

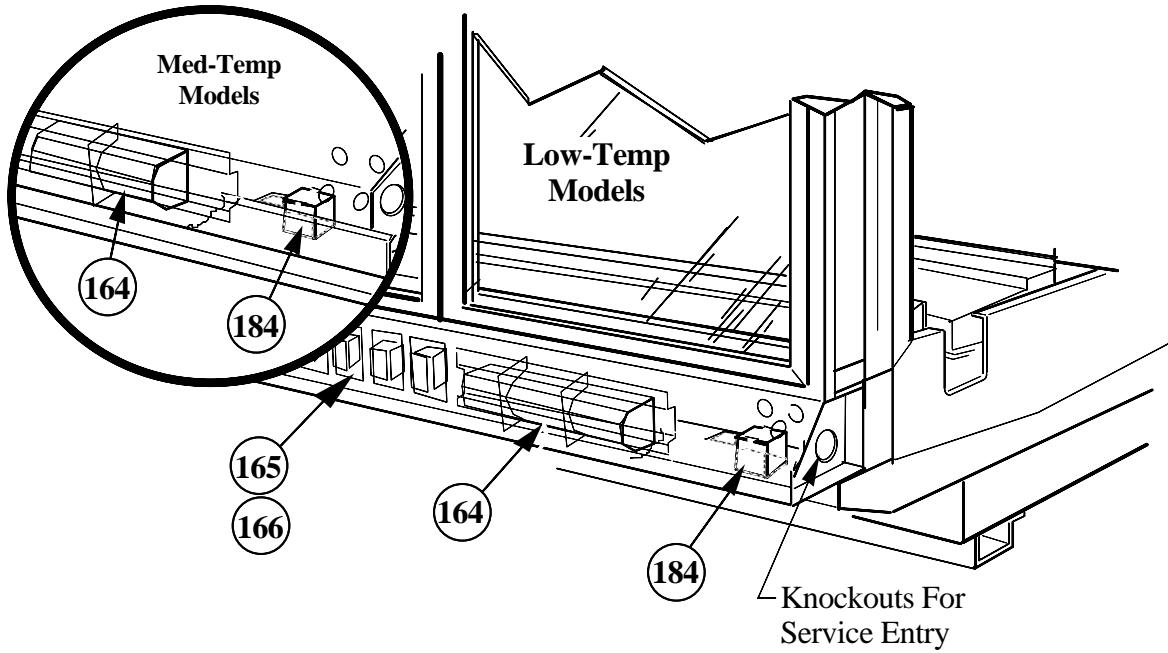
Section IV. Electrical (continued)

	Part Number			Nomenclature
	*4 ft / 6 ft	8 ft	12 ft	
C. Defrost Heaters				
150. Defrost Heater Module	0395709	0395709	Same	LWU, LI, LWE
Defrost Heater Module		0395710	Same	L, LN, LW, LWU
Defrost Heater, front & rear (2 & 3 Door)		0387032	0387033	RL
Defrost Heater, front & rear (4 & 5 Door)		0387034	0387035	RL
151. Perimeter Heaters		0395666	0395668	IsFFG
Perimeter Heaters		0395667	Same	LWUG
Perimeter Heaters	0395664	0395664	Same	LWUG, LWEG
Perimeter Heaters	0395662	————	————	LWEG
Perimeter Heaters		0395665	Same	LWUG
152. Drip Pan Heaters		0392412	0392414	LWU
Drip Pan Heaters	0392412	————	————	LWEG
Drip Pan Heaters		0392413	0392414	IsFF
153. Drip Pan Heaters (2 & 3 Door)		0387028	0387029	RL
Drip Pan Heaters (4 & 5 Door)		0387030	0387031	RL
154. Discharge Nosing Heater		0395703	0395704	LWUG, LWEG
155. Discharge Nosing Heater, 4 ft	0395701	————	————	LWUG, LWEG
156. Discharge Nosing Heater, 6 ft	0395702	————	————	LWUG, LWEG
157. Return Nosing Heater		0397146	0397147	IsFFG
158. Return Nosing Heater, 4 ft	0397145	————	————	IsFFG
D. Ballasts				
159. Electronic Ballasts - 2 lamp		0376409	————	M, P, D, C2
160. Electronic Ballasts - 3 lamp		————	0376410	M, P, D, C2
161. Electronic Ballasts - 4 lamp		0376411	Same	D5X
E. Switches				
162. Rocker Switch		0376412	Same	M, P, D, C2
163. GFCI Switch Assy.		0398585	Same	IsFFG
Switch		0398633	Same	IsFFG
Bracket		0398611	Same	IsFFG

Replacement Parts Book

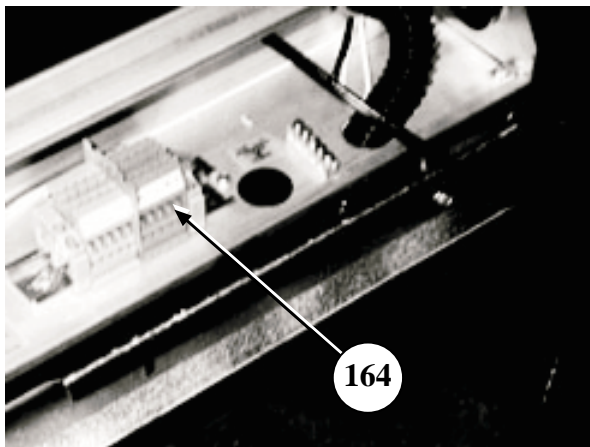
Section IV. Electrical

IV- G Shown



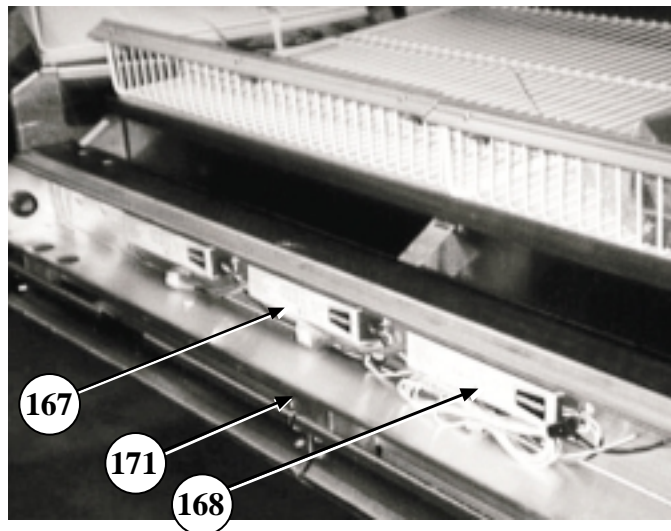
Section IV. Electrical

IV-F Shown



RL/RM Terminal Block Assembly

IV- G Shown



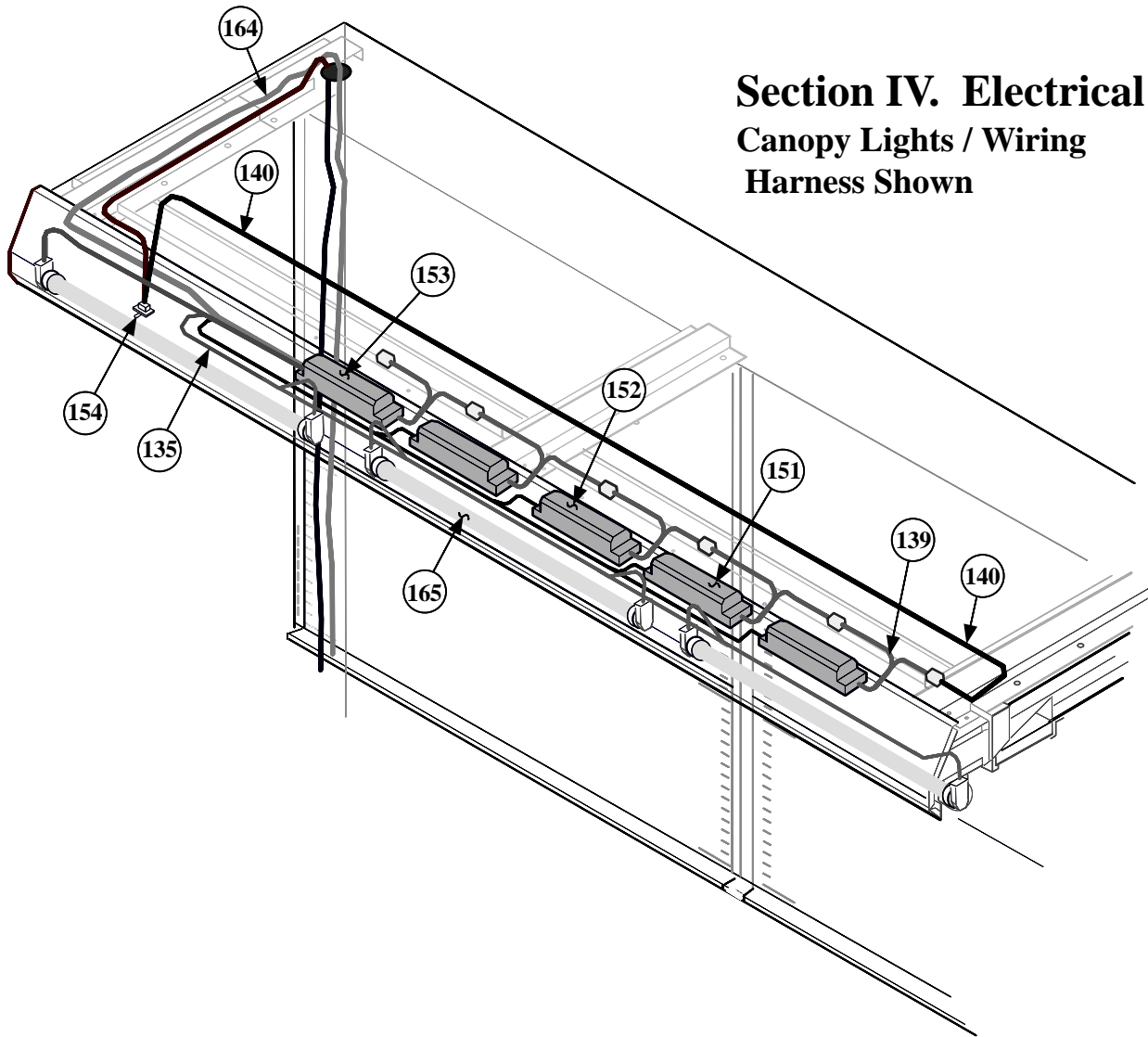
RL/RM Electrical Control Module

Replacement Parts Book

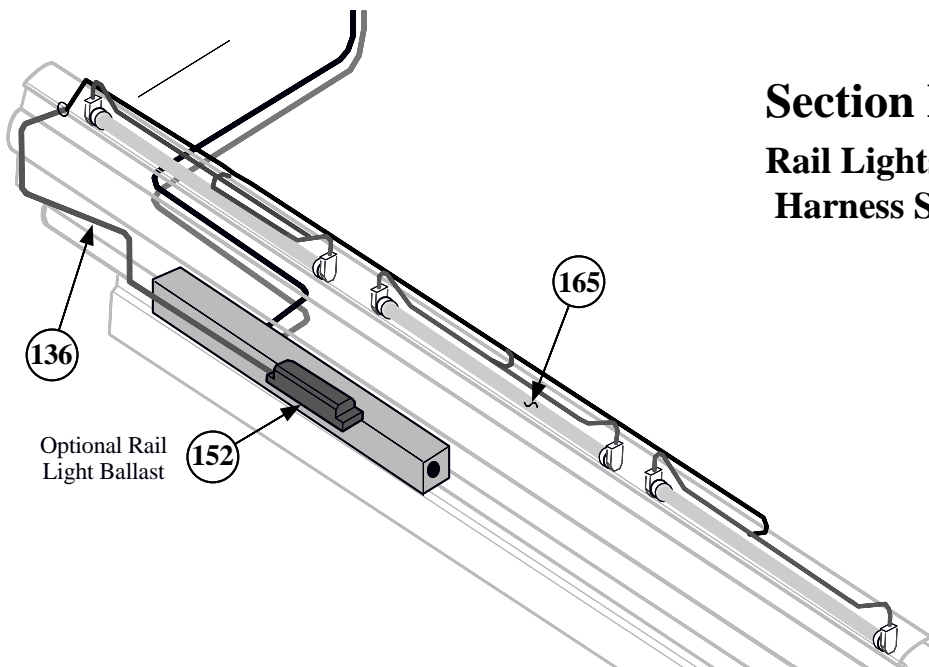
Section IV. Electrical (continued)

	Part Number		Nomenclature	
	*4 ft / 6 ft	8 ft	12 ft	
F. Terminal Block & Relays				
164. Terminal Block Assembly(2,3,4 & 5 Door)	0387088	0387088		RL
Terminal Block Assembly(2,3,4 & 5 Door)	0366205	0366205		RM
165. Relay - SPST NC 208V	0342599	0342599		RI
166. Relay - SPDT NC 120V	0342598	0342598		RI
G. Electrical Controls				
167. Electrical Control Module (2 & 3 Door)	0386852	0386853		RL
Electrical Control Module (2 & 3 Door)	0386918	0386919		RM
168. Electrical Control Module (4 & 5 Door)	0386854	0386855		RL
Electrical Control Module (4 & 5 Door)	0386920	0386921		RM
H. Transformers				
169. Transformer Assy. (180 VR)	0398587	Same		IsFFG
Transformer	0395675	Same		IsFFG
Female Terminals	0398592	Same		IsFFG
Conduit Coupling 1/2"	0398568	Same		IsFFG
Connector- PVC	0318229	Same		IsFFG
Conduit -10" PVC,	0365202	Same		IsFFG
170. Transformer Assy. (360 VR)	0398587	Same		IsFFG
Transformer	0395674	Same		IsFFG
Female Terminals	0398592	Same		IsFFG
Conduit Coupling 1/2"	0398568	Same		IsFFG
Connector- PVC	0318229	Same		IsFFG
Conduit -10" PVC,	0365202	Same		IsFFG
I. Raceway				
171. Raceway	0382051	0382051	Same	M,P,D,MW,C2
Raceway (Includes Glass cases)	0393564	0393564	Same	L,LI,LN,LWE(G)
Raceway		0393562	Same	LW,LWG
Raceway		0393563	Same	LWU,LWUG
Raceway Assembly (2 & 3 Door)		0386902	0386903	RL
Raceway Assembly (4 & 5 Door)		0386904	0386905	RL
172. Raceway Cover	0382052	0382052	Same	M,P,D,C2
Raceway Cover	0393567	0393567	Same	L,LI,LN
Raceway Cover		0393565	Same	LW,
Raceway Cover		0393566	Same	LWU,LWUG
173. Wiring Channel		0376379	Same	M,P,D

Replacement Parts Book



**Section IV. Electrical
Canopy Lights / Wiring
Harness Shown**



**Section IV. Electrical
Rail Lights / Wiring
Harness Shown**

Optional Rail
Light Ballast

Section IV. Electrical (continued)

J. Lamps

	Part Number			Nomenclature
	*4 ft / 6 ft	8 ft	12 ft	
174. Fluorescent Lamp (See selection below).				
Lamp Shield - 4 ft		0355396	Same	M,P, D
T8 End Cap		0394419	Same	M,P, D

Lamp Selection
(For Canopy, Rail Lights, & Lighted Shelves)

Description	Vendor Nomenclature	Kit Nomenclature	Hussmann Lamp Part Number
Philips			
Lamp, F32T8-TL730-RS PHIL	TL730	AC36	0380052
Lamp, F32T8-TL735-RS PHIL	TL735	AC37	0380053
Lamp, F32T8-TL741-RS PHIL	TL741	AC38	0380054
Lamp, F32T8-TL830-RS PHIL	TL830	AC39	0361398
Lamp, F32T8-TL835-RS PHIL	TL835	AC40	0361766
Lamp, F32T8-TL841-RS PHIL	TL841	AC41	0361443
Sylvania			
Lamp, FO32-730-RS SYL	730	AC42	0380023
Lamp, FO32-735-RS SYL	735	AC43	0380024
Lamp, FO32-741-RS SYL	741	AC44	0380025
Lamp, FO32-830-RS SYL	830	AC45	0380026
Lamp, FO32-835-RS SYL	835	AC46	0380027
Lamp, FO32-841-RS SYL	841	AC47	0380028

Note: Order the appropriate number and color of T8 lamps for the merchandiser. If the standard lighting assembly is retained, order (2) lamps for an 8 foot case and (3) lamps for a 12 foot case. If any of the optional lighting assemblies are ordered, multiply the number of rows per kit by the number of standard lamps.

IMPORTANT! In order to have lighted shelves, customer must have ordered a standard lighting assembly which has a "Back Shelf Wiring Harness" necessary for lighted shelves.

IMPACT Merchandisers
Replacement Parts Book

**This Page
Blank**

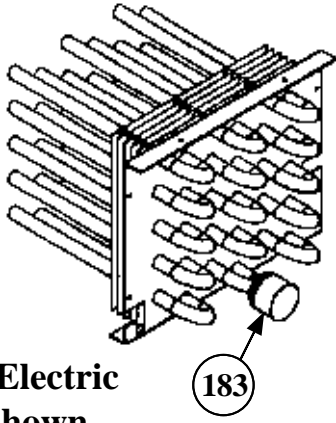


Section V
Refrigeration

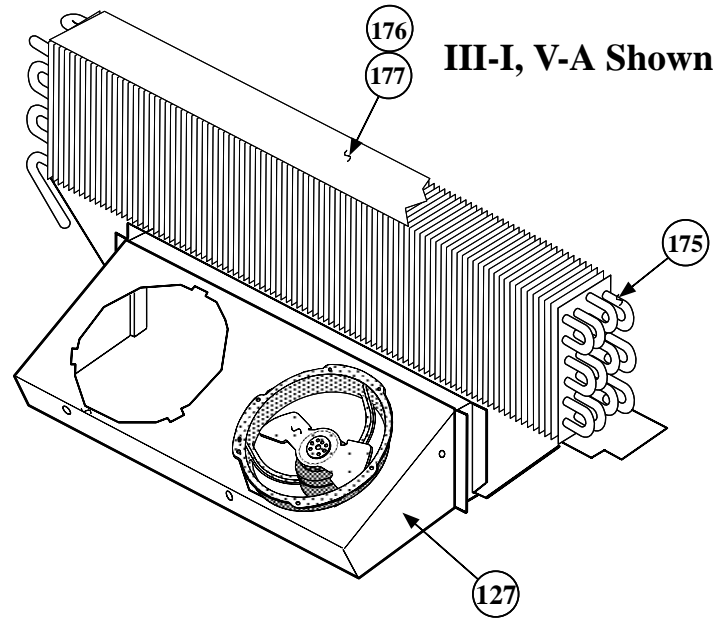
Replacement Parts Book

Section V. Refrigeration

V-A & B Shown



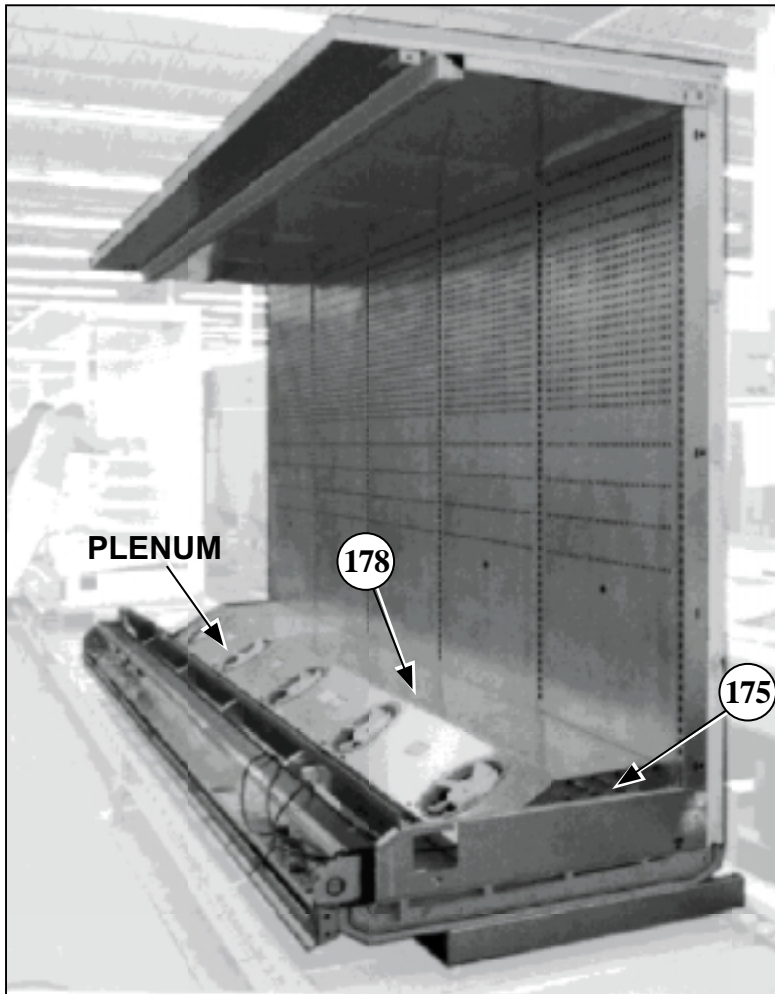
RL with Electric
Defrost Shown



III-I, V-A Shown

Section V. Refrigeration

III-I, V-A Shown



RL Plenum Shown

Section V. Refrigeration

A. Coils	Part Number			Nomenclature
	*4 ft / 6 ft	8 ft	12 ft	
175. Coil Assembly		0378109	Same	M1,P
Coil Assembly	0392390	0378110	Same	MW
Coil Assembly		0378111	Same	M2
Coil Assembly		0378112	Same	M3,4,D,C2
Coil Assembly		0378113	Same	M3&4E,M5,P4,D5E
Coil Assembly	0392390	0392390	Same	L,LL,LWU,LWE (G)
Coil Assembly		0392391	Same	IsFF (G)
Coil Assembly		0392389	Same	LIG
Coil Assembly - 2 & 3 Door		0386948	0386949	RI
Coil Assembly - 4 & 5 Door		0386950	0386951	RI
***Insulation Blank	***0376399	Same	Same	M,P, D

***Note: This item should be ordered with all replacement coil assemblies.

Coil Should Not be installed without it's use.

176. Coil Cover - L.H.		0378188	Same	M3,4,P4,D,C2
Coil Cover - L.H.		0378190	Same	M5,P4
Coil Cover - L.H.		0378192	Same	M1,P,
177. Coil Cover - R.H.		0378189	Same	M3,4,P4,D,C2
Coil Cover - R.H.		0378191	Same	M5,P4
Coil Cover - R.H.		0378193	Same	M1,P,
178. Coil Cover (All Doors)		0386924	Same	RI
Coil Cover (3 Door)		—————	0386925	RI
Coil Cover (4 & 5 Door)		0386926	0386927	RI
179. Coil Cover - Is.		0392404	Same	IsFF(G)
Coil Cover - Is.	0392407	0392407	Same	LWU,LI,LWE
Coil Cover - Is.	0388617	Same	Same	MW
180. Coil Cover - WI End	0378302	—————	—————	WIP
181. Coil Closure - L.H. 90		0400510	Same	LWU90 (G)
182. Coil Closure - R.H. 90		0400511	Same	LWU90 (G)

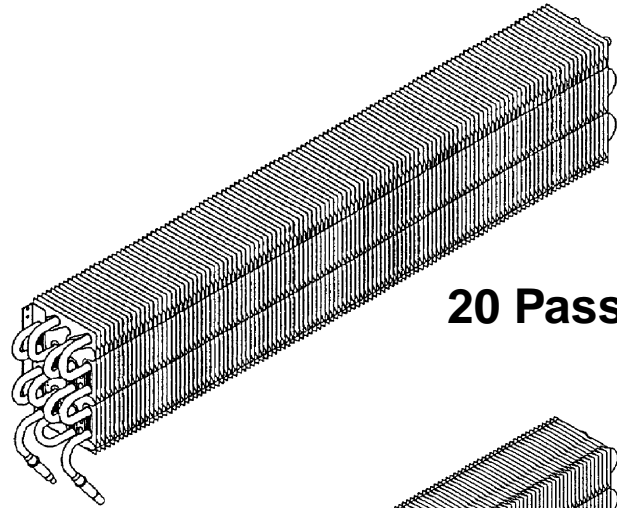
Coil Selection Guide

Case

Coil

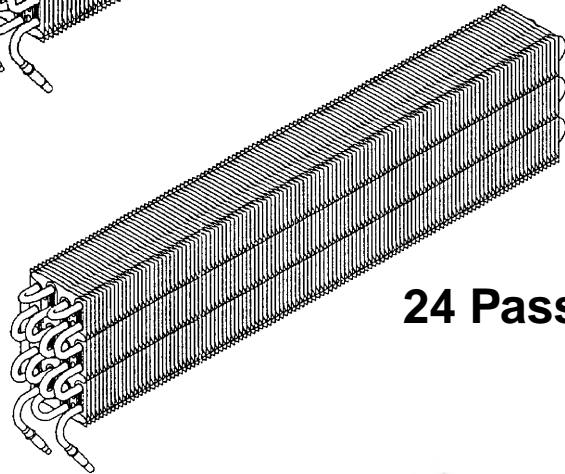
Part Number

M1	P1	0378109
P2		0378109
		0378109



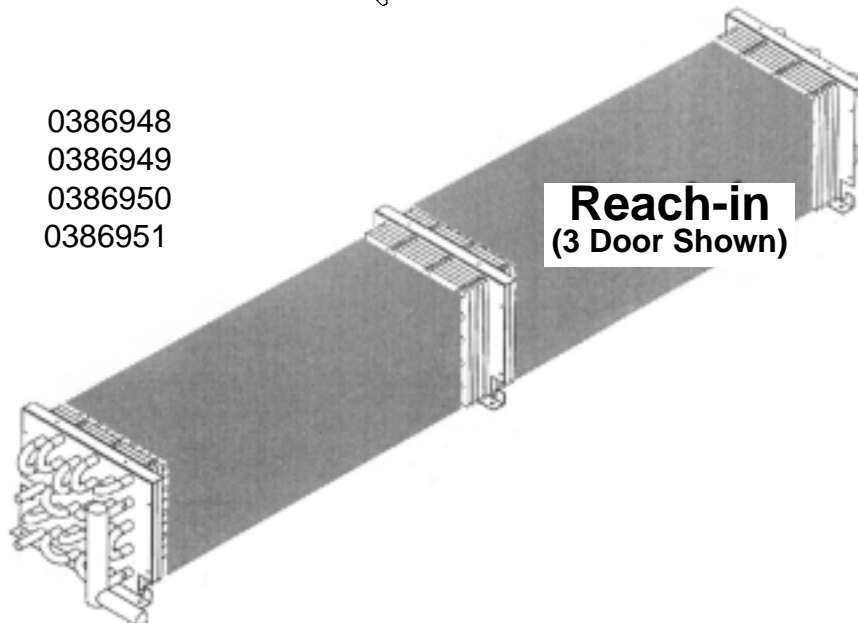
20 Pass

M1-E	P1-E	0378109
		0378109



24 Pass

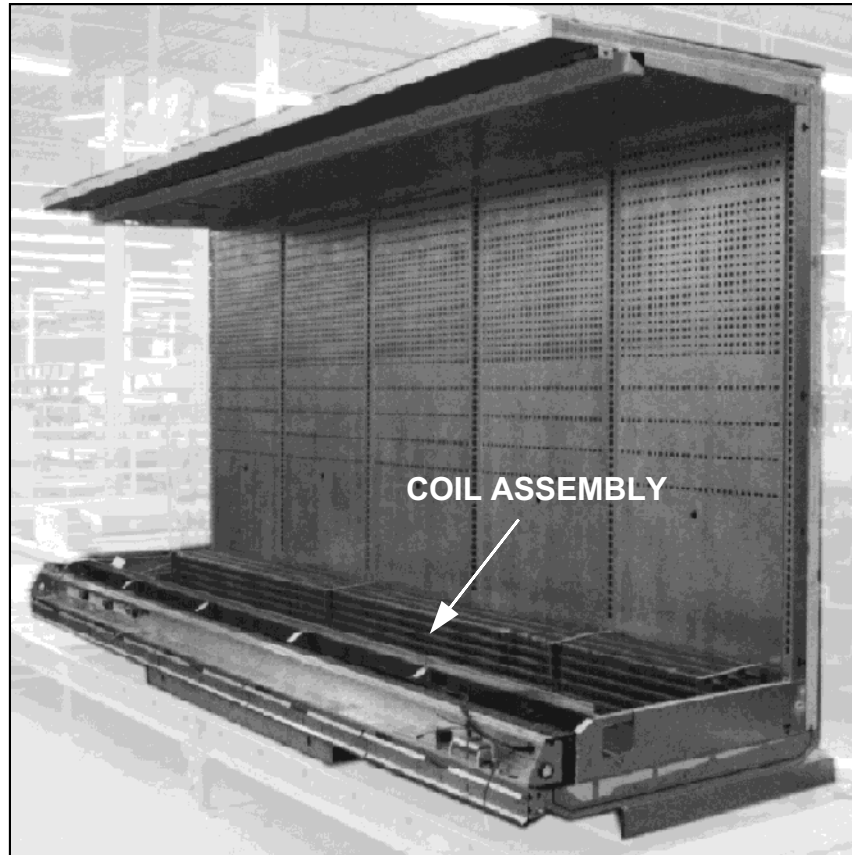
RM	RL	2 Door	0386948
RM	RL	3 Door	0386949
RM	RL	4 Door	0386950
RM	RL	5 Door	0386951



Reach-in
(3 Door Shown)

Section V. Refrigeration (continued)

	Part Number			Nomenclature
	*4 ft / 6 ft	8 ft	12 ft	
B. Thermostats				
183.. Thermostat -Disc type - Multi-deck	0311588	Same	M2,M3,4,5,P2,4, D,IsFF,C2,	
Thermostat -Disc type - Single-deck	0382028	Same	M1,P1	
Thermostat -Disc type - Reach-in's	0338130	Same	RI	
184. Defrost Termination Thermostat	0331798	Same	RI	
Temperature Termination Thermostat	0386938	Same	RL	
Heater Limit Thermostat	0344662	Same	RL	
C. Filters				
185. Liquid Filter	0378098	Same	M,P, D, IsFF,MW,C2	
D. Expansion Valves				
186. Universal Line Valve	0049385	Same	All	



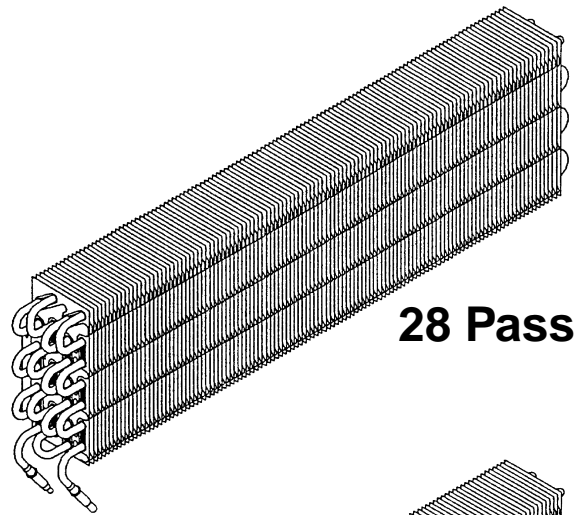
RL Coil Assembly Shown

Coil Selection Guide

Case

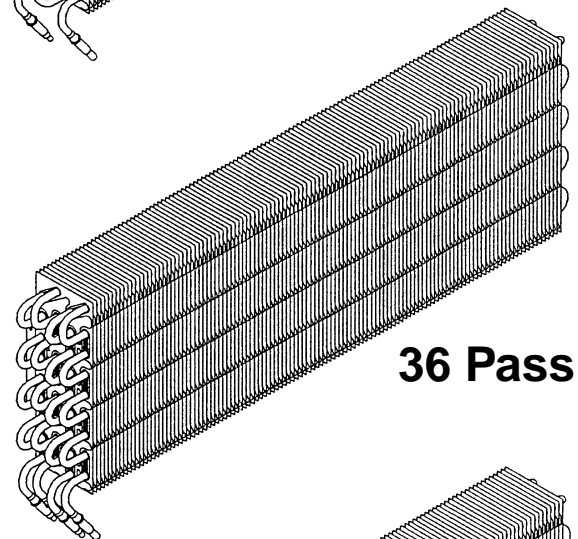
Coil

		Part Number
L	LG	0392391
LN		0392391
LW	LWG	0392391
LWU-90/138		0392391
LWU-90/138		0392391
M2	M2G	0378111



28 Pass

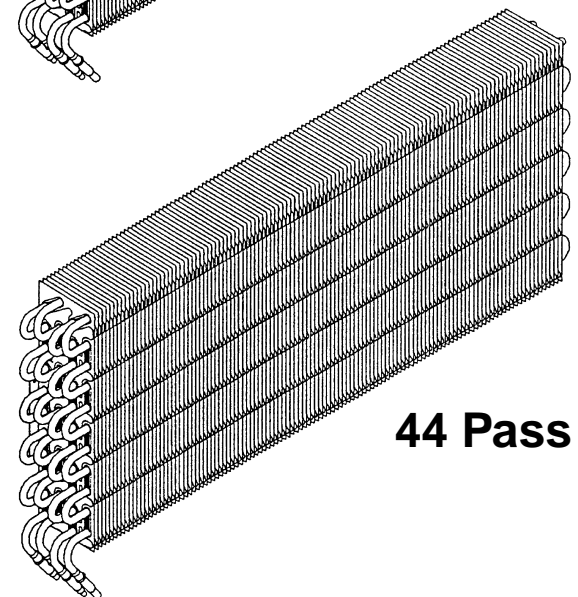
LI	LNG	0392390
LWE	LWEG	0392390
LWU-90/138 (END		0392390
LWU-90/138 COMP.)		0392390



36 Pass

C2-E	C2-EG	0378112
C2-LE	C2-LEG	0378112
D5L	D5H	0378112

M3-E	P4	D5-E	0378113
M4-E		D6-E	
M5		LIG	0392389



44 Pass

Coil Selection Guide

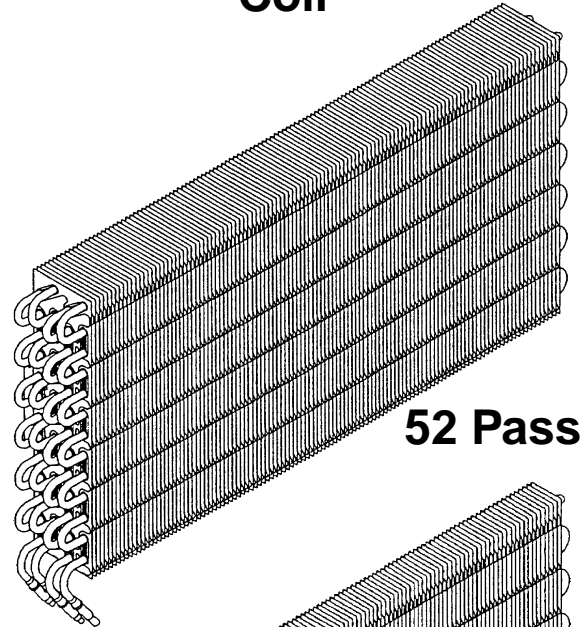
Case

Coil

Part Number

M5-E P4-E

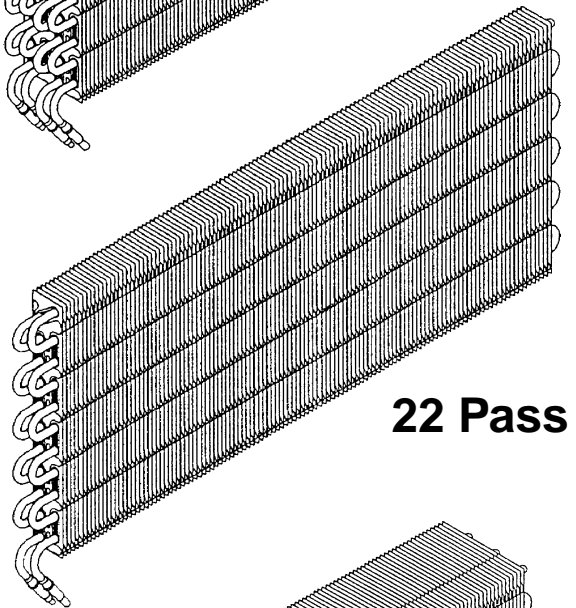
0378109



52 Pass

NF6E

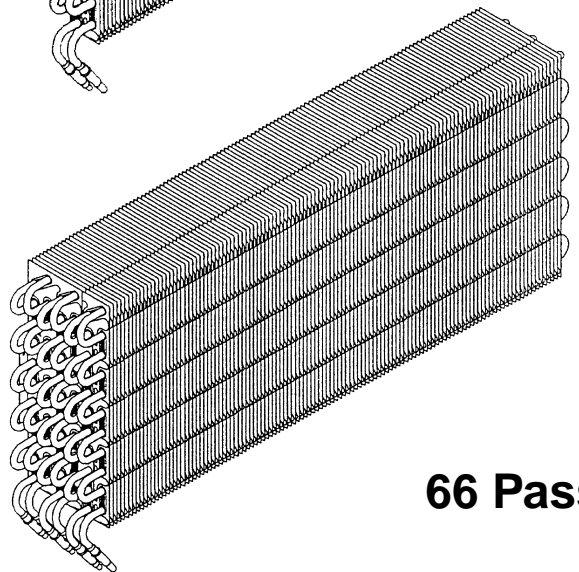
0378109



22 Pass

NF6E

0378109



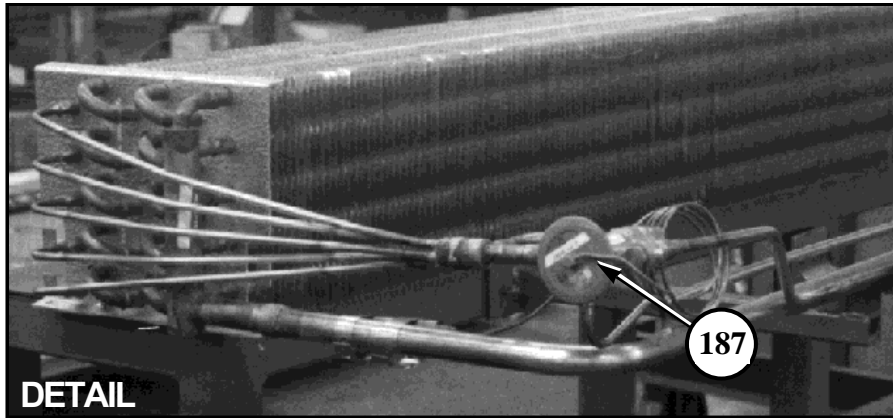
66 Pass

Replacement Parts Book

Section V. Refrigeration

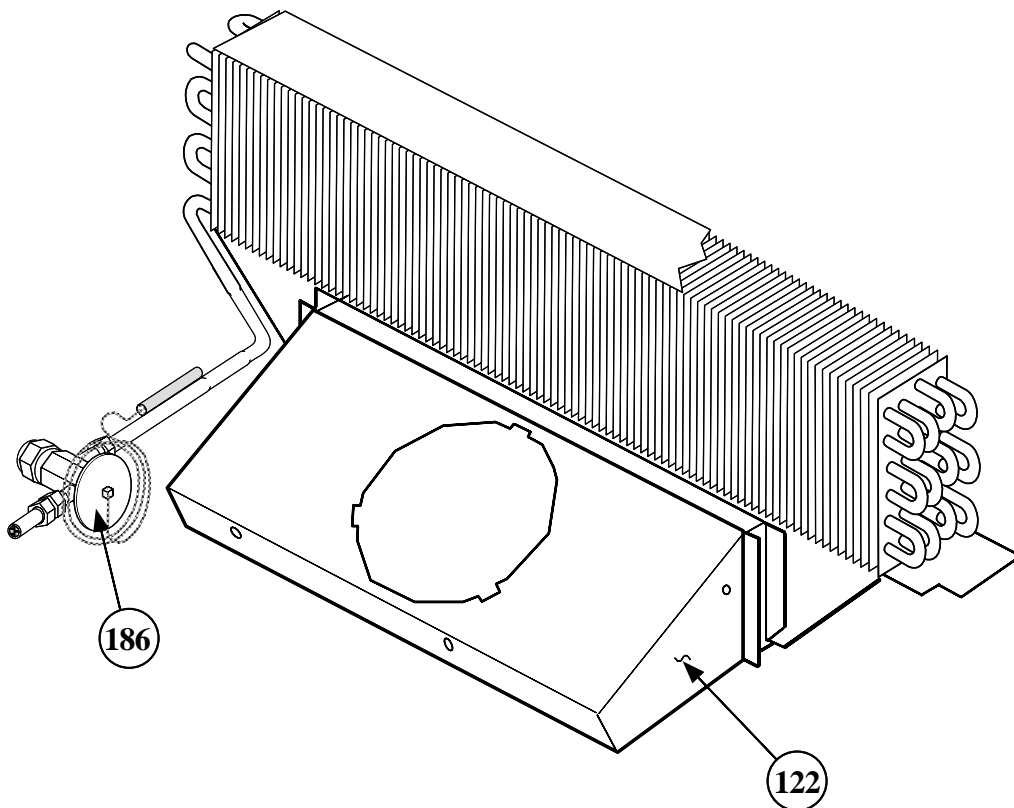
D. Expansion Valves

187. Expansion Valve - (See chart on next page for Hussmann part number)



RL Expansion Valve Shown

D. Expansion Valves



Section V. Refrigeration

Expansion Valve Replacement Chart

Case Application	Non-Adjustable Sporlan Valve	Hussmann Part Number	Non-Adjustable Alco Valve	Hussmann Part Number	Adjustable Sporlan Valve	Adjustable Alco Valve
	R 22				(No Hussmann Part number)	(No Hussmann Part number)
M1,M1G,M1E,P1,P1E	Y1150-1/5-VC	380625	ANE-1/4 HC	401301	FVE-1/5C	AAE-1/4 HC
M3,M3G,M3E,M3GE	BIVE-1/2C	378140	ANE-1/2 HC	400585	FVE-1/2C	AAE-1/2 HC
M4,M4G,M5,M5G,P4,P4E	BIVE-1/2C	378141	ANE-1/2 HC	400586	FVE-1/2C	AAE-1/2 HC
C2,C2E,C2GE,P2,P2E	BIVE-1/4C	378139	ANE-1/4 HC	400587	FVE-1/4C	AAE-1/4 HC
D5L,D5,D5G,D5H,D5LR,D5E	BIVE-1/2C	378142	ANE-1/2 HC	400588	FVE-1/2C	AAE-1/2 HC
D5HR,D5RE,D6,D6G,D6E	BIVE-1/2C	378142	ANE-1/2 HC	400588	FVE-1/2C	AAE-1/2 HC
MW,MWE,PW,PWE	BIVE-1/4C	387493			FVE-1/4C	AAE-1/4 HC
L,LI,LN,LW	Y1150-1/5-FV Z	395181			FV-1/5Z	AA-1/4 HZ
	R 404A					
M1,M1G,M1E,P1,P1E	Y1150-1/6-SC	380626	ANE-1/4 SC	401311	FSE-1/6C	AAE-1/4 SC
M3,M3G,M3E,M3GE	BISE-1/2C	380056	ANE-1/2 SC	400590	FSE-1/2C	AAE-1/2 SC
M4,M4G,M5,M5G,P4,P4E	BISE-1/2C	380057	ANE-1/2 SC	400591	FSE-1/2C	AAE-1/2 SC
C2,C2E,C2GE,P2,P2E	BISE-1/4C	380058	ANE-1/4 SC	400592	FSE-1/4C	AAE-1/4 SC
D5L,D5,D5G,D5H,D5LR,D5E	BISE-1/2C	380059	ANE-1/2 SC	400593	FSE-1/2C	AAE-1/2 SC
D5HR,D5RE,D6,D6G,D6E	BISE-1/2C	380059	ANE-1/2 SC	400593	FSE-1/2C	AAE-1/2 SC
MW,MWE,PW,PWE	BISE-1/4C	387496			FSE-1/4C	AAE-1/4 SC
L,LI,LN,LW	BIS-1/4 Z	400272			FS-1/4 Z	AA-1/4 SZ
	R 134A					
M1,M1G,M1E,P1,P1E	Y1150-1/6- JC	380627			FJE-1/6C	AAE-1/4 MC
M3,M3G,M3E,M3GE	BIJE-1/2C	380061			FJE-1/2C	AAE-1/2 MC
M4,M4G,M5,M5G,P4,P4E	BIJE-1/2C	380062			FJE-1/2C	AAE-1/2 MC
C2,C2E,C2GE,P2,P2E	BIJE-1/4C	380063			FJE-1/4C	AAE-1/4 MC
D5L,D5,D5G,D5H,D5LR,D5E	BIJE-1/2C	380064			FJE-1/2C	AAE-1/2 MC
D5HR,D5RE,D6,D6G,D6E	BIJE-1/2C	380064			FJE-1/2C	AAE-1/2 MC
MW,MWE,PW,PWE	BIJE-1/4C	387470			FJE-1/4C	AAE-1/4 MC
	R 507, R 402A					
M1,M1G,M1E,P1,P1E	Y1150-1/6-PC	380629	ANE-1/4 PC	389481	FPE-1/6C	AAE-1/4 PC
M3,M3G,M3E,M3GE	BIPE-1/2C	380071	ANE-1/2 PC	389484	FPE-1/2C	AAE-1/2 PC
M4,M4G,M5,M5G,P4,P4E	BIPE-1/2C	380072	ANE-1/2 PC	389482	FPE-1/2C	AAE-1/2 PC
C2,C2E,C2GE,P2,P2E	BIPE-1/4C	380073	ANE-1/4 PC	389483	FPE-1/4C	AAE-1/4 PC
D5L,D5,D5G,D5H,D5LR,D5E	BIPE-1/2C	380072	ANE-1/2 PC	389482	FPE-1/2C	AAE-1/2 PC
D5HR,D5RE,D6,D6G,D6E	BIPE-1/2C	380072	ANE-1/2 PC	389482	FPE-1/2C	AAE-1/2 PC
MW,MWE,PW,PWE	BIPE-1/4C	387495			FPE-1/4C	AAE-1/4 PC
L,LI,LN,LW	BIP-1/4 Z	400274			FP-1/4 Z	AA-1/4 PZ
	R 401A					
M1,M1G,M1E,P1,P1E	Y1150-1/6-XC	380635			FXE-1/5C	AAE-1/4 XC
M3,M3G,M3E,M3GE	BIXE-1/2C	380529			FXE-1/2C	AAE-1/2 XC
M4,M4G,M5,M5G,P4,P4E	BIXE-1/2C	380530			FXE-1/2C	AAE-1/2 XC
C2,C2E,C2GE,P2,P2E	BIXE-1/4C	380531			FXE-1/4C	AAE-1/4 XC
D5L,D5,D5G,D5H,D5LR,D5E	BIXE-1/2C	380532			FXE-1/2C	AAE-1/2XC
D5HR,D5RE,D6,D6G,D6E	BIXE-1/2C	380532			FXE-1/2C	AAE-1/2 XC
MW,MWE,PW,PWE	BIXE-1/4C	387492			FXE-1/4C	AAE-1/4 XC
L,LI,LN,LW					FX-1/4 Z	AA-1/4 XZ

NOTE:

F - body valves, shown above in last two columns , are not pre-set, and will require adjustment if used as replacement valves on **IMPACT** merchandisers. To receive a pre-set valve that does not require adjustment, order by Hussmann part number shown above in second column.

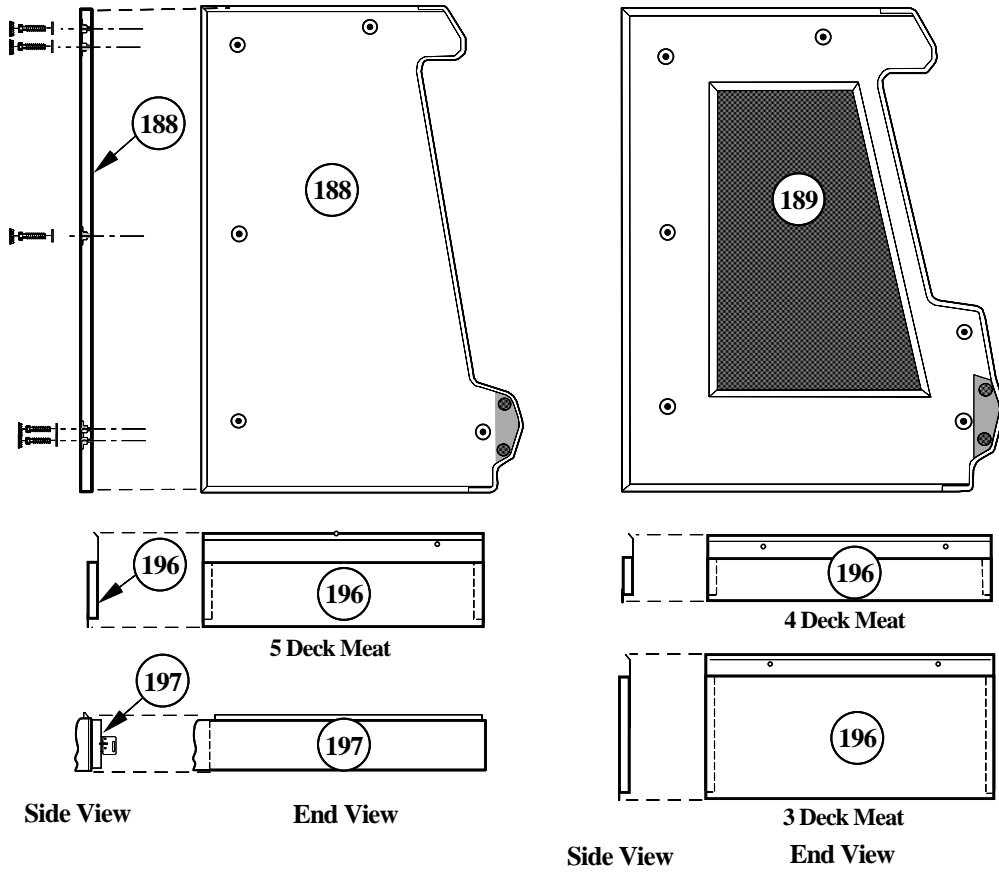
IMPACT Merchandisers
Replacement Parts Book

**This Page
Blank**

A large, light gray rectangular box with a thick border, centered on the page. Inside the box, the text "Section VI" and "Kits" is displayed in a large, bold, black serif font, stacked vertically.

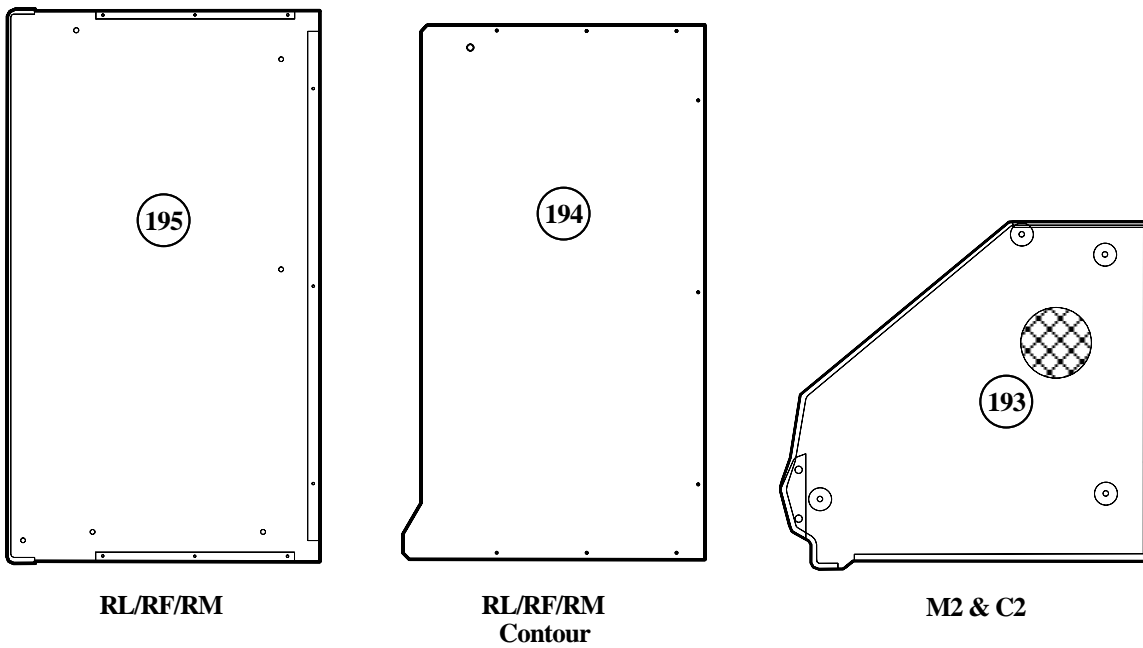
Section VI
Kits

Replacement Parts Book



Section VI. Kits

A. End Kit



Replacement Parts Book

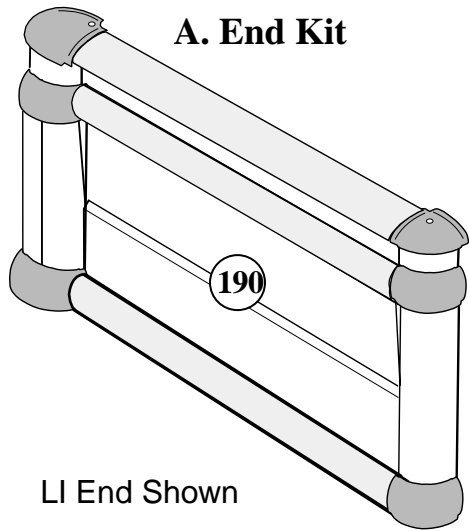
Section VI. Kits

A. Ends (Contoured)

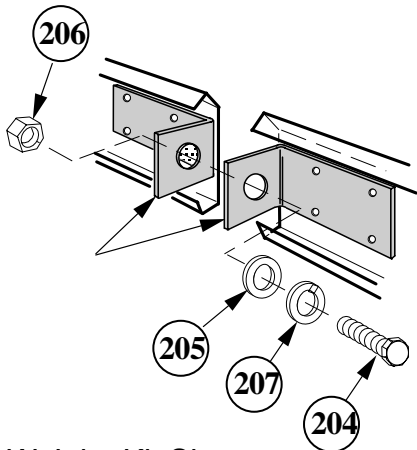
	Kit Nomenclature Number		Nomenclature
	L.H. End	R.H. End	
188. End Assembly - Contoured	AB88	AB89	M1,P1
End Assembly "	AB90	AB91	M1G
End Assembly "	AC14	AC15	M3,P2
End Assembly "	AC16	AC17	M3G
End Assembly "	AB96	AB97	M4
End Assembly "	AC18	AC19	M4G
End Assembly "	AC20	AC21	M5
End Assembly "	AC22	AC23	M5G
End Assembly "	AC24	AC25	P4
End Assembly "	AC26	AC27	D5L
End Assembly "	AC28	AC29	D5
End Assembly "	AC48	AC49	D5G
End Assembly "	AC50	AC51	D5H
End Assembly "	AC52	AC53	D6L
189. End Assembly - Contour w/Mirror	AB92	AB93	M3,P2
End Assembly "	AD12	AD13	M3G
End Assembly "	AC00	AC01	M5
End Assembly "	AD18	AD19	M5G
End Assembly "	AD20	AD21	P4
End Assembly "	AD30	AD31	D6L
End Assembly "	AD32	AD33	D6
End Assembly "	AG97	AG98	D5L
End Assembly - Rectangular (Not Shown)	AB94	AB95	M3,P2
End Assembly "	AB98	AB99	M4
End Assembly "	AC02	AC03	M5
End Assembly "	AD34	AD35	P4
End Assembly "	AD36	AD37	D5L
End Assembly "	AD94	AD95	D5,D5G
	L.H. End	R.H. End	Wide Island
190. End Assembly - Contour	BH30	BH31	L
End Assembly "	BH29	BH29	LN
End Assembly "(Glass)	BW81	BW81	LNG
End Assembly "	BH32	BH32	LI
End Assembly "(Glass)	BR96	BR96	LIG
End Assembly "	BH33	BH33	LW
End Assembly "(Glass)	BR95	BR95	LWG

Replacement Parts Book

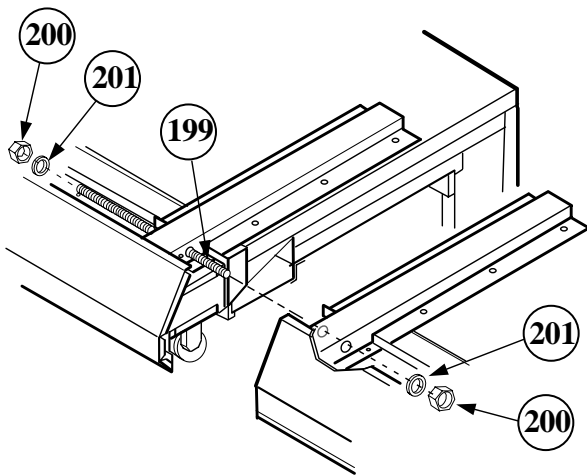
Section VI. Kits



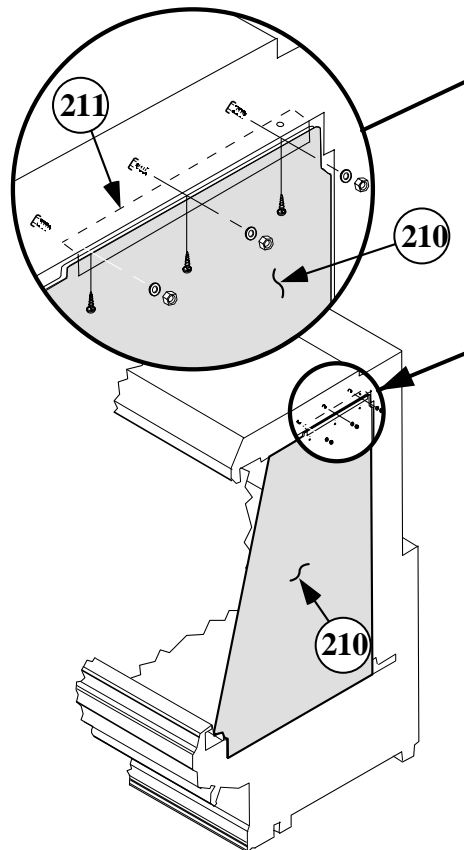
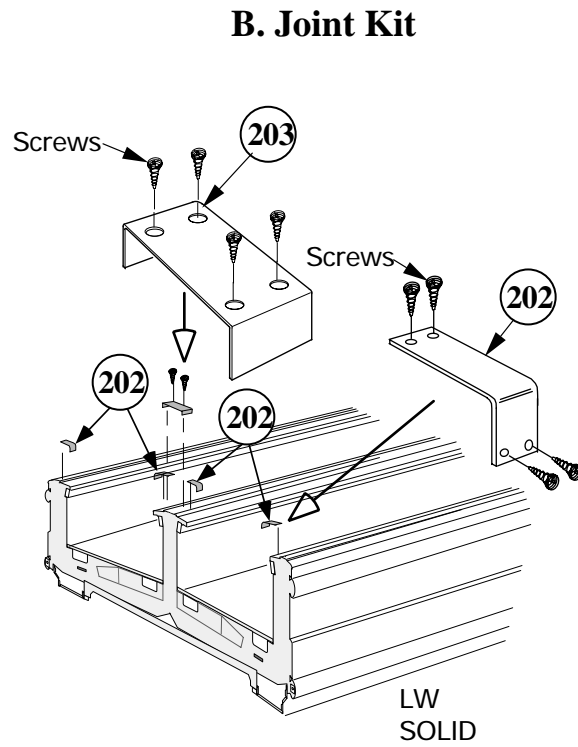
LI End Shown



LW Joint Kit Shown



Multi-Deck Joint Kit Shown



Section VI. Kits

A. Ends (Contoured)

		Kit Nomenclature Number		Nomenclature
		L.H. End	R.H. End	
	End Assembly "(Glass)TXTRD	BT40	BT40	LWG
	End Assembly "	AG97	AG98	LWU-90
	End Assembly "	AG97	AG98	LWU-138
191.	End Assembly - Flat	BH27	BH27	MWG
	End Assembly "	AG76	AG76	PW
	End Assembly "	AG76	AG76	LWG
192.	End Assembly - Flat O/C Interior	BT62	BT63	L
	End Assembly "	BT88	BT89	LG
	End Assembly "	BT57	BT57	LWG
	End Assembly "	BT98	BT98	LNG
193.	End Assembly-Stainless Steel Interior	BM47	BM48	C2LG
	End Assembly "	BM51	BM52	C2L
	End Assembly "	BV73	BV74	C2XL
	End Assembly "	BV77	BV78	C2XLG
		L.H. End	R.H. End	Reach-in
194.	End Assembly - Contour w/white Int.	BF61	BF62	RM,RL
	End Assembly "(Glass)	BP97	BP98	RM,RL
195.	End Assembly-Rectangular (Not Shown)	BF65	BF66	RM,RL

Not Listed: Interior, optional color, and stainless steel, end assemblies (Excluding Wide Island & Deli cases). Order the correct kit nomenclature for the required color and finish, from the ***IMPACT*** Price List No.6000 or your Husmann Service Representative.

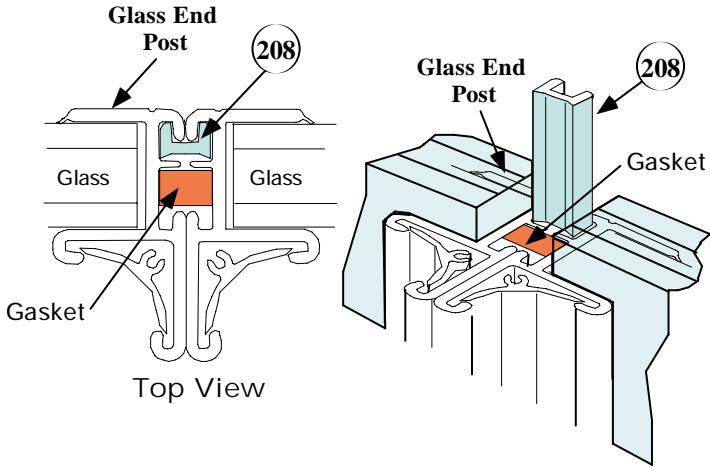
A. Ends (Continued)

		Part Number		Nomenclature
196.	Lower End Panel	0380304		M5,M5G
	Lower End Panel	0380305	Same	M4,P4
	Lower End Panel	0380306	Same	M3,P2
197.	Splashguard - Side	0380579	0380580	M,P,D
	Splashguard Assembly - Side	0380588	0380589	M,P
	Splashguard Assembly - D5	0380590	0380591	D5
198.	Glass Starter Trim	0398969	Same	IsFFG

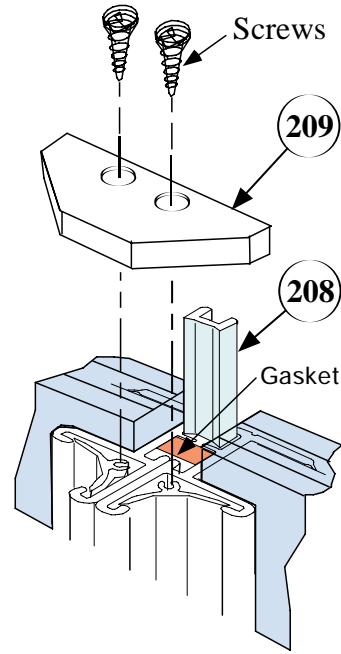
Replacement Parts Book

Section VI. Kits

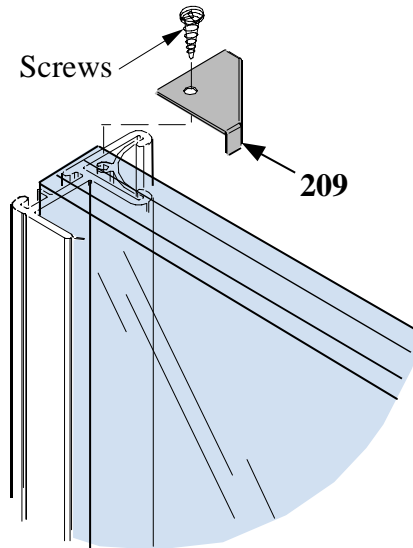
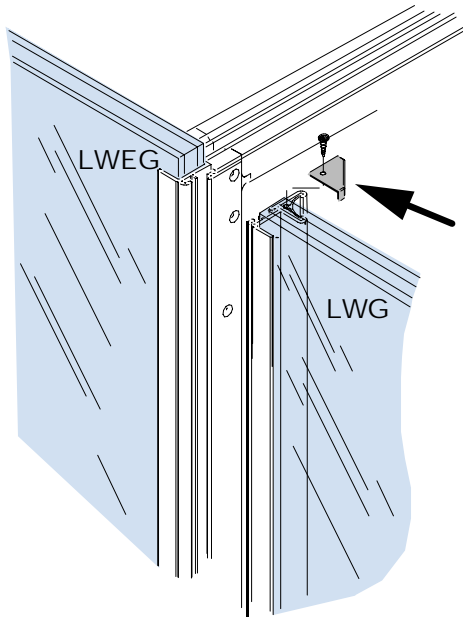
B. Joint Kit



LWG/LWG (Glass) Joint Kit



LWG/LWG (Glass) Joint Kit



LWEG/LWG (Glass) Joint Kit

Section VI. Kits

B. Joints

	Kit Nomenclature Number		Part Number	Nomenclature
	L.H. End	R.H. End		
199. Threaded Rod 1/4 - 16 x 12			0376417	Same M,P,D
200. Hex Nut 1/4 - 13			0376416	Same M,P,D
201. Flat Washer 1/4			0376408	Same M,P,D
202. Nosing Joint Trim			0399852	Same LW,LWG
203. Nosing Joint Trim			0397149	Same LW,LWG
204. Cap Screw 5/16 -18 x 1 1/4			0000561	Same LW,LWG
205. Flat Washer 5/16 Zinc			0000215	Same LW,LWG
206. Hex Nut 5/16 -18			0000251	Same LW,LWG
207. Lockwasher 5/16 Split			0000201	Same LW,LWEG
208. Glass Post Joint Extrusion			0397112	Same LW,LWEG
209. Glass Post End Cover			0397114	Same LW,LWEG

C. Partitions

210. Acrylic Partition Kit	AA55	1471217	Same	M3,P2
0.125 Acrylic Partition	"	0380033	Same	M3,P2
Acrylic Partition Kit	"	1471218	Same	M4,P4
0.125 Acrylic Partition	"	0380034	Same	M4,P4
Acrylic Partition Kit	"	1471219	Same	M5
0.125 Acrylic Partition	"	0380035	Same	M5
Acrylic Partition Kit	AA57	1471221	Same	D5L
0.125 Acrylic Partition	"	0380036	Same	D5L
Acrylic Partition Kit	AA58	1471222	Same	D5
0.125 Acrylic Partition	"	0380076	Same	D5
Acrylic Partition Kit	AA59	1471223	Same	D5H
0.125 Acrylic Partition	"	0380077	Same	D5H
211. Partition Bracket	"	0380039	Same	M,P,D

D. Optional Shelves (Not Shown)

E. Optional Wire Rack Kits (Not Shown)

Order the correct kit nomenclature for the required shelf from the **IMPACT** Price List No.6000 or your Hussmann Sales Representative.

F. Upper & Lower Bumper Starter Kits (Not Shown)

212. Starter Bumper; 2 ft. #311 Pearl Gray		0381654	Same	M,P,D
--	--	---------	------	-------

Order one 2 ft. starter bumper for the one case having a left hand end. #311 Pearl Gray is the default part number for the starter. A starter bumper section comes as part of the end trim kit. To match starter bumper color with matching bumper color, order the correct kit nomenclature for the required color from the **IMPACT** Price List No.6000 or your Hussmann Service Representative.