

# Self-Contained

MERCHANDISERS

August 2019



## Why choose Hussmann?

- Hussmann's vision is to positively impact the lives of consumers by transforming the future of food retailing... so that we can help you build customer loyalty.
- Hussmann's mission is to enable excellence in food retailing... so that we can support your success in food sales.
- Hussmann is a world leader and pioneer in developing display cases to merchandise perishable foods.
- Hussmann produces many of the most energy efficient commercial refrigerated display fixtures available.
- Hussmann offers an extensive variety of display and refrigeration options to fit your objectives.
- Hussmann has a network of design, installation and service branches throughout the US and Canada providing turnkey equipment, installation and service solutions.



Self-Contained Merchandisers



Specialty Merchandisers



Design Services



EZ-Source for all your Food Service Equipment needs



Refrigeration Systems



Freedom Line Merchandisers



Walk-In Cooler Door/Lighting/Racks



Consolidation, Installation and Service

### Enabling Excellence in Food Retailing

When it comes to optimizing your food selling strategies and differentiating your store experience, Hussmann has the fresh ideas, products and services to make it happen.

### Hussmann Display Case Leadership

Hussmann patented the first refrigerated display case in 1917 and has been helping retailers profitably sell perishable foods ever since.

### Energy Efficiency Leadership

Hussmann is the leader in energy efficient technologies, including self-contained cases, remote refrigeration, glass doors, LED lighting and more.

### Merchandising Leadership

Our display case designs, lighting solutions and glass door innovations are all focused on one thing: to help you sell more perishable foods. *That's how we think, it's what we do.*

---

# Table of Contents

---

**Note regarding  
all products featured:**

For optimum performance, these models are designed for use in air-conditioned stores where temperatures and humidity are maintained at 75°F and 55% R.H. (Type I) or 80°F and 55% R.H. (Type II). Type is indicated on product page. Locate case away from direct sunlight, rapid air current and extreme temperature changes.

*See the back side of each product family page for a visual representation.*

Hussmann reserves the right to change or revise specifications and product design in connection with any feature of our products. Such changes do not entitle the buyer to corresponding changes, improvements, additions, or replacements for equipment previously sold or shipped.

- 3 | **DDSS-4MC**  
High Capacity Multi-Deck Med Temp Merchandiser
- 5 | **GSVM**  
Specialty Vertical Multi-Deck Med Temp Merchandiser
- 7 | **ISFGG**  
Single-Deck Island Low Temp Merchandiser
- 9 | **ISMGG**  
Single-Deck Island Med Temp Merchandiser
- 11 | **MD**  
Specialty Multi-Deck Med Temp Merchandiser
- 13 | **MD4060DA**  
Specialty Propane Multi-Deck Med Temp Merchandiser
- 15 | **MDN**  
Specialty Narrow Multi-Deck Med Temp Merchandiser
- 17 | **SHM**  
Specialty Horizontal Med Temp Merchandiser
- 19 | **SM**  
Mobile Spot Low Temp Merchandiser
- 21 | **VRL**  
Reach-In Bottom Mount Low Temp Merchandiser
- 23 | **VRM**  
Reach-In Bottom Mount Med Temp Merchandiser
- 25 | **Hussmann Corporation Terms of Sale**
- 26 | **Refrigeration Equipment Startup Check List**



DDSS-4MC  
Page 3



GSVM  
Page 5



ISFGG  
Page 7



ISMGG  
Page 9



MD  
Page 11



MD-4060DA  
Page 13



MDN  
Page 15



SHM  
Page 17



SM  
Page 19



VRL  
Page 21



VRM  
Page 23

## DDSS-4MC

Self-Contained, High Capacity Multi-Deck  
Medium Temperature Merchandiser

- 29-Inch Deep Footprint

---

### Advanced Design

- Maximum capacity in a 29-inch deep footprint
- Glass shelves - (3) 13-inch and (2) 9-3/4-inch, with silver PTM
- White interior and exterior
- Black front bumper
- Solid ends

### Merchandising with Style

- Newly designed access panel
- Lighted sign

### Smart Construction

- R-404A condensing unit (208/230V, 20A, cord connected)
- One row upper canopy light (T-8)
- Low profile casters
- CFC-free insulation

### Innovative Refrigeration

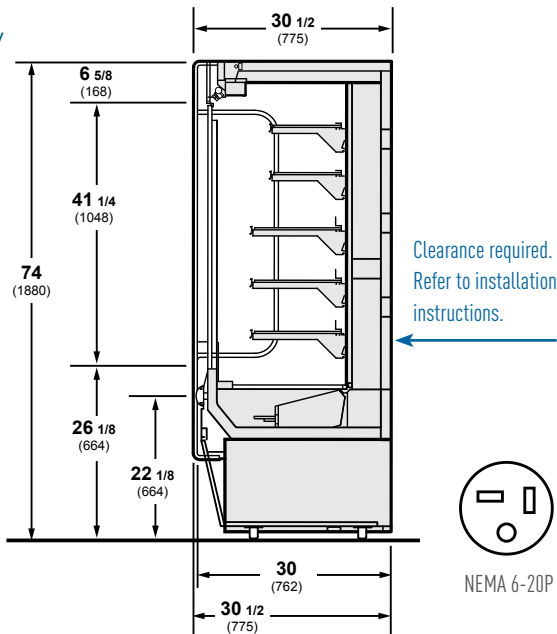
- Type II (80°F and 55% R.H.) certified
- Electronic controls with digital display

Model shown with  
optional view ends.

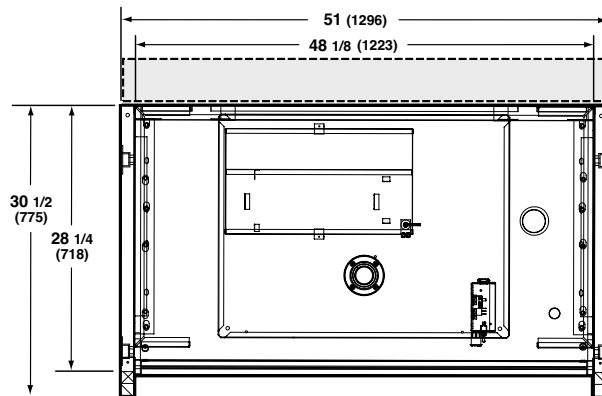


# Self-Contained, High Capacity Multi-Deck Merchandiser for Beverage, Salad, and Sandwich Applications

## DDSS-4MC - High Capacity Multi-Deck Merchandiser



## Plan View

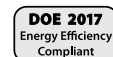


## Specifications

Model	Exterior Dimensions			Nom. HP	Refrig.	Hz/Ph	Electrical			Approx. Ship Wt. (lbs)	
	L	D	H				Run Amps	Fuse Amps	NEMA Plug		
DDSS-4MC	51"	30-1/2"	74"	3/4	R-404a	60/1	208-230	10.85	20	6-20P	900

Refrigeration load requirement: 6402 BTU/h @ 15°F evaporating, 110°F condensing temperature  
AC load requirement: 8623 BTU/h.

\* Field hardwired.



Hussmann refrigerated merchandisers configured for sale for use in the United States meet or surpass the requirements of the DOE 2017 energy efficiency standards.



Type II

## Standard Features.

- Color Exterior	White
- Color Interior	White
- Bumper	Black
- Glass Shelves	(3) 13" and (2) 9-3/4"
- Shelf Lighting	Yes
- Canopy Lighting	Yes
- End Panel	View
- Power Cord	Yes
- PTM	Silver
- NSF	Type II
- Air Discharge	Front
- Insulation	CFC-Free
- Casters	Yes
- Lighted Sign	Yes

## Optional Accessories.

- Integrated night cover.
- Reversing condenser fan motor.
- Locking security cover.
- Leg kit.
- View ends.
- Mirror interior.
- Stainless steel exterior.
- 6-inch casters.
- Solid shelves (12-inch and 10-inch).
- Black or white PTM.
- Reversing product stop.

NOTE: These merchandisers are designed for use in stores when temperature and humidity do not exceed 80°F and 55% R.H. Case is designed for holding pre-frozen product only.

NOTE: We reserve the right to change or revise specifications and product design in connection with any feature of our products. Such changes do not entitle the buyer to corresponding changes, improvements, additions, or replacements for equipment previously sold or shipped.

For additional resources and warranties, contact your representative or visit [www.hussmann.com](http://www.hussmann.com).

# HUSSMANN®

**Hussmann Corporation**  
12999 St. Charles Rock Rd.  
Bridgeton, MO 63044-2483  
Ph: 314.291.2000

[www.hussmann.com](http://www.hussmann.com)

## GSVM

Self-Contained, Specialty Vertical Multi-Deck  
Medium Temperature Merchandiser

---

### Advanced Design

- Increased product visibility with narrow canopy
- Plexiglass ends for side visibility
- All GSVM merchandisers have the same contour and line up together to create extended product displays

### Merchandising with Style

- Three models available with canopy and shelf lighting
- Easy access to display levels for merchandising or shopping

### Smart Construction

- Easy to clean interior and exterior
- Easy to service slide out condensing unit
- CFC-free insulation
- Timer controlled automatic defrost and thermometer
- Electric condensate (Model GSVM-4060 only)
- Two-positioned lighted cantilever shelves with PTM

### Innovative Refrigeration

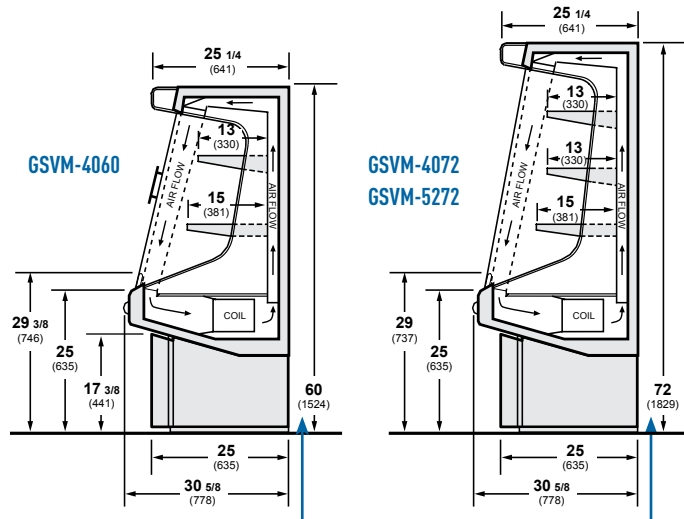
- Front air intake and discharge (Models GSVM-4060, -4072)
- Front air intake and rear air discharge (Model GSVM-5272 only) - requires a 5-inch min. open space behind the back of the case
- State-of-the-art honeycomb discharge air system assures even temperature and maximum efficiency
- Adjustable temperature control



Model shown with the optional  
3-sided bumper kit.

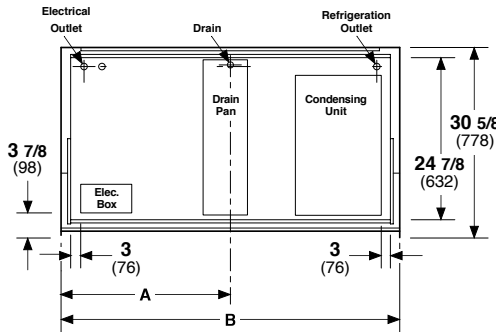
# Self-Contained, Specialty Vertical Multi-Deck Merchandiser for Beverage, Dairy, Deli and Produce Applications

## GSVM - Specialty Multi-Deck Med Temp Merchandiser



Clearance required. Refer to installation instructions.

### Plan View



Dimensions	A	B
GSVM-4072	20 (508)	40 (1016)
GSVM-4060	26 (660)	52 (1346)

### Specifications

Model	Exterior Dimensions			Nom. HP	Refrig.	Hz/Ph	Electrical				Refrig.** Load (BTU/h)	A/C Load (BTU/h)	Approx. Ship Wt. (lbs)
	L	D	H				Run Amps	Fuse Amps	NEMA Plug				
GSVM-4060	40"	30-5/8"	60"	3/4	R-134a	60/1	115	16.0	20	5-20P	4410	6068	380
GSVM-4072	40"	30-5/8"	72"	3/4	R-134a	60/1	115	15.5	20	5-20P	4410	6068	425
GSVM-5272	52"	30-5/8"	72"	3/4	R-404a	60/1	115	19.5	25	Hardwired*	4610	6340	600

### GSVM-4060 and GSVM-4072



NEMA 5-20R

- GSVM models have factory-installed power cords attached at the electrical box.
- Always use a dedicated circuit with the amperage stated on the unit.
- Plug into an outlet designed for the plug.
- Do not overload the circuit.
- Do not use long or thin extension cords; never use adapters.
- If in doubt, call an electrician.

\* Requires field wiring. Length dimensions are without optional bumpers.

\*\* Refrigeration load calculated at 20° F evaporation and 110° F condensing temperature.



Hussmann refrigerated merchandisers configured for sale for use in the United States meet or surpass the requirements of the DOE 2017 energy efficiency standards.



### GSVM-4060

For USA/Canada, a Hi-Humidity Condensate Pan Kit is provided for GSVM-4060 models. This condensate pan requires a dedicated 120V 15 amp circuit with a NEMA 5-15R receptacle. NOTE: The extra circuit is only for the Hi-Humidity condensate pan kit. It is NOT part of the case circuit.

### Standard Features.

- Color Exterior: White
- Color Interior: White
- Bumper: Black
- Shelves with PTM: GSVM-4060 - 13", 15"; GSVM-4072 - 2)13", 15"; GSVM-5272 - 2)13", 15"
- Shelf Lighting: Yes
- Canopy Lighting: Yes
- End Panel: View
- Power Cord: Yes (GSVM-4060, -4072)
- Hardwired: Yes (GSVM-5272)
- NSF: Type I
- Air Discharge: Front: GSVM-4060, -4072; Rear: GSVM-5272
- Insulation: CFC-Free
- Leg Levelers: Yes
- Hi-Humidity Condensate Pan Kit (9-amp, 120-volt, 1000-watt, requires dedicated 15-amp circuit): GSVM-4060 only

### Optional Accessories.

- Optional Hi-Humidity Condensate Pan on the GSVM-4072 and GSVM-5272 models.
- Additional shelving.
- Stainless steel exterior or choice of exterior colors.
- Wrap-around bumper.
- LED light kits (white and black).
- LED shelf light kits for 10-inch and 13-inch (white and black).
- Leg and caster kits, cross bar and hook display.
- Locking security cover.
- Type II kits (80° F/55% R.H.).

NOTE: These merchandisers are designed for use in stores when temperature and humidity do not exceed 75° F and 55% R.H. Optional kit meets Type II condition - 80° F and 55% R.H. Case is designed for holding pre-chilled product only.

NOTE: We reserve the right to change or revise specifications and product design in connection with any feature of our products. Such changes do not entitle the buyer to corresponding changes, improvements, additions, or replacements for equipment previously sold or shipped.

For additional resources and warranties, contact your representative or visit [www.hussmann.com](http://www.hussmann.com).

**HUSSMANN®**

**Hussmann Corporation**  
12999 St. Charles Rock Rd.  
Bridgeton, MO 63044-2483  
Ph: 314.291.2000

[www.hussmann.com](http://www.hussmann.com)



## ISFGG

Self-Contained, Single-Deck Island,  
Low Temperature Merchandiser

- Straight Glass on All Four Sides

---

### Advanced Design

- White powder coated interior painting
- Black upper and lower impact bumpers
- Telescoping bottom wire selves

### Smart Construction

- One-inch dial thermometer
- Electronic controls with digital display
- Condensate pan
- Expansion valve with filter kit
- CFC-free insulation

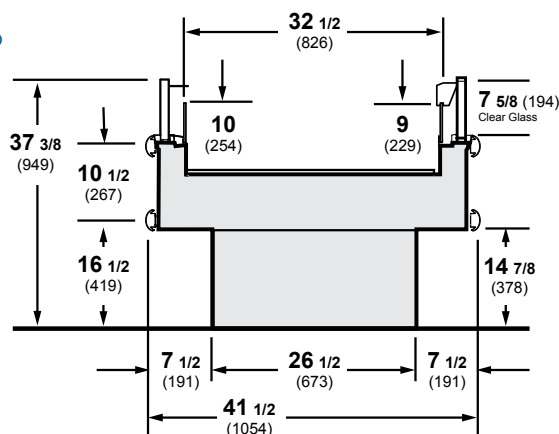
### Innovative Refrigeration

- R-404a refrigerant
- Adjustable temperature control
- Type II (80°F and 55% R.H.) certified

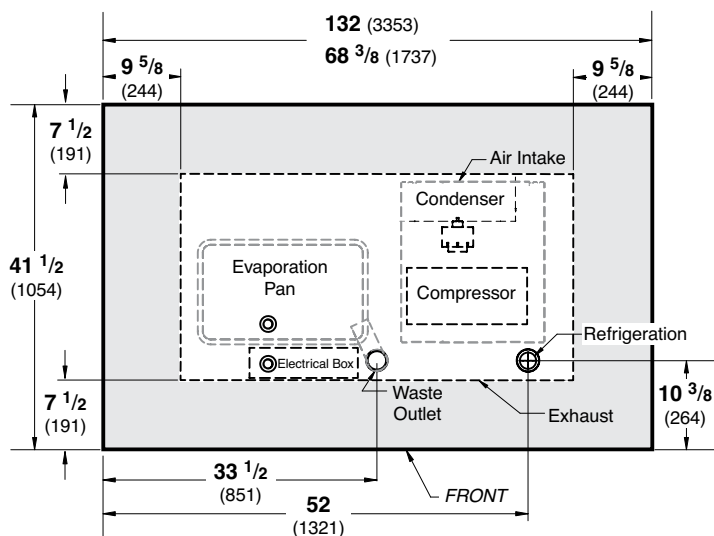


# Self-Contained, Single-Deck Island Merchandiser for Frozen Food Applications

## ISFGG - Single-Deck Island, Low Temp Merchandiser



### Plan View



Note: Each 5-foot case section has a full 60-inch of interior length for product display.

### Specifications

Model	Exterior Dimensions				Nom. HP		Refrig.	Hz/Ph	Volts	Electrical				Approx. Ship Wt. (lbs)			
	5ft. L	10ft. L	D	H	5ft.	10ft.				Run Amps 5ft.	Run Amps 10ft.	Fuse Amps 5ft.	Fuse Amps 10ft.	NEMA Plugs 5ft.	NEMA Plugs 10ft.	5ft.	10ft.
ISFGG-5D/G-10D/G	68-3/8"	132"	41-1/2"	37-3/8"	1	1HP x 2	R-404a	60/1	208-230	15.7	15.7 x 2	20	20 x 2	6-20P	6-20P x 2	670	1340

Note: All 10' models have two separate refrigeration systems and the self-contained models have 2 separated power cords.

#### ISFGG-5 D/G -

Refrigeration load - 4280 BTU/h at -30°F evaporation temperature and 110°F condensing temperature AC load - 8773 BTU/h.

For 10 ft. cases, multiply the numbers by 2, including power cord.



Hussmann refrigerated merchandisers configured for sale for use in the United States meet or surpass the requirements of the DOE 2017 energy efficiency standards.



Type II

### Standard Features.

- Color Exterior: White
- Color Interior: White
- Color Bumper: Black
- Power Cord: Yes (ISFGG-5/10)
- NSF: Type II
- Air Discharge: Front
- Insulation: CFC-Free

### Optional Accessories.

- Dual-temperature kit changes merchandiser to medium temperature and is available on frozen food model.
- Variety of color options for bumper and décor panels.
- Stainless steel exterior.
- High humidity condensate pan kit.
- Price tag molding.
- Duplex receptacle kit.
- Recessed caster kit (factory installed).
- Two-inch dial thermometer.
- Degree Celsius control for thermometer.

### ISFGG



NEMA 6-20P

ISFGG model has a factory-installed power cord attached at the electrical box.

- Always use a dedicated circuit with the amperage stated on the unit.
- Plug into an outlet designed for the plug.
- Do not overload the circuit.
- Do not use long or thin extension cords; never use adapters.
- If in doubt, call an electrician.

For USA/Canada, a Hi-Humidity Condensate Pan Kit is provided with ISFGG-5D/G or a 10D/G, a separate dedicated circuit is required - 230V, 15 amp circuit and a NEMA 6-15R receptacle. ISFGG-10G requires 2 circuits.

NOTE: These merchandisers are designed for use in stores when temperature and humidity do not exceed 80°F and 55% R.H. Case is designed for holding pre-frozen product only.

NOTE: We reserve the right to change or revise specifications and product design in connection with any feature of our products. Such changes do not entitle the buyer to corresponding changes, improvements, additions, or replacements for equipment previously sold or shipped.

For additional resources and warranties, contact your representative or visit [www.hussmann.com](http://www.hussmann.com).

# HUSSMANN®

**Hussmann Corporation**  
12999 St. Charles Rock Rd.  
Bridgeton, MO 63044-2483  
Ph: 314.291.2000

[www.hussmann.com](http://www.hussmann.com)

## ISMGG

Self-Contained, Single-Deck Island,  
Medium Temperature Merchandiser

- Straight Glass on All Four Sides

---

### Advanced Design

- White powder coated interior painting
- Black upper and lower impact bumpers
- Telescoping bottom wire selves

### Smart Construction

- One-inch dial thermometer
- Electronic controls with digital display
- Condensate pan
- Expansion valve with filter kit
- CFC-free insulation

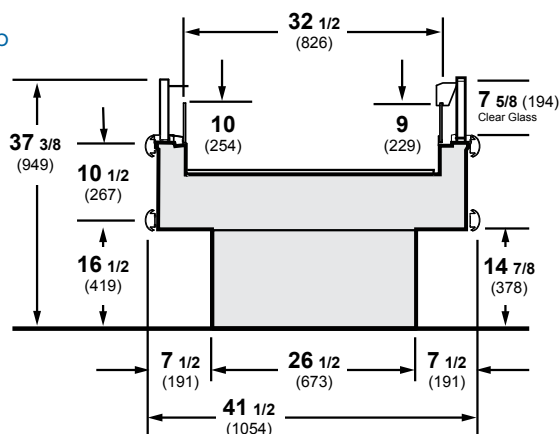
### Innovative Refrigeration

- R-404a refrigerant
- Adjustable temperature control
- Type II (80°F and 55% R.H.) certified

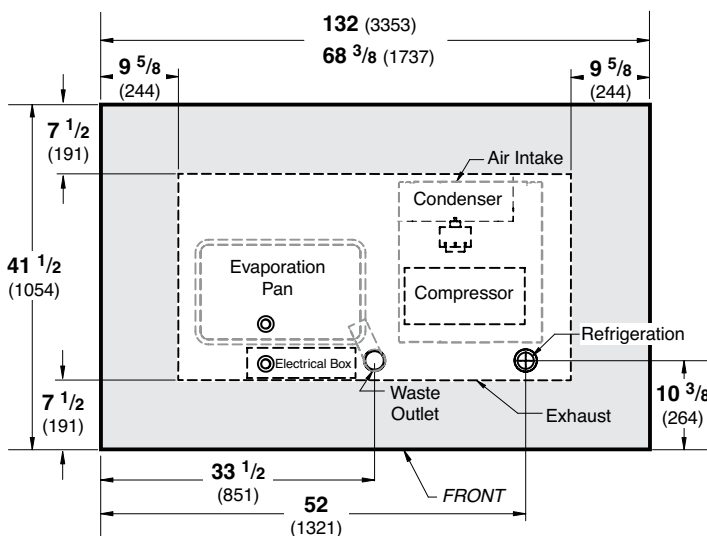


# Self-Contained, Single-Deck Island Merchandiser for Dairy, Deli, and Sandwich Applications

## ISMGG - Single-Deck Island, Med Temp Merchandiser



Plan View



Note: Each 5-foot case section has a full 60-inch of interior length for product display.

### Standard Features.

- Color Exterior White
- Color Interior White
- Color Bumper Black
- Power Cord Yes
- NSF Type II
- Air Discharge Front
- Insulation CFC-Free

### Optional Accessories.

- Variety of color options.
- Stainless steel exterior.
- High humidity condensate pan kit (Not available on remote model).
- Price tag molding.
- Duplex receptacle kit.
- Recessed caster kit (factory installed).
- Two-inch dial thermometer.
- Degree Celsius control for thermometer.

### ISMGG-5B/10B



NEMA 5-20P

- ISMGG models have factory-installed power cords attached at the electrical box.
- Always use a dedicated circuit with the amperage stated on the unit.
- Plug into an outlet designed for the plug.
- Do not overload the circuit.
- Do not use long or thin extension cords; never use adapters.
- If in doubt, call an electrician.

For USA/Canada, a HI-Humidity Condensate Pan Kit is provided with ISMGG-5B or a 10B, a separate dedicated circuit is required - 120V, 15 amp circuit and a NEMA 5-15R receptacle. ISMGG-10B requires 2 circuits.

## Specifications

Model	Exterior Dimensions				Nom. HP		Refrig.	Hz/Ph	Volts	Electrical				Approx. Ship Wt. (lbs)			
	5ft. L	10ft. L	D	H	5ft.	10ft.				Run Amps	Fuse Amps	NEMA Plugs	5ft.	10ft.	5ft.	10ft.	
ISMGG-5B-10B	68-3/8"	132"	41-1/2"	37-3/8"	1/2	1/2HP x 2	R-404a	60/1	208-230	15.9	15.9 x 2	20	20 x 2	5-20P	5-20P x 2	725	1450

Note: All 10' models have two separate refrigeration systems and the self-contained models have 2 separated power cords.

### ISMGG-5B -

Refrigeration load - 2660 BTU/h at 10°F evaporation temperature and 110°F condensing temperature.

For 10 ft. cases, multiply the numbers by 2, including power cord.



Hussmann refrigerated merchandisers configured for sale for use in the United States meet or surpass the requirements of the DOE 2017 energy efficiency standards.



Type II

NOTE: These merchandisers are designed for use in stores when temperature and humidity do not exceed 80°F and 55% R.H. Case is designed for holding pre-frozen product only.

NOTE: We reserve the right to change or revise specifications and product design in connection with any feature of our products. Such changes do not entitle the buyer to corresponding changes, improvements, additions, or replacements for equipment previously sold or shipped.

For additional resources and warranties, contact your representative or visit [www.hussmann.com](http://www.hussmann.com).

# HUSSMANN®

**Hussmann Corporation**  
12999 St. Charles Rock Rd.  
Bridgeton, MO 63044-2483  
Ph: 314.291.2000

[www.hussmann.com](http://www.hussmann.com)

## MD

### Self-Contained, Multi-Deck Medium Temperature Merchandiser

---

#### Advanced Design

- Small footprint, high volume
- Full front accessibility to products
- Plexiglass ends for side visibility
- White exterior upper body and black lower base section
- All white powder coated paint
- Standard red front bumper
- All models ship from the factory with power cord connected NEMA 6-15 plugs

#### Merchandising with Style

- Four 14-inch shelves adjustable to various positions
- Shelves can be slanted for display appeal
- Large bottom deck easily displays large, bulk impulse products
- Upper canopy light provides full illumination of case interior
- Built-in shelf PTM assists with unit pricing

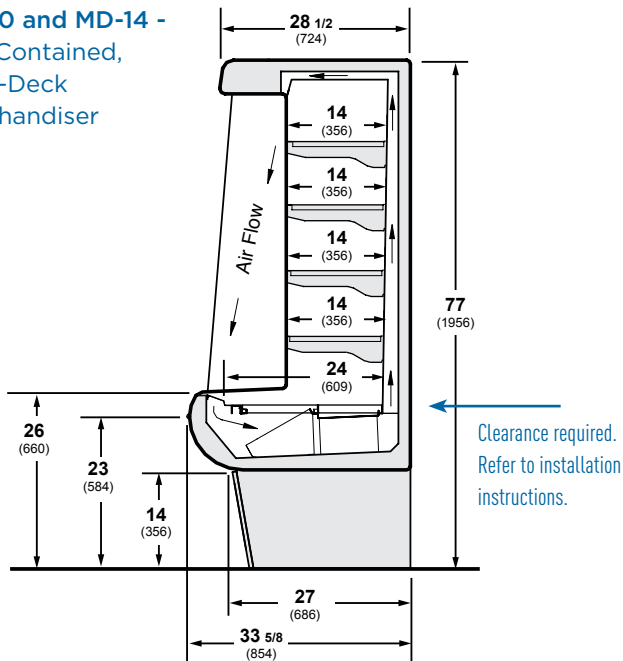
#### Smart Construction

- Durable molded plastic case ends that resist scratching and dents
- CFC-free insulation
- Off time defrost ensures maximum operating efficiency
- Built-in electric condensate pan eliminates the need for external floor drains
- Integrated night cover
- Flow through panels provide maximum condensing unit ventilation

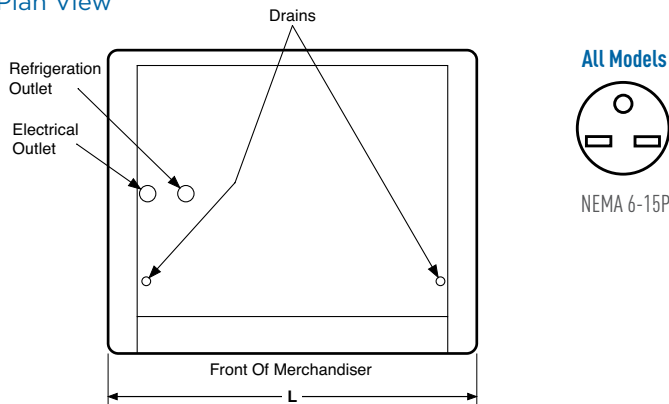


# Self-Contained, Multi-Deck Merchandiser for Beverage, Dairy, Deli, and Produce Applications

## MD-10 and MD-14 - Self-Contained, Multi-Deck Merchandiser



## Plan View



## Standard Features.

- Color Exterior	White
- Color Exterior Base	Black
- Color Interior	White
- Bumper	Red
- Shelves	(4) at 14"
- Shelf Lighting	No
- Canopy Lighting	Yes
- End Panel	View
- Hardwired	No
- PTM	Yes
- NSF	Type I
- Door(s)	No
- Integrated Night Cover	Yes
- Air Discharge	Front
- Insulation	CFC-Free
- Casters	No
- Leg Levelers	Yes

## Innovative Refrigeration.

- Electronic controller maintains even case temperatures.

## Optional Accessories.

- Extra mezzanine shelf.
- Product stop.

## Specifications

Model	Exterior Dimensions			Nom. HP	Refrig.	Volts	Electrical		NEMA Plug	Approx. Ship Wt. (lbs)
	L	D	H				Run Amps	Fuse Amps		
MD-10	39"	33-5/8"	77"	1-1/4	R-134a	208-230/60/1	10.3	15	6-15P	368
MD-14	52"	33-5/8"	77"	1-1/4	R-134a	208-230/60/1	12.0	15	6-15P	467

MD-10 Refrigeration load - 4813 BTU/h @ 20° F evaporation temperature and 110° F condensing temperature. AC load - 6201 BTU/h

MD-14 Refrigeration load - 7376 BTU/h @ 20° F evaporation temperature and 110° F condensing temperature. AC load - 9439 BTU/h

NOTE: These merchandisers are designed for use in stores when temperature and humidity do not exceed 75°F and 55% R.H. Case is designed for holding pre-frozen product only.

NOTE: We reserve the right to change or revise specifications and product design in connection with any feature of our products. Such changes do not entitle the buyer to corresponding changes, improvements, additions, or replacements for equipment previously sold or shipped.

For additional resources and warranties, contact your representative or visit [www.hussmann.com](http://www.hussmann.com).



Hussmann refrigerated merchandisers configured for sale for use in the United States meet or surpass the requirements of the DOE 2017 energy efficiency standards.



# HUSSMANN®

**Hussmann Corporation**  
12999 St. Charles Rock Rd.  
Bridgeton, MO 63044-2483  
Ph: 314.291.2000

[www.hussmann.com](http://www.hussmann.com)

## MD4060DA

Self-Contained, Multi-Deck  
Medium Temperature Merchandiser

---

### Advanced Design.

- Glass ends for side visibility.
- Heavy-duty, anti-microbial door handles.

### Merchandising with Style.

- Available with high efficiency LED vertical lighting for canopy.
- Easy access to display levels for merchandising or shopping.

### Smart Construction.

- Easy to clean interior and exterior with clean-out drain.
- Easy to service slide out condensing unit.
- Timer controlled automatic defrost and thermometer.
- Product visibility is improved with 29-inch long vertical LED lighting for evenly illuminated merchandise throughout display area.

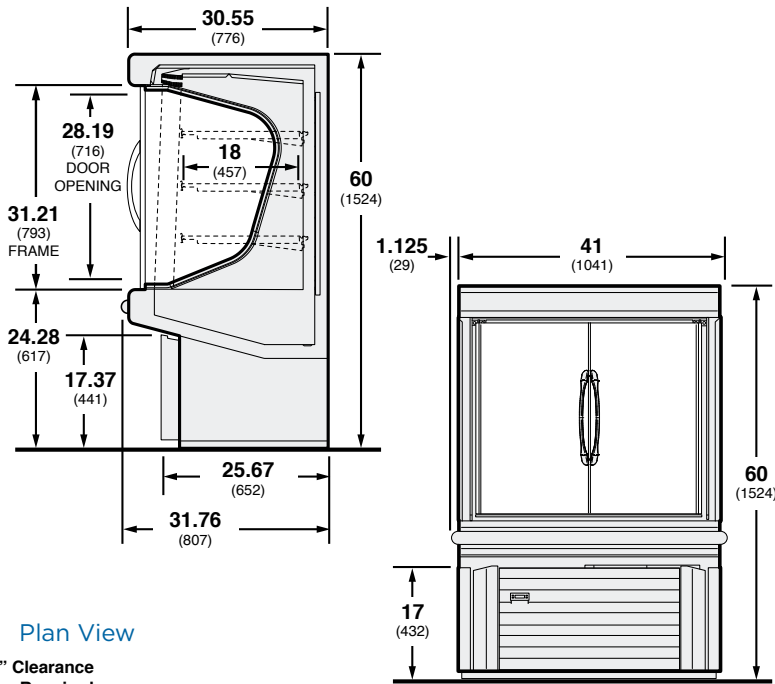
### Innovative Refrigeration.

- Front air intake and discharge - requires a 1-inch min. open space behind the back of the case.
- State-of-the-art honeycomb discharge air system assures even temperature and maximum efficiency.
- Adjustable temperature control.
- Aluminum fins and tubes help minimize corrosion.
- 2" foamed in-place insulation with high density polyurethane insulation - zero ozone depletion potential.



# Self-Contained, Multi-Deck Merchandiser for Beverage, Dairy, Deli, and Produce Applications

## MD4060DA - Specialty Propane, Multi-Deck Med Temp Merchandiser



### Plan View

1" Clearance  
Required

### Standard Features.

- Color Exterior Black
- Color Interior Black
- Bumper Black
- Doors (2)
- Shelves (6) 18"
- LED Vertical Lighting Yes
- PTM Yes
- End Panels View
- Power Cord 9 ft
- Hardwired No
- NSF Type II
- Air Discharge Front
- Insulation CFC-Free
- Leg Levelers Yes
- Condensate Pan Removal

### Optional Accessories.

- Additional shelving.
- Stainless steel exterior or choice of exterior colors.
- Wrap-around bumper.
- Side bumpers (specify color).
- Leg and caster kits, cross bar and hook display.

### Specifications

Model	Exterior Dimensions			Nom. HP	Refrig.	Hz/Ph	Electrical			NEMA Plug	Refrig.* Load (BTU/h)	Energy Consumption (Kwh/day)	A/C Load (BTU/h)	Approx. Ship Wt. (lbs)
	L	D	H				Run Amps	Fuse Amps	Volts					
MD4060DA	41-5/16"	30-7/16"	60-1/4"	1/4	R-290	60/1	115	1.83	15	5-15P	2399	2.18	3325	434

\* Refrigeration load calculated at 20° F evaporation and 110° F condensing temperature.

NOTE: These merchandisers are designed for use in stores when temperature and humidity do not exceed 80° F and 55% R.H. Case is designed for holding pre-frozen product only.

NOTE: We reserve the right to change or revise specifications and product design in connection with any feature of our products. Such changes do not entitle the buyer to corresponding changes, improvements, additions, or replacements for equipment previously sold or shipped.

For additional resources and warranties, contact your representative or visit [www.hussmann.com](http://www.hussmann.com).



Hussmann refrigerated merchandisers configured for sale for use in the United States meet or surpass the requirements of the DOE 2017 energy efficiency standards.



# HUSSMANN®

**Hussmann Corporation**  
12999 St. Charles Rock Rd.  
Bridgeton, MO 63044-2483  
Ph: 314.291.2000

[www.hussmann.com](http://www.hussmann.com)



## MDN

### Self-Contained, Narrow Depth Multi-Deck Medium Temperature Merchandisers

---

#### Advanced Design

- Maintenance-friendly automatic evaporation drain pan system
- Lower sound level - less than 60 dB (Anechoic Chamber)
- Inverter compressor technology that automatically adjusts the load according to the temperature of the interior cabinet
- Easy to service with cassette refrigeration system
- 115V/60Hz

#### Merchandising with Style

- Merchandising flexibility – shelves can be merchandised flat or at an angle
  - High pack-out in limited footprint allowing more product in the same space
  - Narrow profile case at 25.6" depth
  - View end panels provide increased visibility of product from the side
  - Canopy lighting
- 

#### Innovative Refrigeration

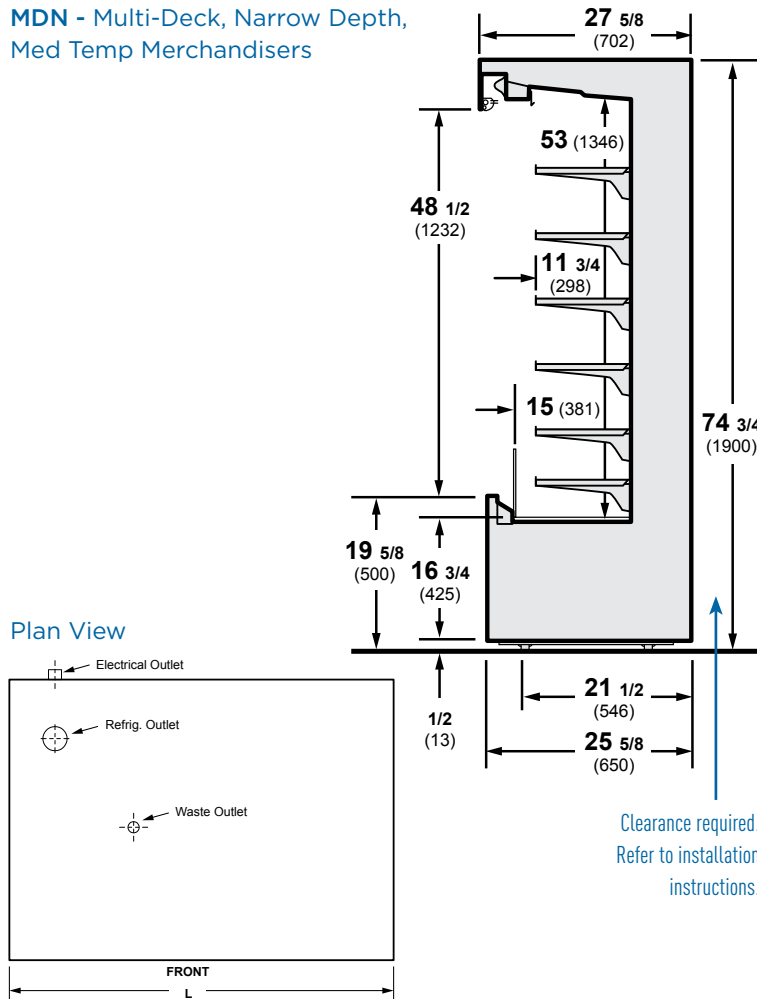
- R-404a refrigerant
- DOE 2017 compliant
- Low maintenance and energy saving



MDN-3575A

# Self-Contained, Narrow Depth Multi-Deck Merchandisers for Dairy, Deli and Produce Applications

## MDN - Multi-Deck, Narrow Depth, Med Temp Merchandisers



### Standard Features.

- Color Exterior: Black
- Color Interior: Black
- Exterior Sign Panel: None
- View End Panels: Clear or Opague
- Shelves: 5
- LED Lighting: Canopy
- Adjustable Leveling Legs: Yes
- Casters: Yes
- Power Cord: 20A / 125V, NEMA L5-20P
- Hardwired: No
- NSF: Type II
- Air Discharge: Rear
- Insulation: Rigid polyurethane

### Optional Accessories.

- Stainless Steel exterior and interior
- Additional display shelves available – Max of 6.
- Heavy-duty shelves.
- Price tag molding.
- Bumper – Front only or wrap around.
- Silk-screen for solid end panels: Black, white or silver on dual pane glass.
- Product stop kit (5 per case).
- Back lit sign kit.
- Night curtain.

### Specifications

Model	Interior Dimensions			Exterior Dimensions			Cu. Ft. Capacity	Approx. Ship Wt. (lbs)
	L	D	H	L	D	H		
MDN-3575A	33-3/4"	11-3/4"	53"	35"	25-5/8"	74-3/4"	13	386
MDN-4775A	45-1/2"	11-3/4"	53"	46-7/8"	25-5/8"	74-3/4"	17.3	463

Model	Nom. HP	Refrig.	Hz/Ph	Volts	Electrical			NEMA Plugs	Refrig.** Load (BTU/h)	A/C Load (BTU/h)	Energy Consumption (under AHRI 1200 conditions)
					Run Amps	Fuse Case	Amps Lights				
MDN-3575A	1.7	R-404a	60/1	115	12.3 *	20A	5A	L5-20P	8700	11962	13.9 Kwh/day
MDN-4775A	1.7	R-404a	60/1	115	12.5 *	20A	5A	L5-20P	9349	12854	19.6 Kwh/day

\* NSF-7 Type 2 Operating Conditions

\*\* Refrigeration load calculated at 20° F evaporation and 110° F condensing temperature.

All Models



NEMA L5-20P



NOTE: These merchandisers are designed for use in stores when temperature and humidity do not exceed 80°F and 55% R.H. Case is designed for holding pre-chilled product only.

NOTE: We reserve the right to change or revise specifications and product design in connection with any feature of our products. Such changes do not entitle the buyer to corresponding changes, improvements, additions, or replacements for equipment previously sold or shipped.

For additional resources and warranties, contact your representative or visit [www.hussmann.com](http://www.hussmann.com).



Hussmann refrigerated merchandisers configured for sale for use in the United States meet or surpass the requirements of the DOE 2017 energy efficiency standards.

# HUSSMANN®

### Hussmann Corporation

12999 St. Charles Rock Rd.  
Bridgeton, MO 63044-2483  
Ph: 314.291.2000

[www.hussmann.com](http://www.hussmann.com)

## SHM

### Self-Contained, Specialty Horizontal Medium Temperature Merchandiser

---

#### Advanced Design

- Soft, round design featuring as standard a white base with black bumper
- All SHM merchandisers have the same contour and line up together to create extended product displays

#### Merchandising with Style

- Large volume three-step display insert brings the product to the customer and stimulates impulse sales throughout your store

#### Smart Construction

- Compact size offering maximum display area in minimum floor space
- Large front window and sides for increased product visibility
- CFC-free insulation
- Factory-installed power cord and on/off power switch
- Easy to clean interior

#### Innovative Refrigeration

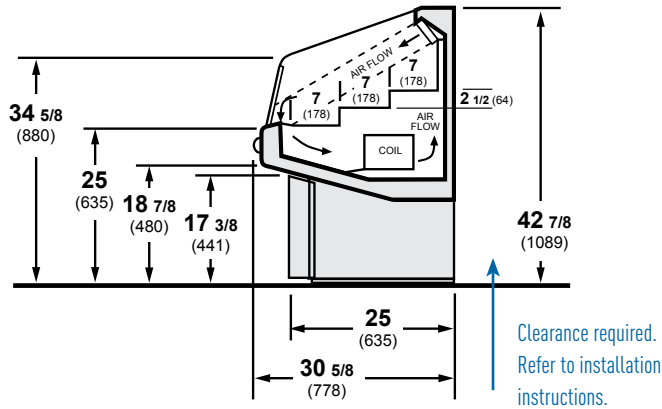
- Air curtain design with efficient honeycomb air discharge
- Automatic defrost
- Electronic controls with digital display
- Electric condensate pan; no drain required
- Slide-out condensing unit for easy serviceability
- Adjustable temperature control
- Type II (80°F and 55% R.H.) certified

Model shown with optional  
3-sided bumper kit.

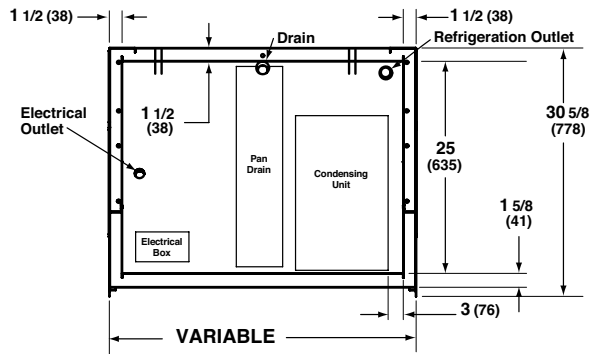


# Self-Contained, Specialty Horizontal Merchandiser for Beverage, Deli, Pizza, Produce and Sandwich Applications

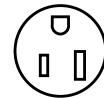
## SHM-3 and SHM-4 - Specialty Horizontal Merchandisers



### Plan View



Dimensions	SHM-3	SHM-4
A	36 (914)	48 (1219)



NEMA 5-15R

SHM models have factory-installed power cords attached at the electrical box.

- Always use a dedicated circuit with the amperage stated on the unit.
- Plug into an outlet designed for the plug.
- Do not overload the circuit.
- Do not use long or thin extension cords; never use adapters.
- If in doubt, call an electrician.

### Standard Features.

- Color Exterior	White
- Color Exterior Base	White
- Color Interior	White
- Bumper	Black
- Shelves	3 -Step
- End Panel	View
- Power Cord	Yes (SHM-3, -4)
- NSF	Type II
- Air Discharge	Front
- Insulation	CFC-Free
- Leg Levelers	Yes

### Optional Accessories.

- Stainless steel exterior or choice of exterior colors.
- Wrap-around bumper.
- Wire racks and dividers.
- LED Light bar kit.
- Leg and caster kits.
- Skirt kit (use with leg kit).
- Plex product stop 2-inch high for lower step only.

## Specifications

Model	Exterior Dimensions			Nom. HP	Refrig.	Hz/Ph	Volts	Electrical		NEMA Plug	Approx. Ship Wt. (lbs)
	L	D	H					Run Amps	Fuse Amps		
SHM-3	36"	30-5/8"	42-7/8"	1/3	R-404a	60/1	115	10.3	15	5-15P	250
SHM-4	48"	30-5/8"	42-7/8"	1/2	R-134a	60/1	115	9.5	15	5-15P	350

Length dimensions are without optional bumpers.

SHM-3 Refrigeration load - 2300 BTU/h AC load - 3162 BTU/h  
SHM-4 Refrigeration load - 3535 BTU/h AC load - 4866 BTU/h

For all models, refrigeration load and AC load obtained at 20° F evaporation temperature and 110° F condensing temperature.



Hussmann refrigerated merchandisers configured for sale for use in the United States meet or surpass the requirements of the DOE 2017 energy efficiency standards.



Type II

NOTE: These merchandisers are designed for use in stores when temperature and humidity do not exceed 80° F and 55% R.H. Case is designed for holding pre-frozen product only.

NOTE: We reserve the right to change or revise specifications and product design in connection with any feature of our products. Such changes do not entitle the buyer to corresponding changes, improvements, additions, or replacements for equipment previously sold or shipped.

For additional resources and warranties, contact your representative or visit [www.hussmann.com](http://www.hussmann.com).

# HUSSMANN®

**Hussmann Corporation**  
12999 St. Charles Rock Rd.  
Bridgeton, MO 63044-2483  
Ph: 314.291.2000

[www.hussmann.com](http://www.hussmann.com)

## SM

### Self-Contained, Mobile Spot Low Temperature Merchandiser

- Open Merchandiser

---

#### Advanced Design

- Maximum product facings in minimum floor space
- Optional color custom graphics
- SM-110 designed for merchandising six 12" diameter pizza facings

#### Merchandising with Style

- Versatility and mobility
- Easy to merchandise and move anywhere in your store for added impulse sales

#### Smart Construction

- Interior and exterior heavy-gauge steel
- White baked polyester powder coating for superior rust and impact resistance
- Molded one-piece collars of high impact ABS plastic provide thermal break
- Wraparound evaporators supply cold from all four walls
- Two-inch swivel casters
- Designed for easy installation, service and clean-up
- CFC-free insulation

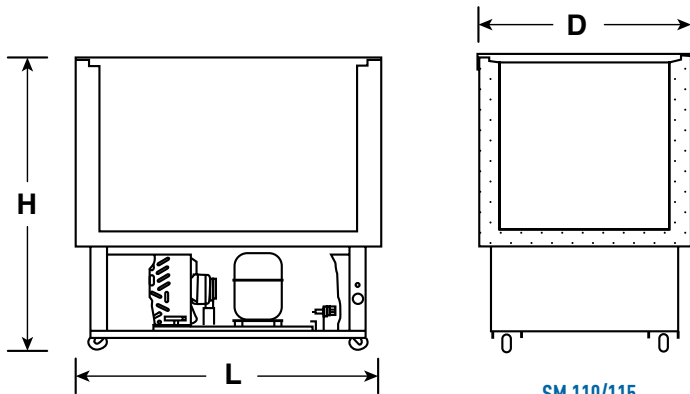
#### Innovative Refrigeration

- Sealed refrigeration systems utilizing R404A CFC-free refrigerant
- Ends are foam insulated for superior operating efficiency
- Thermostatic control provides continuous range of temperature settings



# Self-Contained, Mobile Spot Merchandiser for Meat to Pizza Applications

## SM - Open Top Spot, Low Temp Merchandiser



SM 110/115

NEMA 5-15P



NEMA 5-15P

## Specifications

Model	Exterior Dimensions			Cu Ft	Approx. Ship Wt. (lbs)
	L	D	H		
SM-110*	41"	29"	34"	12.00	162
SM-115*	45"	24-1/2"	34-1/2"	8.83	178

## Electrical

Model	Refrig.	Hz/Ph	Volts	Run Amps	A/C Load (BTU/h)	Energy Consumption (kWh/day)
SM-110*	R-404a	60/1	115	6.5	1590	-
SM-115*	R-404a	60/1	115	4.5	2460	-

\* SM models not designed for ice cream use.

## Standard Features.

- Color Exterior	White
- Color Interior	White
- Case Base	Black
- NSF	Type I
- Door(s)	No
- Integrated Night Cover	No
- Air Discharge	Side
- Insulation	CFC-Free
- Casters	Yes

## Optional Accessories.

- Choice of exterior colors
- Frost accumulator-aluminum collar which accumulates frost. Lifts out for defrost without moving products. Protects evaporator.
- Bottom Rack.
- Sign holders.
- Hanging baskets.
- Bumpers.
- Personalized graphics.
- Baskets not available for SM-110.

NOTE: These merchandisers are designed for use in stores when temperature and humidity do not exceed 75°F and 55% R.H. Case is designed for holding pre-frozen product only.

NOTE: We reserve the right to change or revise specifications and product design in connection with any feature of our products. Such changes do not entitle the buyer to corresponding changes, improvements, additions, or replacements for equipment previously sold or shipped.

For additional resources and warranties, contact your representative or visit [www.hussmann.com](http://www.hussmann.com).



Hussmann refrigerated merchandisers configured for sale for use in the United States meet or surpass the requirements of the DOE 2017 energy efficiency standards.



**HUSSMANN®**

**Hussmann Corporation**  
12999 St. Charles Rock Rd.  
Bridgeton, MO 63044-2483  
Ph: 314.291.2000

[www.hussmann.com](http://www.hussmann.com)

## VRL

### Self-Contained, Reach-In Bottom Mount, Low Temperature Merchandiser

---

#### Advanced Design

- Contemporary styling places maximum attention on merchandising
- Self-closing Innovator doors. Positive seal, torsion type closure system
- Triple-pane thermal insulated glass door assemblies
- Magnetic door gaskets of one-piece construction, removable without tools for ease of cleaning
- Merchandiser can be placed against wall with 1-inch min. open space behind the back of the case - no air gap is required behind the case
- Digital display in center of case air grill

#### Merchandising with Style

- Doors and frames available in standard colors — black or gray
- Interior LED vertical lighting
- Illuminated Exterior Flat Sign Panel
- Improved visibility due to an additional 4" of glass for increased visibility inside the case
- Each door section includes 4 shelves and a merchandisable bottom rack; more shelves can be ordered as an option
- PTM is optional

#### Smart Construction

- Frame rail fitted with leg levelers
- Controller with communication ability via MODBUS
- Unit completely pre-wired at factory
- 208-230/60Hz single phase, 20 amp dedicated outlet; cord and plug set included
- VRL3 utilizes a dual compressor system rated at 3/4HP each
- UL/ETL, NSF Type II and DOE 2017 certified

#### Innovative Refrigeration

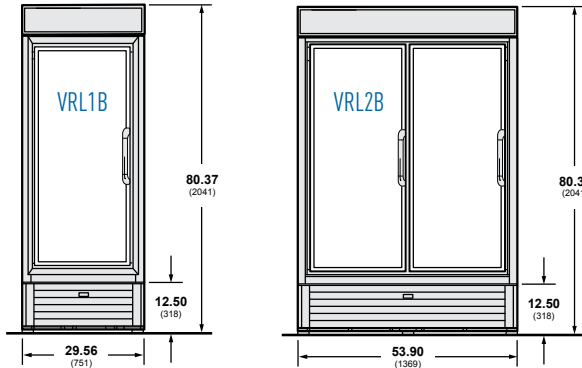
- Environmentally-friendly R290 hydrocarbon refrigerant that has zero ozone depletion potential and 3 GWP (Global Warming Potential)
- High capacity, factory-balanced refrigeration system capable of maintaining -10°F temperature
- State-of-the-art evaporator and condenser fan motors providing more consistent volume of air which produces less heat, reduces energy consumption and provides greater reliability
- Bottom-mounted condensing unit positioned for easy maintenance
- Automatic defrost system time-initiated, temperature-terminated



For a matching side-by-side display of dairy, deli, beverages and wine, be sure to see the companion VRM series of medium temperature models.

# Self-Contained, Reach-In Bottom Mount Glass Door Merchandiser for Low Temperature Applications

- VRL1B** - Bottom Mount, Low Temp, 1-Glass Door Merchandiser
- VRL2B** - Bottom Mount, Low Temp, 2-Glass Door Merchandiser
- VRL3B** - Bottom Mount, Low Temp, 3-Glass Door Merchandiser



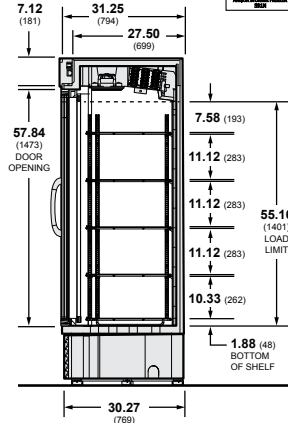
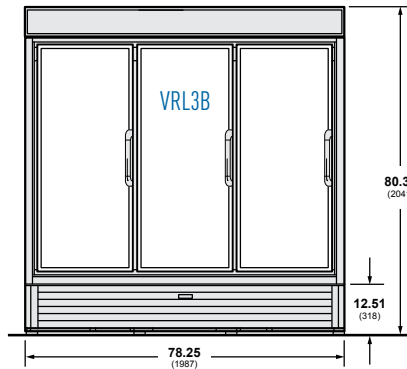
VRL1B and VRL2B  
NEMA L6-15P



VRL3B  
NEMA L6-20P



Increased interior dimensions for product visibility.



Increased interior dimensions for product visibility.

## Standard Features

- Color Exterior: Black, White, Gray
- Color Interior: White, Black
- Exterior Sign Panel: Lighted Flat Panel
- Shelves: 4
- LED Vertical Lighting: Yes
- Power Cord: Yes, 9ft
- Hardwired: No
- NSF: Type II
- Door(s): 1, 2, or 3 Innovator Doors
- Air Discharge: Front
- Insulation: CFC-Free

## Options

- Stainless steel exterior/interior.
- Adjustable leveling legs.
- Baskets, peg bar and hooks.
- Additional display shelves available.
- Price tag molding and sign kit available.
- Alarm buzzer, door locks, door guard and shelf product stops.
- Alternate electrical plug configurations available.
- Left glass door opening is standard. Other options are available.



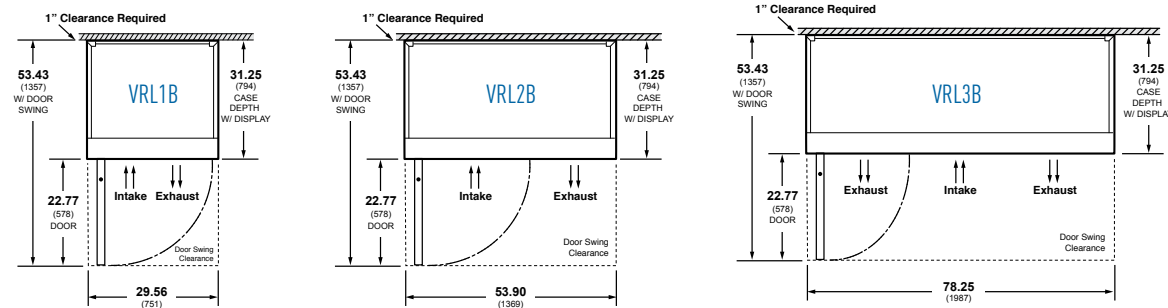
Hussmann refrigerated merchandisers configured for sale for use in the United States meet or surpass the requirements of the DOE 2017 energy efficiency standards.

NOTE: These merchandisers are designed for use in stores when temperature and humidity do not exceed 80°F and 55% R.H. Case is designed for holding pre-frozen product only.

NOTE: We reserve the right to change or revise specifications and product design in connection with any feature of our products. Such changes do not entitle the buyer to corresponding changes, improvements, additions, or replacements for equipment previously sold or shipped.

For additional resources and warranties, contact your representative or visit [www.hussmann.com](http://www.hussmann.com).

## Plan Views



## Specifications

Model	Doors	Refrig.	Cu. Ft. Capacity	Interior Dimensions (Usable Inches <sup>3</sup> )			Exterior Dimensions		
				L	D	H	L	D*	H**
VRL1B	1	R-290	22.8	25.68"	23.72"	55.16"	29.56"	31.25"	80.37"
VRL2B	2	R-290	44.5	50.00"	23.72"	55.16"	53.90"	31.25"	80.37"
VRL3B	3	R-290	66.1	74.38"	23.72"	55.16"	78.25"	31.25"	80.37"

\* Depth dimension "D" excludes door handle.

\*\* Overall height includes leveling pods.

## Electrical

Model	Nom. HP	Hz/Ph	Volts	Run Amps	Fuse Amps	NEMA Plugs	Refrig. Load (BTU/h)	A/C Load (BTU/h)	Energy Consumption (kWh/day)	Approx. Ship Wt. (lbs)
VRL1B	3/4	60/1	208-230	4.1	15	L6-15P	1025	2043	9.1	362
VRL2B	1	60/1	208-230	5.0	15	L6-15P	2100	3550	15.10	631
VRL3B	(2) 3/4	60/1	208-230	9.5	20	L6-20P	2900	4900	21.12	877

**HUSSMANN®**

## Hussmann Corporation

12999 St. Charles Rock Rd.  
Bridgeton, MO 63044-2483  
Ph: 314.291.2000

[www.hussmann.com](http://www.hussmann.com)



## VRM

### Self-Contained, Reach-In Bottom Mount, Medium Temperature Merchandisers

---

#### Advanced Design

- Contemporary styling places maximum attention on merchandising
- All VRM merchandisers have the same access panel design for commonality between merchandisers
- Self-closing Innovator doors. Positive seal, torsion type closure system
- Triple-pane thermal insulated glass door assemblies
- Magnetic door gaskets of one-piece construction, removable without tools for ease of cleaning
- Merchandiser can be placed against wall with 1-inch min. open space behind the back of the case - no air gap is required behind the case
- Digital display in center of case air grill

#### Merchandising with Style

- Doors and frames available in standard colors — black or gray
- Interior LED vertical lighting
- Illuminated Exterior Flat Sign Panel
- Improved visibility due to an additional 4" of glass for increased visibility inside the case
- Each door section includes 4 shelves and a merchandisable bottom rack; more shelves can be ordered as an option
- PTM is optional

#### Smart Construction

- Frame rail fitted with leg levelers
- Controller with communication ability via MODBUS
- Unit completely pre-wired at factory
- 115V/60Hz single phase, 15 amp dedicated outlet; cord and plug set included
- UL/ETL, NSF Type II and DOE 2017 certified

#### Innovative Refrigeration

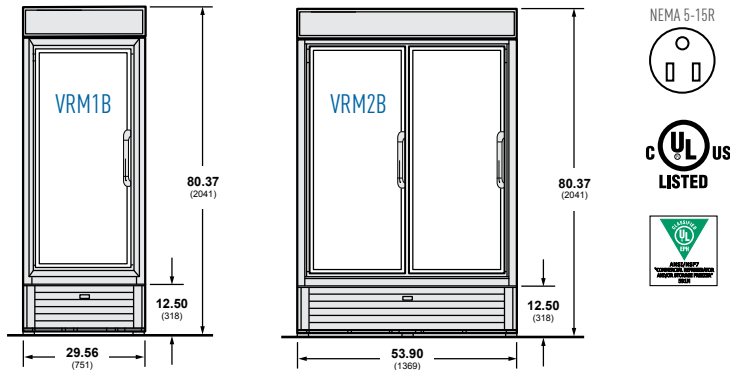
- Environmentally-friendly R290 hydrocarbon refrigerant that has zero ozone depletion potential and 3 GWP (Global Warming Potential)
- High capacity, factory-balanced refrigeration system capable of maintaining medium temperature
- State-of-the-art evaporator and condenser fan motors providing more consistent volume of air which produces less heat, reduces energy consumption and provides greater reliability
- Bottom-mounted condensing unit positioned for easy maintenance
- Automatic defrost system time-initiated, temperature-terminated



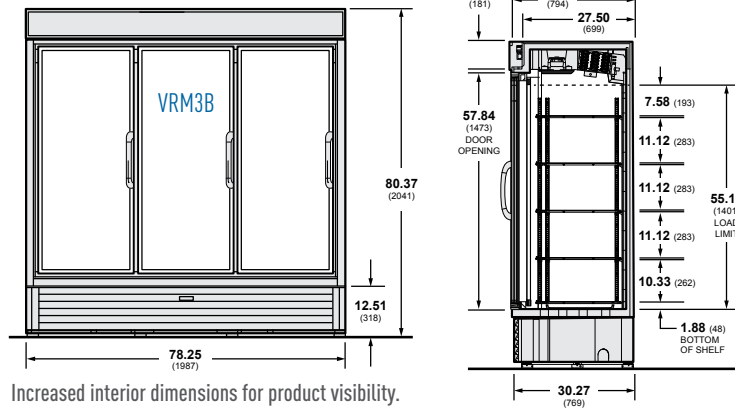
For a matching side-by-side display of frozen products, be sure to see the companion VRL series of low temperature models.

# Self-Contained, Reach-In Bottom Mount Glass Door Merchandisers for Medium Temperature Applications

- VRM1B** - Bottom Mount, Med Temp, 1-Glass Door Merchandiser
- VRM2B** - Bottom Mount, Med Temp, 2-Glass Door Merchandiser
- VRM3B** - Bottom Mount, Med Temp, 3-Glass Door Merchandiser

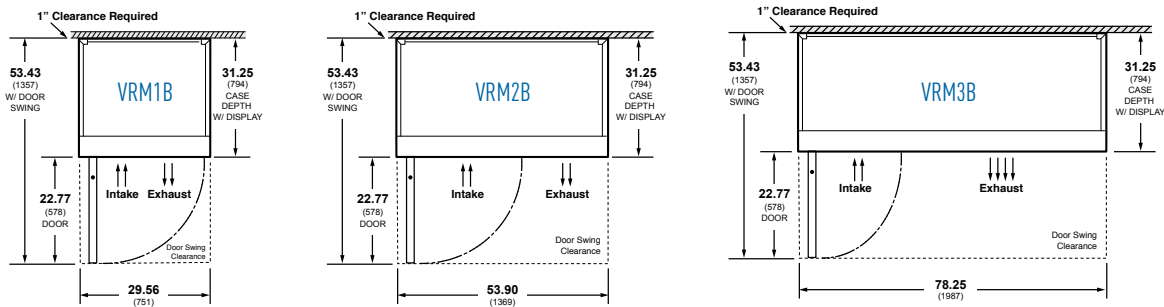


Increased interior dimensions for product visibility.



Increased interior dimensions for product visibility.

## Plan Views



## Specifications

Model	Doors	Refrig.	Cu. Ft. Capacity	Interior Dimensions (Usable Inches <sup>3</sup> )			Exterior Dimensions			* Depth dimension "D" excludes door handle. ** Overall height includes leveling pods.
				L	D	H	L	D*	H**	
VRM1B	1	R-290	22.8	25.68"	23.72"	55.16"	29.56"	31.25"	80.37"	
VRM2B	2	R-290	44.5	50.00"	23.72"	55.16"	53.90"	31.25"	80.37"	
VRM3B	3	R-290	66.1	74.38"	23.72"	55.16"	78.25"	31.25"	80.37"	

## Electrical

Model	Nom. HP	Hz/Ph	Volts	Run Amps	Fuse Amps	NEMA Plugs	Refrig. Load (BTU/h)	A/C Load (BTU/h)	Energy Consumption (kWh/day)	Approx. Ship Wt. (lbs)
VRM1B	1/4	60/1	115	2.2	15	5-15P	884	1160	2.86	352
VRM2B	1/4	60/1	115	2.5	15	5-15P	1700	2100	4.12	566
VRM3B	1/4	60/1	115	2.6	15	5-15P	1920	2490	6.33	782

## Standard Features

- Color Exterior: Black, White, Gray
- Color Interior: White, Black
- Exterior Sign Panel: Lighted Flat Panel
- Shelves: 4
- LED Vertical Lighting: Yes
- Power Cord: Yes, 9ft
- Hardwired: No
- NSF: Type II
- Door(s): 1, 2, or 3 Innovator Doors
- Air Discharge: Front
- Insulation: CFC-Free

## Options

- Stainless steel exterior/interior.
- Adjustable leveling legs.
- PTM, baskets, peg bar and hooks.
- Additional display shelves available.
- Price tag molding and sign kit available.
- Alarm buzzer, door locks, door guard and shelf product stops.
- Caster kit for 1- and 2-door models.
- Left glass door opening is standard. Other options are available.

**DOE 2017 Energy Efficiency Compliant** Hussmann refrigerated merchandisers configured for sale for use in the United States meet or surpass the requirements of the DOE 2017 energy efficiency standards.

NOTE: These merchandisers are designed for use in stores when temperature and humidity do not exceed 80°F and 55% R.H. Case is designed for holding pre-frozen product only.

NOTE: We reserve the right to change or revise specifications and product design in connection with any feature of our products. Such changes do not entitle the buyer to corresponding changes, improvements, additions, or replacements for equipment previously sold or shipped.

For additional resources and warranties, contact your representative or visit [www.hussmann.com](http://www.hussmann.com).

**HUSSMANN®**

**Hussmann Corporation**  
12999 St. Charles Rock Rd.  
Bridgeton, MO 63044-2483  
Ph: 314.291.2000

[www.hussmann.com](http://www.hussmann.com)

---

## Terms of Sale

### PRODUCT SPECIFICATIONS:

We reserve the right to change or revise specifications and product design in connection with any feature of our products. Such changes do not entitle the buyer to corresponding changes, improvements, additions, or replacements for equipment previously sold or shipped.

### FREIGHT CHARGES

All Prices are F.O.B. shipping location unless other arrangements have been agreed to by all parties.

### FREIGHT CLAIMS

Hussmann responsibility for damage or loss ceases upon delivery of goods to the carrier. Any claims for damage or shortage must be filed by the customer against the transportation company.

### CANCELLATIONS

Orders that have been accepted may not be canceled without reimbursement to Hussmann for expenses incurred, including total payment for special products already in-process or completed.

### RETURNED GOODS

Goods may not be returned without factory authorization. Authorized returns will be subject to specified terms and conditions.

### SPECIAL COLOR PAINTING CHARGE

There is a one-time charge for new color formulation of \$250.00 net.

### SPECIAL ELECTRICAL COMPONENTS

Contact Hussmann sales organization for pricing and availability of special voltages.

### WARRANTY

Please refer to [hussmann.com](http://hussmann.com) for all product warranty information.

---

This catalog has been developed to support equipment sales in the U.S. Some warranties, prices and terms and conditions may be different for markets outside the U.S. Contact your local Hussmann representative for additional information.

---

---

## Self-Contained Refrigeration Equipment Startup Check List

STEP	STARTUP ACTIVITY	CHECK
1.	Locate, read and maintain install/operation manual in a safe place for future reference.	<input type="checkbox"/>
2.	Examine unit. Confirm there is NO damage or concealed damage.	<input type="checkbox"/>
3.	Level the unit, side to side and front to rear.	<input type="checkbox"/>
4.	Remove all shipping brackets/compressor straps/bolts etc.	<input type="checkbox"/>
5.	Unit must be run on a dedicated electrical circuit without the use of an extension cord.	<input type="checkbox"/>
6.	Ensure that the proper electrical requirements for the equipment are supplied.	<input type="checkbox"/>
7.	Verify field electrical connections are tight.	<input type="checkbox"/>
8.	Verify all electrical wiring is secured and clear of any sharp edges or hot lines.	<input type="checkbox"/>
9.	Verify the condensate drain line is properly trapped and pitched.	<input type="checkbox"/>
10.	Verify all required clearances on the sides and back of unit.	<input type="checkbox"/>
11.	Verify there are no air disturbances external to the unit. Heat and air registers, fans, and doors etc.	<input type="checkbox"/>

\*\*\*Please note that failure to follow this startup document may void your factory warranty\*\*\*

Advise owner/operator that merchandiser must operate at temperature for 24 hrs prior to loading with product.

Hussmann shall not be liable for any repair or replacements made without the written consent of Hussmann, or when the product is installed or operated in a manner contrary to the printed instructions covering installation and service which accompanied such product.

---

Notes

---

---

---

---

---

---

---

---

---

---

---

---

---

---

---

---

---

---

**HUSSMANN®**

**Hussmann Corporation**  
12999 St. Charles Rock Rd.  
Bridgeton, MO 63044-2483  
Ph: 314.291.2000

[www.hussmann.com](http://www.hussmann.com)