

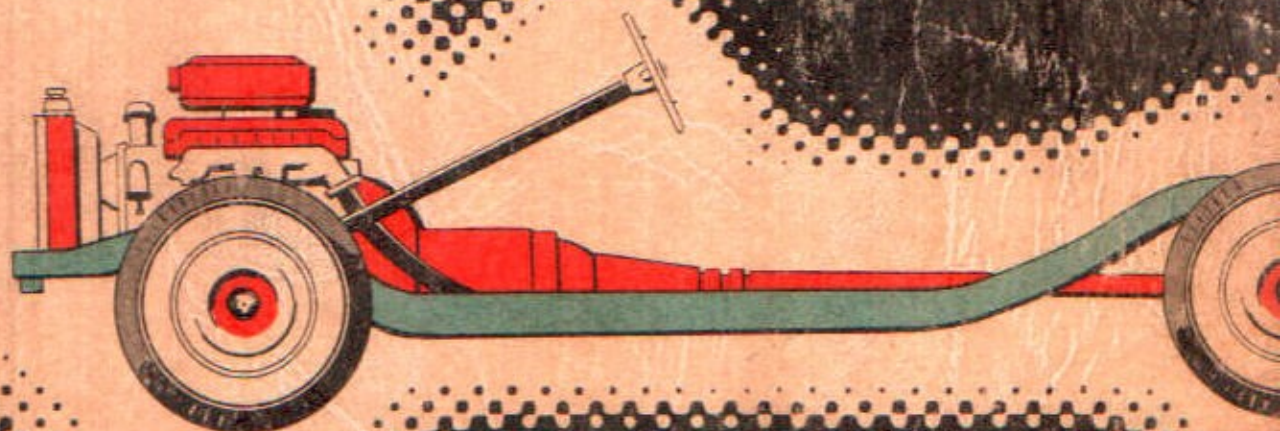
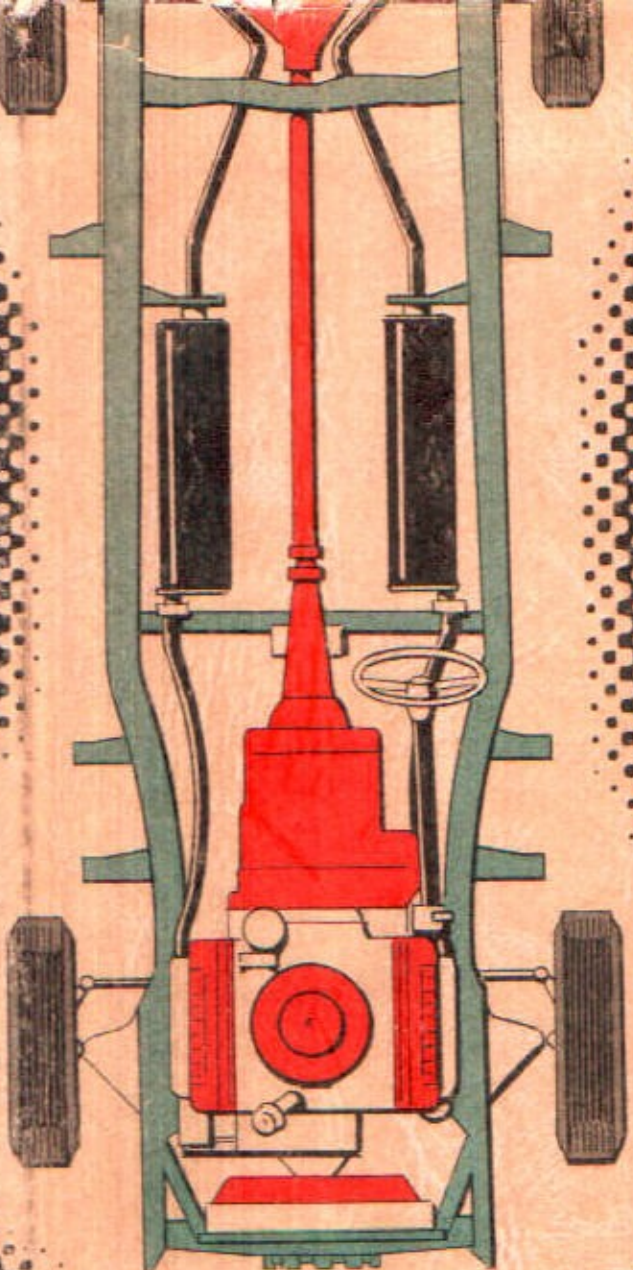
'54 '55

MERCURY

CHASSIS PARTS

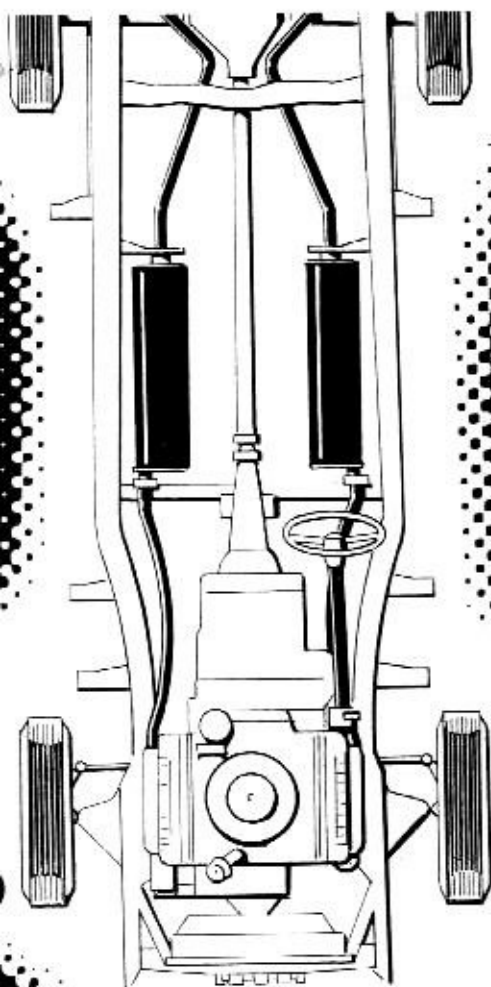
CATALOGUE

FINAL EDITION



PARTS AND SERVICE SALES
MERCURY DIVISION
Ford Motor Company

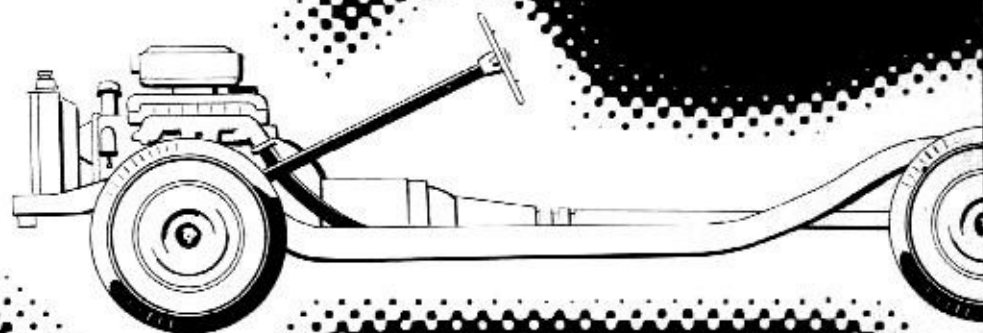
JAN. '56



'54 '55

MERCURY**CHASSIS PARTS
CATALOGUE**

FINAL EDITION



PARTS AND SERVICE SALES
MERCURY DIVISION
Ford Motor Company

JAN. '56

Identification Data	V
Alphabetical Index	IX
Wheels, Hubs and Drums	1
Brakes	5
Power Brakes	28
Front Suspension	39
Steering Linkage	44
Steering Gear	47
Power Steering	53
Rear Axle	72
Frame	85
Muffler	89
Springs	99
Cylinder and Engine Supports	104
Transmission Overdrive	129
Transmission	138
Merc-O-Matic Transmission	146
Clutch	189
Cooling System	198
Fuel System	205
Generator	245
Battery	249
Starter	256
Ignition Coil, Distributor	259
Lamps	265
Wiring	287
Electric Motors	300
Fenders	314
Hood	322
Windshield Wiper	332
Bumpers	335
Shock Absorbers	352
Accessories	389

GENERAL INFORMATION

Best results in the use of this Parts Catalogue will be obtained by thoroughly reviewing the instructions and arrangement of information explained in detail on this and the following page.

PARTS INFORMATION

The information contained in this Chassis Parts Catalogue includes the following:

1. Part Number
2. Part Name, including description and dimensions necessary for proper identification of parts
3. Quantity used per vehicle
4. Model Application
5. Year Part is used

HOW TO LOCATE PARTS

This Chassis Parts Catalogue is arranged in numerical order by Part Number. To locate a part by Noun Name, use the Alphabetical Index. When the Part Number and Part Name are unknown, but the location of the part on the vehicle is known, refer to the Quick Reference Index which gives the page number where this group of parts begin. For rapid identification of the details of assemblies, parts have been listed in numerical sequence in Chart form. Examples are Carburetors and Transmissions. When referring to these charts it is essential to first determine which assembly (identified by part number and model year at the top of the chart) requires the replacement.

Customer optional equipment items, such as Power Brakes and Power Steering, were grouped and sub-

listed under related parts of a particular function. This method was used for your convenience in locating, identifying, and ordering.

ILLUSTRATIONS

Illustrations show the construction of individual parts, as well as assemblies, but in all cases may not show the exact shape or detail of parts required. However, illustrations are for the purpose of identifying parts performing the same or similar function.

Parts are identified on each illustration by basic* Part Numbers. Parts which are not identified on the illustrations by a basic Part Number are designated by a symbol which is explained by a footnote on the illustration.

*Basic Part Numbers are numbers less prefix and suffix.

FORD P & A PART NUMBERS

Ford P & A Part Numbers appear in numerical sequence throughout the catalogue and the corresponding Engineering Part Number, preceded by the symbol \oplus , is shown in the nomenclature opposite the Ford P & A Part Number.

Example: B4A-6312-A Pulley (power steering crankshaft)— \oplus EBY-66319-A. The Ford P & A Part Number affects Ford controlled parts only. These parts will include many 5-digit Part Numbers which have been converted to 4-digit Part Numbers so that they may

be easily located in their intended group. (See "Group & Basic Part Numbers" on the following page.)

Standard Parts have no prefix but carry the suffix "S" followed by numerals which designate the finish. (See Chart for Standard Part finishes.)

PARTS HAVING MULTIPLE FUNCTIONS

Parts may have multiple functions or operations in some instances. When this occurs, the Part Number is listed numerically, showing each operation, and then is sublisted under the part or assemblies with which it is used functionally.

STANDARD PARTS

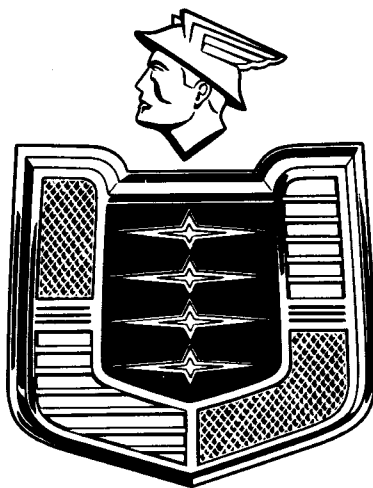
Standard Parts, such as bolts, nuts, and washers, are listed below the Part Number with which they are used.

ORDERING PARTS FOR SERVICE

When ordering service replacement parts, always give the Part Number and Part Name. After this has been determined, refer to the Master Price and Reference List, Form MD-4230-GPD, for current classification of selected parts.

Instructions for the use of stock order pads and order forms are printed thereon.

Right- and left-hand parts are so designated from the driver's position when seated in the car.



GROUP AND BASIC PART NUMBERS

*Mercury Division and Ford Motor Company basic part numbers are grouped according to their function. For example, all parts applying to the rear axle are grouped from 4000 to 4999, transmission from 7000 to 7500, etc.

Following is an index of the various groups:

BASIC PART NO. SERIES	GROUP NAME	BASIC PART NO. SERIES	GROUP NAME
1000-1250	Wheels, Hubs & Drums	9900- 9999	Carburetor
1351-1499	Spare Wheel Carrier	10000-10211	Generator
2001-2449	Brakes (Service)	10500-10653	Cutout & Voltage Regulator
2450-2597	Brake (Controls)	10654-10769	Battery
2600-2867	Brakes (Hand)	10841-10894	Instrument Cluster & Ammeter
3000-3451	Front Suspension & Linkage	11000-11450	Starter Motor
3500-3743	Steering Gear	11572-11829	Ignition & Lighting Switch
4000-4999	Rear Axle & Drive Shaft	12000-12390	Ignition Coil, Distributor & Condenser
5000-5149	Frame & Brackets	12405-12410	Spark Plug
5150-5196	Battery Brackets & Parts	13002-13249	Head & Parking Lamps
5230-5299	Muffler & Exhaust Pipe	13304-13351	Turn Signal
5300-5515*	Front Springs	13404-13799	Rear, Luggage Compartment, License, Map, Courtesy & Dome Lamps
5550-5818	Rear Springs	13827-13860	Horn
6000-6942	Engine	14197-14680	Wiring
7000-7500	Transmission	15000-15853	Miscellaneous Accessories
7501-7993	Clutch	16000-16550	Front Fender
8005-8287	Radiator	16612-16988	Hood
8501-8630	Water Pump	17005-17091	Tools
8700-8734	Air Ventilator	17250-17322	Speedometer
9002-9299	Fuel Tank	17450-17567	Windshield Wiper
9270-9420	Fuel Pump	17698-17700	Mirrors
9421-9499	Manifolds, Clamps, etc.	17736-17997	Bumpers
9500-9699	Carburetor	18031-18080	Shock Absorbers
9700-9833	Acc. & Choke Control Rods	18148-19592	Miscellaneous Accessories

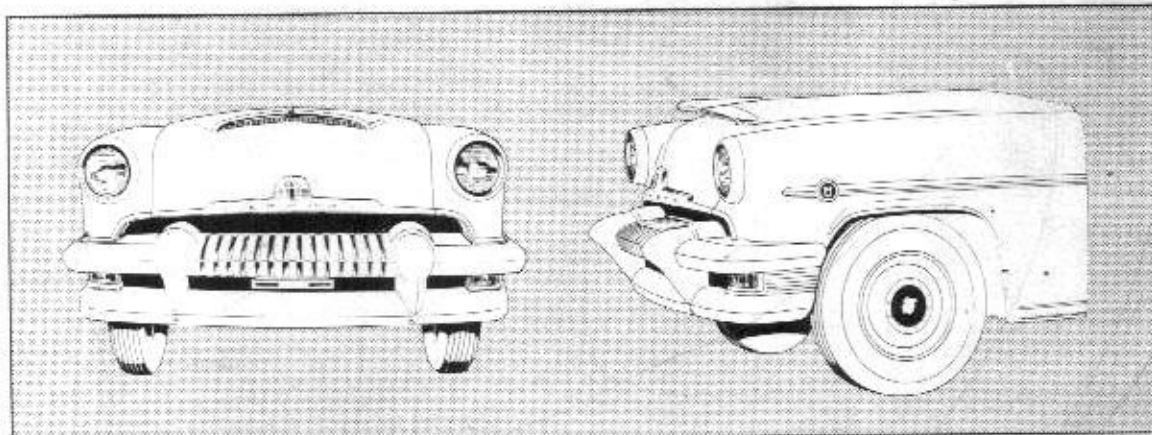
*There are a few exceptions to the above. When they occur, the part is assigned an extra first digit corresponding to the first digit of the group in which the part belongs.

Example: EBY-99983-C Cover and Plugs Assembly: (carburetor main body)

MODEL IDENTIFICATION

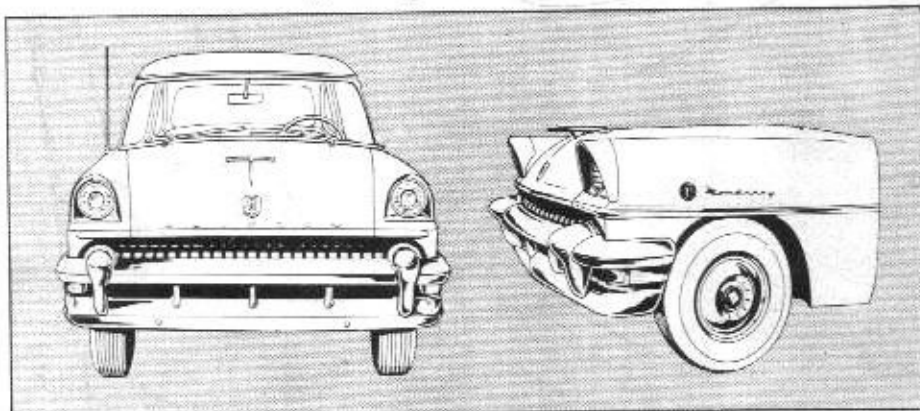
MERCURY

(MB) 1954



BODY TYPE	NAME	BODY TYPE	NAME
60-B	Six Passenger Monterey	73-B	Four Door Sedan
60-E	Six Passenger Sports Coupe	73-C	Monterey Four Door Sedan
60-F	Six Passenger Monterey Sun Valley Coupe	76B	Six Passenger Monterey Convertible
70-B	Two Door Sedan	79-B	Eight Passenger Station Wagon

(MC) 1955



BODY TYPE	NAME	BODY TYPE	NAME
58A	Four Door Montclair Sedan	73B	Four Door Sedan
60B	Six Passenger Monterey Coupe	73C	Four Door Monterey Sedan
60E	Six Passenger Sport Coupe	76B	Six Passenger Montclair Convertible
64A	Six Passenger Montclair Coupe	79B	Eight Passenger Station Wagon
64B	Six Passenger Montclair Sun Valley Coupe	79C	Eight Passenger Monterey Station Wagon
70B	Two Door Sedan		

FINISH OF STANDARD PARTS

(BOLTS, SCREWS, NUTS, WASHERS, Etc.)

The "S" suffix on numbers covering Standard Parts represents the finish of the part as shown by the following list:

SUFFIX	FINISH	SUFFIX	FINISH
S	Plain	S18	Case hardened
S2	Raven finish	S19	Brass plate
S3	Black Japan	S20	Cement coated
S4	Raven finish and black paint	S21	Lacquer for identification
S5	Copper plate	S22	Chrome plate—Butler finish
S6	Nickel plate	S23	Rustless steel—head polished
S7	Cadmium plate	S24	Hot tin coated
S8	Zinc plate	S29	Clear enamel over bright zinc
S10	Tinned	S30	Gold tinted enamel over bright zinc
S12	Lacquer to match trim	S31	Cadmium with zinc
S13	Chrome plated	S32	Black paint or zinc chromate primer
S14	Nickel plate—Butler finish	S33	Case hardened raven finish
S15	Oxidized	S34	Case hardened cadmium finish
S16	Lead coated		

DECIMAL EQUIVALENTS OF PARTS OF AN INCH

1/64.....015625	11/32.....34375	43/64.....671875
1/32.....03125	23/64.....359375	11/16.....6875
3/64.....046875	3/8.....375	45/64.....703125
1/16.....0625	25/64.....390625	23/32.....71875
5/64.....078125	13/32.....40625	47/64.....734375
3/32.....09375	27/64.....421875	3/4.....75
7/64.....109375	7/16.....4375	49/64.....765625
1/8.....125	29/64.....453125	25/32.....78125
9/64.....140625	15/32.....46875	51/64.....796875
5/32.....15625	31/64.....484375	13/16.....8125
11/64.....171875	1/2.....5	53/64.....828125
3/16.....1875	33/64.....515625	27/32.....84375
13/64.....203125	17/32.....53125	55/64.....859375
7/32.....21875	35/64.....546875	7/8.....875
15/64.....234375	9/16.....5625	57/64.....890625
1/4.....25	37/64.....578125	29/32.....90625
17/64.....265625	19/32.....59375	59/64.....921875
9/32.....28125	39/64.....609375	15/16.....9375
19/64.....296875	5/8.....625	61/64.....953125
5/16.....3125	41/64.....640625	31/32.....96875
21/64.....328125	21/32.....65625	63/64.....984375
		1.....1.

ABBREVIATIONS

accel.	accelerator	econ.	economizer
adj.	adjusting	emer.	emergency
alum.	aluminum	equip.	equipment
approx.	approximately	exh.	exhaust
assy.	assembly	ext.	extension
aux.	auxiliary	fl-hd	flat-head
brg.	bearing	ft.	foot or feet
brkt.	bracket	frt.	front
b-hd	button head	gen.	generator
C.P.	Candle Power	gskt.	gasket
cap.	capacity	hd	head
carb.	carburetor	H/D	heavy duty
comm.	commercial	hex	hexagonal
compt.	compartment	hex-hd	hexagonal head
conn.	connecting	hsg.	housing
conntr.	connector	hyd.	hydraulic
c/pin	cotter pin	I.D.	inner diameter
coup. or (cplg.)	coupling	ign.	ignition
c/shaft	crankshaft	instr.	instrument
cyl.	cylinder	insul.	insulator
defl.	deflector	jt.	joint
def.	defroster	L.H.	Left Hand
dia.	diameter	L.H.D.	Left Hand Drive
diaph.	diaphragm	lic.	license
diff.	differential	l/w	lockwasher
D.C.	double contact	lub.	lubricator
dist.	distributor	mach.	machine

ABBREVIATIONS—Continued

man.	manifold	rd.	round
mldg.	moulding	rd-hd	round head
mount. or (mtg.)	mounting	S.C.	single contact
O/Drive	overdrive	spec.	special
o/all	overall	spec-hd	special head
O.D.	outer diameter	sq-hd	square head
O/S	oversize	std.	standard
pass.	passenger	strg.	steering
ptd.	painted	tap.	tapping
rad.	radiator	thrd.	thread
reinf.	reinforcement	trans.	transmission
reg.	regulator	U/S	undersize
repl. or (rep.)	replaced	univ.	universal
req'd or (reqd)	required	univ/jt.	universal joint
resvr.	reservoir	vac.	vacuum
restr.	resonator	vent.	ventilator
ret.	retainer	W/S	windshield
R.H.	Right Hand	w/	with
R.H.D.	Right Hand Drive	w/o	without

Alphabetical Index

NOTE: All parts in this catalog are listed in numerical sequence. Where the function of a part causes it to be listed out of numerical order it is indented the same as attaching parts and appears again in numerical sequence.

Basic part numbers only are shown in the following "Alphabetical Index." Always refer to Parts Listings for complete Part Number. For example: The basic Part Number of a Carburetor is 9510; by referring to Parts Listings you will find that 9510 appears numerically on page 222 where the various carburetors are shown.

Part Name	Basic Part No.	Part Name	Basic Part No.
— A —		— B —	
ACCELERATOR GROUP (Page 239)		BACK UP LAMP GROUP (Page 389)	
ACCESSORIES GROUP (Page 389)		Baffle (front wheel brake grease)	2060
Adapter (brake booster mounting)	22120	Baffle (pillar lamp)	13860
Adapter (carburetor fuel inlet)	9224	Baffle (transmission extension oil)	77654
Adapter (heat indicator bulb)	10911	Baffle (transmission main drive gear oil)	7040
Adapter (multiple lubricator grease filler)	19553	Baffle (transmission main shaft)-oil	7668
Adapter (multiple lubricator grease filler)	19555	Baffle (trans. output shaft)	7040
Adapter (multiple lubricator to vacuum supply hose)	19543	Baffle (valve spring oil)	6524
Adapter (roadlamp)	15229	Bag assy (tool)	17005
Adapter (spark plug)	6060	Bail (fuel pump gas strainer)	9387
Adapter (transmission overdrive)	7660	Ball (carburetor accelerator pump & secondary check)	9576
Adapter assy (lubricator line to lubricator fitting)	19533	Ball (carburetor distributor check valve)	9605
Adapter assy (W/S defroster take-off)	19378	Ball (carb. secondary throttle check)	99617
AIR CLEANER GROUP (Page 237)		Ball (secondary diaphragm cover check)	9576
Air cleaner & silencer assy (oil bath)	9600	Band (starter cover)	11125
AIR CONDITIONING (Page 364)		Band assy (transmission front)	77370
Antenna assy (radio)	18813	Band assy (transmission rear)	77423
Anti-freeze	19544	Bar (front bumper impact)	17757
Anti-freeze (prestone)	19544	Bar (front bumper impact)-lower	17768
Anti-squeak (fuel tank to hanger)	9299	Bar (front bumper impact)-upper	17762
Anti-squeak (steering column saddle)	33680	Bar (front fender apron and radiator support tie)	16156
Apron and deflector assy (front fender)	16082-3	Bar (rear bumper impact)	17906
Arm (generator belt adjustment)	10145	Bar (rear spring shackle)	5627
Arm (rear bumper)-inner	17787	Bar (window regulator control switch bus)	14513
Arm (steering idler)	3355	Bar assy (clutch release equalizer)	7528
Arm (steering pitman)	3590	Bar assy (front bumper impact vertical)	17838
Arm (steering spindle)	3130-31	Bar assy (front bumper lower impact vertical)	17829
Arm (trans. control selector)	7346	Bar assy (front stabilator)	5482
Arm (trans. high & intermediate gear shift)	7346	Base (distributor)	12130
Arm (trans. low & reverse gear shift)	7338	BATTERY GROUP (Page 249)	
Arm (valve rocker)	6564	Battery assy	10655
Arm and bushing assy (front suspension lower)	3042	BATTERY CLAMP GROUP (Page 88)	
Arm and insulator assy (trans. control selector)	7302	Bearing (camshaft)	6263
Arm and insulator assy (trans. gear shift)	7302-3	Bearing (camshaft front)	6261
Arm & pivot shaft assy (W/S wiper mounting)	17566-7	Bearing (center upper main)	6337
Arm assy (front suspension)-lower	3078-9	Bearing (clutch pilot)	7600
Arm assy (front suspension)-upper	3082	Bearing (connecting rod)	6211
Arm assy (fuel pump rocker)-fulcrum type	9376	Bearing (generator front end plate)	10094
Arm assy (windshield wiper)	17526	Bearing (generator rear end plate)	10095
Armature assy (current limiter)	10584	Bearing (main)	6333
Armature assy (cut out)	10540	Bearing (overdrive case)	7041
Armature assy (generator)	10005	Bearing (rear wheel)	1225
Armature assy (regulator)	10551	Bearing (starter brush end plate)	11052
Armature assy (starter)	11005	Bearing (steering worm sector)	3576
AUTOMATIC HEADLAMP DIMMER GROUP (Page 389)		Bearing (trans. extension)	7041
AUXILIARY STARTER GROUP (Page 389)		Bearing (transmission extension)	7699
Axle assy (rear)	4006	Bearing (transmission gear shift lever socket)	7225
		Bearing (transmission main drive gear ball)	7025
		Bearing (transmission main shaft ball)	7025

Alphabetical Index—Continued

Part Name	Basic Part No.	Part Name	Basic Part No.
Bearing (trans. main shaft)-rear	7697	Bolt (backing plate to rear axle)	2248
Bearing (trans. rear servo lever needle)	77406	Bolt (battery clamp)	5175
Bearing and slinger assy (water pump)	8578	Bolt (battery clamp)	10756
Bearing assy (brake master cyl. push rod end)	2388	Bolt (connecting rod)	6214
Bearing assy (clutch pedal shaft)	7551	Bolt (converter cover to impeller housing)	7964
Bearing assy (clutch release)	7580	Bolt (crankshaft main bearing caps)	6345
Bearing assy (power steering pump rotor shaft)	33622	Bolt (crankshaft rear seal retainer)	6350
Bearing assy (steering column)	3517	Bolt (cylinder head)	6066
Bearing assy (trans. main drive gear)	7025	Bolt (fillister hd)	31160
Bearing assy (trans. main shaft)	7025	Bolt (flywheel to crankshaft)	6379
Bearing assy (universal joint)	4678	Bolt (front suspension lower arm front mounting)	3057
Bearing assy (universal joint)	4712	Bolt (fuel tank strap)	99052
Bearing assy (water pump)	8530	Bolt (generator thru)	10120
Belt (compressor)	2890	Bolt (headlamp control switch mounting)	11665
Belt (generator and water pump)	8620	Bolt (hex head starter thru)	11091
Belt (power steering pump pulley)	33558	Bolt (master cyl. link rod eccentric)	2462
Bezel (front fender headlamp)	16076-7	Bolt (muffler inlet pipe)	55256
Bezel (ignition switch)	11584	Bolt (planetary sup. locking)	77194
Bezel (instrument cluster air control)-inner	10852	Bolt (power steering control valve spool)	33698
Bezel (instrument cluster control)	10852	Bolt (rear axle housing carrier)	4046
Bezel (multiple lubricator)	19574	Bolt (rear band servo to case)	77420
Bezel (roadlamp switch)	15268	Bolt (rear brake cylinder connection)	2276
Bezel (top control knob)	15677	Bolt (spare wheel mounting)	1448-9
Bezel (W/S wiper control)	17482	Bolt (steering column tube flange)	3641
Bezel assy (headlamp control switch)	11649	Bolt (trans. gear shift hsg. to trans. case)	12148
Blade assy (fan)	8600	Bolt (wheel hub)	1107
Blade assy (W/S wiper)	17528	Bolt and valve assy (oil filter center)	6741
Block assy (cylinder)	6010	Bolt assy (rear bumper bar to hanger and brace)	17758
Block assy (electrical wiring junction)	14448	Booster assy (brake vacuum)	2005
Block assy (trans. control selector neutral switch terminal)	15825	Boot (brake master cylinder)	2180
Blower assy (heater)	18456	Boot (brake master cylinder & booster)	2180
Body (brake master cylinder)	2155	Boot (brake wheel cylinder)-rear	2206
Body (dome lamp)	13787	Boot (clutch pedal rod thru dash)	77560
Body (front band servo)	77353	Boot (roadlamp adjusting nut)	15227
Body (fuel pump pulsator)	9372	Boot (transmission overdrive governor)	6941
Body (parking lamp)	13215	Bowl (fuel pump filter)	9355
Body (power steering oil reservoir)	33532	Brace (compressor)-front	2888
Body (power steering oil reservoir inlet orifice)	33542	Brace (compressor)-rear	2889
Body (rear lamp)	13440	Brace (front bumper impact bar to stone deflector)	17822
Body (transmission front band servo)	77353	Brace (front bumper impact bar to stone deflector)	17900
Body and plugs assy (carburetor main)	9512	Brace (front fender opening)-rear	16174-5
Body & shaft assy (carburetor throttle)	9518	Brace (hood front reinforcement to hood)	16988
Body and socket (courtesy lamp)-L. H.	13709	Brace (hood lock support)	16864
Body and socket assy (courtesy lamp)-R. H.	13705	Brace (hood lock support to radiator support)-lower	16924
Body and socket assy (rear license plate lamp)	13560	Brace (rear bumper bar end)	17958-9
Body and socket assy (rear license lamp)	13560	Brace (rear bumper end)	17789-93
Body assy (brake booster)	2366	Bracket (back up lamp switch mounting)	15517
Body assy (brake booster check valve)	22368	Bracket (battery support)-rear	10769
Body assy (multiple lubricator)	19536	Bracket (automatic throttle control)	19727
Body assy (oil pump)	6603	Bracket (brake hose)-front	2082
Body assy (parking lamp)	13206-7	Bracket (brake hose)-rear	2073
Body assy (pillar lamp)	13781	Bracket (brake master cylinder operating lever)	22519
Body assy (rear lamp)	13434	Bracket (carburetor dashpot mounting)	9815
Body assy (rear license lamp)	13553	Bracket (carburetor dashpot mounting)	9815
Body assy (roof rail lamp)	13778	Bracket (carburetor secondary venturi ext. tube)	99552
Body assy (transmission governor)	77131	Bracket (clutch pedal bumper)	7504
Body assy (transmission rear band servo)	77404	Bracket (clutch release equalizer frame)	7507
		Bracket (clutch retracting spring)	7542

Alphabetical Index—Continued

Part Name	Basic Part No.	Part Name	Basic Part No.
Bracket (compressor mounting)	2882	Bracket assy (horn)	13830-1
Bracket (frame to body)	5088	Bracket assy (motor mounting top control)	15669
Bracket (frame to body)-center	5088	Bracket assy (muffler outlet pipe)-rear	5261
Bracket (front bumper license plate mounting)	17736	Bracket assy (signal lamp)	15853
Bracket (front fender opening brace)	16216	Bracket assy (suspension arm & shock mounting)	5022
Bracket (front fender to cowl)	16094	Brake assy (front wheel)	2010-10
Bracket (front suspension bumper)	33088	Brake assy (rear)	2209-10
Bracket (fuel tank front support)	9068	Brake cylinder & tube seat assy (rear)	2135-6
Bracket (fuel tank vent tube)	99053	Brush assy (heater blower motor)	14580
Bracket (generator)-front	10156	Brush assy (heater blower motor)	19293
Bracket (generator)-rear	10151	Brush assy (rear window defroster motor)	19592
Bracket (hand brake cable)-front	2153	Brush assy (seat regulator motor)	14580
Bracket (hand brake equalizer)	2631	Brush assy (seat regulator motor)	14584
Bracket (heater hose support)	18481	Brush assy (top reg. motor)	15665
Bracket (hood lock support brace)	16886	Brush assy (window regulator motor)	14580
Bracket (ignition cable mounting)	12111-2	Bulb (back up lamp)	13465
Bracket (muffler outlet pipe to frame)	5277-79	Bulb (clear)	13466
Bracket (muffler outlet pipe to frame)	55260	Bulb (clear)	15021
Bracket (multiple lubricator pump)	19537	Bulb (courtesy lamp)	13730
Bracket (parking brake cable)-rear	2530-1	Bulb (dome lamp or engine compartment lamp)	13799
Bracket (parking brake equalizer)	2631	Bulb (dome light)	13730
Bracket (power steering hose insulator)	33646	Bulb (map light)	13730
Bracket (power steering pump adjusting)	33554	Bulb (offset pin base)	13465
Bracket (power steering pump support)	3562	Bulb (roadlamp)	15220
Bracket (radiator support mounting)	5074	Bulb (utility lamp)	18570
Bracket (rear license lamp)	13423	Bulb assy (electric heat indicator)	10884
Bracket (rear license plate)-side	13596	Bulb assy (headlamp)	13007
Bracket (rear license plate)-top	13597	Bulb assy (spotlight)	15330
Bracket (rear shock absorber)	5135	Bumper (brake master cyl. push rod)	2144
Bracket (rear shock absorber)	18178	Bumper (clutch pedal)	7583
Bracket (rear view mirror)-inside	17698	Bumper (fender to hood)	16758
Bracket (spotlight)	15304-5	Bumper (fender to hood front)	16754
Bracket (stabilator to frame)	5486	BUMPER GRILLE GUARD GROUP (Page 390)	
Bracket (steering column)	3678	Bumper (luggage compartment door to striker plate)	16754
Bracket (steering idler arm mounting)	3351	Bumper (steering connecting link ball stud seat)	3326
Bracket (top control switch mounting)	15676	Bumper assy (front suspension lower arm)	3019-20
Bracket (trans. O/Drive control mounting)	7251	Bumper assy (front suspension rebound)	3025
Bracket (trans. O/Drive control mounting)	77250	Bumper assy (hood to cowl top)	16763
Bracket (turn signal flasher mounting)	13351	Bumper assy (hood to hood lock support)	16769
Bracket (valve rocker arm oil outlet tube)	6575	Bumper assy (rear axle)	5783
Bracket (W/S wiper motor mounting)	17496	Bumper assy (rear license plate support)	13398
Bracket & insulator assy (muffler outlet pipe)-front	5259	Bumper assy (rear spring)	55712
Bracket & insulator assy (muffler outlet pipe)-rear	5261	Bus bar (seat reg. cont. switch)	14589
Bracket and insulator assy (muffler outlet pipe)	55226	Bushing (brake master cylinder)	2470
Bracket and lever assy (clutch release equalizer)	7490	Bushing (brake master cylinder operating lever)	22515
Bracket & tapping plate assy (steering column)	33684	Bushing (brake master cylinder push rod)	2474
Bracket assy (body to frame)-inner	55144-5	Bushing (brake pedal)	2461
Bracket assy (brake booster mounting)	22027	Bushing (brake pedal hub)	2461
Bracket assy (clutch release equalizer- engine)	77505	Bushing (brake pedal lever)	22521
Bracket assy (frame to body)-front	5075	Bushing (carburetor throttle shaft)	9657
Bracket assy (frame to body)-front L. H.	5076	Bushing (connecting rod)	6207
Bracket assy (frame to body)-inner	5143	Bushing (distributor base)	12120
Bracket assy (frame to body)-outer	5088	Bushing (distributor primary terminal)	12233
Bracket assy (frame to body)-outer	55143	Bushing (front suspension lower arm mounting bolt)	3069
Bracket assy (frame to body)-rear	5144-5	Bushing (front suspension upper arm inner shaft)	3087
Bracket assy (frame to body)-rear outer	55170-1	Bushing (front suspension upper arm inner shaft)	3068
Bracket assy (fuel tank rear support)	9046	Bushing (fuel and vacuum pump rocker arm)	9389
Bracket assy (hand brake signal lamp)	15853		

Alphabetical Index—Continued

Part Name	Basic Part No.	Part Name	Basic Part No.
Bushing (power steering cylinder piston rod)	33738	Chain assy (tire)	18136
Bushing (rear spring)	5719	Clamp (automatic throttle control lever)	19714
Bushing (stabilator bar to frame)	5484	Clamp (auxiliary starter)	18954
Bushing (starter rear end plate)	11135	CIGAR LIGHTER GROUP (Page 310)	
Bushing (trans. extension)	7697	Circuit breaker and bracket assy	12258
Bushing assy (steering idler arm)-lower	3358	Circuit breaker assy	12250
Bushing assy (steering idler arm)-upper	3356	Circuit breaker assy	14526
— C —		Clamp (carb. automatic choke thermostat housing)	9842
Cable and conduit assy (hand brake)-front	2853	Clamp (carb. economizer body cover)	9931
Cable and equalizer assy (hand brake)-rear	2275	Clamp (carb. secondary venturi extension tube)	9633
Cable & equalizer assy (parking brake)	2275	Clamp (carburetor secondary venturi extension tube)	99553
Cable assy (battery to ground)	14301	Clamp (distributor)	12270
Cable assy (battery to starting motor relay)	14300	Clamp (distributor terminal housing)	12144
Cable assy (dash to engine ground)	14303	Clamp (distributor to spark plug mounting bracket)	12361
Cable assy (radio antenna)	18812	Clamp (hose)	18572
Cable assy (starting motor relay to starting motor)	14431	Clamp (hose and wiring)	18954
Cage assy (transmission overdrive pinion)	7673	Clamp (intake manifold to cyl. head)	9446
Cam (directional signal turn-off)	13318	Clamp (muffler inlet pipe)	5270
Cam and shaft assy (trans. high & intermediate shift)	7280	Clamp (muffler outlet pipe)-front	5265
Cam and shaft assy (trans. low and reverse shift)	7282	Clamp (muffler outlet pipe)-lower	55273
Cam assy (carburetor fast idle)	9597	Clamp (muffler outlet pipe)-rear	5260
Cam, roller & cage assy (trans. overdrive free wheel)	7675	Clamp (power steering control valve ball stud)-sleeve	33739
Camshaft	6250	Clamp (rear spring)	5724
CAMSHAFT AND CRANKSHAFT GROUP (Page 115)		Clamp (spare wheel hold down)-rear	1499
Cap (front hub grease)	1131	Clamp (steering column)	3507
Cap (front hub grease)	1139	Clamp (steering column bracket)	33689
Cap (fuel tank vent tube)-rubber	9244	Clamp (trans. oil filler tube)	77021
Cap (power steering control valve spool centering spring)	33705	Clamp (water by-pass connection)	8556
Cap (steering gear housing)-upper	3589	Clamp (wheel wrench and jack)	17091
Cap (wheel hub)	1130	Clamp and "U" bolt assy (muffler inlet)	5252
Cap & emblem assy (steering wheel hub)	3623	Clamp assy (battery)	5165
Cap assy (brake master cylinder filler)	2162	Clamp assy (battery hold down)	10716
Cap assy (fuel tank filler)	9030	Clamp assy (fuel tank vent pipe hose)	9171
Cap assy (oil filler)	6766	Clamp assy (heater air duct retainer)	8725
Cap assy (power steering oil reservoir filler)	33536	Clamp assy (hose)	8287
Cap assy (radiator)	8100	Clamp assy (trans. overdrive governor cover)	6942
Cap assy (trans. oil filler)	77630	Clamp assy (water by-pass hose)	8556
CARBURETOR GROUP (Page 220)		Cleaner (body)-liquid	19520
Carburetor assy	9510	Cleaner (body porcelainize)-liquid	19520
CARBURETOR CHART (Page 224)		Cleaner (chrome)	19522
Carrier & diff. assy (rear axle)	4200	Cleaner (spot remover)	19521
Carrier assy (rear axle differential)	4017	Cleaner (upholstery foam)	19526
Case (rear axle differential gear)	4205	Cleaner (white sidewall tire)	19523
Case (transmission)	7006	Clevis (trans. manual shift rod)	7354
Case (transmission overdrive)	7006	Clevis (trans. shift rod)	7354
Case assy (transmission)	7005	Clip (brake pipe to rear axle)	2244
Casebolt (heater blower motor)	14558	Clip (cable to bracket)	2814
Casebolt (rear window defroster motor)	19590	Clip (electric wiring & tubing)	14599
Casebolt (seat regulator motor)	14558	Clip (fuel line to dash)	9296
Casebolt (window regulator motor)	14548	Clip (fuel tube to frame)	14197
Casing and shaft assy (speedometer drive)	17260	Clip (hand brake cable spring lock)	2814
Cement (rubber)	19552	Clip (hand brake cable)-rear	2505
Chain (timing)	6268	Clip (headlamp door ring retaining)	13067
		Clip (heater door)	18726
		Clip (instrument & dash panel wiring to instrument panel gusset)	14585
		Clip (instrument and dash panel wiring to heater regulator control bracket)	14197
		Clip (intake manifold to brake booster tube)	22343

Alphabetical Index—Continued

Part Name	Basic Part No.	Part Name	Basic Part No.
Clip (interior light switch wiring to clock)	14197	Control assy (transmission main)	77700
Clip (luggage compartment lamp wire to luggage compartment door)	14197	Control assy (trans. O/Drive)	77244
Clip (roadlamp housing)	15108	Control assy (W/S wiper)	17470
Clip (roadlamp wiring loom)	15233	Core assy (condenser)	19712
Clip (rod end clevis)	9825-6	Core assy (heater)	18476
Clip (seat regulator housing retainer)	14570	Countershaft (transmission)	7111
Clip (spotlight wiring)	15342	Counterweight (camshaft fuel pump eccentric)	6290
Clip (switch wiring to clock)	14197	COURTESY LAMP GROUP (Page 283)	
Clip (trans. oil pan screen retaining)	77482	Cover (automatic headlamp dimmer control regulator)	13694
Clip (trans. overdrive control cable support)	7713	Cover (brake adjusting hole)	2092
Clip (wheel stone deflector)	1039	Cover (brake booster air cleaner)	22382
Clip (window regulator hsg. retainer)	14570	Cover (carburetor secondary throttle diaphragm)	9507
Clip (window regulator switch retaining)	14559	Cover (carburetor secondary throttle diaphragm housing)	9508
Clip (window regulator wiring to door hinge)	14649	Cover (converter hsg.)-lower	7980
Clip (wiring)	14599	Cover (converter hsg. lower access)	77980
CLOCK GROUP (Page 310)		Cover (converter hsg.)-upper	7992
Clock assy (electric)	15000	Cover (crankcase ventilation)	6869
Cloth (dust)	19517	Cover (cylinder front)	6059
CLUTCH GROUP (PAGE 189)		Cover (flywheel housing)	6366
Clutch assy (converter stator)	7940	Cover (front suspension upper spindle support)	3054
Coating (Chrome)	19514	Cover (headlamp dimmer switch)	13535
Cock assy (cylinder block drain)	8115	Cover (oil pump)	6616
Cock assy (drain)	8115	Cover (rear axle carrier)	4192
Coil assy (generator field)	10175	Cover (spring loaded cross link dust)	3333
Coil assy (ignition)	12029	Cover (starter pinion)	6677
Coil assy (starter field)-left	11083	Cover (steering gear housing)	3580
Coil assy (starter field)-right	11085	Cover (trans. governor inspection)	77138
Collar (brake booster push rod)	2440	Cover (transmission governor valve body)	77135
Collar (distributor shaft)	12195	Cover (trans. oil pressure reg. body)	77452
COMPASS GROUP (Page 391)		Cover (transmission overdrive mainshaft bearing)	7777
Compound (body porcelainize)-liquid	19528	Cover (trans. rear oil pump)	77860
Compressor assy (air conditioner)	2875	Cover & plugs assy (carb. main body)	9984
Compressor assy (less pulley & brkt.)	2878	Cover & plugs assy (carb. main body)	99983
Condenser assy (distributor)	12300	Cover and pump assy (windshield washer)	17616
Condenser assy (radio receiver voltage regulator)	18832	Cover & tube assy (trans. oil pressure reg. body)	77451
Cone (rear axle differential bearing)	4221	Cover assy (brake booster check valve)	22370
Cone (rear axle driving pinion rear bearing)	4630	Cover assy (brake master cylinder reservoir)	22166
Cone & roller (front wheel)-inner	1201	Cover assy (carburetor secondary throttle)	9507
Cone and roller (front wheel)-outer	1216	Cover assy (converter)	7950
Cone & roller assy (rear axle driving pinion)-front	4621	Cover assy (converter housing)	7985
Connecting link & bracket assy (power steering)	3232	Cover assy (converter hsg.)-lower	7991
Connection (water by-pass)	8558	Cover assy (horn motor)	13809
Connection (water by-pass)	88558	Cover assy (oil filter)	6737
Connection assy (water outlet)	8592	Cover assy (oil pump screen and inlet tube)	6615
Connector (brake booster manifold hose to manifold)	22396	Cover assy (power steering oil reservoir)	33533
Connector (heater blower duct to air valve)	18584	Cover assy (power steering pump hsg.)	33608
Connector (heater blower to air duct)	18489	Cover assy (steering column)	33516
Connector (package tray duct)	19800	Cover assy (valve push rod)	6519
Connector (vacuum pump to intake manifold tube)	17491	Cover assy (valve rocker arm)	6582
Connector (W/S wiper tube to manifold)	17597	Crankshaft	6303
Connector assy (bullet terminal)	14487	Cup (brake master cylinder)	2173
Contact assy (multiple lubricator)	19596	Cup (brake shoe hold down)	2066
Control assy (automatic choke)	9850	Cup (carburetor pump piston)	9572
Control assy (automatic headlamp dimmer)	13650	Cup (distributor oil)	10141
Control assy (automatic throttle)	19721	Cup (front brake wheel cyl. piston)	2202
Control assy (heater air regulator)	18561	Cup (front wheel bearing)-inner	1202
Control assy (heater air regulator)	18646	Cup (front wheel bearing)-outer	1217
Control assy (heater defroster)	18548	Cup (rear axle differential bearing)	4222
Control assy (heater temperature)	18518	Cup (rear axle driving pinion front bearing)	4616
Control assy (parking brake)	2780	Cup (rear axle driving pinion)-rear	4628

Alphabetical Index—Continued

Part Name	Basic Part No.	Part Name	Basic Part No.
Cup (rear brake wheel cyl. piston)	2201	Drive assy (starter)	11350
Cup (steering gear worm bearing)-lower & upper	3552-3	DRIVE SHAFT AND UNIVERSAL JOINT GROUP (Page 82)	
CURB BUFFER GROUP (Page 391)		Drive shaft assy	4602
CURB SIGNAL GROUP (Page 391)		Drum and sun gear assy (brake)	77502
Cylinder (front wheel brake)	2190-1	Drum assy (rear brake)	1126
CYLINDER AND ENGINE SUPPORTS GROUP (Page 104)		Duct assy (converter air)	7990
Cylinder (trans. front clutch)	77556	Duct assy (heater inlet)	18457
Cylinder assy (brake master)	2140	Dust cover (lower arm ball joint)	3069
Cylinder assy (front wheel brake)	2061-2	Duct assy (package tray to roof)	19926
Cylinder assy (multiple lubricator)	19538	Duct assy (package tray to roof)	19927
Cylinder assy (rear brake)	2261-2	— E —	
Cylinder assy (steering gear power)	33563	Eccentric (camshaft fuel pump drive)	6287
Cylinder and key assy (ignition lock)	11582	Eccentric assy (brake)	2030
— D —		Elbow (heater connection)	18599
Damper assy (crankshaft vibration)	6316	Elbow assy (W/S defroster hose to defroster nozzle)	19376
Dashpot assy (carb.)	9800	ELECTRIC MOTORS AND WIRING GROUP (Page 300)	
Deflector (drive pinion oil seal)-dust	4859	Electro magnet & housing assy (automatic throttle control)	19678
Deflector (front bumper stone center)	17779	Element assy (oil filter)	6744
Deflector (front bumper stone end)	17776-7	Element assy (power steering oil reservoir filter)	33538
Deflector (rear bumper stone)	17808	EMERGENCY BRAKE & HAND BRAKE LEVER GROUP (Page 25)	
Deflector (rear bumper stone)	17836	End assy (spindle connecting rod)	3289
Deflector assy (exhaust)	18259	Engine assy	6005
Deflector assy (frt. bumper stone)	17744	Engine assy (short block)	6009
Deflector assy (radiator side air)	8104-5	ENGINE COMPARTMENT LAMP GROUP (Page 392)	
Dial (instrument cluster)-main	10887	EXHAUST DEFLECTOR GROUP (Page 393)	
Dial (trans. control selector)	15805	Extension assy (carb. nozzle tube)	99986
Dial (transmission gear shift indicator)	15805	Extension assy (muffler outlet)-pipe	5202-3
Dial (trans. gear shift trim)	15805	Extension assy (transmission)	7650
Diaphragm (fuel pump pulsator)	9370	EXTERIOR SUN VISOR GROUP (Page 393)	
Diaphragm (oil filter)	6751	— F —	
Diaphragm & shaft assy (automatic throttle control)	19680	Fender assy (front)	16008-9
Diaphragm assy (carburetor secondary throttle)	9503	Ferrule (fuel line)	9242
Diaphragm assy (distributor)	12370	Ferrule (universal joint spider)	7083
Diaphragm assy (fuel pump)	9398	Filler (front bumper upper to lower impact bar end)	17882-3
Diaphragm assy (vacuum pump)	9314	Filler (front fender upper front)	16114-5
DIRECTIONAL TURN SIGNAL GROUP (Page 270)		Filler (W/S wiper blade)	17593
Disc (radio tone control)	18830	Filter (auxiliary starter switch)	11515
Disc assy (clutch)	7550	Filter assy (suction line)	19767
Dispenser (tissue)	18261	Fitting (brake master cylinder outlet)	2076
Distributor (trans. clutch & governor oil)	77881	Fitting (brake master cyl. outlet)	2161
Distributor assy-less terminal housing & rotor	12127	Fitting (brake master cylinder reservoir)	22157
DISTRIBUTOR, CIRCUIT, BREAKER AND DISTRIBUTOR WIRING GROUP (Page 259)		Fitting (compressor discharge)	19660
DOME LAMP GROUP (Page 284)		Fitting (compressor suction)	19661
DOOR EDGE GUARD GROUP (Page 392)		Fitting (power steering pump valve outlet)	33614
DOOR HANDLE SHIELD GROUP (Page 391)		Fitting (rear axle brake line)	2074
Door (license plate lamp)	13566	Fitting (W/S washer)	17615
Door (parking lamp)	13210	Fitting assy (front brake tube)	22076
Door (parking lamp)	13249	Flange and bearing assy (steering column tube)	3509
Door (pillar lamp)	13788	Flange assy (universal joint)	4851
Door (rear lamp)-inner	13443	Flasher assy (directional turn signal)	13350
Door (rear license plate lamp)	13566	Float assy (carburetor)	9550
Door (spotlight lens)	15328	Fluid (brake)	19542
Door and lens assy (courtesy lamp)	13723	Fluid (Merc-O-Matic trans. and power steering)	19582
Door assy (rear lamp)	13448		
Dowel (cyl. head to cyl. block)	6061		
Dowel (hood lock)	16929		

Alphabetical Index—Continued

Part Name	Basic Part No.	Part Name	Basic Part No.
Fluid (shock absorber)	19541	Gasket (compressor suction & discharge fittings)	19664
Fluid (window regulator)	19545	Gasket (compressor valve plate)	19657
FLYWHEEL AND VALVES GROUP (Page 118)		Gasket (converter hsg. lower cover to upper cover)	7988-9
Flywheel assy	6375	Gasket (converter housing lower cover)	7989
Fork (intermediate and high gear shifter)	7230	Gasket (converter impeller hub)	7916
Fork (low and reverse gear shifter)	7231	Gasket (crankcase ventilation adapter)	6872
Fork & rail assy (transmission overdrive shift)	7680	Gasket (crankcase ventilation cover)	6870
FRAME GROUP (Page 85)		Gasket (cylinder front cover)	6020
Frame assy	5005	Gasket (cylinder head)	6051
FRONT BUMPER GROUP (Page 335)		Gasket (driving pinion oil seal)	4671
FRONT FENDER GROUP (Page 314)		Gasket (exhaust manifold to crossover pipe)	9450
FRONT SPRING GROUP (Page 99)		Gasket (front brake line connector)	2149
FRONT STABILATOR GROUP (Page 100)		Gasket (front wheel brake grease baffle)	1193
FRONT SUSPENSION GROUP (Page 39)		Gasket (fuel pump filter bowl)	9364
FRONT VENT WIND DEFLECTOR GROUP (Page 393)		Gasket (fuel pump mounting)	9417
FUEL PUMP GROUP (Page 210)		Gasket (fuel pump pull rod oil seal)	9408
FUEL PUMP CHART (Page 214)		Gasket (fuel pump valve to upper body)	9367
FUEL TANK, FUEL GAUGE & OIL GAUGE GROUP (Page 205)		Gasket (fuel tank drain plug)	9388
Fulcrum (clutch release lever)	7547	Gasket (fuel tank gauge unit flange)	9276
Fuse	14526	Gasket (headlamp to fender)	13044
Fuse	15608	Gasket (heater blower motor mounting)	18583
Fuse (3 amp.)	14526	Gasket (heater to dash)	18570
Fuse (7-1/2 amp.)	15398	Gasket (intake manifold to cyl. head)-R. H.	9439
Fuse (9 amp.)	15608	Gasket (intake manifold to cyl. head)-L. H.	9441
Fuse (automatic headlamp dimmer control)	13693	Gasket (license lamp wire thru tailgate inner panel)	14567
Fuse (cigar lighter)	14526	Gasket (manifold gasket)	9450
Fuse assy (cigar lighter)	14429	Gasket (oil filter center bolt to cover)	6749
— G —		Gasket (oil filter element)	6746
Gage assy (fuel)-tank unit	9275	Gasket (oil filter mounting)	6838
GAS TANK LOCKING CAP GROUP (Page 393)		Gasket (oil pan)	6710
Gasket (air cleaner to carb.)	99654	Gasket (oil pan drain plug)	6734
Gasket (automatic headlamp dimmer control)	13658	Gasket (oil pan to oil pump tube flange)	6648
Gasket (automatic headlamp dimmer control regulator cover)	13695	Gasket (oil pump cover)	6619
Gasket (automatic throttle control electro magnet housing)	19675	Gasket (oil pump inlet tube fitting)	6626
Gasket (brake booster end plate)	2493	Gasket (oil pump inlet tube flange)	6625
Gasket (brake booster mounting bracket)	22035	Gasket (oil pump relief valve)	6669
Gasket (brake master cylinder filler cap)	2167	Gasket (oil pump to block)	6659
Gasket (brake master cylinder mounting adapter)	22121	Gasket (parking lamp lens)	13211
Gasket (brake master cylinder outlet)	2152	Gasket (power steering oil reservoir cover)	33535
Gasket (brake master cylinder outlet)	2154	Gasket (power steering pump cover)	33617
Gasket (carb. air cleaner oil seal)	99656	Gasket (rear and back-up lamp lens)	13461
Gasket (carb. automatic choke piston hsg.)	9871	Gasket (rear axle carrier cover)	4035
Gasket (carburetor float needle seat plug)	9945	Gasket (rear axle housing to carrier)	4035
Gasket (carburetor float needle valve seat)	9569	Gasket (rear brake backing plate)	2256
Gasket (carburetor fuel inlet adapter)	9229	Gasket (rear lamp lens)	13461
Gasket (carburetor main body cover plate)	9985	Gasket (rear lamp water seal)	13453
Gasket (carburetor main body to throttle body)	9516	Gasket (rear license lamp lens)	13568
Gasket (carburetor power jet)	9608	Gasket (rear license plate lamp)	13568
Gasket (carb. secondary throttle diaphragm hsg.)	99510	Gasket (regulator cover to base)	10623
Gasket (carb. spark valve control body)	9909	Gasket (spark plug)	12410
Gasket (carburetor to intake manifold)	9447	Gasket (steering gear housing cap)	3593
Gasket (compressor cylinder head)	19658	Gasket (steering gear housing cover)	3581
Gasket (compressor mounting brkt.) air condition	22887	Gasket (thermostat choke housing)	9853
Glass (compressor oil level indicator)	19665	Gasket (transmission ext.)	7086
Gasket (compressor oil level indicator glass)	19666	Gasket (transmission front oil pump)	77836
Gasket (compressor suction fitting screen)	19663	Gasket (transmission gear shift housing)	7223
		Gasket (trans. governor inspection cover)	77139
		Gasket (trans. main drive gear bearing retainer)	7051
		Gasket (transmission oil pan)	77486
		Gasket (transmission oil pump to case)	77862
		Gasket (trans. overdrive governor switch)	6938
		Gasket (transmission overdrive housing adapter)	7661

Alphabetical Index—Continued

Part Name	Basic Part No.	Part Name	Basic Part No.
Gasket (trans. overdrive main shaft bearing cover plate)	7778	Grommet (license lamp wire thru rear floor pan)	14567
Gasket (trans. to adapter)	7086	Grommet (package tray to roof duct)	19942
Gasket (transmission to extension)	7086	Grommet (rear lamp wiring thru pillar)	14603
Gasket (vacuum pump valve to body)	9308	Grommet (steering column to dash)	3512
Gasket (valve push rod cover)	6521	Grommet (top control relay to circuit breaker wire)	18912
Gasket (valve rocker arm cover)	6584	Grommet (valve push rod cover stud)	6589
Gasket (water by-pass tube)	8563	Grommet (wiring)	14603
Gasket (water outlet connection)	8255	Grommet (W/S wiper connecting arm)	17562
Gasket (water pump)	8507	Guard assy (front bumper grille)	17996-7
Gasket (wheel bearing retainer)	2245	Guard assy (rear impact bar)	17984
Gasket (window regulator multiple switch)	14616	Guard assy (rear impact bar)	17985
Gasket (window regulator single switch)	14554	Guard assy (rear bumper wing)	17636-7
Gasket (windshield wiper pivot shaft)-inner	17549	Guide (automatic throttle control diaphragm & shaft)	19679
Gasket (W/S wiper pivot shaft)-outer	17541	Guide (hood lock spring)	16927
Gasket set (automatic trans.)	7153	Guide (transmission O/Drive shift rail)	7696
Gauge assy (fuel)	9275		
Gauge assy (oil pressure)	9278	— H —	
Gear (differential side)	4236	Hair (fuel pump body curled)	9486
Gear (distributor driven)	12390	HAND BRAKE SIGNAL GROUP (Page 393)	
Gear (flywheel starting ring)	6384	Handle and shank assy (turn signal switch)	13305
Gear (oil pump driven)	6610	Hanger (front bumper)-inner	17766-7
Gear (speedometer driving)	17285	Hanger (front bumper)-outer	17754-5
Gear (transmission countershaft)	7113	Hanger (front bumper)-upper	17770-1
Gear (trans. low & reverse sliding)	7100	Hanger (rear bumper)-inner	17787
Gear (transmission main drive)	7017	Hanger (rear bumper)-outer	17795-6
Gear (transmission overdrive governor driven)	6922	Hanger (rear spring)	5770, 75
Gear (transmission overdrive ring)	7653	Hanger (rear spring shackle)	5610-1
Gear & bushing assy (transmission reverse idler)	7141	Harness assy (multiple lubricator)-main	19569
Gear and case assy (trans. overdrive)	6903	Head (cylinder)	6049
Gear & case assy (transmission overdrive)	6905	HEADLAMP DOOR GROUP (Page 393)	
Gear assy (oil pump drive)	6608	HEADLAMP GROUP (Page 265)	
Gear assy (speedometer driven)	17322	Headlamp assy-less bulb and wiring	13008
Gear assy (steering)	3504	Heater (fresh air hot water)	18455
Gear assy (trans. front clutch sun)	77530	Hinge assy (hood)	16796-7
Gear assy (transmission main shaft intermediate)	7102	Hinge assy (rear license plate support)	13431
Gear assy (transmission overdrive)-sun	7670	Holder (heater blower motor brush)	14575
GEAR SHIFT GROUP (Page 177)		Holder (seat regulator motor brush)	14575
Gear shift assy (transmission)	7200	Holder (window regulator motor brush)	14575
GENERATOR GROUP (Page 245)		HOOD GROUP (Page 322)	
Generator assy (less pulley, bracket & bolt)	10002	Hood assy (less ornaments)	16612
Glass (instrument cluster)	10880	Hook assy (hood auxiliary catch)	16892
GLOVE COMPARTMENT LAMP GROUP (Page 393)		HORN GROUP (Page 286)	
Governor assy (transmission)	77130	Horn and plugs assy (carburetor air)	9524
Governor assy (trans. overdrive)	6919	Horn assy	13832-3
Grease (chassis lubricant)	19577	Hose (brake reservoir outlet)	22350
Grease (distributor)	19575	Hose (compressor to condenser inlet valve)	19972
Grease (wheel bearing)	19585	Hose (fuel tank filler)	9047
Grille (rear window defroster)	18640	Hose (fuel tank vent tube)	9170
Grille & screen assy (radio rear seat speaker)	18976	Hose (heater)	18472
Grille assy (air intake)	19742-3	Hose (heater defroster)	18556
Grommet (air control)	18912	Hose (heater temperature control vacuum inlet)	18666
Grommet (antenna lead in seal)	18912	Hose (intake manifold to automatic throttle control)	19724
Grommet (electric wiring)	14567	Hose (low pressure valve to compressor)	19971
Grommet (floor carpet)-female	13092	Hose (radiator)-upper	8260
Grommet (floor carpet)-male	13090	Hose (radiator drain)	8081
Grommet (fuel tank filler)	9080	Hose (W/S washer)	17580
Grommet (fuel tank vent pipe)	9069	Hose (W/S wiper)	17543
Grommet (heater blower motor mounting)	18605	Hose assy (brake master cylinder to connector)	22264
Grommet (ignition cable)	12297	Hose assy (front brake)	2079
Grommet (interior lamp feed wire thru quarter regulator panel)	14567	Hose assy (fuel pump to fuel line)	9288

Alphabetical Index—Continued

Part Name	Basic Part No.	Part Name	Basic Part No.
Hose assy (master brake cylinder to connector)	22264	Insert (trans. control selector position)	77341
Hose assy (oil separator to compressor)	19692	Insert (transmission intermediate and high clutch hub)	7116
Hose assy (power steering)	33589	Insert assy (rear spring)	5586
Hose assy (power steering)	33637	INSTRUMENT PANEL INDICATORS GROUP (Page 251)	
Hose assy (power steering control valve to valve)	33690	INSTRUMENT WARNING SIGNAL GROUP (Page 399)	
Hose assy (power stg. hydraulic control valve to power cyl. rod end)	33636-7	Insulation (starter brush holder)	11062
Hose assy (power steering pressure line)	33589	Insulator (brake master cylinder heat shield)	22142
Hose assy (radiator lower)	88277	Insulator (brake pedal hub spring)	22482
Hose assy (rear brake)	2078	Insulator (distributor base)	12323
HOT WATER HEATER GROUP (Page 394)		Insulator (distributor primary terminal)	12234
Housing & bracket assy (heater blower)	19218	Insulator (distributor to coil)	12113
Housing (carburetor secondary throttle diaphragm)	9501	Insulator (distributor to spark plug wire)	12113
Housing (instrument and control)-lower	11829	Insulator (front and rear shock absorber)	18198
Housing (instrument and control)-upper	11828	Insulator (front suspension coil spring)	5415
Housing (instrument and control panel)	10841	Insulator (generator brush holder rivet)	10048
Housing (seat reg. control switch)	14685	Insulator (generator end plate)-inner	10208
Housing & spool assy (power steering control cylinder rod)	33636	Insulator (generator frame terminal screw)-outer	10206
Housing (transmission gear shift)	7222	Insulator (generator rear end plate terminal screw)	10202
Housing (window reg. switch)	14528	Insulator (hood)	16738
Housing and plugs (carb. secondary throttle)	99614	Insulator (horn wire terminal)	3635
Housing and plugs assy (carb. automatic choke)	9849	Insulator (muffler inlet pipe)	55246
Housing & spool assy (power steering control valve)	33690	Insulator (power steering hose)	33550
Housing & thermostat assy (carb. automatic choke)	9848	Insulator (rear spring center mounting)	5599
Housing assy (converter)	7975	Insulator (stabilizer bar assy to front suspension lower arm)	18198
Housing assy (distributor terminal)	12106	Insulator (starter brush holder rivet)	10048
Housing assy (flywheel)	6392	Insulator (starter field terminal)	11107
Housing assy (heater reg. control)	19193	Insulator (steering column bracket)	33687
Housing assy (heater reg. control)	19188	Insulator (transmission gear shift lever)	7246
Housing assy (heater reg. control lamp)	19214	Insulator assy (engine front support)	6038
Housing assy (ignition switch lamp)	11604	Insulator assy (engine rear support)	6068
Housing assy (power steering pump)	33610	Insulator assy (power steering pump)	33640
Housing assy (rear axle)	4010	Insulator assy (trans. control selector neutral switch)	15827
Housing assy (roadlamp)	15256-7	Insulator assy (transmission control selector neutral switch)	15827
Housing assy (steering gear)	3548	INTAKE & EXHAUST MANIFOLD GROUP (Page 217)	
Housing assy (trans. control selector indicator lamp)	15800	— J —	
Housing & plug assy (carburetor secondary throttle)	9501	Jack assy (bumper)	17080
Housing, levers, cam & shafts assy (trans. gear shift)	7201	Jar (W/S washer)	17618
Hub (converter impeller)	7915	Jet (carburetor governor by-pass)	9973
Hub (trans. front clutch)	77574	Jet (carburetor main)	9533
Hub (trans. intermediate & high clutch)	7105	Joint assy (front suspension lower & upper arm ball)	3115
Hub (water pump pulley)	8553	— K —	
Hub and drum assy (front wheel)	1102	Key (crankshaft sprocket)	6315
Hub assy (clutch release bearing)	7561	Key (ignition and door lock)	3685
— I —		Key (power steering pump pulley)	33557
IGNITION COIL GROUP (Page 259)		Key (valve spring retainer)	6518
IGNITION SWITCH GROUP (Page 258)		Kit (air conditioning)	19700
Impeller (water pump)	8512	Kit (automatic choke installation)	9850
Impeller assy (converter)	7908	Kit (automatic throttle control)	19721
Indicator assy (charge)	10850	Kit (automatic W/S washer installation)	18293
Indicator assy (fuel level)	9280	Kit (auxiliary starter)	11508
Indicator assy (multiple lubricator)	19593	Kit (Blue Coral)	19530
Indicator assy (oil level)	6750	Kit (brake master cylinder repair)	2004
Indicator assy (oil pressure)	9273	Kit (brake spring repair)	22009
Indicator assy (temperature)	10883		
Indicator assy (transmission oil level)	77626		
Inhibitor (rust)	19546		
Insert (hex-hd)	6890		
Insert (top control motor support spacer)	15679		

Alphabetical Index—Continued

Part Name	Basic Part No.	Part Name	Basic Part No.
Kit (carburetor dashpot)	99500	Kit (motor and wire)	14547
Kit (carburetor gasket)	9502	Kit (multiple lubricator)	19567
Kit (carburetor pump rod repair)	9531	Kit (multiple lubricator)	19568
Kit (carburetor repair)	9590	Kit (oil filter element)	6731
Kit (caulking strip)	19560	Kit (oil pump gasket)	6600
Kit (clutch release equalizer)	7524	Kit (oil pump replacement)	6600
Kit (compass installation)	18358	Kit (oil separator)	19707
Kit (compressor discharge line fitting)	19674	Kit (piston packing)	22167
Kit (compressor gasket)	19671	Kit (piston ring set)	6149
Kit (compressor oil sight glass)	19675	Kit (power brake conversion)	22005
Kit (compressor shaft seal replacement)	19670	Kit (power steering)	33304
Kit (compressor suction line fitting)	19661	Kit (power steering control valve)	3316
Kit (compressor suction strainer screen)	19672	Kit (power steering control valve ball stud repair)	3312
Kit (compressor valve plate replacement)	19673	Kit (power strg. control valve centering spring)	3317
Kit (control valve ball stud repair)	3312	Kit (power stg. conversion)	33304
Kit (curb buffer moulding installation)	18243	Kit (power steering cylinder end mounting bushing)	3313
Kit (curb signal installation)	19246	Kit (power steering cylinder seal)	3315
Kit (differential gear and driving pinion)	4209	Kit (power steering piston rod end bushing)	3314
Kit (door handle shield installation)	18437	Kit (radio rear seat speaker installation)	18875
Kit (drag link ball stud repair)	3312	Kit (radio receiver)	18805
Kit (dual exhaust)	5210	Kit (reading and vanity light installation)	18295
Kit (dual exhaust system)	5710	Kit (rear brake lining)	2222
Kit (emergency utility lamp and case)	15550	Kit (rear brake shoe and lining)	2200
Kit (engine compartment lamp installation)	18375	Kit (rear bumper guard installation)	17907
Kit (engine gasket)-lower	6675	Kit (rear compartment draft deflector installation)	19136
Kit (engine overhaul gasket)	6008	Kit (rear door safety lock installation)	18333
Kit (exterior sun visor installation)	18236	Kit (rear fender shield installation)	18973
Kit (front brake lining)	2007	Kit (rear license plate lamp installation)	19308
Kit (front brake shoe and lining)	2001	Kit (rear view mirror inside installation)	18400
Kit (front bumper grille guard installation)	18412	Kit (rear view mirror installation)	17696
Kit (front bumper guard installation)	17858	Kit (rear view mirror installation)	18402
Kit (front cylinder cover gasket)	6059	Kit (rear wheel brake cylinder repair)	2128
Kit (front door edge guard installation)	19292	Kit (rear window defroster installation)	18397
Kit (front and rear door edge guard installation)	19292	Kit (rear window wiper installation)	18387
Kit (front and rear shock absorber bushing)	18198	Kit (ring and gasket overhaul)	33547
Kit (front suspension lower control arm mounting)	3048	Kit (roadlamp)	15204
Kit (front suspension lower spindle support)	3050	Kit (roadlamp housing)	15254
Kit (front suspension upper shaft)	3047	Kit (roadlamp installation)	18207
Kit (front suspension upper spindle support)	3049	Kit (spindle connecting rod)	3270
Kit (front vent wind deflectors)	19301	Kit (spotlight bracket installation)	18154-5
Kit (front wheel brake cylinder repair)	2221	Kit (spotlight bracket installation)	15304
Kit (fuel and vacuum pump repair)	9349	Kit (spotlight bracket installation)	15305
Kit (fuse)	14527	Kit (spotlight & bracket installation)	15312
Kit (gasket and seal repair)	22160	Kit (spotlight & bracket installation)	15313
Kit (generator brush)	10043	Kit (spotlight installation)	18151
Kit (glove compartment lamp)	18254	Kit (spotlight installation)	15301
Kit (hand brake signal lamp installation)	15848	Kit (spotlight mirror installation)	18403
Kit (hand brake signal lamp installation)	18159	Kit (spotlight and mirror installation)	15301
Kit (headlamp door installation)	13077	Kit (spring rear shackle and front bolt)	5630
Kit (headlamp rim installation)	13077	Kit (standard & overdrive trans. gasket)	7153
Kit (heater installation)	18455	Kit (starter brush)	11057
Kit (hose)-pressure line-Power Steering	33589	Kit (steering idler arm & bushing)	3352
Kit (hose)-return line-Power Steering	33588	Kit (steering wheel and horn ring installation)	18373
Kit (ignition wire)	12259	Kit (traffic lamp reflector installation)	18342
Kit (instrument warning signal installation)	18385	Kit (transmission and extension gasket)	7153
Kit (intake and exhaust manifold gasket)	9424	Kit (thermostat)	8570
Kit (license plate frame window)	15480	Kit (transmission and overdrive gasket)	7153
Kit (license plate frame & window)	18350		
Kit (license plate frames)	18350		
Kit (master cylinder valve and seat)	2178		

Alphabetical Index—Continued

Part Name	Basic Part No.	Part Name	Basic Part No.
Kit (trans. front clutch tube valve)	77531	Lever (transmission throttle control)-inner	77283
Kit (transmission overdrive governor switch)	6937	Lever assy (brake master cylinder operating)	2514
Kit (universal joint)-front	7042	Lever assy (carb. choke shaft)	9548
Kit (universal joint)-front & rear	7037	Lever assy (carb. choke shaft)	9805
Kit (universal joint)-front & rear	7039	Lever assy (carb. fast idle adjusting)	9538
Kit (universal joint)-rear	7039	Lever assy (carburetor secondary throttle diaph.)	9583
Kit (valve gasket set)	6079	Lever assy (clutch release)	7515
Kit (visor vanity mirror installation)	18208	Lever assy (clutch release)	77537
Kit (water pump repair)	8591	Lever assy (parking brake operating)	2103-4
Kit (window vents installation)	18246	Lever assy (transmission control selector)	7202
Kit (w/shield washer installation)	17503	Lever assy (trans. control selector)	15818
Knob (temp. blower & air control)	18519	Lever assy (trans. gear shift)	7202
Knob and element assy (cigar lighter)	15052	Lever assy (trans. high & intermediate gear shift)	7285
Knob and insert assy (lighting switch)	11661	Lever assy (transmission low & reverse gear shift)	7290
Knob assy (blower switch)	19759	Lever assy (transmission manual control)	77252
Knob assy (heater regulator control)	18519	Lever assy (transmission manual valve detent)	77280
Knob assy (interior lighting switch)	13755	Lever assy (trans. parking pawl toggle operating)	77303
Knob assy (radio receiver volume control)	18817	Lever assy (transmission throttle control)-outer	77270
Knob assy (road lamp)	13755	LICENSE PLATE FRAMES GROUP (Page 400)	
Knob assy (roadlamp switch)	15259	LICENSE PLATE FRAME WINDOWS GROUP (Page 401)	
Knob assy (temperature blower and air control)	18519	LIGHTING SWITCH GROUP (Page 259)	
Knob assy (top control)	15674	Line assy (fuel)-front	9289
Knob assy (trans. control selector lever)	7213	Line assy (fuel)-rear	9282
Knob assy (W/S wiper control)	17513	Lever & shaft assy (carb. secondary throttle plate stop)	99503
— L —		Liner (rear spring clamp)	5334
Lacquer (touch-up)	19502	Lining (front wheel brake shoe primary)	2021
Lamp assy (automatic headlamp dimmer control)	13660	Lining (front wheel brake shoe secondary)	2022
Lamp assy (courtesy)	13707	Lining (rear wheel brake shoe primary)	2284
Lamp assy (hand brake signal)	15850	Lining (rear wheel brake shoe secondary)	2285
Lamp assy (license plate)	13550	Link (brake pedal lever to master cylinder operating lever)	2466
Lamp assy (luggage compartment)	13506	Link (brake shoe connecting)	2042
Lamp assy (parking)	13200-1	Link (clutch pedal retracting spring)	7592
Lamp assy (rear)	13404	Link (fuel pump rocker arm)	9381
Lamp assy (trans. control selector)	13715	Link (steering connecting)	3305
Lamp assy (utility)	15550	Link (transmission parking pawl toggle)	77316
Leaf (compressor intake valve)	19659	Link (vacuum pump rocker arm)	9310-1
Lens (back up lamp)	15514	Link assy (carburetor accelerator pump)	9526
Lens (dome lamp)	13783	Link assy (carb. choke plate)	9635
Lens (parking lamp)	13208	Link assy (steering connecting)	3304
Lens (pillar lamp)	13783	Lock (differential bearing adjusting nut)	4143
Lens (rear lamp)	13450	Lock assy (hood)	16700
Lens (rear license plate lamp)	13564	Lock set (ignition & door)	3687
Lens (roof rail lamp)	13783	Lock set (luggage & glove compartment door)	3689
Lens and retainer (luggage compartment lamp)	13547	Lock set (primary)	3687
Lens & ring assy (courtesy lamp)	13716	Lock set (primary and secondary)	3687
Letter (hood front)	16606	Lock set (secondary)	3689
Lever (automatic throttle control)	19713	Locknut assy (steering thrust screw)	3539
Lever (carburetor choke shaft)	9551	Lubricant (rear axle hypoid)	19581
Lever (hand brake equalizer)	2532	Lubriplate	19586
Lever & insulator assy (transmission gear shift)	7302-3	LUGGAGE COMPARTMENT LAMP GROUP (Page 277)	
Lever (transmission front band adjusting)	77354		
Lever (transmission overdrive control)	7689	— M —	
Lever (transmission parking pawl toggle)	77315	Manifold (exhaust)	9430-1
Lever (transmission parking pawl torsion spring)	77304	Manifold (intake)	9425
Lever (transmission rear band actuating)	77410		

Alphabetical Index—Continued

Part Name	Basic Part No.	Part Name	Basic Part No.
Mask (instrument cluster)-inner	10894	Nut (thermostatic choke control heat tube retaining)	9864
Mask (instrument cluster)-outer	10890	Nut (W/S wiper control)	17512
Medallion (instrument cluster)	10952	Nut (wing)	1457
Member assy (frame cross)	5027	Nut assy (lighting switch)	11650
Member assy (frame cross)-center	5025		
Member assy (frame cross)-front	5019	— O —	
Member assy (frame cross)-rear	5029	"O" Ring	33547
Member assy (frame cross)-rear	5035	"O" Ring (carb. inlet tube seal)	9229
Member assy (frame cross)-rear shock absorber	5029	"O" Ring (carb. secondary venturi tube)	9609
MERC-O-MATIC TRANSMISSION CHART (Page 146)		"O" Ring (compressor)	33547
MERC-O-MATIC TRANSMISSION GROUP (Page 146)		"O" Ring (converter cover)	7963
Mirror (spotlight)	17761	"O" Ring (trans. front band servo piston oil seal)	77361-2
Mirror assy (rear view)	17700	"O" Ring (trans. rear clutch piston oil)	77512
Mitt (car washing)	19512	OIL FILLER AND CRANKCASE VENTILATION GROUP (Page 111)	
Motor assy (blower)	19805	OIL FILTER GROUP (Page 126)	
Motor assy (heater blower)	18527	OIL PAN GROUP (Page 125)	
Motor assy (rear window defroster)	18631	OIL PUMP GROUP (Page 122)	
Motor assy (seat regulator)	14547	Oil seal (trans. front band servo piston)	77361-2
Motor assy (top control)	15667	Oil seal (trans. front band servo piston retainer)	77365
Motor assy (window regulator)-R. H.	14549	Oil seal (trans. front clutch piston)	77557-8
Motor assy (window regulator)-L. H.	14553	Oil seal (trans. front clutch sun gear)	77542
Motor assy (windshield wiper)	17508	Oil seal (trans. front clutch sun gear)	77547
Moulding (front fender side)	16003-4	Oil seal (transmission front pump)	77837
Moulding (hood front lower)	16856	Oil seal (trans. oil distributor sleeve)	77883
Moulding (instrument cluster strg. column opening)	10872	Oil seal (transmission primary sun gear)	77543
Moulding assy (front fender)	16160-1	Oil seal (trans. rear band servo piston)	77414
Moulding assy (front fender)	16164-5	Oil seal (trans. rear clutch piston)	77512-3
MUFFLER GROUP (Page 89)		Oil seal (trans. rear pump inlet tube)	77873
Muffler assy	5230	Oil seal (trans. rear pump outlet tube)	77868
— N —		Oil seal (transmission shifting shaft)	7288
Needle (carburetor accelerator pump discharge)	9902	Oil seal (transmission throttle control shaft)	77265
Needle (carburetor idle adjusting)	9541	Oil seal assy (trans. extension)	7657
Needle, seat and gasket assy (carburetor float)	9564	Oil seal assy (transmission manual control lever)	77288
Nozzle assy (carb. main well)	9577	Ornament (front fender side)	16228
Nozzle assy (heater defroster)	18490-1	Ornament (hood front)	16637
Nozzle assy (W/S washer)	17665	Ornament assy (front fender side)	16112
NUMERICAL LIST OF 15000 MISCELLANEOUS ACCESSORIES GROUP (Page 310)		Ornament assy (hood top)	16850
NUMERICAL LIST OF 18000 MISCELLANEOUS ACCESSORIES GROUP (Page 355)		Ornament assy (hood top center)	16851
NUMERICAL LIST OF 19000 MISCELLANEOUS ACCESSORIES GROUP (Page 360)		Outlet assy (heater defroster)	18480
NUMERICAL LIST OF CHASSIS FIVE DIGIT PART NUMBERS GROUP (Page 378)		— P —	
Nut (brake adjusting screw pilot)	2047	Packing (brake booster body piston)	2356
Nut (compression)	6673	Packing (carb. accelerator pump operating rod)	9535
Nut (differential bearing adjusting)	4067	Packing (universal joint)	4706
Nut (dome lamp switch)	13753	Packing (universal joint)	7078
Nut (hand brake equalizer lever)	2091	Pad (brake pedal)	2457
Nut (headlamp control switch)	11662	Pad (clutch pedal)	2457
Nut (hex)	6212	Pad (front fender apron and radiator support)	16186
Nut (hex)	6552	Pad (hood front ornament)	16675
Nut (hex head)	6666	Pad (hood on cowl)	16740
Nut (hub and spare wheel)	1012	Pad (horn blowing ring shock)	3672
		Pad (license plate lamp mounting)	13572
		Pad (rear lamp mounting)	13420
		Pad assy (brake pedal)	2454
		Pan (transmission control linkage splash)	7771
		Pan assy (oil)	6675
		Pan assy (transmission oil)	77472

Alphabetical Index—Continued

Part Name	Basic Part No.	Part Name	Basic Part No.
PARKING LAMP GROUP (Page 268)		Plate (carburetor throttle)-secondary	99585
Pawl (transmission overdrive stationary gear)	7690	Plate (drive shaft flange lock)	4693
Pawl (trans. parking brake)	77311	Plate (exhaust man. crossover pipe opening cover)	55269
Pawl (turn signal switch)	13309	Plate (front fender name)	16098
Pedal assy (accelerator)	9735	Plate (front shock absorber mounting)	18072
Pedal assy (clutch)	7519	Plate (fuel pump valve)	9361
Pedal assy (std. or power brake)	2455	Plate (generator front end)	10139
Pin (brake shoe anchor)	2027	Plate (heater motor mounting)	18581
Pin (brake shoe hold down spring)	2069	Plate (hood front ornament retaining)	16625
Pin (carburetor float hinge)	9558	Plate (horn blowing ring contact)	3630
Pin (carb. secondary diaphragm return spring)	99616	Plate (horn blowing ring shock pad retainer)	33671
Pin (clutch pedal retracting spring)	7598	Plate (horn ring pad retainer)	33671
Pin (differential pinion shaft lock)	4241	Plate (radio tube cover)	18991
Pin (heater air reg. pivot)	18621	Plate (rear bumper jack)	17918-9
Pin (fuel and vacuum pump rocker arm)	9378	Plate (rear spring center bolt)	5708
Pin (gear shifter interlock)	7235	Plate (rear spring U-bolt)	5798-9
Pin (hand brake handle locking)	2819	Plate (regulator hinge spring reinforcement)	10568
Pin (hand brake lever)	2859	Plate (spare wheel mounting)	1446
Pin (piston)	6135	Plate (speedometer mounting)	17289
Pin (power steering pump rotor drive)	33633	Plate (stg. column cover)	33519
Pin (rear license plate support hinge)	13432	Plate (steering column tube flange cover)	3522
Pin (starter drive pinion)	11365	Plate (trans. control end body)	77733
Pin (trans. band actuating lever shaft)	77356	Plate (trans. control upper valve body)-front	77763
Pin (trans. countershaft & reverse idler shaft ret.)	7155	Plate (trans. control upper valve body)-rear	77749
Pin (transmission front band anchor)	77377	Plate (trans. control valve body separating)	77715
Pin (transmission parking pawl support)	77312	Plate (trans. front clutch external spline)	77573
Pin (trans. parking pawl toggle)	77317	Plate (trans. front clutch pressure)	77569
Pin (trans. parking pawl toggle lever support)	77319	Plate (trans. oil pressure reg. body separating)	77460
Pin (trans. parking pawl toggle link)	77318	Plate (transmission rear clutch)	77518
Pin (trans. parking pawl torsion lever support)	77308	Plate (trans. rear clutch pressure)	77522
Pinion (differential)	4215	Plate—used with dual exhaust kits	55269
Pipe (muffler outlet)	5255	Plate (window regulator multiple switch mounting)	14524
Pipe (muffler outlet)	55259	Plate (window regulator single switch mounting)	14523
Pipe (muffler to rear resonator)	5249	Plate and brush assy (generator rear end)	10050
Pipe (muffler to rear resonator)	55279	Plate and cover assy (clutch pressure)	7563
Pipe assy (exhaust manifold crossover)	5267	Plate and spring assy (W/S wiper)	17450
Pipe assy (fuel pump to carburetor)	9369	Plate and trough assy (trans. overdrive cover)	7665
Pipe assy (fuel tank filler)	9034	Plate assy (brake pedal pad)	22455
Pipe assy (muffler inlet)	5246	Plate assy (carb. choke)	9549
Pipe assy (muffler inlet)	5248	Plate assy (distributor breaker)	12151
Piston (front wheel brake cylinder)	2198	Plate assy (engine rear support)	6054
Piston (rear wheel brake cylinder)	2197	Plate assy (front wheel brake backing)	2012-3
Piston (transmission front clutch)	77562	Plate assy (license plate lamp mounting)	13555
Piston (trans. rear band servo)	77413	Plate assy (outside air intake control lever anchor)	19770
Piston (transmission rear clutch)	77514	Plate assy (rear wheel brake backing)	2211-12
PISTON AND CONNECTING ROD GROUP (Page 113)		Plate assy (starter rear end)	11130
Piston and stem assy (carburetor economizer)	9904	Plate assy (starting motor brush end)	11049
Piston assy (brake booster body)	2395	Plate assy (transmission clutch)	77519
Piston assy (brake master cylinder)	2169	Plate assy (turn signal switch)	13304
Piston assy (carburetor accelerator pump)	9631	Plate, bushing and brush holders assy (starter brush end)	11049
Piston assy (carburetor automatic choke)	99523	Plenum chamber assy (heater)	18471
Piston assy (transmission front band servo)	77358	Plug (camshaft rear bearing)	6266
Piston, pin and retainer set	6108	Plug (carburetor float needle seat)	9944
Planet assy (transmission)	77162	Plug (cylinder head)	6052
Plate (body side name)	16098	Plug (fuel tank drain)	9077
Plate (brake booster body end)	22380	Plug (intake manifold vacuum restriction)	9427
Plate (brake booster body piston)-front	22395	Plug (oil pan drain)	6730
Plate (brake master cylinder piston stop)	2188	Plug (power brake connector)	19718
Plate (brake shoe anchor pin guide)	2028	Plug (spring loaded cross link)	3328
Plate (camshaft thrust)	6269	Plug (steering gear oil filler)	3538
Plate (carburetor automatic choke housing)	9844	Plug (steering gear worm cover)	3582
Plate (carburetor choke)	9545	Plug (valve rocker arm shaft)	6572
Plate (carburetor throttle)	9585		

Alphabetical Index—Continued

Part Name	Basic Part No.	Part Name	Basic Part No.
Plug and gasket (transmission oil pan drain)	77483	REAR WINDOW DEFROSTER GROUP (Page 407)	
Plug assy (spark)	12405	REAR WINDOW WIPER GROUP (Page 408)	
Plunger (oil pump relief valve)	6674	Reflector (rear lamp)	13437
Plunger assy (automatic throttle control electro magnet)	19671	Regulator assy (generator)	10505
Plunger assy (brake master cylinder)	22158	Regulator assy (transmission oil pressure)	77440
Point (current limiter contact post)	10576	Reinforcement (front cross member)	5832
Point (regulator voltage limiter contact post)	10653	Reinforcement (front fender front extension)	16144-5
Pointer (timing)	6023	Reinforcement (power steering oil reservoir orifice)	33553
Point set (distributor)	12171	Reinforcement assy (hood)-rear	16668
Point and post assy (cut out contact)	10541	Relay and bracket assy (horn)	13853
Polish (body)	19530	Relay assy (automatic throttle control)	19771
Polish (body porcelainize)-cream	19529	Relay assy (seat & window reg. control)	14546
Post assy (distributor base spring)	12357	Relay assy (seat control)	15672
POWER BRAKES GROUP (Page 28)		Relay assy (starter motor)	11450
POWER STEERING GROUP (Page 53)		Relay assy (top control)	15672
Primary assy (distributor terminal)	12216	Relay assy (transmission overdrive)	6915
Pulley (crankshaft)	6312	Relay assy (window regulator control)	14512
Pulley (crankshaft)	66319	Reservoir & outlet tube assy (power steering pump)	33655
Pulley (generator)	10130	Reservoir assy (power brake)-vacuum	2063
Pulley (power steering crankshaft)	6312	Resistor (regulator field)	10570
Pulley (power steering pump)	33556	Resistor assy (lighting switch rheostat)	11691
Pulley (water pump)	8509	Resistor assy (regulator absorbing)	10594
Pulley assy (compressor)-air condition	2880	Resonator (exhaust)-rear	55255
Pulley assy (hand brake cable)	2804	Retainer (brake booster body piston packing)	2394
Pump and harness assy (multiple lubricator)	19564	Retainer (brake booster body piston return spring)	22327
Pump, reservoir & pulley assy	33529	Retainer (brake booster piston felt)	2429
Pump assy (fuel and vacuum)	9350	Retainer (brake master cylinder plunger seal)	22159
Pump assy (oil)	6600	Retainer (breaker plate)	12146
Pump assy (power steering)	33607	Retainer (carb. accelerator pump check ball ret.)	9575
Pump assy (transmission oil)-front	77820	Retainer (carb. check valve)	9575
Pump assy (transmission oil)-rear	77850	Retainer (carburetor pump link)	9599
Pump assy (water)	8501	Retainer (carb. secondary vacuum check valve)	9575
		Retainer (carb. vacuum dist. ball check valve)	9607
— R —		Retainer (clutch pedal retracting spring)	7540
Race (converter stator clutch)-inner & outer	7946-7	Retainer (clutch pedal rod thru dash boot)	77570
RADIATOR GROUP (Page 198)		Retainer (clutch pedal stop lever pin)	77618
Radiator assy	8005	Retainer (clutch release equalizer bar retaining spring)	77639
Radiator stop leak	19558	Retainer (compressor oil level indicator)	19667
RADIO GROUP (Page 404)		Retainer (converter stator)	7943
Rail (front fender finish)	16212-3	Retainer (crankshaft rear bearing oil seal)	6335
READING AND VANITY LAMP GROUP (Page 405)		Retainer (engine rear support)	6054
REAR AXLE GROUP (Page 72)		Retainer (front fender headlamp bezel)	16090
REAR BUMPER GROUP (Page 343)		Retainer (front suspension lower arm ball joint dust seal)	3070
REAR COMPARTMENT DRAFT DEFLECTOR GROUP (Page 405)		Retainer (front suspension upper arm ball joint dust shield)	3058
REAR DOOR SAFETY LOCK GROUP (Page 406)		Retainer (fuel pump diaphragm spring)	9371
REAR FENDER SHIELD GROUP (Page 406)		Retainer (fuel pump oil seal)	9468
REAR LAMP GROUP (Page 273)		Retainer (hood front ornament)	16644
REAR LICENSE LAMP GROUP (Page 278)		Retainer (oil filter element)	6898
REAR LICENSE PLATE LAMP GROUP (Page 403)		Retainer (outside air intake grille)	19768
REAR LICENSE PLATE SUPPORT GROUP (Page 349)		Retainer (piston pin)	6140
REAR SEAT SPEAKER GROUP (Page 406)		Retainer (power steering hose insulator)	33552
REAR SPRING CLIP CHART (Page 102)		Retainer (power steering oil reservoir orifice)	33625
REAR SPRING, HANGERS AND CLIPS GROUP (Page 101)		Retainer (power steering pump flow director)	33624
REAR VIEW MIRROR GROUP (Page 334)		Retainer (power steering pump relief valve)	33627
REAR VIEW MIRROR (INSIDE) GROUP (Page 407)		Retainer (power steering pump rotor shaft bearing)	33621
REAR VIEW MIRROR (OUTSIDE) GROUP (Page 407)		Retainer (ratchet bar locking spring)	2786
		Retainer (rear brake emergency lever pin)	2106
		Retainer (rear spring center mounting insulator)	5598

Alphabetical Index—Continued

Part Name	Basic Part No.	Part Name	Basic Part No.
Retainer (rear wheel bearing)	2240	Rod assy (brake master cyl. push)	2143
Retainer (rear wheel bearing)-inner	1180	Rod assy (carburetor to trans. control shaft)	9747
Retainer (steering wheel hub cap)	3657	Rod assy (clutch release lever)	7521
Retainer (trans. control selector indicator lamp housing)	15815	Rod assy (connecting)	6200
Retainer (trans. front band servo piston)	77364	Rod assy (thermostatic choke lever)	9869
Retainer (trans. gear shift selector spring)	7308	Rod assy (thermostatic chock lever)	99868
Retainer (transmission main drive gear bearing)	7050	Rod assy (trans. control shaft to transmission)	77242
Retainer (trans. main oil pressure reg. valve)	77462	Rod assy (trans. high & intermediate gear shift)	7325
Retainer (transmission overdrive free wheel cage)	7674	Rod assy (trans. low & reverse gear shift)	7327
Retainer (transmission overdrive free wheel cam)	7676	Rod assy (transmission manual shift)	7325
Retainer (trans. parking pawl toggle lever support pin)	77326	Roller (trans. countershaft gear bearing)	7121
Retainer (trans. parking pawl toggle return spring)	77323	Roller (trans. input shaft pilot bearing)	7120
Retainer (trans. rear servo accumulator spring)	77371	Roller (trans. main drive gear bearing)	7118
Retainer (trans. rear servo piston spring)	77416	Roller (trans. overdrive free wheel)	7679
Retainer (valve spring)	6514	Roller assy (steering gear worm bearing)	3571
Retainer assy (converter stator clutch)	7942	Rotor assy (distributor)	12200
Retainer assy (front fender front moulding)	16266	— S —	
Retainer assy (front wheel grease)	1190	Screen (package tray duct)	19813
Retainer assy (grommet)	14608	Screen and retainer assy (carburetor filter)	9938
Retainer assy (heater blower housing bracket)	19208	Screen assy (compressor suction fitting)	19662
Retainer assy (hood front ornament)	16632	Screen assy (converter hsg. to air duct)	7993
Retainer assy (rear bumper stone deflector)	17876	Screen assy (crankcase ventilation)	6841
Ring (brake booster body piston packing)	2357	Screen assy (oil pump)	6623
Ring (carburetor inlet tube seal)-"O"	9229	Screen assy (transmission oil pan)	77488
Ring (generator front end plate bearing stop)	10163	Screw (automatic headlamp dimmer control)	13653
Ring (headlamp ball)	13037	Screw (brake adjusting)	2041
Ring (headlamp door)-inner	13061	Screw (brake wheel cylinder bleeder)	2208
Ring (headlamp door)-outer	13063	Screw (carb. air cleaner anchor)	9813
Ring (horn blowing)	3624	Screw (carburetor dashpot adjusting)	9801
Ring (oil pump intermediate)	6629	Screw (carburetor throttle choke plate)	9586
Ring (power steering oil reservoir orifice)	33547-49	Screw (generator pole piece)	10044
Ring (power stg. pump flow director)	33619	Screw (generator rear end plate terminal)	10211
Ring (power stg. pump valve outlet fitting)	33618	Screw (headlamp adjusting)	13032
Ring (roadlamp retainer)	15214	Screw (rd-hd slotted shoulder)	10211
Ring (trans. front clutch piston spring pressure)	77563	Screw (starter pole piece)	10044
Ring (trans. overdrive governor driven gear ret.)	6929	Screw (steering sector shaft thrust)	3577
Ring (trans. overdrive pinion cage to main shaft)	7672	Screw (valve rocker arm adjusting)	6549
Ring (transmission synchronizer blocking)	7107	Seal (brake booster push rod)	2384
Ring & gear plate assy (trans. overdrive balk)	7662	Seal (brake vacuum booster slave cyl. end body)	2437
Ring assy (headlamp bulb retainer)	13015	Seal (carb. air horn)	9611
Ring gear and pinion (rear axle)	4209	Seal (carburetor throttle shaft)	9622
Rivet (distributor cap clamp)	12145	Seal (clutch pedal rod)	7527
Rivet (generator brush end plate)	11069	Seal (crankshaft rear oil)	6701
Rivet (generator frame locating)	10088	Seal (crankshaft rear retainer)	6348
Rivet (starter brush end plate)	11069	Seal (front fender to body pillar)	16246
Rivet (starting motor frame locating)	10088	Seal (front fender to cowl)	16126
ROADLAMP GROUP (Page 408)		Seal (front suspension upper & lower arm ball joint dust)	3332
Roadlamp assy	15200	Seal (fuel pump oil)	9469
Rod (accelerator pedal to shaft)	9727	Seal (hood hinge bracket)	16878
Rod (automatic choke thermostat lever)	9869	Seal (oil pan to oil pump tube)	6698
Rod (carb. accelerator pump piston operating)	9531	Seal (oil pump inlet tube)	6643
Rod (carb. secondary throttle control)	9649	Seal (oil reservoir cover)	6570
Rod (carburetor secondary throttle control)	99604	Seal (parking lamp splash shield)	16146
Rod (clutch pedal to release lever)	77521	Seal (rear bumper stone deflector)	17832
Rod (hand brake equalizer)	2628	Seal (rear stone deflector to bumper)	17832
Rod (parking brake equalizer)	2628	Seal (rear stone deflector to bumper)-outer-L. H.	17849
Rod (transmission parking pawl torsion lever)	77322	Seal (rear stone deflector to bumper)-outer-R. H.	17844
Rod (valve push)	6565	Seal (shock absorber insulator)	18031
Rod and ball stud assy (steering spindle arm conn.)	3280	Seal (spare wheel clamp)	1388
Rod assy (accelerator shaft to carburetor)	9747		
Rod assy (accelerator shaft to trans. control shaft)	9784		

Alphabetical Index—Continued

Part Name	Basic Part No.	Part Name	Basic Part No.
Seal (speedometer drive gear oil)	17298	Shaft (transmission reverse idler gear)	7140
Seal (starting motor to flywheel housing)	6436	Shaft (valve rocker arm)	6563
Seal (steering column opening)	3513	Shaft assy (accelerator)	9725
Seal (steering gear)	3738	Shaft assy (distributor)	12175
Seal (steering idler arm)	3359	Shaft assy (oil pump intermediate)	6627
Seal (steering linkage ball stud)	3332	Shaft assy (rear axle)	4234
Seal (stud spring loaded cross link)	3332	Shaft assy (steering gear sector)	3575
Seal (trans. oil filler cap)	77627	Shaft assy (transmission control to accelerator)	77230
Seal (transmission overdrive housing to trans. extension rear oil)	7052	Shaft & lever assy (carburetor choke)	9546
Seal (trans. overdrive pawl operating rod oil)	7693	Shaft & lever assy (carburetor choke housing)	99557
Seal (transmission rear clutch piston spring)	77516	Shaft and ring gear assy (output)	77059
Seal (universal joint grease)	7078	Shaft & worm assy (steering gear)	3524
Seal (valve rocker arm cover stud)	6570	Shaft assy (transmission input)	7015
Seal (valve stem)-umbrella	6571	Shaft assy (trans. O/Drive control)	77685
Seal assy (compressor crankshaft)	19655	Shaft assy (transmission overdrive main)	7749
Seal assy (crankshaft front oil)	6700	Shell (rear license lamp)	13454
Seal assy (driving pinion oil)	4676	Shield (brake reservoir)	22135
Seal assy (power steering pump rotor shaft oil)	33623	Shield (clutch release lever dust)	7513
Seal assy (rear wheel bearing inner oil)	1177	Shield (front fender splash)	16102-3
Seal assy (steering gear housing)-oil	3591	Shield (front fender splash)	16106-7
Seal assy (transmission extension)-oil	7657	Shield (front suspension upper arm ball joint dust)	3055
Seal assy (transmission shifter shaft oil)	7688	Shield (parking lamp splash)	16176-7
Seal assy (water pump)	8564	Shield (radiator splash)	16550
Seal assy (wheel bearing inner oil)	1177	Shield (rear wheel brake tube)	22257
Sealer (compound)	19554	Shield (spark plug ignition wire heat)	12299
Sealer (for mounting holes for plate-Sun Valley)	5397	Shield (transmission extension oil dirt)	77652
Seat (carb. secondary diaphragm vacuum restriction valve ball)	99633	Shield (transmission extension rear oil seal)	7692
Seat (front & rear shock absorber insulator)	18031	Shield (universal joint bearing dust)	7083
Seat (front stabilizer insulator)	18031	Shield (window regulator motor)	14484
Seat (lighting switch rheostat tension spring)	11693	Shield assy (brake master cylinder heat)	22139
Seat (master cylinder outlet valve)	2179	Shield assy (radiator splash)	8209
Seat (power steering oil reservoir filter element retaining spring)	33540	Shield assy (trans. extension oil seal dust)	77651
Seat (steering connecting link)	3370	Shell (rear license plate lamp)	13454
Seat (trans. oil pressure reg. valve spring)	77466	Shim (A thru S)	4663
Seat (trans. overdrive pawl operating rod oil)	7693	Shim (differential bearing adjusting)	4067
Seat (trans. rear clutch piston spring)	77516	Shim (driving pinion front bearing adjusting)	4672
Seat (trans. rear pump check valve)	77712	Shim (driving pinion rear bearing adjusting)	4109
Seat (vacuum pump diaphragm spring)	9302	Shim (front spring)	5355
Selector (carburetor float bowl vent)	9557	Shim (front suspension lower arm front mtg. bolt)	3054
Selector assy (transmission)	7200	Shim (front suspension upper arm mounting)	3043
Separator assy (suction line oil)	19707	SHOCK ABSORBER GROUP (Page 352)	
SERVICE BRAKE CONTROLS GROUP (Page 23)		Shock absorber assy (front)	18045
SERVICE BRAKES GROUP (Page 5)		Shock absorber assy (rear)	18080
Shackle assy (rear spring)	5713	Shoe and lining assy (front wheel brake primary)	2018
Shaft (brake master cylinder operating lever)	2482	Shoe and lining assy (front wheel brake secondary)	2019
Shaft (brake pedal)	2478	Shoe and lining assy-primary	2218
Shaft (carb. choke)	9547	Shoe and lining assy-secondary	2219
Shaft (clutch and brake pedal pivot)	7506	Sleeve (bumper arm bolt)	17841
Shaft (clutch lever)	7524	Sleeve (power steering control valve ball stud)	33715
Shaft (differential pinion)	4211	Sleeve (steering column bearing)	3518
Shaft (front suspension upper arm)	3056	Sleeve (trans. clutch & governor oil distributor)	77882
Shaft (power steering pump rotor)	33611	Sleeve (trans. gear shift connecting rod adjustment)	7353
Shaft (speedometer drive)	17262	Sleeve (transmission interlock)	7233
Shaft (trans. front band actuating lever)	77355	Sleeve (transmission intermediate & high clutch hub)	7106
Shaft (transmission main)	7061	Sleeve (valve spring retainer)	6517
Shaft (trans. output shaft)	7061	Sleeve (wire terminal insulating)	14455
Shaft (transmission overdrive control)	7686	Sleeve assy (drag link adjusting)	3310
Shaft (trans. rear band actuating lever)	77411	Slinger (driving pinion shaft oil)	4670
		Slinger (water pump shaft)	8550
		Snap ring (brake master cylinder piston)	2174
		Snap ring (converter stator clutch retainer)	7945
		Snap ring (trans. front band servo piston retainer)	77366

Alphabetical Index—Continued

Part Name	Basic Part No.	Part Name	Basic Part No.
Snap ring (trans. front clutch cylinder)	77567	Speaker assy (radio)-front	18808
Snap ring (trans. governor retaining)	77136	SPEEDOMETER GROUP (Page 293)	
Snap ring (trans. main drive gear bearing retainer)	7026	Speedometer assy (miles)	17282
Snap ring (trans. main drive gear bearing to shaft)	7064	Speedometer assy (miles)	17255
Snap ring (transmission main shaft)	7059	Spider assy (universal joint)	7084
Snap ring (transmission main shaft)	7160	Spindle assy (front wheel)	3105
Snap ring (trans. main shaft)	7667	Spotlight (special-with bracket)	15312-3
Snap ring (trans. main shaft rear bearing)	7030	SPOTLIGHT GROUP (Page 364)	
Snap ring (transmission main shaft rear bearing)	7667	Spotlight assy (utility hand)	18148
Snap ring (transmission overdrive cover plate)	7666	SPOTLIGHT MIRROR GROUP (Page 365)	
Snap ring (tran. overdrive main shaft bearing)	7656	Spring (accelerator shaft retracting)	9737
Snap ring (transmission overdrive ring gear)	7654	Spring (automatic throttle control diaphragm return)	19672
Snap ring (trans. rear band servo piston retainer)	77417	Spring (automatic throttle control electro magnet plunger)	19674
Snap ring (trans. rear clutch piston spring retainer)	77517	Spring (brake adj. cam)	2049
Snap ring (trans. rear clutch plate retainer)	77523	Spring (brake adjusting screw)	2049
Snap ring (universal joint spider bearing retainer)	7096	Spring (brake booster body piston reaction)	22358
Snap ring (water pump bearing)	8576	Spring (brake booster body piston return)	2361
Snap ring (water pump shaft bearing retainer)	8630	Spring (brake booster check valve)	22371
Socket (brake adjusting screw)	2048	Spring (brake drum silencer)	1140
Socket (clutch shaft ball)	7517	Spring (brake master cylinder outlet valve)	2183
Socket (power steering control valve ball stud)	33717	Spring (brake pedal retracting)	2472
Socket (roof rail lamp)	13721	Spring (brake shoe hold down)	2068
Socket (transmission gear shift lever)	7228	Spring (brake shoe retracting)	2035
Socket and retainer assy (cigar lighter)	15055	Spring (carb. accel. pump piston operating rod)	9636
Socket and rim assy (courtesy lamp)	13714	Spring (carb. accel. pump piston return)	9636
Socket and wire assy (heater control lamp)	18541	Spring (carburetor accelerator pump rod packing)	9986
Socket and wiring assy (rear lamp)	13410	Spring (carburetor filter screen retainer)	9937
Socket assy (transmission gear shift)	7214	Spring (carburetor float)	9958
Solenoid assy (transmission overdrive gear shift)	6916	Spring (carburetor idle adjusting needle)	9578
Solution (W/S washer)	19550	Spring (carburetor throttle stop screw)	9578
Spacer (carburetor secondary throttle plate control lever)	9852	Spring (carb. secondary diaphragm vacuum restriction valve ball)	99634
Spacer (camshaft fuel pump drive eccentric)	6291	Spring (carburetor secondary throttle diaphragm return)	9504
Spacer (camshaft sprocket)	6265	Spring (clutch equalizer bar retaining)	7545
Spacer (carburetor)	9603	Spring (clutch pedal lever-assist)	7534
Spacer (carburetor main body to throttle body)	99605	Spring (clutch pedal lever-assist)	77533
Spacer (carb. secondary throttle plate lever)	9852	Spring (clutch release lever anti-rattle)	7562
Spacer (drive pinion bearing)	4662	Spring (clutch release retracting)	7523
Spacer (fender bracket cowl top)	16195	Spring (distributor diaphragm)	12225
Spacer (flywheel to crankcase)	6434	Spring (distributor primary)	12192
Spacer (front door garnish moulding)	8219	Spring (distributor shaft)	12213
Spacer (front fender to rocker panel)	16248	Spring (front)	5310
Spacer (front stabilator bar)	5490	Spring (front wheel brake cyl. piston return)	2205
Spacer (front suspension lower arm)	3061	Spring (front wheel brake shoe adjusting cam)	2049
Spacer (fuel pump link and spring retainer)	9382	Spring (front wheel brake shoe adjusting cam)	22050
Spacer (hood ornament)-square	8219	Spring (fuel and vacuum rocker arm)	9380
Spacer (horn bracket)	13827	Spring (fuel filler opening lid hinge)	16377
Spacer (lighting switch)	11675	Spring (fuel pump diaphragm)	9396
Spacer (multiple lubricator)	19576	Spring (gear shift anti-rattler)	7242
Spacer (power stg. control valve spool sleeve end bushing)	33699	Spring (generator bearing)	10087
Spacer (spring clamp)	5703	Spring (generator brush)	10057
Spacer (spare wheel mounting bracket)	1473	Spring (headlamp bulb ring)	13031
Spacer (steering gear housing to frame)	3566	Spring (heater blower motor brush holder retaining)	19294
Spacer (trans. control selector arm hub)	7336	Spring (heater, seat and window motor)	14576
Spacer (transmission countershaft gear bearing)	7115	Spring (hood hinge clock)	16812
Spacer (trans. countershaft gear bearing)	7125	Spring (hood hinge tension)	16789
Spacer (transmission gear shift arm hub)	7336	Spring (hood lock)	16925
Spacer (trans. low oil pressure regulator valve)	7470	Spring (hood lock trigger)	16921
Spacer (trans. oil distributor tube)	77885	Spring (horn blowing ring)	3626
Spacer (water pump pulley to fan)	8546	Spring (horn wire terminal insulator)	13843
Spacer assy (windshield wiper moulding)	17519-20		
SPARE WHEEL CARRIER GROUP (Page 2)			

Alphabetical Index—Continued

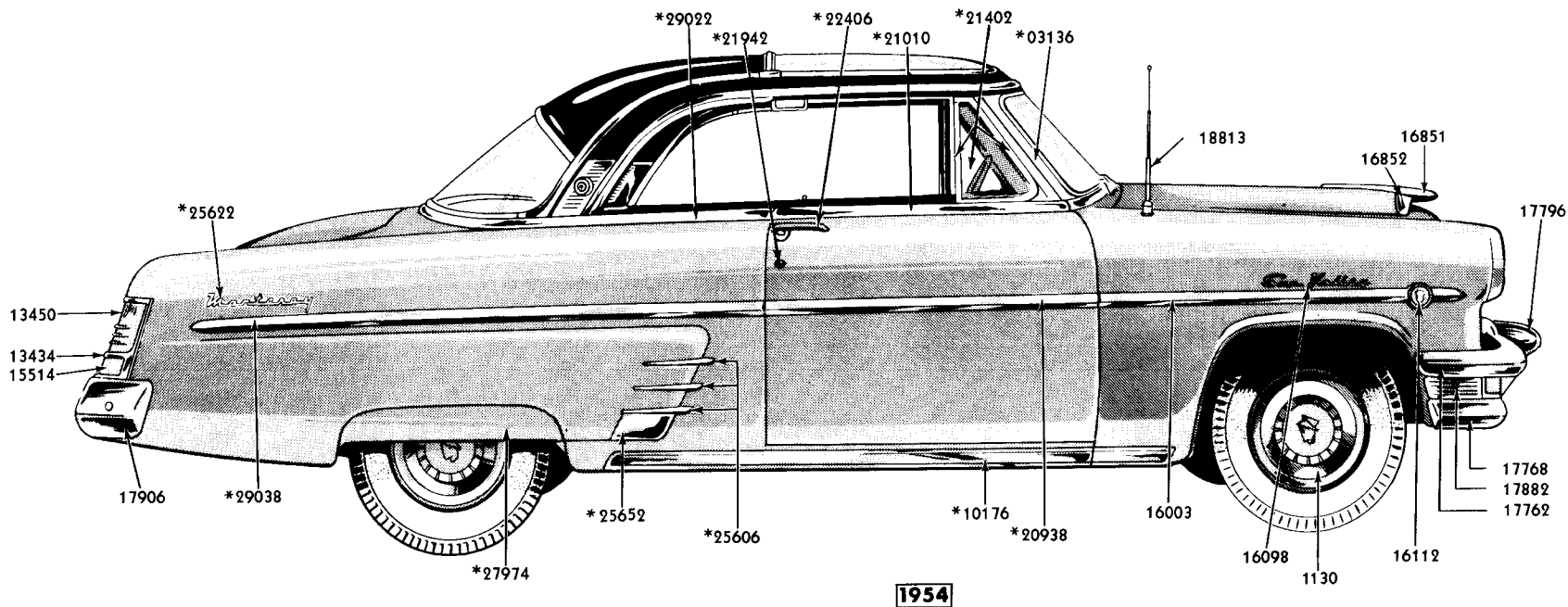
Part Name	Basic Part No.	Part Name	Basic Part No.
Spring (ignition switch retaining)	11581	STEERING LINKAGE GROUP (Page 37)	
Spring (license plate lamp tension)	13590	STEERING WHEEL GROUP (Page 366)	
Spring (lighting switch rheostat tension)	11692	Stop (power steering control valve spool travel reg.)	33708
Spring (multiple lubricator)	19539	Stop (trans. rear band adjusting)	77426
Spring (oil filter element retaining)	6889	Strainer assy (fuel pump filter bowl)	9365
Spring (oil pump relief valve)	6670	Strap (ignition coil)	12043-4
Spring (oil pump screen)	6628	Strap assy (fuel tank support)	9092
Spring (parking brake strut to shoe)	2139	Strap assy (jack hold down)	17083
Spring (power steering cyl. pressure relief valve)	33597	Strap assy (multiple lubricator harness)	18954
Spring (power steering oil reservoir filter element retaining)	33539	Strip (hood front flange breaker)	16838
Spring (power stg. pump relief valve)	33613	Strut (parking brake)	2108
Spring (ratchet bar locking)-outer	2788	Strut (transmission front band actuating)	77376
Spring (rear brake wheel cyl. piston return)	2204	Strut (trans. rear band actuating)	77421
Spring (rear license plate support)	13455	Strut (trans. rear band anchor)	77422
Spring (rear window defroster motor brush holder retaining)	19591	Stud (carburetor pump operating rod)	9988
Spring (roadlamp adapter retainer)	15231	Stud (hex-hd)	77445
Spring (seat regulator motor brush holder retaining)	14595	Stud (rear shock absorber)	18193
Spring (spring loaded cross link)	3327	Stud (spring loaded cross link)	3311
Spring (starter brush)	11059	Stud (trans. oil pressure regulator body)	77444
Spring (steering column bearing)	3520	Stud and washer assy (rear spring front hanger)	5780
Spring (top reg. motor brush retaining)	15666	Studbolt (top regulator motor)	14557
Spring (trans. control)	77721	Support (front fender apron and radiator)	16139
Spring (trans. control to accel. bellcrank to lever)	7245	Support (hood lock)	16717
Spring (trans. front band servo piston retracting)	77363	Support (horn button wire contact)	3646
Spring (trans. front clutch piston disc)	77565	Support (overdrive control cable to flywheel hsg.)	4296
Spring (trans. front pump check valve)	77455	Support (power stg. oil reservoir filter element)	33541
Spring (transmission gear shift selector)	7293	Support (power steering pump)	33559
Spring (trans. gearshift selector stop)	77225	Support (radio receiver rear)	18888
Spring (trans. intermediate & high clutch hub)	7109	Support (radio receiver rear)	18990
Spring (trans. low inhibitor valve)	77738	Support (valve rocker arm shaft)	6531
Spring (trans. low oil pressure reg. valve)	77465	Support assy (engine rear)	5059
Spring (trans. main oil pressure reg. valve)	77463	Support assy (frame engine)-rear	5059
Spring (trans. main shaft intermediate & high clutch hub)	7109	Support assy (front fender apron & radiator)	16138
Spring (trans. manual valve detent lever)	77276	Support assy (hood latch dowel)	16716
Spring (transmission mesh lock)	7234	Support assy (muffler outlet pipe)-front	5259
Spring (transmission overdrive retractor)	7685	Support assy (muffler outlet pipe)-front	5288
Spring (trans. parking pawl toggle return)	77314	Support assy (rear license plate lamp)	13419
Spring (trans. parking pawl torsion)	77307	Support assy (trans. converter stator)	77982
Spring (trans. rear band servo accumulator)	77369	Support assy (transmission planetary)	77190
Spring (trans. rear band servo piston)	77415	Suppressor assy (radio)	18811
Spring (trans. rear clutch piston)	77515	Switch & housing assy (seat regulator)	14680
Spring (trans. rear pump check valve)	77710	Switch & housing assy (window regulator)	14505-7
Spring (trans. throttle valve return)	77761	Switch & wiring assy (turn signal)	14486
Spring (turn signal switch pawl)	13316	Switch assy (accel. kickdown trans. overdrive)	6918
Spring (turn signal switch plate retainer)	13343	Switch assy (automatic headlamp dimmer)	13532
Spring (vacuum pump diaphragm)	9315	Switch assy (back-up lamp)	15520
Spring (valve)	6513	Switch assy (control cut-out)	19757
Spring (valve rocker arm locating)	6587	Switch assy (courtesy lamp)	13713
Spring and retainer assy (brake master cyl. piston return)	2145	Switch assy (courtesy lamp inst. panel)	13713
Spring assy (rear)	5560	Switch assy (dome lamp)	13713
Sprocket (camshaft timing chain)	6256	Switch assy (headlamp control hand)	11654
Sprocket (crankshaft)	6306	Switch assy (headlamp foot dimmer)	13532
Stanchion (radio antenna)	18922	Switch assy (heater control)	18578
STARTER DRIVE GROUP (Page 230)		Switch assy (ignition)	11572
STARTER GROUP (Page 228)		Switch assy (instrument lamp)	13740
Starter assy (less drive assy and pinion pin)	11002	Switch assy (instrument panel lights)	13740
Stator assy (converter)	7932	Switch assy (interior lights)	13752
STEERING COLUMN GEAR SHIFT CHART (Page 162)		Switch assy (lighting)	11654
STEERING GEAR GROUP (Page 40)		Switch assy (rear window deflector)	18704
		Switch assy (roadlamp)	15224
		Switch assy (seat reg. control)	14545
		Switch assy (seat regulator control-single)	14529

Alphabetical Index—Continued

Part Name	Basic Part No.	Part Name	Basic Part No.
Switch assy (spotlight)	15332	Tube (W/S wiper)	17543
Switch assy (stoplight)	13480	Tube and adapter assy (crankcase ventilation)	6758
Switch assy (transmission gear shift neutral)	15812	Tube and spring assy (trans. control selector)	7212
Switch assy (trans. overdrive governor)	6937	Tube assy (brake booster body piston)	22393
Switch assy (top control)	15668	Tube assy (brake master cyl. to connector)	22264
Switch assy (window regulator control)-multiple	14540	Tube assy (carburetor idle)	9542
Switch assy (window regulator control)-single	14529	Tube assy (carburetor idle)-secondary	99594
Switch, socket & wiring assy (glove compt. lamp)	14413	Tube assy (carburetor main well)	9991
Synchronizer assy (transmission)	7124	Tube assy (carb. secondary venturi supply)	9648
— T —		Tube assy (crankcase ventilation oil return)	6874
Tank assy (fuel)	9002	Tube assy (front brake)	2263-4
Tappet (valve)	6500	Tube assy (fuel tank vent)	99048
Tee (W/S washer)	17587	Tube assy (intake manifold to brake booster)	22349
Terminal (electric heat indicator bulb)	13785	Tube assy (oil level indicator)	6754
Terminal (fuel gage)	9212	Tube assy (oil pan to oil pump)	6639
Terminal (oil gauge block unit)	13785	Tube assy (power steering cylinder vent)	33660
Terminal (starter field)	11102	Tube assy (rear brake tube connector to rear hose)	2265
Terminal (wire)	14461	Tube assy (rear wheel brake)	2267-8
Terminal (wire)-clamp on	14466	Tube assy (steering column)	3514
Terminal (wire)-eyelet type	14463	Tube assy (thermostatic choke heat control)	9890
Terminal (wire)-snap on	14474	Tube assy (transmission gear shift)	7212
Thermostat assy (water)	8575	Tube assy (transmission oil filler)	77020
TIRE CHAINS (Page 366)		Tube assy (vacuum booster to W/S wiper hose)	17536
TISSUE DISPENSER GROUP (Page 366)		Tube assy (vacuum pump to intake manifold)	9413
TOOLS GROUP (Page 293)		Tube assy (water by-pass)-front	8548
TRAFFIC LAMP REFLECTOR GROUP (Page 366)		Turbine assy (converter)	7920
Transmission and converter assy	7000	— U —	
Transmission and extension assy	7003	"U" Bolt (muffler inlet resonator)	55248
Transmission and overdrive assy	7003	"U" Bolt (universal joint)	4529
Transmission assy-less converter	7003	Undercoating (body)	19515
TRANSMISSION CHART (Page 124)		UTILITY LAMP GROUP (Page 367)	
TRANSMISSION GROUP (Page 122)		— V —	
TRANSMISSION OVERDRIVE CHART (Page 116)		Valve (carb. vacuum dist. ball check)	9605
TRANSMISSION OVERDRIVE GROUP (Page 113)		Valve (exhaust)	6505
Tray (battery support)	10764	Valve (intake)	6507
Trough (timing chain lubrication)	6880	Valve (transmission control manual)	77764
Tube (automatic headlamp dimmer ballast)	13692	Valve (transmission front pump check)	77709
Tube (automatic headlamp dimmer control)	13691	Valve (transmission rear pump check)	77713
Tube (carb. secondary venturi fuel supply)	9616-7	Valve assy (brake master cylinder outlet check)	2178
Tube (carb. secondary venturi fuel supply metering jet)	9648	Valve assy (carburetor spark control)	9905
Tube (distributor vacuum)	12226	Valve assy (carburetor spark control)	9905
Tube (field coil connecting wire)	10195	Valve assy (condenser high pressure)	19715
Tube assy (automatic throttle to intake manifold)	19716	Valve assy (exhaust thermostat)	9685
Tube assy (master cylinder to connector)	22264	Valve assy (fuel pump)	9352
Tube assy (receiver tank)	19948	Valve assy (heater temperature regulator)	18502
Tube (field coil lead connection insulating)	10195	Valve assy (heater water control)	18495
Tube (thermostatic choke control)	9820	Valve assy (master cylinder outlet check)	2178
Tube (thermostatic choke control heat)	9890	Valve assy (multiple lubricator)	19573
Tube (transmission case oil filler)	77492	Valve assy (power jet)	9594
Tube (transmission compensator pressure oil)	77468	Valve assy (power steering control valve return post relief)	33710
Tube (transmission front band servo oil)	77379	Valve assy (power steering gear hydraulic control)	33577
Tube (transmission lubricating oil)	77470	Valve assy (power steering pump)	33609
Tube (transmission main pressure oil)	77469	Valve assy (vacuum pump)	9352
Tube (transmission oil distributor)	77884	Valve & bracket assy (compressor)	19750
Tube (transmission rear pump inlet oil)	77866	Valve plate assy (compressor)	19656
Tube (transmission rear pump outlet oil)	77869	VANITY MIRROR GROUP (Page 367)	
Tube (vacuum pump to W/S wiper hose)	17536	Vent assy (rear axle housing)	4022
Tube (valve rocker arm shaft oil outlet)	6588	Vent assy (transmission case)	7034
		Venturi (carburetor secondary)	99554

Alphabetical Index—Continued

Part Name	Basic Part No.	Part Name	Basic Part No.
Venturi assy (carb. secondary)	9641	WINDOW VENTS GROUP (Page 367)	
Vibrator (radio)	18885	WINDSHIELD WASHER GROUP (Page 297 and 368)	
VOLTAGE REGULATOR GROUP (Page 221)		WINDSHIELD WIPER GROUP (Page 295)	
— W —		WINDSHIELD WIPER BLADE GROUP (Page 368)	
Washer (brake shoe anchor pin to backing plate)	2029	Wing assy (hood top ornament)	16852
Washer (camshaft sprocket)	6278	Wire assy (auto. headlamp dimmer cont. ground)	13667
Washer (carb. accel. pump piston return spring retainer)	9632	Wire assy (dist. to spark plug)	12282-96
Washer (differential side gear thrust)	4228	Wire assy (horn ring)	14308
Washer (converter stator thrust)	7937	Wire assy (ignition switch to back-up lamp switch)	14299
Washer (counter thrust)	7962	Wire assy (instrument cluster)	9272
Washer (differential pinion thrust)	4230	Wire assy (map lamp feed)	14355
Washer (carburetor air bleed screen)	9811	Wire assy (pillar lamp)	13796
Washer (carburetor throttle shaft seal retainer)	9566	Wire assy (roadlamp ground)	15239
Washer (clutch release equalizer shaft)	7539	Wire assy (top control relay to circuit breaker)	14362
Washer (front hub bearing retainer)	1195	Wire and fuse holder assy (ignition switch to heater switch)	14338
Washer (front & rear shock absorber insulator)-inner	18041	Wire and socket assy (trans. gear shift indic. lamp)	14402
Washer (front & rear shock absorber insulator)-outer	18039	WIRING GROUP (Page 257)	
Washer (front stabilizer insulator)	18041	Wiring and socket assy (back up lamp)	13413
Washer (frt. susp. lower arm bushing comp.)-frt. inner	3095	Wiring and socket assy (parking assy)	13234
Washer (front suspension lower arm comp.)	33095	Wiring and socket assy (parking lamp)	13234
Washer (frt. susp. upper arm rear bushing)-inner	3090	Wiring assy (automatic throttle control)	19739
Washer (fuel and vacuum pump rocker arm pin)	9418	Wiring assy (back-up lamp switch to back-up lamp)	15506
Washer (heater control lever thrust)	18616	Wiring assy (courtesy lamp socket)	14389
Washer (power steering pump adjusting bracket)	33638	Wiring assy (courtesy lamp switch)	14328
Washer (rear shock absorber)-inner & outer	18039-40	Wiring assy (dome lamp feed)	14334
Washer (starter field terminal)	11095	Wiring assy (door window regulator switch)	14639-41
Washer (starter field terminal insulator)	11094	Wiring assy (electric clock)	15026
Washer (starter armature thrust)	11036	Wiring assy (electric window reg.)	14631
Washer (steering sector shaft thrust)	3579	Wiring assy (electric window regulator relay feed)	14705
Washer (steering thrust screw lock)	3564	Wiring assy (electric window regulator)	14702
Washer (trans. countershaft gear thrust)-front	7119	Wiring assy (electric W/Shield washer feed)	14297
Washer (trans. countershaft gear thrust)-rear	7128-9	Wiring assy (front door window regulator)	14630-1
Washer (trans. countershaft gear thrust)-rear	7154	Wiring assy (fuel gauge tank unit)	14406
Washer (transmission front clutch hub thrust)	77577	Wiring assy (headlamp)-L. H. to R. H.	14445
Washer (trans. front clutch sun gear)	77543	Wiring assy (headlamp leads)	13076
Washer (trans. front clutch sun gear thrust)	77545	Wiring assy (heater switch to blower motor)	14309
Washer (transmission input shaft thrust)	7019	Wiring assy (horn relay to horn)	14440
Washer (transmission output shaft thrust)	77066-7	Wiring assy (ignition circuit to overdrive relay)	14396
Washer (trans. rear clutch sun gear counter thrust)	77524	Wiring assy (instrument panel)	14401
Washer (valve rocker arm shaft)	6590	Wiring assy (interior lights switch)	14328
Washer (valve rocker arm shaft spring)	6598	Wiring assy (license lamp connector)	14415
WATER PUMP GROUP (Page 186)		Wiring assy (multiple lubricator)	19571
Wax (body)	19534	Wiring assy (oil pressure gauge connector)	14322
Weatherstrip (front fender apron splash panel)	16170	Wiring assy (overdrive harness to ignition coil)	14381
Weatherstrip (front fender apron to dash brace)	16262	Wiring assy (radio receiver to rear seat)	14571
Weatherstrip (front fender apron to frame)-front	16252	Wiring assy (rear accessories)	14659
Weatherstrip (front fender apron to frame)-rear	16254-5	Wiring assy (rear door window regulator)	14632-3
Weatherstrip (front fender rear splash shield)	16110	Wiring assy (rear lamps)	14405
Weight (wheel balance)	1040	Wiring assy (rear quarter window regulator switch)	14645
Wheel and horn ring (steering)	3599	Wiring assy (seat regulator motor jumper)	14593
Wheel assy	1007	Wiring assy (seat regulator switch to relay)	14642
Wheel assy	1015	Wiring assy (starter switch to trans. lock)	14476
Wheel assy (blower)	19834	Wiring assy (top control circuit breaker to starting motor relay)	14351
Wheel assy (heater blower)	18504	Wiring assy (top control relay to circuit breaker)	14362
Wheel assy (steering)	3600	Wrench (jack handle & wheel nut)	17035
WHEEL HUB CAP GROUP (Page 367)		— Y —	
WHEELS, HUBS AND DRUMS GROUP (Page 1)		Yoke assy (universal joint)	4841
Wick (driving pinion shaft oil seal)	4673		

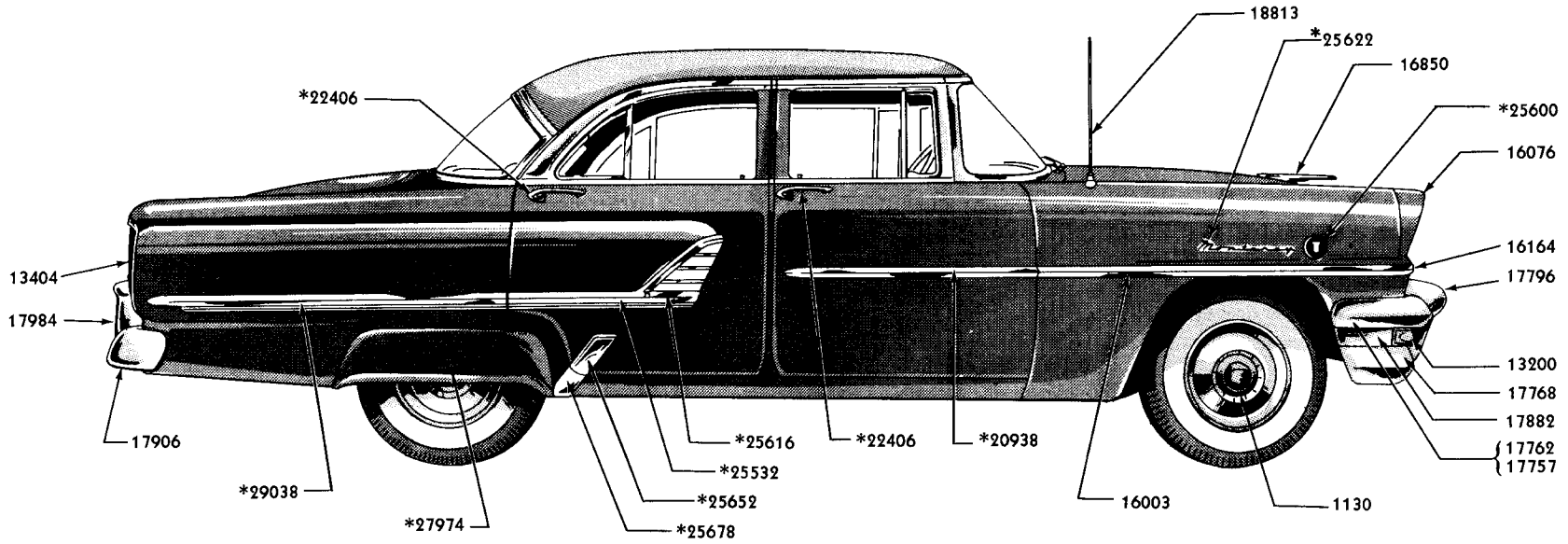


*FOR ADDITIONAL INFORMATION REFER TO BODY PARTS CATALOGUE.

PM-858

EXTERIOR (BODY TYPE 60F)

Basic numbers only shown on illustration. Order by Part Numbers shown in list of parts.



*FOR ADDITIONAL INFORMATION REFER TO BODY PARTS CATALOGUE.

1955

PMC-51

EXTERIOR (BODY TYPE 73C)

Basic numbers only shown on illustration. Order by Part Numbers shown in list of parts.

MERCURY

CHASSIS PARTS CATALOGUE

Polishes, Cleaners, etc.

PART NUMBER	QTY	PART NAME	NO. REQ'D	MODEL	YEAR 19__
M 5335-B		Sealer (body)-heavy viscosity			
M 5397-B		Sealer (for mounting plate holes)-Sun Valley			
M 5402		Sealer (windshield and rear lamp)-5 oz. tube			
HCCA 19502-M		Lacquer (touch-up)-Black-1/2 oz. tube			
MDCA 19502-B		Lacquer (touch-up)-Mohawk Maroon Metallic-1/2 oz. tube			
MDCA 19502-K		Lacquer (touch-up)-Bittersweet-1/2 oz. tube			
MDCA 19502-L		Lacquer (touch-up)-Yosemite Yellow-1/2 oz. tube			
MDCA 19502-M		Lacquer (touch-up)-Siren Red-1/2 oz. tube			
MDCA 19502-N		Lacquer (touch-up)-Brentwood Brown Metallic-1/2 oz. tube			
MECA 19502-A		Lacquer (touch-up)-Atlantic Blue-Metallic-1/2 oz. tube			
MECA 19502-B		Lacquer (touch-up)-Lakeland Blue-1/2 oz. tube			
MECA 19502-C		Lacquer (touch-up)-Granby Gray-1/2 oz. tube			
MECA 19502-D		Lacquer (touch-up)-County Club Tan-1/2 oz. tube			
MECA 19502-E		Lacquer (touch-up)-Bloomfield Green Metallic-1/2 oz. tube			
MECA 19502-F		Lacquer (touch-up)-Glenoaks Green Metallic-1/2 oz. tube			
MECA 19502-G		Lacquer (touch-up)-Parklane Green-1/2 oz. tube			
MECA 19502-H		Lacquer (touch-up)-Arctic White-1/2 oz. tube			
MFCA 19502-A		Lacquer (touch-up)-Biltmore Blue-1/2 oz. tube			
MFCA 19502-B		Lacquer (touch-up)-Gulfstream Blue Metallic-1/2 oz. tube			
MFCA 19502-C		Lacquer (touch-up)-Kingstone Gray-1/2 oz. tube			
MFCA 19502-D		Lacquer (touch-up)-Rockdale Gray Metallic-1/2 oz. tube			
MFCA 19502-E		Lacquer (touch-up)-Forester Green Metallic-1/2 oz. tube			
MFCA 19502-F		Lacquer (touch-up)-Springdale Green-1/2 oz. tube			
MFCA 19502-G		Lacquer (touch-up)-Canyon Cordovan Metallic-1/2 oz. tube			
MFCA 19502-H		Lacquer (touch-up)-Tampa Tan-1/2 oz. tube			
MFCA 19502-J		Lacquer (touch-up)-Tropic Blue-1/2 oz. tube			
MFCA 19502-K		Lacquer (touch-up)-Yukon Yellow-1/2 oz. tube			
MFCA 19502-L		Lacquer (touch-up)-Arbor Green-1/2 oz. tube			
MFCA 19502-M		Lacquer (touch-up)-Alaska White-1/2 oz. tube			
MFCA 19502-N		Lacquer (touch-up)-Glen Lake Blue Metallic-1/2 oz. tube			
MFCA 19502-P		Lacquer (touch-up)-Sea Isle Green Metallic-1/2 oz. tube			
MFCA 19502-Q		Lacquer (touch-up)-Carmen Red-1/2 oz. tube			
MFCA 19502-R		Lacquer (touch-up)-Lime-1/2 oz. tube			
MFCA 19502-S		Lacquer (touch-up)-Persimmon-1/2 oz. tube			
MFCA 19502-T		Lacquer (touch-up)-Sun Glaze-1/2 oz. tube			

MERCURY

CHASSIS PARTS CATALOGUE

Polishes, Cleaners, etc. — Continued

PART NUMBER	SUB PTC	PART NAME	NO. REQ'D	MODEL	YEAR 19
BD 19512-A		Mitt (car washing)-Chenille			
1M 19514-A		Coating (chrome)-8 oz. can			
8L 19515-A		Undercoating (body)-flash-53 gallon drum			
8L 19515-B		Undercoating (body)-53 gal. drum			
BD 19517-A		Cloth (dust)-wax treated			
8H 19520		Porcelainize cleaner (body)-liquid-case of (4) gals.			
8L 19520-A		Cleaner (body)-liquid-pt.			
8L 19520-D		Cleaner (body)-liquid-case of (12) pt. cans			
8L 19521-A		Cleaner (spot remover)-pt.			
8L 19521-C		Cleaner (spot remover)-case of (12) pt. cans			
BH 19521-A		Cleaner (spot remover)-pt. can-Leather and Vinyl			
BV 19521-A		Cleaner (spot remover)-gal.			
8L 19522-A		Cleaner (chrome)-pt.			
8L 19522-B		Cleaner (chrome)-case of (12) pt. cans			
8H 19523-A		Cleaner (white side wall tire)-13 oz. can			
8H 19523-B		Cleaner (white side wall tire)-case of (12) 13 oz. can			
HACA 19523-A		Cleaner (white side wall tire)-16 oz. can			
HACA 19523-B		Cleaner (white side wall tire)-gallon can			
8L 19526-A		Cleaner (upholstery foam)-pt.			
8L 19526-C		Cleaner (upholstery foam)-case of (12) pt. cans			
8L 19528-A		Compound (body porcelainize)-liquid-8 oz. bottle			
8L 19528-C		Compound (body porcelainize)-liquid-case of (24) 8 oz. bottles			
8L 19529-A		Polish (body porcelainize)-8 oz. bottle			
8L 19529-C		Polish (body porcelainize)-case of (24) 8 oz. bottles			
HCK 19530-C		Kit (blue coral)			
HCK 19530-D		Kit (blue coral)			
8L 19530-C		Polish (body)-case of (12) pt. cans			
BD 19530-A		Polish (body)-Blue Coral-16, 18 imperial oz.			
BD 19530-B		Polish (body)-Lectron-16 oz.			
BS 19530-A		Polish (body)-pt.			
8L 19534-A		Wax (body polishing)-8 oz. can			
8L 19534-B		Wax (body polishing)-cases of (12) 8 oz. cans			
BD 19534-A		Wax (body)-Blue Coral-80 grams			
BD 19534-B		Wax (body)-Blue Coral-227 grams			
BS 19534-A		Wax (body)-8 oz.			
HACA 19542-A		Fluid (brake)-heavy duty-pt.			
HACA 19542-B		Fluid (brake)-heavy duty-gal.			
HACA 19542-E		Fluid (brake)-heavy duty-5 gal. can			

MERCURY

CHASSIS PARTS CATALOGUE

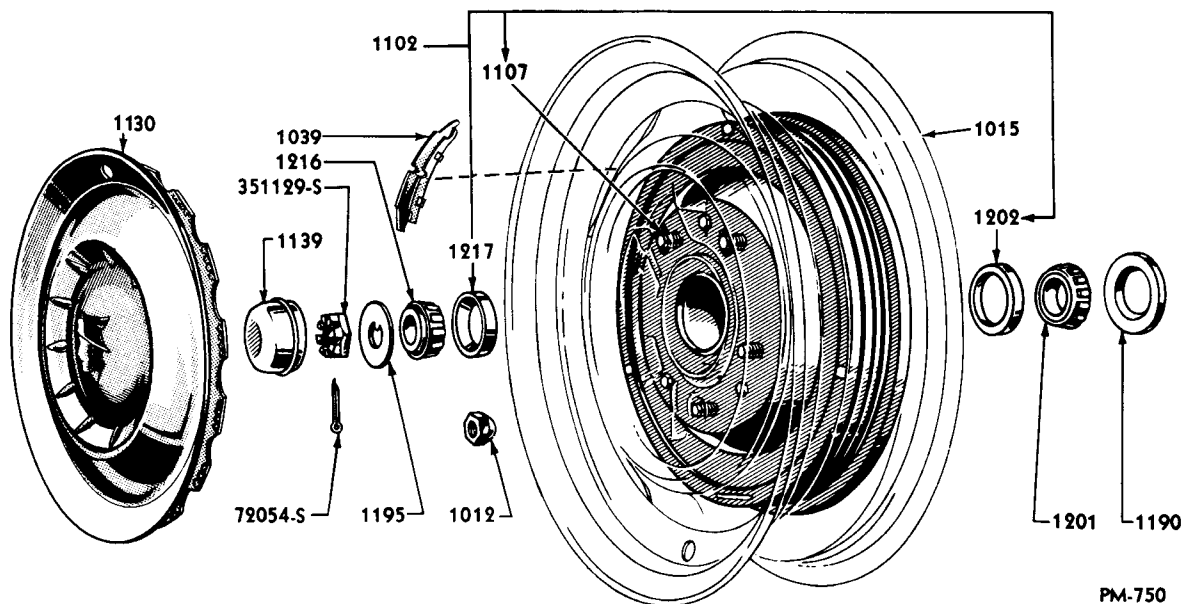
Polishes, Cleaners, Etc. — Continued

PART NUMBER	CHASSIS	PART NAME	NO. REQ'D	MODEL	YEAR 19_____
8H 19544-A		Anti-freeze (permanent)-gal.			
8H 19544-C		Anti-freeze (permanent)-qt.			
8M 19544-A		Anti-freeze (type N)-gal.			
8M 19544-B		Anti-freeze (type N)-54 gal. drum			
MB 19544-A		Anti-freeze (methyl alcohol)-gal.			
MB 19544-B		Anti-freeze (methyl alcohol)-55 gal. drum			
MFCA 19544-A		Anti-freeze (prestone)-gal.			
MFCA 19544-B		Anti-freeze (prestone)-quart			
8L 19545-A		Fluid (window regulator)-pt.			
8L 19545-B		Fluid (window regulator)-case of (12) pt. cans			
8H 19546-A		Inhibitor (cooling system rust)-pt.			
8H 19546-B		Inhibitor (cooling system rust)-case of (12) pt. cans			
8L 19550-A		Solution (W/S washer)-6 oz. can			
MFCA 19550-B		Solution (window cleaner)-10 oz. bottle			
8L 19552-A		Cement (rubber)-5 oz. tube			
8L 19552-B		Cement (rubber)-case of (12) 5 oz. tubes			
8M 19554-A		Sealer (compound)-16 oz. can			
8M 19554-B		Sealer (compound)-case of (12) 16 oz. cans			
8L 19558-A		Radiator stop leak-10 oz. can			
LA 19558-A		Radiator stop leak-6 oz. fluid containers			
8M 19560-A		Kit-caulking strips-case of (8) cartons			
8M 19560-B		Kit-caulking strip-carton (80 ft.)			
8L 19575-A		Grease (distributor)-4 oz. tube			
8L 19575-B		Grease (distributor)-case of (12) 4 oz. tubes			
LE 19577-A		Grease (chassis lubricant)-7 oz. can			
MB 19581-B		Lubricant (rear axle hypoid)-100 lb. drum			
MB 19581-C		Lubricant (rear axle hypoid)-400 lb. drum			
MC 19581-A		Lubricant (rear axle hypoid)-120 lb. drum			
8L 19582-A		Fluid (Merc-O-Matic transmission)-54 gal. drum			
8L 19582-B		Fluid (Merc-O-Matic transmission)-5 gal. can			
8L 19582-C		Fluid (Merc-O-Matic transmission)-1 qt. can			
8L 19582-D		Fluid (Merc-O-Matic transmission)-case of (24) qt. cans			
8L 19582-E		Fluid (Merc-O-Matic transmission and power steering)-1 gal. can			
8L 19585-A		Grease (wheel bearing)-5 lb. can			
MC 19585-A		Grease (wheel bearing)			
8L 19586-A		Lubriplate-waterproof-2 oz. tube			
8L 19586-B		Lubriplate-waterproof-case of (12) 2 oz. tubes			

MERCURY

CHASSIS PARTS CATALOGUE

Wheels, Hubs, and Drums



PM-750

FRONT WHEEL HUB, BEARINGS, CAP, ETC.

Basic numbers only shown on illustration. Order by Part Numbers shown in list of parts.

PART NUMBER	PART NAME	NO. REQ'D	MODEL	YEAR 19__
MC-19585-A	Grease (wheel bearing)-case consists of (6) 5 lb. cans	as reqd	MB, MC	54-55
MC 1007-A	Wheel assy-15" x 5-1/2"- "K" rim-in Prime	5	MC	55
B 1012	Nut (hub & spare wheel)-1/2"-20	21	MB, MC	54-55
MB 1015-BP	Wheel assy-15" x 5-1/2"- "K" rim-in Prime- alternate with MA-1015-BP	5	MB	54
★ LA 1039-B	Clip (wheel stone defl.)-4-15/16" overall length	20	MB	54
MA 1039-A	Clip (wheel stone defl.)-5-27/32" overall length- use only with MB-1130-A	20	MB	54
8M 1040-G	Weight (wheel balance)-3.5 oz.	as reqd	MB, MC	54-55
8M 1040-H	Weight (wheel balance)-4.0 oz.	as reqd	MB, MC	54-55
8M 1040-J	Weight (wheel balance)-4.5 oz.	as reqd	MB, MC	54-55
8M 1040-K	Weight (wheel balance)-5.0 oz.	as reqd	MB, MC	54-55
8M 1040-L	Weight (wheel balance)-5.5 oz.	as reqd	MB, MC	54-55
8M 1040-M	Weight (wheel balance)-6.0 oz.	as reqd	MB, MC	54-55
MA 1040-A	Weight (wheel balance)-.5 oz.	as reqd	MB, MC	54-55
MA 1040-B	Weight (wheel balance)-1.0 oz.	as reqd	MB, MC	54-55

★ Use for cars assembled at Los Angeles only

MERCURY

CHASSIS PARTS CATALOGUE

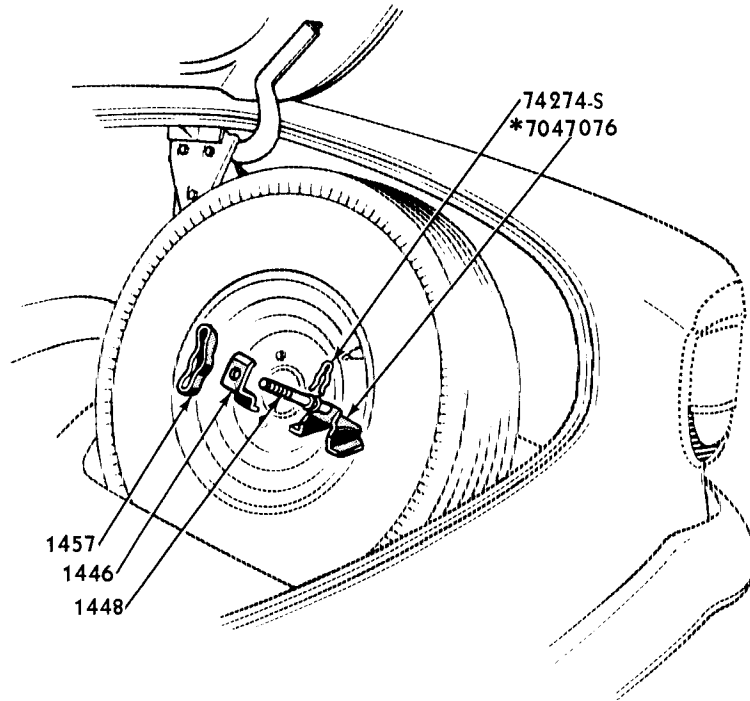
Wheels, Hubs and Drums—Continued

PART NUMBER	PART NAME	NO. REQ'D	MODEL	YEAR 19__
MA 1040-C	Weight (wheel balance)-1.5 oz.	as reqd	MB, MC	54-55
MA 1040-D	Weight (wheel balance)-2. oz.	as reqd	MB, MC	54-55
MA 1040-E	Weight (wheel balance)-2.5 oz.	as reqd	MB, MC	54-55
MA 1040-F	Weight (wheel balance)-3.0 oz.	as reqd	MB, MC	54-55
B2A 1102-A	Hub and drum assy (front wheel)-⊕AB-1102-B	2	MB	54
	354573-S Nut (slotted hex)-3/4"-16-hub & brake drum assy	2	MB	54
MC 1102-B	Hub and drum assy (front wheel)	2	MC	55
8A 1107-A	Bolt (wheel hub)-front & rear wheels-1/2"-20 x 1-3/8"	20	MB, MC	54-55
B5A 1126-B	Drum assy (rear brake)-⊕AF-1126-B-with 1-1/2" bolt circle-⊕AF-1126-B	2	MB	54
MC 1126-A	Drum assy (rear brake)-with 5" bolt circle	2	MC	55
	356080-S32 Nut (spring)-1/2"-20-to attach rear brake drum to rear axle	6	MB, MC	54-55
MA 1130-B	Cap (wheel hub)-with embossed medallion-10-21/32" O. D.	4	MB, MC	54-55
MB 1130-A	Cap (wheel hub)-15-1/8" O. D. -with 12 depressions	4	MB	54
MC 1130-A	Cap (wheel hub)-15-1/8" O. D. -with 12 depressions	4	MC	55
MC 1131-A	Cap (front hub grease)-use with B2A-1102-A hub & drum assy for 1954 reqmts. only	2	MB, MC	54-55
B5A 1131-A	Cap (front hub grease)-use with B2A-1102-A hub & drum assy-⊕8A-1131-A	2	MC	55
51A 1139	Cap (front hub grease)	2	MB	54
OM 1140	Spring (brake drum silencer)-32" overall length	4	MB	54
8A 1177-A	Seal assy (rear wheel bearing inner oil)-1-23/64" I. D.	2	MB except 79	54
OM 1177-A	Seal assy (rear wheel bearing inner oil)-1/2" thick	2	MB79, MC	54-55
8A 1180	Retainer (rear wheel bearing)-inner-1-31/32" O. D.	2	MB except 79	54
8M 1180	Retainer (rear wheel bearing)-inner-2-1/8" O. D.	2	MB79, MC	54-55
AD 1190-B	Retainer assy (front wheel grease)-1-15/16" I. D. x 2-5/8" O. D. x 9/32" thick	2	MB, MC	54-55
B5A 1190-A	Retainer assy (front wheel grease)-use with B2A-1102-A hub & drum assy for 1954-⊕AF-1190-A	2	MB, MC	54-55
B4A 1193-A	Gasket (front wheel brake grease baffle)-⊕AD-22188-A	2	MB, MC	54-55

MERCURY

CHASSIS PARTS CATALOGUE

Spare Wheel Carrier—Continued



* FOR ADDITIONAL INFORMATION REFER TO BODY PARTS CATALOGUE

PMC-192

SPARE TIRE MOUNTING

Basic numbers only shown on illustration. Order by Part Numbers shown in list of parts.

PART NUMBER	QTY	PART NAME	NO. REQ'D	MODEL	YEAR 19__
BC 1448-A		Bolt (spare wheel mounting)-3/8"-16	1	MB except 79	54
B5A 1448-A		Bolt (spare wheel mounting)-3" long-⊕BN-1448-B	1	MC79	55
BV 1448-A		Bolt (spare wheel mounting)-8-1/4" long	1	MC except 79	55
		73934-S7 Clevis Pin-3/8" x 1-1/4"- bolt to mounting bracket	1	MB except 79	54
		352358-S Pin (self locking)-9/32"-bolt to mounting bracket	1	MB except 79	54
		74274-S Retainer 1/4" (spring)	1	MC79	55
BA 1449-A		Bolt (spare wheel mounting)-1/2"-13 x 1-11/16"	1	MB79, MC	54-55
BA 1457-A		Nut (wing)-spare wheel mounting bolt)-3/8"-16	1	MB except 79, MC except 79	54-55
BA 1473-A		Spacer (spare wheel mounting bracket)-1-1/4" O.D. x 1/2" I.D. x 3/8" thick	1	MB except 79	54
BA 1499-A		Clamp (spare wheel hold down)-rear	1	MB79	54
B5A 1499-A		Clamp (spare wheel hold down)-rear-⊕BN-1499-A	1	MC79	55
		353967-S8 Nut (wing)-3/8"-16-spare wheel mounting bolt	1	MC79	55

MERCURY

CHASSIS PARTS CATALOGUE

Service Brakes

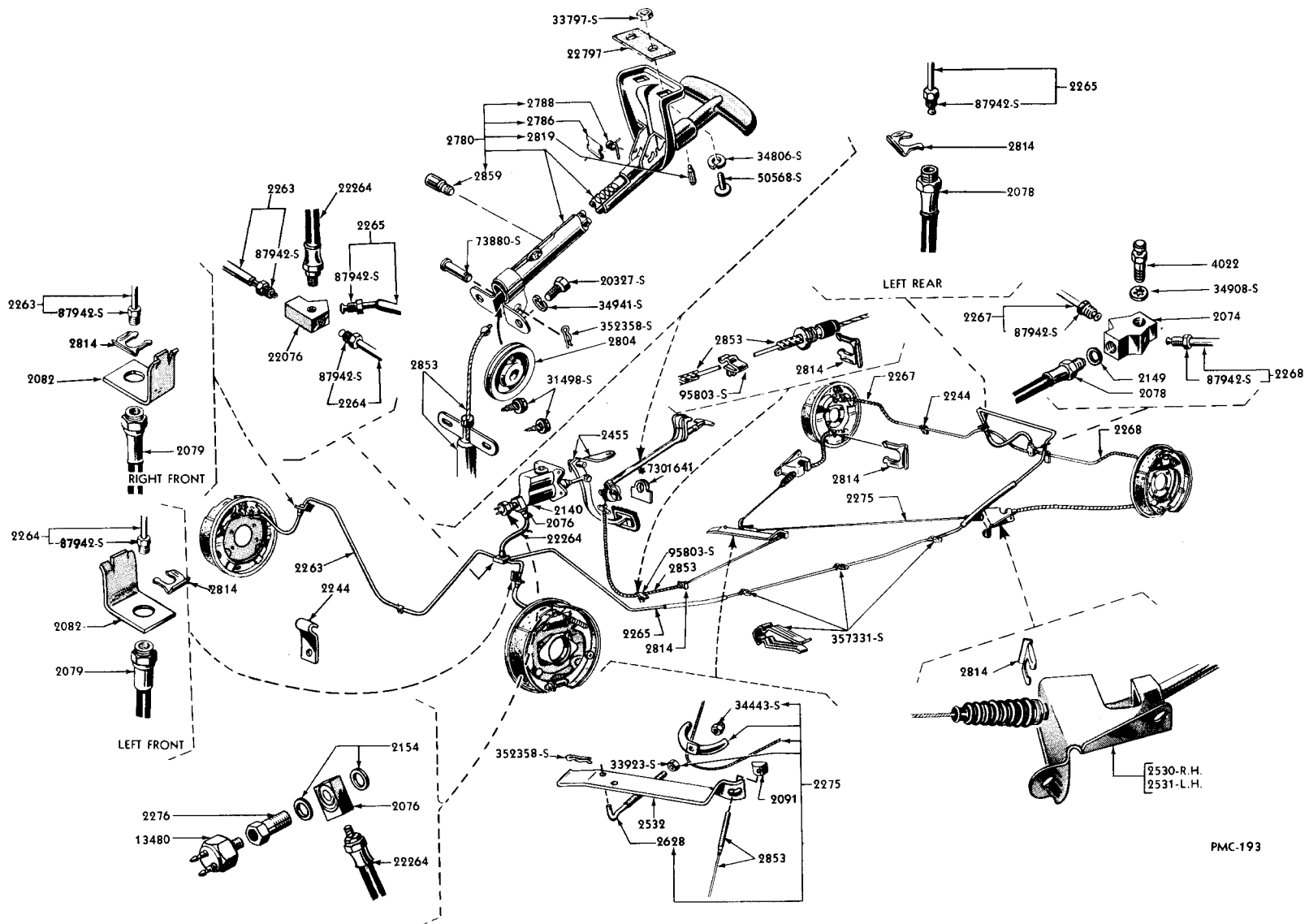
PART NUMBER	CLASS	PART NAME	NO. REQ'D	MODEL	YEAR 19__
		HACA-19542-A Fluid (brake)-heavy duty-pt.	as reqd	MB, MC	54-55
		HACA-19542-B Fluid (brake)-heavy duty-gallon	as reqd	MB, MC	54-55
		HACA-19542-E Fluid (brake)-heavy duty-(5) gal. container	as reqd	MB, MC	54-55
MCK 2001-A		Kit (front brake shoe & lining)-Standard-Axle Set-consists of the following (2) 8M-2018-D Shoe and lining-primary (2) OM-2019-B Shoe and lining-secondary	1	MB	54
MCK 2001-B		Kit (front brake shoe & lining)-.030" O/S-Axle Set-consists of the following (2) MA-2018-C Shoe and lining-primary (2) MA-2019-C Shoe and lining-secondary	1	MB	54
MFK 2001-A		Kit (front brake shoe & lining)-Standard-Axle Set-consists of the following (2) MC-2018-B Shoe and lining-frt. primary (2) LA-2019-B Shoe and lining-frt. secondary	1	MC	55
MFK 2001-B		Kit (front brake shoe & lining)-.030" O/S-Axle Set-consists of the following (2) MC-2018-C Shoe and lining-frt. primary (2) LA-2019-C Shoe and lining-frt. secondary	1	MC	55
B2A 2004-A		Kit (brake master cyl. repair)-consists of the following (2) 91T-2154-A Gasket (1) 8M-2167 Gasket (1) AB-2169-B Piston (1) 51A-2173 Cup (1) 51A-2174 Snap ring(1) A9A-2178-A Valve (1) 0A-2180 Boot	1	MB	54
B5A 2004-B		Kit (brake master cyl. repair)-consists of the following (2) 91T-2154-A Gasket (1) 8M-2167 Gasket (1) FAA-2169-A Piston (1) FAA-2173-A Cup (1) 51A-2174-A Snap ring(1) B5A-2178-B Valve Kit (1) 0A-2180 Boot	1	MC	55
† MB 2005-A		Booster assy (brake vacuum)	1	MB	54
† LE 2005-A		Booster assy (brake vacuum)	1	MC	55

† Use with Power Brakes-Refer to Power Brakes Group

MERCURY

CHASSIS PARTS CATALOGUE

Service Brakes—Continued



PMC-193

*FOR ADDITIONAL INFORMATION REFER TO BODY PARTS LIST

BRAKE SYSTEM

Basic numbers only shown on illustration. Order by Part Numbers shown in list of parts.

MERCURY

CHASSIS PARTS CATALOGUE

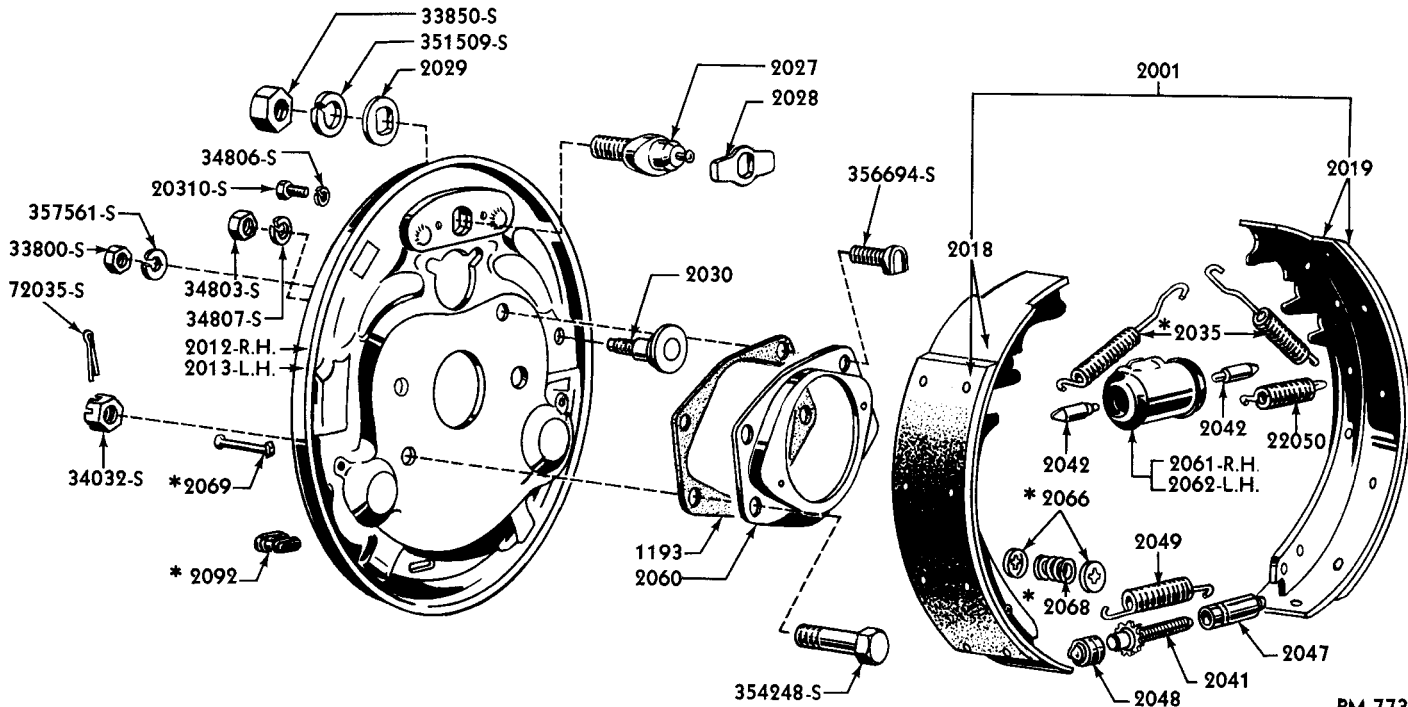
Service Brakes-Continued

PART NUMBER	PART NAME	NO. REQ'D	MODEL	YEAR 19__
MCK 2007-A	Kit (front brake lining)-Standard-Axle Set-consists of the following (2) 8M-2021-D Lining-primary (2) 0M-2022-B Lining-secondary (44) 351939-S Rivet	1	MB	54
MCK 2007-B	Kit (front brake lining)-.030" O/S-Axle Set-consists of the following (2) MA-2021-C Lining-primary (2) MA-2022-C Lining-secondary (44) 351939-S Rivet	1	MB	54
MFK 2007-A	Kit (front brake lining)-Standard-Axle Set-consists of the following (2) MC-2021-C Lining-front primary (2) LA-2022-B Lining-front secondary (44) 351939-S Rivet	1	MC	55
MFK 2007-B	Kit (front brake lining)-.030" O/S-Axle Set-consists of the following (2) MC-2021-D Lining-front primary (2) LA-2022-C Lining-front secondary (44) 351939-S Rivet	1	MC	55
MCK-22009-B	Kit (brake spring repair)-front-consists of the following (4) B5A-2035-A Spring (8) 6H-2066 Cup (4) H-2068 Spring (4) H-2069-A Pin (54) (4) 8A-2069-A Pin (55) (2) 8A-2092 Plate	1	MB	54
MCK-22009-C	Kit (brake spring repair)-front & rear-consists of the following (4) B5A-2035-A Spring (8) 6H-2066 Cup (4) H-2068 Spring (4) H-2069-A Pin(52-54) (4) 8A-2069-A Pin(55-56)(4)LA-2069-A Pin(55-56) (2) 8A-2092 Plate	1	MC	55
MB 2012-C	Plate assy (front wheel brake backing)-R. H. - 1-61/64" I. D.	1	MB	54
MC 2012-A	Plate assy (front wheel brake backing)-R. H. - 1-61/64" I. D.	1	MC	55

MERCURY

CHASSIS PARTS CATALOGUE

Service Brakes—Continued



* ALSO SERVICED IN 22009 KIT

FRONT BRAKES

Basic numbers only shown on illustration. Order by Part Numbers shown in list of parts.

PART NUMBER	QTY	PART NAME	NO. REQ'D	MODEL	YEAR
MB 2013-C		Plate assy (front wheel brake backing)-L. H. - 1-61/64" I. D.	1	MB	54
MC 2013-A		Plate assy (front wheel brake backing)-L. H. - 1-61/64" I. D.	1	MC	55
		355635-S7 Bolt (hex-hd)-1/2"-20 x 2-1/4" -to spindle-lower	4	MB, MC	54-55
		356694-S Bolt (hex-hd)-3/8"-24 x 1- 11/64"-to spindle-upper	4	MB, MC	54-55
		72035-S7-8 Cotter pin-1/8" x 1"	4	MB, MC	54-55
		357629-S7 Lockwasher-3/8"-to spindle- upper	2	MB, MC	54-55
		33800-S8 Nut (hex)-3/8"-24 to spindle- upper	4	MB, MC	54-55
		34032-S7 Nut (castle)-1/2"-20-to spindle -lower	4	MB, MC	54-55

MERCURY

CHASSIS PARTS CATALOGUE

Service Brakes—Continued

PART NUMBER	QTY	PART NAME	NO. REQ'D	MODEL	YEAR 19__
8M 2018-D	NS	Shoe and lining assy (front wheel brake primary)-Std. -serviced in 2001 Kit	2	MB	54
8M 2018-F	NS	Shoe and lining assy (front wheel brake primary)-std. -serviced in 2200 Kit-for rear brake	2	MC	55
MA 2018-C	NS	Shoe and lining assy (front wheel brake primary)-.030" O/S-serviced in 2001 Kit	2	MB	54
MA 2018-E	NS	Shoe and lining assy (front wheel brake primary)-.030" O/S-serviced in 2200 Kit-for rear brake	2	MC	55
MC 2018-B	NS	Shoe and lining assy (front wheel brake primary)-Std. -serviced in 2001 Kit	2	MC	55
MC 2018-C	NS	Shoe and lining assy (front wheel brake primary)-.030" O/S-serviced in 2001 Kit	2	MC	55
8M 2019-D	NS	Shoe and lining assy (front wheel brake secondary)-Std. -serviced in 2200 Kit-for rear brake	2	MC	55
0M 2019-B	NS	Shoe and lining assy (front wheel brake secondary)-Std. -serviced in 2001 Kit	2	MB	54
MA 2019-C	NS	Shoe and lining assy (front wheel brake secondary)-.030" O/S-serviced in 2001 Kit	2	MB	54
MA 2019-E	NS	Shoe and lining assy (front wheel brake secondary)-.030" O/S-serviced in 2200 Kit-for rear brake	2	MC	55
LA 2019-B	NS	Shoe and lining assy (front wheel brake secondary)-Std. -serviced in 2001 Kit	2	MC	55
LA 2019-C	NS	Shoe and lining assy (front wheel brake secondary)-.030" O/S-serviced in 2001 Kit	2	MC	55
8M 2021-D	NS	Lining (front wheel brake shoe primary)-Std. -serviced in 2007 Kit	2	MB	54
8M 2021-F	NS	Lining-(front wheel brake shoe primary)-Std. -serviced in 2222 Kit-for rear brake	2	MC	55
MA 2021-C	NS	Lining (front wheel brake shoe primary)-.030" O/S -serviced in 2007 Kit	2	MB	54
MA 2021-E	NS	Lining (front wheel brake shoe primary)-.030" O/S -serviced in 2222 Kit-for rear brake	2	MC	55
MC 2021-C	NS	Lining (front wheel brake shoe primary)-Std. -serviced in 2007 Kit	2	MC	55
MC 2021-D	NS	Lining (front wheel brake shoe primary)-.030" O/S -serviced in 2007 Kit	2	MC	55

MERCURY

CHASSIS PARTS CATALOGUE

Service Brakes—Continued

PART NUMBER	QTY	PART NAME	NO. REQ'D	MODEL	YEAR 19__
8M 2022-D	NS	Lining (front wheel brake shoe secondary)-Std. - serviced in 2222 Kit-for rear brake	2	MC	55
0M 2022-B	NS	Lining (front wheel brake shoe secondary)-Std. - serviced in 2007 Kit	2	MB	54
MA 2022-C	NS	Lining (front wheel brake shoe secondary)-.030" O/S-serviced in 2007 Kit	2	MB	54
MA 2022-E	NS	Lining (front wheel brake shoe secondary)-.030" O/S-serviced in 2222 Kit-for rear brake	2	MC	55
LA 2022-B	NS	Lining (front wheel brake shoe secondary)-Std. - serviced in 2007 Kit	2	MC	55
LA 2022-C	NS	Lining (front wheel brake shoe secondary)-.030" O/S-serviced in 2007 Kit	2	MC	55
MB 2027-A		Pin (brake shoe anchor)	4	MB, MC	54-55
		351509-S7 Lockwasher-5/8"	4	MB, MC	54-55
		33850-S2 Nut (hex)-5/8"-18	4	MB, MC	54-55
96H 2028		Plate (brake shoe anchor pin guide)	4	MB, MC	54-55
96H 2029		Washer (brake shoe anchor pin to backing plate)	4	MB, MC	54-55
AD 2030-A		Eccentric assembly (brake)	2	MB	54
		34807-S8 Lockwasher-3/8"-eccentric assy to backing plate	2	MB	54
		355993-S8 Nut (hex)-3/8"-24	2	MB	54
B5A 2035-A		Spring (brake shoe retracting)-also serviced in 22009 Kit-⊕8M-2035	8	MB, MC	54-55
H 2041		Screw (brake adjusting)-1/4"-20 x 2-1/2" overall length	4	MB, MC	54-55
8M 2042		Link (brake shoe connecting)	8	MB, MC	54-55
8M 2047		Nut (brake adjusting screw pilot)-with three grooves on O/D-with .202"/.207" width slot	4	MB, MC	54-55
8M 2048		Socket (brake adj. screw)-with one groove on O/D	4	MB, MC	54-55
H 2049		Spring (brake adjusting screw)	4	MB, MC	54-55
B4A 2049-B		Spring (front wheel brake shoe adj. cam)-14-1/2 coils-⊕MB-22050-A	2	MB, MC	54-55
AD 2060-C		Baffle (front wheel brake grease)-3-1/8" dia. hole	2	MB, MC	54-55
		B4A-1193-A Gasket (front wheel brake grease baffle)-⊕AD-22188-A	2	MB	54

MERCURY

CHASSIS PARTS CATALOGUE

Service Brakes—Continued

PART NUMBER	PART NAME	NO. REQ'D	MODEL	YEAR 19__
AD 2061-A	Cylinder assy (front wheel brake)-R. H. -1-1/8" dia.	1	MB, MC	54-55
AD 2062-A	Cylinder assy (front wheel brake)-L. H. -1-1/8" dia.	1	MB, MC	54-55
	20310-S8 Bolt (hex-hd)-5/16"-18 x 1/2" -to attach cyl. to backing plate	4	MB, MC	54-55
	34806-S7 Lockwasher-5/16"-to attach cyl. to backing plate	4	MB, MC	54-55
	8M-2221 Kit (front wheel brake cylinder repair)-consists of the following	2	MB, MC	54-55
	(2) 91A-2202 Cup (2) 96H-2206 Boot			
† LA 2063-B	Reservoir assembly (power brake)-vacuum	1	MB	54
† LA 2063-C	Reservoir assy (power brake)-vacuum-when LA-2063-C replaces LA-2063-B-use LA-22907-B tube & LA-22350 hose	1	MB	54
† LE 2063-A	Reservoir assy (power brake)-vacuum	1	MC	55
	40143-S8 Screw (tapping)-5/16"-18 x 1/2"-to attach vacuum power brake tank assy to frame	4	MB, MC	54-55
6H 2066	Cup (brake shoe hold down)-also serviced in 22009 Kit	16	MB, MC	54-55
H 2068	Spring (brake shoe hold down)-also serviced in 22009 Kit	8	MB, MC	54-55
H 2069-A	Pin (brake shoe hold down spring)-also serviced in 22009 Kit	8	MB	54
8A 2069-A	Pin (brake shoe hold down spring)-also serviced in 22009 Kit	4	MC	55
LA 2069-A NS	Pin (brake shoe hold down spring)-serviced in 22009 Kit	4	MC	55
MA 2073-A	Bracket (brake hose)-rear-(1) 41/64" hex hole and (1) 21/64" dia. hole	1	MB79, MC79	54-55
	40156-S8 Screw (hex-hd self tapping)- 5/16"-18 x 5/8"-to attach bracket to frame	1	MB79, MC79	54-55
8A 2074	Fitting (rear axle brake line)-1-3/8" o/all length (1) 29/64" hole	1	MB	54
	34908-S2 Lockwasher (internal tooth)- 7/16"-fitting to rear axle	1	MB, MC	54-55

† Use with Power Brakes-Refer to Power Brakes Group

MERCURY

CHASSIS PARTS CATALOGUE

Service Brakes—Continued

PART NUMBER	QUANTITY	PART NAME	NO. REQ'D	MODEL	YEAR 19__
AB 2076-A		Fitting (brake master cyl. outlet)-rectangular-with (1)-3/8"-24 tapped hole	1	MB, MC	54-55
† LA 2076-A		Fitting (brake master cyl. outlet)-with (4) 3/8"-24 tapped holes	1	MB, MC	54-55
		MB-22076-B Fitting assy (front wheel brake tube)	1	MB, MC	54-55
		40923-S2 Screw (hex washer hd self tapping)-5/16"-18 x 1/2"-fitting to frame	1	MB, MC	54-55
AB 2078-C		Hose assy (rear brake)-18-15/32" overall length	1	MB except 79	54
MA 2078-A		Hose assy (rear brake)-15-17/32" overall length	1	MB, MC	54-55
		8M-2149 Gasket (rear brake line connector)	1	MB, MC	54-55
MB 2079-A		Hose assy (front brake)-13-27/64" o/all length	2	MB, MC	54-55
		8M-2149 Gasket (front brake hose assy to brake cylinder)	2	MB, MC	54-55
		78-2814-A Clip (front brake hose to frame bracket)	2	MB, MC	54-55
MA 2082-A		Bracket (brake hose)-front	2	MB, MC	54-55
8A 2091		Nut (hand brake equalizer lever)-5/16"-24-equalizer lever to front cable assy	1	MB, MC	54-55
8A 2092		Cover (brake adjusting hole)-also serviced in 22009 Kit	4	MB, MC	54-55
MA 2103-A		Lever assy (parking brake operating)-R. H.	1	MB, MC	54-55
MA 2104-A		Lever assy (parking brake operating)-L. H.	1	MB, MC	54-55
		351467-S Washer (spring)-3/8" I. D. - parking brake anti-rattle	2	MB, MC	54-55
91A 2106		Retainer (rear brake emergency lever pin)	2	MB, MC	54-55
MA 2108-A		Strut (parking brake)-49/64" wide	2	MB, MC	54-55
8L 2128		Kit (rear wheel brake cylinder repair)-consists of the following (2) 8L-2201 Cup (2) 96H-2206 Boot	2	MB	54
MFK 2128-A		Kit (rear wheel brake cylinder repair)-consists of the following (2) 8A-2201 Cup (2) 96H-2206 Boot	2	MC	55
8L 2135-A		Brake cylinder and tube seat assy (rear)-R. H.	1	MB	54
8L 2136-A		Brake cylinder and tube seat assy (rear)-L. H.	1	MB	54
96H 2139-B		Spring (parking brake strut to shoe)-1-9/32" o/all free length-oblong shaped	2	MB, MC	54-55

† Use with Power Brakes-Refer to Power Brakes Group

MERCURY

CHASSIS PARTS CATALOGUE

Service Brakes—Continued

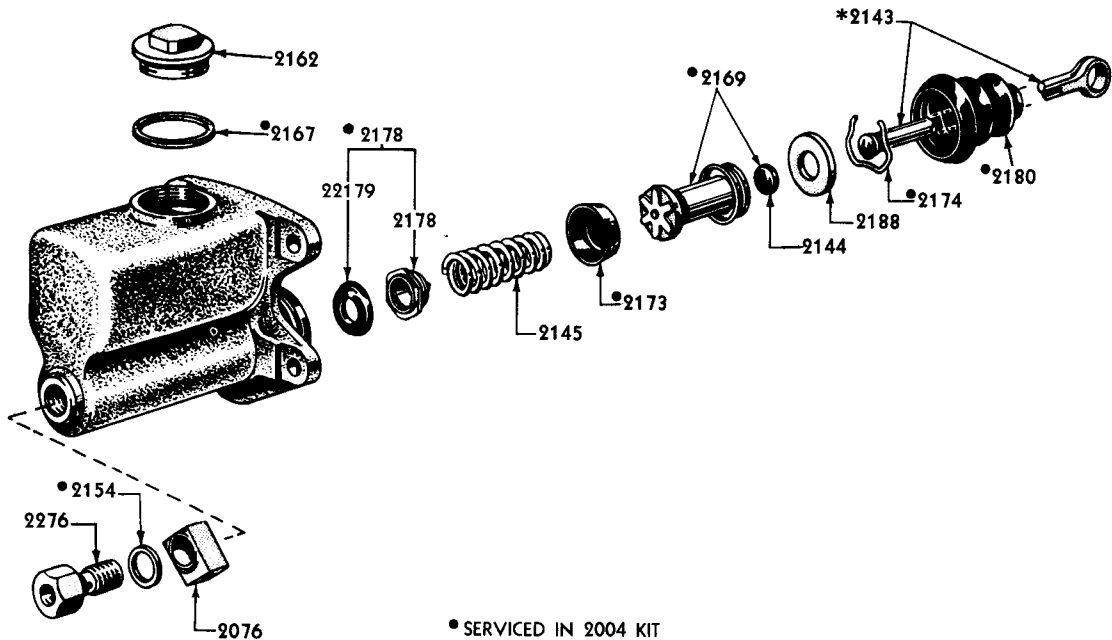
PART NUMBER	QTY	PART NAME	NO. REQ'D	MODEL	YEAR 19__
B2 2140-B		Cylinder assy (brake master)-less push rod- ⊕AB-22141-C	1	MB	54
B5A 2140-B		Cylinder assy (brake master)-less push rod- ⊕AB-22141-E	1	MC	55
		24387-S7 Bolt (hex-hd)-5/16"-24 x 1"- cylinder to firewall	4	MB, MC	54-55
		357624-S7 Lockwasher-5/16"-cylinder to firewall	4	MB, MC	54-55
		OA-13480 Switch assy (stop light)	1	MB, MC	54-55
		MA-22264-C Hose assy (master brake cyl. to connector)-approx. 16-3/4" long	1	MB, MC	54-55
		MB-22264-A Tube assy (brake master cyl. to connector)	1	MB	54
		MC-22264-B Tube assy (brake master cyl. to connector)	1	MC	55
AB 2143-C		Rod assy (brake master cyl. push)-6-7/32" long	1	MB, MC	54-55
† MA 2143-B		Rod assy (brake master cyl. push)-7-15/32" long- 1/16" groove near valve	1	MB, MC	54-55
		34420-S8 Locknut-3/8"-24-link rod to pedal assy	1	MB, MC	54-55
B2A 2144-A		Bumper (brake master cyl. push rod)-⊕LA-22144-A	1	MB	54
		B2A-2474-A Bushing (brake master cylinder push rod)-Nylon-⊕AB-22473-A	2	MB	54
8A 2145		Spring & retainer assy (brake master cyl. piston return)	1	MB, MC	54-55
8M 2149		Gasket (front brake line connector)-Copper-25/64" I. D. x 5/8" O. D. x 1/16" thick	3	MB, MC	54-55
† LA 2152-A	NS	Gasket (brake master cyl. outlet)-7/8" I. D. - serviced in 22160 Kit	1	MB, MC	54-55
AB 2153-C		Bracket (hand brake cable)-front-without flange	1	MB except 76	54
AB 2153-D		Bracket (hand brake cable)-front-with flange	1	MB76	54
MC 2153-A		Bracket (hand brake cable)-front-with flange	1	MC76	55
91T 2154-A		Gasket (brake master cylinder outlet)-Copper-1/2" I. D. x 11/16" O. D. x 1/32" thick-also serviced in 2004 Kit	2	MB, MC	54-55
† LA 2155-C		Body (brake master cylinder)	1	MB, MC	54-55
		LA-22157-A Fitting (brake master cylinder reservoir)	1	MB, MC	54-55
		LA-22158-A Plunger assy (brake master cylinder)	1	MB, MC	54-55
		LA-22159-A Retainer (brake master cylinder plunger seal)	1	MB, MC	54-55

† Use with Power Brakes - Refer to Power Brakes Group

MERCURY

CHASSIS PARTS CATALOGUE

Service Brakes—Continued



• SERVICED IN 2004 KIT

*NOT PART OF BASIC NO.-2140-ASSY

PMC-194

BRAKE MASTER CYLINDER

Basic numbers only shown on illustration. Order by Part Numbers shown in list of parts.

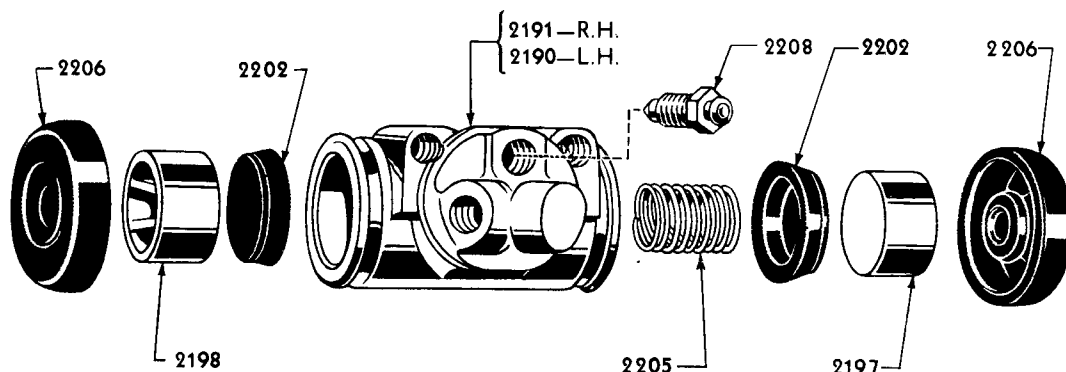
PART NUMBER	QTY	PART NAME	NO. REQ'D	MODEL	YEAR 19__
† LA 2161-A		Fitting (brake master cyl. outlet)-1/2"-20 tapped hole	1	MB, MC	54-55
91A 2162-A		Cap assy (brake master cylinder filler)	1	MC	55
† 8C 2162-A		Cap assy (brake master cylinder filler)	1	MB	54
AB 2162-C		Cap assy-hex head (brake master cyl. filler)-1-5/8"-18	1	MB, MC	54-55
LA-22166-A		Cover assy (brake master cyl. reservoir)	1	MC	55
91A 2167		Gasket (brake master cylinder filler cap)	1	MC	55
8M 2167		Gasket (brake master cylinder filler cap)-Fibre-1-1/2"O. D. x 1-17/64" I. D. -also serviced in 2004 & 22160 Kits	1	MB, MC	54-55
AB 2169-B	NS	Piston assy (brake master cylinder)-serviced in 2004 Kit	1	MB	54
FAA 2169-A	NS	Piston assy (brake master cylinder)-serviced in 2004 Kit	1	MC	55
51A 2173		Cup (brake master cylinder)-primary-also serviced in 2004 Kit	1	MB	54
FAA 2173-A	NS	Cup (brake master cylinder)-primary-also serviced in 2004 Kit	1	MC	55

† Use with Power Brakes - Refer to Power Brakes Group

MERCURY

CHASSIS PARTS CATALOGUE

Service Brakes—Continued



PM-579

FRONT WHEEL BRAKE CYLINDER

Basic numbers only shown on illustration. Order by Part Numbers shown in list of parts.

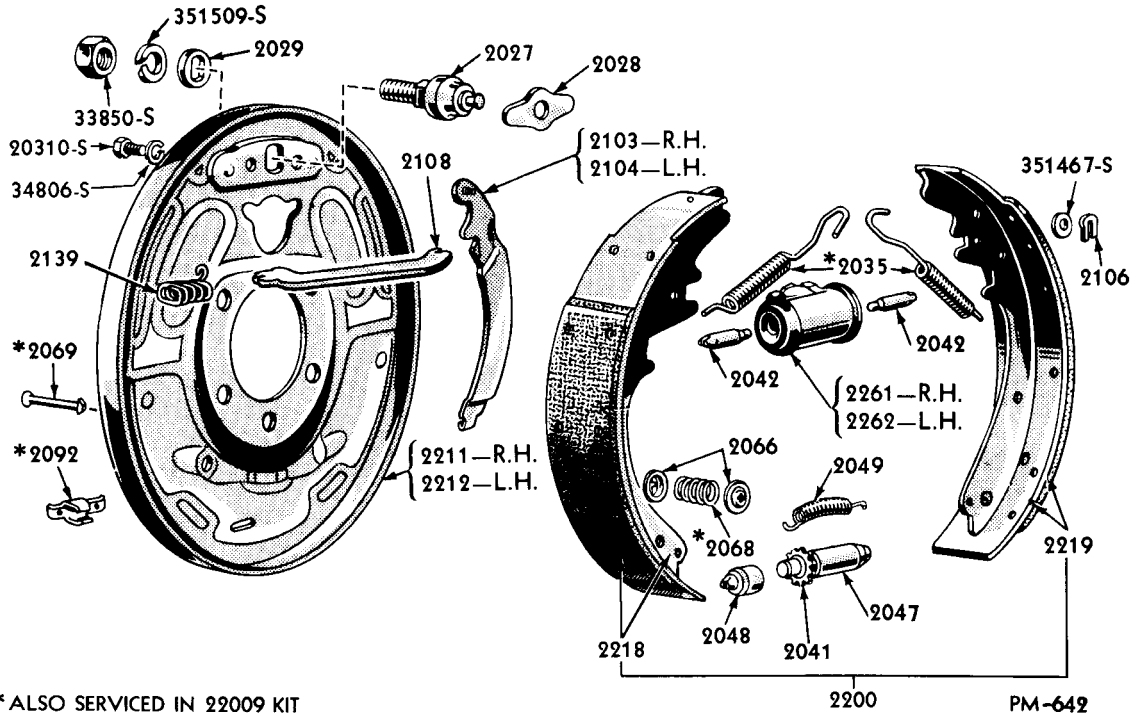
PART NUMBER	QTY	PART NAME	NO. REQ'D	MODEL	YEAR 19__
51A 2174		Snap ring (brake master cylinder piston)-1-25/64" irregular O. D. -also serviced in 2004 Kit	1	MB, MC	54-55
AB 2178-A	NS	Valve assy (master cyl. outlet check)-serviced in 2178 Kit	1	MB	54
† LA 2178-B		Valve assy (master cylinder outlet check)- also serviced in 22160 Kit	1	MB, MC	54-55
AB 2178-B	NS	Valve assy (brake master cyl. outlet check)-serviced in 2178 Kit	1	MC	55
A9A 2178-A		Kit (master cyl. valve and seat)-also serviced in 2004 Kit-consists of the following (1) AB-2178-A Valve (1) A9A-2179-A Seat	1	MB	54
B5A 2178-B		Kit (valve master brake cyl.)-also serviced in 2004 Kit-consists of the following (1) AB-2178-B Valve assy (1) FAA-22179-A Seat	1	MC	55
A9A 2179-A	NS	Seat (master cyl. outlet valve)-serviced in 2178 Kit-⊕LA-22179-A	1	MB	54
	NS	FAA-22179 Seat (master cyl. outlet valve)-serviced in 2178 Kit	1	MC	55
† LA 2180-A	NS	Boot (brake master cylinder and booster)-Rubber-also serviced in 22160 Kit	1	MB, MC	54-55
OA 2180		Boot (brake master cylinder)-also serviced in 2004 Kit	1	MB, MC	54-55
† LA 2183-A		Spring (brake master cyl. outlet valve)-15/32" dia.	1	MB, MC	54-55
LA 2188		Plate (brake master cyl. piston stop)-1-1/8" O. D. x 9/16" I. D. x 1/8" thick	1	MB, MC	54-55
AD 2190-A	NS	Cylinder (front wheel brake)-R. H. -serviced in 2061 Assy	1	MB, MC	54-55
AD 2191-A	NS	Cylinder (front wheel brake)-L. H. -serviced in 2062 Assy	1	MB, MC	54-55

† Use with Power Brakes - Refer to Power Brakes Group

MERCURY

CHASSIS PARTS CATALOGUE

Service Brakes—Continued



REAR BRAKES

Basic numbers only shown on illustration. Order by Part Numbers shown in list of parts.

PART NUMBER	PART NAME	NO. REQ'D	MODEL	YEAR 19__
8A 2197-A	Piston (rear wheel brake cylinder)	4	MC	55
8L 2197-A	Piston (rear wheel brake cylinder)-15/16" diameter	4	MB	54
96H 2198-A	Piston (front wheel brake cylinder)-1-1/8"diameter	4	MB, MC	54-55
MCK 2200-A	Kit (rear brake shoe & lining)-Standard-axle set-consists of the following (2) 8M-2218-H Shoe & lining assy-primary (2) 8M-2219-F Shoe & lining assy-secondary	1	MB	54
MCK 2200-B	Kit (rear brake shoe & lining)-.030" O/S-axle set-consists of the following (2) MA-2218 E Shoe & lining assy-primary (2) MA-2219-E Shoe & lining assy-secondary	1	MB	54
MFK 2200-A	Kit (rear brake shoe & lining)-Standard-axle set-consists of the following (2) 8M-2018-F Shoe & lining assy-primary (2) 8M-2019-D Shoe & lining assy-secondary	1	MC	55
MFK 2200-B	Kit (rear brake shoe & lining)-.030" O/S-axle set-consists of the following (2) MA-2018-E Shoe & lining assy-primary (2) MA-2019-E Shoe & lining assy-secondary	1	MC	55

MERCURY

CHASSIS PARTS CATALOGUE

Service Brakes—Continued

PART NUMBER	CLASS	PART NAME	NO. REQ'D	MODEL	YEAR 19____
8A 2201		Cup (rear brake wheel cylinder piston)-also serviced in 2128 Kit	4	MC	55
8L 2201		Cup (rear brake wheel cyl. piston)-15/16" diameter-also serviced in 2128 Kit	4	MB	54
91A 2202		Cup (front brake wheel cyl. piston)-1-1/8" diameter-also serviced in 2221 Kit	4	MB, MC	54-55
96H 2204		Spring (rear brake wheel cyl. piston return)-9/16" O.D. x 2-5/16" o/all free length x 11 coils	2	MB, MC	54-55
96H 2205		Spring (front brake wheel cyl. piston return)-11/16" O.D. x 2-1/4" o/all free length x 9-1/2 coils	2	MB, MC	54-55
96H 2206		Boot (brake wheel cylinder)-rear-also serviced in 2128 & 2221 Kits	8	MB, MC	54-55
8M 2208		Screw (brake wheel cylinder bleeder)	4	MB, MC	54-55
MB 2211-A		Plate assy (rear wheel brake backing)-R. H. - 2-7/8" I. D.	1	MB except 79	54
MB 2211-B		Plate assy (rear wheel brake backing)-R. H. - 3-3/16" I. D.	1	MB79	54
B5A 2211-A		Plate assy (rear wheel brake backing)-R. H. - ⊕MC-2211-A	1	MC	55
MB 2212-A		Plate assy (rear wheel brake backing)-L. H. - 2-7/8" I. D.	1	MB except 79	54
MB 2212-B		Plate assy (rear wheel brake backing)-L. H. - 3-3/16" I. D.	1	MB79	54

MERCURY

CHASSIS PARTS CATALOGUE

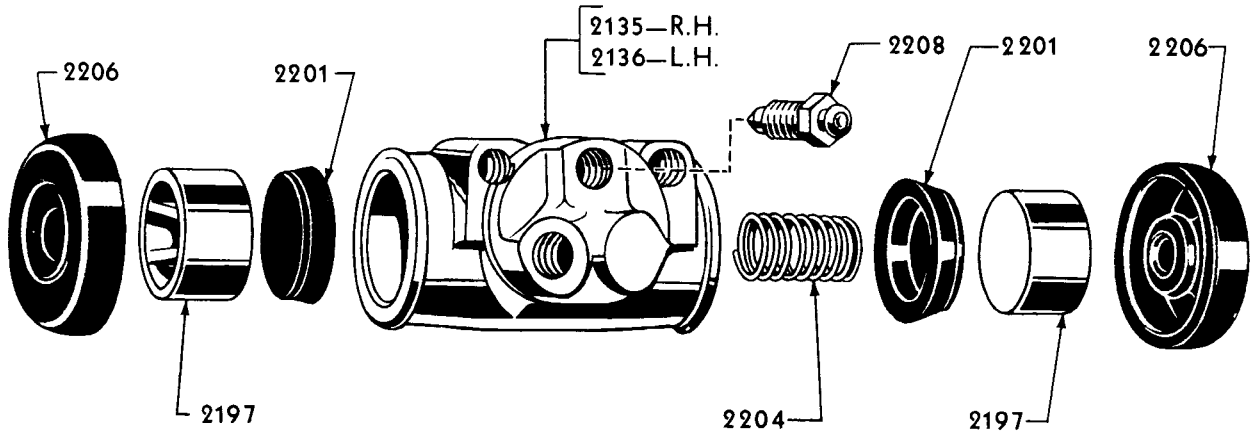
Service Brakes—Continued

PART NUMBER	QTY	PART NAME	NO. REQ'D	MODEL	YEAR 19__
B5A 2212-A		Plate assy (rear wheel brake backing)-L. H. - ⊕MC-2212-A	1	MC	55
		8M-2248 Bolt (spec. head)-1/2"-20 x 1-1/8" -plate to rear axle	8	MB79, MC79	54-55
		356694-S Bolt (spec. hd)-3/8"-24 x 1-1/8" -plate to rear axle	8	MB except 79, MC except 79	54-55
		34424-S7 Locknut (hex)-1/2"-20-plate to rear axle	8	MB79, MC79	54-55
		34445-S7-8 Locknut (hex)-3/8"-24- plate to rear axle	8	MB except 79, MC except 79	54-55
8M 2218-H	NS	Shoe & lining assy-primary-Std. -serviced in 2200 Kit	2	MB	54
MA 2218-E	NS	Shoe & lining assy-primary-.030" O/S-serviced in 2200 Kit	2	MB	54
8M 2219-F	NS	Shoe & lining assy-secondary-Std. -serviced in 2200 Kit	2	MB	54
MA 2219-E	NS	Shoe & lining assy-secondary-.030" O/S-serviced in 2200 Kit	2	MB	54
	NS	8M-2018-F Shoe & lining assy-primary-Std. - serviced in 2200 Kit	2	MC	55
	NS	MA-2018-E Shoe & lining assy-primary-.030" O/S-serviced in 2200 Kit	2	MC	55
	NS	8M-2019-D Shoe & lining assy-secondary-Std. -serviced in 2200 Kit	2	MC	55
	NS	MA-2019-E Shoe & lining assy-secondary- .030" O/S-serviced in 2200 Kit	2	MC	55
8M 2221		Kit (front wheel brake cylinder repair)-consists of of the following (2) 91A-2202 Cup (2) 96H-2206 Boot	2	MB, MC	54-55
MCK 2222-A		Kit (rear brake lining)-Standard-Axle Set-consists of the following (2) 8M-2284-F Lining-primary (2) 8M-2285-D Lining-secondary (44) 351939-S Rivet	1	MB	54

MERCURY

CHASSIS PARTS CATALOGUE

Service Brakes—Continued



PM-93

REAR WHEEL BRAKE CYLINDER

Basic numbers only shown on illustration. Order by Part Numbers shown in list of parts.

PART NUMBER	PART NAME	NO. REQ'D	MODEL	YEAR 19__
MCK 2222-B	Kit (rear brake lining)-.030" O/S-Axle Set-consists of the following (2) MA-2284-E Lining-primary (2) MA-2285-E Lining-secondary (44) 351939-S Rivet	1	MB	54
MFK 2222-A	Kit (rear brake lining)-Standard-Axle Set-consists of the following (2) 8M-2021-F Lining-primary (2) 8M-2022-D Lining-secondary (44) 351939-S Rivets	1	MC	55
MFK 2222-B	Kit (rear brake lining)-.030" O/S-Axle Set-consists of following (2) MA-2021-E Lining-primary (2) MA-2022-E Lining-secondary (44) 351939-S Rivets	1	MC	55
A9A 2240-A	Retainer (rear wheel bearing)-2" I. D. -⊕8A-2290-A	2	MB except 79	54
8M 2240	Retainer (rear wheel bearing)-2-1/4" I. D.	2	MB79, MC	54-55
8M 2244	Clip (brake pipe to rear axle)	2	MB79, MC	54-55
8A 2245	Gasket (wheel bearing retainer)-Paper-with (4) 17/32" dia. holes	2	MB except 79	54
8M 2245	Gasket (wheel bearing retainer)-Paper-with (4) 7/16" dia. holes	4	MB79, MC	54-55

MERCURY

CHASSIS PARTS CATALOGUE

Service Brakes—Continued

PART NUMBER	CLAS SIF	PART NAME	NO. REQ'D	MODEL	YEAR 19 ____
8M 2248		Bolt (special)-1/2"-20 x 1-1/8"-backing plate to rear axle	8	MB79, MC79	54-55
8A 2256		Gasket (rear brake backing plate)	2	MB except 79, MC except 79	54-55
		MB-22257-A Shield (rear wheel brake tube)-heat-also serviced in 5210 Kit	1	MB	54
8L 2261-A		Cylinder assy (rear brake)-R. H. -15/16" I. D.	1	MB	54
8A 2261		Cylinder assy (rear brake)-R. H. -7/8" I. D.	1	MC	55
8L 2262-A		Cylinder assy (rear brake)-L. H. -15/16" I. D.	1	MB	54
8A 2262		Cylinder assy (rear brake)-L. H. -7/8" I. D.	1	MC	55
		20310-S8 Bolt (hex-hd)-5/16"-18 x 1/2"-cyl. to backing plate	4	MB, MC	54-55
		34806-S7 Lockwasher-5/16"-cyl. to backing plate	4	MB, MC	54-55
MB 2263-B		Tube assy (front brake)-R. H. -32-45/64" formed length	1	MB, MC	54-55
		8M-2244 Clip (brake pipe to rear axle)	1	MB79, MC	54-55
		31527-S8 Screw (hex-hd)-No. 14-14 x 1/2"	1	MB	54
MB 2264-B		Tube assy (front brake)-L. H. -2-11/16" approx. formed length	1	MB, MC	54-55
		MC-22264-C Tube assy (master cyl. to connector)-8-3/4" approx. overall length	1	MB, MC	54-55
MB 2265-C		Tube assy (rear brake tube connector to rear hose)-102-11/16" formed length	1	MB except 79	54
MB 2265-D		Tube assy (rear brake tube connector to rear hose)-100-5/8" formed length	1	MB79	54
MC 2265-D		Tube assy (rear brake tube connector to rear hose)	1	MC	55
		357331-S32 Clip (tube)-3/16"-tube to frame side rail	3	MB	54
		87942-S8 Nut (tube fitting)-3/8"-24-brake pipe attaching nuts	9 or 10	MB, MC	54-55
		357855-S100 Nut (connector)-7/16"-14-tube to rear brake	1	MB79	54
AB 2267-A		Tube assy (rear wheel brake)-R. H. -37-3/32" formed length	1	MB except 79	54
MA 2267-A		Tube assy (rear wheel brake)-R. H. -34-13/32" formed length	1	MB79	54

MERCURY

CHASSIS PARTS CATALOGUE

Service Brakes—Continued

PART NUMBER	PART NAME	NO. REQ'D	MODEL	YEAR 19____
MC 2267-C	Tube assy (rear wheel brake)-R. H.	1	MC79	55
MC 2267-D	Tube assy (rear wheel brake)-R. H.	1	MC except 79	55
	8M-2244 Clip-tube to rear axle	2	MB79, MC	54-55
	95804-S2 Fastener-3/16"-tube assy to frame	1	MB except 79	54
	31527-S7 Screw (hex washer hd)-No. 14-14 x 1/2"-clip to rear axle	2	MB79, MC all	54-55
AB 2268-A	Tube assy (rear wheel brake)-L. H. -14-1/16" formed length	1	MB except 79	54
MA 2268-A	Tube assy (rear wheel brake)-L. H. -16-23/64" formed length	1	MB79	54
MC 2268-C	Tube assy (rear wheel brake)-L. H.	1	MC79	55
MC 2268-D	Tube assy (rear wheel brake)-L. H.	1	MC except 79	55
	20326-S7 Bolt (hex-hd)-5/16"-18 x 5/8"-clip & tube to rear axle	1	MB79	54
	358349-S32 Clip (rear brake tube to rear axle)-with 13/32" dia. hole	1	MB79, MC79	54-55
	34806-S7 Lockwasher-5/16"-clip & tube to rear axle	1	MB79, MC79	54-55
AB 2275-C	Cable & equalizer assy (hand brake)-rear-157-1/4" overall length	1	MB except 76	54
AB 2275-D	Cable & equalizer assy (hand brake)-rear-157-1/4" overall length-with handbrake cable clip 8A-2505	1	MB76	54
MC 2275-C	Cable & equalizer assy (parking brake)	1	MC79	55
MC 2275-D	Cable & equalizer assy (parking brake)	1	MC except 76 & 79	55
MC 2275-E	Cable & equalizer assy (parking brake)	1	MC76	55
† 91T 2276	Bolt (rear brake cyl. connection)-to attach brake master cyl. outlet fitting-1/2"-20 x 1-1/8"	1	MB, MC	54-55
8L 2276	Bolt (rear brake cyl. connection)-to attach brake master cyl. outlet fitting-1/2"-20 x 1-1/8" and 1/8"-27 female thread	1	MB, MC	54-55
8M 2284-F NS	Lining (rear wheel brake shoe primary)-Std. -serviced in 2222 Kit	2	MB	54
MA 2284-E NS	Lining (rear wheel brake shoe primary) .030 O/S -serviced in 2222 Kit	2	MB	54

† Use with Power Brakes - Refer to Power Brakes Group

MERCURY

CHASSIS PARTS CATALOGUE

Service Brakes—Continued

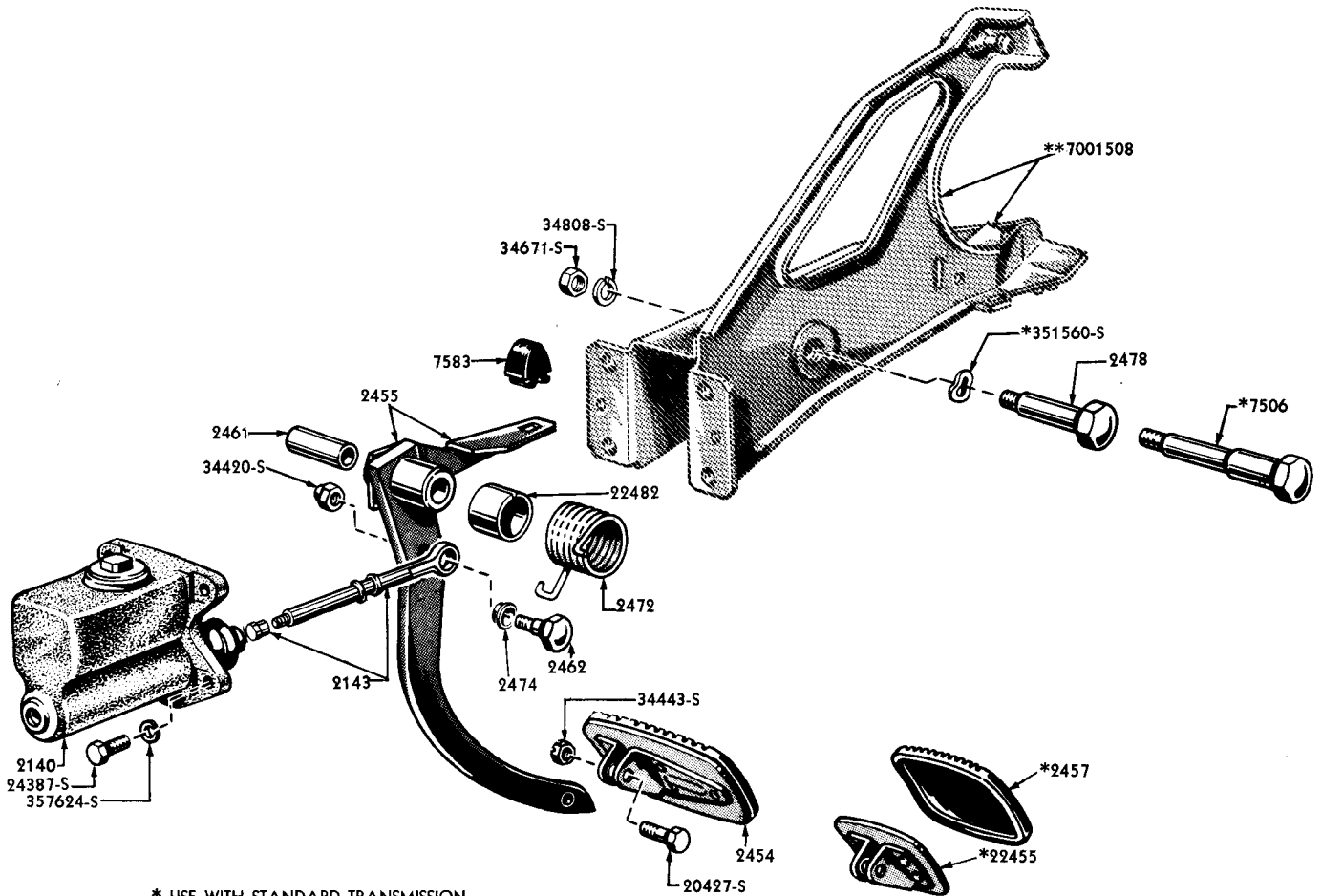
PART NUMBER	QTY	PART NAME	NO. REQ'D	MODEL	YEAR 19____
8M 2285-D	NS	Lining (rear wheel brake shoe secondary)-std. - serviced in 2222 Kit	2	MB	54
MA 2285-E	NS	Lining (rear wheel brake shoe secondary) .030 O/S- serviced in 2222 Kit	2	MB	54
	NS	8M-2021-F Lining-rear wheel-(brake primary)-Std. -serviced in 2222 Kit	2	MC	55
	NS	MA-2021-E Lining-rear wheel-(brake primary)-.030" O/S-serviced in 2222 Kit	2	MC	55
	NS	8M-2022-D Lining-rear wheel-(brake secondary)-std.-serviced in 2222 Kit	2	MC	55
	NS	MA-2022-E Lining-rear wheel-(brake secondary)-.030" O/S-serviced in 2222 Kit	2	MC	55
† 59T 2348	NS	Wick (brake vacuum booster piston)-Yarn-serviced in 22167 Kit	1	MB, MC	54-55
† LA 2356-A	NS	Packing (brake booster body piston)-6"dia.-serviced in 22167 Kit	1	MB, MC	54-55
† LA 2357-A	NS	Ring (brake booster body piston packing)-serviced in 22167 Kit	1	MB, MC	54-55
† LA 2361-A		Spring (brake booster body piston return)-4-1/4" dia. at large end	1	MB, MC	54-55
† LA 2366-A		Body assembly (brake booster)	1	MB, MC	54-55
† LA 2384-A	NS	Seal (brake booster push rod)-21/32" I. D. x 1-3/8" O. D. -serviced in 22160 Kit	1	MB, MC	54-55
† LA 2388-A		Bearing assy (brake master cyl. push rod end)-1-1/4" full thread	1	MB, MC	54-55
		33800-S8 Nut (hex)-3/8"-24	1	MB, MC	54-55
† LA 2394-A		Retainer (brake booster body piston packing)	1	MB, MC	54-55
† LA 2395-C		Piston assy (brake booster body)	1	MB, MC	54-55
		32525-S8 Screw (fillister head)-No. 8-32 x 3/8"	7	MB, MC	54-55
† LA 2429-A		Retainer (brake booster piston felt)	1	MB, MC	54-55
† 59T 2437		Seal (brake vacuum booster slave cylinder end body)-55/64" I. D. x 1-1/64" O. D. -also serviced in 22160 Kit	1	MB, MC	54-55
† LA 2440-A		Collar (brake booster push rod)-also serviced in 22160 Kit	1	MB, MC	54-55

† Use with Power Brakes-Refer to Power Brakes Group

MERCURY

CHASSIS PARTS CATALOGUE

Service Brake Controls



* USE WITH STANDARD TRANSMISSION
 **REFER TO BODY PARTS LIST

PMC-9

BRAKE PEDAL

Basic numbers only shown on illustration. Order by Part Numbers shown in list of parts.

PART NUMBER	603FC	PART NAME	NO. REQ'D	MODEL	YEAR 19__
‡ MA 2454-H		Pad assembly (brake pedal)	1	MB, MC	54-55
		20427-S Bolt (hex-hd)-5/16"-24 x 1-1/4" -pad plate to pedal assy	1	MB, MC	54-55
		34443-S Locknut (hex)-5/16"-24-pad plate to pedal assy	1	MB, MC	54-55
MB 2455-A		Pedal assembly (brake)	1	MB	54
‡ MB 2455-B		Pedal assembly (power brake)	1	MB	54
MC 2455-A		Pedal assembly (brake)	1	MC	55

‡ Use with Conventional & Power Brakes - Refer to Power Brakes Group

MERCURY

CHASSIS PARTS CATALOGUE

Service Brake Controls—Continued

PART NUMBER	PART NAME	NO. REQ'D	MODEL	YEAR 19__
† MC 2455-C	Pedal assembly (brake)	1	MC	55
	‡ MA-7583-A Bumper (brake pedal)-Rubber	2	MB, MC	54-55
MA 2457-C	Pad (brake pedal)-Rubber-not used with Merc-O-Matic trans.	2	MB, MC	54-55
	MA-22455-N Plate assy (brake pedal pad)-not used with Merc-O-Matic trans.	1	MB, MC	54-55
‡ AB 2461-B	Bushing (brake pedal hub)-Nylon-11/16" O. D. x 1-59/64" long	1	MB	54
‡ LE 2461-A	Bushing (brake pedal hub)	2	MC	55
AB 2462-A	Bolt (master cylinder link rod eccentric)-3/8"-24 x 1-3/16"	1	MB, MC	54-55
	34420-S8 Locknut-3/8"-24	1	MB, MC	54-55
‡ LE 2466-A	Link (brake pedal lever to master cylinder operating lever)	2	MB, MC	54-55
	72035-S7-8 Cotter pin-1/8" x 1" brake pedal lever to master cyl. lever assy	1	MB, MC	54-55
	352602-S8 Pin (clevis)-3/8" x 1-1/16"-lever shaft to lever bracket	1	MB, MC	54-55
	356363-S7 Washer (spring) 3/8" I. D. x 9/16" O. D. -lever link to brake pedal	1	MB, MC	54-55
8A 2470	Bushing (clutch pedal linkage)-11/16" O. D. x 21/32" long	2	MB	54
AB 2472-D	Spring (brake pedal retracting)	1	MB, MC	54-55
B2A 2474-A	Bushing (brake master cyl. push rod)-⊕AB-22473-A	2	MB, MC	54-55
‡ AB 2478-A	Shaft (brake pedal)-7/16"-20 x 2-63/64"-used with Merc-O-Matic trans.	1	MB, MC	54-55
	‡ MA-7506-C Shaft (clutch & brake pedal pivot)-7/16"-20 x 4-19/32"-not used with Merc-O-Matic trans.	1	MB	54
	34808-S8 Lockwasher-7/16"	1	MB, MC	54-55
	34671-S8 Nut (hex)-7/16"-20	1	MB, MC	54-55
	351560-S7 Washer (spring)-25/32" I. D. x 1-1/8" O. D.	1	MB	54
† LA 2482-B	Shaft (brake master cyl. operating lever)-3/8"-24 x 2-11/32" long	1	MB	54
† LE 2482-A	Shaft (brake master cylinder operating lever)	1	MC	55
	AB-22482-A Insulator (brake pedal hub spring)	1	MB, MC	54-55
	351022-S2 Nut (hex lock)-3/8" x 24-lever shaft to lever bracket	1	MB, MC	54-55

† Use with Power Brakes - Refer to Power Brakes Group

‡ Use with Conventional & Power Brakes - Refer to Power Brakes Group

MERCURY

CHASSIS PARTS CATALOGUE

Emergency Brake and Hand Brake Lever

PART NUMBER	PART NAME	NO. REQ'D	MODEL	YEAR 19__
†FAF 2493-A	Gasket (brake booster end plate)-1-11/32" I. D. x 1-19/32" O. D. -serviced in 22160 Kit	1	MB, MC	54-55
8A 2505	Clip (hand brake cable)-rear-1-59/64" Long	1	MB76, MC	54-55
† LA 2514-A	Lever assy (brake master cylinder operating)	1	MB	54
† LE 2514-A	Lever assy (brake master cylinder operating)	1	MC	55
MA 2530-B	Bracket (parking brake cable)-rear-R. H.	1	MB	54
MC 2530-A	Bracket (parking brake cable)-rear-R. H.	1	MC	55
MA 2531-B	Bracket (parking brake cable)-rear-L. H.	1	MB	54
MC 2531-A	Bracket (parking brake cable)-rear-L. H.	1	MC	55
	20388-S8 Bolt (hex-hd)-3/8"-16 x 7/8"- bracket to frame	4	MB, MC	54-55
	357629-S7 Lockwasher-3/8"-bracket to frame	4	MB	54
	356006-S2 Retainer nut-3/8"-29-bracket to frame	4	MB	54
MA 2532-A	Lever (parking brake equalizer)-straight	1	MB, MC except 76	54-55
MA 2532-B	Lever (parking brake equalizer)-curved	1	MB76	54
MC 2532-A	Lever (parking brake equalizer)	1	MC76	55
	8A-2091 Nut (hand brake equalizer lever)- 5/16"-24-equalizer lever to front cable assy	1	MB, MC	54-55
	73896-S7 Pin (clevis)-5/16" x 15/16"- lever to bracket	1	MB, MC except 76	54-55
	76015-S8 Pin (clevis)-5/16" x 1-3/8"- lever to bracket	1	MB, MC76	54-55
AB 2628-A	Rod (parking brake equalizer)-5/16"-24 x 7-41/64" overall length	1	MB	54
MC 2628-A	Rod (parking brake equalizer)	1	MC	55
	34443-S7 Locknut (hex)-5/16"-24-to hold rod to rear cable assy	1	MB, MC	54-55
	33923-S7 Nut (hex)-5/16"-24-to hold rod to rear cable assy	1	MB, MC	54-55
	352358-S Pin (self locking)-9/32"x 61/64" -rod to equalizer lever	1	MB, MC	54-55
AB 2631-B	Bracket (parking brake equalizer)-with 4 holes 21/64" dia.	1	MB76	54
MA 2631-A	Bracket (parking brake equalizer)-with 6 holes 21/64" dia.	1	MB except 76	54
B5A 2631-A	Bracket (parking brake equalizer)-⊕MC-2631-A	1	MC76	55
	352358-S Pin (self-locking)-9/32" x 61/64"-bracket to equalizer lever	1	MB, MC	54-55
	65041-S Rivet (pointed)-5/16" x 3/4"- equalizer to frame	2or4	MB, MC	54-55

† Used with Power Brakes-Refer to Power Brakes Group

MERCURY

CHASSIS PARTS CATALOGUE

Emergency Brake and Hand Brake Lever—Continued

PART NUMBER	1949 P.F.C.	PART NAME	NO. REQ'D	MODEL	YEAR 19__
MB 2780-A		Control assy (parking brake)-Die cast design-has (2) rectangular shaped holes on rear mounting bracket	1	MB	54
MC 2780-A		Control assy (parking brake)	1	MC	55
		OM-2859 Pin (hand brake lever)-straight knurled-5/32" dia. x 15/16" overall length	1	MB, MC	54-55
	NS	MA-22797-A Anti squeak (parking brake brkt.)-2-5/8" x 1-1/2"-impregnated webbing-secure locally	1	MB	54
		50568-S8 Bolt (pan-hd)-5/16"-18 x 1-1/4" -rear mounting bracket to instrument panel	2	MB	54
		34806-S7 Lockwasher-5/16"-rear mtg. bracket to instrument panel	2	MB	54
		33797-S7 Nut (hex)-5/16"-18-rear mtg. bracket to instrument panel control assy to dash panel	2	MB	54
		20327-S8 Screw (hex-hd)-5/16"-24 x 5/8"-brake control to dash panel	2	MB, MC	54-55
		34931-S7 Lockwasher-5/16"-brake control to dash control	2	MB, MC	54-55
OM 2786		Retainer (ratchet bar locking spring)	1	MB, MC	54-55
OM 2788		Spring (ratchet bar locking)-outer	1	MB, MC	54-55
OM 2804		Pulley assembly (hand brake cable)	1	MB, MC	54-55
		73880-S8 Pin (clevis)-5/16" x 13/16"-pulley to control assy	1	MB, MC	54-55
		352358-S Pin (self locking)-9/32" x 61/64"	1	MB, MC	54-55
78 2814-A		Clip (parking brake cable spring lock)-1-3/32" wide at closed end (frt. & rear brake hose)	3	MB, MC	54-55
8M 2814		Clip (parking brake cable spring lock)	3	MB	54
MC 2814-A		Clip (parking brake cable spring lock)	1	MB, MC	54-55
OM 2819		Pin (hand brake handle locking)-straight knurled-5/32" dia. x 13/32" overall length	1	MB, MC	54-55
AB 2853-C		Cable & conduit assy (hand brake)-front-50-29/64" overall length	1	MB	54
MC 2853-C		Cable & conduit assy (hand brake)-front-51-1/2" overall length	1	MC except 76	55
MC 2853-D		Cable & conduit assy (hand brake)-front-62-1/4"-overall length	1	MC76	55
		95803-S8 Clip-cable assy to dash panel	1	MB	54
		31498-S8 Screw (hex-hd)-No.14-10 x 5/8" -cable assy to dash panel	2	MB	54
OM 2859		Pin (hand brake lever)-straight knurled-5/32" dia. x 9/32" dia. x 15/16" overall length	1	MB, MC	54-55
		354484-S8 Bolt (hex-hd)-7/16"-14 x 1-1/4" to cylinder head assy	1	MC	55

MERCURY

CHASSIS PARTS CATALOGUE

Emergency Brake and Hand Brake Lever—Continued

PART NUMBER	PART NAME	NO. REQ'D	MODEL	YEAR 19__
◇ECK 2875-B	Compressor assy (air conditioner)-51-1/2"-overall length	1	MC except 76-79	55
◇EAD 2878-A	Compressor assy (less pulley & brkt.)	1	MC except 76-79	55
◇B5A 2880-A	Pulley assy (compressor)-⊕ECG-2880-A-double belt	1	MC except 76-79	55
	354466-S8 Bolt (hex-hd)-3/8"-16 x 1"-attach comp. pulley hub to comp. pulley	1	MC except 76-79	55
◇ECE 2882-A	Bracket (compressor mounting)	1	MC except 76-79	55
◇ECK 2882-A	Bracket assy (compressor mounting)-base	1	MC except 76-79	55
	◇EBJ-22887-A Gasket (compressor mounting bracket)	1	MC except 76-79	55
	20428-S8 Bolt (hex-hd)-3/8"-16 x 1-1/4"-to air compressor assy	1	MC	55
	20468-S8 Bolt (hex-hd)-3/8"-16 x 1-1/2"-generator belt adj. to cylinder front cover	1	MC	55
	45538-S8 Bolt (hex-hd)-5/16"-18 x 3-1/4" cylinder frt. cover to cylinder block	1	MC	55
	34806-S7 Lockwasher-5/16"-cylinder frt. cover to cylinder block	1	MC	55
	34808-S7 Lockwasher-7/16"-to cylinder head assy	1	MC	55
	357629-S7 Lockwasher-3/8"-to air compressor assy	1	MC	55
	35634-S Washer (flat)-13/32" I. D. x 7/8" O. D. to cylinder frt. cover	1	MC	55
	356321-S Washer (flat)-13/32" I. D. x 7/8" O. D. -to cylinder frt. cover	1	MC	55
◇EBU 2888-A	Brace (compressor)-front	1	MC except 76-79	55
	20348-S8 Bolt (hex-hd)-3/8"-16 x 3/4"-to air compressor assy	1	MC	55
	45572-S8 Bolt (hex-hd)-5/16"-18 x 4-1/4"-water pump assy & cylinder frt. cover to cylinder block	1	MC	55
	34806-S7 Lockwasher-5/16"-water pump assy & frt. cover to cylinder	1	MC	55
◇EBU 2889-A	Brace (compressor)-rear	1	MC except 76-79	55
	20348-S8 Bolt (hex-hd)-3/8"-16 x 3/4"-to air compressor assy	1	MC	55
	20448-S8 Bolt (hex-hd)-3/8"-16 x 1-3/8"-and intake manifold to cylinder hd.	1	MC	55
	34807-S7 Lockwasher-3/8"-1 reqd. intake manifold to cyl. head assy-1 reqd. rear brace to air compressor	2	MC	55
◇ECB 2890-A	Belt (compressor)	2	MC except 76-79	55

◇ Use with Air Conditioning - Refer to Air Conditioning Group

MERCURY

CHASSIS PARTS CATALOGUE

Power Brakes

PART NUMBER	QTY	PART NAME	NO. REQ'D	MODEL	YEAR 19____
MB-2005-A		Booster assy (brake vacuum)-dab of the yellow paint on end plate -also serviced in 22005-A Kit	1	MB	54
LE-2005-A		Booster assy (brake vacuum) -also serviced in 22005-A Kit	1	MC	55
24387-S7		Bolt (hex-hd)-5/16"-24 x 1"-booster to bracket	4	MB, MC	54-55
357624-S7		Lockwasher (special)-5/16"-booster assy to brake booster mounting	4	MB, MC	54-55
LA-2063-B		Reservoir assy (power brake)-vacuum-also serviced in 22005-A Kit	1	MB	54
LA-2063-C		Reservoir assy (power brake)-vacuum-when LA-2063-C replaces LA-2063-B-use LA-22907-B tube & LA-22350 hose-also serviced in 22005 Kit	1	MB	54
LE-2063-A		Reservoir assy (power brake)-vacuum-also serviced in 22005 Kit	1	MC	55
40143-S8		Screw (hex-hd tapping)-5/16"-18 x 1/2"-tank to frame	4	MB, MC	54-55
LA-2076-A		Fitting (brake master cyl. outlet)-has (2) holes-also serviced in 22005-A Kit	1	MB, MC	54-55
MA-2143-B		Rod assy (brake master cyl. push) -7-15/32" long-1/16" groove near valve	1	MB, MC	54-55
NS LA-2152-A		Gasket (brake master cylinder outlet)-7/8" I. D. -serviced in 22160 Kit	1	MB, MC	54-55
91T-2154-A		Gasket (brake master cyl. connection)-also serviced in 22005 Kit	1	MB, MC	54-55
LA-2155-C		Body (brake master cylinder)	1	MB, MC	54-55
20324-S8		Bolt (hex head)-1/4"-20 x 5/8"-body to booster	3	MB, MC	54-55
34805-S7		Lockwasher-1/4"-body to booster	3	MB, MC	54-55
LA-2161-A		Fitting (brake master cylinder outlet)-1/2"-20 tapped hole	1	MB, MC	54-55
8C-2162-A		Cap assy (brake master cylinder filler)	1	MB	54
91A-2162-A		Cap assy (brake master cylinder filler)	1	MC	55
91A-2167		Gasket (brake master cyl. filler cap)-1-17/64" I. D. x 1-1/2" O. D. -also serviced in 22160 Kit	1	MB, MC	54-55

MERCURY

CHASSIS PARTS CATALOGUE

Power Brakes—Continued

PART NUMBER	NO. REQ'D	PART NAME	MODEL	YEAR 19__
NS LA-2178-B	1	Valve assy (brake master cylinder outlet check)-serviced in 22160 Kit	MB, MC	54-55
NS LA-2180-A	1	Boot (brake master cylinder)-Rubber-serviced in 22160 Kit	MB, MC	54-55
LA-2183-A	1	Spring (brake master cyl. outlet valve)-15/32" dia.	MB, MC	54-55
91T-2276	1	Bolt (rear brake cyl. connection)-1/2"-20 x 1-1/8"-also serviced in 22005 Kit	MB, MC	54-55
NS 59T-2348	1	Wick (brake vacuum booster piston)-Yarn-serviced in 22167 Kit	MB, MC	54-55
NS LA-2356-A	1	Packing (brake booster body piston)-6" diameter-serviced in 22167 Kit	MB, MC	54-55
NS LA-2357-A	1	Ring (brake booster body piston packing)-serviced in 22167 Kit	MB, MC	54-55
LA-2361-A	1	Spring (brake booster body piston return)-4-1/4" diameter at large end	MB, MC	54-55
LA-2366-A	1	Body assy (brake booster)	MB, MC	54-55
NS LA-2384-A	1	Seal (brake booster push rod)-21/32" I. D. x 1-3/8" O. D. - serviced in 22160 Kit	MB, MC	54-55
LA-2388-A	1	Bearing assy (brake master cyl. push rod end)-1-1/4" full thread	MB, MC	54-55
33800-S8	1	Nut (hex)-3/8"-24	MB, MC	54-55
LA-2394-A	1	Retainer (brake booster body piston packing)	MB, MC	54-55
LA-2395-C	1	Piston assy (brake booster body)	MB, MC	54-55
352525-S8	7	Screw (fillister head)-No. 8-32 x 3/8"	MB, MC	54-55
LA-2429-A	1	Retainer (brake booster piston felt)	MB, MC	54-55
NS 59T-2437	1	Seal (brake vacuum booster slave cylinder end body)-55/64" I. D. x 1-1/64" O. D. -serviced in 22160 Kit	MB, MC	54-55
NS LA-2440-A	1	Collar (brake booster push rod)-serviced in 22160 Kit	MB, MC	54-55

MERCURY

CHASSIS PARTS CATALOGUE

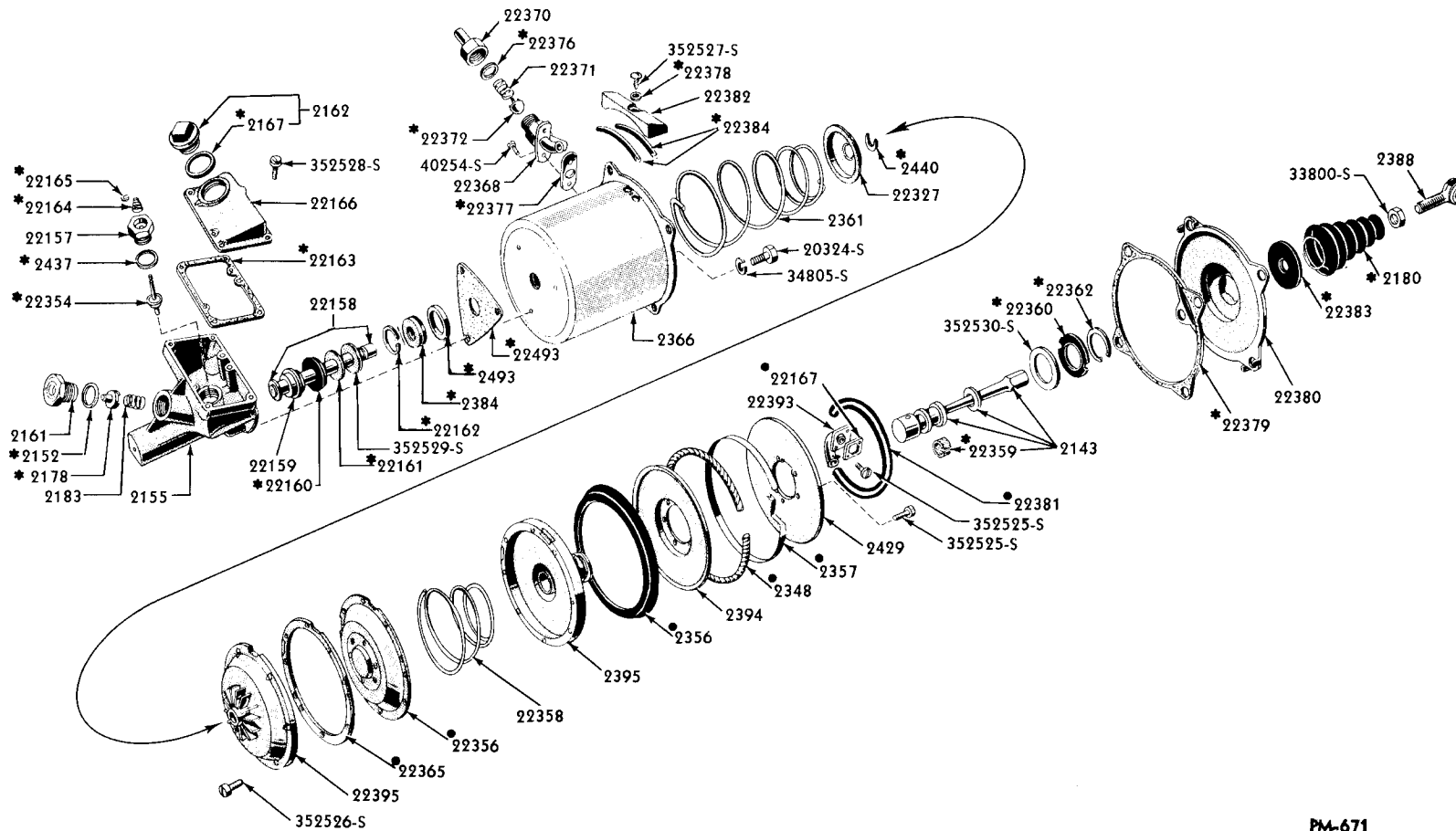
Power Brakes—Continued

PART NUMBER	PART NAME	NO. REQ'D	MODEL	YEAR 19__
MA-2454-H	Pad assy (brake pedal)-use with Standard & Power Brakes	1	MB, MC	54-55
24427-S7	Bolt (hex-hd)-5/16"-24 x 1-1/4" -pad plate to pedal assy	1	MB, MC	54-55
34443-S8	Locknut (hex light)-5/16"-24- brake pedal pad to brake pedal	1	MB, MC	54-55
34806-S7	Lockwasher-5/16"-to brake pedal assy	1	MB, MC	54-55
MB-2455-B	Pedal assembly (brake)-also serviced in 22005 Kit	1	MB	54
MC-2455-C	Pedal assembly (brake)-also serviced in 22005 Kit	1	MC	55
72035-S7-8	Cotter pin-1/8" x 1"	1	MB	54
352602-S8	Pin (clevis)-3/8" x 1-1/16"- operating lever to pedal assy	1	MB	54
356363-S7	Washer (spring)-3/8" I. D. x 9/16" O. D.	1	MB	54
◇MA-2457-C	Pad (clutch and brake pedal plate) -Rubber-use with Standard and Power Brakes	2	MB, MC	54-55
AB-2461-B	Bushing (brake pedal)-Nylon-5/8" I. D. x 11/16" O. D. x 1-59/64" long	1	MB	54
LE-2461-A	Bushing brake pedal	2	MC	55
LE-2466-A	Link (brake pedal lever to master cyl. operating lever)-also serviced in 22005 Kit	2	MB, MC	54-55
72035-S7-8	Pin (cotter) 1/8" x 1"-brake pedal lever to master cyl. lever assy	1	MB, MC	54-55
352602-S7-8	Pin (clevis) 3/8" x 1-1/16"- lever shaft to lever bracket	1	MB, MC	54-55
356363-S7	Washer (spring) 3/8" I. D. x 9/16" O. D. -lever link to brake pedal	1	MB, MC	54-55
△AB-2478-A	Shaft (brake pedal)-7/16"-20 x 3"	1	MB, MC	54-55
34808-S8	Lockwasher-7/16"	1	MB, MC	54-55
34671-S8	Nut (hex)-7/16"-20	1	MB, MC	54-55
LA-2482-B	Shaft (brake master cylinder operating lever)-3/8"-24 x 2-11/32" long-also serviced in 22005 Kit	1	MB	54
LE-2482-A	Shaft (brake master cylinder operating lever)-also serviced in 22005 Kit	1	MC	55
351022-S2	Locknut (hex)-3/8"-24	1	MB, MC	54-55

◇ Not used with Merc-O-Matic Transmission

△ Used with Merc-O-Matic Transmissions

Power Brakes—Continued



- * USED IN 22160 KIT
- USED IN 22167 KIT

PM-671

POWER BRAKE BOOSTER

Basic numbers only shown on illustration. Order by Part Numbers shown in list of parts.

MERCURY

CHASSIS PARTS CATALOGUE

Power Brakes—Continued

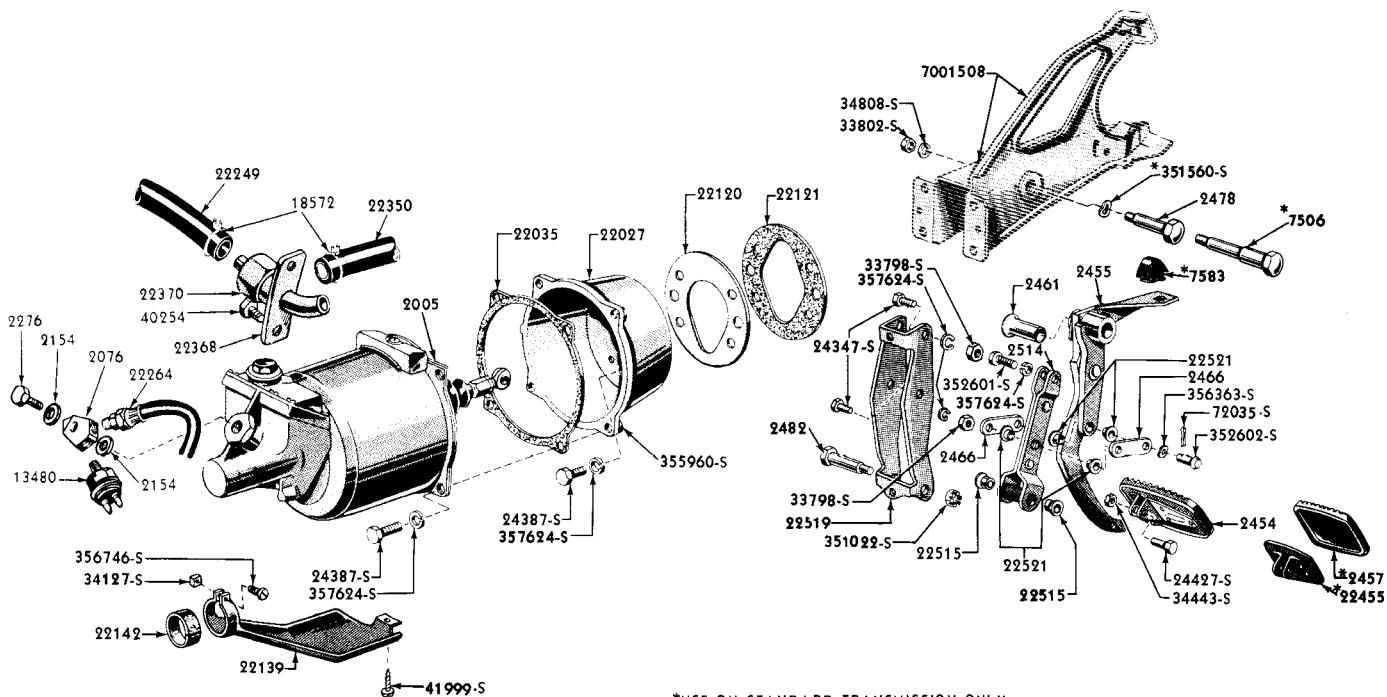
PART NUMBER	PART NAME	NO. REQ'D	MODEL	YEAR 19__
NS TFAF-2493-A	Gasket (brake booster end plate)- 1-11/32" I. D. x 1-19/32" O. D. -serviced in 22160 Kit	1	MB, MC	54-55
LA-2514-A	Lever assy (brake master cyl. operating)-also serviced in 22005 Kit	1	MB	54
LE-2514-A	Lever assy (brake master cyl. operating)-also serviced in 22005 Kit	1	MC	55
352601-S8	Bolt (hex head)-5/16"-24 x 1- 1/16"-operating lever to booster assy	1	MB, MC	54-55
72035-S7-8	Cotter pin-1/8" x 1"	1	MB, MC	54-55
357624-S7	Lockwasher-5/16"	1	MB, MC	54-55
352602-S8	Pin (clevis)-3/8" x 1-1/16"- operating lever to pedal assy	1	MB, MC	54-55
356363-S7	Washer (spring)-3/8" I. D. x 9/16" O. D.	1	MB, MC	54-55
◇MA-7506-C	Shaft (clutch and brake pedal pivot)-7/16"-20 x 4-19/32"	1	MB	54
◇351560-S7	Washer (spring)-25/32" I. D. x 1-1/8" O. D.	1	MB	54
MA-7583-A	Bumper (brake pedal)-Rubber	1	MB, MC	54-55
1C-18572-A	Clamp-hose to reservoir to booster tube and hose to intake manifold-also serviced in 22005 Kit	as reqd	MB, MC	54-55
MEK-22005-C	Kit (power brake conversion)- consists of the following (1) MB-2005-A Booster (1) LA-2063-C Resvr. (1) LA-2076-A Fitting (2) 91T-2154-A Gasket (1) 91T-2276 Bolt (1) MB-2455-B Pedal (2) LE-2466-A Link (1) LA-2482-B Shaft (1) LA-2514-A Lever (4) 1C-18572-A Clamp (1) LA-22027-B Brkt. (1) LA-22035-A Gasket (1) LA-22121-A Gasket (1) LA-22139-B Shield (1) LA-22142-A Insul. (1) LA-22264-B Hose (1) MB-22349-A Tube (2) MA-22350-B Hose (1) MB-22396-A Conn. (2) LA-22515-A Bushing (1) MC-22519-A Brkt. (4) LA-22521-A Bushing (1) 20347-S8 Bolt (8) 24387-S7 Bolt (3) 31527-S7 Screw (4) 33798-S8 Nut (1) 34127-S8 Nut (4) 40130-S8 Screw (1) 41999-S8 Screw (2) 72035-S7-8 C/Pin (1) 351022-S2 L/Nut (1) 351781-S Conn. (1) 352223-S32 Clip (1) 352601-S8 Bolt (2) 352602-S8 Pin (2) 356363-S7 Washer (1) 356746-S Screw (13) 357624-S7 L/Wshr. (1) 357658-S32 Clip	1	MB	54

◇ Not used with Merc-O-Matic Transmission

MERCURY

CHASSIS PARTS CATALOGUE

Power Brakes—Continued



*USE ON STANDARD TRANSMISSION ONLY

PMC-196

POWER BRAKE PEDAL

Basic numbers only shown on illustration. Order by Part Numbers shown in list of parts.

PART NUMBER	QUANTITY	PART NAME	NO. REQ'D	MODEL	YEAR
MFK-22005-B		Kit (power brake conversion)- consists of the following	1	MC	55
(1) LE-2005-A		Booster	(1)	LE-2063-A Resvr.	
(1) LA-2076-A		Fitting	(1)	91T-2154-A Gasket	
(1) 91T-2276		Bolt	(1)	MC-2455-C Pedal	
(2) LE-2466-A		Link	(1)	LE-2482-A Shaft	
(1) LE-2514-A		Lever	(4)	1C-18572-A Clamp	
(1) LA-22027-B		Bolt	(1)	LA-22035-A Gasket	
(1) LA-22121-A		Gasket	(1)	LA-22139-B Shield	
(1) LA-22142-A		Insul.	(1)	MC-22264-D Tube	
(1) MC-22343-A		Clip	(1)	MC-22349-A Tube	
(2) MA-22350-B		Hose	(1)	MB-22396-B Conn.	
(2) LA-22515-A		Bushing	(1)	MC-22519-A Brkt.	
(4) LA-22521-A		Bushing	(9)	20387-S8 Bolt	
(3) 31527-S7		Screw	(4)	33798-S8 Nut	
(4) 40143-S8		Screw	(1)	41999-S8 Screw	
(2) 72035-S7		C/Pin	(1)	351022-S7 L/Nut	
(1) 352223-S32		Clip	(1)	352601-S8 Bolt	
(1) 353806-S8		Clip	(2)	354419-S100 Pin	
(2) 356363-S7		Wshr.	(1)	356746-S Screw	
		(13) 357624-S7		L/Wshr.	

MERCURY

CHASSIS PARTS CATALOGUE

Power Brakes—Continued

PART NUMBER	PART NAME	NO. REQ'D	MODEL	YEAR 19_____
LA-22027-B	Bracket assy (brake booster mounting)-with pear shaped hole-also serviced in 22005 Kit	1	MB, MC	54-55
24387-S7	Bolt (hex-hd)-5/16"-24 x 1"-bracket assy to brake pedal support	4	MB, MC	54-55
24387-S7	Bolt (hex-hd)-5/16"-24 x 1"-power brake unit to mtg. bracket	4	MB, MC	54-55
357624-S7	Lockwasher (special)-5/16"	8	MB, MC	54-55
355960-S	Nut (grommet)-5/16"-24	4	MB, MC	54-55
LA-22035-A	Gasket (brake booster mounting bracket)-also serviced in 22005 Kit	1	MB, MC	54-55
LA-22120-B	Adapter (brake booster mounting)-pear shaped hole	1	MB, MC	54-55
LA-22121-A	Gasket (brake master cylinder mounting adapter)-also serviced in 22005 Kit	1	MB, MC	54-55
MB-22135-B	Shield (brake reservoir)-stone-used with Dual Exhaust Kits when Power Brakes are used	1	MB, MC	54-55
LA-22139-B	Shield assy (brake master cylinder heat)-also serviced in 22005 Kit	1	MB, MC	54-55
34127-S8	Nut (hex)-No. 10-24-heat shield to booster	1	MB, MC	54-55
41999-S8	Screw (hex-hd tapping)-No. 8-15 x 3/8"	1	MB, MC	54-55
356746-S	Screw (fillister head)-No. 10-24 x 3/4"-heat shield to booster	1	MB, MC	54-55
LA-22142-A	Insulator (brake master cylinder heat shield)-also serviced in 22005 Kit	1	MB, MC	54-55
LA-22157-A	Fitting (brake master cylinder reservoir)-7/8"-14 x 15/32"	1	MB, MC	54-55
LA-22158-A	Plunger assy (brake master cylinder)	1	MB, MC	54-55
352529-S	Washer (flat)-23/32" I. D. x 1-3/8" O. D. x 3/32" thick	1	MB, MC	54-55
LA-22159-A	Retainer (brake master cylinder plunger seal)-1-3/8" O. D.	1	MB, MC	54-55
LA-22160-A	Seal (brake master cylinder plunger)-1-7/16" O. D. - serviced in 22160 Kit	1	MB, MC	54-55

MERCURY

CHASSIS PARTS CATALOGUE

Power Brakes—Continued

PART NUMBER	CLASS	PART NAME	NO. REQ'D	MODEL	YEAR 19__
		HDK-22160-B Kit (gasket and seal repair)- consists of the following (1) LA-2152-A Gasket (1) 91A-2167 Gasket (1) LA-2178-B Valve (1) LA-2180-A Boot (1) LA-2384-A Seal (1) 59T-2437 Seal (1) LA-2440-A Collar (1) TFAF-2493-A Seal (1) LA-22160-A Seal (1) LA-22161-A Washer (1) LA-22162-A Ring (1) LA-22163-A Gasket (1) LA-22164-A Spring (1) LA-22165-A Retainer (1) LA-22354-A Stem (1) LA-22359-A Screen (1) LA-22360-A Insulator (1) LA-22362-A Ring (1) LA-22372-B Ball (1) LA-22376-A Gasket (1) LA-22377-A Gasket (1) LA-22378-A Gasket (1) LA-22379-A Gasket (1) LA-22383-A Washer (1) LA-22384-A Gasket (1) LA-22493-A Gasket	1	MB, MC	54-55
		LA-22161-A Washer (brake master cylinder plunger seal backing)-21/32" I. D. x 1-3/8" O. D. -also serviced in 22160 Kit	1	MB, MC	54-55
		LA-22162-A Snap ring (brake master cylinder plunger seal retaining)-also serviced in 22160 Kit	1	MB, MC	54-55
		LA-22163-A Gasket (brake master cylinder reservoir cover)-Neoprene- also serviced in 22160 Kit	1	MB, MC	54-55
	NS	LA-22164-A Spring (brake master cylinder compensating port)-9/16" at large end-serviced in 22160 Kit	1	MB, MC	54-55
		LA-22165-A Retainer (brake master cylinder compensating port spring)- also serviced in 22160 Kit	1	MB, MC	54-55
		LA-22166-A Cover assy (brake master cyl. reservoir)	1	MB, MC	54-55
		352528-S8 Screw (pan head)-No. 10-24 x 7/16" long	6	MB, MC	54-55
	NS	LA-22167-A Gasket (brake booster body piston to hose tube plate)-Fibre- serviced in 22167 Kit	1	MB, MC	54-55
		HDK-22167-B Kit (piston packing)-consists of the following (1) 59T-2348 Wick (1) LA-2356-A Packing (1) LA-2357-A Ring (1) LA-22167-A Gasket (1) LA-22356-B Diaph. (1) LA-22365-A Gasket (1) LA-22381-A Hose	1	MB, MC	54-55
	NS	MB-22249-B Hose (brake booster manifold)- 1/2" I. D. x 11-1/4" overall length-cut from MA-22350-B	1	MB, MC	54-55

MERCURY

CHASSIS PARTS CATALOGUE

Power Brakes—Continued

PART NUMBER	WIPYTC	PART NAME	NO. REQ'D	MODEL	YEAR 19__
		LA-22264-B Hose assy (brake master cyl. to connector)-approx. 25-3/8" long-also serviced in 22005 Kit	1	MB, MC	54-55
		MC-22264-A Tube assy (brake master cylinder to connector)	1	MC	55
		MC-22264-D Tube assy (brake master cylinder to connector)-13-3/4" approx. overall length-also serviced in 22005 Kit	1	MB, MC	54-55
		352223-S32 Clip-hose to front fender apron	1	MB, MC	54-55
		31527-S7 Screw (hex washer head self tapping)-No. 14-14 x 1/2"	1	MB, MC	54-55
		LA-22327-A Retainer (brake booster body piston return spring)-3-1/8" O. D.	1	MB, MC	54-55
	NS	MC-22343-C Clip (intake manifold to brake booster tube)-serviced in 22005 Kit-Secure Locally	1	MC	55
		MB-22349-A Tube assy (intake manifold to brake booster)-approx. 11" formed length-also serviced in 22005 Kit	1	MB	54
		MC-22349-A Tube assy (intake manifold to brake booster)-also serviced in 22005 Kit	1	MC	55
		87947-S7 Nut (connector)-3/4"-18	1	MB	54
		MA-22350-A Hose (brake reservoir outlet)-1/2" I. D. x 53-1/8" approx. overall length	1	MB	54
		MA-22350-B Hose (brake reservoir outlet)-13/16 O. D. x 54" approx. length-serviced in 22005 Kit	1	MB, MC	54-55
		353806-S8 Clip-hose to frame	1	MB, MC	54-55
		31527-S7 Screw (hex washer hd)-No. 14 14 x 1/2"	1	MB, MC	54-55
		LA-22354-A Stem assy (brake master cylinder compensating port valve)-serviced in 22160 Kit	1	MB, MC	54-55
	NS	LA-22356-B Diaphragm assy (brake booster)-serviced in 22167 Kit	1	MB, MC	54-55
		LA-22358-A Spring (brake booster body piston reaction)-3-13/16" large end	1	MB	54
		LE-22358-A Spring (brake booster body piston reaction)	1	MC	55

MERCURY

CHASSIS PARTS CATALOGUE

Power Brakes—Continued

PART NUMBER	QTY	PART NAME	NO. REQ'D	MODEL	YEAR 19__
NS LA-22359-A		Screen (brake booster plunger)- serviced in 22160 Kit	1	MB, MC	54-55
		LA-22360-A Insulator (brake booster body piston)-Rubber-2" O. D. - serviced in 22160 Kit	1	MB, MC	54-55
		352530-S8 Washer (flat)-1-5/16" I. D. x 2" O. D. x 3/64" thick	1	MB, MC	54-55
NS LA-22362-A		Snap ring (brake booster plunger retaining)-serviced in 22160 Kit	1	MB, MC	54-55
NS LA-22365-A		Gasket (brake booster body diaphragm)-5-1/8" I. D. x 5-7/8" O. D. -serviced in 22167 Kit	1	MB, MC	54-55
		LA-22368-A Body assy (brake booster check valve)	1	MB, MC	54-55
		40254-S8 Screw (fillister head)-No. 8-32 x 3/8" long-body to booster body	2	MB, MC	54-55
		LA-22370-A Cover assy (brake booster check valve)	1	MB, MC	54-55
		LA-22371-A Spring (brake booster check valve)	1	MB, MC	54-55
		LA-22372-B Ball (brake booster check valve)- Rubber-also serviced in 22160 Kit	1	MB, MC	54-55
		LA-22376-A Gasket (brake booster check valve) -49/64" I. D. x 29/32" O. D. - also serviced in 22160 Kit	1	MB, MC	54-55
		LA-22377-A Gasket (brake booster check valve to hose tube brace)-(1) 17/32" dia. hole-also serviced in 22160 Kit	1	MB, MC	54-55
NS LA-22378-A		Gasket (brake booster air cleaner screw)-serviced in 22160 Kit	1	MB, MC	54-55
		LA-22379-A Gasket (brake booster body end plate)-6" I. D. -also serviced in 22160 Kit	1	MB, MC	54-55
		LA-22380-A Plate (brake booster body end)- 6-3/4" O. D.	1	MB, MC	54-55
NS LA-22381-A		Hose (brake booster check valve tube to body piston tube)-3/4" O. D. -serviced in 22167 Kit	1	MB, MC	54-55

MERCURY

CHASSIS PARTS CATALOGUE

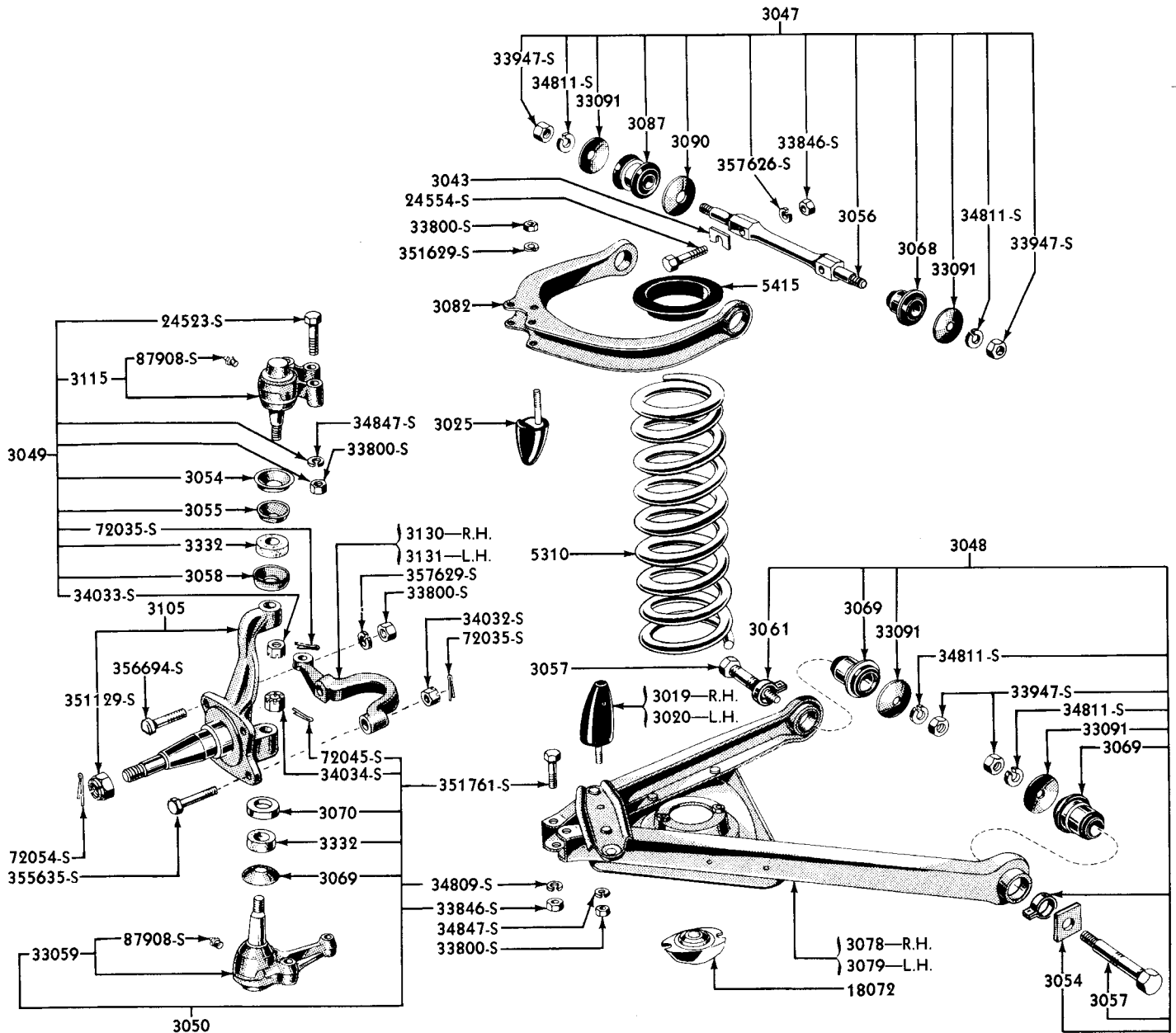
Power Brakes—Continued

PART NUMBER	PART NAME	NO. REQ'D	MODEL	YEAR 19__
LA-22382-A	Cover (brake booster air cleaner)	1	MB, MC	54-55
352527-S8	Screw (round head)-No. 8-15 x 1/2" long-to attach air cleaner to body	1	MB, MC	54-55
NS LA-22383-A	Washer (brake master cylinder boot)-5/16" I. D. x 2-1/8" O. D. -serviced in 22160 Kit	1	MB, MC	54-55
LA-22384-A	Gasket (brake booster air cleaner) -3-3/8" long-serviced in 22160 Kit	2	MB, MC	54-55
LA-22393-A	Tube assy (brake booster body piston to hose)	1	MB, MC	54-55
LA-22395-B	Plate (brake booster body piston) -front	1	MB, MC	54-55
352526-S8	Screw (fillister head)-No. 8-32 x 1/2" long	8	MB, MC	54-55
MB-22396-B	Connector (brake booster manifold hose to manifold)- also serviced in 22005 Kit	1	MB, MC	54-55
MC-22396-A	Connector (brake booster manifold hose to manifold)- used with face idle for Air Conditioner	1	MC except 76, 79	55
351781-S	Connector-1/2" x 1-1/4" long	1	MB	54
MA-22455-N	Plate assy (brake pedal pad)-not used with Merc-O-Matic trans.	1	MB, MC	54-55
34806-S7	Lockwasher-5/16" to brake pedal assy	1	MC	55
LA-22493-A	Gasket (brake booster body to master cylinder)-serviced in 22160 Kit	1	MB, MC	54-55
LA-22515-A	Bushing (brake master cylinder operating lever)-Nylon-1/2" I. D. x 9/16" O. D. -also serviced in 22005 Kit	2	MB, MC	54-55
MC-22519-A	Bracket (brake master cylinder operating lever)-also serviced in 22005 Kit	1	MC	55
20347-S8	Bolt (hex-hd)-5/16"-24 x 3/4"- bracket to brake support	4	MB, MC	54-55
34806-S7	Lockwasher-5/16"	4	MB, MC	54-55
33798-S8	Nut (hex)-5/16"-24	4	MB, MC	54-55
LA-22521-A	Bushing (brake pedal lever)- 3/8" I. D. x 7/16" O. D. x 11/64" long-also serviced in 22005 Kit	4	MB, MC	54-55
BG-7001508-B	Support (brake pedal)	1	MB, MC	54-55

MERCURY

CHASSIS PARTS CATALOGUE

Front Suspension



PMC-197

FRONT SUSPENSION

Basic numbers only shown on illustration. Order by Part Numbers shown in list of parts.

MERCURY

CHASSIS PARTS CATALOGUE

Front Suspension—Continued

PART NUMBER	PART NAME	NO. REQ'D	MODEL	YEAR 19____
MB 3019-A	Bumper assy (front suspension lower arm)-R. H.	1	MB, MC	54-55
MC 3019-A	Bumper assy (front suspension lower arm)-R. H.	1	MC	55
MB 3020-A	Bumper assy (front suspension lower arm)-L. H.	1	MB, MC	54-55
MC 3020-A	Bumper assy (front suspension lower arm)-L. H.	1	MC	55
	MB-33088-A Bracket (front suspension bumper) -attaches to frame	2	MB, MC	54-55
	357629-S7 Lockwasher-3/8"-to attach bumper to lower arm	2	MB, MC	54-55
	33800-S8 Nut (hex)-3/8"-24-to attach bumper to lower arm	2	MB, MC	54-55
MB 3025-A	Bumper assy (front suspension rebound)	2	MB, MC	54-55
	357629-S7 Lockwasher-3/8"-upper bumper to upper control arm	2	MB, MC	54-55
	33800-S8 Nut (hex)-3/8"-24-upper bumper to upper control arm	2	MB, MC	54-55
B4A 3042-B	Arm & bushing assy (front suspension lower)- L. H. -⊕AD-3042-E	1	MB, MC	54-55
B4A 3043-A	Shim (front suspension upper arm mounting)-.03" thick-⊕AD-33043-A	as reqd	MB, MC	54-55
B4A 3043-B	Shim (front suspension upper arm mounting)-.12" thick-⊕AD-33043-B	as reqd	MB, MC	54-55
B4A 3047-B	Kit (front suspension upper shaft)-consists of the following (1) AD-3056-C Shaft (1) LA-3068-A Bushing (1) B4A-3087-B Bushing (1) B4A-3090-A Washer (2) LA-33091-B Washer (2) 33947-S2 Nut (2) 34811-S2 Washer	2	MB, MC	54-55
B4A 3048-C	Kit (front suspension lower control arm mounting)- consists of the following (2) AD-3057-C Bolt (2) LA-3069-A Bushing (2) LA-33091-B Washer (2) 33947-S2 Nut (2) 34811-S2 Washer	2	MB	54
B4A 3048-E	Kit (front suspension)-lower-consists of the of the following (2) AD-3057-CorD Bolt (1)B4A-3061-A Spacer (1)B4A-3061-B Spacer (2) LA-3069-A Bushing (2)B4A-3091-B Wshr. (2) 33947-S2 Nut (2) 34811-S2 Washer	2	MC	55
B4A 3049-B	Kit (front suspension upper spindle support)- consists of the following (1) B4A-3115-C Ball Joint(1) B4A-3054-A Cover (1) B4A-3055-A Shield (2) B4A-3058-A Ret. (1) B4A-3332-A Seal (2) 24523-S8 Bolt (2) 33800-S8 Nut (1) 34033-S18 Nut (2) 34847-S8 Washer (1) 72035-S7-8 C/Pin	2	MB, MC	54-55

MERCURY

CHASSIS PARTS CATALOGUE

Front Suspension—Continued

PART NUMBER	1000 PFC	PART NAME	NO. REQ'D	MODEL	YEAR 19 ____
B5A 3050-A		Kit (front suspension lower spindle support)- consists of the following (1)B4A-3069-B Cover (1)B4A-3070-A Retainer (1)B4A-3332-B Seal (1) AD-33059-D Ball Joint (2)33846-S8 Nut (1) 34034-S8 Nut (2)34809-S8 Washer(1) 72045-S C/Pin (2) 351761-S8 Bolt	1	MB, MC	54-55
LA 3054-A		Shim (front suspension lower arm front mounting bolt)-1/16" thick	as reqd	MB, MC	54-55
LA 3054-B		Shim (front suspension lower arm front mounting bolt)-1/8" thick	as reqd	MB, MC	54-55
B4A 3054-A		Cover (front suspension upper spindle support)-also serviced in 3049 Kit-⊕AD-33055-B	2	MB, MC	54-55
B4A 3055-A		Shield (front suspension upper arm ball joint dust)- also serviced in 3049 Kit-⊕AD-33056-B	2	MB, MC	54-55
AD 3056-C	NS	Shaft (front suspension upper arm)-alternate with AD-3056-D-serviced in 3047 Kit	2	MB, MC	54-55
AD 3056-D	NS	Shaft (front suspension upper arm shaft)-alternate with AD-3056-C-serviced in 3047-Kit	2	MB, MC	54-55
		24554-S7 Bolt (hex-hd)-1/2"-20 x 2-1/2"-upper shaft to frame	4	MB, MC	54-55
		357626-S7 Lockwasher-1/2"-upper shaft to frame	4	MB, MC	54-55
		357628-S7 Lockwasher (spring)-5/8"- shaft to upper arm	4	MB, MC	54-55
		33846-S8 Nut (hex)-1/2"-20-upper shaft to frame	4	MB, MC	54-55
		33850-S2 Nut (hex)-5/8"-18-shaft to upper arm	4	MB, MC	54-55
AD 3057-C	NS	Bolt (front suspension lower arm front mounting)- serviced in 3048 Kit	4	MB	54
AD 3057-D	NS	Bolt (front suspension lower arm front mounting)- serviced in 3048 Kit	4	MC	55
		357628-S7 Lockwasher-5/8"-arm and bushing to frame	4	MB, MC	54-55
		33947-S2 Nut (hex)-5/8"-18-arm and bushing to frame	4	MB, MC	54-55
B4A 3058-A		Retainer (front suspension upper arm ball joint dust shield)-also serviced in 3049 Kit- ⊕AD-33058-A	2	MB, MC	54-55
B4A 3061-A		Spacer (front suspension lower arm)-clamped -also serviced in 3048 Kit-⊕AD-3061-A	2	MB	54
B4A 3061-B		Spacer (front suspension lower arm)-clamped -also serviced in 3048 Kit-⊕AD-3061-B	2	MB	54

MERCURY

CHASSIS PARTS CATALOGUE

Front Suspension—Continued

PART NUMBER	QTY	PART NAME	NO. REQ'D	MODEL	YEAR 19__
LA 3068-A		Bushing (front suspension upper arm inner shaft)- 3/4" I.D. x 1-15/16" max. O.D. x 1-55/64" long- -also serviced in 3047 Kit	2	MB, MC	54-55
B4A 3069-B		Dust cover (lower arm ball joint)-serviced in 3050 Kit-⊕AD-33068-C	2	MB, MC	54-55
LA 3069-A		Bushing (front suspension lower arm mounting bolt) -7/8" I.D. x 1-15/16" max. O.D. x 2-3/32" long- also serviced in 3048 Kit	4	MB, MC	54-55
B4A 3070-A		Retainer (front suspension lower arm ball joint dust seal)-also serviced in 3050 Kit- ⊕AD-33069-A	2	MB, MC	54-55
AD 3078-B		Arm assy (front suspension)-lower-R. H.	1	MB	54
B6A 3078-B		Arm assy (front suspension)-lower-R. H.	1	MC	55
AD 3079-B		Arm assy (front suspension)-lower-L. H.	1	MB	54
B6A 3079-B		Arm assy (front suspension)-lower-L. H.	1	MC	55
AD 3082-B		Arm (front suspension)-upper	2	MB, MC	54-55
B4A 3087-B		Bushing (front suspension upper arm inner shaft)- rear-also serviced in 3047 Kit-⊕AD-33087-B	2	MB, MC	54-55
		MB-33088-A Bracket (front suspension bumper)	2	MB, MC	54-55
B4A 3090-A		Washer (front suspension upper arm rear bushing)- inner-also serviced in 3047 Kit-⊕AD-33090-A	2	MB, MC	54-55
		LA-33091-B Washer (front suspension upper and lower arm bushing compression)-front-also serviced in 3047 and 3048 Kits	8	MB, MC	54-55
		AD-33095-A Washer (front suspension lower arm bushing compression)- inner front	2	MC	55
B4A 3091-B	NS	Washer (front suspension upper & lower arm bushing compression)-front-also serviced in 3048 Kit-⊕AD-33091-A	8	MB, MC	54-55
AD 3105-C		Spindle assy (front wheel)-includes nut-4-27/32" from flange face to end of spindle	2	MB, MC	54-55
		72054-S Cotter pin-5/32" x 1-1/4"	2	MB	54
		351129-S Nut (hex slotted)-7/8"-20	2	MB	54

MERCURY

CHASSIS PARTS CATALOGUE

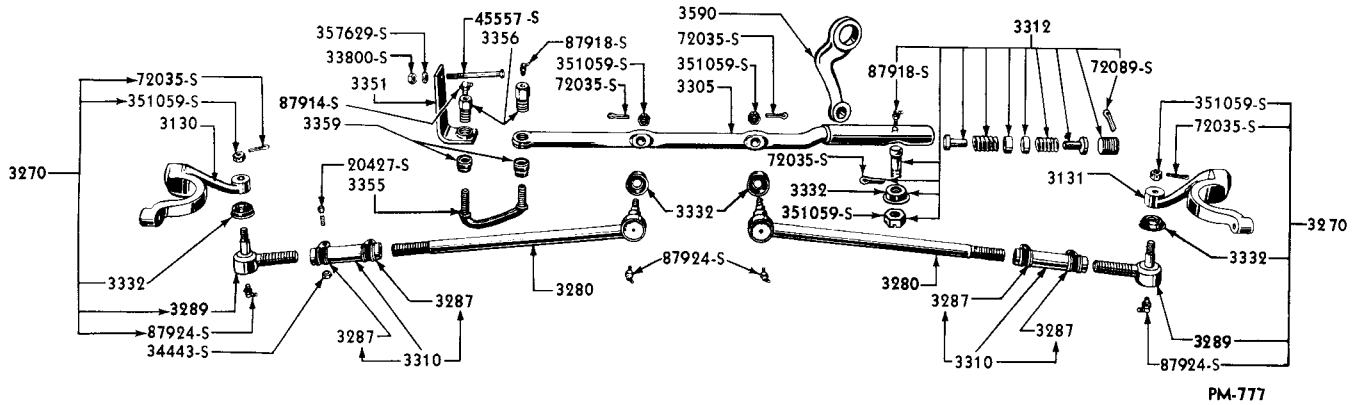
Front Suspension—Continued

PART NUMBER	QTY	PART NAME	NO. REQ'D	MODEL	YEAR 19____
B4A 3115-C	NS	Joint assy (front suspension upper arm ball)-serviced in 3049 Kit-⊕AD-33046-C	2	MB, MC	54-55
		24523-S8 Bolt (hex-hd)-3/8"-24 x 2"-ball joint to upper arm and shaft	4	MB, MC	54-55
		72035-S7-8 Cotter pin-1/8" x 1"-upper arm ball to spindle	2	MB, MC	54-55
		87907-S8 Fitting (lub.)-upper ball joint-1/4"-28	2	MB, MC	54-55
		357629-S7 Lockwasher-3/8"-ball joint to upper arm and shaft	6	MB, MC	54-55
		33800-S8 Nut (hex)-3/8"-24-ball joint to upper arm and shaft	6	MB, MC	54-55
		34033-S18 Nut (hex)-9/16"-18-upper arm ball to spindle	2	MB, MC	54-55
	NS	AD-33059-D Joint assy (front suspension lower arm ball)-serviced in 3050 Kit	2	MB, MC	54-55
		351761-S8 Bolt(hex-hd)-1/2"-20x2-1/16" ball joint to lower arm assy	4	MB, MC	54-55
		72054-S Cotter pin-5/32" x 1-1/4"-lower arm ball joint to spindle	2	MB, MC	54-55
		87907-S8 Fitting (lube)-5 lower ball joint -1/4"-28	2	MB, MC	54-55
		357626-S7 Lockwasher-1/2"-ball joint to lower arm assy	4	MB, MC	54-55
		357629-S7 Lockwasher-3/8"-ball joint and bumper to lower arm assembly	2	MB, MC	54-55
		33800-S8 Nut (hex)-3/8"-24-ball joint and bumper to lower arm	2	MB, MC	54-55
		33846-S8 Nut (hex)-1/2"-20-ball joint to lower arm assy	4	MB, MC	54-55
		34034-S18 Nut (hex)-5/8"-18-lower arm ball joint to spindle	2	MB, MC	54-55
AD 3130-B		Arm (steering spindle)-R. H. -4-1/2" between center lines of spindle bolt holes	1	MB, MC	54-55
AD 3131-B		Arm (steering spindle)-L. H. -4-1/2" between center lines of spindle bolt holes	1	MB, MC	54-55
		354248-S8 Bolt (rd-hd)-1/2"-20 x 2-1/4"-to spindle-lower front	4	MB, MC	54-55
		72035-S7-8 Cotter pin-1/8" x 1"	4	MB, MC	54-55
		34032-S7 Nut (castle)-1/2"-20	4	MB, MC	54-55

MERCURY

CHASSIS PARTS CATALOGUE

Steering Linkage



STEERING LINKAGE

Basic numbers only shown on illustration. Order by Part Numbers shown in list of parts.

PART NUMBER	INDIC	PART NAME	NO. REQ'D	MODEL	YEAR 19__
MEK 3270-B		Kit(spindle connecting rod)-consists of the following (1) 8M-3289 End Assy (1) 8M-3332 Seal (1) 72035-S7 C/Pin (1) 87907-S Fitting (2) 87924-S8 Fitting (1) 351059-S Nut	2	MB, MC	54-55
MB 3280-A		Rod & ball stud assy (steering spindle arm connecting)-approx. 15-5/16" long	2	MB, MC	54-55
		72035-S7-8 Cotter pin-1/8" x 1"	4	MB, MC	54-55
		87924-S8 Fitting (lubricator)-1/4"-28 x 1/2"-elbow type	2	MB, MC	54-55
		351059-S8 Nut (hex slotted)-1/2"-20	2	MB, MC	54-55
8M 3289	NS	End assy (spindle connecting rod)-serviced in 3270 Kit	2	MB, MC	54-55
• MB 3304-A		Link assembly (steering connecting)	1	MB, MC	54-55
MB 3305-B		Link (steering connecting)-approx. 27-47/64" long	1	MB, MC	54-55
		72035-S7-8 Cotter pin-1/8" x 1"-link ball stud	1	MB	54
		72089-S Cotter pin-1/8" x 1-3/4"-hold plug in link	1	MB	54
		87918-S8 Fitting (lubricator)-1/8"-27 x 90°	1	MB	54
		351059-S8 Nut (hex slotted)-1/2"-20-link ball stud	1	MB	54
11A 3310		Sleeve assembly (drag link adjusting)	2	MB	54
		20427-S8 Bolt (hex-hd)-5/16"-24 x 1-1/4"-clamp to sleeve	4	MB	54
		34443-S7-8 Locknut-5/16"-24	4	MB	54

• Use with Power Steering-Refer to Power Steering Group

MERCURY

CHASSIS PARTS CATALOGUE

Steering Linkage—Continued

PART NUMBER	UNIT	PART NAME	NO. REQ'D	MODEL	YEAR 19__
AB 3311-C	NS	Stud (spring loaded cross link)-2-13/32" long-serviced in 3312 Kit	1	MB, MC	54-55
B2A 3312-A		Kit (drag link ball stud repair)-consists of the following (1) AB-3311-C Stud (2) AD-3320-A Seat (2) B2A-3326-A Bumper (2) AB-3327-B Spring (1) AB-3328-B Plug (1) B2A-3332-A Seal (1) B2A-3333-A Cover (1) 72035-S7 Pin (1) 72089-S Pin (1) 87918-S8 Fitting (1) 351059-S Nut	1	MB	54
MDK 3312-C		Kit (power steering control valve ball stud repair)-consists of the following (1) AB-3311-C Stud (2) LA-3320-A Seat (1) B2A-3326-A Bumper (1) AC-33711-A Spring (1) AC-33713-A Shield	1	MB, MC	54-55
◆ B4A 3313-A		Kit (power steering cylinder end mounting bushing)-also serviced in 33304 Kit-consists of the following (2) AB-33644-B Bushing (1) 34424-S7 L/Nut (1) 353600-S8 Washer (1) 353601-S8 Washer	1	MB, MC	54-55
◆ B3A 3314-A		Kit (power steering piston rod end bushing)-also serviced in 33304 Kit-consists of the following (2) AB-33642-B Insulator (1) AB-33643-B Washer (1) AB-33647-B Washer (1) 33927-S7 Nut (1) 45219-S Locknut	1	MB, MC	54-55
◆ B3A 3315-A		Kit (power strg. cyl. seal)-consists of the following (1) AC-33656-A Seal (1) AC-33658-A Seal (1) AC-33659-A Scraper (1) 353650-S Ret/Ring	1	MB, MC	54-55
◆ B5A 3315-A		Kit (power steering cylinder seal)-for B5A-33563-A cylinder-consists of the following (1) AF-33656-A Seal (1) AF-33659-A Spacer (1) AF-33658-A Seal (1) AF-33738-A Bushing (1) 353650-S Snap Ring	1	MB, MC	54-55
◆ B3A 3316-A		Kit (power steering control valve)-consists of the following (1) AC-33697-A Seal (1) AC-33703-A Seal (1) AC-33706-A Bushing (1) AC-33709-A Bushing	1	MB, MC	54-55
◆ B5A 3316-A		Kit (power steering control valve)-for B5A-33577-A valve-consists of the following (1) AC-33697-A Packing (1) AF-33703-A Packing (1) AF-33706-A Bushing (1) AF-33709-A Bushing	1	MB, MC	54-55
◆ B3A 3317-A		Kit (power steering control valve centering spring)-consists of the following (1) AC-33704-A Spring (1) AC-33707-A Spacer (1) AC-33712-A Adapter (1) 353618-S Nut (1) 353622-S100 Washer (2) 353623-S100 Washer	1	MB, MC	54-55

◆ Use with Power Steering-Refer to Power Steering Group

MERCURY

CHASSIS PARTS CATALOGUE

Steering Linkage—Continued

PART NUMBER	QTY	PART NAME	NO. REQ'D	MODEL	YEAR 19.....
AD 3320-A	NS	Seat (steering connecting link extension ball stud)-serviced in 3312 Kit	2	MB, MC	54-55
B2A 3326-A	NS	Bumper (steering connecting link ball stud seat)-serviced in 3312 Kit-⊕AB-33327-A	1	MB, MC	54-55
AB 3327-B	NS	Spring (spring loaded cross link)-serviced in 3312 Kit	2	MB, MC	54-55
AB 3328-B	NS	Plug (spring loaded cross link)-serviced in 3312 Kit	1	MB, MC	54-55
8M 3332		Seal (steering linkage ball stud)-Rubber also serviced in 3270 Kit	4	MB, MC	54-55
B2A 3332-A		Seal (stud spring loaded cross link)-pitman arm to connecting link-also serviced in 3312 Kit -⊕AB-33332-B	1	MB, MC	54-55
B4A 3332-A	NS	Seal (front suspension upper arm ball joint dust)-serviced in 3049 Kit-⊕AD-33057-A	2	MB, MC	54-55
B4A 3332-B		Seal (front suspension lower arm ball joint dust)-serviced in 3050 Kit-⊕AD-33070-B	2	MB, MC	54-55
B2A 3333-A	NS	Cover (spring loaded cross link dust)-serviced in 3312 Kit-⊕AB-33312-B	1	MB, MC	54-55
AD 3351-A		Bracket (steering idler arm mounting)-to frame	1	MB, MC	54-55
◆ MB 3351-A		Bracket (steering idler arm mounting)-to frame	1	MB, MC	54-55
		45557-S8 Bolt Hex-hd)-3/8"-24 x 3-3/4"	2	MB, MC	54-55
		357629-S7 Lockwasher-3/8"	2	MB, MC	54-55
		33800-S8 Nut (hex)-3/8"-24	2	MB, MC	54-55
B5A 3352-A		Kit (steering idler arm & bushing)-consists of the following (1) AD-3355-D Arm (1) MB-3356-A Bushing (2) 8M-3359 Seal (1) 87918-S8 Fitting	1	MB, MC	54-55
◆MEK 3352-B		Kit (steering idler arm and bushing)-consists of the following (1) MB-3355-B Arm (1) MA-3356-B Bushing (1) MA-3358-A Bushing (2) 72035-S7 C/Pin	1	MB	54
◆MFK 3352-A		Kit (steering idler arm and bushing)-consists of the following (1) MB-3355-C Arm (1) MA-3356-B Bushing (1) MA-3358-A Bushing (2) 72035-S7-8 C/Pin	1	MC	55
AD 3355-D	NS	Arm (steering idler)-serviced in 3352 Kit	1	MB, MC	54-55
MB 3355-B	NS	Arm (steering idler)-also serviced in 3352 Kit	1	MB	54
MB 3355-C	NS	Arm (steering idler)-also serviced in 3352 Kit	1	MC	55
◆ MA 3356-B	NS	Bushing assy (steering idler arm)-upper-2-5/16" long-serviced in 3352 Kit	1	MB, MC	54-55

◆ Use with Power Steering-Refer to Power Steering Group

MERCURY

CHASSIS PARTS CATALOGUE

Steering Linkage—Continued

PART NUMBER	CLASS	PART NAME	NO. REQ'D	MODEL	YEAR 19____
MB 3356-A	NS	Bushing assy (steering idler arm)-serviced in 3352 Kit	2	MB, MC	54-55
		87914-S8 Fitting (lubricator)-1/8"-27 x 67-1/2°	2	MB, MC	54-55
♣ MA 3358-A	NS	Bushing assy (steering idler arm)-lower-1-3/4" long-serviced in 3352 Kit	1	MB, MC	54-55
8M 3359		Seal (steering idler arm)-Rubber-also serviced in 3352 Kit	2	MB, MC	54-55

Steering Gear

MB 3504-A	Gear assy (steering)-less tube and flange	1	MB	54
MC 3504-A	Gear assy (steering)-less tube and flange	1	MC	55
	351988-S8 Bolt (hex-hd)-7/16"-14 x 3-3/4"-gear assy to frame	2	MB, MC	54-55
	353431-S8 Bolt (hex-hd)-7/16"-14 x 4-3/8"-gear assy to frame	1	MB, MC	54-55
	357625-S7 Lockwasher-7/16"	3	MB, MC	54-55
	351428-S7 Washer (flat)-7/16"	3	MB, MC	54-55
B5S 3507-A	Clamp (steering column)-1-35/64" I. D. - ⊕FDC-3507-A	1	MB	54
FDD 3507-B	Clamp (steering column)-1-35/64" I. D.	1	MC	55
	358478-S8 Bolt (carriage)-7/16"-20 x 2"	1	MB, MC	54-55
	34808-S8 Lockwasher-7/16"	1	MB, MC	54-55
	353388-S8 Nut (hex)-7/16"-20	1	MB, MC	54-55
◇FDC 3509-AP	Flange & bearing assy (strg. column tube)-in Prime	1	MB	54
△FDC 3509-BP	Flange & bearing assy (strg. column tube)-in Prime	1	MB	54
FDK 3509-A	Flange & bearing assy (strg. column tube)-Chrome plated	1	MC	55
	8M-3641-B Bolt (steering column tube flange) -1/4"-28 x 3/4"	2	MB, MC	54-55
	34805-S8 Lockwasher (ext. tooth)-1/4"	2	MB, MC	54-55
	33921-S13 Nut (hex)-1/4"-28	2	MB, MC	54-55
B5S 3512-A	Grommet (steering column to dash)-⊕BD-3512-A	1	MC	55
BR 3513-A	Seal (steering column opening)-Rubber-with 1-7/8" dia. hole	1	MB	54
BV 3513-A	Seal (steering column opening)	1	MC	55
◇FAA 3514-CP	Tube assy (steering column)-15-7/8" from top of tube to lower end of wiring slot	1	MB	54
△FAA 3514-DP	Tube assy (steering column)-36-13/16" o/all length	1	MB	54
FDK 3514-AP	Tube assy (steering column)-35-1/8" overall length clevis opening 9/16"	1	MC	55
△FDK 3514-BP	Tube assy (steering column)-35-1/8" overall length clevis opening-1-7/32"-also used with Power Steering	1	MC	55
	FDC-33516-A Cover assy (steering column)	1	MB	54
	FDC-33519-A Plate (steering column cover)	1	MB	54
	353614-S8 Screw (pan-hd)-No. 6-32 x 7/8"-cover to flange assy	1	MB	54

♣ Use with Power Steering-Refer to Power Steering Group

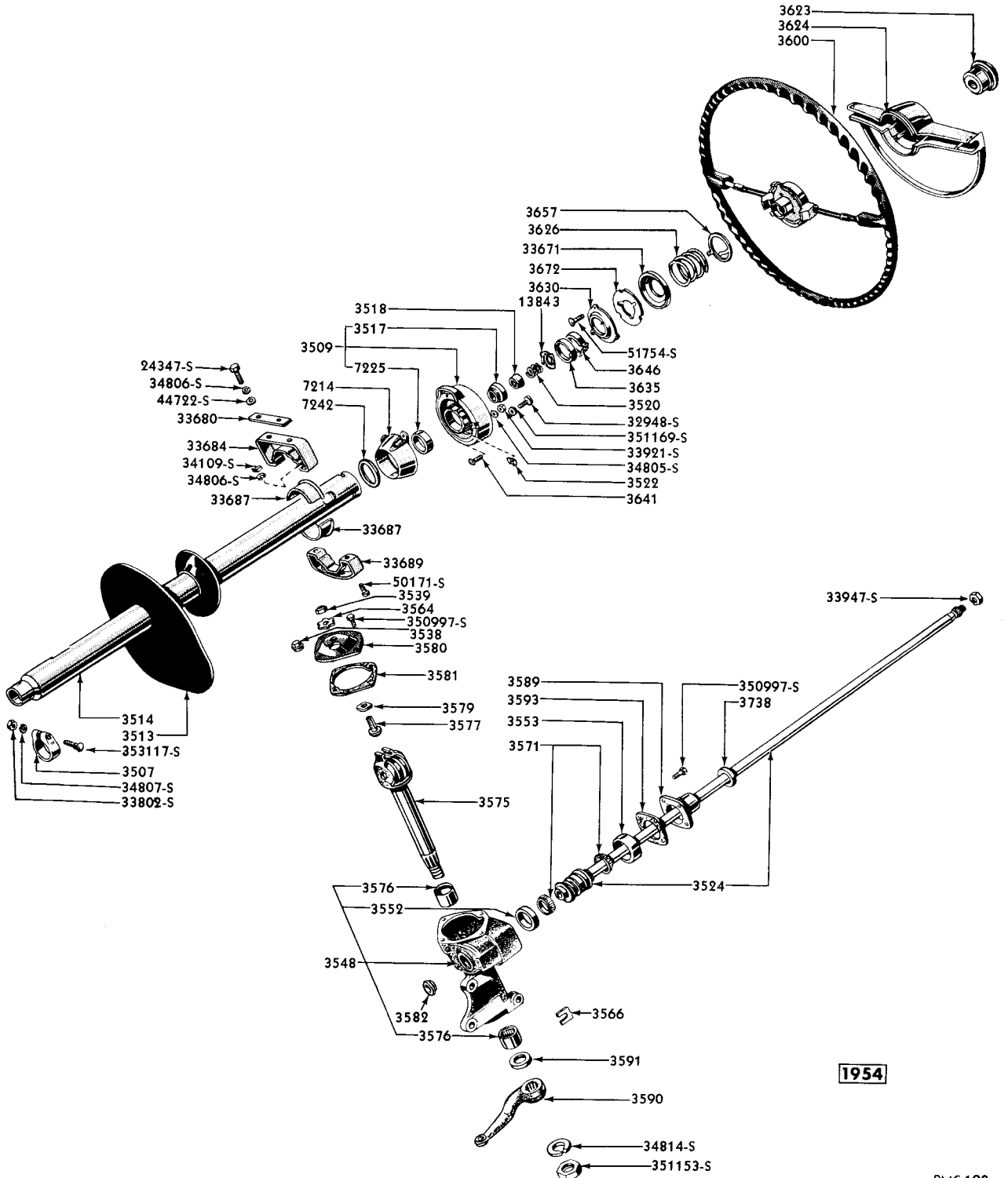
△ Use with Merc-O-Matic Transmission

◇ Not used with Merc-O-Matic Transmission

MERCURY

CHASSIS PARTS CATALOGUE

Steering Gear—Continued



1954

STEERING GEAR ASSEMBLY AND RELATED PARTS

Basic numbers only shown on illustration. Order by Part Numbers shown in list of parts.

MERCURY

CHASSIS PARTS CATALOGUE

Steering Gear—Continued

PART NUMBER	PART NAME	NO. REQ'D	MODEL	YEAR 19__
21A 3517	Bearing assy (strg. column)-1.442"/1.445" O. D. with 22 balls	1	MB, MC	54-55
8M 3518	Sleeve (steering column bearing)-upper-tapered- with 3/32" width slot	1	MB, MC	54-55
8M 3520	Spring (steering column bearing)-upper-25/32" I. D. x 29/32" overall free length	1	MB, MC	54-55
OM 3522-AP	Plate (steering column tube flange cover)-11/16" long-in Prime	1	MB	54
	32948-S2 Screw (pan head self tapping)- No. 8-15 x 1"	1	MB	54
	351169-S Washer (countersunk)-13/64" I. D. x 9/16" O. D.	1	MB	54
MB 3524-A	Shaft and worm assy (steering gear)-43" approx. overall length	1	MB	54
MC 3524-A	Shaft and worm assy (steering gear)	1	MC <i>Use A-D-A</i>	55
	33947-S2 Nut (hex)-5/8"-18	1	MB, MC	54-55
AD 3538-A	Plug (steering gear oil filler)-5/8"-24 x 39/64"	1	MB, MC	54-55
B6A 3538-A	Vent assy (steering gear oil filler)-AF-3556-A -used on models prior to 1-3-56	1	MC	55
78 3539-A	Locknut assy (steering thrust screw)-1/2"-20 x 3/4" -used on models prior to 1-3-56	1	MB, MC	54-55
	LA-33547-A "O" Ring-3/4" I. D. -used as Air Conditioner compressor oil level indicator glass "O" ring	1	MC	55
MB 3548-A	Housing assembly (steering gear)-used with two tooth roller steering gear	1	MB, MC	54-55
B 3552	Cup (steering gear worm bearing)-lower-3/8" wide x 1-3/4" O. D. -used on models prior to 1-3-56	1	MB, MC	54-55
8A 3553	Cup (steering gear worm bearing)-upper-3/4" wide x 1-15/16" O. D. -used on models prior to 1-3-56	1	MB, MC	54-55
EBY 3562-A	Bracket (power steering pump support)-also serviced in 33304 Kit	1	MB, MC	54-55
78 3564	Washer (steering thrust screw lock)-6 pointed with lettering "This Side Up"-used on models prior to 1-3-56	1	MB, MC	54-55
MA 3566-A	Spacer (steering gear housing to frame)-.030" thick	as reqd	MB, MC	54-55
MA 3566-B	Spacer (steering gear housing to frame)-.010" thick	as reqd	MB, MC	54-55
68 3571-A	Roller assy (steering gear worm bearing)	2	MB, MC	54-55
AD 3575-A	Shaft assembly (steering gear sector)-used with two tooth roller steering gear	1	MB, MC	54-55
68 3576	Bearing (steering worm sector)-1-3/8" O. D. x 1-1/8" I. D. -used with two tooth roller steering gear	2	MB, MC	54-55

• Used with Power Steering—Refer to Power Steering Group

MERCURY

CHASSIS PARTS CATALOGUE

Steering Gear—Continued

PART NUMBER	PART NAME	NO. REQ'D	MODEL	YEAR 19__
78 3577	Screw (steering sector shaft thrust)-1/2"-20 x 1-1/4" overall length	1	MB, MC	54-55
78 3579	Washer (steering sector shaft thrust)-used with two tooth roller steering gear	1	MB, MC	54-55
AD 3580-A	Cover (steering gear housing)-used with two tooth roller steering gear	1	MB, MC	54-55
	350997-S Screw (special hex head)-5/16"-18 x 9/16"-cover to hsg.	4	MB, MC	54-55
AB 3581-A	Gasket (steering gear housing cover)	1	MB, MC	54-55
8M 3582	Plug (steering gear worm cover)	1	MB, MC	54-55
MC 3589-A	Cap (steering gear housing)-upper	1	MB, MC	54-55
	350997-S Screw (special hex-hd)-5/16"-18 x 9/16"-steering housing upper to steering gear	4	MB, MC	54-55
AD 3590-B	Arm (steering pitman)	1	MB, MC	54-55
	34814-S Lockwasher-7/8"	1	MB, MC	54-55
	351059-S8 Nut (slotted) 1/2"-20	1	MC	55
	351153-S Nut (hex slotted)-7/8"-14 to steering gear sector draft	1	MB, MC	54-55
	72035-S Pin-1/8" x 1"	1	MC	55
8A 3591-A	Seal assy (steering gear housing)-oil-used with two tooth roller steering gear	1	MB, MC	54-55
B 3593-A	Gasket (steering gear housing cap)-upper-.002"-.003" thick	as reqd	MB, MC	54-55
B 3593-C	Gasket (steering gear housing cap)-upper-.010"-.012" thick	as reqd	MB, MC	54-55
FAA 3600-C	Wheel assy (steering)-Platinum Metallic-3 spokes-Special Equipment-less horn ring	1	MB	54
FDC 3600-AA	Wheel assy (steering)-Black	1	MB60E, 70B, 73B	54
FDC 3600-AB	Wheel assy (steering)-Tan	1	MB60B, 60F, 73C, 76, 79	54
FDK 3600-C	Wheel assy (steering)-Chrome-also serviced in 18373 Kit-White	1	MC	55
FDK 3600-BC	Wheel assy (steering)-Siren Red	1	MC58A, 60B, 64A, 64B, 73C, 76B, 79B&79C	55
FDK 3600-BD	Wheel assy (steering)-Black	1	MC except 79 & 60E	55
FDK 3600-BE	Wheel assy (steering)-Medium Green	1	MC58A, 64A, 64B, 76B & 79C	55
FDK 3600-BF	Wheel assy (steering)-Medium Blue Metallic	1	MC64A, 64B & 76B	55
FDK 3600-BH	Wheel assy (steering)-Gulf Stream Blue Metallic	1	MC60, 70, 73 & 79	55
FDK 3600-BJ	Wheel assy (steering)-Forester Green Metallic	1	MC60 & 73C	55
FDK 3600-BK	Wheel assy (steering)-Canyon Cordovan Metallic	1	MC60B-70B & 73	55
FDK 3600-BL	Wheel assy (steering)-Seal Isle Green	1	MC60B, 73B & 79C	55
FDK 3600-BM	Wheel assy (steering)-Tropic Blue	1	MC60B & 73C	55
B3A 3610-A	Kit (control valve orifice)-consists of the following (1)LA-33612-A Spring (1)LA-33615-B Plate	1	MB, MC	54-55
	33947-S2 Nut (hex)-5/8" steering wheel to shaft & worm assy	1	MC	55

MERCURY

CHASSIS PARTS CATALOGUE

Steering Gear—Continued

PART NUMBER	PART NAME	NO. REQ'D	MODEL	YEAR
				19__
FDC 3623-A	Cap and emblem assy (steering wheel hub)-flat shaped emblem-with White Mercury head	1	MB	54
FDC 3623-B	Cap and emblem assy (steering wheel hub)-flat shaped emblem-Special Equipment-Red with Chrome letter "M"	1	MB	54
FDC 3623-C	Cap and emblem assy (steering wheel hub)-flat shaped emblem with White Mercury head	1	MB	54
FDK 3623-D	Cap and emblem assy (steering wheel hub)-Red background on emblem	1	MC60, 70B, 73 & 79	55
FDK-3623-F	Cap and emblem assy (steering wheel hub)-Power Steering imprinted in Chrome on emblem	1	MC	55
FDK 3623-G	Cap and emblem assy (steering wheel hub)-Power Equipment-concave emblem-also serviced in 18373 Kit	1	MC64 & 76	55
FAA 3624-D	Ring (horn)-Special Equipment-3 spokes	1	MB	54
FDC 3624-A	Ring (horn blowing)-Chrome-2 spokes	1	MB	54
FDK 3624-C	Ring (horn blowing)	1	MC60, 70B, 73 & 79	55
FDK 3624-D	Ring (horn blowing)	1	MC64 & 76	55
FDK 3624-E	Ring (horn blowing)-Special Equipment-also serviced in 18373 Kit	1	MC	55
FAB 3626-A	Spring (horn blowing ring)	1	MC	55
FAB 3626-D	Spring (horn blowing ring)-Special Equipment-1/8" wire size	1	MB	54
FDC 3626-A	Spring (horn blowing ring)-1-9/32" free length-9/64" wire size	1	MB	54
FAA 3630-B	Plate (horn ring contact)-Special Equipment-3-15/64" O. D. x 13/32" thick	1	MB	54
FAD 3630-A	Plate (horn blowing ring contact)	1	MC	55
FDC 3630-A	Plate (horn blowing ring contact)-1-29/64" I. D. x 2-5/8" O. D.	1	MB	54
	51754-S8 Screw (pan hd)-No. 6-32 x 3/8" -contact plate to horn ring	3	MB, MC	54-55
8M 3635	Insulator (horn wire terminal)-Fibre	1	MB	54
FDK 3635-B	Insulator (horn wire terminal)	1	MC	55
8M 3641-B	Bolt (steering column tube flange)-1/4"-28 x 3/4"	2	MB, MC	54-55
	34805-S8 Lockwasher-1/4"	2	MB, MC	54-55
	33921-S13 Nut (hex)-1/4"-28-to attach flange bolt to steering column tube	2	MB, MC	54-55
8M 3646	Support (horn button wire contact)	1	MB	54
FDK 3646-A	Support (horn button wire contact)	1	MC	55
	34901-S7 Lockwasher (internal tooth)-No. 6	1	MB, MC	54-55
	33181-S7 Screw (pan head self tapping)-No. 6-20 x 1/2"	1	MB, MC	54-55
FDC 3657-A	Retainer (steering wheel hub cap)-2-1/8" O. D.	1	MB	54
FDK 3657-B	Retainer (steering wheel hub cap)	1	MC	55
FDC 3672-A	Pad (horn blowing ring shock)-2-11/16" O. D.	1	MB	54
FDK 3672-A	Pad (horn blowing ring shock)-also serviced in 18373 Kit	1	MC	55
	FAB-33671-A Plate (horn blowing ring shock pad retainer)-3-15/64" O. D. x 1-3/16" I. D.-special equipment	1	MB	54

MERCURY

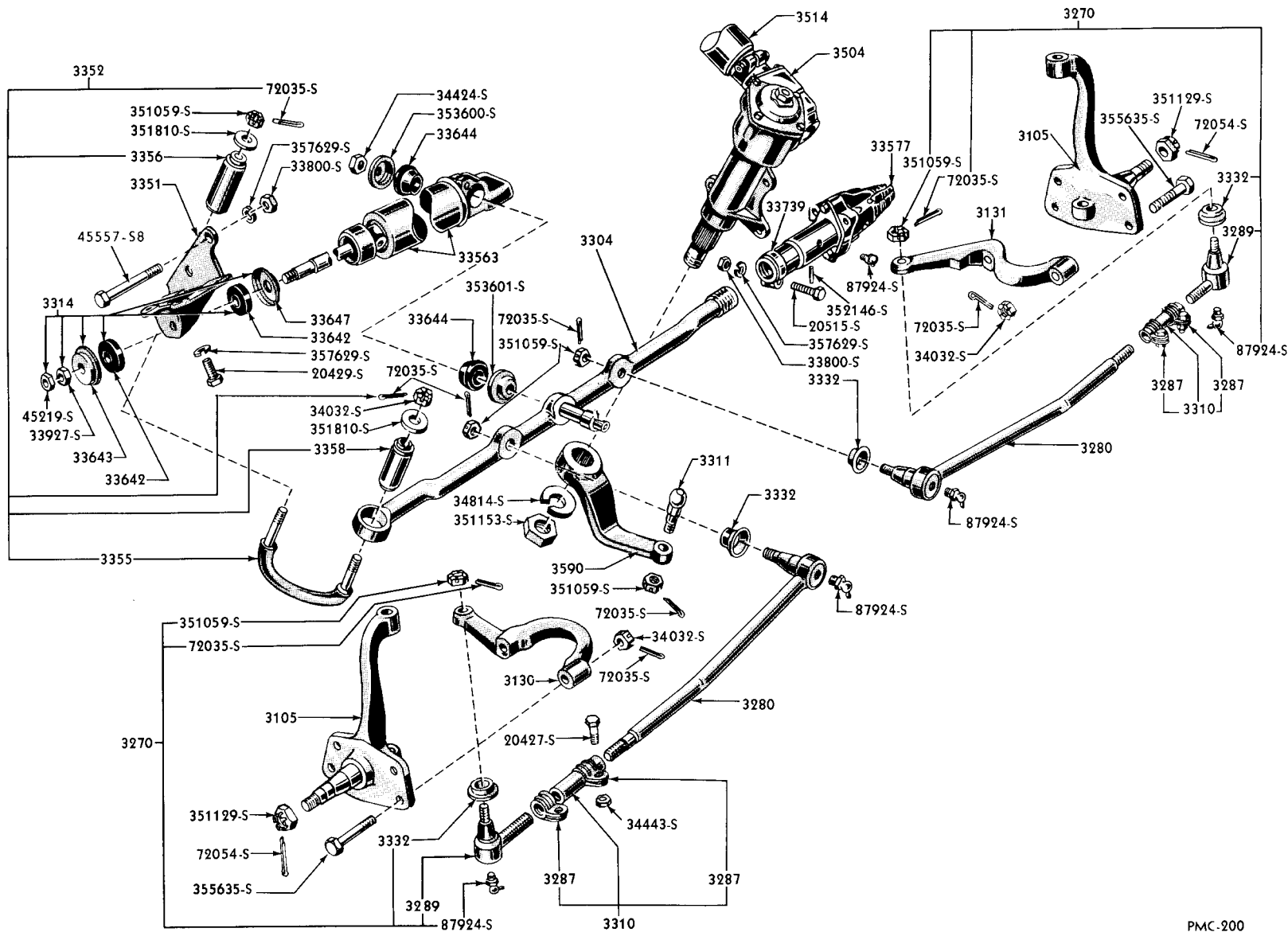
CHASSIS PARTS CATALOGUE

Steering Gear—Continued

PART NUMBER	C L I P S	PART NAME	NO. REQ'D	MODEL	YEAR 19__
		FAC-33671-A Plate (horn blowing ring shock pad retainer)	1	MC	55
		FDC-33671-A Plate (horn blowing ring shock pad retainer)-1-5/32" I. D. x 2-7/8" O. D.	1	MB	54
		33947-S2 Nut (hex-hd)-5/8"-18	1	MC	55
		50501-S8 Screw (pan head)-No. 6-32 x 1/4"-attach plate to steering wheel	3	MB, MC	54-55
FDK 3678-AP		Bracket (steering column)	1	MC60, 70B, 73 & 79	55
FDK 3678-BP		Bracket (steering column)	1	MC58A, 64 & 76	55
		FAA-33680-A Anti-squeak (steering column saddle)-Fibre-3/4" long x 1" wide	1	MB	54
		FDK-33680-A Anti-squeak (steering column saddle)	1	MC	55
		FDC-33684-AP Bracket & tapping plate assy (steering column)-upper-less insulator	1	MB	54
		24347-S8 Bolt (hex-hd)-5/16"-24 x 3/4"-brkt. to brake pedal support	2	MB, MC	54-55
		34806-S7 Lockwasher-5/16"	2	MB, MC	54-55
		44722-S8 Washer (flat)-5/16"	2	MB, MC	54-55
		FAA-33687-B Insulator (steering column bracket)-Rubber-used with FDC-33684-AP & FAA-33689-BP	2	MB	54
		FAA-33689-BP Clamp (strg. column brkt.)-lower-less insulator	1	MB	54
		FDK-33689-AP Clamp (steering column bracket)	1	MC	55
		50171-S8 Bolt (fillister hd)-5/16"-24 x 3/4"	2	MB, MC	54-55
		34806-S7 Lockwasher-5/16"	2	MB, MC	54-55
		34109-S7 Nut (square)-5/16"-24	2	MB, MC	54-55
BC 3685-A		Key (ignition & door lock)-blank-21/2" o/all length	2	MB, MC	54-55
BC 3687-B		Lock set (primary)-consists of ignition lock cyl. with keys & door lock cylinder	1	MB except 79	54
BC 3687-C		Lock set (primary & secondary)-consists of ignition lock cyl. with keys, door lock cyl., glove compt. lock, rear lift gate lock & door lever assy	1	MB79	54
BV 3687-A		Lock set (ignition & door)	1	MC except 79	55
BV 3687-B		Lock set (ignition & door)	1	MC79	55
BC 3689-B		Lock set (secondary)-consists of glove compt. lock assy with keys & rear deck lock cylinder	1	MB except 79	54
BV 3689-A		Lock set (luggage & glove compartment door)	1	MC except 79	55
21A 3738-A		Seal (steering gear)-Felt	1	MB, MC	54-55

Power Steering

MERCURY



PMC-200

POWER STEERING LINKAGE ASSEMBLY

Basic numbers only shown on illustration. Order by Part Numbers shown in list of parts.

MERCURY

CHASSIS PARTS CATALOGUE

Power Steering—Continued

PART NUMBER	QTY	PART NAME	NO. REQ'D	MODEL	YEAR 19____
NS MB-3232-D		Connecting link & bracket assy (power steering)-serviced in 33304 Kit	1	MB, MC	54-55
		MB-3304-A Link assy (steering connecting)	1	MB, MC	54-55
NS AB-3311-C		Stud (spring loaded cross link)- 2-13/32" long-serviced in 3312 Kit	1	MB, MC	54-55
		MDK-3312-C Kit (control valve ball stud repair)-consists of the following (1) AB-3311-C Stud (2) LA-3320-A Seat (1) B2A-3326-A Bumper (1) AC-33711-A Spring (1) AC-33713-A Shield	1	MB, MC	54-55
		B4A-3313-A Kit (power steering cylinder end mounting bushing)-also serviced in 33304 Kit-consists of the following (2) AB-33644-B Bushing (1) 34424-S7 Locknut (1) 353600-S8 Washer (1) 353601-S8 Washer	1	MB, MC	54-55
		B3A-3314-A Kit (power steering piston rod end bushing)-also serviced in 33304 Kit-consists of the following (2) AB-33642-B Insulator (1) AB-33643-B Washer (1) AB-33647-B Washer (1) 33927-S7 Nut (1) 42519-S Locknut	1	MB, MC	54-55
		B3A-3315-A Kit (power steering cylinder seal) -consists of the following (1) AC-33656-A Seal (1) AC-33658-A Seal (1) AC-33659-A Scraper (1) 353650-S Ret. ring	1	MB, MC	54-55
		B5A-3315-A Kit (power steering cylinder seal) -for B5A-33563-A cylinder- consists of the following (1) AF-33656-A Seal (1) AF-33658-A Seal (1) AF-33659-A Scraper (1) AF-33738-A Bushing (1) 353650-S Snap Ring	1	MB, MC	54-55
		B3A-3316-A Kit (power steering control valve) -consists of the following (1) AC-33697-A Seal (1) AC-33703-A Seal (1) AC-33706-A Bushing (1) AC-33709-A Bushing	1	MB, MC	54-55
		B5A-3316-A Kit (power steering control valve repair)-for B5A-33577-A valve-consists of the following (1) AC-33697-A Packing (1) AF-33703-A Packing (1) AF-33706-A Bushing (1) AF-33709-A Bushing	1	MB, MC	54-55

MERCURY

CHASSIS PARTS CATALOGUE

Power Steering—Continued

PART NUMBER	CLASS	PART NAME	NO. REQ'D	MODEL	YEAR 19__
		B3A-3317-A Kit (control valve centering spring repair)-consists of the following (1) AC-33704-A Spring (1) AC-33707-A Spacer (1) AC-33712-A Adapter (1) 353618-S Locknut (1) 353622-S100 Washer (2) 353623-S100 Washer	1	MB, MC	54-55
	NS	LA-3320-A Seat (steering connecting link extension ball stud)-serviced in 3312 Kit	2	MB, MC	54-55
	NS	B2A-3326-A Bumper (steering connecting link ball stud seat)-serviced in 3312 Kit-⊕AB-33327-A	1	MB, MC	54-55
		B2A-3332-A Seal (stud spring loaded cross link)-⊕AB-33332-B	1	MC	55
		MB-3351-A Bracket (steering idler arm mtg.)	1	MB, MC	54-55
		20429-S8 Bolt (hex)-3/8"-24 x 1-1/4"-	2	MB, MC	54-55
		45557-S8 Bolt (hex)-3/8"-24 x 3-3/4"- bracket to frame	2	MB, MC	54-55
		357629-S7 Lockwasher-3/8"	4	MB, MC	54-55
		33800-S8 Nut (hex)-3/8"-24	2	MB, MC	54-55
		351633-S8 Nut (rivet type)-3/8"-24 bracket to frame	2	MB, MC	54-55
		MEK-3352-B Kit (steering idler arm and bushing)-consists of the following (1) MB-3355-B Arm (1) MA-3356-B Bushing (1) MA-3358-A Bushing (2) 72035-S7 C/Pin	1	MB	54
		MFK-3352-A Kit (steering idler arm and bushing)-consists of the following (1) MB-3355-C Arm (1) MA-3356-B Bushing (1) MA-3358-A Bushing (2) 72035-S7 C/Pin	1	MC	55
	NS	MB-3355-B Arm (steering idler)-serviced in 3352 Kit	1	MB	54
	NS	MB-3355-C Arm (steering idler)-serviced in 3352 Kit	1	MB, MC	54-55
		72035-S7 Cotter pin-1/8" x 1"	2	MB, MC	54-55
		351059-S Nut (slotted)-1/2"-20-idler arm to bracket and link	2	MB, MC	54-55
		351810-S8 Washer (flat)-1/2" I. D. x 1-1/4" O. D. -idler arm to bushing and bracket	2	MB, MC	54-55
	NS	MA-3356-B Bushing assy (steering idler arm) -upper-2-5/16" long-serviced in 3352 Kit	1	MB, MC	54-55
	NS	MA-3358-A Bushing assy (steering idler arm) -lower-1-3/4" long-serviced in 3352 Kit	1	MB, MC	54-55

MERCURY

CHASSIS PARTS CATALOGUE

Power Steering—Continued

PART NUMBER	PART NAME	NO. REQ'D	MODEL	YEAR 19__
FDK-3514-BP	Tube assy (steering column)- 35-1/8" overall length-clevis opening 1-7/32"	1	MC	55
EBY-3562-A	Bracket (power steering pump support)-also serviced in 33304 Kit	1	MB, MC	54-55
20428-S8	Bolt (hex-hd)-3/8"-16 x 1-1/4"- bracket to manifold	1	MB, MC	54-55
B3A-3610-A (1) LA-33612-A	Kit (control valve orifice)- consists of the following Spring (1) LA-33615-B Plate	1	MB, MC	54-55
B4A-6312-A	Pulley-⊕EBY-66319-A-also serviced in 33304 Kit	1	MB	54
B5A-6312-E	Pulley assy (crankcase)- ⊕ECG-66319-A-also serviced in 33304 Kit	1	MC	55
20108-S8	Bolt (hex-hd)-3/8"-16 x 1-1/8"- -pulley to dampener	2	MB, MC	54-55
21063-S8	Bolt (hex-hd)-9/16"-18 x 2"- pulley to dampener	1	MB, MC	54-55
EAD-6570-C	Seal-seat between bolt and cover assy	1	MB, MC	54-55
7RA-10094-A	Bearing assy (power steering pump rotor shaft)	1	MB, MC	54-55
MEK-33304-C	Kit (power steering)-consists of the following (1) MB-3232-D Bracket (1) B4A-3313-A Kit (1) B3A-3314-A Kit (1) EBY-3562-A Bracket (1) B4A-6312-A Pulley (1) AE-33529-A Pump (1) LA-33550-A Insulator (1) LA-33552-A Retainer (1) EBY-33558-B Belt (1) EBY-33559-A Support (1) B5A-33563-A Cylinder (1) B5A-33577-A Valve (1) B5A-33588-A Hose (1) MC-33589-A Hose (1) B5A-33636-A Hose (1) B5A-33637-A Hose (1) MB-33646-A Bracket (1) 20408-S7 Bolt (1) 20428-S8 Bolt (2) 20429-S8 Bolt (1) 20488-S8 Bolt (1) 20514-S7 Bolt (1) 21063-S8 Bolt (1) 33799-S7 Nut (2) 33800-S8 Nut (4) 34807-S8 L/Wshr. (1) 34850-S7 L/Wshr. (3) 39883-S7 Screw (3)*41183-S8 Screw (2) 45557-S8 Bolt (1) 45592-S Bolt (4) 72035-S7 C/Pin (1) 351059-S8 Bolt (1) 351385-S8 Washer (2) 351633-S8 Rivet Nut (3) 351789-S8 Washer (1) 352146-S Pin (1) 353680-S8 Conn. (1) 352981-S Washer (4) 357629-S7 L/Wshr. (2) 353681-S8 Washer	1	MB	54

* Alternate Parts

MERCURY

CHASSIS PARTS CATALOGUE

Power Steering—Continued

PART NUMBER	PART NAME	NO. REQ'D	MODEL	YEAR 19__
	MFK-33304-C Kit (power steering)-consists of the following (1)B5A-2344-A Clamp (1) MB-3232-D Conn. (1)B4A-3313-A Kit (1)B3A-3314-A Kit (1)EBY-3562-A Bracket (1)B5A-6312-E Pulley (1) MC-33529-D Pump (1) MC-33550-A Insulator (1) LA-33552-A Retainer(1)B5A-33558-B Belt (1)EBY-33559-A Support (1)B5A-33563-B Cylinder (1)B5A-33577-A Valve (1) MC-33588-B Hose (1) MC-33589-B Hose (1)B5A-33636-A Hose (1)B5A-33637-A Hose (1) MB-33646-A Bracket (2) 20408-S7 Bolt (1) 20428-S8 Bolt (2) 20429-S8 Bolt (1) 20488-S8 Bolt (1) 20514-S7 Bolt (1) 21063-S8 Bolt (1) 33799-S7 Nut (2) 33800-S8 Nut (4) 34807-S8 L/Wshr.(1) 34850-S7 L/Wshr. (4) 40143-S8 Screw (2) 45557-S8 Bolt (1) 45592-S8 Bolt (4) 72035-S7 C/Pin (2) 351633-S8 Rivet Nut(1) 352146-S8 Pin (1) 352981-S L/Wshr.(1) 351325-S8 Washer (1) 357629-S7 Washer (1) 354126-S8 Bolt	1	MC	55
NS	AE-33529-A Pump, reservoir & pulley assy-serviced in 33304 Kit	1	MB	54
NS	MC-33529-D Pump reservoir & pulley assy-serviced in 33304 Kit	1	MC	55
	AE-33532-A Body(power steering oil reservoir)-5" O.D. dia.	1	MB, MC	54-55
	*LA-33532-A Body (power steering oil reservoir)-6-1/8" O.D. dia.	1	MB	54
	42846-S8 Screw and washer assy (hex hd)-5/16"-18 x 7/8"-body to pump	2	MB, MC	54-55
	*LA-33533-A Cover assy (power steering oil reservoir) **	1	MB	54
	B5A-33533-A Cover assy (power steering oil reservoir)-@AG-33533-A	1	MB, MC	54-55
	353767-S8 Bolt (hex-hd)-5/16"-18 x 2-1/2"-cover to body	1	MB, MC	54-55
	353766-S Nut (spring)-5/16"-to retain cover, spring and element	1	MB, MC	54-55
	44724-S8 Washer (flat)-5/16"-cover to body	1	MB, MC	54-55

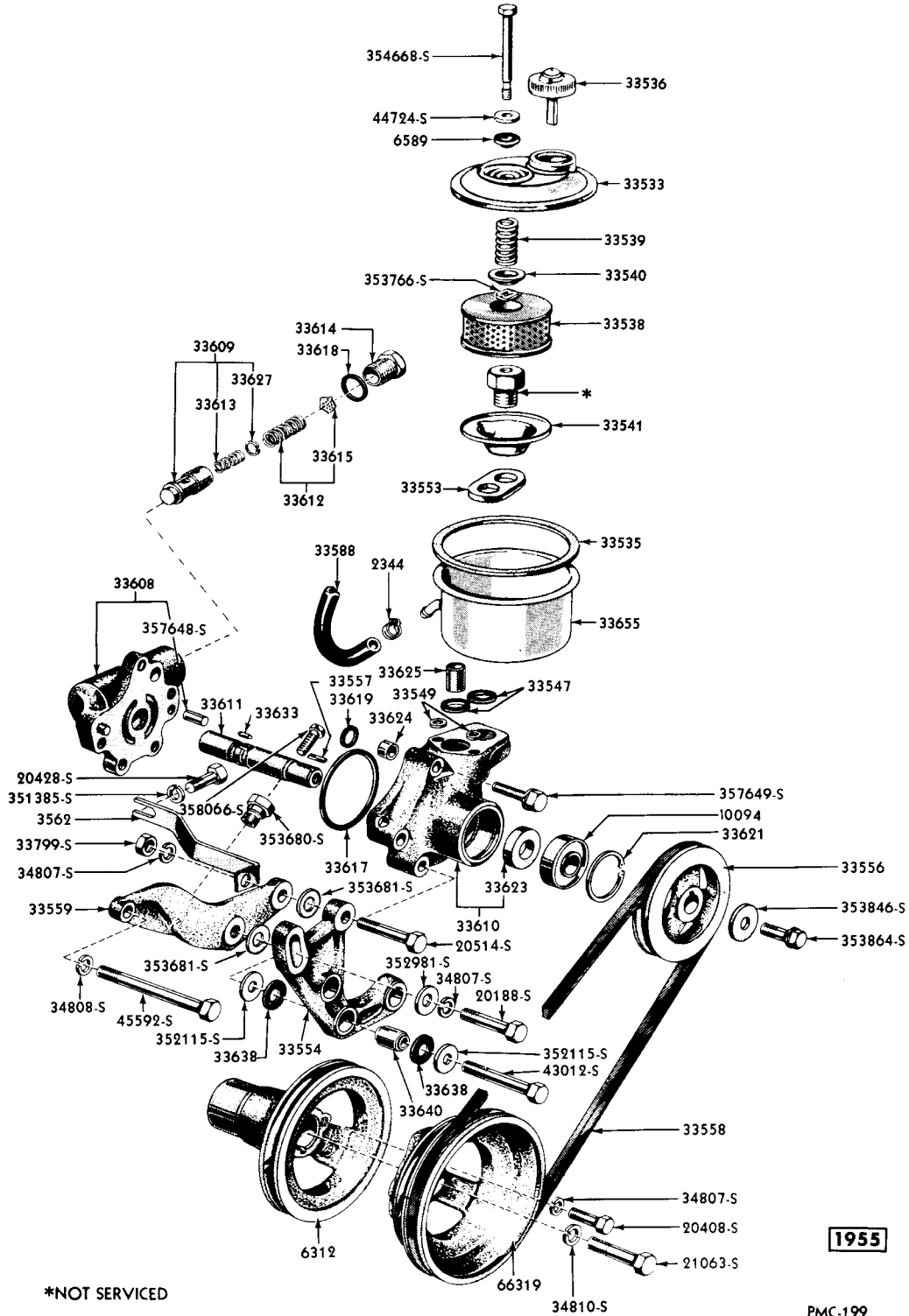
** Use with LA-33532-A Body Only

* Used on Approx. 7000 1954 Mercury Jobs

MERCURY

CHASSIS PARTS CATALOGUE

Power Steering—Continued



*NOT SERVICED

1955

PMC-199

POWER STEERING PUMP AND RESERVOIR

Basic numbers only shown on illustration. Order by Part Numbers shown in list of parts.

MERCURY

CHASSIS PARTS CATALOGUE

Power Steering—Continued

PART NUMBER	PART NAME	NO. REQ'D	MODEL	YEAR 19__
*LA-33535-A	Gasket (power steering oil reservoir cover) **	1	MB	54
AE-33535-A	Gasket (power steering oil reservoir cover)-6-3/64" I. D. x 6-1/2" O. D. x 3/32" thick	1	MB, MC	54-55
*LA-33536-A	Cap assy (power steering oil reservoir filter) **	1	MB	54
B5A-33536-A	Cap assy (power steering oil reservoir filler)-⊕AG-33536-A	1	MB, MC	54-55
*LA-33538-A	Element assy (power steering oil reservoir filter) **	1	MB	54
AE-33538-A	Element assy (power steering oil reservoir filter)	1	MB, MC	54-55
*LA-33539-A	Spring (power steering oil reservoir filter element retaining) **	1	MB	54
AE-33539-A	Spring (power steering oil reservoir filter element retaining)-1-23/32" approx. free length	1	MB, MC	54-55
*LA-33540-A	Seat (power steering oil reservoir filter element retaining spring) **	1	MB	54
AE-33540-A	Seat (power steering oil reservoir filter element retaining spring)-1-3/8" O. D.	1	MB, MC	54-55
*LA-33541-A	Support (power steering oil reservoir filter element) **	1	MB	54
B5A-33541-A	Support (power steering oil reservoir filter element)-⊕AG-33541-A-used with reservoir assy with extended tube	1	MC	55
*LA-33542-A	Body (power steering oil reservoir inlet orifice) **	1	MB	54
AE-33542-A	Body (power steering oil reservoir inlet orifice)	1	MB, MC	54-55
◇LA-33547-A	Ring (power steering oil reservoir orifice)-"O"-3/4" I. D. -also serviced in HDK-33547-A Kit -also used for compressor oil indicator glass	2	MB, MC	54-55

** Use with LA-33532-A Body Only

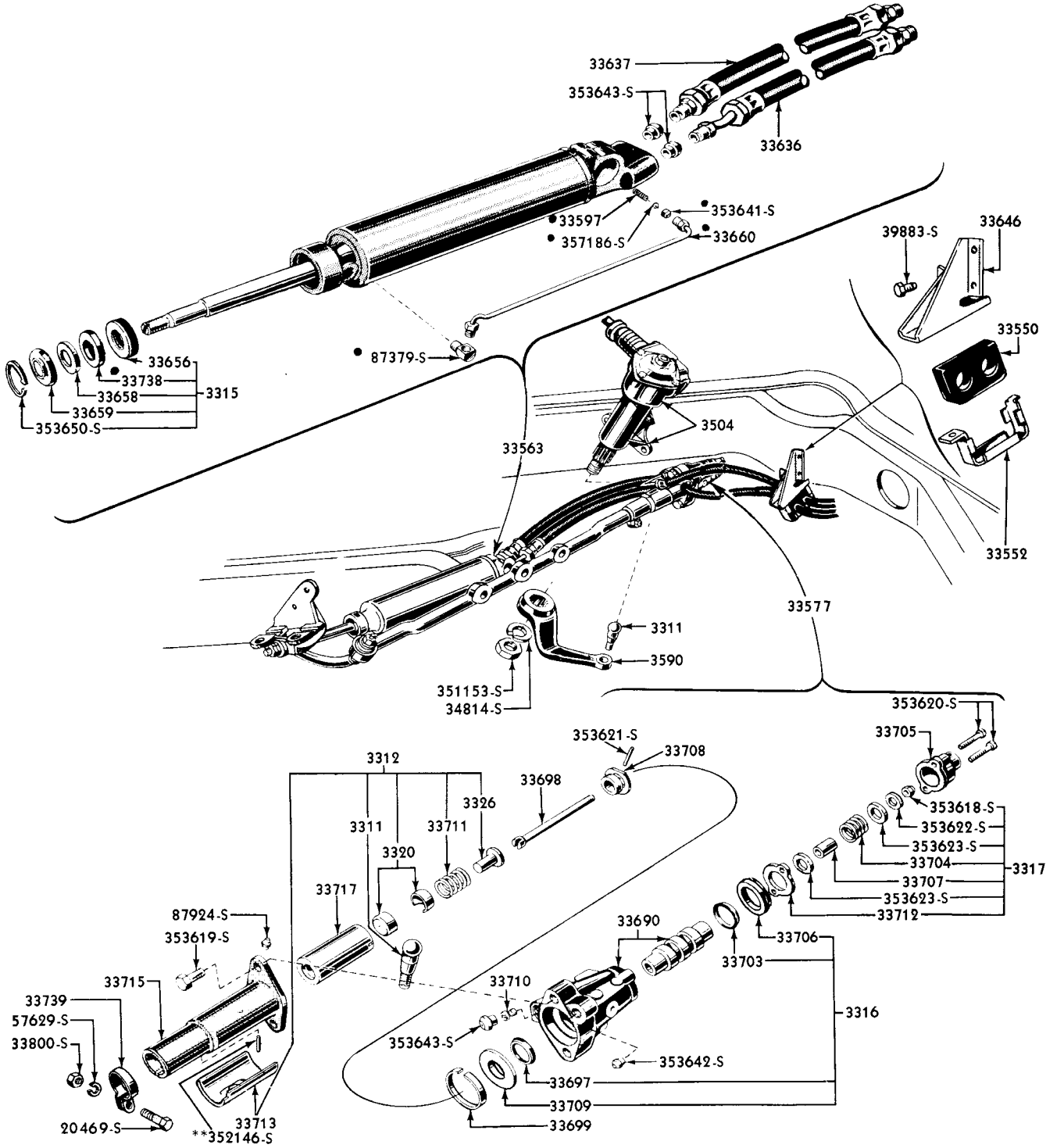
* Used on Approx. 7000 1954 Mercury Jobs

◇ Used with Air Conditioning

MERCURY

CHASSIS PARTS CATALOGUE

Power Steering—Continued



**NOT INCLUDED IN 3.5.47 ASSEMBLY
 • USED WITH AB-33536-B CYLINDER ASSEMBLY

POWER STEERING VALVE AND CYLINDER ASSEMBLY

Basic numbers only shown on illustration. Order by Part Numbers shown in list of parts.

MERCURY

CHASSIS PARTS CATALOGUE

Power Steering—Continued

PART NUMBER	CLASS	PART NAME	NO. REQ'D	MODEL	YEAR 19____
B5A-33547-A		"O" Ring (power steering oil reservoir orifice)-53/64" I. D.-used with reservoir assy with extended tube-⊕AG-33547-A	1	MC	55
HDK-33547-A		Kit (ring & gasket pump overhaul) -consists of the following (2) LA-33547-A Ring (2) LA-33549-A Ring (1) LA-33617-A Gasket (1) LA-33618-A Ring (1) LA-33619-A Ring (3) 351789-S Washer	1	MB, MC	54-55
HDK-33547-B		Kit (ring & gasket pump overhaul) -consists of the following (2) LA-33547-A Ring (2) B5A-33547-A Prior to 2/1/55 After 2/1/55 (2) LA-33549-A Ring (1) LA-33617-A Gasket (1) LA-33618-A Ring (1) LA-33619-A Ring (3) 351789-S Washer	1	MC	55
LA-33549-A		Ring (power steering oil reservoir orifice reinforcement screw)-"O"-5/16" I. D. -also serviced in 33547 Kit	2	MB, MC	54-55
LA-33550-A		Insulator (power steering hose)-2-7/8" long-also serviced in 33304 Kit -used with power steering pumps prior to tube change	1	MB	54
MC-33550-A		Insulator (power steering hose)-used with reservoir assy with extended tube-also serviced in 33304 Kit	1	MC	55
LA-33552-A		Retainer (power steering hose insulator)-also serviced in 33304 Kit	1	MB, MC	54-55
39883-S7		Screw (hex washer hd)-5/16"-18x1/2"-retainer to bracket	1	MB, MC	54-55
LA-33553-A		Reinforcement (power steering oil reservoir orifice)-with (2) 25/32" dia. holes	1	MB, MC	54-55
LE-33553-A		Reinforcement (power steering oil reservoir orifice)-used with LE-33607-C pump assy	1	MC	55
B5A-33553-A		Reinforcement (power steering oil reservoir orifice)-with 2 holes (1) round (1) square used with reservoir assy with extended tube-⊕AF-33553-A	1	MC	55

MERCURY

CHASSIS PARTS CATALOGUE

Power Steering—Continued

PART NUMBER	PART NAME	NO. REQ'D	MODEL	YEAR 19__
EBY-33554-A	Bracket (power steering pump adjusting)-used with pump assy that does not have extended tube from reservoir	1	MB, MC	54-55
B5A-33554-A	Bracket (power steering pump adjusting)-used with pump assy which has extended tube from reservoir	2	MC	55
20488-S	Bolt (hex head)-3/8"-16 x 1-5/8"-adj. bracket to pump support	1	MB, MC	54-55
20514-S7	Bolt (hex hd)-3/8"-16 x 1-7/8"-bracket to manifold support to pump support -bracket to pump	1	MB, MC	54-55
43012-S8	Bolt (hex-hd)-3/8"-16 x 2-3/4"	3	MB, MC	54-55
34807-S8	Lockwasher-3/8"-bracket to support bracket	3	MB, MC	54-55
33799-S7	Nut (hex)-3/8"-16-bracket to manifold support to pump support	1	MB, MC	54-55
352981-S	Washer (flat)-3/8"-bracket to pump support	1	MB, MC	54-55
356326-S8	Washer (flat)-25/64" x 1-1/8" x 7/64"-bracket to pump support	6	MB, MC	54-55
353681-S8	Washer (flat)-12/32"-spacer between adjusting bracket and pump support	2	MB, MC	54-55
EBY-33556-A	Pulley (power steering pump)-4-3/32" O. D.	1	MB	54
ECK-33556-A	Pulley (power steering pump)	1	MC	55
353864-S7	Bolt and lockwasher assy (hex head)-5/16"-18 x 7/8"-pulley to pump	1	MB	54
353846-S8	Washer (flat)-5/16"-pulley to pump	1	MB	54
EAD-33557-A	Key (power steering pump pulley) 1/2" long	1	MB, MC	54-55
EBY-33558-B	Belt (power steering pump pulley) -also serviced in 33304 Kit	1	MB	54
◇ECK-33558-A	Belt (power steering pump pulley) -used with Air Conditioning and Extra Cooling System	1	MC	55
B5A-33558-B	Belt (power steering pump pulley) -⊕ECK-33558-A-also serviced in 3304 Kit	1	MC	55

◇ Also used with Air Conditioning

MERCURY

CHASSIS PARTS CATALOGUE

Power Steering—Continued

PART NUMBER	IND. P.C.	PART NAME	NO. REQ'D	MODEL	YEAR 19__
EBY-33559-A		Support (power steering pump)- also serviced in 33204 Kit	1	MB, MC	54-55
45592-S		Bolt (hex head)-5/16"-18 x 4-3/4"-pump support to water pump	1	MB, MC	54-55
354126-S8		Bolt (hex-hd)-5/8"-18 x 1-1/8" -to water pump assy	1	MB, MC	54-55
353680-S8		Connector-pump support to water pump	1	MB, MC	54-55
358066-S8		Plug (taper pipe thread)-3/8- 18"	1	MB, MC	54-55
AB-33563-B		Cylinder assy (steering gear power)-also serviced in 33304 Kit	1	MB, MC	54-55
B5A-33563-B		Cylinder assy (steering gear power)-⊕AF-33563-B-also serviced in 33304 Kit	1	MB, MC	54-55
34424-S7		Locknut-1/2"-20-cylinder to cross link	1	MB, MC	54-55
33927-S7		Nut (hex)-7/16"-20-cylinder to bracket	1	MB, MC	54-55
33943-S8		Nut (jam)-1/2"-20-cylinder to cross link	1	MB, MC	54-55
45219-S		Nut (pal)-7/16"-20-cylinder to bracket	1	MB, MC	54-55
353600-S8		Washer (cup)-17/32" I. D. x 1-21/64" O. D. -cylinder to bracket	1	MB, MC	54-55
353601-S8		Washer (cup)-5/8" I. D. x 1-21/64" O. D. -cylinder to bracket	1	MB, MC	54-55
NS AB-33577-B		Valve assy (power steering gear hydraulic control)-serviced in 33304 Kit	1	MB, MC	54-55
B5A-33577-A		Valve assy (power steering gear hydraulic control)- ⊕AF-33577-A-also serviced 33304-Kit	1	MB, MC	54-55
20523-S8		Bolt (hex-hd)-3/8"-24 x 1-1/2"	1	MB, MC	54-55
72035-S7		Cotter pin-1/8" x 1"-valve to Pitman arm	1	MB, MC	54-55
357629-S7		Lockwasher-3/8"-valve assy to link assy	1	MB, MC	54-55
33800-S8		Nut (hex)-3/8"-24-valve assy to link assy	1	MB, MC	54-55
351059-S		Nut (hex-slotted)-1/2"-20- valve to Pitman arm	1	MB, MC	54-55
352146-S		Pin (roll)-1/8" x 7/8"	1	MB, MC	54-55
NS MB-33588-B		Hose assy (power steering return line)-32-11/32" long-serviced in 33588 Kit	1	MB, MC	54-55
B5A-33588-A		Hose assy (power steering return line)-used on cars without extended tube from reservoir- ⊕MC-33588-A-also serviced in 33304 Kit	1	MB, MC	54-55

MERCURY

CHASSIS PARTS CATALOGUE

Power Steering—Continued

PART NUMBER	QTY	PART NAME	NO. REQ'D	MODEL	YEAR 19__
MC-33588-B		Hose assy (power steering return line)-used on cars with extended tube from reservoir -also serviced in 33304 Kit	1	MC	55
351788-S8		Fitting-hose to pump	1	MB, MC	54-55
351789-S8		Washer (flat)-41/64" I. D. x 7/8" O. D. -also serviced	1	MB, MC	54-55
MEK-33588-A		Kit (hose)-return line-use on cars without extended tube from reservoir-consists of the following (1) MB-33588-B Hose (1) 351789-S8 Washer	1	MB, MC	54-55
MC-33589-A		Hose assy (power steering pressure line)-used on cars without extended tube from reservoir-also serviced in 33304 Kit	1	MB, MC	54-55
MC-33589-B		Hose assy (power steering pressure line)-used on car with extended tube from reservoir -also serviced in 33304 Kit	1	MC	55
351792-S8		Bolt (hex)-5/8"-18 x 1"-fitting to pump	1	MB, MC	54-55
351791-S8		Fitting-hose to pump	1	MB, MC	54-55
351789-S8		Washer (flat)-41/64" I. D. x 7/8" O. D. -hose to fitting-	2	MB, MC	54-55
AB-33597-A		Spring (power steering cylinder pressure relief valve)	1	MC	55
LE-33607-A		Pump assy (power steering)-used on cars without extended tube from reservoir	1	MB, MC	54-55
LE-33607-C		Pump assy (power steering)-when using for Mercury fitting must be replaced with B5A-33614-A fitting	1	MC	55
LA-33608-B		Cover assy (power steering pump housing)	1	MB, MC	54-55
B5A-33608-A		Cover assy (power steering pump housing)-used on cars without extended tube from reservoir-⊕AF-33608-A	1	MC	55
B5A-33608-B		Cover assy (power steering pump housing)-used on cars with extended tube from reservoir-⊕AF-33608-A	1	MC	55
357648-S8		Pin (dowel)-5/16" x 3/4"-to align cover to housing	2	MB, MC	54-55
357649-S8		Screw & washer assy (hex-hd)-3/8"-16 x 1-3/4" to housing assy-power steering pump	2	MB, MC	54-55

MERCURY

CHASSIS PARTS CATALOGUE

Power Steering—Continued

PART NUMBER	QTY	PART NAME	NO. REQ'D	MODEL	YEAR 19__
		LA-33609-B Valve assy (power steering pump)	1	MB, MC	54-55
		B5A-33609-A Valve assy (power steering pump)-used on cars without extended tube from reservoir-⊕AF-33609-A	1	MC	55
		B5A-33609-B Valve assy (power steering pump)-used on cars with extended tube from reservoir-⊕None	1	MC	55
		LA-33610-B Housing assy (power steering pump)	1	MB, MC	54-55
		B5A-33610-A Housing assy (power steering pump)-used on cars with extended tube-⊕AF-33610-A	1	MC	55
		357649-S8 Screw and washer assy (hex head)-3/8"-16 x 1-3/4"-cover to housing	2	MB, MC	54-55
		LA-33611-A Shaft (power steering pump rotor)-3-63/64" overall length	1	MB, MC	54-55
NS		LA-33612-A Spring (power steering pump flow control valve)-2-9/32" approx. free length-serviced in 3610 Kit	1	MB, MC	54-55
		LA-33613-B Spring (power steering pump relief valve)-1-19/32" approx. free length	1	MB, MC	54-55
		B5A-33613-A Spring (power steering pump relief valve)-1-7/8" approx. free length-used on cars with extended tube from reservoir-⊕AF-33613-A	1	MC	55
		LA-33614-A Fitting (power steering pump valve outlet)	1	MB, MC	54-55
		B5A-33614-A Fitting (power steering pump valve outlet)-used on cars with extended tube from reservoir-⊕AF-33614-A	1	MC	55
NS		LA-33615-B Plate (power steering pump valve orifice)-serviced in 3610 Kit	1	MB, MC	54-55
		LA-33617-A Gasket (power steering pump cover)-Rubber-also serviced in 33547 Kit	1	MB, MC	54-55
		LA-33618-A Ring (power steering pump valve outlet fitting)-"O"-51/64" I. D. - also serviced in 33547 Kit	1	MB, MC	54-55
		LA-33619-A Ring (power steering pump flow director)-"O"-35/64" I. D. - also serviced in 33547 Kit	1	MB, MC	54-55

MERCURY

CHASSIS PARTS CATALOGUE

Power Steering—Continued

PART NUMBER	QTY	PART NAME	NO. REQ'D	MODEL	YEAR 19__
		LA-33621-A Retainer (power steering pump rotor shaft bearing)	1	MB, MC	54-55
		B5A-33621-A Retainer (power steering pump rotor shaft bearing)- ⊕AF-33621-A	1	MC	55
NS		LA-33622-A Bearing assy (power steering pump rotor)-replaced by 7RA-10094-A	1	MB, MC	54-55
		LA-33623-A Seal assy (power steering pump rotor shaft oil)-3/4" I. D. x 1-1/4" O. D.	1	MB, MC	54-55
		LA-33624-A Retainer (power steering pump flow director)-"O" ring-9/16" O. D.	1	MB, MC	54-55
		LA-33625-B Retainer (power steering oil reservoir orifice)-"O" ring- 3/4" O. D.	1	MB, MC	54-55
		B5A-33625-A Retainer (power steering oil reservoir orifice)-"O" Ring- ⊕AF-33625-A	1	MC	55
		LA-33627-A Retainer (power steering pump relief valve)	1	MB, MC	54-55
		B5A-33627-A Retainer (power steering pump relief valve)-⊕AF-33627-A	1	MC	55
		LA-33633-A Pin (power steering pump rotor drive)	1	MB, MC	54-55
		B5A-33636-A Hose assy (power steering control valve to cylinder rod end)-15" long-also serviced in 33304 Kit-⊕MC-33636-B	1	MB, MC	54-55
		B5A-33636-B Hose assy (power steering control valve to cylinder rod)-use with AB-33563-B cylinder assy- also serviced in 33304 Kit- ⊕MC-33636-A	1	MC	55
		B5A-33637-A Hose assy (power steering)- control valve to cylinder head end-also serviced in 33304 Kit-⊕MC-33637-A	1	MB, MC	54-55
		EAC-33638-A Washer (power steering pump adjusting bracket)	6	MB, MC	54-55

MERCURY

CHASSIS PARTS CATALOGUE

Power Steering—Continued

PART NUMBER	PART NAME	NO. REQ'D	MODEL	YEAR 19__
EAD-33640-A	Insulator assy (power steering pump)	3	MB, MC	54-55
NS AB-33642-B	Insulator (power steering piston rod)-1/2" I. D. x 1-1/4" O. D. x 5/8" thick-serviced in 3314 Kit	2	MB, MC	54-55
NS AB-33643-B	Washer (power steering piston rod insulator)-outer-15/32" I. D. x 1-5/8" O. D. -serviced in 3314 Kit	1	MB, MC	54-55
NS AB-33644-B	Bushing (power steering cylinder mounting)-5/8" I. D. x 1-3/16" O. D. x 23/32" thick-serviced in 3313 Kit	2	MB, MC	54-55
MB-33646-A	Bracket (power steering hose insulator)-also serviced in 33304 Kit	1	MB, MC	54-55
39883-S7	Screw (hex washer-hd tapping)-5/16"-18 x 1/2"-bracket to frame	3	MB, MC	54-55
NS AB-33647-B	Washer (power steering piston rod insulator)-inner-17/32" I. D. x 1-5/8" O. D. -serviced in 3314 Kit	1	MB, MC	54-55
LE-33655-A	Reservoir & outlet tube assy (power steering pump)	1	MC	55
NS AC-33656-A	Seal assy (power steering cylinder piston rod)-inner-1-17/64" O. D. x 5/16" thick-serviced in 3315 Kit -use with AB-33563-B cylinder	1	MB, MC	54-55
NS AF-33656-A	Seal assy (power steering cylinder piston rod)-inner-7/8" O. D. x 5/32" thick-use with AF-33563-A cylinder-serviced in 3315 Kit	1	MB, MC	54-55
NS AC-33658-A	Seal (power steering cylinder piston rod)-outer-9/16" I. D. x 1-3/16" O. D. x 5/32" thick-serviced in 3315 Kit-use with AB-33563-B cylinder	1	MB, MC	54-55
NS AF-33658-A	Seal (power steering cylinder piston rod)-outer-5/8" I. D. x 1" O. D. x 1/4" thick-use with AF-33563-A cylinder-serviced in 3315 Kit	1	MB, MC	54-55

MERCURY

CHASSIS PARTS CATALOGUE

Power Steering—Continued

PART NUMBER	CLASS	PART NAME	NO. REQ'D	MODEL	YEAR 19____
NS AC-33659-A		Scraper (power steering cylinder piston rod)-5/8" I.D. x 1-15/64" O.D. -serviced in 3315 Kit-use with AB-33563-B cylinder	1	MB, MC	54-55
NS AF-33659-A		Scraper (power steering cylinder piston rod)-5/8" I.D. x 1" O.D. x 1/16" thick-use with AF-33563-A cylinder-serviced in 3315 Kit	1	MB, MC	54-55
		353650-S Snap ring	1	MB, MC	54-55
AC-33660-A		Tube assy (power steering cylinder vent)-10-1/32" approx. formed length	1	MB, MC	54-55
		87379-S Fitting (tube)-1/8"-28 x 90°	1	MB, MC	54-55
		353641-S Seat (tube)-1/8"	1	MB, MC	54-55
AF-33690-A		Housing & spool assy (power steering control valve)-use with AF-33577-A valve assy	1	MB, MC	54-55
		353642-S Seat (tube)-1/4"	1	MB, MC	54-55
		353643-S Seat (tube)-3/8"	1	MB, MC	54-55
NS AC-33697-A		Seal (power steering control valve spool sleeve)-13/16" I.D. x 1-1/16" O.D. x 1/8" thick-serviced in 3316 Kits	1	MB, MC	54-55
AC-33698-A		Bolt (power steering control valve spool)-5-1/16"-overall length	1	MB, MC	54-55
		353618-S Locknut-5/16"-24	1	MB, MC	54-55
		353622-S100 Washer (flat)-11/32" I.D. x 3/4" O.D.	1	MB, MC	54-55
AC-33699-A		Spacer (power steering control valve spool sleeve end bushing) -17/64" thick	1	MB, MC	54-55
NS AC-33703-A		Seal (power steering control valve spool cap end)-7/8" I.D. x 1-1/8" O.D. -serviced in 3316 Kit	1	MB, MC	54-55
NS AF-33703-A		Seal (power steering control valve spool cap end)-7/8" I.D. x 1-1/16" O.D. x 3/32" thick-use with AF-33577-A valve assy -serviced in 3316 Kit	1	MB, MC	54-55
NS AC-33704-A		Spring (power steering control valve spool centering)-7/8" approx. free length-serviced in 3317 Kit	1	MB, MC	54-55
		353623-S100 Washer (flat)-37/64" I.D. x 1-1/16" O.D.	2	MB, MC	54-55

MERCURY

CHASSIS PARTS CATALOGUE

Power Steering—Continued

PART NUMBER	QUANTITY	PART NAME	NO. REQ'D	MODEL	YEAR 19__
AC-33705-A		Cap (power steering control valve spool centering spring)	1	MB, MC	54-55
31160-S8		Bolt (fill-hd)-1/4"-20 x 1-1/2" -control valve ball to hsg.	2	MB, MC	54-55
354654-S100		Lockwasher-1/4"-control valve ball to housing	2	MB, MC	54-55
NS AC-33706-A		Bushing (power steering control valve spool cap end)-7/8" I. D. x 1-9/64" O. D. -serviced in 3316 Kit	1	MB, MC	54-55
NS AF-33706-A		Bushing (power steering control valve spool cap end)-7/8" I. D. x 1-3/32" O. D. x 5/32" thick - use with AF-33577-A valve assy-serviced in 3316 Kit	1	MB, MC	54-55
NS AC-33707-A		Spacer (power steering control valve spool centering spring)-7/8" long-serviced in 3317 Kit	1	MB, MC	54-55
AC-33708-A		Stop (power steering control valve spool travel regulator)-1-1/16" -18	1	MB, MC	54-55
353621-S100		Pin (straight)-1/8" x 1-1/4"	1	MB, MC	54-55
NS AC-33709-A		Bushing (power steering control valve spool sleeve end)-53/64" I. D. x 1-5/8" O. D. -serviced in 3316 Kit	1	MB, MC	54-55
NS AF-33709-A		Bushing (power steering control valve spool sleeve end)-1-3/16" I. D. x 1-3/32" O. D. x 7/64" thick-use with AF-33577-A valve assy-serviced in 3316 Kit	1	MB, MC	54-55
354687-S8		Washer (flat)-7/8" I. D. x 1-39/64" O. D. -between bushing & spacer	1	MB, MC	54-55
AC-33710-A		Valve assy (power steering control valve return port relief)	1	MB, MC	54-55
NS AC-33711-A		Spring (power steering control valve ball stud seat)-1-3/16" free length-serviced in 3312 Kit	1	MB, MC	54-55
NS AC-33712-A		Adapter (power steering control valve cap)-serviced in 3317 Kit	1	MB, MC	54-55

MERCURY

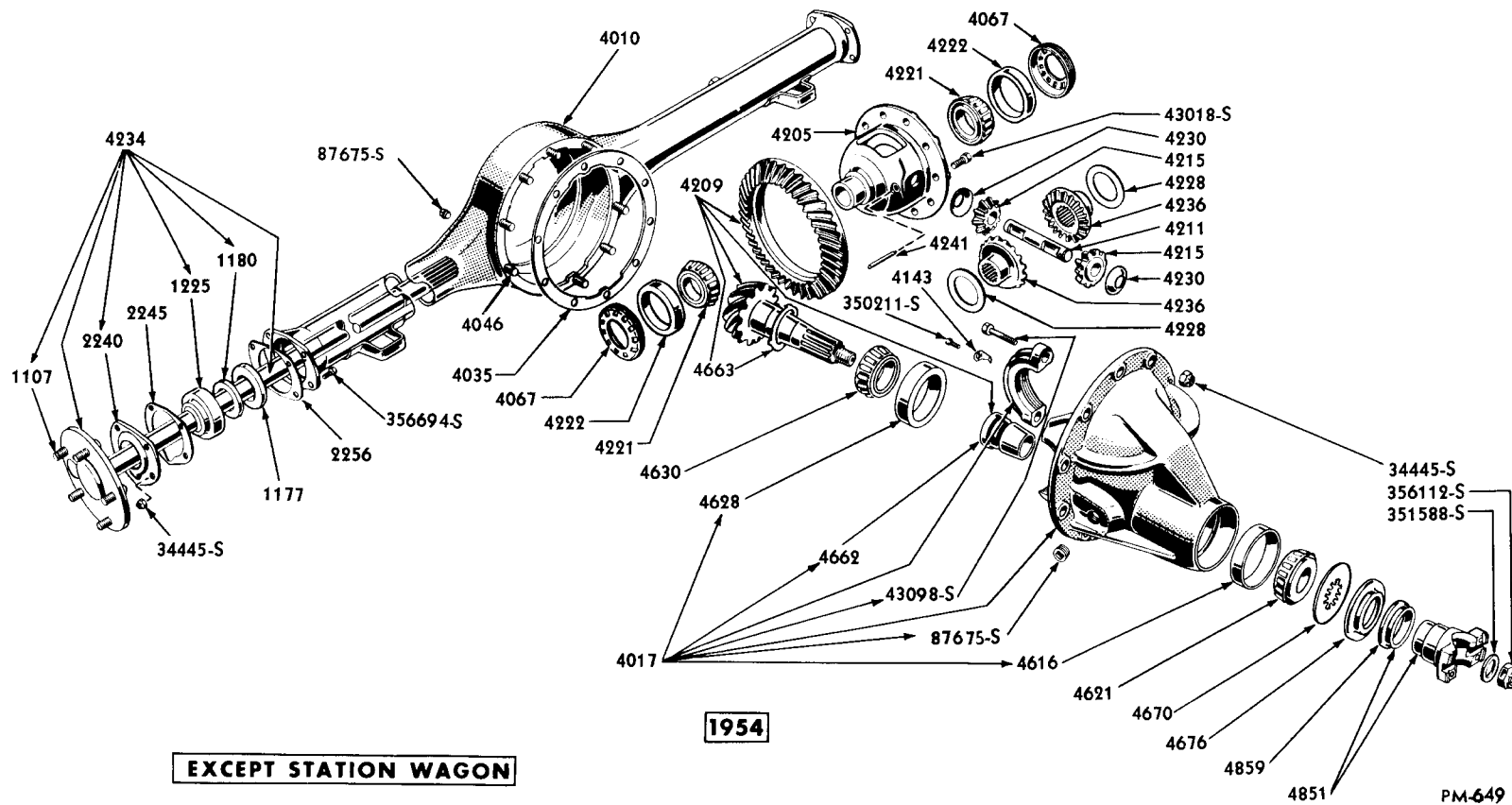
CHASSIS PARTS CATALOGUE

Power Steering—Continued

PART NUMBER	C S S A	PART NAME	NO. REQ'D	MODEL	YEAR 19____
NS AC-33713-A		Shield (power steering control valve ball stud dust)-serviced in 3312 Kit	1	MB, MC	54-55
NS AF-33713-A		Shield (power steering control valve ball stud dust)-use AC-33713-A	1	MB, MC	54-55
AF-33715-A		Sleeve (power steering control valve ball stud)-when using AF-33715-A for AC-33715-A reqm'ts remove (1) 20469-S Bolt (2) 353619-S100 Bolt and add (1) 20523-S8 Bolt, (2) 20408-S8 Bolts & (1)AF-33739-A Clamp	1	MB, MC	54-55
20408-S8		Bolt (hex head)-3/8"16 x 1-1/8"-sleeve to housing & spool assy	2	MB, MC	54-55
87901-S8		Fitting (lub.)-1/4"-28	1	MB, MC	54-55
357629-S7		Lockwasher 3/8"-sleeve to to housing spool assy	2	MB, MC	54-55
AC-33717-A		Socket (power steering control valve ball stud)-2-3/4" long	1	MB, MC	54-55
B5A-33717-A		Socket (power steering control valve ball stud)-2-5/8" long-use with AF-33577-A valve assy-⊕AF-33717-A	1	MB, MC	54-55
NS AF-33738-A		Bushing (power steering cylinder piston rod)-5/8" I. D. x 29/32" O. D. x 5/32" thick-use with AF-33563-A cylinder-serviced in 3315 Kit	1	MB, MC	54-55
AF-33739-A		Clamp (power steering control valve ball stud)-sleeve-use with AF-33577-A valve assy	1	MB, MC	54-55

MERCURY

CHASSIS PARTS CATALOGUE
Rear Axle



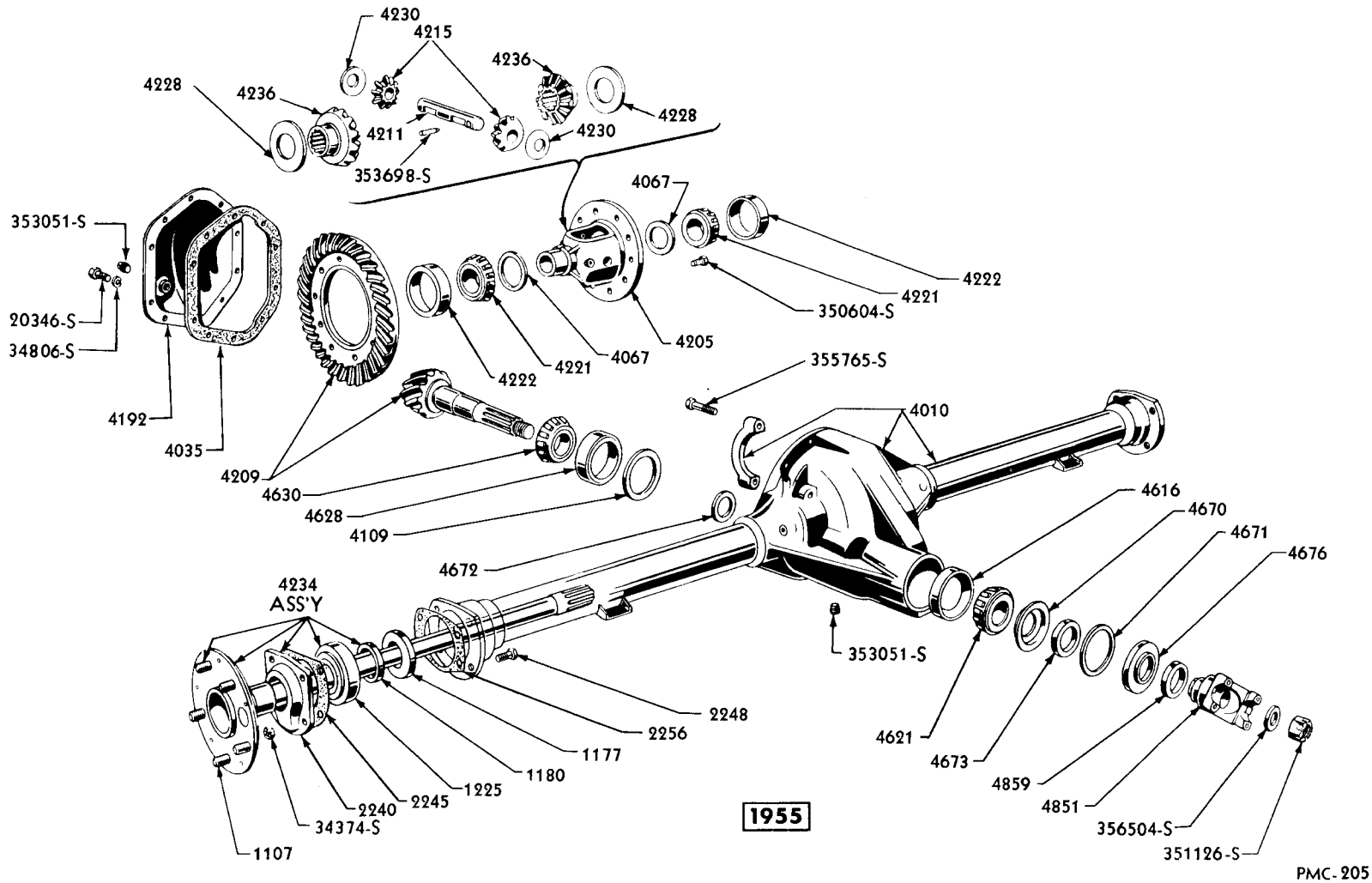
EXCEPT STATION WAGON

1954

REAR AXLE

Basic numbers only shown on illustration. Order by Part Numbers shown in list of parts.

Rear Axle—Continued



REAR AXLE

Basic numbers only shown on illustration. Order by Part Numbers shown in list of parts.

MERCURY

CHASSIS PARTS CATALOGUE

Rear Axle—Continued

PART NUMBER	INDICATOR	PART NAME	NO. REQ'D	MODEL	YEAR 19__
AB 4006-N	NS	Axle assy (rear)-less brakes & axle shafts- 3.90 to 1-service details	1	MB except 79	54
AB 4006-R	NS	Axle assy (rear)-less brakes & axle shafts- 4.10 to 1-service details	1	MB except 79	54
AB 4006-S	NS	Axle assy (rear)-less brakes & axle shafts-3.31 to 1 ratio-use with Merc-O-Matic trans. -service details	1	MB except 79	54
AB 4006-T	NS	Axle assy (rear)-less brakes & axle shafts-3.54 to 1 ratio-use with Merc-O-Matic trans. -service details	1	MB except 79	54
MA 4006-H		Axle assy (rear)-less brakes & axle shafts-4.27 to 1 ratio-use with Standard & O/Drive trans.	1	MB79	54
MA 4006-J	NS	Axle assy (rear)-less brakes & axle shafts-3.54 to 1 ratio-use with Merc-O-Matic trans. -service details	1	MB79	54
MA 4006-K	NS	Axle assy (rear)-less brakes & axle shafts-3.31 to 1 ratio-use with Merc-O-Matic trans. -service details	1	MB79	54
MB 4006-A	NS	Axle assy (rear)-less brakes & axle shafts-3.91 to 1 ratio-use with Standard & O/Drive trans. - service details	1	MB79	54
MB 4006-D	NS	Axle assy (rear)-less brakes & axle shafts- 3.91 to 1 ratio-use with Std. & O/Drive trans. - service details	1	MB except 79	54
MB 4006-E	NS	Axle assy (rear)-less brakes & axle shafts- 4.09 to 1 ratio-use with Std. & O/Drive trans. - service details	1	MB except 79	54
MC 4006-N		Axle assy (rear)-less brakes & axle shafts- 4.09 to 1 ratio-use with Standard trans.	1	MC79	55
MC 4006-S		Axle assy (rear)-less brakes & axle shafts- 3.54 to 1 ratio-use with Merc-O-Matic trans.	1	MC79	55
MC 4006-V		Axle assy (rear)-less brakes & axle shafts- 4.09 to 1 ratio-use with Std. & O/Drive trans.	1	MC except 79	55

MERCURY

CHASSIS PARTS CATALOGUE

Rear Axle—Continued

PART NUMBER	PART NAME	NO. REQ'D	MODEL	YEAR 19____
MC 4006-Y	Axle assy (rear)-less brakes & axle shafts- 3.54 to 1 ratio-use with Merc-O-Matic trans.	1	MC except 79	55
MC 4006-AE	Axle assy (rear)-less brakes & axle shafts- 3.73 to 1 ratio-use with O/Drive trans.	1	MC79	55
MC 4006-AF	Axle assy (rear)-less brakes & axle shafts- 3.15 to 1 ratio-use with Merc-O-Matic trans.	1	MC79	55
MC 4006-AG	Axle assy (rear)-less brakes & axle shafts- 3.73 to 1 ratio-use with Std. & O/Drive trans.	1	MC except 79	55
MC 4006-AJ	Axle assy (rear)-less brakes & axle shafts- 3.15 to 1 ratio-use with Merc-O-Matic trans.	1	MC except 79	55
AB 4010-E	Housing assy (rear axle)	1	MB except 79	54
MA 4010-A	Housing assy (rear axle)	1	MB79	54
MC 4010-C	Housing assy (rear axle)	1	MC79	55
MC 4010-D	Housing assy (rear axle)	1	MC except 79	55
	34922-S Lockwasher (internal tooth) -1/2" x 1/16"-brg. cap to housing	4	MB79, MC except 79	54-55
	87809-S Plug (drain)-3/8"-18	1	MB except 79	54
	358048-S Plug (pipe)-3/4"	1	MB79, MC except 79	54-55
	355765-S Screw (hex-hd)-1/2"-13 x 2-1/4"-brg. cap to hsg.	4	MB79, MC except 79	54-55
1A 4017-A	Carrier assy (rear axle differential)	1	MB except 79	54
	43098-S Bolt (hex-hd)-1/2"-13 x 2-1/8"-bearing cap to diff. carrier	4	MB except 79	54
	87675-S Plug (drain)-1/2"-14	1	MB except 79	54
8A 4022	Vent assy (rear axle housing)	1	MB, MC	54-55
8A 4035-C	Gasket (rear axle housing to carrier)	1	MB except 79	54
1M 4035	Gasket (rear axle carrier cover)	1	MB79, MC	54-55
A9A 4046-A	Bolt (rear axle housing carrier)-3/8"-24 x 1-9/16"-Ø0A-44044-A	10	MB except 79	54
8A 4067	Nut (differential bearing adjusting)-3-1/16"-16	2	MB except 79	54

MERCURY

CHASSIS PARTS CATALOGUE

Rear Axle—Continued

PART NUMBER	PLANT	PART NAME	NO. REQ'D	MODEL	YEAR 19__
8M 4067-A		Shim (differential brg. adjusting)-.0025"/.0035" thick	as reqd	MB	54
8M 4067-B		Shim (differential brg. adjusting)-.0045"/.0055" thick	as reqd	MB	54
8M 4067-C		Shim (differential brg. adjusting)-.027"/.033" thick	as reqd	MB	54
8M 4067-D		Shim (differential brg. adjusting)-.009"/.011" thick	as reqd	MB	54
8L 4067-A		Shim (differential brg. adjusting)-.0025"/.0035" thick	as reqd	MC	55
8L 4067-B		Shim (differential brg. adjusting)-.0045"/.0055" thick	as reqd	MC	55
8L 4067-C		Shim (differential brg. adjusting)-.009"/.011" thick	as reqd	MC	55
8L 4067-D		Shim (differential brg. adjusting)-.027"/.033" thick	as reqd	MC	55
FDK 4090-A	NS	Hose (multiple lub. control valve to pump)-56" long -cut from FDL-4090-A	as reqd	MC	55
FDK 4090-B	NS	Hose (multiple lub. control valve to vacuum line)-12" long-cut from FDL-4090-A	as reqd	MC	55
FDK 4090-C	NS	Hose (multiple lub. control valve to vacuum line)-16" long-cut from FDL-4090-A	as reqd	MC	55
FDL 4090-A		Hose (multiple lub. control valve to pump)-72" long	as reqd	MC	55
8M 4109-A		Shim (driving pinion rear brg. adjusting)-.003" thick	as reqd	MB	54
8M 4109-B		Shim (driving pinion rear brg. adjusting)-.005" thick	as reqd	MB	54
8M 4109-C		Shim (driving pinion rear brg. adjusting)-.010" thick	as reqd	MB	54
8L 4109-A		Shim (driving pinion rear brg. adjusting)-.0025"/.0035" thick	as reqd	MC	55
8L 4109-B		Shim (driving pinion rear brg. adjusting)-.0045"/.0055" thick	as reqd	MC	55
8L 4109-C		Shim (driving pinion rear brg. adjusting)-.009"/.011" thick	as reqd	MC	55
8A 4143		Lock (differential bearing adjusting nut)	2	MB except 79	54
		350211-S Bolt (hex-hd)-5/16"-18 x 7/16"-adjusting nut to bearing cap	2	MB except 79	54
1M 4192		Cover (rear axle carrier)	1	MB79, MC	54-55
		20346-S8 Bolt (hex-hd)-5/16"-18 x 3/4"-cover to rear axle	10	MB79, MC except 79	54-55
		34806-S7 Lockwasher-5/16"-cover to rear axle	10	MB79, MC except 79	54-55
		353051-S Plug (pipe)-3/4"	1	MB79, MC except 79	54-55

MERCURY

CHASSIS PARTS CATALOGUE

Rear Axle—Continued

PART NUMBER	QTY	PART NAME	NO. REQ'D	MODEL	YEAR 19__
1A 4200-A		Carrier & differential assy (rear axle)-3.31 to 1 ratio-use with AB-4006-S	1	MB except 79	54
1A 4200-B		Carrier & differential assy (rear axle)-3.54 to 1 ratio-use with AB-4006-T	1	MB except 79	54
AB 4200-A		Carrier & differential assy (rear axle)-3.90 to 1 ratio-use with AB-4006-N	1	MB except 79	54
8A 4200-D		Carrier & differential assy (rear axle)-4.10 to 1 ratio-use with AB-4006-R	1	MB except 79	54
		34445-S8 Locknut (hex)-3/8"-24-differential to rear axle	10	MB except 79	54
1A 4205		Case (rear axle differential gear)-use with AB-4006-S & T	1	MB except 79	54
1M 4205-A		Case (rear axle differential gear)-use with MA-4006-H & MB-4006-A	1	MB79	54
1M 4205-B		Case (rear axle differential gear)-use with MA-4006-J & K	1	MB79	54
B5A 4205-A		Case (rear axle differential gear)-use with MB-4006-D & E-⊕AF-4205-A	1	MB except 79	54
B5A 4205-B		Case (rear axle differential gear)-use with AB-4006-S & T-⊕AF-4205-B	1	MB except 79	54
MC 4205-A		Case (rear axle differential gear)-Overdrive only	1	MC	55
MC 4205-B		Case (rear axle differential gear)-Standard & Merc-O-Matic Trans.	1	MC	55
		353596-S Bolt (hex-hd)-7/16"-20 x 27/32"	10	MC	55
8A 4209-J	NS	Ring gear & pinion (rear axle)-matched set-4.10 to 1 ratio-use with MB-4006-E-serviced 4209 Kit	1	MB except 79	54
ED 8A 4209-J	NS	Ring gear & pinion (rear axle)-matched set-4.11 to 1 ratio-serviced in 4209 Kit	1	MB except 79	54
1A 4209-A	NS	Ring gear & pinion (rear axle)-matched set-3.31 to 1 ratio-use with AB-4006-S-serviced in 4209 Kit	1	MB except 79	54
1A 4209-B	NS	Ring gear & pinion (rear axle)-matched set-3.54 to 1 ratio-use with AB-4006-T-serviced in 4209 Kit	1	MB except 79	54
1M 4209-A		Ring gear & pinion (rear axle)-match set-3.91 to 1 ratio-use with MB-4006-A	1	MB79	54
1M 4209-B		Ring gear & pinion (rear axle)-matched set-4.27 to 1 ratio-use with MA-4006-H	1	MB79	54
1M 4209-D		Ring gear & pinion (rear axle)-matched set-3.31 to 1 ratio-use with MA-4006-K	1	MB79	54
1M 4209-E		Ring gear & pinion (rear axle)-matched set-3.54 to 1 ratio-use with MA-4006-J	1	MB79	54
AD 4209-A	NS	Ring gear & pinion (rear axle)-matched set-4.11 to 1 ratio-use with MB-4006-E-serviced in 4209 Kit	1	MB except 79	54
AD 4209-B	NS	Ring gear & pinion (rear axle)-matched set-3.89 to 1 ratio-use with MB-4006-D-serviced in 4209 Kit	1	MB except 79	54

MERCURY

CHASSIS PARTS CATALOGUE

Rear Axle—Continued

PART NUMBER	PLC SPL	PART NAME	NO. REQ'D	MODEL	YEAR 19__
AF 4209-F	NS	Ring gear & pinion (rear axle)-matched set- 3.55 to 1 ratio-serviced in 4209 Kit	1	MB except 79	54
MB 4209-A		Ring gear & pinion (rear axle)-matched set- 3.91 to 1 ratio-use with MB-4006-D	1	MB except 79	54
MB 4209-B		Ring gear & pinion (rear axle)-matched set- 4.09 to 1 ratio-use with MB-4006-E	1	MB except 79	54
MC 4209-B		Ring gear & pinion (rear axle)-matched set- 4.09 to 1 ratio-all models except station wagon with O/Drive-use MC-4209-F only	1	MC	55
MC 4209-C		Ring gear & pinion (rear axle)-matched set- 3.54 to 1 ratio-all models Merc-O-Matic	1	MC	55
MC 4209-F		Ring gear & pinion (rear axle)-matched set- 3.73 to 1 ratio-all models 79 job with O/Drive this set only	1	MC	55
MC 4209-G		Ring gear & pinion (rear axle)-matched set- 3.15 to 1 ratio-all models	1	MC	55
A9A 4209-A		Kit (differential gear & driving pinion)-3.31 to 1 ratio-consists of the following (1) 1A-4209-A Gear & Pinion (1) 8A-4662-B Spacer (10) 8A-4663 Shims A thru K	1	MB except 79	54
A9A 4209-B		Kit (differential gear & driving pinion)-3.10 to 1 ratio-consists of the following (1) 8A-4209-J Gear & Pinion (1) 8A-4662-B Spacer (10) 8A-4663 Shims A thru K	1	MB except 79	54
A9A 4209-D		Kit (differential gear & driving pinion)-3.54 to 1 ratio-consists of the following (1) 1A-4209-B Gear & Pinion (1) 8A-4662-B Spacer (10) 8A-4663 Shims A thru K	1	MB except 79	54
A9A 4209-E		Kit (differential gear & driving pinion)-4.11 to 1 ratio-consists of the following (1) ED-8A-4209-J Gear & Pinion (1) or AD-4209-A (1) 8A-4662-B Spacer (1) 8A-4663 Shims A thru K	1	MB except 79	54
B5A 4209-B		Kit (differential gear & driving pinion)-3.89 to 1 ratio-consists of the following (1) AD-4209-B Gear & Pinion (1) 8A-4663-L thru R Shim (3) 8A-4663-S Shims	1	MB except 79	54
B5A 4209-C		Kit (differential gear & driving pinion)-4.11 to 1 ratio-consists of the following (1) AD-4209-A Gear & Pinion (1) 8A-4663-L thru R Shim (3) 8A-4663-S Shims	1	MB except 79	54

MERCURY

CHASSIS PARTS CATALOGUE

Rear Axle—Continued

PART NUMBER	QTY	PART NAME	NO. REQ'D	MODEL	YEAR 19__
B5A 4209-D		Kit (differential gear & driving pinion)-3.55 to 1 ratio-consists of the following (1) AF-4209-F Gear & Pinion (1) 8A-4663-L thru R Shim (3) 8A-4663-S Shims	1	MB except 79	54
		43018-S Bolt (hex-hd)-3/8"-24 x 7/8"-driven gear to case-use with AB-4006-S-T & MB-4006-D-E	10	MB except 79	54
		350672-S Bolt (special hex)-3/8"-24 x 5/16"-driven gear to case-use with MA-4006-H-J-K & MB-4006-A	10	MB79	54
		356584-S Plate (locking)-use with MA-4006-H-J & K, MA-4006-H-J-K & MB-4006-A	5	MB79	54
8A 4211-A		Shaft (differential pinion)-4-3/4" long	1	MB except 79	54
8M 4211		Shaft (differential pinion)-4-53/64" long-use with	1	MB79, MC	54-55
		8A-4241 Pin (differential pinion shaft lock)-1/4" x 1-9/16"	1	MB except 79	54
		357228-S Pin (special lock)-15/64" x 1-29/64"-shaft to case	1	MB79	54
		353698-S Pin (special lock)-7/32" x 1/2"	1	MC except 79	55
AF 4215-A NS		Pinion (differential)-10 teeth-serviced in 4215 Kit	2	MB except 79	54
8M 4215		Pinion (differential)-10 teeth	2	MB79, MC	54-55
B5A 4215-B		Kit (differential pinion)-consists of the following (2) AF-4215-A Differential Pinion (2) AF-4230-A Pinion Thrust Washer	2	MB except 79	54
8A 4221		Cone (rear axle differential bearing)-1.625" I. D.	2	MB except 79	54
8M 4221		Cone (rear axle differential bearing)-1.688" I. D.	2	MB79	54
8L 4221		Cone (rear axle differential bearing)	2	MC	55
8A 4222		Cup (rear axle differential bearing)-3" O. D.	2	MB except 79	54
8M 4222		Cup (rear axle differential bearing)-3-17/64" O. D.	2	MB79, MC	54-55
8M 4228		Washer (differential side gear thrust)-2-13/16" O. D. x 1-41/64" I. D.	2	MB79	54
8L 4228		Washer (differential side gear thrust)	2	MC	55
0A 4228		Washer (differential side gear thrust)-2-49/64" O. D. x 1-23/32" I. D.	2	MB except 79	54
AF 4228-A		Washer (differential side gear thrust)-use with AB-4006-N-R-S-T & MB-4006-D-E	2	MB except 79	54
8M 4230		Washer (differential pinion thrust)-25/32" I. D. x 1/32" thick	2	MB79, MC	54-55
0A 4230		Washer (differential pinion thrust)	2	MB except 79	54
AF 4230-A NS		Washer (pinion thrust)	2	MB except 79	54

MERCURY

CHASSIS PARTS CATALOGUE

Rear Axle—Continued

PART NUMBER	PART NAME	NO. REQ'D	MODEL	YEAR 19____
* AB 4234-B	Shaft assy (rear axle)	2	MB except 79	54
* AB 4234-E	Shaft assy (rear axle)	2	MB79	54
* MC 4234-B	Shaft assy (rear axle)	2	MC except 79	55
* MC 4234-D	Shaft assy (rear axle)	2	MC79	55
8A 4236-A	Gear (differential side)-16 teeth-1-1/4" long	2	MC except 79	54
8M 4236	Gear (differential side)-16 teeth-1-9/16" long	2	MC79	54
8L 4236	Gear (differential side)-16 teeth	2	MC	55
AF 4236-A	Gear (differential side)-use with AB-4006-N-R-S- & MB-4006-D-E	2	MB except 79	54
B5A 4236-C	Kit (differential side gear)-consists of the following (2) AF-4236-A Differential Side Gear (2) AF-4228-A Gear Thrust Washer	1	MB except 79	54
8A 4241	Pin (differential pinion shaft lock)-1/4" x 1-9/16"- alternate with 352506-S	1	MB except 79	54
	352506-S Pin (differential shaft lock) -1/4" x 1-1/2"-alternate with 8A-4241	1	MB except 79	54
AB 4296-A	Support (overdrive control cable to fly wheel housing)	1	MC	55
01Y 4529	"U" Bolt (universal joint)	2	MC	55
1M 4602-C	Drive shaft assy-61-11/16" overall length-used on approximate 250 jobs	1	MB except 79	54
MB 4602-C	Drive shaft assy-61-15/32" overall length	1	MB except 79	54
MB 4602-D	Drive shaft assy-60-13/16" overall length	1	MB79	54
MC 4602-A	Drive shaft assy-59-17/64" overall length	1	MC except 79	55
MC 4602-C	Drive shaft assy-58-1/4" overall length	1	MC79	55
8A 4616	Cup (rear axle driving pinion front bearing)	1	MB, MC	54-55
8A 4621	Cone & roller assy (rear axle driving pinion)- front	1	MC except 79	54
8M 4621	Cone & roller assy (rear axle driving pinion)- front	1	MB79, MC	54-55
8A 4628	Cup (rear axle driving pinion)-rear	1	MB	54
8L 4628	Cup (rear axle driving pinion)-rear	1	MC	55
8A 4630	Cone (rear axle drive pinion rear bearing)	1	MB except 79	54
8L 4630	Cone (rear axle drive pinion rear bearing)	1	MC	55
8M 4630	Cone (rear axle drive pinion rear bearing)	1	MB79	54
8A 4662-B	Spacer (drive pinion bearing)-1-1/2" I. D. x 2-19/64" long	1	MB except 79	54
8A 4663-A NS	Shim (A thru K)-serviced in 4209 Kit	1	MB except 79	54
8A 4663-L NS	Shim (L, M, N, R & S)-serviced in 4209 Kit	1	MB except 79	54
8M 4670	Sling (drive pinion shaft oil)-1-1/8" I. D. x 2-27/32" O. D. x 1/32" thick	1	MB79	54
MC 4670-A	Sling (drive pinion shaft oil)-1-1/8" I. D. x 2-27/32" O. D. x 11/64" thick	1	MB79, MC	54-55

* Used with but not part of 4006 assembly

MERCURY

CHASSIS PARTS CATALOGUE

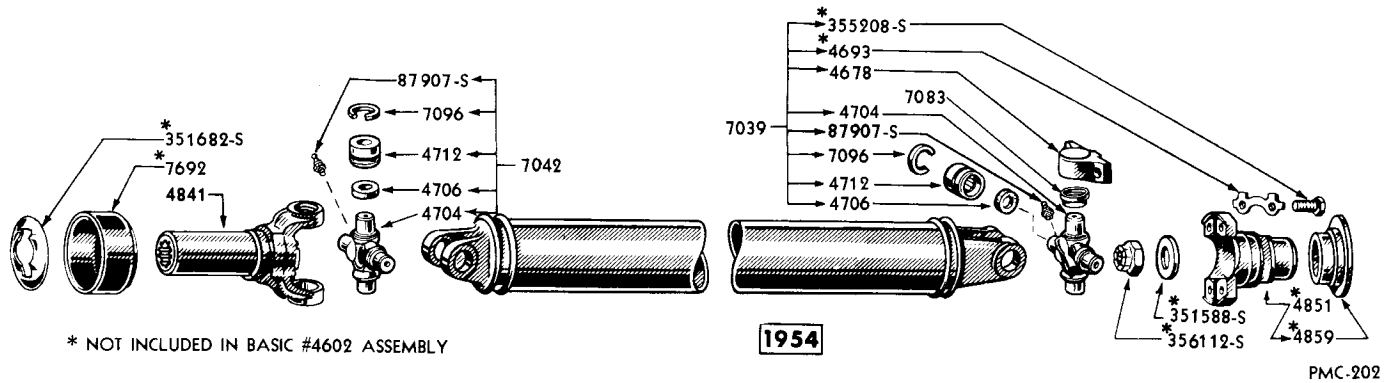
Rear Axle—Continued

PART NUMBER	NO. REQ'D	PART NAME	MODEL	YEAR 19__
8M 4671	1	Gasket (driving pinion oil seal)-Paper-2-3/4" I. D. x 3-9/64" O. D. x 1/32" thick	MB79, MC	54-55
8M 4672-A	as reqd	Shim (driving pinion front bearing adjusting)-.003" thick	MB79, MC	54-55
8M 4672-C	as reqd	Shim (driving pinion front bearing adjusting)-.010" thick	MB79, MC	54-55
8M 4672-D	as reqd	Shim (driving pinion front bearing adjusting)-.030" thick	MB79, MC	54-55
8M 4673	1	Wick (driving pinion shaft oil seal)	MB79, MC	54-55
8A 4676	1	Seal assy (drive pinion oil)-1-39/64" I. D. x 3" O. D.	MB except 79	54
8M 4676-A	1	Seal assy (drive pinion oil)-1-9/16" I. D. x 3-11/64" O. D.	MB79, MC	54-55
B5A 4678-B	2	Bearing assy (universal joint)-rear-serviced in 7039 Kit-⊕MB-4678-A	MB	54
AB 4693-A	2	Plate (drive shaft flange lock)-also serviced in 7037 & 7039 Kits	MB, MC except 79	54-55
B5A 4706-A	8	Packing (universal joint)-also serviced in 7039 & 7042 Kits-⊕MB-4706-A	MB	54
B5A 4712-A	6	Bearing assy (universal joint)-also serviced in 7039 & 7042 Kits-⊕MB-4712-A	MB	54
MC 4712-A	8	Bearing assy (universal joint)-also serviced in 7039 Kit	MC	55
1M 4841-A	1	Yoke assy (universal joint)-front	MB	54
B6S 4841-A	1	Yoke assy (universal joint)-front-⊕MC-4841-A	MC	55
AB 4851-A	1	Flange assy (universal joint)-axle end	MB except 79	54
LA 4851-A	1	Flange assy (universal joint)-axle end	MC	55
8M 4851-A	1	Flange assy (universal joint)-axle end	MB79	54
	1	351126-S Nut (hex)-3/4"-16-use with MA-4006-H-J-K & MB-4006-A	MB79, MC	54-55
	1	356112-S Nut (hex)-3/4"-20-use with AB-4006-S-T, MB-4006-D-E & MC-4006-V-Y-AG-AJ	MB except 79, MC except 79	54-55
	1	351588-S Washer (flat)-49/64" I. D. x 1-19/64" O. D. -use with AB-4006-S-T, MB-4006-D-E & MC-4006-V-Y-AG-AJ	MB except 79, MC except 79	54-55
	1	356504-S Washer (flat)-25/32" I. D. x 1-1/2" O. D. x 1/8" thick-use with MA-4006-H-J-K & MB-4006-A	MB79, MC	54-55
8A 4859-B	1	Deflector (drive pinion oil seal)-dust-2-1/32" large end x 1-47/64" I. D. small end	MB except 79	54
8M 4859	1	Deflector (drive pinion oil seal)-dust-2-1/8" O. D. x 1-35/64" I. D.	MB79, MC	54-55

MERCURY

CHASSIS PARTS CATALOGUE

Drive Shaft and Universal Joint



DRIVE SHAFT ASSEMBLY AND RELATED PARTS

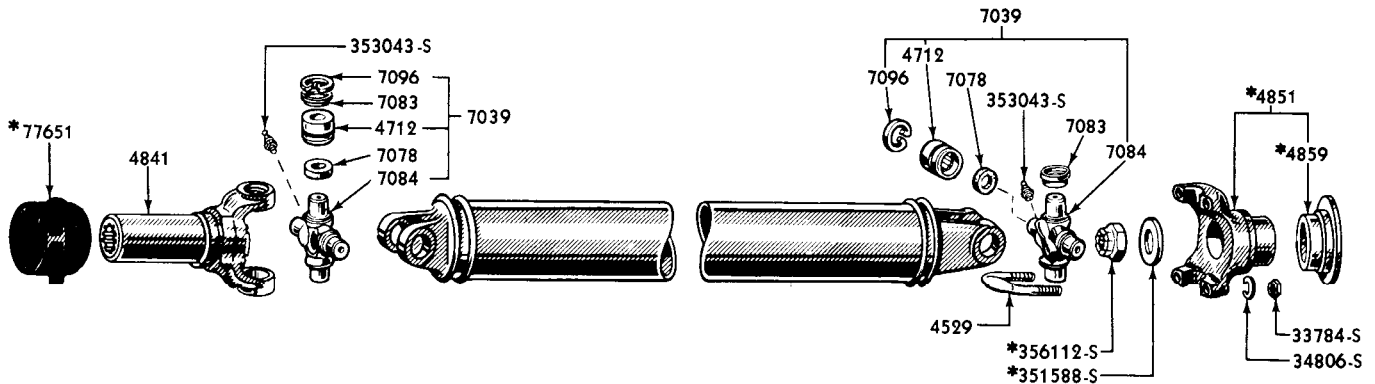
Basic numbers only shown on illustration. Order by Part Numbers shown in list of parts.

PART NUMBER	QUANTITY	PART NAME	NO. REQ'D	MODEL	YEAR
		01Y-4529 "U" bolt (universal joint)	2	MC	19__ 55
		1M-4602-C Drive shaft assy(drive)-61-11/16" o/all length-used on approx. 250 jobs	1	MB except 79	54
		MB-4602-C Drive shaft assy-61-15/32" o/all length	1	MB except 79	54
		MB-4602-D Drive shaft assy-60-13/16" o/all length	1	MB79	54
		MC-4602-A Drive shaft assy-59-17/64"o/all length	1	MC except 79	55
		MC-4602-C Drive shaft assy	1	MC79	55
		355208-S7 Bolt(hex-hd)-5/16"-24 x 3/4"-attach drive shaft to rear axle	4	MB, MC	54-55
		34806-S7 Lockwasher-5/16"-drive shaft to rear axle	4	MB, MC	54-55
		33798-S8 Nut (hex-hd)-5/16"-24-drive shaft to rear axle	4	MB, MC	54-55
NS		B5A-4678-B Bearing assy (flanged)-rear-serviced in 7039 Kit-⊕MB-4678-A	2	MB	54
		AB-4693-A Plate (drive shaft flange lock)-serviced in 7039 Kit	2	MB, MC except 79	54-55

MERCURY

CHASSIS PARTS CATALOGUE

Drive Shaft and Universal Joint—Continued



*NOT INCLUDED IN BASIC 4602 ASSEMBLY

1955

PMC-203

DRIVE SHAFT ASSEMBLY AND RELATED PARTS

Basic numbers only shown on illustration. Order by Part Numbers shown in list of parts.

PART NUMBER	PLANT	PART NAME	NO. REQ'D	MODEL	YEAR 19__
NS B5A-4704-A		Spider assy (universal joint)- serviced in 7039 & 7042 Kits- ⊕MB-44704-A	2	MB	54
		87907-S8 Fitting (lub.)-1/4"-28	2	MB	54
B5A-4706-A		Packing (universal joint)-also serviced in 7039 & 7042 Kits- ⊕MB-4706-A	8	MB	54
NS B5A-4712-A		Bearing assy (universal joint)- serviced in 7039 & 7042 Kits- ⊕MB-4712-A	6	MB	54
NS MC-4712-A		Bearing assy (universal joint)- serviced in 7039 Kit	8	MC	55
1M-4841-A		Yoke assy (universal joint)-front	1	MB	54
B6S-4841-A		Yoke and plug assy (universal joint)-front-6-9/16" long with hole-1-27/64 I. D. for shaft- ⊕MC-4841-A	1	MC	55
AB-4851-A		Flange assy (universal joint)- axle end	1	MB except 79	54
LA-4851-A		Flange assy (universal joint)- axle end	1	MC	55
8M-4851-A		Flange assy (universal joint)- axle end	1	MB79	54
8A-4859-B		Deflector (drive pinion oil seal)- dust	1	MB except 79	54
8M-4859		Deflector (drive pinion oil seal)- dust	1	MB79, MC	54-55

MERCURY

CHASSIS PARTS CATALOGUE

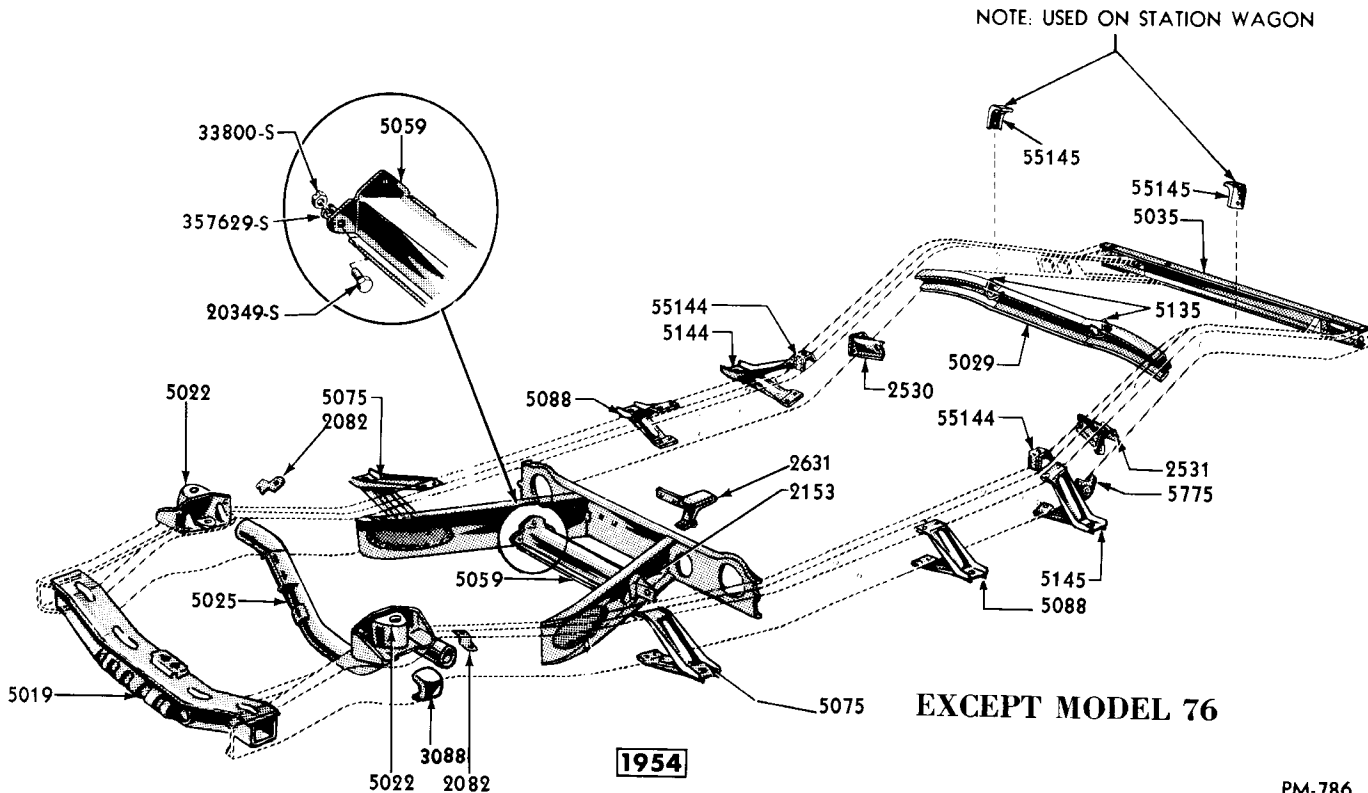
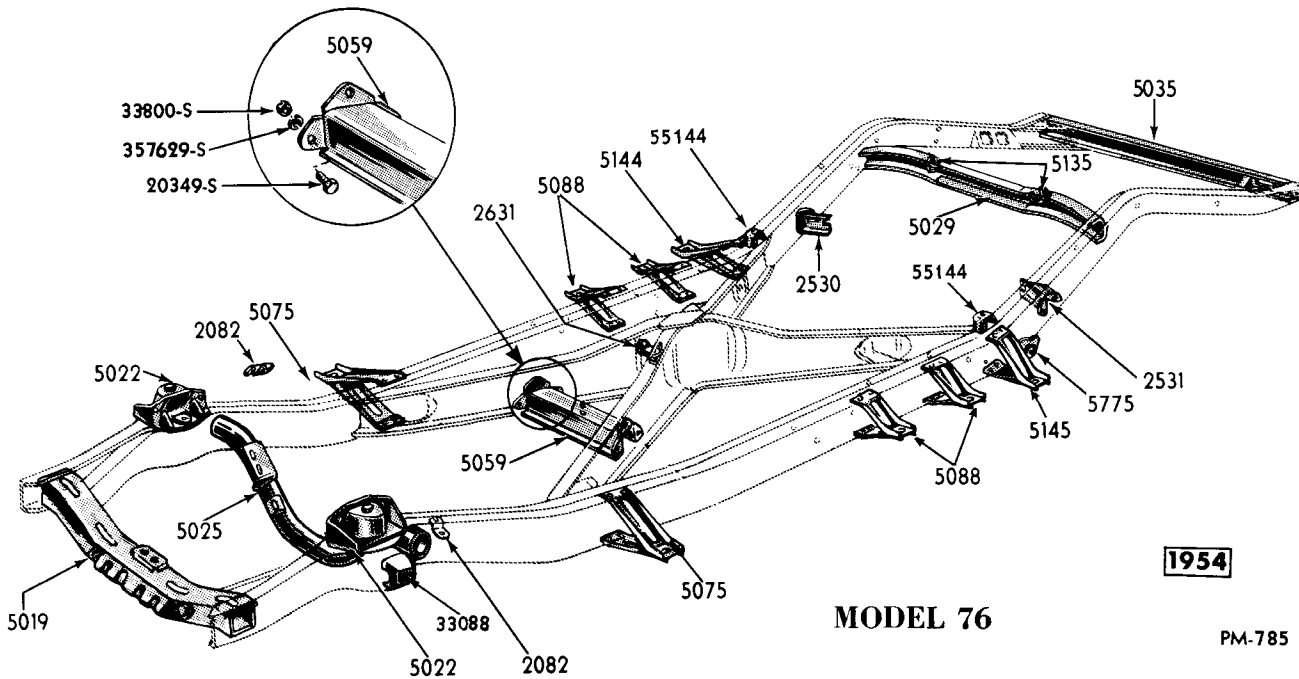
Drive Shaft and Universal Joint—Continued

PART NUMBER	PART NAME	NO. REQ'D	MODEL	YEAR 19__
	A9A-7037-A Kit (universal joint)-front & rear consists of the following (2) AB-4693-A Plate (8) 1M-7078-A Packing (6) 8M-7096 Snap ring	1	MB	54
	MEK-7039-A Kit (univ/jt.)-rear-consists of the following (2) B5A-4678-B Bearing (2) AB-4693-A Plate (1) B5A-4704-A Spider (4) B5A-4706-A Packing (2) B5A-4712-A Bearing (2) 8M-7096 Snap ring (4) 355208-S7 Bolt	1	MB	54
	MFK-7039-A Kit (univ/jt.)-front & rear consists of the following (4) MC-4712-A Bearing (1) 21C-7084 Spider assy (4) 01Y-7096 Snap ring	2	MC	55
	B5A-7042-A Kit (univ/jt.)-front-consists of the following (1) B5A-4704-A Spider (4) B5A-4706-A Packing (4) B5A-4712-A Bearing (4) 8M-7096 Snap ring	1	MB	54
NS	1M-7078 Seal (univ/jt)-grease-front- serviced in 7037 Kit	8	MB	54
	01T-7078-A Seal (univ/jt.)-grease-front and rear	8	MC	55
	8M-7083 Shield (univ/jt. bearing dust)- 13/16" I. D. x 63/64" O. D. x 9/64" wide	8	MB	54
	01Y-7083 Ferrule (univ/jt. spider)-front and rear	8	MC	55
NS	21C-7084 Spider assy (univ/jt.)-serviced in 7039 Kit	2	MC	55
	87907-S8 Fitting (lub)-1/4"-28	2	MC	55
	8M-7096 Snap ring (univ/jt. spider bearing retainer)-1-3/32" O. D. x 3/32" thick-also serviced in 7039 Kit	6	MB	54
	01Y-7096 Snap ring (univ/jt. spider bearing retainer)-also serviced in 7039 Kit	6	MC	55
	1M-7692 Shield (trans. extension rear oil seal)	1	MB	54
	351682-S32 Nut (spring)-for 1-9/16" dia. shaft	1	MB	54

MERCURY

CHASSIS PARTS CATALOGUE

Frame



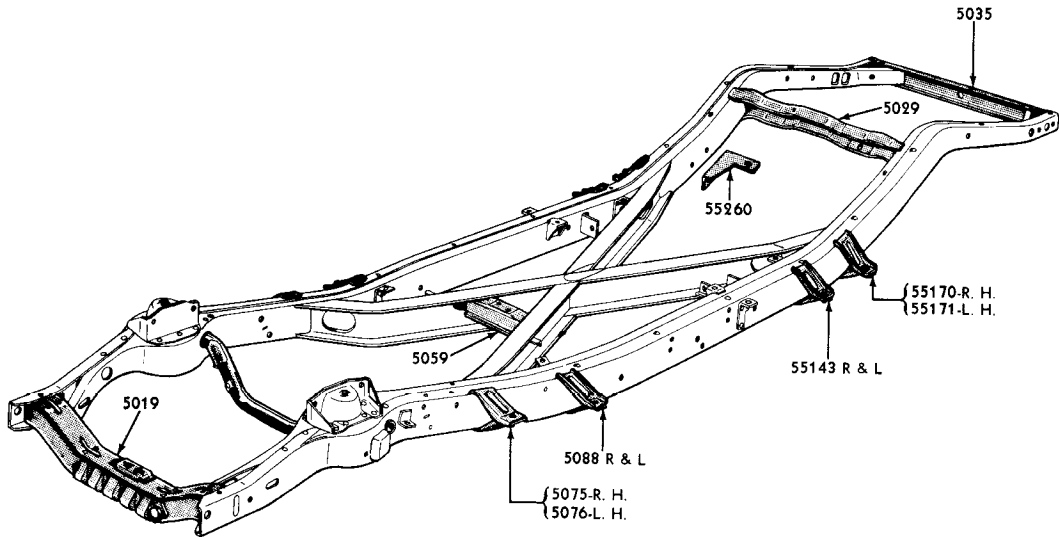
FRAMES

Basic numbers only shown on illustration. Order by Part Numbers shown in list of parts.

MERCURY

CHASSIS PARTS CATALOGUE

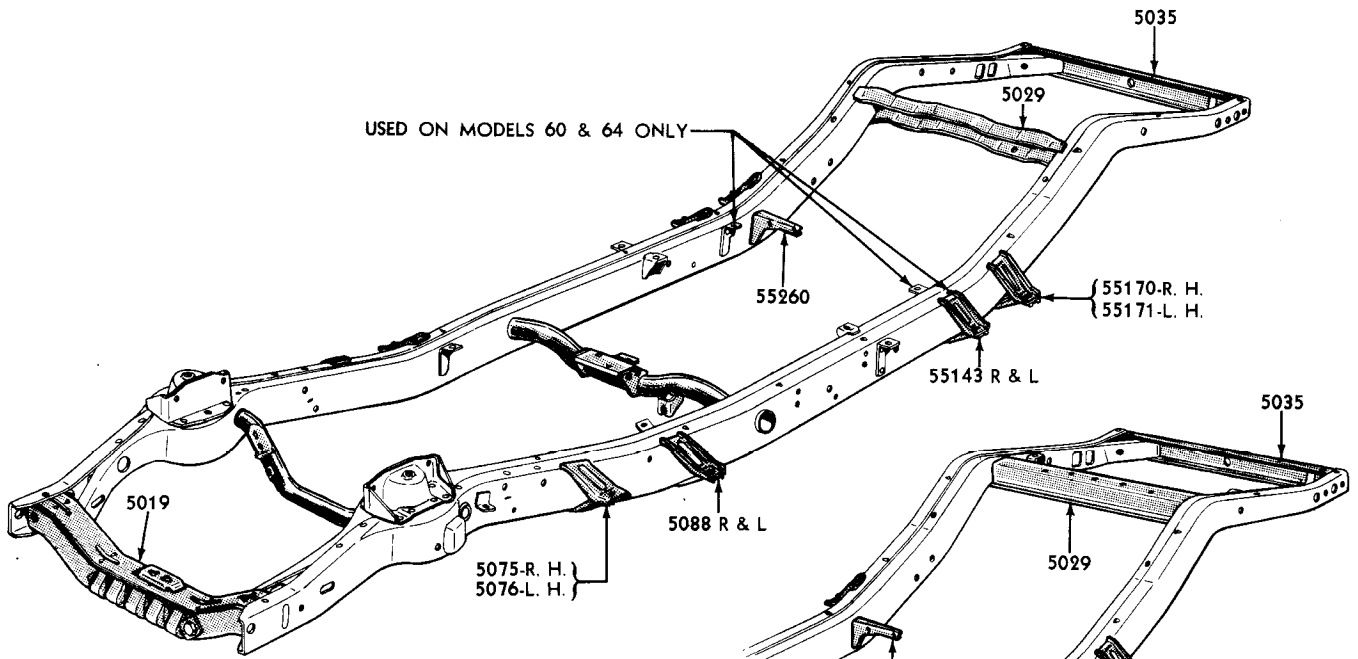
Frame —Continued



MODEL 76

1955

PMC-204



USED ON MODELS 60 & 64 ONLY

ALL MODELS EXCEPT 76 AND 79

MODEL 79

1955

PMC-60

FRAMES

Basic numbers only shown on illustration. Order by Part Numbers shown in list of parts.

MERCURY

CHASSIS PARTS CATALOGUE

Frame—Continued

PART NUMBER	PART NAME	NO. REQ'D	MODEL	YEAR 19____
MB 5005-T	Frame assy	1	MB60	54
MB 5005-V	Frame assy	1	MB70B-73	54
MB 5005-Y	Frame assy	1	MB79	54
MB 5005-AB	Frame assy	1	MB76	54
MC 5005-R	Frame assy-Note-when using for 1955 the following parts are also needed (1) MC-2532-B Lever (1) MC-5060-E Brkt. (1) MC-5103-A Clamp (1) MC-6068-A Insul. (1) MC-22794-A Spring (2) 20371-S8 Bolt (2) 34671-S8 Nut (1) 73896-S8 Pin (1) 352358-S2 Pin (2) 357675-S7 Washer	1	MC58-70 & 73	55
MC 5005-T	Frame assy-Note-when using for 1955 the following parts are also needed (1) MC-2532-B Lever (1) MC-5060-E Brkt. (1) MC-5103-A Clamp (1) MC-6068-A Insul. (1) MC-22794-A Spring (2) 20371-S8 Bolt (2) 35671-S8 Nut (1) 73896-S8 Pin (1) 352358-S2 Pin (2) 357625-S7 Washer	1	MC79	55
MC 5005-V	Frame assy-Note-when using for 1955 the following parts are also needed (1) MC-2532-B Lever (1) MC-5060-E Brkt. (1) MC-5103-A Clamp (1) MC-6068-A Insul. (1) MC-22794-A Spring (2) 20371-S8 Bolt (2) 34681-S8 Nut (1) 73896-S8 Pin (1) 352358-S2 Pin (2) 357624-S7 Washer Remove (2) MC-55194 Brkt.	1	MC60-64	55
MC 5005-N	Frame assy	1	MC76	55
MB 5019-C	Member assy (frame cross)-front	1	MB	54
MC 5019-A	Member assy (frame cross)-front	1	MC	55
MB 5022-A	Bracket assy (suspension arm & shock mounting)-upper-RH	2	MB, MC	54-55
	MB-33088-A Bracket (front suspension bumper)	2	MB, MC	54-55
MA 5025-A	Member assy (frame cross)-center	1	MB except 76	54
MB 5025-C	Member assy (frame cross)-#2	1	MB	54
MB 5027-A	Member assy (frame cross)-#3	1	MB except 76	54
MA 5029-A	Member assy (frame cross)-rear shock absorber	1	MB except 79	54
MC 5029-C	Member assy (frame cross)	1	MC except 79	55
B5A 5029-A	Member assy (frame cross)-⊕AF-5029-A	1	MC79	55

MERCURY

CHASSIS PARTS CATALOGUE

Frame — Continued

PART NUMBER	PART NAME	NO. REQ'D	MODEL	YEAR 19__
MA 5035-A	Member assy (frame cross)-rear-43-37/64" long	1	MB	54
MC 5035-A	Member assy (frame cross)-rear	1	MC	55
MB 5059-B	Support assy (engine rear)	1	MB76	54
MB 5059-C	Support assy (engine rear)	1	MB except 76	54
MB 5059-D	Support assy (engine rear)	1	MB76	54
MC 5059-B	Support assy (engine rear)	1	MC76	55
	20390-S8 Bolt (hex-hd)-7/16-14 x 1"	6	MB, MC	54-55
	35762-S7 Lockwasher-7/16"	6	MB, MC	54-55
	33801-S8 Nut (hex)-7/16-14"	6	MB, MC	54-55
MB 5074-A	Bracket (radiator support mounting)	1	MB, MC	54-55
MA 5075-B	Bracket assy (frame to body)-front	2	MB	54
MC 5075-B	Bracket assy (frame to body)-front R. H.	1	MC	55
MC 5076-B	Bracket assy (frame to body)-front L. H.	1	MC	55
MA 5088-B	Bracket (frame to body)-center	2	MB	54
MA 5088-C	Bracket (frame to body)	2	MB60-76	54
MC 5088-A	Bracket assy (frame to body)-outer	2	MC	55
MA 5135-A	Bracket (rear shock absorber)	2	MB except 79	54
B5A 5143-A	Bracket assy (frame to body-inner)-⊕AF-55144-A	2	MC79	55
B5A 5143-B	Bracket assy (frame to body-inner)-⊕AF-55147-B	2	MC79	55
MA 5144-A	Bracket assy (frame to body)-rear-R. H.	1	MB	54
MA 5145-A	Bracket assy (frame to body)-rear-L. H.	1	MB	54
	MC-55143-B Bracket assy (frame to body)-outer	2	MC60-64-76	55
	MA-55144-A Bracket assy (frame to body)-inner	2	MB	54
	MA-55145-A Bracket assy (frame to body)-inner-rear	2	MB79	54
	MC-55170-A Bracket assy (frame to body)-rear-outer R. H.	1	MC	55
	MC-55171-A Bracket assy (frame to body)-rear-outer L. H.	1	MC	55

Battery Clamp

B5A 5165-A	Clamp assy (battery)-10-7/64" x 5-21/32"- ⊕BR-5165-A	1	MB, MC	54-55
8M 5175-A	Bolt (battery clamp)	1	MC	55
	78-700045 Washer (rubber)-clamp to battery tray	2	MB, MC	54-55
	33896-S8 Nut (wing)-5/16"-18-to tray battery	2	MC	55
	33897-S8 Nut (wing)-3/8"-16 clamp to battery tray	2	MB	54
	356385-S8 Washer (cup)-27/64"-I. D. x 1-5/16" O. D. -clamp to battery tray	2	MB	54
	44725-S8 Washer (flat)-5/16"-to tray battery	2	MC	55

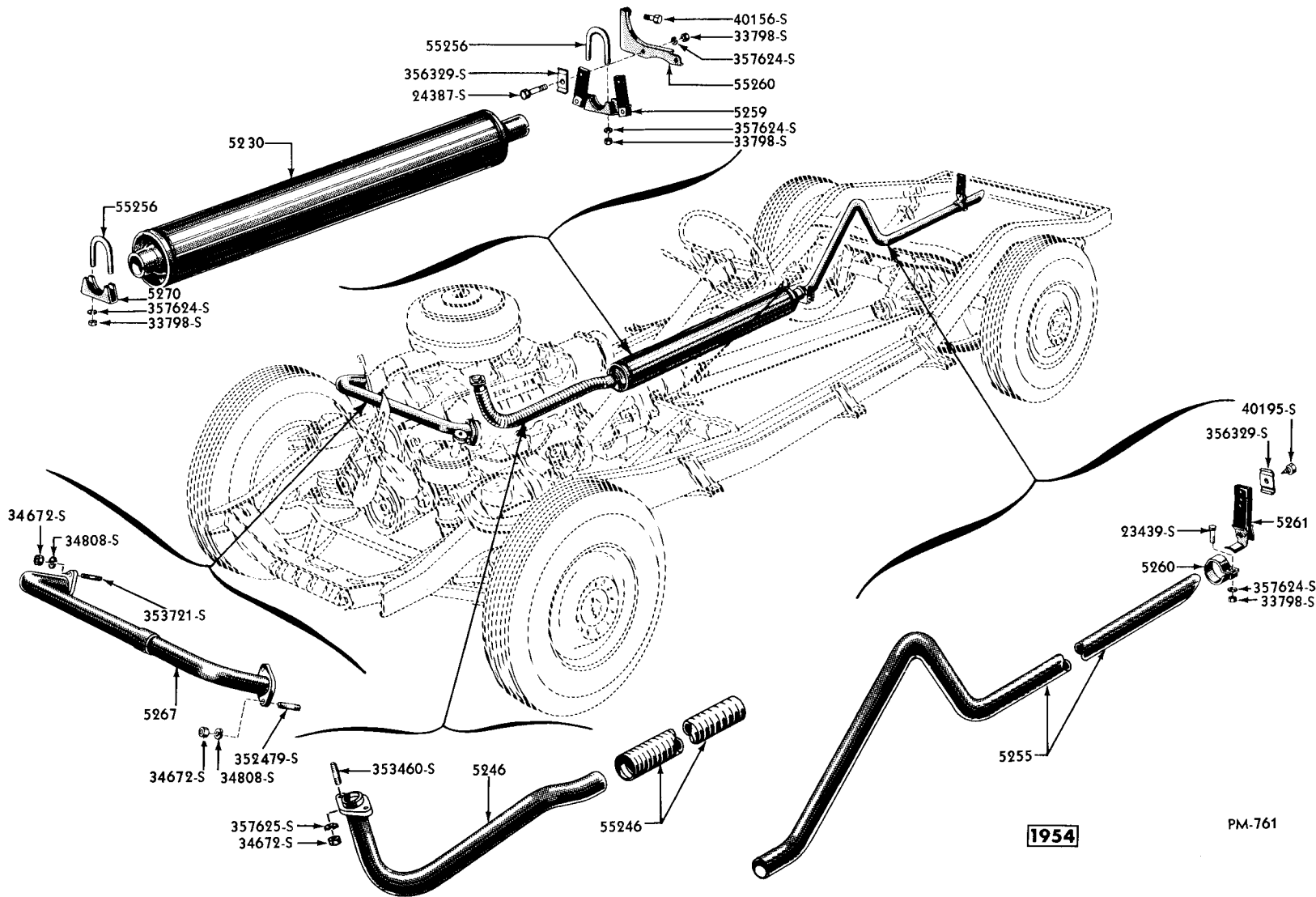
MERCURY

CHASSIS PARTS CATALOGUE

Muffler

PART NUMBER	WDAFC	PART NAME	NO. REQ'D	MODEL	YEAR 19__
BV 5202-A		Extension assy (muffler outlet)-pipe-R. H.	1	MC except 79	55
BV 5203-A		Extension assy (muffler outlet)-pipe-L. H.	1	MC except 79	55
		20348-S8 Bolt (hex-hd)-3/8"-16 x 3/4" -to bar-rear impact	4	MC	55
		34847-S8 Lockwasher-3/8"-to bar- rear impact	4	MC	55
MC 5210-B		Kit (dual exhaust system)	1	MC	55
		MC-55226-B Bracket & insulator assy (muffler outlet pipe)-rear-L. H.	1	MC79	55
MB 5230-C		Muffler assy (plain) straight through type-49-3/8" long	1	MB except 76	54
MB 5230-F		Muffler assy (plain) straight through type-41-5/8" long	1	MB76	54
MC 5230-E		Muffler assy (Standard exhaust system)-"2" approx. pipe opening	1	MC60, 70B & 73	55
MC 5230-N		Muffler assy (Dual exhaust system)-1-3/4" approx. pipe opening	2	MC	55
MB 5246-B		Pipe assy (muffler inlet)-20" formed length	1	MB76	54
MB 5246-C		Pipe assy (muffler inlet)-35-1/16" formed length	1	MB except 76	54
MC 5246-C		Pipe assy (muffler inlet)-Dual exhaust system-R. H.	1	MC except 76	55
MC 5246-D		Pipe assy (muffler inlet)-R. H.	1	MC76	55
MC 5246-E		Pipe assy (muffler inlet)-Standard exhaust system	1	MC60, 70 & 73	55
		357624-S7 Lockwasher-5/16"-pipe to manifold assy	2	MB, MC except 76	54-55
		357625-S7 Lockwasher-7/16"-pipe to manifold assy	2	MB, MC	54-55
		33798-S8 Nut (hex)-5/16"-24-pipe assy to muffler assy	2	MC except 76	55
		352492-S100 Nut (hex)-7/16"-14-exhaust pipe to manifold	2	MB, MC	54-55
		353460-S Stud-7/16"-14-14 x 1-5/8"- pipe to manifold	2	MB, MC	54-55
NS		MC-55246-B Insulator (muffler inlet pipe)-29" long when extended-cut from MC-55246-C for service	1	MC60E, 70B & 73B	55
		MC-55246-C Insulator (muffler inlet pipe)- 41" long when extended	1	MC except 76	55
NS		MC-55246-D Insulator (muffler inlet pipe)-35" long when extended-cut from MC-55246-C for service	1	MC58, 60B, 64, 73C & 79	
NS		MC-55246-E Insulator (muffler inlet pipe)- 25-1/2" long when extended- cut from MC-55246-C for service	2	MC76	55

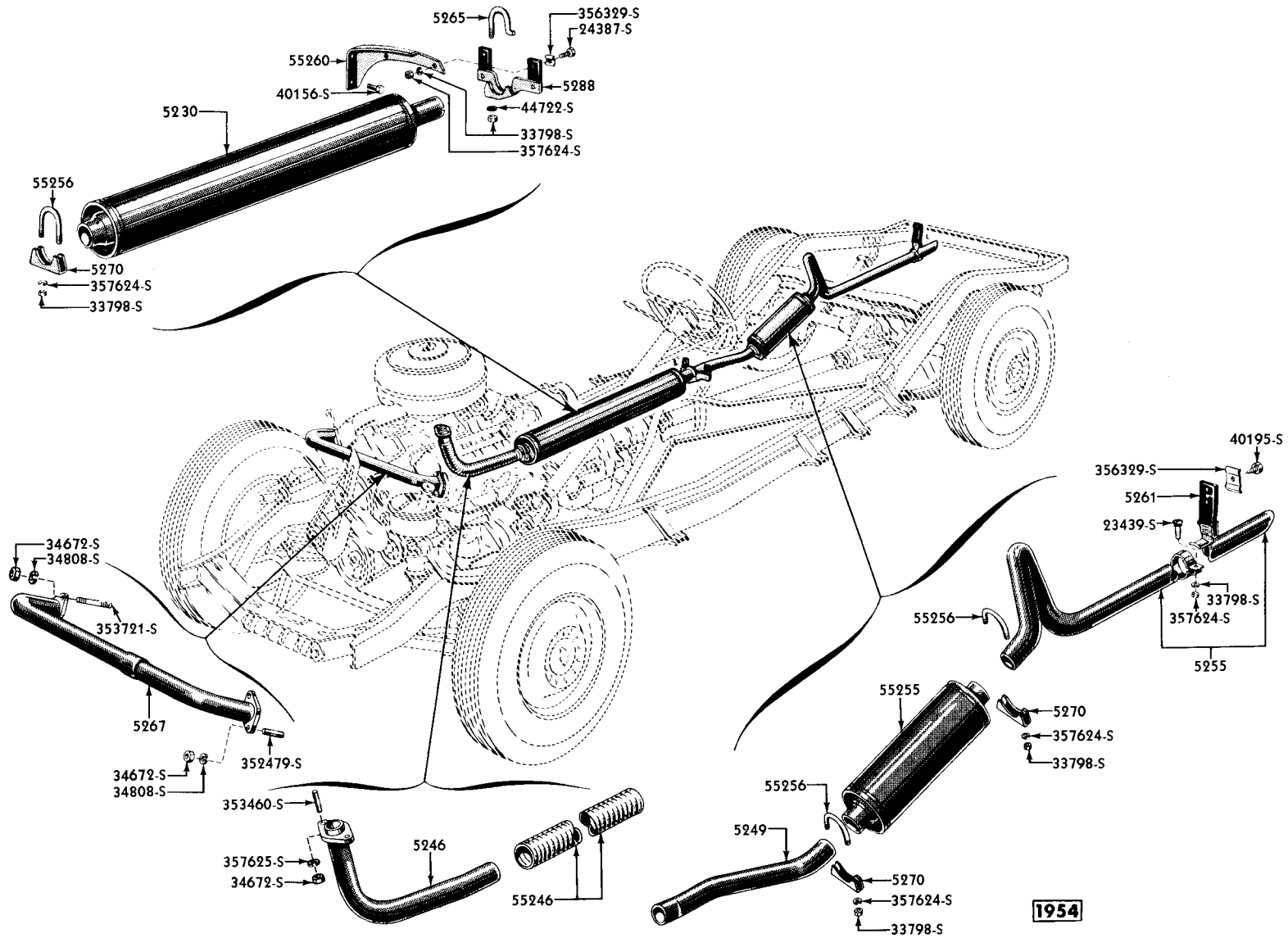
Muffler—Continued



EXHAUST SYSTEM—EXCEPT MODEL 76

Basic numbers only shown on illustration. Order by Part Numbers shown in list of parts.

Muffler—Continued



1954

PM-760

EXHAUST SYSTEM—MODEL 76

Basic numbers only shown on illustration. Order by Part Numbers shown in list of parts.

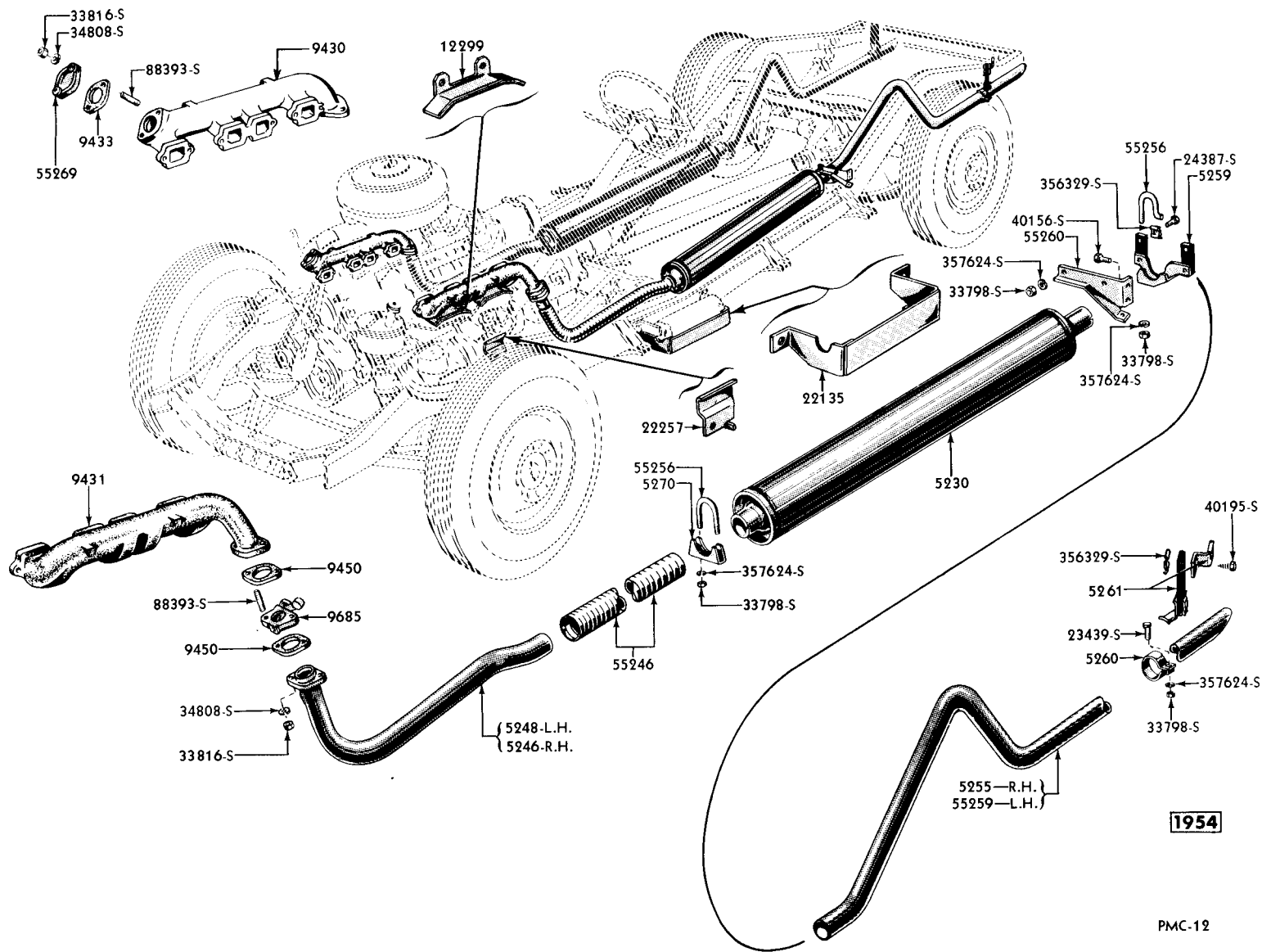
MERCURY

CHASSIS PARTS CATALOGUE

Muffler—Continued

PART NUMBER	PART NAME	NO. REQ'D	MODEL	YEAR 19__
MB 5248-A	Pipe assy (muffler inlet)-L. H.	1	MB76	54
MB 5248-B	Pipe assy (muffler inlet)-L. H.	1	MB except 76	54
MC 5248-A	Pipe assy (muffler inlet)-L. H. -Dual exhaust system	1	MC except 76	55
MC 5248-B	Pipe assy (muffler inlet)-L. H. -Dual exhaust system	1	MC76	55
	357624-S7 Lockwasher (special)-5/16"-pipe assy to muffler assy	2	MC except 76	55
	357625-S7 Lockwasher (special)-7/16"-pipe assy to exhaust manifold	2	MC	55
	33798-S8 Nut (hex)-5/16"-24-pipe assy to muffler assy	2	MC except 76	55
	LD-55248-A "U" bolt (muffler inlet resonator)	10	MC	55
	LE-55248-A "U" bolt (muffler inlet resonator)-front-Dual exhaust system	2	MC	55
MB 5249-A	Pipe (muffler to rear resonator)-21-1/2" formed length	1	MB76	54
	357624-S7 Lockwasher (special)-5/16"-pipe to resonator	2	MB76	54
	33798-S8 Nut (hex)-5/16"-24-pipe to resonator	2	MB76	54
MB 5255-D	Pipe (muffler outlet)-70-1/2" formed length	1	MB79	54
MB 5255-E	Pipe (muffler outlet)-70-45/64" approx. formed length	1	MB except 76 & 79	54
MB 5255-F	Pipe (muffler outlet)-58-13/64" approx. formed length	1	MB76	54
MC 5255-F	Pipe (muffler outlet)-R. H.	1	MC79	55
MC 5255-G	Pipe (muffler outlet)-R. H. -Dual exhaust system	1	MC except 76 & 79	55
MC 5255-H	Pipe (muffler outlet)-R. H. -Dual exhaust system	1	MC76	55
MC 5255-J	Pipe (muffler outlet)-used with Standard exhaust system	1	MC60, 70B & 73	55
	MB-55255-B Resonator assy (exhaust)-rear	1	MB76	54
	33798-S8 Nut (hex)-5/16"-24-resonator	2	MB	54
	MA-55256-A "U" bolt (muffler and resonator clamp)-also serviced in 5210 Kit	as reqd	MB, MC	54-55
	357624-S7 Lockwasher-5/16"	as reqd	MB, MC	54-55
	33798-S8 Nut (hex)-5/16"-24	as reqd	MB, MC	54-55

Muffler—Continued



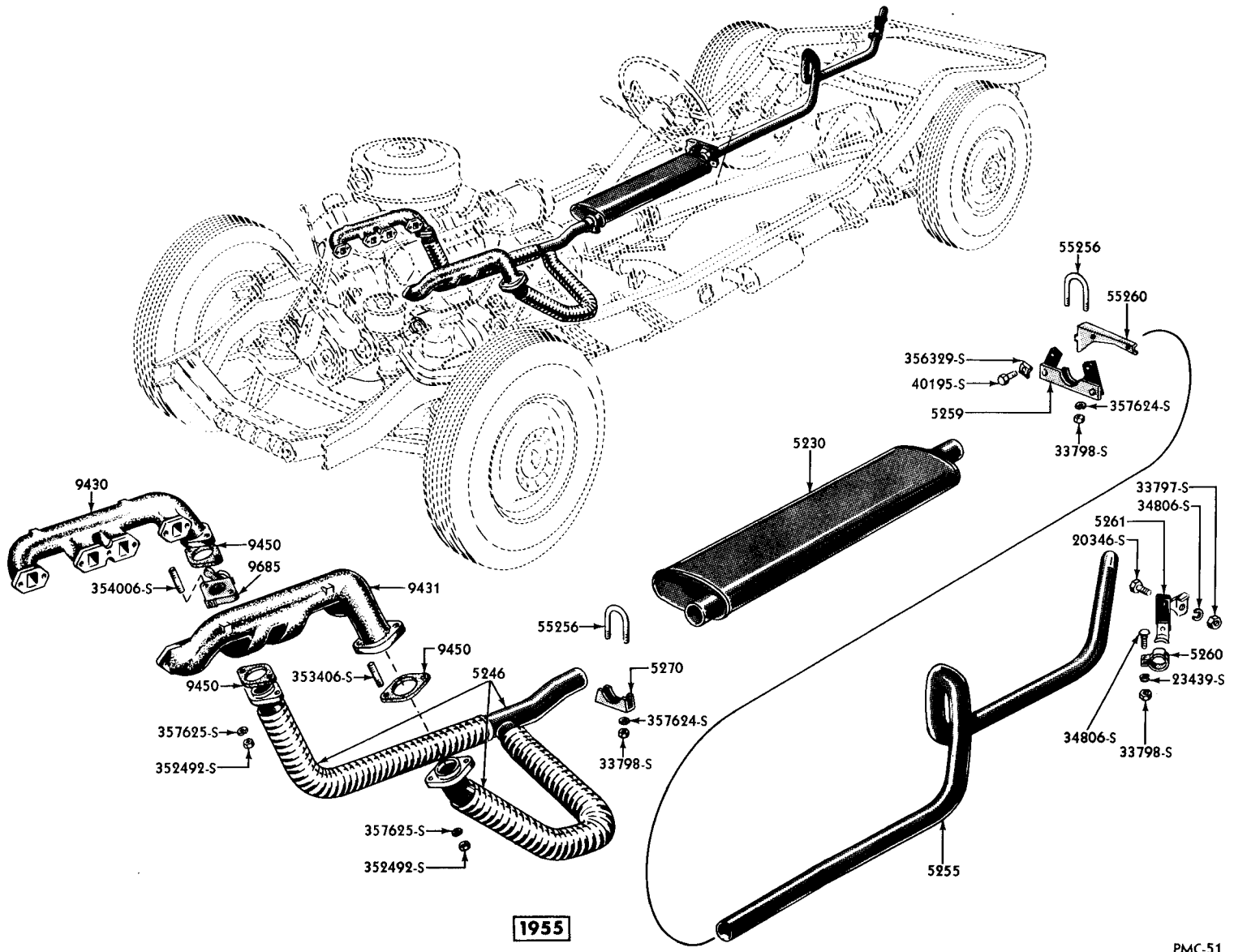
DUAL EXHAUST SYSTEM

Basic numbers only shown on illustration. Order by Part Numbers shown in list of parts.

MERCURY

CHASSIS PARTS CATALOGUE

Muffler—Continued



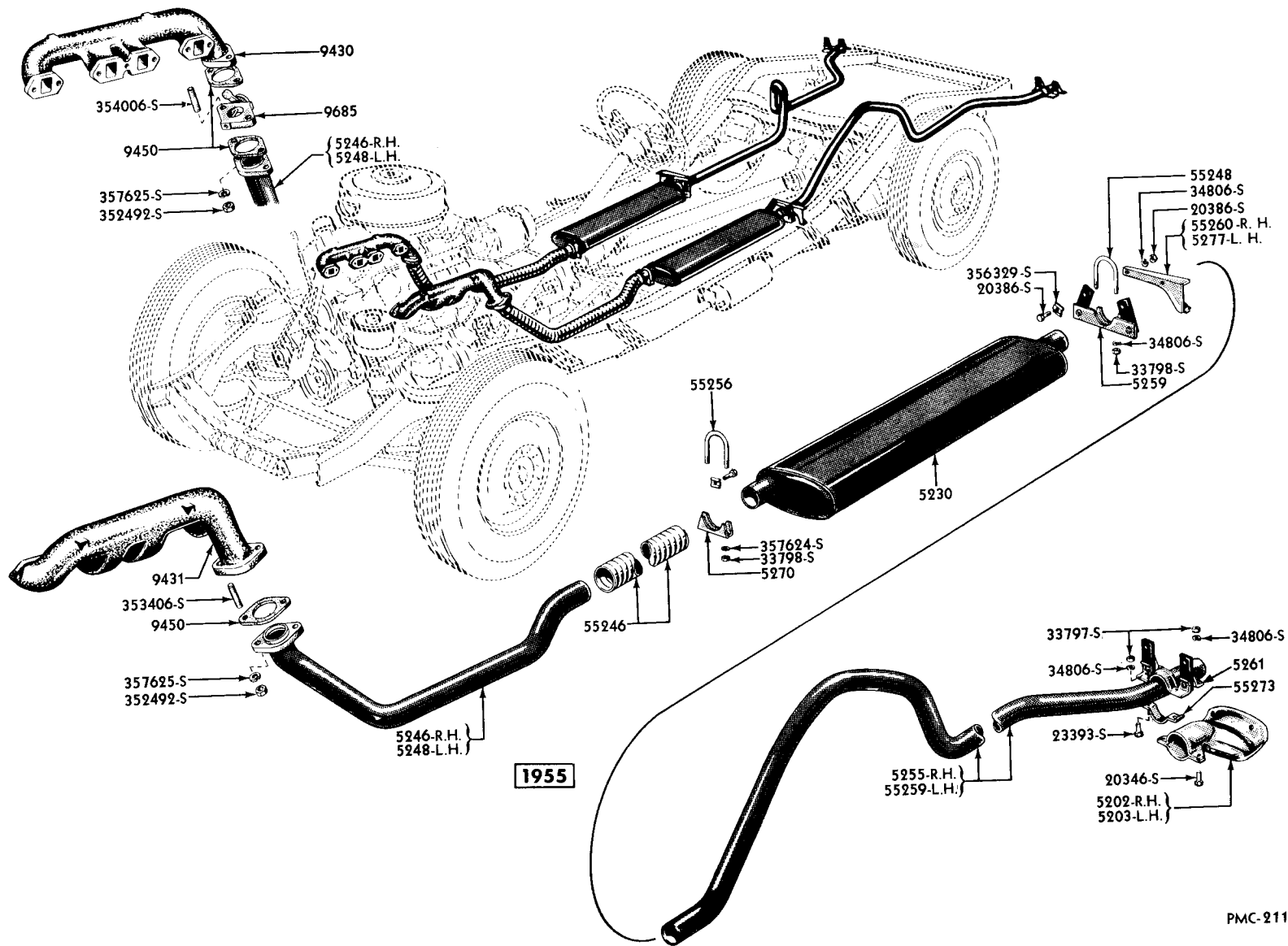
1955

EXHAUST SYSTEM

Basic numbers only shown on illustration. Order by Part Numbers shown in list of parts.

PMC-51

Muffler—Continued



1955

PMC-211

DUAL EXHAUST SYSTEM

Basic numbers only shown on illustration. Order by Part Numbers shown in list of parts.

MERCURY

CHASSIS PARTS CATALOGUE

Muffler—Continued

PART NUMBER	PART NAME	NO. REQ'D	MODEL	YEAR 19__
MA 5259-C	Bracket & insulator assy(muffler outlet pipe)-front-also serviced in 5210 Kit	1	MB except 76	54
MC 5259-B	Support assy (muffler outlet pipe)-front	2	MC76	55
MC 5259-C	Support assy (muffler outlet pipe)-front-Dual exhaust system	2	MC except 76	55
MC 5259-D	Support assy (muffler outlet pipe)-front	1	MC60, 70B & 73	55
	20386-S8 Bolt (hex-hd)-5/16"-18 x 1"-support assy to muffler outlet pipe to frame brkt.	4	MC76	55
	20386-S8 Bolt (hex-hd)-5/16"-18 x 1"-support assy to muffler outlet pipe to frame outer L. H. pipe brkt.	2	MC except 76	55
	24387-S7 Bolt (hex-hd)-5/16"-24 x 1"-bracket & insulator to frame bracket	2	MB except 76	54
	34806-S7 Lockwasher-5/16"-support assy to muffler outlet pipe to frame inner brkt.	4	MC76	55
	34806-S7 Lockwasher-5/16"-support assy to muffler assy & muffler outlet pipe R. H.	2	MC	55
	34806-S7 Lockwasher-5/16"-support assy to muffler assy & muffler outlet pipe R. H. & L. H. brkts.	4	MC	55
	357624-S7 Lockwasher (special)-5/16"-bracket & insulator to frame bracket	2	MB except 76	54
	33797-S7 Nut (hex)-5/16"-18-support assy to muffler outlet pipe to frame in new brkts.	4	MC76	55
	33797-S7 Nut (hex)-5/16"-18-support assy to muffler outlet pipe to frame outer L. H. brkt.	2	MC except 76	55
	33798-S8 Nut (hex)-5/16"-24-support assy to muffler assy & muffler outlet pipe R. H. & L. H.	4	MC	55
	33798-S8 Nut (hex)-5/16"-24-bracket & insulator to frame bracket	2	MB except 76	54
	40195-S Screw (self tapping)-5/16" x 1"-support assy to muffler outlet pipe to frame outer brkt.	2	MC	55
	356329-S Washer (rectangular)-. 33" dia. support assy to muffler outlet pipe to frame brkt.	4	MC76	55
	356329-S Washer (rectangular)-. 33" dia. bracket & insulator to frame bracket	2	MB except 76, MC	54-55
	MB-55259-B Pipe-also serviced in 5210 Kit	1	MB except 76 & 79	54
	MB-55259-E Pipe-also serviced in 5210 Kit	1	MB76	54

MERCURY

CHASSIS PARTS CATALOGUE

Muffler—Continued

PART NUMBER	PART NAME	NO. REQ'D	MODEL	YEAR 19_____
	MC-55259-A Pipe (muffler outlet)-L. H.	1	MC79	55
	MC-55259-B Pipe (muffler outlet)-L. H. -Dual exhaust system	1	MC except 76 & 79	55
	MC-55259-C Pipe (muffler outlet)-L. H. -Dual exhaust system	1	MC76	55
51A 5260-B	Clamp (muffler outlet pipe)-rear	2	MC79	55
MA 5260-A	Clamp (muffler outlet pipe)-rear-full circle-also serviced in 5210 Kit	1	MB, MC60-70B-73	54-55
	23393-S8 Bolt (carriage)-5/16"-18 x 7/8"-clamp to muffler outlet pipes R. H. & L. H.	2	MC79	55
	23439-S8 Bolt (carriage)-5/16"-24 x 1-1/4"-clamp to outlet pipe	1	MB, MC	54-55
	34806-S7 Lockwasher-5/16"-clamp to muffler outlet pipes	2	MC	55
	357624-S7 Lockwasher-5/16"-clamp to outlet pipe	1	MB, MC	54-55
	33797-S7 Nut (hex)-5/16"-18-clamp to muffler outlet pipes R. H. & L. H.	2	MC79	55
	33798-S8 Nut (hex)-5/16"-24-clamp to outlet pipe	1	MB, MC	54-55
	MA-55260-A Bracket (muffler outlet pipe to frame)-also serviced in 5210 Kit	1	MB76	54
	MB-55260-B Bracket (muffler outlet pipe to frame)-also serviced in 5210 Kit	1	MB except 76	54
	MC-55260-D Bracket (muffler outlet pipe to frame)-outer	1	MC except 76	55
	MC-55260-E Bracket (muffler outlet pipe to frame)-outer	2	MC76	55
	40156-S8 Screw (self tapping)-5/16"-18 x 5/8"-bracket to frame	2	MB	54
8A 5261-A	Bracket assy (muffler outlet pipe)-rear	1	MB except 79	54
MB 5261-A	Bracket & insulator assy (muffler outlet pipe)-rear	1	MB79	54
MC 5261-D	Bracket & insulator assy (muffler outlet pipe)-rear-R. H.	1	MC60, 70B & 73	55
MC 5261-E	Bracket & insulator assy (muffler outlet pipe)-rear-R. H.	1	MC79	55
MC 5261-F	Bracket assy (muffler outlet pipe)-rear-Dual exhaust system	2	MC except 79	55
	20346-S8 Bolt (hex-hd)-5/16"-18 x 3/4"	4	MC except 79	55
	34806-S7 Lockwasher-5/16"-brkt. assy to rear bumper deflector	4	MC	55
	33797-S7 Nut (hex)-5/16"-18	4	MC except 79	55
	40195-S Screw (self tapping)-5/16" x 1-bracket to frame	1	MB except 79, MC except 79	54-55
	356329-S Washer(rectangular)-21/64" dia. -brkt. assy to rear bumper deflector	1	MB except 79, MC except 79	54-55

MERCURY

CHASSIS PARTS CATALOGUE

Muffler—Continued

PART NUMBER	CLASS	PART NAME	NO. REQ'D	MODEL	YEAR 19__
MA 5265-C		Clamp (muffler outlet pipe front)-also serviced in 5210 Kit	1	MB76	54
		33798-S8 Nut (hex)-5/16"-24	1	MB76	54
		44722-S8 Washer (flat)-5/16"	1	MB76	54
EBY 5267-B		Pipe assy (exhaust manifold crossover)	1	MB	54
		MC-55268-A Bracket & insulator assy (muffler inlet pipe)	2	MC76	55
		20388-S8 Bolt (hex-hd)-3/8"-16 x 7/8"-brkt. & insulator assy to brkt. muffler inlet pipe to frame R. H. & L. H.	2	MC76	55
		34806-S7 Lockwasher-5/16"-brkt. & insulator assy to muffler inlet & outlet pipe to muffler inlet pipe assy R. H. & L. H. to muffler assy	1 or 4	MC76	55
		33797-S7 Nut (hex)-5/16"-18-brkt. to insulator assy to brkt. muffler inlet pipe to frame R. H. & L. H.	2	MC76	55
		33798-S8 Nut (hex)-5/16"-24-brkt. & insulator assy to muffler inlet pipe & muffler inlet pipe assy R. H. & L. H. to muffler	4	MC76	55
		356329-S Washer (rectangular)-21/64" dia. -brkt. & insulator assy to brkt. muffler inlet pipe to frame R. H. & L. H.	4	MC76	55
		EBY-55269-A Plate (exhaust manifold crossover pipe opening cover)-also serviced in dual exhaust kit	1	MB	54
		34808-S7 Lockwasher-7/16"-crossover pipe to manifold	4	MB	54
		352492-S100 Nut (hex)-7/16"-14-crossover pipe to manifold	4	MB	54
		352479-S Stud-7/16"-14-14 x 1-47/64"-crossover pipe to manifold L. H.	2	MB	54
		353721-S Stud-7/16"-14-14 x 2-1/4"-crossover pipe & control valve to manifold-R. H.	2	MB	54
MA 5270-A		Clamp (muffler inlet pipe)-3-7/16" approx. overall length	as req'd	MB, MC except 76	54-55
		MC-55273-A Clamp (muffler outlet pipe)-lower-Dual exhaust system	2	MC except 79	55
		23393-S8 Bolt (carriage)-5/16"-18 x 7/8"-clamp to muffler outlet pipe clamp & brkt. assy	4	MC except 79	55
		34806-S7 Lockwasher-5/16"-clamp to muffler outlet pipe clamp brkt. assy	4	MC	55
		33797-S7 Nut (hex)-5/16"-18-clamp to muffler outlet pipe clamp & brkt. assy	4	MC except 79	55

MERCURY

CHASSIS PARTS CATALOGUE

Muffler—Continued

PART NUMBER	PART NAME	NO. REQ'D	MODEL	YEAR 19__
B5A 5277-D	Bracket (muffler outlet pipe to frame outer)-L. H. - Dual exhaust system-⊕AG-55299-B	1	MC except 76	55
	40156-S8 Screw (self tapping)-5/16" x 1"-brkt. to frame outer L. H. to frame assy	2	MC	55
	MB-55279-B Pipe (muffler to rear resonator)- L. H. -also serviced in 5210 Kit	1	MB76	54
MA 5288-C	Support assy (muffler outlet pipe)-front	1	MB76	54
	24387-S7 Bolt(hex-hd)-5/16"-24-support to frame bracket	2	MB, MC76	54-55
	357624-S7 Lockwasher-5/16"-support to frame bracket	2	MB, MC76	54-55
	33798-S8 Nut (hex)-5/16"-24-support assy to outlet pipe	1	MB, MC76	54-55
	33798-S8 Nut (hex)-5/16"-24-support to frame bracket	2	MB, MC76	54-55
	33798-S8 Nut (hex)-5/16"-24-support to frame bracket	2	MB76	54
	40195-S Screw (self tap)-5/16" x 1 outlet pipe to support	2	MC except 76	55
	44722-S8 Washer (flat)-5/16"-support assy to outlet pipe	1	MB76	54
	356329-S Washer (rectangular)-21/64" dia. -support to frame brkt.	as reqd	MB, MC	54-55

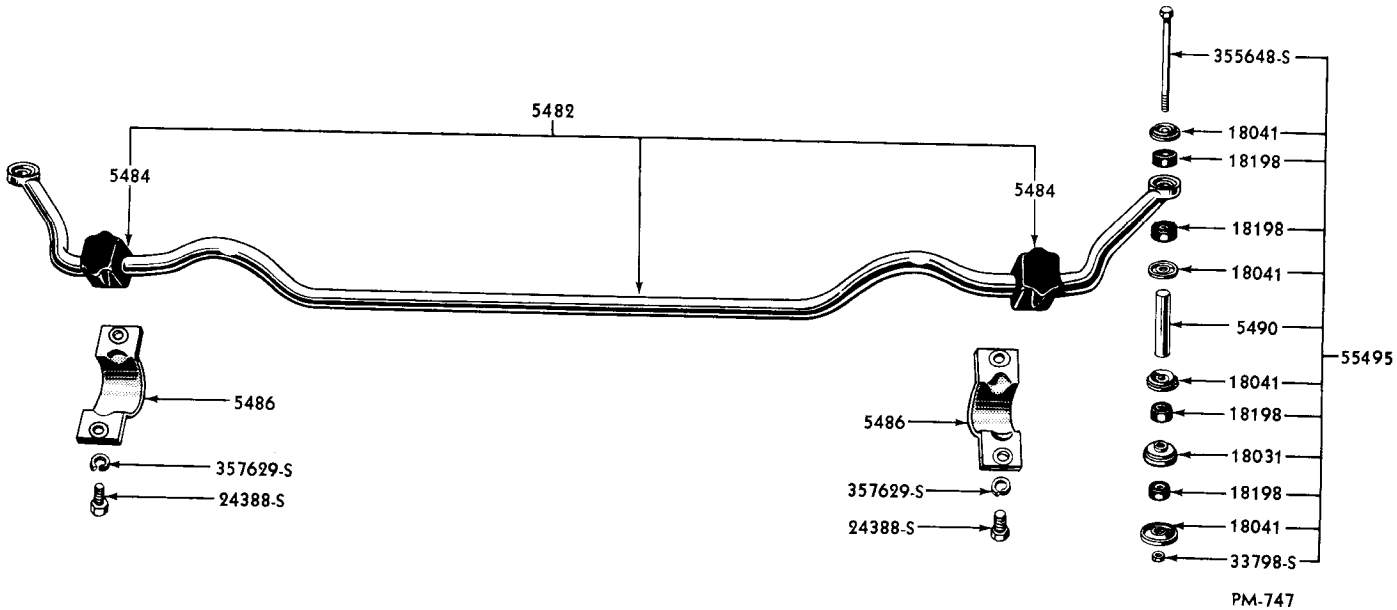
Front Spring

AD 5310-G	Spring (front)	2	MC except 76 & 79	55
MB 5310-D	Spring (front)-Yellow paint stripe-approximate free length-15-27/64"	2	MB except 76 & 79, MC except 76 & 79	54-55
MB 5310-E	Spring (front)-Orange paint stripe-approximate free length-15-5/8"	2	MB76, MC76	54-55
MB 5310-F	Spring (front)-Bronze paint stripe-approximate free length-14-43/64"	2	MB79, MC79	54-55
OM 5334	Liner (rear spring clamp)-Rubber-cut to length 7-3/4" long	as reqd	MB, MC	54-55
MB 5355-B	Shim (front spring)-1/8" thick	1	MC except 76, 79	55
8A 5415-A	Insulator (front suspension coil spring)-upper- 5-1/2" O.D. x 3-3/4" I.D.	2	MB, MC	54-55
MB 5482-A	Bar assy (front stabilator)-used for 1955 until 4/1/55 then replaced by MC-5482-A	1	MB, MC	54-55

MERCURY

CHASSIS PARTS CATALOGUE

Front Stabilator



FRONT STABILATOR

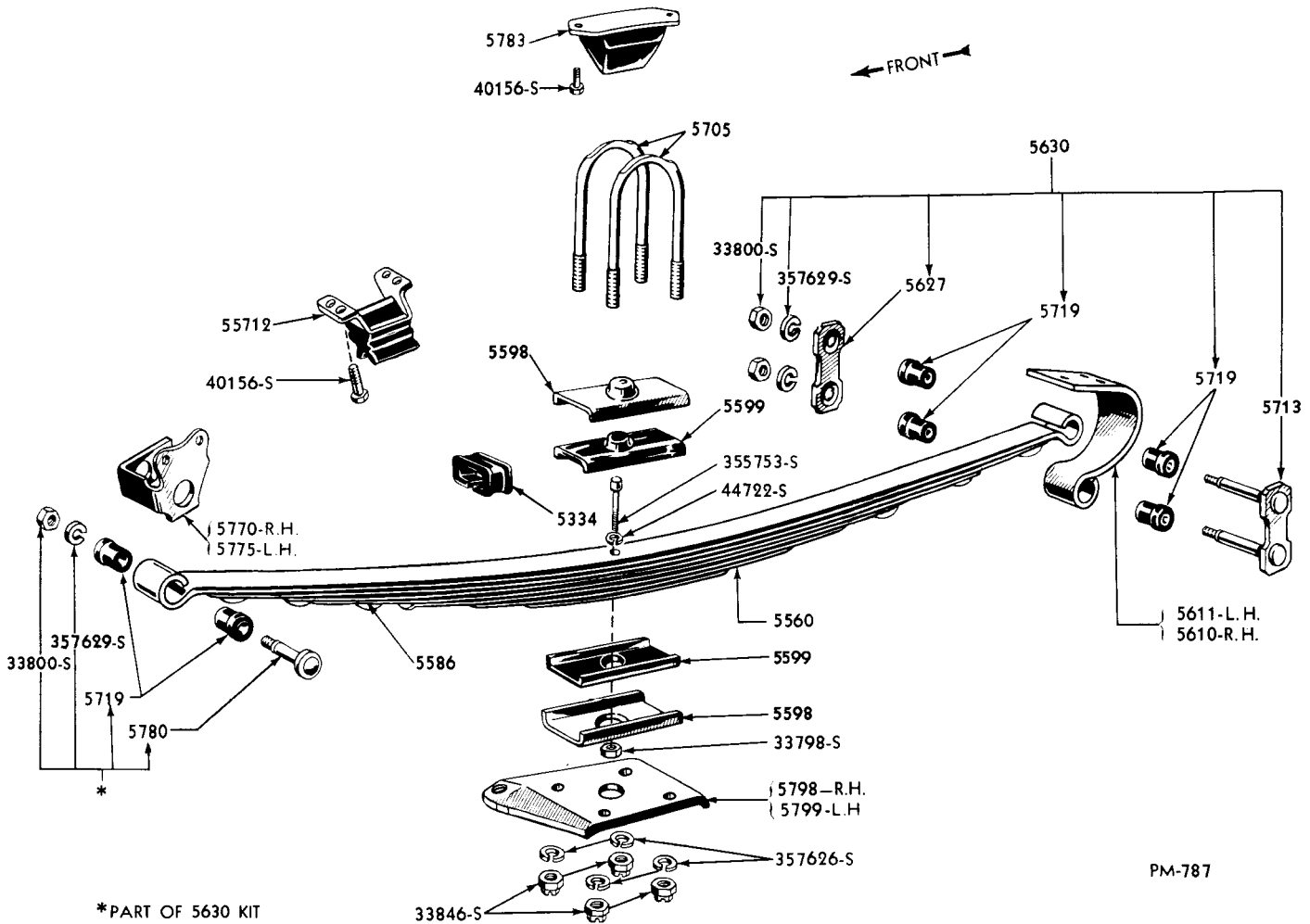
Basic numbers only shown on illustration. Order by Part Numbers shown in list of parts.

PART NUMBER	QUANTITY	PART NAME	NO. REQ'D	MODEL	YEAR
MC 5482-A		Bar assy (front stabilizer)	1	MC	55
		20388-S8 Bolt (hex-hd)-3/8"-16 x 1"-stabilator to frame	4	MB, MC	54-55
		355648-S8B Bolt (shoulder)-5/16"-24 x 5-13/16"-stabilator bar to lower arm assy	2	MB, MC	54-55
		357629-S7 Lockwasher (special)-3/8"-stabilator to frame	4	MB, MC	54-55
		33798-S8 Nut (hex)-5/16"-24	2	MB, MC	54-55
		MEK 55495-A Kit (front stabilator link)-consists of the following (1) MB-5490-A Spacer (1) AB-18031-A Seat (4) AB-18041-B Washer (4) AB-18198-A Insul. (1) 33798-S8 Nut (1) 355648-S8 Bolt	1	MB, MC	54-55
8L 5484		Bushing (stabilator bar to frame)-Rubber-used for 1955 until 4/1/55 then replaced by MC-5484-A	2	MB, MC	54-55
MC 5484-A		Bushing (stabilator bar to frame)	2	MC	55
8M 5486		Bracket (stabilator bar to frame)	2	MB, MC	54-55
MB 5490-A		Spacer (front stabilator bar)-3-3/8" long	2	MB, MC	54-55
		AB-18031-A Seat (stabilator insulator)-to front suspension lower arm	2	MB, MC	54-55
		AB-18041-B Washer (stabilator insulator)-to front suspension lower arm	8	MB, MC	54-55
		AB-18198-A Insulator (rubber)-stabilator to front suspension lower arm	8	MB, MC	54-55

MERCURY

CHASSIS PARTS CATALOGUE

Rear Springs, Hangers and Clips



PM-787

REAR SPRINGS, HANGERS AND CLIPS

Basic numbers only shown on illustration. Order by Part Numbers shown in list of parts.

PART NUMBER	PART NAME	NO. REQ'D	MODEL	YEAR 19__
* MA 5560-B	Spring assy (rear)-standard-10 leaf-1200 lb. load	2	MB79	54
* MA 5560-F	Spring assy (rear)-standard-8 leaf-800 lb. load	2	MB60-70B-73	54
* MA 5560-G	Spring assy (rear)-standard-8 leaf-840 lb. load	2	MB76	54
* MA 5560-H	Spring assy (rear)-H/D-8 leaf-860 lb. load	2	MB60-70B-73	54
* MA 5560-J	Spring assy (rear)-H/D-9 leaf-900 lb. load	2	MB76	54
MC 5560-F	Spring assy (rear)	2	MC76	55
MC 5560-G	Spring assy (rear)	2	MC except 76, 79	55
MC 5560-H	Spring assy (rear)-Heavy Duty	2	MC except 76, 79	55
MC 5560-J	Spring assy (rear)	2	MC79	55
MC 5560-K	Spring assy (rear)-Heavy Duty	2	MC except 76, 79	55
MC 5560-L	Spring assy (rear)-Heavy Duty	2	MC76	55

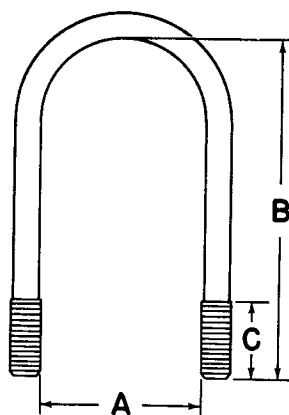
* Part number stamped on under side of bottom leaf

MERCURY

CHASSIS PARTS CATALOGUE

Rear Springs, Hangers and Clips—Continued

PART NUMBER	QTY	PART NAME	NO. REQ'D	MODEL	YEAR
					19__
8M 5586		Insert assy (rear spring)-packaged 8 pieces to carton-amount necessary for one rear spring	as reqd	MB	54
B2A 5598-A		Retainer (rear spring center mounting insulator)-4-63/64" long x 2-19/64" wide-⊕AB-55711-A	4	MB	54
		355753-S Bolt (special head)-center-5/16"-24 x 2-3/4"	2	MB except 79	54
		355789-S Bolt (rd-hd)-center-5/16"-24 x 2-7/8"	2	MB60-73	54
		355790-S Bolt (rd-hd)-center-5/16"-24 x 3-23/64"	2	MB79	54
		355793-S Bolt (rd-hd)-center-5/16"-24 x 3-7/32"	2	MB76	54
		33798-S8 Nut (hex)-5/16"-24-center bolt	2	MB	54
B2A 5599-A		Insulator (rear spring center mounting)- Rubber-⊕AB-55710-A	4	MB	54
AB 5610-A		Hanger (rear spring shackle)-rear-R. H. -4-1/2" from top face to center of 55/64" dia. hole	1	MB, MC	54-55
AB 5611-A		Hanger (rear spring shackle)-rear-L. H. -4-1/2" from top face to center of 55/64" dia. hole	1	MB, MC	54-55
		357629-S7 Lockwasher-3/8"	4	MB	54
		33800-S8 Nut (hex)-3/8"-24	4	MB	54
1A 5627-A		Bar (rear spring shackle)-outer-also serviced in 5630 Kit	2	MB, MC	54-55
MCK 5630-C		Kit (spring rear shackle & front bolt)-consists of the following (1) 1A-5627-A Bar (1) AB-5713-B Shackle (6) 8A-5719 Bushing*(1) MA-5780-A Stud (3) 33800-S8 Nut (3) 357629-S7 L/Wshr. *Alternate parts-8A-5780-A & AB-5780-A	2	MB, MC	54-55
8A 5703		Spacer (spring clamp)-used with 5724 spring clamp	6	MB, MC	54-55



PL-223

REAR SPRING CLIP CHART

PART NUMBER	QTY	A	B	C	THREAD SIZE	NO. REQ'D	MODEL	YEAR
								19__
MA 5705-E		2-1/2"	8-11/16"	3"	1/2"-20	as reqd	MB79	54
MA 5705-F		2-27/32"	8-13/64"	4"	1/2"-20	as reqd	MB, MC	54-55

MERCURY

CHASSIS PARTS CATALOGUE

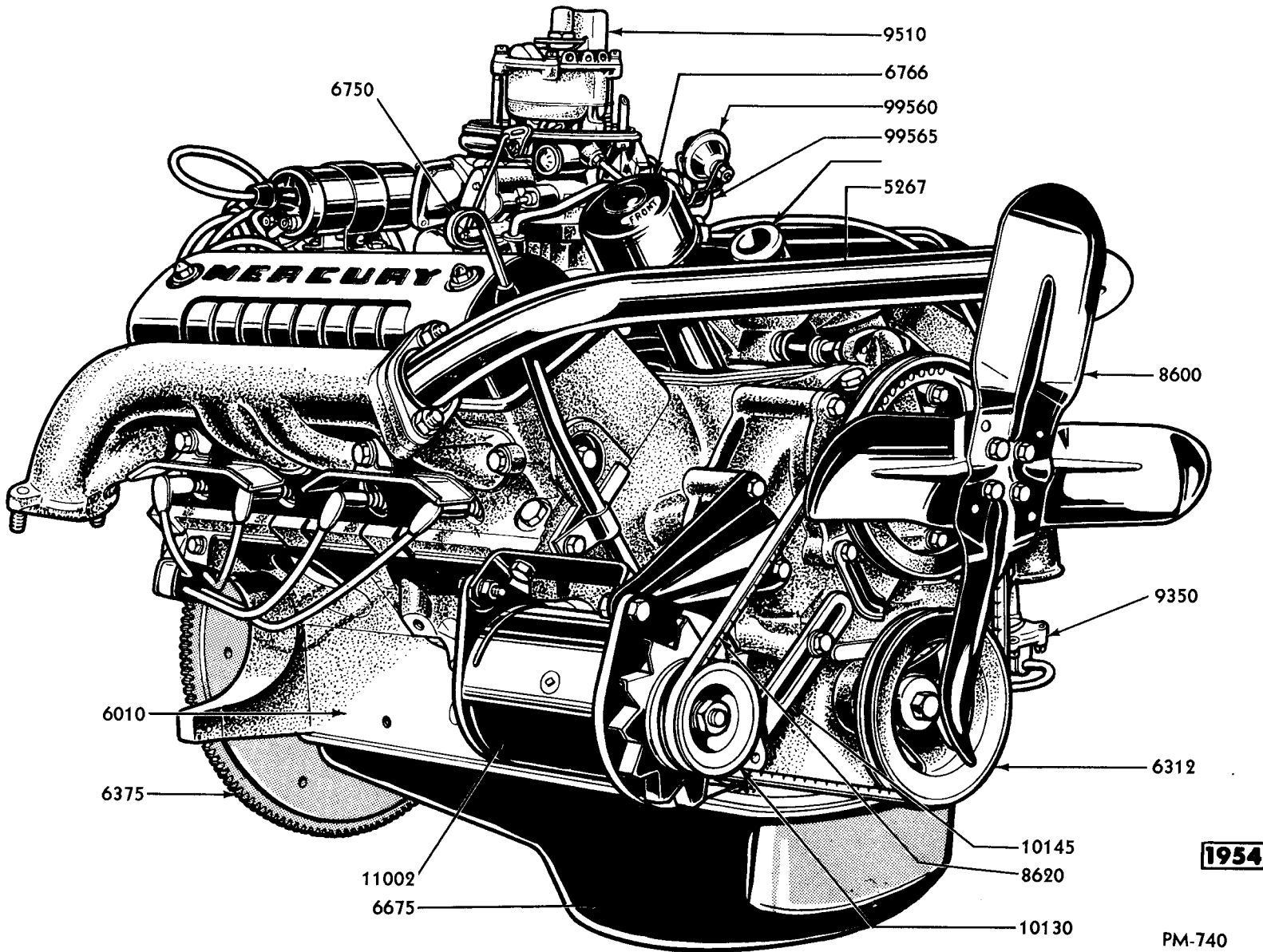
Rear Springs, Hangers and Clips—Continued

PART NUMBER	QTY	PART NAME	NO. REQ'D	MODEL	YEAR 19__
8M 5708		Plate (rear spring center bolt)	2	MC	55
AB 5713-B	NS	Shackle assy (rear spring)-serviced in 5630 Kit	2	MB, MC	54-55
8A 5719		Bushing (rear spring)-also serviced in 5630 Kit	12	MB, MC	54-55
8A 5724-C		Clamp (rear spring)	4	MB except 79, MC	54-55
8A 5724-D		Clamp (rear spring)-used with MA-5560-B spring assy	4	MB79	54
OM 5724-C		Clamp (rear spring)-used with MA-5560-F spring assy	2	MB except 76, 79	54
OM 5724-D		Clamp (rear spring)-used with MA-5560- G & H spring assy	2	MB except 79, MC except 76, 79	54-55
OM 5724-E		Clamp (rear spring)-used with MA-5560-B & J spring assy	2	MB79, MC79	54-55
1M 5724-A		Clamp (rear spring)	2	MC except 79	55
MA 5770-A		Hanger (rear spring)-front-R. H.	1	MB, MC	54-55
MA 5775-A		Hanger (rear spring)-front-L. H.	1	MB, MC	54-55
MA 5780-A	NS	Stud & washer assy (rear spring front hanger)-serviced in 5630 Kit	2	MB, MC	54-55
		357629-S7 Lockwasher-3/8"	2	MB, MC	54-55
		33800-S8 Nut (hex)-3/8"-24	2	MB, MC	54-55
1A 5783-A		Bumper assy (rear axle)	2	MC79	55
MA 5783-A		Bumper assy (rear axle)-2" x 1-53/64"	2	MB, MC except 79	54-55
		MA-55712-A Bumper assy (rear spring)-with 2" x 2-19/64" rubber bumper	2	MB	54
		MC-55712-A Bumper assy (rear spring)	2	MC	55
		40156-S8 Screw (hex-hd)-5/16"-18 x 5/8"-bumper to frame	12	MB	54
AB 5798-A		Plate (rear spring U-bolt)-R. H. -4-59/64" wide at small end	1	MB except 79	54
LA 5798-B		Plate (rear spring "U" bolt)	2	MC except 79	55
MA 5798-B		Plate (rear spring "U"-bolt)-R. H. -4-15/64" wide at small end	1	MB79	54
MC 5798-B		Plate (rear spring "U" bolt)-R. H.	1	MC79	55
AB 5799-A		Plate (rear spring "U"-bolt)-L. H. -4-59/64" wide at small end	1	MB except 79	54
MA 5799-B		Plate (rear spring "U"-bolt)-L. H. -4-15/64" wide at small end	1	MB79	54
MC 5799-B		Plate (rear spring "U" bolt)-L. H.	1	MC79	55
MB 5832-A		Reinforcement (front cross member)-engine support-4-1/8" long	2	MB	54

MERCURY

CHASSIS PARTS CATALOGUE

Cylinder and Engine Supports



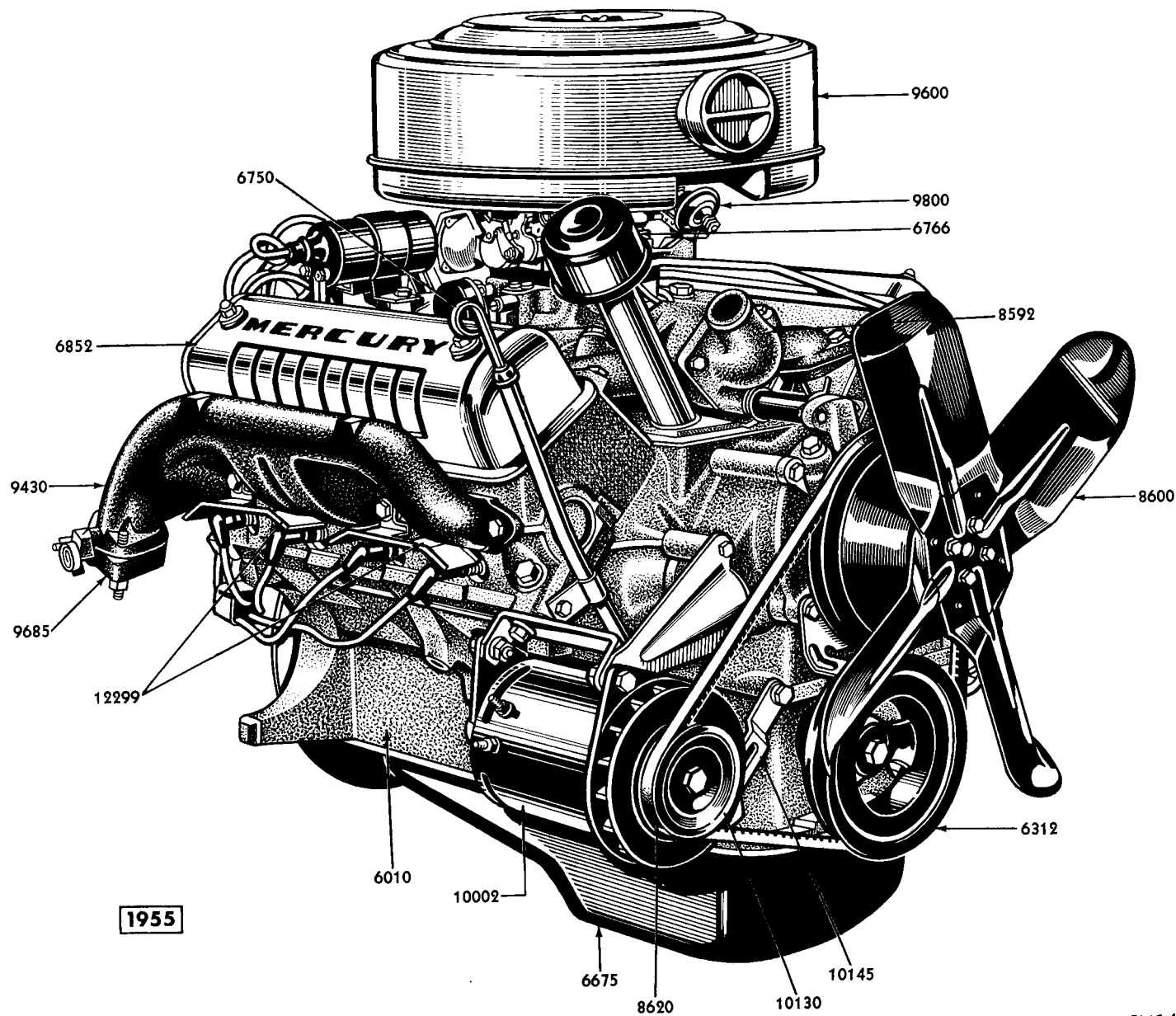
ENGINE (LESS TRANSMISSION AND AIR CLEANER)

Basic numbers only shown on illustration. Order by Part Numbers shown in list of parts.

MERCURY

CHASSIS PARTS CATALOGUE

Cylinder and Engine Supports—Continued



1955

ENGINE (LESS EXTENSION)

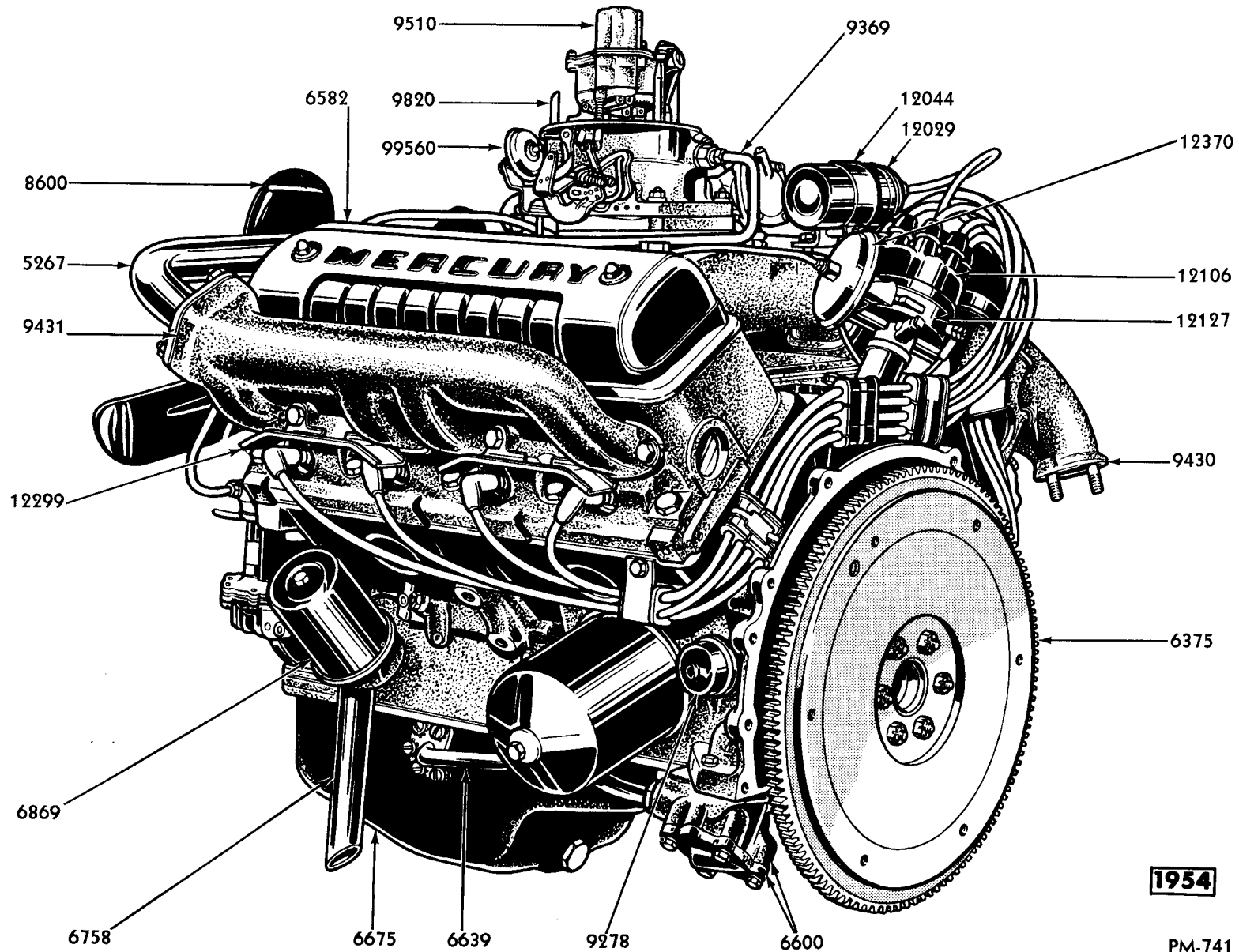
Basic numbers only shown on illustration. Order by Part Numbers shown in list of parts.

PMC-48

MERCURY

CHASSIS PARTS CATALOGUE

Cylinder and Engine Supports—Continued



1954

PM-741

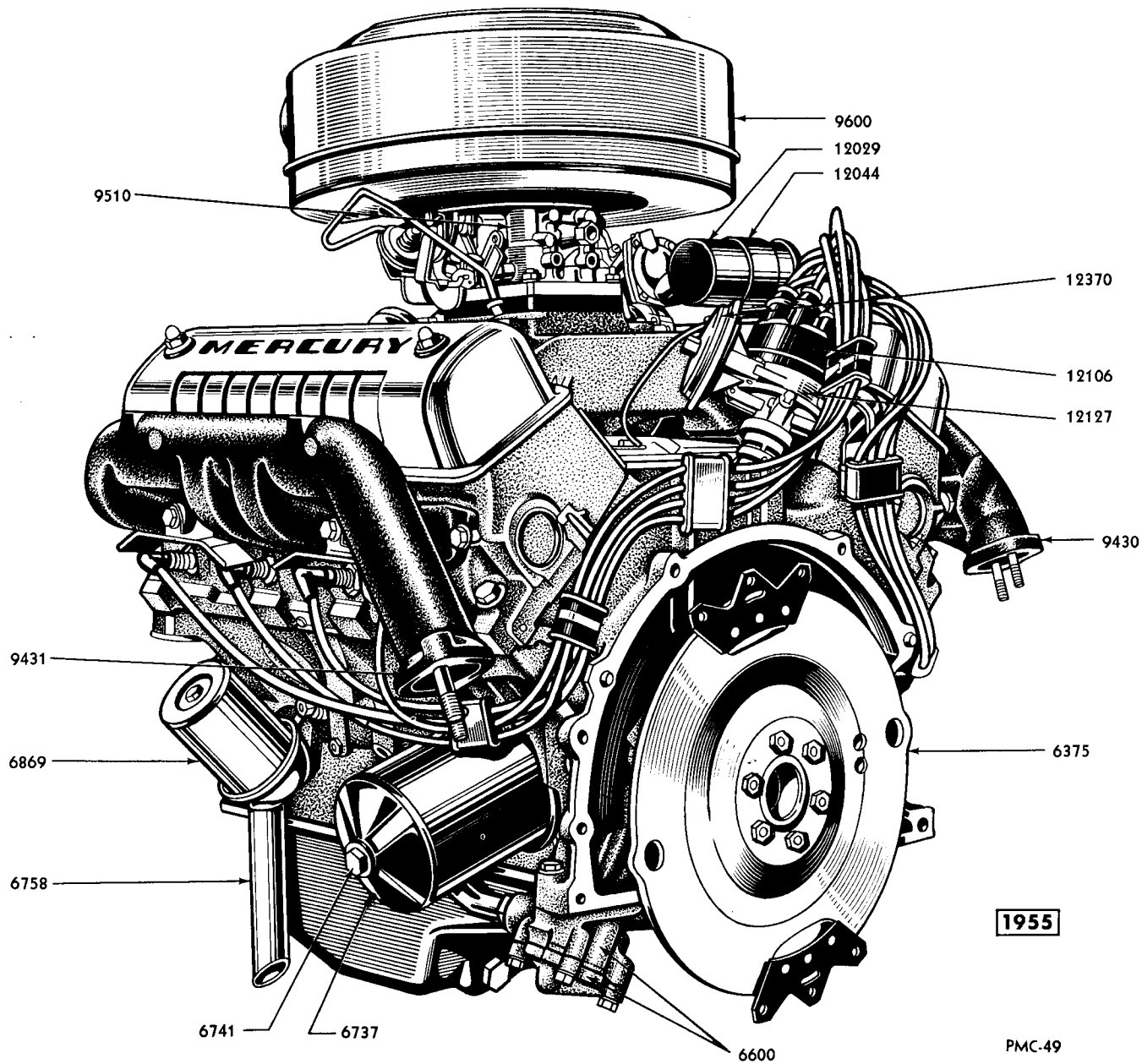
ENGINE (LESS TRANSMISSION AND AIR CLEANER)

Basic numbers only shown on illustration. Order by Part Numbers shown in list of parts.

MERCURY

CHASSIS PARTS CATALOGUE

Cylinder and Engine Supports—Continued



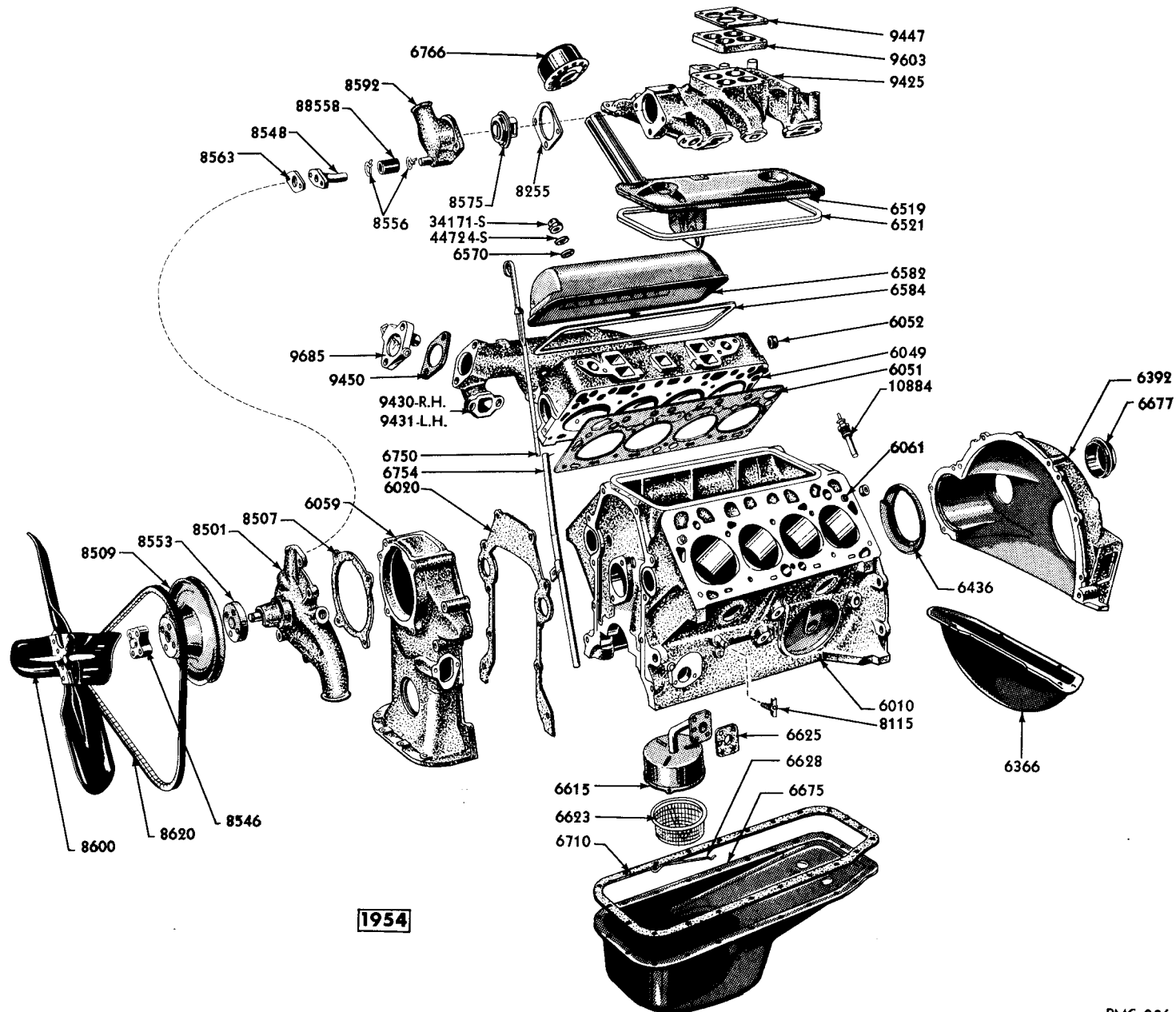
ENGINE (LESS EXTENSION)

Basic numbers only shown on illustration. Order by Part Numbers shown in list of parts.

MERCURY

CHASSIS PARTS CATALOGUE

Cylinder and Engine Supports—Continued



1954

CYLINDER BLOCK AND RELATED PARTS

Basic numbers only shown on illustration. Order by Part Numbers shown in list of parts.

PMC-206

MERCURY

CHASSIS PARTS CATALOGUE

Cylinder and Engine Supports—Continued

PART NUMBER	PART NAME	NO. REQ'D	MODEL	YEAR 19__
★EBY 6005-B	Engine assy-used with Merc-O-Matic transmission	1	MB	54
★MFK 6005-A	Engine assy-used with Std. & O/Drive transmissions	1	MC	55
★MFK 6005-B	Engine assy-(regular compression)-used with Merc-O-Matic transmission	1	MC	55
★MFK 6005-C	Engine assy-(high compression)-used with Merc-O-Matic transmission	1	MC	55
	MB-5832-A Reinforcement (front cross member engine support)	2	MB	54
	20390-S8 Bolt (hex-hd)-7/16"-14 x 1" support to engine	4	MB	54
	352148-S Bolt (swage)-7/16"-20 x 1-1/4"-use with MB-6038-B	4	MB	54
	34447-S2 Locknut (hex)-7/16"-20-use with MB-6038-B	8	MB	54
	357625-S7 Lockwasher -7/16"-use with 20410-S8 & 352148-S	8	MB	54
MEK 6008-D	Kit (engine overhaul gasket)-consists of the following (1) B4A-6020-A Gasket (2) B5A-6051-A Gasket (2) EBU-6348-A Seal (1) B4A-6436-A Seal (1) EAN-6521-A Gasket (6) B4A-6570-A Seal (8) EAA-6571-C Seal (2) EBU-6584-A Gasket (1) EAD-6619-A Gasket (1) B4A-6625-A Gasket (1) B4A-6643-A Seal (1) B4A-6648-A Gasket (1) B4A-6659-A Gasket (1) 8EL-6669 Gasket (1) B4A-6698-A Seal (1) EAA-6700-B Seal (2) B4A-6701-A Seal (1) B4A-6710-B Gasket (1) EBU-6734-A Gasket (1) EAD-6870-A Gasket (1) B4A-6872-A Gasket (1) B5A-8255-A Gasket (1) EAN-8507-B Gasket (1) EAN-8563-B Gasket (1) EBU-9417-A Gasket (1) EBY-9439-A Gasket (1) EBY-9441-A Gasket (1) 1GA-9450 Gasket (1) EBU-9450-B Gasket	1	MB	54
MFK 6008-B	Kit (engine overhaul gasket)-consists of the following (1) B4A-6020-A Gasket (2) B5A-6051-A Gasket (2) B4A-6348-A Seal (1) B4A-6436-A Seal (1) EAN-6521-A Gasket (4) B4A-6570-A Seal (16) EAA-6571-C Seal (2) EBU-6584-A Gasket (1) EAD-6619-A Gasket (1) B4A-6626-B Gasket (1) B4A-6659-A Gasket (1) B4A-6698-A Seal (1) 8EL-6669 Gasket (1) EAA-6700-B Seal (2) B4A-6701-A Seal (1) B4A-6710-B Gasket (1) EBU-6734 Gasket (1) EAD-6870-A Gasket (1) B4A-6872-A Gasket (1) B5A-8255-A Gasket (1) B5A-8507-A Gasket (1) EAN-8563-B Gasket (1) B5A-9417-A Gasket (1) B5A-9439-B Gasket (1) B5A-9441-B Gasket (3) 1GA-9450 Gasket	1	MC	55

★ Engine complete ready to run less transmission

MERCURY

CHASSIS PARTS CATALOGUE

Cylinder and Engine Supports—Continued

PART NUMBER	PART NAME	NO. REQ'D	MODEL	YEAR 19__
♣ B4A 6009-B	Engine assy (short block)-⊕EBY-6009-C	1	MB	54
♣ B5A 6009-C	Engine assy (short block)-⊕ECK-6009-A	1	MC	55
B4T 6010-A	Block assy (cylinder)-⊕EBY-6010-F	1	MB	54
B5A 6010-A	Block assy (cylinder)-⊕ECK-6010-B	1	MC	55
B5A 6010-C	Block assy (cylinder)-⊕ECG-6010-A	1	MB	54
	B2Q-6061-A Dowel (cyl. head to cyl. block)- ⊕EAD-66061-A	4	MB	54
	59A-6345-A Bolt (crankshaft main bearing cap)-ex. rear brg. cap	8	MB	54
	43104-S Bolt (hex-hd)-1/2"-13 x 2-7/8" -rear bearing cap	2	MB	54
	43103-S Bolt (hex-hd)-1/2"-13 x 2-3/4"	10		54-55
	34809-S Lockwasher-1/2"	8	MB, MC	54-55
	73249-S8 Pin (dowel)-3/8" x 9/16"- clutch hsg. to cylinder block	2	MB, MC	54-55
	357167-S Plug (expansion)-1-3/4" dia. - to plug water holes in side of block	4	MB, MC	54-55
	87709-S Plug (headless hex socket-dry seal)-1/4"-18 pipe thread-to plug cylinder block oil line	4	MB, MC	54-55
	87710-S Plug (headless hex socket-dry seal)-3/8"-18 pipe thread-to plug cylinder block oil line	3	MB, MC	54-55
	357875-S Plug .495" oil level indicator tube hole	1	MB, MC	54-55
B4A 6020-A	Gasket (cylinder front cover)-⊕EBU-6020-C-also serviced in 6008 & 6059 Kits	1	MB, MC	54-55
EAN 6023-B	Pointer (timing)	1	MB	54
B5A 6023-C	Pointer (timing)-⊕ECG-6023-A	1	MC	55
MC 6038-A	Insulator assy (engine front support)	2	MB, MC	54-55
B4A 6049-F	Head assy (cylinder)-this head is machined for 18MM spark plugs -use adaptor EBU-12408-A for 14MM plugs - Note-88492-S Stud must be used with this head to attach intake manifold- use B5A-6571-A Seal with this head- ⊕EBY-6049-J	2	MB	54
B5A 6049-J	Head assy (cylinder)-not used with Merc-O-Matic- ⊕ECK-6049-C	2	MC	55
B5S 6049-A	Head assy (cylinder)-used with Merc-O-Matic trans. -⊕ECL-6049-B	2	MC	55

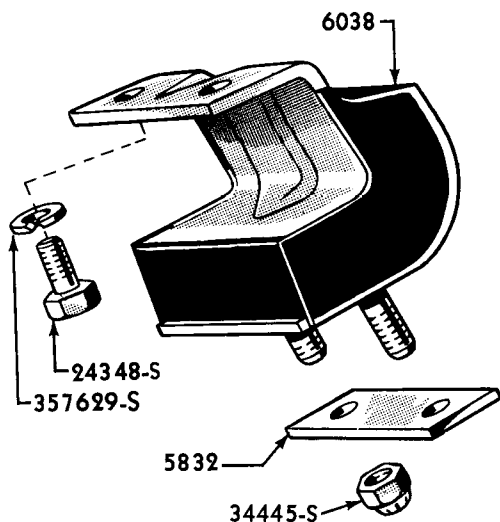
♣ Includes crankshaft, camshaft, pistons, pins, rings and connecting rods., less cylinder heads, oil pan, flywheel, clutch plate, clutch housing and flywheel housing

MERCURY

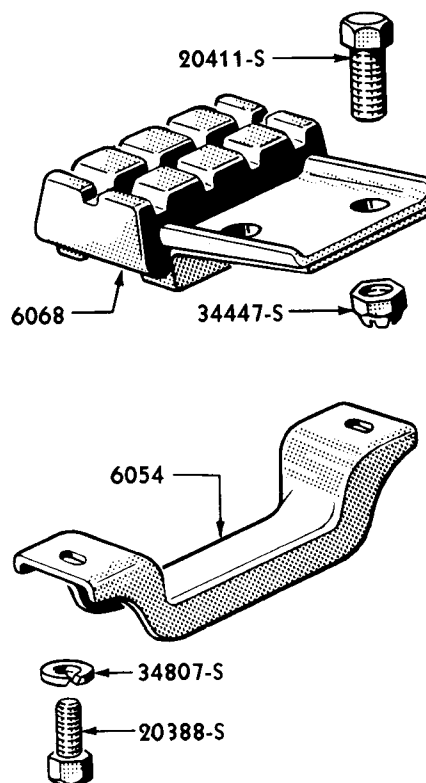
CHASSIS PARTS CATALOGUE

Cylinder and Engine Supports—Continued

PART NUMBER	CLASS	PART NAME	NO. REQ'D	MODEL	YEAR 19__
EAD-6605-A		Adapter (cylinder head plug)	1	MB	54
20312-S7-8		Bolt (hex-hd)-3/8"-16 x 1/2"- to plug unused water outlet hole at rear of head	1	MB, MC	54-55
357167-S		Plug (cup type)-1-3/4" dia. - to plug cored holes at ends of cylinder heads	4	MB, MC	54-55
358066-S8		Plug (tapered pipe thread)- 3/8"-18-when hot water heater is not used	2	MB	54
EBY 6051-C		Gasket (cylinder head)	2	MB	54
B5A 6051-A		Gasket (cylinder head)- Φ ECK-6051-A-also serviced in 6008 & 6079 Kits	2	MB, MC	54-55
EAN 6052-A		Plug (cylinder head)-to plug hole at rear of cylinder head	1	MB, MC	54-55



FRONT



REAR

ENGINE SUPPORTS

PMC-207

ENGINE FRONT AND REAR SUPPORTS

Basic numbers only shown on illustration. Order by Part Numbers shown in list of parts.

MERCURY

CHASSIS PARTS CATALOGUE

Cylinder and Engine Supports—Continued

PART NUMBER	PART NAME	NO. REQ'D	MODEL	YEAR 19__
MA 6054-A	Plate assy (engine rear support)-6-9/32" between center of oblong holes	1	MB, MC	54-55
	20388-S8 Bolt (hex-hd)-3/8"-16 x 1"-plate to transmission	2	MB	54
	34807-S8 Lockwasher-3/8"	2	MB	54
EBU 6059-C	Cover (cylinder front)-Cast Iron	1	MB	54
B5A 6059-C	Cover (cylinder front)-⊕ECG-6059-B-Cast Iron	1	MC	55
	20106-S8 Bolt (hex-hd)-5/16"-18 x 1-1/8"-front cover to block	1	MB, MC	54-55
	20408-S7 Bolt(hex-hd)-3/8"-16 x 1-1/8"-front cover to block	3	MB	54
	45526-S8 Bolt(hex-hd)-5/16"-18 x 2-3/4"-front cover to block	1	MB, MC	54-55
	45532-S8 Bolt (hex-hd)-5/16"-18 x 3"-front cover to block	1	MB, MC	54-55
	34806-S7 Lockwasher -5/16"	5	MB	54
MEK 6059-B	Kit (front cylinder cover gasket)-consists of the following (1) EBU-6020-B Gasket (1) EAA-6700-B Seal (1) EAN-8507-B Gasket	1	MB	54
MEK 6059-C	Kit (cylinder front cover gasket)-consists of the following (1) B4A-6020-A Gasket (1) EAA-6700-B Seal (1) EAN-8507-B Gasket	1	MB	54
MFK 6059-A	Kit (cylinder front cover gasket)-consists of the following (1) B4A-6020-A Gasket (1) EAA-6700-B Seal (1) B5A-8507-A Gasket	1	MC	55
B5A 6060-A	Adaptor (spark plug)-⊕EBU-12408-A	8	MB	54
B2Q 6061-A	Dowel (cyl. head to cyl. block)-⊕EAD-66061-A	4	MB, MC	54-55
EAA 6066-A	Bolt (cylinder head)-long-7/16"-14 x 4-1/16"	10	MB, MC	54-55
EBU 6066-A	Bolt (cylinder head)-short-7/16"-14 x 2"	10	MB	54
ECB 6066-A	Bolt (cylinder head)-short	10	MB, MC	54-55
	9N-8115-B Cock assy (drain)	2	MB, MC	54-55
1A 6068-A	Insulator assy (engine rear support)	1	MB, MC	54-55
	20411-S7 Bolt (hex-hd)-7/16"-20 x 1-1/8"-engine rear support to frame engine support	2	MB	54
	34447-S2 Locknut (hex)-7/16"-20-used with 20411-S7	2	MB	54
	357625-S7-8 Lockwasher -7/16"	2	MB	54
MEK 6079-C	Kit (valve gasket set)-consists of the following (2) B5A-6051-A Gasket (1) EAN-6521-A Gasket (6) B4A-6570-A Seal (8) EAA-6571-C Seal (2) EBU-6584-A Gasket (1) B5A-8255-A Gasket (1) EAN-8563-B Gasket (1) EBY-9439-A Gskt.RH (1) 1GA-9450 Gasket (3) EBU-9450-B Gasket (1) B5A-9441-B Gasket LH	1	MB	54

MERCURY

CHASSIS PARTS CATALOGUE

Cylinder and Engine Supports—Continued

PART NUMBER	PART NAME	NO. REQ'D	MODEL	YEAR 19__
MFK 6079-B	Kit (valve gasket set)-consists of the following (2) B5A-6051-A Gasket (1) EAN-6521-A Gasket (4) B4A-6570-A Seal (16) EAA-6571-C Seal (2) EBU-6584-A Gasket (1) B5A-8255-A Gasket (1) EAN-8563-B Gasket (1) B5A-9439-B Gasket (1) B5A-9441-B Gasket (3) 1GA-9450 Gasket	1	MC	55

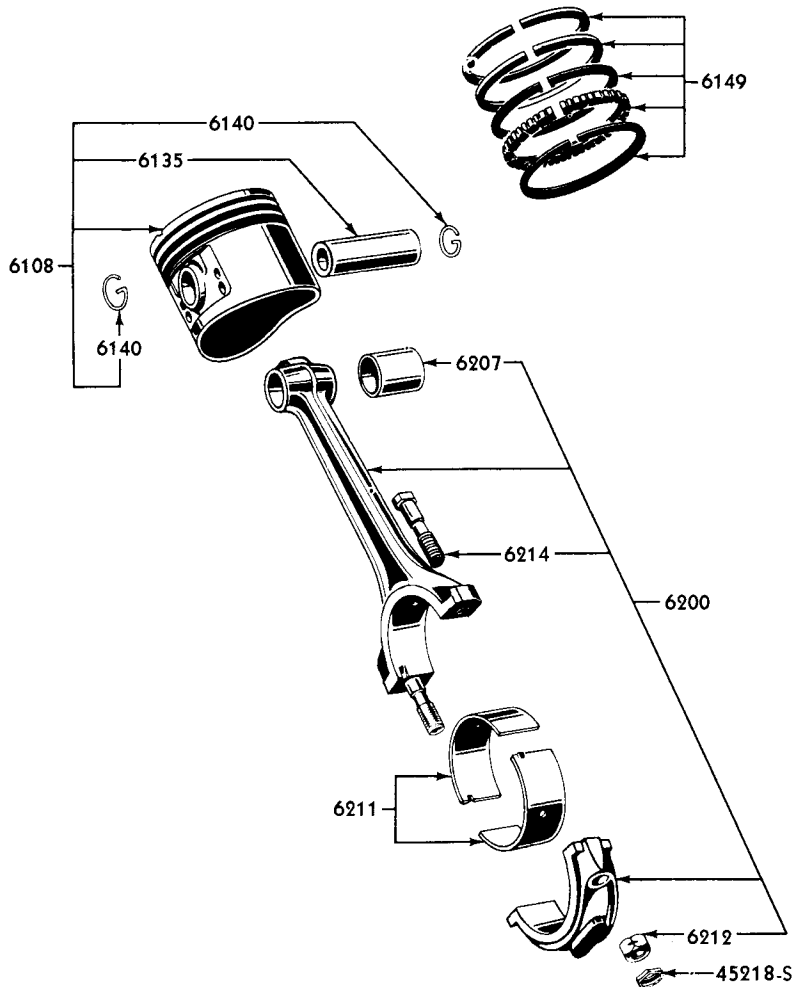
Piston and Connecting Rod

EBP 6108-A	Piston, pin & retainer set-Standard	8	MB	54
EBP 6108-B	Piston, pin & retainer set-.020" O/S	8	MB	54
EBP 6108-C	Piston, pin & retainer set-.030" O/S	8	MB	54
EBP 6108-D	Piston, pin & retainer set-.040" O/S	8	MB	54
B5A 6108-B	Piston, pin & retainer set-Std. ⊕ECK-6108-A	8	MC	55
B5A 6108-D	Piston, pin & retainer set-.020" O.S. -⊕ECK-6108-C	8	MC	55
B5A 6108-F	Piston, pin & retainer set-.030" O.S. -⊕ECK-6108-D	8	MC	55
B5A 6108-H	Piston, pin & retainer set-.040" O.S. -⊕ECK-6108-E	8	MC	55
EAA 6135-B	Pin (piston)-Standard	8	MB, MC	54-55
EAA 6135-C	Pin (piston)-.001" O/S	8	MB, MC	54-55
EAA 6135-D	Pin (piston)-.002" O/S	8	MB, MC	54-55
EAA 6140-A	Retainer (piston pin)	16	MB, MC	54-55
MEK 6149-F	Kit (piston ring set)-Standard	1	MB	54
MEK 6149-G	Kit (piston ring set)-.020" O/S	1	MB	54
MEK 6149-H	Kit (piston ring set)-.030" O/S	1	MB	54
MEK 6149-J	Kit (piston ring set)-.040" O/S	1	MB	54
MFK 6149-A	Kit (piston ring set)-Standard	1	MC	55
MFK 6149-F	Kit (piston ring set)-Standard	1	MC	55
MFK 6149-G	Kit (piston ring set)-.020" O/S	1	MC	55
MFK 6149-H	Kit (piston ring set)-.030" O/S	1	MC	55
MFK 6149-J	Kit (piston ring set)-.040" O/S	1	MC	55
B5A 6200-A	Rod assy (connecting)-⊕ECE-6200-A-used with bearings H-J-K-L	8	MC	55
EAA 6207-A	Bushing (connecting rod)	8	MB, MC	54-55

MERCURY

CHASSIS PARTS CATALOGUE

Piston and Connecting Rod—Continued



PMC-212

PISTON AND CONNECTING ROD

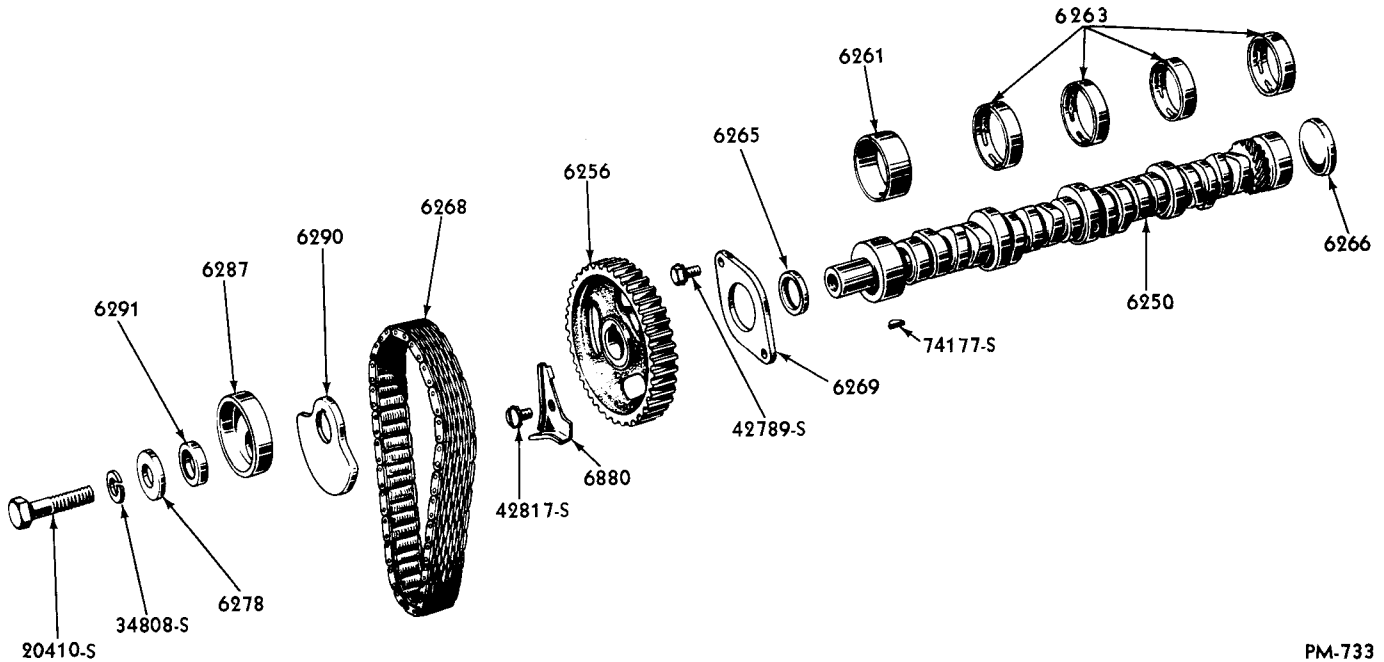
Basic numbers only shown on illustration. Order by Part Numbers shown in list of parts.

PART NUMBER	QTY	PART NAME	NO. REQ'D	MODEL	YEAR 19__
B5T 6211-A		Bearing (connecting rod)-Standard Red size- ⊕EBV-6211-G	16	MB, MC	54-55
B5T 6211-B		Bearing (connecting rod)-Standard Blue size- ⊕EBV-6211-H	16	MB, MC	54-55
B5T 6211-C		Bearing (connecting rod)-.010" U/S-⊕EBV-6211-J	16	MB, MC	54-55
B5T 6211-D		Bearing (connecting rod)-.020" U/S-⊕EBV-6211-K	16	MB, MC	54-55
B5T 6211-E		Bearing (connecting rod)-.030" U/S-⊕EBU-6211-L	16	MB, MC	54-55
7HA 6212		Nut (hex-hd slotted)-3/8"-24-connecting rod	16	MB, MC	54-55
B4A 6212-A		Nut (hex-hd)-3/8"-24-connecting rod-⊕354128-S	16	MB, MC	54-55
		45218-S8 Nut (stamped)-3/8"-24	16	MB, MC	54-55
EAA 6214-B		Bolt (connecting rod)-3/8"-24 x 2-1/16"	16	MB, MC	54-55

MERCURY

CHASSIS PARTS CATALOGUE

Camshaft and Crankshaft



PM-733

CAMSHAFT AND RELATED PARTS

Basic numbers only shown on illustration. Order by Part Numbers shown in list of parts.

PART NUMBER	QTY	PART NAME	NO. REQ'D	MODEL	YEAR
B5C 6250-A		Camshaft-⊕EBV-6250-A	1	MB	54
B5A 6250-A		Camshaft ⊕ECB-6250-A	1	MC	55
EAA 6256-A		Sprocket (camshaft timing chain)	1	MB, MC	54-55
		22527-S2 Bolt(hex-hd)-7/16"-14 x 1-1/8" -sprocket to camshaft	1	MB	54
		74177-S Key (woodruff)-5/32" x 3/4"- camshaft sprocket to camshaft	1	MB, MC	54-55
		34808-S8 Lockwasher-7/16"	1	MB, MC	54-55
EBY 6261-B		Bearing (camshaft front)-Standard-reamed	1	MB	54
EBY 6261-C		Bearing (camshaft front)-.015" U/S-reamed	1	MB	54
B4C 6261-A		Bearing (camshaft front)-Std. ⊕EBY-6261-E	1	MB, MC	54-55
B4C 6261-B		Bearing (camshaft front)-.015" U/S-⊕EBY-6261-F	1	MB, MC	54-55
EBY 6263-B		Bearing (camshaft)-except front-Standard-reamed	4	MB, MC	54-55
EBY 6263-C		Bearing (camshaft)-except front-.015" U/S-reamed	4	MB, MC	54-55
EBU 6265-A		Spacer (camshaft sprocket)	1	MB, MC	54-55
7HA 6266-A		Plug (camshaft rear bearing)-2-1/16" O.D.	1	MB, MC	54-55
EAA 6268-B		Chain (timing)	1	MB, MC	54-55
EAA 6269-B		Plate (camshaft thrust)	1	MB, MC	54-55
		42789-S8 Screw & washer assy (hex-hd)- 5/16"-18 x 3/4"	2	MB, MC	54-55

MERCURY

CHASSIS PARTS CATALOGUE

Camshaft and Crankshaft—Continued

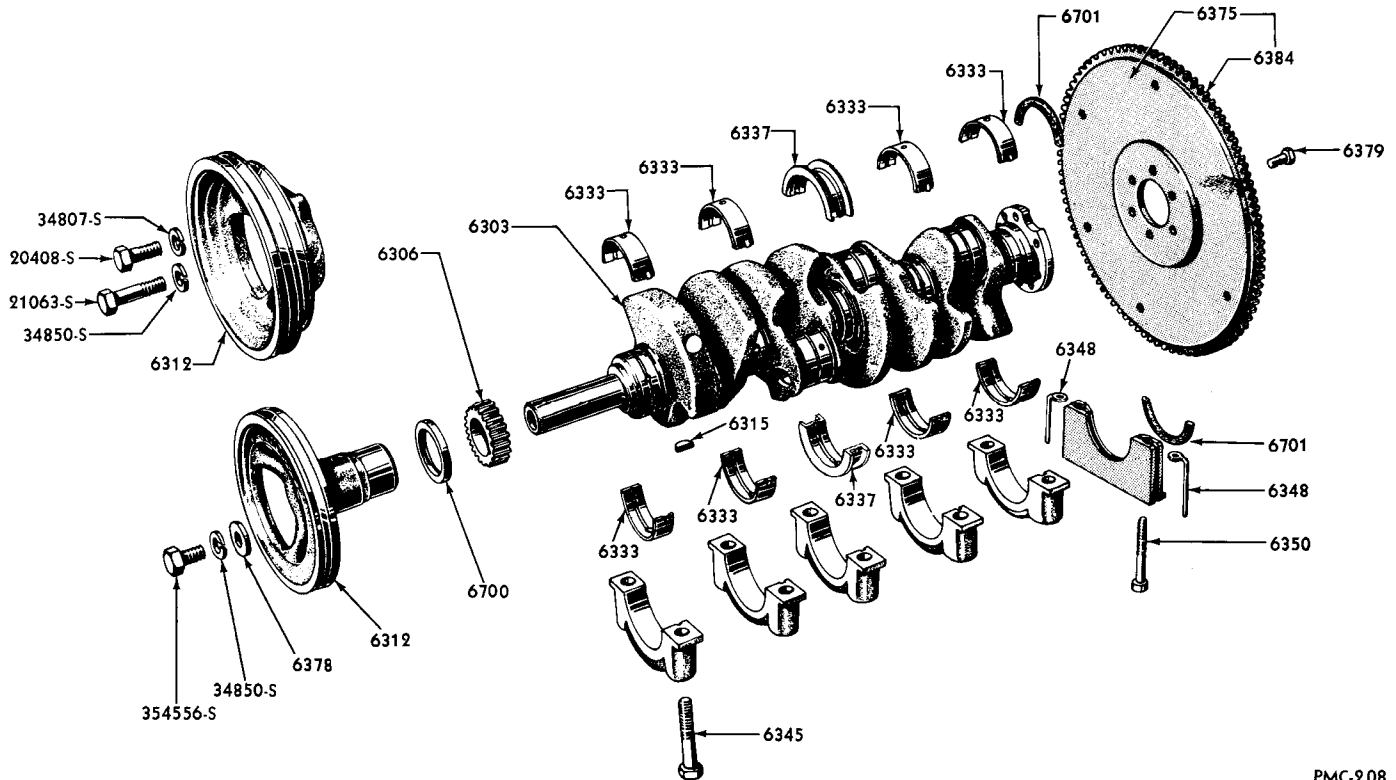
PART NUMBER	PART NAME	NO. REQ'D	MODEL	YEAR 19____
EAA 6278-B	Washer (camshaft sprocket)-15/32" I. D. x 1-17/64" O. D.	1	MB, MC	54-55
	22527-S2 Bolt (hex-hd)-7/16"-14 x 1-1/8"-camshaft sprocket to camshaft	1	MB	54
	34808-S8 Lockwasher-7/16"-camshaft sprocket to camshaft	1	MB	54
EBU 6287-A	Eccentric (camshaft fuel pump drive)	1	MB, MC	54-55
EBU 6290-A	Counter weight (camshaft fuel pump eccentric)	1	MB, MC	54-55
B4A 6291-A	Spacer (camshaft fuel pump drive eccentric)- ⊕ EBU-6291-A	1	MB, MC	54-55
EBU 6303-B	Crankshaft	1	MB	54
B4A 6303-B	Crankshaft-when using new crankshaft in engine containing old design flywheel assy a spacer EBU-6434-A is used to eliminate possible interference-⊕ EBU-6303-C	1	MB	54
B5S 6303-A	Crankshaft ⊕ ECK-6303-A	1	MC	55
EAA 6306-A	Sprocket (crankshaft)	1	MB, MC	54-55
	74175-S Key (woodruff)-5/32" x 5/8"	1	MB, MC	54-55
EBY 6312-B	Pulley (crankshaft)	1	MB	54
B4A 6312-A	Pulley (power steering crankshaft)-⊕ EBY-66319-A -also serviced in 33304 Kit	1	MB	54
B5A 6312-E	Pulley (power steering crankshaft)-⊕ ECG-66319-A -also serviced in 33304 Kit	1	MC	55
B2A 6315-A	Key (crankshaft sprocket)-⊕ EAA-66315-A	1	MB	54
	EAN-6378-A Washer (plain special)	1	MB	54
	20108-S8 Bolt (hex-hd)-3/8"-16 x 1-1/8"-pulley to pulley	2	MB	54
	21009-S8 Bolt(hex-hd)-9/16"-18 x 1-1/2"	1	MB	54
	21063-S8 Bolt (hex-hd)-9/16"-18 x 2"-pulley to crankshaft	1	MB	54
	74151-S Key (woodruff)-1/4" x 7/8"-pulley to crankshaft	1	MB	54
	34807-S7 Lockwasher-3/8"	2	MB	54
	34850-S7 Lockwasher-9/16"	1	MB	54
B5A 6316-A	Damper assy (crankshaft vibration)-⊕ ECG-6316-A	1	MC	55
◇ B5A 6316-B	Damper assy (crankshaft vibration)-⊕ ECG-6316-B	1	MC except 76, 79	55
	21009-S8 Bolt(hex-hd)-9/16"-18 x 1-1/2"-damper to crankshaft	1	MC	55
EBV 6333-A	Bearing (main)-.010" U/S-except center upper	9	MB, MC	54-55
EBV 6333-B	Bearing (main)-.020" U/S-except center upper	8	MB, MC	54-55
EBV 6333-C	Bearing (main)-.030" U/S-except center upper	8	MB, MC	54-55
EBV 6333-D	Bearing (main)-Standard-Red size-except center upper	8	MB, MC	54-55
EBV 6333-E	Bearing (main)-Standard-Blue size-except center upper	8	MB, MC	54-55
EBU 6335-B	Retainer (crankshaft rear bearing oil seal)	1	MB	54
B4A 6335-A	Retainer (crankshaft rear bearing oil seal)- ⊕ EBU-6335-C	1	MB, MC	54-55

◇ Used with Air Conditioning

MERCURY

CHASSIS PARTS CATALOGUE

Camshaft and Crankshaft-Continued



PMC-208

CRANKSHAFT, FLYWHEEL AND RELATED PARTS

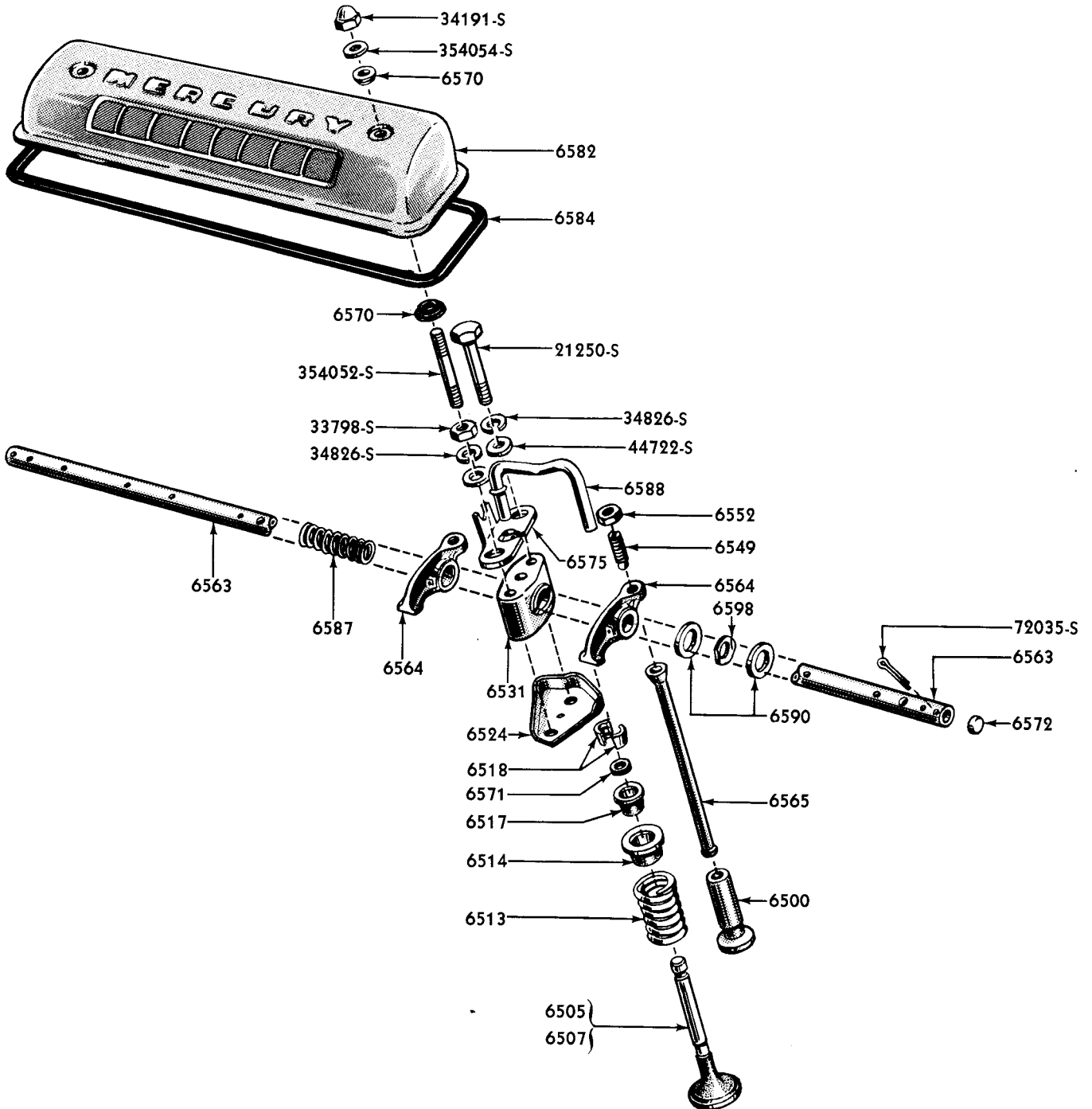
Basic numbers only shown on illustration. Order by Part Numbers shown in list of parts.

PART NUMBER	QTY	PART NAME	NO. REQ'D	MODEL	YEAR 19__
EBV 6337-A		Bearing (center upper main)-.010" U/S	2	MB, MC	54-55
EBV 6337-B		Bearing (center upper main)-.020" U/S	2	MB, MC	54-55
EBV 6337-C		Bearing (center upper main)-.030" U/S	2	MB, MC	54-55
EBV 6337-D		Bearing (center upper main)-Standard-Red size	2	MB, MC	54-55
EBV 6337-E		Bearing (center upper main)-Standard-Blue size	2	MB, MC	54-55
B4A 6345-A		Bolt (crankshaft main bearing cap) ⊕EBU-6345-B	8	MB, MC	54-55
		43104-S Bolt (hex-hd)-1/2"-13 x 2-7/8"-to attach rear main brg. cap	2	MB, MC	54-55
		34849-S Lockwasher-1/2"-to attach rear main brg. cap	8	MB	54
		88351-S8 Stud-5/16"-18 x 5/16"-24 x 7/8"-oil pan to crankshaft rear brg. oil seal retainer	2	MB	54
EBU 6348-A		Seal (crankshaft rear retainer)-Rubber "L" shaped -with 13/32" dia. hole-use with EBU-6335-B-also serviced in 6008 & 6675 Kits	2	MB	54
B4A 6348-A		Seal (crankshaft rear retainer)-⊕EBU-6348-B -use with B4A-6335-A (EBU-6335-C)-also serviced in 6008 & 6675 Kits	2	MB, MC	54-55

MERCURY

CHASSIS PARTS CATALOGUE

Flywheel and Valves



PM-739

ROCKER ARM AND RELATED PARTS

Basic numbers only shown on illustration. Order by Part Numbers shown in list of parts.

MERCURY

CHASSIS PARTS CATALOGUE

Flywheel and Valves—Continued

PART NUMBER	CLAS S	PART NAME	NO. REQ'D	MODEL	YEAR 19__
EAN 6350-A		Bolt (crankshaft rear seal retainer)-fillister head socket-3/8"-16 x 2-3/4"	2	MB, MC	54-55
AE 6366-A		Cover (flywheel housing)	1	MB, MC	54-55
		43260-S Screw & washer assy-1/4"-18 x 1/2"	6	MB, MC	54-55
		42817-S8 Screw & lockwasher assy (pan head)-1/4"-20 x 1/2"-cover to flywheel hsg. & cyl.	6	MB, MC	54-55
◊EBY 6375-A		Flywheel assembly	1	MB	54
◊EBY 6375-B		Flywheel assembly-146 teeth	1	MC	55
ΔB4A 6375-A		Flywheel assy-with three drive plate-w/o teeth ⊕EBU-6375-D	1	MB	54
ΔB5A 6375-A		Flywheel (assembly)-with two drive plates-w/o teeth-⊕ECB-6375-B	1	MC	55
		Δ43063-S Bolt (hex-hd self locking)-7/16"-20 x 3/4"-flywheel to crankshaft	6	MB, MC	54-55
EAA 6378-A		Washer (plain special)-damper to crankshaft-37/64" I. D. x 1-3/4" O. D.	1	MB, MC	54-55
◊EAA 6379-A		Bolt (flywheel to crankshaft)	6	MB, MC	54-55
◊EAA 6384-A		Gear (flywheel starting ring)-146 teeth	1	MB, MC	54-55
◊ MB 6392-D		Housing assy (flywheel)	1	MB, MC	54-55
		20242-S8 Bolt (hex-hd)-7/16"-14 x 2-3/8"-flywheel hsg. to cylinder block	4	MB, MC	54-55
		34808-S8 Lockwasher-7/16"-flywheel housing to cylinder block	4	MB, MC	54-55
B4A 6434-A		Spacer (flywheel to crankcase)-used with new design crankshaft when installed with old type flywheel ⊕EBU-6434-A	1	MB	54
B4A 6436-A		Seal (starting motor to flywheel housing)-Steel & Rubber-also serviced in 6008 Kit-⊕EBU-6436-B	1	MB, MC	54-55
EAA 6500-D		Tappet (valve)	16	MB, MC	54-55
EBP 6505-A		Valve (exhaust)-Standard	8	MC	55
EBP 6505-B		Valve (exhaust)-.003" O/S	as reqd	MC	55
EBP 6505-C		Valve (exhaust)-.015" O/S	as reqd	MC	55
EBP 6505-D		Valve (exhaust)-.030" O/S	as reqd	MC	55
EBY 6505-A		Valve (exhaust)-Standard	8	MB	54
EBY 6505-B		Valve (exhaust)-.003" O/S	as reqd	MB	54
EBY 6505-C		Valve (exhaust)-.015" O/S	as reqd	MB	54
EBY 6505-D		Valve (exhaust)-.030" O/S	as reqd	MB	54

Δ Used with Merc-O-Matic Transmission

◊ Not used with Merc-O-Matic Transmission

MERCURY

CHASSIS PARTS CATALOGUE

Flywheel and Valves—Continued

PART NUMBER	PART NAME	NO. REQ'D	MODEL	YEAR 19__
B5A 6507-A	Valve (intake)-Standard-⊕EBP-6507-E-alternate with-⊕EBP-6507-J	8	MB, MC	54-55
B5A 6507-B	Valve (intake)-.003" O/S-⊕EBP-6507-F-alternate with-⊕EBP-6507-K	as reqd	MB, MC	54-55
B5A 6507-C	Valve (intake)-.015" O/S-⊕EBP-6507-G-alternate with-⊕EBP-6507-L	as reqd	MB, MC	54-55
B5A 6507-D	Valve (intake)-.030" O/S-⊕EBP-6507-H-alternate with-⊕EBP-6507-M	as reqd	MB, MC	54-55
EAA 6513-A	Spring (valve)	16	MB, MC	54-55
EBU 6514-B	Retainer (valve spring)	16	MB, MC	54-55
B3Q 6515-A	Spacer (valve spring)-⊕EAD-66514-A	as reqd	MB, MC	54-55
EBU 6517-B	Sleeve (valve spring retainer)	16	MB, MC	54-55
7HA 6518	Key (valve spring retainer)-11/32" I.D. x 1/2" O.D. x 3/8" thick	32	MB, MC	54-55
EBU 6519-A	Cover assy (valve push rod)	1	MB	54
B5A 6519-B	Cover assy (valve push rod)-⊕ECG-6519-B	1	MB, MC	54-55
	45582-S8 Bolt (hex-hd)-5/16"-18 x 4-1/2" -cover to cylinder block	2	MB, MC	54-55
	44724-S8 Washer (flat)-5/16"-cover to cylinder block	2	MB, MC	54-55
EAN 6521-A	Gasket (valve push rod cover)-also serviced in 6008 & 6079 Kits	1	MB, MC	54-55
EAN 6524-C	Baffle (valve spring oil)-triangular shaped with (4) holes	8	MB, MC	54-55
EBU 6531-A	Support (valve rocker arm shaft)-front	8	MB, MC	54-55
	21250-S Bolt (hex-hd)-5/16"-18 x 2-1/4" -rocker arm support to cylinder heads	12	MB	54
	34826-S7 Lockwasher-5/16"-rocker arm support to cylinder heads	16	MB	54
	33798-S Nut (hex-hd)-5/16"-24-rocker arm support to cyl. heads	4	MB, MC	54-55
	353450-S Stud-5/16"-18 x 3-1/4"-rocker arm support to cylinder head and cover	4	MB	54
	354052-S Stud-5/16"-18 & 5/16"-24 x 3-21/32"-rocker arm support to cylinder head	4	MB, MC	54-55
	44722-S8 Washer (flat)-5/16"-rocker arm support to cyl. heads	12	MB, MC	54-55

MERCURY

CHASSIS PARTS CATALOGUE

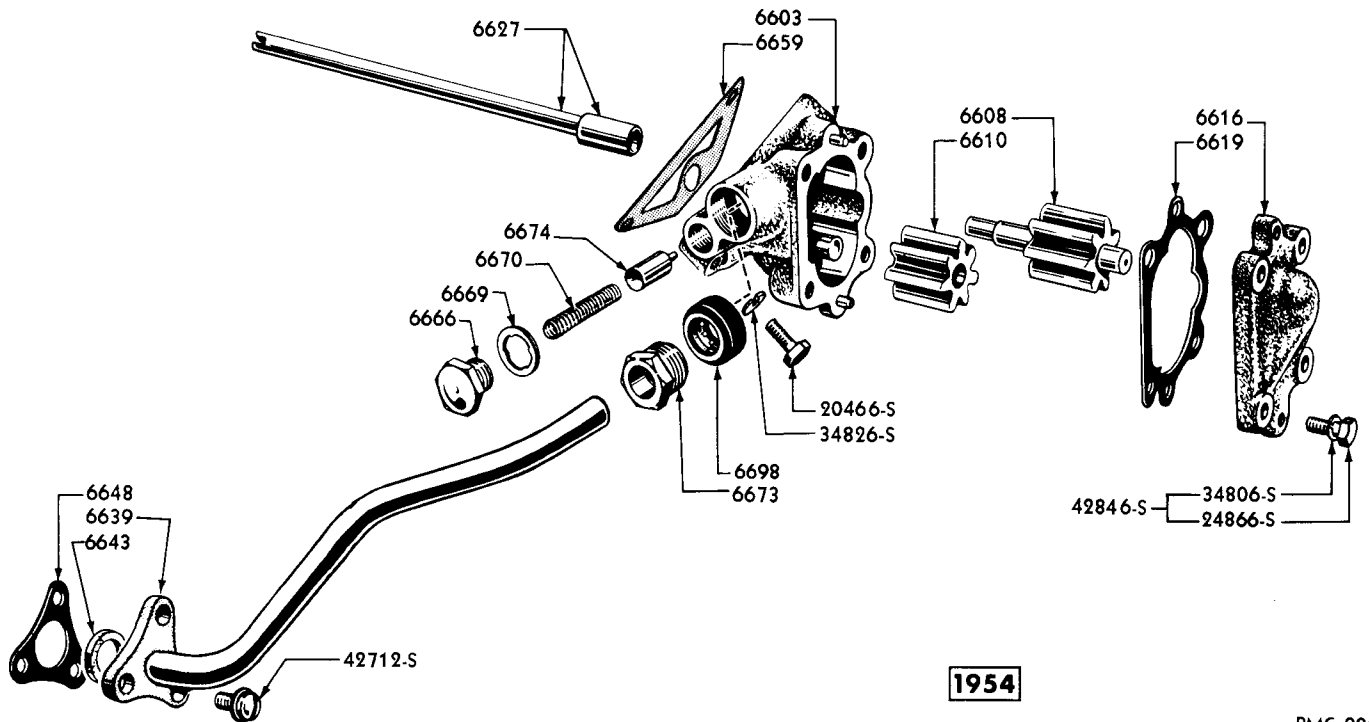
Flywheel and Valves—Continued

PART NUMBER	PART NAME	NO. REQ'D	MODEL	YEAR 19__
EAA 6549-B	Screw (valve rocker arm adjusting)-7/16"-20-with ball end	16	MB, MC	54-55
EAA 6552-A	Nut (hex)-7/16"-20-valve adjusting screw	16	MB, MC	54-55
EAN 6563-A	Shaft (valve rocker arm)	2	MB, MC	54-55
	72035-S7 Cotter pin-1/8" x 1"-washer to rocker arm shaft	4	MB, MC	54-55
EAN 6564-B	Arm (valve rocker)	16	MB, MC	54-55
EBU 6565-A	Rod (valve push)	16	MB, MC	54-55
EAD 6570-C	Seal (valve rocker arm cover stud)-11/32" I. D. x 7/32" thick (1) oil reservoir cover with power steering (4) rocker arm cover to cylinder block (2) valve push rod cover to cylinder block	7	MB	54
B4A 6570-A	Seal (valve rocker arm cover stud)-1" O. D. x 21/64" I. D. -⊕EBU-6570-A-also serviced in 6008 & 6079 Kits	4	MB, MC	54-55
B5A 6571-A	Seal (valve stem)-umbrella-⊕ECG-6571-A	16	MB, MC	54-55
EAA 6572-A	Plug (valve rocker arm shaft)-17/32" O. D. x 13/64" thick	4	MB, MC	54-55
EBU 6575-A	Bracket (valve rocker arm oil outlet tube)-use with EBU-6588-B	2	MB, MC	54-55
EBY 6582-A	Cover assy (valve rocker arm)-Light Green color	2	MB	54
ECB 6582-A	Cover assy (valve rocker arm)-Golden Tan color	2	MC	55
	34179-S8 Nut (blind)-5/16"-24	4	MB, MC	54-55
	354054-S8 Washer (flat)-11/32" x 1-1/16"	4	MB	54
EBU 6584-A	Gasket(valve rocker arm cover)-5" wide x 18-9/16" long x 3/16" thick-also serviced in 6008 & 6079 Kits	2	MB, MC	54-55
B4A 6584-A	Gasket (valve rocker arm cover)-5" wide x 18-37/64" long-⊕ED-EBU-6584-A	2	MB	54
EAA 6587-A	Spring (valve rocker arm locating)-51/64" I. D. x 7/8" free length	6	MB, MC	54-55
B5A 6588-A	Tube (valve rocker arm shaft oil outlet)-⊕ECG-6588-A	2	MB, MC	54-55
EAA 6589-B	Grommet (valve push rod cover stud)-also serviced in 6008 Kit	2	MB, MC	54-55
EAA 6590-A	Washer (valve rocker arm shaft)-1-1/4" O. D. x 51/64" I. D. x 1/16" thick	8	MB, MC	54-55
EAA 6598-A	Washer (valve rocker arm shaft spring)	4	MB, MC	54-55

MERCURY

CHASSIS PARTS CATALOGUE

Oil Pump



PMC-209

OIL PUMP AND RELATED PARTS

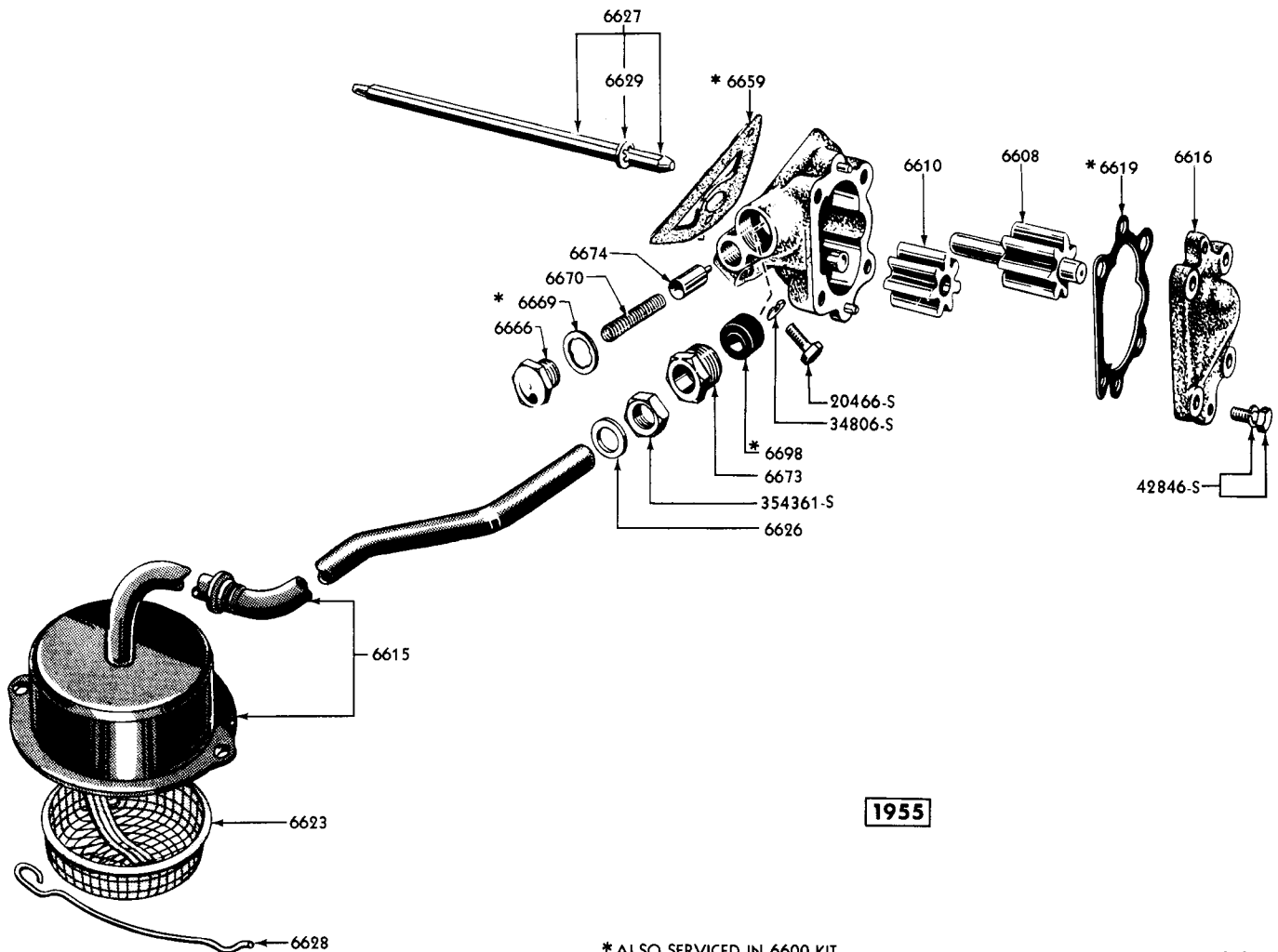
Basic numbers only shown on illustration. Order by Part Numbers shown in list of parts.

PART NUMBER	INDS-FC	PART NAME	NO. REQ'D	MODEL	YEAR
EBU 6600-A	NS	Pump assy (oil)-serviced in 6600 Kit	1	MB	54
ECG 6600-A		Pump assy (oil)	1	MC	55
MEK 6600-C		Kit (oil pump replacement)-consists of the following (1) EBU-6600-A Pump assy (1) EAD-6670-A Spring use as packaged for MB model & place EAD-6670-A spring in stock	1	MB	54
MEK 6600-A		Kit (oil pump gasket)-consists of the following (1) EAD-6619-A Gasket (1) EAD-6648-B Gasket (1) EAN-6659-A Gasket (1) 8EL-6669 Gasket (1) B4A-6698-A Seal	1	MB	54
MEK 6600-B		Kit (oil pump gasket)-consists of the following (1) EAD-6619-A Gasket (1) B4A-6648-A Gasket (1) B4A-6659-A Gasket (1) 8EL-6669 Gasket (1) B4A-6698-A Seal	1	MC	55
		24466-S7 Bolt(hex-hd)-5/16"-18 x 1-1/2" -oil pump to cyl. block	3	MB, MC	54-55
		34826-S7 Lockwasher-5/16"-oil pump to cylinder block	3	MB, MC	54-55

MERCURY

CHASSIS PARTS CATALOGUE

Oil Pump—Continued



* ALSO SERVICED IN 6600 KIT

PMC-210

OIL PUMP AND RELATED PARTS

Basic numbers only shown on illustration. Order by Part Numbers shown in list of parts.

PART NUMBER	CLASS	PART NAME	NO. REQ'D	MODEL	YEAR 19__
EAD 6603-A	NS	Body assy (oil pump)-serviced in 6600 Kit-part of pump	1	MB, MC	54-55
EAD 6605-A		Adaptor (cylinder head plug)	1	MB	54
EAD 6608-A		Gear assembly (oil pump drive)	1	MB	54
EAD 6608-B		Gear assembly (oil pump drive)	1	MB	54
B5A 6608-A		Gear assembly (oil pump drive)-@ECG-6608-A	1	MC	55
EAD 6610-A		Gear (oil pump driven)-1-13/32" long-7 teeth	1	MB, MC	54-55
EBU 6615-A		Cover assy (oil pump screen & inlet tube)	1	MB	54

MERCURY

CHASSIS PARTS CATALOGUE

Oil Pump—Continued

PART NUMBER	CLASS	PART NAME	NO. REQ'D	MODEL	YEAR 19__
B4A 6615-A		Cover assy (oil pump screen to inlet tube)- use with EBU-6675-B oil pan-⊕EBU-6615-B	1	MB, MC	54-55
		42709-S8 Screw & lockwasher assy (fill- hd)-5/16"-24 x 3/8"-cover to oil pan	2	MB, MC	54-55
EAD 6616-A		Cover (oil pump)	1	MB, MC	54-55
		42846-S8 Bolt (hex-hd)-5/16"-18 x 7/8"- cover to oil pump	4	MB, MC	54-55
		34806-S7 Lockwasher-5/16"-cover to oil pump	4	MB, MC	54-55
EAD 6619-A		Gasket (oil pump cover)-also serviced in 6008 & 6600 Kits	1	MB, MC	54-55
41A 6623		Screen assy (oil pump)	1	MB, MC	54-55
EAD 6625-B		Gasket (oil pump inlet tube flange)-inner-2-1/4" x 2-1/32" x 11/32" thick-also serviced in 6675 Kits	1	MB	54
B4A 6625-A		Gasket (oil pump inlet tube flange)-also serviced in 6008 Kit-use with EBU-6675-A oil pan only- ⊕EAD-6625-C	1	MB	54
B4A 6626-B		Gasket (oil pump inlet tube fitting)-⊕EBU-66631-A- also serviced in 6008 & 6675 Kit	1	MB, MC	54-55
B4A 6627-A		Shaft assy (oil pump intermediate)-⊕EAN-66627-A	1	MB	54
B5A 6627-B		Shaft assy (oil pump intermediate)-⊕ECG-66627-B	1	MC	55
EAD 6628-A		Spring (oil pump screen)-5-1/2" long	1	MB, MC	54-55
B5A 6629-A		Ring (oil pump intermediate shaft retainer)- ⊕ECG-66628-B	1	MC	55
EBU 6639-B		Tube assy (oil pan to oil pump)	1	MB	54
		42712-S8 Screw & L/W assy-5/16"-24 x 3/4"-tube to oil pan	3	MB	54
B4A 6643-A		Seal (oil pump inlet tube)-use with EBU-6675-A oil pan only-also serviced in 6008 & 6675 Kits- ⊕EAD-66643-C	1	MB	54
EAD 6648-B		Gasket (oil pan to oil pump tube flange)-triangular shaped with (3) 11/32" holes & (1) 1" hole-also serviced in 6600 & 6675 Kits	1	MB	54
B4A 6648-A		Gasket (oil pan to oil pump tube flange)-use with EBU-6675-A oil pan only-also serviced in 6008 & 6675 Kits-⊕EAD-6648-C	1	MB	54
B4A 6659-A		Gasket (oil pump to block)-also serviced in 6008 & 6600 Kits-⊕EBU-6659-A	1	MB, MC	54-55
EAA 6666-A		Nut (hex-hd)-5/8"-18 x 1/2"-oil relief valve	1	MB, MC	54-55
8EL 6669		Gasket (oil pump relief valve)-41/64" I. D. x 7/8" O. D. x 3/64" thick-also serviced in 6008 & 6600 Kits	1	MB, MC	54-55
EBU 6670-A		Spring (oil pump relief valve)	1	MB, MC	54-55

MERCURY

CHASSIS PARTS CATALOGUE

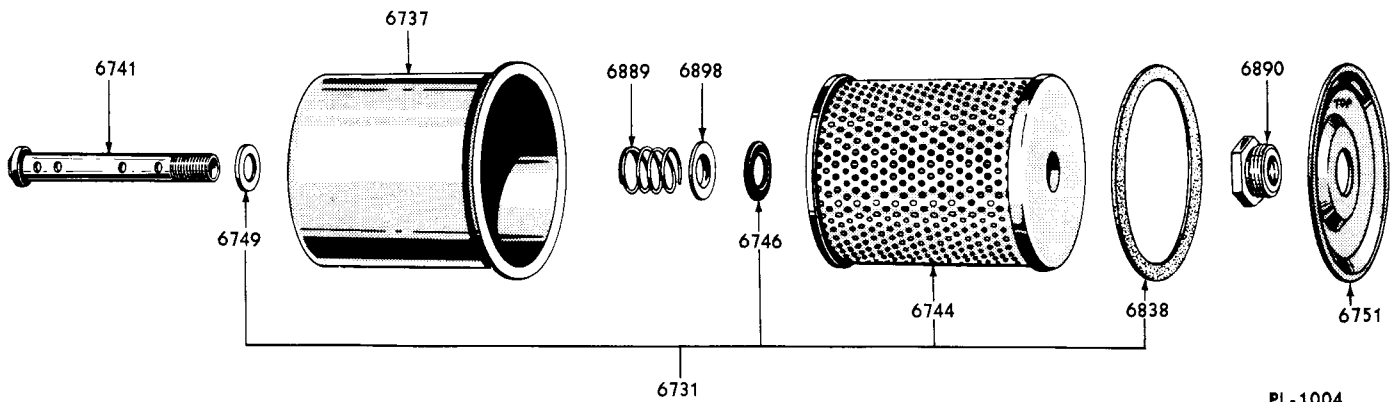
Oil Pan

PART NUMBER	PART NAME	NO. REQ'D	MODEL	YEAR 19____
EAD 6673-A	Nut (compression)-1"-18-oil pump inlet valve	1	MB, MC	54-55
EAD 6674-B	Plunger (oil pump relief valve)-1/2" maximum O. D. x 1-15/16" long	1	MB, MC	54-55
EBU 6675-A	Pan assy (oil)	1	MB	54
B5A 6675-A	Pan assy (oil)-Note-this assy with EBU-6615-B can be used to replace EBU-6675-A on 1954 models-⊕EBU-6675-C	1	MB, MC	54-55
	34806-S7 Lockwasher-5/16"	2	MB	54
	34941-S7 Lockwasher (external tooth)-5/16"	14	MB	54
	33798-S8 Nut (hex)-5/16"-24-oil pan to rear brg. oil seal retainer	2	MB, MC	54-55
	20326-S7 Screw (hex-hd)-5/16"-18 x 5/8" -oil pan to cylinder block and front cover	14	MB	54
	42719-S Screw & L/W assy (hex-hd)-5/16"-18 x 5/8"-oil pan to cylinder front cover	6	MB	54
	42719-S Screw & L/W assy (hex-hd)-5/16"-18 x 5/8"-oil pan to cylinder block & front cover	22	MB	54
	88351-S8 Stud-5/16"-18 x 5/16"-24 x 7/8"-oil pan to crankshaft rear brg. oil seal retainer	2	MB	54
MEK 6675-C	Kit (engine gasket-lower)-consists of the following (2) EBU-6348-A Seal (1) B4A-6625-A Socket (1) B4A-6643-A Seal (1) B4A-6648-A Gasket (1) B4A-6698-A Seal (2) B4A-6701-A Seal (1) B4A-6710-B Gasket (1) EBU-6734-A Gasket (1) EBU-9417-A Gasket	1	MB	54
MGK 6675-A	Kit (engine gasket lower)-consists of the following (2) B4A-6348-A Seal (1) B4A-6626-B Gasket (1) B4A-6698-A Seal (2) B4A-6701-A Seal 55 (2) B4Q-6701-A Seal 56 (1) B4A-6710-B Gasket (1) EBU-6734-A Gasket (1) B5A-9417-A Gasket	1	MC	55
AE 6677-A	Cover (starter pinion)	1	MB, MC	54-55
B4A 6698-A	Seal (oil pan to oil pump tube)-Rubber-5/8" I. D. x 29/32" O. D. x 15/32" long-also serviced in 6008, 6600 and 6675 Kits-⊕EBY-66642-A	1	MB, MC	54-55
EAA 6700-B	Seal assy (crankshaft front oil)-2-9/16" O. D. x 1-53/64" thick-also serviced in 6008 & 6059 Kits	1	MB, MC	54-55
EAA 6701-A	Seal (crankshaft rear oil)-woven Asbestos packing -13/64" thick x 27/64" wide x 4-13/16" long-also serviced in 6008 & 6675 Kits	2	MB	54
B4A 6701-A	Seal (crankshaft rear oil)-Asbestos & jute packing-13/64" thick x 27/64" wide x 4-13/16" long-also serviced in 6008 & 6675 Kits-⊕EBU-6701-A	2	MB, MC	54-55
EBU 6710-A	Gasket (oil pan)-Cork-also serviced in 6008 & 6675 Kits	1	MB	54
B4A 6710-C	Gasket (oil pan)-Cork & Rubber-⊕EBU-6710-B	1	MB, MC	54-55
8HA 6730	Plug (oil pan drain)-7/8"-16	1	MB, MC	54-55

MERCURY

CHASSIS PARTS CATALOGUE

Oil Filter



OIL FILTER AND RELATED PARTS

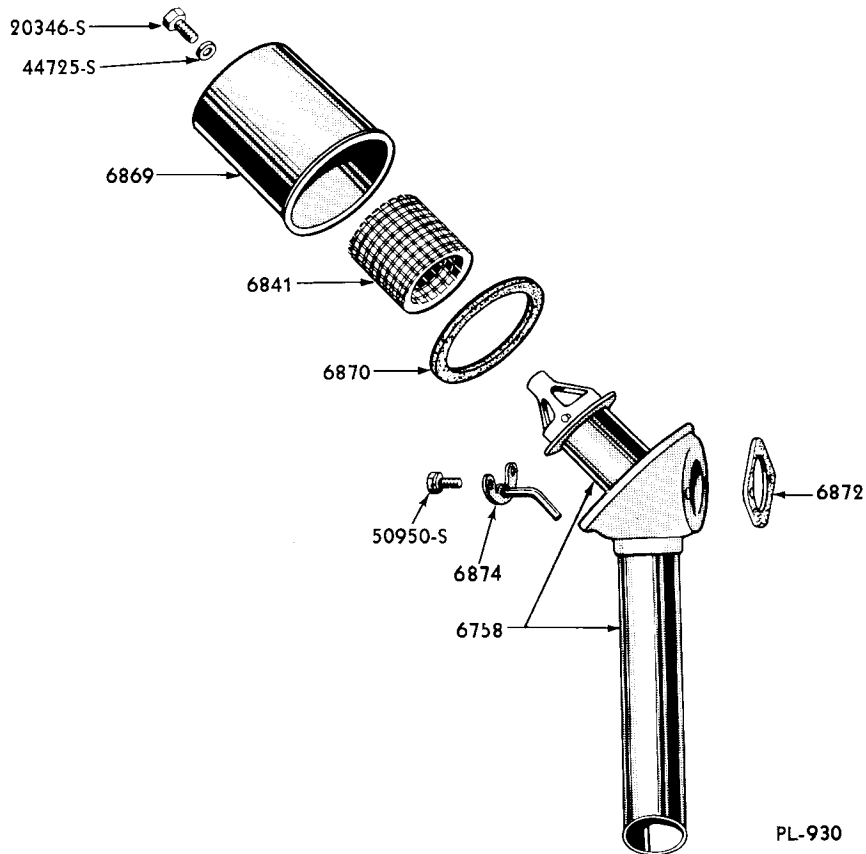
Basic numbers only shown on illustration. Order by Part Numbers shown in list of parts.

PART NUMBER	QUANTITY	PART NAME	NO. REQ'D	MODEL	YEAR 19__
HCK 6731-A		Kit (oil filter element and gasket)-consists of the following (1) EAA-6744-A Element (1) EAA-6746-A Gasket (1) EAA-6749-A Gasket (1) EAA-6838-A Gasket	1	MB, MC	54-55
86H 6734		Gasket (oil pan drain plug)-Copper with Asbestos	1	MB, MC	54-55
EBU 6734-A		Gasket (oil pan drain plug)-Nylon-also serviced in 6008 & 6675 Kits	1	MB, MC	54-55
EAA 6737-B		Cover assy (oil filter)	1	MB, MC	54-55
B2A 6741-A		Bolt and valve assy (oil filter center)- ⊕EAA-66741-C	1	MB, MC	54-55
EAA 6744-A	NS	Element assy (oil filler)-serviced in 6731 Kit	1	MB, MC	54-55
EAA 6746-A	NS	Gasket (oil filter element)-serviced in 6731 Kit	1	MB, MC	54-55

MERCURY

CHASSIS PARTS CATALOGUE

Oil Filler and Crankcase Ventilation



CRANKCASE OIL BREATHER

Basic numbers only shown on illustration. Order by Part Numbers shown in list of parts.

PART NUMBER	QUANTITY	PART NAME	NO. REQ'D	MODEL	YEAR 19 ____
EAA 6749-A		Gasket (oil filter center bolt to cover)-Fibre-1-3/16" O. D. x 49/64" I. D. x 1/16" thick-also serviced in 6731 Kit	1	MB, MC	54-55
EBU 6750-A		Indicator assy (oil level)	1	MB, MC	54-55
◇EBU 6750-B		Indicator assy (oil level)	1	MC except 76, 79	55
B4A 6751-B		Diaphragm (oil filter)-⊕EBU-66751-B	1	MB, MC	54-55
EBU 6754-A		Tube assy (oil level indicator)	1	MB, MC	54-55
◇EBU 6754-C		Tube assy (oil level indicator)	1	MC except 76, 79	55
		20310-S8 Bolt (hex-hd)-5/16"-18 x 1/2"-tube brkt. to cylinder block	1	MB	54
		34806-S7 Lockwasher-5/16"-tube brkt. to cylinder block	1	MB	54
		42718-S8 Screw & lock washer assy-(hex-hd)-5/16"-18 x 1/2"-oil level tube to cyl. block alternate with 42757-S8	1	MC	55

◇ Used with Air Conditioning

MERCURY

CHASSIS PARTS CATALOGUE

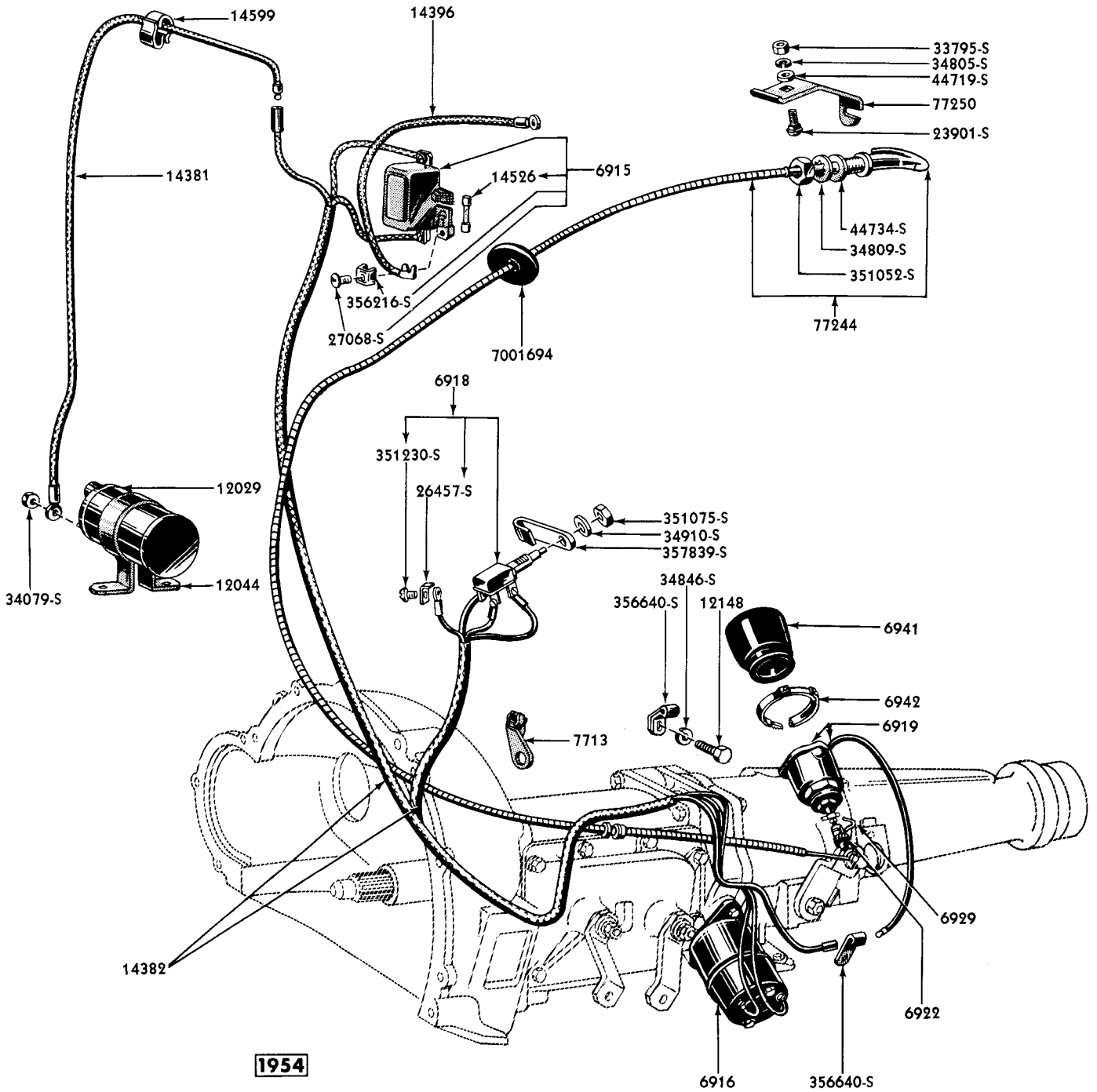
Oil Filler and Crankcase Ventilation—Continued

PART NUMBER	PART NAME	NO. REQ'D	MODEL	YEAR 19____
EAD 6758-B	Tube & adapter assy (crankcase ventilation)	1	MB, MC	
	50950-S8 Screw & L/W (fillister head)- 5/16"-18 x 3/4"-vent tube & adapter assy to cyl. block	2	MB, MC	54-55 54-55
EAD 6766-B	Cap assy (oil filler)	1	MB, MC	54-55
EAA 6838-A	Gasket (oil filter mounting)-also serviced in 6731 Kit	1	MB, MC	54-55
EAD 6841-A	Screen assy (crankcase ventilation)	1	MB, MC	54-55
B4A 6869-A	Cover (crankcase ventilation)-⊕EBU-6869-A	1	MB, MC	54-55
	20346-S8 Bolt (hex-hd)-5/16"-18 x 3/4" -cover to vent tube & adapter	1	MB, MC	54-55
	351349-S8 Washer (flat)-5/16" x 1-1/4" -cover to vent tube and adapter	1	MB, MC	54-55
EAD 6870-A	Gasket (crankcase ventilation cover)-3-13/64" O. D. x 2-7/8" I. D. x 1/16" thick-also serviced in 6008 Kit	1	MB, MC	54-55
B4A 6872-A	Gasket (crankcase ventilation adapter)-also serviced in 6008 Kit-⊕EAD-6872-B	1	MB, MC	54-55
EAD 6874-A	Tube assy (crankcase ventilation oil return)	1	MB	54
EAN 6880-A	Trough (timing chain lubrication)	1	MB, MC	54-55
	42817-S8 Screw & L/W (pan head)-1/4"- 20 x 1/2"-trough to cyl. block	1	MB, MC	54-55
B2A 6889-A	Spring (oil filter element retaining)-15/32" long- 4 coils ⊕EAA-6889-B	1	MB, MC	54-55
EAA 6890-C	Insert (hex-hd)-3/4"-16 x 7/16"-oil filter mtg. bolt	1	MB, MC	54-55
B2A 6898-A	Retainer (oil filter element)-1-1/4" O. D. x 49/64" I. D. x 5/16" thick ⊕EAA-6898-B	1	MB, MC	54-55

MERCURY

CHASSIS PARTS CATALOGUE

Transmission Overdrive



1954

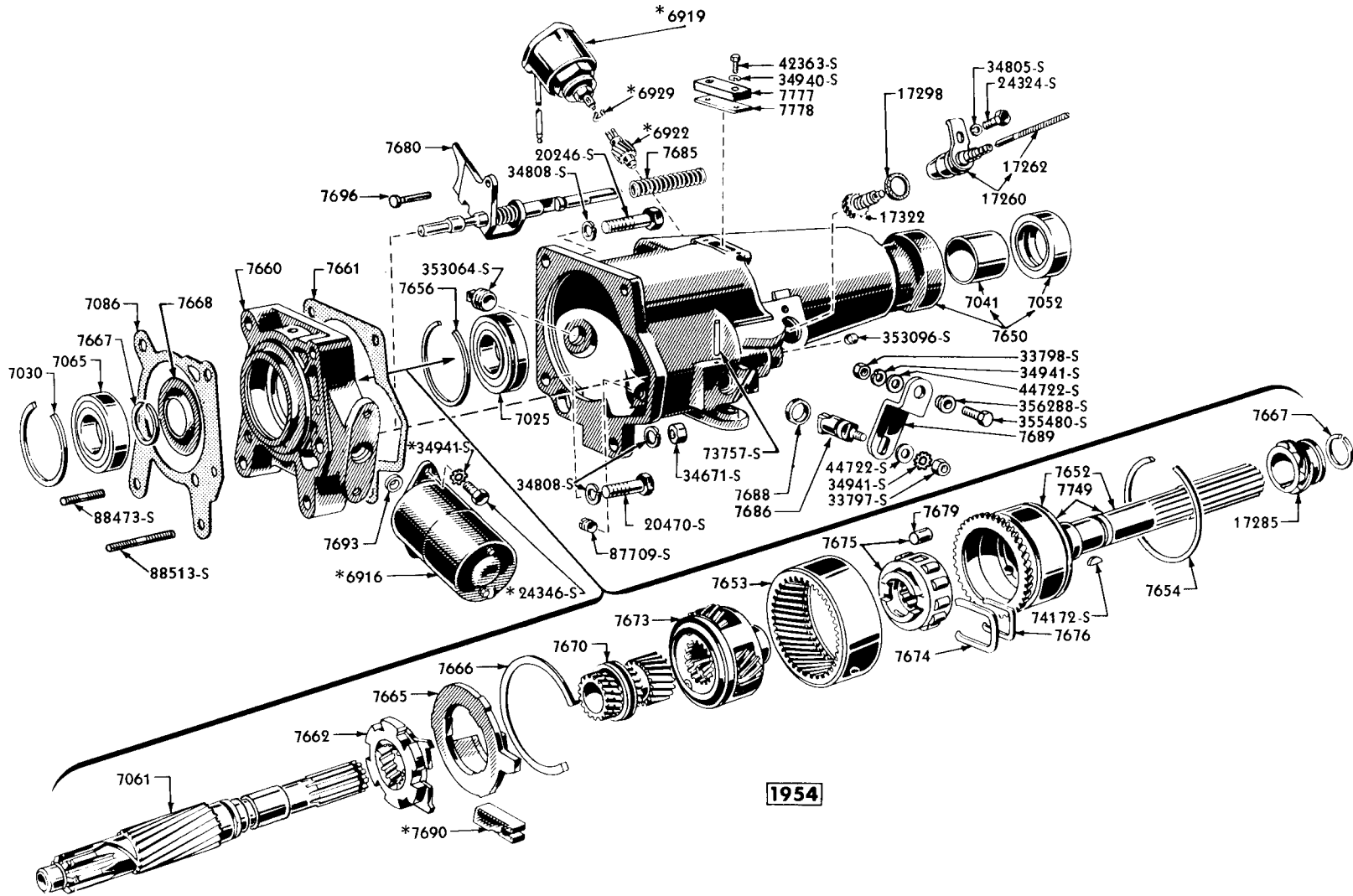
TRANSMISSION OVERDRIVE CONTROLS AND RELATED PARTS

Basic numbers only shown on illustration. Order by Part Numbers shown in list of parts.

MERCURY

CHASSIS PARTS CATALOGUE

Transmission Overdrive—Continued



1954

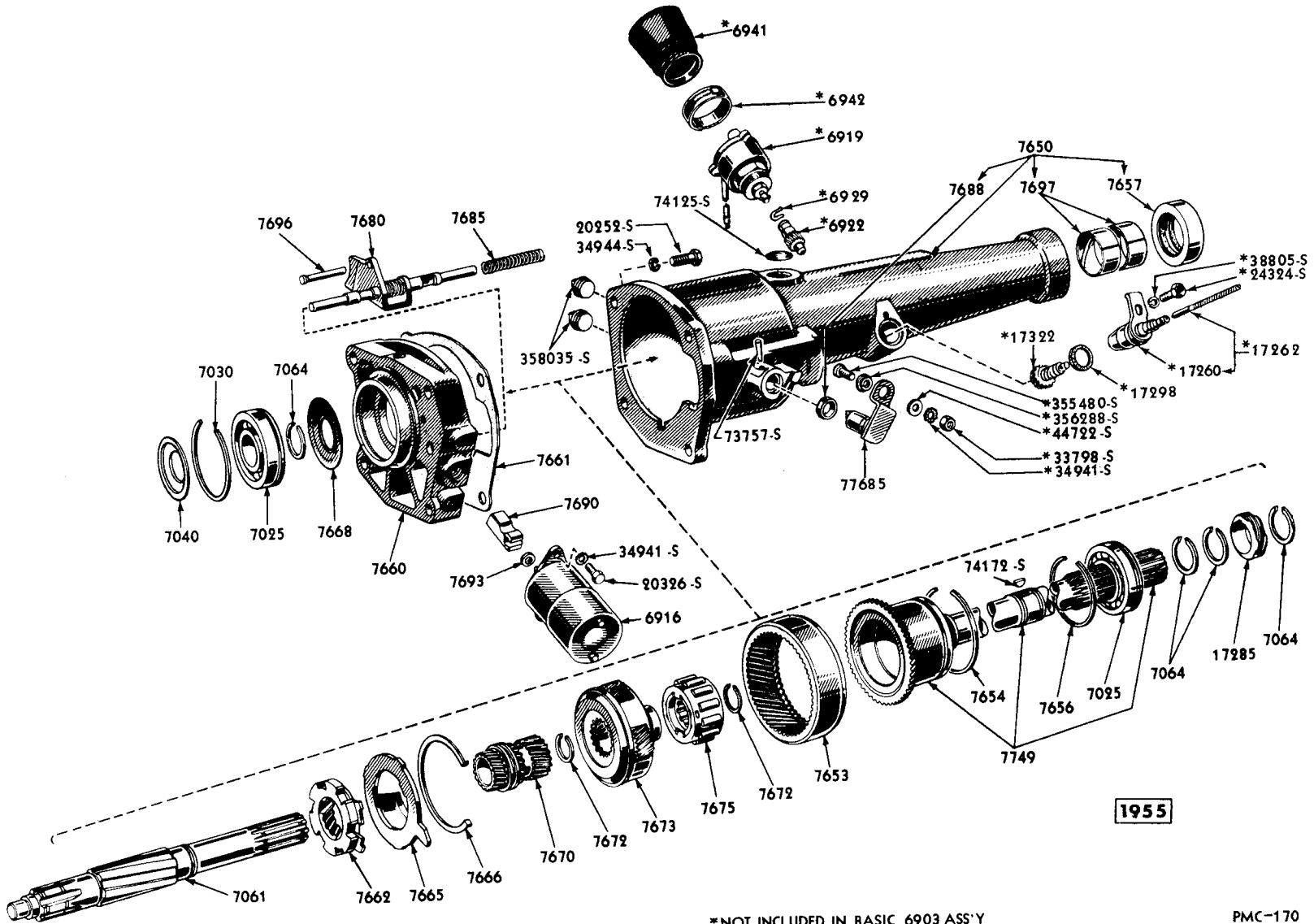
*NOT INCLUDED IN BASIC 6903 ASS'Y.

PM-428

TRANSMISSION OVERDRIVE

Basic numbers only shown on illustration. Order by Part Numbers shown in list of parts.

Transmission Overdrive—Continued



1955

*NOT INCLUDED IN BASIC 6903 ASS'Y

PMC-170

TRANSMISSION OVERDRIVE

Basic numbers only shown on illustration. Order by Part Numbers shown in list of parts.

MERCURY

CHASSIS PARTS CATALOGUE

Transmission Overdrive—Continued

TRANSMISSION OVERDRIVE CHART

PART NUMBER	CLASS	PART NAME	TRANSMISSION OVERDRIVE						
			MB-7003-D 1954	MB-7003-F 1954	MC-7003-D 1955				
			NUMBER REQUIRED						
MC 6903-A		Gear & case assy (trans. O/Drive)-less electrical controls			1				
MC 6903-B		Gear & case assy (trans. O/Drive)-may be used on 1955 by replacing FDT-6916-A with FAA-6916-A			1				
MB 6905-B		Gear & case assy (trans. O/Drive)-less electrical controls	1	1					
1M 6915-A		Relay assy (transmission O/Drive)	1	1	1				
		31498-S8 Screw (hex washer head self tapping)-No. 14-10 x 1/2"-O/Drive relay to dash panel	1	1	1				
FAA 6916-A		Solenoid assy (trans. O/Drive gear shift)	1	1	1				
		20326-S7 Bolt (hex-hd)-5/16"-18 x 5/8"-solenoid to O/Drive housing	2	2	2				
		356640-S2 Clip (wiring to mounting bolt)-21/64" dia. hole x 1-3/8" long x 9/16" wide	2	2	2				
		34941-S7 Lockwasher (external tooth)-5/16"-solenoid O/Drive housing	2	2	2				
* 8A 6918-B		Switch assy (accel. kickdown transmission O/Drive)	1	1	1				
		*357839-S32 Clip (wiring to mounting bolt)-19/32" dia. hole x 2-19/32" long x 1" wide	1	1	1				
		34910-S2 Lockwasher-9/16"-kickdown switch to floor board	2	2	2				
		*351075-S Nut (hex thin)-9/16"-kickdown switch to floor board	2	2	2				
8M 6919-A		Governor assy (trans. O/Drive)	1	1					
FDK 6919-A		Governor assy (trans. O/Drive)			1				
8M 6922		Gear (transmission O/Drive governor driven)	1	1					
B6A 6922-A		Gear (trans. O/Drive governor driven)			1				
16H 6929		Ring (trans. O/Drive governor driven gear retaining)	1	1	1				
8M 6937	NS	Switch assy (trans. O/Drive governor)-serviced in 6937 Kit	1	1					
MAK 6937-A		Kit (trans. O/Drive governor switch)-consists of the following (1) 8M-6937-A Switch (1) 8M-6938-A Gasket	1	1	1				
8M 6938-A		Gasket (trans. O/Drive governor switch)-also serviced in 6937 Kit	1	1	1				
8M 6941		Boot (transmission O/Drive governor)-Rubber	1	1	1				
1M 6942-A		Clamp assy (trans. O/Drive governor cover)	1	1	1				
		1A-7006-B Case (transmission overdrive)	1	1					
		B5A-7006-C Case (transmission overdrive)-⊕MC-7006-A			1				
		358048-S Plug (spec. pipe)-3/4"-filler and drain	2	2	2				
		26H-7025 Bearing assy (trans. main shaft)-intermediate			1				
		26H-7025 Bearing assy (trans. main drive gear)			1				

* Used with but not part of 7000 or 7003 assy

MERCURY

CHASSIS PARTS CATALOGUE

Transmission Overdrive—Continued

TRANSMISSION OVERDRIVE CHART—CONTINUED

PART NUMBER	CLASS	PART NAME	TRANSMISSION OVERDRIVE								
			MB-7003-D 1954	MB-7003-F 1954	MC-7003-D 1955						
			NUMBER REQUIRED								
8A-7025		Bearing assy (trans. main drive gear ball)-rear-1-3/8" I.D. x 2-27/32" O.D. x 21/32" wide	1	1	1						
8M-7030-A		Snap ring (trans. main shaft rear bearing)-.086"/.088"-thin	as reqd	as reqd							
8M-7030-B		Snap ring (trans. main shaft rear bearing)-.089"/.091"-medium	as reqd	as reqd							
8M-7030-C		Snap ring (trans. main shaft rear bearing)-.092"/.094"-thick	as reqd	as reqd							
8M-7030-D		Snap ring (trans. main shaft rear bearing)-.095"-thick	as reqd	as reqd							
8M-7041-B		Bearing (O/Drive trans. extension)-rear-sleeve type-reamed	1	1							
21C-7052-A		Seal (trans. O/Drive hsg. to trans. extension rear oil)	1	1							
B5A-7061-A		Shaft (trans. main)-⊕MB-7061-C	1	1							
B5A-7061-D		Shaft (trans. output)-⊕AF-7061-B	1	1							
B5A-7061-F		Shaft (trans. output shaft)-⊕MC-7061-B			1						
AB-7086-A		Gasket (trans. O/Drive to trans. case)-also serviced in 7153 Kit	1	1							
8L-7086-A		Gasket (trans. O/Drive to trans. case)-also serviced in 7153 Kit			1						
20252-S2		Bolt (hex-hd)-1/2"-13 x 2-3/4"-O/Drive hsg. to transmission			4						
B2A-7153-A		Kit (trans. & O/Drive gasket)-consists of the following (1) 8A-7051 Gasket (1) AB-7086-A Gasket (1) 8A-7223 Gasket (1) AB-7661-A Gasket (1) 8M-7778 Gasket	1	1							
B2A-7251-A		Bracket (trans. O/Drive control mounting)-in Prime-⊕AB-77250-AP			1						
27099-S7		Bolt (thin rd-hd)-1/4"-28 x 5/8"-bracket to inst. panel			1						
34805-S8		Lockwasher-1/4"-use with 27099-S7			1						
34809-S8		Lockwasher (internal tooth)-1/2"-use with 351052-S8			1						
33796-S7		Nut (thin hex)-1/4"-28-bracket to inst. panel			1						
351052-S8		Nut (thin hex)-1/2"-20-O/Drive control to O/Drive control bracket			1						
44734-S8		Washer (flat)-1/2"			1						

MERCURY

CHASSIS PARTS CATALOGUE

Transmission Overdrive—Continued

TRANSMISSION OVERDRIVE CHART—CONTINUED

PART NUMBER	CLASS	PART NAME	TRANSMISSION OVERDRIVE						
			MB-7003-D 1954	MB-7003-F 1954	MC-7003-D 1955				
			NUMBER REQUIRED						
		AB-7650-B Extension assy (transmission O/Drive)	1	1					
		B5A-7650-E Extension assy (transmission O/Drive) ⊕MC-7650-B			1				
		20246-S8 Bolt (hex-hd)-7/16"-14 x 2-1/2"-extension & O/Drive to transmission case	2	2					
		20252-S2 Bolt (hex-hd)-1/2"-13 x 2-3/4"-extension & O/Drive to transmission case			4				
		20470-S8 Bolt (hex)-7/16"-14 x 1-1/2"-extension to transmission O/Drive adapter	2	2					
		34808-S8 Lockwasher-7/16"-extension assy to trans. case	4	4					
		34944-S2 Lockwasher (external tooth)-1/2"-extension & O/Drive to trans. case			4				
		74125-S Plug (expansion)-1-1/2"-for opening in extension hsg. to install main shaft bearing			1				
		87837-S Plug (socket head pipe)-1/4"-18-extension drain plug	1	1	1				
		353064-S Plug (extended head pipe)-1/2"-O/Drive transmission filler plug	1	1					
		353096-S Plug (cup)-3/8"-to plug fork & rail assy hole in extension	1	1	1				
		358035-S Plug (extended head pipe)-1/2"-filler & drain			2				
		357249-S Stud-7/16"-20 & 7/16"-14 x 1-11/16"- extension to trans. case	2	2					
		16H-7653 Gear (trans. O/Drive ring)-42 teeth-4-17/64" O. D.	1	1					
		8L-7653 Gear (trans. O/Drive ring)-52 teeth-5-5/32" O. D.			1				
		16H-7654 Snap ring (trans. O/Drive gear)-3-29/32" O. D.	1	1					
		8L-7654-A Snap ring (trans. O/Drive ring gear)- .054"/.056"-thick			1				
		8L-7654-B Snap ring (trans. O/Drive ring gear)- .056"/.058"-thick			1				
		8L-7654-C Snap ring (trans. O/Drive ring gear)- .058"/.060"-thick			1				
		8M-7656 Snap ring (trans. O/Drive main shaft bearing)- 2-15/16" O. D. x .073" thick	1	1	1				
		AB-7660-A Adapter (trans. O/Drive)	1	1					
		8L-7660 Adapter (trans. O/Drive)			1				
		20552-S8 Bolt (hex-hd)-1/2"-13 x 2-3/4"-extension & adapter to trans. case			4				
		350188-S7 Bolt (hex-hd)-7/16"-14 x 2-1/2"-O/Drive adapter & extension to trans. case	2	2					
		34808-S7 Lockwasher-7/16"	4	4					
		34944-S8 Lockwasher (external tooth)-1/2"			4				

MERCURY

CHASSIS PARTS CATALOGUE

Transmission Overdrive—Continued

TRANSMISSION OVERDRIVE CHART—CONTINUED

PART NUMBER	CLASS	PART NAME	TRANSMISSION OVERDRIVE							
			MB-7003-D 1954	MB-7003-F 1954	MC-7003-D 1955					
			NUMBER REQUIRED							
		34671-S8 Nut (hex)-7/16"-20-O/Drive adapter & extension to trans. case	2	2						
		88473-S Stud (screw)-7/16"-14 & 7/16"-20 x 2-1/2"-O/Drive & adapter to trans. case	1	1						
		88513-S Stud (screw)-7/16"-14 & 7/16"-20 x 3"-O/Drive & adapter to trans. case	1	1						
		AB-7661-A Gasket (trans. O/Drive hsg. adapter)-also serviced in 7153 Kit	1	1						
		8L-7661 Gasket (trans. O/Drive hsg. adapter)-adapter to extension housing-also serviced in 7153 Kit			1					
		56H-7662 Ring & gear plate assy (trans. O/Drive balk)	1	1						
		8L-7662 Ring & gear plate assy (trans. O/Drive balk)			1					
		AB-7665-A Plate & trough assy (trans. O/Drive cover)	1	1						
		56H-7665 Plate & trough assy (trans. O/Drive cover)			1					
		16H-7666-A Snap ring (trans. O/Drive cover plate)-.062"thick	as reqd	as reqd	as reqd					
		16H-7666-B Snap ring (trans. O/Drive cover plate)-.070"thick	as reqd	as reqd	as reqd					
		16H-7666-C Snap ring (trans. O/Drive cover plate)-.066"thick	as reqd	as reqd	as reqd					
		8A-7667-A Snap ring (trans. O/Drive main shaft)-.090" thick	as reqd	as reqd						
		8A-7667-B Snap ring (trans. O/Drive main shaft)-.093" thick	as reqd	as reqd						
		8A-7667-C Snap ring (trans. O/Drive main shaft)-.096" thick	as reqd	as reqd						
		16H-7667-A Snap ring (trans. O/Drive main shaft rear brg.)-.087" thick	as reqd	as reqd						
		16H-7667-B Snap ring (trans. O/Drive main shaft rear brg.)-.090" thick	as reqd	as reqd						
		16H-7667-C Snap ring (trans. O/Drive main shaft rear brg.)-.093" thick	as reqd	as reqd						
		16H-7667-D Snap ring (trans. O/Drive main shaft rear brg.)-.096" thick	as reqd	as reqd						
		8A-7668 Baffle (trans. O/Drive main shaft oil)	1	1						
		8L-7668 Baffle (trans. O/Drive main shaft oil)			1					
		56H-7670 Gear assy (trans. O/Drive sun)	1	1						
		8L-7670 Gear assy (trans. O/Drive sun)			1					

MERCURY

CHASSIS PARTS CATALOGUE

Transmission Overdrive—Continued

TRANSMISSION OVERDRIVE CHART—CONTINUED

PART NUMBER	CLASS	PART NAME	TRANSMISSION OVERDRIVE									
			MB-7003-D 1954	MB-7003-F 1954	MC-7003-D 1955							
										NUMBER REQUIRED		
		8L-7672-A Ring (trans. O/Drive pinion cage to main shaft) -.062" thick			1							
		8L-7672-B Ring (trans. O/Drive pinion cage to main shaft) -.068" thick			1							
		8L-7672-C Ring (trans. O/Drive pinion cage to main shaft) -.074" thick			1							
		56H-7673 Cage assy (trans. O/Drive pinion)	1	1								
		8L-7673 Cage assy (trans. O/Drive pinion)			1							
		16H-7674 Retainer (trans. O/Drive free wheel cage)	1	1								
		16H-7675 Cam, roller & cage assy (trans. O/Drive free wheel)	1	1								
		8L-7675 Cam, roller & cage assy (trans. O/Drive free wheel)			1							
		16H-7676 Retainer (trans. O/Drive free wheel cam)	1	1								
		16H-7679 Roller (trans. O/Drive free wheel)	12	12								
		1A-7680-A Fork & rail assy (trans. O/Drive shift)	1	1								
		B5A-7680-A Fork & rail assy (trans. O/Drive shift)- ⊕MC-7680-A			1							
		16H-7685 Spring (trans. O/Drive retractor)-17/32" O. D. x 2-3/4" overall free length-15 coils	1	1	1							
		8L-7686 Shaft (trans. O/Drive control)-2-21/32" long	1	1								
		73757-S Pin (taper)-5/32" x 1-1/4"-O/Drive control shaft to O/Drive extension	1	1								
		56H-7688 Seal assy (trans. O/Drive shifter shaft oil)- 15/16" O. D. x 3/16" wide-lined with Rubber	1	1	1							
		8A-7689 Lever (trans. O/Drive control)-3-3/16" long	1	1								
		355480-S8 Bolt (hex-hd)-5/16"-24 x 7/8"-O/Drive control to control lever	1	1	1							
		34941-S7 Lockwasher (external tooth)-5/16"-O/Drive control lever to control shaft	1	1								
		34941-S7 Lockwasher (external tooth)-5/16"-O/Drive control to control lever	1	1	1							
		33797-S7 Nut (hex)-5/16"-18-O/Drive control lever to control shaft	1	1								
		33798-S8 Nut (hex)-5/16"-24-O/Drive control to control lever	1	1	1							
		356288-S8 Spacer (O/Drive control to control lever)- 21/64" I. D. x 11/16" O. D. x 19/64" thick	1	1	1							
		44722-S8 Washer (flat)-5/16"-O/Drive control to control lever	1	1	1							
		44722-S8 Washer (flat)-5/16"-O/Drive control lever to control shaft	1	1								
		AB-7690-A Pawl (trans. O/Drive stationery gear)	1	1								
		8L-7690 Pawl (trans. O/Drive stationary gear)			1							

MERCURY

CHASSIS PARTS CATALOGUE

Transmission Overdrive—Continued

TRANSMISSION OVERDRIVE CHART—CONTINUED

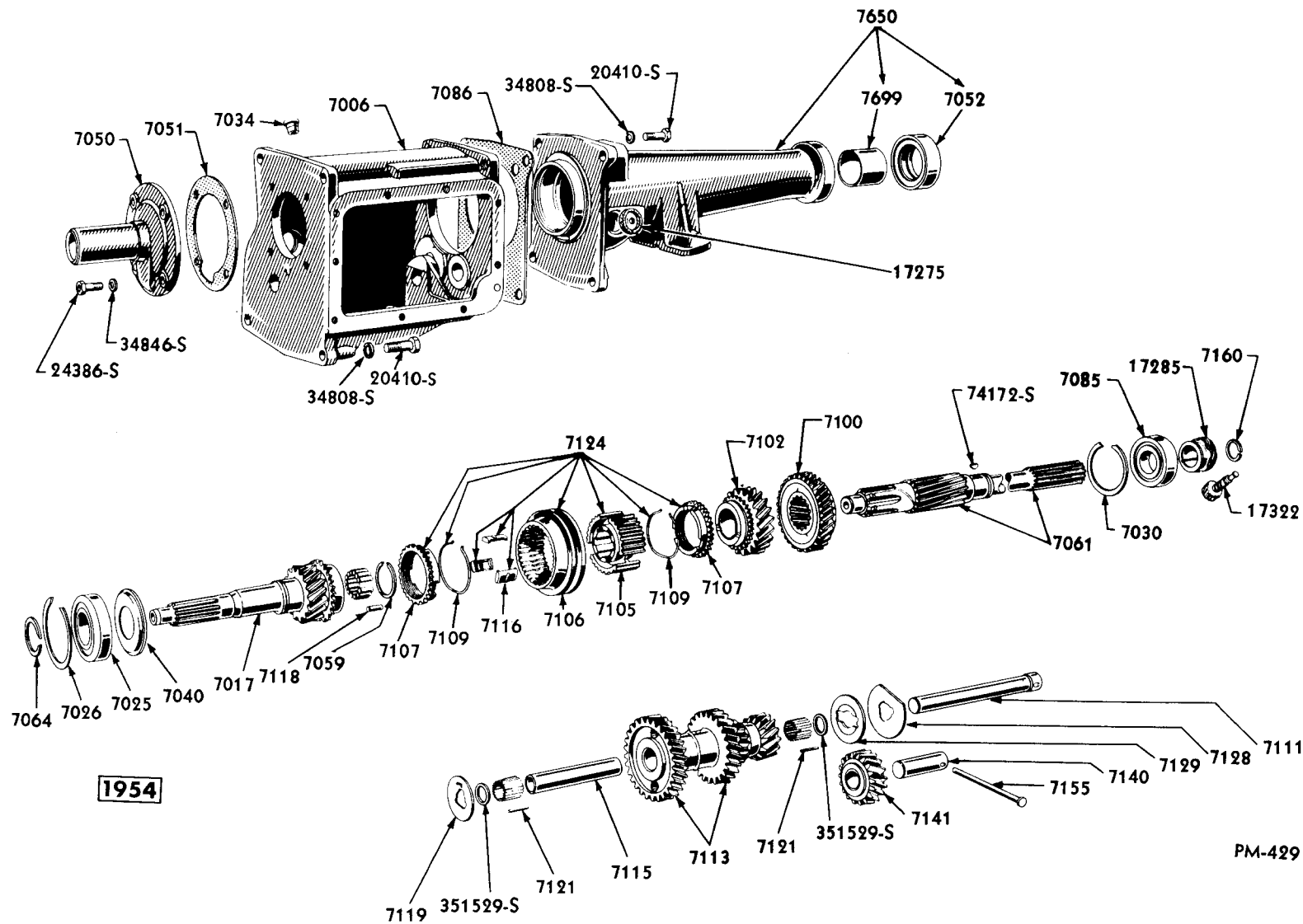
PART NUMBER	CLASS	PART NAME	TRANSMISSION OVERDRIVE								
			MB-7003-D 1954	MB-7003-F 1954	MC-7003-D 1955						
			NUMBER REQUIRED								
26H-7693		Seal (trans. O/Drive pawl operating rod oil)- 5/8" O.D. x 13/64" thick-lined with Rubber	1	1	1						
8L-7696		Guide (trans. O/Drive shift rail)	1	1	1						
*OM-7713		Clip (trans. O/Drive control cable support)-at engine-rounded edge	1	1							
AB-7749-A		Shaft & ring gear assy (trans. O/Drive main)- 16-1/32" long	1	1							
B5A-7749-A		Shaft assy (trans. overdrive main)- ⊕MC-7749-A			1						
8M-7777		Cover (trans. O/Drive main shaft bearing)	1	1							
43263-S8		Bolt (hex-hd)-1/4"-20 x 5/8"-main shaft bearing cover	2	2							
34940-S8		Lockwasher (external tooth)-1/4"-main shaft bearing cover to trans. O/Drive hsg.	2	2							
8M-7778		Gasket (trans. O/Drive main shaft bearing cover)- also serviced in 7153 Kit	1	1							
FAA-77244-A		Control assy (trans. O/Drive)-approx. 48-1/4" long	1	1							
FDK-77244-A		Control assy (trans. O/Drive)-approx. 52-3/8" long-O/Drive on handle			1						
353350-S8		Clip-to attach O/Drive control assy to trans. & O/Drive assy	1	1	1						
FAA-77250-A		Bracket (trans. O/Drive control mounting)	1	1							
23901-S4		Bolt (rd-hd carriage)-1/4"-20 x 5/8"-brkt. to instrument panel	1	1							
27099-S7		Bolt (rd-hd carriage)-1/4"-28 x 5/8"-brkt. to instrument panel			1						
34805-S8		Lockwasher-1/4"-brkt. to instr. panel	1	1							
34809-S8		Lockwasher (internal tooth)-1/2"-O/Drive control to instrument panel bracket	1	1	1						
33795-S7		Nut (hex)-1/4"-20-brkt. to instrument panel	1	1							
33796-S8		Nut (hex)-1/4"-28-brkt. to instrument panel			1						
351052-S8		Nut (hex)-1/2"-20-O/Drive control to instr. panel bracket	1	1	1						
44719-S8		Washer (flat)-1/4"-brkt. to instrument panel	1	1							
44734-S8		Washer (flat)-1/2"-control to bracket	1	1							
B5A-77685-A		Shaft assy (trans. O/Drive control)- ⊕MC-77685-A			1						
73757-S		Pin (taper)-5/32" x 1-1/4"-O/Drive control shaft to O/Drive extension			1						
1A-7001694		Grommet (O/Drive cable thru dash)-Rubber	1	1	1						

* Used with but not a part of 7000 or 7003 assy

MERCURY

CHASSIS PARTS CATALOGUE

Transmission



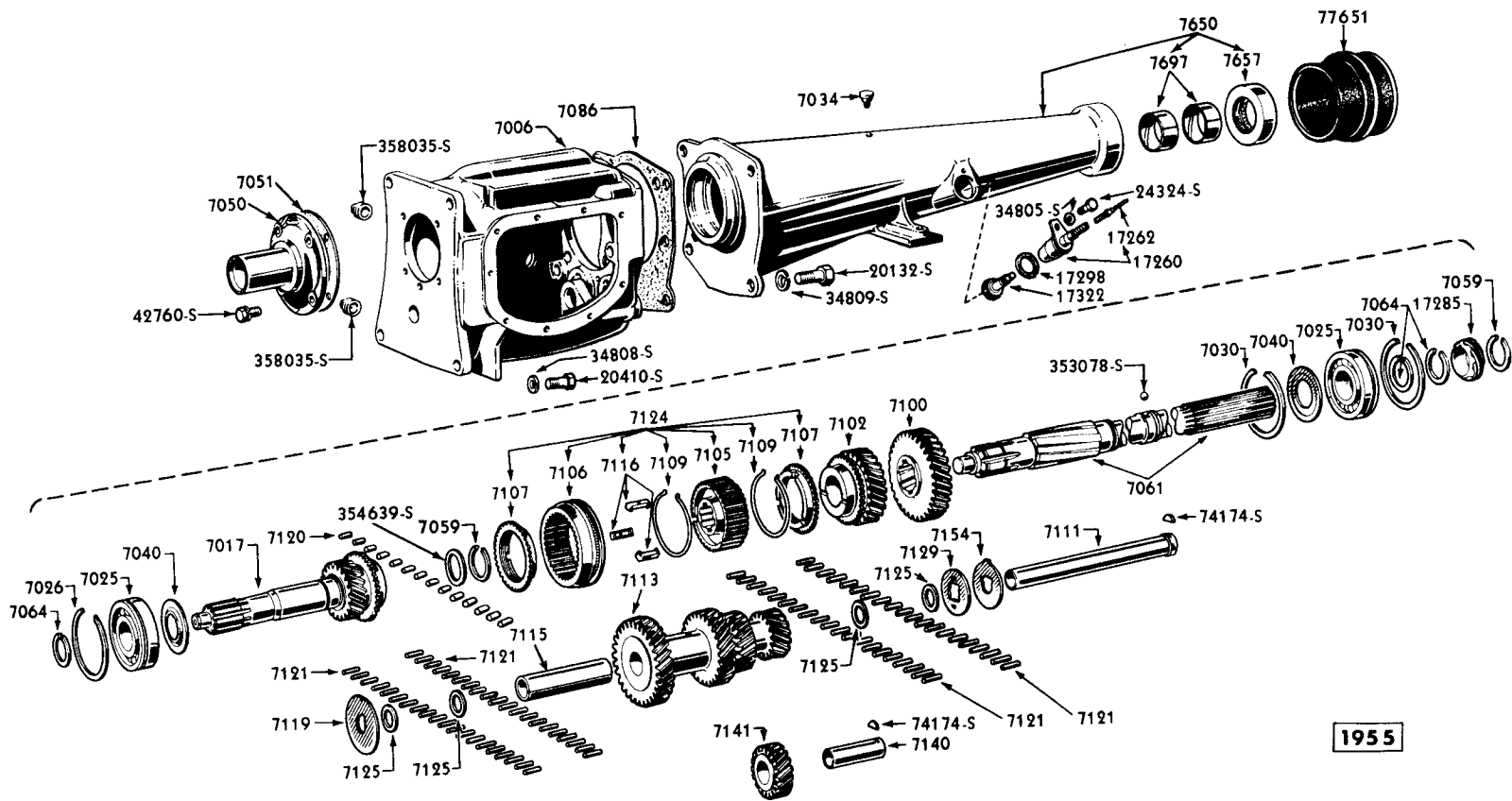
1954

PM-429

TRANSMISSION, EXTENSION AND RELATED PARTS

Basic numbers only shown on illustration. Order by Part Numbers shown in list of parts.

Transmission—Continued



1955

PMC-171

TRANSMISSION, EXTENSION AND RELATED PARTS

Basic numbers only shown on illustration. Order by Part Numbers shown in list of parts.

MERCURY

CHASSIS PARTS CATALOGUE

Transmission—Continued

PART NUMBER	CLASS	PART NAME	NO. REQ'D	MODEL	YEAR 19__
ΔPAE 7000-A		Trans. & converter assy-alternate with PAE-7000-B	1	MB	54
ΔPAE 7000-B		Trans. & converter assy-alternate with PAE-7000-A	1	MB	54
ΔPMB 7000-A		Trans. & converter assy	1	MC	55
MB 7003-C	NS	Transmission & extension assy-Standard-replaced by MB-7003-G	1	MB	54
MB 7003-D	NS	Trans. & overdrive assy-service details-replaced by MB-7003-F	1	MB	54
MB 7003-E	NS	Transmission & extension assy-Standard-replaced by MB-7003-G	1	MB	54
MB 7003-F	NS	Trans. & overdrive assy-service details	1	MB	54
MB 7003-G		Transmission & extension assy-Standard	1	MB	54
MC 7003-D	NS	Trans. & overdrive assy-service details	1	MC	55
B5A 7003-L		Trans. & extension assy-Standard-⊕MC-7003-C	1	MC	55
ΔPAE 7003-A	NS	Trans. assy-less converter-alt. with PAE-7003-B - service details	1	MB	54
ΔPAE 7003-B	NS	Trans. assy-less converter-alt. with PAE-7003-A - service details	1	MB	54
ΔPMB 7003-A		Trans. assy-less converter	1	MC	55
		24388-S8 Bolt (hex-hd)-3/8"-16 x 1"-trans. to engine	8	MB	54
		357625-S7 Lockwasher-3/8"	8	MB	54

TRANSMISSION CHART

PART NUMBER	CLASS	PART NAME	TRANSMISSION						
			MB-7003-C 1954	MB-7003-D 1954	MB-7003-E 1954	MB-7003-F 1954	MB-7003-G 1954	B5A-7003-L 1955	MC-7003-D 1955
			NUMBER REQUIRED						
Δ 1P 7005-C	NS	Case assy (transmission)-replaced by B4A-7005-C	Refer to Merc-O-Matic Trans. Group						
Δ B4A 7005-C		Case assy (transmission)-⊕PAK-7005-B	Refer to Merc-O-Matic Trans. Group						
Δ B5S 7005-C		Case assy (transmission)-⊕PMB-7005-C	Refer to Merc-O-Matic Trans. Group						
Δ B5S 7005-D		Case assy (transmission)-⊕PMB-7005-D	Refer to Merc-O-Matic Trans. Group						
Δ B6A 7005-A		Case assy (transmission)-⊕PAK-7005-D	Refer to Merc-O-Matic Trans. Group						
1A 7006-A		Case (transmission)	1		1		1		
1A 7006-B		Case (transmission overdrive)		1		1			
B5A 7006-C		Case (transmission)-⊕MC-7006-A							1
B5A 7006-D		Case (transmission)-⊕MC-7006-D							1
		24430-S8 Bolt (hex-hd)-7/16"-14 x 1-1/4"-trans. case to flywheel housing	4	4	4	4	4	4	4
		34808-S8 Lockwasher-7/16"-trans. to flywheel housing	4	4	4	4	4	4	4
		358035-S Plug (pipe)-filler & drain						2	2
		358048-S Plug (pipe countersunk head)-3/4"-drain and filler	2	2	2	2	2		
Δ 1P 7015-B		Shaft assy (transmission input)	Refer to Merc-O-Matic Trans. Group						
Δ B5S 7015-A		Shaft assy (transmission input)-⊕PMB-7015-A	Refer to Merc-O-Matic Trans. Group						
Δ Used with Merc-O-Matic transmission-Also replace IM-77652 or MC-77651 Shield									

MERCURY

CHASSIS PARTS CATALOGUE

Transmission—Continued

TRANSMISSION CHART—CONTINUED

PART NUMBER	CLASS	PART NAME	TRANSMISSION							
			MB-7003-C 1954	MB-7003-D 1954	MB-7003-E 1954	MB-7003-F 1954	MB-7003-G 1954	B5A-7003-I 1955	MC-7003-D 1955	
			NUMBER REQUIRED							
B5A 7017-A		Gear (trans. main drive)-⊕MC-7017-A							1	1
B5A 7017-D		Gear (trans. main drive)-⊕MB-7017-A								
B6A 7017-A		Gear (trans. main drive)-⊕AG-7017-B	1	1	1	1	1			
			1	1	1	1	1			
Δ 1P 7019-A		Washer (trans. input shaft thrust)	Refer to Merc-O-Matic Trans. Group							
Δ B5S 7019-A		Washer (trans. input shaft thrust)-⊕PMB-7019-A	Refer to Merc-O-Matic Trans. Group							
8A 7025		Bearing (trans. main drive gear ball)-rear-1-3/8" I.D. x 2-53/64" O.D. x 43/64" thick	1	1	1	1	1			1
8A 7025		Bearing (trans. main shaft ball)	1	1	1	1	1			
26H 7025		Bearing assy (trans. main drive gear)							1	1
26H 7025		Bearing assy (trans. main shaft)-intermediate								1
26H 7025		Bearing assy (trans. main shaft)							1	
		353800-S Washer (flat)-1-25/64" I.D. -retains bearing to main drive gear							1	1
8A 7026		Snap ring (trans. main drive gear bearing retainer)-3-1/16" x .073" thick	1	1	1	1	1			
8L 7026		Snap ring (trans. main drive gear bearing retainer)							1	1
8M 7030-A		Snap ring (trans. main shaft rear bearing)-.086"/.088" thick	as reqd		as reqd		as reqd			
8M 7030-B		Snap ring (trans. main shaft rear bearing)-.089"/.091" thick	as reqd		as reqd		as reqd			
8M 7030-C		Snap ring (trans. main shaft rear bearing)-.092"/.094" thick	as reqd		as reqd		as reqd			
8M 7030-D		Snap ring (trans. main shaft rear bearing)-.095"/.097" thick	as reqd		as reqd		as reqd			
8L 7030-A		Snap ring (trans. main shaft rear bearing)-.087"/.089" thick-attaches bearing to extension hsg.							as reqd	as reqd
8L 7030-B		Snap ring (trans. main shaft rear bearing)-.090"/.092" thick-attaches bearing to extension hsg.							as reqd	as reqd
8L 7030-C		Snap ring (trans. main shaft rear bearing)-.093"/.095" thick-attaches bearing to extension hsg.							as reqd	as reqd
8L 7030-D		Snap ring (trans. main shaft rear bearing)-.096"/.098" thick							as reqd	as reqd
8L 7030-E		Snap ring (trans. main shaft rear bearing)-.099"/.101" thick							as reqd	as reqd
01A 7034		Vent assy (transmission case)	1	1	1	1	1	1	1	1
Δ 1P 7034-B		Vent assy (transmission case)	Refer to Merc-O-Matic Trans. Group							
A9A 7037-A		Kit (universal joint)-frt. & rear-consists of the following (2) AB-4693-A Plate (8) B5A-4706-A Packing (6) 8M-7096 Snap ring	Refer to Drive Shaft & Univ/Jt. Group							

Δ Used with Merc-O-Matic transmission

MERCURY

CHASSIS PARTS CATALOGUE

Transmission—Continued

TRANSMISSION CHART—CONTINUED

PART NUMBER	CLASS	PART NAME	TRANSMISSION						
			MB-7003-C 1954	MB-7003-D 1954	MB-7003-E 1954	MB-7003-F 1954	MB-7003-G 1954	B5A-7003-L 1955	MC-7003-D 1955
			NUMBER REQUIRED						
MEK 7039-A		Kit (universal joint)-rear-consists of the following (2) B5A-4678-B Bearing & roller assy (2) AB-4693-A Plate (1) B5A-4704-A Spider assy (4) B5A-4706-A Packing (2) B5A-4712-A Bearing (2) 8M-7096 Snap ring (4) 355208-S8 Bolt	Refer to Drive Shaft & Univ/Jt. Group						
MFK 7039-A		Kit (universal joint)-frt. & rear-consists of the following (4) MC-4712-A Bearing (1) 21C-7084 Spider assy (4) 01Y-7096 Snap ring	Refer to Drive Shaft & Univ/Jt. Group						
8A 7040		Baffle (trans. main drive gear oil)-2-11/16" O. D. x 1-3/8" I. D.	1	1	1	1	1		
8L 7040		Baffle (trans. main drive gear oil)						1	
8L 7040		Baffle (trans. output shaft)							1
B5A 7042-A		Kit (universal joint)-front-consists of the following (1) B5A-4704-A Spider (4) B5A-4706-A Packing (4) B5A-4712-A Bearing (4) 8M-7096 Snap ring	Refer to Drive Shaft & Univ/Jt. Group						
8A 7050		Retainer (trans. main drive gear bearing)-has oil return grooves-3-51/64" overall length	1	1	1	1	1		
B5A 7050-A		Retainer (trans. main drive gear bearing)-⊕MC-7050-A						1	1
		24386-S8 Bolt (hex-hd)-5/16"-18 x 1"-main drive gear brg. retainer to trans. case	4	4	4	4	4	4	4
		42760-S8 Bolt & lockwasher assy (hex-hd)-5/16"-18 x 7/8"-retainer to trans. case						4	4
		34806-S7 Lockwasher (external tooth)-5/16"-retainer to trans. case	4	4	4	4	4	4	4
8A 7051		Gasket (trans. main drive gear bearing retainer)-4-19/32" O. D. x 3-13/64" I. D. -also serviced in 7153 Kit	1	1	1	1	1		
8L 7051-D		Gasket (trans. main drive gear bearing retainer)-.025" thick- also serviced in 7153 Kit						1	1
21C 7052-A		Seal (trans. O/Drive hsg. or trans. extension rear oil)-2-3/8" O. D. x 3/4" thick	1	1	1	1	1		
81A 7059		Snap ring (trans. main shaft)-.086"/.088" thick	1	1	1	1	1	1	1
81A 7059		Snap ring (trans. main shaft)-.086"/.088" thick	Refer to Merc-O-Matic Trans. Group						
B5A 7061-B		Shaft (trans. main)-27-15/32" o/all length-⊕MB-7061-D	1		1		1		
B5A 7061-C		Shaft (trans. main)-⊕AF-7061-A	1		1		1		
B5A 7061-D		Shaft (trans. output)-⊕AF-7061-B		1		1			
B5A 7061-E		Shaft (trans. main)-30-11/16" o/all length-⊕MC-7061-A						1	
B5A 7061-F		Shaft (trans. output)-⊕MC-7061-B							1
*B6A 7061-A		Shaft (trans. output)-with (2) lock ring grooves-⊕AF-7061-D	1		1		1		

* When using B6A-7061-A as a replacement for B5A-7061-C-it is necessary to also use
(1) each AF-17285-A, 353078-S8, 81A-7059 and 8L-7064-A, B, C or D

MERCURY

CHASSIS PARTS CATALOGUE

Transmission—Continued

TRANSMISSION CHART—CONTINUED

PART NUMBER	CLASS	PART NAME	TRANSMISSION						
			MB-7003-C 1954	MB-7003-D 1954	MB-7003-E 1954	MB-7003-F 1954	MB-7003-G 1954	B5A-7003-L 1955	MC-7003-D 1955
			NUMBER REQUIRED						
8A 7064		Snap ring (trans. main drive gear bearing to shaft)- 1-9/16" O. D. x 1-17/64" I. D. x 59/64" thick	1	1	1	1	1		
‡ 8L 7064-A		Snap ring (trans. main drive gear bearing to shaft)-.086"/.088" thick-attaches bearing to main shaft	1		1		1	2	2
‡ 8L 7064-B		Snap ring (trans. main drive gear bearing to shaft)-.089"/.091" thick-attaches bearing to main shaft	1		1		1	2	2
‡ 8L 7064-C		Snap ring (trans. main drive gear bearing to shaft)-.092"/.094" thick-attaches bearing to main shaft	1		1		1	2	2
‡ 8L 7064-D		Snap ring (trans. main drive gear bearing to shaft)-.095"/.097" thick-attaches bearing to main shaft	1		1		1	2	2
B5A 7064-A		Snap ring (trans. main drive gear bearing to shaft)-.098"/.100" thick-⊕MC-7064-A						1	1
B5A 7064-B		Snap ring (trans. main drive gear bearing to shaft)-.101"/.103" thick-⊕MC-7064-B						1	1
01T 7078-A		Seal (univ/jt. grease)	Refer to Drive Shaft & Univ/Jt. Group						
8M 7083		Shield (univ/jt. bearing dust)	Refer to Drive Shaft & Univ/Jt. Group						
01Y 7083		Ferrule (univ/jt. spider)	Refer to Drive Shaft & Univ/Jt. Group						
21C 7084	NS	Spider assy (universal joint)-serviced in 7039 Kit						2	2
1A 7086-A		Gasket (trans. to extension)-also serviced in 7153 Kit	1		1		1		
Δ 1P 7086-A		Gasket (transmission extension)	Refer to Merc-O-Matic Trans. Group						
8L 7086-A		Gasket (trans. extension to trans. case)-also serviced in 7153 Kit						1	
AB 7086-A		Gasket (trans. to adapter)-also serviced in 7153 Kit		1		1			
8M 7096		Snap ring (univ/jt. spider bearing retainer)-also serviced in 7037, 7039 & 7042 Kits	Refer to Drive Shaft & Univ/Jt. Group						
01Y 7096		Snap ring (univ/jt. spider bearing retaining)-also serviced in 7039 Kit	Refer to Drive Shaft & Univ/Jt. Group						
MB 7100-B		Gear (trans. low & reverse sliding)-27 teeth	1	1	1	1	1		
B5A 7100-B		Gear (trans. low & reverse sliding)-⊕MC-7100-A						1	1
B5A 7102-D		Gear assy (trans. main shaft intermediate)-⊕MC-7102-A						1	1
B6C 7102-A		Gear assy (trans. main shaft intermediate)-w/o bushing-23 teeth - ⊕TAAJ-7102-A	1	1	1	1	1		
51A 7105		Hub (trans. intermediate & high clutch)-24 teeth	1	1	1	1	1		
8L 7105		Hub (trans. intermediate & high clutch)						1	1
01A 7106		Sleeve (trans. intermediate & high clutch hub)	1	1	1	1	1		
8L 7106		Sleeve (trans. intermediate & high clutch hub)						1	1
81A 7107-C		Ring (trans. synchronizer blocking)	2	2	2	2	2		
8L 7107		Ring (trans. synchronizer blocking)						2	2
51A 7109-A2		Spring (trans. main shaft intermediate & high clutch hub)	2	2	2	2	2		
8L 7109		Spring (trans. intermediate & high clutch hub)						2	2

‡ Used with B6A-7061-A

Δ Used with Merc-O-Matic transmission

MERCURY

CHASSIS PARTS CATALOGUE

Transmission—Continued

TRANSMISSION CHART—CONTINUED

PART NUMBER	CLASS	PART NAME	TRANSMISSION						
			MB-7003-C 1954	MB-7003-D 1954	MB-7003-E 1954	MB-7003-F 1954	MB-7003-G 1954	BSA-7003-L 1955	MC-7003-D 1955
			NUMBER REQUIRED						
8A 7111-B		Countershaft (transmission)	1	1	1	1	1		
8L 7111		Countershaft (transmission)						1	1
		74174-S Key (woodruff)-No. 5						1	1
MB 7113-B		Gear (trans. countershaft)-25 driver, 22 intermediate, 16 low and 14 reverse teeth	1	1	1	1	1		
B5A 7113-D		Gear (trans. countershaft)-29 driver, 25 intermediate, 19 low and 15 reverse teeth-⊕MC-7113-A						1	1
8A 7115		Spacer (trans. countershaft gear bearing)-3-5/32" I.D. x 4-19/32" long	1	1	1	1	1		
8L 7115		Spacer (trans. countershaft gear bearing)-.883" I.D. x 4.604" long						1	1
51A 7116		Insert (trans. intermediate & high clutch hub)	3	3	3	3	3		
8L 7116		Insert (trans. intermediate & high clutch hub)						3	3
8A 7118		Roller (trans. main drive gear brg.)-7/32" O.D. x 17/32" long	15	15	15	15	15		
B 7119-A		Washer (trans. countershaft gear thrust front)-2-1/16" O.D. x 1/16" thick	1	1	1	1	1		
8L 7119		Washer (trans. countershaft gear thrust front)-2-5/8" O.D. x 1/16" thick						1	1
MC 7120-B		Roller (trans. input shaft pilot bearing)						14	14
		354639-S Washer (flat)-1-1/64" I.D. x 1-3/8" O.D. x 3/64" thick						1	1
8A 7121		Roller (trans. countershaft gear brg.)-1/8" O.D. x 57/64" long	44	44	44	44	44		
8L 7121		Roller (trans. countershaft gear brg.)-.158" dia. x .730" long						80	80
		351529-S Washer (flat)-.756"/.766" I.D. x .984"/.996" O.D.	2	2	2	2	2		
8M 7124		Synchronizer assy (transmission)	1	1	1	1	1		
8L 7124		Synchronizer assy (transmission)						1	1
8L 7125		Spacer (trans. countershaft gear bearing)-.885" I.D. x 1.149" O.D. x .050" thick						4	4
8M 7128-A		Washer (trans. countershaft reverse idler gear thrust)-rear-Steel-2-7/16" O.D. x 3/64" thick	1	1	1	1	1		
8M 7129-A		Washer (trans. countershaft gear thrust)-rear-2-7/16" O.D. x 9/64" thick-lined with Babbitt on one side	1	1	1	1	1		
8L 7129		Washer (trans. countershaft gear thrust)-rear-57/64" I.D. x 2-1/8" O.D. x 1/16" thick-Steel						1	1
B 7140-A		Shaft (transmission reverse idler gear)	1	1	1	1	1		
8L 7140		Shaft (transmission reverse idler gear)						1	1
		74174-S Key (woodruff)-No. 5-shaft to case						1	1
MB 7141-A		Gear & bushing assy (trans. reverse idler)	1	1	1	1	1		
B5A 7141-C		Gear & bushing assy (trans. reverse idler)-⊕MC-7141-A						1	1
MBK 7153-A		Kit (transmission and extension gasket)-consists of the following (1) 8A-7051 Gasket (1) 1A-7086-A Gasket (1) 8A-7223 Gasket	1		1		1		

MERCURY

CHASSIS PARTS CATALOGUE

Transmission—Continued

TRANSMISSION CHART—CONTINUED

PART NUMBER	C L A S S	PART NAME	TRANSMISSION						
			MB-7003-C 1954	MB-7003-D 1954	MB-7003-E 1954	MB-7003-F 1954	MB-7003-G 1954	B5A-7003-I 1955	MC-7003-D 1955
			NUMBER REQUIRED						
MFK 7153-D		Kit (standard & overdrive trans. gasket)-consists of the following (1) 8L-7051-D Gasket (1) 8L-7086-A Gasket (1) 8L-7223-A Gasket (1) 8L-7661 Gasket (O/Drive only) (1) 1A-17298 Gasket						1	1
MFK 7153-G		Kit (trans. gasket & seals)	Refer to Merc-O-Matic Trans. Group						
B1A 7153-B		Gasket set (automatic transmission)	Refer to Merc-O-Matic Trans. Group						
B2A 7153-A		Kit (trans. and overdrive gasket)	Refer to Overdrive Trans. Group						
8L 7154-A		Washer (trans. countershaft gear thrust)-rear-2-1/8" O. D. x 1/16" thick-with lug on O. D.						1	1
8A 7155		Pin (trans. countershaft & reverse idler shaft retaining)- 5/16" O. D. x 4-55/64" long	1	1	1	1	1		
8M 7160-A		Snap ring (trans. main shaft)-.090" thick	as reqd	as reqd	as reqd	as reqd	as reqd		
8M 7160-B		Snap ring (trans. main shaft)-.093" thick	as reqd	as reqd	as reqd	as reqd	as reqd		
8M 7160-C		Snap ring (trans. main shaft)-.096" thick	as reqd	as reqd	as reqd	as reqd	as reqd		
8M 7160-D		Snap ring (trans. main shaft)-.100" thick	as reqd	as reqd	as reqd	as reqd	as reqd		
		AB-7650-A Extension assy (transmission)	1		1		1		
		AB-7650-B Extension assy (transmission)		1		1			
		B5A-7650-D Extension assy (transmission)-⊕MC-7650-A						1	
		20132-S2 Bolt (hex-hd)-1/2"-13 x 1-1/4"-extension to trans. case						4	
		20410-S8 Bolt (hex-hd)-7/16"-14 x 1-1/8"-extension to trans. case	4		4		4		
		34808-S8 Lockwasher-7/16"-extension to trans. case	4		4		4		
		34809-S8 Lockwasher-1/2"						4	
		B5A-7657-A Oil seal assy (trans. extension)-⊕PMB-7657-A						1	1
		8L-7697-B Bearing (trans. main shaft)-rear-sleeve type- reamed						2	2
		8A-7699-B Bearing (trans. extension)-1-5/8" O. D. x 1-1/4" long	1		1		1		
		8M-17285 Gear (speedometer driving)-7 teeth	1	1	1	1	1		
		MC-17285-A Gear (speedometer driving)-8 teeth						1	1
		B6A-17285-A Gear (speedometer driving)- used with B6A-7061-A-⊕AF-17285-A	1		1		1		
		‡353078-S Ball-1/4" dia. -speedometer gear to shaft	1		1		1	1	1
		B5A-77651-B Shield assy (trans. extension oil seal dust)- ⊕MC-77651-A						1	1
		74142-S Key (woodruff)-speedometer driving to trans. main shaft	1	1	1	1	1		
		AB-77652-A Shield (trans. extension dust)	1	1	1	1	1		

‡ Used with B6A-17285-A in 1954

MERCURY

CHASSIS PARTS CATALOGUE

Merc-O-Matic Transmission

PART NUMBER	NO. REQ'D	PART NAME	MODEL	YEAR
*PAE-7000-A	1	Transmission & converter assy alternate with PAE-7000-B	MB	54
*PAE-7000-B	1	Transmission & converter assy alternate with PAE-7000-A	MB	54
*PMB-7000-A	1	Transmission & converter assy-serial prefix PMB	MC	55
354302-S8	4	Bolt (hex-hd)-7/16"-14 x 3" -trans. & converter to engine	MB, MC	54-55
357625-S8	4	Lockwasher-7/16"	MB, MC	54-55

MERC-O-MATIC CHART

PART NUMBER	CLASS	PART NAME	MERC-O-MATIC TRANSMISSION										
			PAE-7000-A&B 1954	PMB-7000-A 1955									
			NUMBER REQUIRED										
NS		*PAE-7003-A Transmission assy-less converter-alternate with PAE-7003-B-service details	1										
NS		*PAE-7003-B Transmission assy-less converter-alternate with PAE-7003-A-service details	1										
		*PMB-7003-A Transmission assy-less converter		1									
		B4A-7005-C Case assy (transmission)-has under floor filler tube-@PAK-7005-B	1										
NS		†B5S-7005-C Case assy (transmission)-replaced by B5S-7005-D		1									
		B5S-7005-D Case assy (transmission)-@PMB-7005-D		1									
		B6A-7005-A Case assy (transmission)-@PAK-7005-D	1										
		20470-S8 Bolt (hex-hd)-7/16"-14 x 1-1/2"-converter hsg. to transmission case	4	4									
		34848-S8 Lockwasher-7/16"-converter hsg. to transmission case	4	4									
		357916-S Plug (dry seal pipe)-1/8"-27-to plug mfg. holes in transmission case	3	3									
		1P-7015-B Shaft assy (trans. input)	1										
		B5S-7015-A Shaft assy (trans. input)-@PMB-7015-A		1									
		1P-7019-A Washer (trans. input shaft thrust)	1										
		B5S-7019-A Washer (trans. input shaft thrust)-@PMB-7019-A		1									
		1P-7034-B Vent assy (trans. case)	1	1									
		8M-7041-B Bearing (trans. extension)	1										
		81A-7059 Snap ring (trans. main shaft)-1-11/32" O. D. x .087" thick-to retain speedometer drive gear	1	1									

* When replacing basic numbers 7000, 7003 or 7650 it is necessary to replace 1M-77652 Shield

† When replacing B5S-7005-C with B4S-7005-D it is necessary to use B5A-77715-D plate or drill 1/8" diameter hole in B5A-77715-C plate per Service Bulletin Number 6 dated 9-9-55

MERCURY

CHASSIS PARTS CATALOGUE

Merc•O•Matic Transmission—Continued

MERC•O•MATIC CHART—CONTINUED

PART NUMBER	C L A S S	PART NAME	MERC-O-MATIC TRANSMISSION										
			PAE-7000-A&B 1954	PMB-7000-A 1955									
					NUMBER REQUIRED								
1P-7086-A		Gasket (trans. ext.)-Rubber Coated Hard Fibre-6-1/32" I. D. x 1/64" thick -also serviced in 7153 Kit	1	1									
B1A-7153-B		Kit (automatic trans. gaskets and seals)-consists of the following (1) 1P-7086-A Gasket (1) 1P-77361-A Gasket (1) 1P-77362-A Seal (1) 1P-77365-A Seal (1) 1P-77414-A Seal (1) 1P-77512-A Seal (1) 1P-77513-A Seal (2) 1P-77542-A Seal (2) 1P-77543-B Seal (2) 1P-77547-A Seal (1) 1P-77557-A Seal (1) 1P-77558-A Seal (1) 1P-77836-A Gasket (1) 1P-77862-A Gasket (1) 1P-77868-A Gasket (1) 1P-77873-A Gasket (4) 1P-77883-A Gasket	1										
MFK-7153-G		Kit (automatic trans. gaskets and seals)-consists of the following (1) 1P-7086-A Gasket (1)B5A-77361-B Seal (1) B6S-77361-A Seal (1) B6S-77362-A Seal (1)B5A-77362-B Seal (1)B5A-77365-B Seal (1)B6S-77365-A Seal (1) 1P-77414-A Seal (1)B6S-77497-A Seal (1)B5A-77512-A Seal (1) 1P-77513-A Seal (2) B5S-77542-A Seal (2) 1P-77543-B Gasket (2) B5S-77547-A Seal (1) 1P-77558-A Seal (1) 1P-77836-A Gasket (1) 1P-77862-A Gasket (1) 1P-77868-A Seal (1) 1P-77873-A Seal (4) 1P-77883-A Seal		1									
B5A-7470-A		Spacer (trans. low oil pressure regulator valve) - ⊕PMB-7470-A		1									
*B4A-7650-A		Extension assy (trans.)-⊕1P-7650-D	1										
*B5A-7650-C		Extension assy (trans.)-⊕PMB-7650-A		1									
20448-S8		Bolt (hex-hd)-3/8"-16 x 1-3/8"-extension to trans. case	4	4									
356750-S		Bolt (hex-hd)-3/8"-16 x 3-5/8"-extension to trans. case	1	1									
351487-S		Lockwasher (external tooth)-3/8"-extension to trans. case	5	5									
1P-7657-A		Oil seal assy (trans. extension)-2-3/8" O. D. x 1-1/2" I. D. x 3/4" wide	1										
B5A-7657-A		Oil seal assy (trans. extension)-2-1/2" O. D. x 1-11/16" I. D. x 3/4" wide-⊕PMB-7657-A		1									
1M-7692		Shield (trans. ext. rear oil seal)-3-3/32" O. D. x 2" long	Refer to Drive Shaft & Univ. Jt. Group										
351682-S32		Nut (spring)-for 1-9/16" dia. shaft	Refer to Drive Shaft & Univ. Jt. Group										
PMB-7697-B		Bushing (trans. extension)-reamed		1									

* When replacing basic numbers 7000, 7003 or 7650 it is necessary to replace 1M-77652 or MC-77651-A Shield

MERCURY

CHASSIS PARTS CATALOGUE

Merc•O•Matic Transmission—Continued

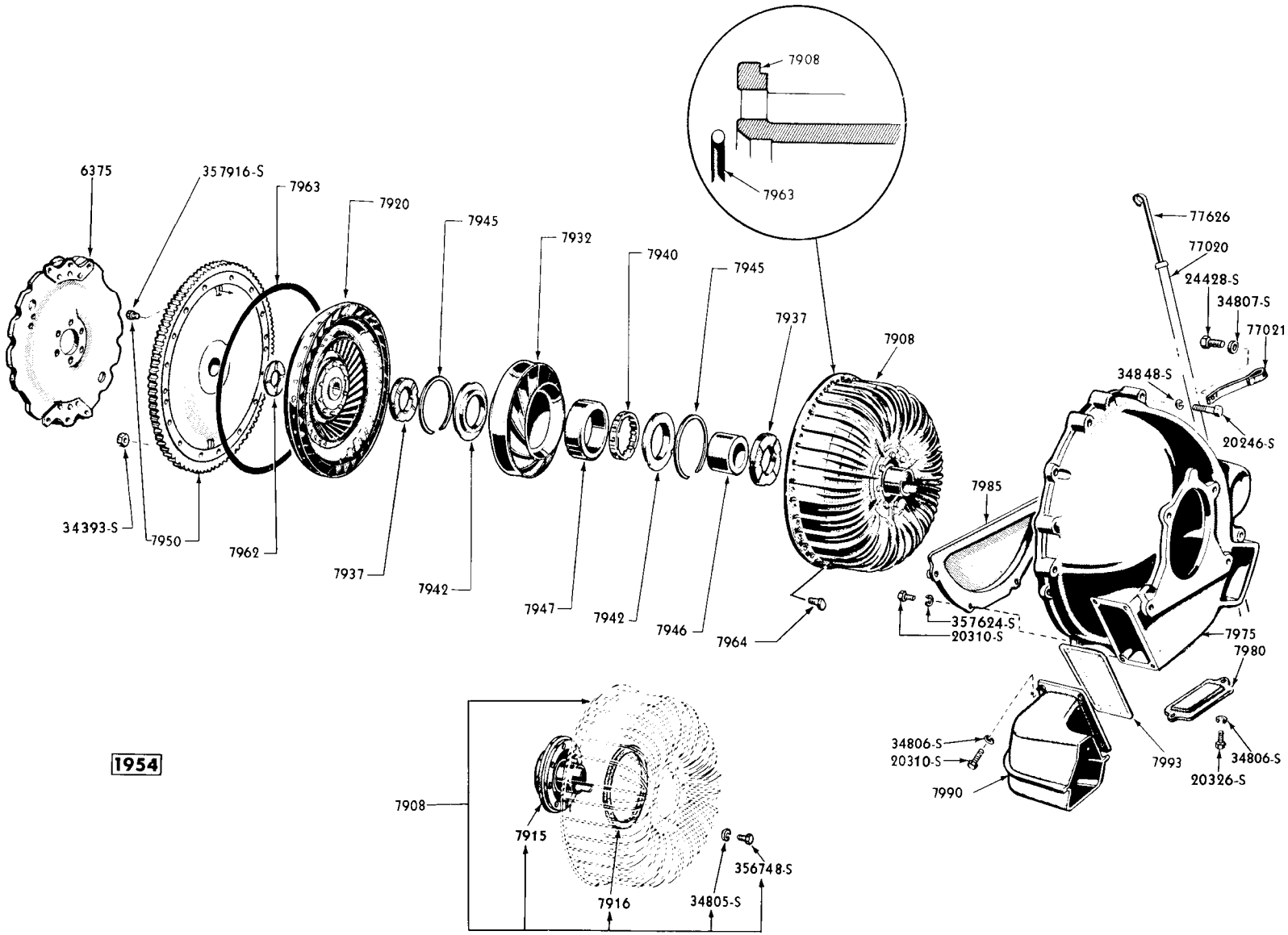
MERC•O•MATIC CHART—CONTINUED

PART NUMBER	CLASSES	PART NAME	MERC-O-MATIC TRANSMISSION							
			PAE-7000-A&B 1954	PMB-7000-A 1955						
									NUMBER REQUIRED	
		MB-7771-B Pan (trans. control linkage splash)	1							
		MB-7771-C Pan (trans. control linkage splash)-used with Dual exhaust	1							
		MC-7771-B Pan (trans. control linkage splash)		1						
		20328-S Bolt (hex-hd)-3/8"-16 x 5/8"-splash pan to cylinder block	2	2						
		43496-S8 Lockwasher-3/8"-splash pan to converter hsg.	2	2						
		357629-S7 Lockwasher (spec)-3/8"-splash pan to cylinder block	2	2						
		39804-S Screw (hex washer head self tapping)-1/4"-20 x 5/8"-splash pan to converter housing	2	2						
		34894-S Screw (hex washer head tapping)-1/4"-20 x 5/8"-splash pan to converter air duct	1	1						
		1P-7908-D Impeller assy (converter)-with (34) bolt holes	1							
		B5A-7908-A Impeller assy (converter)-with (18) bolt holes-⊕PMB-7908-A		1						
		B5A-7915-A Hub (converter impeller)-⊕PMB-7915-A	1	1						
		356748-S Bolt (hex-hd)-1/4"-20 x 5/8"-impeller hub to impeller hsg.	8	8						
		34805-S8 Lockwasher-1/4"-hub to impeller hsg.	8	8						
		1P-7916-A Gasket (converter impeller hub)-Synthetic Rubber-4-1/4" O.D. x 3-15/16" I.D. x 9/64" thick	1	1						
		1P-7920-A Turbine assy (converter)	1							
		B5S-7920-A Turbine assy (converter)-⊕PMB-7920-A		1						
		1P-7932-A Stator assy (converter)	1							
		B5S-7932-A Stator assy (converter)-⊕PMB-7932-A		1						
		1P-7937-A Washer (converter stator thrust)	2	2						
		B5A-7937-A Washer (converter stator thrust)-⊕1P-7937-B	2	2						
		1P-7940-B Clutch assy (converter stator)	1	1						
		1P-7942-B Retainer assy (converter stator clutch)	2							
		B5A-7943-A Retainer (converter stator clutch)-⊕PMB-7943-A		2						
		1P-7945-A Snap ring (converter stator clutch retainer)-3-1/2" I.D. x 1/16" thick	2	2						
		1P-7946-A Race (converter stator clutch)-inner-19 teeth	1	1						
		1P-7947-B Race (converter stator clutch)-outer-3 external slots	1	1						
		1P-7950-E Cover assy (converter)-with (18) bolt holes and starting ring gear-146 teeth	1							
		B5A-7950-A Cover assy (converter)-with (18) bolt holes-⊕PMB-7950-A and starting ring gear-148 teeth		1						
		357916-S Plug (hex-hd pipe)-1/8"-27-in converter cover-to drain converter	2	3						

MERCURY

CHASSIS PARTS CATALOGUE

Merc-O-Matic Transmission — Continued

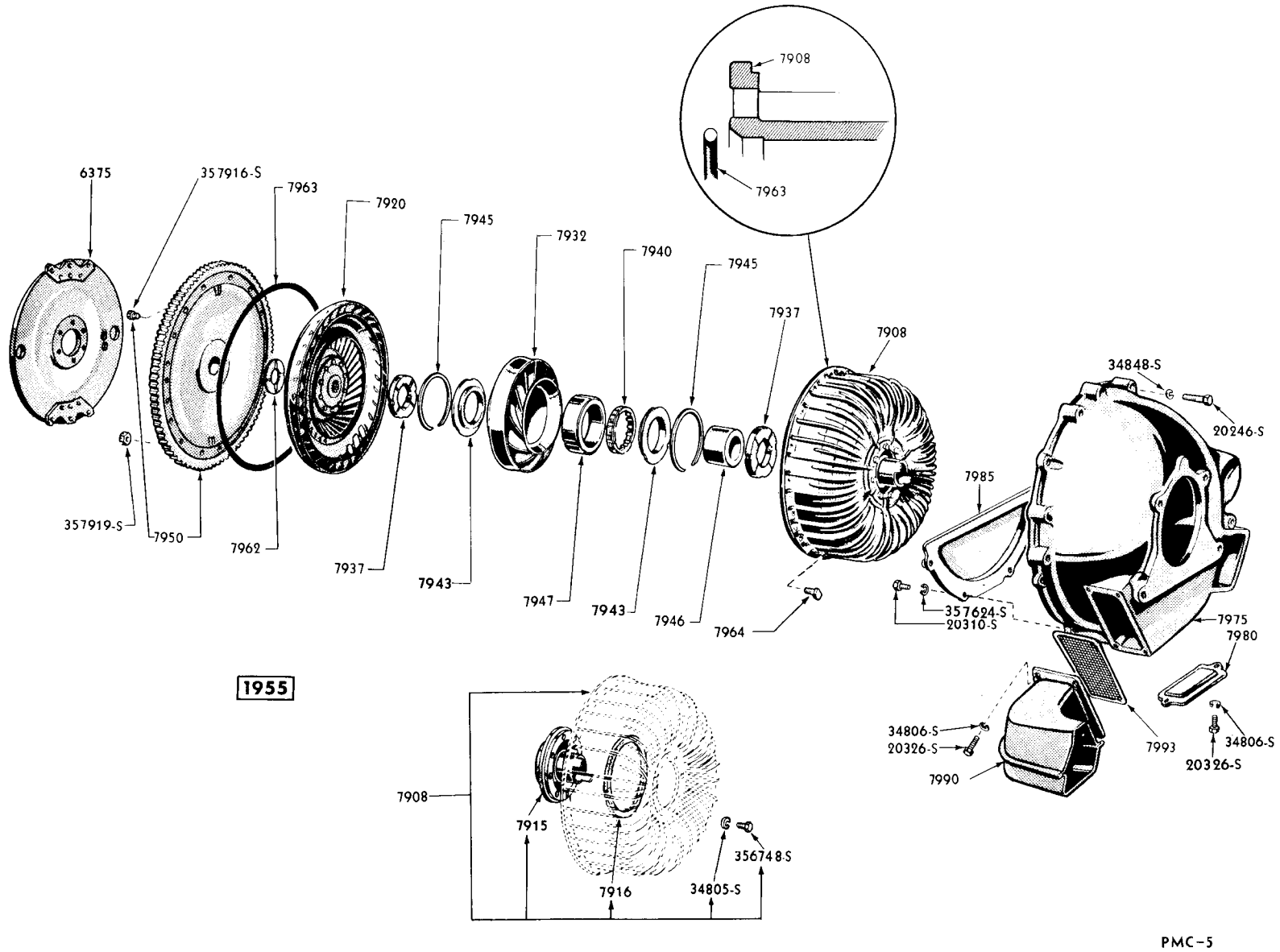


1954

PMC - 1

CONVERTER AND RELATED PARTS

Basic numbers only shown on illustration. Order by Part Numbers shown in list of parts.



CONVERTER AND RELATED PARTS

Basic numbers only shown on illustration. Order by Part Numbers shown in list of parts.

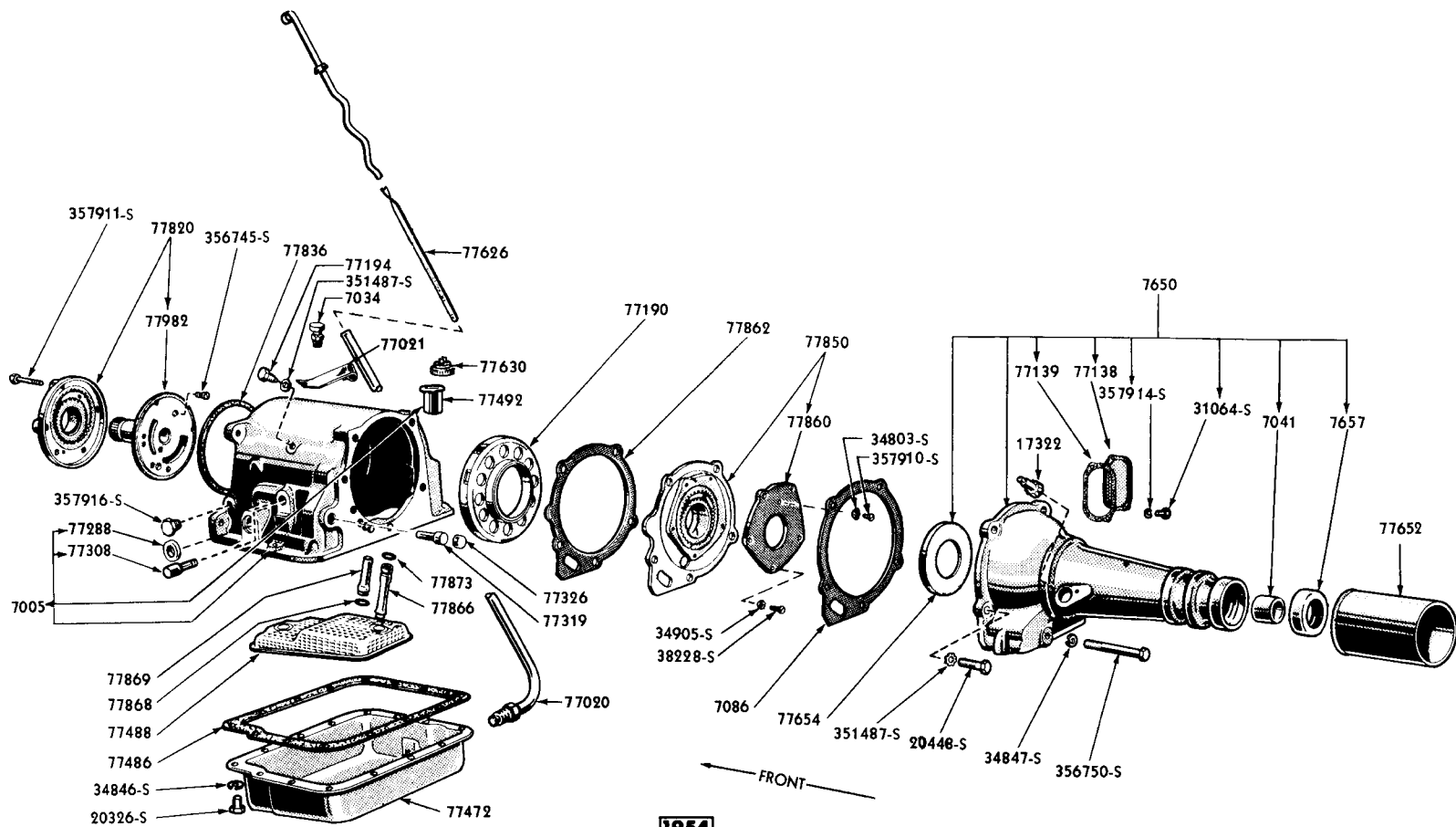
MERCURY

CHASSIS PARTS CATALOGUE

Merc-O-Matic Transmission—Continued

MERC-O-MATIC CHART—CONTINUED

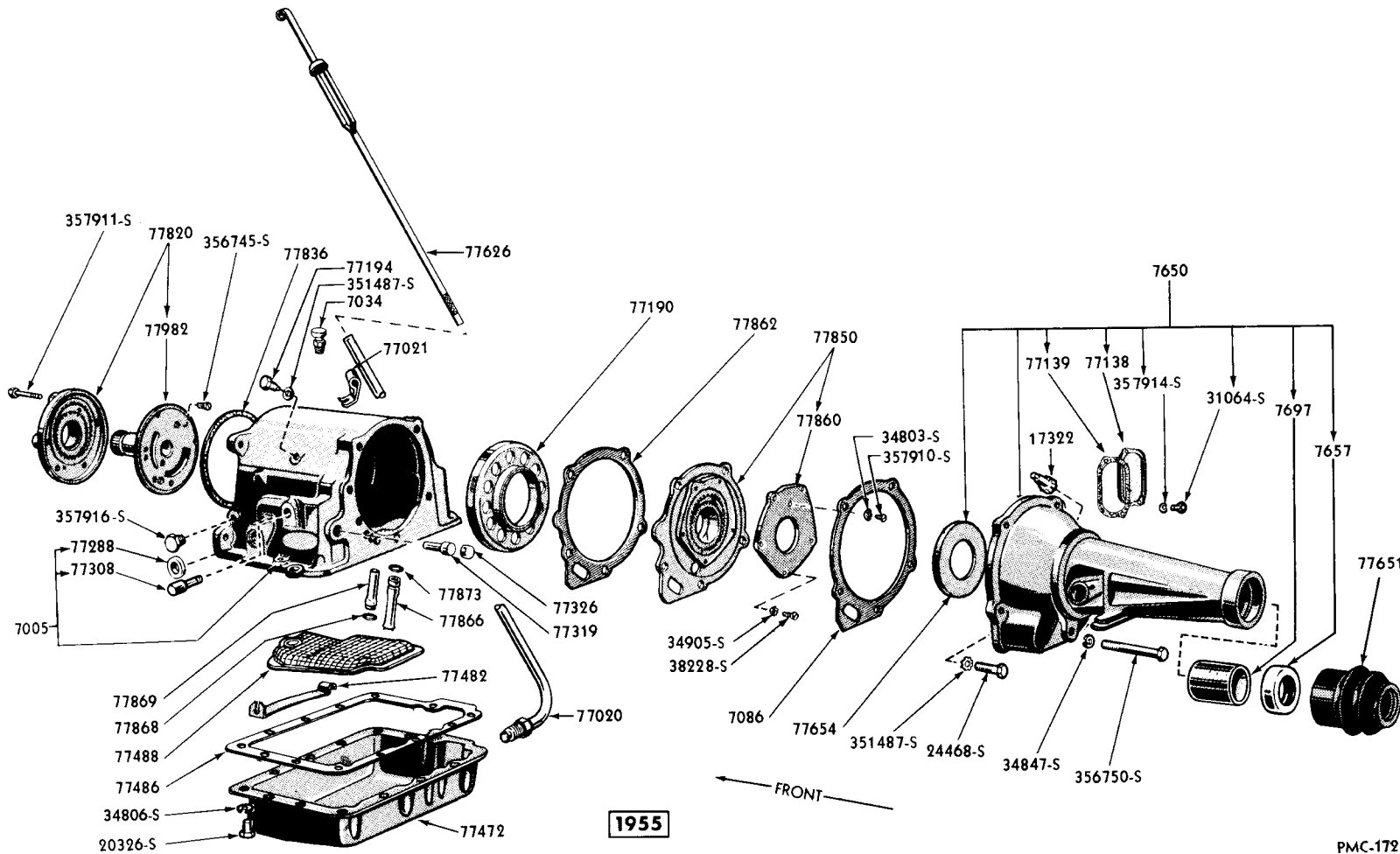
PART NUMBER	CLASS	PART NAME	MERC-O-MATIC TRANSMISSION						
			PAE-7000-A8B 1954	PMB-7000-A 1955					
			NUMBER REQUIRED						
1P-17285-B		Gear (speedometer driving)-8 teeth	1	1					
353078-S		Ball (steel)-1/4" dia. -to key speedometer gear to output shaft	1	1					
MB-77020-A		Tube assy (transmission oil filler)	1						
MC-77020-A		Tube assy (transmission oil filler)		1					
MB-77021-B		Clamp (transmission oil filler tube)	1						
MC-77021-A		Clamp (transmission oil filler tube)		1					
24428-S8		Bolt (hex-hd)-3/8"-16 x 1-1/4"-clamp to cylinder head	1	1					
34807-S7		Lockwasher-3/8"	1	1					
1P-77059-F		Shaft & ring gear assy (output)-19-31/32" overall length	1						
B5A-77059-D		Shaft & ring gear assy (output)-⊕PMB-77059-A		1					
74144-S		Key (woodruff)-No. 5-rear pump driving gear to output shaft	1	1					
1P-77066-C		Washer (trans. output shaft thrust)-rear-use with 1P-77850-C	1						
B5A-77066-A		Washer (trans. output shaft thrust)-rear-Bronze & Steel backed-⊕PMB-77066-A		1					
1P-77067-A		Washer (trans. output shaft thrust)-front-.061"/.063" thick	as reqd						
1P-77067-B		Washer (trans. output shaft thrust)-front-.067"/.069" thick	as reqd						
1P-77067-C		Washer (trans. output shaft thrust)-front-.074"/.076" thick	as reqd						
1P-77067-D		Washer (trans. output shaft thrust)-front-.081"/.083" thick	as reqd						
B5A-77067-J		Washer (trans. output shaft thrust)-front-Bronze-.061"/.063" thick-⊕PMB-77067-A		as reqd					
B5A-77067-K		Washer (trans. output shaft thrust)-front-Bronze-.067"/.069" thick-⊕PMB-77067-B		as reqd					
B5A-77067-L		Washer (trans. output shaft thrust)-front-Bronze-.074"/.076" thick-⊕PMB-77067-C		as reqd					
B5A-77067-M		Washer (trans. output shaft thrust)-front-Bronze-.081"/.083" thick-⊕PMB-77067-D		as reqd					
1P-77130-A		Governor assy (transmission)	1	1					
353078-S		Ball (steel)-1/4" dia. -to key governor to output shaft	1	1					
1P-77131-A		Body assy (trans. governor)-less counterweight	1	1					
31128-S		Bolt (fillister head)-1/4"-20 x 1"-attach governor body to governor counterweight	2	2					
34805-S8		Lockwasher-1/4"-attach governor body to governor counterweight	2	2					



PM-672

TRANSMISSION CASE AND RELATED PARTS

Basic numbers only shown on illustration. Order by Part Numbers shown in list of parts.



TRANSMISSION CASE AND RELATED PARTS

Basic numbers only shown on illustration. Order by Part Numbers shown in list of parts.

MERCURY

CHASSIS PARTS CATALOGUE

Merc-O-Matic Transmission—Continued

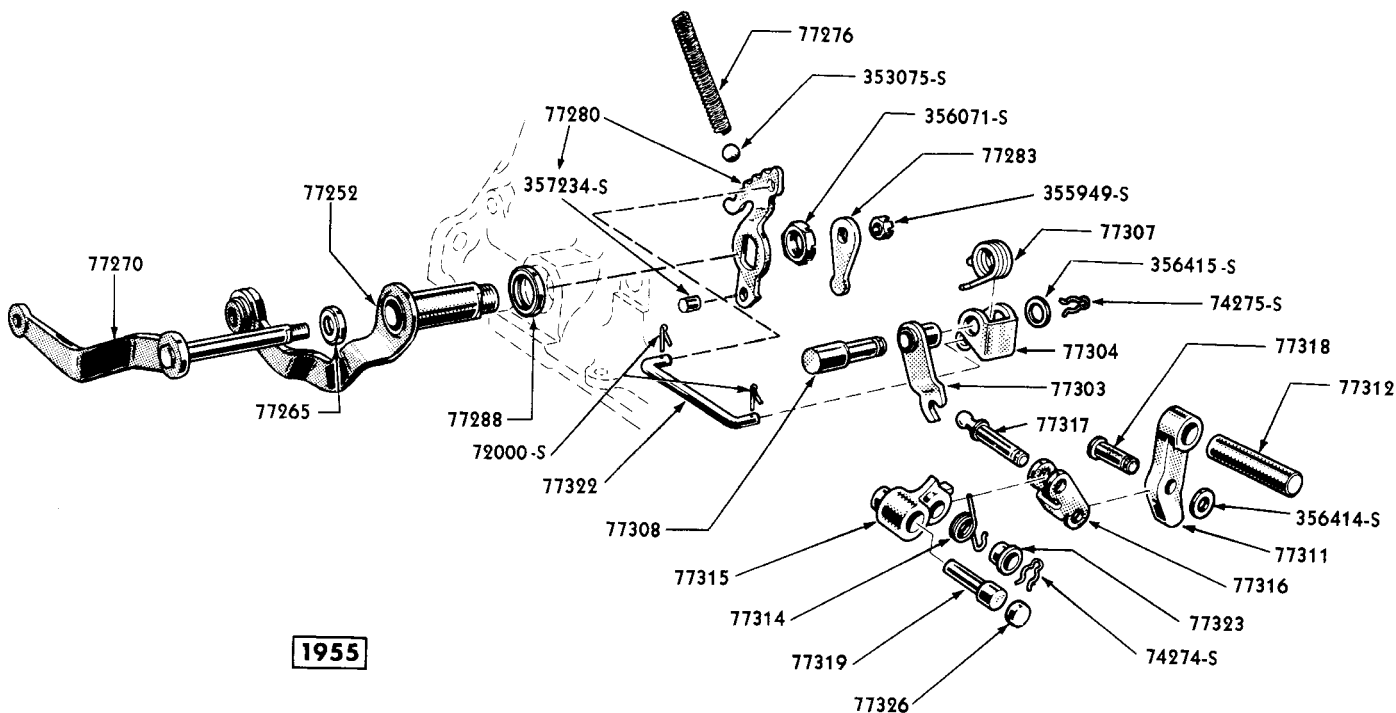
MERC-O-MATIC CHART—CONTINUED

PART NUMBER	CLASS	PART NAME	MERC-O-MATIC TRANSMISSION							
			PAE-7000-A&B 1934	PMB-7000-A 1935						
										NUMBER REQUIRED
1P-77283-A		Lever (trans. throttle control)-inner	1	1						
355949-S		Locknut (hex)-5/16"-24-to attach lever to throttle control shaft	1	1						
B5A-77283-A		Lever (trans. throttle control)-inner- ⊕1P-77283-B	1	1						
1P-77288-A		Oil seal assy (trans. manual control lever)-lined with Rubber-1-1/16" O.D. x 3/16" wide	1							
B5A-77288-A		Oil seal assy (trans. manual control lever)- ⊕1P-77288-B	1	1						
1P-77303-A		Lever assy (trans. parking pawl toggle operating)	1	1						
74275-S		Retainer (spring)-for 5/16" grooved dia. - to retain parking pawl toggle lift lever	1	1						
1P-77304-A		Lever (trans. parking pawl torsion spring)	1	1						
1P-77307-B		Spring (trans. parking pawl torsion)-1/8" dia.	1	1						
1P-77308-A		Pin (trans. parking pawl torsion lever support)-9/16" max. dia. x 2-1/2" o/all length-grooved at end	1	1						
356415-S		Washer (flat)-25/64"-use with parking pawl toggle lever pin	1	1						
B4A-77311-A		Pawl (transmission parking brake)- ⊕1P-77311-B	1	1						
1P-77312-A		Pin (trans. parking pawl support)-15/32" O.D. x 2-1/32" long	1	1						
1P-77314-A		Spring (trans. parking pawl toggle return)-approx. 3 coils-hooked type ends	1	1						
1P-77315-A		Lever (trans. parking pawl toggle)	1	1						
1P-77316-A		Link (trans. parking pawl toggle)	1	1						
1P-77317-A		Pin (trans. parking pawl toggle lever)-5/16" O.D. x 1-39/64" o/all length-spherical at one end	1	1						
74274-S		Retainer (spring)-for 1/4" grooved dia. - to retain parking pawl toggle pin	1	1						
1P-77318-A		Pin (trans. parking pawl toggle link)-5/16" O.D. x 1" long-grooved at end	1	1						
356414-S		Washer (flat)-21/64" I.D. dia. -use with parking pawl toggle lever pin	1	1						
1P-77319-A		Pin (trans. parking pawl toggle lever support)-3/8" dia. x 1-3/4" o/all length-special head	1	1						
1P-77322-A		Rod (trans. parking pawl torsion lever)-1/4" dia. x 2-15/16" o/all length-cotter pin hole at each end	1	1						
72003-S7		Cotter pin-1/16" x 1/2"-to retain parking pawl link rod	2	2						

MERCURY

CHASSIS PARTS CATALOGUE

Merc-O-Matic Transmission—Continued



PMC-15

THROTTLE AND MANUAL CONTROL LEVERS

Basic numbers only shown on illustration. Order by Part Numbers shown in list of parts.

MERC-O-MATIC CHART—CONTINUED

PART NUMBER	CLASS	PART NAME	MERC-O-MATIC TRANSMISSION							
			PAE-7000-A&B 1954	PMB-7000-A 1955						
					NUMBER REQUIRED					
B4A-77354-B		Lever (trans. front band actuating)-@1P-77354-B	1	1						
33799-S7		Nut (hex jam)-3/8"-16-to lock adj. screw to actuating lever	1	1						
350696-S		Screw (headless set)-3/8"-16 x 1-3/8"-to adjust frt. servo actuating lever	1	1						
1P-77355-A		Shaft (trans. front band actuating lever)-7/16" dia. x 1-11/16" long	1	1						
1P-77356-A		Pin (trans. band actuating lever shaft)-slotted .164" O.D. x 1-1/4" long (1) each frt. & rear servo	2	2						
PAE-77358-A		Piston assy (trans. front band servo)-1-5/16" O.D. -small diameter	1							

MERCURY

CHASSIS PARTS CATALOGUE

Merc•O•Matic Transmission—Continued

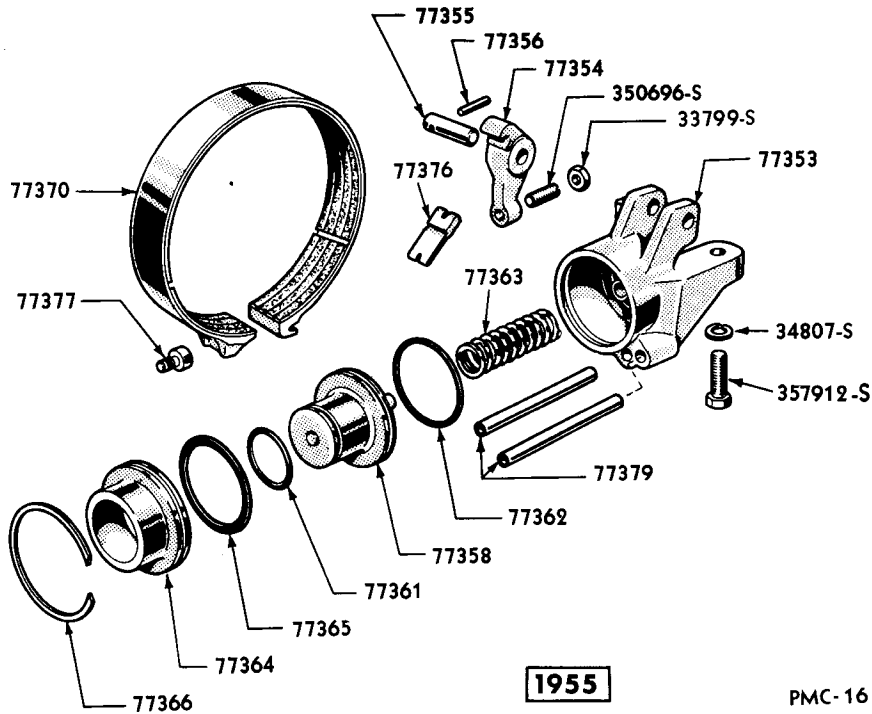
MERC•O•MATIC CHART—CONTINUED

PART NUMBER	CLASS	PART NAME	MERC-O-MATIC TRANSMISSION							
			PAE-7000-A&B 1934	PMB-7000-A 1955						
			NUMBER REQUIRED							
B5A-77358-B		Piston assy (trans. front band servo)- ⊕PMB-77358-B		1						
PAE-77361-A		"O" Ring (trans. front band servo piston oil seal) -1-3/64" I.D. x 1-5/16" O.D. x 9/64" thick- Rubber	1							
B5A-77361-B		"O" Ring (trans. front band servo piston oil seal)- small-Rubber-27/32" I.D. x 1-1/16" O.D.- ⊕PMB-77361-B		1						
1P-77362-A		"O" Ring (trans. front band servo piston oil seal)- large-2-7/64" I.D. x 2-25/64" O.D. x 9/64" thick-Rubber	1							
B5A-77362-B		"O" Ring (trans. front band servo piston oil seal)- large-Rubber-1-31/32" I.D. x 2-1/4" O.D.- ⊕PMB-77362-B	1	1						
1P-77363-B		Spring (trans. front band servo piston retracting) -1-1/32" O.D. x 2-13/32" o/all length	1							
B5A-77363-C		Spring (trans. front band servo piston retracting)- 29/32" O.D. x 2" overall length - ⊕PMB-77363-C		1						
PAE-77364-A		Retainer (trans. front band servo piston)- 1-5/16" I.D. -with ribs on outside diameter	1							
B5A-77364-B		Retainer (trans. front band servo piston)-1-1/8" I.D. -with (3) bosses at seal end- ⊕PMB-77364-B		1						
1P-77365-A		Oil seal (trans. front band servo piston retainer)- 1-29/32" I.D. x 2-13/32" O.D. x 1/16" thick	1							
B5A-77365-B		Oil seal (trans. front band servo piston retainer)- Rubber-1-25/32" I.D. x 2-1/4" O.D. x 1/16" thick-⊕PMB-77365-B		1						
1P-77366-A		Snap ring (trans. front band servo piston retainer)- 2-9/16" O.D. x 3/64" thick	1							
B5A-77366-B		Snap ring (trans. front band servo piston retainer)- 2-7/16" O.D. x 3/64" thick-⊕PMB-77366-B		1						
B5A-77369-A		Spring (trans. rear band servo accumulator)- ⊕PMB-77369-A		1						
1P-77370-A		Band assy (trans. front)-1-1/4" wide	1							
B4A-77370-A		Band assy (trans. front)-1-5/16" wide-must be with 1P-77502-E-⊕PAK-77370-A	1							
B5S-77370-A		Band assy (trans. front)-⊕PMB-77370-B		1						
B5A-77371-B		Retainer (trans. rear servo accumulator spring) - ⊕PAG-77371-B		1						
353865-S		Snap ring (internal)-1-9/64" O.D. -to retain retainer in servo		1						
1P-77376-A		Strut (transmission front band actuating)	1	1						
1P-77377-A		Pin (trans. front band anchor)-5/16" dia. x 5/8" dia. x 1-3/16" o/all length	1	1						

MERCURY

CHASSIS PARTS CATALOGUE

Merc•O•Matic Transmission—Continued



PMC-16

FRONT SERVO AND RELATED PARTS

Basic numbers only shown on illustration. Order by Part Numbers shown in list of parts.

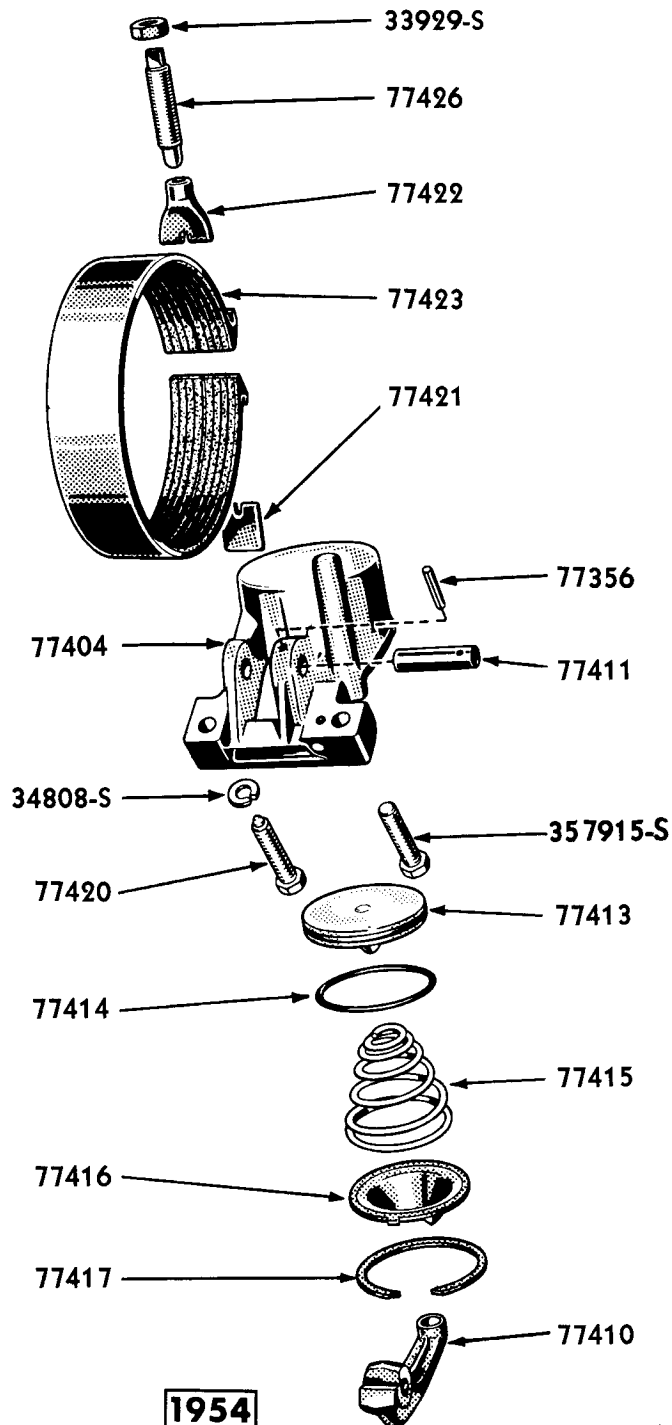
MERC•O•MATIC CHART—CONTINUED

PART NUMBER	CLASS	PART NAME	MERC-O-MATIC TRANSMISSION						
			PAE-7000-A&B 1954	PMB-7000-A 1955					
			NUMBER REQUIRED						
1P-77410-A		Lever (transmission rear band actuating)	1						
B5A-77410-A		Lever (transmission rear band actuating)- ⊕PMB-77410-A		1					
353592-S		Washer (flat)-1/2" I.D. x 1" O.D. x 1/32" thk.		2					
1P-77411-A		Shaft (trans. rear band actuating lever)-1/2" dia. x 1-15/16" long	1						
B5A-77411-A		Shaft (trans. rear band actuating lever) - 33/64" dia. x 1-15/16" long-⊕PMB-77411-A		1					
1P-77413-A		Piston (trans. rear band servo)	1						
B5A-77413-B		Piston (trans. rear band servo)-⊕PAG-77413-B		1					
1P-77414-A		"O" Ring (trans. rear band servo piston oil seal)- 2-47/64" I.D. x 3" O.D. x 9/64" thk. -Rubber	1	1					

MERCURY

CHASSIS PARTS CATALOGUE

Merc•O•Matic Transmission—Continued



PM-571

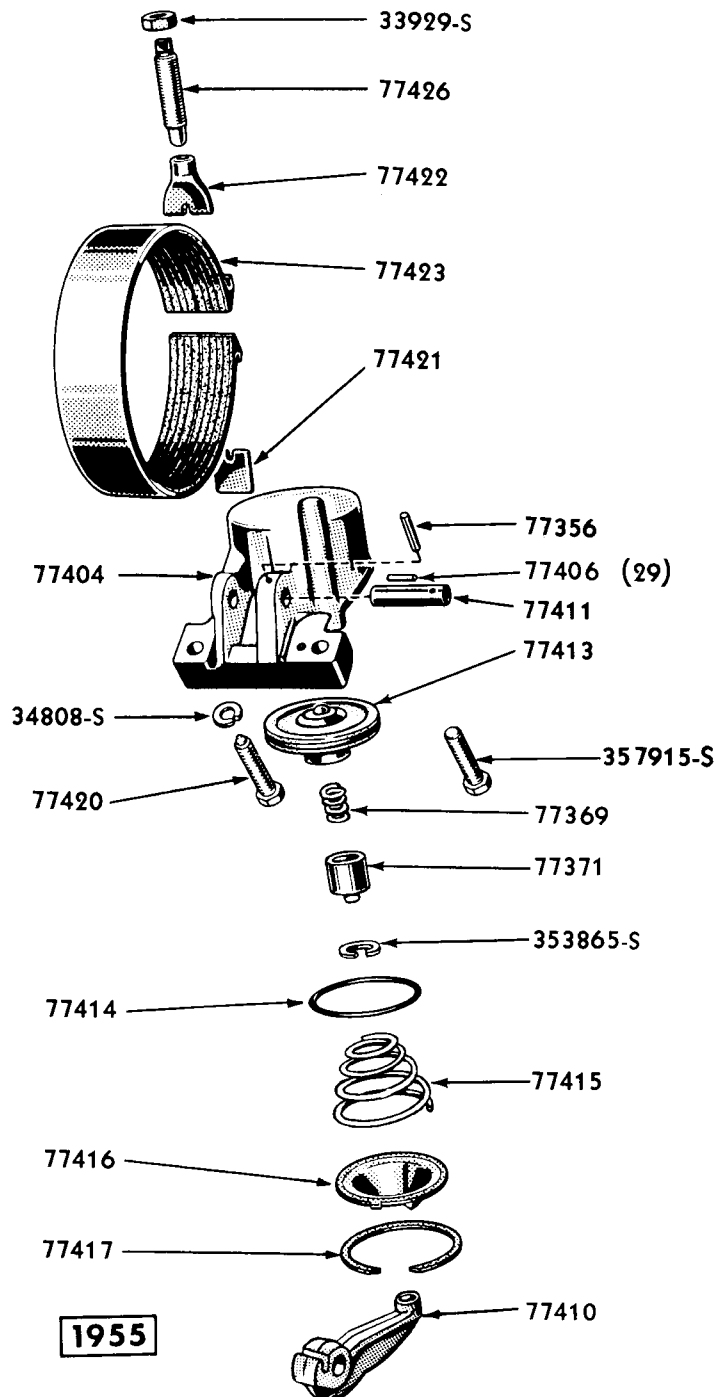
REAR SERVO AND RELATED PARTS

Basic numbers only shown on illustration. Order by Part Numbers shown in list of parts.

MERCURY

CHASSIS PARTS CATALOGUE

Merc•O•Matic Transmission—Continued



PMC-26

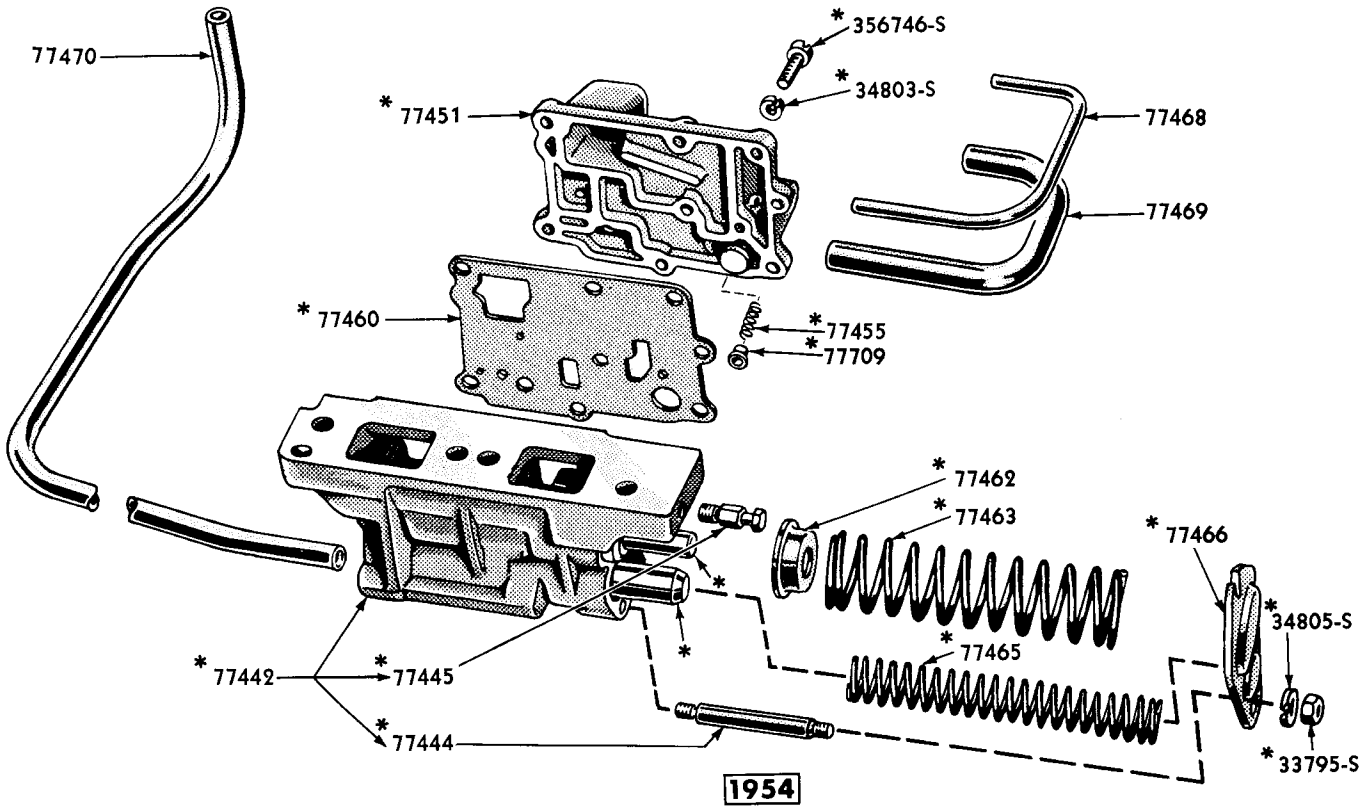
REAR SERVO AND RELATED PARTS

Basic numbers only shown on illustration. Order by Part Numbers shown in list of parts.

MERCURY

CHASSIS PARTS CATALOGUE

Merc•O•Matic Transmission—Continued



*INCLUDED IN BASIC NO. 77440 ASSEMBLY

PM-572

OIL PRESSURE REGULATOR AND RELATED PARTS

Basic numbers only shown on illustration. Order by Part Numbers shown in list of parts.

MERC•O•MATIC CHART—CONTINUED

PART NUMBER	CLASS	PART NAME	MERC-O-MATIC TRANSMISSION						
			PAE-7000-A&B 1954	PMB-7000-A 1955					
			NUMBER REQUIRED						
B5A-77452-A		Cover (trans. oil pressure regulator body)- ⊕PMB-77452-A		1					
358502-S		Screw & L/wshr assy (fill-hd)-No. 10-25 x 3/4		8					
1P-77455-A		Spring (trans. front pump check valve)-13/32" O.D. x 5/8" o/all free length-5 coils	1	1					
1P-77460-B		Plate (trans. oil pressure reg. body separating)	1						
B5A-77460-A		Plate (trans. oil pressure reg. body separating)- ⊕PMB-77460-A		1					
1P-77462-A		Retainer (trans. main oil pressure reg. valve)- cupped-with 7/16" dia. hole x 1-1/8" O.D.	1						
B5A-77462-A		Retainer (trans. main oil pressure reg. valve)- ⊕PMB-77462-A		1					

MERCURY

CHASSIS PARTS CATALOGUE

Merc-O-Matic Transmission—Continued

MERC-O-MATIC CHART—CONTINUED

PART NUMBER	CLASS	PART NAME	MERC-O-MATIC TRANSMISSION							
			PAE-7000-A&B 1954	PMB-7000-A 1955						
			NUMBER REQUIRED							
PAD-77463-A		Spring (trans. main oil pressure reg. valve)- marked with Green paint or dye	1							
B5A-77463-B		Spring (trans. main oil pressure reg. valve)- ⊕PMB-77463-A		1						
1P-77465-A		Spring (trans. low oil pressure reg. valve)-11/16" O. D. x 4-1/16" o/all free length-21 coils-	1							
B5A-77465-B		Spring (trans. low oil pressure reg. valve)- Green-⊕PMB-77465-B		1						
1P-77466-A		Seat (trans. oil pressure reg. valve spring)	1							
B5A-77466-A		Seat (trans. oil pressure reg. valve spring)- ⊕PMB-77466-A		1						
		34805-S8 Lockwasher-1/4"-reg. valve spring seat to regulator body	1	1						
		33795-S7 Nut (hex)-1/4"-20-reg. valve spring seat to regulator body	1	1						
1P-77468-A		Tube (trans. compensator pressure oil)-"U" shaped-1/4" O. D.	1							
B5S-77468-A		Tube (trans. compensator pressure oil) - ⊕PMB-77468-A		1						
1P-77469-A		Tube (trans. main pressure oil)-"U" shaped- 1/2" O. D.	1							
B5S-77469-A		Tube (trans. main pressure oil)-⊕PMB-77469-A		1						
1P-77470-A		Tube (trans. lubricating oil)-"L" shaped-5/16" O.D.	1							
B5A-77470-A		Tube (trans. lubricating oil)-⊕PMB-77470-A		1						
B5A-77472-A		Pan assy (trans. oil)-⊕PAK-77472-A	1							
B5S-77472-B		Pan assy (trans. oil)-⊕PMB-77472-B		1						
		20326-S7 Bolt (hex-hd)-5/16"-18 x 5/8"-oil pan to transmission case	14	14						
		34806-S7 Lockwasher-5/16"-oil pan to trans. case	14	14						
B5A-77482-A		Clip (trans. oil pan screen retaining) - ⊕PMB-77482-A		1						
1P-77483-A		Plug assy (trans. oil pan drain)	1							
B5A-77486-A		Gasket (trans. oil pan)-⊕PAK-77486-A	1							
B5S-77486-B		Gasket (trans. oil pan)-Cork- also serviced in 7153 Kit-⊕PMB-77486-B		1						
1P-77488-B		Screen assy (trans. oil pan)	1							
B5S-77488-A		Screen assy (trans. oil pan)-⊕PMB-77488-A		1						
*1P-77492-A		Tube (trans. case oil filler)-1-5/32" O. D. x 1-9/16" long	1							
‡1P-77502-E		Drum & sun gear assy (trans. front brake)- 1-5/16" wide band apply surface	1							
B5A-77502-B		Drum & sun gear assy (trans. front brake) - ⊕PMB-77502-A		1						

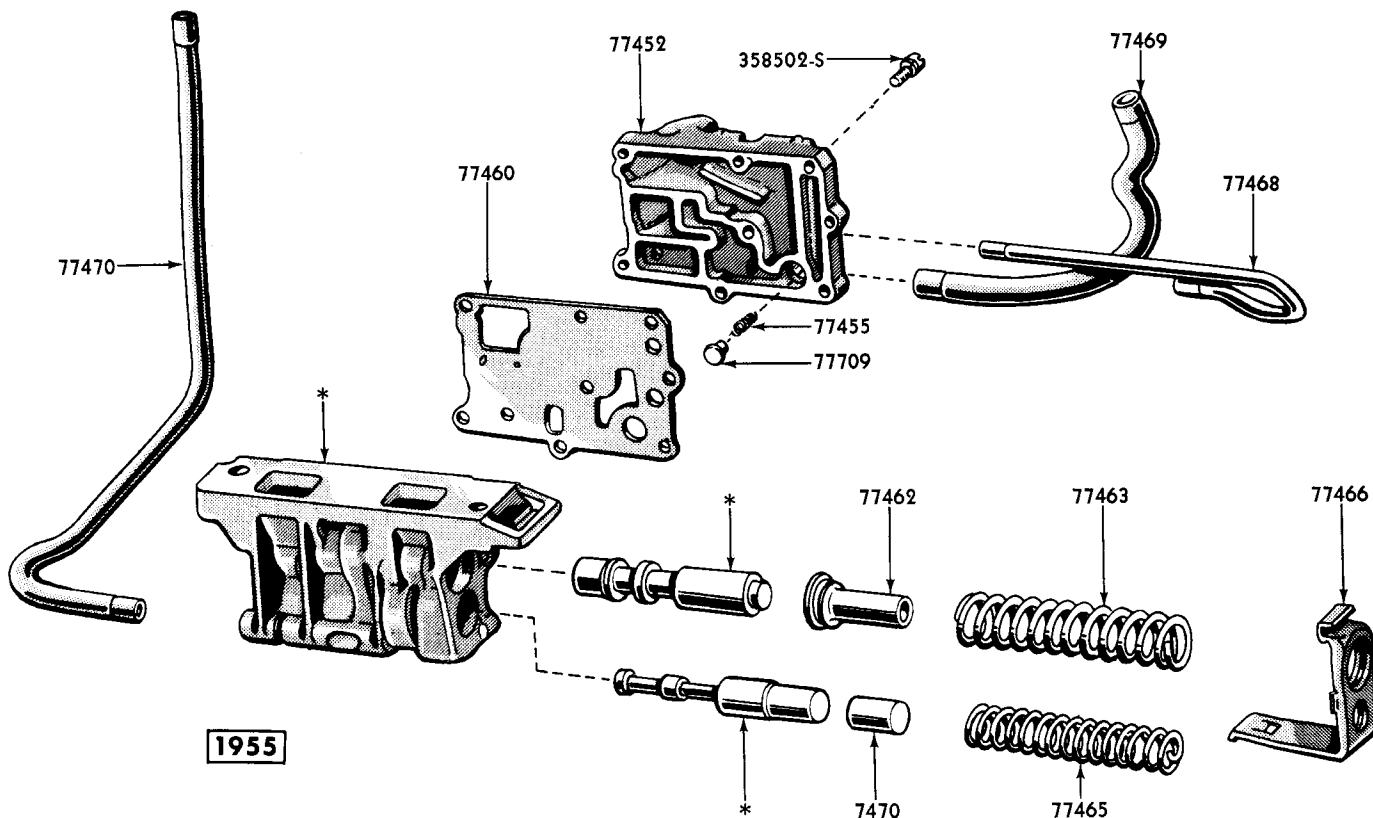
* This tube must be plugged for under Hood Filler by using 1P-77630-B Cap

‡ Includes needle point bearing

MERCURY

CHASSIS PARTS CATALOGUE

Merc•O•Matic Transmission—Continued



*INCLUDED IN BASIC NO. 77440 ASSEMBLY

PMC-28

OIL PRESSURE REGULATOR AND RELATED PARTS

Basic numbers only shown on illustration. Order by Part Numbers shown in list of parts.

MERC•O•MATIC CHART—CONTINUED

PART NUMBER	CLASS	PART NAME	MERC-O-MATIC TRANSMISSION						
			PAE-7000-A&B 1954	PMB-7000-A 1955					
			NUMBER REQUIRED						
1P-77512-A		"O" Ring (trans. rear clutch piston oil)-inner-Rubber-1-43/64" O. D. x 1-27/64" I. D. x 1/8" thick	1						
1P-77512-A		"O" Ring (trans. front clutch piston oil)-inner		1					
B5A-77512-A		"O" Ring (trans. rear clutch piston oil)-inner-Synthetic Rubber-⊕PMB-77512-A		1					
1P-77513-A		Oil seal (trans. rear clutch piston)-outer-Rubber-4-3/4" I. D. x 5-1/4" O. D. x 1/8" thk.	1	1					

MERCURY

CHASSIS PARTS CATALOGUE

Merc-O-Matic Transmission—Continued

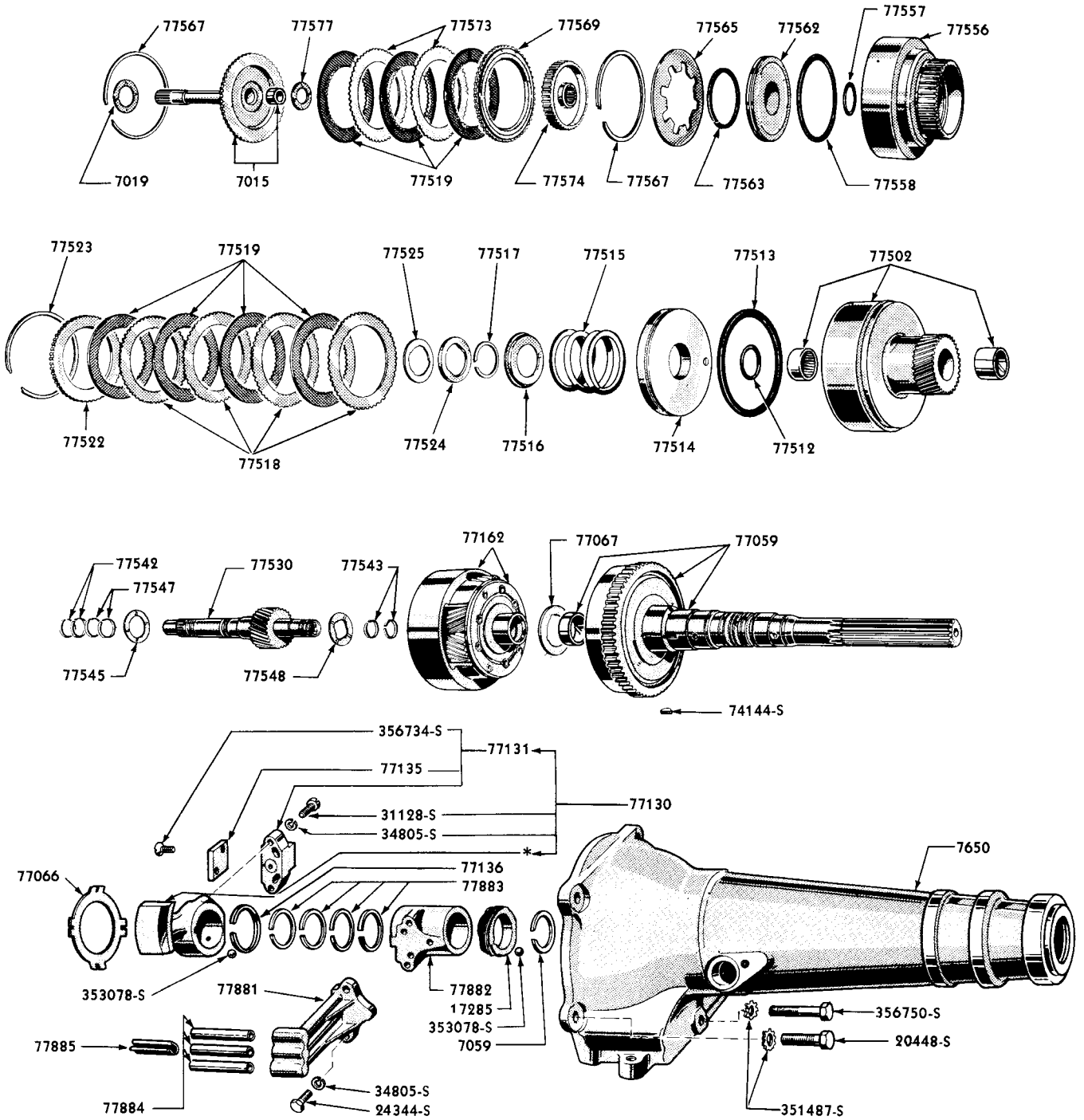
MERC-O-MATIC CHART—CONTINUED

PART NUMBER	CLASS	PART NAME	MERC-O-MATIC TRANSMISSION							
			PAE-7000-A&B 1954	PMB-7000-A 1955						
			NUMBER REQUIRED							
1P-77514-A		Piston (trans. rear clutch)-Aluminum-5-15/64" O. D. x 1-11/16" I. D. x 45/64" thick	1							
B5A-77514-A		Piston (trans. rear clutch)-Aluminum- ⊕PMB-77514-A		1						
1P-77515-B		Spring (trans. rear clutch piston)-left hand coils	1	1						
1P-77516-B		Seat (trans. rear clutch piston spring)-1-11/16" I. D. x 2-7/8" O. D. x 5/16" wide	1							
B5A-77516-B		Seat (trans. rear clutch piston spring)- ⊕PMB-77516-B		1						
1P-77517-A		Snap ring (trans. rear clutch piston spring retainer)-1-9/16" I. D. x 1-7/8" O. D. x 1/16" thick-slotted	1							
B5A-77517-A		Snap ring (trans. rear clutch piston spring retainer)-⊕PMB-77517-A		1						
1P-77518-A		Plate (trans. rear clutch)-external spline	4	4						
1P-77519-A		Plate assy (trans. clutch)-internal spline-use in rear clutch	4	4						
B5A-77519-A		Plate assy (trans. front clutch)-internal spline-with (4) grooves approx. 1/4" wide on each side of plate-⊕PAK-77519-A	3	4						
1P-77522-A		Plate (trans. rear clutch pressure)	1	1						
1P-77523-A		Snap ring (trans. rear clutch plate retainer)-5-9/16" O. D. x .076" thick	1	1						
1P-77524-A		Washer (trans. rear clutch sun gear counter thrust)-Steel-51/64" x 1-19/32" x 2-3/8" O. D. x 1/8" thick	1							
B5S-77524-A		Washer (trans. rear clutch sun gear counter thrust)-⊕PMB-77524-A		1						
1P-77525-A		Washer (trans. rear clutch sun gear thrust)-Bronze-1-33/64" I. D. x 2-5/16" O. D. with (4) oil grooves each side	1							
B5S-77525-A		Washer (trans. rear clutch sun gear thrust)- ⊕PMB-77525-A		1						
1P-77530-C		Gear assy (trans. front clutch sun)	1							
B5S-77530-A		Gear assy (trans. front clutch sun)- ⊕PMB-77530-A		1						
353078-S		Ball (steel)-1/4" dia. -front clutch lubricating valve		1						
B5A-77531-A		Kit (trans. front clutch tube valve)-consists of the following (1) PMB-77614-A Seal (1) PMB-77615-A Spring (1) 353078-S Ball		1						

MERCURY

CHASSIS PARTS CATALOGUE

Merc•O•Matic Transmission—Continued



*INCLUDED IN 1 P. 77130 - A

1954

PM-674

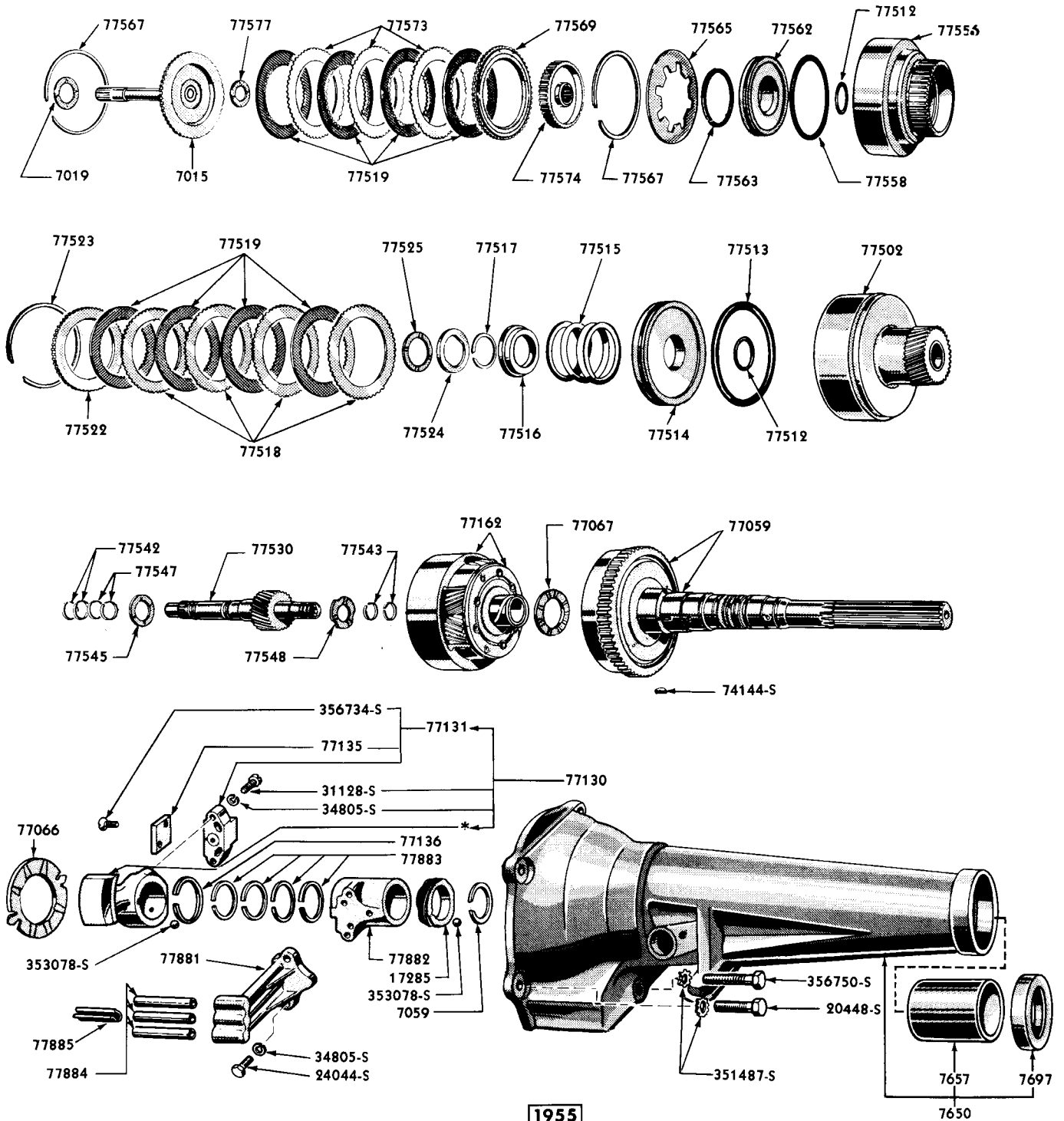
PLANETARY GEAR TRAIN

Basic numbers only shown on illustration. Order by Part Numbers shown in list of parts.

MERCURY

CHASSIS PARTS CATALOGUE

Merc•O•Matic Transmission—Continued



*INCLUDED IN 1 P. 77130 - A

1955

PMC-173

PLANETARY GEAR TRAIN

Basic numbers only shown on illustration. Order by Part Numbers shown in list of parts.

MERCURY

CHASSIS PARTS CATALOGUE

Merc•O•Matic Transmission—Continued

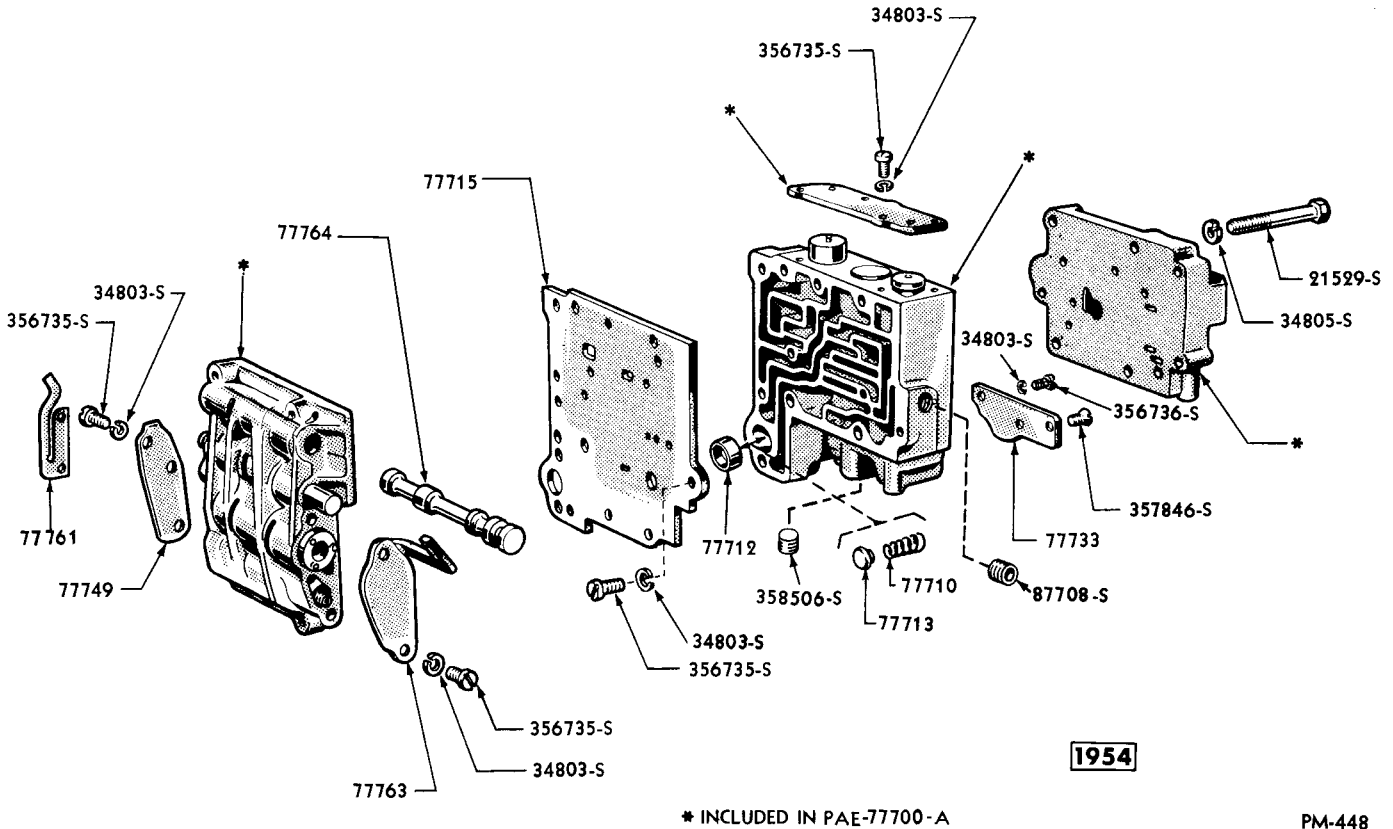
MERC•O•MATIC CHART—CONTINUED

PART NUMBER	CLASS	PART NAME	MERC-O-MATIC TRANSMISSION							
			PAE-7000-A&B 1954	PMB-7000-A 1955						
										NUMBER REQUIRED
		1P-77761-A Spring (trans. throttle valve return)	1							
		B5A-77761-A Spring (trans. throttle valve return)- ⊕PMB-77761-A		1						
		1P-77763-B Plate (trans. control upper valve body)-front	1	1						
		34803-S7 Lockwasher-No. 10	3	3						
		356735-S Screw (fillister hd)-No. 10-24 x 3/8" - plate to upper valve body	3	3						
		1P-77764-A Valve (trans. control manual)	1							
		B5A-77764-A Valve (trans. control manual)-⊕PMB-77764-A		1						
		1P-77820-D Pump assy (trans. oil)-front-with piloted dia. for drive gear	1							
		B5S-77820-A Pump assy (trans. oil)-front-⊕PMB-77820-A		1						
		357911-S Bolt (hex-hd)-5/16"-18 x 2"-front pump to case	4	4						
		1P-77836-A Gasket (trans. front oil pump)-Cork & Rubber composition-5-17/32" I. D. x 5-29/32" O. D. x 1/8" thick-also serviced in 7153 Kit	1	1						
		1P-77837-A Oil seal assy (trans. front pump)-2-11/16" O. D. x 1/2" wide-with Rubber seal	1	1						
		B5S-77837-A Oil seal assy (trans. front pump)-alternate with B5A-77837-B-⊕1P-77837-B2	1	1						
		B5A-77837-B Oil seal assy (trans. front pump)-alternate with B5A-77837-A-⊕1P-77837-B1	1	1						
		B5A-77850-A Pump assy (trans. oil)-rear-⊕PMB-77850-A	1	1						
		1P-77860-B Cover (trans. rear oil pump)-use with sintered iron gear only	1	1						
		1P-77860-C Cover (trans. rear oil pump)	1	1						
		34803-S7 Lockwasher-No. 10-cover to rear pump body	1	1						
		34905-S7 Lockwasher (internal tooth)-1/4"-rear oil pump cover to rear pump body	5	5						
		38228-S2 Screw (pan head)-1/4"-20 x 5/8"-rear oil pump cover to body	5	5						
		357910-S Screw (pan-hd)-No. 10-24 x 5/8"-rear oil pump cover to body	1	1						
		1P-77862-A Gasket (trans. rear oil pump to case)-Fibre & Rubber-7" O. D. x 6-13/32" I. D. with (5) bolt holes-also serviced in 7153 Kit	1	1						
		1P-77866-A Tube (trans. rear pump inlet oil)-9/16" O. D. x 5-1/16" long	1	1						
		1P-77868-A "O" Ring (trans. rear pump outlet tube oil)- Rubber-1/2" I. D. x 1/16" thick	1	1						
		1P-77869-A Tube (trans. rear pump outlet oil)-9/16" O. D. x 2-27/32" long	1	1						
		1P-77873-A "O" Ring (trans. rear pump inlet tube oil)- Rubber-9/16" I. D. x 1/16" thick	1	1						

MERCURY

CHASSIS PARTS CATALOGUE

Merc-O-Matic Transmission—Continued



* INCLUDED IN PAE-77700-A

PM-448

OIL CONTROL VALVE

Basic numbers only shown on illustration. Order by Part Numbers shown in list of parts.

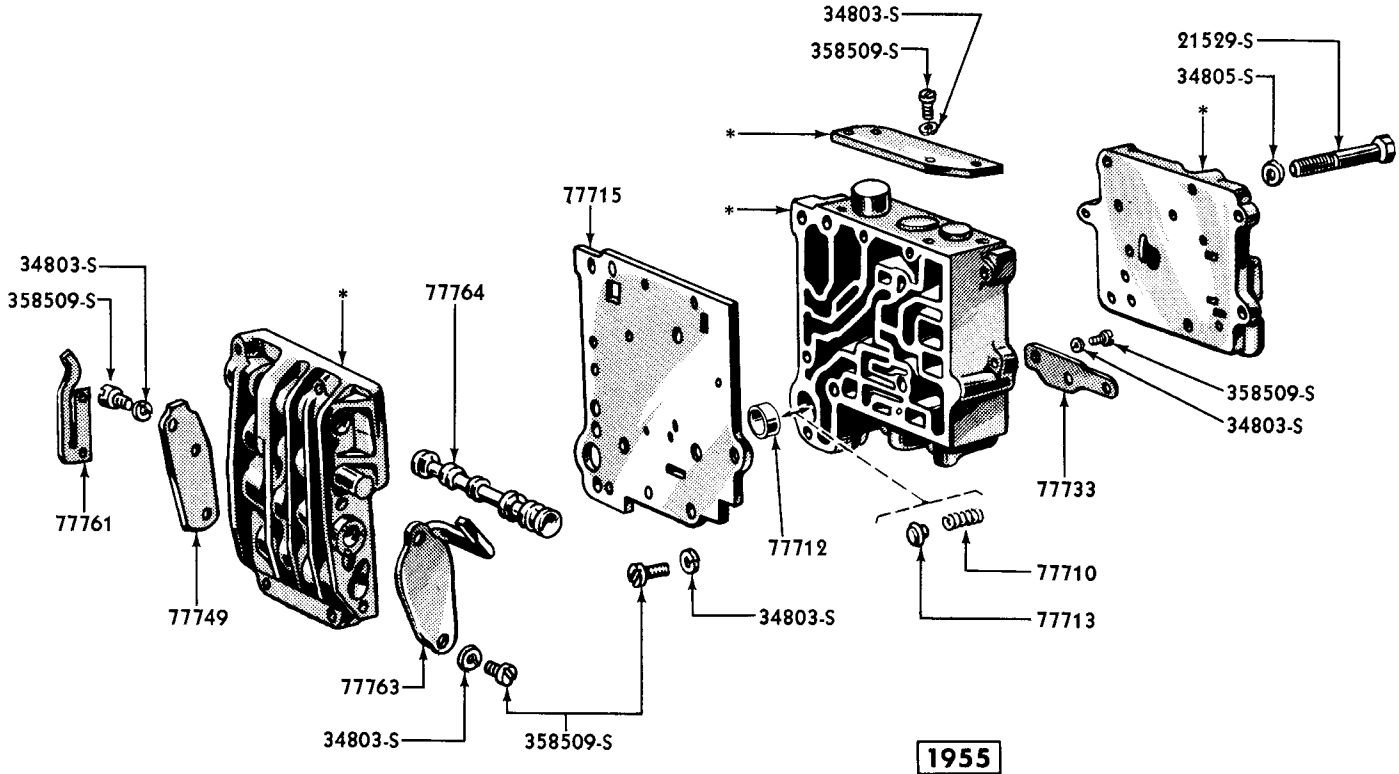
MERC-O-MATIC CHART—CONTINUED

PART NUMBER	CLASS	PART NAME	MERC-O-MATIC TRANSMISSION					
			PAE-7000-A&B 1954	PMB-7000-A 1955				
			NUMBER REQUIRED					
1P-77881-A		Distributor (trans. clutch & governor oil)	1	1				
20344-S7		Bolt (hex-hd)-1/4"-20 x 3/4"-oil distributor to oil sleeve	2	2				
34805-S8		Lockwasher-1/4"-oil distributor to sleeve	2	2				
1P-77882-A		Sleeve (trans. clutch & governor oil distributor)	1	1				
1P-77883-A		Oil seal (trans. oil distributor sleeve)-Cast Iron-1-1/2" O. D. x 3/16" wide-slotted	4	4				
1P-77884-A		Tube (trans. oil distributor)-5/16" O. D. x 2-1/2" long	3	3				
1P-77885-A		Spacer (trans. oil distributor tube)-5/16" I. D. x 1-7/16" long-"U" shaped	1	1				

MERCURY

CHASSIS PARTS CATALOGUE

Merc-O-Matic Transmission—Continued



*INCLUDED IN B5A-77700-D

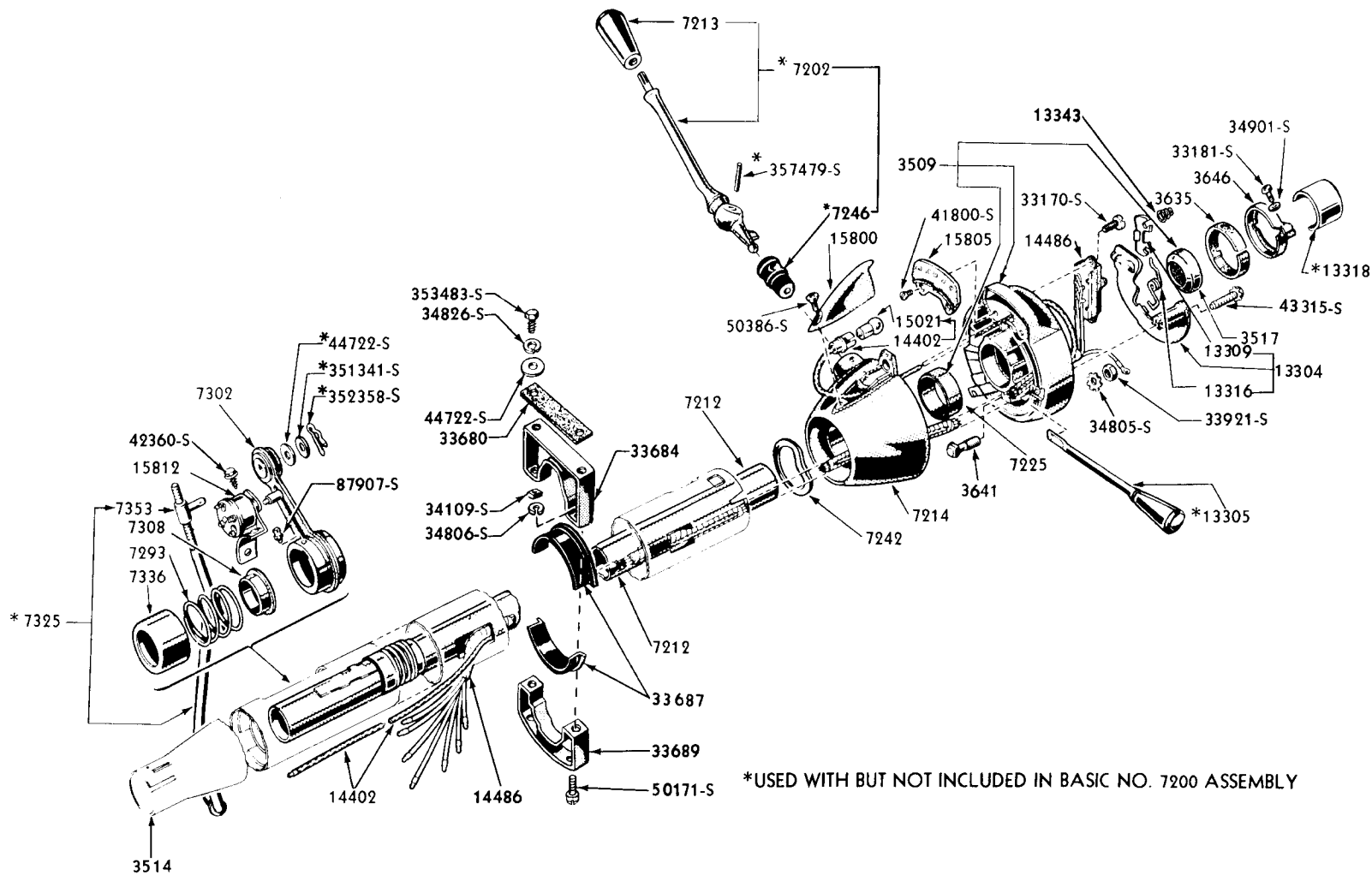
PMC-30

OIL CONTROL VALVE

Basic numbers only shown on illustration. Order by Part Numbers shown in list of parts.

MERC-O-MATIC CHART—CONTINUED

PART NUMBER	CLASS	PART NAME	MERC-O-MATIC TRANSMISSION						
			PAE-7000-A&B 1954	PMB-7000-A 1955					
			NUMBER REQUIRED						
NS	AB-77980-A	Cover (converter housing lower access)- changed to B2A-7980-A		1					
	20310-S8	Bolt (hex-hd)-5/16"-18 x 1/2"-access cover to converter housing		4					
	34806-S7	Lockwasher-5/16"		4					
	1P-77982-B	Support assy (trans. converter stator)-with 1.809"/1.810" dia. x .475"/.485" width pilot for drive gear	1						
	B5A-77982-A	Support assy (trans. converter stator)- ⊕PMB-77982-A		1					
	356745-S	Screw (flat hd)-No. 10-24 x 3/4"-support to pump body	2	2					



*USED WITH BUT NOT INCLUDED IN BASIC NO. 7200 ASSEMBLY

1954

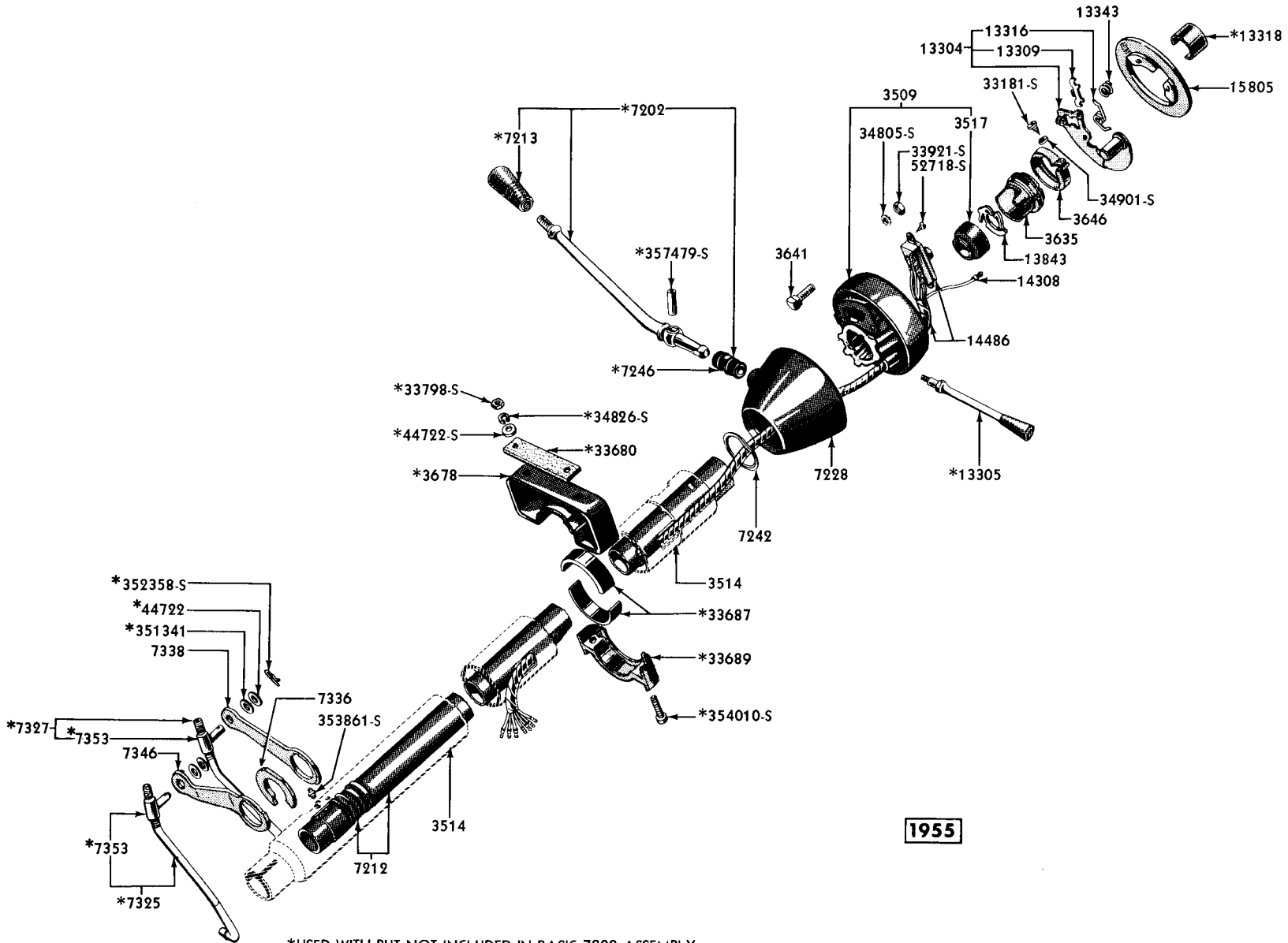
PM-731

STEERING COLUMN GEAR SHIFT AND RELATED PARTS

Basic numbers only shown on illustration. Order by Part Numbers shown in list of parts.

MERCURY

CHASSIS PARTS CATALOGUE

Gear Shift—Continued

*USED WITH BUT NOT INCLUDED IN BASIC 7200 ASSEMBLY

PMC-174

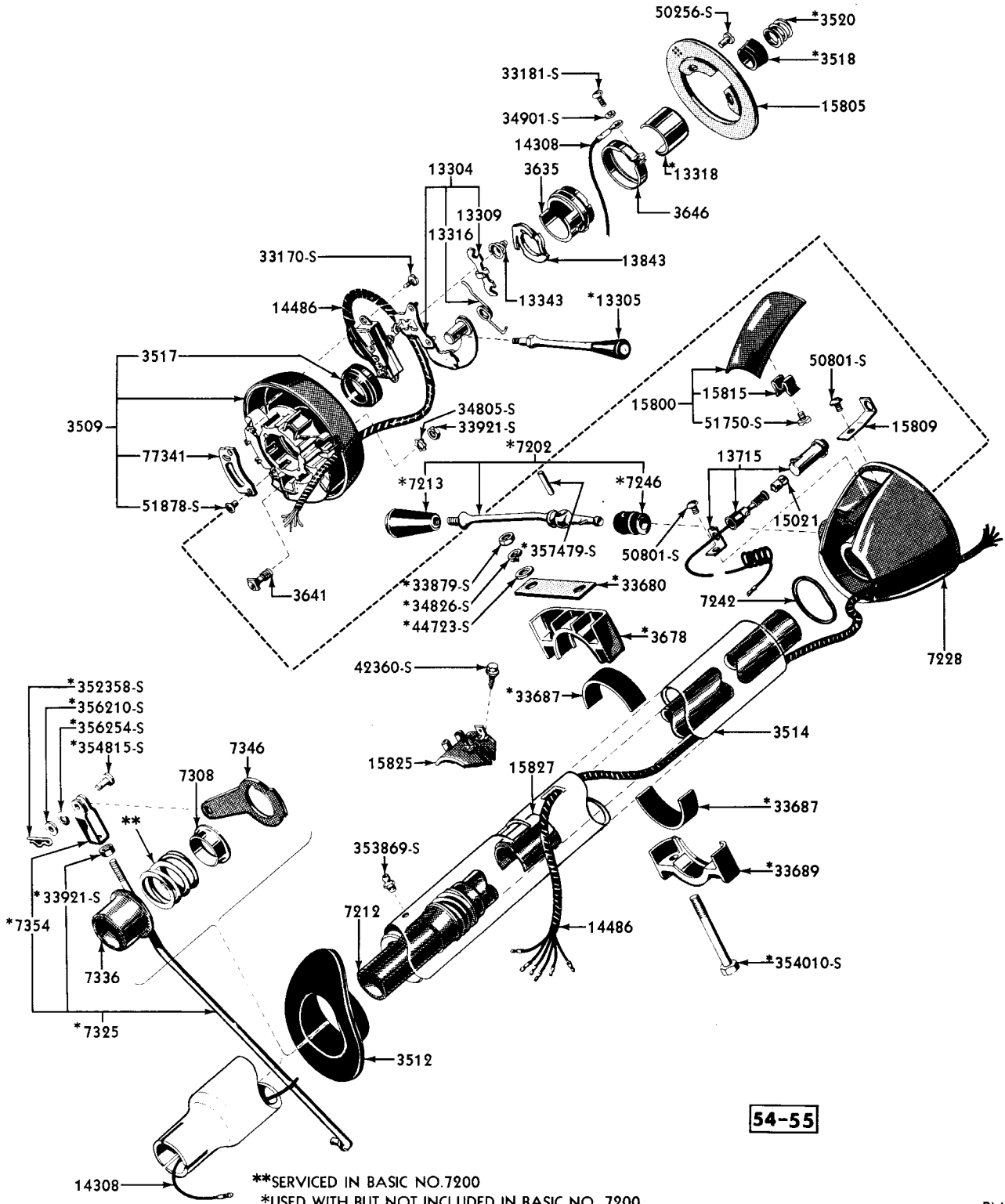
STEERING COLUMN GEAR SHIFT AND RELATED PARTS

Basic numbers only shown on illustration. Order by Part Numbers shown in list of parts.

MERCURY

CHASSIS PARTS CATALOGUE

Gear Shift—Continued



54-55

14308 **SERVICED IN BASIC NO.7200
 *USED WITH BUT NOT INCLUDED IN BASIC NO. 7200

STEERING COLUMN GEAR SHIFT AND RELATED PARTS

Basic numbers only shown on illustration. Order by Part Numbers shown in list of parts.

MERCURY

CHASSIS PARTS CATALOGUE

Gear Shift—Continued

PART NUMBER	CLASS	PART NAME	NO. REQ'D	MODEL	YEAR 19__
◇FDC 7200-AP		Gear shift assy (transmission)-with turn signal	1	MB	54
◇FDC 7200-BP NS		Gear shift assy (transmission)-use FDC-7200-AP by adding OM-3522-AP & eliminating functional turn signal parts	1	MB	54
△FDC 7200-CP		Selector assy (transmission)-with turn signal	1	MB	54
△FDC 7200-DP NS		Selector assy (transmission)-use FDC-7200-CP by adding OM-3522-AP and eliminating functional turn signal parts	1	MB	54
◇FDK 7200-FP		Gear shift assy (transmission)-with turn signal	1	MC	55
△FDK 7200-HP		Selector assy (transmission)-with turn signal	1	MC	55

STEERING COLUMN GEAR SHIFT CHART

PART NUMBER	CLASS	PART NAME	STEERING COLUMN GEAR SHIFT				NUMBER REQUIRED				
			◇FDC-7200-AP 1954	△FDC-7200-CP 1954	◇FDK-7200-FP 1955	△FDK-7200-HP 1955					
		FDC-3509-AP Flange assy (steering column tube)-in Prime	1								
		FDC-3509-BP Flange assy (steering column tube)-in Prime		1							
		FDK-3509-A Flange assy (steering column tube)-Chrome			1						
	NS	FDK-3509-B Flange assy (steering column tube)-Chrome use FDK-3509-A, (1) FDK-77341-A and (2) 51755-S8				1					
		FAA-3514-CP Tube assy (steering column)-in Prime	1								
		FAA-3514-DP Tube assy (steering column)-in Prime		1							
		FDK-3514-AP Tube assy (steering column)-in Prime			1						
		FDK-3514-BP Tube assy (steering column)-in Prime				1					
		21A-3517 Bearing assy (steering column upper)	1	1	1	1					
		8M-3518 Sleeve (steering column upper bearing)	1	1	1	1					
		8M-3520 Spring (steering column upper bearing)	1	1	1	1					
		8M-3635 Insulator (horn wire terminal)-Fibre	1	1							
		FDK-3635-A Insulator (horn wire terminal)			1	1					
		8M-3641-B Bolt (steering column tube flange)-hook type	2	2	2	2					
		34805-S8 Lockwasher (external tooth)-1/4"	2	2	2	2					
		33921-S13 Nut (hex)-1/4"-28	2	2	2	2					
		8M-3646 Support (horn button wire contact)	1	1							
		FDK-3646-A Support (horn button wire contact)			1	1					
		34901-S7 Lockwasher (internal tooth)-No. 6	1	1	1	1					
		33181-S7 Screw (pan head self tapp.)-No. 6-20 x 1/2"	1	1	1	1					
		FDK-3678-AP Bracket (steering column)-upper-except 64A & B, 76B & 79C			1	1					
		FDK-3678-BP Bracket (steering column)-upper-models 64A & B, 76B & 79C			1	1					
	NS	FAA-3682-B Insulator (steering column brkt.)-Rubber-this part no. changed to FAA-33637-B	2	2							

△ Used with Merc-O-Matic Transmission

◇ Not used with Merc-O-Matic Transmission

MERCURY

CHASSIS PARTS CATALOGUE

Gear Shift—Continued

STEERING COLUMN GEAR SHIFT CHART—CONTINUED

PART NUMBER	CLASS	PART NAME	STEERING COLUMN GEAR SHIFT							
			◇ FDC-7200-AP 1954	△ FDC-7200-CP 1954	◇ FDK-7200-FP 1955	△ FDK-7200-HP 1955				
			NUMBER REQUIRED							
*FDC 7202-A		Lever assy (transmission gear shift)	1							
*FDC 7202-B		Lever assy (transmission control selector)		1						
*FDK 7202-C		Lever assy (transmission gear shift)			1					
*FDK 7202-D		Lever assy (transmission control selector)					1			
		*357479-S15 Pin (rolled)-3/16" x 1"-gear shift lever to socket	1	1	1	1				
OM 7212		Tube assy (trans. gear shift)-31-23/32" from gear shift lever hole to lower shift lever lug	1							
1M 7212-B		Tube & spring assy (trans. control selector)-29-9/32" from gear shift lever hole to lever shift lower lug		1						
FDK 7212-A		Tube assy (transmission gear shift)			1					
FDK 7212-B		Tube assy (transmission control selector)					1			
*FAA 7213-A		Knob assy (trans. control selector lever)	1	1	1	1				
1M 7214-CP		Socket assy (transmission control selector)-in Prime		1						
AB 7222-B		Housing (transmission gear shift)	Refer to Housing, Levers, Cam & Shafts Chart							
B5A 7222-A		Housing (transmission gear shift)-⊙MC-7222-A	Refer to Housing, Levers, Cam & Shafts Chart							
8A 7223		Gasket (transmission gear shift housing)-also serviced in 7153 Kit	Refer to Housing, Levers, Cam							
8L 7223-A		Gasket (transmission gear shift housing)	Refer to Housing, Levers, Cam & Shafts Chart							
8M 7225-B		Bearing (trans. gear shift lever socket)-1-5/16" I. D. x 1-1/2" O. D. x 1/2" wide	1	1						
8H 7228-BE		Socket (transmission gear shift lever)-in Prime	1							
FDK 7228-CP		Socket (transmission gear shift lever)			1					
FDK 7228-DP		Socket (transmission control selector)					1			
0A 7230		Fork (intermediate & high gear shifter)	Refer to Housing, Levers, Cam & Shafts Chart							
8L 7230		Fork (intermediate & high gear shifter)	Refer to Housing, Levers, Cam & Shafts Chart							
1A 7231-A		Fork (low & reverse gear shifter)	Refer to Housing, Levers, Cam & Shafts Chart							
8L 7231		Fork (low & reverse gear shifter)	Refer to Housing, Levers, Cam & Shafts Chart							

* Used with but not part of 7200

◇ Not used with Merc-O-Matic Transmission

△ Used with Merc-O-Matic Transmission

MERCURY

CHASSIS PARTS CATALOGUE

Gear Shift—Continued

STEERING COLUMN GEAR SHIFT CHART—CONTINUED

PART NUMBER	CLASS	PART NAME	STEERING COLUMN GEAR SHIFT							
			◇ FDC-7200-AP 1954	△ FDC-7200-CP 1954	◇ FDK-7200-FP 1955	△ FDK-7200-HP 1955				
			NUMBER REQUIRED							
8A 7233		Sleeve (transmission interlock)	Refer to Housing, Levers, Cam & Shafts Chart							
8L 7233-A		Sleeve (transmission interlock)	Refer to Housing, Levers, Cam & Shafts Chart							
8L 7233-B		Sleeve (transmission interlock)	Refer to Housing, Levers, Cam & Shafts Chart							
8L 7233-C		Sleeve (transmission interlock)	Refer to Housing, Levers, Cam & Shafts Chart							
8L 7233-D		Sleeve (transmission interlock)	Refer to Housing, Levers, Cam & Shafts Chart							
01A 7234		Spring (transmission mesh lock)	Refer to Housing, Levers, Cam & Shafts Chart							
8L 7234		Spring (transmission mesh lock)	Refer to Housing, Levers, Cam & Shafts Chart							
01A 7235		Pin (gear shifter interlock)	Refer to Housing, Levers, Cam & Shafts Chart							
8L 7235		Pin (gear shifter interlock)	Refer to Housing, Levers, Cam & Shafts Chart							
1M 7242-A		Spring (gear shift anti vibrator)-1-1/2" I. D. x 1-13/16" O. D. x 1/32" thick-dished	1	1						
FAA 7242-A		Spring (gear shift anti-rattler)			1	1				
MB 7245-B		Spring (transmission control to accelerator bellcrank to lever)	Refer to Accelerator Group							
MC 7245-A		Spring (transmission control to accelerator bellcrank to lever)	Refer to Accelerator Group							
MC 7245-B		Spring (transmission control to accelerator bellcrank to lever)	Refer to Accelerator Group							
* 8M 7246-B		Insulator (trans. gear shift lever)-3/4" O. D. x 1-21/32" long-Rubber	1							
* 1M 7246-A		Insulator (trans. gear shift lever)-3/4" O. D. x 1-7/64" long-Rubber		1						
*FDK 7246-A		Insulator (trans. gear shift lever)-Rubber			1	1				
B2A 7251-A		Bracket (trans. O/Drive control mounting)-⊕AB-77250-AP	Refer to Trans. O/Drive Group							
1A 7280-A		Cam & shaft assy (transmission high & intermediate shift)	Refer to Housing, Levers, Cam & Shafts Chart							
B5A 7280-A		Cam & shaft assy (transmission high & intermediate shift)-⊕MC-7280-A	Refer to Housing, Levers, Cam & Shafts Chart							
1A 7282-A		Cam & shaft assy (transmission low & reverse shift)	Refer to Housing, Levers, Cam & Shafts Chart							
B5A 7282-B		Cam & shaft assy (transmission low & reverse shift)-⊕MC-7282-A	Refer to Housing, Levers, Cam & Shafts Chart							
AB 7285-B		Lever (transmission high & intermediate gear shift)	Refer to Housing, Levers, Cam & Shafts Chart							
MC 7285-A		Lever assy (transmission high & intermediate gear shift)	Refer to Housing, Levers, Cam & Shafts Chart							

* Used with but not part of 7200

◇ Not used with Merc-O-Matic Transmission

△ Used with Merc-O-Matic Transmission

MERCURY

CHASSIS PARTS CATALOGUE

Gear Shift—Continued

STEERING COLUMN GEAR SHIFT CHART—CONTINUED

PART NUMBER	CLASS	PART NAME	STEERING COLUMN GEAR SHIFT					
			◇ FDC-7200-AP 1954	△ FDC-7200-CP 1954	◇ FDK-7200-FP 1955	△ FDK-7200-HP 1955		
			NUMBER REQUIRED					
1A 7288-A		Oil seal (transmission shifting shaft)	Refer to Housing, Levers, Cam & Shafts Chart					
8A 7290-B		Lever (transmission low & reverse gear shift)	Refer to Housing, Levers, Cam & Shafts Chart					
MC 7290-A		Lever assy (transmission low & reverse gear shift)	Refer to Housing, Levers, Cam & Shafts Chart					
8M 7293		Spring (trans. gear shift selector)-4 coils-1-5/16" O. D. x 1-3/8" long	1	1				
FAA 7302-C		Arm & insulator assy (trans. gear shift)-intermediate & high	1					
FAA 7302-D		Arm & insulator assy (transmission control selector)		1				
FAA 7303-B		Arm & insulator assy (trans. gear shift)-low & reverse	1					
		87907-S8 Fitting (lub.)-1/4"-28	2	1				
		353861-S8 Fitting (lubricator)-No. 12-36-for lubricating selector arm			1	1		
8M 7308-B		Retainer (transmission gear shift selector spring)-1-17/32" O. D.	1	1				
FDK 7308-A		Retainer (transmission gear shift selector spring)				1		
* MB 7325-B		Rod assy (transmission high & intermediate gear shift)	1					
* MB 7325-C		Rod assy (transmission manual shift)		1				
* MC 7325-B		Rod assy (transmission manual shift)				1		
* MC 7325-D		Rod assy (transmission high & intermediate gear shift)			1			
* MB 7327-B		Rod assy (transmission low & reverse gear shift)	1					
* MC 7327-C		Rod assy (trans. low & reverse gear shift)			1			
		*72009-S8 Cotter pin-3/32 x 5/8"	2	1	2	1		
		*72015-S Cotter pin-1/16" x 3/4"			2	1		
		*352358-S Pin (self locking)	2	1	2	1		
		*353509-S8 Washer (flat)-5/16"	2	1	2	1		
		*351341-S7 Washer (flat spring)-21/64" I. D. x 5/8" O. D.	2	1	2	1		
B5A 7330-B	NS	Lever assy (trans. front band actuating)-replaced by B4A-77354-B	Refer to Merc-O-Matic Trans. Group					
8M 7336-B		Spacer (transmission gear shift arm hub)-1-7/32" I. D.	1	1				
FDK 7336-A		Spacer (transmission gear shift arm hub)-"C" shaped			1			
FDK 7336-B		Spacer (transmission control selector arm hub)				1		
FDK 7338-B		Arm (transmission low & reverse gear shift)			1			
FDK 7346-C		Arm (transmission high & intermediate gear shift)			1			
FDK 7346-B		Arm (transmission control selector)				1		
* AB 7353-A		Sleeve (transmission gear shift connecting rod adjustment)	2	1				
* AE 7354-A		Clevis (trans. shift rod)	Refer to Accelerator Group					
* MC 7354-A		Clevis (trans. manual shift rod)-used with MC-7325-B	Refer to Accelerator Group					
* MC 7354-B		Clevis (trans. shift rod)-used with MC-7325-D & MC-7327-C			2			
		33923-S8 Nut (hex-jam)-7/16"-24-clevis to rod			2			

* Used with but not part of 7200

◇ Not used with Merc-O-Matic Transmission

△ Used with Merc-O-Matic Transmission

MERCURY

CHASSIS PARTS CATALOGUE

Gear Shift—Continued

STEERING COLUMN GEAR SHIFT CHART—CONTINUED

PART NUMBER	CLASS	PART NAME	STEERING COLUMN GEAR SHIFT							
			◇ FDC-7200-AP 1954	△ FDC-7200-CP 1954	◇ FDK-7200-FP 1955	△ FDK-7200-HP 1955				
			NUMBER REQUIRED							
1M-13304-A		Plate assy (turn signal switch)-pawl length-1-11/16"	1	1						
FDK-13304-A		Plate assy (turn signal switch)			1	1				
*FDC-13305-A		Handle & shank assy (turn signal switch)-Black handle-tapped hole at end	1	1						
*FDK-13305-A		Handle & shank assy (turn signal switch)-threaded at end			1	1				
1M-13309-A		Pawl (turn signal switch)	1	1	1	1				
1M-13316-A		Spring (turn signal switch pawl)-3-1/2" coils	1	1	1	1				
*FAB-13318-A		Cam (directional signal turn off)	1	1	1	1				
*43315-S8		Screw & L/W assy (hex-hd)-No. 10-32 x 1-1/4"-turn signal handle	1	1						
1M-13343-A		Spring (turn signal switch plate retainer)-tapered-3-1/2" coils	1	1	1	1				
FDL-13715-A		Lamp assy (trans. control selector)-includes bulb shield, wire, spring & translucent window					1			
50801-S8		Screw & washer assy (cross recessed pan-hd)-No. 8-32 x 1/4"					1			
FDK-13843-A		Spring (horn wire terminal insulator)			1	1				
FDK-14308-A		Wire assembly (horn ring)	1	1	1	1				
8L-14402		Wire and socket assy (trans. gear shift indicator lamp)		1						
1M-14486-A		Switch & wiring assy (turn signal)-approx. 31" o/all length-switch has pin with spring groove	1	1						
FDL-14486-A		Switch & wiring assy (turn signal)			1	1				
33170-S7		Screw (pan head self tapping)-No. 10-16 x 1/4"	2	2	2	2				
48-15021		Bulb (trans. gear shift indicator)-1 C. P. -S. C.		1		1				
8H-15800-AP		Housing assy (trans. control selector indicator lamp)-in Prime		1						
FDK-15800-AP		Housing assy (trans. control selector indicator lamp)-in Prime				1				
50386-S13		Screw (cross rec. oval head)-No. 6-32 x 1/2"		1		1				
1M-15805		Dial (trans. control selector)		1						
FDK-15805-C		Dial (transmission gear shift trim)-Chrome Plated			1					
FDK-15805-D		Dial (transmission control selector)-Chrome Plated				1				
41800-S8		Screw (flat hd self tapping)-No. 6-32 x 1/4"		2		2				
50256-S8		Screw (cross recessed rd-hd)-No. 6-32 x 3/8"			2	2				
1M-15812-B		Switch assy (trans. gear shift neutral)		1						
42360-S7		Screw (hex-hd self tapping)-No. 10-16 x 3/8"-switch to steering column		1						

* Used with but not part of 7200

◇ Not used with Merc-O-Matic transmission

△ Used with Merc-O-Matic transmission

MERCURY

CHASSIS PARTS CATALOGUE

Gear Shift—Continued

STEERING COLUMN GEAR SHIFT CHART—CONTINUED

PART NUMBER	CLASS	PART NAME	STEERING COLUMN GEAR SHIFT						
			◇ FDC-7200-AP 1954	△ FDC-7200-CP 1954	◇ FDK-7200-FP 1955	△ FDK-7200-HP 1955			
			NUMBER REQUIRED						
		FDK-15815-A Retainer (trans. control selector indicator lamp)				1			
		51750-S8 Screw (cross recessed pan-hd tapping)- No. 6-32 x 1/4"-retainer to lamp hsg.				1			
		MB-15818-A Lever assy (trans. control selector actuating pin neutral switch)-used with Dual Exhaust	1	1					
		20325-S8 Bolt (hex-hd)-1/4"-28 x 5/8"-attaches lever assy to FAA-7302-D	1	1					
		34805-S8 Lockwasher-1/4"	1	1					
		33796-S7 Nut (hex)-1/4"-28	1	1					
		FDK-15825-B Black assy (transmission control selector neutral switch terminal)				1			
		FDK-15827-B Insulator assy (trans. control selector neutral switch)				1			
		42360-S7 Screw (hex washer head tapping)-No. 10- 16 x 3/8"-attaches block to strg. col. tube			2				
		*FAA-33680-A Anti-squeak (steering column saddle)-Fibre- 3-1/4" long x 27/32" wide	1	1					
		*FDK-33680-A Anti-squeak (steering column saddle)			1	1			
		*FAA-33684-CP Bracket & tapping plate assy (strg. column)-upper	1	1					
		*353483-S8 Bolt (hex washer-hd)-5/16"-24 x 1-1/8"- steering column brkt. to brake & clutch support	2	2					
		*34806-S7 Lockwasher-5/16"	2	2					
		*44722-S8 Washer (flat)-5/16"	2	2					
		*FAA-33687-B Insulator (steering column bracket)-Rubber	2	2					
	NS	*FDK-33687-A Insulator (steering column)-lower-in Prime -make locally			1	1			
		*FAA-33689-BP Bracket (steering column)-lower-in Prime	1	1					
		*FDK-33689-AP Bracket (steering column)-lower-in Prime			1	1			
		*354010-S8 Bolt (fill-hd cross recessed)-5/16"-24 x 3-5/8"-steering support brkt. to brake pedal support			2	2			
		*34826-S7 Lockwasher-5/16"	2	2	2	2			
		*33798-S8 Nut (hex)-5/16" -24			2	2			
		*34109-S7 Nut (square head)-5/16"-24	2	2					
		*50171-S Screw (cross rec. -fill-hd)-5/16"-24 x 3/4"	2	2					
		*44723-S8 Washer (flat)-5/16"			2	2			
	NS	FDK-77225-A Spring (trans. gear shift selector stop)				1			
		FDK-77341-A Insert (trans. control selector position)				1			
		51755-S8 Screw (cross recessed pan-hd tapping)- No. 8-32 x 3/8"-insert to flange				2			

* Used with but not part of 7200

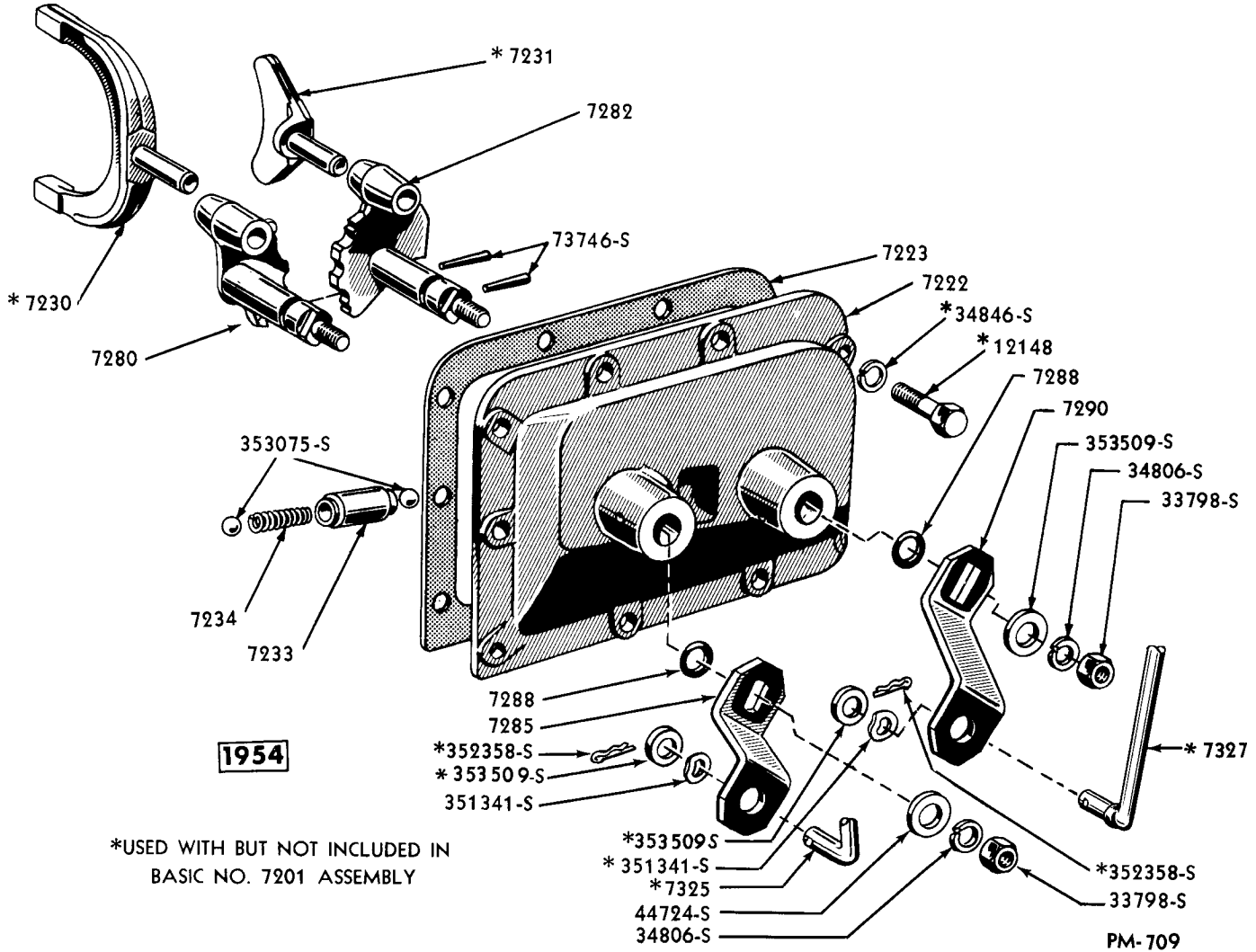
◇ Not used with Merc-O-Matic transmission

△ Used with Merc-O-Matic transmission

MERCURY

CHASSIS PARTS CATALOGUE

Gear Shift—Continued



TRANSMISSION GEAR SHIFT HOUSING, LEVERS, CAM AND SHAFTS AND RELATED PARTS

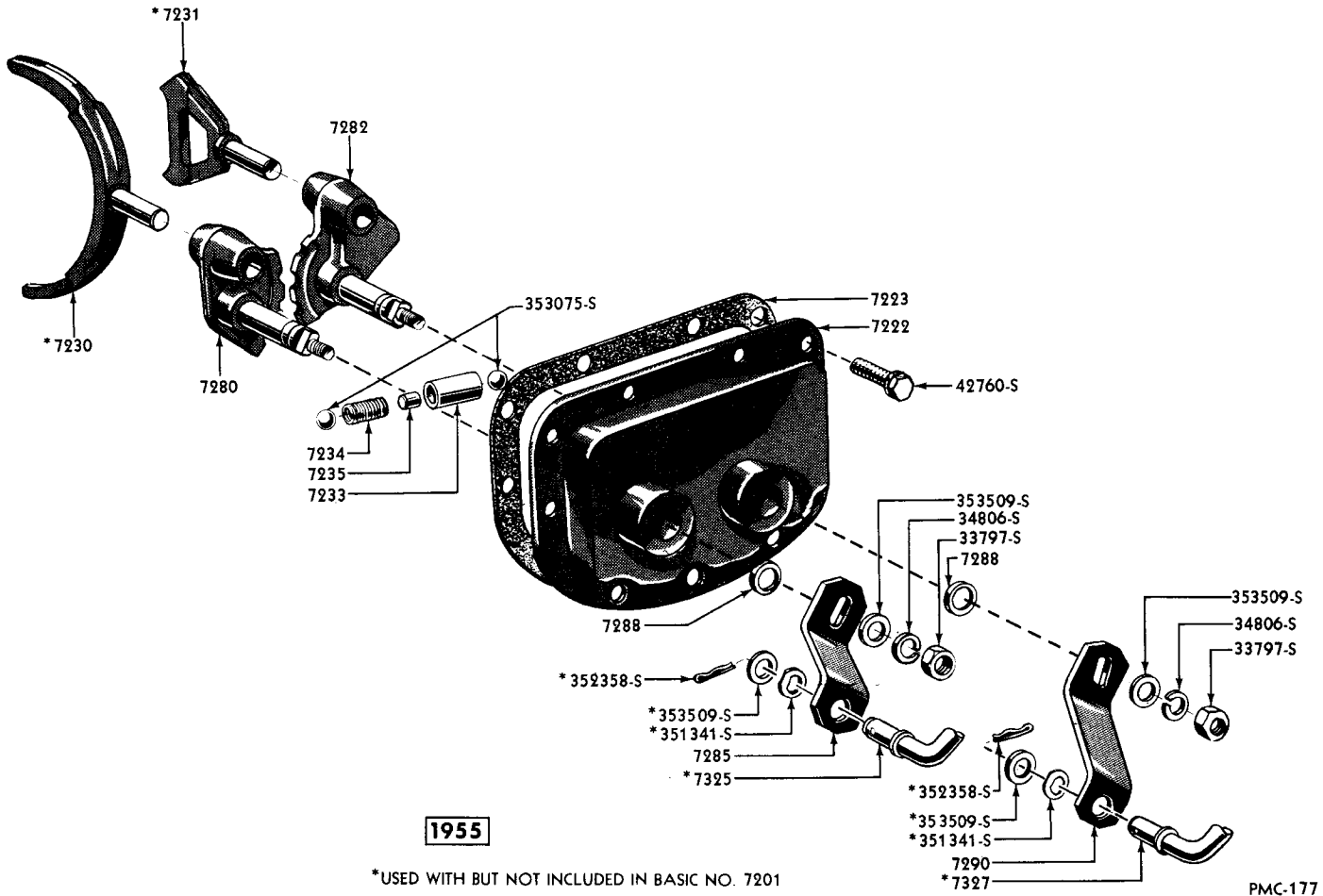
Basic numbers only shown on illustration. Order by Part Numbers shown in list of parts.

PART NUMBER	QUANTITY	PART NAME	NO. REQ'D	MODEL	YEAR
NS AB-7201-B		Housing, levers, cam & shafts assy (trans. gear shift)-used with Standard & Overdrive trans. -Service Details	1	MB	19 54
NS MC-7201-B		Housing, levers, cam & shafts assy (trans. gear shift)-used with Standard & Overdrive trans. -Service Details	1	MC	55

MERCURY

CHASSIS PARTS CATALOGUE

Gear Shift—Continued



TRANSMISSION GEAR SHIFT HOUSING, LEVERS, CAM AND SHAFTS AND RELATED PARTS

Basic numbers only shown on illustration. Order by Part Numbers shown in list of parts.

PART NUMBER	QUANTITY	PART NAME	NO. REQ'D	MODEL	YEAR
48-12148		Bolt (hex-hd)-5/16"-18 x 29/32"-housing to trans. case	9	MB	54
42760-S8		Bolt & lockwasher assy (hex-hd)-5/16"-18 x 7/8-housing to trans. case	9	MC	55
34806-S7		Lockwasher-5/16"-housing to trans. case	9	MB	54

MERCURY

CHASSIS PARTS CATALOGUE

Gear Shift—Continued

GEAR SHIFT HOUSING, LEVERS, CAM AND SHAFTS CHART

PART NUMBER	CLASS	PART NAME	GEAR SHIFT HOUSING						
			AB-7201-B 1954	MC-7201-B 1955					
			NUMBER REQUIRED						
		AB-7222-B Housing (trans. gear shift)-with 9 holes & w/o ribbed extension	1						
		B5A-7222-A Housing (trans. gear shift)-⊕MC-7222-A		1					
		8A-7223 Gasket (trans. gear shift hsg.)-rectangular shaped, with one square & three rounded corners-also serviced in 7153 Kit	1						
		8L-7223-A Gasket (trans. gear shift housing)-also serviced in 7153 Kit		1					
		*0A-7230 Fork (trans. intermediate & high gear shifter)	1						
		*8L-7230 Fork (intermediate & high gear shifter)		1					
		*1A-7231-A Fork (trans. low & reverse gear shifter)	1						
		*8L-7231 Fork (low & reverse gear shifter)		1					
		8A-7233 Sleeve (trans. interlock)	1						
		8L-7233-A Sleeve (trans. interlock)-1.009" long		1					
		8L-7233-B Sleeve (trans. interlock)-1.014" long		1					
		8L-7233-C Sleeve (trans. interlock)-1.019" long		1					
		8L-7233-D Sleeve (trans. interlock)-1.024" long		1					
		01A-7234 Spring (trans. mesh lock)-11/32" O.D. x 11 coils x 1-5/16" free length	1						
		8L-7234 Spring (trans. mesh lock)		1					
		01A-7235 Pin (gear shifter interlock)-7/32" O.D. x 49/64" long	1						
		8L-7235 Pin (gear shifter interlock)		1					
		353075-S Ball (steel)-3/8"-dia. -trans. interlock	2	2					
		1A-7280-A Cam & shaft assy (trans. high & intermediate shift)	1						
		B5A-7280-A Cam & shaft assy (trans. high & intermediate shift)-⊕MC-7280-A		1					
		73746-S Pin-No. 10 x 1-1/8"-taper	1						
		1A-7282-A Cam & shaft assy (trans. low & reverse shift)	1						
		B5A-7282-B Cam & shaft assy (trans. low & reverse shift)-⊕MC-7282-A		1					
		73746-S Pin-No. 10 x 1-1/8"-taper	1						
		AB-7285-B Lever (trans. high & intermediate gear shift)	1						
		MC-7285-A Lever assy (trans. high & intermediate gear shift)		1					
		72015-S Cotter pin-1/16" x 3/4"		1					
		34806-S7 Lockwasher-5/16"-lever to cam & shaft	1	1					
		33797-S7 Nut (hex)-5/16"-18-lever to cam & shaft		1					
		33798-S8 Nut (hex)-5/16"-24-lever to cam & shaft	1						
		352358-S Pin (self locking)	1	1					
		351341-S7 Washer (flat spring)-5/16"-anti-rattle	1	1					
		353509-S Washer (flat)-5/16"-lever to cam & shaft	1	1					

* Used with but not part of 7201

MERCURY

CHASSIS PARTS CATALOGUE

Gear Shift—Continued

GEAR SHIFT HOUSING, LEVERS, CAM AND SHAFTS CHART—CONTINUED

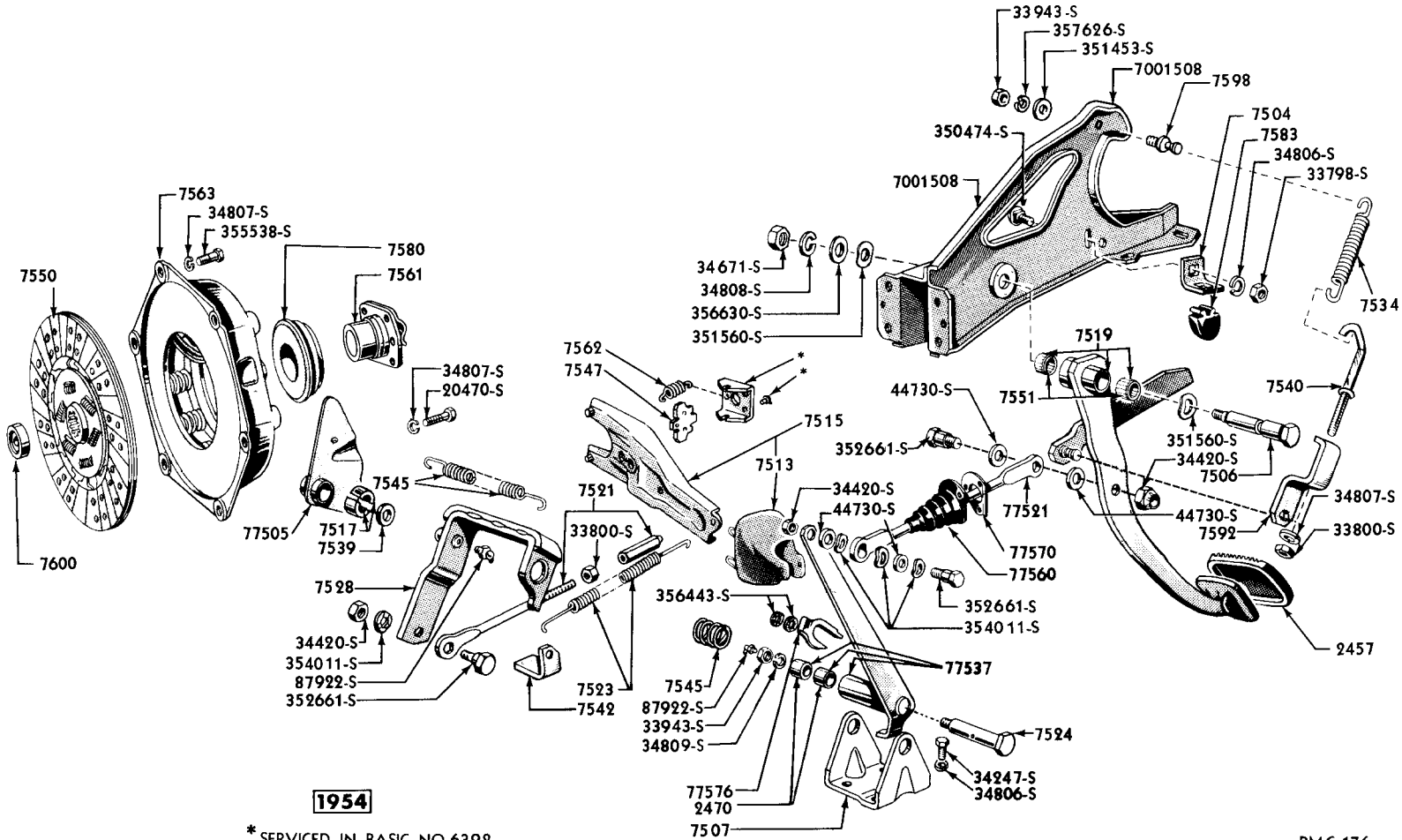
PART NUMBER	C L A S S	PART NAME	GEAR SHIFT HOUSING						
			AB-7201-B 1954	MC-7201-B 1955					
			NUMBER REQUIRED						
		1A-7288-A Oil seal (trans. shifting shaft)-5/8" O. D. x 27/64" I. D. x 7/64" thick-Synthetic Rubber	2	2					
		8A-7290-B Lever (trans. low & reverse gear shift)	1						
		MC-7290-A Lever assy (trans. low & reverse gear shift)		1					
		72015-S Cotter pin-1/16" x 3/4"		1					
		34806-S7 Lockwasher-5/16"-lever to cam & shaft	1	1					
		33797-S7 Nut (hex)-5/16"-18-lever to cam & shaft		1					
		33798-S8 Nut (hex)-5/16"-24-lever to cam & shaft	1						
		352358-S Pin (self locking)	1	1					
		351341-S7 Washer (flat spring)-5/16"-anti-rattle	1	1					
		353509-S Washer (flat)-5/16"-lever to cam & shaft	1	1					
		*MB-7325-B Rod assy (trans. high & intermediate gear shift)	1						
		*MC-7325-D Rod assy (trans. high & intermediate gear shift)		1					
		*MB-7327-B Rod assy (trans. low & reverse gear shift)	1						
		*MC-7327-C Rod assy (trans. low & reverse gear shift)		1					
		*352358-S Pin (self locking)	2	2					
		*44722-S8 Washer (flat)-5/16"-rod to shift levers	2						
		*351341-S7 Washer (flat spring)-5/16" I. D. x 5/8" O. D. - rod to shift levers	2	2					
		*356509-S8 Washer (flat)-21/64" I. D. x 45/64" O. D. x 3/64" thick		2					

Clutch

PART NUMBER	CLASS	PART NAME	NO. REQ'D	MODEL	YEAR 19__
		MA-2457-C Pad (clutch and brake pedal)- Rubber	1	MB, MC	54-55
B5A 7470-A		Spacer (trans. low oil pressure regulator valve)- ⊕PMB-7470-A	1	MC	55
MC 7490-C		Bracket & lever assy (clutch release equalizer)	1	MC	55
		20388-S8 Bolt (hex-hd)-3/8"-16 x 1"	2	MC	55
		72003-S7 Cotter pin-1/16" x 1/2"	1	MC	55
		87907-S8 Fitting (lubricator)	1	MC	55
		357629-S7 Lockwasher-3/8"	2	MC	55
		73954-S8 Pin (clevis)-1/4" x 1 27/64"- brkt. & lever to equalizer bar assy	1	MC	55
B2A 7504-A		Bracket (clutch pedal bumper)-"L" shaped & webbed -⊕AB-77503-C	1	MB, MC	54-55
		350474-S2 Bolt (carriage)-5/16"-24 x 5/8"	1	MB, MC	54-55
		34806-S7 Lockwasher-5/16"	1	MB, MC	54-55
		33798-S8 Nut (hex)-5/16"-24	1	MB, MC	54-55

* Used with but not part of 7201 assy

Clutch—Continued



1954

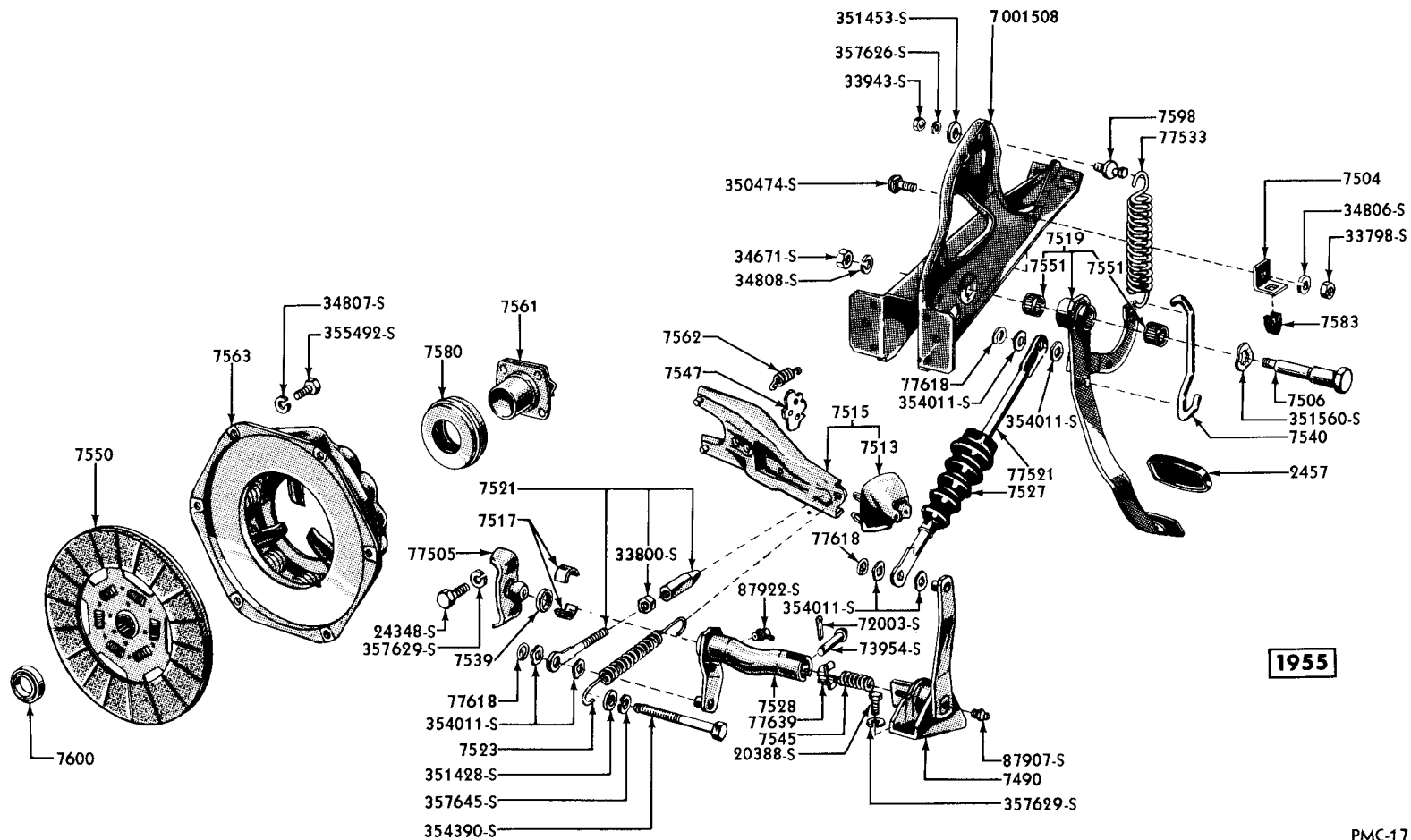
* SERVICED IN BASIC NO.6392

PMC-176

CLUTCH AND RELATED PARTS

Basic numbers only shown on illustration. Order by Part Numbers shown in list of parts.

Clutch—Continued



PMC-178

CLUTCH AND RELATED PARTS

Basic numbers only shown on illustration. Order by Part Numbers shown in list of parts.

MERCURY

CHASSIS PARTS CATALOGUE

Clutch—Continued

PART NUMBER	PART NAME	NO. REQ'D	MODEL	YEAR 19__
MB-77505-B	Bracket assy (clutch release equalizer)-engine	1	MB	54
MC-77505-A	Bracket assy (clutch release equalizer)-engine	1	MC	55
24348-S8	Bolt (hex-hd)-3/8"-16 x 3/4"	2	MB, MC	54-55
87924-S8	Fitting (lubricator)-1/4"-28 pipe thread x 90° angle-for lubricating clutch release equalizer shaft support ball-used with Dual Exhaust	1	MB	54
357629-S7	Lockwasher-3/8"	2	MB, MC	54-55
MA 7506-C	Shaft (clutch & brake pedal pivot)-7/16"-20 x 4-19/32"	1	MB, MC	54-55
34808-S8	Lockwasher-7/16"	1	MB, MC	54-55
34671-S8	Nut (hex)-7/16"-20	1	MB, MC	54-55
356630-S8	Washer (flat)-1-3/64" O. D. x 41/64" I. D.	1	MB, MC	54-55
351560-S7	Washer (spring)-1-1/8" O. D. x 25/32" I. D.	1	MB, MC	54-55
MB 7507-A	Bracket (clutch release equalizer frame)	1	MB	54
MB 7507-B	Bracket (clutch release equalizer frame)	1	MB	54
24327-S7	Bolt (hex-hd)-5/16"-24 x 5/8" -bracket to frame	4	MB	54
34806-S7	Lockwasher-5/16"	4	MB	54
AB 7513-B	Shield (clutch release lever dust)-Leather	1	MB, MC	54-55
44713-S8	Washer (flat)-No. 10-leather to lever	1	MB, MC	54-55
MB 7515-A	Lever assy (clutch release)	1	MB, MC	54-55
352358-S	Pin (self-locking)	1	MB, MC	54-55
01A 7517	Socket (clutch shaft ball)-Bronze	2	MB, MC	54-55
MA 7519-E	Pedal assy (clutch)	1	MB	54
MC 7519-C	Pedal assy (clutch)	1	MC	55
BR-7001508-B	Support assy (clutch pedal)-with threaded type pin	1	MB	54
BV-7001508-A	Support assy (clutch pedal)	1	MC	55
MB 7521-A	Rod assy (clutch release lever)	1	MB	54
MC 7521-A	Rod assy (clutch release lever reverse)	1	MC	55
MB-77521-A	Rod (clutch pedal to release lever)	1	MB	54
MC-77521-A	Rod (clutch pedal to release lever)	1	MC	55
352661-S8	Bolt (hex-hd shoulder)-3/8"-24 x 1-1/16"-1/2" dia. shoulder	1or2	MB, MC	54-55
34420-S8	Locknut-3/8"-24	2	MB, MC	54-55
33800-S8	Nut (hex)-3/8"-24	1	MB, MC	54-55
44730-S8	Washer (flat)-7/16"	4	MB, MC	54-55
352663-S7	Washer (spring-three wave)-17/32" I. D. x 13/16" O. D.	4	MB, MC	54-55
354011-S7	Washer (spring)-3/4" O. D. x 17/32" I. D. -attaches MC-7521-A to MC-7528-C	2or4	MB, MC	54-55

MERCURY

CHASSIS PARTS CATALOGUE

Clutch—Continued

PART NUMBER	U.S.A. / C.	PART NAME	NO. REQ'D	MODEL	YEAR 19__
MB 7523-A		Spring (clutch release retracting)	1	MB	54
MB 7523-B		Spring (clutch release retracting)-use 354390-S8 bolt with this spring	1	MB, MC	54-55
		354390-S8 Bolt (hex-hd)-7/16"-14 x 5-5/16"	1	MB, MC	54-55
		357625-S7 Lockwasher-7/16"	1	MB, MC	54-55
		351428-S8 Washer (flat)-7/16"	1	MB, MC	54-55
MEK 7524-A		Kit (clutch release equalizer)-consists of the following (1) MB-7524-A Shaft (1) MB-7528-B Bar (2) 87924-S8 Fitting Used with Dual Exhaust on Standard Transmission	1	MB	54
MA 7524-B		Shaft (clutch lever)	1	MB	54
MB 7524-A		Shaft (clutch lever)-used with Dual Exhaust -also serviced in 7524 Kit	1	MB	54
		87924-S8 Fitting (lub.)-45°-1/4"-28-taper thread	2	MB	54
		34809-S8 Lockwasher-1/2"-shaft to frame bracket	1	MB	54
		33943-S8 Nut (hex)-1/2"-20-shaft to frame bracket	1	MB	54
	NS	356443-S Washer-1-3/8" O. D. x 1" I. D. x .100" thick-Felt-make locally	2	MB	54
BA 7527-A		Seal (clutch pedal rod)-Rubber	1	MC	55
MB 7528-A		Bar assy (clutch release equalizer)	1	MB	54
MB 7528-B	NS	Bar assy (clutch release equalizer)-used with Dual exhaust-serviced in 7524 Kit	1	MB	54
MB 7528-C		Bar assy (clutch release equalizer)-use with Dual Exhaust and Standard Transmission	1	MB	54
MC 7528-C		Bar assy (clutch release equalizer)	1	MC	55
		87922-S8 Fitting (lubricator)-1/4"-28 x 45° angle	1	MB, MC	54-55
		MC-77533-A Spring (clutch pedal lever assist) -6" long-free length	1	MC	55
B2A 7534-A		Spring (clutch pedal lever assist)-⊕AB-77533-B	1	MB	54
		8A-2470 Bushing (clutch release lever upper)	2	MB	54
		MB-77537-A Lever assy (clutch release)-upper	1	MB	54
		355634-S8 Bolt (hex-hd shoulder)-3/8"-24 x 1-3/16"-clutch pedal to clutch release upper lever	1	MB	54
01A 7539-A		Washer (clutch release equalizer shaft)-Rubber-37/64" I. D. x 15/16" O. D.	1	MB, MC	54-55
MA 7540-B		Retainer (clutch pedal retracting spring)-3/8"-24 thread	1	MB	54
		34807-S8 Lockwasher-3/8"-retainer to link	1	MB	54
		33800-S8 Nut (hex)-3/8"-24-retainer to link	1	MB	54

MERCURY

CHASSIS PARTS CATALOGUE

Clutch—Continued

PART NUMBER	PART NAME	NO. REQ'D	MODEL	YEAR 19__
MC 7540-A	Retainer (clutch pedal retracting spring)	1	MC	55
MB 7542-A	Bracket (clutch retracting spring)	1	MB	54
	353431-S8 Bolt (hex-hd)-7/16"-14 x 4-5/8"-bracket to steering gear case	1	MB	54
	34808-S8 Lockwasher-7/16"-brkt. to steering gear case	1	MB	54
	33801-S8 Nut (hex)-7/16"-brkt. to steering gear case	1	MB	54
AB 7545-A	Spring (clutch equalizer bar retaining)	1	MB	54
MC 7545-B	Spring (clutch equalizer bar retaining)	1	MC	55
MB 7547-A	Fulcrum (clutch release lever)-star shaped	1	MB, MC	54-55
	352358-S2 Pin (self locking)	1	MB, MC	54-55
MC 7550-A	Disc assy (clutch)	1	MB, MC	54-55
B2A 7551-A	Bearing assy (clutch pedal shaft)-1" O. D. x 3/4" I. D. x 1/2" thick-⊕MA-77552-A	2	MB, MC	54-55
	MA-77560-C Boot (clutch pedal rod thru dash)- Rubber-bellowed	1	MB	54
MB 7561-A	Hub assy (clutch release bearing)	1	MB, MC	54-55
MB 7562-A	Spring (clutch release lever anti-rattle)	1	MB, MC	54-55
MB 7563-A	Plate & cover assy (clutch pressure)	1	MB	54
MC 7563-B	Plate & cover assy (clutch pressure)	1	MC	55
	35492-S Bolt (hex-hd)-3/8"-16 x 15/16" -pressure plate and cover to flywheel	6	MB, MC	54-55
	34807-S8 Lockwasher-3/8"-plate and cover to flywheel	6	MB, MC	54-55
	MA-77570-C Retainer (clutch pedal rod thru dash boot)	1	MB	54
	42134-S8 Screw (hex-hd)-No. 10-12 x 5/8"-retainer to dash	3	MB	54
8A 7580-A	Bearing assy (clutch release)-3-1/4" O. D. x 1-41/64" I. D. x 3/4" thick	1	MB, MC	54-55
MA 7583-A	Bumper (clutch pedal)-dome shaped-63/64" long	1	MB, MC	54-55
MA 7592-B	Link (clutch pedal retracting spring)-4-35/64" o/all length	1	MB	54
	34807-S8 Lockwasher-3/8"	1	MB	54
	33800-S8 Nut (hex)-3/8"-24-link to retainer	1	MB	54
MB 7598-A	Pin (clutch pedal retracting spring)	1	MB, MC	54-55
	357626-S7 Lockwasher (special)-attaches clutch pedal retracting spring pin to brake pedal support	1	MB, MC	54-55
	33943-S8 Nut (hex)-1/2"-20	1	MB, MC	54-55
	351453-S8 Washer (flat)-1/2"	1	MB, MC	54-55

MERCURY

CHASSIS PARTS CATALOGUE

Clutch—Continued

PART NUMBER	PART NAME	NO. REQ'D	MODEL	YEAR 19__
B 7600-A	Bearing (clutch pilot)-Ball type-. 6689"/. 6693" I. D. x 1.5734"/1.5748" O. D. x .4674"/. 4724" thick	1	MB, MC	54-55
	MC-77618-A Retainer (clutch pedal stop lever pin)-attach MC-77521-A to MC-7519-C to MC-7528-C	3	MC	55
	MC-77639-A Retainer (clutch release equalizer bar retaining spring)	1	MC	55
AB 7650-A	Extension assy (trans.)-Standard	1	MB	54
AB 7650-B	Extension assy (trans.)-O/Drive	1	MB	54
B4A 7650-A	Extension assy (trans.)-Aluminum-⊕1P-7650-D	1	MB	54
Δ B5A 7650-C	Extension assy (trans.)-⊕PMB-7650-A	1	MC	55
B5A 7650-D	Extension assy (trans.)-Standard-⊕MC-7650-A	1	MC	55
B5A 7650-E	Extension assy (trans.)-O/Drive-⊕MC-7650-B	1	MC	55
16H 7653	Gear (trans. O/Drive ring)-42 teeth-4-17/64" O. D.	1	MB	54
8L 7653	Gear (trans. O/Drive ring)	1	MC	55
16H 7654	Snap ring (trans. O/Drive ring gear)-3-29/32" O. D.	1	MB	54
8L 7654-A	Snap ring (trans. O/Drive ring gear)-. 056"/. 054" thick	1	MC	55
8L 7654-B	Snap ring (trans. O/Drive ring gear)-. 058"/. 056" thick	1	MC	55
8L 7654-C	Snap ring (trans. O/Drive ring gear)-. 060"/. 058" thick	1	MC	55
8M 7656	Snap ring (transmission O/Drive mainshaft bearing)-2-15/16" O. D. x 5/64" thick	1	MB, MC	54-55
Δ 1P 7657-A	Seal assy (trans. extension)-oil	1	MB	54
Δ B5A 7657-A	Seal assy (trans. extension)-oil-⊕PMB-7657-A	1	MC	55
8L 7660	Adapter (trans. O/Drive)	1	MC	55
AB 7660-A	Adapter (trans. O/Drive)-with (3) tapped holes & with notched I. D.	1	MB	54
8L 7661	Gasket (trans. O/Drive housing adapter)	1	MC	55
AB 7661-A	Gasket (trans. O/Drive housing adapter)	1	MB	54
56H 7662	Ring and gear plate assy (trans. O/Drive balk)	1	MB	54
8L 7662	Ring and gear plate assy (trans. O/Drive balk)	1	MC	55
56H 7665	Plate & trough assy (trans. O/Drive cover)	1	MC	55
AB 7665-A	Plate & trough assy (trans. O/Drive cover)	1	MB	54
16H 7666-A	Snap ring (trans. O/Drive cover plate)-. 062" thick	as reqd	MB, MC	54-55
16H 7666-B	Snap ring (trans. O/Drive cover plate)-. 070" thick	as reqd	MB, MC	54-55
16H 7666-C	Snap ring (trans. O/Drive cover plate)-. 066" thick	as reqd	MB, MC	54-55

Δ Used with Merc-O-Matic transmission

MERCURY

CHASSIS PARTS CATALOGUE

Clutch—Continued

PART NUMBER	C L A S S	PART NAME	NO. REQ'D	MODEL	YEAR
					19
16H 7667-A		Snap ring (trans. main shaft rear brg.)-.087" thick	as reqd	MB	54
16H 7667-B		Snap ring (trans. main shaft rear brg.)-.090" thick	as reqd	MB	54
16H 7667-C		Snap ring (trans. main shaft rear brg.)-.093" thick	as reqd	MB	54
16H 7667-D		Snap ring (trans. main shaft rear brg.)-.096" thick	as reqd	MB	54
8A 7667-A		Snap ring (trans. main shaft)-.090" thick	as reqd	MB	54
8A 7667-B		Snap ring (trans. main shaft)-.093" thick	as reqd	MB	54
8A 7667-C		Snap ring (trans. main shaft)-.096" thick	as reqd	MB	54
8A 7668		Baffle (trans. main shaft)-oil	1	MB	54
8L 7668		Baffle (trans. main shaft)-oil	1	MC	55
56H 7670		Gear assy (transmission O/Drive)-sun	1	MB	54
8L 7670		Gear assy (transmission O/Drive)-sun	1	MC	55
8L 7672-A		Ring (trans. O/Drive pinion cage to main shaft)-.062" thick	2	MC	55
8L 7672-B		Ring (trans. O/Drive pinion cage to main shaft)-.068" thick	1	MC	55
8L 7672-C		Ring (trans. O/Drive pinion cage to main shaft)-.074" thick	1	MC	55
56H 7673		Cage assy (transmission O/Drive pinion)	1	MB	54
8L 7673		Cage assy (transmission O/Drive pinion)	1	MC	55
16H 7674		Retainer (transmission O/Drive free wheel cage)	1	MB	54
16H 7675		Cam, roller & cage assy (trans. O/Drive free wheel)	1	MB	54
8L 7675		Cam, roller & cage assy (trans. O/Drive free wheel)	1	MC	55
16H 7676		Retainer (transmission O/Drive free wheel cam)	1	MB	54
16H 7679		Roller (transmission O/Drive free wheel)	12	MB	54
1A 7680-A		Fork & rail assy (trans. O/Drive shift)	1	MB	54
B5A 7680-A		Fork & rail assy (trans. O/Drive shift)- ⊕MC-7680-A	1	MC	55
16H 7685		Spring (transmission O/Drive retractor)-15 coils- 2-3/4" long	1	MB, MC	54-55
8L 7686		Shaft (trans. O/Drive control)-2-21/32" long	1	MB	54
56H 7688		Seal assy (transmission shifter shaft oil)-15/16" O.D. x 3/16" wide-with Rubber liner	1	MB, MC	54-55
8A 7689		Lever (trans. O/Drive control)-3-3/16" long	1	MB	54
8L 7690		Pawl (trans. O/Drive stationery gear)	1	MC	55
AB 7690-A		Pawl (trans. O/Drive stationary gear)	1	MB	54
1M 7692		Shield (trans. extension rear oil seal)	1	MB, MC	54-55
26H 7693		Seal (transmission O/Drive pawl operating rod oil)- 5/8" O.D. x 13/64" thick-with rubber liner	1	MB, MC	54-55
8L 7696		Guide (trans. O/Drive shift rail)	1	MB, MC	54-55

MERCURY

CHASSIS PARTS CATALOGUE

Clutch—Continued

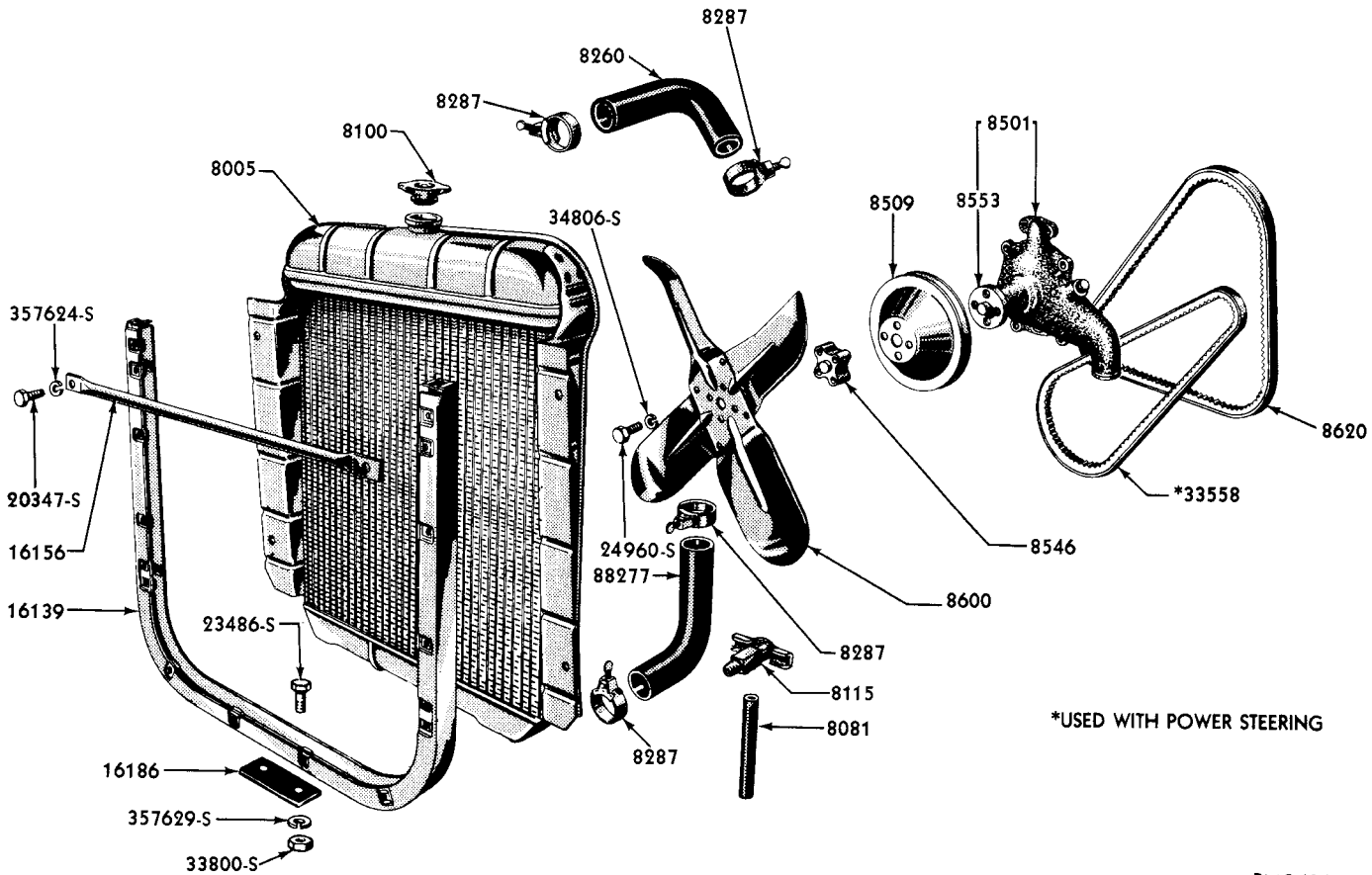
PART NUMBER	603PFC	PART NAME	NO. REQ'D	MODEL	YEAR 19__
8L 7697-B		Bearing (trans. main shaft)-rear	1	MC	55
ΔPMB 7697-B		Bushing (trans. extension)-reamed	1	MC	55
8A 7699-B		Bearing (trans. extension)-1-5/8" O. D. x 1-1/4" long	1	MB	54
0M 7713		Clip (trans. O/Drive control cable support)-at engine-rounded edge near 15/32" diameter hole	1	MB	54
AB 7749-A		Shaft assy (trans. O/Drive main)	1	MB	54
B5A 7749-A		Shaft assy (trans. O/Drive main)-⊕MC-7749-A	1	MC	55
Δ MB 7771-B		Pan (trans. control linkage splash)	1	MB	54
Δ MB 7771-C		Pan (trans. control linkage splash)-used with Dual Exhaust-also serviced in 5210-Kit	1	MB	54
Δ MC 7771-B		Pan (trans. control linkage splash)	1	MC	55
8M 7777		Cover (trans. O/Drive mainshaft bearing plate)	1	MB	54
8M 7778		Gasket (trans. O/Drive mainshaft brg. cover plate)	1	MB	54
Δ 1P 7908-D		Impeller assy (converter)	1	MB	54
Δ B5A 7908-A		Impeller assy (converter)-⊕PMB-7908-A	1	MC	55
Δ B5A 7915-A		Hub (converter impeller)-⊕PMB-7915-A	1	MB, MC	54-55
Δ 1P-7916-A		Gasket (converter impeller hub)-Synthetic Rubber-4-15/64" O. D. x 3-15/16" I. D. x 9/64" thick	1	MB, MC	54-55
Δ 1P 7920-A		Turbine assy (converter)	1	MB	54
Δ B5S 7920-A		Turbine assy (converter)-⊕PMB-7920-A	1	MC	55
Δ 1P 7932-A		Stator assy (converter)	1	MB	54
Δ B5S 7932-A		Stator assy (converter)-⊕PMB-7932-A	1	MC	55
Δ 1P 7937-A		Washer (converter stator thrust)-Aluminum-1-19/32" I. D. x 2-15/16" O. D. x 13/32" thick	2	MB, MC	54-55
Δ B5A 7937-A		Washer (converter stator thrust)-⊕1P-7937-B	1	MB, MC	54-55
Δ 1P 7940-B		Clutch assy (converter stator)	1	MB, MC	54-55
Δ 1P 7942-B		Retainer assy (converter stator clutch)	2	MB	54
Δ B5A 7943-A		Retainer (converter stator)-⊕PMB-7943-A	2	MC	55
Δ 1P 7945-A		Snap ring (converter stator clutch retainer)-2-9/32" I. D. x 3-39/64" O. D. x 27/64" thick	2	MB, MC	54-55
Δ 1P 7946-A		Race (converter stator clutch)-inner	1	MB, MC	54-55
Δ 1P 7947-B		Race (converter stator clutch)-outer	1	MB, MC	54-55
Δ 1P 7950-E		Cover assy (converter)-with (18) bolt holes	1	MB	54
Δ B5A 7950-A		Cover assy (converter)-⊕PMB-7950-A	1	MC	55
Δ 1P 7962-A		Washer (counter thrust)-1-1/4" I. D. x 2-7/16" O. D. x 1/16" thick	1	MB, MC	54-55
Δ 1P 7963-B		Gasket (converter cover)-Rubber	1	MB, MC	54-55
Δ 1P 7964-D		Bolt (converter cover to impeller hsg.)	18	MB, MC	54-55
Δ 1P 7975-F		Housing assy (converter)	1	MB	54
Δ B5S 7975-A		Housing assy (converter)-⊕PMB-7975-A	1	MC	55
Δ B2A 7980-A		Cover (converter hsg. lower access)-⊕AB-77980-A	1	MB, MC	54-55
Δ MB 7985-A		Cover assy (converter housing)	1	MB, MC	54-55
Δ 1M 7988		Gasket (converter hsg. lower cover to upper cover)	1	MB	54
Δ 1M 7989		Gasket (converter hsg. lower cover)	1	MB	54
Δ AB 7990-A		Duct assy (converter air)	1	MB, MC	54-55
Δ 1M 7991-B		Cover assy (converter hsg.)-lower-with clinch nut	1	MB	54
Δ 1M 7992		Cover (converter hsg.)-upper	1	MB	54
Δ 1M 7993-B		Screen assy (converter hsg. to air duct)	1	MB, MC	54-55

Δ Used with Merc-O-Matic transmission

MERCURY

CHASSIS PARTS CATALOGUE

Radiator



*USED WITH POWER STEERING

PMC-184

RADIATOR AND RELATED PARTS

Basic numbers only shown on illustration. Order by Part Numbers shown in list of parts.

PART NUMBER	UNIT	PART NAME	NO. REQ'D	MODEL	YEAR
8H-19546-A		Rust inhibitor-pt. can		MB, MC	54-55
8L-19558-A		Radiator stop leak-10 oz. can		MB, MC	54-55
MB 8005-B		Radiator assy-11-1/2 fins per inch	1	MB	54
MB 8005-C		Radiator assy-12-1/2 fins per inch-extra cooling	1	MB	54
MC 8005-B		Radiator assy-extra cooling & Air Conditioning	1	MC	55
MC 8005-C		Radiator assy	1	MC	55

MERCURY

CHASSIS PARTS CATALOGUE

Radiator — Continued

PART NUMBER	PART NAME	NO. REQ'D	MODEL	YEAR 19__
20327-S8	Bolt (hex-hd)-5/16"-24 x 5/8"-radiator to frt. fender apron & radiator support	4	MB, MC	54-55
20347-S8	Bolt (hex-hd)-5/16"-24 x 3/4"-radiator to radiator support	4	MB, MC	54-55
43264-S8	Bolt & lockwasher assy (hex-hd)-5/16"-24 x 7/8"-radiator to frt. fender & radiator support	4	MC	55
34941-S7	Lockwasher (external tooth)-5/16"-use with 20327-S8	4	MB, MC	54-55
357624-S7	Lockwasher-5/16"-radiator to radiator support	4	MB, MC	54-55
353418-S2	Nut (cage)-5/16"-24-radiator to support	4	MB	54
MB-8260-A	Hose (radiator)-upper-1-1/2" I. D. x 12" formed length	1	MB	54
MC-8260-A	Hose (radiator)-upper-1-1/2" I. D. x 12-29/32" formed length	1	MC	55
8A-8287	Clamp (radiator upper and lower hose)-adjustable range of 1-1/2" to 2-3/4" I. D.	as reqd	MB, MC	54-55
MB-88277-B	Hose assy (radiator)-lower-1-3/4" I. D. x 7-53/64" formed length	1	MB	54
MC-88277-A	Hose assy (radiator)-lower-2" I. D. x 11-1/4" formed length	1	MC	55
MA 8081-B	Hose (radiator drain)-5/16" I. D. x 1/2" O. D. x 6-3/4" long	1	MB	54
MB 8081-A	Hose (radiator drain)-3/8" I. D. x 9/16" O. D. x 6" long-use 8A-8115 with this hose	1	MB, MC	54-55
LA 8100-A3	Cap assy (radiator)-stamped "14"-optional with LA-8100-A4	1	MB, MC	54-55
LA 8100-A4	Cap assy (radiator)-stamped "13"-optional with LA-8100-A3	1	MB, MC	54-55
BR 8104-A	Deflector assy (radiator side air)-R. H.	1	MB	54
BU 8104-A	Deflector assy (radiator side air)-R. H. -also used for Air Conditioning-relocate wiring holes where necessary	1	MC	55
BR 8105-A	Deflector assy (radiator side air)-L. H.	1	MB	54
BV 8105-A	Deflector assy (radiator side air)-L. H. -also used for Air Conditioning	1	MC	55
24387-S7	Bolt (hex-hd)-5/16"-24 x 1"-deflector to radiator support	10	MB	54
44724-S8	Washer (flat)-5/16"-deflector to radiator support	10	MB	54

MERCURY

CHASSIS PARTS CATALOGUE

Radiator — Continued

PART NUMBER	PART NAME	NO. REQ'D	MODEL	YEAR 19__
8A 8115	Cock assy (drain)-1/4"-used with MB-8081-A	1	MB, MC	54-55
9N 8115-B	Cock assy (cylinder block drain)-tee type	2	MB, MC	54-55
8CM 8115-A	Cock assy (drain)-1/4"-wing type handle	1	MB	54
BR 8209-A	Shield assy (radiator splash)	1	MB	54
BV 8209-A	Shield assy (radiator splash)-also used for Air Conditioning by adding 7/16" dia. hole	1	MC	55
	20347-S8 Bolt (hex-hd)-5/16"-24 x 3/4"-shield to parking lamp splash shield	2	MB, MC	54-55
	20347-S8 Bolt (hex-hd)-5/16"-24 x 3/4"-shield to fender apron & defl.	10	MB, MC	54-55
	42905-S8 Bolt & washer assy (hex-hd)-5/16"-24 x 3/4"-shield to radiator support	4	MB	54
	34806-S7 Lockwasher-5/16"-shield to parking lamp splash shield	2	MB	54
	34806-S7 Lockwasher-5/16"-shield to apron and deflector	10	MB, MC	54-55
	34941-S7 Lockwasher (external tooth)-5/16"-shield to frt. fender apron & deflector	10	MC	55
	33798-S8 Nut (hex-hd)-5/16"-24-shield to apron and deflector	10	MB, MC	54-55
	33798-S8 Nut (hex-hd)-5/16"-24-shield to parking lamps splash shield	2	MB	54
	353418-S2 Nut assy (retainer)-5/16"-24-splash shield to radiator support	4	MC	55
	353704-S Screw & lockwasher assy (hex-hd)-5/16"-24 x 1-9/64"-splash shield to radiator support assy	4	MC	55
	44724-S8 Washer (flat)-5/16"-shield to fender apron & deflector	10 or 20	MB, MC	54-55
	44724-S8 Washer (flat)-5/16"-shield to parking lamp splash shield	2	MB	54
	44724-S8 Washer (flat)-5/16"-shield to radiator support	4	MB	54
	MB-16550-A Shield (radiator splash)	1	MB	54
	MB-16550-B Shield (radiator splash)	1	MC	55
	24347-S8 Bolt (hex-hd)-5/16"-24 x 3/4"-shield to radiator support	1	MB	54
	39909-S7 Bolt (hex washer head)-5/16"-18 x 3/4"-shield to frame	4	MB, MC	54-55
	34806-S7 Lockwasher-5/16"-shield to radiator support	1	MB	54
	33798-S8 Nut (hex)-5/16"-24-shield to radiator support	1	MB	54
8M 8219	Spacer (hood ornament)-square	1	MB	54
8M 8219	Spacer (front door garnish moulding)-square	4	MB	54
	351600-S8 Spacer (front door garnish moulding)-square	4	MB	54
	351600-S8 Spacer (hook ornament)-square	1	MB	54

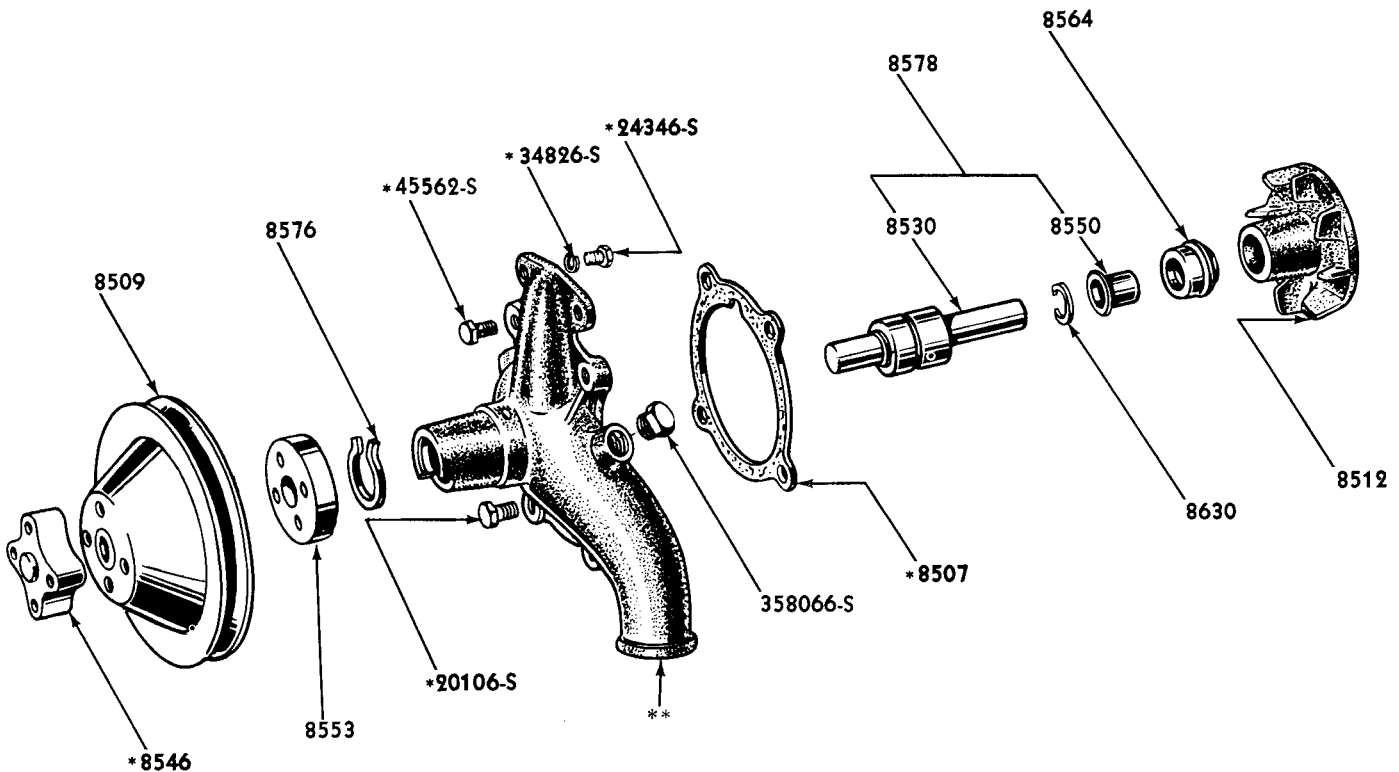
MERCURY

CHASSIS PARTS CATALOGUE

Radiator — Continued

PART NUMBER	QUANTITY	PART NAME	NO. REQ'D	MODEL	YEAR 19__
B5A 8255-A		Gasket (water outlet connection)-also serviced in 6008, 6079 & 8570 Kit-⊕ECE-8255-A	1	MB, MC	54-55
MB 8260-A		Hose (radiator)-upper-1-1/2" I. D. x 12" formed length	1	MB	54
MC 8260-A		Hose (radiator)-upper-1-1/2" I. D. x 12-29/32" formed length	1	MC	55
		MB-88277-B Hose assy (radiator)-lower-1-3/4" I. D. x 7-53/64" formed length -includes spring insert	1	MB	54
		MC-88277-A Hose assy (radiator)-lower-2" I. D. x 11-1/4" formed length	1	MC	55
8A 8287-A		Clamp assy (hose)-adjustable range of 1-1/2" to 2-3/4" I. D.	as reqd	MB, MC	54-55

Water Pump



*NOT PART OF WATER PUMP ASSEMBLY

**SERVICED IN BASIC NO. 8501

PMC-185

WATER PUMP AND RELATED PARTS

Basic numbers only shown on illustration. Order by Part Numbers shown in list of parts.

MERCURY

CHASSIS PARTS CATALOGUE

Water Pump—Continued

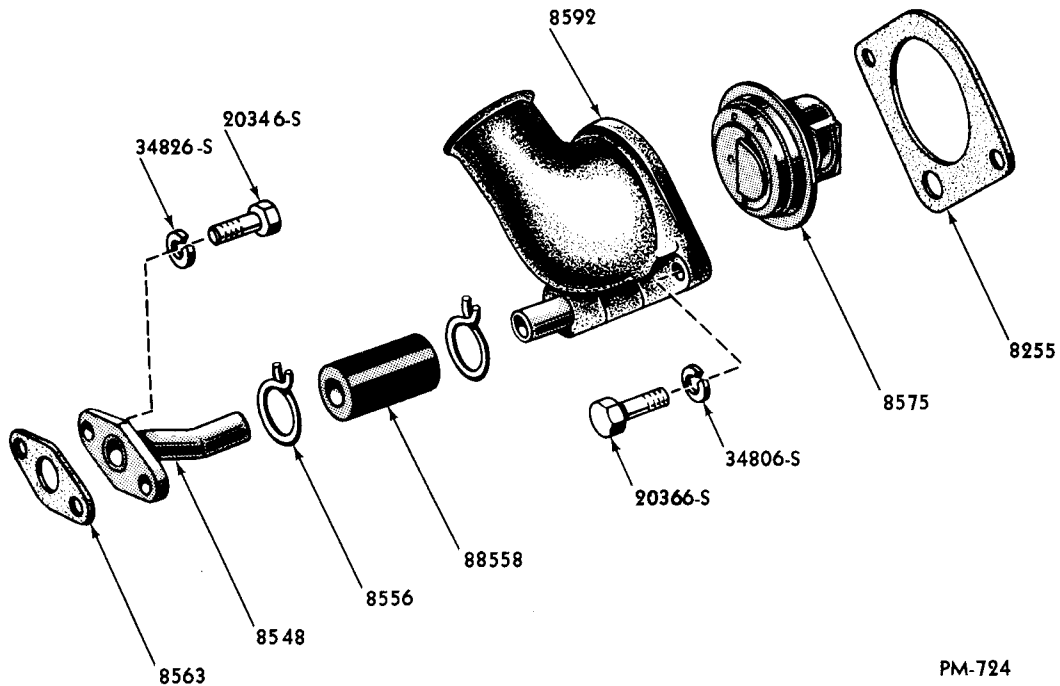
PART NUMBER	UNIT	PART NAME	NO. REQ'D	MODEL	YEAR 19
B4A 8501-C		Pump assy (water)-less pulley-⊕EBU-88502-B	1	MB	54
B5A 8501-C		Pump assy (water)-less pulley-⊕ECE-88502-C	1	MC	55
		20106-S8 Bolt (hex-hd)-5/16"-18 x 1-1/8" -pump to cylinder frt. cover	2	MB, MC	54-55
		45562-S8 Bolt (hex-hd)-5/16"-18 x 4"- pump and cover to cylinder block	2	MB, MC	54-55
		358066-S8 Plug (countersunk head)-3/8"- 18-for cars less heater and compressor	2	MB, MC	54-55
EAN 8505-B	NS	Housing (water pump)-serviced in 8501 assy	1	MB	54
EAN 8507-B		Gasket (water pump)-also serviced in 6008, 6059 and 8591 Kits	1	MB	54
B5A 8507-A		Gasket (water pump)-also serviced in 8591 Kit- ⊕ECB-8507-A	1	MC	55
EBU 8509-B		Pulley (water pump)	1	MB	54
B5A 8509-D		Pulley (water pump)-extra cooling-⊕ECG-8509-A	1	MC	55
B6A 8509-A		Pulley (water pump)-with 1/2" wide belt groove - ⊕ECB-8509-D	1	MC	55
B6A 8509-B		Pulley (water pump)-used with Air Conditioning and extra cooling-⊕ECB-8509-C	1	MC	54
EBU 8512-A		Impeller (water pump)-also serviced in 8591 Kit	1	MB	54
B5A 8512-B	NS	Impeller (water pump)-serviced in 8591 Kit	1	MC	55
2GA 8530-A	NS	Bearing assy (water pump)-serviced in 8591 Kit	1	MB	54
B5A 8530-A	NS	Bearing assy (water pump)-serviced in 8591 Kit	1	MC	55
EBU 8546-B		Spacer (water pump pulley to fan)-1-9/32" thick x 2-39/64" O. D. -extra cooling	1	MB	54
EBY 8546-C		Spacer (water pump pulley to fan)-1-13/64" thick x 2-39/64" O. D.	1	MB	54
ECE 8546-B		Spacer (water pump pulley to fan)-used with Air Conditioning and extra cooling	1	MC	55
B5A 8546-A		Spacer (water pump pulley to fan)-⊕ECE-8546-A	1	MC	55
EAN 8548-B		Tube assy (water by-pass)-front	1	MB	54
B5A 8548-A		Tube assy (water by-pass)-front-⊕ECE-8548-A	1	MC	55
		20346-S8 Bolt (hex-hd)-5/16"-18 x 3/4"- tube to water pump	2	MB, MC	54-55
		34826-S7 Lockwasher-5/16"-tube to water pump	2	MB, MC	54-55
7HA 8550		Slinger (water pump shaft)-also serviced in 8591 Kit	1	MB, MC	54-55
EAA 8553-B		Hub (water pump pulley)	1	MB	54
B4A 8553-A		Hub (water pump pulley)-⊕EBP-8553-A	1	MC	55
EBU 8556-A	NS	Clamp (water by-pass connection)-57/64" I. D. x 1/2" wide-use 1C-18572-A	2	MB	54
ECE 8556-A	NS	Clamp assy (water by-pass hose)-use 1C-18572-A	2	MC	55

MERCURY

CHASSIS PARTS CATALOGUE

Water Pump—Continued

PART NUMBER	NO. REQ'D	PART NAME	NO. REQ'D	MODEL	YEAR 19__
B4A 8558-A		Connection (water by-pass)-Rubber-1/2" I.D. x 7/8" O.D. x 1-45/64" long-⊕EBU-88558-A	1	MB	54
NS ECE-88558-A		Connection (water by-pass)-5/8" I.D. x 1" O.D. x 3-3/16" long-cut from FDA-18472-A	1	MC	55
EAN 8563-B		Gasket (water by-pass tube)-also serviced in 6008 and 6079 Kits	1	MB, MC	54-55
7RA 8564-B		Seal assy (water pump)-also serviced in 8591 Kit	1	MB, MC	54-55



PM-724

WATER CONNECTION & RELATED PARTS

Basic numbers only shown on illustration. Order by Part Numbers shown in list of parts.

PART NUMBER	NO. REQ'D	PART NAME	NO. REQ'D	MODEL	YEAR 19__
MEK 8570-B		Kit (thermostat)-157° to 162° opening temperature-consists of the following (1) B4A-8575-A Thermostat (1) B5A-8255-A Gasket	1	MB, MC	54-55
B4A 8575-A		Thermostat assy (water)-157° to 162° opening temperature-also serviced in 8570 Kit-⊕EBU-8575-A	1	MB, MC	54-55
B4A 8575-B		Thermostat assy (water)-177° to 182° opening temperature-used with permanent anti-freeze-⊕EBU-8575-B	1	MB, MC	54-55
OBA 8576-A		Snap ring (water pump bearing)-also serviced in 8591 Kit	1	MB, MC	54-55
EAD 8578-B		Bearing and slinger assy (water pump)	1	MB	54

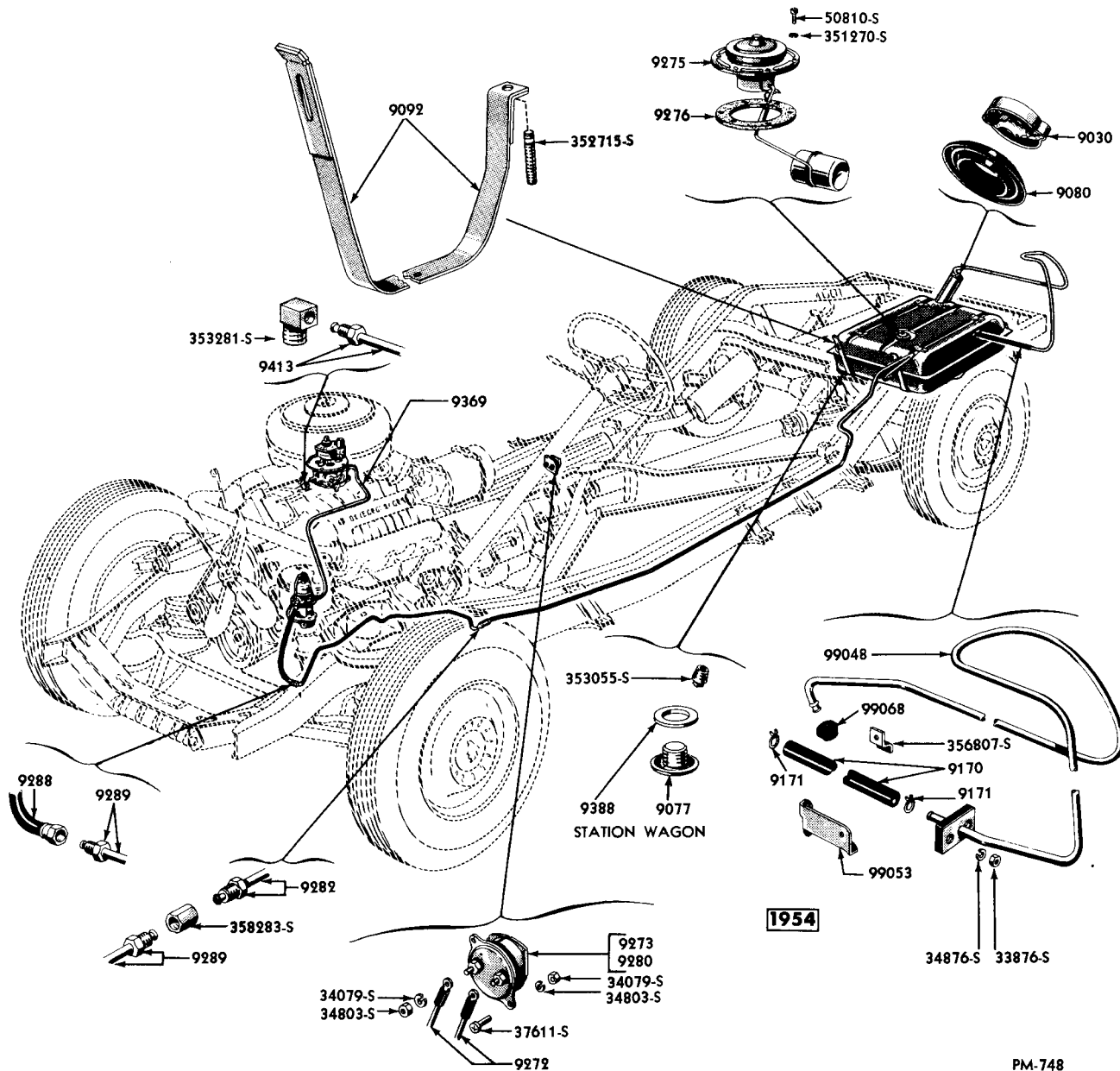
MERCURY

CHASSIS PARTS CATALOGUE

Water Pump—Continued

PART NUMBER	CL S S	PART NAME	NO. REQ'D	MODEL	YEAR 19__
B4A 8591-A		Kit (water pump repair)-consists of the following (1)EAN-8507-B Gasket (1)EBU-8512-A Impeller (1)2GA-8530 Bearing (1)7HA-8550 Slinger (1)7RA-8564-B Seal (1)OBA-8576-A Snap ring (1)8BA-8630-A Snap ring	1	MB	54
B5A 8591-C		Kit (water pump repair)-consists of the following (1)B5A-8507-A Gasket (1)B5A-8512-B Impeller (1)B5A-8530-A Brg. assy (1)7HA-8550 Slinger (1)7RA-8564-B Seal (1)OBA-8576-A Lock ring (1)8BA-8630-A Snap ring	1	MC	55
*EAN 8592-A	NS	Connection assy (water outlet)	1	MB	54
B5A 8592-A		Connection assy (water outlet)-⊕ECE-8592-A	1	MC	55
		B5A-8255-A Gasket (water outlet connection)	1	MB, MC	54-55
		20366-S8 Bolt (hex-hd)-5/16"-18 x 1"- connection to intake manifold	2	MB, MC	54-55
		34806-S7 Lockwasher-5/16"-connection to intake manifold	2	MB, MC	54-55
LA 8600-A		Blade assy (fan)-5 blades-extra cooling and Air Conditioning	1	MB, MC	54-55
MB 8600-B		Blade assy (fan)-4 blade-17-3/4" dia.	1	MB	54
EAD 8600-A		Blade assy (fan)-4 blades	1	MC	55
		20513-S8 Bolt (hex-hd)-5/16"-24 x 1-7/8" -blade to spacer and pulley	4	MB, MC	54-55
		20521-S8 Bolt (hex-hd)-5/16"-24 x 2" -blade to spacer and pulley	4	MB	54
		24960-S7 Bolt (hex-hd)-5/16"-24 x 2-1/4"-blade to spacer and pulley	4	MC	55
		34806-S7 Lockwasher-5/16"-blade to spacer and pulley	4	MB, MC	54-55
EAN 8620-B		Belt (generator and water pump)-3/8" wide	1	MB	54
EBU 8620-C		Belt (generator and water pump)-3/8" wide-extra cooling	1	MB	54
ECB 8620-A		Belt (generator and water pump)-1/2" wide x 45-1/8" long	1	MC	55
8BA 8630-A		Snap ring (water pump shaft bearing retainer)-also serviced in 8591 Kit	1	MB, MC	54-55
FAA 8725-A		Clamp assy (heater air duct retainer)-also used with Air Conditioning	2	MC	55

* When replaced by B5A-8592-A-also necessary to use (1) B5A-8548-A and 3-3/16" of FDA-18472-A Hose



FUEL SYSTEM

Basic numbers only shown on illustration. Order by Part Numbers shown in list of parts.

MERCURY

CHASSIS PARTS CATALOGUE

Fuel Tank, Fuel Gauge and Oil Gauge—Continued

PART NUMBER	PART NAME	NO. REQ'D	MODEL	YEAR 19
	8A-8287-A Clamp assy (fuel tank filler hose to fuel tank & pipe)	2	MB79, MC79	54-55
	0A-9388 Gasket (fuel tank drain plug)	1	MB79, MC79	54-55
	7RA-14197-A Clip (fuel line to frame)	1	MB, MC	54-55
AF 9002-G	Tank assy (fuel)	1	MC79	55
MA 9002-H	Tank assy (fuel)	1	MB except 79	54
MC 9002-A	Tank assy (fuel)	1	MC except 79	55
B5A 9002-H	Tank assy (fuel)-⊕AB-9002-H	1	MB79, MC79	54-55
	353055-S7 Plug (extended-hd pipe)-1/4"-18 x 11/16"-fuel tank drain	1	MB except 79	54
8M 9030	Cap assy (fuel tank filler)-vented	1	MB79	54
1M 9030-A	Cap assy (fuel tank filler)	1	MC79	55
AB 9030-C	Cap assy (fuel tank filler)-non vented	1	MB, MC except 79	54-55
LA 9030-A	Cap assy (fuel tank filler)-locking type	1	MB, MC except 79	54-55
BC 9034-A	Pipe assy (fuel tank filler)-incl. vent pipe	1	MB79	54
B5A 9034-A	Pipe assy (fuel tank filler)-incl. vent pipe - ⊕BN-9034-A	1	MC79	55
MA 9046-A	Bracket assy (fuel tank rear support)	1	MB79	54
MC 9046-A	Bracket assy (fuel tank rear support)	1	MC79B-C	55
	20348-S8 Bolt (hex-hd)-3/8"-16 x 3/4"-bracket to frame cross member	2	MB79, MC79	54-55
	24389-S8 Bolt (hex-hd)-3/8"-24 x 1"-bracket to fuel tank	2	MB79, MC79	54-55
	34807-S8 Lockwasher-3/8"	2	MB79, MC79	54-55
	357629-S7 Lockwasher (special)-3/8"-bracket to frame & fuel tank	2	MB79, MC79	54-55
	33800-S8 Nut (hex)-3/8"-24-brkt. to fuel tank	2	MB79, MC79	54-55
	357255-S2 Nut & retainer assy-1/4"-20-fuel filler housing to filler pipe	1	MC79	55
	MA-99048-C Tube assy (fuel tank vent)-upper	1	MB except 79	54
	MC-99048-B Tube assy (fuel tank vent)-upper	1	MC except 79	55
	34826-S7 Lockwasher-5/16"	2	MB, MC except 79	54-55
	33797-S7 Nut (hex)-5/16"-upper vent tube to floor pan to quarter panel extension	2	MB, MC except 79	54-55
1M 9047	Hose (fuel tank filler)-3-21/32" long	1	MB79, MC79	54-55
	8A-8287-A Clamp assy (fuel tank filler hose)-adjustable	1	MB, MC	54-55
	34141-S7 Nut (fuel tank filler hose clamp)-No. 10-32	2	MB79, MC79	54-55
	27177-S7 Screw (fuel tank filler hose clamp)-No. 10-32 x 1-1/2"	2	MB79, MC79	54-55
	MC-99052-B Bolt (fuel tank strap)-hook shaped-3/8"-16 x 2-5/8" 3-27/32"-overall length	2	MC except 79	55
	MA-99053-A Bracket (fuel tank vent tube)	1	MB, MC except 79	54-55
	41036-S8 Screw (hex-hd self tapping)-No. 10-32 x 3/8"-vent clip to vent tube bracket	2	MB, MC except 79	54-55
	42134-S8 Screw (hex washer head self tapping)-No. 10-12 x 5/8"-upper vent tube to rear floor quarter panel extension	3	MB, MC except 79	54-55

MERCURY

CHASSIS PARTS CATALOGUE

Fuel Tank, Fuel Gauge and Oil Gauge—Continued

PART NUMBER	QTY	PART NAME	NO. REQ'D	MODEL	YEAR 19__
* AB 9068-A		Bracket (fuel tank front support)	2	MB79	54
B5A 9068-A		Bracket (fuel tank front support)-⊕AF-9068-A	2	MC79	55
		24348-S8 Bolt (hex-hd)-3/8"-16 x 3/4"-brkt. to rear shock absorber cross member	4	MB79, MC79	54-55
		24389-S8 Bolt (hex-hd)-3/8"-24 x 1"-brkt. to fuel tank	4	MB79, MC79	54-55
		34807-S8 Lockwasher-3/8"	4	MB79, MC79	54-55
		357629-S7 Lockwasher (special)-3/8"-brkt. to frame & fuel tank	8	MB79, MC79	54-55
		33800-S8 Nut (hex)-3/8"-24-brkt. to fuel tank	4	MB79, MC79	54-55
B5A 9069-A		Grommet (fuel tank vent pipe)-Rubber-in filler neck well-⊕LA-99068-A	1	MB, MC except 79	54-55
OA 9077		Plug (fuel tank drain)-7/8"-20 thread	1	MB79, MC79	54-55
BA 9080-B		Grommet (fuel tank filler)-Rubber	1	MB, MC except 79	54-55
AF 9092-A		Strap assy (fuel tank support)	2	MC except 79	55
MA 9092-A		Strap assy (fuel tank support)	2	MB except 79	54
		MC-99052-B Bolt (fuel tank strap)-hook shaped-threaded 3/8"-16 x 2-5/8" long 3-27/32" o/all length	2	MC except 79	55
		34444-S8 Locknut (hex)-3/8"-16-strap to cross member	2	MB, MC except 79	54-55
		352715-S8 Stud-3/8"-16 & 3/8"-24 x 3-1/2"-support strap assy to body	2	MB, MC except 79	54-55
		44726-S8 Washer (flat)-3/8"-strap to cross member	2	MB, MC except 79	54-55
LA 9170-B	NS	Hose (fuel tank vent tube)-9/32" I.D. x 9/16" O.D. x 13-1/4" long-cut from MA-9170-B	1	MC except 79	55
LD 9170-A		Hose (fuel tank vent tube)-9/32" I.D. x 9/16" O.D. x 15-19/32" long-Rubber & Fabric	1	MB, MC	54-55
MA 9170-B		Hose (fuel tank vent tube)-9/32" I.D. x 9/16" O.D. x 14-7/8" long	1	MB, MC except 79	54-55
BN 9170-A		Hose (fuel tank vent tube)-1/2" I.D. x 25/32" O.D. x 1-3/4" long	1	MC79	55
		356807-S100 Clip (vent tube hose to vent tube bracket)	2	MB, MC except 79	54-55
		41036-S8 Screw (hex-hd self tapping)-No. 8-32 x 3/8"	2	MB, MC except 79	54-55
8M 9171-B	NS	Clamp assy (fuel tank vent pipe hose)-self compressing spring wire-replaced by B5A-2344-A	2	MB, MC except 79	54-55
		B5A-2344-A Clamp (fuel tank vent pipe hose)-⊕AF-33505-A	as reqd	MB, MC except 79	54-55
BN 9171-B	NS	Clamp (fuel tank vent pipe hose)-use 1C-18572-A	2	MC79	55
FAA 9212-A		Terminal (fuel gage)-tank unit-5/16" wide x 1-3/8" long-use with FAA-9275-A&B & B5A-9275-A&B	1	MB, MC	54-55

* When replaced by B5A-9068-A, use spacer washers to compensate 5/16" difference in length

MERCURY

CHASSIS PARTS CATALOGUE

Fuel Tank, Fuel Gauge and Oil Gauge—Continued

PART NUMBER	PART NAME	NO. REQ'D	MODEL	YEAR 19__
8CM 9224-B	Adapter (carburetor fuel inlet)-27/32" o/all length and compression type seat-throttle body to fuel line	1	MB, MC	54-55
EAD 9224-A	Adapter (carburetor fuel inlet)-3/8"-24 threads-"O"-type Rubber seal used with this adapter -throttle body to main body	1	MB, MC	54-55
B5A 9224-A	Adapter (carburetor fuel inlet)-use with (2) B5A-9229-A-"O" Rings-⊕ECK-9224-A	1	MC	55
8CM 9229	Gasket (carburetor fuel inlet adapter)-Hard Fibre-19/32" I.D. x 45/64" O.D. x 1/32" thick-used with 8CM-9224-B-also serviced in 9502 Kit	1	MB, MC	54-55
EAD 9229-A	Gasket (carburetor fuel inlet adapter)-used with EAD-9224-A-also serviced in 9502 Kit	1	MB, MC	54-55
B5A 9229-A	"O" Ring (carburetor inlet tube seal)-Rubber-also serviced in 9502 Kit-⊕EAD-99502-A	1 or 2	MB, MC	54-55
96H 9242	Ferrule (fuel line)-5/16" O.D. tubing-compression fitting	1	MB	54
B2A 9244-B	Cap (fuel tank vent tube)-Rubber-use with B5A-9002-H-⊕AB-99244-C	1	MB79	54
FDC 9272-B	Wire assy (instrument cluster)	1	MB	54
	356660-S8 Clip-attaches cluster wiring to instr. panel control opening insert	1	MB	54
	34803-S7 Lockwasher-No. 10	6	MB	54
	34079-S7 Nut (stamped)-No. 10-32-instrument cluster wire	6	MB	54
FDC 9273-A	Indicator assy (oil pressure)-instrument group	1	MB	54
FDK 9273-B	Indicator assy (oil pressure)-instrument group	1	MC	55
	34803-S7 Lockwasher-No. 10-wiring to indicator	2	MB, MC	54-55
	34079-S7 Nut (hex)-No. 10-32-wiring to indicator	2	MB, MC	54-55
	37611-S7 Screw (fillister head pointed)-No. 8-32 x 1/4"-oil pressure indicator to case	2	MB, MC	54-55
B5A 9275-A	Gauge assy (fuel)-tank unit-⊕FDH-9275-A	1	MB, MC except 79	54-55
B5A 9275-B	Gauge assy (fuel)-tank unit-⊕FDH-9275-B	1	MB79, MC79	54-55
	34802-S7 Lockwasher-1/4"	1	MB, MC	54-55
	26457-S7 Screw (rd-hd)-No. 8-32 x 1/4"-wiring to fuel gauge	1	MB, MC	54-55
	50930-S8 Screw (fillister hd)-No. 10-32 x 1/2"-fuel tank gauge unit to fuel tank	6	MB, MC	54-55
	351270-BS Washer (flat)-No. 10-Lead	6	MB, MC	54-55
FAA 9276-A	Gasket (fuel tank gauge unit flange)	1	MB, MC	54-55

MERCURY

CHASSIS PARTS CATALOGUE

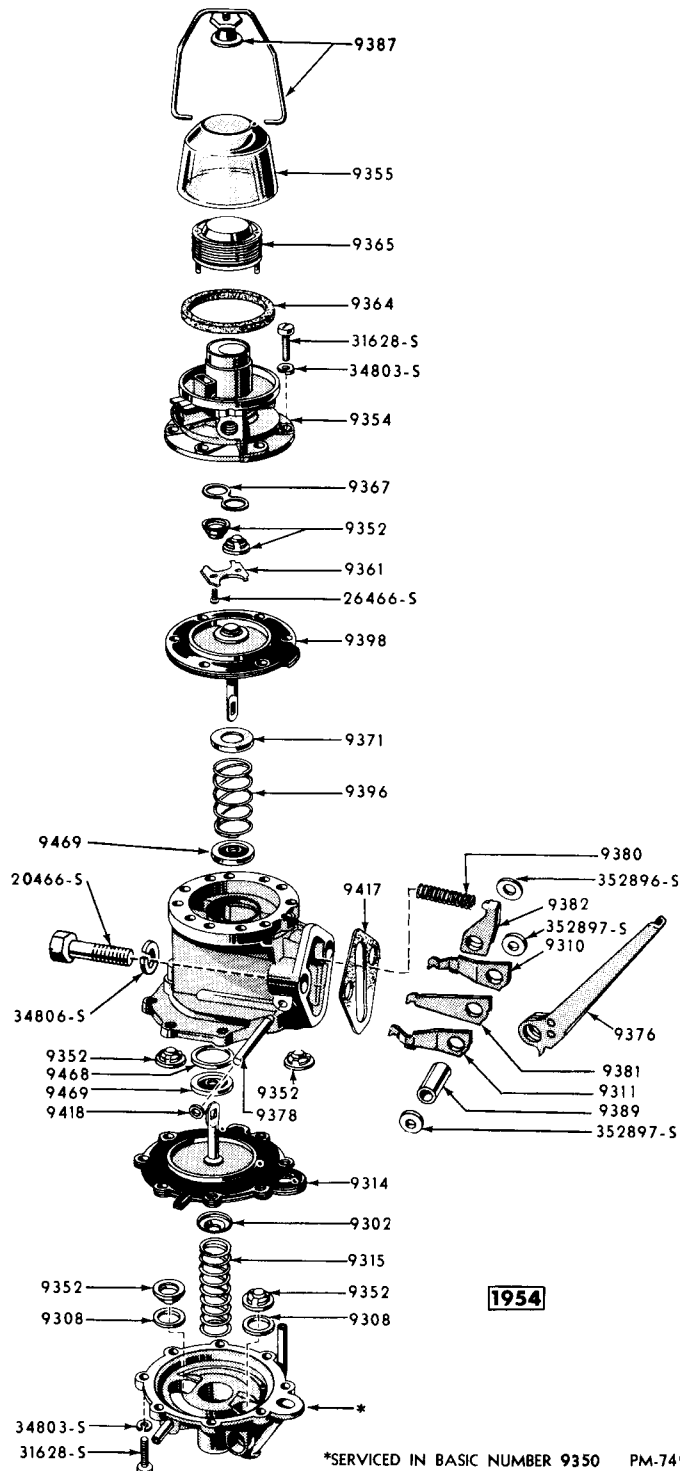
Fuel Tank, Fuel Gauge and Oil Gauge—Continued

PART NUMBER	QTY	PART NAME	NO. REQ'D	MODEL	YEAR 19__
41A 9278		Gauge assy (oil pressure)-engine unit-use with FAA-13785-A clip	1	MB, MC	54-55
FAB 9278-A	NS	Gauge assy (oil pressure)-engine unit-replaced by (1) ea. 41A-9278 and FAA-13785-A	1	MB, MC	54-55
		34802-S7 Lockwasher-No. 8	1	MB, MC	54-55
		26457-S7 Screw (round head)-No. 8-32 x 1/4"-oil pressure gauge	1	MB, MC	54-55
		356210-S8 Washer (flat)-1/4" I. D. x 9/16" O. D. -use with wiring to gauge	1	MB, MC	54-55
FDC 9280-A		Indicator assy (fuel level)-instr. group	1	MB	54
FDK 9280-B		Indicator assy (fuel level)-instr. group	1	MC	55
		34803-S7 Lockwasher-No. 10-wiring to indicator assy	2	MB, MC	54-55
		34079-S7 Nut (hex)-No. 10-32-wiring to indicator assy	2	MB, MC	54-55
		37611-S7 Screw (fillister head pointed)- No. 8-32 x 1/4"-oil pressure indicator to case	2	MB, MC	54-55
AC 9282-B		Line assy (fuel)-rear	1	MB 79	54
MA 9282-B		Line assy (fuel)-rear	1	MB except 79	54
MB 9282-A		Line assy (fuel)-rear	1	MB except 79	54
MC 9282-D		Line assy (fuel)-rear	1	MC79	55
MC 9282-E		Line assy (fuel)-rear-125-3/4" o/all formed length	1	MC except 79	55
		95806-S32 Clip (tube)-attaches rear fuel line to frame	3	MC	55
		356626-S32 Clip (tube)-5/16" x 3/16"-rear fuel line to frame	1	MC	55
		31527-S7 Screw (hex-hd self tap.)-No.14 -10 x 1/2"-fuel line to dash panel	1	MB	54
1A 9288-A		Hose assy (fuel pump to fuel line)-flexible Fabric & Rubber-1/2"-20 female thd. & 1/8" pipe male thd. x 8-7/8" o/all length	1	MB, MC	54-55
MB 9289-A		Line assy (fuel)-front	1	MB	54
MC 9289-A		Line assy (fuel)-front-used with MB-9282-A	1	MB except 79	54
MC 9289-B		Line assy (fuel)-front	1	MC	55
		358361-S8 Clip (tube)-front fuel line to frame	1	MC	55
		40921-S8 Screw (hex-hd tapping)-No. 1/4"-20 x 1/2"-front fuel line to frame	2	MB, MC except 79	54-55
		87213-S Union (inverted flared tube)- 5/16"-front fuel line to rear fuel line	1	MB, MC	54-55
		358283-S Union (inverted flared tube)- 1/4"-front fuel line to rear fuel line	1	MB, MC	54-55
8A 9296	NS	Clip (fuel line to dash)-buy locally	2	MB, MC	54-55
8M 9299		Anti-squeak (fuel tank to hanger)-1-1/4" wide x 2" long x 3/64" thick	1	MB, MC79	54-55

MERCURY

CHASSIS PARTS CATALOGUE

Fuel Pump



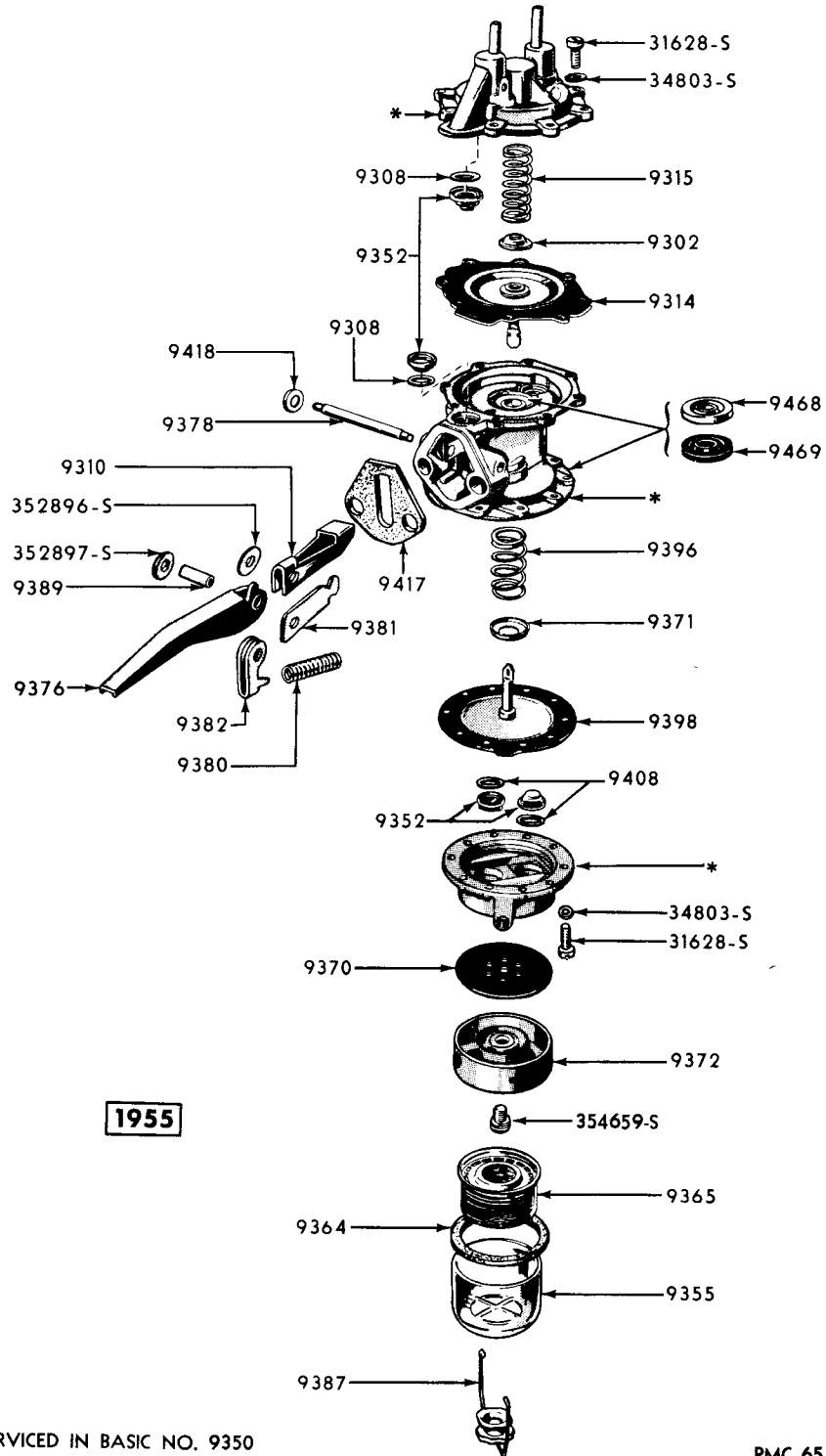
FUEL PUMP

Basic numbers only shown on illustration. Order by Part Numbers shown in list of parts.

MERCURY

CHASSIS PARTS CATALOGUE

Fuel Pump—Continued



PMC-65

FUEL PUMP

Basic numbers only shown on illustration. Order by Part Numbers shown in list of parts.

MERCURY

CHASSIS PARTS CATALOGUE

Fuel Pump—Continued

PART NUMBER	PART NAME	NO. REQ'D	MODEL	YEAR 19__
A8T 9302-A	Seat (vacuum pump diaphragm spring)-Ⓣ7RA-99359	1	MB, MC	54-55
B1A 9308-A	Gasket (vacuum pump valve to body)-also serviced in 9349 Kit-Ⓣ1BA-99367-A	3	MB, MC	54-55
B1A 9310-A	Link (vacuum pump rocker arm)-R.H. - also serviced in 9349 Kit-Ⓣ1BA-99380-A	1	MB	54
B5A 9310-A	Link (vacuum pump rocker arm)-also serviced in 9349 Kit-ⓉECG-99380-A	1	MC	55
B1A 9311-A	Link (vacuum pump rocker arm)-L.H. - also serviced in 9349 Kit-Ⓣ1BA-99381-A	1	MB	54
B1A 9314-A	Diaphragm assy (vacuum pump)-also serviced in 9349 Kit-Ⓣ1BA-99390-A	1	MB	54
B5A 9314-B	Diaphragm assy (vacuum pump)-also serviced in 9349 Kit-ⓉECG-99390-A	1	MC	55
A8T 9315-A	Spring (vacuum pump diaphragm)-also serviced in 9349 Kit-Ⓣ7RA-99396	1	MB	54
B5A 9315-A	Spring (vacuum pump diaphragm)-also serviced in 9349 Kit-ⓉECG-99396-A	1	MC	55
B2A 9349-D	Kit (fuel & vacuum pump repair)-consists of the following (3) B1A-9308-A Gasket (1) B1A-9310-A Link (1) B1A-9311-A Link (1) B1A-9314-A Diaph. (1) A8T-9315-A Spring (6) 1BA-9352-A Valve (1) EAA-9364-A Gasket (2) 49B-9367 Gasket (1) 7RA-9378 Pin (1) 1BA-9380-B Spring (1) 7RA-9381 Link (1) 7RA-9382 Spacer (1) 7RA-9389 Bushing (1) EAA-9396-C Spring (1) 1BA-9398-G Diaph. (1) EBU-9417-A Gasket (1) 49B-9418 Washer (2) 1BA-9468-A Retainer (2) 1BA-9469-A Seal (2) 352896-S Washer	1	MB	54

MERCURY

CHASSIS PARTS CATALOGUE

Fuel Pump—Continued

PART NUMBER	PART NAME	NO. REQ'D	MODEL	YEAR 19__
B5A 9349-D	Kit (fuel & vacuum pump repair)-consists of the following (3) B1A-9308-A Gasket (1) B5A-9310-A Link (1) B5A-9314-B Diaph. (1) B5A-9315-A Spring (4) 1BA-9352-A Valve (2) B5A-9352-A Valve (1) 59A-9364 Gasket (1) B5A-9370-A Diaph. (1) 7RA-9378 Pin (1) 1BA-9380-B Spring (1) 7RA-9381 Link (1) 7RA-9382 Spacer (1) 7RA-9389 Bushing (1) B5A-9396-A Spring (1) B5A-9398-C Diaph. (2) 49B-9408 Gasket (1) B5A-9417-A Gasket (1) 49B-9418 Washer (2) 1BA-9468-A Retainer (2) 1BA-9469-A Oil Seal (2) 352896-S Washer	1	MC	55
EBY 9350-A	NS Pump assy (fuel & vacuum)-replaced by B4A-9350-E	1	MB	54
† B4A 9350-E	Pump assy (fuel & vacuum)-⊕EBY-9350-B	1	MB	54
B5A 9350-D	Pump assy (fuel & vacuum)-⊕ECG-9350-B	1	MC	55
	20446-S8 Bolt (hex-hd)-5/16"-18 x 1-3/8"-pump to frt. cover	2	MB	54
	20468-S8 Bolt (hex-hd)-3/8"-16 x 1-1/2"-pump to frt. cover	2	MC	55
	87972-S Connector (inverted flared tube)-1/8"-pipe male thread and 1/2"-20 female thread	1	MB, MC	54-55
	353376-A1S Connector-"T"-w/s wiper tube to vacuum pump to intake manifold tube	1	MC	55
	87936-S Elbow-1/8"-pipe thread x 45° angle-fuel pump to hose	1	MB, MC	54-55
	357466-S Elbow-1/8"-pipe tapped hole & 1/8" pipe external thread-Brass-to attach 1A-9288-A to fuel pump	1	MB	54
	34807-S7 Lockwasher-3/8"	2	MB, MC	54-55
	351242-S7 Washer (flat)-21/64" x 35/64" x 1/32"-pump to front cover	2	MB, MC	54-55
	EBY-9369-B Tube assy (fuel pump to carb.)-Steel	1	MB	54
	ECK-9369-A Tube assy (fuel pump to carb.)-Steel	1	MC	55
	352972-S8 Clip-"S" shaped-attaches 9369 and 17536	1	MB, MC	54-55
	EBY-17536-B Tube (vacuum pump to w/s wiper hose)-Steel tubing	1	MB	54
	ECG-17536-A Tube (vacuum pump to w/s wiper hose)-Steel tubing	1	MC	55
	06H-17543-C Tube (vacuum pump to intake manifold)-25 ft. roll-Rubber	as reqd	MB, MC	54-55

† With all purpose diaphragm

MERCURY

CHASSIS PARTS CATALOGUE

Fuel Pump—Continued

FUEL PUMP CHART

PART NUMBER	CLASS	PART NAME	FUEL PUMP										
			EBY-9350-A 1954	B4A-9350-E 1954	B5A-9350-D 1955								
										NUMBER REQUIRED			
		A8T-9302-A Seat (vacuum pump diaphragm spring)- ⊕7RA-99359	1	1	1								
		B1A-9308-A Gasket (vacuum pump valve to body)- ⊕1BA-99367-A	3	3	3								
		B1A-9310-A Link (vacuum pump rocker arm)-R. H. - ⊕1BA-99380-A	1	1									
		B5A-9310-A Link (vacuum pump rocker arm)- ⊕ECG-99380-A			1								
		B1A-9311-A Link (vacuum pump rocker arm)-L. H. - ⊕1BA-99381-A	1	1									
		B1A-9314-A Diaphragm assy (vacuum pump)- ⊕1BA-99390-A	1	1									
		B5A-9314-B Diaphragm assy (vacuum pump)- ⊕ECG-99390-A			1								
		A8T-9315-A Spring (vacuum pump diaphragm)- ⊕7RA-99396	1	1									
		B5A-9315-A Spring (vacuum pump diaphragm)- ⊕ECG-99396-A			1								
1BA 9352-A		Valve assy (fuel pump)-also serviced in 9349 Kit	2	2									
1BA 9352-A		Valve assy (vacuum pump)-also serviced in 9349 Kit	4	4	2								
B5A 9352-A		Valve assy (fuel pump)-also serviced in 9349 Kit-⊕ECG-9352-A			2								
EAA 9354-A	NS	Body assy (fuel pump upper)-service in 9350 assy only	1	1									
		34803-S7 Lockwasher-No. 10-used with upper body	6	6									
		31628-S8 Screw (fillister head)-No. 10-32 x 5/8"- used with upper body	6	6									
EAA 9355-A		Bowl (fuel pump filter)-Glass-⊕ECG-9355-A	1	1									
B5A 9355-A		Bowl (fuel pump filter)-Glass-⊕ECG-9355-A			1								
11A 9361-A		Plate (fuel pump valve)	1	1									
		26466-S6 Screw (rd-hd)-No. 6-32 x 3/8"	2	2									
59A 9364		Gasket (fuel pump filter bowl)-also serviced in 9349 Kit			1								
EAA 9364-A		Gasket (fuel pump body)-also serviced in 9349 Kit	1	1									
EAA 9365-B		Strainer assy (fuel pump filter bowl)	1	1									
B5A 9365-A		Strainer assy (fuel pump filter bowl)-⊕ECG-9365-A			1								
11A 9367		Gasket (fuel pump valve to upper body)	1	1									
49B 9367		Gasket (fuel pump valve to upper body)-also serviced in 9349 Kit	2	2									
EBY 9369-B		Pipe assy (fuel pump to carburetor)	Refer to Basic Number 9350										
ECK 9369-A		Pipe assy (fuel pump to carburetor)	Refer to Basic Number 9350										

MERCURY

CHASSIS PARTS CATALOGUE

Fuel Pump—Continued

FUEL PUMP CHART—CONTINUED

PART NUMBER	CLASS	PART NAME	FUEL PUMP										
			EBY-9350-A 1934	B4A-9350-E 1934	B5A-9350-D 1955								
										NUMBER REQUIRED			
B5A 9370-A		Diaphragm (fuel pump pulsator)-also serviced in 9349 Kit- ⊕ECG-99378-A			1								
7RA 9371		Retainer (fuel pump diaphragm spring)	1	1	1								
B5A 9372-A		Body (fuel pump pulsator)-⊕ECG-99376-A			1								
		354659-S100 Bolt & lockwasher assy (clutch recessed head)-1/4"-28 x 7/16"			1								
1BA 9375-A	NS	Body & oil seal assy (fuel pump lower)-serviced in 9350 assy	1	1									
ECG 9375-A	NS	Body assy (fuel pump lower)-serviced in 9350 assy			1								
		34803-S7 Lockwasher-No. 10	14	14	14								
		31628-S7 Screw (fillister head)-No. 10-32 x 5/8"- fuel pump upper body to lower body	6	6	8								
		31628-S7 Screw (fillister head)-No. 10-32 x 5/8"- fuel pump lower body to vacuum pump	8	8	8								
EBU 9376-A		Arm assy (fuel pump rocker)-fulcrum type	1	1									
B5A 9376-C		Arm assy (fuel pump rocker)-⊕ECG-9376-C			1								
7RA 9378		Pin (fuel and vacuum pump rocker arm)-also serviced in 9349 Kit	1	1	1								
1BA 9380-B		Spring (fuel and vacuum rocker arm)-also serviced in 9349 Kit	1	1	1								
7RA 9381		Link (fuel pump rocker arm)-also serviced in 9349 Kit	1	1	1								
7RA 9382		Spacer (fuel pump link and spring retainer)-also serviced in 9349 Kit	1	1	1								
EAA 9387-A		Bail assy (fuel pump gas strainer)	1	1	1								
0A 9388		Gasket (fuel tank drain plug)	Refer to Fuel Tank Group										
7RA 9389		Bushing (fuel and vacuum pump rocker arm)-also serviced in 9349 Kit	1	1	1								
		352896-S Washer (fuel and vacuum pump rocker arm link spacer)-flat-3/8" I. D. x 5/8" O. D. x .010"	2	2	2								
		352897-S Washer (fuel and vacuum pump rocker arm) -flat-3/8" I. D. x 11/16" O. D. x 3/32" thick	2	2	2								
EAA 9396-C		Spring (fuel pump diaphragm)-also serviced in 9349 Kit	1	1									
B5A 9396-A		Spring (fuel pump diaphragm)-also serviced in 9349 Kit-⊕ECG-9396-A			1								
1BA 9398-G		Diaphragm assy (fuel pump)-also serviced in 9349 Kit	1	1									
B5A 9398-C		Diaphragm assy (fuel pump)-also serviced in 9349 Kit-⊕ECG-9398-C			1								
49B 9408		Gasket (fuel pump pull rod oil seal)-also serviced in 9349 Kit			2								

MERCURY

CHASSIS PARTS CATALOGUE

Fuel Pump—Continued

FUEL PUMP CHART—CONTINUED

PART NUMBER	CLASS	PART NAME	FUEL PUMP							
			EBY-9350-A 1954	B4A-9350-E 1954	B5A-9350-D 1955					
			NUMBER REQUIRED							
		49B-9418 Washer (fuel and vacuum pump rocker arm pin)-also serviced in 9349 Kit	1	1	1					
		1BA-9468-A Retainer (fuel pump oil seal)-also serviced in 9349 Kit	1	1	1					
		1BA-9468-A Retainer (vacuum pump oil seal)-also serviced in 9349 Kit	1	1	1					
		1BA-9469-A Seal (fuel pump oil)-Rubber-also serviced in 9349 Kit	1	1	1					
		1BA-9469-A Seal (vacuum pump diaphragm oil)-Rubber-also serviced in 9349 Kit	1	1	1					
		1CM-9486-A Hair (fuel pump body curled)	as reqd	as reqd	as reqd					
	NS	ECG-99385-A Body assy (vacuum pump)-serviced in B5A-9350-D	1							

PART NUMBER	CLASS	PART NAME	NO. REQ'D	MODEL	YEAR 19__
EBU 9413-B		Tube assy (vacuum pump to intake manifold)-used w/o Power Brakes	1	MB	54
EBY 9413-B		Tube assy (vacuum pump to intake manifold)-used with Power Brakes	1	MB	54
ECK 9413-A		Tube assy (vacuum pump to intake manifold)-used with Power Brakes	1	MC	55
B5A 9413-A		Tube assy (vacuum pump to intake manifold)-used w/o Power Brakes-⊕ECG-9413-A	1	MC	55
		352251-S Clip (fuel line)-vacuum pump to intake manifold tube	1	MB	54
		357655-S Clip-1/4" to 1/4" dia. -tube to W/S wiper hose tube	2	MB, MC	54-55
		357854-S Connector-3/8" male x 7/16" female threads	1	MB, MC	54-55
		353281-S Elbow-7/16"-24 female threads x 3/8" external pipe threads -"L" shaped	1	MB, MC	54-55
EBU 9417-A		Gasket (fuel pump mounting)-Paper-also serviced in 6008 and 9349 Kits-⊕ECG-9417-A	1	MB	54
B5A 9417-A		Gasket (fuel pump mounting)-Fibre-also serviced in 6008, 6675 & 9349 Kits	1	MC	55
49B 9418		Washer (fuel and vacuum pump rocker arm pin)-also serviced in 9349 Kit	1	MB, MC	54-55

MERCURY

CHASSIS PARTS CATALOGUE

Intake and Exhaust Manifolds

PART NUMBER	PART NAME	NO. REQ'D	MODEL	YEAR 19
96H-9242	Ferrule (inlet tube)-5/16" O.D. -tube to carburetor	1	MB	54
358248-S	Nut (compression fitting)- 1/2"-20-tube to carburetor	1	MB	54
MEK 9424-B	Kit (intake & exhaust manifold gasket)-consists of the following (1)EBY-9439-A Gasket (1)EBY-9441-A Gasket (3)EBU-9450-B Gasket (1) 1GA-9450 Gasket	1	MB	54
MFK 9424-B	Kit (intake & exhaust manifold gasket)-consists of the following (1) B5A-9439-A Gasket (1) B5A-9441-A Gasket (1) 1GA-9450 Gasket	1	MC	55
EBY 9425-E	Manifold (intake)-rear mtg. bolt flange 1/2" high- use B4A-9864-A, B4A-9890-A & 353999-S with this manifold	1	MB	54
B5A 9425-D	Manifold (intake)-⊕ECB-9425-B	1	MC	55
20234-S8	Bolt (hex-hd)-3/8"-16 x 2-1/4" -intake manifold to cyl. heads	4	MB, MC	54-55
20408-S8	Bolt (hex-hd)-3/8"-16 x 1-1/8" -intake manifold to cyl. heads	2or4	MB, MC	54-55
20506-S8	Bolt (hex-hd)-3/8"-16 x 1-3/4" -intake manifold to cylinder heads	2	MB, MC	54-55
21292-S8	Bolt (hex-hd)-3/8"-16 x 3" -intake manifold to cylinder heads	2	MB, MC	54-55
21547-S7	Bolt (hex-hd shoulder)-3/8"- 16 x 2-3/4"-intake manifold to cylinder heads	2	MB, MC	54-55
24428-S8	Bolt (hex-hd)-3/8"-16 x 1-1/4" -intake manifold to cyl. heads	4	MB	54
45534-S8	Bolt (hex-hd)-3/8"-16 x 3" -intake manifold to cylinder heads	2	MC	55
45528-S8	Bolt (hex-hd)-3/8"-16 x 2-3/4" -intake manifold to cylinder heads-(MC-at No's. 2 & 10 push rod hole positions)	2	MB, MC	54-55
33800-S8	Nut (hex)-3/8"-24-intake man. to cylinder head	4	MB, MC	54-55
358066-S8	Plug (hex-hd)-3/8"-18-used in intake manifold when hot water heater is not used	1	MB, MC	54-55
88411-S7	Stud-5/16"-18 x 5/16"-24 x x 1-13/16"-carb. to intake manifold	4	MB	54

MERCURY

CHASSIS PARTS CATALOGUE

Intake and Exhaust Manifolds—Continued

PART NUMBER	CLASS	PART NAME	NO. REQ'D	MODEL	YEAR 19__
		88492-S Stud-3/8"-24 x 3/8"-16 x 2-3/4"-intake manifold to cylinder heads	4	MC	55
		351242-S7 Washer (flat-spec.)-5/16"-cover	2	MB	54
		351385-S7 Washer (flat)-3/8"-intake manifold to cylinder heads fuel pump to cylinder front	6	MB, MC	54-55
B4A 9427-A		Plug (intake manifold vacuum restriction)- ⊕EBU-99433-A	1	MB, MC	54-55
EBY 9430-B		Manifold (exhaust)-R. H.	1	MB	54
ECL 9430-A		Manifold (exhaust)-R. H.	1	MC	55
EBY 9431-B		Manifold (exhaust)-L. H. -use with Dual Exhaust	1	MB	54
EBY 9431-C		Manifold (exhaust)-L. H.	1	MB	54
ECL 9431-A		Manifold (exhaust)-L. H.	1	MC	55
		20408-S8 Bolt (hex-hd)-3/8"-16 x 1-1/8"-exhaust manifold to cyl. hd.	14	MB, MC	54-55
		34807-S8 Lockwasher-3/8"-exhaust manifold to cylinder head	14	MB	54
		88453-S Stud-7/16"-14 & 7/16"-14 x 2-1/4"-heat control valve to crossover pipe to exhaust manifold	2	MB	54
		352479-S Stud-7/16"-14 x 7/16"-14 x 1-23/32"-exhaust man. crossover pipe to exhaust manifold	2	MB	54
		352719-S Stud-5/16"-18 x 5/16"-18 x 1-1/4"-exhaust man. crossover pipe to exhaust man.	6	MB	54
		353460-S Stud-7/16"-14 & 7/16"-14 x 1-5/8"-inlet pipe to exhaust manifold	2	MB, MC	54-55
		354006-S Stud-7/16"-14 & 7/16"-14 x 2-1/2"-exhaust control valve & inlet pipe to exhaust manifold-used with Dual Exhaust	2	MB, MC	54-55
		351385-S8 Washer (flat)-3/8"-exhaust manifolds to cylinder heads	14	MB, MC	54-55
EBY 9439-A		Gasket (intake manifold to cylinder head)-R. H. - also serviced in 6008, 6079 and 9424 Kits	1	MB	54
B5A 9439-B		Gasket (intake manifold to cylinder head)-R. H. - also serviced in 6008, 6079 & 9424 Kits - ⊕ECK-9439-A	1	MC	55
EBY 9441-A		Gasket (intake manifold to cylinder head)-L. H. - also serviced in 6008, 6079 & 9424 Kits	1	MB	54
B5A 9441-B		Gasket (intake manifold to cylinder head)-L. H. - also serviced in 6008, 6079 & 9424 Kits - ⊕ECK-9441-A	1	MC	55
EAD 9446-A		Clamp (intake manifold to cylinder head)	4	MB	54
B5A 9446-A		Clamp (intake manifold to cylinder head)- ⊕ECB-9446-A	4	MC	55
EAD 9447-A		Gasket (carburetor to intake manifold)-also serviced in 9502 Kit	2	MB	54
EBJ 9447-A		Gasket (carburetor to intake manifold)-also serviced in 9502 Kit	2	MC	55

MERCURY

CHASSIS PARTS CATALOGUE

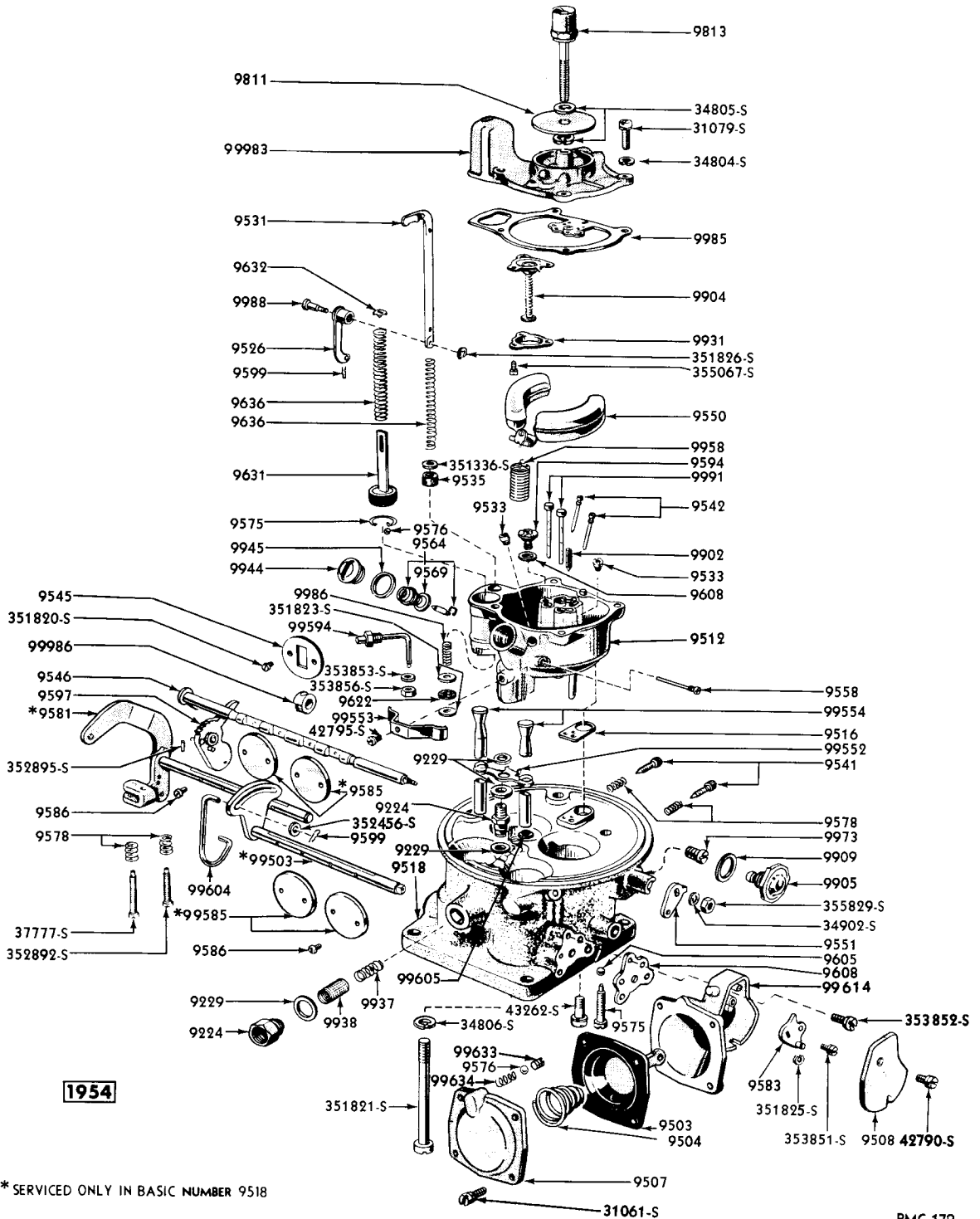
Intake and Exhaust Manifolds—Continued

PART NUMBER	PART NAME	NO. REQ'D	MODEL	YEAR 19 ____
B5A 9449-A	Spring (exhaust control valve anti-rattle)-use with B4A-9685-B-⊕ECG-99688-A	1	MB, MC	54-55
1GA 9450	Gasket (manifold gasket)-between muffler inlet pipe & exhaust manifold-used as exhaust manifold to exhaust control valve gasket-also serviced in 5210, 6008 and 9424 Kits	1 or 3	MB, MC	54-55
EBU 9450-B	Gasket (exhaust manifold to crossover pipe)-also serviced in 5210, 6008, 6079 and 9424 Kits	3	MB	54
EBU 9450-B	Gasket (exhaust manifold crossover pipe)-used with Dual Exhaust	1	MB	54
B5A 9467-B	Spring (exhaust control valve)-use with B4A-9685-B-⊕ECJ-9449-A	1	MB, MC	54-55
1BA 9468-A	Retainer (fuel pump oil seal)-also serviced in 9349 Kit	2	MB, MC	54-55
1BA 9469-A	Seal (fuel pump oil)-also serviced in 9349 Kit	2	MB, MC	54-55
1CM 9486-A	Hair (fuel pump body curled)	1	MB, MC	54-55
	EBY-9820-C Tube (thermostatic choke control)-inlet	1	MB	54
	B5A-9820-B Tube (thermostatic choke control)-inlet-⊕ECK-9820-A	1	MC	55
	EBY-9864-A Nut (thermostatic choke control heat tube retaining)-7/8"-14	1	MB	54
	B4A-9864-A Nut (thermostatic choke control heat tube retaining)-⊕EAD-9864-B	1	MB, MC	54-55
	EAD-9890-C Tube assy (thermostatic choke control heat)-2-3/4" long-Inconel Unit	1	MB	54
	B4A-9890-A Tube assy (thermostatic choke control heat)-Inconel Unit -⊕EAD-9890-D	1	MB, MC	54-55
	353999-S Washer (flat)-21/32" I.D. x 3/4" O.D. -Brass-used with B4A-9890-A	1	MB, MC	54-55
	MB-22396-B Connector (brake booster manifold hose to manifold)-3/8"-18 pipe male thread x 3/8"-18 and 7/16"-24 female tapped holes	1	MB, MC	54-55

MERCURY

CHASSIS PARTS CATALOGUE

Carburetor



1954

* SERVICED ONLY IN BASIC NUMBER 9518

CARBURETOR

Basic numbers only shown on illustration. Order by Part Numbers shown in list of parts.

MERCURY

CHASSIS PARTS CATALOGUE

Carburetor—Continued

PART NUMBER	REMARKS	PART NAME	NO. REQ'D	MODEL	YEAR
B5A 9501-A		Housing & plug assy (carburetor secondary throttle)-⊕EBY-99614-A	1	MB, MC	54-55
HDK 9502-C		Kit (carburetor gasket)consists of the following (1)8CM-9229 Gasket (2) EAD-9229-A Gasket (1)EAD-9447-A Gasket (1) 8CM-9516 Gasket (1)EAD-9535-A Gasket (1) 8CM-9569 Gasket (1)8CM-9608 Gasket (1)8MTH-9622 Seal (1)EAD-9853-B Gasket (1) EAD-9871-A Gasket (1)B5A-9909-A Gasket (1) 8CM-9945 Gasket (1)EAD-9985-A Gasket (1) EAD-99502-A Seal (1)EBY-99510-A Gasket (2) 353853-S Gasket also serviced in 9590 Kit	1	MB	54
MFK 9502-B		Kit (carburetor gasket)-consists of the following- used with B5A-9510-M & N carburetors (1)8CM-9299 Gasket (1) EAD-9229-A Gasket (1)EBJ-9447-A Gasket (1) 8CM-9516 Gasket (1)EAD-9535-A Seal (1) B5A-9569-A Gasket (1)8CM-9608 Gasket (4) B5A-9609-A Seal (1)B5A-9611-A Seal (1)8MTH-9622 Seal (1)B5A-9909-A Gasket (1) 8CM-9945 Gasket *(1)EAD-9985-A Gasket # (1) B5A-9985-A Gasket (2)EAD-99502-A Seal (1) EBY-99510-A Gasket (1)ECK-99640-A Wire (4) 354829-S Washer also serviced in 9590 Kit	1	MC	55
EBY 9503-A		Diaphragm assy (carburetor secondary throttle)- also serviced in 9590 Kit	1	MB, MC	54-55
B5A 9504-A		Spring (carburetor secondary throttle diaphragm return)-⊕EBY-99511-A	1	MB, MC	54-55
EBY 9507-A		Cover assy (carburetor secondary throttle diaphragm)	1	MB	54
B5A 9507-A		Cover (carburetor secondary throttle diaphragm)- ⊕EBY-99501-A	1	MB, MC	54-55
B5A 9508-A		Cover (carburetor secondary throttle diaphragm housing)-⊕EBY-99508-A	1	MB, MC	54-55
◇EBY 9510-G	NS	Carburetor assy-w/o dashpot-replaced by ED-EBY-9510-K	1	MB	54
ΔEBY 9510-H	NS	Carburetor assy-with dashpot-replaced by (1) ea. ED-EBY-9510-K and 99500 Kit	1	MB	54
EBY 9510-J	NS	Carburetor assy-w/o dashpot-Standard & O/Drive trans. -also use 99500 Kit for Merc-O-Matic or Power Brakes-replaced by ED-EBY-9510-K	1	MB	54

* Use on carburetor with removable idle jets

Use on carburetor w/o removable idle jets

◇ Not used with Merc-O-Matic transmission

Δ Used with Merc-O-Matic transmission

MERCURY

CHASSIS PARTS CATALOGUE

Carburetor—Continued

PART NUMBER	NO. REQ'D	PART NAME	MODEL	YEAR 19__
◇ EBY 9510-K	1	Carburetor assy-w/o dashpot-with low type accelerator pump tower-also use (1) MEK-99500-A Kit for Merc-O-Matic;same as EBY-9510-J except use MEK-99983-A Kit	MB	54
‡ ED-EBY 9510-K	1	Carburetor assy-w/o dashpot-to prevent gas spilling on right hand turn-same as EBY-9510-J except cover-ED-EBY-99983-C	MB	54
△ EBY 9510-L	1	NS Carburetor assy-with dashpot-with low type accelerator pump tower-use EBY-9510-K with 99500 Kit	MB	54
◇ B5A 9510-G	1	NS Carburetor assy-w/o dashpot-⊕ECK-9510-C-replaced by B5A-9510-M	MC	55
△ B5A 9510-H	1	NS Carburetor assy-with dashpot-⊕ECK-9510-D-replaced by B5A-9510-N	MC	55
◇ B5A 9510-M	1	NS Carburetor assy-w/o dashpot-⊕ECK-9510-G-replaced by B5A-9510-Q	MC	55
△ B5A 9510-N	1	NS Carburetor assy-with dashpot-⊕ECK-9510-H-replaced by B5A-9510-R	MC	55
◇ B5A 9510-Q	1	Carburetor assy-w/o dashpot-⊕ECK-9510-S	MC	55
△ B5A 9510-R	1	Carburetor assy-with dashpot-⊕ECK-9510-T	MC	55
	2	EAD-9447-A Gasket (carburetor to intake manifold)-Asbestos-also serviced in 9502 Kit	MB	54
	2	EBJ-9447-A Gasket (carburetor to intake manifold)-also serviced in 9502 Kit	MC	55
	4	34806-S7 Lockwasher-5/16"-carburetor to intake manifold	MB, MC	54-55
	4	33798-S8 Nut (hex)-5/16"-24-carburetor to intake manifold	MB, MC	54-55
	4	89126-S8 Stud-5/16"-24 & 5/16"-18 x 1-5/16"-carburetor to intake manifold	MB, MC	54-55

‡ When used with Merc-O-Matic transmission or Power Brakes install (1) ea. MEK-99500-B, EAC-99534-A, EAB-99560-B, EBY-99565-A, 33923-S8; (2) ea. 34826-S7 & 351239-S8.

◇ Not used with Merc-O-Matic transmission

△ Used with Merc-O-Matic transmission

MERCURY

CHASSIS PARTS CATALOGUE

Carburetor—Continued

CARBURETOR CHART

PART NUMBER	CLASS	PART NAME	CARBURETOR									
			EBY-9510-G 1954	EBY-9510-H 1954	EBY-9510-J 1954	B5A-9510-G 1956	B5A-9510-H 1955	B5A-9510-M 1955	B5A-9510-N 1955	B5A-9510-Q 1955	B5A-9510-R 1955	
			NUMBER REQUIRED									
		B5A-9501-A Housing and plug assy (carburetor secondary throttle)-⊕EBY-99614-A	1	1	1	1	1	1	1	1	1	
		353852-S Screw & L/W assy (pan-hd)-No. 8-32 x 7/16"	1	1	1	1	1	1	1	1	1	
		EBY-9503-A Diaphragm assy (carb. secondary throttle) -also serviced in 9590 Kit	1	1	1	1	1	1	1	1	1	
		351825-S Washer-"C"-diaphragm to lever	1	1	1	1	1	1	1	1	1	
		B5A-9504-A Spring (carb. secondary throttle diaphragm return)-⊕EBY-99511-A	1	1	1	1	1	1	1	1	1	
		B5A-9507-A Cover (carb. secondary throttle diaphragm)- ⊕EBY-99501-A	1	1	1	1	1	1	1	1	1	
		34802-S7 Lockwasher-No. 8	4	4	4	4	4	4	4	4	4	
		31061-S8 Screw (fill-hd)-No. 8-32 x 1/2"	4	4	4	4	4	4	4	4	4	
		B5A-9508-A Cover (carb. secondary throttle diaphragm housing)-⊕EBY-99508-A	1	1	1	1	1	1	1	1	1	
		42790-S7 Screw & L/W assy (fill-hd)-No. 6-32 x 1/4"	1	1	1	1	1	1	1	1	1	
EBY 9512-A		Body & plugs assy (carburetor main)	1	1	1							
B5A 9512-D	NS	Body & plugs assy (carburetor main)-replaced by (1) ea. B5A-9512-E and B5A-9224-A and (2) B5A-9229-A-⊕ECK-9512-A				1	1					
B5A 9512-E		Body & plugs assy (carburetor main)-⊕ECK-9512-B				1	1					
*B5A 9512-F		Body & plugs assy (carburetor main)-⊕ECK-9512-C						1		1		
*B5A 9512-G		Body & plugs assy (carburetor main)-⊕ECK-9512-D							1		1	
		EAD-9224-A Adapter (carburetor fuel inlet)-throttle body to main body	1	1	1	1	1					
		B5A-9224-A Adapter (carburetor fuel inlet)-uses (2) B5A-9229-A "O" Rings-⊕ECK-9224-A				1	1	1	1	1	1	
		EAD-9229-A Gasket (carburetor fuel inlet adapter)-also serviced in 9502 Kit	1	1	1	1	1					
		B5A 9229-A "O" Ring (carburetor inlet tube seal)-also serviced in 9502 Kit -⊕EAD-99502-A	1	1	1	1 or 2	1 or 2	2	2	2	2	
8CM 9516		Gasket (carburetor main body to throttle body)-also serviced in 9502 Kit	1	1	1	1	1	1	1	1	1	
EBY 9518-C		Body and shaft assy (carburetor throttle)	1	1	1							
B5A 9518-J		Body and shaft assy (carburetor throttle)-with (2) distributor vacuum holes in one primary venturi-⊕ECK-9518-C				1						
B5A 9518-K		Body and shaft assy (carburetor throttle)-with (2) distributor vacuum holes in one primary venturi-⊕ECK-9518-D					1					
B5A 9518-N		Body and shaft assy (carburetor throttle)-⊕ECK-9518-G						1	1	1	1	
		43262-S8 Bolt & lockwasher assy (fillister head)- 5/16"-24 x 7/8"-throttle body & shaft to main body	1	1	1	1	1	1	1	1	1	
		351821-S Bolt (fillister head)-5/16"-24 x 3-1/4"- throttle body to main body	1	1	1	1	1	1	1	1	1	
		34806-S2 Lockwasher-5/16"	1	1	1	1	1	1	1	1	1	

* Without Removable 8CM-9542 Jets

MERCURY

CHASSIS PARTS CATALOGUE

Carburetor—Continued

CARBURETOR CHART—CONTINUED

PART NUMBER	CLASS	PART NAME	CARBURETOR								
			EBY-9510-G 1954	EBY-9510-H 1954	EBY-9510-J 1954	B5A-9510-G 1955	B5A-9510-H 1955	B5A-9510-M 1955	B5A-9510-N 1955	B5A-9510-Q 1955	B5A-9510-R 1955
			NUMBER REQUIRED								
		8CM-9224-B Adapter (carburetor fuel line)-throttle body to fuel line	1	1	1	1	1	1	1	1	1
		8CM-9229 Gasket (carburetor fuel inlet line adapter)-also serviced in 9502 Kit	1	1	1	1	1	1	1	1	1
B5A 9524-A		Horn and plugs assy (carburetor air)-⊕ECK-9524-A				1	1	1	1	1	1
		34803-S7 Lockwasher-No. 10				1	1	1	1	1	1
		31628-S7 Screw (fill-hd)-No. 10-32 x 5/8"-air horn to throttle body				1	1	1	1	1	1
EAD 9526-C		Link assy (carburetor accelerator pump)-also serviced in 9590 Kit	1	1	1	1	1	1	1	1	1
EAD 9531-B		Rod (carb. accelerator pump piston operating)	1	1	1						
B5A 9531-A		Rod (carb. accelerator pump piston operating)-also used with .EBY-9510-K & L-also serviced in 99983 Kit-⊕EAD-9531-C	1	1	1	1	1	1	1	1	1
HCK 9531-A		Kit (carburetor pump rod repair)-consists of the following (2) B2Q-9566-A Washer (1)8MTH-9622 Seal (1) 8CM-9986 Spring (1) Instruction sheet	1	1	1	1	1				
86H 9533		Jet (carb. main)-stamped "52"-0 ft. to 5,000 ft. altitude-old No. 8EQ-9533-B-also serviced in 9590 Kit	2	2	2		2				
78 9533-A		Jet (carb. main)-stamped "50"-0 ft. to 5,000 ft. alt.							2		2
78 9533-B		Jet (carb. main)-stamped "48"-5000 ft. to 10000 ft. alt.	2	2	2				2		2
78 9533-C		Jet (carb. main)-stamped "46" 10000 ft. to 15000 ft. alt.							2		2
59A 9533-A		Jet (carb. main)-stamped "51"-0 ft. to 5,000 ft. altitude-also serviced in 9590 Kit						2			2
59A 9533-B		Jet (carb. main)-stamped "49"-5000 ft. to 10000 ft. alt.						2			2
59A 9533-C		Jet (carb. main)-stamped "47"-10000 ft. to 15000 ft. alt.						2			2
59A 9533-D		Jet (carb. main)-stamped "45"-10000 ft. to 15000 ft. alt.	2	2	2						
B4T 9533-B		Jet (carb. main)-stamped "53"-also serviced in 9590 Kit-⊕8EL-9533-B				2					
EAD 9535-A		Packing (carb. accel. pump piston operating rod)-Felt-also serviced in 9502 Kit	1	1	1	1	1	1	1	1	1
		351336-S8 Washer (flat)-1/4" I. D. x 3/8" O. D.	1	1	1	1	1	1	1	1	1
B5A 9538-A		Lever assy (carburetor fast idle adjusting)-⊕ECK-9538-A				1	1	1	1	1	1
B6A 9538-A		Lever assy (carburetor fast idle adjusting)-⊕ECZ-9538-A								1	1
		34902-S8 Lockwasher (internal tooth)-No. 8				1	1	1	1	1	1
		355829-S8 Nut (hex)-No. 8-36				1	1	1	1	1	1
		354825-S Screw (hex-hd)-No. 10-32 x 11/16"				1	1	1	1	1	1

MERCURY

CHASSIS PARTS CATALOGUE

Carburetor—Continued

CARBURETOR CHART—CONTINUED

PART NUMBER	CLASS	PART NAME	CARBURETOR									
			EBY-9510-G 1954	EBY-9510-H 1954	EBY-9510-J 1954	B5A-9510-G 1955	B5A-9510-H 1955	B5A-9510-M 1955	B5A-9510-N 1955	B5A-9510-Q 1955	B5A-9510-R 1955	
			NUMBER REQUIRED									
78 9541-A		Needle (carburetor idle adjusting)-also serviced in 9590 Kit							2	2	2	2
78 9541-B		Needle (carburetor idle adjusting)-also serviced in 9590 Kit	2	2	2	2	2					
8CM 9542		Tube assy (carburetor idle)-also serviced in 9590 Kit	2	2	2	2	2					
EBY 9545-A		Plate (carburetor choke)	2	2	2							
B5A 9545-A		Plate (carburetor choke)-R. H. -⊕ECK-9545-A				1	1	1	1	1	1	1
		351820-S Screw & L/Washer assy (pan-hd)-No. 4-48 x 1/4"-choke plate to shaft	4	4	4	4	4	4	4	4	4	4
EAD 9546-B		Shaft & lever assy (carburetor choke)	1	1	1							
		34902-S2 Lockwasher (internal tooth)-No. 8	1	1	1							
		355829-S8 Nut (hex)-No. 8-36	1	1	1							
		352892-S8B Screw (fill-hd dog point)-No. 10-32 x 1-1/8"	1	1	1							
B5A 9547-A		Shaft (carburetor choke)-⊕ECK-9547-A				1	1	1	1	1	1	1
B5A 9548-A	NS	Lever (carburetor choke)-replaced by B5A-9635-B				1	1					
B5A 9549-A		Plate assy (carburetor choke)-L. H. -⊕ECK-99607-A				1	1	1	1	1	1	1
EBY 9550-A		Float assy (carburetor)	1	1	1	1	1	1	1	1	1	1
EBY 9551-A		Lever (carburetor choke shaft)	1	1	1							
		34902-S2 Lockwasher (internal tooth)-No. 3	1	1	1							
		355829-S8 Nut (hex)-No. 8-36-choke lever	1	1	1							
B5A 9557-A		Selector (carburetor float bowl vent)-for accel. pump piston oper. rod-in temperature below 50° Fahr. -⊕EAD-99608-A	1	1	1	1	1	1	1	1	1	1
8CM 9558		Pin (carburetor float hinge)-No. 10-32-also serviced in 9590 Kit	1	1	1	1	1	1	1	1	1	1
EAD 9564-A		Needle, seat & gasket assy (carburetor float)-Steel needle-also serviced in 9590 Kit	1	1	1	1	1	1	1	1	1	1
B6A 9564-A		Needle, seat & gasket assy (carburetor fuel inlet)-⊕ECZ-9564-A	1	1	1	1	1	1	1	1	1	1
B2Q 9566-A		Washer (carburetor accel. pump oper. rod)-⊕EAM-99601-A -also serviced in 9531 Kit	2	2	2	2	2	2	2	2	2	2
8CM 9569		Gasket (carburetor float needle valve seat)-Fibre-also serviced in 9502 Kit	1	1	1							
B5A 9569-A		Gasket (carburetor float needle valve seat)-Lead-also serviced in 9502 Kit-⊕EAD-9569-A				1	1	1	1	1	1	1
B5A 9572-A		Cup (carburetor pump piston)-also serviced in 9590 Kit- ⊕ECG-9572-A				1	1	1	1	1	1	1
78 9575		Retainer (carburetor accel. pump check ball)-3/4" dia. -wire- also serviced in 9590 Kit	1	1	1	1	1	1	1	1	1	1
EAD 9575-A		Retainer (carburetor vacuum dist. check ball)-No. 10-32 x 31/32" long	1	1	1	1	1	1	1	1	1	1
B5A 9575-A	NS	Retainer (carburetor secondary diaphragm check ball)- replaced by B2A-9607-A-also serviced in 9590 Kit- ⊕EAN-9575-A				1	1					

MERCURY

CHASSIS PARTS CATALOGUE

Carburetor—Continued

CARBURETOR CHART—CONTINUED

PART NUMBER	CLASS	PART NAME	CARBURETOR									
			EBY-9510-G 1954	EBY-9510-H 1954	EBY-9510-J 1954	B5A-9510-G 1955	B5A-9510-H 1955	B5A-9510-M 1955	B5A-9510-N 1955	B5A-9510-Q 1955	B5A-9510-R 1955	
			NUMBER REQUIRED									
78 9576		Ball (carburetor accelerator pump & secondary check)-Steel-1/8" dia. -also serviced in 9590 Kit	1	1	1	3	3	3	3	3	3	
EAA 9576-A		Ball (secondary diaphragm cover check)	1	1	1							
ECZ 9576-A		Ball (carburetor accel.pump)-for Air Conditioning automatic throttle control assy								1	1	
B5A 9576-A		Ball (carburetor secondary throttle check)-also serviced in 9590 Kit-⊕EBY-99617-A	1	1	1	1	1	1	1	1	1	
B5A 9577-B		Nozzle assy (carburetor main well)-also serviced in 9590 Kit-⊕ECK-99641-A						2	2			
B5A 9577-D		Nozzle assy (carburetor main well)-use with B5A-9510-Q & R-also serviced in 9590 Kit-can replace B5A-9577-B by also using B5A-9984-E or F-⊕ECK-99641-B						2	2	2	2	
40 9578		Spring (carburetor idle adj.needle)-3/16" dia. x 1/2" long	2	2	2	2	2	2	2	2	2	
1GA 9578		Spring (carburetor throttle stop screw)	2	2	2	1	1	1	1	1	1	
EBY 9581-A	NS	Lever & shaft assy (carburetor throttle)-serviced in EBY-9518-C assy	1	1	1							
		37777-S18 Screw (fill-hd dog point)-No. 10-32 x 1-3/8"-stop screw for throttle idle adjusting	1	1	1	1	1	1	1	1	1	
		352892-S8B Screw (fill-hd dog point)-No. 10-32 x 7/8"-choke stop	1	1	1							
		354825-S Screw (hex-hd)-No. 10-32 x 41/64"-idle cam adjusting				1	1	1	1			
B5A 9583-A		Lever assy (carburetor secondary throttle diaphragm)-⊕EBY-99509-A	1	1	1	1	1	1	1	1	1	
		353851-S Screw & washer assy (pan-hd)-No. 6-32 x 5/16"	1	1	1	1	1	1	1	1	1	
EAD 9585-B		Plate (carburetor throttle)	2	2								
40 9586		Screw (carburetor throttle plate)-No. 6-32 x 5/16"-also serviced in 9590 Kit	8	8	8	8	8	8	8			
40 9586		Screw (carburetor choke plate)-No. 6-32 x 5/16"	4	4	4							
MEK 9590-C		Kit (carburetor repair)-consists of the following (1)HDK-9502-B Kit (1)EBY-9503-A Diaphragm (1)EAD-9526-C Link (2) 86H-9533 Jet (2) 78-9541-B Needle (2)8CM-9542 Tube (1)8CM-9558 Shaft (1)EAD-9564-A Needle (1) 78-9575 Spring (1) 78-9576 Ball (4) 40-9586 Screw (1)EBY-9594-A Valve (1) 1GA-9599 Retainer (1)B2A-9605-A Valve (1)EAD-9631-A Piston (1)8CM-9902 Needle (1)EAD-9904-B Diaph. (1) B5A-9905-B Valve (1) A8Q-9938-A Screen (1)8CM-9958 Spring (1)EBY-9973-A Valve (2)EBY-9991-A Tube (1)351825-S Retainer (2)352200-S Cotter Pin	1	1	1							

MERCURY

CHASSIS PARTS CATALOGUE

Carburetor—Continued

CARBURETOR CHART—CONTINUED

PART NUMBER	CLASS	PART NAME	CARBURETOR									
			EBY-9510-G 1954	EBY-9510-H 1954	EBY-9510-J 1954	B5A-9510-G 1955	B5A-9510-H 1955	B5A-9510-M 1955	B5A-9510-N 1955	B5A-9510-Q 1955	B5A-9510-R 1955	
			NUMBER REQUIRED									
	B2A-9605-A	Valve (carb. vacuum dist. ball check)-Red-also serviced in 9590 Kit-⊕EAA-99515-B	1	1	1	1	1	1	1			
	B2A-9607-A	Retainer (carburetor secondary diaphragm ball check valve)-⊕EAA-99517-B-(replaces B5A-9575-A-⊕EAN-9575-A)-also serviced in 9590 Kit				1	1	1	1	1	1	
	B5A-9607-A	Retainer (carb. vacuum dist. ball check valve)-1/4"-32 x 5/8" long-also serviced in 9590 Kit-⊕ECK-99445-A				2	2	2	2	2	2	
	8CM-9608	Gasket (carburetor power jet)-also serviced in 9502 Kit	1	1	1	1	1	1	1	1	1	
	B5A-9608-A	Gasket (carburetor secondary throttle diaphragm hsg.)-also serviced in 9502 Kit-⊕EBY-99510-A	1	1	1	1	1	1	1	1	1	
	353852-S	Screw & washer assy (pan-hd)-No. 8-32 x 7/16"	1	1	1	1	1	1	1	1	1	
	B5A-9609-A	"O" Ring (carb. secondary venturi tube)-also serviced in 9502 Kit-⊕ECK-99984-A				4	4	4	4	4	4	
	354829-S	Washer (flat)-5/32" I.D. x 11/32" O.D. -Steel-secondary jet tube seal				4	4	4	4	4	4	
	B5A-9611-A	Seal (carb. air horn)-also serviced in 9502 Kit-⊕ECK-99635-A				1	1	1	1	1	1	
	B5A-9616-A	Tube (carburetor secondary venturi fuel supply)-R. H. -⊕ECK-99594-A				1	1	1	1	1	1	
	B5A-9617-A	Tube (carburetor secondary venturi fuel supply)-L. H. -⊕ECK-99600-A				1	1	1	1	1	1	
	8MTH-9622	Seal (carburetor throttle shaft)-Felt-also serviced in 9502 & 9531 Kits	1	1	1	1	1	1	1	1	1	
	EAD-9631-A	Piston assy (carburetor accelerator pump)-also serviced in 9590 Kit	1	1	1							
	B5A-9631-B	Piston assy (carb. accel. pump)-also serviced in 9590 Kit-ECK-9631-A				1	1			1	1	
	B5A-9631-C	Piston assy (carburetor accelerator pump)-also used with EBY-9510-K & L-⊕EBY-9631-A	1	1	1							
	B5A-9631-D	Piston assy (carburetor accelerator pump)-⊕ECK-9631-B				1	1	1	1	1	1	
	78-9632	Washer (special flanged)-7/16" square-carb. piston return spring retainer	1	1	1	1	1	1	1	1	1	
	B5A-9633-B	Clamp (carburetor secondary venturi fuel supply tube)-⊕ECK-99553-B				1	1	1	1	1	1	
	42795-S	Screw & lockwasher assy (pan hd)-No. 8-32 x 1/4"				1	1	1	1	1	1	
	B5A-9635-B	Link assy (carburetor choke plate)-⊕ECK-99632-B				1	1	1	1	1	1	
	354827-S	Washer (choke shaft thrust)				1	1	1	1	1	1	

MERCURY

CHASSIS PARTS CATALOGUE

Carburetor—Continued

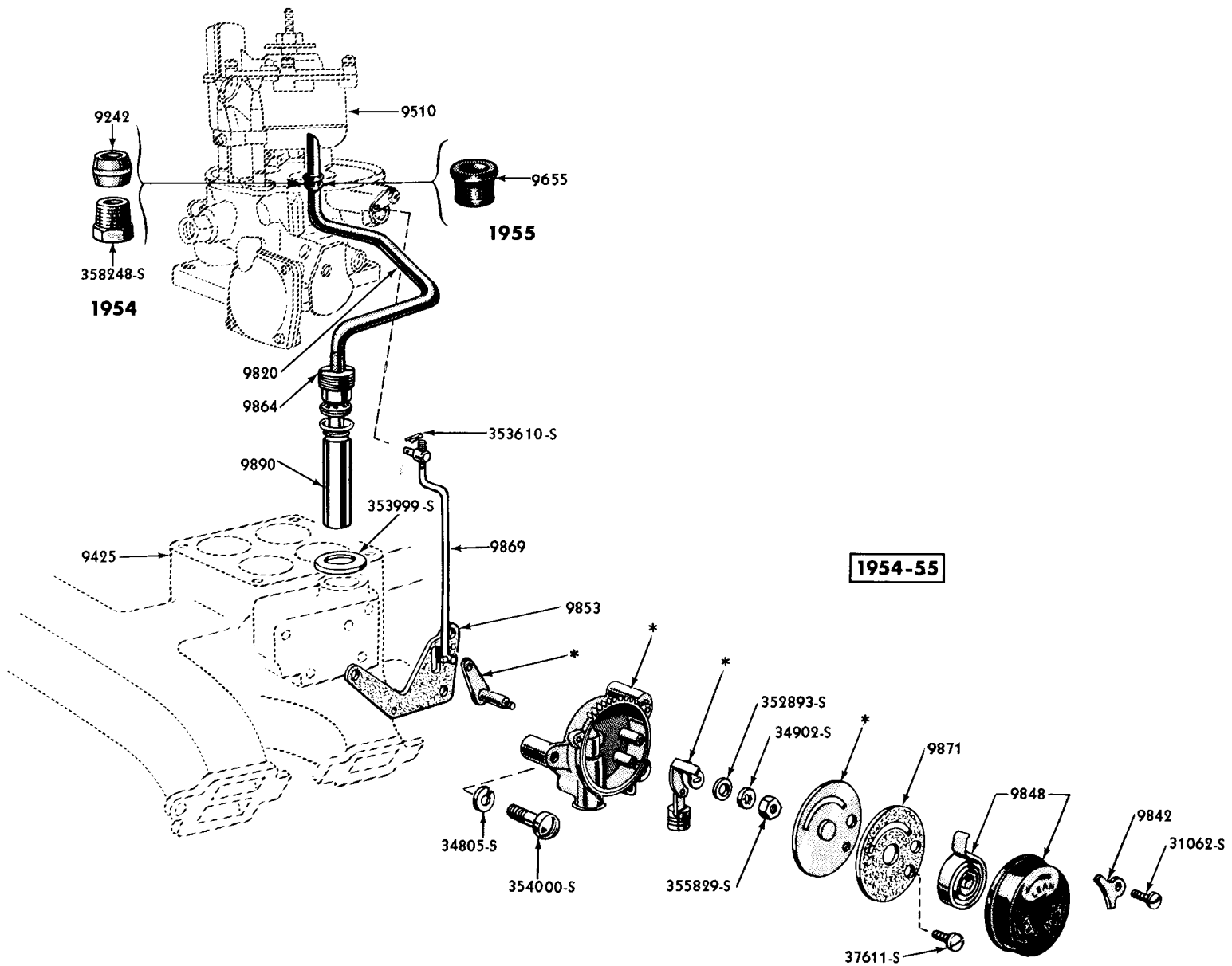
CARBURETOR CHART—CONTINUED

PART NUMBER	CLASS	PART NAME	CARBURETOR									
			EBY-9510-G 1954	EBY-9510-H 1954	EBY-9510-J 1954	B5A-9510-G 1955	B5A-9510-H 1955	B5A-9510-M 1955	B5A-9510-N 1955	B5A-9510-Q 1955	B5A-9510-R 1955	
			NUMBER REQUIRED									
		78-9636 Spring (carb. accel. pump piston return)- 21/64" I.D. x 2-7/8" long-22 coils	1	1	1	1	1	1	1	1	1	
		8CM-9636-B Spring (carb. accel. pump piston operating rod)-upper-17/64" I.D. x 3-3/16" long-22 coils	1	1	1	1	1	1	1	1	1	
		B5A-9641-A Venturi assy (carb. secondary)-⊕ECK-99982-A				1	1	1	1	1	1	
		354826-S Screw & L/W assy (fill-hd)-No. 10-32 x 7/16"				2	2	2	2	2	2	
		B5A-9648-A Tube assy (carb. secondary venturi fuel supply metering jet)-stamped "78"-0 ft. to 5,000 ft. alt. -also serviced in 9590 Kit-⊕ECK-99938-A				2	2					
		B5A-9648-B Tube assy (carb. secondary venturi fuel supply metering jet)-stamped "70"-5,000 to 10,000 ft. alt. -⊕ECK-99938-B				2	2					
		B5A-9648-C Tube assy (carb. secondary venturi fuel supply metering jet)-stamped "63"-10,000 ft. alt. & up-⊕ECK-99938-C				2	2					
		B5A-9648-D Tube assy (carb. secondary venturi supply metering jet)-stamped "86"-0 ft. to 5000 ft. alt. also serviced in 9590 Kit-⊕EBJ-99938-C						2	2	2	2	
		B5A-9648-E Tube assy (carb. secondary venturi supply metering jet)-stamped "81"-5000 ft. to 10000 ft. altitude-⊕ECK-99938-D						2	2	2	2	
		B5A-9648-F Tube assy (carb. secondary venturi supply metering jet)-stamped "73"-10000 ft. to 15000 ft. altitude-⊕ECK-99938-E						2	2	2	2	
		B5A-9649-A Rod (carb. secondary throttle control)- ⊕EBY-99604-B	1	1	1	1	1	1	1	1	1	
		352200-S Cotter pin-3/64" x 3/8"	2	2	2	2	2	2	2	2	2	
		352456-S8 Washer (flat)-1/8" I.D.	1	1	1	1	1	1	1	1	1	
		B5A-9655-A Seal (carburetor choke air inlet tube)-Rubber- ⊕ECK-99639-A				1	1	1	1	1	1	
		B5A-9657-A Bushing (carb. throttle shaft)-outer- ⊕ECK-99643-A								1	1	
		B2A-9800-B Dashpot assy (carburetor)-also serviced in 99500 Kit-⊕EAA-99560-B		1			1		1		1	
		34826-S7 Lockwasher-5/16"-dashpot to mtg. bracket					2		2		2	
		33923-S8 Nut (hex)-5/16"-dashpot to mtg. brkt.					1		1		1	
		B1A-9801-A Screw (hex-hd)-No. 10-32 x 7/8"-also serviced in 99500 Kit-⊕EAC-99534-A		1			1		1		1	
		34079-S7 Nut (hex)-No. 10-32		1			1		1		1	

MERCURY

CHASSIS PARTS CATALOGUE

Carburetor—Continued



*SERVICED IN BASIC NO. 9850

CARBURETOR THERMOSTATIC CHOKE AND RELATED PARTS

Basic numbers only shown on illustration. Order by Part Numbers shown in list of parts.

PMC-67

MERCURY

CHASSIS PARTS CATALOGUE

Carburetor—Continued

CARBURETOR CHART—CONTINUED

PART NUMBER	CLASS	PART NAME	CARBURETOR									
			EBY-9510-G 1954	EBY-9510-H 1954	EBY-9510-J 1954	B5A-9510-G 1955	B5A-9510-H 1955	B5A-9510-M 1955	B5A-9510-N 1955	B5A-9510-Q 1955	B5A-9510-R 1955	
			NUMBER REQUIRED									
		B5A-9805-A Lever assy (carb. choke shaft)-⊕ECK-9551-A				1	1	1	1	1	1	
		34902-S2 Lockwasher (internal tooth)-No. 8				1	1	1	1	1	1	
		355829-S8 Nut (hex)-No. 8-36				1	1	1	1	1	1	
		359014-S Pin-to retain choke lever to choke shaft assy								1	1	
		354827-S Washer (flat)-9/32" I.D. x 27/64" O. D. -choke shaft thrust				1	1	1	1	1	1	
		B5A-9811-A Washer (carburetor air bleed screen)- ⊕EAD-99569-A	1	1	1	1	1	1	1	1	1	
		B2Q-9813-A Screw (carb. air cleaner anchor)-⊕EAD-99575-A	1	1	1	1	1	1	1	1	1	
		34805-S8 Lockwasher-1/4"	2	2	2	2	2	2	2	2	2	
		B5A-9815-A Bracket (carburetor dashpot mounting)-also serviced in 99500 Kit-⊕EBY-99565-A		1			1		1		1	
		34903-S8 Lockwasher (internal tooth)-No. 10		2			2		2		2	
		27081-S8 Screw (fill-hd)-No. 10-32 x 1/2"		2			2		2		2	
		*8CM-9842 Clamp (carb. automatic choke thermostat hsg.)	3	3	3	3	3	3	3	3	3	
		*EAD-9844-A Plate (carb. automatic choke hsg.)	1	1								
		*31061-S8 Screw (fillister head)-No. 8-32 x 7/16"	3	3	3	3	3	3	3	3	3	
		*EAD-9848-B Hsg. & thermostat assy (carb. automatic choke) -with (3) arrows counterclockwise-or letter "B" & (1) arrow counterclockwise	1	1	1							
		*B5A-9848-A Hsg. & thermostat assy (carb. automatic choke)- ⊕EBJ-9848-A				1	1	1	1			
		*EAD-9849-A Hsg. & plugs assy (carb. automatic choke)	1	1	1							
		*34822-S7 Lockwasher-No. 8	3	3	3							
		*31061-S8 Screw (fillister head)-No. 8-32 x 7/16"	3	3	3							
		*HEK-9850-A Kit (automatic choke installation)-consists of the following (1) EAD-9850-B Control assy (1) EAD-9853-B Gasket	1	1	1							
		*EAD-9850-B Control assy (automatic choke)-with (1) arrow and letter "B" counter-clockwise or (3) arrows on cover	1	1	1							
		*B5A-9850-A Control assy (automatic choke)-⊕EBJ-9850-A				1	1	1	1	1	1	
		*34805-S8 Lockwasher-1/4"	3	3	3	3	3	3	3	3	3	
		*354000-S Screw (fillister hd)-1/4"-20 x 15/16"- choke control to intake manifold	3	3	3	3	3	3	3	3	3	
		B5A-9852-A Spacer (carb. secondary throttle plate)- ⊕EAD-99505-A				1	1					
		*EAD-9853-B Gasket (choke thermostat hsg.)-used with EAD-9850-B-also serviced in 9502 Kit	1	1	1	1	1	1	1	1	1	
		*B5A-9869-A Rod assy (thermostatic choke lever)- ⊕ECB-99868-A	1	1	1	1	1	1	1	1	1	
		*352200-S Cotter pin-3/64" x 3/8"	2	2	2	2	2	2	2	2	2	
		*353610-S8 Retainer (spring)	1	1	1	1	1	1	1	1	1	

* Used with but not part of carburetor

MERCURY

CHASSIS PARTS CATALOGUE

Carburetor—Continued

CARBURETOR CHART—CONTINUED

PART NUMBER	CLASS	PART NAME	CARBURETOR												
			EBY-9510-G 1954	EBY-9510-H 1954	EBY-9510-J 1954	B5A-9510-G 1955	B5A-9510-H 1955	B5A-9510-M 1955	B5A-9510-N 1955	B5A-9510-Q 1955	B5A-9510-R 1955				
			NUMBER REQUIRED												
*EAD-9871-A		Gasket (carb. automatic choke piston hsg.)-also serviced in 9502 Kit	1	1	1	1	1	1	1						
8CM-9902		Needle (carb. accel. pump discharge)-also serviced in 9590 Kit	1	1	1	1	1	1	1	1	1	1	1	1	1
EAD-9904-B		Piston & stem assy (carburetor economizer)-also serviced in 9590 Kit	1	1	1										
B5A-9904-A		Piston & stem assy (carburetor economizer)-stamped "B"-also serviced in 9590 Kit-⊕ECK-9904-A				1	1	1	1	1	1	1	1	1	1
355067-S7		Screw & lockwasher assy (fillister head)-No. 8-32 x 5/16"	3	3	3										
355067-S7		Screw & washer assy (fill-hd)-No. 8-32 x 5/16"-piston & stem to main body cover				1	1	1	1	1	1	1	1	1	1
B5A-9905-A		Valve assy (carburetor spark control)-⊕ECG-99570-A							1	1	1	1	1	1	1
B5A-9905-B		Valve assy (carburetor spark control)-stamped "25"-⊕EAD-99570-A	1	1	1	1	1								
EAB-9909-A		Gasket (carb. spark valve control body)-also serviced in 9502 Kit	1	1	1	1	1	1	1	1					
B5A-9909-A		Gasket (carb. economizer body)-Nylon-⊕ECG-9909-A	1	1	1	1	1	1	1	1	1	1	1	1	1
B2Q-9931-A		Clamp (carb. economizer body)-⊕EAD-99985-A	1	1	1										
355067-S7		Screw & L/W assy (fill-hd)-No. 8-32 x 5/16"	2	2	2										
A8Q-9937-A		Spring (carb. filter screen retainer)-⊕8CM-99527	1	1	1	1	1	1	1	1	1	1	1	1	1
A8Q-9938-A		Screen & retainer assy (carb. filter)-also serviced in 9590 Kit-⊕1CM-99522	1	1	1	1	1	1	1	1	1	1	1	1	1
8CM-9944		Plug (carb. float needle seat)-5/8"-24 thread	1	1	1	1	1	1	1	1	1	1	1	1	1
8CM-9945		Gasket (carb. float needle seat plug)-also serviced in 9502 Kit	1	1	1	1	1	1	1	1	1	1	1	1	1
B5A-9958-A		Spring (carburetor float)-also serviced in 9590 Kit-⊕ECK-9958-A	1	1	1	1	1	1	1	1	1	1	1	1	1
EBY-9973-A		Jet (carburetor governor by-pass)-stamped "36"-also serviced in 9590 Kit	1	1	1										
8MB-9973-A		Jet (carburetor governor by-pass)-stamped "25"-				1									
8EQ-9973-B		Jet (carburetor governor by-pass)-stamped "28"-					1								
B5A-9973-A		Jet (carburetor governor by-pass)-stamped "31"-⊕ECK-9973-A						1	1						
B5A-9973-B		Jet (carburetor governor by-pass)-stamped "35"-also used with B5A-9510-Q and R-⊕ECK-9973-B							1	1	1	1	1	1	1
B5A-9984-A		Cover & plugs assy (carb. main body)-stamped "25"-⊕ECK-99983-A				1									
B5A-9984-B		Cover & plugs assy (carb. main body)-stamped "28"-⊕ECK-99983-B				1									

* Used with but not part of carburetor

MERCURY

CHASSIS PARTS CATALOGUE

Carburetor—Continued

CARBURETOR CHART—CONTINUED

PART NUMBER	CLASS	PART NAME	CARBURETOR									
			EBY-9510-G 1954	EBY-9510-H 1954	EBY-9510-J 1954	B5A-9510-G 1955	B5A-9510-H 1955	B5A-9510-M 1955	B5A-9510-N 1955	B5A-9510-Q 1955	B5A-9510-R 1955	
			NUMBER REQUIRED									
	B5A-9984-E	Cover & plugs assy (carburetor main body)-stamped "30A"-⊕ECK-99983-E; use B5A-9577-D with this cover								1		1
	B5A-9984-F	Cover & plugs assy (carburetor main body)-stamped "33A"-⊕ECK-99983-F; use B5A-9577-D with this cover							1		1	
	34804-S8	Lockwasher-No. 12				4	4	4	4	4	4	4
	31079-S7	Screw (fill-hd)-No. 12-24 x 5/8"-cover to main body				4	4	4	4	4	4	4
	**EAD-9985-A	Gasket (carburetor main body cover plate)-also serviced in 9502 Kit	1	1	1	1	1					
	†B5A-9985-A	Gasket (carburetor main body cover plate)-also serviced in 9502 Kit-⊕ECK-9985-A							1	1	1	1
	8CM-9986	Spring (carburetor accelerator pump oper. rod)-lower-1/4"L D. x 13/16" long-9 coils-serviced in 9531 Kit	1	1	1	1	1	1	1	1	1	1
	EAD-9988-C	Stud (carburetor pump operating rod)-51/64" o/all length & slotted at end for "C" type retainer	1	1	1							
	354614-S	Stud (carburetor pump operating rod)-No. 8 -32 x 23/32"-rd. hd slotted				1	1	1	1	1	1	1
	351826-S	Washer-"C"	1	1	1							
	EBY-9991-A	Tube assy (carburetor main well)-also serviced in 9590 Kit	2	2	2							
	B5A-9991-A	Tube assy (carburetor main well)-stamped "31"-also serviced in 9590 Kit -⊕ECK-9991-A				2	2					
	LA-33549-A	"O" Ring (carb. air tube seal)-also serviced in 9502 Kit				1	1					
	MEK-99500-B	Kit (carburetor dashpot)-consists of the following (1) B2A-9800-B Dashpot (1) B1A-9801-A Screw (1) EBY-99565-A Bracket (1) 33923-S8 Nut (2) 34826-S7 Lockwasher (2) 351239-S8 Screw & L/W		1	1		1					
	EBY-99503-A	Lever & shaft assy (carb. secondary throttle plate stop)	1	1	1							
	*EAD-99523-A	Piston assy (automatic choke)	1	1	1							
	EAD-99552-A	Bracket (carb. secondary venturi extension tube)	1	1	1							
	EBY-99553-A	Clamp (carb. secondary venturi extension tube)	1	1	1							
	42795-S	Screw & washer assy (fill-hd)-No. 8-32 x 1/4"-clamp to main body	1	1	1							
	EBY-99554-A	Venturi (carburetor secondary)	2	2	2							

** Used on carburetor with removable idle jets 8CM-9542

† Used on carburetor w/o idle jets 8CM-9542

MERCURY

CHASSIS PARTS CATALOGUE

Carburetor—Continued

CARBURETOR CHART—CONTINUED

PART NUMBER	CLASS	PART NAME	CARBURETOR																	
			EBY-9510-G 1954	EBY-9510-H 1954	EBY-9510-J 1954	B5A-9510-G 1955	B5A-9510-H 1955	B5A-9510-M 1955	B5A-9510-N 1955	B5A-9510-Q 1955	B5A-9510-R 1955									
			NUMBER REQUIRED																	
NS		*EAD-99557-A Shaft & lever assy (choke housing)-not replaced-use 9850 assy	1	1	1															
		*34902-S8 Lockwasher (internal tooth)-No. 8	1	1	1															
		*355829-S8 Nut (hex)-No. 8-36	1	1	1															
		*352893-S8 Spacer-7/16" O. D. x 5/64" thick	1	1	1															
		EAD-99585-A Plate (carburetor throttle secondary)	2	2	2															
		EAD-99594-B Tube assy (carburetor idle secondary)-stamped "55"-0 ft. to 5000 ft. alt. -use with 86H-9533	2	2	2															
		EAD-99594-C Tube assy (carburetor idle secondary)-stamped "52"-5000 ft. to 10000 ft. alt. -use with 78-9533-B	2	2	2															
		EAD-99594-D Tube assy (carburetor idle secondary)-stamped "49"-10000 ft. to 15000 ft. alt. -use with 59A-9533-D	2	2	2															
		353856-S Nut (hex)-1/4"-32	2	2	2															
		353853-S Washer (flat)-1/4" I. D. -Fibre	2	2	2															
		EBY-99604-A Rod (carb. secondary throttle control)	1	1	1															
		353610-S8 Retainer (secondary throttle control rod)-upper-old part No. 7RA-12388	1	1	1															
		352456-S8 Washer (flat)-1/8" I. D. x 5/16" O. D. -Steel	1	1	1															
		EAD-99605-A Spacer (carburetor main body to throttle body)	1	1	1															
		EBY-99616-A Pin (carb. secondary diaphragm return spring)	1	1	1															
		EBY-99633-A Seat (carburetor secondary diaphragm vacuum restriction valve ball)	1	1	1															
		EBY-99634-A Spring (carburetor secondary diaphragm vacuum restriction valve ball)	1	1	1															
NS		ECK-99640-A Wire (secondary venturi safety)-serviced in 9502 Kit													1	1	1	1		
		EBY-99868-A Rod assy (thermostatic choke lever)-adjustable	1	1	1	1	1	1	1	1	1	1	1	1	1	1	1	1		
		EBY-99983-C Cover & plugs assy (carburetor main body)-also used with EBY-9510-K & L-also serviced in 99983 Kit	1	1	1															
NS		†ED-EBY-99983-C Cover & plugs assy (carburetor main body)-used with ED-EBY-9510-K-replaced by MEK-99983-A Kit	1	1	1															
		34804-S8 Lockwasher-No. 12	4	4	4															
		31079-S7 Screw (fillister head)-No. 12-24 x 5/8"	4	4	4															
		MEK-99983-A Kit (main body cover)-with low type accelerator pump tower-consists of the following (1) B5A-9531-A Rod Assy (1) B5A-9631-C Piston Assy (1) EAD-9985-A Gasket (1) EBY-99983-C Cover also used with EBY-9510-K & L carburetors	1	1	1															
		EAD-99986-A Extension assy (carburetor nozzle tube)	2	2	2															

† When this cover & plug assy is used on carburetor with vent hole thru accelerator piston wall-this hole must be plugged up per Service Dept. instructions.

* Used with but not part of carburetor

MERCURY

CHASSIS PARTS CATALOGUE

Air Cleaners

PART NUMBER	PART NAME	NO. REQ'D	MODEL	YEAR 19____
EBY 9600-B	Air cleaner and silencer assy (oil bath)-round and oval types-Houde-Dye design	1	MB	54
EAD 9600-E	Air cleaner and silencer assy (oil bath)-painted Gold Bronze-Uni. Spec. design	1	MB	54
EBJ 9600-A	Air cleaner and silencer assy (oil bath)-painted Gold Bronze-Uni. Spec. design	1	MC	55
EAD-99654-B	Gasket (air cleaner to carb.)-3/16" thick-Synthetic Rubber-use with rd. type air cleaner-Uni. Spec.	1	MB	54
EBY-99654-A	Gasket (air cleaner to carb.)-3/16" thick-Synthetic Rubber-use with oval type air cleaner-Houde-Dye	1	MB	54
EAC-99656-A	Gasket (carburetor air cleaner oil seal)-Houde-Dye design	1	MB	54
354534-S8	Wing screw (cleaner to carburetor)-3-1/16" long-use with oval type cleaner	1	MB	54
354535-S8B	Wing screw (cleaner to carburetor)-2-1/32" long-use with round type cleaner	1	MB	54
EAD 9603-A	Spacer (carburetor)	1	MB, MC	54-55
B2A 9605-A	Ball (carb. vacuum dist. check valve)-⊕EAA-99515-B	1	MB, MC	54-55
B2A 9607-A	Retainer (carburetor secondary diaphragm check ball)-"G" type-⊕EAA-99517-B	1	MC	55
B5A 9607-A	Retainer (carb. vacuum dist. ball check valve)-⊕ECK-99445-A	2	MC	55
8CM 9608	Gasket (carb. power jet)-also serviced in 9502 Kit	1	MB, MC	54-55
B5A 9608-A	Gasket (carb. secondary throttle diaphragm housing)-also serviced in 9502 Kit-⊕EBY-99510-A	1	MB, MC	54-55
B5A 9609-A	"O" Ring (carb. secondary venturi tube)-also serviced in 9502 Kit-⊕ECK-99984-A	4	MC	55
B5A 9611-A	Seal (carb. air horn)-also serviced in 9502 Kit-⊕ECK-99635-A	1	MC	55
B5A 9616-A	Tube (carb. secondary venturi fuel supply)-⊕ECK-99594-A	1	MC	55
B5A 9617-A	Tube (carb. secondary venturi fuel supply)-⊕ECK-99600-A	1	MC	55
8MTH 9622	Seal (carburetor throttle shaft)-Felt-also serviced in 9531 and 9502 Kits	1	MB, MC	54-55
EAD-9631-A	Piston assy (carb. accel. pump)	1	MB	54
B5A 9631-B	Piston assy (carb. accel. pump)-⊕ECK-9631-A	1	MC	55
B5A 9631-C	Piston assy (carb. accel. pump)-⊕EBY-9631-A	1	MB	54
B5A 9631-D	Piston assy (carb. accel. pump)-⊕ECK-9631-B	1	MC	55
78 9632	Washer (carb. accel. pump piston return spring retainer)-7/16" square	1	MB, MC	54-55

MERCURY

CHASSIS PARTS CATALOGUE

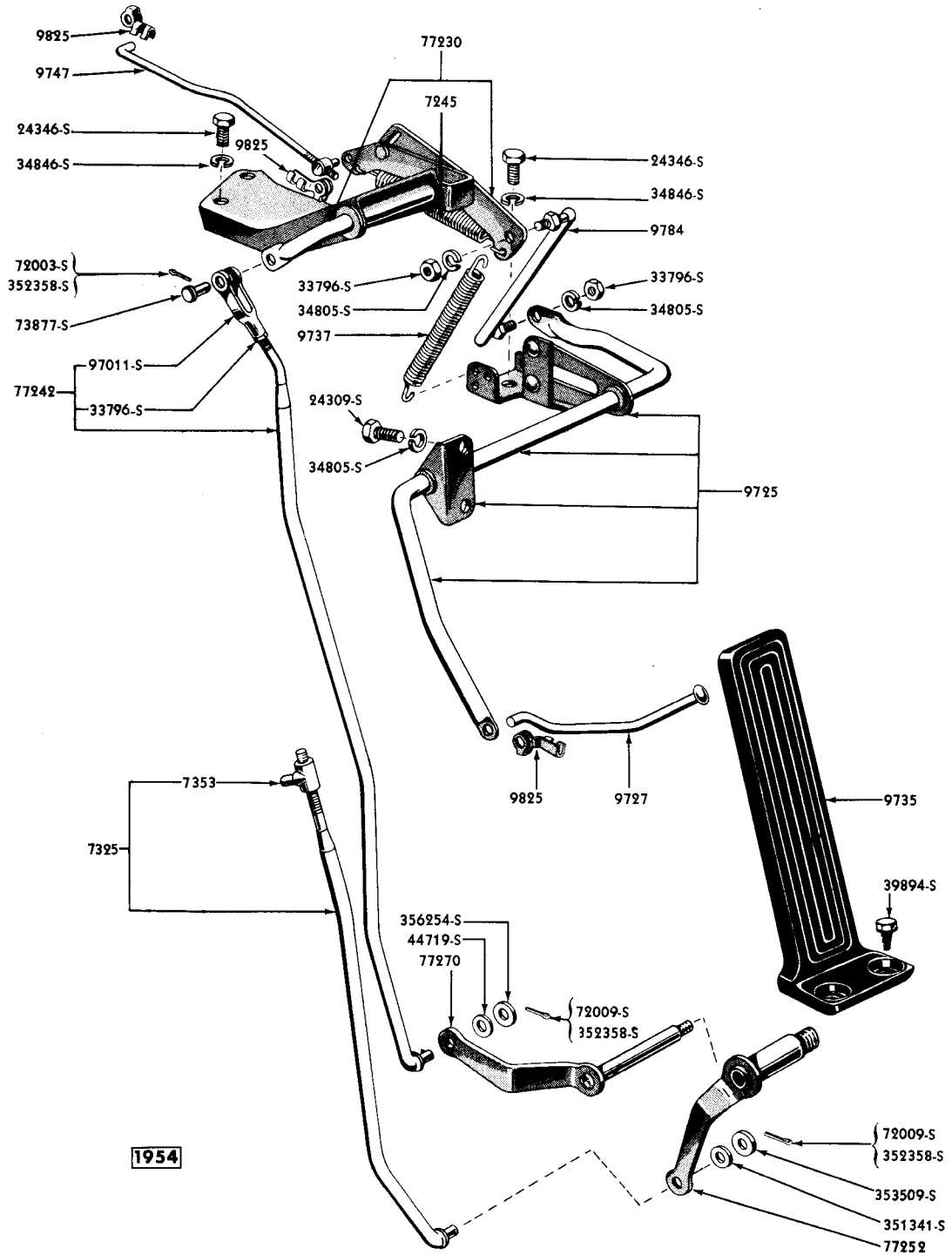
Air Cleaners—Continued

PART NUMBER	CLASS	PART NAME	NO. REQ'D	MODEL	YEAR 19
B5A 9633-B		Clamp (carb. secondary venturi fuel supply tube)- ⊕ECK-99553-B	1	MC	55
B5A 9635-B		Link assy (carb. choke plate)-⊕ECK-99632-B	1	MC	55
78 9636		Spring (carb. accel. pump piston return)-21/64" I. D. x 2-7/8" long-22 coils	1	MB, MC	54-55
8CM 9636-B		Spring (carb. accelerator pump piston operating rod) -upper-17/64" L. D. x 3-3/16" long-22 coils	1	MB, MC	54-55
B5A 9641-A		Venturi assy (carb. secondary)-⊕ECK-99982-A	1	MC	55
B5A 9648-A		Tube assy (carb. secondary venturi fuel supply metering jet)-stamped "78"-⊕ECK-99938-A	1	MC	55
B5A 9648-B		Tube assy (carb. secondary venturi fuel supply metering jet)-stamped "70"-5000 ft. to 10000 ft. alt. -⊕ECK-99938-B	2	MC	55
B5A 9648-C		Tube assy (carb. secondary venturi fuel supply metering jet)-stamped "63"-10000 ft. & up alt. -⊕ECK-99938-C	2	MC	55
B5A 9648-D		Tube assy (carb. secondary venturi fuel supply metering jet)-stamped "86"-⊕EBJ-99938-C	2	MC	55
B5A 9648-E		Tube assy (carb. secondary venturi fuel supply metering jet)-stamped "81"-5000 ft. to 10000 ft. alt. -⊕ECK-99938-E	1	MC	55
B5A 9648-F		Tube assy (carb. secondary venturi fuel supply metering jet)-stamped "73"-10000 ft. to 15000 ft. alt. -⊕ECK-99938-F	1	MC	55
B5A 9649-A		Rod (carb. secondary throttle control)- ⊕EBY-99604-B	1	MB, MC	54-55
B5A 9654-A		Gasket (air cleaner to carb.)-Rubber-5-3/16" L. D. x 3/16" thick-⊕ECG-99654-A	1	MC	55
B5A 9655-A		Seal (carb. choke air inlet tube)-Rubber- ⊕ECK-99639-A	1	MC	55
B5A 9657-A		Bushing (carb. throttle shaft)-⊕ECK-99643-A	1	MC	55
B5A 9660-A		Gasket (air cleaner element)-upper-Rubber-Cork - 37-5/16" long x 3/16" thick-⊕ECG-99650-A	1	MC	55
B5A 9661-A		Gasket (air cleaner element)-lower-Rubber- 5-13/32" L. D. x 1/8" thick-⊕ECG-99651-A	1	MC	55
B5A 9662-A		Gasket (air cleaner to carb.)-Rubber-7-37/64" L. D. x 3/16" thick-⊕ECG-99657-A	1	MC	55
B4A 9685-A		Valve assy (exhaust thermostat) -⊕EBU-9685-C	1	MB	54
B4A 9685-B		Valve assy (exhaust thermostat)-used with Dual exhaust for 1954-⊕EBU-9685-D	1	MB, MC	54-55
B5A 9685-E		Valve assy (exhaust thermostat)-⊕ECG-9685-C	1	MB, MC	54-55
		B5A-9449-A Spring (exhaust control valve anti-rattler)-use with B4A-9685-B-⊕ECG-99688-A	1	MB, MC	54-55
		B5A-9467-B Spring (exhaust control valve)- use with B4A-9685-B- ⊕ECJ-9449-A	1	MB, MC	54-55

MERCURY

CHASSIS PARTS CATALOGUE

Accelerator



1954

PMC-25

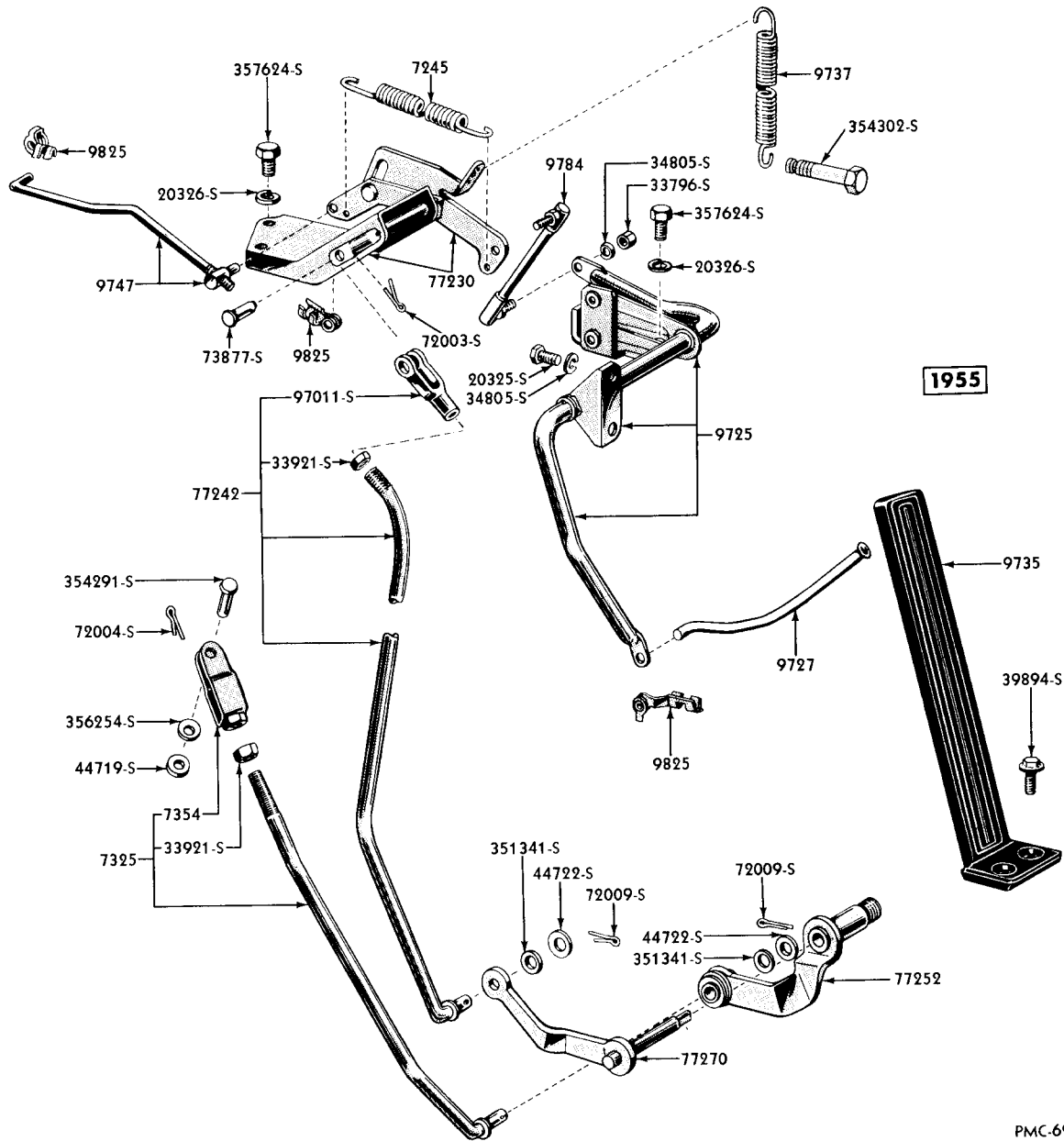
ACCELERATOR AND CONTROL LINKAGE

Basic numbers only shown on illustration. Order by Part Numbers shown in list of parts.

MERCURY

CHASSIS PARTS CATALOGUE

Accelerator—Continued



ACCELERATOR AND CONTROL LINKAGE

Basic numbers only shown on illustration. Order by Part Numbers shown in list of parts.

PMC-69

MERCURY

CHASSIS PARTS CATALOGUE

Accelerator—Continued

PART NUMBER	UNIT	PART NAME	NO. REQ'D	MODEL	YEAR 19__
ΔMB-7245-B		Spring (trans. control to accel. bell crank to lever)	1	MB	54
ΔMC-7245-A		Spring (trans. control to accel. bell crank to lever)	1	MC	55
◇MB-7325-B		Rod assy (trans. high & intermediate)	1	MB	54
ΔMB-7325-C		Rod assy (trans. manual shift)	1	MB	54
ΔMC-7325-B		Rod assy (trans. manual shift)	1	MC	55
◇MC-7325-D		Rod assy (trans. high & intermediate)	1	MC	55
◇MB-7327-B		Rod assy (trans. low & reverse gear shift)	1	MB	54
◇MC-7327-C		Rod assy (trans. low & reverse gear shift)	1	MC	55
ΔAB-7353-A		Sleeve (trans. gear shift rod adjusting)	1	MB	54
◇AE-7354-A		Clevis (trans. shift rod)-1/4"-28 thread	2	MC	55
ΔMC-7354-A		Clevis (trans. manual shift rod)	1	MC	55
◇MC-7354-B		Clevis (trans. shift rod)-5/16"-18 thread-used with MC-7325-D & MC-7327-C	2	MC	55
		72015-S Cotter pin-1/16" x 3/4"	1	MC	55
		72009-S Cotter pin-3/32" x 5/8"	2	MB, MC	54-55
		33921-S13 Nut (hex jam)-1/4"-28-attaches clevis to manual shift rod	1	MC	55
		◇33923-S8 Nut (hex-jam)-5/16"-24-attaches clevis to shift rods	2	MC	55
		◇354802-S8 Pin (clevis)-5/16" x 9/16"	2	MB, MC	54-55
		Δ354815-S8 Pin (clevis)-1/4" x 5/8"	1	MC	55
		Δ352358-S Pin (self locking)	2	MB, MC	54-55
		Δ353509-S8 Washer (flat)-5/16"	2	MB, MC	54-55
		Δ356210-S8 Washer (flat)-1/4"	1	MB, MC	54-55
		◇356509-S8 Washer (flat)-21/64" I. D. x 45/64" O. D. x 3/64" thick	2	MC	55
		Δ351341-S7 Washer (spring)-5/16"	2	MB, MC	54-55
		Δ356254-S2 Washer (spring)-1/4"	1	MC	55
◇ MB 9725-A		Shaft assy (accelerator)	1	MB	54
Δ MB 9725-C		Shaft assy (accelerator)	1	MB	54
Δ MC 9725-B		Shaft assy (accelerator)	1	MC	55
◇ MC 9725-C		Shaft assy (accelerator)	1	MC	55
		20325-S8 Bolt (hex-hd)-1/4"-28 x 5/8"	2	MC	55
		20326-S7 Bolt (hex-hd)-5/16"-18 x 5/8"	2	MC	55
		24309-S8 Bolt (hex-hd)-1/4"-28 x 1/2"	2	MB	54
		24346-S7 Bolt (hex-hd)-5/16"-18 x 3/4"	2	MB	54
		34805-S8 Lockwasher-1/4"	2	MB, MC	54-55
		357624-S7 Lockwasher-5/16"	2	MB, MC	54-55

◇ Not used with Merc-O-Matic transmission

Δ Used with Merc-O-Matic transmission

MERCURY

CHASSIS PARTS CATALOGUE

Accelerator—Continued

PART NUMBER	PART NAME	NO. REQ'D	MODEL	YEAR 19__
	33796-S7 Nut (hex)-1/4"-28	2	MB	54
	356430-S8 Washer (flat)-7/16" I. D. x 9/16" O. D.	2	MB, MC	54-55
	356571-S Washer (spring)-29/64" I. D. x 31/32" O. D.	2	MB, MC	54-55
MB 9727-A	Rod (accelerator pedal to shaft)	1	MB, MC	54-55
	HB-13090 Grommet (carpet)-male	1	MB	54
	HB-13092 Grommet (carpet)-female	1	MB	54
B4A 9735-A	Pedal assy (accelerator)-⊕MB-9735-A	1	MB	54
B5A 9735-A	Pedal assy (accelerator)-⊕MC-9735-A	1	MC	55
	39894-S8 Screw (hex washer-hd self tap- ping)-1/4"-20 x 5/8"-pedal to floor pan	2	MB, MC	54-55
◇ MB 9737-A	Spring (accelerator shaft retracting)	1	MB	54
△ MB 9737-C	Spring (accelerator shaft retracting)	1	MB	54
△ MC 9737-B	Spring (accelerator shaft retracting)	1	MC	55
◇ MC 9737-C	Spring (accelerator shaft retracting)	1	MC	55
	△354302-S8 Bolt (hex-hd)-7/16"-14 x 3"- for retracting spring	1	MC	55
◇ MB 9747-A	Rod assy (accelerator shaft to carburetor)	1	MB	54
△ MB 9747-C	Rod assy (carburetor to transmission control shaft)	1	MB, MC	54-55
◇ MC 9747-B	Rod assy (accelerator shaft to carburetor)	1	MC	55
	72015-S Cotter pin-1/16" x 5/8"-rod to carburetor	1	MB, MC	54-55
△ MB 9784-B	Rod assy (accel. shaft to trans. control shaft)	1	MB	54
△ MC 9784-A	Rod assy (accelerator shaft to trans. control shaft)	1	MC	55
	34805-S8 Lockwasher-1/4"	2	MB, MC	54-55
	33796-S7 Nut (hex)-1/4"-28	2	MB, MC	54-55
B2A 9800-B	Dashpot assy (carburetor)-⊕EAA-99560-B	1	MB, MC	54-55
B1A 9801-A	Screw (carb. dashpot adjusting)-⊕EAC-99534-A	1	MB, MC	54-55
	△MB-77230-C Shaft assy (trans. control to accelerator)	1	MB	54
	△MC-77230-B Shaft assy (trans. control to accelerator)	1	MC	55
	△20326-S8 Bolt (hex-hd)-5/16"-18 x 5/8"- attaches shaft assy to intake manifold	2	MB, MC	54-55
	△34807-S8 Lockwasher-3/8"-shaft assy to intake manifold to cyl. block	2	MB, MC	54-55
	△357624-S7 Lockwasher-5/16"	2	MB, MC	54-55
	△356403-S8 Washer (flat)-25/64" I. D. x 3/4" O. D.	1	MB, MC	54-55

△ Used with Merc-O-Matic transmission

◇ Not used with Merc-O-Matic transmission

MERCURY

CHASSIS PARTS CATALOGUE

Accelerator-Continued

PART NUMBER	PART NAME	NO. REQ'D	MODEL	YEAR 19__
	ΔMB-77242-B Rod assy (trans. control shaft to transmission)	1	MB	54
	ΔMC-77242-A Rod assy (trans. control shaft to trans.)	1	MC	55
	Δ97011-S7 Clevis (adj.)-1/4"-28	1	MB, MC	54-55
	Δ72009-S Cotter pin-3/32" x 5/8"	1	MB	54
	Δ72015-S Cotter pin-1/16" x 5/8"	2	MB, MC	54-55
	33796-S Nut (hex jam)-1/4"-28	1	MB, MC	54-55
	Δ73877-S7 Pin (clevis)-1/4" x 25/32"	1	MB, MC	54-55
	Δ354291-S Pin (clevis)-1/4" x 5/8"	1	MC	55
	Δ352358-S Pin (self locking)	1	MB, MC	54-55
	Δ44719-S8 Washer (flat)-1/4"	1	MB	54
	Δ353509-S8 Washer (flat)-5/16"	1	MB, MC	54-55
	Δ356403-S8 Washer (flat)-3/8"	1	MC	55
	Δ351341-S7 Washer (spring)-5/16"	1	MB, MC	54-55
	Δ356254-S2 Washer (spring)-1/4"	1	MB	54
B5A 9805-A	Lever assy (carb. choke shaft)-⊕ECK-9551-A	1	MC	55
B5A 9811-A	Washer (carb. air bleed screen)-⊕EAD-99569-A	1	MB, MC	54-55
B2Q 9813-A	Screw (carb. air cleaner anchor)-⊕EAD-99575-A	1	MB, MC	54-55
B5A 9815-A	Bracket (carb. dashpot mounting)-also serviced in 99500 Kit-⊕EAD-99565-A	1	MB, MC	54-55
EBY 9820-C	Tube (thermostatic choke control)-inlet	1	MB	54
B5A 9820-B	Tube (thermostatic choke control)-inlet-⊕ECK-9820-A	1	MC	55
	96H-9242 Ferrule (fuel line)-use with 358248-S	1	MB	54
	358248-S Nut (compression fitting)-1/2"-20-tube to carburetor	1	MB	54
59A 9825-A	Clip (rod end clevis)-R. H. -for 3/16" diameter rod	as req'd	MB, MC	54-55
59A 9826-A	Clip (rod end clevis)-L. H. -used with Air Conditioning	1	MC	55
8CM 9842	Clamp (carb. automatic choke thermostat housing)	3	MB, MC	54-55
EAD 9844-A	Plate (carburetor automatic choke housing)	1	MB	54
EAD 9848-B	Housing and thermostat assy (carb. automatic choke)	1	MB	54
B5A 9848-A	Housing and thermostat assy (carb. automatic choke)-⊕EBJ-9848-A	1	MC	55
EAD 9849-A	Housing and plugs assy (carb. automatic choke)	1	MB	54
EAD 9850-B	Control assy (automatic choke)-to intake manifold	1	MB	54
B5A 9850-A	Control assy (automatic choke)-⊕EBJ-9850-A	1	MC	55
HEK 9850-A	Kit (automatic choke installation)-refer to carb. chart for components	1	MB	54
B5A 9852-A	Spacer (carburetor secondary throttle plate control lever)-⊕EAD-99505-A	1	MC	55
EAD 9853-B	Gasket (thermostat choke hsg.)-on intake manifold-also serviced in 9502 Kit	1	MB, MC	54-55
EBY 9864-A	Nut (thermostatic choke control heat tube retaining)-slotted-use with EBY-9425-D	1	MB	54
B4A 9864-A	Nut (thermostatic choke control heat tube retaining)-use with EBY-9425-E & B5A-9425-D-⊕EAD-9864-B	1	MB, MC	54-55

Δ Used with Merc-O-Matic transmission.

◇ Not used with Merc-O-Matic transmission

MERCURY

CHASSIS PARTS CATALOGUE

Accelerator-Continued

PART NUMBER	QTY	PART NAME	NO. REQ'D	MODEL	YEAR 19____
EBY 9869-B	NS	Rod (automatic choke thermostat lever)-replaced by EBY-99868-A	1	MB	54
B5A 9869-A		Rod (automatic choke thermostat lever)- ⊕ECB-99868-A	1	MB, MC	54-55
EAD 9871-A		Gasket (carburetor automatic choke piston housing)- also serviced in 9502 Kit	1	MB, MC	54-55
EAD 9890-C		Tube (thermostatic choke control heat)-Inconel Unit -use with EBY-9425-D	1	MB	54
B4A 9890-A		Tube assy (thermostatic choke heat control)- (inconel Unit)-use with EBY-9425-E & B5A-9425-D-⊕EAD-9890-D	1	MB, MC	54-55
8CM 9902		Needle (carburetor accelerator pump discharge)- also serviced in 9590 Kit	1	MB, MC	54-55
EAD 9904-B		Piston & stem assy (carb. economizer)-also serviced in 9590 Kit	1	MB	54
B5A 9904-A		Piston & stem assy (carb. economizer)-stamped "B" -⊕ECK-9904-A	1	MC	55
B5A 9905-A		Valve assy (carburetor spark control)- ⊕ECG-99570-A	1	MC	55
B5A 9905-B		Valve assy (carburetor spark control)-stamped "25" -also serviced in 9590 Kit-⊕EAD-99570-A	1	MB, MC	54-55
B5A 9909-A		Gasket (carburetor spark control valve body)- also serviced in 9502 Kit-⊕ECG-9909-A	1	MB, MC	54-55
B2Q 9931-A		Clamp (carb. econ. body cover)-⊕EAD-99985-A	1	MB	54
A8Q 9937-A		Spring (carb. filter screen retainer)-⊕8CM-99527	1	MB, MC	54-55
A8Q 9938-A		Screen & retainer assy (carb. filter)-also serviced in 9590 Kit-⊕1CM-99522	1	MB, MC	54-55
8CM 9944		Plug (carburetor float needle seat)-3/8"-24 thread with slotted head	1	MB, MC	54-55
8CM 9945		Gasket (carburetor float needle seat plug)-also serviced in 9502 Kit	1	MB, MC	54-55
8CM 9958		Spring (carburetor float)-1/2" O.D. x 1-3/8" long- 22 coils-also serviced in 9590 Kit	1	MB, MC	54-55
B5A 9958-A		Spring (carburetor float)-⊕ECK-9958-A	1	MB, MC	54-55
8MB 9973-A		Jet (carburetor governor by-pass)-stamped "25"	1	MC	55
Δ 8EQ 9973-B		Jet (carburetor governor by-pass)-stamped "28"	1	MC	55
EBY 9973-A		Jet (carburetor governor by-pass)-stamped "36"- also serviced in 9590 Kit	1	MB	54
B5A 9973-A		Jet (carburetor governor by-pass)-stamped "31"- ⊕ECK-9973-A	1	MC	55
B5A 9973-B		Jet (carburetor governor by-pass)-stamped "35"- ⊕ECK-9973-B	1	MC	55

Δ Used with Merc-O-Matic transmission

MERCURY

CHASSIS PARTS CATALOGUE

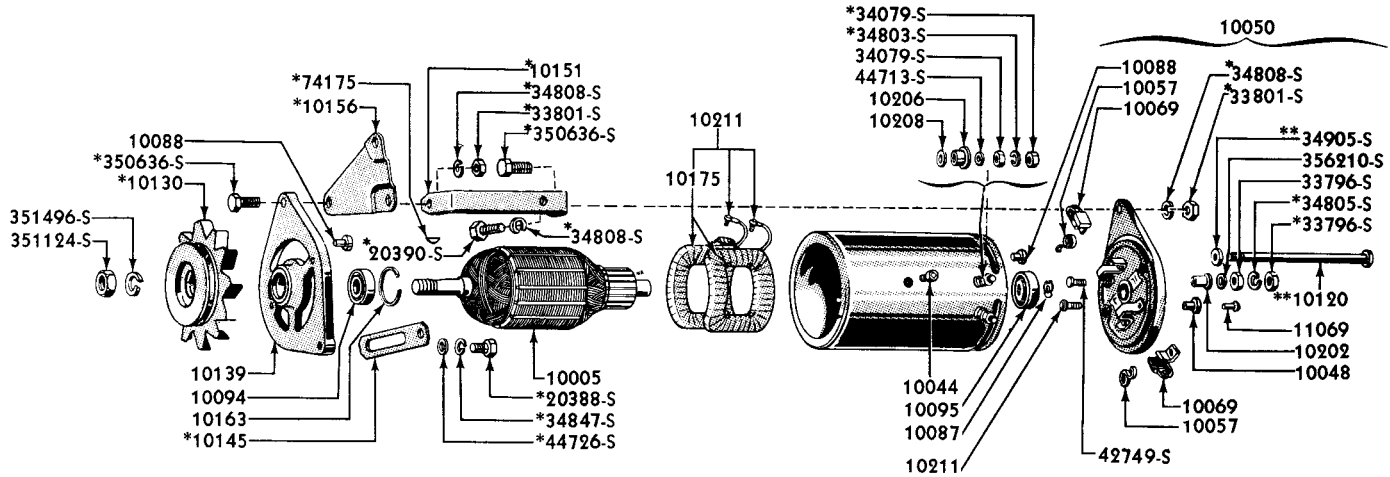
Accelerator—Continued

PART NUMBER	CLAS	PART NAME	NO. REQ'D	MODEL	YEAR 19__
Δ B5A 9984-A		Cover & plugs assy (carb. main body)-⊕ECK-99983-A	1	MC	55
◇ B5A 9984-B		Cover & plugs assy (carb. main body)-⊕ECK-99983-B	1	MC	55
Δ B5A 9984-C		Cover & plugs assy (carb. main body)-stamped "30" -⊕ECK-99983-C	1	MC	55
◇ B5A 9984-D		Cover & plugs assy (carb. main body)-stamped "33" -⊕ECK-99983-D	1	MC	55
Δ B5A 9984-E		Cover & plugs assy (carb. main body)-stamped "30A"-use with B5A-9510-R-⊕ECK-99983-E	1	MC	55
◇ B5A 9984-F		Cover & plugs assy (carb. main body)-stamped "33A"-use with B5A-9510-Q-⊕ECK-99983-F	1	MC	55
EAD 9985-A		Gasket (carburetor main body cover plate)-also serviced in 9502 Kit	1	MB, MC	54-55
B5A 9985-A		Gasket (carburetor main body cover plate)- ⊕ECK-9985-A	1	MC	55
8CM 9986		Spring (carb. accel. pump rod)-1/4" I. D. x 13/16" long-9 coils-serviced in 9531 Kit	1	MB, MC	54-55
EAD 9988-C		Stud (carburetor pump operating rod)-51/64" o/all length & slotted at end for "C" type retainer	1	MB	54
EBY 9991-A		Tube assy (carb. main well)-also serviced in 9590 Kit	2	MB	54
B5A 9991-A		Tube assy (carb. main well)-stamped "31"-also serviced in 9590 Kit-⊕ECK-9991-A	2	MC	55

◇ Not used with Merc-O-Matic transmission

Δ Used with Merc-O-Matic transmission

Generator



* NOT INCLUDED IN GENERATOR ASS'Y

** NOT PART OF 10050 ASS'Y

PM-782

GENERATOR

Basic numbers only shown on illustration. Order by Part Numbers shown in list of parts.

MERCURY

CHASSIS PARTS CATALOGUE

Generator—Continued

PART NUMBER	PART NAME	NO. REQ'D	MODEL	YEAR 19__
B5C 10002-A	Generator assy-less pulley, brkt. & bolt-40 Amp.	1	MB, MC	54-55
FBB 10002-A	Generator assy-less pulley, brkt. & bolt-50 Amp. - use with Air Conditioning	1	MC	55
	350636-S Bolt (spec. hex-hd)-7/16"-14 x 1-3/8"-generator to generator bracket	2	MB, MC	54-55
	354137-S8 Bolt (hex-hd)-7/16"-14 x 17/16"-generator to Air Conditioning compressor	2	MC	55
	34808-S7 Lockwasher-7/16"-generator to generator bracket	2	MB, MC	54-55
	34808-S7 Lockwasher-7/16"-generator to Air Conditioning compressor	2	MC	55
	33801-S8 Nut (hex)-7/16"-14-generator to generator bracket	2	MB, MC	54-55
	356369-S Washer (flat)-11/16" x 2"-shaft to generator front bearing	1	MB	54
FAB 10005-A	Armature assy (generator)-50 Amp. -use with Air Conditioning	1	MB, MC	54-55
B5A 10005-D	Armature assy (generator)-40 Amp. -⊕FBC-10005-B	1	MB, MC	54-55
B4A 10043-A	Kit (generator brush)-consists of the following (2) FAA-10069-A Brush assy	1	MB, MC	54-55
68 10044	Bolt (generator pole piece)-7/16"-14 x 21/32"	2	MB, MC	54-55
68 10044	Bolt (starter pole piece)-7/16"-14 x 21/32"	4	MB, MC	54-55
8BA 10048-B	Insulator (generator brush holder rivet)	1	MB, MC	54-55
8BA 10048-B	Insulator (starter brush holder rivet)	4	MB, MC	54-55
FBC 10050-A	Plate assy (generator rear end)	1	MB, MC	54-55
	18-11069 Rivet (generator brush end plate)-13/32" x 1/8"	2	MB, MC	54-55
	42749-S8 Bolt and lockwasher assy (fillister hd)-1/4"-28 x 3/8"-brush holder to plate	1	MB, MC	54-55
91A 10057	Spring (generator brush)	2	MB, MC	54-55
FAA 10069-A NS	Brush assy (generator)-55/64" x 1" x 19/64"-two wire type-service in 10043 Kit	2	MB, MC	54-55
	01A-10211 Screw (round head)-1/4"-28 x 1"-brush to holder	1	MB, MC	54-55
FAB 10087-A	Spring (generator bearing)	1	MB, MC	54-55
18 10088	Rivet (generator frame locating)-1/8" x 5/32"	2	MB, MC	54-55
18 10088	Rivet (starting motor frame locating)-1/8" x 5/32"	2	MB, MC	54-55
7RA 10094-A	Bearing (generator front end plate)-21/32" I. D. x 1-37/64" O. D. x 15/32" wide-with Rubber seal	1	MB, MC	54-55
FAA 10095-A	Bearing (generator rear end plate)-25/64" I. D. x 1-3/16" O. D. x 23/64" wide-with Nylon brg. seal	1	MB, MC	54-55
8A 10120	Bolt (hex head)-generator through	2	MB, MC	54-55
	34905-S7 Washer (internal tooth)-1/4"-generator through bolt	2	MB, MC	54-55

MERCURY

CHASSIS PARTS CATALOGUE

Generator—Continued

PART NUMBER	UNIT	PART NAME	NO. REQ'D	MODEL	YEAR
					19
FAB 10130-A		Pulley (generator)-3/8" width groove	1	MB	54
FAP 10130-B		Pulley (generator)-used with FBB-10002-A & Air Conditioning	1	MC	55
B5A 10130-C		Pulley (generator)-1/2" width groove- ⊕FBA-10130-B	1	MC	55
		74175-S Key (woodruff)-No. 6-generator pulley to armature shaft	1	MB, MC	54-55
		351496-S Lockwasher-43/64"-generator pulley to armature shaft	1	MB, MC	54-55
		351124-S Nut (hex)-43/64"-20-generator pulley to armature shaft	1	MB, MC	54-55
OHA 10139-A		Plate (generator front end)	1	MB, MC	54-55
B 10141-A		Cup (distributor oil)	1	MB, MC	54-55
EAN 10145-A		Arm (generator belt adjustment)	1	MB	54
ECE 10145-B		Arm (generator belt adjustment)-used with Air Conditioning	1	MC	55
B5A 10145-B		Arm (generator belt adjustment)-⊕ECE-10145-A	1	MC	55
		20388-S8 Bolt (hex head)-3/8"-16 x 1"-arm to cylinder front cover and generator	2	MB, MC	54-55
		34847-S8 Lockwasher-3/8"-arm to cyl. front cover and generator	2	MB, MC	54-55
		44726-S8 Washer (flat)-3/8"-arm to cyl. front cover and generator	2	MB, MC	54-55
EBY 10151-A		Bracket (generator)-rear	1	MB	54
B5A 10151-A		Bracket(generator)-rear-used with Air Conditioning -⊕ECE-10151-B	1	MC	55
B5A 10151-B		Bracket (generator)-rear-⊕ECE-10151-A	1	MC	55
		20390-S8 Bolt (hex-hd)-7/16"-14 x 1"-bracket to cylinder head	1	MB, MC	54-55
		34808-S8 Lockwasher-7/16"-bracket to cylinder head	1	MB, MC	54-55
EAN 10156-A		Bracket (generator)-front	1	MB	54
B5A 10156-A		Bracket (generator)-front-⊕ECE-10156-A	1	MC	55
		45526-S8 Bolt (hex-hd)-5/16"-18 x 2-3/4"-bracket to cylinder block	2	MB, MC	54-55
01A 10163		Ring (generator front end plate bearing stop)-1-43/64" O. D. x 3/64" thick	1	MB, MC	54-55
B5S 10175-A		Coil assy (generator field)-2 coils -⊕FBA-10175-A	1	MB, MC	54-55
FBB 10175-A		Coil assy (generator field)-2 coils-use with Air Conditioning	1	MB, MC	54-55
7RA 10195-A		Tube (field coil connecting wire)-1-1/2" long	1	MB, MC	54-55
81A 10195-A		Tube (field coil lead connection insulating)-2-45/64" long	3	MB, MC	54-55
01A 10202		Insulator (generator rear end plate terminal screw)	1	MB, MC	54-55
81A 10206		Insulator (generator frame terminal screw)-outer	1	MB, MC	54-55
81A 10208		Insulator (generator end plate)-inner	1	MB, MC	54-55
01A 10211		Screw (generator rear end plate terminal)-1/4"-28 x 1"	1	MB, MC	54-55

MERCURY

CHASSIS PARTS CATALOGUE

Generator — Continued

PART NUMBER	PART NAME	NO. REQ'D	MODEL	YEAR 19__
B4A 10211-A	Screw (generator terminal)-⊕FAA-10211-A	2	MB, MC	54-55
	34803-S7 Lockwasher-No. 10-screw term. to frame	2	MB, MC	54-55
	33796-S7 Nut (hex)-1/4"-28-screw to end plate	1	MB, MC	54-55
	34079-S7 Nut (hex)-No. 10-32-screw term. to frame	2	MB, MC	54-55
	44713-S8 Washer (flat)-No. 10-screw term. to frame	3	MB, MC	54-55
	44713-S8 Washer (flat)-No.10-screw to frame	3	MB, MC	54-55
	356210-S8 Washer (flat)-9/32" I.D. x 9/16" O.D. -screw to end plate	1	MB, MC	54-55

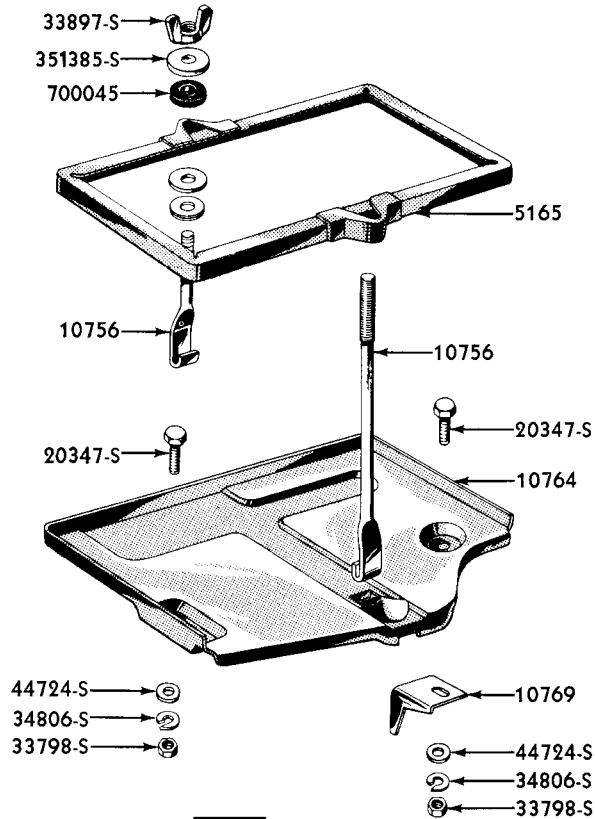
Voltage Regulator

B5A 10505-C	Regulator assy (generator)-40 amp.-⊕FAD-10505-C	1	MB, MC	54-55
FAJ 10505-A	Regulator assy (generator)-50 amp. -used with Air Conditioning	1	MC	55
	356216-S7 Retainer (terminal)-for regulator terminals	3	MB, MC	54-55
	42143-S8 Screw (hex washer head tap.)-No. 14-14 x 3/4"-reg. to radiator air side deflector	2	MB, MC	54-55
	42802-S8 Screw & lockwasher assy (pan hd)-No. 10-32 x 3/8"-for regulator terminals	3	MB, MC	54-55
8A 10540	Armature assy (cutout)	1	MB	54
8A 10541	Point and post assy (cutout contact)	1	MB	54
8A 10551	Armature assy (regulator)	1	MB	54
8A 10568-A	Plate (regulator hinge spring reinforcement)	3	MB, MC	54-55
8A 10570	Resister (regulator field)-21 OHMS	1	MB, MC	54-55
8A 10576	Point (current limiter contact post)	1	MB, MC	54-55
8A 10584	Armature assy (current limiter)	1	MB, MC	54-55
8A 10594	Resister assy (regulator absorbing)-14 OHMS	1	MB, MC	54-55
	42649-S8 Screw and lockwasher assy (round head)-No. 8-32 x 3/8"-resister to regulator terminal base	4	MB, MC	54-55
51A 10623	Gasket (regulator cover to base)	1	MB, MC	54-55
	34902-S8 Lockwasher-No. 8-gasket and cover to base	2	MB, MC	54-55
	41294-S8 Screw (fillister hd)-No. 8-32 x 3/8"-gasket & cover to base	2	MB, MC	54-55
8A 10653	Point (regulator voltage limiter contact post)	1	MB, MC	54-55

MERCURY

CHASSIS PARTS CATALOGUE

Battery



PM-783

BATTERY TRAY AND RELATED PARTS

Basic numbers only shown on illustration. Order by Part Numbers shown in list of parts.

PART NUMBER	U.S.A. / C.	PART NAME	NO. REQ'D	MODEL	YEAR 19__
B5A-5165-A		Clamp (battery)-10-7/64" x 5-21/32"-@BR-5165-A	1	MB, MC	54-55
33896-S8		Nut (wing)-5/16"-18-clamp to battery tray	2	MC	55
33897-S8		Nut (wing)-3/8"-16-clamp to battery tray	2	MB, MC	54-55
44725-S8		Washer (flat)-5/16"-clamp to battery tray	2	MC	55
351385-S7		Washer (cup)-27/64" I. D. x 1-5/16" O. D. -clamp to battery tray	2	MB, MC	54-55
78-700045-A		Washer (clamp to battery tray)	2	MB, MC	54-55
FAA 10655-E		Battery assy-63 plate-6 volt-110 amp. hour- 11-7/32" x 8-1/32" x 5-15/32"	1	MB, MC	54-55
FAD 10655-C		Battery assy-57 plate-6 volt-100 amp. hour- 9-31/32" x 8-1/32" x 5-15/32"	1	MB, MC	54-55
BM 10716-A		Clamp assy (battery hold down)-11-33/64" x 5-21/32"-adjustable	1	MB, MC	54-55
BV 10732-B		Support assy (battery)-use with Air Conditioning and 110 amp. battery	1	MC	55

MERCURY

CHASSIS PARTS CATALOGUE

Battery—Continued

PART NUMBER	PART NAME	NO. REQ'D	MODEL	YEAR 19__
20347-S8	Bolt (hex-hd)-5/16"-24 x 3/4"-battery support to battery support bracket-use with Air Conditioning	2	MC	55
353714-S2	Bolt (hex washer hd)-5/16"-24 x 1"-battery support to battery support brkt., apron & deflector	3	MC	55
34806-S7	Lockwasher-5/16"-battery support to battery support bracket, apron & deflector-use with Air Conditioning	3	MC	55
34941-S7	Lockwasher (external tooth)-5/16"-battery support to battery support bracket-use with Air Conditioning	2	MC	55
33798-S8	Nut (hex)-5/16"-24-battery support to battery support bracket-use with Air Conditioning	2	MC	55
44724-S8	Washer (flat)-5/16"-battery support to battery support bracket	2	MC	55
356409-S8	Washer (flat)-3/8"-hold down	2	MB	54
BM 10756-A	Bolt (battery clamp)-9-9/16" long	1	MB, MC	54-55
BM 10756-B	Bolt (battery clamp)-4" long	1	MB, MC	54-55
B5A 10756-A	Bolt (battery clamp)-9" long-⊕BN-10756-A	2	MC	55
BR 10764-A	Tray (battery support)	1	MB	54
B5A 10764-A	Tray (battery support)-5-21/32" x 11-27/64"-with (3) 11/32" dia. holes and (3) slots 11/32" x 11/16"-⊕BN-10764-A	1	MC	55
20347-S8	Bolt (hex-hd)-5/16"-24 x 3/4"-tray to rear support bracket	2	MB, MC	54-55
20347-S8	Bolt (hex-hd)-5/16"-24 x 3/4"-tray to apron and deflector	3	MB, MC	54-55
34806-S7	Lockwasher (spring)-5/16"-tray to apron and deflector	3	MB, MC	54-55
34806-S7	Lockwasher (spring)-5/16"-tray to rear support bracket	2	MB, MC	54-55
34941-S7	Lockwasher (external tooth)-5/16"-tray to inner support bracket	2	MC	55
34941-S7	Lockwasher (external tooth)-5/16"-tray to apron and deflector	3	MC	55
33798-S8	Nut (hex)-5/16"-24 tray to apron and deflector	3	MB, MC	54-55
33798-S8	Nut (hex)-5/16"-24-tray to rear support bracket	2	MB, MC	54-55
44724-S8	Washer (flat)-5/16"-tray to rear support bracket	2	MB, MC	54-55
44724-S8	Washer (flat)-5/16"-tray to apron and deflector	1	MB, MC	54-55

MERCURY

CHASSIS PARTS CATALOGUE

Battery—Continued

PART NUMBER	PART NAME	NO. REQ'D	MODEL	YEAR 19__
BR 10769-A	Bracket (battery support)-rear	1	MB, MC	54-55
BV 10769-A	Bracket (battery support)-rear-used with Air Conditioning	1	MC	55
	20347-S8 Bolt (hex-hd)-5/16"-24 x 3/4" -battery support rear brkt. to apron & deflector-use with Air Conditioning	2	MC	55
	42905-S8 Bolt & washer assy (hex-hd)-5/16"-24 x 3/4"-battery support rear brkt. to apron & deflector	1	MB	54
	353704-S8 Bolt & washer assy (hex-hd)-5/16"-24 x 1-9/64"-inner support bracket to radiator support	2	MC	55
	353704-S Bolt & washer assy (hex-hd)-5/16"-24 x 1-9/64"-battery support inner bracket to radiator support assy	2	MC	55
	34806-S7 Lockwasher-5/16"-battery support rear brkt. to apron & deflector-use with Air Conditioning	2	MC	55
	33798-S8 Nut (hex)-5/16"-24-battery support rear brkt. to apron & deflector-use with Air Conditioning	2	MC	55
	357256-S2 Nut & retainer assy-5/16"-24-battery support rear brkt. to apron & deflector-use with Air Conditioning	2	MC	55
	44724-S8 Washer (flat)-5/16"-battery support rear brkt. to apron & deflector-use with Air Conditioning	2	MC	55
BN 10774-A NS	Insulator (battery hold down clamp)-use 78-700045	2	MC	55

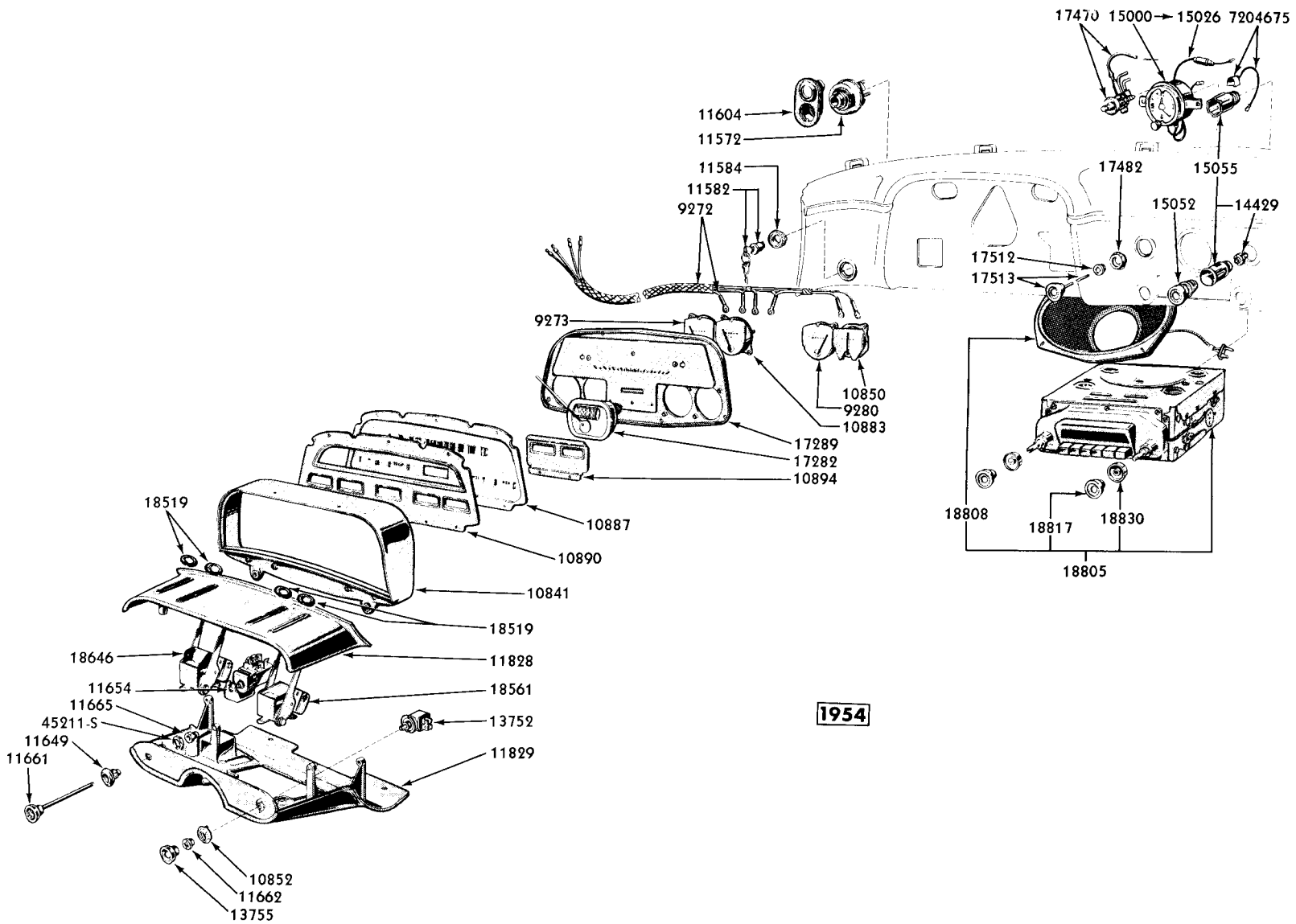
Instrument Panel Indicators

	FDC-9272-B Wire assy (instrument cluster)	1	MB	54
	FDC-9273-A Indicator assy (oil pressure)-Black background with White graduations and Orange pointer	1	MB	54
	FDK-9273-B Indicator assy (oil pressure)-Alaska White dial, Light Green graduations & numerals & Fire Orange pointer	1	MC	55
	FDC-9280-A Indicator assy (fuel level)-Black background with White graduations and Orange pointer	1	MB	54
	FDK-9280-B Indicator assy (fuel level)-Alaska White dial, Light Green graduations & numerals & Fire Orange pointer	1	MC	55

MERCURY

CHASSIS PARTS CATALOGUE

Instrument Panel Indicators - Continued



INSTRUMENT PANEL

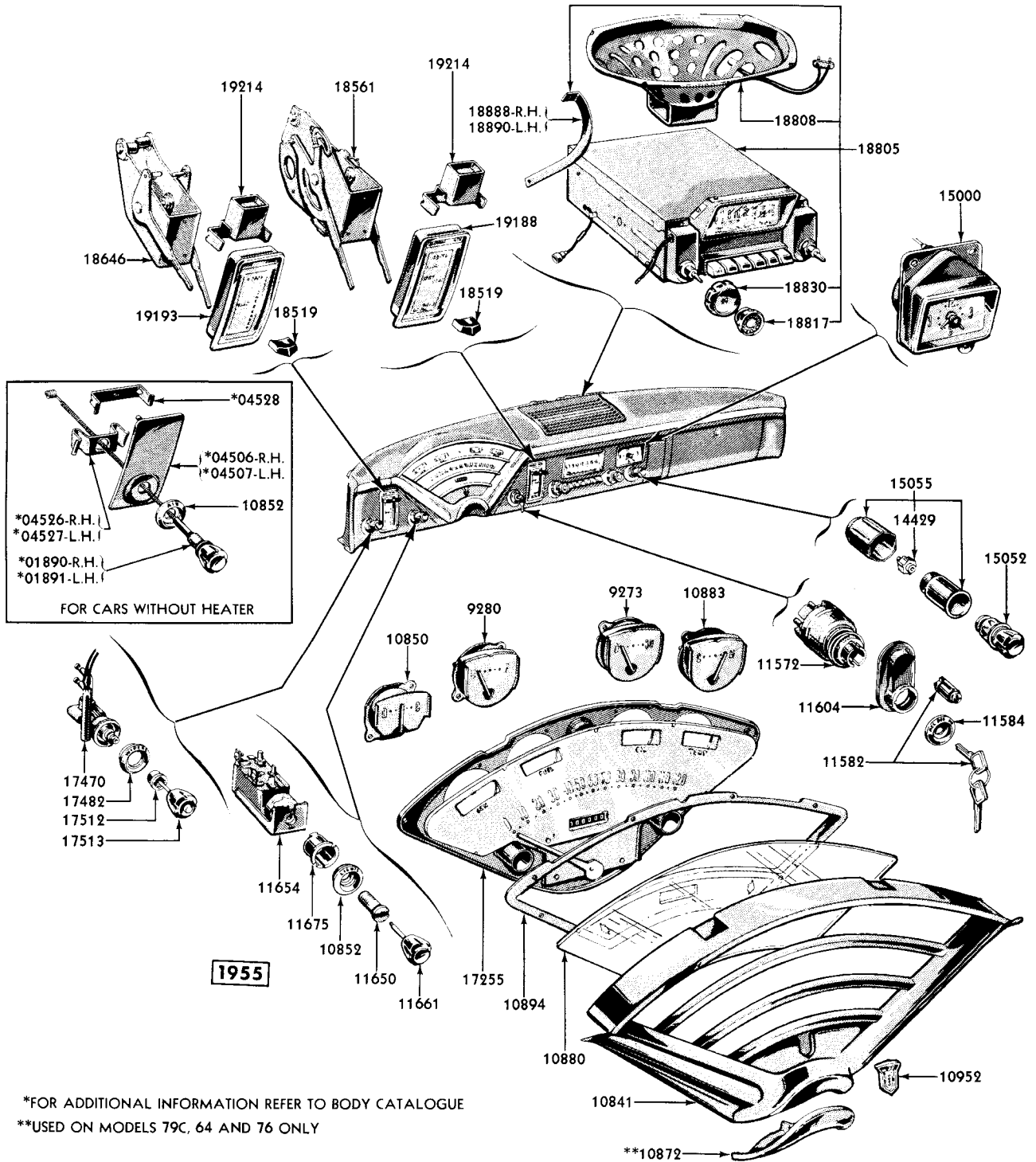
Basic numbers only shown on illustration. Order by Part Numbers shown in list of parts.

PM-778

MERCURY

CHASSIS PARTS CATALOGUE

Instrument Panel Indicators—Continued



*FOR ADDITIONAL INFORMATION REFER TO BODY CATALOGUE

**USED ON MODELS 79C, 64 AND 76 ONLY

INSTRUMENT PANEL

Basic numbers only shown on illustration. Order by Part Numbers shown in list of parts.

MERCURY

CHASSIS PARTS CATALOGUE

Instrument Panel Indicators—Continued

PART NUMBER	PART NAME	NO. REQ'D	MODEL	YEAR
FAD 10841-BF	Housing (instrument and control panel)-in Prime	1	MB	54
FDK 10841-CP	Housing (instrument cluster)-in Prime	1	MC	55
	24324-S7-8 Bolt (hex-hd)-1/4"-20 x 5/8"-instrument cluster to panel	2	MB	54
	43260-S8 Bolt & washer assy (hex)-1/4"-20 x 1/2"-instrument cluster to panel	2	MB	54
	34903-S8 Lockwasher-No. 10-use with 34053-S8	4	MC	55
	34905-S7 Lockwasher (internal tooth)-1/4"-instrument cluster to panel	2	MB	54
	33795-S7 Nut (hex)-1/4"-20-instrument cluster to panel	2	MB	54
	34053-S8 Nut (hex)-No. 10-24-inst. cluster hsg. to inst. panel	4	MC	55
	52353-S13 Screw (cross recess oval head tapping)-No. 10-12 x 5/8"-cluster panel to inst. panel	2	MC	55
	52369-S13 Screw (oval head)-No. 10-12 x 7/8"-instrument cluster to panel	2	MB	54
	352419-S34 Stud-No. 10-24 x 13/16"-attaches inst. cluster hsg. to inst. panel	4	MC	55
	44712-S8 Washer (flat)-No. 10-cluster panel to inst. panel	4	MC	55
	44713-S8 Washer (flat)-No. 10-use with 34053-S8	4	MC	55
	44719-S8 Washer (flat)-1/4"-instrument cluster to instrument panel	2	MB	54
FDC 10850-A	Indicator assy (charge)-Black background-Orange pointer	1	MB	54
FDK 10850-B	Indicator assy (charge)-Alaska White dial, Light Green graduations & numerals & Fire Orange pointer	1	MC	55
	37611-S7 Screw (fill-hd pointed)-No. 8-32 x 1/4"-indicator to cluster	2	MC	55
FAA 10852-F	Bezel (instrument cluster control inner)-blower used with Air Conditioning	2	MC	55
FDC 10852-A	Bezel (instrument cluster control)-interior lights	1	MB	54
FDK 10852-A	Bezel (instrument cluster control)-interior lights	1	MC	55
FDK 10852-B	Bezel (instrument cluster air control)-inner	2	MC	55
FDK 10872-BP	Moulding (inst. cluster strg. column opening)-in Prime	1	MC64-76	55
	51536-S8 Screw (rd-hd cross recessed)-No. 10-32 x 1/2"-moulding to cluster	1	MC64-76	55
FDK 10880-B	Glass (instrument cluster)	1	MC	55
FDC 10883-A	Indicator assy (temperature)-Black background-Orange pointer	1	MB	54

MERCURY

CHASSIS PARTS CATALOGUE

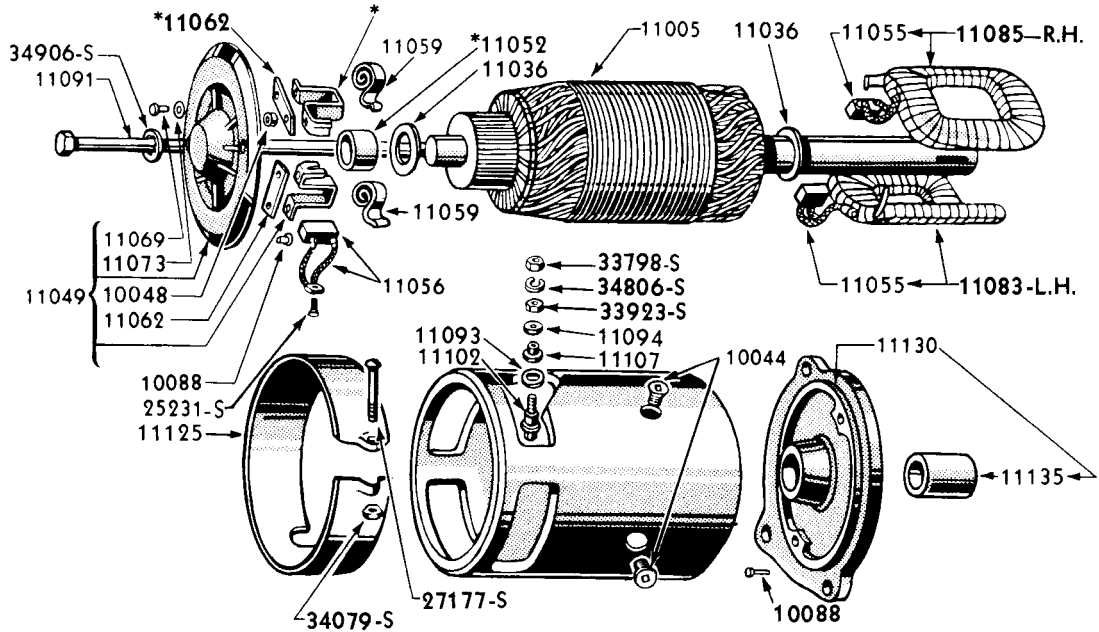
Instrument Panel Indicators-Continued

PART NUMBER	PART NAME	NO. REQ'D	MODEL	YEAR 19__
FDK 10883-B	Indicator assy (temperature)-Alaska White dial, Light Green graduations & numerals & Fire Orange pointer	1	MC	55
	37611-S7 Screw (fill-hd pointed)-No. 8-32 x 1/4"-indicator to cluster	2	MC	55
1A 10884-A	Bulb assy (electric heat indicator)	1	MB, MC	54-55
	FAA-13785-A Terminal (electric heat bulb)-use with 1A-10884-A	1	MB, MC	54-55
FDC 10887-E	Dial (instrument cluster main)-m. p. h. -with numerals on radius or curve	1	MB	54
FDC 10890-A	Mask (instrument cluster)-outer	1	MB	54
FDC 10894-A	Mask (instrument cluster)-inner	2	MB	54
FDK 10894-C	Mask (instrument cluster)	1	MC	55
B4A 10911-A	Adapter (heat indicator bulb)-3/8" thread x 59/64" O. D. x 1/2" thick-used with L. H. cylinder head -use with 1A-10884-A-⊕EBU-10911-A	1	MB, MC	54-55
FDK 10952-A	Medallion (instrument cluster)	1	MC	55
	FDC-11828-AP Housing (instr. & control)-upper-in Prime	1	MB	54
	FDC-11829-AP Housing (instr. & control)-lower-in Prime	1	MB	54
	78-13466 Bulb (clear)-1-1/2" C. P. -S. C. -instrument and control panel lights	2	MB, MC	54-55
	FDC-18519-A Knob assy (temperature, blower and air control)	4	MB	54
	FDK-18519-A Knob (heater control)-R. H.	4	MC	55
	FAC-18561-C Control assy (heater air regulator)-R. H.	1	MB	54
	FDK-18561-C Control assy(heater air regulator)-R. H.	1	MC	55
	FAB-18616-A Washer (heater control lever thrust)	4	MC	55
	FAC-18646-C Control assy (heater air regulator)-L. H.	1	MB	54
	FDK-18646-C Control assy(heater air regulator)-L. H.	1	MC	55
	50803-S8 Screw & L/washer assy (pan hd-cross recessed)-No. 8-32 x 3/8"	6	MC	55
	FDK-19188-C Housing assy (heater regulator control)-R. H.	1	MC	55
	FDK-19193-C Housing assy (heater regulator control)-L. H.	1	MC	55

MERCURY

CHASSIS PARTS CATALOGUE

Starter



* PART OF 11049 ASSY.

PMC-181

STARTER

Basic numbers only shown on illustration. Order by Part Numbers shown in list of parts.

PART NUMBER	PART NAME	NO. REQ'D	MODEL	YEAR 19__
FAC 11002-G	Starter assy-less drive assy & pinion pin-fast cranking	1	MB, MC	54-55
FAC 11002-M	Starter assy-less drive assy & pinion pin	1	MB, MC	54-55
	68-10044 Screw (starter pole piece)-7/16"-14 x 21/32"	4	MB, MC	54-55
	355476-S2 Bolt (hex-hd)-5/16"-18 x 1"-starter & drive to flywheel housing	3	MB, MC	54-55
	34806-S7 Lockwasher-5/16"-starter & drive to flywheel hsg.	3	MB, MC	54-55
FAC 11005-B	Armature assy (starter)	1	MB, MC	54-55
18 11036	Washer (starter armature thrust)-21/32" I.D. x 1-1/8" O.D.	2	MB, MC	54-55
B4A 11049-A	Plate assy (starting motor brush end) - ⊕FAA-11049-A	1	MB, MC	54-55
	8BA-10048-B Insulator (starter brush holder rivet)	4	MB, MC	54-55
	18-10088 Rivet (round head)-1/8" x 5/32"-starter frame locating	2	MB, MC	54-55
	74115-S Plug (expansion)-7/8" dia. - to plug hole in end plate	1	MB, MC	54-55
	353821-S Rivet (starter brush end plate) 13/32" x 1/8"	8	MB, MC	54-55
18 11052	Bearing (starter brush end plate)-5/8" I.D. x 3/4" O.D. x 9/16" wide	1	MB, MC	54-55

MERCURY

CHASSIS PARTS CATALOGUE

Starter—Continued

PART NUMBER	QUANTITY	PART NAME	NO. REQ'D	MODEL	YEAR 19 ____
18 11055	NS	Brush assy (starter)-serviced in 18-11057 Kit	2	MB, MC	54-55
18 11056	NS	Brush assy (starter ground)-serviced in 18-11057 Kit	2	MB, MC	54-55
18 11057		Kit (starter brush)-consists of the following (2) 18-11055 Brush (2) 18-11056 Brush	1	MB, MC	54-55
		25231-S7 Screw (flat head)-No. 10-32 x 1/2"-starter brush attaching	2	MB, MC	54-55
B 11059		Spring (starter brush)	4	MB, MC	54-55
B 11062		Insulation (starter brush holder)	2	MB, MC	54-55
18 11069		Rivet (starter brush end plate)	8	MB, MC	54-55
18 11069		Rivet (generator brush end plate)-13/32" x 1/8"	2	MB, MC	54-55
18 11083		Coil assy (starter field)-left	1	MB	54
FAC 11083-A		Coil assy (starter field)-left	1	MB, MC	54-55
18 11085		Coil assy (starter field)-right	1	MB, MC	54-55
FAA 11091-A		Bolt (hex head starter thru)	2	MB, MC	54-55
		34906-S8 Lockwasher (internal tooth)- 5/16"-motor thru bolt	2	MB, MC	54-55
7RA 11093		Washer (starter field terminal)-45/64" O. D.	1	MB, MC	54-55
18 11094-B		Washer (starter field terminal insulator)-Fibre- 21/64" I. D. x 25/32" O. D.	1	MB, MC	54-55
7RA 11095		Washer (flat)-5/16"-starter field terminal	1	MB, MC	54-55
B5A 11095-A		Washer (flat)-5/16"-starter field terminal- ⊕FAA-11095-A	1	MB, MC	54-55
18 11102-B		Terminal (starter field)	1	MB, MC	54-55
		34806-S2 Lockwasher-5/16"-starter field terminal-lower	1	MB, MC	54-55
		33798-S8 Nut (hex)-5/16"-24-starter field terminal-lower	1	MB, MC	54-55
		33923-S7 Nut (hex check)-5/16"-24- starter field terminal- lower	1	MB, MC	54-55
18 11107-B		Insulator (starter field terminal)	1	MB, MC	54-55
1CM 11125-A		Band assy (starter cover)	1	MB, MC	54-55
		34079-S7 Nut (hex)-No. 10-32-starter cover band	1	MB, MC	54-55
		27177-S8 Screw (rd-hd)-No. 10-32 x 1-1/2"-starter cover band	1	MB, MC	54-55
FAA 11130-B		Plate assy (starter rear end)	1	MB, MC	54-55
1CM 11135-A		Bushing (starter rear end plate)-5/8" I. D. x 13/16" O. D. x 1-5/32" long	1	MB, MC	54-55

Starter Drive

1CM 11350-C		Drive assy (starter)-stamped "D"	1	MB, MC	54-55
		AE-6677-A Cover (starter pinion)	1	MB, MC	54-55
52 11365-B		Pin (starter drive pinion)	1	MB, MC	54-55

MERCURY

CHASSIS PARTS CATALOGUE

Ignition Switch

PART NUMBER	PART NAME	NO. REQ'D	MODEL	YEAR 19
B5A 11450-A	Relay assy (starter motor)-with Phenolic Plastic housing-⊕FDH-11450-A	1	MB, MC	54-55
	34803-S7 Lockwasher-No. 10	1	MC	55
	34806-S7 Lockwasher-5/16"	2	MC	55
	33923-S7 Nut (hex-jam)-5/16"-24-stg. switch contact screw to stg. motor relay case	2	MC	55
	34079-S7 Nut (hex)-No. 10-32-stg. switch terminal screw to stg. motor relay case & stop assy	1	MC	55
	31497-S8 Screw (hex washer hd self tap.) -No. 14-10 x 1/2"-relay to fender apron	2	MB, MC	54-55
	44722-S8 Washer (flat)-5/16"	2	MC	55
	351256-S7 Washer (plain spec.)-3/16"	1	MC	55
FDL 11508-B	Kit (auxiliary starter)-used with Automatic transmission only-see Accessory Group for Components	1	MB, MC	54-55
FDL 11515-A	Filter (auxiliary starter switch)	1	MC	55
B5A 11572-A	Switch assy (ignition)-⊕FDH-11572-A	1	MB, MC	54-55
	78-13466 Bulb (clear)-2 C. P. -S. C. - ignition switch	1	MB, MC	54-55
	FDC-14299-A Wire assy (ignition switch to back lamp switch)	1	MB	54
1A 11581-B	Spring (ignition switch retaining)-coil type-9/16" free length	1	MB, MC	54-55
BC 11582-B	Cylinder and key assy (ignition lock)	1	MB, MC	54-55
FAC 11584-A	Bezel (ignition switch)-1-1/16" O. D.	1	MB, MC	54-55
FAA 11604-A	Housing assy (ignition switch lamp)	1	MB	54
FDK 11604-A	Housing assy (ignition switch lamp)	1	MC	55
FDC 11649-A	Bezel assy (headlamp control switch)-13/64" I. D. x 1-1/16" O. D. x 25/32" long	1	MB	54
FDK 11650-A	Nut assy (lighting switch)	1	MC	55
FAA 11654-A	Switch assy (headlamp control hand)-with ceramic resistor block	1	MB	54
B5T 11654-A	Switch assy (lighting)-⊕FDM-11654-A	1	MC	55
FDC 11661-A	Knob and insert assy (lighting switch)	1	MB	54
FDK 11661-B	Knob and insert assy (lighting switch)	1	MC	55
FDC 11662-B	Nut (headlamp control switch)-7/16"-28 x 15/64"-special	1	MB	54
FDC 11665-A	Bolt (headlamp control switch mtg.)-3/8"-24 x 27/64"	1	MB	54
FDK 11675-B	Spacer (lighting switch)	1	MC	55

MERCURY

CHASSIS PARTS CATALOGUE

Lighting Switch

PART NUMBER	UNIT	PART NAME	NO. REQ'D	MODEL	YEAR 19__
B5A 11691-A		Resister assy (lighting switch rheostat)-1-3/16" O. D. x 9/16" wide-⊕FDM-11691-A	1	MC	55
B5A 11691-B		Resister assy (lighting switch rheostat)-with hub type projection at one end-⊕FDM-11691-B	1	MC	55
B5A 11692-A		Spring (lighting switch rheostat tension)-use with B5A-11691-A -⊕FDM-11692-A	1	MC	55
B5A 11692-B		Spring (lighting switch rheostat tension)-use with B5A-11691-B-with (4) conical coils x 13/16" free length -⊕FDM-11692-B	1	MC	55
B5A 11693-A		Seat (lighting switch rheostat tension spring)- with 3/16" dia. hole, flat on one side also (1) tang on O. D. -⊕FDM-11693-A	1	MC	55
B5A 11693-B		Seat (lighting switch rheostat tension spring)- ⊕FDM-11693-B	1	MC	55
FDC 11828-AP		Housing (instrument and control)-upper-in Prime	1	MB	54
		34903-S8 Lockwasher-No. 10-instrument and control upper housing to cluster	4	MB	54
		50555-S8 Screw (pan head cross recess)- No. 10-32 x 1"-instrument and control upper housing to cluster	4	MB	54
FDC 11829-AP		Housing (instrument & control)-lower-Prime	1	MB	54

Ignition Coil

8BA 12029	Coil assy (ignition)-6 volt	1	MB, MC	54-55
	20310-S8 Bolt (hex-hd)-5/16"-18 x 1/2"-coil to engine	2	MB, MC	54-55
	34803-S7 Lockwasher-No. 10-ignition to coil primary wire	1	MB, MC	54-55
	34806-S7 Lockwasher-5/16"-coil to engine	2	MB, MC	54-55
	34079-S7 Nut (hex)-No. 10-32-ignition to coil primary wire	2	MB, MC	54-55
	34079-S7 Nut (hex)-No. 10-32-coil to strap	1	MB, MC	54-55
	34141-S2 Nut (square)-No. 10-32-mtg. strap to coil	1	MB	54
	27177-S7 Screw (round head)-No. 10-32 x 1-1/2"-coil to strap	1	MB, MC	54-55
7EH 12043	Strap (ignition coil)-with (2) 23/64" holes	1	MB, MC	54-55
B5A 12044-A	Strap (ignition coil)-⊕FDT-12044-A	1	MB, MC	54-55

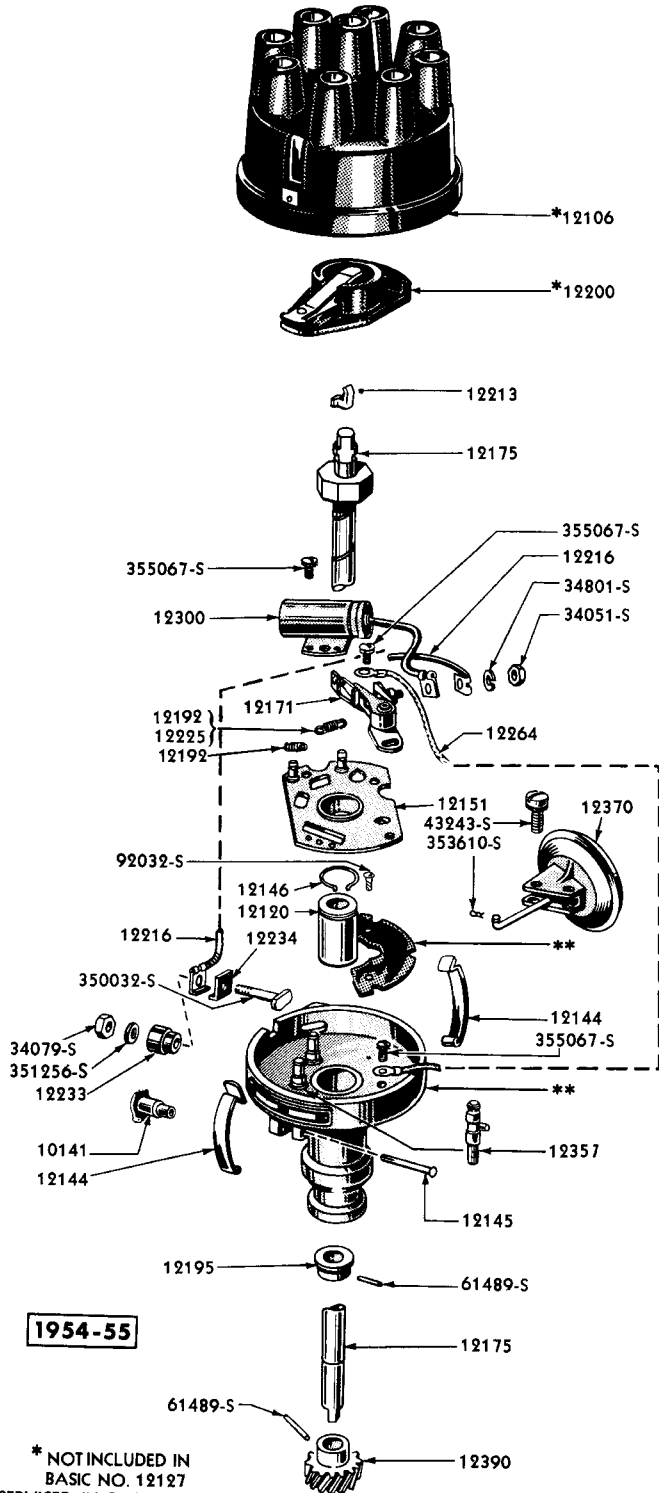
Distributor, Circuit Breaker and Distributor Wiring

FAB 12106-A	Housing assy (dist. terminal)	1	MB, MC	54-55
FAC 12111-A	Bracket (ignition cable mounting)-R. H.	1	MB, MC	54-55
	20328-S Bolt (hex-hd)-3/8"-16 x 5/8"-bracket to cylinder head	1	MB, MC	54-55
	34807-S8 Lockwasher-3/8"-bracket to cylinder head	1	MB, MC	54-55

MERCURY

CHASSIS PARTS CATALOGUE

Distributor, Circuit Breaker and Distributor Wiring—Continued



PMC-74

DISTRIBUTOR

Basic numbers only shown on illustration. Order by Part Numbers shown in list of parts.

MERCURY

CHASSIS PARTS CATALOGUE

Distributor, Circuit Breaker and Distributor Wiring—Continued

PART NUMBER	PART NAME	NO. REQ'D	MODEL	YEAR 19
FAA 12112-A	Bracket (ignition cable mounting)-L. H.	2	MB, MC	54-55
FAC 12112-A	Bracket (ignition cable mounting)-L. H.	1	MB, MC	54-55
	20326-S7 Bolt (hex-hd)-5/16"-18 x 5/8"- bracket to cylinder head	3	MB, MC	54-55
	42719-S Bolt & washer assy (hex-hd)- 5/16"-18 x 5/8"-bracket to cylinder head	2	MB, MC	54-55
	34941-S8 Lockwasher-5/16"-bracket to cylinder head	3	MB, MC	54-55
2N 12113	Insulator (distributor to spark plug wire)	8	MB, MC	54-55
2N 12113	Insulator (distributor to coil)	2	MB, MC	54-55
7RA 12120-A	Bushing (distributor base)-upper-15/32" I. D. x 3/4" O. D. x 1-3/4" long-Bronze	1	MB, MC	54-55
FAC 12127-C	Distributor assy-less terminal hsg. & rotor	1	MB	54
	42847-S8 Bolt & lockwasher assy (hex- hd)-5/16"-18 x 1"	1	MB	54
FDC 12127-A	Distributor assy-less terminal housing & rotor- uses FDC-12151-B for reducing spark advance	1	MB	54
FEC 12127-A	Distributor assy-less terminal housing & rotor	1	MC	55
B5S 12127-F	Distributor assy-less terminal housing & rotor- uses (1) ea. 7RA-12192 Primary & 8EQ-12225 diaphragm or secondary spring-⊕FEC-12127-B	1	MC	55
FAB 12130-A	Base (distributor)	1	MB, MC	54-55
	B-10141-A Cup (distributor oil)	1	MB, MC	54-55
7RA 12144	Clamp (distributor terminal housing)	2	MB, MC	54-55
B 12145	Rivet (distributor cap clamp)-7/64" x 15/16"	2	MB, MC	54-55
7RA 12146	Retainer (breaker plate)-23/32" I. D.	1	MB, MC	54-55
48 12148	Bolt (trans. gear shift housing to trans. case)- 5/16"-18 x 1"	9	MB	54
FDC 12151-B	Plate assy (distributor breaker)-No."15" stamped below large No. "8" on plate	1	MB, MC	54-55
FAB 12171-B	Point set (dist.)-consists of the following (1) Breaker arm assy (1) Contact point & bracket assy	1	MB, MC	54-55
	355067-S7 Screw and lockwasher assy (fillister head)-No. 8-32 x 5/16"-arm and bracket to breaker plate	2	MB, MC	54-55
FAB 12175-B NS	Shaft assy (distributor)-not replaced	1	MB	54
B5A 12175-A	Shaft assy (distributor)-⊕FDJ-12175-A	1	MC	55
8EQ 12192	Spring(distributor primary)-use with FAE-12127-C, FDC-12127-A & B5S-12127-F	1	MB	54
7RA 12192	Spring (distributor primary diaphragm)-use with FDK-12127-C & FEC-12127-A	2	MC	55
7RA 12192	Spring (distributor primary)-use with B5S-12127-F distributor	1	MC	55

MERCURY

CHASSIS PARTS CATALOGUE

Distributor, Circuit Breaker and Distributor Wiring—Continued

PART NUMBER	CLASS	PART NAME	NO. REQ'D	MODEL	YEAR
7HA 12195		Collar (distributor shaft)	1	MB, MC	54-55
		61489-S Rivet (solid button hd)-1/8" x 13/16"-collar to shaft	1	MB, MC	54-55
FAA 12200-B		Rotor assy (distributor)	1	MB, MC	54-55
OBA 12213		Spring (distributor shaft)	1	MB, MC	54-55
7RA 12216-D		Primary assy (distributor terminal)	1	MB, MC	54-55
B6A 12216-A		Primary assy (distributor terminal)- ⊕FDS-12216-A	1	MB, MC	54-55
		34801-S7 Lockwasher-No. 6-primary wire to arm and bracket	1	MB, MC	54-55
		34051-S8 Nut (hex)-No. 6-32-primary wire to arm and bracket	1	MB, MC	54-55
		34079-S8 Nut (hex)-No. 10-32-terminal screw to distributor base	1	MB, MC	54-55
		350032-S Screw (terminal)-No. 10-32 x 27/32"-primary wire to base	1	MB, MC	54-55
		351256-S7 Washer (flat)-No. 10-terminal screw to base	1	MB, MC	54-55
FAB 12225-A		Spring (distributor diaphragm)-9 coils-19/32" free length-use with FAE-12127-C & FDC-12127-A	1	MB	54
8EQ 12225		Spring (distributor diaphragm)-secondary-use with B5A-12127-F distributor	1	MC	55
EBY 12226-B		Tube (distributor vacuum)-primary-3/16" O. D.	1	MB	54
EBY 12226-C		Tube (distributor vacuum)	1	MB, MC	54-55
		351112-S Nut (compression sleeve)-3/8"-24 x 35/64"-tube to distributor and carburetor	2	MB, MC	54-55
7RA 12233		Bushing (distributor primary terminal)	1	MB, MC	54-55
7RA 12234		Insulator (distributor primary terminal)	1	MB, MC	54-55
51A 12250-A		Circuit breaker assy-30 amp. -use with 2-way and 4-way seat; also used with Air Conditioning	1	MB except 79, MC except 79	54-55
		32909-S8 Screw (pan hd-tapping)-No. 8-32 x 1/4"-circuit breaker to Air Conditioning control mounting bracket	2	MC except 79	55
		42360-S7 Screw (hex washer head)-No. 10-16 x 3/8"-circuit breaker to cowl panel	2	MB except 79	54
FAA 12258-B		Circuit breaker and bracket assy-with four (4) 30 amp. circuit breakers-use with automatic window regulators	1	MB60B, 60F, 73C, 76	54-55
FAA 12258-C		Circuit breaker and bracket assy-with one (1) each 30 amp. and 15 amp. circuit breakers	1	MB	54-55
		52720-S8 Screw (pan-hd)-No. 8-15 x 3/8"-breaker and brkt. to instrument panel control insert	2	MB	54-55
FDC 12258-B		Circuit breaker and bracket assy-used with automatic window regulator	1	MB	54-55

MERCURY

CHASSIS PARTS CATALOGUE

Distributor, Circuit Breaker and Distributor Wiring — Continued

PART NUMBER	PART NAME	NO. REQ'D	MODEL	YEAR 19__
MGK 12259-A	Kit (ignition wires)-consists of the following (10) 2N-12113 Insulator(1) FDJ-12282-A Wire #5 (1) FDJ-12283-A Wire #2 (1) FDJ-12284-A Wire #3 (1) FDJ-12285-A Wire #6 (1) FDJ-12286-A Wire #1 (1) FDJ-12287-A Wire #4 (1) FDJ-12295-A Wire #7 (1) FDJ-12296-A Wire #8 (1) 8EL-12298 Wire	1	MB, MC	54-55
7RA 12264	Wire assy (distributor breaker ground)-4" long	1	MB, MC	54-55
	355067-S7 Screw & L/Washer assy (fill-hd)-No. 8-32 x 5/16"-ground wire to distributor base	1	MB, MC	54-55
FAA 12270-A	Clamp (distributor)	1	MB, MC	54-55
	42848-S8 Bolt & washer assy (hex-hd)-5/16"-18 x 1-1/8"-clamp to cyl. block			
FDJ 12282-A	Wire assy (dist. to spark plug No. 5)-also serviced in 12259 Kit	1	MB, MC	54-55
FDJ 12283-A	Wire assy (dist. to spark plug No. 2)-also serviced in 12259 Kit	1	MB, MC	54-55
FDJ 12284-A	Wire assy (dist. to spark plug No. 3)-also serviced in 12259 Kit	1	MB, MC	54-55
FDJ 12285-A	Wire assy (dist. to spark plug No. 6)-also serviced in 12259 Kit	1	MB, MC	54-55
FDJ 12286-A	Wire assy (dist. to spark plug No. 1)-also serviced in 12259 Kit	1	MB, MC	54-55
FDJ 12287-A	Wire assy (dist. to spark plug No. 4)-also serviced in 12259 Kit	1	MB, MC	54-55
FDJ 12295-A	Wire assy (dist. to spark plug No. 7)-also serviced in 12259 Kit	1	MB, MC	54-55
FDJ 12296-A	Wire assy (dist. to spark plug No. 8)-also serviced in 12259 Kit	1	MB, MC	54-55

MERCURY

CHASSIS PARTS CATALOGUE

Distributor, Circuit Breaker and Distributor Wiring—Continued

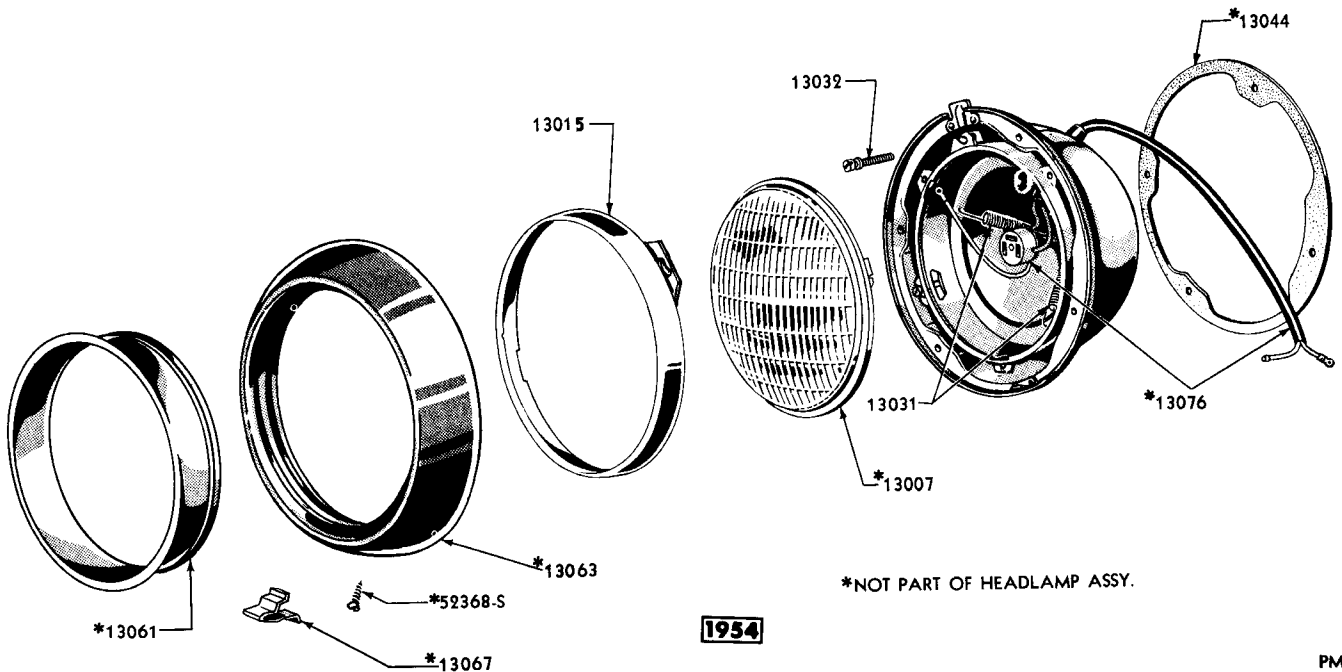
PART NUMBER	CHASSIS	PART NAME	NO. REQ'D	MODEL	YEAR
FAA 12297-A		Grommet (ignition cable)-1-9/32" x 1-9/32" x 1-1/4"	2	MB, MC	54-55
FAA 12297-C		Grommet (ignition cable)-23/32" x 2-1/4" x 1-1/4"	4	MB, MC	54-55
8EQ 12298		Wire assy (coil to dist.)-high tension-14-1/4" long-use on cars without radio	1	MB, MC	54-55
8EL 12298		Wire assy (coil to dist.)-high tension-7-1/2" long-also serviced in 12259 Kit	1	MB, MC	54-55
		1H-18811-A Suppressor assy (radio)-coil to distributor-use on cars with radio	1	MB, MC	54-55
		FAA-18954-A Clamp (dist. wire)-strap-7" long	2	MB, MC	54-55
EBY 12299-A		Shield (spark plug ignition wire heat)-6-13/32" overall length	4	MB	54
B5A 12299-A		Shield (spark plug ignition wire heat)-used with Dual exhaust-also serviced in 5210 Kit-⊕EBY-12299-B	4	MC	55
		20428-S8 Bolt (hex-hd)-3/8"-16 x 1-1/4"-heat shield & exhaust man. to cyl. block	4	MB, MC	54-55
		351385-S7 Washer (flat)-3/8"	4	MB, MC	54-55
FAB 12300-A		Condenser assy (distributor)	1	MB, MC	54-55
		34801-S7 Lockwasher-No. 6-condenser to breaker arm and bracket	1	MB, MC	54-55
		34051-S8 Nut (hex)-No. 6-32-condenser to breaker arm and bracket	1	MB, MC	54-55
		355067-S7 Screw & lockwasher assy (fill-hd)-No. 8-32 x 5/16"-condenser to breaker plate	1	MB, MC	54-55
FDC 12357-A		Post assy (distributor base spring)-used to rework FAE-12127-C and retard spark advance	1	MB	54
FAA 12361-A		Clamp (distributor to spark plug mounting bracket)	1	MB, MC	54-55
B5S 12370-A		Diaphragm assy (dist.)-⊕FAD-12370-A	1	MB, MC	54-55
		353610-S8 Retainer spring (diaphragm rod)-7/16" long	1	MB, MC	54-55
		43243-S8 Screw & washer assy-(pan head)-No. 8-32 x 3/4"-diaph. to distributor base	2	MB, MC	54-55
§FAE 12390-A		Gear (distributor driven)-14 teeth-15/32" I.D. x 57/64" O.D. x 31/32" long	1	MB, MC	54-55
		61489-S Rivet (solid button head)-1/8" x 13/16"-gear to shaft	1	MB, MC	54-55
6H 12405		Plug assy (spark)-H-10	8	MB	54
FAB 12405-A		Plug assy (spark)-H-12	8	MB	54
FDH 12405-B		Plug assy (spark)-No. 870	8	MC	55
		B5A-6060-A Adapter (spark plug)-used when 1955 cylinder heads are used for 1954 engines & 14 MM spark plugs	as req'd	MB	54
O1A 12410		Gasket (spark plug)	8	MB	54

§ Also replace FAB-12175-B Shaft when replacing gear.

MERCURY

CHASSIS PARTS CATALOGUE

Headlamp



PM-602

HEADLAMP AND RELATED PARTS

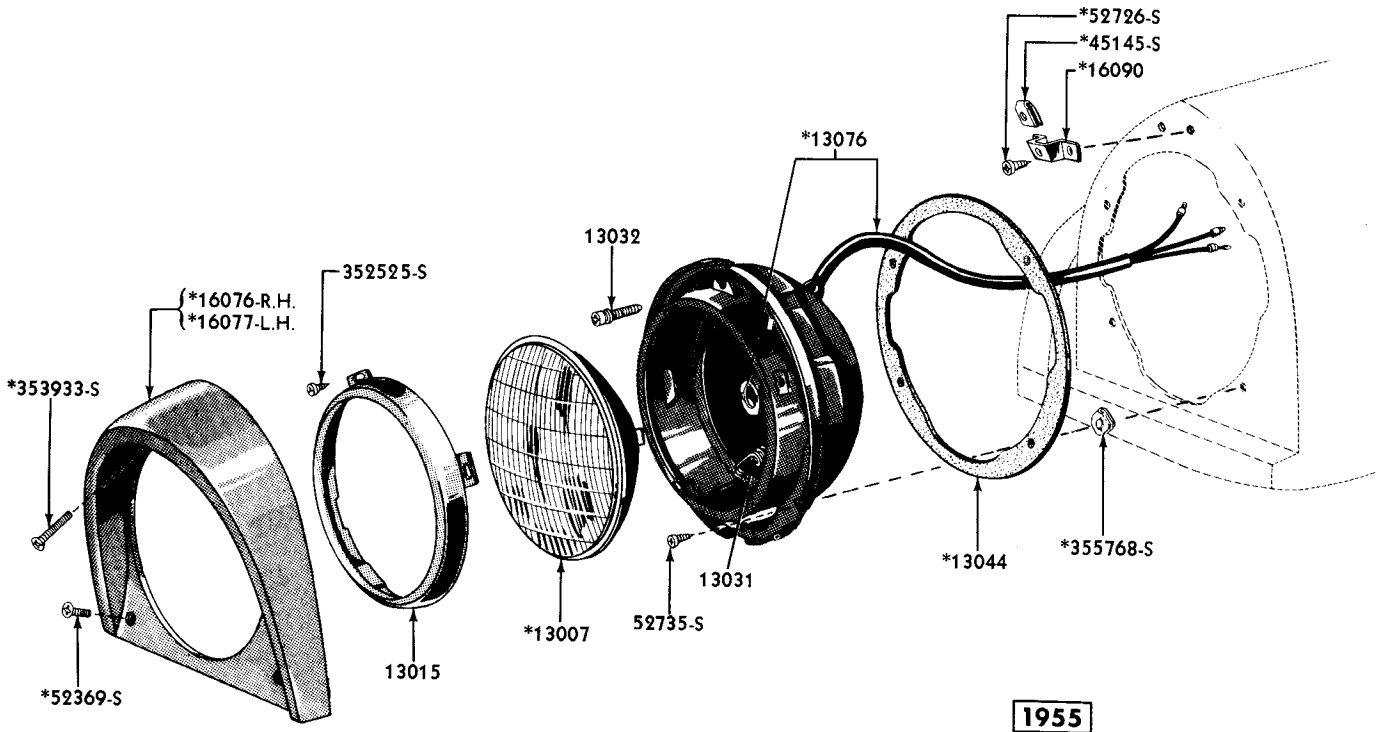
Basic numbers only shown on illustration. Order by Part Numbers shown in list of parts.

PART NUMBER	PART NAME	NO. REQ'D	MODEL	YEAR 19__
09A 13007	Bulb assy (headlamp)-Sealed Beam	2	MB	54
B5A 13007-B	Bulb assy (headlamp)-sealed beam-⊕FDK-13007-A	2	MC	55
FAB 13008-A	Headlamp assy-less bulb wiring	2	MB	54
FDH 13008-A	Headlamp assy (less wiring)	2	MC	55
	355768-AS2 Nut (spring)-No. 10-lamp to fender	8	MB, MC	54-55
	52735-S8 Screw (cross recessed pan-hd tapping)-No. 10-12 x 5/8"-headlamp to fender	8	MC	55
	357782-S7 Screw and lockwasher assy (pan-hd)-No. 10-12 x 5/8"-lamp to fender	8	MB	54
	FDC-11649-A Bezel assy (headlamp control switch)-13/64" I. D. x 1-1/16" O. D. x 25/32" long	1	MB	54
	FDK-11650-A Nut assy (lighting switch)	1	MC	55
	FAA-11654-A Switch assy (headlamp control hand)-with ceramic resistor block	1	MB	54
	B5T-11654-A Switch assy (headlamp control band)-⊕FDM-11654-A	1	MC	55
	FDC-11661-A Knob and insert assy (headlamp control switch)	1	MB	54

MERCURY

CHASSIS PARTS CATALOGUE

Headlamp — Continued



*NOT PART OF HEADLAMP ASS'Y.

PMC-33

HEADLAMP AND RELATED PARTS

Basic numbers only shown on illustration. Order by Part Numbers shown in list of parts.

PART NUMBER	QUANTITY	PART NAME	NO. REQ'D	MODEL	YEAR
FDK-11661-B		Knob and insert assy (headlamp control switch)	1	MC	55
8A-13532		Switch assy (headlamp foot dimmer)	1	MB, MC	54-55
8A-13535-B		Cover (headlamp dimmer switch)	1	MB	54
B5A-13535-A		Cover (headlamp dimmer switch)- ⊕BN-13535-A	1	MC	55
FDC-14445-A		Wiring assy (L. H. to R. H. headlamp)-10 terminals-32" loom	1	MB	54
FDK-14445-A		Wiring assy (L. H. to R. H. headlamp)-57-1/2" long	1	MC	55
11A 13015-A		Ring assy (headlamp bulb retainer)-Rustless Steel	2	MB, MC	54-55
		38018-S Screw (fillister head)-No. 8-32 x 5/16"-ball ring to bulb retaining ring	6	MB	54
		352525-S8 Screw (fillister head)-No. 8-32 x 3/8"-ball ring to bulb retaining ring	6	MC	55

MERCURY

CHASSIS PARTS CATALOGUE

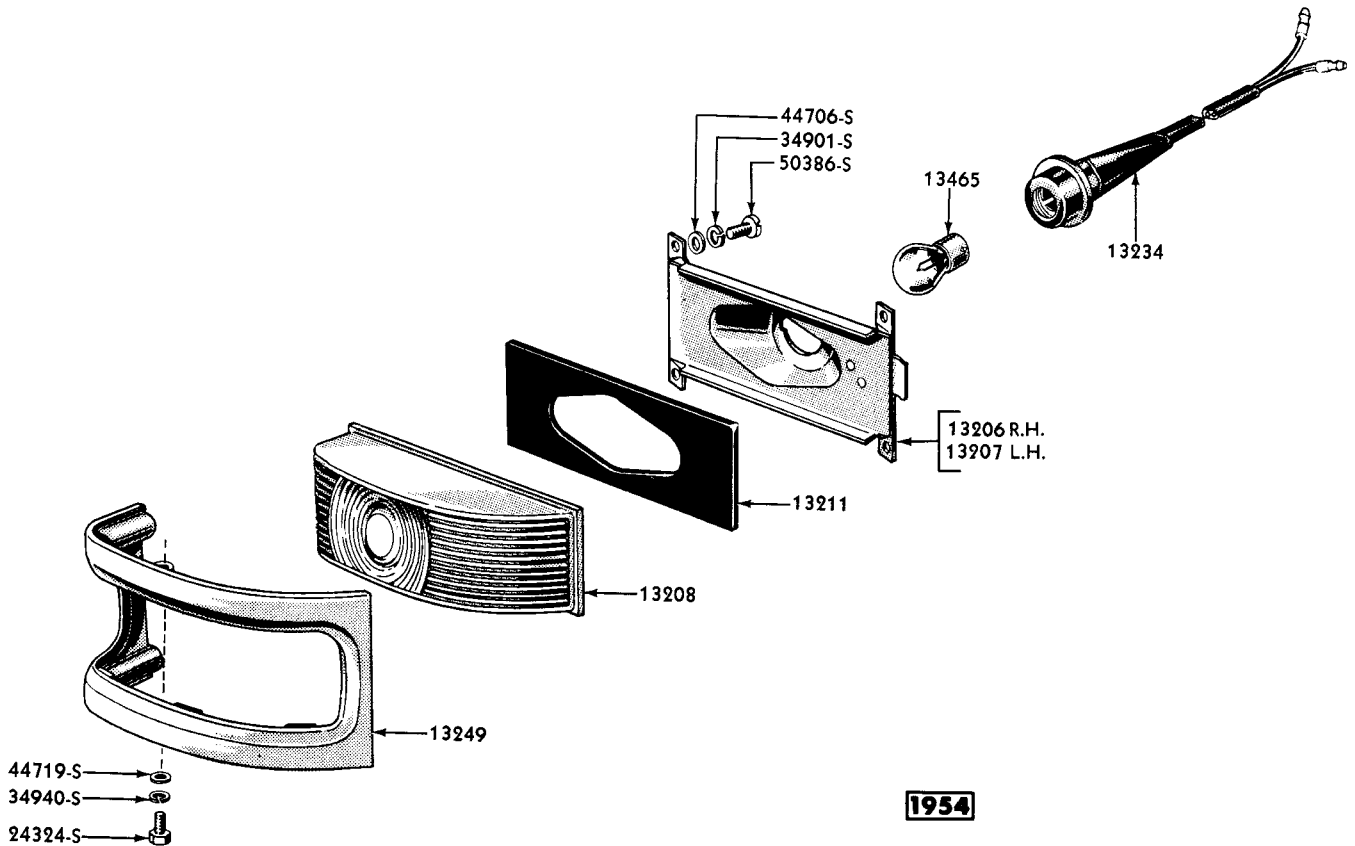
Headlamp — Continued

PART NUMBER	SUB P/C	PART NAME	NO. REQ'D	MODEL	YEAR 19__
11A 13031		Spring (headlamp ball ring)	4	MB, MC	54-55
8A 13032		Screw (headlamp adjusting)-1/4"-28 x 1-5/8"	4	MB, MC	54-55
FAA 13037-A		Ring (headlamp ball)	2	MC	55
11A 13044-A		Gasket (headlamp to fender)-alternate with FAA-13044-A	2	MC	55
FAA 13044-A		Gasket (headlamp to fender)-Rubber -alternate with 11A-13044-A	2	MB, MC	54-55
FAA 13061-B		Ring (headlamp door)-inner-also serviced in 13077 Kit	2	MB	54
FAB 13063-A		Ring (headlamp door)-outer	2	MB	54
		BV-16076-A Bezel(front fender headlamp)-R.H	1	MC	55
		BV-16077-A Bezel(front fender headlamp)-L.H	1	MC	55
		BV-16090-A Retainer (front fender headlamp bezel)-(2) 3/16" dia. holes & (1) 1/4" hole x 1-21/32" long	2	MC	55
		45145-S Nut (spring)-No. 10-12-bezel to retainer	1	MC	55
		52368-S23 Screw (oval head)-No. 8-15 x 7/8"-ring to headlamp body	2	MB	54
		52369-S13 Screw (cross recess oval hd self tap)-No. 10-12 x 7/8"- bezel to front fender	2	MC	55
		52726-S8 Screw (cross recess pan-hd self tap)-No. 8-15 x 1/2"- retainer to front fender	2	MC	55
		353933-S100 Screw (cross recess oval hd self tap)-No. 10-12 x 2"- bezel to front fender	1	MC	55
FAC 13067-A		Clip (headlamp door ring retaining)-also serviced in 13077 Kit	6	MB	54
1L 13076		Wiring assy (headlamp leads)-16-1/2" long	2	MB	54
B5A 13076-A		Wiring assy (headlamp leads)-26-3/4" long- ⊕FDL-13076-A	2	MB, MC	54-55
FAA 13077-A		Kit (headlamp door installation)-Refer to Accessories Group for component parts-also serviced in 13077 Kit	1	MB	54
MEK 13077-A		Kit (headlamp door installation)-Chrome	1	MB	54
HB 13090		Grommet (accelerator)-male	1	MB60B-60F-73C-76, MC76	54-55
HB 13092		Grommet (accelerator)-female	1	MB60B-60F-73C-76, MC76	54-55

MERCURY

CHASSIS PARTS CATALOGUE

Parking Lamp



PM-728

PARKING LAMP AND RELATED PARTS

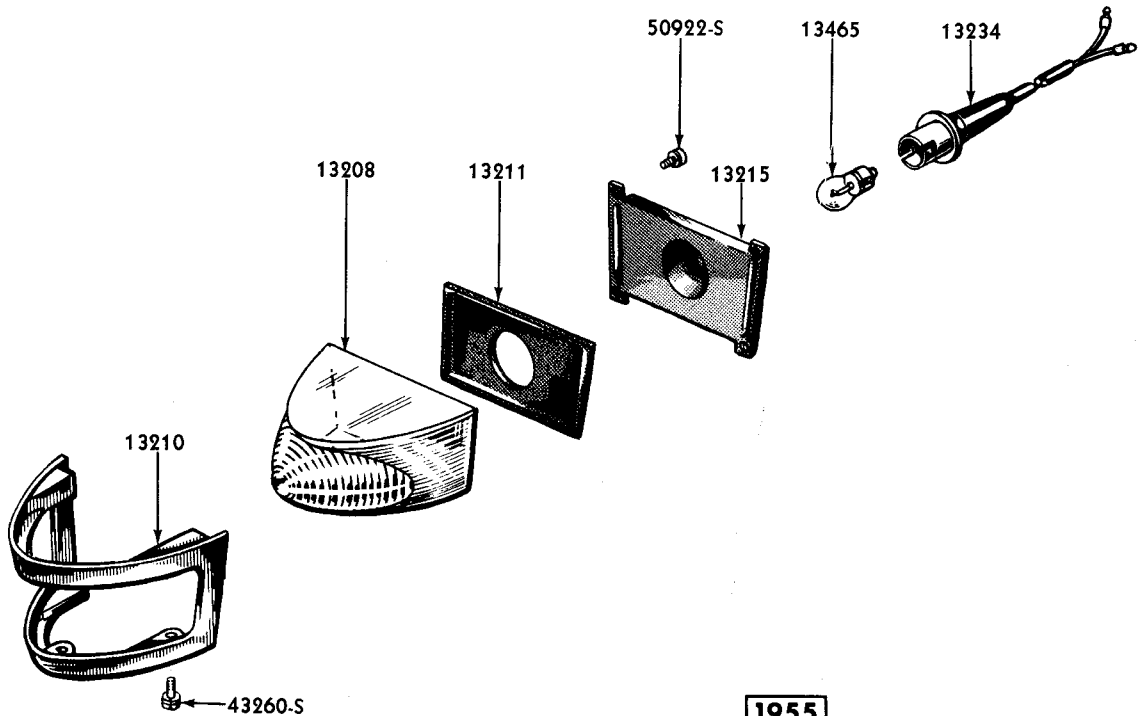
Basic numbers only shown on illustration. Order by Part Numbers shown in list of parts.

PART NUMBER	CLASS	PART NAME	NO. REQ'D	MODEL	YEAR
FDC 13200-A		Lamp assy (parking)-R. H.	1	MB	19__
FDK 13200-B		Lamp assy (parking)	2	MC	54
FDC 13201-B		Lamp assy (parking)- L. H.	1	MB	55
		11A-13465 Bulb (offset pin base)-3-21 C. P. - parking lamp	2	MB, MC	54-55
		24324-S7-8 Bolt (hex hd)-1/4"-20 x 5/8"- lamp to lower impact bar	2	MB	54
		34940-S2 Lockwasher (ext. tooth)-1/4"- lamp to lower impact bar	2	MB	54
		43260-S8 Screw & washer assy (hex-hd)- 1/4-20 x 1/2"-parking lamp to bumper assy	4	MC	55
		44719-S8 Washer (flat)-1/4"-lamp to lower impact bar	2	MB	54
		BR-16146-A Seal (parking lamp splash shield)	2	MB	54
		BV-16146-A Seal (parking lamp splash shield)- 7-5/64" overall length-with (2) 3/8" diameter holes	2	MC	55

MERCURY

CHASSIS PARTS CATALOGUE

Parking Lamp — Continued



PMC-35

PARKING LAMP AND RELATED PARTS

Basic numbers only shown on illustration. Order by Part Numbers shown in list of parts.

PART NUMBER	USUAL	PART NAME	NO. REQ'D	MODEL	YEAR 19__
		BR-16176-A Shield (parking lamp splash)-R. H.	1	MB	54
		BR-16177-A Shield (parking lamp splash)-L. H.	1	MB	54
FAG 13206-A		Body assy (parking lamp)-R. H.	1	MB	54
FDC 13207-A		Body assy (parking lamp)-L. H.	1	MB	54
		34901-S7 Lockwasher (internal tooth)- No. 6 x 5/32" I. D. -body to door	8	MB	54
		50386-S13 Screw (cross recess pan hd)- No. 6-32 x 3/8"-body to door	8	MB	54
		44706-S8 Washer (flat)-No. 5 x 5/32" I. D. x 5/16" O. D. -body to door	8	MB	54
FAH 13208-A		Lens (parking lamp)-"MPT-54"	2	MB	54
FDK 13208-A		Lens (parking lamp)-"MPT-55"	2	MC	55
		50922-S8 Screw & washer assy (cross recessed fillister hd)-No. 6- 32 x 3/8" lens, gasket & body to door	8	MC	55
FDK 13210-A		Door (parking lamp)	2	MC	55
FAJ 13211-A		Gasket (parking lamp lens)-2-5/16" x 6"	2	MB	54
FDK 13211-B		Gasket (parking lamp lens)-2-21/64 x 4-37/64	2	MC	55
FDK 13215-B		Body (parking lamp)	2	MC	55

MERCURY

CHASSIS PARTS CATALOGUE

Parking Lamp — Continued

PART NUMBER	PART NAME	NO. REQ'D	MODEL	YEAR 19__
FAF 13234-A	Wiring and socket assy (parking lamps)-two wires-32" long	2	MB	54
FDT 13234-A	Wiring and socket assy (parking lamp)-polorized-33" long	2	MC	55
	356640-S2 Clip (wire)-wiring to R. H. - inner and outer air deflectors	2	MB, MC	54-55
	356668-S32 Clip (wire)-wiring and socket to L. H. air deflector	1	MB	54
	356668-S32 Clip (wiring and socket to R. H. air deflector)	1	MC	55
	356668-S32 Clip (wiring and socket to L. H. front bumper brace)	1	MC	55
	356687-S32 Clip (wire)-wiring and socket to R. H. air deflector	1	MB	54
FAC 13249-A	Door (parking lamp)	2	MB	54

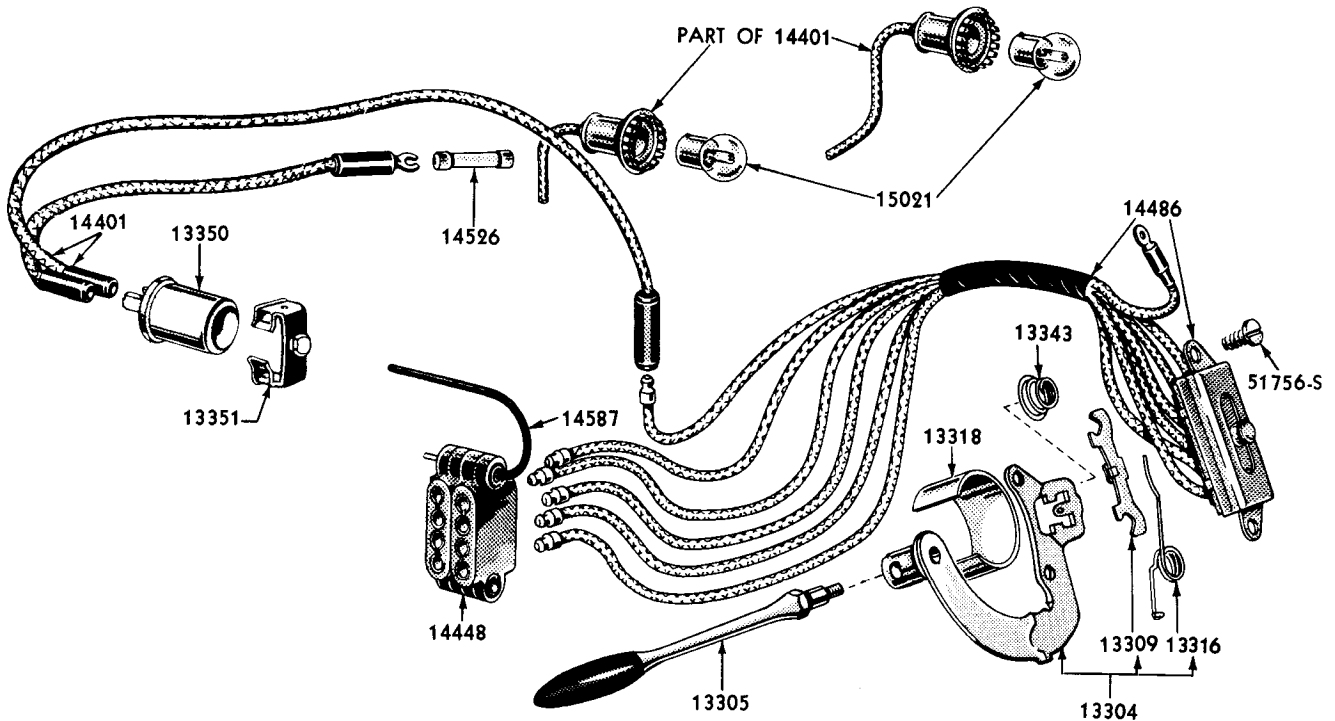
Directional Turn Signal

1M 13304-A	Plate assy (turn signal switch)-hub overall length 29/32"	1	MB	54
FDK 13304-A	Plate assy (turn signal switch)	1	MC	55
	OM-14448 Block assy (electrical wiring junction)-4 singles & 2 doubles connector type	1	MB, MC	54-55
	1M-14486-A Switch & wiring (turn signal)	1	MB	54
	FDL-14486-A Switch & wiring (turn signal)	1	MC	55
NS	8A-14526 Fuse (turn signal)-14 amp. - serviced in 14527 Kit	1	MB, MC	54-55
NS	OM-14587 Support (terminal block)--Secure Locally	1	MB, MC	54-55
	356668-S32 Clip-switch & wiring to instr. panel	1	MC	55
	33170-S8 Screw (pan head self tapping)-No. 10-16 x 1/4"-switch & wiring to steering column flange	2	MB, MC	54-55
	48-15021 Bulb (direction turn signal)-1 C.P. -instrument panel	2	MB, MC	54-55

MERCURY

CHASSIS PARTS CATALOGUE

Directional Turn Signal—Continued



1955

PLC- 22

DIRECTIONAL TURN SIGNAL AND RELATED PARTS

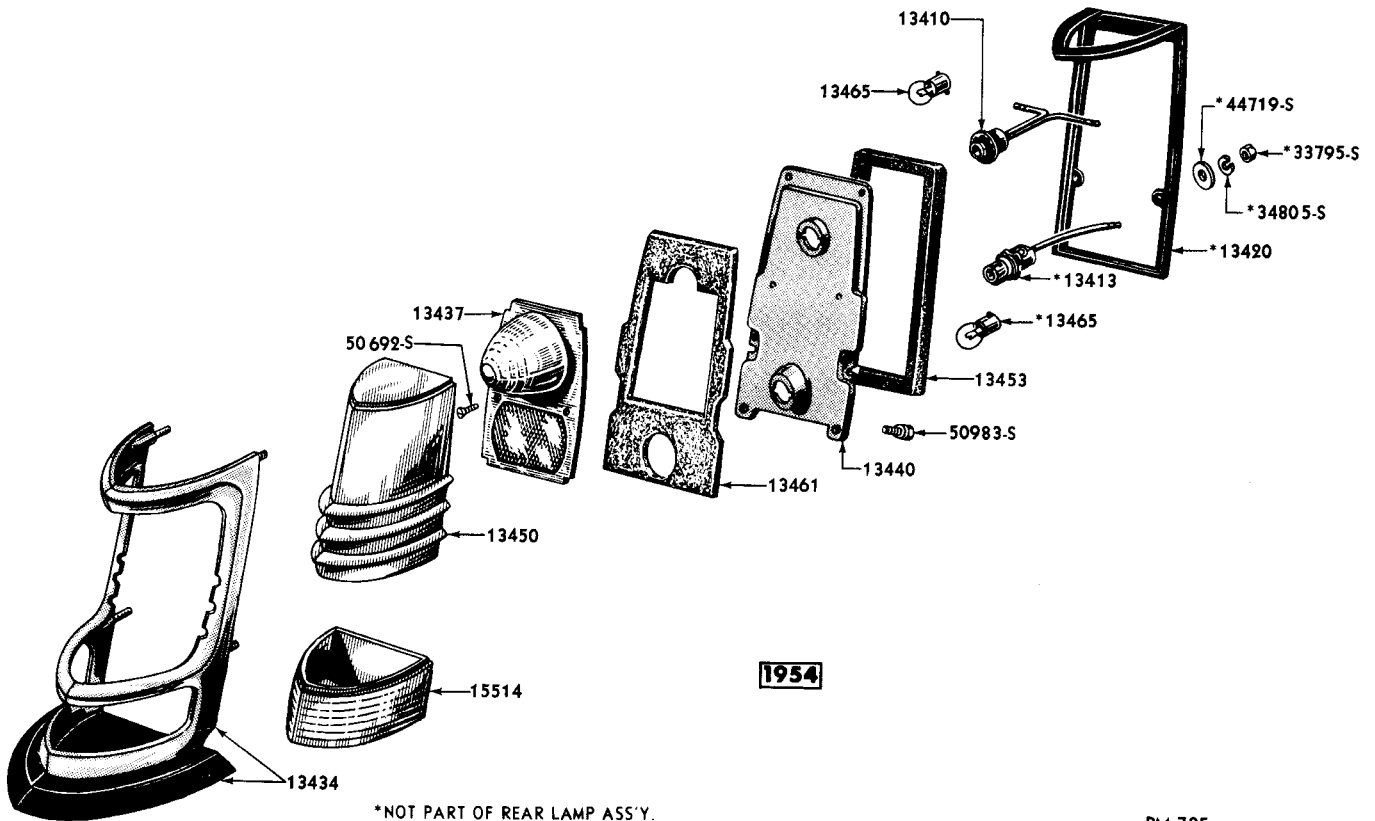
Basic numbers only shown on illustration. Order by Part Numbers shown in list of parts.

PART NUMBER	QTY	PART NAME	NO. REQ'D	MODEL	YEAR
FAA 13350-A		Flasher assy (directional turn signal)-Square-with 2 prongs	1	MB, MC	54-55
B3A 13350-A		Flasher assy (directional turn signal)-Round-with 2 prongs-⊕FAA-13350-A	1	MB, MC	54-55
FAB 13351-A		Bracket (turn signal flasher mounting)	1	MB	54
B5A 13351-A		Bracket (turn signal flasher mounting)- ⊕FDH-13351-A	1	MC	55
		52720-S8 Screw (pan head)-No. 8-15 x 3/8"-bracket to instrument panel control opening insert	1	MB	54
B5A 13398-B		Bumper assy (rear license plate support)- ⊕BH-13398-A	2	MB except 79, MC except 79	54-55

MERCURY

CHASSIS PARTS CATALOGUE

Rear Lamp



PM-725

REAR LAMP AND RELATED PARTS

Basic numbers only shown on illustration. Order by Part Numbers shown in list of parts.

PART NUMBER	CLASS	PART NAME	NO. REQ'D	MODEL	YEAR
					19__
FAK 13404-A		Lamp assy (rear)	2	MB	54
FDK 13404-E		Lamp assy (rear)-with back-up lamp	2	MC except 79	55
FDT 13404-G		Lamp assy (rear)-without back-up lamp	2	MC79	55
		11A-13465 Bulb (offset pin base)-3-21 C. P. - rear lamp	2	MB, MC	54-55
		FDC-14299-A Wire assy (ignition switch to back-up lamp switch)	1	MB	54
		FAC-15514-A Lens (back up lamp)-lower - "MB-54"	2	MB	54
		FDK-15514-A Lens (back-up lamp)-"MB-55"	2	MC except 79	55
		FDK-15514-C Lens (back-up lamp)-"MB-55"	2	MC79	55
		FDK-15517-B Bracket (back-up lamp switch mounting)	1	MC	55
		1H-15520-A Switch assy (back-up lamp)	1	MC	55
		FDK-15536-B Wire assy (back-up lamp socket)	2	MC	55
NS		8M-15608 Fuse-9 amp-for back-up lamp-serviced in 14527 Kit	1	MB, MC	54-55

MERCURY

CHASSIS PARTS CATALOGUE

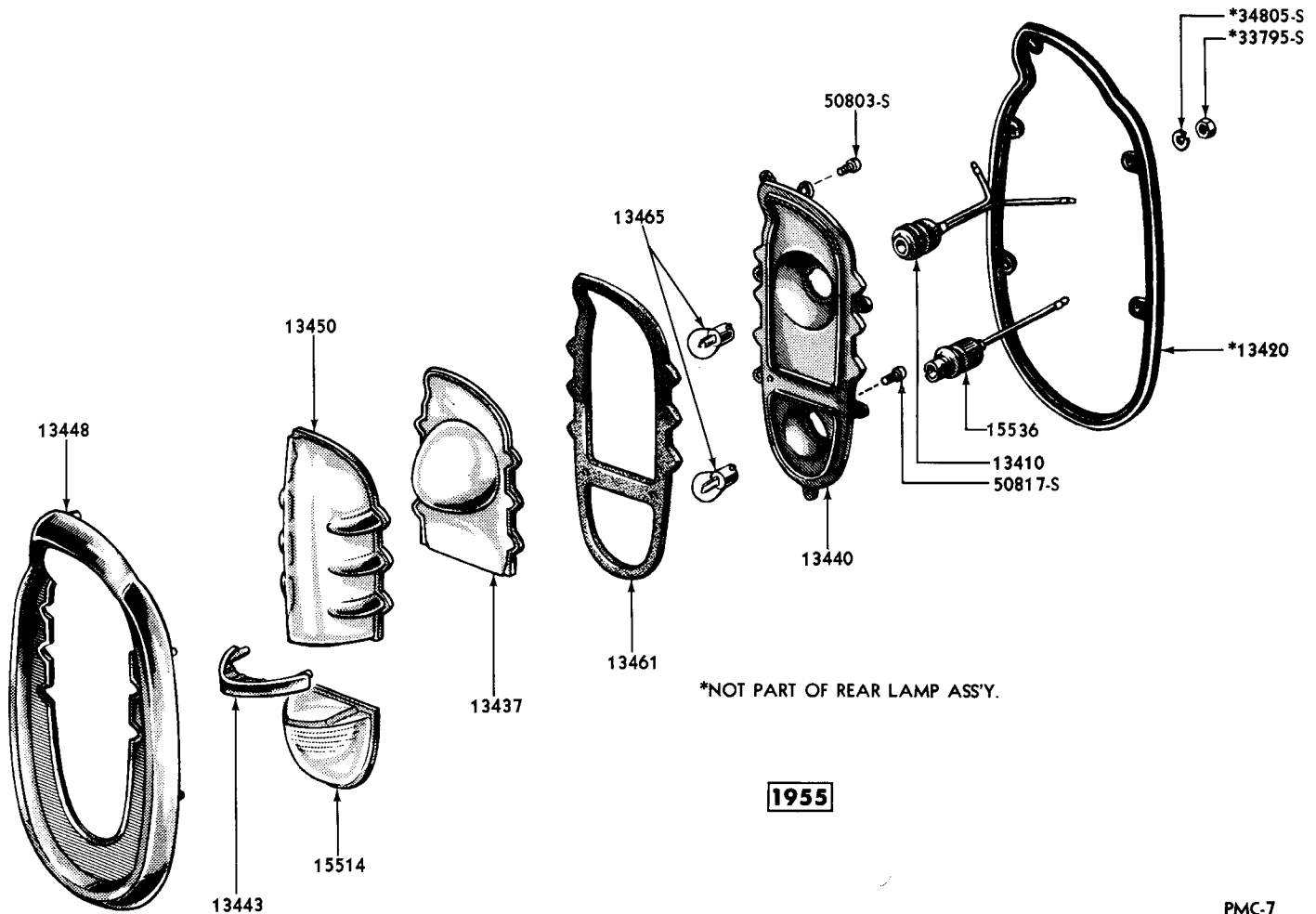
Rear Lamp—Continued

PART NUMBER	PART NAME	NO. REQ'D	MODEL	YEAR 19
FAA-18954	Clamp (back-up lamp switch to back-up lamp wiring)	1	MC	55
34805-S8	Lockwasher-1/4"-lamp to body	8	MB	54
34805-S8	Lockwasher-1/4"-lamp to body	8	MC79	55
33795-S7	Nut (light hex)-1/4"-20-lamp to body	12	MC except 79	55
33795-S7	Nut(hex)-1/4"-20-lamp to body	8	MC79	55
33795-S7	Nut (hex)-1/4"-20-lamp to body	8	MB	54
354209-S8	Stud (screw)-1/4"-20-lamp to body	12	MC except 79	55
354330-S8	Stud (special)-1/4"-20-lamp to rear quarter panel	12	MC except 79	55
354330-S8	Stud (special)-1/4"-20-lamp to rear reinforcement	8	MC79	55
354330-S8	Stud (screw)-1/4"-20-lamp to body	8 or 12	MC	55
357687-S8	Stud (screw)-1/4"-20-rear lamp to body	8	MB	54
34940-S7-8	Washer (external tooth)-1/4"-lamp to body	12	MC except 79	55
44719-S8	Washer (flat)-1/4"-rear lamp to body	8	MB	54
44720-S8	Washer (flat)-1/4"-rear lamp to body	12	MC except 79	55
FDK 13410-A	Socket & wiring assy (rear lamp)	2	MB, MC	54-55
B-14455	Sleeve (wire)	as reqd	MB, MC	54-55
B 13412	Wiring and Socket assy (rear license lamp)	1	MC	55
8A 13413	Wiring and socket assy (back-up lamp)	2	MB	54
FDK-15506-A	Wiring assy (back-up lamp switch to back-up lamp)	1	MC	55
FDK-15536-B	Wire assy (back-up lamp socket)-9" long	2	MC	55
BG 13419-A	Support assy (rear license plate)	1	MB except 79	54
BV 13419-A	Support assy (rear license plate)	1	MC except 79	55
FDK 13419-A	Support assy (rear license plate)-State of Vermont only	1	MC except 79	55
FAE 13420-A	Pad (rear lamp mounting)-15-3/4" x 6-23/64"	2	MB	54
FDK 13420-A	Pad (rear lamp mounting)-15-21/32" x 7-9/16"	2	MC except 79	55
FDK 13420-B	Pad (rear lamp mounting)	2	MC79	55
FAA 13423-A	Bracket (rear license lamp)	1	MB except 79	54
B5A 13423-A	Bracket (rear license lamp)-⊕FDH-13423-A	1	MC except 79	55
50750-S8	Screw & washer assy (cross recessed fillister hd)-No. 8-32 x 1/2"-bracket to body & socket assy	4	MC79	55
51764-S8	Screw (cross recessed pan hd tapping)-No. 8-32 x 1/2"-bracket, lens and gasket to body and socket assy	2	MC except 79	55
BC 13431-B	Hinge assy (rear license plate support)	1	MB except 79	54
BA 13432-B	Pin (rear license plate support hinge)	1	MB except 79	54
BT 13432-A	Pin (rear license plate support hinge)-5-3/8" long	1	MC except 79	55
FAH 13434-A	Body assy (rear lamp)	2	MB	54

MERCURY

CHASSIS PARTS CATALOGUE

Rear Lamp—Continued



1955

PMC-7

REAR LAMP AND RELATED PARTS

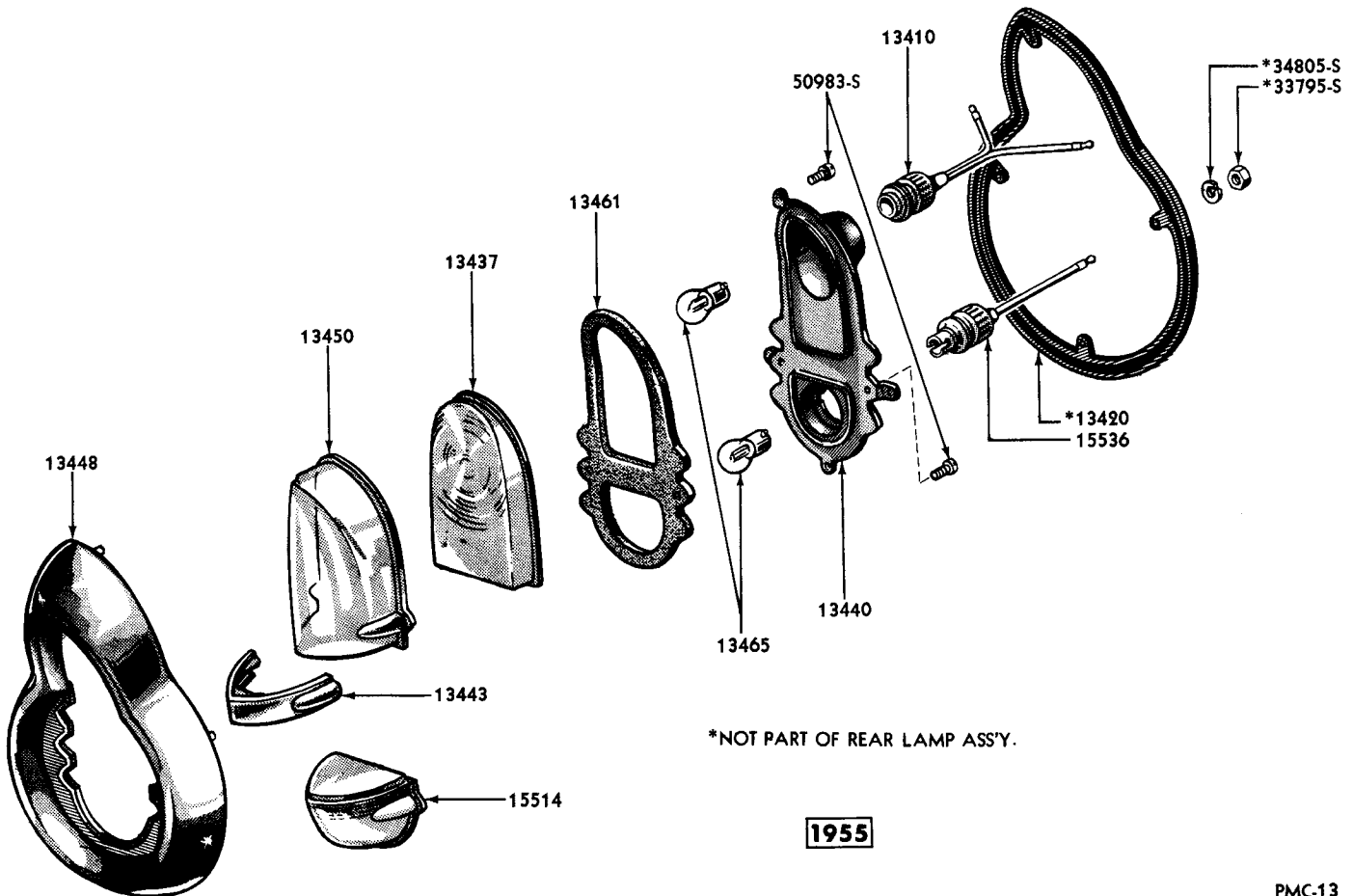
Basic numbers only shown on illustration. Order by Part Numbers shown in list of parts.

PART NUMBER	PLC S S	PART NAME	NO. REQ'D	MODEL	YEAR 19__
FAD 13437-A		Reflector (rear lamp)-6-31/64" x 4-51/64"	2	MB	54
FDK 13437-B		Reflector (rear lamp)-7-33/64" x 3-1/2"	2	MC except 79	55
FDK 13437-C		Reflector (rear lamp)	2	MC79	55
		50692-S13 Screw and washer assy (cross recessed oval hd)-No. 8-32 x 3/8"-reflector to body	4	MB, MC	54-55
FAH 13440-A NS		Body (rear lamp)-serviced in 13404 Kit	2	MB	54
FDK 13440-B		Body (rear lamp)	2	MC except 79	55
FDK 13440-D		Body (rear lamp)	2	MC79	55
		50803-S8 Screw & washer assy (cross recessed pan-hd)-No. 8-32 x 3/8" lamp door to lamp body	10	MC except 79	55

MERCURY

CHASSIS PARTS CATALOGUE

Rear Lamp—Continued



PMC-13

STATION WAGON REAR LAMP AND RELATED PARTS

Basic numbers only shown on illustration. Order by Part Numbers shown in list of parts.

PART NUMBER	QTY	PART NAME	NO. REQ'D	MODEL	YEAR 19__
		50817-S8 Screw & washer assy (cross recessed pan-hd)-No. 8-32 x 5/8"-inner door to lamp body	4	MC except 79	55
		50983-S7 Screw & washer assy (pan-hd)-No. 8-32 x 3/8"-body and lens to body assy	8 or 12	MB, MC79	54-55
FDK 13443-A		Door (rear lamp)-inner	2	MC except 79	55
FDK 13443-B		Door (rear lamp)-inner	2	MC79	55
FDK 13448-A		Door assy (rear lamp)	2	MC except 79	55
FDK 13448-C		Door assy (rear lamp)	2	MC79	55
FAH 13450-A		Lens (rear lamp)-"MRST-54"	2	MB	54
FDK 13450-B		Lens (rear lamp)-"MRST-55"	2	MC except 79	55
FDK 13450-D		Lens (rear lamp)-"MRST-55"	2	MC79	55

MERCURY

CHASSIS PARTS CATALOGUE

Rear Lamp—Continued

PART NUMBER	PART NAME	NO. REQ'D	MODEL	YEAR 19__
FAA 13453-A	Gasket (rear lamp water seal)-9-35/64" long	2	MB	54
FDK 13454-A	Shell (rear license lamp)-for State of Vermont	1	MC except 79	55
FDK 13454-B	Shell (rear license lamp)	1	MC79	56
BA 13455-A	Spring (rear license plate support)	1	MB except 79	54
BV 13455-A	Spring (rear license plate support)	1	MC except 79	55
FAF 13461-A	Gasket (rear and back up lamp lens)-9-19/32" long	2	MB	54
FDK 13461-A	Gasket (rear lamp lens)-12-3/16" long	2	MC except 79	55
FDK 13461-B	Gasket (rear lamp lens)	2	MC79	55
B 13465	Bulb (back up lamp)-21 C. P. -S. C.	2	MB, MC	54-55
11A 13465	Bulb (offset pin base)-3-21 C. P.	as reqd	MB, MC	54-55
B 13466	Bulb-3 C. P. -S. C. -No. 63	as reqd	MB, MC	54-55
78 13466	Bulb (clear)-2 C. P. -S. C. -also used with Air Conditioning	as reqd	MB, MC	54-55
OA 13480	Switch assy (stoplight)	1	MB, MC	54-55

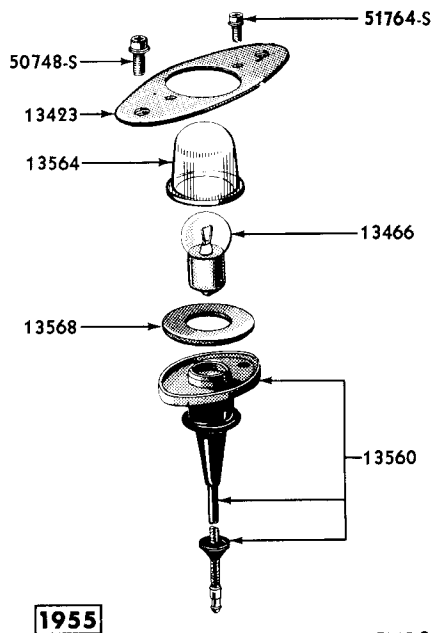
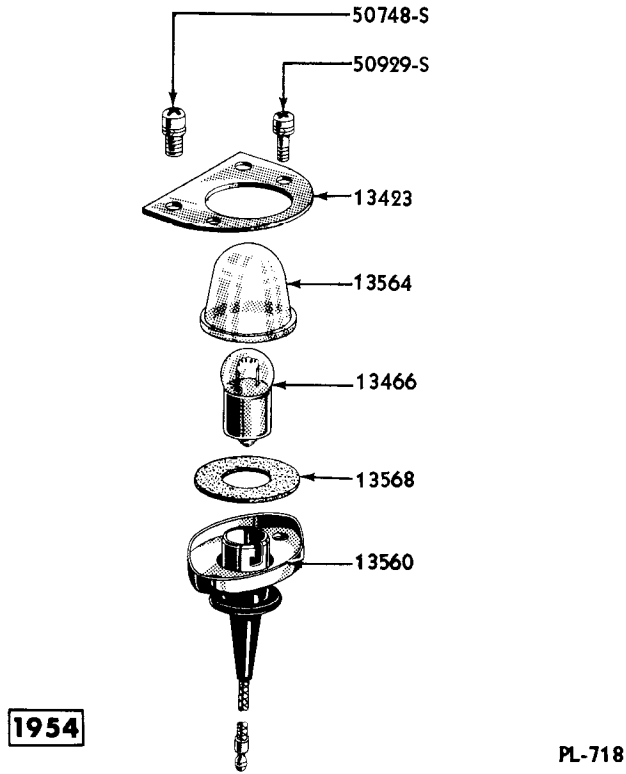
Luggage Compartment Lamp

1M 13506	Lamp assy (luggage compartment)	1	MB except 79, MC except 79	54-55
	B-13466 Bulb-3 C. P. -S. C. -luggage compt lamp	1	MB except 79, MC except 79	54-55
	7RA-14197-B Clip (lamp wire to luggage compt. door)	1	MB except 79, MC except 79	54-55
	357271-S3 Retainer (luggage compt. lamp to luggage compt. door)	1	MB except 79, MC except 79	54-55
8A 13532	Switch assy (headlamp foot dimmer)	1	MB, MC	54-55
	42817-S8 Bolt and lockwasher assy (pan head)-1/4"-20 x 1/2"-switch to switch cover	2	MB, MC	54-55
FDK 13532-A	Switch assy (automatic headlamp dimmer)-79° mounting angle	1	MC	55
8A 13535-B	Cover (headlamp dimmer switch)	1	MB	54
B5A 13535-A	Cover (headlamp dimmer switch)-@BN-13535-A	1	MC	55
	52727-S8 Screw (pan head)-No. 10-12 x 1/2"-cover to dash panel	3	MB, MC	54-55
8M 13547	Lens and retainer (luggage compartment lamp)	1	MB except 79, MC except 79	54-55

MERCURY

CHASSIS PARTS CATALOGUE

Rear License Lamp



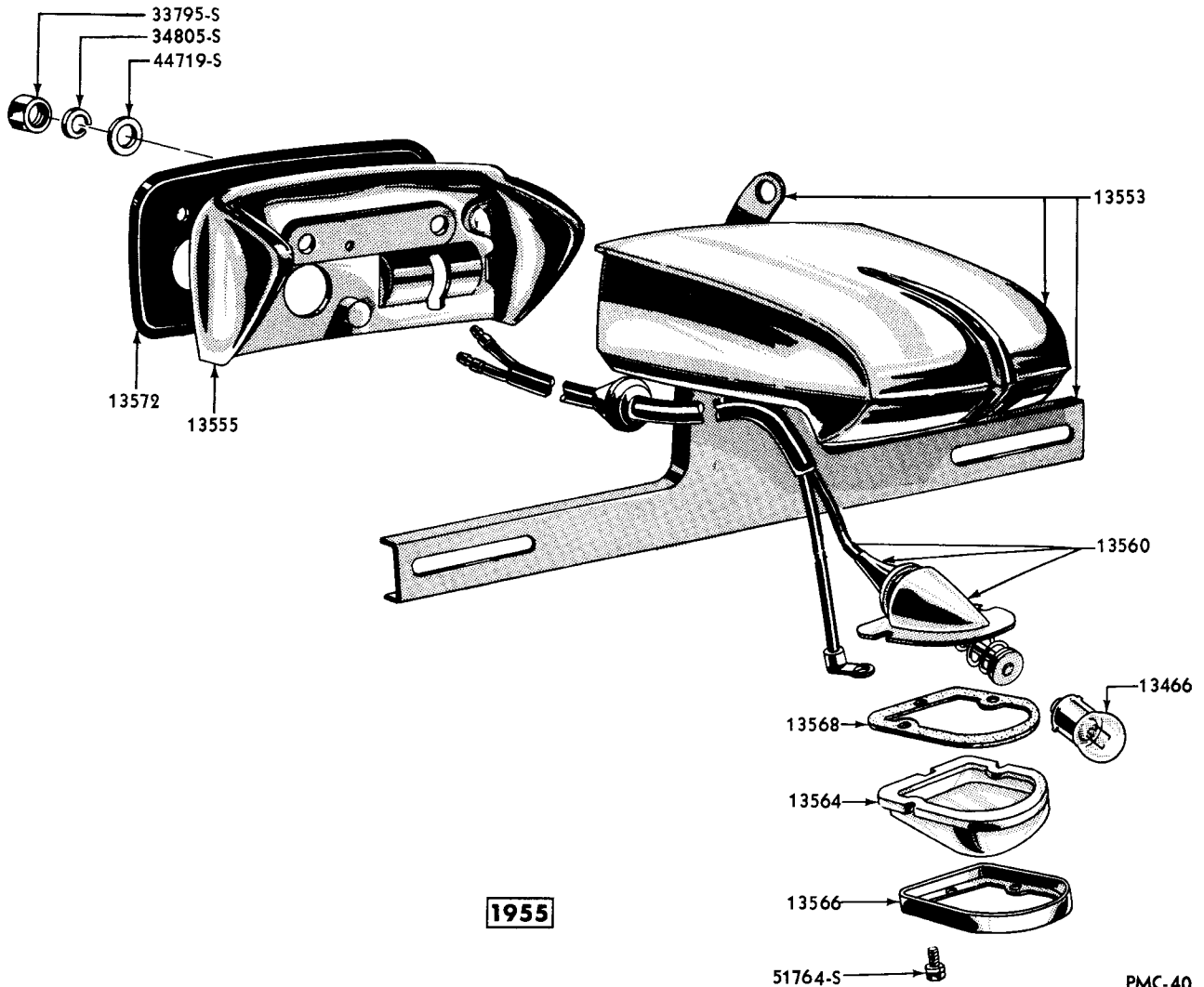
LICENSE PLATE LAMP

Basic numbers only shown on illustration. Order by Part Numbers shown in list of parts.

MERCURY

CHASSIS PARTS CATALOGUE

Rear License Lamp—Continued



STATION WAGON REAR LICENSE LAMP

Basic numbers only shown on illustration. Order by Part Numbers shown in list of parts.

PART NUMBER	UNIT	PART NAME	NO. REQ'D	MODEL	YEAR
					19__
FAA 13550-A NS		Lamp assy (license plate)-service details	1	MB except 79	54
FAA 13550-B NS		Lamp assy (license plate)-service details	1	MB79	54
FDH 13550-A NS		Lamp assy (license plate)-service details	1	MC except 79	55
FDH 13550-B NS		Lamp assy (license plate)-service details	1	MC79	55
		50748-S8 Bolt and washer assy (fillister head)-1/4"-28 x 3/8"-lamp to stone deflector	2	MB, MC79	54-55
		34805-S8 Lockwasher-1/4"-lamp and bracket to tailgate	3	MB79	54
		34805-S8 Lockwasher-1/4"-attach lamp & bracket to tailgate assy	3	MC79	55
		33795-S7 Nut (hex)-1/4"-20-lamp and bracket to tailgate	3	MB79	54

MERCURY

CHASSIS PARTS CATALOGUE

Rear License Lamp—Continued

PART NUMBER	PART NAME	NO. REQ'D	MODEL	YEAR 19__
33795-S7	Nut (hex)-1/4"-20-attach lamp & bracket to tailgate assy	3	MC79	55
72000-S7	Pin (cotter)-1/16" x 3/8"-lamp and bracket to linkage	1	MB79	54
72000-S7	Pin (cotter)-1/16" x 3/8"-attach lamp & bracket to linkage	1	MC79	55
73903-S8	Pin (clevis)-1/4"-lamp and bracket to linkage	1	MB79	54
73903-S8	Pin (clevis)-1/4" x 1"-attach lamp & bracket to linkage	1	MC79	55
50750-S8	Screw & washer assy (cross recess fill hd)-No. 8-32 x 1/2"-attach lamp assy to license lamp body	2	MC79	55
50750-S8	Screw & washer assy (cross recessed fill hd)-No. 8-32 x 1/5"-lamp assy to lamp shield	2	MC except 79	55
50750-S8	Screw and washer assy (fillister head)-No. 8-32 x 1/2"-lamp to lamp body	2	MB, MC79	54-55
357683-S8	Stud-1/4"-20 x 29/64"-attach lamp & bracket to linkage	3	MC79	55
44719-S8	Washer (flat)-1/4"-lamp and bracket to tailgate	3	MB79	54
44719-S8	Washer (flat)-1/4"-lamp and bracket to linkage	1	MB79	54
44719-S8	Washer (flat)-1/4"-attach lamp & bracket to tailgate assy	3	MC79	55
44719-S8	Washer (flat)-1/4"-attach lamp & bracket to linkage	1	MC79	55
356254-S2	Washer (spring)-1/4"-attach lamp & bracket to linkage	1	MC79	55
356254-S2	Washer (spring)-1/4"-lamp and bracket to linkage	1	MB79	54
FAA-13423-A	Bracket (rear license lamp)	1	MB except 79	54
B5A-13423-A	Bracket (rear license lamp)- ⊕FDH-13423-A	1	MC except 79	55
50750-S8	Screw and washer assy (cross recess fill hd)-No. 8-32 x 1/2"-rear license lamp lens, door & gasket to rear license lamp body & socket	1	MC79	55
50929-S8	Screw and washer assy (fillister head)-No. 8-32 x 1/2"-bracket to lamp body	2	MB except 79	54
B-13466	Bulb (clear)-3 C. P. -S. C. -No.63- license plate lamp	1	MB, MC	54-55
FAA-14415-A	Wiring assy (license lamp conntr)	1	MC79	55
8M-14567	Grommet (wiring)-license lamp wire thru tailgate inner panel- 1-1/4" O. D. with oblong hole	1	MB, MC79	54-55

MERCURY

CHASSIS PARTS CATALOGUE

Rear License Lamp—Continued

PART NUMBER	CLIP	PART NAME	NO. REQ'D	MODEL	YEAR 19__
FAA 13553-A		Body assy (rear license lamp)	1	MB79	54
FDK 13553-A		Body assy (rear license lamp)	1	MC79	55
FDK 13553-B		Body assy (rear license lamp)	1	MC79	55
FAA 13555-A		Plate assy (license plate lamp mounting)	1	MB79	54
B5A 13555-A		Plate assy (license plate lamp mounting)- ⊕FDH-13555-A	1	MC79	55
B5A 13555-B		Plate assy (license plate lamp mounting)- ⊕FDH-13555-B	1	MC79	55
		357683-S18 Stud-1/4"-20 x 29/64"-lamp and bracket to tailgate	3	MB79	54
FAA 13560-A		Body and socket assy (rear license lamp)	1	MB except 79, MC except 79	54-55
FAB 13560-A		Body & socket assy (rear license lamp)-for State of Vermont-also serviced in accessory 19308 Kit	1	MB except 79	54
FDK 13560-B		Body and socket assy (rear license lamp)-for State of Vermont	1	MC except 79	55
B5A 13560-A		Body and socket assy (rear license lamp)- ⊕FDH-13560-A	1	MC79	55
7RA 13564		Lens (rear license lamp)-"FLP-48"	1	MB, MC79	54-55
7RA 13564		Lens (rear license lamp)-"FLP-48"-for accessory lamp-19308 Kit	1	MB except 79, MC except 79	54-55
		B-13466 Bulb (clear)-3 C. P. -S. C. - No. 63-for accessory lamp- 19308 Kit	1	MB except 79, MC except 79	54-55
FAA 13564-A		Lens (rear license lamp)-"FL-52"	1	MB except 79, MC except 79	54-55
		50750-S8 Screw & washer assy (cross recessed fillister head)- No. 8-32 x 1/2"-lens door and gasket to lamp body	1	MB except 79, MC except 79	54-55
		50929-S8 Screw & washer assy (fillister head)-No. 8-32 x 1/2"-lens and door to lamp	1	MB79	54
7RA 13566		Door (license plate lamp)	1	MB, MC79	54-55
7RA 13566		Door (license plate lamp)-for accessory lamp- 19308 Kit	1	MB except 79, MC except 79	54-55
		51764-S8 Screw (cross recessed pan hd tap.)-No. 8-32 x 1/2"-door to lamp body	1	MB79, MC79	54-55
7RA 13568		Gasket (rear license lamp lens)	1	MB, MC79	54-55
7RA 13568		Gasket (rear license plate lamp)-for accessory lamp-19308 Kit	1	MB except 79, MC except 79	54-55
FAA 13572-A		Pad (license plate lamp mounting)-rear	1	MB79	54
B5A 13572-A		Pad (license plate lamp mounting)-rear- ⊕FDH-13572-A	1	MC79	55
B5A 13572-B		Pad (license plate lamp mounting)-rear- ⊕FDH-13572-B	1	MC79	55

MERCURY

CHASSIS PARTS CATALOGUE

Rear License Lamp—Continued

PART NUMBER	UNIT	PART NAME	NO. REQ'D	MODEL	YEAR 19__
B5A 13590-A		Spring (license plate lamp tension)-rear-3/8" free length-@FAA-13590-A	1	MC79	55
BA 13596-C		Bracket (rear license plate)-side	2	MB except 79, MC except 79	54-55
		33795-S7 Nut (hex)-1/4"-20-side bracket to support assy	2	MB except 79, MC except 79	54-55
BA 13597-C		Bracket (rear license plate)-top	1	MB except 79, MC except 79	54-55
		20308-S7 Bolt (hex-hd)-1/4"-20 x 1/2"-to attach 19308 to license plate	2	MC except 79	55
		34805-S7 Lockwasher-1/4"-to bracket to support assy	2	MC except 79	55
		33795-S7 Nut (hex)-1/4"-20-top bracket to support assy	1	MB except 79, MC except 79	54-55
NS	FDK-19308-B	Kit (rear license lamp)-used in State of Vermont-Service Details	1	MC except 79	55

Automatic Headlamp Dimmer

FDK 13650-A		Control assy (automatic headlamp dimmer)	1	MC	55
FDH 13653-B		Screw (automatic headlamp dimmer control)-adjusting	1	MC	55
FDK 13658-A		Gasket (automatic headlamp dimmer control)	1	MC	55
		FDK-13532-A Switch assy (automatic headlamp dimmer)-79° mounting angle	1	MC	55
FDH 13660-A		Lamp assy (automatic headlamp dimmer control)	1	MC	55
FDH 13667-A	NS	Wire assy (automatic headlamp dimmer control ground)-Improvise locally	1	MC	55
FDK 13691-A		Tube (automatic headlamp dimmer control)	1	MC	55
FDK 13692-A		Tube (automatic headlamp dimmer ballast)	1	MC	55
FDK 13693-A		Fuse (automatic headlamp dimmer control)-5 amp.	1	MC	55
FDK 13694-A		Cover (automatic headlamp dimmer control regulator)	1	MC	55
FDK 13695-A		Gasket (automatic headlamp dimmer control regulator cover)	1	MC	55
		50145-S8 Screw (cross recessed flat hd)-No. 8-32 x 1/2"-cover to base	2	MC	55

MERCURY

CHASSIS PARTS CATALOGUE

Courtesy Lamp

PART NUMBER	PART NAME	NO. REQ'D	MODEL	YEAR 19 ____
FDK 13705-B	Body & socket assy (courtesy lamp)	1	MC64A-64B-76B	55
FDK 13705-D	Body & socket assy (courtesy lamp)-R. H.	1	MC60B	55
FDL 13707-A	Lamp assy (courtesy)-quarter panel	2	MB76	54
	B-13466 Bulb (clear)-3 C. P. -S. C. -No. 63- quarter panel courtesy lamp	2	MB76	54
	34903-S8 Lockwasher (internal tooth)- No. 10-body & socket to rear inner roof rail	2	MC60B	55
	41686-S8 Screw (rd-hd tapping)-No. 10- 32-3/8"-body & socket to rear inner roof rail	2	MC60B	55
	52166-S8 Screw (rd-hd)-No. 6-18 x 3/8" -lamp to trim quarter panel	2	MB76	54
	FDK-14328-A Wiring assy (courtesy lamp switch)-9 terminal	1	MC60B-64A-64B-73C-76B-79C	55
	FDK-14328-B Wiring assy (courtesy lamp switch)-6 terminal	1	MC60E-70B-73B-79B	55
	FDT-14328-A Wiring assy (courtesy lamp switch)	1	MC60E-70B-73B-79B	55
	FAA-14389-A Wiring assy (courtesy lamp socket)-quarter panel	2	MB76	54
FAA 13709-A	Body & socket assy (courtesy lamp)-quarter panel	2	MB76	54
FDK 13709-C	Body & socket assy (courtesy lamp)-L. H.	1	MC60B	55
	34903-S7 Lockwasher (internal tooth)- No. 10-body & socket to side inner roof rail	2	MC60B	55
	41686-S8 Screw (rd-hd tapping)-No. 10- 32 x 3/8"-body & socket to side inner roof rail	2	MC60B	55
OA 13713	Switch assy (courtesy lamp)-front door hinge pillar	2	MB, MC	54-55
OA 13713	Switch assy (dome lamp)	2	MC60E-70-73-79	55
OA 13713	Switch assy (courtesy lamp instrument panel)	2	MC60B-64-76-79C	55
OM 13714	Socket & rim assy(courtesy lamp)-instrument panel	2	MB60B-60F-73C-76-79	54
	34079-S7 Nut (hex)-No. 10-32-socket and rim to instrument panel	2	MB60B-60F-73C-76-79	54
FDL 13715-A	Lamp assy (transmission control selector)	1	MC	55
	41686-S8 Screw (rd-hd-tapping)-No. 10- 32 x 3/8"-body & socket to rear inner roof rail	2	MC60B	55
	50801-S8 Screw & washer assy (cross recessed pan-hd)-No. 8-32 x 1/4"-lamp to selector lever socket	1	MC	55
	50998-S8 Screw & washer assy (pan head)-No. 10-32 x 5/8"- socket and rim to instrument panel	2	MB60B-60F-73C-76-79	54

MERCURY

CHASSIS PARTS CATALOGUE

Courtesy Lamp — Continued

PART NUMBER	PART NAME	NO. REQ'D	MODEL	YEAR 19____
8L 13716-A	Lens & ring assy (courtesy lamp)-instrument panel	2	MC60B-73C-64-76-79C	55
	42607-S8 Screw (hex washer head tapping)-No. 10-16 x 1/2"- lens & rim assy to instrument panel	2	MC60B-73C-64-76-79C	55
	FAB-14389-A Wire assy (courtesy lamp socket)-instrument panel	2	MB60B-60F-73C-76-79	54
FAB 13721-A	Socket (roof rail lamp)	2	MB60B-60F-73C-76-79	54
FAA 13723-A	Door & lens assy (courtesy lamp)-quarter panel	2	MB76	54
FDK 13723-B	Door & lens assy (courtesy lamp)-rear seat center arm rest lamp or roof rail lamp	1or2	MC60B-64A-64B-76B	55
40 13730	Bulb (map light)-6 C. P. -S. C.	1	MB	54
40 13730	Bulb (courtesy lamp)-6 C. P. -S. C.	2	MC60B-73C-64-76-79C	55
FAA 13730-A	Bulb (dome lamp)-roof rail lamps or rear seat center arm rest lamp-15 C. P. -S. C.	1or2	MB, MC	54-55
FAA 13730-A	Bulb (dome lamp)-roof rails or rear seat center arm rest-15 C. P. -S. C. -used with Air Conditioning	1	MC60B	55
FAA 13740-A	Switch assy (instrument panel lights)-with ceramic resistor block	1	MB	54
21C 13740	Switch assy (instrument lamp)-toggle	1	MC	55
	34802-S7 Lockwasher-No. 8-switch to lighting switch	2	MB	54
	34938-S7 Lockwasher-No. 8 switch to instrument panel	2	MC60E-70-73-79	55
	34938-S7-8 Lockwasher-No. 8 instrument lamp switch to instrument panel assy	2	MC	55
	26457-S7 Screw (rd-hd)-No. 8-32 x 1/4"-	2	MB	54
	36799-S7 Screw (rd-hd)-No. 8-32 x 3/8"- switch to instrument panel	2	MC60E-70-73-79	55
	36799-S7 Screw (rd-hd)-No. 8-32 x 3/8"- instrument lamp switch to instrument panel	2	MC	55

Dome Lamp

FDC 13752-B	Switch assy (interior lights)-instrument panel-with (2) horizontal slots in mounting bracket	1	MB	54
	FDC-10852-A Bezel (instrument cluster control interior lights)	1	MB	54
	FDC-11662-B Nut (instrument cluster control interior lights)	1	MB	54
NS	8A-14526 Fuse (interior lights)-14 amp. - located on instrument panel circuit breaker-serviced in 14527 Kit	1	MB	54

MERCURY

CHASSIS PARTS CATALOGUE

Dome Lamp — Continued

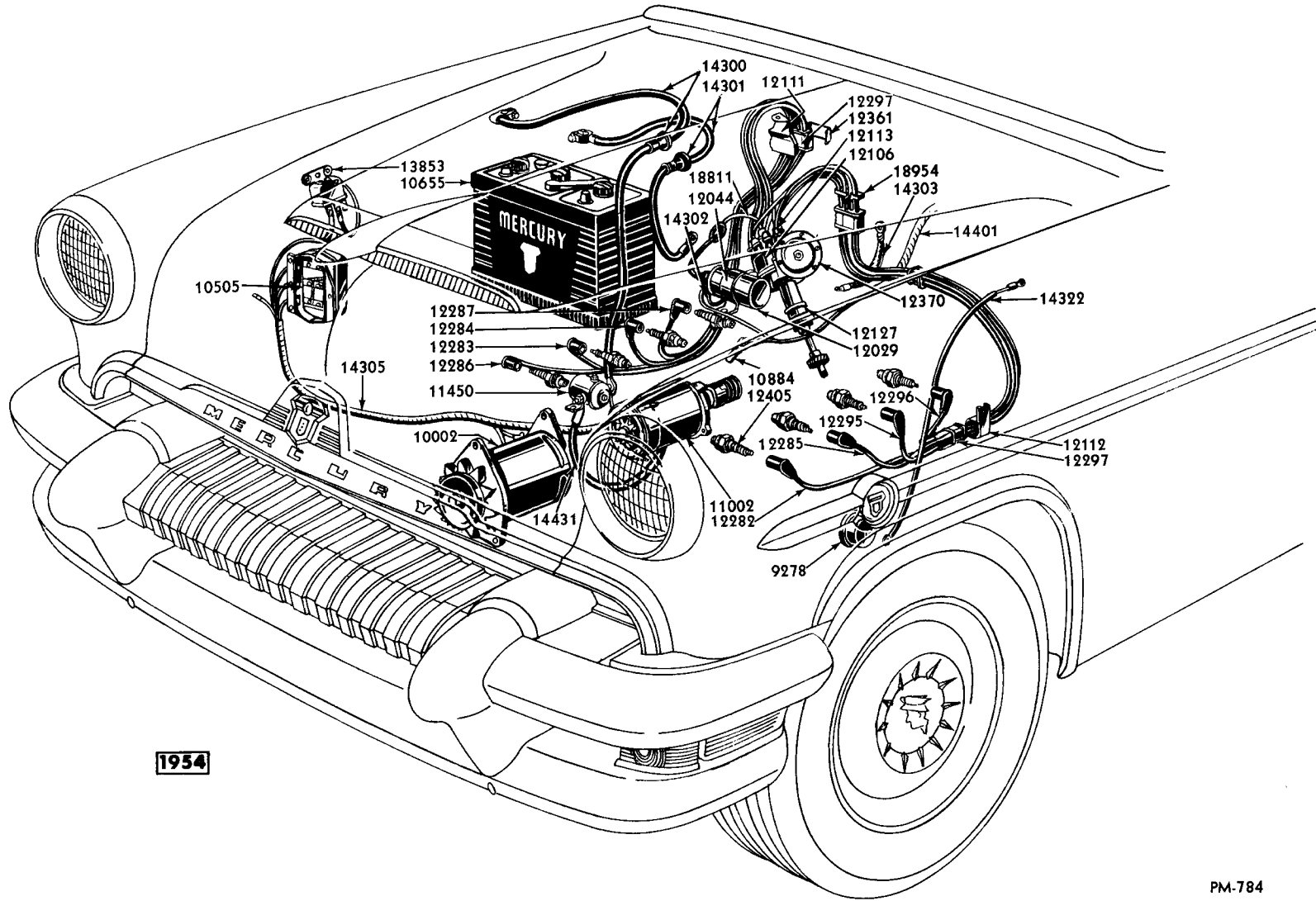
PART NUMBER	PART NAME	NO. REQ'D	MODEL	YEAR 19
1A 13753-A	Nut (dome lamp switch)-used with Air Conditioning	2	MC except 76-79	55
FAD 13755-A	Knob assy (interior lighting switch)	1	MB	54
FAD 13755-A	Knob assy (road lamp)-also serviced in 18207 Kit	1	MB	54
FAB 13778-A	Body assy (roof rail lamp)	2	MB60B-60F	54
	B-13466 Bulb (clear)-3 C. P. -S. C.-No. 63- roof rail lamp	2	MB60B-60F	54
	OA-13713 Switch assy (dome lamp)	2	MB, MC, 60E-70B-73-79B	54-55
	FAB-13721-A Socket (roof rail lamp)	2	MB60B-60F	54
	52726-S8 Screw (pan head)-No. 8-15 x 1/2"-body to roof rail	4	MB60B-60F	54
FAA 13781-A	Body assy (pillar lamp)	2	MB79	54
	B-13466 Bulb (pillar lamp)-3 C. P.	2	MB79	54
	351734-S8 Bolt (fillister head shoulder)- 1/4"-20 x 5/8"-body to pillar	2	MB79	54
	52743-S8 Screw (pan head)-No. 10-12 x 3/4"-body to pillar	2	MB79	54
FAA 13783-A	Lens (pillar lamp)-1-1/8" x 3-1/16"	2	MB79	54
	FAA-13860-A Baffle (pillar lamp)	4	MB79	54
FAC 13783-A	Lens (roof rail lamp)-1-25/64" width x 4-25/32" top length x 5-3/16" bottom length	2	MB60B-60F	54
FDT 13783-A	Lens (dome lamp)-2-11/32" x 3-13/16"	1	MB, MC60E-70-73-79	54-55
FDT 13783-A	Lens (pillar lamp)-2-11/32" x 4-11/16"-used with Air Conditioning	1	MC60B	55
FAA 13785-A	Terminal (oil gauge block unit)	1	MB	54
FAA 13785-A	Terminal (electric heat indicator bulb)	1	MB	54
FAB 13787-A	Body (dome lamp)	1	MB, MC60E-70-73-79	54-55
FAB 13787-A	Body (dome lamp)-used with Air Conditioning	1	MC60B	55
	FAA-13730-A Bulb (dome lamp)-15 C. P. -S. C.	1	MB, MC60E-70-73-79	54-55
	FAA-13730-A Bulb (dome lamp)-15 C. P. - 6 volts-S. C.	1	MC60E-64-70-73	55
	52720-S8 Screw (pan head)-No. 8-15 x 3/8"-body to lamp support	2	MB, MC60B-60E-70-73-79	54-55
FAA 13788-B	Door (pillar lamp)-1-9/16" x 4-1/2"	2	MB79	54
	350812-S13 Screw (oval head)-No. 6-32 x 5/16"-door to body	2	MB79	54
8A 13796-B NS	Wire assy (pillar lamp)-replaced by B-13412	2	MB79	54
8A 13796-B NS	Wire assy (roof rail lamp)-replaced by B-13412	2	MB60B-60F	54
FAB 13796-A	Wire assy (dome lamp socket)-90" overall length	1	MB79	54
	358425-S8 Clip (wire)-wire to mounting bracket	4	MB79	54
B 13799	Bulb (dome lamp or engine compartment lamp)- 15 C. P.	1	MB, MC	54-55

MERCURY

CHASSIS PARTS CATALOGUE

Horn

PART NUMBER	QUANTITY	PART NAME	NO. REQ'D	MODEL	YEAR 19__
51A 13827-A		Spacer (horn bracket)-15/64" thick	4	MB	54
51A 13827-B		Spacer (horn bracket)-11/64" thick	4	MB	54
B5A 13827-A		Spacer (horn bracket)-spring⊕FEA-13827-A	4	MC	55
FAG 13830-A		Bracket assy (horn)-Sparks Withington design	1	MB	54
FAG 13830-B		Bracket assy (horn)-Auto-Lite design	1	MB	54
FDK 13830-C		Bracket assy (horn)-R. H.	1	MC	55
		34905-S7 Lockwasher (internal tooth)- 1/4"-bracket to low pitch horn	2	MB, MC	54-55
		33921-S13 Nut (hex)-1/4"-28-bracket to low pitch horn	2	MB, MC	54-55
		43465-S8 Screw & washer assy (pan-hd)- 1/4"-28 x 1"-bracket to low pitch horn	2	MB, MC	54-55
FAF 13831-A		Bracket assy (horn)-Sparks Withington design	1	MB	54
FAF 13831-B		Bracket assy (horn)-Auto-Lite design	1	MB	54
FDK 13831-C		Bracket assy (horn)-L. H.	1	MC	55
		24327-S7 Bolt (hex-hd)-5/16"-24 x 5/8"- bracket to radiator support	4	MB	54
		353714-S2 Bolt (hex washer-hd)-5/16"- 24 x 1"-bracket to R. H. & L. H. front fender apron & deflector assy	4	MC	55
		34905-S7 Lockwasher (external tooth)- 1/4"-R. H. bracket to low pitch horn	2	MC	55
		34905-S7 Lockwasher (external tooth)- 1/4"-L. H. bracket to high pitch horn	2	MC	55
		34941-S7 Lockwasher-5/16"-bracket to radiator support	4	MB	54
		33921-S13 Nut (hex jam)-1/4"-28-R. H. bracket to low pitch horn	2	MC	55
		33921-S13 Nut (hex jam)-1/4"-28-L. H. bracket to high pitch horn	2	MC	55
FAB 13832-G		Horn assy-high pitch-Auto-Lite design	1	MB	54
B5A 13832-A		Horn assy-high pitch-Sparks Withington design- ⊕FDC-13832-A	1	MB	54
B5A 13832-C		Horn assy-high pitch-6 volt-⊕FDH-13832-A	1	MC	55
FAC 13833-G		Horn assy-low pitch-Auto-Lite design	1	MB	54
B5A 13833-A		Horn assy-low pitch-Sparks Withington design- ⊕FDC-13833-A	1	MB	54
B5A 13833-C		Horn assy (low pitch)-6 volt-⊕FDH-13833-A	1	MC	55
		34805-S8 Lockwasher-1/4"-horn to brkt.	4	MB	54
		33907-S8 Nut (hex head)-1/4"-28-horn to bracket	4	MB	54
FDK 13843-A		Spring (horn wire terminal insulator)	1	MC	55
FAA 13853-A		Relay and bracket assy (horn)-relay cover 15/16" x 1-13/16" x 1-5/16"	1	MB, MC	54-55
		351230-S7 Lockwasher-No. 8-wiring to relay and bracket	3	MB, MC	54-55
		26462-S7 Screw (rd-hd)-No. 8-32 x 5/16" -wiring to relay and bracket	3	MB, MC	54-55
		31497-S8 Screw (hex washer head)-No. 14 -10 x 1/2"-relay and bracket to fender apron	2	MB, MC	54-55
FAA 13860-A		Baffle (pillar lamp)	4	MB79	54



1954

PM-784

MERCURY ENGINE SECTION WIRING

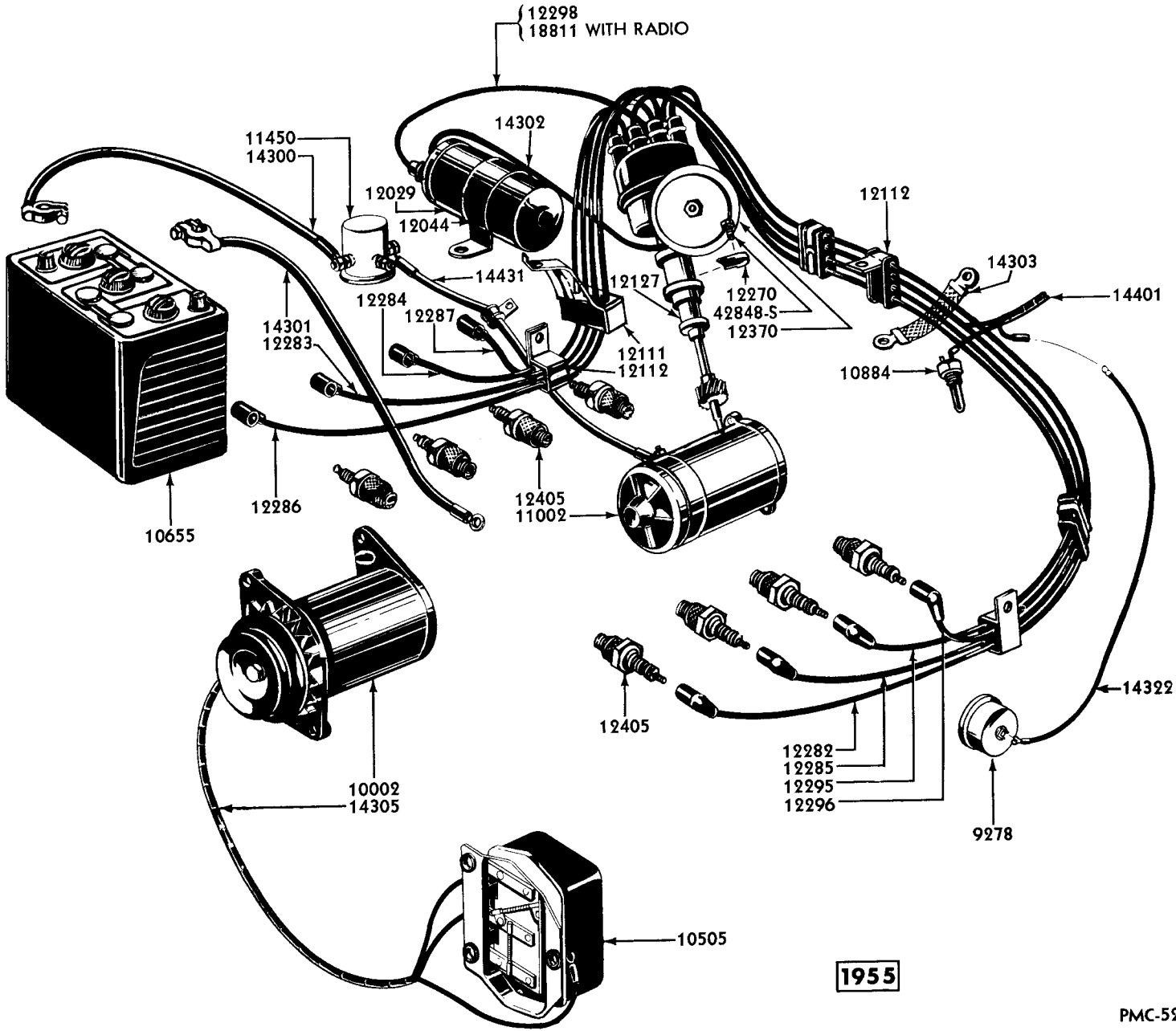
Basic numbers only shown on illustration. Order by Part Numbers shown in list of parts.

MERCURY

CHASSIS PARTS CATALOGUE

Wiring — Continued

PART NUMBER	PART NAME	NO. REQ'D	MODEL	YEAR 19__
7RA 14197-A	Clip (fuel tube to frame)	3or4	MB except 79	54
7RA 14197-B	Clip (luggage compartment lamp wire to luggage compartment door)	1	MB, MC except 79	54-55
7RA 14197-B	Clip (instrument and dash panel wiring to heater regulator control bracket)	1	MB	54
7RA 14197-B	Clip (interior light switch wiring to clock)	1	MB	54
	34802-S7 Lockwasher-No.8-clip to heater regulator control bracket	1	MB	54
	34052-S7 Nut (hex)-No. 8-32-clip to heater regulator control bracket	1	MB	54
FDK 14297-B	Wiring assy (electric W/Shield washer feed)-32-1/4" loom with (4) terminals-includes fuse holder	1	MC	55
FDC 14299-A	Wire assy (ignition switch to backup lamp switch)	1	MB	54
FDA 14300-A	Cable assy (battery to starting motor relay)-10" long	1	MB	54
B5A 14300-A	Cable assy (battery to starting motor relay)-also used with Air Conditioning-@FDH-14300-A	1	MC	55
	23017-S16 Bolt (square hd)-5/16"-18 x 1-1/4"-relay cable to battery	1	MC	55
	34806-S7 Lockwasher-5/16"-cable to starter relay	1	MB	54
	33797-S16 Nut (hex)-5/16"-18-relay cable to battery	1	MC	55
	33798-S8 Nut (hex)-5/16"-24-cable to starter relay	1	MB, MC	54-55
FDA 14301-A	Cable assy (battery to ground)-21-1/2" long	1	MB, MC	54-55
FDC 14301-B	Cable assy (battery to ground)-used with heavy duty battery-also used with Air Conditioning	1	MB, MC	54-55
	20350-S7 Bolt (hex-hd)-7/16"-14-3/4"-cable to cylinder block	1	MB, MC	54-55
	23017-S16 Bolt (square head)-5/16"-18 x 1-1/4"-cable to battery post	2	MB, MC	54-55
	34808-S8 Lockwasher-7/16"-cable to cylinder block	1	MB	54
	33797-S16 Nut (hex)-5/16"-18-cable to battery post	2	MB, MC	54-55
FDL 14302-A	Wire assy (coil to distributor)-low tension	1	MB, MC	54-55
	34803-S7 Lockwasher-No. 10-wire to distributor and ignition coil	2	MB, MC	54-55
	34079-S7 Nut (hex)-No. 10-32-wire to distributor and ignition coil	2	MB, MC	54-55
FDA 14303-A	Cable assy (dash to engine ground)-9-1/2" long	1	MB, MC	54-55
	20328-S Bolt (hex-hd)-3/8"-16 x 5/8"-cable to L. H. cylinder head	1	MC	55
	34807-S7 Lockwasher-3/8"-cable to L. H. cylinder head	1	MC	55
	34940-S7 Lockwasher (external tooth)-1/4"-cable to dash panel	1	MB, MC	54-55
	31527-S7 Screw(hex washer head)-No. 14 14 x 1/2"-cable to dash panel	1	MB, MC	54-55



MERCURY ENGINE SECTION WIRING

Basic numbers only shown on illustration. Order by Part Numbers shown in list of parts.

1955

PMC-52

MERCURY

CHASSIS PARTS CATALOGUE

Wiring-Continued

PART NUMBER	QUANTITY	PART NAME	NO. REQ'D	MODEL	YEAR
FDK 14305-A		Wiring assy (generator to voltage regulator)-64-1/2" long	1	MB, MC	54-55
		352976-S32 Clip (wiring)-wiring to radiator splash shield	3	MB	54
		352999-S32 Clip (wiring)-wiring to radiator splash shield	3	MC	55
		352999-S32 Clip (wiring)-wiring to L. H. radiator air side deflector	3	MC	55
		34803-S7 Lockwasher-No. 10-wiring to generator	2	MC	55
		34805-S8 Lockwasher-1/4"-wiring to generator	1	MC	55
		34079-S7 Nut (hex)-No. 10-32-wiring to generator	2	MC	55
		33796-S7 Nut (thin hex)-1/4"-28 wiring to generator	1	MC	55
		42383-S8 Screw (hex washer hd tapping)-No. 14-14 x 3/4"-wire thru regulator to radiator air side deflector	1	MB	54
FDK 14308-A		Wire assy (horn ring)	1	MB, MC	54-55
		34901-S7 Lockwasher-No. 6-wire to horn ring	1	MB, MC	54-55
		33181-S7 Screw (pan-hd)-No. 6-20 x 1/2"-wire to horn ring	1	MB, MC	54-55
FDC 14309-B		Wiring assy (heater switch to blower motor)-62" long	1	MB	54
FDK 14309-B		Wiring assy (heater switch to blower motor)-4 terminal 56" long	1	MC	55
FDL 14322-A		Wiring assy (oil pressure gage connector)-19-1/4" long	1	MB, MC	54-55
		353547-S2 Clip (wiring)-wiring to cyl. head	1	MB, MC	54-55
FDC 14328-A		Wiring assy (interior lights switch)-8 terminals	1	MB except 60E-70-73B	54
FDC 14328-B NS		Wiring assy (interior lights switch)-6 terminals-use FDC-14328-A for service by eliminating extra leads	1	MB60E-70-73B	54
FDK 14328-A		Wiring assy (courtesy lamp switch)-9 terminals	1	MC58-60B-64-73C-76-79	55
FDT 14328-A		Wiring assy (courtesy lamp switch)-100-1/2" long	1	MC60E-70B-73B-79B	55
		352976-S32 Clip (wiring to L. H. and R. H. cowl side panel)	2	MB	54
		352999-S32 Clip (wiring)-interior light switch wires to right & left hand cowl side panel	2	MC	55
FDK 14334-A		Wiring assy (interior lamp feed)-(1) socket & terminal-94" long-used with Air Conditioning	1	MC60B	55
		354328-S8 Clip-interior feed wire to dome lamp mount & support brkt. -used with Air Conditioning	1	MC60B	55
FDK 14334-B		Wiring assy (interior lamp feed)-3 terminals-90" long	1	MB60B-60E, MC60B	54-55

MERCURY

CHASSIS PARTS CATALOGUE

Wiring — Continued

PART NUMBER	QTY	PART NAME	NO. REQ'D	MODEL	YEAR 19__
FDK 14334-C		Wire assy (interior lamp feed)	1	MB60E-70-73, MC60E-70B-73-79	54-55
		1A-14567-A Grommet (wire thru L. H. quarter panel)	1	MB60E	54
		8M-14567 Grommet (interior lamp wire thru quarter regulator panel)	1	MB60B-60F	54
		354328-S8 Clip-interior feed wire to dome lamp mount. & support brkt.	1	MC	55
		358425-S8 Clip (interior lamp wire to mounting bracket)	1	MB60F-70-73	54
FAA 14335-C		Wiring assy (R. H. to L. H. interior lamp)-68-1/2" long	1	MB79	54
FDL 14338-B		Wiring assy (ignition switch to heater switch)	1	MB, MC	54-55
FDL 14351-A		Wiring assy (top control circuit breaker to starting motor relay)-21-1/2" long	1	MB, MC	54-55
		356668-S32 Clip (wiring)-wiring to lower W/S reinforcement	2	MC76	55
		34803-S7 Lockwasher-No. 10-wiring to circuit breaker	1	MB76, MC	54-55
		34079-S7 Nut (hex)-No. 10-32-wiring to circuit breaker	1	MB76, MC	54-55
FEA 14355-A NS		Wire assy (map lamp feed)-use B-13412 for service	1	MC60B-64A-64B-76B	55
FDK 14362-B		Wiring assy (top control relay to circuit breaker)-159" long	1	MC76	55
FDL 14362-A		Wiring assy (top control relay to circuit breaker)	1	MB76	54
		8M-18912 Grommet (top control relay to circuit breaker wire)	1	MB76	54
		356668-32 Clip (wiring)-wiring to rear seat front riser & windshield opening lower reinforcement	6	MC76	55
		358313-S32 Clip (wiring)-wire to cowl panel	1	MB76	54
		34803-S7 Lockwasher-No. 10-wire to circuit breaker	1	MB76, MC76	54-55
		34079-S7 Nut (hex)-No. 10-32-wire to circuit breaker	1	MB76, MC76	54-55
FDC 14364-A		Wiring assy (starting motor relay to window regulator circuit breaker)-83-1/2"	1	MB	54
		34803-S7 Lockwasher-No. 10-wire to circuit breaker	1	MB	54
		34079-S7 Nut (hex)-No. 10-32-wire to circuit breaker	1	MB	54
FAB 14369-A		Wiring assy (roadlamp jumper)-27" long-also serviced in 18207 Kit	1	MB	54
FAA 14381-A		Wiring assy (O/Drive harness to ignition coil)-36" long	1	MB, MC	54-55
		8M-14599 Clip (O/Drive harness to oil filter mounting bracket)	1	MB, MC	54-55

MERCURY

CHASSIS PARTS CATALOGUE

Wiring — Continued

PART NUMBER	CLASS	PART NAME	NO. REQ'D	MODEL	YEAR 19
FAA 14382-A		Wiring and switch assy (trans. O/Drive solenoid to relay)-10 terminals	1	MB, MC	54-55
		352976-S32 Clip (wiring)-solenoid wiring to dash panel	1	MB	54
		352999-S32 Clip (wiring)-solenoid wiring to dash panel	1	MC	55
		356640-S2 Clip (wiring)-solenoid wiring to gear shift housing bolt to floor pan	1	MB, MC	54-55
		357839-S32 Clip (wiring)-solenoid wiring	1	MB	54
FAA 14389-A		Wiring assy (courtesy lamp socket)-quarter panel	2	MB76	54
FAB 14389-A		Wiring assy(courtesy lamp socket)-instrument panel	2	MB except 60E-70B-73B	54
FAA 14396-A		Wiring assy (ign. circuit to O/Drive relay)-36" long	1	MB	54
		352960-S Grommet (wiring thru cowl top panel)	1	MB	54
FDK 14396-A		Wiring assy (ign. circuit to O/Drive relay)	1	MC	55
FDC 14401-A		Wiring assy (instrument panel)	1	MB	54
FDK 14401-C		Wiring assy (instrument panel)	1	MC	55
		1A-14603-B Grommet (wiring)-wiring thru dash panel	1	MC	55
		20310-S8 Bolt (hex-hd)-5/16"-18 x 1/2"-clip to intake manifold	1	MB	54
		352976-S32 Clip (wiring)-wiring to L. H. fender apron	1	MB	54
		352976-S32 Clip (wiring)-wiring to R. H. fender apron	1	MB	54
		352999-S32 Clip (wiring to L. H. front fender splash shield)	1	MC	55
		352999-S32 Clip (wiring to R. H. front fender splash shield)	1	MC	55
		352999-S32 Clip (wiring to L. H. front fender apron)	2	MC	55
		353631-S32 Clip (wiring to dash panel)	4	MC	55
		354180-S32 Clip (wiring)-wiring to front ignition coil	2or3	MC76B	55
		356640-S2 Clip (wiring)-wiring to intake manifold	1	MB	54
		356660-S8 Clip (wiring)-wiring to brake pedal support	1	MC	55
		357955-S Clip (wiring to L. H. cowl side panel)	1	MC	55
		358315-S32 Clip (wiring)-wiring to L. H. fender apron	2	MB	54
		358395-S Clip (wiring)-wiring to L. H. cowl side panel	1	MC	55
		358495-S Clip (wiring)-wiring to instrument panel to steering column bracket reinforcement	1	MC	55
		34803-S7 Lockwasher-No. 10-wiring to circuit breaker	1	MB	54
		34803-S7 Lockwasher-No. 10-wiring to ignition switch	4	MB, MC	54-55

MERCURY

CHASSIS PARTS CATALOGUE

Wiring — Continued

PART NUMBER	PART NAME	NO. REQ'D	MODEL	YEAR 19
34803-S7	Lockwasher-No. 10-wiring to lighting switch	1	MC	55
34803-S7	Lockwasher-No. 10-wiring to oil pressure indicator	2	MC	55
34803-S7	Lockwasher-No. 10-wiring to temperature indicator	2	MC	55
34803-S7	Lockwasher-No. 10-wiring to fuel indicator	2	MC	55
34803-S7	Lockwasher-No. 10-wiring to starting motor relay	1	MB, MC	54-55
34803-S7	Lockwasher-No. 10-wiring to ignition switch	1	MB, MC	54-55
34806-S7	Lockwasher-5/16"-clip to intake manifold	1	MB	54
34079-S7	Nut (hex)-No. 10-32-wiring to circuit breaker	1	MB	54
34079-S7	Nut (hex)-No. 10-32-wiring to ignition coil	4	MB, MC	54-55
34079-S7	Nut (hex)-No. 10-32-wiring to starting motor relay	1	MB, MC	54-55
34079-S7	Nut (hex)-No. 10-32-wiring to ignition coil	1	MB, MC	54-55
34079-S7	Nut (hex)-No. 10-32-wiring to lighting switch	1	MC	55
34079-S7	Nut (hex)-No. 10-32-wiring to oil pressure indicator	2	MC	55
34079-S7	Nut (hex)-No. 10-32-wiring to temperature indicator	2	MC	55
34079-S7	Nut (hex)-No. 10-32-wiring to fuel indicator	2	MC	55
52787-S15	Screw (cross recessed pan-hd tap.)-No. 10-16 x 1/2"-wiring to L. H. cowl side panel	1	MC	55
52721-S8	Screw (cross recessed pan hd tap.)-No. 10-12 x 3/8"-wiring & switch to instrument panel to steering column bracket reinforcement	2	MC	55
8L 14402	Wire & socket assy (trans.gear shift indicator lamp)	1	MB	54
FDC 14405-A	Wiring assy (rear lamp)-15 terminals-235" loom	1	MB60	54
FDC 14405-E	Wiring assy (rear lamp)-20 terminals-222" loom	1	MB76	54
FDC 14405-G	Wiring assy (rear lamps)-32 terminals-used with electric windows	1	MB76	54
FDC 14405-R	Wiring assy (rear lamp)-13 terminals-224" loom	1	MB70	54
FDC 14405-S	Wiring assy (rear lamps)-13 terminals-246" loom	1	MB73	54
FDC 14405-Y	Wiring assy (rear lamps)-13 terminals-239-1/2" loom-electric windows	1	MB79	54
FDC 14405-Z	Wiring assy (rear lamps)-15 terminals-224-1/2" loom	1	MB60	54
FDC 14405-AA	Wiring assy (rear lamps)-27 terminals-224-1/2" loom-electric windows	1	MB60B-60F	54
FDK 14405-K	Wiring assy (rear lamps)-15 terminals-264" loom	1	MC60-70B	55
FDK 14405-L	Wiring assy (rear lamps)-19 terminals-242" loom	1	MC64-76	55
FDK 14405-M	Wiring assy (rear lamps)-15 terminals-278" loom	1	MC73	55
FDK 14405-N	Wiring assy (rear lamps)-15 terminals-273" loom	1	MC79	55

MERCURY

CHASSIS PARTS CATALOGUE

Wiring—Continued

PART NUMBER	PART NAME	NO. REQ'D	MODEL	YEAR 19__
FDK 14405-T	Wiring assy (rear lamps)-19 terminals-276-1/2" loom	1	MC58A	55
8M-14599	Clip (wiring)-wiring to package tray	1	MB60-70B-73B-76	54
352238-S32	Clip (wiring)-wiring to rear seat back to floor strainer L. H.	1	MC76	55
352976-S32	Clip (wiring)-wiring to side cowl	1	MB except 76	54
354179-S32	Clip (wiring)-wiring to rear floor pan, front floor pan & dash panel	as reqd	MC	55
354188-S32	Clip (wiring)-wiring to front & rear floor pan	2or4	MC	55
354307-S32	Clip (wiring)-wiring to package tray to floor strainer L. H.	2	MC64	55
354307-S32	Clip (wiring)-wiring to package tray panel	2	MC64	55
354333-S32	Clip (wiring)-wiring to flange rear seat front riser, quarter wheelhouse assy or package tray assy	1or2	MC	55
356628-S	Clip (wiring)-wiring to mount. bracket on floor	1	MB60B-60F-76	54
356628-S	Clip (wiring)-wiring to W/S opening lower reinforcement	1	MC	55
356668-S32	Clip (wiring)-wiring to seat riser flange	4	MB60B-60F, MC60-64	54-55
356668-S32	Clip (wiring)-wiring to wheel housing flange	1or2	MB60-73-76-79	54
356687-S32	Clip (wiring)-wiring to quarter pillar brace	2	MB60-76	54
358315-S32	Clip (wiring)-wiring to side cowl	1	MB76	54
352813-S	Grommet (wiring)-wiring thru rocker panel	1	MB79	54
352815-S	Grommet (wiring)-wiring thru rocker panel	1	MB73-79	54
352874-S	Grommet (rubber)-attach near lamp wiring through W/S opening lower reinforcement	1	MC60E-70B-73B	55
354315-S	Grommet (rubber)-attach near lamp wiring through rear floor pan to quarter panel extension	1	MC except 79	55
34803-S7	Lockwasher-No. 10-wiring to circuit breaker	2	MB60B-60F-76	54
34079-S7	Nut (hex)-No. 10-32-wiring to circuit breaker	1	MB60B-60F-76	54
31497-S8	Screw (hex washer hd tap.)-No. 14-10 x 1/2"-wiring to W/S opening lower reinforcement	1	MC	55

MERCURY

CHASSIS PARTS CATALOGUE

Wiring—Continued

PART NUMBER	QTY	PART NAME	NO. REQ'D	MODEL	YEAR 19__
FDA 14406-B		Wiring assy (fuel gauge tank unit)-24-1/2" long	1	MB79	54
FDC 14406-A		Wiring assy (fuel gauge tank unit)-29-1/4" long	1	MB except 79	54
		352238-S32 Clip (wiring)-wiring to floor pan	2	MB except 79	54
		353722-S32 Clip (wiring)-wiring to quarter panel filler	1	MB79	54
		356668-S32 Clip (wiring)-wiring to flange of fuel tank	1	MB79	54
		356668-S32 Clip (wiring)-wiring to #4 frame crossmember	1	MB79	54
		34802-S7 Lockwasher-No. 8-wire to fuel gauge tank unit	1	MB	54
		26457-S7 Screw (round head)-No. 8-32 x 1/4"-wire to fuel gauge tank unit	1	MB	54
FDK 14413-A		Switch, socket & wiring assy (glove compartment lamp)-switch and socket 1-11/16" long	1	MB, MC	54-55
		78-13466 Bulb (glove compt. lamp)-2 C. P. - S. C.	1	MB, MC except 79	54-55
FAA 14415-A		Wiring assy (license lamp connector)-4 terminals-28" long	1	MB, MC79	54-55
FDL 14415-A		Wiring assy (license lamp connector)-4 terminals 43-1/2" long	1	MB except 79	54
		8M-14567 Grommet (wiring)-license lamp wire thru rear floor pan-1-1/4" O. D. with oblong hole	1	MB except 79	54
		8M-14599 Clip (wiring)-wiring to rear frame cross member	1	MB except 79	54
		358495-S Clip (wiring)-wiring to floor member	1	MB79	54
		34938-S8 Lockwasher-No. 8-wiring to rear cross member	1	MB79	54
		34052-S7 Nut (hex)-No. 8-32-wiring to rear cross member	1	MB79	54
		50629-S8 Screw & washer assy (round head)-No. 8-32 x 3/8"-wiring to rear cross member	1	MB79	54
		52726-S8 Screw (pan head)-No. 8-15 x 1/2"-wiring clip to floor member	1	MB79	54
		44710-S8 Washer (flat)-No. 8-wiring clip to floor member	1	MB79	54
FAA 14429-A		Wire & fuse assy (cigar lighter)	1	MB, MC	54-55

MERCURY

CHASSIS PARTS CATALOGUE

Wiring — Continued

PART NUMBER	C A S S	PART NAME	NO. REQ'D	MODEL	YEAR 19__
FDA 14431-A		Cable assy (starting motor relay to starting motor)	1	MC	55
FDC 14431-A		Cable assy (starting motor relay to starting motor)	1	MB	54
		34806-S7 Lockwasher-5/16"-cable to starter field terminal	1	MB, MC	54-55
		33798-S8 Nut (hex)-5/16"-24-cable to starter field terminal	1	MB, MC	54-55
		31527-S7 Screw (hex head self tapping)-No. 14-10 x 1/2"-cable to splash shield and frame	3	MB	54
		31497-S8 Screw (hex washer hd tap.)-No. 14-10 x 1/2"-cable to R. H. front fender apron	1	MC	55
FAC 14440-B		Wiring assy (horn relay to horn)-3 terminals	1	MB	54
		352976-S32 Clip (wiring)-wiring to stone deflector and fender apron	2	MB	54
FDC 14445-A		Wiring assy (R. H. to L. H. headlamp)-10 terminals terminals-32" loom	1	MB	54
FDK 14445-A		Wiring assy (R. H. to L. H. headlamp)-57-1/2" long	1	MC	55
		352626-S2 Clamp (wire)-wiring to radiator support tie	3	MB	54
OA 14448-A		Block assy (electrical wiring junction)-4 singles connector type	1 or 2	MB, MC	54-55
OL 14448		Block assy (electrical wiring junction)-2 singles-3 doubles connector type	1	MB, MC	54-55
OM 14448		Block assy (electrical wiring junction)-4 singles-2 doubles connector type	1	MB, MC	54-55
		40969-S8 Screw (hex washer head)-No. 8-32 x 1"-block to R. H. radiator air side deflector	2	MB	54
		40982-S8 Screw (hex washer head self tapping)-No. 8-32 x 1-1/4"-block to L. H. fender apron	2	MB	54
		42146-S8 Screw (hex washer hd tap)-No. 8-15 x 7/8"-block to R. H. radiator air side defl.	2	MC	55
		42156-S8 Screw (hex washer hd tap)-No. 8-15 x 1-1/4"-block to L. H. fender apron	1	MC	55
B 14455		Sleeve (wire terminal insulating)	as reqd	MB, MC	54-55
O1A 14461		Terminal (wire)-bullet type	as reqd	MC	55
B 14463		Terminal (wire)-eyelet type	as reqd	MB, MC	54-55
18 14466-A		Terminal (wire)-clamp on type	as reqd	MB, MC	54-55
FAA 14474-A		Terminal (wire)-snap on-female	as reqd	MB, MC	54-55
Δ 1A 14476-A		Wiring assy (starter switch to trans. lock switch)-17" long	1	MB	54

Δ Used with Merc-O-Matic transmission

MERCURY

CHASSIS PARTS CATALOGUE

Wiring — Continued

PART NUMBER	UNIT	PART NAME	NO. REQ'D	MODEL	YEAR 19__
FDL 14484-A		Shield (window regulator motor)	as reqd	MC	55
1M 14486-A		Switch & wiring assy (turn signal)	1	MB	54
FDU 14486-A		Switch & wiring assy (turn signal)	1	MC	55
		34901-S7 Lockwasher-No. 6-horn wire to horn support	1	MB, MC	54-55
		33170-S7 Screw (pan head self tapping)-No. 10-12 x 1/4"-switch to steering wheel flange	2	MB	54
		33181-S7 Screw (pan-hd)-No. 6-20 x 1/2"-horn wire to horn support	1	MB, MC	54-55
		51756-S8 Screw (pan-hd tapping)-No. 10-24 x 3/8"-switch & wiring to steering column tube flange	2	MC	55
B 14487		Connector assy (bullet terminal)-single	as reqd	MB, MC	54-55
11A 14487		Connector assy (bullet terminal)-double	as reqd	MB, MC	54-55
59A 1•487		Connector assy (terminal)-4 way	as reqd	MB, MC	54-55
FAA 14505-B		Switch and housing assy (window regulator)-multiple	1	MB60B-60F-73C-76	54
FAA 14507-B NS		Switch and housing assy (window regulator)-single-Service Details	3	MB60B-60F-73C-76	54
FAA 14512-A		Relay assy (window regulator control)	4	MB60B-60F-73C-76	54
B5A 14512-A		Relay assy (seat & window regulator control)-⊕FDH-14512-A	2or4	MC	55
FAA 14513-A		Bar (window regulator control switch bus)	1	MB60B-60F-73C-76	54
B5A 14513-A		Bar (window regulator control switch bus)-⊕FEA-14513-A	1	MC	55
FAA 14523-A		Plate (window regulator single switch mounting)	3	MB60B-60F-73C-76, MC	54-55
FAB 14524-A		Plate (window regulator multiple switch mounting)	1	MB60B-60F-73C-76, MC	54-55
B5S 14524-A		Plate (window regulator multiple switch mounting)-⊕FEA-14524-A	1	MC	55
B 14526 NS		Fuse-20 amp. -serviced in 14527 Kit	as reqd	MB, MC	54-55
51A 14526-B		Fuse-3 amp. -also serviced in 14527 Kit	as reqd	MB, MC	54-55
5EH 14526		Fuse (cigar lighter)-30 amp.	1	MB, MC	54-55
5EH 14526		Fuse (overdrive trans.)-30 amp.	1	MB, MC	54-55
7RA 14526-A		Circuit breaker assy-15 amp.	1	MB	54
8A 14526 NS		Fuse-14 amp. -serviced in 14527 Kit	as reqd	MB, MC	54-55
1A 14526		Circuit breaker assy-40 amp. -for top control	1	MB, MC	54-55
8M 14526		Fuse-15 amp.	as reqd	MB	54
FDD 14526-A		Fuse (lighting circuit)-20 amp.	2	MC	55
B5A 14526-A		Circuit breaker assy-30 amp. -used with auto. window reg. & 4-way electric seat-⊕FDH-14526-A	1	MC	55
B5A 14526-B		Circuit breaker assy-20 amp. -used with auto. window reg. & 4 way electric seat-⊕FDH-14526-B	4	MC	55

MERCURY

CHASSIS PARTS CATALOGUE

Wiring—Continued

PART NUMBER	IND. P.C.	PART NAME	NO. REQ'D	MODEL	YEAR 19
B 14527		Kit (fuse)-20 amp. -consists of the following (5) B-14526 Fuse	as reqd	MB, MC	54-55
A6A 14527-B		Kit (fuse)-3 amp. -consists of the following (5) 51A-14526-B Fuse	as reqd	MB, MC	54-55
A6A 14527-C		Kit (fuse)-9 amp. consists of the following (5) 8M-15608 Fuse	as reqd	MC	55
AOA 14527-A		Kit (fuse)-14 amp. -consists of the following (5) 8A-14526 Fuse	as reqd	MB, MC	54-55
B6A 14527-A		Fuse (lighting circuit)-7-1/2 amp. -⊕FDR-15398-A	1	MC	55
B5A 14528-B		Housing (window regulator switch)-single- ⊕FAA-14528-B	3	MB, MC	54-55
B5A 14528-C		Housing (window regulator switch)-multiple ⊕FAA-14527-B	1	MB, MC	54-55
B5S 14528-A		Housing (window regulator switch)-multiple- double-⊕FEA-14527-A	1	MB60B, 60F, 73C, 76B, MC	54-55
FAA 14529-A		Switch assy (window regulator control)-single	3or4	MB60B-60F-73C-76, MC60B-60F-73C-76	54-55
FAA 14529-A		Switch assy (seat regulator control)-single-2-way electric seat	1	MB except 79	54
FAA 14529-A		Switch assy (seat regulator control)-single-4-way electric seat	2	MB except 79	54
B6A 14529-A		Switch assy (window regulator control)-single- ⊕FDK-14529-B	1or3	MC	55
FAA 14540-A		Switch assy (window regulator control)-multiple	4	MB60B, 60F, 73C, 76	54
B5A 14540-A		Switch assy (window regulator control)-multiple- ⊕FDK-14540-A	3	MC	55
B5A 14545-A		Switch assy (seat regulator control)-⊕FEA-14545-A	as reqd	MC	55
B5S 14546-A NS		Relay assy (seat & window regulator control)- ⊕FEA-14546-A-replaced by B5A-14512-A	2	MC	55
FAA 14547-A		Motor assy (seat regulator)-used with 2-way seat	1	MB except 79	54
FAB 14547-D NS		Motor assy (seat regulator)-used with 4-way seat- serviced in 14547 Kit	1	MB except 79	54
FDK 14547-A		Motor assy (seat regulator)-horizontal	1	MC	55
FDK 14547-B		Motor assy (seat regulator)-vertical	1	MC	55
B5S 14547-A		Motor assy (seat regulator)-used with 4-way seat- ⊕FEA-14547-A	2	MC	55
HEK 14547-A		Kit (motor and wire)-used with 4-way seat-Refer to Electric Motor Group for components	1	MB except 79	54
FAA 14548-A		Casebolt (window regulator motor)-No. 8-32 x 3-21/32"	2	MB60B-60F-73C-76	54
FAA 14548-B		Casebolt (window regulator motor)-No. 10-32 x 4-17/32"	2	MB60B-60F-73C-76	54
FAA 14549-A		Motor assy (window regulator)-R. H. -with bracket support	2	MB60B-60F-73C-76	54
FAA 14553-A		Motor assy (window regulator)-with stud supporter	4	MB60B-60F-73C-76	54
FAA 14553-B		Motor assy (window regulator)-L. H. -with bracket support	2	MB60B-60F-73C-76	54
B5S 14553-A		Motor assy (window regulator)-⊕FEA-14553-A	2	MC	55
FAA 14554-A		Gasket (window regulator single switch)	3	MB60B-60F-73C-76, MC	54-55
FAA 14557-A		Studbolt (top regulator motor)-No. 10-32 x 5-1/16"	2	MB76	54
FAA 14558-A		Casebolt (heater blower motor)-No. 10-32 x 3-3/8"	2	MB	54
FAA 14558-B		Casebolt (seat regulator motor)-No. 10-32 x 4-11/16"	2	MB except 79	54
FAA 14558-C		Casebolt (seat regulator motor)-No. 8-32 x 4-7/32"	2	MB except 79	54
FAA 14559-A		Clip (window regulator switch retaining)	4	MB60B-60F-73C-76, MC	54-55

MERCURY

CHASSIS PARTS CATALOGUE

Wiring — Continued

PART NUMBER	UNIT	PART NAME	NO. REQ'D	MODEL	YEAR 19__
8M 14567		Grommet (license lamp wire thru rear floor pan)-1-1/4" O. D. with oblong hole	1	MB except 79	54
8M 14567		Grommet (interior lamp feed wire thru quarter regulator panel)-1-1/4" O. D. with oblong hole	1	MB60B-60F	54
8M 14567		Grommet (license lamp wire thru tailgate inner panel)-1-1/4" O. D. with oblong hole	1	MB, MC79	54-55
1A 14567-A		Grommet (electric wiring)-Rubber-1-1/4" O. D. x 9/64" I. D.	as reqd	MB	54
FAA 14570-A		Clip (seat regulator housing retainer)-2-way electric seat	2	MB except 79	54
FAA 14570-A		Clip (seat regulator housing retainer)-4-way electric seat	4	MB except 79	54
FAA 14570-A		Clip (window regulator housing retainer)	4	MB60B-60F-73C-76, MC	54-55
OM 14571		Wiring assy (radio receiver to rear seat)-also serviced in 18875 Kit	1	MB, MC60, 70, 73	54-55
FAA 14575-A		Holder (seat regulator motor brush)-2 prong type	2	MB except 79	54
FAA 14575-A		Holder (window regulator motor brush)-2 prong type	2	MB60B-60F-73C-76	54
FAA 14575-A		Holder (heater blower motor brush)-2 prong type	2	MB	54
FAA 14575-B		Holder (heater blower motor brush)-flat type	2	MB	54
FAA 14575-B		Holder (window regulator motor brush)-flat type	2	MB60B-60F-73C-76	54
FAA 14576-A		Spring (seat regulator motor brush holder retaining)-1-1/8" free length	2	MB except 79	54
FAA 14576-A		Spring (window regulator motor brush holder retaining)-1-1/8" free length	2	MB60B, 60F, 73C, 76	54
FAA 14576-A		Spring (heater blower motor brush holder retaining)-1-1/8" free length	2	MB	54
FAA 14576-B		Spring (window regulator motor brush holder retaining)-5/8" free length	2	MB60B-60F-73C-76	54
FAA 14576-B		Spring (heater blower motor brush holder retaining)-5/8" free length	2	MB	54
FAA 14580-A		Brush assy (seat regulator motor)-with 1-3/4" pigtail	2	MB except 79	54
FAA 14580-A		Brush assy (window regulator motor)-with 1-3/4" pigtail	2	MB60B-60F-73C-76	54
FAA 14580-A		Brush assy (heater blower motor)-with 1-3/4" pigtail	2	MB	54
FAA 14580-B		Brush assy (window regulator motor)-with 1-1/8" pigtail	2	MB60B-60F-73C-76	54
FAA 14584-B		Brush assy (seat regulator motor)-with 2-9/64" pigtail	2	MB except 79	54
FAC 14585-A		Clip (instrument & dash panel wiring to instrument panel gusset)	1	MB	54
FDC 14585-A		Clip (instrument & dash panel wiring to instrument and control lower housing bolt)	1	MB	54
		52721-S8 Screw (pan head)-No. 10-12 x 3/8"-clip to gusset	1	MB	54
FDK 14589-A		Bus bar (seat regulator cont. switch)	1	MC	55
B5A 14593-B		Wiring assy (seat regulator motor jumper)-15-3/4" long-⊕FDH-14593-B	2	MC	55
FAA 14595-A		Spring (seat regulator motor brush holder retaining)-7/8" free length	2	MB except 79	54
8M 14599		Clip (electric wiring & tubing)-spring type	as reqd	MB except 79B, MC except 79B	54-55
1A 14603-B		Grommet (rear lamp wiring thru pillar)-Rubber	1	MB60B-60F	54

MERCURY

CHASSIS PARTS CATALOGUE

Wiring — Continued

PART NUMBER	C L S I F I C A T I O N	PART NAME	NO. REQ'D	MODEL	YEAR
					19 ____
8A 14608		Retainer assy (grommet)-rear lamp wiring thru cowl panel and front pillar	2	MB	54
8A 14608		Retainer assy (grommet)-air control thru cowl panel	1	MB	54
8A 14608		Retainer assy (grommet)-top control wire thru hinge pillar	1	MB76	54
8A 14608		Retainer assy (grommet)-instrument panel wiring to dash panel	1	MB, MC	54-55
8A 14608		Retainer assy (grommet)-window regulator door wiring to body hinge pillar	1	MB73B	54
		31497-S8 Screw (hex washer hd self tap.) -No. 14-10 x 1/2"-retainer to dash panel	2	MC	55
		31498-S8 Screw (hex washer hd self tap.) -No. 14-10 x 5/8"-retainer to dash panel	2	MB	54
		31498-S8 Screw (hex washer hd)-No.14-10 x 5/8"-retainer to grommet	8	MB	54
FAA 14616-A		Gasket (window regulator multiple switch)	1	MB60B-60F-73C-76, MC	54-55
B5S 14616-A		Gasket (window regulator multiple switch)- ⊕FEA-14616-A	1	MC	55

Electric Motors and Wiring

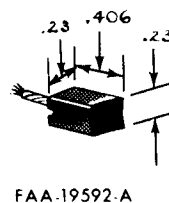
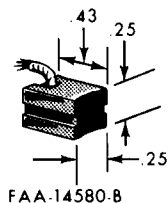
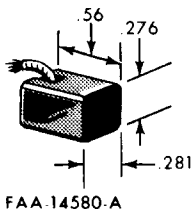
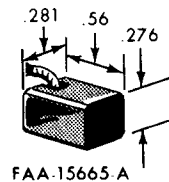
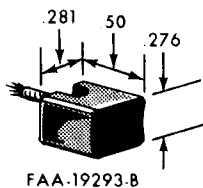
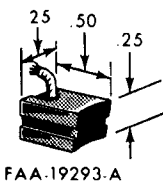
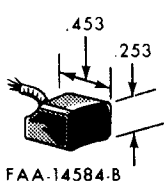
	FAA-14505-B	Switch and housing assy (window reg.)-multiple	1	MB60B-60F-73C-76	54
	FAA-14507-B	Switch and housing assy (window reg.)-single	3	MB60B-60F-73C-76	54
	FAA-14512-A	Relay (window regulator control)	4	MB60B-60F-73C-76	54
	B5A-14512-A	Relay assy (seat & window regulator control)- ⊕FDH-14512-A	2or4	MC	55
	20384-S2	Bolt (hex head)-1/4"-20 x 1"- relay to relay bracket or water shield	4or8	MB60B-60F-73C-76	54
	34805-S8	Lockwasher-1/4" relay to relay bracket or water shield	4or8	MB60B-60F-73C-76	54
	33795-S7	Nut (hex)-1/4"-20-relay to relay bracket or water shield	4or8	MB60B-60F-73C-76	54
	35188-S8	Nut (spring)-No. 10-12-relay to R. H. & L. H. rear door panel	4	MC73, 79	55
	45188-S8	Nut (type I "A" tapping spring) -No. 10-12-relay to R. H. & L. H. front door panel	4	MC	55
	42127-S8	Screw (hex-hd tapping)-No. 10-12 x 1/2"-relay & circuit breaker to R. H. & L. H. rear door inside panels	2	MC	55
	42360-S7	Screw (hex-hd tapping)-No. 10-16 x 3/8"-relay to R. H. & L. H. rear door panel	4	MC73, 79	55
	42360-S7	Screw (hex-hd tapping)-No. 10-16 x 3/8" relay to R. H. & L. H. front door panel	4	MC	55

MERCURY

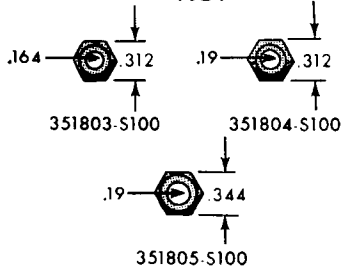
CHASSIS PARTS CATALOGUE

Electric Motors and Wiring — Continued

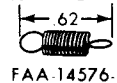
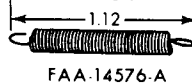
BRUSH ASSEMBLY



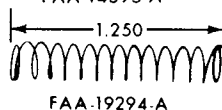
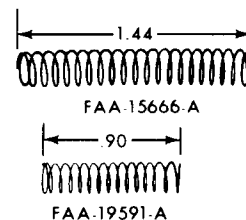
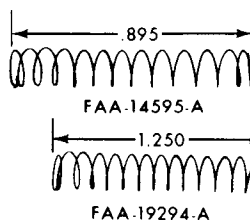
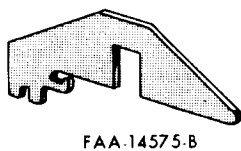
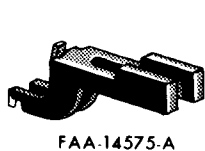
NUT



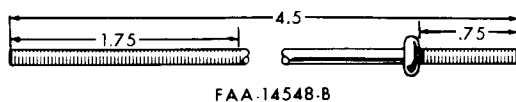
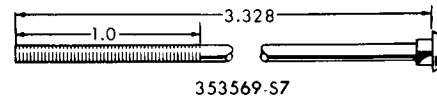
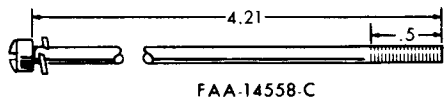
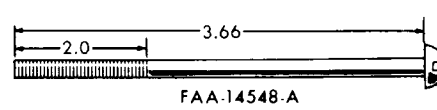
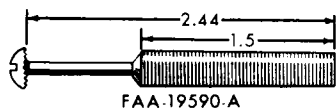
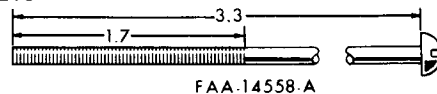
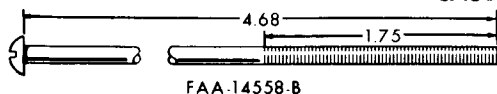
BRUSH HOLDER SPRINGS



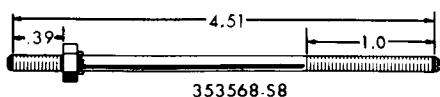
BRUSH HOLDERS



CASE BOLTS



STUDBOLT



PL-936

ELECTRIC MOTOR BOLTS, BRUSHES, NUTS AND SPRINGS

Basic numbers only shown on illustration. Order by Part Numbers shown in list of parts.

MERCURY

CHASSIS PARTS CATALOGUE

Electric Motors and Wiring-Continued

PART NUMBER	QTY	PART NAME	NO. REQ'D	MODEL	YEAR 19__
42728-S8		Screw & washer assy (hex-hd) -No. 10-32 x 1/2"-relay to R. H. & L. H. quarter window regulator	2	MC	55
42728-S8		Screw & washer assy (hex-hd) -No. 10-32 x 1/2"-relay & circuit breaker to R. H. & L. H. quarter regulator panel	2	MC	55
44719-S8		Washer (flat)-1/4"-relay to relay bracket or water shield	4or8	MB60B-60F-73C-76	54
FAA-14513-A		Bar (window regulator control switch bus)	1	MB60B-60F-73C-76	54
B5A-14513-A		Bar (window regulator control switch bus-⊕FEA-14513-A	1	MC	55
FAA-14523-A		Plate (window regulator switch mounting)-single	3	MB, MC60B-60F-73C-76	54-55
FAB-14524-A		Plate (window regulator switch mounting)-multiple	1	MB, MC60B-60F-73C-76	54-55
B5S-14524-A		Plate (window regulator switch mounting)-⊕FEA-14524-A	1	MC	55
1A-14526		Circuit breaker (top control)-40 amp.	1	MB, MC	54-55
B5A-14526-B		Circuit breaker assy-20 amp.- used with auto. window reg. & 4-way electric seat- ⊕FDH-14526-B	1	MC	55
B5A-14526-A		Circuit breaker assy-30 amp. used with auto. window reg. & 4-way electric seat- ⊕FDH-14526-A	1	MC	55
34823-S7		Lockwasher-No. 10-relay & circuit breaker to R. H. & L. H. quarter lock pillar to floor brace	2or4	MC	55
34823-S7		Lockwasher-No. 10-circuit breaker to R. H. & L. H. cowl side panel	2	MC	55
34079-S8		Nut (hex)-No. 10-32-relay & circuit breaker to R. H. & L. H. quarter lock pillar to floor brace	2	MC	55
42127-S8		Screw (hex-hd tapping)-No. 10 -12 x 1/2"-circuit breaker to R. H. & L. H. cowl side panel	2	MC	55
42127-S8		Screw (hex-hd tapping)-No. 10 -12 x 1/2"-relay & circuit breaker to R. H. & L. H. quarter lock pillar to floor brace	2	MC	55
50267-S8		Screw (cross recessed pan-hd) -No. 10-32 x 1/2"-relay & circuit breaker to R. H. & L. H. quarter lock pillar to floor brace	2	MC	55

MERCURY

CHASSIS PARTS CATALOGUE

Electric Motors and Wiring-Continued

PART NUMBER	QTY	PART NAME	NO. REQ'D	MODEL	YEAR 19__
		31497-S8 Screw (hex-hd tapping)-No. 14 -10 x 1/2"-circuit breaker to lower W/S reinforcement	1	MC	55
		31498-S8 Screw (hex washer head)-No. 14-10 x 5/8"-circuit breaker to R. H. splash panel or cowl panel	2	MB, MC	54-55
		B5S-14528-A Housing (window regulator switch) -double-⊕FEA-14527-A	1	MB60B-60F-73C-76B, MC	54-55
		B5A-14528-B Housing (window regulator switch) -single-⊕FAA-14528-B	3	MB, MC	54-55
		B5A-14528-C Housing (window regulator switch) -multiple-⊕FAA-14527-B	1	MB, MC	54-55
		FAA-14529-A Switch assy (window reg. control)- single	3 or 4	MB, MC60B-60F-73C-76	54-55
		FAA-14529-A Switch assy (seat reg. control)- single-2-way electric seat	1	MB except 79	54
		FAA-14529-A Switch assy (seat reg. control)- single-4-way electric seat	2	MB except 79	54
		B5A-14529-A Switch assy (window regulator control)-single- ⊕FDK-14529-A	1	MC	55
		FAA-14540-A Switch assy (window reg. control)- multiple	4	MB60B-60F-73C-76	54
		B5A-14540-A Switch assy (window reg. control) -multiple-⊕FDK-14540-A	3	MC	55
		B5A-14545-A Switch assy (seat regulator control)-⊕FEA-14545-A	as req'd	MC	55
NS		B5S-14546-A Relay assy (seat & window regulator control)- ⊕FEA-14546-A-replaced by B5A-14512-A	2	MC	55
		34823-S7 Lockwasher-No. 10-relay to R. H. & L. H. quarter lock pillar to floor brace	2	MC	55
		34079-S8 Nut (hex)-No. 10-32-relay to R. H. & L. H. quarter lock pillar to floor brace	2	MC	55
		50267-S8 Screw (cross recessed pan-hd) -No. 10-32 x 1/2"-relay to R. H. & L. H. quarter lock pillar to floor brace	2	MC	55
		42127-S8 Screw (hex-hd tapping)-No. 10 -12 x 1/2"-relay to floor pan	3	MC	55
		42127-S8 Screw (hex-hd tapping)-No. 10 -12 x 1/2"-relay to R. H. & L. H. quarter lock to floor brace	2	MC	55
		42127-S8 Screw (hex-hd tapping)-No. 10 -12 x 1/2"-relay & circuit breaker to R. H. & L. H. quarter window reg. panel	2	MC	55
		FAA-14547-A Motor assy (seat regulator)-used with 2-way seat	1	MB except 79	54
NS		FAB-14547-D Motor assy (seat regulator)-used with 4-way seat-serviced in 14547 Kit	1	MB except 79	54

MERCURY

CHASSIS PARTS CATALOGUE

Electric Motors and Wiring-Continued

PART NUMBER	PART NAME	NO. REQ'D	MODEL	YEAR 19 _____
FDK-14547-A	Motor assy (seat regulator)-horizontal	1	MC	55
FDK-14547-B	Motor assy (seat regulator)-vertical	1	MC	55
34903-S8	Lockwasher (internal)-No. 10-motor wiring to adj. support	2	MB except 79	54
42360-S7	Screw (hex hd tapping)-No. 10-16 x 3/8"-relay to R. H. & L. H. qtr. lock pillar to floor brace	4	MC60-70B-64-76B	55
52787-S15	Screw (pan head)-No. 10-16 x 1/2"-motor wiring to adjuster support	2	MB except 79	54
HEK-14547-A	Kit (motor and wire)-used with 4-way seat-consists of the following (1) FAB-14547-D Motor (1) FAA-14593-A Wire (1) FAA-14593-B Wire	1	MB except 79	54
FAA-14548-A	Casebolt (window regulator motor)-No. 8-32 x 3-21/32"	2	MB60B-60F-73C-76	54
351803-S100	Nut (hex)-No. 8-32-casebolt to motor	2	MB60B-60F-73C-76	54
FAA-14548-B	Casebolt (window regulator motor)-No. 10-32 x 4-17/32"	2	MB60B-60F-73C-76	54
351805-S100	Nut (hex)-No. 10-32-casebolt to motor	2	MB60B-60F-73C-76	54
FAA-14549-A	Motor assy (window reg.)-R. H. -with bracket support	2	MB60B-60F-73C-76	54
FAA-14553-A	Motor assy (window reg.)-with stud support	4	MB60B-60F-73C-76	54
FAA-14553-B	Motor assy (window reg.)-L. H. -with bracket support	2	MB60B-60F-73C-76	54
B5S-14553-A	Motor assy (window regulator)-⊕FEA-14553-A	2	MC	55
356668-S32	Clip (wiring)-motor leads to quarter window track	2	MB60B-60F-76	54
356668-S32	Clip (wiring)-motor leads to regulator panels	2	MB60B-60F-73C-76	54
34803-S7	Lockwasher-No. 10-motor leads to motor	2	MC	55
34079-S8	Nut (hex)-No. 10-32-motor leads to motor	2	MC	55
34079-S7	Nut (hex)-No. 10-32-motor to window regulator	8	MB60B-60F-73C-76	54
351804-S100	Nut (hex)-No. 10-32-studbolt to motor	2	MB60B-60F-73C-76	54
353568-S8	Studbolt (window reg. motor)-No. 10-32 x 4-33/64"	2	MB60B-60F-73C-76	54
356514-S8	Washer (countersunk)-motor to window regulator	16	MB60B-60F-73C-76	54
FAA-14554-A	Gasket (window regulator single switch)	3	MB60B-60F-73C-76, MC	54-55
FAA-14557-A	Studbolt (top regulator motor)-No. 10-32 x 5-1/16"	2	MB76	54
351805-S100	Nut (hex)-No. 10-32-studbolt to motor	2	MB76	54

MERCURY

CHASSIS PARTS CATALOGUE

Electric Motors and Wiring—Continued

PART NUMBER	NO. REQ'D	PART NAME	MODEL	YEAR 19__
FAA-14558-B	2	Casebolt (seat regulator motor)- No. 10-32 x 4-11/16"	MB except 79	54
351804-S100	2	Nut (hex)-No.10-32-casebolt to motor	MB except 79	54
FAA-14558-C	2	Casebolt (seat regulator motor)- No. 8-32 x 4-7/32"	MB except 79	54
351803-S100	2	Nut (hex)-No. 8-32-casebolt to motor	MB except 79	54
FAA-14559-A	4	Clip(window reg. switch mounting)	MB60B-60F-73C-76, MC	54-55
FAA-14570-A	4	Clip(window reg. housing retainer)	MB60B-60F-73C-76, MC	54-55
FAA-14570-A	2or4	Clip (seat reg. housing retainer)- 2 & 4 way seat	MB except 79	54
FAA-14575-A	2	Holder (seat reg. motor brush)- 2 prong type	MB except 79	54
FAA-14575-A	2	Holder (window reg. motor brush)- 2 prong type	MB60B-60F-73C-76	54
FAA-14575-B	2	Holder (window reg. motor brush)- -flat type	MB60B-60F-73C-76	54
FAA-14576-A	2	Spring (seat reg. motor brush holder retaining)-1-1/8" free length	MB except 79	54
FAA-14576-A	2	Spring (window reg. motor brush holder retaining)-1-1/8" free length	MB60B-60F-73C-76	54
FAA-14576-B	2	Spring (window reg. motor brush holder retaining)-5/8" free length	MB60B-60F-73C-76	54
FAA-14580-A	2	Brush assy (seat reg. motor) -with 1-3/4" pigtail	MB except 79	54
FAA-14580-A	2	Brush assy (window reg. motor)- with 1-3/4" pigtail	MB60B-60F-73C-76	54
FAA-14580-B	2	Brush assy (window reg. motor)- with 1-1/8" pigtail	MB60B-60F-73C-76	54
FAA-14584-B	2	Brush assy (seat reg. motor)- with 2-9/64" pigtail	MB except 79	54
FDK-14589-A	1	Bus bar (seat reg. control switch)	MC	55
NS FAA-14593-A	1	Wire (jumper)-2-3/4" long-Red- serviced in 14547 Kit	MB except 79	54
NS FAA-14593-B	1	Wire (jumper)-2-3/4" long-Yellow -serviced in 14547 Kit	MB except 79	54
B5A-14593-B	2	Wiring assy (seat regulator motor jumper)-15-3/4" long- ⊕B5A-14593-B	MC	55
356640-S2	2	Clip (wiring)-wiring to front floor pan	MC	55
FAA-14595-A	2	Spring (seat reg. motor brush holder retaining)-7/8" free length	MB except 79	54
FAA-14616-A	1	Gasket (window reg. multiple switch)	MB60B-60F-73C-76, MC	54-55
B5S-14616-A	1	Gasket (window reg. multiple switch)-⊕FEA-14616-A	MC	55
FAB 14630-B	1	Wiring assy (right front door window regulator)-9 terminals-101" loom	MB60B-60F-73C-76	54
B5A 14630-B	1	Wiring assy (right front door window regulator)- "16" terminals-90-1/2" loom-⊕FDH-14630-B	MC	55

MERCURY

CHASSIS PARTS CATALOGUE

Electric Motors and Wiring—Continued

PART NUMBER	UNIT	PART NAME	NO. REQ'D	MODEL	YEAR 19
		353262-S Clip (wiring)-wiring to cowl side panel	1	MB60B-60F-73C-76	54
		356668-S32 Clip (wiring)-wiring to lower W/S reinforcement	2	MC	55
		357487-S32 Clip (wiring)-wiring to R. H. door hinge side reinforcement	1	MC	55
		357487-S32 Clip (wiring)-wiring to W/S opening lower R. H. reinforcement	1	MC	55
		358315-S32 Clip (wiring)-wiring to cowl side panel	1	MB60B-60F-73C-76	54
		358495-S Clip (wiring)-wiring to R. H. front door inside panel	1	MC	55
		352873-S100 Grommet (wire)-wiring thru pillar reinforcement	1	MB60B-60F-73C-76	54
		34803-S7 Lockwasher-No. 10-wiring to circuit breaker	1	MC	55
		34079-S8 Nut (hex)-No. 10-32-wiring to circuit breaker	1	MC	55
FAB 14631-B		Wiring assy (left front door window regulator)-17 terminals-40" loom	1	MB60B-60F-73C-76	54
FDC 14631-B		Wiring assy (electric window regulator)-L. H. frt. door-49" long	1	MB60B-60F-73C-76	54
B5A 14631-C		Wiring assy (left front door window regulator)-26 terminals-86" loom-⊕FDH-14631-C	1	MC	55
B5A 14631-D		Wiring assy (left front door window regulator)-18 terminals-87-3/4" loom-⊕FDH-14631-D	1	MC	55
		357487-S32 Clip (wiring)-wiring to R. H. door hinge side reinforcement	1	MC	55
		357487-S32 Clip (wiring)-wiring to W/S opening lower R. H. reinforcement	1	MC	55
		358315-S32 Clip (wiring)-wiring to cowl side panel	1	MB60B-60F-73C-76	54
		358495-S Clip (wiring)-wiring to L. H. front door inside panel	1	MC	55
		352873-S100 Grommet (wire)-wiring thru pillar reinforcement	1	MB60B-60F-73C-76	54
		34803-S7 Lockwasher-No. 10-wiring to circuit breaker	2	MB60B-60F-73C-76, MC	54-55
		34803-S7 Lockwasher-No. 10-wiring to circuit breaker	2	MB60B-60F-73C-76	54
FAB 14632-B		Wiring assy (right rear door window regulator)-9 terminals-163" loom	1	MB73C	54
B5A 14632-B		Wiring assy (right front door window regulator)-18 terminals-81-1/2" loom-⊕FDH-14632-B	1	MC73-79	55
B5A 14633-B		Wiring assy (left front door window regulator)-18 terminals-65" loom-⊕FDH-14633-B	1	MC73-79	55
		354188-S32 Clip (wiring)-wiring to front floor pan assy	2	MC73-79	55

MERCURY

CHASSIS PARTS CATALOGUE

Electric Motors and Wiring-Continued

PART NUMBER	QTY	PART NAME	NO. REQ'D	MODEL	YEAR 19__
		356668-S3 Clip (wiring)-wiring to lower W/S reinforcement	2	MC	55
		358495-S Clip (wiring)-wiring to R. H. or L. H. rear door inside panel	1or2	MC73-79	55
		42127-S8 Screw (hex-hd tapping)-No. 10-12 x 1/2"-wiring to R. H. L. H. center body pillar	1or2	MC73-79	55
FAB 14633-B		Wiring assy (left rear door window regulator)-9 terminals-104" loom	1	MB73C	54
		352976-S32 Clip (wiring)-wiring to cowl panel	1	MB73C	54
		353262-S Clip (wiring)-wiring to relay mounting screw	2	MB73C	54
		356687-S32 Clip (wiring)-wiring to regulator bracket	2	MB73C	54
		34803-S7 Lockwasher-No. 10-wiring to circuit breaker	2	MB73C, MC	54-55
		34079-S7 Nut (hex)-No. 10-32-wiring to circuit breaker	2	MB60B-60F-73C-76, MC	54-55
		31527-S7 Screw (hex washer head)-No. 14-14 x 1/2"-wiring to center pillar	2	MB73C	54
FDL 14639-A		Wiring assy (front door window regulator switch)-26-1/2" long	2	MB60B-60F-73C-76B	54
FAA 14641-B		Wiring assy (rear door window regulator switch)-6 terminals-19" loom	2	MB73C	54
		355308-S7 Bolt & washer assy (pan-hd)-1/4"-28 x 5/16"-wiring to inner door panel	2	MB73C	54
		33940-S7 Lockwasher-1/4"-wiring to inner door panel	2	MB73C	54
		33796-S7 Nut (hex)-1/4"-28-wiring to inner door panel	2	MB73C	54
FAD 14642-A		Wiring assy (seat regulator switch to relay)-15 terminals-30-3/4" loom-used with 4-way seat	1	MB, MC except 79	54-55
FDK 14642-A		Wiring assy (electric seat regulator switch to relay)-16 terminals-52-3/4" loom	1	MC	55
		356687-S32 Clip (wiring)-wiring to seat frame	4	MB except 79	54
FAB 14643-B		Wiring assy (seat regulator relay feed)-97" long-used with 2-way and 4-way seat	1	MB except 79, MC except 79	54-55
FAD 14643-A		Wiring assy (seat regulator relay feed)-2 terminals-5-1/2" long-used with 4-way seat	1	MB except 79	54
B5A 14643-B		Wiring assy (electric seat regulator relay feed)-4 terminals-64" loom-⊕FDH-14643-B	1	MC	55
		352826-S8 Clip (wiring)-wire to floor pan	3	MB except 79	54
		354179-S32 Clip (wiring)-wiring to dash panel	2	MC	55
		354179-S32 Clip (wiring)-wiring to floor pan	3	MC	55
		354188-S32 Clip (wiring)-wiring to floor pan	3	MC70	55
		354188-S32 Clip (wiring)-wiring to floor pan	2	MC	55

MERCURY

CHASSIS PARTS CATALOGUE

Electric Motors and Wiring-Continued

PART NUMBER	PART NAME	NO. REQ'D	MODEL	YEAR 19__
	356668-S32 Clip (wiring)-wiring to front seat cushion frame cross member	1	MC	55
	356668-S32 Clip (wiring)-wiring to rear seat front riser & quarter back pillar to floor brace	1or2	MC60-64-76	55
	358495-S Clip (wiring)-wiring to R. H. quarter window reg. panel	1	MC70	55
	34803-S7 Lockwasher-No. 10-wire to circuit breaker	1	MB except 79, MC	54-55
	34803-S7 Lockwasher-No. 10-wiring to circuit breaker	1	MC60-64-70	55
	34079-S8 Nut (hex)-No. 10-32-wiring to circuit breaker	1	MC60-64-76	55
	34079-S7 Nut (hex)-No. 10-32-wire to circuit breaker	1	MB except 79, MC	54-55
	52726-S13 Screw (pan-hd)-No.8-15 x 1/2" -wire to floor pan	3	MB except 79	54
FDH 14644-F	Wiring assy (electric window regulator)-R. H. -rear quarter-16 terminals-107-3/4" loom	1	MC70	55
B5A 14644-G	Wiring assy (electric window regulator)-R. H. -rear quarter-16 terminals-85-1/4" loom - ⊕FDH-14644-G	1	MC76	55
B5A 14644-H	Wiring assy (electric window regulator)-R. H. -rear quarter-16 terminals-83-1/4" loom - ⊕FDH-14644-H	1	MC60-64	55
FDL 14645-A	Wiring assy (rear quarter window regulator switch) -36-1/2" long	2	MB60B-60F-76B	54
	356687-S32 Clip (wiring)-wiring to regulator panel	2	MB60B-60F-76	54
	356687-S32 Clip (wiring)-wiring to water shield	2	MB60B-60F-76	54
FAB 14649-A	Clip (window regulator wiring to door hinge)-1-1/4" x 2-19/64"-with (2) slots	2	MB60B-60F-73C-76, MC60B-60F-73C-76	54-55
FAA 14680-A	Switch and housing assy (seat regulator)	1or2	MB, MC	54-55
	FAA-15665-A Brush assy (top regulator motor)-with 1-1/2" pigtail	2	MB76	54
	FAA-15666-A Spring (top regulator motor brush retaining)-1-1/2" free length	2	MB76	54
	FAA-15667-B Motor assy (top control)	1	MC76B	55
	FDC-15667-B Motor assy (top control)	1	MB76	54
	FAA-15668-B Switch assy (top control)-2 terminal type	1	MB76, MC76	54-55
	FDC-15669-A Bracket assy (motor mounting top control)-less grommets and inserts	2	MB76	54
	FAB-15672-A Relay assy (top control)	1	MB76, MC76	54-55
	FAB-15672-A Relay assy (seat control)	1or2	MB except 79	54
	34805-S8 Lockwasher-1/4"-top control relay to front seat adjuster relay	4	MB except 79	54
	34903-S8 Lockwasher-No. 10-relay to mounting bracket	2	MB except 79, MC except 79	54-55
	33795-S7 Nut (hex)-1/4"-20-top control relay to front seat adjuster relay	4	MB except 79	54

MERCURY

CHASSIS PARTS CATALOGUE

Electric Motors and Wiring-Continued

PART NUMBER	QUANTITY	PART NAME	NO. REQ'D	MODEL	YEAR 19__
		34053-S8 Nut (hex)-No. 10-24-relay to mounting bracket	2	MB except 79, MC except 79	54-55
		42143-S8 Screw (hex-hd)-No. 14-10 x 3/4"-top control relay to front seat adjuster shield-used with 2-way seat	2	MB except 79	54
		50299-S13 Screw (rd-hd)-1/4"-20 x 7/8"-top control relay to front seat adjuster relay	4	MB except 79	54
		44713-S8 Washer (flat)-No. 10-relay to mounting bracket	2	MB except 79, MC except 79	54-55
		FAB-15674-A Knob assy (top control)	1	MB76, MC76	54-55
		FDK-15676 Bracket (top control switch mtg.)	1	MC76	55
		FAA-15677-A Bezel (top control knob)-11/16"-16 x 23/64"	1	MB76, MC76	54-55
		FAA-15679-A Insert (top control motor support spacer)	4	MB76	54
		23391-S2 Bolt (rd-hd carriage)-1/4"-20 x 7/8"-bracket to instrument panel	1	MC76	55
		34805-S8 Lockwasher-1/4"-bracket to instrument panel	1	MC76	55
		33795-S7 Nut (light hex)-1/4"-20-bracket to instrument panel	1	MC76	55
FDK 14685-A		Housing (seat regulator control switch)-used with 4-way seat	1	MC	55
B4A 14685-A		Housing (seat regulator control switch)-used with 4-way seat-⊕FAA-14685-A	2	MB	54
		354179-S32 Clip (wiring)-wiring to floor pan	1	MC	55
		354179-S32 Clip (wiring)-wiring to dash panel	2	MC	55
FDH 14702-F		Wiring assy (electric window regulator)-L. H. -rear quarter-16 terminals-93-3/4" loom	1	MC70	55
B5A 14702-G		Wiring assy (electric window regulator)-L. H. -rear quarter-16 terminals-75-1/4" loom-⊕FDH-14702-G	1	MC76	55
B5A 14702-H		Wiring assy (electric window regulator)-L. H. -rear quarter-16 terminals-73-1/4" loom-⊕FDH-14702-H	1	MC60-64	55
		354188-S32 Clip (wiring)-wiring to floor pan	2	MC70	55
		356668-S32 Clip (wiring)-wiring to rear seat front riser	2	MC60-64	55
		356668-S32 Clip (wiring)-wiring to quarter lock pillar to floor brace	1	MC60-64-76	55
		358495-S Clip (wiring)-wiring to R. H. quarter window regulator panel	1	MC70	55
		34803-S7 Lockwasher-No. 10-wiring to circuit breaker	1	MC60-64-70-76	55
		34079-S8 Nut (hex)-No. 10-32-wiring to circuit breaker	1	MC60-64-70-76	55
B5A 14705-B		Wiring assy (electric window regulator relay fuel)-12 terminals-73-1/2" loom-⊕FDH-14705-B	1	MC	55

MERCURY

CHASSIS PARTS CATALOGUE

Clock

PART NUMBER	PART NAME	NO. REQ'D	MODEL	YEAR 19__
FDC 15000-A	Clock assy (electric)-Dull Black face with Orange hands-circular	1	MB	54
FDK 15000-H	Clock assy (electric)-Black face with Orange hands with sweep second hand	1	MC60E-70-73-79B	55
	78-13466 Bulb (clear)-2 C. P. -S. C.	1	MB, MC	54-55
	45142-S8 Nut (spring)-No. 10-12 clock to instrument panel	2	MC except 79	55
	45186-S8 Nut (spring)-No. 10-12-clock to instrument panel	2	MB	54
	52721-S8 Screw (pan head)-No. 10-12 x 3/8"-clock to instr. panel	2	MB	54
	52727-S8 Screw (pan-hd cross recessed type "A" tapping)-No. 10-12 x 1/2"-clock to instrument panel	2	MC except 79	55
48 15021	Bulb (clear)-1 C. P. -S. C.	as reqd	MB, MC except 79	54-55
FDC 15026-A	Wiring assy (electric clock)-4 terminal-14-1/2" long	1	MB	54
NS	51A-14526-B Fuse (clock)-3 amp. -serviced in 14527 Kit	1	MB, MC except 60B-79C	54-55
FDK 15026-C	Wire assy (clock electric)-14" long	1	MC60E-70-73-79B	55
FDK 15026-D	Wire assy (clock electric)-11" long	1	MC	55

Cigar Lighter

FAJ 15052-A	Knob and element assy (cigar lighter)	1	MB	54
FAF 15052-A	Knob and element assy (cigar lighter)	1	MC	55
	FAA-14429-A Fuse assy (cigar lighter)	1	MB, MC	54-55
	48-15021 Bulb (clear)-1 C. P. -S. C. -cigar lighter lamp	1	MB, MC except 79	54-55
	OL-7204675 Lamp assy (cigar lighter)	1	MB, MC	54-55
FAD 15055-B	Socket and retainer assy (cigar lighter)	1	MB, MC	54-55

Numerical List of 15,000 Miscellaneous Accessories

BV 15108-A	Clip (roadlamp housing)	4	MC	55
FAB 15200-A	Roadlamp assy-also serviced in 18207 Kit	2	MB	54
FDK 15200-A	Roadlamp assy-clear lens-also serviced in 15204 Kit	2	MC	55
FDK 15200-B NS	Roadlamp assy-Amber lens-use FDK-15200-A by replacing 11A-15220-B clear lens with 11A-15220-C Amber lens	2	MC	55
FDK 15204-C	Kit (roadlamp)-clear lens	1	MC	55
FDK 15204-D NS	Kit (roadlamp)-Amber lens-use FDK-15204-C by replacing 11A-15220-B clear lens with 11A-15220-C Amber lens	1	MC	55
FAA 15214-A	Ring (roadlamp retainer)	2	MB, MC	54-55
11A 15220-B	Bulb (roadlamp)-Sealed Beam-clear	2	MB, MC	54-55
11A 15220-C	Bulb (roadlamp)-Sealed Beam-Amber	2	MB, MC	54-55

MERCURY

CHASSIS PARTS CATALOGUE

Numerical List of 15,000 Miscellaneous Accessories — Continued

PART NUMBER	PART NAME	NO. REQ'D	MODEL	YEAR 19__
1C 15224-A	Switch assy (roadlamp)-pull type-also serviced in 18207 Kit	1	MB	54
FDL 15224-A	Switch assy (roadlamp)-pull type-also serviced in 15204 Kit	1	MC	55
7EH 15227	Boot (roadlamp adjusting nut)	4	MB, MC	54-55
FAA 15229-A	Adapter (roadlamp)	2	MB, MC	54-55
5EH 15231	Spring (roadlamp adapter retainer)	6	MB, MC	54-55
7EH 15233	Clip (roadlamp wiring loom)	2	MB	54
5EH 15239	Wire assy (roadlamp ground)-5" long	2	MB	54
7EH 15244	Wire assy (roadlamp lead)-30-1/2" long	2	MB	54
FAB 15246-A	Wire assy (roadlamp switch to double connector)-69" long	1	MB	54
BV 15254-B	Kit (roadlamp housing)	1	MC	55
BV 15256-B	Housing assy (roadlamp)-R. H.	1	MC	55
BV 15257-B	Housing assy (roadlamp)-L. H.	1	MC	55
FAB 15259-A	Knob assembly (roadlamp switch)-also serviced in 15204 Kit	1	MC	55
FAA 15268-A	Bezel (roadlamp switch)-2 slot center-also serviced in 15204 and 18207 Kits	1	MB, MC	54-55
FDC 15301-A	Kit (spotlight and mirror installation)-4-3/4" O. D. lamp	1	MB	54
MFK 15301-A	Kit (spotlight installation)-6"-Refer to Accessories group for Components	1	MC	55
MFK 15301-B	Kit (spotlight installation)-4"-Refer to Accessories group for Components	1	MC	55
FDT 15304-A	Kit (spotlight bracket installation)-R. H. -Refer to Accessories Group for Components	1	MC	55
FDT 15305-A	Kit (spotlight bracket installation)-L. H. -Refer to Accessories Group for Components	1	MC	55
FDK 15312-A	Kit (spotlight & bracket installation)-R. H. -Refer to Accessories Group for Components	1	MC	55
FDK 15313-A	Kit (spotlight & bracket installation)-L. H. -Refer to Accessories Group for Components	1	MC	55
	50158-S13 Screw (cross recessed fill. hd) -1/4"-20 x 5/8"-R. H. & L. H. bracket to spotlight	1	MC	55
	52352-S13 Screw (cross recessed oval hd)-No. 8-15 x 5/8"-R. H. & L. H. bracket to cowl panel	1	MC	55
OL 15328	Door (spotlight lens)-round with 23 notches	1	MB	54
FDD 15328-A	Door (spotlight lens)-oblong-with 19 notches	1	MB	54
6A 15330	Bulb assy (spotlight)-4-13/32" O. D. -Sealed Beam	1	MB, MC	54-55
8C 15330	Bulb assy (spotlight)-5-21/32" O. D. -Sealed Beam	1	MB, MC	54-55

MERCURY

CHASSIS PARTS CATALOGUE

Numerical List of 15,000 Miscellaneous Accessories — Continued

PART NUMBER	PART NAME	NO. REQ'D	MODEL	YEAR 19__
51A 15332	Switch assy (spotlight)	1	MB	54
FAA 15342-A	Clip (spotlight wiring)	1	MB	54
FDR 15398-A	Fuse (lighting circuit)-7-1/2 amp.	1	MC	55
HDK 15480-A	Kit (license plate frame window)-used in Delaware, Nebraska, Rhode Island, Utah and Vermont	1	MB, MC	54-55
HDK 15480-B	Kit (license plate frame window)-used in Kansas, Kentucky, Maine, New Jersey, Penna. , and Texas	1	MB, MC	54-55
HDK 15480-C	Kit (license plate frame window)-used in Alabama Arizona, California, Colorado, Florida, Georgia, Kentucky, Massachusetts, Minnesota, Missouri, Montana, New York, North Dakota, Oklahoma, South Carolina and Washington	1	MB, MC	54-55
HDK 15480-D	Kit (license plate frame window)-used in Nevada, and Tennessee	1	MB, MC	54-55
HDK 15480-E	Kit (license plate frame window)-used in Arkansas, District of Columbia, Idaho, Illinois, Indiana, Maryland, Mississippi, Ohio, South Dakota and Virginia	1	MB, MC	54-55
HDK 15480-F	Kit (license plate frame window)-used in Iowa, Louisiana, North Carolina, Oregon & West Virginia	1	MB, MC	54-55
HDK 15480-G	Kit (license plate frame window)-used in Connecticut Delaware, Illinois, Maine, Massachusetts, Minnesota, New Hampshire and Ohio	1	MB, MC	54-55
HDK 15480-J	Kit (license plate frame window)-used in Indiana, Michigan, New Mexico, Wisconsin and Wyoming	1	MB, MC	54-55
FDK 15506-A	Wiring assy (back-up lamp switch to back-up lamp)	1	MC	55
FAC 15514-A	Lens (back-up lamp)-"MB-54"	2	MB	54
FDK 15514-A	Lens (back-up lamp)-"MB-55"	2	MC except 79	55
FDK 15514-C	Lens (back-up lamp)-"MB-55"	2	MC79	55
FDK 15517-B	Bracket (back-up lamp switch mounting)	1	MB, MC	54-55
	357148-S Screw (hex washer head self tapping)-No. 10-16-bracket to gearshift assy	2	MC	55
◇ 1H 15520-A	Switch assy (back-up lamp)	1	MB, MC	54-55
	34690-S8 Nut (hex)-7/16"-20-lamp to bracket	1	MC	55
FDK 15536-B	Wire assy (back-up lamp socket)-9" long	2	MC	55
HAK 15550-A	Kit (emergency utility lamp & case)-consists of 1H-15550-A lamp	1	MB, MC	54-55

◇ Not used with Merc-O-Matic transmission

MERCURY

CHASSIS PARTS CATALOGUE

Numerical List of 15,000 Miscellaneous Accessories — Continued

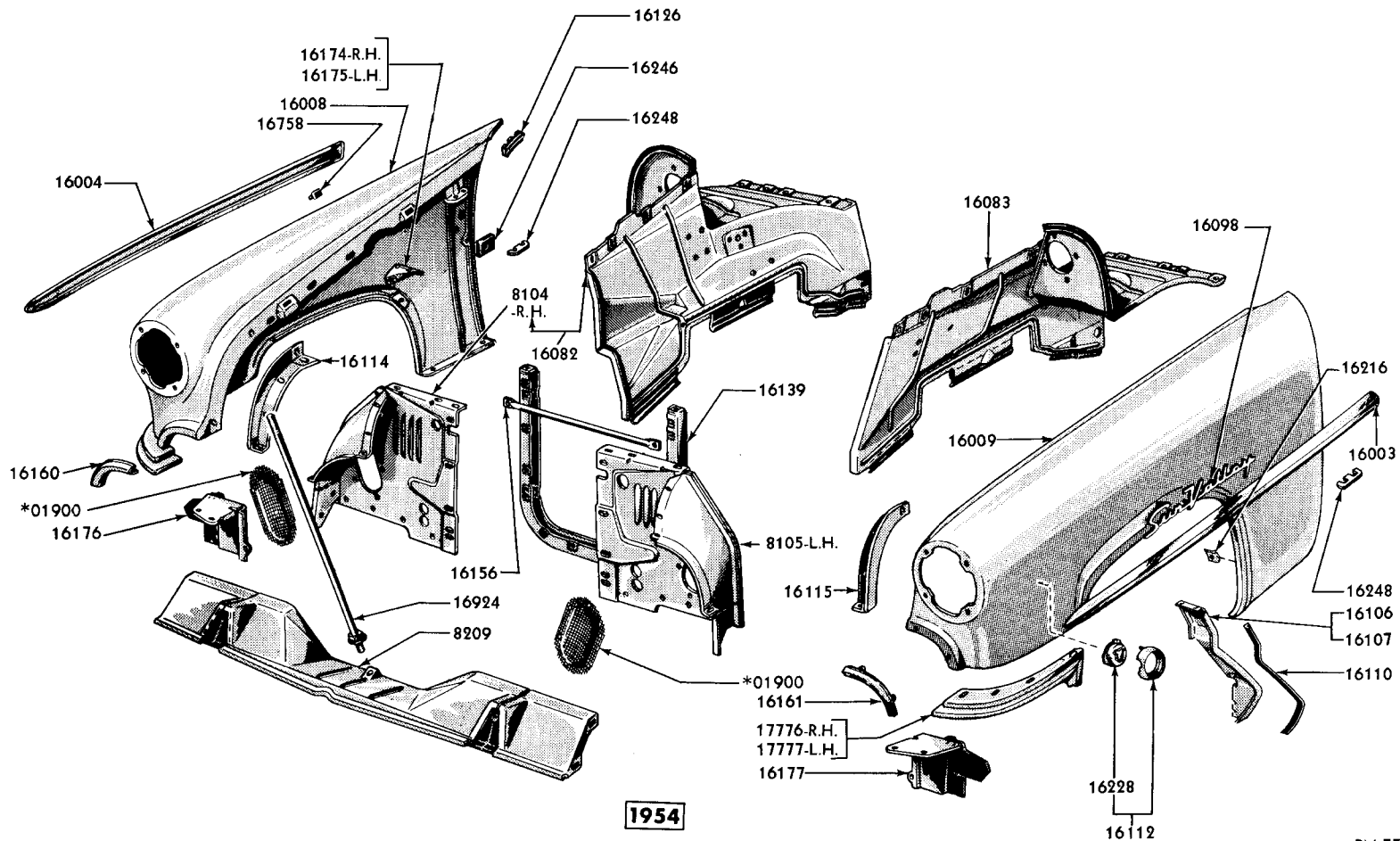
PART NUMBER	QTY	PART NAME	NO. REQ'D	MODEL	YEAR 19__
8M 15608	NS	Fuse-9 amp-serviced in 14527 Kit	as reqd	MC	55
FAA 15665-A		Brush assy (top regulator motor)-with 1-1/2"pigtail	2	MB76	54
FAA 15666-A		Spring (top regulator motor brush retaining)-1-1/2" free length	2	MB76	54
FAA 15667-B		Motor assy (top control)	1	MC76B	55
FDC 15667-B		Motor assy (top control)	1	MB76B	54
B5A 15667-B		Motor & plate assy (folding top hydraulic lift pump end)-@BN-7653357-B	1	MC76	55
FAA 15668-B		Switch assy (top control)-2 terminal type	1	MB76, MC76	54-55
FDC 15669-A		Bracket assy (motor mounting top control)-less grommets and inserts	2	MB76	54
FAB 15672-A		Relay assy (top control)	1	MB76, MC76	54-55
FAB 15672-A		Relay assy (seat control)	1 or 2	MB except 79	54
FAB 15674-A		Knob assy (top control)	1	MB76, MC76	54-55
FDK 15676-A		Bracket (top control switch mounting)	1	MC76	55
FAA 15677-A		Bezel (top control knob)-11/16"-16 x 23/64"	1	MB76, MC76	54-55
FAA 15679-A		Insert (top control motor support spacer)	4	MB76	54
Δ 8H 15800-AP		Housing assy (trans.control selector indicator lamp)	1	MB	54
FDK 15800-AP		Housing assy (trans.control selector indicator lamp)	1	MC	55
Δ 1M 15805		Dial (transmission gear shift indicator)	1	MB	54
FDK 15805-C		Dial (transmission gear shift trim)-std. & O/Drive sieve type	1	MC	55
Δ FDK 15805-D		Dial (transmission control selector)-sieve type	1	MC	55
Δ 1M 15812-B		Switch assy (transmission gear shift neutral)	1	MB	54
FDK 15815-A		Retainer (transmission control selector indicator lamp housing)	1	MC	55
MB 15818-A		Lever assy (trans. control selector)-also serviced in 5210 Kit	1	MB	54
FDK 15825-B		Block assy (transmission control selector neutral switch terminal)	1	MC	55
FDK 15827-B		Insulator assy (trans. control selector neutral switch)	1	MC	55
FDK 15848-B		Kit (hand brake signal lamp installation)	1	MC	55
FDD 15850-C		Lamp assy (hand brake signal)-less flasher-with lens and 12" lead off	1	MB	54
OH 15853		Bracket assy (hand brake signal lamp)-also serviced in 15848 & 18159 Kits	1	MB, MC except 64-76	54-55

Δ Used with Merc-O-Matic transmission

MERCURY

CHASSIS PARTS CATALOGUE

Front Fender



*FOR ADDITIONAL INFORMATION REFER TO BODY PARTS LIST.

PM-770

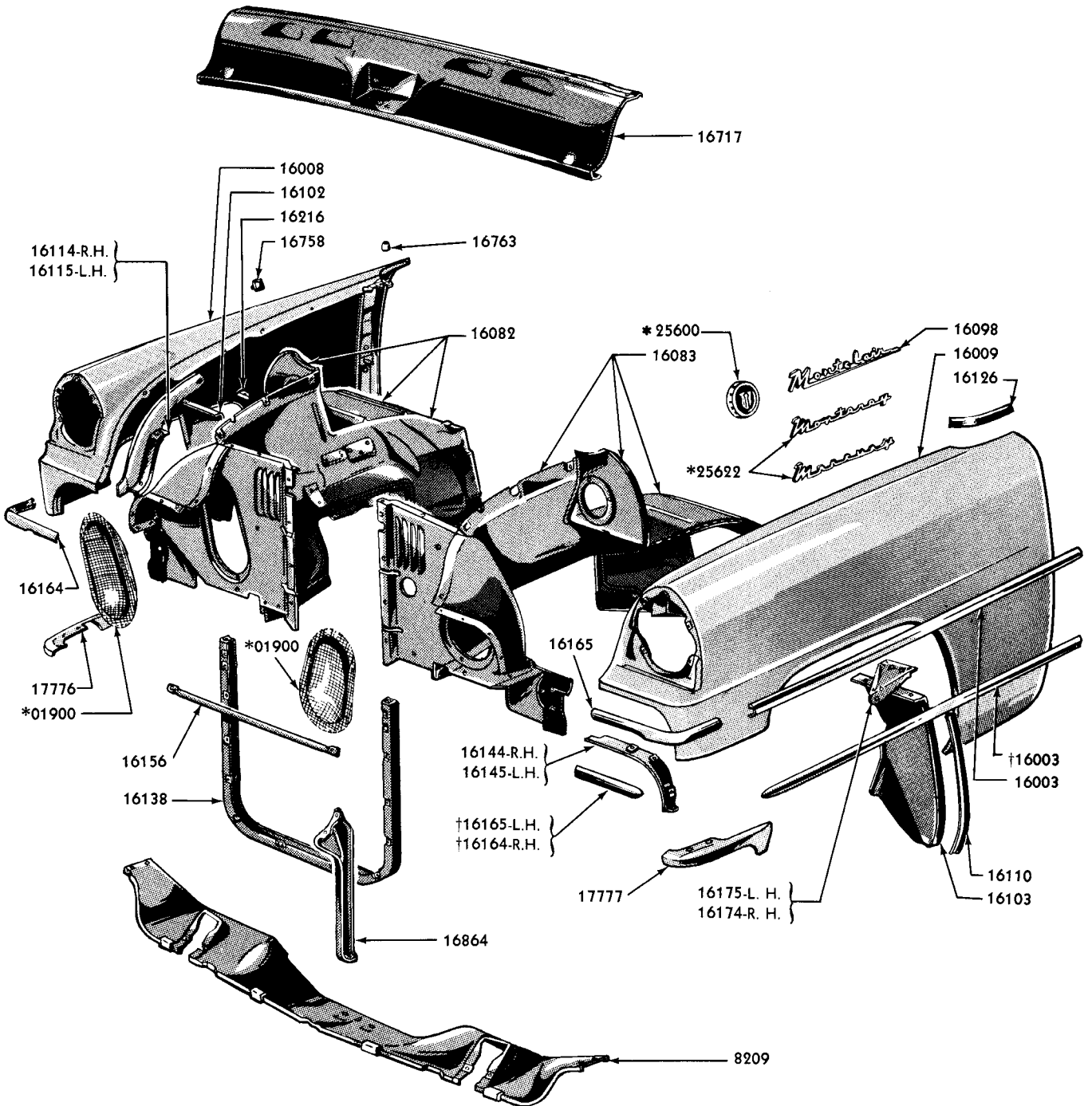
FRONT END AND RELATED PARTS

Basic numbers only shown on illustration. Order by Part Numbers shown in list of parts.

MERCURY

CHASSIS PARTS CATALOGUE

Front Fender—Continued



†STATION WAGON 79C ONLY.

*FOR ADDITIONAL INFORMATION REFER TO BODY PARTS LIST.

1955

PMC-41

FRONT END AND RELATED PARTS

Basic numbers only shown on illustration. Order by Part Numbers shown in list of parts.

MERCURY

CHASSIS PARTS CATALOGUE

Front Fender—Continued

PART NUMBER	QTY	PART NAME	NO. REQ'D	MODEL	YEAR 19__
BR 16003-B		Moulding (front fender side)-R. H. -49-15/32" long	1	MB	54
BV 16003-B		Moulding (front fender side)-50-1/4" long	2	MC79	55
BR 16004-B		Moulding (front fender side)-L. H. -49-15/32" long	1	MB	54
BV 16003-C		Moulding (front fender side)-54" long	2	MC except 79	55
		BR-7021066-A Retainer (trim)-moulding to fender	10	MB	54
		357786-S8 Clip (moulding)-moulding to fender	10	MC	55
		352262-S8 Clip (trim)-moulding to fender	2	MB	54
		34903-S8 Lockwasher-No. 10-moulding to fender	2	MB, MC79C	54-55
		34053-S8 Nut (hex)-No. 10-24-moulding to fender	2	MB, MC79C	54-55
		45021-S32 Nut (spring flat)-No. 14-10-moulding thru rail to front fender	8	MC79C	55
		353557-S8 Screw (cross recessed oval hd tapping)-No. 14-10 x 1-1/4"-moulding thru rail to front fender	8	MC79C	55
		44716-S8 Washer (flat)-No. 10-moulding thru rail to front fender	2	MC79C	55
		MFK-350000-A Kit (moulding clips front fender)-consists of the following (2) 1A-7029074 Seal (2) 34053-S8 Nut (2) 34903-S8 Washer (2) 44713-S8 Washer (2) 352262-S8 Clip (14) 357786-S8 Clip	1	MC	55
		MDK-350015-A Kit (moulding clips front fender)-consists of the following (10) BR-7021066 Retainer (2) 34053-S8 Nut (2) 34903-S8 Lockwasher (2) 352262-S8 Clip	1	MB	54
BR 16008-C		Fender assy (front)-less cowl top, opening brace brackets and moulding holes-R. H.	1	MB	54
BV 16008-C		Fender assy (front)-less brackets-R. H.	1	MC	55
BR 16009-C		Fender assy (front)-less cowl top, opening brace brackets and moulding holes-L. H.	1	MB	54
BV 16009-C		Fender assy (front)-less brackets-L. H.	1	MC	55
		BV-16098-A Plate(body side name)-"Montclair"	1	MC64 & 76	55
		353577-S8 Nut (sleeve)-1/8" name plate to fender	8	MC60B, 60E, 70B, 73 & 79	55
		BA-7920748-C Decal (Mahogany)-22-1/2" x 43-3/4" sheet	as reqd	MC79C	55
		BC-7325622-A Plate(body side name)-"Mercury"	1	MC60E, 70B, 73B & 79B	55
		BC-7325622-C Plate(body side name)-"Monterey"	1	MC60B, 73C & 79C	55
		353486-S8 Bolt & lockwasher assy (hex -hd)-5/16"-24 x 1-1/8"-fender to rocker panel	4	MB	54
		353714-S2 Bolt (hex washer-hd)-5/16-24 x 1"-fender to brace front fender opening	2	MC	55

MERCURY

CHASSIS PARTS CATALOGUE

Front Fender—Continued

PART NUMBER	PART NAME	NO. REQ'D	MODEL	YEAR 19__
42906-S8	Bolt & washer assy (hex-hd)-1/4"-20 x 3/4"-fender to cowl top panel	4	MB	54
351724-S2	Bolt (hex-hd)-5/16"-10 x 3/4"-fender to cowl panel	2	MB	54
353714-S2	Bolt (hex washer-hd)-5/16"-24 x 1"-fender to rocker panel	2	MC	55
353714-S2	Bolt (hex washer-hd)-5/16"-24 x 1"-fender to cowl top panel	2	MC	55
353714-S2	Bolt (hex washer-hd)-5/16"-24 x 1"-fender to apron & deflector at hood opening	6	MC	55
353714-S2	Bolt (hex washer-hd)-5/16"-24 x 1"-fender to apron & deflector at grille opening	8	MC	55
34806-S7	Lockwasher (spring)-5/16"-fender to pillar	2	MB	54
33798-S8	Nut (hex)-5/16"-24-fender to pillar	2	MB	54
357256-S2	Retainer assy (nut)-5/16"-24-fender to apron and deflector	6	MB	54
44720-S8	Washer (flat)-1/4"-fender to cowl top panel	4	MB	54
44722-S8	Washer (flat)-5/16"-fender to cowl side panel	2	MB	54
44724-S8	Washer (flat)-5/16"-fender to rocker panel	4	MB	54
44724-S8	Washer (flat)-5/16"-fender to apron and deflector	6	MB	54
44725-S8	Washer (flat)-5/16"-fender to pillar	2	MB	54
44725-S8	Washer (flat)-5/16"-fender to cowl side panel	2	MB	54
353372-S	Washer (flat)-5/16" I.D. x 11/16" O.D. x 1/8"-fender to cowl side panel	2	MB	54
353372-S	Washer (flat)-5/16"-fender to pillar hinge	2	MC	55
BV 16076-A	Bezel (front fender headlamp)-R. H.	1	MC	55
BV 16077-A	Bezel (front fender headlamp)-L. H.	1	MC	55
45145-S	Nut (spring)-No. 10-12-bezel to retainer	2	MC	55
358369-S32	Nut (snap)-No. 10-bezel to fender	8	MC	55
52369-S13	Screw (cross recessed oval-hd self tapp.)-No. 10-12 x 7/8"-bezel to front fender	4	MC	55
353933-S100	Screw (cross recessed oval-hd self tapp.)-No. 10-12 x 2"-bezel to front fender	2	MC	55

MERCURY

CHASSIS PARTS CATALOGUE

Front Fender—Continued

PART NUMBER	PART NAME	NO. REQ'D	MODEL	YEAR 19__
BR 16082-A	Apron and deflector assy (front fender)-R. H.	1	MB	54
BV 16082-A	Apron and deflector assy (front fender)-R. H.	1	MC	55
BR 16083-A	Apron and deflector assy (front fender)-L. H.	1	MB	54
BV 16083-A	Apron and deflector assy (front fender)-L. H.	1	MC	55
	24387-S7 Bolt (hex-hd)-5/16"-24 x 1"- apron and deflector to radiator support	10	MB	54
	43264-S8 Bolt & washer assy (hex-hd)- 5/16"-24 x 7/8"-apron and deflector to fender	6	MB	54
	353486-S8 Bolt & washer assy (hex-hd)- 5/16"-24 x 1-1/8"-apron and deflector to upper dash	4	MB	54
	353486-S8 Bolt & washer assy (hex-hd)- 5/16"-24 x 1-1/8"-apron and deflector to lower dash	2	MB	54
	353714-S2 Bolt (hex washer-hd)-5/16"-24 x 1"-apron & deflector thru shield frt. fender splash rear to brace frt. fender opening rear	4	MC	55
	353714-S2 Bolt (hex washer-hd)-5/16"-24 x 1"-apron & deflector to shield front fender splash rear	2	MC	55
	353714-S2 Bolt (hex washer-hd)-5/16"-24 x 1"-apron & deflector to fender apron & radiator support	8	MC	55
	353714-S2 Bolt (hex washer-hd)-5/16"-24 x 1"-apron & deflector to dash frame brace	8	MC	55
	353714-S2 Bolt (hex washer-hd)-5/16"-24 x 1"-apron & deflector thru shield to brace front fender opening rear	4	MC	55
	353418-S2 Nut (retainer)-5/16"-24 apron and reflector to radiator support	6	MB	54
	357256-S2 Nut (retainer)-5/16"-24-apron and deflector to upper dash	4	MB	54
	357261-S2 Nut (retainer)-5/16"-24-apron and deflector to lower dash	2	MB	54
	352285-S Plug (button)-Rubber-plug 1-1/2" dia. hole in L. H. fender apron	1	MB	54
	44724-S8 Washer (flat)-5/16"-apron and deflector to radiator support	10	MB	54
	44724-S8 Washer (flat)-5/16"-apron and deflector to fender	6	MB	54
	44724-S8 Washer (flat)-5/16"-apron and deflector to upper dash	4	MB	54
	44724-S8 Washer (flat)-5/16"-apron and deflector to lower dash	2	MB	54

MERCURY

CHASSIS PARTS CATALOGUE

Front Fender—Continued

PART NUMBER	QUANTITY	PART NAME	NO. REQ'D	MODEL	YEAR 19____
BV 16090-A		Retainer (front fender headlamp bezel)-(2) 3/16" dia. holes and (1) 1/4" hole x 1-21/32" long	2	MC	55
		52726-S8 Screw (cross recessed pan-hd self tapp.)-No. 8-15 x 1/2"-retainer to front fender	4	MC	55
BC 16094-A		Bracket (front fender to cowl)	2	MB	54
BR 16098-A		Plate (rear fender name)-"Sun Valley"-14-27/64" long	2	MB60F, MC64B	54-55
BV 16098-A		Plate (front fender name)-"Montclair"	1	MC64-76	55
		353577-S8 Nut (sleeve)-1/8"-plate to fender	8or 12	MB60F, MC64 & 76	54-55
BM 16102-A		Shield (front fender splash)-rear-R. H. -17-9/16" long	1	MB	54
B5A 16102-A		Shield (front fender splash)-rear-R. H. -18-1/2" long with (3) 1/2" dia. holes-⊕BN-16102-A	1	MC	55
BM 16103-A		Shield (front fender splash)-rear-L. H. -17-9/16" long	1	MB	54
B5A 16103-A		Shield (front fender splash)-rear-L. H. -18-1/2" long with (3) 1/2" dia. holes-⊕BN-16103-A	1	MC	55
		353485-S8 Bolt & washer assy (hex-hd)-5/16"-24 x 3/4"-shield to cowl panel	4	MB	54
		353485-S8 Bolt & washer assy (hex-hd)-5/16"-24 x 3/4"-shield to side member	2	MB	54
		353486-S8 Bolt & washer assy (hex-hd)-5/16"-24 x 1-1/8"-shield to apron and deflector	2	MB	54
		353714-S2 Bolt (hex washer-hd)-5/16"-24 x 1"-shield to fender	2	MC	55
		353714-S2 Bolt (hex washer-hd)-5/16"-24 x 1"-shield to cowl panel	4	MC	55
		44724-S8 Washer (flat)-5/16"-shield to apron and deflector	4	MB	54
BA 16110-A		Weatherstrip (front fender rear splash shield)-19-1/2" long	2	MB	54
BN 16110-A NS		Weatherstrip (front fender rear splash shield)-18-3/4" long-cut from BD-16170-A	2	MC	55
BR 16112-A		Ornament assy (front fender side)	2	MB60-73C-76-79	54
BR 16114-A		Filler (front fender upper front)-R. H.	1	MB	54
BV 16114-A		Filler (front fender upper front)-R. H.	1	MC	55
BR 16115-A		Filler (front fender upper front)-L. H.	1	MB	54
BV 16115-A		Filler (front fender upper front)-L. H.	1	MC	55
BC 16126-B NS		Seal (front fender to cowl)-5-3/8" long-make from BD-16126-B	2	MB	54
BD 16126-B		Seal (front fender to cowl)-6-1/2" long	as reqd	MB	54
B5A 16126-A		Seal (front fender to cowl)-⊕BN-16126-A	2	MC	55
MC 16138-A		Support assy (front fender apron & radiator)-23" x 21-7/8"	1	MC	55
MB 16139-A		Support assy (front fender apron & radiator)-23" x 21-7/8"	1	MB	54
		23486-S8 Bolt (carriage)-3/8"-24 x 1-5/8"-support to frame	2	MB, MC	54-55
		357629-S7 Lockwasher-3/8"-support to frame	2	MB, MC	54-55

MERCURY

CHASSIS PARTS CATALOGUE

Front Fender—Continued

PART NUMBER	PART NAME	NO. REQ'D	MODEL	YEAR 19____
	33800-S8 Nut (hex)-3/8"-24-support to frame	2	MB, MC	54-55
	44727-S8 Washer (flat)-3/8"-support to frame	2	MB	54
BV 16144-A	Reinforcement (front fender front extension)-R. H.	1	MC	55
BV 16145-A	Reinforcement (front fender front extension)-L. H.	1	MC	55
BR 16146-A	Seal (parking lamp splash shield)	2	MB	54
BV 16146-A	Seal (parking lamp splash shield)-7-5/64" overall length-with (2) 3/8" dia. holes	2	MC	55
MB 16156-A	Bar (front fender apron and radiator support tie)	1	MB, MC	54-55
	20347-S8 Bolt (hex-hd)-5/16"-24 x 3/4"-bar to apron and radiator support	2	MB, MC	54-55
	34941-S7 Lockwasher-5/16"-bar to apron and radiator support	2	MC	55
	357624-S7 Lockwasher-5/16"-bar to apron and radiator support	2	MB, MC	54-55
	353418-S2 Nut (cage)-5/16"-24-bar to apron and radiator support	2	MB	54
BR 16160-A	Moulding assy (front fender)-front-R. H. -6-29/32" long	1	MB	54
BR 16160-B	Moulding assy (front fender)-front-R. H. -6-55/64" long	1	MB	54
BR 16161-A	Moulding assy (front fender)-front-L. H. -6-29/32" long	1	MB	54
BR 16161-B	Moulding assy (front fender)-front-L. H. -6-55/64" long	1	MB	54
	34803-S8 Lockwasher-No. 10-moulding to fender	4	MB	54
	34053-S8 Nut (hex)-No. 10-24-moulding to fender	4	MB	54
	351606-S8 Washer (cup)-7/32" x 1/2"-moulding to fender	4	MB	54
BV 16164-A	Moulding (front fender)-front-R. H.	1	MC except 79C	55
BV 16164-B	Moulding (front fender)-front-R. H.	1	MC79C	55
BV 16165-A	Moulding (front fender)-front-L. H.	1	MC except 79C	55
BV 16165-B	Moulding (front fender)-front-L. H.	1	MC79C	55
	MFK-350002-A Kit (moulding clip)-exterior-consists of the following (4) 34053-S8 Nut (4) 34823-S7 Washer (4) 34937-S7 Washer (4) 44713-S8 Washer (4) 352567-S34 Clip	1	MC	55
BA 16170-A	Weatherstrip (front fender apron splash panel)-35" long	2	MB, MC	54-55
BD 16170-A	Weatherstrip (front fender apron splash panel)-38" long	2	MB	54
BR 16174-A	Brace (front fender opening)-rear-R. H.	1	MB	54
BV 16174-A	Brace (front fender opening)-rear-R. H. -two holes 7/16" dia. and one hole 9/16" dia.	1	MC	55
BR 16175-A	Brace (front fender opening)-rear-L. H.	1	MB	54
BV 16175-A	Brace (front fender opening)-rear-L. H. -two holes 7/16" dia. and one hole 9/16" dia.	1	MC	55

MERCURY

CHASSIS PARTS CATALOGUE

Front Fender—Continued

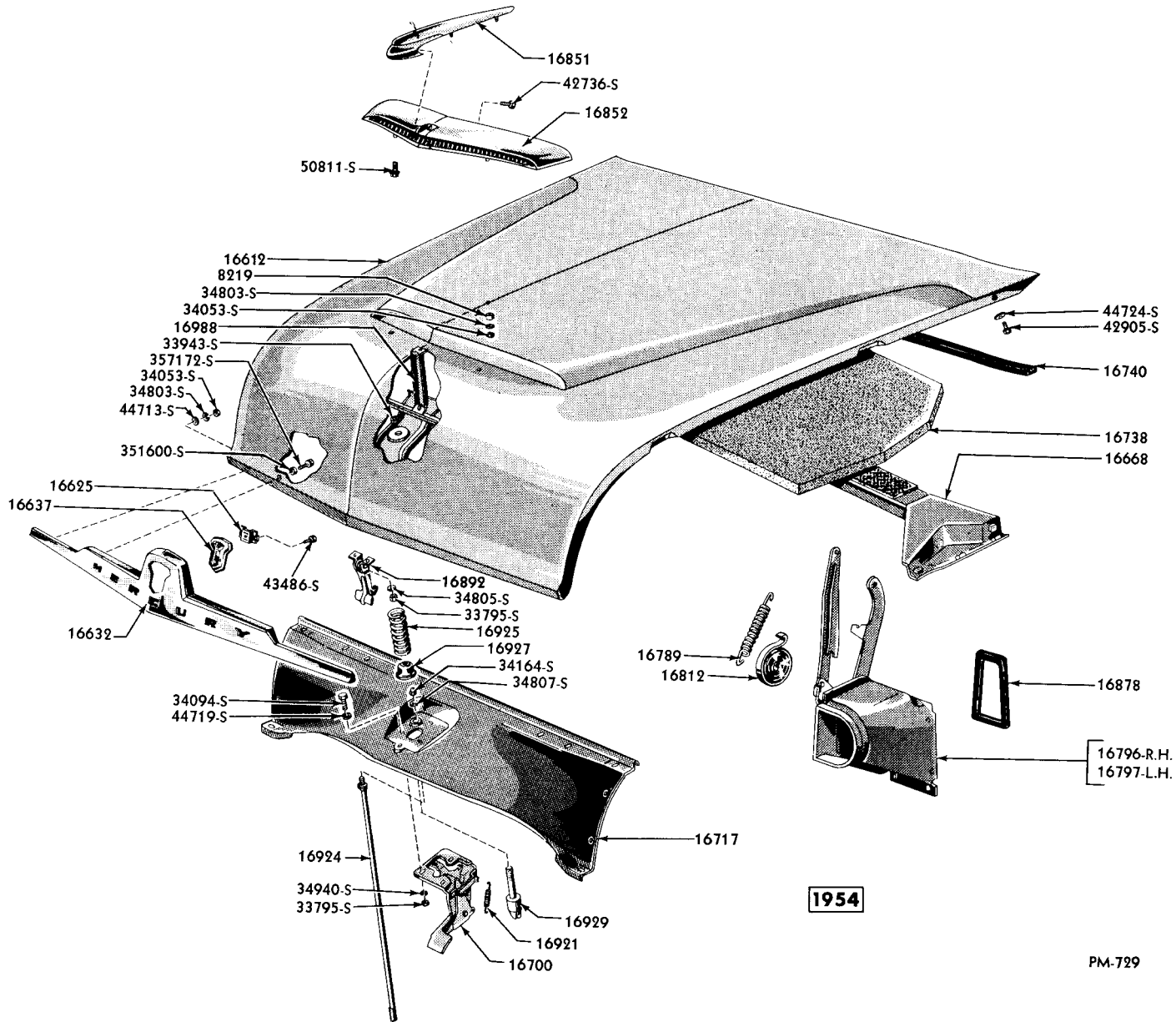
PART NUMBER	PART NAME	NO. REQ'D	MODEL	YEAR 19__
	353486-S8 Bolt and washer assy (hex-hd)- 5/16"-24 x 1-1/8"-brace to apron and deflector	4	MB	54
	357261-S2 Nut (retainer)-5/16"-24-brace to apron and deflector	4	MB	54
	44724-S8 Washer (flat)-5/16"-brace to apron and deflector	4	MB	54
BR 16176-A	Shield (parking lamp splash)-R. H. -2 holes 7/16" dia. and one hole 3/8" dia.	1	MB	54
BR 16177-A	Shield (parking lamp splash)-L. H. -2 holes 7/16" dia. and one hole 3/8" dia.	1	MB	54
LA 16186-A	Pad (front fender apron & radiator support)	as reqd	MB, MC	54-55
	MFK-7925600-A Kit (medallion assy front fender & body side)-consists of the following (1)BR-16228-A Ornament #(1)BR-16233-A Ring (1)BV-7925664-A Retainer	2	MC60B-64-73C-76B-79	55
BD 16195-A	Spacer (fender bracket cowl top)	as reqd	MB	54
BV 16212-A	Rail (front fender finish)-R. H. -Fiber Glass	1	MC79C	55
BV 16213-A	Rail (front fender finish)-L. H. -Fiber Glass	1	MC79C	55
	45021-S32 Nut (spring flat)-No. 14-10- rail to fender	4	MC79C	55
	353557-S8 Screw (cross recessed oval hd tapping)-No. 14-10 x 1- 1/4"-rail to fender	4	MC79C	55
	BA-7920748-D Decal (Maple)-33" x 46-3/4" sheet	as reqd	MC79C	55
BR 16216-A	Bracket (front fender opening brace)-2" long-with 7/16" dia. hole	2	MB	54
BV 16216-A	Bracket (front fender opening brace)	1	MC	55
BR 16228-A	Ornament (front fender side)-also serviced in 25600 Kit	as reqd	MB60, 73C, 76, 79, MC	54-55
BD 16246-A	Seal (front fender to body pillar)-1-1/4" x 2-13/64" x 1/4" thick	2	MB, MC	54-55
BA 16248-A	Spacer (front fender to rocker panel)	as reqd	MB	54
BA 16252-B NS	Weatherstrip (front fender apron to frame)-front- 1-5/8" wide x 11" long-cut from BA-16254-C	2	MC	55
BA 16254-C	Weatherstrip (front fender apron to frame)-rear- 12-7/64" long	4	MB, MC	54-55
BR 16254-A NS	Weatherstrip (front fender apron to frame)-rear- R. H. -9-9/32"-cut from BA-16254-C	3	MB	54
BR 16255-A NS	Weatherstrip (front fender apron to frame)-rear- L. H. -7-3/32" long-cut from BA-16254-C	1	MB	54
BC 16262-A NS	Weatherstrip (front fender apron to dash brace)- 11" long-cut from BD-16262-A	2	MB	54
BD-16262-A	Weatherstrip (front fender apron to dash brace)- 12" long	2	MB	54
BV 16266-A	Retainer assy (front fender front moulding)	2	MC79	55
BN 16377-B	Spring (fuel filler opening lid hinge)	1	MC79	55
MB 16550-A	Shield (radiator splash)	1	MB	54
MB 16550-B	Shield (radiator splash)	1	MC	55
	39909-S7 Screw (hex washer-hd self tapp.)-5/16"-18 x 3/4"- shield to frame	4	MC	55

Detail of Kit not serviced loose

MERCURY

CHASSIS PARTS CATALOGUE

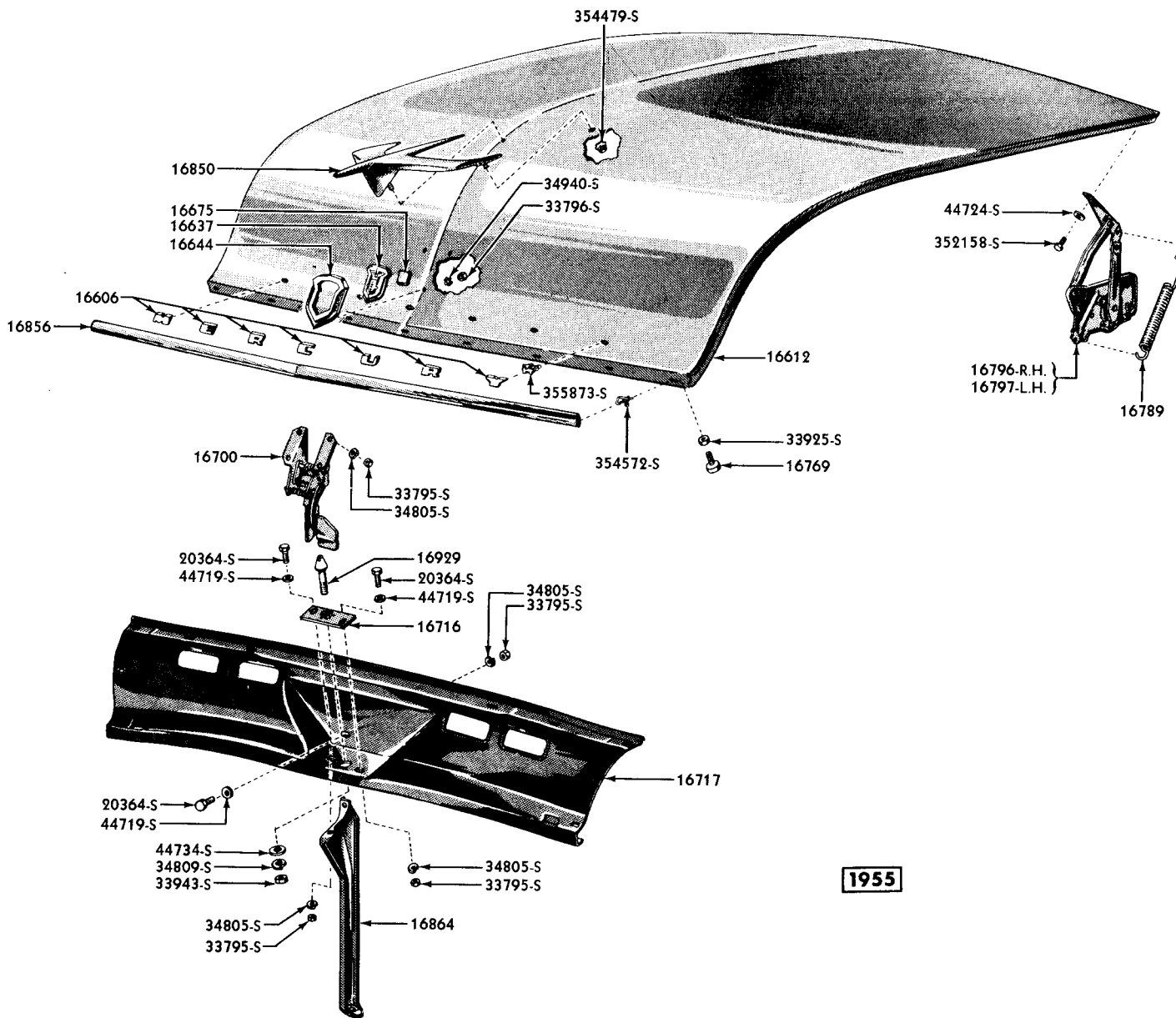
Hood



HOOD AND RELATED PARTS

Basic numbers only shown on illustration. Order by Part Numbers shown in list of parts.

Hood — Continued



PMC-44

HOOD AND RELATED PARTS

Basic numbers only shown on illustration. Order by Part Numbers shown in list of parts.

MERCURY

CHASSIS PARTS CATALOGUE

Hood—Continued

PART NUMBER	QUANTITY	PART NAME	NO. REQ'D	MODEL	YEAR 19__
BV 16606-A		Letter (hood front)-"M"	1	MC	55
BV 16606-B		Letter (hood front)-"E"	1	MC	55
BV 16606-C		Letter (hood front)-"R"	2	MC	55
BV 16606-D		Letter (hood front)-"C"	1	MC	55
BV 16606-E		Letter (hood front)-"U"	1	MC	55
BV 16606-F		Letter (hood front)-"Y"	1	MC	55
BR 16612-B		Hood assy (less ornaments)-with reinforcement	1	MB	54
BR 16612-C		Hood assy (less ornaments)-less reinforcement	1	MB	54
BV 16612-D		Hood assy (less ornaments)	1	MC	55
BR 16625-A		Plate (hood front ornament retaining)	1	MB	54
		43486-S8 Screw & washer assy (hex-hd)- No. 12-24 x 3/8"-plate to retainer	2	MB	54
BR 16632-A		Retainer assy (hood front ornament)	1	MB	54
		34803-S7 Lockwasher No. 10-retainer to hood	8	MB	54
		34053-S8 Nut (hex)-No. 10-24-retainer to hood	8	MB	54
		357172-S8 Screw and washer assy (hex- hd)-No. 10-24 x 1/2"- retainer to hood	4	MB	54
		44713-S8 Washer (flat)-No. 10-retainer to hood	10	MB	54
		351600-S8 Washer (cup)-5/8" O. D. - retainer to hood	2	MB	54
BR 16637-A		Ornament (hood front)	1	MB, MC	54-55
BV 16644-B		Retainer (hood front ornament)	1	MC	55
BC 16668-B		Reinforcement assy (hood)-rear	1	MB	54
		42905-S8 Bolt & washer assy (hex-hd)- 5/16"-24 x 3/4"-reinf. to hood	6	MB	54
		44724-S8 Washer (flat)-5/16"-reinforce- ment to hood	6	MB	54
OA 16675		Pad (hood front ornament)	1	MC	55
BR 16700-A		Lock assy (hood)	1	MB	54
BN 16700-A		Lock assy (hood)	1	MC	55
BV 16700-B		Lock assy (hood)	1	MC	55
		39094-S8 Bolt (pan head)-1/4"-20 x 3/4" -lock to lock plate support	3	MB	54
		34940-S2 Lockwasher-1/4"-lock to lock plate support	3	MB	54
		33795-S7 Nut (hex)-1/4"-20-lock to lock plate support	3	MB	54
		44719-S8 Washer (flat)-1/4"-lock to lock plate support	3	MB	54
BR 16706-A		Reinforcement assy (hood)-front	1	MB	54

MERCURY

CHASSIS PARTS CATALOGUE

Hood — Continued

PART NUMBER	QUANTITY	PART NAME	NO. REQ'D	MODEL	YEAR 19__
B5A 16716-A		Support assy (hood latch dowel)-1-3/4" x 4"-with (2) 11/32" x 11/16" slots and (1) 5/8" dia. hole- in BN-16716-A	1	MC	55
		20384-S8 Bolt (hex-hd)-1/4"-20 x 1"- support hood latch dowel to support hood lock	1	MC	55
		34805-S8 Lockwasher-1/4"-support hood latch dowel to support hood lock	1	MC	55
		34940-S7 Lockwasher (external tooth)- 1/4"-support hood latch dowel to support hood lock	1	MC	55
		33795-S7 Nut (light hex)-1/4"-20- support hood latch dowel to support hood lock	1	MC	55
		44719-S8 Washer (flat)-1/4"-support hood latch dowel to support hood lock	2	MC	55
BR 16717-B		Support (hood lock)-43-1/2"long-with (6) 11/32" x 11/16" mounting slots	1	MB	54
BV 16717-A		Support (hood lock)-47-13/64" long-with (13) 11/32" x 11/16" mounting slots	1	MC	55
		20347-S8 Bolt (hex-hd)-5/16" x 24 x 3/4" -support to air deflector	4	MB	54
		20347-S8 Bolt (hex-hd)-5/16"-24 x 3/4"- support thru fender filler to apron	4	MB	54
		20347-S8 Bolt (hex-hd)-5/16"-24 x 3/4"- support thru fender to apron & deflector	6	MC	55
		20347-S8 Bolt (hex-hd)-5/16"-24 x 3/4"- support to apron & deflector front fender	2	MC	55
		24387-S7 Bolt (hex-hd)-5/16" x 24 x 3/4" -support to thru apron to radiator support	2	MB	54
		43264-S8 Bolt and washer assy (hex-hd)- 5/16"-24 x 7/8"-support to fender	6	MB	54
		43264-S8 Bolt and washer assy (hex-hd)- 5/16"-24 x 7/8"-support thru fender to apron	2	MB	54
		353714-S2 Bolt (hex washer-hd)-5/16"-24 x 1"-support thru apron & deflector to front fender & radiator support	2	MC	55
		34806-S7 Lockwasher-5/16"-support thru fender filler to apron	4	MB	54
		34806-S7 Lockwasher-5/16"-support to air deflector	4	MB	54
		33798-S8 Nut (hex)-5/16"-24-support to air deflector	4	MB	54
		33798-S8 Nut (hex)-5/16"-24-support thru fender filler to apron	4	MB	54
		33798-S8 Nut (hex)-5/16"-24-support thru fender to apron & deflector	6	MC	55

MERCURY

CHASSIS PARTS CATALOGUE

Hood—Continued

PART NUMBER	PART NAME	NO. REQ'D	MODEL	YEAR 19__
	357256-S2 Nut (retainer)-5/16"-24-support thru fender to apron	2	MB	54
	44722-S8 Washer (flat)-5/16"-support thru apron to radiator support	2	MB	54
	44724-S8 Washer (flat)-5/16"-support thru fender to apron	4	MB	54
	44724-S8 Washer (flat)-5/16"-support thru apron to radiator support	2	MB	54
	44724-S8 Washer (flat)-5/16"-support thru fender to apron & deflector	12	MC	55
	44724-S8 Washer (flat)-5/16"-support thru fender filler to apron	4	MB	54
	44724-S8 Washer (flat)-5/16"-support to air deflector	8	MB	54
	44724-S8 Washer (flat)-5/16"-support to fender	6	MB	54
	44724-S8 Washer (flat)-5/16"-support to apron & deflector	2	MC	55
BG 16738-A	Insulator (hood)-Fiber Glass-rectangular shaped	1	MB	54
BV 16738-B	Insulator (hood)-Fiber Glass-triangular shaped	1	MC	55
BA 16740-A	Pad (hood on cowl)-51" long	1	MB	54
	351629-S28-A2B Drive nail-No. 6-pad to cowl panel	11	MB	54
BN 16740-A NS	Pad (hood on cowl)-39/64" wide x 40" long-cut from OH-16740	1	MC	55
OH 16740	Pad (hood on cowl)-39/64" wide x 60-1/2" long	1	MC	55
BD 16754-A	Bumper (fender to hood front)-55/64" dia.	2	MB, MC	54-55
BD 16754-A	Bumper(luggage compartment door to striker plate)	2	MB except 79	54
	33925-S7 Nut (hex)-3/8"-24-bumper to bracket	2 or 4	MB, MC	54-55
BA 16758-C	Bumper (fender to hood)-35/64" height	4	MB	54
B5A 16758-A	Bumper(fender to hood)-1-3/8" height-⊕BN-16758-A	6	MC	55
BA 16763-A	Bumper (hood to cowl top)	2	MB, MC	54-55
	52188-S8 Screw (fillister head)-No. 12-24 x 1/2"-bumper to cowl top panel	2	MB	54
	52623-S2 Screw (cross recessed fillister hd tapping)-No. 10-16 x 3/4"-bumper to bracket fender cowl top	2	MC	55
	44715-S8 Washer (flat)-No. 12-bumper to fender at cowl top area	2	MC	55
	44716-S8 Washer (flat)-No. 12-bumper to cowl top panel	2	MB	54
B5A 16769-A	Bumper assy (hood to hood lock support)-⊕BN-16769-A	2	MB, MC	54-55
	33925-S7 Nut (hex)-3/8"-24-bumper assy to hood to hood lock support to hood assy	2	MB, MC	54-55

MERCURY

CHASSIS PARTS CATALOGUE

Hood—Continued

PART NUMBER	QTY	PART NAME	NO. REQ'D	MODEL	YEAR 19__
BA 16789-B		Spring (hood hinge tension)-6-21/32" free length	2	MB	54
B5A 16789-A		Spring (hood hinge tension)-10-1/2" free length- ⊕BN-16789-A	2	MC	55
BA 16796-A		Hinge assy (hood)-less springs-R. H. -with air duct	1	MB	54
BV 16796-A		Hinge assy (hood)-less springs-R. H.	1	MC	55
BA 16797-A		Hinge assy (hood)-less springs-L. H. -with air duct	1	MB	54
BV 16797-A		Hinge assy (hood)-less springs-L. H.	1	MC	55
		42905-S8 Bolt and washer assy (hex-hd)- 5/16"-24 x 3/4"-hinge to dash panel	14	MB	54
		20347-S8 Bolt (hex-hd)-hinge to panel cowl side	2	MC	55
		351751-S8 Bolt (hex-hd shoulder)-5/16"- 24-hinge to body panel at cowl side	4	MC	55
		352158-S2 Bolt (hex-hd)-5/16"-24 x 11/16"-hinge to hood assy	6	MC	55
		357499-S8 Bolt (hex-hd)-5/16"-24 x 3/4"- hinge link to hood bracket	4	MB	54
		33798-S8 Nut (hex washer-hd)-5/16"-24- hinge to cowl panel	6	MC	55
		357256-S2 Retainer (nut)-5/16"-24-hinge to hood assy	6	MC	55
		44722-S8 Washer (flat)-5/16"-hinge to hood	4	MB	54
		44724-S8 Washer (flat)-5/16"-hinge to hood assy	6	MC	55
		44724-S8 Washer (flat)-5/16"-hinge to dash panel	14	MB	54
		351360-S7 Washer (flat)-5/16"-hinge link to hood bracket	4	MB	54
		356605-A Washer (serrated)-3/8"- hinge to cowl panel	6	MC	55
		356383-S7 Washer (spring)-29/64" I. D. x 3/4" O. D. -hinge link to hood bracket	4	MB	54
BF 16812-A		Spring (hood hinge lock)-2-3/16" free position radius	2	MB	54
BN 16838-A NS		Strip (hood front flange breaker)-use 8A-7043734 for service	1	MC	55
		8A-7043734 Strip (hood front flange breaker)	as reqd	MC	55
BV 16850-B		Ornament assy (hood top)	1	MC	55
BR 16851-A		Ornament assy (hood top center)	1	MB	54
		8M-8219 Spacer (hood ornament to hood)	1	MB	54
		34803-S7 Lockwasher-No. 10-ornament to hood panel	2	MB	54
		34053-S8 Nut (hex)-No. 10-24-ornament to hood panel	2	MB	54
		354479-S7 Nut & washer assy-No. 10- 24-ornament to hood panel	3	MC	55
		352419-S34 Stud (screw)-No. 10-24 x 13/16"-ornament to hood panel	3	MC	55

CHASSIS PARTS CATALOGUE

Hood—Continued

PART NUMBER	PART NAME	NO. REQ'D	MODEL	YEAR 19
BR 16852-A	Wing assy (hood top ornament)	1	MB	54
	42736-S8 Screw & washer assy (hex-hd)- No. 12-24 x 5/8"-wing to ornament	1	MB	54
	50811-S8 Screw & washer assy (hex-hd)- No. 12-24 x 1/2"-wing to hood	2	MB	54
	44715-S8 Washer (flat)-No. 12 wing to ornament	1	MB	54
BV 16856-A	Moulding (hood front)-lower	1	MC	55
BV 16864-A	Brace (hood lock support)	1	MC	55
	20384-S8 Bolt (hex-hd)-1/4"-20 x 1"- brace to hood lock	1	MC	55
	20384-S8 Bolt (hex-hd)-1/4"-20 x 1"- brace to radiator splash shield	1	MC	55
	20384-S8 Bolt (hex hd)-1/4"-20 x 1"- brace thru support hood lock to support hood latch dowel	1	MC	55
	34805-S7 Lockwasher-1/4"-brace to radiator splash shield	1	MC	55
	34805-S7 Lockwasher-1/4"-brace thru support hood lock to support hood latch dowel	1	MC	55
	34805-S8 Lockwasher-1/4"-brace to hood lock	1	MC	55
	34940-S7 Lockwasher (external tooth)- 1/4"-brace to radiator splash shield	1	MC	55
	34940-S7 Lockwasher (external tooth)- 1/4"-brace thru support hood lock to support hood latch dowel	1	MC	55
	34940-S7 Lockwasher (external tooth)- 1/4"-brace to hood lock	1	MC	55
	33795-S7 Nut (light hex)-1/4"-20-brace to hood lock	1	MC	55
	33795-S8 Nut (light hex)-1/4"-20-brace to radiator splash shield	1	MC	55
	33795-S8 Nut (light hex)-1/4"-20-brace thru support hood lock to support hood latch dowel	1	MC	55
	44719-S8 Washer (flat)-1/4"-brace to hood lock	1	MC	55
	44719-S8 Washer (flat)-1/4"-brace to radiator splash shield	1	MC	55
BA 16878-A	Seal (hood hinge bracket to body)-4-7/32" x 5-3/8" x 6-9/64" trapezoidal	2	MB	54
BN 16878-A NS	Seal (hood hinge bracket to body)-5/16" I. D. x 1- 1/2" O. D. -make from M-5397-B	4	MC	55
BV 16886-A	Bracket (hood lock support brace)-upper-used with Air Conditioning	1	MC except 76-79	55
	20324-S8 Bolt (hex hd)-1/4"-20 x 5/8"- bracket to support	1	MC except 76-79	55
	34805-S7 Lockwasher-1/4"-bracket to support hood lock	1	MC except 76-79	55

MERCURY

CHASSIS PARTS CATALOGUE

Hood — Continued

PART NUMBER	PART NAME	NO. REQ'D	MODEL	YEAR 19__
	33795-S8 Nut (hex)-1/4"-20-bracket to support	1	MC except 76-79	55
	44719-S8 Washer (flat)-1/4"-bracket to support hood lock	1	MC except 76-79	55
BT 16892-A	Hook assy (hood auxiliary catch)-with 1-3/64" x 1-29/32" plate handle	1	MB	54
	34805-S8 Lockwasher-1/4"-hook to latch dowel support	2	MB	54
	33795-S7 Nut (hex)-1/4"-20-hook to latch dowel support	2	MB	54
7EH 16921	Spring (hood lock trigger)	2	MB	54
BS 16924-A	Brace (hood lock support to radiator support)-lower	1	MB	54
	34807-S7 Lockwasher-3/8"-brace to hood lock support	1	MB	54
	34164-S8 Nut (blind)-3/8"-16-brace to hood lock support	1	MB	54
BV 16924-A	Brace (hood lock support to radiator support)-lower used with Air Conditioning	1	MC except 76-79	55
	34807-S7 Lockwasher-3/8"-brace to bracket hood lock support	1	MC except 76-79	55
	34807-S7 Lockwasher-3/8"-brace to shield radiator splash	1	MC except 76-79	55
	33799-S7 Nut (hex)-3/8"-16-brace to bracket hood lock support	2	MC except 76-79	55
	33799-S7 Nut (hex)-3/8"-16-brace to shield radiator splash	2	MC except 76-79	55
BA 16925-A	Spring (hood lock)-7-1/2 coils	1	MB	54
16H 16927	Guide (hood lock spring)	1	MB	54
BA 16929-A	Dowel (hood lock)	1	MB	54
B5A 16929-A	Dowel (hood lock)-1/2"-20 thread x 3-13/64" long x 1" O. D. -⊕BN-16929-A	1	MC	55
	34809-S7 Lockwasher-1/2"-dowel to support hood latch thru support hood lock	1	MC	55
	34944-S2 Lockwasher (external tooth)-1/2"-dowel to support hood latch thru support hood lock	1	MC	55
	33943-S8 Nut (hex check)-1/2"-20-dowel to support hood latch dowel thru support hood lock	1	MC	55
	33943-S8 Nut (hex check)-1/2"-20-dowel to dowel support	1	MB	54
	44734-S8 Washer (flat)-1/2"-dowel to support hood latch dowel thru support hood lock	1	MC	55
BR 16988-A	Brace (hood front reinforcement to hood)-1-1/4" wide	1	MB	54

MERCURY

CHASSIS PARTS CATALOGUE

Tools

PART NUMBER	PART NAME	NO. REQ'D	MODEL	YEAR 19__
B 17005-A	Bag assy (tool)	1	MB, MC	54-55
AB 17035-A	Wrench (jack handle and wheel nut)	1	MB, MC	54-55
LA 17080-B	Jack assy (bumper)-ratchet type with 3-3/4" lifting lip	1	MB	54
MC 17080-B	Jack assy (bumper)-lever type-34-21/32" rack	1	MB, MC	54-55
B5A 17083-A	Strap assy (jack hold down)-@BN-17083-A	1	MC79	55
BA 17091-C	Clamp (wheel wrench and jack)	1	MB	54

Speedometer

FDK 17255-E	Speedometer assy (miles)	1	MC	55
AD 17260-B	Casing & shaft assy (speedometer drive)-51-51/64" long-used with Standard transmission	1	MB	54
FDC 17260-A	Casing & shaft assy (speedometer drive)-59-25/32" long-used with O/Drive and Merc-O-Matic trans.	1	MB	54
FDK 17260-A	Casing & shaft assy (speedometer drive)-67-23/32" long-used with automatic transmission	1	MC	55
FDK 17260-B	Casing & shaft assy (speedometer drive)-71-51/64" long-with standard transmission	1	MC	55
	20324-S8 Bolt (hex-hd)-1/4"-20 x 5/8"-casing & shaft to trans. hsg.	1	MB, MC	54-55
	352999-S32 Clip (cable)-casing and shaft to L. H. front fender apron	1	MC	55
	352999-S32 Clip (cable)-casing and shaft to front floor pan	1	MC	55
	356628-S Clip (cable)-casing and shaft to dash panel	1	MB	54
	95800-S32 Fastener (cable)-casing and shaft to floor pan	1	MB	54
	352961-S Grommet(rubber)-7/32" I. D. x 7/8" O. D. x 1/16" wide-casing and shaft thru dash panel	1	MB, MC	54-55
	34805-S8 Lockwasher-1/4"-casing and shaft to trans. housing	1	MB, MC	54-55
	31498-S8 Screw (hex washer head)-No. 14-10 x 5/8"-casing and shaft to dash panel	1	MB	54

MERCURY

CHASSIS PARTS CATALOGUE

Speedometer — Continued

PART NUMBER	CL. (99)	PART NAME	NO. REQ'D	MODEL	YEAR 19__
AD 17262-B		Shaft (speedometer drive)-50-15/16" long-used with Standard transmission	1	MB	54
FDC 17262-A		Shaft (speedometer drive)-58-29/32" long-used with Overdrive and Merc-O-Matic transmission	1	MB	54
FDK 17262-A		Shaft (speedometer drive)-66-31/32" long-used with automatic transmission	1	MC	55
FDK 17262-B		Shaft (speedometer drive)-70-31/32" long-used with standard transmission	1	MC	55
FDC 17282-C		Speedometer assy (miles)-less mounting plate	1	MB	54
FDK 17282-A		Speedometer assy (miles)-less mounting plate	1	MC	55
◇ 8M 17285		Gear (speedometer drive)-7 teeth-1-1/4" wide-use with 3.54 to 1 axle ratio with standard and overdrive trans.	1	MB	54
△ 1P 17285-B		Gear (speedometer drive)-8 teeth-11/16" wide-use with 3.15 to 1 axle ratio-automatic trans.	1	MB	54
		74142-S Key (woodruff)-1/2" dia. x 1/8" thick-gear to trans. main shaft	1	MB	54
B6A 17285-A		Gear (speedometer drive)-8 teeth-⊕AF-17285-A	1	MB	54
MC 17285-A		Gear (speedometer drive)-8 teeth-use with 3.73 to 1 axle ratio with standard and overdrive trans.	1	MC	55
		353078-S Ball-1/4" dia. -used to attach speedomatic driving gear to transmission output shaft	1	MC	55
FDC 17289-A		Plate (speedometer mounting)	1	MB	54
FDK 17289-A		Plate (speedometer mounting)	1	MC	55
1A 17298		Seal (speedometer drive gear oil)	1	MB, MC	54-55
1M 17322-B		Gear assy (speedometer driven)-18 teeth-use with 3.15 to 1 axle ratio-automatic trans.	1	MC	55
MC 17322-B		Gear assy (speedometer driven)-23 teeth-use with axle ratio 4.09 to 1 with standard and overdrive transmission	1	MC	55
B5A 17322-A		Gear assy (speedometer driven)-20 teeth-use with 3.54 to 1 axle ratio-automatic trans. - ⊕AB-17322-A	1	MB, MC	54-55
B5A 17322-B		Gear assy (speedometer driven)-21 teeth-use with 3.73 to 1 axle ratio with standard and overdrive trans. - ⊕AB-17322-B	1	MB, MC	54-55
B5A 17322-C		Gear assy (speedometer driven)-19 teeth-use with 3.30 to 1 axle ratio-automatic trans. - ⊕AB-17322-C	1	MB	54
B5A 17322-D		Gear assy (speedometer driven)-22 teeth-use with 4.27 to 1 axle ratio with standard and overdrive trans. - ⊕AB-17322-D	1	MB	54

△ Used with Merc-O-Matic transmission

◇ Not used with Merc-O-Matic transmission

MERCURY

CHASSIS PARTS CATALOGUE

Windshield Wiper

PART NUMBER	19	PART NAME	NO. REQ'D	MODEL	YEAR
BA 17450-A		Plate and spring assy (W/S wiper)-2-5/8" overall length	1	MB, MC	54-55
FDC 17470-A		Control assy (W/S wiper)-15-5/8" long	1	MB	54
FDK 17470-B		Control assy (W/S wiper)	1	MC	55
FAB 17482-B		Bezel (W/S wiper control)-35/64" I.D. x 1-1/16" O.D. -2 slots-upper 7/64"-lower 5/64"	1	MB	54
FDK 17482-A		Bezel (W/S wiper control)-35/64" I.D. x 1-1/16" O.D. -2 slots upper 7/64"-lower 11/64"	1	MC	55
EBU 17491-A NS		Connector (vacuum pump to intake manifold tube)-7/32" I.D. x 7/16" O.D. x 2-1/4" long-cut from O6H-17543-C	1	MB	54
ECG 17491-A		Connector (vacuum pump to intake manifold)-7/32" I.D. x 7/16" O.D. x 2-1/4" long	2	MC	55
BF 17496-A		Bracket (W/S wiper motor mounting)-1/32" thick	1	MB	54
		42728-S8 Screw & washer assy (hex-hd)-No. 10-32 x 1/2"-bracket to W/S front reinforcement	3	MB	54
BM 17496-A		Bracket (W/S wiper motor mounting)-3/64" thick	1	MB	54
B5A 17496-A		Bracket (W/S wiper motor mounting)-⊕BN-17496-A	1	MC	55
BV 17503-A		Kit (W/S washer installation)	1	MC	55
BA 17508-B		Motor assy (W/S wiper)-5-7/8" between mounting hole centers-2-43/64" driver diameter	1	MB	54
B5A 17508-B		Motor assy (W/S wiper)-3-17/64" driver dia. -⊕BN-17508-B	1	MC	55
B5A 17508-C		Motor assy (W/S wiper)-3-33/64" driver dia. -⊕BN-17508-D	1	MC	55
		69A-17597 Connector (W/S wiper tube to manifold)-1-23/32" o/all length	1	MB	54
		352423-S Bushing-9/16"-Rubber-motor to arm and shaft	2	MB, MC	54-55
		352425-S Eyelet (hex)-No. 10-32 x 19/64" -motor to arm and shaft	2	MB, MC	54-55
		36782-S8 Screw (round head)-No. 6-32 x 1/4"-motor to arm and shaft	1	MC	55
		42728-S8 Screw & washer assy (hex-hd)-No. 10-32 x 1/2"-motor to mtg. brkt.	2	MB, MC	54-55
		44707-S8 Washer (flat)-No. 6-motor to arm and shaft	1	MC	55
		352422-S Washer (flat)-7/32"-Rubber-motor to arm and shaft	2	MB, MC	54-55
FDC 17512-A		Nut (W/S wiper control)	1	MB, MC	54-55
FAH 17513-B		Knob assy (W/S wiper control)-Black-with 2-11/16" button assy	1	MB	54
FDK 17513-A		Knob assy (W/S wiper control)-Black	1	MC	55
		357324-S8 Screw (set)-No. 8-36 x 11/64"-knob to wiper knob spring and shaft	1	MB, MC	54-55
BC 17519-A		Spacer assy (W/S wiper mounting)-outer-R.H. -with 2-5/8" hose connection	1	MB	54
BV 17519-A		Spacer assy (W/S wiper mounting)-outer-R.H.	1	MC	55
BC 17520-A		Spacer assy (W/S wiper mounting)-outer-L.H. -with 2-5/8" hose connection	1	MB	54
BV 17520-A		Spacer assy (W/S wiper mounting)-outer-L.H.	1	MC	55

MERCURY

CHASSIS PARTS CATALOGUE

Windshield Wiper — Continued

PART NUMBER		PART NAME	NO. REQ'D	MODEL	YEAR 19
OH 17526		Arm assy (W/S wiper)-adjustable-heavy duty type	2	MB	54
BN 17526-A		Arm assy (W/S wiper)-R. H. -14" long	1	MC60-70-73-79	55
BN 17526-B		Arm assy (W/S wiper)-R. H. -12-9/16" long	2	MC64A-64B-76B	55
BN 17526-C		Arm assy (W/S wiper)-R. H.	1	MC60-70-73-79	55
BN 17526-D		Arm assy (W/S wiper)-R. H.	1	MC64-76	55
BN 17527-A		Arm assy (W/S wiper)-L. H. -14" long	1	MC60-70-73-79	55
BN 17527-B		Arm assy (W/S wiper)-L. H. -12-9/16" long	2	MC64A-64B-76	55
BN 17527-C		Arm assy (W/S wiper)-L. H.	1	MC60-70-73-79	55
BN 17527-D		Arm assy (W/S wiper)-L. H.	1	MC 64-76	55
BN 17528-A		Blade assy (W/S wiper)-for curved windshield	2	MB, MC	54-55
BN 17528-E		Blade assy (W/S wiper)	2	MC	55
B5A 17528-C		Blade assy (W/S wiper)-use with bayonet type arm -⊕BN-17528-C	2	MC	55
		1H-17593 Filler assy (W/S wiper blade)	2	MB	54
EBY 17536-B		Tube (vacuum pump to W/S wiper hose)-1/4" O. D. x 25 overall length	1	MB	54
ECG 17536-A		Tube (vacuum pump to W/S wiper hose)-17" long	1	MC	55
BA 17541-A		Gasket (W/S wiper pivot shaft)-outer-Leather	2	MB	54
B5A 17541-A		Gasket (W/S wiper pivot shaft)-outer-leather ⊕BN-17541-A	2	MC	55
8BA 17543	NS	Tube (W/S wiper)-7/32" I. D. x 7/16" O. D. x 28" long-cut from 06H-17543-C	1	MB, MC	54-55
06H 17543-C		Hose (W/S wiper)-7/32" I. D. x 7/16" O. D. -Rubber -25 ft. roll	as reqd	MB, MC	54-55
BM 17543-A	NS	Hose (W/S wiper)-30" long-cut from 06H-17543-C	1	MB, MC	54-55
A9A 17543-B		Hose (W/S wiper)-3/16" I. D. -Rubber-50 ft. roll	as reqd	MB	54
BC 17549-A		Gasket (W/S wiper pivot shaft)-inner-Felt	2	MB	54
51A 17562		Grommet (W/S wiper connecting arm)	2	MB, MC	54-55
BA 17566-A		Arm & pivot shaft assy (W/S wiper mounting)-R. H.	1	MB	54
B5A 17566-A		Arm & pivot shaft assy (W/S wiper mounting less spacer)-R. H. -⊕BN-17566-A	1	MC	55
BA 17567-A		Arm & pivot shaft assy (W/S wiper mounting)-L. H.	1	MB	54
		356094-S13 Nut (octagon)-5/8"-24-arm and shaft to cowl top panel	2	MB	54
B5A 17567-A		Arm & pivot shaft assy (W/S wiper mounting less spacer)-L. H. -⊕BN-17567-A	1	MC	55

Windshield Washer

	BV-17503-A	Kit (W/S washer installation)- refer to Accessories Group for components parts	1	MC	55
	BH-18293-A	Kit (automatic W/S washer in- stallation)-refer to Accessories Group for components parts	1	MB	54
OH 17580		Hose (W/S washer)-1/8" I. D. x 40" long-also serviced in 18293 Kit	1	MB	54
BV 17580-A	NS	Hose (W/S washer)-13" long-cut from OH-17580 also serviced in 17503 Kit	1	MC	55
BV 17580-B	NS	Hose (W/S washer)-1/8" x 29" long-cut from OH-17580-also serviced in 17503 Kit	1	MC	55
BV 17580-D	NS	Hose (W/S washer)-45" long-cut from BY-17580-A -also serviced in 17503 Kit	1	MC	55
BY 17580-A		Hose (W/S wiper)-71" long	1	MC	55

MERCURY

CHASSIS PARTS CATALOGUE

Windshield Washer—Continued

PART NUMBER	QUANTITY	PART NAME	NO. REQ'D	MODEL	YEAR 19__
51A 17587		Tee (W/S washer)-hose-also serviced in 17503 & 18293 Kits	1	MB, MC	54-55
1H 17593		(W/S wiper blade)	2	MB	54
69A 17597		Connector (W/S wiper tube to manifold)-1-23/32" overall length	1	MB	54
1H 17615		Fitting (W/S washer)-"T" type-Plastic-also serviced in 17503 & 18293 Kits	1	MB, MC	54-55
BH 17616-A		Cover and pump assy (W/S washer)	1	MB	54
BV 17616-A		Cover and pump assy (W/S washer)	1	MC	55
8M 17618		Jar (W/S washer)-Round-Glass	1	MB	54
BT 17618-A		Jar (W/S washer)-Round-Glass	1	MC	55
BV 17636-A		Guard assy (rear bumper wing)-R. H.	1	MC except 79	55
BV 17637-A		Guard assy (rear bumper wing)-R. H.	1	MC except 79	55
BH 17665-A		Nozzle assy (W/S washer)-also serviced in 17503 & 18293 Kits	2	MB, MC	54-55

Rear View Mirror

	BC-18400-A	Kit (rear view mirror installation) -inside-non glare-refer to Accessories Group for component parts	1	MB70-73-79	54
	BC-18400-B	Kit (rear view mirror installation) -inside-non glare-refer to Accessories Group for component parts	1	MB	54
	BV-18400-A	Kit(rear view mirror installation)-inside-refer to Accessories Group for component parts	as reqd	MC	55
	BC-18402-A	Kit (rear view mirror installation) -outside-refer to Accessories Group for component parts	1	MB, MC	54-55
	BV 17696-B	Kit (rear view mirror installation)-outside	as reqd	MC	55
	BC 17698-E	Bracket (rear view mirror)-inside-chrome-2-5/64" x 1-3/4"	1	MB	54
	BV 17698-D	Bracket (rear view mirror)-inside-Chrome-1-7/8" x 2-3/32"	1	MC70-73-79C	55
	52382-S13	Screw (cross recessed oval hd tap)-No. 8-15 x 1-1/4"-bracket to windshield panel	3	MC	55
	BC 17700-C	Mirror assy (rear view)-inside-Chrome-with 2-13/32" arm	1	MB60-76	54
	BV 17700-A	Mirror assy (rear view)-inside-Chrome-with 4-3/64" arm	1	MB70-73-79, MC60B-73C-79C	54-55
	BV 17700-C	Mirror assy (rear view)-inside-Chrome-with 2-27/32" arm	1	MC64-76	55
	52382-S13	Screw (cross recessed oval hd tap.)-No. 8-15 x 1-1/4"-mirror to header	3	MB	54

MERCURY

CHASSIS PARTS CATALOGUE

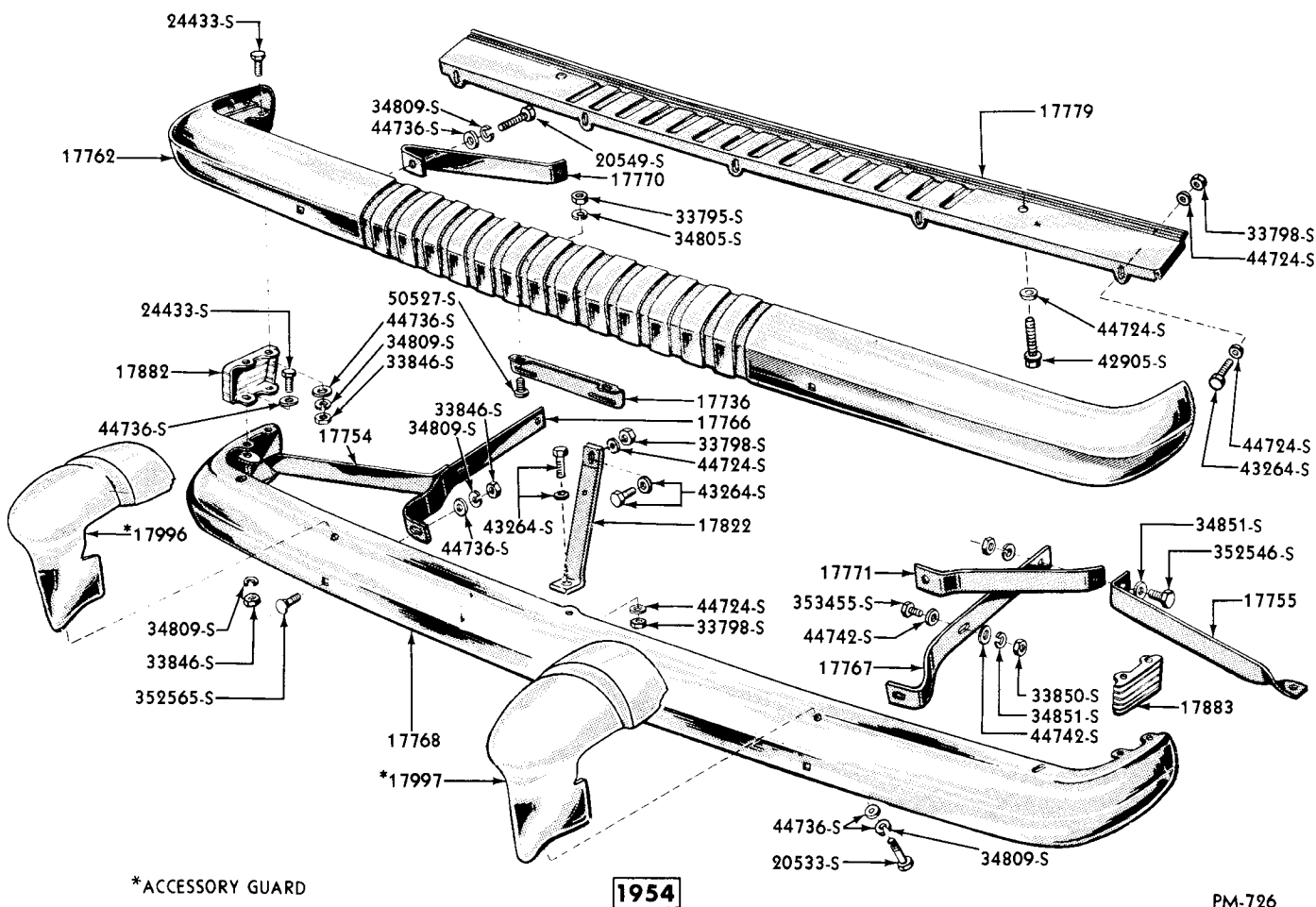
Front Bumper

PART NUMBER	QTY	PART NAME	NO. REQ'D	MODEL	YEAR 19__
BR 17736-A		Bracket (front bumper license plate mounting)- with (2) 9/32" x 1-9/64" slots	2	MB, MC	54-55
		50527-S13 Bolt (pan-hd)-1/4"-20 x 5/8"- bracket to impact bar	2	MB, MC	54-55
		34805-S8 Lockwasher-1/4"-bracket to impact bar	2	MB, MC	54-55
		34940-S7 Lockwasher (external tooth)- 1/4"-bracket to impact bar	2	MB, MC	54-55
		33795-S7 Nut (hex)-1/4"-20-bracket to impact bar	2	MB, MC	54-55
BV 17744-A		Deflector assy (front bumper stone)	1	MC	55
BR 17754-A		Hanger (front bumper)-outer-R. H. -14-27/32" long	1	MB	54
BV 17754-A		Hanger (front bumper)-outer-R. H. -17-47/64" long	1	MC	55
BR 17755-A		Hanger (front bumper)-outer-L. H. -14-27/32" long	1	MB	54
BV 17755-A		Hanger (front bumper)-outer-L. H. -17-47/64" long	1	MC	55
		352546-S8 Bolt (hex-hd)-5/8"-18 x 2-1/4" -hanger to frame	2	MB, MC	54-55
		34851-S7-8 Lockwasher-5/8"-hanger to frame	2	MB, MC	54-55
		33850-S2 Nut (hex)-5/8"-18-hanger to frame	2	MB, MC	54-55
		44742-S8 Washer (flat)-5/8"-hanger to frame	2	MB, MC	54-55
BV 17757-B		Bar (front bumper impact)-upper	1	MC	55
		352565-S100 Bolt (carriage)-1/2"-20 x 1- 3/8"-upper bar to upper arm	2	MC	55
		34809-S7 Lockwasher-1/2"-upper bar to upper arm	2	MC	55
		33846-S8 Nut (hex)-1/2"-20-upper bar to upper arm	2	MC	55
		44735-S8 Washer (flat)-1/2"-upper bar to upper arm	2	MC	55
8A 17758-B		Bolt assy (rear bumper bar to hanger and brace)- 7/16"-20 x 1-1/2"	4-6	MB, MC	54-55
FDD 17761-A		Mirror (spotlight)-oblong-3-9/16" x 5-9/32"	1	MB, MC	54-55
BR 17762-A		Bar (front bumper impact)-upper	1	MB	54
BV 17762-A		Bar (front bumper impact)-upper	1	MC	55
		24433-S7-8 Bolt (hex-hd)-1/2"-20 x 1-1/4" -bar to filler	4	MB	54
		24453-S8 Bolt (hex-hd)-1/2"-20 x 1-3/8" -bar to upper hanger	2	MC	55
		42905-S8 Bolt and washer (hex-hd)-5/16" -24 x 3/4"-bar to stone deflector	8	MC	55
		42905-S8 Bolt and washer (hex-hd)-5/16" -24 x 3/4"-bar to center	8	MC	55

MERCURY

CHASSIS PARTS CATALOGUE

Front Bumper—Continued



*ACCESSORY GUARD

1954

PM-726

FRONT BUMPER AND RELATED PARTS

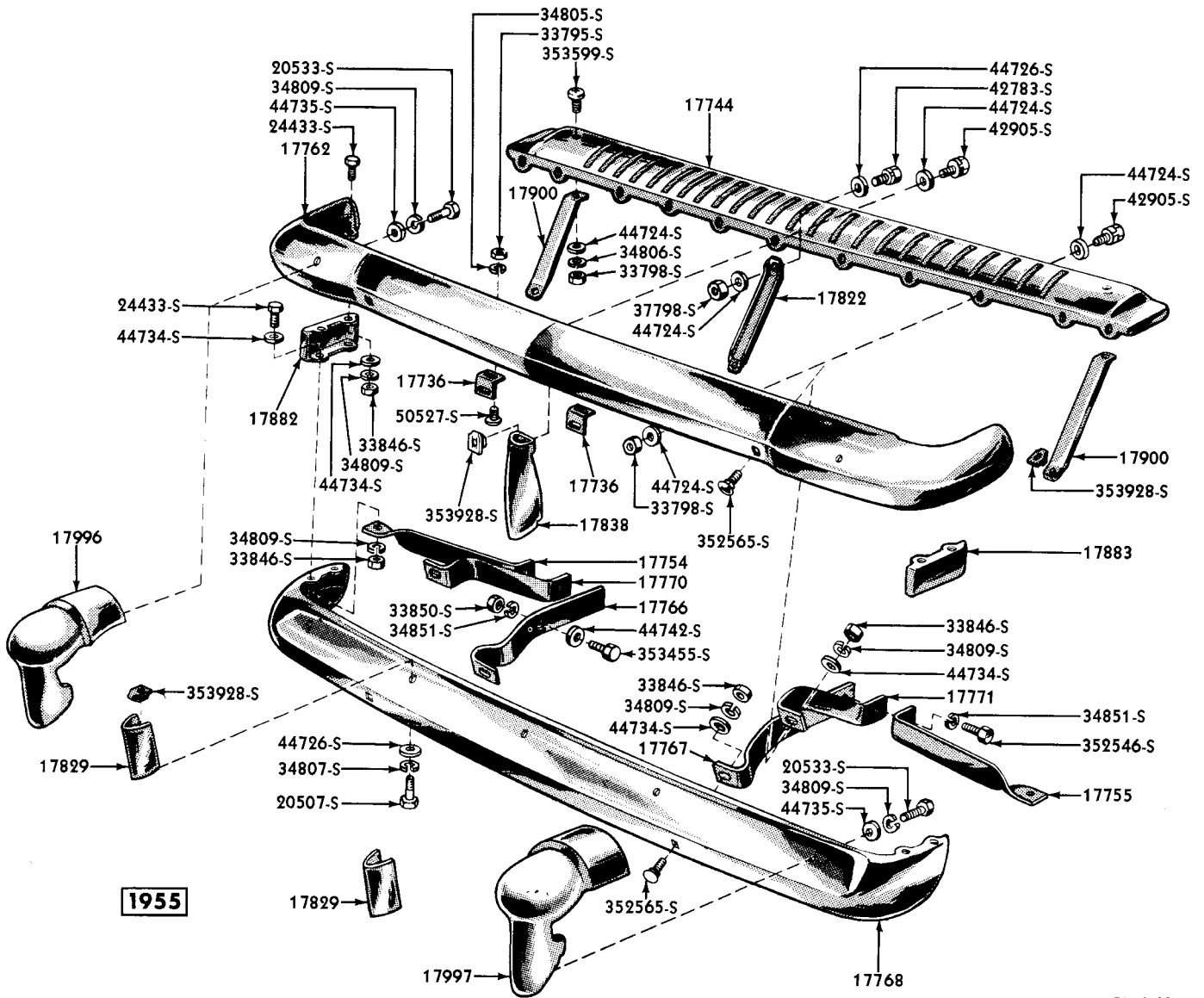
Basic numbers only shown on illustration. Order by Part Numbers shown in list of parts.

PART NUMBER	CLASS	PART NAME	NO. REQ'D	MODEL	YEAR
					19
43264-S8		Bolt and washer assy (hex-hd)-5/16"-24 x 7/8"-bar to center stone deflector	6	MB	54
352565-S100		Bolt (carriage)-1/2"-20 x 1-3/8"-bar to upper hanger	2	MB, MC	54-55
34809-S7		Lockwasher-1/2"-bar to upper hanger	2	MC	55
34809-S8		Lockwasher-1/2"-bar to filler	4	MB	54
34809-S8		Lockwasher-1/2"-bar to upper hanger	2	MB, MC	54-55
33798-S8		Nut (hex)-5/16"-24-bar to stone deflector	8	MC	55
33798-S8		Nut (hex)-5/16"-24-bar to center stone deflector	6or8	MB, MC	54-55

MERCURY

CHASSIS PARTS CATALOGUE

Front Bumper — Continued



1955

PMC-42

FRONT BUMPER AND RELATED PARTS

Basic numbers only shown on illustration. Order by Part Numbers shown in list of parts.

PART NUMBER	QTY	PART NAME	NO. REQ'D	MODEL	YEAR
33846-S8		Nut (hex)-1/2"-20-bar to filler	4	MB	19
33846-S8		Nut (hex)-1/2"-20-bar to upper hanger	2	MB, MC	54
44724-S8		Washer (flat)-5/16"-bar to center stone deflector	12or 16	MB, MC	54-55
44724-S8		Washer (flat)-5/16"-bar to front stone deflector	16	MC	55

MERCURY

CHASSIS PARTS CATALOGUE

Front Bumper—Continued

PART NUMBER	QTY	PART NAME	NO. REQ'D	MODEL	YEAR 19__
		44734-S8 Washer (flat)-1/2"-bar to upper hanger	2	MC	55
		44736-S8 Washer (flat)-1/2"-bar to filler	4	MB	54
		44736-S8 Washer (flat)-1/2"-bar to upper hanger	2	MB, MC	54-55
BR 17766-A		Hanger (front bumper)-inner-R. H. -13-7/16" long	1	MB	54
BV 17766-A		Hanger (front bumper)-inner-R. H. -13-61/64" long	1	MC	55
BR 17767-A		Hanger (front bumper)-inner-L. H. -13-7/16" long	1	MB	54
BV 17767-A		Hanger (front bumper)-inner-L. H. -13-61/64" long	1	MC	55
		352565-S100 Bolt (carriage)-1/2"-20 x 1-3/8"-hanger to lower impact bar	2	MB	54
		353455-S8 Bolt (hex-hd)-offset-5/8"-18 x 1-9/16"-hanger to frame	2	MB, MC	54-55
		353711-S8 Bolt (hex-hd)-offset-5/8"-18 x 1-7/8"-hanger to frame	2	MC	55
		34809-S8 Lockwasher-1/2"-hanger to lower impact bar	2	MB	54
		34851-S7-8 Lockwasher-5/8"-hanger to frame	2	MB	54
		33846-S8 Nut (hex)-1/2"-20-hanger to lower impact bar	2	MB	54
		33850-S2 Nut (hex)-5/8"-hanger to frame	2	MB	54
		44736-S8 Washer (flat)-1/2"-hanger to lower impact bar	2	MB	54
		44742-S8 Washer (flat)-5/8"-hanger to frame	2	MB	54
BR 17768-A		Bar (front bumper impact)-lower	1	MB	54
BV 17768-A		Bar (front bumper impact)-lower-3 holes for vertical bars	1	MC	55
		352565-S100 Bolt (carriage)-1/2"-20 x 1-3/8"-lower impact bar to inner hanger	2	MC	55
		34809-S8 Lockwasher (spring)-1/2"-lower impact bar to inner hanger	2	MC	55
		33846-S8 Nut (hex)-1/2"-20-lower impact bar to inner hanger	2	MC	55
		44736-S8 Washer (flat)-1/2"-lower impact bar to inner hanger	2	MC	55
BR 17770-B		Hanger (front bumper)-upper-R. H. -17-5/16" long	1	MB	54
BV 17770-B		Hanger (front bumper)-upper-R. H. -15-11/32" long	1	MC	55
BV 17770-C		Arm (front bumper upper)-R. H. -use with BV-17757-B bar	1	MC	55
BR 17771-B		Hanger (front bumper)-upper-L. H. -17-5/16" long	1	MB	54
BV 17771-B		Hanger (front bumper)-upper-L. H. -15-11/32" long	1	MC	55
BV 17771-C		Arm (front bumper upper)-L. H. -use with BV-17757-B bar	1	MC	55
		20549-S8 Bolt (hex-hd)-1/2"-20 x 2-1/2"-hanger thru bar to guard	2	MB	54
		34809-S7 Lockwasher-1/2"-hanger thru bar to arm	2	MB	54
		44736-S8 Washer (flat)-1/2"-hanger thru bar to guard	2	MB	54
BR 17776-A		Deflector (front bumper stone end)-R. H.	1	MB	54
BV 17776-A		Deflector (front bumper stone end)-R. H.	1	MC	55

MERCURY

CHASSIS PARTS CATALOGUE

Front Bumper — Continued

PART NUMBER	PART NAME	NO. REQ'D	MODEL	YEAR 19__
BR 17777-A	Deflector (front bumper stone end)-L. H.	1	MB	54
BV 17777-A	Deflector (front bumper stone end)-L. H.	1	MC	55
	20347-S8 Bolt (hex-hd)-5/16"-24 x 3/4"- deflector to fender	4	MB	54
	20347-S8 Bolt (hex-hd)-5/16"-24 x 3/4"- deflector to splash shield	4	MB	54
	34806-S7 Lockwasher-5/16"-deflector to splash shield	4	MB	54
	33798-S8 Nut (hex)-5/16"-24-deflector to splash shield	4	MB	54
BR 17779-A	Deflector (front bumper stone center)	1	MB	54
	42905-S8 Screw & washer assy (hex-hd)- 5/16"-24 x 3/4"-deflector to splash shield	2	MB	54
	44724-S8 Washer (flat)-5/16"-deflector to bumper guard	2	MB	54
	BR-17822-C Brace (front bumper impact bar bar to stone deflector)-9-37/64" long	1	MB	54
	BV-17822-A Brace (front bumper impact bar to stone deflector)-11-13/64" long	1	MC	55
	BV-17822-B Brace (front bumper impact bar to stone deflector)-center- used with Air Conditioning	1	MC except 76-79	55
	24507-S7 Bolt (hex-hd)-3/8"-24 x 1-3/4" -brace to vertical impact bar	1	MC	55
	24507-S7 Bolt (hex head)-3/8"-24 x 1-3/4"-brace to lower impact bar	1	MC	55
	42905-S8 Bolt and washer assy (hex-hd)- 5/16"-24 x 3/4"-brace to deflector assy front bumper stone	1	MC	55
	43264-S8 Bolt and washer assy (hex-hd)- 5/16"-24 x 7/8"-brace to upper impact bar and center stone deflector	1	MB	54
	43264-S8 Bolt and washer assy (hex-hd)- 5/16"-24 x 7/8"-brace to lower impact bar	1	MB	54
	43264-S8 Bolt and washer assy (hex-hd)- 5/16"-24 x 7/8" -brace to center stone deflector	1	MB	54
	353599-S13 Bolt (cross recessed pan hd) -5/16"-24 x 3/4"-brace to deflector	1	MC except 76-79	55
	34807-S8 Lockwasher-3/8"-brace to lower impact bar	1	MC	55
	33798-S8 Nut (hex)-5/16"-24-brace to deflector assy front bumper stone	1	MC	55
	33798-S8 Nut (hex)-5/16"-24-brace to lower impact bar	1	MB	54

MERCURY

CHASSIS PARTS CATALOGUE

Front Bumper—Continued

PART NUMBER	PART NAME	NO. REQ'D	MODEL	YEAR 19____
33798-S8	Nut (hex)-5/16"-24-brace to upper impact bar and center stone deflector	1	MB	54
33798-S8	Nut (hex)-5/16"-24-brace to center stone deflector	1	MB, MC	54-55
353928-S2	Nut (retainer)-3/8"-24-brace to lower impact bar	1	MC	55
44724-S8	Washer (flat)-5/16"-brace to upper impact bar and center stone deflector	1	MB	54
44724-S8	Washer (flat)-5/16"-brace to center stone deflector to front stone deflector	2	MC	55
44724-S8	Washer (flat)-5/16"-brace to deflector assy front bumper stone	2	MC	55
44724-S8	Washer (flat)-5/16"-brace to lower impact bar	1	MB	54
44724-S8	Washer (flat)-5/16"-brace to center stone deflector	2	MB	54
44728-S8	Washer (flat)-3/8"-brace to lower impact bar	2	MC	55
BV-17829-A	Bar assy (front bumper lower impact vertical)	2	MC	55
24507-S7	Bolt (hex-hd)-3/8"-24 x 1-3/4"-vertical impact bar to lower impact bar	2	MC	55
34807-S8	Lockwasher-3/8"-vertical impact bar to lower impact bar	2	MC	55
353928-S2	Nut (retainer)-3/8"-24-vertical impact bar to lower impact bar	2	MC	55
44728-S8	Washer (flat)-3/8"-vertical impact bar to lower impact bar	2	MC	55
BV-17838-A	Bar assy (front bumper impact vertical)	3	MC	55
42783-S8	Bolt & washer assy (hex-hd)-3/8"-24 x 7/8"-vertical impact bar to center stone deflector	3	MC	55
353928-S2	Nut (retainer)-3/8"-24-vertical impact bar to center stone deflector	3	MC	55
44728-S8	Washer (flat)-3/8"-vertical impact bar to center stone deflector	3	MC	55
BR-17882-A	Filler (front bumper upper to lower impact bar end)-R. H. - 8-17/64" long-2-25/32" wide	1	MB	54
BV-17882-A	Filler (front bumper upper to lower impact bar end)-R. H. - 8-11/64" long-2-19/32" wide	1	MC	55

MERCURY

CHASSIS PARTS CATALOGUE

Front Bumper — Continued

PART NUMBER	CLASS	PART NAME	NO. REQ'D	MODEL	YEAR 19__
BR-17883-A		Filler (front bumper upper to lower impact bar end)-L. H. - 8-13/64" long-2-25/32" wide	1	MB	54
BV-17883-A		Filler (front bumper upper to lower impact bar end)-L. H. - 8-11/64" long-2-19/32" wide	1	MC	55
24433-S7-8		Bolt (hex-hd)-1/2"-20 x 1-1/4" filler to upper impact bar and outer hanger	2	MB, MC	54-55
24433-S7		Bolt (hex-hd)-1/2"-20 x 1-1/4"-filler to upper impact bar	4	MC	55
24433-S7-8		Bolt (hex-hd)-1/2"-20 x 1-1/4" filler to lower impact bar	2	MB, MC	54-55
34809-S8		Lockwasher-1/2"-filler to upper impact bar and outer hanger	2	MB	54
34809-S8		Lockwasher-1/2"-filler to lower impact bar	2	MB	54
34809-S8		Lockwasher-1/2"-filler to upper impact bar	4	MC	55
34809-S8		Lockwasher-1/2"-filler to outer hanger	2	MC	55
33846-S8		Nut (hex)-1/2"-20-filler to upper impact bar	4	MC	55
34846-S8		Nut (hex)-1/2"-20-filler to upper impact bar and outer hanger	2	MB, MC	54-55
33846-S8		Nut (hex)-1/2"-20-filler to lower impact bar	2	MB	54
44736-S8		Washer (flat)-1/2"-filler to upper impact bar	4	MC	55
44736-S8		Washer (flat)-1/2"-filler to upper impact bar and outer hanger	2	MB	54
44736-S8		Washer (flat)-1/2"-filler to lower impact bar	2	MB, MC	54-55
44736-S8		Washer (flat)-1/2"-filler to outer hanger	2	MC	55
BR-17900-A		Brace (front bumper impact bar to stone deflector)-outer- 1-1/8" wide	2	MB	54
BV-17900-A		Brace (front bumper impact bar to stone deflector)-outer-1" wide	2	MC	55
24433-S7-8		Bolt (hex-hd)-1/2"-20 x 1-1/4"-brace to bumper guard	2	MB	54
24507-S7		Bolt (hex-hd)-3/8"-24 x 1-3/4"-brace to lower impact bar	2	MC	55
353599-S13		Bolt (pan hd)-5/16"-24 x 3/4"-brace to center stone deflector	2	MB	54
34806-S7		Lockwasher-5/16"-brace to center stone deflector	2	MB, MC	54-55
34807-S8		Lockwasher-3/8"-brace to lower impact bar	2	MC	55

MERCURY

CHASSIS PARTS CATALOGUE

Front Bumper—Continued

PART NUMBER	QTY	PART NAME	NO. REQ'D	MODEL	YEAR 19__
34809-S8		Lockwasher-1/2"-brace to bumper guard	2	MB	54
33798-S8		Nut (hex)-5/16"-24-brace to center stone deflector	2	MB, MC	54-55
33846-S8		Nut (hex)-1/2"-20-brace to bumper guard	2	MB	54
44724-S8		Washer (flat)-5/16"-brace to center stone deflector	2	MB, MC	54-55
BR-17996-A		Guard assy (front bumper grille)-R. H. -Accessory	1	MB	54
BR-17996-B		Guard assy (front bumper grille)-Standard	2	MB	54
BR-17996-C		Guard assy (front bumper grille)-R. H. -Accessory-used with roadlamp	1	MB	54
BV-17996-A		Guard assy (front bumper grille)-R. H. -Accessory	1	MC	55
BR-17997-A		Guard assy (front bumper grille)-L. H. -Accessory	1	MB	54
BR-17997-C		Guard assy (front bumper grille)-L. H. -Accessory-used with roadlamp	1	MB	54
BV-17997-A		Guard assy (front bumper grille)-L. H. -Accessory	1	MC	55
20533-S8		Bolt (hex-hd)-1/2"-20 x 2-1/8"-guard to lower impact bar	2	MB	54
34809-S8		Lockwasher-1/2"-guard to lower impact bar	2	MB	54
44735-S8		Washer (flat)-1/2"-guard to lower impact bar	2	MB	54
BR-18412-A		Kit (front bumper grille guard installation)-refer to Accessories Group for component parts	1	MB	54
BR-18412-B		Kit (front bumper grille guard installation)-used with roadlamp-refer to Accessories Group for component parts	1	MB	54

CHASSIS PARTS CATALOGUE

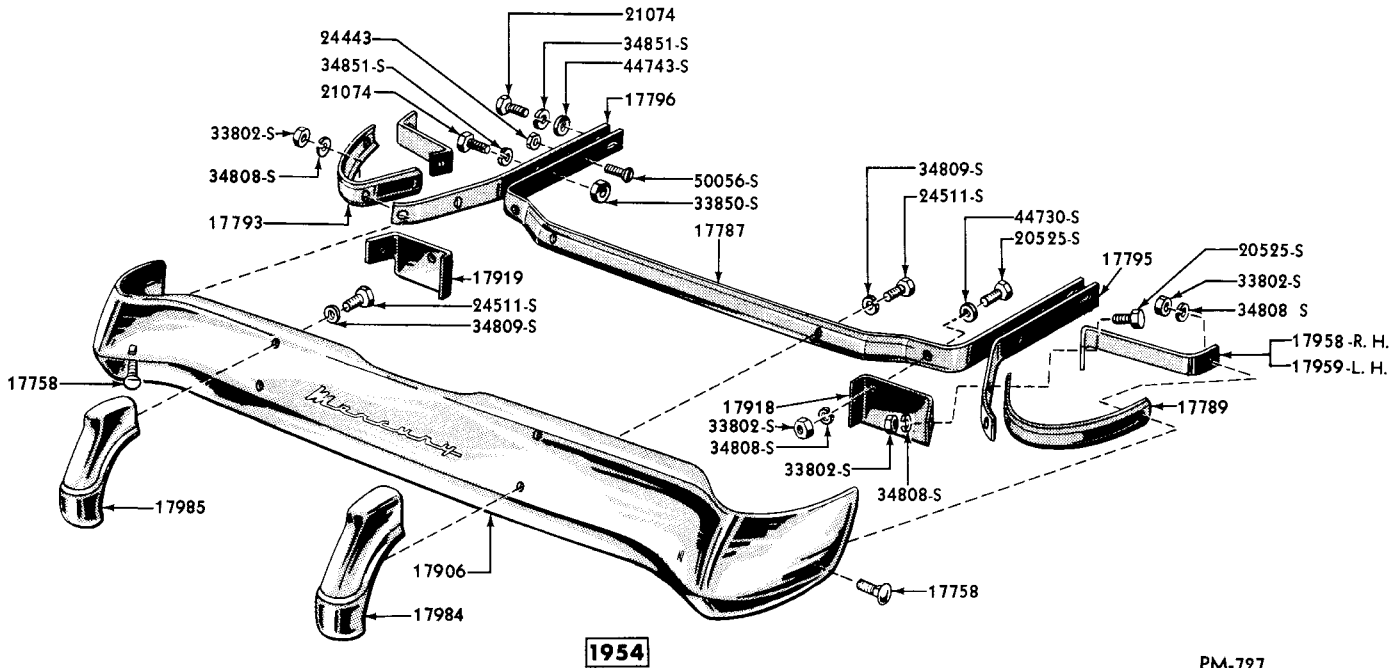
Rear Bumper

PART NUMBER	QTY	PART NAME	NO. REQ'D	MODEL	YEAR 19__
BR 17787-A		Hanger (rear bumper)-inner-59-19/32" long	1	MB	54
BV 17787-A		Hanger (rear bumper)-inner-60-33/64" long	1	MC except 79	55
BV 17787-C		Hinge (rear bumper)-inner	1	MC79	55
		20471-S7 Bolt (hex-hd)-7/16"-20 x 1-1/2" -hanger rear inner to hanger rear outer outer	2	MC79	55
		50056-S8 Bolt (cross recessed flat head)- 5/16"-24 x 1"-hanger rear inner to hanger rear outer	2	MC except 79	55
		34443-S7-8 Locknut-5/16"-24-hanger rear inner to hanger rear outer	2	MC except 79	55
		34808-S8 Lockwasher-7/16"-hanger rear inner to rear impact bar to jack plate	2	MC except 79	55
		34671-S8 Nut (hex)-7/16"-20-hanger rear inner to hanger rear outer	2	MC79	55
		34671-S8 Nut (hex)-7/16"-20-hanger rear inner to rear impact bar and jack plate	2	MC except 79	55
		44730-S8 Washer (flat)-5/16"-hanger rear inner to rear impact bar to jack plate	2	MC except 79	55
BR 17789-A		Brace (rear bumper end)-R. H. -9-21/32" long	1	MB except 79	54
BR 17789-B		Brace (rear bumper end)-R. H. -9-31/32" long	1	MB79, MC79	54-55
BR 17793-A		Brace (rear bumper end)-L. H. -9-11/32" long	1	MB except 79	54
BR 17793-B		Brace (rear bumper end)-L. H. -9-31/32" long	1	MB79, MC79	54-55
		34808-S8 Lockwasher-7/16"-brace to impact bar	2	MB	54
		33802-S8 Nut (hex)-7/16"-20-brace to impact bar	2	MB	54
BR 17795-A		Hanger (rear bumper)-outer-R. H. -with 4 holes	1	MB	54
BV 17795-A		Hanger (rear bumper)-outer-R. H. -with 5 holes	1	MC except 79	55
BV 17795-C		Hanger (rear bumper)-outer-R. H.	1	MC79	55
BR 17796-A		Hanger (rear bumper)-outer-L. H. -with 4 holes	1	MB	54
BV 17796-A		Hanger (rear bumper)-outer-L. H. -with 5 holes	1	MC except 79	55
BV 17796-C		Hanger (rear bumper)-outer-L. H.	1	MC79	55
		BV-17636-A Guard assy (rear bumper wing)- R. H.	1	MC except 79	55
		BV-17637-A Guard assy (rear bumper wing)- L. H.	1	MC except 79	55
		20431-S8 Bolt (hex-hd)-7/16"-20-1-1/4" -guard assy wing to rear impact bar	2	MC except 79	55
		20537-S8 Bolt (hex-hd)-7/16"-20 x 2- 1/4"-guard assy wing to guard assy rear impact bar	2	MC except 79	55
		34848-S Lockwasher-7/16"-guard assy wing to rear impact bar	6	MC except 79	55
		34289-S Nut (clinch)-7/16"-20-guard rear bumper wing to rear bumper guard	2	MC except 79	55
		34289-S Nut (clinch)-7/16"-20-guard rear bumper wing to rear impact bar	2	MC except 79	55
		34671-S8 Nut (hex)-7/16"-20-guard assy wing to rear impact bar	2	MC except 79	55

MERCURY

CHASSIS PARTS CATALOGUE

Rear Bumper — Continued



REAR BUMPER AND RELATED PARTS

Basic numbers only shown on illustration. Order by Part Numbers shown in list of parts.

PART NUMBER	UNIT	PART NAME	NO. REQ'D	MODEL	YEAR
354497-S		Nut (clinch)-7/16"-20-guard rear bumper wing to rear bumper guard	2	MC except 79	55
354497-S		Nut (clinch)-7/16"-20-guard rear bumper wing to rear impact bar	2	MC except 79	55
8A-17758-B		Bolt assy (rear bumper bar to hanger)-7/16"-20 x 1-1/2"	4	MB except 79	54
8A-17758-B		Bolt assy (rear bumper bar to hanger)-7/16"-20 x 1-1/2"	6	MB79, MC	54-55
20525-S8		Bolt (hex-hd)-7/16"-20 x 2"-hanger to end brace	2	MB	54
50056-S8		Bolt (flat head)-5/16"-24 x 1"-outer hanger to inner hanger	2	MB	54
352398-S8		Bolt (hex-hd)-5/8"-18 x 2"-hanger to frame	4	MB, MC	54-55
34808-S8		Lockwasher-7/16"-hanger to impact bar	2	MB	54
34808-S8		Lockwasher-7/16"-hanger to end brace	2	MB	54
34851-S7-8		Lockwasher-5/8"-hanger to frame	4	MB, MC	54-55
357628-S		Lockwasher (special)-5/8"-hanger to frame	2	MC	55

MERCURY

CHASSIS PARTS CATALOGUE

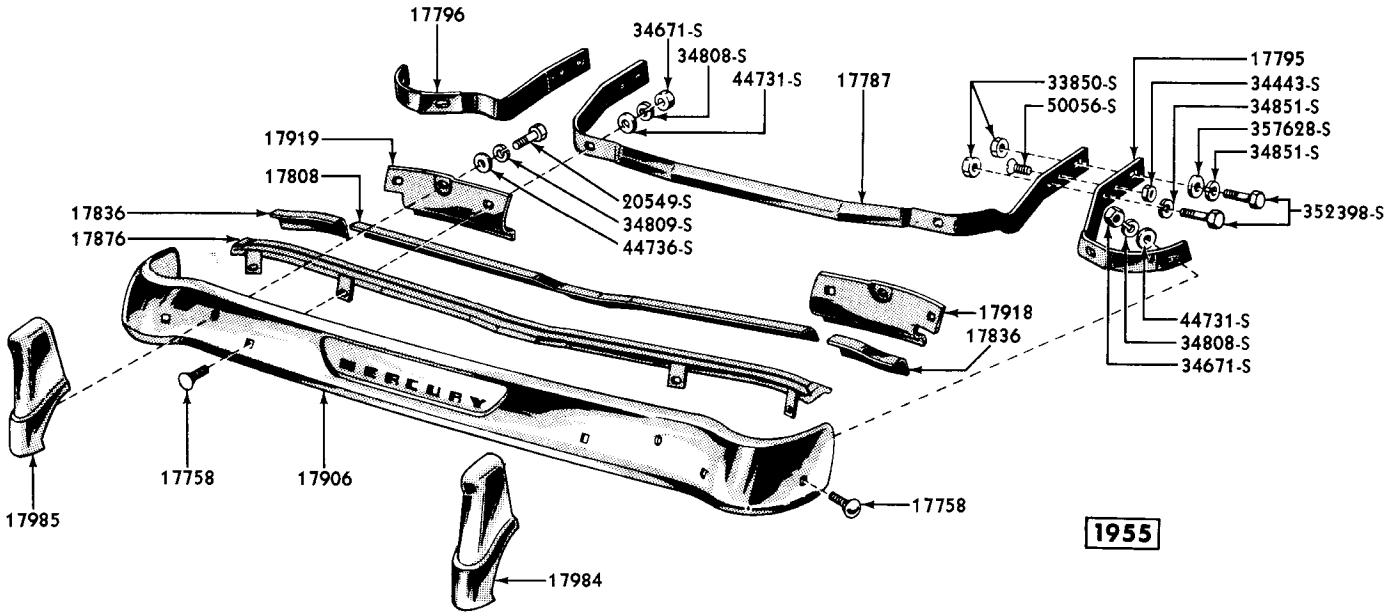
Rear Bumper — Continued

PART NUMBER	PART NAME	NO. REQ'D	MODEL	YEAR 19__
	24443-S7 Locknut-5/16"-24-outer hanger to inner hanger	2	MB	54
	33802-S8 Nut (hex)-7/16"-20-hanger to impact bar	2	MB	54
	33802-S8 Nut (hex)-7/16"-20-hanger to end brace	2	MB	54
	33850-S2 Nut (hex)-5/8"-18-hanger to frame	2	MB, MC	54-55
	44743-S8 Washer (flat)-5/8"-hanger to frame	2	MB	54
BR 17808-A	Deflector (rear bumper stone)-lower-supports license lamp-17-9/32" long	1	MB except 79	54
BR 17808-B	Deflector (rear bumper stone)-lower-supports license lamp-51-51/64" long	1	MB79	54
BV 17808-A	Deflector (rear bumper stone)-center-50-5/64" long	1	MC except 79	55
BR 17822-C	Brace (front bumper impact bar to stone deflector)-9-37/64" long	1	MB	54
BV 17822-A	Brace (front bumper impact bar to stone deflector)-center-11-13/64" long	1	MC	55
BV 17822-B	Brace (front bumper impact bar to stone deflector)-center-used with Air Conditioning	1	MC60-70-73-64	55
BV 17829-A	Bar assy (front bumper lower impact vertical)	2	MC	55
BC 17832-B	Seal (rear bumper stone deflector)-51-1/4" long	1	MB79	54
BR 17832-A	Seal (rear bumper stone deflector)-53" long	1	MB except 79	54
	357563-S2 Clip (steel)-seal to stone deflector	12	MB except 79	54
BV 17832-A	Seal (rear bumper stone deflector)-50-13/64" long	1	MC79	55
BV 17836-A	Deflector (rear bumper stone)-end-7-1/2" long x 3-3/4" wide	2	MC except 79	55
BV 17838-A	Bar assy (front bumper impact vertical)	3	MC	55
BV 17841-A	Sleeve (bumper arm bolt)	2	MC	55
BV 17844-A	Seal (rear stone deflector to bumper)-outer-R. H.	1	MC79	55
BV 17849-A	Seal (rear stone deflector to bumper)-outer-L. H.	1	MC79	55
BV 17858-A	Kit (front bumper guard installation)-refer to Accessory Group for components	1	MC except 79	55
BV 17876-A	Retainer assy (rear bumper stone deflector)	1	MC except 79	55
BR 17882-A	Filler (front bumper upper to lower impact bar end)-R. H. -8-17/64" long x 2-25/32" wide	1	MB	54
BV 17882-A	Filler (front bumper upper to lower impact bar end)-R. H. -8-11/64" long x 2-19/32" wide	1	MC	55
BR 17883-A	Filler (front bumper upper to lower impact bar end)-L. H. -8-17/64" long x 2-25/32" wide	1	MB	54
BV 17883-A	Filler (front bumper upper to lower impact bar end)-L. H. -8-11/64" long x 2-19/32" wide	1	MC	55
BR 17900-A	Brace (front bumper impact bar to stone deflector)-outer-1-1/8" wide	2	MB	54
BV 17900-A	Brace (front bumper impact bar to stone deflector)-outer-1" wide	2	MC	55
BR 17906-A	Bar (rear bumper impact)	1	MB except 79	54
BR 17906-B	Bar (rear bumper impact)	1	MB79	54

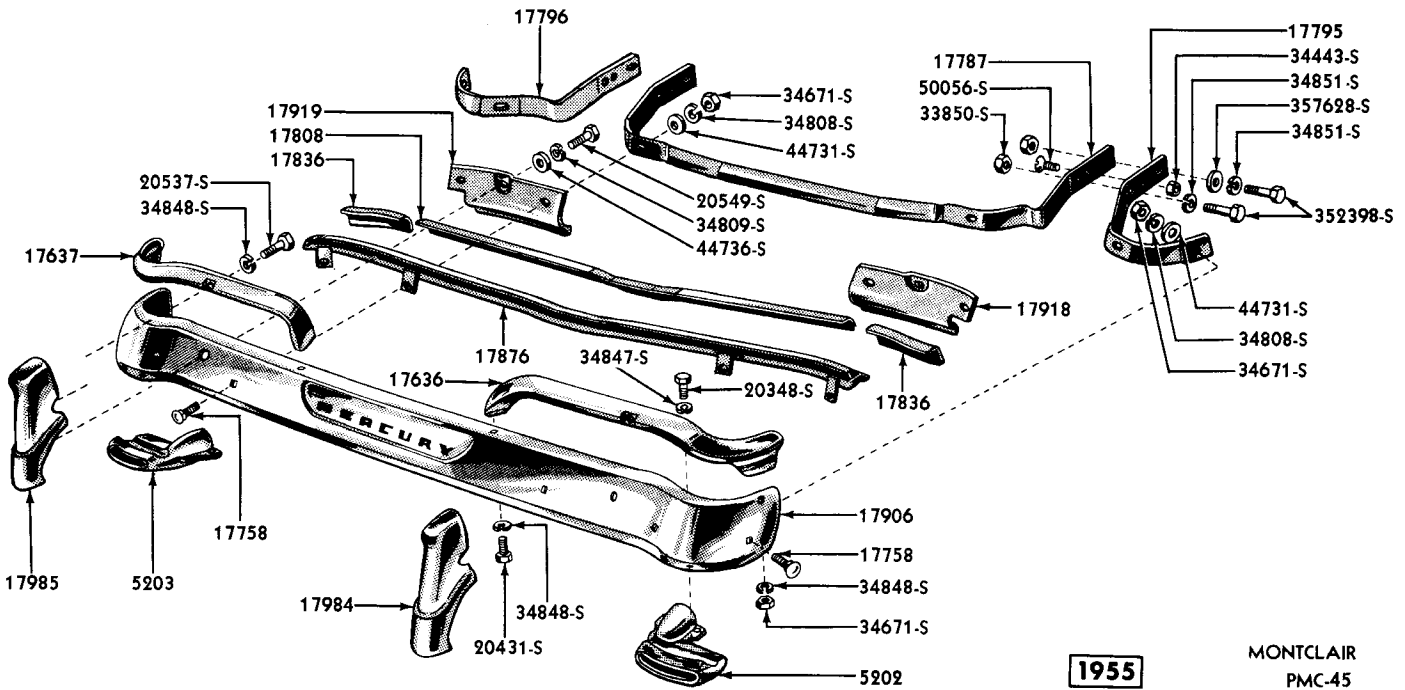
MERCURY

CHASSIS PARTS CATALOGUE

Rear Bumper—Continued



PMC-43



MONTCLAIR
PMC-45

REAR BUMPER AND RELATED PARTS

Basic numbers only shown on illustration. Order by Part Numbers shown in list of parts.

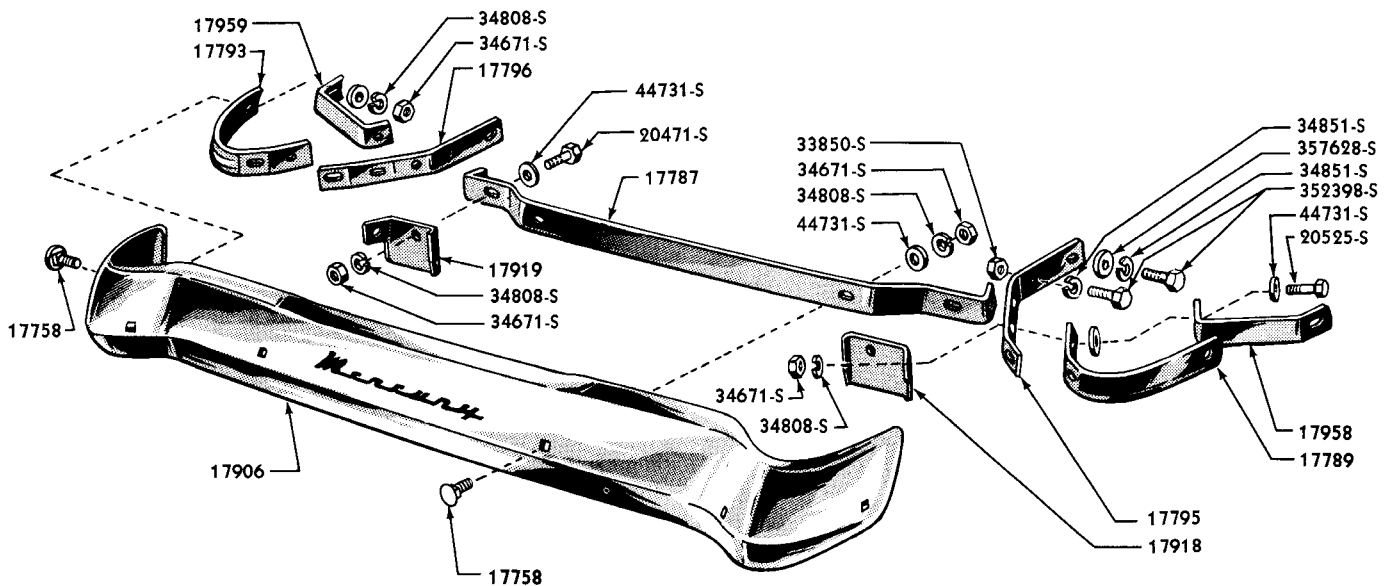
MERCURY

CHASSIS PARTS CATALOGUE

Rear Bumper—Continued

PART NUMBER	PART NAME	NO. REQ'D	MODEL	YEAR 19__
BV 17906-A	Bar (rear bumper impact)	1	MC60E-70-73B	55
BV 17906-C	Bar (rear bumper impact)	1	MC79	55
BV 17906-D	Bar (rear bumper impact)-for Dual Exhaust	1	MC except 79	55
	352398-S8 Bolt (hex-hd)-5/8"-18 x 2"-bar to frame	4	MC	55
	34808-S8 Lockwasher-7/16"-bar to inner hanger	2	MB79	54
	34808-S8 Lockwasher-7/16"-bar to outer hanger	2	MC	55
	34808-S8 Lockwasher-7/16"-bar to outer hanger & reinf.	2	MC79	55
	34808-S8 Lockwasher-7/16"-bar to outer hanger & jack plate	2	MC	55
	34851-S7 Lockwasher-5/8"-bar to frame	4	MC	55
	33802-S8 Nut (hex)-7/16"-20-bar to inner hanger	2	MB79	54
	33850-S2 Nut (hex)-5/8"-18-bar to frame	4	MC	55
	34671-S8 Nut (hex)-7/16"-20-bar to outer hanger & jack plate	2	MC	55
	34671-S8 Nut (hex)-7/16"-20-bar to outer hanger	2	MC	55
	34671-S8 Nut (hex)-7/16"-20-bar to outer hanger & reinforcement	2	MC79	55
	44730-S8 Washer (flat)-7/16"-bar to inner hanger	2	MB79	54
	44731-S8 Washer (flat)-5/16"-bar to outer hanger & jack plate	2	MC	55
	44731-S8 Washer (flat)-7/16"-bar to outer hanger	2	MC except 79	55
	44731-S8 Washer (flat)-7/16"-bar to reinforcement	2	MC79	55
BV 17907-A	Kit (rear bumper guard installation)-Refer to Accessories Group for Components	1	MC60E-70B-73B	55
BR 17918-A	Plate (rear bumper jack)-R. H.	1	MB	54
BV 17918-B	Plate (rear bumper jack)-R. H.	1	MC79	55
BV 17918-C	Plate (rear bumper jack)-R. H.	1	MC except 79	55
BR 17919-A	Plate (rear bumper jack)-L. H.	1	MB	54
BV 17919-B	Plate (rear bumper jack)-L. H.	1	MC79	55
BV 17919-C	Plate (rear bumper jack)-L. H.	1	MC except 79	55
	20471-S7 Bolt (hex-hd)-7/16"-20 x 1-1/2"-plate to inner hanger	2	MC79	55
	20525-S8 Bolt (hex-hd)-7/16"-20 x 2"-plate to inner hanger	2	MB, MC	54-55
	34808-S8 Lockwasher (spring)-7/16"-plate to inner hanger	2	MC79	55
	34808-S8 Lockwasher-7/16"-plate to inner hanger	2	MB	54
	33802-S8 Nut (hex)-7/16"-20-plate to inner hanger	2	MB	54
	34671-S8 Nut (hex)-7/16"-20-plate to inner hanger	2	MC79	55
	44730-S9 Washer (flat)-7/16"-plate to inner hanger	2	MB	54
	44731-S8 Washer (flat)-7/16"-plate to inner hanger	2	MC79	55

Rear Bumper—Continued



1955

PMC-46

STATION WAGON REAR BUMPER AND RELATED PARTS

Basic numbers only shown on illustration. Order by Part Numbers shown in list of parts.

PART NUMBER	PART NAME	NO. REQ'D	MODEL	YEAR 19__
BR 17958-A	Brace (rear bumper impact bar end)-inner-R. H.	1	MB, MC79	54-55
BR 17959-A	Brace (rear bumper impact bar end)-inner-L. H.	1	MB, MC79	54-55
	8M-7001740 Spacer (inner brace to outer brace)	2	MB79, MC79	54-55
	8M-7001740 Spacer (body bolt at frame)	12	MC64-76	55
	20525-S8 Bolt (hex-hd)-7/16"-20 x 2"-brace to jack plate	2	MB, MC	54-55
BR 17984-A	Guard assy (rear bumper)-R. H.	1	MB	54
BV 17984-A	Guard assy (rear bumper)-R. H.	1	MC60E-70-73B	55
BV 17984-B	Guard assy (rear bumper)-R. H. -for Dual Exhaust	1	MC except 79	55
BR 17985-A	Guard assy (rear bumper)-L. H.	1	MB	54
BV 17985-A	Guard assy (rear bumper)-L. H.	1	MC60E-70-73B	55
BV 17985-B	Guard assy (rear bumper)-L. H. -for Dual Exhaust	1	MC except 79	55
	20549-S8 Bolt (hex-hd)-1/2"-20 x 2-1/2"-guard to impact bar	2	MC	55
	24511-S7 Bolt (hex-hd)-1/2"-20 x 1-3/4"-guard to impact bar	4	MB	54
	34809-S8 Lockwasher-1/2"-guard to impact bar	2or4	MB, MC except 79	54-55
	34809-S8 Lockwasher (spring)-1/2"-guard to impact bar	2	MC	55
	356066-S Nut (clinch)-1/2"-20-guard to impact bar	2	MC except 79	55
	44736-S8 Washer (flat)-1/2"-guard to impact bar	2	MC except 79	55
	44736-S8 Washer (flat)-1/2"-guard to impact bar	2	MC	55

MERCURY

CHASSIS PARTS CATALOGUE

Rear Bumper—Continued

PART NUMBER	PART NAME	NO. REQ'D	MODEL	YEAR 19__
BR 17996-A	Guard assy (front bumper grille)-R. H. -Accessory-also serviced in 18412 Kit	1	MB	54
BR 17996-B	Guard assy (front bumper grille)-Standard	2	MB	54
BR 17996-C	Guard assy (front bumper grille)-R. H. -Accessory-used with roadlamp-also serviced in 18412 Kit	1	MB	54
BV 17996-A	Guard assy (front bumper grille)-R. H. -Accessory-also serviced in 17858 Kit	1	MC	55
BR 17997-A	Guard assy (front bumper grille)-L. H. -Accessory-also serviced in 18412 Kit	1	MB	54
BR 17997-C	Guard assy (front bumper grille)-L. H. -Accessory-used with roadlamp-also serviced in 18412 Kit	1	MB	54
BV 17997-A	Guard assy (front bumper grille)-L. H. -Accessory-also serviced in 17858 Kit	1	MC	55

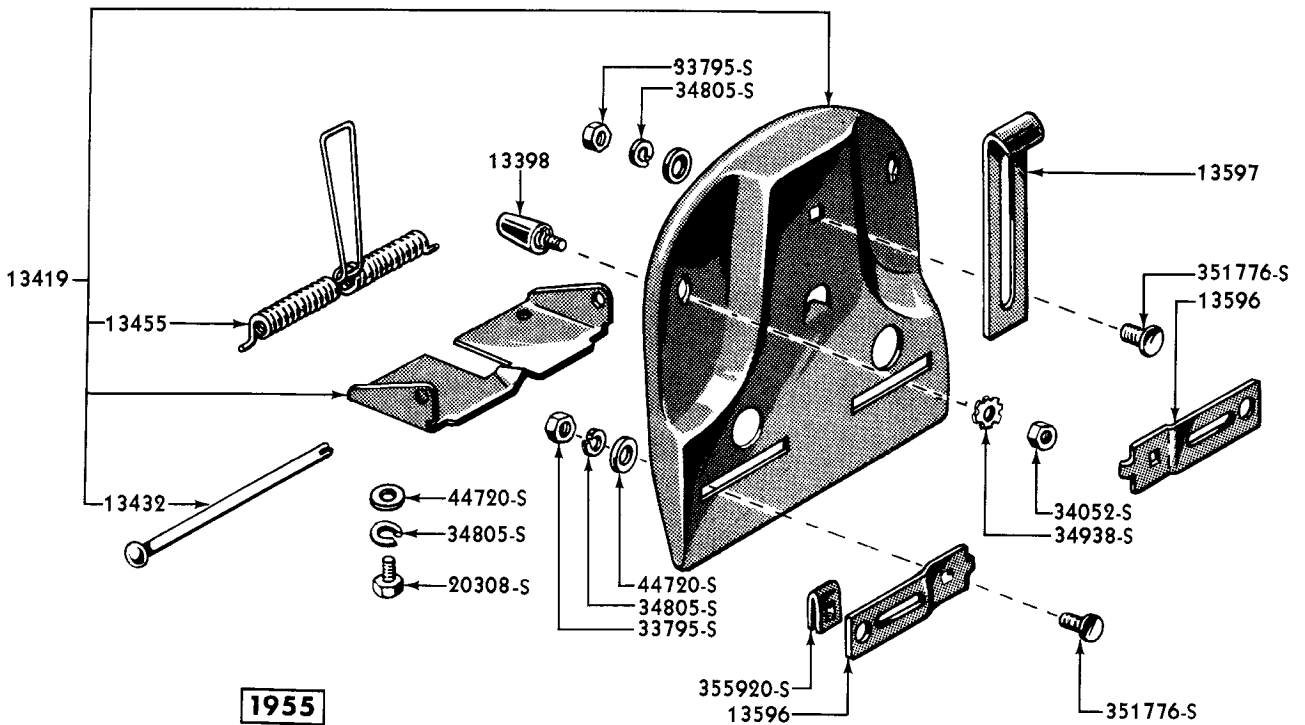
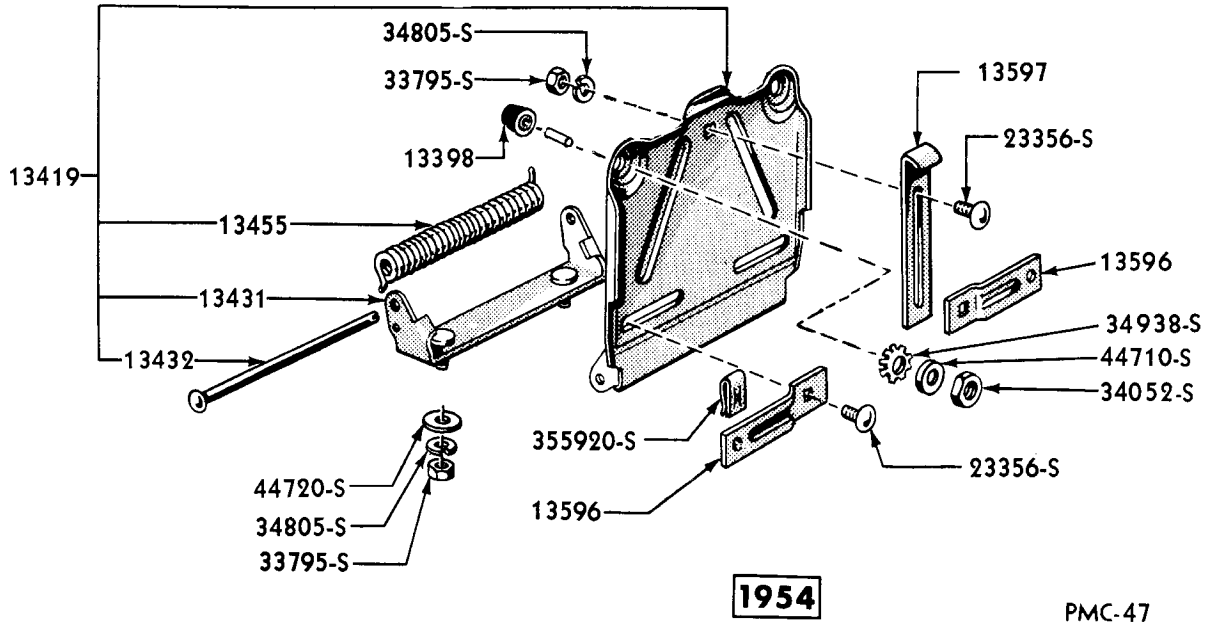
Rear License Plate Support

B5A-13398-B	Bumper assy (rear license plate support)-BH-13398-A	2	MB except 79, MC except 79	54-55
39031-S8	Screw (pan-hd)-No. 8-32 x 3/8"-bumper to support	2	MB except 79	54
351694-S100	Stud-No. 8-32-bumper to support	2	MC except 79	55
BG-13419-A	Support assy (rear license plate)	1	MB except 79	54
BV-13419-A	Support assy (rear license plate)	1	MC except 79	55
FDK-13419-A	Support assy (rear license plate)-State of Vermont only	1	MC except 79	55
20308-S7	Bolt (hex-hd)-1/4"-20 x 1/2"-support to rear lower panel	2	MC except 79	55
20308-S7	Bolt (hex-hd)-1/4"-20 x 1/2"-license plate to support	2	MB except 79	54
34805-S8	Lockwasher-1/4"-support to rear lower panel	2	MC except 79	55
34805-S8	Lockwasher-1/4"-support to housing fuel tank filler neck & rear floor pan	2	MC except 79	55
33795-S7	Nut (light hex)-1/4"-20-support to housing fuel tank filler neck & rear floor pan	2	MC except 79	55
355920-S32	Nut (spring)-1/4"-20-license plate to support	2	MB except 79, MC except 79	54-55
50750-S8	Screw & washer assy (cross recessed fillister hd)-No. 8-32 x 1/2"-support to lamp shell	4	MC except 79	55
44720-S8	Washer (flat)-1/4"-support to housing fuel tank filler neck & rear floor pan	2	MC except 79	55
44720-S8	Washer (flat)-1/4"-license plate to support	2	MB except 79	54
NS BV-13426-A	Hinge (rear license plate support)-on body-service in assy	1	MC except 79	55

MERCURY

CHASSIS PARTS CATALOGUE

Rear License Plate Support—Continued



REAR LICENSE PLATE SUPPORT

Basic numbers only shown on illustration. Order by Part Numbers shown in list of parts.

MERCURY

CHASSIS PARTS CATALOGUE

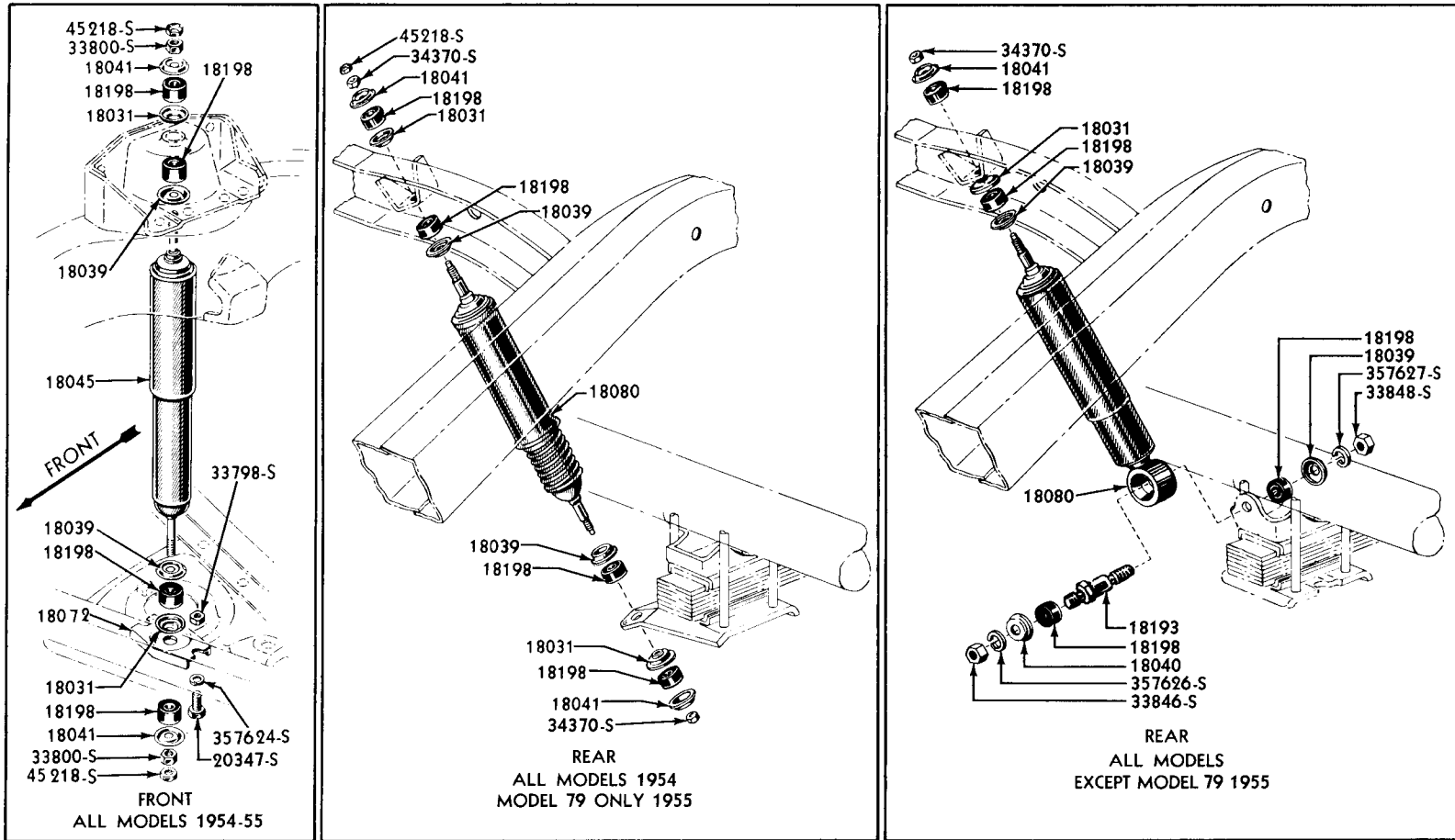
Rear License Plate Support—Continued

PART NUMBER	PART NAME	NO. REQ'D	MODEL	YEAR 19__
BC-13431-B	Hinge assy (rear license plate support)	1	MB except 79	54
20308-S7	Bolt (hex-hd)-1/4"-20 x 1/2"-hinge to housing fuel tank filler pipe	2	MC except 79	55
34805-S7	Lockwasher-1/4"-hinge to housing fuel tank filler pipe	2	MC except 79	55
34805-S8	Lockwasher-1/4"-hinge to floor pan	2	MB except 79	54
33795-S7	Nut (hex)-1/4"-20-hinge to floor pan	2	MB except 79	54
44720-S8	Washer (flat)-1/4"-hinge to floor pan	2	MB except 79	54
BA-13432-B	Pin (rear license plate support hinge)	1	MB except 79	54
BT-13432-A	Pin (rear license plate support hinge)	1	MC except 79	55
BA-13455-A	Spring (rear license plate support)	1	MB except 79	54
BV-13455-A	Spring(rear license plate support)	1	MC except 79	55
BA-13596-C	Bracket (rear license plate)-side	2	MB except 79, MC except 79	54-55
23356-S7	Bolt (rd-hd)-1/4"-20 x 9/16"-brkt. to license plate support	2	MB except 79	54
351776-S8	Bolt (step)-1/4"-20-bracket to support	2	MC except 79	55
34805-S8	Lockwasher-1/4"-bracket to license plate support	2	MB except 79, MC except 79	54-55
33795-S7	Nut (hex)-1/4"-20-bracket to license plate support	2	MB except 79	54
BA-13597-C	Bracket (rear license plate)-top	1	MB except 79, MC except 79	54-55
23356-S7	Bolt (rd-hd)-1/4"-20 x 9/16"-brkt. to license plate support	1	MB except 79	54
351776-S8	Bolt (step)-1/4"-20-bracket to license plate support	1	MC except 79	55
33795-S7	Nut (hex)-1/4"-20-bracket to license plate support	1	MB except 79, MC except 79	54-55
34805-S8	Lockwasher-1/4"-bracket to license plate support	1	MB except 79, MC except 79	54-55

MERCURY

CHASSIS PARTS CATALOGUE

Shock Absorber



PMC-191

SHOCK ABSORBER AND RELATED PARTS

Basic numbers only shown on illustration. Order by Part Numbers shown in list of parts.

MERCURY

CHASSIS PARTS CATALOGUE

Shock Absorber — Continued

PART NUMBER	SUB P/C	PART NAME	NO. REQ'D	MODEL	YEAR 19__
AB 18031-A		Seat (front & rear shock absorber insulator)-1-3/8" O. D. x 39/64" I. D. x 19/64" height-also serviced in 18198 Kit	6or 10	MB, MC	54-55
AB 18031-A		Seat (front stabilizer insulator)-1-3/8" O. D. x 39/64" I. D. x 19/64" height	2	MB, MC	54-55
51A 18039-A		Washer (rear shock absorber)-inner	2	MC except 79	55
AB 18039-A		Washer (front & rear shock absorber insulator)-inner-1-3/8" O. D. x 1/2" I. D. x 7/32" height-also serviced in 18198 Kit	6or 10	MB, MC	54-55
51A 18040		Washer (rear shock absorber)-outer	2	MC except 79	55
AB 18041-B		Washer (front stabilizer insulator)-1-3/8" O. D. x 25/64" I. D. x 7/32" height	8	MB, MC	54-55
AB 18041-B		Washer (front & rear shock absorber insulator)-outer-1-3/8" O. D. x 25/64" I. D. x 7/32" height-also serviced in 18198 Kit	8	MB, MC	54-55
MB 18045-A		Shock absorber assy (front)-alternate with MB-18045-B in car sets only	2	MB except 79	54
MB 18045-B		Shock absorber assy (front)-alternate with MB-18045-A in car sets only	2	MB except 79	54
MB 18045-D		Shock absorber assy (front)	2	MB79	54
MB 18045-K		Shock absorber assy (front)-Heavy Duty	2	MB	54
MC 18045-B		Shock absorber assy (front)-Heavy Duty	2	MC except 79	55
MC 18045-C		Shock absorber assy (front)-Heavy Duty	2	MC79	55
MC 18045-E		Shock absorber assy (front)	2	MC79	55
MC 18045-F		Shock absorber assy (front)	2	MC except 79	55
MC 18045-G		Shock absorber assy (front)-used with Air Conditioning-Heavy Duty	2	MC except 76-79	55
		33800-S8 Nut (hex)-3/8"-24-shock absorber to mounting plate	2	MB, MC	54-55
		33800-S8 Nut (hex)-3/8"-24-shock absorber to frame	2	MB, MC	54-55
		45218-S8 Locknut (hex)-3/8"-24-shock absorber to mounting plate	2	MB, MC	54-55
		45218-S8 Locknut (hex)-3/8"-24-shock absorber to frame	2	MB, MC	54-55
8A 18072		Plate (front shock absorber mtg.)-oblong-3/4" height	2	MB, MC	54-55
		20347-S8 Bolt (hex-hd)-5/16"-24 x 3/4"-plate to front suspension	4	MB, MC	54-55
		357624-S7 Lockwasher-5/16"-plate to front suspension	4	MB, MC	54-55
		33798-S8 Nut (hex)-5/16"-24-plate to front suspension	4	MB	54
MB 18080-A		Shock absorber assy (rear)-alternate with MB-18080-B in car sets only	2	MB except 79	54

MERCURY

CHASSIS PARTS CATALOGUE

Shock Absorber — Continued

PART NUMBER	QUANTITY	PART NAME	NO. REQ'D	MODEL	YEAR 19__
MB 18080-B		Shock absorber assy (rear)-alternate with MB-18080-A in car sets only	2	MB except 79	54
MB 18080-D		Shock absorber assy (rear)	2	MB79	54
MB 18080-G		Shock absorber assy (rear)-Heavy Duty	2	MB	54
MC 18080-C		Shock absorber assy (rear)-Heavy Duty	2	MC79	55
MC 18080-E		Shock absorber assy (rear)	2	MC79	55
MC 18080-F		Shock absorber assy (rear)	2	MC except 79	55
MC 18080-G		Shock absorber assy (rear)-Heavy Duty	2	MC except 79	55
MC 18080-H		Shock absorber assy (rear)-used with Air Conditioning-Heavy Duty	2	MC except 76-79	55
		357626-S7 Lockwasher (special)-1/2"-rear shock absorber to stud	2	MC except 79	55
		33846-S8 Nut (hex)-1/2"-20-rear shock absorber to stud	2	MC except 79	55
		34370-S8 Nut (hex)-3/8"-24-rear shock absorber to rear spring "U" bolt plate	2	MB, MC79	54-55
		34370-S8 Nut (hex)-3/8"-24-rear shock absorber to rear cross member assy	2	MB, MC	54-55
		AB-18178-A Bracket (rear shock absorber)	2	MB79	54
		MC-18178-C Bracket (rear shock absorber)	2	MC79	55
		24348-S8 Bolt (hex-hd)-3/8"-16 x 3/4"-bracket to crossmember	4	MB79, MC79	54-55
		357629-S7 Lockwasher-3/8"-bracket to crossmember	4	MB79, MC79	54-55
		AB-18198-A Insulator (front & rear shock absorber)-1-1/64" O. D. x 25/64" I. D. x 37/64" thick-also serviced in 18198 Kit	8	MB, MC	54-55
		HAK-18198-C Kit (front & rear shock absorber bushing)-consists of the following (2) AB-18031-A Seat (2) AB-18039-A Washer (2) AB-18041-B Washer (4) AB-18198-A Insulator (2) 33800-S8 Nut (2) 45218-S8 Locknut	2or4	MB, MC	54-55

MERCURY

CHASSIS PARTS CATALOGUE

Numerical List of 18,000 Miscellaneous Accessories

PART NUMBER	UNIT	PART NAME	NO. REQ'D	MODEL	YEAR 19__
MB 18136-A		Chain assy (tire)-full-Minit-On T-Bar Type	pr.	MB except 76, MC except 76	54-55
MB 18136-B		Chain assy (tire)-full-Minit-On T-Bar Type	pr.	MB, MC76	54-55
MB 18136-C		Chain assy (tire)-full-T-Bar Type	pr.	MB except 76, MC except 76	54-55
MB 18136-D		Chain assy (tire)-full-T-Bar Type	pr.	MB, MC76	54-55
MB 18136-E		Chain assy (tire)-full-Regular Type	pr.	MB except 76, MC except 76	54-55
MB 18136-F		Chain assy (tire)-full-Regular Type	pr.	MB, MC76	54-55
FAA 18148-B		Spotlight assy (utility hand)	1	MB, MC	54-55
FAB 18151-B		Kit (spotlight installation)-6-3/16" O. D. lamp	1	MB	54
FAB 18151-C		Kit (spotlight installation)-5-1/8" O. D. lamp	1	MB	54
FAB 18154-A		Kit (spotlight bracket installation)-R. H.	1	MB70-73-79	54
FAB 18154-B		Kit (spotlight bracket installation)-R. H.	1	MB60-76	54
FAB 18155-A		Kit (spotlight bracket installation)-L. H.	1	MB70-73-79	54
FAB 18155-B		Kit (spotlight bracket installation)-L. H.	1	MB60-76	54
FDC 18159-B		Kit (hand brake signal lamp installation)	1	MB	54
AB 18178-A		Bracket (rear shock absorber)	2	MB79	54
MC 18178-C		Bracket (rear shock absorber)	2	MC79	55
LE 18193-A		Stud (rear shock absorber)	2	MC except 79	55
		33848-S7 Nut (hex)-9/16"-18-stud to rear axle spring sheet	2	MC except 79	55
		357627-S7 Lockwasher-9/16"-stud to rear axle spring seat	2	MC except 79	55
AB 18198-A		Insulator (stabilizer bar assy to front suspension lower arm)-1-1/64" O. D. x 25/64" I. D. x 37/64" thick	8	MB, MC	54-55
AB 18198-A		Insulator (front & rear shock absorber)-1-1/64" O. D. x 25/64" I. D. x 37/64" thick-also serviced in.18198 Kit	8	MB, MC	54-55
7RC 18198		Insulator (front shock absorber)	4	MC except 79	55
HAK 18198-C		Kit (front and rear shock absorber bushing)-Refer to Shock Absorber Group for components	1	MB, MC	54-55
FDC 18207-A		Kit (roadlamp installation)	1	MB	54
BS 18208-B		Kit (visor vanity mirror installation)	1	MB, MC	54-55
BC 18236-B		Kit (exterior sun visor installation)	1	MB70-73-79	54
BC 18236-C		Kit (exterior sun visor installation)	1	MB60B-60E	54
BV 18236-A		Kit (exterior sun visor installation)	1	MC60-70-73-79	55
BG 18243-A		Kit (curb buffer moulding installation)	1	MB	54
BC 18246-A		Kit (window vents installation)	1	MB70	54
BC 18246-B		Kit (window vents installation)	1	MB73	54
BG 18246-A		Kit (window vents installation)	1	MB60	54
BH 18261-A		Dispenser (tissue)	1	MB, MC	54-55
HCK 18295-A		Kit (reading and vanity light installation)	1	MB, MC	54-55
BH 18333-A		Kit (rear door safety lock installation)	1	MB73, MC73	54-55

MERCURY

CHASSIS PARTS CATALOGUE

Numerical List of 18,000 Miscellaneous Accessories — Continued

PART NUMBER	PART NAME	NO. REQ'D	MODEL	YEAR 19__
BS 18342-C	Kit (traffic lamp reflector installation)-with "L" shaped arm	1	MC	55
HDK 18350-A	Kit (license plate frames)	1	MB, MC	54-55
HEK 18350-A	Kit (license plate frame & window)-used in Kentucky, Maine, Texas, & Massachusetts	1	MB, MC	54-55
HEK 18350-B	Kit (license plate frame & window)-used in Iowa, Indiana, Kentucky, Maine, Massachusetts, Missouri, Oklahoma, South Carolina, South Dakota	1	MB, MC	54-55
HEK 18350-C	Kit (license plate frame & window)-used in California, Michigan, Wisconsin & Wyoming	1	MB, MC	54-55
HEK 18350-D	Kit (license plate frame & window)-used in Alabama, Arizona, Hawaii, Maryland, Massachusetts, Minnesota, Montana, New Jersey, New York, Washington & New Mexico	1	MB, MC	54-55
HEK 18350-E	Kit (license plate frame & window)-used in Connecticut, Delaware, Illinois, Minnesota, Ohio & Vermont	1	MB, MC	54-55
HEK 18350-F	Kit (license plate frame & window)-used in Arkansas, District of Columbia, Idaho, Illinois, Kansas, Louisiana, Minnesota, Mississippi, Missouri, Nevada, Ohio, Oregon, Utah & Virginia	1	MB, MC	54-55
HEK 18350-G	Kit (license plate frame & window)-used in Alaska, Colorado, Florida, Georgia, Illinois, North Carolina, North Dakota, Tennessee & W. Virginia	1	MB, MC	54-55
HEK 18350-H	Kit (license plate frame & window)-used in Delaware, Nebraska, Pennsylvania, Rhode Island, Utah, Vermont & New Hampshire	1	MB, MC	54-55
FDD 18358-A	Kit (compass installation)	1	MB	54
FDL 18358-A	Kit (compass installation)	1	MC	55
FDC 18373-B	Kit (steering wheel and horn ring installation)-Platinum Metallic	1	MB	54
FDK 18373-B	Kit (steering wheel and horn ring installation)-less cap	1	MC	55
FDL 18375-A	Kit (engine compartment lamp installation)	1	MB, MC	54-55
FDK 18385-A	Kit (instrument warning signal installation)	1	MC	55
FAA 18397-A	Kit (rear window defroster installation)	1	MB except 76-79	54
FDL 18397-A	Kit (rear window defroster installation)	1	MC except 76-79	55
FDL 18397-B	Kit (rear window defroster installation)	1	MC except 76-79	55

MERCURY

CHASSIS PARTS CATALOGUE

Numerical List of 18,000 Miscellaneous Accessories — Continued

PART NUMBER	PART NAME	NO. REQ'D	MODEL	YEAR 19
BC 18400-A	Kit (rear view mirror inside installation)-non glare	1	MB70-73-79	54
BC 18400-B	Kit (rear view mirror inside installation)-non glare	1	MB60-76	54
BV 18400-A	Kit (rear view mirror inside installation)-non glare	1	MC	55
BC 18402-A	Kit (rear view mirror installation)-outside	1	MB, MC	54-55
BH 18402-A	Kit (rear view mirror installation)-outside-inside control	1	MB	54
FAA 18403-A	Kit (spotlight mirror installation)	1	MB, MC	54-55
BR 18412-A	Kit (front bumper grille guard installation)	1	MB	54
BR 18412-B	Kit (front bumper grille guard installation)-used with roadlamp	1	MB	54
BH 18437-A	Kit (door handle shield installation)	1	MB	54
MFK 18455-A	Kit (heater-installation)	1	MC	55
FDC 18456-B	Blower assy (heater)	1	MB	54
FDK 18456-B	Blower assy (heater)	1	MC	55
B4A 18457-A	Duct assy (heater inlet)-⊕FDK-18457-B	1	MB	54
B6A 18457-B	Duct assy (heater inlet)-⊕FDH-18457-A	1	MC	55
FAB 18471-B	Plenum chamber assy (heater)-2-5/16" x 6-19/32" opening-21-19/64" long	1	MB	54
FDK 18471-BP	Plenum chamber assy (heater)	1	MC	55
1M 18472-C	Hose (heater)-100 feet long	as reqd	MB, MC	54-55
FDA 18472-A	Hose (heater)-5/8" I. D. x 15/16" O. D. x 100' long -with White stripe-heat and oil resistant	as reqd	MB, MC	54-55
FAA 18476-A	Core assy (heater)-2-1/2" x 9-5/8" x 6"	1	MB, MC	54-55
FAB 18480-B	Outlet assy (heater defroster)	1	MB	54
FDK 18480-AP	Outlet assy (heater defroster)-with elbow for L. H. defroster outlet	1	MC	55
FDA 18481-A	Bracket (heater hose support)-3-1/4" formed length	1	MB, MC	54-55
FAC 18489-A	Connector (heater blower air duct)-5-1/2" long	1	MB, MC	54-55
FDR 18489-A	Connector (heater blower to air duct)-6-1/4" long	1	MC	55
FAA 18490-A	Nozzle assy (heater defroster)-painted-Steel-outlet opening 1/2" x 5-63/64"	2	MB	54
B5A 18490-A	Nozzle assy (heater defroster)-painted-Steel-outlet opening 9/16" x 10-3/16"-⊕FDK-18490-A	2	MC	55
B5A 18490-B	Nozzle assy (heater defroster)-R. H. -painted-Steel outlet opening 15/32" x 3-11/16"-⊕FDK-19366-A	1	MC	55
B5A 18491-A	Nozzle assy (heater defroster)-L. H. -painted-Steel outlet opening 15/32" x 3-11/16"-⊕FDK-19367-A	1	MC	55
FDA 18495-C	Valve assy (heater water control)-threads 1-1/4" from base-low pressure	1	MB	54
B5A 18495-A	Valve assy (heater water control)-high pressure-⊕FEA-18495-A	1	MC	55
FAB 18502-B	Valve assy (heater temperature regulator)	1	MB	54
B5A 18502-B	Valve assy (heater temperature regulator)-⊕FDK-18502-A	1	MB, MC	54-55

MERCURY

CHASSIS PARTS CATALOGUE

Numerical List of 18,000 Miscellaneous Accessories—Continued

PART NUMBER	CLASSIFICATION	PART NAME	NO. REQ'D	MODEL	YEAR 19__
8A 18504-A		Wheel assy (heater blower)-used with Air Conditioning-counterclockwise rotation	1	MC except 76-79	55
8C 18504-A		Wheel assy (heater blower)-used with Air Conditioning-clockwise rotation	1	MC except 76-79	55
FAB 18504-A		Wheel assy (heater blower)-4-1/4" diameter-clockwise rotation	1	MB, MC	54-55
FDC 18518-A		Control assy (heater temperature)-46" long	1	MB	54
FDK 18518-B		Control assy (heater temperature)-47-9/16" long	1	MC	55
FAB 18519-B		Knob assy (temperature blower and air control)-used with Air Conditioning	1	MC except 76-79	55
FAE 18519-AP		Knob assy (heater regulator control)-used with Air Conditioning	2	MC except 76-79	55
FDC 18519-A		Knob assy (temperature blower and air control)	4	MB	54
FDK 18519-A		Knob assy (heater regulator control)	4	MC	55
		89733-S8 Screw (headless set)-No. 10-32 x 1/4"-knob to control lever	1	MC except 76-79	55
FAB 18527-A		Motor assy (heater blower)	1	MB, MC	54-55
FDK 18541-A		Socket & wire assy (heater control lamp)	2	MC	55
FDC 18548-B		Control assy (heater defroster)-43" long	1	MB	54
FDH 18548-A		Control assy (heater defroster)-26-9/16" long	1	MC	55
OH 18556-A		Hose (heater defroster)-8-1/2" long-passenger side	1	MB	54
FAA 18556-B		Hose (heater defroster)-33-1/2" long-driver side	1	MB	54
FDK 18556-C		Hose (heater defroster)-20" long-driver side	1	MC	55
FDU 18556-A		Hose (heater defroster)-1-33/64" I. D. x 23-1/2" long	1	MC	55
FAC 18561-C		Control assy (heater air regulator)-R. H.	1	MB	54
FDK 18561-C		Control assy (heater air regulator)-R. H.	1	MC	55
A 18570		Bulb (utility lamp)-32 C. P. -S. C.	1	MB, MC	54-55
FAA 18570-A		Gasket (heater to dash)-7-1/2" x 11-13/32"	1	MB, MC	54-55
1C 18572-A		Clamp (hose)-57/64" I. D. x 1/2" wide-stamped "1C-A2"	as reqd	MB, MC	54-55
FDC 18578-B		Switch assy (heater control)-with "L" shaped mounting bracket	1	MB	54
FDK 18578-B		Switch assy (heater control)-with flat shaped mounting bracket	1	MC	55
FAB 18581-A		Plate (heater motor mounting)	1	MB, MC	54-55
FDA 18583-A		Gasket (heater blower motor mounting)-used with Air Conditioning	2	MC except 76-79	55
FAA 18583-A		Gasket (heater blower motor mounting)-Rubber-1-7/16" I. D. x 2-5/16" O. D.	1	MB, MC	54-55
FAA 18584-B		Connector (heater blower duct to air valve)-4" dia. x 26" long	1	MB, MC	54-55
8A 18599		Elbow (heater connection)	1	MB, MC	54-55
OA 18605		Grommet (heater blower motor mounting)	2	MB, MC	54-55
OA 18605		Grommet (heater blower motor mounting)-use with Air Conditioner motors	4	MC	55
FAB 18616-A		Washer (heater temperature control lever thrust)	4	MB60-70-73, MC	54-55
FAB 18621-A		Pin (heater air regulator pivot)-5/32" O. D. -7/16" long	4	MB	54

MERCURY

CHASSIS PARTS CATALOGUE

Numerical List of 18,000 Miscellaneous Accessories — Continued

PART NUMBER	PART NAME	NO. REQ'D	MODEL	YEAR 19__
FAA 18631-A	Motor assy (rear window defroster)	2	MB except 76-79, MC except 76-79	54-55
FAA 18640-A	Grille assy (rear window defroster)	2	MB except 76-79, MC except 76-79	54-55
FAC 18646-C	Control assy (heater air regulator)-L. H.	1	MB	54
FDK 18646-C	Control assy (heater air regulator)-L. H.	1	MC	55
FAA 18666-C	Hose (heater temperature control vacuum inlet)- 7/32" I.D. x 7/16" O.D. x 12-3/4" length	1	MB, MC	54-55
FAB 18683-A	Cap (heater regulator control knob)	as reqd	MB	54
FDK 18704-A	Switch assy (rear window defroster)-also serviced in 18397 Kit	1	MC except 76-79	55
FAA 18726-A	Clip (heater door)	1	MB, MC	54-55
FDK 18805-B	Kit (radio receiver)	1	MC	55
FDK 18808-A	Speaker assy (radio)-front-also supplied in 18805 Kit	1	MB, MC	54-55
1H 18811-A	Suppressor assy (radio)	1	MB, MC	54-55
FAA 18812-A	Cable assy (radio antenna)-36" long	1	MB, MC	54-55
FAB 18813-B	Antenna assy (radio)-manual-R. H. fender	1	MB	54
FDK 18813-A	Antenna assy (radio)-manual-R. H. fender	1	MC	55
FAE 18817-A	Knob assy (radio receiver volume control)	2	MC	55
FDC 18817-A	Knob assy (radio receiver volume control)	2	MB	54
FAB 18830-A	Disc (radio tone control)	2	MB, MC	54-55
FAA 18832-A	Condenser assy (radio receiver voltage regulator)	1	MB, MC	54-55
FDK 18875-A	Kit (radio rear seat speaker installation)	1	MC except 76-79	55
FDK 18885-A	Vibrator (radio)-used with automatic headlamp dimmer	1	MC	55
FAF 18888-A	Support (radio receiver rear)-R. H. -9-13/16" long- with 9/32" x 5/8" slot at bottom end	1	MB	54
FDT 18888-A	Support (radio receiver rear)-R. H. -7-1/4" long- with (2) 9/32" holes	1	MC	55
FAF 18890-A	Support (radio receiver rear)-L. H. -9-13/16" long- with 9/32" x 5/8" slot at bottom end	1	MB	54
FDT 18890-A	Support (radio receiver rear)-L. H. -7-1/4" long- with (2) 9/32" holes	1	MC	55
8M 18912	Grommet (air control)	1	MB, MC	54-55
8M 18912	Grommet (top control relay to circuit breaker wire)	1	MB76, MC76	54-55
B5A 18912-A	Grommet (antenna lead-in seal)-⊕FDK-18912-A	1	MC	55
FAA 18922-B	Stanchion (radio antenna)	1	MB, MC	54-55
FAA 18954-A	Clamp (hose and wiring)-strap-7" long-also serviced in 11508, 17503, 18207, 18375 & 19568 Kits	as reqd	MB, MC	54-55
BC 18973-A	Kit (rear fender shield installation)	1	MB	54
FDC 18976-AA	Grille assy (radio rear seat speaker)-also serviced in 18875 Kit	1	MB except 76-79, MC except 76-79	55
FAA 18991-A	Plate (radio tube cover)	1	MB	54

MERCURY

CHASSIS PARTS CATALOGUE

Numerical List of 19,000 Miscellaneous Accessories

PART NUMBER	PART NAME	NO. REQ'D	MODEL	YEAR 19__
FDK 19188-D	Housing assy (heater regulator control)-R. H.	1	MC	55
FDK 19193-D	Housing assy (heater regulator control)-L. H.	1	MC	55
FDK 19214-B	Housing assy (heater regulator control lamp)	2	MC	55
FDH 19218-A	Housing & bracket assy (heater blower)	1	MB, MC	54-55
BY 19246-A	Kit (curb signal installation)	1	MB, MC	54-55
BG 19292-A	Kit (front door edge guard installation)	1	MB73	54
BG 19292-B	Kit (front door edge guard installation)	1	MB60-70-76	54
BG 19292-C	Kit (front and rear door edge guard installation)	1	MB73	54
FAA 19293-A	Brush assy (heater blower motor)-with 1-1/8" pigtail	2	MB	54
FAA 19293-B	Brush assy (heater blower motor)-with 1-5/16" pigtail	2	MB	54
FAA 19294-A	Spring (heater blower motor brush holder retaining)-1-1/4" free length	2	MB	54
FAB 19308-A	Kit (rear license plate lamp installation)	1	MB except 79	54
FDK 19376-A	Elbow assy (W/S defroster hose to defroster nozzle)-2-1/2" I. D.	1	MC	55
FDK 19378-A	Adapter assy (W/S defroster take-off)	1	MC	55
HCCA 19502-M	Lacquer (touch-up)-Black-1/2 oz. tube		MB, MC	54-55
MDCA 19502-B	Lacquer (touch-up)-Mohawk Maroon-Metallic-1/2 oz. tube		MB	54
MDCA 19502-K	Lacquer (touch-up)-Bittersweet-1/2 oz. tube		MB	54
MDCA 19502-L	Lacquer (touch-up)-Yosemite Yellow-1/2 oz. tube		MB	54
MDCA 19502-M	Lacquer (touch-up)-Siren Red-1/2 oz. tube		MB	54
MDCA 19502-N	Lacquer (touch-up)-Brentwood Brown-Metallic-1/2 oz. tube		MB	54
MECA 19502-A	Lacquer (touch-up)-Atlantic Blue-Metallic-1/2 oz. tube		MB	54
MECA 19502-B	Lacquer (touch-up)-Lakeland Blue-1/2 oz. tube		MB	54
MECA 19502-C	Lacquer (touch-up)-Granby Gray-1/2 oz. tube		MB	54
MECA 19502-D	Lacquer (touch-up)-Country Club Tan-1/2 oz. tube		MB	54
MECA 19502-E	Lacquer (touch-up)-Bloomfield Green-Metallic-1/2 oz. tube		MB	54
MECA 19502-F	Lacquer (touch-up)-Glenoaks Green-Metallic-1/2 oz. tube		MB	54
MECA 19502-G	Lacquer (touch-up)-Parklane Green-1/2 oz. tube		MB	54
MECA 19502-H	Lacquer (touch-up)-Arctic White-1/2 oz. tube		MB	54
MFCA 19502-A	Lacquer (touch-up)-Biltmore Blue-1/2 oz. tube		MC	55
MFCA 19502-B	Lacquer (touch-up)-Gulfstream Blue Metallic-1/2 oz. tube		MC	55
MFCA 19502-C	Lacquer (touch-up)-Kingstone Gray-1/2 oz. tube		MC	55
MFCA 19502-D	Lacquer (touch-up)-Rockdale Gray Metallic-1/2 oz. tube		MC	55
MFCA 19502-E	Lacquer (touch-up)-Forester Green Metallic-1/2 oz. tube		MC	55
MFCA 19502-F	Lacquer (touch-up)-Springdale Green-1/2 oz. tube		MC	55
MFCA 19502-G	Lacquer (touch-up)-Canyon Cordovan Metallic-1/2 oz. tube		MC	55

MERCURY

CHASSIS PARTS CATALOGUE

Numerical List of 19,000 Miscellaneous Accessories — Continued

PART NUMBER	CLASS	PART NAME	NO. REQ'D	MODEL	YEAR 19
MFCA 19502-H		Lacquer (touch-up)-Tampa Tan-1/2 oz. tube		MC	55
MFCA 19502-J		Lacquer (touch-up)-Tropic Blue-1/2 oz. tube		MC	55
MFCA 19502-K		Lacquer (touch-up)-Yukon Yellow-1/2 oz. tube		MC	55
MFCA 19502-L		Lacquer (touch-up)-Arbor Green-1/2 oz. tube		MC	55
MFCA 19502-M		Lacquer (touch-up)-Alaska White-1/2 oz. tube		MC	55
MFCA 19502-N		Lacquer (touch-up)-Glen Lake Blue Metallic-1/2 oz. tube		MC	55
MFCA 19502-P		Lacquer (touch-up)-Sea Isle Green Metallic-1/2 oz. tube		MC	55
MFCA 19502-Q		Lacquer (touch-up)-Carmen Red-1/2 oz. tube		MC	55
MFCA 19502-R		Lacquer (touch-up)-Lime-1/2 oz. tube		MC	55
MFCA 19502-S		Lacquer (touch-up)-Persimmon-1/2 oz. tube		MC	55
MFCA 19502-T		Lacquer (touch-up)-Sun Glaze-1/2 oz. tube		MC	55
BD 19512-A		Mitt (car washing)-Chenille		MB, MC	54-55
1M 19514-A		Coating (chrome)-8 oz. can		MB, MC	54-55
BV 19515-A		Undercoating (body)-flash-53 gallon drum		MB, MC	54-55
BD 19517-A		Cloth (dust)-wax treated		MB, MC	54-55
8H 19520		Cleaner (body Porcelainize)-liquid-case of (4) gals.		MB, MC	54-55
8L 19520-A		Cleaner (body)-liquid-pt.		MB, MC	54-55
8L 19521-A		Cleaner (spot remover)-pt.		MB, MC	54-55
BH 19521-A		Cleaner (spot remover)-pt. can		MB, MC	54-55
BV 19521-A		Cleaner (spot remover)-pt. can		MB, MC	54-55
8L 19522-A		Cleaner (chrome)-pt.		MB, MC	54-55
8H 19523-A		Cleaner (white side wall tire)-13 oz. can		MB, MC	54-55
HACA 19523-A		Cleaner (white side wall tire)-16 oz. can		MB, MC	54-55
HACA 19523-B		Cleaner (white side wall tire)-gal. can		MB, MC	54-55
8L 19526-A		Cleaner (upholstery foam)-pt.		MB, MC	54-55
8L 19528-A		Compound (body porcelainize)-liquid-8 oz. bottle		MB, MC	54-55
8L 19529-A		Polish (body porcelainize)-cream-8 oz. bottle		MB, MC	54-55
HCK 19530-C		Kit (Blue Coral)-consists of the following (48) BD-19530-A Blue Coral (24) BD-19534-A Blue Coral (12) BD-19534-B Blue Coral (1) Display-background		MB, MC	54-55
HCK 19530-D		Kit (Blue Coral)-consists of the following (24) BD-19530-A Blue Coral (24) BD-19534-A Blue Coral (1) Display-background		MB, MC	54-55
8L 19530-A		Polish (body)-pt.		MB, MC	54-55
BD 19530-A		Polish (body)-Blue Coral-16. 18 imperial oz.		MB, MC	54-55
BD 19530-B		Polish (body)-Lectron-16 oz.		MB, MC	54-55
BS 19530-A		Polish (body)-pt.		MB, MC	54-55

MERCURY

CHASSIS PARTS CATALOGUE

Numerical List of 19,000 Miscellaneous Accessories — Continued

PART NUMBER	PART NAME	NO. REQ'D	MODEL	YEAR 19____
8L 19534-A	Wax (body polishing)-8 oz. can		MB, MC	54-55
BD 19534-A	Wax (body)-Blue Coral-80 grams		MB, MC	54-55
BD 19534-B	Wax (body)-Blue Coral-227 grams		MB, MC	54-55
BS 19534-A	Wax (body)-8 oz. cans		MB, MC	54-55
LE 19536-A	Body assy (multiple lubricator)	1	MC	55
LE 19538-A	Cylinder assy (multiple lubricator)-vacuum	1	MC	55
LE 19539-A	Spring (multiple lubricator)-contact	1	MC	55
HACA 19542-A	Fluid (brake)-heavy duty-pt.		MB, MC	54-55
HACA 19542-B	Fluid (brake)-heavy duty-gallon		MB, MC	54-55
HACA 19542-E	Fluid (brake)-heavy duty-5 gal. can		MB, MC	54-55
LE 19543-A	Adapter (multiple lubricator to vacuum supply hose)	1	MC	55
8H 19544-A	Anti-freeze (permanent)-gal.		MB, MC	54-55
8H 19544-C	Anti-freeze (permanent)-qt.		MB, MC	54-55
8M 19544-A	Anti-freeze (type N)-gal.		MB, MC	54-55
8M 19544-B	Anti-freeze (type N)-54 gal. drum		MB, MC	54-55
MB 19544-A	Anti-freeze (methyl alcohol)-gal.		MB, MC	54-55
MB 19544-B	Anti-freeze (methyl alcohol)-55 gal. drum		MB, MC	54-55
MFCA 19544-A	Anti-freeze (prestone)-1 gal.		MB, MC	54-55
MFCA 19544-B	Anti-freeze (prestone)-1 qt.		MB, MC	54-55
8L 19545-A	Fluid (window regulator)-pt.		MB, MC	54-55
8H 19546-A	Inhibitor (cooling system rust)-pt.		MB, MC	54-55
8L 19550-A	Solution (W/S washer)-6 oz.		MB, MC	54-55
MFCA 19550-B	Solution (window cleaner)-10 oz. bottle		MB, MC	54-55
8L 19552-A	Cement (rubber)-5 oz.		MB, MC	54-55
LE 19553-A	Adapter (multiple lubricator grease filler)-upper	1	MC	55
8M 19554-A	Sealer (compound)-16 oz.		MB, MC	54-55
LE 19555-A	Adapter (multiple lubricator grease filler)-lower	1	MC	55
8L 19558-A	Radiator Stop Leak-10 oz.		MB, MC	54-55
LA 19558-A	Radiator Stop Leak-6 oz. fluid container		MB, MC	54-55
8M 19560-B	Kit-caulking strip-carton (80 ft.)		MB, MC	54-55
LE 19567-A	Kit (multiple lubricator)-repair	as reqd	MC	55
MC 19568-A	Kit (multiple lubricator)-use with Automatic trans. and power steering	1	MC	55
MC 19568-B	Kit (multiple lubricator)-use with Automatic trans. and standard steering	1	MC	55
MC 19568-C	Kit (multiple lubricator)-use with Standard trans. and power steering	1	MC	55
MC 19568-D	Kit (multiple lubricator)-use with Standard trans. and standard steering	1	MC	55

MERCURY

CHASSIS PARTS CATALOGUE

Numerical List of 19,000 Miscellaneous Accessories — Continued

PART NUMBER	PART NAME	NO. REQ'D	MODEL	YEAR 19__
MC 19569-A	Harness assy (multiple lubricator)-main	1	MC	55
FDL 19571-A	Wiring assy (multiple lubricator)	1	MC	55
FDL 19573-A	Valve assy (multiple lubricator)-control	1	MC	55
FDL 19574-A	Bezel (multiple lubricator)-control	1	MC	55
8L 19575-A	Grease (distributor)-4 oz.		MB, MC	54-55
FDL 19576-A	Spacer (multiple lubricator)-control	1	MC	55
LE 19577-A	Grease (chassis lubricant)-7 oz. can		MC	55
MB 19581-B	Lubricant (rear axle hypoid)-100 lb. drum		MB, MC	54-55
MB 19581-C	Lubricant (rear axle hypoid)-400 lb. drum		MB, MC	54-55
MC 19581-A	Lubricant (rear axle hypoid)-120 lb. drum		MB, MC	54-55
8L 19582-A	Fluid (Merc-O-Matic transmission and power steering)-54 gal. drum		MB, MC	54-55
8L 19582-B	Fluid (Merc-O-Matic transmission and power steering)-5 gal. can		MB, MC	54-55
8L 19582-C	Fluid (Merc-O-Matic transmission and power steering)-1 qt. can		MB, MC	54-55
8L 19582-E	Fluid (Merc-O-Matic transmission and power steering)-1 gal. can		MB, MC	54-55
8L 19585-A	Grease (wheel bearing)-5 lb.		MB, MC	54-55
MC 19585-A	Grease (wheel bearing)-35 lb. pail		MC	55
8L 19586-A	Lubriplate-2 oz. tube-used for lubricating door bumpers, lock etc.		MB, MC	54-55
FAA 19590-A	Casebolt (rear window defroster motor)-No. 8-32 x 2-7/16"	2	MB	54
FAA 19591-A	Spring (rear window defroster motor brush holder retaining)-5/16" free length	2	MB	54
FAA 19592-A	Brush assy (rear window defroster motor)-with 5-1/4" pigtail	2	MB	54
LE 19593-A	Indicator assy (multiple lubricator)-grease	1	MC	55
LE 19596-A	Contact assy (multiple lubricator)-indicator for (10) outlets	1	MC	55
MC 19596-A	Contact assy (multiple lubricator)-for (11) outlets	1	MC	55
MC 19596-B	Contact assy (multiple lubricator)-for (12) outlets	1	MC	55

MERCURY

CHASSIS PARTS CATALOGUE

Air Conditioning

PART NUMBER	QTY	PART NAME	NO. REQ'D	MODEL	YEAR 19__
		ECK-2875-B Compressor assy	1	MC except 76-79	55
		EAD-2878-A Compressor assy (universal)	1	MC except 76-79	55
		B5A-2880-A Pulley (compressor)- ⊕ECG-2880-A	1	MC except 76-79	55
		ECE-2882-A Bracket (compressor mounting)	1	MC except 76-79	55
		ECK-2882-A Bracket (compressor mounting)	1	MC except 76-79	55
		EBU-2888-A Brace (compressor)-front	1	MC except 76-79	55
		EBU-2889-A Brace (compressor)-rear	1	MC except 76-79	55
		ECB-2890-A Belt (compressor)	2	MC except 76-79	55
		B5A-6316-B Damper assy (crankshaft vibration) -⊕ECG-6316-B	1	MC except 76-79	55
		EBJ-22887-A Gasket (compressor mounting bracket)	1	MC except 76-79	55
		LA-33547-A "O" Ring (compressor)-3/4" I. D. -also serviced in 19671 & 19675 Kits	1	MC except 76-79	55
EBJ 19655-A NS		Seal assy (compressor crankshaft)-serviced in 19670 Kit only	1	MC except 76-79	55
EBJ 19656-A NS		Valve plate assy (compressor)-serviced in 19673 Kit only	1	MC except 76-79	55
EBJ 19657-B NS		Gasket (compressor valve plate)-serviced in 19671 & 19673 Kits only	1	MC except 76-79	55
EBJ 19658-A NS		Gasket (compressor cylinder head)-serviced in 19671 & 19673 Kits only	1	MC except 76-79	55
EBJ 19659-A NS		Leaf (compressor intake valve)-serviced in 19673 Kit only	2	MC except 76-79	55
ECK 19660-A NS		Fitting (compressor discharge)-serviced in 19674 Kit only	1	MC except 76-79	55
ECK 19661-A NS		Fitting (compressor suction)-serviced in 19661 Kit only	1	MC except 76-79	55
MFK 19661-A		Kit (compressor suction line fitting)-consists of of the following (1) ECK-19661-A Fitting (1) EBJ-19664-A Gasket	1	MC except 76-79	55
EBJ 19662-A NS		Screen assy (compressor suction fitting)-serviced in 19672 Kit only	1	MC except 76-79	55
EBJ 19663-A NS		Gasket (compressor suction fitting screen)- serviced in 19671 & 19672 Kits only	1	MC except 76-79	55
EBJ 19664-A NS		Gasket (compressor suction & discharge fittings)- serviced in 19660, 19661, 19671, 19672 and 19674 Kits only	2	MC except 76-79	55
EBJ 19665-A NS		Glass (compressor oil level indicator)-serviced in 19675 Kit only	1	MC except 76-79	55
EBJ 19666-A NS		Gasket (compressor oil level indicator glass)- serviced in 19671 & 19675 Kits only	1	MC except 76-79	55

MERCURY

CHASSIS PARTS CATALOGUE

Air Conditioning - Continued

PART NUMBER	QTY	PART NAME	NO. REQ'D	MODEL	YEAR 19__
EBJ 19667-A	NS	Retainer (compressor oil level indicator)- serviced in 19675 Kit only	1	MC except 76-79	55
B5A 19670-B		Kit (compressor shaft seal replacement)-consists of the following (1)EBJ-19655-B Seal (1)EBJ-19697-A Housing (1)EBJ-19698-A Gasket (1)358785-S Snap Ring	1	MC except 76-79	55
B5A 19670-C		Kit (compressor shaft seal replacement)-consists of the following (1) EBJ-19655-A Seal (1) EBJ-19698-A Gasket (1) 358785-S Snap Ring	1	MC except 76-79	55
B5A 19671-A		Kit (compressor gasket)-consists of the following (1) EBJ-19657-B Gasket (1) EBJ-19658-A Gasket (1) EBJ-19663-A Gasket (2) EBJ-19664-A Gasket (1) EBJ-19666-A Gasket (1) LA-33547-A "O"Ring	1	MC except 76-79	55
FDL 19671-A		Plunger assy (automatic throttle control electro magnet)	1	MC except 76-79	55
B5A 19672-A		Kit (compressor suction strainer screen)-consists of the following (1) EBJ-19662-A Screen (1) EBJ-19663-A Gasket (1) EBJ-19664-A Gasket	1	MC except 76-79	55
FDL 19672-A		Spring (automatic throttle control diaphragm return)	1	MC except 76-79	55
B5A 19673-A		Kit (compressor valve plate replacement)-consists of the following (1)EBJ-19656-A Valveplate (1)EBJ-19657-B Gasket (1)EBJ-19658-A Gasket (2)EBJ-19659-A Leaf	1	MC except 76-79	55
FDL 19674-A		Spring (automatic throttle control electro magnet plunger)	1	MC except 76-79	55
B5A 19674-A		Kit (compressor discharge line fitting)-consists of the following (1) ECK-19660-A Fitting (1) EBJ-19664-A Gasket	1	MC except 76-79	55
FDL 19675-A		Gasket (automatic throttle control electro magnet housing)	1	MC except 76-79	55
B5A 19675-A		Kit (compressor oil sight glass)-consists of the following (1) EBJ-19665-A Glass (1) EBJ-19666-A Gasket (1) EBJ-19667-A Retainer(1) LA-33547-A "O"Ring (1) 354835-S Washer -11/16 spring	1	MC except 76-79	55
FDL 19678-A		Electro magnet & housing assy (automatic throttle control)	1	MC except 76-79	55
		359753-S7 Screw & washer assy (fill-hd)- No. 8-32 x 5/16"-electro magnet & housing to housing plug assy	2	MC except 76-79	55

MERCURY

CHASSIS PARTS CATALOGUE

Air Conditioning - Continued

PART NUMBER	CATALOG	PART NAME	NO. REQ'D	MODEL	YEAR 19__
FDL 19679-A		Guide (automatic throttle control diaphragm & shaft)	1	MC except 76-79	55
FDL 19680-A		Diaphragm & shaft assy (automatic throttle control)	1	MC except 76-79	55
		359755-S7 Nut (knurled)-No. 10-32- diaphragm & shaft assy to throttle linkage	1	MC except 76-79	55
MC 19692-A		Hose assy (oil separator to compressor)-also serviced in 19707 Kit	1	MC except 76-79	55
MFK 19700-A		Kit (Air Conditioning)-Installation-consists of the following (1)ECK-2875-B Comp. (1)ECE-2882-A Brkt. (1)EBU-2888-A Brace (1)EBU-2889-A Brace (2)ECB-2890-A Bolt (1)ECG-6316-B Damper (1)EBU-6750-B Indic. (1)EBU-6754-C Tube (1)ECB-8509-C Pulley (1)ECE-8546-B Spacer (1) LA-8600-A Fan (2)FAA-8725-A Clamp (1)FAP-10130-B Pulley (1)ECE-10145-B Arm # (1) BV-10732-A Tray (1) BV-10769-A Supt. (1)FDC-14301-B Wire (1) 59A-14487 Conn. (1) BV-16886-A Supt. (1) BV-16924-A Brace (1) BV-17822-B Brace (1)FAA-18954-A Clamp (1) EBJ-19664-A Gskt. (1)FDK-19710-A Cond. (1)FDC-19742-AP Grille (1)FDC-19743-APGrille (1)FDK-19750-A Valve (1)FDK-19767-A Filter (1) FDJ-19775-A Insul. (1) FDJ-19777-A Clamp (2) BV-19800-A Grom. (2) BV-19813-A Screen (1)FDK-19826-B Cover (1) MC-19835-A Tube (1) MC-19837-A Tube (1)FDK-19850-A Evap. (1) MC-19852-A Tube (1) MC-19856-A Tube (1) MC-19867-B Tube (1) MC-19909-A Tube (1) MC-19921-A Insul. (2) BV-19926-E Duct (1) MC-19929-A Insul. (1) MC-19943-A Tube (1)FDK-19945-A Wiring (1) MC-19948-B Tube (1) FDJ-19949-A Wiring (2) BV-19955-A Brkt. (2)FDC-19956-A Hose (1)FDD-19959-A Tank (1) MC-19971-C Hose (1) MC-19972-B Hose (1) MC-19973-A Tube # (1)FDK-19980-BPControl (1)FDC-19988-A Control(2)FDK-19994-A Conn. (3)FDL-19996-A Adapter(1) MC-19997-A Tube (3)20324-S8 Bolt (4)20347-S8 Bolt (2)20348-S8 Bolt (1)20350-S8 L/wshr. (1)20427-S8 Bolt (1)20428-S8 Bolt (1)20448-S8 Bolt (1)20468-S8 Bolt (2)32937-S Screw (3)33795-S8 Nut (4)33798-S8 Nut (3)33846-S8 Nut (8)33891-S8 W/nut (4)33924-S8 Nut (10)34052-S8 Nut (4)34079-S8 Nut (1)34176-S8 Nut (1)34662-S8 Nut (10)34803-S7 L/wshr.(1)34805-S7 L/wshr. (6)34806-S7 L/wshr.(5)34807-S7 L/wshr. (3)34808-S7 Bolt (2)34825-S7 L/wshr. (2)34939-S7 L/wshr.(10)40156-S8 Screw	1	MC except 76-79	55
Continued on Next Page					

MERCURY

CHASSIS PARTS CATALOGUE

Air Conditioning - Continued

PART NUMBER	CHASSIS	PART NAME	NO. REQ'D	MODEL	YEAR 19__
		(4)41209-S7 Screw (6)44718-S8 Wshr.			
		(5)44719-S8 Wshr. (4)44723-S8 L/wshr.			
		(2)44724-S8 Wshr. (3)44736-S8 Wshr.			
		(1)45538-S8 Bolt (1)45572-S8 Bolt			
		(4)50507-S8 Screw (8)50508-S8 Screw			
		(4)51755-S8 Screw (8)52726-S8 Screw			
		(2)52727-S8 Screw (8)351608-S8 Wshr.			
		(2)352922-S Clamp (1)352923-S Clip			
		(1)353599-S13 Bolt (7)354076-S Gskt.			
		(1)356321-S Wshr. (2)357256-S2 Nut			
		(1)354501-S Nipple (1)354693-S Nipple			
		(1)354413-S100 Clip (1)354484-S8 Bolt			
		(1)354263-S Grom. (4)354333-S32 Clip			
		(6)354091-S100 Clip (1)354137-S8 Bolt			
		(3)354077-S Gskt. (8)354078-S Gskt.			
		(1)357629-S7 L/wshr.			
		(1) Set of Instruction Sheets to be included in this Kit			
MFK 19707-A		Kit (oil separator)-consists of the following (1)EBJ-19664-A Gasket (1)MC-19692-A Hose (1)FDK-19707-A Sep.&Brkt. (1)MC-19971-C S/Line (1)87347-S "T" Fitting (3)354078-S Gasket (3)354981-S Gasket	1	MC except 76-79	55
FDK 19707-A		Separator assy (suction line oil)	1	MC except 76-79	55
		354078-S Gasket (5/8" flared tube)- separator to low pressure valve & bracket assy	1	MC except 76-79	55
		354981-S Gasket (1/4" flared tube)- hose to compressor	1	MC except 76-79	55
		354981-S Gasket (1/4" flared tube)- hose to separator	1	MC except 76-79	55
		33900-S8 Nut (wing)-No. 8-32-grille to package tray	8	MC except 76-79	55
FDK 19712-A		Core assy (condenser)	1	MC except 76-79	55
		354076-S Gasket (3/8" flared tube)- 23/64" I.D. x 35/64" O.D. - tube to core & expansion valve & control assy	1	MC except 76-79	55
		40892-S8 Screw (hex washer hd tap)- No. 10-24 x 1/4"-holds core together	8	MC except 76-79	55
MC 19713-A		Lever (automatic throttle control)	1	MC except 76-79	55
LE 19714-A		Clamp (automatic throttle control lever)	1	MC except 76-79	55

MERCURY

CHASSIS PARTS CATALOGUE

Air Conditioning - Continued

PART NUMBER	PART NAME	NO. REQ'D	MODEL	YEAR 19__
FDL 19715-A	Valve assy (condenser high pressure)	1	MC except 76-79	55
LE 19716-A	Tube assy (automatic throttle to intake manifold)	1	MC except 76-79	55
MC 19718-A	Plug (power brake connector)	1	MC except 76-79	55
FDL 19721-A	Control assy (automatic throttle)	1	MC except 76-79	55
MFK 19721-A	Kit (automatic throttle control)-consists of the following (1) MC-19713-A Lever (1) LE-19714-A Clamp (1) LE-19716-A Tube (1) MC-19718-A Plug (1) FDL-19721-A Control (1) MC-19724-A Hose (1) MC-19727-A Brkt. (1) FDK-19739-A Wire (1) FDK-19771-A Relay (1) MC-22396-A Conntr. (3) 31497-S8 Screw (2) 34940-S7 L/wshr. (2) 50629-S8 Screw (1) 354332-S2 Clip (1) 356640-S2 Clip	1	MC except 76-79	55
MC 19724-A NS	Hose (intake manifold to automatic throttle control) -11-3/8" long-cut from O6H-17543-C	1	MC except 76-79	55
MC 19727-A	Bracket (automatic throttle control)	1	MC except 76-79	55
FDK 19739-A	Wiring assy (automatic throttle control)	1	MC except 76-79	55
	354332-S2 Clip (wiring)-wiring to mounting bolt trans. control to accelerator shaft assy	1	MC except 76-79	55
	356640-S2 Clip (wiring)-wiring to dash panel	1	MC except 76-79	55
FDC 19742-AP	Grille assy (air intake)-R. H.	1	MC except 76-79	55
FDC 19743-AP	Grille assy (air intake)-L. H.	1	MC except 76-79	55
FDK 19750-A	Valve & bracket assy (compressor)-low pressure	1	MC except 76-79	55
	40156-S8 Screw (hex-hd tap)-5/16"-18 x 5/8"-valve & bracket to R. H. front fender apron	1	MC except 76-79	55
FDD 19757-A	Switch assy (control cut-out)	1	MC except 76-79	55
FDK 19759-A	Knob assy (blower switch)	2	MC except 76-79	55
FDK 19767-A	Filter assy (suction line)	1	MC except 76-79	55
	20367-S8 Bolt (hex-hd)-5/16"-24 x 7/8"-filter to R. H. front fender apron	1	MC except 76-79	55
	34806-S7 Lockwasher-5/16"-filter to R. H. front fender apron	1	MC except 76-79	55
	33798-S8 Nut (hex)-5/16"-24-filter to R. H. front fender apron	1	MC except 76-79	55

MERCURY

CHASSIS PARTS CATALOGUE

Air Conditioning - Continued

PART NUMBER	C L S S	PART NAME	NO. REQ'D	MODEL	YEAR 19____
BV 19768-A		Retainer (outside air intake grille)	4	MC60-64-70-73	55
BV 19770-A		Plate assy (outside air intake control lever anchor)	2	MC 60-64-70-73	55
FDK 19771-A		Relay assy (automatic throttle control)	1	MC except 76-79	55
		34940-S7 Lockwasher (external tooth)- 1/4"-relay and dash to engine cable assy to dash panel	1	MC except 76-79	55
		31497-S8 Screw (hex-hd tapping)-No. 14-10 x 1/2"-relay to dash panel	1	MC except 76-79	55
		31497-S8 Screw (hex-hd tapping)-No. 14-10 x 1/2" relay to dash and engine cable assy	1	MC except 76-79	55
BV 19800-A		Connector (package tray duct)	2	MC	55
		34052-S8 Nut (hex)-No. 8-32-connector to package tray	6	MC64B	55
		44710-S8 Washer (flat)-No. 8-connector to package tray	6	MC64B	55
FDK 19805-A		Motor assy (blower)-clockwise rotation	1	MC except 76-79	55
FDK 19805-B		Motor assy (blower)-counterclockwise rotation	1	MC except 76-79	55
		34903-S8 Lockwasher (internal tooth)- No. 10-motor to mounting plate	4	MC except 76-79	55
		34079-S7 Nut (hex)-No. 10-32-motor to mounting plate	4	MC except 76-79	55
		32917-S8 Screw (pan-hd tapping)-No. 10 -12 x 3/8"-motor & wheel assy to blower housing R. H. & L. H.	10	MC except 76-79	55
		52727-S8 Screw (cross recessed pan-hd tapping)-No. 10-12 x 1/2"- motor ground wire to package tray flange	2	MC except 76-79	55
		351278-S8 Washer (flat)-7/32" I. D. motor to mounting plate	4	MC except 76-79	55
BV 19813-A		Screw (package tray duct)	2	MC	55
AC 19825-A		Dehydator assy	1	MC except 76-79	55
		52727-S8 Screw (cross recessed pan hd)- No. 10-12 x 1/2"-motor to flange package tray panel	2	MC except 76-79	55
		351278-S8 Washer (flat)-7/32" I. D. - motor to mounting plate	as req'd	MC except 76-79	55
FDK 19826-A		Cover & installation assy (evaporator)	1	MC except 76-79	55
FDK 19826-B		Cover & installation assy (evaporator)	1	MC except 76-79	55
		34803-S7 Lockwasher-No. 10-cover & insulation to evaporator assy	8	MC except 76-79	55
		34176-S8 Nut (blind)-No. 10-32-cover & insulation to evaporator assy	1	MC except 76-79	55
		50508-S8 Screw (cross recessed pan hd) -No. 10-32 x 3/8"-cover & insulation to evaporator assy	8	MC except 76-79	55

MERCURY

CHASSIS PARTS CATALOGUE

Air Conditioning - Continued

PART NUMBER	910-PTO	PART NAME	NO. REQ'D	MODEL	YEAR 19__
FDD 19827-A		Tube assy (receiver to dehydrator)	1	MC except 76-79	55
	354076-S	Gasket (flared tube-3/8")- 23/64" I. D. x 35/64" O. D. - tube to dehydrator assy	1	MC except 76-79	55
	354076-S	Gasket (flared tube-3/8")- 23/64" I. D. x 35/64" O. D. - tube to receiver tank	1	MC except 76-79	55
LA 19831-A		Anti-squeak (dehydrator to clamp)	2	MC except 76-79	55
FDK 19833-A		Plate (blower motor mounting)	2	MC except 76-79	55
	355312-S34	Screw (headless socket set)- 1/4"-28-wheel to shaft	1	MC except 76-79	55
FDK 19834-A		Wheel assy (blower)-counter-clockwise rotation	1	MC except 76-79	55
FDK 19834-B		Wheel assy (blower)-clockwise rotation	1	MC except 76-79	55
MC 19835-A		Tube assy (dehydrator to evaporator)-front	1	MC except 76-79	55
	354091-S100	Clip (3/8" & 5/8" tubing)-tube to frame	1	MC except 76-79	55
	354076-S	Gasket (3/8" flared tube)- 23/64" I. D. x 35/64" O. D. - tube to dehydrator	1	MC except 76-79	55
	354076-S	Gasket (3/8" flared tube)- 23/64" I. D. x 35/64" O. D. - tube to evaporator	1	MC except 76-79	55
	40156-S8	Screw (hex-hd tap)-5/16"-18 x 5/8"-tube to frame	1	MC except 76-79	55
MC 19837-A		Tube assy (dehydrator to evaporator)-rear	1	MC except 76-79	55
	354091-S100	Clip (3/8" & 5/8" tubing)-tube to frame	1	MC except 76-79	55
	354091-S100	Clip (3/8" & 5/8" tubing)-tube to crossmember	1	MC except 76-79	55
	354693-S	Coupling (half union 3/8" flared)-tube to evaporator	1	MC except 76-79	55
	354076-S	Gasket (3/8" flared tube)- 23/64" I. D. x 35/64" O. D. - tube to evaporator	1	MC except 76-79	55
	40156-S8	Screw (hex-hd tapping)-5/16"- 18 x 5/8"-tube dehydrator & tube evaporator to frame assy	1	MC except 76-79	55
	40156-S8	Screw (hex-hd tapping)-5/16"- 18 x 5/8"-tube dehydrator & tube evaporator to cross member	1	MC except 76-79	55
LA 19838-A		Clamp (dehydrator to receiver)	2	MC except 76-79	55
	20347-S8	Bolt (hex-hd)-5/16"-24 x 3/4"- clamp to receiver tank	2	MC except 76-79	55
	357624-S7	Lockwasher-5/16"-clamp to receiver tank	2	MC except 76-79	55
	33798-S8	Nut (hex)-5/16"-24-clamp to receiver tank	2	MC except 76-79	55

CHASSIS PARTS CATALOGUE

Air Conditioning - Continued

PART NUMBER	PART NAME	NO. REQ'D	MODEL	YEAR 19__
BV 19839-A	Lever & bracket assy (outside air intake control)	2	MC60-64-70-73	55
	34803-S7 Lockwasher-No. 10-lever & bracket to package tray	4	MC60-64-70-73	55
	34079-S7 Nut (hex)-No. 10-32-lever & bracket to package tray	4	MC60-64-70-73	55
FDD 19849-A	Valve assy (evaporator expansion)	1	MC except 76-79	55
	352521-S8 Clip (valve to evaporator core)	2	MC except 76-79	55
	354859-S8 Clip (valve to evaporator case)	1	MC except 76-79	55
	87299-S Elbow (fluid tube)-1/4"-7/16" x 20-valve to evaporator core	1	MC except 76-79	55
	33360-S Screw (rd-hd tap)-No. 4-24 x 1/4"-valve to evaporator case	1	MC except 76-79	55
MC 19852-A	Tube assy (evaporator to compressor shut off valve)-rear	1	MC except 76-79	55
	354501-S Coupling (half union 5/8" tube) tube to evaporator	1	MC except 76-79	55
	354076-S Gasket (3/8" flared tube)-23/64" I. D. x 35/64" O. D. - tube to shut off valve	1	MC except 76-79	55
	354076-S Gasket (3/8" flared tube)-23/64" I. D. x 35/64" O. D. - tube rear to tube rear enter	1	MC except 76-79	55
	354076-S Gasket (3/8" flared tube)-23/64" I. D. x 35/64" O. D. - tube to union coupling	1	MC except 76-79	55
	354078-S Gasket (5/8" flared tube)-17/32" I. D. x 3/4" O. D. - tube to union coupling	1	MC except 76-79	55
MC 19856-A	Tube assy (evaporator to compressor shut off valve)-rear intermediate	1	MC except 76-79	55
	352922-S Clip (tube to floor supports)	2	MC except 76-79	55
	354076-S Gasket (3/8" flared tube)-23/64" I. D. x 35/64" O. D. - tube rear to tube rear enter	1	MC except 76-79	55
	40156-S8 Screw (hex-hd tapping)-5/16"-18 x 5/8"-tube to floor supports	2	MC except 76-79	55
FDK 19860-A	Core assy (evaporator)	1	MC except 76-79	55
FAA 19864-A	Clip (evaporator expansion valve)	2	MC except 76-79	55
FDD 19865-A	Filter assy (evaporator)	1	MC except 76-79	55
	34054-S8 Nut (hex)-No. 12-24-core to evaporator case	4	MC except 76-79	55
	32853-S7 Screw (rd-hd tap)-No. 12-14 x 1/2"-clip to evaporator case	2	MC except 76-79	55
	42735-S8 Screw & washer assy (hex-hd)-No. 12-24 x 1/2"-core to evaporator case	4	MC except 76-79	55
	44715-S8 Washer (flat)-No. 12-core to evaporator case	4	MC except 76-79	55

MERCURY

CHASSIS PARTS CATALOGUE

Air Conditioning - Continued

PART NUMBER	CLASS	PART NAME	NO. REQ'D	MODEL	YEAR 19__
MC 19867-B		Tube assy (evaporator to compressor shut off valve)-front	1	MC except 76-79	55
		354076-S Gasket (3/8" flared tube)-23/64" I. D. x 35/64" O. D. - tube to filter	1	MC except 76-79	55
		354076-S Gasket (3/8" flared tube)-23/64" I. D. x 35/64" O. D. - tube to shut off valve front	1	MC except 76-79	55
		354078-S Gasket (5/8" flared tube)-17/32" I. D. x 3/4" O. D. - tube to compressor shut off valve	1	MC except 76-79	55
		354078-S Gasket (5/8" flared tube)-17/32" I. D. x 3/4" O. D. - tube to filter assy	1	MC except 76-79	55
		354078-S Gasket (5/8" flared tube)-17/32" I. D. x 3/4" O. D. - tube to compressor front shut off valve	1	MC except 76-79	55
FDD 19868-A		Indicator assy (evaporator liquid)	1	MC except 76-79	55
BS 19877-A		Flue (outside air intake scoop)	2	MC except 76-79	55
FDD 19881-A		Shaft assy (outside air intake flue damper operating)-R. H.	1	MC except 76-79	55
		354858-S2 Nut (push-on)-3/16"-shaft to evaporator case	1	MC except 76-79	55
		351253-S8 Washer (plain)-3/16" x 7/16" x 1/32"-to hold shaft in position	1	MC except 76-79	55
BR 19884-A		Scoop assy (outside air intake)-R. H. -Chrome	1	MC except 76-79	55
BR 19885-A		Scoop assy (outside air intake)-L. H. -Chrome	1	MC except 76-79	55
		34903-S8 Lockwasher (external tooth)-No. 10-scoop to quarter panel	8	MC except 76-79	55
		34053-S8 Nut (hex)-No. 10-24-scoop to quarter panel	8	MC except 76-79	55
		351600-S8 Washer (cup)-moulding retainer scoop to quarter panel	8	MC except 76-79	55
BH 19886-B		Screen (outside air intake scoop)	2	MC except 76-79	55
BH 19890-A		Duct (outside air intake scoop)-R. H.	1	MC except 76-79	55
BH 19891-A		Duct (outside air intake scoop)-L. H.	1	MC except 76-79	55
BH 19892-A		Seal (outside air intake scoop)	2	MC except 76-79	55
BS 19893-B		Register assy (roof side)	4	MC except 76-79	55
		353780-S32 Nut (spring)-No. 8A-register to roof side duct	8	MC60-64A-70-73	55
		52360-S13 Screw (cross recessed oval hd)-No. 8-15 x 3/4"-register to roof side duct	8	MC60-64A-70-73	55
FDK 19897-A		Case assy (evaporator)	1	MC except 76-79	55
BV 19900-A		Duct assy (roof side)-R. H.	1	MC70-73	55
BV 19900-B		Duct assy (roof side)-R. H.	1	MC60	55
BV 19900-D		Duct assy (roof side)-R. H.	1	MC64A	55

MERCURY

CHASSIS PARTS CATALOGUE

Air Conditioning - Continued

PART NUMBER	PART NAME	NO. REQ'D	MODEL	YEAR 19__
MFK 19900-A	Kit (air intake & duct assy installation)-interior- consists of the following (2)FAE-18519-AP Knob (4) BV-19768-A Retainer (2) BV-19770-A Plate (2) BV-19839-A Lvr.&Brkt. # (2) BV-19843-A Conn. (2) BS-19877-A Flue (1) BR-19884-A Scoop (1) BR-19885-A Scoop (2) BH-19886-B Screen (1) BH-19890-A Duct (1) BH-19891-A Duct (2) BH-19892-A Seal (4) BS-19893-B Grille (1) BV-19900-A Duct (1) BV-19901-A Duct (2) BM-19914-B Mldg. (1) BV-19926-A Duct (1) BV-19927-A Duct (2) BT-19942-B Grom. (2) FDC-19977-A Hose (2) BS-19999-A Mldg. (8)34053-S8 Nut (4)34079-S7 Nut (4)34803-S7 Washer (8)34903-S8 Wshr. (4)52344-S13 Screw (8)52360-S13 Screw (4)52720-S8 Screw (8)52726-S8 Screw (8)351600-S8 Washer (8)353780-S32 Nut (8)354830-S2 Bolt (8)354849-S2 Nut	1	MC70B-73B-73C	55
MFK 19900-B	Kit (air intake & duct assy installation)-interior- consists of the following (2)FAE-18519-AP Knob (4)BV-19768-A Retainer (2) BV-19770-A Plate (2)BV-19839-A Lvr.&Brkt. # (2) BV-19843-A Conn. (2)BS-19877-A Flue (1) BR-19884-A Scoop (1)BR-19885-A Scoop (2) BH-19886-B Screen (1)BH-19890-A Duct (1) BH-19891-A Duct (2)BH-19892-A Seal (4) BS-19893-B Grille (1)BV-19900-C Duct (1) BV-19901-C Duct (2)BM-19914-B Moulding (1) BV-19926-B Duct (1)BV-19927-D Duct (2)FDC-19977-A Hose (2)BS-19999-A Moulding (8)34053-S8 Nut (4)34079-S7 Nut (4)34803-S8 Wshr. (8)34903-S8 Washer (4)52344-S13 Screw (8)52360-S13 Screw (4)52720-S8 Screw (8)52726-S8 Screw (8)351600-S8 Wshr. (8)353780-S32 Nut (8)354830-S2 Bolt (8)354849-S2 Nut	1	MC58A	55
MFK 19900-C	Kit (air intake & duct assy installation)-interior- consists of the following (2)FAE-18519-AP Knob (4) BV-19768-A Retainer (2) BV-19770-A Plate (2) BV-19839-A Lvr.&Brkt. # (2) BV-19843-B Conn. (2) BS-19877-A Flue (1) BR-19884-A Scoop (1) BR-19885-A Scoop (2) BH-19886-B Screen (1) BH-19890-A Duct (1) BH-19891-A Duct (2) BH-19892-A Seal (4) BS-19893-B Grille (1) BV-19900-D Duct (1) BV-19901-D Duct (1) BV-19914-A Moulding (1) BV-19915-A Mldg. (1) BV-19926-A Moulding (1) BV-19926-C Duct (1) BV-19927-C Duct (2)FDC-19977-A Hose (2) BS-19999-A Moulding (8)34053-S8 Nut (4)34079-S7 Nut (4)34803-S7 Wshr. (8)34903-S8 Washer (4)52344-S13 Screw (8)52360-S13 Screw (4)52720-S8 Screw (8)52726-S8 Screw (8)351600-S8 Wshr. (8)353780-S32 Nut (8)354830-S2 Bolt (8)354849-S2 Nut	1	MC64	55

Detail of Kit not serviced loose

MERCURY

CHASSIS PARTS CATALOGUE

Air Conditioning - Continued

PART NUMBER	PART NAME	NO. REQ'D	MODEL	YEAR 19__
MFK-19900-D	Kit (air intake & duct assy installation)-interior-consists of the following (2)FAE-18519-AP Knob (4)BV-19768-A Retainer (2) BV-19770-A Plate (2)BV-19839-A Lvr.&Brkt #(2) BV-19843-B Conn. (2) BS-19877-A Flue (1) BR-19884-A Scoop (1)BR-19885-A Scoop (2) BH-19886-B Screen(1)BH-19890-A Duct (1) BH-19891-A Duct (2)BH-19892-A Seal (4) BS-19893-B Grille(1)BV-19900-B Duct (1) BV-19901-B Duct (1)BM-19914-A Mldg. (1) BM-19915-A Mldg. (1)BV-19926-B Duct (1) BV-19927-B Duct (2)BT-19942-B Grom. (2)FDC-19977-A Hose (2) BS-19999-A Mldg. (8)34053-S8 Nut (4)34079-S7 Nut (4)34803-S7 Wshr. (8)34903-S8 Washer (4)52344-S13 Screw (8)52360-S13 Screw (4)52720-S8 Screw (8)52726-S8 Screw (8)351600-S8 Wshr. (8)353780-S32 Nut (8)354830-S2 Bolt (8)354849-S2 Nut	1	MC60	55
BV 19901-A	Duct assy (roof side)-L. H.	1	MC70-73	55
BV 19901-B	Duct assy (roof side)-L. H.	1	MC60	55
BV 19901-D	Duct assy (roof side)-L. H.	1	MC64A	55
	354830-S2 Bolt (eye)-No. 10-24-duct to headlining support	8	MC58-60-70-73	55
	354849-S2 Nut & washer assy (hex)-No. 10-24-duct to headlining support	8	MC58-60-70-73	55
	52720-S8 Screw (cross recessed pan hd) -No. 8-15 x 3/8"-duct to window frame	4	MC60-64A-70-73	55
MC 19909-A	Tube assy (evaporator to compressor shut off valve)-front intermediate	1	MC except 76-79	55
	354076-S Gasket (3/8" flared tube)-23/64" I. D. x 35/64" O. D. - tube to filter assy	1	MC except 76-79	55
	354078-S Gasket (5/8" flared tube)-17/32" I. D. x 3/4" O. D. - tube to filter assy	1	MC except 76-79	55
BM 19914-B	Moulding (roof side duct)-rear	2	MC64A-70-73	55
BV 19914-A	Moulding (roof side duct)-rear-R. H.	1	MC60	55
BV 19915-A	Moulding (roof side duct)-rear-L. H.	1	MC60	55
	52344-S13 Screw (cross recessed oval-hd)-No. 8-15 x 1/2"-moulding to duct to roof	4	MC except 76-79	55
FDD 19916-A	Shaft assy (outside air intake flue damper operating)-L. H.	1	MC except 76-79	55
FDD 19917-A	Spring (outside air intake operating flue damper assist)	2	MC except 76-79	55
	354858-S2 Nut (push on)-3/16"-shaft to evaporator case	1	MC except 76-79	55
	351253-S8 Washer (flat)-3/16" x 7/16" x 1/32"-to hold shaft in position	1	MC except 76-79	55

MERCURY

CHASSIS PARTS CATALOGUE

Air Conditioning - Continued

PART NUMBER	QUANTITY	PART NAME	NO. REQ'D	MODEL	YEAR 19_____
FDK 19918-A		Tube assy (evaporator expansion valve to liquid indicator)	1	MC except 76-79	55
MC 19921-A		Insulator (evaporator to compressor shut off valve)-front tube	1	MC except 76-79	55
		34052-S8 Nut (hex)-No. 8-32-duct to connector	4	MC except 76-79	55
		50507-S8 Screw (pan-hd)-No. 8-32 x 3/8"-duct to connector	4	MC except 76-79	55
BV 19926-E		Duct assy (package tray)	2	MC	55
BV 19926-F		Duct (package tray to roof)-R. H.	1	MC70-73	55
BV 19926-G		Duct (package tray to roof)-R. H.	1	MC60	55
BV 19926-H		Duct assy (package tray to roof)-R. H.	1	MC64A	55
BV 19926-J		Duct (package tray to roof)-R. H.	1	MC58A	55
BV 19927-F		Duct (package tray to roof)-L. H.	1	MC70-73	55
BV 19927-G		Duct (package tray to roof)-L. H.	1	MC60	55
BV 19927-H		Duct assy (package tray to roof)-L. H.	1	MC64A	55
BV 19927-J		Duct (package tray to roof)-L. H.	1	MC58A	55
MC 19929-A		Insulator (receiver tank rear tube)	1	MC except 76-79	55
FDD 19930-A		Housing assy (blower)-R. H.	1	MC except 76-79	55
FDD 19931-A		Housing assy (blower)-L. H.	1	MC except 76-79	55
FDD 19934-A		Gasket (blower to evaporator)	2	MC except 76-79	55
BT 19942-B		Grommet (package tray to roof duct)	2	MC except 60-70B-73B-73C-64A	55
MC 19943-A		Tube assy (receiver tank)-rear	1	MC except 76-79	55
		354091-S100 Clip (3/8"&5/8" tubing)-tube to frame	1	MC except 76-79	55
		354076-S Gasket (3/8" flared tube)-23/64" I. D. x 35/64" O. D. - tube to receiver tank rear	1	MC except 76-79	55
		40156-S8 Screw (hex-hd tapping)-5/16"-18 x 5/8"-tube receiver & tube evaporator to frame	1	MC except 76-79	55
FDK 19945-A		Wiring assy (blower switch feed)	1	MC except 76-79	55
MC 19948-B		Tube assy (receiver tank)-front	1	MC except 76-79	55
		352923-S Clip (tube to fender apron)	1	MC except 76-79	55
		354091-S100 Clip (3/8"&5/8" tubing)-tube receiver tank & tube compressor shut off to fender apron	1	MC except 76-79	55
		354076-S Gasket (3/8" flared tube)-23/64" I. D. x 35/64" O. D. - tube to receiver tank front	1	MC except 76-79	55
		354076-S Gasket (3/8" flared tube)-23/64" I. D. x 35/64" O. D. - tube to condenser	1	MC except 76-79	55
		40156-S8 Bolt (hex-hd tapping)-5/16"-18 x 5/8"-tube to fender apron	1	MC except 76-79	55
		40156-S8 Bolt (hex-hd tapping)-5/16"-18 x 5/8"-tube receiver & tube evaporator to fender apron	1	MC except 76-79	55

CHASSIS PARTS CATALOGUE

Air Conditioning - Continued

PART NUMBER	PART NAME	NO. REQ'D	MODEL	YEAR 19__
FDJ 19949-A	Wiring assy (blower switch feed)	1	MC except 76-79	55
	356668-S32 Clip (wiring)-wiring to package tray	4	MC except 76-79	55
	34803-S7 Lockwasher-No. 10-wire to circuit breaker	2	MC except 76-79	55
	34079-S7 Nut (hex)-No. 10-32-wire to circuit breaker	2	MC except 76-79	55
BV 19955-A	Bracket (evaporator to floor)	2	MC except 76-79	55
FDC 19956-A	Hose (blower to package tray)	2	MC except 76-79	55
FDK 19956-A	Hose (blower to package tray)	2	MC except 76-79	55
	41209-S7 Bolt (hex-hd tapping)-5/16"-18 x 3/4"-tank to frame	4	MC except 76-79	55
	44722-S8 Washer (flat)-5/16"-tank to frame	4	MC except 76-79	55
FDD 19960-A	Tank assy (receiver)	1	MC except 76-79	55
	51855-S8 Screw (cross recessed pan-hd tapping)-No. 8-32 x 3/8"-hose to package tray duct	4	MC except 76-79	55
FDC 19963-A	Valve & control assy (modulator)	1	MC except 76-79	55
	353870-S8 Bolt (hex-hd)-No. 10-24 x 3/8"-valve & control to modulating valve support	2	MC except 76-79	55
	354414-S100 Clip (hose to radiator & front fender apron support)	1	MC except 76-79	55
	354078-S Gasket (5/8" flared tube)-17/32" I. D. x 3/4" O. D. - hose to low pressure valve & bracket	1	MC except 76-79	55
	354078-S Gasket (5/8" flared tube)-17/32" I. D. x 3/4" O. D. - hose to compressor	1	MC except 76-79	55
	34903-S8 Lockwasher (external tooth)-No. 10-valve & control to modulating valve support	2	MC except 76-79	55
MC 19971-C	Hose (low pressure valve to compressor)-Rubber-20" long-also serviced in 19707 Kit	1	MC except 76-79	55
MC 19972-B	Hose (compressor to condenser inlet valve)-Rubber	1	MC except 76-79	55
	354077-S Gasket (1/2" flared tube)-5/32" I. D. x 21/32" O. D. - hose to condenser inlet valve	1	MC except 76-79	55
	354263-S Grommet-tubes thru air deflector	1	MC except 76-79	55

MERCURY

CHASSIS PARTS CATALOGUE

Air Conditioning - Continued

PART NUMBER	PART NAME	NO. REQ'D	MODEL	YEAR 19__
MC 19973-A	Hose (expansion valve to compressor shut off valve)	1	MC except 76-79	55
	354413-S100 Clip (hose to radiator & front fender apron support)	1	MC except 76-79	55
	354077-S Gasket (1/2" flared tube)-5/32" I. D. x 21/32" O. D. -hose to compressor shut off valve rear	1	MC except 76-79	55
	354077-S Gasket (1/2" flared tube)-5/32" I. D. x 21/32" O. D. -hose to condenser	1	MC except 76-79	55
	354077-S Gasket (1/2" flared tube)-5/32" I. D. x 21/32" O. D. -hose to low pressure valve & bracket	1	MC except 76-79	55
FDC 19977-A	Hose (fresh air intake to evaporator)	2	MC except 76-79	55
FAA 19979-A	Retainer (control lamp)	1	MC except 76-79	55
	42060-S8 Screw (hex-hd tapping)-No. 10-12 x 3/8"-retainer to mounting bracket	2	MC except 76-79	55
FDK 19981-AF	Panel (control)	1	MC except 76-79	55
FDC 19982-A	Bracket assy (control mounting)	1	MC except 76-79	55
FDK 19983-B	Plate (control name)-White background with Yellow emblem & letters	1	MC except 76-79	55
FDK 19984-A	Lever assy (temperature control)	1	MC except 76-79	55
FDC 19986-A	Switch assy (blower)	2	MC except 76-79	55
FDC 19988-A	Control cable assy (temperature)	1	MC except 76-79	55
	352531-S8 Screw (hex-hd)-No. 10-32 x 3/8"-control to mounting bracket	1	MC except 76-79	55
FAA 19990-A	Retainer (name plate)	1	MC except 76-79	55
	41556-S8 Screw (pan hd tapping)-No. 10-32 x 3/8"-retainer to control mounting bracket	2	MC except 76-79	55
FDK 19994-A	Connector (evaporator to package tray)	2	MC except 76-79	55
MC 19997-A	Tube assy (receiver tank)-center	1	MC except 76-79	55
	40156-S8 Bolt (hex-hd tapping)-5/16"-18 x 5/8"-tube receiver & tube evaporator to splash shield	1	MC except 76-79	55
	354091-S100 Clip (3/8 & 5/8 tubing)-tube receiver tank & tube compressor shut off to splash shield	1	MC except 76-79	55
	354076-S Gasket (3/8" flared tube)-23/64" I. D. x 35/64" O. D. -tube to receiver tank	1	MC except 76-79	55
BS 19999-A	Moulding (package tray to roof duct)	2	MC60-64A-70-73	55
	34052-S7 Nut (hex)-No. 8-32-moulding to panel assy package tray	6	MC60-64A-70-73	55
	44710-S8 Washer (flat)-No. 8-moulding to panel assy package tray	6	MC60-64A-70-73	55

CHASSIS PARTS CATALOGUE

Numerical Listing of Chassis Five Digit Part Numbers

PART NUMBER	QTY	PART NAME	NO. REQ'D	MODEL	YEAR 19__
MEK 22005-B		Kit (power brake conversion)	1	MB	54
MCK 22009-A		Kit (brake spring repair)	1	MB	54
LA 22027-B		Bracket assy (brake booster mounting)	1	MB, MC	54-55
LA 22035-A		Gasket (brake booster mounting bracket)	1	MB, MC	54-55
LA 22050-A		Spring (front wheel brake shoe adjusting cam)	2	MC	55
MB 22076-B		Fitting assy (front brake tube)	1	MB, MC	54-55
LA 22120-B		Adapter (brake booster mounting)	1	MB, MC	54-55
LA 22121-A		Gasket (brake master cylinder mounting adapter)	1	MB, MC	54-55
MB 22135-B		Shield (brake reservoir)-stone	1	MB, MC	54-55
LA 22139-B		Shield assy (brake master cylinder head)	1	MB, MC	54-55
LA 22142-A		Insulator (brake master cylinder heat shield)	1	MB, MC	54-55
LA 22157-A		Fitting (brake master cylinder reservoir)	1	MB, MC	54-55
LA 22158-A		Plunger assy (brake master cylinder)	1	MB, MC	54-55
LA 22159-A		Retainer (brake master cylinder plunger seal)	1	MB, MC	54-55
HDK 22160-B		Kit (gasket and seal repair)	1	MB, MC	54-55
LA 22161-A		Washer (brake master cylinder plunger seal locking)	1	MB, MC	54-55
LA 22162-A		Snap ring (brake master cylinder plunger seal retaining)-Neoprene	1	MB, MC	54-55
LA 22163-A		Gasket (brake master cylinder reservoir cover)	1	MB, MC	54-55
LA 22165-A		Retainer (brake master cylinder compensating port spring)	1	MB, MC	54-55
LA 22166-A		Cover assy (brake master cylinder reservoir)	1	MB, MC	54-55
HDK 22167-B		Kit (piston packing)	1	MB, MC	54-55
MB 22257-A		Shield (rear wheel brake tube)-heat	1	MB	54
LA 22264-B		Hose assy (brake master cyl. to connector)	1	MB, MC	54-55
MA 22264-C		Hose assy (master brake cyl. to connector)	1	MB, MC	54-55
MB 22264-A		Tube assy (brake master cyl. to connector)	1	MB	54
MB 22264-B		Tube assy (brake master cyl. to connector)	1	MB	54
MC 22264-A		Tube assy (brake master cyl. to connector)	1	MC	55
MC 22264-B		Tube assy (brake master cyl. to connector)	1	MC	55
MC 22264-D		Tube assy (brake master cyl. to connector)	1	MB, MC	54-55
LA 22327-A		Retainer (brake booster body piston return spring)	1	MB, MC	54-55
MB 22349-A		Tube assy (intake manifold to brake booster)	1	MB, MC	54-55
MC 22349-A		Tube assy (intake manifold to brake booster)	1	MC	55
MA 22350-A		Hose (brake reservoir outlet)	1	MB, MC	54-55
MA 22350-B		Hose (brake reservoir outlet)	1	MB, MC	54-55
LA 22358-A		Spring (brake booster body piston reaction)	1	MB, MC	54-55
LA 22368-A		Body assy (brake booster check valve)	1	MB, MC	54-55
LA 22370-A		Cover assy (brake booster check valve)	1	MB, MC	54-55
LA 22371-A		Spring (brake booster check valve)	1	MB, MC	54-55
LA 22372-B		Ball (brake booster check valve)-Rubber	1	MB, MC	54-55
LA 22376-A		Gasket (brake check valve)	1	MB, MC	54-55
LA 22377-A		Gasket (brake booster check valve to hose tube brace)	1	MB, MC	54-55
LA 22378-A		Gasket (brake booster air cleaner screw)	1	MB, MC	54-55
LA 22379-A		Gasket (brake booster body end plate)	1	MB, MC	54-55
LA 22380-A		Plate (brake booster body end)	1	MB, MC	54-55
LA 22382-A		Cover (brake booster air cleaner)	1	MB, MC	54-55
LA 22384-A		Gasket (brake booster air cleaner)	2	MB, MC	54-55
LA 22393-A		Tube assy (brake booster body piston)	1	MB, MC	54-55
LA 22395-B		Plate (brake booster body piston)-front	1	MB, MC	54-55

CHASSIS PARTS CATALOGUE

Numerical Listing of Chassis Five Digit Part Numbers—Continued

PART NUMBER	C A S S E T	PART NAME	NO. REQ'D	MODEL	YEAR 19__
MB 22396-A		Connector (brake booster manifold hose to manifold)	1	MB, MC	
MB 22396-B		Connector (brake booster manifold hose to manifold)	1	MC	54-55
MA 22455-N		Plate assy (brake pedal pad)	1	MB, MC	55
AB 22482-A		Insulator (brake pedal hub spring)	1	MB, MC	54-55
LA 22493-A		Gasket (brake booster body to master cylinder)	1	MB, MC	54-55
LA 22515-A		Bushing (brake master cylinder operating lever)	2	MB, MC	
MA 22519-B		Bracket (brake master cyl. operating lever)	1	MB, MC	54-55
MC 22519-A		Bracket (brake master cyl. operating lever)	1	MC	55
LA 22521-A		Bushing (brake pedal lever)	4	MB, MC	54-55
EBJ 22887-A		Gasket (compressor mounting bracket)	1	MC except 76-79	55
MB 33088-A		Bracket (front suspension bumper)	2	MB, MC	54-55
MEK 33304-B		Kit (power steering conversion)	1	MB	54
FDC 33516-A		Cover assy (steering column)	1	MB	54
FDC 33519-A		Plate (steering column cover)	1	MB	54
LA 33532-A		Body (power steering oil reservoir)	1	MB	54
AE 33532-A		Body (power steering oil reservoir)	1	MB, MC	54-55
LA 33533-A		Cover assy (power steering oil reservoir)	1	MB	54
AE 33533-A		Cover assy (power steering oil reservoir)	1	MB, MC	54-55
LA 33535-A		Gasket (power steering oil reservoir cover)	1	MB	54
AE 33535-A		Gasket (power steering oil reservoir cover)	1	MB, MC	54-55
LA 33536-A		Cap assy (power steering oil reservoir filter)	1	MB	54
AE 33536-A		Cap assy (power steering oil reservoir filler)	1	MB, MC	54-55
LA 33538-A		Element assy (power steering oil reservoir filter)	1	MB	54
AE 33538-A		Element assy (power steering oil reservoir filter)	1	MB, MC	54-55
LA 33539-A		Spring (power steering oil reservoir filter element retaining)	1	MB	54
AE 33539-A		Spring (power steering oil reservoir filter element retaining)	1	MB, MC	54-55
LA 33540-A		Seat (power steering oil reservoir filter element retaining spring)	1	MB	54
AE 33540-A		Seat (power steering oil reservoir filter element retaining spring)	1	MB, MC	54-55
LA 33541-A		Support (power steering oil reservoir filter element)	1	MB	54
LA 33542-A		Body (power steering oil reservoir inlet orifice)	1	MB	54
AE 33542-A		Body (power steering oil reservoir inlet orifice)	1	MB, MC	54-55
LA 33547-A		Ring (power steering oil reservoir orifice)-"O"	2	MB, MC	54-55
HDK 33547-A		Kit (ring & gasket overhaul)	1	MB, MC	54-55
LA 33549-A		Ring (power steering oil reservoir orifice)-"O"	2	MB, MC	54-55
LA 33550-A		Insulator (power steering hose)	1	MB, MC	54-55
MC 33550-A		Insulator (power steering hose)	1	MC	55
LA 33552-A		Retainer (power steering hose insulator)	1	MB, MC	54-55
LA 33553-A		Reinforcement (power steering oil reservoir orifice)	1	MB, MC	54-55
AF 33553-A		Reinforcement (power steering oil reservoir orifice)	1	MC	55
EBY 33554-A		Bracket (power steering pump adjusting)	1	MB, MC	54-55
EBY 33556-A		Pulley (power steering pump)	1	MB	54
ECB 33556-B		Pulley (power steering pump)	1	MC	55
EAD 33557-A		Key (power steering pump pulley)	1	MB, MC	54-55
EBY 33558-B		Belt (power steering pump pulley)	1	MB	54
ECK 33558-A		Belt (power steering pump pulley)	1	MC except 76, 79	55
B5A 33558-B		Belt (power steering pump pulley)-⊕ECG-33558-A	1	MC	55
EBY 33559-A		Support (power steering pump)	1	MB, MC	54-55
AB 33563-B		Cylinder assy (steering gear power)	1	MB, MC	54-55
AB 33577-B		Valve assy (power steering gear hydraulic control)	1	MB, MC	54-55
B5A 33577-A		Valve assy (power steering gear hydraulic control)	1	MB, MC	54-55

MERCURY

CHASSIS PARTS CATALOGUE

Numerical Listing of Chassis Five Digit Part Numbers—Continued

PART NUMBER	UNDFTC	PART NAME	NO. REQ'D	MODEL	YEAR 19____
MC 33588-B		Hose assy (power steering return line)	1	MC	55
B5A 33588-A		Hose assy (power steering return line)	1	MB, MC	54-55
MEK 33588-A		Kit (hose)-return line-Power Steering	1	MB, MC	54-55
MEK 33589-A		Kit (hose)-pressure line-Power Steering	1	MB, MC	54-55
MC 33589-A		Hose assy (power steering pressure line)	1	MB, MC	54-55
MC 33589-B		Hose assy (power steering pressure line)	1	MC	55
AB 33597-A		Spring (power steering cylinder pressure relief valve)	1	MC	55
LE 33607-A		Pump assy (power steering)	1	MB, MC	54-55
LE 33607-B		Pump assy (power steering)	1	MC	55
LE 33607-C		Pump assy (power steering)	1	MC	55
LA 33608-B		Cover assy (power steering pump housing)	1	MB, MC	54-55
B5A 33608-A		Cover assy (power steering pump housing)	1	MB, MC	54-55
B5A 33608-B		Cover assy (power steering pump housing)	1	MC	55
LA 33609-B		Valve assy (power steering pump)	1	MB, MC	54-55
B5A 33609-A		Valve assy (power steering pump)	1	MB, MC	54-55
B5A 33609-B		Valve assy (power steering pump)	1	MB, MC	54-55
LA 33610-B		Housing assy (power steering pump)	1	MB, MC	54-55
B5A 33610-A		Housing assy (power steering pump)	1	MC	55
LA 33611-A		Shaft (power steering pump rotor)	1	MB, MC	54-55
LA 33613-B		Spring (power steering pump relief valve)	1	MB, MC	54-55
B5A 33613-A		Spring (power steering pump relief valve)	1	MC	55
LA 33614-A		Fitting (power steering pump valve outlet)	1	MB, MC	54-55
B5A 33614-A		Fitting (power steering pump valve outlet)	1	MC	55
LA 33617-A		Gasket (power steering pump cover)	1	MB, MC	54-55
LA 33618-A		Ring (power steering pump valve outlet fitting)-"O"	1	MB, MC	54-55
LA 33619-A		Ring (power steering pump flow director)-"O"	1	MB, MC	54-55
LA 33621-A		Retainer (power steering pump rotor shaft bearing)	1	MB, MC	54-55
B5A 33621-A		Retainer (power steering pump rotor shaft bearing)	1	MC	55
LA 33623-A		Seal assy (power steering pump rotor shaft oil)	1	MB, MC	54-55
LA 33624-A		Retainer (power strg. pump flow director "O" ring)	1	MB, MC	54-55
LA 33625-B		Retainer (power steering oil reservoir orifice "O" ring)	1	MB, MC	54-55
B5A 33625-A		Retainer (power steering oil reservoir orifice)	1	MC	55
LA 33627-A		Retainer (power steering pump relief valve)	1	MB, MC	54-55
B5A 33627-A		Retainer (power steering oil reservoir orifice)	1	MC	55
LA 33633-A		Pin (power steering pump rotor drive)	1	MB, MC	54-55
MB 33636-B		Hose assy (power steering hydraulic control valve to power cylinder rod end)	1	MB, MC	54-55
B5A 33636-A		Hose assy (power steering control valve to cylinder rod end)	1	MB, MC	54-55
B5A 33636-B		Hose assy (power steering control valve to cylinder rod)	1	MC	55
MB 33637-B		Hose assy (power steering hydraulic control valve to power head end)	1	MB, MC	54-55
B5A 33637-A		Hose assy (power steering)	1	MB, MC	54-55
EAC 33638-A		Washer (power strg. pump adjusting bracket)	6	MB, MC	54-55
EAD 33640-A		Insulator assy (power strg. pump)	3	MB, MC	54-55
MB 33646-A		Bracket (power steering hose insulator)	1	MB, MC	54-55
LE 33655-A		Reservoir & outlet tube assy (power steering pump)	1	MC	55
AC 33660-A		Tube assy (power steering cylinder vent)	1	MB, MC	54-55
FAB 33671-A		Plate (horn blowing ring shock pad retainer)	1	MB	54
FAC 33671-A		Plate (horn blowing ring shock pad retainer)	1	MC	55
FDC 33671-A		Plate (horn blowing ring shock pad retainer)	1	MB	54
FAA 33680-A		Anti-squeak (steering column saddle)-Fibre	1	MB	54
FDK 33680-A		Anti-squeak (steering column saddle)	1	MC	55

CHASSIS PARTS CATALOGUE

Numerical Listing of Chassis Five Digit Part Numbers—Continued

PART NUMBER	PART NAME	NO. REQ'D	MODEL	YEAR 19__
FDC 33684-AP	Bracket and tapping plate assy (steering column)-Upper-less insulator	1	MB	54
FAA 33687-B	Insulator (steering column bracket)-Rubber	2	MB	54
FAA 33689-BP	Clamp (steering column bracket)	1	MB	54
FDK 33689-AP	Clamp (steering column bracket)	1	MC	55
AC 33690-A	Housing & spool assy (power steering control valve)	1	MB, MC	54-55
AF 33690-A	Housing & spool assy (power steering control valve)	1	MB, MC	54-55
AC 33698-A	Bolt (power steering control valve spool)	1	MB, MC	54-55
AC 33699-A	Spacer (power steering control valve spool sleeve end bushing)	1	MB, MC	54-55
AC 33705-A	Cap (power steering control valve spool centering spring)	1	MB, MC	54-55
AC 33708-A	Stop (power steering control valve spool travel regulator)	1	MB, MC	54-55
AC 33710-A	Valve assy (power steering control valve return port relief)	1	MB, MC	54-55
AC 33715-A	Sleeve (power steering control valve ball stud)	1	MB, MC	54-55
AF 33715-A	Sleeve (power steering control valve ball stud)	1	MB, MC	54-55
AC 33717-A	Socket (power steering control valve ball stud)	1	MB, MC	54-55
B5A 33717-A	Socket (power steering control valve ball stud)	1	MB, MC	54-55
AF 33739-A	Clamp (power steering control valve ball stud)	1	MB, MC	54-55
MC 55143-A	Bracket assy (frame to body)-outer	2	MC60, 64 & 76	55
MA 55144-A	Bracket assy (body to frame-inner)	2	MB	54
MA 55145-A	Bracket assy (body to frame-inner)-rear	2	MB79	54
MC 55170-A	Bracket assy (frame to body)-rear outer R. H.	1	MC	55
MC 55171-A	Bracket assy (frame to body)-rear outer L. H.	1	MC	55
MB 55226-A	Bracket & insulator assy (muffler outlet pipe)-rear L. H.	1	MB79	54
MC 55226-B	Bracket & insulator assy (muffler outlet pipe)-rear L. H.	1	MC79	55
MB 55246-A	Insulator (muffler inlet pipe)	1	MB except 76, MC except 76	54-55
MC 55246-C	Insulator (muffler inlet pipe)	1	MC except 76	55
LD 55248-A	"U" Bolt (muffler inlet resonator)	10	MC	55
LE 55248-A	"U" Bolt (muffler inlet resonator)-front	2	MC	55
MB 55255-B	Resonator assy (exhaust)-rear	1	MB76	54
MA 55256-A	Bolt (muffler inlet pipe)-"U"	2or3	MB, MC	54-55
MB 55259-A	Pipe (muffler outlet)-L. H.	1	MB76	54
MB 55259-B	Pipe-also serviced in 5210 Kit	1	MB except 76 & 79	54
MB 55259-E	Pipe-also serviced in 5210 Kit	1	MB76	54
MC 55259-A	Pipe (muffler outlet)-L. H.	1	MC79	55
MC 55259-B	Pipe (muffler outlet)-L. H. -also used with Dual Exhaust	1	MC except 76 & 79	55
MC 55259-C	Pipe (muffler outlet)-L. H.	1	MC76	55
MA 55260-A	Bracket (muffler outlet pipe to frame)	1	MB76	54
MB 55260-B	Bracket (muffler outlet pipe to frame)	1	MB except 76	54
MC 55260-D	Bracket (muffler outlet pipe to frame)-outer	1	MC except 76	55
MC 55260-E	Bracket (muffler outlet pipe to frame)-outer	1	MC76	55
MC 55268-A	Bracket & insulator assy (muffler inlet pipe)	2	MC76	55
EBY 55269-A	Plate (exhaust man. crossover pipe opening cover)	1	MB	54
MC 55273-A	Clamp (muffler outlet pipe)-lower-also used with Dual Exhaust	2	MC except 79	55
MB 55279-B	Pipe (muffler to rear resonator)-L. H.	1	MB76	54
MA 55712-A	Bumper assy (rear spring)	2	MB	54

MERCURY

CHASSIS PARTS CATALOGUE

Numerical Listing of Chassis Five Digit Part Numbers—Continued

PART NUMBER	NO. REQ'D	PART NAME	MODEL	YEAR 19__
MC 55712-A	2	Bumper assy (rear spring)	MC	55
MC 55712-B	2	Bumper assy (rear spring)	MB, MC	54-55
EBY 66319-A	1	Pulley assy (crankshaft)	MB	54
MB 77020-A	1	Tube assy (trans. oil filler)	MB	54
MC 77020-A	1	Tube assy (trans. oil filter)	MC	55
MB 77021-B	1	Clamp (trans. oil filler tube)	MB	54
MC 77021-A	1	Clamp (trans. oil filter tube)	MC	55
1P 77059-F	1	Shaft & ring gear assy (output)	MB	54
B5A 77059-D	1	Shaft & ring gear assy (output)-⊕PMB-77059-A	MC	55
1P 77066-C	1	Washer (trans. output shaft thrust)-rear	MB, MC	54-55
B5A 77066-A	1	Washer (trans. output shaft thrust)-rear-Bronze & Steel backed-⊕PMB-77066-A	MC	55
1P 77067-A	as reqd	Washer (trans. output shaft thrust)-front	MB	54
1P 77067-B	as reqd	Washer (trans. output shaft thrust)-front	MB	54
1P 77067-C	as reqd	Washer (trans. output shaft thrust)-front	MB	54
1P 77067-D	as reqd	Washer (trans. output shaft thrust)-front	MB	54
B5A 77067-J	as reqd	Washer (trans. output shaft thrust)-front-Bronze-.061"/.063" thick-⊕PMB-77067-A	MC	55
B5A 77067-K	as reqd	Washer (trans. output shaft thrust)-front-Bronze-.067"/.069" thick-⊕PMB-77067-B	MC	55
B5A 77067-L	as reqd	Washer (trans. output shaft thrust)-front-Bronze-.074"/.076" thick-⊕PMB-77067-C	MC	55
B5A 77067-M	as reqd	Washer (trans. output shaft thrust)-front-Bronze-.081"/.083" thick-⊕PMB-77067-D	MC	55
1P 77130-A	1	Governor assy (transmission)	MB, MC	54-55
1P 77131-A	1	Body assy (trans. governor)-less counterweight	MB, MC	54-55
1P 77135-A	1	Cover (trans. governor valve body)	MB, MC	54-55
1P 77136-A	1	Snap ring (trans. governor retaining)	MB, MC	54-55
1P 77138-B	1	Cover (trans. governor inspection)-oblong	MB, MC	54-55
1P 77139-B	1	Gasket (trans. governor inspection cover)-Cork-oblong	MB, MC	54-55
1P 77162-B	1	Planet assy (transmission)	MB	54
B5S 77162-A	1	Planet assy (transmission)-⊕PMB-77162-A	MC	55
1P 77190-A	1	Support assy (trans. planetary)	MB	54
B5S 77190-A	1	Support assy (trans. planetary)-⊕PMB-77190-A	MC	55
1P 77194-A	2	Bolt (hex head)	MB, MC	54-55
MB 77230-C	1	Shaft assy (trans. control to accelerator)	MB	54
MC 77230-B	1	Shaft assy (trans. control to accelerator)	MC	55
MB 77242-B	1	Rod assy (trans. control shaft to trans.)	MB	54
MC 77242-A	1	Rod assy (trans. control shaft to trans.)	MC	55
FAA 77244-A	1	Control assy (trans. O/Drive)	MB	54
FDK 77244-A	1	Control assy (trans. O/Drive)-approx. 52-3/8" long-O/DRIVE on handle	MC	55
FAA 77250-A	1	Bracket (trans. O/Drive control mounting)	MB	54
1P 77252-A	1	Lever assy (trans. manual control)	MB	54
1P 77265-B	1	Oil seal (trans. throttle control shaft)-Cork	MB, MC	54-55
1P 77270-A	1	Lever assy (trans. throttle control)-outer	MB	54
B5S 77270-A	1	Lever assy (trans. throttle control)-outer-⊕PMB-77270-B	MC	55
1P 77276-A	1	Spring (trans. manual valve detent lever)	MB, MC	54-55
1P 77280-A	1	Lever assy (trans. manual valve detent)	MB, MC	54-55
B5A 77280-B	1	Lever assy (trans. manual valve detent)-⊕1P-77280-B	MB, MC	54-55

MERCURY

CHASSIS PARTS CATALOGUE

Numerical Listing of Chassis Five Digit Part Numbers—Continued

PART NUMBER	QTY	PART NAME	NO. REQ'D	MODEL	YEAR 19__
1P 77283-A		Lever (trans. throttle control)-inner	1	MB, MC	54-55
B5A 77283-A		Lever (trans. throttle control)-inner-⊕1P-77283-B	1	MB, MC	54-55
1P 77288-A		Oil seal assy (trans. manual control lever)	1	MB, MC	54-55
B5A 77288-A		Oil seal assy (trans. manual control lever)- ⊕1P-77288-B	1	MB, MC	54-55
1P 77303-A		Lever assy (trans. parking pawl toggle operating)	1	MB, MC	54-55
1P 77304-A		Lever (trans. parking pawl torsion spring)	1	MB, MC	54-55
1P 77307-B		Spring (trans. parking pawl torsion)	1	MB, MC	54-55
1P 77308-A		Pin (trans. parking pawl torsion lever support)	1	MB, MC	54-55
1P 77311-A		Pawl (transmission parking)	1	MB, MC	54-55
B4A 77311-A		Pawl (transmission parking brake)-⊕1P-77311-B	1	MB, MC	54-55
1P 77312-A		Pin (trans. parking pawl support)	1	MB, MC	54-55
1P 77314-A		Spring (trans. parking pawl toggle return)-3 coils- with hooked ends	1	MB, MC	54-55
1P 77315-A		Lever (trans. parking pawl toggle)	1	MB, MC	54-55
1P 77316-A		Link (trans. parking pawl toggle)	1	MB, MC	54-55
1P 77317-A		Pin (trans. parking pawl toggle)	1	MB, MC	54-55
1P 77318-A		Pin (trans. parking pawl toggle link)	1	MB, MC	54-55
1P 77319-A		Pin (trans. parking pawl toggle lever support)	1	MB, MC	54-55
1P 77322-A		Rod (trans. parking pawl torsion lever)	1	MB, MC	54-55
1P 77323-A		Retainer (trans. parking pawl toggle return spring)	1	MB, MC	54-55
1P 77326-A		Retainer (trans. parking pawl toggle lever support pin)	1	MB, MC	54-55
FDK 77341-A		Insert (trans. control selector position)	1	MC	55
1P 77353-B		Body (trans. front band servo)	1	MB, MC	54-55
B5A 77353-B		Body (trans. front band servo)-⊕PMB-77353-B	1	MC	55
1P 77354-A		Lever (trans. front band actuating)	1	MB	54
B4A 77354-B		Lever (trans. front band actuating)-⊕1P-77354-B	1	MB	54
1P 77355-A		Shaft (trans. front band actuating lever)	1	MB, MC	54-55
1P 77356-A		Pin (trans. band actuating lever shaft)-slotted	2	MB, MC	54-55
PAE 77358-A		Piston assy (trans. front band servo)	1	MB	54
B5A 77358-B		Piston assy (trans. front band servo)- ⊕PMB-77358-B	1	MC	55
PAE 77361-A		Oil seal (trans. front band servo piston)	1	MB	54
B5A 77361-B		"O" Ring (trans. front band servo piston oil seal)- small-Rubber-27/32" I.D. x 1-1/16" O.D. - ⊕PMB-77361-B	1	MC	55
1P 77362-A		Oil seal (trans. front band servo piston)	1	MB	54
B5A 77362-B		"O" Ring (trans. front band servo piston oil seal)- large-Rubber-1-31/32" I.D. x 2-1/4" O.D. - ⊕PMB-77362-B	1	MB, MC	54-55
1P 77363-B		Spring (trans. front band servo piston retracting)	1	MB	54
B5A 77363-C		Spring (trans. front band servo piston retracting)- 29/32" O.D. x 2" overall length-⊕PMB-77363-C	1	MC	55
PAE 77364-A		Retainer (trans. front band servo piston)	1	MB	54
B5A 77364-B		Retainer (trans. front band servo piston)-1-1/8" I.D. -with (3) bosses at seal end-⊕PMB-77364-B	1	MC	55
1P 77365-A		Oil seal (trans. front band servo piston retainer)	1	MB	54
B5A 77365-B		Oil seal (trans. front band servo piston retainer)- Rubber-1-25/32" I.D. x 2-1/4" O.D. x 1/16" thick-⊕PMB-77365-B	1	MC	55
1P 77366-A		Snap ring (trans. front band servo piston retainer)	1	MB	54
B5A 77366-B		Snap ring (trans. front band servo piston retainer)- 2-7/16" O.D. x 3/64" thick-⊕PMB-77366-B	1	MB	55
B5A 77369-A		Spring (trans. rear band servo accumulator)- ⊕PMB-77369-A	1	MC	55

Numerical Listing of Chassis Five Digit Part Numbers—Continued

PART NUMBER	QTY	PART NAME	NO. REQ'D	MODEL	YEAR 19__
B4A 77370-A		Band assy (trans. front)-ⓈPAK-77370-A-must be used with 1P-77502-E	1	MB	54
B6A 77370-A		Band assy (trans. front)-ⓈPAR-77370-A	1	MB	54
1P 77370-A		Band assy (trans. front)	1	MB	54
B5S 77370-A		Band assy (trans. front)-ⓈPMB-77370-B	1	MC	55
B5A 77371-B		Retainer (trans. rear servo accumulator spring)-ⓈPAG-77371-B	1	MC	55
1P 77376-A		Strut (trans. front band actuating)	1	MB, MC	54-55
1P 77377-A		Pin (trans. front band anchor)	1	MB, MC	54-55
1P 77379-A		Tube (trans. front band servo oil)	2	MB	54
B5A 77379-A		Tube (trans. front band servo oil)-ⓈPMB-77379-A	2	MC	55
1P 77404-A		Body assy (trans. rear band servo)	1	MB	54
B5A 77404-C		Body assy (trans. rear band servo)-ⓈPMB-77404-A	1	MC	55
B5A 77406-A		Bearing (trans. rear servo lever needle)-ⓈPMB-77406-A	29	MC	55
1P 77410-A		Lever (trans. rear band actuating)	1	MB	54
B5A 77410-A		Lever (trans. rear band actuating)-ⓈPMB-77410-A	1	MC	55
1P 77411-A		Shaft (trans. rear band actuating lever)	1	MB	54
B5A 77411-A		Shaft (trans. rear band actuating lever)-ⓈPMB-77411-A	1	MC	55
1P 77413-A		Piston (trans. rear band servo)	1	MB	54
1P 77413-B		Piston (trans. rear band servo)	1	MB	54
B5A 77413-B		Piston (trans. rear band servo)-ⓈPAG-77413-B	1	MC	55
1P 77414-A		Oil seal (trans. rear band servo piston)	1	MB, MC	54-55
1P 77415-A		Spring (trans. rear band servo piston)	1	MB	54
B5A 77415-A		Spring (trans. rear band servo piston)-ⓈPAG-77415-A	1	MC	55
1P 77416-A		Retainer (trans. rear band servo piston spring)	1	MB	54
B5A 77416-A		Retainer (trans. rear band servo piston spring)-ⓈPMB-77416-A	1	MC	55
1P 77417-A		Snap ring (trans. rear band servo piston retainer)	1	MB, MC	54-55
1P 77420-A		Bolt (hex-hd)	1	MB, MC	54-55
1P 77421-A		Strut (trans. rear band actuating)	1	MB, MC	54-55
1P 77422-B		Strut (trans. rear band anchor)	1	MB, MC	54-55
1P 77423-A		Band assy (transmission rear)	1	MB	54
B5S 77423-A		Band assy (transmission rear)-ⓈPMB-77423-A	1	MC	55
1P 77426-A		Stop (trans. rear band adjusting)	1	MB	54
B5A 77426-A		Stop (trans. rear band adjusting)-ⓈPAG-77426-A	1	MC	55
PAE 77440-A		Regulator assy (trans. oil pressure)	1	MB	54
B5A 77440-A		Regulator assy (trans. oil pressure)-ⓈPMB-77440-A	1	MC	55
B5A 77440-D		Regulator assy (trans. oil pressure)-PMB-77440-B	1	MC	55
1P 77444-A		Stud (trans. oil pressure regulator body)	1	MB	54
1P 77445-A		Stud (hex-hd)	1	MB	54
1P 77451-C		Cover and tube assy (trans. oil pressure regulator body)	1	MB	54
B5A 77452-A		Cover (trans. oil pressure regulator body)-ⓈPMB-77452-A	1	MC	55
B5A 77452-B		Cover (trans. oil pressure regulator body)-ⓈPMB-77452-B	1	MC	55
1P 77455-A		Spring (trans. front pump check valve)	1	MB, MC	54-55
1P 77460-B		Plate (trans. oil pressure reg. body separating)	1	MB	54
B5A 77460-A		Plate (trans. oil pressure reg. body separating)-ⓈPMB-77460-A	1	MC	55
1P 77462-A		Retainer (trans. main oil pressure reg. valve)	1	MB	54
B5A 77462-A		Retainer (trans. main oil pressure reg. valve)-ⓈPMB-77462-A	1	MC	55

MERCURY

CHASSIS PARTS CATALOGUE

Numerical Listing of Chassis Five Digit Part Numbers—Continued

PART NUMBER	PART NAME	NO. REQ'D	MODEL	YEAR 19__
PAD 77463-A	Spring (trans. main oil pressure reg. valve)	1	MB	54
B5A 77463-B	Spring (trans. main oil pressure reg. valve)- ⊕PMB-77463-A	1	MC	55
1P 77465-A	Spring (trans. low oil pressure reg. valve)	1	MB	54
B5A 77465-B	Spring (trans. low oil pressure reg. valve)- Green-⊕PMB-77465-B	1	MC	55
1P 77466-A	Seat (trans. oil pressure reg. valve spring)	1	MB	54
B5A 77466-A	Seat (trans. oil pressure reg. valve spring)- ⊕PMB-77466-A	1	MC	55
1P 77468-A	Tube (trans. compensator pressure oil)-"U" shaped	1	MB	54
B5S 77468-A	Tube (trans. compensator pressure oil)- ⊕PMB-77468-A	1	MC	55
1P 77469-A	Tube (trans. main pressure oil)-"U" shaped	1	MB	54
B5S 77469-A	Tube (trans. main pressure oil)-⊕PMB-77469-A	1	MC	55
1P 77470-A	Tube (trans. lubricating oil)-"L" shaped	1	MB	54
B4A 77470-A	Tube (trans. lubricating oil)-⊕PAK-77470-A	1	MB	54
B5A 77470-A	Tube (trans. lubricating oil)-⊕PMB-77470-A	1	MC	55
1P 77472-B	Pan assy (trans. oil)	1	MB	54
B5A 77472-A	Pan assy (trans. oil)-⊕PAK-77472-A	1	MB	54
B5S 77472-B	Pan assy (trans. oil)-⊕PMB-77472-B	1	MC	55
B5A 77482-A	Clip (trans. oil pan screen retaining)- ⊕PMB-77482-A	1	MC	55
1P 77483-A	Plug & gasket assy (trans. oil pan drain)	1	MB	54
1P 77486-A	Gasket (trans. oil pan)-Cork	1	MB	54
B5A 77486-A	Gasket (trans. oil pan)-⊕PAK-77486-A	1	MB	54
B5S 77486-B	Gasket (trans. oil pan)-Cork-⊕PMB-77486-B	1	MC	55
1P 77488-B	Screen assy (trans. oil pan)	1	MB	54
B5S 77488-A	Screen assy (trans. oil pan)-⊕PMB-77488-A	1	MC	55
1P 77492-A	Tube (trans. case oil filler)	1	MB	54
1P 77502-E	Drum & sun gear assy (brake)	1	MB	54
B5A 77502-B	Drum & sun gear assy (trans. front brake)- ⊕PMB-77502-A	1	MC	55
MB 77505-A	Bracket assy (clutch release equalizer engine)	1	MB	54
MC 77505-A	Bracket assy (clutch release equalizer engine)	1	MC	55
1P 77512-A	Oil seal (trans. rear clutch piston)-inner-Rubber	1	MB, MC	54-55
B5A 77512-A	"O" Ring (trans. rear clutch piston oil)-inner- ⊕PMB-77512-A	1	MC	55
1P 77513-A	Oil seal (trans. rear clutch piston)-outer-Rubber	1	MB, MC	54-55
1P 77514-A	Piston (trans. rear clutch)-Aluminum	1	MB	54
B5A 77514-A	Piston (trans. rear clutch)-⊕PMB-77514-A	1	MC	55
1P 77515-B	Spring (trans. rear clutch piston)	1	MB, MC	54-55
1P 77516-B	Seal (trans. rear clutch piston spring)	1	MB	54
B5A 77516-B	Seat (trans. rear clutch piston spring)- ⊕PMB-77516-B	1	MC	55
1P 77517-A	Snap ring (trans. rear clutch piston spring retainer)	1	MB	54
B5A 77517-A	Snap ring (trans. rear clutch piston spring retainer)- ⊕PMB-77517-A	1	MC	55
1P 77518-A	Plate (trans. rear clutch)-external spline	4	MB, MC	54-55
1P 77519-A	Plate assy (trans. clutch)-internal spline	4	MB, MC	54-55
B5A 77519-A	Plate assy (trans. front clutch)-⊕PAK-77519-A	3or4	MB, MC	54-55
MB 77521-A	Rod (clutch pedal to release lever)	1	MB	54
MC 77521-A	Rod (clutch pedal to release lever)	1	MC	55
1P 77522-A	Plate (trans. rear clutch pressure)	1	MB, MC	54-55
1P 77523-A	Snap ring (trans. rear clutch plate retainer)	1	MB, MC	54-55

CHASSIS PARTS CATALOGUE

Numerical Listing of Chassis Five Digit Part Numbers—Continued

PART NUMBER	PART NAME	NO. REQ'D	MODEL	YEAR 19__
1P 77524-A	Washer (trans. rear clutch sun gear counter thrust)	1	MB	54
B5S 77524-A	Washer (trans. rear clutch sun gear counter thrust) -⊕PMB-77524-A	1	MC	55
1P 77525-A	Washer (trans. rear clutch sun gear thrust)-Bronze	1	MB	54
B5S 77525-A	Washer (trans. rear clutch sun gear thrust)- ⊕PMB-77525-A	1	MC	55
1P 77530-C	Gear assy (trans. front clutch sun)	1	MB	54
B5S 77530-A	Gear assy (trans. front clutch sun)-⊕PMB-77530-A	1	MC	55
B5S 77530-B	Gear assy (trans. front clutch sun)-⊕PMB-77530-B	1	MC	55
B5A 77531-A	Kit (trans. front clutch tube valve)	1	MC	55
MC 77533-A	Spring (clutch pedal lever assist)	1	MC	55
MB 77537-A	Lever assy (clutch release)-upper	1	MB	54
1P 77542-A	Oil seal (trans. front clutch sun gear)	2	MB	54
B5S 77542-A	Oil seal (trans. front clutch sun gear)- ⊕PMB-77542-A	2	MC	55
1P 77543-B	Oil seal (trans. primary sun gear)-rear-Cast Iron	2	MB, MC	54-55
1P 77545-A	Washer (trans. front clutch sun gear thrust)-front- Bronze	1	MB	54
B5S 77545-A	Washer (trans. front clutch sun gear)- ⊕PMB-77545-A	1	MC	55
1P 77547-A	Oil seal (trans. front clutch sun gear)-intermediate	2	MB	54
B5S 77547-A	Oil seal (trans. front clutch sun gear)- ⊕PMB-77547-A	2	MC	55
1P 77548-B	Washer (trans. front clutch sun gear thrust)-rear- Bronze	1	MB	54
B5S 77548-A	Washer (trans. front clutch sun gear thrust)-rear- ⊕PMB-77548-A	1	MC	55
1P 77556-B	Cyl. (trans. front clutch)	1	MB	54
B5A 77556-A	Cyl. (trans. front clutch)-⊕PMB-77556-A	1	MC	55
B5A 77556-C	Cyl. (trans. front clutch)-⊕PAN-77556-A	1	MC	55
1P 77557-A	Oil seal (trans. front clutch piston)-inner-Rubber	1	MB	54
1P 77558-A	Oil seal (trans. front clutch piston)-outer-Rubber	1	MB, MC	54-55
MA 77560-C	Boot (clutch pedal rod thru dash)-Rubber	1	MB	54
1P 77562-A	Piston (trans. front clutch)-Aluminum	1	MB	54
1P 77563-A	Ring (trans. front clutch piston spring pressure)	1	MB, MC	54-55
1P 77565-A	Spring (trans. front clutch piston disc)	1	MB, MC	54-55
1P 77567-A	Snap ring (trans. front clutch cyl.)	2	MB, MC	54-55
1P 77569-A	Plate (trans. front clutch pressure)	1	MB, MC	54-55
B5A 77569-C	Plate (trans. clutch pressure)-⊕PAN-77569-A	1	MC	55
MA 77570-C	Retainer (clutch pedal rod thru dash boot)	1	MB	54
1P 77573-A	Plate (trans. front clutch external spline)	2or3	MB, MC	54-55
1P 77574-A	Hub (trans. front clutch)-20 internal teeth and 45 external teeth	1	MB	54
B5A 77574-B	Hub (trans. front clutch)-⊕PAK-77574-A	1	MB	54
B5S 77574-A	Hub (trans. front clutch)-⊕PMB-77574-A	1	MC	55
1P 77577-A1	Washer (trans. front clutch hub thrust)-Bronze- optional with 1P-77577-A2	1	MB	54
1P 77577-A2	Washer (trans. front clutch hub thrust)-Plastic- optional with 1P-77577-A1	1	MB	54
B5S 77577-B	Washer (trans. front clutch hub thrust)- ⊕PMB-77577-B	1	MC	55

MERCURY

CHASSIS PARTS CATALOGUE

Numerical Listing of Chassis Five Digit Part Numbers—Continued

PART NUMBER	PART NAME	NO. REQ'D	MODEL	YEAR 19__
MC 77618-A	Retainer (clutch pedal stop lever pin)	3	MC	55
AB 77626-A	Indicator assy (trans. oil level)	1	MB	54
MC 77626-A	Indicator assy (trans. oil level)	1	MC	55
1P 77627-A	Seal (trans. oil filler cap)-Rubber	1	MB	54
1P 77630-B	Cap assy (trans. oil filler)	1	MB	54
MC 77639-A	Retainer (clutch release equalizer bar retaining spring)	1	MC	55
B5A 77651-B	Shaft assy (trans. extension oil seal dust)- ⊕MC-77651-A	1	MC	55
1M 77652	Shield (trans. extension oil seal dirt)	1	MB	54
AB 77652-A	Shield (trans. extension dust)	1	MB	54
1P 77654-A	Baffle (trans. extension oil)	1	MB	54
B5S 77654-A	Baffle (trans. extension oil)-⊕PMB-77654-A	1	MC	55
B5A 77654-C	Baffle (trans. extension oil)-⊕1P-77654-C	1	MB	54
B5A 77685-A	Shaft assy (trans. O/Drive control)-⊕MC-77685-A	1	MC	55
PAE 77700-A	Control assy (trans. main)	1	MB	54
B5A 77700-D	Control assy (trans. main)-⊕PMB-77700-D	1	MC	55
B5A 77700-E	Control assy (trans. main)-⊕PAK-77700-A	1	MC	55
B5A 77700-F	Control assy (trans. main)-⊕PAK-77700-B	1	MC	55
B5A 77709-C	Valve (trans. front pump check)-1P-77709-C	1	MB, MC	54-55
1P 77710-B	Spring (trans. rear pump check valve)	1	MB, MC	54-55
1P 77712-B	Seat (trans. rear pump check valve)	1	MB	54
B5A 77712-A	Seat (trans. rear pump check valve)	1	MC	55
1P 77713-A	Valve (trans. rear pump check)	1	MB	54
B5A 77713-B	Valve (trans. rear pump check)-⊕PMB-77713-B	1	MC	55
B5A 77713-C	Valve (trans. rear pump check)-1P-77713-B	1	MB	54
1P 77715-A	Plate (trans. control valve body separating)	1	MB	54
B5A 77715-C	Plate (trans. control valve body separating)- ⊕PMB-77715-C	1	MC	55
1P 77733-A	Plate (trans. control end body)	1	MB	54
B5A 77733-A	Plate (trans. control end body)-⊕PMB-77733-A	1	MC	55
1P 77738-C	Spring (trans. low inhibitor valve)	1	MB	54
1P 77749-A	Plate (trans. control upper valve body)-rear	1	MB	54
B5A 77749-A	Plate (trans. control upper valve body)- ⊕PMB-77749-A	1	MC	55
1P 77761-A	Spring (trans. throttle valve return)	1	MB	54
B5A 77761-A	Spring (trans. throttle valve return)- ⊕PMB-77761-A	1	MC	55
1P 77763-B	Plate (trans. control upper valve body)-front	1	MB, MC	54-55
1P 77764-A	Valve (trans. control manual)	1	MB	54
B5A 77764-A	Valve (trans. control manual)-⊕PMB-77764-A	1	MC	55
1P 77820-D	Pump assy (trans. front oil)	1	MB	54
B5S 77820-A	Pump assy (trans. front oil)-⊕PMB-77820-A	1	MC	55
B5S 77820-B	Pump assy (trans. front oil)-⊕PMB-77820-B	1	MC	55
1P 77836-A	Gasket (trans. front oil pump)-Cork and Rubber	1	MB, MC	54-55
1P 77837-A	Oil seal (trans. front pump)	1	MB, MC	54-55
B5A 77837-A	Oil seal assy (trans. front pump)-⊕1P-77837-B2	1	MB, MC	54-55
B5A 77837-B	Oil seal assy (trans. front pump)-⊕1P-77837-B1	1	MB, MC	54-55
B5A 77850-A	Pump assy (trans. rear oil)-⊕PMB-77850-A	1	MB, MC	54-55
1P 77860-B	Cover (trans. rear oil pump)	1	MB, MC	54-55
1P 77860-C	Cover (trans. rear oil pump)	1	MB, MC	54-55
1P 77862-A	Gasket (trans. oil pump to case)	1	MB, MC	54-55
1P 77866-A	Tube (trans. rear pump inlet oil)	1	MB, MC	54-55
1P 77868-A	Oil seal (trans. rear pump outlet tube)	1	MB, MC	54-55
1P 77869-A	Tube (trans. rear pump outlet oil)	1	MB, MC	54-55

MERCURY

CHASSIS PARTS CATALOGUE

Numerical Listing of Chassis Five Digit Part Numbers—Continued

PART NUMBER	PART NAME	NO. REQ'D	MODEL	YEAR 19__
1P 77873-A	Oil seal (trans. rear pump inlet tube)-Rubber	1	MB, MC	54-55
1P 77881-A	Distributor (trans. clutch & governor oil)	1	MB, MC	54-55
1P 77882-A	Sleeve (trans. clutch & governor oil distributor)	1	MB, MC	54-55
1P 77883-A	Oil seal (trans. oil distributor sleeve)-Cast Iron	4	MB, MC	54-55
1P 77884-A	Tube (trans. oil distributor)	3	MB, MC	54-55
1P 77885-A	Spacer (trans. oil distributor tube)	1	MB, MC	54-55
1P 77982-B	Support assy (trans. converter stator)	1	MB	54
B5A 77982-A	Support assy (trans. converter stator)- ⊕PMB-77982-A	1	MC	55
MB 88277-B	Hose assy (radiator)-lower	1	MB	54
MC 88277-A	Hose assy (radiator)-lower-2" I. D. x 11-1/4" formed length	1	MC	55
MA 99048-C	Tube assy (fuel tank vent)-upper	1	MB except 79	54
MC 99048-B	Tube assy (fuel tank vent)-upper	1	MC except 79	55
MC 99052-B	Bolt (fuel tank strap)	2	MC except 79	55
MA 99053-A	Bracket (fuel tank vent tube)	1	MB, MC except 79	54-55
MEK 99500-B	Kit (carburetor dashpot)-refer to carburetor group for components	1	MB	54
EBY 99503-A	Lever & shaft assy (carburetor secondary throttle plate stop)	1	MB	54
EAD 99523-A	Piston assy (carb. automatic choke)	1	MB	54
EAD 99552-A	Bracket (carburetor secondary venturi extension tube)	1	MB	54
EBY 99553-A	Clamp (carburetor secondary venturi extension tube)	1	MB	54
EBY 99554-A	Venturi (carburetor secondary)	2	MB	54
EAD 99585-A	Plate (carburetor throttle)-secondary	2	MB	54
EAD 99594-B	Tube assy (carburetor idle secondary)-use with 86H-9533	2	MB	54
EAD 99594-C	Tube assy (carburetor idle secondary)-use with 78-9533-B	2	MB	54
EAD 99594-D	Tube assy (carburetor idle secondary)-use with 59A-9533-D	2	MB	54
EBY 99604-A	Rod (carburetor secondary throttle control)	1	MB	54
EAD 99605-A	Spacer (carburetor main body to throttle body)	1	MB	54
EBY 99616-A	Pin (carburetor secondary diaphragm return spring)	1	MB	54
EBY 99633-A	Seat (carburetor secondary diaphragm vacuum restriction valve ball)	1	MB	54
EBY 99634-A	Spring (carburetor secondary diaphragm vacuum restriction valve ball)	1	MB	54
EAD 99654-B	Gasket (air cleaner to carburetor)-3/8" thick- Synthetic Rubber-use with round type air cleaner	1	MB	54
EBY 99654-A	Gasket (air cleaner to carburetor)-3/16" thick- Synthetic Rubber-use with round type air cleaner	1	MB	54
EAC 99656-A	Gasket (carburetor air cleaner oil seal)-Houdi design	1	MB	54
EBY 99868-A	Rod assy (thermostatic choke lever)-adjustable	1	MB	54
MEK 99983-A	Kit (main body cover)	1	MB	54
EBY 99983-C	Cover & plugs assy (carburetor main body)	1	MB	54
EAD 99986-A	Extension assy (carburetor nozzle tube)	2	MB	54

MERCURY

CHASSIS PARTS CATALOGUE

Accessories

Auxiliary Starter

PART NUMBER	PART NAME	NO. REQ'D	MODEL	YEAR 19__
FDD 11508-A	Kit (auxiliary starter)-used with automatic trans. only-consists of the following #(1) FDD-11504-A Switch #(1) FDD-11506-A Wire #(1) FDD-11507-A Wire #(1) FDD-11524-A Wire #(1) 8BA-17543 Tube (1) FAA-18954 Clamp (2) 32794-S8 Screw (1) 351704-S32 Clip (1) 353376-A-S Conntr. (1) 356668-S32 Clip	1	MB	54
FDL 11508-A	Kit (auxiliary starter)-used with automatic trans. only-consists of the following #(1) FDD-11504-A Switch #(1) FDL-11506-A Filter #(1) FDL-11507-A Wire (1) FDL-11515-A Filter #(1) FDL-11524-A Wire #(1) 8BA-17543 Hose (2) FAA-18954-A Clamp (2) 32794-S8 Screw (1) 353376-A3-S Connector	1	MC	55
	351704-S32 Clip (wire)-tube to cylinder block	1	MB	54
	356668-S32 Clip (wire)-switch to cowl top flange	1	MB	54
	353376-A-S Connector (T)-1-3/16" x 1-15/16"-tube to intake manifold and vacuum pump	1	MB, MC	54-55
	32794-S8 Screw (flat hd tapping)-No. 10-12 x 1/2"-switch to dash panel	2	MB, MC	54-55
FDL 11515	Filter (auxiliary starter switch)	1	MC	55
FAA 18954-A	Clamp (auxiliary starter)-hoses	2	MC	55

Automatic Headlamp Dimmer

FDK 13532-A	Switch assy (automatic headlamp dimmer)	1	MC	55
FDK 13649-A NS	Kit (automatic headlamp dimmer control)-Factory Installed only-Service Details	1	MC	55
FDK 13650-A	Control assy (automatic headlamp dimmer)	1	MC	55
FDK 13658-A	Gasket (automatic headlamp dimmer control)	1	MC	55
FDH 13660-A	Lamp assy (automatic headlamp dimmer control)	1	MC	55
FDH 13667-A NS	Wire assy (automatic headlamp dimmer control Ground)-Improvise locally	1	MC	55

Back Up Lamp

8A 13413	Socket and wire assy (back-up lamp)	2	MB	54
B 13465	Bulb (back-up lamp)-21 C. P. -S. C.	2	MB, MC	54-55
FDK 15506-A	Wiring assy (back-up lamp switch to back-up lamp)	1	MC except 79	55
FAA 15517-A	Bracket (back-up lamp)-not used with Merc-O-Matic transmission-1-45/64" long	1	MB	54

Detail of Kit Not Serviced Loose

MERCURY

CHASSIS PARTS CATALOGUE

Accessories—Continued

Back Up Lamp—Continued

PART NUMBER	PART NAME	NO. REQ'D	MODEL	YEAR 19__
FDK 15517-A	Bracket (back-up lamp)-not used with Merc-O-Matic transmission-1-39/64" long	1	MC	55
	357148-S8 Screw (hex washer hd)-No. 10-16 x 5/16"-bracket to steering column tube	2	MB, MC	54-55
1H 15520-A	Switch assy (back-up lamp)-not used with Merc-O-Matic transmission	1	MB, MC	54-55
	33927-S7 Nut (hex check)-7/16"-20-switch to bracket	1	MB	54
	34690-S8 Nut (hex jam)-7/16"-20-switch to bracket	1	MC	55

Bumper Grille Guard

BV 17907-A	Kit (rear bumper guard installation)-consists of the following (1) BV-17636-A Guard (1) BV-17637-A Guard (1) BV-17984-B Guard (1) BV-17985-B Guard (2) 20431-S7 Bolt (1) 20537-S8 Bolt (2) 34671-S8 Nut (1) 34848-S7 L/washer	1	MC60E-70B-73B	55
BV 17636-A	Guard assy (rear bumper wing)-R. H.	1	MC60E-70B-73B	55
BV 17637-A	Guard assy (rear bumper wing)-L. H.	1	MC60E-70B-73B	55
	20431-S7 Bolt (hex-hd)-7/16"-20 x 1-1/4"-guard assy wing to rear impact bar	2	MC60E-70B-73B	55
	20537-S8 Bolt (hex-hd)-7/16"-20 x 2-1/4"-guard assy wing to rear impact bar	2	MC60E-70B-73B	55
	34848-S7 Lockwasher-7/16" guard assy wing to rear impact bar	8	MC60E-70B-73B	55
	34671-S8 Nut (hex)-7/16"-20-guard assy wing to rear impact bar	2	MC60E-70B-73B	55
BV 17984-B	Guard assy (rear impact bar)-R. H.	1	MC60E-70B-73B	55
BV 17985-B	Guard assy (rear impact bar)-L. H.	1	MC60E-70B-73B	55
BR 18412-A	Kit (front bumper grille guard installation)-consists of the following (1) BR-17996-A Guard (1) BR-17997-A Guard (2) 20533-S8 Bolt (2) 20549-S8 Bolt (4) 34809-S7 L/washer (2) 42905-S8 Bolt (2) 44724-S8 Washer (4) 44735-S8 Washer	1	MB	54
BR 18412-B	Kit (front bumper grille guard installation)-used with roadlamp-consists of the following (1) BR-17996-C Guard (1) BR-17997-C Guard (2) 20533-S8 Bolt (2) 20549-S8 Bolt (4) 34809-S7 L/washer (2) 42905-S8 Bolt (2) 44724-S8 Washer (4) 44735-S8 Washer	1	MB	54
BV 17858-A	Kit (front bumper grille guard installation)-consists of the following (1) BV-17996-A Guard (1) BV-17997-A Guard	1	MC	55

CHASSIS PARTS CATALOGUE

Accessories—Continued

Bumper Grille Guard—Continued

PART NUMBER	PART NAME	NO. REQ'D	MODEL	YEAR 19__
BR 17996-A	Guard assy (front bumper grille)-R. H. -also serviced in 18412 Kit	1	MB	54
BR 17996-C	Guard assy (front bumper grille)-R. H. -used with roadlamp-also serviced in 18412 Kit	1	MB	54
BV 17996-A	Guard assy (front bumper grille)-R. H. -also serviced in 17858 Kit	1	MC except 79	55
BR 17997-A	Guard assy (front bumper grille)-L. H. -also serviced in 18412 Kit	1	MB	54
BR 17997-C	Guard assy (front bumper grille)-L. H. -used with roadlamp-also serviced in 18412 Kit	1	MB	54
BV 17997-A	Guard assy (front bumper grille)-L. H. -also serviced in 17858 Kit	1	MC except 79	55
	20533-S8 Bolt (hex-hd)-1/2"-20 x 2-1/8" -guard to impact bar	2	MB	54
	20549-S8 Bolt (hex-hd)-1/2"-20 x 2-1/2" -guard to impact bar	2	MB	54
	42905-S8 Bolt and washer (hex-hd)-5/16" -24 x 3/4"-guard to center stone deflector	2	MB	54
	34809-S7 Lockwasher-1/2"-guard to impact bar	4	MB	54
	44724-S8 Washer (flat)-5/16"-guard to center stone deflector	2	MB	54
	44735-S8 Washer (flat)-1/2"-guard to impact bar	4	MB	54

Compass

FDD 18358-A	Kit (compass installation)	1	MB	54
FDL 18358-A	Kit (compass installation)	1	MC	55

Curb Buffer

BG 18243-A	Kit (curb buffer moulding installation)-consists of the following (1) BG-7010176-A Moulding (1) BG-7010177-A Moulding (14) OL-7210198 Retainer	1	MB except 79	54
	BG-7010176-A Moulding (body rocker panel curb buffer)-R. H.	1	MB except 79	54
	BG-7010177-A Moulding (body rocker panel curb buffer)-L. H.	1	MB except 79	54
	OL-7210198 Retainer (body rocker panel curb buffer moulding)	14	MB except 79	54
	BV-7010146-A Kit (rocker panel moulding)-refer to Body Group for components	1	MC except 79	55
	BV-7910146-A Kit (rocker panel moulding)-refer to Body Group for components	1	MC79	55

Curb Signal

BD 19246-A	Kit (curb signal installation)	1	MB, MC	54-55
------------	--------------------------------	---	--------	-------

MERCURY

CHASSIS PARTS CATALOGUE

Accessories — Continued

Door Edge Guard

PART NUMBER	PART NAME	NO. REQ'D	MODEL	YEAR 19__
BG 19292-A	Kit (front door edge guard installation)-consists of the following #(1) BG-7320940-A Moulding #(1) BG-7320941-A Moulding	1	MB73	54
BG 19292-B	Kit (front door edge guard installation)-consists of the following #(1) BG-7020940-A Moulding #(1) BG-7020941-A Moulding	1	MB60-70-76	54
BG 19292-C	Kit (front and rear door edge guard installation)-consists of the following #(1) BG-7320940-A Moulding #(1) BG-7320941-A Moulding #(1) BG-7325510-A Moulding #(1) BG-7325511-A Moulding	1	MB73	54
	BV-7020910-A Kit (door edge guard installation)-refer to Body Group for components	1	MC except 73	55
	BV-7320910-A Kit (door edge guard installation)-refer to Body Group for components	1	MC73	55

Door Handle Shield

BH 18437-A	Kit (door handle shield installation)-consists of the following #(1) BH-7322414-A Shield-R. H. #(1) BH-7322415-A Shield-L. H.	1	MB	54
	BV-7022446-A Kit (door handle shield installation)-refer to Body Group for components	1	MC	55

Engine Compartment Lamp

FAD 18375-A	Kit (engine compartment lamp installation)-consists of the following #(1) FAD-15702-A Lamp (2) FAA-18954-A Clamp (2) 32924-S7 Screw (2) 34903-S8 Wshr.	1	MB	54
FDL 18375-A	Kit (engine compartment lamp installation)-consists of the following #(1) FDL-15702 Lamp (2) FAA-18954 Clamp (2) 32924-S Screw (2) 44713-S8 Washer	1	MC	55
	B-13799 Bulb (engine compt. lamp)-15 C.P.	1	MB, MC	54-55
	32924-S7 Screw (pan-hd)-No. 10-12 x 1/2'-lamp attaching	2	MB, MC	54-55
	34903-S Washer (flat)-No. 10 lamp attaching	2	MB	54
	44713-S8 Washer (flat)-No. 10-lamp attaching	2	MC	55
FAA 18954-A	Clamp (engine compartment wire)-also serviced in 18375 Kit	2	MB, MC	54-55

Detail not serviced loose

CHASSIS PARTS CATALOGUE

Accessories — Continued

Exhaust Deflector

PART NUMBER	PART NAME	NO. REQ'D	MODEL	YEAR 19__
MB 18259-A	Deflector assy (exhaust)-Chrome-fantail type	1	MB	54

Exterior Sun Visor

BC 18236-B	Kit (exterior sun visor installation)	1	MB70-73-79	54
BC 18236-C	Kit (exterior sun visor installation)	1	MB60B-60E	54
BV 18236-A	Kit (exterior sun visor installation)	1	MC60-70B-73B-73C-79	55
BV 18236-B	Kit (exterior sun visor installation)	1	MC64A	55

Front Vent Wind Deflector

BH 19301-A	Kit (front vent wind deflectors)	1	MB	54
------------	----------------------------------	---	----	----

Gas Tank Locking Cap

MA 9030-C	Cap assy (gas tank locking)-includes lock and keys	1	MB except 79	54
-----------	--	---	--------------	----

Glove Compartment Lamp

FDC 18254-A NS	Kit (glove compartment lamp)-service details	1	MC	55
----------------	--	---	----	----

Hand Brake Signal

FDK 15848-B	Kit (hand brake signal lamp installation)-consists of the following #(1) FDK-15850-A Lamp (1) OH-15853 Brkt.	1	MC	55
FDC 18159-B	Kit (hand brake signal lamp installation)-consists of the following #(1) FDD-15850-B Lamp (1) OH-15853 Brkt.	1	MB	54
78 13466	Bulb (hand brake signal)-2 C.P. -S. C.	1	MB, MC	54-55
FDD 15850-B	Lamp assy (hand brake signal)	1	MB	54
OH 15853	Bracket assy (hand brake signal lamp)-also serviced in 15848 & 18159 Kits	1	MB, MC	54-55

Headlamp Door

FAA 13077-A	Kit (headlamp door)-consists of the following-also serviced in 13077 Kit #(2) FAD-13063-A Ring	1	MB	54
MEK 13077-A	Kit (headlamp rim installation)-Chrome-consists of the following (2) FAA-13061-B Rim (6) FAC-13067-A Clips (1) FAA-13077-A Kit (2) 52368-S23 Screws	1	MB	54
	52368-S23 Screw (oval hd)-No. 8-7/8"-outer ring to fender	2	MB	54
FAA 13061-B	Ring (headlamp door)-inner-also serviced in 13077 Kit	2	MB	54
FAC 13067-A	Clip (headlamp door ring retaining)-also serviced in 13077 Kit	6	MB	54

Detail not serviced loose

MERCURY

CHASSIS PARTS CATALOGUE

Accessories — Continued

Hot Water Heater

PART NUMBER	QTY	PART NAME	NO. REQ'D	MODEL	YEAR 19__
MFK 18455-A		Kit (heater-installation)-consists of the following #(1) FDK-18455-B Heater #(1) FDK-19410-C Control	1	MC	55
		FAA-8725 Clamp assy (heater air duct retainer)-3-3/16" x 3-9/16"	2	MC	55
FDC 18456-B		Blower assy (heater)	1	MB	54
FDK 18456-B		Blower assy (heater)	1	MC	55
		78-13466 Bulb (clear)-2 C. P. -S. C. - heater controls	as reqd	MC	55
		353635-S8 Pin-29/64" x 7/64" diameter- stud to blower housing	1	MB	54
		353636-S8 Stud (wing type)-29/32" x 17/64" diameter-blower to fender apron	1	MB	54
B4A 18457-A		Duct assy (heater inlet)-⊕FDK-18457-B	1	MB	54
B6A 18457-B		Duct assy (heater inlet)-⊕FDH-18457-A	1	MC	55
FAB 18471-B		Plenum chamber assy (heater)-2-5/16" x 6-19/32" opening-21-19/64" long	1	MB	54
FDK 18471-BP		Plenum clamper assy (heater)	1	MC	55
		42060-S8 Screw (slotted hex hd tapping)- No. 10-12 x 3/8"-plenum chamber to defroster outlet	1	MC	55
		42092-S8 Screw (slotted hex hd tapping)- No. 10-12 x 1"-plenum chamber to dash panel	1	MC	55
1A 18472-C NS		Hose (heater)-47" long-cut from 1M-18472-C	1	MC	55
1M 18472-C		Hose (heater)-100' long	1	MC	55
FDA 18472-A		Hose (heater)-5/8" I. D. x 15/16" O. D. x 100' long- with White stripe-heat and oil resistant	as reqd	MB, MC	54-55
FDA 18472-D NS		Hose (heater return)-40" long-cut from FDA-18472-A	1	MB, MC	54-55
FDA 18472-E NS		Hose (heater inlet)-43-1/2" long-cut from FDA-18472-A	1	MB	54
FDK 18472-A NS		Hose (heater)-45" long-cut from FDA-18472-A	1	MC	55
FAA 18476-A		Core assy (heater)-2-1/2" x 9-5/8" x 6"	1	MB, MC	54-55
		42067-S8 Screw (slotted hex hd tapping)- No. 10-12 x 1/4"-core to core case	4	MC	55
FAB 18480-B		Outlet assy (heater defroster)	1	MB	54
FDK 18480-AP		Outlet assy (heater defroster)-with elbow for L. H. defroster outlet	1	MC	55
FDA 18481-A		Bracket (heater hose support)-3-1/4" formed length	1	MB, MC	54-55
		40921-S8 Bolt (hex washer hd)-1/4"- 20 x 1/2"-hose bracket to fender apron	2	MC	55
FAB 18489-C		Connector (heater to blower air duct)-3-1/2" long	1	MB	54
FAC 18489-A		Connector (heater blower to air duct)-5-1/2" long	1	MC	55

Detail of Kit Not Serviced Loose

MERCURY

CHASSIS PARTS CATALOGUE

Accessories—Continued

Hot Water Heater—Continued

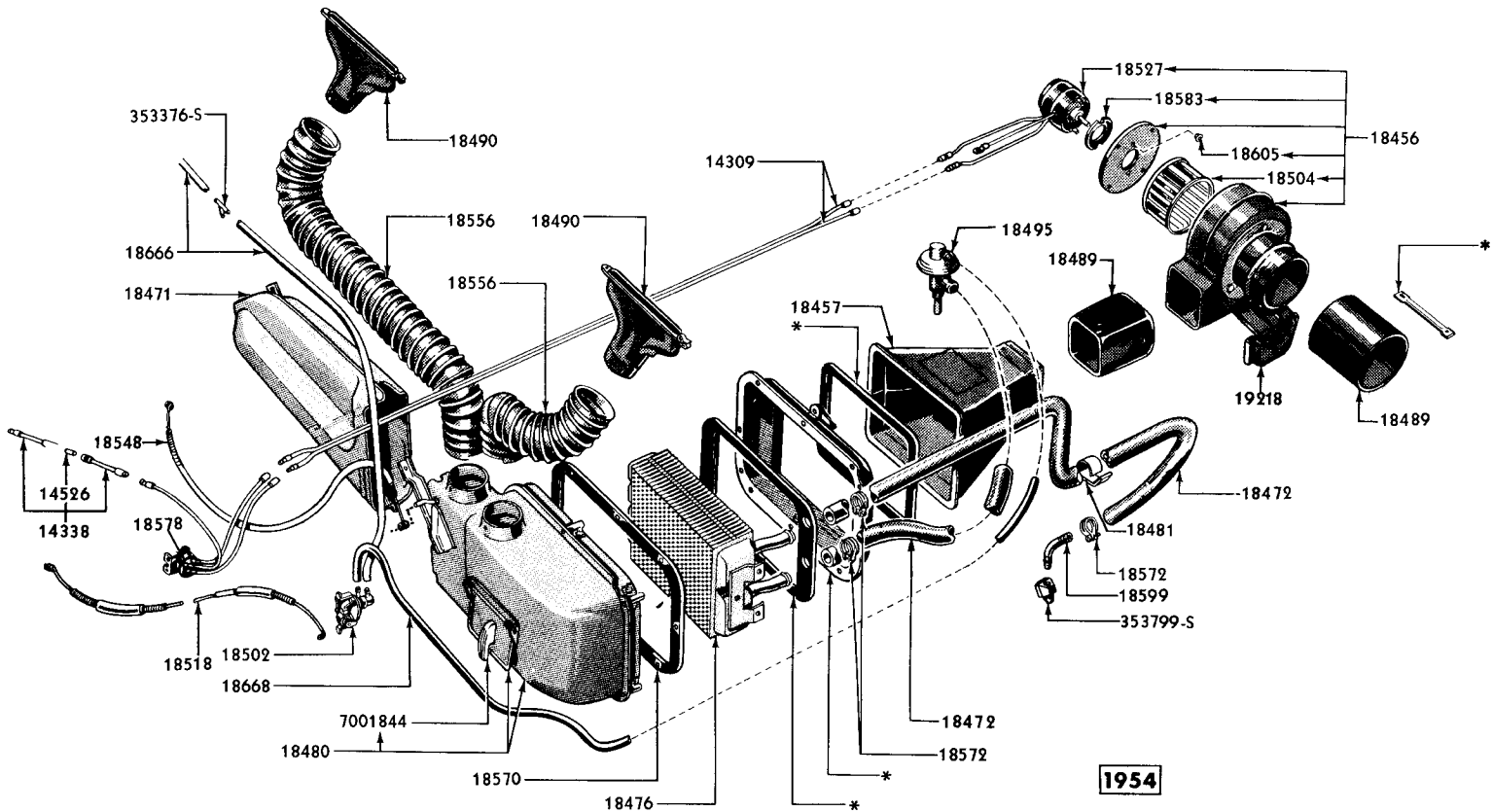
PART NUMBER	CLASS	PART NAME	NO. REQ'D	MODEL	YEAR 19__
FDC 18489-A	NS	Connector (heater to blower air duct)-3-1/2" long-cut from FAC-18489-A	1	MB	54
FDK 18489-B	NS	Connector assy (heater blower to air duct)-5-1/4" long-cut from FAC-18489-A	1	MC	55
FDR 18489-A		Connector assy (heater blower to air duct)-6-1/4" long	1	MC	55
FAA 18490-A		Nozzle assy (heater defroster)-painted-Steel-outlet opening-1/2" x 5-63/64"	2	MB	54
B5A 18490-A		Nozzle assy (heater defroster)-painted-Steel-outlet opening 9/16" x 10-3/16"-⊕FDK-18490-A	2	MC	55
B5A 18490-B		Nozzle assy (heater defroster)-R. H. -painted-Steel-outlet opening-15/32" x 3-11/16"-⊕FDK-19366-A	1	MC	55
B5A 18491-A		Nozzle assy (heater defroster)-L. H. -painted-Steel-outlet opening-15/32" x 3-11/16"-⊕FDK-19367-A	1	MC	55
		353563-S Bolt (carriage)-No. 10-24 x 1/2"-nozzle to reinforcement	4	MC	55
		34903-S8 Lockwasher (internal tooth)-No. 10-defroster nozzle to reinforcement assy	8	MC	55
		34053-S8 Nut (hex)-No. 10-24-defroster nozzle to reinforcement assy	8	MC	55
FDA 18495-C		Valve assy (heater water control)-threads-1-1/4" from base-low pressure	1	MB, MC	54-55
B5A 18495-A		Valve assy (heater water control)-high pressure-⊕FEA-18495-A	1	MC	55
B5A 18502-B		Valve assy (heater temperature regulator)-⊕FDK-18502-A	1	MB, MC	54-55
		42060-S8 Screw (hex-hd tapping)-No. 10-12x3/8"-valve to outlet assy	2	MC	55
		42060-S8 Screw (slotted hex hd tapping)-No. 10-12 x 3/8"-regulator valve to heater	2	MC	55
FAB 18504-A		Wheel assy (heater blower)-4-1/4" diameter-clockwise rotation	1	MB, MC	54-55
8C 18504-A		Wheel assy (heater blower)-used with Air Conditioning-clockwise rotation	1	MC except 76-79	55
8A 18504-A		Wheel assy (heater blower)-used with Air Conditioning-counterclockwise rotation	1	MC	55
		355312-S34 Screw (headless socket set)-1/4"-28 x 3/8"-wheel to shaft	1	MB	54
FDC 18518-A		Control assy (heater temperature)-46" long	1	MB	54
FDK 18518-B		Control assy (heater temperature)-47-9/16" long	1	MC	55
		352531-S8 Bolt (hex-hd)-No. 10-32 x 3/8"-heat temperature control to mounting bracket	1	MB	54
		352531-S8 Bolt (hex-hd)-No. 10-32 x 3/8"-control wire to wire clamp	1	MC	55
		353261-S7 Clip (wire)-control to defroster outlet	1	MB, MC	54-55

MERCURY

CHASSIS PARTS CATALOGUE

Accessories — Continued

Hot Water Heater — Continued



*SERVICED IN 18455 ASS'Y ONLY

PM-794

HEATER AND RELATED PARTS

Basic numbers only shown on illustration. Order by Part Numbers shown in list of parts.

MERCURY

CHASSIS PARTS CATALOGUE

Accessories—Continued

Hot Water Heater—Continued

PART NUMBER	PART NAME	NO. REQ'D	MODEL	YEAR 19__
FAB 18519-B	Knob (heater regulator control)-used with Air Conditioning	1	MC except 76-79	55
FAE 18519-AP	Knob assy (heater regulator control)-used with Air Conditioning	2	MC except 76-79	55
FDK 18519-A	Knob assy (heater regulator control)	4	MC	55
	FAB-18683-A Cap (heater regulator control knob)	2	MC	55
FAB 18527-A	Motor assy (heater blower)	1	MB, MC	54-55
FDC 18527-A NS	Motor assy (heater blower)-use FAB-18527-A for service by adding (2) B-14487 connectors	1	MB, MC	54-55
	FAA-14558-A Casebolt (heater blower motor)-No. 10-32 x 3-3/8"	2	MB	54
	FAA-14575-A Holder (heater blower motor brush)-2 prong type	2	MB	54
	FAA -14575-B Holder (heater blower motor brush)-flat type	2	MB	54
	FAA-14576-A Spring (heater blower motor brush holder retaining)-1-1/8" free length	2	MB	54
	FAA-14576-B Spring (heater blower motor brush holder retaining)-5/8" free length	2	MB	54
	FAA-14580-A Brush assy (heater blower motor)-with 1-3/4" pigtail	2	MB	54
	FAA-19293-A Brush assy (heater blower motor)-with 1-1/8" pigtail	2	MB	54
	FAA-19293-B Brush assy (heater blower motor)-with 1-5/16" pigtail	2	MB	54
	FAA-19294-A Spring (heater blower motor brush retaining)-1-1/4" free length	2	MB	54
	34939-S7 Lockwasher (external tooth)-No. 10-motor to mounting plate	2	MC	55
	34079-S7 Nut (hex)-No. 10-32-motor to mounting plate	2	MC	55
	351805-S100 Nut (hex)-No. 10-32-casebolt to motor	2	MB	54
	351278-S8 Washer (flat)-7/32" I. D. - motor to mounting plate	as reqd	MC	55
FDK 18541-A	Socket & wire assy (heater control lamp)	2	MC	55
FDC 18548-B	Control assy (defroster)-43" long	1	MB	54
FDH 18548-A	Control assy (defroster)-26-1/2" long	1	MC	55
	353261-S8 Clip (defroster control to heater outlet front plate)	1	MB, MC	54-55
	352531-S8 Screw(hex-hd)-No.10-32x 3/8"-defroster control to mounting bracket	1	MB	54
	352531-S8 Screw (hex-hd)-No. 10-32 x 3/8"-control wire to wire clamp	1	MC	55

CHASSIS PARTS CATALOGUE

Accessories—Continued

Hot Water Heater — Continued

PART NUMBER	SYMBOL	PART NAME	NO. REQ'D	MODEL	YEAR 19____
OH 18556-A		Hose (heater defroster)-8-1/2" long-passenger side	1	MB	54
FAA 18556-B		Hose (heater defroster)-33-1/2" long-driver side	1	MB	54
FDK 18556-A NS		Hose (heater defroster)-11" long-cut from FDU-18556-A	1	MC	55
FDK 18556-C		Hose (heater defroster)-20" long-driver side	1	MC	55
FDK 18556-D NS		Hose (heater defroster)-9" long-passenger side- cut from FDK-18556-C	1	MC	55
FDU 18556-A		Hose(heater defroster)-1-33/64"I. D. x 23-1/2" long	1	MC	55
		42007-S8 Screw (hex-hd)-No. 10-12 x 1/2"-hose to defroster outlet	2	MB	54
FDK 18561-C		Control assy (heater regulator)-R. H.	1	MC	55
		50803-S8 Screw and washer assy (cross recessed pan-hd)-No. 8-32 x 3/8"-control assy to housing assy	3	MC	55
FAA 18570-A		Gasket (heater to dash)-7-1/2" x 11-13/32"	1	MB, MC	54-55
1C 18572-A		Clamp (heater hose)-stamped "1C-A2"	4	MB, MC	54-55
FDC 18578-B		Switch assy (heater control)-with "L" shaped mounting bracket	1	MB	54
FDK 18578-B		Switch assy (heater control)-with flat shaped mounting bracket	1	MC	55
		41036-S8 Screw (slotted hex hd tapping)- No. 10-32 x 3/8"-switch to mounting bracket R. H.	2	MC	55
		352165-S8 Washer-"C"-3/32" I. D. x 15/64" O. D. -switch to regulator control	1	MB, MC	54-55
		FDC-14309-B Wire assy (heater switch to blower motor)-62" long	1	MB	54
		FDK-14309-B Wire assy (heater switch to blower motor)-61-1/2" long	1	MC	55
		FDL-14338-B Wire assy (ignition switch to heater switch)	1	MB, MC	54-55
	NS	B-14526 Fuse (heater blower motor)-20 amp. -serviced in 14527 Kit	1	MB, MC	54-55
FAB 18581-A		Plate (heater motor mounting)	1	MC	55
FAA 18583-A		Gasket (heater blower motor mounting)-Rubber- 1-7/16" I. D. x 2-5/16" O. D.	1	MB	54
FDA 18583-A		Gasket (heater blower motor mounting)-1-7/16" I. D. x 2-5/16" O. D. -also used with Air Conditioning	2	MC except 76-79	55
FAA 18584-B		Connector (heater blower duct to air valve)-4" dia. x 26" long	1	MC	55
FDA 18584-A NS		Connector (heater blower duct to air valve)-5" long -cut from FAA-18584-B	1	MB	54
FDK 18584-A NS		Connector (heater blower duct to air valve)-4" dia. x 5-3/8"long-cut from FAA-18584-B	1	MC	55
		353779-S Elbow-3/8"-18 x 45°-elbow to water pump	1	MB, MC	54-55

CHASSIS PARTS CATALOGUE

Accessories—Continued

Hot Water Heater—Continued

PART NUMBER	PART NAME	NO. REQ'D	MODEL	YEAR 19__
8A 18599	Elbow (heater connection)	1	MB, MC	54-55
OA 18605	Grommet (heater blower motor mounting)	2	MB, MC	54-55
FDK 18646-C	Control assy (heater air regulator)-L. H.	1	MC	55
	50803-S8 Screw & washer assy (cross recessed pan-hd)-No. 8-32 x 3/8"-control assy to hsg. assy	3	MC	55
FAA 18666-C	Hose (heater temperature control vacuum inlet)-7/32" I. D. x 7/16" O. D. x 12-3/4" long	1	MB, MC	54-55
	353376-A1-S Connector (tee)-hose to W/S wiper hose	1	MB, MC	54-55
FAA 18668-F NS	Hose (heater temperature control vacuum outlet)-67-1/2" long-cut from A9A-17543-B	1	MB, MC	54-55
FDK 18668-A NS	Hose (heater temperature control vacuum outlet)-5/32" I. D. x 86" long-cut from APA-17543-B	1	MC	55
FAB 18683-A	Cap (heater regulator control knob)	as reqd	MB	54
FAA 18726-A	Clip (heater door)	1	MB, MC	54-55
8M 18912	Grommet (air control)	1	MB, MC	54-55
FAA 18954-A	Clamp (heater hose)	2	MB, MC	54-55
	42092-S8 Screw (hex-hd tapping)-No. 10-12 x 1"-adapter to dash panel	1	MC	55
FDK 19214-B	Housing assy (heater regulator control lamp)	2	MC	55
	42723-S8 Screw & washer assy (hex-hd)-No. 8-32 x 5/8"-lamp hsg. to heater control & hsg. assy	2	MC	55
FDH 19218-A	Housing & bracket assy (heater blower)	1	MB, MC	54-55
FDK 19376-A	Elbow assy (W/S defroster hose to defroster nozzle)-2-1/2" I. D.	1	MC	55
FDK 19378-A	Adapter assy (w/s defroster takeoff)	1	MC	55
	42092-S8 Screw (slotted hex-hd tapping)-No. 10-12 x 1"-adapter to dash panel	1	MC	55

Instrument Warning Signal

FDK 18385-A	Kit (instrument warning signal installation)-consists of the following #(1) FDK-14485-A Wire (1) OH-15853 Bracket #(1) FAA-15854-B Signal (2) 52758-S8 Screw	1	MB, MC	54-55
OH 15853	Bracket assy (signal lamp)-also serviced in 18385 Kit	1	MB, MC	54-55
	52758-S8 Screw (cross recess pan hd self tapping)-No. 8-15 x 1-1/4" signal to dash panel	2	MB, MC	54-55

Detail of Kit Not Serviced Loose

MERCURY

CHASSIS PARTS CATALOGUE

Accessories—Continued

License Plate Frames

PART NUMBER	PART NAME	NO. REQ'D	MODEL	YEAR 19__
HDK 18350-A	Kit (license plate frames)-consists of the following #(2) BH 18350-A Frame Kit	1	MB, MC except 79	54-55
HEK 18350-A	Kit (license plate frame & window)-consists of the following #(2) BS-18350-A Frame Kit-used in Kentucky, Maine, Massachusetts and Texas	1	MB, MC	54-55
HEK 18350-B	Kit (license plate frame & window)-consists of the following #(2) BS-18350-B Frame Kit-used in Iowa, Indiana, Kentucky, Maine, Massachusetts, Missouri, Oklahoma, South Carolina and South Dakota	1	MB, MC	54-55
HEK 18350-C	Kit (license plate frame & window)-consists of the following #(2) BS-18350-C Frame Kit-used in California, Michigan, Wisconsin and Wyoming	1	MB, MC	54-55
HEK 18350-D	Kit (license plate frame & window)-consists of the following #(2) BS-18350-D Frame Kit-used in Alabama, Arizona, Hawaii, Maryland, Massachusetts, Minnesota, Montana, New Jersey, New York, Washington and New Mexico	1	MB, MC	54-55
HEK 18350-E	Kit (license plate frame & window)-consists of the following #(2) BS-18350-E Frame Kit-used in Connecticut, Delaware, Illinois, Minnesota, Ohio and Vermont	1	MB, MC	54-55
HEK 18350-F	Kit (license plate frame & window)-consists of the following #(2) BS-18350-F Frame Kit-used in Arkansas, Dist. of Columbia, Idaho, Illinois, Kansas, Louisiana, Minnesota, Mississippi, Missouri, Nevada, Ohio, Oregon and Virginia	1	MB, MC	54-55
HEK 18350-G	Kit (license plate frame & window)-consists of the following #(2) BS-18350-G Frame Kit-used in Alaska, Colorado, Florida, Georgia, Illinois, North Carolina, North Dakota, Tennessee, and West Virginia	1	MB, MC	54-55
HEK 18350-H	Kit (license plate frame & window)-consists of the following #(2) BS-18350-H Frame Kit-used in Delaware, Nebraska, Pennsylvania, Rhode Island, Utah, Vermont and New Hampshire	1	MB, MC	54-55

Detail of Kit Not Serviced Loose

MERCURY

CHASSIS PARTS CATALOGUE

Accessories — Continued

License Plate Frame Windows

PART NUMBER	PART NAME	NO. REQ'D	MODEL	YEAR 19__
HDK 15480-A	Kit (license plate frame window)-used in Nebraska, Rhode Island, Utah, Vermont and Delaware-consists of the following #(2) BH-15480-A Window	1	MB, MC	54-55
HDK 15480-B	Kit (license plate frame window)-used in Kansas, New Jersey, Pennsylvania, Texas, Kentucky and Maine-consists of the following #(2) BH-15480-B Window	1	MB, MC	54-55
HDK 15480-C	Kit (license plate frame window)-used in Alabama, Arizona, California, Colorado, Florida, Georgia, Missouri, Montana, New York, Oklahoma, South Carolina, Washington, Kentucky, Massachusetts, Minnesota and North Dakota-consists of the following #(2) BH-15480-C Window	1	MB, MC	54-55
HDK 15480-D	Kit (license plate frame window)-used in Nevada and Tennessee-consists of the following #(2) BH-15480-D Window	1	MB, MC	54-55
HDK 15480-E	Kit (license plate frame window)-used in Arkansas, Indiana, Maryland, Mississippi, Virginia, Idaho, Ohio, Illinois, District of Columbia and South Dakota-consists of the following #(2) BH-15480-E Window	1	MB, MC	54-55
HDK 15480-F	Kit (license plate frame window)-used in Iowa, Louisiana, North Carolina, Oregon and West Virginia-consists of the following #(2) BH-15480-F Window	1	MB, MC	54-55
HDK 15480-G	Kit (license plate frame window)-used in Connecticut, New Hampshire, Illinois, Ohio, Delaware, Maine, Massachusetts and Minnesota-consists of the following #(2) BH-15480-G Window	1	MB, MC	54-55
HDK 15480-J	Kit (license plate frame window)-used in Wisconsin, Wyoming, Michigan, Indiana and New Mexico-consists of the following #(2) BH-15480-J Window	1	MB, MC	54-55

Multiple Lubricator

NS	FDK-4090-A	Hose (multiple lubricator control valve to pump)-56" long-cut from FDL-4090-A	1	MC	55
NS	FDK-4090-B	Hose (multiple lubricator control valve to vacuum line)-12" long-cut from FDL-4090-A	1	MC	55
	FDL 4090-A	Hose (multiple lubricator control valve to vacuum line)-72" long	as reqd	MC	55

Detail of Kit Not Serviced Loose

MERCURY

CHASSIS PARTS CATALOGUE

Accessories—Continued

Multiple Lubricator—Continued

PART NUMBER	PART NAME	NO. REQ'D	MODEL	YEAR 19__
FAA 18954-A	Strap assy (multiple lubricator harness)	27	MC	55
MC 19531-A	Adapter assy (lubricator line to lubricator fitting)-straight snap-on type	as reqd	MC	55
MC 19533-A	Adapter assy (lubricator line to lubricator fitting)-90° angle snap-on type	as reqd	MC	55
LE 19536-A	Body assy (multiple lubricator)	1	MC	55
	354688-S Plug-5/16"-24-to plug parts on multiple lubricator pump	2	MC	55
LE 19537-A NS	Bracket (multiple lubricator pump)-mounting	1	MC	55
	20324-S8 Bolt (hex-hd)-1/4"-20 x 5/8"-bracket to fender apron & deflector assy	2	MC	55
	34805-S8 Lockwasher-1/4"-bracket to fender apron and deflector assy	as reqd	MC	55
	33795-S8 Nut (hex)-1/4"-20-bracket to fender apron and deflector assy	2	MC	55
	351329-S Washer (flat)-1" O. D. x 17/64" I. D. -Bracket to fender apron and deflector assy	2	MC	55
LE 19538-A	Cylinder assy (multiple lubricator)-vacuum	1	MC	55
LE 19539-A	Spring (multiple lubricator)-contact	1	MC	55
LE 19543-A	Adapter (multiple lubricator cylinder to vacuum supply hose)	1	MC	55
LE 19553-A	Adapter (multiple lubricator grease filler)-upper	1	MC	55
LE 19555-A	Adapter (multiple lubricator grease filler)-lower	1	MC	55
	354789-S Washer (flat)-5/16"-adapter upper to adapter lower	1	MC	55
	354790-S Washer (flat)-7/16"-contact to cylinder assy	2	MC	55
	354832-S Washer (flat)-1/2"-adapter to grease supply can	1	MC	55
MC 19564-A NS	Pump and harness assy (multiple lubricator)-service details	1	MC	55
MC 19564-B NS	Pump and harness assy (multiple lubricator)-used with automatic trans. & standard steering-service details	1	MC	55
MC 19564-C NS	Pump and harness assy (multiple lubricator)-used with standard trans. & power steering-service details	1	MC	55
MC 19564-D NS	Pump and harness assy (multiple lubricator)-used with standard trans. & standard steering-service details	1	MC	55
	354682-S8 Clip (pump and harness to mounting bracket)	1	MC	55
	354683-S8 Clip (pump and harness to mounting bracket)	1	MC	55

MERCURY

CHASSIS PARTS CATALOGUE

Accessories—Continued

Multiple Lubricator—Continued

PART NUMBER	PART NAME	NO. REQ'D	MODEL	YEAR 19__
LE 19567-A	Kit (multiple lubricator)-repair	as reqd	MC	55
MC 19568-A	Kit (multiple lubricator)-used with Automatic trans. & power steering	1	MC	55
MC 19568-B	Kit (multiple lubricator)-used with Automatic trans. & standard steering	1	MC	55
MC 19568-C	Kit (multiple lubricator)-used with Standard trans. & Power steering	1	MC	55
MC 19568-D	Kit (multiple lubricator)-used with Standard trans. & standard steering	1	MC	55
MC 19569-A	Harness assy (multiple lubricator)-main	1	MC	55
	354684-S Nut (compression)-5/16"-24-feedline of harness to main pump	1	MC	55
FDL 19571-A	Wiring assy (multiple lubricator)	1	MC	55
	354778-S Nut (hex)-No. 5-40-wiring to pump	2	MC	55
	354779-S Washer (flat)-1/8"-wiring to pump	1	MC	55
FDL 19573-A	Valve assy (multiple lubricator)-control	1	MC	55
FDL 19574-A	Bezel (multiple lubricator)-control	1	MC	55
FDL 19576-A	Spacer (multiple lubricator)-control	1	MC	55
LE 19593-A	Indicator assy (multiple lubricator)-grease	1	MC	55
LE 19596-A	Contact assy (multiple lubricator)-for (10) outlets	1	MC	55
MC 19596-A	Contact assy (multiple lubricator)-for (11) outlets	1	MC	55
MC 19596-B	Contact assy (multiple lubricator)-for (12) outlets	1	MC	55
	87924-S8 Fitting (lubricator line to upper arm ball joint)-90°-1/4-28 taper	2	MC	55
	354750-S Union assy (for splicing lubricator line)	as reqd	MC	55
	78-13466 Bulb (clear)-2 C. P. S. C.	1	MC	55
NS	8M-15608 Fuse (9 amp.)-serviced in 14527 Kit	1	MC	55

Rear License Plate Lamp

FDL 13419-A	Support assy (rear license plate lamp)	1	MC except 79	55
	20308-S8 Bolt (hex-hd)-1/4"-20 x 1/2"-support to license plate	2	MC except 79	55
	34805-S8 Lockwasher-1/4"-support to license plate	2	MC except 79	55
	33795-S8 Nut (hex)-1/4"-20-support to license plate	2	MC except 79	55

MERCURY

CHASSIS PARTS CATALOGUE

Accessories—Continued

Rear License Plate Lamp—Continued

PART NUMBER	PART NAME	NO. REQ'D	MODEL	YEAR 19__
FDK 13454-A	Shell (rear license plate lamp)	1	MC except 79	55
FDK 13560-B	Body & socket assy (rear license plate lamp)	1	MC except 79	55
	59A-14487 Connector assy (bullet terminal)-double-used with 19308 Kit	1	MB except 79, MC except 79	54-55
	8M-14599 Clip (wiring)-spring type-used with 19308 Kit	2	MB except 79, MC except 79	54-55
	31646-S7 Bolt (fill-hd machine)-1/4"-28 x 3/4"-wiring to rear stone deflector	1	MC	55
	352849-S Grommet-wiring thru body back lower panel	1	MC	55
	34905-S7 Lockwasher-1/4"-wiring to rear stone deflector	2	MC	55
	33796-S7 Nut (light hex)-1/4"-28-wiring to rear stone defl.	1	MC	55
	351601-S8 Washer (moulding clip)-wiring to rear stone defl.	1	MC	55
7RA 13564	Lens (rear license plate lamp)	1	MC except 79	55
7RA 13566	Door (rear license plate lamp)	1	MC except 79	55
7RA 13568	Gasket (rear license plate lamp)	1	MC except 79	55
	50750-S8 Screw & washer assy (cross recessed fill-hd)-No. 8-32 x 1/2"-lens, door & gasket to lamp body & socket	1	MC except 79	55
FAB 19308-A	Kit (rear license lamp installation)	1	MB except 79	54
FDK 19308-B NS	Kit (rear license lamp installation)-service details	1	MC except 79	55
	B-13466 Bulb (clear)-3 C. P. -S. C. -No. 63 -used with 19308 Kit	1	MB except 79, MC except 79	54-55

Radio

FDC 18805-A	Kit (radio receiver)	1	MB	54
FDK 18805-B	Kit (radio receiver)	1	MC	55
	78-13466 Bulb (clear)-2 C. P. -S. C.	2	MB	54
	NS 8A-14526 Fuse-14 amp. -serviced in 14527 Kit	1	MB	54
FDC 18808-A	Speaker assy (radio)-front	1	MB	54
FDK 18808-A	Speaker assy (radio)-front-also supplied in 18805 Kit	1	MB, MC	54-55
	33900-S8 Nut (wing)-No. 8-32-speaker to instrument panel	1	MC	55
1H 18811-A	Suppressor assy (radio)-distributor to ignition coil	1	MB, MC	54-55
FAA 18812-A	Cable assy (radio antenna)-36" long	1	MB, MC	54-55
FAB 18813-B	Antenna assy (radio)-manual-R. H. fender	1	MB	54
FDK 18813-A	Antenna assy (radio)-manual-R. H. fender	1	MC	55

MERCURY

CHASSIS PARTS CATALOGUE

Accessories—Continued

Radio—Continued

PART NUMBER	PART NAME	NO. REQ'D	MODEL	YEAR 19__
FAE 18817-A	Knob assy (radio volume control)	2	MC	55
FDC 18817-A	Knob assy (radio volume control)	2	MB	54
	BC-7004371-AP Plate (radio opening cover)-used in cars without radio	1	MB	54
	FDK-7004371-C Plate (radio opening cover)-Black -used in cars without radio	1	MC	55
	FDK-7004371-D Plate (radio opening cover)-White -used in cars without radio	1	MC	55
	34656-S8 Nut and washer assy (hex)-No. 10-32-plate to instrument panel	2	MB, MC	54-55
	BR-7004456-A Retainer (radio opening cover plate)-used in cars without radio	2	MB	54
	FDK-7004456-A Retainer (radio opening cover plate)-used in cars without radio	2	MC	55
	BR-7004530-A Cover (radio control knob hole)	2	MB	54
	FDK-7004530-A Cover (radio control knob hole)	2	MC	55
FAB 18830-A	Disc (radio tone control)	2	MB, MC	54-55
FAA 18832-A	Condenser assy (radio receiver voltage regulator)	1	MB, MC	54-55
FDK 18885-A	Vibrator (radio)	1	MC	55
FAF 18888-A	Support (radio receiver rear)-R. H. -9-13/16" long- with 9/32" x 5/8" slot at bottom end	1	MB	54
FDT 18888-A	Support (radio receiver rear)-R. H. -7-1/4" long -with (2) 9/32" holes	1	MC	55
FAF 18890-A	Support (radio receiver rear)-L. H. -9-13/16" long- with 9/32" x 5/8" slot at bottom end	1	MB	54
FDT 18890-A	Support (radio receiver rear)-L. H. -7-1/4" long -with (2) 9/32" holes	1	MC	55
	34940-S2 Lockwasher -1/4"-support to radio receiver & instr. panel	4	MB	54
	33795-S7 Nut (hex)-1/4"-20-support to radio receiver & instr. panel	4	MB	54
B5A 18912-A	Grommet (antenna lead-in seal)-⊕FDK-18912-A	1	MC	55
FAA 18922-B	Stanchion (radio antenna)	1	MB, MC	54-55
FAA 18954-A	Clamp (radio antenna lead)-7" long	1	MB, MC	54-55
FAA 18991-A	Plate (radio tube cover)	1	MB, MC	54-55

Reading and Vanity Lamp

HCK 18295-A	Kit (reading and vanity light installation)-consists of the following #(1) FAA-18208-A Kit (mirror) #(1) FAB-18295-B Kit (map light)	1	MB	54
	40-13730 Bulb (map light)-6 C. P. -S. C.	1	MB	54

Rear Compartment Draft Deflector

BC 19136-A	Kit (rear compartment draft deflector installation)	1	MB60-70-73	54
------------	---	---	------------	----

Detail of Kit Not Serviced Loose

MERCURY

CHASSIS PARTS CATALOGUE

Accessories — Continued

Rear Door Safety Lock

PART NUMBER	CLASSES	PART NAME	NO. REQ'D	MODEL	YEAR 19__
BH 18333-A		Kit (rear door safety lock)	1	MB73, MC	54-55

Rear Fender Shield

BC 18973-A		Kit (rear fender shield installation)-consists of the following (1) BC-7027974-A Cover (1) BC-7027975-A Cover (1) BC-7027986-A Seal (1) BC-7027987-A Seal (1) BC-7028000-A Bracket (1) BC-7028001-A Bracket (1) BC-7028002-A Bracket (1) BC-7028003-A Bracket	1	MB	54
		BC-7027974-A Cover assy (quarter panel wheel opening)-R. H.	1	MB	54
		BV-7327974-B Cover assy (quarter panel wheel opening)-R. H.	1	MC	55
		BC-7027975-A Cover assy (quarter panel wheel opening)-L. H.	1	MB	54
		BV-7327975-B Cover assy (quarter panel wheel opening)-L. H.	1	MC	55
		BC-7027986-A Seal (quarter panel wheel opening cover)-36-1/8" long-R. H.	1	MB	54
		BC-7027987-A Seal (quarter panel wheel opening cover)-36-1/8" long-L. H.	1	MB	54
		BC-7028000-A Bracket (quarter panel wheel opening cover front)-R. H.	1	MB	54
		BC 7028001-A Bracket (quarter panel wheel opening cover front)-L. H.	1	MB	54
		BC 7028002-A Bracket (quarter panel wheel opening cover rear)-R. H.	1	MB	54
		BC 7028003-A Bracket (quarter panel wheel opening cover rear)-L. H.	1	MB	54

Rear Seat Speaker

FDK 18875-A		Kit (radio rear seat speaker installation)-consists of the following #(1)FDK-14571-A Wire #(1)FDC-18836-A Screen #(1)FAB-18971-A Speaker#(1)FDC-18976-AA Grille (4)33900-S8 Nut (1)Installation Sheet	1	MC except 76-79	55
FDC 18976-AA		Grille and screen assy (radio rear seat speaker)-also serviced in 18875 Kit	1	MC except 76-79	55
OM 14571		Wiring assy (radio receiver to rear seat speaker)-200" long-also serviced in 18875 Kit	1	MB except 76-79, MC except 76-79	54-55
		33900-S8 Nut (wing)-No. 8-32-grille & speaker to package tray panel	4	MB except 76-79, MC except 76-79	54-55

Detail of Kit Not Serviced Loose

MERCURY

CHASSIS PARTS CATALOGUE

Accessories — Continued

Rear View Mirror (Inside)

PART NUMBER	PART NAME	NO. REQ'D	MODEL	YEAR 19__
BC 18400-A	Kit (rear view mirror inside installation)-non-glare -consists of the following #(1)BC-17700-B Mirror with installation instructions	1	MB70-73-79	54
BC 18400-B	Kit (rear view mirror inside installation)-non-glare -consists of the following #(1)BC-17700-D Mirror with installation instructions	1	MB60-76	54
BV 18400-A	Kit (rear view mirror inside installation)-non glare -consists of the following #(1)BV-17700-D Mirror with installation instructions	1	MC	55

Rear View Mirror (Outside)

BV 17696-B	Kit (rear view mirror installation)-outside-consists of the following #(1) BV-17682-B Mirror (2) 52721-S8 Screw (1) BV-Template (1) BT-Template	as req'd	MC	55
BC 18402-A	Kit (rear view mirror installation)-outside-consists of the following #(1) BC-17682-A Mirror (1) Plate (1) Stud (2) 52721-S8 Screw	1	MB, MC	54-55
BH 18402-A	Kit (rear view mirror installation)-outside-inside control 52721-S8 Screw (pan head)-No. 10-12 x 3/8"-mirror to door	1 2	MB MB, MC	54 54-55

Rear Window Defroster

FAA 18397-A	Kit (rear window defroster installation)-consists of the following #(2) FAA-18630-A Defroster (2) FAA-18640-A Grille	1	MB except 76-79	54
FDL 18397-A	Kit (rear window defroster installation)-consists of the following #(1) FDL-14353-A Wire # (2) FDH-18630-A Defr. #(2) FAA-18640-AP Grille (1) FDK-18704-A Switch (8) 34052-S8 Nut (8) 34938-S7 Washer (2) 41554-S8 Screw	1	MC except 76-79	55
FDL 18397-B	Kit (rear window defroster installation)-consists of the following #(1)FDL-14340-A Wire # (1)FDL-14353-A Wire #(2)FDH-18630-A Defr. # (2)FAA-18640-AP Grille (1)FDK-18704-A Switch (8)34052-S8 Nut (8)34938-S7 Washer (2)41554-S8 Screw (1)Template (1)Installation Sheet	1	MC except 76-79	55
FAA 18631-A	Motor assy (rear window defroster) FAA-19590-A Casebolt (rear window defroster motor)-No. 8-32 x 2-7/16"	2 2	MB except 76-79, MC except 76-79 MB except 76-79	54-55 54

Detail of Kit Not Serviced Loose

MERCURY

CHASSIS PARTS CATALOGUE

Accessories — Continued

Rear Window Defroster — Continued

PART NUMBER	PART NAME	NO. REQ'D	MODEL	YEAR 19__
FAA-19591-A	Spring (rear window defroster motor brush retaining)-5/16" free length	2	MB except 76-79	54
FAA-19592-A	Brush assy (rear window defroster motor)-with 5-1/4" pigtail	2	MB except 76-79	54
351803-S100	Nut (hex)-No. 8-32-casebolt to motor	2	MB except 76-79	54
FAA 18640-A	Grille (rear window defroster)	2	MB except 76-79	54
FDK 18704-A	Switch assy (rear window defroster)	1	MC except 76-79	55
34938-S7	Lockwasher (external tooth)-No. 8-defroster to grille	8	MB, MC	54-55
34052-S8	Nut (hex-hd)-No.8-32-defroster to grille	8	MB, MC	54-55
41554-S8	Screw (pan head self tapping)-No. 8-32 x 3/8"-defroster motor wire to trim panel reinforcement	2	MB, MC	54-55

Rear Window Wiper

BD 18387-B	Kit (rear window wiper installation)	1	MB60-70-73	54
------------	--------------------------------------	---	------------	----

Roadlamp

FDC 18207-A	Kit (roadlamp installation)-consists of the following (1) FAD-13755-A Knob (1) FAB-14369-A Wire (2) FAB-15200-A Lamp (1) 1C-15224-A Switch #(1) FAA-15225-A Bracket #(1) FDC-15237-A Wire (1) FAB-15246-A Wire #(1) FDC-15248-A Wire (1) FAA-15268-A Bezel (1) FAA-18954-A Clamp (1) 23391-S2 Bolt (1) 33795-S7 Nut (1) 34805-S8 Washer (6) 42650-S7 Screw & Wshr. (1) 44719-S8 Washer (3) 353521-S32 Clip (5) 356668-S32 Clip	1	MB	54
FDK 15204-C	Kit (roadlamp installation)-clear lens-consists of the following (2) FDK-15200-A Lamp #(1) FDK-15223-A Wire (1) FDL-15224-A Switch #(1) FDK-15225-A Brkt. #(1) FDK-15246-A Wire (1) FAB-15259-A Knob (1) FAA-15268-A Bezel #(1) FDK-15274-A Wire (1) 23391-S2 Bolt (1) 33795-S8 Nut (1) 34805-S8 Washer (6) 43232-S8 Screw (5) 356668-S32 Clip	1	MC	55
23391-S2	Bolt (carriage)-1/4"-20 x 7/8"-bracket to instrument panel	1	MB, MC	54-55
34805-S8	Lockwasher-1/4"-bracket to instrument panel	1	MB, MC	54-55
33795-S7	Nut (hex)-1/4"-20-bracket to instrument panel	1	MB, MC	54-55
44719-S8	Washer (flat)-1/4"-bracket to instrument panel	1	MB	54

Detail of Kit Not Serviced Loose

MERCURY

CHASSIS PARTS CATALOGUE

Accessories—Continued

Roadlamp—Continued

PART NUMBER	QUANTITY	PART NAME	NO. REQ'D	MODEL	YEAR 19__
FAD 13755-A		Knob assy (roadlamp)-also serviced in 18207 Kit	1	MB, MC	54-55
FAB 14369-A		Wire assy (roadlamp jumper)-27" long-also	1	MB	54
		353521-S32 Clip (wiring)-wire to upper front bumper bar-serviced in 18207 Kit	2	MB	54
		356668-S32 Clip (wiring)-wire to upper front bumper bar and defl. brace	1	MB	54
BV 15108-A		Clip (roadlamp housing)	4	MC	55
FAB 15200-A		Roadlamp assy-Clear lens-also serviced in 18207 Kit	2	MB	54
FDK 15200-A		Roadlamp assy-Clear lens-also serviced in 15204 Kit	2	MC	55
FDK 15200-B NS		Roadlamp assy-Amber lens-use FDK-15220-A by replacing 11A-15220-B Clear lens with 11A-15220-C Amber lens	2	MC	55
		43232-S8 Screw and washer (rd-hd)-No. 10-32 x 1/2"-lamp to bumper guard	6	MB, MC	54-55
FDK 15204-D NS		Kit (roadlamp)-Amber lens-use FDK-15204-C by replacing 11A-15220-B Clear lens with 11A-15220-C Amber lens	1	MC	55
		23391-S2 Bolt (carriage rd hd)-1/4"-20 x 7/8"-bracket to instrument panel	1	MC	55
		356668-S32 Clip (wiring to stone deflector front bumper)	2	MC	55
		34805-S8 Lockwasher-1/4"-bracket to instrument panel	1	MC	55
		33795-S7 Nut (hex-light)-1/4"-20-bracket to instrument panel	1	MC	55
FAA 15214-A		Ring (roadlamp retainer)	2	MB, MC	54-55
		31304-S8 Screw (fillister head)-No. 8-32 x 1/4"-ring to lamp adapter	6	MB, MC	54-55
		34938-S8 Washer (external tooth)-No. 8 -ring to lamp adapter	6	MB, MC	54-55
11A 15220-B		Bulb (roadlamp)-Sealed Beam-Clear	2	MB, MC	54-55
11A 15220-C		Bulb (roadlamp)-Sealed Beam-Amber	2	MB, MC	54-55
1C 15224-A		Switch assy (roadlamp)-pull type	1	MB	54
FDL 15224-A		Switch assy (roadlamp)-pull type-also serviced in 15204 Kit	1	MC	55

MERCURY

CHASSIS PARTS CATALOGUE

Accessories—Continued

Roadlamp—Continued

PART NUMBER	CLASS	PART NAME	NO. REQ'D	MODEL	YEAR 19__
7EH 15227		Boot (roadlamp adjusting nut)	4	MB, MC	54-55
FAA 15229-A		Adapter (roadlamp)	2	MB, MC	54-55
5EH 15231		Spring (roadlamp adapter retainer)	6	MB, MC	54-55
7EH 15233		Clip (roadlamp wiring loom)	2	MB	54
5EH 15239		Wire (roadlamp ground)-5" long	2	MB	54
7EH 15244		Wire assy (roadlamp lead)-30-1/2" long	2	MB	54
		356668-S32 Clip (wiring)-wire to bumper grille bar	4	MB	54
FAB 15246-A		Wire assy (roadlamp switch to double connector)-69" long	1	MB	54
		353521-S32 Clip (wiring)-wire to front bumper bar	1	MB	54
		351230-S7 Lockwasher-No.8-wire to lamp switch	3	MB	54
		26457-S7 Screw (rd-hd)-No. 8-32 x 1/4"-wire to lamp switch	3	MB	54
BV 15254-B		Kit (roadlamp housing)	1	MC	55
BV 15256-B		Housing assy (roadlamp)-R. H.	1	MC	55
BV 15257-B		Housing assy (roadlamp)-L. H.	1	MC	55
		29467-S7 Bolt (hex-hd)-5/16"-24 x 1-1/2"-housing to front bumper assy	4	MC	55
FAB 15259-A		Knob assy (roadlamp switch)-also serviced in 15204 Kit	1	MC	55
FAA 15268-A		Bezel (roadlamp switch)-2 slot center-also serviced in 18207 & 15204 Kits	1	MB, MC	54-55
FAA 18954-A		Clamp (roadlamp wiring)-7" strap	1	MB	54

Spotlight

FDC 15301-A		Kit (spotlight and mirror installation)-consists of the following #(1) FDC-15300-A Spotlight (1) FAA-15342-A Clip	1	MB	54
MFK 15301-A		Kit (spotlight installation)-6"-consists of the following #(1) FDK-15301-A1 Spotlight Kit	1	MC	55
MFK 15301-B		Kit (spotlight installation)-4"-consists of the following #(1) FDK-15301-A2 Spotlight Kit	1	MC	55

Detail of Kit Not Serviced Loose

MERCURY

CHASSIS PARTS CATALOGUE

Accessories—Continued

Spotlight—Continued

PART NUMBER	PART NAME	NO. REQ'D	MODEL	YEAR 19__
FDK 15304-A	Kit (spotlight bracket installation)-R. H. consists of the following #(1)FDK-15314-A Brkt. #(1)FDK-15317-A Wire #(1)FDK-15324-A Gasket #(1) 8A-15325 Brkt. (1)32859-S13 Screw (1)50158-S13 Screw (1)52352-S13 Screw (2)352653-S13 Screw (1)Installation Sheet	1	MC	55
FDK 15305-A	Kit (spotlight bracket installation)-L. H. consists of the following #(1)FDK-15315-A Bracket #(1)8A-15325 Bracket #(1)FDK-15374-A Gasket (1)32859-S13 Screw (1)50158-S13 Screw (1)52352-S13 Screw (2)352653-S13 Screw (1)Installation Sheet	1	MC	55
FDK 15312-A	Kit (spotlight & bracket installation)-R. H. consists of the following #(1)FDK-15300-A Spotlight#(1)FDK-15314-A Brkt. #(1)FDK-15317-A Wire #(1)FDK-15324 Gskt. #(1) 8A-15325 Bracket (1)32854-S13 Screw (1)52352-S13 Screw (2)352653-S13 Screw (1)Installation Sheet	1	MC	55
FDK 15313-A	Kit (spotlight & bracket installation)-L. H. -consists of the following #(1)FDK-15302-A Spotlamp#(1)FDK-15315-A Brkt. #(1) 8A-15325 Bracket #(1)FDK-15374-A Gskt. (1)32854-S13 Screw (1)52352-S13 Screw (2)352653-S13 Screw (1)Installation Sheet	1	MC	55
FAA 18148-B	Spotlight assy (utility hand)	1	MB, MC	54-55
FAB 18151-B	Kit (spotlight installation)-consists of the following #(1) FAB-15300-B Light (1) FAA-15342-A Clip	1	MB	54
FAB 18151-C	Kit (spotlight installation)-consists of the following #(1) FAB-15300-C Light (1) FAA-15342-A Clip	1	MB	54
FAB 18154-A	Kit (spotlight bracket installation)-R. H. -consists of the following #(1) FAB-15320-A Bracket #(1) FAB-15324-A Gasket #(1) 8A-15325 Bracket (1)32859-S13 Screw (2) 32996-S13 Screw	1	MB70-73-79	54
FAB 18154-B	Kit (spotlight bracket installation)-R. H. -consists of the following #(1) FAB-15320-B Bracket #(1) FAB-15324-B Gasket #(1) 8A-15325 Bracket (1)32859-S13 Screw (2) 32996-S13 Screw	1	MB60-76	54
FAB 18155-A	Kit (spotlight bracket installation)-L. H. -consists of the following #(1) FAB-15321-A Bracket #(1) FAB-15324-A Gasket #(1) 8A-15325 Bracket (1)32859-S13 Screw (2) 32996-S13 Screw	1	MB70-73-79	54

Detail of Kit Not Serviced Loose

MERCURY

CHASSIS PARTS CATALOGUE

Accessories—Continued

Spotlight—Continued

PART NUMBER	QUANTITY	PART NAME	NO. REQ'D	MODEL	YEAR 19__
FAB 18155-B		Kit (spotlight bracket installation)-L. H. -consists of the following #(1) FAB-15321-B Bracket #(1) FAB-15324-B Gasket #(1) 8A-15325 Bracket (1) 32859-S13 Screw (2) 32996-S13 Screw	1	MB60-76	54
		34805-S8 Lockwasher-1/4"-mirror to spotlight	1	MC	55
		34905-S8 Nut (square)-1/4"-20-mirror to spotlight	1	MC	55
		32859-S13 Screw (rd-hd self tapping)-No. 10-12 x 1/2"-bracket to body	1or3	MB	54
		32859-S13 Screw (rd-hd tapping)-No. 10-12 x 1/2"-bracket to instrument panel	1	MC	55
		32996-S13 Screw (oval head)-No. 10-12 x 5/8"-bracket to body	2	MB	54
		50158-S13 Screw (cross recessed fillister hd)-1/4"-20 x 5/8"-bracket R. H. or L. H. to spotlight	1or2	MC	55
		52352-S13 Screw (cross recessed oval-hd tapping)-No. 8-15 x 5/8"-bracket R. H. or L. H. & gasket to top cowl panel	1or2	MC	55
		352653-S13 Screw (cross recessed oval-hd tapping)-No. 8-15 x 7/16"-bracket R. H. or L. H. & gasket to top cowl panel	2or4	MC	55
FDK 15304-A		Bracket (spotlight)-R. H.	1	MC	55
FDK 15305-A		Bracket (spotlight)-L. H.	1	MC	55
FDK 15312-A		Spotlight (special-with bracket)-R. H.	1	MC	55
FDK 15313-A		Spotlight (special-with bracket)-L. H.	1	MC	55
OL 15328		Door (spotlight lens)-Round-with 23 notches	1	MB	54
FDD 15328-A		Door (spotlight lens)-Oblong-with 19 notches-also serviced in 15301 Kit	1	MB	54
		355083-S13 Screw (oval head)-No. 8-32 x 5/8"-door to lamp	1	MB	54
6A 15330		Bulb assy (spotlight)-4-13/32" O. D. -Sealed Beam	1	MB, MC	54-55
8C 15330		Bulb assy (spotlight)-5-21/32" O. D. -Sealed Beam	1	MB, MC	54-55
51A 15332		Switch assy (spotlight)	1	MB	54
		29546-S13 Screw (oval head)-No. 6-32 x 5/16"-switch to lamp	1	MB	54
FAA 15342-A		Clip (spotlight wiring)	1	MB	54
FDD 17761-A		Mirror (spotlight)-Oblong-3-9/16" x 5-9/32"-also serviced in 15301 Kit	1	MB	54

Detail of Kit Not Serviced Loose

CHASSIS PARTS CATALOGUE

Accessories—Continued

Spotlight Mirror

PART NUMBER	PART NAME	NO. REQ'D	MODEL	YEAR 19__
FAA 18403-A	Kit (spotlight mirror installation)-consists of the following #(1) FAA-15311-B Mirror (1) 34079-S7 Nut (1) 34804-S8 Washer	1	MB, MC	54-55
	34804-S8 Lockwasher-No. 10-mirror to spotlight	1	MB	54
	34079-S7 Nut (hex)-No. 10-32-mirror to spotlight	1	MB	54

Steering Wheel

FDC 18373-A	Kit (steering wheel and horn ring installation)-Platinum Metallic-consists of the following #(1) FAA-3599-J Wheel & Ring (1) FDC-3623-B Cap	1	MB	54
FDK 18373-B	Kit (steering wheel and horn ring installation)-less cap-consists of the following #(1) FDK-3599-E Wheel & Ring	1	MC	55
FDC 3623-B	Cap and emblem assy (steering wheel)	1	MB	54

Tire Chains

MB 18136-A	Chain assy (tire)-full-Minit-On T-Bar	pair	MB except 76B, MC except 76B	54-55
MB 18136-B	Chain assy (tire)-full-Minit-On T-Bar	pair	MB, MC76B	54-55
MB 18136-C	Chain assy (tire)-full-T-Bar Type	pair	MB except 76B, MC except 76B	54-55
MB 18136-D	Chain assy (tire)-full-T-Bar Type	pair	MB, MC76B	54-55
MB 18136-E	Chain assy (tire)-full-Regular	pair	MB except 76B, MC except 76B	54-55
MB 18136-F	Chain assy (tire)-full-Regular	pair	MB, MC76B	54-55

Tissue Dispenser

BH 18261-A	Dispenser (tissue)	1	MB, MC	54-55
------------	--------------------	---	--------	-------

Traffic Lamp Reflector

BS 18342-A	Kit (traffic lamp reflector installation)-with "L" shaped arm-consists of the following #(1) BS-15100-A Refl. # (1) BS-15105-A Clevis (1) 352491-S Screw (1) 353784-S13 Screw	1	MB	54
BS 18342-B	Kit (traffic lamp reflector installation)-with "L" shaped arm-consists of the following #(1) BS-15100-A Refl. # (1) BV-15104-A Pad #(1) BS-15105-A Clevis (1) 352491-S Screw (1) 353784-S13 Screw (1) 353979-S Screw	1	MC except 79	55

Detail of Kit Not Serviced Loose

MERCURY

CHASSIS PARTS CATALOGUE

Accessories—Continued

Traffic Lamp Reflector—Continued

PART NUMBER	PART NAME	NO. REQ'D	MODEL	YEAR 19__
BS 18342-C	Kit (traffic lamp reflector installation)-with "L" shaped arm-consists of the following #(1)BS-15100-A Refl. #(1)BV-15104-A Pad #(1)BS-15105-A Clevis (1)352491-S Screw (1)353784-S13 Screw (1)353979-S Screw	1	MC	55
	352491-S Screw (oval hd cross recessed) -No. 8-15 x 1"-clevis to W/S garnish moulding	1	MB, MC	54-55
	353784-S13 Screw (oval hd cross recessed) -No. 6-32 x 3/8"-reflector to clevis	1	MB, MC	54-55
	353979-S Screw (oval hd cross recessed) -No. 8-15-clevis to moulding	1	MC	55

Utility Lamp

HAK 15550-A	Kit (emergency utility lamp and case)-includes #(1) 1H-15550-A Lamp (1) Leather case	1	MB, MC	54-55
	B-13466 Bulb (utility lamp)-3 C. P. -S. C.- No. 63	1	MB, MC	54-55
	A-18570 Bulb (utility lamp)-3 C. P. -S. C.	1	MB, MC	54-55

Vanity Mirror

BS 18208-B	Kit (visor vanity mirror installation)-consists of the following #(1) BS-18247-C Mirror #(4) BS-18357-A Washer (2) 354031-S13 Screw (2) 354032-S13 Nut	1	MB, MC	54-55
	354032-S13 Nut (mirror to visor)- serviced in 18208 Kit	2	MB	54
	354031-S13 Screw (mirror to visor)- serviced in 18208 Kit	2	MB	54

Wheel Hub Cap

MB 1130-A	Cap (wheel hub)	4	MB	54
-----------	-----------------	---	----	----

Window Vents

BC 18246-A	Kit (window vents installation)	1	MB70	54
BC 18246-B	Kit (window vents installation)	1	MB73	54
BG 18246-A	Kit (window vents installation)	1	MB60	54

Detail of Kit Not Serviced Loose

CHASSIS PARTS CATALOGUE

Accessories — Continued

Windshield Washer

PART NUMBER	PART NAME	NO. REQ'D	MODEL	YEAR 19__
BV 17503-A	Kit (windshield washer installation)-consists of the following (1) FDK-14297-A Wiring # (1) BV-17574-A Resvr. (1) BV-17580-A Hose (1) BV-17580-B Hose (1) BV-17580-C Hose (1) BV-17580-D Hose (1) 51A-17587 Tee (1) 1H-17615 Tee (2) BH-17665-A Nozzle (3) FAA-18954-A Clamp (4) 42126-S8 Screw	1	MC	55
	42126-S8 Screw (hex washer hd)-No. 8-15 x 1/2"-reservoir to L. H. front fender	4	MC	55
FDK 14297-A	Wiring (W/S washer feed)	1	MC	55
NS 51A-14526-B	Fuse-3 amp. -serviced in 14527 Kit	1	MC	55
	FDR-15398-A Fuse (7-1/2 amp)-for electric W/S washer feed	1	MC	55
OH 17580	Hose (W/S washer)-1/8" I. D. x 40" long	1	MB	54
BV 17580-A NS	Hose (W/S washer)-13" long-cut from OH-17580 -also serviced in 17503 Kit	1	MC	55
BV 17580-B NS	Hose (W/S washer)-29" long-cut from OH-17580-also serviced in 17503 Kit	1	MC	55
BV 17580-C	Hose (W/S washer)-48" long-also serviced in 17503 Kit	1	MC	55
BV 17580-D NS	Hose (W/S washer)-45" long-cut from BV-17580-C -also serviced in 17503 Kit	1	MC	55
51A 17587	Tee assy (W/S washer)-also serviced in 17503 & 18293 Kits	1	MB, MC	54-55
1H 17615	Fitting (W/S washer)-"Y" type-Plastic-also serviced in 17503 & 18293 Kits	1	MB, MC	54-55
BH 17616-A	Cover and pump assy (W/S washer)	1	MB	54
BV 17616-A	Cover and pump assy (W/S washer)	1	MC	55
8M 17618	Jar (W/S washer)-Round Glass	1	MB	54
BT 17618-A	Jar (W/S washer)-Round Glass	1	MC	55
BH 17665-A	Nozzle assy (W/S washer)-also serviced in 17503 & 18293 Kits	2	MB, MC	54-55
FAA 18954-A	Clamp (W/S washer hose)-also serviced in 17503 Kit	3	MC	55

Detail of Kit Not Serviced Loose