

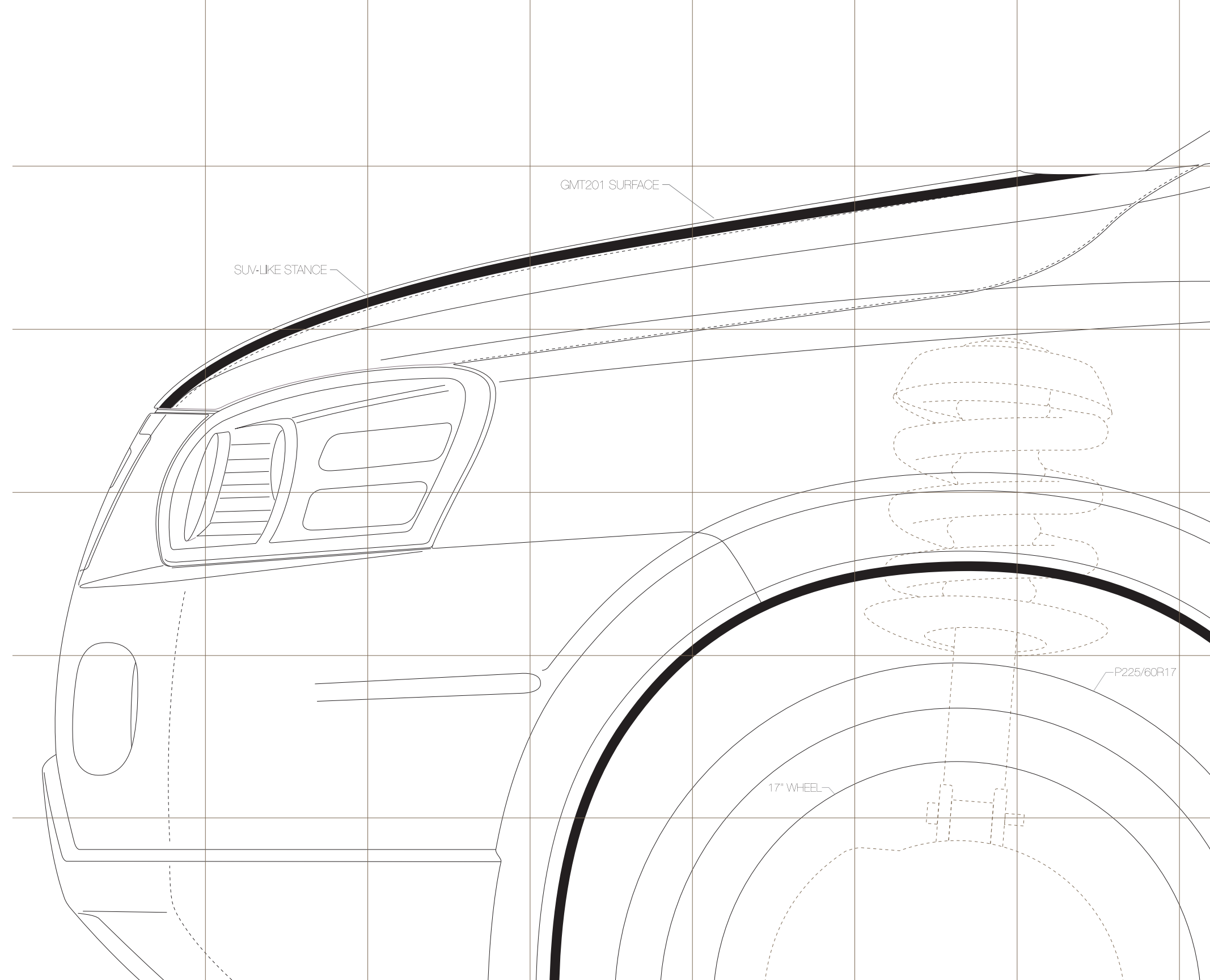
2006 PONTIAC  SV6



PONTIAC  ACTION

[pontiac.com](http://pontiac.com)

One moment you're entertaining how to be in 30 places at once. The next, it's how to comfortably entertain family, friends, and their many possessions. Performing it all with resilience, capability, and a personal flair for the unconventional. Describes you. Describes SV6. Its uncommon talents rise over the expected, surmounting not just limitations, but definitions, to perform even more tasks than you do. No matter where, no matter when. Equipped and ready. The 2006 Pontiac SV6. **DESIGNED FOR ACTION.**





GO PLACES YOU HAVEN'T BEEN IN A WHILE.  
LIKE THE PASSING LANE.

---

True to its active nature, the 2006 SV6 shifts into action mode with a new 3.9L V6, included and only available with the FWD Sport Package. An advanced variable intake system provides dual path air induction tuning for responsiveness around town and spirited acceleration on the open road. Now there's no sacrificing speed for the power necessary to also transport people and cargo. Read more about it further on in the catalog. Experience more about it further on down the road.

CONCEIVED IN THE IMAGINATION.  
BROUGHT TO LIFE ON THE ROAD.

---



The SV6's muscular-styled design forever changes the van landscape. It enters the scene with an aggressive stance whose extended, powerful-looking hood offers a strong SUV-inspired presence — as well as helping the 2006 SV6 earn an impressive frontal safety rating.\* The distinctive chrome-accented twin-port grille and horizontal headlamps are positioned high, wrapping back over the hood. Consider your view changed.

\*Frontal crash safety ratings for the 2006 Montana SV6: Five-star driver/five-star front passenger. Government star ratings are part of the National Highway Traffic Safety Administration's (NHTSA's) New Car Assessment Program (NCAP).







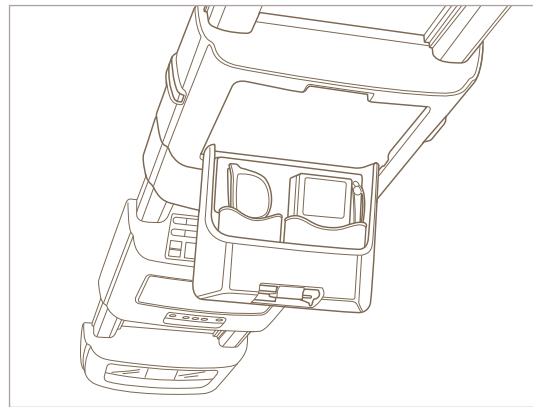
PLACES CONTROL FIRMLY WHERE  
IT BELONGS. IN YOUR HANDS.

---

Positioning controls and gauges in the driver's optimal sight line, the SV6 is at your command. From the instrument panel to center-mounted HVAC and entertainment functions, they're all within easy reach. Closer to hand, the available Preferred Package offers steering wheel-mounted controls, for nimble fingertip control over most audio functions. And the ultimate in control is found in the available factory-installed remote start that can be activated from as far away as 196 feet. Benchmarking the best has produced fit and finish tolerances of as little as 1 mm between materials as well as available conveniences like a 115-volt rear power outlet and leather-appointed seating.\*

\*Leather-appointed seating areas in first and second rows only.

ORGANIZATION:  
THE FINAL FRONTIER.



It's not simply about a lot of space.  
It's about a lot of simply useful space.

IN HERE, IT'S WHAT YOU DON'T SEE  
YOU'LL APPRECIATE THE MOST.

Many vans promise you a whole lot of room. But not many offer you expansive room ingeniously conceived with all the organizing options that SV6 does. Banishing clutter in short order, SV6 is smartly designed to reduce visual noise and create calm, versatile surroundings for you, six of your friends, and all your gear.



SV6 is available with up to 14\* storage compartments, and, with the second- and third-row seats removed, over 136 cubic feet of cargo space.\*\* The Overhead Rail System provides flexible storage bins to keep clutter off the floor and hidden from view, and fulfilling that adaptability promise, your SV6 dealer offers the following Rail System accessories: first-aid kit, CD/DVD case, sunglass holder, and flexible snake light for map and book reading (for more accessories, see the back of the catalog).

More storage configurations are yours with an available second-row utility box<sup>[1]</sup> for ready access to cupholders, a handy tray, and a versatile cooler; and the available rear convenience center<sup>[2]</sup> furthers your hidden storage options with four compartments sized for a variety of items. In addition, the clever seatback organizer<sup>[3]</sup> behind the front seats gives second-row passengers the perfect place to store headphones, the DVD remote control,<sup>†</sup> and CD/video discs.



\*Includes optional storage compartments.  
\*\*Cargo and load capacity limited by weight and distribution.  
†Batteries not included.



A PLACE FOR EVERYTHING AND  
EVERYONE IN PLACE.

---



With all the seats up, there's comfortable, spacious seating for seven as well as rear storage space.



Enjoy accommodations for four with the first two rows up, and room for your belongings with the third row down.



You gain even more cargo space with the first-row seats up, the second row split for long items, and the third row down.



For situations involving more stuff than people, the first row stays in place and the second and third rows fold flat.





## HOW "ARE WE THERE YET?" BECOMES "WE'RE THERE ALREADY?"



As the consummate host, SV6 packs the entertainment power of the latest audio and video technology. Integrated into the Overhead Rail System, the Rear-Seat Entertainment System [1] includes a standard DVD player with flip-down seven-inch liquid-crystal screen for second- and third-row viewing.

Controls and available overhead media storage are close at hand. The system plays audio and video in CD-audio, MP3, and DVD formats, with inputs for games, video recorder, etc. And for freedom of movement around the cabin, you can choose up to four pairs of available dual-channel wireless headphones.

Adding to your entertainment options, SV6 offers the optional Mobile Digital Media powered by PhatNoise® [2]. Storing hundreds of hours of music, audio books, movies, and games, it's the only technology combining audio, video, and games on a palm-sized 40-gigabyte cartridge. This portable hard drive is easily removed for USB synchronization with your desktop or laptop, allowing you to transfer your entertainment collection for enjoyment back on the road.



For overall listening pleasure, SV6 includes a standard eight-speaker [3] stereo with MP3-capable CD player or the available eight-speaker, in-dash six-disc CD changer. Both systems are available with optional XM Satellite Radio,\* [4] which features over 150 channels, including 67 channels of 100% commercial-free music. With XM, you get the best in music, news, talk, comedy, XM Instant Traffic & Weather, and sports — including nine NCAA® channels dedicated to the ACC, Pac-10, and Big Ten conference football and men's and women's basketball.

\*Service fees apply. XM is available only in the 48 contiguous United States. Visit [gm.xmradio.com](http://gm.xmradio.com) for details.



YOUR RIGHT FOOT COMMANDS.  
RESPONSE IS QUICK.

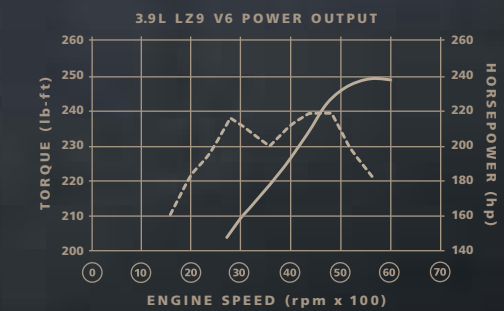
SV6 provides more than interior punch. It packs the power of 240 hp and 240 lb-ft of truck-like torque generated by the new 3.9L SFI V6 (included and only available with FWD Sport Package). Its advanced variable intake system puts a wide power band at your disposal. With a light touch of the accelerator, incoming air is routed through a tract tuned for responsiveness and economy.\* A firmer touch opens a second, larger intake tract, while the intake valve timing is changed to an assertive higher-performance profile for a surge of acceleration. This two-for-one technology helps the 3.9L provide 85% of its 240 lb-ft of torque from 1600 rpm to 6000 rpm.

Providing anything but standard performance is a 200-hp 3.5L V6 for assured response and capable towing. It uses sequential electronic multi-port fuel injection for precise fueling and efficient air/fuel mixtures.\*\* SV6 (FWD with 3.5L V6) has the longest highway cruising range (600 miles) in its class†—you'll get thirsty long before SV6 does. Mated to both engines is a proven electronically controlled 4-speed automatic transmission equipped with Adaptive Shift Control (ASC) for smoother, more consistent shifts. The sophisticated microprocessor in ASC recognizes the driver's intentions and responds by selecting the appropriate gear as well as learning and retaining your personal driving style in its memory for future outings.

\*Estimated FWD mpg 17 city/23 highway based on GM testing. Official EPA estimates not yet available.

\*\*Estimated FWD mpg 18 city/25 highway and AWD mpg 17 city/23 highway based on GM testing. Official EPA estimates not yet available.

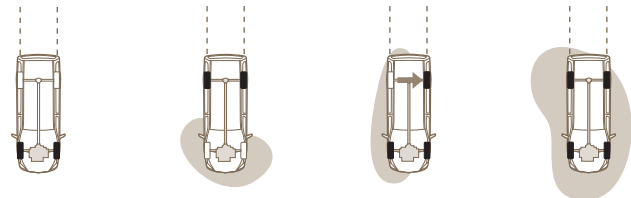
†Estimated cruising range is determined by multiplying the highway fuel economy estimate by the 25-gallon fuel tank capacity. Based on GM segmentation. Excludes other GM vehicles.



## TURNS TRACTION INTO A GROUP EFFORT.

With SV6 All-Wheel Drive, the decision is no longer can we go, but where to go. The ingenuity of the VERSATRAK AWD system makes it all possible. This on-demand system uses front-wheel-drive power on normal roads and automatically adds engine power to the rear wheels under conditions like gravel, mud, snow, ice, or rain. One of the segment's most advanced systems utilizes available traction by transferring torque not only from front to rear but also from side to side — between the rear wheels.

Yet, unlike full-time systems, a smooth ride and excellent AWD fuel economy\* are achieved. Working in harmony, and standard with SV6 AWD, is a driven independent rear suspension, robust front and rear springs, a 34-mm stabilizer bar, an inflator kit, and air-leveling monotube rear shocks for maximum tire-on-road contact.



\*Estimated AWD mpg 17 city/23 highway, based on GM testing. Official EPA estimates not yet available.



SV6 AWD SHOWN IN LIQUID SILVER METALLIC.



ITS GREATEST ADVANCES ARE JUST AHEAD.

---

From control comes confidence. And precisely why SV6 features handling advancements to ensure your own progress. Like the StabiliTrak stability enhancement system available on FWD models. StabiliTrak applies brake pressure to individual wheels to help you keep SV6 safely on track and in control. Providing an added degree of security, it analyzes input from a series of sensors and subtly intervenes to help the driver maintain the path being steering.

For improved launch, available all-speed traction control utilizes integrated brake and powertrain controls to help prevent wheel spin. While conversely, four-wheel disc brakes along with an Anti-lock Brake System (ABS) produce excellent response, reduced stopping distances, and improved handling.

Allowing you to tailor your overall ride, SV6 offers three suspensions — two for FWD and one for AWD (featured on the preceding page). The standard Active Ride Suspension features a twist-beam rear axle and a U-section cross beam for enhanced wheel control and load transfer. For a firmer ride, the Performance Suspension provides robust springs, direct-acting front stabilizer bar, self-leveling air shocks, and load leveler. SV6 also features 17-inch wheels and tires on all models for precise handling and a sturdy SUV-like stance. The result? You have a lot to look forward to.





APPROACHES EVERYTHING FROM  
A POSITION OF STRENGTH.

A steadfast reliance on quality materials and craftsmanship produces durability and dependability in SV6. As does a manufacturing environment dedicated to achieving precise levels of fit and finish.

Underpinning SV6's structural integrity is a hydroformed chassis cradle [a] for strength and stability; it also enhances noise, vibration, and harshness performance. Upon entering SV6, you're treated to tuned cabin acoustics — this coincides nicely with the absence of visual clutter — courtesy of noise-dampening materials [b] used in the floor, doors, and headliner.

Their effectiveness is enhanced by a stout, rigid body structure with front and rear crush zones [c] and reinforced roof pillars [d]. Overall, the high-quality materials include available leather-appointed first- and second-row seats [e] for comfort and refinement, a headliner [f] that creates a tighter, cleaner fit, and a composite instrument panel cover [g] for flush surfaces and a soft textural, yet rigid feel.





> OnStar,® the leading telematics service in the United States, provides in-vehicle safety, security, and convenience using global positioning satellites to protect you before, during, and after a collision. Many GM vehicles, such as SV6, offer this peace of mind.

> More services come with the available Directions and Connections® service plan, like driving directions from a helpful OnStar Advisor. Both plans give you access to hands-free, voice-activated wireless calling.\*\* See back page for additional details.

> SV6 with OnStar gives you the reassurance of having in-vehicle safety and security. So no matter where you travel, you'll never feel alone.

> SV6 includes OnStar with one year of the Safe and Sound™ plan standard. The OnStar button is your connection to personalized 24/7 emergency services, Remote Door Unlock, Stolen Vehicle Location Assistance, OnStar Vehicle Diagnostics, and Air Bag Deployment Notification.

SAFETY PLAYS A STARRING ROLE.

*Drive safely* isn't simply a statement. It's the culmination of expertise applied to every part of SV6. The results are found both high overhead with OnStar and down to earth with the 2006 SV6 earning an impressive frontal safety rating from the National Highway Traffic Safety Administration (NHTSA) for both driver and front passenger.†

Such accolades are due to a front-end structure and hydroformed engine cradle that provide offset barrier protection as well as increased crush space. Plus, surrounding the entire passenger compartment is a structurally reinforced protective safety cage made of high-strength steel reinforcements in the front window pillar, rocker panels, and mid-rails.

There's also dual-stage driver and front-passenger air bags with available first-row seat-mounted side-impact air bags for additional head and thorax protection\*\* as well as available second row side-impact air bags. And when an occupant below the weight threshold is detected, a weight-based Front Passenger Sensing System automatically shuts off the air bag. Taken together, they all help with your safe passage in SV6.

\*Call 1-888-4ONSTAR (1-888-466-7827) or visit [onstar.com](http://onstar.com) for system limitations and details.

\*\*Pre-paid calling charges apply. Available in most markets. OnStar voice recognition system may not work with all voices. See back page and go to [onstar.com](http://onstar.com) for additional information.

†Frontal crash safety ratings for the 2006 Montana SV6: Five-star driver/five-star front passenger. Government star ratings are part of the National Highway Traffic Safety Administration's (NHTSA's) New Car Assessment Program (NCAP).

\*\*Note about child safety: Always use safety belts and proper child restraints, even with air bags. Even with Front Passenger Sensing System, children are safer when properly secured in a rear seat. See the Owner's Manual for more safety information.





SV6: THE CHOICES ARE ALL YOURS.

- 1 Liquid Silver Metallic
- 2 Dark Blue Metallic
- 3 Cranberry Red Metallic
- 4 Bronzestone Metallic
- 5 Summit White
- 6 Stealth Gray Metallic
- 7 Sedona Beige Metallic
- 8 Emerald Green Metallic



Gray cloth seats



Cashmere cloth seats



Gray leather-appointed first- and second-row seating



Cashmere leather-appointed first- and second-row seating



**BIKE CARRIER**  
This in-cabin bicycle carrier secures your two-wheel ride safely inside your SV6 while protecting it from the elements.



**FLOOR MATS**  
These durable mats protect against elements like mud, water, or road salt and feature the Montana SV6 logo.



**SIT-N-LIFT SEAT**  
For people needing help entering or exiting, SV6 offers this innovative dealer-installed second-row power lift seat.



**MEDIA KIT**  
Fits into the Overhead Rail System. Stores up to 12 CDs or DVDs. Available with the Overhead Rail Accessory Console Kit.



## 2006 SV6 STANDARD AND AVAILABLE FEATURES

Models: **SV6 Front-Wheel Drive**   **SV6 All-Wheel Drive**

POWER AND PERFORMANCE	FWD	AWD
<b>DRIVETRAIN</b> Front-wheel drive (FWD)	S	-
All-wheel drive (AWD); VERSATRAK on-demand system	-	S
<b>ENGINES</b> 3.5L 3500 V6 SFI with 200 horsepower at 5200 rpm and 220 lb-ft of torque at 4400 rpm	S	S
3.9L 3900 V6 SFI with 240 horsepower at 6000 rpm and 240 lb-ft of torque at 4800 rpm. Included and only available with Sport Package; not available on AWD models.	A	-
<b>TRANSMISSION</b> 4-speed automatic, electronically controlled with overdrive	S	S
<b>SUSPENSION</b> Front, independent	S	S
FE1 Touring twist axle rear suspension for FWD	S	-
FE5 independent rear suspension for AWD; includes automatic level control and inflator kit	-	S
<b>STEERING</b> Power rack-and-pinion	S	S
<b>BRAKES</b> 4-wheel anti-lock, 4-wheel disc	S	S
Brake/transmission shift interlock, automatic transmission	S	S
<b>EXHAUST</b> Stainless-steel	S	S
<b>BATTERY</b> Maintenance-free, includes rundown protection	S	S
<b>ENGINE BLOCK HEATER</b>	A	A
<b>SPORT PACKAGE</b> Includes 3.9L 3900 V6 SFI engine, engine oil cooler, 17" P23 Chrome Tech aluminum wheels, and Sport badging. Requires Convenience Package.	A	-
<b>TRAILERING PROVISION PACKAGE</b> 3,500 lbs, includes heavy-duty engine cooling system, engine oil cooler, and 125-amp alternator with wiring harness. Requires Convenience Package.	A	A
<b>COMFORT AND CONVENIENCE</b>		
<b>7-PASSENGER SEATING</b> With two 2nd-row modular buckets and a 3rd-row 50/50 split-folding bench	S	S
Seat trim, premium cloth	S	S
7-passenger with two 2nd-row removable captain's chairs and a 3rd-row 50/50 split-folding bench. Not available with 2nd-row utility box; 2nd-row captain's chairs not removable when dual-stage frontal air bags are selected.	A	A
<b>INSTRUMENTATION</b> Analog; includes speedometer, tachometer, coolant temperature, odometer, low oil, fuel and coolant indicators, voltmeter, trip odometer, and door ajar	S	S
<b>STEERING WHEEL</b> Urethane rim	S	S
Tilt-adjustable steering column	S	S
<b>ELECTRONIC CRUISE CONTROL</b> With set and resume speed	S	S
<b>MIRROR</b> Inside rearview, manual day/night	S	S
<b>LIGHTING</b> Interior, includes theater dimming, front map lights, center and rear cargo dome lamps, and 3rd-row reading lamps	S	S
Overhead rail system; includes front and 2nd-row lighting	S	S
<b>VISORS</b> Dual, with mirrors	S	S
<b>CLIMATE CONTROL</b> Air conditioning, front manual	S	S
<b>WINDOWS</b> Power front and 3rd-row quarter vent, includes driver express down	S	S
<b>GLOVEBOX</b>	S	S
<b>CONSOLE</b> Front, center storage, open	S	S

	FWD	AWD
<b>2ND-ROW UTILITY TRAY</b> Folding. Requires 7-passenger seating with 2nd-row removable captain's chairs and 3rd-row 50/50 split-folding bench; included with Premium Package.	A	A
<b>REAR CARGO NET</b>	S	S
<b>AUXILIARY POWER OUTLET</b> Front, 12-volt	S	S
<b>FLOORMATS</b> Carpeted, front and rear	S	S

### ENTERTAINMENT SYSTEMS

US8 ETR AM/FM stereo with CD player and MP3 playback, includes Radio Data System (RDS), seek-and-scan, digital clock, auto-tone control, speed-compensated volume, and TheftLock	S	S
Speakers; 8: front coaxial, 2nd-row tweeters and liftgate extended range	S	S
Entertainment Package: Includes DVD entertainment system with rear audio controls, headphone jacks, remote control, and 2 infrared headphones	S	S
US9 ETR AM/FM stereo with 6-disc CD changer, in-dash, includes Radio Data System (RDS), seek-and-scan, digital clock, auto-tone control, speed-compensated volume, and TheftLock	A	A
XM Satellite Radio: Over 150 channels, including 67 channels of 100% commercial-free music. With XM, you get the best in music, news, talk, comedy, XM Instant Traffic & Weather, and sports — including 9 NCAA channels dedicated to the ACC, Pac-10, and Big Ten conference football and men's and women's basketball. Plus, you can get three trial months of service with factory-installed XM without any contract or obligation. XM is available only in the 48 contiguous United States. Service fees apply. Visit gm.xmradio.com for details.	A	A
Mobile Digital Media Player by PhatNoise: 40-gigabyte removable hard drive that connects to a PC, providing the ability to download hundreds of hours of music, audio books, movies, and games. Not available with removable overhead storage consoles.	A	A
Headphones, two additional, infrared, dual-channel	A	A

### SAFETY AND SECURITY

<b>SAFETY BELTS</b> 3-point, driver and front passenger, height-adjustable with pretensioners on front seats	S	S
<b>LATCH</b> system (Lower Anchors and Top tethers for Children), for child safety seats	S	S
<b>DOOR LOCKS</b> Power programmable; includes lockout protection and delayed locking	S	S
Child security locks on rear, sliding doors	S	S
<b>REMOTE KEYLESS ENTRY</b> Extended range	S	S
<b>AIR BAGS*</b> Dual-stage, frontal, driver and right front passenger	S	S
Air bags, dual stage, frontal, driver and right-front passenger and side impact, 1st- and 2nd-row outboard. Requires 7-passenger seating with 2nd-row removable captain's chairs and 3rd-row 50/50 split-folding bench and Preferred Package; not available on FWD models with Mobility Prep Package.	A	A
<b>THEFT-DETERRENT SYSTEM PASS-KEY III</b>	S	S
<b>SECURITY PACKAGE</b> Includes remote vehicle starter system; dual-stage, frontal, driver and right front passenger side-impact air bags; and theft-deterrent alarm system. Requires 7-passenger seating with 2nd-row removable captain's chairs and 3rd-row 50/50 split-folding bench.	A	A
<b>ONSTAR</b> One-year Safe & Sound service plan with Automatic Notification of Air Bag Deployment, Emergency Services, Roadside Assistance, Stolen Vehicle Location Assistance, Accident Assist, Remote Door Unlock, OnStar Vehicle Diagnostics, Remote Horn and Lights, and more. Call 1-888-4ONSTAR (1-888-466-7827) or visit onstar.com for system limitations and details.	S	S

### STYLING AND FUNCTIONALITY

	FWD	AWD
<b>LIGHTS</b> Halogen composite headlamps, includes automatic exterior lamp control	S	S
Daytime running lamps	S	S
<b>OUTSIDE REARVIEW MIRRORS</b> Power folding, Black, not included when Convenience Package is ordered	S	S
<b>REAR DOORS</b> Dual sliding, manual	S	S
Power sliding driver-side door; controlled by interior switch or key fob transmitter. Requires Preferred Package.	A	A
<b>ROOFTOP LUGGAGE RAILS</b> Black. Crossbars available from your Pontiac dealer as a GM Accessory.	S	S
<b>SPOILER</b> Black. Not available with Convenience Package.	A	A
<b>FRONT LICENSE PLATE BRACKET</b>	S	S

### WHEELS AND TIRES

17" QR5 steel wheels with cover and P225/60R17 tires	S	S
17" N85 painted aluminum wheels with P225/60R17 tires. On FWD, included and only available with Preferred Package or Mobility Prep Package.	A	S
17" P23 Chrome Tech aluminum wheels with P225/60R17 tires. On FWD, included and only available with Sport Package.	A	A

### OTHER AVAILABLE PACKAGES

<b>CONVENIENCE PACKAGE</b> Includes Solar-Ray deep tinted glass, intermittent rear wiper, electric rear-window defogger, auxiliary rear air conditioning, heated/power-folding outside rearview mirrors (Black), power 6-way driver seat adjuster, 2nd-row folding utility tray, premium rooftop luggage rails, Driver Information Center cluster, auxiliary rear power outlet (115-volt), Universal Home Remote, and — on FWD models only — FE3 Performance Suspension (rear twist axle), all-speed traction control, and StabiliTrak stability control system	A	A
<b>MOBILITY PREP PACKAGE</b> For family use; lowers floor to facilitate seating for disabled persons; includes extended length wiring harness (ABI), seats, front bucket, 2nd-row seats removed with no floor covering and 3rd-row 50/50 split-folding bench	A	-
<b>PREFERRED PACKAGE</b> Includes power-sliding, passenger-side door, illuminated vanity mirrors on visors, removable front overhead storage console, rear cargo partition (mesh), removable rear convenience center, center console with door and CD storage, leather-wrapped steering wheel with mounted radio controls, Ultrasonic Rear Parking Assist, 17" N85 painted aluminum wheels. On FWD models, if Sport Package is also ordered, 17" P23 Chrome Tech aluminum wheels replace painted aluminum wheels. Not available with Mobility Prep Package.	A	A
<b>PREMIUM PACKAGE</b> Includes leather seating surfaces, 6-way front passenger seat power adjuster, 2nd-row folding utility tray, heated driver and front passenger seats.	A	A

\*Always use safety belts and proper child restraints, even with air bags. Children are safer when properly secured in a rear seat. See the Owner's Manual for more safety information.

\*\*Based on GM testing. Official EPA estimates not yet available.

†Cargo and load capacity limited by weight and distribution.

††Maximum trailer-weight ratings are calculated assuming a base vehicle, except for any options necessary to achieve the rating, plus driver. The weight of other equipment, passengers, and cargo will reduce the maximum trailer weight your vehicle can tow. 10% to 15% of the trailer weight is the recommended trailer tongue load. See your Pontiac dealer for details.

### DIMENSIONS (IN INCHES)

Wheelbase	121.1		
Overall length	205.6		
Body width	72.0	3.5L V6 (LX9) engine	18/25
Body width, with mirrors	85.7	3.9L V6 (LZ9) engine	17/23
Overall height	72.0	Cargo volume, with rear seats installed, cu. ft.†	26.9
Track width; front/rear	62.4/62.6	Cargo volume, with rear seats removed, cu. ft.†	136.5
Head room, 1st row	39.8	Fuel capacity, gal. (approx.)	25
Head room, 2nd row	38.9	Seating capacity (front/center/rear)	2/2/3
Head room, 3rd row	38.1	Maximum trailer weight (front/center/rear)	2/2/3
Shoulder room, 1st row	59.9	Maximum trailer weight, lbs††	2,000
Shoulder room, 2nd row	61.2	Maximum trailer weight with Trailering Provision Package, lbs†	3,500
Shoulder room, 3rd row	48.6	Gross vehicle weight rating, lbs	5,622
Leg room, 1st row	39.9	Curb weight, lbs	4,376
Leg room, 2nd row	38.9		
Leg room, 3rd row	36.2		

### DEALER-INSTALLED ACCESSORIES

<b>2ND-ROW UTILITY BOX</b> Requires 2nd-row modular buckets; on FWD, not available with Mobility Prep Package	A	A
<b>OVERHEAD STORAGE CONSOLES</b> Removable; two; includes CD/DVD storage and first aid kit; on FWD, not available with Mobility Prep Package	A	A
<b>SIT-N-LIFT POWER SEAT</b> 2nd row, right side; includes hand-held remote control and slide-out footrest; requires 2nd-row captain's chairs; not available with Mobility Prep Package	A	A
<b>REAR BUMPER PROTECTOR KIT</b>	A	A



17" N85 painted aluminum wheel

17" P23 Chrome Tech aluminum wheels

17" QR5 steel wheels with cover

**IMPORTANT WORDS ABOUT THE CATALOG** We have tried to make this catalog comprehensive and factual. We reserve the right, however, to make changes at any time, without notice, in prices, colors, materials, equipment, specifications, models, and availability. Specifications, dimensions, measurements, ratings, and other numbers in this catalog and other printed materials provided at the dealership or affixed to vehicles are approximates based upon design and engineering drawings and prototypes and laboratory tests. Your vehicle may differ due to variations in manufacture and equipment. Since some information may have been updated since the time of printing (July 2005), please check with your Pontiac dealer for complete details. Pontiac reserves the right to lengthen or shorten the model year for any product for any reason, or to start and end model years at different times.

**NEW-VEHICLE LIMITED WARRANTY** This warranty is for GM vehicles registered in the U.S.A. See your Pontiac dealer for terms and conditions.

Covered for three years/36,000 miles, whichever comes first:

- The complete vehicle
- Tires
- Towing to your nearest Pontiac dealership
- Cosmetic corrosion resulting from defects
- Repairs made to correct any vehicle defect
- No charge for most warranty repairs

Covered for six years/100,000 miles, whichever comes first:

- Rust-through corrosion

**CORROSION PROTECTION** Pontiac vehicles are designed and built to resist corrosion. All body and sheet metal components are warranted against rust-through corrosion for six years or 100,000 miles, whichever comes first. Application of additional rust-inhibiting materials is not required under the corrosion coverage and none is recommended. See your Pontiac dealer for terms of this limited warranty.

**AN IMPORTANT NOTE ABOUT ALTERATIONS AND WARRANTIES**

Installations or alterations to the original equipment vehicle (or chassis) as distributed by General Motors are not covered by the General Motors New-Vehicle Limited Warranty. The special body company, assembler, equipment installer, or upfitter is solely responsible for warranties on the body or equipment and any alterations (or any effect of the alterations) to any of the parts, components, systems, or assemblies installed by GM. General Motors is not responsible for the safety or quality of design features, materials, or workmanship of any alterations by such suppliers.

**UPDATED SERVICE INFORMATION** Pontiac dealers receive useful service bulletins about Pontiac products. You may purchase them from Helm Incorporated by calling 1-800-551-4123 or by visiting [www.helminc.com](http://www.helminc.com).

**ASSEMBLY** Pontiac vehicles and their components are assembled or produced by different operating units of General Motors, its subsidiaries, or suppliers to GM worldwide. We sometimes find it necessary to produce Pontiac vehicles with different or differently sourced components than originally scheduled. Since some options may be unavailable when your vehicle is assembled, we suggest that you verify that your vehicle includes the equipment you ordered or, if there are changes, that they are acceptable to you.

**ENGINES** Pontiac products are equipped with engines produced by GM Powertrain or other suppliers to GM worldwide. The engines in Pontiac products may also be used in other GM makes and models.

**ONSTAR** OnStar services require vehicle electrical system (including battery), wireless service, and GPS satellite signals to be available and operating for features to function properly. OnStar acts as a link to existing emergency service providers. Subscription Service Agreement required. Remote Door Unlock and ability to locate stolen vehicles varies with conditions. OnStar Vehicle Diagnostics available on most 2004 model year and new GM vehicles delivered after April 21, 2004, and equipped with the GM Oil Life System. Diagnostic capability varies by model. Requires valid e-mail address. The U.S. Federal Communications Commission (FCC) ruled that wireless carriers will no longer be required to support the analog wireless network beginning in 2008. As of January 1, 2008, OnStar plans to offer service only through equipment that operates on the digital network, which may require the purchase of a system upgrade for eligible vehicles. OnStar Hands-Free Calling (HFC) requires an HFC-enabled vehicle, existing OnStar service contract, and prepaid calling minutes, and is not available in Alaska and some other markets. Calls may be made to the U.S. and Canada only. OnStar voice recognition system may not work with some voices. Visit [onstar.com](http://onstar.com) for system limitations and details.

**A NOTE ABOUT CHILD SAFETY** Always use safety belts and proper child restraints, even in vehicles equipped with air bags. Children are safer when properly secured in a rear seat. Never place a rear-facing infant restraint in the front seat of any vehicle equipped with an active air bag. See your vehicle Owner's Manual and child safety seat instructions for more information. Pontiac supports the National SAFE KIDS Campaign, a grassroots program dedicated to reducing unintentional childhood injuries.

**ENHANCE YOUR OWNERSHIP EXPERIENCE** The Owner Center at My GMLink is a free online service that helps you make the most of your vehicle ownership.

- Sign up for e-mail reminders about service visits
- Keep an online history of services performed
- Read your Owner's Manual, warranty, and more online
- Receive only the recall notices that apply to your vehicle
- Watch do-it-yourself videos and much more

Register today at [www.mygmlink.com](http://www.mygmlink.com).

For more information on SV6, visit [pontiac.com](http://pontiac.com) or call the Pontiac Customer Assistance Center at 1-800-2 PONTIAC.

GM, the GM emblem, Pontiac, the Pontiac logo, OnStar, the OnStar emblem, and the slogans, emblems, vehicle model names, vehicle body designs, and other marks appearing in this catalog are the trademarks and/or service marks of General Motors Corporation, its subsidiaries, affiliates, or licensors. ©2005 GENERAL MOTORS CORPORATION. ALL RIGHTS RESERVED. LITHO IN U.S.A., JULY 2005.

