

05 ENVOY





Legendary.



At GMC, we've been a leader among truck manufacturers for over a century. Why? Because the vehicles we engineer and build are consistently a step ahead of our customers' expectations. Consider, for example, the 2005 Envoy, Envoy XL and Envoy XUV. These premium SUVs are, as you would expect, highly versatile and confidence inspiring, totally capable of handling the challenges of Canadian

driving in style. Yet that's only part of their story. The Envoy family also offers genuine ride comfort, excellent performance, technical innovation and the unique convenience and security of OnStar.

It all adds up to an exceptional driving experience. Envoy, Envoy XL and Envoy XUV. Isn't it time you stepped up to a legend?



GMC
BUILDING LEGENDS



ENVOY SLT, shown in Liquid Silver Metallic.

05 **ENVOY**



ENVOY. COMFORTABLE, CAPABLE AND CONFIDENCE INSPIRING.

THANKS TO GMC'S METICULOUS DESIGN AND ENGINEERING, Envoy may be the most rewarding mid-size SUV you've ever driven. You'll discover Envoy to be a willing all round performer, thanks to a highly refined 275 horsepower Vortec 4200 in-line six-cylinder engine that's been named one of *Ward's* 10 Best for the last three years in a row.* You'll be inspired by the seemingly effortless way it transports substantial quantities of people and gear. Regardless of whether you select two-wheel drive with standard traction assist, or the advanced Autotrac four-wheel drive, you'll be impressed by Envoy's four-season traction and poise. And you and your passengers alike will savour the comfort afforded by the spacious cabin, which has been extensively redesigned for 2005.

*2002, 2003 and 2004.



ENVOY XL SLT, shown in Magnetic Red Metallic.

05 **ENVOY XL**

ENVOY XL. IN A CLASS BY ITSELF.

THE LONG-WHEELBASE ENVOY XL handles difficult challenges with an ease that defies comparison. Fitted with three rows of seats as standard equipment, Envoy XL offers comfortable accommodation for as many as seven occupants. Envoy XL is also extremely adept at transporting cargo, with the most cargo volume in the mid-size SUV class.* It has one of the highest trailer towing ratings, too, with a maximum trailering capacity of 3175 kg (7000 lb.) when properly equipped. Envoy XL even achieves a higher standard in the engine compartment, with an available 290 horsepower, aluminum Vortec 5300 V8 equipped with new fuel-saving Displacement-On-Demand (DOD) technology. If you live large, Envoy XL will suit your style.

*Based on 2004 Model Year data for GM Medium Utility segment and latest published competitive information available at time of printing. Excludes other GM vehicles.



ENVOY XUV SLT, shown in Liquid Silver Metallic.

05 **ENVOY XUV**



ENVOY XUV. THE SUV BENCHMARK FOR INNOVATION AND VERSATILITY.

THE LATEST MEMBER OF THE ENVOY FAMILY, Envoy XUV may well be the most ingenious, most flexible mid-size SUV available today. In its closed configuration, Envoy XUV offers all the performance, comfort and sophistication that you expect in a mid-size GMC SUV. But when you're confronted with the need to transport unusually tall or bulky loads, Envoy XUV's rear compartment transforms in seconds from interior cargo hold to open-air cargo bed. Best of all, with the standard Midgate in place you and your passengers enjoy weathertight, Envoy comfort, even while the cargo compartment remains open to the elements.

Spacious



ENVOY XL SLT interior, shown in Medium Gray.

05 ENVOY/ENVOY XL INTERIOR



A CASE STUDY IN GMC COMFORT AND CRAFTSMANSHIP.

THE ENVOY PASSENGER COMPARTMENT – always a very pleasant place to spend time – has been extensively made over for 2005, with redesigned seats and stylish new details. The result is an eminently comfortable cabin that adds significantly to your driving pleasure, especially on longer journeys. Of course, not everything has changed. As always, the Envoy interior provides ample space for up to five occupants – seven in Envoy XL. Every model includes a wide range of thoughtful features, such as power door locks and windows, heated power exterior mirrors and the four-season comfort and convenience of standard dual-zone climate control. On SLT models you'll find an even more extensive array of premium amenities, including an automatic dual-zone climate control system and power adjustable pedals. SLT models are also equipped for your entertainment – with a premium sound system with CD and cassette tape players, six speakers and secondary controls that allow your rear passengers to enjoy their own audio source via headphones.

Comfort



ENVOY XL SLT instrument panel.



PROVEN DESIGN AND LEADING-EDGE TECHNOLOGY.

ENVOY'S DESIGNERS have combined time-honoured concepts and the latest innovations to create an ergonomic cockpit that's second to none in the mid-size SUV class. On the traditional side there are cleanly styled high-contrast analogue gauges – a design that's proven to be highly effective at communicating information quickly. On the cutting edge, there's an available DVD navigation system that can guide you, turn by turn, to destinations across Canada and the United States.* Other items that add to your confidence and control on the road include a standard multi-function Driver Information Centre, power adjustable pedals and a leather-wrapped steering wheel with switches for adjusting the stereo and climate control system, standard on SLT models.

*Detailed map coverage is provided for most major urban areas of the United States and certain metropolitan areas of Canada (Quebec City, Montreal, Ottawa, Toronto, London, Windsor, Edmonton, Calgary and Vancouver). Outside these areas coverage is significantly limited. Please speak with your Sales Consultant regarding the Envoy navigation system's geographic coverage.

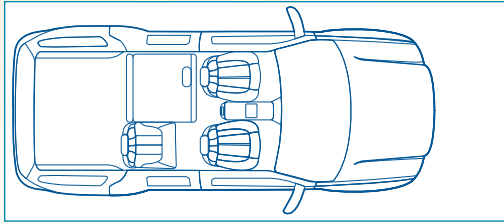
- a. A convenient overhead console is included on Envoy XL SLE, Envoy XUV SLE and all SLT models.
- b. SLT models are equipped with power adjustable pedals (available on SLE models). They make it easy for drivers of different sizes to find a comfortable seating position behind the wheel.
- c. The electronic Driver Information Centre performs trip computer functions, monitors numerous vehicle systems, and allows you to customize many features to your preferred settings. It's standard on all SLT models.

Control

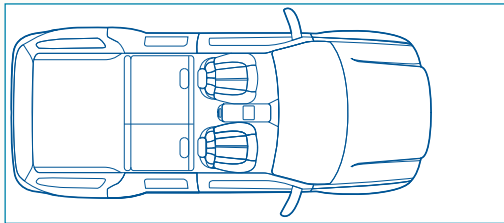


ENVOY XL SLT interior, shown in Medium Gray with third-row seats folded and second-row seats partially folded.

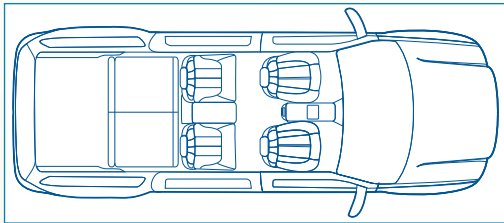
05 **ENVOY/ENVOY XL VERSATILITY**



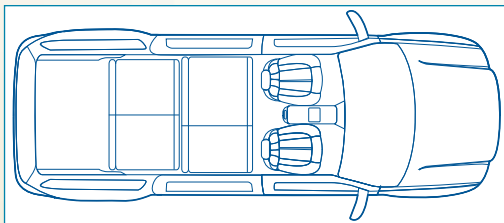
a



b



c



d

DESIGN THAT RISES TO EVERY OCCASION.

AT GMC, WE'VE BEEN BUILDING SUVs – and receiving feedback from SUV customers – for almost 70 years. It should come as no surprise, then, that Envoy and Envoy XL are highly versatile vehicles engineered to take on a wide variety of real-world challenges. The second-row, and on Envoy XL third-row seats, feature a flip-and-fold design that helps you optimize interior cargo space quickly and easily, for accommodating large loads. Special tie-downs assist you in securing your gear once it's in place. And should you wish to carry bicycles or other items on the roof, all Envoy models are equipped with standard roof side rails (with cross bars on SLT models) designed to accept a wide range of accessory racks and carrier boxes.

- a. Envoy adapts easily and quickly to varying passenger and cargo loads, thanks to its standard flip-and-fold 65/35 divided rear bench seat.
- b. With the rear bench folded neatly out of the way, Envoy is capable of carrying up to 2269 L (80.1 cu. ft.) of sports equipment, camping gear, etc.
- c. Envoy XL's standard third-row seat is a 50/50 divided bench capable of accommodating two passengers. It folds flat when extra cargo space is needed.
- d. Filler panels help to create a flat, continuous load floor when Envoy XL's second- and third-row seats are all folded. Maximum cargo capacity is 3041 L (107.4 cu. ft.), the largest of any mid-size SUV.*

*Based on 2004 Model Year data for GM Medium Utility segment and latest published competitive information available at time of printing. Excludes other GM vehicles.

WITH ENVOY, THE CHOICES ARE ALMOST ENDLESS.

Available on Envoy and Envoy XL, the rear-seat DVD entertainment system helps keep passengers of all ages entertained on long journeys.



ENVOY MAKES IT A SIMPLE MATTER to select the SUV that precisely meets your needs. Three unique body styles are available, each in a choice of comfortable SLE or luxurious SLT models. And of course, every Envoy provides you with the opportunity to select from a substantial list of entertainment, comfort and convenience options. You'll find Envoy offers you a range of choices no other mid-size SUV can match.



For your listening pleasure, every Envoy audio system includes a CD player. Systems that feature a cassette tape player, a 6-disc CD changer (shown here) or an MP3 player are also available.

05 ENVOY AMENITIES



- a. Available on SLT, the Bose premium sound system provides extraordinary sound quality, thanks to its 6 Bose speakers and a 275-watt Digital Signal Processor amplifier.



- b. SLT models offer an available DVD navigation system that can help you find your way to millions of destinations in Canada and the United States.*

*Detailed map coverage is provided for most major urban areas of the United States and certain metropolitan areas of Canada (Quebec City, Montreal, Ottawa, Toronto, London, Windsor, Edmonton, Calgary and Vancouver). Outside these areas coverage is significantly limited. Please speak with your Sales Consultant regarding the Envoy navigation system's geographic coverage.



- c. The Homelink universal 3-channel transmitter can be used to open your garage door, deactivate your home alarm system and much more. It's standard on Envoy XUV and all SLT models.



The available power sunroof includes a convenient express-open feature that slides the tinted glass panel to the fully open position at a single touch.

ENVOY



ENVOY XUV SLT, shown in Carbon Metallic.

05 ENVOY XUV CONVENIENCE

RECONFIGURABILITY MADE EASY.



WITH ENVOY XUV, making the transition from one configuration to another is amazingly quick and easy. A touch of one button lowers the tailgate glass. Another touch and the rear roof panel glides forward, opening the Envoy XUV cargo area to the sky. And should you wish to close off the passenger compartment by raising the Midgate window, a simple touch accomplishes that, too. The entire process is effortless and takes just seconds.

Switches to control the power rear window, power roof panel and power Midgate window are all conveniently located in the standard overhead console.



- a. In normal use, Envoy XUV offers all the weathertight cargo-carrying capabilities of a conventional SUV.
- b. Envoy XUV's transformation commences as the power rear-window glass disappears into the tailgate.
- c. With the rear window and roof fully open, Envoy XUV has cargo-hauling capabilities that rival those of a mid-size pickup.

XUV



05 **ENVOY XUV VERSATILITY**



VERSATILITY YOU HAVE TO EXPERIENCE TO BELIEVE.

ENVOY XUV COMBINES THE ADVANTAGES OF AN SUV with cargo-carrying abilities that approach those of a pickup, thanks in part to its unique Midgate. Located behind Envoy XUV's rear seat. In normal use, the Midgate helps to separate the passenger and cargo compartments. When you want to load in long cargo items, the Midgate and the rear seat fold almost effortlessly out of the way. And when your Envoy XUV is in pickup mode, with the roof and backglass open, the Midgate and its integrated power window keep the passenger compartment comfortably isolated from the elements. It all adds up to a kind of versatility that's unrivalled in the mid-size SUV class.

- a. Envoy XUV's divided rear seat and standard Midgate fold forward effortlessly to create extra cargo room when you require it.
- b. With the Midgate folded, Envoy XUV features a flat rear load surface more than 1.8 m (6 ft.) long.
- c. With the roof panel in the open position, Envoy XUV has an open-air cargo bay that measures 813 mm (32 in.) in length.

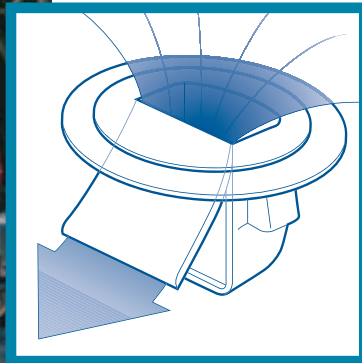
XUV



The Envoy XUV tailgate is designed to drop down or open to the side, to a maximum of 60 degrees. The side-opening position allows a shorter reach into the cargo area, which reduces your risk of back strain when loading heavy items. With the Midgate down and the tailgate set to a partially lowered, drop down position, support is provided for long items such as 4' x 8' panels.

05 ENVOY XUV PRACTICALITY

THE ENGINEERS THOUGHT OF EVERYTHING.



The innovations in Envoy XUV extend far beyond a Midgate and a power roof panel. Consider the tailgate, for example. It's a unique two-way design that you can drop down or open to the side as you prefer in a given situation. Then there's the heavy-duty composite lining of the cargo area, which makes it tough and weather resistant. It's ideal for handling dirty loads you wouldn't want to put in a conventional SUV, and when the job is done, the cargo compartment cleans up beautifully in seconds with just a hose.

The centrepiece of the standard Quickdrain system is a complement of one-way drains which allow water out but prevent exhaust gases from getting in.



- a. With Envoy XUV, you can easily handle tasks you wouldn't dream of tackling with a conventional SUV.
- b. Cleaning up your Envoy XUV after a messy load is a breeze, thanks to the Midgate that seals off the passenger compartment. Just pick up a hose and wash the all-weather cargo area clean.
- c. The Quickdrain system includes 5 drain holes in the cargo bed and 2 troughs located under and just to the rear of the Midgate. It can handle a maximum flow of 95 L (21 imp. gal.) of water per minute.

XUV

VORTEC POWER TO SUIT EVERY OCCASION.

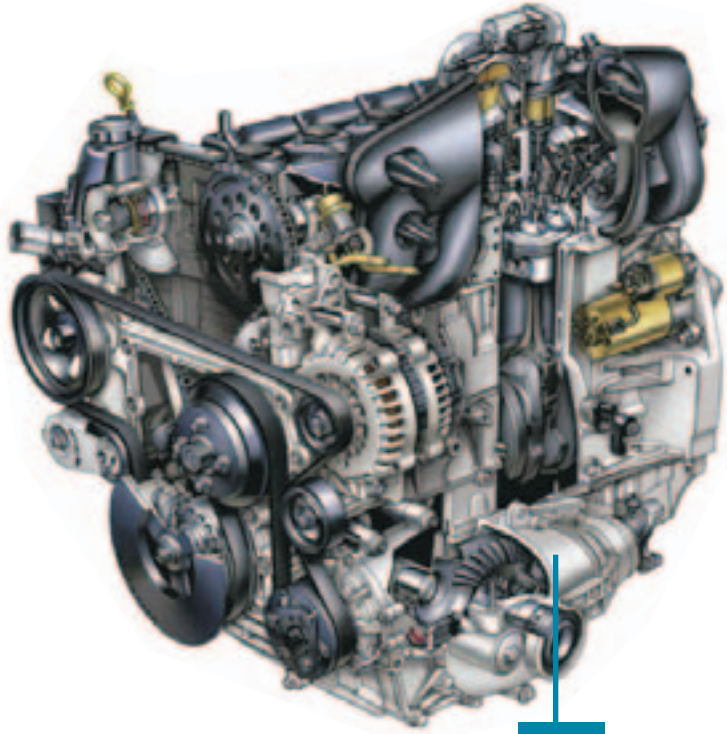
SERIOUS POWER is an integral part of every GMC truck, and Envoy is certainly no exception. Every model comes standard with an award-winning Vortec 4200 in-line six-cylinder engine that generates 275 horsepower – more than many competitive V8s. For even more performance, Envoy XL and XUV offer an available 290 horsepower Vortec 5300 V8 that incorporates cutting-edge Displacement-On-Demand (DOD) technology for improved fuel efficiency and reduced exhaust emissions. An array of long-life components are incorporated into both Envoy engines to help reduce maintenance requirements to an absolute minimum.



ENVOY XL SLT, shown in Magnetic Red Metallic.

Understanding Displacement-On-Demand. Displacement-On-Demand (DOD) is a GM technology that saves fuel by using only half of the engine's cylinders in most normal driving. During steady-speed cruising, an electronic controller automatically deactivates four of the V8's cylinders by closing their intake and exhaust valves, which

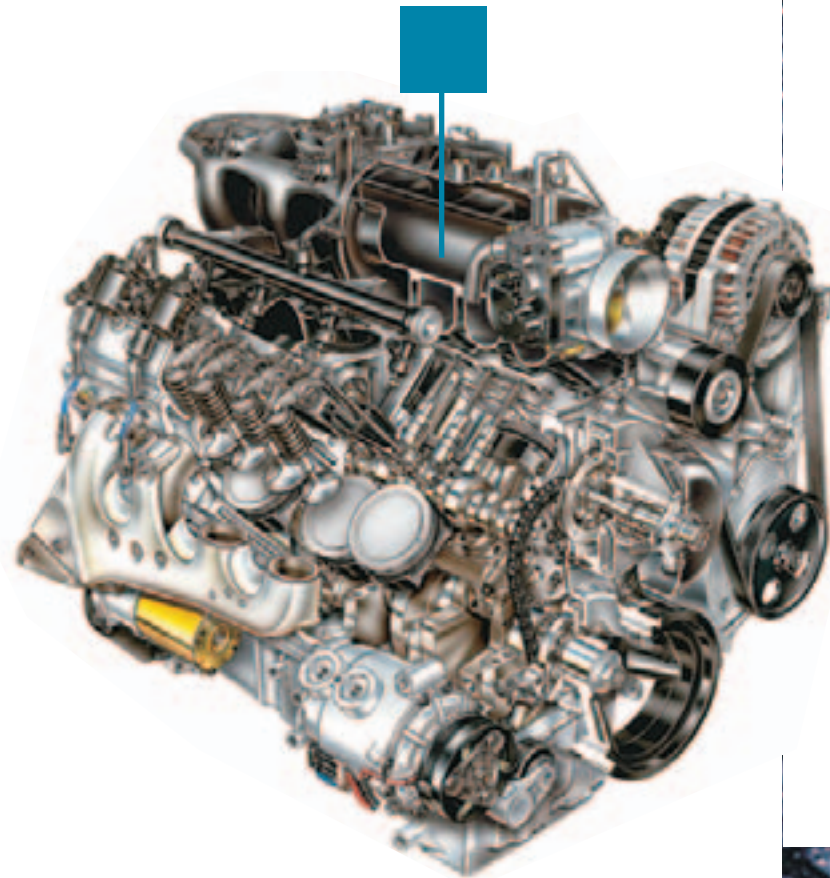
cuts off their air and fuel supply. When more power is needed for brisk acceleration, hill-climbing, etc., the controller re-opens the valves to return the engine to all-cylinder operation. DOD cylinder activation and deactivation is so smooth, it's almost imperceptible to the driver.



The Vortec 4200 I-6 engine has been named one of *Ward's* 10 Best for the last three years in a row,* and no wonder. With features like four valves per cylinder, variable valve timing and electronic throttle control, it's on the cutting edge of modern engine design. It's also a smooth, strong performer, with outputs of 275 horsepower and 275 pounds-feet of torque.

*2002, 2003 and 2004.

With 290 horsepower and 325 pounds-feet of torque on tap, the aluminum-block Vortec 5300 delivers outstanding performance. It's a surprisingly fuel-efficient engine, too, thanks to its use of advanced Displacement-On-Demand technology. Other high-tech features of this 4th-generation powerplant include electronic throttle control, long-life iridium-tipped spark plugs and an extremely rigid engine block that contributes to the Vortec 5300's world-class smoothness.



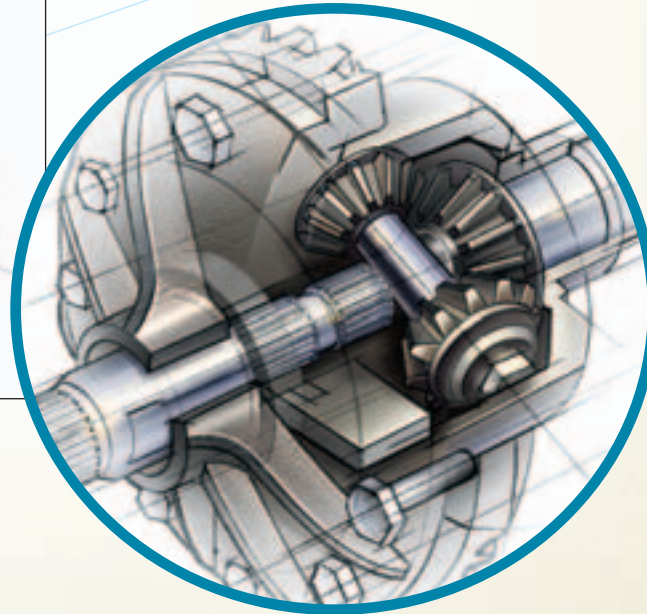
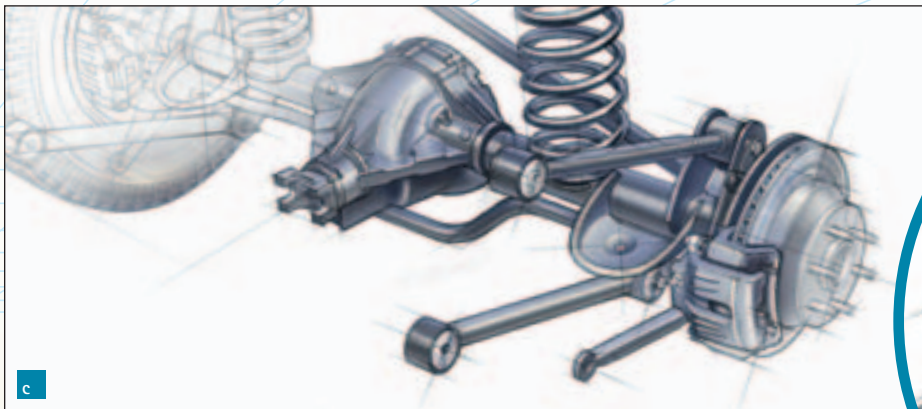
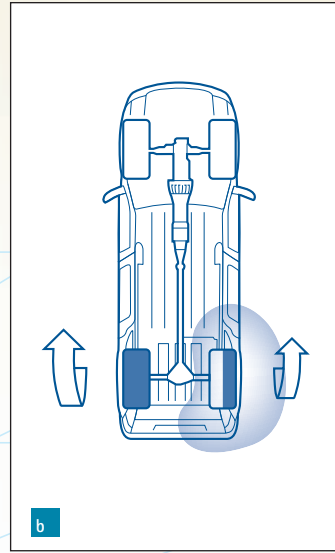
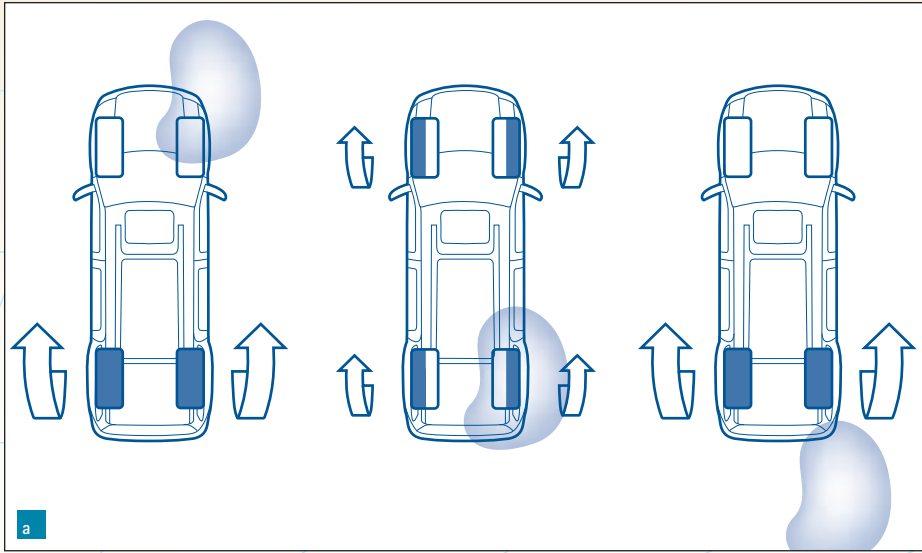
LEADERSHIP IN ENGINEERING.

At GMC, our engineers take the business of building outstanding trucks very seriously indeed. That's why Envoy was the first vehicle in its class with full-length hydroformed side rails* – a technology that delivers robust strength and exceptional precision and eliminates unnecessary weight. It's also why the Envoy frame includes eight cross members when four or six are more the norm. The result: a stiffer overall structure that pays dividends in improved ride and handling and a significant reduction in noise and vibration in the interior.

*Excludes other GM vehicles.



ENVOY XL SLT, shown in Liquid Silver Metallic.



- a. The Autotrac transfer case features an AUTO mode, in which the system actively monitors the available traction and automatically redistributes torque to the wheels with grip. Autotrac is standard on every 4-wheel-drive Envoy, Envoy XL and Envoy XUV.
- b. All Envoy 2-wheel-drive models feature electronic traction assist, which automatically reduces engine torque when wheelspin is detected. When necessary, the system can be disabled via a switch on the instrument panel.
- c. A sophisticated 5-link rear suspension system adds to the agility and riding comfort of every Envoy model.

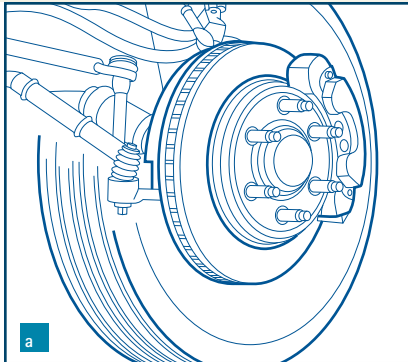


A locking rear differential is standard on every model. If a rear wheel loses grip, it automatically sends power to the opposite wheel to help maintain your forward progress.

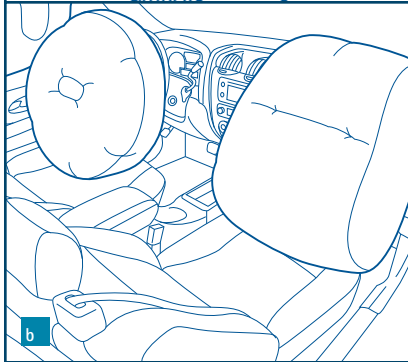


ENVOY SLT, shown in Liquid Silver Metallic.

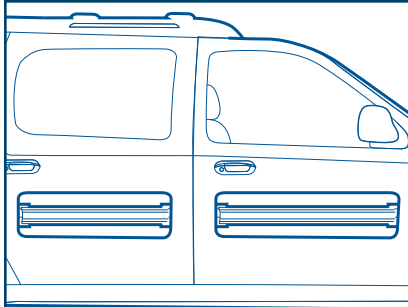
05 ENVOY SAFETY & SECURITY



a



b



c



d

ENVOY NEVER LETS ITS GUARD DOWN.

IN THIS UNPREDICTABLE WORLD, it's reassuring to know that your Envoy has been designed with your safety and security very much in mind. It starts with the excellent visibility afforded by a tall seating position and large expanses of Solar-Ray tinted glass. Envoy's responsive handling and powerful four-wheel disc brakes with standard ABS play their part in your safety, too, by helping you avoid collisions whenever possible. Then there's Envoy's long list of features, including new-for-2005 available roof-mounted head curtain side-impact air bags, that come to your defense when a crash can't be avoided. Envoy is equipped to protect itself, too, with a standard PASSLock theft-deterrent system and, on SLT models, a content theft alarm system.

- a. For sure, confident stopping, large vented disc brakes are found at all four of Envoy's wheels.
- b. Dual frontal air bags are standard equipment, as is an automatic passenger-side air bag suppression system. Roof-mounted head curtain air bags are also available.
- c. In the event of a side-impact collision, Envoy protects you and your passengers with solid steel beams located inside every side door.
- d. The exterior power rear-view mirrors on SLT models feature heaters and integrated turn signal indicators.



A General Motors Subsidiary

Always there. Always ready.

For over a century, GMC has advanced the state of the art in trucks by the intelligent application of technology. Case in point: OnStar. OnStar uses advanced communications technology to enhance your peace of mind whenever you're in your GMC Truck. All it takes is the touch of a single OnStar button inside your vehicle to connect you with one of our Advisors at the OnStar Centre.* They are standing by, ready to provide support 24 hours a day, 365 days a year.

What can OnStar Advisors do for you? They not only provide information and a range of other direct assistance services – but also, in an emergency, they will contact emergency service providers. And if air bags are deployed in your vehicle, an Advisor will contact you to determine if you need assistance. Your Advisor can also perform a remote diagnostic check of your engine and the electrical components in your vehicle.

Another convenient feature is OnStar Personal Calling,** which uses a button to activate the hands-free, voice-activated wireless phone that's integrated into your vehicle. It's there just in case your hand-held cellphone is lost, forgotten or has a low battery. Even better, there are no additional monthly system access fees, or additional long distance and roaming charges. And as a new customer, you will receive 30 trial minutes.

Knowing you have OnStar on board provides a powerful sense of added security. Just ask the more than 100,000 people who have become OnStar subscribers in Canada. How hard does OnStar work for you? The facts speak for themselves: every month in Canada OnStar Advisors handle an average of 7100 routing calls, 2000 emergency calls, 1900 door unlocks, and 1050 Roadside Assistance dispatches.

OnStar offers two different service plans, allowing you to select the services that are important to you. The Safe & Sound plan is included for one year on all Envoy models. The available Direction & Connections plan offers route information, as well as a host of other convenience services. See your dealer for more details about plans available for GMC Envoy.

*Subscription Agreement necessary. OnStar services require vehicle electrical system and wireless service to be available and operating for features to function properly. OnStar relies on existing emergency service providers as well as wireless and satellite technologies and is subject to their limitations. Call 1-888-4ONSTAR (1-888-466-7827), see your OnStar Owner's Guide, or visit www.onstarcanada.com for system information and details.

**Requires OnStar Personal Calling-enabled vehicle, existing OnStar service contract and prepaid calling minutes. OnStar voice recognition system may not recognize all voices. Available in most markets.



05 ACCESSORIES



MAKE YOUR ENVOY AS INDIVIDUAL AS YOU ARE.

Genuine GM Accessories let you take the styling and functionality of your new Envoy, Envoy XL or Envoy XUV to an even higher level. They are the only accessories that are integrated into the process of designing your vehicle, ensuring excellent fit, finish and functionality. And only GM Accessories are backed by GM's 3-year/60,000 km TOTAL™ Warranty.* They can also be included in your new-vehicle lease or finance agreement through GMAC. Ask your dealer for a complete list of the GM Accessories available for Envoy, Envoy XL and Envoy XUV, or visit gmcanada.com

*Whichever comes first, when permanently installed by the dealer at the time you purchase or lease your new vehicle.

GM Accessories for Envoy/Envoy XL/Envoy XUV include:

- Hood protector
- Logo moulded splash guards
- Carrier Systems
- Assist steps
- Camping Package
- Lockable storage container
- Cargo organizer
- Rear air deflector
- Cargo area liner.



Accessories

SAFETY AND SECURITY	SLE	SLT
Air bags – dual-stage, driver and front-passenger, frontal. Includes Passenger Sensing System with automatic air bag suppression	S	S
Air bags – driver, front-passenger and 2nd-row outboard passengers, roof-mounted head curtain side-impact	0	0
Brake/transmission shift interlock	S	S
Door locks – automatic power, programmable with lock-out protection and last door locking features	S	S
Door locks – rear door, child-security	S	S
Headlights – Daytime Running Lights with automatic light control	S	S
Illuminated entry/exit system	S	S
Keyless entry system – remote, includes perimeter lighting, Panic and personalization features	S	S
OnStar In-Vehicle Communications and Assistance Service – includes one-year Safe & Sound plan	S	S
Pedals – power-adjustable brake and accelerator	0	S
Safety restraints – LATCH (Lower Anchors and top Tethers for Children)	S	S
Theft-deterrent system – content theft alarm, audible and visible	–	S
Theft-deterrent system – PASSLock	S	S
Traction assist – electronic (2WD models)	S	S
MECHANICAL	SLE	SLT
Battery – ACDelco with run-down protection	S	S
Brakes – power, 4-wheel disc with 4-wheel anti-lock braking system (ABS)	S	S
Engine – Vortec 4200 In-line 6-cylinder Horsepower – 275 @ 6000 rpm; Torque – 275 lb.-ft. @ 3600 rpm	S	S
Engine – Vortec 5300 V8 – Envoy XL and XUV models only Horsepower – 290 @ 5200 rpm; Torque – 325 lb.-ft. @ 4000 rpm	0	0
Engine block heater	S	S
Exhaust system – aluminized stainless-steel	S	S
Locking differential – rear	S	S
Steering – power, rack-and-pinion, hydraulically assisted	S	S
Suspension – Luxury Ride, includes urethane jounce bumpers, front and rear stabilizer bars and Bilstein shock absorbers	S	S
Suspension – rear automatic load-levelling air suspension, includes cargo area air inflator kit	0	0
Transmission – 4-speed automatic with overdrive	S	S
Transfer case – Autotrac automatic 4-wheel drive with electronic controls and Auto 4x4 in addition to 2HI, 4HI, 4LO and Neutral settings (4x4 models)	S	S
Trailer Special Equipment Package – includes integrated weight-distributing platform with trailer hitch receiver and 7-lead sealed connector	S	S
EXTERIOR	SLE	SLT
Appearance Package – includes splash guards, hood protector and side window vent visor (Envoy XUV only)	0	0
Assist steps – aluminum or black	0	0
Cornering lights	S	S
Fog lights	S	S
Glass – Solar-Ray tinted, all windows behind front doors deep-tinted	S	S
Grille – body-coloured with bright trim	S	S
Grille guard	0	0
Liftgate – power release with integral liftglass (except Envoy XUV)	S	S
Liftgate – drop or swing with power window (Envoy XUV only)	S	S

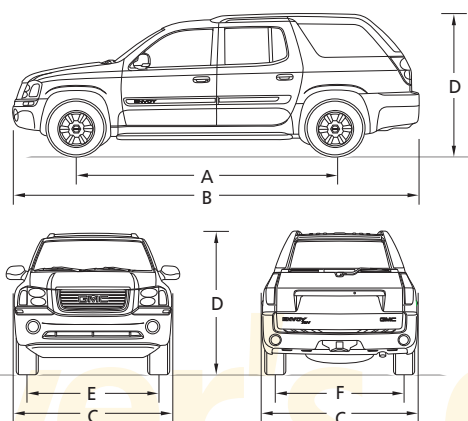
EXTERIOR (cont'd)	SLE	SLT
Midgate – flip-down with power window (Envoy XUV only)	S	S
Mirrors – power remote control, heated	S	–
Mirrors – power remote control, heated, passenger-side curb-view assist, memory feature and integral turn signals in mirror housing	–	S
Mouldings – bodyside, body-coloured with brushed nickel insert	S	S
Protection Package – includes hood protector and ventvisors (Envoy/Envoy XL only)	0	0
Roof – rear, power sliding (Envoy XUV only)	S	S
Roof rack side rails	S	S
Roof rack cross bars	0	S
Running boards – side step	0	0
Shield Package – transfer case, front differential, fuel tank and steering linkage skid plates (4x4 models)	0	0
Spare tire/carrier – underbody, full-size steel	S	S
Sunroof – power, sliding glass panel with express-open ¹	0	0
Trailer hitch receiver cover	0	0
Tires – P245/65R17, blackwall	S	S
Wheels – 17" x 7" Deluxe aluminum (A) ²	S	–
Wheels – 17" x 7" Custom machined aluminum – Envoy and Envoy XL (B) ²	–	S
Wheels – 17" x 7" Twist aluminum – Envoy XUV (C) ²	–	S
Wheels – 17" x 7" Polished aluminum (D) ²	0	0
Windshield wipers – 2-speed with variable delay (intermittent), rear wiper/washer with variable delay	S	S
¹ Not available with optional DVD Entertainment System. Also available with Sun and Sound Packages. Please refer to Entertainment Systems on page 33. ² Wheels shown on page 34.		
INTERIOR	SLE	SLT
Air conditioning – manual, dual-zone (includes upper and lower rear seat ducts with mode control)	S	–
Air conditioning – automatic, dual-zone climate control with exterior temperature display (includes upper and lower rear seat ducts with mode and fan control)	–	S
Camping Package – includes tent and inflatable mattress (Envoy XUV only)	0	0
Cargo convenience net – Envoy only	–	S
Cargo area – composite, includes QuickDrain system, full-length moulded shelf and multiple cargo/accessory attachment points (Envoy XUV only)	S	S
Cargo area – 5 tie-downs (Envoy only)	S	S
Cargo mat – rear area (Envoy only)	–	S
Cargo organizer	0	0
Cargo shade – Envoy only	0	S
Cargo shelf – extends to provide flat load floor and/or rear cargo cover, reversible, stowable (Envoy XL only)	S	S
Console – front floor with transmission shifter, armrest, storage, cassette/CD holder, cupholders and coin holder	S	S
Console – custom overhead with storage and HomeLink universal 3-channel transmitter (optional with Envoy SLE)	S	S
Cruise control – electronic with resume, coast and decelerate/accelerate features	S	S
Defogger – electric rear-window	S	S
Floor mats – front and rear, carpeted	S	S
Instrumentation – full analogue cluster (includes speedometer, tachometer, voltmeter, coolant temperature, oil pressure, odometer, trip odometer and fuel gauges)	S	S
Instrumentation – Driver Information Centre includes multi-language and trip functions, GM Oil Life System, displays vital vehicle functions with both visual and audible reminders/warnings	–	S

INTERIOR (cont'd)	SLE	SLT
Lights – front row, dome	S	–
Lights – front row, reading in overhead console (standard; Envoy XL SLE and Envoy XUV SLE)	–	S
Lights – 2nd-row dome with integrated reading lights and rear compartment cargo light	S	S
Luxury Convenience Package – includes Rainsense windshield wipers and headlight washers	–	0
Mirror – rear-view	S	–
Mirror – rear-view, with compass (includes exterior temperature readout on SLE)	0	S
Power outlets – four auxiliary 12-volt, including lighter	S	S
Retained Accessory Power	S	S
Sunshades – LH and RH padded	S	–
Sunshades – LH and RH padded, with illuminated visor mirrors	0	S
Steering column – tilt adjustable	S	S
Steering wheel – leather-wrapped (standard Envoy XUV)	0	S
Steering wheel – sound system, climate and Driver Information Centre controls	–	S
Storage – concealed, under-floor compartment in rear cargo area	S	S
Windows – power, driver's express-down and passenger lock-out feature	S	S
Windows – power, rear vent windows, switches in overhead console (Envoy XL only)	0	S

SEATS	SLE	SLT
Front bucket seats with Premium cloth , 2-way manual seat adjusters, recliners and lumbar supports	S	–
Front bucket seats with Premium leather-appointed seating , heated with separate controls for seatback and seat cushion, driver and front-passenger 8-way power seat adjusters (including power recliners and lumbar supports) and driver's side 2-position memory	–	S ¹
Driver 8-way power seat adjuster	0	S
Front-passenger 8-way power seat adjuster	0	S
Head restraints – adjustable on outboard positions	S	S
2nd-row 65/35 split-back flip-and-fold bench seat	S	S
3rd-row 50/50 split-back slide-and-fold bench seat , provides level load floor when folded flat – Envoy XL	S	S

¹The 3rd-row is vinyl in Envoy XL SLT.

DIMENSIONS



*Not including roof rack
**With all rear seats folded.

ENTERTAINMENT SYSTEMS	SLE	SLT
All Envoy sound systems include an electronically tuned AM/FM stereo with seek/scan, auto tone control, TheftLock, Radio Data System (RDS), speed-compensated volume, digital clock and 6 speakers		
AM/FM stereo with CD player	S	–
AM/FM stereo with CD player and remote cassette tape player	0	S
AM/FM stereo with 6-disc in-dash CD changer	0	0
AM/FM stereo with CD player and MP3 playback	0	0
6-speaker Bose premium sound system with Digital Signal Processor (DSP) amplifier	–	0
Rear-Seat Audio controls – includes headphone jacks	–	S
DVD Entertainment System – includes overhead fold-down 178 mm (7 in.) LCD colour monitor, DVD player, video camera and video game input (RCA) jacks, 2 sets of wireless headphones and remote control ¹	0	0
Integrated DVD Navigation System – includes AM/FM stereo with CD player, 6-speaker Bose premium sound system, full-feature autonomous navigation with touch screen and points-of-interest ²	–	0
Sun and Sound Package – includes sunroof, AM/FM stereo with 6-disc in-dash CD changer and Bose premium sound system ³	0	0
Sun and Sound Package – includes sunroof and integrated DVD navigation system ⁴	–	0

¹ Not available with optional power sunroof. ² Detailed map coverage is available for most major urban areas of the United States and certain metropolitan areas of Canada (Quebec City, Montreal, Ottawa, Toronto, London, Windsor, Edmonton, Calgary and Vancouver). Please speak with your sales consultant regarding Envoy's navigation system's geographic coverage. ³ Available in Envoy and Envoy XL only. S – Standard 0 – Optional individually or in combination with other optional equipment.

PREFERRED EQUIPMENT GROUP FOR SLE – 1SB

Shown below is the Preferred Equipment Group (PEG) available on Envoy and Envoy XL – SLE models. A PEG is a package of popular options that have been assembled to add value and make ordering easier. PEGs are subject to change without notice. Please note that features included in PEGs are not always available as individual options. For more information on Preferred Equipment Groups, please see your Sales Consultant

Cargo mat – rear area (Envoy only)
Cargo shade (Envoy only)
Console – custom overhead with storage includes HomeLink universal 3-channel transmitter (standard Envoy XL and XUV)
Convenience net (Envoy only)
Mirror – interior, rear-view with compass and exterior temperature displays
Seat – driver 8-way power adjuster
Steering wheel – leather-wrapped (standard in Envoy XUV)
Sunshades – LH and RH padded, with illuminated visor mirrors
Windows – power, rear vent windows with switches in overhead console (Envoy XL only)

EXTERIOR, mm (in.)	ENVOY	ENVOY XL	ENVOY XUV
Wheelbase (A)	2869 (113.0)	3277 (129.0)	3277 (129.0)
Length (B)	4866 (191.6)	5273 (207.6)	5294 (208.4)
Width (C)	1897 (74.7)	1 897 (74.7)	1897 (74.7)
Height (D)*	1826 (71.9)	1918 (75.5)	1956 (77.0)
Front tread (E)	1603 (63.1)	1603 (63.1)	1603 (63.1)
Rear tread (F)	1577 (62.1)	1577 (62.1)	1577 (62.1)
Ground clearance, front (est.)	203 (8.0)	203 (8.0)	203 (8.0)

INTERIOR, mm (in.) front/middle/rear	ENVOY	ENVOY XL	ENVOY XUV
Headroom	1021/1006/- (40.2/39.6/-)	1021/1006/978 (40.2/39.6/38.5)	1021/1006 (40.2/39.6)
Legroom	1052/942/- (41.4/37.1/-)	1052/942/792 (41.4/37.1/31.2)	1052/940 (41.4/37.0)
Shoulder room	1486/1486/- (58.5/58.5/-)	1486/1483/1481 (58.5/58.4/58.3)	1486/1486 (58.5/58.5)
Hip room	1410/1477/- (55.5/58.1/-)	1410/1483/1166 (55.5/58.4/45.9)	1410/1481 (55.5/58.3)

CAPACITIES	ENVOY	ENVOY XL	ENVOY XUV
Cargo volume, L (cu. ft.)**	2269 (80.1)	3041 (107.4)	2696 (95.2)
Fuel tank, L (imp. gal.)	83.3 (18.3)	94.6 (20.8)	94.6 (20.9)
Towing max. kg (lb.) ¹ – 4200 I-6 – 5300 V8	2858 (6300) –	2722 (6000) 3175 (7000)	2631 (5800) 2676 (5900)

¹When properly equipped with required axle ratio. Trailer towing capacity is the weight of the trailer, its load or contents plus any other weight added to the tow vehicle. Optional equipment, passengers or cargo will reduce trailer towing capacity. All towing recommendations are subject to change. Trailer tongue load should be 10% of the maximum trailer weight but should not exceed the load rating specified for the vehicle, engine or hitch combination. See your dealer or refer to the Trailing with GMC Trucks brochure for details.

WHEELS. FABRICS. CHOICES.

Envoy Wheels



A – 17" x 7"
Deluxe aluminum.
Standard on SLE models.



B – 17" x 7"
Custom machined
aluminum. Standard
on Envoy and Envoy XL
SLT models.



C – 17" x 7"
Twist aluminum.
Standard on Envoy XUV
SLT models.



D – 17" x 7"
Polished aluminum.
Available on all models.

Envoy Interior Fabrics

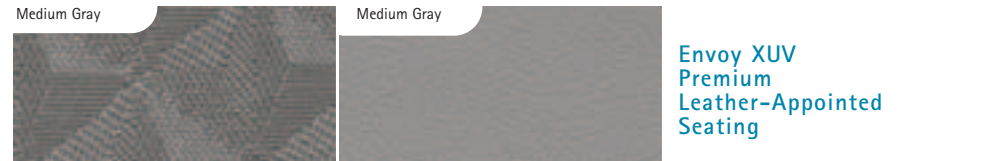
Envoy
Premium
Cloth



Envoy
Premium
Leather-Appointed
Seating



Envoy XUV
Premium
Cloth



Envoy XUV
Premium
Leather-Appointed
Seating

EXTERIOR/INTERIOR COLOUR COMPATIBILITY

▼ Exterior	Interior ►	Light Tan	Ebony	Medium Gray*
15 - Sand Beige Metallic		•		
16 - Steel Gray Metallic		•	•	•
22 - Superior Blue Metallic		•	•	•
38 - Emerald Green Metallic		•	•	•
41 - Onyx Black		•	•	•
44 - Monterey Maroon Metallic		•	•	•
50 - Summit White		•	•	•
62 - Carbon Metallic		•	•	•
67 - Liquid Silver Metallic		•	•	•
86 - Magnetic Red Metallic**		•	•	•

*Envoy XUV available with Medium Gray interior only. **Available at extra cost.

A word about this brochure. Some of the equipment shown or described throughout this brochure may be available at extra cost. We have tried to make this brochure comprehensive and factual. We reserve the right, however, to make changes at any time, without notice, in prices, colours, materials, equipment, specifications, models and availability. Specifications, dimensions, measurements, ratings and other numbers in this brochure and other printed materials provided at the dealership or affixed to vehicles are approximates based upon design and engineering drawings and prototypes and laboratory tests. Your vehicle may differ due to variations in manufacture and equipment. Since some information may have been updated since the time of printing, please check with your GMC dealer for complete details. General Motors of Canada Limited reserves the right to lengthen or shorten the model year for any product for any reason, or to start and end model years at different times.

Privacy statement. At General Motors of Canada Limited ("GM Canada") we respect your privacy and value our relationship with you. Your personal information will be protected, will never be sold, and will be used only by GM Canada, our affiliates, dealers/retailers, and service suppliers (only to provide services). If you wish to be removed from GM Canada marketing communications; would like to limit only certain marketing communications from us; would like a listing of our specific uses or further information about those with whom your information is shared; or for further information about our Privacy Policy and practices, please contact us at 1-800-GM-DRIVE (1-800-463-7483) or through our Web site at www.gmcanada.com

A word about assembly. GMC Trucks are equipped with engines and components produced and assembled by different operating units of General Motors, its subsidiaries and suppliers and these engines and components may change or be obtained from different sources from time to time. All such engines and components are approved for use in GMC Trucks. Certain equipment ordered may be unavailable at the time of assembly and we suggest that you verify that your vehicle includes the equipment you ordered, or if there are changes, that they are acceptable to you.

Trademark. The marks appearing in this Envoy brochure including, but not limited to: General Motors, GM, the GM Canada emblem, the GM Canada Web site address, the GM Accessories logo, GMC, the GMC logo, Canyon, Denali, Envoy, Envoy XUV, Jimmy, Safari, Savana, Sierra, Yukon, and their respective logos, emblems, slogans and vehicle model names and body designs; and other marks such as Autotrac, ACDelco, Midgate, PASSLock, SMARTLEASE, Solar-Ray, TOTAL Warranty and Vortec are all trademarks of General Motors Corporation and/or General Motors of Canada Limited, its subsidiaries, affiliates or licensors.

GMAC is a registered trademark of the General Motors Acceptance Corporation.

OnStar, the OnStar logo and the OnStar button are registered trademarks of the OnStar Corporation.

TheftLock is a registered trademark of Delphi Automotive Systems.

Bose is a registered trademark of the Bose Corporation.

HomeLink is a registered trademark of the Prince Corporation.

Radio Data System (RDS) is a registered trademark of the U.S. National Association of Broadcasters.

Copyright. © Copyright 2004 General Motors of Canada Limited. All Rights Reserved. All text, images, graphics, and other materials in this Envoy brochure are subject to the copyright and other intellectual property rights of General Motors Corporation and/or General Motors of Canada Limited. These materials may not be reproduced, distributed or modified without the express written permission of General Motors Corporation and/or General Motors of Canada Limited.

Printed in Canada, September 2004.

COLOURS. BRILLIANT COLOURS.

ENVOY Exterior Colours



15 Sand Beige Metallic*



16 Steel Gray Metallic



22 Superior Blue Metallic



38 Emerald Green Metallic



41 Onyx Black



44 Monterey Maroon Metallic



50 Summit White



62 Carbon Metallic



67 Liquid Silver Metallic

*Not available on XUV. **Available at extra charge.



86 Magnetic Red Metallic**

Buyer's guide

Colours may not be exactly as illustrated due to the restriction of the printing process. Please see your Sales Consultant for specific colour and model availability.



05 ENVOY

CANYON

SIERRA

JIMMY

ENVOY

YUKON

SAFARI

SAVANA

05 ENVOY

AT GMC, we set the highest possible standards for ourselves and our vehicles. Only the best is good enough – and only until we find a way to make it even better. This relentless pursuit of improvement has been going on for over a century now, and for 2005, it's resulted in the finest line of pickups, vans and SUVs we've ever built. If you believe, as we do, in only settling for the best, one of them could be for you.

THE GM COMMITMENT

Legendary engineering, quality and capability are only part of the GMC ownership experience. As a GMC owner, you also enjoy General Motors of Canada's commitment to your satisfaction. GM has created a wide range of programs to increase your enjoyment of your new vehicle. Some of these programs make it easier for you to obtain the GMC vehicle of your choice. Others enhance the ownership experience over the long term. Information on many of these programs is provided below.

THE GM TOTAL™ Warranty:†

The GM TOTAL™ Warranty is your promise of total warranty protection. It covers every new GMC Envoy, Envoy XL or Envoy XUV for 3 years or 60,000 km.* Complete vehicle repairs are covered, including parts and labour, with no deductible. The warranty also includes:

- 3-year/60,000 km* complete vehicle repair coverage
- 5-year/160,000 km* corrosion perforation coverage
- 8-year/130,000 km* coverage on catalytic converters and powertrain control modules (PCMs)

*Whichever comes first. To correct any defects in material or workmanship occurring during the warranty period. Regular maintenance is not included, nor is excessive wear and tear caused by reckless or negligent driving.

OTHER OWNERSHIP PRIVILEGES AND PROGRAMS:†

- Roadside Assistance – 24/7 service via toll-free number during your warranty period, anywhere in Canada or the United States
- Courtesy Transportation – May be offered during warranty period
- GM Protection Plan (GMPP) – The only extended service contract backed by the resources and commitment of General Motors. GMPP may be purchased at the time of your sale or lease or subsequently
- GM Mobility Program – You may be eligible for reimbursement of up to \$1000 (taxes included) for adaptive equipment for your GM vehicle
- GM Accessories – Personalize your vehicle with GM Accessories specifically engineered for your new GM vehicle
- GM Goodwrench Service – With GM-certified technicians and GM-approved parts, nobody knows your GM vehicle better.

TO HELP YOU PURCHASE OR LEASE A GMC TRUCK:

- GMAC Financing – On-the-spot financing at your GM dealership**
- GMAC SMARTLEASE – A smart alternative to traditional financing**
- GM Graduate Program – Recent graduates may qualify for up to \$1000 (taxes included) off any new GM vehicle†
- The GM Card – Eligible card holders may be able to redeem up to \$3500 in GM Card® Earnings toward the total purchase price or lease down payment on selected vehicles. For more information on The GM Card please call 1-800-467-3179.†

INFORMATION RESOURCES:

You can find more information about these programs from your GM dealer, or at these information centres:

- The GM Web site at gmcanada.com
- The GM Customer Communication Marketing Centre at 1-800-GM-DRIVE (1-800-463-7483 or 1-800-263-3830 for TDD users) – for information about any GM product or service, including The GM Card and the GM Mobility Program
- For information about GMAC visit the GM Web site or call 1-800-616-4622.

†Conditions and limitations apply.

**Subject to eligibility.

