



NEW YORK

PARIS

LONDON

TORONTO

SHANGHAI

DUBAI



vancouver 2010



Canada

NATIONAL PARTNER

*The Drive is On*

™ © 2006, VANOC. Used under License.

192-07-B-003E

CADILLAC STS





## CADILLAC STS

Cadillac's flagship sedan, STS is about the best of everything. Distinctive, muscular sport-sedan styling. Game-altering technologies. Premium quality materials. Expert craftsmanship. And track-tuned performance and handling characteristics so rewarding, they'll put a smile on the face of even the most demanding enthusiast. And if that weren't enough, there's also the 469 horsepower STS-V, dubbed "one awesome Cadillac"\* by *Autoweek* for its blistering performance capabilities. STS and STS-V. The Cadillac revolution goes on.

For more information about STS visit our website at [sts.gmcanada.com](http://sts.gmcanada.com)

\*Autoweek, December 4, 2005



**CADILLAC STS**



WHAT LEADERSHIP  
LOOKS LIKE TODAY.

LUXURY  
THAT'S LICENSED  
TO THRILL.

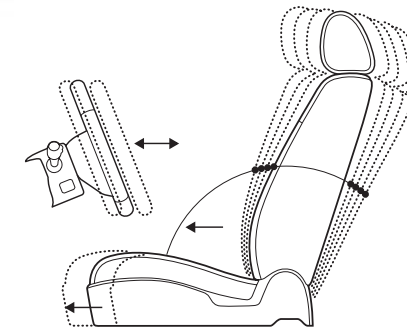




DESIGNED TO  
KEEP YOU IN  
COMPLETE CONTROL.  
YOUR PULSE  
EXCEPTED.



STS's front bucket seats are designed in accordance with a dual firmness strategy. Denser foam is used in the cushion and lower seatback, for excellent support, while the upper seatback is made of a softer material for superior comfort.



STS's Memory Package stores the preferred settings of two drivers for the driver's seat, exterior rear-view mirrors, steering wheel, audio system, and more – up to a total of 40 memory presets. It's standard on STS-V and STS V8 and available on STS V6.



The heated steering wheel goes a long way towards taking the sting out of frigid Canadian winter mornings. It comes standard on STS-V and STS V8 and is available on STS V6.



The aluminum trim elements which highlight the STS V6's passenger compartment are in-mould processed, which results in improved dent and mark resistance and long-lived beauty.



Eucalyptus wood trim offers a distinctive character, warm cast and almost 3-dimensional depth and definition of grain. Standard on STS V8 and available on STS V6, it's offered in a choice of light and dark finishes.

## WE THOUGHT OF EVERYTHING.

Driver and passenger comfort received obsessive attention during the development of the STS. The elegant interior is characterized by sweeping horizontal lines, expert craftsmanship, a tasteful and harmonious colour palette and materials of exceptional quality, including premium Milan carpeting adorning the floors. The result is a stylish, spacious, comprehensively equipped driving environment in which no detail has gone unconsidered. For example, the STS driver's seat is as well-suited to spirited driving on twisting two-lane roads as it is to long-distance highway cruising – a remarkable achievement. For an even higher level of luxury, heated and ventilated seats are also available, as are seats trimmed all around in specially selected glove-soft Tuscany leather.



FAR LEFT: The available Bose Studio Surround audio system includes a pair of 5 cm (2 in.) Bose Personal speakers integrated into the top of each front seatback.



LEFT: The standard STS V6 audio system is a Bose 8-speaker sound system with a host of premium features, including MP3 playback capability, a single-disc CD player and a Bose digital amplifier that offers 6 choices of custom equalization.

In addition to playing media originally recorded in the 5.1 surround sound format, the available Bose Studio Surround audio system can deliver extraordinary results from almost any audio format on the market today. Bose's unique CenterPoint signal processing simulates multi-channel playback of music recorded in DVD audio, CD audio and MP3 formats. With the transmission in 'Park', the Bose Studio Surround system can even play DVD movies on its integrated 200 mm (8 in.) VGA display. A 6-disc CD/DVD changer is an integral part of the system.



The dual-zone automatic climate control system utilizes a variable-displacement compressor for smooth, silent operation.

## IT'S ALL ABOUT YOU.

The new STS has been created with all your varying needs in mind.

The security and convenience of OnStar, of course, is standard equipment. Details on OnStar can be found on page 31 of this brochure, and complete information is available at [onstar.ca](http://onstar.ca)

STS also offers an available DVD navigation system that can assist you in finding your way in unfamiliar territory.\* Not surprisingly, the STS navigation system is one of the most sophisticated of its kind in the world. Its features include a large, high-resolution VGA display, touch-panel control and a four-position tilt screen for easy viewing. The system is also extremely simple to use. Just address the system in your normal speaking voice with any of 150 commands and it immediately begins doing your bidding.

Finally, when it's entertainment that you desire, STS offers a choice of two excellent audio systems. The standard Bose audio system delivers exceptional sound quality, thanks to Digital Signal Processing and eight speakers. There's also the available Bose 5.1 Discrete Digital Studio Surround system, integrated into the available DVD navigation system, which takes automotive sound to the next level. The 5.1 Studio Surround system uses six separate audio channels and a total of 15 speakers – the most of any car in STS's class\*\* – to deliver a true 360-degree listening experience. The result is sound quality of uncanny depth, accuracy and separation.

\*At time of printing, detailed map coverage is available for most major urban areas of the United States and for certain metropolitan areas of Canada (Vancouver, Calgary, Edmonton, Winnipeg, Windsor, London, Toronto, Ottawa, Montreal, Quebec City and Halifax). Coverage is significantly limited outside these areas.

\*\*All competitive claims are based on 2006 Model Year data and the latest published information at the time of printing.



The Head-Up Display (HUD), included with the available Adaptive Cruise Control, provides readouts for vehicle speed, audio system settings, Navigation system turn prompts, selected gear, the status of the Adaptive Cruise Control system and alerts.



The available Rainsense windshield wiper system uses a special sensor mounted behind the interior rear-view mirror to detect moisture on the windshield. The sensitivity of the system is driver-adjustable.

## ENGINEERING THAT GOES FAR BEYOND THE ORDINARY.

STS's available Adaptive Cruise Control uses radar to monitor for traffic ahead and maintain a constant predetermined following distance.



## YOU'LL THINK IT CAN READ YOUR MIND.

Consider, if you will, four examples of Cadillac's restless need to advance the state of the automobile.

First, cruise control. STS offers an available Adaptive Cruise Control (ACC) system that represents an enormous leap forward compared with ordinary systems. On the highway, if the ACC detects a slower-moving vehicle ahead, it automatically provides limited braking to slow the car, then maintains a pre-set following distance. Should harder braking be required, the system alerts you to the need to intervene via visual and audible warnings. When the vehicle ahead turns off, or when you change to an open lane, the ACC immediately resumes your preferred cruising speed.\*

Then there's the STS V8's reconfigurable Head-Up Display (HUD), included with the available Adaptive Cruise Control system, which represents a new level of convenience in instrumentation. STS's HUD projects key information onto the inner surface of the windshield, so you can access it without taking your eyes off the road. The system organizes and emphasizes data clearly and intuitively via an unsurpassed four-colour display. It's also adjustable for position, to ensure your personal comfort.

Next, consider STS's powerful headlight system featuring dual 70 mm projector beams. This system comes standard with tungsten-halogen lighting. For even better nighttime visibility, STS V8 offers an available version with Xenon High-Intensity Discharge lighting and high-pressure washers.

Finally, there's STS's available Rainsense windshield wiper system. The system can actually detect moisture on the windshield and trigger the wipers automatically to sweep it clear. It's just another way that STS adds to your convenience, control and safety.

\*Adaptive Cruise Control is no substitute for the driver's personal responsibility to operate the vehicle in a safe manner. The driver needs to remain attentive to traffic and road conditions and provide the steering, braking or other inputs necessary to retain control of the vehicle.



Take the remote access fob out of your pocket or purse, press a button and your STS's engine will start from up to 60 metres away. Or leave it where it is. Your STS's doors and trunk will unlock automatically when you grasp the door handle.

In the STS, the traditional ignition key has become a thing of the past. The engine starts instantly with the touch of a button on the dash, but only if electronic sensors detect the remote access fob inside the car. Your convenience and your car's security are both enhanced – a true win-win situation.





Selecting the Sport mode on either STS transmission activates the Performance Algorithm Liftfoot (PAL) feature, which detects performance driving electronically. During hard driving, PAL will hold the current gear even if you lift your foot off the accelerator and will also shift down a gear or two to provide maximum performance as you power out of corners. In addition, Sport mode also allows you to shift the transmission up or down a gear whenever you wish with just a tap on the shift lever.



The aluminum block 3.6L V6 VVT engine features a dual-stage variable intake manifold, which optimizes the amount of air entering the combustion chamber at all operating speeds. High-silicon content aluminum alloy pistons, tight-fitting polymer-coated piston skirts, a stiff, forged-steel crankshaft, a dual-stage variable intake manifold and a high 10.5:1 compression ratio are some of this engine's other premium design features. Ninety percent of the engine's peak torque is available from as low as 2100 rpm.



All STS engines feature Variable Valve Timing (VVT) on the intake and exhaust valves, which helps to optimize combustion efficiency over a wide range of engine speeds. This results in a long, flat torque curve, for excellent responsiveness at all operating speeds.



To assure the highest possible level of quality, the 5- and 6-speed automatic transmissions destined for STS are hand assembled in a "clean room" environment.



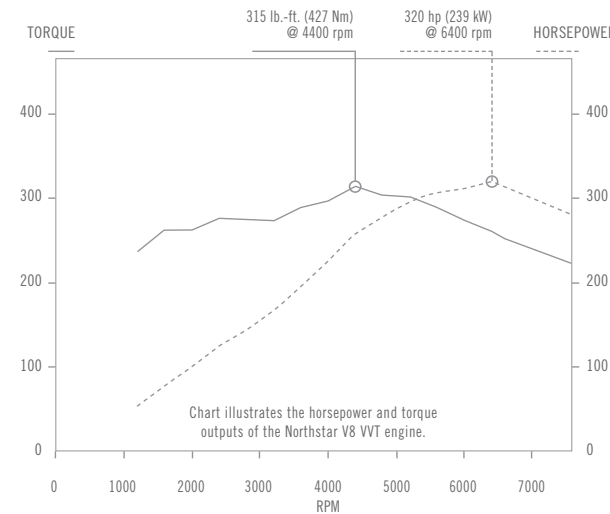
## YOUR CHOICE OF POTENT TRACK-TUNED POWERTRAINS.

Before STS's high-tech V6 and V8 engines were deemed ready to tackle your daily commute, they had to pass one of the toughest finishing schools on earth: Germany's fabled Nürburgring racetrack. It's no surprise, then, that the performance they serve up is nothing short of exhilarating.

V6 models are powered by a 3.6-litre VVT engine that generates 255 horsepower and more torque than such worthy competitors as the Jaguar S-Type 3.0, BMW 530i and Audi A6 3.2, at 252 pounds-feet.\* For an even higher level of exhilaration, V8 models feature a second-generation 4.6-litre VVT Northstar under the hood tuned to produce 320 horsepower and 315 pounds-feet of torque. Both powerplants are replete with advanced features, such as electronic throttle control which subtly varies its sensitivity according to vehicle speed.

To help you take full advantage of the performance these fine engines are capable of, every STS is equipped with an advanced, electronically controlled automatic transmission. STS V6 models feature a five-speed gearbox, while STS V8 models channel their added power via a six-speed transmission. Both incorporate a host of leading edge features, including Driver Shift Control, Sport mode, engine braking in all forward gears and Performance Algorithm Liftfoot (PAL).

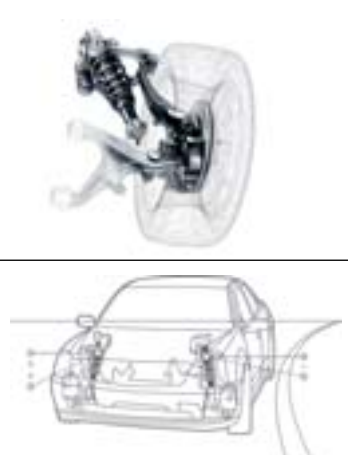
\*All competitive claims are based on 2006 Model Year data and the latest published information at the time of printing.



- A. With either engine, the new STS delivers sterling performance. In GM testing, the STS V6 accelerates from 0 to 96 km/h (60 mph) in 7.0 seconds. Equipped with the available 3.42 rear axle ratio, the rear-wheel drive STS V8 cuts that time to a mere 5.9 seconds.
- B. Electronically controlled variable valve timing (VVT) is found on all STS engines. It uses hydraulically controlled cam phasers to optimize combustion efficiency by adjusting the timing and duration of the opening of the intake and exhaust valves as engine speeds rise and fall. The result: long, flat torque curves and right-now acceleration any time you call for it.
- C. Among the Northstar V8's many high-tech features is an extremely powerful, state-of-the-art engine control module (ECM). It includes a 16-bit, 24 MHz dual microprocessor, high memory capacity and a redundant "safety" processor that acts as a backup for the Electronic Throttle Control. A separate transmission control module manages gear changes, with inputs from the ECM.



Integral to the available Magnetic Ride Control suspension are shock absorbers filled with a special Magneto-Rheological fluid that stiffens instantly when exposed to a magnetic field.



STS's available Magnetic Ride Control suspension alters shock absorber damping up to 1000 times per second to provide a controlled, comfortable ride and highly responsive handling.

STS's available all-wheel-drive (AWD) system features lightweight aluminum componentry and open front, centre and rear differentials. It's seamlessly integrated with the car's standard all-wheel traction control and StabiliTrak stability enhancement systems, for exceptional performance in all seasons and on all road surfaces.



StabiliTrak continually monitors to ensure that your STS is travelling in the direction in which you're steering. If it detects a deviation — a lateral skid — it steps in automatically to help return the car to your desired line. The system operates so unobtrusively that in most cases, you'll never know it's intervened.



For the ultimate in road feel and handling precision, the highly regarded ZF Servotronic II power rack-and-pinion steering system is available on STS V6 and STS V8 and standard on STS-V. This race-derived system includes gears machined with exceptional precision, a variable ratio and speed-sensitive variable assist.



## UNCANNY REFINEMENT. IRRESISTIBLE PERFORMANCE.

To gain an abiding respect for the cutting-edge STS chassis takes only a brief demonstration drive. To gain an understanding of it takes a little longer.

STS's precise handling starts with its rigid, lightweight rear-wheel-drive architecture. To that impressive structure, Cadillac's engineers added a sophisticated STS-exclusive four-wheel independent suspension and a StabiliTrak vehicle stability enhancement system. Then they specified a powerful four-wheel disc braking system with ABS and Panic Brake Assist, which automatically applies maximum braking power when it senses an emergency stopping situation. The result: a car of immense composure and control, even in the hardest driving.

The engineers also created an available all-wheel-drive (AWD) system — the first ever offered on a Cadillac performance sedan. With normal traction, the system sends 40 percent of the engine's torque to the front wheels and 60 percent to the rear ones. Carving through the esses with all four wheels powering you forward, the sensation is like being on rails. The AWD system's benefits are even greater in low-traction situations, of course, as it automatically redistributes power to help you maintain momentum and control.

## IN STS, SAFETY ISN'T A FEATURE. IT'S A PHILOSOPHY.

Elsewhere in this brochure, such STS features as StabiliTrak, four-wheel disc brakes and the available reconfigurable Head-Up Display (HUD) are all discussed in the context of performance and driver enjoyment. In truth, that's only part of the story. These systems also make major contributions to the STS's overall safety package, as they add significantly to your control and thereby enhance your ability to avoid collisions.

Another key technical element is the car's advanced architecture. Crush zones located at the front and rear of the body structure have been specifically engineered to crumple in a controlled manner, absorbing dangerous crash energy as they do so. Inside the passenger compartment, occupants are shielded by a safety cage built from solid steel and supplemented by a magnesium cross-car beam and doors reinforced with ultra-high-strength steel.

STS's passenger restraint systems are equally reassuring. There are lap/shoulder safety belts at all five seating positions. Every STS is also fitted with no fewer than six air bags, including two dual-stage frontal units, two front seat-mounted side-impact air bags and two roof-mounted head curtain air bags that help protect both front-seat and rear-seat outboard occupants in certain impacts at the side of the car.

STS is even equipped to protect itself. Its doors lock automatically when you walk away with the keyless access fob in your pocket or purse. Its PASS-Key III+ immobilizer system shuts down the ignition any time it detects an illicit attempt to start the engine. And should anyone attempt a break-in, they'll find themselves the centre of much unwanted attention, thanks to STS's standard audible alarm.



When you walk away from your STS carrying your keyless access fob, the car's doors lock, the ignition immobilizer is set and the alarm system is activated, all automatically.

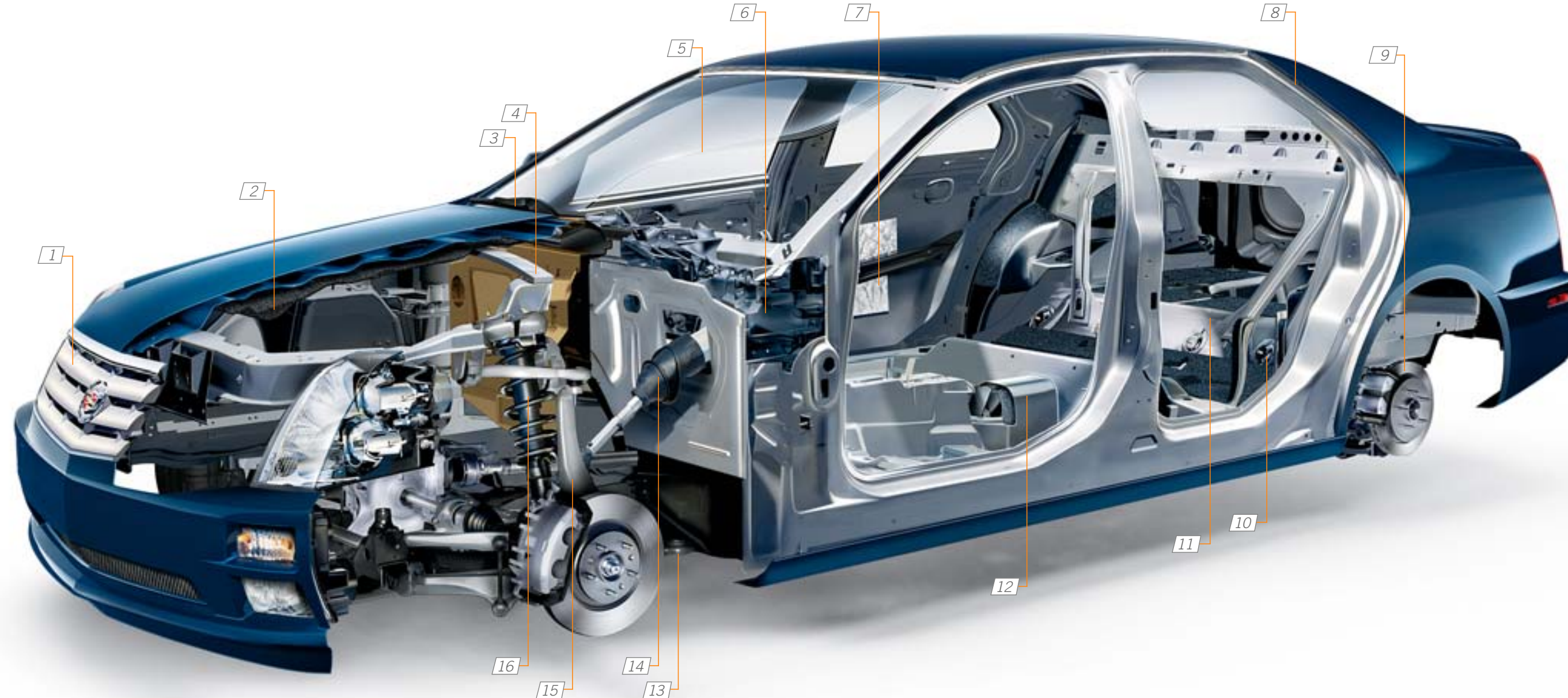
The STS's body structure strategically utilizes various formulations of steel in order to achieve specific design objectives. High-strength and ultra-high-strength steel are used around the passenger compartment, where they help maintain the integrity of the cabin in a collision.

## A CLOSER LOOK AT A SELECTION OF STS'S LEADING-EDGE FEATURES.

STS sets a new high-water mark in technological excellence in a Cadillac sedan. Its critically acclaimed Body Frame Integral (BFI) architecture – already a paragon of strength and efficiency – has been thoroughly reinforced and refined. The result is a structure that achieves outstanding torsional stiffness and a beaming frequency of 25 Hz – comparable with the very best in the world. This very rigid steel-and-magnesium platform enables Cadillac's engineers to realize a number of important benefits.

First, it allows precision tuning of the STS's short/long arm front and multi-link rear suspensions, resulting in the car's outstanding ride and handling characteristics. The car's stiff chassis helps eliminate vibration and harshness that might otherwise be transmitted into the cabin, too, contributing to a most satisfying sense of quality and luxury. It also results in one STS advantage we hope you'll never have the need to experience – excellent crashworthiness.

1. STS V6 and STS V8 grille cross members are designed as airfoil sections, contributing to cooling efficiency while reducing wind noise.
2. A closed-cell acoustic blanket moulded onto the engine side of the instrument panel wall significantly reduces engine noise entering the passenger compartment. Within the dash itself, Quiet Steel – a double wall of thin-gauge steel bonded together by a sophisticated composite adhesive – significantly dampens noise transfer compared to conventional materials.
3. "Flat blade" windshield wipers have a flexible airfoil surface that conforms to the curvature of the windshield, for improved aerodynamics and superior wiper contact.
4. A robust brace connecting the front suspension towers contributes to the impressive rigidity of STS's body structure.
5. A double-laminated windshield incorporates an acoustical-grade vinyl layer to dampen wind noise, yet the windshield is thinner and lighter in weight than traditional designs. Laminated glass in both front side windows also helps reduce noise in the passenger compartment.
6. A strong, lightweight magnesium instrument panel structure is actually the vehicle's largest structural member. Its sturdy two-piece design contributes exceptional stiffness and helps reduce noise and vibration in the interior.
7. A lightweight sound-deadening material applied to the inside of all 4 doors virtually eliminates unwanted high- and mid-frequency noise.
8. Tight gaps between exterior body panels contribute to STS's quality appearance. They also enhance the body's aerodynamics, resulting in reduced wind noise.
9. STS's 4-wheel disc braking system features ABS, vented discs and aluminum twin piston front and single-piston rear calipers. A performance braking system, featuring larger-than-stock 323 mm (12.7 in.) vented front and 320 mm (12.6 in.) vented rear rotors, is available on both STS V6 and STS V8 models. With the performance braking system, STS is capable of braking from 96 km/h (60 mph) to zero in just 4.2 seconds.



10. STS's front and rear suspensions are mounted to separate cradles to reduce noise, vibration and harshness transmitted to the passenger compartment.
11. The available limited-slip rear differential helps make the most of the available traction in all situations. It has a significant positive effect on the car's performance during handling manoeuvres.
12. A reinforced centre tunnel further improves the vehicle's overall stiffness. Inner and outer steel elements laminated into the tunnel structure reduce transfer of driveline noise and vibration into the cabin.
13. All powertrain and suspension mounting points were exhaustively tuned during STS's development, to ensure excellent performance and a high level of refinement. Six mounts are used to attach the STS engine to the body instead of the usual 4, for optimal management of the engine's drive loads and energy pulses.
14. STS V6 and STS V8 come standard with power-assisted variable-ratio aluminum rack-and-pinion steering. This steering system gives STS a turning circle as low as 11.3 m (37 ft.), depending on tire size. The race-inspired ZF Servotronic II system enhances performance, improves fuel economy and contributes to a quieter ride. It's standard on STS-V and available on STS V6 and STS V8.
15. Aluminum is used extensively in both the front and rear suspension systems to reduce unsprung weight. Ride and handling characteristics benefit substantially.
16. STS sports a state-of-the-art electronic architecture. The high-speed data bus responsible for such essential systems as ABS, engine and transmission controls and the Magnetic Ride Control suspension operates 50 times faster than previous Cadillac systems.



## STS-V: THE MOST POWERFUL CADILLAC SEDAN EVER MADE.

Part of Cadillac's awesome V-series, STS-V will forever change your idea of what a luxury sedan can be. STS-V combines the refinement and sophistication of STS with some of the most serious hardware available. The highlights include a supercharged 469 horsepower Northstar V8, a six-speed automatic transmission with Driver Shift Control, massive Brembo brakes, a performance-tuned suspension and an STS-V-exclusive interior. Created for drivers who believe power is the ultimate luxury, STS-V delivers an unmatched driving experience. STS-V. You've never seen a Cadillac like this before.

"In our testing, particularly acceleration, the STS-V positively flies..."

— Road & Track, April 2006.





## NOW THIS IS INTENSE.

For a car of its performance potential, STS-V is astoundingly refined and luxurious. Virtually every amenity imaginable is present and accounted for. Hand-wrapped leather surfaces abound. Black olive ash burlwood and kinetic-finished aluminum trim elements dress up the decor. Sueded fabric inserts on the seat cushion and lower seatbacks help to keep you firmly planted, even in enthusiastic driving. If you wish, you can add the drama of Tango Red accents on the seat inserts, doors, instrument panel and centre armrest. They're the perfect way to emphasize your STS-V's high-performance character.



A key element in STS-V's astonishing performance is Cadillac's 6-speed automatic transmission. In Sport mode, its Driver Shift Control feature allows clutchless manual shifting through all 6 gears.



Equipped with an intercooled supercharger forcing air into the cylinders under 12 psi of pressure, the STS-V engine generates an awe-inspiring 469 horsepower and 439 pounds-feet of torque.



# 2007 STS FEATURES & OPTIONS

## SAFETY AND SECURITY

	STS V6	STS V8	STS-V
<b>AIR BAGS</b>			
Driver and front-passenger, dual-stage, frontal with passenger-side air bag suppression	S	S	S
Driver and front-passenger, seat-mounted side-impact	S	S	S
Front to rear, side head curtain	S	S	S
<b>DOOR LOCKS</b>			
Automatic power, programmable with lock-out protection	S	S	S
Rear-door, child-security	S	S	S
<b>HEADLIGHTS</b>			
Daytime Running Lights, automatic light control with Twilight Sentinel	S	S	S
Windshield wiper activated	S	S	S
IntelliBeam headlights with automatic low/high beam control	-	0 <sup>1,2</sup>	S
Xenon High-Intensity Discharge (HID) with high-pressure washers	-	0 <sup>1,2</sup>	S
<b>KEYLESS ACCESS SYSTEM</b>			
Remote includes remote start system, push-button ignition start, lock/unlock passive entry, front window express-up, personalization and activation notification and Panic feature	S	S	S
<b>ONSTAR SYSTEM</b>			
Digital OnStar In-Vehicle Communications and Assistance Service, includes one-year Directions & Connections Plan with Turn-by-Turn Navigation*	S	S	S
<b>SAFETY RESTRAINTS</b>			
LATCH (Lower Anchors and top Tethers for Children), rear seats, 3-positions	S	S	S
<b>THEFT-DETERRENT SYSTEM</b>			
PASS-Key III+ with immobilizer	S	S	S
Tamper alarm for doors and trunk, audible/visible alarm	S	S	S
<b>TRACTION CONTROL</b>			
Electronic, full-function, all-speed with on/off switch	S	S	S
<b>ULTRASONIC REAR PARKING ASSIST</b>			
Rear obstacle detection system with audible/visible warning	S	S	S
<b>MECHANICAL</b>			
<b>BRAKES</b>			
Power, 4-wheel vented discs	S	-	-
Performance Brake System includes 323 mm vented front and 320 mm vented rear discs	0 <sup>1</sup>	S	-
Power, 4-wheel Brembo 355 mm vented front and 365 mm vented rear discs with 4-piston front calipers and high-performance brake pads	-	-	S
4-wheel, 4-channel anti-lock braking system (ABS) with Panic Brake Assist and Dynamic Rear Brake Proportioning	S	S	S
Performance and Handling Package includes P255/45R18 Michelin Pilot Sport tires, 18" x 8.5" flanged chrome aluminum wheels and Brembo performance braking system	-	0 <sup>3,4</sup>	-
<b>DRIVE</b>			
Rear-wheel drive	S	S	S
All-wheel drive	0 <sup>5</sup>	0 <sup>6</sup>	-
<b>ENGINES</b>			
3.6L V6 VVT with 255 horsepower @ 6500 rpm and 252 lb.-ft. of torque @ 3200 rpm	S	-	-
4.6L Northstar V8 VVT with 320 horsepower @ 6400 rpm and 315 lb.-ft. of torque @ 4400 rpm	-	S	-
4.4L Northstar V8 Supercharged with 469 horsepower @ 6400 rpm and 439 lb.-ft. of torque @ 3900 rpm	-	-	S
Block heater	0	0	0
<b>LOCKING DIFFERENTIAL</b>			
Rear	0 <sup>1</sup>	0 <sup>2</sup>	S
<b>STEERING</b>			
Speed-sensitive, power variable-ratio, rack-and-pinion	S	S	-
ZF Servotronic II performance steering gear system, variable-ratio, rack-and-pinion	0 <sup>1</sup>	0 <sup>2</sup>	S
<b>SUSPENSION</b>			
4-wheel independent suspension with automatic rear-level control	S	S	S
StabiliTrak stability enhancement system, 4-channel	S	S	S
High-performance tuned with larger stabilizer bars	-	-	S
<b>TRANSMISSIONS</b>			
5-speed automatic with Sport mode and Driver Shift Control <sup>7</sup>	S	-	-
6-speed automatic with Sport mode and Driver Shift Control <sup>8</sup>	-	S	-
6-speed automatic with Sport mode, vehicle launch control and Driver Shift Control <sup>9</sup>	-	-	S

## INTERIOR

	STS V6	STS V8	STS-V
<b>ACCENTS</b>			
Aluminum trim on centre stack, instrument panel moulding and shifter plate	S	-	-
Eucalyptus wood trim on centre stack, instrument panel moulding and shifter plate	0	S	-
Black olive ash wood trim on centre stack, instrument panel moulding, shifter plate and door armrests with aluminum steering wheel accents, gauge bezels and instrument panel moulding	-	-	S
Premium leather-trimmed instrument panel, door trim, centre console with sueded fabric door inserts	-	-	S
<b>AUDIO SYSTEM</b>			
AM/FM stereo with CD player, MP3 playback, Radio Data System (RDS), TheftLock and 8 Bose amplified speakers, Digital Signal Processing and automatic recall	S	-	-
Same as above plus in-dash 6-disc CD changer	0 <sup>a</sup>	S	-
Same as above plus CD/DVD changer, Bluetooth wireless technology for portable hands-free mobile phone capability (phone not included), 15-speaker Bose 5.1 Discrete Digital Studio Surround audio system with AudioPilot noise compensation technology, DVD Navigation for map coverage** in Canada and USA, GPS based, 200 mm (8 in.) tilt-touch screen, voice and/or text guidance, DVD/video capabilities (vehicle in Park position only) and voice recognition	0	0	S
XM Satellite Radio <sup>1</sup>	S	S	S
<b>CLIMATE CONTROL</b>			
Automatic, dual-zone electronic climate control with automatic recall	S	S	S
Air filtration system, pollen and particle filter	S	S	S
Rear air conditioning controls	0 <sup>1</sup>	S	S
<b>CONSOLES</b>			
Front centre floor console with shifter, traction control button and dual cupholders	S	S	S
Overhead console with map lights	S	S	S
<b>CONVENIENCE PACKAGE</b>			
Includes universal home remote 3-channel programmable transmitter, luggage net and tie-down strap	0 <sup>1,a</sup>	S	S
<b>CRUISE CONTROL</b>			
Electronic with resume, coast and decelerate/accelerate features	S	S	S
Adaptive Cruise Control, RADAR transceiver automatically adjusts speed to maintain pre-set following distance – includes reconfigurable 4-colour Head-Up Display with readouts for vehicle speed, selected gear, Adaptive Cruise Control, audio system, navigation turn prompts, high beam indicator and fuel level information	-	0	-
<b>INSTRUMENTATION</b>			
Analogue with Driver Information Centre (5-language capability)	S	S	S
Tire pressure monitoring system	0 <sup>1,a</sup>	S	S
<b>MEMORY PACKAGE</b>			
Automatically recalls settings for 2 drivers based on their individual remote access key fob: the recall function remembers the position of the driver's seat, exit seating position, exterior rear-view mirror preferences, passenger tilt-down parallel park feature and power tilt/telescoping steering wheel	0 <sup>1,a</sup>	S	S
<b>MIRRORS</b>			
Electrochromic, auto-dimming rear-view mirror with electronic compass and 3-button OnStar controls <sup>9</sup>	S	S	S
Illuminated driver and front-passenger visor vanity mirrors	S	S	S
<b>SEATING</b>			
Front buckets with power 8-way driver and front-passenger seat adjusters with 4-way articulating head restraints for front and rear outboard passengers	S	S	S
Nuance leather seating surfaces	S	S	S <sup>10</sup>
Premium Tuscan perforated full-leather seats	-	0	-
Driver and front-passenger power 4-way lumbar adjusters	0 <sup>1,a</sup>	S	S
Front heated seating surfaces	0 <sup>1,a</sup>	S	S
Rear heated seating surfaces – outboard only	0 <sup>1,a</sup>	S	S
Rear-seatback, fixed back with armrest pass-through and dual cupholders	S	S	S
<b>STEERING WHEEL</b>			
Leather-wrapped with controls for voice recognition and audio systems	S	S	S
Power tilt and telescopic adjustable column	S	S	S
Heated with wood insert	0 <sup>1</sup>	S	-
Heated with aluminum accents	-	-	S
<b>TRUNK</b>			
Power remote release	S	S	S
<b>WINDOWS</b>			
Power with express-up and down feature on front and rear windows with pinchguard, rear window lock-out – express-up can be activated via Keyless Access System transmitter	S	S	S

## EXTERIOR

	STS V6	STS V8	STS-V
<b>GLASS</b>			
Solar-Ray, tinted, laminated front side	S	S	S
<b>LIGHTS</b>			
Fog lights	S	S	S
<b>MIRRORS</b>			
Foldaway, heated, power remote control with driver-side electrochromic auto-dimming feature	S	S	S
<b>SPOILER</b>			
Rear deck-lid spoiler	0 <sup>1</sup>	0 <sup>2</sup>	S
<b>SUNROOF</b>			
Power, tilt and sliding glass panel with variable position and express-open/close feature with pinchguard	0	0	0
<b>WIPER/WASHER SYSTEM</b>			
2-speed with variable delay (intermittent)	S	-	-
Rainsense with automatic variable delay	0 <sup>1,a</sup>	S	S

## PREFERRED EQUIPMENT GROUPS

### STS V6 LUXURY PACKAGE PEG 1SB INCLUDES:

- In-dash 6-disc CD changer • Convenience Package • Memory Package • Driver and front-passenger power 4-way lumbar adjuster
- Front and rear outboard heated seating surfaces • Front ventilated seating surfaces • Deluxe Wood Trim Package – includes genuine Eucalyptus accents on centre stack, instrument panel, shifter plate and door armrests • Heated steering wheel with wood insert • Tire pressure monitoring system • Rainsense with automatic variable delay windshield wipers

### STS V6 LUXURY PERFORMANCE PACKAGE PEG 1SC INCLUDES, IN ADDITION TO OR IN PLACE OF PEG 1SB:

- Rear air conditioning controls • Electrochromic auto-dimming interior rear-view mirror • In-dash 6-disc CD/DVD changer with 15-speaker Bose 5.1 Discrete Digital Studio Surround audio system, DVD for map coverage\*\* in Canada and USA, GPS based, 200 mm (8 in.) tilt-touch screen, voice and/or text guidance, DVD/video capabilities (vehicle in Park position only) and voice recognition • Rear deck-lid spoiler
- Performance Brake System – includes 323 mm vented front and 320 mm vented rear discs • Limited-slip differential • ZF Servotronic II performance steering gear system • 18" x 8" polished aluminum wheels • Front P235/50R18 and rear P255/45R18 W-rated all-season performance tires • Engine and power steering performance cooling systems

### STS V8 LUXURY PERFORMANCE PACKAGE PEG 1SF INCLUDES:

- Front ventilated seating surfaces • In-dash 6-disc CD/DVD changer with 15-speaker Bose 5.1 Discrete Digital Studio Surround audio system, DVD for map coverage\*\* in Canada and USA, GPS based, 200 mm (8 in.) tilt-touch screen, voice and/or text guidance, DVD/video capabilities (vehicle in Park position only) and voice recognition • Xenon High-Intensity Discharge (HID) headlights with high-pressure washers • IntelliBeam headlights with automatic high/low beam control • Engine and power steering performance cooling systems

### STS V8 PREMIUM LUXURY PERFORMANCE PACKAGE PEG 1SG INCLUDES, IN ADDITION TO OR IN PLACE OF PEG 1SF:

- Final drive ratio – 3.23:1 • Limited-slip differential • ZF Servotronic II performance steering gear system • Magnetic Ride Control sport suspension • Engine and power steering performance cooling systems • Rear deck-lid spoiler

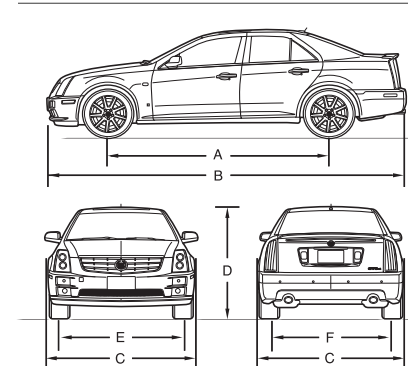
S – Standard. 0 – Optional individually or in combination with other optional equipment.

- Included with Luxury Performance Package.
- Included with Premium Luxury Performance Package.
- Not available with all-wheel drive.
- Requires Premium Luxury Performance Package.
- Includes 17" X 7.5" painted aluminum wheels, P235/50R17 S-rated tires and performance braking system. Polished aluminum wheels included with Luxury Package. Not available with Luxury Performance Package.
- Deletes locking rear differential. Available with Premium Luxury Performance Package only.
- Includes Performance Algorithm Liftfoot (PAL), downgrade detection and shift stabilization.
- Included with Luxury Package.
- Compass not included with Navigation System.
- Leather seats with perforated sueded inserts.
- Included with available all-wheel drive.
- Included with available all-wheel drive.
- Turn-by-Turn availability impacted by some geographic/cellular limitations, advisor-assisted routing available.

\*\* At time of print, detailed map coverage is available for most major urban areas of the United States and for certain metropolitan areas of Canada (Vancouver, Calgary, Edmonton, Winnipeg, Windsor, London, Toronto, Ottawa, Montreal, Quebec City and Halifax). Coverage is significantly limited outside these areas. Choose the factory navigation option and you will receive an updated navigation DVD each of the first two years following your delivery.

<sup>1</sup> Includes three free trial months beyond which service fees apply. Available in 10 Canadian provinces and 48 contiguous United States.

## DIMENSIONS



## EXTERIOR DIMENSIONS

Wheelbase (A)	2957 mm (116.4 in.)
Length (B)	4985 mm (196.3 in.)
Width (C)	1845 mm (72.6 in.)
Height (D)	1464 mm (57.9 in.)
Front track (E)	1569 mm (61.8 in.)
Rear track (F)	1582 mm (62.3 in.)

## INTERIOR DIMENSIONS

Headroom	
Front/rear	983/962 mm (38.7/37.9 in.)
Legroom	
Front/rear	1081/973 mm (42.6/38.3 in.)
Shoulder room	
Front/rear	1489/1458 mm (58.6/57.4 in.)
Hip room	
Front/rear	1388/1411 mm (54.6/55.6 in.)
Seating capacity	5

## CAPACITIES

Fuel	66 L (14.5 imp. gal.)
Cargo volume	391 L (13.8 cu. ft.)
Towing (RWD) <sup>11</sup>	454 kg (1000 lb.)

## CURB WEIGHT, ESTIMATED

RWD V6	1750 kg (3857 lb.)
RWD V8	1779 kg (3921 lb.)
AWD V8	1919 kg (4230 lb.)
STS-V	1948 kg (4295 lb.)

<sup>11</sup> Includes weight of trailer, cargo, passengers and equipment. All towing recommendations are subject to change. Trailer tongue load should be 10% of the maximum trailer weight but should never exceed the load rating for that vehicle, engine or hitch combination. See your dealer or refer to the STS Owner's Manual for details.

## WHEELS AND TIRES

	STS V6	STS V8 LUXURY	STS V8 LUXURY PERFORMANCE	STS V8 LUXURY PERFORMANCE	STS V8 LUXURY PERFORMANCE	STS V8 PREMIUM PERFORMANCE	STS-V LUXURY
7-spoke 17" x 7.5" front and 17" x 8" rear, painted aluminum finish with Michelin Pilot HX MXM4 V-rated, all-season performance tires; P235/50R17 front, P255/45R17 rear	■	■	-	-	-	-	-
7-spoke 17" x 7.5" painted aluminum finish with Michelin Energy LX4 S-rated, all-season touring tires; P235/50R17	-	-	● <sup>11</sup>	-	-	-	-
9-spoke 18" x 8" polished aluminum finish with Michelin Pilot HX MXM4 W-rated, all-season performance tires; P235/50R18 front, P255/45R18 rear	-	-	▲	■	■	■	-
7-spoke 18" x 8.5" flanged, chrome aluminum finish with Michelin Pilot Sport W-rated, all-season performance tires; P255/45R18	-	-	-	-	-	●	-
10-spoke 18" x 8.5" front and 19" x 9.5" rear, pearl nickel painted aluminum with Pirelli Y-rated extended mobility, (summer) performance tires <sup>12</sup> ; P255/45R18 front, P275/40R19 rear	-	-	-	-	-	-	■

■ STANDARD - NOT AVAILABLE ▲ INCLUDED IN OPTION PACKAGE ● AVAILABLE

# EXTERIOR COLOURS



# INTERIOR COLOURS



Due to limitations in the printing process, the colours shown may differ slightly from the actual colour.  
 \*Available at extra cost. \*\*Denotes STS-V exterior colour availability. †Not available on STS-V. ††Available on STS-V only.  
 Please see your Cadillac Sales Consultant for specific colour and model availability and compatibility.

## STS ACCESSORIES

The addition of carefully chosen quality accessories can enhance your STS's unique style and endow it with an even higher level of luxury. Genuine GM Accessories are designed especially for your STS and engineered to the highest standards, ensuring excellent fit, finish and functionality. They're covered under the four-year/80,000 km Cadillac Limited Warranty.\* They can also be included in your new-vehicle lease or finance agreement through GMAC. Ask your dealer for a complete list of the GM Accessories available for the new 2007 STS. Or visit [gmcanada.com](http://gmcanada.com)

\*Whichever comes first, when permanently installed by the dealer at the time you purchase or lease your new vehicle.

▼ These chrome-finished 12-spoke 18-inch forged aluminum wheels add a dramatic accent to STS's powerful lines.



▲ These premium all-weather floor mats help protect your STS's quality carpeting from the ravages of snow, slush and salt.



▲ The smoked insert for STS's centre high-mounted stop light adds a touch of custom style to the exterior.



▲ Smoked tail light lenses are the ideal complement to the smoked centre high-mounted stop light insert.

## CADILLAC OWNER PRIVILEGES

In addition to an exceptional driving experience, Cadillac ownership brings with it a world-class array of privileges.\* The Cadillac Limited Warranty covers all parts and labour costs that may be incurred to correct all defects in material or workmanship.\* Cadillac No Charge Scheduled Maintenance\* covers the cost of regularly scheduled maintenance. Cadillac Roadside Service provides assistance throughout Canada and the United States should you require towing, fuel delivery, a jump start or help with a flat tire or lock-out situation.\* Trip Planning can assist you on road trips with computer-generated maps indicating either the most direct route or the most scenic route to any destination you choose in North America.\* Alternative Transportation provides you with shuttle transportation for daily service and an alternate vehicle (or reimbursement for rental or other transportation expenses) for overnight service, whenever your STS requires scheduled maintenance or repairs covered under the Cadillac Limited Warranty.\* Trip Interruption Protection may reimburse you for such incidental expenses as hotel accommodation, meals and auto rental should your trip be interrupted by a repair covered under the Cadillac Limited Warranty.\* See your Cadillac dealer for complete details.

\*Program in effect for the first 4 years or 80,000 km (whichever comes first) of ownership. Conditions and limitations apply.

## ONSTAR

OnStar\* uses advanced communications technology to enhance your safety, security and convenience.

OnStar Advisors can provide a wealth of information and perform a variety of diagnostic services. They can also provide assistance in an emergency. No wonder more than 4 million people have become OnStar subscribers and over 12 million calls are made each month on the built-in voice-activated, hands-free system. OnStar and one year of the Directions and Connections Plan are standard on all STS models. See your Cadillac dealer for more information on plans and services.

\*OnStar services require vehicle electrical system (including battery), wireless service, and GPS satellite signals to be available and operating for features to function properly. Not all OnStar features are available on all vehicles. OnStar acts as a link to existing emergency service providers. OnStar Hands-Free Calling requires a Hands-Free enabled vehicle, prepaid minutes and existing OnStar service contract. Subscription Service Agreement required.

## XM SATELLITE RADIO

What's convinced more than six million people to subscribe to XM Satellite Radio? How about the largest playlist on the planet, with musical genres that span everything from decades to dance, rock to rap and country to classical – broadcasting the most commercial-free music in digital quality sound? Or is it the news, talk, comedy and sports channels – including more than 1,000 NHL games, and all available from coast to coast?\* XM has revolutionized radio as we know it. And now you can enjoy XM Satellite Radio in your next General Motors vehicle – GM is the first automaker to offer factory-installed satellite receivers. Ask your Cadillac dealer for more information.

\*Includes three free trial months beyond which fees apply. Available in 10 Canadian provinces and 48 contiguous United States.



## ACQUISITION OPTIONS

In addition to the many exclusive privileges of Cadillac ownership, Cadillac and General Motors of Canada have created a range of supplementary support programs to enhance your ownership experience. Some of these programs assist you in purchasing or leasing the Cadillac of your choice. Others help protect you and your new Cadillac over the long term.

### Purchasing & Leasing:

- **GMAC Financing** – On-the-spot financing at your GM dealership\*
- **GMAC SMARTLEASE** – A smart alternative to traditional financing\*
- **The GM Card** – Eligible cardholders may be able to redeem up to \$3500 in GM Card® Earnings toward the total purchase price or lease down payment on selected vehicles.\*\* For more information on The GM Card please call 1-800-461-3279.

### Additional Ownership Programs:

- **GM Protection Plan (GMPP)** – the only extended services contract backed by the resources and commitment of General Motors, GMPP may be purchased at the time of your sale or lease, or subsequently during the Base warranty period.\*\*

### Information Resources:

You can obtain more information about Cadillac vehicles and programs from your Cadillac dealer, or at these information centres:

- The GM website at [gmcanada.com](http://gmcanada.com)
- The Cadillac Contact Centre at 1-888-446-2000 or (1-800-263-3830 for TDD users).

\*Subject to eligibility. \*\*Conditions and limitations apply.

### A word about this brochure

Some of the equipment shown or described throughout this brochure may be available at extra cost. We have tried to make this brochure comprehensive and factual. We reserve the right, however, to make changes at any time, without notice, in prices, colours, materials, equipment, specifications, models and availability. Specifications, dimensions, measurements, ratings and other numbers in this brochure and other printed materials provided at the dealership or affixed to vehicles are approximates based upon design and engineering drawings and prototypes and laboratory tests. Your vehicle may differ due to variations in manufacture and equipment. Since some information may have been adapted since the time of the printing, please check with your Cadillac dealer for complete details. General Motors of Canada Limited reserves the right to lengthen or shorten the model year for any product, for any reason, or to start and end model years at different times.

### A word about assembly

Cadillac vehicles are equipped with engines and components produced and assembled by different operating units of General Motors, its subsidiaries and suppliers and these engines and components may change or be obtained from different sources from time to time. All such engines and components are approved for use in Cadillac vehicles. Certain equipment ordered may be unavailable at the time of assembly and we suggest that you verify that your vehicle includes the equipment you ordered, or if there are changes, that they are acceptable to you.

### A word about corrosion

Cadillacs are designed and built to resist corrosion. All body sheet metal components are warranted against rust-through corrosion for 6 years. There is no deductible for rust-through repairs. Application of additional rust-inhibiting materials is not required under the corrosion coverage and none is recommended.

### Trademarks

The marks appearing in this Cadillac STS brochure including, but not limited to: General Motors, GM, the GM Canada emblem, the GM Canada Website address, Cadillac, the Cadillac badge, Cadillac Owner Privileges, Cadillac Roadside Service, STS, STS-V, V-Series, the V-Series logo, and their respective logos, emblems, slogans and vehicle model names and body designs; and other marks such as Magnetic Ride Control, Northstar, Rainsense, SMARTLEASE, Solar-Ray, StabiliTrak and Twilight Sentinel are trademarks of General Motors Corporation and/or General Motors of Canada Limited, its subsidiaries, affiliates or licensors.

GMAC is a registered trademark of the General Motors Acceptance Corporation.

OnStar, the OnStar logo and the OnStar button are registered trademarks of the OnStar Corporation.

PASS-Key III+ and TheftLock are registered trademarks of Delphi Automotive Systems.

Bose, Bose Studio Surround, CenterPoint and AudioPilot are registered trademarks of the Bose Corporation.

Radio Data System (RDS) is a registered trademark of the U.S. National Association of Broadcasters.

Quiet Steel is a registered trademark of Material Sciences Corporation.

The XM name and related logos are registered trademarks of XM Satellite Radio, Inc.

### Copyright

©Copyright 2006 General Motors of Canada Limited. All Rights Reserved. All text, images, graphics, and other materials in this Cadillac STS brochure are subject to the copyright and other intellectual property rights of General Motors Corporation and/or General Motors of Canada Limited. These materials may not be reproduced, distributed or modified without the express written permission of General Motors Corporation and/or General Motors of Canada Limited.

Printed in Canada, July 2006.