

1972 Plymouth

# Satellite

GARY-WORTH CHRYSLER-PLYMOUTH CO.  
1155 McLOUGHLIN BLVD.  
GLADSTONE, OREGON 97037  
PHONE: 656-1926



# Satellite



Satellite Sebring-Plus, Satellite Sebring, Satellite Coupe.... Pages 4-9



Road Runner..... Pages 10-13



Satellite Custom, Satellite Sedan..... Pages 14-19



Satellite Wagons..... See 1972 Plymouth Station Wagon Catalog

Fold out back cover for engines, options and colors.

## Our Commitment...

Our commitment to you is to design, engineer and build a car with quality. To give you honest value at an honest price. That is our goal. It's a no-nonsense commitment that can make a lot of sense when you buy your next car. We try to give our buyers a car that gets them where they want to go in all types of weather and in all kinds of traffic. People expect value when they invest in a new car —and that's what we expect to deliver.

### A model difference.

Chrysler Corporation has pioneered the concept that two basic body types (sedans and hardtops) deserve two entirely different kinds of engineering and styling.

Take a good look at the Satellite



Satellite Design Concept

sedans and hardtops. You'll see that they are distinctly different in style. Even the grilles are individually designed to match the individual themes.

Our extra care in engineering results in two looks, two feels for the sedans and hardtops. Each one just right for its own particular needs. No compromising between the two. Each emerging with its best proportions intact.

### Where the inches add up.

Any adult who has had the experience of being in the back seat of a car for a day-long trip knows somewhat the cramped feeling astronauts undergo. Not so in a Satellite. For example, last year a Satellite hardtop gave you .7 inches more leg room and .5 inches more head room than some design compromised mid-size models. With the sedan the numbers were .3 in. and 1.8 in. respectively. Those figures may not seem whoppingly great—until you had to put some adults in the back. Then they became plusses beyond measure.

### A better start. Only one of our many outstanding features.

A new, solid-state, transistorized electronic ignition system, standard on Satellites equipped with a 340, 400 4-bbl. or 440 V-8, delivers more uniform and consistent starts and is virtually maintenance free. In fact, with this new system tune-up intervals will concern you less often.

There are no points to be replaced. There is no condenser. And spark



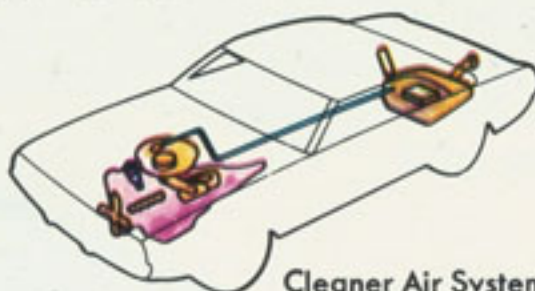
Electronic Ignition System

plug life is significantly increased when low-lead gas is used.

### In step with the times.

Chrysler is concerned about the same things most Americans are concerned about.

We've been a leader in emissions

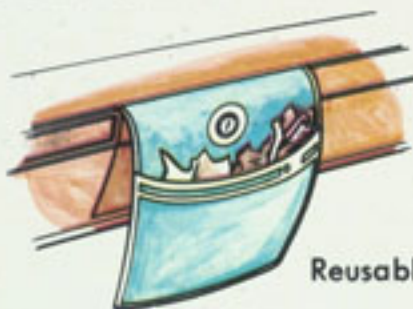


Cleaner Air System

control for over ten years. And our efforts to improve our Cleaner Air System have continued for 1972.

There's also a new reusable litter bag conveniently attached to the glove box. It'll hold up to two quarts.

More and more people have told us they want real value in the car they buy. With Satellite, you not only get value but a car that is good-looking, good-handling, roomy and functional as well.



Reusable Litter Bag

That's not only being in step with the time . . . but maybe even a jump in front.

### Satellite Standard Features

225 cu. in. Six or 318 cu. in. V-8\* • Three-speed fully synchronized manual transmission (V-8 only) • Color-keyed rubber floor covering (Satellite Coupe and Sedan only) • Front armrest with bright bases (4-door models, except Satellite) • Rear

seat armrest with bright bases and ashtrays (4-door models, except Satellite) • Cigar lighter (except Satellite Coupe) • Glove box lock • Dome light • Transistorized voltage regulator • Hubcaps • Cleaner Air System • Soft coat hooks • Heater and defroster • Dual horns (except Satellite) • Inside, rearview, day/night mirror (except Satellite Coupe) • Bias-belted tires.

\* Six-cylinder engine not available on Sebring-Plus.

### Road Runner Standard Features

(Satellite standard features plus these additions and substitutions.)

400 cu. in. 4-bbl. V-8 • Three-speed manual fully synchronized floor-mounted transmission • Heavy-duty suspension • Heavy-duty brakes • Front and rear sway bars • Deep pile carpet • Performance hood • Low-restriction dual exhaust system • "Beep-Beep" horn • Rallye instrument cluster with 150 mph speedometer • F70 x 14 white sidewall tires • Road Runner trim and ornamentation.

### Standard Safety Features

New large rear reflectors and lights • Fuel-tank impact protection • Lane-change turn signals • Locking steering column • Energy-absorbing instrument panel, front seat-back and armrests • Seat belts, all seating positions • 3-point hook-up arrangement on seat belts • Shoulder belts, front • Manual inside door locks—levers with non-override lock feature, except driver's door • Keyless door locking • Cushioned sun visors with dual supports • Dual braking system with warning lights • Side marker lights and reflectors • Hazard warning light system • Back-up lights • Windshield wipers, 2-speed electric • Head restraints, 2 front • Locking latch on all folding front seat-backs • Left outside rearview mirror • Dual action safety hood latches • Parking lights that illuminate with headlights • Electric windshield washers • Energy-absorbing steering column • Safety door latches and hinges • Thick-laminate safety glass windshield • Glove box door latch • Safety skid-type windshield header • Roll-over-protection roof structure • Recessed door handles • Inside rearview mirror.

### Satellite (8-cylinder) Dimensions

	Hardtop	Sedan
Wheelbase	115 in.	117 in.
Overall Length	203.0 in.	204.6 in.
Overall Width	79.1 in.	78.6 in.
Overall Height	52.2 in.	54.0 in.
Track, Front	59.7 in.	59.7 in.
Track, Rear	62.0 in.	62.0 in.
Shoulder Room (Front)	58.9 in.	59.2 in.
Shoulder Room (Rear)	57.8 in.	59.3 in.
Head Room (Front)	37.3 in.	38.5 in.
Head Room (Rear)	36.4 in.	37.3 in.

### Satellite Sebring-Plus

The car you're looking at is the most luxurious mid-size hardtop we make. Satellite Sebring-Plus. And that plus stands for things like a 318 cu. in. V-8 that runs on regular, low-lead gas. Bias-belted tires. All-vinyl bucket seat interiors. New body side molding and argent-paint treatment. And a lot more standard items. For options, how about a canopy or full-vinyl roof? Or the enjoyment of a power-operated sun roof!



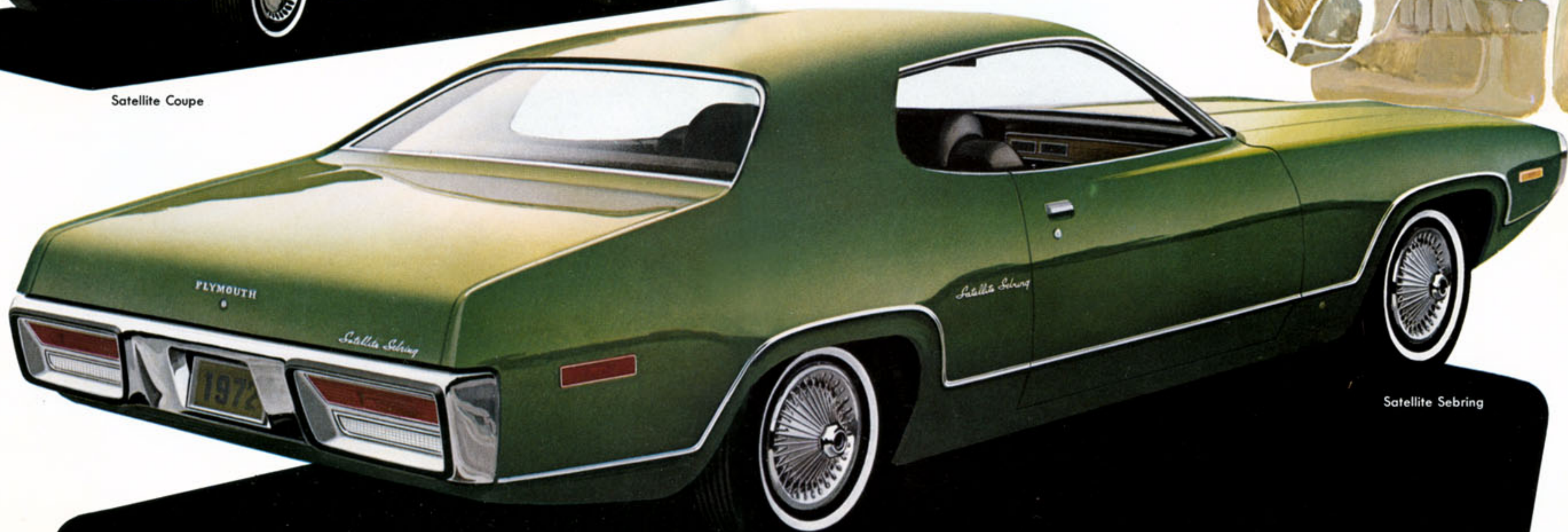
Satellite Sebring-Plus 2-Door Hardtop

## Satellite Sebring and Coupe

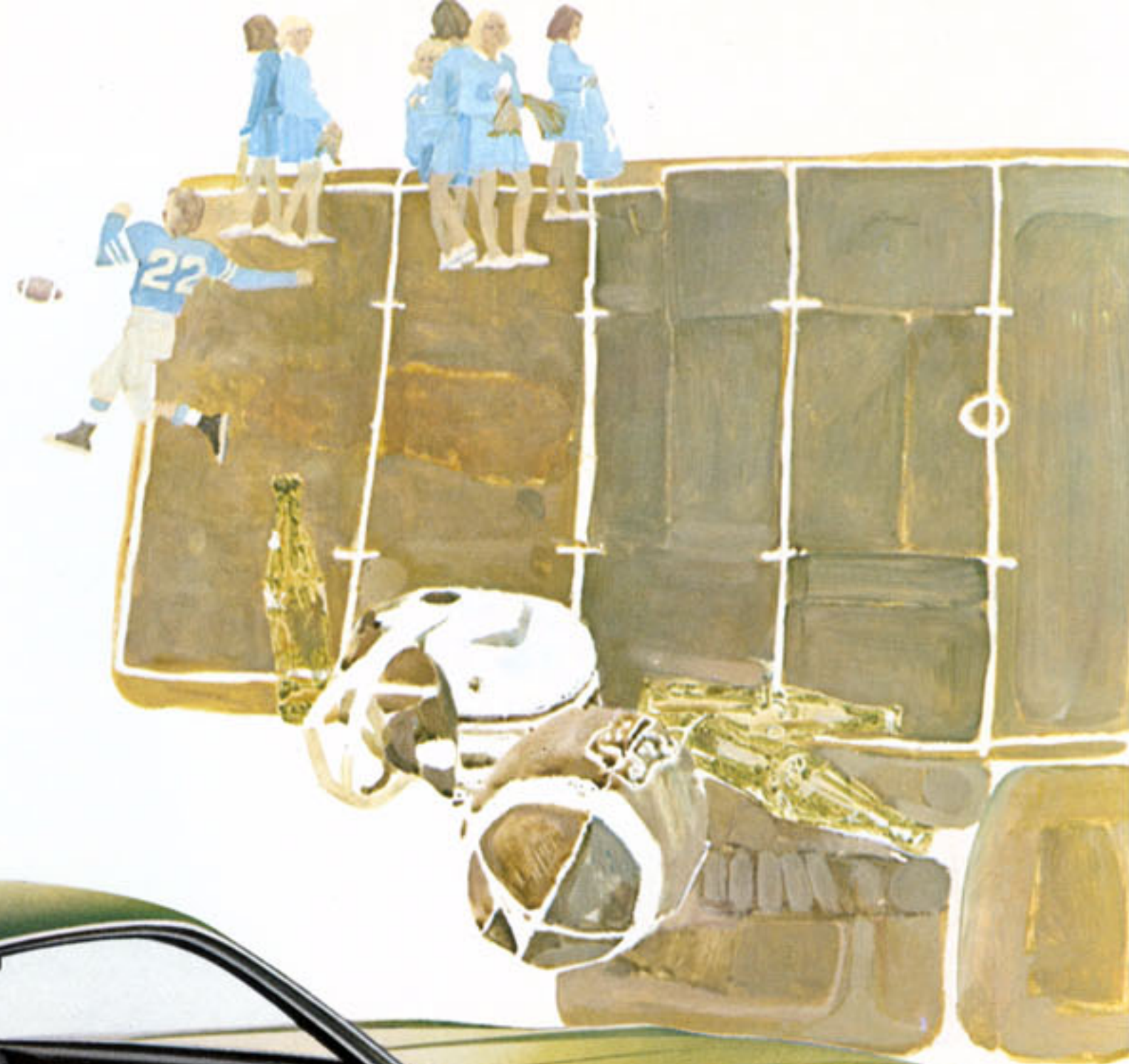
Two beautiful ways to illustrate our new car idea. One for the show: Satellite Sebring. One for the money: Satellite Coupe. Both have a full measure of style, performance and comfort . . . inside and out . . . plus new taillights and new side marker lights/reflectors. Both are big enough for the road; practical enough for the city.



Satellite Coupe



Satellite Sebring





## Satellite Interiors

Satellite puts it all together in handsome interiors that look good, are comfortable and roomy. True appreciation only comes by test-sitting in one of them. **A.** Standard Sebring-Plus all-vinyl bucket seats with integral head restraints. Available in blue, green, gold, black and white with black. (Console optional. Automatic transmission selec-

tor on the floor can be obtained if console is ordered.) **B.** Standard Satellite Sebring cloth-and-vinyl split-back bench seat. Available in blue, green, black and gold. (Also standard on Satellite Custom.) **C.** Optional Satellite Sebring-Plus cloth-and-vinyl split-back bench with fold-down center armrest. Available in blue, green, gold

and black. **D.** Optional Satellite Sebring all-vinyl bench seat. Available in blue, green, tan, gold, black and white with black. (Also available on Road Runner with Decor Group.) **E.** The Satellite Sebring instrument panel has simulated wood-tone highlights and gauges, rather than warning lights, tell you what's going on under the hood.



B



C



D



E

## Road Runner

The bird is on the wing again. Flying better than ever. With a new deep-throated grille. Standard equipment is the type all Road Runner fanciers appreciate: 400 cu. in. 4-bbl. V-8 engine. Three-speed, all-synchromesh, manual floor-mounted transmission. Heavy-duty suspension. Heavy-duty brakes. Front and rear sway bars. F70 x 14 WSW tires. "Beep-Beep" horn. And a performance hood. Dress up your Road Runner even more with an optional tape treatment for the hood and deck. (Also available for all other 2-door models.) Or go all the way with the GTX engines which include a 440 4-bbl. or 6-bbl. V-8 and special designations on sides and deck lid.



Road Runner 2-Door Hardtop



Road Runner 2-Door Hardtop







## Road Runner Interiors

You can make your Road Runner interior just about as plush as you want. **A.** Optional Road Runner all-vinyl bucket seats. Pleated. With integral head restraints. Available in blue,

green, gold, black and white with black. **B.** Standard Road Runner all-vinyl bench seat. Available in blue, green and black. **C.** Optional Road Runner all-vinyl bench seat with ad-

justable head restraints. Available in blue, green, tan, gold, black and white with black. **D.** The Road Runner Rallye Cluster is designed to be easy on the eyes and easy to use.

A



B



C



D

## Satellite Custom

Big luxury in a mid-size car is yours with the Satellite Custom. There's four-door convenience and ride with room for six adults. Head, shoulder and leg room are enough to make back seat driving a pleasure. For an even bigger helping of luxury choose the Brougham option with its super plush interior and special designation.



Satellite Custom 4-Door Sedan



## Satellite Sedan

Our lowest-priced four-door Satellite sedan provides you with the engineering and design expertise Chrysler Corporation is known for. A 117-inch wheelbase aids in parking and maneuverability. Yet the interior is spacious enough for six adults. The list of standard features stretches from here to Sunday. And you can personalize from dozens of options.



Satellite 4-Door Sedan



## Satellite Interiors

When you try to build things to last, you put in the kind of quality that doesn't show the wear and tear of normal usage. That means your Satellite interior will not only look good now—but that it's designed to keep on looking good.

**A.** Standard Satellite Custom cloth-and-vinyl bench seat. Available in blue, green, black and gold. **B.** Optional Satellite Custom Brougham cloth-and-vinyl bench seat with a fold-down center armrest. Available in blue,

green and gold. **C.** Standard Satellite Sedan all-vinyl bench seat. Available in blue, tan and green. **D.** Optional Satellite Custom all-vinyl bench seat. Available in blue, green, tan, black, and gold.



B

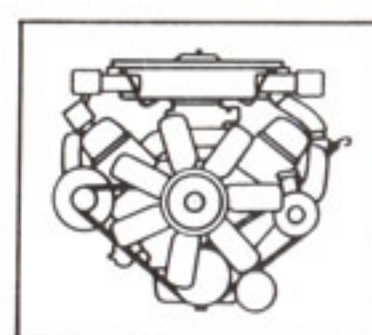
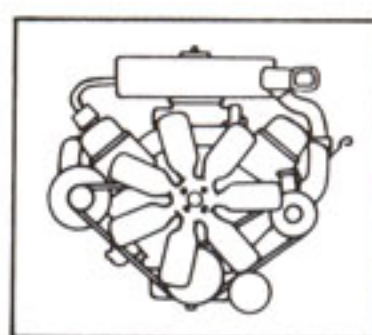
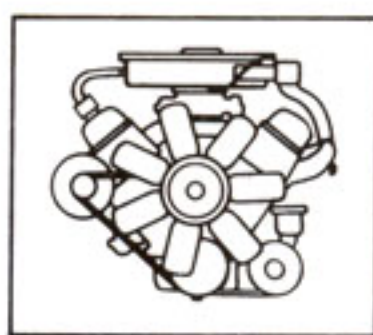
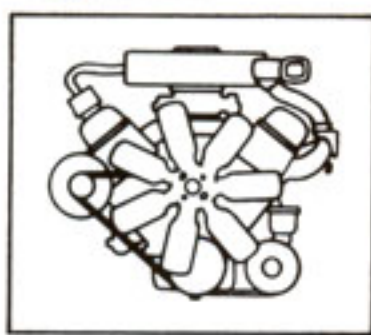
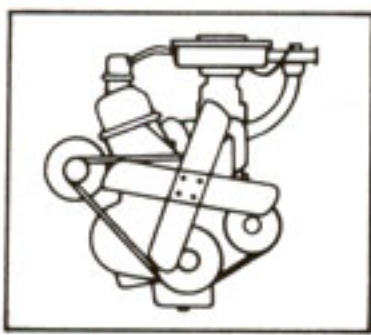


C



D

# 1972 Satellite Engines



Displacement	Carb.	Comp. Ratio	Air Cleaner	Exhaust System	Satellite	Satellite Custom	Satellite Sebring	Satellite Sebring-Plus	Road Runner
225 "6"	1-bbl.	8.4 to 1	Single Snorkel	Single	Std.	Std.	Std.	NA	NA
318 V-8	2-bbl.	8.6 to 1	Single Snorkel	Single	Std.	Std.	Std.	Std.	NA
340 V-8	4-bbl.	8.5 to 1	Single Snorkel	Dual	NA	NA	NA	NA	Opt.
400 V-8	2-bbl.	8.2 to 1	Single Snorkel	Single	Opt.	Opt.	Opt.	Opt.	NA
400 V-8	4-bbl.	8.2 to 1	Double Snorkel	Dual	Opt.	Opt.	Opt.	Opt.	Std.
440 V-8	4-bbl.	8.2 to 1	Double Snorkel	Dual	NA	NA	NA	NA	Opt.
440 V-8*	3, 2-bbl.	10.3 to 1	Unsilenced	Dual	NA	NA	NA	NA	Opt.

\*N.A. in California.

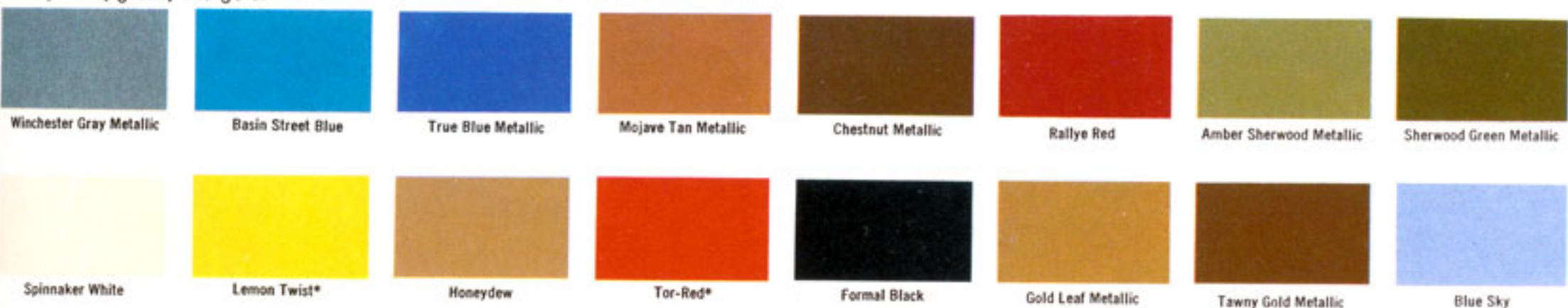
## 1972 Satellite Options (Check your salesman for additional options and availability.)

Options	2- & 4-Dr. Satellite	Road Runner	Satellite Sebring, Satellite Custom	Satellite Sebring-Plus
Air Conditioner	<input type="radio"/>	<input type="radio"/>	<input type="radio"/>	<input type="radio"/>
Air Grabber	NA	<input type="radio"/>	NA	NA
Brakes—Power Disc	<input type="radio"/>	<input type="radio"/>	<input type="radio"/>	<input type="radio"/>
Bumper Guards	<input type="radio"/>	<input type="radio"/>	<input type="radio"/>	<input type="radio"/>
Chrome-plated Road Wheels—14" (Set of Four)	<input type="radio"/>	<input type="radio"/>	<input type="radio"/>	<input type="radio"/>
Clock	<input type="radio"/>	<input type="radio"/>	<input type="radio"/>	<input type="radio"/>
Console (Must be ordered with Auto. Trans. on floor)	NA	<input type="radio"/>	NA	<input type="radio"/>
Deluxe Wheel Covers	<input type="radio"/>	<input type="radio"/>	<input type="radio"/>	<input type="radio"/>
Glass—Tinted, All	<input type="radio"/>	<input type="radio"/>	<input type="radio"/>	<input type="radio"/>
Glass—Tinted, Windshield	<input type="radio"/>	<input type="radio"/>	<input type="radio"/>	<input type="radio"/>
Hood & Deck Tape Treatment <sup>1</sup>	<input type="radio"/>	<input type="radio"/>	<input type="radio"/>	<input type="radio"/>
Hood & Fender Tape Stripes	NA	<input type="radio"/>	NA	NA
Hood Pins	NA	<input type="radio"/>	NA	<input type="radio"/>
Inside Hood Release	<input type="radio"/>	<input type="radio"/>	<input type="radio"/>	<input type="radio"/>
Light Package	<input type="radio"/>	<input type="radio"/>	<input type="radio"/>	<input type="radio"/>
Mirror—Conventional Left Remote (4-Dr. only)	<input type="radio"/>	NA	<input type="radio"/>	NA
Mirror—Conventional Right Manual (4-Dr. only)	<input type="radio"/>	NA	<input type="radio"/>	NA
Mirror—Racing, Dual Left Remote (2-Dr. only)	<input type="radio"/>	<input type="radio"/>	<input type="radio"/>	<input type="radio"/>
Radio—AM	<input type="radio"/>	<input type="radio"/>	<input type="radio"/>	<input type="radio"/>
Radio—AM/FM Stereo	<input type="radio"/>	<input type="radio"/>	<input type="radio"/>	<input type="radio"/>
Radio—AM with Stereo-Cassette	<input type="radio"/>	<input type="radio"/>	<input type="radio"/>	<input type="radio"/>
Radio—AM/FM w/Stereo-Cassette	<input type="radio"/>	<input type="radio"/>	<input type="radio"/>	<input type="radio"/>
Rallye Road Wheels—14" or 15" (Set of Four)	<input type="radio"/>	<input type="radio"/>	<input type="radio"/>	<input type="radio"/>
Rear Seat Speaker	<input type="radio"/>	<input type="radio"/>	<input type="radio"/>	<input type="radio"/>
Rear Window Defogger	<input type="radio"/>	<input type="radio"/>	<input type="radio"/>	<input type="radio"/>
Reflective Tape Stripe (Roof)	NA	<input type="radio"/>	NA	NA
Sun Roof w/Vinyl Roof (2-Dr. only)	<input type="radio"/>	<input type="radio"/>	<input type="radio"/>	<input type="radio"/>
Sure-Grip Differential	<input type="radio"/>	<input type="radio"/>	<input type="radio"/>	<input type="radio"/>
Tachometer	NA	<input type="radio"/>	NA	<input type="radio"/>
Tilt Steering with Rim-Blow Steering Wheel	<input type="radio"/>	<input type="radio"/>	<input type="radio"/>	<input type="radio"/>
Trailer-Towing Pkg.	<input type="radio"/>	NA	<input type="radio"/>	<input type="radio"/>
Tuff Rallye Steering Wheel	<input type="radio"/>	<input type="radio"/>	<input type="radio"/>	<input type="radio"/>
Vari. Speed Electric Wipers	<input type="radio"/>	<input type="radio"/>	<input type="radio"/>	<input type="radio"/>
Vinyl Side Protection	<input type="radio"/>	NA	<input type="radio"/>	<input type="radio"/>
Vinyl Roof—Canopy <sup>1</sup>	<input type="radio"/>	<input type="radio"/>	<input type="radio"/>	<input type="radio"/>
Vinyl Roof—Full	<input type="radio"/>	<input type="radio"/>	<input type="radio"/>	<input type="radio"/>
Windows—Power	<input type="radio"/>	<input type="radio"/>	<input type="radio"/>	<input type="radio"/>
Wire Wheel Covers	<input type="radio"/>	<input type="radio"/>	<input type="radio"/>	<input type="radio"/>

O—Optional S—Standard NA—Not Available  
<sup>1</sup>2-Dr. only. <sup>2</sup>Not available with Air Grabber Hood.  
<sup>3</sup>With Air Grabber Hood only. <sup>4</sup>Not available with 2-Dr. Coupe.

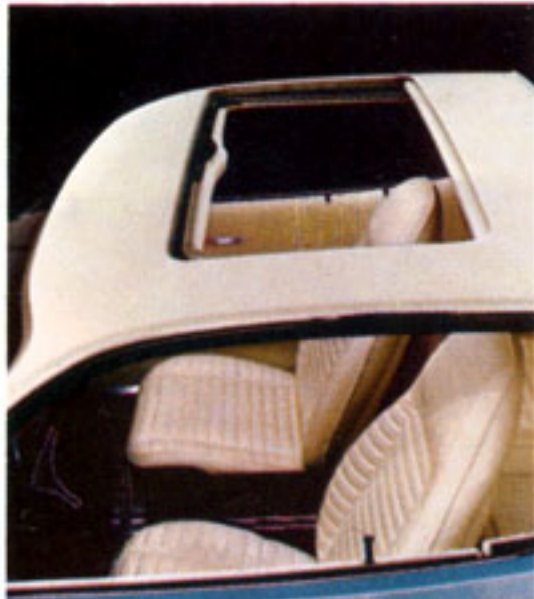
\*Not available in California on 400 and 440 engines or air-conditioned cars.

**COLORS:** The key is to color-key. Check salesman to see how you can match optional vinyl roofs, and protective side moldings with vinyl inserts. Vinyl roofs are available in black, white, green, and gold.



## Options

**Sun Roof.** Electrically operated for fast convenient openings and closings.



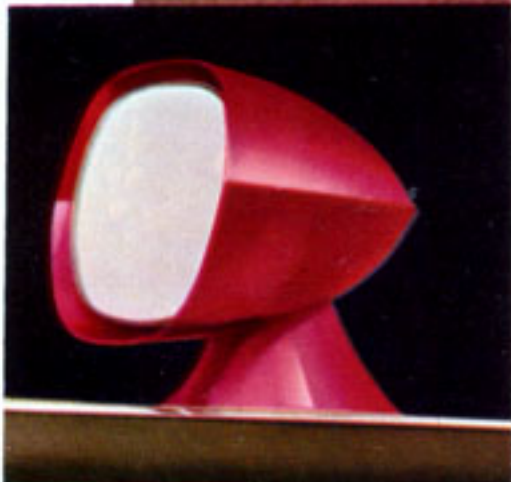
**Stereo Cassette Player.** Hear what you want when you want to hear it. You can also record right from the radio. (Optional microphone for dictating, dealer-installed.)



**Electric Clock.** An added touch to your instrument panel.



**Racing Mirrors.** Choose from seven colors plus chrome.



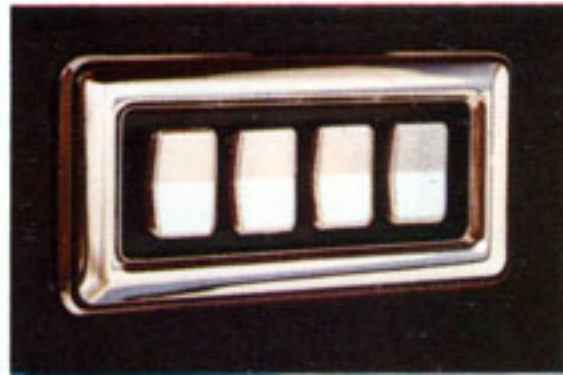
**Rallye Road Wheels.** For the enthusiast. Set of four.



**Chrome-Styled Road Wheels.** Extra sport. Set of four.



**Power Windows.** Extra ease and convenience.



**Air Grabber Hood.** Tops off your Road Runner.



**Air Conditioning.** Ride in cool, clean comfort.



**Inside Hood Release.** Extra protection for your engine compartment.



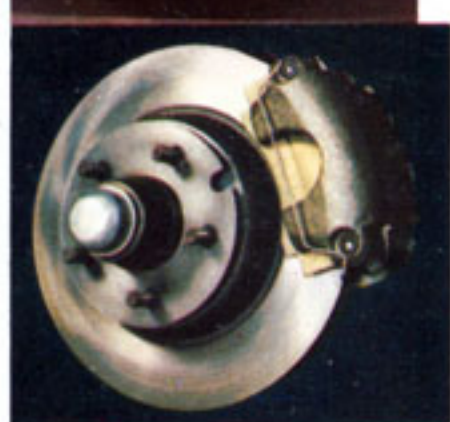
**Deluxe Wheel Covers.** Extra class. Set of four.



**Wire Wheel Covers.** Extra glamour. Set of four.



**Power Front Disc Brakes.** Fade-resistant stops.



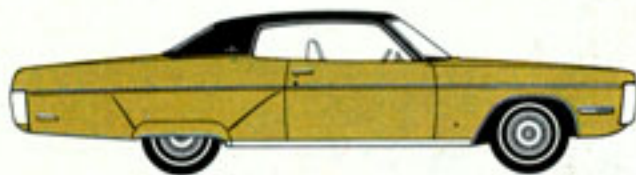


# 1972 Plymouths



Coming Through with the kind of car America wants

## FURY



Gran Coupe (2-door hardtop and formal hardtop—V-8)



Gran Sedan (4-door hardtop—V-8)



Fury III (2-door formal hardtop, 4-door hardtop, 4-door sedan and 2-door hardtop—V-8)



Fury II (2-door hardtop and 4-door sedan—V-8)



Fury I (4-door sedan—V-8)



Fury Wagons (Sport Suburban 2- and 3-seat models—V-8) (Custom Suburban 2- and 3-seat models—V-8) (Suburban 2- and 3-seat models—V-8)

## SATELLITE



Satellite Sebring (Sebring-Plus 2-door hardtop—V-8) (Sebring 2-door hardtop—V-8 or Six)



Road Runner (2-door hardtop—V-8)



Satellite Custom (4-door sedan—V-8 or Six; also available Satellite 4-door sedan—V-8 or Six)



Satellite (2-door coupe—V-8 or Six)



Satellite Wagons (Satellite Regent 2- and 3-seat models—V-8) (Satellite Custom 2- and 3-seat models—V-8) (Satellite 2-seat—V-8)

## BARRACUDA



Barracuda (2-door hardtop—V-8 or Six)

## 'CUDA



'Cuda (2-door hardtop—V-8)

## VALIANT



Duster 340 (2-door coupe—V-8)



Duster (2-door coupe—V-8 or Six)



Scamp (2-door hardtop—V-8 or Six)



Valiant (4-door sedan—V-8 or Six)

## CRICKET



Cricket (4-door sedan—4-cyl.)

All product illustrations and specifications are based on authorized information. Although descriptions are believed correct at publication approval, accuracy cannot be guaranteed. Some of the equipment shown on product illustrations is optional, at extra cost. Chrysler Motors Corporation reserves the right to make changes from time to time, without notice or obligation, in prices, specifications, colors and materials, and to change or discontinue models.



customer  
care

Keep your Plymouth coming through in top condition. Service it with men who know it best. See your Plymouth Dealer.

Plymouth

