

1998 CHEVROLET

TRACKER



TRACKER: GO-ANYWHERE, DO-ANYTHING FUN.

Every once in a while you've got to make tracks.

Escape from civilization. Just plain have fun.

It's easy to do in a Chevy Tracker. This fun-to-run sport utility loves adventure as much as you do, and it's not outrageously expensive, either.

You can choose from the "rugged and versatile"

Tracker Four-Door or the "wind in your hair"

Tracker Convertible. Both are available in four-

wheel-drive models that will take you just about

anywhere you want to go. The rigid ladder-type

frame provides a rugged platform for off-road

driving, the high ground clearance will keep

you going where most cars can't, and the 16-

valve engine with Multi-Port Fuel Injection has

ample passing power. So, take a spin in a Chevy

Tracker. And, not just around the block. In a

Tracker, you can go just about anywhere and do

just about anything.



Left to right: Tracker Four-Door 4x4 in Woodland Green Metallic with optional alloy wheels. Tracker 2WD C



Gold Metallic with optional alloy wheels and other options.

TRACKER CONVERTIBLE. THE TRUCK WITHOUT A TOP.

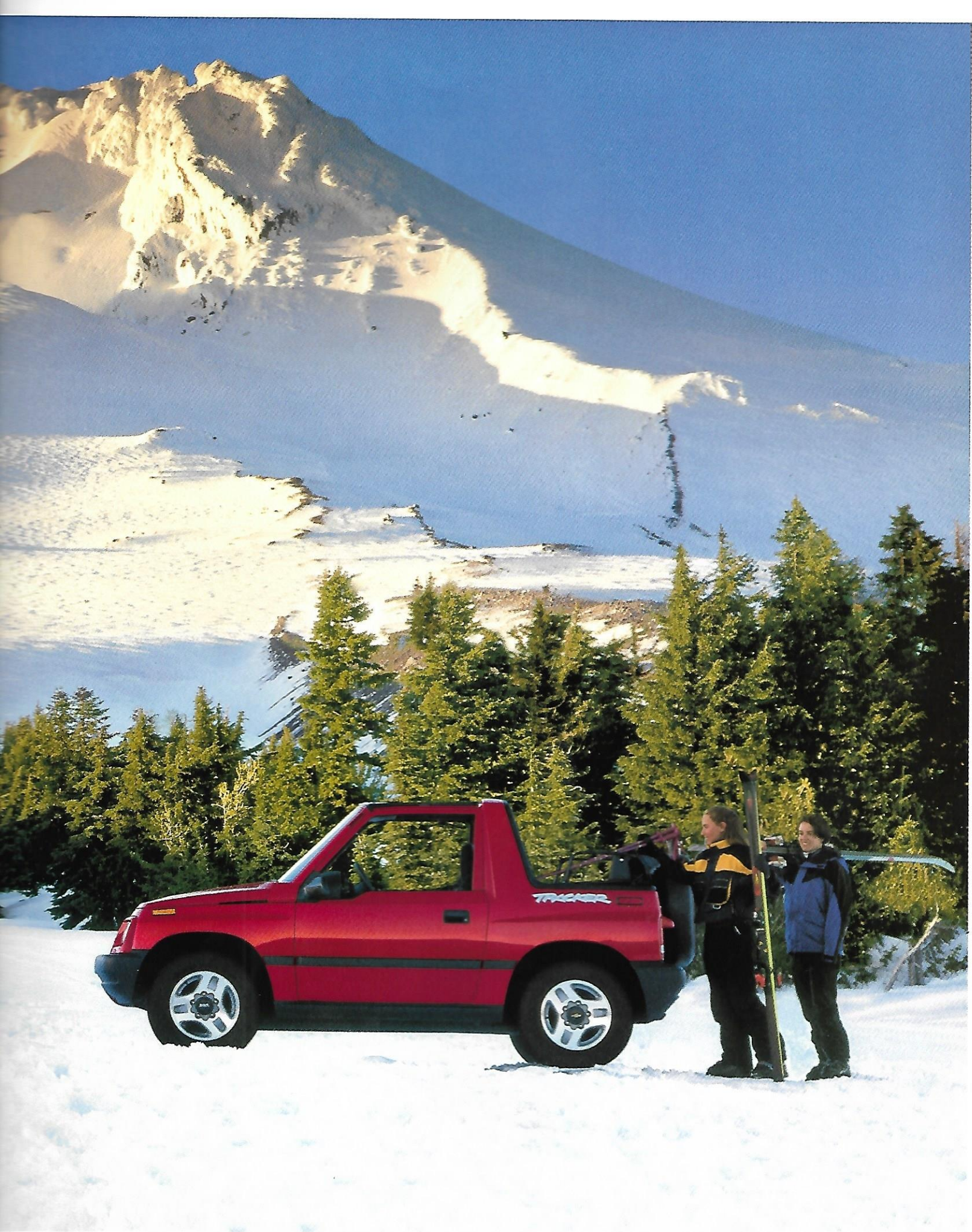
Talk about the best of all worlds. Tracker Convertible is a whole lotta top-down fun, for not a whole lotta money. And, Tracker is anything but an ordinary convertible. Fact is, this one's a rugged, go-anywhere truck. You can choose from 4x4 or 2WD models. Both seat four people, have Next Generation driver and front-passenger air bags,* Daytime Running Lamps and a 95-hp, 16-valve engine. Here's an extra you can get on the 4x4: automatic locking front hubs that let you shift in and out of four-wheel drive without leaving the driver's seat. The manually locking hubs are improved for 1998, too, and can remain locked for longer periods of time for shift-on-the-fly capability. If a sun machine is what you've got in mind, get a Tracker Convertible. Then, drop the top, sit back and enjoy the great outdoors.

*Next Generation driver and front-passenger air bags will be available interim 1998 model year.

*Always wear safety belts, even with air bags.



Left to right: Tracker 2WD Convertible in Scuba Blue Metallic and Tracker 4x4 Convertible in Wildfire Red. S





Trucker Convertible interior. Some optional equipment shown.

IT LOOKS LIKE THIS OPENED UP.

Kind of makes you want to jump in and head for some wide open spaces, doesn't it? Inside, Tracker Convertible is bright, colorful and big enough to take three friends for a ride. For no extra charge, you get dual outside mirrors, intermittent wipers, a locking glove box (where the hood release is cleverly located), tachometer, trip odometer, full carpeting (including cargo area) and Scotchgard™ Protector on seat fabrics. A fold-and-stow rear bench seat is standard equipment; cargo space is a whopping 32.9 cu. ft. with the seat folded forward. And, because every convertible needs a great stereo, Tracker offers you three terrific options from Delco Electronics: an AM/FM stereo, AM/FM stereo with cassette player, or AM/FM stereo with a compact disc player. You'll want to play it loud.

A SPECIAL NOTE TO PARENTS: Children are generally safer if they ride in a rear seat using the appropriate child safety seats and restraints, which is why General Motors recommends that child safety seats be properly secured in a vehicle's rear seat. See your vehicle owner's manual and child safety seat instructions for more information.



A Delco electronically tuned AM/FM stereo with seek feature, digital clock, CD player and four speakers is optional on all Tracker models.



Tracker 4x4 Convertible in Black Licorice with optional Expressions Color Appearance Package and alloy wheels.

TRACKER EXPRESSIONS PACKAGE.

Just driving a Tracker Convertible makes it easy to express yourself. Now, take it one step further. Tracker Expressions is the optional Color Appearance Package that gives the Convertible a very cool, very custom look. In this highly affordable Expressions Appearance Package you get color-coordinated decals, body-side and rocker moldings, Custom Cloth interior and rear flip-fold-and-stow bucket seats. The convertible top

and spare tire cover are Tan on Expressions models, and wheels are Tan-accented. The Expressions Appearance Package is available in these exterior colors: Black Licorice, Scuba Blue Metallic, Woodland Green Metallic, Sunset Red Metallic and White. So, why not go all the way? It's fun to express your individuality, especially if you're driving a Tracker Convertible.



Custom Cloth interior. Some optional equipment shown.



Tracker 4x4 Convertible in Wildfire Red with dealer-installed black all-weather top and other options.

TRACKER VERSATILITY.



Tracker In Tow.

Tracker was designed with four-wheel dinghy-towing in mind. So, if you've got an RV, it's easy to take your Tracker along for the ride. Manual transmission and manual hubs only. See your owner's manual for more specific information.



Easy-Fold Top.

Putting the top down is an easy, one-person deal. Just release the latches, a couple of snaps and straps. Unzip and remove the back windows.

Push back the top. Now, you're ready for the great outdoors. When the skies turn cloudy, the Tracker top goes up just as easily.

Optional All-Weather Top.

If you'd like the security and durability of an all-weather top for nasty weather, you can order one from your Chevrolet dealer. This fiberglass, two-part top features glass side windows and a swing-up rear window.



Convenient Folding Rear Seat.

The rear seat easily folds and stows away, for added cargo-carrying flexibility.

Lockable Storage Compartment.

This dealer-installed optional compartment, located behind the backseat, provides secure, out-of-the-way storage for valuables like hiking gear or cameras.



Tows Up To 1,500 lbs.

A properly equipped Tracker 4x4 Convertible will tow up to 1,000 lbs., and the Four-Door 4x4 will tow up to 1,500 lbs., with the optional dealer-installed Trailering Special Equipment Package.

TRACKER FOUR-DOOR. READY WHEN YOU ARE.

Who said that a rugged four-door sport utility vehicle has to cost a bundle? Not Chevy. The Four-Door Tracker 4x4 is tough and rugged. It's powered by a 1.6 Liter, 16-valve engine. And, it actually costs less than your average midsize sedan. In a Four-Door Tracker, you have room for four people, or up to 45 cu. ft. of cargo, with the rear seat folded flat. When you're ready to discover new trails, the up-high stance and wide track make off-roading more fun. And, a tight turning diameter allows for easy maneuvering on mountain switchbacks or in city traffic. You can also have the convenience of optional automatic locking hubs. If you're ready to go just about anywhere — but you haven't won the lottery yet — may we suggest the Chevy Tracker Four-Door? It's rugged. It's fun. And, you don't need a ton of money to drive one.



Tracker Four-Door 4x4 in Woodland Green Metallic





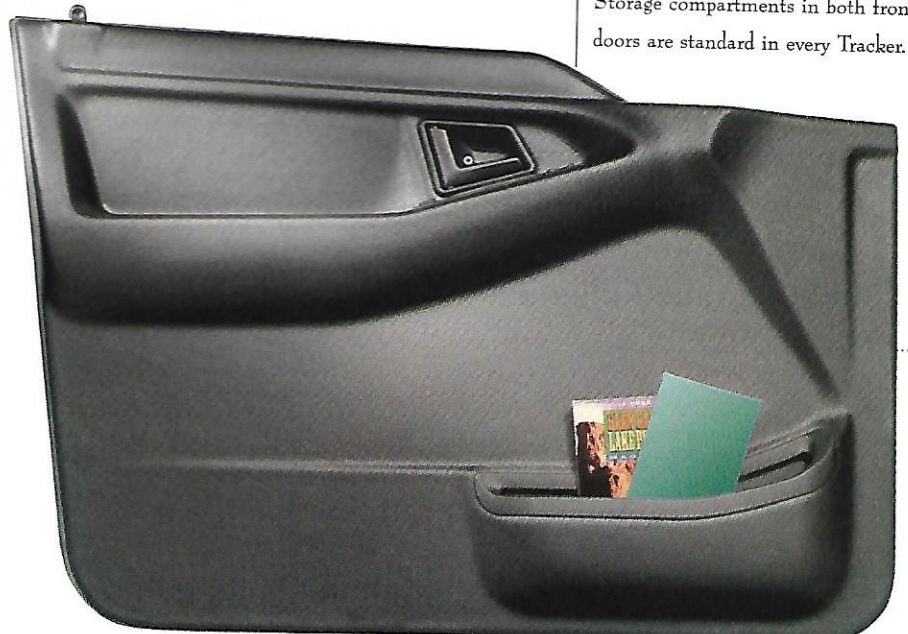
The Tracker instrument panel. Some optional equipment shown.



HOP RIGHT IN. THE VIEW'S GREAT.

Inside Tracker Four-Door, everything's in just the right place. So, hop on in and enjoy the scenery. The large glass area, high stance and low hoodline give you a great view of the road. The instrument panel has large, legible gauges, the center console has two cup holders and a storage tray, and reclining front bucket seats are shaped for your complete, total comfort. Custom Lattice interior trim, new for 1998, adds a sporty look. The optional Convenience Package includes power windows, power door locks and power mirrors. Other extras you can add include air conditioning, 4-speed automatic transmission, cruise control and an AM/FM stereo with a compact disc player. Bottom line: You can get just about anywhere in Chevy Tracker, but you won't exactly be "roughing it."

Room For Your Stuff.
Storage compartments in both front doors are standard in every Tracker.





Tracker Four-Door 2WD in Sunset Red Metallic. Some optional equipment shown.

THE FOUR-DOOR 2WD. AFFORDABLE FUN.

There's more than one way to get into a Tracker Four-Door. Here's the most affordable version of all, the 2WD model. The two-wheel-drive Tracker has all the room and riding comfort of the 4x4 version, and is built on the same steel ladder-type frame. You'll like the low step-in height, and the easy maneuverability. Standard equipment includes power steering, 5-speed manual transmission with 5th-gear Overdrive and a corrosion-resistant, stainless-steel exhaust system. A four-wheel anti-lock brake system (ABS) is optional. If you want a fun-to-run sport utility that's really affordable, the 2WD Tracker Four-Door might be just the right choice.



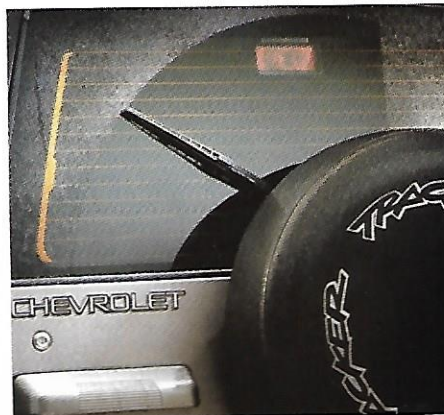
Rear Seat Up.

With the rear seat up, Tracker Four-Door seats four people in comfort. A swing-open rear door allows for easy cargo loading and unloading.



Rear Seat Down.

The split-folding rear seat adds to cargo-carrying flexibility. With the seat folded forward, cargo capacity is 45.0 cu. ft.



Rear-Window Wiper Washer.

A rear-window wiper washer is optional on Tracker Four-Door. It's a convenience feature you'll appreciate on rainy or snowy days.



Well Appointed.

Standard interior features include reclining front bucket seats, child security rear-door locks and Scotchgard™ Protector on seat fabrics. A tinted windshield is standard.

TRUCK TOUGH, FROM THE FRAME UP.

SAFETY-CAGE CONSTRUCTION.

Tracker features a steel safety cage, front and rear crush zones, and steel side beams in every door.

NEW, SHIFT-ON-THE FLY MANUAL LOCKING HUBS.

Now, manual locking hubs can remain locked for prolonged time periods, allowing shift-on-the-fly capability between 2WD and 4x4 High. Fully automatic locking hubs are optional on both Convertible and Four-Door models.

100,000-MILE RUST-THROUGH PROTECTION.

The Tracker body (made of zinc-rich, galvanized-steel panels) is warranted against rust-through for six years or 100,000 miles (whichever comes first).^{*} A standard stainless-steel exhaust system is designed to resist corrosion.

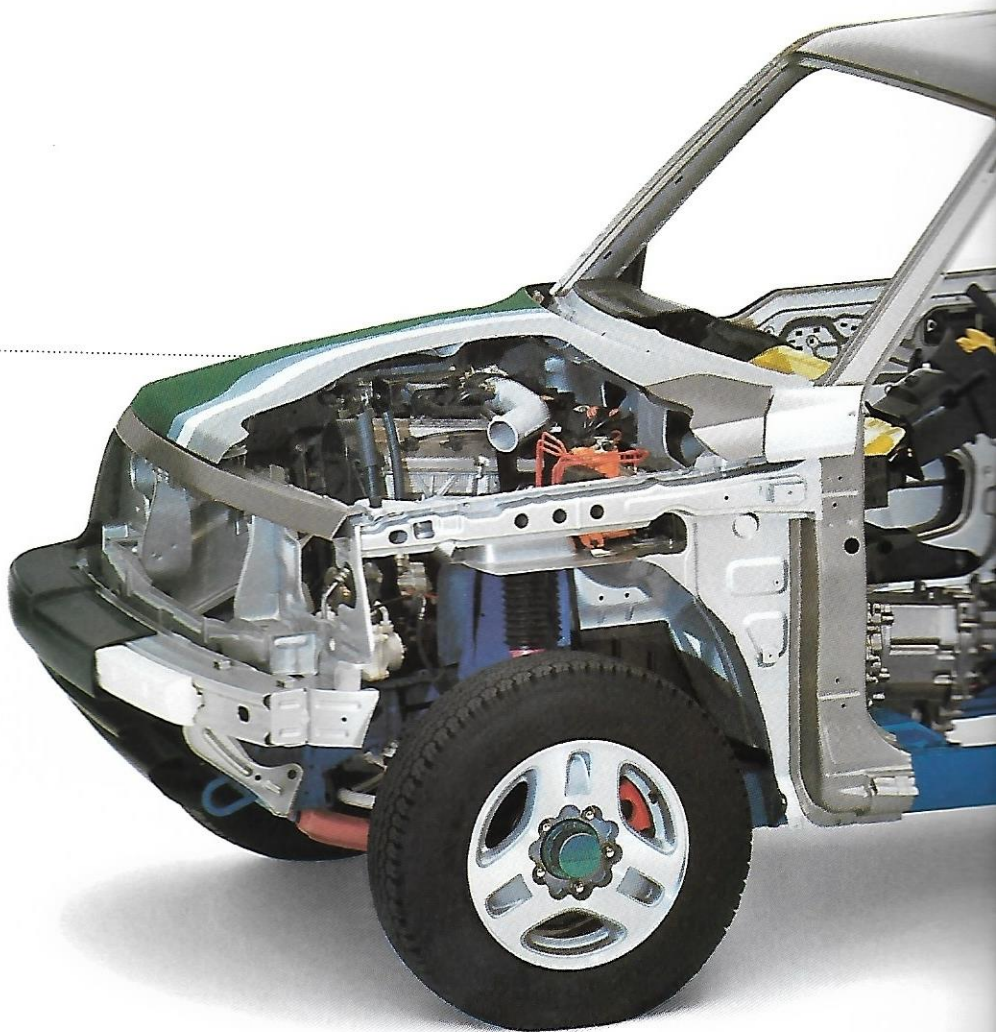
^{*}See your Chevrolet dealer for terms of this limited warranty.

FULL-FRAME CONSTRUCTION.

Before you look into any sport utility vehicle, look under it. Just like the expensive "big guys," Tracker is built on a rock-solid steel frame with double box rails. It's truck tough, and right at home in rugged off-road situations.

OPTIONAL AUTOMATIC TRANSMISSION.

The optional 4-speed automatic transmission in Four-Door models features precise, electronically controlled shifting, an Overdrive 4th gear with an On/Off switch, a Power mode for spirited performance and a Normal mode for general driving conditions. A brake/transmission shift interlock is included.



ADDED PROTECTION.

Optional skid plates on 4x4 models cover the front differential and transfer case for added protection from rocks and other large obstructions.

EASY-MAINTENANCE FEATURES.

The scheduled change interval for automatic transmission fluid, fuel filter and engine timing belt is 100,000 miles.* A maintenance-free battery is standard and tires feature built-in tread-wear indicators.

*Maintenance needs vary with different uses and driving conditions. See your owner's manual for more information.



16-Valve, 4-Cylinder Engine.

A 16-valve, overhead camshaft engine provides excellent response through a wide rpm range. Features include Multi-Port Fuel Injection.

OPTIONAL FOUR-WHEEL ANTI-LOCK BRAKE SYSTEM (ABS).

Four-wheel ABS helps keep you in control by minimizing wheel lockup and skidding during hard braking on most slippery surfaces.



High Ground Clearance.

When the road disappears, Tracker 4x4's high ground clearance, wide stance and standard fuel tank shield are designed to keep you moving.

GENUINE CUSTOMER CARE. YOU NEVER TRAVEL ALONE.

NEW VEHICLE LIMITED WARRANTY

This warranty is for GM vehicles registered in the United States. Please see your Chevrolet dealer for complete terms and conditions of this New Vehicle Limited Warranty.

WHAT IS COVERED FOR 3 YEARS/36,000 MILES:*

- 

The complete vehicle
- 

Tires
- 

Towing to your nearest Chevrolet Dealer
- 

Sheet metal coverage:

 - Corrosion coverage
 - Rust-through coverage[†]
- 

Repairs made to correct any vehicle defect
- 

No charge for warranty repairs.

*Whichever comes first. †6 years or 100,000 miles, whichever comes first.

COURTESY TRANSPORTATION

Customers who purchase or lease a 1998 Chevrolet Tracker are eligible for Courtesy Transportation (at no charge) when their vehicles are left at a participating dealership for repairs covered

under the 3-year/36,000-mile New Vehicle Limited Warranty. Courtesy Transportation, at participating dealers only, may include shuttle service, expense reimbursement or, if the repair


requires the vehicle to stay at the dealership overnight, vehicle rental. Actual services may vary at the election of the participating dealer. See your dealer for details.


ROADSIDE ASSISTANCE*


Roadside Assistance service is provided through a toll-free 800 number, 24 hours a day, 365 days a year. Roadside advisors can assist with minor mechanical problems over-the-phone or coordinate a variety of services through Chevrolet Dealers' preferred service providers.


*Roadside Assistance membership is free. Some services may incur costs. Roadside Basic Care applies to all Chevrolet vehicles regardless of age/miles. Courtesy Care is available to Retail, retail lease and corporate lease customers operating 1994 and newer Chevrolet vehicles for a period of 3 years/36,000 miles. All Courtesy Care services associated costs must be prearranged by Chevrolet Roadside or Dealer Service Management and must be driver initiated. Basic Care and Courtesy Care are not part of or included in the coverage provided by the New Vehicle Limited Warranty. Chevrolet reserves the right to modify or discontinue Basic Care and Courtesy Care at any time. See dealer for complete details of the Chevrolet Roadside Assistance Program.

BASIC CARE PROVIDES:

- 

Toll-Free access 1-800-CHEV-USA
- 

Basic over-the-phone technical advice
- 

Free towing to nearest dealer for warranty repairs
- 

Dealer services at reasonable cost (i.e., wrecker services, locksmith/key service, glass repair, etc.).

COURTESY CARE, WHICH APPLIES FOR 3 YEARS/36,000 MILES, PROVIDES:

- 

Free fuel delivery
- 

Free locksmith/key service (when keys are lost on the road or locked inside)
- 

Free non-warranty towing
- 

Free flat tire change service
- 

Free jump start.





21

Tracker 4x4 Convertible in White. Some optional equipment shown.

TRACKER BUYER'S GUIDE.

PREFERRED EQUIPMENT GROUP	CONVERTIBLE		4-DOOR		
	1	2	1	2	3
Standard Equipment	■	■	■	■	■
Electronically Tuned AM/FM Stereo with Seek and Digital Clock		■		■	■
Floor Mats: Front and Rear, Color-Keyed		■		■	■
Moldings: Body-Side (includes rocker panel)		■		■	■
Steering: Power (standard on 4x4 Convertible)		■	S	S	S
Air Conditioning with CFC-Free Refrigerant		■		■	■
Cruise Control with Resume Speed					■
Front Automatic Locking Hubs (4x4 models only)					■
Convenience Package (includes power windows, power door locks and power mirrors)					■
EXTERIOR FEATURES					
Daytime Running Lamps	S			S	
Black body-side moldings (includes rocker moldings)	O			O	
Black spare tire cover with lettering	S			S	
Composite halogen headlamps	S			S	
Corrosion-resistant, zinc-alloy galvanized-steel body panels	S			S	
Expressions Color Appearance Package (includes body-side and rocker moldings, Custom Cloth interior fabric, rear flip/fold/stow bucket seats and Tan convertible top, Tan-accented wheels, decals and spare tire cover)	O			-	
Front and rear tow hooks (one each)	S			S	
Marked body parts	S			S	
Outside-mounted full-size lockable spare tire with wheel	S			S	
Rear-window defogger	-			S	
Rear-window wiper/washer	-			O	
INTERIOR FEATURES					
Air conditioning with CFC-free refrigerant	O			O	
Center console with dual cup holders	S			S	
Convenience Package with power windows power door locks and remote power mirrors	-			O	
Cruise control with Resume Speed	O			O	
Day/night inside rearview mirror	S			S	
Driver and front-passenger door storage pockets	S			S	
Floor mats, front and rear, color-keyed	O			O	
Gauges: tachometer and trip odometer	S			S	
Intermittent fixed windshield wipers	S			S	
Key-in-ignition, headlamps-on and fasten-safety-belt reminder tones	S			S	
Locking glove box (remote hood release inside)	S			S	
Laser-etched vin plate	S			S	
Side-window defoggers	S			S	
Single two-sided key system	S			S	
SEATS					
Linear Cloth seat trim	S			-	
Custom Cloth seat trim	O*			-	
Custom Lattice Cloth seat trim	-			S	
Easy-entry driver and front-passenger seats	S			-	
Integral head restraints on reclining front bucket seats	S			-	
Adjustable head restraints on reclining front bucket seats	-			S	
Flip/fold/stow adjustable rear bucket seats	O*			-	
Fold-and-stow rear bench seat with split seatback	-			S	
Fold-and-stow rear bench seat	S			-	
Lap/shoulder safety belts for all seating positions	S			S	

TRIM LEVEL

SEATS (contd.)

Safety belt "cinch" capability for child safety seats S

Scotchgard™ Protector on seat fabrics S

*Only available with optional Expressions Color Package.

DELCO ELECTRONICS SOUND SYSTEM

Note: Sound systems include an Electronically Tuned Receiver (ETR) with AM stereo, seek feature, digital clock and four speakers.

AM/FM stereo O

AM/FM stereo with cassette player and tone select O

AM/FM stereo with compact disc player and tone select O

POWER TEAMS/CHASSIS

1.6 Liter, 16-valve, 4-cylinder, SOHC engine with Multi-Port Fuel Injection S

3-speed automatic transmission O

4-speed automatic transmission w/Overdrive -

5-speed manual transmission with 5th-gear Overdrive S

Power front disc/rear drum brakes (with front audible wear indicators) S

Power steering (optional 2WD Convertible, standard 4x4 Convertible) O/S

Manual front locking hubs (4x4 models only) S

Automatic front locking hubs (4x4 models only) O

Four-wheel anti-lock brake system (ABS) O

Stainless-steel exhaust system S

Two-speed transfer case (4x4 models only) S

Front differential and transfer case skid plates (4x4 models only) O

WHEELS

15" styled-steel wheels S

15" styled-steel wheels with unique center caps O*

15" alloy wheels (with steel spare) O*

P195/75R-15 all-season steel-belted radial tires (2WD models only) S

P205/75R-15 all-season steel-belted radial tires (4x4 models only) S

S - Standard. O - Optional.

*Only available with optional Expressions Color Appearance Package.

EXTERIOR DIMENSIONS

Wheelbase 86.6 97

Length (overall) 143.7 158

Width (overall) 64.2 64

Height (overall) 64.3/65.1 65.7

INTERIOR DIMENSIONS

Headroom — front 39.5 40

Headroom — rear 39.0 40

Legroom — front 42.1 42

Legroom — rear 31.7 32

Shoulder room — front 52.5 51

Shoulder room — rear 50.2 51

Hip room — front 51.8 51

Hip room — rear 41.9 44

CAPACITIES

Passenger capacity 4 4

Cargo capacity — with rear seat up (cu. ft.) 8.1 21

Cargo capacity — with rear seat down (cu. ft.) 32.9 45

Fuel tank (gallon) 11.1 14

CHOOSE YOUR WHEEL.



15" Styled-Steel Wheels.
Standard on Tracker
Convertible.



15" Styled-Steel
Wheels With Unique
Center Caps.
Included with Convertible
Expressions Package
(Tan-accented) and stan-
dard on 4-Door models.

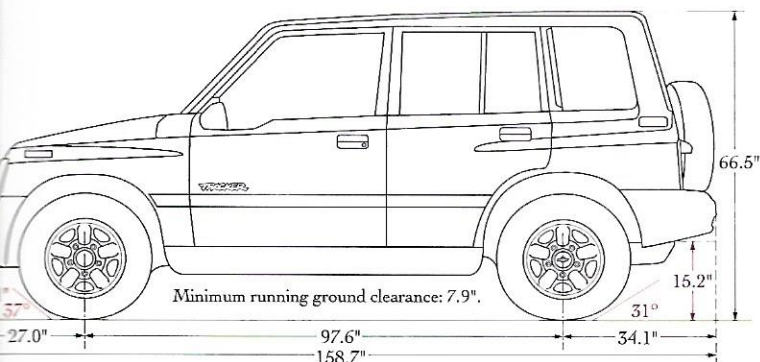


15" Alloy Wheels.
Optional on Convertible
and 4-Door models.



15" Alloy Wheels
With Tan accent color.
Available with optional
Convertible Expressions
Package.

DIMENSIONS.



Tracker Four-Door 4x4 dimensions.*
See your Chevrolet salesperson for 2WD dimensions.

CHOOSE YOUR COLOR.

COLOR AVAILABILITY

EXTERIOR COLORS

INTERIOR COLORS

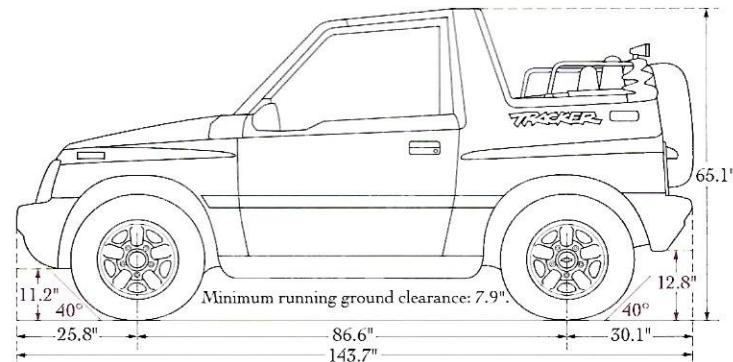
	LINEAR CLOTH	CUSTOM CLOTH	CUSTOM LATTICE CLOTH
Black Licorice	■	■	■
Sunset Red Metallic		■	■
Woodland Green Metallic	■	■	■
Silver Sage Metallic (Four-Door only)			■
Scuba Blue Metallic	■	■	■
Wildfire Red (Convertible only)	■		
White	■	■	■
California Gold Metallic (Convertible only)	■		
Purple Graphite Metallic	■		■



Linear Cloth
(Convertible)

Custom Cloth
(Convertible with
Expressions Package)

Custom Lattice Cloth
(4-Door)



Tracker Two-Door 4x4 Convertible dimensions.*
*See your Chevrolet salesperson for 2WD dimensions.



Black Licorice*



Scuba Blue Metallic*



Sunset Red Metallic*



Wildfire Red*



Woodland Green Metallic*



White



Silver Sage Metallic*



California Gold Metallic*



Purple Graphite Metallic*

*Basecoat/clearcoat finish



CHEVY TRACKER

