

THE SMALL CHRYSLER

1976 Cordoba





Cordoba with Landau vinyl roof, a distinguished option.



BY DESIGN, A PERSONAL AUTOMOBILE.

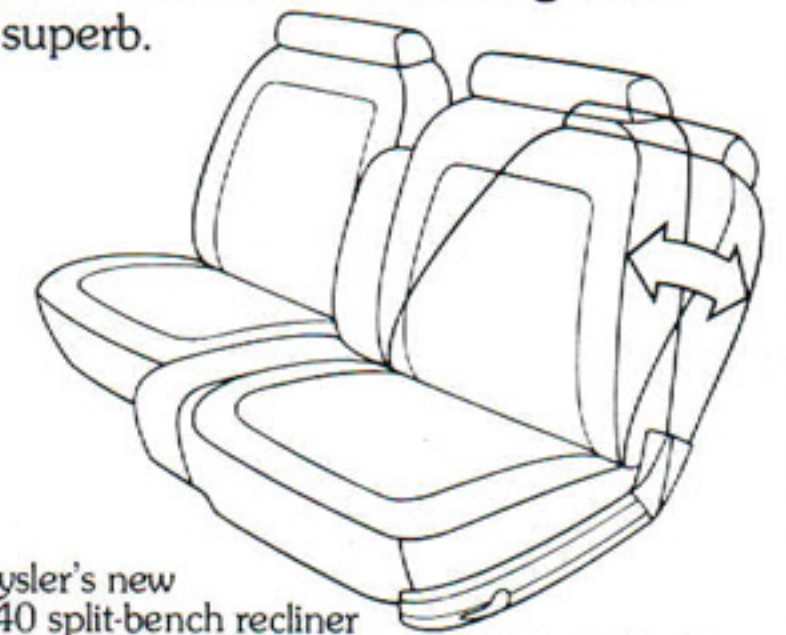
Cordoba inherits the dignity and distinction that tells you it's pure Chrysler.

But Cordoba has a different stature. Smaller. With a unique character and flare that is revealed in its new fine grille texture, proud hood ornament displaying the Cordoba crest, and slim filigree body stripes. Cordoba's formal roof lines and opera windows with slender side lamps are further indications of its elegance. Smaller in size, yes. Yet in no way is Cordoba less than luxurious in comfort and appointments.

It is this attention to interior design and styling detail that has earned the admiration and ownership of so many luxury car buyers. Those people who think of the car they drive as a very personal expression of their lifestyle.

And, of course, Cordoba is the beautiful product of engineering excellence that Chrysler has pioneered and developed. Ride and handling, driveability, sound reduction. You'll find a full-size measure of these qualities in this small Chrysler.

1976 Cordoba. It's nothing short of superb.

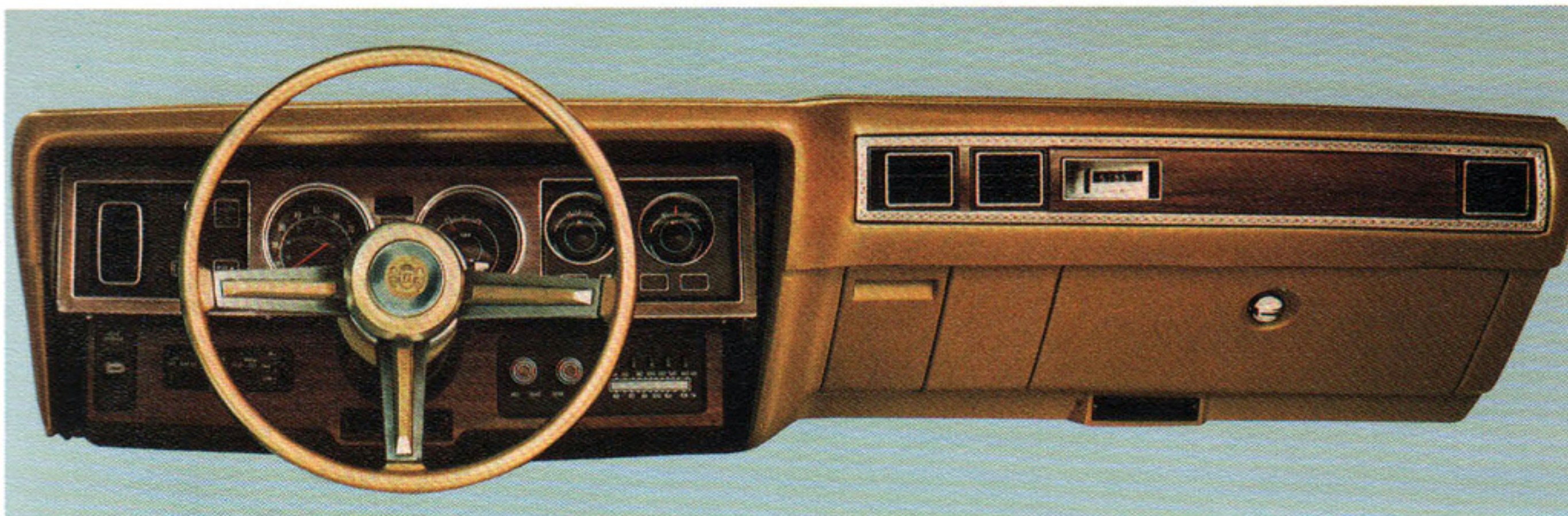


Chrysler's new 60/40 split-bench recliner seat with folding center armrest. Each seatback adjusts individually, to a choice of 14 different positions.

Optional velour cloth-and-vinyl 60/40 split-bench seat with reclining feature on both driver and passenger sides with folding center armrest.



Cordoba with elegant Landau vinyl roof, an optional feature.



Cordoba's instrumentation proves that it can look beautiful and work beautifully, too, with rich Brazilian rosewood-look inserts.

*I*NSIDE, THE ESSENCE OF COMFORT.

Cordoba extends a wide welcome with exceptionally large door openings. So passengers can get in and out smoothly.

Its sumptuous interiors begin with the standard cashmere-like cloth-and-vinyl bench seat with wide center armrest. Or you can go all-out for beautiful detail with optional Corinthian leather bucket seats. And the optional velour 60/40 split-bench seat offers the relaxation of reclining seats for both driver and passenger. Interiors are available in blue, red, green, black, and gold, as well as a new color for 1976, tan.

Cordoba spreads comfort at your feet with full twenty-four ounce shag carpeting. And extends it to the lower doors and back surfaces of the seats. Even the trunk floor and spare tire have a special durable carpeting to protect your luggage. And with the space-saving spare tire you can add almost two cubic feet to the trunk volume.

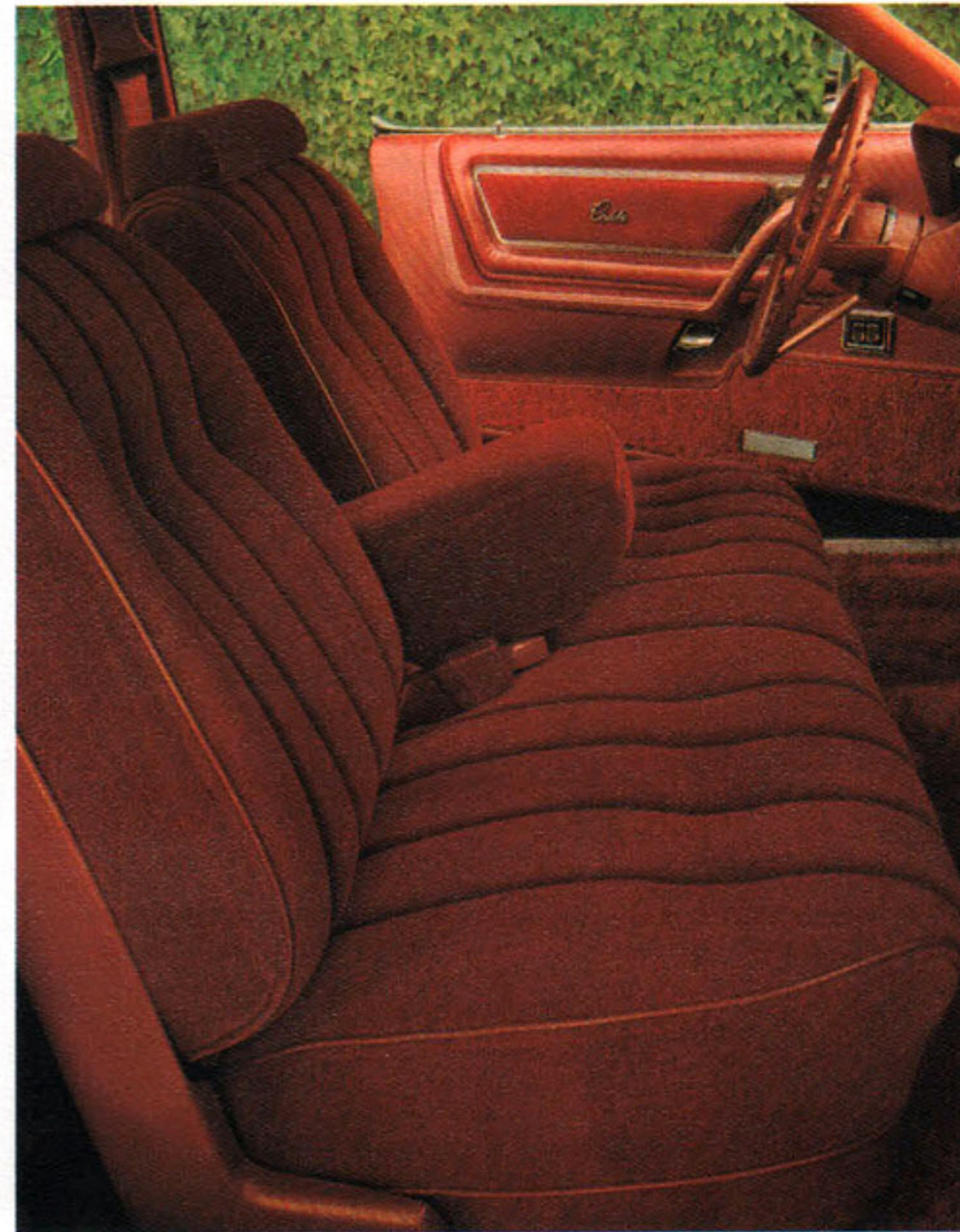
Look for other standard appointments such as the electronic digital clock, soft padded door trim, new 3-spoke luxury steering wheel and a five-point interior lighting system.

Between you and the outside world, Cordoba has sound barriers and noise-reducing components combined with fully-isolated torsion-bar suspension. This "quiet" engineering is an integral part of Chrysler's total road-handling system known as Torsion-Quiet Ride.

It's good to know about. Even better to own in a 1976 Cordoba.



Custom tailored optional bucket seats, center cushion and armrest, in genuine Corinthian leather.



Plush cashmere-like knit cloth-and-vinyl bench seating with center armrest is sumptuous standard interior.

CORDOBA STANDARD FEATURES AND OPTIONAL ACCESSORIES.



A. Easy to read gauges.



B. Electronic digital clock.



C. Tilt steering column.



D. Opera window.



E. Carpeted trunk floor and spare tire cover.



F. Power seat control.



G. Power door locks.



H. Manually-operated sun roof.



I. Fuel Pacer System.



J. Auto-Speed Control.



K. AM/FM stereo radio/tape system.



L. Urethane road wheel.



M. Wire wheel cover.



N. Chrome-styled Rd. wheel.



O. Electric rear window defroster.

A. Standard circular, easy-to-read gauges, with Brazilian rosewood-like instrument panel inserts. B. Standard electronic digital clock is accurate to within one minute per month. C. Optional tilt steering column adjusts up and down for easy entry and exit. D. Standard opera windows with side lamps are elegant features of Cordoba styling. E. Standard carpeted trunk floor and matching spare tire cover are handsome protection for luggage. F. Optional power seat control gives you six-way control over adjustments to personal comfort. G. Optional power door locks are a convenient power assist. H. Optional sun roof is manually-operated. I. Optional Fuel Pacer System with fender-mounted warning lights. J. Auto-Speed Control is optional. Lets you select and hold a steady speed for ease and improved mileage in highway driving. K. Optional AM/FM Multiplex stereo radio with or without 8-track tape deck goes well with Cordoba's deluxe sound insulation system. L. Optional urethane road wheel, a stylish choice. M. Optional wire wheel cover is a striking addition to Cordoba's exterior flair. N. Optional chrome-styled road wheels are an elegant touch. O. Optional electric rear window defroster has heating elements bonded to the glass to clear window quickly.

CORDOBA STANDARD FEATURES

- Power Steering
- Power Brakes: front discs, rear self-adjusting drums
- 400 cu. in. V-8 with 2-bbl. carburetor¹
- TorqueFlite automatic transmission
- Catalyst emission control system
- Electronic Ignition System
- 50-amp alternator
- 25.5 gallon fuel tank
- Economy-minded axle ratios
- Calibrated shock absorbers, computer-selected rear springs, front and rear anti-sway bars
- 15" wheels with GR78x15 steel-belted white sidewall radial-ply tires
- Front and rear bumper guards and protective rub strips
- Carpeted 14.7 cu. ft. trunk (16.3 cu. ft. with optional space-saver spare tire)
- Hood medallion with unique Cordoba crest
- Color-keyed body stripe with filigree insert
- Bright chrome moldings at wheel openings, sills, windshield, roof rails
- Left outside rearview mirror
- Satin-finish stainless steel wheel covers with Cordoba crest
- Formal opera windows with unique side lamps
- 18" wiper blades with wiper-mounted washers
- New instrument panel. Woodtone trim and new dial graphics
- "Headlights on" warning buzzer
- Oil pressure, temperature, alternator, fuel gauges, and "Low Fuel" warning light
- Parking brake warning light
- 12" inside rearview day/night mirror
- Inside hood release
- Dual horns
- Luxury 3-spoke steering wheel with Cordoba crest
- Electronic digital clock
- Cashmere-like cloth-and-vinyl bench seat with center armrest
- Luxury padded door trim with carpeted lower panels and seat backs

- 24-ounce carpeting in passenger compartment
- Glove box light, trunk light, ashtray light
- Glove box lock
- Cigarette lighter

ENGINEERING: IT MAKES THE BEAUTY OF CORDOBA WORTHWHILE.

Unibody Construction. Body panels and structural members on all Chryslers are fused into one unit by more than 4,000 welds. The result is a solid, strong and enduring structure.

Upper-level Ventilation System. Provides a steady, refreshing flow of air and even, front-to-back circulation.

Collapsible Steering Column. Uses multiple slots in the column jacket, for driver protection on front impact.

Electronic Ignition System. Has no points or condenser to replace. Helps deliver reliable starting voltage in any weather. Helps increase recommended spark plug change interval to about 30,000 miles when unleaded fuel is used.

Power Steering. Standard equipment on your Cordoba.

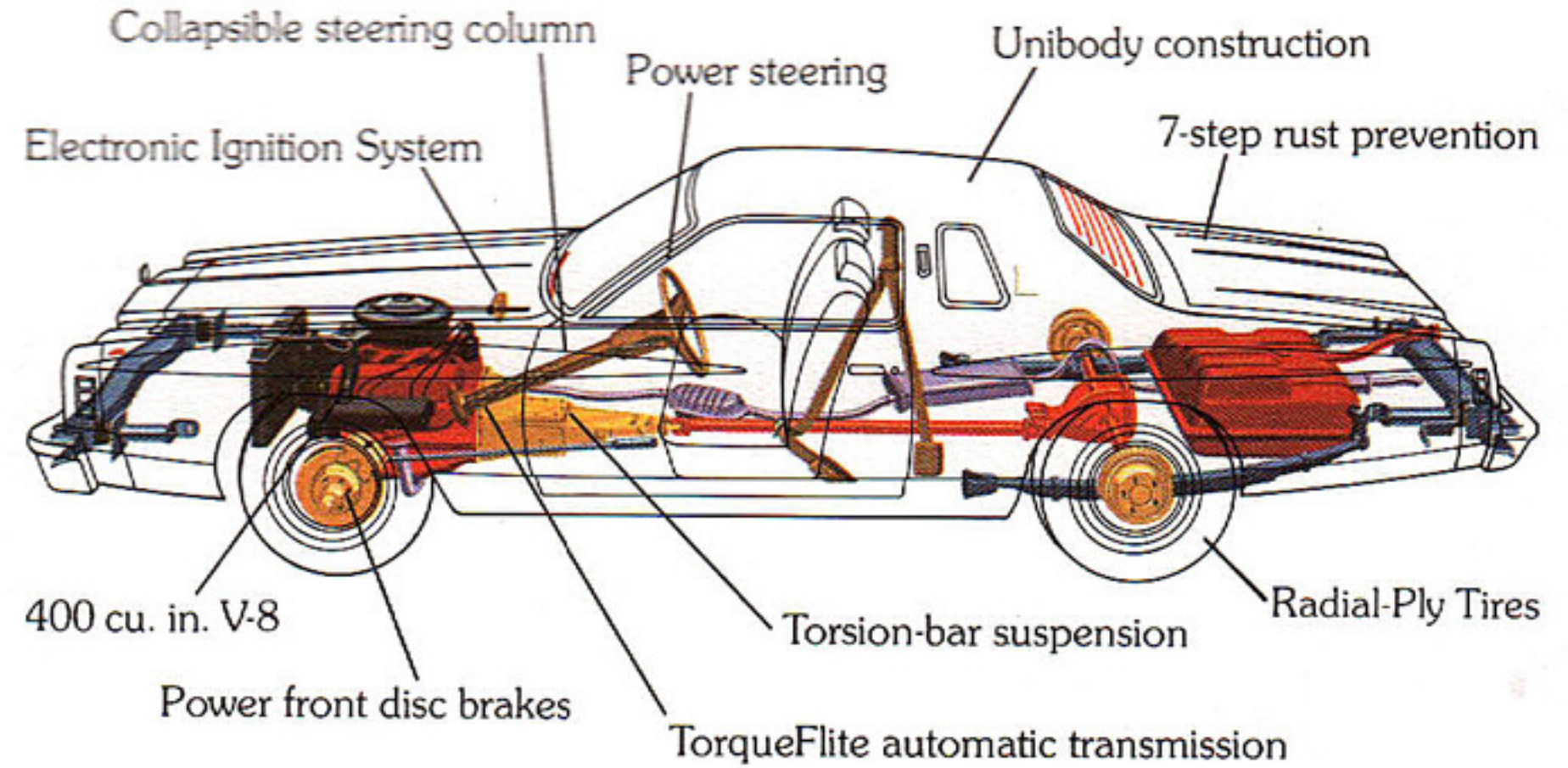
Power Front Disc Brakes. Sure, smooth stopping power is standard equipment.

Torsion-Bar Suspension. More easily adjusted for height than conventional coil springs. In combination with Unibody construction and rubber suspension mounts, produces Chrysler's unique **Torsion-Quiet Ride.**

TorqueFlite Automatic Transmission. Rugged, with no recommended fluid or filter replacement under normal driving conditions. Smooth-shifting, with no band adjustment under normal driving conditions.

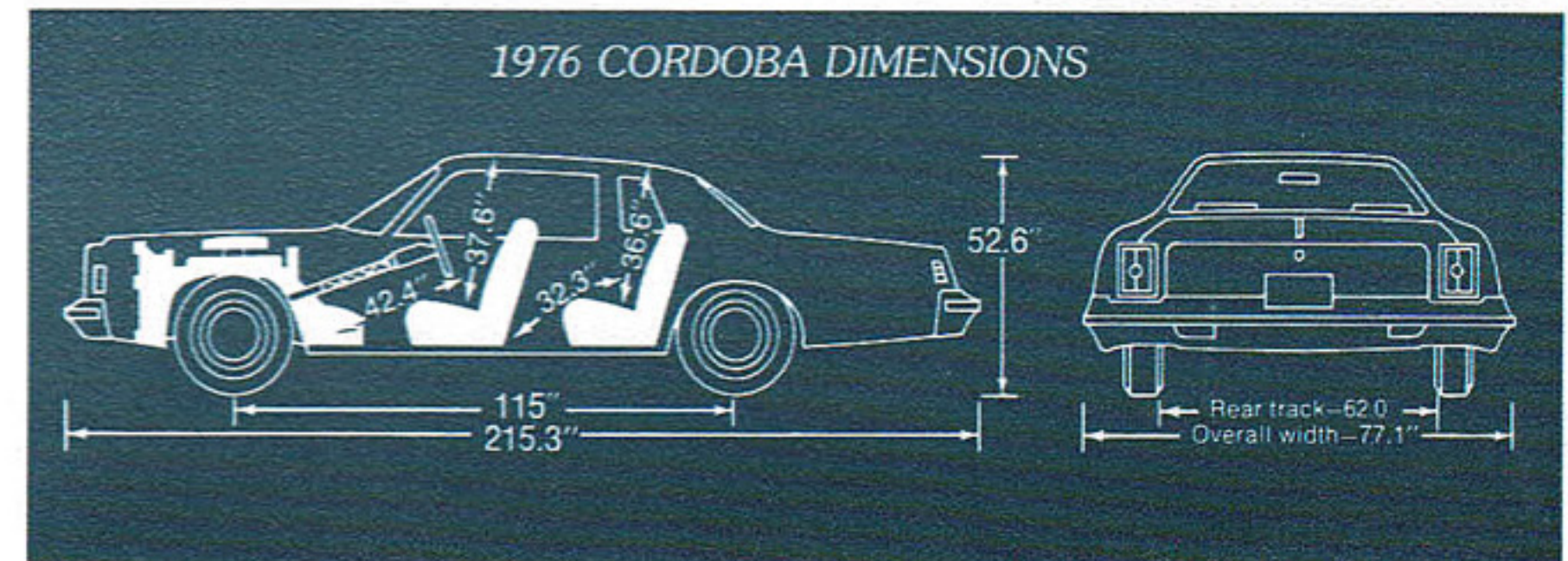
7-step dip-and-spray rust prevention process. Bodies are cleaned, coated, sprayed with two coats of primer, baked, sanded, painted with two coats of acrylic enamel and finally baked again.

ENGINEERING: IT MAKES THE BEAUTY OF CORDOBA WORTHWHILE.



STANDARD SPECIFICATIONS			
Engine	400 cu. in. V-8, 2-bbl. ¹		
Transmission	TorqueFlite automatic		
Suspension	Front: Torsion bars; Rear: Asymmetrical leaf springs; Front and rear sway bars		
Tires	GR 78 x 15 WSW (steel-belted radial)		
Wheels	15 x 5.5		
Brakes	Front: power disc; Rear: 10" x 2½" drum		
Electrical System	Battery: 305 amp (318 CID), 440 amp (360 & 400 CID); Alternator: 50 amp; Electronic Ignition System; Transistorized voltage regulator		
Fuel Tank	25.5 gallons		
Trunk Capacity	14.7 cu. ft. (16.3 cu. ft. with no charge optional Space Saver Tire)		
REAR AXLE AVAILABILITY			
Engine	Transmission	Standard	Optional
360 V-8	TorqueFlite automatic	2:71	2:45, 3:21, (2:71, 3:21 w/Sure-Grip)
318 V-8 or 400 V-8	TorqueFlite automatic	2:71	2:45 ² , 3:21, (2:71, 3:21 w/Sure-Grip)

¹N/A in Calif. ²2:45 ratio N/A w/318 V-8 in Calif.



ADDITIONAL OPTIONAL ACCESSORIES.

- Wire wheel covers
- Chrome-styled road wheels, 15" or urethane-coated road wheels, 15"
- Power windows
- Power door locks
- Power seats
- Power deck lid release
- Manually-operated sun roof
- Automatic Speed Control
- Air conditioning with rapid cool-down capacity
- Tachometer
- Genuine Corinthian leather bucket seats with vinyl trim, center armrest and cushion
- New 60/40 bench seat in velour cloth-and-vinyl with reclining feature on both passenger and driver side
- 318 cu. in. V-8 with 2-bbl. carburetor²
- 360 V-8 4V
- 360 cu. in. V-8 with 2-bbl. carburetor¹
- 400-4V single exhaust
- 400 cu. in. V-8 with 4-barrel¹ carburetor and dual exhaust
- Axle, Sure-Grip Differential
- Battery—500 amperes, long-life
- Center console with bucket seats
- Defroster—Electrically heated rear window (Includes 100-amp alternator)
- Floor mats, rubber, color-keyed
- Gas cap, locking
- Glass, tinted—all windows
- Glass, tinted—windshield only
- Mirror, outside, left, remote-control—chrome
- Mirror, outside, dual, sport-styled
- Door-edge protector moldings
- Body side moldings with vinyl insert
- Power bucket seat, left, or power 60/40 bench seat, left
- AM radio
- AM/FM monaural radio
- AM radio with 8-track stereo
- AM/FM stereo radio
- AM/FM stereo with 8-track stereo
- AM/FM stereo with Search Tune
- Rear-seat speaker, single
- Space Saver spare tire—no charge option
- Steering wheel—tilt wheel
- Steering wheel—"Tuff" small-diameter
- Suspension, heavy-duty
- Trailer-Towing Package, Light & Heavy
- Undercoating and hood silencer pad
- Upper-level fresh-air ventilation—(Not available with air conditioning)
- Vinyl roof—Halo & Landau
- Windshield wipers, 3-speed

¹N/A in Calif. ² N/C option.

Cordoba Exterior Paint Colors: Silver Cloud Met. • Platinum Met. • Astral Blue Met. • Jamaican Blue Met. • Starlight Blue Met. • Rallye Red • Vintage Red Sunfire Met. • Bittersweet Met. • Jade Green Met. • Deep Sherwood Sunfire Met. • Saddle Tan • Caramel Tan Met. • Light Chestnut Met. • Yellow Blaze • Golden Fawn • Inca Gold Met. • Spanish Gold Met. • Spinnaker White • Formal Black
Cordoba standard interior colors: blue • red • green • tan • black • gold

and here's "The Clincher!"

For the first 12 months of use, any Chrysler Motors Corporation dealer will fix, without charge for parts or labor, any part of our 1976 passenger cars we supply (except tires) which proves defective in normal use, regardless of mileage.

The owner is responsible for normal maintenance service such as changing filters and wiper blades.

We'll even replace many of the expensive parts that could just wear out if you drive enough miles that first year. Even though they're not defective. Brake drums and linings, mufflers, shock absorbers, clutch and pressure plates, tailpipes, headlamps, disc brake discs and pads. All we expect of you is normal, routine maintenance, such as changing filters and wiper blades. If you make an appointment to come in for warranty repairs and the job can't be completed in one working day, participating dealers will supply you with a loaner. Free. It's part of our new Owner Care Program. And it's going to take better care of you and all the people who buy our cars.

All product illustrations and specifications are based on authorized information. Although descriptions are believed correct at publication approval, accuracy cannot be guaranteed. Some of the equipment shown on product illustrations is optional, at extra cost. Chrysler Motors Corporation reserves the right to make changes from time to time, without notice or obligation, in prices, specifications, colors and materials, and to change or discontinue models.

YOUR SIGNS FOR
MOTORING SATISFACTION



AUTOMOTIVE SALES DIVISION



CHRYSLER
MOTORS CORPORATION