



**PONTIAC**  
MONTANA SV6



**FEEL** ADVENTUROUS

2006



**PONTIAC**  
MONTANA SV6



## FEEL ADVENTUROUS

**EXCITEMENT AWAITS.** At Pontiac, we created Montana SV6 for those who believe that life should be an adventure. It's purpose-built to transport you, your family and all your gear out to where the fun is.

In either Regular Wheelbase (RWB) or Extended Wheelbase (EWB) form, the Montana SV6 passenger compartment has all the space and versatility you need. Interior highlights include comfortable seating for up to seven, lots of cargo space and a full complement of entertainment options to keep everyone content on long journeys.

We made sure Montana SV6 is great to drive, too. There's a V6 engine under the hood, disc brakes at all four wheels and an available Versatrak all-wheel-drive (AWD) system that lets you take poor driving conditions in your stride.

Montana SV6. Go for it.

For more information about Montana SV6, visit our Web site at [montanasv6.gmcanada.com](http://montanasv6.gmcanada.com)







## MONTANA SV6 RWB

**THE RIGHT SIZE, INSIDE AND OUT.** We designed Montana SV6 RWB models with three rows of seating and room for up to 3398 L (120 cu. ft.) of cargo – enough to handle almost any challenge you're likely to face. We also gave it trim exterior proportions to make it easy to manoeuvre and park. No wonder so many Canadians say it's the perfect fit.







## MONTANA SV6 EWB

**EXPANDING THE ENVELOPE.** To the capability of Montana SV6 RWB, we added 207 mm (8.1 in.) more wheelbase, 355 mm (14 in.) more overall length and a significant amount of interior space. In the process, we took the Montana SV6 concept to a higher level of versatility and rear-seat comfort. The result? Montana SV6 EWB – the essential vehicle for those who live large.









## COMFORT

**YOU'LL GROW INTO IT.** Camping, snowboarding, biking... No matter what your active family gets into, you can rest assured your Montana SV6 has what it takes to handle it. We made sure Montana SV6 will keep everyone comfortable on the way to the fun, too. Every model offers seating for seven, with second-row modular buckets and a removable 50/50 third-row fold-flat split-bench seat. For an even higher level of

comfort, second-row captain's chairs are available, as are leather-appointed seating surfaces.\* Regardless of which seating alternative you choose, you and your passengers will enjoy standard front and available rear\*\* air conditioning, a range of power amenities and a controlled, quiet ride that rivals many sedans.

\*Third-row seat is vinyl. \*\* Montana SV6 EWB models only.





**INTERIOR FEATURES:**

- Analogue gauge cluster
- OnStar with one-year Safe & Sound Plan
- Front air conditioning with particle filter
- Tilt adjustable steering column
- Standard power windows, door locks and heated exterior mirrors
- Front auxiliary 12-volt power outlet
- Available rear 110-volt power outlet.

## CONTROLS

**YOUR ADVENTURES START HERE.** At Pontiac, we're famous for great driving machines like our G6 sport sedan and our new Solstice roadster. So it should come as no surprise that we designed Montana SV6's instruments and controls to create an intimate connection between you and your vehicle.

Take the gauges, for example. In the best performance tradition, they're large and round and feature high-contrast white-on-black graphics for easy reading. Or consider the steering wheel, shown at right.\* It includes switches for the audio system mounted on the hub, so you can make adjustments without taking your hands off the wheel.

Think of it this way. With Montana SV6, the fun doesn't start when you reach your destination. It begins every time you turn the key.



With all seats in place, RWB and EWB models have 498 L (17.6 cu. ft.) and 762 L (26.9 cu. ft.) of cargo space respectively.



The 3rd-row seat folds flat to open up additional cargo room. The seat can also be removed, for more space.



With the 3rd-row seat and one of the 2nd-row bucket seats folded, Montana SV6 can carry a large amount of cargo and 3 people simultaneously.



Fold all second and third-row seatbacks flat to create a large cargo space quickly. Or remove the seats for maximum cargo capacity.

\*Standard on Montana SV6 1SC only.









## ENTERTAINMENT

**LET US ENTERTAIN YOU.** Montana SV6 offers more entertainment options than most family rooms. The choices start with the standard audio system, which includes a CD player and MP3 playback. Want more? Choose the available system with an in-dash six-disc CD changer and you'll have music for hours.

And that's just the beginning. Montana SV6 offers an available DVD entertainment system that includes a 178 mm (7 in.) LCD monitor, video game jacks and two wireless headphones. The system also features separate rear audio controls, so your rear passengers can listen to one sound source over their headphones while you enjoy another over Montana SV6's speakers. Then there's the available PhatNoise Mobile Digital Media system\* that can store thousands of songs, hours of movies and hundreds of games for you and your passengers to enjoy on the road. With PhatNoise® Mobile Digital Media aboard your entertainment choices are virtually unlimited.



The heart of the innovative PhatNoise® Mobile Digital Media system\* is a 40-gigabyte hard drive that's the size of your palm.



The standard AM/FM stereo includes advanced features such as auto tone control, a Radio Data System (RDS) and TheftLock.

\*Interim availability, please see your Sales Consultant for more information.









## CONVENIENCE

**BECOME THE MASTER OF INNER SPACE.** They say the universe is expanding. But if that's the case, why does it seem like you never have enough room? With Montana SV6, we solved this age-old problem by incorporating an abundance of cargo space and a host of well-placed storage compartments. A particularly innovative feature is the available Overhead Rail System\*, which can be fitted with convenient bins for items like

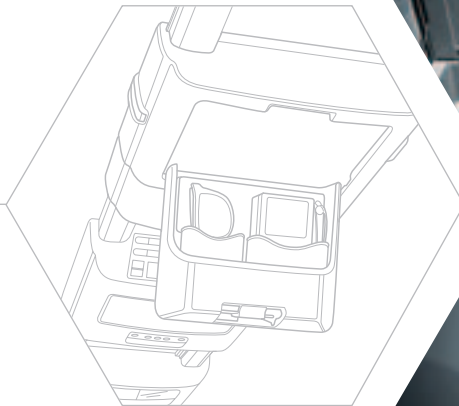
sunglasses and maps. Other Montana SV6 storage solutions are equally clever. Take the available rear cargo convenience centre that's standard on all EWB models, for example. It features four moulded compartments to help keep your gear neatly organized as you boldly go.

\*Standard on all but Montana SV6 RWB 1SA.

For added convenience, Montana SV6's front and 2nd-row seats can be fitted with available flip-down storage compartments.



Storage bins in the available Overhead Rail System\* flip down to provide easy access to small items like sunglasses.



The rear cargo convenience centre features 4 sturdy storage compartments with lids. It's perfect when you need to keep items such as umbrellas and blankets separate from other cargo.



The available 2nd-row utility box includes 4 cupholders, storage for DVDs or CDs and a handy flat surface for writing or playing games.



## PERFORMANCE

**FEEL THE PONTIAC DIFFERENCE.** On the open road, Montana SV6's Pontiac heritage shines through. We engineered Montana SV6 to be an excellent all-round performer, with lots of engine power, easy, responsive handling and confident stopping. For 2006, Montana SV6 offers a choice of 201-horsepower\* 3500 and available 240-horsepower 3900 V6\*\* engines. Power rack-and-pinion steering and four-wheel disc brakes with ABS are standard. And because we want all our drivers to feel confidently under control, especially in poor driving conditions, electronic traction control and StabiliTrak<sup>1</sup> stability enhancement are both available.

\*196 hp on Montana SV6 AWD.

\*\*Interim availability, Montana SV6 FWD EWB 1SC model only.

<sup>1</sup>StabiliTrak is available on Montana SV6 FWD EWB models only.



### STABILITRAK

The available StabiliTrak vehicle stability enhancement system<sup>1</sup> constantly monitors for lateral skids. When it detects one, StabiliTrak steps in to help restore steering control by individually applying and modulating the brakes.



### TRACTION CONTROL

Full-function traction control is available on front-wheel-drive models. It reduces engine power and selectively applies the brakes to eliminate wheelspin and help keep you in motion.





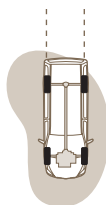
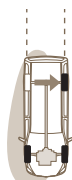
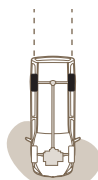
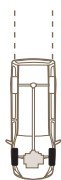




**YOU COULD DEVELOP A WHOLE NEW APPRECIATION FOR WINTER.**

Slippery conditions are part of the Canadian driving experience. With Montana SV6's available Versatrak all-wheel-drive (AWD) system, you could find yourself handling them with a smile on your face. Versatrak is an advanced, electronically controlled system that helps keep you going

when traction is in short supply. When it detects a driving wheel that has lost its grip, it automatically redistributes engine power to the wheels that still have traction. Montana SV6 AWD is also an excellent handling vehicle in all four seasons, thanks to exclusive chassis features like an independent rear suspension and auto-levelling monotube rear shock absorbers.



## VERSATRAK

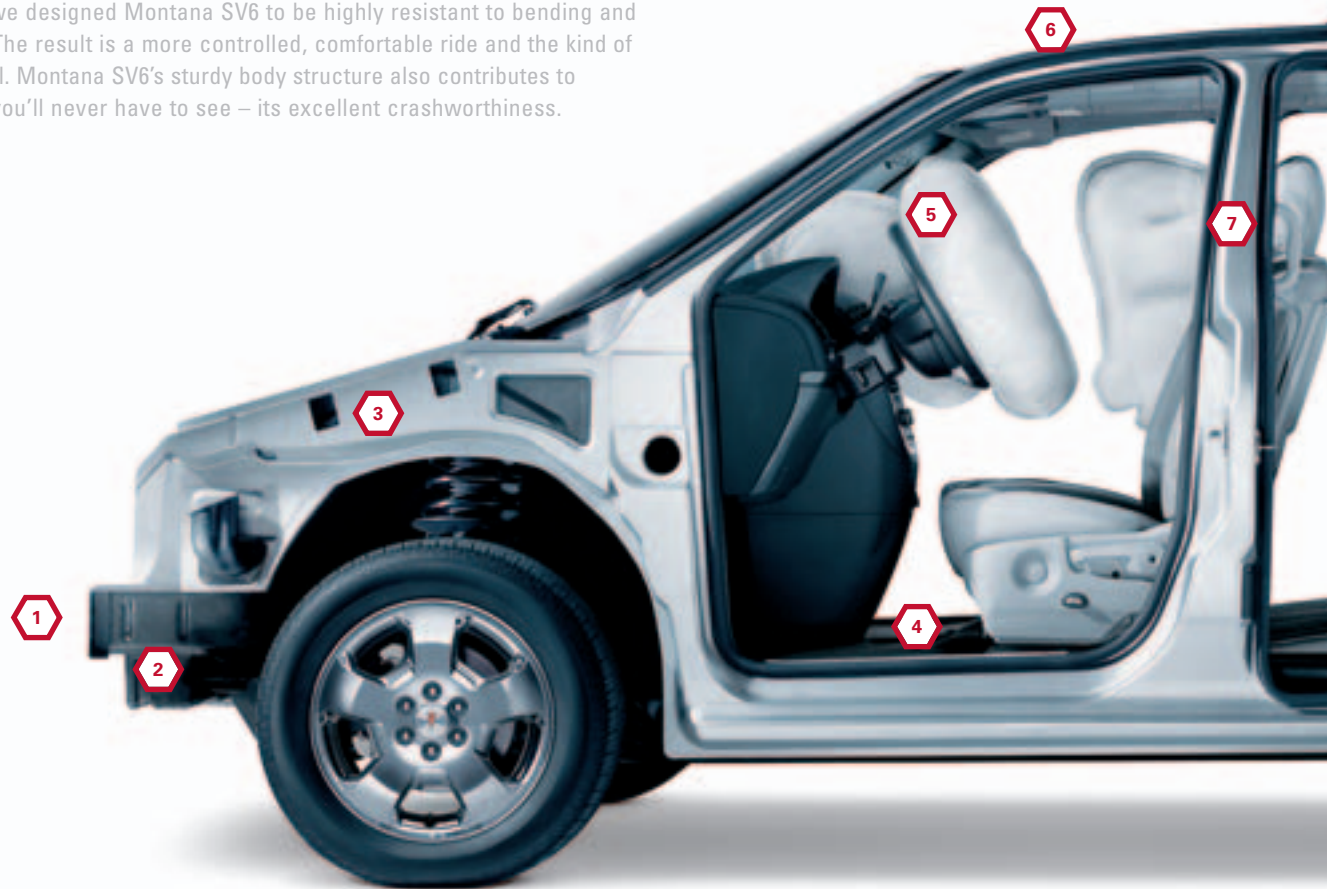
When the front wheels lose their grip, Versatrak can send up to 100% of Montana SV6's engine power to the rear wheels. Unlike many AWD systems, it can also redistribute engine power from side to side between the rear wheels to make the most of the existing traction.



## TECHNOLOGY

**BEAUTIFUL BELOW THE SURFACE.** Montana SV6's rugged, SUV-inspired style is obvious from across a crowded parking lot. But the fact is that many of this vehicle's most impressive features are hidden well out of sight.

Take the steel body structure, for example. Through the use of advanced computer engineering techniques, we designed Montana SV6 to be highly resistant to bending and twisting under pressure. The result is a more controlled, comfortable ride and the kind of lasting quality you can feel. Montana SV6's sturdy body structure also contributes to something else we hope you'll never have to see – its excellent crashworthiness.



### 1. CRUSH ZONES

Special structures at the front and rear of Montana SV6 are engineered to collapse in a controlled manner in an impact, absorbing energy before it can reach the passenger compartment.

### 2. HYDROFORMED ENGINE CRADLE

Montana SV6's engine is mounted to a hydroformed steel engine cradle, which is in turn mounted to the body structure. The cradle is strong and lightweight.

### 3. EFFICIENT AERODYNAMICS

Our experts invested considerable time and effort into optimizing Montana SV6's aerodynamics. Benefits include reduced interior noise and improved fuel economy.

### 4. NOISE DAMPENING

Good aerodynamics aren't the only thing reducing noise in the Montana SV6 interior. We incorporated sound-dampening materials into the floor, head-liner and doors to ensure a quiet ride.

### 5. FRONTAL AIR BAGS

For added safety, Montana SV6's driver and front passenger dual-stage frontal air bags deploy with reduced force in lower-speed collisions.\*

### 6. ONSTAR

Every Montana SV6 includes the convenience and security of OnStar and one year of the Safe & Sound Plan as standard equipment.



#### **7. SAFETY CAGE CONSTRUCTION**

The Montana SV6 passenger compartment is literally surrounded by a steel safety cage. High-strength steel is used in the A pillars, rocker panels and mid-rails to help maintain the integrity of the structure in a collision.

#### **8. SIDE-IMPACT AIR BAGS**

For extra protection in a crash at the side of the vehicle, Montana SV6 offers available first- and second-row seat-mounted side-impact air bags.\*

#### **9. CORROSION-RESISTANT BODY PANELS**

To ensure that Montana SV6 stays looking good for the long term, all exterior body panels except the roof and hood are made of corrosion-resistant 2-sided galvanized steel. The hood is made of lightweight aluminum, which also resists corrosion.

#### **10. ALUMINIZED STAINLESS STEEL EXHAUST**

Montana SV6's exhaust system is made entirely from aluminized stainless steel, a corrosion-resistant material that helps ensure long life.

#### **11. TRAILER TOWING PACKAGE**

The available Trailer Towing Package includes a heavy-duty radiator and transmission oil cooler, a 125-amp alternator, a heavy-duty turn signal flasher and a trailer wiring harness. So equipped, Montana SV6 can tow up to 1588 kg (3500 lb.).

\*A NOTE ON CHILD SAFETY: Always use safety belts and proper child restraints, even in vehicles with air bags. Children are safer when properly secured in a rear seat. Never place a rear-facing infant restraint in the front seat of any vehicle equipped with an active frontal air bag. Refer to the vehicle Owner's Manual and child safety seat instructions for more information.





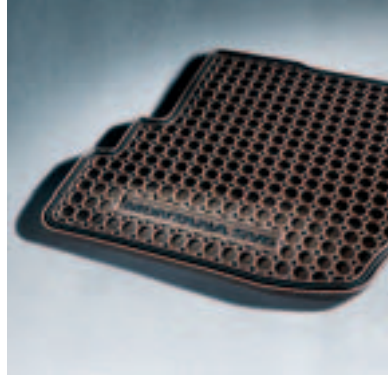
## NOW FOR MORE CHOICES

**DRESS IT TO THE NINES.** Take your new Montana SV6's style, performance and versatility to an even higher level with genuine GM Accessories. GM Accessories are the only accessories that are integrated into the process of designing your vehicle, ensuring excellent fit, finish and functionality. And only GM Accessories are backed by GM's 3-year/60,000 km New Vehicle Limited Warranty.\* They can also be included in your new-vehicle lease or finance agreement through GMAC. Ask your dealer for a complete list of the GM Accessories available for your Montana SV6. Or visit [gmcanada.com](http://gmcanada.com)

Genuine GM Accessories for Montana SV6 include:

- Roof rack cross rails
- Second-row storage console
- Sit-N-Lift power seat
- Trailer hitch assembly
- Splash guards
- Rear bumper protector
  
- Overhead storage bins (can hold CD/DVD's, first aid kit, two snakelights, sunglasses and more).

\*Whichever comes first, when permanently installed by the dealer at the time you purchase or lease your new vehicle.





Pontiac is all about vehicles that connect you to the pure joy of driving. OnStar adds another kind of connection – one that can enhance your sense of peace of mind. All it takes is a single push on the blue OnStar button usually located on the interior rear-view mirror, in the overhead console, or near the radio display to connect you with one of our specially trained OnStar Advisors. They are standing by, ready to provide support 24 hours a day, 365 days a year\*.

What can OnStar Advisors do for you? They can provide a wealth of information and perform a variety of services, including a remote diagnostic check of your vehicle's engine and electrical components. In an emergency, an Advisor will attempt to locate your vehicle, find out what assistance you need, and notify nearby emergency service providers. And if air bags are deployed in your vehicle, an Advisor will contact you to determine if you are in need of assistance.

Another convenient feature is OnStar Hands-Free Calling, a hands-free, voice-activated wireless technology integrated into your vehicle. It's there in case your hand-held phone is lost, forgotten or has a low battery. Even better, there are no additional monthly fees, or additional long distance and roaming charges. And as a new customer, you will receive 30 complimentary minutes good for two months after activation.

Now you can enjoy the peace of mind that comes with knowing you're doing all you can to help keep you, your family, and your vehicle safe. Just ask the almost 150,000 people who have become OnStar subscribers in Canada. How hard does OnStar work for you? The facts speak for themselves: every month in Canada OnStar Advisors handle an average of 9100 routing calls, 2500 emergency calls, 2600 door unlocks, and 625 Roadside Assistance dispatches.

OnStar offers two different service plans, allowing you to select the services that are most convenient for you. The Safe & Sound Plan is included for the first year on all Montana SV6 models. In addition, the available Directions & Connections Plan offers all of the safety and security services included in the Safe & Sound Plan, plus you'll have access to driving directions and information and convenience services and RideAssist. See your dealer for more information on plans and services.

\*OnStar services require vehicle electrical system (including battery), wireless service, and GPS satellite signals to be available and operating for features to function properly. Not all OnStar features are available on all vehicles. OnStar Hands-Free Calling requires a Hands-Free enabled vehicle, existing OnStar service contract, and prepaid calling minutes, and is not available in Alaska and some other markets. Calls may be made to the U.S. and Canada only. OnStar voice recognition system may not work with some voices. OnStar acts as a link to existing emergency service providers. Subscription Service Agreement required. Due to the transition of the wireless industry from analogue to digital technology, as of January 1, 2008, OnStar plans to offer service only through equipment that operates on the digital network, which may require the purchase of a system upgrade for eligible vehicles. Call 1.888.4.ONSTAR (1.888.466.7827), TTY 1.877.248.2080 or visit onstar.ca for OnStar's Terms & Conditions, Privacy Policy, and system limitations and details.



## A STORY ONLY GENERAL MOTORS CAN TELL.

General Motors' commitment to setting the highest standards in quality, safety, innovation and fuel efficiency are matched by an equally strong commitment to the community.

### DID YOU KNOW?

**QUALITY:** GM plants swept the J.D. Power Initial Quality Study<sup>SM</sup> rankings for North and South America: Gold and Silver Plant Quality Awards for the Canadian Oshawa #2 and #1 car plants, in addition to the Bronze Plant Quality Award for the Hamtramck, Michigan plant.

**SAFETY:** General Motors is the only automotive manufacturer committed to offering a full range of cars, trucks, and SUVs that provide safety protection before, during and after a collision. GM vehicles are equipped with a range of features and technologies that help drivers avoid collisions, reduce the risk of injury should a collision prove unavoidable, and help you get the assistance you need after a collision.

**INNOVATION:** GM is at the forefront of automotive technology with breakthrough features such as OnStar and XM Satellite Radio.

**FUEL EFFICIENCY:** GM offers more cars than any other automaker in Canada that get better than 7.0 L/100 km in highway driving. GM has also won more EnerGuide fuel-efficiency awards than any other car company.

### GM IS COMMITTED TO CANADA.

**INVESTMENT:** GM invests more in Canada than any other car company: The \$2.5 billion Beacon Project represents the largest automotive investment in Canadian history.

**EMPLOYMENT:** GM directly employs over 20,000 people in Canada – more than any other car company.

**DESIGN:** GM is the only car company that designs, engineers and builds cars in Canada.

### GM IS BEHIND YOU AND YOUR VEHICLE

GM is equally comprehensive in the way it backs its Pontiac vehicles. All Pontiac models include:

- 3-year/60,000 km\*\* complete vehicle repair coverage
- 6-year/160,000 km\*\* corrosion perforation coverage
- 8-year/130,000 km\*\* coverage on catalytic converters and powertrain control modules (PCMs)
- 3-year/60,000 km\*\* 24-hour Roadside Assistance.

\*General Motors Corporation – Oshawa #2 (Ontario – Car) was the highest ranked plant, Oshawa #1 (Ontario) was the second ranked plant and Hamtramck, MI was the third ranked plant in North/South America among plants producing vehicles for the U.S. market in J.D. Power and Associates 2005 U.S. Initial Quality Study<sup>SM</sup>. Study based on a total of 62,251 U.S. consumer responses indicating owner reported problems during the first 90 days of ownership.

www.jdpower.com

\*\*Whichever comes first.



CHEVROLET PONTIAC BUICK GMC CADILLAC SATURN SAAB HUMMER



# PONTIAC MONTANA SV6 SPECIFICATIONS

SAFETY AND SECURITY	1SA	1SB	1SC
	RWB/EWB	RWB/EWB	RWB/EWB/AWD
<b>Air bags</b> – dual-stage, driver and front-passenger, frontal	S	S	S
<b>Air bags</b> – driver and front-passenger, seat-mounted side-impact	0	0	S
<b>Air bags</b> – second-row, seat-mounted side impact <sup>1</sup>	–	–/0	–/0/0
<b>Brake/transmission shift interlock</b>	S	S	S
<b>Door locks</b> – power, programmable delayed locking	S	S	S
<b>Door locks</b> – sliding side doors, child-security	S	S	S
<b>Headlights</b> – Daytime Running Lights with automatic light control	S	S	S
<b>Keyless entry system</b> – remote, extended range	S	S	S
<b>OnStar In-Vehicle Communications and Assistance Service</b> – includes one-year Safe & Sound Plan	S	S	S
<b>Safety restraints</b> – LATCH (Lower Anchor and top Tether for Children), 2nd-row	S	S	S
<b>Theft-deterrent system</b> – PASS-Key III	S	S	S
<b>Traction control</b> – electronic, full-function, engine and brakes (FWD)	–	0	0
<b>Ultrasonic rear parking assist</b> – audible/visible rear obstacle detection <sup>1</sup>	–	–	–/0/0
<b>Security Package</b> – includes theft-deterrent system with audible/visible alarm and universal home remote 3-channel programmable transmitter	–	0	0

MECHANICAL	1SA	1SB	1SC
	RWB/EWB	RWB/EWB	RWB/EWB/AWD
<b>Battery</b> – with run-down protection	S	S	S
<b>Brakes</b> – power, 4-wheel disc	S	S	S
<b>Brakes</b> – 4-wheel anti-lock braking system (ABS)	S	S	S
<b>Drive</b> – front-wheel (FWD)	S	S	S/S/–
<b>Drive</b> – Versatrak, all-wheel drive, fully automatic on-demand (AWD)	–	–	–/–/S
<b>Engine</b> – 3.5L 3500 V6 with SFI Horsepower – 201 @ 5200 rpm, Torque – 216 lb.-ft. @ 4000 rpm (FWD) Horsepower – 196 @ 5600 rpm, Torque 213 lb.-ft. @ 3200 rpm (AWD)	S	S	– –/–/S
<b>Engine</b> – 3.9L V6 VVT with SFI (FWD) Horsepower – 240 @ 6000 rpm, Torque – 240 @ 4800 rpm	–	–	–/0 <sup>1</sup> /–
<b>Engine block heater</b>	S	S	S
<b>Exhaust system</b> – aluminized stainless steel	S	S	S
<b>StabiliTrak</b> – vehicle dynamic control, integrated chassis control system <sup>2</sup> (FWD)	–	–/0	–/0/–
<b>Steering</b> – power, rack-and-pinion	S	S	S
<b>Suspension</b> – Smooth Ride (FWD)	S	S	S/S/–
<b>Suspension</b> – Sport with twist beam rear suspension, includes automatic rear level control, inflator kit and traction control. StabiliTrak vehicle dynamic control included on EWB models	–	0 <sup>3</sup>	0/0/–
<b>Suspension</b> – Sport, 4-wheel independent, includes automatic rear level control and inflator kit	–	–	–/–/S
<b>Trailer Towing Package</b> – 1588 kg (3500 lb.) capacity, includes heavy-duty radiator and transmission oil cooler, trailer wiring harness, heavy-duty signal flasher and higher output alternator (does not include hitch) <sup>4</sup>	–	–/0	–/0/0
<b>Transmission</b> – 4-speed automatic with overdrive	S	S	S
<b>Vehicle starter system</b> – remote	0	0	S

EXTERIOR	1SA	1SB	1SC
	RWB/EWB	RWB/EWB	RWB/EWB/AWD
<b>Glass</b> – Solar-Ray tinted, including windshield; deep-tinted behind front doors	S	S	S
<b>Mirrors</b> – foldaway, power remote control, heated	S	S	S
<b>Moldings</b> – lower bodyside cladding (Charcoal Gray)	S	S	S
<b>Rear bumper protector</b> – black <sup>5</sup>	0	0	0
<b>Roof rack</b> – roof-mounted, black, includes side rails only	0	S	S/–/–
<b>Roof rack</b> – roof-mounted, brushed aluminum finish, includes side rails only <sup>6</sup>	–	–/0	–/S/S
<b>Side doors</b> – dual, side sliding	S	S	S
<b>Side door</b> – power passenger-side, sliding with remote open/close feature	–	0	0
<b>Side door</b> – power driver-side, sliding with remote open/close feature <sup>7</sup>	–	–	–/0/0
<b>Tires</b> – P225/60R17 all-season, blackwall	S	S	–
<b>Tires</b> – P225/60R17 all-season, white lettered	–	–	S
<b>Wheels</b> – 17" x 6.5" steel with bolt-on wheel covers (C) <sup>8</sup>	S	S	–
<b>Wheels</b> – 17" x 6.5" aluminum (A) <sup>9</sup>	–	0	S
<b>Wheels</b> – 17" x 6.5" chromed aluminum (B) <sup>9</sup>	–	–	0
<b>Windshield wipers</b> – 2-speed with variable delay (intermittent)	S	S	S

EXTERIOR (continued)	1SA	1SB	1SC
	RWB/EWB	RWB/EWB	RWB/EWB/AWD
<b>Wiper/washer</b> – rear-window (fixed intermittent)	S	S	S
<b>Dual Power Sliding Door Package</b> – includes power driver and passenger-side sliding doors, ultrasonic rear parking assist and DVD entertainment system	–	–	–/0/0
<b>Sport Package 1</b> – includes Sport suspension, electronic full-function traction control, 17" x 6.5" aluminum wheels (A) <sup>9</sup> and 2nd-row captain's chairs w/3rd-row 50/50 removable flat-folding split-bench seat	–	0/–	–
<b>Sport Package 2</b> – includes Sport suspension, StabiliTrak vehicle dynamic control, electronic full-function traction control, 17" x 6.5" aluminum wheels (A) <sup>9</sup> , 2nd-row captain's chairs w/3rd-row 50/50 removable flat-folding split-bench seat and rear spoiler	–	–/0	–
<b>Chrome Wheel Package</b> – includes 17" x 6.5" chromed aluminum wheels (B) <sup>9</sup> , black roof rack side rails and utility box	0	–	–

INTERIOR	1SA	1SB	1SC
	RWB/EWB	RWB/EWB	RWB/EWB/AWD
<b>Air conditioning</b> – with particle filter	S	S	S
<b>Air conditioning</b> – rear (includes rear heating and cooling)	–/0	–/0	–/S/S
<b>Auxiliary power outlet</b> – front	S	S	S
<b>Auxiliary power outlet</b> – rear 110 volt	–	–	–/0/0
<b>Cargo convenience net</b> – rear	0	0	0
<b>Cargo convenience centre</b> – rear, removable 4-compartment cargo organizer, includes cargo convenience net	–/S	–/S	–/S/S
<b>Console</b> – Overhead Rail System	0/S	S	S
<b>Console</b> – overhead storage bin, Overhead Rail System mounted	0/S	S	S
<b>Console</b> – Lifestyle overhead storage bin, includes CD/DVD case and First Aid Kit <sup>4</sup>	0	0	0
<b>Cruise control</b> – electronic with resume, coast and decelerate/accelerate features	0	S	S
<b>Defogger</b> – electric rear-window	S	S	S
<b>Floor mats</b> – front, 2nd- and 3rd-row, carpeted	S	S	S
<b>Instrumentation</b> – analogue gauges (includes tachometer, speedometer, coolant temperature and fuel gauge), low oil pressure, GM Oil Life System and low coolant level indicator	S	S	S
<b>Instrumentation</b> – Driver Information Centre, reconfigurable	–	S	S
<b>Lighting</b> – overhead front, centre and rear courtesy, cargo area, programmable delayed entry/exit with ignition key removal and theatre dimming	S	S	S
<b>Retained accessory power</b>	S	S	S
<b>Steering column</b> – tilt adjustable	S	S	S
<b>Steering wheel</b> – leather-wrapped with sound system controls	–	–	S
<b>Storage</b> – cupholders and a centre non-locking console, front door map pockets, 3rd-row covered armrests with storage (RWB) and glovebox	S	S	S
<b>Sunshades</b> – LH and RH padded; vanity mirrors	S	S	–
<b>Sunshades</b> – LH and RH padded; illuminated vanity mirrors	–	–	S
<b>Utility box</b> – 2nd-row <sup>6</sup>	0	0	–
<b>Windows</b> – power, with driver's express-down feature	S	S	S
<b>Windows</b> – power, swing-out rear quarter	S	S	S
<b>Convenience Package</b> – includes power 6-way driver seat adjuster and power passenger-side sliding side door <sup>8</sup>	–	0	–

SEATS	1SA	1SB	1SC
	RWB/EWB	RWB/EWB	RWB/EWB/AWD
<b>Cloth reclining front bucket seats</b> with inboard armrests, two 2nd-row flip-and-fold modular bucket seats and 3rd-row 50/50 removable fold-flat split-bench seat (7-passenger)	S	S	–
<b>Cloth reclining front bucket seats</b> with inboard armrests, two 2nd-row captain's chairs and 3rd-row 50/50 removable fold-flat split-bench seat (7-passenger)	0 <sup>10</sup>	0 <sup>11</sup>	S
<b>Reclining front bucket seats with heated leather-appointed seating surfaces</b> , inboard armrests, two 2nd-row captain's chairs and 3rd-row 50/50 removable fold-flat split-bench seat (7-passenger) <sup>12</sup>	–	–	–/0/0
<b>Power 6-way driver adjuster</b>	–	0 <sup>9</sup>	S
<b>Front row</b> – seatback storage compartments	S	S	–
<b>Front row</b> – utility tray	0 <sup>13</sup>	0 <sup>14</sup>	–
<b>Front and 2nd-row utility trays</b> – seatback storage compartments	–	–	S

1 Requires power passenger-side sliding door, 2nd-row captain's chairs and DVD entertainment system.

2 Requires traction control and Sport suspension.

3 Requires available 17" aluminum wheels.

4 Includes automatic rear level control and accessory inflator kit.

5 Regular production accessory, dealer installed.

6 Not available with Sport Package 2 or Chrome Wheel Package.

7 Requires Dual Power Sliding Door Package.

8 Wheels shown on page 26.

9 Requires front-row utility trays.

10 Includes front- and 2nd-row utility trays. Requires DVD entertainment system.

11 Includes front- and 2nd-row utility trays. Requires seat-mounted side-impact air bags or power 6-way driver seat adjuster.

12 Leather-appointed seating surfaces included on 1st- and 2nd-rows only, 3rd-row bench is vinyl covered. Requires seat-mounted side-impact air bags, and DVD entertainment system. Includes power 6-way front-passenger seat adjuster.

13 Requires seat-mounted side-impact air bags. Included when 2nd-row captain's chairs are specified.

14 Requires seat-mounted side-impact air bags or 6-way power driver-adjuster. Included when 2nd-row captain's chairs are specified.

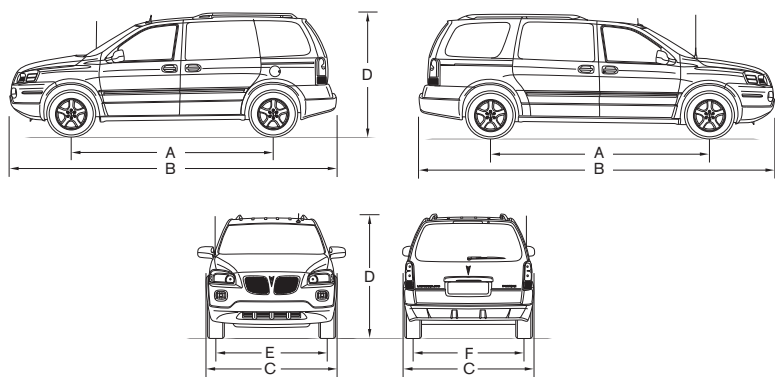
<sup>1</sup>Interim availability.

## ENTERTAINMENT SYSTEMS

	1SA RWB/EWB	1SB RWB/EWB	1SC RWB/EWB/AWD
All Montana SV6 sound systems include an electronically tuned Delco AM/FM stereo with seek/scan, auto tone control, Radio Data System (RDS), TheftLock and digital clock			
AM/FM stereo with CD player and MP3 playback	S	S	S
AM/FM stereo with 6-disc in-dash CD changer and MP3 playback	-	0	0
DVD entertainment system – includes overhead fold-down 178 mm (7 in.) LCD colour monitor, DVD player, remote control, video camera and video game (RCA) input jacks, 2 wireless headphones and audio controls	0 <sup>15</sup>	0	0
2 additional wireless headphones <sup>16</sup>	0	0	0
Mobile Digital Media Player by PhatNoise® including a 40 gigabyte removable hard drive <sup>17</sup>	-	-	-/0/0
Speaker system – 4 extended-range speakers	S/-	S/-	S/-/-
Speaker system – 8 extended-range speakers	-/S	-/S	-/S/S

15 Requires overhead rail system on RWB. 16 Requires DVD entertainment system. 17 Not available with lifestyle overhead storage bin.  
S – Standard. 0 – Optional individually or in combination with other optional equipment.

## DIMENSIONS



EXTERIOR, mm (in.)	REGULAR WHEELBASE	EXTENDED WHEELBASE
Wheelbase (A)	2870 (113.0)	3077 (121.1)
Length (B)	4867 (191.6)	5222 (205.6)
Width (C)	1830 (72.0)	1830 (72.0)
Height (D)	1790 (70.5)	1830 (72.0)
Front tread (E)	1586 (62.4)	1586 (62.4)
Rear tread (F)	1592 (62.7)	1590 (62.6)*

## INTERIOR, mm (in.), front/2nd-row/3rd-row

Headroom	1011/990/964 (39.8/39.0/38.0)	1011/988/968 (39.8/38.9/38.1)
Legroom	1015/952/870 (40.0/37.5/34.3)	1015/987/920 (40.0/38.9/36.2)
Shoulder room	1521/1576/1528 (59.9/62.0/60.2)	1521/1555/1236 (59.9/61.2/48.7)
Hip room	1417/1618/1228 (55.8/63.7/48.3)	1417/1565/1226 (55.8/61.6/48.3)

## CAPACITIES/WEIGHT

Cargo, L (cu. ft.)		
– all-seats in position	498 (17.6)	762 (26.9)
– 3rd-row seats folded flat	2011 (71.0)	2095 (74.0)
– 2nd- and 3rd-row seats folded flat	3398 (120.0)	3865 (136.5)
Fuel tank, L (imp. gal.)	75.7 (16.7)	94.7 (20.8)
Curb weight (est.), kg (lb.)	1838 (4052)	1985 (4376) – FWD 2101 (4632) – AWD

\*AWD – 1599 (63.0).

## TOWING

3.5L 3500 V6 with SFI (FWD)	3.29 final drive ratio/1588 kg (3500 lb.)* maximum gross trailer weight**
3.5L 3500 V6 with SFI (AWD)	3.69 final drive ratio/1588 kg (3500 lb.)* maximum gross trailer weight**
3.9L V6 with SFI (FWD)	3.29 final drive ratio/1588 kg (3500 lb.)* maximum gross trailer weight**

\*Requires V92 Trailer Towing Package. Capacity applies with no more than two people. Without V92 maximum trailering capacity is 907 kg (2000 lb.).  
\*\*Includes weight of trailer, cargo, passengers and equipment. All towing recommendations are subject to change. Trailer tongue load should be 10% of the maximum trailer weight but should not exceed the load rating specified for that vehicle, engine or hitch combination. See your dealer or refer to the Montana SV6 Owner Manual for details.

## COMMITMENT:



Canada

Expect nothing less than a 100% commitment. You can feel confident that you're choosing a real driver's car if it bears the Pontiac name. You can also count on your Montana SV6 to continue to exceed your expectations, not just in the way it handles on the road, but also through a comprehensive series of support programs. Some make it easier to purchase or lease a Pontiac Montana SV6. Others help protect you and your vehicle down the road.

A powerful example of the level of protection you can expect is the GM TOTAL™ Warranty. It's so thorough it covers your vehicle – from the roof right down to the tires. So when you drive off the lot of your Pontiac dealership, you can do so with total confidence. Peace of mind is knowing that your vehicle is built for the long haul, and is backed by a comprehensive warranty.

## THE GM TOTAL™ WARRANTY:

The GM TOTAL™ Warranty is your promise of total warranty protection. It covers every new Pontiac Montana SV6 for 3 years or 60,000 km\*. Complete vehicle repairs are covered,\*\* including parts and labour, with no deductible. The warranty includes:

- 3-year/60,000 km\* complete vehicle repair coverage
- 6-year/160,000 km\* corrosion perforation coverage
- 8-year/130,000 km\* coverage on catalytic converters and powertrain control modules (PCMs).

\*Whichever comes first.

\*\*To correct any defects in material or workmanship occurring during the warranty period. Regular maintenance is not included, nor is excessive wear and tear caused by reckless or negligent driving.

## EXTENDED POWERTRAIN LIMITED WARRANTY: †

Every Pontiac Montana SV6 is also covered by a special Powertrain Limited Warranty with no deductible for 5 years or 100,000 km.\* So you can count on your Pontiac Montana SV6 for much more than its styling and engineering – today, and down the road.

\*Whichever comes first.

## OTHER OWNERSHIP PRIVILEGES AND PROGRAMS: †

- **Roadside Assistance** – 24/7 service via toll-free number during your warranty period, anywhere in Canada or the United States
- **Courtesy Transportation** – may be offered during the warranty period
- **GM Protection Plan (GMPP)** – the only extended services contract backed by the resources and commitment of General Motors; GMPP may be purchased at the time of your sale or lease, or subsequently
- **GM Mobility Program** – you may be eligible for reimbursement of up to \$1000 (taxes included) for adaptive equipment for your GM vehicle
- **GM Accessories** – personalize your vehicle with GM Accessories, specifically engineered for your new GM vehicle
- **GM Goodwrench Service** – with GM-certified technicians and GM-approved parts, nobody knows your GM vehicle better.

## TO HELP YOU PURCHASE OR LEASE A NEW VEHICLE:

- **GMAC Financing** – on-the-spot financing at your GM dealership<sup>††</sup>
- **GMAC SMARTLEASE** – a smart alternative to traditional financing<sup>††</sup>
- **GM Student Bonus Program** – GM will cover the first two purchase finance or lease payments and the lease security deposit on eligible new GM vehicles for students and recent graduates of high school, college or university<sup>†</sup>
- **The GM Card** – eligible cardholders may be able to redeem up to \$3500 on GM Card® Earnings toward the total purchase price or lease down payment on selected vehicles. For more information on The GM Card please call 1-800-461-3279. †

## INFORMATION RESOURCES:

You can find more information about these programs from your GM dealer, or at these information centres:

- The GM Web site at [gmcanada.com](http://gmcanada.com)
- The GM Customer Communication Marketing Centre at 1-800-GM-DRIVE (1-800-463-7483 or 1-800-263-3830 for TDD users)  
– for information about any GM product or service, including The GM Card and the GM Mobility Program
- For information about GMAC visit [gmcanada.com](http://gmcanada.com) or call 1-800-616-4622.

<sup>†</sup>Conditions and limitations apply.

<sup>††</sup>Subject to eligibility.



## WHEELS

A. 17" aluminum wheel

B. 17" chromed aluminum wheel

C. 17" steel, bolt-on wheel cover



### A WORD ABOUT THIS BROCHURE

Some of the equipment shown or described throughout this brochure may be available at extra cost. We have tried to make this brochure comprehensive and factual. We reserve the right, however, to make changes at any time, without notice, in prices, colours, materials, equipment, specifications, models and availability. Specifications, dimensions, measurements, ratings and other numbers in this brochure and other printed materials provided at the dealership or affixed to vehicles are approximates based upon design and engineering drawings and prototypes and laboratory tests. Your vehicle may differ due to variations in manufacture and equipment. Since some information may have been adapted since the time of the printing, please check with your Pontiac dealer for complete details. General Motors of Canada Limited reserves the right to lengthen or shorten the model year for any product, for any reason, or to start and end model years at different times.

### PRIVACY STATEMENT

At General Motors of Canada Limited ("GM Canada") we respect your privacy and value our relationship with you. Your personal information will be protected, will never be sold, and will be used only by GM Canada, our affiliates, dealers/retailers, and service suppliers (only to provide services). If you wish to be removed from GM Canada marketing communications; would like to limit only certain marketing communications from us; would like a listing of our specific uses or further information about those with whom your information is shared; or for further information about our Privacy Policy and practices, please contact us at 1-800-GM-DRIVE (1-800-463-7483) or through our Web site at gmcanada.com

### A WORD ABOUT ASSEMBLY

Pontiacs are equipped with engines and components produced and assembled by different operating units of General Motors, its subsidiaries and suppliers and these engines and components may change or be obtained from different sources from time to time. All such engines and components are approved for use in Pontiacs. Certain equipment ordered may be unavailable at the time of assembly and we suggest that you verify that your vehicle includes the equipment you ordered, or if there are changes, that they are acceptable to you.

### TRADEMARKS

The marks appearing in this Pontiac Montana SV6 brochure including, but not limited to: General Motors, GM, the GM Canada emblem, the GM Canada Web site address, the GM Accessories logo, Pontiac, the Pontiac emblem, G6, Grand Prix, Montana SV6, Pursuit, Solstice, Torrent, Vibe, Wave, and their respective logos, emblems, slogans and vehicle model names and body designs; and other marks such as Delco, SMARTLEASE, Solar-Ray, StabiliTrak, TOTAL Warranty and Versatrak are trademarks of General Motors Corporation and/or General Motors of Canada Limited, its subsidiaries, affiliates or licensors.

GMAC is a registered trademark of the General Motors Acceptance Corporation.

OnStar, the OnStar logo and the OnStar button are registered trademarks of the OnStar Corporation.

PASS-Key III and TheftLock are registered trademarks of Delphi Automotive Systems.

Radio Data Systems (RDS) is a trademark of the U.S. National Association of Broadcasters.

### COPYRIGHT

©Copyright 2005 General Motors of Canada Limited. All Rights Reserved. All text, images, graphics, and other materials in this Pontiac Montana SV6 brochure are subject to the copyright and other intellectual property rights of General Motors Corporation and/or General Motors of Canada Limited. These materials may not be reproduced, distributed or modified without the express written permission of General Motors Corporation and/or General Motors of Canada Limited.

Printed in Canada, September 2005.

## FABRICS

### EXTERIOR/INTERIOR COLOUR COMPATIBILITY

▼ Exterior	Interior ►	17 – Gray	34 – Cashmere
15 – Sedona Beige Metallic			•
25 – Dark Blue Metallic		•	•
38 – Emerald Green Metallic		•	•
46 – Stealth Gray Metallic		•	•
49 – Cranberry Red		•	•
50 – Summit White		•	•
53 – Bronzestone Metallic			•
67 – Liquid Silver Metallic		•	



Montana SV6 Cloth  
17C – Gray



Montana SV6 Cloth  
34C – Cashmere



Montana SV6 Leather  
172 – Gray



Montana SV6 Leather  
342 – Cashmere

## EXTERIOR COLOURS

Colours may not be exactly as illustrated due to restrictions of the printing process. Please see your Sales Consultant for specific colour and model availability.



15 – Sedona Beige Metallic



25 – Dark Blue Metallic



38 – Emerald Green Metallic



46 – Stealth Gray Metallic



49 – Cranberry Red



50 – Summit White



53 – Bronzestone Metallic



67 – Liquid Silver Metallic



15  
Sedona Beige  
Metallic



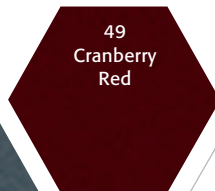
25  
Dark Blue  
Metallic



38  
Emerald Green  
Metallic



46  
Stealth Gray  
Metallic



49  
Cranberry  
Red



50  
Summit  
White



53  
Bronzestone  
Metallic



67  
Liquid Silver  
Metallic



**GRAND PRIX**



**SOLSTICE**



**PURSUIT**



**G6**



**MONTANA SV6**



**VIBE**



**TORRENT**



**WAVE**