



Škoda Octavia



OC 012 20 09/03

Welcome to your Škoda Retailer

The information in this brochure referring to specification, design, equipment, material and external appearance relates to the time at which this brochure was printed. Whilst every effort is made to ensure its accuracy, the information in this brochure is not binding and is subject to alteration. Some illustrations in this brochure depict left hand drive models, with both standard and optional equipment shown. Please confirm exact specifications, prices and colour availability with your Skoda Retailer who will be notified of any specification changes as they occur.

Edition: UK 09/03

Information: 08457 745 745

Internet: www.skoda.co.uk

E-mail: customerservices@skoda.co.uk





Contents

Introduction

Yesterday's values, tomorrow's technology	5
Designing a car starts with thinking about people	6
Choose the engine that really suits you	8

Equipment

Safety first	11
It's all in the detail	14
Škoda audio – the perfect companion	16
A place for everything	18

Model range

Octavia Classic	22
Octavia Ambiente	23
Octavia Elegance	24
Octavia 4x4	25
Octavia Laurin & Klement	26
Octavia vRS	28

Colour and upholstery

30

Equipment specification

Exterior equipment	32
Interior equipment	33

Technical specification

Measurements	34
Octavia Hatch, Laurin & Klement, vRS	36
Octavia Estate, Laurin & Klement, vRS Estate, 4x4 Estate	40

Technical glossary

44

Customer services

45





Yesterday's values, tomorrow's technology

It's amazing what you can get when you combine a 100 year tradition of skill, innovation and sheer pride in workmanship with state-of-the-art processes and technology. You get today's Škoda experience... You get in the car, adjust the seat, the door mirrors and the steering wheel to your ideal

settings. You turn the key, with just a gentle murmur telling you the engine's ready to take you wherever you want to go. A glance front and back tells you you've been boxed in, no problem. Power steering and clear all-round vision makes getting out of any space a doddle.

1 A modern Škoda development centre



Designing a car starts with thinking about people

Modern cars provide the freedom to work and play, for shopping and holidays, school runs and business trips. In other words cars are for people and their everyday lives. A car is a necessity in most of our lives and it should be as comfortable, practical and safe as we can realistically make it.

When we designed the Octavia we thought of

these primary needs. Our first consideration is the practicality of everyday driving, supported by high levels of comfort, reliability, safety and engineering.

However, we did not forget the sheer fun of driving. The entire Octavia range, from the Classic to the high performance Octavia vRS and 4x4 models, will bring a smile to your face.



Please note: car shown is not UK specification.

Choose the engine that really suits you

At Škoda, we recognise that different people want different things from their driving experience, which is why the Octavia comes with no less than nine engine options, all operating well within the next generation of emissions¹ standards. For exceptional fuel economy and low emissions there are new generation diesel engines such as the 1.9 TDI PD with the latest

turbocharger technology. 130bhp and plenty of torque provide ample power and acceleration when you need it. If you're looking for high performance you might prefer the Octavia vRS. The 1.8 litre 20v Turbo engine delivers 180bhp and accelerates from 0-62 mph in under 8 seconds. Whichever option you choose, you'll have some of the latest technology on the road. State-of-the-art ABS (Anti-lock Braking System)

prevents the wheels from locking during heavy or emergency braking. While EDL (Electronic Differential Lock), available from Elegance upwards, improves driving and steering characteristics when accelerating on road surfaces. The 4x4 uses the intelligent Haldex clutch to drive either two wheels or four wheels within a split-second of surface conditions changing.

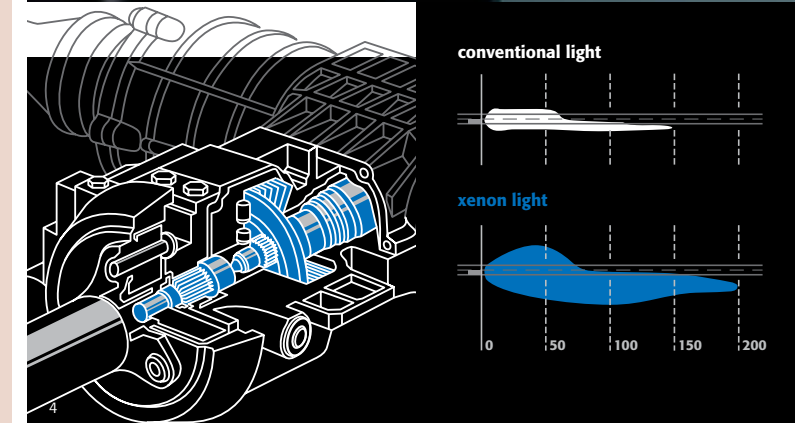
¹ Please see pages 36 to 43 for official fuel consumption and CO2 emissions figures.



- 1 Five-speed gearbox in the 4x4 (available in Estate only).
- 2 Automatic transmission option for 1.9 90bhp TDI and 1.8 Turbo petrol models.
- 3 Xenon lights are standard on Laurin & Klement (available as an option on Elegance and vRS).



- 4 The Haldex clutch automatically distributes power between the front and rear axles, available on 4x4.



- 5 The ESP option is designed to stabilise the dynamic handling response of the vehicle by counteracting any tendency towards oversteer or understeer. Please see Glossary on page 44 for further information.





Attachments for the Isofix child safety seat system.



Acoustic parking sensors, available as an option on Ambiente, Elegance, vRS and Laurin & Klement.

Third headrest and three-point seatbelt, fitted as standard.

Safety first

Accidents happen. A series of factors totally out of your control can lead to an accident. The Octavia is packed with a whole range of features to give you peace of mind. We fit driver and passenger airbags as standard on all models with additional side airbags on the Elegance and Laurin & Klement models.

We also fit our ABS braking system as standard on all models. Traction control systems (EDL, ESP and ASR) are standard on some models – see Glossary on page 44. The safety of children is paramount for everyone, especially for a parent or grandparent. Regular crash testing gives the

Octavia high safety standards, while our Isofix system enables the child seat to be attached directly to the chassis, keeping it secure. It also helps us keep the Octavia high on the safety ratings – but more importantly it helps us to keep you safe.



ESP (Electronic Stability Programme) on 4x4 Estate.



Driver and front passenger airbag as standard.



Side airbags, standard on Elegance and Laurin & Klement.



Passenger airbag deactivation switch, available as an option.



Front door lights in the Ambiente, Elegance, vRS and Laurin & Klement.



Diamond look rear lights.



Rear windscreen wiper with washer. Standard on all models.



Headlight washing system on Elegance and Laurin & Klement.



Driver seatbelt warning light in the Ambiente, Elegance, vRS and Laurin & Klement.



ABS is standard on all Octavias.



Brake lining wear check on versions with extended service intervals.



Windscreen wash water check on Elegance and Laurin & Klement.



Please note: car shown is not UK specification.

It's all in the detail

One of the joys of driving the Octavia is the attention to detail – not just in the aesthetics but in the whole driving experience. All Octavias have power steering to make light work of parking whilst providing precision handling on the road. And for your driving comfort, the steering wheel and your seat are

fully adjustable to your perfect position. On many models you can adjust your heated door mirrors and windows at a touch of a button. In fact you'll find that all trim details in the Octavia are designed and made to standards far exceeding it's class.

1 Roof rails are fitted as standard on the Octavia Estate Elegance, Laurin & Klement and vRS, while the hatch is fitted with crossbar attachments.

2 Sunroof is standard on Elegance and Laurin & Klement.



3 Manually adjustable air conditioning is standard in the Ambiente.

4 Multifunction trip computer standard from Ambiente upwards.

5 Electrically operated front and rear windows with one touch operation standard from Ambiente upwards.

6 Electrically adjustable heated door mirrors standard from Ambiente upwards.



6

Škoda audio – the perfect companion

- 1 Škoda 'Symphony' radio/single CD player. Exclusive Škoda design, standard on Classic models.
- 2 Škoda radio/cassette 'Symphony' with six disc CD autochanger. Exclusive Škoda design with Dolby cassette deck, code security system and six disc CD autochanger standard on Ambiente, Elegance, Laurin & Klement and vRS.



A place for everything

The Octavia passenger cabin has been tuned to modern living. You will find carefully considered spaces for all the paraphernalia associated with the everyday life of a driver. More than just a convenience, having things tucked away in storage areas and under nets is

much safer in the unhappy event of a collision. If you regularly carry items of high value, there is a variable height boot floor on some estate models to keep things hidden away from prying eyes.

- 1 Rear ashtray and cup holder.
- 2 Front armrest. Standard on Elegance and Laurin & Klement.

- 3 Specially shaped front seats allow rear passengers extra legroom plus storage pockets.

- 4 Storage space in the Octavia boot.

- 5 Variable boot floor standard in the Elegance and Laurin & Klement Estate (not 4x4 Estate).

- 6 Luggage nets standard from the Ambiente upwards.





Škoda Octavia Classic

Everything you would expect from an Octavia. High quality engineering, technology and safety.

The Classic is our entry level model but is in no way a basic car. Power steering, all round

central locking and tinted glass are all standard. An adjustable steering column and a pollen filter in the air re-circulation system keeps you driving comfortably. Safety features include ABS braking, driver and front passenger airbags and

Isofix child seat mounting points. And to show that passenger safety is always paramount, the centre rear seat position has a full 3 point safety belt and there are 3 rear head restraints.

1 Classic upholstery: Phoenix. Vehicle shown is not UK specification.

2 Classic wheel trim.

3 Škoda 'Symphony' radio/single CD player.



Škoda Octavia Ambiente

The Octavia Ambiente has all of the quality engineering that the Classic provides but with a few more 'creature comforts'.

In addition to a choice of upholstery colours there is a six disc CD autochanger and quality

audio system to take the strain out of traffic jams. Additional practical and labour saving features include central locking with remote control and all round electric windows. And if you want to keep the windows closed just turn

on the air conditioning to keep cool. Front fog lamps and body coloured electric door mirrors and bumpers all add an extra level of refinement to the Ambiente specification.

4 Ambiente upholstery: Scale Blue. Vehicle shown is not UK specification.

5 Black cockpit with adjustable steering wheel and trip computer as standard, plus air conditioning.

6 Ambiente wheel trim.



Škoda Octavia Elegance

As the name suggests, the Octavia Elegance provides an exceptional level of additional styling and comfort. If you like genuine fresh air and sunshine there is an electrically operated sunroof. However, if you prefer not to trust the elements, just switch on the climate control, set your ideal cabin temperature and your Octavia

Elegance will maintain it all year round. Externally, people will notice the attractive 16" alloy wheels and headlamp washers. On a practical note the ABS braking system is enhanced with advanced EDL and ASR systems to assist grip and traction.

1 Elegance upholstery: Bamboo Black. Vehicle shown is not UK specification.

2 Standard RIDE alloy wheel.

3 Headlamp washing system.



Škoda Octavia 4x4

At the heart of the 4x4 experience is a rugged and reliable 1.8 litre 150bhp turbocharged unit with enough torque to see you through any situation. The variable power distribution adds great roadholding, and individual wheel, brake and

engine sensors give great off-road holding. Rain, snow, mud or ice, each wheel gets precisely the power it needs without losing traction. The 4x4 is available in Estate versions only.

Standard in the Octavia 4x4: ABS, EDL and ESP for the optimum in active safety.



Škoda Octavia Laurin & Klement

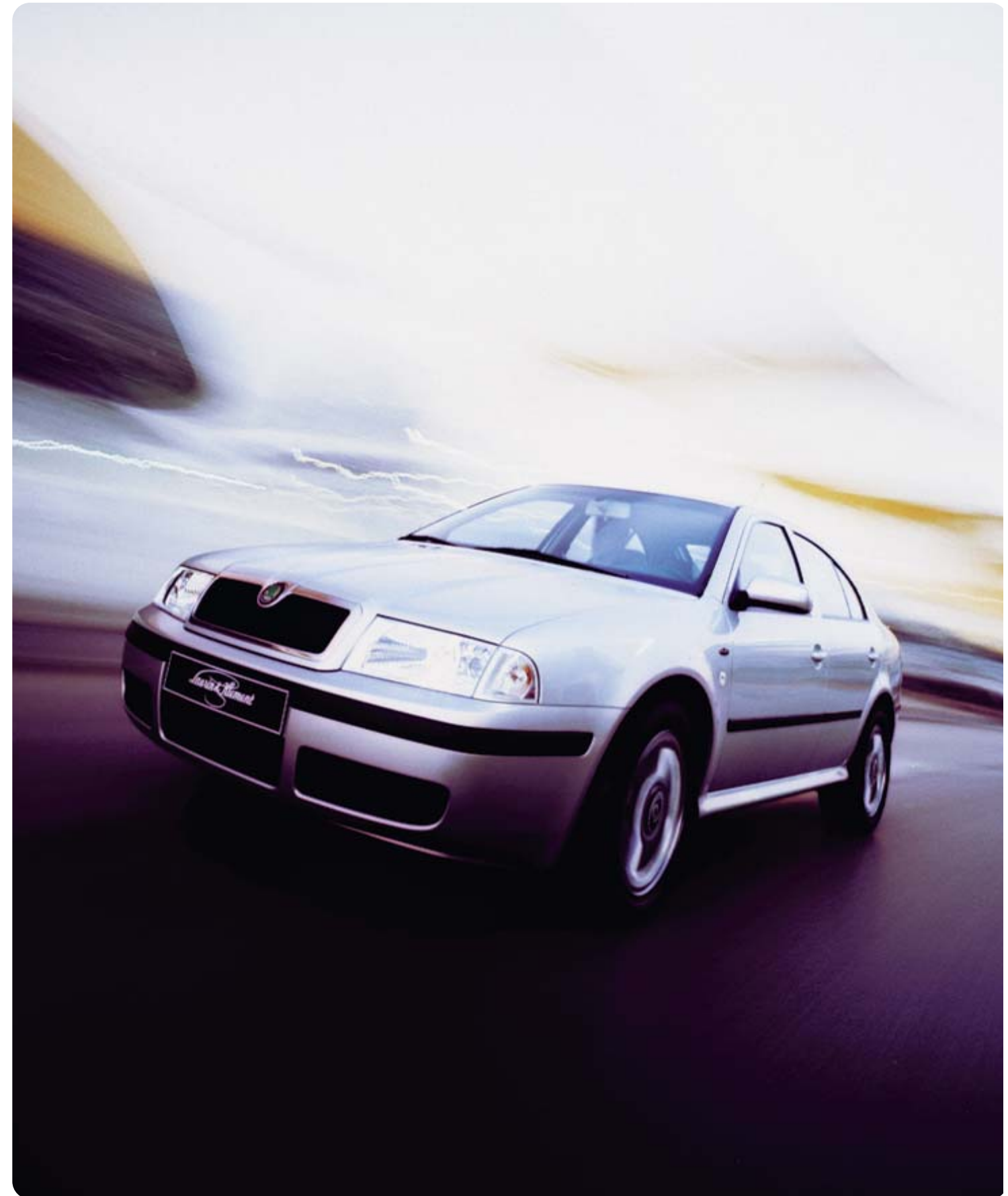
It's a question of luxury and style. Driving the Octavia Laurin & Klement is a style statement in itself. The leather upholstery, luxury trim and chrome instrument bezels provide a driving environment of the highest class. In the driving seat, the cruise control and the optional four speed automatic transmission

make easy work of town and motorway driving, while the 6 CD autochanger and climate control will help to keep everyone happy, regardless of traffic conditions. Bright Xenon headlights, heated front seats, dark chrome alloy wheels and standard metallic paint finish complete the picture of luxury.

The Octavia Laurin & Klement is available with either the 1.8 20V turbo petrol engine (manual and automatic) or a choice of two diesel engines; the 1.9 TDI 110bhp or the 1.9 TDI PD 130bhp engine (manual only).

Please note: Laurin & Klement has limited availability.

Vehicle shown is not UK specification.



Škoda Octavia vRS

Škoda's international rallying success has been translated into its fastest ever road going car – which will take you from 0–60 mph in under 8 seconds (Hatch only). The heart of the Octavia vRS is its 180bhp 1.8 litre 20V engine giving it a top speed of 146 mph¹ (Hatch only). Anti-lock brakes, Anti-Slip Regulation (ASR) and

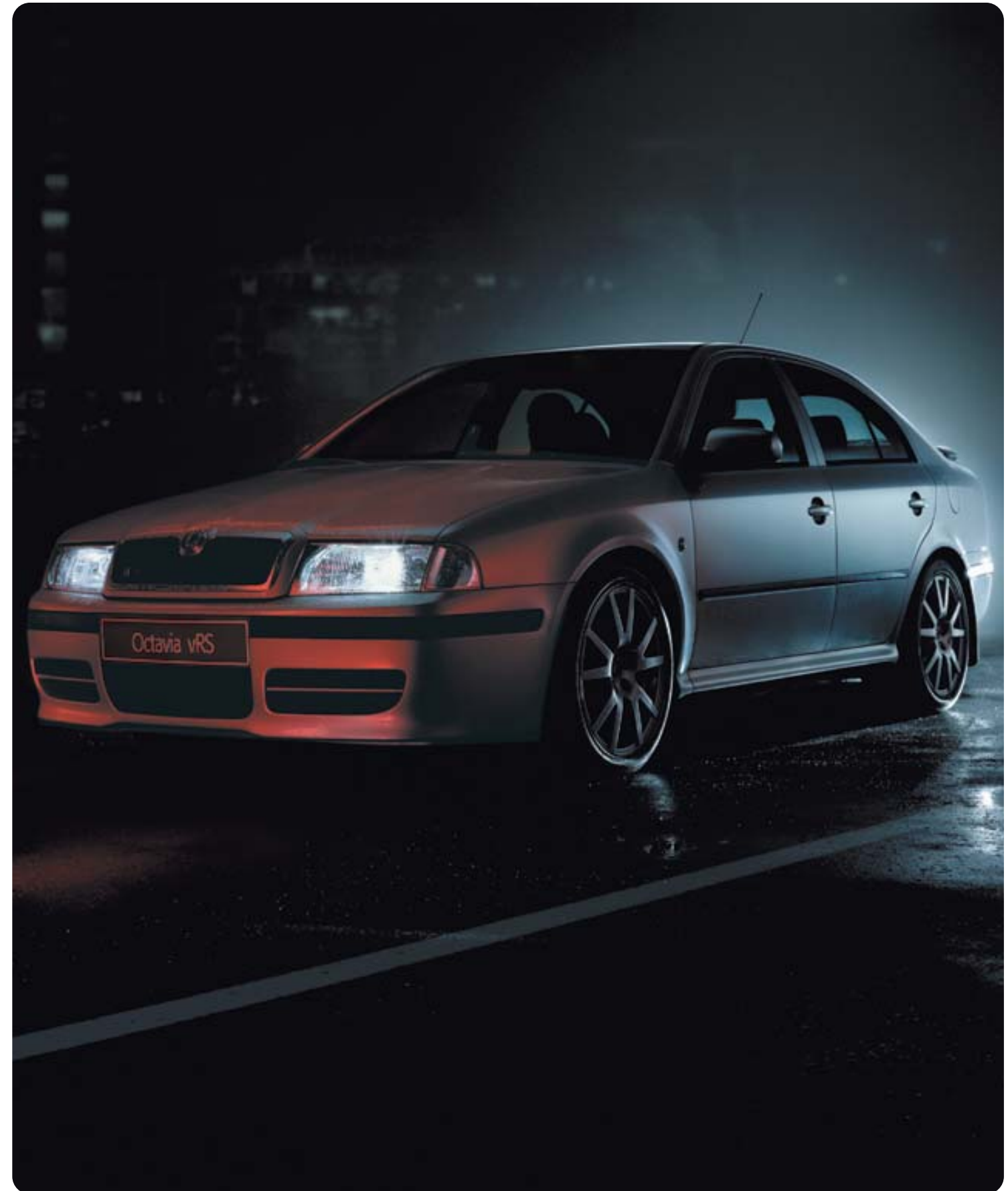
Electronic Differential Lock (EDL) improve safety, road holding and the dynamic driving characteristics of the Octavia vRS. Everyone will know this is no ordinary Octavia. The rear spoiler, 17" alloy wheels (16" alloy wheels on estate), sports badging, stainless steel exhaust and brake callipers in Škoda's

famous rally green will turn heads. In the cockpit the exclusive sports finish and rally-inspired dials are a reminder of Škoda's sporting heritage. Underneath the sports styling and performance there still lies the high build quality, safety features and space of the Octavia range.

¹ Where permitted by UK law.

Octavia vRS is a registered trade mark of ŠkodaAuto.

vRS available in Hatch and Estate.



Colour and upholstery



Classic upholstery: Phoenix

Škoda offers a selection of attractive colours. We have one of the most modern paint shops in Europe, where we lay great stress not only on perfect workmanship but also on environmental friendliness. That's why all the paints we use are water-soluble and all pigments are entirely free of heavy metals. We regard ourselves as having a duty not only to the Škoda drivers of today but also to those of tomorrow.



Ambiente upholstery: Scale Green



Ambiente upholstery: Scale Blue



Ambiente upholstery: Scale Grey



Elegance upholstery: Bamboo Beige



Elegance upholstery: Bamboo Black



Laurin & Klement upholstery: Black Leather/Alcantara



Laurin & Klement upholstery: Beige Leather/Alcantara



Laurin & Klement upholstery: Black Leather



vRS upholstery: Leather/Metallic mesh cloth



Stone Grey Metallic F7F7 (not vRS)



Eucalyptus Metallic M7M7 (not vRS)
(not available on vehicles built from wk 46 onwards)



Nature Green Metallic 3Y3Y (not vRS)



Admiral Blue Metallic X9X9 (not vRS)
(not available on vehicles built from wk 46 onwards)



Candy White 9P9P
(not vRS or Laurin & Klement)



Black Magic Pearl-effect 1Z1Z



Cayenne Metallic 7Q7Q (not vRS)
(not available on vehicles built from wk04/2004)



Dark Blue Metallic D7D7 (not vRS)



Dynamic Blue 6D6D
(not vRS or Laurin & Klement)



Lemon Yellow 8Q8Q (vRS only)



Diamond Silver Metallic 1B1B



Corrida Red 8T8T (not Laurin & Klement)



Graphite Grey Metallic U9U9 (Not vRS)
(Available on vehicles built from week 32 onwards)

Because of errors which may occur in the print, the colours illustrated here may differ from the actual finishes themselves. Your Škoda Retailer will be pleased to advise you.

Car shown is a Laurin & Klement and is not available in certain colours.

Exterior equipment

	Classic	Ambiente	Elegance	vRS	Laurin & Klement
ABS ¹	●	●	●	-	-
ABS + EDL + ASR ¹	- (Plus Pack)	-	●	●	●
Alarm	○	-	-	-	-
Alloy wheels, 16", RIDE (full size steel spare)	-	-	●	-	-
Alloy wheels, 17", SPIDER (full size steel spare) (16" on Estate)	-	-	-	●	-
Alloy wheels, 16", L&K dark chrome (full size steel spare)	-	-	-	-	●
Automatic transmission, four speed ²	-	●	●	-	●
Body coloured bumpers	●	●	●	●	●
Body coloured door handles	-	●	●	●	●
Body coloured door mirrors	-	●	●	●	●
Bodyside protective moulding	-	●	●	●	●
Child safety locks on rear doors	●	●	●	●	●
Electric releasing petrol cover flap	- (Plus Pack)	●	●	●	●
Electrically adjustable and heated door mirrors	○ (Plus Pack)	●	●	●	●
Electrically operated front windows	○	-	-	-	-
Electrically operated front and rear windows with one touch operation	-	●	●	●	●
Electrically operated sunroof	○	○	●	○	●
ESP (Electronic Stability Programme) ³	-	-	●	-	-
Five speed manual transmission	●	●	● ⁶	●	● ⁶
Front fog lights	-	●	●	●	●
Headlight washer system and water filling control	-	-	●	○	●
Headlights with clear optics	●	●	●	●	●
High level third brake light	●	●	●	●	●
Internally adjustable door mirrors	●	-	-	-	-
Internally adjustable headlight beam level	●	●	●	●	●
Metallic paint	○	○	○	○	●
Parking sensors	-	○	○	○	○
Power steering	●	●	●	●	●
Rear fog light	●	●	●	●	●
Rear mudflaps	●	●	●	●	●
Rear mounted roof aerial	●	●	●	●	●
Rear spoiler	-	-	-	●	-
Rear wash/wipe	●	●	●	●	●
Roof rails	-	□	■	■	■
Roof bar preparation	▼	▼	▼	▼	▼
Tinted glass	●	●	-	-	-
Tinted glass with sunband (grey)	-	-	●	●	●
Twin reversing lights	●	●	●	●	●
Two speed windscreen wipers	●	●	●	●	●
Variable intermittent windscreen wipe	●	●	●	●	●
Visible VIN	●	●	●	●	●
Wheel trims	●	●	-	-	-
Xenon Headlights	-	-	-	○	●

For further information on accessories please contact an authorised Škoda retailer who will be happy to assist you.

¹ EDL + ASR not available on 2.0. ASR not available on 4x4

² Automatic transmission not available on 1.6 Ambiente and Elegance TDI

³ ESP standard on 4x4 only

⁴ Variable boot floor not available on Elegance 4x4 Estate

⁵ Radio/CD player standard on all vehicles

⁶ 1.9 TDI PD 130bhp has six speed manual transmission

Interior equipment

	Classic	Ambiente	Elegance	vRS	Laurin & Klement
Adjustable dashboard illumination	-	●	●	●	●
Air re-circulation, pollen filter	●	●	●	●	●
Air conditioning	-	●	-	-	-
Boot located 12V power outlet	■	■	■	■	■
Boot storage net	-	●	●	●	●
Central front armrest	-	-	●	-	●
Central locking, operating from both front doors	● (Plus Pack)	-	-	-	-
Central locking with remote control	○	●	●	●	●
Central sunvisor	●	●	●	●	●
Chrome instrument bezels	-	-	-	-	●
Cigarette lighter	●	●	●	●	●
Climate control	-	-	●	●	●
Cruise control	-	○	○	○	●
Cup holders	●	●	●	●	●
Deadlocks	●	●	●	●	●
Delayed courtesy light	-	●	●	●	●
Digital clock	●	●	●	●	●
Driver and front passenger airbags	●	●	●	●	●
Folding rear seat with 60/40 asymmetric split	●	●	●	●	●
Front reading light	-	●	●	●	●
Glovebox	●	●	●	●	●
Heated front seats	-	-	-	-	●
Height adjustable drivers seat	●	●	●	●	●
Height adjustable passenger seat	-	●	●	●	●
Height adjustable front and rear head restraints	●	●	●	●	●
Height adjustable front seat belts	●	●	●	●	●
Height and reach adjustable steering wheel	●	●	●	●	●
Immobiliser	●	●	●	●	●
Interior boot light	●	●	●	●	●
Lashing eyelets in boot	●	●	●	●	●
Leather gear knob	-	-	-	●	●
Lights on warning buzzer	●	●	●	●	●
Parcel shelf	●	●	●	●	●
Parcel shelf - retractable	■	■	■	■	■
Radio/single CD player - 'Symphony' - 4 speakers (front) (compatible with CD autochanger)	● ⁵	-	-	-	-
Radio/cassette 'Symphony' & 6 disc CD autochanger - 8 speakers (front & rear)	-	●	●	●	●
Upgraded speakers 'Sound system'	-	-	-	-	●
Rear ashtray	●	●	●	●	●
Rev counter	●	●	●	●	●
Seat mounted storage pockets	●	●	●	●	●
Seatbelt warning light	-	●	●	●	●
Side airbags, front	-	-	●	-	●
Side impact protection	●	●	●	●	●
Third rear headrest	●	●	●	●	●
Third 3 point rear seat belt	●	●	●	●	●
Trip computer	-	●	●	●	●
Twin rear reading lights	-	-	●	-	●
Upholstery - 'Phoenix' cloth	●	-	-	-	-
Upholstery - 'Scale' cloth	-	●	-	-	-
Upholstery - 'Bamboo' cloth	-	-	●	-	-
Upholstery - Partial Leather/Metallic Mesh Cloth	-	-	-	●	-
Upholstery - Leather/Alcantara Beige	-	-	-	-	○
Upholstery - Leather/Alcantara Black	-	-	-	-	●
Variable boot floor ⁴	-	-	■	-	■
Luxury trim	-	-	-	-	●

Please note: Laurin & Klement has limited availability.

Specification guide:

● Equipment fitted as standard on vehicle.

○ Equipment available at extra cost.

▼ Equipment fitted as standard on Hatch models only.

▽ Equipment available at extra cost on Hatch models only.

■ Equipment fitted as standard on Estate models only.

□ Equipment available at extra cost on Estate models only.

- Not available.

(A) with 4 speed automatic gearbox.

Measurements

Figures are for vehicle carrying average load and three passengers. *Figures for unloaded vehicle.
Clearance: 119mm on Octavia vRS. 151mm on Octavia 4x4 (Estate). 134mm on Octavia (Hatch & Estate)

Figures in square brackets [] are for Octavia Estate 4x4.
Figures in rounded brackets () are for Octavia vRS. Wheel track depends on wheel size.

Škoda Octavia Hatch, Laurin & Klement, vRS

Interior dimensions:

Legroom – front max/min (mm) 1,115/864

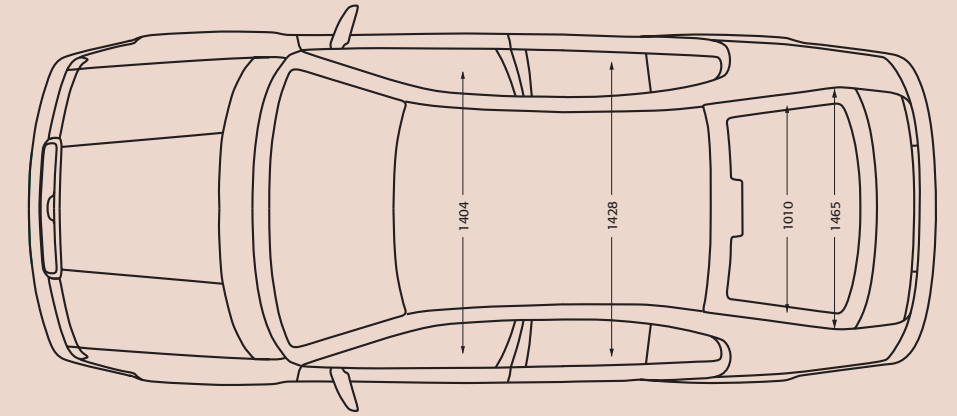
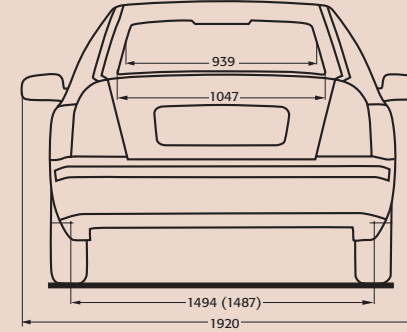
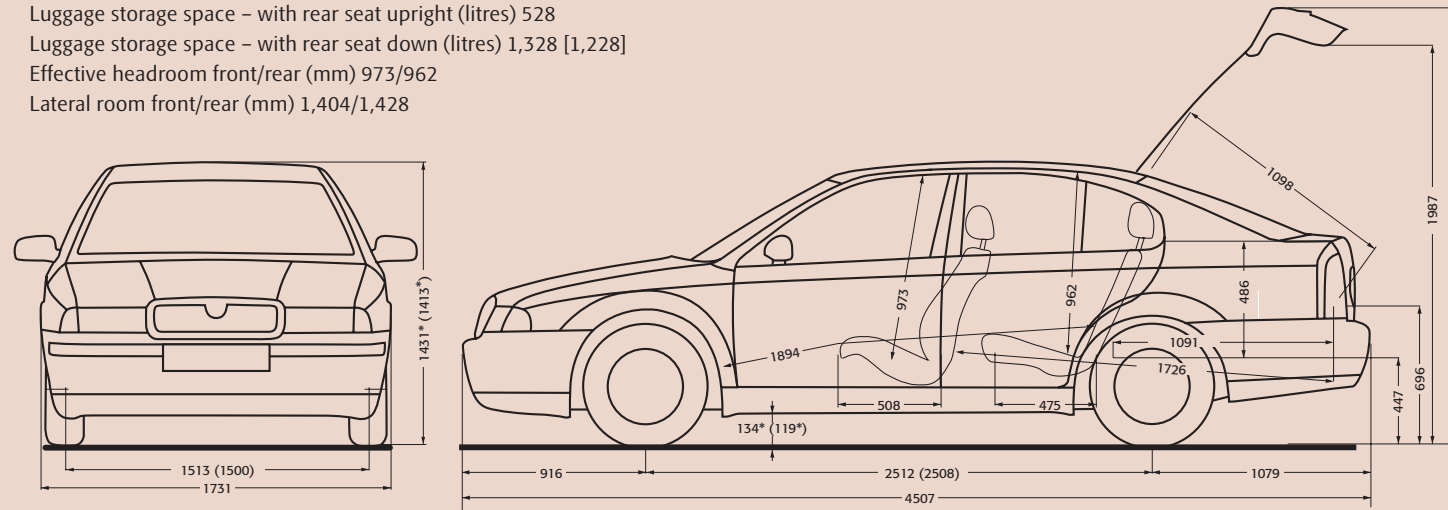
Legroom – rear max/min (mm) 863/594

Luggage storage space – with rear seat upright (litres) 528

Luggage storage space – with rear seat down (litres) 1,328 [1,228]

Effective headroom front/rear (mm) 973/962

Lateral room front/rear (mm) 1,404/1,428



Škoda Octavia Estate, Laurin & Klement, 4x4, vRS

Interior dimensions:

Legroom – front max/min (mm) 1,115/864

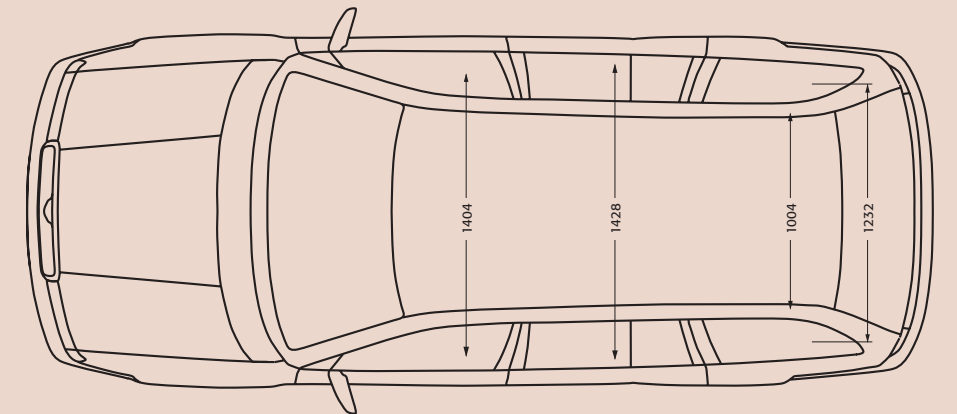
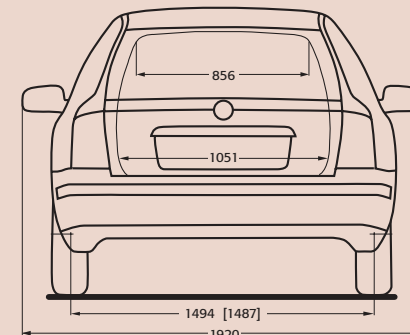
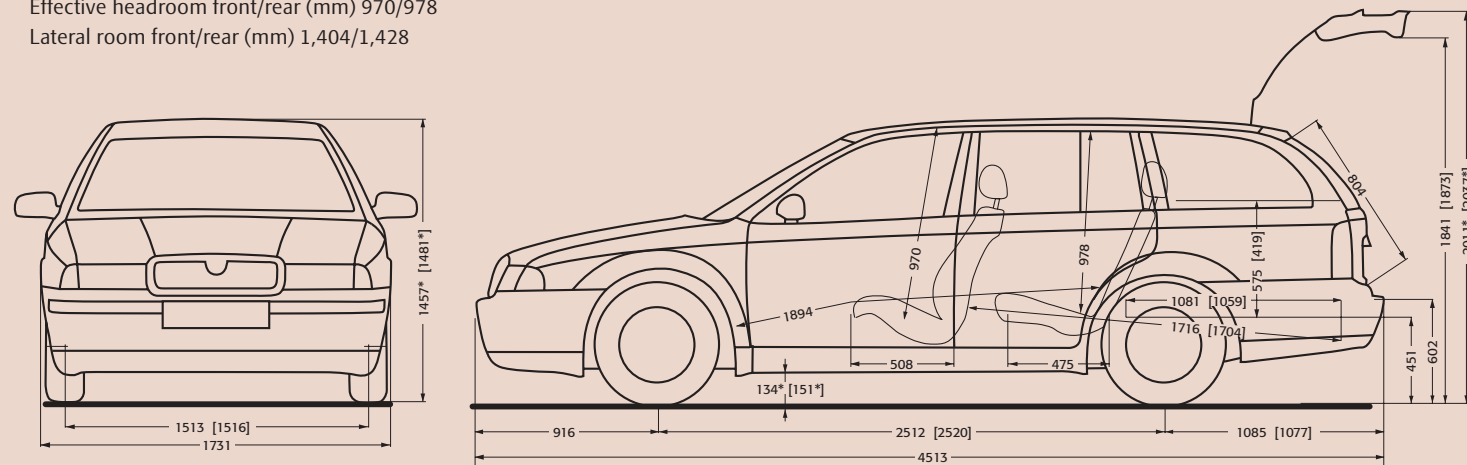
Legroom – rear max/min (mm) 863/594

Luggage storage space – with rear seat upright (litres) 548 [448]

Luggage storage space – with rear seat down (litres) 1,512 [1,412]

Effective headroom front/rear (mm) 970/978

Lateral room front/rear (mm) 1,404/1,428



Škoda Octavia Hatch, Laurin & Klement, vRS continued

Engine	1.8 20v Turbo/150bhp (Auto)	1.9 SDI/68bhp	1.9 TDI/90bhp
	Turbocharged 4-cylinder in-line engine, spark ignition, water-cooled, dual OHC, transverse-mounted, five valves per cylinder, electronic multi-point fuel injection, contact-free, microprocessor-controlled.	4-cylinder in-line engine, compression-ignition, water-cooled, OHC, transverse-mounted, electronic direct injection.	Turbocharged 4-cylinder in-line engine, compression-ignition, water-cooled, OHC, transverse-mounted, electronic direct injection, intercooler, turbocharger.
Version	Elegance/Laurin & Klement	Classic	Classic/Ambiente
Cubic capacity cc	1,781	1,896	1,896
Bore x stroke mm	81.0 x 86.4	79.5 x 95.5	79.5 x 95.5
Air pollution regulation	EUIV	EUIII	EUIII
Compression ratio	9.5:1	19.5:1	19.5:1
Battery	12V/70Ah	12V/70Ah	12V/70Ah
Alternator	70Ah	90Ah	90Ah

Weight			
Kerb weight* lbs (kg)	3,131 (1,420)	3,053 (1,385)	3,087 (1,400)
Total weight lbs (kg)	4,134 (1,875)	4,035 (1,830)	4,090 (1,855)
Payload* lbs (kg)	992 (450)	981(445)	1,003 (455)
Max roof load lbs (kg)	165 (75)	165 (75)	165 (75)
Towing unbraked max lbs (kg)	1,102 (500)	1,102 (500)	1,102 (500)
Towing braked max lbs (kg)	2,866 (1,300)	1,874 (850)	2,866 (1,300)
Nose weight max lbs (kg)	132 (60)	110 (50)	132 (60)

Performance			
Max speed mph (km/h)	134 (215)	101 (163)	113 (182)
Acceleration 0–62mph	9.9	19.2	13.0
Max performance (Bhp/rpm)	150/5,700	68/4,200	90/4,000
Max torque (Nm/rpm)	210/1,750 - 4,600	133/2,200 - 2,600	210/1,900
Fuel consumption mpg (l/100km)			
Urban**	21.9 (12.9)	39.8 (7.1)	41.5 (6.8)
Extra Urban**	40.4 (7.0)	64.2 (4.4)	65.7 (4.3)
Combined**	31.0 (9.1)	53.3 (5.3)	54.3 (5.2)
CO ₂ emissions g/km**	218	143	140

Insurance Group	13A	5E	7E
-----------------	-----	----	----

* Weight depending on level of equipment ** Fuel consumption and CO₂ emissions according to EU Directive 99/94.

Power transmission	
Clutch	Manual transmission: Hydraulically-activated single-plate dry clutch with diaphragm spring, asbestos-free coating. Automatic transmission: hydrodynamic torque converter.
Manual transmission	Five-speed manual transmission, fully synchronised with direct gearshift, six speed manual transmission (1.9 TDI PD/130bhp).
Automatic transmission	Four-speed with fuzzy logic system (only in 1.9 TDI/90bhp and 1.8 20v Turbo/150bhp).
Bodywork	
Body type	Five-door, five-seat, double-space steel bodywork, fully zinc-coated.
Drag coefficient c _w	0.30 (Classic version) 0.31 (Ambiente, Elegance and Laurin & Klement versions) 0.29 (vRS version)
Tank	
Fuel tank/reserve content (l)	55/7
Fuel	Lead-free petrol with RON 95 or Lead-free petrol with RON 91*. Only petrol RON 95 for 2.0 MPI/115bhp, 1.8 20v Turbo/150bhp and 1.8 20v Turbo/180bhp Diesel (1.9 SDI/68bhp, 1.9 TDI/90bhp and 1.9 TDI/110bhp) CZ 49, bio-diesel CZ 49, at the minimum, according to DIN 51606.

*Lower efficiency when using RON 91 petrol

1.9 TDI/90bhp (Auto)	1.9 TDI/110bhp	1.9 TDI PD/130bhp
Turbocharged 4-cylinder in-line engine, compression-ignition, water-cooled, OHC, transverse-mounted, electronic direct injection, intercooler, turbocharger.	Turbocharged 4-cylinder in-line engine, compression-ignition, water-cooled, OHC, transverse-mounted, electronic direct injection, intercooler, turbocharger with variable blades.	Turbocharged 4-cylinder in-line engine, water-cooled, OHC, transverse-mounted, high pressure direct injection system - pump nozzle, self-aligning VTG blades.
Ambiente	Elegance/Laurin & Klement	Elegance/Laurin & Klement
1,896	1,896	1,896
79.5 x 95.5	79.5 x 95.5	79.5 x 95.5
EUIII	EUIII	EUIII
19.5:1	19.5:1	19.0:1
12V/70Ah	12V/70Ah	12V/70Ah
90Ah	90Ah	90Ah

3,152 (1,430)	3,098 (1,405)	3,141 (1,425)
4,090 (1,855)	4,101 (1,860)	4,145 (1,880)
1,003 (455)	1,003 (455)	1,003 (455)
165 (75)	165 (75)	165 (75)
1102 (500)	1,102 (500)	1,102 (500)
2,866 (1,300)	2,866 (1,300)	2,866 (1,300)
132 (60)	132 (60)	132 (60)

109 (176)	119 (191)	129 (207)
15.0	11.1	9.7
90/4,000	110/4,150	130/4,000
210/1,900	235/1,900	310/1,900

31.0 (9.1)	41.5 (6.8)	39.8 (7.1)
57.6 (4.9)	65.7 (4.3)	62.8 (4.5)
44.1 (6.4)	54.3 (5.2)	52.3 (5.4)
173	140	146

7E	9E	11P
----	----	-----

Chassis	
Front axle/rear axle	McPherson axle with the bottom triangular control arms and transverse torsion stabiliser/crank axle with trailing arms and transverse torsion stabiliser.
Suspension	Coil springs, telescopic shock absorbers, rear springs located outside the shock absorbers (gas shock absorbers in rear).
Braking system	Hydraulic dual-circuit brake, diagonally connected, with a vacuum brake booster and braking force controller of the rear brakes pressure limiter. Particular engine types may be provided with the following brake control systems: ABS, EDL, ASR.
Front brakes	Ventilated disc brakes in sliding calliper design with piston.
Rear brakes	Drum brakes with two separate shoes; disc brakes with full discs and single-piston floating callipers (2.0 MPI/115bhp, 1.8 20v Turbo/150bhp, 1.9 TDI/110bhp, 1.9 TDI PD/130bhp, 1.8 20v Turbo/180bhp).
Handbrake	Mechanical handbrake operating on rear wheels.
Steering	Maintenance-free rack-and-pinion steering with power assist.
Turning circle (m)	10.8
Wheels/tyres	Steel rim 6J x 14"/175/80 R14 (Classic version). Steel rim 6J x 15"/195/65 R15 (Ambiente version). Alloy rim 'Ride' 6J x 16"/205/55 R16 (Elegance version). Alloy rim SPIDER 6.5J x 17"/205/50 R17 (vRS Hatch). Alloy rim Laurin & Klement 6.5J x 16"/205/55 R16 (Laurin & Klement version).

Škoda Octavia Estate, Laurin & Klement, vRS Estate, 4x4 Estate

Engine	1.6 MPI/102bhp	2.0 MPI/115bhp	1.8 20v Turbo/180bhp
	4-cylinder in-line engine, spark ignition, water-cooled, OHC, variable induction pipe, transverse-mounted, two valves per cylinder, electronic multi-point fuel injection, contact-free, microprocessor-controlled.	4-cylinder in-line engine, spark ignition, water-cooled, OHC, transverse-mounted, two valves per cylinder, electronic multi-point fuel injection, contact-free, microprocessor-controlled.	Turbocharged 4-cylinder in-line engine, spark ignition, water-cooled, dual OHC, transverse-mounted, five valves per cylinder, electronic multi-point fuel injection, contact-free, microprocessor-controlled.
Version	Classic/Ambiente	Ambiente	vRS
Cubic capacity cc	1,595	1,984	1,781
Bore x stroke mm	81.0 x 77.4	82.5 x 92.8	81.0 x 86.4
Air pollution regulation	EUIV	EUIV	EUIV
Compression ratio	10.5:1	10.5:1	9.5:1
Battery	12V/60Ah	12V/60Ah	12v/60Ah
Alternator	70Ah	70Ah	70Ah

Weight			
Kerb weight* lbs (kg)	3,009 (1,365)	3,075 (1,395)	3,064 (1,390)
Total weight lbs (kg)	3,980 (1,805)	4,057 (1,840)	4,023 (1,825)
Payload* lbs (kg)	970 (440)	981 (445)	1,069 (485)
Max roof load lbs (kg)	165 (75)	165 (75)	165 (75)
Towing unbraked max lbs (kg)	1,102 (500)	1,102 (500)	1102 (500)
Towing braked max lbs (kg)	2,646 (1,200)	2,866 (1,300)	2,866 (1300)
Nose weight max lbs (kg)	132 (60)	132 (60)	132 (60)

Performance			
Max speed mph (km/h)	118 (190)	123 (198)	143 (231)
Acceleration 0–62mph	11.9	10.9	8.0
Max performance (Bhp/rpm)	102/5,600	115/5,200	180/5,500
Max torque (Nm/rpm)	148/3,800	170/2,400	235/1,950–5,000
Fuel consumption mpg (l/100km)			
Urban**	28.2 (10.0)	25.0 (11.3)	26.2 (10.8)
Extra Urban**	50.4 (5.6)	45.6 (6.2)	44.1 (6.4)
Combined**	39.2 (7.2)	34.9 (8.1)	35.3 (8.0)
CO ₂ emissions g/km**	173	194	192

Insurance Group	7E	9E	16D
-----------------	----	----	-----

* Weight depending on level of equipment ** Fuel consumption and CO₂ emissions according to EU Directive 99/94.

Power transmission	
Clutch	Manual transmission: Hydraulically-activated single-plate dry clutch with diaphragm spring, asbestos-free coating (for 4x4: Haldex-clutch between front and rear axles). Automatic transmission: hydrodynamic torque converter.
Manual transmission	Five-speed manual transmission, fully synchronised with direct gearshift, six speed manual transmission (1.9 TDI PD/130bhp).
Automatic transmission	Four-speed with fuzzy logic system (only in 1.9 TDI/90bhp and 1.8 20v Turbo/150bhp).
Bodywork	
Body type	Five-door, five-seat, double-space steel bodywork, fully zinc-coated.
Drag coefficient c _w	0.30 (Classic version) <p>0.31 (Ambiente, Elegance and Laurin & Klement versions and vRS Estate versions)</p> 0.32 (Elegance 4x4)
Tank	
Fuel tank/reserve content (l)	55/7, 63/8 (4x4 Estate version)
Fuel	Lead-free petrol with RON 95 or Lead-free petrol with RON 91*. <p>Only petrol RON 95 for 2.0 MPI/115bhp and 1.8 20v Turbo/150bhp</p> Diesel (1.9 SDI/68bhp, 1.9 TDI/90bhp and 1.9 TDI/110bhp) CZ 49, bio-diesel CZ 49, at the minimum, according to DIN 51606.

*Lower efficiency when using RON 91 petrol

1.8 20v Turbo/150bhp	1.8 20v Turbo/150bhp (Auto)	1.8 20v Turbo/150bhp 4x4	1.9 SDI/68bhp
Turbocharged 4-cylinder in-line engine, spark ignition, water-cooled, dual OHC, transverse-mounted, five valves per cylinder, electronic multi-point fuel injection, contact-free, microprocessor-controlled.	Turbocharged 4-cylinder in-line engine, spark ignition, water-cooled, dual OHC, transverse-mounted, five valves per cylinder, electronic multi-point fuel injection, contact-free, microprocessor-controlled.	Turbocharged 4-cylinder in-line engine, spark ignition, water-cooled, dual OHC, transverse-mounted, five valves per cylinder, electronic multi-point fuel injection, contact-free, microprocessor-controlled.	4-cylinder in-line engine, compression-ignition, water-cooled, OHC, transverse-mounted, electronic direct injection.
Elegance/Laurin & Klement	Elegance/Laurin & Klement	Elegance	Classic
1,781	1,781	1,781	1,896
81.0 x 86.4	81.0 x 86.4	81.0 x 86.4	79.5 x 95.5
EUIV	EUIV	EUIII	EUIII
9.5:1	9.5:1	9.5:1	19.5:1
12V/60Ah	12V/60Ah	12V/60Ah	12V/70Ah
70Ah	70Ah	70Ah	90Ah

3,131 (1,420)	3,197 (1,450)	3,307 (1,500)	3,120 (1,415)
4,112 (1,865)	4,178 (1,895)	4,277 (1,940)	4,079 (1,850)
981 (445)	981 (445)	970 (440)	959 (435)
165 (75)	165 (75)	165 (75)	165 (75)
1,102 (500)	1,102 (500)	1,102 (500)	1,102 (500)
2,866 (1,300)	2,866 (1,300)	3,307 (1,500)	1,874 (850)
132 (60)	132 (60)	143 (65)	110 (50)

136 (217)	134 (215)	131 (211)	101 (163)
8.5	10.0	9.3	19.4
150/5,700	150/5,700	150/5,700	68/4,200
210/1,750–4,600	210/1,750–4,600	210/1,750–4,600	133/2,200–2,600

26.2 (10.8)	21.7 (13.0)	23.3 (12.1)	39.8 (7.1)
44.8 (6.3)	39.8 (7.1)	39.8 (7.1)	64.2 (4.4)
35.3 (8.0)	30.7 (9.2)	31.7 (8.9)	53.3 (5.3)
192	221	214	143

13A	9E	14A	5E
-----	----	-----	----

Chassis	
Front axle/rear axle	McPherson axle with the bottom triangular control arms and transverse torsion stabiliser/crank axle with trailing arms and transverse torsion stabiliser (for 4x4 Estate version: Multi-element rear axle).
Suspension	Coil springs, telescopic shock absorbers, rear springs located outside the shock absorbers (gas shock absorbers in rear).
Braking system	Hydraulic dual-circuit brake, diagonally connected, with a vacuum brake booster and braking force controller of the rear brakes pressure limiter. Particular engine types may be provided with the following brake control systems: ABS, EDL, ASR, ESP (4x4 Estate).
Front brakes	Ventilated disc brakes in sliding calliper design with piston.
Rear brakes	Drum brakes with two separate shoes; disc brakes with full discs and single-piston floating callipers (2.0 MPI/115bhp, 1.8 20v Turbo/150bhp, 1.9 TDI/110bhp, 1.9 TDI PD/130bhp, 1.8 20v Turbo/180bhp).
Handbrake	Mechanical handbrake operating on rear wheels.
Steering	Maintenance-free rack-and-pinion steering with power assist.
Turning circle (m)	10.8
Wheels/tyres	Steel rim 6J x 14"/175/80 R14 (Classic version). <p>Steel rim 6J x 15"/195/65 R15 (Ambiente version).</p> Alloy rim 'Ride' 6J x 16"/205/55 R16 (Elegance version). <p>Alloy rim Laurin & Klement 6.5J x 16"/205/55 R16 (Laurin & Klement version).</p>

Škoda Octavia Estate, Laurin & Klement, 4x4 Estate. Continued

Engine	1.9 TDI/90bhp	1.9 TDI /90bhp (Auto)	1.9 TDI /110bhp	1.9 TDI PD/130bhp
	Turbocharged 4-cylinder in-line engine, compression-ignition, water-cooled, OHC, transverse-mounted, electronic direct injection, intercooler, turbocharger.	Turbocharged 4-cylinder in-line engine, compression-ignition, water-cooled, OHC, transverse-mounted, electronic direct injection, intercooler, turbocharger.	Turbocharged 4-cylinder in-line engine, compression-ignition, water-cooled, OHC, transverse-mounted, electronic direct injection, intercooler, turbocharger with variable blades.	Turbocharged 4-cylinder in-line engine, water-cooled, OHC, transverse-mounted, high pressure direct injection system - pump nozzle, self-aligning VTG blades.
Version	Classic/Ambiente	Ambiente	Elegance/Laurin & Klement	Elegance/Laurin & Klement
Cubic capacity cc	1,896	1,896	1,896	1,896
Bore x stroke mm	79.5 x 95.5	79.5 x 95.5	79.5 x 95.5	79.5 x 95.5
Air pollution regulation	EUIII	EUIII	EUIII	EUIII
Compression ratio	19.5:1	19.5:1	19.5:1	19.0:1
Battery	12V/70Ah	12V/70Ah	12V/70Ah	12V/70Ah
Alternator	90Ah	90Ah	90Ah	90Ah
Weight				
Kerb weight* lbs (kg)	3,153 (1,430)	3,219 (1,460)	3,164 (1,435)	3,208 (1,455)
Total weight lbs (kg)	4,134 (1,875)	4,200 (1,905)	4,145 (1,880)	4,189 (1,900)
Payload* lbs (kg)	981 (445)	981 (445)	981 (445)	981 (445)
Max roof load lbs (kg)	165 (75)	165 (75)	165 (75)	165 (75)
Towing unbraked max lbs (kg)	1,102 (500)	1,102 (500)	1,102 (500)	1,102 (500)
Towing braked max lbs (kg)	2,866 (1,300)	2,866 (1,300)	2,866 (1,300)	2,866 (1,300)
Nose weight max lbs (kg)	132 (60)	132 (60)	132 (60)	132 (60)
Performance				
Max speed mph (km/h)	113 (182)	109 (176)	119 (191)	129 (207)
Acceleration 0-62mph	13.3	15.2	11.2	9.8
Max performance (Bhp/rpm)	90/4,000	90/4,000	110/4,150	130/4,000
Max torque (Nm/rpm)	210/1,900	210/1,900	235/1,900	310/1,900
Fuel consumption mpg (l/100km)				
Urban**	41.5 (6.8)	30.7 (9.2)	40.9 (6.9)	39.2 (7.2)
Extra Urban**	65.7 (4.3)	56.5 (5.0)	64.2 (4.4)	61.4 (4.6)
Combined**	54.3 (5.2)	43.5 (6.5)	53.3 (5.3)	51.4 (5.5)
CO ₂ emissions g/km**	140	176	143	149
Insurance Group	7E	7E	9E	11P

* Weight depending on level of equipment ** Fuel consumption and CO₂ emissions according to EU Directive 99/94.

8

Power transmission

Clutch Manual transmission: Hydraulically-activated single-plate dry clutch with diaphragm spring, asbestos-free coating (for 4x4: Haldex-clutch between front and rear axles). Automatic transmission: hydrodynamic torque converter.

Manual transmission Five-speed manual transmission, fully synchronised with direct gearshift, six speed manual transmission (1.9 TDI PD/130bhp).

Automatic transmission Four-speed with fuzzy logic system (only in 1.9 TDI/90bhp and 1.8 20v Turbo/150bhp).

Bodywork

Body type Five-door, five-seat, double-space steel bodywork, fully zinc-coated.

Drag coefficient c_w 0.30 (Classic version)

0.31 (Ambiente, Elegance and Laurin & Klement and vRS Estate versions)

0.32 (Elegance 4x4 Estate)

Tank

Fuel tank/reserve content (l) 55/7, 63/8 (4x4 version)

Fuel Lead-free petrol with RON 95 or Lead-free petrol with RON 91*.

Only petrol RON 95 for 2.0 MPI/115bhp and 1.8 20v Turbo/150bhp

Diesel (1.9 SDI/68bhp, 1.9 TDI/90bhp and 1.9 TDI/110bhp) CZ 49,

bio-diesel CZ 49, at the minimum, according to DIN 51606.

*Lower efficiency when using RON 91 petrol



Chassis

Front axle/rear axle McPherson axle with the bottom triangular control arms and transverse torsion stabiliser/crank axle with trailing arms and transverse torsion stabiliser (for 4x4 version: Multi-element rear axle).

Suspension Coil springs, telescopic shock absorbers, rear springs located outside the shock absorbers (gas shock absorbers in rear).

Braking system Hydraulic dual-circuit brake, diagonally connected, with a vacuum brake booster and braking force controller of the rear brakes pressure limiter. Particular engine types may be provided with the following brake control systems: ABS, EDL, ASR, ESP (4x4).

Front brakes Ventilated disc brakes in sliding calliper design with piston.

Rear brakes Drum brakes with two separate shoes; disc brakes with full discs and single-piston floating callipers (2.0 MPI/115bhp, 1.8 20v Turbo/150bhp, 1.9 TDI/110bhp, 1.9 TDI PD/130bhp, 1.8 20v Turbo/180bhp).

Handbrake Mechanical handbrake operating on rear wheels.

Steering Maintenance-free rack-and-pinion steering with power assist.

Turning circle (m) 10.8

Wheels/tyres Steel rim 6J x 14"/175/80 R14 (Classic version).

Steel rim 6J x 15"/195/65 R15 (Ambiente version).

Alloy rim 'Ride' 6J x 16"/205/55 R16 (Elegance version).

Alloy rim Laurin & Klement 6.5J x 16"/205/55 R16 (Laurin & Klement version).



Technical glossary

ABS: the anti-lock braking system prevents the wheels from locking during heavy or emergency braking, enabling the vehicle to remain steerable. When braking, wheel speed sensors measure the road wheel speed and should one or more wheels start to lock the system reduces brake pressure to that wheel.

MSR: the engine torque control system recognises when the wheels are subject to too much slippage and regulates the power supply by intervening in the engine management system. This prevents wheelspin when, for example, changing down on a smooth or wet road surface. MSR is a constituent part of the ASR system.

EDL: the electronic differential lock continually compares the rpm of the drive wheels, and if it identifies a difference between them which could lead to an individual wheel spinning, for example if the two wheels are on different types of surface or accelerating on wet leaves, the system brakes the wheel affected until uniform rpm of all drive wheels is restored.

ASR: Anti-Slip Regulation traction control ensures the Octavia's stability when pulling away or accelerating. If the engine power or torque being transmitted to the drive wheels is too great, for example on a slippery road surface, engine torque is automatically reduced until optimum road-holding returns, thus preventing wheelspin. A light indicates whether the ASR system is on. It can be manually switched off.

Xenon lamps: the Xenon lamps produce about 2.5 times the light of standard Halogen lamps with 35% less energy consumption.

ESP: Electronic Stability Programme is designed to stabilise the dynamic handling response of the vehicle by counteracting any

tendency towards oversteer or understeer. The ESP constantly compares the actual movement of the vehicle with predetermined values and according to the situation ESP reacts by braking each wheel individually (according to direction of slip) and automatically adjusting the engine's output.

CAN Bus: the CAN Bus is an electronic data bus which links the various different electronic control systems in the car. It ensures ideal co-ordination between systems and reduces the amount of wiring needed in the car.

Fuel cut-out: should one or more of the airbags inflate after an accident, this system automatically cuts out the fuel supply, thus preventing subsequent leakage of the diesel or petrol.

Trip Computer: the trip computer not only features an impressive range of data displays, operating it is simplicity itself. A multifunction touch key enables you to call up all relevant data on the easy-to-read display. Features include external temperature, time, current fuel consumption, average fuel consumption, miles driven and average speed.

Service Interval Extension: increasing the interval between services and oil changes, depending on the running mode, up to two years or 30,000 km for petrol engines or 50,000 km for diesel engines.

Pump Injector Technology: the 130bhp 1.9 TDI runs on the accelerator pump principle. This involves the high-pressure injection of the diesel fuel into the cylinder head itself. This ensures optimum filling of the combustion chamber, which means that the engine can achieve a high torque at low rpm, and is therefore particularly economic to run.

Customer services

Helpful and dependable

Your Škoda Retailer will care for and cherish your new Octavia as much as you do. Which is why in recent surveys, Škoda Retailers have come out top in Europe for customer care. It's not just that they service and maintain your Octavia to the highest standards, not just that their technicians are specially trained in all aspects of Škoda cars, or that most spares are carried in stock or delivered within 24 hours. It's more that they believe in old fashioned service. You're not just a number to them but a valued customer. Which is why they are more than willing to listen and help with any enquiries or problems you may have.

3 year / 60,000 Mile Warranty

ŠkodaAuto are pleased to provide a two year unlimited mileage warranty. In addition, ŠkodaAuto UK provides a further warranty on new vehicles supplied by them through their appointed retailer network which is valid until the vehicle has completed 60,000 miles or the end of the third year, whichever is the sooner. Your Octavia also benefits from a 3 year paint and a 10 year Anti-Perforation warranty. This warranty cover is subject to the car being serviced and maintained at an authorised Škoda Retailer according to the manufacturer's recommendations. Ask your Škoda Retailer for full details of this warranty.

Inclusive AA cover for 3 years

Accessed through a dedicated Freephone number, this free back-up service covers your Octavia for Roadside Assistance, Relay and Relay Plus, Home Start and includes European cover.

Škoda Security

In addition to being fitted with an engine immobiliser, your Octavia will be included in the International Security Register (ISR). This is a free 24 hour owner and mileage checking service available to the police and public. A single phone call can confirm if the person with the vehicle is the owner, deterring thieves. The ISR is registered under the Data Protection Act.

These three offers are only available to Škodas imported by Škoda UK and purchased from official Škoda UK Retailers.

Around 180 Retailers in the UK

So there's bound to be one near you. Which means faster service, help and advice when you need it.

Exclusive Insurance Package

Attractive insurance rates are available to all Škoda owners from Škoda Insurance. Call the Quotations Hotline on 0845 602 6028

Attractive Finance

Škoda Finance will tailor a financial package to suit your monthly budget. Simply ask your Retailer which is the best deal for you. Credit is subject to status, written details on request. Škoda Finance is a trading branch of Volkswagen Financial Services (UK) Ltd.

Škoda Solutions

Gives you flexibility and peace of mind. Right from the start you'll know the monthly cost, the initial deposit and even the final payment (Guaranteed Minimum Value). Subject to status, written details on request.

Motability

People in receipt of the Higher Mobility Component of the Disability Living Allowance receive special help from Škoda. Preferential prices on low cost Contract Hire are available through your local approved Motability Retailer. For full details, contact your Retailer.

Škoda Customer Services number

08457 745 745.
Calls may be monitored and/or recorded.